

**APPENDIX E:
PHASE I AND PHASE II ENVIRONMENTAL SITE
ASSESSMENTS**

.....



AEI Consultants

August 8, 2018

PHASE I ENVIRONMENTAL SITE ASSESSMENT

Property Information:

10931 North De Anza Boulevard
Cupertino, Santa Clara County, California 95014

AEI Project No. 392233

Prepared For:

De Anza Properties / Sandridge Partners
960 North San Antonio Road, Suite 114
Los Altos, California 94022

Prepared By:

AEI Consultants
8885 Rio San Diego Drive Suite 257
San Diego, California 92108
AEI Main Contact: M. Evans Howell
ehowell@aeiconsultants.com
(650) 303-3856

Environmental
Due Diligence

Building Assessments

Site Investigation
& Remediation

Energy Performance
& Benchmarking

Industrial Hygiene

Construction
Risk Management

Zoning Analysis
Reports & ALTA
Surveys

National Presence
Regional Focus
Local Solutions

August 8, 2018

Brian Tjader
De Anza Properties / Sandridge Partners
960 North San Antonio Road, Suite 114
Los Altos, California 94022

Subject: Phase I Environmental Site Assessment
10931 North De Anza Boulevard
Cupertino, California 95014
AEI Project No. 392233

Dear Brian Tjader:

AEI Consultants is pleased to provide the *Phase I Environmental Site Assessment* of the above referenced property. This assessment was authorized and performed in accordance with the scope of services engaged.

We appreciate the opportunity to provide services to you. If you have any questions concerning this report, or if we can assist you in any other matter, please contact me at (650) 303-3856 or ehowell@aeiconsultants.com.

Sincerely,



M. Evans Howell, MS, REPA
Executive Vice President
AEI Consultants

PROJECT SUMMARY

10931 North De Anza Boulevard, Cupertino, Santa Clara County, California 95014
AEI Project No. 392233

Report Section		REC	CREC	HREC	OEC	Recommended Action
1.0	Introduction					None
2.0	Site and Vicinity Description					None
3.0	Historical Review of Site and Vicinity	✓				Further Assessment
4.0	Regulatory Agency Records Review	✓				See above
5.0	Regulatory Database Records Review	✓				See above
6.0	Interviews and User Provided Information					None
7.0	Site Reconnaissance	✓			✓	See above
8.1	Asbestos-Containing Building Materials				✓	Implement O&M Plan
8.2	Lead-Based Paint				✓	None
8.3	Radon					None
8.4	Mold/Indoor Air Quality Issues					None



TABLE OF CONTENTS

EXECUTIVE SUMMARY	5
Findings	7
Conclusions, Opinions, and Recommendations	9
1.0 INTRODUCTION	10
1.1 Scope of Work	10
1.2 Additional Services	10
1.3 Significant Assumptions	10
1.4 Limitations	11
1.5 Limiting Conditions/Deviations	12
1.6 Data Failure and Data Gaps	12
1.7 Reliance	13
2.0 SITE AND VICINITY DESCRIPTION	14
2.1 Site Location and Description	14
2.2 On-Site Utilities	15
2.3 Site and Vicinity Characteristics	15
2.4 Physical Setting	16
3.0 HISTORICAL REVIEW OF SITE AND VICINITY	17
3.1 Aerial Photographs	18
3.2 Sanborn Fire Insurance Maps	19
3.3 City Directories	20
3.4 Historical Topographic Maps	20
3.5 Chain of Title	20
4.0 REGULATORY AGENCY RECORDS REVIEW	21
4.1 Local Environmental Health Department and/or State Environmental Agency	21
4.2 Fire Department	22
4.3 Building Department	22
4.4 Planning Department	23
4.5 Assessor's Office	23
4.6 Other Agencies Searched	23
4.7 Oil and Gas Wells	24
4.8 Oil and Gas Pipelines	24
5.0 REGULATORY DATABASE RECORDS REVIEW	25
5.1 Records Summary	25
5.2 Vapor Migration	27
6.0 INTERVIEWS AND USER PROVIDED INFORMATION	28
6.1 Interviews	28
6.2 User Provided Information	29
6.3 Previous Reports and Other Provided Documentation	30
6.4 Environmental Lien Search	30
7.0 SITE RECONNAISSANCE	31
7.1 Subject Property Reconnaissance Findings	31
7.2 Adjacent Property Reconnaissance Findings	36
8.0 NON-ASTM SERVICES	37
8.1 Asbestos-Containing Building Materials	37
8.2 Lead-Based Paint	38
8.3 Radon	39

8.4 Mold/Indoor Air Quality Issues 39
9.0 SIGNATURE OF ENVIRONMENTAL PROFESSIONALS 41
10.0 REFERENCES 42

TABLE OF APPENDICES

APPENDIX A: FIGURES
APPENDIX B: PROPERTY PHOTOGRAPHS
APPENDIX C: REGULATORY DATABASE
APPENDIX D: HISTORICAL SOURCES
APPENDIX E: REGULATORY AGENCY RECORDS
APPENDIX F: QUALIFICATIONS
APPENDIX G: LIST OF COMMONLY USED ABBREVIATIONS

EXECUTIVE SUMMARY

AEI Consultants (AEI) was retained by De Anza Properties / Sandridge Partners to conduct a Phase I ESA in conformance with AEI's contract and the scope and limitations of ASTM Standard Practice E1527-13 and the EPA Standards and Practices for All Appropriate Inquiries (40 CFR Part 312) for the property located at 10931 North De Anza Boulevard, Cupertino, Santa Clara County, California (the "subject property"). Any exceptions to, or deletions from, this practice are described in Sections 1.4, 1.5, and 1.6 of this report.

Pertinent subject property information is noted below:

PROPERTY INFORMATION	
Site Address(es)	10931 North De Anza Boulevard, Cupertino, Santa Clara County, California 95014
Property ID (APN or Block/Lot)	326-10-061
Location	Western side of North De Anza Boulevard
Property Type	Auto Repair
SITE AND BUILDING INFORMATION	
Approximate Site Acreage/Source	1.23/Santa Clara County Assessor
Number of Buildings	One
Building Construction Date(s)	1971-1972
Building Square Footage (SF)/Source	8,323/City of Cupertino
Number of Floors/Stories	One + mezzanine
Basement or Subgrade Area(s)	None identified
Number of Units	One
Additional Improvements	Asphalt-paved parking/drive areas, concrete-paved walkways, landscaped areas and a building enclosure with drums and a waste oil AST
On-site Occupant(s)	Goodyear Tire & Service Center
Current On-site Operations/Use	General automotive services, general office uses and routine facility maintenance
Current Use of Hazardous Substances	Yes; refer to Section 7.1
REGULATORY INFORMATION	
Regulatory Database Listing(s)	HIST UST, CUPA Listings, CERS, CERS Hazardous Waste, HAZNET, FINDS

Subject Property Address/ Unit	Tenant	Use
10931 North De Anza Boulevard	Goodyear Tire & Service Center	<p>Goodyear Tire & Service Center has occupied the subject property building since construction in 1971-1972. The western side of the building contains a total of eight (8) automotive service bays. Seven (7) below floor hydraulic lifts and one alignment rack are located in the service bays. Floor drains were observed in multiple locations in the service area, and are reportedly connected to a clarifier adjacent to the northern side of the building. Automotive parts, benches and tool storage areas are located throughout the service area. Multiple 55-gallon drums containing oil, automatic transmission fluid, used oil filters, absorbent, waste antifreeze and waste brake fluid are located in the southern portion of the shop. A floor sink and restroom are located immediately adjacent to the east of the service area. The floor sink contains a drain, and is reportedly used for the disposal of oily water from washing the routine washing of the shop floor.</p> <p>The area immediately adjacent to the east of the service area contains a tire storage area on the ground floor and on a mezzanine level. Two compressors, motor oil drums and one 120-gallon new oil AST are located at the southern end of the shop. The northeastern portion of the subject property building contains a lobby/customer lounge, offices and restrooms. A small enclosure adjacent to the southern side of the building contains empty drums, one 55-gallon drum of antifreeze and one 120-gallon AST of waste oil. The remaining areas of the subject property consist of paved parking/drive areas and landscaped areas.</p>

A chronological summary of historical subject property information is as follows:

Date Range	Subject Property Description and Use (Historical Addresses)	Source(s)
Prior to 1939	Unknown use/Data failure; refer to Section 1.6.1	Aerial photographs, city directories and agency records
1939-1968	Agricultural land	Aerial photographs
1971-1972-Present	Current building constructed for Goodyear Tire & Service Center/automotive service operations	Aerial photographs, city directories, interviews, agency records, site observation

Refer to Sections 4.0 and 7.1 for further discussion of environmental concerns associated with the current and historical use of the subject property for automotive service operations.

Refer to Section 3.1 for further discussion of historical agricultural use.

The immediately surrounding properties consist of the following:

Direction	Tenant/Use (Address)	Regulatory Database Listing(s)
North	Star One Credit Union, Monley Donuts and Max Real Financial (10991 North De Anza Boulevard) and Rite Aid (20572 Homestead Road)	RCRA-CESQG, CUPA Listings, HAZNET, CERS Hazardous Waste, CIWQS
East	North De Anza Boulevard followed by: Aviare Apartments (20415 Via Pavisio)	LUST, Historic LUST, Historic Cortese, CERS

Direction	Tenant/Use (Address)	Regulatory Database Listing(s)
South	Cupertino Hotel (10889 North De Anza Boulevard)	None identified
West	Ulta Beauty (20580 Homestead Road) and Stein Mart (20600 Homestead Road)	CERS Hazardous Waste, CERS, RCRA-CESQG, FINDS, ECHO, CUPA Listings, HAZNET

If the surrounding properties are listed in the regulatory database, please refer to Section 5.1 for discussion.

FINDINGS

Recognized Environmental Condition (REC) is defined by the ASTM Standard Practice E1527-13 as the presence or likely presence of any hazardous substances or petroleum products in, on, or at a property: (1) due to release to the environment; (2) under conditions indicative of a release to the environment; or (3) under conditions that pose a material threat of a future release to the environment.

- Review of County of Santa Clara and City of Cupertino records and the Environmental Data Resources, Inc. (EDR) regulatory database report indicated that the subject property has been utilized as an automotive service facility by Goodyear Tire & Service Center since 1971-1972. The HIST UST database in the EDR regulatory database indicated that one 200-gallon waste oil UST was installed at the subject property in 1973. The Santa Clara County Fire Department file indicated that one 200-gallon waste oil UST was located at the subject property, as discussed in a correspondence file. However, no additional information regarding the UST was included in the agency files, including location, sampling data or removal activities. Based on this information, the waste oil UST represents a REC to the subject property at this time.
- The subject property is equipped with seven (7) below-ground hydraulic lifts. Six (6) of the lifts were presumably installed in 1971-1972, when the building was constructed, and the seventh lift was installed in 2015 and replaced an older lift (presumably installed in 1971-1972). No information regarding sampling activities during the removal and replacement of the seventh lift was made available to AEI. Based on the pre-1977 installation of the lifts, the potential exists that the hydraulic fluid within the lift systems previously contained PCBs. Due to the age of the equipment, the integrity of the equipment is unknown; therefore, the potential exists that a release of hydraulic fluid which may have contained PCBs has occurred on site. Therefore, the presence of the hydraulic lifts and the lack of sampling data for the removed hydraulic lift represents a REC to the subject property at this time.
- A four-chambered clarifier was observed adjacent to the north of the subject property building. The age of the clarifier system is unknown; however, likely installed during the construction of the building (1971-1972). Clarifiers are used to treat waste water streams. Clarifiers can act as conduits to the subsurface of properties and when utilized to treat waste water streams, can act as preferential pathways for contaminants in the waste streams. Additionally, the structural integrity of clarifiers and their associated piping can become compromised over time, especially when located in areas prone to high seismic activity. AEI observed an oily liquid at the bottom of the chambers in the clarifier. Mr. Erik Bergman, Assistant Manager of Goodyear, was unaware of any maintenance of the clarifier. The shop sink and floor drains within the shop reportedly

discharge to the clarifier system. Evidence of oily liquid was observed within some of the floor drains within the shop. Additionally, AEI observed staining and spillage from apparent routine automotive service operations, transfer of waste fluids, filters, etc. from smaller containers to drums and the waste oil AST throughout the shop floor. The shop floor is routinely washed with soap and water, and the oily water is discharged to the drain in the floor sink or in the toilet in the adjacent shop restroom. According to a review of records at the Santa Clara County Environmental Health Department (SCCEHD), the subject property has received violations in 1997, 2000, 2008, and 2017 for the improper storage or hazardous substances and evidence of spillage of waste oil and anti-freeze. Based on the use of hazardous materials on site, evidence of staining observed during the site reconnaissance, the aforementioned violations, the presence of floor drains, and the length of time the clarifier system has likely been in place (47 years), the current and historical use of the subject property for automotive repair purposes represents a REC to the subject property at this time.

Controlled Recognized Environmental Condition (CREC) is defined by the ASTM Standard Practice E1527-13 as a past release of hazardous substances or petroleum products that has been addressed to the satisfaction of the applicable regulatory authority, with hazardous substances or petroleum products allowed to remain in place subject to the implementation of required controls.

- AEI did not identify evidence of CRECs during the course of this assessment.

Historical Recognized Environmental Condition (HREC) is defined by the ASTM Standard Practice E1527-13 as a past release of any hazardous substances or petroleum products that has occurred in connection with the property and has been addressed to the satisfaction of the applicable regulatory authority or meeting unrestricted use criteria established by a regulatory authority, without subjecting the property to any required controls.

- AEI did not identify evidence of HRECs during the course of this assessment.

Other Environmental Considerations (OEC) warrant discussion, but do not qualify as RECs as defined by the ASTM Standard Practice E1527-13. These include, but are not limited to, de minimis conditions and/or environmental considerations such as the presence of ACMs, LBP, radon, mold, and lead in drinking water, which can affect the liabilities and financial obligations of the client, the health and safety of site occupants, and the value and marketability of the subject property.

- Due to the age of the subject property building, there is a potential that ACMs are present. The observed suspect ACMs at the subject property were in good condition at the time of the site reconnaissance and are not expected to pose a health and safety concern to the occupants of the subject property at this time. Based on the potential presence of ACMs, AEI recommends the implementation of an O&M Plan which stipulates that the repair and maintenance of damaged materials should be performed to protect the health and safety of the building occupants. In the event that building renovation or demolition activities are planned, a thorough asbestos survey to identify asbestos-containing building materials is required in accordance with the EPA NESHAP 40



CFR Part 61 prior to demolition or renovation activities that may disturb suspect ACMs.

- Due to the age of the subject property building, there is a potential that LBP is present. All observed painted surfaces were in good condition and are not expected to pose a health and safety concern to the occupants of the subject property at this time. Local regulations may apply to LBP in association with building demolition/renovations and worker/occupant protection. Actual material samples would need to be collected or an x-ray fluorescence (XRF) survey performed in order to determine if LBP is present. It should be noted that construction activities that disturb materials or paints containing any amount of lead may be subject to certain requirements of the OSHA lead standard contained in 29 CFR 1910.1025 and 1926.62.
- The subject property is equipped with one (1) 120-gallon new oil and one (1) 120-gallon waste oil AST located in the store room and adjacent to the building (See Figure 2). Minor surface staining and spillage of oil was observed on the concrete floor adjacent to the above noted ASTs. However, no floor drains, significant cracking in the floor or other subsurface entry points were observed in the area of surface staining and minor oil spillage. No secondary containment was in place. Based on the amount and nature of staining, the new oil and waste oil ASTs are not expected to represent a significant environmental concern at this time; however, housekeeping should be improved to prevent further staining and spills. In addition, as a best management practice, secondary containment should be provided for fuel ASTs.

CONCLUSIONS, OPINIONS, AND RECOMMENDATIONS

We have performed a Phase I ESA in conformance with the scope and limitations of ASTM Standard Practice E1527-13 and the EPA Standards and Practices for All Appropriate Inquiries (40 CFR Part 312) of 10931 North De Anza Boulevard, Cupertino, Santa Clara County, California, the *subject property*. Any exceptions to, or deletions from, this practice are described in Sections 1.4, 1.5, and 1.6 of this report.

AEI did not identify evidence of RECs or CRECs in connection with the property except for those previously identified in the Findings section. AEI recommends further assessment of the subject property.

1.0 INTRODUCTION

This report documents the methods and findings of the Phase I ESA performed in conformance with AEI's contract and scope and limitations of ASTM Standard Practice E1527-13 and the EPA Standards and Practices for All Appropriate Inquiries (40 CFR Part 312) for the property located at 10931 North De Anza Boulevard, Cupertino, Santa Clara County, California (Appendix A: Figures and Appendix B: Property Photographs).

1.1 SCOPE OF WORK

The purpose of the Phase I ESA is to assist the client in identifying potential RECs, in accordance with ASTM E1527-13, associated with the presence of any hazardous substances or petroleum products, their use, storage, and disposal at and in the vicinity of the subject property. Property assessment activities focused on: 1) a review of federal, state, tribal, and local databases that identify and describe underground fuel tank sites, leaking underground fuel tank sites, hazardous waste generation sites, and hazardous waste storage and disposal facility sites within the ASTM approximate minimum search distance; 2) a property and surrounding site reconnaissance, and interviews with the past and present owners and current occupants and operators to identify potential environmental contamination; and 3) a review of historical sources to help ascertain previous land use at the site and in the surrounding area.

1.2 ADDITIONAL SERVICES

Other Environmental Considerations such as ACMs, LBP, lead in drinking water, radon, mold, and wetlands can result in business environmental risks for property owners which may disrupt current or planned operations or cash flow and are generally beyond the scope of a Phase I assessment as defined by ASTM E1527-13. Based upon the agreed-on scope of services this ESA did not include subsurface or other invasive assessments, business environmental risks, or other services not specifically identified and discussed herein.

1.3 SIGNIFICANT ASSUMPTIONS

The following assumptions are made by AEI in this report. AEI relied on information derived from secondary sources including governmental agencies, the client, designated representatives of the client, property contact, property owner, property owner representatives, computer databases, and personal interviews. AEI has reviewed and evaluated the thoroughness and reliability of the information derived from secondary sources including government agencies, the client, designated representatives of the client, property contact, property owner, property owner representatives, computer databases, or personal interviews. It appears that all information obtained from outside sources and reviewed for this assessment is thorough and reliable. However, AEI cannot guarantee the thoroughness or reliability of this information.

Groundwater flow, unless otherwise specified by on-site well data or well data from the subject property or nearby sites, is inferred from contour information depicted on the USGS topographic maps. AEI assumes the property has been correctly and accurately identified by the client, designated representative of the client, property contact, property owner, and property owner's representatives.

1.4 LIMITATIONS

Property conditions, as well as local, state, tribal, and federal regulations can change significantly over time. Therefore, the recommendations and conclusions presented as a result of this assessment apply strictly to the environmental regulations and property conditions existing at the time the assessment was performed. Available information has been analyzed using currently accepted assessment techniques and it is believed that the inferences made are reasonably representative of the property. AEI makes no warranty, expressed or implied, except that the services have been performed in accordance with generally accepted environmental property assessment practices applicable at the time and location of the assessment.

Considerations identified by ASTM as beyond the scope of a Phase I ESA that may affect business environmental risk at a given property include the following: ACMs, radon, LBP, lead in drinking water, wetlands, regulatory compliance, cultural and historical resources, industrial hygiene, health and safety, ecological resources, endangered species, indoor air quality, mold, and high voltage lines. These environmental issues or conditions may warrant assessment based on the type of the property transaction; however, they are considered non-scope issues under ASTM Standard Practice E1527-13.

If requested by the client, these non-scope issues are discussed herein. Otherwise, the purpose of this assessment is solely to satisfy one of the requirements for qualification of the innocent landowner defense, contiguous property owner or bona fide prospective purchaser under CERCLA. ASTM Standard Practice E1527-13 and the United States EPA Standards and Practices for All Appropriate Inquiries (40 CFR Part 312) constitute the "all appropriate inquiry into the previous ownership and uses of the property consistent with good commercial or customary practice" as defined in:

1. 42 U.S.C. § 9601(35)(B), referenced in the ASTM Standard Practice E1527-13.
2. Sections 101(35)(B) (ii) and (iii) of CERCLA and referenced in the EPA Standards and Practices for All Appropriate Inquiries (40 CFR Part 312).
3. 42 U.S.C. § 9601(40) and 42 U.S.C. § 9607(q).

The Phase I ESA is not, and should not be construed as, a warranty or guarantee about the presence or absence of environmental contaminants that may affect the property. Neither is the assessment intended to assure clear title to the property in question. The sole purpose of assessment into property title records is to ascertain a historical basis of prior land use. All findings, conclusions, and recommendations stated in this report are based upon facts, circumstances, and industry-accepted procedures for such services as they existed at the time this report was prepared (i.e., federal, state, and local laws, rules, regulations, market conditions, economic conditions, political climate, and other applicable matters). All findings, conclusions, and recommendations stated in this report are based on the data and information provided, current subject property use, and observations and conditions that existed on the date and time of the property reconnaissance.

Responses received from local, state, or federal agencies or other secondary sources of information after the issuance of this report may change certain facts, findings, conclusions, or circumstances to the report. A change in any fact, circumstance, or industry-accepted procedure upon which this report was based may adversely affect the findings, conclusions, and recommendations expressed in this report.

AEI's limited radon screening, if included, is intended to provide a preliminary screening to evaluate the potential presence of elevated radon concentrations at the site. The proposed scope is not intended to define the full extent of the presence of radon at the subject property. As such, the results should be used for lending purposes only. The recommendations and conclusions presented as a result of the limited preliminary radon screening apply strictly to the property conditions existing at the time the sampling was performed. The sample analytical results are only valid for the time, place, and condition of the site at the time of collection and AEI does not warrant that the results will be repeatable or are representative of past or future conditions.

1.5 LIMITING CONDITIONS/DEVIATIONS

The performance of this Phase I ESA was limited by the following:

- While additional assessments may have been conducted on the subject property, these documents must be provided for AEI's review in order for the information to be summarized/included in this Phase I ESA. Please refer to Section 6.3 for a summary of previous reports and other documentation provided to AEI during this assessment.
- The User did not complete the ASTM User Questionnaire or provide the User information to AEI. AEI assumes that qualification for the LLPs is being established by the User in documentation outside of this assessment.

1.6 DATA FAILURE AND DATA GAPS

According to ASTM E1527-13, data gaps occur when the Environmental Professional is unable to obtain information required by the Standard, despite good faith efforts to gather such information. Pursuant to ASTM E1527-13, only significant data gaps, defined as those that affect the ability of the Environmental Professional to identify RECs, need to be documented.

Data failure is one type of data gap. According to ASTM E1527-13, data failure occurs when all of the standard historical sources that are reasonably ascertainable and likely to be useful have been reviewed and yet the objectives have not been met. Pursuant to ASTM E1527-13, historical sources are required to document property use back to the property's first developed use or back to 1940, whichever is earlier, or periods of five years or greater.

1.6.1 DATA FAILURE

The following data failure was identified during the course of this assessment:

Data Failure	The earliest historical resource obtained during this assessment was an aerial photograph from 1939 indicating that the subject property was developed agriculturally. The lack of historical sources for the subject property dating back to first developed use represents historical data source failure. However, as it is assumed that the subject property would have been previously used for agricultural purposes, if not undeveloped, this data failure is not expected to significantly alter the findings of this assessment.
Information/Sources Consulted	City directories, aerial photographs, agency records, interviews

1.6.2 DATA GAPS

AEI did not identify significant data gaps which affected our ability to identify RECs.

1.7 RELIANCE

All reports, both verbal and written, are for the benefit of De Anza Properties / Sandridge Partners. This report has no other purpose and may not be relied upon by any other person or entity without the written consent of AEI. Either verbally or in writing, third parties may come into possession of this report or all or part of the information generated as a result of this work. In the absence of a written agreement with AEI granting such rights, no third parties shall have rights of recourse or recovery whatsoever under any course of action against AEI, its officers, employees, vendors, successors, or assigns. Reliance is provided in accordance with AEI's contract and Standard Terms and Conditions executed by De Anza Properties / Sandridge Partners on July 24, 2018. The limitation of liability defined in the Terms and Conditions is the aggregate limit of AEI's liability to the client and all relying parties.

2.0 SITE AND VICINITY DESCRIPTION

2.1 SITE LOCATION AND DESCRIPTION

PROPERTY INFORMATION	
Site Address(es)	10931 North De Anza Boulevard, Cupertino, Santa Clara County, California 95014
Property ID (APN or Block/Lot)	326-10-061
Location	Western side of North De Anza Boulevard
Property Type	Auto Repair
SITE AND BUILDING INFORMATION	
Approximate Site Acreage/Source	1.23/Santa Clara County Assessor
Number of Buildings	One
Building Construction Date(s)	1971-1972
Building Square Footage (SF)/Source	8,323/City of Cupertino
Number of Floors/Stories	One + mezzanine
Basement or Subgrade Area(s)	None identified
Number of Units	One
Additional Improvements	Asphalt-paved parking/drive areas, concrete-paved walkways, landscaped areas and a building enclosure with drums and a waste oil AST
On-site Occupant(s)	Goodyear Tire & Service Center
Current On-site Operations/Use	General automotive services, general office uses and routine facility maintenance
Current Use of Hazardous Substances	Yes; refer to Section 7.1
REGULATORY INFORMATION	
Regulatory Database Listing(s)	HIST UST, CUPA Listings, CERS, CERS Hazardous Waste, HAZNET, FINDS

Subject Property Address/ Unit	Tenant	Use
10931 North De Anza Boulevard	Goodyear Tire & Service Center	<p>Goodyear Tire & Service Center has occupied the subject property building since construction in 1971-1972. The western side of the building contains a total of eight (8) automotive service bays. Seven (7) below floor hydraulic lifts and one alignment rack are located in the service bays. Floor drains were observed in multiple locations in the service area, and are reportedly connected to a clarifier adjacent to the northern side of the building. Automotive parts, benches and tool storage areas are located throughout the service area. Multiple 55-gallon drums containing oil, automatic transmission fluid, used oil filters, absorbent, waste antifreeze and waste brake fluid are located in the southern portion of the shop. A floor sink and restroom are located immediately adjacent to the east of the service area. The floor sink contains a drain, and is reportedly used for the disposal of oily water from washing the routine washing of the shop floor.</p> <p>The area immediately adjacent to the east of the service area contains a tire storage area on the ground floor and on a mezzanine level. Two compressors, motor oil drums and one 120-gallon new oil AST are located at the southern end of the shop. The northeastern portion of the subject property building contains a lobby/customer lounge, offices and restrooms. A small enclosure adjacent to the southern side of the building contains empty drums, one 55-gallon drum of antifreeze and one 120-gallon AST of waste oil. The remaining areas of the subject property consist of paved parking/drive areas and landscaped areas.</p>

2.2 ON-SITE UTILITIES

Utility	Source/System Information
Heating System	Natural gas
Cooling System	Electricity
Potable Water	San Jose Water Company
Sewage Disposal/Treatment	City of Cupertino

Utility source/system information listed in the table above is provided by Mr. Erik Bergman, unless otherwise noted above.

2.3 SITE AND VICINITY CHARACTERISTICS

The subject property is located in a mixed commercial and residential area of Cupertino, California. The immediately surrounding properties consist of the following:

Direction	Tenant/Use (Address)	Regulatory Database Listing(s)
North	Star One Credit Union, Monley Donuts and Max Real Financial (10991 North De Anza Boulevard) and Rite Aid (20572 Homestead Road)	RCRA-CESQG, CUPA Listings, HAZNET, CERS Hazardous Waste, CIWQS
East	North De Anza Boulevard followed by: Aviare Apartments (20415 Via Pavisio)	LUST, Historic LUST, Historic Cortese, CERS
South	Cupertino Hotel (10889 North De Anza Boulevard)	None identified
West	Ultra Beauty (20580 Homestead Road) and Stein Mart (20600 Homestead Road)	CERS Hazardous Waste, CERS, RCRA-CESQG, FINDS, ECHO, CUPA Listings, HAZNET

If the surrounding properties are listed in the regulatory database, please refer to Section 5.1 for discussion.

2.4 PHYSICAL SETTING

Geologic Unit: Description/Source	Marine sedimentary and alluvial deposits of the Cenozoic era/USGS and United States Department of the Interior
Soil Series: Description/Source	Urban Land Flaskan Complex - well drained sandy loam, sandy clay loam, gravelly sandy clay loam and very gravelly sandy clay loam soil with a depth of 59 inches; parent material is described as alluvium derived from metamorphic and sedimentary rock and/or alluvium derived from metavolcanics; urban land index indicated that 70% of the site area is classified as urban land, with the remaining 30% classified as Flaskan and minor components/USDA Soil Survey
Groundwater Flow Direction/Source	Northeast/Topographic map interpretation
Estimated Depth to Groundwater/ Source	125 feet bgs or deeper/Santa Clara Valley Water District's (SCVWD) February 19, 1991 LUST Case Closure Recommendation for Mariani Fruit Packing Plant - 10930 North De Anza Boulevard (located adjacent to the east)
Surface waters on the subject property or adjacent sites	None

Note: Groundwater flow direction can be influenced locally and regionally by the presence of local wetland features, surface topography, recharge and discharge areas, horizontal and vertical inconsistencies in the types and location of subsurface soils, and proximity to water pumping wells. Depth and gradient of the water table can change seasonally in response to variation in precipitation and recharge, and over time, in response to urban development such as storm water controls, impervious surfaces, pumping wells, cleanup activities, dewatering, seawater intrusion barrier projects near the coast, and other factors.

3.0 HISTORICAL REVIEW OF SITE AND VICINITY

Reasonably ascertainable standard historical sources as outlined in ASTM Standard E1527-13 were used to determine previous uses and occupancies of the subject property that are likely to have led to RECs in connection with the subject property. A chronological summary of historical data found, including but not limited to aerial photographs, historical city directories, Sanborn fire insurance maps, and agency records, is as follows:

Date Range	Subject Property Description and Use (Historical Addresses)	Source(s)
Prior to 1939	Unknown use/Data failure; refer to Section 1.6.1	Aerial photographs, city directories and agency records
1939-1968	Agricultural land	Aerial photographs
1971-1972-Present	Current building constructed for Goodyear Tire & Service Center/automotive service operations	Aerial photographs, city directories, interviews, agency records, site observation

The subject property was historically used for agricultural purposes. There is a potential that agricultural chemicals, such as pesticides, herbicides and fertilizers, were used on site. The entire area of the subject property is either paved over or covered by improvements that make direct contact with any potential remaining concentrations in the soil unlikely. Furthermore, the subject property is developed and used for commercial purposes and thus no further action related to the former agricultural use of the subject property is warranted at this time.

Review of County of Santa Clara and City of Cupertino records and the Environmental Data Resources, Inc. (EDR) regulatory database report indicated that the subject property has been utilized as an automotive service facility by Goodyear Tire & Service Center since 1971-1972. The HIST UST database in the EDR regulatory database indicated that one 200-gallon waste oil UST was installed at the subject property in 1973. The Santa Clara County Fire Department file indicated that one 200-gallon waste oil UST was located at the subject property, as discussed in a correspondence file. However, no additional information regarding the UST was included in the agency files, including location, sampling data or removal activities. Based on this information, the waste oil UST represents a REC to the subject property at this time.

The subject property is equipped with seven (7) below-ground hydraulic lifts. Six (6) of the lifts were presumably installed in 1971-1972, when the building was constructed, and the seventh lift was installed in 2015 and replaced an older lift (presumably installed in 1971-1972). No information regarding sampling activities during the removal and replacement of the seventh lift was made available to AEI. Based on the pre-1977 installation of the lifts, the potential exists that the hydraulic fluid within the lift systems previously contained PCBs. Due to the age of the equipment, the integrity of the equipment is unknown; therefore, the potential exists that a release of hydraulic fluid which may have contained PCBs has occurred on site. Therefore, the presence of the hydraulic lifts and the lack of sampling data for the removed hydraulic lift represents a REC to the subject property at this time.

A four-chambered clarifier was observed adjacent to the north of the subject property building. The age of the clarifier system is unknown; however, likely installed during the construction of the building (1971-1972). Clarifiers are used to treat waste water streams. Clarifiers can act as conduits to the subsurface of properties and when utilized to treat waste water streams, can act as preferential pathways for contaminants in the waste streams. Additionally, the structural integrity of clarifiers and their associated piping can become compromised over time, especially when located in areas prone to high seismic activity. AEI observed an oily liquid at the bottom of the chambers in the clarifier. Mr. Erik Bergman, Assistant Manager of Goodyear, was unaware of any maintenance of the clarifier. The shop sink and floor drains within the shop reportedly discharge to the clarifier system. Evidence of oily liquid was observed within some of the floor drains within the shop. Additionally, AEI observed staining and spillage from apparent routine automotive service operations, transfer of waste fluids, filters, etc. from smaller containers to drums and the waste oil AST throughout the shop floor. The shop floor is routinely washed with soap and water, and the oily water is discharged to the drain in the floor sink or in the toilet in the adjacent shop restroom. According to a review of records at the Santa Clara County Environmental Health Department (SCCEHD), the subject property has received violations in 1997, 2000, 2008, and 2017 for the improper storage or hazardous substances and evidence of spillage of waste oil and anti-freeze. Based on the use of hazardous materials on site, evidence of staining observed during the site reconnaissance, the aforementioned violations, the presence of floor drains, and the length of time the clarifier system has likely been in place (47 years), the current and historical use of the subject property for automotive repair purposes represents a REC to the subject property at this time.

Refer to Sections 4.0, 5.1 and 7.1 for further discussion of environmental concerns associated with the current and historical use of the subject property for automotive service operations.

If available, copies of historical sources are provided in the report appendices.

3.1 AERIAL PHOTOGRAPHS

AEI reviewed aerial photographs of the subject property and surrounding area. A search was made of the Environmental Data Resources, Inc. collection of aerial photographs. Aerial photographs were reviewed for the following years:

Year(s)	Subject Property Description	Adjacent Site Descriptions
1939, 1948, 1956	Agricultural land	NORTH: Agricultural land EAST: Roadway followed by what appears agricultural land, residential and warehouse-type buildings SOUTH: Agricultural land WEST: Agricultural land and a residential-type building

Year(s)	Subject Property Description	Adjacent Site Descriptions
1968	Agricultural land	NORTH: Agricultural land, with gasoline service station farther north EAST: Roadway followed by what appears agricultural land, packing facility and warehouse-type buildings SOUTH: Commercial-type buildings and paved areas WEST: Agricultural land and a residential-type building
1974, 1982	The subject property appears to be developed with the existing Goodyear Tire and Service Center building and paved areas.	NORTH: Paved lot, with gasoline service station farther north EAST: Roadway followed by what appears agricultural land, packing facility and warehouse-type buildings SOUTH: Commercial-type buildings and paved areas WEST: Commercial-type building and paved areas
1991	The subject property appears to be developed with the existing Goodyear Tire and Service Center building and paved areas.	NORTH: Paved lot and retail building EAST: Roadway followed by vacant, cleared land SOUTH: Cupertino Hotel building and paved areas WEST: Commercial-type building and paved areas
1999, 2005, 2006, 2009, 2010	The subject property appears to be developed with the existing Goodyear Tire and Service Center building and paved areas.	NORTH: Paved lot and retail building EAST: Roadway followed by housing development SOUTH: Cupertino Hotel building and paved areas WEST: Commercial-type building and paved areas
2012	The subject property appears to be developed with the existing Goodyear Tire and Service Center building and paved areas.	NORTH: Paved driveway, with dirt surface, retail building and Rite Aid building farther north EAST: Roadway followed by housing development SOUTH: Cupertino Hotel building and paved areas WEST: Commercial-type building and paved areas

Refer to Section 3.1 for further discussion of historical agricultural use.

3.2 SANBORN FIRE INSURANCE MAPS

Sanborn Fire Insurance maps were developed in the late 1800s and early 1900s for use as an assessment tool for fire insurance rates in urbanized areas. A search was made of the Environmental Data Resources, Inc. collection of Sanborn Fire Insurance maps.

Sanborn map coverage was not available for the subject property.

3.3 CITY DIRECTORIES

A search of historical city directories was conducted for the subject property utilizing Environmental Data Resources, Inc. and Cupertino Public Library. Please refer to the appendices for a complete list of historical subject property tenants identified by Environmental Data Resources, Inc. Directories were reviewed in approximate five-year increments from 1968 to 2017. The first listing for the subject property appeared in 1973. The following table summarizes the potential tenants of concern based on AEI's review of the historical city directories.

Year(s)	Address - Occupant Listed
1968	10931 North De Anza Boulevard - No Listings
1973	10931 North De Anza Boulevard - Bill Deane Inc.
1978, 1983	10931 North De Anza Boulevard - Goodyear Tire & Rubber
1988	10931 North De Anza Boulevard - Goodyear Auto Service Center
1992, 1995, 2000, 2005, 2010, 2014, 2017	10931 North De Anza Boulevard - Goodyear Tire & Rubber Company

If listed above, XXXX indicates that the address is valid but there is no occupancy information available.

AEI identified potential environmental concerns associated with the automotive service operations conducted at the subject property by Goodyear since 1971-1972. Refer to Sections 3.1, 4.0 and 7.1 for further discussion.

3.4 HISTORICAL TOPOGRAPHIC MAPS

Based on the quality of information obtained from other sources, historical topographic maps were not reviewed as a part of this assessment.

3.5 CHAIN OF TITLE

Based on the quality of information obtained from other sources, a chain of title search was not performed as part of this assessment.

4.0 REGULATORY AGENCY RECORDS REVIEW

Local and state agencies, such as environmental health departments, fire prevention bureaus, and building and planning departments are contacted to identify any current or previous reports of hazardous substance use, storage, and/or unauthorized releases that may have impacted the subject property. In addition, information pertaining to AULs, defined as legal or physical restrictions, or limitations on the use of, or access to, a site or facility, is requested.

4.1 LOCAL ENVIRONMENTAL HEALTH DEPARTMENT AND/OR STATE ENVIRONMENTAL AGENCY

Agency	Date Contacted	Method of Contact	Name & Title of Contact	Agency Response
Santa Clara County Environmental Health Department (SCCEHD)	July 26, 2018	Email	Ms. Melissa Beloso	Response received, records discussed below

Santa Clara County Environmental Health Department File

1994 – The file included a Hazardous Waste Generator Permit Application for Goodyear Tire and Rubber Company, which indicated that Goodyear generated less than 5 tons of waste per year.

1997 – An inspection of Goodyear Tire & Rubber Company identified minor violations, which pertained to improperly labeled drums and waste oil tank. In addition, antifreeze spills were observed in the parking lot around the antifreeze storage area outside of the building, and in one of the storage bays. Waste oil was observed to be spilled in the area where waste oil is siphoned to the tank.

2000 – The file contained an inspection of Goodyear Tire & Rubber Company, which identified violations associated with an unlabeled waste oil AST, improperly labeled drums, spills of waste oil around the oil filter storage area (subsequently cleaned up), and lack of training records.

2008 – The file contained an inspection of Goodyear Tire & Rubber Company, which identified violations associated with improperly labeled drums, open antifreeze drums and spill of antifreeze into the 55-gallon drum secondary containment area. The violations were subsequently corrected.

2017 – The file contained an inspection of Goodyear Tire & Rubber Company, which identified violations associated with unlabeled drums, storage of drums beyond the maximum accumulation date, lack of manifest records, oil saturated absorbent around the secondary containment area, and additional minor violations.

2018 - The file contained a California Environmental Reporting System (CERS) form for Goodyear Tire & Rubber Company, which was accepted on April 3, 2018. The form indicated that Goodyear Tire & Rubber Company is a hazardous material storage and waste generator facility with no registered aboveground or underground storage tanks. The Hazardous Materials and Waste Inventory Matrix identified automatic transmission fluid, used oil, drained oil filters, waste antifreeze and new oil. The waste oil and new oil ASTs are described as 245-gallon in size.

4.2 FIRE DEPARTMENT

Agency	Date Contacted	Method of Contact	Name & Title of Contact	Agency Response
Santa Clara County Fire Department (SCCFD)	July 26, 2018	Office visit	Ms. Victoria Bebee	Response received, records discussed below

Santa Clara County Fire Department File

The SCCFD file contained multiple permits and Hazardous Materials Management Plans (HMMP) and Hazardous Materials Business Plans (HMBP) for Goodyear Tire & Rubber Company dating back to 1988. In addition, the file contained the original building plans for the construction of the existing Goodyear Store that were prepared by HM Architect in 1971. Due to the poor quality of the plans, the exact site details could not be determined. Historic permits in the file included a proposal to install a 260-gallon waste oil AST, dated August 28, 1990. Historic permits identified multiple minor violations associated with minor spills, unlabeled containers and a secondary containment area that needed to be cleaned.

The most recent HMBP in the file is dated February 19, 2008, and indicates that Goodyear Tire & Rubber Company is a registered hazardous material storage and hazardous waste generator with no registered aboveground or underground storage tanks. A hand written notation in the file indicated that there were no underground storage tanks at the subject property. The Non-Waste Hazardous Materials Inventory Statement identified motor oil, antifreeze, refrigerant, transmission fluid and helium. The Hazardous Waste Inventory Statement identified used motor oil, waste antifreeze and parts wash.

The file also contained a CERS document, which was submitted on September 11, 2013. The CERS contained similar information as the April 3, 2018 CERS that is discussed in the SCCEHD section.

No additional pertinent information was included in the file.

4.3 BUILDING DEPARTMENT

Agency	Date Contacted	Method of Contact	Name & Title of Contact	Agency Response
Cupertino Building Department (CBD)	August 6, 2018	Website	Staff	Online database searched, records discussed below

Records Summary

Year(s)	Owner/Applicant	Description of Permit and Building Use
2000	Anderson Signs	Sign permit for Goodyear
2014	John T. Vidovich etal	Remove and replace 8.5 ton package unit to clear code enforcement case
2015	Vidovich	Permit for installation of an in-ground lift in Bay #6
2015	Vidovich	Permit to saw cut floor, break out concrete, excavate and remove old lift

No historical building permits were available for review in the CBD files. Evidence indicating

current or prior use or storage of hazardous substances was not on file for the subject property with the CBD.

Refer to Section 7.1 for further discussion of the in-ground hydraulic lifts.

4.4 PLANNING DEPARTMENT

Agency	Date Contacted	Method of Contact	Name & Title of Contact	Agency Response
Cupertino Planning Department (CPD)	August 6, 2018	Office visit	Staff	No evidence indicating the existence of AULs on file for the subject property

4.5 ASSESSOR'S OFFICE

Agency	Date Contacted	Method of Contact	Name & Title of Contact	Agency Response
Santa Clara County Assessor's Office	August 6, 2018	Website	N/A	Information obtained is discussed below

Records Summary

APN	326-10-061
Acreage	1.23 acres
Construction Date	Not provided
Building Square Footage	Not provided
Current Owner	Not provided

4.6 OTHER AGENCIES SEARCHED

Agency	Date Contacted	Method of Contact	Name & Title of Contact	Agency Response
CA State Water Resources Control Board (SWRCB) Geotracker	July 26, 2018	Website	N/A	Online database searched, no records on file
CA Department of Toxic Substances Control (DTSC) Hazardous Waste Tracking System (HWTS)	July 26, 2018	Website	N/A	Online database searched, records discussed below
CA DTSC Envirostor	July 26, 2018	Website	N/A	Online database searched, no records on file
BAAQMD	July 26, 2018	Website and Telephone	Rochelle Reed	Response received, no records on file

HWTS

The HWTS file contained two records for the subject property address. Edward and Sons (10931

North De Anza Boulevard) is listed as an inactive hazardous waste transporter site as of August 6, 2015. No manifest records were included in the file. Goodyear Tire & Service Center #8773 (10931 North De Anza Boulevard) is listed as an active hazardous waste transporter facility as of July 7, 2017. Manifest records from 1993 to 2017 indicated that aqueous solution wastes, hydrocarbon solvents, oil/water separation sludge, unspecified oil-containing wastes, unspecified organic liquid mixture wastes and other organic solid wastes were removed and transported to an offsite disposal facility under manifest. No additional pertinent information was included in HWTS.

4.7 OIL AND GAS WELLS

Agency	Date Referenced	Resource	Oil or gas wells located within 500 feet of the subject property
Division of Oil, Gas and Geothermal Resources (DOGGR)	July 26, 2018	DOGGR Map	No

4.8 OIL AND GAS PIPELINES

Agency	Date Referenced	Resource	Pipelines located within 500 feet of the subject property
National Pipeline Mapping System (NPMS)	July 26, 2018	NPMS Public Map Viewer	No

5.0 REGULATORY DATABASE RECORDS REVIEW

AEI contracted EDR to conduct a search of publicly available information from federal, state, tribal, and local databases containing known and suspected sites of environmental contamination and sites of potential environmental significance. Data gathered during the current regulatory database search is compiled by EDR into one regulatory database report. Location information for listed sites is designated using geocoded information provided by federal, state, or local agencies and commonly used mapping databases with the exception of "Orphan" sites. Due to poor or inadequate address information, Orphan sites are identified but not geocoded/mapped by EDR, rather, information is provided based upon vicinity zip codes, city name, and state. The number of listed sites identified within the approximate minimum search distance from the federal and state environmental records database listings specified in ASTM Standard E1527-13 is summarized in Section 5.1, along with the total number of Orphan sites. A copy of the regulatory database report, which includes detailed descriptions of the databases noted below, is included in Appendix C of this report.

In determining if a listed site is a potential environmental concern to the subject property, AEI generally applies the following criteria to classify the site as lower potential environmental concern: 1) the site only holds an operating permit (which does not imply a release), 2) the site's distance from, and/or topographic position relative to, the subject property, and/or 3) the site has recently been granted "No Further Action" by the appropriate regulatory agency.

5.1 RECORDS SUMMARY

Database	Search Distance (Miles)	Subject Property Listed	Listings Within Search Distance	Listings Determined To Warrant Additional Discussion Below
NPL	1.0	No	0	0
DELISTED NPL	0.5	No	0	0
SEMS/CERCLIS	0.5	No	0	0
SEMS-ARCHIVE/CERCLIS NFRAP	0.5	No	1	0
RCRA CORRACTS	1.0	No	1	0
RCRA-TSDF	0.5	No	1	0
RCRA LQG, SQG, CESQGs, NLR	SP/ADJ	No	2	2
US ENG CONTROLS	SP	No	0	0
US INST CONTROLS	SP	No	0	0
ERNS	SP	No	0	0
STATE/TRIBAL HWS	1.0	No	3	0
STATE/TRIBAL SWLF	0.5	No	0	0
STATE/TRIBAL REGISTERED STORAGE TANKS	SP/ADJ	No	0	0
STATE/TRIBAL LUST	0.5	No	12	1
STATE/TRIBAL EC and IC	SP	No	0	0
STATE/TRIBAL VCP	0.5	No	0	0
STATE/TRIBAL BROWNFIELD	0.5	No	1	0
ORPHAN	N/A	No	0	0

Database	Search Distance (Miles)	Subject Property Listed	Listings Within Search Distance	Listings Determined To Warrant Additional Discussion Below
ADDITIONAL ENVIRONMENTAL RECORD SOURCES	SP/ADJ	Yes	19	19

Facility Name	Goodyear
Address	10931 North De Anza Boulevard
Distance & Direction	Subject Property
Hydrologic Position	N/A
Databases Listed	HIST UST, CUPA Listings, CERS, CERS Hazardous Waste, HAZNET, FINDS
Comments	The HIST UST database indicated that one 200-gallon waste oil UST was installed at the subject property in 1973. No additional pertinent information regarding the waste oil UST was included in the EDR regulatory database report. The CUPA Listings, CERS and CERS Hazardous Waste databases indicated that Goodyear is a registered hazardous waste generator and chemical storage facility with multiple reported violations. Refer to Section 4.6 above for a discussion of manifest records that are also discussed in the HAZNET database. There is no pertinent information in the FINDS database. The long term use of the subject property for automotive service purposes and unknown status of the 200-gallon waste oil UST are considered an REC. Refer to Section 3.1 and 4.0 for additional information.

Facility Name	Mariani Packing
Address	10930 North De Anza Boulevard
Distance & Direction	Adjacent to the east (130 feet)
Hydrologic Position	Down-gradient
Databases Listed	LUST, Historic LUST, Historic Cortese, CERS
Comments	The LUST, Historic LUST, Historic Cortese and CERS databases indicated that the groundwater contamination case associated with the former packing facility on the eastern side of North De Anza Boulevard was closed by SCVWD on February 19, 1991. This adjacent property was subsequently redeveloped with the existing apartment complex. Based on LUST case closure, relative distance, successful redevelopment of the adjacent property for residential purposes and regional groundwater flow direction, this site is not expected to represent a REC to the subject property at this time.

Facility Name	Rite Aid
Address	20572 Homestead Road
Distance & Direction	Adjacent to the north
Hydrologic Position	Cross-gradient
Databases Listed	RCRA-CESQG, CUPA Listings, HAZNET, CERS Hazardous Waste, CIWQS

Comments	The RCRA-CESQG database indicated that Rite Aid is a registered conditionally exempt small quantity hazardous waste generator with no reported violations. The CUPA, CERS and HAZNET listings indicated that this site is a registered hazardous waste generator, and various hazardous wastes were removed from this site under manifest. The CIWQS listing pertains to storm water discharges during a construction project. The permit is listed as terminated as of September 28, 2012. Based on the lack of a documented release, the review of regulatory agency files for this site was not deemed necessary, and the listings are not expected to represent a significant environmental concern at this time.
-----------------	---

Facility Name	Ulta Beauty
Address	20580 Homestead Road
Distance & Direction	Adjacent to the west
Hydrologic Position	Up-gradient
Databases Listed	CERS, CERS Hazardous Waste, CUPA Listings and HAZNET
Comments	The CERS, CUPA and HAZNET listings indicated that this site is a registered hazardous waste generator, and various hazardous wastes were removed from this site under manifest. Based on the lack of a documented release, the review of regulatory agency files for this site was not deemed necessary, and the listings are not expected to represent a significant environmental concern at this time.

Facility Name	Rite Aid
Address	20580 Homestead Road
Distance & Direction	Adjacent to the west
Hydrologic Position	Up-gradient
Databases Listed	RCRA-CESQG, FINDS, ECHO
Comments	The RCRA-CESQG database indicated that Rite Aid is a registered conditionally exempt small quantity hazardous waste generator with no reported violations. There is no pertinent information in the FINDS and ECHO databases. Based on the lack of a documented release, the review of regulatory agency files for this site was not deemed necessary, and the listings are not expected to represent a significant environmental concern at this time.

5.2 VAPOR MIGRATION

AEI reviewed reasonably ascertainable information for the subject and nearby properties, including a regulatory database, files for nearby release sites, and/or historical documentation, to determine if potential vapor-phase migration concerns may be present which could impact the subject property.

Potential vapor migration concerns for the subject property are discussed in Section 3.1.

6.0 INTERVIEWS AND USER PROVIDED INFORMATION

6.1 INTERVIEWS

Pursuant to ASTM E1527-13, the following interviews were performed during this assessment in order to obtain information indicating RECs in connection with the subject property.

6.1.1 OWNER AND KEY SITE MANAGER

Relation to Property	Name	Date Interviewed	Method of Contact	Year First Associated w/ Property	Notes
Owner Representative	Mr. Brian Tjader	August 6, 2018	In Person	Not provided	Interviewed; see Interview Summary table below
Key Site Manager	Mr. Erik Bergman	August 6, 2018	In Person	2016	Interviewed; see Interview Summary table below

Interview Summary

Question	Owner (Representative) Response/ Comment	Key Site Manager Response/ Comment
Do you have any knowledge of USTs, clarifiers or oil/water separators, sumps, or other subsurface features?	Yes	Yes
Do you have any knowledge of previous environmental investigations conducted on site?	No	No
Do you have any knowledge of current or past industrial operations and/or other operations which would involve the use of hazardous substances and/or petroleum products?	No	No
Are you aware of any known plans for site redevelopment or change in site use?	No	No
Are you aware of any pending, threatened, or past litigation relevant to hazardous substances or petroleum products in, on, or from the property?	No	No
Are you aware of any pending, threatened or past administrative proceedings relevant to hazardous substances or petroleum products in, on, or from the property?	No	No
Are you aware of any notices from any governmental entity regarding any possible violation of environmental laws or possible liability relating to hazardous substances or petroleum products?	No	No
Are you aware of any incidents of flooding, leaks, or other water intrusion, and/or complaints related to indoor air quality?	No	No
Additional information provided:	N/A	N/A

6.1.2 PAST OWNERS, OPERATORS, AND OCCUPANTS

AEI did not attempt to interview past owners, operators, and occupants of the subject property because information from these sources would likely be duplicative of information already obtained from other sources.

6.1.3 INTERVIEW WITH OTHERS

Information obtained during interviews with local government officials is incorporated into the appropriate segments of this report.

6.2 USER PROVIDED INFORMATION

User provided information is intended to help identify the possibility of RECs in connection with the subject property. According to ASTM E1527-13 and the EPA Standards and Practices for All Appropriate Inquiries (40 CFR Part 312), certain items should be researched by the prospective landowner or grantee, and the results of such inquiries may be provided to the Environmental Professional. The responsibility for qualifying for LLPs by conducting the inquiries ultimately rests with the User, and providing the information to the Environmental Professional would be prudent if such information is available.

The User did not complete the ASTM User Questionnaire or provide the User information to AEI. AEI assumes that qualification for the LLPs is being established by the User in documentation outside of this assessment.

Question	Response/ Comment
<p>1. Environmental liens that are filed or recorded against the property (40 CFR 312.25)</p> <p>Did a search of recorded land title records (or judicial records where appropriate) identify any environmental liens filed or recorded against the property under federal, tribal, state or local law?</p>	Information not provided
<p>2. Activity and use limitations that are in place on the property or that have been filed or recorded against the property (40 CFR 312.26(a)(1)(v) and vi).</p> <p>Did a search of recorded land title records (or judicial records where appropriate) identify any AULs, such as engineering controls, land use restrictions or institutional controls that are in place at the property and/or have been filed or recorded against the property under federal, tribal, state or local law?</p>	Information not provided
<p>3. Specialized knowledge or experience of the person seeking to qualify for the LLP (40 CFR 312.28).</p> <p>Do you have any specialized knowledge or experience related to the property or nearby properties? For example, are you involved in the same line of business as the current or former occupants of the property or an adjoining property so that you would have specialized knowledge of the chemicals and processes used by this type of business?</p>	Information not provided
<p>4. Relationship of the purchase price to the fair market value of the property if it were not contaminated (40 CFR 312.29).</p> <p>Does the purchase price being paid for this property reasonably reflect the fair market value of the property? If you conclude that there is a difference, have you considered whether the lower purchase price is because contamination is known or believed to be present at the property?</p>	Information not provided

Question	Response/ Comment
<p>5. Commonly known or reasonably ascertainable information about the property (40 CFR 312.30).</p> <p>Are you aware of commonly known or reasonably ascertainable information about the property that would help the environmental professional to identify conditions indicative of releases or threatened releases? For example:</p> <p>(a) Do you know the past uses of the property?</p> <p>(b) Do you know of specific chemicals that are present or once were present at the property?</p> <p>(c) Do you know of spills or other chemical releases that have taken place at the property?</p> <p>(d) Do you know of any environmental cleanups that have taken place at the property?</p>	Information not provided
<p>6. The degree of obviousness of the presence or likely presence of contamination at the property, and the ability to detect the contamination by appropriate investigation (40 CFR 312.31).</p> <p>Based on your knowledge and experience related to the property, are there any obvious indicators that point to the presence or likely presence of contamination at the property?</p>	Information not provided

6.3 PREVIOUS REPORTS AND OTHER PROVIDED DOCUMENTATION

No prior reports or other relevant documentation in association with the subject property was made available to AEI during the course of this assessment.

6.4 ENVIRONMENTAL LIEN SEARCH

In accordance with our approved scope of services, an environmental lien search was not performed as part of this assessment.

7.0 SITE RECONNAISSANCE

Site Reconnaissance Date	August 6, 2018
AEI Site Assessor(s)	Christopher Olsen
Property Escort(s)/ Relationship(s) to Property	Mr. Brian Tjader, Owner Representative with De Anza Properties Mr. Erik Bergman, Assistant Manager of Goodyear
Units/Areas Observed	All interior and exterior areas of the subject property were accessed during the site reconnaissance.
Area(s) not accessed and reason(s)	None
Other Physical Constraints	None

Reconnaissance Findings Summary

Feature	Observed on Subject Property (see Section 7.1)	Observed on Adjacent Property (see Section 7.2)
Regulated Hazardous Substances/Wastes and/or Petroleum Products in Connection with Property Use	✓	
Aboveground/Underground Hazardous Substance or Petroleum Product Storage Tanks (ASTs/USTs)	✓	
Hazardous Substance and Petroleum Product Containers Not in Connection with Property Use		
Unidentified Substance Containers		
Electrical or Mechanical Equipment Likely to Contain Fluids	✓	✓
Interior Stains or Corrosion	✓	
Strong, Pungent, or Noxious Odors		
Pools of Liquid		
Drains, Sumps, and Clarifiers	✓	
Pits, Ponds, and Lagoons		
Stained Soil or Pavement		
Stressed Vegetation		
Solid Waste Disposal or Evidence of Fill Materials		
Waste Water Discharges		
Wells		
Septic Systems		
Biomedical Wastes		
Other		

7.1 SUBJECT PROPERTY RECONNAISSANCE FINDINGS

During the site reconnaissance, AEI observed the items listed in the above Reconnaissance Findings Summary table, which are further discussed below.

7.1.1 REGULATED HAZARDOUS SUBSTANCES/WASTES AND/OR PETROLEUM PRODUCTS IN CONNECTION WITH PROPERTY USE

Substance/Waste (size/quantity)	Location	Operations Associated with Material	Disposal Method/Frequency	Secondary Containment	Staining/Spills
Janitorial/maintenance supplies/several retail-sized containers	Automotive service area, store room and storage areas	Facility maintenance	N/A	No	None observed
Motor oil/Thirteen (13) 55-gallon drums, one-quart containers, 120-gallon AST	Automotive service area, store room and storage areas	Automotive services	N/A	Yes	Staining and minor spillage of oil observed on concrete floor
Automatic transmission fluid/one 55-gallon drum	Automotive service area	Automotive services	N/A	Yes	Staining and minor spillage of oil observed on concrete floor
Antifreeze/one 55-gallon drum	Automotive service area	Automotive services	N/A	Yes	Staining and minor spillage of oil observed on concrete floor
Lead-acid batteries/multiple	Automotive service area	Automotive services	N/A	No	None observed
Parts washing solvent/parts washer	Automotive service area	Parts washing	Safety Kleen services as needed	Yes	Staining and minor spillage of oil observed on concrete floor
Miscellaneous automotive fluids/multiple retail-sized containers	Automotive service area	Automotive services	N/A	Yes	Staining and minor spillage of oil observed on concrete floor
Waste oil/120-gallon AST	Enclosure adjacent to the building	Automotive services	Safety Kleen removes the waste on a regular basis	Yes	Staining and minor spillage of oil observed on concrete floor
Used antifreeze/one 55-gallon drum	Automotive service area	Automotive services	Safety Kleen removes the waste on a regular basis	Yes	Staining and minor spillage of oil observed on concrete floor

Absorbent with waste oil/ one 55-gallon drum	Automotive service area	Automotive services	Safety Kleen removes the waste on a regular basis	Yes	Staining and minor spillage of oil observed on concrete floor
Used brake fluid/one 55-gallon drum	Automotive service area	Automotive services	Safety Kleen removes the waste on a regular basis	Yes	Staining and minor spillage of oil observed on concrete floor
Used aerosol cans/one 55-gallon drum	Automotive service area	Automotive services	Safety Kleen removes the waste on a regular basis	Yes	Staining and minor spillage of oil observed on concrete floor
Used oil filters/three 55-gallon drums	Automotive service area	Automotive services	Safety Kleen removes the waste on a regular basis	Yes	Staining and minor spillage of oil observed on concrete floor

AEI observed surface staining and minor spillage of oil on the concrete-paved surface adjacent to the above noted hazardous material and waste storage areas. The source(s) of the staining and spillage appeared to be the routine automotive service operations, transfer of waste fluids, filters, etc. from smaller containers to drums and the waste oil AST. Floor drains were observed in multiple locations in the shop, and surface staining and an oily liquid was observed in multiple drains. In addition, a floor sink in the shop is reportedly used to discharge oily water from mop buckets. The shop floor is routinely washed with soap and water, and the oily water is discharged to the drain in the floor sink or in the toilet in the adjacent shop restroom. The drains and floor sink are reportedly connected to the onsite clarifier, which is discussed in Sections 3.1 and 7.1.5 below.

7.1.2 ABOVEGROUND/UNDERGROUND HAZARDOUS SUBSTANCE OR PETROLEUM PRODUCT STORAGE TANKS (ASTs/USTs)

AST(s)

Size (gallons)	Contents	Installation Date	AST Condition	Location	Construction/ Secondary Containment	Product Piping (Aboveground/ Underground)	Staining/ Spills
120	New oil	Unknown	Good	Store room	Double-walled	Aboveground	Staining and minor spillage of oil observed on concrete floor

120	Waste oil	2008	Good	Enclosure adjacent to the building	Double-walled	Aboveground	Staining and minor spillage of oil observed on concrete floor
-----	-----------	------	------	------------------------------------	---------------	-------------	---

The subject property is equipped with one (1) 120-gallon new oil and one (1) 120-gallon waste oil AST located in the store room and adjacent to the building (See Figure 2). Minor surface staining and spillage of oil was observed on the concrete floor adjacent to the above noted ASTs. However, no floor drains, significant cracking in the floor or other subsurface entry points were observed in the area of surface staining and minor oil spillage. No secondary containment was in place. Based on the amount and nature of staining, the new oil and waste oil ASTs are not expected to represent a significant environmental concern at this time; however, housekeeping should be improved to prevent further staining and spills. In addition, as a best management practice, secondary containment should be provided for fuel ASTs.

7.1.3 ELECTRICAL OR MECHANICAL EQUIPMENT LIKELY TO CONTAIN FLUIDS

Toxic PCBs were commonly used historically in electrical equipment such as transformers, fluorescent lamp ballasts, and capacitors. According to United States EPA regulation 40 CFR Part 761, there are three categories for classifying such equipment: <50 ppm of PCBs is considered "Non-PCB"; between 50 and 500 ppm is considered "PCB-Contaminated"; and >500 ppm is considered "PCB-Containing". Pursuant to 15 U.S.C. 2605(e)(2)(A), the manufacture, process, or distribution in commerce or use of any polychlorinated biphenyl in any manner other than in a totally enclosed manner was prohibited after January 1, 1977.

Transformers

Type	Quantity	Owner	Presumed Date of Installation	Spills or Stains Observed (Yes/No)	Non-PCB Label (Yes/No)
Pad-Mounted	One	PG&E	1971-1972	No	No

The management of potential PCB-containing transformers is the responsibility of the local utility or the transformer owner. Actual material samples need to be collected to determine if transformers are PCB-containing.

Transformers installed prior to 1977 may be PCB containing while transformers installed after 1977 are unlikely to be PCB containing. Federal Regulations (40 CFR 761 Subpart G) require any release of material containing >50 ppm PCB and occurring after May 4, 1987, be cleaned up by the transformer owner following the United States EPA's PCB spill cleanup policy.

AEI did not observe evidence of spills, staining, or leaks on or around the transformer. Based on the good condition of the equipment, the transformer is not expected to represent a significant environmental concern at this time.

Hydraulic Lifts

The subject property is equipped with seven (7) below-ground hydraulic lifts. Six (6) of the lifts were presumably installed in 1971-1972, when the building was constructed, and the seventh lift was installed in 2015 and replaced an older lift (presumably installed in 1971-1972). No information regarding sampling activities during the removal and replacement of the seventh lift was made available to AEI. Based on the pre-1977 installation of the lifts, the potential exists that the hydraulic fluid within the lift systems previously contained PCBs. Due to the age of the equipment, the integrity of the equipment is unknown; therefore, the potential exists that a release of hydraulic fluid which may have contained PCBs has occurred on site. Therefore, the presence of the hydraulic lifts and the lack of sampling data for the removed hydraulic lift represents a REC to the subject property at this time.

7.1.4 INTERIOR STAINS OR CORROSION

AEI observed surface staining and minor spillage of oil on the concrete-paved surface adjacent to the above noted hazardous material and waste storage areas. The source(s) of the staining and spillage appeared to be the routine automotive service operations, transfer of waste fluids, filters, etc. from smaller containers to drums and the waste oil AST. Floor drains were observed in multiple locations in the shop, and surface staining and an oily liquid was observed in multiple drains. In addition, a floor sink in the shop is reportedly used to discharge oily water from mop buckets. The shop floor is routinely washed with soap and water, and the oily water is discharged to the drain in the floor sink or in the toilet in the adjacent shop restroom. The drains and floor sink are reportedly connected to the onsite clarifier, which is discussed in Sections 3.1 and 7.1.5 below.

7.1.5 DRAINS, SUMPS, AND CLARIFIERS

Multiple floor drains and a drain in a floor sink were observed in the automotive service area. AEI observed surface staining and oily liquid in the drains in the automotive service area. The drains and floor sink are reportedly connected to an onsite clarifier that is located adjacent to the northern side of the building. The clarifier is discussed below:

Oil/Water Separator(s)/Clarifier(s):

Subject	Notes/Comments
Location	Northern side of the building
Nature of Use	Oil/water separator for interior floor drains and floor sink drain
Number of Stages/Chambers	Three
Interior Observations	The interior of the chambers was observed to contain oily water
Construction	Concrete
Approximate Size	Unknown
Installation Date	Unknown
Nearby Hazardous Substances/Petroleum Products	None
Nearby Staining	None
Other Features Connected	Unknown
Discharge Point	Reportedly discharges to municipal sewer system
Maintenance History	Not provided
Permits	None available for review from the City of Cupertino

The above noted clarifier is reportedly used to capture oil and grease from wash water prior to discharge to the sanitary sewer system. AEI observed an oily liquid at the bottom of the chambers. Mr. Erik Bergman, Assistant Manager of Goodyear, was unaware of any maintenance of the clarifier. Refer to Section 3.1 for further discussion of the clarifier.

7.2 ADJACENT PROPERTY RECONNAISSANCE FINDINGS

During the site reconnaissance, AEI observed the items listed in the above Reconnaissance Findings Summary table, which are further discussed below.

7.2.1 ELECTRICAL OR MECHANICAL EQUIPMENT LIKELY TO CONTAIN FLUIDS

Multiple pad-mounted transformers were observed on an adjacent site during the site reconnaissance. No spills, staining, or leaks were observed on or around the transformer. Based on the good condition of the equipment, the transformers are not expected to represent a significant environmental concern.

8.0 NON-ASTM SERVICES

8.1 ASBESTOS-CONTAINING BUILDING MATERIALS

Asbestos is the name for a group of naturally occurring silicate minerals that can be separated into fibers. The fibers are strong, durable, and resistant to heat and fire. They are also long, thin and flexible, so they can even be woven into cloth. Because of these qualities, asbestos has been used in thousands of consumer, industrial, maritime, automotive, scientific and building products. During the 20th century, some 30 million tons of asbestos have been used in industrial sites, homes, schools, shipyards and commercial buildings in the United States. Commercial use of ACM began in the early 1900's and peaked in the period between 1940 and into the 1970's. Common ACMs include pipe-covering, insulating cement, insulating block, refractory and boiler insulation materials, transite board, fireproofing spray, joint compound, vinyl floor tile, ceiling tile, mastics, roofing products, and duct insulation for HVAC applications. Inhalation of asbestos fibers can result in deleterious health effects.

The potential for ACM was evaluated based the USEPA Guidance Document: Managing Asbestos in Place - A Building Owner's Guide to Operations and Maintenance Programs for Asbestos-Containing Materials (the Green Book). In 1973 the NESHAPS banned the use of most spray-applied surfacing ACM, specifically asbestos containing spray-on fireproofing and insulation. Subsequent revisions to this regulation in 1975 and 1978 effectively eliminated the use of friable pre-molded pipe, boiler, turbine, and duct insulation; and the spray application of friable asbestos-containing materials for all uses in buildings. In 1989 the EPA issued regulations to ban some asbestos-containing products and phase out most others over a multi-year period. The "Ban and Phase-Down" rule was challenged in court and the regulation remanded to the agency. As a result, any asbestos-containing products then "in commerce" would not be banned. Those not in commerce would be banned. Those materials "banned" could not be sold. It did not affect such materials already installed, or in use. Most US firms voluntarily ceased production of asbestos containing building materials not covered by the aforementioned Federal bans by the mid-1980's. In 1994, the OSHA determined that employers and building owners are required to treat installed thermal system installation and sprayed on and troweled-on surfacing materials, as well as vinyl or asphalt flooring material, as ACM in buildings constructed no later than 1980 until tested by laboratory analysis to prove otherwise.

The information below is for general informational purposes only and does not constitute an asbestos survey. In addition, the information is not intended to comply with federal, state or local regulations in regards to ACM.

Due to the age of the subject property building, there is a potential that ACMs are present. A limited list of typical suspect ACMs is included in the following table:

Material Type	Location
Plaster (acoustical and smooth)	Walls and ceilings
Ceiling tile	Ceiling systems
Thermal systems insulations, packings, and gaskets	Heating systems, cooling systems, domestic and heating and cooling piping, ductwork, and other equipment
Floor tile and associate mastics, flooring felts, and papers (under hardwood/other)	Floors
Vinyl sheet flooring and adhesives	Floors
Cove base and associated mastics	Walls
Ceramic tile adhesives and grouts	Walls, floors, and ceilings
All adhesives	Mirrors, wall coverings, construction, etc.
Grout and caulking	Windows and doors
Gypsum board, tape, and joint compound	Wall and ceiling systems
Insulation materials	Walls, ceilings, and attic spaces
Roofing materials (felts, rolled, shingle, flashings, adhesives, tar, and insulations)	Roof and parapet wall systems
Brick and block, mortars	Walls

The observed suspect ACMs at the subject property were in good condition at the time of the site reconnaissance and are not expected to pose a health and safety concern to the occupants of the subject property at this time. Based on the potential presence of ACMs, AEI recommends the implementation of an O&M Plan which stipulates that the repair and maintenance of damaged materials should be performed to protect the health and safety of the building occupants. In the event that building renovation or demolition activities are planned, a thorough asbestos survey to identify asbestos-containing building materials is required in accordance with the EPA NESHAP 40 CFR Part 61 prior to demolition or renovation activities that may disturb suspect ACMs.

8.2 LEAD-BASED PAINT

LBP is defined as any paint, varnish, stain, or other applied coating that has ≥ 1 mg/cm² (5,000 µg/g or 5,000 ppm) or more of lead by federal guidelines; state and local definitions may differ from the federal definitions in amounts ranging from 0.5 mg/cm² to 2.0 mg/cm². Section 1017 of the Housing and Urban Development (HUD) Guidelines, Residential Lead-Based Paint Hazard Reduction Act of 1992, otherwise known as "Title X", defines a LBP hazard as "any condition that causes exposure to lead that would result in adverse human health effects" resulting from lead-contaminated dust, bare, lead-contaminated soil, and/or lead-contaminated paint that is deteriorated or present on accessible, friction, or impact surfaces. Therefore, under Title X, intact LBP on most walls and ceilings would not be considered a "hazard", although the paint should be maintained and its condition monitored to ensure that it does not deteriorate and become a hazard. Additionally, Section 1018 of this law directed HUD and EPA to require the disclosure of known information on LBP and LBP hazards before the sale or lease of most housing built before 1978. Most private housing, public housing, or federally owned or subsidized housing is affected by this rule.

Under OSHA, LCP is defined as any paint with any detectable amount of lead present in it. Therefore, all LBP is considered LCP. Conversely, LCP may not meet the criteria to be considered LBP in accordance with HUD guidelines or some states' definition of LBP.

It is important to note that LCP may create a lead hazard when being removed. The condition of

these materials must be monitored when they are being disturbed. In the event LCP is subject to abrading, sanding, torching, and/or cutting during demolition or renovation activities, there may be regulatory issues that must be addressed.

The information below is for general informational purposes only and does not constitute a lead hazard evaluation. In addition, the information is not intended to comply with federal, state, or local regulations in regards to LBP.

In buildings constructed after 1978, it is unlikely that LBP is present; however, some paints utilized after 1978 will be LCP under OSHA. Structures built prior to 1978 and especially prior to the 1960s should be expected to contain LBP.

Due to the age of the subject property building, there is a potential that LBP is present. All observed painted surfaces were in good condition and are not expected to pose a health and safety concern to the occupants of the subject property at this time. Local regulations may apply to LBP in association with building demolition/renovations and worker/occupant protection. Actual material samples would need to be collected or an XRF survey performed in order to determine if LBP is present. It should be noted that construction activities that disturb materials or paints containing any amount of lead may be subject to certain requirements of the OSHA lead standard contained in 29 CFR 1910.1025 and 1926.62.

8.3 RADON

Radon is a naturally-occurring, odorless, and invisible gas. Natural radon levels vary and are closely related to geologic formations. Radon may enter buildings through basement sumps or other openings.

The United States EPA has prepared a map to assist National, State, and local organizations to target their resources and to implement radon-resistant building codes. The map divides the country into three radon zones, with Zone 1 being those areas with the average predicted indoor radon concentration in residential dwellings exceeding the EPA Action Limit of 4.0 pCi/L. It is important to note that the EPA has found homes with elevated levels of radon in all three zones, and the EPA recommends site specific testing in order to determine radon levels at a specific location. However, the map does give a valuable indication of the propensity of radon gas accumulation in structures.

Radon sampling was not requested as part of this assessment. According to the US EPA, the radon zone level for the area is Zone 2, which has a predicted average indoor screening level between 2 pCi/L and 4 pCi/L, equal to or below the action level of 4 pCi/L set forth by the US EPA.

8.4 MOLD/INDOOR AIR QUALITY ISSUES

Molds are simple microscopic organisms which can often be seen in the form of discoloration, frequently green, gray, white, brown, or black. When excessive moisture or water accumulates indoors, mold growth may occur, particularly if the moisture problem remains undiscovered or unaddressed. As such, interior areas of buildings characterized by poor ventilation and high humidity are the most common locations of mold growth. Building materials, including drywall, wallpaper, baseboards, wood framing, insulation, and carpeting, often play host to such growth.

Mold spores primarily cause health problems through the inhalation of spores or the toxins they emit when they are present in large numbers. This can occur when there is active mold growth within places where people live or work.

Mold, if present, may or may not visually manifest itself. Neither the individual completing this inspection, nor AEI has any liability for the identification of mold-related concerns except as defined in applicable industry standards. In short, this Phase I ESA should not be construed as a mold survey or inspection.

This activity was not designed to discover all areas which may be affected by mold growth on the subject property. Rather, it is intended to give the client an indication if significant (based on observed areas) mold growth is present at the subject property. Potential areas of mold growth, such as in pipe chases, HVAC systems, and behind enclosed walls and ceilings, were not observed as part of this limited assessment.

AEI observed interior areas of the subject property building to identify the potential presence of mold. AEI did not note obvious visual or olfactory indications of the presence of mold, nor did AEI observe obvious indications of significant water damage. As such, no bulk sampling of suspect surfaces was conducted as part of this assessment and no additional action with respect to suspect mold appears to be warranted at this time.

9.0 SIGNATURE OF ENVIRONMENTAL PROFESSIONALS

We declare that, to the best of our professional knowledge and belief, we meet the definition of Environmental Professional as defined in §312.10 of 40 CFR Part 312.

We have the specific qualifications based on education, training, and experience to assess a property of the nature, history and setting of the subject property. We have developed and performed the all appropriate inquiries in conformance with the standards and practices set forth in 40 CFR Part 312.

Prepared By:



Christopher Olsen
Associate Consultant

Reviewed By:



Nicole Burns
Senior Author

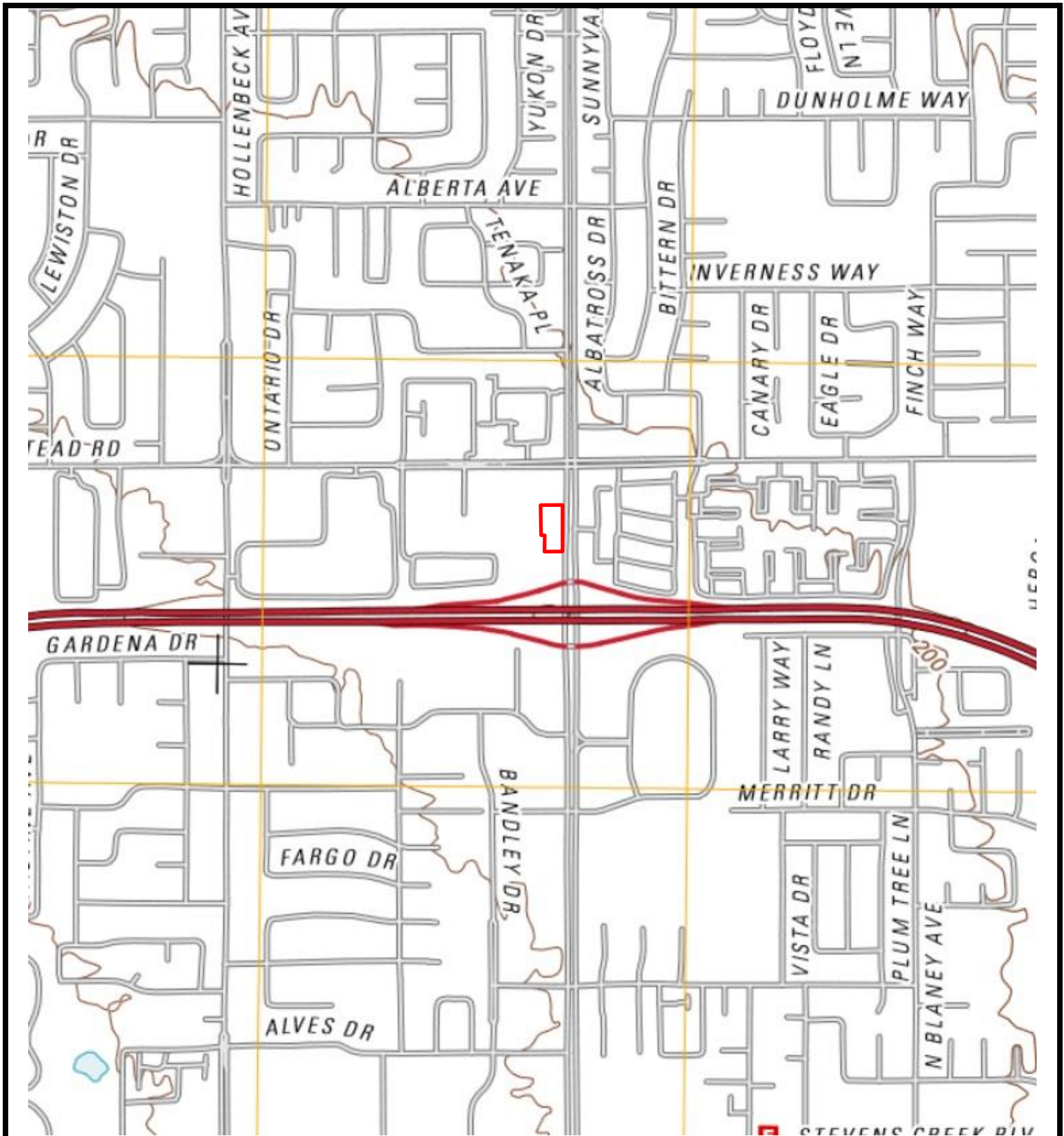


10.0 REFERENCES

Item	Date(s)	Source
Soils Information	Accessed August 2018	USDA Web Soil Survey http://websoilsurvey.nrcs.usda.gov/app/WebSoilSurvey.aspx
Topographic Map	2012	USGS, Cupertino
Depth to Groundwater Information	February 19, 1991	SCVWD, LUST Case Closure Recommendation for Mariani Fruit Packing Plant - 10930 North De Anza Boulevard (located adjacent to the east)
Aerial Photographs	1939-2012 (non-inclusive)	Environmental Data Resources, Inc.
Sanborn Map Report/Search	July 26, 2018 (No Coverage Letter)	Environmental Data Resources, Inc.
City Directories	1968-2017 (non-inclusive)	Environmental Data Resources, Inc. and Cupertino Public Library
Environmental Health Department/ State Environmental Agency	July 26, 2018	Santa Clara County Environmental Health Department
Fire Department	July 26, 2018	Santa Clara County Fire Department
Building Department	August 6, 2018	Cupertino Building Department
Planning Department	August 6, 2018	Cupertino Planning Department
Assessor's Information and Parcel Map	August 6, 2018	Santa Clara County Assessor's Office
Other Agencies Searched	July 26, 2018	SWRCB Geotracker, DTSC HWTS, and DTSC Envirostor databases, and BAAQMD
Oil and Gas Wells	July 26, 2018	Division of Oil, Gas and Geothermal Resources
Oil and Gas Pipelines	July 26, 2018	NPMS Public Map Viewer https://www.npms.phmsa.dot.gov/PublicViewer/composite.jsf
State Environmental Superliens	July 26, 2018	NETR Online Environmental Lien and AUL State Statutes website http://environmental.netronline.com/lienStatutes.aspx
Property Transfer Laws	July 26, 2018	
Regulatory Database Report	July 26, 2018	EDR
Interview with Owner	August 6, 2018	Mr. Brian Tjader
Interview with Key Site Manager	August 6, 2018	Mr. Erik Bergman
Radon Zone Information	1993	US EPA Map of Radon Zones https://www.epa.gov/radon

APPENDIX A

FIGURES





Legend
 Approximate Property Boundary ———
 Source: USGS Topographic Map *Cupertino, California* (2012)



Figure 1: TOPOGRAPHIC MAP
 10931 North De Anza Boulevard, Cupertino, California 95014
 Project Number: 392233





Legend
 Estimated Groundwater Flow Direction 
 Approximate Property Boundary 
 Listed in Environmental Database Report *

1 – Office/customer lounge; 2 – Tire warehouse
 3 – New oil AST; 4 – Used oil AST in enclosure
 5 – Auto service area; 6 – Clarifier; C - Compressors
 D – Dumpsters; T – Pad-mounted transformer



Figure 2: SITE MAP

10931 North De Anza Boulevard, Cupertino, California 95014
 Project Number: 392233



APPENDIX B

PROPERTY PHOTOGRAPHS



1. Western side of the subject property building



2. Northern side of the subject property building



3. Southern side of the subject property building



4. Eastern side of the subject property building



5. Eastern side of the subject property building



6. Clarifier adjacent to the northern side of the subject property building



7. Interior of the clarifier



8. Asphalt-paved parking/drive area on the subject property



9. Paved driveway north of the subject property building



10. Dumpsters adjacent to the southern side of the subject property building



11. Pad-mounted transformer near the southeastern corner of the subject property building



12. Enclosure at the southern end of the building



13. Waste oil AST in the enclosure on the southern side of the building



14. Empty drums and an anti-freeze drum in the enclosure on the southern side of the building



15. Surface staining adjacent to the AST in the enclosure



16. Interior of the automotive service area



17. Automotive service area



18. Interior of the automotive service area



19. Scrap metal container in the automotive service building



20. 55-gallon drum with oil-containing absorbent



21. 55-gallon drums of used aerosol cans and used antifreeze



22. 55-gallon drums of used oil filters



23. 55-gallon drums of motor oil and automatic transmission fluid



24. Alignment rack in the automotive service area



25. Below ground hoist in the automotive service area



26. Floor drain in the automotive service area



27. Floor drain with oily substance in the automotive service area



28. Overview of the store room



29. Parts storage area



30. Tire storage area



31. Compressor



32. Compressor



33. 55-gallon drums of oil in the store room



34. New oil AST in the store room



35. Floor sink in the automotive service area



36. Mop buckets in the automotive service area



37. Office area



38. Showroom/customer lounge



39. Ulta Beauty (20580 Homestead Road) adjacent to the west



40. Cupertino Hotel (10889 North De Anza Boulevard) adjacent to the south



41. Multi-tenant retail building (10991 North De Anza Boulevard) adjacent to the north



42. Rite Aid (20572 Homestead Road) adjacent to the north



43. Aviare Apartments (20415 Via Paviso) adjacent to the east

APPENDIX C

REGULATORY DATABASE

392233

10931 North De Anza Boulevard
Cupertino, CA 95014

Inquiry Number: 5374254.2s
July 26, 2018

The EDR Radius Map™ Report



6 Armstrong Road, 4th floor
Shelton, CT 06484
Toll Free: 800.352.0050
www.edrnet.com

TABLE OF CONTENTS

<u>SECTION</u>	<u>PAGE</u>
Executive Summary	ES1
Overview Map	2
Detail Map	3
Map Findings Summary	4
Map Findings	8
Orphan Summary	201
Government Records Searched/Data Currency Tracking	GR-1

GEOCHECK ADDENDUM

GeoCheck - Not Requested

Thank you for your business.
Please contact EDR at 1-800-352-0050
with any questions or comments.

Disclaimer - Copyright and Trademark Notice

This Report contains certain information obtained from a variety of public and other sources reasonably available to Environmental Data Resources, Inc. It cannot be concluded from this Report that coverage information for the target and surrounding properties does not exist from other sources. **NO WARRANTY EXPRESSED OR IMPLIED, IS MADE WHATSOEVER IN CONNECTION WITH THIS REPORT. ENVIRONMENTAL DATA RESOURCES, INC. SPECIFICALLY DISCLAIMS THE MAKING OF ANY SUCH WARRANTIES, INCLUDING WITHOUT LIMITATION, MERCHANTABILITY OR FITNESS FOR A PARTICULAR USE OR PURPOSE. ALL RISK IS ASSUMED BY THE USER. IN NO EVENT SHALL ENVIRONMENTAL DATA RESOURCES, INC. BE LIABLE TO ANYONE, WHETHER ARISING OUT OF ERRORS OR OMISSIONS, NEGLIGENCE, ACCIDENT OR ANY OTHER CAUSE, FOR ANY LOSS OF DAMAGE, INCLUDING, WITHOUT LIMITATION, SPECIAL, INCIDENTAL, CONSEQUENTIAL, OR EXEMPLARY DAMAGES. ANY LIABILITY ON THE PART OF ENVIRONMENTAL DATA RESOURCES, INC. IS STRICTLY LIMITED TO A REFUND OF THE AMOUNT PAID FOR THIS REPORT.** Purchaser accepts this Report "AS IS". Any analyses, estimates, ratings, environmental risk levels or risk codes provided in this Report are provided for illustrative purposes only, and are not intended to provide, nor should they be interpreted as providing any facts regarding, or prediction or forecast of, any environmental risk for any property. Only a Phase I Environmental Site Assessment performed by an environmental professional can provide information regarding the environmental risk for any property. Additionally, the information provided in this Report is not to be construed as legal advice.

Copyright 2018 by Environmental Data Resources, Inc. All rights reserved. Reproduction in any media or format, in whole or in part, of any report or map of Environmental Data Resources, Inc., or its affiliates, is prohibited without prior written permission.

EDR and its logos (including Sanborn and Sanborn Map) are trademarks of Environmental Data Resources, Inc. or its affiliates. All other trademarks used herein are the property of their respective owners.

EXECUTIVE SUMMARY

A search of available environmental records was conducted by Environmental Data Resources, Inc (EDR). The report was designed to assist parties seeking to meet the search requirements of EPA's Standards and Practices for All Appropriate Inquiries (40 CFR Part 312), the ASTM Standard Practice for Environmental Site Assessments (E 1527-13), the ASTM Standard Practice for Environmental Site Assessments for Forestland or Rural Property (E 2247-16), the ASTM Standard Practice for Limited Environmental Due Diligence: Transaction Screen Process (E 1528-14) or custom requirements developed for the evaluation of environmental risk associated with a parcel of real estate.

TARGET PROPERTY INFORMATION

ADDRESS

10931 NORTH DE ANZA BOULEVARD
CUPERTINO, CA 95014

COORDINATES

Latitude (North): 37.3361710 - 37° 20' 10.21"
Longitude (West): 122.0328440 - 122° 1' 58.23"
Universal Transverse Mercator: Zone 10
UTM X (Meters): 585676.6
UTM Y (Meters): 4132400.5
Elevation: 213 ft. above sea level

USGS TOPOGRAPHIC MAP ASSOCIATED WITH TARGET PROPERTY

Target Property Map: 5640178 CUPERTINO, CA
Version Date: 2012

AERIAL PHOTOGRAPHY IN THIS REPORT

Portions of Photo from: 20140606
Source: USDA

MAPPED SITES SUMMARY

Target Property Address:
10931 NORTH DE ANZA BOULEVARD
CUPERTINO, CA 95014

Click on Map ID to see full detail.

MAP ID	SITE NAME	ADDRESS	DATABASE ACRONYMS	RELATIVE ELEVATION	DIST (ft. & mi.) DIRECTION
A1	GOODYEAR TIRE & RUBB	10931 N DE ANZA BL	HIST UST, CUPA Listings, CERS HAZ WASTE, CERS		TP
A2	GOODYEAR AUTO SERVIC	10931 N DE ANZA BLVD	HAZNET		TP
A3	GOODYEAR TIRE & RUBB	10931 N DE ANZA BL	FINDS		TP
A4	MARIANI PACKING	10930 DE ANZA BLVD	LUST, HIST LUST, HIST CORTESE, CERS	Lower	122, 0.023, East
B5	MOBIL	11025 DE ANZA BLVD	LUST, HIST LUST, HIST CORTESE, CERS	Lower	187, 0.035, NNE
B6	CARLOS' AUTO REPAIR	11025 N DE ANZA BL	CUPA Listings	Lower	227, 0.043, North
B7	DE ANZA AUTO REPAIR	11025 N DE ANZA BL	SWEEPS UST, CA FID UST, CUPA Listings, CERS TANKS,...	Lower	227, 0.043, North
B8	CUPERTINO AUTO SERVI	11025 N DE ANZA BL	CUPA Listings	Lower	227, 0.043, North
B9	DE ANZA AUTO REPAIR	11025 N DE ANZA BL	UST	Lower	227, 0.043, North
B10	CARLOS CORONA INCORP	11025 N DE ANZA BLVD	EDR Hist Auto	Lower	227, 0.043, North
B11	MOBIL SERVICE STATIO	11025 N DE ANZA BLVD	SWEEPS UST, HIST UST	Lower	227, 0.043, North
C12	RITE AID NO 5967	20572 HOMESTEAD RD	RCRA-CESQG	Lower	352, 0.067, NW
C13	RITE AID STORE NO 59	20572 HOMESTEAD ROAD	CUPA Listings, HAZNET, CERS HAZ WASTE, CIWQS	Lower	352, 0.067, NW
C14	ULTA BEAUTY	20580 HOMESTEAD RD	CERS HAZ WASTE, CERS	Higher	442, 0.084, NW
C15	RITE AID NO 5967	20580 HOMESTEAD AVE	RCRA-CESQG, FINDS, ECHO	Higher	442, 0.084, NW
C16	ULTA BEAUTY #777	20580 HOMESTEAD RD	CUPA Listings, HAZNET	Higher	442, 0.084, NW
D17	SAFEWAY STORE 3251	20620 HOMESTEAD RD	RCRA-LQG, FINDS, ECHO	Higher	491, 0.093, WNW
D18	SAFEWAY STORE #3251	20620 HOMESTEAD RD	RCRA-LQG	Higher	491, 0.093, WNW
D19	SAFEWAY STORE #3251	20620 HOMESTEAD RD	CUPA Listings, HAZNET	Higher	491, 0.093, WNW
D20	SAFEWAY STORE 3251	20620 HOMESTEAD RD	CERS HAZ WASTE, CERS	Higher	491, 0.093, WNW
E21	CHEVRON STATION #957	11010 DE ANZA BL	UST	Lower	552, 0.105, NNE
E22	CHEVRON	11010 DE ANZA	HIST CORTESE	Lower	552, 0.105, NNE
E23	95700	11010 N DE ANZA BLVD	LUST, HIST LUST, SWEEPS UST, HIST UST, CHMIRS,...	Lower	552, 0.105, NNE
E24	CHEVRON SERVICE STAT	11010 N DE ANZA BL	UST	Lower	552, 0.105, NNE
E25	95700	11010 NO DEANZA BLVD	HIST UST, CHMIRS	Lower	552, 0.105, NNE
E26	CHEVRON STATION NO 9	11010 N DE ANZA BLVD	RCRA-SQG, FINDS, ECHO, HAZNET	Lower	552, 0.105, NNE
E27	CHEVRON STATIONS INC	11010 N DE ANZA BLVD	EDR Hist Auto	Lower	552, 0.105, NNE
E28	CHEVRON STATION #957	11010 DE ANZA BL	CERS, CERS HAZ WASTE, CERS TANKS	Lower	552, 0.105, NNE
29	95954	10023 SNYVLE SRTGA R	HIST UST	Lower	643, 0.122, NNW
F30	MICHAELS STORE #6818	20640 HOMESTEAD RD	CUPA Listings	Higher	680, 0.129, WNW
F31	MICHAEL'S STORE # 68	20640 HOMESTEAD RD	CERS HAZ WASTE, CERS	Higher	680, 0.129, WNW
F32	ROSS STORE #1733	20650 HOMESTEAD RD	CERS HAZ WASTE, CERS	Higher	847, 0.160, WNW
F33	THREE SEVEN 1 HR PHO	20670 HOMESTEAD RD	CUPA Listings	Higher	847, 0.160, WNW
F34	ONE HOUR MOTOPHOTO	20670 HOMESTEAD RD	RCRA NonGen / NLR, FINDS, ECHO, HAZNET	Higher	847, 0.160, WNW
G35	ARCO	10625 DE ANZA	HIST CORTESE	Higher	1300, 0.246, South
G36	CUPERTINO SMOG & AUT	10625 N DE ANZA BL	LUST, SWEEPS UST, HIST UST, CUPA Listings, CERS...	Higher	1307, 0.248, South
G37	CUPERTINO SMOG & AUT	10625 N DE ANZA BL	UST	Higher	1307, 0.248, South
G38	ARCO #6111	10625 N DE ANZA BLVD	LUST, HIST LUST	Higher	1307, 0.248, South
G39	ARCO PRODUCTS COMPAN	10625 N DEANZA BLVD	HIST UST, HAZNET	Higher	1307, 0.248, South

MAPPED SITES SUMMARY

Target Property Address:
 10931 NORTH DE ANZA BOULEVARD
 CUPERTINO, CA 95014

Click on Map ID to see full detail.

MAP ID	SITE NAME	ADDRESS	DATABASE ACRONYMS	RELATIVE ELEVATION	DIST (ft. & mi.) DIRECTION
H40	TIMEX	20650 VALLEY GREEN D	SEMS-ARCHIVE, RCRA NonGen / NLR	Higher	1334, 0.253, SSW
H41	TIMEX CORPORATION	20650 VALLEY GREEN D	CPS-SLIC	Higher	1334, 0.253, SSW
H42	TIMEX CORPORATION	20650 VALLEY GREEN D	CPS-SLIC, CERS	Higher	1334, 0.253, SSW
G43	MOTOROLA FOUR PHASE	10700 N DE ANZA BLVD	CORRACTS, RCRA-TSDF, RCRA-SQG, FINDS, ECHO	Higher	1393, 0.264, South
G44	FOUR-PHASE SYSTEMS I	10700 N DE ANZA BLVD	HIST UST, HWP, CERS	Higher	1393, 0.264, South
G45	FOUR-PHASE SYSTEMS I	10700 N DE ANZA BLVD	ENVIROSTOR	Higher	1393, 0.264, South
46	APPLE INC	20400 MARIANI AVENUE	RCRA-LQG, CPS-SLIC, BROWNFIELDS, FINDS, ECHO, EMI,...	Higher	2135, 0.404, SSE
I47	TEXACO EXXON	695 HOMESTEAD	HIST CORTESE	Higher	2188, 0.414, WNW
I48	TEXACO/EXXON	695 W HOMESTEAD RD	LUST, HIST UST, CERS	Higher	2328, 0.441, WNW
I49	TEXACO/EXXON	695 W HOMESTEAD RD	LUST, HIST LUST	Higher	2328, 0.441, WNW
I50	SPEEDEE OIL CHANGE &	695 W HOMESTEAD RD	RCRA-SQG, LUST, FINDS, ECHO, HAZNET	Higher	2328, 0.441, WNW
J51	CUPERTINO NURSERY	10431 N DE ANZA BLVD	LUST, HIST LUST, HIST CORTESE, CERS	Higher	2362, 0.447, South
52	APPLE COMPUTER INC	10500 DE ANZA	HIST CORTESE	Higher	2374, 0.450, SSE
J53	APPLE COMPUTER	10500 N DE ANZA BLVD	LUST, HIST LUST, RCRA NonGen / NLR, FINDS, ECHO,...	Higher	2475, 0.469, South
J54	FOUR-PHASE SYSTEMS	10500 N DE ANZA BLVD	LUST, HIST UST	Higher	2475, 0.469, South
55	SHELL OIL COMPANY	1695 HOLLENBECK AVE	LUST, HIST LUST, EMI, HIST CORTESE, CERS	Higher	2576, 0.488, WNW
56	DAVIDSON CHEVROLET/G	20955 STEVENS CREEK	ENVIROSTOR, LUST, HIST LUST, SWEEPS UST, HIST...	Higher	4769, 0.903, SSW
57	CUPERTINO VILLAGE CL	10989 NORTH WOLFE RO	ENVIROSTOR, VCP	Lower	4952, 0.938, East

EXECUTIVE SUMMARY

TARGET PROPERTY SEARCH RESULTS

The target property was identified in the following records. For more information on this property see page 8 of the attached EDR Radius Map report:

Site	Database(s)	EPA ID
GOODYEAR TIRE & RUBB 10931 N DE ANZA BL CUPERTINO, CA 95014	HIST UST Facility Id: 00000008251 CUPA Listings Database: CUPA SANTA CLARA, Date of Government Version: 05/16/2018 CERS HAZ WASTE CERS	N/A
GOODYEAR AUTO SERVIC 10931 N DE ANZA BLVD CUPERTINO, CA 95014	HAZNET GEPaid: CAL000013487	N/A
GOODYEAR TIRE & RUBB 10931 N DE ANZA BL CUPERTINO, CA 95014	FINDS Registry ID:: 110066423524	N/A

DATABASES WITH NO MAPPED SITES

No mapped sites were found in EDR's search of available ("reasonably ascertainable ") government records either on the target property or within the search radius around the target property for the following databases:

STANDARD ENVIRONMENTAL RECORDS

Federal NPL site list

NPL..... National Priority List
Proposed NPL..... Proposed National Priority List Sites
NPL LIENS..... Federal Superfund Liens

Federal Delisted NPL site list

Delisted NPL..... National Priority List Deletions

Federal CERCLIS list

FEDERAL FACILITY..... Federal Facility Site Information listing
SEMS..... Superfund Enterprise Management System

Federal institutional controls / engineering controls registries

LUCIS..... Land Use Control Information System

EXECUTIVE SUMMARY

US ENG CONTROLS..... Engineering Controls Sites List
US INST CONTROL..... Sites with Institutional Controls

Federal ERNS list

ERNS..... Emergency Response Notification System

State- and tribal - equivalent NPL

RESPONSE..... State Response Sites

State and tribal landfill and/or solid waste disposal site lists

SWF/LF..... Solid Waste Information System

State and tribal leaking storage tank lists

INDIAN LUST..... Leaking Underground Storage Tanks on Indian Land

State and tribal registered storage tank lists

FEMA UST..... Underground Storage Tank Listing
AST..... Aboveground Petroleum Storage Tank Facilities
INDIAN UST..... Underground Storage Tanks on Indian Land

State and tribal voluntary cleanup sites

INDIAN VCP..... Voluntary Cleanup Priority Listing
VCP..... Voluntary Cleanup Program Properties

ADDITIONAL ENVIRONMENTAL RECORDS

Local Brownfield lists

US BROWNFIELDS..... A Listing of Brownfields Sites

Local Lists of Landfill / Solid Waste Disposal Sites

WMUDS/SWAT..... Waste Management Unit Database
SWRCY..... Recycler Database
HAULERS..... Registered Waste Tire Haulers Listing
INDIAN ODI..... Report on the Status of Open Dumps on Indian Lands
ODI..... Open Dump Inventory
DEBRIS REGION 9..... Torres Martinez Reservation Illegal Dump Site Locations
IHS OPEN DUMPS..... Open Dumps on Indian Land

Local Lists of Hazardous waste / Contaminated Sites

US HIST CDL..... Delisted National Clandestine Laboratory Register
HIST Cal-Sites..... Historical Calsites Database
SCH..... School Property Evaluation Program
CDL..... Clandestine Drug Labs
Toxic Pits..... Toxic Pits Cleanup Act Sites
US CDL..... National Clandestine Laboratory Register

EXECUTIVE SUMMARY

Local Land Records

LIENS..... Environmental Liens Listing
LIENS 2..... CERCLA Lien Information
DEED..... Deed Restriction Listing

Records of Emergency Release Reports

HMIRS..... Hazardous Materials Information Reporting System
CHMIRS..... California Hazardous Material Incident Report System
LDS..... Land Disposal Sites Listing
MCS..... Military Cleanup Sites Listing
SPILLS 90..... SPILLS 90 data from FirstSearch

Other Ascertainable Records

FUDS..... Formerly Used Defense Sites
DOD..... Department of Defense Sites
SCRD DRYCLEANERS..... State Coalition for Remediation of Drycleaners Listing
US FIN ASSUR..... Financial Assurance Information
EPA WATCH LIST..... EPA WATCH LIST
2020 COR ACTION..... 2020 Corrective Action Program List
TSCA..... Toxic Substances Control Act
TRIS..... Toxic Chemical Release Inventory System
SSTS..... Section 7 Tracking Systems
ROD..... Records Of Decision
RMP..... Risk Management Plans
RAATS..... RCRA Administrative Action Tracking System
PRP..... Potentially Responsible Parties
PADS..... PCB Activity Database System
ICIS..... Integrated Compliance Information System
FTTS..... FIFRA/ TSCA Tracking System - FIFRA (Federal Insecticide, Fungicide, & Rodenticide Act)/TSCA (Toxic Substances Control Act)
MLTS..... Material Licensing Tracking System
COAL ASH DOE..... Steam-Electric Plant Operation Data
COAL ASH EPA..... Coal Combustion Residues Surface Impoundments List
PCB TRANSFORMER..... PCB Transformer Registration Database
RADINFO..... Radiation Information Database
HIST FTTS..... FIFRA/TSCA Tracking System Administrative Case Listing
DOT OPS..... Incident and Accident Data
CONSENT..... Superfund (CERCLA) Consent Decrees
INDIAN RESERV..... Indian Reservations
FUSRAP..... Formerly Utilized Sites Remedial Action Program
UMTRA..... Uranium Mill Tailings Sites
LEAD SMELTERS..... Lead Smelter Sites
US AIRS..... Aerometric Information Retrieval System Facility Subsystem
US MINES..... Mines Master Index File
ABANDONED MINES..... Abandoned Mines
UXO..... Unexploded Ordnance Sites
ECHO..... Enforcement & Compliance History Information
DOCKET HWC..... Hazardous Waste Compliance Docket Listing
FUELS PROGRAM..... EPA Fuels Program Registered Listing
CA BOND EXP. PLAN..... Bond Expenditure Plan
Cortese..... "Cortese" Hazardous Waste & Substances Sites List

EXECUTIVE SUMMARY

DRYCLEANERS.....	Cleaner Facilities
EML.....	Emissions Inventory Data
ENF.....	Enforcement Action Listing
Financial Assurance.....	Financial Assurance Information Listing
ICE.....	ICE
HWT.....	Registered Hazardous Waste Transporter Database
MINES.....	Mines Site Location Listing
MWMP.....	Medical Waste Management Program Listing
NPDES.....	NPDES Permits Listing
PEST LIC.....	Pesticide Regulation Licenses Listing
PROC.....	Certified Processors Database
Notify 65.....	Proposition 65 Records
SAN JOSE HAZMAT.....	Hazardous Material Facilities
UIC.....	UIC Listing
WASTEWATER PITS.....	Oil Wastewater Pits Listing
WDS.....	Waste Discharge System
WIP.....	Well Investigation Program Case List
PROJECT.....	PROJECT (GEOTRACKER)
NON-CASE INFO.....	NON-CASE INFO (GEOTRACKER)
MILITARY PRIV SITES.....	MILITARY PRIV SITES (GEOTRACKER)
CIWQS.....	California Integrated Water Quality System
UIC GEO.....	UIC GEO (GEOTRACKER)
OTHER OIL GAS.....	OTHER OIL & GAS (GEOTRACKER)
PROD WATER PONDS.....	PROD WATER PONDS (GEOTRACKER)
WELL STIM PROJ.....	Well Stimulation Project (GEOTRACKER)
SAMPLING POINT.....	SAMPLING POINT (GEOTRACKER)

EDR HIGH RISK HISTORICAL RECORDS

EDR Exclusive Records

EDR MGP.....	EDR Proprietary Manufactured Gas Plants
EDR Hist Cleaner.....	EDR Exclusive Historical Cleaners

EDR RECOVERED GOVERNMENT ARCHIVES

Exclusive Recovered Govt. Archives

RGA LF.....	Recovered Government Archive Solid Waste Facilities List
RGA LUST.....	Recovered Government Archive Leaking Underground Storage Tank

SURROUNDING SITES: SEARCH RESULTS

Surrounding sites were identified in the following databases.

Elevations have been determined from the USGS Digital Elevation Model and should be evaluated on a relative (not an absolute) basis. Relative elevation information between sites of close proximity should be field verified. Sites with an elevation equal to or higher than the target property have been differentiated below from sites with an elevation lower than the target property.

Page numbers and map identification numbers refer to the EDR Radius Map report where detailed data on individual sites can be reviewed.

Sites listed in ***bold italics*** are in multiple databases.

Unmappable (orphan) sites are not considered in the foregoing analysis.

EXECUTIVE SUMMARY

STANDARD ENVIRONMENTAL RECORDS

Federal CERCLIS NFRAP site list

SEMS-ARCHIVE: SEMS-ARCHIVE (Superfund Enterprise Management System Archive) tracks sites that have no further interest under the Federal Superfund Program based on available information. The list was formerly known as the CERCLIS-NFRAP, renamed to SEMS ARCHIVE by the EPA in 2015. EPA may perform a minimal level of assessment work at a site while it is archived if site conditions change and/or new information becomes available. Archived sites have been removed and archived from the inventory of SEMS sites. Archived status indicates that, to the best of EPA's knowledge, assessment at a site has been completed and that EPA has determined no further steps will be taken to list the site on the National Priorities List (NPL), unless information indicates this decision was not appropriate or other considerations require a recommendation for listing at a later time. The decision does not necessarily mean that there is no hazard associated with a given site; it only means that, based upon available information, the location is not judged to be potential NPL site.

A review of the SEMS-ARCHIVE list, as provided by EDR, and dated 05/18/2018 has revealed that there is 1 SEMS-ARCHIVE site within approximately 0.5 miles of the target property.

<u>Equal/Higher Elevation</u>	<u>Address</u>	<u>Direction / Distance</u>	<u>Map ID</u>	<u>Page</u>
<i>TIMEX</i>	<i>20650 VALLEY GREEN D</i>	<i>SSW 1/4 - 1/2 (0.253 mi.)</i>	<i>H40</i>	<i>136</i>

Federal RCRA CORRACTS facilities list

CORRACTS: CORRACTS is a list of handlers with RCRA Corrective Action Activity. This report shows which nationally-defined corrective action core events have occurred for every handler that has had corrective action activity.

A review of the CORRACTS list, as provided by EDR, and dated 03/01/2018 has revealed that there is 1 CORRACTS site within approximately 1 mile of the target property.

<u>Equal/Higher Elevation</u>	<u>Address</u>	<u>Direction / Distance</u>	<u>Map ID</u>	<u>Page</u>
<i>MOTOROLA FOUR PHASE</i>	<i>10700 N DE ANZA BLVD</i>	<i>S 1/4 - 1/2 (0.264 mi.)</i>	<i>G43</i>	<i>140</i>

Federal RCRA non-CORRACTS TSD facilities list

RCRA-TSDF: RCRAInfo is EPA's comprehensive information system, providing access to data supporting the Resource Conservation and Recovery Act (RCRA) of 1976 and the Hazardous and Solid Waste Amendments (HSWA) of 1984. The database includes selective information on sites which generate, transport, store, treat and/or dispose of hazardous waste as defined by the Resource Conservation and Recovery Act (RCRA). Transporters are individuals or entities that move hazardous waste from the generator offsite to a facility that can recycle, treat, store, or dispose of the waste. TSDFs treat, store, or dispose of the waste.

A review of the RCRA-TSDF list, as provided by EDR, and dated 03/01/2018 has revealed that there is 1 RCRA-TSDF site within approximately 0.5 miles of the target property.

<u>Equal/Higher Elevation</u>	<u>Address</u>	<u>Direction / Distance</u>	<u>Map ID</u>	<u>Page</u>
<i>MOTOROLA FOUR PHASE</i>	<i>10700 N DE ANZA BLVD</i>	<i>S 1/4 - 1/2 (0.264 mi.)</i>	<i>G43</i>	<i>140</i>

EXECUTIVE SUMMARY

Federal RCRA generators list

RCRA-LQG: RCRAInfo is EPA's comprehensive information system, providing access to data supporting the Resource Conservation and Recovery Act (RCRA) of 1976 and the Hazardous and Solid Waste Amendments (HSWA) of 1984. The database includes selective information on sites which generate, transport, store, treat and/or dispose of hazardous waste as defined by the Resource Conservation and Recovery Act (RCRA). Large quantity generators (LQGs) generate over 1,000 kilograms (kg) of hazardous waste, or over 1 kg of acutely hazardous waste per month.

A review of the RCRA-LQG list, as provided by EDR, and dated 03/01/2018 has revealed that there are 2 RCRA-LQG sites within approximately 0.25 miles of the target property.

<u>Equal/Higher Elevation</u>	<u>Address</u>	<u>Direction / Distance</u>	<u>Map ID</u>	<u>Page</u>
SAFeway STORE 3251	20620 HOMESTEAD RD	WNW 0 - 1/8 (0.093 mi.)	D17	63
SAFeway STORE #3251	20620 HOMESTEAD RD	WNW 0 - 1/8 (0.093 mi.)	D18	65

RCRA-SQG: RCRAInfo is EPA's comprehensive information system, providing access to data supporting the Resource Conservation and Recovery Act (RCRA) of 1976 and the Hazardous and Solid Waste Amendments (HSWA) of 1984. The database includes selective information on sites which generate, transport, store, treat and/or dispose of hazardous waste as defined by the Resource Conservation and Recovery Act (RCRA). Small quantity generators (SQGs) generate between 100 kg and 1,000 kg of hazardous waste per month.

A review of the RCRA-SQG list, as provided by EDR, and dated 03/01/2018 has revealed that there is 1 RCRA-SQG site within approximately 0.25 miles of the target property.

<u>Lower Elevation</u>	<u>Address</u>	<u>Direction / Distance</u>	<u>Map ID</u>	<u>Page</u>
CHEVRON STATION NO 9	11010 N DE ANZA BLVD	NNE 0 - 1/8 (0.105 mi.)	E26	88

RCRA-CESQG: RCRAInfo is EPA's comprehensive information system, providing access to data supporting the Resource Conservation and Recovery Act (RCRA) of 1976 and the Hazardous and Solid Waste Amendments (HSWA) of 1984. The database includes selective information on sites which generate, transport, store, treat and/or dispose of hazardous waste as defined by the Resource Conservation and Recovery Act (RCRA). Conditionally exempt small quantity generators (CESQGs) generate less than 100 kg of hazardous waste, or less than 1 kg of acutely hazardous waste per month.

A review of the RCRA-CESQG list, as provided by EDR, and dated 03/01/2018 has revealed that there are 2 RCRA-CESQG sites within approximately 0.25 miles of the target property.

<u>Equal/Higher Elevation</u>	<u>Address</u>	<u>Direction / Distance</u>	<u>Map ID</u>	<u>Page</u>
RITE AID NO 5967	20580 HOMESTEAD AVE	NW 0 - 1/8 (0.084 mi.)	C15	58
<u>Lower Elevation</u>	<u>Address</u>	<u>Direction / Distance</u>	<u>Map ID</u>	<u>Page</u>
RITE AID NO 5967	20572 HOMESTEAD RD	NW 0 - 1/8 (0.067 mi.)	C12	41

EXECUTIVE SUMMARY

State- and tribal - equivalent CERCLIS

ENVIROSTOR: The Department of Toxic Substances Control's (DTSC's) Site Mitigation and Brownfields Reuse Program's (SMBRP's) EnviroStor database identifies sites that have known contamination or sites for which there may be reasons to investigate further. The database includes the following site types: Federal Superfund sites (National Priorities List (NPL)); State Response, including Military Facilities and State Superfund; Voluntary Cleanup; and School sites. EnviroStor provides similar information to the information that was available in CalSites, and provides additional site information, including, but not limited to, identification of formerly-contaminated properties that have been released for reuse, properties where environmental deed restrictions have been recorded to prevent inappropriate land uses, and risk characterization information that is used to assess potential impacts to public health and the environment at contaminated sites.

A review of the ENVIROSTOR list, as provided by EDR, and dated 04/30/2018 has revealed that there are 3 ENVIROSTOR sites within approximately 1 mile of the target property.

<u>Equal/Higher Elevation</u>	<u>Address</u>	<u>Direction / Distance</u>	<u>Map ID</u>	<u>Page</u>
FOUR-PHASE SYSTEMS I Facility Id: 80001514 Status: No Action Required	10700 N DE ANZA BLVD	S 1/4 - 1/2 (0.264 mi.)	G45	146
DAVIDSON CHEVROLET/G Facility Id: 60001047 Status: Refer: 1248 Local Agency	20955 STEVENS CREEK	SSW 1/2 - 1 (0.903 mi.)	56	183

<u>Lower Elevation</u>	<u>Address</u>	<u>Direction / Distance</u>	<u>Map ID</u>	<u>Page</u>
CUPERTINO VILLAGE CL Facility Id: 60000385 Status: Active	10989 NORTH WOLFE RO	E 1/2 - 1 (0.938 mi.)	57	187

State and tribal leaking storage tank lists

LUST: Leaking Underground Storage Tank (LUST) Sites included in GeoTracker. GeoTracker is the Water Boards data management system for sites that impact, or have the potential to impact, water quality in California, with emphasis on groundwater.

A review of the LUST list, as provided by EDR, has revealed that there are 12 LUST sites within approximately 0.5 miles of the target property.

<u>Equal/Higher Elevation</u>	<u>Address</u>	<u>Direction / Distance</u>	<u>Map ID</u>	<u>Page</u>
CUPERTINO SMOG & AUT Database: LUST SANTA CLARA, Date of Government Version: 03/03/2014 Database: LUST, Date of Government Version: 06/11/2018 Status: Completed - Case Closed Date Closed: 06/27/2001 Global Id: T0608500155 SCVWD ID: 07S2W12P01F	10625 N DE ANZA BL	S 1/8 - 1/4 (0.248 mi.)	G36	115
ARCO #6111 Database: LUST REG 2, Date of Government Version: 09/30/2004 Facility Status: Case Closed	10625 N DE ANZA BLVD	S 1/8 - 1/4 (0.248 mi.)	G38	134

EXECUTIVE SUMMARY

date9: 6/27/2001				
TEXACO/EXXON	695 W HOMESTEAD RD	WNW 1/4 - 1/2 (0.441 mi.)	I48	164
Database: LUST, Date of Government Version: 06/11/2018				
Status: Completed - Case Closed				
Global Id: T0608501427				
TEXACO/EXXON	695 W HOMESTEAD RD	WNW 1/4 - 1/2 (0.441 mi.)	I49	167
Database: LUST REG 2, Date of Government Version: 09/30/2004				
Facility Status: Case Closed				
date9: 1/23/1996				
SPEEDEE OIL CHANGE &	695 W HOMESTEAD RD	WNW 1/4 - 1/2 (0.441 mi.)	I50	167
Database: LUST SANTA CLARA, Date of Government Version: 03/03/2014				
Date Closed: 01/23/1996				
SCVWD ID: 07S2W12E01F				
CUPERTINO NURSERY	10431 N DE ANZA BLVD	S 1/4 - 1/2 (0.447 mi.)	J51	171
Database: LUST SANTA CLARA, Date of Government Version: 03/03/2014				
Database: LUST REG 2, Date of Government Version: 09/30/2004				
Database: LUST, Date of Government Version: 06/11/2018				
Status: Completed - Case Closed				
Facility Status: Case Closed				
Date Closed: 01/24/1992				
Global Id: T0608500480				
SCVWD ID: 07S2W13C01F				
date9: 1/24/1992				
APPLE COMPUTER	10500 N DE ANZA BLVD	S 1/4 - 1/2 (0.469 mi.)	J53	173
Database: LUST SANTA CLARA, Date of Government Version: 03/03/2014				
Database: LUST REG 2, Date of Government Version: 09/30/2004				
Facility Status: Preliminary site assessment underway				
Date Closed: 01/17/1991				
SCVWD ID: 07S2W12Q01F				
date9: 1/17/1991				
FOUR-PHASE SYSTEMS	10500 N DE ANZA BLVD	S 1/4 - 1/2 (0.469 mi.)	J54	176
Database: LUST, Date of Government Version: 06/11/2018				
Status: Completed - Case Closed				
Global Id: T0608500147				
SHELL OIL COMPANY	1695 HOLLENBECK AVE	WNW 1/4 - 1/2 (0.488 mi.)	55	179
Database: LUST SANTA CLARA, Date of Government Version: 03/03/2014				
Database: LUST REG 2, Date of Government Version: 09/30/2004				
Database: LUST, Date of Government Version: 06/11/2018				
Status: Completed - Case Closed				
Facility Status: Pollution Characterization				
Date Closed: 10/22/2004				
Global Id: T0608501263				
SCVWD ID: 07S2W11H01F				
Lower Elevation	Address	Direction / Distance	Map ID	Page
MARIANI PACKING	10930 DE ANZA BLVD	E 0 - 1/8 (0.023 mi.)	A4	21
Database: LUST SANTA CLARA, Date of Government Version: 03/03/2014				
Database: LUST REG 2, Date of Government Version: 09/30/2004				
Database: LUST, Date of Government Version: 06/11/2018				
Status: Completed - Case Closed				
Facility Status: Case Closed				

EXECUTIVE SUMMARY

Date Closed: 02/19/1991
 Global Id: T0608500867
 SCVWD ID: 07S2W12G01F
 date9: 2/19/1991

MOBIL **11025 DE ANZA BLVD** **NNE 0 - 1/8 (0.035 mi.)** **B5** **24**
 Database: LUST SANTA CLARA, Date of Government Version: 03/03/2014
 Database: LUST REG 2, Date of Government Version: 09/30/2004
 Database: LUST, Date of Government Version: 06/11/2018
 Status: Completed - Case Closed
 Facility Status: Case Closed
 Date Closed: 02/01/1999
 Global Id: T0608500257
 SCVWD ID: 07S2W12F01F
 date9: 2/1/1999

95700 **11010 N DE ANZA BLVD** **NNE 0 - 1/8 (0.105 mi.)** **E23** **78**
 Database: LUST SANTA CLARA, Date of Government Version: 03/03/2014
 Database: LUST REG 2, Date of Government Version: 09/30/2004
 Database: LUST, Date of Government Version: 06/11/2018
 Status: Completed - Case Closed
 Facility Status: Case Closed
 Date Closed: 08/02/2001
 Global Id: T0608500238
 SCVWD ID: 07S2W12G02F
 date9: 8/2/2001

CPS-SLIC: Cleanup Program Sites (CPS; also known as Site Cleanups [SC] and formerly known as Spills, Leaks, Investigations, and Cleanups [SLIC] sites) included in GeoTracker. GeoTracker is the Water Boards data management system for sites that impact, or have the potential to impact, water quality in California, with emphasis on groundwater.

A review of the CPS-SLIC list, as provided by EDR, has revealed that there are 3 CPS-SLIC sites within approximately 0.5 miles of the target property.

<u>Equal/Higher Elevation</u>	<u>Address</u>	<u>Direction / Distance</u>	<u>Map ID</u>	<u>Page</u>
TIMEX CORPORATION Database: CPS-SLIC, Date of Government Version: 06/11/2018 Facility Status: Completed - Case Closed Global Id: T0608591755	20650 VALLEY GREEN D	SSW 1/4 - 1/2 (0.253 mi.)	H41	139
TIMEX CORPORATION Database: SLIC REG 2, Date of Government Version: 09/30/2004 Facility Id: 43-1927	20650 VALLEY GREEN D	SSW 1/4 - 1/2 (0.253 mi.)	H42	139
APPLE INC Database: CPS-SLIC, Date of Government Version: 06/11/2018 Facility Status: Completed - Case Closed Global Id: SL0608533305	20400 MARIANI AVENUE	SSE 1/4 - 1/2 (0.404 mi.)	46	148

EXECUTIVE SUMMARY

HIST LUST: A listing of open and closed leaking underground storage tanks. This listing is no longer updated by the county. Leaking underground storage tanks are now handled by the Department of Environmental Health.

A review of the HIST LUST list, as provided by EDR, and dated 03/29/2005 has revealed that there are 8 HIST LUST sites within approximately 0.5 miles of the target property.

<u>Equal/Higher Elevation</u>	<u>Address</u>	<u>Direction / Distance</u>	<u>Map ID</u>	<u>Page</u>
ARCO #6111 SCVWD ID: 07S2W12P01	10625 N DE ANZA BLVD	S 1/8 - 1/4 (0.248 mi.)	G38	134
TEXACO/EXXON SCVWD ID: 07S2W12E01	695 W HOMESTEAD RD	WNW 1/4 - 1/2 (0.441 mi.)	I49	167
CUPERTINO NURSERY SCVWD ID: 07S2W13C01	10431 N DE ANZA BLVD	S 1/4 - 1/2 (0.447 mi.)	J51	171
APPLE COMPUTER SCVWD ID: 07S2W12Q01	10500 N DE ANZA BLVD	S 1/4 - 1/2 (0.469 mi.)	J53	173
SHELL OIL COMPANY SCVWD ID: 07S2W11H01	1695 HOLLENBECK AVE	WNW 1/4 - 1/2 (0.488 mi.)	55	179

<u>Lower Elevation</u>	<u>Address</u>	<u>Direction / Distance</u>	<u>Map ID</u>	<u>Page</u>
MARIANI PACKING SCVWD ID: 07S2W12G01	10930 DE ANZA BLVD	E 0 - 1/8 (0.023 mi.)	A4	21
MOBIL SCVWD ID: 07S2W12F01	11025 DE ANZA BLVD	NNE 0 - 1/8 (0.035 mi.)	B5	24
95700 SCVWD ID: 07S2W12G02	11010 N DE ANZA BLVD	NNE 0 - 1/8 (0.105 mi.)	E23	78

State and tribal registered storage tank lists

UST: The Underground Storage Tank database contains registered USTs. USTs are regulated under Subtitle I of the Resource Conservation and Recovery Act (RCRA). The data come from the State Water Resources Control Board's Hazardous Substance Storage Container Database.

A review of the UST list, as provided by EDR, has revealed that there are 4 UST sites within approximately 0.25 miles of the target property.

<u>Equal/Higher Elevation</u>	<u>Address</u>	<u>Direction / Distance</u>	<u>Map ID</u>	<u>Page</u>
CUPERTINO SMOG & AUT Database: UST, Date of Government Version: 06/11/2018 Facility Id: 32	10625 N DE ANZA BL	S 1/8 - 1/4 (0.248 mi.)	G37	133
Lower Elevation	Address	Direction / Distance	Map ID	Page
DE ANZA AUTO REPAIR Database: UST, Date of Government Version: 06/11/2018 Facility Id: 34	11025 N DE ANZA BL	N 0 - 1/8 (0.043 mi.)	B9	38
CHEVRON STATION #957 Database: UST, Date of Government Version: 06/11/2018	11010 DE ANZA BL	NNE 0 - 1/8 (0.105 mi.)	E21	78

EXECUTIVE SUMMARY

Facility Id: 2096-12-77

CHEVRON SERVICE STAT 11010 N DE ANZA BL NNE 0 - 1/8 (0.105 mi.) E24 86
Database: UST, Date of Government Version: 06/11/2018
Facility Id: 33

State and tribal Brownfields sites

BROWNFIELDS: A listing of sites the SWRCB considers to be Brownfields since these are sites have come to them through the MOA Process.

A review of the BROWNFIELDS list, as provided by EDR, and dated 03/26/2018 has revealed that there is 1 BROWNFIELDS site within approximately 0.5 miles of the target property.

<u>Equal/Higher Elevation</u>	<u>Address</u>	<u>Direction / Distance</u>	<u>Map ID</u>	<u>Page</u>
<i>APPLE INC</i>	<i>20400 MARIANI AVENUE</i>	<i>SSE 1/4 - 1/2 (0.404 mi.)</i>	<i>46</i>	<i>148</i>

ADDITIONAL ENVIRONMENTAL RECORDS

Local Lists of Hazardous waste / Contaminated Sites

CERS HAZ WASTE: List of sites in the California Environmental Protection Agency (CalEPA) Regulated Site Portal which fall under the Hazardous Chemical Management, Hazardous Waste Onsite Treatment, Household Hazardous Waste Collection, Hazardous Waste Generator, and RCRA LQ HW Generator programs.

A review of the CERS HAZ WASTE list, as provided by EDR, and dated 04/23/2018 has revealed that there are 8 CERS HAZ WASTE sites within approximately 0.25 miles of the target property.

<u>Equal/Higher Elevation</u>	<u>Address</u>	<u>Direction / Distance</u>	<u>Map ID</u>	<u>Page</u>
<i>ULTA BEAUTY</i>	<i>20580 HOMESTEAD RD</i>	<i>NW 0 - 1/8 (0.084 mi.)</i>	<i>C14</i>	<i>54</i>
<i>SAFeway STORE 3251</i>	<i>20620 HOMESTEAD RD</i>	<i>WNW 0 - 1/8 (0.093 mi.)</i>	<i>D20</i>	<i>70</i>
<i>MICHAEL'S STORE # 68</i>	<i>20640 HOMESTEAD RD</i>	<i>WNW 1/8 - 1/4 (0.129 mi.)</i>	<i>F31</i>	<i>106</i>
<i>ROSS STORE #1733</i>	<i>20650 HOMESTEAD RD</i>	<i>WNW 1/8 - 1/4 (0.160 mi.)</i>	<i>F32</i>	<i>109</i>
<i>CUPERTINO SMOG & AUT</i>	<i>10625 N DE ANZA BL</i>	<i>S 1/8 - 1/4 (0.248 mi.)</i>	<i>G36</i>	<i>115</i>

<u>Lower Elevation</u>	<u>Address</u>	<u>Direction / Distance</u>	<u>Map ID</u>	<u>Page</u>
<i>DE ANZA AUTO REPAIR</i>	<i>11025 N DE ANZA BL</i>	<i>N 0 - 1/8 (0.043 mi.)</i>	<i>B7</i>	<i>27</i>
<i>RITE AID STORE NO 59</i>	<i>20572 HOMESTEAD ROAD</i>	<i>NW 0 - 1/8 (0.067 mi.)</i>	<i>C13</i>	<i>46</i>
<i>CHEVRON STATION #957</i>	<i>11010 DE ANZA BL</i>	<i>NNE 0 - 1/8 (0.105 mi.)</i>	<i>E28</i>	<i>93</i>

Local Lists of Registered Storage Tanks

SWEEPS UST: Statewide Environmental Evaluation and Planning System. This underground storage tank listing was updated and maintained by a company contacted by the SWRCB in the early 1990's. The listing is no longer updated or maintained. The local agency is the contact for more information on a site on the SWEEPS list.

A review of the SWEEPS UST list, as provided by EDR, and dated 06/01/1994 has revealed that there are

EXECUTIVE SUMMARY

4 SWEEPS UST sites within approximately 0.25 miles of the target property.

<u>Equal/Higher Elevation</u>	<u>Address</u>	<u>Direction / Distance</u>	<u>Map ID</u>	<u>Page</u>
CUPERTINO SMOG & AUT Status: A Tank Status: A Comp Number: 27088	10625 N DE ANZA BL	S 1/8 - 1/4 (0.248 mi.)	G36	115
<u>Lower Elevation</u>	<u>Address</u>	<u>Direction / Distance</u>	<u>Map ID</u>	<u>Page</u>
DE ANZA AUTO REPAIR Status: A Tank Status: A Comp Number: 502	11025 N DE ANZA BL	N 0 - 1/8 (0.043 mi.)	B7	27
MOBIL SERVICE STATIO Comp Number: 39585	11025 N DE ANZA BLVD	N 0 - 1/8 (0.043 mi.)	B11	39
95700 Status: A Comp Number: 62800	11010 N DE ANZA BLVD	NNE 0 - 1/8 (0.105 mi.)	E23	78

HIST UST: Historical UST Registered Database.

A review of the HIST UST list, as provided by EDR, and dated 10/15/1990 has revealed that there are 6 HIST UST sites within approximately 0.25 miles of the target property.

<u>Equal/Higher Elevation</u>	<u>Address</u>	<u>Direction / Distance</u>	<u>Map ID</u>	<u>Page</u>
CUPERTINO SMOG & AUT Facility Id: 00000027088	10625 N DE ANZA BL	S 1/8 - 1/4 (0.248 mi.)	G36	115
ARCO PRODUCTS COMPAN	10625 N DEANZA BLVD	S 1/8 - 1/4 (0.248 mi.)	G39	134
<u>Lower Elevation</u>	<u>Address</u>	<u>Direction / Distance</u>	<u>Map ID</u>	<u>Page</u>
MOBIL SERVICE STATIO Facility Id: 00000039585	11025 N DE ANZA BLVD	N 0 - 1/8 (0.043 mi.)	B11	39
95700 Facility Id: 00000062800	11010 N DE ANZA BLVD	NNE 0 - 1/8 (0.105 mi.)	E23	78
95700 95954 Facility Id: 00000062833	11010 NO DEANZA BLVD 10023 SNYVLE SRTGA R	NNE 0 - 1/8 (0.105 mi.) NNW 0 - 1/8 (0.122 mi.)	E25 29	87 105

CA FID UST: The Facility Inventory Database contains active and inactive underground storage tank locations. The source is the State Water Resource Control Board.

A review of the CA FID UST list, as provided by EDR, and dated 10/31/1994 has revealed that there is 1 CA FID UST site within approximately 0.25 miles of the target property.

<u>Lower Elevation</u>	<u>Address</u>	<u>Direction / Distance</u>	<u>Map ID</u>	<u>Page</u>
DE ANZA AUTO REPAIR Facility Id: 43000407	11025 N DE ANZA BL	N 0 - 1/8 (0.043 mi.)	B7	27

EXECUTIVE SUMMARY

Status: A
Status: I

CERS TANKS: List of sites in the California Environmental Protection Agency (CalEPA) Regulated Site Portal which fall under the Aboveground Petroleum Storage and Underground Storage Tank regulatory programs.

A review of the CERS TANKS list, as provided by EDR, and dated 04/23/2018 has revealed that there are 3 CERS TANKS sites within approximately 0.25 miles of the target property.

<u>Equal/Higher Elevation</u>	<u>Address</u>	<u>Direction / Distance</u>	<u>Map ID</u>	<u>Page</u>
CUPERTINO SMOG & AUT	10625 N DE ANZA BL	S 1/8 - 1/4 (0.248 mi.)	G36	115
<u>Lower Elevation</u>	<u>Address</u>	<u>Direction / Distance</u>	<u>Map ID</u>	<u>Page</u>
DE ANZA AUTO REPAIR	11025 N DE ANZA BL	N 0 - 1/8 (0.043 mi.)	B7	27
CHEVRON STATION #957	11010 DE ANZA BL	NNE 0 - 1/8 (0.105 mi.)	E28	93

Other Ascertainable Records

RCRA NonGen / NLR: RCRAInfo is EPA's comprehensive information system, providing access to data supporting the Resource Conservation and Recovery Act (RCRA) of 1976 and the Hazardous and Solid Waste Amendments (HSWA) of 1984. The database includes selective information on sites which generate, transport, store, treat and/or dispose of hazardous waste as defined by the Resource Conservation and Recovery Act (RCRA). Non-Generators do not presently generate hazardous waste.

A review of the RCRA NonGen / NLR list, as provided by EDR, and dated 03/01/2018 has revealed that there is 1 RCRA NonGen / NLR site within approximately 0.25 miles of the target property.

<u>Equal/Higher Elevation</u>	<u>Address</u>	<u>Direction / Distance</u>	<u>Map ID</u>	<u>Page</u>
ONE HOUR MOTOPHOTO	20670 HOMESTEAD RD	WNW 1/8 - 1/4 (0.160 mi.)	F34	113

CUPA Listings: A listing of sites included in the county's Certified Unified Program Agency database. California's Secretary for Environmental Protection established the unified hazardous materials and hazardous waste regulatory program as required by chapter 6.11 of the California Health and Safety Code. The Unified Program consolidates the administration, permits, inspections, and enforcement activities.

A review of the CUPA Listings list, as provided by EDR, has revealed that there are 9 CUPA Listings sites within approximately 0.25 miles of the target property.

<u>Equal/Higher Elevation</u>	<u>Address</u>	<u>Direction / Distance</u>	<u>Map ID</u>	<u>Page</u>
ULTA BEAUTY #777 Database: CUPA SANTA CLARA, Date of Government Version: 05/16/2018	20580 HOMESTEAD RD	NW 0 - 1/8 (0.084 mi.)	C16	61
SAFeway STORE #3251 Database: CUPA SANTA CLARA, Date of Government Version: 05/16/2018	20620 HOMESTEAD RD	WNW 0 - 1/8 (0.093 mi.)	D19	68
MICHAELS STORE #6818 Database: CUPA SANTA CLARA, Date of Government Version: 05/16/2018	20640 HOMESTEAD RD	WNW 1/8 - 1/4 (0.129 mi.)	F30	106
THREE SEVEN 1 HR PHO Database: CUPA SANTA CLARA, Date of Government Version: 05/16/2018	20670 HOMESTEAD RD	WNW 1/8 - 1/4 (0.160 mi.)	F33	113
CUPERTINO SMOG & AUT Database: CUPA SANTA CLARA, Date of Government Version: 05/16/2018	10625 N DE ANZA BL	S 1/8 - 1/4 (0.248 mi.)	G36	115

EXECUTIVE SUMMARY

<u>Lower Elevation</u>	<u>Address</u>	<u>Direction / Distance</u>	<u>Map ID</u>	<u>Page</u>
CARLOS' AUTO REPAIR Database: CUPA SANTA CLARA, Date of Government Version: 05/16/2018	11025 N DE ANZA BL	N 0 - 1/8 (0.043 mi.)	B6	26
DE ANZA AUTO REPAIR Database: CUPA SANTA CLARA, Date of Government Version: 05/16/2018	11025 N DE ANZA BL	N 0 - 1/8 (0.043 mi.)	B7	27
CUPERTINO AUTO SERVI Database: CUPA SANTA CLARA, Date of Government Version: 05/16/2018	11025 N DE ANZA BL	N 0 - 1/8 (0.043 mi.)	B8	38
RITE AID STORE NO 59 Database: CUPA SANTA CLARA, Date of Government Version: 05/16/2018	20572 HOMESTEAD ROAD	NW 0 - 1/8 (0.067 mi.)	C13	46

HIST CORTESE: The sites for the list are designated by the State Water Resource Control Board [LUST], the Integrated Waste Board [SWF/LS], and the Department of Toxic Substances Control [CALSTITES]. This listing is no longer updated by the state agency.

A review of the HIST CORTESE list, as provided by EDR, and dated 04/01/2001 has revealed that there are 8 HIST CORTESE sites within approximately 0.5 miles of the target property.

<u>Equal/Higher Elevation</u>	<u>Address</u>	<u>Direction / Distance</u>	<u>Map ID</u>	<u>Page</u>
ARCO Reg Id: 43-0087	10625 DE ANZA	S 1/8 - 1/4 (0.246 mi.)	G35	115
TEXACO EXXON Reg Id: 43-1456	695 HOMESTEAD	WNW 1/4 - 1/2 (0.414 mi.)	I47	164
CUPERTINO NURSERY Reg Id: 43-0430	10431 N DE ANZA BLVD	S 1/4 - 1/2 (0.447 mi.)	J51	171
APPLE COMPUTER INC Reg Id: 43-0079	10500 DE ANZA	SSE 1/4 - 1/2 (0.450 mi.)	52	173
SHELL OIL COMPANY Reg Id: 43-1285	1695 HOLLENBECK AVE	WNW 1/4 - 1/2 (0.488 mi.)	55	179

<u>Lower Elevation</u>	<u>Address</u>	<u>Direction / Distance</u>	<u>Map ID</u>	<u>Page</u>
MARIANI PACKING Reg Id: 43-0856	10930 DE ANZA BLVD	E 0 - 1/8 (0.023 mi.)	A4	21
MOBIL Reg Id: 43-0193	11025 DE ANZA BLVD	NNE 0 - 1/8 (0.035 mi.)	B5	24
CHEVRON Reg Id: 43-0172	11010 DE ANZA	NNE 0 - 1/8 (0.105 mi.)	E22	78

HWP: Detailed information on permitted hazardous waste facilities and corrective action ("cleanups") tracked in EnviroStor.

A review of the HWP list, as provided by EDR, and dated 05/21/2018 has revealed that there is 1 HWP site within approximately 1 mile of the target property.

<u>Equal/Higher Elevation</u>	<u>Address</u>	<u>Direction / Distance</u>	<u>Map ID</u>	<u>Page</u>
FOUR-PHASE SYSTEMS I	10700 N DE ANZA BLVD	S 1/4 - 1/2 (0.264 mi.)	G44	144

EXECUTIVE SUMMARY

EPA Id: CAD990794158
Cleanup Status: UNDERGOING CLOSURE

EDR HIGH RISK HISTORICAL RECORDS

EDR Exclusive Records

EDR Hist Auto: EDR has searched selected national collections of business directories and has collected listings of potential gas station/filling station/service station sites that were available to EDR researchers. EDR's review was limited to those categories of sources that might, in EDR's opinion, include gas station/filling station/service station establishments. The categories reviewed included, but were not limited to gas, gas station, gasoline station, filling station, auto, automobile repair, auto service station, service station, etc. This database falls within a category of information EDR classifies as "High Risk Historical Records", or HRHR. EDR's HRHR effort presents unique and sometimes proprietary data about past sites and operations that typically create environmental concerns, but may not show up in current government records searches.

A review of the EDR Hist Auto list, as provided by EDR, has revealed that there are 2 EDR Hist Auto sites within approximately 0.125 miles of the target property.

<u>Lower Elevation</u>	<u>Address</u>	<u>Direction / Distance</u>	<u>Map ID</u>	<u>Page</u>
CARLOS CORONA INCORP	11025 N DE ANZA BLVD	N 0 - 1/8 (0.043 mi.)	B10	38
CHEVRON STATIONS INC	11010 N DE ANZA BLVD	NNE 0 - 1/8 (0.105 mi.)	E27	92

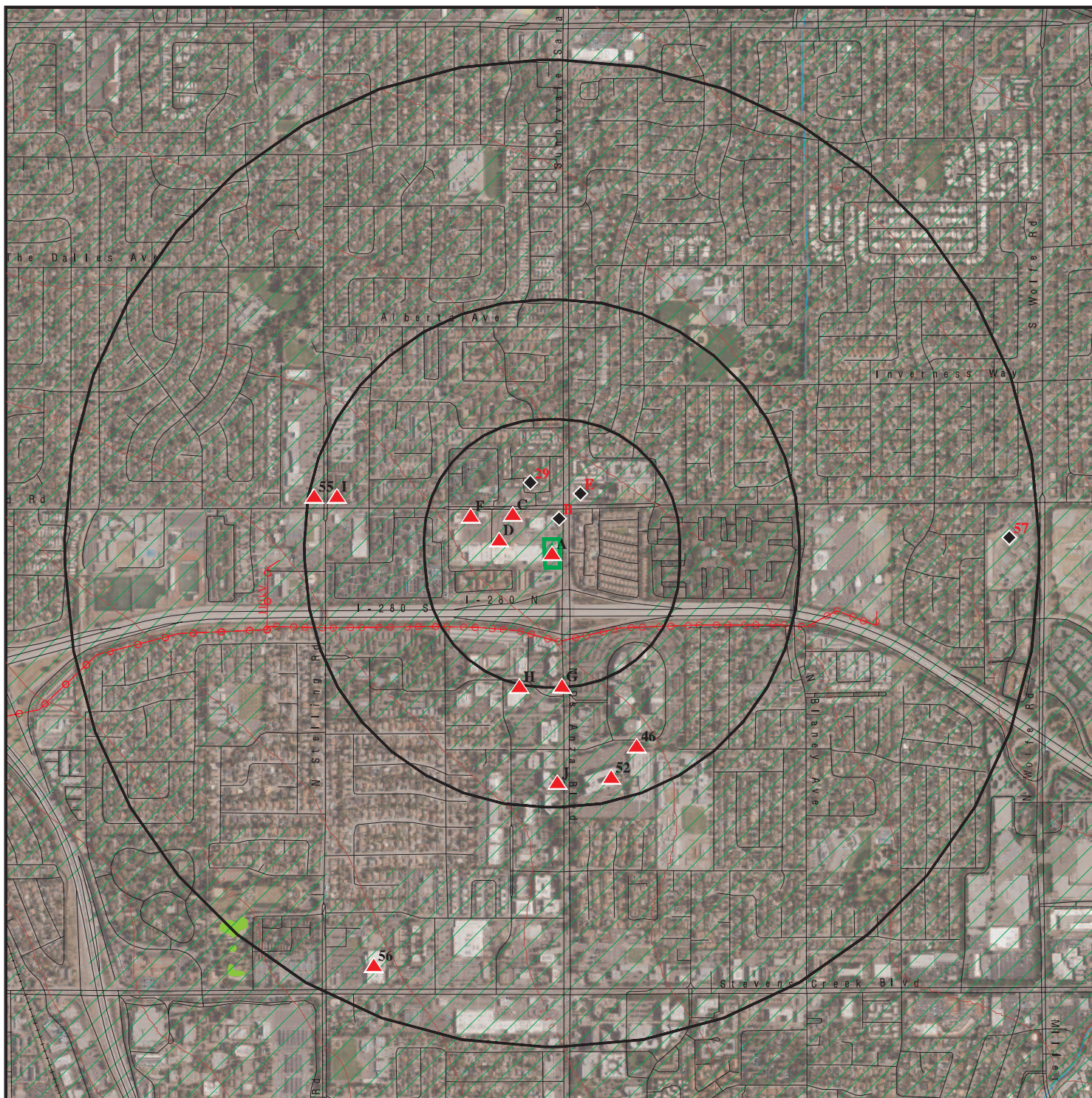
EXECUTIVE SUMMARY

Due to poor or inadequate address information, the following sites were not mapped. Count: 2 records.


Site Name
FRANCISCO A SERRANO
UNOCAL #5428


Database(s)
LUST, HIST LUST, HIST UST
LUST

OVERVIEW MAP - 5374254.2S



 Target Property

 Sites at elevations higher than or equal to the target property

 Sites at elevations lower than the target property

 Manufactured Gas Plants

 National Priority List Sites

 Dept. Defense Sites

 Indian Reservations BIA

 Power transmission lines


 100-year flood zone

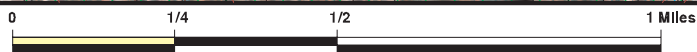
 500-year flood zone

 National Wetland Inventory

 State Wetlands

 Upgradient Area

 Areas of Concern

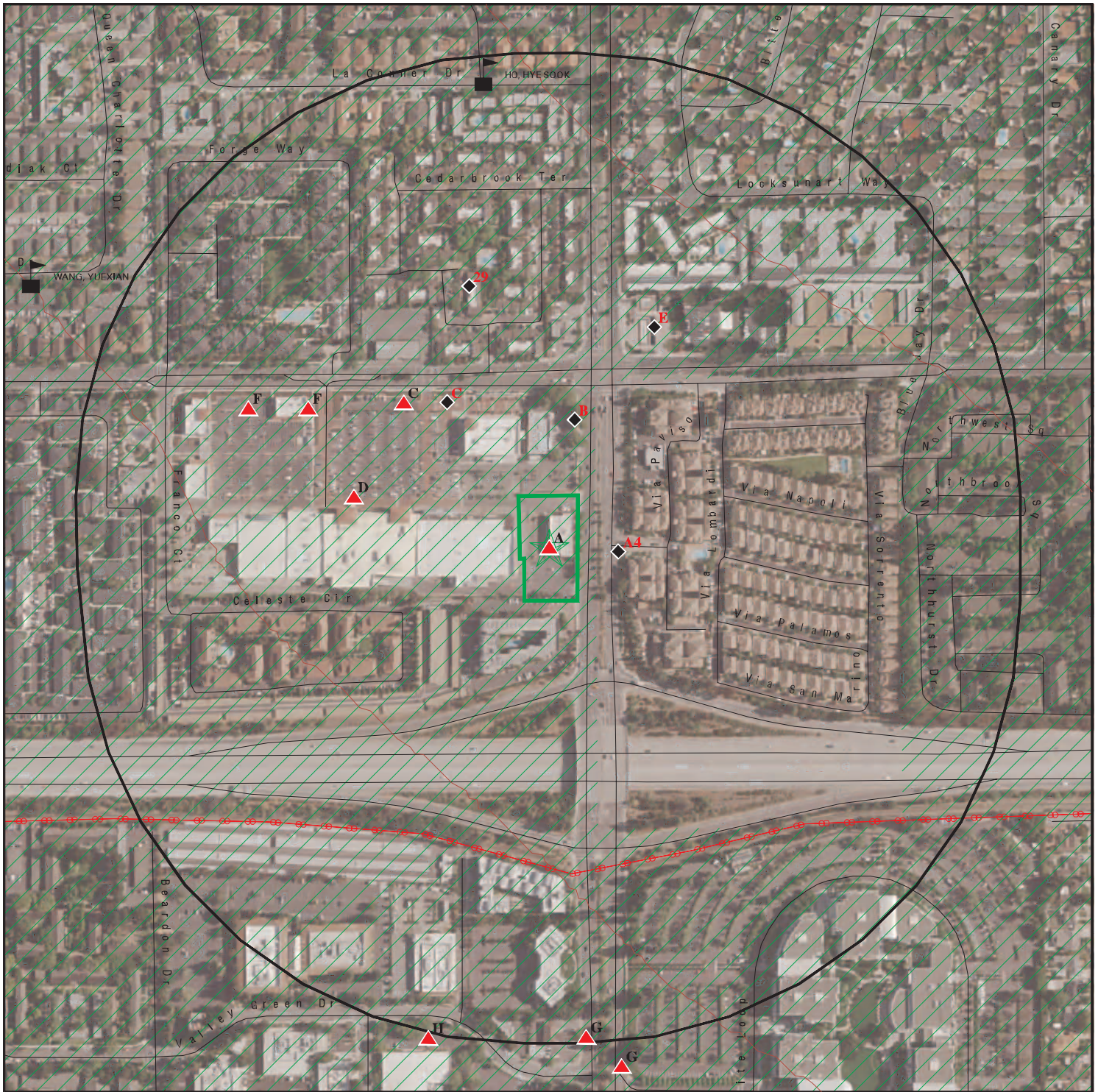









This report includes Interactive Map Layers to display and/or hide map information. The legend includes only those icons for the default map view.




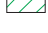

SITE NAME: 392233
 ADDRESS: 10931 North De Anza Boulevard
 Cupertino CA 95014
 LAT/LONG: 37.336171 / 122.032844

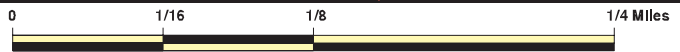
CLIENT: AEI Consultants
 CONTACT: Tony Chilese
 INQUIRY #: 5374254.2s
 DATE: July 26, 2018 1:29 pm

DETAIL MAP - 5374254.2S



-  Target Property
-  Sites at elevations higher than or equal to the target property
-  Sites at elevations lower than the target property
-  Manufactured Gas Plants
-  Sensitive Receptors
-  National Priority List Sites
-  Dept. Defense Sites

-  Indian Reservations BIA
-  Power transmission lines
-  100-year flood zone
-  500-year flood zone
-  Areas of Concern



This report includes Interactive Map Layers to display and/or hide map information. The legend includes only those icons for the default map view.

SITE NAME: 392233
 ADDRESS: 10931 North De Anza Boulevard
 Cupertino CA 95014
 LAT/LONG: 37.336171 / 122.032844

CLIENT: AEI Consultants
 CONTACT: Tony Chilesse
 INQUIRY #: 5374254.2s
 DATE: July 26, 2018 1:34 pm

MAP FINDINGS SUMMARY

Database	Search Distance (Miles)	Target Property	< 1/8	1/8 - 1/4	1/4 - 1/2	1/2 - 1	> 1	Total Plotted
STANDARD ENVIRONMENTAL RECORDS								
<i>Federal NPL site list</i>								
NPL	1.000		0	0	0	0	NR	0
Proposed NPL	1.000		0	0	0	0	NR	0
NPL LIENS	TP		NR	NR	NR	NR	NR	0
<i>Federal Delisted NPL site list</i>								
Delisted NPL	1.000		0	0	0	0	NR	0
<i>Federal CERCLIS list</i>								
FEDERAL FACILITY	0.500		0	0	0	NR	NR	0
SEMS	0.500		0	0	0	NR	NR	0
<i>Federal CERCLIS NFRAP site list</i>								
SEMS-ARCHIVE	0.500		0	0	1	NR	NR	1
<i>Federal RCRA CORRACTS facilities list</i>								
CORRACTS	1.000		0	0	1	0	NR	1
<i>Federal RCRA non-CORRACTS TSD facilities list</i>								
RCRA-TSDF	0.500		0	0	1	NR	NR	1
<i>Federal RCRA generators list</i>								
RCRA-LQG	0.250		2	0	NR	NR	NR	2
RCRA-SQG	0.250		1	0	NR	NR	NR	1
RCRA-CESQG	0.250		2	0	NR	NR	NR	2
<i>Federal institutional controls / engineering controls registries</i>								
LUCIS	0.500		0	0	0	NR	NR	0
US ENG CONTROLS	0.500		0	0	0	NR	NR	0
US INST CONTROL	0.500		0	0	0	NR	NR	0
<i>Federal ERNS list</i>								
ERNS	TP		NR	NR	NR	NR	NR	0
<i>State- and tribal - equivalent NPL RESPONSE</i>								
RESPONSE	1.000		0	0	0	0	NR	0
<i>State- and tribal - equivalent CERCLIS ENVIROSTOR</i>								
ENVIROSTOR	1.000		0	0	1	2	NR	3
<i>State and tribal landfill and/or solid waste disposal site lists</i>								
SWF/LF	0.500		0	0	0	NR	NR	0
<i>State and tribal leaking storage tank lists</i>								
LUST	0.500		3	2	7	NR	NR	12

MAP FINDINGS SUMMARY

Database	Search Distance (Miles)	Target Property	< 1/8	1/8 - 1/4	1/4 - 1/2	1/2 - 1	> 1	Total Plotted
INDIAN LUST	0.500		0	0	0	NR	NR	0
CPS-SLIC	0.500		0	0	3	NR	NR	3
HIST LUST	0.500		3	1	4	NR	NR	8
State and tribal registered storage tank lists								
FEMA UST	0.250		0	0	NR	NR	NR	0
UST	0.250		3	1	NR	NR	NR	4
AST	0.250		0	0	NR	NR	NR	0
INDIAN UST	0.250		0	0	NR	NR	NR	0
State and tribal voluntary cleanup sites								
INDIAN VCP	0.500		0	0	0	NR	NR	0
VCP	0.500		0	0	0	NR	NR	0
State and tribal Brownfields sites								
BROWNFIELDS	0.500		0	0	1	NR	NR	1
ADDITIONAL ENVIRONMENTAL RECORDS								
Local Brownfield lists								
US BROWNFIELDS	0.500		0	0	0	NR	NR	0
Local Lists of Landfill / Solid Waste Disposal Sites								
WMUDS/SWAT	0.500		0	0	0	NR	NR	0
SWRCY	0.500		0	0	0	NR	NR	0
HAULERS	TP		NR	NR	NR	NR	NR	0
INDIAN ODI	0.500		0	0	0	NR	NR	0
ODI	0.500		0	0	0	NR	NR	0
DEBRIS REGION 9	0.500		0	0	0	NR	NR	0
IHS OPEN DUMPS	0.500		0	0	0	NR	NR	0
Local Lists of Hazardous waste / Contaminated Sites								
US HIST CDL	TP		NR	NR	NR	NR	NR	0
HIST Cal-Sites	1.000		0	0	0	0	NR	0
SCH	0.250		0	0	NR	NR	NR	0
CDL	TP		NR	NR	NR	NR	NR	0
Toxic Pits	1.000		0	0	0	0	NR	0
US CDL	TP		NR	NR	NR	NR	NR	0
CERS HAZ WASTE	0.250	1	5	3	NR	NR	NR	9
Local Lists of Registered Storage Tanks								
SWEEPS UST	0.250		3	1	NR	NR	NR	4
HIST UST	0.250	1	4	2	NR	NR	NR	7
CA FID UST	0.250		1	0	NR	NR	NR	1
CERS TANKS	0.250		2	1	NR	NR	NR	3
Local Land Records								
LIENS	TP		NR	NR	NR	NR	NR	0

MAP FINDINGS SUMMARY

Database	Search Distance (Miles)	Target Property	< 1/8	1/8 - 1/4	1/4 - 1/2	1/2 - 1	> 1	Total Plotted
LIENS 2	TP		NR	NR	NR	NR	NR	0
DEED	0.500		0	0	0	NR	NR	0
Records of Emergency Release Reports								
HMIRS	TP		NR	NR	NR	NR	NR	0
CHMIRS	TP		NR	NR	NR	NR	NR	0
LDS	TP		NR	NR	NR	NR	NR	0
MCS	TP		NR	NR	NR	NR	NR	0
SPILLS 90	TP		NR	NR	NR	NR	NR	0
Other Ascertainable Records								
RCRA NonGen / NLR	0.250		0	1	NR	NR	NR	1
FUDS	1.000		0	0	0	0	NR	0
DOD	1.000		0	0	0	0	NR	0
SCRD DRYCLEANERS	0.500		0	0	0	NR	NR	0
US FIN ASSUR	TP		NR	NR	NR	NR	NR	0
EPA WATCH LIST	TP		NR	NR	NR	NR	NR	0
2020 COR ACTION	0.250		0	0	NR	NR	NR	0
TSCA	TP		NR	NR	NR	NR	NR	0
TRIS	TP		NR	NR	NR	NR	NR	0
SSTS	TP		NR	NR	NR	NR	NR	0
ROD	1.000		0	0	0	0	NR	0
RMP	TP		NR	NR	NR	NR	NR	0
RAATS	TP		NR	NR	NR	NR	NR	0
PRP	TP		NR	NR	NR	NR	NR	0
PADS	TP		NR	NR	NR	NR	NR	0
ICIS	TP		NR	NR	NR	NR	NR	0
FTTS	TP		NR	NR	NR	NR	NR	0
MLTS	TP		NR	NR	NR	NR	NR	0
COAL ASH DOE	TP		NR	NR	NR	NR	NR	0
COAL ASH EPA	0.500		0	0	0	NR	NR	0
PCB TRANSFORMER	TP		NR	NR	NR	NR	NR	0
RADINFO	TP		NR	NR	NR	NR	NR	0
HIST FTTS	TP		NR	NR	NR	NR	NR	0
DOT OPS	TP		NR	NR	NR	NR	NR	0
CONSENT	1.000		0	0	0	0	NR	0
INDIAN RESERV	1.000		0	0	0	0	NR	0
FUSRAP	1.000		0	0	0	0	NR	0
UMTRA	0.500		0	0	0	NR	NR	0
LEAD SMELTERS	TP		NR	NR	NR	NR	NR	0
US AIRS	TP		NR	NR	NR	NR	NR	0
US MINES	0.250		0	0	NR	NR	NR	0
ABANDONED MINES	0.250		0	0	NR	NR	NR	0
FINDS	TP	1	NR	NR	NR	NR	NR	1
UXO	1.000		0	0	0	0	NR	0
ECHO	TP		NR	NR	NR	NR	NR	0
DOCKET HWC	TP		NR	NR	NR	NR	NR	0
FUELS PROGRAM	0.250		0	0	NR	NR	NR	0
CA BOND EXP. PLAN	1.000		0	0	0	0	NR	0
Cortese	0.500		0	0	0	NR	NR	0
CUPA Listings	0.250	1	6	3	NR	NR	NR	10

MAP FINDINGS SUMMARY

Database	Search Distance (Miles)	Target Property	< 1/8	1/8 - 1/4	1/4 - 1/2	1/2 - 1	> 1	Total Plotted
DRYCLEANERS	0.250		0	0	NR	NR	NR	0
EMI	TP		NR	NR	NR	NR	NR	0
ENF	TP		NR	NR	NR	NR	NR	0
Financial Assurance	TP		NR	NR	NR	NR	NR	0
HAZNET	TP	1	NR	NR	NR	NR	NR	1
ICE	TP		NR	NR	NR	NR	NR	0
HIST CORTESE	0.500		3	1	4	NR	NR	8
HWP	1.000		0	0	1	0	NR	1
HWT	0.250		0	0	NR	NR	NR	0
MINES	0.250		0	0	NR	NR	NR	0
MWMP	0.250		0	0	NR	NR	NR	0
NPDES	TP		NR	NR	NR	NR	NR	0
PEST LIC	TP		NR	NR	NR	NR	NR	0
PROC	0.500		0	0	0	NR	NR	0
Notify 65	1.000		0	0	0	0	NR	0
SAN JOSE HAZMAT	0.250		0	0	NR	NR	NR	0
UIC	TP		NR	NR	NR	NR	NR	0
WASTEWATER PITS	0.500		0	0	0	NR	NR	0
WDS	TP		NR	NR	NR	NR	NR	0
WIP	0.250		0	0	NR	NR	NR	0
PROJECT	TP		NR	NR	NR	NR	NR	0
NON-CASE INFO	TP		NR	NR	NR	NR	NR	0
MILITARY PRIV SITES	TP		NR	NR	NR	NR	NR	0
CIWQS	TP		NR	NR	NR	NR	NR	0
UIC GEO	TP		NR	NR	NR	NR	NR	0
OTHER OIL GAS	TP		NR	NR	NR	NR	NR	0
CERS	TP	1	NR	NR	NR	NR	NR	1
PROD WATER PONDS	TP		NR	NR	NR	NR	NR	0
WELL STIM PROJ	TP		NR	NR	NR	NR	NR	0
SAMPLING POINT	TP		NR	NR	NR	NR	NR	0

EDR HIGH RISK HISTORICAL RECORDS

EDR Exclusive Records

EDR MGP	1.000		0	0	0	0	NR	0
EDR Hist Auto	0.125		2	NR	NR	NR	NR	2
EDR Hist Cleaner	0.125		0	NR	NR	NR	NR	0

EDR RECOVERED GOVERNMENT ARCHIVES

Exclusive Recovered Govt. Archives

RGA LF	TP		NR	NR	NR	NR	NR	0
RGA LUST	TP		NR	NR	NR	NR	NR	0

- Totals -- 6 40 16 24 2 0 88

NOTES:

TP = Target Property

NR = Not Requested at this Search Distance

Sites may be listed in more than one database

Map ID
Direction
Distance
Elevation

MAP FINDINGS

Site

Database(s)

EDR ID Number
EPA ID Number

A1 **GOODYEAR TIRE & RUBBER CO**
Target **10931 N DE ANZA BL**
Property **CUPERTINO, CA 95014**

HIST UST **U001600994**
CUPA Listings **N/A**
CERS HAZ WASTE
CERS

Site 1 of 4 in cluster A

Actual:
213 ft.

HIST UST:
File Number: Not reported
URL: Not reported
Region: STATE
Facility ID: 00000008251
Facility Type: Other
Other Type: AUTO SERVICE CENTER
Contact Name: JOHN DONOVAN
Telephone: 4082552166
Owner Name: GOODYEAR TIRE & RUBBER CO.
Owner Address: 10931 NO DEANZA BLVD
Owner City,St,Zip: CUPERTINO, CA 95014
Total Tanks: 0001

Tank Num: 001
Container Num: 1
Year Installed: 1973
Tank Capacity: 00000200
Tank Used for: WASTE
Type of Fuel: WASTE OIL
Container Construction Thickness: Not reported
Leak Detection: None

CUPA SANTA CLARA:

Region: SANTA CLARA
PE#: 2205
Program Description: GENERATES 100 KG YR TO <5 TONS/YR
Latitude: 37.33675
Longitude: -122.03259
Record ID: PR0313936
Facility ID: FA0200739

CERS HAZ WASTE:

Site ID: 120218
CERS ID: 10344415
CERS Description: Hazardous Waste Generator

Violations:

Site ID: 120218
Site Name: GOODYEAR TIRE & RUBBER CO
Violation Date: 09-08-2017
Citation: 22 CCR 15 66265.192(a) - California Code of Regulations, Title 22, Chapter 15, Section(s) 66265.192(a)
Violation Description: Failure to obtain and maintain a written assessment reviewed and certified by an independent, qualified, professional engineer prior to placing the tank system in service. The written assessment shall state that, the new hazardous waste tank system has sufficient structural integrity, is acceptable for the transferring, storing and treating of hazardous waste, and that the tanks and containment system including the foundation, structural support, seams, connections, and pressure controls (if applicable) are suitably designed to meet the regulation.
Violation Notes: Per facility, a tank assessment has not been performed for the 1 x 220 gallon used oil tank.

Map ID
Direction
Distance
Elevation

MAP FINDINGS

Site

Database(s)

EDR ID Number
EPA ID Number

GOODYEAR TIRE & RUBBER CO (Continued)

U001600994

Violation Division: Santa Clara County Environmental Health
Violation Program: HW
Violation Source: CERS

Site ID: 120218
Site Name: GOODYEAR TIRE & RUBBER CO
Violation Date: 09-08-2017
Citation: HSC 6.5 Multiple Sections - California Health and Safety Code, Chapter 6.5, Section(s) Multiple Sections
Violation Description: Hazardous Waste Generator Program - Administration/Documentation - General
Violation Notes: Per facility waste coolant is disposed of once a month. Disposal records for waste coolant were unavailable for review except for one dated 7/14/17.

Violation Division: Santa Clara County Environmental Health
Violation Program: HW
Violation Source: CERS

Site ID: 120218
Site Name: GOODYEAR TIRE & RUBBER CO
Violation Date: 09-08-2017
Citation: 22 CCR 11 66261.7 - California Code of Regulations, Title 22, Chapter 11, Section(s) 66261.7
Violation Description: Failure to manage empty containers greater than 5 gallons in capacity that previously held a hazardous material/waste in accordance with 22 CCR 11 66261.7 including but not limited to the following: (e)(2)By reclaiming its scrap value onsite or shipping the container or inner liner to a person who reclaims its scrap value; or (3) By reconditioning or remanufacturing the container or inner liner onsite for subsequent reuse, or shipping the container or inner liner to a person who reconditions or remanufactures the container or inner liner; or (4) By shipping the container or inner liner to a supplier or to another intermediate collection location for accumulation prior to managing the container or inner liner pursuant to subsections (e)(2) or (e)(3) of this section; or (i) By shipping the container or inner liner back to the supplier for the purpose of being refilled. (f) A container or an inner liner removed from a container larger than five gallons in capacity which is managed pursuant to subsection (e) of this section shall be marked with the date it has been emptied and shall be managed within one year of being emptied.
Violation Notes: Observed 1 x quart bottle of injection fluid in the trash with pourable amounts of product present. Ensure that all containers under 5 gallons are completely empty of free flowing liquids and scrap able material before disposal.

Violation Division: Santa Clara County Environmental Health
Violation Program: HW
Violation Source: CERS

Site ID: 120218
Site Name: GOODYEAR TIRE & RUBBER CO
Violation Date: 09-08-2017
Citation: 22 CCR 12 66262.34(f) - California Code of Regulations, Title 22, Chapter 12, Section(s) 66262.34(f)
Violation Description: Failure to properly label hazardous waste accumulation containers and portable tanks with the following requirements: "Hazardous Waste", name and address of the generator, physical and chemical characteristics of the Hazardous Waste, and starting accumulation

Map ID
Direction
Distance
Elevation

MAP FINDINGS

Site

Database(s)

EDR ID Number
EPA ID Number

GOODYEAR TIRE & RUBBER CO (Continued)

U001600994

Violation Notes: date.
The following containers were missing complete hazardous waste markings: 3 x 15 gallon used oil rollers 1 x 120 gallon container of waste coolant

Violation Division: Santa Clara County Environmental Health
Violation Program: HW
Violation Source: CERS

Site ID: 120218
Site Name: GOODYEAR TIRE & RUBBER CO
Violation Date: 09-08-2017
Citation: 22 CCR 15 66265.195(c) - California Code of Regulations, Title 22, Chapter 15, Section(s) 66265.195(c)

Violation Description: Failure to conduct and document inspections of hazardous waste tank systems each operating day and retain records of those inspections at the facility.

Violation Notes: Observed incomplete entries in the daily tank log inspection book attached to 1 x 220 gallon used oil tank. Per facility daily inspections are not being conducted.

Violation Division: Santa Clara County Environmental Health
Violation Program: HW
Violation Source: CERS

Site ID: 120218
Site Name: GOODYEAR TIRE & RUBBER CO
Violation Date: 09-08-2017
Citation: 40 CFR 1 265.31 - U.S. Code of Federal Regulations, Title 40, Chapter 1, Section(s) 265.31

Violation Description: Failure to maintain and operate the facility to minimize the possibility of a fire, explosion, or any unplanned sudden or non-sudden release of hazardous waste or hazardous waste constituents to air, soil, or surface water which could threaten human health or the environment.

Violation Notes: Observed saturated absorbent on the floor surrounding the secondary containment and free flowing amounts of used oil in the secondary containment areas. Per facility, the absorbent has been accumulating there "for years" Ensure that secondary containment and surrounding areas are clean and free of saturated absorbent and free flowing liquids to minimize the event of an unplanned release into the environment.

Violation Division: Santa Clara County Environmental Health
Violation Program: HW
Violation Source: CERS

Site ID: 120218
Site Name: GOODYEAR TIRE & RUBBER CO
Violation Date: 09-08-2017
Citation: 22 CCR 12 66262.34(e) - California Code of Regulations, Title 22, Chapter 12, Section(s) 66262.34(e)

Violation Description: Failed to meet the conditions of satellite accumulation regulations, including but not limited to the following: accumulate up to 55 gallons of hazardous waste or one quart of acute hazardous waste at or near the initial point of accumulation which was under the control of the operator the container must be clearly marked with the initial date that hazardous waste is first placed in the container and labelled with the words Hazardous Waste including specified information container must be labelled with the date the satellite

Map ID
Direction
Distance
Elevation

MAP FINDINGS

Site

Database(s)

EDR ID Number
EPA ID Number

GOODYEAR TIRE & RUBBER CO (Continued)

U001600994

accumulation limit is reached and moved within three days after reaching the 55 gallon (or one quart) limit to a 90 day accumulation area 55 gallons (or one quart of acute hazardous waste) of waste per process may be accumulated Total time hazardous waste can be accumulated onsite in any generator accumulation area is one year, i.e., the combined accumulation time at a satellite accumulation point and at a 90/180/270 accumulation area (depending on size of generator and distance transported), whichever comes first.

Violation Notes: Observed 1 x 15 gallon container of waste brake fluid with an accumulation start date of 10/28/15.

Violation Division: Santa Clara County Environmental Health
Violation Program: HW
Violation Source: CERS

Site ID: 120218
Site Name: GOODYEAR TIRE & RUBBER CO
Violation Date: 09-08-2017
Citation: 22 CCR 12 66262.11 - California Code of Regulations, Title 22, Chapter 12, Section(s) 66262.11

Violation Description: Failure to determine if wastes generated are hazardous waste by using generator knowledge or applying testing method.

Violation Notes: Observed 1 x 55 gallon drum in the waste storage room. Per facility, they were unsure what the contents were. Make a hazardous waste determination and if determined to be hazardous manage accordingly.

Violation Division: Santa Clara County Environmental Health
Violation Program: HW
Violation Source: CERS

Evaluation:

Eval General Type: Compliance Evaluation Inspection
Eval Date: 02-09-2015
Violations Found: No
Eval Type: Routine done by local agency
Eval Notes: Occupancy ID: 2067
Eval Division: Santa Clara County Fire Department
Eval Program: HMRRP
Eval Source: CERS

Eval General Type: Compliance Evaluation Inspection
Eval Date: 04-27-2016
Violations Found: No
Eval Type: Routine done by local agency
Eval Notes: Ocupancy ID: 2067
Eval Division: Santa Clara County Fire Department
Eval Program: HMRRP
Eval Source: CERS

Eval General Type: Compliance Evaluation Inspection
Eval Date: 09-08-2017
Violations Found: Yes
Eval Type: Routine done by local agency
Eval Notes: On site to conduct a routine hazardous waste inspection Areas inspected include service bays, back storage room, hazardous waste accumulation areas and dumpsters Observed the following wastes on site: 1 x 220 gallon tank of used oil 1 x 120 gallon container of waste coolant 3 x 55 gallon drums of drained used oil filters 1 x 55 gallon drum of oily debris (paper filters) 1 x 55 gallon drum of waste

Map ID
Direction
Distance
Elevation

MAP FINDINGS

Site

Database(s)

EDR ID Number
EPA ID Number

GOODYEAR TIRE & RUBBER CO (Continued)

U001600994

absorbent 3 x 15 gallon used oil rollers 1 x 15 gallon drum of waste brake fluid (point of generation) Fire extinguishers have had annual maintenance Spill control is available on site Rags are managed by UniFirst Batteries are managed by NAPA Brake shavings are collected and managed as scrap metal Container areas are inspected weekly Employee training plan and records are available in Goodyear's Online Portal Facility's Emergency plan is available online via CERS Disposal records were reviewed EPA ID# CAL000013487 is active The following violations were [Truncated]

Eval Division: Santa Clara County Environmental Health
Eval Program: HW
Eval Source: CERS

Affiliation:

Affiliation Type Desc: CUPA District
Entity Name: Santa Clara County Environmental Health
Entity Title: Not reported
Affiliation Address: 1555 Berger Drive, Suite 300
Affiliation City: San Jose
Affiliation State: CA
Affiliation Country: Not reported
Affiliation Zip: 95112-2716
Affiliation Phone: (408) 918-3400

Affiliation Type Desc: Document Preparer
Entity Name: Chris Wiley
Entity Title: Not reported
Affiliation Address: Not reported
Affiliation City: Not reported
Affiliation State: Not reported
Affiliation Country: Not reported
Affiliation Zip: Not reported
Affiliation Phone: Not reported

Affiliation Type Desc: Environmental Contact
Entity Name: Anthony DeSanto
Entity Title: Not reported
Affiliation Address: 200 Innovation Way, Dept 704
Affiliation City: Akron
Affiliation State: OH
Affiliation Country: Not reported
Affiliation Zip: 44316
Affiliation Phone: (330) 796-2490

Affiliation Type Desc: Facility Mailing Address
Entity Name: Mailing Address
Entity Title: Not reported
Affiliation Address: 10931 N DE ANZA BL
Affiliation City: CUPERTINO
Affiliation State: CA
Affiliation Country: Not reported
Affiliation Zip: 95014
Affiliation Phone: Not reported

Affiliation Type Desc: Identification Signer
Entity Name: Anthony DeSanto
Entity Title: EHS Manager

Map ID
Direction
Distance
Elevation

MAP FINDINGS

Site

Database(s)

EDR ID Number
EPA ID Number

GOODYEAR TIRE & RUBBER CO (Continued)

U001600994

Affiliation Address:	Not reported
Affiliation City:	Not reported
Affiliation State:	Not reported
Affiliation Country:	Not reported
Affiliation Zip:	Not reported
Affiliation Phone:	Not reported
Affiliation Type Desc:	Legal Owner
Entity Name:	GOODYEAR TIRE & RUBBER CO
Entity Title:	Not reported
Affiliation Address:	200 Innovation Way
Affiliation City:	Akron
Affiliation State:	OH
Affiliation Country:	United States
Affiliation Zip:	44316
Affiliation Phone:	(330) 796-7202
Affiliation Type Desc:	Operator
Entity Name:	GOODYEAR TIRE & RUBBER CO
Entity Title:	Not reported
Affiliation Address:	Not reported
Affiliation City:	Not reported
Affiliation State:	Not reported
Affiliation Country:	Not reported
Affiliation Zip:	Not reported
Affiliation Phone:	(408) 255-2166
Affiliation Type Desc:	Parent Corporation
Entity Name:	The Goodyear Tire and Rubber Company
Entity Title:	Not reported
Affiliation Address:	Not reported
Affiliation City:	Not reported
Affiliation State:	Not reported
Affiliation Country:	Not reported
Affiliation Zip:	Not reported
Affiliation Phone:	Not reported
Affiliation Type Desc:	Primary Emergency Contact
Entity Name:	Jim Walker
Entity Title:	Store Manager
Affiliation Address:	Not reported
Affiliation City:	Not reported
Affiliation State:	Not reported
Affiliation Country:	Not reported
Affiliation Zip:	Not reported
Affiliation Phone:	(408) 963-9725
Affiliation Type Desc:	Secondary Emergency Contact
Entity Name:	Albert Espinoza
Entity Title:	Service Manager
Affiliation Address:	Not reported
Affiliation City:	Not reported
Affiliation State:	Not reported
Affiliation Country:	Not reported
Affiliation Zip:	Not reported
Affiliation Phone:	(408) 903-6256

Map ID
Direction
Distance
Elevation

MAP FINDINGS

Site

Database(s)

EDR ID Number
EPA ID Number

GOODYEAR TIRE & RUBBER CO (Continued)

U001600994

CERS TANKS:

Site ID: 120218
CERS ID: 10344415
CERS Description: Chemical Storage Facilities

Violations:

Site ID: 120218
Site Name: GOODYEAR TIRE & RUBBER CO
Violation Date: 09-08-2017
Citation: 22 CCR 15 66265.192(a) - California Code of Regulations, Title 22, Chapter 15, Section(s) 66265.192(a)
Violation Description: Failure to obtain and maintain a written assessment reviewed and certified by an independent, qualified, professional engineer prior to placing the tank system in service. The written assessment shall state that, the new hazardous waste tank system has sufficient structural integrity, is acceptable for the transferring, storing and treating of hazardous waste, and that the tanks and containment system including the foundation, structural support, seams, connections, and pressure controls (if applicable) are suitably designed to meet the regulation.
Violation Notes: Per facility, a tank assessment has not been performed for the 1 x 220 gallon used oil tank.
Violation Division: Santa Clara County Environmental Health
Violation Program: HW
Violation Source: CERS

Site ID: 120218
Site Name: GOODYEAR TIRE & RUBBER CO
Violation Date: 09-08-2017
Citation: HSC 6.5 Multiple Sections - California Health and Safety Code, Chapter 6.5, Section(s) Multiple Sections
Violation Description: Hazardous Waste Generator Program - Administration/Documentation - General
Violation Notes: Per facility waste coolant is disposed of once a month. Disposal records for waste coolant were unavailable for review except for one dated 7/14/17.
Violation Division: Santa Clara County Environmental Health
Violation Program: HW
Violation Source: CERS

Site ID: 120218
Site Name: GOODYEAR TIRE & RUBBER CO
Violation Date: 09-08-2017
Citation: 22 CCR 11 66261.7 - California Code of Regulations, Title 22, Chapter 11, Section(s) 66261.7
Violation Description: Failure to manage empty containers greater than 5 gallons in capacity that previously held a hazardous material/waste in accordance with 22 CCR 11 66261.7 including but not limited to the following: (e)(2)By reclaiming its scrap value onsite or shipping the container or inner liner to a person who reclaims its scrap value; or (3) By reconditioning or remanufacturing the container or inner liner onsite for subsequent reuse, or shipping the container or inner liner to a person who reconditions or remanufactures the container or inner liner; or (4) By shipping the container or inner liner to a supplier or to another intermediate collection location for accumulation prior to managing the container or inner liner pursuant to subsections (e)(2) or (e)(3) of this section; or (i) By shipping the container or inner liner back to the supplier for the purpose of being refilled.

Map ID
Direction
Distance
Elevation

MAP FINDINGS

Site

Database(s)

EDR ID Number
EPA ID Number

GOODYEAR TIRE & RUBBER CO (Continued)

U001600994

Violation Notes: (f) A container or an inner liner removed from a container larger than five gallons in capacity which is managed pursuant to subsection (e) of this section shall be marked with the date it has been emptied and shall be managed within one year of being emptied.
Observed 1 x quart bottle of injection fluid in the trash with pourable amounts of product present. Ensure that all containers under 5 gallons are completely empty of free flowing liquids and scrap able material before disposal.

Violation Division: Santa Clara County Environmental Health
Violation Program: HW
Violation Source: CERS

Site ID: 120218
Site Name: GOODYEAR TIRE & RUBBER CO
Violation Date: 09-08-2017
Citation: 22 CCR 12 66262.34(f) - California Code of Regulations, Title 22, Chapter 12, Section(s) 66262.34(f)

Violation Description: Failure to properly label hazardous waste accumulation containers and portable tanks with the following requirements: "Hazardous Waste", name and address of the generator, physical and chemical characteristics of the Hazardous Waste, and starting accumulation date.

Violation Notes: The following containers were missing complete hazardous waste markings: 3 x 15 gallon used oil rollers 1 x 120 gallon container of waste coolant

Violation Division: Santa Clara County Environmental Health
Violation Program: HW
Violation Source: CERS

Site ID: 120218
Site Name: GOODYEAR TIRE & RUBBER CO
Violation Date: 09-08-2017
Citation: 22 CCR 15 66265.195(c) - California Code of Regulations, Title 22, Chapter 15, Section(s) 66265.195(c)

Violation Description: Failure to conduct and document inspections of hazardous waste tank systems each operating day and retain records of those inspections at the facility.

Violation Notes: Observed incomplete entries in the daily tank log inspection book attached to 1 x 220 gallon used oil tank. Per facility daily inspections are not being conducted.

Violation Division: Santa Clara County Environmental Health
Violation Program: HW
Violation Source: CERS

Site ID: 120218
Site Name: GOODYEAR TIRE & RUBBER CO
Violation Date: 09-08-2017
Citation: 40 CFR 1 265.31 - U.S. Code of Federal Regulations, Title 40, Chapter 1, Section(s) 265.31

Violation Description: Failure to maintain and operate the facility to minimize the possibility of a fire, explosion, or any unplanned sudden or non-sudden release of hazardous waste or hazardous waste constituents to air, soil, or surface water which could threaten human health or the environment.

Violation Notes: Observed saturated absorbent on the floor surrounding the secondary containment and free flowing amounts of used oil in the secondary containment areas. Per facility, the absorbent has been accumulating

Map ID
Direction
Distance
Elevation

MAP FINDINGS

Site

Database(s)

EDR ID Number
EPA ID Number

GOODYEAR TIRE & RUBBER CO (Continued)

U001600994

there "for years" Ensure that secondary containment and surrounding areas are clean and free of saturated absorbent and free flowing liquids to minimize the event of an unplanned release into the environment.

Violation Division: Santa Clara County Environmental Health
Violation Program: HW
Violation Source: CERS

Site ID: 120218
Site Name: GOODYEAR TIRE & RUBBER CO
Violation Date: 09-08-2017
Citation: 22 CCR 12 66262.34(e) - California Code of Regulations, Title 22, Chapter 12, Section(s) 66262.34(e)

Violation Description: Failed to meet the conditions of satellite accumulation regulations, including but not limited to the following: accumulate up to 55 gallons of hazardous waste or one quart of acute hazardous waste at or near the initial point of accumulation which was under the control of the operator the container must be clearly marked with the initial date that hazardous waste is first placed in the container and labelled with the words Hazardous Waste including specified information container must be labelled with the date the satellite accumulation limit is reached and moved within three days after reaching the 55 gallon (or one quart) limit to a 90 day accumulation area 55 gallons (or one quart of acute hazardous waste) of waste per process may be accumulated Total time hazardous waste can be accumulated onsite in any generator accumulation area is one year, i.e., the combined accumulation time at a satellite accumulation point and at a 90/180/270 accumulation area (depending on size of generator and distance transported), whichever comes first.

Violation Notes: Observed 1 x 15 gallon container of waste brake fluid with an accumulation start date of 10/28/15.

Violation Division: Santa Clara County Environmental Health
Violation Program: HW
Violation Source: CERS

Site ID: 120218
Site Name: GOODYEAR TIRE & RUBBER CO
Violation Date: 09-08-2017
Citation: 22 CCR 12 66262.11 - California Code of Regulations, Title 22, Chapter 12, Section(s) 66262.11

Violation Description: Failure to determine if wastes generated are hazardous waste by using generator knowledge or applying testing method.

Violation Notes: Observed 1 x 55 gallon drum in the waste storage room. Per facility, they were unsure what the contents were. Make a hazardous waste determination and if determined to be hazardous manage accordingly.

Violation Division: Santa Clara County Environmental Health
Violation Program: HW
Violation Source: CERS

Evaluation:
Eval General Type: Compliance Evaluation Inspection
Eval Date: 02-09-2015
Violations Found: No
Eval Type: Routine done by local agency
Eval Notes: Occupancy ID: 2067
Eval Division: Santa Clara County Fire Department
Eval Program: HMRRP

Map ID
Direction
Distance
Elevation

MAP FINDINGS

Site

Database(s)

EDR ID Number
EPA ID Number

GOODYEAR TIRE & RUBBER CO (Continued)

U001600994

Eval Source: CERS

Eval General Type: Compliance Evaluation Inspection
Eval Date: 04-27-2016
Violations Found: No
Eval Type: Routine done by local agency
Eval Notes: Ocupancy ID: 2067
Eval Division: Santa Clara County Fire Department
Eval Program: HMRRP
Eval Source: CERS

Eval General Type: Compliance Evaluation Inspection
Eval Date: 09-08-2017
Violations Found: Yes
Eval Type: Routine done by local agency
Eval Notes: On site to conduct a routine hazardous waste inspection Areas inspected include service bays, back storage room, hazardous waste accumulation areas and dumpsters Observed the following wastes on site: 1 x 220 gallon tank of used oil 1 x 120 gallon container of waste coolant 3 x 55 gallon drums of drained used oil filters 1 x 55 gallon drum of oily debris (paper filters) 1 x 55 gallon drum of waste absorbent 3 x 15 gallon used oil rollers 1 x 15 gallon drum of waste brake fluid (point of generation) Fire extinguishers have had annual maintenance Spill control is available on site Rags are manages my UniFirst Batteries are managed by NAPA Brake shavings are collected and managed as scrap metal Container areas are inspected weekly Employee training plan and records are available in Goodyear's Online Portal Facility's Emergency plan is available online via CERS Disposal records were reviewed EPA ID# CAL000013487 is active The following violations were [Truncated]

Eval Division: Santa Clara County Environmental Health
Eval Program: HW
Eval Source: CERS

Affiliation:
Affiliation Type Desc: CUPA District
Entity Name: Santa Clara County Environmental Health
Entity Title: Not reported
Affiliation Address: 1555 Berger Drive, Suite 300
Affiliation City: San Jose
Affiliation State: CA
Affiliation Country: Not reported
Affiliation Zip: 95112-2716
Affiliation Phone: (408) 918-3400

Affiliation Type Desc: Document Preparer
Entity Name: Chris Wiley
Entity Title: Not reported
Affiliation Address: Not reported
Affiliation City: Not reported
Affiliation State: Not reported
Affiliation Country: Not reported
Affiliation Zip: Not reported
Affiliation Phone: Not reported

Affiliation Type Desc: Environmental Contact
Entity Name: Anthony DeSanto

Map ID
Direction
Distance
Elevation

MAP FINDINGS

Site

Database(s)

EDR ID Number
EPA ID Number

GOODYEAR TIRE & RUBBER CO (Continued)

U001600994

Entity Title:	Not reported
Affiliation Address:	200 Innovation Way, Dept 704
Affiliation City:	Akron
Affiliation State:	OH
Affiliation Country:	Not reported
Affiliation Zip:	44316
Affiliation Phone:	(330) 796-2490
Affiliation Type Desc:	Facility Mailing Address
Entity Name:	Mailing Address
Entity Title:	Not reported
Affiliation Address:	10931 N DE ANZA BL
Affiliation City:	CUPERTINO
Affiliation State:	CA
Affiliation Country:	Not reported
Affiliation Zip:	95014
Affiliation Phone:	Not reported
Affiliation Type Desc:	Identification Signer
Entity Name:	Anthony DeSanto
Entity Title:	EHS Manager
Affiliation Address:	Not reported
Affiliation City:	Not reported
Affiliation State:	Not reported
Affiliation Country:	Not reported
Affiliation Zip:	Not reported
Affiliation Phone:	Not reported
Affiliation Type Desc:	Legal Owner
Entity Name:	GOODYEAR TIRE & RUBBER CO
Entity Title:	Not reported
Affiliation Address:	200 Innovation Way
Affiliation City:	Akron
Affiliation State:	OH
Affiliation Country:	United States
Affiliation Zip:	44316
Affiliation Phone:	(330) 796-7202
Affiliation Type Desc:	Operator
Entity Name:	GOODYEAR TIRE & RUBBER CO
Entity Title:	Not reported
Affiliation Address:	Not reported
Affiliation City:	Not reported
Affiliation State:	Not reported
Affiliation Country:	Not reported
Affiliation Zip:	Not reported
Affiliation Phone:	(408) 255-2166
Affiliation Type Desc:	Parent Corporation
Entity Name:	The Goodyear Tire and Rubber Company
Entity Title:	Not reported
Affiliation Address:	Not reported
Affiliation City:	Not reported
Affiliation State:	Not reported
Affiliation Country:	Not reported
Affiliation Zip:	Not reported
Affiliation Phone:	Not reported

Map ID
Direction
Distance
Elevation

MAP FINDINGS

Site

Database(s)

EDR ID Number
EPA ID Number

GOODYEAR TIRE & RUBBER CO (Continued)

U001600994

Affiliation Type Desc: Primary Emergency Contact
Entity Name: Jim Walker
Entity Title: Store Manager
Affiliation Address: Not reported
Affiliation City: Not reported
Affiliation State: Not reported
Affiliation Country: Not reported
Affiliation Zip: Not reported
Affiliation Phone: (408) 963-9725

Affiliation Type Desc: Secondary Emergency Contact
Entity Name: Albert Espinoza
Entity Title: Service Manager
Affiliation Address: Not reported
Affiliation City: Not reported
Affiliation State: Not reported
Affiliation Country: Not reported
Affiliation Zip: Not reported
Affiliation Phone: (408) 903-6256

**A2
Target
Property**

**GOODYEAR AUTO SERVICE CENTER #8773
10931 N DE ANZA BLVD
CUPERTINO, CA 95014**

**HAZNET S113026237
N/A**

Site 2 of 4 in cluster A

**Actual:
213 ft.**

HAZNET:
envid: S113026237
Year: 2016
GEPaid: CAL000013487
Contact: ANTHONY J DESANTO
Telephone: 3307962490
Mailing Name: Not reported
Mailing Address: 200 INNOVATION WAY
Mailing City,St,Zip: AKRON, OH 443161000
Gen County: Santa Clara
TSD EPA ID: CAD059494310
TSD County: Santa Clara
Waste Category: Unspecified oil-containing waste
Disposal Method: Storage, Bulking, And/Or Transfer Off Site--No Treatment/Reovery (H010-H129) Or (H131-H135)
Tons: 0.075
Cat Decode: Unspecified oil-containing waste
Method Decode: Storage, Bulking, And/Or Transfer Off Site--No Treatment/Reovery (H010-H129) Or (H131-H135)
Facility County: Santa Clara

envid: S113026237
Year: 2015
GEPaid: CAL000013487
Contact: ANTHONY J DESANTO
Telephone: 3307962490
Mailing Name: Not reported
Mailing Address: 200 INNOVATION WAY
Mailing City,St,Zip: AKRON, OH 443161000
Gen County: Santa Clara
TSD EPA ID: UTD981552177

Map ID
Direction
Distance
Elevation

MAP FINDINGS

Site

Database(s)

EDR ID Number
EPA ID Number

GOODYEAR AUTO SERVICE CENTER #8773 (Continued)

S113026237

TSD County: 99
Waste Category: Unspecified organic liquid mixture
Disposal Method: Incineration--Thermal Destruction Other Than Use As A Fuel
Tons: 0.03
Cat Decode: Not reported
Method Decode: Not reported
Facility County: Santa Clara

envid: S113026237
Year: 2007
GEPaid: CAL000013487
Contact: DARRYL L MOYER/RETAIL SYSTEMS
Telephone: 3307966240
Mailing Name: Not reported
Mailing Address: 1144 E MARKET ST
Mailing City,St,Zip: AKRON, OH 443161000
Gen County: Not reported
TSD EPA ID: NVT330010000
TSD County: Not reported
Waste Category: Other organic solids
Disposal Method: Landfill Or Surface Impoundment That Will Be Closed As Landfill(To Include On-Site Treatment And/Or Stabilization)
Tons: 0.2
Cat Decode: Not reported
Method Decode: Not reported
Facility County: Santa Clara

envid: S113026237
Year: 2007
GEPaid: CAL000013487
Contact: DARRYL L MOYER/RETAIL SYSTEMS
Telephone: 3307966240
Mailing Name: Not reported
Mailing Address: 1144 E MARKET ST
Mailing City,St,Zip: AKRON, OH 443161000
Gen County: Not reported
TSD EPA ID: NVT330010000
TSD County: Not reported
Waste Category: Other organic solids
Disposal Method: Landfill Or Surface Impoundment That Will Be Closed As Landfill(To Include On-Site Treatment And/Or Stabilization)
Tons: 0.2
Cat Decode: Not reported
Method Decode: Not reported
Facility County: Santa Clara

envid: S113026237
Year: 2004
GEPaid: CAL000013487
Contact: DARRYL L MOYER/RETAIL SYSTEMS
Telephone: 3307966240
Mailing Name: Not reported
Mailing Address: 1144 E MARKET ST
Mailing City,St,Zip: AKRON, OH 443161000
Gen County: Not reported
TSD EPA ID: CA0000084517
TSD County: Not reported

Map ID
Direction
Distance
Elevation

MAP FINDINGS

Site

Database(s)

EDR ID Number
EPA ID Number

GOODYEAR AUTO SERVICE CENTER #8773 (Continued)

S113026237

Waste Category: Unspecified organic liquid mixture
Disposal Method: Not reported
Tons: 0.89
Cat Decode: Not reported
Method Decode: Not reported
Facility County: Santa Clara

[Click this hyperlink](#) while viewing on your computer to access 35 additional CA_HAZNET: record(s) in the EDR Site Report.

A3
Target
Property

GOODYEAR TIRE & RUBBER CO
10931 N DE ANZA BL
CUPERTINO, CA 95014

FINDS 1023346374
N/A

Site 3 of 4 in cluster A

Actual:
213 ft.

FINDS:

Registry ID: 110066423524

Environmental Interest/Information System
STATE MASTER

[Click this hyperlink](#) while viewing on your computer to access additional FINDS: detail in the EDR Site Report.

A4
East
< 1/8
0.023 mi.
122 ft.

MARIANI PACKING
10930 DE ANZA BLVD
CUPERTINO, CA 95014

LUST S102432979
HIST LUST N/A
HIST CORTESE
CERS

Site 4 of 4 in cluster A

Relative:
Lower
Actual:
211 ft.

LUST:

Lead Agency: SANTA CLARA COUNTY LOP
Case Type: LUST Cleanup Site
Geo Track: http://geotracker.waterboards.ca.gov/profile_report.asp?global_id=T0608500867
Global Id: T0608500867
Latitude: 37.3371522289046
Longitude: -122.031648159027
Status: Completed - Case Closed
Status Date: 02/19/1991
Case Worker: UST
RB Case Number: Not reported
Local Agency: SANTA CLARA COUNTY LOP
File Location: All Files are on GeoTracker or in the Local Agency Database
Local Case Number: Not reported
Potential Media Affect: Aquifer used for drinking water supply
Potential Contaminants of Concern: Gasoline
Site History: Not reported

LUST:

Global Id: T0608500867
Contact Type: Regional Board Caseworker
Contact Name: Regional Water Board
Organization Name: SAN FRANCISCO BAY RWQCB (REGION 2)
Address: 1515 CLAY ST SUITE 1400

Map ID
Direction
Distance
Elevation

MAP FINDINGS

Site

Database(s)

EDR ID Number
EPA ID Number

MARIANI PACKING (Continued)

S102432979

City: OAKLAND
Email: Not reported
Phone Number: Not reported

Global Id: T0608500867
Contact Type: Local Agency Caseworker
Contact Name: UST CASE WORKER
Organization Name: SANTA CLARA COUNTY LOP
Address: 1555 Berger Drive, Suite 300
City: SAN JOSE
Email: Not reported
Phone Number: 4089183400

LUST:

Global Id: T0608500867
Action Type: ENFORCEMENT
Date: 02/19/1991
Action: Closure/No Further Action Letter

Global Id: T0608500867
Action Type: RESPONSE
Date: 02/28/1984
Action: Other Report / Document

Global Id: T0608500867
Action Type: REMEDIATION
Date: 07/20/1984
Action: Not reported

Global Id: T0608500867
Action Type: REMEDIATION
Date: 07/20/1984
Action: Excavation

Global Id: T0608500867
Action Type: ENFORCEMENT
Date: 04/29/1988
Action: Notice of Responsibility - #39492

Global Id: T0608500867
Action Type: Other
Date: 07/20/1984
Action: Leak Reported

LUST:

Global Id: T0608500867
Status: Open - Case Begin Date
Status Date: 07/20/1984

Global Id: T0608500867
Status: Open - Site Assessment
Status Date: 09/17/1984

Global Id: T0608500867
Status: Completed - Case Closed
Status Date: 02/19/1991

Map ID
Direction
Distance
Elevation

MAP FINDINGS

Site

Database(s)

EDR ID Number
EPA ID Number

MARIANI PACKING (Continued)

S102432979

LUST REG 2:

Region: 2
Facility Id: Not reported
Facility Status: Case Closed
Case Number: 07S2W12G01f
How Discovered: Not reported
Leak Cause: Not reported
Leak Source: Not reported
Date Leak Confirmed: Not reported
Oversight Program: LUST
Prelim. Site Assessment Wokplan Submitted: Not reported
Preliminary Site Assessment Began: 9/17/1984
Pollution Characterization Began: Not reported
Pollution Remediation Plan Submitted: Not reported
Date Remediation Action Underway: Not reported
Date Post Remedial Action Monitoring Began: Not reported

LUST SANTA CLARA:

Region: SANTA CLARA
SCVWD ID: 07S2W12G01F
Date Closed: 02/19/1991
EDR Link ID: 07S2W12G01F

HIST LUST SANTA CLARA:

Region: SANTA CLARA
Region Code: 2
SCVWD ID: 07S2W12G01
Oversite Agency: SCVWD
Date Listed: 1985-01-01 00:00:00
Closed Date: 1991-02-19 00:00:00

HIST CORTESE:

Region: CORTESE
Facility County Code: 43
Reg By: LTNKA
Reg Id: 43-0856

CERS TANKS:

Site ID: 190865
CERS ID: T0608500867
CERS Description: Leaking Underground Storage Tank Cleanup Site

Affiliation:

Affiliation Type Desc: Local Agency Caseworker
Entity Name: UST CASE WORKER - SANTA CLARA COUNTY LOP
Entity Title: Not reported
Affiliation Address: 1555 Berger Drive, Suite 300
Affiliation City: SAN JOSE
Affiliation State: CA
Affiliation Country: Not reported
Affiliation Zip: Not reported
Affiliation Phone: 4089183400

Affiliation Type Desc: Regional Board Caseworker
Entity Name: Regional Water Board - SAN FRANCISCO BAY RWQCB (REGION 2)

Map ID
Direction
Distance
Elevation

MAP FINDINGS

Site

Database(s)

EDR ID Number
EPA ID Number

MARIANI PACKING (Continued)

S102432979

Entity Title: Not reported
Affiliation Address: 1515 CLAY ST SUITE 1400
Affiliation City: OAKLAND
Affiliation State: CA
Affiliation Country: Not reported
Affiliation Zip: Not reported
Affiliation Phone: Not reported

**B5
NNE
< 1/8
0.035 mi.
187 ft.**

**MOBIL
11025 DE ANZA BLVD
CUPERTINO, CA 95014
Site 1 of 7 in cluster B**

**LUST S104396926
HIST LUST N/A
HIST CORTESE
CERS**

**Relative:
Lower
Actual:
209 ft.**

LUST:
Lead Agency: SANTA CLARA COUNTY LOP
Case Type: LUST Cleanup Site
Geo Track: http://geotracker.waterboards.ca.gov/profile_report.asp?global_id=T0608500257
Global Id: T0608500257
Latitude: 37.312668
Longitude: -122.031545
Status: Completed - Case Closed
Status Date: 02/01/1999
Case Worker: UST
RB Case Number: Not reported
Local Agency: SANTA CLARA COUNTY LOP
File Location: All Files are on GeoTracker or in the Local Agency Database
Local Case Number: Not reported
Potential Media Affect: Soil
Potential Contaminants of Concern: Gasoline
Site History: Not reported

LUST:
Global Id: T0608500257
Contact Type: Regional Board Caseworker
Contact Name: Regional Water Board
Organization Name: SAN FRANCISCO BAY RWQCB (REGION 2)
Address: 1515 CLAY ST SUITE 1400
City: OAKLAND
Email: Not reported
Phone Number: Not reported

Global Id: T0608500257
Contact Type: Local Agency Caseworker
Contact Name: UST CASE WORKER
Organization Name: SANTA CLARA COUNTY LOP
Address: 1555 Berger Drive, Suite 300
City: SAN JOSE
Email: Not reported
Phone Number: 4089183400

LUST:
Global Id: T0608500257
Action Type: ENFORCEMENT
Date: 10/31/1995
Action: Notice of Responsibility - #39491

Map ID
Direction
Distance
Elevation

MAP FINDINGS

Site

Database(s)

EDR ID Number
EPA ID Number

MOBIL (Continued)

S104396926

Global Id: T0608500257
Action Type: ENFORCEMENT
Date: 02/01/1999
Action: Closure/No Further Action Letter

Global Id: T0608500257
Action Type: RESPONSE
Date: 02/01/1999
Action: Other Report / Document

Global Id: T0608500257
Action Type: Other
Date: 01/01/1986
Action: Leak Reported

LUST:

Global Id: T0608500257
Status: Open - Case Begin Date
Status Date: 11/06/1985

Global Id: T0608500257
Status: Open - Site Assessment
Status Date: 11/06/1985

Global Id: T0608500257
Status: Completed - Case Closed
Status Date: 02/01/1999

LUST REG 2:

Region: 2
Facility Id: Not reported
Facility Status: Case Closed
Case Number: 07S2W12F01f
How Discovered: Not reported
Leak Cause: Not reported
Leak Source: Not reported
Date Leak Confirmed: Not reported
Oversight Program: LUST
Prelim. Site Assesment Wokplan Submitted: Not reported
Preliminary Site Assesment Began: 11/6/1985
Pollution Characterization Began: Not reported
Pollution Remediation Plan Submitted: Not reported
Date Remediation Action Underway: Not reported
Date Post Remedial Action Monitoring Began: Not reported

LUST SANTA CLARA:

Region: SANTA CLARA
SCVWD ID: 07S2W12F01F
Date Closed: 02/01/1999
EDR Link ID: 07S2W12F01F

HIST LUST SANTA CLARA:

Region: SANTA CLARA
Region Code: 2

Map ID
Direction
Distance
Elevation

MAP FINDINGS

Site

Database(s)

EDR ID Number
EPA ID Number

MOBIL (Continued)

S104396926

SCVWD ID: 07S2W12F01
Oversite Agency: SCVWD
Date Listed: 1987-01-01 00:00:00
Closed Date: 1999-02-01 00:00:00

HIST CORTESE:

Region: CORTESE
Facility County Code: 43
Reg By: LTNKA
Reg Id: 43-0193

CERS TANKS:

Site ID: 228995
CERS ID: T0608500257
CERS Description: Leaking Underground Storage Tank Cleanup Site

Affiliation:

Affiliation Type Desc: Local Agency Caseworker
Entity Name: UST CASE WORKER - SANTA CLARA COUNTY LOP
Entity Title: Not reported
Affiliation Address: 1555 Berger Drive, Suite 300
Affiliation City: SAN JOSE
Affiliation State: CA
Affiliation Country: Not reported
Affiliation Zip: Not reported
Affiliation Phone: 4089183400

Affiliation Type Desc: Regional Board Caseworker
Entity Name: Regional Water Board - SAN FRANCISCO BAY RWQCB (REGION 2)
Entity Title: Not reported
Affiliation Address: 1515 CLAY ST SUITE 1400
Affiliation City: OAKLAND
Affiliation State: CA
Affiliation Country: Not reported
Affiliation Zip: Not reported
Affiliation Phone: Not reported

B6
North
< 1/8
0.043 mi.
227 ft.

CARLOS' AUTO REPAIR
11025 N DE ANZA BL
CUPERTINO, CA 95014
Site 2 of 7 in cluster B

CUPA Listings S121468447
N/A

Relative:
Lower
Actual:
209 ft.

CUPA SANTA CLARA:
Region: SANTA CLARA
PE#: 2201
Program Description: GENERATES WASTE OIL ONLY
Latitude: 37.33788
Longitude: -122.03251
Record ID: PR0313937
Facility ID: FA0200749

MAP FINDINGS

Map ID
 Direction
 Distance
 Elevation

Site

Database(s)

EDR ID Number
 EPA ID Number

B7
North
< 1/8
0.043 mi.
227 ft.
Relative:
Lower
Actual:
209 ft.

DE ANZA AUTO REPAIR
11025 N DE ANZA BL
CUPERTINO, CA 95014
Site 3 of 7 in cluster B

SWEEPS UST **S101630427**
CA FID UST **N/A**
CUPA Listings
CERS TANKS
CERS
CERS HAZ WASTE

SWEEPS UST:
 Status: Active
 Comp Number: 502
 Number: 1
 Board Of Equalization: 44-000003
 Referral Date: 10-11-89
 Action Date: 10-11-89
 Created Date: 10-11-89
 Owner Tank Id: Not reported
 SWRCB Tank Id: 43-000-000502-000001
 Tank Status: A
 Capacity: 1000
 Active Date: 10-11-89
 Tank Use: OIL
 STG: W
 Content: WASTE OIL
 Number Of Tanks: 4

Status: Active
 Comp Number: 502
 Number: 1
 Board Of Equalization: 44-000003
 Referral Date: 10-11-89
 Action Date: 10-11-89
 Created Date: 10-11-89
 Owner Tank Id: Not reported
 SWRCB Tank Id: 43-000-000502-000002
 Tank Status: A
 Capacity: 10000
 Active Date: 10-11-89
 Tank Use: M.V. FUEL
 STG: P
 Content: REG UNLEADED
 Number Of Tanks: Not reported

Status: Active
 Comp Number: 502
 Number: 1
 Board Of Equalization: 44-000003
 Referral Date: 10-11-89
 Action Date: 10-11-89
 Created Date: 10-11-89
 Owner Tank Id: Not reported
 SWRCB Tank Id: 43-000-000502-000003
 Tank Status: A
 Capacity: 10000
 Active Date: 10-11-89
 Tank Use: M.V. FUEL
 STG: P
 Content: LEADED
 Number Of Tanks: Not reported

Map ID
Direction
Distance
Elevation

MAP FINDINGS

Site

Database(s)

EDR ID Number
EPA ID Number

DE ANZA AUTO REPAIR (Continued)

S101630427

Status: Active
Comp Number: 502
Number: 1
Board Of Equalization: 44-000003
Referral Date: 10-11-89
Action Date: 10-11-89
Created Date: 10-11-89
Owner Tank Id: Not reported
SWRCB Tank Id: 43-000-000502-000004
Tank Status: A
Capacity: 12000
Active Date: 10-11-89
Tank Use: M.V. FUEL
STG: P
Content: REG UNLEADED
Number Of Tanks: Not reported

CA FID UST:

Facility ID: 43000407
Regulated By: UTNKA
Regulated ID: Not reported
Cortese Code: Not reported
SIC Code: Not reported
Facility Phone: Not reported
Mail To: Not reported
Mailing Address: 2868 PROSPECT DR
Mailing Address 2: Not reported
Mailing City,St,Zip: CUPERTINO 95014
Contact: Not reported
Contact Phone: Not reported
DUNs Number: Not reported
NPDES Number: Not reported
EPA ID: Not reported
Comments: Not reported
Status: Active

Facility ID: 43000407
Regulated By: UTNKI
Regulated ID: 00039585
Cortese Code: Not reported
SIC Code: Not reported
Facility Phone: 4082453732
Mail To: Not reported
Mailing Address: 11025 N DE ANZA BLVD
Mailing Address 2: Not reported
Mailing City,St,Zip: CUPERTINO 95014
Contact: Not reported
Contact Phone: Not reported
DUNs Number: Not reported
NPDES Number: Not reported
EPA ID: Not reported
Comments: Not reported
Status: Inactive

CUPA SANTA CLARA:

Region: SANTA CLARA

Map ID
Direction
Distance
Elevation

MAP FINDINGS

Site

Database(s)

EDR ID Number
EPA ID Number

DE ANZA AUTO REPAIR (Continued)

S101630427

PE#: 2205
Program Description: GENERATES 100 KG YR TO <5 TONS/YR
Latitude: 37.33566
Longitude: -122.03245
Record ID: PR0395605
Facility ID: FA0268076

CERS TANKS:

Site ID: 110582
CERS ID: 10344490
CERS Description: Underground Storage Tank

Evaluation:

Eval General Type: Compliance Evaluation Inspection
Eval Date: 02-19-2015
Violations Found: No
Eval Type: Routine done by local agency
Eval Notes: Occupancy ID: 2097
Eval Division: Santa Clara County Fire Department
Eval Program: HMRRP
Eval Source: CERS

Eval General Type: Compliance Evaluation Inspection
Eval Date: 02-19-2015
Violations Found: No
Eval Type: Routine done by local agency
Eval Notes: Occupancy ID: 2097
Eval Division: Santa Clara County Fire Department
Eval Program: UST
Eval Source: CERS

Eval General Type: Compliance Evaluation Inspection
Eval Date: 03-11-2016
Violations Found: No
Eval Type: Routine done by local agency
Eval Notes: Occupancy ID: 2097
Eval Division: Santa Clara County Fire Department
Eval Program: HMRRP
Eval Source: CERS

Eval General Type: Compliance Evaluation Inspection
Eval Date: 03-11-2016
Violations Found: No
Eval Type: Routine done by local agency
Eval Notes: Occupancy ID: 2097
Eval Division: Santa Clara County Fire Department
Eval Program: UST
Eval Source: CERS

Eval General Type: Compliance Evaluation Inspection
Eval Date: 03-12-2014
Violations Found: No
Eval Type: Routine done by local agency
Eval Notes: Occupancy ID: 2097
Eval Division: Santa Clara County Fire Department
Eval Program: HMRRP
Eval Source: CERS

Map ID
Direction
Distance
Elevation

MAP FINDINGS

Site

Database(s)

EDR ID Number
EPA ID Number

DE ANZA AUTO REPAIR (Continued)

S101630427

Eval General Type: Compliance Evaluation Inspection
Eval Date: 03-12-2014
Violations Found: No
Eval Type: Routine done by local agency
Eval Notes: Occupancy ID: 2097
Eval Division: Santa Clara County Fire Department
Eval Program: UST
Eval Source: CERS

Eval General Type: Compliance Evaluation Inspection
Eval Date: 03-13-2017
Violations Found: No
Eval Type: Routine done by local agency
Eval Notes: Occupancy ID: 2097
Eval Division: Santa Clara County Fire Department
Eval Program: HMRRP
Eval Source: CERS

Affiliation:

Affiliation Type Desc: CUPA District
Entity Name: Santa Clara County Environmental Health
Entity Title: Not reported
Affiliation Address: 1555 Berger Drive, Suite 300
Affiliation City: San Jose
Affiliation State: CA
Affiliation Country: Not reported
Affiliation Zip: 95112-2716
Affiliation Phone: (408) 918-3400

Affiliation Type Desc: Environmental Contact
Entity Name: Mohammed Al-Azzawy
Entity Title: Not reported
Affiliation Address: 11025 N De Anza Blvd
Affiliation City: Cupertino
Affiliation State: CA
Affiliation Country: Not reported
Affiliation Zip: 95014
Affiliation Phone: (408) 505-8039

Affiliation Type Desc: Facility Mailing Address
Entity Name: Mailing Address
Entity Title: Not reported
Affiliation Address: 11025 N. DE ANZA BL
Affiliation City: CUPERTINO
Affiliation State: CA
Affiliation Country: Not reported
Affiliation Zip: 95014
Affiliation Phone: Not reported

Affiliation Type Desc: Legal Owner
Entity Name: DE ANZA AUTO REPAIR
Entity Title: Not reported
Affiliation Address: 11025 N. DE ANZA BL
Affiliation City: CUPERTINO
Affiliation State: CA
Affiliation Country: United States
Affiliation Zip: 95014

Map ID
Direction
Distance
Elevation

MAP FINDINGS

Site

Database(s)

EDR ID Number
EPA ID Number

DE ANZA AUTO REPAIR (Continued)

S101630427

Affiliation Phone: (408) 245-3732

Affiliation Type Desc: Operator
Entity Name: Mohammed Al-Azzawy
Entity Title: Not reported
Affiliation Address: Not reported
Affiliation City: Not reported
Affiliation State: Not reported
Affiliation Country: Not reported
Affiliation Zip: Not reported
Affiliation Phone: (408) 245-3732

Affiliation Type Desc: Parent Corporation
Entity Name: DE ANZA AUTO REPAIR
Entity Title: Not reported
Affiliation Address: Not reported
Affiliation City: Not reported
Affiliation State: Not reported
Affiliation Country: Not reported
Affiliation Zip: Not reported
Affiliation Phone: Not reported

Affiliation Type Desc: Primary Emergency Contact
Entity Name: Rod Martin
Entity Title: Manager
Affiliation Address: Not reported
Affiliation City: Not reported
Affiliation State: Not reported
Affiliation Country: Not reported
Affiliation Zip: Not reported
Affiliation Phone: (408) 597-6111

Affiliation Type Desc: UST Property Owner Name
Entity Name: Nick Gera
Entity Title: Not reported
Affiliation Address: 11025 N De Anza Blvd
Affiliation City: Cupertino
Affiliation State: CA
Affiliation Country: United States
Affiliation Zip: 95014
Affiliation Phone: (408) 391-9081

Affiliation Type Desc: UST Tank Operator
Entity Name: Mohammed Alazzawy
Entity Title: Not reported
Affiliation Address: 11025 N De Anza Blvd
Affiliation City: Cupertino
Affiliation State: CA
Affiliation Country: United States
Affiliation Zip: 95014
Affiliation Phone: (408) 245-3732

Affiliation Type Desc: UST Tank Owner
Entity Name: Nick Gera
Entity Title: Not reported
Affiliation Address: 11025 De Anza Blvd
Affiliation City: Cupertino

Map ID
Direction
Distance
Elevation

MAP FINDINGS

Site

Database(s)

EDR ID Number
EPA ID Number

DE ANZA AUTO REPAIR (Continued)

S101630427

Affiliation State: CA
Affiliation Country: United States
Affiliation Zip: 95014
Affiliation Phone: (408) 391-9081

CERS TANKS:

Site ID: 110582
CERS ID: 10344490
CERS Description: Chemical Storage Facilities

Evaluation:

Eval General Type: Compliance Evaluation Inspection
Eval Date: 02-19-2015
Violations Found: No
Eval Type: Routine done by local agency
Eval Notes: Occupancy ID: 2097
Eval Division: Santa Clara County Fire Department
Eval Program: HMRRP
Eval Source: CERS

Eval General Type: Compliance Evaluation Inspection
Eval Date: 02-19-2015
Violations Found: No
Eval Type: Routine done by local agency
Eval Notes: Occupancy ID: 2097
Eval Division: Santa Clara County Fire Department
Eval Program: UST
Eval Source: CERS

Eval General Type: Compliance Evaluation Inspection
Eval Date: 03-11-2016
Violations Found: No
Eval Type: Routine done by local agency
Eval Notes: Occupancy ID: 2097
Eval Division: Santa Clara County Fire Department
Eval Program: HMRRP
Eval Source: CERS

Eval General Type: Compliance Evaluation Inspection
Eval Date: 03-11-2016
Violations Found: No
Eval Type: Routine done by local agency
Eval Notes: Occupancy ID: 2097
Eval Division: Santa Clara County Fire Department
Eval Program: UST
Eval Source: CERS

Eval General Type: Compliance Evaluation Inspection
Eval Date: 03-12-2014
Violations Found: No
Eval Type: Routine done by local agency
Eval Notes: Occupancy ID: 2097
Eval Division: Santa Clara County Fire Department
Eval Program: HMRRP
Eval Source: CERS

Map ID
Direction
Distance
Elevation

MAP FINDINGS

Site

Database(s)

EDR ID Number
EPA ID Number

DE ANZA AUTO REPAIR (Continued)

S101630427

Eval General Type: Compliance Evaluation Inspection
Eval Date: 03-12-2014
Violations Found: No
Eval Type: Routine done by local agency
Eval Notes: Occupancy ID: 2097
Eval Division: Santa Clara County Fire Department
Eval Program: UST
Eval Source: CERS

Eval General Type: Compliance Evaluation Inspection
Eval Date: 03-13-2017
Violations Found: No
Eval Type: Routine done by local agency
Eval Notes: Occupancy ID: 2097
Eval Division: Santa Clara County Fire Department
Eval Program: HMRRP
Eval Source: CERS

Affiliation:

Affiliation Type Desc: CUPA District
Entity Name: Santa Clara County Environmental Health
Entity Title: Not reported
Affiliation Address: 1555 Berger Drive, Suite 300
Affiliation City: San Jose
Affiliation State: CA
Affiliation Country: Not reported
Affiliation Zip: 95112-2716
Affiliation Phone: (408) 918-3400

Affiliation Type Desc: Environmental Contact
Entity Name: Mohammed Al-Azzawy
Entity Title: Not reported
Affiliation Address: 11025 N De Anza Blvd
Affiliation City: Cupertino
Affiliation State: CA
Affiliation Country: Not reported
Affiliation Zip: 95014
Affiliation Phone: (408) 505-8039

Affiliation Type Desc: Facility Mailing Address
Entity Name: Mailing Address
Entity Title: Not reported
Affiliation Address: 11025 N. DE ANZA BL
Affiliation City: CUPERTINO
Affiliation State: CA
Affiliation Country: Not reported
Affiliation Zip: 95014
Affiliation Phone: Not reported

Affiliation Type Desc: Legal Owner
Entity Name: DE ANZA AUTO REPAIR
Entity Title: Not reported
Affiliation Address: 11025 N. DE ANZA BL
Affiliation City: CUPERTINO
Affiliation State: CA
Affiliation Country: United States
Affiliation Zip: 95014

Map ID
Direction
Distance
Elevation

MAP FINDINGS

Site

Database(s)

EDR ID Number
EPA ID Number

DE ANZA AUTO REPAIR (Continued)

S101630427

Affiliation Phone: (408) 245-3732

Affiliation Type Desc: Operator
Entity Name: Mohammed Al-Azzawy
Entity Title: Not reported
Affiliation Address: Not reported
Affiliation City: Not reported
Affiliation State: Not reported
Affiliation Country: Not reported
Affiliation Zip: Not reported
Affiliation Phone: (408) 245-3732

Affiliation Type Desc: Parent Corporation
Entity Name: DE ANZA AUTO REPAIR
Entity Title: Not reported
Affiliation Address: Not reported
Affiliation City: Not reported
Affiliation State: Not reported
Affiliation Country: Not reported
Affiliation Zip: Not reported
Affiliation Phone: Not reported

Affiliation Type Desc: Primary Emergency Contact
Entity Name: Rod Martin
Entity Title: Manager
Affiliation Address: Not reported
Affiliation City: Not reported
Affiliation State: Not reported
Affiliation Country: Not reported
Affiliation Zip: Not reported
Affiliation Phone: (408) 597-6111

Affiliation Type Desc: UST Property Owner Name
Entity Name: Nick Gera
Entity Title: Not reported
Affiliation Address: 11025 N De Anza Blvd
Affiliation City: Cupertino
Affiliation State: CA
Affiliation Country: United States
Affiliation Zip: 95014
Affiliation Phone: (408) 391-9081

Affiliation Type Desc: UST Tank Operator
Entity Name: Mohammed Alazzawy
Entity Title: Not reported
Affiliation Address: 11025 N De Anza Blvd
Affiliation City: Cupertino
Affiliation State: CA
Affiliation Country: United States
Affiliation Zip: 95014
Affiliation Phone: (408) 245-3732

Affiliation Type Desc: UST Tank Owner
Entity Name: Nick Gera
Entity Title: Not reported
Affiliation Address: 11025 De Anza Blvd
Affiliation City: Cupertino

Map ID
Direction
Distance
Elevation

MAP FINDINGS

Site

Database(s)

EDR ID Number
EPA ID Number

DE ANZA AUTO REPAIR (Continued)

S101630427

Affiliation State: CA
Affiliation Country: United States
Affiliation Zip: 95014
Affiliation Phone: (408) 391-9081

CERS HAZ WASTE:

Site ID: 110582
CERS ID: 10344490
CERS Description: Hazardous Waste Generator

Evaluation:

Eval General Type: Compliance Evaluation Inspection
Eval Date: 02-19-2015
Violations Found: No
Eval Type: Routine done by local agency
Eval Notes: Occupancy ID: 2097
Eval Division: Santa Clara County Fire Department
Eval Program: HMRRP
Eval Source: CERS

Eval General Type: Compliance Evaluation Inspection
Eval Date: 02-19-2015
Violations Found: No
Eval Type: Routine done by local agency
Eval Notes: Occupancy ID: 2097
Eval Division: Santa Clara County Fire Department
Eval Program: UST
Eval Source: CERS

Eval General Type: Compliance Evaluation Inspection
Eval Date: 03-11-2016
Violations Found: No
Eval Type: Routine done by local agency
Eval Notes: Occupancy ID: 2097
Eval Division: Santa Clara County Fire Department
Eval Program: HMRRP
Eval Source: CERS

Eval General Type: Compliance Evaluation Inspection
Eval Date: 03-11-2016
Violations Found: No
Eval Type: Routine done by local agency
Eval Notes: Occupancy ID: 2097
Eval Division: Santa Clara County Fire Department
Eval Program: UST
Eval Source: CERS

Eval General Type: Compliance Evaluation Inspection
Eval Date: 03-12-2014
Violations Found: No
Eval Type: Routine done by local agency
Eval Notes: Occupancy ID: 2097
Eval Division: Santa Clara County Fire Department
Eval Program: HMRRP
Eval Source: CERS

Map ID
Direction
Distance
Elevation

MAP FINDINGS

Site

Database(s)

EDR ID Number
EPA ID Number

DE ANZA AUTO REPAIR (Continued)

S101630427

Eval General Type: Compliance Evaluation Inspection
Eval Date: 03-12-2014
Violations Found: No
Eval Type: Routine done by local agency
Eval Notes: Occupancy ID: 2097
Eval Division: Santa Clara County Fire Department
Eval Program: UST
Eval Source: CERS

Eval General Type: Compliance Evaluation Inspection
Eval Date: 03-13-2017
Violations Found: No
Eval Type: Routine done by local agency
Eval Notes: Occupancy ID: 2097
Eval Division: Santa Clara County Fire Department
Eval Program: HMRRP
Eval Source: CERS

Affiliation:

Affiliation Type Desc: CUPA District
Entity Name: Santa Clara County Environmental Health
Entity Title: Not reported
Affiliation Address: 1555 Berger Drive, Suite 300
Affiliation City: San Jose
Affiliation State: CA
Affiliation Country: Not reported
Affiliation Zip: 95112-2716
Affiliation Phone: (408) 918-3400

Affiliation Type Desc: Environmental Contact
Entity Name: Mohammed Al-Azzawy
Entity Title: Not reported
Affiliation Address: 11025 N De Anza Blvd
Affiliation City: Cupertino
Affiliation State: CA
Affiliation Country: Not reported
Affiliation Zip: 95014
Affiliation Phone: (408) 505-8039

Affiliation Type Desc: Facility Mailing Address
Entity Name: Mailing Address
Entity Title: Not reported
Affiliation Address: 11025 N. DE ANZA BL
Affiliation City: CUPERTINO
Affiliation State: CA
Affiliation Country: Not reported
Affiliation Zip: 95014
Affiliation Phone: Not reported

Affiliation Type Desc: Legal Owner
Entity Name: DE ANZA AUTO REPAIR
Entity Title: Not reported
Affiliation Address: 11025 N. DE ANZA BL
Affiliation City: CUPERTINO
Affiliation State: CA
Affiliation Country: United States
Affiliation Zip: 95014

Map ID
Direction
Distance
Elevation

MAP FINDINGS

Site

Database(s)

EDR ID Number
EPA ID Number

DE ANZA AUTO REPAIR (Continued)

S101630427

Affiliation Phone: (408) 245-3732

Affiliation Type Desc: Operator
Entity Name: Mohammed Al-Azzawy
Entity Title: Not reported
Affiliation Address: Not reported
Affiliation City: Not reported
Affiliation State: Not reported
Affiliation Country: Not reported
Affiliation Zip: Not reported
Affiliation Phone: (408) 245-3732

Affiliation Type Desc: Parent Corporation
Entity Name: DE ANZA AUTO REPAIR
Entity Title: Not reported
Affiliation Address: Not reported
Affiliation City: Not reported
Affiliation State: Not reported
Affiliation Country: Not reported
Affiliation Zip: Not reported
Affiliation Phone: Not reported

Affiliation Type Desc: Primary Emergency Contact
Entity Name: Rod Martin
Entity Title: Manager
Affiliation Address: Not reported
Affiliation City: Not reported
Affiliation State: Not reported
Affiliation Country: Not reported
Affiliation Zip: Not reported
Affiliation Phone: (408) 597-6111

Affiliation Type Desc: UST Property Owner Name
Entity Name: Nick Gera
Entity Title: Not reported
Affiliation Address: 11025 N De Anza Blvd
Affiliation City: Cupertino
Affiliation State: CA
Affiliation Country: United States
Affiliation Zip: 95014
Affiliation Phone: (408) 391-9081

Affiliation Type Desc: UST Tank Operator
Entity Name: Mohammed Alazzawy
Entity Title: Not reported
Affiliation Address: 11025 N De Anza Blvd
Affiliation City: Cupertino
Affiliation State: CA
Affiliation Country: United States
Affiliation Zip: 95014
Affiliation Phone: (408) 245-3732

Affiliation Type Desc: UST Tank Owner
Entity Name: Nick Gera
Entity Title: Not reported
Affiliation Address: 11025 De Anza Blvd
Affiliation City: Cupertino

Map ID
 Direction
 Distance
 Elevation

MAP FINDINGS

Site

Database(s)

EDR ID Number
 EPA ID Number

DE ANZA AUTO REPAIR (Continued)

S101630427

Affiliation State: CA
 Affiliation Country: United States
 Affiliation Zip: 95014
 Affiliation Phone: (408) 391-9081

B8
 North
 < 1/8
 0.043 mi.
 227 ft.

CUPERTINO AUTO SERVICE
 11025 N DE ANZA BL
 CUPERTINO, CA 95014

CUPA Listings S121473873
 N/A

Site 4 of 7 in cluster B

Relative:
Lower
Actual:
209 ft.

CUPA SANTA CLARA:
 Region: SANTA CLARA
 PE#: 2205
 Program Description: GENERATES 100 KG YR TO <5 TONS/YR
 Latitude: 37.33788
 Longitude: -122.03251
 Record ID: PR0382551
 Facility ID: FA0260942

B9
 North
 < 1/8
 0.043 mi.
 227 ft.

DE ANZA AUTO REPAIR
 11025 N DE ANZA BL
 CUPERTINO, CA 95014

UST U003804535
 N/A

Site 5 of 7 in cluster B

Relative:
Lower
Actual:
209 ft.

UST:
 Facility ID: 34
 Permitting Agency: CAMPBELL,CUPERTINO,LOS GATOS,MORGAN HILL
 Latitude: 37.33656
 Longitude: -122.03215

 Facility ID: Not reported
 Permitting Agency: Santa Clara County Environmental Health
 Latitude: 37.33783
 Longitude: -122.03246

B10
 North
 < 1/8
 0.043 mi.
 227 ft.

CARLOS CORONA INCORPORATED
 11025 N DE ANZA BLVD
 CUPERTINO, CA 95014

EDR Hist Auto 1020824730
 N/A

Site 6 of 7 in cluster B

Relative:
Lower
Actual:
209 ft.

EDR Hist Auto

Year:	Name:	Type:
1978	CORONA MOBIL SERVICE	Gasoline Service Stations
1979	CORONA MOBIL SERVICE	Gasoline Service Stations
1980	CORONA MOBIL SERVICE	Gasoline Service Stations
1982	CORONA MOBIL SERVICE	Gasoline Service Stations
1983	CORONA MOBIL SERVICE	Gasoline Service Stations
1985	CORONA MOBIL SERVICE	Gasoline Service Stations
1986	CORONA MOBIL SERVICE	Gasoline Service Stations
1986	CARLOS CORONA INCORPORATED	Gasoline Service Stations

Map ID
 Direction
 Distance
 Elevation

MAP FINDINGS

Site

Database(s)

EDR ID Number
 EPA ID Number

CARLOS CORONA INCORPORATED (Continued)

1020824730

1987	CARLOS CORONA INCORPORATED	Gasoline Service Stations
1987	CORONA MOBIL SERVICE	Gasoline Service Stations
1988	CORONA MOBIL SERVICE	Gasoline Service Stations
1988	CARLOS CORONA INCORPORATED	Gasoline Service Stations
1989	CARLOS CORONA INCORPORATED	Gasoline Service Stations
1990	CARLOS CORONA INCORPORATED	Gasoline Service Stations
1991	CARLOS CORONA INCORPORATED	Gasoline Service Stations
1992	CARLOS CORONA INCORPORATED	Gasoline Service Stations
1993	CARLOS CORONA INCORPORATED	Gasoline Service Stations
1994	CARLOS CORONA INCORPORATED	Gasoline Service Stations
1995	CARLOS CORONA INCORPORATED	Gasoline Service Stations
1996	CARLOS CORONA INCORPORATED	Gasoline Service Stations
1997	CARLOS CORONA INCORPORATED	Gasoline Service Stations
1998	CARLOS CORONA INCORPORATED	Gasoline Service Stations
1999	CARLOS CORONA INCORPORATED	Gasoline Service Stations
2000	CARLOS CORONA INCORPORATED	Gasoline Service Stations
2001	CARLOS CORONA INCORPORATED	Gasoline Service Stations
2002	CARLOS CORONA INCORPORATED	Gasoline Service Stations
2003	CARLOS CORONA INCORPORATED	Gasoline Service Stations
2004	CARLOS CORONA INCORPORATED	Gasoline Service Stations
2005	CARLOS CORONA INCORPORATED	Gasoline Service Stations

B11
 North
 < 1/8
 0.043 mi.
 227 ft.

MOBIL SERVICE STATION
 11025 N DE ANZA BLVD
 CUPERTINO, CA 95014
 Site 7 of 7 in cluster B

SWEEPS UST **U001601006**
HIST UST **N/A**

Relative:
Lower
Actual:
209 ft.

SWEEPS UST:

Status:	Not reported
Comp Number:	39585
Number:	Not reported
Board Of Equalization:	44-000400
Referral Date:	Not reported
Action Date:	Not reported
Created Date:	Not reported
Owner Tank Id:	Not reported
SWRCB Tank Id:	43-012-039585-000001
Tank Status:	Not reported
Capacity:	6000
Active Date:	Not reported
Tank Use:	M.V. FUEL
STG:	PRODUCT
Content:	REG UNLEADED
Number Of Tanks:	4

Status:	Not reported
Comp Number:	39585
Number:	Not reported
Board Of Equalization:	44-000400
Referral Date:	Not reported
Action Date:	Not reported
Created Date:	Not reported
Owner Tank Id:	Not reported
SWRCB Tank Id:	43-012-039585-000002
Tank Status:	Not reported
Capacity:	6000
Active Date:	Not reported

Map ID
Direction
Distance
Elevation

MAP FINDINGS

Site

Database(s)

EDR ID Number
EPA ID Number

MOBIL SERVICE STATION (Continued)

U001601006

Tank Use: M.V. FUEL
STG: PRODUCT
Content: LEADED
Number Of Tanks: Not reported

Status: Not reported
Comp Number: 39585
Number: Not reported
Board Of Equalization: 44-000400
Referral Date: Not reported
Action Date: Not reported
Created Date: Not reported
Owner Tank Id: Not reported
SWRCB Tank Id: 43-012-039585-000003
Tank Status: Not reported
Capacity: 5000
Active Date: Not reported
Tank Use: M.V. FUEL
STG: PRODUCT
Content: Not reported
Number Of Tanks: Not reported

Status: Not reported
Comp Number: 39585
Number: Not reported
Board Of Equalization: 44-000400
Referral Date: Not reported
Action Date: Not reported
Created Date: Not reported
Owner Tank Id: Not reported
SWRCB Tank Id: 43-012-039585-000004
Tank Status: Not reported
Capacity: 285
Active Date: Not reported
Tank Use: OIL
STG: WASTE
Content: WASTE OIL
Number Of Tanks: Not reported

HIST UST:

File Number: Not reported
URL: Not reported
Region: STATE
Facility ID: 00000039585
Facility Type: Gas Station
Other Type: MOTOR VEHICLE FUEL S
Contact Name: CARLOS M. CORONA
Telephone: 4082453732
Owner Name: MOBIL OIL CORPORATION
Owner Address: 612 SO. FLOWER STREET
Owner City,St,Zip: LOS ANGELES, CA 90017
Total Tanks: 0004

Tank Num: 001
Container Num: 1
Year Installed: 1960
Tank Capacity: 00006000

Map ID
 Direction
 Distance
 Elevation

MAP FINDINGS

Site

Database(s)

EDR ID Number
 EPA ID Number

MOBIL SERVICE STATION (Continued)

U001601006

Tank Used for: PRODUCT
 Type of Fuel: UNLEADED
 Container Construction Thickness: Not reported
 Leak Detection: Visual, Stock Inventor, Pressure Test

Tank Num: 002
 Container Num: 2
 Year Installed: 1960
 Tank Capacity: 00006000
 Tank Used for: PRODUCT
 Type of Fuel: REGULAR
 Container Construction Thickness: Not reported
 Leak Detection: Visual, Stock Inventor, Pressure Test

Tank Num: 003
 Container Num: 3
 Year Installed: 1960
 Tank Capacity: 00005000
 Tank Used for: PRODUCT
 Type of Fuel: 06
 Container Construction Thickness: Not reported
 Leak Detection: Visual, Stock Inventor, Pressure Test

Tank Num: 004
 Container Num: 4
 Year Installed: 1960
 Tank Capacity: 00000285
 Tank Used for: WASTE
 Type of Fuel: WASTE OIL
 Container Construction Thickness: Not reported
 Leak Detection: Visual

C12
NW
< 1/8
0.067 mi.
352 ft.

RITE AID NO 5967
20572 HOMESTEAD RD
CUPERTINO, CA 95014
Site 1 of 5 in cluster C

RCRA-CESQG 1016955330
CAR000251223

Relative:
Lower
Actual:
212 ft.

RCRA-CESQG:
 Date form received by agency: 04/14/2017
 Facility name: RITE AID NO 5967
 Facility address: 20572 HOMESTEAD RD
 CUPERTINO, CA 950140432
 EPA ID: CAR000251223
 Mailing address: HUNTER LN
 CAMP HILL, PA 17011
 Contact: DAVID W CROZIER
 Contact address: HUNTER LN
 CAMP HILL, PA 17011
 Contact country: US
 Contact telephone: (717) 975-8643
 Contact email: EHS@RITEAID.COM
 EPA Region: 09
 Classification: Conditionally Exempt Small Quantity Generator
 Description: Handler: generates 100 kg or less of hazardous waste per calendar month, and accumulates 1000 kg or less of hazardous waste at any time; or generates 1 kg or less of acutely hazardous waste per calendar month, and accumulates at any time: 1 kg or less of acutely hazardous

Map ID
Direction
Distance
Elevation

MAP FINDINGS

Site

Database(s)

EDR ID Number
EPA ID Number

RITE AID NO 5967 (Continued)

1016955330

waste; or 100 kg or less of any residue or contaminated soil, waste or other debris resulting from the cleanup of a spill, into or on any land or water, of acutely hazardous waste; or generates 100 kg or less of any residue or contaminated soil, waste or other debris resulting from the cleanup of a spill, into or on any land or water, of acutely hazardous waste during any calendar month, and accumulates at any time: 1 kg or less of acutely hazardous waste; or 100 kg or less of any residue or contaminated soil, waste or other debris resulting from the cleanup of a spill, into or on any land or water, of acutely hazardous waste

Owner/Operator Summary:

Owner/operator name: SOBRATO INTERESTS 1 AND 2
Owner/operator address: 10600 N DEANZA BLVD NO 200
CUPERTINO, CA 95014
Owner/operator country: US
Owner/operator telephone: 408-446-0700
Owner/operator email: Not reported
Owner/operator fax: Not reported
Owner/operator extension: Not reported
Legal status: Private
Owner/Operator Type: Owner
Owner/Op start date: 09/06/2012
Owner/Op end date: Not reported

Owner/operator name: THRIFTY PAYLESS INC
Owner/operator address: Not reported
Not reported
Owner/operator country: US
Owner/operator telephone: Not reported
Owner/operator email: Not reported
Owner/operator fax: Not reported
Owner/operator extension: Not reported
Legal status: Private
Owner/Operator Type: Operator
Owner/Op start date: 09/06/2012
Owner/Op end date: Not reported

Owner/operator name: THRIFTY PAYLESS INC
Owner/operator address: Not reported
Not reported
Owner/operator country: Not reported
Owner/operator telephone: Not reported
Owner/operator email: Not reported
Owner/operator fax: Not reported
Owner/operator extension: Not reported
Legal status: Private
Owner/Operator Type: Operator
Owner/Op start date: 09/06/2012
Owner/Op end date: Not reported

Owner/operator name: SOBRATO INTERESTS 1 & SOBRATO
Owner/operator address: N DEANZA BLVD #200
CUPERTINO, CA 95014
Owner/operator country: US
Owner/operator telephone: (408) 446-0700
Owner/operator email: Not reported

Map ID
Direction
Distance
Elevation

MAP FINDINGS

Site

Database(s)

EDR ID Number
EPA ID Number

RITE AID NO 5967 (Continued)

1016955330

Owner/operator fax: Not reported
Owner/operator extension: Not reported
Legal status: Private
Owner/Operator Type: Owner
Owner/Op start date: 09/06/2012
Owner/Op end date: Not reported

Handler Activities Summary:

U.S. importer of hazardous waste: No
Mixed waste (haz. and radioactive): No
Recycler of hazardous waste: No
Transporter of hazardous waste: No
Treater, storer or disposer of HW: No
Underground injection activity: No
On-site burner exemption: No
Furnace exemption: No
Used oil fuel burner: No
Used oil processor: No
User oil refiner: No
Used oil fuel marketer to burner: No
Used oil Specification marketer: No
Used oil transfer facility: No
Used oil transporter: No

- . Waste code: 122
- . Waste name: Alkaline solution without metals (pH > 12.5)

- . Waste code: 131
- . Waste name: Aqueous solution (2 < pH < 12.5) containing reactive anions (azide, bromate, chlorate, cyanide, fluoride, hypochlorite, nitrite, perchlorate, and sulfide anions)

- . Waste code: 141
- . Waste name: Off-specification, aged, or surplus inorganics

- . Waste code: 214
- . Waste name: Unspecified solvent mixture

- . Waste code: 223
- . Waste name: Unspecified oil-containing waste

- . Waste code: 261
- . Waste name: Polychlorinated biphenyls and material containing PCB's

- . Waste code: 291
- . Waste name: Latex waste

- . Waste code: 311
- . Waste name: Pharmaceutical waste

- . Waste code: 331
- . Waste name: Off-specification, aged, or surplus organics

- . Waste code: 343
- . Waste name: Unspecified organic liquid mixture

- . Waste code: 352

Map ID
Direction
Distance
Elevation

MAP FINDINGS

Site

Database(s)

EDR ID Number
EPA ID Number

RITE AID NO 5967 (Continued)

1016955330

- . Waste name: Other organic solids
- . Waste code: 541
- . Waste name: Photochemicals / photo processing waste
- . Waste code: 561
- . Waste name: Detergent and soap
- . Waste code: 791
- . Waste name: Liquids with pH < 2
- . Waste code: D001
- . Waste name: IGNITABLE HAZARDOUS WASTES ARE THOSE WASTES WHICH HAVE A FLASHPOINT OF LESS THAN 140 DEGREES FAHRENHEIT AS DETERMINED BY A PENSLEY-MARTENS CLOSED CUP FLASH POINT TESTER. ANOTHER METHOD OF DETERMINING THE FLASH POINT OF A WASTE IS TO REVIEW THE MATERIAL SAFETY DATA SHEET, WHICH CAN BE OBTAINED FROM THE MANUFACTURER OR DISTRIBUTOR OF THE MATERIAL. LACQUER THINNER IS AN EXAMPLE OF A COMMONLY USED SOLVENT WHICH WOULD BE CONSIDERED AS IGNITABLE HAZARDOUS WASTE.
- . Waste code: D002
- . Waste name: A WASTE WHICH HAS A PH OF LESS THAN 2 OR GREATER THAN 12.5 IS CONSIDERED TO BE A CORROSIVE HAZARDOUS WASTE. SODIUM HYDROXIDE, A CAUSTIC SOLUTION WITH A HIGH PH, IS OFTEN USED BY INDUSTRIES TO CLEAN OR DEGREASE PARTS. HYDROCHLORIC ACID, A SOLUTION WITH A LOW PH, IS USED BY MANY INDUSTRIES TO CLEAN METAL PARTS PRIOR TO PAINTING. WHEN THESE CAUSTIC OR ACID SOLUTIONS BECOME CONTAMINATED AND MUST BE DISPOSED, THE WASTE WOULD BE A CORROSIVE HAZARDOUS WASTE.
- . Waste code: D007
- . Waste name: CHROMIUM
- . Waste code: D009
- . Waste name: MERCURY
- . Waste code: D010
- . Waste name: SELENIUM
- . Waste code: D011
- . Waste name: SILVER
- . Waste code: D024
- . Waste name: M-CRESOL
- . Waste code: D026
- . Waste name: CRESOL
- . Waste code: P001
- . Waste name: 2H-1-BENZOPYRAN-2-ONE, 4-HYDROXY-3-(3-OXO-1-PHENYLBUTYL)-, & SALTS, WHEN PRESENT AT CONCENTRATIONS GREATER THAN 0.3%
- . Waste code: P075
- . Waste name: NICOTINE, & SALTS
- . Waste code: U165
- . Waste name: NAPHTHALENE

Map ID
Direction
Distance
Elevation

MAP FINDINGS

Site

Database(s)

EDR ID Number
EPA ID Number

RITE AID NO 5967 (Continued)

1016955330

- . Waste code: U188
- . Waste name: PHENOL

- . Waste code: U279
- . Waste name: CARBARYL (OR) 1-NAPHTHALENOL, METHYLCARBAMATE

Historical Generators:

Date form received by agency: 12/10/2014

Site name: RITE AID NO 5967

Classification: Large Quantity Generator

- . Waste code: 131
- . Waste name: Aqueous solution (2 < pH < 12.5) containing reactive anions (azide, bromate, chlorate, cyanide, fluoride, hypochlorite, nitrite, perchlorate, and sulfide anions)

- . Waste code: 141
- . Waste name: Off-specification, aged, or surplus inorganics

- . Waste code: 214
- . Waste name: Unspecified solvent mixture

- . Waste code: 232
- . Waste name: Pesticides and other waste associated with pesticide production

- . Waste code: 311
- . Waste name: Pharmaceutical waste

- . Waste code: 791
- . Waste name: Liquids with pH < 2

- . Waste code: D001
- . Waste name: IGNITABLE HAZARDOUS WASTES ARE THOSE WASTES WHICH HAVE A FLASHPOINT OF LESS THAN 140 DEGREES FAHRENHEIT AS DETERMINED BY A PENSKY-MARTENS CLOSED CUP FLASH POINT TESTER. ANOTHER METHOD OF DETERMINING THE FLASH POINT OF A WASTE IS TO REVIEW THE MATERIAL SAFETY DATA SHEET, WHICH CAN BE OBTAINED FROM THE MANUFACTURER OR DISTRIBUTOR OF THE MATERIAL. LACQUER THINNER IS AN EXAMPLE OF A COMMONLY USED SOLVENT WHICH WOULD BE CONSIDERED AS IGNITABLE HAZARDOUS WASTE.

- . Waste code: D002
- . Waste name: A WASTE WHICH HAS A PH OF LESS THAN 2 OR GREATER THAN 12.5 IS CONSIDERED TO BE A CORROSIVE HAZARDOUS WASTE. SODIUM HYDROXIDE, A CAUSTIC SOLUTION WITH A HIGH PH, IS OFTEN USED BY INDUSTRIES TO CLEAN OR DEGREASE PARTS. HYDROCHLORIC ACID, A SOLUTION WITH A LOW PH, IS USED BY MANY INDUSTRIES TO CLEAN METAL PARTS PRIOR TO PAINTING. WHEN THESE CAUSTIC OR ACID SOLUTIONS BECOME CONTAMINATED AND MUST BE DISPOSED, THE WASTE WOULD BE A CORROSIVE HAZARDOUS WASTE.

- . Waste code: D007
- . Waste name: CHROMIUM

- . Waste code: D009
- . Waste name: MERCURY

- . Waste code: D010
- . Waste name: SELENIUM

Map ID
Direction
Distance
Elevation

MAP FINDINGS

Site

Database(s)

EDR ID Number
EPA ID Number

RITE AID NO 5967 (Continued)

1016955330

- . Waste code: D011
- . Waste name: SILVER

- . Waste code: D024
- . Waste name: M-CRESOL

- . Waste code: D026
- . Waste name: CRESOL

- . Waste code: P001
- . Waste name: 2H-1-BENZOPYRAN-2-ONE, 4-HYDROXY-3-(3-OXO-1-PHENYLBUTYL)-, & SALTS, WHEN PRESENT AT CONCENTRATIONS GREATER THAN 0.3%

- . Waste code: P075
- . Waste name: NICOTINE, & SALTS

- Violation Status: No violations found

**C13
NW
< 1/8
0.067 mi.
352 ft.**

**RITE AID STORE NO 5967
20572 HOMESTEAD ROAD
CUPERTINO, CA 95014

Site 2 of 5 in cluster C**

**CUPA Listings S111459879
HAZNET N/A
CERS HAZ WASTE
CIWQS**

**Relative:
Lower
Actual:
212 ft.**

CUPA SANTA CLARA:
Region: SANTA CLARA
PE#: 2205
Program Description: GENERATES 100 KG YR TO <5 TONS/YR
Latitude: 37.33753
Longitude: -122.03826
Record ID: PR0411590
Facility ID: FA0272147

HAZNET:
envid: S111459879
Year: 2016
GEPaid: CAR000251223
Contact: DAVID CROZIER
Telephone: 7179758643
Mailing Name: Not reported
Mailing Address: 30 HUNTER LN
Mailing City,St,Zip: CAMP HILL, PA 17011
Gen County: Santa Clara
TSD EPA ID: NVD980895338
TSD County: 99
Waste Category: Unspecified organic liquid mixture
Disposal Method: Storage, Bulking, And/Or Transfer Off Site--No Treatment/Reovery (H010-H129) Or (H131-H135)
Tons: 0.008
Cat Decode: Unspecified organic liquid mixture
Method Decode: Storage, Bulking, And/Or Transfer Off Site--No Treatment/Reovery (H010-H129) Or (H131-H135)
Facility County: Santa Clara

envid: S111459879
Year: 2016
GEPaid: CAR000251223
Contact: DAVID CROZIER

Map ID
Direction
Distance
Elevation

MAP FINDINGS

Site

Database(s)

EDR ID Number
EPA ID Number

RITE AID STORE NO 5967 (Continued)

S111459879

Telephone: 7179758643
Mailing Name: Not reported
Mailing Address: 30 HUNTER LN
Mailing City,St,Zip: CAMP HILL, PA 17011
Gen County: Santa Clara
TSD EPA ID: CAD980884183
TSD County: Sacramento
Waste Category: Off-specification, aged or surplus organics
Disposal Method: Storage, Bulking, And/Or Transfer Off Site--No Treatment/Reovery (H010-H129) Or (H131-H135)
Tons: 0.0445
Cat Decode: Off-specification, aged or surplus organics
Method Decode: Storage, Bulking, And/Or Transfer Off Site--No Treatment/Reovery (H010-H129) Or (H131-H135)
Facility County: Santa Clara

envid: S111459879
Year: 2016
GEPaid: CAR000251223
Contact: DAVID CROZIER
Telephone: 7179758643
Mailing Name: Not reported
Mailing Address: 30 HUNTER LN
Mailing City,St,Zip: CAMP HILL, PA 17011
Gen County: Santa Clara
TSD EPA ID: CAD980884183
TSD County: Sacramento
Waste Category: Unspecified solvent mixture
Disposal Method: Not reported
Tons: 0.009
Cat Decode: Unspecified solvent mixture
Method Decode: Not reported
Facility County: Santa Clara

envid: S111459879
Year: 2016
GEPaid: CAR000251223
Contact: DAVID CROZIER
Telephone: 7179758643
Mailing Name: Not reported
Mailing Address: 30 HUNTER LN
Mailing City,St,Zip: CAMP HILL, PA 17011
Gen County: Santa Clara
TSD EPA ID: CAD980884183
TSD County: Sacramento
Waste Category: Alkaline solution without metals pH >= 12.5
Disposal Method: Not reported
Tons: 0.004
Cat Decode: Alkaline solution without metals pH >= 12.5
Method Decode: Not reported
Facility County: Santa Clara

envid: S111459879
Year: 2016
GEPaid: CAR000251223
Contact: DAVID CROZIER
Telephone: 7179758643

Map ID
Direction
Distance
Elevation

MAP FINDINGS

Site

Database(s)

EDR ID Number
EPA ID Number

RITE AID STORE NO 5967 (Continued)

S111459879

Mailing Name: Not reported
Mailing Address: 30 HUNTER LN
Mailing City,St,Zip: CAMP HILL, PA 17011
Gen County: Santa Clara
TSD EPA ID: CAD980884183
TSD County: Sacramento
Waste Category: Pharmaceutical waste
Disposal Method: Storage, Bulking, And/Or Transfer Off Site--No Treatment/Reovery (H010-H129) Or (H131-H135)
Tons: 0.0015
Cat Decode: Pharmaceutical waste
Method Decode: Storage, Bulking, And/Or Transfer Off Site--No Treatment/Reovery (H010-H129) Or (H131-H135)
Facility County: Santa Clara

[Click this hyperlink](#) while viewing on your computer to access 24 additional CA_HAZNET: record(s) in the EDR Site Report.

CERS HAZ WASTE:

Site ID: 148161
CERS ID: 10423549
CERS Description: Hazardous Waste Generator

Evaluation:

Eval General Type: Compliance Evaluation Inspection
Eval Date: 03-18-2015
Violations Found: No
Eval Type: Routine done by local agency
Eval Notes: Occupancy ID: 16376
Eval Division: Santa Clara County Fire Department
Eval Program: HMRRP
Eval Source: CERS

Eval General Type: Compliance Evaluation Inspection
Eval Date: 04-21-2016
Violations Found: No
Eval Type: Routine done by local agency
Eval Notes: Occupancy ID: 16376
Eval Division: Santa Clara County Fire Department
Eval Program: HMRRP
Eval Source: CERS

Coordinates:

Site ID: 148161
Facility Name: Rite Aid #5967
Env Int Type Code: HWG
Program ID: 10423549
Coord Name: Not reported
Ref Point Type Desc: Center of a facility or station.
Latitude: 37.337500
Longitude: -122.033200

Affiliation:

Affiliation Type Desc: CUPA District
Entity Name: Santa Clara County Environmental Health
Entity Title: Not reported

Map ID
Direction
Distance
Elevation

MAP FINDINGS

Site

Database(s)

EDR ID Number
EPA ID Number

RITE AID STORE NO 5967 (Continued)

S111459879

Affiliation Address: 1555 Berger Drive, Suite 300
Affiliation City: San Jose
Affiliation State: CA
Affiliation Country: Not reported
Affiliation Zip: 95112-2716
Affiliation Phone: (408) 918-3400

Affiliation Type Desc: Document Preparer
Entity Name: Jordan Anderson
Entity Title: Not reported
Affiliation Address: Not reported
Affiliation City: Not reported
Affiliation State: Not reported
Affiliation Country: Not reported
Affiliation Zip: Not reported
Affiliation Phone: Not reported

Affiliation Type Desc: Environmental Contact
Entity Name: David Crozier
Entity Title: Not reported
Affiliation Address: 30 Hunter Lane
Affiliation City: Camp Hill
Affiliation State: PA
Affiliation Country: Not reported
Affiliation Zip: 17011
Affiliation Phone: (717) 975-8643

Affiliation Type Desc: Facility Mailing Address
Entity Name: Mailing Address
Entity Title: Not reported
Affiliation Address: 30 Hunter Lane, Attn EHS
Affiliation City: Camp Hill
Affiliation State: PA
Affiliation Country: Not reported
Affiliation Zip: 17011
Affiliation Phone: Not reported

Affiliation Type Desc: Identification Signer
Entity Name: David Crozier
Entity Title: Manager, EHS
Affiliation Address: Not reported
Affiliation City: Not reported
Affiliation State: Not reported
Affiliation Country: Not reported
Affiliation Zip: Not reported
Affiliation Phone: Not reported

Affiliation Type Desc: Legal Owner
Entity Name: Thrifty Payless, Inc
Entity Title: Not reported
Affiliation Address: 30 Hunter Lane
Affiliation City: Camp Hill
Affiliation State: PA
Affiliation Country: United States
Affiliation Zip: 17011
Affiliation Phone: (717) 761-2633

Map ID
Direction
Distance
Elevation

MAP FINDINGS

Site

Database(s)

EDR ID Number
EPA ID Number

RITE AID STORE NO 5967 (Continued)

S111459879

Affiliation Type Desc: Operator
Entity Name: Rite Aid #5967
Entity Title: Not reported
Affiliation Address: Not reported
Affiliation City: Not reported
Affiliation State: Not reported
Affiliation Country: Not reported
Affiliation Zip: Not reported
Affiliation Phone: (408) 253-2005

Affiliation Type Desc: Parent Corporation
Entity Name: RITE AID CORPORATION
Entity Title: Not reported
Affiliation Address: Not reported
Affiliation City: Not reported
Affiliation State: Not reported
Affiliation Country: Not reported
Affiliation Zip: Not reported
Affiliation Phone: Not reported

Affiliation Type Desc: Primary Emergency Contact
Entity Name: Tierre Chappel
Entity Title: District Manager
Affiliation Address: Not reported
Affiliation City: Not reported
Affiliation State: Not reported
Affiliation Country: Not reported
Affiliation Zip: Not reported
Affiliation Phone: (917) 698-1764

Affiliation Type Desc: Property Owner
Entity Name: The Sobrato Organization
Entity Title: Not reported
Affiliation Address: 10600 N. DeAnza Blvd., #200
Affiliation City: Cupertino
Affiliation State: CA
Affiliation Country: United States
Affiliation Zip: 95014
Affiliation Phone: (408) 446-0700

Affiliation Type Desc: Secondary Emergency Contact
Entity Name: Sageda Thirucote
Entity Title: Pharmacy District Manager
Affiliation Address: Not reported
Affiliation City: Not reported
Affiliation State: Not reported
Affiliation Country: Not reported
Affiliation Zip: Not reported
Affiliation Phone: (650) 804-3264

Site ID: 148161
CERS ID: 10423549
CERS Description: RCRA LQ HW Generator

Evaluation:
Eval General Type: Compliance Evaluation Inspection
Eval Date: 03-18-2015

Map ID
Direction
Distance
Elevation

MAP FINDINGS

Site

Database(s)

EDR ID Number
EPA ID Number

RITE AID STORE NO 5967 (Continued)

S111459879

Violations Found: No
Eval Type: Routine done by local agency
Eval Notes: Occupancy ID: 16376
Eval Division: Santa Clara County Fire Department
Eval Program: HMRRP
Eval Source: CERS

Eval General Type: Compliance Evaluation Inspection
Eval Date: 04-21-2016
Violations Found: No
Eval Type: Routine done by local agency
Eval Notes: Ocupancy ID: 16376
Eval Division: Santa Clara County Fire Department
Eval Program: HMRRP
Eval Source: CERS

Coordinates:
Site ID: 148161
Facility Name: Rite Aid #5967
Env Int Type Code: HWG
Program ID: 10423549
Coord Name: Not reported
Ref Point Type Desc: Center of a facility or station.
Latitude: 37.337500
Longitude: -122.033200

Affiliation:
Affiliation Type Desc: CUPA District
Entity Name: Santa Clara County Environmental Health
Entity Title: Not reported
Affiliation Address: 1555 Berger Drive, Suite 300
Affiliation City: San Jose
Affiliation State: CA
Affiliation Country: Not reported
Affiliation Zip: 95112-2716
Affiliation Phone: (408) 918-3400

Affiliation Type Desc: Document Preparer
Entity Name: Jordan Anderson
Entity Title: Not reported
Affiliation Address: Not reported
Affiliation City: Not reported
Affiliation State: Not reported
Affiliation Country: Not reported
Affiliation Zip: Not reported
Affiliation Phone: Not reported

Affiliation Type Desc: Environmental Contact
Entity Name: David Crozier
Entity Title: Not reported
Affiliation Address: 30 Hunter Lane
Affiliation City: Camp Hill
Affiliation State: PA
Affiliation Country: Not reported
Affiliation Zip: 17011
Affiliation Phone: (717) 975-8643

Map ID
Direction
Distance
Elevation

MAP FINDINGS

Site

Database(s)

EDR ID Number
EPA ID Number

RITE AID STORE NO 5967 (Continued)

S111459879

Affiliation Type Desc: Facility Mailing Address
Entity Name: Mailing Address
Entity Title: Not reported
Affiliation Address: 30 Hunter Lane, Attn EHS
Affiliation City: Camp Hill
Affiliation State: PA
Affiliation Country: Not reported
Affiliation Zip: 17011
Affiliation Phone: Not reported

Affiliation Type Desc: Identification Signer
Entity Name: David Crozier
Entity Title: Manager, EHS
Affiliation Address: Not reported
Affiliation City: Not reported
Affiliation State: Not reported
Affiliation Country: Not reported
Affiliation Zip: Not reported
Affiliation Phone: Not reported

Affiliation Type Desc: Legal Owner
Entity Name: Thrifty Payless, Inc
Entity Title: Not reported
Affiliation Address: 30 Hunter Lane
Affiliation City: Camp Hill
Affiliation State: PA
Affiliation Country: United States
Affiliation Zip: 17011
Affiliation Phone: (717) 761-2633

Affiliation Type Desc: Operator
Entity Name: Rite Aid #5967
Entity Title: Not reported
Affiliation Address: Not reported
Affiliation City: Not reported
Affiliation State: Not reported
Affiliation Country: Not reported
Affiliation Zip: Not reported
Affiliation Phone: (408) 253-2005

Affiliation Type Desc: Parent Corporation
Entity Name: RITE AID CORPORATION
Entity Title: Not reported
Affiliation Address: Not reported
Affiliation City: Not reported
Affiliation State: Not reported
Affiliation Country: Not reported
Affiliation Zip: Not reported
Affiliation Phone: Not reported

Affiliation Type Desc: Primary Emergency Contact
Entity Name: Tierre Chappel
Entity Title: District Manager
Affiliation Address: Not reported
Affiliation City: Not reported
Affiliation State: Not reported
Affiliation Country: Not reported

Map ID
Direction
Distance
Elevation

MAP FINDINGS

Site

Database(s)

EDR ID Number
EPA ID Number

RITE AID STORE NO 5967 (Continued)

S111459879

Affiliation Zip: Not reported
Affiliation Phone: (917) 698-1764

Affiliation Type Desc: Property Owner
Entity Name: The Sobrato Organization
Entity Title: Not reported
Affiliation Address: 10600 N. DeAnza Blvd., #200
Affiliation City: Cupertino
Affiliation State: CA
Affiliation Country: United States
Affiliation Zip: 95014
Affiliation Phone: (408) 446-0700

Affiliation Type Desc: Secondary Emergency Contact
Entity Name: Sageda Thirucote
Entity Title: Pharmacy District Manager
Affiliation Address: Not reported
Affiliation City: Not reported
Affiliation State: Not reported
Affiliation Country: Not reported
Affiliation Zip: Not reported
Affiliation Phone: (650) 804-3264

CIWQS:

Agency: The Sobrato Organization
Agency Address: 10600 North De Anza Boulevard Suite 200, Cupertino, CA 95014
Place/Project Type: Construction - Commercial
SIC/NAICS: Not reported
Region: 2
Program: CONSTW
Regulatory Measure Status: Terminated
Regulatory Measure Type: Storm water construction
Order Number: 2009-0009-DWQ
WDID: 2 43C362489
NPDES Number: CAS000002
Adoption Date: Not reported
Effective Date: 11/23/2011
Termination Date: 09/28/2012
Expiration/Review Date: Not reported
Design Flow: Not reported
Major/Minor: Not reported
Complexity: Not reported
TTWQ: Not reported
Enforcement Actions within 5 years: 0
Violations within 5 years: 0
Latitude: 37.33707
Longitude: -122.0333

Map ID
Direction
Distance
Elevation

MAP FINDINGS

Site

Database(s)

EDR ID Number
EPA ID Number

C14
NW
< 1/8
0.084 mi.
442 ft.

ULTA BEAUTY
20580 HOMESTEAD RD
CUPERTINO, CA 95014
Site 3 of 5 in cluster C

CERS HAZ WASTE **S121777996**
CERS **N/A**

Relative:
Higher
Actual:
213 ft.

CERS HAZ WASTE:
Site ID: 409178
CERS ID: 10643665
CERS Description: Hazardous Waste Generator

Coordinates:
Site ID: 409178
Facility Name: ULTA BEAUTY
Env Int Type Code: HWG
Program ID: 10643665
Coord Name: Not reported
Ref Point Type Desc: Entrance point of a facility or station
Latitude: 37.337381
Longitude: -122.033170

Affiliation:
Affiliation Type Desc: CUPA District
Entity Name: Santa Clara County Environmental Health
Entity Title: Not reported
Affiliation Address: 1555 Berger Drive, Suite 300
Affiliation City: San Jose
Affiliation State: CA
Affiliation Country: Not reported
Affiliation Zip: 95112-2716
Affiliation Phone: (408) 918-3400

Affiliation Type Desc: Document Preparer
Entity Name: Danielle Delise
Entity Title: Not reported
Affiliation Address: Not reported
Affiliation City: Not reported
Affiliation State: Not reported
Affiliation Country: Not reported
Affiliation Zip: Not reported
Affiliation Phone: Not reported

Affiliation Type Desc: Environmental Contact
Entity Name: Jeremy Hojnicky
Entity Title: Not reported
Affiliation Address: 1000 Remington Boulevard, Suite 120
Affiliation City: Bolingbrook
Affiliation State: IL
Affiliation Country: Not reported
Affiliation Zip: 60440
Affiliation Phone: (630) 296-1552

Affiliation Type Desc: Facility Mailing Address
Entity Name: Mailing Address
Entity Title: Not reported
Affiliation Address: 20580 Homestead
Affiliation City: Cupertino
Affiliation State: CA
Affiliation Country: Not reported

Map ID
Direction
Distance
Elevation

MAP FINDINGS

Site

Database(s)

EDR ID Number
EPA ID Number

ULTA BEAUTY (Continued)

S121777996

Affiliation Zip: 95014
Affiliation Phone: Not reported

Affiliation Type Desc: Identification Signer
Entity Name: Danielle Delise
Entity Title: Compliance Specialist
Affiliation Address: Not reported
Affiliation City: Not reported
Affiliation State: Not reported
Affiliation Country: Not reported
Affiliation Zip: Not reported
Affiliation Phone: Not reported

Affiliation Type Desc: Legal Owner
Entity Name: ULTA Beauty
Entity Title: Not reported
Affiliation Address: 1000 Remington Boulevard, Suite 120
Affiliation City: Bolingbrook
Affiliation State: IL
Affiliation Country: United States
Affiliation Zip: 60440
Affiliation Phone: (630) 410-4800

Affiliation Type Desc: Operator
Entity Name: ULTA Beauty
Entity Title: Not reported
Affiliation Address: Not reported
Affiliation City: Not reported
Affiliation State: Not reported
Affiliation Country: Not reported
Affiliation Zip: Not reported
Affiliation Phone: (630) 410-4800

Affiliation Type Desc: Parent Corporation
Entity Name: ULTA Beauty
Entity Title: Not reported
Affiliation Address: Not reported
Affiliation City: Not reported
Affiliation State: Not reported
Affiliation Country: Not reported
Affiliation Zip: Not reported
Affiliation Phone: Not reported

Affiliation Type Desc: Primary Emergency Contact
Entity Name: Jeremy Hojnicky
Entity Title: Compliance Manager
Affiliation Address: Not reported
Affiliation City: Not reported
Affiliation State: Not reported
Affiliation Country: Not reported
Affiliation Zip: Not reported
Affiliation Phone: (708) 275-6603

Affiliation Type Desc: Secondary Emergency Contact
Entity Name: 3E
Entity Title: Emergency Response
Affiliation Address: Not reported

Map ID
Direction
Distance
Elevation

MAP FINDINGS

Site

Database(s)

EDR ID Number
EPA ID Number

ULTA BEAUTY (Continued)

S121777996

Affiliation City: Not reported
Affiliation State: Not reported
Affiliation Country: Not reported
Affiliation Zip: Not reported
Affiliation Phone: (800) 451-8346

CERS TANKS:

Site ID: 409178
CERS ID: 10643665
CERS Description: Chemical Storage Facilities

Coordinates:

Site ID: 409178
Facility Name: ULTA BEAUTY
Env Int Type Code: HWG
Program ID: 10643665
Coord Name: Not reported
Ref Point Type Desc: Entrance point of a facility or station
Latitude: 37.337381
Longitude: -122.033170

Affiliation:

Affiliation Type Desc: CUPA District
Entity Name: Santa Clara County Environmental Health
Entity Title: Not reported
Affiliation Address: 1555 Berger Drive, Suite 300
Affiliation City: San Jose
Affiliation State: CA
Affiliation Country: Not reported
Affiliation Zip: 95112-2716
Affiliation Phone: (408) 918-3400

Affiliation Type Desc: Document Preparer
Entity Name: Danielle Delise
Entity Title: Not reported
Affiliation Address: Not reported
Affiliation City: Not reported
Affiliation State: Not reported
Affiliation Country: Not reported
Affiliation Zip: Not reported
Affiliation Phone: Not reported

Affiliation Type Desc: Environmental Contact
Entity Name: Jeremy Hojnicky
Entity Title: Not reported
Affiliation Address: 1000 Remington Boulevard, Suite 120
Affiliation City: Bolingbrook
Affiliation State: IL
Affiliation Country: Not reported
Affiliation Zip: 60440
Affiliation Phone: (630) 296-1552

Affiliation Type Desc: Facility Mailing Address
Entity Name: Mailing Address
Entity Title: Not reported
Affiliation Address: 20580 Homestead

Map ID
Direction
Distance
Elevation

MAP FINDINGS

Site

Database(s)

EDR ID Number
EPA ID Number

ULTA BEAUTY (Continued)

S121777996

Affiliation City: Cupertino
Affiliation State: CA
Affiliation Country: Not reported
Affiliation Zip: 95014
Affiliation Phone: Not reported

Affiliation Type Desc: Identification Signer
Entity Name: Danielle Delise
Entity Title: Compliance Specialist
Affiliation Address: Not reported
Affiliation City: Not reported
Affiliation State: Not reported
Affiliation Country: Not reported
Affiliation Zip: Not reported
Affiliation Phone: Not reported

Affiliation Type Desc: Legal Owner
Entity Name: ULTA Beauty
Entity Title: Not reported
Affiliation Address: 1000 Remington Boulevard, Suite 120
Affiliation City: Bolingbrook
Affiliation State: IL
Affiliation Country: United States
Affiliation Zip: 60440
Affiliation Phone: (630) 410-4800

Affiliation Type Desc: Operator
Entity Name: ULTA Beauty
Entity Title: Not reported
Affiliation Address: Not reported
Affiliation City: Not reported
Affiliation State: Not reported
Affiliation Country: Not reported
Affiliation Zip: Not reported
Affiliation Phone: (630) 410-4800

Affiliation Type Desc: Parent Corporation
Entity Name: ULTA Beauty
Entity Title: Not reported
Affiliation Address: Not reported
Affiliation City: Not reported
Affiliation State: Not reported
Affiliation Country: Not reported
Affiliation Zip: Not reported
Affiliation Phone: Not reported

Affiliation Type Desc: Primary Emergency Contact
Entity Name: Jeremy Hojnicky
Entity Title: Compliance Manager
Affiliation Address: Not reported
Affiliation City: Not reported
Affiliation State: Not reported
Affiliation Country: Not reported
Affiliation Zip: Not reported
Affiliation Phone: (708) 275-6603

Affiliation Type Desc: Secondary Emergency Contact

Map ID
Direction
Distance
Elevation

MAP FINDINGS

Site

Database(s)

EDR ID Number
EPA ID Number

ULTA BEAUTY (Continued)

S121777996

Entity Name: 3E
Entity Title: Emergency Response
Affiliation Address: Not reported
Affiliation City: Not reported
Affiliation State: Not reported
Affiliation Country: Not reported
Affiliation Zip: Not reported
Affiliation Phone: (800) 451-8346

**C15
NW
< 1/8
0.084 mi.
442 ft.**

**RITE AID NO 5967
20580 HOMESTEAD AVE
CUPERTINO, CA 95014
Site 4 of 5 in cluster C**

**RCRA-CESQG 1000978390
FINDS CA0001010024
ECHO**

**Relative:
Higher
Actual:
213 ft.**

RCRA-CESQG:
Date form received by agency: 08/30/2010
Facility name: RITE AID 5967
Facility address: 20580 HOMESTEAD AVE
CUPERTINO, CA 95014
EPA ID: CA0001010024
Mailing address: 30 HUNTER LN
CAMP HILL, PA 17011
Contact: STEPHANIE CAIATI
Contact address: 30 HUNTER LN
CAMP HILL, PA 17011
Contact country: US
Contact telephone: 717-730-8225
Contact email: SSCAIATI@RITEAID.COM
EPA Region: 09
Classification: Conditionally Exempt Small Quantity Generator
Description: Handler: generates 100 kg or less of hazardous waste per calendar month, and accumulates 1000 kg or less of hazardous waste at any time; or generates 1 kg or less of acutely hazardous waste per calendar month, and accumulates at any time: 1 kg or less of acutely hazardous waste; or 100 kg or less of any residue or contaminated soil, waste or other debris resulting from the cleanup of a spill, into or on any land or water, of acutely hazardous waste; or generates 100 kg or less of any residue or contaminated soil, waste or other debris resulting from the cleanup of a spill, into or on any land or water, of acutely hazardous waste during any calendar month, and accumulates at any time: 1 kg or less of acutely hazardous waste; or 100 kg or less of any residue or contaminated soil, waste or other debris resulting from the cleanup of a spill, into or on any land or water, of acutely hazardous waste

Owner/Operator Summary:
Owner/operator name: RITE AID CORP
Owner/operator address: 30 HUNTER LN
CAMP HILL, PA 17011
Owner/operator country: US
Owner/operator telephone: 717-730-8225
Owner/operator email: Not reported
Owner/operator fax: Not reported
Owner/operator extension: Not reported
Legal status: Private

Map ID
Direction
Distance
Elevation

MAP FINDINGS

Site

Database(s)

EDR ID Number
EPA ID Number

RITE AID NO 5967 (Continued)

1000978390

Owner/Operator Type: Owner
Owner/Op start date: 09/01/1962
Owner/Op end date: Not reported

Owner/operator name: RITE AID CORP
Owner/operator address: 30 HUNTER LN
CAMP HILL, PA 17011

Owner/operator country: US
Owner/operator telephone: 717-730-8225
Owner/operator email: Not reported
Owner/operator fax: Not reported
Owner/operator extension: Not reported
Legal status: Private
Owner/Operator Type: Operator
Owner/Op start date: 09/01/1962
Owner/Op end date: Not reported

Handler Activities Summary:

U.S. importer of hazardous waste: No
Mixed waste (haz. and radioactive): No
Recycler of hazardous waste: No
Transporter of hazardous waste: No
Treater, storer or disposer of HW: No
Underground injection activity: No
On-site burner exemption: No
Furnace exemption: No
Used oil fuel burner: No
Used oil processor: No
User oil refiner: No
Used oil fuel marketer to burner: No
Used oil Specification marketer: No
Used oil transfer facility: No
Used oil transporter: No

. Waste code: D001
. Waste name: IGNITABLE HAZARDOUS WASTES ARE THOSE WASTES WHICH HAVE A FLASHPOINT OF LESS THAN 140 DEGREES FAHRENHEIT AS DETERMINED BY A PENSKEY-MARTENS CLOSED CUP FLASH POINT TESTER. ANOTHER METHOD OF DETERMINING THE FLASH POINT OF A WASTE IS TO REVIEW THE MATERIAL SAFETY DATA SHEET, WHICH CAN BE OBTAINED FROM THE MANUFACTURER OR DISTRIBUTOR OF THE MATERIAL. LACQUER THINNER IS AN EXAMPLE OF A COMMONLY USED SOLVENT WHICH WOULD BE CONSIDERED AS IGNITABLE HAZARDOUS WASTE.

. Waste code: D002
. Waste name: A WASTE WHICH HAS A PH OF LESS THAN 2 OR GREATER THAN 12.5 IS CONSIDERED TO BE A CORROSIVE HAZARDOUS WASTE. SODIUM HYDROXIDE, A CAUSTIC SOLUTION WITH A HIGH PH, IS OFTEN USED BY INDUSTRIES TO CLEAN OR DEGREASE PARTS. HYDROCHLORIC ACID, A SOLUTION WITH A LOW PH, IS USED BY MANY INDUSTRIES TO CLEAN METAL PARTS PRIOR TO PAINTING. WHEN THESE CAUSTIC OR ACID SOLUTIONS BECOME CONTAMINATED AND MUST BE DISPOSED, THE WASTE WOULD BE A CORROSIVE HAZARDOUS WASTE.

. Waste code: D005
. Waste name: BARIUM

. Waste code: D006
. Waste name: CADMIUM

Map ID
Direction
Distance
Elevation

MAP FINDINGS

Site

Database(s)

EDR ID Number
EPA ID Number

RITE AID NO 5967 (Continued)

1000978390

- . Waste code: D007
- . Waste name: CHROMIUM

- . Waste code: D008
- . Waste name: LEAD

- . Waste code: D016
- . Waste name: 2,4-D

- . Waste code: D035
- . Waste name: METHYL ETHYL KETONE

- . Waste code: U002
- . Waste name: ACETONE (I)

- . Waste code: U080
- . Waste name: METHANE, DICHLORO-

- . Waste code: U160
- . Waste name: 2-BUTANONE, PEROXIDE (R,T)

Historical Generators:

Date form received by agency: 07/25/1997
Site name: RITE AID NO 5967
Classification: Small Quantity Generator

Violation Status: No violations found

FINDS:

Registry ID: 110002623475

Environmental Interest/Information System

California Hazardous Waste Tracking System - Datamart (HWTS-DATAMART) provides California with information on hazardous waste shipments for generators, transporters, and treatment, storage, and disposal facilities.

RCRAInfo is a national information system that supports the Resource Conservation and Recovery Act (RCRA) program through the tracking of events and activities related to facilities that generate, transport, and treat, store, or dispose of hazardous waste. RCRAInfo allows RCRA program staff to track the notification, permit, compliance, and corrective action activities required under RCRA.

[Click this hyperlink](#) while viewing on your computer to access additional FINDS: detail in the EDR Site Report.

ECHO:

Envid: 1000978390
Registry ID: 110002623475
DFR URL: <http://echo.epa.gov/detailed-facility-report?fid=110002623475>

Map ID
Direction
Distance
Elevation

MAP FINDINGS

Site

Database(s)

EDR ID Number
EPA ID Number

C16
NW
< 1/8
0.084 mi.
442 ft.

ULTA BEAUTY #777
20580 HOMESTEAD RD
CUPERTINO, CA 95014
Site 5 of 5 in cluster C

CUPA Listings S112836265
HAZNET N/A

Relative:
Higher
Actual:
213 ft.

CUPA SANTA CLARA:
Region: SANTA CLARA
PE#: 2205
Program Description: GENERATES 100 KG YR TO <5 TONS/YR
Latitude: 37.33738
Longitude: -122.03317
Record ID: PR0317720
Facility ID: FA0200885

HAZNET:

envid: S112836265
Year: 2016
GEPaid: CAL000402477
Contact: JEREMY HOJNICKI
Telephone: 6302961552
Mailing Name: Not reported
Mailing Address: 1000 REMINGTON BLVD, SUITE 120
Mailing City,St,Zip: BOLINGBROOK, IL 60440
Gen County: Santa Clara
TSD EPA ID: NVD980895338
TSD County: 99
Waste Category: Off-specification, aged or surplus organics
Disposal Method: Storage, Bulking, And/Or Transfer Off Site--No Treatment/Reovery (H010-H129) Or (H131-H135)
Tons: 0.532
Cat Decode: Off-specification, aged or surplus organics
Method Decode: Storage, Bulking, And/Or Transfer Off Site--No Treatment/Reovery (H010-H129) Or (H131-H135)
Facility County: Santa Clara

envid: S112836265
Year: 2016
GEPaid: CAL000402477
Contact: JEREMY HOJNICKI
Telephone: 6302961552
Mailing Name: Not reported
Mailing Address: 1000 REMINGTON BLVD, SUITE 120
Mailing City,St,Zip: BOLINGBROOK, IL 60440
Gen County: Santa Clara
TSD EPA ID: CAD980884183
TSD County: Sacramento
Waste Category: Off-specification, aged or surplus organics
Disposal Method: Not reported
Tons: 0.0825
Cat Decode: Off-specification, aged or surplus organics
Method Decode: Not reported
Facility County: Santa Clara

envid: S112836265
Year: 2016
GEPaid: CAL000402477
Contact: JEREMY HOJNICKI
Telephone: 6302961552

Map ID
Direction
Distance
Elevation

MAP FINDINGS

Site

Database(s)

EDR ID Number
EPA ID Number

ULTA BEAUTY #777 (Continued)

S112836265

Mailing Name: Not reported
Mailing Address: 1000 REMINGTON BLVD, SUITE 120
Mailing City,St,Zip: BOLINGBROOK, IL 60440
Gen County: Santa Clara
TSD EPA ID: CAD980884183
TSD County: Sacramento
Waste Category: Off-specification, aged or surplus organics
Disposal Method: Storage, Bulking, And/Or Transfer Off Site--No Treatment/Reovery (H010-H129) Or (H131-H135)
Tons: 0.785
Cat Decode: Off-specification, aged or surplus organics
Method Decode: Storage, Bulking, And/Or Transfer Off Site--No Treatment/Reovery (H010-H129) Or (H131-H135)
Facility County: Santa Clara

envid: S112836265
Year: 2016
GEPaid: CAL000402477
Contact: JEREMY HOJNICKI
Telephone: 6302961552
Mailing Name: Not reported
Mailing Address: 1000 REMINGTON BLVD, SUITE 120
Mailing City,St,Zip: BOLINGBROOK, IL 60440
Gen County: Santa Clara
TSD EPA ID: NVD980895338
TSD County: 99
Waste Category: Other inorganic solid waste
Disposal Method: Storage, Bulking, And/Or Transfer Off Site--No Treatment/Reovery (H010-H129) Or (H131-H135)
Tons: 0.0005
Cat Decode: Other inorganic solid waste
Method Decode: Storage, Bulking, And/Or Transfer Off Site--No Treatment/Reovery (H010-H129) Or (H131-H135)
Facility County: Santa Clara

envid: S112836265
Year: 2016
GEPaid: CAL000402477
Contact: JEREMY HOJNICKI
Telephone: 6302961552
Mailing Name: Not reported
Mailing Address: 1000 REMINGTON BLVD, SUITE 120
Mailing City,St,Zip: BOLINGBROOK, IL 60440
Gen County: Santa Clara
TSD EPA ID: CAD980884183
TSD County: Sacramento
Waste Category: Other inorganic solid waste
Disposal Method: Storage, Bulking, And/Or Transfer Off Site--No Treatment/Reovery (H010-H129) Or (H131-H135)
Tons: 0.0025
Cat Decode: Other inorganic solid waste
Method Decode: Storage, Bulking, And/Or Transfer Off Site--No Treatment/Reovery (H010-H129) Or (H131-H135)
Facility County: Santa Clara

Map ID
Direction
Distance
Elevation

MAP FINDINGS

Site

Database(s)

EDR ID Number
EPA ID Number

ULTA BEAUTY #777 (Continued)

S112836265

[Click this hyperlink](#) while viewing on your computer to access 62 additional CA_HAZNET: record(s) in the EDR Site Report.

D17
WNW
< 1/8
0.093 mi.
491 ft.

**SAFEWAY STORE 3251
20620 HOMESTEAD RD
CUPERTINO, CA 95014**

Site 1 of 4 in cluster D

**RCRA-LQG 1018273648
FINDS CAR000258061
ECHO**

**Relative:
Higher**

RCRA-LQG:

**Actual:
216 ft.**

Date form received by agency: 02/01/2016
Facility name: SAFEWAY STORE #3251
Facility address: 20620 HOMESTEAD RD
CUPERTINO, CA 95014
EPA ID: CAR000258061
Mailing address: STONERIDGE MALL RD
PLEASANTON, CA 94588
Contact: KEITH POWERS
Contact address: STONERIDGE MALL RD
PLEASANTON, CA 94588
Contact country: US
Contact telephone: 510-246-0358
Contact email: KEITH.POWERS@SAFEWAY.COM
EPA Region: 09
Classification: Large Quantity Generator
Description: Handler: generates 1,000 kg or more of hazardous waste during any calendar month; or generates more than 1 kg of acutely hazardous waste during any calendar month; or generates more than 100 kg of any residue or contaminated soil, waste or other debris resulting from the cleanup of a spill, into or on any land or water, of acutely hazardous waste during any calendar month; or generates 1 kg or less of acutely hazardous waste during any calendar month, and accumulates more than 1 kg of acutely hazardous waste at any time; or generates 100 kg or less of any residue or contaminated soil, waste or other debris resulting from the cleanup of a spill, into or on any land or water, of acutely hazardous waste during any calendar month, and accumulates more than 100 kg of that material at any time

Owner/Operator Summary:

Owner/operator name: SAFEWAY
Owner/operator address: Not reported
Not reported
Owner/operator country: US
Owner/operator telephone: Not reported
Owner/operator email: Not reported
Owner/operator fax: Not reported
Owner/operator extension: Not reported
Legal status: Private
Owner/Operator Type: Operator
Owner/Op start date: 05/01/2014
Owner/Op end date: Not reported

Owner/operator name: SOBRATO INTERESTS
Owner/operator address: N DE ANZA BLVD #200
CUPERTINO, CA 95014
Owner/operator country: US
Owner/operator telephone: 408-446-0700

Map ID
Direction
Distance
Elevation

MAP FINDINGS

Site

Database(s)

EDR ID Number
EPA ID Number

SAFEWAY STORE 3251 (Continued)

1018273648

Owner/operator email: Not reported
Owner/operator fax: Not reported
Owner/operator extension: Not reported
Legal status: Private
Owner/Operator Type: Owner
Owner/Op start date: 11/17/2010
Owner/Op end date: Not reported

Handler Activities Summary:

U.S. importer of hazardous waste: No
Mixed waste (haz. and radioactive): No
Recycler of hazardous waste: No
Transporter of hazardous waste: No
Treater, storer or disposer of HW: No
Underground injection activity: No
On-site burner exemption: No
Furnace exemption: No
Used oil fuel burner: No
Used oil processor: No
User oil refiner: No
Used oil fuel marketer to burner: No
Used oil Specification marketer: No
Used oil transfer facility: No
Used oil transporter: No

- . Waste code: 122
- . Waste name: Alkaline solution without metals (pH > 12.5)

- . Waste code: 181
- . Waste name: Other inorganic solid waste

- . Waste code: 214
- . Waste name: Unspecified solvent mixture

- . Waste code: 311
- . Waste name: Pharmaceutical waste

- . Waste code: 331
- . Waste name: Off-specification, aged, or surplus organics

- . Waste code: D001
- . Waste name: IGNITABLE HAZARDOUS WASTES ARE THOSE WASTES WHICH HAVE A FLASHPOINT OF LESS THAN 140 DEGREES FAHRENHEIT AS DETERMINED BY A PENSKEY-MARTENS CLOSED CUP FLASH POINT TESTER. ANOTHER METHOD OF DETERMINING THE FLASH POINT OF A WASTE IS TO REVIEW THE MATERIAL SAFETY DATA SHEET, WHICH CAN BE OBTAINED FROM THE MANUFACTURER OR DISTRIBUTOR OF THE MATERIAL. LACQUER THINNER IS AN EXAMPLE OF A COMMONLY USED SOLVENT WHICH WOULD BE CONSIDERED AS IGNITABLE HAZARDOUS WASTE.

- . Waste code: D002
- . Waste name: A WASTE WHICH HAS A PH OF LESS THAN 2 OR GREATER THAN 12.5 IS CONSIDERED TO BE A CORROSIVE HAZARDOUS WASTE. SODIUM HYDROXIDE, A CAUSTIC SOLUTION WITH A HIGH PH, IS OFTEN USED BY INDUSTRIES TO CLEAN OR DEGREASE PARTS. HYDROCHLORIC ACID, A SOLUTION WITH A LOW PH, IS USED BY MANY INDUSTRIES TO CLEAN METAL PARTS PRIOR TO PAINTING. WHEN THESE CAUSTIC OR ACID SOLUTIONS BECOME CONTAMINATED AND MUST BE DISPOSED, THE WASTE WOULD BE A CORROSIVE HAZARDOUS WASTE.

Map ID
Direction
Distance
Elevation

MAP FINDINGS

Site Database(s) EDR ID Number
EPA ID Number

SAFEWAY STORE 3251 (Continued) **1018273648**

- . Waste code: D035
- . Waste name: METHYL ETHYL KETONE

- . Waste code: P001
- . Waste name: 2H-1-BENZOPYRAN-2-ONE, 4-HYDROXY-3-(3-OXO-1-PHENYLBUTYL)-, & SALTS, WHEN PRESENT AT CONCENTRATIONS GREATER THAN 0.3%

- . Waste code: P075
- . Waste name: NICOTINE, & SALTS

Violation Status: No violations found

FINDS:

Registry ID: 110065039185

Environmental Interest/Information System

RCRAInfo is a national information system that supports the Resource Conservation and Recovery Act (RCRA) program through the tracking of events and activities related to facilities that generate, transport, and treat, store, or dispose of hazardous waste. RCRAInfo allows RCRA program staff to track the notification, permit, compliance, and corrective action activities required under RCRA.

STATE MASTER

[Click this hyperlink](#) while viewing on your computer to access additional FINDS: detail in the EDR Site Report.

ECHO:

Envid: 1018273648
Registry ID: 110065039185
DFR URL: <http://echo.epa.gov/detailed-facility-report?fid=110065039185>

D18 WNW < 1/8 0.093 mi. 491 ft. Relative: Higher Actual: 216 ft.	SAFEWAY STORE #3251 20620 HOMESTEAD RD CUPERTINO, CA 95014 Site 2 of 4 in cluster D RCRA-LQG: Date form received by agency: 06/09/2016 Facility name: SAFEWAY STORE #3251 Facility address: 20620 HOMESTEAD RD CUPERTINO, CA 95014 EPA ID: CAL000396291 Mailing address: STONERIDGE MALL RD PLEASANTON, CA 94588 Contact: KEITH B POWERS Contact address: STONERIDGE MALL RD PLEASANTON, CA 94588 Contact country: US Contact telephone: 510-246-0358 Contact email: KEITH.POWERS@SAFEWAY.COM EPA Region: 09 Classification: Large Quantity Generator Description: Handler: generates 1,000 kg or more of hazardous waste during any	RCRA-LQG 1019899429 CAL000396291
--	--	--

Map ID
Direction
Distance
Elevation

MAP FINDINGS

Site

Database(s)

EDR ID Number
EPA ID Number

SAFEWAY STORE #3251 (Continued)

1019899429

calendar month; or generates more than 1 kg of acutely hazardous waste during any calendar month; or generates more than 100 kg of any residue or contaminated soil, waste or other debris resulting from the cleanup of a spill, into or on any land or water, of acutely hazardous waste during any calendar month; or generates 1 kg or less of acutely hazardous waste during any calendar month, and accumulates more than 1 kg of acutely hazardous waste at any time; or generates 100 kg or less of any residue or contaminated soil, waste or other debris resulting from the cleanup of a spill, into or on any land or water, of acutely hazardous waste during any calendar month, and accumulates more than 100 kg of that material at any time

Owner/Operator Summary:

Owner/operator name: SAFEWAY
Owner/operator address: Not reported
Not reported
Owner/operator country: Not reported
Owner/operator telephone: Not reported
Owner/operator email: Not reported
Owner/operator fax: Not reported
Owner/operator extension: Not reported
Legal status: Private
Owner/Operator Type: Operator
Owner/Op start date: 05/01/2014
Owner/Op end date: Not reported

Owner/operator name: SOBRATO INTERESTS 1
Owner/operator address: N DE ANZA BLVD #200
CUPERTINO, CA 95014
Owner/operator country: US
Owner/operator telephone: 408-446-0700
Owner/operator email: Not reported
Owner/operator fax: Not reported
Owner/operator extension: Not reported
Legal status: Private
Owner/Operator Type: Owner
Owner/Op start date: 11/17/2010
Owner/Op end date: Not reported

Handler Activities Summary:

U.S. importer of hazardous waste: No
Mixed waste (haz. and radioactive): No
Recycler of hazardous waste: No
Transporter of hazardous waste: No
Treater, storer or disposer of HW: No
Underground injection activity: No
On-site burner exemption: No
Furnace exemption: No
Used oil fuel burner: No
Used oil processor: No
User oil refiner: No
Used oil fuel marketer to burner: No
Used oil Specification marketer: No
Used oil transfer facility: No
Used oil transporter: No

Map ID
Direction
Distance
Elevation

MAP FINDINGS

Site

Database(s)

EDR ID Number
EPA ID Number

SAFeway STORE #3251 (Continued)

1019899429

- . Waste code: D001
- . Waste name: IGNITABLE HAZARDOUS WASTES ARE THOSE WASTES WHICH HAVE A FLASHPOINT OF LESS THAN 140 DEGREES FAHRENHEIT AS DETERMINED BY A PENSKEY-MARTENS CLOSED CUP FLASH POINT TESTER. ANOTHER METHOD OF DETERMINING THE FLASH POINT OF A WASTE IS TO REVIEW THE MATERIAL SAFETY DATA SHEET, WHICH CAN BE OBTAINED FROM THE MANUFACTURER OR DISTRIBUTOR OF THE MATERIAL. LACQUER THINNER IS AN EXAMPLE OF A COMMONLY USED SOLVENT WHICH WOULD BE CONSIDERED AS IGNITABLE HAZARDOUS WASTE.

- . Waste code: D002
- . Waste name: A WASTE WHICH HAS A PH OF LESS THAN 2 OR GREATER THAN 12.5 IS CONSIDERED TO BE A CORROSIVE HAZARDOUS WASTE. SODIUM HYDROXIDE, A CAUSTIC SOLUTION WITH A HIGH PH, IS OFTEN USED BY INDUSTRIES TO CLEAN OR DEGREASE PARTS. HYDROCHLORIC ACID, A SOLUTION WITH A LOW PH, IS USED BY MANY INDUSTRIES TO CLEAN METAL PARTS PRIOR TO PAINTING. WHEN THESE CAUSTIC OR ACID SOLUTIONS BECOME CONTAMINATED AND MUST BE DISPOSED, THE WASTE WOULD BE A CORROSIVE HAZARDOUS WASTE.

- . Waste code: P075
- . Waste name: NICOTINE, & SALTS

Biennial Reports:

Last Biennial Reporting Year: 2017

Annual Waste Handled:

- Waste code: D001
- Waste name: IGNITABLE HAZARDOUS WASTES ARE THOSE WASTES WHICH HAVE A FLASHPOINT OF LESS THAN 140 DEGREES FAHRENHEIT AS DETERMINED BY A PENSKEY-MARTENS CLOSED CUP FLASH POINT TESTER. ANOTHER METHOD OF DETERMINING THE FLASH POINT OF A WASTE IS TO REVIEW THE MATERIAL SAFETY DATA SHEET, WHICH CAN BE OBTAINED FROM THE MANUFACTURER OR DISTRIBUTOR OF THE MATERIAL. LACQUER THINNER IS AN EXAMPLE OF A COMMONLY USED SOLVENT WHICH WOULD BE CONSIDERED AS IGNITABLE HAZARDOUS WASTE.

- Amount (Lbs): 251

- Waste code: D002
- Waste name: A WASTE WHICH HAS A PH OF LESS THAN 2 OR GREATER THAN 12.5 IS CONSIDERED TO BE A CORROSIVE HAZARDOUS WASTE. SODIUM HYDROXIDE, A CAUSTIC SOLUTION WITH A HIGH PH, IS OFTEN USED BY INDUSTRIES TO CLEAN OR DEGREASE PARTS. HYDROCHLORIC ACID, A SOLUTION WITH A LOW PH, IS USED BY MANY INDUSTRIES TO CLEAN METAL PARTS PRIOR TO PAINTING. WHEN THESE CAUSTIC OR ACID SOLUTIONS BECOME CONTAMINATED AND MUST BE DISPOSED, THE WASTE WOULD BE A CORROSIVE HAZARDOUS WASTE.

- Amount (Lbs): 251

- Waste code: P075
- Waste name: NICOTINE, & SALTS
- Amount (Lbs): 251

Violation Status: No violations found

Map ID
Direction
Distance
Elevation

MAP FINDINGS

Site

Database(s)

EDR ID Number
EPA ID Number

D19
WNW
< 1/8
0.093 mi.
491 ft.

SAFeway STORE #3251
20620 HOMESTEAD RD
CUPERTINO, CA 95014

CUPA Listings S118585227
HAZNET N/A

Site 3 of 4 in cluster D

Relative:
Higher

CUPA SANTA CLARA:

Actual:
216 ft.

Region: SANTA CLARA
PE#: 2205
Program Description: GENERATES 100 KG YR TO <5 TONS/YR
Latitude: Not reported
Longitude: Not reported
Record ID: PR0423432
Facility ID: FA0282291

Region: SANTA CLARA
PE#: Not reported
Program Description: HMBP FACILITY, 1-3 CHEMICALS
Latitude: Not reported
Longitude: Not reported
Record ID: PR0423437
Facility ID: FA0282291

HAZNET:

envid: S118585227
Year: 2016
GEPaid: CAL000396291
Contact: SHARON SANGER
Telephone: 2083956150
Mailing Name: Not reported
Mailing Address: 250 E PARKCENTER BLVD
Mailing City,St,Zip: BOISE, ID 837060000
Gen County: Santa Clara
TSD EPA ID: NVD980895338
TSD County: 99
Waste Category: Not reported
Disposal Method: Storage, Bulking, And/Or Transfer Off Site--No Treatment/Reovery (H010-H129) Or (H131-H135)
Tons: 0.0005
Cat Decode: Not reported
Method Decode: Storage, Bulking, And/Or Transfer Off Site--No Treatment/Reovery (H010-H129) Or (H131-H135)
Facility County: Santa Clara

envid: S118585227
Year: 2016
GEPaid: CAL000396291
Contact: SHARON SANGER
Telephone: 2083956150
Mailing Name: Not reported
Mailing Address: 250 E PARKCENTER BLVD
Mailing City,St,Zip: BOISE, ID 837060000
Gen County: Santa Clara
TSD EPA ID: CAD980884183
TSD County: Sacramento
Waste Category: Pharmaceutical waste
Disposal Method: Storage, Bulking, And/Or Transfer Off Site--No Treatment/Reovery (H010-H129) Or (H131-H135)
Tons: 0.001

Map ID
Direction
Distance
Elevation

MAP FINDINGS

Site

Database(s)

EDR ID Number
EPA ID Number

SAFeway STORE #3251 (Continued)

S118585227

Cat Decode: Pharmaceutical waste
Method Decode: Storage, Bulking, And/Or Transfer Off Site--No Treatment/Reovery
(H010-H129) Or (H131-H135)
Facility County: Santa Clara

envid: S118585227
Year: 2016
GEPaid: CAR000258061
Contact: KEITH POWERS
Telephone: 5102460358
Mailing Name: Not reported
Mailing Address: 5918 STONERIDGE MALL RD
Mailing City,St,Zip: PLEASANTON, CA 94588
Gen County: Santa Clara
TSD EPA ID: NVD980895338
TSD County: 99
Waste Category: Alkaline solution without metals pH >= 12.5
Disposal Method: Storage, Bulking, And/Or Transfer Off Site--No Treatment/Reovery
(H010-H129) Or (H131-H135)
Tons: 0.0415
Cat Decode: Alkaline solution without metals pH >= 12.5
Method Decode: Storage, Bulking, And/Or Transfer Off Site--No Treatment/Reovery
(H010-H129) Or (H131-H135)
Facility County: Santa Clara

envid: S118585227
Year: 2016
GEPaid: CAR000258061
Contact: KEITH POWERS
Telephone: 5102460358
Mailing Name: Not reported
Mailing Address: 5918 STONERIDGE MALL RD
Mailing City,St,Zip: PLEASANTON, CA 94588
Gen County: Santa Clara
TSD EPA ID: NVD980895338
TSD County: 99
Waste Category: Alkaline solution without metals pH >= 12.5
Disposal Method: Neutralization Only
Tons: 0.114
Cat Decode: Alkaline solution without metals pH >= 12.5
Method Decode: Neutralization Only
Facility County: Santa Clara

envid: S118585227
Year: 2016
GEPaid: CAR000258061
Contact: KEITH POWERS
Telephone: 5102460358
Mailing Name: Not reported
Mailing Address: 5918 STONERIDGE MALL RD
Mailing City,St,Zip: PLEASANTON, CA 94588
Gen County: Santa Clara
TSD EPA ID: NVD980895338
TSD County: 99
Waste Category: Unspecified solvent mixture
Disposal Method: Storage, Bulking, And/Or Transfer Off Site--No Treatment/Reovery
(H010-H129) Or (H131-H135)

Map ID
 Direction
 Distance
 Elevation

MAP FINDINGS

Site

Database(s)

EDR ID Number
 EPA ID Number

SAFEWAY STORE #3251 (Continued)

S118585227

Tons: 0.083
 Cat Decode: Unspecified solvent mixture
 Method Decode: Storage, Bulking, And/Or Transfer Off Site--No Treatment/Reovery (H010-H129) Or (H131-H135)
 Facility County: Santa Clara

[Click this hyperlink](#) while viewing on your computer to access 12 additional CA_HAZNET: record(s) in the EDR Site Report.

D20
WNW
< 1/8
0.093 mi.
491 ft.
Relative:
Higher
Actual:
216 ft.

SAFEWAY STORE 3251
20620 HOMESTEAD RD
CUPERTINO, CA 95014
Site 4 of 4 in cluster D

CERS HAZ WASTE **S121789630**
CERS **N/A**

CERS HAZ WASTE:
 Site ID: 64055
 CERS ID: 10502017
 CERS Description: Hazardous Waste Generator

Violations:
 Site ID: 64055
 Site Name: Safeway Store 3251
 Violation Date: 04-28-2016
 Citation: 40 CFR 1 265.35 - U.S. Code of Federal Regulations, Title 40, Chapter 1, Section(s) 265.35
 Violation Description: Failure to maintain aisle space to allow the unobstructed movement of personnel, fire protection, spill control equipment, and decontamination equipment to any area of facility operation in an emergency, unless it can be demonstrated to the Department that aisle space is not needed for any of these purposes.
 Violation Notes: Returned to compliance on 05/09/2016. WHEN I ARRIVED TO THE HAZARDOUS WASTE STORAGE AREA, THE TOTES WERE BLOCKED BY A PALLET OF FOOD.
 Violation Division: Santa Clara County Environmental Health
 Violation Program: HW
 Violation Source: CERS

Site ID: 64055
 Site Name: Safeway Store 3251
 Violation Date: 04-28-2016
 Citation: 40 CFR 1 265.172 - U.S. Code of Federal Regulations, Title 40, Chapter 1, Section(s) 265.172
 Violation Description: Failure to accumulate or store hazardous waste in a lined/compatible container.
 Violation Notes: Returned to compliance on 05/09/2016. OBSERVED SEVERAL CONTAINERS BAGGED TOGETHER, UNIVERSAL WASTE BATTERIES, FLAMMABLE AEROSOL, CORROSIVE AEROSOL.
 Violation Division: Santa Clara County Environmental Health
 Violation Program: HW
 Violation Source: CERS

Site ID: 64055
 Site Name: Safeway Store 3251
 Violation Date: 04-28-2016
 Citation: 22 CCR 12 66262.40(a) - California Code of Regulations, Title 22, Chapter 12, Section(s) 66262.40(a)
 Violation Description: Failure to maintain uniform hazardous waste manifest, consolidated manifest, or bills of lading copies for three years.

Map ID
Direction
Distance
Elevation

MAP FINDINGS

Site

Database(s)

EDR ID Number
EPA ID Number

SAFeway STORE 3251 (Continued)

S121789630

Violation Notes: Returned to compliance on 05/09/2016. THE FOLLOWING TSDF WERE NOT AVAILABLE FOR REVIEW: -008436858 FLE -008436859 FLE -008517909 FLE -008663539 FLE -008436859 FLE -008517722 FLR

Violation Division: Santa Clara County Environmental Health
Violation Program: HW
Violation Source: CERS

Site ID: 64055
Site Name: Safeway Store 3251
Violation Date: 04-28-2016
Citation: 22 CCR 12 66262.34(f) - California Code of Regulations, Title 22, Chapter 12, Section(s) 66262.34(f)

Violation Description: Failure to properly label hazardous waste accumulation containers with the following requirements: "Hazardous Waste", name and address of the generator, physical and chemical characteristics of the Hazardous Waste, and starting accumulation date.

Violation Notes: Returned to compliance on 05/09/2016. OBSERVED THE FOLLOWING CONTAINERS MISSING THE REQUIRED HAZARDOUS WASTE MARKINGS: ICC AREA -PLASTIC TOTE OF CORROSIVE WASTE MISSING THE ACCUMULATION START DATE PHARMACY -PLASTIC TOTE MARKED AS TOXIC PHARMACEUTICAL MISSING THE PHYSICAL AND CONTENT OF WASTE.

Violation Division: Santa Clara County Environmental Health
Violation Program: HW
Violation Source: CERS

Site ID: 64055
Site Name: Safeway Store 3251
Violation Date: 04-28-2016
Citation: 22 CCR 12 66262.23(a)(4) - California Code of Regulations, Title 22, Chapter 12, Section(s) 66262.23(a)(4)

Violation Description: Failure to send hazardous waste manifest copies to DTSC.

Violation Notes: Returned to compliance on 05/09/2016. THE FOLLOWING HAZARDOUS WASTE MANIFEST FAILED TO BE SUBMITTED TO DTSC WITHIN 30 DAYS AS REQUIRED: -008436858 FLE -008436859 FLE -008517909 FLE -008663539 FLE -008436859 FLE -008517722 FLE -008490935 FLE -006240670 FLE

Violation Division: Santa Clara County Environmental Health
Violation Program: HW
Violation Source: CERS

Evaluation:
Eval General Type: Compliance Evaluation Inspection
Eval Date: 04-21-2016
Violations Found: No
Eval Type: Routine done by local agency
Eval Notes: Occupancy ID: 3160
Eval Division: Santa Clara County Fire Department
Eval Program: HMRRP
Eval Source: CERS

Eval General Type: Compliance Evaluation Inspection
Eval Date: 04-28-2016
Violations Found: Yes
Eval Type: Routine done by local agency
Eval Notes: THE WALK THROUGH WAS CONDUCTED APRIL 27, 2016 AND CONCLUDED TODAY.
Eval Division: Santa Clara County Environmental Health
Eval Program: HW
Eval Source: CERS

Map ID
Direction
Distance
Elevation

MAP FINDINGS

Site

Database(s)

EDR ID Number
EPA ID Number

SAFEWAY STORE 3251 (Continued)

S121789630

Coordinates:

Site ID: 64055
Facility Name: Safeway Store 3251
Env Int Type Code: HWG
Program ID: 10502017
Coord Name: Not reported
Ref Point Type Desc: Center of a facility or station.
Latitude: 37.337500
Longitude: -122.034170

Affiliation:

Affiliation Type Desc: CUPA District
Entity Name: Santa Clara County Environmental Health
Entity Title: Not reported
Affiliation Address: 1555 Berger Drive, Suite 300
Affiliation City: San Jose
Affiliation State: CA
Affiliation Country: Not reported
Affiliation Zip: 95112-2716
Affiliation Phone: (408) 918-3400

Affiliation Type Desc: Document Preparer
Entity Name: Keith Powers
Entity Title: Not reported
Affiliation Address: Not reported
Affiliation City: Not reported
Affiliation State: Not reported
Affiliation Country: Not reported
Affiliation Zip: Not reported
Affiliation Phone: Not reported

Affiliation Type Desc: Environmental Contact
Entity Name: Ron Lee
Entity Title: Not reported
Affiliation Address: 5918 Stoneridge Mall Rd.
Affiliation City: Pleasanton
Affiliation State: CA
Affiliation Country: Not reported
Affiliation Zip: 94588
Affiliation Phone: (925) 469-7513

Affiliation Type Desc: Facility Mailing Address
Entity Name: Mailing Address
Entity Title: Not reported
Affiliation Address: PO Box 29096, MS 6515
Affiliation City: Phoenix
Affiliation State: AZ
Affiliation Country: Not reported
Affiliation Zip: 85038
Affiliation Phone: Not reported

Affiliation Type Desc: Identification Signer
Entity Name: Ron Lee
Entity Title: Environmental Manager
Affiliation Address: Not reported
Affiliation City: Not reported

Map ID
Direction
Distance
Elevation

MAP FINDINGS

Site

Database(s)

EDR ID Number
EPA ID Number

SAFeway STORE 3251 (Continued)

S121789630

Affiliation State: Not reported
Affiliation Country: Not reported
Affiliation Zip: Not reported
Affiliation Phone: Not reported

Affiliation Type Desc: Legal Owner
Entity Name: Safeway, Inc.
Entity Title: Not reported
Affiliation Address: 5918 Stoneridge Mall Rd.
Affiliation City: Pleasanton
Affiliation State: CA
Affiliation Country: United States
Affiliation Zip: 94588
Affiliation Phone: (925) 469-7000

Affiliation Type Desc: Operator
Entity Name: Safeway, Inc.
Entity Title: Not reported
Affiliation Address: Not reported
Affiliation City: Not reported
Affiliation State: Not reported
Affiliation Country: Not reported
Affiliation Zip: Not reported
Affiliation Phone: (925) 469-7000

Affiliation Type Desc: Parent Corporation
Entity Name: Safeway, Inc.
Entity Title: Not reported
Affiliation Address: Not reported
Affiliation City: Not reported
Affiliation State: Not reported
Affiliation Country: Not reported
Affiliation Zip: Not reported
Affiliation Phone: Not reported

Affiliation Type Desc: Primary Emergency Contact
Entity Name: Senad Zagovic
Entity Title: Store Director
Affiliation Address: Not reported
Affiliation City: Not reported
Affiliation State: Not reported
Affiliation Country: Not reported
Affiliation Zip: Not reported
Affiliation Phone: (408) 253-0112

Affiliation Type Desc: Property Owner
Entity Name: Sobrato Interests
Entity Title: Not reported
Affiliation Address: 10600 N DEANZA BLVD STE 200
Affiliation City: CUPERTINO
Affiliation State: CA
Affiliation Country: United States
Affiliation Zip: 95014
Affiliation Phone: (408) 446-0700

Affiliation Type Desc: Secondary Emergency Contact
Entity Name: Ron Lee

Map ID
Direction
Distance
Elevation

MAP FINDINGS

Site

Database(s)

EDR ID Number
EPA ID Number

SAFeway STORE 3251 (Continued)

S121789630

Entity Title: Environmental Manager
Affiliation Address: Not reported
Affiliation City: Not reported
Affiliation State: Not reported
Affiliation Country: Not reported
Affiliation Zip: Not reported
Affiliation Phone: (925) 389-7937

CERS TANKS:

Site ID: 64055
CERS ID: 10502017
CERS Description: Chemical Storage Facilities

Violations:

Site ID: 64055
Site Name: Safeway Store 3251
Violation Date: 04-28-2016
Citation: 40 CFR 1 265.35 - U.S. Code of Federal Regulations, Title 40, Chapter 1, Section(s) 265.35

Violation Description: Failure to maintain aisle space to allow the unobstructed movement of personnel, fire protection, spill control equipment, and decontamination equipment to any area of facility operation in an emergency, unless it can be demonstrated to the Department that aisle space is not needed for any of these purposes.

Violation Notes: Returned to compliance on 05/09/2016. WHEN I ARRIVED TO THE HAZARDOUS WASTE STORAGE AREA, THE TOTES WERE BLOCKED BY A PALLET OF FOOD.

Violation Division: Santa Clara County Environmental Health

Violation Program: HW

Violation Source: CERS

Site ID: 64055
Site Name: Safeway Store 3251
Violation Date: 04-28-2016
Citation: 40 CFR 1 265.172 - U.S. Code of Federal Regulations, Title 40, Chapter 1, Section(s) 265.172

Violation Description: Failure to accumulate or store hazardous waste in a lined/compatible container.

Violation Notes: Returned to compliance on 05/09/2016. OBSERVED SEVERAL CONTAINERS BAGGED TOGETHER, UNIVERSAL WASTE BATTERIES, FLAMMABLE AEROSOL, CORROSIVE AEROSOL.

Violation Division: Santa Clara County Environmental Health

Violation Program: HW

Violation Source: CERS

Site ID: 64055
Site Name: Safeway Store 3251
Violation Date: 04-28-2016
Citation: 22 CCR 12 66262.40(a) - California Code of Regulations, Title 22, Chapter 12, Section(s) 66262.40(a)

Violation Description: Failure to maintain uniform hazardous waste manifest, consolidated manifest, or bills of lading copies for three years.

Violation Notes: Returned to compliance on 05/09/2016. THE FOLLOWING TSDf WERE NOT AVAILABLE FOR REVIEW: -008436858 FLE -008436859 FLE -008517909 FLE -008663539 FLE -008436859 FLE -008517722 FLR

Violation Division: Santa Clara County Environmental Health

Violation Program: HW

Map ID
Direction
Distance
Elevation

MAP FINDINGS

Site

Database(s)

EDR ID Number
EPA ID Number

SAFeway STORE 3251 (Continued)

S121789630

Violation Source: CERS

Site ID: 64055
Site Name: Safeway Store 3251
Violation Date: 04-28-2016
Citation: 22 CCR 12 66262.34(f) - California Code of Regulations, Title 22, Chapter 12, Section(s) 66262.34(f)

Violation Description: Failure to properly label hazardous waste accumulation containers with the following requirements: "Hazardous Waste", name and address of the generator, physical and chemical characteristics of the Hazardous Waste, and starting accumulation date.

Violation Notes: Returned to compliance on 05/09/2016. OBSERVED THE FOLLOWING CONTAINERS MISSING THE REQUIRED HAZARDOUS WASTE MARKINGS: ICC AREA -PLASTIC TOTE OF CORROSIVE WASTE MISSING THE ACCUMULATION START DATE PHARMACY -PLASTIC TOTE MARKED AS TOXIC PHARMACEUTICAL MISSING THE PHYSICAL AND CONTENT OF WASTE.

Violation Division: Santa Clara County Environmental Health
Violation Program: HW
Violation Source: CERS

Site ID: 64055
Site Name: Safeway Store 3251
Violation Date: 04-28-2016
Citation: 22 CCR 12 66262.23(a)(4) - California Code of Regulations, Title 22, Chapter 12, Section(s) 66262.23(a)(4)

Violation Description: Failure to send hazardous waste manifest copies to DTSC.

Violation Notes: Returned to compliance on 05/09/2016. THE FOLLOWING HAZARDOUS WASTE MANIFEST FAILED TO BE SUBMITTED TO DTSC WITHIN 30 DAYS AS REQUIRED: -008436858 FLE -008436859 FLE -008517909 FLE -008663539 FLE -008436859 FLE -008517722 FLE -008490935 FLE -006240670 FLE

Violation Division: Santa Clara County Environmental Health
Violation Program: HW
Violation Source: CERS

Evaluation:
Eval General Type: Compliance Evaluation Inspection
Eval Date: 04-21-2016
Violations Found: No
Eval Type: Routine done by local agency
Eval Notes: Occupancy ID: 3160
Eval Division: Santa Clara County Fire Department
Eval Program: HMRRP
Eval Source: CERS

Eval General Type: Compliance Evaluation Inspection
Eval Date: 04-28-2016
Violations Found: Yes
Eval Type: Routine done by local agency
Eval Notes: THE WALK THROUGH WAS CONDUCTED APRIL 27, 2016 AND CONCLUDED TODAY.
Eval Division: Santa Clara County Environmental Health
Eval Program: HW
Eval Source: CERS

Coordinates:
Site ID: 64055
Facility Name: Safeway Store 3251

Map ID
Direction
Distance
Elevation

MAP FINDINGS

Site

Database(s)

EDR ID Number
EPA ID Number

SAFeway STORE 3251 (Continued)

S121789630

Env Int Type Code: HWG
Program ID: 10502017
Coord Name: Not reported
Ref Point Type Desc: Center of a facility or station.
Latitude: 37.337500
Longitude: -122.034170

Affiliation:

Affiliation Type Desc: CUPA District
Entity Name: Santa Clara County Environmental Health
Entity Title: Not reported
Affiliation Address: 1555 Berger Drive, Suite 300
Affiliation City: San Jose
Affiliation State: CA
Affiliation Country: Not reported
Affiliation Zip: 95112-2716
Affiliation Phone: (408) 918-3400

Affiliation Type Desc: Document Preparer
Entity Name: Keith Powers
Entity Title: Not reported
Affiliation Address: Not reported
Affiliation City: Not reported
Affiliation State: Not reported
Affiliation Country: Not reported
Affiliation Zip: Not reported
Affiliation Phone: Not reported

Affiliation Type Desc: Environmental Contact
Entity Name: Ron Lee
Entity Title: Not reported
Affiliation Address: 5918 Stoneridge Mall Rd.
Affiliation City: Pleasanton
Affiliation State: CA
Affiliation Country: Not reported
Affiliation Zip: 94588
Affiliation Phone: (925) 469-7513

Affiliation Type Desc: Facility Mailing Address
Entity Name: Mailing Address
Entity Title: Not reported
Affiliation Address: PO Box 29096, MS 6515
Affiliation City: Phoenix
Affiliation State: AZ
Affiliation Country: Not reported
Affiliation Zip: 85038
Affiliation Phone: Not reported

Affiliation Type Desc: Identification Signer
Entity Name: Ron Lee
Entity Title: Environmental Manager
Affiliation Address: Not reported
Affiliation City: Not reported
Affiliation State: Not reported
Affiliation Country: Not reported
Affiliation Zip: Not reported
Affiliation Phone: Not reported

Map ID
Direction
Distance
Elevation

MAP FINDINGS

Site

Database(s)

EDR ID Number
EPA ID Number

SAFeway STORE 3251 (Continued)

S121789630

Affiliation Type Desc: Legal Owner
Entity Name: Safeway, Inc.
Entity Title: Not reported
Affiliation Address: 5918 Stoneridge Mall Rd.
Affiliation City: Pleasanton
Affiliation State: CA
Affiliation Country: United States
Affiliation Zip: 94588
Affiliation Phone: (925) 469-7000

Affiliation Type Desc: Operator
Entity Name: Safeway, Inc.
Entity Title: Not reported
Affiliation Address: Not reported
Affiliation City: Not reported
Affiliation State: Not reported
Affiliation Country: Not reported
Affiliation Zip: Not reported
Affiliation Phone: (925) 469-7000

Affiliation Type Desc: Parent Corporation
Entity Name: Safeway, Inc.
Entity Title: Not reported
Affiliation Address: Not reported
Affiliation City: Not reported
Affiliation State: Not reported
Affiliation Country: Not reported
Affiliation Zip: Not reported
Affiliation Phone: Not reported

Affiliation Type Desc: Primary Emergency Contact
Entity Name: Senad Zagovic
Entity Title: Store Director
Affiliation Address: Not reported
Affiliation City: Not reported
Affiliation State: Not reported
Affiliation Country: Not reported
Affiliation Zip: Not reported
Affiliation Phone: (408) 253-0112

Affiliation Type Desc: Property Owner
Entity Name: Sobrato Interests
Entity Title: Not reported
Affiliation Address: 10600 N DEANZA BLVD STE 200
Affiliation City: CUPERTINO
Affiliation State: CA
Affiliation Country: United States
Affiliation Zip: 95014
Affiliation Phone: (408) 446-0700

Affiliation Type Desc: Secondary Emergency Contact
Entity Name: Ron Lee
Entity Title: Environmental Manager
Affiliation Address: Not reported
Affiliation City: Not reported
Affiliation State: Not reported
Affiliation Country: Not reported

Map ID
 Direction
 Distance
 Elevation

MAP FINDINGS

Site

Database(s)

EDR ID Number
 EPA ID Number

SAFEWAY STORE 3251 (Continued)

S121789630

Affiliation Zip: Not reported
 Affiliation Phone: (925) 389-7937

E21 **CHEVRON STATION #95700**
NNE **11010 DE ANZA BL**
< 1/8 **CUPERTINO, CA 95014**
0.105 mi.
552 ft. **Site 1 of 8 in cluster E**

UST **U004261796**
N/A

Relative: UST:
Lower Facility ID: 2096-12-77
 Permitting Agency: Santa Clara County Environmental Health
Actual: Latitude: 37.33797
204 ft. Longitude: -122.03177

E22 **CHEVRON**
NNE **11010 DE ANZA**
< 1/8 **CUPERTINO, CA**
0.105 mi.
552 ft. **Site 2 of 8 in cluster E**

HIST CORTESE **S105027745**
N/A

Relative: HIST CORTESE:
Lower Region: CORTESE
 Facility County Code: 43
Actual: Reg By: LTNKA
204 ft. Reg Id: 43-0172

E23 **95700**
NNE **11010 N DE ANZA BLVD**
< 1/8 **CUPERTINO, CA 95014**
0.105 mi.
552 ft. **Site 3 of 8 in cluster E**

LUST **U001600974**
HIST LUST **N/A**
SWEEPS UST
HIST UST
CHMIRS
CERS

Relative: LUST:
Lower Lead Agency: SANTA CLARA COUNTY LOP
 Case Type: LUST Cleanup Site
 Geo Track: http://geotracker.waterboards.ca.gov/profile_report.asp?global_id=T0608500238
 Global Id: T0608500238
 Latitude: 37.312724
 Longitude: -122.031353
 Status: Completed - Case Closed
 Status Date: 08/02/2001
 Case Worker: UST
 RB Case Number: Not reported
 Local Agency: SANTA CLARA COUNTY LOP
 File Location: All Files are on GeoTracker or in the Local Agency Database
 Local Case Number: Not reported
 Potential Media Affect: Soil
 Potential Contaminants of Concern: Gasoline
 Site History: Not reported

LUST:
 Global Id: T0608500238

Map ID
Direction
Distance
Elevation

MAP FINDINGS

Site

Database(s)

EDR ID Number
EPA ID Number

95700 (Continued)

U001600974

Contact Type: Regional Board Caseworker
Contact Name: Regional Water Board
Organization Name: SAN FRANCISCO BAY RWQCB (REGION 2)
Address: 1515 CLAY ST SUITE 1400
City: OAKLAND
Email: Not reported
Phone Number: Not reported

Global Id: T0608500238
Contact Type: Local Agency Caseworker
Contact Name: UST CASE WORKER
Organization Name: SANTA CLARA COUNTY LOP
Address: 1555 Berger Drive, Suite 300
City: SAN JOSE
Email: Not reported
Phone Number: 4089183400

LUST:

Global Id: T0608500238
Action Type: RESPONSE
Date: 08/31/1993
Action: Preliminary Site Assessment Report

Global Id: T0608500238
Action Type: RESPONSE
Date: 01/03/2001
Action: Soil and Water Investigation Workplan

Global Id: T0608500238
Action Type: RESPONSE
Date: 07/16/2001
Action: Other Workplan

Global Id: T0608500238
Action Type: RESPONSE
Date: 01/10/2001
Action: Request for Closure

Global Id: T0608500238
Action Type: RESPONSE
Date: 07/11/2001
Action: Verbal Communication

Global Id: T0608500238
Action Type: RESPONSE
Date: 07/11/2001
Action: Other Report / Document

Global Id: T0608500238
Action Type: RESPONSE
Date: 02/08/1999
Action: Soil and Water Investigation Workplan

Global Id: T0608500238
Action Type: RESPONSE
Date: 02/13/2001
Action: Monitoring Report - Quarterly

Map ID
Direction
Distance
Elevation

MAP FINDINGS

Site

Database(s)

EDR ID Number
EPA ID Number

95700 (Continued)

U001600974

Global Id: T0608500238
Action Type: RESPONSE
Date: 08/08/2003
Action: Correspondence

Global Id: T0608500238
Action Type: RESPONSE
Date: 03/15/1999
Action: Preliminary Site Assessment Workplan

Global Id: T0608500238
Action Type: RESPONSE
Date: 05/06/1993
Action: Tank Removal Report / UST Sampling Report

Global Id: T0608500238
Action Type: RESPONSE
Date: 09/29/2003
Action: Soil and Water Investigation Report

Global Id: T0608500238
Action Type: RESPONSE
Date: 04/23/1999
Action: Correspondence

Global Id: T0608500238
Action Type: ENFORCEMENT
Date: 01/16/1996
Action: Notice of Responsibility - #39493

Global Id: T0608500238
Action Type: ENFORCEMENT
Date: 02/08/1999
Action: Staff Letter - #21269

Global Id: T0608500238
Action Type: ENFORCEMENT
Date: 03/31/1993
Action: Staff Letter - #21263

Global Id: T0608500238
Action Type: ENFORCEMENT
Date: 01/29/1999
Action: Staff Letter - #21267

Global Id: T0608500238
Action Type: RESPONSE
Date: 05/09/1999
Action: Soil and Water Investigation Report

Global Id: T0608500238
Action Type: RESPONSE
Date: 04/02/1993
Action: Other Report / Document

Global Id: T0608500238
Action Type: RESPONSE

Map ID
Direction
Distance
Elevation

MAP FINDINGS

Site

Database(s)

EDR ID Number
EPA ID Number

95700 (Continued)

U001600974

Date: 02/05/1999
Action: Soil and Water Investigation Workplan

Global Id: T0608500238
Action Type: Other
Date: 01/01/1992
Action: Leak Reported

Global Id: T0608500238
Action Type: ENFORCEMENT
Date: 08/02/2001
Action: Closure/No Further Action Letter

LUST:

Global Id: T0608500238
Status: Open - Case Begin Date
Status Date: 01/01/1992

Global Id: T0608500238
Status: Open - Site Assessment
Status Date: 03/23/1993

Global Id: T0608500238
Status: Completed - Case Closed
Status Date: 08/02/2001

LUST REG 2:

Region: 2
Facility Id: Not reported
Facility Status: Case Closed
Case Number: 07S2W12G02f
How Discovered: Not reported
Leak Cause: Not reported
Leak Source: Not reported
Date Leak Confirmed: Not reported
Oversight Program: LUST
Prelim. Site Assessment Workplan Submitted: Not reported
Preliminary Site Assessment Began: 3/23/1993
Pollution Characterization Began: Not reported
Pollution Remediation Plan Submitted: Not reported
Date Remediation Action Underway: Not reported
Date Post Remedial Action Monitoring Began: Not reported

LUST SANTA CLARA:

Region: SANTA CLARA
SCVWD ID: 07S2W12G02F
Date Closed: 08/02/2001
EDR Link ID: 07S2W12G02F

HIST LUST SANTA CLARA:

Region: SANTA CLARA
Region Code: 2
SCVWD ID: 07S2W12G02
Oversite Agency: SCVWD

Map ID
Direction
Distance
Elevation

MAP FINDINGS

Site

Database(s)

EDR ID Number
EPA ID Number

95700 (Continued)

U001600974

Date Listed: 1993-05-26 00:00:00
Closed Date: 2001-08-02 00:00:00

SWEEPS UST:

Status: Not reported
Comp Number: 62800
Number: Not reported
Board Of Equalization: 44-031913
Referral Date: Not reported
Action Date: Not reported
Created Date: Not reported
Owner Tank Id: Not reported
SWRCB Tank Id: 43-012-062800-000001
Tank Status: Not reported
Capacity: 10000
Active Date: Not reported
Tank Use: M.V. FUEL
STG: PRODUCT
Content: REG UNLEADED
Number Of Tanks: 5

Status: Not reported
Comp Number: 62800
Number: Not reported
Board Of Equalization: 44-031913
Referral Date: Not reported
Action Date: Not reported
Created Date: Not reported
Owner Tank Id: Not reported
SWRCB Tank Id: 43-012-062800-000002
Tank Status: Not reported
Capacity: 5000
Active Date: Not reported
Tank Use: M.V. FUEL
STG: PRODUCT
Content: LEADED
Number Of Tanks: Not reported

Status: Not reported
Comp Number: 62800
Number: Not reported
Board Of Equalization: 44-031913
Referral Date: Not reported
Action Date: Not reported
Created Date: Not reported
Owner Tank Id: Not reported
SWRCB Tank Id: 43-012-062800-000003
Tank Status: Not reported
Capacity: 6000
Active Date: Not reported
Tank Use: M.V. FUEL
STG: PRODUCT
Content: LEADED
Number Of Tanks: Not reported

Status: Not reported
Comp Number: 62800

Map ID
Direction
Distance
Elevation

MAP FINDINGS

Site

Database(s)

EDR ID Number
EPA ID Number

95700 (Continued)

U001600974

Number: Not reported
Board Of Equalization: 44-031913
Referral Date: Not reported
Action Date: Not reported
Created Date: Not reported
Owner Tank Id: Not reported
SWRCB Tank Id: 43-012-062800-000004
Tank Status: Not reported
Capacity: 10000
Active Date: Not reported
Tank Use: M.V. FUEL
STG: PRODUCT
Content: REG UNLEADED
Number Of Tanks: Not reported

Status: Not reported
Comp Number: 62800
Number: Not reported
Board Of Equalization: 44-031913
Referral Date: Not reported
Action Date: Not reported
Created Date: Not reported
Owner Tank Id: Not reported
SWRCB Tank Id: 43-012-062800-000005
Tank Status: Not reported
Capacity: 550
Active Date: Not reported
Tank Use: OIL
STG: WASTE
Content: WASTE OIL
Number Of Tanks: Not reported

Status: Active
Comp Number: 62800
Number: 1
Board Of Equalization: 44-031913
Referral Date: 08-12-93
Action Date: 03-08-94
Created Date: 02-29-88
Owner Tank Id: Not reported
SWRCB Tank Id: Not reported
Tank Status: Not reported
Capacity: Not reported
Active Date: Not reported
Tank Use: Not reported
STG: Not reported
Content: Not reported
Number Of Tanks: Not reported

HIST UST:

File Number: Not reported
URL: Not reported
Region: STATE
Facility ID: 00000062800
Facility Type: Gas Station
Other Type: Not reported
Contact Name: DAYNER, FRANK R

Map ID
Direction
Distance
Elevation

MAP FINDINGS

Site

Database(s)

EDR ID Number
EPA ID Number

95700 (Continued)

U001600974

Telephone: 4087739135
Owner Name: CHEVRON U.S.A. INC.
Owner Address: 575 MARKET
Owner City,St,Zip: SAN FRANCISCO, CA 94105
Total Tanks: 0005

Tank Num: 001
Container Num: 1
Year Installed: 1976
Tank Capacity: 00010000
Tank Used for: PRODUCT
Type of Fuel: Not reported
Container Construction Thickness: 0000250
Leak Detection: Stock Inventor

Tank Num: 002
Container Num: 2
Year Installed: 1959
Tank Capacity: 00005000
Tank Used for: PRODUCT
Type of Fuel: Not reported
Container Construction Thickness: 0000250
Leak Detection: Stock Inventor

Tank Num: 003
Container Num: 3
Year Installed: 1959
Tank Capacity: 00006000
Tank Used for: PRODUCT
Type of Fuel: Not reported
Container Construction Thickness: 0000250
Leak Detection: Stock Inventor

Tank Num: 004
Container Num: 4
Year Installed: 1976
Tank Capacity: 00010000
Tank Used for: PRODUCT
Type of Fuel: Not reported
Container Construction Thickness: 0000250
Leak Detection: Stock Inventor

Tank Num: 005
Container Num: 5
Year Installed: 1959
Tank Capacity: 00000550
Tank Used for: WASTE
Type of Fuel: Not reported
Container Construction Thickness: 0000100
Leak Detection: Stock Inventor

CHMIRS:

OES Incident Number: 18-1391
OES notification: 03/02/2018
OES Date: Not reported
OES Time: Not reported
Date Completed: Not reported

Map ID
Direction
Distance
Elevation

MAP FINDINGS

Site

Database(s)

EDR ID Number
EPA ID Number

95700 (Continued)

U001600974

Property Use:	Not reported
Agency Id Number:	Not reported
Agency Incident Number:	Not reported
Time Notified:	Not reported
Time Completed:	Not reported
Surrounding Area:	Not reported
Estimated Temperature:	Not reported
Property Management:	Not reported
More Than Two Substances Involved?:	Not reported
Resp Agncy Personel # Of Decontaminated:	Not reported
Responding Agency Personel # Of Injuries:	Not reported
Responding Agency Personel # Of Fatalities:	Not reported
Others Number Of Decontaminated:	Not reported
Others Number Of Injuries:	Not reported
Others Number Of Fatalities:	Not reported
Vehicle Make/year:	Not reported
Vehicle License Number:	Not reported
Vehicle State:	Not reported
Vehicle Id Number:	Not reported
CA DOT PUC/ICC Number:	Not reported
Company Name:	Not reported
Reporting Officer Name/ID:	Not reported
Report Date:	Not reported
Facility Telephone:	Not reported
Waterway Involved:	No
Waterway:	Not reported
Spill Site:	Service Station
Cleanup By:	Reporting Party
Containment:	Not reported
What Happened:	Not reported
Type:	Not reported
Measure:	Not reported
Other:	Not reported
Type:	PETROLEUM
Measure:	Oz.
Other:	Not reported
Date/Time:	1015
Year:	2018
Agency:	Chevron
Incident Date:	03/02/2018
Admin Agency:	Santa Clara County Department of Environmental Health
Amount:	Not reported
Contained:	Yes
Site Type:	Not reported
E Date:	Not reported
Substance:	Gasoline
Quantity Released:	20
Unknown:	Not reported
Substance #2:	Not reported
Substance #3:	Not reported
Evacuations:	Not reported
Number of Injuries:	Not reported
Number of Fatalities:	Not reported
#1 Pipeline:	No
#2 Pipeline:	No
#3 Pipeline:	No
#1 Vessel >= 300 Tons:	No

Map ID
 Direction
 Distance
 Elevation

MAP FINDINGS

Site

Database(s)

EDR ID Number
 EPA ID Number

95700 (Continued)

U001600974

#2 Vessel >= 300 Tons:	No
#3 Vessel >= 300 Tons:	Yes
Evacs:	No
Injuries:	No
Fatals:	No
Comments:	Not reported
Description:	RP states, A customer was fueling their vehicle and an overfill occurred, which caused the release of 20 ounces of gasoline. The release has been stopped. No waterways or storm drains were impacted. The station personnel conducted cleanup of the release.

CERS TANKS:

Site ID:	208313
CERS ID:	T0608500238
CERS Description:	Leaking Underground Storage Tank Cleanup Site

Affiliation:

Affiliation Type Desc:	Local Agency Caseworker
Entity Name:	UST CASE WORKER - SANTA CLARA COUNTY LOP
Entity Title:	Not reported
Affiliation Address:	1555 Berger Drive, Suite 300
Affiliation City:	SAN JOSE
Affiliation State:	CA
Affiliation Country:	Not reported
Affiliation Zip:	Not reported
Affiliation Phone:	4089183400

Affiliation Type Desc:	Regional Board Caseworker
Entity Name:	Regional Water Board - SAN FRANCISCO BAY RWQCB (REGION 2)
Entity Title:	Not reported
Affiliation Address:	1515 CLAY ST SUITE 1400
Affiliation City:	OAKLAND
Affiliation State:	CA
Affiliation Country:	Not reported
Affiliation Zip:	Not reported
Affiliation Phone:	Not reported

E24
NNE
 < 1/8
 0.105 mi.
 552 ft.

CHEVRON SERVICE STATION #95700
11010 N DE ANZA BL
CUPERTINO, CA 95014
Site 4 of 8 in cluster E

UST U003948819
N/A

Relative:
Lower
Actual:
 204 ft.

UST:	
Facility ID:	33
Permitting Agency:	CAMPBELL,CUPERTINO,LOS GATOS,MORGAN HILL
Latitude:	37.3393855
Longitude:	-122.031021

Map ID
Direction
Distance
Elevation

MAP FINDINGS

Site

Database(s)

EDR ID Number
EPA ID Number

E25
NNE
< 1/8
0.105 mi.
552 ft.

95700
11010 NO DEANZA BLVD
CUPERTINO, CA 95014

HIST UST **S113471897**
CHMIRS **N/A**

Site 5 of 8 in cluster E

Relative:
Lower

HIST UST:

Actual:
204 ft.

File Number: 0002D05D
URL: <http://geotracker.waterboards.ca.gov/ustpdfs/pdf/0002D05D.pdf>
Region: Not reported
Facility ID: Not reported
Facility Type: Not reported
Other Type: Not reported
Contact Name: Not reported
Telephone: Not reported
Owner Name: Not reported
Owner Address: Not reported
Owner City,St,Zip: Not reported
Total Tanks: Not reported

Tank Num: Not reported
Container Num: Not reported
Year Installed: Not reported
Tank Capacity: Not reported
Tank Used for: Not reported
Type of Fuel: Not reported
Container Construction Thickness: Not reported
Leak Detection: Not reported

Click here for Geo Tracker PDF:

CHMIRS:

OES Incident Number: 12-7695
OES notification: 12/17/2012
OES Date: Not reported
OES Time: Not reported
Date Completed: Not reported
Property Use: Not reported
Agency Id Number: Not reported
Agency Incident Number: Not reported
Time Notified: Not reported
Time Completed: Not reported
Surrounding Area: Not reported
Estimated Temperature: Not reported
Property Management: Not reported
More Than Two Substances Involved?: Not reported
Resp Agncy Personel # Of Decontaminated: Not reported
Responding Agency Personel # Of Injuries: Not reported
Responding Agency Personel # Of Fatalities: Not reported
Others Number Of Decontaminated: Not reported
Others Number Of Injuries: Not reported
Others Number Of Fatalities: Not reported
Vehicle Make/year: Not reported
Vehicle License Number: Not reported
Vehicle State: Not reported
Vehicle Id Number: Not reported
CA DOT PUC/ICC Number: Not reported
Company Name: Not reported
Reporting Officer Name/ID: Not reported

Map ID
 Direction
 Distance
 Elevation

MAP FINDINGS

Site

Database(s)

EDR ID Number
 EPA ID Number

95700 (Continued)

S113471897

Report Date:	Not reported
Facility Telephone:	Not reported
Waterway Involved:	No
Waterway:	Not reported
Spill Site:	Service Station
Cleanup By:	Reporting Party
Containment:	Not reported
What Happened:	Not reported
Type:	Not reported
Measure:	Oz.
Other:	Not reported
Date/Time:	1440
Year:	2012
Agency:	NRC
Incident Date:	12/17/2012
Admin Agency:	Santa Clara County Health Department
Amount:	Not reported
Contained:	Yes
Site Type:	Not reported
E Date:	Not reported
Substance:	Unleaded Gas
Quantity Released:	16
Unknown:	Not reported
Substance #2:	Not reported
Substance #3:	Not reported
Evacuations:	Not reported
Number of Injuries:	Not reported
Number of Fatalities:	Not reported
#1 Pipeline:	Not reported
#2 Pipeline:	Not reported
#3 Pipeline:	Not reported
#1 Vessel >= 300 Tons:	Not reported
#2 Vessel >= 300 Tons:	Not reported
#3 Vessel >= 300 Tons:	Not reported
Evacs:	Not reported
Injuries:	Not reported
Fatals:	Not reported
Comments:	Not reported
Description:	Quoting the NRC Report: "CALLER STATED THAT A CUSTOMER OVERFILLED THEIR GAS TANK AND DISCHARGED 16 OUNCES OF GASOLINE ONTO THE GROUND." "PLACED ABSORBENT PADS ON THE SPILL."

E26
NNE
 < 1/8
 0.105 mi.
 552 ft.

CHEVRON STATION NO 95700
11010 N DE ANZA BLVD
CUPERTINO, CA 95014
 Site 6 of 8 in cluster E

RCRA-SQG 1005904411
FINDS CAR000122382
ECHO
HAZNET

Relative:
Lower
Actual:
 204 ft.

RCRA-SQG:
 Date form received by agency: 06/17/2002
 Facility name: CHEVRON STATION NO 95700
 Facility address: 11010 N DE ANZA BLVD
 CUPERTINO, CA 95014-0443
 EPA ID: CAR000122382
 Mailing address: P O BOX 6004
 SAN RAMON, CA 94583
 Contact: KATHY NORRIS

Map ID
Direction
Distance
Elevation

MAP FINDINGS

Site

Database(s)

EDR ID Number
EPA ID Number

CHEVRON STATION NO 95700 (Continued)

1005904411

Contact address: P O BOX 6004
SAN RAMON, CA 94583
Contact country: US
Contact telephone: 925-842-5931
Contact email: Not reported
EPA Region: 09
Classification: Small Small Quantity Generator
Description: Handler: generates more than 100 and less than 1000 kg of hazardous waste during any calendar month and accumulates less than 6000 kg of hazardous waste at any time; or generates 100 kg or less of hazardous waste during any calendar month, and accumulates more than 1000 kg of hazardous waste at any time

Owner/Operator Summary:

Owner/operator name: CHEVRON PRODUCTS CO
Owner/operator address: P O BOX 6004
SAN RAMON, CA 94583
Owner/operator country: Not reported
Owner/operator telephone: 925-842-5931
Owner/operator email: Not reported
Owner/operator fax: Not reported
Owner/operator extension: Not reported
Legal status: Private
Owner/Operator Type: Owner
Owner/Op start date: Not reported
Owner/Op end date: Not reported

Handler Activities Summary:

U.S. importer of hazardous waste: No
Mixed waste (haz. and radioactive): No
Recycler of hazardous waste: No
Transporter of hazardous waste: No
Treater, storer or disposer of HW: No
Underground injection activity: No
On-site burner exemption: No
Furnace exemption: No
Used oil fuel burner: No
Used oil processor: No
User oil refiner: No
Used oil fuel marketer to burner: No
Used oil Specification marketer: No
Used oil transfer facility: No
Used oil transporter: No

- . Waste code: D001
- . Waste name: IGNITABLE HAZARDOUS WASTES ARE THOSE WASTES WHICH HAVE A FLASHPOINT OF LESS THAN 140 DEGREES FAHRENHEIT AS DETERMINED BY A PENSKY-MARTENS CLOSED CUP FLASH POINT TESTER. ANOTHER METHOD OF DETERMINING THE FLASH POINT OF A WASTE IS TO REVIEW THE MATERIAL SAFETY DATA SHEET, WHICH CAN BE OBTAINED FROM THE MANUFACTURER OR DISTRIBUTOR OF THE MATERIAL. LACQUER THINNER IS AN EXAMPLE OF A COMMONLY USED SOLVENT WHICH WOULD BE CONSIDERED AS IGNITABLE HAZARDOUS WASTE.

- . Waste code: D018
- . Waste name: BENZENE

Map ID
Direction
Distance
Elevation

MAP FINDINGS

Site

Database(s)

EDR ID Number
EPA ID Number

CHEVRON STATION NO 95700 (Continued)

1005904411

Violation Status: No violations found

FINDS:

Registry ID: 110012543453

Environmental Interest/Information System

California Hazardous Waste Tracking System - Datamart (HWTS-DATAMART) provides California with information on hazardous waste shipments for generators, transporters, and treatment, storage, and disposal facilities.

RCRAInfo is a national information system that supports the Resource Conservation and Recovery Act (RCRA) program through the tracking of events and activities related to facilities that generate, transport, and treat, store, or dispose of hazardous waste. RCRAInfo allows RCRA program staff to track the notification, permit, compliance, and corrective action activities required under RCRA.

STATE MASTER

[Click this hyperlink](#) while viewing on your computer to access additional FINDS: detail in the EDR Site Report.

ECHO:

Envid: 1005904411
Registry ID: 110012543453
DFR URL: <http://echo.epa.gov/detailed-facility-report?fid=110012543453>

HAZNET:

envid: 1005904411
Year: 2016
GEPaid: CAR000122382
Contact: KWAME AWUKU
Telephone: 8773866044
Mailing Name: Not reported
Mailing Address: PO BOX 6004
Mailing City,St,Zip: SAN RAMON, CA 945830000
Gen County: Santa Clara
TSD EPA ID: CAD059494310
TSD County: Santa Clara
Waste Category: Other organic solids
Disposal Method: Storage, Bulking, And/Or Transfer Off Site--No Treatment/Reovery (H010-H129) Or (H131-H135)
Tons: 0.43
Cat Decode: Other organic solids
Method Decode: Storage, Bulking, And/Or Transfer Off Site--No Treatment/Reovery (H010-H129) Or (H131-H135)
Facility County: Santa Clara

envid: 1005904411
Year: 2016
GEPaid: CAR000122382
Contact: KWAME AWUKU
Telephone: 8773866044
Mailing Name: Not reported

Map ID
Direction
Distance
Elevation

MAP FINDINGS

Site

Database(s)

EDR ID Number
EPA ID Number

CHEVRON STATION NO 95700 (Continued)

1005904411

Mailing Address: PO BOX 6004
Mailing City,St,Zip: SAN RAMON, CA 945830000
Gen County: Santa Clara
TSD EPA ID: CAD059494310
TSD County: Santa Clara
Waste Category: Aqueous solution with total organic residues less than 10 percent
Disposal Method: Storage, Bulking, And/Or Transfer Off Site--No Treatment/Reovery (H010-H129) Or (H131-H135)
Tons: 0.0675
Cat Decode: Aqueous solution with total organic residues less than 10 percent
Method Decode: Storage, Bulking, And/Or Transfer Off Site--No Treatment/Reovery (H010-H129) Or (H131-H135)
Facility County: Santa Clara

envid: 1005904411
Year: 2015
GEPaid: CAR000122382
Contact: KATHY NORRIS-SLUSHER
Telephone: 8773866044
Mailing Name: Not reported
Mailing Address: PO BOX 6004
Mailing City,St,Zip: SAN RAMON, CA 945830000
Gen County: Santa Clara
TSD EPA ID: CAD059494310
TSD County: Santa Clara
Waste Category: Aqueous solution with total organic residues less than 10 percent
Disposal Method: Storage, Bulking, And/Or Transfer Off Site--No Treatment/Reovery (H010-H129) Or (H131-H135)
Tons: 0.2095
Cat Decode: Not reported
Method Decode: Not reported
Facility County: Santa Clara

envid: 1005904411
Year: 2015
GEPaid: CAR000122382
Contact: KATHY NORRIS-SLUSHER
Telephone: 8773866044
Mailing Name: Not reported
Mailing Address: PO BOX 6004
Mailing City,St,Zip: SAN RAMON, CA 945830000
Gen County: Santa Clara
TSD EPA ID: CAD059494310
TSD County: Santa Clara
Waste Category: Other organic solids
Disposal Method: Storage, Bulking, And/Or Transfer Off Site--No Treatment/Reovery (H010-H129) Or (H131-H135)
Tons: 0.146
Cat Decode: Not reported
Method Decode: Not reported
Facility County: Santa Clara

envid: 1005904411
Year: 2014
GEPaid: CAR000122382
Contact: KATHY NORRIS-SLUSHER
Telephone: 8773866044

Map ID
 Direction
 Distance
 Elevation

MAP FINDINGS

Site

Database(s)

EDR ID Number
 EPA ID Number

CHEVRON STATION NO 95700 (Continued)

1005904411

Mailing Name: Not reported
 Mailing Address: PO BOX 6004
 Mailing City,St,Zip: SAN RAMON, CA 945830000
 Gen County: Santa Clara
 TSD EPA ID: CAD059494310
 TSD County: Santa Clara
 Waste Category: Aqueous solution with total organic residues less than 10 percent
 Disposal Method: Storage, Bulking, And/Or Transfer Off Site--No Treatment/Reovery (H010-H129) Or (H131-H135)
 Tons: 0.025
 Cat Decode: Not reported
 Method Decode: Not reported
 Facility County: Santa Clara

[Click this hyperlink](#) while viewing on your computer to access 37 additional CA_HAZNET: record(s) in the EDR Site Report.

E27
NNE
< 1/8
0.105 mi.
552 ft.

CHEVRON STATIONS INC
11010 N DE ANZA BLVD
CUPERTINO, CA 95014

Site 7 of 8 in cluster E

EDR Hist Auto 1022066092
N/A

Relative:
Lower

EDR Hist Auto

Actual:
204 ft.

Year:	Name:	Type:
1989	CHEVRON USA INC	Gasoline Service Stations
1990	CHEVRON USA INC	Gasoline Service Stations
1991	CHEVRON USA INC	Gasoline Service Stations
1992	CHEVRON USA INC	Gasoline Service Stations
1993	CHEVRON USA INC	Gasoline Service Stations
1994	CHEVRON USA INC	Gasoline Service Stations
1995	CHEVRON USA INC	Gasoline Service Stations
1996	CHEVRON USA INC	Gasoline Service Stations
1997	CHEVRON USA INC	Gasoline Service Stations
1998	CHEVRON STATION INC	Gasoline Service Stations
1999	CHEVRON STATIONS INC	Gasoline Service Stations
2000	CHEVRON STATIONS INC	Gasoline Service Stations
2001	CHEVRON STATIONS INC	Gasoline Service Stations
2002	CHEVRON STATIONS INC	Gasoline Service Stations
2003	CHEVRON STATIONS INC	Gasoline Service Stations
2004	CHEVRON STATIONS INC	Gasoline Service Stations
2005	CHEVRON STATIONS INC	Gasoline Service Stations, NEC
2006	CHEVRON STATIONS INC	Gasoline Service Stations, NEC
2007	CHEVRON STATIONS INC	Gasoline Service Stations, NEC
2008	CHEVRON STATIONS INC	Gasoline Service Stations, NEC
2009	CHEVRON STATIONS INC	Gasoline Service Stations, NEC
2010	CHEVRON STATIONS INC	Gasoline Service Stations, NEC
2011	CHEVRON STATIONS INC	Gasoline Service Stations, NEC
2012	APSI	Gasoline Service Stations
2012	CHEVRON STATIONS INC	Gasoline Service Stations, NEC
2013	CHEVRON STATIONS INC	Gasoline Service Stations, NEC
2013	APSI	Gasoline Service Stations
2014	CHEVRON STATIONS INC	Gasoline Service Stations, NEC

MAP FINDINGS

Map ID
 Direction
 Distance
 Elevation

Site

Database(s)

EDR ID Number
 EPA ID Number

E28
NNE
< 1/8
0.105 mi.
552 ft.

CHEVRON STATION #95700
11010 DE ANZA BL
CUPERTINO, CA 95014

Site 8 of 8 in cluster E

CERS
CERS HAZ WASTE
CERS TANKS

S121737779
N/A

Relative:
Lower
Actual:
204 ft.

CERS TANKS:
 Site ID: 104964
 CERS ID: 10344487
 CERS Description: Chemical Storage Facilities

Evaluation:
 Eval General Type: Compliance Evaluation Inspection
 Eval Date: 03-13-2015
 Violations Found: No
 Eval Type: Routine done by local agency
 Eval Notes: Occupancy ID: 2096
 Eval Division: Santa Clara County Fire Department
 Eval Program: HMRRP
 Eval Source: CERS

Eval General Type: Compliance Evaluation Inspection
 Eval Date: 03-13-2015
 Violations Found: No
 Eval Type: Routine done by local agency
 Eval Notes: Occupancy ID: 2096
 Eval Division: Santa Clara County Fire Department
 Eval Program: UST
 Eval Source: CERS

Eval General Type: Compliance Evaluation Inspection
 Eval Date: 03-17-2014
 Violations Found: No
 Eval Type: Routine done by local agency
 Eval Notes: Occupancy ID: 2096
 Eval Division: Santa Clara County Fire Department
 Eval Program: HMRRP
 Eval Source: CERS

Eval General Type: Compliance Evaluation Inspection
 Eval Date: 03-17-2014
 Violations Found: No
 Eval Type: Routine done by local agency
 Eval Notes: Occupancy ID: 2096
 Eval Division: Santa Clara County Fire Department
 Eval Program: UST
 Eval Source: CERS

Eval General Type: Compliance Evaluation Inspection
 Eval Date: 04-04-2016
 Violations Found: No
 Eval Type: Routine done by local agency
 Eval Notes: Occupancy ID: 2096
 Eval Division: Santa Clara County Fire Department
 Eval Program: UST
 Eval Source: CERS

Eval General Type: Compliance Evaluation Inspection
 Eval Date: 04-04-2016
 Violations Found: No

Map ID
Direction
Distance
Elevation

MAP FINDINGS

Site

Database(s)

EDR ID Number
EPA ID Number

CHEVRON STATION #95700 (Continued)

S121737779

Eval Type: Routine done by local agency
Eval Notes: Ocupancy ID: 2096
Eval Division: Santa Clara County Fire Department
Eval Program: HMRRP
Eval Source: CERS

Eval General Type: Compliance Evaluation Inspection
Eval Date: 04-04-2017
Violations Found: No
Eval Type: Routine done by local agency
Eval Notes: Occupancy ID: 2096
Eval Division: Santa Clara County Fire Department
Eval Program: HMRRP
Eval Source: CERS

Eval General Type: Compliance Evaluation Inspection
Eval Date: 04-04-2017
Violations Found: No
Eval Type: Routine done by local agency
Eval Notes: Occupancy ID: 2096
Eval Division: Santa Clara County Fire Department
Eval Program: UST
Eval Source: CERS

Affiliation:

Affiliation Type Desc: CUPA District
Entity Name: Santa Clara County Environmental Health
Entity Title: Not reported
Affiliation Address: 1555 Berger Drive, Suite 300
Affiliation City: San Jose
Affiliation State: CA
Affiliation Country: Not reported
Affiliation Zip: 95112-2716
Affiliation Phone: (408) 918-3400

Affiliation Type Desc: Document Preparer
Entity Name: TED LAMPH
Entity Title: Not reported
Affiliation Address: Not reported
Affiliation City: Not reported
Affiliation State: Not reported
Affiliation Country: Not reported
Affiliation Zip: Not reported
Affiliation Phone: Not reported

Affiliation Type Desc: Environmental Contact
Entity Name: CHEVRON PRODUCTS COMPANY (A DIVISION OF CHEVRON U.S.A.)
Entity Title: Not reported
Affiliation Address: PO BOX 6004, ATTN: PERMIT DESK
Affiliation City: SAN RAMON
Affiliation State: CA
Affiliation Country: Not reported
Affiliation Zip: 94583
Affiliation Phone: (925) 842-9002

Affiliation Type Desc: Facility Mailing Address
Entity Name: Mailing Address

Map ID
Direction
Distance
Elevation

MAP FINDINGS

Site

Database(s)

EDR ID Number
EPA ID Number

CHEVRON STATION #95700 (Continued)

S121737779

Entity Title: Not reported
Affiliation Address: PO BOX 6004, ATTN: PERMIT DESK
Affiliation City: SAN RAMON
Affiliation State: CA
Affiliation Country: Not reported
Affiliation Zip: 94583
Affiliation Phone: Not reported

Affiliation Type Desc: Identification Signer
Entity Name: Ted Lamph
Entity Title: Retail OE/HES Specialist
Affiliation Address: Not reported
Affiliation City: Not reported
Affiliation State: Not reported
Affiliation Country: Not reported
Affiliation Zip: Not reported
Affiliation Phone: Not reported

Affiliation Type Desc: Legal Owner
Entity Name: CHEVRON PRODUCTS COMPANY (A DIVISION OF CHEVRON U.S.A.)
Entity Title: Not reported
Affiliation Address: PO BOX 6004, ATTN: PERMIT DESK
Affiliation City: SAN RAMON
Affiliation State: CA
Affiliation Country: United States
Affiliation Zip: 94583
Affiliation Phone: (925) 842-9002

Affiliation Type Desc: Operator
Entity Name: CHEVRON PRODUCTS COMPANY (A DIVISION OF CHEVRON U.S.A.)
Entity Title: Not reported
Affiliation Address: Not reported
Affiliation City: Not reported
Affiliation State: Not reported
Affiliation Country: Not reported
Affiliation Zip: Not reported
Affiliation Phone: (408) 773-9135

Affiliation Type Desc: Parent Corporation
Entity Name: CHEVRON PRODUCTS COMPANY (A DIVISION OF CHEVRON U.S.A. INC.)
Entity Title: Not reported
Affiliation Address: Not reported
Affiliation City: Not reported
Affiliation State: Not reported
Affiliation Country: Not reported
Affiliation Zip: Not reported
Affiliation Phone: Not reported

Affiliation Type Desc: Primary Emergency Contact
Entity Name: MANAGER
Entity Title: STATION MANAGER
Affiliation Address: Not reported
Affiliation City: Not reported
Affiliation State: Not reported
Affiliation Country: Not reported
Affiliation Zip: Not reported
Affiliation Phone: (510) 231-0623

Map ID
Direction
Distance
Elevation

MAP FINDINGS

Site

Database(s)

EDR ID Number
EPA ID Number

CHEVRON STATION #95700 (Continued)

S121737779

Affiliation Type Desc: Property Owner
Entity Name: CUPERTINO DE ORO CLUB
Entity Title: Not reported
Affiliation Address: BOX 361
Affiliation City: CUPERTINO
Affiliation State: CA
Affiliation Country: United States
Affiliation Zip: 95015
Affiliation Phone: (408) 266-8942

Affiliation Type Desc: Secondary Emergency Contact
Entity Name: CHEVRON EMERGENCY INFORMATION CENTER
Entity Title: STAFF
Affiliation Address: Not reported
Affiliation City: Not reported
Affiliation State: Not reported
Affiliation Country: Not reported
Affiliation Zip: Not reported
Affiliation Phone: (800) 231-0623

Affiliation Type Desc: UST Permit Applicant
Entity Name: CHARLES BITTLE - 5/11/2016
Entity Title: RETAIL HES
Affiliation Address: Not reported
Affiliation City: Not reported
Affiliation State: Not reported
Affiliation Country: Not reported
Affiliation Zip: Not reported
Affiliation Phone: (925) 842-9002

Affiliation Type Desc: UST Property Owner Name
Entity Name: CUPERTINO DE ORO CLUB
Entity Title: Not reported
Affiliation Address: BOX 361
Affiliation City: CUPERTINO
Affiliation State: CA
Affiliation Country: United States
Affiliation Zip: 95015
Affiliation Phone: (408) 266-8942

Affiliation Type Desc: UST Tank Operator
Entity Name: CHEVRON PRODUCTS COMPANY (A DIVISION OF CHEVRON U.S.A. INC.)
Entity Title: Not reported
Affiliation Address: P.O. BOX 6004, ATTN: PERMIT DESK
Affiliation City: SAN RAMON
Affiliation State: CA
Affiliation Country: United States
Affiliation Zip: 94583
Affiliation Phone: (925) 842-9002

Affiliation Type Desc: UST Tank Owner
Entity Name: CHEVRON PRODUCTS COMPANY (A DIVISION OF CHEVRON U.S.A. INC.)
Entity Title: Not reported
Affiliation Address: P.O. BOX 6004, ATTN: PERMIT DESK
Affiliation City: SAN RAMON
Affiliation State: CA
Affiliation Country: United States

Map ID
Direction
Distance
Elevation

MAP FINDINGS

Site

Database(s)

EDR ID Number
EPA ID Number

CHEVRON STATION #95700 (Continued)

S121737779

Affiliation Zip: 94583
Affiliation Phone: (925) 842-9002

CERS HAZ WASTE:

Site ID: 104964
CERS ID: 10344487
CERS Description: Hazardous Waste Generator

Evaluation:

Eval General Type: Compliance Evaluation Inspection
Eval Date: 03-13-2015
Violations Found: No
Eval Type: Routine done by local agency
Eval Notes: Occupancy ID: 2096
Eval Division: Santa Clara County Fire Department
Eval Program: HMRRP
Eval Source: CERS

Eval General Type: Compliance Evaluation Inspection
Eval Date: 03-13-2015
Violations Found: No
Eval Type: Routine done by local agency
Eval Notes: Occupancy ID: 2096
Eval Division: Santa Clara County Fire Department
Eval Program: UST
Eval Source: CERS

Eval General Type: Compliance Evaluation Inspection
Eval Date: 03-17-2014
Violations Found: No
Eval Type: Routine done by local agency
Eval Notes: Occupancy ID: 2096
Eval Division: Santa Clara County Fire Department
Eval Program: HMRRP
Eval Source: CERS

Eval General Type: Compliance Evaluation Inspection
Eval Date: 03-17-2014
Violations Found: No
Eval Type: Routine done by local agency
Eval Notes: Occupancy ID: 2096
Eval Division: Santa Clara County Fire Department
Eval Program: UST
Eval Source: CERS

Eval General Type: Compliance Evaluation Inspection
Eval Date: 04-04-2016
Violations Found: No
Eval Type: Routine done by local agency
Eval Notes: Occupancy ID: 2096
Eval Division: Santa Clara County Fire Department
Eval Program: UST
Eval Source: CERS

Eval General Type: Compliance Evaluation Inspection
Eval Date: 04-04-2016

Map ID
Direction
Distance
Elevation

MAP FINDINGS

Site

Database(s)

EDR ID Number
EPA ID Number

CHEVRON STATION #95700 (Continued)

S121737779

Violations Found: No
Eval Type: Routine done by local agency
Eval Notes: Ocupancy ID: 2096
Eval Division: Santa Clara County Fire Department
Eval Program: HMRRP
Eval Source: CERS

Eval General Type: Compliance Evaluation Inspection
Eval Date: 04-04-2017
Violations Found: No
Eval Type: Routine done by local agency
Eval Notes: Occupancy ID: 2096
Eval Division: Santa Clara County Fire Department
Eval Program: HMRRP
Eval Source: CERS

Eval General Type: Compliance Evaluation Inspection
Eval Date: 04-04-2017
Violations Found: No
Eval Type: Routine done by local agency
Eval Notes: Occupancy ID: 2096
Eval Division: Santa Clara County Fire Department
Eval Program: UST
Eval Source: CERS

Affiliation:

Affiliation Type Desc: CUPA District
Entity Name: Santa Clara County Environmental Health
Entity Title: Not reported
Affiliation Address: 1555 Berger Drive, Suite 300
Affiliation City: San Jose
Affiliation State: CA
Affiliation Country: Not reported
Affiliation Zip: 95112-2716
Affiliation Phone: (408) 918-3400

Affiliation Type Desc: Document Preparer
Entity Name: TED LAMPH
Entity Title: Not reported
Affiliation Address: Not reported
Affiliation City: Not reported
Affiliation State: Not reported
Affiliation Country: Not reported
Affiliation Zip: Not reported
Affiliation Phone: Not reported

Affiliation Type Desc: Environmental Contact
Entity Name: CHEVRON PRODUCTS COMPANY (A DIVISION OF CHEVRON U.S.A.)
Entity Title: Not reported
Affiliation Address: PO BOX 6004, ATTN: PERMIT DESK
Affiliation City: SAN RAMON
Affiliation State: CA
Affiliation Country: Not reported
Affiliation Zip: 94583
Affiliation Phone: (925) 842-9002

Affiliation Type Desc: Facility Mailing Address

Map ID
Direction
Distance
Elevation

MAP FINDINGS

Site

Database(s)

EDR ID Number
EPA ID Number

CHEVRON STATION #95700 (Continued)

S121737779

Entity Name: Mailing Address
Entity Title: Not reported
Affiliation Address: PO BOX 6004, ATTN: PERMIT DESK
Affiliation City: SAN RAMON
Affiliation State: CA
Affiliation Country: Not reported
Affiliation Zip: 94583
Affiliation Phone: Not reported

Affiliation Type Desc: Identification Signer
Entity Name: Ted Lamph
Entity Title: Retail OE/HES Specialist
Affiliation Address: Not reported
Affiliation City: Not reported
Affiliation State: Not reported
Affiliation Country: Not reported
Affiliation Zip: Not reported
Affiliation Phone: Not reported

Affiliation Type Desc: Legal Owner
Entity Name: CHEVRON PRODUCTS COMPANY (A DIVISION OF CHEVRON U.S.A.)
Entity Title: Not reported
Affiliation Address: PO BOX 6004, ATTN: PERMIT DESK
Affiliation City: SAN RAMON
Affiliation State: CA
Affiliation Country: United States
Affiliation Zip: 94583
Affiliation Phone: (925) 842-9002

Affiliation Type Desc: Operator
Entity Name: CHEVRON PRODUCTS COMPANY (A DIVISION OF CHEVRON U.S.A.)
Entity Title: Not reported
Affiliation Address: Not reported
Affiliation City: Not reported
Affiliation State: Not reported
Affiliation Country: Not reported
Affiliation Zip: Not reported
Affiliation Phone: (408) 773-9135

Affiliation Type Desc: Parent Corporation
Entity Name: CHEVRON PRODUCTS COMPANY (A DIVISION OF CHEVRON U.S.A. INC.)
Entity Title: Not reported
Affiliation Address: Not reported
Affiliation City: Not reported
Affiliation State: Not reported
Affiliation Country: Not reported
Affiliation Zip: Not reported
Affiliation Phone: Not reported

Affiliation Type Desc: Primary Emergency Contact
Entity Name: MANAGER
Entity Title: STATION MANAGER
Affiliation Address: Not reported
Affiliation City: Not reported
Affiliation State: Not reported
Affiliation Country: Not reported
Affiliation Zip: Not reported

Map ID
Direction
Distance
Elevation

MAP FINDINGS

Site

Database(s)

EDR ID Number
EPA ID Number

CHEVRON STATION #95700 (Continued)

S121737779

Affiliation Phone: (510) 231-0623

Affiliation Type Desc: Property Owner
Entity Name: CUPERTINO DE ORO CLUB
Entity Title: Not reported
Affiliation Address: BOX 361
Affiliation City: CUPERTINO
Affiliation State: CA
Affiliation Country: United States
Affiliation Zip: 95015
Affiliation Phone: (408) 266-8942

Affiliation Type Desc: Secondary Emergency Contact
Entity Name: CHEVRON EMERGENCY INFORMATION CENTER
Entity Title: STAFF
Affiliation Address: Not reported
Affiliation City: Not reported
Affiliation State: Not reported
Affiliation Country: Not reported
Affiliation Zip: Not reported
Affiliation Phone: (800) 231-0623

Affiliation Type Desc: UST Permit Applicant
Entity Name: CHARLES BITTLE - 5/11/2016
Entity Title: RETAIL HES
Affiliation Address: Not reported
Affiliation City: Not reported
Affiliation State: Not reported
Affiliation Country: Not reported
Affiliation Zip: Not reported
Affiliation Phone: (925) 842-9002

Affiliation Type Desc: UST Property Owner Name
Entity Name: CUPERTINO DE ORO CLUB
Entity Title: Not reported
Affiliation Address: BOX 361
Affiliation City: CUPERTINO
Affiliation State: CA
Affiliation Country: United States
Affiliation Zip: 95015
Affiliation Phone: (408) 266-8942

Affiliation Type Desc: UST Tank Operator
Entity Name: CHEVRON PRODUCTS COMPANY (A DIVISION OF CHEVRON U.S.A. INC.)
Entity Title: Not reported
Affiliation Address: P.O. BOX 6004, ATTN: PERMIT DESK
Affiliation City: SAN RAMON
Affiliation State: CA
Affiliation Country: United States
Affiliation Zip: 94583
Affiliation Phone: (925) 842-9002

Affiliation Type Desc: UST Tank Owner
Entity Name: CHEVRON PRODUCTS COMPANY (A DIVISION OF CHEVRON U.S.A. INC.)
Entity Title: Not reported
Affiliation Address: P.O. BOX 6004, ATTN: PERMIT DESK
Affiliation City: SAN RAMON

Map ID
Direction
Distance
Elevation

MAP FINDINGS

Site

Database(s)

EDR ID Number
EPA ID Number

CHEVRON STATION #95700 (Continued)

S121737779

Affiliation State: CA
Affiliation Country: United States
Affiliation Zip: 94583
Affiliation Phone: (925) 842-9002

CERS TANKS:

Site ID: 104964
CERS ID: 10344487
CERS Description: Underground Storage Tank

Evaluation:

Eval General Type: Compliance Evaluation Inspection
Eval Date: 03-13-2015
Violations Found: No
Eval Type: Routine done by local agency
Eval Notes: Occupancy ID: 2096
Eval Division: Santa Clara County Fire Department
Eval Program: HMRRP
Eval Source: CERS

Eval General Type: Compliance Evaluation Inspection
Eval Date: 03-13-2015
Violations Found: No
Eval Type: Routine done by local agency
Eval Notes: Occupancy ID: 2096
Eval Division: Santa Clara County Fire Department
Eval Program: UST
Eval Source: CERS

Eval General Type: Compliance Evaluation Inspection
Eval Date: 03-17-2014
Violations Found: No
Eval Type: Routine done by local agency
Eval Notes: Occupancy ID: 2096
Eval Division: Santa Clara County Fire Department
Eval Program: HMRRP
Eval Source: CERS

Eval General Type: Compliance Evaluation Inspection
Eval Date: 03-17-2014
Violations Found: No
Eval Type: Routine done by local agency
Eval Notes: Occupancy ID: 2096
Eval Division: Santa Clara County Fire Department
Eval Program: UST
Eval Source: CERS

Eval General Type: Compliance Evaluation Inspection
Eval Date: 04-04-2016
Violations Found: No
Eval Type: Routine done by local agency
Eval Notes: Occupancy ID: 2096
Eval Division: Santa Clara County Fire Department
Eval Program: UST
Eval Source: CERS

Map ID
Direction
Distance
Elevation

MAP FINDINGS

Site

Database(s)

EDR ID Number
EPA ID Number

CHEVRON STATION #95700 (Continued)

S121737779

Eval General Type: Compliance Evaluation Inspection
Eval Date: 04-04-2016
Violations Found: No
Eval Type: Routine done by local agency
Eval Notes: Ocupancy ID: 2096
Eval Division: Santa Clara County Fire Department
Eval Program: HMRRP
Eval Source: CERS

Eval General Type: Compliance Evaluation Inspection
Eval Date: 04-04-2017
Violations Found: No
Eval Type: Routine done by local agency
Eval Notes: Ocupancy ID: 2096
Eval Division: Santa Clara County Fire Department
Eval Program: HMRRP
Eval Source: CERS

Eval General Type: Compliance Evaluation Inspection
Eval Date: 04-04-2017
Violations Found: No
Eval Type: Routine done by local agency
Eval Notes: Ocupancy ID: 2096
Eval Division: Santa Clara County Fire Department
Eval Program: UST
Eval Source: CERS

Affiliation:

Affiliation Type Desc: CUPA District
Entity Name: Santa Clara County Environmental Health
Entity Title: Not reported
Affiliation Address: 1555 Berger Drive, Suite 300
Affiliation City: San Jose
Affiliation State: CA
Affiliation Country: Not reported
Affiliation Zip: 95112-2716
Affiliation Phone: (408) 918-3400

Affiliation Type Desc: Document Preparer
Entity Name: TED LAMPH
Entity Title: Not reported
Affiliation Address: Not reported
Affiliation City: Not reported
Affiliation State: Not reported
Affiliation Country: Not reported
Affiliation Zip: Not reported
Affiliation Phone: Not reported

Affiliation Type Desc: Environmental Contact
Entity Name: CHEVRON PRODUCTS COMPANY (A DIVISION OF CHEVRON U.S.A.)
Entity Title: Not reported
Affiliation Address: PO BOX 6004, ATTN: PERMIT DESK
Affiliation City: SAN RAMON
Affiliation State: CA
Affiliation Country: Not reported
Affiliation Zip: 94583
Affiliation Phone: (925) 842-9002

Map ID
Direction
Distance
Elevation

MAP FINDINGS

Site

Database(s)

EDR ID Number
EPA ID Number

CHEVRON STATION #95700 (Continued)

S121737779

Affiliation Type Desc: Facility Mailing Address
Entity Name: Mailing Address
Entity Title: Not reported
Affiliation Address: PO BOX 6004, ATTN: PERMIT DESK
Affiliation City: SAN RAMON
Affiliation State: CA
Affiliation Country: Not reported
Affiliation Zip: 94583
Affiliation Phone: Not reported

Affiliation Type Desc: Identification Signer
Entity Name: Ted Lamph
Entity Title: Retail OE/HES Specialist
Affiliation Address: Not reported
Affiliation City: Not reported
Affiliation State: Not reported
Affiliation Country: Not reported
Affiliation Zip: Not reported
Affiliation Phone: Not reported

Affiliation Type Desc: Legal Owner
Entity Name: CHEVRON PRODUCTS COMPANY (A DIVISION OF CHEVRON U.S.A.)
Entity Title: Not reported
Affiliation Address: PO BOX 6004, ATTN: PERMIT DESK
Affiliation City: SAN RAMON
Affiliation State: CA
Affiliation Country: United States
Affiliation Zip: 94583
Affiliation Phone: (925) 842-9002

Affiliation Type Desc: Operator
Entity Name: CHEVRON PRODUCTS COMPANY (A DIVISION OF CHEVRON U.S.A.)
Entity Title: Not reported
Affiliation Address: Not reported
Affiliation City: Not reported
Affiliation State: Not reported
Affiliation Country: Not reported
Affiliation Zip: Not reported
Affiliation Phone: (408) 773-9135

Affiliation Type Desc: Parent Corporation
Entity Name: CHEVRON PRODUCTS COMPANY (A DIVISION OF CHEVRON U.S.A. INC.)
Entity Title: Not reported
Affiliation Address: Not reported
Affiliation City: Not reported
Affiliation State: Not reported
Affiliation Country: Not reported
Affiliation Zip: Not reported
Affiliation Phone: Not reported

Affiliation Type Desc: Primary Emergency Contact
Entity Name: MANAGER
Entity Title: STATION MANAGER
Affiliation Address: Not reported
Affiliation City: Not reported
Affiliation State: Not reported
Affiliation Country: Not reported

Map ID
Direction
Distance
Elevation

MAP FINDINGS

Site

Database(s)

EDR ID Number
EPA ID Number

CHEVRON STATION #95700 (Continued)

S121737779

Affiliation Zip: Not reported
Affiliation Phone: (510) 231-0623

Affiliation Type Desc: Property Owner
Entity Name: CUPERTINO DE ORO CLUB
Entity Title: Not reported
Affiliation Address: BOX 361
Affiliation City: CUPERTINO
Affiliation State: CA
Affiliation Country: United States
Affiliation Zip: 95015
Affiliation Phone: (408) 266-8942

Affiliation Type Desc: Secondary Emergency Contact
Entity Name: CHEVRON EMERGENCY INFORMATION CENTER
Entity Title: STAFF
Affiliation Address: Not reported
Affiliation City: Not reported
Affiliation State: Not reported
Affiliation Country: Not reported
Affiliation Zip: Not reported
Affiliation Phone: (800) 231-0623

Affiliation Type Desc: UST Permit Applicant
Entity Name: CHARLES BITTLE - 5/11/2016
Entity Title: RETAIL HES
Affiliation Address: Not reported
Affiliation City: Not reported
Affiliation State: Not reported
Affiliation Country: Not reported
Affiliation Zip: Not reported
Affiliation Phone: (925) 842-9002

Affiliation Type Desc: UST Property Owner Name
Entity Name: CUPERTINO DE ORO CLUB
Entity Title: Not reported
Affiliation Address: BOX 361
Affiliation City: CUPERTINO
Affiliation State: CA
Affiliation Country: United States
Affiliation Zip: 95015
Affiliation Phone: (408) 266-8942

Affiliation Type Desc: UST Tank Operator
Entity Name: CHEVRON PRODUCTS COMPANY (A DIVISION OF CHEVRON U.S.A. INC.)
Entity Title: Not reported
Affiliation Address: P.O. BOX 6004, ATTN: PERMIT DESK
Affiliation City: SAN RAMON
Affiliation State: CA
Affiliation Country: United States
Affiliation Zip: 94583
Affiliation Phone: (925) 842-9002

Affiliation Type Desc: UST Tank Owner
Entity Name: CHEVRON PRODUCTS COMPANY (A DIVISION OF CHEVRON U.S.A. INC.)
Entity Title: Not reported
Affiliation Address: P.O. BOX 6004, ATTN: PERMIT DESK

Map ID
Direction
Distance
Elevation

MAP FINDINGS

Site

Database(s)

EDR ID Number
EPA ID Number

CHEVRON STATION #95700 (Continued)

S121737779

Affiliation City: SAN RAMON
Affiliation State: CA
Affiliation Country: United States
Affiliation Zip: 94583
Affiliation Phone: (925) 842-9002

29
NNW
< 1/8
0.122 mi.
643 ft.

95954
10023 SNYVLE SRTGA RD
CUPERTINO, CA 95014

HIST UST U001600975
N/A

Relative:
Lower
Actual:
207 ft.

HIST UST:
File Number: 0002D066
URL: <http://geotracker.waterboards.ca.gov/ustpdfs/pdf/0002D066.pdf>
Region: STATE
Facility ID: 00000062833
Facility Type: Gas Station
Other Type: Not reported
Contact Name: PHILLIPS,JAMES L
Telephone: 4082571151
Owner Name: CHEVRON U.S.A. INC.
Owner Address: 575 MARKET
Owner City,St,Zip: SAN FRANCISCO, CA 94105
Total Tanks: 0004

Tank Num: 001
Container Num: 1
Year Installed: 1970
Tank Capacity: 00010000
Tank Used for: PRODUCT
Type of Fuel: Not reported
Container Construction Thickness: 0000250
Leak Detection: Stock Inventor

Tank Num: 002
Container Num: 2
Year Installed: 1970
Tank Capacity: 00005000
Tank Used for: PRODUCT
Type of Fuel: Not reported
Container Construction Thickness: 0000250
Leak Detection: Stock Inventor

Tank Num: 003
Container Num: 3
Year Installed: 1970
Tank Capacity: 00010000
Tank Used for: PRODUCT
Type of Fuel: Not reported
Container Construction Thickness: 0000250
Leak Detection: Stock Inventor

Tank Num: 004
Container Num: 4
Year Installed: 1970
Tank Capacity: 00001000

Map ID
Direction
Distance
Elevation

MAP FINDINGS

Site

Database(s)

EDR ID Number
EPA ID Number

95954 (Continued)

U001600975

Tank Used for: WASTE
Type of Fuel: Not reported
Container Construction Thickness: 0000130
Leak Detection: Stock Inventor

[Click here for Geo Tracker PDF:](#)

F30
WNW
1/8-1/4
0.129 mi.
680 ft.

MICHAELS STORE #6818
20640 HOMESTEAD RD
CUPERTINO, CA 95041

CUPA Listings S103640868
N/A

Site 1 of 5 in cluster F

Relative:
Higher
Actual:
216 ft.

CUPA SANTA CLARA:
Region: SANTA CLARA
PE#: 2202
Program Description: GENERATES < 100 KG/YR
Latitude: 37.33753
Longitude: -122.03512
Record ID: PR0402439
Facility ID: FA0270328

F31
WNW
1/8-1/4
0.129 mi.
680 ft.

MICHAEL'S STORE # 6818
20640 HOMESTEAD RD
CUPERTINO, CA 95041

CERS HAZ WASTE S121743345
CERS N/A

Site 2 of 5 in cluster F

Relative:
Higher
Actual:
216 ft.

CERS HAZ WASTE:
Site ID: 134915
CERS ID: 10349038
CERS Description: Hazardous Waste Generator

Violations:

Site ID: 134915
Site Name: Michael's Store # 6818
Violation Date: 08-23-2017
Citation: 22 CCR 12 66262.40(a) - California Code of Regulations, Title 22, Chapter 12, Section(s) 66262.40(a)
Violation Description: Failure to keep a copy of each properly signed manifest for at least three years from the date the waste was accepted by the initial transporter. The manifest signed at the time the waste was accepted for transport shall be kept until receiving a signed copy from the designated facility which received the waste.
Violation Notes: Returned to compliance on 09/14/2017. Facility is missing TSDf copies of the following manifests: -008491379FLE -008663488FLE -008666754FLE
Violation Division: Santa Clara County Environmental Health
Violation Program: HW
Violation Source: CERS

Evaluation:

Eval General Type: Compliance Evaluation Inspection
Eval Date: 08-23-2017
Violations Found: Yes
Eval Type: Routine done by local agency
Eval Notes: On site to conduct a routine hazardous waste inspection Observed the

Map ID
Direction
Distance
Elevation

MAP FINDINGS

Site

Database(s)

EDR ID Number
EPA ID Number

MICHAEL'S STORE # 6818 (Continued)

S121743345

following wastes on site: 1 x 10 gallon container of flammables 1 x 10 gallon container of toxics 1 x 10 gallon container of corrosive acids 1 x 10 gallon container of corrosive bases waste 1 x 10 gallon container of oxidizers 1 x 10 gallon container of universal waste Fire extinguishers have had annual maintenance Emergency information is posted on site Spill control is available on site Container areas are inspected weekly Employees are thoroughly familiar with hazardous waste management EPA ID# CAL000371242 is active The following violations were corrected on site: 1 x 10 gallon container of flammable wastes was missing the physical state markings. Markings were added during inspection 1 x 10 gallon container of toxic wastes was missing the physical state markings. Markings were added during inspection

Eval Division: Santa Clara County Environmental Health
Eval Program: HW
Eval Source: CERS

Affiliation:

Affiliation Type Desc: CUPA District
Entity Name: Santa Clara County Environmental Health
Entity Title: Not reported
Affiliation Address: 1555 Berger Drive, Suite 300
Affiliation City: San Jose
Affiliation State: CA
Affiliation Country: Not reported
Affiliation Zip: 95112-2716
Affiliation Phone: (408) 918-3400

Affiliation Type Desc: Document Preparer
Entity Name: Chris Ortega
Entity Title: Not reported
Affiliation Address: Not reported
Affiliation City: Not reported
Affiliation State: Not reported
Affiliation Country: Not reported
Affiliation Zip: Not reported
Affiliation Phone: Not reported

Affiliation Type Desc: Environmental Contact
Entity Name: Ryan Draper
Entity Title: Not reported
Affiliation Address: 8000 Bent Branch Drive
Affiliation City: Irving
Affiliation State: TX
Affiliation Country: Not reported
Affiliation Zip: 75063
Affiliation Phone: (972) 409-5786

Affiliation Type Desc: Facility Mailing Address
Entity Name: Mailing Address
Entity Title: Not reported
Affiliation Address: 8000 BENT BRANCH DR
Affiliation City: IRVING
Affiliation State: TX
Affiliation Country: Not reported
Affiliation Zip: 75063
Affiliation Phone: Not reported

Map ID
Direction
Distance
Elevation

MAP FINDINGS

Site

Database(s)

EDR ID Number
EPA ID Number

MICHAEL'S STORE # 6818 (Continued)

S121743345

Affiliation Type Desc: Identification Signer
Entity Name: Ryan Draper
Entity Title: Safety Manager
Affiliation Address: Not reported
Affiliation City: Not reported
Affiliation State: Not reported
Affiliation Country: Not reported
Affiliation Zip: Not reported
Affiliation Phone: Not reported

Affiliation Type Desc: Legal Owner
Entity Name: Michaels Stores, Inc.
Entity Title: Not reported
Affiliation Address: 8000 BENT BRANCH DR
Affiliation City: IRVING
Affiliation State: TX
Affiliation Country: United States
Affiliation Zip: 75063
Affiliation Phone: (972) 409-5786

Affiliation Type Desc: Operator
Entity Name: Michaels Stores, Inc.
Entity Title: Not reported
Affiliation Address: Not reported
Affiliation City: Not reported
Affiliation State: Not reported
Affiliation Country: Not reported
Affiliation Zip: Not reported
Affiliation Phone: (972) 409-5786

Affiliation Type Desc: Parent Corporation
Entity Name: Michaels Stores, Inc.
Entity Title: Not reported
Affiliation Address: Not reported
Affiliation City: Not reported
Affiliation State: Not reported
Affiliation Country: Not reported
Affiliation Zip: Not reported
Affiliation Phone: Not reported

Affiliation Type Desc: Primary Emergency Contact
Entity Name: Julie Sanders
Entity Title: Store Manager
Affiliation Address: Not reported
Affiliation City: Not reported
Affiliation State: Not reported
Affiliation Country: Not reported
Affiliation Zip: Not reported
Affiliation Phone: (972) 409-1306

Affiliation Type Desc: Secondary Emergency Contact
Entity Name: JOSEPH KOCHER
Entity Title: DISTRICT Manager
Affiliation Address: Not reported
Affiliation City: Not reported
Affiliation State: Not reported
Affiliation Country: Not reported

Map ID
Direction
Distance
Elevation

MAP FINDINGS

Site

Database(s)

EDR ID Number
EPA ID Number

MICHAEL'S STORE # 6818 (Continued)

S121743345

Affiliation Zip: Not reported
Affiliation Phone: (972) 409-1306

**F32
WNW
1/8-1/4
0.160 mi.
847 ft.**

**ROSS STORE #1733
20650 HOMESTEAD RD
CUPERTINO, CA 95014
Site 3 of 5 in cluster F**

**CERS HAZ WASTE
CERS**

**S121759492
N/A**

**Relative:
Higher**

CERS HAZ WASTE:
Site ID: 277473
CERS ID: 10632046
CERS Description: Hazardous Waste Generator

**Actual:
217 ft.**

Coordinates:
Site ID: 277473
Facility Name: Ross Store #1733
Env Int Type Code: HWG
Program ID: 10632046
Coord Name: Not reported
Ref Point Type Desc: Center of a facility or station.
Latitude: 37.336590
Longitude: -122.034850

Affiliation:

Affiliation Type Desc: CUPA District
Entity Name: Santa Clara County Environmental Health
Entity Title: Not reported
Affiliation Address: 1555 Berger Drive, Suite 300
Affiliation City: San Jose
Affiliation State: CA
Affiliation Country: Not reported
Affiliation Zip: 95112-2716
Affiliation Phone: (408) 918-3400

Affiliation Type Desc: Document Preparer
Entity Name: ASHLEY CAMPBELL
Entity Title: Not reported
Affiliation Address: Not reported
Affiliation City: Not reported
Affiliation State: Not reported
Affiliation Country: Not reported
Affiliation Zip: Not reported
Affiliation Phone: Not reported

Affiliation Type Desc: Environmental Contact
Entity Name: ASHLEY CAMPBELL
Entity Title: Not reported
Affiliation Address: 5151 San Felipe St, Ste 1000
Affiliation City: Houston
Affiliation State: TX
Affiliation Country: Not reported
Affiliation Zip: 77056
Affiliation Phone: (713) 985-5472

Affiliation Type Desc: Facility Mailing Address
Entity Name: Mailing Address

Map ID
Direction
Distance
Elevation

MAP FINDINGS

Site

Database(s)

EDR ID Number
EPA ID Number

ROSS STORE #1733 (Continued)

S121759492

Entity Title: Not reported
Affiliation Address: 5130 Hacienda Dr
Affiliation City: Dublin
Affiliation State: CA
Affiliation Country: Not reported
Affiliation Zip: 94568-7579
Affiliation Phone: Not reported

Affiliation Type Desc: Identification Signer
Entity Name: Ashley Campbell
Entity Title: ENVIRONMENTAL COMPLIANCE SPECIALIST
Affiliation Address: Not reported
Affiliation City: Not reported
Affiliation State: Not reported
Affiliation Country: Not reported
Affiliation Zip: Not reported
Affiliation Phone: Not reported

Affiliation Type Desc: Legal Owner
Entity Name: Ross Dress For Less, Inc.
Entity Title: Not reported
Affiliation Address: 5130 Hacienda Dr
Affiliation City: Dublin
Affiliation State: CA
Affiliation Country: United States
Affiliation Zip: 94568-7579
Affiliation Phone: (925) 965-4831

Affiliation Type Desc: Operator
Entity Name: Ross Dress For Less, Inc.
Entity Title: Not reported
Affiliation Address: Not reported
Affiliation City: Not reported
Affiliation State: Not reported
Affiliation Country: Not reported
Affiliation Zip: Not reported
Affiliation Phone: (925) 965-4831

Affiliation Type Desc: Parent Corporation
Entity Name: Ross Stores, Inc.
Entity Title: Not reported
Affiliation Address: Not reported
Affiliation City: Not reported
Affiliation State: Not reported
Affiliation Country: Not reported
Affiliation Zip: Not reported
Affiliation Phone: Not reported

Affiliation Type Desc: Primary Emergency Contact
Entity Name: Store Manager
Entity Title: Manager
Affiliation Address: Not reported
Affiliation City: Not reported
Affiliation State: Not reported
Affiliation Country: Not reported
Affiliation Zip: Not reported
Affiliation Phone: (855) 257-7472

Map ID
Direction
Distance
Elevation

MAP FINDINGS

Site

Database(s)

EDR ID Number
EPA ID Number

ROSS STORE #1733 (Continued)

S121759492

Affiliation Type Desc: Secondary Emergency Contact
Entity Name: Shana Zacek
Entity Title: District Manager
Affiliation Address: Not reported
Affiliation City: Not reported
Affiliation State: Not reported
Affiliation Country: Not reported
Affiliation Zip: Not reported
Affiliation Phone: (855) 257-7472

CERS TANKS:

Site ID: 277473
CERS ID: 10632046
CERS Description: Chemical Storage Facilities

Coordinates:

Site ID: 277473
Facility Name: Ross Store #1733
Env Int Type Code: HWG
Program ID: 10632046
Coord Name: Not reported
Ref Point Type Desc: Center of a facility or station.
Latitude: 37.336590
Longitude: -122.034850

Affiliation:

Affiliation Type Desc: CUPA District
Entity Name: Santa Clara County Environmental Health
Entity Title: Not reported
Affiliation Address: 1555 Berger Drive, Suite 300
Affiliation City: San Jose
Affiliation State: CA
Affiliation Country: Not reported
Affiliation Zip: 95112-2716
Affiliation Phone: (408) 918-3400

Affiliation Type Desc: Document Preparer
Entity Name: ASHLEY CAMPBELL
Entity Title: Not reported
Affiliation Address: Not reported
Affiliation City: Not reported
Affiliation State: Not reported
Affiliation Country: Not reported
Affiliation Zip: Not reported
Affiliation Phone: Not reported

Affiliation Type Desc: Environmental Contact
Entity Name: ASHLEY CAMPBELL
Entity Title: Not reported
Affiliation Address: 5151 San Felipe St, Ste 1000
Affiliation City: Houston
Affiliation State: TX
Affiliation Country: Not reported
Affiliation Zip: 77056
Affiliation Phone: (713) 985-5472

Map ID
Direction
Distance
Elevation

MAP FINDINGS

Site

Database(s)
EDR ID Number
EPA ID Number

ROSS STORE #1733 (Continued)

S121759492

Affiliation Type Desc: Facility Mailing Address
Entity Name: Mailing Address
Entity Title: Not reported
Affiliation Address: 5130 Hacienda Dr
Affiliation City: Dublin
Affiliation State: CA
Affiliation Country: Not reported
Affiliation Zip: 94568-7579
Affiliation Phone: Not reported

Affiliation Type Desc: Identification Signer
Entity Name: Ashley Campbell
Entity Title: ENVIRONMENTAL COMPLIANCE SPECIALIST
Affiliation Address: Not reported
Affiliation City: Not reported
Affiliation State: Not reported
Affiliation Country: Not reported
Affiliation Zip: Not reported
Affiliation Phone: Not reported

Affiliation Type Desc: Legal Owner
Entity Name: Ross Dress For Less, Inc.
Entity Title: Not reported
Affiliation Address: 5130 Hacienda Dr
Affiliation City: Dublin
Affiliation State: CA
Affiliation Country: United States
Affiliation Zip: 94568-7579
Affiliation Phone: (925) 965-4831

Affiliation Type Desc: Operator
Entity Name: Ross Dress For Less, Inc.
Entity Title: Not reported
Affiliation Address: Not reported
Affiliation City: Not reported
Affiliation State: Not reported
Affiliation Country: Not reported
Affiliation Zip: Not reported
Affiliation Phone: (925) 965-4831

Affiliation Type Desc: Parent Corporation
Entity Name: Ross Stores, Inc.
Entity Title: Not reported
Affiliation Address: Not reported
Affiliation City: Not reported
Affiliation State: Not reported
Affiliation Country: Not reported
Affiliation Zip: Not reported
Affiliation Phone: Not reported

Affiliation Type Desc: Primary Emergency Contact
Entity Name: Store Manager
Entity Title: Manager
Affiliation Address: Not reported
Affiliation City: Not reported
Affiliation State: Not reported
Affiliation Country: Not reported

Map ID
Direction
Distance
Elevation

MAP FINDINGS

Site

Database(s)

EDR ID Number
EPA ID Number

ROSS STORE #1733 (Continued)

S121759492

Affiliation Zip: Not reported
Affiliation Phone: (855) 257-7472

Affiliation Type Desc: Secondary Emergency Contact
Entity Name: Shana Zacek
Entity Title: District Manager
Affiliation Address: Not reported
Affiliation City: Not reported
Affiliation State: Not reported
Affiliation Country: Not reported
Affiliation Zip: Not reported
Affiliation Phone: (855) 257-7472

**F33
WNW
1/8-1/4
0.160 mi.
847 ft.**

**THREE SEVEN 1 HR PHOTO
20670 HOMESTEAD RD
CUPERTINO, CA 95014**

**CUPA Listings S121468473
N/A**

Site 4 of 5 in cluster F

**Relative:
Higher
Actual:
217 ft.**

CUPA SANTA CLARA:
Region: SANTA CLARA
PE#: 2253
Program Description: OBSOLETE SELF-AUDIT GEN <5 TONS/YR
Latitude: 37.33741
Longitude: -122.03586
Record ID: PR0317388
Facility ID: FA0200894

**F34
WNW
1/8-1/4
0.160 mi.
847 ft.**

**ONE HOUR MOTOPHOTO
20670 HOMESTEAD RD
CUPERTINO, CA 95014**

**RCRA NonGen / NLR 1000819865
FINDS CAD983658782
ECHO
HAZNET**

Site 5 of 5 in cluster F

**Relative:
Higher
Actual:
217 ft.**

RCRA NonGen / NLR:
Date form received by agency: 02/23/1995
Facility name: ONE HOUR MOTOPHOTO
Facility address: 20670 HOMESTEAD RD
CUPERTINO, CA 95014

EPA ID: CAD983658782
Mailing address: SCENIC CIRCLE
CUPERTINO, CA 95014

Contact: DAN NITTA
Contact address: 10412 SCENIC CIRCLE
CUPERTINO, CA 95014

Contact country: US
Contact telephone: 408-255-2047
Contact email: Not reported
EPA Region: 09
Classification: Non-Generator
Description: Handler: Non-Generators do not presently generate hazardous waste

Owner/Operator Summary:
Owner/operator name: DAN NITTA
Owner/operator address: 10412 SCENIC CIR

Map ID
Direction
Distance
Elevation

MAP FINDINGS

Site

Database(s)

EDR ID Number
EPA ID Number

ONE HOUR MOTOPHOTO (Continued)

1000819865

CUPERTINO, CA 95014

Owner/operator country: Not reported
Owner/operator telephone: 408-255-2047
Owner/operator email: Not reported
Owner/operator fax: Not reported
Owner/operator extension: Not reported
Legal status: Private
Owner/Operator Type: Owner
Owner/Op start date: Not reported
Owner/Op end date: Not reported

Handler Activities Summary:

U.S. importer of hazardous waste: No
Mixed waste (haz. and radioactive): No
Recycler of hazardous waste: No
Transporter of hazardous waste: No
Treater, storer or disposer of HW: No
Underground injection activity: No
On-site burner exemption: No
Furnace exemption: No
Used oil fuel burner: No
Used oil processor: No
User oil refiner: No
Used oil fuel marketer to burner: No
Used oil Specification marketer: No
Used oil transfer facility: No
Used oil transporter: No

Violation Status: No violations found

FINDS:

Registry ID: 110002892184

Environmental Interest/Information System

RCRAInfo is a national information system that supports the Resource Conservation and Recovery Act (RCRA) program through the tracking of events and activities related to facilities that generate, transport, and treat, store, or dispose of hazardous waste. RCRAInfo allows RCRA program staff to track the notification, permit, compliance, and corrective action activities required under RCRA.

[Click this hyperlink](#) while viewing on your computer to access additional FINDS: detail in the EDR Site Report.

ECHO:

Envid: 1000819865
Registry ID: 110002892184
DFR URL: <http://echo.epa.gov/detailed-facility-report?fid=110002892184>

HAZNET:

envid: 1000819865
Year: 1994
GEPaid: CAD9836658782
Contact: DSAN NITTA

Map ID
 Direction
 Distance
 Elevation

MAP FINDINGS

Site

Database(s)

EDR ID Number
 EPA ID Number

ONE HOUR MOTOPHOTO (Continued)

1000819865

Telephone: 4082552047
 Mailing Name: Not reported
 Mailing Address: 20670 HOMESTEAD RD
 Mailing City,St,Zip: CUPERTINO, CA 950140000
 Gen County: Not reported
 TSD EPA ID: CAD003963592
 TSD County: Not reported
 Waste Category: Metal sludge (Alkaline solution (pH >= 12.5) with metals)
 Disposal Method: Recycler
 Tons: .2150
 Cat Decode: Not reported
 Method Decode: Not reported
 Facility County: Santa Clara

envid: 1000819865
 Year: 1993
 GEPAID: CAD983658782
 Contact: DSAN NITTA
 Telephone: 4082552047
 Mailing Name: Not reported
 Mailing Address: 20670 HOMESTEAD RD
 Mailing City,St,Zip: CUPERTINO, CA 950140000
 Gen County: Not reported
 TSD EPA ID: CAD003963592
 TSD County: Not reported
 Waste Category: Metal sludge (Alkaline solution (pH >= 12.5) with metals)
 Disposal Method: Not reported
 Tons: 1.49999999999
 Cat Decode: Not reported
 Method Decode: Not reported
 Facility County: Santa Clara

G35
 South
 1/8-1/4
 0.246 mi.
 1300 ft.

ARCO
10625 DE ANZA
CUPERTINO, CA 95014
 Site 1 of 8 in cluster G

HIST CORTESE **S101303578**
 N/A

Relative:
 Higher
 Actual:
 223 ft.

HIST CORTESE:
 Region: CORTESE
 Facility County Code: 43
 Reg By: LTNKA
 Reg Id: 43-0087

G36
 South
 1/8-1/4
 0.248 mi.
 1307 ft.

CUPERTINO SMOG & AUTO REPAIR
10625 N DE ANZA BL
CUPERTINO, CA 95014
 Site 2 of 8 in cluster G

LUST **U001602453**
SWEEPS UST **N/A**
HIST UST
CUPA Listings
CERS HAZ WASTE
CERS
CERS TANKS

Relative:
 Higher
 Actual:
 223 ft.

LUST:
 Lead Agency: SANTA CLARA COUNTY LOP
 Case Type: LUST Cleanup Site
 Geo Track: http://geotracker.waterboards.ca.gov/profile_report.asp?global_id=T0608500155

Map ID
Direction
Distance
Elevation

MAP FINDINGS

Site

Database(s)

EDR ID Number
EPA ID Number

CUPERTINO SMOG & AUTO REPAIR (Continued)

U001602453

Global Id: T0608500155
Latitude: 37.3153
Longitude: -122.0316
Status: Completed - Case Closed
Status Date: 06/27/2001
Case Worker: UST
RB Case Number: Not reported
Local Agency: SANTA CLARA COUNTY LOP
File Location: All Files are on GeoTracker or in the Local Agency Database
Local Case Number: Not reported
Potential Media Affect: Aquifer used for drinking water supply
Potential Contaminants of Concern: Gasoline
Site History: Not reported

LUST:

Global Id: T0608500155
Contact Type: Regional Board Caseworker
Contact Name: Regional Water Board
Organization Name: SAN FRANCISCO BAY RWQCB (REGION 2)
Address: 1515 CLAY ST SUITE 1400
City: OAKLAND
Email: Not reported
Phone Number: Not reported

Global Id: T0608500155
Contact Type: Local Agency Caseworker
Contact Name: UST CASE WORKER
Organization Name: SANTA CLARA COUNTY LOP
Address: 1555 Berger Drive, Suite 300
City: SAN JOSE
Email: Not reported
Phone Number: 4089183400

LUST:

Global Id: T0608500155
Action Type: ENFORCEMENT
Date: 06/27/2001
Action: Closure/No Further Action Letter

Global Id: T0608500155
Action Type: RESPONSE
Date: 09/09/1986
Action: Other Report / Document

Global Id: T0608500155
Action Type: RESPONSE
Date: 01/08/1996
Action: Verbal Communication

Global Id: T0608500155
Action Type: RESPONSE
Date: 04/11/2001
Action: Correspondence

Global Id: T0608500155
Action Type: REMEDIATION
Date: 08/18/1986

Map ID
Direction
Distance
Elevation

MAP FINDINGS

Site

Database(s)

EDR ID Number
EPA ID Number

CUPERTINO SMOG & AUTO REPAIR (Continued)

U001602453

Action: Excavation

Global Id: T0608500155
Action Type: RESPONSE
Date: 10/31/1999
Action: Monitoring Report - Quarterly

Global Id: T0608500155
Action Type: RESPONSE
Date: 12/15/2005
Action: Well Destruction Report

Global Id: T0608500155
Action Type: RESPONSE
Date: 11/20/1998
Action: Tank Removal Report / UST Sampling Report

Global Id: T0608500155
Action Type: RESPONSE
Date: 01/22/1991
Action: Correspondence

Global Id: T0608500155
Action Type: RESPONSE
Date: 06/09/1986
Action: Preliminary Site Assessment Report

Global Id: T0608500155
Action Type: RESPONSE
Date: 10/16/2003
Action: Other Report / Document

Global Id: T0608500155
Action Type: RESPONSE
Date: 06/09/1986
Action: Other Report / Document

Global Id: T0608500155
Action Type: RESPONSE
Date: 08/24/1995
Action: Monitoring Report - Quarterly

Global Id: T0608500155
Action Type: RESPONSE
Date: 08/21/1996
Action: Soil and Water Investigation Report

Global Id: T0608500155
Action Type: ENFORCEMENT
Date: 09/16/1999
Action: Staff Letter - #21286

Global Id: T0608500155
Action Type: ENFORCEMENT
Date: 12/17/2000
Action: Staff Letter - #21293

Map ID
Direction
Distance
Elevation

MAP FINDINGS

Site

Database(s)

EDR ID Number
EPA ID Number

CUPERTINO SMOG & AUTO REPAIR (Continued)

U001602453

Global Id: T0608500155
Action Type: ENFORCEMENT
Date: 10/16/1995
Action: Staff Letter - #21275

Global Id: T0608500155
Action Type: ENFORCEMENT
Date: 11/13/1990
Action: Notice of Responsibility - #39494

Global Id: T0608500155
Action Type: ENFORCEMENT
Date: 11/15/1995
Action: Staff Letter - #21273

Global Id: T0608500155
Action Type: RESPONSE
Date: 02/28/1996
Action: Soil and Water Investigation Report

Global Id: T0608500155
Action Type: RESPONSE
Date: 01/31/2001
Action: Monitoring Report - Quarterly

Global Id: T0608500155
Action Type: RESPONSE
Date: 11/30/1995
Action: Monitoring Report - Quarterly

Global Id: T0608500155
Action Type: RESPONSE
Date: 02/14/1991
Action: Other Workplan

Global Id: T0608500155
Action Type: RESPONSE
Date: 01/07/1999
Action: Unauthorized Release Form

Global Id: T0608500155
Action Type: RESPONSE
Date: 01/10/1994
Action: Other Report / Document

Global Id: T0608500155
Action Type: RESPONSE
Date: 11/12/2001
Action: Other Report / Document

Global Id: T0608500155
Action Type: Other
Date: 05/08/1986
Action: Leak Reported

Global Id: T0608500155
Action Type: REMEDIATION

Map ID
Direction
Distance
Elevation

MAP FINDINGS

Site

Database(s)

EDR ID Number
EPA ID Number

CUPERTINO SMOG & AUTO REPAIR (Continued)

U001602453

Date: 08/18/1986
Action: Soil Vapor Extraction (SVE)

LUST:

Global Id: T0608500155
Status: Open - Case Begin Date
Status Date: 05/08/1986

Global Id: T0608500155
Status: Open - Site Assessment
Status Date: 03/12/1991

Global Id: T0608500155
Status: Completed - Case Closed
Status Date: 06/27/2001

LUST SANTA CLARA:

Region: SANTA CLARA
SCVWD ID: 07S2W12P01F
Date Closed: 06/27/2001
EDR Link ID: 07S2W12P01F

SWEEPS UST:

Status: Not reported
Comp Number: 27088
Number: Not reported
Board Of Equalization: 44-000506
Referral Date: Not reported
Action Date: Not reported
Created Date: Not reported
Owner Tank Id: Not reported
SWRCB Tank Id: 43-012-027088-000001
Tank Status: Not reported
Capacity: 4000
Active Date: Not reported
Tank Use: M.V. FUEL
STG: PRODUCT
Content: REG UNLEADED
Number Of Tanks: 5

Status: Not reported
Comp Number: 27088
Number: Not reported
Board Of Equalization: 44-000506
Referral Date: Not reported
Action Date: Not reported
Created Date: Not reported
Owner Tank Id: Not reported
SWRCB Tank Id: 43-012-027088-000002
Tank Status: Not reported
Capacity: 4000
Active Date: Not reported
Tank Use: M.V. FUEL
STG: PRODUCT
Content: REG UNLEADED

Map ID
Direction
Distance
Elevation

MAP FINDINGS

Site

Database(s)

EDR ID Number
EPA ID Number

CUPERTINO SMOG & AUTO REPAIR (Continued)

U001602453

Number Of Tanks: Not reported

Status: Not reported
Comp Number: 27088
Number: Not reported
Board Of Equalization: 44-000506
Referral Date: Not reported
Action Date: Not reported
Created Date: Not reported
Owner Tank Id: Not reported
SWRCB Tank Id: 43-012-027088-000003
Tank Status: Not reported
Capacity: 6000
Active Date: Not reported
Tank Use: M.V. FUEL
STG: PRODUCT
Content: REG UNLEADED
Number Of Tanks: Not reported

Status: Not reported
Comp Number: 27088
Number: Not reported
Board Of Equalization: 44-000506
Referral Date: Not reported
Action Date: Not reported
Created Date: Not reported
Owner Tank Id: Not reported
SWRCB Tank Id: 43-012-027088-000005
Tank Status: Not reported
Capacity: 250
Active Date: Not reported
Tank Use: OIL
STG: WASTE
Content: WASTE OIL
Number Of Tanks: Not reported

Status: Not reported
Comp Number: 27088
Number: Not reported
Board Of Equalization: 44-000506
Referral Date: Not reported
Action Date: Not reported
Created Date: Not reported
Owner Tank Id: Not reported
SWRCB Tank Id: 43-012-027088-000011
Tank Status: Not reported
Capacity: 225
Active Date: Not reported
Tank Use: OIL
STG: WASTE
Content: WASTE OIL
Number Of Tanks: Not reported

Status: Active
Comp Number: 27088
Number: 1
Board Of Equalization: 44-000506

Map ID
Direction
Distance
Elevation

MAP FINDINGS

Site

Database(s)

EDR ID Number
EPA ID Number

CUPERTINO SMOG & AUTO REPAIR (Continued)

U001602453

Referral Date: 02-01-92
Action Date: 05-25-94
Created Date: 02-29-88
Owner Tank Id: 1-UNL-R
SWRCB Tank Id: 43-012-027088-000006
Tank Status: A
Capacity: 12000
Active Date: 07-21-92
Tank Use: M.V. FUEL
STG: P
Content: REG UNLEADED
Number Of Tanks: 5

Status: Active
Comp Number: 27088
Number: 1
Board Of Equalization: 44-000506
Referral Date: 02-01-92
Action Date: 05-25-94
Created Date: 02-29-88
Owner Tank Id: 2-UNL-R
SWRCB Tank Id: 43-012-027088-000007
Tank Status: A
Capacity: 12000
Active Date: 02-21-92
Tank Use: M.V. FUEL
STG: P
Content: REG UNLEADED
Number Of Tanks: Not reported

Status: Active
Comp Number: 27088
Number: 1
Board Of Equalization: 44-000506
Referral Date: 02-01-92
Action Date: 05-25-94
Created Date: 02-29-88
Owner Tank Id: 3-UNL-R
SWRCB Tank Id: 43-012-027088-000008
Tank Status: A
Capacity: 12000
Active Date: 02-21-92
Tank Use: M.V. FUEL
STG: P
Content: PRM UNLEADED
Number Of Tanks: Not reported

Status: Active
Comp Number: 27088
Number: 1
Board Of Equalization: 44-000506
Referral Date: 02-01-92
Action Date: 05-25-94
Created Date: 02-29-88
Owner Tank Id: 4
SWRCB Tank Id: 43-012-027088-000009
Tank Status: A

Map ID
Direction
Distance
Elevation

MAP FINDINGS

Site

Database(s)

EDR ID Number
EPA ID Number

CUPERTINO SMOG & AUTO REPAIR (Continued)

U001602453

Capacity: 550
Active Date: 02-21-92
Tank Use: OIL
STG: W
Content: WASTE OIL
Number Of Tanks: Not reported

Status: Active
Comp Number: 27088
Number: 1
Board Of Equalization: 44-000506
Referral Date: 02-01-92
Action Date: 05-25-94
Created Date: 02-29-88
Owner Tank Id: 4
SWRCB Tank Id: 43-012-027088-000010
Tank Status: A
Capacity: 550
Active Date: 02-18-92
Tank Use: OIL
STG: W
Content: WASTE OIL
Number Of Tanks: Not reported

HIST UST:

File Number: Not reported
URL: Not reported
Region: STATE
Facility ID: 00000027088
Facility Type: Gas Station
Other Type: Not reported
Contact Name: Not reported
Telephone: 0000000000
Owner Name: ARCO PETROLEUM PRODUCTS CO.
Owner Address: 515 SOUTH FLOWER STREET
Owner City,St,Zip: LOS ANGELES, CA 90071
Total Tanks: 0006

Tank Num: 001
Container Num: 0000000001
Year Installed: 1969
Tank Capacity: 00004000
Tank Used for: PRODUCT
Type of Fuel: 06
Container Construction Thickness: 0000167
Leak Detection: Stock Inventor, 10

Tank Num: 002
Container Num: 0000000002
Year Installed: 1969
Tank Capacity: 00004000
Tank Used for: PRODUCT
Type of Fuel: 06
Container Construction Thickness: 0000167
Leak Detection: Stock Inventor, 10

Tank Num: 003

Map ID
Direction
Distance
Elevation

MAP FINDINGS

Site

Database(s)

EDR ID Number
EPA ID Number

CUPERTINO SMOG & AUTO REPAIR (Continued)

U001602453

Container Num: 0000000003
Year Installed: 1969
Tank Capacity: 00006000
Tank Used for: PRODUCT
Type of Fuel: 06
Container Construction Thickness: 0000240
Leak Detection: Stock Inventor, 10

Tank Num: 004
Container Num: 0000000004
Year Installed: 1969
Tank Capacity: 00006000
Tank Used for: PRODUCT
Type of Fuel: 06
Container Construction Thickness: 0000240
Leak Detection: Stock Inventor, 10

Tank Num: 005
Container Num: 0000000005
Year Installed: 1969
Tank Capacity: 00000250
Tank Used for: PRODUCT
Type of Fuel: WASTE OIL
Container Construction Thickness: 0000093
Leak Detection: Stock Inventor

Tank Num: 006
Container Num: 0000000006
Year Installed: 1983
Tank Capacity: 00012000
Tank Used for: PRODUCT
Type of Fuel: 06
Container Construction Thickness: Not reported
Leak Detection: Stock Inventor, 10

CUPA SANTA CLARA:

Region: SANTA CLARA
PE#: 2205
Program Description: GENERATES 100 KG YR TO <5 TONS/YR
Latitude: 37.33212
Longitude: -122.03272
Record ID: PR0340033
Facility ID: FA0271898

CERS HAZ WASTE:

Site ID: 109179
CERS ID: 10344274
CERS Description: Hazardous Waste Generator

Evaluation:

Eval General Type: Compliance Evaluation Inspection
Eval Date: 07-02-2014
Violations Found: No
Eval Type: Routine done by local agency
Eval Notes: Occupancy ID: 1958
Eval Division: Santa Clara County Fire Department
Eval Program: HMRRP

Map ID
Direction
Distance
Elevation

MAP FINDINGS

Site

Database(s)

EDR ID Number
EPA ID Number

CUPERTINO SMOG & AUTO REPAIR (Continued)

U001602453

Eval Source: CERS

Eval General Type: Compliance Evaluation Inspection
Eval Date: 07-02-2014
Violations Found: No
Eval Type: Routine done by local agency
Eval Notes: Occupancy ID: 1958
Eval Division: Santa Clara County Fire Department
Eval Program: UST
Eval Source: CERS

Eval General Type: Compliance Evaluation Inspection
Eval Date: 08-10-2017
Violations Found: No
Eval Type: Routine done by local agency
Eval Notes: Occupancy ID: 1958
Eval Division: Santa Clara County Fire Department
Eval Program: HMRRP
Eval Source: CERS

Eval General Type: Compliance Evaluation Inspection
Eval Date: 08-10-2017
Violations Found: No
Eval Type: Routine done by local agency
Eval Notes: Occupancy ID: 1958
Eval Division: Santa Clara County Fire Department
Eval Program: UST
Eval Source: CERS

Eval General Type: Compliance Evaluation Inspection
Eval Date: 08-24-2016
Violations Found: No
Eval Type: Routine done by local agency
Eval Notes: Occupancy ID: 1958
Eval Division: Santa Clara County Fire Department
Eval Program: HMRRP
Eval Source: CERS

Eval General Type: Compliance Evaluation Inspection
Eval Date: 08-24-2016
Violations Found: No
Eval Type: Routine done by local agency
Eval Notes: Occupancy ID: 1958
Eval Division: Santa Clara County Fire Department
Eval Program: UST
Eval Source: CERS

Eval General Type: Compliance Evaluation Inspection
Eval Date: 09-16-2015
Violations Found: No
Eval Type: Routine done by local agency
Eval Notes: Occupancy ID: 1958
Eval Division: Santa Clara County Fire Department
Eval Program: HMRRP
Eval Source: CERS

Eval General Type: Compliance Evaluation Inspection

Map ID
Direction
Distance
Elevation

MAP FINDINGS

Site

Database(s)

EDR ID Number
EPA ID Number

CUPERTINO SMOG & AUTO REPAIR (Continued)

U001602453

Eval Date: 09-16-2015
Violations Found: No
Eval Type: Routine done by local agency
Eval Notes: Occupancy ID: 1958
Eval Division: Santa Clara County Fire Department
Eval Program: UST
Eval Source: CERS

Affiliation:

Affiliation Type Desc: CUPA District
Entity Name: Santa Clara County Environmental Health
Entity Title: Not reported
Affiliation Address: 1555 Berger Drive, Suite 300
Affiliation City: San Jose
Affiliation State: CA
Affiliation Country: Not reported
Affiliation Zip: 95112-2716
Affiliation Phone: (408) 918-3400

Affiliation Type Desc: Environmental Contact
Entity Name: Habib Khayyat
Entity Title: Not reported
Affiliation Address: 10625 N DE ANZA BL
Affiliation City: Cupertino
Affiliation State: CA
Affiliation Country: Not reported
Affiliation Zip: 95014
Affiliation Phone: (408) 255-5772

Affiliation Type Desc: Facility Mailing Address
Entity Name: Mailing Address
Entity Title: Not reported
Affiliation Address: 10625 N DE ANZA BL
Affiliation City: CUPERTINO
Affiliation State: CA
Affiliation Country: Not reported
Affiliation Zip: 95014
Affiliation Phone: Not reported

Affiliation Type Desc: Legal Owner
Entity Name: KHAYYAT, HABIB
Entity Title: Not reported
Affiliation Address: 10625 N DE ANZA BL
Affiliation City: CUPERTINO
Affiliation State: CA
Affiliation Country: United States
Affiliation Zip: 95014
Affiliation Phone: (408) 255-5772

Affiliation Type Desc: Operator
Entity Name: Habib Khayyat
Entity Title: Not reported
Affiliation Address: Not reported
Affiliation City: Not reported
Affiliation State: Not reported
Affiliation Country: Not reported
Affiliation Zip: Not reported

Map ID
Direction
Distance
Elevation

MAP FINDINGS

Site

Database(s)

EDR ID Number
EPA ID Number

CUPERTINO SMOG & AUTO REPAIR (Continued)

U001602453

Affiliation Phone: (408) 255-5772

Affiliation Type Desc: Parent Corporation
Entity Name: CUPERTINO SMOG & AUTO REPAIR
Entity Title: Not reported
Affiliation Address: Not reported
Affiliation City: Not reported
Affiliation State: Not reported
Affiliation Country: Not reported
Affiliation Zip: Not reported
Affiliation Phone: Not reported

Affiliation Type Desc: Primary Emergency Contact
Entity Name: Habib Khayyat
Entity Title: Owner
Affiliation Address: Not reported
Affiliation City: Not reported
Affiliation State: Not reported
Affiliation Country: Not reported
Affiliation Zip: Not reported
Affiliation Phone: (408) 255-5772

Affiliation Type Desc: UST Property Owner Name
Entity Name: Habib Khayyat
Entity Title: Not reported
Affiliation Address: 10625 N De Anza Blvd
Affiliation City: Cupertino
Affiliation State: CA
Affiliation Country: United States
Affiliation Zip: 95014
Affiliation Phone: (408) 255-5772

Affiliation Type Desc: UST Tank Operator
Entity Name: Habib Khayyat
Entity Title: Not reported
Affiliation Address: 10625 N De Anza Blvd
Affiliation City: Cupertino
Affiliation State: CA
Affiliation Country: United States
Affiliation Zip: 95014
Affiliation Phone: (408) 255-5772

Affiliation Type Desc: UST Tank Owner
Entity Name: Habib Khayyat
Entity Title: Not reported
Affiliation Address: 10625 N De Anza Blvd
Affiliation City: Cupertino
Affiliation State: CA
Affiliation Country: United States
Affiliation Zip: 95014
Affiliation Phone: (408) 255-5772

CERS TANKS:
Site ID: 109179
CERS ID: 10344274
CERS Description: Chemical Storage Facilities

Map ID
Direction
Distance
Elevation

MAP FINDINGS

Site

Database(s)

EDR ID Number
EPA ID Number

CUPERTINO SMOG & AUTO REPAIR (Continued)

U001602453

Evaluation:

Eval General Type: Compliance Evaluation Inspection
Eval Date: 07-02-2014
Violations Found: No
Eval Type: Routine done by local agency
Eval Notes: Occupancy ID: 1958
Eval Division: Santa Clara County Fire Department
Eval Program: HMRRP
Eval Source: CERS

Eval General Type: Compliance Evaluation Inspection
Eval Date: 07-02-2014
Violations Found: No
Eval Type: Routine done by local agency
Eval Notes: Occupancy ID: 1958
Eval Division: Santa Clara County Fire Department
Eval Program: UST
Eval Source: CERS

Eval General Type: Compliance Evaluation Inspection
Eval Date: 08-10-2017
Violations Found: No
Eval Type: Routine done by local agency
Eval Notes: Occupancy ID: 1958
Eval Division: Santa Clara County Fire Department
Eval Program: HMRRP
Eval Source: CERS

Eval General Type: Compliance Evaluation Inspection
Eval Date: 08-10-2017
Violations Found: No
Eval Type: Routine done by local agency
Eval Notes: Occupancy ID: 1958
Eval Division: Santa Clara County Fire Department
Eval Program: UST
Eval Source: CERS

Eval General Type: Compliance Evaluation Inspection
Eval Date: 08-24-2016
Violations Found: No
Eval Type: Routine done by local agency
Eval Notes: Occupancy ID: 1958
Eval Division: Santa Clara County Fire Department
Eval Program: HMRRP
Eval Source: CERS

Eval General Type: Compliance Evaluation Inspection
Eval Date: 08-24-2016
Violations Found: No
Eval Type: Routine done by local agency
Eval Notes: Occupancy ID: 1958
Eval Division: Santa Clara County Fire Department
Eval Program: UST
Eval Source: CERS

Eval General Type: Compliance Evaluation Inspection
Eval Date: 09-16-2015

Map ID
Direction
Distance
Elevation

MAP FINDINGS

Site

Database(s)

EDR ID Number
EPA ID Number

CUPERTINO SMOG & AUTO REPAIR (Continued)

U001602453

Violations Found: No
Eval Type: Routine done by local agency
Eval Notes: Occupancy ID: 1958
Eval Division: Santa Clara County Fire Department
Eval Program: HMRRP
Eval Source: CERS

Eval General Type: Compliance Evaluation Inspection
Eval Date: 09-16-2015
Violations Found: No
Eval Type: Routine done by local agency
Eval Notes: Occupancy ID: 1958
Eval Division: Santa Clara County Fire Department
Eval Program: UST
Eval Source: CERS

Affiliation:

Affiliation Type Desc: CUPA District
Entity Name: Santa Clara County Environmental Health
Entity Title: Not reported
Affiliation Address: 1555 Berger Drive, Suite 300
Affiliation City: San Jose
Affiliation State: CA
Affiliation Country: Not reported
Affiliation Zip: 95112-2716
Affiliation Phone: (408) 918-3400

Affiliation Type Desc: Environmental Contact
Entity Name: Habib Khayyat
Entity Title: Not reported
Affiliation Address: 10625 N DE ANZA BL
Affiliation City: Cupertino
Affiliation State: CA
Affiliation Country: Not reported
Affiliation Zip: 95014
Affiliation Phone: (408) 255-5772

Affiliation Type Desc: Facility Mailing Address
Entity Name: Mailing Address
Entity Title: Not reported
Affiliation Address: 10625 N DE ANZA BL
Affiliation City: CUPERTINO
Affiliation State: CA
Affiliation Country: Not reported
Affiliation Zip: 95014
Affiliation Phone: Not reported

Affiliation Type Desc: Legal Owner
Entity Name: KHAYYAT, HABIB
Entity Title: Not reported
Affiliation Address: 10625 N DE ANZA BL
Affiliation City: CUPERTINO
Affiliation State: CA
Affiliation Country: United States
Affiliation Zip: 95014
Affiliation Phone: (408) 255-5772

Map ID
Direction
Distance
Elevation

MAP FINDINGS

Site

Database(s)

EDR ID Number
EPA ID Number

CUPERTINO SMOG & AUTO REPAIR (Continued)

U001602453

Affiliation Type Desc:	Operator
Entity Name:	Habib Khayyat
Entity Title:	Not reported
Affiliation Address:	Not reported
Affiliation City:	Not reported
Affiliation State:	Not reported
Affiliation Country:	Not reported
Affiliation Zip:	Not reported
Affiliation Phone:	(408) 255-5772
Affiliation Type Desc:	Parent Corporation
Entity Name:	CUPERTINO SMOG & AUTO REPAIR
Entity Title:	Not reported
Affiliation Address:	Not reported
Affiliation City:	Not reported
Affiliation State:	Not reported
Affiliation Country:	Not reported
Affiliation Zip:	Not reported
Affiliation Phone:	Not reported
Affiliation Type Desc:	Primary Emergency Contact
Entity Name:	Habib Khayyat
Entity Title:	Owner
Affiliation Address:	Not reported
Affiliation City:	Not reported
Affiliation State:	Not reported
Affiliation Country:	Not reported
Affiliation Zip:	Not reported
Affiliation Phone:	(408) 255-5772
Affiliation Type Desc:	UST Property Owner Name
Entity Name:	Habib Khayyat
Entity Title:	Not reported
Affiliation Address:	10625 N De Anza Blvd
Affiliation City:	Cupertino
Affiliation State:	CA
Affiliation Country:	United States
Affiliation Zip:	95014
Affiliation Phone:	(408) 255-5772
Affiliation Type Desc:	UST Tank Operator
Entity Name:	Habib Khayyat
Entity Title:	Not reported
Affiliation Address:	10625 N De Anza Blvd
Affiliation City:	Cupertino
Affiliation State:	CA
Affiliation Country:	United States
Affiliation Zip:	95014
Affiliation Phone:	(408) 255-5772
Affiliation Type Desc:	UST Tank Owner
Entity Name:	Habib Khayyat
Entity Title:	Not reported
Affiliation Address:	10625 N De Anza Blvd
Affiliation City:	Cupertino
Affiliation State:	CA
Affiliation Country:	United States

Map ID
Direction
Distance
Elevation

MAP FINDINGS

Site

Database(s)

EDR ID Number
EPA ID Number

CUPERTINO SMOG & AUTO REPAIR (Continued)

U001602453

Affiliation Zip: 95014
Affiliation Phone: (408) 255-5772

Site ID: 251950
CERS ID: T0608500155
CERS Description: Leaking Underground Storage Tank Cleanup Site

Affiliation:

Affiliation Type Desc: Local Agency Caseworker
Entity Name: UST CASE WORKER - SANTA CLARA COUNTY LOP
Entity Title: Not reported
Affiliation Address: 1555 Berger Drive, Suite 300
Affiliation City: SAN JOSE
Affiliation State: CA
Affiliation Country: Not reported
Affiliation Zip: Not reported
Affiliation Phone: 4089183400

Affiliation Type Desc: Regional Board Caseworker
Entity Name: Regional Water Board - SAN FRANCISCO BAY RWQCB (REGION 2)
Entity Title: Not reported
Affiliation Address: 1515 CLAY ST SUITE 1400
Affiliation City: OAKLAND
Affiliation State: CA
Affiliation Country: Not reported
Affiliation Zip: Not reported
Affiliation Phone: Not reported

CERS TANKS:

Site ID: 109179
CERS ID: 10344274
CERS Description: Underground Storage Tank

Evaluation:

Eval General Type: Compliance Evaluation Inspection
Eval Date: 07-02-2014
Violations Found: No
Eval Type: Routine done by local agency
Eval Notes: Occupancy ID: 1958
Eval Division: Santa Clara County Fire Department
Eval Program: HMRRP
Eval Source: CERS

Eval General Type: Compliance Evaluation Inspection
Eval Date: 07-02-2014
Violations Found: No
Eval Type: Routine done by local agency
Eval Notes: Occupancy ID: 1958
Eval Division: Santa Clara County Fire Department
Eval Program: UST
Eval Source: CERS

Eval General Type: Compliance Evaluation Inspection
Eval Date: 08-10-2017
Violations Found: No
Eval Type: Routine done by local agency

Map ID
Direction
Distance
Elevation

MAP FINDINGS

Site

Database(s)

EDR ID Number
EPA ID Number

CUPERTINO SMOG & AUTO REPAIR (Continued)

U001602453

Eval Notes: Occupancy ID: 1958
Eval Division: Santa Clara County Fire Department
Eval Program: HMRRP
Eval Source: CERS

Eval General Type: Compliance Evaluation Inspection
Eval Date: 08-10-2017
Violations Found: No
Eval Type: Routine done by local agency
Eval Notes: Occupancy ID: 1958
Eval Division: Santa Clara County Fire Department
Eval Program: UST
Eval Source: CERS

Eval General Type: Compliance Evaluation Inspection
Eval Date: 08-24-2016
Violations Found: No
Eval Type: Routine done by local agency
Eval Notes: Occupancy ID: 1958
Eval Division: Santa Clara County Fire Department
Eval Program: HMRRP
Eval Source: CERS

Eval General Type: Compliance Evaluation Inspection
Eval Date: 08-24-2016
Violations Found: No
Eval Type: Routine done by local agency
Eval Notes: Occupancy ID: 1958
Eval Division: Santa Clara County Fire Department
Eval Program: UST
Eval Source: CERS

Eval General Type: Compliance Evaluation Inspection
Eval Date: 09-16-2015
Violations Found: No
Eval Type: Routine done by local agency
Eval Notes: Occupancy ID: 1958
Eval Division: Santa Clara County Fire Department
Eval Program: HMRRP
Eval Source: CERS

Eval General Type: Compliance Evaluation Inspection
Eval Date: 09-16-2015
Violations Found: No
Eval Type: Routine done by local agency
Eval Notes: Occupancy ID: 1958
Eval Division: Santa Clara County Fire Department
Eval Program: UST
Eval Source: CERS

Affiliation:
Affiliation Type Desc: CUPA District
Entity Name: Santa Clara County Environmental Health
Entity Title: Not reported
Affiliation Address: 1555 Berger Drive, Suite 300
Affiliation City: San Jose
Affiliation State: CA

Map ID
Direction
Distance
Elevation

MAP FINDINGS

Site

Database(s)

EDR ID Number
EPA ID Number

CUPERTINO SMOG & AUTO REPAIR (Continued)

U001602453

Affiliation Country: Not reported
Affiliation Zip: 95112-2716
Affiliation Phone: (408) 918-3400

Affiliation Type Desc: Environmental Contact
Entity Name: Habib Khayyat
Entity Title: Not reported
Affiliation Address: 10625 N DE ANZA BL
Affiliation City: Cupertino
Affiliation State: CA
Affiliation Country: Not reported
Affiliation Zip: 95014
Affiliation Phone: (408) 255-5772

Affiliation Type Desc: Facility Mailing Address
Entity Name: Mailing Address
Entity Title: Not reported
Affiliation Address: 10625 N DE ANZA BL
Affiliation City: CUPERTINO
Affiliation State: CA
Affiliation Country: Not reported
Affiliation Zip: 95014
Affiliation Phone: Not reported

Affiliation Type Desc: Legal Owner
Entity Name: KHAYYAT, HABIB
Entity Title: Not reported
Affiliation Address: 10625 N DE ANZA BL
Affiliation City: CUPERTINO
Affiliation State: CA
Affiliation Country: United States
Affiliation Zip: 95014
Affiliation Phone: (408) 255-5772

Affiliation Type Desc: Operator
Entity Name: Habib Khayyat
Entity Title: Not reported
Affiliation Address: Not reported
Affiliation City: Not reported
Affiliation State: Not reported
Affiliation Country: Not reported
Affiliation Zip: Not reported
Affiliation Phone: (408) 255-5772

Affiliation Type Desc: Parent Corporation
Entity Name: CUPERTINO SMOG & AUTO REPAIR
Entity Title: Not reported
Affiliation Address: Not reported
Affiliation City: Not reported
Affiliation State: Not reported
Affiliation Country: Not reported
Affiliation Zip: Not reported
Affiliation Phone: Not reported

Affiliation Type Desc: Primary Emergency Contact
Entity Name: Habib Khayyat
Entity Title: Owner

Map ID
Direction
Distance
Elevation

MAP FINDINGS

Site

Database(s)

EDR ID Number
EPA ID Number

CUPERTINO SMOG & AUTO REPAIR (Continued)

U001602453

Affiliation Address: Not reported
Affiliation City: Not reported
Affiliation State: Not reported
Affiliation Country: Not reported
Affiliation Zip: Not reported
Affiliation Phone: (408) 255-5772

Affiliation Type Desc: UST Property Owner Name
Entity Name: Habib Khayyat
Entity Title: Not reported
Affiliation Address: 10625 N De Anza Blvd
Affiliation City: Cupertino
Affiliation State: CA
Affiliation Country: United States
Affiliation Zip: 95014
Affiliation Phone: (408) 255-5772

Affiliation Type Desc: UST Tank Operator
Entity Name: Habib Khayyat
Entity Title: Not reported
Affiliation Address: 10625 N De Anza Blvd
Affiliation City: Cupertino
Affiliation State: CA
Affiliation Country: United States
Affiliation Zip: 95014
Affiliation Phone: (408) 255-5772

Affiliation Type Desc: UST Tank Owner
Entity Name: Habib Khayyat
Entity Title: Not reported
Affiliation Address: 10625 N De Anza Blvd
Affiliation City: Cupertino
Affiliation State: CA
Affiliation Country: United States
Affiliation Zip: 95014
Affiliation Phone: (408) 255-5772

G37
South
1/8-1/4
0.248 mi.
1307 ft.

CUPERTINO SMOG & AUTO REPAIR
10625 N DE ANZA BL
CUPERTINO, CA 95014
Site 3 of 8 in cluster G

UST U003948782
N/A

Relative:
Higher
Actual:
223 ft.

UST:
Facility ID: Not reported
Permitting Agency: Santa Clara County Environmental Health
Latitude: 37.33214
Longitude: -122.03278

Facility ID: 32
Permitting Agency: CAMPBELL,CUPERTINO,LOS GATOS,MORGAN HILL
Latitude: 37.333489
Longitude: -122.031437

Map ID
 Direction
 Distance
 Elevation

MAP FINDINGS

Site

Database(s)

EDR ID Number
 EPA ID Number

G38 **ARCO #6111**
South **10625 N DE ANZA BLVD**
1/8-1/4 **CUPERTINO, CA 95014**
0.248 mi.
1307 ft. **Site 4 of 8 in cluster G**

LUST **S102424306**
HIST LUST **N/A**

Relative: LUST REG 2:
Higher Region: 2
Actual: Facility Id: Not reported
223 ft. Facility Status: Case Closed
 Case Number: 07S2W12P01f
 How Discovered: Not reported
 Leak Cause: Not reported
 Leak Source: Not reported
 Date Leak Confirmed: Not reported
 Oversight Program: LUST
 Prelim. Site Assesment Wokplan Submitted: Not reported
 Preliminary Site Assesment Began: 3/12/1991
 Pollution Characterization Began: Not reported
 Pollution Remediation Plan Submitted: Not reported
 Date Remediation Action Underway: Not reported
 Date Post Remedial Action Monitoring Began: Not reported

HIST LUST SANTA CLARA:
 Region: SANTA CLARA
 Region Code: 2
 SCVWD ID: 07S2W12P01
 Oversight Agency: SCVWD
 Date Listed: 1987-01-01 00:00:00
 Closed Date: 2001-06-27 00:00:00

G39 **ARCO PRODUCTS COMPANY**
South **10625 N DEANZA BLVD**
1/8-1/4 **CUPERTINO, CA 95014**
0.248 mi.
1307 ft. **Site 5 of 8 in cluster G**

HIST UST **S113029409**
HAZNET **N/A**

Relative: HIST UST:
Higher File Number: 0002CE2A
Actual: URL: <http://geotracker.waterboards.ca.gov/ustpdfs/pdf/0002CE2A.pdf>
223 ft. Region: Not reported
 Facility ID: Not reported
 Facility Type: Not reported
 Other Type: Not reported
 Contact Name: Not reported
 Telephone: Not reported
 Owner Name: Not reported
 Owner Address: Not reported
 Owner City,St,Zip: Not reported
 Total Tanks: Not reported

 Tank Num: Not reported
 Container Num: Not reported
 Year Installed: Not reported
 Tank Capacity: Not reported
 Tank Used for: Not reported
 Type of Fuel: Not reported
 Container Construction Thickness: Not reported
 Leak Detection: Not reported

Map ID
Direction
Distance
Elevation

MAP FINDINGS

Site

Database(s)

EDR ID Number
EPA ID Number

ARCO PRODUCTS COMPANY (Continued)

S113029409

[Click here for Geo Tracker PDF:](#)

HAZNET:

envid: S113029409
Year: 2005
GEPID: CAL000021858
Contact: WASTE SPECIALIST
Telephone: 7146703958
Mailing Name: Not reported
Mailing Address: PO BOX 80249
Mailing City,St,Zip: RCHO STA MARG, CA 926880000
Gen County: Not reported
TSD EPA ID: CAL000161743
TSD County: Not reported
Waste Category: Aqueous solution with total organic residues less than 10 percent
Disposal Method: Recycler
Tons: 0.41
Cat Decode: Not reported
Method Decode: Not reported
Facility County: Santa Clara

envid: S113029409
Year: 2005
GEPID: CAL000021858
Contact: WASTE SPECIALIST
Telephone: 7146703958
Mailing Name: Not reported
Mailing Address: PO BOX 80249
Mailing City,St,Zip: RCHO STA MARG, CA 926880000
Gen County: Not reported
TSD EPA ID: CAL000161743
TSD County: Not reported
Waste Category: Aqueous solution with total organic residues less than 10 percent
Disposal Method: Recycler
Tons: 0.41
Cat Decode: Not reported
Method Decode: Not reported
Facility County: Santa Clara

envid: S113029409
Year: 2004
GEPID: CAL000021858
Contact: WASTE SPECIALIST
Telephone: 7146703958
Mailing Name: Not reported
Mailing Address: PO BOX 80249
Mailing City,St,Zip: RCHO STA MARG, CA 926880000
Gen County: Not reported
TSD EPA ID: CAL000161743
TSD County: Not reported
Waste Category: Aqueous solution with total organic residues less than 10 percent
Disposal Method: Recycler
Tons: 0.27
Cat Decode: Not reported
Method Decode: Not reported
Facility County: Santa Clara

Map ID
Direction
Distance
Elevation

MAP FINDINGS

Site

Database(s)

EDR ID Number
EPA ID Number

ARCO PRODUCTS COMPANY (Continued)

S113029409

envid: S113029409
Year: 2004
GEPaid: CAL000021858
Contact: WASTE SPECIALIST
Telephone: 7146703958
Mailing Name: Not reported
Mailing Address: PO BOX 80249
Mailing City,St,Zip: RCHO STA MARG, CA 926880000
Gen County: Not reported
TSD EPA ID: CAL000161743
TSD County: Not reported
Waste Category: Aqueous solution with total organic residues less than 10 percent
Disposal Method: Recycler
Tons: 0.27
Cat Decode: Not reported
Method Decode: Not reported
Facility County: Santa Clara

envid: S113029409
Year: 2003
GEPaid: CAL000021858
Contact: WASTE SPECIALIST
Telephone: 7146703958
Mailing Name: Not reported
Mailing Address: PO BOX 80249
Mailing City,St,Zip: RCHO STA MARG, CA 926880000
Gen County: Not reported
TSD EPA ID: CAL000161743
TSD County: Not reported
Waste Category: Aqueous solution with total organic residues less than 10 percent
Disposal Method: Recycler
Tons: 0.12
Cat Decode: Not reported
Method Decode: Not reported
Facility County: Santa Clara

[Click this hyperlink](#) while viewing on your computer to access
33 additional CA_HAZNET: record(s) in the EDR Site Report.

H40
SSW
1/4-1/2
0.253 mi.
1334 ft.

TIMEX
20650 VALLEY GREEN DR
CUPERTINO, CA 95014
Site 1 of 3 in cluster H

SEMS-ARCHIVE 1000225425
RCRA NonGen / NLR CAD088844345

Relative:
Higher
Actual:
228 ft.

SEMS Archive:
Site ID: 901648
EPA ID: CAD088844345
Cong District: 12
FIPS Code: 6085
FF: N
NPL: Not on the NPL
Non NPL Status: NFRAP-Site does not qualify for the NPL based on existing information

SEMS Archive Detail:
Region: 9
Site ID: 901648
EPA ID: CAD088844345

Map ID
Direction
Distance
Elevation

MAP FINDINGS

Site

Database(s)

EDR ID Number
EPA ID Number

TIMEX (Continued)

1000225425

Site Name: TIMEX
NPL: N
FF: N
OU: 0
Action Code: VS
Action Name: ARCH SITE
SEQ: 1
Start Date: Not reported
Finish Date: 1987-02-01 00:00:00
Qual: Not reported
Current Action Lead: EPA Perf In-Hse

Region: 9
Site ID: 901648
EPA ID: CAD088844345
Site Name: TIMEX
NPL: N
FF: N
OU: 0
Action Code: PA
Action Name: PA
SEQ: 1
Start Date: Not reported
Finish Date: 1987-02-01 00:00:00
Qual: N
Current Action Lead: EPA Perf

Region: 9
Site ID: 901648
EPA ID: CAD088844345
Site Name: TIMEX
NPL: N
FF: N
OU: 0
Action Code: DS
Action Name: DISCVRY
SEQ: 1
Start Date: 1986-05-01 00:00:00
Finish Date: 1986-05-01 00:00:00
Qual: Not reported
Current Action Lead: EPA Perf

RCRA NonGen / NLR:

Date form received by agency: 01/03/1995
Facility name: TIMEX
Facility address: 20650 VALLEY GREEN DR
CUPERTINO, CA 95014
EPA ID: CAD088844345
Mailing address: 20525 MARIANI AVE
CUPERTINO, CA 95014
Contact: VICTORIA WELLS
Contact address: 20650 VALLEY GREEN DR
CUPERTINO, CA 95014
Contact country: US
Contact telephone: 408-996-7822
Contact email: Not reported

Map ID
Direction
Distance
Elevation

MAP FINDINGS

Site

Database(s)

EDR ID Number
EPA ID Number

TIMEX (Continued)

1000225425

EPA Region: 09
Classification: Non-Generator
Description: Handler: Non-Generators do not presently generate hazardous waste

Owner/Operator Summary:

Owner/operator name: SOBRATO-BERG PROPERTIES
Owner/operator address: 20650 VALLEY GREEN DR
CUPERTINORED, CA 95014
Owner/operator country: Not reported
Owner/operator telephone: 408-555-1212
Owner/operator email: Not reported
Owner/operator fax: Not reported
Owner/operator extension: Not reported
Legal status: Private
Owner/Operator Type: Owner
Owner/Op start date: Not reported
Owner/Op end date: Not reported

Owner/operator name: NOT REQUIRED
Owner/operator address: NOT REQUIRED
NOT REQUIRED, ME 99999

Owner/operator country: Not reported
Owner/operator telephone: 415-555-1212
Owner/operator email: Not reported
Owner/operator fax: Not reported
Owner/operator extension: Not reported
Legal status: Private
Owner/Operator Type: Operator
Owner/Op start date: Not reported
Owner/Op end date: Not reported

Handler Activities Summary:

U.S. importer of hazardous waste: No
Mixed waste (haz. and radioactive): No
Recycler of hazardous waste: No
Transporter of hazardous waste: No
Treater, storer or disposer of HW: No
Underground injection activity: No
On-site burner exemption: No
Furnace exemption: No
Used oil fuel burner: No
Used oil processor: No
User oil refiner: No
Used oil fuel marketer to burner: No
Used oil Specification marketer: No
Used oil transfer facility: No
Used oil transporter: No

Violation Status: No violations found

Map ID
Direction
Distance
Elevation

MAP FINDINGS

Site

Database(s) EDR ID Number
EPA ID Number

H41
SSW
1/4-1/2
0.253 mi.
1334 ft.

TIMEX CORPORATION
20650 VALLEY GREEN DR
CUPERTINO, CA 95014

CPS-SLIC S103640881
N/A

Site 2 of 3 in cluster H

Relative:
Higher

CPS-SLIC:

Actual:
228 ft.

Region: STATE
Facility Status: Completed - Case Closed
Status Date: 01/21/1987
Global Id: T0608591755
Lead Agency: SAN FRANCISCO BAY RWQCB (REGION 2)
Lead Agency Case Number: Not reported
Latitude: 37.3322
Longitude: -122.0348
Case Type: Cleanup Program Site
Case Worker: DIB
Local Agency: Not reported
RB Case Number: 43-1927
File Location: Not reported
Potential Media Affected: Under Investigation
Potential Contaminants of Concern: Gasoline
Site History: Not reported

[Click here to access the California GeoTracker records for this facility:](#)

H42
SSW
1/4-1/2
0.253 mi.
1334 ft.

TIMEX CORPORATION
20650 VALLEY GREEN DR
CUPERTINO, CA 95014

CPS-SLIC S101542565
CERS N/A

Site 3 of 3 in cluster H

Relative:
Higher

SLIC REG 2:

Actual:
228 ft.

Region: 2
Facility ID: 43-1927
Facility Status: Case Closed
Date Closed: 1/21/1987
Local Case #: 43-1927
How Discovered: Tank Closure
Leak Cause: Structure Failure
Leak Source: Tank
Date Confirmed: Not reported
Date Prelim Site Assmnt Workplan Submitted: Not reported
Date Preliminary Site Assessment Began: Not reported
Date Pollution Characterization Began: Not reported
Date Remediation Plan Submitted: Not reported
Date Remedial Action Underway: Not reported
Date Post Remedial Action Monitoring Began: Not reported

CERS TANKS:

Site ID: 236609
CERS ID: T0608591755
CERS Description: Cleanup Program Site

Affiliation:

Affiliation Type Desc: Regional Board Caseworker
Entity Name: David Barr - SAN FRANCISCO BAY RWQCB (REGION 2)
Entity Title: Not reported
Affiliation Address: 1515 CLAY ST., STE. 1400
Affiliation City: OAKLAND

Map ID
Direction
Distance
Elevation

MAP FINDINGS

Site

Database(s)

EDR ID Number
EPA ID Number

TIMEX CORPORATION (Continued)

S101542565

Affiliation State: CA
Affiliation Country: Not reported
Affiliation Zip: Not reported
Affiliation Phone: Not reported

G43
South
1/4-1/2
0.264 mi.
1393 ft.

MOTOROLA FOUR PHASE INC
10700 N DE ANZA BLVD
CUPERTINO, CA 95014

CORRACTS 1000341814
RCRA-TSDF CAD990794158
RCRA-SQG
FINDS
ECHO

Site 6 of 8 in cluster G

Relative:
Higher

CORRACTS:

Actual:
223 ft.

EPA ID: CAD990794158
EPA Region: 9
Area Name: ENTIRE FACILITY
Actual Date: 19900101
Action: CA029ST
NAICS Code(s): Not reported
Original schedule date: Not reported
Schedule end date: Not reported

EPA ID: CAD990794158
EPA Region: 9
Area Name: ENTIRE FACILITY
Actual Date: 19910827
Action: CA074ME
NAICS Code(s): Not reported
Original schedule date: Not reported
Schedule end date: Not reported

EPA ID: CAD990794158
EPA Region: 9
Area Name: ENTIRE FACILITY
Actual Date: 19910827
Action: CA049PA
NAICS Code(s): Not reported
Original schedule date: 19880729
Schedule end date: Not reported

EPA ID: CAD990794158
EPA Region: 9
Area Name: ENTIRE FACILITY
Actual Date: 19910827
Action: CA029EP
NAICS Code(s): Not reported
Original schedule date: Not reported
Schedule end date: Not reported

EPA ID: CAD990794158
EPA Region: 9
Area Name: ENTIRE FACILITY
Actual Date: 19910827
Action: CA075ME - CA Prioritization, Facility or area was assigned a medium corrective action priority
NAICS Code(s): Not reported

Map ID
Direction
Distance
Elevation

MAP FINDINGS

Site

Database(s)

EDR ID Number
EPA ID Number

MOTOROLA FOUR PHASE INC (Continued)

1000341814

Original schedule date: Not reported
Schedule end date: Not reported

EPA ID: CAD990794158
EPA Region: 9
Area Name: ENTIRE FACILITY
Actual Date: 20010730
Action: CA070NO - RFA Determination Of Need For An RFI, RFI is Not Necessary
NAICS Code(s): Not reported
Original schedule date: Not reported
Schedule end date: Not reported

EPA ID: CAD990794158
EPA Region: 9
Area Name: ENTIRE FACILITY
Actual Date: 20001130
Action: CA070YE - RFA Determination Of Need For An RFI, RFI is Necessary
NAICS Code(s): Not reported
Original schedule date: 20001130
Schedule end date: Not reported

EPA ID: CAD990794158
EPA Region: 9
Area Name: ENTIRE FACILITY
Actual Date: 20001130
Action: CA050 - RFA Completed
NAICS Code(s): Not reported
Original schedule date: 20001130
Schedule end date: Not reported

EPA ID: CAD990794158
EPA Region: 9
Area Name: ENTIRE FACILITY
Actual Date: 20001130
Action: CA050RF - RFA Completed, Assessment was an RFA
NAICS Code(s): Not reported
Original schedule date: Not reported
Schedule end date: Not reported

RCRA-TSDF:

Date form received by agency: 09/01/1996
Facility name: MOTOROLA FOUR PHASE INC
Facility address: 10700 N DE ANZA BLVD
CUPERTINO, CA 95014
EPA ID: CAD990794158
Mailing address: 10700 N DE ANZA BLVD.
CUPERTINO, CA 95014
Contact: Not reported
Contact address: Not reported
Not reported
Contact country: US
Contact telephone: Not reported
Contact email: Not reported
EPA Region: 09
Land type: Facility is not located on Indian land. Additional information is not known.
Classification: TSDF
Description: Handler is engaged in the treatment, storage or disposal of hazardous

Map ID
Direction
Distance
Elevation

MAP FINDINGS

Site

Database(s)

EDR ID Number
EPA ID Number

MOTOROLA FOUR PHASE INC (Continued)

1000341814

waste

Owner/Operator Summary:

Owner/operator name: MOTOROLA FOUR PHASE INC
Owner/operator address: 10700 N DE ANZA BLVD
CITY NOT REPORTED, CA 99999

Owner/operator country: Not reported
Owner/operator telephone: 408-255-0900
Owner/operator email: Not reported
Owner/operator fax: Not reported
Owner/operator extension: Not reported
Legal status: Private
Owner/Operator Type: Operator
Owner/Op start date: Not reported
Owner/Op end date: Not reported

Owner/operator name: SOBRATO DEVELOPMENT CO.
Owner/operator address: 20700 NALLEY GREEN DRIVE
CUPERTINO, CA 95014

Owner/operator country: Not reported
Owner/operator telephone: 408-446-0700
Owner/operator email: Not reported
Owner/operator fax: Not reported
Owner/operator extension: Not reported
Legal status: Private
Owner/Operator Type: Owner
Owner/Op start date: Not reported
Owner/Op end date: Not reported

Handler Activities Summary:

U.S. importer of hazardous waste: No
Mixed waste (haz. and radioactive): No
Recycler of hazardous waste: No
Transporter of hazardous waste: No
Treater, storer or disposer of HW: No
Underground injection activity: No
On-site burner exemption: No
Furnace exemption: No
Used oil fuel burner: No
Used oil processor: No
User oil refiner: No
Used oil fuel marketer to burner: No
Used oil Specification marketer: No
Used oil transfer facility: No
Used oil transporter: No

Historical Generators:

Date form received by agency: 08/04/1980
Site name: MOTOROLA FOUR PHASE INC
Classification: Large Quantity Generator

Corrective Action Summary:

Event date: 01/01/1990
Event: LEAD AGENCY DETERMINATION

Map ID
Direction
Distance
Elevation

MAP FINDINGS

Site

Database(s)

EDR ID Number
EPA ID Number

MOTOROLA FOUR PHASE INC (Continued)

1000341814

Event date: 08/27/1991
Event: NCAPS RANKING/PRIORITY

Event date: 08/27/1991
Event: PA OR CERCLA INSPECTION

Event date: 08/27/1991
Event: LEAD AGENCY DETERMINATION

Event date: 08/27/1991
Event: CA PRIORITIZATION-MEDIUM CA PRIORITY

Event date: 11/30/2000
Event: DETERMINATION OF NEED FOR AN INVESTIGATION-INVESTIGATION IS NECESSARY

Event date: 11/30/2000
Event: RFA COMPLETED

Event date: 11/30/2000
Event: RFA COMPLETED-ASSESSMENT WAS A RFA

Event date: 07/30/2001
Event: DETERMINATION OF NEED FOR AN INVESTIGATION-INVESTIGATION IS NOT NECESSARY

Facility Has Received Notices of Violations:

Regulation violated: Not reported
Area of violation: TSD - Financial Requirements
Date violation determined: 11/02/1987
Date achieved compliance: 02/18/1988
Violation lead agency: State
Enforcement action: WRITTEN INFORMAL
Enforcement action date: 01/29/1988
Enf. disposition status: Not reported
Enf. disp. status date: Not reported
Enforcement lead agency: State
Proposed penalty amount: Not reported
Final penalty amount: Not reported
Paid penalty amount: Not reported

Regulation violated: Not reported
Area of violation: TSD - General
Date violation determined: 10/29/1987
Date achieved compliance: 10/18/1988
Violation lead agency: State
Enforcement action: WRITTEN INFORMAL
Enforcement action date: 06/17/1988
Enf. disposition status: Not reported
Enf. disp. status date: Not reported
Enforcement lead agency: State
Proposed penalty amount: Not reported
Final penalty amount: Not reported
Paid penalty amount: Not reported

Evaluation Action Summary:

Evaluation date: 11/02/1987

Map ID
Direction
Distance
Elevation

MAP FINDINGS

Site

Database(s)

EDR ID Number
EPA ID Number

MOTOROLA FOUR PHASE INC (Continued)

1000341814

Evaluation: FINANCIAL RECORD REVIEW
Area of violation: TSD - Financial Requirements
Date achieved compliance: 02/18/1988
Evaluation lead agency: State

Evaluation date: 10/29/1987
Evaluation: COMPLIANCE EVALUATION INSPECTION ON-SITE
Area of violation: TSD - General
Date achieved compliance: 10/18/1988
Evaluation lead agency: State

FINDS:

Registry ID: 110002903797

Environmental Interest/Information System

RCRAInfo is a national information system that supports the Resource Conservation and Recovery Act (RCRA) program through the tracking of events and activities related to facilities that generate, transport, and treat, store, or dispose of hazardous waste. RCRAInfo allows RCRA program staff to track the notification, permit, compliance, and corrective action activities required under RCRA.

[Click this hyperlink](#) while viewing on your computer to access additional FINDS: detail in the EDR Site Report.

ECHO:

Envid: 1000341814
Registry ID: 110002903797
DFR URL: <http://echo.epa.gov/detailed-facility-report?fid=110002903797>

G44
South
1/4-1/2
0.264 mi.
1393 ft.

FOUR-PHASE SYSTEMS INC
10700 N DE ANZA BLVD
CUPERTINO, CA 95014
Site 7 of 8 in cluster G

HIST UST **U001601012**
HWP **N/A**
CERS

Relative:
Higher
Actual:
223 ft.

HIST UST:
File Number: Not reported
URL: Not reported
Region: STATE
Facility ID: 00000036517
Facility Type: Other
Other Type: COMPUTER COMPANY
Contact Name: ED KOCH, FACILITIES ENG.
Telephone: 4082550900
Owner Name: MOTOROLA FOUR-PHASE SYSTEMS
Owner Address: 10700 N. DE ANZA BLVD.
Owner City,St,Zip: CUPERTINO, CA 95014
Total Tanks: 0002

Tank Num: 001
Container Num: BLDG 1DSL
Year Installed: Not reported
Tank Capacity: 00001000
Tank Used for: PRODUCT
Type of Fuel: DIESEL

Map ID
Direction
Distance
Elevation

MAP FINDINGS

Site

Database(s)

EDR ID Number
EPA ID Number

FOUR-PHASE SYSTEMS INC (Continued)

U001601012

Container Construction Thickness: Not reported
Leak Detection: Groundwater Monitoring Well, 10

Tank Num: 002
Container Num: BLDG5DSL
Year Installed: 1980
Tank Capacity: 00001000
Tank Used for: PRODUCT
Type of Fuel: DIESEL
Container Construction Thickness: Not reported
Leak Detection: Groundwater Monitoring Well, 10

HWP:

EPA Id: CAD990794158
Cleanup Status: UNDERGOING CLOSURE
Latitude: 37.33214
Longitude: -122.0325
Facility Type: Historical - Non-Operating
Facility Size: Not reported
Team: Not reported
Supervisor: Not reported
Site Code: Not reported
Assembly District: 28
Senate District: 15
Public Information Officer: Not reported
Public Information Officer: Not reported

Activities:

EPA Id: CAD990794158
Facility Type: Historical - Non-Operating
Unit Names: CONTAIN1, TANKSTR1, TANKTRT1
Event Description: New Operating Permit - FINAL PERMIT - WITHDRAWAL REQUEST RECEIVED
Actual Date: 11/07/1984

EPA Id: CAD990794158
Facility Type: Historical - Non-Operating
Unit Names: CONTAIN1, TANKSTR1, TANKTRT1
Event Description: New Operating Permit - FINAL PERMIT - WITHDRAWAL REQUEST ACKNOWLEDGED
Actual Date: 11/07/1992

EPA Id: CAD990794158
Facility Type: Historical - Non-Operating
Unit Names: CONTAIN1, TANKSTR1, TANKTRT1
Event Description: New Operating Permit - APPLICATION PART A RECEIVED
Actual Date: 02/09/1981

Closure:

EPA Id: CAD990794158
Facility Type: Historical - Non-Operating
Unit Names: CONTAIN1, TANKSTR1, TANKTRT1
Event Description: Closure Final - RECEIVE CLOSURE CERTIFICATION
Actual Date: 11/07/1984

EPA Id: CAD990794158
Facility Type: Historical - Non-Operating
Unit Names: CONTAIN1, TANKSTR1, TANKTRT1
Event Description: Closure Final - ISSUE CLOSURE VERIFICATION

Map ID
Direction
Distance
Elevation

MAP FINDINGS

Site

Database(s)

EDR ID Number
EPA ID Number

FOUR-PHASE SYSTEMS INC (Continued)

U001601012

Actual Date: 02/02/1987

CERS TANKS:

Site ID: 233673
CERS ID: CAD990794158
CERS Description: Hazardous Waste

Affiliation:

Affiliation Type Desc: Facility Contact
Entity Name: NON-DELIVERABLE 4/94 FEE FORM
Entity Title: Not reported
Affiliation Address: 10700 N DE ANZA BLVD
Affiliation City: CUPERTINO
Affiliation State: CA
Affiliation Country: Not reported
Affiliation Zip: 950140000
Affiliation Phone: 4082550900

Affiliation Type Desc: Facility Owner
Entity Name: Sobrato Development Co.
Entity Title: Not reported
Affiliation Address: 20700 NALLEY GREEN DRIVE
Affiliation City: CUPERTINO
Affiliation State: CA
Affiliation Country: Not reported
Affiliation Zip: 950140000
Affiliation Phone: 4084460700

G45
South
1/4-1/2
0.264 mi.
1393 ft.

FOUR-PHASE SYSTEMS INC
10700 N DE ANZA BLVD
CUPERTINO, CA 95014

ENVIROSTOR S118757534
N/A

Site 8 of 8 in cluster G

Relative:
Higher

ENVIROSTOR:
Facility ID: 80001514
Status: No Action Required
Status Date: 04/23/2013
Site Code: Not reported
Site Type: Corrective Action
Site Type Detailed: Corrective Action
Acres: 40
NPL: NO
Regulatory Agencies: SMBRP
Lead Agency: WM
Program Manager: Not reported
Supervisor: Mark Piros
Division Branch: Cleanup Berkeley
Assembly: 28
Senate: 15
Special Program: Not reported
Restricted Use: NO
Site Mgmt Req: NONE SPECIFIED
Funding: Not reported
Latitude: 37.33214
Longitude: -122.0325

Actual:
223 ft.

Map ID
Direction
Distance
Elevation

MAP FINDINGS

Site

Database(s)

EDR ID Number
EPA ID Number

FOUR-PHASE SYSTEMS INC (Continued)

S118757534

APN: 31602105, 31602106, 31602107, 31602108, 31602109, 31602110
Past Use: MANUFACTURING - ELECTRONIC
Potential COC: Freon 113 Tetrachloroethylene (PCE 1,1,1-Trichloroethane (TCA
Trichloroethylene (TCE 1,1-Dichloroethylene
Confirmed COC: Freon 113 Tetrachloroethylene (PCE 1,1,1-Trichloroethane (TCA
Trichloroethylene (TCE 1,1-Dichloroethylene
Potential Description: SV
Alias Name: 31602105
Alias Type: APN
Alias Name: 31602106
Alias Type: APN
Alias Name: 31602107
Alias Type: APN
Alias Name: 31602108
Alias Type: APN
Alias Name: 31602109
Alias Type: APN
Alias Name: 31602110
Alias Type: APN
Alias Name: CAD990794158
Alias Type: EPA Identification Number
Alias Name: 80001514
Alias Type: Envirostor ID Number

Completed Info:

Completed Area Name: PROJECT WIDE
Completed Sub Area Name: Not reported
Completed Document Type: Preliminary Assessment Report
Completed Date: 08/27/1991
Comments: Not reported

Completed Area Name: PROJECT WIDE
Completed Sub Area Name: Not reported
Completed Document Type: Technical Report
Completed Date: 08/01/1983
Comments: Not reported

Completed Area Name: PROJECT WIDE
Completed Sub Area Name: Not reported
Completed Document Type: Technical Report
Completed Date: 04/24/1989
Comments: Not reported

Completed Area Name: PROJECT WIDE
Completed Sub Area Name: Not reported
Completed Document Type: Technical Report
Completed Date: 09/23/1991
Comments: Not reported

Completed Area Name: PROJECT WIDE
Completed Sub Area Name: Not reported
Completed Document Type: Technical Report
Completed Date: 01/06/1992
Comments: Not reported

Completed Area Name: PROJECT WIDE
Completed Sub Area Name: Not reported
Completed Document Type: RCRA Facility Assessment Report

Map ID
Direction
Distance
Elevation

MAP FINDINGS

Site

Database(s)

EDR ID Number
EPA ID Number

FOUR-PHASE SYSTEMS INC (Continued)

S118757534

Completed Date: 11/30/2000
Comments: Not reported

Completed Area Name: PROJECT WIDE
Completed Sub Area Name: Not reported
Completed Document Type: Correspondence
Completed Date: 04/29/1986
Comments: Not reported

Completed Area Name: PROJECT WIDE
Completed Sub Area Name: Not reported
Completed Document Type: Consent Order
Completed Date: 07/30/2001
Comments: Not reported

Completed Area Name: PROJECT WIDE
Completed Sub Area Name: Not reported
Completed Document Type: RCRA Facility Assessment Report
Completed Date: 07/30/2001
Comments: Not reported

Completed Area Name: PROJECT WIDE
Completed Sub Area Name: Not reported
Completed Document Type: RCRA Facility Assessment Report
Completed Date: 07/30/2001
Comments: RCRA Facility Assessment amendment for the former Motorola-Four Phase Facility determined that no further action is required.

Future Area Name: Not reported
Future Sub Area Name: Not reported
Future Document Type: Not reported
Future Due Date: Not reported
Schedule Area Name: Not reported
Schedule Sub Area Name: Not reported
Schedule Document Type: Not reported
Schedule Due Date: Not reported
Schedule Revised Date: Not reported

46
SSE
1/4-1/2
0.404 mi.
2135 ft.
Relative:
Higher
Actual:
223 ft.

APPLE INC
20400 MARIANI AVENUE
CUPERTINO, CA 95014

RCRA-LQG 1000142172
CPS-SLIC CAD000099259
BROWNFIELDS
FINDS
ECHO
EMI
CERS

RCRA-LQG:
Date form received by agency: 02/28/2008
Facility name: DADE BEHRING INC.
Facility address: 20400 MARIANI AVENUE
CUPERTINO, CA 95014
EPA ID: CAD000099259
Mailing address: 1584 ENTERPRISE BOULEVARD
WEST SACRAMENTO, CA 95691
Contact: DEBRA E BECKMAN
Contact address: Not reported
Not reported
Contact country: US

Map ID
Direction
Distance
Elevation

MAP FINDINGS

Site

Database(s)

EDR ID Number
EPA ID Number

APPLE INC (Continued)

1000142172

Contact telephone: 916-374-3221
Contact email: DEBRA_BECKMAN@DADEBEHRING.COM
EPA Region: 09
Land type: Private
Classification: Large Quantity Generator
Description: Handler: generates 1,000 kg or more of hazardous waste during any calendar month; or generates more than 1 kg of acutely hazardous waste during any calendar month; or generates more than 100 kg of any residue or contaminated soil, waste or other debris resulting from the cleanup of a spill, into or on any land or water, of acutely hazardous waste during any calendar month; or generates 1 kg or less of acutely hazardous waste during any calendar month, and accumulates more than 1 kg of acutely hazardous waste at any time; or generates 100 kg or less of any residue or contaminated soil, waste or other debris resulting from the cleanup of a spill, into or on any land or water, of acutely hazardous waste during any calendar month, and accumulates more than 100 kg of that material at any time

Owner/Operator Summary:

Owner/operator name: MISSION WEST PROPERTIES
Owner/operator address: 10500 BANDLEY DRIVE
CUPERTINO, CA 95014
Owner/operator country: US
Owner/operator telephone: Not reported
Owner/operator email: Not reported
Owner/operator fax: Not reported
Owner/operator extension: Not reported
Legal status: Private
Owner/Operator Type: Owner
Owner/Op start date: 01/01/1977
Owner/Op end date: Not reported

Owner/operator name: DADE BEHRING INC.
Owner/operator address: Not reported
Not reported
Owner/operator country: US
Owner/operator telephone: Not reported
Owner/operator email: Not reported
Owner/operator fax: Not reported
Owner/operator extension: Not reported
Legal status: Private
Owner/Operator Type: Operator
Owner/Op start date: 01/01/1997
Owner/Op end date: Not reported

Handler Activities Summary:

U.S. importer of hazardous waste: No
Mixed waste (haz. and radioactive): No
Recycler of hazardous waste: No
Transporter of hazardous waste: No
Treater, storer or disposer of HW: No
Underground injection activity: No
On-site burner exemption: No
Furnace exemption: No
Used oil fuel burner: No
Used oil processor: No

Map ID
Direction
Distance
Elevation

MAP FINDINGS

Site

Database(s)

EDR ID Number
EPA ID Number

APPLE INC (Continued)

1000142172

User oil refiner: No
Used oil fuel marketer to burner: No
Used oil Specification marketer: No
Used oil transfer facility: No
Used oil transporter: No

. Waste code: D001
. Waste name: IGNITABLE HAZARDOUS WASTES ARE THOSE WASTES WHICH HAVE A FLASHPOINT OF LESS THAN 140 DEGREES FAHRENHEIT AS DETERMINED BY A PENSKEY-MARTENS CLOSED CUP FLASH POINT TESTER. ANOTHER METHOD OF DETERMINING THE FLASH POINT OF A WASTE IS TO REVIEW THE MATERIAL SAFETY DATA SHEET, WHICH CAN BE OBTAINED FROM THE MANUFACTURER OR DISTRIBUTOR OF THE MATERIAL. LACQUER THINNER IS AN EXAMPLE OF A COMMONLY USED SOLVENT WHICH WOULD BE CONSIDERED AS IGNITABLE HAZARDOUS WASTE.

. Waste code: D002
. Waste name: A WASTE WHICH HAS A PH OF LESS THAN 2 OR GREATER THAN 12.5 IS CONSIDERED TO BE A CORROSIVE HAZARDOUS WASTE. SODIUM HYDROXIDE, A CAUSTIC SOLUTION WITH A HIGH PH, IS OFTEN USED BY INDUSTRIES TO CLEAN OR DEGREASE PARTS. HYDROCHLORIC ACID, A SOLUTION WITH A LOW PH, IS USED BY MANY INDUSTRIES TO CLEAN METAL PARTS PRIOR TO PAINTING. WHEN THESE CAUSTIC OR ACID SOLUTIONS BECOME CONTAMINATED AND MUST BE DISPOSED, THE WASTE WOULD BE A CORROSIVE HAZARDOUS WASTE.

. Waste code: D003
. Waste name: A MATERIAL IS CONSIDERED TO BE A REACTIVE HAZARDOUS WASTE IF IT IS NORMALLY UNSTABLE, REACTS VIOLENTLY WITH WATER, GENERATES TOXIC GASES WHEN EXPOSED TO WATER OR CORROSIVE MATERIALS, OR IF IT IS CAPABLE OF DETONATION OR EXPLOSION WHEN EXPOSED TO HEAT OR A FLAME. ONE EXAMPLE OF SUCH WASTE WOULD BE WASTE GUNPOWDER.

. Waste code: D007
. Waste name: CHROMIUM

. Waste code: D009
. Waste name: MERCURY

. Waste code: D010
. Waste name: SELENIUM

. Waste code: D018
. Waste name: BENZENE

. Waste code: D019
. Waste name: CARBON TETRACHLORIDE

. Waste code: D022
. Waste name: CHLOROFORM

. Waste code: D035
. Waste name: METHYL ETHYL KETONE

. Waste code: D038
. Waste name: PYRIDINE

. Waste code: D040
. Waste name: TRICHLOROETHYLENE

MAP FINDINGS

Site

Database(s)

EDR ID Number
EPA ID Number

APPLE INC (Continued)

1000142172

- . Waste code: F002
- . Waste name: THE FOLLOWING SPENT HALOGENATED SOLVENTS: TETRACHLOROETHYLENE, METHYLENE CHLORIDE, TRICHLOROETHYLENE, 1,1,1-TRICHLOROETHANE, CHLOROBENZENE, 1,1,2-TRICHLORO-1,2,2-TRIFLUOROETHANE, ORTHO-DICHLOROBENZENE, TRICHLOROFLUOROMETHANE, AND 1,1,2-TRICHLOROETHANE; ALL SPENT SOLVENT MIXTURES/BLENDS CONTAINING, BEFORE USE, A TOTAL OF TEN PERCENT OR MORE (BY VOLUME) OF ONE OR MORE OF THE ABOVE HALOGENATED SOLVENTS OR THOSE LISTED IN F001, F004, OR F005, AND STILL BOTTOMS FROM THE RECOVERY OF THESE SPENT SOLVENTS AND SPENT SOLVENT MIXTURES.

- . Waste code: F003
- . Waste name: THE FOLLOWING SPENT NON-HALOGENATED SOLVENTS: XYLENE, ACETONE, ETHYL ACETATE, ETHYL BENZENE, ETHYL ETHER, METHYL ISOBUTYL KETONE, N-BUTYL ALCOHOL, CYCLOHEXANONE, AND METHANOL; ALL SPENT SOLVENT MIXTURES/BLENDS CONTAINING, BEFORE USE, ONLY THE ABOVE SPENT NON-HALOGENATED SOLVENTS; AND ALL SPENT SOLVENT MIXTURES/BLENDS CONTAINING, BEFORE USE, ONE OR MORE OF THE ABOVE NON-HALOGENATED SOLVENTS, AND, A TOTAL OF TEN PERCENT OR MORE (BY VOLUME) OF ONE OR MORE OF THOSE SOLVENTS LISTED IN F001, F002, F004, AND F005, AND STILL BOTTOMS FROM THE RECOVERY OF THESE SPENT SOLVENTS AND SPENT SOLVENT MIXTURES.

- . Waste code: F005
- . Waste name: THE FOLLOWING SPENT NON-HALOGENATED SOLVENTS: TOLUENE, METHYL ETHYL KETONE, CARBON DISULFIDE, ISOBUTANOL, PYRIDINE, BENZENE, 2-ETHOXYETHANOL, AND 2-NITROPROPANE; ALL SPENT SOLVENT MIXTURES/BLENDS CONTAINING, BEFORE USE, A TOTAL OF TEN PERCENT OR MORE (BY VOLUME) OF ONE OR MORE OF THE ABOVE NON-HALOGENATED SOLVENTS OR THOSE SOLVENTS LISTED IN F001, F002, OR F004; AND STILL BOTTOMS FROM THE RECOVERY OF THESE SPENT SOLVENTS AND SPENT SOLVENT MIXTURES.

- . Waste code: P028
- . Waste name: BENZENE, (CHLOROMETHYL)-

- . Waste code: P030
- . Waste name: CYANIDES (SOLUBLE CYANIDE SALTS), NOT OTHERWISE SPECIFIED

- . Waste code: P042
- . Waste name: 1,2-BENZENEDIOL, 4-[1-HYDROXY-2-(METHYLAMINO)ETHYL]-, (R)-

- . Waste code: P105
- . Waste name: SODIUM AZIDE

- . Waste code: U044
- . Waste name: CHLOROFORM

- . Waste code: U075
- . Waste name: DICHLORODIFLUOROMETHANE

- . Waste code: U080
- . Waste name: METHANE, DICHLORO-

- . Waste code: U103
- . Waste name: DIMETHYL SULFATE

- . Waste code: U115

Map ID
Direction
Distance
Elevation

MAP FINDINGS

Site

Database(s)

EDR ID Number
EPA ID Number

APPLE INC (Continued)

1000142172

- . Waste name: ETHYLENE OXIDE (I,T)
- . Waste code: U117
- . Waste name: ETHANE, 1,1'-OXYBIS-(I)
- . Waste code: U135
- . Waste name: HYDROGEN SULFIDE
- . Waste code: U138
- . Waste name: METHANE, IODO-
- . Waste code: U154
- . Waste name: METHANOL (I)
- . Waste code: U194
- . Waste name: 1-PROPANAMINE (I,T)
- . Waste code: U211
- . Waste name: CARBON TETRACHLORIDE
- . Waste code: U404
- . Waste name: ETHANAMINE, N,N-DIETHYL- (OR) TRIETHYLAMINE

Historical Generators:

Date form received by agency: 02/24/2004
Site name: DADE BEHRING INC. (FORMERLY SYVA CO.)
Classification: Small Quantity Generator

Date form received by agency: 02/24/2004
Site name: DADE BEHRING INC. (FORMERLY SYVA CO.)
Classification: Large Quantity Generator

- . Waste code: D001
- . Waste name: IGNITABLE HAZARDOUS WASTES ARE THOSE WASTES WHICH HAVE A FLASHPOINT OF LESS THAN 140 DEGREES FAHRENHEIT AS DETERMINED BY A PENSKEY-MARTENS CLOSED CUP FLASH POINT TESTER. ANOTHER METHOD OF DETERMINING THE FLASH POINT OF A WASTE IS TO REVIEW THE MATERIAL SAFETY DATA SHEET, WHICH CAN BE OBTAINED FROM THE MANUFACTURER OR DISTRIBUTOR OF THE MATERIAL. LACQUER THINNER IS AN EXAMPLE OF A COMMONLY USED SOLVENT WHICH WOULD BE CONSIDERED AS IGNITABLE HAZARDOUS WASTE.
- . Waste code: D002
- . Waste name: A WASTE WHICH HAS A PH OF LESS THAN 2 OR GREATER THAN 12.5 IS CONSIDERED TO BE A CORROSIVE HAZARDOUS WASTE. SODIUM HYDROXIDE, A CAUSTIC SOLUTION WITH A HIGH PH, IS OFTEN USED BY INDUSTRIES TO CLEAN OR DEGREASE PARTS. HYDROCHLORIC ACID, A SOLUTION WITH A LOW PH, IS USED BY MANY INDUSTRIES TO CLEAN METAL PARTS PRIOR TO PAINTING. WHEN THESE CAUSTIC OR ACID SOLUTIONS BECOME CONTAMINATED AND MUST BE DISPOSED, THE WASTE WOULD BE A CORROSIVE HAZARDOUS WASTE.
- . Waste code: D003
- . Waste name: A MATERIAL IS CONSIDERED TO BE A REACTIVE HAZARDOUS WASTE IF IT IS NORMALLY UNSTABLE, REACTS VIOLENTLY WITH WATER, GENERATES TOXIC GASES WHEN EXPOSED TO WATER OR CORROSIVE MATERIALS, OR IF IT IS CAPABLE OF DETONATION OR EXPLOSION WHEN EXPOSED TO HEAT OR A FLAME. ONE EXAMPLE OF SUCH WASTE WOULD BY WASTE GUNPOWDER.

Map ID
Direction
Distance
Elevation

MAP FINDINGS

Site

Database(s)

EDR ID Number
EPA ID Number

APPLE INC (Continued)

1000142172

- . Waste code: D005
- . Waste name: BARIUM

- . Waste code: D009
- . Waste name: MERCURY

- . Waste code: D011
- . Waste name: SILVER

- . Waste code: D018
- . Waste name: BENZENE

- . Waste code: D019
- . Waste name: CARBON TETRACHLORIDE

- . Waste code: D022
- . Waste name: CHLOROFORM

- . Waste code: D038
- . Waste name: PYRIDINE

- . Waste code: D040
- . Waste name: TRICHLOROETHYLENE

- . Waste code: F002
- . Waste name: THE FOLLOWING SPENT HALOGENATED SOLVENTS: TETRACHLOROETHYLENE, METHYLENE CHLORIDE, TRICHLOROETHYLENE, 1,1,1-TRICHLOROETHANE, CHLOROBENZENE, 1,1,2-TRICHLORO-1,2,2-TRIFLUOROETHANE, ORTHO-DICHLOROBENZENE, TRICHLOROFLUOROMETHANE, AND 1,1,2-TRICHLOROETHANE; ALL SPENT SOLVENT MIXTURES/BLENDS CONTAINING, BEFORE USE, A TOTAL OF TEN PERCENT OR MORE (BY VOLUME) OF ONE OR MORE OF THE ABOVE HALOGENATED SOLVENTS OR THOSE LISTED IN F001, F004, OR F005, AND STILL BOTTOMS FROM THE RECOVERY OF THESE SPENT SOLVENTS AND SPENT SOLVENT MIXTURES.

- . Waste code: F003
- . Waste name: THE FOLLOWING SPENT NON-HALOGENATED SOLVENTS: XYLENE, ACETONE, ETHYL ACETATE, ETHYL BENZENE, ETHYL ETHER, METHYL ISOBUTYL KETONE, N-BUTYL ALCOHOL, CYCLOHEXANONE, AND METHANOL; ALL SPENT SOLVENT MIXTURES/BLENDS CONTAINING, BEFORE USE, ONLY THE ABOVE SPENT NON-HALOGENATED SOLVENTS; AND ALL SPENT SOLVENT MIXTURES/BLENDS CONTAINING, BEFORE USE, ONE OR MORE OF THE ABOVE NON-HALOGENATED SOLVENTS, AND, A TOTAL OF TEN PERCENT OR MORE (BY VOLUME) OF ONE OR MORE OF THOSE SOLVENTS LISTED IN F001, F002, F004, AND F005, AND STILL BOTTOMS FROM THE RECOVERY OF THESE SPENT SOLVENTS AND SPENT SOLVENT MIXTURES.

- . Waste code: F005
- . Waste name: THE FOLLOWING SPENT NON-HALOGENATED SOLVENTS: TOLUENE, METHYL ETHYL KETONE, CARBON DISULFIDE, ISOBUTANOL, PYRIDINE, BENZENE, 2-ETHOXYETHANOL, AND 2-NITROPROPANE; ALL SPENT SOLVENT MIXTURES/BLENDS CONTAINING, BEFORE USE, A TOTAL OF TEN PERCENT OR MORE (BY VOLUME) OF ONE OR MORE OF THE ABOVE NON-HALOGENATED SOLVENTS OR THOSE SOLVENTS LISTED IN F001, F002, OR F004; AND STILL BOTTOMS FROM THE RECOVERY OF THESE SPENT SOLVENTS AND SPENT SOLVENT MIXTURES.

- . Waste code: P095

Map ID
Direction
Distance
Elevation

MAP FINDINGS

Site

Database(s)

EDR ID Number
EPA ID Number

APPLE INC (Continued)

1000142172

. Waste name: CARBONIC DICHLORIDE

. Waste code: P098

. Waste name: POTASSIUM CYANIDE

. Waste code: P105

. Waste name: SODIUM AZIDE

Date form received by agency: 02/27/2002

Site name: SYVA COMPANY, CUPERTINO

Classification: Large Quantity Generator

. Waste code: D001

. Waste name: IGNITABLE HAZARDOUS WASTES ARE THOSE WASTES WHICH HAVE A FLASHPOINT OF LESS THAN 140 DEGREES FAHRENHEIT AS DETERMINED BY A PENSKEY-MARTENS CLOSED CUP FLASH POINT TESTER. ANOTHER METHOD OF DETERMINING THE FLASH POINT OF A WASTE IS TO REVIEW THE MATERIAL SAFETY DATA SHEET, WHICH CAN BE OBTAINED FROM THE MANUFACTURER OR DISTRIBUTOR OF THE MATERIAL. LACQUER THINNER IS AN EXAMPLE OF A COMMONLY USED SOLVENT WHICH WOULD BE CONSIDERED AS IGNITABLE HAZARDOUS WASTE.

. Waste code: D002

. Waste name: A WASTE WHICH HAS A PH OF LESS THAN 2 OR GREATER THAN 12.5 IS CONSIDERED TO BE A CORROSIVE HAZARDOUS WASTE. SODIUM HYDROXIDE, A CAUSTIC SOLUTION WITH A HIGH PH, IS OFTEN USED BY INDUSTRIES TO CLEAN OR DEGREASE PARTS. HYDROCHLORIC ACID, A SOLUTION WITH A LOW PH, IS USED BY MANY INDUSTRIES TO CLEAN METAL PARTS PRIOR TO PAINTING. WHEN THESE CAUSTIC OR ACID SOLUTIONS BECOME CONTAMINATED AND MUST BE DISPOSED, THE WASTE WOULD BE A CORROSIVE HAZARDOUS WASTE.

. Waste code: D003

. Waste name: A MATERIAL IS CONSIDERED TO BE A REACTIVE HAZARDOUS WASTE IF IT IS NORMALLY UNSTABLE, REACTS VIOLENTLY WITH WATER, GENERATES TOXIC GASES WHEN EXPOSED TO WATER OR CORROSIVE MATERIALS, OR IF IT IS CAPABLE OF DETONATION OR EXPLOSION WHEN EXPOSED TO HEAT OR A FLAME. ONE EXAMPLE OF SUCH WASTE WOULD BY WASTE GUNPOWDER.

. Waste code: D005

. Waste name: BARIUM

. Waste code: D009

. Waste name: MERCURY

. Waste code: D011

. Waste name: SILVER

. Waste code: D018

. Waste name: BENZENE

. Waste code: D019

. Waste name: CARBON TETRACHLORIDE

. Waste code: D022

. Waste name: CHLOROFORM

. Waste code: D038

. Waste name: PYRIDINE

Map ID
Direction
Distance
Elevation

MAP FINDINGS

Site

Database(s)

EDR ID Number
EPA ID Number

APPLE INC (Continued)

1000142172

- . Waste code: D039
- . Waste name: TETRACHLOROETHYLENE

- . Waste code: D040
- . Waste name: TRICHLOROETHYLENE

- . Waste code: F002
- . Waste name: THE FOLLOWING SPENT HALOGENATED SOLVENTS: TETRACHLOROETHYLENE, METHYLENE CHLORIDE, TRICHLOROETHYLENE, 1,1,1-TRICHLOROETHANE, CHLOROBENZENE, 1,1,2-TRICHLORO-1,2,2-TRIFLUOROETHANE, ORTHO-DICHLOROBENZENE, TRICHLOROFLUOROMETHANE, AND 1,1,2-TRICHLOROETHANE; ALL SPENT SOLVENT MIXTURES/BLENDS CONTAINING, BEFORE USE, A TOTAL OF TEN PERCENT OR MORE (BY VOLUME) OF ONE OR MORE OF THE ABOVE HALOGENATED SOLVENTS OR THOSE LISTED IN F001, F004, OR F005, AND STILL BOTTOMS FROM THE RECOVERY OF THESE SPENT SOLVENTS AND SPENT SOLVENT MIXTURES.

- . Waste code: F003
- . Waste name: THE FOLLOWING SPENT NON-HALOGENATED SOLVENTS: XYLENE, ACETONE, ETHYL ACETATE, ETHYL BENZENE, ETHYL ETHER, METHYL ISOBUTYL KETONE, N-BUTYL ALCOHOL, CYCLOHEXANONE, AND METHANOL; ALL SPENT SOLVENT MIXTURES/BLENDS CONTAINING, BEFORE USE, ONLY THE ABOVE SPENT NON-HALOGENATED SOLVENTS; AND ALL SPENT SOLVENT MIXTURES/BLENDS CONTAINING, BEFORE USE, ONE OR MORE OF THE ABOVE NON-HALOGENATED SOLVENTS, AND, A TOTAL OF TEN PERCENT OR MORE (BY VOLUME) OF ONE OR MORE OF THOSE SOLVENTS LISTED IN F001, F002, F004, AND F005, AND STILL BOTTOMS FROM THE RECOVERY OF THESE SPENT SOLVENTS AND SPENT SOLVENT MIXTURES.

- . Waste code: F005
- . Waste name: THE FOLLOWING SPENT NON-HALOGENATED SOLVENTS: TOLUENE, METHYL ETHYL KETONE, CARBON DISULFIDE, ISOBUTANOL, PYRIDINE, BENZENE, 2-ETHOXYETHANOL, AND 2-NITROPROPANE; ALL SPENT SOLVENT MIXTURES/BLENDS CONTAINING, BEFORE USE, A TOTAL OF TEN PERCENT OR MORE (BY VOLUME) OF ONE OR MORE OF THE ABOVE NON-HALOGENATED SOLVENTS OR THOSE SOLVENTS LISTED IN F001, F002, OR F004; AND STILL BOTTOMS FROM THE RECOVERY OF THESE SPENT SOLVENTS AND SPENT SOLVENT MIXTURES.

- . Waste code: P105
- . Waste name: SODIUM AZIDE

- . Waste code: U080
- . Waste name: METHANE, DICHLORO-

- . Waste code: U196
- . Waste name: PYRIDINE

- . Waste code: U211
- . Waste name: CARBON TETRACHLORIDE

Date form received by agency: 10/12/2000
Site name: SYVA COMPANY-CUPERTINO
Classification: Large Quantity Generator

Date form received by agency: 07/18/2000
Site name: SYVA CO CUPERTINO SITE
Classification: Large Quantity Generator

Map ID
Direction
Distance
Elevation

MAP FINDINGS

Site

Database(s)

EDR ID Number
EPA ID Number

APPLE INC (Continued)

1000142172

- . Waste code: D000
- . Waste name: Not Defined

- . Waste code: D001
- . Waste name: IGNITABLE HAZARDOUS WASTES ARE THOSE WASTES WHICH HAVE A FLASHPOINT OF LESS THAN 140 DEGREES FAHRENHEIT AS DETERMINED BY A PENSKY-MARTENS CLOSED CUP FLASH POINT TESTER. ANOTHER METHOD OF DETERMINING THE FLASH POINT OF A WASTE IS TO REVIEW THE MATERIAL SAFETY DATA SHEET, WHICH CAN BE OBTAINED FROM THE MANUFACTURER OR DISTRIBUTOR OF THE MATERIAL. LACQUER THINNER IS AN EXAMPLE OF A COMMONLY USED SOLVENT WHICH WOULD BE CONSIDERED AS IGNITABLE HAZARDOUS WASTE.

- . Waste code: D002
- . Waste name: A WASTE WHICH HAS A PH OF LESS THAN 2 OR GREATER THAN 12.5 IS CONSIDERED TO BE A CORROSIVE HAZARDOUS WASTE. SODIUM HYDROXIDE, A CAUSTIC SOLUTION WITH A HIGH PH, IS OFTEN USED BY INDUSTRIES TO CLEAN OR DEGREASE PARTS. HYDROCHLORIC ACID, A SOLUTION WITH A LOW PH, IS USED BY MANY INDUSTRIES TO CLEAN METAL PARTS PRIOR TO PAINTING. WHEN THESE CAUSTIC OR ACID SOLUTIONS BECOME CONTAMINATED AND MUST BE DISPOSED, THE WASTE WOULD BE A CORROSIVE HAZARDOUS WASTE.

- . Waste code: D003
- . Waste name: A MATERIAL IS CONSIDERED TO BE A REACTIVE HAZARDOUS WASTE IF IT IS NORMALLY UNSTABLE, REACTS VIOLENTLY WITH WATER, GENERATES TOXIC GASES WHEN EXPOSED TO WATER OR CORROSIVE MATERIALS, OR IF IT IS CAPABLE OF DETONATION OR EXPLOSION WHEN EXPOSED TO HEAT OR A FLAME. ONE EXAMPLE OF SUCH WASTE WOULD BY WASTE GUNPOWDER.

- . Waste code: D009
- . Waste name: MERCURY

- . Waste code: D019
- . Waste name: CARBON TETRACHLORIDE

- . Waste code: D022
- . Waste name: CHLOROFORM

- . Waste code: D039
- . Waste name: TETRACHLOROETHYLENE

- . Waste code: D040
- . Waste name: TRICHLOROETHYLENE

- . Waste code: F002
- . Waste name: THE FOLLOWING SPENT HALOGENATED SOLVENTS: TETRACHLOROETHYLENE, METHYLENE CHLORIDE, TRICHLOROETHYLENE, 1,1,1-TRICHLOROETHANE, CHLOROBENZENE, 1,1,2-TRICHLORO-1,2,2-TRIFLUOROETHANE, ORTHO-DICHLOROBENZENE, TRICHLOROFLUOROMETHANE, AND 1,1,2-TRICHLOROETHANE; ALL SPENT SOLVENT MIXTURES/BLENDS CONTAINING, BEFORE USE, A TOTAL OF TEN PERCENT OR MORE (BY VOLUME) OF ONE OR MORE OF THE ABOVE HALOGENATED SOLVENTS OR THOSE LISTED IN F001, F004, OR F005, AND STILL BOTTOMS FROM THE RECOVERY OF THESE SPENT SOLVENTS AND SPENT SOLVENT MIXTURES.

- . Waste code: F003
- . Waste name: THE FOLLOWING SPENT NON-HALOGENATED SOLVENTS: XYLENE, ACETONE, ETHYL ACETATE, ETHYL BENZENE, ETHYL ETHER, METHYL ISOBUTYL KETONE, N-BUTYL

Map ID
Direction
Distance
Elevation

MAP FINDINGS

Site

Database(s)

EDR ID Number
EPA ID Number

APPLE INC (Continued)

1000142172

ALCOHOL, CYCLOHEXANONE, AND METHANOL; ALL SPENT SOLVENT MIXTURES/BLENDS CONTAINING, BEFORE USE, ONLY THE ABOVE SPENT NON-HALOGENATED SOLVENTS; AND ALL SPENT SOLVENT MIXTURES/BLENDS CONTAINING, BEFORE USE, ONE OR MORE OF THE ABOVE NON-HALOGENATED SOLVENTS, AND, A TOTAL OF TEN PERCENT OR MORE (BY VOLUME) OF ONE OR MORE OF THOSE SOLVENTS LISTED IN F001, F002, F004, AND F005, AND STILL BOTTOMS FROM THE RECOVERY OF THESE SPENT SOLVENTS AND SPENT SOLVENT MIXTURES.

. Waste code: P105
. Waste name: SODIUM AZIDE

. Waste code: U002
. Waste name: ACETONE (I)

. Waste code: U022
. Waste name: BENZO[A]PYRENE

. Waste code: U154
. Waste name: METHANOL (I)

. Waste code: U188
. Waste name: PHENOL

Date form received by agency: 03/04/1999
Site name: SYVA COMPANY - CUPERTINO
Classification: Large Quantity Generator

Date form received by agency: 09/01/1996
Site name: SYVA CO CUPERTINO SITE
Classification: Large Quantity Generator

Date form received by agency: 02/29/1996
Site name: BEHRING DIAGNOSTICS INC. - CUPERTINO
Classification: Large Quantity Generator

Date form received by agency: 03/30/1994
Site name: SYVA COMPANY
Classification: Large Quantity Generator

Date form received by agency: 02/28/1992
Site name: SYVA COMPANY
Classification: Large Quantity Generator

Date form received by agency: 04/10/1990
Site name: SYVA COMPANY
Classification: Large Quantity Generator

Facility Has Received Notices of Violations:

Regulation violated: Not reported
Area of violation: Generators - General
Date violation determined: 10/07/2003
Date achieved compliance: 12/02/2003
Violation lead agency: State
Enforcement action: WRITTEN INFORMAL
Enforcement action date: 10/07/2003
Enf. disposition status: Not reported

Map ID
Direction
Distance
Elevation

MAP FINDINGS

Site

Database(s)

EDR ID Number
EPA ID Number

APPLE INC (Continued)

1000142172

Enf. disp. status date: Not reported
Enforcement lead agency: State
Proposed penalty amount: Not reported
Final penalty amount: Not reported
Paid penalty amount: Not reported

Evaluation Action Summary:

Evaluation date: 10/07/2003
Evaluation: COMPLIANCE EVALUATION INSPECTION ON-SITE
Area of violation: Generators - General
Date achieved compliance: 12/02/2003
Evaluation lead agency: State Contractor/Grantee

CPS-SLIC:

Region: STATE
Facility Status: Completed - Case Closed
Status Date: 09/30/2010
Global Id: SL0608533305
Lead Agency: SAN FRANCISCO BAY RWQCB (REGION 2)
Lead Agency Case Number: Not reported
Latitude: 37.329152
Longitude: -122.029699
Case Type: Cleanup Program Site
Case Worker: UUU
Local Agency: Not reported
RB Case Number: 43S1117
File Location: Regional Board
Potential Media Affected: Soil, Soil Vapor
Potential Contaminants of Concern: Trichloroethylene (TCE), Freon
Site History: Not reported

[Click here to access the California GeoTracker records for this facility:](#)

BROWNFIELDS:

Global ID: SL0608533305
Latitude: 37.329152
Longitude: -122.029699
Project Type: Cleanup Program Site
Status: Completed - Case Closed
Status Date: 09/30/2010
Lead Agency: SAN FRANCISCO BAY RWQCB (REGION 2)
Last Correspondence Date: 09/30/2010
Release Type: Surface Discharge, Unknown
Contaminant(s) of Concern: Trichloroethylene (TCE), Freon
Media of Concern: Soil, Soil Vapor
Past Use(s) that Caused Contamination: MANUFACTURING - INDUSTRIAL MACHINERY
Human Health Exposure Controlled: INSUFFICIENT DATA
Human Health Exposure Controlled Date: 01/01/2009
Groundwater Migration Controlled: YES
Groundwater Migration Controlled Date: 01/01/2009
Primary Caseworker Name: Regional Water Board
Primary Caseworker Organization Name: SAN FRANCISCO BAY RWQCB (REGION 2)
Primary Caseworker Phone Number: 510-622-3277
Primary Caseworker Address: 1515 CLAY ST SUITE 1400
Primary Caseworker Address: OAKLAND
Primary Caseworker Address: C
Primary Caseworker Email: Not reported

Map ID
Direction
Distance
Elevation

MAP FINDINGS

Site

Database(s)

EDR ID Number
EPA ID Number

APPLE INC (Continued)

1000142172

FINDS:

Registry ID: 110058373941

Environmental Interest/Information System
AIR EMISSIONS CLASSIFICATION UNKNOWN
STATE MASTER

Registry ID: 110002411649

Environmental Interest/Information System
US EPA TRIS (Toxics Release Inventory System) contains information from facilities on the amounts of over 300 listed toxic chemicals that these facilities release directly to air, water, land, or that are transported off-site.

HAZARDOUS AIR POLLUTANT MAJOR

RCRAInfo is a national information system that supports the Resource Conservation and Recovery Act (RCRA) program through the tracking of events and activities related to facilities that generate, transport, and treat, store, or dispose of hazardous waste. RCRAInfo allows RCRA program staff to track the notification, permit, compliance, and corrective action activities required under RCRA.

HAZARDOUS WASTE BIENNIAL REPORTER

[Click this hyperlink](#) while viewing on your computer to access additional FINDS: detail in the EDR Site Report.

ECHO:

Envid: 1000142172
Registry ID: 110002411649
DFR URL: <http://echo.epa.gov/detailed-facility-report?fid=110002411649>

EMI:

Year: 1987
County Code: 43
Air Basin: SF
Facility ID: 3606
Air District Name: BA
SIC Code: 3841
Air District Name: BAY AREA AQMD
Community Health Air Pollution Info System: Not reported
Consolidated Emission Reporting Rule: Not reported
Total Organic Hydrocarbon Gases Tons/Yr: 1
Reactive Organic Gases Tons/Yr: 1
Carbon Monoxide Emissions Tons/Yr: 0
NOX - Oxides of Nitrogen Tons/Yr: 0
SOX - Oxides of Sulphur Tons/Yr: 0
Particulate Matter Tons/Yr: 0
Part. Matter 10 Micrometers and Smlr Tons/Yr: 0

Year: 1990

Map ID
Direction
Distance
Elevation

MAP FINDINGS

Site

Database(s)

EDR ID Number
EPA ID Number

APPLE INC (Continued)

1000142172

County Code: 43
Air Basin: SF
Facility ID: 3606
Air District Name: BA
SIC Code: 3841
Air District Name: BAY AREA AQMD
Community Health Air Pollution Info System: Not reported
Consolidated Emission Reporting Rule: Not reported
Total Organic Hydrocarbon Gases Tons/Yr: 2
Reactive Organic Gases Tons/Yr: 1
Carbon Monoxide Emissions Tons/Yr: 0
NOX - Oxides of Nitrogen Tons/Yr: 0
SOX - Oxides of Sulphur Tons/Yr: 0
Particulate Matter Tons/Yr: 0
Part. Matter 10 Micrometers and Smlr Tons/Yr:0

Year: 1995
County Code: 43
Air Basin: SF
Facility ID: 3606
Air District Name: BA
SIC Code: 5047
Air District Name: BAY AREA AQMD
Community Health Air Pollution Info System: Not reported
Consolidated Emission Reporting Rule: Not reported
Total Organic Hydrocarbon Gases Tons/Yr: 0
Reactive Organic Gases Tons/Yr: 0
Carbon Monoxide Emissions Tons/Yr: 0
NOX - Oxides of Nitrogen Tons/Yr: 0
SOX - Oxides of Sulphur Tons/Yr: 0
Particulate Matter Tons/Yr: 0
Part. Matter 10 Micrometers and Smlr Tons/Yr:0

Year: 1996
County Code: 43
Air Basin: SF
Facility ID: 3606
Air District Name: BA
SIC Code: 5047
Air District Name: BAY AREA AQMD
Community Health Air Pollution Info System: Not reported
Consolidated Emission Reporting Rule: Not reported
Total Organic Hydrocarbon Gases Tons/Yr: 0
Reactive Organic Gases Tons/Yr: 0
Carbon Monoxide Emissions Tons/Yr: 0
NOX - Oxides of Nitrogen Tons/Yr: 0
SOX - Oxides of Sulphur Tons/Yr: 0
Particulate Matter Tons/Yr: 0
Part. Matter 10 Micrometers and Smlr Tons/Yr:0

Year: 1997
County Code: 43
Air Basin: SF
Facility ID: 3606
Air District Name: BA
SIC Code: 5047
Air District Name: BAY AREA AQMD

Map ID
Direction
Distance
Elevation

MAP FINDINGS

Site

Database(s)

EDR ID Number
EPA ID Number

APPLE INC (Continued)

1000142172

Community Health Air Pollution Info System: Not reported
Consolidated Emission Reporting Rule: Not reported
Total Organic Hydrocarbon Gases Tons/Yr: 0
Reactive Organic Gases Tons/Yr: 0
Carbon Monoxide Emissions Tons/Yr: 0
NOX - Oxides of Nitrogen Tons/Yr: 0
SOX - Oxides of Sulphur Tons/Yr: 0
Particulate Matter Tons/Yr: 0
Part. Matter 10 Micrometers and Smlr Tons/Yr:0

Year: 1998
County Code: 43
Air Basin: SF
Facility ID: 3606
Air District Name: BA
SIC Code: 5047
Air District Name: BAY AREA AQMD
Community Health Air Pollution Info System: Not reported
Consolidated Emission Reporting Rule: Not reported
Total Organic Hydrocarbon Gases Tons/Yr: 1
Reactive Organic Gases Tons/Yr: 0
Carbon Monoxide Emissions Tons/Yr: 0
NOX - Oxides of Nitrogen Tons/Yr: 0
SOX - Oxides of Sulphur Tons/Yr: 0
Particulate Matter Tons/Yr: 0
Part. Matter 10 Micrometers and Smlr Tons/Yr:0

Year: 1999
County Code: 43
Air Basin: SF
Facility ID: 3606
Air District Name: BA
SIC Code: 5047
Air District Name: BAY AREA AQMD
Community Health Air Pollution Info System: Not reported
Consolidated Emission Reporting Rule: Not reported
Total Organic Hydrocarbon Gases Tons/Yr: 0
Reactive Organic Gases Tons/Yr: 0
Carbon Monoxide Emissions Tons/Yr: 0
NOX - Oxides of Nitrogen Tons/Yr: 0
SOX - Oxides of Sulphur Tons/Yr: 0
Particulate Matter Tons/Yr: 0
Part. Matter 10 Micrometers and Smlr Tons/Yr:0

Year: 2000
County Code: 43
Air Basin: SF
Facility ID: 3606
Air District Name: BA
SIC Code: 5047
Air District Name: BAY AREA AQMD
Community Health Air Pollution Info System: Not reported
Consolidated Emission Reporting Rule: Not reported
Total Organic Hydrocarbon Gases Tons/Yr: 0
Reactive Organic Gases Tons/Yr: 0
Carbon Monoxide Emissions Tons/Yr: 0
NOX - Oxides of Nitrogen Tons/Yr: 0

Map ID
Direction
Distance
Elevation

MAP FINDINGS

Site

Database(s)

EDR ID Number
EPA ID Number

APPLE INC (Continued)

1000142172

SOX - Oxides of Sulphur Tons/Yr: 0
Particulate Matter Tons/Yr: 0
Part. Matter 10 Micrometers and Smllr Tons/Yr:0

Year: 2001
County Code: 43
Air Basin: SF
Facility ID: 3606
Air District Name: BA
SIC Code: 5047
Air District Name: BAY AREA AQMD
Community Health Air Pollution Info System: Not reported
Consolidated Emission Reporting Rule: Not reported
Total Organic Hydrocarbon Gases Tons/Yr: 0
Reactive Organic Gases Tons/Yr: 0
Carbon Monoxide Emissions Tons/Yr: 0
NOX - Oxides of Nitrogen Tons/Yr: 0
SOX - Oxides of Sulphur Tons/Yr: 0
Particulate Matter Tons/Yr: 0
Part. Matter 10 Micrometers and Smllr Tons/Yr:0

Year: 2002
County Code: 43
Air Basin: SF
Facility ID: 3606
Air District Name: BA
SIC Code: 2835
Air District Name: BAY AREA AQMD
Community Health Air Pollution Info System: Not reported
Consolidated Emission Reporting Rule: Not reported
Total Organic Hydrocarbon Gases Tons/Yr: 0
Reactive Organic Gases Tons/Yr: 0
Carbon Monoxide Emissions Tons/Yr: 0
NOX - Oxides of Nitrogen Tons/Yr: 0
SOX - Oxides of Sulphur Tons/Yr: 0
Particulate Matter Tons/Yr: 0
Part. Matter 10 Micrometers and Smllr Tons/Yr:0

Year: 2003
County Code: 43
Air Basin: SF
Facility ID: 3606
Air District Name: BA
SIC Code: 2835
Air District Name: BAY AREA AQMD
Community Health Air Pollution Info System: Not reported
Consolidated Emission Reporting Rule: Not reported
Total Organic Hydrocarbon Gases Tons/Yr: 0
Reactive Organic Gases Tons/Yr: 0
Carbon Monoxide Emissions Tons/Yr: 0
NOX - Oxides of Nitrogen Tons/Yr: 0
SOX - Oxides of Sulphur Tons/Yr: 0
Particulate Matter Tons/Yr: 0
Part. Matter 10 Micrometers and Smllr Tons/Yr:0

Year: 2004
County Code: 43

Map ID
Direction
Distance
Elevation

MAP FINDINGS

Site

Database(s)

EDR ID Number
EPA ID Number

APPLE INC (Continued)

1000142172

Air Basin: SF
Facility ID: 3606
Air District Name: BA
SIC Code: 2835
Air District Name: BAY AREA AQMD
Community Health Air Pollution Info System: Not reported
Consolidated Emission Reporting Rule: Not reported
Total Organic Hydrocarbon Gases Tons/Yr: 0.195
Reactive Organic Gases Tons/Yr: 0.078
Carbon Monoxide Emissions Tons/Yr: 0
NOX - Oxides of Nitrogen Tons/Yr: 0
SOX - Oxides of Sulphur Tons/Yr: 0
Particulate Matter Tons/Yr: 0
Part. Matter 10 Micrometers and Smlr Tons/Yr:0

Year: 2005
County Code: 43
Air Basin: SF
Facility ID: 3606
Air District Name: BA
SIC Code: 2835
Air District Name: BAY AREA AQMD
Community Health Air Pollution Info System: Not reported
Consolidated Emission Reporting Rule: Not reported
Total Organic Hydrocarbon Gases Tons/Yr: .39
Reactive Organic Gases Tons/Yr: .1599303
Carbon Monoxide Emissions Tons/Yr: .064
NOX - Oxides of Nitrogen Tons/Yr: .443
SOX - Oxides of Sulphur Tons/Yr: .008
Particulate Matter Tons/Yr: .025
Part. Matter 10 Micrometers and Smlr Tons/Yr:.0244

Year: 2006
County Code: 43
Air Basin: SF
Facility ID: 3606
Air District Name: BA
SIC Code: 2835
Air District Name: BAY AREA AQMD
Community Health Air Pollution Info System: Not reported
Consolidated Emission Reporting Rule: Not reported
Total Organic Hydrocarbon Gases Tons/Yr: .353
Reactive Organic Gases Tons/Yr: .1454569
Carbon Monoxide Emissions Tons/Yr: .054
NOX - Oxides of Nitrogen Tons/Yr: .374
SOX - Oxides of Sulphur Tons/Yr: .007
Particulate Matter Tons/Yr: .021
Part. Matter 10 Micrometers and Smlr Tons/Yr:.020496

CERS TANKS:

Site ID: 189127
CERS ID: SL0608533305
CERS Description: Cleanup Program Site

Affiliation:

Affiliation Type Desc: Regional Board Caseworker
Entity Name: Regional Water Board - SAN FRANCISCO BAY RWQCB (REGION 2)

Map ID
Direction
Distance
Elevation

MAP FINDINGS

Site

Database(s)

EDR ID Number
EPA ID Number

APPLE INC (Continued)

1000142172

Entity Title: Not reported
Affiliation Address: 1515 CLAY ST SUITE 1400
Affiliation City: OAKLAND
Affiliation State: CA
Affiliation Country: Not reported
Affiliation Zip: Not reported
Affiliation Phone: Not reported

I47
WNW
1/4-1/2
0.414 mi.
2188 ft.

TEXACO EXXON
695 HOMESTEAD
SUNNYVALE, CA
Site 1 of 4 in cluster I

HIST CORTESE **S104397053**
N/A

Relative:
Higher
Actual:
231 ft.

HIST CORTESE:
Region: CORTESE
Facility County Code: 43
Reg By: LTNKA
Reg Id: 43-1456

I48
WNW
1/4-1/2
0.441 mi.
2328 ft.

TEXACO/EXXON
695 W HOMESTEAD RD
SUNNYVALE, CA 94087
Site 2 of 4 in cluster I

LUST **U001594953**
HIST UST **N/A**
CERS

Relative:
Higher
Actual:
231 ft.

LUST:
Lead Agency: SANTA CLARA COUNTY LOP
Case Type: LUST Cleanup Site
Geo Track: http://geotracker.waterboards.ca.gov/profile_report.asp?global_id=T0608501427
Global Id: T0608501427
Latitude: 37.3374
Longitude: -122.0394
Status: Completed - Case Closed
Status Date: 01/23/1996
Case Worker: UST
RB Case Number: Not reported
Local Agency: SANTA CLARA COUNTY LOP
File Location: All Files are on GeoTracker or in the Local Agency Database
Local Case Number: Not reported
Potential Media Affect: Soil
Potential Contaminants of Concern: Gasoline
Site History: Not reported

LUST:
Global Id: T0608501427
Contact Type: Regional Board Caseworker
Contact Name: Regional Water Board
Organization Name: SAN FRANCISCO BAY RWQCB (REGION 2)
Address: 1515 CLAY ST SUITE 1400
City: OAKLAND
Email: Not reported
Phone Number: Not reported

Global Id: T0608501427
Contact Type: Local Agency Caseworker

Map ID
Direction
Distance
Elevation

MAP FINDINGS

Site

Database(s)

EDR ID Number
EPA ID Number

TEXACO/EXXON (Continued)

U001594953

Contact Name: UST CASE WORKER
Organization Name: SANTA CLARA COUNTY LOP
Address: 1555 Berger Drive, Suite 300
City: SAN JOSE
Email: Not reported
Phone Number: 4089183400

LUST:

Global Id: T0608501427
Action Type: ENFORCEMENT
Date: 01/23/1996
Action: Closure/No Further Action Letter

Global Id: T0608501427
Action Type: ENFORCEMENT
Date: 04/10/1992
Action: Notice of Responsibility - #39490

Global Id: T0608501427
Action Type: Other
Date: 11/12/1985
Action: Leak Reported

Global Id: T0608501427
Action Type: RESPONSE
Date: 01/23/1996
Action: Other Report / Document

LUST:

Global Id: T0608501427
Status: Open - Case Begin Date
Status Date: 11/12/1985

Global Id: T0608501427
Status: Open - Site Assessment
Status Date: 03/30/1992

Global Id: T0608501427
Status: Completed - Case Closed
Status Date: 01/23/1996

HIST UST:

File Number: 0002CE57
URL: <http://geotracker.waterboards.ca.gov/ustpdfs/pdf/0002CE57.pdf>
Region: STATE
Facility ID: 00000020303
Facility Type: Gas Station
Other Type: Not reported
Contact Name: RANDY LEAVITT
Telephone: 5122232631
Owner Name: AUTOTRONIC SYSTEMS, INC.
Owner Address: 3643 E. COMMERCE
Owner City, St, Zip: SAN ANTONIO, TX 78220
Total Tanks: 0003

Map ID
Direction
Distance
Elevation

MAP FINDINGS

Site

Database(s)

EDR ID Number
EPA ID Number

TEXACO/EXXON (Continued)

U001594953

Tank Num: 001
Container Num: 078
Year Installed: 1977
Tank Capacity: 00009988
Tank Used for: PRODUCT
Type of Fuel: UNLEADED
Container Construction Thickness: Not reported
Leak Detection: Stock Inventor

Tank Num: 002
Container Num: 079
Year Installed: 1977
Tank Capacity: 00015080
Tank Used for: PRODUCT
Type of Fuel: REGULAR
Container Construction Thickness: Not reported
Leak Detection: Stock Inventor

Tank Num: 003
Container Num: 080
Year Installed: 1977
Tank Capacity: 00009988
Tank Used for: PRODUCT
Type of Fuel: PREMIUM
Container Construction Thickness: Not reported
Leak Detection: Stock Inventor

[Click here for Geo Tracker PDF:](#)

CERS TANKS:

Site ID: 239304
CERS ID: T0608501427
CERS Description: Leaking Underground Storage Tank Cleanup Site

Affiliation:

Affiliation Type Desc: Local Agency Caseworker
Entity Name: UST CASE WORKER - SANTA CLARA COUNTY LOP
Entity Title: Not reported
Affiliation Address: 1555 Berger Drive, Suite 300
Affiliation City: SAN JOSE
Affiliation State: CA
Affiliation Country: Not reported
Affiliation Zip: Not reported
Affiliation Phone: 4089183400

Affiliation Type Desc: Regional Board Caseworker
Entity Name: Regional Water Board - SAN FRANCISCO BAY RWQCB (REGION 2)
Entity Title: Not reported
Affiliation Address: 1515 CLAY ST SUITE 1400
Affiliation City: OAKLAND
Affiliation State: CA
Affiliation Country: Not reported
Affiliation Zip: Not reported
Affiliation Phone: Not reported

MAP FINDINGS

Map ID			EDR ID Number
Direction			EPA ID Number
Distance			
Elevation	Site	Database(s)	

I49 WNW 1/4-1/2 0.441 mi. 2328 ft.	TEXACO/EXXON 695 W HOMESTEAD RD SUNNYVALE, CA 94087 Site 3 of 4 in cluster I	LUST HIST LUST	S103881295 N/A
---	---	---------------------------------	---------------------------------

Relative: LUST REG 2:
Higher Region: 2
Actual: Facility Id: Not reported
231 ft. Facility Status: Case Closed
Case Number: 07S2W12E01f
How Discovered: Not reported
Leak Cause: Not reported
Leak Source: Not reported
Date Leak Confirmed: Not reported
Oversight Program: LUST
Prelim. Site Assessment Wokplan Submitted: Not reported
Preliminary Site Assessment Began: 3/30/1992
Pollution Characterization Began: Not reported
Pollution Remediation Plan Submitted: Not reported
Date Remediation Action Underway: Not reported
Date Post Remedial Action Monitoring Began: Not reported

HIST LUST SANTA CLARA:
Region: SANTA CLARA
Region Code: 2
SCVWD ID: 07S2W12E01
Oversite Agency: SCVWD
Date Listed: 1986-01-01 00:00:00
Closed Date: 1996-01-23 00:00:00

I50 WNW 1/4-1/2 0.441 mi. 2328 ft.	SPEEDEE OIL CHANGE & TUNE-UP 695 W HOMESTEAD RD SUNNYVALE, CA 94087 Site 4 of 4 in cluster I	RCRA-SQG LUST FINDS ECHO HAZNET	1001023171 CAR000005298
---	---	--	--

Relative: RCRA-SQG:
Higher Date form received by agency: 08/28/1995
Actual: Facility name: SPEEDEE OIL CHANGE AND TUNE UP
231 ft. Facility address: 695 W HOMESTEAD RD
SUNNYVALE, CA 94089
EPA ID: CAR000005298
Contact: SUNITA PANCHAL
Contact address: 44184 IBERO WY
FREMONT, CA 94539
Contact country: US
Contact telephone: 510-651-2515
Contact email: Not reported
EPA Region: 09
Classification: Small Small Quantity Generator
Description: Handler: generates more than 100 and less than 1000 kg of hazardous waste during any calendar month and accumulates less than 6000 kg of hazardous waste at any time; or generates 100 kg or less of hazardous waste during any calendar month, and accumulates more than 1000 kg of hazardous waste at any time

Owner/Operator Summary:
Owner/operator name: SUNITA AND RAMESH PANCHAL

Map ID
Direction
Distance
Elevation

MAP FINDINGS

Site

Database(s)

EDR ID Number
EPA ID Number

SPEEDEE OIL CHANGE & TUNE-UP (Continued)

1001023171

Owner/operator address: 44184 IBERO WY
FREMONT, CA 94539
Owner/operator country: Not reported
Owner/operator telephone: 510-651-2515
Owner/operator email: Not reported
Owner/operator fax: Not reported
Owner/operator extension: Not reported
Legal status: Private
Owner/Operator Type: Owner
Owner/Op start date: Not reported
Owner/Op end date: Not reported

Handler Activities Summary:

U.S. importer of hazardous waste: No
Mixed waste (haz. and radioactive): No
Recycler of hazardous waste: No
Transporter of hazardous waste: No
Treater, storer or disposer of HW: No
Underground injection activity: No
On-site burner exemption: No
Furnace exemption: No
Used oil fuel burner: No
Used oil processor: No
User oil refiner: No
Used oil fuel marketer to burner: No
Used oil Specification marketer: No
Used oil transfer facility: No
Used oil transporter: No

Violation Status: No violations found

LUST SANTA CLARA:

Region: SANTA CLARA
SCVWD ID: 07S2W12E01F
Date Closed: 01/23/1996
EDR Link ID: 07S2W12E01F

FINDS:

Registry ID: 110009552046

Environmental Interest/Information System

California Hazardous Waste Tracking System - Datamart (HWTS-DATAMART) provides California with information on hazardous waste shipments for generators, transporters, and treatment, storage, and disposal facilities.

RCRAInfo is a national information system that supports the Resource Conservation and Recovery Act (RCRA) program through the tracking of events and activities related to facilities that generate, transport, and treat, store, or dispose of hazardous waste. RCRAInfo allows RCRA program staff to track the notification, permit, compliance, and corrective action activities required under RCRA.

STATE MASTER

UORS (California - Used Oil Recycling System). California Integrated

Map ID
Direction
Distance
Elevation

MAP FINDINGS

Site

Database(s)

EDR ID Number
EPA ID Number

SPEEDEE OIL CHANGE & TUNE-UP (Continued)

1001023171

Waste Management Board (CIWMB) helps communities establish and promote convenient collection opportunities for used oil and used oil filters.

[Click this hyperlink](#) while viewing on your computer to access additional FINDS: detail in the EDR Site Report.

ECHO:

Envid: 1001023171
Registry ID: 110009552046
DFR URL: <http://echo.epa.gov/detailed-facility-report?fid=110009552046>

HAZNET:

envid: 1001023171
Year: 2004
GEPaid: CAR000005298
Contact: SUNITA RAMESH PANCHAL OWNERS
Telephone: 4087301118
Mailing Name: Not reported
Mailing Address: 695 W HOMESTEAD RD
Mailing City,St,Zip: SUNNYVALE, CA 940870000
Gen County: Not reported
TSD EPA ID: CA0000084517
TSD County: Not reported
Waste Category: Aqueous solution with total organic residues less than 10 percent
Disposal Method: Transfer Station
Tons: 0.25
Cat Decode: Not reported
Method Decode: Not reported
Facility County: Santa Clara

envid: 1001023171
Year: 2003
GEPaid: CAR000005298
Contact: SUNITA RAMESH PANCHAL OWNERS
Telephone: 4087301118
Mailing Name: Not reported
Mailing Address: 695 W HOMESTEAD RD
Mailing City,St,Zip: SUNNYVALE, CA 940870000
Gen County: Not reported
TSD EPA ID: CA0000084517
TSD County: Not reported
Waste Category: Aqueous solution with total organic residues less than 10 percent
Disposal Method: Transfer Station
Tons: 0.42
Cat Decode: Not reported
Method Decode: Not reported
Facility County: Santa Clara

envid: 1001023171
Year: 2002
GEPaid: CAR000005298
Contact: SUNITA RAMESH PANCHAL OWNERS
Telephone: 4087301118
Mailing Name: Not reported
Mailing Address: 695 W HOMESTEAD RD

Map ID
Direction
Distance
Elevation

MAP FINDINGS

Site

Database(s)

EDR ID Number
EPA ID Number

SPEEDEE OIL CHANGE & TUNE-UP (Continued)

1001023171

Mailing City,St,Zip: SUNNYVALE, CA 940870000
Gen County: Not reported
TSD EPA ID: CA0000084517
TSD County: Not reported
Waste Category: Aqueous solution with total organic residues less than 10 percent
Disposal Method: Transfer Station
Tons: 0.04
Cat Decode: Not reported
Method Decode: Not reported
Facility County: Santa Clara

envid: 1001023171
Year: 2002
GEPaid: CAR000005298
Contact: SUNITA RAMESH PANCHAL OWNERS
Telephone: 4087301118
Mailing Name: Not reported
Mailing Address: 695 W HOMESTEAD RD
Mailing City,St,Zip: SUNNYVALE, CA 940870000
Gen County: Not reported
TSD EPA ID: CAD009452657
TSD County: Not reported
Waste Category: Unspecified organic liquid mixture
Disposal Method: Recycler
Tons: 5.17
Cat Decode: Not reported
Method Decode: Not reported
Facility County: Santa Clara

envid: 1001023171
Year: 2001
GEPaid: CAR000005298
Contact: SUNITA RAMESH PANCHAL OWNERS
Telephone: 4087301118
Mailing Name: Not reported
Mailing Address: 695 W HOMESTEAD RD
Mailing City,St,Zip: SUNNYVALE, CA 940870000
Gen County: Not reported
TSD EPA ID: CAD009452657
TSD County: Not reported
Waste Category: Unspecified organic liquid mixture
Disposal Method: Recycler
Tons: 5.58
Cat Decode: Not reported
Method Decode: Not reported
Facility County: Santa Clara

[Click this hyperlink](#) while viewing on your computer to access 7 additional CA_HAZNET: record(s) in the EDR Site Report.

Map ID
Direction
Distance
Elevation

MAP FINDINGS

Site

Database(s)

EDR ID Number
EPA ID Number

J51
South
1/4-1/2
0.447 mi.
2362 ft.
CUPERTINO NURSERY
10431 N DE ANZA BLVD
CUPERTINO, CA 95014
Site 1 of 3 in cluster J

LUST **S102428538**
HIST LUST **N/A**
HIST CORTESE
CERS

Relative:
Higher
Actual:
233 ft.

LUST:
Lead Agency: SANTA CLARA COUNTY LOP
Case Type: LUST Cleanup Site
Geo Track: http://geotracker.waterboards.ca.gov/profile_report.asp?global_id=T0608500480
Global Id: T0608500480
Latitude: 37.3294063289724
Longitude: -122.033364772796
Status: Completed - Case Closed
Status Date: 01/24/1992
Case Worker: UST
RB Case Number: Not reported
Local Agency: SANTA CLARA COUNTY LOP
File Location: All Files are on GeoTracker or in the Local Agency Database
Local Case Number: Not reported
Potential Media Affect: Soil
Potential Contaminants of Concern: Gasoline
Site History: Not reported

LUST:
Global Id: T0608500480
Contact Type: Regional Board Caseworker
Contact Name: Regional Water Board
Organization Name: SAN FRANCISCO BAY RWQCB (REGION 2)
Address: 1515 CLAY ST SUITE 1400
City: OAKLAND
Email: Not reported
Phone Number: Not reported

Global Id: T0608500480
Contact Type: Local Agency Caseworker
Contact Name: UST CASE WORKER
Organization Name: SANTA CLARA COUNTY LOP
Address: 1555 Berger Drive, Suite 300
City: SAN JOSE
Email: Not reported
Phone Number: 4089183400

LUST:
Global Id: T0608500480
Action Type: RESPONSE
Date: 01/24/1992
Action: Other Report / Document

Global Id: T0608500480
Action Type: REMEDIATION
Date: 01/16/1986
Action: Excavation

Global Id: T0608500480
Action Type: ENFORCEMENT
Date: 01/16/1986
Action: Notice of Responsibility - #39496

Map ID
Direction
Distance
Elevation

MAP FINDINGS

Site

Database(s)

EDR ID Number
EPA ID Number

CUPERTINO NURSERY (Continued)

S102428538

Global Id: T0608500480
Action Type: ENFORCEMENT
Date: 01/24/1992
Action: Closure/No Further Action Letter

Global Id: T0608500480
Action Type: Other
Date: 09/15/1986
Action: Leak Reported

LUST:

Global Id: T0608500480
Status: Open - Case Begin Date
Status Date: 01/16/1986

Global Id: T0608500480
Status: Open - Site Assessment
Status Date: 02/06/1990

Global Id: T0608500480
Status: Completed - Case Closed
Status Date: 01/24/1992

LUST REG 2:

Region: 2
Facility Id: Not reported
Facility Status: Case Closed
Case Number: 07S2W13C01f
How Discovered: Not reported
Leak Cause: Not reported
Leak Source: Not reported
Date Leak Confirmed: Not reported
Oversight Program: LUST
Prelim. Site Assessment Workplan Submitted: Not reported
Preliminary Site Assessment Began: 2/6/1990
Pollution Characterization Began: Not reported
Pollution Remediation Plan Submitted: Not reported
Date Remediation Action Underway: Not reported
Date Post Remedial Action Monitoring Began: Not reported

LUST SANTA CLARA:

Region: SANTA CLARA
SCVWD ID: 07S2W13C01F
Date Closed: 01/24/1992
EDR Link ID: 07S2W13C01F

HIST LUST SANTA CLARA:

Region: SANTA CLARA
Region Code: 2
SCVWD ID: 07S2W13C01
Oversite Agency: SCVWD
Date Listed: 1987-01-01 00:00:00
Closed Date: 1992-01-24 00:00:00

Map ID
 Direction
 Distance
 Elevation

MAP FINDINGS

Site

Database(s)

EDR ID Number
 EPA ID Number

CUPERTINO NURSERY (Continued)

S102428538

HIST CORTESE:

Region: CORTESE
 Facility County Code: 43
 Reg By: LTNKA
 Reg Id: 43-0430

CERS TANKS:

Site ID: 211724
 CERS ID: T0608500480
 CERS Description: Leaking Underground Storage Tank Cleanup Site

Affiliation:

Affiliation Type Desc: Local Agency Caseworker
 Entity Name: UST CASE WORKER - SANTA CLARA COUNTY LOP
 Entity Title: Not reported
 Affiliation Address: 1555 Berger Drive, Suite 300
 Affiliation City: SAN JOSE
 Affiliation State: CA
 Affiliation Country: Not reported
 Affiliation Zip: Not reported
 Affiliation Phone: 4089183400

Affiliation Type Desc: Regional Board Caseworker
 Entity Name: Regional Water Board - SAN FRANCISCO BAY RWQCB (REGION 2)
 Entity Title: Not reported
 Affiliation Address: 1515 CLAY ST SUITE 1400
 Affiliation City: OAKLAND
 Affiliation State: CA
 Affiliation Country: Not reported
 Affiliation Zip: Not reported
 Affiliation Phone: Not reported

**52
 SSE
 1/4-1/2
 0.450 mi.
 2374 ft.**

**APPLE COMPUTER INC
 10500 DE ANZA
 CUPERTINO, CA 95014**

**HIST CORTESE S104396927
 N/A**

**Relative:
 Higher
 Actual:
 227 ft.**

HIST CORTESE:
 Region: CORTESE
 Facility County Code: 43
 Reg By: LTNKA
 Reg Id: 43-0079

**J53
 South
 1/4-1/2
 0.469 mi.
 2475 ft.**

**APPLE COMPUTER
 10500 N DE ANZA BLVD
 CUPERTINO, CA 95014
 Site 2 of 3 in cluster J**

**LUST 1000279123
 HIST LUST CAD981386485
 RCRA NonGen / NLR
 FINDS
 ECHO
 CERS**

**Relative:
 Higher
 Actual:
 233 ft.**

LUST REG 2:
 Region: 2
 Facility Id: Not reported
 Facility Status: Preliminary site assessment underway

Map ID
Direction
Distance
Elevation

MAP FINDINGS

Site

Database(s)

EDR ID Number
EPA ID Number

APPLE COMPUTER (Continued)

1000279123

Case Number: 07S2W12Q01f
How Discovered: Not reported
Leak Cause: Not reported
Leak Source: Not reported
Date Leak Confirmed: Not reported
Oversight Program: LUST
Prelim. Site Assessment Workplan Submitted: Not reported
Preliminary Site Assessment Began: 3/26/1991
Pollution Characterization Began: Not reported
Pollution Remediation Plan Submitted: Not reported
Date Remediation Action Underway: Not reported
Date Post Remedial Action Monitoring Began: Not reported

LUST SANTA CLARA:

Region: SANTA CLARA
SCVWD ID: 07S2W12Q01F
Date Closed: 01/17/1991
EDR Link ID: 07S2W12Q01F

HIST LUST SANTA CLARA:

Region: SANTA CLARA
Region Code: 2
SCVWD ID: 07S2W12Q01
Oversite Agency: SCVWD
Date Listed: 1989-01-01 00:00:00
Closed Date: 1991-01-17 00:00:00

RCRA NonGen / NLR:

Date form received by agency: 12/06/1994
Facility name: APPLE COMPUTER
Facility address: 10500 N DE ANZA BLVD
CUPERTINO, CA 95014
EPA ID: CAD981386485
Mailing address: 20450 STEVENS CREEK BLVD
CUPERTINO, CA 95014
Contact: VICTORIA WELLS
Contact address: 10500 N DE ANZA BLVD
CUPERTINO, CA 95014
Contact country: US
Contact telephone: 408-973-6959
Contact email: Not reported
EPA Region: 09
Classification: Non-Generator
Description: Handler: Non-Generators do not presently generate hazardous waste

Owner/Operator Summary:

Owner/operator name: APPLE COMPUTER INC
Owner/operator address: 20450 STEVENS CREK BLVD
CUPERTINO, CA 95014
Owner/operator country: Not reported
Owner/operator telephone: 408-555-1212
Owner/operator email: Not reported
Owner/operator fax: Not reported
Owner/operator extension: Not reported
Legal status: Private

Map ID
Direction
Distance
Elevation

MAP FINDINGS

Site

Database(s)

EDR ID Number
EPA ID Number

APPLE COMPUTER (Continued)

1000279123

Owner/Operator Type: Owner
Owner/Op start date: Not reported
Owner/Op end date: Not reported

Owner/operator name: NOT REQUIRED
Owner/operator address: NOT REQUIRED
NOT REQUIRED, ME 99999

Owner/operator country: Not reported
Owner/operator telephone: 415-555-1212
Owner/operator email: Not reported
Owner/operator fax: Not reported
Owner/operator extension: Not reported
Legal status: Private
Owner/Operator Type: Operator
Owner/Op start date: Not reported
Owner/Op end date: Not reported

Handler Activities Summary:

U.S. importer of hazardous waste: No
Mixed waste (haz. and radioactive): No
Recycler of hazardous waste: No
Transporter of hazardous waste: No
Treater, storer or disposer of HW: No
Underground injection activity: No
On-site burner exemption: No
Furnace exemption: No
Used oil fuel burner: No
Used oil processor: No
User oil refiner: No
Used oil fuel marketer to burner: No
Used oil Specification marketer: No
Used oil transfer facility: No
Used oil transporter: No

Violation Status: No violations found

FINDS:

Registry ID: 110002689500

Environmental Interest/Information System

AIR EMISSIONS CLASSIFICATION UNKNOWN

RCRAInfo is a national information system that supports the Resource Conservation and Recovery Act (RCRA) program through the tracking of events and activities related to facilities that generate, transport, and treat, store, or dispose of hazardous waste. RCRAInfo allows RCRA program staff to track the notification, permit, compliance, and corrective action activities required under RCRA.

STATE MASTER

[Click this hyperlink](#) while viewing on your computer to access additional FINDS: detail in the EDR Site Report.

Map ID
Direction
Distance
Elevation

MAP FINDINGS

Site

Database(s)

EDR ID Number
EPA ID Number

APPLE COMPUTER (Continued)

1000279123

ECHO:

Envid: 1000279123
Registry ID: 110002689500
DFR URL: <http://echo.epa.gov/detailed-facility-report?fid=110002689500>

CERS TANKS:

Site ID: 229338
CERS ID: T0608500147
CERS Description: Leaking Underground Storage Tank Cleanup Site

Affiliation:

Affiliation Type Desc: Local Agency Caseworker
Entity Name: UST CASE WORKER - SANTA CLARA COUNTY LOP
Entity Title: Not reported
Affiliation Address: 1555 Berger Drive, Suite 300
Affiliation City: SAN JOSE
Affiliation State: CA
Affiliation Country: Not reported
Affiliation Zip: Not reported
Affiliation Phone: 4089183400

Affiliation Type Desc: Regional Board Caseworker
Entity Name: Regional Water Board - SAN FRANCISCO BAY RWQCB (REGION 2)
Entity Title: Not reported
Affiliation Address: 1515 CLAY ST SUITE 1400
Affiliation City: OAKLAND
Affiliation State: CA
Affiliation Country: Not reported
Affiliation Zip: Not reported
Affiliation Phone: Not reported

J54
South
1/4-1/2
0.469 mi.
2475 ft.

FOUR-PHASE SYSTEMS
10500 N DE ANZA BLVD
CUPERTINO, CA 95014

Site 3 of 3 in cluster J

LUST U001600986
HIST UST N/A

Relative:
Higher
Actual:
233 ft.

LUST:

Lead Agency: SANTA CLARA COUNTY LOP
Case Type: LUST Cleanup Site
Geo Track: http://geotracker.waterboards.ca.gov/profile_report.asp?global_id=T0608500147
Global Id: T0608500147
Latitude: 37.332125
Longitude: -122.0314
Status: Completed - Case Closed
Status Date: 03/17/1991
Case Worker: UST
RB Case Number: Not reported
Local Agency: SANTA CLARA COUNTY LOP
File Location: All Files are on GeoTracker or in the Local Agency Database
Local Case Number: Not reported
Potential Media Affect: Soil
Potential Contaminants of Concern: Diesel
Site History: Not reported

LUST:

Global Id: T0608500147

Map ID
Direction
Distance
Elevation

MAP FINDINGS

Site

Database(s)

EDR ID Number
EPA ID Number

FOUR-PHASE SYSTEMS (Continued)

U001600986

Contact Type: Regional Board Caseworker
Contact Name: Regional Water Board
Organization Name: SAN FRANCISCO BAY RWQCB (REGION 2)
Address: 1515 CLAY ST SUITE 1400
City: OAKLAND
Email: Not reported
Phone Number: Not reported

Global Id: T0608500147
Contact Type: Local Agency Caseworker
Contact Name: UST CASE WORKER
Organization Name: SANTA CLARA COUNTY LOP
Address: 1555 Berger Drive, Suite 300
City: SAN JOSE
Email: Not reported
Phone Number: 4089183400

LUST:

Global Id: T0608500147
Action Type: ENFORCEMENT
Date: 01/17/1992
Action: Closure/No Further Action Letter

Global Id: T0608500147
Action Type: REMEDIATION
Date: 01/26/1988
Action: Excavation

Global Id: T0608500147
Action Type: RESPONSE
Date: 03/25/1988
Action: Other Workplan

Global Id: T0608500147
Action Type: ENFORCEMENT
Date: 10/04/1989
Action: Notice of Responsibility - #39495

Global Id: T0608500147
Action Type: Other
Date: 01/29/1988
Action: Leak Reported

LUST:

Global Id: T0608500147
Status: Open - Case Begin Date
Status Date: 01/29/1988

Global Id: T0608500147
Status: Open - Site Assessment
Status Date: 01/26/1991

Global Id: T0608500147
Status: Completed - Case Closed
Status Date: 03/17/1991

Map ID
Direction
Distance
Elevation

MAP FINDINGS

Site

Database(s)

EDR ID Number
EPA ID Number

FOUR-PHASE SYSTEMS (Continued)

U001600986

HIST UST:

File Number: Not reported
URL: Not reported
Region: STATE
Facility ID: 0000006819
Facility Type: Other
Other Type: EMER. GENERATOR
Contact Name: Not reported
Telephone: 4082550900
Owner Name: FOUR-PHASE SYSTEMS
Owner Address: 10500 N. DE ANZA BLVD.
Owner City,St,Zip: CUPERTINO, CA 95014
Total Tanks: 0005

Tank Num: 001
Container Num: 2
Year Installed: 1981
Tank Capacity: 00002000
Tank Used for: PRODUCT
Type of Fuel: DIESEL
Container Construction Thickness: 3/16
Leak Detection: None

Tank Num: 002
Container Num: 1
Year Installed: 1983
Tank Capacity: 00000200
Tank Used for: WASTE
Type of Fuel: Not reported
Container Construction Thickness: 3/8
Leak Detection: Visual

Tank Num: 003
Container Num: 3
Year Installed: 1983
Tank Capacity: 00000500
Tank Used for: PRODUCT
Type of Fuel: Not reported
Container Construction Thickness: 1/4
Leak Detection: Visual

Tank Num: 004
Container Num: 1
Year Installed: 1976
Tank Capacity: 00002000
Tank Used for: PRODUCT
Type of Fuel: DIESEL
Container Construction Thickness: 3/16
Leak Detection: None

Tank Num: 005
Container Num: 2
Year Installed: 1983
Tank Capacity: 00001700
Tank Used for: WASTE
Type of Fuel: Not reported
Container Construction Thickness: 3/8

Map ID
Direction
Distance
Elevation

MAP FINDINGS

Site

Database(s)

EDR ID Number
EPA ID Number

FOUR-PHASE SYSTEMS (Continued)

U001600986

Leak Detection: Visual

55
WNW
1/4-1/2
0.488 mi.
2576 ft.

SHELL OIL COMPANY
1695 HOLLENBECK AVE
SUNNYVALE, CA 94087

LUST S101309527
HIST LUST N/A
EMI
HIST CORTESE
CERS

Relative:
Higher
Actual:
234 ft.

LUST:
Lead Agency: SANTA CLARA COUNTY LOP
Case Type: LUST Cleanup Site
Geo Track: http://geotracker.waterboards.ca.gov/profile_report.asp?global_id=T0608501263
Global Id: T0608501263
Latitude: 37.338442
Longitude: -122.040679
Status: Completed - Case Closed
Status Date: 10/22/2004
Case Worker: UST
RB Case Number: Not reported
Local Agency: SANTA CLARA COUNTY LOP
File Location: All Files are on GeoTracker or in the Local Agency Database
Local Case Number: Not reported
Potential Media Affect: Soil
Potential Contaminants of Concern: Gasoline
Site History: Not reported

LUST:
Global Id: T0608501263
Contact Type: Regional Board Caseworker
Contact Name: Regional Water Board
Organization Name: SAN FRANCISCO BAY RWQCB (REGION 2)
Address: 1515 CLAY ST SUITE 1400
City: OAKLAND
Email: Not reported
Phone Number: Not reported

Global Id: T0608501263
Contact Type: Local Agency Caseworker
Contact Name: UST CASE WORKER
Organization Name: SANTA CLARA COUNTY LOP
Address: 1555 Berger Drive, Suite 300
City: SAN JOSE
Email: Not reported
Phone Number: 4089183400

LUST:
Global Id: T0608501263
Action Type: ENFORCEMENT
Date: 05/28/1991
Action: Notice of Responsibility - #39487

Global Id: T0608501263
Action Type: ENFORCEMENT
Date: 01/18/2001
Action: Staff Letter - #21258

Global Id: T0608501263
Action Type: RESPONSE

Map ID
Direction
Distance
Elevation

MAP FINDINGS

Site

Database(s)

EDR ID Number
EPA ID Number

SHELL OIL COMPANY (Continued)

S101309527

Date: 09/22/2004
Action: Correspondence

Global Id: T0608501263
Action Type: RESPONSE
Date: 11/16/1992
Action: Other Report / Document

Global Id: T0608501263
Action Type: RESPONSE
Date: 08/03/1990
Action: Tank Removal Report / UST Sampling Report

Global Id: T0608501263
Action Type: RESPONSE
Date: 05/05/1993
Action: Other Report / Document

Global Id: T0608501263
Action Type: RESPONSE
Date: 01/11/1991
Action: CAP/RAP - Feasibility Study Report

Global Id: T0608501263
Action Type: RESPONSE
Date: 01/21/1999
Action: Correspondence

Global Id: T0608501263
Action Type: RESPONSE
Date: 02/01/1991
Action: Well Installation Report

Global Id: T0608501263
Action Type: REMEDIATION
Date: 12/06/1989
Action: Excavation

Global Id: T0608501263
Action Type: REMEDIATION
Date: 03/30/1994
Action: Soil Vapor Extraction (SVE)

Global Id: T0608501263
Action Type: RESPONSE
Date: 08/01/1990
Action: Soil and Water Investigation Report

Global Id: T0608501263
Action Type: RESPONSE
Date: 08/17/2004
Action: Verbal Communication

Global Id: T0608501263
Action Type: RESPONSE
Date: 09/15/1997
Action: Other Report / Document

Map ID
Direction
Distance
Elevation

MAP FINDINGS

Site

Database(s)

EDR ID Number
EPA ID Number

SHELL OIL COMPANY (Continued)

S101309527

Global Id: T0608501263
Action Type: RESPONSE
Date: 08/03/1990
Action: Other Report / Document

Global Id: T0608501263
Action Type: RESPONSE
Date: 06/03/2003
Action: Other Report / Document

Global Id: T0608501263
Action Type: RESPONSE
Date: 03/14/2001
Action: Other Report / Document

Global Id: T0608501263
Action Type: ENFORCEMENT
Date: 10/22/2004
Action: Closure/No Further Action Letter

Global Id: T0608501263
Action Type: RESPONSE
Date: 04/01/1999
Action: Other Report / Document

Global Id: T0608501263
Action Type: RESPONSE
Date: 04/01/1999
Action: Interim Remedial Action Report

Global Id: T0608501263
Action Type: RESPONSE
Date: 03/12/2001
Action: Soil and Water Investigation Workplan

Global Id: T0608501263
Action Type: RESPONSE
Date: 07/18/1989
Action: Soil and Water Investigation Workplan

Global Id: T0608501263
Action Type: Other
Date: 10/08/1984
Action: Leak Reported

LUST:

Global Id: T0608501263
Status: Open - Case Begin Date
Status Date: 10/08/1984

Global Id: T0608501263
Status: Open - Site Assessment
Status Date: 10/06/1988

Global Id: T0608501263
Status: Open - Site Assessment
Status Date: 08/01/1989

Map ID
Direction
Distance
Elevation

MAP FINDINGS

Site

Database(s)

EDR ID Number
EPA ID Number

SHELL OIL COMPANY (Continued)

S101309527

Global Id: T0608501263
Status: Completed - Case Closed
Status Date: 10/22/2004

LUST REG 2:

Region: 2
Facility Id: Not reported
Facility Status: Pollution Characterization
Case Number: 07S2W11H01f
How Discovered: Not reported
Leak Cause: Not reported
Leak Source: Not reported
Date Leak Confirmed: Not reported
Oversight Program: LUST
Prelim. Site Assessment Workplan Submitted: Not reported
Preliminary Site Assessment Began: 10/6/1988
Pollution Characterization Began: 8/1/1989
Pollution Remediation Plan Submitted: Not reported
Date Remediation Action Underway: Not reported
Date Post Remedial Action Monitoring Began: Not reported

LUST SANTA CLARA:

Region: SANTA CLARA
SCVWD ID: 07S2W11H01F
Date Closed: 10/22/2004
EDR Link ID: 07S2W11H01F

HIST LUST SANTA CLARA:

Region: SANTA CLARA
Region Code: 2
SCVWD ID: 07S2W11H01
Oversite Agency: SCVWD
Date Listed: 1985-01-01 00:00:00
Closed Date: 2004-10-22 00:00:00

EMI:

Year: 1995
County Code: 43
Air Basin: SF
Facility ID: 7458
Air District Name: BA
SIC Code: 1389
Air District Name: BAY AREA AQMD
Community Health Air Pollution Info System: Not reported
Consolidated Emission Reporting Rule: Not reported
Total Organic Hydrocarbon Gases Tons/Yr: 0
Reactive Organic Gases Tons/Yr: 0
Carbon Monoxide Emissions Tons/Yr: 0
NOX - Oxides of Nitrogen Tons/Yr: 0
SOX - Oxides of Sulphur Tons/Yr: 0
Particulate Matter Tons/Yr: 0
Part. Matter 10 Micrometers and Smllr Tons/Yr: 0

Map ID
Direction
Distance
Elevation

MAP FINDINGS

Site

Database(s)

EDR ID Number
EPA ID Number

SHELL OIL COMPANY (Continued)

S101309527

HIST CORTESE:

Region: CORTESE
Facility County Code: 43
Reg By: LTNKA
Reg Id: 43-1285

CERS TANKS:

Site ID: 228382
CERS ID: T0608501263
CERS Description: Leaking Underground Storage Tank Cleanup Site

Affiliation:

Affiliation Type Desc: Local Agency Caseworker
Entity Name: UST CASE WORKER - SANTA CLARA COUNTY LOP
Entity Title: Not reported
Affiliation Address: 1555 Berger Drive, Suite 300
Affiliation City: SAN JOSE
Affiliation State: CA
Affiliation Country: Not reported
Affiliation Zip: Not reported
Affiliation Phone: 4089183400

Affiliation Type Desc: Regional Board Caseworker
Entity Name: Regional Water Board - SAN FRANCISCO BAY RWQCB (REGION 2)
Entity Title: Not reported
Affiliation Address: 1515 CLAY ST SUITE 1400
Affiliation City: OAKLAND
Affiliation State: CA
Affiliation Country: Not reported
Affiliation Zip: Not reported
Affiliation Phone: Not reported

56
SSW
1/2-1
0.903 mi.
4769 ft.

**DAVIDSON CHEVROLET/GEO INC.
20955 STEVENS CREEK BLVD
CUPERTINO, CA 95014**

**ENVIROSTOR S103950146
LUST N/A
HIST LUST
SWEEPS UST
HIST CORTESE
CERS**

**Relative:
Higher**

**Actual:
262 ft.**

ENVIROSTOR:

Facility ID: 60001047
Status: Refer: 1248 Local Agency
Status Date: 06/06/2009
Site Code: Not reported
Site Type: Evaluation
Site Type Detailed: Evaluation
Acres: 1
NPL: NO
Regulatory Agencies: SMBRP
Lead Agency: SMBRP
Program Manager: Not reported
Supervisor: Referred - Not Assigned
Division Branch: Cleanup Berkeley
Assembly: 28
Senate: 15
Special Program: Not reported

Map ID
Direction
Distance
Elevation

MAP FINDINGS

Site

Database(s)

EDR ID Number
EPA ID Number

DAVIDSON CHEVROLET/GEO INC. (Continued)

S103950146

Restricted Use: NO
Site Mgmt Req: NONE SPECIFIED
Funding: Not Applicable
Latitude: 37.32349
Longitude: -122.0399
APN: NONE SPECIFIED
Past Use: NONE SPECIFIED
Potential COC: NONE SPECIFIED
Confirmed COC: NONE SPECIFIED
Potential Description: NONE SPECIFIED
Alias Name: 60001047
Alias Type: Envirostor ID Number

Completed Info:

Completed Area Name: PROJECT WIDE
Completed Sub Area Name: Not reported
Completed Document Type: Other Report
Completed Date: 06/29/2006
Comments: Not reported

Future Area Name: Not reported
Future Sub Area Name: Not reported
Future Document Type: Not reported
Future Due Date: Not reported
Schedule Area Name: Not reported
Schedule Sub Area Name: Not reported
Schedule Document Type: Not reported
Schedule Due Date: Not reported
Schedule Revised Date: Not reported

LUST:

Lead Agency: SANTA CLARA COUNTY LOP
Case Type: LUST Cleanup Site
Geo Track: http://geotracker.waterboards.ca.gov/profile_report.asp?global_id=T0608502120
Global Id: T0608502120
Latitude: 37.323613
Longitude: -122.040134
Status: Completed - Case Closed
Status Date: 07/30/1998
Case Worker: UST
RB Case Number: Not reported
Local Agency: SANTA CLARA COUNTY LOP
File Location: All Files are on GeoTracker or in the Local Agency Database
Local Case Number: Not reported
Potential Media Affect: Soil
Potential Contaminants of Concern: Waste Oil / Motor / Hydraulic / Lubricating
Site History: Not reported

LUST:

Global Id: T0608502120
Contact Type: Regional Board Caseworker
Contact Name: Regional Water Board
Organization Name: SAN FRANCISCO BAY RWQCB (REGION 2)
Address: 1515 CLAY ST SUITE 1400
City: OAKLAND
Email: Not reported
Phone Number: Not reported

Map ID
Direction
Distance
Elevation

MAP FINDINGS

Site

Database(s)

EDR ID Number
EPA ID Number

DAVIDSON CHEVROLET/GEO INC. (Continued)

S103950146

Global Id: T0608502120
Contact Type: Local Agency Caseworker
Contact Name: UST CASE WORKER
Organization Name: SANTA CLARA COUNTY LOP
Address: 1555 Berger Drive, Suite 300
City: SAN JOSE
Email: Not reported
Phone Number: 4089183400

LUST:

Global Id: T0608502120
Action Type: ENFORCEMENT
Date: 07/30/1998
Action: Closure/No Further Action Letter

Global Id: T0608502120
Action Type: Other
Date: 05/08/1998
Action: Leak Reported

Global Id: T0608502120
Action Type: RESPONSE
Date: 07/31/2006
Action: Other Report / Document

Global Id: T0608502120
Action Type: RESPONSE
Date: 05/05/1998
Action: Other Report / Document

Global Id: T0608502120
Action Type: RESPONSE
Date: 07/30/1998
Action: Other Report / Document

LUST:

Global Id: T0608502120
Status: Open - Case Begin Date
Status Date: 05/08/1998

Global Id: T0608502120
Status: Completed - Case Closed
Status Date: 07/30/1998

LUST REG 2:

Region: 2
Facility Id: Not reported
Facility Status: Case Closed
Case Number: 07S2W13E03f
How Discovered: Not reported
Leak Cause: Not reported
Leak Source: Not reported
Date Leak Confirmed: Not reported
Oversight Program: LUST
Prelim. Site Assessment Workplan Submitted: Not reported

Map ID
Direction
Distance
Elevation

MAP FINDINGS

Site

Database(s)

EDR ID Number
EPA ID Number

DAVIDSON CHEVROLET/GEO INC. (Continued)

S103950146

Preliminary Site Assessment Began: Not reported
Pollution Characterization Began: Not reported
Pollution Remediation Plan Submitted: Not reported
Date Remediation Action Underway: Not reported
Date Post Remedial Action Monitoring Began: Not reported

LUST SANTA CLARA:

Region: SANTA CLARA
SCVWD ID: 07S2W13E03F
Date Closed: 07/30/1998
EDR Link ID: 07S2W13E03F

HIST LUST SANTA CLARA:

Region: SANTA CLARA
Region Code: 2
SCVWD ID: 07S2W13E03
Oversite Agency: SCVWD
Date Listed: 1998-09-02 00:00:00
Closed Date: 1998-07-30 00:00:00

SWEEPS UST:

Status: Active
Comp Number: 16252
Number: 9
Board Of Equalization: 44-026414
Referral Date: 02-10-92
Action Date: 02-10-92
Created Date: 02-29-88
Owner Tank Id: UNKNOWN
SWRCB Tank Id: 43-012-016252-000001
Tank Status: A
Capacity: 500
Active Date: 02-10-92
Tank Use: OIL
STG: W
Content: WASTE OIL
Number Of Tanks: 1

HIST CORTESE:

Region: CORTESE
Facility County Code: 43
Reg By: LTNKA
Reg Id: 43-2307

CERS TANKS:

Site ID: 200677
CERS ID: T0608502120
CERS Description: Leaking Underground Storage Tank Cleanup Site

Affiliation:

Affiliation Type Desc: Local Agency Caseworker
Entity Name: UST CASE WORKER - SANTA CLARA COUNTY LOP
Entity Title: Not reported
Affiliation Address: 1555 Berger Drive, Suite 300
Affiliation City: SAN JOSE

Map ID
Direction
Distance
Elevation

MAP FINDINGS

Site

Database(s)

EDR ID Number
EPA ID Number

DAVIDSON CHEVROLET/GEO INC. (Continued)

S103950146

Affiliation State: CA
Affiliation Country: Not reported
Affiliation Zip: Not reported
Affiliation Phone: 4089183400

Affiliation Type Desc: Regional Board Caseworker
Entity Name: Regional Water Board - SAN FRANCISCO BAY RWQCB (REGION 2)
Entity Title: Not reported
Affiliation Address: 1515 CLAY ST SUITE 1400
Affiliation City: OAKLAND
Affiliation State: CA
Affiliation Country: Not reported
Affiliation Zip: Not reported
Affiliation Phone: Not reported

57
East
1/2-1
0.938 mi.
4952 ft.

CUPERTINO VILLAGE CLEANERS
10989 NORTH WOLFE ROAD
CUPERTINO, CA 95014

ENVIROSTOR **S108054446**
VCP **N/A**

Relative:
Lower
Actual:
173 ft.

ENVIROSTOR:
Facility ID: 60000385
Status: Active
Status Date: 03/01/2007
Site Code: 201671
Site Type: Voluntary Cleanup
Site Type Detailed: Voluntary Cleanup
Acres: 12.51
NPL: NO
Regulatory Agencies: SMBRP
Lead Agency: SMBRP
Program Manager: Moises Carvalho
Supervisor: Mark Piros
Division Branch: Cleanup Berkeley
Assembly: 28
Senate: 15
Special Program: CLRRRA Liability Immunity (AB 389)
Restricted Use: NO
Site Mgmt Req: NONE SPECIFIED
Funding: Responsible Party
Latitude: 37.33610
Longitude: -122.0153
APN: 316-05-050, 316-05-051, 316-05-052, 316-05-053, 316-05-056,
316-05-072, 316-45-017

Past Use: DRY CLEANING
Potential COC: Tetrachloroethylene (PCE)
Confirmed COC: Tetrachloroethylene (PCE)
Potential Description: SOIL, SV
Alias Name: Cupertino Village Shopping Center
Alias Type: Alternate Name
Alias Name: 316-05-050
Alias Type: APN
Alias Name: 316-05-051
Alias Type: APN
Alias Name: 316-05-052
Alias Type: APN

Map ID
Direction
Distance
Elevation

MAP FINDINGS

Site

Database(s)

EDR ID Number
EPA ID Number

CUPERTINO VILLAGE CLEANERS (Continued)

S108054446

Alias Name: 316-05-053
Alias Type: APN
Alias Name: 316-05-056
Alias Type: APN
Alias Name: 316-05-072
Alias Type: APN
Alias Name: 316-45-017
Alias Type: APN
Alias Name: 110002732598
Alias Type: EPA (FRS #)
Alias Name: 110021144260
Alias Type: EPA (FRS #)
Alias Name: 201671
Alias Type: Project Code (Site Code)
Alias Name: 60000385
Alias Type: Envirostor ID Number

Completed Info:

Completed Area Name: PROJECT WIDE
Completed Sub Area Name: Not reported
Completed Document Type: Annual Oversight Cost Estimate
Completed Date: 10/02/2013
Comments: The estimated annual oversight cost for the 2013/14 fiscal year is \$24,079.

Completed Area Name: PROJECT WIDE
Completed Sub Area Name: Not reported
Completed Document Type: Correspondence
Completed Date: 05/07/2013
Comments: Revised Response Plan submitted requested due to need to re-evaluate proposed remedy due to potential new future land uses.

Completed Area Name: PROJECT WIDE
Completed Sub Area Name: Not reported
Completed Document Type: Correspondence
Completed Date: 02/22/2008
Comments: Letter sent to adjacent property notifying them of the date, time, and locations of the soil vapor samples planned to be collected along the fence line.

Completed Area Name: PROJECT WIDE
Completed Sub Area Name: Not reported
Completed Document Type: Annual Oversight Cost Estimate
Completed Date: 10/15/2012
Comments: Estimated fiscal year 2012-2013 annual DTSC oversight costs are \$36,657.

Completed Area Name: PROJECT WIDE
Completed Sub Area Name: Not reported
Completed Document Type: Correspondence
Completed Date: 08/14/2013
Comments: Community representatives inquired about the status and schedule of the Response Action at the Site as well as the potential impact contamination at the Site may have on the proposed redevelopment of the Site.

Completed Area Name: PROJECT WIDE
Completed Sub Area Name: Not reported

Map ID
Direction
Distance
Elevation

MAP FINDINGS

Site

Database(s)

EDR ID Number
EPA ID Number

CUPERTINO VILLAGE CLEANERS (Continued)

S108054446

Completed Document Type: Annual Oversight Cost Estimate

Completed Date: 09/22/2015

Comments: Not reported

Completed Area Name: PROJECT WIDE

Completed Sub Area Name: Not reported

Completed Document Type: Annual Oversight Cost Estimate

Completed Date: 11/16/2011

Comments: Annual Oversight Cost Estimate completed.

Completed Area Name: PROJECT WIDE

Completed Sub Area Name: Not reported

Completed Document Type: Correspondence

Completed Date: 05/02/2013

Comments: Request to change the locations of two soil vapor probes due to potential disruptions to the 99 Ranch Market business and DTSC response that proposed new locations would not provide soil vapor data in the area where it is needed.

Completed Area Name: PROJECT WIDE

Completed Sub Area Name: Not reported

Completed Document Type: Annual Oversight Cost Estimate

Completed Date: 09/22/2016

Comments: DTSC letter with oversight cost estimate for project activities for fiscal year 2016/2017. The anticipated project activities include the Soil Vapor Extraction Status Report.

Completed Area Name: PROJECT WIDE

Completed Sub Area Name: Not reported

Completed Document Type: CEQA - Notice of Exemption

Completed Date: 02/24/2014

Comments: Not reported

Completed Area Name: PROJECT WIDE

Completed Sub Area Name: Not reported

Completed Document Type: Annual Oversight Cost Estimate

Completed Date: 09/24/2014

Comments: Cupertino Village REW FY 14/15

Completed Area Name: PROJECT WIDE

Completed Sub Area Name: Not reported

Completed Document Type: Other Report

Completed Date: 08/15/2006

Comments: Under the criteria of the Cal/EPA MOA, DTSC was determined the appropriate lead agency for the Cupertino Village Cleaners Project.

Completed Area Name: PROJECT WIDE

Completed Sub Area Name: Not reported

Completed Document Type: Other Report

Completed Date: 12/05/2006

Comments: As part of the AB 389 Process the appropriate agencies, including the host jurisdiction must be notified DTSC is negotiating a CLRRA Agreement.

Completed Area Name: PROJECT WIDE

Completed Sub Area Name: Not reported

Completed Document Type: Site Characterization Report

Map ID
Direction
Distance
Elevation

MAP FINDINGS

Site

Database(s)

EDR ID Number
EPA ID Number

CUPERTINO VILLAGE CLEANERS (Continued)

S108054446

Completed Date: 02/15/2006
Comments: Not reported

Completed Area Name: PROJECT WIDE
Completed Sub Area Name: Not reported
Completed Document Type: Application
Completed Date: 10/31/2006
Comments: Project is eligible for the AB 389 Process

Completed Area Name: PROJECT WIDE
Completed Sub Area Name: Not reported
Completed Document Type: Site Characterization Workplan
Completed Date: 12/24/2007
Comments: Investigation Workplan approved. Supplemental soil, soil vapor, and groundwater sampling will be conducted to further characterize contamination at the Site.

Completed Area Name: PROJECT WIDE
Completed Sub Area Name: Not reported
Completed Document Type: Community Profile
Completed Date: 10/03/2008
Comments: Community Profile completed.

Completed Area Name: PROJECT WIDE
Completed Sub Area Name: Not reported
Completed Document Type: Remedial Investigation Report
Completed Date: 01/05/2006
Comments: Report was completed before DTSC involvement. Report submitted to DTSC as existing information.

Completed Area Name: PROJECT WIDE
Completed Sub Area Name: Not reported
Completed Document Type: Public Notice
Completed Date: 01/17/2008
Comments: Not reported

Completed Area Name: PROJECT WIDE
Completed Sub Area Name: Not reported
Completed Document Type: Fieldwork
Completed Date: 02/29/2008
Comments: February 2008 round of fieldwork completed.

Completed Area Name: PROJECT WIDE
Completed Sub Area Name: Not reported
Completed Document Type: Remedial Investigation Report
Completed Date: 01/28/2011
Comments: Site Assessment Report indicates that PCE vapor plume at the Site presents an elevated risk to human health and safety and the environment at the Site and PCE is migrating offsite. Further action will be required to remediate the contamination.

Completed Area Name: PROJECT WIDE
Completed Sub Area Name: Not reported
Completed Document Type: Site Characterization Workplan
Completed Date: 09/15/2008
Comments: Work Plan approved. Supplemental soil sampling is scheduled for September 30, 2008.

Map ID
Direction
Distance
Elevation

MAP FINDINGS

Site

Database(s)

EDR ID Number
EPA ID Number

CUPERTINO VILLAGE CLEANERS (Continued)

S108054446

Completed Area Name: PROJECT WIDE
Completed Sub Area Name: Not reported
Completed Document Type: Fact Sheets
Completed Date: 12/26/2013
Comments: The fact sheet announces the public comment period for the Draft Response Plan, which runs from January 6, 2014 through February 5, 2014. The fact also describes the proposed response action for the Site, which is the continued operation of the pilot test soil vapor extraction.

Completed Area Name: PROJECT WIDE
Completed Sub Area Name: Not reported
Completed Document Type: Work Notice
Completed Date: 09/15/2008
Comments: Supplemental Soil Sampling scheduled for September 30, 2008.

Completed Area Name: PROJECT WIDE
Completed Sub Area Name: Not reported
Completed Document Type: Remedial Investigation Workplan
Completed Date: 06/03/2009
Comments: Soil Vapor Sampling Work Plan approved.

Completed Area Name: PROJECT WIDE
Completed Sub Area Name: Not reported
Completed Document Type: Public Notice
Completed Date: 07/09/2009
Comments: Work Notice completed and will be mailed out on July 15, 2009.

Completed Area Name: PROJECT WIDE
Completed Sub Area Name: Not reported
Completed Document Type: AB 389 Response Plan
Completed Date: 02/24/2014
Comments: The response action selected in the Response Plan is continued operation of the existing soil vapor extraction system that is on the Site. The system was installed as part of a pilot test. The Response Plan established both residential and commercial cleanup goals for tetrachloroethylene in subsurface and sub-slab soil vapor. PCE in soil vapor will be reduced to the extent practicable. A Land Use Covenant will be put in place to restrict any portion of the Site where the residential or unrestricted use cleanup goals are not achieved.

Completed Area Name: PROJECT WIDE
Completed Sub Area Name: Not reported
Completed Document Type: Fact Sheets
Completed Date: 10/03/2011
Comments: Not reported

Completed Area Name: PROJECT WIDE
Completed Sub Area Name: Not reported
Completed Document Type: Pilot Study/Treatability Workplan
Completed Date: 09/23/2011
Comments: SVE Pilot Work Plan approved.

Completed Area Name: PROJECT WIDE
Completed Sub Area Name: Not reported
Completed Document Type: Pilot/Treatability Study Report

Map ID
Direction
Distance
Elevation

MAP FINDINGS

Site

Database(s)

EDR ID Number
EPA ID Number

CUPERTINO VILLAGE CLEANERS (Continued)

S108054446

Completed Date: 05/07/2012
Comments: Not reported

Completed Area Name: PROJECT WIDE
Completed Sub Area Name: Not reported
Completed Document Type: Well Installation Workplan
Completed Date: 04/12/2013
Comments: Not reported

Completed Area Name: PROJECT WIDE
Completed Sub Area Name: Not reported
Completed Document Type: Public Notice
Completed Date: 12/26/2013
Comments: The public notice announces the public comment period for the Draft Response Plan, which runs from January 6, 2014 through February 5, 2014. The Draft Response Plan proposes the continued operation of the pilot test soil vapor extraction system as the final response action for the Site. The public notice is scheduled to run in the Cupertino Courier on January 3, 2014.

Completed Area Name: PROJECT WIDE
Completed Sub Area Name: Not reported
Completed Document Type: Pilot/Treatability Study Report
Completed Date: 03/03/2014
Comments: The report documents the implementation of the Soil Vapor Extraction (SVE) System Pilot Test Work Plan, and describes the SVE system design and installation, describes the startup monitoring results, describes the pilot testing procedures, and presents the results and conclusions of the pilot testing program . DTSC agreed in its approval letter that soil vapor extraction is a feasible technology for the Site and directed that it be the remedy proposed in a Draft Response Plan.

Completed Area Name: PROJECT WIDE
Completed Sub Area Name: Not reported
Completed Document Type: Monitoring Report
Completed Date: 09/22/2014
Comments: The Report summarizes the interim results of rebound testing being implemented to determine if the operation of the soil vapor extraction (SVE) system from November 2011 to March 2014 effectively remediated the subsurface volatile organic compound (VOC) contamination. The rebound test sampling results showed a generally increasing concentration trend for tetrachloroethylene across the Site, but soil gas concentrations continued to be below the site-specific commercial cleanup goals. The increasing VOC concentrations indicated that equilibrium has not been reached and rebound testing is to continue. The SVE system may need to be restarted if an increasing concentration trend is observed during the next sampling event.

Completed Area Name: PROJECT WIDE
Completed Sub Area Name: Not reported
Completed Document Type: Monitoring Report
Completed Date: 09/03/2015
Comments: Not reported

Completed Area Name: PROJECT WIDE

Map ID
Direction
Distance
Elevation

MAP FINDINGS

Site

Database(s)

EDR ID Number
EPA ID Number

CUPERTINO VILLAGE CLEANERS (Continued)

S108054446

Completed Sub Area Name: Not reported
Completed Document Type: Remedial Action Implementation Workplan
Completed Date: 04/26/2016
Comments: Cupertino Village LP plans to restart the soil vapor extraction (SVE) system due to high concentrations of tetrachloroethylene in soil gas after rebound testing. The Work Plan describes the procedures to reconnect and restart the SVE system; the operation, maintenance, and monitoring of the SVE system; and the rebound testing and reporting of results. The SVE system will operate for three months and system monitor will occur monthly. Following 3 months of SVE system operation, the system will be shut down for rebound testing with soil gas sampling at 1, 2, and 3 month intervals.

Completed Area Name: PROJECT WIDE
Completed Sub Area Name: Not reported
Completed Document Type: California Land Reuse and Revitalization Agreement
Completed Date: 03/01/2007
Comments: DTSC entered into a CLRRA agreement

Completed Area Name: PROJECT WIDE
Completed Sub Area Name: Not reported
Completed Document Type: Correspondence
Completed Date: 03/10/2014
Comments: Pursuant to California Health and Safety Code section 25395.96(c)(2), DTSC notified the host jurisdiction and other interested local agencies of the February 24, 2014 approval of the Final Response Plan for the Site.

Future Area Name: PROJECT WIDE
Future Sub Area Name: Not reported
Future Document Type: Certification
Future Due Date: 2019
Future Area Name: PROJECT WIDE
Future Sub Area Name: Not reported
Future Document Type: Removal Action Completion Report
Future Due Date: 2018
Schedule Area Name: Not reported
Schedule Sub Area Name: Not reported
Schedule Document Type: Not reported
Schedule Due Date: Not reported
Schedule Revised Date: Not reported

VCP:

Facility ID: 60000385
Site Type: Voluntary Cleanup
Site Type Detail: Voluntary Cleanup
Site Mgmt. Req.: NONE SPECIFIED
Acres: 12.51
National Priorities List: NO
Cleanup Oversight Agencies: SMBRP
Lead Agency: SMBRP
Lead Agency Description: DTSC - Site Cleanup Program
Project Manager: Moises Carvalho
Supervisor: Mark Piros
Division Branch: Cleanup Berkeley
Site Code: 201671
Assembly: 28

Map ID
Direction
Distance
Elevation

MAP FINDINGS

Site

Database(s)

EDR ID Number
EPA ID Number

CUPERTINO VILLAGE CLEANERS (Continued)

S108054446

Senate: 15
Special Programs Code: CLRRRA Liability Immunity (AB 389)
Status: Active
Status Date: 03/01/2007
Restricted Use: NO
Funding: Responsible Party
Lat/Long: 37.33610 / -122.0153
APN: 316-05-050, 316-05-051, 316-05-052, 316-05-053, 316-05-056,
316-05-072, 316-45-017
Past Use: DRY CLEANING
Potential COC: 30022
Confirmed COC: 30022
Potential Description: SOIL, SV
Alias Name: Cupertino Village Shopping Center
Alias Type: Alternate Name
Alias Name: 316-05-050
Alias Type: APN
Alias Name: 316-05-051
Alias Type: APN
Alias Name: 316-05-052
Alias Type: APN
Alias Name: 316-05-053
Alias Type: APN
Alias Name: 316-05-056
Alias Type: APN
Alias Name: 316-05-072
Alias Type: APN
Alias Name: 316-45-017
Alias Type: APN
Alias Name: 110002732598
Alias Type: EPA (FRS #)
Alias Name: 110021144260
Alias Type: EPA (FRS #)
Alias Name: 201671
Alias Type: Project Code (Site Code)
Alias Name: 60000385
Alias Type: Envirostor ID Number

Completed Info:

Completed Area Name: PROJECT WIDE
Completed Sub Area Name: Not reported
Completed Document Type: Annual Oversight Cost Estimate
Completed Date: 10/02/2013
Comments: The estimated annual oversight cost for the 2013/14 fiscal year is \$24,079.

Completed Area Name: PROJECT WIDE
Completed Sub Area Name: Not reported
Completed Document Type: Correspondence
Completed Date: 05/07/2013
Comments: Revised Response Plan submitted requested due to need to re-evaluate proposed remedy due to potential new future land uses.

Completed Area Name: PROJECT WIDE
Completed Sub Area Name: Not reported
Completed Document Type: Correspondence
Completed Date: 02/22/2008
Comments: Letter sent to adjacent property notifying them of the date, time,

Map ID
Direction
Distance
Elevation

MAP FINDINGS

Site

Database(s)

EDR ID Number
EPA ID Number

CUPERTINO VILLAGE CLEANERS (Continued)

S108054446

and locations of the soil vapor samples planned to be collected along the fence line.

Completed Area Name: PROJECT WIDE
Completed Sub Area Name: Not reported
Completed Document Type: Annual Oversight Cost Estimate
Completed Date: 10/15/2012
Comments: Estimated fiscal year 2012-2013 annual DTSC oversight costs are \$36,657.

Completed Area Name: PROJECT WIDE
Completed Sub Area Name: Not reported
Completed Document Type: Correspondence
Completed Date: 08/14/2013
Comments: Community representatives inquired about the status and schedule of the Response Action at the Site as well as the potential impact contamination at the Site may have on the proposed redevelopment of the Site.

Completed Area Name: PROJECT WIDE
Completed Sub Area Name: Not reported
Completed Document Type: Annual Oversight Cost Estimate
Completed Date: 09/22/2015
Comments: Not reported

Completed Area Name: PROJECT WIDE
Completed Sub Area Name: Not reported
Completed Document Type: Annual Oversight Cost Estimate
Completed Date: 11/16/2011
Comments: Annual Oversight Cost Estimate completed.

Completed Area Name: PROJECT WIDE
Completed Sub Area Name: Not reported
Completed Document Type: Correspondence
Completed Date: 05/02/2013
Comments: Request to change the locations of two soil vapor probes due to potential disruptions to the 99 Ranch Market business and DTSC response that proposed new locations would not provide soil vapor data in the area where it is needed.

Completed Area Name: PROJECT WIDE
Completed Sub Area Name: Not reported
Completed Document Type: Annual Oversight Cost Estimate
Completed Date: 09/22/2016
Comments: DTSC letter with oversight cost estimate for project activities for fiscal year 2016/2017. The anticipated project activities include the Soil Vapor Extraction Status Report.

Completed Area Name: PROJECT WIDE
Completed Sub Area Name: Not reported
Completed Document Type: CEQA - Notice of Exemption
Completed Date: 02/24/2014
Comments: Not reported

Completed Area Name: PROJECT WIDE
Completed Sub Area Name: Not reported
Completed Document Type: Annual Oversight Cost Estimate

Map ID
Direction
Distance
Elevation

MAP FINDINGS

Site

Database(s)

EDR ID Number
EPA ID Number

CUPERTINO VILLAGE CLEANERS (Continued)

S108054446

Completed Date: 09/24/2014
Comments: Cupertino Village REW FY 14/15

Completed Area Name: PROJECT WIDE
Completed Sub Area Name: Not reported
Completed Document Type: Other Report
Completed Date: 08/15/2006
Comments: Under the criteria of the Cal/EPA MOA, DTSC was determined the appropriate lead agency for the Cupertino Village Cleaners Project.

Completed Area Name: PROJECT WIDE
Completed Sub Area Name: Not reported
Completed Document Type: Other Report
Completed Date: 12/05/2006
Comments: As part of the AB 389 Process the appropriate agencies, including the host jurisdiction must be notified DTSC is negotiating a CLRRA Agreement.

Completed Area Name: PROJECT WIDE
Completed Sub Area Name: Not reported
Completed Document Type: Site Characterization Report
Completed Date: 02/15/2006
Comments: Not reported

Completed Area Name: PROJECT WIDE
Completed Sub Area Name: Not reported
Completed Document Type: Application
Completed Date: 10/31/2006
Comments: Project is eligible for the AB 389 Process

Completed Area Name: PROJECT WIDE
Completed Sub Area Name: Not reported
Completed Document Type: Site Characterization Workplan
Completed Date: 12/24/2007
Comments: Investigation Workplan approved. Supplemental soil, soil vapor, and groundwater sampling will be conducted to further characterize contamination at the Site.

Completed Area Name: PROJECT WIDE
Completed Sub Area Name: Not reported
Completed Document Type: Community Profile
Completed Date: 10/03/2008
Comments: Community Profile completed.

Completed Area Name: PROJECT WIDE
Completed Sub Area Name: Not reported
Completed Document Type: Remedial Investigation Report
Completed Date: 01/05/2006
Comments: Report was completed before DTSC involvement. Report submitted to DTSC as existing information.

Completed Area Name: PROJECT WIDE
Completed Sub Area Name: Not reported
Completed Document Type: Public Notice
Completed Date: 01/17/2008
Comments: Not reported

Map ID
Direction
Distance
Elevation

MAP FINDINGS

Site

Database(s)

EDR ID Number
EPA ID Number

CUPERTINO VILLAGE CLEANERS (Continued)

S108054446

Completed Area Name: PROJECT WIDE
Completed Sub Area Name: Not reported
Completed Document Type: Fieldwork
Completed Date: 02/29/2008
Comments: February 2008 round of fieldwork completed.

Completed Area Name: PROJECT WIDE
Completed Sub Area Name: Not reported
Completed Document Type: Remedial Investigation Report
Completed Date: 01/28/2011
Comments: Site Assessment Report indicates that PCE vapor plume at the Site presents an elevated risk to human health and safety and the environment at the Site and PCE is migrating offsite. Further action will be required to remediate the contamination.

Completed Area Name: PROJECT WIDE
Completed Sub Area Name: Not reported
Completed Document Type: Site Characterization Workplan
Completed Date: 09/15/2008
Comments: Work Plan approved. Supplemental soil sampling is scheduled for September 30, 2008.

Completed Area Name: PROJECT WIDE
Completed Sub Area Name: Not reported
Completed Document Type: Fact Sheets
Completed Date: 12/26/2013
Comments: The fact sheet announces the public comment period for the Draft Response Plan, which runs from January 6, 2014 through February 5, 2014. The fact also describes the proposed response action for the Site, which is the continued operation of the pilot test soil vapor extraction.

Completed Area Name: PROJECT WIDE
Completed Sub Area Name: Not reported
Completed Document Type: Work Notice
Completed Date: 09/15/2008
Comments: Supplemental Soil Sampling scheduled for September 30, 2008.

Completed Area Name: PROJECT WIDE
Completed Sub Area Name: Not reported
Completed Document Type: Remedial Investigation Workplan
Completed Date: 06/03/2009
Comments: Soil Vapor Sampling Work Plan approved.

Completed Area Name: PROJECT WIDE
Completed Sub Area Name: Not reported
Completed Document Type: Public Notice
Completed Date: 07/09/2009
Comments: Work Notice completed and will be mailed out on July 15, 2009.

Completed Area Name: PROJECT WIDE
Completed Sub Area Name: Not reported
Completed Document Type: AB 389 Response Plan
Completed Date: 02/24/2014
Comments: The response action selected in the Response Plan is continued operation of the existing soil vapor extraction system that is on the Site. The system was installed as part of a pilot test. The Response

Map ID
Direction
Distance
Elevation

MAP FINDINGS

Site

Database(s)

EDR ID Number
EPA ID Number

CUPERTINO VILLAGE CLEANERS (Continued)

S108054446

Plan established both residential and commercial cleanup goals for tetrachloroethylene in subsurface and sub-slab soil vapor. PCE in soil vapor will be reduced to the extent practicable. A Land Use Covenant will be put in place to restrict any portion of the Site where the residential or unrestricted use cleanup goals are not achieved.

Completed Area Name: PROJECT WIDE
Completed Sub Area Name: Not reported
Completed Document Type: Fact Sheets
Completed Date: 10/03/2011
Comments: Not reported

Completed Area Name: PROJECT WIDE
Completed Sub Area Name: Not reported
Completed Document Type: Pilot Study/Treatability Workplan
Completed Date: 09/23/2011
Comments: SVE Pilot Work Plan approved.

Completed Area Name: PROJECT WIDE
Completed Sub Area Name: Not reported
Completed Document Type: Pilot/Treatability Study Report
Completed Date: 05/07/2012
Comments: Not reported

Completed Area Name: PROJECT WIDE
Completed Sub Area Name: Not reported
Completed Document Type: Well Installation Workplan
Completed Date: 04/12/2013
Comments: Not reported

Completed Area Name: PROJECT WIDE
Completed Sub Area Name: Not reported
Completed Document Type: Public Notice
Completed Date: 12/26/2013
Comments: The public notice announces the public comment period for the Draft Response Plan, which runs from January 6, 2014 through February 5, 2014. The Draft Response Plan proposes the continued operation of the pilot test soil vapor extraction system as the final response action for the Site. The public notice is scheduled to run in the Cupertino Courier on January 3, 2014.

Completed Area Name: PROJECT WIDE
Completed Sub Area Name: Not reported
Completed Document Type: Pilot/Treatability Study Report
Completed Date: 03/03/2014
Comments: The report documents the implementation of the Soil Vapor Extraction (SVE) System Pilot Test Work Plan, and describes the SVE system design and installation, describes the startup monitoring results, describes the pilot testing procedures, and presents the results and conclusions of the pilot testing program. DTSC agreed in its approval letter that soil vapor extraction is a feasible technology for the Site and directed that it be the remedy proposed in a Draft Response Plan.

Completed Area Name: PROJECT WIDE
Completed Sub Area Name: Not reported

Map ID
Direction
Distance
Elevation

MAP FINDINGS

Site

Database(s)

EDR ID Number
EPA ID Number

CUPERTINO VILLAGE CLEANERS (Continued)

S108054446

Completed Document Type: Monitoring Report
Completed Date: 09/22/2014
Comments: The Report summarizes the interim results of rebound testing being implemented to determine if the operation of the soil vapor extraction (SVE) system from November 2011 to March 2014 effectively remediated the subsurface volatile organic compound (VOC) contamination. The rebound test sampling results showed a generally increasing concentration trend for tetrachloroethylene across the Site, but soil gas concentrations continued to be below the site-specific commercial cleanup goals. The increasing VOC concentrations indicated that equilibrium has not been reached and rebound testing is to continue. The SVE system may need to be restarted if an increasing concentration trend is observed during the next sampling event.

Completed Area Name: PROJECT WIDE
Completed Sub Area Name: Not reported
Completed Document Type: Monitoring Report
Completed Date: 09/03/2015
Comments: Not reported

Completed Area Name: PROJECT WIDE
Completed Sub Area Name: Not reported
Completed Document Type: Remedial Action Implementation Workplan
Completed Date: 04/26/2016
Comments: Cupertino Village LP plans to restart the soil vapor extraction (SVE) system due to high concentrations of tetrachloroethylene in soil gas after rebound testing. The Work Plan describes the procedures to reconnect and restart the SVE system; the operation, maintenance, and monitoring of the SVE system; and the rebound testing and reporting of results. The SVE system will operate for three months and system monitor will occur monthly. Following 3 months of SVE system operation, the system will be shut down for rebound testing with soil gas sampling at 1, 2, and 3 month intervals.

Completed Area Name: PROJECT WIDE
Completed Sub Area Name: Not reported
Completed Document Type: California Land Reuse and Revitalization Agreement
Completed Date: 03/01/2007
Comments: DTSC entered into a CLRRRA agreement

Completed Area Name: PROJECT WIDE
Completed Sub Area Name: Not reported
Completed Document Type: Correspondence
Completed Date: 03/10/2014
Comments: Pursuant to California Health and Safety Code section 25395.96(c)(2), DTSC notified the host jurisdiction and other interested local agencies of the February 24,2014 approval of the Final Response Plan for the Site.

Future Area Name: PROJECT WIDE
Future Sub Area Name: Not reported
Future Document Type: Certification
Future Due Date: 2019
Future Area Name: PROJECT WIDE
Future Sub Area Name: Not reported
Future Document Type: Removal Action Completion Report

Map ID
Direction
Distance
Elevation

MAP FINDINGS

Site

Database(s)

EDR ID Number
EPA ID Number

CUPERTINO VILLAGE CLEANERS (Continued)

S108054446

Future Due Date: 2018
Schedule Area Name: Not reported
Schedule Sub Area Name: Not reported
Schedule Document Type: Not reported
Schedule Due Date: Not reported
Schedule Revised Date: Not reported

Count: 2 records.

ORPHAN SUMMARY

City	EDR ID	Site Name	Site Address	Zip	Database(s)
CUPERTINO	U001600987	FRANCISCO A SERRANO	10550 DE ANZA BLVD	95014	LUST, HIST LUST, HIST UST
CUPERTINO	S122356377	UNOCAL #5428	10490 DE ANZA BLVD	95014	LUST

GOVERNMENT RECORDS SEARCHED / DATA CURRENCY TRACKING

To maintain currency of the following federal and state databases, EDR contacts the appropriate governmental agency on a monthly or quarterly basis, as required.

Number of Days to Update: Provides confirmation that EDR is reporting records that have been updated within 90 days from the date the government agency made the information available to the public.

STANDARD ENVIRONMENTAL RECORDS

Federal NPL site list

NPL: National Priority List

National Priorities List (Superfund). The NPL is a subset of CERCLIS and identifies over 1,200 sites for priority cleanup under the Superfund Program. NPL sites may encompass relatively large areas. As such, EDR provides polygon coverage for over 1,000 NPL site boundaries produced by EPA's Environmental Photographic Interpretation Center (EPIC) and regional EPA offices.

Date of Government Version: 05/13/2018	Source: EPA
Date Data Arrived at EDR: 05/30/2018	Telephone: N/A
Date Made Active in Reports: 06/22/2018	Last EDR Contact: 07/06/2018
Number of Days to Update: 23	Next Scheduled EDR Contact: 10/15/2018
	Data Release Frequency: Quarterly

NPL Site Boundaries

Sources:

EPA's Environmental Photographic Interpretation Center (EPIC)
Telephone: 202-564-7333

EPA Region 1
Telephone 617-918-1143

EPA Region 6
Telephone: 214-655-6659

EPA Region 3
Telephone 215-814-5418

EPA Region 7
Telephone: 913-551-7247

EPA Region 4
Telephone 404-562-8033

EPA Region 8
Telephone: 303-312-6774

EPA Region 5
Telephone 312-886-6686

EPA Region 9
Telephone: 415-947-4246

EPA Region 10
Telephone 206-553-8665

Proposed NPL: Proposed National Priority List Sites

A site that has been proposed for listing on the National Priorities List through the issuance of a proposed rule in the Federal Register. EPA then accepts public comments on the site, responds to the comments, and places on the NPL those sites that continue to meet the requirements for listing.

Date of Government Version: 05/13/2018	Source: EPA
Date Data Arrived at EDR: 05/30/2018	Telephone: N/A
Date Made Active in Reports: 06/22/2018	Last EDR Contact: 07/06/2018
Number of Days to Update: 23	Next Scheduled EDR Contact: 10/15/2018
	Data Release Frequency: Quarterly

NPL LIENS: Federal Superfund Liens

Federal Superfund Liens. Under the authority granted the USEPA by CERCLA of 1980, the USEPA has the authority to file liens against real property in order to recover remedial action expenditures or when the property owner received notification of potential liability. USEPA compiles a listing of filed notices of Superfund Liens.

Date of Government Version: 10/15/1991	Source: EPA
Date Data Arrived at EDR: 02/02/1994	Telephone: 202-564-4267
Date Made Active in Reports: 03/30/1994	Last EDR Contact: 08/15/2011
Number of Days to Update: 56	Next Scheduled EDR Contact: 11/28/2011
	Data Release Frequency: No Update Planned

GOVERNMENT RECORDS SEARCHED / DATA CURRENCY TRACKING

Federal Delisted NPL site list

Delisted NPL: National Priority List Deletions

The National Oil and Hazardous Substances Pollution Contingency Plan (NCP) establishes the criteria that the EPA uses to delete sites from the NPL. In accordance with 40 CFR 300.425.(e), sites may be deleted from the NPL where no further response is appropriate.

Date of Government Version: 05/13/2018	Source: EPA
Date Data Arrived at EDR: 05/30/2018	Telephone: N/A
Date Made Active in Reports: 06/22/2018	Last EDR Contact: 07/06/2018
Number of Days to Update: 23	Next Scheduled EDR Contact: 10/15/2018
	Data Release Frequency: Quarterly

Federal CERCLIS list

FEDERAL FACILITY: Federal Facility Site Information listing

A listing of National Priority List (NPL) and Base Realignment and Closure (BRAC) sites found in the Comprehensive Environmental Response, Compensation and Liability Information System (CERCLIS) Database where EPA Federal Facilities Restoration and Reuse Office is involved in cleanup activities.

Date of Government Version: 11/07/2016	Source: Environmental Protection Agency
Date Data Arrived at EDR: 01/05/2017	Telephone: 703-603-8704
Date Made Active in Reports: 04/07/2017	Last EDR Contact: 07/06/2018
Number of Days to Update: 92	Next Scheduled EDR Contact: 10/15/2018
	Data Release Frequency: Varies

SEMS: Superfund Enterprise Management System

SEMS (Superfund Enterprise Management System) tracks hazardous waste sites, potentially hazardous waste sites, and remedial activities performed in support of EPA's Superfund Program across the United States. The list was formerly know as CERCLIS, renamed to SEMS by the EPA in 2015. The list contains data on potentially hazardous waste sites that have been reported to the USEPA by states, municipalities, private companies and private persons, pursuant to Section 103 of the Comprehensive Environmental Response, Compensation, and Liability Act (CERCLA). This dataset also contains sites which are either proposed to or on the National Priorities List (NPL) and the sites which are in the screening and assessment phase for possible inclusion on the NPL.

Date of Government Version: 05/18/2018	Source: EPA
Date Data Arrived at EDR: 05/30/2018	Telephone: 800-424-9346
Date Made Active in Reports: 06/22/2018	Last EDR Contact: 07/06/2018
Number of Days to Update: 23	Next Scheduled EDR Contact: 10/29/2018
	Data Release Frequency: Quarterly

Federal CERCLIS NFRAP site list

SEMS-ARCHIVE: Superfund Enterprise Management System Archive

GOVERNMENT RECORDS SEARCHED / DATA CURRENCY TRACKING

SEMS-ARCHIVE (Superfund Enterprise Management System Archive) tracks sites that have no further interest under the Federal Superfund Program based on available information. The list was formerly known as the CERCLIS-NFRAP, renamed to SEMS ARCHIVE by the EPA in 2015. EPA may perform a minimal level of assessment work at a site while it is archived if site conditions change and/or new information becomes available. Archived sites have been removed and archived from the inventory of SEMS sites. Archived status indicates that, to the best of EPA's knowledge, assessment at a site has been completed and that EPA has determined no further steps will be taken to list the site on the National Priorities List (NPL), unless information indicates this decision was not appropriate or other considerations require a recommendation for listing at a later time. The decision does not necessarily mean that there is no hazard associated with a given site; it only means that, based upon available information, the location is not judged to be potential NPL site.

Date of Government Version: 05/18/2018	Source: EPA
Date Data Arrived at EDR: 05/30/2018	Telephone: 800-424-9346
Date Made Active in Reports: 06/22/2018	Last EDR Contact: 07/06/2018
Number of Days to Update: 23	Next Scheduled EDR Contact: 10/29/2018
	Data Release Frequency: Quarterly

Federal RCRA CORRACTS facilities list

CORRACTS: Corrective Action Report

CORRACTS identifies hazardous waste handlers with RCRA corrective action activity.

Date of Government Version: 03/01/2018	Source: EPA
Date Data Arrived at EDR: 03/28/2018	Telephone: 800-424-9346
Date Made Active in Reports: 06/22/2018	Last EDR Contact: 06/28/2018
Number of Days to Update: 86	Next Scheduled EDR Contact: 10/08/2018
	Data Release Frequency: Quarterly

Federal RCRA non-CORRACTS TSD facilities list

RCRA-TSDF: RCRA - Treatment, Storage and Disposal

RCRAInfo is EPA's comprehensive information system, providing access to data supporting the Resource Conservation and Recovery Act (RCRA) of 1976 and the Hazardous and Solid Waste Amendments (HSWA) of 1984. The database includes selective information on sites which generate, transport, store, treat and/or dispose of hazardous waste as defined by the Resource Conservation and Recovery Act (RCRA). Transporters are individuals or entities that move hazardous waste from the generator offsite to a facility that can recycle, treat, store, or dispose of the waste. TSDFs treat, store, or dispose of the waste.

Date of Government Version: 03/01/2018	Source: Environmental Protection Agency
Date Data Arrived at EDR: 03/28/2018	Telephone: (415) 495-8895
Date Made Active in Reports: 06/22/2018	Last EDR Contact: 06/28/2018
Number of Days to Update: 86	Next Scheduled EDR Contact: 10/08/2018
	Data Release Frequency: Quarterly

Federal RCRA generators list

RCRA-LQG: RCRA - Large Quantity Generators

RCRAInfo is EPA's comprehensive information system, providing access to data supporting the Resource Conservation and Recovery Act (RCRA) of 1976 and the Hazardous and Solid Waste Amendments (HSWA) of 1984. The database includes selective information on sites which generate, transport, store, treat and/or dispose of hazardous waste as defined by the Resource Conservation and Recovery Act (RCRA). Large quantity generators (LQGs) generate over 1,000 kilograms (kg) of hazardous waste, or over 1 kg of acutely hazardous waste per month.

Date of Government Version: 03/01/2018	Source: Environmental Protection Agency
Date Data Arrived at EDR: 03/28/2018	Telephone: (415) 495-8895
Date Made Active in Reports: 06/22/2018	Last EDR Contact: 06/28/2018
Number of Days to Update: 86	Next Scheduled EDR Contact: 10/08/2018
	Data Release Frequency: Quarterly

GOVERNMENT RECORDS SEARCHED / DATA CURRENCY TRACKING

RCRA-SQG: RCRA - Small Quantity Generators

RCRAInfo is EPA's comprehensive information system, providing access to data supporting the Resource Conservation and Recovery Act (RCRA) of 1976 and the Hazardous and Solid Waste Amendments (HSWA) of 1984. The database includes selective information on sites which generate, transport, store, treat and/or dispose of hazardous waste as defined by the Resource Conservation and Recovery Act (RCRA). Small quantity generators (SQGs) generate between 100 kg and 1,000 kg of hazardous waste per month.

Date of Government Version: 03/01/2018	Source: Environmental Protection Agency
Date Data Arrived at EDR: 03/28/2018	Telephone: (415) 495-8895
Date Made Active in Reports: 06/22/2018	Last EDR Contact: 06/28/2018
Number of Days to Update: 86	Next Scheduled EDR Contact: 10/08/2018
	Data Release Frequency: Quarterly

RCRA-CESQG: RCRA - Conditionally Exempt Small Quantity Generators

RCRAInfo is EPA's comprehensive information system, providing access to data supporting the Resource Conservation and Recovery Act (RCRA) of 1976 and the Hazardous and Solid Waste Amendments (HSWA) of 1984. The database includes selective information on sites which generate, transport, store, treat and/or dispose of hazardous waste as defined by the Resource Conservation and Recovery Act (RCRA). Conditionally exempt small quantity generators (CESQGs) generate less than 100 kg of hazardous waste, or less than 1 kg of acutely hazardous waste per month.

Date of Government Version: 03/01/2018	Source: Environmental Protection Agency
Date Data Arrived at EDR: 03/28/2018	Telephone: (415) 495-8895
Date Made Active in Reports: 06/22/2018	Last EDR Contact: 06/28/2018
Number of Days to Update: 86	Next Scheduled EDR Contact: 10/08/2018
	Data Release Frequency: Quarterly

Federal institutional controls / engineering controls registries

LUCIS: Land Use Control Information System

LUCIS contains records of land use control information pertaining to the former Navy Base Realignment and Closure properties.

Date of Government Version: 05/14/2018	Source: Department of the Navy
Date Data Arrived at EDR: 05/18/2018	Telephone: 843-820-7326
Date Made Active in Reports: 07/20/2018	Last EDR Contact: 05/09/2018
Number of Days to Update: 63	Next Scheduled EDR Contact: 08/27/2018
	Data Release Frequency: Varies

US ENG CONTROLS: Engineering Controls Sites List

A listing of sites with engineering controls in place. Engineering controls include various forms of caps, building foundations, liners, and treatment methods to create pathway elimination for regulated substances to enter environmental media or effect human health.

Date of Government Version: 02/13/2018	Source: Environmental Protection Agency
Date Data Arrived at EDR: 02/27/2018	Telephone: 703-603-0695
Date Made Active in Reports: 05/11/2018	Last EDR Contact: 05/29/2018
Number of Days to Update: 73	Next Scheduled EDR Contact: 09/10/2018
	Data Release Frequency: Varies

US INST CONTROL: Sites with Institutional Controls

A listing of sites with institutional controls in place. Institutional controls include administrative measures, such as groundwater use restrictions, construction restrictions, property use restrictions, and post remediation care requirements intended to prevent exposure to contaminants remaining on site. Deed restrictions are generally required as part of the institutional controls.

Date of Government Version: 02/13/2018	Source: Environmental Protection Agency
Date Data Arrived at EDR: 02/27/2018	Telephone: 703-603-0695
Date Made Active in Reports: 05/11/2018	Last EDR Contact: 05/29/2018
Number of Days to Update: 73	Next Scheduled EDR Contact: 09/10/2018
	Data Release Frequency: Varies

GOVERNMENT RECORDS SEARCHED / DATA CURRENCY TRACKING

Federal ERNS list

ERNS: Emergency Response Notification System

Emergency Response Notification System. ERNS records and stores information on reported releases of oil and hazardous substances.

Date of Government Version: 03/19/2018

Date Data Arrived at EDR: 03/27/2018

Date Made Active in Reports: 06/08/2018

Number of Days to Update: 73

Source: National Response Center, United States Coast Guard

Telephone: 202-267-2180

Last EDR Contact: 06/27/2018

Next Scheduled EDR Contact: 10/08/2018

Data Release Frequency: Quarterly

State- and tribal - equivalent NPL

RESPONSE: State Response Sites

Identifies confirmed release sites where DTSC is involved in remediation, either in a lead or oversight capacity. These confirmed release sites are generally high-priority and high potential risk.

Date of Government Version: 04/30/2018

Date Data Arrived at EDR: 05/02/2018

Date Made Active in Reports: 06/22/2018

Number of Days to Update: 51

Source: Department of Toxic Substances Control

Telephone: 916-323-3400

Last EDR Contact: 05/02/2018

Next Scheduled EDR Contact: 08/13/2018

Data Release Frequency: Quarterly

State- and tribal - equivalent CERCLIS

ENVIROSTOR: EnviroStor Database

The Department of Toxic Substances Control's (DTSC's) Site Mitigation and Brownfields Reuse Program's (SMBRP's) EnviroStor database identifies sites that have known contamination or sites for which there may be reasons to investigate further. The database includes the following site types: Federal Superfund sites (National Priorities List (NPL)); State Response, including Military Facilities and State Superfund; Voluntary Cleanup; and School sites. EnviroStor provides similar information to the information that was available in CalSites, and provides additional site information, including, but not limited to, identification of formerly-contaminated properties that have been released for reuse, properties where environmental deed restrictions have been recorded to prevent inappropriate land uses, and risk characterization information that is used to assess potential impacts to public health and the environment at contaminated sites.

Date of Government Version: 04/30/2018

Date Data Arrived at EDR: 05/02/2018

Date Made Active in Reports: 06/22/2018

Number of Days to Update: 51

Source: Department of Toxic Substances Control

Telephone: 916-323-3400

Last EDR Contact: 05/02/2018

Next Scheduled EDR Contact: 08/13/2018

Data Release Frequency: Quarterly

State and tribal landfill and/or solid waste disposal site lists

SWF/LF (SWIS): Solid Waste Information System

Active, Closed and Inactive Landfills. SWF/LF records typically contain an inventory of solid waste disposal facilities or landfills. These may be active or inactive facilities or open dumps that failed to meet RCRA Section 4004 criteria for solid waste landfills or disposal sites.

Date of Government Version: 05/14/2018

Date Data Arrived at EDR: 05/16/2018

Date Made Active in Reports: 06/22/2018

Number of Days to Update: 37

Source: Department of Resources Recycling and Recovery

Telephone: 916-341-6320

Last EDR Contact: 05/16/2018

Next Scheduled EDR Contact: 08/27/2018

Data Release Frequency: Quarterly

State and tribal leaking storage tank lists

GOVERNMENT RECORDS SEARCHED / DATA CURRENCY TRACKING

LUST REG 7: Leaking Underground Storage Tank Case Listing

Leaking Underground Storage Tank locations. Imperial, Riverside, San Diego, Santa Barbara counties.

Date of Government Version: 02/26/2004	Source: California Regional Water Quality Control Board Colorado River Basin Region (7)
Date Data Arrived at EDR: 02/26/2004	Telephone: 760-776-8943
Date Made Active in Reports: 03/24/2004	Last EDR Contact: 08/01/2011
Number of Days to Update: 27	Next Scheduled EDR Contact: 11/14/2011
	Data Release Frequency: No Update Planned

LUST: Leaking Underground Fuel Tank Report (GEOTRACKER)

Leaking Underground Storage Tank (LUST) Sites included in GeoTracker. GeoTracker is the Water Boards data management system for sites that impact, or have the potential to impact, water quality in California, with emphasis on groundwater.

Date of Government Version: 06/11/2018	Source: State Water Resources Control Board
Date Data Arrived at EDR: 06/13/2018	Telephone: see region list
Date Made Active in Reports: 07/17/2018	Last EDR Contact: 06/13/2018
Number of Days to Update: 34	Next Scheduled EDR Contact: 09/24/2018
	Data Release Frequency: Quarterly

LUST REG 9: Leaking Underground Storage Tank Report

Orange, Riverside, San Diego counties. For more current information, please refer to the State Water Resources Control Board's LUST database.

Date of Government Version: 03/01/2001	Source: California Regional Water Quality Control Board San Diego Region (9)
Date Data Arrived at EDR: 04/23/2001	Telephone: 858-637-5595
Date Made Active in Reports: 05/21/2001	Last EDR Contact: 09/26/2011
Number of Days to Update: 28	Next Scheduled EDR Contact: 01/09/2012
	Data Release Frequency: No Update Planned

LUST REG 8: Leaking Underground Storage Tanks

California Regional Water Quality Control Board Santa Ana Region (8). For more current information, please refer to the State Water Resources Control Board's LUST database.

Date of Government Version: 02/14/2005	Source: California Regional Water Quality Control Board Santa Ana Region (8)
Date Data Arrived at EDR: 02/15/2005	Telephone: 909-782-4496
Date Made Active in Reports: 03/28/2005	Last EDR Contact: 08/15/2011
Number of Days to Update: 41	Next Scheduled EDR Contact: 11/28/2011
	Data Release Frequency: Varies

LUST REG 6V: Leaking Underground Storage Tank Case Listing

Leaking Underground Storage Tank locations. Inyo, Kern, Los Angeles, Mono, San Bernardino counties.

Date of Government Version: 06/07/2005	Source: California Regional Water Quality Control Board Victorville Branch Office (6)
Date Data Arrived at EDR: 06/07/2005	Telephone: 760-241-7365
Date Made Active in Reports: 06/29/2005	Last EDR Contact: 09/12/2011
Number of Days to Update: 22	Next Scheduled EDR Contact: 12/26/2011
	Data Release Frequency: No Update Planned

LUST REG 6L: Leaking Underground Storage Tank Case Listing

For more current information, please refer to the State Water Resources Control Board's LUST database.

Date of Government Version: 09/09/2003	Source: California Regional Water Quality Control Board Lahontan Region (6)
Date Data Arrived at EDR: 09/10/2003	Telephone: 530-542-5572
Date Made Active in Reports: 10/07/2003	Last EDR Contact: 09/12/2011
Number of Days to Update: 27	Next Scheduled EDR Contact: 12/26/2011
	Data Release Frequency: No Update Planned

LUST REG 5: Leaking Underground Storage Tank Database

Leaking Underground Storage Tank locations. Alameda, Alpine, Amador, Butte, Colusa, Contra Costa, Calveras, El Dorado, Fresno, Glenn, Kern, Kings, Lake, Lassen, Madera, Mariposa, Merced, Modoc, Napa, Nevada, Placer, Plumas, Sacramento, San Joaquin, Shasta, Solano, Stanislaus, Sutter, Tehama, Tulare, Tuolumne, Yolo, Yuba counties.

GOVERNMENT RECORDS SEARCHED / DATA CURRENCY TRACKING

Date of Government Version: 07/01/2008
Date Data Arrived at EDR: 07/22/2008
Date Made Active in Reports: 07/31/2008
Number of Days to Update: 9

Source: California Regional Water Quality Control Board Central Valley Region (5)
Telephone: 916-464-4834
Last EDR Contact: 07/01/2011
Next Scheduled EDR Contact: 10/17/2011
Data Release Frequency: No Update Planned

LUST REG 4: Underground Storage Tank Leak List

Los Angeles, Ventura counties. For more current information, please refer to the State Water Resources Control Board's LUST database.

Date of Government Version: 09/07/2004
Date Data Arrived at EDR: 09/07/2004
Date Made Active in Reports: 10/12/2004
Number of Days to Update: 35

Source: California Regional Water Quality Control Board Los Angeles Region (4)
Telephone: 213-576-6710
Last EDR Contact: 09/06/2011
Next Scheduled EDR Contact: 12/19/2011
Data Release Frequency: No Update Planned

LUST REG 3: Leaking Underground Storage Tank Database

Leaking Underground Storage Tank locations. Monterey, San Benito, San Luis Obispo, Santa Barbara, Santa Cruz counties.

Date of Government Version: 05/19/2003
Date Data Arrived at EDR: 05/19/2003
Date Made Active in Reports: 06/02/2003
Number of Days to Update: 14

Source: California Regional Water Quality Control Board Central Coast Region (3)
Telephone: 805-542-4786
Last EDR Contact: 07/18/2011
Next Scheduled EDR Contact: 10/31/2011
Data Release Frequency: No Update Planned

LUST REG 2: Fuel Leak List

Leaking Underground Storage Tank locations. Alameda, Contra Costa, Marin, Napa, San Francisco, San Mateo, Santa Clara, Solano, Sonoma counties.

Date of Government Version: 09/30/2004
Date Data Arrived at EDR: 10/20/2004
Date Made Active in Reports: 11/19/2004
Number of Days to Update: 30

Source: California Regional Water Quality Control Board San Francisco Bay Region (2)
Telephone: 510-622-2433
Last EDR Contact: 09/19/2011
Next Scheduled EDR Contact: 01/02/2012
Data Release Frequency: Quarterly

LUST REG 1: Active Toxic Site Investigation

Del Norte, Humboldt, Lake, Mendocino, Modoc, Siskiyou, Sonoma, Trinity counties. For more current information, please refer to the State Water Resources Control Board's LUST database.

Date of Government Version: 02/01/2001
Date Data Arrived at EDR: 02/28/2001
Date Made Active in Reports: 03/29/2001
Number of Days to Update: 29

Source: California Regional Water Quality Control Board North Coast (1)
Telephone: 707-570-3769
Last EDR Contact: 08/01/2011
Next Scheduled EDR Contact: 11/14/2011
Data Release Frequency: No Update Planned

INDIAN LUST R8: Leaking Underground Storage Tanks on Indian Land

LUSTs on Indian land in Colorado, Montana, North Dakota, South Dakota, Utah and Wyoming.

Date of Government Version: 04/25/2018
Date Data Arrived at EDR: 05/18/2018
Date Made Active in Reports: 07/20/2018
Number of Days to Update: 63

Source: EPA Region 8
Telephone: 303-312-6271
Last EDR Contact: 05/18/2018
Next Scheduled EDR Contact: 08/06/2018
Data Release Frequency: Varies

INDIAN LUST R9: Leaking Underground Storage Tanks on Indian Land

LUSTs on Indian land in Arizona, California, New Mexico and Nevada

Date of Government Version: 04/10/2018
Date Data Arrived at EDR: 05/18/2018
Date Made Active in Reports: 07/20/2018
Number of Days to Update: 63

Source: Environmental Protection Agency
Telephone: 415-972-3372
Last EDR Contact: 05/18/2018
Next Scheduled EDR Contact: 08/06/2018
Data Release Frequency: Varies

GOVERNMENT RECORDS SEARCHED / DATA CURRENCY TRACKING

INDIAN LUST R7: Leaking Underground Storage Tanks on Indian Land
LUSTs on Indian land in Iowa, Kansas, and Nebraska

Date of Government Version: 04/24/2018	Source: EPA Region 7
Date Data Arrived at EDR: 05/18/2018	Telephone: 913-551-7003
Date Made Active in Reports: 07/20/2018	Last EDR Contact: 05/18/2018
Number of Days to Update: 63	Next Scheduled EDR Contact: 08/06/2018
	Data Release Frequency: Varies

INDIAN LUST R6: Leaking Underground Storage Tanks on Indian Land
LUSTs on Indian land in New Mexico and Oklahoma.

Date of Government Version: 04/01/2018	Source: EPA Region 6
Date Data Arrived at EDR: 05/18/2018	Telephone: 214-665-6597
Date Made Active in Reports: 07/20/2018	Last EDR Contact: 05/18/2018
Number of Days to Update: 63	Next Scheduled EDR Contact: 08/06/2018
	Data Release Frequency: Varies

INDIAN LUST R4: Leaking Underground Storage Tanks on Indian Land
LUSTs on Indian land in Florida, Mississippi and North Carolina.

Date of Government Version: 05/08/2018	Source: EPA Region 4
Date Data Arrived at EDR: 05/18/2018	Telephone: 404-562-8677
Date Made Active in Reports: 07/20/2018	Last EDR Contact: 05/16/2018
Number of Days to Update: 63	Next Scheduled EDR Contact: 08/06/2018
	Data Release Frequency: Varies

INDIAN LUST R1: Leaking Underground Storage Tanks on Indian Land
A listing of leaking underground storage tank locations on Indian Land.

Date of Government Version: 04/13/2018	Source: EPA Region 1
Date Data Arrived at EDR: 05/18/2018	Telephone: 617-918-1313
Date Made Active in Reports: 07/20/2018	Last EDR Contact: 05/18/2018
Number of Days to Update: 63	Next Scheduled EDR Contact: 08/06/2018
	Data Release Frequency: Varies

INDIAN LUST R5: Leaking Underground Storage Tanks on Indian Land
Leaking underground storage tanks located on Indian Land in Michigan, Minnesota and Wisconsin.

Date of Government Version: 04/12/2018	Source: EPA, Region 5
Date Data Arrived at EDR: 05/18/2018	Telephone: 312-886-7439
Date Made Active in Reports: 07/20/2018	Last EDR Contact: 05/18/2018
Number of Days to Update: 63	Next Scheduled EDR Contact: 08/06/2018
	Data Release Frequency: Varies

INDIAN LUST R10: Leaking Underground Storage Tanks on Indian Land
LUSTs on Indian land in Alaska, Idaho, Oregon and Washington.

Date of Government Version: 04/12/2018	Source: EPA Region 10
Date Data Arrived at EDR: 05/18/2018	Telephone: 206-553-2857
Date Made Active in Reports: 07/20/2018	Last EDR Contact: 05/18/2018
Number of Days to Update: 63	Next Scheduled EDR Contact: 08/06/2018
	Data Release Frequency: Varies

CPS-SLIC: Statewide SLIC Cases (GEOTRACKER)

Cleanup Program Sites (CPS; also known as Site Cleanups [SC] and formerly known as Spills, Leaks, Investigations, and Cleanups [SLIC] sites) included in GeoTracker. GeoTracker is the Water Boards data management system for sites that impact, or have the potential to impact, water quality in California, with emphasis on groundwater.

Date of Government Version: 06/11/2018	Source: State Water Resources Control Board
Date Data Arrived at EDR: 06/13/2018	Telephone: 866-480-1028
Date Made Active in Reports: 07/17/2018	Last EDR Contact: 12/12/2018
Number of Days to Update: 34	Next Scheduled EDR Contact: 09/24/2018
	Data Release Frequency: Varies

GOVERNMENT RECORDS SEARCHED / DATA CURRENCY TRACKING

SLIC REG 1: Active Toxic Site Investigations

The SLIC (Spills, Leaks, Investigations and Cleanup) program is designed to protect and restore water quality from spills, leaks, and similar discharges.

Date of Government Version: 04/03/2003
Date Data Arrived at EDR: 04/07/2003
Date Made Active in Reports: 04/25/2003
Number of Days to Update: 18

Source: California Regional Water Quality Control Board, North Coast Region (1)
Telephone: 707-576-2220
Last EDR Contact: 08/01/2011
Next Scheduled EDR Contact: 11/14/2011
Data Release Frequency: No Update Planned

SLIC REG 2: Spills, Leaks, Investigation & Cleanup Cost Recovery Listing

The SLIC (Spills, Leaks, Investigations and Cleanup) program is designed to protect and restore water quality from spills, leaks, and similar discharges.

Date of Government Version: 09/30/2004
Date Data Arrived at EDR: 10/20/2004
Date Made Active in Reports: 11/19/2004
Number of Days to Update: 30

Source: Regional Water Quality Control Board San Francisco Bay Region (2)
Telephone: 510-286-0457
Last EDR Contact: 09/19/2011
Next Scheduled EDR Contact: 01/02/2012
Data Release Frequency: Quarterly

SLIC REG 3: Spills, Leaks, Investigation & Cleanup Cost Recovery Listing

The SLIC (Spills, Leaks, Investigations and Cleanup) program is designed to protect and restore water quality from spills, leaks, and similar discharges.

Date of Government Version: 05/18/2006
Date Data Arrived at EDR: 05/18/2006
Date Made Active in Reports: 06/15/2006
Number of Days to Update: 28

Source: California Regional Water Quality Control Board Central Coast Region (3)
Telephone: 805-549-3147
Last EDR Contact: 07/18/2011
Next Scheduled EDR Contact: 10/31/2011
Data Release Frequency: Semi-Annually

SLIC REG 4: Spills, Leaks, Investigation & Cleanup Cost Recovery Listing

The SLIC (Spills, Leaks, Investigations and Cleanup) program is designed to protect and restore water quality from spills, leaks, and similar discharges.

Date of Government Version: 11/17/2004
Date Data Arrived at EDR: 11/18/2004
Date Made Active in Reports: 01/04/2005
Number of Days to Update: 47

Source: Region Water Quality Control Board Los Angeles Region (4)
Telephone: 213-576-6600
Last EDR Contact: 07/01/2011
Next Scheduled EDR Contact: 10/17/2011
Data Release Frequency: Varies

SLIC REG 5: Spills, Leaks, Investigation & Cleanup Cost Recovery Listing

The SLIC (Spills, Leaks, Investigations and Cleanup) program is designed to protect and restore water quality from spills, leaks, and similar discharges.

Date of Government Version: 04/01/2005
Date Data Arrived at EDR: 04/05/2005
Date Made Active in Reports: 04/21/2005
Number of Days to Update: 16

Source: Regional Water Quality Control Board Central Valley Region (5)
Telephone: 916-464-3291
Last EDR Contact: 09/12/2011
Next Scheduled EDR Contact: 12/26/2011
Data Release Frequency: Semi-Annually

SLIC REG 6V: Spills, Leaks, Investigation & Cleanup Cost Recovery Listing

The SLIC (Spills, Leaks, Investigations and Cleanup) program is designed to protect and restore water quality from spills, leaks, and similar discharges.

Date of Government Version: 05/24/2005
Date Data Arrived at EDR: 05/25/2005
Date Made Active in Reports: 06/16/2005
Number of Days to Update: 22

Source: Regional Water Quality Control Board, Victorville Branch
Telephone: 619-241-6583
Last EDR Contact: 08/15/2011
Next Scheduled EDR Contact: 11/28/2011
Data Release Frequency: Semi-Annually

GOVERNMENT RECORDS SEARCHED / DATA CURRENCY TRACKING

SLIC REG 6L: SLIC Sites

The SLIC (Spills, Leaks, Investigations and Cleanup) program is designed to protect and restore water quality from spills, leaks, and similar discharges.

Date of Government Version: 09/07/2004
Date Data Arrived at EDR: 09/07/2004
Date Made Active in Reports: 10/12/2004
Number of Days to Update: 35

Source: California Regional Water Quality Control Board, Lahontan Region
Telephone: 530-542-5574
Last EDR Contact: 08/15/2011
Next Scheduled EDR Contact: 11/28/2011
Data Release Frequency: No Update Planned

SLIC REG 7: SLIC List

The SLIC (Spills, Leaks, Investigations and Cleanup) program is designed to protect and restore water quality from spills, leaks, and similar discharges.

Date of Government Version: 11/24/2004
Date Data Arrived at EDR: 11/29/2004
Date Made Active in Reports: 01/04/2005
Number of Days to Update: 36

Source: California Regional Quality Control Board, Colorado River Basin Region
Telephone: 760-346-7491
Last EDR Contact: 08/01/2011
Next Scheduled EDR Contact: 11/14/2011
Data Release Frequency: No Update Planned

SLIC REG 8: Spills, Leaks, Investigation & Cleanup Cost Recovery Listing

The SLIC (Spills, Leaks, Investigations and Cleanup) program is designed to protect and restore water quality from spills, leaks, and similar discharges.

Date of Government Version: 04/03/2008
Date Data Arrived at EDR: 04/03/2008
Date Made Active in Reports: 04/14/2008
Number of Days to Update: 11

Source: California Region Water Quality Control Board Santa Ana Region (8)
Telephone: 951-782-3298
Last EDR Contact: 09/12/2011
Next Scheduled EDR Contact: 12/26/2011
Data Release Frequency: Semi-Annually

SLIC REG 9: Spills, Leaks, Investigation & Cleanup Cost Recovery Listing

The SLIC (Spills, Leaks, Investigations and Cleanup) program is designed to protect and restore water quality from spills, leaks, and similar discharges.

Date of Government Version: 09/10/2007
Date Data Arrived at EDR: 09/11/2007
Date Made Active in Reports: 09/28/2007
Number of Days to Update: 17

Source: California Regional Water Quality Control Board San Diego Region (9)
Telephone: 858-467-2980
Last EDR Contact: 08/08/2011
Next Scheduled EDR Contact: 11/21/2011
Data Release Frequency: Annually

State and tribal registered storage tank lists

FEMA UST: Underground Storage Tank Listing

A listing of all FEMA owned underground storage tanks.

Date of Government Version: 05/15/2017
Date Data Arrived at EDR: 05/30/2017
Date Made Active in Reports: 10/13/2017
Number of Days to Update: 136

Source: FEMA
Telephone: 202-646-5797
Last EDR Contact: 07/11/2018
Next Scheduled EDR Contact: 10/22/2018
Data Release Frequency: Varies

UST CLOSURE: Proposed Closure of Underground Storage Tank (UST) Cases

UST cases that are being considered for closure by either the State Water Resources Control Board or the Executive Director have been posted for a 60-day public comment period. UST Case Closures being proposed for consideration by the State Water Resources Control Board. These are primarily UST cases that meet closure criteria under the decisional framework in State Water Board Resolution No. 92-49 and other Board orders. UST Case Closures proposed for consideration by the Executive Director pursuant to State Water Board Resolution No. 2012-0061. These are cases that meet the criteria of the Low-Threat UST Case Closure Policy. UST Case Closure Review Denials and Approved Orders.

GOVERNMENT RECORDS SEARCHED / DATA CURRENCY TRACKING

Date of Government Version: 06/11/2018
Date Data Arrived at EDR: 06/13/2018
Date Made Active in Reports: 07/10/2018
Number of Days to Update: 27

Source: State Water Resources Control Board
Telephone: 916-327-7844
Last EDR Contact: 06/13/2018
Next Scheduled EDR Contact: 09/24/2018
Data Release Frequency: Varies

UST: Active UST Facilities

Active UST facilities gathered from the local regulatory agencies

Date of Government Version: 06/11/2018
Date Data Arrived at EDR: 06/13/2018
Date Made Active in Reports: 07/09/2018
Number of Days to Update: 26

Source: SWRCB
Telephone: 916-341-5851
Last EDR Contact: 06/13/2018
Next Scheduled EDR Contact: 09/24/2018
Data Release Frequency: Semi-Annually

MILITARY UST SITES: Military UST Sites (GEOTRACKER)

Military ust sites

Date of Government Version: 06/11/2018
Date Data Arrived at EDR: 06/13/2018
Date Made Active in Reports: 07/18/2018
Number of Days to Update: 35

Source: State Water Resources Control Board
Telephone: 866-480-1028
Last EDR Contact: 12/12/2018
Next Scheduled EDR Contact: 09/24/2018
Data Release Frequency: Varies

AST: Aboveground Petroleum Storage Tank Facilities

A listing of aboveground storage tank petroleum storage tank locations.

Date of Government Version: 07/06/2016
Date Data Arrived at EDR: 07/12/2016
Date Made Active in Reports: 09/19/2016
Number of Days to Update: 69

Source: California Environmental Protection Agency
Telephone: 916-327-5092
Last EDR Contact: 06/21/2018
Next Scheduled EDR Contact: 10/01/2018
Data Release Frequency: Quarterly

INDIAN UST R10: Underground Storage Tanks on Indian Land

The Indian Underground Storage Tank (UST) database provides information about underground storage tanks on Indian land in EPA Region 10 (Alaska, Idaho, Oregon, Washington, and Tribal Nations).

Date of Government Version: 04/12/2018
Date Data Arrived at EDR: 05/18/2018
Date Made Active in Reports: 07/20/2018
Number of Days to Update: 63

Source: EPA Region 10
Telephone: 206-553-2857
Last EDR Contact: 05/18/2018
Next Scheduled EDR Contact: 08/06/2018
Data Release Frequency: Varies

INDIAN UST R9: Underground Storage Tanks on Indian Land

The Indian Underground Storage Tank (UST) database provides information about underground storage tanks on Indian land in EPA Region 9 (Arizona, California, Hawaii, Nevada, the Pacific Islands, and Tribal Nations).

Date of Government Version: 04/10/2018
Date Data Arrived at EDR: 05/18/2018
Date Made Active in Reports: 07/20/2018
Number of Days to Update: 63

Source: EPA Region 9
Telephone: 415-972-3368
Last EDR Contact: 05/18/2018
Next Scheduled EDR Contact: 08/06/2018
Data Release Frequency: Varies

INDIAN UST R8: Underground Storage Tanks on Indian Land

The Indian Underground Storage Tank (UST) database provides information about underground storage tanks on Indian land in EPA Region 8 (Colorado, Montana, North Dakota, South Dakota, Utah, Wyoming and 27 Tribal Nations).

Date of Government Version: 04/25/2018
Date Data Arrived at EDR: 05/18/2018
Date Made Active in Reports: 07/20/2018
Number of Days to Update: 63

Source: EPA Region 8
Telephone: 303-312-6137
Last EDR Contact: 05/18/2018
Next Scheduled EDR Contact: 08/06/2018
Data Release Frequency: Varies

GOVERNMENT RECORDS SEARCHED / DATA CURRENCY TRACKING

INDIAN UST R7: Underground Storage Tanks on Indian Land

The Indian Underground Storage Tank (UST) database provides information about underground storage tanks on Indian land in EPA Region 7 (Iowa, Kansas, Missouri, Nebraska, and 9 Tribal Nations).

Date of Government Version: 04/24/2018	Source: EPA Region 7
Date Data Arrived at EDR: 05/18/2018	Telephone: 913-551-7003
Date Made Active in Reports: 07/20/2018	Last EDR Contact: 05/18/2018
Number of Days to Update: 63	Next Scheduled EDR Contact: 08/06/2018
	Data Release Frequency: Varies

INDIAN UST R6: Underground Storage Tanks on Indian Land

The Indian Underground Storage Tank (UST) database provides information about underground storage tanks on Indian land in EPA Region 6 (Louisiana, Arkansas, Oklahoma, New Mexico, Texas and 65 Tribes).

Date of Government Version: 04/01/2018	Source: EPA Region 6
Date Data Arrived at EDR: 05/18/2018	Telephone: 214-665-7591
Date Made Active in Reports: 07/20/2018	Last EDR Contact: 05/18/2018
Number of Days to Update: 63	Next Scheduled EDR Contact: 08/06/2018
	Data Release Frequency: Varies

INDIAN UST R1: Underground Storage Tanks on Indian Land

The Indian Underground Storage Tank (UST) database provides information about underground storage tanks on Indian land in EPA Region 1 (Connecticut, Maine, Massachusetts, New Hampshire, Rhode Island, Vermont and ten Tribal Nations).

Date of Government Version: 04/13/2018	Source: EPA, Region 1
Date Data Arrived at EDR: 05/18/2018	Telephone: 617-918-1313
Date Made Active in Reports: 07/20/2018	Last EDR Contact: 05/18/2018
Number of Days to Update: 63	Next Scheduled EDR Contact: 08/06/2018
	Data Release Frequency: Varies

INDIAN UST R4: Underground Storage Tanks on Indian Land

The Indian Underground Storage Tank (UST) database provides information about underground storage tanks on Indian land in EPA Region 4 (Alabama, Florida, Georgia, Kentucky, Mississippi, North Carolina, South Carolina, Tennessee and Tribal Nations)

Date of Government Version: 05/08/2018	Source: EPA Region 4
Date Data Arrived at EDR: 05/18/2018	Telephone: 404-562-9424
Date Made Active in Reports: 07/20/2018	Last EDR Contact: 05/16/2018
Number of Days to Update: 63	Next Scheduled EDR Contact: 08/06/2018
	Data Release Frequency: Varies

INDIAN UST R5: Underground Storage Tanks on Indian Land

The Indian Underground Storage Tank (UST) database provides information about underground storage tanks on Indian land in EPA Region 5 (Michigan, Minnesota and Wisconsin and Tribal Nations).

Date of Government Version: 04/12/2018	Source: EPA Region 5
Date Data Arrived at EDR: 05/18/2018	Telephone: 312-886-6136
Date Made Active in Reports: 07/20/2018	Last EDR Contact: 05/18/2018
Number of Days to Update: 63	Next Scheduled EDR Contact: 08/06/2018
	Data Release Frequency: Varies

State and tribal voluntary cleanup sites

VCP: Voluntary Cleanup Program Properties

Contains low threat level properties with either confirmed or unconfirmed releases and the project proponents have request that DTSC oversee investigation and/or cleanup activities and have agreed to provide coverage for DTSC's costs.

GOVERNMENT RECORDS SEARCHED / DATA CURRENCY TRACKING

Date of Government Version: 04/30/2018
Date Data Arrived at EDR: 05/02/2018
Date Made Active in Reports: 06/22/2018
Number of Days to Update: 51

Source: Department of Toxic Substances Control
Telephone: 916-323-3400
Last EDR Contact: 05/02/2018
Next Scheduled EDR Contact: 08/13/2018
Data Release Frequency: Quarterly

INDIAN VCP R1: Voluntary Cleanup Priority Listing

A listing of voluntary cleanup priority sites located on Indian Land located in Region 1.

Date of Government Version: 07/27/2015
Date Data Arrived at EDR: 09/29/2015
Date Made Active in Reports: 02/18/2016
Number of Days to Update: 142

Source: EPA, Region 1
Telephone: 617-918-1102
Last EDR Contact: 06/22/2018
Next Scheduled EDR Contact: 10/08/2018
Data Release Frequency: Varies

INDIAN VCP R7: Voluntary Cleanup Priority Listing

A listing of voluntary cleanup priority sites located on Indian Land located in Region 7.

Date of Government Version: 03/20/2008
Date Data Arrived at EDR: 04/22/2008
Date Made Active in Reports: 05/19/2008
Number of Days to Update: 27

Source: EPA, Region 7
Telephone: 913-551-7365
Last EDR Contact: 04/20/2009
Next Scheduled EDR Contact: 07/20/2009
Data Release Frequency: Varies

State and tribal Brownfields sites

BROWNFIELDS: Considered Brownfields Sites Listing

A listing of sites the SWRCB considers to be Brownfields since these are sites have come to them through the MOA Process.

Date of Government Version: 03/26/2018
Date Data Arrived at EDR: 03/27/2018
Date Made Active in Reports: 05/04/2018
Number of Days to Update: 38

Source: State Water Resources Control Board
Telephone: 916-323-7905
Last EDR Contact: 06/27/2018
Next Scheduled EDR Contact: 10/08/2018
Data Release Frequency: Quarterly

ADDITIONAL ENVIRONMENTAL RECORDS

Local Brownfield lists

US BROWNFIELDS: A Listing of Brownfields Sites

Brownfields are real property, the expansion, redevelopment, or reuse of which may be complicated by the presence or potential presence of a hazardous substance, pollutant, or contaminant. Cleaning up and reinvesting in these properties takes development pressures off of undeveloped, open land, and both improves and protects the environment. Assessment, Cleanup and Redevelopment Exchange System (ACRES) stores information reported by EPA Brownfields grant recipients on brownfields properties assessed or cleaned up with grant funding as well as information on Targeted Brownfields Assessments performed by EPA Regions. A listing of ACRES Brownfield sites is obtained from Cleanups in My Community. Cleanups in My Community provides information on Brownfields properties for which information is reported back to EPA, as well as areas served by Brownfields grant programs.

Date of Government Version: 03/19/2018
Date Data Arrived at EDR: 03/21/2018
Date Made Active in Reports: 06/08/2018
Number of Days to Update: 79

Source: Environmental Protection Agency
Telephone: 202-566-2777
Last EDR Contact: 06/20/2018
Next Scheduled EDR Contact: 10/01/2018
Data Release Frequency: Semi-Annually

Local Lists of Landfill / Solid Waste Disposal Sites

WMUDS/SWAT: Waste Management Unit Database

Waste Management Unit Database System. WMUDS is used by the State Water Resources Control Board staff and the Regional Water Quality Control Boards for program tracking and inventory of waste management units. WMUDS is composed of the following databases: Facility Information, Scheduled Inspections Information, Waste Management Unit Information, SWAT Program Information, SWAT Report Summary Information, SWAT Report Summary Data, Chapter 15 (formerly Subchapter 15) Information, Chapter 15 Monitoring Parameters, TPCA Program Information, RCRA Program Information, Closure Information, and Interested Parties Information.

GOVERNMENT RECORDS SEARCHED / DATA CURRENCY TRACKING

Date of Government Version: 04/01/2000
Date Data Arrived at EDR: 04/10/2000
Date Made Active in Reports: 05/10/2000
Number of Days to Update: 30

Source: State Water Resources Control Board
Telephone: 916-227-4448
Last EDR Contact: 07/24/2018
Next Scheduled EDR Contact: 11/12/2018
Data Release Frequency: No Update Planned

SWRCY: Recycler Database

A listing of recycling facilities in California.

Date of Government Version: 03/12/2018
Date Data Arrived at EDR: 03/14/2018
Date Made Active in Reports: 05/04/2018
Number of Days to Update: 51

Source: Department of Conservation
Telephone: 916-323-3836
Last EDR Contact: 06/13/2018
Next Scheduled EDR Contact: 09/24/2018
Data Release Frequency: Quarterly

HAULERS: Registered Waste Tire Haulers Listing

A listing of registered waste tire haulers.

Date of Government Version: 05/29/2018
Date Data Arrived at EDR: 05/30/2018
Date Made Active in Reports: 07/17/2018
Number of Days to Update: 48

Source: Integrated Waste Management Board
Telephone: 916-341-6422
Last EDR Contact: 05/22/2018
Next Scheduled EDR Contact: 08/27/2018
Data Release Frequency: Varies

INDIAN ODI: Report on the Status of Open Dumps on Indian Lands

Location of open dumps on Indian land.

Date of Government Version: 12/31/1998
Date Data Arrived at EDR: 12/03/2007
Date Made Active in Reports: 01/24/2008
Number of Days to Update: 52

Source: Environmental Protection Agency
Telephone: 703-308-8245
Last EDR Contact: 01/30/2018
Next Scheduled EDR Contact: 05/14/2018
Data Release Frequency: Varies

ODI: Open Dump Inventory

An open dump is defined as a disposal facility that does not comply with one or more of the Part 257 or Part 258 Subtitle D Criteria.

Date of Government Version: 06/30/1985
Date Data Arrived at EDR: 08/09/2004
Date Made Active in Reports: 09/17/2004
Number of Days to Update: 39

Source: Environmental Protection Agency
Telephone: 800-424-9346
Last EDR Contact: 06/09/2004
Next Scheduled EDR Contact: N/A
Data Release Frequency: No Update Planned

DEBRIS REGION 9: Torres Martinez Reservation Illegal Dump Site Locations

A listing of illegal dump sites location on the Torres Martinez Indian Reservation located in eastern Riverside County and northern Imperial County, California.

Date of Government Version: 01/12/2009
Date Data Arrived at EDR: 05/07/2009
Date Made Active in Reports: 09/21/2009
Number of Days to Update: 137

Source: EPA, Region 9
Telephone: 415-947-4219
Last EDR Contact: 07/17/2018
Next Scheduled EDR Contact: 11/05/2018
Data Release Frequency: No Update Planned

IHS OPEN DUMPS: Open Dumps on Indian Land

A listing of all open dumps located on Indian Land in the United States.

Date of Government Version: 04/01/2014
Date Data Arrived at EDR: 08/06/2014
Date Made Active in Reports: 01/29/2015
Number of Days to Update: 176

Source: Department of Health & Human Services, Indian Health Service
Telephone: 301-443-1452
Last EDR Contact: 05/04/2018
Next Scheduled EDR Contact: 08/13/2018
Data Release Frequency: Varies

GOVERNMENT RECORDS SEARCHED / DATA CURRENCY TRACKING

Local Lists of Hazardous waste / Contaminated Sites

US HIST CDL: National Clandestine Laboratory Register

A listing of clandestine drug lab locations that have been removed from the DEAs National Clandestine Laboratory Register.

Date of Government Version: 02/22/2018	Source: Drug Enforcement Administration
Date Data Arrived at EDR: 03/01/2018	Telephone: 202-307-1000
Date Made Active in Reports: 05/11/2018	Last EDR Contact: 05/30/2018
Number of Days to Update: 71	Next Scheduled EDR Contact: 09/10/2018
	Data Release Frequency: No Update Planned

HIST CAL-SITES: Calsites Database

The Calsites database contains potential or confirmed hazardous substance release properties. In 1996, California EPA reevaluated and significantly reduced the number of sites in the Calsites database. No longer updated by the state agency. It has been replaced by ENVIROSTOR.

Date of Government Version: 08/08/2005	Source: Department of Toxic Substance Control
Date Data Arrived at EDR: 08/03/2006	Telephone: 916-323-3400
Date Made Active in Reports: 08/24/2006	Last EDR Contact: 02/23/2009
Number of Days to Update: 21	Next Scheduled EDR Contact: 05/25/2009
	Data Release Frequency: No Update Planned

SCH: School Property Evaluation Program

This category contains proposed and existing school sites that are being evaluated by DTSC for possible hazardous materials contamination. In some cases, these properties may be listed in the CalSites category depending on the level of threat to public health and safety or the environment they pose.

Date of Government Version: 04/30/2018	Source: Department of Toxic Substances Control
Date Data Arrived at EDR: 05/02/2018	Telephone: 916-323-3400
Date Made Active in Reports: 06/22/2018	Last EDR Contact: 05/02/2018
Number of Days to Update: 51	Next Scheduled EDR Contact: 08/13/2018
	Data Release Frequency: Quarterly

CDL: Clandestine Drug Labs

A listing of drug lab locations. Listing of a location in this database does not indicate that any illegal drug lab materials were or were not present there, and does not constitute a determination that the location either requires or does not require additional cleanup work.

Date of Government Version: 06/30/2017	Source: Department of Toxic Substances Control
Date Data Arrived at EDR: 08/18/2017	Telephone: 916-255-6504
Date Made Active in Reports: 09/21/2017	Last EDR Contact: 07/05/2018
Number of Days to Update: 34	Next Scheduled EDR Contact: 10/22/2018
	Data Release Frequency: Varies

TOXIC PITS: Toxic Pits Cleanup Act Sites

Toxic PITS Cleanup Act Sites. TOXIC PITS identifies sites suspected of containing hazardous substances where cleanup has not yet been completed.

Date of Government Version: 07/01/1995	Source: State Water Resources Control Board
Date Data Arrived at EDR: 08/30/1995	Telephone: 916-227-4364
Date Made Active in Reports: 09/26/1995	Last EDR Contact: 01/26/2009
Number of Days to Update: 27	Next Scheduled EDR Contact: 04/27/2009
	Data Release Frequency: No Update Planned

US CDL: Clandestine Drug Labs

A listing of clandestine drug lab locations. The U.S. Department of Justice ("the Department") provides this web site as a public service. It contains addresses of some locations where law enforcement agencies reported they found chemicals or other items that indicated the presence of either clandestine drug laboratories or dumpsites. In most cases, the source of the entries is not the Department, and the Department has not verified the entry and does not guarantee its accuracy. Members of the public must verify the accuracy of all entries by, for example, contacting local law enforcement and local health departments.

GOVERNMENT RECORDS SEARCHED / DATA CURRENCY TRACKING

Date of Government Version: 02/22/2018
Date Data Arrived at EDR: 03/01/2018
Date Made Active in Reports: 05/11/2018
Number of Days to Update: 71

Source: Drug Enforcement Administration
Telephone: 202-307-1000
Last EDR Contact: 05/30/2018
Next Scheduled EDR Contact: 09/10/2018
Data Release Frequency: Quarterly

CERS HAZ WASTE: CERS HAZ WASTE

List of sites in the California Environmental Protection Agency (CalEPA) Regulated Site Portal which fall under the Hazardous Chemical Management, Hazardous Waste Onsite Treatment, Household Hazardous Waste Collection, Hazardous Waste Generator, and RCRA LQ HW Generator programs.

Date of Government Version: 04/23/2018
Date Data Arrived at EDR: 04/24/2018
Date Made Active in Reports: 06/07/2018
Number of Days to Update: 44

Source: CalEPA
Telephone: 916-323-2514
Last EDR Contact: 07/25/2018
Next Scheduled EDR Contact: 11/05/2018
Data Release Frequency: Quarterly

Local Lists of Registered Storage Tanks

SWEEPS UST: SWEEPS UST Listing

Statewide Environmental Evaluation and Planning System. This underground storage tank listing was updated and maintained by a company contacted by the SWRCB in the early 1990's. The listing is no longer updated or maintained. The local agency is the contact for more information on a site on the SWEEPS list.

Date of Government Version: 06/01/1994
Date Data Arrived at EDR: 07/07/2005
Date Made Active in Reports: 08/11/2005
Number of Days to Update: 35

Source: State Water Resources Control Board
Telephone: N/A
Last EDR Contact: 06/03/2005
Next Scheduled EDR Contact: N/A
Data Release Frequency: No Update Planned

UST MENDOCINO: Mendocino County UST Database

A listing of underground storage tank locations in Mendocino County.

Date of Government Version: 03/28/2018
Date Data Arrived at EDR: 05/25/2018
Date Made Active in Reports: 07/10/2018
Number of Days to Update: 46

Source: Department of Public Health
Telephone: 707-463-4466
Last EDR Contact: 05/22/2018
Next Scheduled EDR Contact: 09/10/2018
Data Release Frequency: Annually

HIST UST: Hazardous Substance Storage Container Database

The Hazardous Substance Storage Container Database is a historical listing of UST sites. Refer to local/county source for current data.

Date of Government Version: 10/15/1990
Date Data Arrived at EDR: 01/25/1991
Date Made Active in Reports: 02/12/1991
Number of Days to Update: 18

Source: State Water Resources Control Board
Telephone: 916-341-5851
Last EDR Contact: 07/26/2001
Next Scheduled EDR Contact: N/A
Data Release Frequency: No Update Planned

SAN FRANCISCO AST: Aboveground Storage Tank Site Listing

Aboveground storage tank sites

Date of Government Version: 04/19/2018
Date Data Arrived at EDR: 04/24/2018
Date Made Active in Reports: 05/04/2018
Number of Days to Update: 10

Source: San Francisco County Department of Public Health
Telephone: 415-252-3896
Last EDR Contact: 05/02/2018
Next Scheduled EDR Contact: 08/20/2018
Data Release Frequency: Varies

CA FID UST: Facility Inventory Database

The Facility Inventory Database (FID) contains a historical listing of active and inactive underground storage tank locations from the State Water Resource Control Board. Refer to local/county source for current data.

GOVERNMENT RECORDS SEARCHED / DATA CURRENCY TRACKING

Date of Government Version: 10/31/1994
Date Data Arrived at EDR: 09/05/1995
Date Made Active in Reports: 09/29/1995
Number of Days to Update: 24

Source: California Environmental Protection Agency
Telephone: 916-341-5851
Last EDR Contact: 12/28/1998
Next Scheduled EDR Contact: N/A
Data Release Frequency: No Update Planned

CERS TANKS: California Environmental Reporting System (CERS) Tanks

List of sites in the California Environmental Protection Agency (CalEPA) Regulated Site Portal which fall under the Aboveground Petroleum Storage and Underground Storage Tank regulatory programs.

Date of Government Version: 04/23/2018
Date Data Arrived at EDR: 04/24/2018
Date Made Active in Reports: 06/07/2018
Number of Days to Update: 44

Source: California Environmental Protection Agency
Telephone: 916-323-2514
Last EDR Contact: 07/25/2018
Next Scheduled EDR Contact: 11/05/2018
Data Release Frequency: Quarterly

Local Land Records

LIENS: Environmental Liens Listing

A listing of property locations with environmental liens for California where DTSC is a lien holder.

Date of Government Version: 05/31/2018
Date Data Arrived at EDR: 06/05/2018
Date Made Active in Reports: 07/18/2018
Number of Days to Update: 43

Source: Department of Toxic Substances Control
Telephone: 916-323-3400
Last EDR Contact: 05/31/2018
Next Scheduled EDR Contact: 09/17/2018
Data Release Frequency: Varies

LIENS 2: CERCLA Lien Information

A Federal CERCLA ('Superfund') lien can exist by operation of law at any site or property at which EPA has spent Superfund monies. These monies are spent to investigate and address releases and threatened releases of contamination. CERCLIS provides information as to the identity of these sites and properties.

Date of Government Version: 05/13/2018
Date Data Arrived at EDR: 05/30/2018
Date Made Active in Reports: 06/29/2018
Number of Days to Update: 30

Source: Environmental Protection Agency
Telephone: 202-564-6023
Last EDR Contact: 07/06/2018
Next Scheduled EDR Contact: 08/06/2018
Data Release Frequency: Semi-Annually

DEED: Deed Restriction Listing

Site Mitigation and Brownfields Reuse Program Facility Sites with Deed Restrictions & Hazardous Waste Management Program Facility Sites with Deed / Land Use Restriction. The DTSC Site Mitigation and Brownfields Reuse Program (SMBRP) list includes sites cleaned up under the program's oversight and generally does not include current or former hazardous waste facilities that required a hazardous waste facility permit. The list represents deed restrictions that are active. Some sites have multiple deed restrictions. The DTSC Hazardous Waste Management Program (HWMP) has developed a list of current or former hazardous waste facilities that have a recorded land use restriction at the local county recorder's office. The land use restrictions on this list were required by the DTSC HWMP as a result of the presence of hazardous substances that remain on site after the facility (or part of the facility) has been closed or cleaned up. The types of land use restriction include deed notice, deed restriction, or a land use restriction that binds current and future owners.

Date of Government Version: 06/04/2018
Date Data Arrived at EDR: 06/06/2018
Date Made Active in Reports: 07/17/2018
Number of Days to Update: 41

Source: DTSC and SWRCB
Telephone: 916-323-3400
Last EDR Contact: 06/06/2018
Next Scheduled EDR Contact: 09/17/2018
Data Release Frequency: Semi-Annually

Records of Emergency Release Reports

GOVERNMENT RECORDS SEARCHED / DATA CURRENCY TRACKING

HMIRS: Hazardous Materials Information Reporting System

Hazardous Materials Incident Report System. HMIRS contains hazardous material spill incidents reported to DOT.

Date of Government Version: 03/26/2018	Source: U.S. Department of Transportation
Date Data Arrived at EDR: 03/27/2018	Telephone: 202-366-4555
Date Made Active in Reports: 06/08/2018	Last EDR Contact: 03/27/2018
Number of Days to Update: 73	Next Scheduled EDR Contact: 07/09/2018
	Data Release Frequency: Quarterly

CHMIRS: California Hazardous Material Incident Report System

California Hazardous Material Incident Reporting System. CHMIRS contains information on reported hazardous material incidents (accidental releases or spills).

Date of Government Version: 04/06/2018	Source: Office of Emergency Services
Date Data Arrived at EDR: 04/24/2018	Telephone: 916-845-8400
Date Made Active in Reports: 06/14/2018	Last EDR Contact: 04/24/2018
Number of Days to Update: 51	Next Scheduled EDR Contact: 08/06/2018
	Data Release Frequency: Semi-Annually

LDS: Land Disposal Sites Listing (GEOTRACKER)

Land Disposal sites (Landfills) included in GeoTracker. GeoTracker is the Water Boards data management system for sites that impact, or have the potential to impact, water quality in California, with emphasis on groundwater.

Date of Government Version: 06/11/2018	Source: State Water Quality Control Board
Date Data Arrived at EDR: 06/13/2018	Telephone: 866-480-1028
Date Made Active in Reports: 07/17/2018	Last EDR Contact: 12/12/2018
Number of Days to Update: 34	Next Scheduled EDR Contact: 09/24/2018
	Data Release Frequency: Quarterly

MCS: Military Cleanup Sites Listing (GEOTRACKER)

Military sites (consisting of: Military UST sites; Military Privatized sites; and Military Cleanup sites [formerly known as DoD non UST]) included in GeoTracker. GeoTracker is the Water Boards data management system for sites that impact, or have the potential to impact, water quality in California, with emphasis on groundwater.

Date of Government Version: 06/11/2018	Source: State Water Resources Control Board
Date Data Arrived at EDR: 06/13/2018	Telephone: 866-480-1028
Date Made Active in Reports: 07/17/2018	Last EDR Contact: 12/12/2018
Number of Days to Update: 34	Next Scheduled EDR Contact: 09/24/2018
	Data Release Frequency: Quarterly

SPILLS 90: SPILLS90 data from FirstSearch

Spills 90 includes those spill and release records available exclusively from FirstSearch databases. Typically, they may include chemical, oil and/or hazardous substance spills recorded after 1990. Duplicate records that are already included in EDR incident and release records are not included in Spills 90.

Date of Government Version: 06/06/2012	Source: FirstSearch
Date Data Arrived at EDR: 01/03/2013	Telephone: N/A
Date Made Active in Reports: 02/22/2013	Last EDR Contact: 01/03/2013
Number of Days to Update: 50	Next Scheduled EDR Contact: N/A
	Data Release Frequency: No Update Planned

Other Ascertainable Records

RCRA NonGen / NLR: RCRA - Non Generators / No Longer Regulated

RCRAInfo is EPA's comprehensive information system, providing access to data supporting the Resource Conservation and Recovery Act (RCRA) of 1976 and the Hazardous and Solid Waste Amendments (HSWA) of 1984. The database includes selective information on sites which generate, transport, store, treat and/or dispose of hazardous waste as defined by the Resource Conservation and Recovery Act (RCRA). Non-Generators do not presently generate hazardous waste.

GOVERNMENT RECORDS SEARCHED / DATA CURRENCY TRACKING

Date of Government Version: 03/01/2018
Date Data Arrived at EDR: 03/28/2018
Date Made Active in Reports: 06/22/2018
Number of Days to Update: 86

Source: Environmental Protection Agency
Telephone: (415) 495-8895
Last EDR Contact: 06/28/2018
Next Scheduled EDR Contact: 10/08/2018
Data Release Frequency: Quarterly

FUDS: Formerly Used Defense Sites

The listing includes locations of Formerly Used Defense Sites properties where the US Army Corps of Engineers is actively working or will take necessary cleanup actions.

Date of Government Version: 01/31/2015
Date Data Arrived at EDR: 07/08/2015
Date Made Active in Reports: 10/13/2015
Number of Days to Update: 97

Source: U.S. Army Corps of Engineers
Telephone: 202-528-4285
Last EDR Contact: 05/25/2018
Next Scheduled EDR Contact: 09/03/2018
Data Release Frequency: Varies

DOD: Department of Defense Sites

This data set consists of federally owned or administered lands, administered by the Department of Defense, that have any area equal to or greater than 640 acres of the United States, Puerto Rico, and the U.S. Virgin Islands.

Date of Government Version: 12/31/2005
Date Data Arrived at EDR: 11/10/2006
Date Made Active in Reports: 01/11/2007
Number of Days to Update: 62

Source: USGS
Telephone: 888-275-8747
Last EDR Contact: 07/11/2018
Next Scheduled EDR Contact: 10/22/2018
Data Release Frequency: Semi-Annually

FEDLAND: Federal and Indian Lands

Federally and Indian administrated lands of the United States. Lands included are administrated by: Army Corps of Engineers, Bureau of Reclamation, National Wild and Scenic River, National Wildlife Refuge, Public Domain Land, Wilderness, Wilderness Study Area, Wildlife Management Area, Bureau of Indian Affairs, Bureau of Land Management, Department of Justice, Forest Service, Fish and Wildlife Service, National Park Service.

Date of Government Version: 12/31/2005
Date Data Arrived at EDR: 02/06/2006
Date Made Active in Reports: 01/11/2007
Number of Days to Update: 339

Source: U.S. Geological Survey
Telephone: 888-275-8747
Last EDR Contact: 07/13/2018
Next Scheduled EDR Contact: 10/22/2018
Data Release Frequency: N/A

SCRD DRYCLEANERS: State Coalition for Remediation of Drycleaners Listing

The State Coalition for Remediation of Drycleaners was established in 1998, with support from the U.S. EPA Office of Superfund Remediation and Technology Innovation. It is comprised of representatives of states with established drycleaner remediation programs. Currently the member states are Alabama, Connecticut, Florida, Illinois, Kansas, Minnesota, Missouri, North Carolina, Oregon, South Carolina, Tennessee, Texas, and Wisconsin.

Date of Government Version: 01/01/2017
Date Data Arrived at EDR: 02/03/2017
Date Made Active in Reports: 04/07/2017
Number of Days to Update: 63

Source: Environmental Protection Agency
Telephone: 615-532-8599
Last EDR Contact: 05/15/2018
Next Scheduled EDR Contact: 08/27/2018
Data Release Frequency: Varies

US FIN ASSUR: Financial Assurance Information

All owners and operators of facilities that treat, store, or dispose of hazardous waste are required to provide proof that they will have sufficient funds to pay for the clean up, closure, and post-closure care of their facilities.

Date of Government Version: 03/01/2018
Date Data Arrived at EDR: 03/27/2018
Date Made Active in Reports: 06/22/2018
Number of Days to Update: 87

Source: Environmental Protection Agency
Telephone: 202-566-1917
Last EDR Contact: 06/27/2018
Next Scheduled EDR Contact: 10/08/2018
Data Release Frequency: Quarterly

GOVERNMENT RECORDS SEARCHED / DATA CURRENCY TRACKING

EPA WATCH LIST: EPA WATCH LIST

EPA maintains a "Watch List" to facilitate dialogue between EPA, state and local environmental agencies on enforcement matters relating to facilities with alleged violations identified as either significant or high priority. Being on the Watch List does not mean that the facility has actually violated the law only that an investigation by EPA or a state or local environmental agency has led those organizations to allege that an unproven violation has in fact occurred. Being on the Watch List does not represent a higher level of concern regarding the alleged violations that were detected, but instead indicates cases requiring additional dialogue between EPA, state and local agencies - primarily because of the length of time the alleged violation has gone unaddressed or unresolved.

Date of Government Version: 08/30/2013	Source: Environmental Protection Agency
Date Data Arrived at EDR: 03/21/2014	Telephone: 617-520-3000
Date Made Active in Reports: 06/17/2014	Last EDR Contact: 05/07/2018
Number of Days to Update: 88	Next Scheduled EDR Contact: 08/20/2018
	Data Release Frequency: Quarterly

2020 COR ACTION: 2020 Corrective Action Program List

The EPA has set ambitious goals for the RCRA Corrective Action program by creating the 2020 Corrective Action Universe. This RCRA cleanup baseline includes facilities expected to need corrective action. The 2020 universe contains a wide variety of sites. Some properties are heavily contaminated while others were contaminated but have since been cleaned up. Still others have not been fully investigated yet, and may require little or no remediation. Inclusion in the 2020 Universe does not necessarily imply failure on the part of a facility to meet its RCRA obligations.

Date of Government Version: 09/30/2017	Source: Environmental Protection Agency
Date Data Arrived at EDR: 05/08/2018	Telephone: 703-308-4044
Date Made Active in Reports: 07/20/2018	Last EDR Contact: 05/08/2018
Number of Days to Update: 73	Next Scheduled EDR Contact: 08/20/2018
	Data Release Frequency: Varies

TSCA: Toxic Substances Control Act

Toxic Substances Control Act. TSCA identifies manufacturers and importers of chemical substances included on the TSCA Chemical Substance Inventory list. It includes data on the production volume of these substances by plant site.

Date of Government Version: 12/31/2016	Source: EPA
Date Data Arrived at EDR: 06/21/2017	Telephone: 202-260-5521
Date Made Active in Reports: 01/05/2018	Last EDR Contact: 06/22/2018
Number of Days to Update: 198	Next Scheduled EDR Contact: 10/01/2018
	Data Release Frequency: Every 4 Years

TRIS: Toxic Chemical Release Inventory System

Toxic Release Inventory System. TRIS identifies facilities which release toxic chemicals to the air, water and land in reportable quantities under SARA Title III Section 313.

Date of Government Version: 12/31/2016	Source: EPA
Date Data Arrived at EDR: 01/10/2018	Telephone: 202-566-0250
Date Made Active in Reports: 01/12/2018	Last EDR Contact: 05/25/2018
Number of Days to Update: 2	Next Scheduled EDR Contact: 09/03/2018
	Data Release Frequency: Annually

SSTS: Section 7 Tracking Systems

Section 7 of the Federal Insecticide, Fungicide and Rodenticide Act, as amended (92 Stat. 829) requires all registered pesticide-producing establishments to submit a report to the Environmental Protection Agency by March 1st each year. Each establishment must report the types and amounts of pesticides, active ingredients and devices being produced, and those having been produced and sold or distributed in the past year.

Date of Government Version: 12/31/2009	Source: EPA
Date Data Arrived at EDR: 12/10/2010	Telephone: 202-564-4203
Date Made Active in Reports: 02/25/2011	Last EDR Contact: 04/09/2018
Number of Days to Update: 77	Next Scheduled EDR Contact: 08/06/2018
	Data Release Frequency: Annually

GOVERNMENT RECORDS SEARCHED / DATA CURRENCY TRACKING

ROD: Records Of Decision

Record of Decision. ROD documents mandate a permanent remedy at an NPL (Superfund) site containing technical and health information to aid in the cleanup.

Date of Government Version: 05/13/2018	Source: EPA
Date Data Arrived at EDR: 05/30/2018	Telephone: 703-416-0223
Date Made Active in Reports: 06/29/2018	Last EDR Contact: 07/06/2018
Number of Days to Update: 30	Next Scheduled EDR Contact: 10/15/2018
	Data Release Frequency: Annually

RMP: Risk Management Plans

When Congress passed the Clean Air Act Amendments of 1990, it required EPA to publish regulations and guidance for chemical accident prevention at facilities using extremely hazardous substances. The Risk Management Program Rule (RMP Rule) was written to implement Section 112(r) of these amendments. The rule, which built upon existing industry codes and standards, requires companies of all sizes that use certain flammable and toxic substances to develop a Risk Management Program, which includes a(n): Hazard assessment that details the potential effects of an accidental release, an accident history of the last five years, and an evaluation of worst-case and alternative accidental releases; Prevention program that includes safety precautions and maintenance, monitoring, and employee training measures; and Emergency response program that spells out emergency health care, employee training measures and procedures for informing the public and response agencies (e.g the fire department) should an accident occur.

Date of Government Version: 11/02/2017	Source: Environmental Protection Agency
Date Data Arrived at EDR: 11/17/2017	Telephone: 202-564-8600
Date Made Active in Reports: 12/08/2017	Last EDR Contact: 07/20/2018
Number of Days to Update: 21	Next Scheduled EDR Contact: 11/05/2018
	Data Release Frequency: Varies

RAATS: RCRA Administrative Action Tracking System

RCRA Administration Action Tracking System. RAATS contains records based on enforcement actions issued under RCRA pertaining to major violators and includes administrative and civil actions brought by the EPA. For administration actions after September 30, 1995, data entry in the RAATS database was discontinued. EPA will retain a copy of the database for historical records. It was necessary to terminate RAATS because a decrease in agency resources made it impossible to continue to update the information contained in the database.

Date of Government Version: 04/17/1995	Source: EPA
Date Data Arrived at EDR: 07/03/1995	Telephone: 202-564-4104
Date Made Active in Reports: 08/07/1995	Last EDR Contact: 06/02/2008
Number of Days to Update: 35	Next Scheduled EDR Contact: 09/01/2008
	Data Release Frequency: No Update Planned

PRP: Potentially Responsible Parties

A listing of verified Potentially Responsible Parties

Date of Government Version: 10/25/2013	Source: EPA
Date Data Arrived at EDR: 10/17/2014	Telephone: 202-564-6023
Date Made Active in Reports: 10/20/2014	Last EDR Contact: 07/06/2018
Number of Days to Update: 3	Next Scheduled EDR Contact: 08/20/2018
	Data Release Frequency: Quarterly

PADS: PCB Activity Database System

PCB Activity Database. PADS Identifies generators, transporters, commercial storers and/or brokers and disposers of PCB's who are required to notify the EPA of such activities.

Date of Government Version: 06/01/2017	Source: EPA
Date Data Arrived at EDR: 06/09/2017	Telephone: 202-566-0500
Date Made Active in Reports: 10/13/2017	Last EDR Contact: 07/13/2018
Number of Days to Update: 126	Next Scheduled EDR Contact: 10/22/2018
	Data Release Frequency: Annually

GOVERNMENT RECORDS SEARCHED / DATA CURRENCY TRACKING

ICIS: Integrated Compliance Information System

The Integrated Compliance Information System (ICIS) supports the information needs of the national enforcement and compliance program as well as the unique needs of the National Pollutant Discharge Elimination System (NPDES) program.

Date of Government Version: 11/18/2016	Source: Environmental Protection Agency
Date Data Arrived at EDR: 11/23/2016	Telephone: 202-564-2501
Date Made Active in Reports: 02/10/2017	Last EDR Contact: 07/09/2018
Number of Days to Update: 79	Next Scheduled EDR Contact: 10/22/2018
	Data Release Frequency: Quarterly

FTTS: FIFRA/ TSCA Tracking System - FIFRA (Federal Insecticide, Fungicide, & Rodenticide Act)/TSCA (Toxic Substances Control Act)
FTTS tracks administrative cases and pesticide enforcement actions and compliance activities related to FIFRA, TSCA and EPCRA (Emergency Planning and Community Right-to-Know Act). To maintain currency, EDR contacts the Agency on a quarterly basis.

Date of Government Version: 04/09/2009	Source: EPA/Office of Prevention, Pesticides and Toxic Substances
Date Data Arrived at EDR: 04/16/2009	Telephone: 202-566-1667
Date Made Active in Reports: 05/11/2009	Last EDR Contact: 08/18/2017
Number of Days to Update: 25	Next Scheduled EDR Contact: 12/04/2017
	Data Release Frequency: Quarterly

FTTS INSP: FIFRA/ TSCA Tracking System - FIFRA (Federal Insecticide, Fungicide, & Rodenticide Act)/TSCA (Toxic Substances Control Act)
A listing of FIFRA/TSCA Tracking System (FTTS) inspections and enforcements.

Date of Government Version: 04/09/2009	Source: EPA
Date Data Arrived at EDR: 04/16/2009	Telephone: 202-566-1667
Date Made Active in Reports: 05/11/2009	Last EDR Contact: 08/18/2017
Number of Days to Update: 25	Next Scheduled EDR Contact: 12/04/2017
	Data Release Frequency: Quarterly

MLTS: Material Licensing Tracking System

MLTS is maintained by the Nuclear Regulatory Commission and contains a list of approximately 8,100 sites which possess or use radioactive materials and which are subject to NRC licensing requirements. To maintain currency, EDR contacts the Agency on a quarterly basis.

Date of Government Version: 08/30/2016	Source: Nuclear Regulatory Commission
Date Data Arrived at EDR: 09/08/2016	Telephone: 301-415-7169
Date Made Active in Reports: 10/21/2016	Last EDR Contact: 07/23/2018
Number of Days to Update: 43	Next Scheduled EDR Contact: 11/05/2018
	Data Release Frequency: Quarterly

COAL ASH DOE: Steam-Electric Plant Operation Data

A listing of power plants that store ash in surface ponds.

Date of Government Version: 12/31/2005	Source: Department of Energy
Date Data Arrived at EDR: 08/07/2009	Telephone: 202-586-8719
Date Made Active in Reports: 10/22/2009	Last EDR Contact: 06/07/2018
Number of Days to Update: 76	Next Scheduled EDR Contact: 09/17/2018
	Data Release Frequency: Varies

COAL ASH EPA: Coal Combustion Residues Surface Impoundments List

A listing of coal combustion residues surface impoundments with high hazard potential ratings.

Date of Government Version: 07/01/2014	Source: Environmental Protection Agency
Date Data Arrived at EDR: 09/10/2014	Telephone: N/A
Date Made Active in Reports: 10/20/2014	Last EDR Contact: 06/04/2018
Number of Days to Update: 40	Next Scheduled EDR Contact: 09/17/2018
	Data Release Frequency: Varies

GOVERNMENT RECORDS SEARCHED / DATA CURRENCY TRACKING

PCB TRANSFORMER: PCB Transformer Registration Database

The database of PCB transformer registrations that includes all PCB registration submittals.

Date of Government Version: 05/24/2017	Source: Environmental Protection Agency
Date Data Arrived at EDR: 11/30/2017	Telephone: 202-566-0517
Date Made Active in Reports: 12/15/2017	Last EDR Contact: 04/27/2018
Number of Days to Update: 15	Next Scheduled EDR Contact: 08/06/2018
	Data Release Frequency: Varies

RADINFO: Radiation Information Database

The Radiation Information Database (RADINFO) contains information about facilities that are regulated by U.S. Environmental Protection Agency (EPA) regulations for radiation and radioactivity.

Date of Government Version: 04/03/2018	Source: Environmental Protection Agency
Date Data Arrived at EDR: 04/05/2018	Telephone: 202-343-9775
Date Made Active in Reports: 06/29/2018	Last EDR Contact: 07/05/2018
Number of Days to Update: 85	Next Scheduled EDR Contact: 10/15/2018
	Data Release Frequency: Quarterly

HIST FTTS: FIFRA/TSCA Tracking System Administrative Case Listing

A complete administrative case listing from the FIFRA/TSCA Tracking System (FTTS) for all ten EPA regions. The information was obtained from the National Compliance Database (NCDB). NCDB supports the implementation of FIFRA (Federal Insecticide, Fungicide, and Rodenticide Act) and TSCA (Toxic Substances Control Act). Some EPA regions are now closing out records. Because of that, and the fact that some EPA regions are not providing EPA Headquarters with updated records, it was decided to create a HIST FTTS database. It included records that may not be included in the newer FTTS database updates. This database is no longer updated.

Date of Government Version: 10/19/2006	Source: Environmental Protection Agency
Date Data Arrived at EDR: 03/01/2007	Telephone: 202-564-2501
Date Made Active in Reports: 04/10/2007	Last EDR Contact: 12/17/2007
Number of Days to Update: 40	Next Scheduled EDR Contact: 03/17/2008
	Data Release Frequency: No Update Planned

HIST FTTS INSP: FIFRA/TSCA Tracking System Inspection & Enforcement Case Listing

A complete inspection and enforcement case listing from the FIFRA/TSCA Tracking System (FTTS) for all ten EPA regions. The information was obtained from the National Compliance Database (NCDB). NCDB supports the implementation of FIFRA (Federal Insecticide, Fungicide, and Rodenticide Act) and TSCA (Toxic Substances Control Act). Some EPA regions are now closing out records. Because of that, and the fact that some EPA regions are not providing EPA Headquarters with updated records, it was decided to create a HIST FTTS database. It included records that may not be included in the newer FTTS database updates. This database is no longer updated.

Date of Government Version: 10/19/2006	Source: Environmental Protection Agency
Date Data Arrived at EDR: 03/01/2007	Telephone: 202-564-2501
Date Made Active in Reports: 04/10/2007	Last EDR Contact: 12/17/2008
Number of Days to Update: 40	Next Scheduled EDR Contact: 03/17/2008
	Data Release Frequency: No Update Planned

DOT OPS: Incident and Accident Data

Department of Transportation, Office of Pipeline Safety Incident and Accident data.

Date of Government Version: 07/31/2012	Source: Department of Transportation, Office of Pipeline Safety
Date Data Arrived at EDR: 08/07/2012	Telephone: 202-366-4595
Date Made Active in Reports: 09/18/2012	Last EDR Contact: 05/03/2018
Number of Days to Update: 42	Next Scheduled EDR Contact: 08/13/2018
	Data Release Frequency: Varies

CONSENT: Superfund (CERCLA) Consent Decrees

Major legal settlements that establish responsibility and standards for cleanup at NPL (Superfund) sites. Released periodically by United States District Courts after settlement by parties to litigation matters.

GOVERNMENT RECORDS SEARCHED / DATA CURRENCY TRACKING

Date of Government Version: 03/31/2018
Date Data Arrived at EDR: 04/16/2018
Date Made Active in Reports: 06/29/2018
Number of Days to Update: 74

Source: Department of Justice, Consent Decree Library
Telephone: Varies
Last EDR Contact: 07/09/2018
Next Scheduled EDR Contact: 10/01/2018
Data Release Frequency: Varies

BRS: Biennial Reporting System

The Biennial Reporting System is a national system administered by the EPA that collects data on the generation and management of hazardous waste. BRS captures detailed data from two groups: Large Quantity Generators (LQG) and Treatment, Storage, and Disposal Facilities.

Date of Government Version: 12/31/2015
Date Data Arrived at EDR: 02/22/2017
Date Made Active in Reports: 09/28/2017
Number of Days to Update: 218

Source: EPA/NTIS
Telephone: 800-424-9346
Last EDR Contact: 06/28/2018
Next Scheduled EDR Contact: 09/03/2018
Data Release Frequency: Biennially

INDIAN RESERV: Indian Reservations

This map layer portrays Indian administered lands of the United States that have any area equal to or greater than 640 acres.

Date of Government Version: 12/31/2014
Date Data Arrived at EDR: 07/14/2015
Date Made Active in Reports: 01/10/2017
Number of Days to Update: 546

Source: USGS
Telephone: 202-208-3710
Last EDR Contact: 07/11/2018
Next Scheduled EDR Contact: 10/22/2018
Data Release Frequency: Semi-Annually

FUSRAP: Formerly Utilized Sites Remedial Action Program

DOE established the Formerly Utilized Sites Remedial Action Program (FUSRAP) in 1974 to remediate sites where radioactive contamination remained from Manhattan Project and early U.S. Atomic Energy Commission (AEC) operations.

Date of Government Version: 12/23/2016
Date Data Arrived at EDR: 12/27/2016
Date Made Active in Reports: 02/17/2017
Number of Days to Update: 52

Source: Department of Energy
Telephone: 202-586-3559
Last EDR Contact: 05/07/2018
Next Scheduled EDR Contact: 08/20/2018
Data Release Frequency: Varies

UMTRA: Uranium Mill Tailings Sites

Uranium ore was mined by private companies for federal government use in national defense programs. When the mills shut down, large piles of the sand-like material (mill tailings) remain after uranium has been extracted from the ore. Levels of human exposure to radioactive materials from the piles are low; however, in some cases tailings were used as construction materials before the potential health hazards of the tailings were recognized.

Date of Government Version: 06/23/2017
Date Data Arrived at EDR: 10/11/2017
Date Made Active in Reports: 11/03/2017
Number of Days to Update: 23

Source: Department of Energy
Telephone: 505-845-0011
Last EDR Contact: 05/18/2018
Next Scheduled EDR Contact: 09/03/2018
Data Release Frequency: Varies

LEAD SMELTER 1: Lead Smelter Sites

A listing of former lead smelter site locations.

Date of Government Version: 05/13/2018
Date Data Arrived at EDR: 05/30/2018
Date Made Active in Reports: 06/29/2018
Number of Days to Update: 30

Source: Environmental Protection Agency
Telephone: 703-603-8787
Last EDR Contact: 07/06/2018
Next Scheduled EDR Contact: 10/15/2018
Data Release Frequency: Varies

LEAD SMELTER 2: Lead Smelter Sites

A list of several hundred sites in the U.S. where secondary lead smelting was done from 1931 and 1964. These sites may pose a threat to public health through ingestion or inhalation of contaminated soil or dust

GOVERNMENT RECORDS SEARCHED / DATA CURRENCY TRACKING

Date of Government Version: 04/05/2001
Date Data Arrived at EDR: 10/27/2010
Date Made Active in Reports: 12/02/2010
Number of Days to Update: 36

Source: American Journal of Public Health
Telephone: 703-305-6451
Last EDR Contact: 12/02/2009
Next Scheduled EDR Contact: N/A
Data Release Frequency: No Update Planned

US AIRS (AFS): Aerometric Information Retrieval System Facility Subsystem (AFS)

The database is a sub-system of Aerometric Information Retrieval System (AIRS). AFS contains compliance data on air pollution point sources regulated by the U.S. EPA and/or state and local air regulatory agencies. This information comes from source reports by various stationary sources of air pollution, such as electric power plants, steel mills, factories, and universities, and provides information about the air pollutants they produce. Action, air program, air program pollutant, and general level plant data. It is used to track emissions and compliance data from industrial plants.

Date of Government Version: 10/12/2016
Date Data Arrived at EDR: 10/26/2016
Date Made Active in Reports: 02/03/2017
Number of Days to Update: 100

Source: EPA
Telephone: 202-564-2496
Last EDR Contact: 09/26/2017
Next Scheduled EDR Contact: 01/08/2018
Data Release Frequency: Annually

US AIRS MINOR: Air Facility System Data

A listing of minor source facilities.

Date of Government Version: 10/12/2016
Date Data Arrived at EDR: 10/26/2016
Date Made Active in Reports: 02/03/2017
Number of Days to Update: 100

Source: EPA
Telephone: 202-564-2496
Last EDR Contact: 09/26/2017
Next Scheduled EDR Contact: 01/08/2018
Data Release Frequency: Annually

US MINES: Mines Master Index File

Contains all mine identification numbers issued for mines active or opened since 1971. The data also includes violation information.

Date of Government Version: 05/03/2018
Date Data Arrived at EDR: 05/31/2018
Date Made Active in Reports: 06/29/2018
Number of Days to Update: 29

Source: Department of Labor, Mine Safety and Health Administration
Telephone: 303-231-5959
Last EDR Contact: 05/31/2018
Next Scheduled EDR Contact: 09/10/2018
Data Release Frequency: Semi-Annually

US MINES 2: Ferrous and Nonferrous Metal Mines Database Listing

This map layer includes ferrous (ferrous metal mines are facilities that extract ferrous metals, such as iron ore or molybdenum) and nonferrous (Nonferrous metal mines are facilities that extract nonferrous metals, such as gold, silver, copper, zinc, and lead) metal mines in the United States.

Date of Government Version: 12/05/2005
Date Data Arrived at EDR: 02/29/2008
Date Made Active in Reports: 04/18/2008
Number of Days to Update: 49

Source: USGS
Telephone: 703-648-7709
Last EDR Contact: 05/30/2018
Next Scheduled EDR Contact: 09/10/2018
Data Release Frequency: Varies

US MINES 3: Active Mines & Mineral Plants Database Listing

Active Mines and Mineral Processing Plant operations for commodities monitored by the Minerals Information Team of the USGS.

Date of Government Version: 04/14/2011
Date Data Arrived at EDR: 06/08/2011
Date Made Active in Reports: 09/13/2011
Number of Days to Update: 97

Source: USGS
Telephone: 703-648-7709
Last EDR Contact: 05/30/2018
Next Scheduled EDR Contact: 09/10/2018
Data Release Frequency: Varies

GOVERNMENT RECORDS SEARCHED / DATA CURRENCY TRACKING

ABANDONED MINES: Abandoned Mines

An inventory of land and water impacted by past mining (primarily coal mining) is maintained by OSMRE to provide information needed to implement the Surface Mining Control and Reclamation Act of 1977 (SMCRA). The inventory contains information on the location, type, and extent of AML impacts, as well as, information on the cost associated with the reclamation of those problems. The inventory is based upon field surveys by State, Tribal, and OSMRE program officials. It is dynamic to the extent that it is modified as new problems are identified and existing problems are reclaimed.

Date of Government Version: 03/08/2018	Source: Department of Interior
Date Data Arrived at EDR: 03/13/2018	Telephone: 202-208-2609
Date Made Active in Reports: 06/08/2018	Last EDR Contact: 06/20/2018
Number of Days to Update: 87	Next Scheduled EDR Contact: 09/24/2018
	Data Release Frequency: Quarterly

FINDS: Facility Index System/Facility Registry System

Facility Index System. FINDS contains both facility information and 'pointers' to other sources that contain more detail. EDR includes the following FINDS databases in this report: PCS (Permit Compliance System), AIRS (Aerometric Information Retrieval System), DOCKET (Enforcement Docket used to manage and track information on civil judicial enforcement cases for all environmental statutes), FURS (Federal Underground Injection Control), C-DOCKET (Criminal Docket System used to track criminal enforcement actions for all environmental statutes), FFIS (Federal Facilities Information System), STATE (State Environmental Laws and Statutes), and PADS (PCB Activity Data System).

Date of Government Version: 02/21/2018	Source: EPA
Date Data Arrived at EDR: 02/23/2018	Telephone: (415) 947-8000
Date Made Active in Reports: 03/23/2018	Last EDR Contact: 06/06/2018
Number of Days to Update: 28	Next Scheduled EDR Contact: 09/17/2018
	Data Release Frequency: Quarterly

ECHO: Enforcement & Compliance History Information

ECHO provides integrated compliance and enforcement information for about 800,000 regulated facilities nationwide.

Date of Government Version: 02/25/2018	Source: Environmental Protection Agency
Date Data Arrived at EDR: 03/17/2018	Telephone: 202-564-2280
Date Made Active in Reports: 06/08/2018	Last EDR Contact: 06/06/2018
Number of Days to Update: 83	Next Scheduled EDR Contact: 09/17/2018
	Data Release Frequency: Quarterly

DOCKET HWC: Hazardous Waste Compliance Docket Listing

A complete list of the Federal Agency Hazardous Waste Compliance Docket Facilities.

Date of Government Version: 01/04/2018	Source: Environmental Protection Agency
Date Data Arrived at EDR: 01/19/2018	Telephone: 202-564-0527
Date Made Active in Reports: 04/13/2018	Last EDR Contact: 06/01/2018
Number of Days to Update: 84	Next Scheduled EDR Contact: 09/10/2018
	Data Release Frequency: Varies

UXO: Unexploded Ordnance Sites

A listing of unexploded ordnance site locations

Date of Government Version: 09/30/2016	Source: Department of Defense
Date Data Arrived at EDR: 10/31/2017	Telephone: 703-704-1564
Date Made Active in Reports: 01/12/2018	Last EDR Contact: 07/13/2018
Number of Days to Update: 73	Next Scheduled EDR Contact: 10/29/2018
	Data Release Frequency: Varies

FUELS PROGRAM: EPA Fuels Program Registered Listing

This listing includes facilities that are registered under the Part 80 (Code of Federal Regulations) EPA Fuels Programs. All companies now are required to submit new and updated registrations.

GOVERNMENT RECORDS SEARCHED / DATA CURRENCY TRACKING

Date of Government Version: 02/20/2018
Date Data Arrived at EDR: 02/21/2018
Date Made Active in Reports: 03/23/2018
Number of Days to Update: 30

Source: EPA
Telephone: 800-385-6164
Last EDR Contact: 05/23/2018
Next Scheduled EDR Contact: 09/03/2018
Data Release Frequency: Quarterly

CA BOND EXP. PLAN: Bond Expenditure Plan

Department of Health Services developed a site-specific expenditure plan as the basis for an appropriation of Hazardous Substance Cleanup Bond Act funds. It is not updated.

Date of Government Version: 01/01/1989
Date Data Arrived at EDR: 07/27/1994
Date Made Active in Reports: 08/02/1994
Number of Days to Update: 6

Source: Department of Health Services
Telephone: 916-255-2118
Last EDR Contact: 05/31/1994
Next Scheduled EDR Contact: N/A
Data Release Frequency: No Update Planned

CORTESE: "Cortese" Hazardous Waste & Substances Sites List

The sites for the list are designated by the State Water Resource Control Board (LUST), the Integrated Waste Board (SWF/LS), and the Department of Toxic Substances Control (Cal-Sites).

Date of Government Version: 03/26/2018
Date Data Arrived at EDR: 03/27/2018
Date Made Active in Reports: 05/04/2018
Number of Days to Update: 38

Source: CAL EPA/Office of Emergency Information
Telephone: 916-323-3400
Last EDR Contact: 06/27/2018
Next Scheduled EDR Contact: 10/08/2018
Data Release Frequency: Quarterly

CUPA SAN FRANCISCO CO: CUPA SAN FRANCISCO CO

Cupa facilities

Date of Government Version: 04/20/2018
Date Data Arrived at EDR: 04/24/2018
Date Made Active in Reports: 05/04/2018
Number of Days to Update: 10

Source: San Francisco County Department of Environmental Health
Telephone: 415-252-3896
Last EDR Contact: 05/02/2018
Next Scheduled EDR Contact: 08/20/2018
Data Release Frequency: Varies

CUPA LIVERMORE-PLEASANTON: CUPA Facility Listing

list of facilities associated with the various CUPA programs in Livermore-Pleasanton

Date of Government Version: 04/03/2018
Date Data Arrived at EDR: 05/07/2018
Date Made Active in Reports: 06/15/2018
Number of Days to Update: 39

Source: Livermore-Pleasanton Fire Department
Telephone: 925-454-2361
Last EDR Contact: 05/07/2018
Next Scheduled EDR Contact: 08/27/2018
Data Release Frequency: Varies

DRYCLEAN AVAQMD: DRYCLEAN AVAQMD

A listing of dry cleaners in the Antelope Valley Air Quality Management District.

Date of Government Version: 03/08/2018
Date Data Arrived at EDR: 03/13/2018
Date Made Active in Reports: 05/04/2018
Number of Days to Update: 52

Source: Antelope Valley Air Quality Management District
Telephone: 661-723-8070
Last EDR Contact: 06/22/2018
Next Scheduled EDR Contact: 09/17/2018
Data Release Frequency: Varies

DRYCLEANERS: Cleaner Facilities

A list of drycleaner related facilities that have EPA ID numbers. These are facilities with certain SIC codes: power laundries, family and commercial; garment pressing and cleaner's agents; linen supply; coin-operated laundries and cleaning; drycleaning plants, except rugs; carpet and upholster cleaning; industrial launderers; laundry and garment services.

GOVERNMENT RECORDS SEARCHED / DATA CURRENCY TRACKING

Date of Government Version: 03/27/2018
Date Data Arrived at EDR: 03/29/2018
Date Made Active in Reports: 05/04/2018
Number of Days to Update: 36

Source: Department of Toxic Substance Control
Telephone: 916-327-4498
Last EDR Contact: 05/30/2018
Next Scheduled EDR Contact: 09/17/2018
Data Release Frequency: Annually

DRYCLEAN SOUTH COAST: DRYCLEAN SOUTH COAST

A listing of dry cleaners in the South Coast Air Quality Management District

Date of Government Version: 03/16/2018
Date Data Arrived at EDR: 03/20/2018
Date Made Active in Reports: 05/04/2018
Number of Days to Update: 45

Source: South Coast Air Quality Management District
Telephone: 909-396-3211
Last EDR Contact: 06/11/2018
Next Scheduled EDR Contact: 09/10/2018
Data Release Frequency: Varies

EMI: Emissions Inventory Data

Toxics and criteria pollutant emissions data collected by the ARB and local air pollution agencies.

Date of Government Version: 12/31/2015
Date Data Arrived at EDR: 03/21/2017
Date Made Active in Reports: 08/15/2017
Number of Days to Update: 147

Source: California Air Resources Board
Telephone: 916-322-2990
Last EDR Contact: 06/20/2018
Next Scheduled EDR Contact: 10/01/2018
Data Release Frequency: Varies

ENF: Enforcement Action Listing

A listing of Water Board Enforcement Actions. Formal is everything except Oral/Verbal Communication, Notice of Violation, Expedited Payment Letter, and Staff Enforcement Letter.

Date of Government Version: 04/18/2018
Date Data Arrived at EDR: 04/24/2018
Date Made Active in Reports: 07/06/2018
Number of Days to Update: 73

Source: State Water Resources Control Board
Telephone: 916-445-9379
Last EDR Contact: 07/17/2018
Next Scheduled EDR Contact: 11/05/2018
Data Release Frequency: Varies

Financial Assurance 1: Financial Assurance Information Listing

Financial Assurance information

Date of Government Version: 04/18/2018
Date Data Arrived at EDR: 04/20/2018
Date Made Active in Reports: 06/19/2018
Number of Days to Update: 60

Source: Department of Toxic Substances Control
Telephone: 916-255-3628
Last EDR Contact: 07/17/2018
Next Scheduled EDR Contact: 11/05/2018
Data Release Frequency: Varies

Financial Assurance 2: Financial Assurance Information Listing

A listing of financial assurance information for solid waste facilities. Financial assurance is intended to ensure that resources are available to pay for the cost of closure, post-closure care, and corrective measures if the owner or operator of a regulated facility is unable or unwilling to pay.

Date of Government Version: 05/14/2018
Date Data Arrived at EDR: 05/15/2018
Date Made Active in Reports: 06/22/2018
Number of Days to Update: 38

Source: California Integrated Waste Management Board
Telephone: 916-341-6066
Last EDR Contact: 05/09/2018
Next Scheduled EDR Contact: 08/27/2018
Data Release Frequency: Varies

HAZNET: Facility and Manifest Data

Facility and Manifest Data. The data is extracted from the copies of hazardous waste manifests received each year by the DTSC. The annual volume of manifests is typically 700,000 - 1,000,000 annually, representing approximately 350,000 - 500,000 shipments. Data are from the manifests submitted without correction, and therefore many contain some invalid values for data elements such as generator ID, TSD ID, waste category, and disposal method. This database begins with calendar year 1993.

GOVERNMENT RECORDS SEARCHED / DATA CURRENCY TRACKING

Date of Government Version: 12/31/2016
Date Data Arrived at EDR: 07/12/2017
Date Made Active in Reports: 10/17/2017
Number of Days to Update: 97

Source: California Environmental Protection Agency
Telephone: 916-255-1136
Last EDR Contact: 07/13/2018
Next Scheduled EDR Contact: 10/22/2018
Data Release Frequency: Annually

ICE: ICE

Contains data pertaining to the Permitted Facilities with Inspections / Enforcements sites tracked in Envirostor.

Date of Government Version: 05/21/2018
Date Data Arrived at EDR: 05/23/2018
Date Made Active in Reports: 07/17/2018
Number of Days to Update: 55

Source: Department of Toxic Substances Control
Telephone: 877-786-9427
Last EDR Contact: 05/23/2018
Next Scheduled EDR Contact: 09/03/2018
Data Release Frequency: Quarterly

HIST CORTESE: Hazardous Waste & Substance Site List

The sites for the list are designated by the State Water Resource Control Board [LUST], the Integrated Waste Board [SWF/LS], and the Department of Toxic Substances Control [CALSITES]. This listing is no longer updated by the state agency.

Date of Government Version: 04/01/2001
Date Data Arrived at EDR: 01/22/2009
Date Made Active in Reports: 04/08/2009
Number of Days to Update: 76

Source: Department of Toxic Substances Control
Telephone: 916-323-3400
Last EDR Contact: 01/22/2009
Next Scheduled EDR Contact: N/A
Data Release Frequency: No Update Planned

HWP: EnviroStor Permitted Facilities Listing

Detailed information on permitted hazardous waste facilities and corrective action ("cleanups") tracked in EnviroStor.

Date of Government Version: 05/21/2018
Date Data Arrived at EDR: 05/23/2018
Date Made Active in Reports: 07/17/2018
Number of Days to Update: 55

Source: Department of Toxic Substances Control
Telephone: 916-323-3400
Last EDR Contact: 05/23/2018
Next Scheduled EDR Contact: 09/03/2018
Data Release Frequency: Quarterly

HWT: Registered Hazardous Waste Transporter Database

A listing of hazardous waste transporters. In California, unless specifically exempted, it is unlawful for any person to transport hazardous wastes unless the person holds a valid registration issued by DTSC. A hazardous waste transporter registration is valid for one year and is assigned a unique registration number.

Date of Government Version: 04/09/2018
Date Data Arrived at EDR: 04/11/2018
Date Made Active in Reports: 06/19/2018
Number of Days to Update: 69

Source: Department of Toxic Substances Control
Telephone: 916-440-7145
Last EDR Contact: 07/11/2018
Next Scheduled EDR Contact: 10/22/2018
Data Release Frequency: Quarterly

MINES: Mines Site Location Listing

A listing of mine site locations from the Office of Mine Reclamation.

Date of Government Version: 03/12/2018
Date Data Arrived at EDR: 03/14/2018
Date Made Active in Reports: 05/04/2018
Number of Days to Update: 51

Source: Department of Conservation
Telephone: 916-322-1080
Last EDR Contact: 06/13/2018
Next Scheduled EDR Contact: 09/24/2018
Data Release Frequency: Quarterly

MWMP: Medical Waste Management Program Listing

The Medical Waste Management Program (MWMP) ensures the proper handling and disposal of medical waste by permitting and inspecting medical waste Offsite Treatment Facilities (PDF) and Transfer Stations (PDF) throughout the state. MWMP also oversees all Medical Waste Transporters.

GOVERNMENT RECORDS SEARCHED / DATA CURRENCY TRACKING

Date of Government Version: 05/23/2018
Date Data Arrived at EDR: 06/06/2018
Date Made Active in Reports: 07/18/2018
Number of Days to Update: 42

Source: Department of Public Health
Telephone: 916-558-1784
Last EDR Contact: 06/06/2018
Next Scheduled EDR Contact: 09/17/2018
Data Release Frequency: Varies

NPDES: NPDES Permits Listing

A listing of NPDES permits, including stormwater.

Date of Government Version: 05/14/2018
Date Data Arrived at EDR: 05/16/2018
Date Made Active in Reports: 07/05/2018
Number of Days to Update: 50

Source: State Water Resources Control Board
Telephone: 916-445-9379
Last EDR Contact: 05/16/2018
Next Scheduled EDR Contact: 08/27/2018
Data Release Frequency: Quarterly

PEST LIC: Pesticide Regulation Licenses Listing

A listing of licenses and certificates issued by the Department of Pesticide Regulation. The DPR issues licenses and/or certificates to: Persons and businesses that apply or sell pesticides; Pest control dealers and brokers; Persons who advise on agricultural pesticide applications.

Date of Government Version: 06/04/2018
Date Data Arrived at EDR: 06/06/2018
Date Made Active in Reports: 07/19/2018
Number of Days to Update: 43

Source: Department of Pesticide Regulation
Telephone: 916-445-4038
Last EDR Contact: 06/06/2018
Next Scheduled EDR Contact: 09/17/2018
Data Release Frequency: Quarterly

PROC: Certified Processors Database

A listing of certified processors.

Date of Government Version: 03/12/2018
Date Data Arrived at EDR: 03/14/2018
Date Made Active in Reports: 05/04/2018
Number of Days to Update: 51

Source: Department of Conservation
Telephone: 916-323-3836
Last EDR Contact: 06/13/2018
Next Scheduled EDR Contact: 09/24/2018
Data Release Frequency: Quarterly

NOTIFY 65: Proposition 65 Records

Listings of all Proposition 65 incidents reported to counties by the State Water Resources Control Board and the Regional Water Quality Control Board. This database is no longer updated by the reporting agency.

Date of Government Version: 03/23/2018
Date Data Arrived at EDR: 03/27/2018
Date Made Active in Reports: 05/04/2018
Number of Days to Update: 38

Source: State Water Resources Control Board
Telephone: 916-445-3846
Last EDR Contact: 06/14/2018
Next Scheduled EDR Contact: 10/01/2018
Data Release Frequency: No Update Planned

UIC: UIC Listing

A listing of wells identified as underground injection wells, in the California Oil and Gas Wells database.

Date of Government Version: 04/27/2018
Date Data Arrived at EDR: 06/13/2018
Date Made Active in Reports: 07/17/2018
Number of Days to Update: 34

Source: Department of Conservation
Telephone: 916-445-2408
Last EDR Contact: 06/13/2018
Next Scheduled EDR Contact: 09/24/2018
Data Release Frequency: Varies

WASTEWATER PITS: Oil Wastewater Pits Listing

Water officials discovered that oil producers have been dumping chemical-laden wastewater into hundreds of unlined pits that are operating without proper permits. Inspections completed by the Central Valley Regional Water Quality Control Board revealed the existence of previously unidentified waste sites. The water boards review found that more than one-third of the region's active disposal pits are operating without permission.

GOVERNMENT RECORDS SEARCHED / DATA CURRENCY TRACKING

Date of Government Version: 04/10/2018
Date Data Arrived at EDR: 04/13/2018
Date Made Active in Reports: 06/19/2018
Number of Days to Update: 67

Source: RWQCB, Central Valley Region
Telephone: 559-445-5577
Last EDR Contact: 07/11/2018
Next Scheduled EDR Contact: 10/22/2018
Data Release Frequency: Varies

WDS: Waste Discharge System

Sites which have been issued waste discharge requirements.

Date of Government Version: 06/19/2007
Date Data Arrived at EDR: 06/20/2007
Date Made Active in Reports: 06/29/2007
Number of Days to Update: 9

Source: State Water Resources Control Board
Telephone: 916-341-5227
Last EDR Contact: 05/16/2018
Next Scheduled EDR Contact: 09/03/2018
Data Release Frequency: Quarterly

WIP: Well Investigation Program Case List

Well Investigation Program case in the San Gabriel and San Fernando Valley area.

Date of Government Version: 07/03/2009
Date Data Arrived at EDR: 07/21/2009
Date Made Active in Reports: 08/03/2009
Number of Days to Update: 13

Source: Los Angeles Water Quality Control Board
Telephone: 213-576-6726
Last EDR Contact: 06/25/2018
Next Scheduled EDR Contact: 10/08/2018
Data Release Frequency: Varies

PROD WATER PONDS: Produced Water Ponds Sites (GEOTRACKER)

Produced water ponds sites

Date of Government Version: 06/11/2018
Date Data Arrived at EDR: 06/13/2018
Date Made Active in Reports: 07/18/2018
Number of Days to Update: 35

Source: State Water Resources Control Board
Telephone: 866-480-1028
Last EDR Contact: 12/12/2018
Next Scheduled EDR Contact: 09/24/2018
Data Release Frequency: Varies

PROJECT: Project Sites (GEOTRACKER)

Projects sites

Date of Government Version: 06/11/2018
Date Data Arrived at EDR: 06/13/2018
Date Made Active in Reports: 07/18/2018
Number of Days to Update: 35

Source: State Water Resources Control Board
Telephone: 866-480-1028
Last EDR Contact: 12/12/2018
Next Scheduled EDR Contact: 09/24/2018
Data Release Frequency: Varies

NON-CASE INFO: Non-Case Information Sites (GEOTRACKER)

Non-Case Information sites

Date of Government Version: 06/11/2018
Date Data Arrived at EDR: 06/13/2018
Date Made Active in Reports: 07/18/2018
Number of Days to Update: 35

Source: State Water Resources Control Board
Telephone: 866-480-1028
Last EDR Contact: 12/12/2018
Next Scheduled EDR Contact: 09/24/2018
Data Release Frequency: Varies

WELL STIM PROJ: Well Stimulation Project (GEOTRACKER)

Includes areas of groundwater monitoring plans, a depiction of the monitoring network, and the facilities, boundaries, and subsurface characteristics of the oilfield and the features (oil and gas wells, produced water ponds, UIC wells, water supply wells, etc?) being monitored

Date of Government Version: 06/11/2018
Date Data Arrived at EDR: 06/13/2018
Date Made Active in Reports: 07/18/2018
Number of Days to Update: 35

Source: State Water Resources Control Board
Telephone: 866-480-1028
Last EDR Contact: 12/12/2018
Next Scheduled EDR Contact: 09/24/2018
Data Release Frequency: Varies

GOVERNMENT RECORDS SEARCHED / DATA CURRENCY TRACKING

CIWQS: California Integrated Water Quality System

The California Integrated Water Quality System (CIWQS) is a computer system used by the State and Regional Water Quality Control Boards to track information about places of environmental interest, manage permits and other orders, track inspections, and manage violations and enforcement activities.

Date of Government Version: 06/04/2018	Source: State Water Resources Control Board
Date Data Arrived at EDR: 06/06/2018	Telephone: 866-794-4977
Date Made Active in Reports: 07/13/2018	Last EDR Contact: 06/06/2018
Number of Days to Update: 37	Next Scheduled EDR Contact: 09/17/2018
	Data Release Frequency: Varies

OTHER OIL GAS: Other Oil & Gas Projects Sites (GEOTRACKER)

Other Oil & Gas Projects sites

Date of Government Version: 06/11/2018	Source: State Water Resources Control Board
Date Data Arrived at EDR: 06/13/2018	Telephone: 866-480-1028
Date Made Active in Reports: 07/18/2018	Last EDR Contact: 12/12/2018
Number of Days to Update: 35	Next Scheduled EDR Contact: 09/24/2018
	Data Release Frequency: Varies

SAMPLING POINT: Sampling Point ? Public Sites (GEOTRACKER)

Sampling point - public sites

Date of Government Version: 06/11/2018	Source: State Water Resources Control Board
Date Data Arrived at EDR: 06/13/2018	Telephone: 866-480-1028
Date Made Active in Reports: 07/18/2018	Last EDR Contact: 12/12/2018
Number of Days to Update: 35	Next Scheduled EDR Contact: 09/24/2018
	Data Release Frequency: Varies

UIC GEO: Underground Injection Control Sites (GEOTRACKER)

Underground control injection sites

Date of Government Version: 06/11/2018	Source: State Water Resource Control Board
Date Data Arrived at EDR: 06/13/2018	Telephone: 866-480-1028
Date Made Active in Reports: 07/18/2018	Last EDR Contact: 12/12/2018
Number of Days to Update: 35	Next Scheduled EDR Contact: 09/24/2018
	Data Release Frequency: Varies

CERS: CalEPA Regulated Site Portal Data

The CalEPA Regulated Site Portal database combines data about environmentally regulated sites and facilities in California into a single database. It combines data from a variety of state and federal databases, and provides an overview of regulated activities across the spectrum of environmental programs for any given location in California. These activities include hazardous materials and waste, state and federal cleanups, impacted ground and surface waters, and toxic materials

Date of Government Version: 04/23/2018	Source: California Environmental Protection Agency
Date Data Arrived at EDR: 04/24/2018	Telephone: 916-323-2514
Date Made Active in Reports: 06/07/2018	Last EDR Contact: 07/25/2018
Number of Days to Update: 44	Next Scheduled EDR Contact: 11/05/2018
	Data Release Frequency: Varies

MILITARY PRIV SITES: Military Privatized Sites (GEOTRACKER)

Military privatized sites

Date of Government Version: 06/11/2018	Source: State Water Resources Control Board
Date Data Arrived at EDR: 06/13/2018	Telephone: 866-480-1028
Date Made Active in Reports: 07/18/2018	Last EDR Contact: 12/12/2018
Number of Days to Update: 35	Next Scheduled EDR Contact: 09/24/2018
	Data Release Frequency: Varies

GOVERNMENT RECORDS SEARCHED / DATA CURRENCY TRACKING

EDR HIGH RISK HISTORICAL RECORDS

EDR Exclusive Records

EDR MGP: EDR Proprietary Manufactured Gas Plants

The EDR Proprietary Manufactured Gas Plant Database includes records of coal gas plants (manufactured gas plants) compiled by EDR's researchers. Manufactured gas sites were used in the United States from the 1800's to 1950's to produce a gas that could be distributed and used as fuel. These plants used whale oil, rosin, coal, or a mixture of coal, oil, and water that also produced a significant amount of waste. Many of the byproducts of the gas production, such as coal tar (oily waste containing volatile and non-volatile chemicals), sludges, oils and other compounds are potentially hazardous to human health and the environment. The byproduct from this process was frequently disposed of directly at the plant site and can remain or spread slowly, serving as a continuous source of soil and groundwater contamination.

Date of Government Version: N/A
Date Data Arrived at EDR: N/A
Date Made Active in Reports: N/A
Number of Days to Update: N/A

Source: EDR, Inc.
Telephone: N/A
Last EDR Contact: N/A
Next Scheduled EDR Contact: N/A
Data Release Frequency: No Update Planned

EDR Hist Auto: EDR Exclusive Historical Auto Stations

EDR has searched selected national collections of business directories and has collected listings of potential gas station/filling station/service station sites that were available to EDR researchers. EDR's review was limited to those categories of sources that might, in EDR's opinion, include gas station/filling station/service station establishments. The categories reviewed included, but were not limited to gas, gas station, gasoline station, filling station, auto, automobile repair, auto service station, service station, etc. This database falls within a category of information EDR classifies as "High Risk Historical Records", or HRHR. EDR's HRHR effort presents unique and sometimes proprietary data about past sites and operations that typically create environmental concerns, but may not show up in current government records searches.

Date of Government Version: N/A
Date Data Arrived at EDR: N/A
Date Made Active in Reports: N/A
Number of Days to Update: N/A

Source: EDR, Inc.
Telephone: N/A
Last EDR Contact: N/A
Next Scheduled EDR Contact: N/A
Data Release Frequency: Varies

EDR Hist Cleaner: EDR Exclusive Historical Cleaners

EDR has searched selected national collections of business directories and has collected listings of potential dry cleaner sites that were available to EDR researchers. EDR's review was limited to those categories of sources that might, in EDR's opinion, include dry cleaning establishments. The categories reviewed included, but were not limited to dry cleaners, cleaners, laundry, laundromat, cleaning/laundry, wash & dry etc. This database falls within a category of information EDR classifies as "High Risk Historical Records", or HRHR. EDR's HRHR effort presents unique and sometimes proprietary data about past sites and operations that typically create environmental concerns, but may not show up in current government records searches.

Date of Government Version: N/A
Date Data Arrived at EDR: N/A
Date Made Active in Reports: N/A
Number of Days to Update: N/A

Source: EDR, Inc.
Telephone: N/A
Last EDR Contact: N/A
Next Scheduled EDR Contact: N/A
Data Release Frequency: Varies

EDR RECOVERED GOVERNMENT ARCHIVES

Exclusive Recovered Govt. Archives

RGA LF: Recovered Government Archive Solid Waste Facilities List

The EDR Recovered Government Archive Landfill database provides a list of landfills derived from historical databases and includes many records that no longer appear in current government lists. Compiled from Records formerly available from the Department of Resources Recycling and Recovery in California.

GOVERNMENT RECORDS SEARCHED / DATA CURRENCY TRACKING

Date of Government Version: N/A
Date Data Arrived at EDR: 07/01/2013
Date Made Active in Reports: 01/13/2014
Number of Days to Update: 196

Source: Department of Resources Recycling and Recovery
Telephone: N/A
Last EDR Contact: 06/01/2012
Next Scheduled EDR Contact: N/A
Data Release Frequency: Varies

RGA LUST: Recovered Government Archive Leaking Underground Storage Tank

The EDR Recovered Government Archive Leaking Underground Storage Tank database provides a list of LUST incidents derived from historical databases and includes many records that no longer appear in current government lists. Compiled from Records formerly available from the State Water Resources Control Board in California.

Date of Government Version: N/A
Date Data Arrived at EDR: 07/01/2013
Date Made Active in Reports: 12/30/2013
Number of Days to Update: 182

Source: State Water Resources Control Board
Telephone: N/A
Last EDR Contact: 06/01/2012
Next Scheduled EDR Contact: N/A
Data Release Frequency: Varies

COUNTY RECORDS

ALAMEDA COUNTY:

Contaminated Sites

A listing of contaminated sites overseen by the Toxic Release Program (oil and groundwater contamination from chemical releases and spills) and the Leaking Underground Storage Tank Program (soil and ground water contamination from leaking petroleum USTs).

Date of Government Version: 04/05/2018
Date Data Arrived at EDR: 04/10/2018
Date Made Active in Reports: 06/14/2018
Number of Days to Update: 65

Source: Alameda County Environmental Health Services
Telephone: 510-567-6700
Last EDR Contact: 07/17/2018
Next Scheduled EDR Contact: 10/22/2018
Data Release Frequency: Semi-Annually

Underground Tanks

Underground storage tank sites located in Alameda county.

Date of Government Version: 04/05/2018
Date Data Arrived at EDR: 04/10/2018
Date Made Active in Reports: 05/04/2018
Number of Days to Update: 24

Source: Alameda County Environmental Health Services
Telephone: 510-567-6700
Last EDR Contact: 07/05/2018
Next Scheduled EDR Contact: 04/24/2047
Data Release Frequency: Semi-Annually

AMADOR COUNTY:

CUPA Facility List

Cupa Facility List

Date of Government Version: 03/31/2018
Date Data Arrived at EDR: 04/05/2018
Date Made Active in Reports: 06/14/2018
Number of Days to Update: 70

Source: Amador County Environmental Health
Telephone: 209-223-6439
Last EDR Contact: 06/14/2018
Next Scheduled EDR Contact: 09/17/2018
Data Release Frequency: Varies

BUTTE COUNTY:

CUPA Facility Listing

Cupa facility list.

GOVERNMENT RECORDS SEARCHED / DATA CURRENCY TRACKING

Date of Government Version: 04/21/2017
Date Data Arrived at EDR: 04/25/2017
Date Made Active in Reports: 08/09/2017
Number of Days to Update: 106

Source: Public Health Department
Telephone: 530-538-7149
Last EDR Contact: 07/05/2018
Next Scheduled EDR Contact: 10/22/2018
Data Release Frequency: No Update Planned

CALVERAS COUNTY:

CUPA Facility Listing
Cupa Facility Listing

Date of Government Version: 05/07/2018
Date Data Arrived at EDR: 05/09/2018
Date Made Active in Reports: 06/14/2018
Number of Days to Update: 36

Source: Calveras County Environmental Health
Telephone: 209-754-6399
Last EDR Contact: 06/25/2018
Next Scheduled EDR Contact: 10/08/2018
Data Release Frequency: Quarterly

COLUSA COUNTY:

CUPA Facility List
Cupa facility list.

Date of Government Version: 05/23/2018
Date Data Arrived at EDR: 05/24/2018
Date Made Active in Reports: 07/13/2018
Number of Days to Update: 50

Source: Health & Human Services
Telephone: 530-458-0396
Last EDR Contact: 05/16/2018
Next Scheduled EDR Contact: 08/20/2018
Data Release Frequency: Semi-Annually

CONTRA COSTA COUNTY:

Site List

List includes sites from the underground tank, hazardous waste generator and business plan/2185 programs.

Date of Government Version: 05/21/2018
Date Data Arrived at EDR: 05/25/2018
Date Made Active in Reports: 07/20/2018
Number of Days to Update: 56

Source: Contra Costa Health Services Department
Telephone: 925-646-2286
Last EDR Contact: 04/30/2018
Next Scheduled EDR Contact: 08/13/2018
Data Release Frequency: Semi-Annually

DEL NORTE COUNTY:

CUPA Facility List
Cupa Facility list

Date of Government Version: 04/27/2018
Date Data Arrived at EDR: 05/02/2018
Date Made Active in Reports: 06/15/2018
Number of Days to Update: 44

Source: Del Norte County Environmental Health Division
Telephone: 707-465-0426
Last EDR Contact: 07/24/2018
Next Scheduled EDR Contact: 11/12/2018
Data Release Frequency: Varies

EL DORADO COUNTY:

CUPA Facility List
CUPA facility list.

GOVERNMENT RECORDS SEARCHED / DATA CURRENCY TRACKING

Date of Government Version: 03/05/2018
Date Data Arrived at EDR: 03/08/2018
Date Made Active in Reports: 04/16/2018
Number of Days to Update: 39

Source: El Dorado County Environmental Management Department
Telephone: 530-621-6623
Last EDR Contact: 07/12/2018
Next Scheduled EDR Contact: 08/13/2018
Data Release Frequency: Varies

FRESNO COUNTY:

CUPA Resources List

Certified Unified Program Agency. CUPA's are responsible for implementing a unified hazardous materials and hazardous waste management regulatory program. The agency provides oversight of businesses that deal with hazardous materials, operate underground storage tanks or aboveground storage tanks.

Date of Government Version: 03/01/2018
Date Data Arrived at EDR: 03/05/2018
Date Made Active in Reports: 03/14/2018
Number of Days to Update: 9

Source: Dept. of Community Health
Telephone: 559-445-3271
Last EDR Contact: 07/11/2018
Next Scheduled EDR Contact: 10/15/2018
Data Release Frequency: Semi-Annually

GLENN COUNTY:

CUPA Facility List

Cupa facility list

Date of Government Version: 01/22/2018
Date Data Arrived at EDR: 01/24/2018
Date Made Active in Reports: 03/14/2018
Number of Days to Update: 49

Source: Glenn County Air Pollution Control District
Telephone: 830-934-6500
Last EDR Contact: 07/17/2018
Next Scheduled EDR Contact: 11/05/2018
Data Release Frequency: Varies

HUMBOLDT COUNTY:

CUPA Facility List

CUPA facility list.

Date of Government Version: 03/05/2018
Date Data Arrived at EDR: 03/08/2018
Date Made Active in Reports: 04/30/2018
Number of Days to Update: 53

Source: Humboldt County Environmental Health
Telephone: N/A
Last EDR Contact: 05/21/2018
Next Scheduled EDR Contact: 09/03/2018
Data Release Frequency: Semi-Annually

IMPERIAL COUNTY:

CUPA Facility List

Cupa facility list.

Date of Government Version: 04/23/2018
Date Data Arrived at EDR: 04/25/2018
Date Made Active in Reports: 06/14/2018
Number of Days to Update: 50

Source: San Diego Border Field Office
Telephone: 760-339-2777
Last EDR Contact: 07/17/2018
Next Scheduled EDR Contact: 11/05/2018
Data Release Frequency: Varies

INYO COUNTY:

GOVERNMENT RECORDS SEARCHED / DATA CURRENCY TRACKING

CUPA Facility List

Cupa facility list.

Date of Government Version: 04/02/2018
Date Data Arrived at EDR: 04/03/2018
Date Made Active in Reports: 06/14/2018
Number of Days to Update: 72

Source: Inyo County Environmental Health Services
Telephone: 760-878-0238
Last EDR Contact: 05/30/2018
Next Scheduled EDR Contact: 09/03/2018
Data Release Frequency: Varies

KERN COUNTY:

Underground Storage Tank Sites & Tank Listing Kern County Sites and Tanks Listing.

Date of Government Version: 05/02/2018
Date Data Arrived at EDR: 05/07/2018
Date Made Active in Reports: 07/18/2018
Number of Days to Update: 72

Source: Kern County Environment Health Services Department
Telephone: 661-862-8700
Last EDR Contact: 07/20/2018
Next Scheduled EDR Contact: 08/20/2018
Data Release Frequency: Quarterly

KINGS COUNTY:

CUPA Facility List

A listing of sites included in the county's Certified Unified Program Agency database. California's Secretary for Environmental Protection established the unified hazardous materials and hazardous waste regulatory program as required by chapter 6.11 of the California Health and Safety Code. The Unified Program consolidates the administration, permits, inspections, and enforcement activities.

Date of Government Version: 06/12/2018
Date Data Arrived at EDR: 06/15/2018
Date Made Active in Reports: 07/13/2018
Number of Days to Update: 28

Source: Kings County Department of Public Health
Telephone: 559-584-1411
Last EDR Contact: 05/16/2018
Next Scheduled EDR Contact: 09/03/2018
Data Release Frequency: Varies

LAKE COUNTY:

CUPA Facility List

Cupa facility list

Date of Government Version: 05/09/2018
Date Data Arrived at EDR: 05/11/2018
Date Made Active in Reports: 06/14/2018
Number of Days to Update: 34

Source: Lake County Environmental Health
Telephone: 707-263-1164
Last EDR Contact: 07/16/2018
Next Scheduled EDR Contact: 10/29/2018
Data Release Frequency: Varies

LASSEN COUNTY:

CUPA Facility List

Cupa facility list

Date of Government Version: 01/22/2018
Date Data Arrived at EDR: 01/24/2018
Date Made Active in Reports: 03/14/2018
Number of Days to Update: 49

Source: Lassen County Environmental Health
Telephone: 530-251-8528
Last EDR Contact: 07/17/2018
Next Scheduled EDR Contact: 11/05/2018
Data Release Frequency: Varies

LOS ANGELES COUNTY:

GOVERNMENT RECORDS SEARCHED / DATA CURRENCY TRACKING

San Gabriel Valley Areas of Concern

San Gabriel Valley areas where VOC contamination is at or above the MCL as designated by region 9 EPA office.

Date of Government Version: 03/30/2009
Date Data Arrived at EDR: 03/31/2009
Date Made Active in Reports: 10/23/2009
Number of Days to Update: 206

Source: EPA Region 9
Telephone: 415-972-3178
Last EDR Contact: 06/13/2018
Next Scheduled EDR Contact: 10/01/2018
Data Release Frequency: No Update Planned

HMS: Street Number List

Industrial Waste and Underground Storage Tank Sites.

Date of Government Version: 04/12/2018
Date Data Arrived at EDR: 04/16/2018
Date Made Active in Reports: 06/15/2018
Number of Days to Update: 60

Source: Department of Public Works
Telephone: 626-458-3517
Last EDR Contact: 07/05/2018
Next Scheduled EDR Contact: 10/22/2018
Data Release Frequency: Semi-Annually

List of Solid Waste Facilities

Solid Waste Facilities in Los Angeles County.

Date of Government Version: 04/16/2018
Date Data Arrived at EDR: 04/17/2018
Date Made Active in Reports: 06/19/2018
Number of Days to Update: 63

Source: La County Department of Public Works
Telephone: 818-458-5185
Last EDR Contact: 07/18/2018
Next Scheduled EDR Contact: 10/29/2018
Data Release Frequency: Varies

City of Los Angeles Landfills

Landfills owned and maintained by the City of Los Angeles.

Date of Government Version: 01/01/2018
Date Data Arrived at EDR: 05/01/2018
Date Made Active in Reports: 05/14/2018
Number of Days to Update: 13

Source: Engineering & Construction Division
Telephone: 213-473-7869
Last EDR Contact: 07/11/2018
Next Scheduled EDR Contact: 10/29/2018
Data Release Frequency: Varies

Site Mitigation List

Industrial sites that have had some sort of spill or complaint.

Date of Government Version: 04/01/2018
Date Data Arrived at EDR: 04/17/2018
Date Made Active in Reports: 06/19/2018
Number of Days to Update: 63

Source: Community Health Services
Telephone: 323-890-7806
Last EDR Contact: 07/20/2018
Next Scheduled EDR Contact: 10/29/2018
Data Release Frequency: Annually

City of El Segundo Underground Storage Tank

Underground storage tank sites located in El Segundo city.

Date of Government Version: 01/21/2017
Date Data Arrived at EDR: 04/19/2017
Date Made Active in Reports: 05/10/2017
Number of Days to Update: 21

Source: City of El Segundo Fire Department
Telephone: 310-524-2236
Last EDR Contact: 07/11/2018
Next Scheduled EDR Contact: 10/29/2018
Data Release Frequency: Semi-Annually

City of Long Beach Underground Storage Tank

Underground storage tank sites located in the city of Long Beach.

Date of Government Version: 03/09/2017
Date Data Arrived at EDR: 03/10/2017
Date Made Active in Reports: 05/03/2017
Number of Days to Update: 54

Source: City of Long Beach Fire Department
Telephone: 562-570-2563
Last EDR Contact: 07/17/2018
Next Scheduled EDR Contact: 11/05/2018
Data Release Frequency: Annually

GOVERNMENT RECORDS SEARCHED / DATA CURRENCY TRACKING

City of Torrance Underground Storage Tank

Underground storage tank sites located in the city of Torrance.

Date of Government Version: 01/04/2018
Date Data Arrived at EDR: 01/05/2018
Date Made Active in Reports: 01/18/2018
Number of Days to Update: 13

Source: City of Torrance Fire Department
Telephone: 310-618-2973
Last EDR Contact: 07/23/2018
Next Scheduled EDR Contact: 10/22/2018
Data Release Frequency: Semi-Annually

MADERA COUNTY:

CUPA Facility List

A listing of sites included in the county's Certified Unified Program Agency database. California's Secretary for Environmental Protection established the unified hazardous materials and hazardous waste regulatory program as required by chapter 6.11 of the California Health and Safety Code. The Unified Program consolidates the administration, permits, inspections, and enforcement activities.

Date of Government Version: 02/21/2018
Date Data Arrived at EDR: 02/22/2018
Date Made Active in Reports: 04/03/2018
Number of Days to Update: 40

Source: Madera County Environmental Health
Telephone: 559-675-7823
Last EDR Contact: 05/16/2018
Next Scheduled EDR Contact: 09/03/2018
Data Release Frequency: Varies

MARIN COUNTY:

Underground Storage Tank Sites

Currently permitted USTs in Marin County.

Date of Government Version: 03/30/2018
Date Data Arrived at EDR: 04/06/2018
Date Made Active in Reports: 05/04/2018
Number of Days to Update: 28

Source: Public Works Department Waste Management
Telephone: 415-473-6647
Last EDR Contact: 07/11/2018
Next Scheduled EDR Contact: 10/15/2018
Data Release Frequency: Semi-Annually

MERCED COUNTY:

CUPA Facility List

CUPA facility list.

Date of Government Version: 05/30/2018
Date Data Arrived at EDR: 06/01/2018
Date Made Active in Reports: 07/13/2018
Number of Days to Update: 42

Source: Merced County Environmental Health
Telephone: 209-381-1094
Last EDR Contact: 05/16/2018
Next Scheduled EDR Contact: 09/03/2018
Data Release Frequency: Varies

MONO COUNTY:

CUPA Facility List

CUPA Facility List

Date of Government Version: 05/22/2018
Date Data Arrived at EDR: 05/24/2018
Date Made Active in Reports: 07/13/2018
Number of Days to Update: 50

Source: Mono County Health Department
Telephone: 760-932-5580
Last EDR Contact: 05/22/2018
Next Scheduled EDR Contact: 09/10/2018
Data Release Frequency: Varies

MONTEREY COUNTY:

GOVERNMENT RECORDS SEARCHED / DATA CURRENCY TRACKING

CUPA Facility Listing

CUPA Program listing from the Environmental Health Division.

Date of Government Version: 06/13/2018
Date Data Arrived at EDR: 06/19/2018
Date Made Active in Reports: 07/20/2018
Number of Days to Update: 31

Source: Monterey County Health Department
Telephone: 831-796-1297
Last EDR Contact: 07/02/2018
Next Scheduled EDR Contact: 10/15/2018
Data Release Frequency: Varies

NAPA COUNTY:

Sites With Reported Contamination

A listing of leaking underground storage tank sites located in Napa county.

Date of Government Version: 01/09/2017
Date Data Arrived at EDR: 01/11/2017
Date Made Active in Reports: 03/02/2017
Number of Days to Update: 50

Source: Napa County Department of Environmental Management
Telephone: 707-253-4269
Last EDR Contact: 05/22/2018
Next Scheduled EDR Contact: 09/10/2018
Data Release Frequency: No Update Planned

Closed and Operating Underground Storage Tank Sites

Underground storage tank sites located in Napa county.

Date of Government Version: 05/23/2018
Date Data Arrived at EDR: 05/31/2018
Date Made Active in Reports: 07/11/2018
Number of Days to Update: 41

Source: Napa County Department of Environmental Management
Telephone: 707-253-4269
Last EDR Contact: 05/22/2018
Next Scheduled EDR Contact: 09/10/2018
Data Release Frequency: No Update Planned

NEVADA COUNTY:

CUPA Facility List

CUPA facility list.

Date of Government Version: 04/24/2018
Date Data Arrived at EDR: 05/01/2018
Date Made Active in Reports: 06/15/2018
Number of Days to Update: 45

Source: Community Development Agency
Telephone: 530-265-1467
Last EDR Contact: 07/24/2018
Next Scheduled EDR Contact: 11/12/2018
Data Release Frequency: Varies

ORANGE COUNTY:

List of Industrial Site Cleanups

Petroleum and non-petroleum spills.

Date of Government Version: 04/02/2018
Date Data Arrived at EDR: 05/11/2018
Date Made Active in Reports: 06/22/2018
Number of Days to Update: 42

Source: Health Care Agency
Telephone: 714-834-3446
Last EDR Contact: 05/07/2018
Next Scheduled EDR Contact: 08/20/2018
Data Release Frequency: Annually

List of Underground Storage Tank Cleanups

Orange County Underground Storage Tank Cleanups (LUST).

Date of Government Version: 04/02/2018
Date Data Arrived at EDR: 05/11/2018
Date Made Active in Reports: 06/25/2018
Number of Days to Update: 45

Source: Health Care Agency
Telephone: 714-834-3446
Last EDR Contact: 05/07/2018
Next Scheduled EDR Contact: 08/20/2018
Data Release Frequency: Quarterly

GOVERNMENT RECORDS SEARCHED / DATA CURRENCY TRACKING

List of Underground Storage Tank Facilities

Orange County Underground Storage Tank Facilities (UST).

Date of Government Version: 04/02/2018	Source: Health Care Agency
Date Data Arrived at EDR: 05/08/2018	Telephone: 714-834-3446
Date Made Active in Reports: 07/10/2018	Last EDR Contact: 05/08/2018
Number of Days to Update: 63	Next Scheduled EDR Contact: 08/20/2018
	Data Release Frequency: Quarterly

PLACER COUNTY:

Master List of Facilities

List includes aboveground tanks, underground tanks and cleanup sites.

Date of Government Version: 05/31/2018	Source: Placer County Health and Human Services
Date Data Arrived at EDR: 06/05/2018	Telephone: 530-745-2363
Date Made Active in Reports: 07/18/2018	Last EDR Contact: 05/31/2018
Number of Days to Update: 43	Next Scheduled EDR Contact: 09/17/2018
	Data Release Frequency: Semi-Annually

PLUMAS COUNTY:

CUPA Facility List

Plumas County CUPA Program facilities.

Date of Government Version: 01/22/2018	Source: Plumas County Environmental Health
Date Data Arrived at EDR: 01/24/2018	Telephone: 530-283-6355
Date Made Active in Reports: 03/15/2018	Last EDR Contact: 07/17/2018
Number of Days to Update: 50	Next Scheduled EDR Contact: 11/05/2018
	Data Release Frequency: Varies

RIVERSIDE COUNTY:

Listing of Underground Tank Cleanup Sites

Riverside County Underground Storage Tank Cleanup Sites (LUST).

Date of Government Version: 04/05/2018	Source: Department of Environmental Health
Date Data Arrived at EDR: 04/10/2018	Telephone: 951-358-5055
Date Made Active in Reports: 05/04/2018	Last EDR Contact: 06/18/2018
Number of Days to Update: 24	Next Scheduled EDR Contact: 10/01/2018
	Data Release Frequency: Quarterly

Underground Storage Tank Tank List

Underground storage tank sites located in Riverside county.

Date of Government Version: 04/05/2018	Source: Department of Environmental Health
Date Data Arrived at EDR: 04/10/2018	Telephone: 951-358-5055
Date Made Active in Reports: 05/04/2018	Last EDR Contact: 06/18/2018
Number of Days to Update: 24	Next Scheduled EDR Contact: 10/01/2018
	Data Release Frequency: Quarterly

SACRAMENTO COUNTY:

Toxic Site Clean-Up List

List of sites where unauthorized releases of potentially hazardous materials have occurred.

GOVERNMENT RECORDS SEARCHED / DATA CURRENCY TRACKING

Date of Government Version: 02/02/2018
Date Data Arrived at EDR: 04/04/2018
Date Made Active in Reports: 06/14/2018
Number of Days to Update: 71

Source: Sacramento County Environmental Management
Telephone: 916-875-8406
Last EDR Contact: 07/03/2018
Next Scheduled EDR Contact: 10/15/2018
Data Release Frequency: Quarterly

Master Hazardous Materials Facility List

Any business that has hazardous materials on site - hazardous material storage sites, underground storage tanks, waste generators.

Date of Government Version: 02/02/2018
Date Data Arrived at EDR: 04/04/2018
Date Made Active in Reports: 06/19/2018
Number of Days to Update: 76

Source: Sacramento County Environmental Management
Telephone: 916-875-8406
Last EDR Contact: 07/03/2018
Next Scheduled EDR Contact: 10/15/2018
Data Release Frequency: Quarterly

SAN BENITO COUNTY:

CUPA Facility List

Cupa facility list

Date of Government Version: 05/16/2018
Date Data Arrived at EDR: 05/22/2018
Date Made Active in Reports: 07/13/2018
Number of Days to Update: 52

Source: San Benito County Environmental Health
Telephone: N/A
Last EDR Contact: 05/16/2018
Next Scheduled EDR Contact: 08/20/2018
Data Release Frequency: Varies

SAN BERNARDINO COUNTY:

Hazardous Material Permits

This listing includes underground storage tanks, medical waste handlers/generators, hazardous materials handlers, hazardous waste generators, and waste oil generators/handlers.

Date of Government Version: 04/09/2018
Date Data Arrived at EDR: 04/11/2018
Date Made Active in Reports: 06/19/2018
Number of Days to Update: 69

Source: San Bernardino County Fire Department Hazardous Materials Division
Telephone: 909-387-3041
Last EDR Contact: 04/06/2018
Next Scheduled EDR Contact: 08/20/2018
Data Release Frequency: Quarterly

SAN DIEGO COUNTY:

Hazardous Materials Management Division Database

The database includes: HE58 - This report contains the business name, site address, business phone number, establishment 'H' permit number, type of permit, and the business status. HE17 - In addition to providing the same information provided in the HE58 listing, HE17 provides inspection dates, violations received by the establishment, hazardous waste generated, the quantity, method of storage, treatment/disposal of waste and the hauler, and information on underground storage tanks. Unauthorized Release List - Includes a summary of environmental contamination cases in San Diego County (underground tank cases, non-tank cases, groundwater contamination, and soil contamination are included.)

Date of Government Version: 06/04/2018
Date Data Arrived at EDR: 06/06/2018
Date Made Active in Reports: 07/17/2018
Number of Days to Update: 41

Source: Hazardous Materials Management Division
Telephone: 619-338-2268
Last EDR Contact: 06/06/2018
Next Scheduled EDR Contact: 09/17/2018
Data Release Frequency: Quarterly

GOVERNMENT RECORDS SEARCHED / DATA CURRENCY TRACKING

Solid Waste Facilities

San Diego County Solid Waste Facilities.

Date of Government Version: 04/18/2018
Date Data Arrived at EDR: 04/24/2018
Date Made Active in Reports: 06/19/2018
Number of Days to Update: 56

Source: Department of Health Services
Telephone: 619-338-2209
Last EDR Contact: 07/17/2018
Next Scheduled EDR Contact: 11/05/2018
Data Release Frequency: Varies

Local Oversight Program Listing

A listing of all LOP release sites that are or were under the County of San Diego's jurisdiction. Included are closed or transferred cases, open cases, and cases that did not have a case type indicated. The cases without a case type are mostly complaints; however, some of them could be LOP cases.

Date of Government Version: 04/18/2018
Date Data Arrived at EDR: 04/23/2018
Date Made Active in Reports: 05/04/2018
Number of Days to Update: 11

Source: Department of Environmental Health
Telephone: 858-505-6874
Last EDR Contact: 07/17/2018
Next Scheduled EDR Contact: 11/05/2018
Data Release Frequency: Varies

Environmental Case Listing

The listing contains all underground tank release cases and projects pertaining to properties contaminated with hazardous substances that are actively under review by the Site Assessment and Mitigation Program.

Date of Government Version: 03/23/2010
Date Data Arrived at EDR: 06/15/2010
Date Made Active in Reports: 07/09/2010
Number of Days to Update: 24

Source: San Diego County Department of Environmental Health
Telephone: 619-338-2371
Last EDR Contact: 05/31/2018
Next Scheduled EDR Contact: 09/17/2018
Data Release Frequency: No Update Planned

SAN FRANCISCO COUNTY:

Local Oversight Facilities

A listing of leaking underground storage tank sites located in San Francisco county.

Date of Government Version: 09/19/2008
Date Data Arrived at EDR: 09/19/2008
Date Made Active in Reports: 09/29/2008
Number of Days to Update: 10

Source: Department Of Public Health San Francisco County
Telephone: 415-252-3920
Last EDR Contact: 05/02/2018
Next Scheduled EDR Contact: 08/20/2018
Data Release Frequency: Quarterly

Underground Storage Tank Information

Underground storage tank sites located in San Francisco county.

Date of Government Version: 06/07/2018
Date Data Arrived at EDR: 06/12/2018
Date Made Active in Reports: 07/10/2018
Number of Days to Update: 28

Source: Department of Public Health
Telephone: 415-252-3920
Last EDR Contact: 05/02/2018
Next Scheduled EDR Contact: 08/20/2018
Data Release Frequency: Quarterly

SAN JOAQUIN COUNTY:

San Joaquin Co. UST

A listing of underground storage tank locations in San Joaquin county.

Date of Government Version: 06/22/2018
Date Data Arrived at EDR: 06/26/2018
Date Made Active in Reports: 07/11/2018
Number of Days to Update: 15

Source: Environmental Health Department
Telephone: N/A
Last EDR Contact: 06/14/2018
Next Scheduled EDR Contact: 10/01/2018
Data Release Frequency: Semi-Annually

SAN LUIS OBISPO COUNTY:

GOVERNMENT RECORDS SEARCHED / DATA CURRENCY TRACKING

CUPA Facility List

Cupa Facility List.

Date of Government Version: 05/16/2018
Date Data Arrived at EDR: 05/22/2018
Date Made Active in Reports: 07/17/2018
Number of Days to Update: 56

Source: San Luis Obispo County Public Health Department
Telephone: 805-781-5596
Last EDR Contact: 05/16/2018
Next Scheduled EDR Contact: 09/03/2018
Data Release Frequency: Varies

SAN MATEO COUNTY:

Business Inventory

List includes Hazardous Materials Business Plan, hazardous waste generators, and underground storage tanks.

Date of Government Version: 03/14/2018
Date Data Arrived at EDR: 03/20/2018
Date Made Active in Reports: 05/04/2018
Number of Days to Update: 45

Source: San Mateo County Environmental Health Services Division
Telephone: 650-363-1921
Last EDR Contact: 06/06/2018
Next Scheduled EDR Contact: 09/24/2018
Data Release Frequency: Annually

Fuel Leak List

A listing of leaking underground storage tank sites located in San Mateo county.

Date of Government Version: 03/15/2018
Date Data Arrived at EDR: 03/20/2018
Date Made Active in Reports: 05/04/2018
Number of Days to Update: 45

Source: San Mateo County Environmental Health Services Division
Telephone: 650-363-1921
Last EDR Contact: 06/06/2018
Next Scheduled EDR Contact: 09/24/2018
Data Release Frequency: Semi-Annually

SANTA BARBARA COUNTY:

CUPA Facility Listing

CUPA Program Listing from the Environmental Health Services division.

Date of Government Version: 09/08/2011
Date Data Arrived at EDR: 09/09/2011
Date Made Active in Reports: 10/07/2011
Number of Days to Update: 28

Source: Santa Barbara County Public Health Department
Telephone: 805-686-8167
Last EDR Contact: 05/16/2018
Next Scheduled EDR Contact: 09/03/2018
Data Release Frequency: Varies

SANTA CLARA COUNTY:

Cupa Facility List

Cupa facility list

Date of Government Version: 05/16/2018
Date Data Arrived at EDR: 05/23/2018
Date Made Active in Reports: 07/17/2018
Number of Days to Update: 55

Source: Department of Environmental Health
Telephone: 408-918-1973
Last EDR Contact: 05/16/2018
Next Scheduled EDR Contact: 09/03/2018
Data Release Frequency: Varies

HIST LUST - Fuel Leak Site Activity Report

A listing of open and closed leaking underground storage tanks. This listing is no longer updated by the county. Leaking underground storage tanks are now handled by the Department of Environmental Health.

Date of Government Version: 03/29/2005
Date Data Arrived at EDR: 03/30/2005
Date Made Active in Reports: 04/21/2005
Number of Days to Update: 22

Source: Santa Clara Valley Water District
Telephone: 408-265-2600
Last EDR Contact: 03/23/2009
Next Scheduled EDR Contact: 06/22/2009
Data Release Frequency: No Update Planned

GOVERNMENT RECORDS SEARCHED / DATA CURRENCY TRACKING

LOP Listing

A listing of leaking underground storage tanks located in Santa Clara county.

Date of Government Version: 03/03/2014
Date Data Arrived at EDR: 03/05/2014
Date Made Active in Reports: 03/18/2014
Number of Days to Update: 13

Source: Department of Environmental Health
Telephone: 408-918-3417
Last EDR Contact: 05/22/2018
Next Scheduled EDR Contact: 09/10/2018
Data Release Frequency: Annually

Hazardous Material Facilities

Hazardous material facilities, including underground storage tank sites.

Date of Government Version: 05/16/2018
Date Data Arrived at EDR: 05/22/2018
Date Made Active in Reports: 07/19/2018
Number of Days to Update: 58

Source: City of San Jose Fire Department
Telephone: 408-535-7694
Last EDR Contact: 05/16/2018
Next Scheduled EDR Contact: 08/20/2018
Data Release Frequency: Annually

SANTA CRUZ COUNTY:

CUPA Facility List

CUPA facility listing.

Date of Government Version: 01/21/2017
Date Data Arrived at EDR: 02/22/2017
Date Made Active in Reports: 05/23/2017
Number of Days to Update: 90

Source: Santa Cruz County Environmental Health
Telephone: 831-464-2761
Last EDR Contact: 05/16/2018
Next Scheduled EDR Contact: 09/03/2018
Data Release Frequency: Varies

SHASTA COUNTY:

CUPA Facility List

Cupa Facility List.

Date of Government Version: 06/15/2017
Date Data Arrived at EDR: 06/19/2017
Date Made Active in Reports: 08/09/2017
Number of Days to Update: 51

Source: Shasta County Department of Resource Management
Telephone: 530-225-5789
Last EDR Contact: 05/16/2018
Next Scheduled EDR Contact: 09/03/2018
Data Release Frequency: Varies

SOLANO COUNTY:

Leaking Underground Storage Tanks

A listing of leaking underground storage tank sites located in Solano county.

Date of Government Version: 06/04/2018
Date Data Arrived at EDR: 06/08/2018
Date Made Active in Reports: 07/18/2018
Number of Days to Update: 40

Source: Solano County Department of Environmental Management
Telephone: 707-784-6770
Last EDR Contact: 05/31/2018
Next Scheduled EDR Contact: 09/17/2018
Data Release Frequency: Quarterly

Underground Storage Tanks

Underground storage tank sites located in Solano county.

Date of Government Version: 06/04/2018
Date Data Arrived at EDR: 06/12/2018
Date Made Active in Reports: 07/12/2018
Number of Days to Update: 30

Source: Solano County Department of Environmental Management
Telephone: 707-784-6770
Last EDR Contact: 05/31/2018
Next Scheduled EDR Contact: 09/17/2018
Data Release Frequency: Quarterly

SONOMA COUNTY:

GOVERNMENT RECORDS SEARCHED / DATA CURRENCY TRACKING

Cupa Facility List

Cupa Facility list

Date of Government Version: 06/19/2018
Date Data Arrived at EDR: 06/26/2018
Date Made Active in Reports: 07/17/2018
Number of Days to Update: 21

Source: County of Sonoma Fire & Emergency Services Department
Telephone: 707-565-1174
Last EDR Contact: 06/21/2018
Next Scheduled EDR Contact: 10/08/2018
Data Release Frequency: Varies

Leaking Underground Storage Tank Sites

A listing of leaking underground storage tank sites located in Sonoma county.

Date of Government Version: 04/03/2018
Date Data Arrived at EDR: 04/06/2018
Date Made Active in Reports: 05/09/2018
Number of Days to Update: 33

Source: Department of Health Services
Telephone: 707-565-6565
Last EDR Contact: 06/21/2018
Next Scheduled EDR Contact: 10/08/2018
Data Release Frequency: Quarterly

STANISLAUS COUNTY:

CUPA Facility List

Cupa facility list

Date of Government Version: 05/08/2018
Date Data Arrived at EDR: 05/11/2018
Date Made Active in Reports: 06/15/2018
Number of Days to Update: 35

Source: Stanislaus County Department of Environmental Protection
Telephone: 209-525-6751
Last EDR Contact: 07/16/2018
Next Scheduled EDR Contact: 10/29/2018
Data Release Frequency: Varies

SUTTER COUNTY:

Underground Storage Tanks

Underground storage tank sites located in Sutter county.

Date of Government Version: 06/04/2018
Date Data Arrived at EDR: 06/08/2018
Date Made Active in Reports: 07/11/2018
Number of Days to Update: 33

Source: Sutter County Department of Agriculture
Telephone: 530-822-7500
Last EDR Contact: 05/31/2018
Next Scheduled EDR Contact: 09/17/2018
Data Release Frequency: Semi-Annually

TEHAMA COUNTY:

CUPA Facility List

Cupa facilities

Date of Government Version: 01/26/2018
Date Data Arrived at EDR: 02/02/2018
Date Made Active in Reports: 03/21/2018
Number of Days to Update: 47

Source: Tehama County Department of Environmental Health
Telephone: 530-527-8020
Last EDR Contact: 05/03/2018
Next Scheduled EDR Contact: 08/20/2018
Data Release Frequency: Varies

TRINITY COUNTY:

CUPA Facility List

Cupa facility list

GOVERNMENT RECORDS SEARCHED / DATA CURRENCY TRACKING

Date of Government Version: 04/23/2018
Date Data Arrived at EDR: 04/25/2018
Date Made Active in Reports: 06/15/2018
Number of Days to Update: 51

Source: Department of Toxic Substances Control
Telephone: 760-352-0381
Last EDR Contact: 07/17/2018
Next Scheduled EDR Contact: 11/05/2018
Data Release Frequency: Varies

TULARE COUNTY:

CUPA Facility List

Cupa program facilities

Date of Government Version: 03/19/2018
Date Data Arrived at EDR: 03/22/2018
Date Made Active in Reports: 04/17/2018
Number of Days to Update: 26

Source: Tulare County Environmental Health Services Division
Telephone: 559-624-7400
Last EDR Contact: 07/16/2018
Next Scheduled EDR Contact: 08/20/2018
Data Release Frequency: Varies

TUOLUMNE COUNTY:

CUPA Facility List

Cupa facility list

Date of Government Version: 04/23/2018
Date Data Arrived at EDR: 04/25/2018
Date Made Active in Reports: 06/25/2018
Number of Days to Update: 61

Source: Divison of Environmental Health
Telephone: 209-533-5633
Last EDR Contact: 07/17/2018
Next Scheduled EDR Contact: 11/05/2018
Data Release Frequency: Varies

VENTURA COUNTY:

Business Plan, Hazardous Waste Producers, and Operating Underground Tanks

The BWT list indicates by site address whether the Environmental Health Division has Business Plan (B), Waste Producer (W), and/or Underground Tank (T) information.

Date of Government Version: 03/26/2018
Date Data Arrived at EDR: 04/25/2018
Date Made Active in Reports: 06/22/2018
Number of Days to Update: 58

Source: Ventura County Environmental Health Division
Telephone: 805-654-2813
Last EDR Contact: 07/23/2018
Next Scheduled EDR Contact: 11/05/2018
Data Release Frequency: Quarterly

Inventory of Illegal Abandoned and Inactive Sites

Ventura County Inventory of Closed, Illegal Abandoned, and Inactive Sites.

Date of Government Version: 12/01/2011
Date Data Arrived at EDR: 12/01/2011
Date Made Active in Reports: 01/19/2012
Number of Days to Update: 49

Source: Environmental Health Division
Telephone: 805-654-2813
Last EDR Contact: 06/27/2018
Next Scheduled EDR Contact: 10/15/2018
Data Release Frequency: Annually

Listing of Underground Tank Cleanup Sites

Ventura County Underground Storage Tank Cleanup Sites (LUST).

Date of Government Version: 05/29/2008
Date Data Arrived at EDR: 06/24/2008
Date Made Active in Reports: 07/31/2008
Number of Days to Update: 37

Source: Environmental Health Division
Telephone: 805-654-2813
Last EDR Contact: 05/09/2018
Next Scheduled EDR Contact: 08/27/2018
Data Release Frequency: Quarterly

GOVERNMENT RECORDS SEARCHED / DATA CURRENCY TRACKING

Medical Waste Program List

To protect public health and safety and the environment from potential exposure to disease causing agents, the Environmental Health Division Medical Waste Program regulates the generation, handling, storage, treatment and disposal of medical waste throughout the County.

Date of Government Version: 03/26/2018	Source: Ventura County Resource Management Agency
Date Data Arrived at EDR: 04/25/2018	Telephone: 805-654-2813
Date Made Active in Reports: 06/25/2018	Last EDR Contact: 07/23/2018
Number of Days to Update: 61	Next Scheduled EDR Contact: 11/05/2018
	Data Release Frequency: Quarterly

Underground Tank Closed Sites List

Ventura County Operating Underground Storage Tank Sites (UST)/Underground Tank Closed Sites List.

Date of Government Version: 04/26/2018	Source: Environmental Health Division
Date Data Arrived at EDR: 06/13/2018	Telephone: 805-654-2813
Date Made Active in Reports: 07/11/2018	Last EDR Contact: 06/13/2018
Number of Days to Update: 28	Next Scheduled EDR Contact: 09/24/2018
	Data Release Frequency: Quarterly

YOLO COUNTY:

Underground Storage Tank Comprehensive Facility Report

Underground storage tank sites located in Yolo county.

Date of Government Version: 06/20/2018	Source: Yolo County Department of Health
Date Data Arrived at EDR: 07/03/2018	Telephone: 530-666-8646
Date Made Active in Reports: 07/12/2018	Last EDR Contact: 06/27/2018
Number of Days to Update: 9	Next Scheduled EDR Contact: 10/15/2018
	Data Release Frequency: Annually

YUBA COUNTY:

CUPA Facility List

CUPA facility listing for Yuba County.

Date of Government Version: 05/10/2018	Source: Yuba County Environmental Health Department
Date Data Arrived at EDR: 05/15/2018	Telephone: 530-749-7523
Date Made Active in Reports: 06/15/2018	Last EDR Contact: 07/24/2018
Number of Days to Update: 31	Next Scheduled EDR Contact: 11/12/2018
	Data Release Frequency: Varies

OTHER DATABASE(S)

Depending on the geographic area covered by this report, the data provided in these specialty databases may or may not be complete. For example, the existence of wetlands information data in a specific report does not mean that all wetlands in the area covered by the report are included. Moreover, the absence of any reported wetlands information does not necessarily mean that wetlands do not exist in the area covered by the report.

CT MANIFEST: Hazardous Waste Manifest Data

Facility and manifest data. Manifest is a document that lists and tracks hazardous waste from the generator through transporters to a tsd facility.

Date of Government Version: 01/03/2018	Source: Department of Energy & Environmental Protection
Date Data Arrived at EDR: 02/14/2018	Telephone: 860-424-3375
Date Made Active in Reports: 03/22/2018	Last EDR Contact: 05/18/2018
Number of Days to Update: 36	Next Scheduled EDR Contact: 08/27/2018
	Data Release Frequency: No Update Planned

GOVERNMENT RECORDS SEARCHED / DATA CURRENCY TRACKING

NJ MANIFEST: Manifest Information

Hazardous waste manifest information.

Date of Government Version: 12/31/2016
Date Data Arrived at EDR: 04/11/2017
Date Made Active in Reports: 07/27/2017
Number of Days to Update: 107

Source: Department of Environmental Protection
Telephone: N/A
Last EDR Contact: 07/13/2018
Next Scheduled EDR Contact: 10/22/2018
Data Release Frequency: Annually

NY MANIFEST: Facility and Manifest Data

Manifest is a document that lists and tracks hazardous waste from the generator through transporters to a TSD facility.

Date of Government Version: 04/30/2018
Date Data Arrived at EDR: 05/03/2018
Date Made Active in Reports: 06/07/2018
Number of Days to Update: 35

Source: Department of Environmental Conservation
Telephone: 518-402-8651
Last EDR Contact: 05/03/2018
Next Scheduled EDR Contact: 08/13/2018
Data Release Frequency: Quarterly

PA MANIFEST: Manifest Information

Hazardous waste manifest information.

Date of Government Version: 12/31/2016
Date Data Arrived at EDR: 07/25/2017
Date Made Active in Reports: 09/25/2017
Number of Days to Update: 62

Source: Department of Environmental Protection
Telephone: 717-783-8990
Last EDR Contact: 07/12/2018
Next Scheduled EDR Contact: 10/29/2018
Data Release Frequency: Annually

RI MANIFEST: Manifest information

Hazardous waste manifest information

Date of Government Version: 12/31/2017
Date Data Arrived at EDR: 02/23/2018
Date Made Active in Reports: 04/09/2018
Number of Days to Update: 45

Source: Department of Environmental Management
Telephone: 401-222-2797
Last EDR Contact: 05/21/2018
Next Scheduled EDR Contact: 09/03/2018
Data Release Frequency: Annually

WI MANIFEST: Manifest Information

Hazardous waste manifest information.

Date of Government Version: 12/31/2017
Date Data Arrived at EDR: 06/15/2018
Date Made Active in Reports: 07/09/2018
Number of Days to Update: 24

Source: Department of Natural Resources
Telephone: N/A
Last EDR Contact: 06/11/2018
Next Scheduled EDR Contact: 09/24/2018
Data Release Frequency: Annually

Oil/Gas Pipelines

Source: PennWell Corporation

Petroleum Bundle (Crude Oil, Refined Products, Petrochemicals, Gas Liquids (LPG/NGL), and Specialty Gases (Miscellaneous)) N = Natural Gas Bundle (Natural Gas, Gas Liquids (LPG/NGL), and Specialty Gases (Miscellaneous)). This map includes information copyrighted by PennWell Corporation. This information is provided on a best effort basis and PennWell Corporation does not guarantee its accuracy nor warrant its fitness for any particular purpose. Such information has been reprinted with the permission of PennWell.

Electric Power Transmission Line Data

Source: PennWell Corporation

This map includes information copyrighted by PennWell Corporation. This information is provided on a best effort basis and PennWell Corporation does not guarantee its accuracy nor warrant its fitness for any particular purpose. Such information has been reprinted with the permission of PennWell.

Sensitive Receptors: There are individuals deemed sensitive receptors due to their fragile immune systems and special sensitivity to environmental discharges. These sensitive receptors typically include the elderly, the sick, and children. While the location of all sensitive receptors cannot be determined, EDR indicates those buildings and facilities - schools, daycares, hospitals, medical centers, and nursing homes - where individuals who are sensitive receptors are likely to be located.

GOVERNMENT RECORDS SEARCHED / DATA CURRENCY TRACKING

AHA Hospitals:

Source: American Hospital Association, Inc.

Telephone: 312-280-5991

The database includes a listing of hospitals based on the American Hospital Association's annual survey of hospitals.

Medical Centers: Provider of Services Listing

Source: Centers for Medicare & Medicaid Services

Telephone: 410-786-3000

A listing of hospitals with Medicare provider number, produced by Centers of Medicare & Medicaid Services, a federal agency within the U.S. Department of Health and Human Services.

Nursing Homes

Source: National Institutes of Health

Telephone: 301-594-6248

Information on Medicare and Medicaid certified nursing homes in the United States.

Public Schools

Source: National Center for Education Statistics

Telephone: 202-502-7300

The National Center for Education Statistics' primary database on elementary and secondary public education in the United States. It is a comprehensive, annual, national statistical database of all public elementary and secondary schools and school districts, which contains data that are comparable across all states.

Private Schools

Source: National Center for Education Statistics

Telephone: 202-502-7300

The National Center for Education Statistics' primary database on private school locations in the United States.

Daycare Centers: Licensed Facilities

Source: Department of Social Services

Telephone: 916-657-4041

Flood Zone Data: This data was obtained from the Federal Emergency Management Agency (FEMA). It depicts 100-year and 500-year flood zones as defined by FEMA. It includes the National Flood Hazard Layer (NFHL) which incorporates Flood Insurance Rate Map (FIRM) data and Q3 data from FEMA in areas not covered by NFHL.

Source: FEMA

Telephone: 877-336-2627

Date of Government Version: 2003, 2015

NWI: National Wetlands Inventory. This data, available in select counties across the country, was obtained by EDR in 2002, 2005 and 2010 from the U.S. Fish and Wildlife Service.

State Wetlands Data: Wetland Inventory

Source: Department of Fish & Game

Telephone: 916-445-0411

Current USGS 7.5 Minute Topographic Map

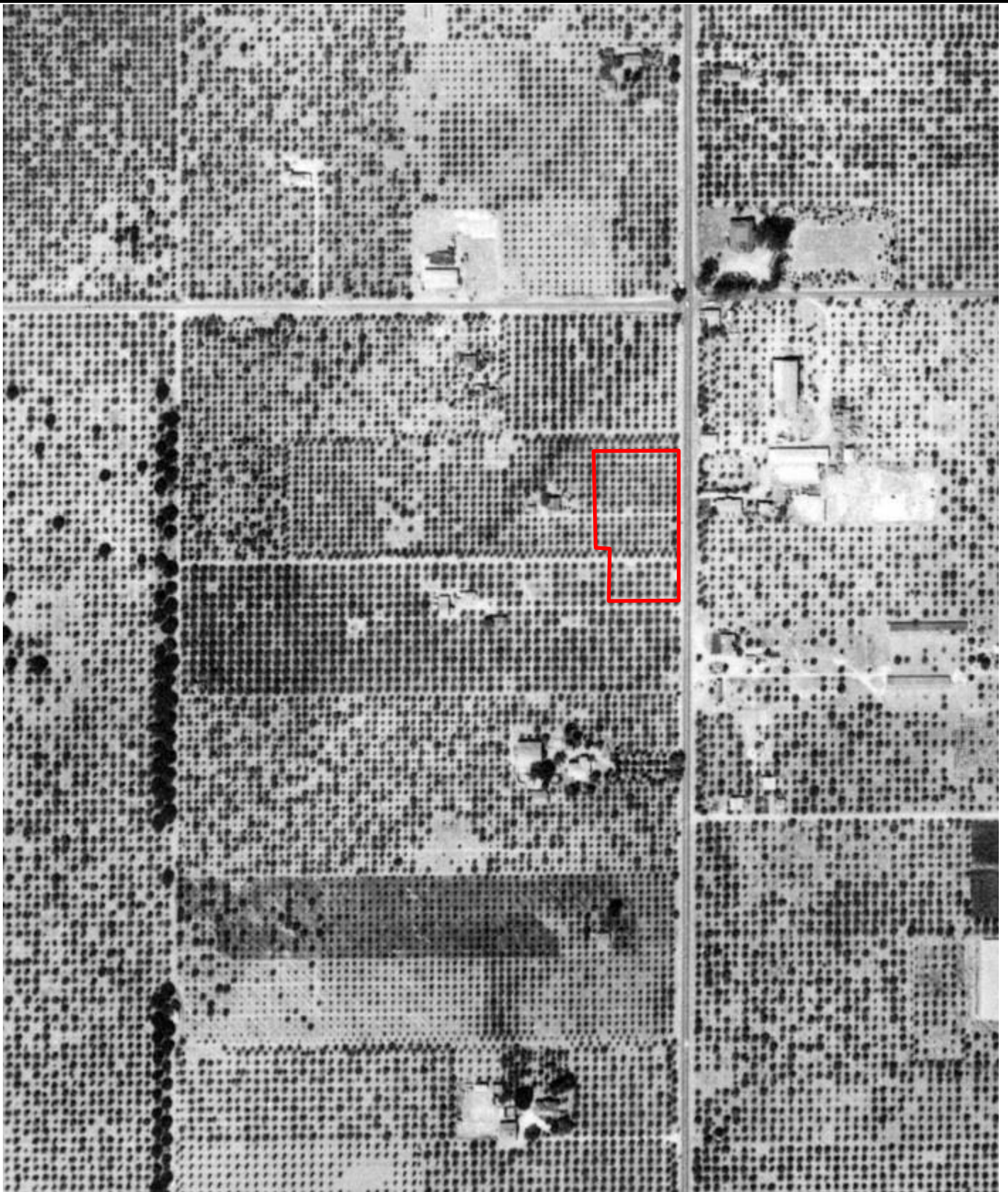
Source: U.S. Geological Survey

STREET AND ADDRESS INFORMATION

© 2015 TomTom North America, Inc. All rights reserved. This material is proprietary and the subject of copyright protection and other intellectual property rights owned by or licensed to Tele Atlas North America, Inc. The use of this material is subject to the terms of a license agreement. You will be held liable for any unauthorized copying or disclosure of this material.

APPENDIX D

HISTORICAL SOURCES



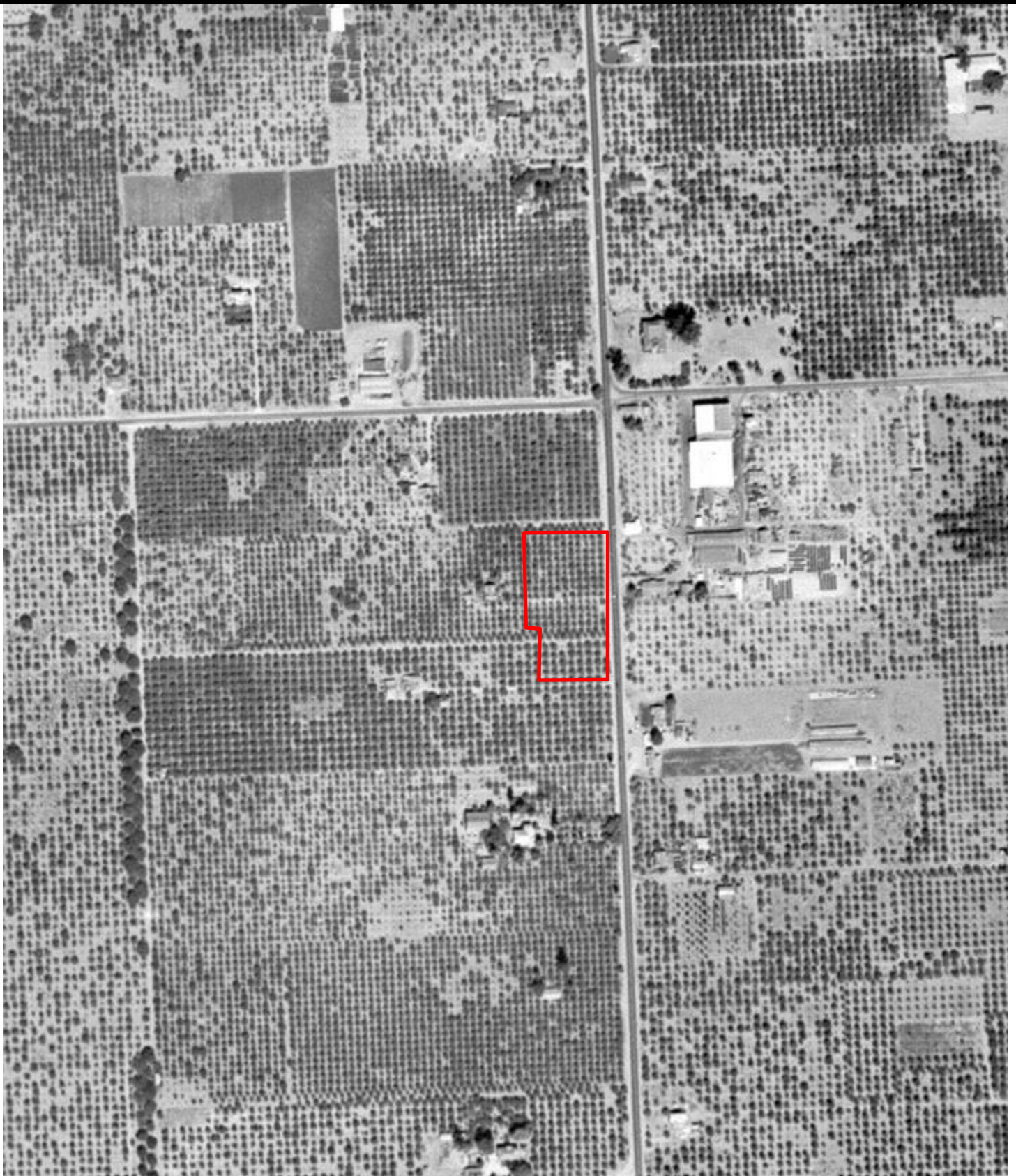
Legend

Approximate Property Boundary 



AERIAL PHOTOGRAPH - 1939
10931 North De Anza Boulevard, Cupertino, California 95014
Project Number: 392233

AEI
Consultants



Legend

Approximate Property Boundary 

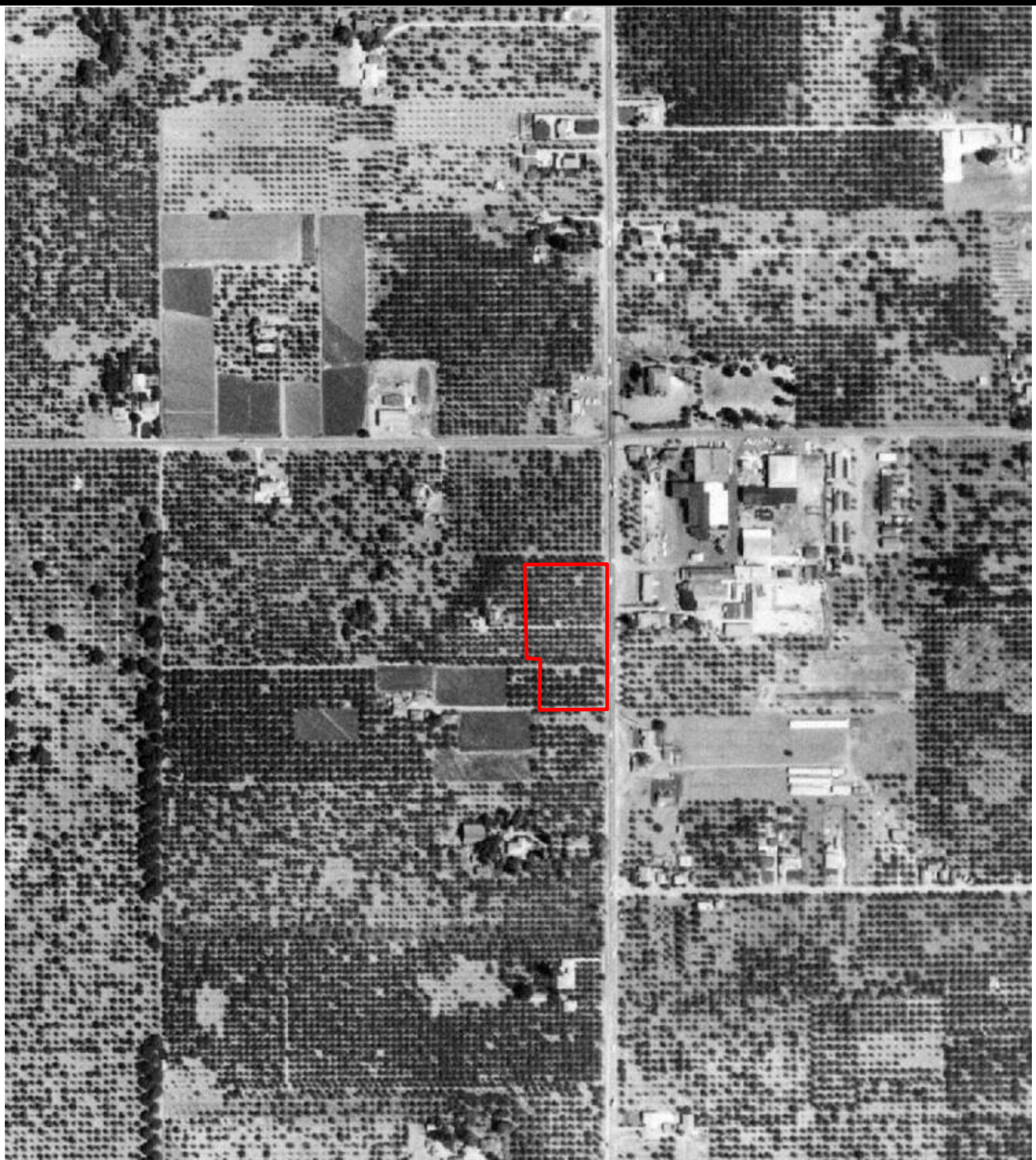


AERIAL PHOTOGRAPH - 1948

10931 North De Anza Boulevard, Cupertino, California 95014

Project Number: 392233

AEI
Consultants



Legend

Approximate Property Boundary 



AERIAL PHOTOGRAPH - 1956

10931 North De Anza Boulevard, Cupertino, California 95014

Project Number: 392233

AEI
Consultants



Legend

Approximate Property Boundary 



AERIAL PHOTOGRAPH - 1968
10931 North De Anza Boulevard, Cupertino, California 95014
Project Number: 392233

AEI
Consultants



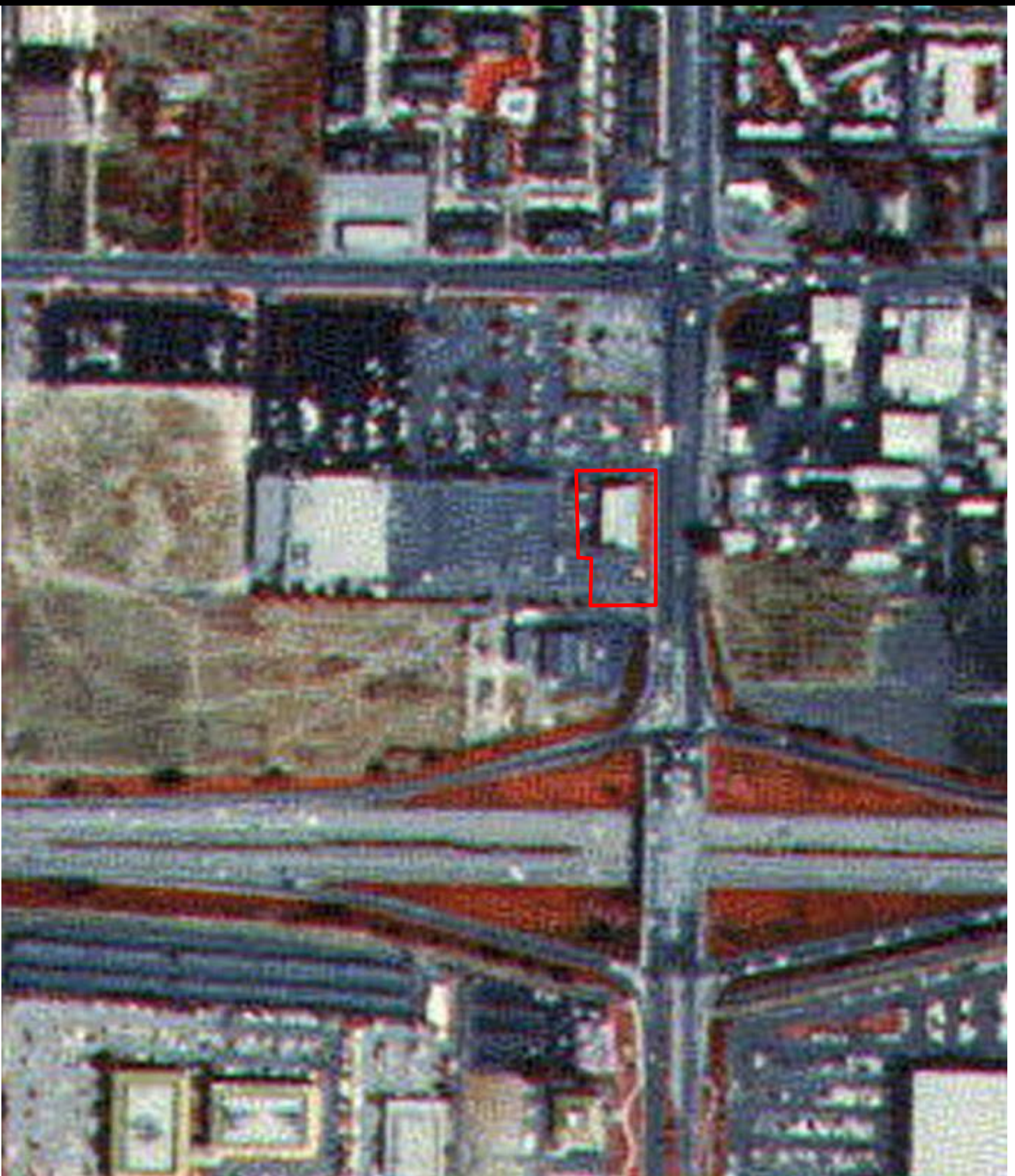
Legend

Approximate Property Boundary 



AERIAL PHOTOGRAPH - 1974
10931 North De Anza Boulevard, Cupertino, California 95014
Project Number: 392233

AEI
Consultants



Legend

Approximate Property Boundary 



AERIAL PHOTOGRAPH - 1982
10931 North De Anza Boulevard, Cupertino, California 95014
Project Number: 392233

AEI
Consultants



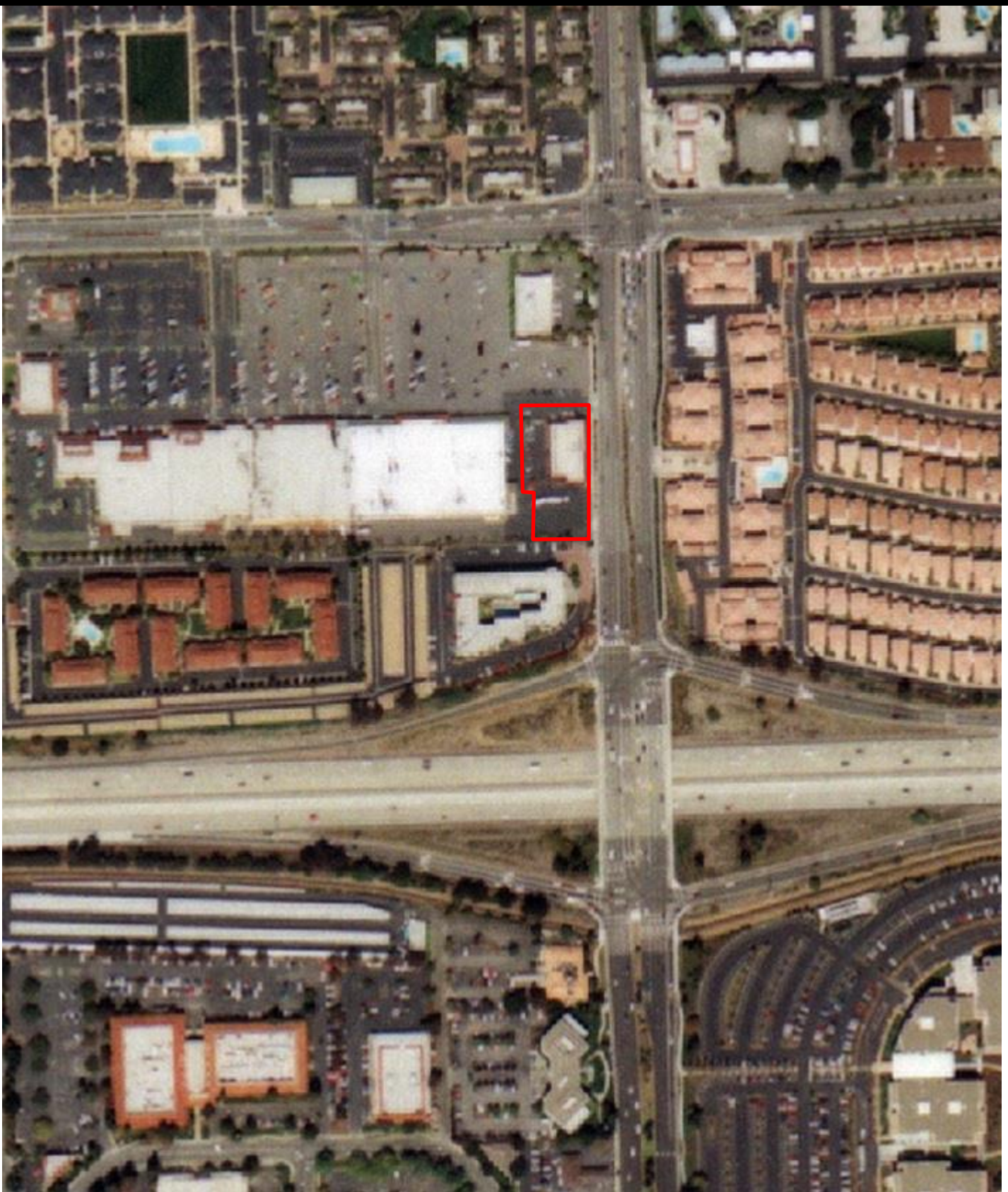
Legend

Approximate Property Boundary 



AERIAL PHOTOGRAPH - 1991
10931 North De Anza Boulevard, Cupertino, California 95014
Project Number: 392233

AEI
Consultants



Legend

Approximate Property Boundary 



AERIAL PHOTOGRAPH - 1999

10931 North De Anza Boulevard, Cupertino, California 95014

Project Number: 392233

AEI
Consultants



Legend

Approximate Property Boundary 



AERIAL PHOTOGRAPH - 2005
10931 North De Anza Boulevard, Cupertino, California 95014
Project Number: 392233

AEI
Consultants



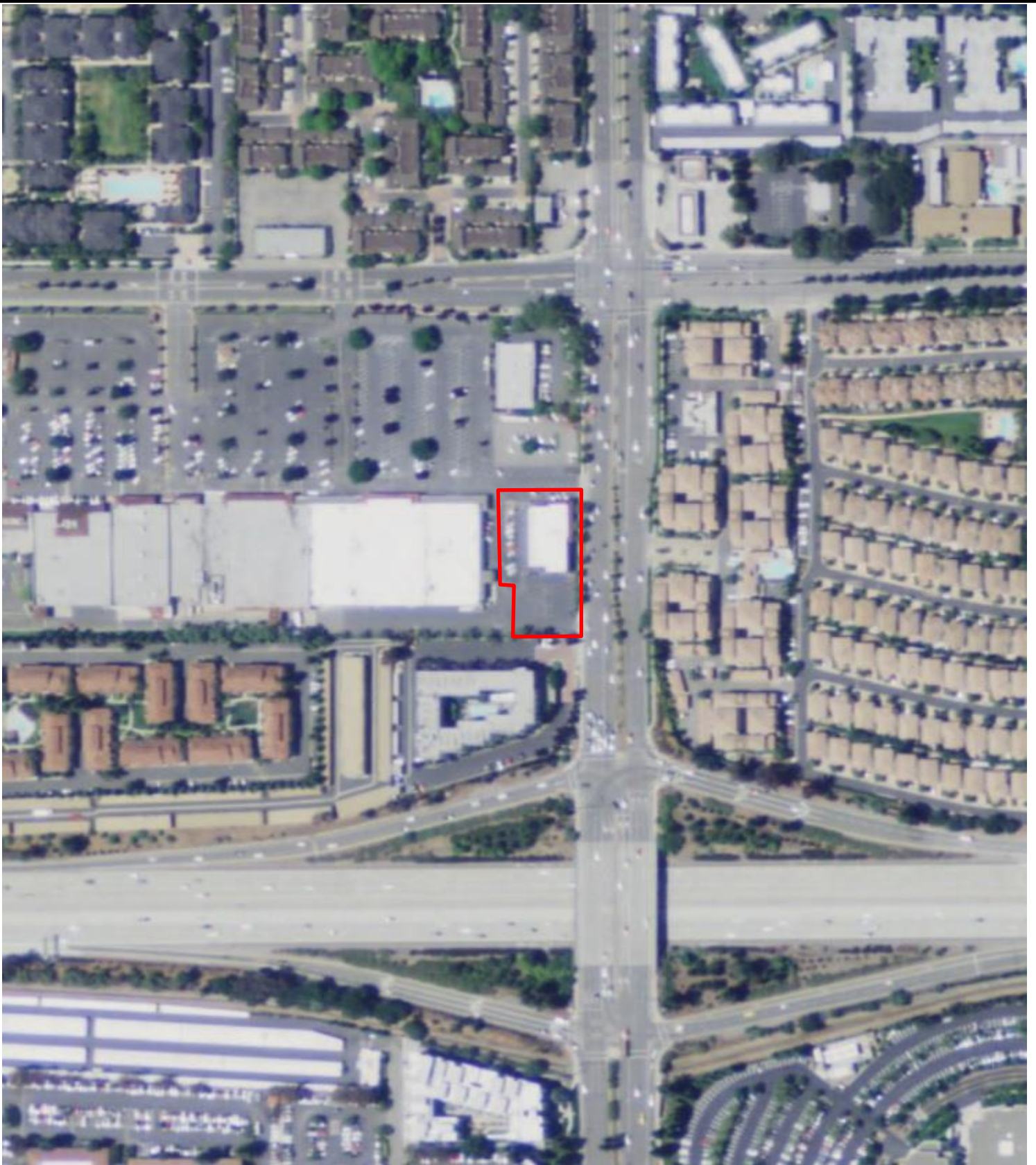
Legend

Approximate Property Boundary 



AERIAL PHOTOGRAPH - 2006
10931 North De Anza Boulevard, Cupertino, California 95014
Project Number: 392233

AEI
Consultants



Legend

Approximate Property Boundary 



AERIAL PHOTOGRAPH - 2009
10931 North De Anza Boulevard, Cupertino, California 95014
Project Number: 392233

AEI
Consultants



Legend

Approximate Property Boundary 



AERIAL PHOTOGRAPH - 2010
10931 North De Anza Boulevard, Cupertino, California 95014
Project Number: 392233

AEI
Consultants



Legend

Approximate Property Boundary 



AERIAL PHOTOGRAPH - 2012
10931 North De Anza Boulevard, Cupertino, California 95014
Project Number: 392233

AEI
Consultants

392233

10931 North De Anza Boulevard
Cupertino, CA 95014

Inquiry Number: 5374254.5
July 30, 2018

The EDR-City Directory Image Report

TABLE OF CONTENTS

SECTION

Executive Summary

Findings

City Directory Images

Thank you for your business.
Please contact EDR at 1-800-352-0050
with any questions or comments.

Disclaimer - Copyright and Trademark Notice

This Report contains certain information obtained from a variety of public and other sources reasonably available to Environmental Data Resources, Inc. It cannot be concluded from this Report that coverage information for the target and surrounding properties does not exist from other sources. **NO WARRANTY EXPRESSED OR IMPLIED, IS MADE WHATSOEVER IN CONNECTION WITH THIS REPORT. ENVIRONMENTAL DATA RESOURCES, INC. SPECIFICALLY DISCLAIMS THE MAKING OF ANY SUCH WARRANTIES, INCLUDING WITHOUT LIMITATION, MERCHANTABILITY OR FITNESS FOR A PARTICULAR USE OR PURPOSE. ALL RISK IS ASSUMED BY THE USER. IN NO EVENT SHALL ENVIRONMENTAL DATA RESOURCES, INC. BE LIABLE TO ANYONE, WHETHER ARISING OUT OF ERRORS OR OMISSIONS, NEGLIGENCE, ACCIDENT OR ANY OTHER CAUSE, FOR ANY LOSS OR DAMAGE, INCLUDING, WITHOUT LIMITATION, SPECIAL, INCIDENTAL, CONSEQUENTIAL, OR EXEMPLARY DAMAGES. ANY LIABILITY ON THE PART OF ENVIRONMENTAL DATA RESOURCES, INC. IS STRICTLY LIMITED TO A REFUND OF THE AMOUNT PAID FOR THIS REPORT.** Purchaser accepts this Report "AS IS". Any analyses, estimates, ratings, environmental risk levels or risk codes provided in this Report are provided for illustrative purposes only, and are not intended to provide, nor should they be interpreted as providing any facts regarding, or prediction or forecast of, any environmental risk for any property. Only a Phase I Environmental Site Assessment performed by an environmental professional can provide information regarding the environmental risk for any property. Additionally, the information provided in this Report is not to be construed as legal advice.

Copyright 2017 by Environmental Data Resources, Inc. All rights reserved. Reproduction in any media or format, in whole or in part, of any report or map of Environmental Data Resources, Inc. or its affiliates is prohibited without prior written permission.

EDR and its logos (including Sanborn and Sanborn Map) are trademarks of Environmental Data Resources, Inc. or its affiliates. All other trademarks used herein are the property of their respective owners.

EXECUTIVE SUMMARY

DESCRIPTION

Environmental Data Resources, Inc.'s (EDR) City Directory Report is a screening tool designed to assist environmental professionals in evaluating potential liability on a target property resulting from past activities. EDR's City Directory Report includes a search of available city directory data at 5 year intervals.

RECORD SOURCES

EDR's Digital Archive combines historical directory listings from sources such as Cole Information and Dun & Bradstreet. These standard sources of property information complement and enhance each other to provide a more comprehensive report.

EDR is licensed to reproduce certain City Directory works by the copyright holders of those works. The purchaser of this EDR City Directory Report may include it in report(s) delivered to a customer. Reproduction of City Directories without permission of the publisher or licensed vendor may be a violation of copyright.

Data by

infoUSA[®]

Copyright©2008
All Rights Reserved

RESEARCH SUMMARY

The following research sources were consulted in the preparation of this report. A check mark indicates where information was identified in the source and provided in this report.

<u>Year</u>	<u>Target Street</u>	<u>Cross Street</u>	<u>Source</u>
2014	<input checked="" type="checkbox"/>	<input type="checkbox"/>	EDR Digital Archive
2010	<input checked="" type="checkbox"/>	<input type="checkbox"/>	EDR Digital Archive
2005	<input checked="" type="checkbox"/>	<input type="checkbox"/>	EDR Digital Archive
2000	<input checked="" type="checkbox"/>	<input type="checkbox"/>	EDR Digital Archive
1995	<input checked="" type="checkbox"/>	<input type="checkbox"/>	EDR Digital Archive
1992	<input checked="" type="checkbox"/>	<input type="checkbox"/>	EDR Digital Archive
1988	<input checked="" type="checkbox"/>	<input type="checkbox"/>	Haines Criss-Cross Directory
1983	<input checked="" type="checkbox"/>	<input type="checkbox"/>	Haines Criss-Cross Directory
1978	<input checked="" type="checkbox"/>	<input type="checkbox"/>	Haines Criss-Cross Directory
1973	<input type="checkbox"/>	<input type="checkbox"/>	Haines Criss-Cross Directory

FINDINGS

TARGET PROPERTY STREET

10931 North De Anza Boulevard
Cupertino, CA 95014

<u>Year</u>	<u>CD Image</u>	<u>Source</u>
-------------	-----------------	---------------

N DE ANZA BLVD

2014	pg A1	EDR Digital Archive	
2010	pg A2	EDR Digital Archive	
2005	pg A3	EDR Digital Archive	
2000	pg A4	EDR Digital Archive	
1995	pg A5	EDR Digital Archive	
1992	pg A6	EDR Digital Archive	
1988	pg A7	Haines Criss-Cross Directory	
1983	pg A8	Haines Criss-Cross Directory	
1978	pg A9	Haines Criss-Cross Directory	
1973	-	Haines Criss-Cross Directory	Street not listed in Source

FINDINGS

CROSS STREETS

No Cross Streets Identified

City Directory Images

N DE ANZA BLVD 2014

10745	BARUA, NILANJANA BHARGAV SOLUTIONS INC BRONSTEIN, VLADIMIR I BUI, SEAN T CHANG, CHIA K CHEN, KANJU J CHOI, MOON H CORNWELL, JEFFREY D DALAL, BERAJ DECKINGA, LUCAS W ERASSO, ALEJANDRO F SAVE INVESTMENTS LLC FUNG, HALEY H GOH, TZE C HERAKLES CORP HUANG, NIAN HUNG, CHEUNG L IMALGAM INC JAYARAMAN, SWAMINATHAN JOHNSON, ERIC M LANDRY, ROB J LEE, STEPHEN S LIANG, CHIH MAK, KWOK K MANYAMN, KRISHNA M MATHUR, GAURAV MEDURI, SURENDRA ORGANAMI LLC PABBISSETTI, MURALIDHAR PFLUM, KENNETH POOZHICALAYIL, PRASAD QI, JUN RAJARAM, YASHWANTH K ROMANI, JEAN E SILICON VALLEY REST GROUP SUNDARAMOORTHY, GANESH TSANG, WAI Y UMINO, SATORU VASAVAKUL, PUNNAPA VEDARAJU, TILAK WONG, SHEILA S WU, HUEINI N YEN, Y
10889	FORGE-VIDOVICH MOTEL LIMITED
10931	GOODYEAR TIRE & RUBBER COMPANY
10991	BAY ONE REAL ESTATE MAXREAL FINANCIAL CUPERTINO/MA
11010	CHEVRON STATIONS INC
11025	CARLOS AUTO REPAIR SERVICES

N DE ANZA BLVD 2010

10725	NETMANAGE BID CO
10745	BARUA, SOUMAVO
	BRONSTEIN, VLADIMIR I
	CHANG, CHIAKUNG
	CHEN, K
	CHOI, MYUNG C
	F SAVE INVESTMENTS LLC
	FUNG, HALEY H
	GOH, TZE C
	HUNG, WING
	IMALGAM INC
	KUMAR, MANOJ
	LEE, SUNG H
	MA, CHIH L
	MAK, KWOK K
	MANYAM, KRISHNA M
	MATHUR, GAURAV
	NAVARRO, KARIN E
	OIKAWA, DAVID H
	PABBISSETTI, MURALIDHAR
	RAJARAM, YASHWANTH K
	ROMANI, HARRY J
	SALES ECONOMICS INC
	SCHLARMANN, ERIKA M
	SHI, XIAOJIN
	SILICON VALLEY REST GROUP
	SOESILO, NICK
	SRINIVASULU, SANDHIYA K
	UMINO, SATORU
	VASAVAKUL, PUNNAPA
	VEDARAJU, TILAK
	WONG, HIUCHUN C
	YEN, Y
10889	FORGE-VIDOVICH MOTEL LIMITED
10931	GOODYEAR TIRE & RUBBER COMPANY
10991	ADL GROUP INC
	BAY ONE REAL ESTATE
	MAUNG KYI LAY
	MAXREAL FINANCIAL CUPERTINO/MA
	QTAHQ BAY ONE CUPERTINO
	UR WINES & LIQUORS
11010	CHEVRON STATIONS INC
11025	AL-AZZAWY MOHAMMED

N DE ANZA BLVD 2005

10725 ISRAEL21C INC
10745 SILICON VALLEY REST GROUP
10889 CUPERTINO INN
10931 GOODYEAR TIRE & RUBBER COMPANY
10991 BAY ONE REAL ESTATE
EAST WEST BANK
HSIAO JUDITH & ASSOCIATES
MANLEY DONUT SHOP
MAUNG KYI LAY
QTAHQ BAY ONE CUPERTINO
W M A SECURITY PETER LUNG
WORLD FINANCIAL GROUP
WORLD MARKETING ALLIANCE
11010 CHEVRON STATIONS INC
11025 CARLOS CORONA INCORPORATED

N DE ANZA BLVD 2000

- 10725 CALIF ISRAEL CHAMBER COMMER
NETMANAGE INC
Z-CODE SOFTWARE CORP
- 10745 SANTA BARBARA GRILL LLC
SPORT CITY CAFE
- 10889 CUPERTINO INN
- 10895 PHO HOA RESTAURANT
- 10931 GOODYEAR TIRE & RUBBER CO THE
- 10991 HA PHAM WILLIAM A
MANLEY DONUT SHOP
UNITED NATIONAL BANK
W M A SECURITY PETER LUNG
WORLD MARKETING ALLIANCE
- 11010 CHEVRON STATIONS INC
- 11025 CARLOS CORONA INCORPORATED

N DE ANZA BLVD

1995

10725 NETMANAGE INC
10745 SILICON VALLEY REST GROUP
10889 CUPERTINO INN
10930 JDM PACKING SUPPLIES
10931 GOODYEAR TIRE & RUBBER CO THE
10991 MANLEY DONUT SHOP
THREE SEVEN ONE HOUR PHOTO
UR WINES & LIQUORS
ZC PARTNERS LP
11010 CHEVRON USA INC
11025 CARLOS CORONA INCORPORATED



-

N DE ANZA BLVD

1992

- 10725 TALIGENT INC
- 10745 SPORT CITY CAFE INC
- 10889 CUPERTINO INN
- 10930 JDM PACKING SUPPLIES
- 10931 GOODYEAR TIRE & RUBBER CO THE
- 10991 KINKOS COPIES
- 11010 CHEVRON USA INC
- 11025 CARLOS CORONA INCORPORATED

N DE ANZA BLVD 1988

E ANZA BLVD N 95014		
UPERTINO		
FORMERLY KNOWN AS		
SARATOGA		
SUNNYVALE RD		
10002	XXXX	00
10005	*QUALITY TUNE UP SH	446-3610 3
10020	*C P P A 2	255-2600+8
	*CONTEMPO REALTY	996-0100 9
	*LITTON FULLER GROUP	725-8400 4
	*METRO LIFE INS CO	255-2260+8
	*MOLES BILL W	996-0100 9
	*PAC WSTRN FINANCIAL	252-5880+8
10021	XXXX	00
10023	XXXX	00
10041	XXXX	00
10055	XXXX	00
10110	*ST JOSEPH CH	252-7653 9
	*ST JOSEPH SC RELGN	253-0660 9
10120	*ST JOSEPH CPRTNO SC	252-6441 6
	*ST JOSEPH YTH MNSTR	725-8604 1
10130	*ST JOSEPH CPRTNO	257-4410 9
10145	*BOBS BIG BOY	446-2842
10165	*CLEAN SCENE CAR WSH	725-9358 1
10178	XXXX	00
10188	XXXX	00
10212	*CUPERTNO AUTO RPR	252-2391
10219	XXXX	00
10247	XXXX	00
10250	*DONUT WHEEL THE	252-8193 1
10255	XXXX	00
10281	XXXX	00
10295	XXXX	00
10343	XXXX	00
10350	*MCKENNA INSURANCE	252-4494
10365	XXXX	00
10401	XXXX	00
10421	XXXX	00
10431	XXXX	00
10495	*ANY MOUNTAIN	255-6162 1
	*OLYMPIC VILLAGE INN	255-2702+8
10500	XXXX	00
10525	XXXX	00
10550	XXXX	00
10591	*BOTTLE CAP LIQUOR	252-0221 0
10600	*BAY PARTNERS	725-2444 7
	*E R A KENNEDY RLTY	252-7900+8
	*FUJITSU MICROELTRNCS	996-1600+8
	*KENNEDY&SUTHERLAND	252-7900+8
	*REGENT PAC MNG CORP	973-0616+8
	*SOBRATO DEVELOPMENT	446-0700 7
	*SUTHERLAND R R ATTY	252-7907+8
10625	*M P&G TUNE UP CNTR	255-5772 7
10690	*PEPPERMILL THE	996-7750 9
10700	*MOTOROLA CMPTR SYST	255-0900 7
10725	XXXX	00
10745	*SPORTS CITY CAFE	253-2233+8
10853	XXXX	00
10855	XXXX	00
10867	XXXX	00
10889	*CUPERTNO INN	996-7700 7
10920	XXXX	00
10930 BUILDING	
	*ALPHA VALUATION GRP	252-8020+8
	*ANDERSON WOOD PRDCT	255-6510 7
	*ASPHALT MNTNC SYSTS	725-8161 7
	*CRUISE AMER RV RNTL	257-1099+8
	*DRIVING MACHINE BMW	446-9727 7
	*MACHT MOTORS BMW	255-0404+8
	*MARIANI PKG CO SLS	252-5446 5
	*NORDSTAR CONSTR INC	253-0420+8
	*PAYNE WHITNEY CO	252-7220+8
	*PENINSLA RAINGUTTRS	446-0249+8
10930	
10931	*GOODYEAR AUTO SV CT	255-2166
10991	*SMOG DOCTOR INC	996-0165 5
11010	*CHEVRON USA	773-9135 5
	* 45 BUS 25 RES 16 NEW	


DE ANZA BLVD S 95014

N DE ANZA BLVD 1983

DE ANZA BLVD N 95014 CUPERTINO				
FORMERLY KNOWN AS SARATOGA SUNNYVALE RD				
10002	TEXACO QUALITY GAS	725-9447	1	
10005	QUALITY TUNE UP SH	446-3610	+3	
10020	CAPITAL GROWTH CO	253-3611	+3	
	CONTEMPO REALTY	996-0100	9	
	CONTEMPO REALTY INC	996-0111	0	
-3	CROXALL G E	255-0541	+3	
2	CUPERTNO TRAVEL	255-6900	0	
-3	INTEGRATD RSRC EQTY	253-3614	+3	
	MOLES BILL W	996-0100	9	
	PAC VLY BK CPRTNO	244-1700	1	
10021	XXXX	00		
10023	PHILLIPS JIM CHEVRN	257-1151		
1	10041	OLD WEST BROS STEAK	255-0550	6
0	10055	XXXX	00	
	10101	XXXX	00	
	10105	XXXX	00	
1	10110	ST JOSEPH CH	252-7653	9
		ST JOSEPH SC	252-6441	0
		ST JOSEPH SC RELGN	253-0660	9
	10120	ST JOSEPH YTH MNSTR	725-8604	1
	10130	ST JOSEPH CPRTNO	257-4410	9
0	10145	BOBS BIG BOY	446-2842	6
	10165	CLEAN SCENE CAR WSH	725-9358	1
	10178	XXXX	00	
	10188	XXXX	00	
4	10212	CUPERTNO AUTO RPR	252-2391	6
1	10219	XXXX	00	
2	10247	XXXX	00	
2	10250	DONUT WHEEL THE	252-8193	1
+3	10255	XXXX	00	
+3	10281	XXXX	00	
	10295	XXXX	00	
	10343	A	252-2842	
		A TOOL SHED EQP RTL	252-2842	
		TOOL SHED EQPT RNTL	252-2842	2
	10345	AUTO&TRUCK PARTS	252-5812	1
		CUPERTNO AUTO PARTS	252-5812	9
4		SMATT ROBT	255-7317	+3
	10350F	MCKENNA INSURANCE	252-4494	
	10365	BROWN JOSEPH F DR	252-6380	6
		CUPERTNO ANIMAL HSP	252-6380	6
	10401	XXXX	00	
	10420	DEATON MICHAELS	252-9207	1
0		MICHAELS EDWARD CPA	252-9207	1
	10421	CUPERTNO LANDSCAPE	446-0555	6
9	10431	CUPERTNO NURSERY	252-3560	6
1		CUPERTNO NURSERY	252-9295	2
		CUPERTNO NURSERY	252-8820	2
		UENAKA E S	253-0223	9
	10477	MCCELLELLAN SQ CLNRS	253-9500	5
	10480	XXXX	00	
	10495	ANY MOUNTAIN SKIING	255-6162	1
		ANY MT SKI TRNG CTR	446-3023	1
	10500	XXXX	00	
8	10550	XXXX	00	
8	10591	BOTTLE CAP LIQUOR	252-0221	0
8	10625	XXXX	00	
9	10690	PEPPERMILL THE	996-7750	9
8	10700	FOUR PHASE SYSTEMS	255-0900	9
2	10725	RONG SHING RESTRNT	252-3393	0
1	10745	ANTHONY'S PIER 9	255-4711	0
+3	10853	XXXX	00	
8	10855	XXXX	00	
0	10857	XXXX	00	
	10889	DEANZA LUMBER	253-5544	6
	10920	XXXX	00	
	10930	INTL BUSINESS PARKS	263-7171	+3
		INTL TRANSPORTN MNG	263-7171	+3
		MARIANI GRP OF CO	252-5440	
		MARIANI PAUL A CO	252-5440	
	10931	GOODYEAR TIRE&RUBBR	255-2166	4
+3	10991	XXXX	00	
0	11010	FRANKS CHEVRON	773-9135	+3
2	11025	XXXX	00	
9	NO #	CHEVRON STA CPRTNO	257-1151	2
		* 50 BUS 25 RES 8 NEW		

N DE ANZA BLVD 1978

DE ANZA BLVD N 95014 CUPERTINO		
FORMERLY KNOWN AS SARATOGA SUNNYVALE RD		
7		
	10002★	TEXACO QUALITY GAS 252-9757+8
	10005★	QUALITY TUNE UP 252-9623+8
	10021★	LOUIS SHELL SERVICE 255-8933 4
	10023★	PHILLIPS JIM CHEVRN 257-1151 2
	10041★	OLD WEST BROS STEAK 255-0550 6
	10055	XXXX 00
8	10101	MOONEY PAUL 257-6899+8
8		NEALE FORREST 257-9602 7
4	10105★	COAST FDRL SVNGS&LN 253-9111+8
7	10110	MCPMAHON WALTER 253-7528+8
	★	STJOSEPH CPRTNO CCD 253-0660 6
	★	STJOSEPH CPRTNO CH 252-7653 6
	★	STJOSEPH CPRTNO SCH 252-6441 6
		WALSH JAMES 255-8853+8
2	10130★	STJOSEPH CPRTNO CNV 257-4410+8
	10145★	BOBS BIG BOY 446-2842 6
8	10165★	CLEAN SCENE CAR WSH 252-9582 6
	10178	XXXX 00
8	10188	XXXX 00
	10212★	CUPERTNO AUTO RPR 252-2391 6
8	10219	BROWN J 446-0792 6
	10247	XXXX 00
	10250★	DO NUT WHEEL THE 252-8193 6
	★	DOUGHNUT WHEEL THE 252-8193 6
7	★	THE DO NUT WHEEL 252-8193
7	10255★	GAETANOS CSTM TLRNG 257-3202+8
	10281	XXXX 00
	10295	SHARP P A 255-9783+8
	10343★	A 252-2842
	★	A TOOLSHED EQP RNTL 252-2842 6
4	★	TOOLSHED EQUIP RNTL 252-2842 6
	10345★	AUTO TRUCK PARTS 252-5812 6
	★	CUPERTNO AUTO PARTS 252-5812 6
1	10365★	BROWN JOSEPH F DR 252-6380 6
	★	CUPERTNO ANIML HOSP 252-6380 6
	10421★	CUPERTNO LANDSCAPE 446-0555 6
8	10431★	CUPERTNO CARP&TRPCL 253-0223 6
	★	CUPERTNO NURSERY 252-3560 6
	10477★	MCCLELLAN SQ CLNRS 253-9500 5
	10480	XXXX 00
	10495★	ANY MOUNTAIN LTD 255-2404+8
1	★	ANY MOUNTAIN LTD 255-6162+8
4	10550★	MARCHETTI D ARCO 446-1680+8
	10625★	DEANZA ARCO 253-6422 6
	10853	LAU KING FONG 996-1487 4
	10855	WAYLAND TAM 257-6917+8
	10857	KUNG FONG 996-1577 6
		TOM HO PUI 257-4980 6
	10889★	DEANZA LUMBER SPPLS 253-5544 6
1	10920★	DEATON E DEAN CPA 252-9207+8
	★	DEATON NOVAK CORP 252-9207+8
		NOVAK ALEXANDER-CPA 252-9207+8
	10930★	MARIANI PAUL A CO 252-5440
	10931★	GOODYEAR TIRE&RUBBR 255-2166 4
	10991	XXXX 00
	11010★	DEANZA CHEVRON SERV 735-7100+8
	11025	XXXX 00
	NO #★	COUNTRYWOOD IN CPRT 737-9292+8
	★	39 BUS 19 RES 18 NEW
8	DE ANZA BLVD S 95014	



392233

10931 North De Anza Boulevard

Cupertino, CA 95014

Inquiry Number: 5374254.3

July 26, 2018

Certified Sanborn® Map Report



6 Armstrong Road, 4th floor
Shelton, CT 06484
Toll Free: 800.352.0050
www.edrnet.com

Certified Sanborn® Map Report

07/26/18

Site Name:

392233
10931 North De Anza Boulevard
Cupertino, CA 95014
EDR Inquiry # 5374254.3

Client Name:

AEI Consultants
2500 Camino Diablo
Walnut Creek, CA 94597
Contact: Tony Chilese



The Sanborn Library has been searched by EDR and maps covering the target property location as provided by AEI Consultants were identified for the years listed below. The Sanborn Library is the largest, most complete collection of fire insurance maps. The collection includes maps from Sanborn, Bromley, Perris & Browne, Hopkins, Barlow, and others. Only Environmental Data Resources Inc. (EDR) is authorized to grant rights for commercial reproduction of maps by the Sanborn Library LLC, the copyright holder for the collection. Results can be authenticated by visiting www.edrnet.com/sanborn.

The Sanborn Library is continually enhanced with newly identified map archives. This report accesses all maps in the collection as of the day this report was generated.

Certified Sanborn Results:

Certification # 48A1-4ADB-A95A
PO # 168047
Project 392233

UNMAPPED PROPERTY

This report certifies that the complete holdings of the Sanborn Library, LLC collection have been searched based on client supplied target property information, and fire insurance maps covering the target property were not found.



Sanborn® Library search results

Certification #: 48A1-4ADB-A95A

The Sanborn Library includes more than 1.2 million fire insurance maps from Sanborn, Bromley, Perris & Browne, Hopkins, Barlow and others which track historical property usage in approximately 12,000 American cities and towns. Collections searched:

- Library of Congress
- University Publications of America
- EDR Private Collection

The Sanborn Library LLC Since 1866™

Limited Permission To Make Copies

AEI Consultants (the client) is permitted to make up to FIVE photocopies of this Sanborn Map transmittal and each fire insurance map accompanying this report solely for the limited use of its customer. No one other than the client is authorized to make copies. Upon request made directly to an EDR Account Executive, the client may be permitted to make a limited number of additional photocopies. This permission is conditioned upon compliance by the client, its customer and their agents with EDR's copyright policy; a copy of which is available upon request.

Disclaimer - Copyright and Trademark Notice

This Report contains certain information obtained from a variety of public and other sources reasonably available to Environmental Data Resources, Inc. It cannot be concluded from this Report that coverage information for the target and surrounding properties does not exist from other sources. NO WARRANTY EXPRESSED OR IMPLIED, IS MADE WHATSOEVER IN CONNECTION WITH THIS REPORT. ENVIRONMENTAL DATA RESOURCES, INC. SPECIFICALLY DISCLAIMS THE MAKING OF ANY SUCH WARRANTIES, INCLUDING WITHOUT LIMITATION, MERCHANTABILITY OR FITNESS FOR A PARTICULAR USE OR PURPOSE. ALL RISK IS ASSUMED BY THE USER. IN NO EVENT SHALL ENVIRONMENTAL DATA RESOURCES, INC. BE LIABLE TO ANYONE, WHETHER ARISING OUT OF ERRORS OR OMISSIONS, NEGLIGENCE, ACCIDENT OR ANY OTHER CAUSE, FOR ANY LOSS OF DAMAGE, INCLUDING, WITHOUT LIMITATION, SPECIAL, INCIDENTAL, CONSEQUENTIAL, OR EXEMPLARY DAMAGES. ANY LIABILITY ON THE PART OF ENVIRONMENTAL DATA RESOURCES, INC. IS STRICTLY LIMITED TO A REFUND OF THE AMOUNT PAID FOR THIS REPORT. Purchaser accepts this Report "AS IS". Any analyses, estimates, ratings, environmental risk levels or risk codes provided in this Report are provided for illustrative purposes only, and are not intended to provide, nor should they be interpreted as providing any facts regarding, or prediction or forecast of, any environmental risk for any property. Only a Phase I Environmental Site Assessment performed by an environmental professional can provide information regarding the environmental risk for any property. Additionally, the information provided in this Report is not to be construed as legal advice. Copyright 2018 by Environmental Data Resources, Inc. All rights reserved. Reproduction in any media or format, in whole or in part, of any report or map of Environmental Data Resources, Inc., or its affiliates, is prohibited without prior written permission.

EDR and its logos (including Sanborn and Sanborn Map) are trademarks of Environmental Data Resources, Inc. or its affiliates. All other trademarks used herein are the property of their respective owners.

APPENDIX E

REGULATORY AGENCY RECORDS

**CITY OF CUPERTINO
BUILDING DIVISION**

PERMIT

CONTRACTOR INFORMATION

PERMIT NO.

0004008

BUILDING ADDRESS:

10931 N. Deanza

OWNER'S NAME:

Goodyear Tire Service

PHONE:

255-2166

ARCHITECT/ENGINEER

Anderson Silms
2229 E. Stewart
STOUBTON, CA 95205
(209) 933-0455

SANITARY NO.

APPLICATION SUBMITTAL DATE

4-4-00

N/C

CONTROL #

9874

BUILDING PERMIT INFO

LICENSED CONTRACTOR'S DECLARATION

I hereby affirm that I am licensed under provisions of Chapter 9 (commencing with Section 7000) of Division 3 of the Business and Professions Code, and my license is in full force and effect.

License Class: C-45 Lic. # 703533

Date: 4/14/00 Contractor: Anderson Silms

ARCHITECT'S DECLARATION

I understand my plans shall be used as public records

Job Description

Sign @ 3

Licensed Professional

OWNER-BUILDER DECLARATION

I hereby affirm that I am exempt from the Contractor's License Law for the following reason. (Section 7031.5, Business and Professions Code: Any city or county which requires a permit to construct, alter, improve, demolish, or repair any structure prior to its issuance, also requires the applicant for such permit to file a signed statement that he is licensed pursuant to the provisions of the Contractor's License Law (Chapter 9, (commencing with Section 7000) of Division 3 of the Business and Professions Code) or that he is exempt therefrom and the basis for the alleged exemption. Any violation of Section 7031.5 by any applicant for a permit subjects the applicant to a civil penalty of not more than five hundred dollars (\$500).
 I, as owner of the property, or my employees with wages as their sole compensation, will do the work, and the structure is not intended or offered for sale (Sec. 7044, Business and Professions Code: The Contractor's License Law does not apply to an owner of property who builds or improves thereon, and who does such work himself or through his own employees, provided that such improvements are not intended or offered for sale. If, however, the building or improvement is sold within one year of completion, the owner-builder will have the burden of proving that he did not build or improve for purpose of sale.)
 I, as owner of the property, am exclusively contracting with licensed contractors to construct the project (Sec. 7044, Business and Professions Code: The Contractor's License Law does not apply to an owner of property who builds or improves thereon, and who contracts for such projects with a contractor(s) licensed pursuant to the Contractor's License Law.
 I am exempt under Sec. _____, B & P C for this reason

Sq. Ft. Floor Area

Valuation

326 - 10 - 061

\$5000.00

APN Number

Occupancy Type

Required Inspections

Handwritten signature

WORKER'S COMPENSATION DECLARATION

I hereby affirm under penalty of perjury one of the following declarations:

I have and will maintain a Certificate of Consent to self-insure for Worker's Compensation, as provided for by Section 3700 of the Labor Code, for the performance of the work for which this permit is issued.

I have and will maintain Worker's Compensation Insurance, as required by Section 3700 of the Labor Code, for the performance of the work for which this permit is issued.

My Worker's Compensation Insurance carrier and Policy number are:

Carrier: Supers National Policy No. W20182092A

CERTIFICATE OF EXEMPTION FROM WORKERS' COMPENSATION INSURANCE

(This section need not be completed if the permit is for one hundred dollars (\$100) or less.)

I certify that in the performance of the work for which this permit is issued, I shall not employ any person in any manner so as to become subject to the Workers' Compensation Laws of California. Date: _____

Applicant: _____

NOTICE TO APPLICANT: If, after making this Certificate of Exemption, you should become subject to the Worker's Compensation provisions of the Labor Code, you must forthwith comply with such provisions or this permit shall be deemed revoked.

CONSTRUCTION LENDING AGENCY

I hereby affirm that there is a construction lending agency for the performance of the work for which this permit is issued (Sec. 3097, Civ. C.)

Lender's Name: _____

Lender's Address: _____

I certify that I have read this application and state that the above information is correct. I agree to comply with all city and county ordinances and state laws relating to building construction, and hereby authorize representatives of this city to enter upon the above-mentioned property for inspection purposes.

(We) agree to save, indemnify and keep harmless the City of Cupertino against liabilities, judgments, costs and expenses which may in any way accrue against said City in consequence of the granting of this permit.

APPLICANT UNDERSTANDS AND WILL COMPLY WITH ALL NON-POINT SOURCE REGULATIONS.

Signature of Applicant/Contractor: W. John Jennings Date: 4/14/00

HAZARDOUS MATERIALS DISCLOSURE

Will the applicant or future building occupant store or handle hazardous material as defined by the Cupertino Municipal Code, Chapter 9.12, and the Health and Safety Code, Section 25532(a)?

Yes No

Will the applicant or future building occupant use equipment or devices which emit hazardous air contaminants as defined by the Bay Area Air Quality Management District?

Yes No

I have read the hazardous materials requirements under Chapter 6.95 of the California Health & Safety Code, Sections 25505, 25533 and 25534. I understand that if the building does not currently have a tenant, that it is my responsibility to notify the occupant of the requirements which must be met prior to issuance of a Certificate of Occupancy.

Signature of authorized agent: W. John Jennings Date: 4/14/00

CITY LIC 9536

Re-roofs
Type of Roof

All roofs shall be inspected prior to any roofing material being installed. If a roof is installed without first obtaining an inspection I agree to remove all new materials for inspection. Applicant understands and will comply with all non-point source regulations.

Signature of Applicant

Date

All roof coverings to be Class "B" or better

OFFICE

PERMIT EXPIRES IF WORK IS NOT STARTED WITHIN 130 DAYS OF PERMIT ISSUANCE OR 180 DAYS FROM LAST CALLED INSPECTION

CITY OF CUPERTINO INSPECTION DIVISION

CITY OF CUPERTINO BUILDING PERMIT

BUILDING ADDRESS: 10931 N DE ANZA BLVD	CONTRACTOR: AIRTEKS.COM INC	PERMIT NO: 14120118
OWNER'S NAME: VIDOVICH JOHN T ET AL	2432 ARMSTRONG ST	DATE ISSUED: 12/22/2014
OWNER'S PHONE: 5107190621	LIVERMORE, CA 94551	PHONE NO: (925) 292-0148

LICENSED CONTRACTOR'S DECLARATION

License Class C-20 Lic. # 930

Contractor AIRTEKS.COM, Inc Date 12-22-14

I hereby affirm that I am licensed under the provisions of Chapter 9 (commencing with Section 7000) of Division 3 of the Business & Professions Code and that my license is in full force and effect.

I hereby affirm under penalty of perjury one of the following two declarations:

I have and will maintain a certificate of consent to self-insure for Worker's Compensation, as provided for by Section 3700 of the Labor Code, for the performance of the work for which this permit is issued.

I have and will maintain Worker's Compensation Insurance, as provided for by Section 3700 of the Labor Code, for the performance of the work for which this permit is issued.

APPLICANT CERTIFICATION

I certify that I have read this application and state that the above information is correct. I agree to comply with all city and county ordinances and state laws relating to building construction, and hereby authorize representatives of this city to enter upon the above mentioned property for inspection purposes. (We) agree to save indemnify and keep harmless the City of Cupertino against liabilities, judgments, costs, and expenses which may accrue against said City in consequence of the granting of this permit. Additionally, the applicant understands and will comply with all non-point source regulations per the Cupertino Municipal Code, Section 9 18.

Signature [Signature] Date 12-22-14

OWNER-BUILDER DECLARATION

I hereby affirm that I am exempt from the Contractor's License Law for one of the following two reasons:

I, as owner of the property, or my employees with wages as their sole compensation, will do the work, and the structure is not intended or offered for sale (Sec.7044, Business & Professions Code)

I, as owner of the property, am exclusively contracting with licensed contractors to construct the project (Sec.7044, Business & Professions Code).

I hereby affirm under penalty of perjury one of the following three declarations:

I have and will maintain a Certificate of Consent to self-insure for Worker's Compensation, as provided for by Section 3700 of the Labor Code, for the performance of the work for which this permit is issued.

I have and will maintain Worker's Compensation Insurance, as provided for by Section 3700 of the Labor Code, for the performance of the work for which this permit is issued.

I certify that in the performance of the work for which this permit is issued, I shall not employ any person in any manner so as to become subject to the Worker's Compensation laws of California. If, after making this certificate of exemption, I become subject to the Worker's Compensation provisions of the Labor Code, I must forthwith comply with such provisions or this permit shall be deemed revoked.

APPLICANT CERTIFICATION

I certify that I have read this application and state that the above information is correct. I agree to comply with all city and county ordinances and state laws relating to building construction, and hereby authorize representatives of this city to enter upon the above mentioned property for inspection purposes. (We) agree to save indemnify and keep harmless the City of Cupertino against liabilities, judgments, costs, and expenses which may accrue against said City in consequence of the granting of this permit. Additionally, the applicant understands and will comply with all non-point source regulations per the Cupertino Municipal Code, Section 9 18.

Signature _____ Date _____

JOB DESCRIPTION: RESIDENTIAL COMMERCIAL
TO CLEAR CODE ENFORCEMENT CASE: REMOVE AND REPLACE 8.5 TON PACKAGE UNIT.

Sq. Ft Floor Area:	Valuation: \$12500
APN Number: 32610061 00	Occupancy Type:

PERMIT EXPIRES IF WORK IS NOT STARTED WITHIN 180 DAYS OF PERMIT ISSUANCE OR 180 DAYS FROM LAST CALLED INSPECTION.

Issued by: JEAN HATCH Date: 12-22-14

RE-ROOFS:

All roofs shall be inspected prior to any roofing material being installed. If a roof is installed without first obtaining an inspection, I agree to remove all new materials for inspection.

Signature of Applicant: _____ Date: _____

ALL ROOF COVERINGS TO BE CLASS "A" OR BETTER

HAZARDOUS MATERIALS DISCLOSURE

I have read the hazardous materials requirements under Chapter 6.95 of the California Health & Safety Code, Sections 25505, 25533, and 25534. I will maintain compliance with the Cupertino Municipal Code, Chapter 9.12 and the Health & Safety Code, Section 25532(a) should I store or handle hazardous material. Additionally, should I use equipment or devices which emit hazardous air contaminants as defined by the Bay Area Air Quality Management District I will maintain compliance with the Cupertino Municipal Code, Chapter 9.12 and the Health & Safety Code, Sections 25505, 25533, and 25534.

Owner or authorized agent: [Signature] Date: 12-22-14

CONSTRUCTION LENDING AGENCY

I hereby affirm that there is a construction lending agency for the performance of work's for which this permit is issued (Sec. 3097, Civ C.)

Lender's Name _____

Lender's Address _____

ARCHITECT'S DECLARATION

I understand my plans shall be used as public records.

Licensed Professional _____

14170118

MEP MISC



GENERAL PERMIT APPLICATION

COMMUNITY DEVELOPMENT DEPARTMENT • BUILDING DIVISION
10300 TORRE AVENUE • CUPERTINO, CA 95014-3255
(408) 777-3228 • FAX (408) 777-3333 • building@cupertino.org

PLUMBING MECHANICAL ELECTRICAL MISCELLANEOUS

PROJECT ADDRESS 10921 N. DEANZA RD Goodgear		APN # 326-10-061	
OWNER NAME JOHN VIDOVICH		PHONE 310-719-0621	E-MAIL
STREET ADDRESS 960 N. SAN ANTONIO		CITY, STATE, ZIP LOS ALTOS, CA	FAX
CONTACT NAME		PHONE	E-MAIL
STREET ADDRESS		CITY, STATE, ZIP	FAX
<input type="checkbox"/> OWNER <input type="checkbox"/> OWNER-BUILDER <input type="checkbox"/> OWNER AGENT <input checked="" type="checkbox"/> CONTRACTOR <input type="checkbox"/> CONTRACTOR AGENT <input type="checkbox"/> ARCHITECT <input type="checkbox"/> ENGINEER <input type="checkbox"/> DEVELOPER <input type="checkbox"/> TENANT			
CONTRACTOR NAME AIRTEKS.COM, Inc		LICENSE NUMBER 930172	LICENSE TYPE C-20
COMPANY NAME AIRTEKS.COM, Inc		E-MAIL JBohland@AIRTEKS.COM	BUS. LIC # 34990
STREET ADDRESS 2432 ARMSTRONG ST		CITY, STATE, ZIP LIVERMORE CA 94551	FAX 925-725-7259
ARCHITECT/ENGINEER NAME		LICENSE NUMBER	PHONE 925-872-0148
COMPANY NAME		E-MAIL	BUS. LIC #
STREET ADDRESS		CITY, STATE, ZIP	FAX
USE OF BUILDING:	<input type="checkbox"/> SFD or DUPLEX <input type="checkbox"/> MULTI-FAMILY	PROJECT IN WILDLAND URBAN INTERFACE AREA	IS THE BLDG AN EICHLER HOME?
<input checked="" type="checkbox"/> COMMERCIAL		<input type="checkbox"/> YES <input checked="" type="checkbox"/> NO	<input type="checkbox"/> YES <input checked="" type="checkbox"/> NO
DESCRIPTION OF WORK g15-TON package unit change out.			
TOTAL VALUATION: \$17,500		RECEIVED BY: JEAN	
By my signature below, I certify to each of the following: I am the property owner or authorized agent to act on the property owner's behalf. I have read this application and the information I have provided is correct. I have read the Description of Work and verify it is accurate. I agree to comply with all applicable local ordinances and state laws relating to building construction. I authorize representatives of Cupertino to enter the above-identified property for inspection purposes.			
Signature of Applicant/Agent:		Date: 12-22-14	
SUPPLEMENTAL INFORMATION REQUIRED			OFFICE USE ONLY
			<input checked="" type="checkbox"/> OVER-THE-COUNTER
			<input type="checkbox"/> EXPRESS
			<input type="checkbox"/> STANDARD
			<input type="checkbox"/> LARGE
			<input type="checkbox"/> MAJOR



CITY OF CUPERTINO FEE ESTIMATOR – BUILDING DIVISION

ADDRESS: 10931 N De Anza Blvd		DATE: 12/22/2014	REVIEWED BY: SEan
APN:	BP#:	*VALUATION: \$12,500	
*PERMIT TYPE: Mechanical Permit	PLAN CHECK TYPE: Alteration / Addition / Repair		
PRIMARY USE: SFD or Duplex	PENTAMATION PERMIT TYPE:		1RMAP1
WORK SCOPE	To Clear Code Enforcement Case: Remove and replace 8.5 ton package unit.		

APPLIANCE / EQUIP TYPE	FEE ID	QTY	UNITS	BP FEES
Other Appliance/Equip	1BAPPLOT	1	#	\$72
TOTALS:				\$72.00

Mech. Plan Check	0.0	hrs	\$0.00	Plumb. Plan Check		Elec. Plan Check	
Mech. Permit Fee: IMPERMIT				Plumb. Permit Fee:		Elec. Permit Fee:	
Other Mech. Insp.	0.0	hrs	\$48.00	Other Plumb Insp.		Other Elec. Insp.	
Mech. Insp. Fee:				Plumb. Insp. Fee:		Elec. Insp. Fee:	

NOTE: This estimate does not include fees due to other Departments (i.e. Planning, Public Works, Fire, Sanitary Sewer District, School District, etc.). These fees are based on the preliminary information available and are only an estimate. Contact the Dept for addn'l info.

FEE ITEMS <i>(Fee Resolution 11-053 Eff. 7/1/13)</i>	FEE	QTY/FEE	MISC ITEMS
Plan Check Fee:			
Suppl. PC Fee			
PME Plan Check:	\$0.00		
Permit Fee:			
Suppl. Insp Fee			
PME Unit Fee:	\$72.00		
PME Permit Fee:	\$48.00		
Construction Tax:			
Administrative Fee: <i>1ADMIN</i>	\$45.00		
Work Without Permit? <input checked="" type="radio"/> Yes <input type="radio"/> No	\$120.00		
Advanced Planning Fees:			
Travel Documentation Fee: <i>1TRAYDOC</i>	\$48.00		
Strong Motion Fee: <i>1BSEISMICR</i>	\$1.63		Select an Administrative Item
Bldg Stds Commission Fee: <i>1BCBSC</i>	\$1.00		
SUBTOTALS:	\$335.63	\$0.00	TOTAL FEE: \$335.63

Installation

EXISTING UNIT

Table 1. Maximum unit & corner weights (lbs) and center of gravity dimensions (in.) - cooling models

Ton	Unit Model No.	Maximum Model Weights ^(a)		Corner Weights ^(b)				Center of Gravity (in.)	
		Shipping	Net	A	B	C	D	Length	Width
3	TSC036E/THC036E	555	481	157	122	95	107	31	19
4	TSC048E	586	511	167	129	101	114	31	19
5	TSC060E	636	561	183	142	111	125	31	19
6	TSC072F	762	667	218	186	131	132	44	21
7½	TSC090F	781	686	222	195	136	134	44	21
7½	TSC092F	940	797	249	235	163	149	46	21
8½	TSC102F	999	856	264	239	177	175	45	22
10	TSC120F	1058	960	320	218	233	189	40	24
3	THC037E	614	544	163	144	111	125	33	19
4	THC048E/THC047E	787	692	220	178	132	163	40	23
4	THC048F	737	642	208	177	128	130	44	22
5	THC060E/THC067E	841	746	241	193	139	173	39	22
5	THC060F	774	679	219	189	135	137	43	21
6	THC072F	883	740	228	219	155	138	47	21
7½	THC092E	1445	1228	347	330	269	283	49	28
7½	THC092F	1026	928	315	209	224	180	40	24
8½	THC102E	1472	1255	359	335	271	290	48	28
10	THC120E	1462	1245	353	332	271	288	48	28

(a) Weights are approximate.

(b) Corner weights are given for information only.

Figure 15. Rigging and center of gravity

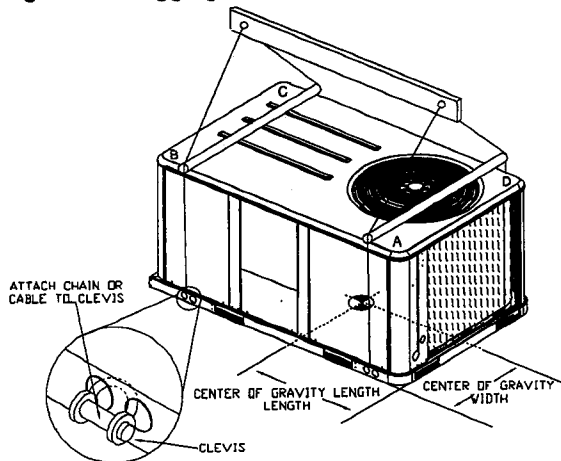


Table 2. Factory installed options (fiops)/accessory net weights (lbs)^{(a),(b)}

Accessory	TSC036E-060E THC036E/ THC037E	THC047E-067E THC048E/F- 060E/F	TSC072F-102F THC072F	THC092F, TSC120F	THC092E- 120E
	Net Weight	Net Weight	Net Weight	Net Weight	Net Weight
	3-5 Ton	4-5 Ton	6-8½ Ton	7½-10 Ton	7½-10 Ton
Barometric Relief	7	10	10	10	10
Belt Drive Option (3 phase only)	31	31	—	—	—
Coil Guards	12	20	20	20	30

continued on next page

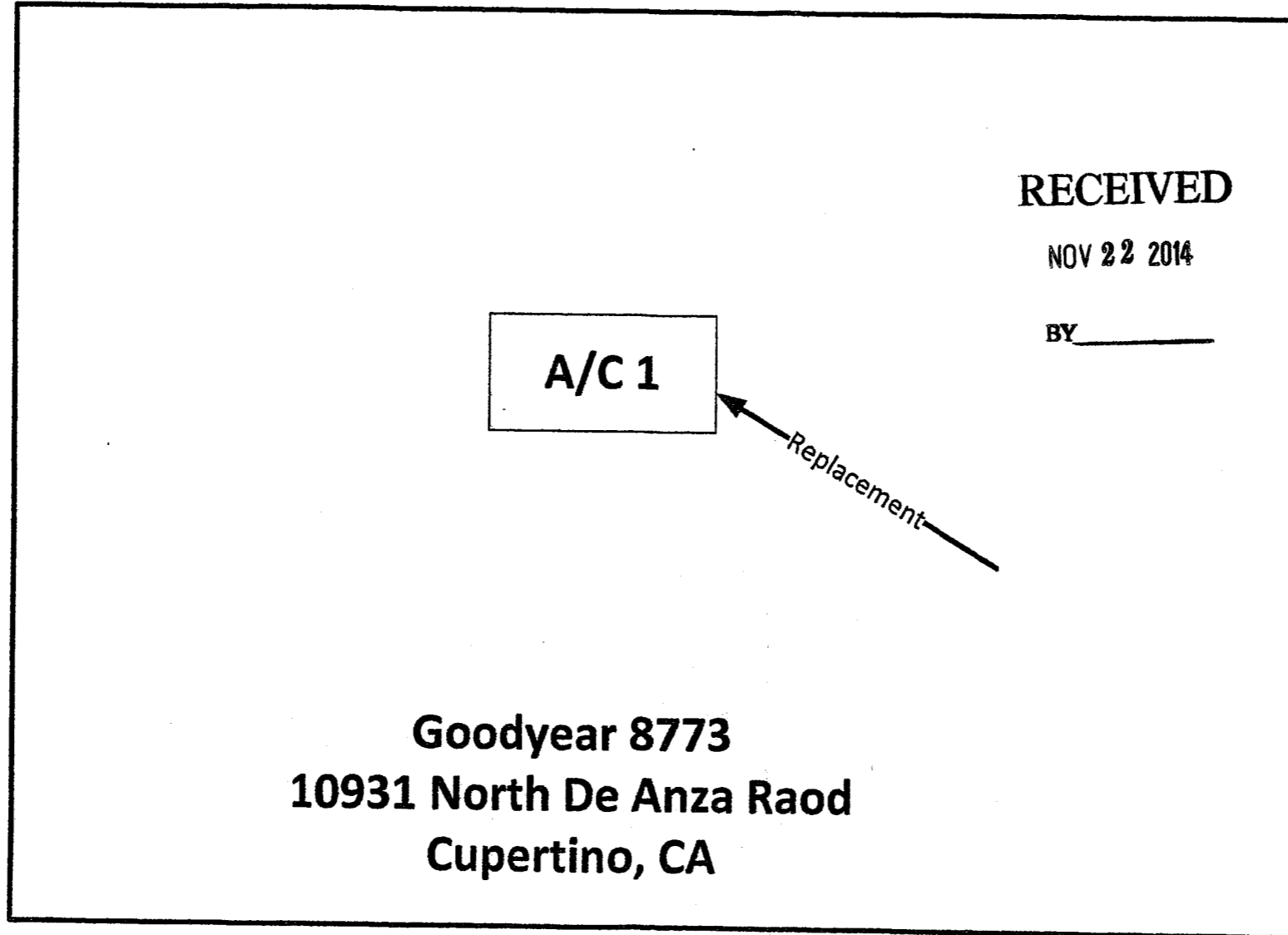
New UNIT

Table 9: ZS-06 thru -12 Physical Data

Component	Models									
	ZS-06		ZS-07		ZS-08		ZS-10		ZS-12	
Nominal Tonnage	6.5		7.5		8.5		10		12.5	
ARI COOLING PERFORMANCE										
Gross Capacity @ ARI A point (Mbh)	81000		90000		104000		126000		156000	
ARI net capacity (Mbh)	78000		88000		101000		120000		150000	
EER	11.2		11.2		11.2		11.2		11.2	
IEER	13		12.1		12.5		12.5		12.7	
IPLV	12.9		12.1		12.5		12.6		13.06	
Nominal CFM	2600		2500		3000		4000		4100	
System power (KW)	6.95		7.87		8.60		10.70		13.40	
Refrigerant type	R-410A		R-410A		R-410A		R-410A		R-410A	
Refrigerant charge (lb-oz)										
System 1	4-12		4-12		4-14		6-8		7-8	
System 2	4-10		4-10		5-0		6-8		7-8	
ARI HEATING PERFORMANCE										
Heating model	12	18	12	18	12	18	18	24	18	24
Heat input (K Btu)	120	180	120	180	120	180	180	240	180	240
Heat output (K Btu)	96	144	96	144	96	144	144	192	144	192
AFUE %	-	-	-	-	-	-	-	-	-	-
Steady state efficiency (%)	80	80	80	80	80	80	80	80	80	80
No. burners	4	6	4	6	4	6	6	8	6	8
No. stages	2 ¹	2 ¹	2 ¹	2 ¹	2 ¹	2 ¹	2 ¹	2 ¹	2 ¹	2 ¹
Temperature Rise Range (°F)	20-50	35-65	15-45	30-60	10-40	25-55	20-50	35-65	10-40	25-55
Gas Limit Setting (°F)	165	165	165	165	215	195	195	160	195	160
Gas piping connection (in.)	3/4	3/4	3/4	3/4	3/4	3/4	3/4	3/4	3/4	3/4
DIMENSIONS (inches)										
Length	89		89		89		89		119-1/2	
Width	59		59		59		59		59	
Height	42		42		50-3/4		50-3/4		50-3/4	
OPERATING WT. (lbs.)	860		880		1020		1060		1253	
COMPRESSORS										
Type	Recip		Recip		Recip		Recip		Scroll	
Quantity	2		2		2		2		2	
Unit Capacity Steps (%)	50 / 100		50 / 100		50 / 100		50 / 100		50 / 100	
CONDENSER COIL DATA										
Face area (Sq. Ft.)	18.5		18.5		18.5		29.0		29.0	
Rows	1		1		1		1		1	
Fins per inch	23		23		23		23		23	
Tube diameter (in./mm)	.71/18		.71/18		.71/18		.71/18		1/25	
Circuitry Type	2-pass Microchannel		2-pass Microchannel		2-pass Microchannel		2-pass Microchannel		2-pass Microchannel	
EVAPORATOR COIL DATA										
Face area (Sq. Ft.)	10.6		10.6		13.2		13.2		13.2	
Rows	3		3		3		4		3	
Fins per inch	15		15		15		15		15	
Tube diameter	0.375		0.375		0.375		0.375		0.375	
Circuitry Type	Intertwined		Intertwined		Intertwined		Intertwined		Intertwined	
Refrigerant control	TXV		TXV		TXV		TXV		TXV	

Plot Plan with unit locations

Front



RECEIVED

NOV 22 2014

BY _____

COMMUNITY DEVELOPMENT DEPARTMENT
BUILDING DIVISION - CUPERTINO

APPROVED

This set of plans and specifications MUST be kept at the job site during construction. It is unlawful to make any changes or alterations on same, or to deviate therefrom, without approval from the Building Official. The Stamping of this plan and specifications SHALL NOT be held to permit or to be an approval of the violation of any provisions of any City Ordinance or State Law.

BY SEAN HATCH
DATE 12-22-14
PERMIT # 14120118

OFFICE COPY

PLOT PLANS
CHECKED BY


DATE 12/22/14

[Signature]
PLANNING DEPT.

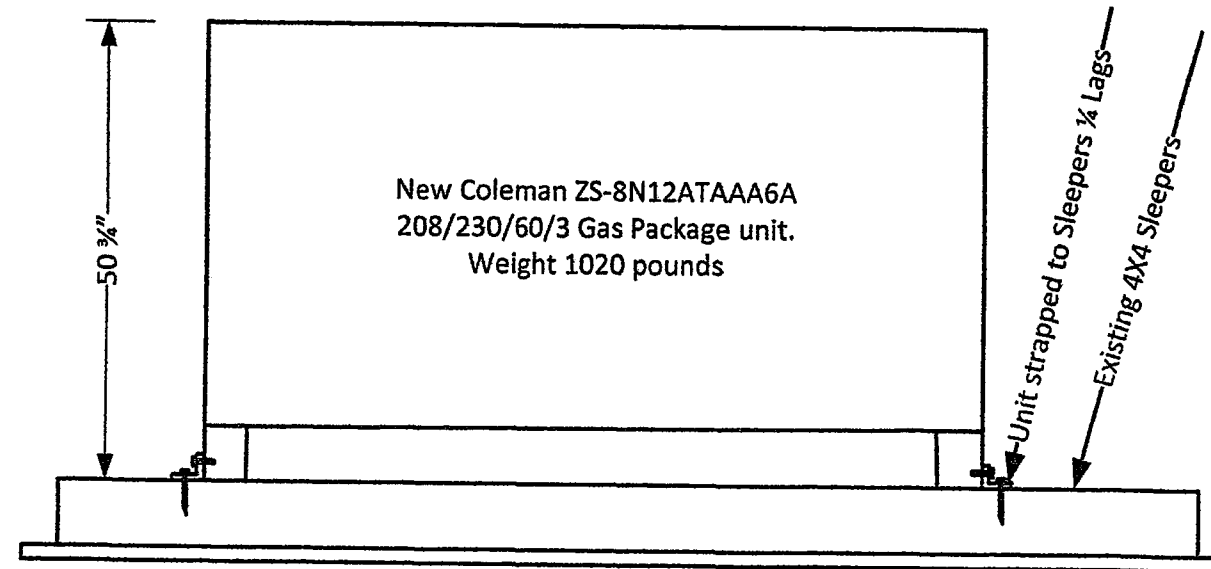
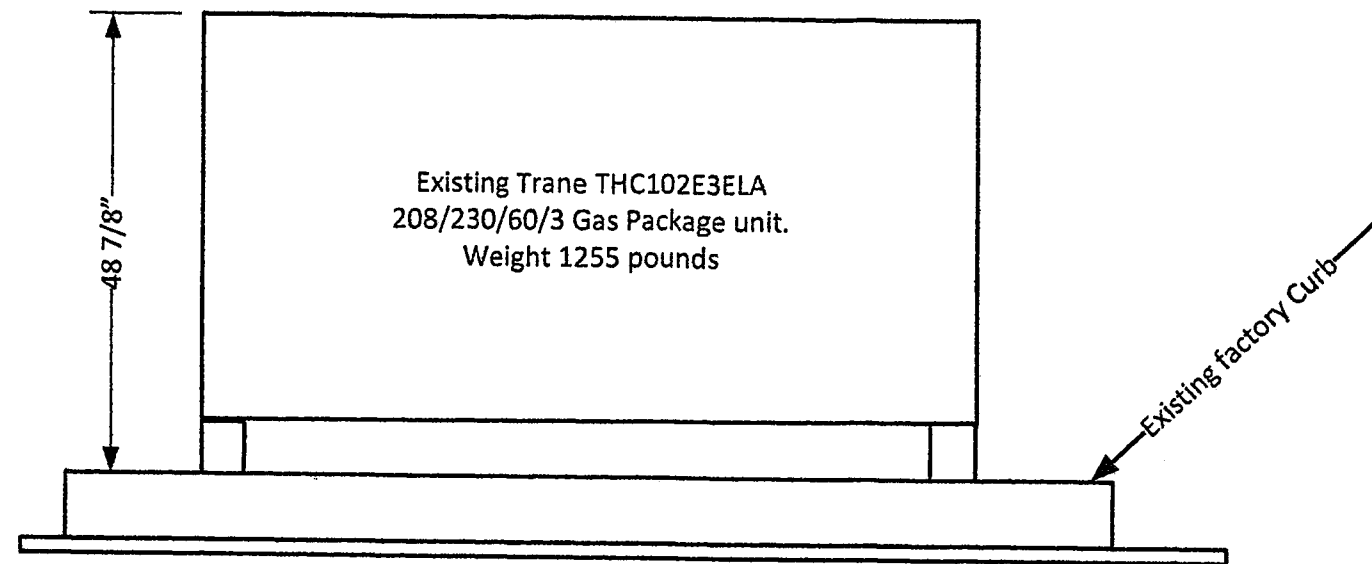
DATE 6. Schmedt

BLDG. DEPT.

North ←

 925-292-0148	Job Name: Goodyear
	Drawn By: Mark Henry
	Date: 11/18/2013


Change existing 8.5-Ton package unit with new 8.5-ton unit (like for like)



Note:

- (1) Hook up existing high voltage electrical
- (2) Hook up existing gas
- (3) Hook up existing low voltage wiring
- (4) Reconnect existing duct smoke detector.
- (5) Hook up existing condensate piping
- (6) 4750 CFM
- (7) 2100 square feet
- (8) Factory Economizer

Goodyear 8773
10931 North De Anza Raod
Cupertino, CA

 925-292-0148	Job Name: Goodyear
	Drawn By: Mark Henry
	Date: 11/18/2013

REQUIRED ACCEPTANCE TESTS

CEC-NRCC-MCH-04-E (Revised 06/14)

CALIFORNIA ENERGY COMMISSION



CERTIFICATE OF COMPLIANCE

NRCC-MCH-04-E

Required Acceptance Tests

(Page 1 of 3)

Project Name: Goodyear 8773 10931 NORTH DE ANZA BLVD Cupertino, CA

Date Prepared: 11/15/2014

MECHANICAL COMPLIANCE FORMS & WORKSHEETS (indicate if worksheet is included)

For detailed instructions on the use of this and all Energy Efficiency Standards compliance forms, refer to the 2013 Nonresidential Manual Note: The Enforcement Agency may require all forms to be incorporated onto the building plans. Forms NRCC-MCH-04-E and NRCC-MECH-05-E are alternative forms to NRCC-MCH-01-E, NRCC-MCH-02-E and NRCC-MCH-03-E for projects using only single zone packaged HVAC systems.

YES	NO	Form	Title
X		NRCC-MCH-04-E (1 of 2)	Certificate of Compliance. Required on plans when used.
X		NRCC-MCH-04-E (2 of 2)	Mechanical Acceptance Tests. Required on plans when used.
X		NRCC-MCH-05-E (1 of 2)	HVAC Prescriptive Requirements. It is required on plans when used.
X		NRCC-MCH-05-E (2 of 2)	Mechanical SWH Equipment Summary is required for all submittals with service water heating, pools or spas. It is required on plans where applicable.

REQUIRED ACCEPTANCE TESTS

CEC-NRCC-MCH-04-E (Revised 06/14)



CERTIFICATE OF COMPLIANCE

NRCC-MCH-04-E

Required Acceptance Tests

(Page 2 of 3)

Project Name: Goodyear 8773 10931 North De Anza Blvd

Date Prepared: 11/15/14

Designer:

This form is to be used by the designer and attached to the plans. Listed below are all the acceptance tests for mechanical systems. The designer is required to check the applicable boxes by all acceptance tests that apply and list all equipment that requires an acceptance test. If all equipment of a certain type requires a test, list the equipment description and the number of systems. The NA number designates the Section in the Appendix of the Nonresidential Reference Appendices Manual that describes the test. Since this form will be part of the plans, completion of this section will allow the responsible party to budget for the scope of work appropriately.

Enforcement Agency:

Systems Acceptance. Before occupancy permit is granted for a newly constructed building or space, or a new space-conditioning system serving a building or space is operated for normal use, all control devices serving the building or space shall be certified as meeting the Acceptance Requirements for Code Compliance.

Systems Acceptance. Before occupancy permit is granted. All newly installed HVAC equipment must be tested using the Acceptance Requirements. .

The NRCC-MCH-04-E form is not considered a completed form and is not to be accepted by the building department unless the correct boxes are checked. The equipment requiring testing, person performing the test (Example: HVAC installer, TAB contractor, controls contractor, PE in charge of project) and what Acceptance test must be conducted. The following checked-off forms are required for ALL newly installed and replaced equipment. In addition a Certificate of Acceptance forms shall be submitted to the building department that certifies plans, specifications, installation certificates, and operating and maintenance information meet the requirements of Section 10-103(b) and Title 24 Part 6. The building inspector must receive the properly filled out and signed forms before the building can receive final occupancy.

Test Description		MCH-02-A	MCH-03-A	MCH-04-A	MCH-05-A	MCH-06-A	MCH-07-A	MCH-11-A	MCH-12-A	MCH-14-A	MCH-18-A	Test Performed By:
Equipment Requiring Testing or Verification	# of units	Outdoor Air	Single Zone Unitary	Air Distribution Ducts	Economizer Controls	Demand Control Ventilation (DCV)	Supply Fan VAV	Automatic Demand Shed Control	FDD for Packaged DX Units	Distributed Energy Storage DX AC Systems	Energy Management Control System	
ZS-8N12	1	X	X		X							

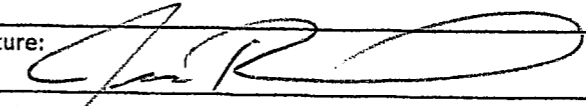
REQUIRED ACCEPTANCE TESTS

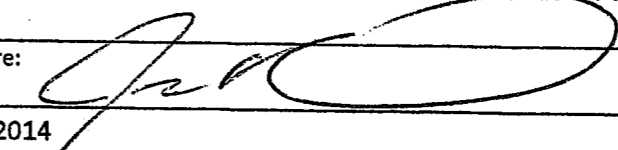
CEC-NRCC-MCH-04-E (Revised 06/14)

CALIFORNIA ENERGY COMMISSION



CERTIFICATE OF COMPLIANCE		NRCC-MCH-04-E
Required Acceptance Tests		(Page 3 of 3)
Project Name: Goodyear 8773 10931 NORTH DE ANZA BLVD Cupertino, CA	Date Prepared: 11/15/2014	

DOCUMENTATION AUTHOR'S DECLARATION STATEMENT	
1. I certify that this Certificate of Compliance documentation is accurate and complete.	
Documentation Author Name: Jerry Bohland	Documentation Author Signature: 
Company: Airteks.com, Inc.	Signature Date: 11/17/2014
Address: 2432 Armstrong Street	CEA/ HERS Certification Identification (if applicable):
City/State/Zip: Livermore, CA 94551	Phone: 925-292-0148

RESPONSIBLE PERSON'S DECLARATION STATEMENT	
I certify the following under penalty of perjury, under the laws of the State of California:	
<ol style="list-style-type: none">1. The information provided on this Certificate of Compliance is true and correct.2. I am eligible under Division 3 of the Business and Professions Code to accept responsibility for the building design or system design identified on this Certificate of Compliance (responsible designer).3. The energy features and performance specifications, materials, components, and manufactured devices for the building design or system design identified on this Certificate of Compliance conform to the requirements of Title 24, Part 1 and Part 6 of the California Code of Regulations.4. The building design features or system design features identified on this Certificate of Compliance are consistent with the information provided on other applicable compliance documents, worksheets, calculations, plans and specifications submitted to the enforcement agency for approval with this building permit application.5. I will ensure that a completed signed copy of this Certificate of Compliance shall be made available with the building permit(s) issued for the building, and made available to the enforcement agency for all applicable inspections. I understand that a completed signed copy of this Certificate of Compliance is required to be included with the documentation the builder provides to the building owner at occupancy.	
Responsible Designer Name: Jerry Bohland	Responsible Designer Signature: 
Company: Airteks.com, Inc.	Date Signed: 11/17/2014
Address: 2432 Armstrong Street	License: 930172
City/State/Zip: Livermore, CA 94551	Phone: 925-292-0148

REQUIREMENTS FOR PACKAGED SINGLE ZONE UNITS

CEC-NRCC-MCH-05-E (Revised 06/14)



CERTIFICATE OF COMPLIANCE	NRCC-MCH-05-E
Requirements for Packaged Single-Zone Units	(Page 1 of 2)
Project Name: Goodyear 8773 10931 NORTH DE ANZA BLVD Cupertino, CA	Date Prepared: 11/15/2014

Equipment Tag(s) ¹	T-24 Sections	Requirement ³	As Scheduled ³	Requirement ³	As Scheduled ³	Requirement ³	As Scheduled ³
MANDATORY MEASURES							
Heating Equipment Efficiency ⁴	110.1 or 110.2(a)	80 %	80 %				
Cooling Equipment Efficiency ⁴	110.1 or 110.2(a)	11.2 EER	11.2 EER				
Thermostats ⁵	110.2(b), 110.2(c)	Setback	Setback				
Furnace Standby Loss Control ⁶	110.2(d)	N/A	N/A				
Low Leakage AHU	110.2(f)	N/A	N/A				
Ventilation ⁷	120.1(b)	N/A	N/A				
Demand Control Ventilation ⁸	120.1(c)4	N/A	N/A				
Occupant Sensor Ventilation Control ⁸	120.1(c)5, 120.2(e)3	N/A	N/A				
Shutoff and Reset Controls ⁹	120.2(e)	N/A	N/A				
Outdoor Air and Exhaust Damper Control	120.2(f)	N/A	N/A				
Automatic Demand Shed Controls	120.2(h)	N/A	N/A				
Economizer FDD	120.2(i)	Yes	Yes				
Duct Insulation	120.4	N/A	N/A				
PRESCRIPTIVE MEASURES							
Equipment is sized in conformance with 140.4 (a & b)	140.4(a & b)						
Economizer	140.4(e)						
Electric Resistance Heating ¹⁰	140.4(g)						
Duct Leakage Sealing and Testing. ¹¹	140.4(l)						

Notes:

- Provide equipment tags (e.g. AC1 or AC1 to 10). Multiple units of the same make and model with the same application and accessories can be grouped together.
- Enter the following information as appropriate: Unit Manufacturer; Unit Model Number (including all accessories); Description of the unit (e.g. gas-pack or heat pump; rated heating capacity (enter "N/A" if no heating); and, rated cooling capacity (enter "N/A" if no cooling). For unit capacities include the units (e.g. kBtuh or tons).
- For each requirement, enter the minimum requirement from the Standard in the left column (under "Standard Requirement"). In the right column (under "As Scheduled") enter the value for the units as specified.
- Where there is more than one requirement (e.g. full and part load efficiency) enter both with the appropriate labels (e.g. COP and IEER).
- In the left column identify the thermostatic requirements from the standard (e.g. programmable setback thermostat or heatpump with electric heat), . In the right column indicate the capabilities of the thermostat as scheduled.
- If the unit has a furnace which is rated at >=225,000 Btuh of capacity, indicate the rated standby loss and ignition source (e.g. IID). If there is no furnace or the unit is rated for <225,000 Btuh indicate "N/A".
- In the left column, enter both the required ventilation value from Table 120.1A and for the number of occupants times 15 cfm/person. In the right column enter the actual minimum ventilation as scheduled. If the space is naturally ventilated enter "N/A" in the left column and "the space is naturally ventilated" in the right column.
- If the space is required to have either DCV or Occupant Sensor Ventilation Control indicate "required" in the left column (otherwise indicate "N/A" in the left column). If either DCV or Occupant Sensor Ventilation Control is provided indicate "provided" in the right column (otherwise indicate "N/A" in the right column)
- In the left column indicate the required time controls from the standard. In the right column identify the device that provides this functionality (e.g. EMCS or programmable timeclock).
- Enter N/A if there is no electric heating. If the system has electric heating indicate which exception to 140.4(g) applies.
- If duct leakage sealing and testing is required, a MCH-04-A form must be submitted.

REQUIREMENTS FOR PACKAGED SINGLE ZONE UNITS

CEC-NRCC-MCH-05-E (Revised 06/14)

CALIFORNIA ENERGY COMMISSION



CERTIFICATE OF COMPLIANCE

NRCC-MCH-05-E

Requirements for Packaged Single-Zone Units

(Page 2 of 2)

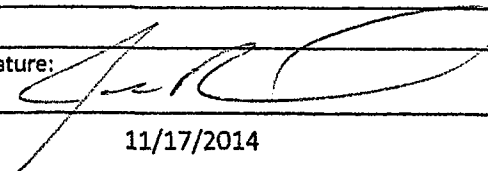
Project Name: Goodyear 8773 10931 NORTH DE ANZA BLVD Cupertino, CA

Date Prepared: 11/15/2014

DOCUMENTATION AUTHOR'S DECLARATION STATEMENT

1. I certify that this Certificate of Compliance documentation is accurate and complete.

Documentation Author Name: Jerry Bohland

Documentation Author Signature: 

Company: Airteks.com, Inc.

Signature Date: 11/17/2014

Address: 2432 Armstrong Street

CEA/ HERS Certification Identification (if applicable):

City/State/Zip: Livermore, CA 94551

Phone: 925-292-0148

RESPONSIBLE PERSON'S DECLARATION STATEMENT

I certify the following under penalty of perjury, under the laws of the State of California:

1. The information provided on this Certificate of Compliance is true and correct.
2. I am eligible under Division 3 of the Business and Professions Code to accept responsibility for the building design or system design identified on this Certificate of Compliance (responsible designer).
3. The energy features and performance specifications, materials, components, and manufactured devices for the building design or system design identified on this Certificate of Compliance conform to the requirements of Title 24, Part 1 and Part 6 of the California Code of Regulations.
4. The building design features or system design features identified on this Certificate of Compliance are consistent with the information provided on other applicable compliance documents, worksheets, calculations, plans and specifications submitted to the enforcement agency for approval with this building permit application.
5. I will ensure that a completed signed copy of this Certificate of Compliance shall be made available with the building permit(s) issued for the building, and made available to the enforcement agency for all applicable inspections. I understand that a completed signed copy of this Certificate of Compliance is required to be included with the documentation the builder provides to the building owner at occupancy.

Responsible Designer Name: Jerry Bohland

Responsible Designer Signature: 

Company: Airteks.com, Inc.

Date Signed: 11/17/2014

Address: 2432 Armstrong Street

License: 930172

City/State/Zip: Livermore, CA 94551

Phone: 925-292-0148

REQUIRED ACCEPTANCE TESTS

CEC-NRCC-MCH-04-E (Revised 06/14)



CALIFORNIA ENERGY COMMISSION

CERTIFICATE OF COMPLIANCE

NRCC-MCH-04-E

Required Acceptance Tests

(Page 1 of 3)

Project Name: Goodyear 8773 10931 NORTH DE ANZA BLVD Cupertino, CA

Date Prepared: 11/15/2014

MECHANICAL COMPLIANCE FORMS & WORKSHEETS (indicate if worksheet is included)

For detailed instructions on the use of this and all Energy Efficiency Standards compliance forms, refer to the 2013 Nonresidential Manual Note: The Enforcement Agency may require all forms to be incorporated onto the building plans. Forms NRCC-MCH-04-E and NRCC-MECH-05-E are alternative forms to NRCC-MCH-01-E, NRCC-MCH-02-E and NRCC-MCH-03-E for projects using only single zone packaged HVAC systems.

YES	NO	Form	Title
X		NRCC-MCH-04-E (1 of 2)	Certificate of Compliance. Required on plans when used.
X		NRCC-MCH-04-E (2 of 2)	Mechanical Acceptance Tests. Required on plans when used.
X		NRCC-MCH-05-E (1 of 2)	HVAC Prescriptive Requirements. It is required on plans when used.
X		NRCC-MCH-05-E (2 of 2)	Mechanical SWH Equipment Summary is required for all submittals with service water heating, pools or spas. It is required on plans where applicable.

1412008

FILE
1-9-15 JS

REQUIRED ACCEPTANCE TESTS

CEC-NRCC-MCH-04-E (Revised 06/14)



CERTIFICATE OF COMPLIANCE

NRCC-MCH-04-E

Required Acceptance Tests

(Page 2 of 3)

Project Name: Goodyear 8773 10931 North De Anza Blvd

Date Prepared: 11/15/14

Designer:

This form is to be used by the designer and attached to the plans. Listed below are all the acceptance tests for mechanical systems. The designer is required to check the applicable boxes by all acceptance tests that apply and list all equipment that requires an acceptance test. If all equipment of a certain type requires a test, list the equipment description and the number of systems. The NA number designates the Section in the Appendix of the Nonresidential Reference Appendices Manual that describes the test. Since this form will be part of the plans, completion of this section will allow the responsible party to budget for the scope of work appropriately.

Enforcement Agency:

Systems Acceptance. Before occupancy permit is granted for a newly constructed building or space, or a new space-conditioning system serving a building or space is operated for normal use, all control devices serving the building or space shall be certified as meeting the Acceptance Requirements for Code Compliance.

Systems Acceptance. Before occupancy permit is granted. All newly installed HVAC equipment must be tested using the Acceptance Requirements.

The NRCC-MCH-04-E form is not considered a completed form and is not to be accepted by the building department unless the correct boxes are checked. The equipment requiring testing, person performing the test (Example: HVAC installer, TAB contractor, controls contractor, PE in charge of project) and what Acceptance test must be conducted. The following checked-off forms are required for ALL newly installed and replaced equipment. In addition a Certificate of Acceptance forms shall be submitted to the building department that certifies plans, specifications, installation certificates, and operating and maintenance information meet the requirements of Section 10-103(b) and Title 24 Part 6. The building inspector must receive the properly filled out and signed forms before the building can receive final occupancy.

Test Description		MCH-02-A	MCH-03-A	MCH-04-A	MCH-05-A	MCH-06-A	MCH-07-A	MCH-11-A	MCH-12-A	MCH-14-A	MCH-18-A	Test Performed By:
Equipment Requiring Testing or Verification	# of units	Outdoor Air	Single Zone Unitary	Air Distribution Ducts	Economizer Controls	Demand Control Ventilation (DCV)	Supply Fan VAV	Automatic Demand Shed Control	FDD for Packaged DX Units	Distributed Energy Storage DX AC Systems	Energy Management Control System	
ZS-8N12	1	X	X		X							

REQUIRED ACCEPTANCE TESTS

CEC-NRCC-MCH-04-E (Revised 06/14)

CALIFORNIA ENERGY COMMISSION



CERTIFICATE OF COMPLIANCE		NRCC-MCH-04-E
Required Acceptance Tests		(Page 3 of 3)
Project Name: Goodyear 8773 10931 NORTH DE ANZA BLVD Cupertino, CA	Date Prepared: 11/15/2014	

DOCUMENTATION AUTHOR'S DECLARATION STATEMENT	
1. I certify that this Certificate of Compliance documentation is accurate and complete.	
Documentation Author Name: Jerry Bohland	Documentation Author Signature:
Company: Airteks.com, Inc.	Signature Date: 11/17/2014
Address: 2432 Armstrong Street	CEA/ HERS Certification Identification (if applicable):
City/State/Zip: Livermore, CA 94551	Phone: 925-292-0148

RESPONSIBLE PERSON'S DECLARATION STATEMENT	
I certify the following under penalty of perjury, under the laws of the State of California:	
<ol style="list-style-type: none"> 1. The information provided on this Certificate of Compliance is true and correct. 2. I am eligible under Division 3 of the Business and Professions Code to accept responsibility for the building design or system design identified on this Certificate of Compliance (responsible designer). 3. The energy features and performance specifications, materials, components, and manufactured devices for the building design or system design identified on this Certificate of Compliance conform to the requirements of Title 24, Part 1 and Part 6 of the California Code of Regulations. 4. The building design features or system design features identified on this Certificate of Compliance are consistent with the information provided on other applicable compliance documents, worksheets, calculations, plans and specifications submitted to the enforcement agency for approval with this building permit application. 5. I will ensure that a completed signed copy of this Certificate of Compliance shall be made available with the building permit(s) issued for the building, and made available to the enforcement agency for all applicable inspections. I understand that a completed signed copy of this Certificate of Compliance is required to be included with the documentation the builder provides to the building owner at occupancy. 	
Responsible Designer Name: Jerry Bohland	Responsible Designer Signature:
Company: Airteks.com, Inc.	Date Signed: 11/17/2014
Address: 2432 Armstrong Street	License: 930172
City/State/Zip: Livermore, CA 94551	Phone: 925-292-0148

REQUIREMENTS FOR PACKAGED SINGLE ZONE UNITS

CEC-NRCC-MCH-05-E (Revised 06/14)



CERTIFICATE OF COMPLIANCE

NRCC-MCH-05-E

Requirements for Packaged Single-Zone Units

(Page 1 of 2)

Project Name: Goodyear 8773 10931 NORTH DE ANZA BLVD Cupertino, CA

Date Prepared: 11/15/2014

Equipment Tag(s) ¹	T-24 Sections	Requirement ³	As Scheduled ³	Requirement ³	As Scheduled ³	Requirement ³	As Scheduled ³
MANDATORY MEASURES							
Heating Equipment Efficiency ⁴	110.1 or 110.2(a)	80 %	80 %				
Cooling Equipment Efficiency ⁴	110.1 or 110.2(a)	11.2 EER	11.2 EER				
Thermostats ⁵	110.2(b), 110.2(c)	Setback	Setback				
Furnace Standby Loss Control ⁶	110.2(d)	N/A	N/A				
Low Leakage AHU	110.2(f)	N/A	N/A				
Ventilation ⁷	120.1(b)	N/A	N/A				
Demand Control Ventilation ⁸	120.1(c)4	N/A	N/A				
Occupant Sensor Ventilation Control ⁸	120.1(c)5, 120.2(e)3	N/A	N/A				
Shutoff and Reset Controls ⁹	120.2(e)	N/A	N/A				
Outdoor Air and Exhaust Damper Control	120.2(f)	N/A	N/A				
Automatic Demand Shed Controls	120.2(h)	N/A	N/A				
Economizer FDD	120.2(i)	Yes	Yes				
Duct Insulation	120.4	N/A	N/A				
PRESCRIPTIVE MEASURES							
Equipment is sized in conformance with 140.4 (a & b)	140.4(a & b)						
Economizer	140.4(e)						
Electric Resistance Heating ¹⁰	140.4(g)						
Duct Leakage Sealing and Testing. ¹¹	140.4(l)						

Notes:

1. Provide equipment tags (e.g. AC1 or AC1 to 10). Multiple units of the same make and model with the same application and accessories can be grouped together.
2. Enter the following information as appropriate: Unit Manufacturer; Unit Model Number (including all accessories); Description of the unit (e.g. gas-pack or heat pump; rated heating capacity (enter "N/A" if no heating); and, rated cooling capacity (enter "N/A" if no cooling). For unit capacities include the units (e.g. kBtuh or tons).
3. For each requirement, enter the minimum requirement from the Standard in the left column (under "Standard Requirement"). In the right column (under "As Scheduled") enter the value for the units as specified.
4. Where there is more than one requirement (e.g. full and part load efficiency) enter both with the appropriate labels (e.g. COP and IEER).
5. In the left column identify the thermostatic requirements from the standard (e.g. programmable setback thermostat or heatpump with electric heat), . In the right column indicate the capabilities of the thermostat as scheduled.
6. If the unit has a furnace which is rated at >=225,000 Btuh of capacity, indicate the rated standby loss and ignition source (e.g. IID). If there is no furnace or the unit is rated for <225,000 Btuh indicate "N/A".
7. In the left column, enter both the required ventilation value from Table 120.1A and for the number of occupants times 15 cfm/person. In the right column enter the actual minimum ventilation as scheduled. If the space is naturally ventilated enter "N/A" in the left column and "the space is naturally ventilated" in the right column.
8. If the space is required to have either DCV or Occupant Sensor Ventilation Control indicate "required" in the left column (otherwise indicate "N/A" in the left column). If either DCV or Occupant Sensor Ventilation Control is provided indicate "provided" in the right column (otherwise indicate "N/A" in the right column)
9. In the left column indicate the required time controls from the standard. In the right column identify the device that provides this functionality (e.g. EMCS or programmable timeclock).
10. Enter N/A if there is no electric heating. If the system has electric heating indicate which exception to 140.4(g) applies.
11. If duct leakage sealing and testing is required, a MCH-04-A form must be submitted.

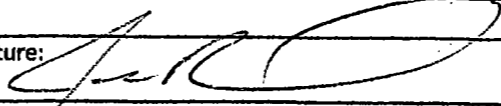
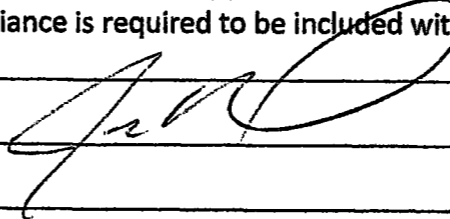
REQUIREMENTS FOR PACKAGED SINGLE ZONE UNITS

CEC-NRCC-MCH-05-E (Revised 06/14)

CALIFORNIA ENERGY COMMISSION



CERTIFICATE OF COMPLIANCE		NRCC-MCH-05-E
Requirements for Packaged Single-Zone Units		(Page 2 of 2)
Project Name: Goodyear 8773 10931 NORTH DE ANZA BLVD Cupertino, CA	Date Prepared: 11/15/2014	

DOCUMENTATION AUTHOR'S DECLARATION STATEMENT	
1. I certify that this Certificate of Compliance documentation is accurate and complete.	
Documentation Author Name: Jerry Bohland	Documentation Author Signature: 
Company: Airteks.com, Inc.	Signature Date: 11/17/2014
Address: 2432 Armstrong Street	CEA/ HERS Certification Identification (if applicable):
City/State/Zip: Livermore, CA 94551	Phone: 925-292-0148
RESPONSIBLE PERSON'S DECLARATION STATEMENT	
I certify the following under penalty of perjury, under the laws of the State of California:	
<ol style="list-style-type: none"> The information provided on this Certificate of Compliance is true and correct. I am eligible under Division 3 of the Business and Professions Code to accept responsibility for the building design or system design identified on this Certificate of Compliance (responsible designer). The energy features and performance specifications, materials, components, and manufactured devices for the building design or system design identified on this Certificate of Compliance conform to the requirements of Title 24, Part 1 and Part 6 of the California Code of Regulations. The building design features or system design features identified on this Certificate of Compliance are consistent with the information provided on other applicable compliance documents, worksheets, calculations, plans and specifications submitted to the enforcement agency for approval with this building permit application. I will ensure that a completed signed copy of this Certificate of Compliance shall be made available with the building permit(s) issued for the building, and made available to the enforcement agency for all applicable inspections. I understand that a completed signed copy of this Certificate of Compliance is required to be included with the documentation the builder provides to the building owner at occupancy. 	
Responsible Designer Name: Jerry Bohland	Responsible Designer Signature: 
Company: Airteks.com, Inc.	Date Signed: 11/17/2014
Address: 2432 Armstrong Street	License: 930172
City/State/Zip: Livermore, CA 94551	Phone: 925-292-0148

CITY OF CUPERTINO BUILDING PERMIT

BUILDING ADDRESS: 10931 N DE ANZA BLVD	CONTRACTOR: <u>Walsh Hydro</u>	PERMIT NO: 15070002
OWNER'S NAME: VIDOVICH JOHN T ET AL	<u>232L-N Bates Ave</u>	DATE ISSUED: 07/09/2015
OWNER'S PHONE: 6502093244	<u>Concord Ca 94520</u>	PHONE NO:

LICENSED CONTRACTOR'S DECLARATION

License Class B-C-G Lic. # 370288
 Cont Walsh Hydro Date 7-9-15

I hereby affirm that I am licensed under the provisions of Chapter 9 (commencing with Section 7000) of Division 3 of the Business & Professions Code and that my license is in full force and effect.

I hereby affirm under penalty of perjury one of the following two declarations:
 I have and will maintain a certificate of consent to self-insure for Worker's Compensation, as provided for by Section 3700 of the Labor Code, for the performance of the work for which this permit is issued.
 I have and will maintain Worker's Compensation Insurance, as provided for by Section 3700 of the Labor Code, for the performance of the work for which this permit is issued.

APPLICANT CERTIFICATION

I certify that I have read this application and state that the above information is correct. I agree to comply with all city and county ordinances and state laws relating to building construction, and hereby authorize representatives of this city to enter upon the above mentioned property for inspection purposes. (We) agree to save indemnify and keep harmless the City of Cupertino against liabilities, judgments, costs, and expenses which may accrue against said City in consequence of the granting of this permit. Additionally, the applicant understands and will comply with all non-point source regulations per the Cupertino Municipal Code, Section 9.18.

Signature [Signature] Date 7-9-15

JOB DESCRIPTION: RESIDENTIAL COMMERCIAL
REMOVE EXISTING LIFT AND INSTALL NEW LIFT AND (N) 125 AMP SUB-PANEL.

Sq. Ft Floor Area:	Valuation: \$14977
APN Number: 32610061.00	Occupancy Type:

PERMIT EXPIRES IF WORK IS NOT STARTED WITHIN 180 DAYS OF PERMIT ISSUANCE OR 180 DAYS FROM LAST CALLED INSPECTION.

Issued by [Signature] Date: 7/9/15

RE-ROOFS:

All roofs shall be inspected prior to any roofing material being installed. If a roof is installed without first obtaining an inspection, I agree to remove all new materials for inspection.

Signature of Applicant: _____ Date: _____

ALL ROOF COVERINGS TO BE CLASS "A" OR BETTER

OWNER-BUILDER DECLARATION

I hereby affirm that I am exempt from the Contractor's License Law for one of the following two reasons:
 I, as owner of the property, or my employees with wages as their sole compensation, will do the work, and the structure is not intended or offered for sale (Sec.7044, Business & Professions Code)
 I, as owner of the property, am exclusively contracting with licensed contractors to construct the project (Sec.7044, Business & Professions Code).

I hereby affirm under penalty of perjury one of the following three declarations:
 I have and will maintain a Certificate of Consent to self-insure for Worker's Compensation, as provided for by Section 3700 of the Labor Code, for the performance of the work for which this permit is issued.
 I have and will maintain Worker's Compensation Insurance, as provided for by Section 3700 of the Labor Code, for the performance of the work for which this permit is issued.
 I certify that in the performance of the work for which this permit is issued, I shall not employ any person in any manner so as to become subject to the Worker's Compensation laws of California. If, after making this certificate of exemption, I become subject to the Worker's Compensation provisions of the Labor Code, I must forthwith comply with such provisions or this permit shall be deemed revoked.

HAZARDOUS MATERIALS DISCLOSURE

I have read the hazardous materials requirements under Chapter 6.95 of the California Health & Safety Code, Sections 25505, 25533, and 25534. I will maintain compliance with the Cupertino Municipal Code, Chapter 9.12 and the Health & Safety Code, Section 25532(a) should I store or handle hazardous material. Additionally, should I use equipment or devices which emit hazardous air contaminants as defined by the Bay Area Air Quality Management District I will maintain compliance with the Cupertino Municipal Code, Chapter 9.12 and the Health & Safety Code, Sections 25505, 25533, and 25534.

Owner or authorized agent: [Signature] Date: 7-9-15

APPLICANT CERTIFICATION

I certify that I have read this application and state that the above information is correct. I agree to comply with all city and county ordinances and state laws relating to building construction, and hereby authorize representatives of this city to enter upon the above mentioned property for inspection purposes. (We) agree to save indemnify and keep harmless the City of Cupertino against liabilities, judgments, costs, and expenses which may accrue against said City in consequence of the granting of this permit. Additionally, the applicant understands and will comply with all non-point source regulations per the Cupertino Municipal Code, Section 9.18.

Signature _____ Date _____

CONSTRUCTION LENDING AGENCY

I hereby affirm that there is a construction lending agency for the performance of work's for which this permit is issued (Sec. 3097, Civ C.)

Lender's Name _____
 Lender's Address _____

ARCHITECT'S DECLARATION

I understand my plans shall be used as public records.

Licensed Professional _____



CUPERTINO

CONSTRUCTION PERMIT APPLICATION

COMMUNITY DEVELOPMENT DEPARTMENT • BUILDING DIVISION

10300 TORRE AVENUE • CUPERTINO, CA 95014-3255

(408) 777-3228 • FAX (408) 777-3333 • building@cupertino.org

15070007

B

NEW CONSTRUCTION ADDITION ALTERATION / TI REVISION / DEFERRED ORIGINAL PERMIT #

PROJECT ADDRESS 10931 N. De Anza Bl Cupertino	APN # 326-10-061
---	-------------------------

OWNER NAME John T + Mary Jane Vidovich	PHONE 650-209-3244	E-MAIL
--	------------------------------	--------

STREET ADDRESS 960 N. San Antonio Rd #14	CITY, STATE, ZIP LOS ALTOS 94022	FAX
--	--	-----

CONTACT NAME CARLA	PHONE 650-209-3244	E-MAIL Carla@deanzaproperties.com
------------------------------	------------------------------	---

STREET ADDRESS	CITY, STATE, ZIP	FAX
----------------	------------------	-----

OWNER OWNER-BUILDER OWNER AGENT CONTRACTOR CONTRACTOR AGENT ARCHITECT ENGINEER DEVELOPER TENANT

CONTRACTOR NAME Ray Walker	LICENSE NUMBER 370288	LICENSE TYPE HAZ B-C-610-40	BUS. LIC # 36357
--------------------------------------	---------------------------------	---------------------------------------	----------------------------

COMPANY NAME Walkers Hydraulics Inc	E-MAIL walkerhyd@myastound.net	FAX 925-798-1218
---	--	----------------------------

STREET ADDRESS 2322 Bates Ave N	CITY, STATE, ZIP Concord CA 94520	PHONE 925-798-1217
---	---	------------------------------

ARCHITECT/ENGINEER NAME Tom Numelin	LICENSE NUMBER E 010692	BUS. LIC #
---	-----------------------------------	------------

COMPANY NAME Electrodesign	E-MAIL tom@electrodesign.com	FAX 707-725-2843
--------------------------------------	--	----------------------------

STREET ADDRESS 1333 Mc Dowell Blvd Suite 4	CITY, STATE, ZIP Petaluma CA 94954	PHONE 707-725-2840
--	--	------------------------------

DESCRIPTION OF WORK
Saw-cut floor, Breakout concrete, excavate + remove old lift. SPI. excavate for installation of SL-210 Rotary lift.

EXISTING USE	PROPOSED USE	CONST. TYPE	# STORIES	USE	TYPE	OCC.	SQ.FT.	VALUATION (\$)
EXISTG AREA	NEW FLOOR AREA	DEMO AREA	TOTAL NET AREA					
BATHROOM REMODEL AREA	KITCHEN REMODEL AREA	OTHER REMODEL AREA						
PORCH AREA	DECK AREA	TOTAL DECK/PORCH AREA	GARAGE AREA: <input type="checkbox"/> DETACH <input type="checkbox"/> ATTACH					
# DWELLING UNITS:	IS A SECOND UNIT BEING ADDED? <input type="checkbox"/> YES <input type="checkbox"/> NO	SECOND STORY ADDITION? <input type="checkbox"/> YES <input type="checkbox"/> NO						

PRE-APPLICATION PLANNING APPL # <input type="checkbox"/> YES <input type="checkbox"/> NO	IF YES, PROVIDE COPY OF PLANNING APPROVAL LETTER	IS THE BLDG AN EICHLER HOME? <input type="checkbox"/> YES <input type="checkbox"/> NO	RECEIVED BY: JEAN	TOTAL VALUATION: 14,977.49
--	--	---	-----------------------------	--------------------------------------

By my signature below, I certify to each of the following: I am the property owner or authorized agent to act on the property owner's behalf. I have read this application and the information I have provided is correct. I have read the Description of Work and verify it is accurate. I agree to comply with all applicable local ordinances and state laws relating to building construction. I authorize representatives of Cupertino to enter the above-identified property for inspection purposes.

Signature of Applicant/Agent: **R. Edelher** Date: **6-25-2015**

SUPPLEMENTAL INFORMATION REQUIRED	PLAN CHECK TYPE	ROUTING SLIP
<input type="checkbox"/> New SFD or Multifamily dwellings: Apply for demolition permit for existing building(s). Demolition permit is required prior to issuance of building permit for new building.	<input checked="" type="checkbox"/> OVER-THE-COUNTER	<input checked="" type="checkbox"/> BUILDING PLAN REVIEW
<input type="checkbox"/> Commercial Bldgs: Provide a completed Hazardous Materials Disclosure form if any Hazardous Materials are being used as part of this project.	<input type="checkbox"/> EXPRESS	<input type="checkbox"/> PLANNING PLAN REVIEW
<input type="checkbox"/> Copy of Planning Approval Letter or Meeting with Planning prior to	<input type="checkbox"/> STANDARD	<input type="checkbox"/> PUBLIC WORKS
	<input type="checkbox"/> LARGE	<input type="checkbox"/> FIRE DEPT
	<input type="checkbox"/> MAJOR	<input type="checkbox"/> SANITARY SEWER DISTRICT



CITY OF CUPERTINO FEE ESTIMATOR – BUILDING DIVISION

ADDRESS: 10931 N De Anza Blvd		DATE: 07/01/2015	REVIEWED BY: Sean
APN:	BP#: 15070002	*VALUATION: \$14,977	
*PERMIT TYPE: Building Permit		PLAN CHECK TYPE: Alteration / Addition / Repair	
PRIMARY USE: Commercial Building	Civil / Religious activities in BQ zone? <input type="radio"/> Yes <input checked="" type="radio"/> No	PENTAMATION PERMIT TYPE: 1GENCOM	
WORK SCOPE	Remove existing lift and install new lift and (N) 125 amp sub-panel.		

Mech. Plan Check	Plumb. Plan Check	Elec. Plan Check	0.0 hrs	\$0.00
Mech. Permit Fee:	Plumb. Permit Fee:	Elec. Permit Fee: IEPERMIT		
Other Mech. Insp.	Other Plumb Insp.	Other Elec. Insp.	0.0 hrs	\$48.00
Mech. Insp. Fee:	Plumb. Insp. Fee:	Elec. Insp. Fee:		

NOTE: This estimate does not include fees due to other Departments (i.e. Planning, Public Works, Fire, Sanitary Sewer District, School District, etc.). These fees are based on the preliminary information available and are only an estimate. Contact the Dept for addn'l info.

FEE ITEMS (Fee Resolution 11-053 Eff. 7/1/13)	FEE	QTY/FEE	MISC ITEMS
Plan Check Fee: Hourly Only? <input type="radio"/> Yes <input checked="" type="radio"/> No	\$0.00	1 hours	Plan Check, Hourly
Suppl. PC Fee: <input checked="" type="radio"/> Reg. <input type="radio"/> OT 0.0 hrs	\$0.00	\$143.00	ISTPLNCK
PME Plan Check:	\$0.00	125 amps	Electrical
Permit Fee: Hourly Only? <input type="radio"/> Yes <input checked="" type="radio"/> No	\$0.00	\$48.00	IBELEC200 Services
Suppl. Insp. Fee: <input checked="" type="radio"/> Reg. <input type="radio"/> OT 0.0 hrs	\$0.00		
PME Unit Fee:	\$0.00		
PME Permit Fee:	\$48.00		
Construction Tax: IBCONSTAXC	\$0.00		
Administrative Fee: IADMIN	\$45.00		<input type="radio"/>
Work Without Permit? <input type="radio"/> Yes <input checked="" type="radio"/> No	\$0.00		<input type="radio"/>
Advanced Planning Fee:	\$0.00	2 hours	Inspections <input checked="" type="radio"/>
Travel Documentation Fee: ITRAVDOC	\$48.00	\$286.00	ISTINSPI Inspection, Hourly <input type="radio"/>
Strong Motion Fee: IBSEISMICO	\$4.19		Select an Administrative Item
Bldg Stds Commission Fee: IBCBSC	\$1.00		
SUBTOTALS:	\$146.19	\$477.00	TOTAL FEE: \$623.19



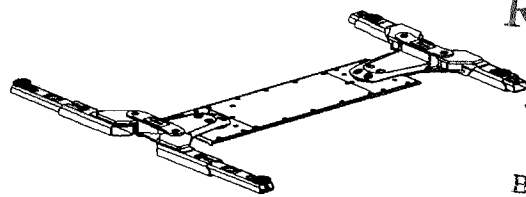
SL210/SL212 Conventional Control

(800 & 1000 Series)

SL210i Moveable Pad Capacity 8,000 lbs.

SL210i Capacity 10,000 lbs.

SL212i Capacity 12,000 lbs.



RECEIVED

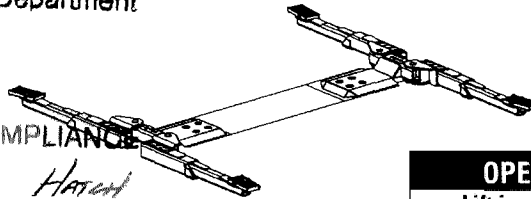
JUL 01 2015

BY _____



CUPERTINO
Building Department

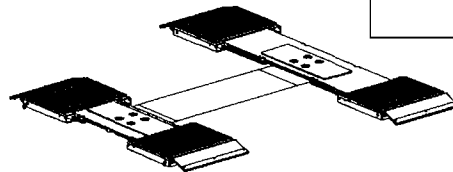
JUL 01 2015



REVIEWED FOR CODE COMPLIANCE

Reviewed By: *Sean Hatch*

OPERATING CONDITIONS
Lift is not intended for outdoor use
and has an operating ambient temperature
range of
41°-104°F (5°-40°C)



Attention!!!

These Instructions Contain General Data. Any Deviation From Customers Prints Or Specifications Should Be Clarified Before Proceeding With Lift Installation.

OFFICE COPY

IMPORTANT Check the containment tube for holes due to shipping damage. Do not install a damaged containment tube. Contact Rotary Lift Customer Service. If the lift has a chance to be exposed to the elements, **protect the lift.**



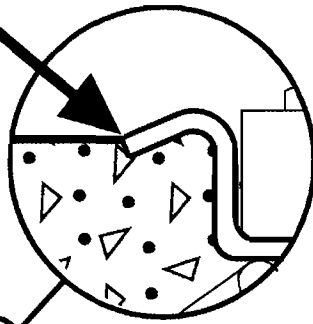
I
N
S
T
A
L
L
A
T
I
O
N

I
N
S
T
R
U
C
T
I
O
N
S

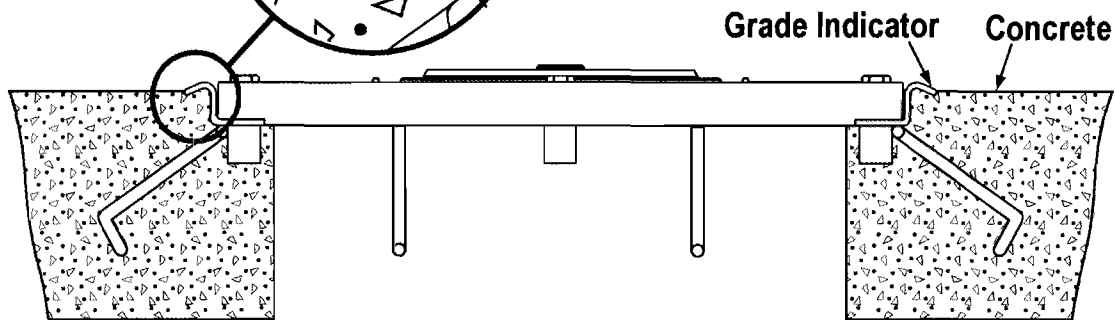
IMPORTANT

Failure To Comply Will Void Warranty

Edge Of
Grade
Indicator



Concrete **MUST BE** Finished To
Edge Of Grade Indicator, **NOT**
The Top Of The Lift. Finished
Floor Level Must Be 1/4" Below
Top Of Lift On All Sides.



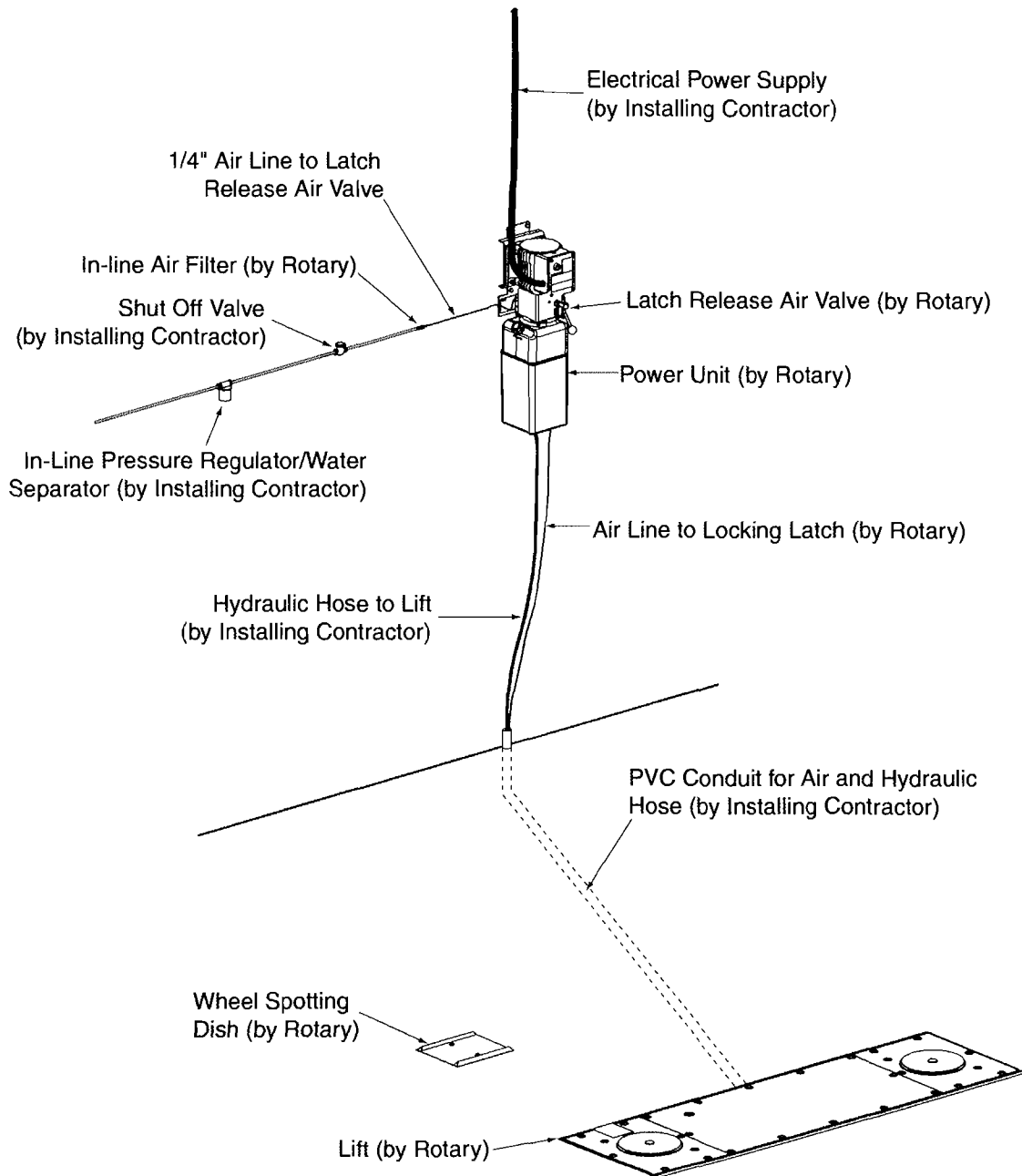
**Owner: Your Installer Is Responsible For
The Concrete Floor Being Finished To
Grade Angle, NOT To The Top Of The Lift.
Failure To Comply Will Void Warranty**

IMPORTANT Contact with the electrical heating coils could cause electrolysis and damage the lift and/or its components. Make sure the lift frame concrete anchors do not contact electrical heating coils, or re-bar that may be in contact with other embedded electrical sources. The lift being physically connected to any source which promotes electrolysis will void the warranty.

SEISMIC - Varies by location consult
with your structural engineer and
manufacturer's representative.

*The supplied concrete fasteners meet the criteria of the American National Standard
"Automotive Lifts - Safety Requirements for Construction, Testing, and Validation" ANSI/ALI ALCTV-2011, and the lift
owner is responsible for all charges related to any additional anchoring requirements as specified by local codes.
Contact customer service for further information at: 866.347.5438

INSTALLATION INSTRUCTIONS



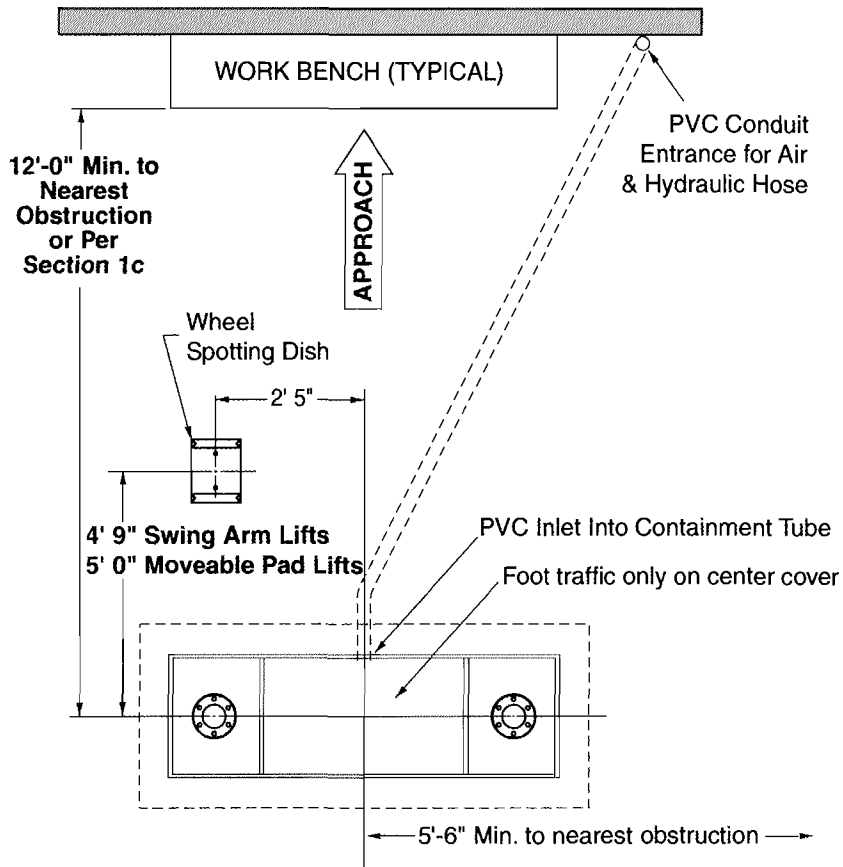
Please follow these instructions to ensure a good installation and satisfactory operation of the lift. Check your shipment against the product load list and shipping papers. Enter claims for damage or shortage with the delivering carrier at once.

- After installation, please return this booklet to the literature package and give to lift owner/operator.
- Literature package should be kept attached to power unit for easy access.
- Review entire installation instructions before beginning excavation.

IMPORTANT The center cover is designed for foot traffic only.

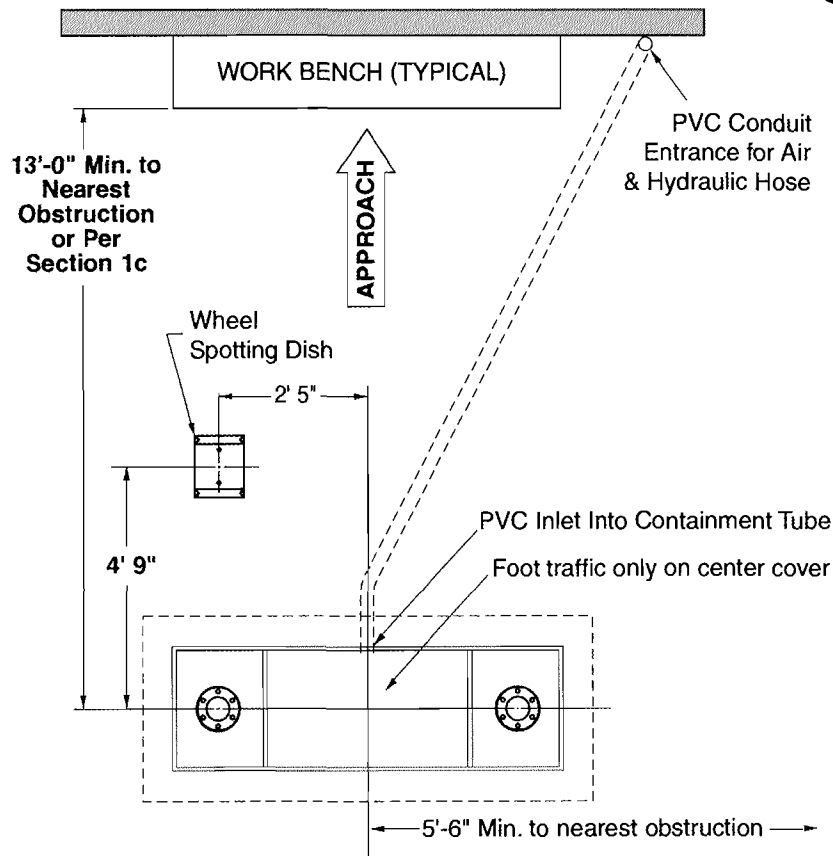
WARNING Restrict all unauthorized persons from going near excavation. OSHA standard restricts anyone from getting in excavated hole, unless OSHA guidelines are followed. See OSHA Excavating Standard CFR 1926.

Keep excavated hole covered and barricaded when installation is not in progress.



SL210 Series

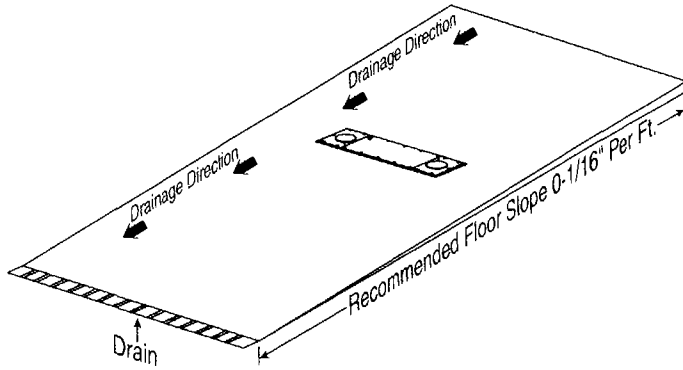
Fig. 1



SL212 Series

1. Lift Location:

A. Check architect's layout if available. Lay out lift as shown in Fig. 1. Recommended floor slope is 1/16" per foot.



B. SL210: The 5' 6" centerline to side and 12' 0" centerline to front and rear dimensions should be maintained to provide adequate working space. The minimum overhead clearance should be 85" plus height of highest vehicle to be raised. 24' 0" length bay recommended. Other lengths may be used, provided ample clearance is maintained at each end of lift.

SL212: The 5' 6" centerline to side and 13' 0" centerline to front and rear dimensions should be maintained to provide adequate working space. The minimum overhead clearance should be 88" plus height of highest vehicle to be raised. 26' 0" length bay recommended. Other lengths may be used, provided ample clearance is maintained at each end of lift.

C. Base Unit Lifts: If you are planning to install roll-on/wheel alignment runways, locate lift per instructions from superstructure manufacturer. Use superstructure manufacturer's instructions for fore and aft, side to side, and ceiling clearances.

2. Excavation: Excavate hole to dimensions shown in Fig. 2. Dig trench for 2" PVC pipe between lift and power unit location. Trench should be dug 11" below finished floor grade. Air line and hydraulic hose to be contained in this 2" PVC pipe.

3. Concrete Preparation:

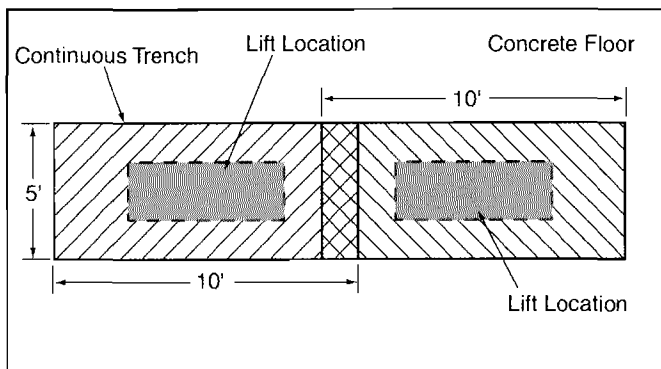
A. Run 2" PVC from Control Area to Containment Tube. PVC will enter the Containment Tube 9-1/2" below finished floor grade. Hole is centered horizontally in Containment Tube, Fig. 1.

B. Box out a 5' x 10' area around where lift is to be located.

NOTE: For multiple lift installations, boxed out areas will overlap. Dig continuous trench, see illustration below.

C. Pour concrete floor ensuring not to get concrete in boxed out area.

NOTE: By using this installation method, the RAI can more accurately set lift to proper grade relative to finished floor. Reference Page 2.



4. Lift Setting:

IMPORTANT Check the containment tube for holes due to shipping damage. Do not install a damaged containment tube. Contact Rotary Lift Customer Service.

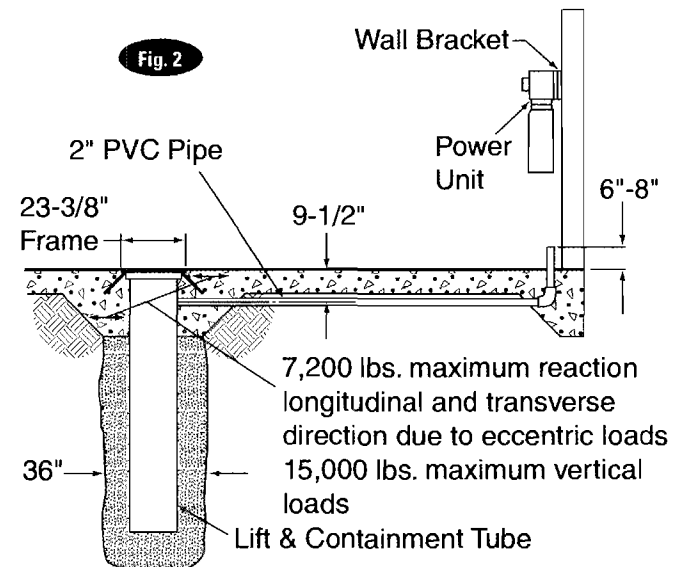
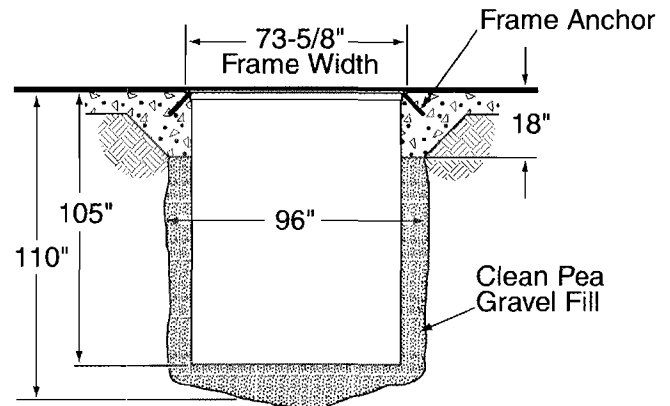
A. Chain hoist must have capacity of 2,500 lbs. with a clear swing of 9' 0". Rig sling for unit, attaching to the shipping strap, Fig. 3, and lower assembly into hole. Center lift and be sure lift containment inlet is located as shown in Fig. 1.

IMPORTANT Owner: Your Installer Is Responsible For The Concrete Floor Being Finished To The Leading Edge Of The Grade Angle (1/4" Below Top Of Lift), NOT To The Top Of The Lift, Fig. 5. Failure To Comply Will Void Warranty.

B. Bend frame anchors out perpendicular to concrete frame and downward approximately 45° to floor level, Fig. 2.

C. Remove and retain (4) 1/2"-13NC HHCS (marked with X, Fig. 3). Insert 1/2" Threaded Rods x 18" lg. into the holes and secure in place using 1/2" flat washers and nuts, Fig. 4.

D. Attach 6 x 6's to support unit on existing floor and secure in place with 1/2" flat washers and nuts, Fig. 4. Remove shipping straps and install guide barrel bolts in open holes and torque to 60 ft-lbs. Remove protective covers from top of jacks.



E. Plumb and level by placing machinist level on top of jack. Do Not plumb or level off unit frame. See Fig 5.

F. Shore Lift Securely!

G. Connect 2" PVC to containment tube, chamfer PVC entering containment tube seal and lubricate I.D. of seal with grease or oil to ease entry of PVC into seal. PVC pipe should extend into containment tube 1" maximum.

NOTE: If your PVC pipe and containment inlet do not align, you may have to cut back PVC pipe, and attach 2" Flexible PVC to make connection. All PVC joints MUST be leak proof.

H. Recheck plumb.

5. Backfill:

A. Duct tape joint areas indicated by X, Fig. 6, to protect these areas during backfill and concrete work. Backfill around unit using only pea gravel to within 18" of top of finished floor.

CAUTION Do not use a mechanical tamper or saturate the backfill material to achieve compaction. This could cause lift containment sides to bend inward, **HAND TAMP ONLY**.

IMPORTANT Do Not fill plunger with any ballast material.

B. Complete backfill and tamp pipe trench.

C. After lift is backfilled, make final elevation and plumb checks, Fig 5.

D. Make sure frame anchors are bent out, Fig. 7.

6. Concrete Work:

A. Leave 6 x 6's in place.

B. New concrete around the lift must be keyed into existing floor with rebar or stud anchors, Fig. 7.

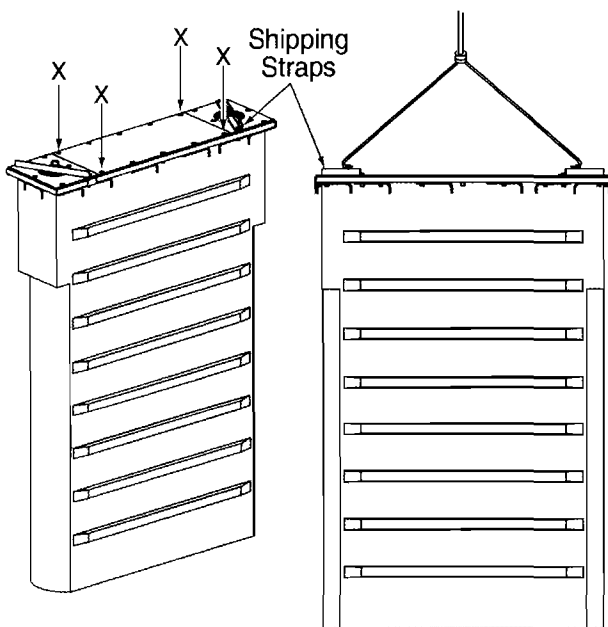


Fig. 3

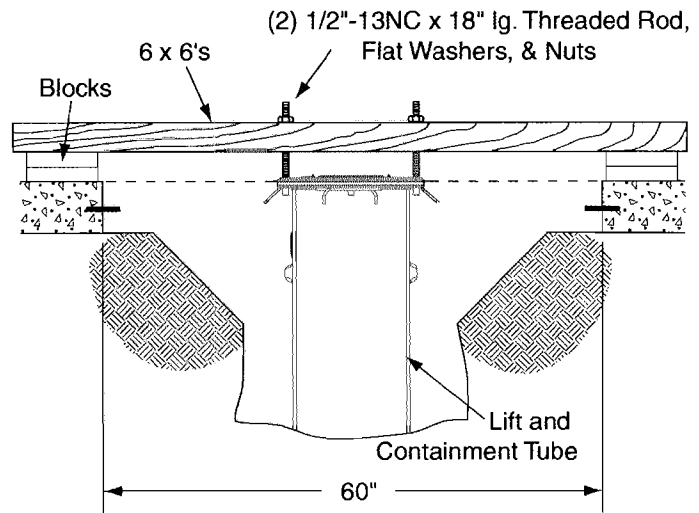


Fig. 4

- C. A minimum concrete strength of 3,000 PSI is suggested. DO NOT use calcium chloride as a curing accelerator. If using a curing accelerator, we recommend a non-chloride additive such as High Early* or equivalent.
- D. Pour concrete floor, being careful not to run concrete in and around top surface of lift unit.

IMPORTANT Owner: Your Installer Is Responsible For The Concrete Floor Being Finished To The Leading Edge Of The Grade Angle (1/4" Below Top Of Lift), NOT To The Top Of The Lift, Fig. 5. Failure To Comply Will Void Warranty.

IMPORTANT It is imperative that lift be set level regardless of floor slope or other factors. Trowel smooth and allow to harden.

- E. After concrete is set-up, remove 6 x 6's and threaded rods.
- F. Reinstall the guide barrel bolts, use Loctite 242 (blue) on bolts and torque to 60 ft.-lbs.
- G. Do not use lift until concrete has achieved 3,000 PSI.

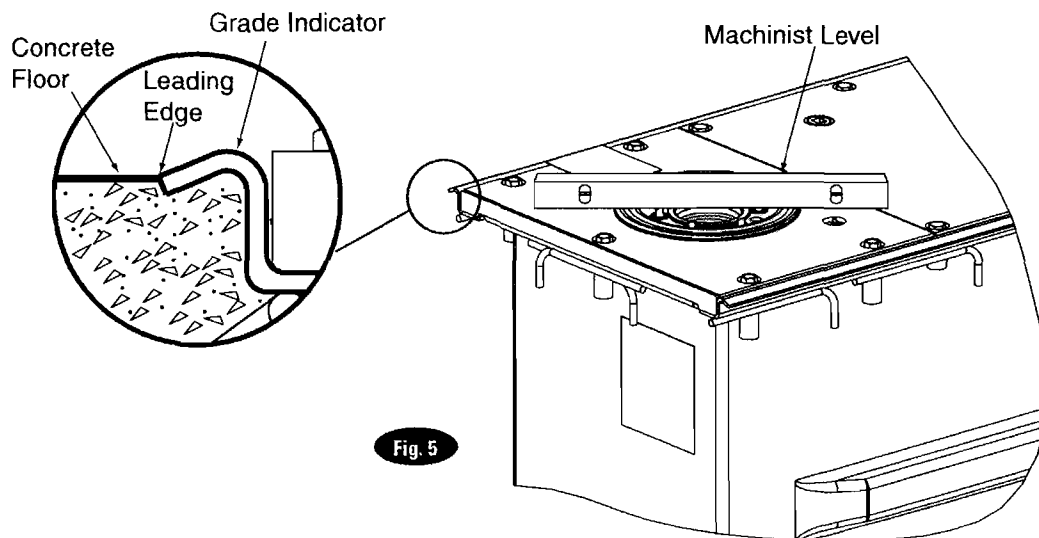


Fig. 5

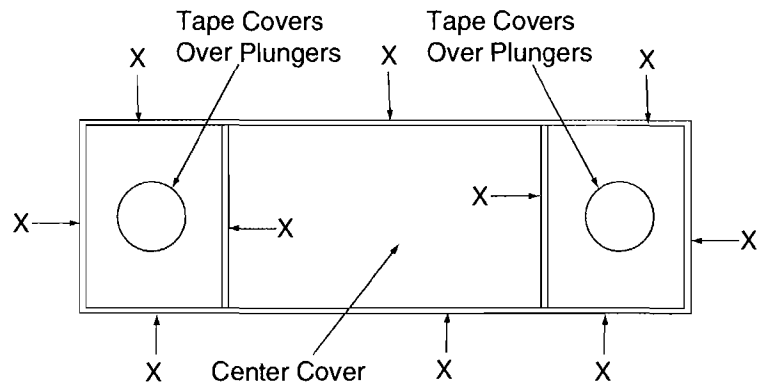


Fig. 6

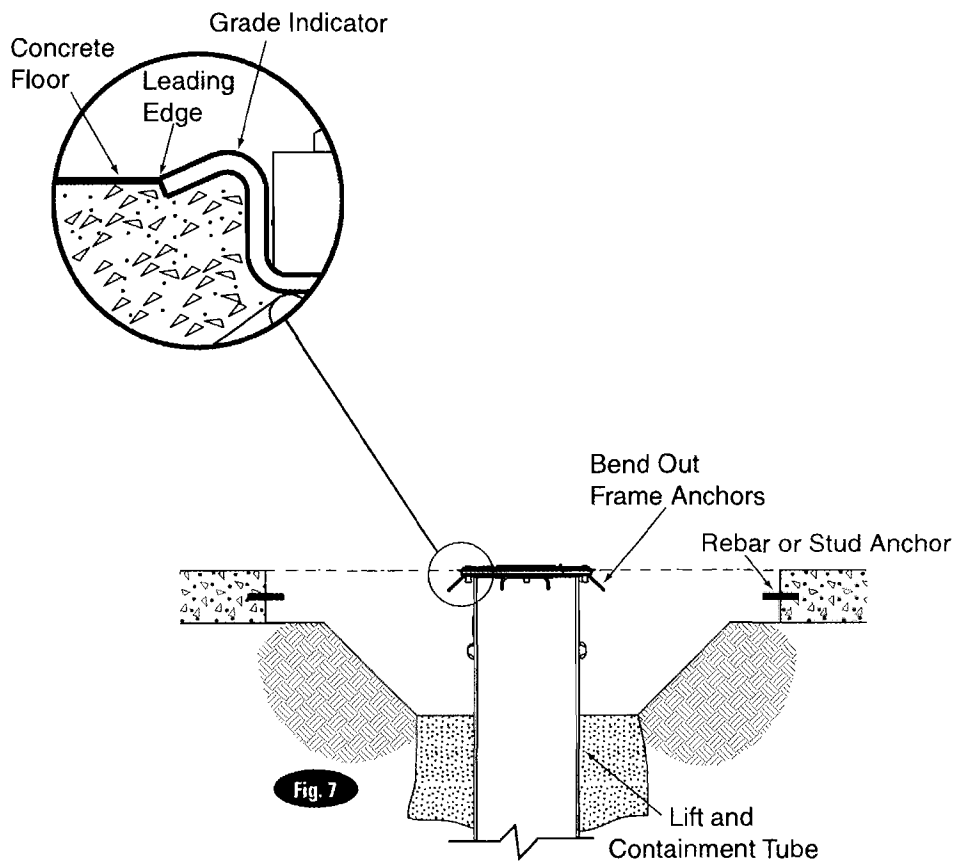


Fig. 7

*High Early is a registered trademark of General Portland Cement Company.

7. Power Unit:

A. For operating convenience, locate Power Unit mounting bracket so top of Motor will be approximately 56" above floor, Fig. 2.

B. Locate and mount the wall bracket, using (4) 3/8" wall anchors, on the wall. Anchors must be able to hold 20 lbs. of shear force.

C. Put (2) 5/16"-18NC x 1-1/2" flanged locking HHCS through holes in the air valve bracket then through wall bracket, if rear mounted air valve bracket is supplied, using push-nuts to hold in place, Fig. 8. Put the other (2) 5/16"-18NC x 1-1/2" flanged locking HHCS through wall bracket using push-nuts to hold in place, Fig. 8.

D. Mount power unit, with motor up, to the wall bracket and install (4) 5/16" flanged locking nuts, Fig. 8.

E. Install and hand tighten elbow adapter to pump until O-ring is seated, Fig. 11. Continue to tighten the locknut to 10-15 ft-lbs., or until the nut and washer bottom out against the pump manifold. NOTE: You may still be able to rotate the Branch Tee. This is acceptable unless there is seepage at the O-ring. If so, slightly tighten the locknut.

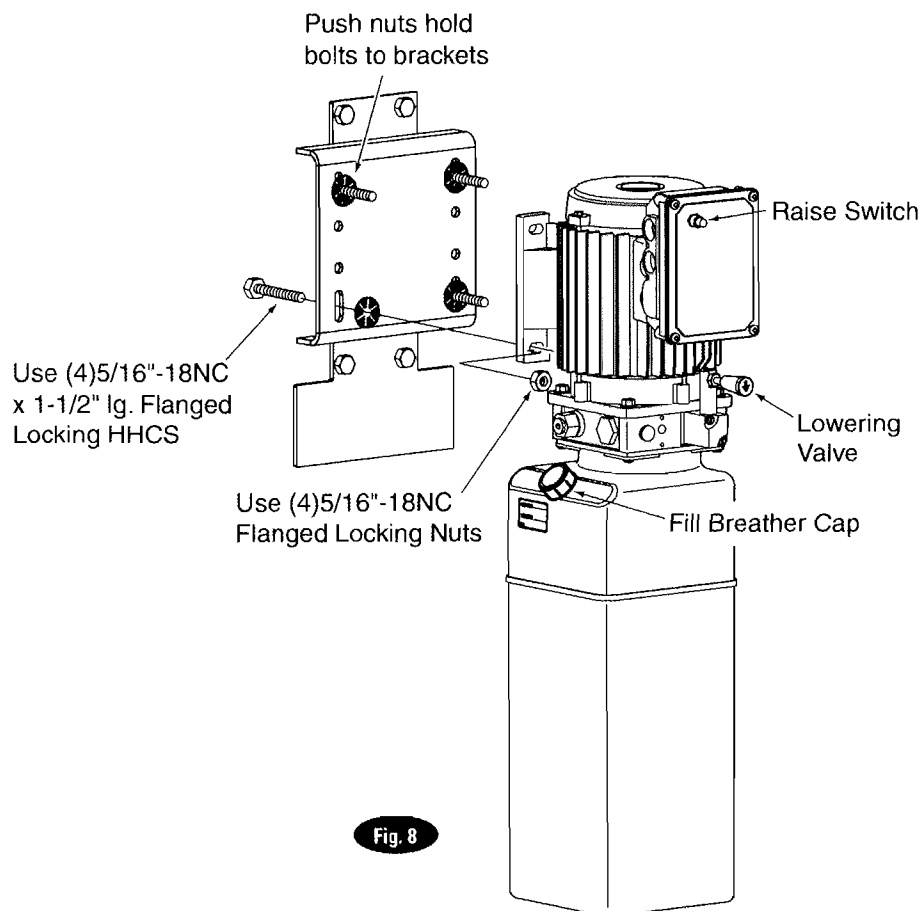
CAUTION Over tightening locknut may tear O-ring or distort threads in pump manifold outlet.

8. Electrical: Have a certified electrician run appropriate power supply to motor, Fig. 9 & 10. Size wire for 20 amp circuit. See Motor Operating Data Table.

CAUTION Never operate the motor on line voltage less than 208V. Motor damage may occur.

IMPORTANT: Use separate circuit for each power unit. Protect each circuit with time delay fuse or circuit breaker. For single phase 208-230V, use 20 amp fuse. Three phase 208-240V, use 20 amp fuse. For three phase 400V and above, use 10 amp fuse. For wiring see Fig. 9 & 10. All wiring must comply with NEC and all local electrical codes.

Note: 60Hz. single phase motor **CAN NOT** be run on 50Hz. line without a physical change in the motor.



MOTOR OPERATING DATA TABLE - SINGLE PHASE

LINE VOLTAGE	RUNNING MOTOR VOLTAGE RANGE
208-230V 50Hz.	197-253V
208-230V 60Hz.	197-253V

Wiring Diagram

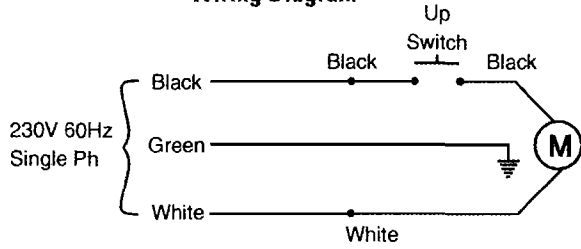


Fig. 9

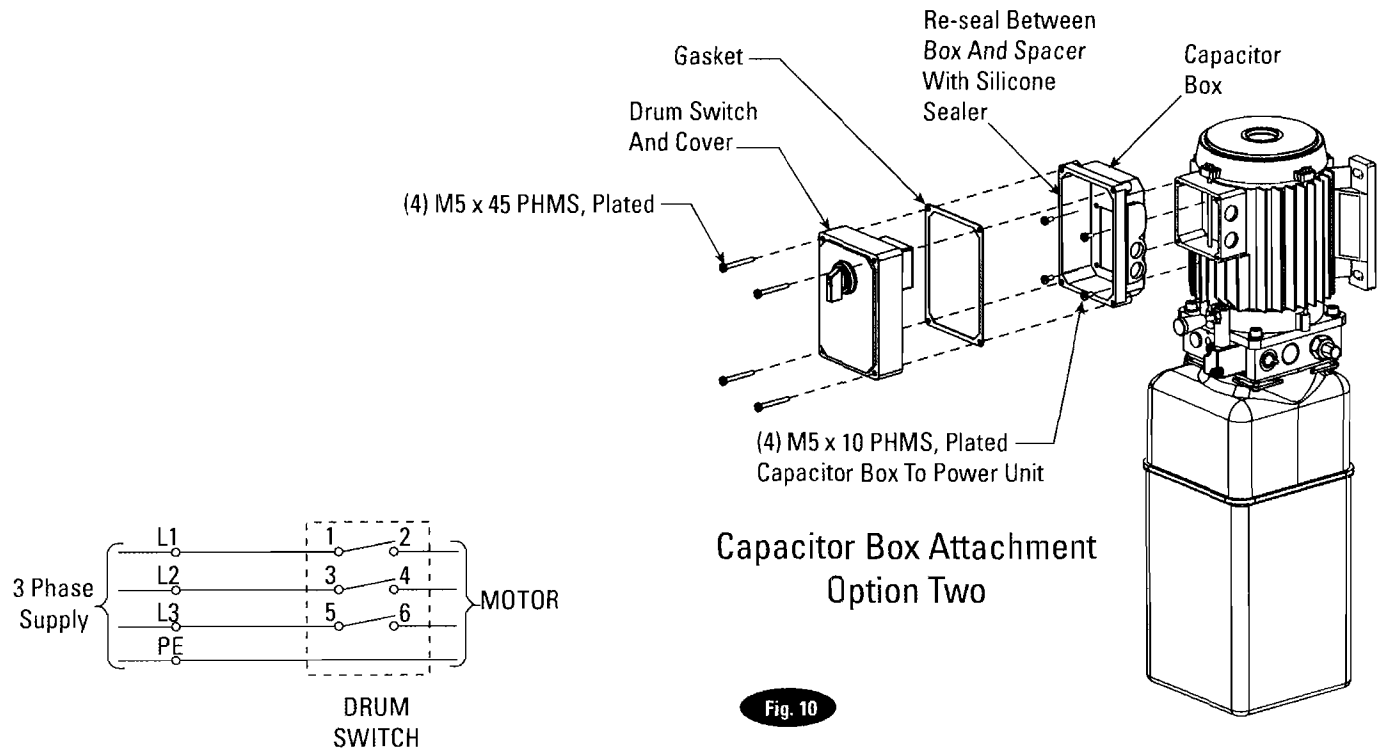
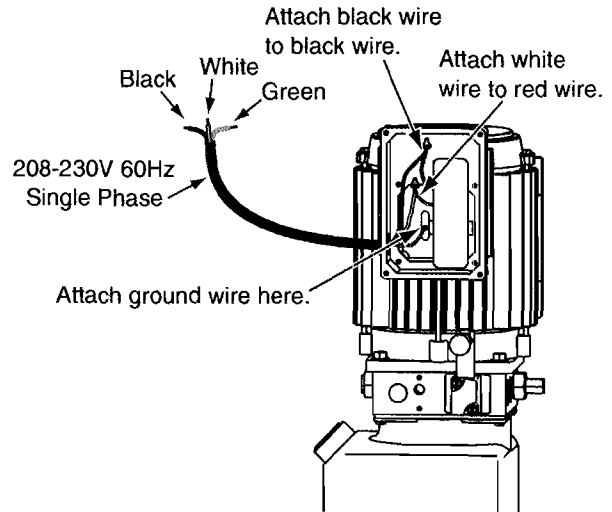
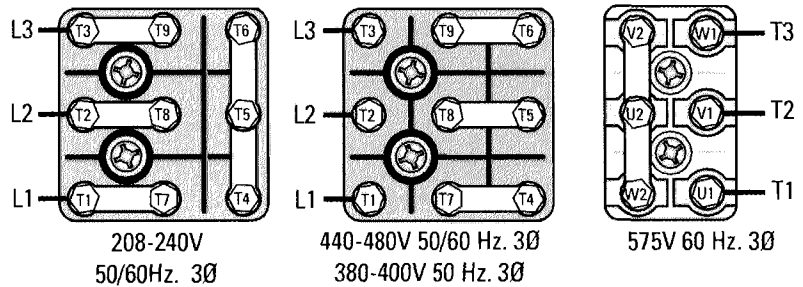


Fig. 10

Three Phase Power Unit

MOTOR OPERATING DATA TABLE - THREE PHASE

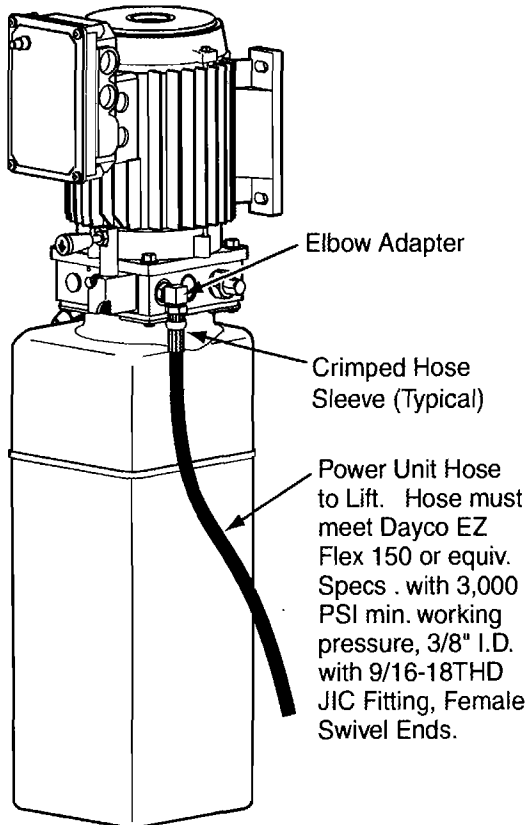
LINE VOLTAGE	RUNNING MOTOR VOLTAGE RANGE
208-240V 50/60Hz.	197-253V
400V 50Hz.	360-440V
440-480V 50/60Hz.	396V-528V
575V 60Hz.	518V-632V



9. Supply Lines (By Installer): Remove center cover.

A. Hose:

1. Hose must meet Dayco EZ Flex 150 or equivalent specs. with 3,000 PSI minimum working pressure, 3/8" I.D. with 9/16-18THD, JIC fitting, female swivel ends.
2. Hose must be free of debris. Inspect all threads for damage, Fig. 11.
3. Push the hose through the 2" PVC pipe chase from power unit to lift unit.
4. Install hose onto elbow adapter on power unit and to hydraulic fitting in lift containment inlet.



6. Install "PUSH TO RELEASE LATCHES" decal on bracket under air valve lever, Fig. 12.
7. Push air line tubing through the 2" PVC pipe chase from latch release air valve to lift unit.
8. Connect air line tubing to latch release air valve and to air line attached to vertical hose using push union, in lift containment inlet. Place decal on bracket, Figs. 12 & 13.

10. Fluid Filling:

A. System capacity is 19 quarts. Use Dexron III ATF, or Hydraulic Fluid that meets ISO 32 specification.

B. Remove fill-breather cap, Fig. 8.

C. Pour in 8 quarts of fluid.

D. Bleed lift by cycling to full rise several times.

E. Fully lower lift.

IMPORTANT Lift must be fully lowered before changing or adding fluid.

F. Add fluid to power unit until it reaches the **MIN** mark on the tank.

G. Replace fill-breather cap.

CAUTION If fill-breather cap is lost or broken, order a replacement. DO NOT substitute with a solid plug.

Flared Fittings Tightening Procedure

1. Screw the fittings together finger tight. Then, using the proper size wrench, rotate the fitting 2-1/2 hex flats.
2. Back the fitting off one full turn.
3. Again tighten the fittings finger tight; then using a wrench, rotate the fitting 2-1/2 hex flats. This will complete the tightening procedure and develop a pressure tight seal.

B. Air Line:

IMPORTANT Shop air supply pressure must be between 90 to 120 psi.

1. Attach brass filter and swivel elbows to air latch, Fig. 12.
2. Install latch release air valve to bracket, Fig. 12.
3. Remove motor warnings decal from motor cover. Mount air lock valve bracket over the power unit cover using the existing cover screws if single phase. If three phase use included longer screws.
4. Connect shop air supply with factory supplied in-line filter to latch release air valve 1/4" push-in 1/4" NPT fitting, Fig. 12 & Fig. 13.
5. Air line to the lift must be 1/4" polypropylene tubing with a 300 PSI working pressure.

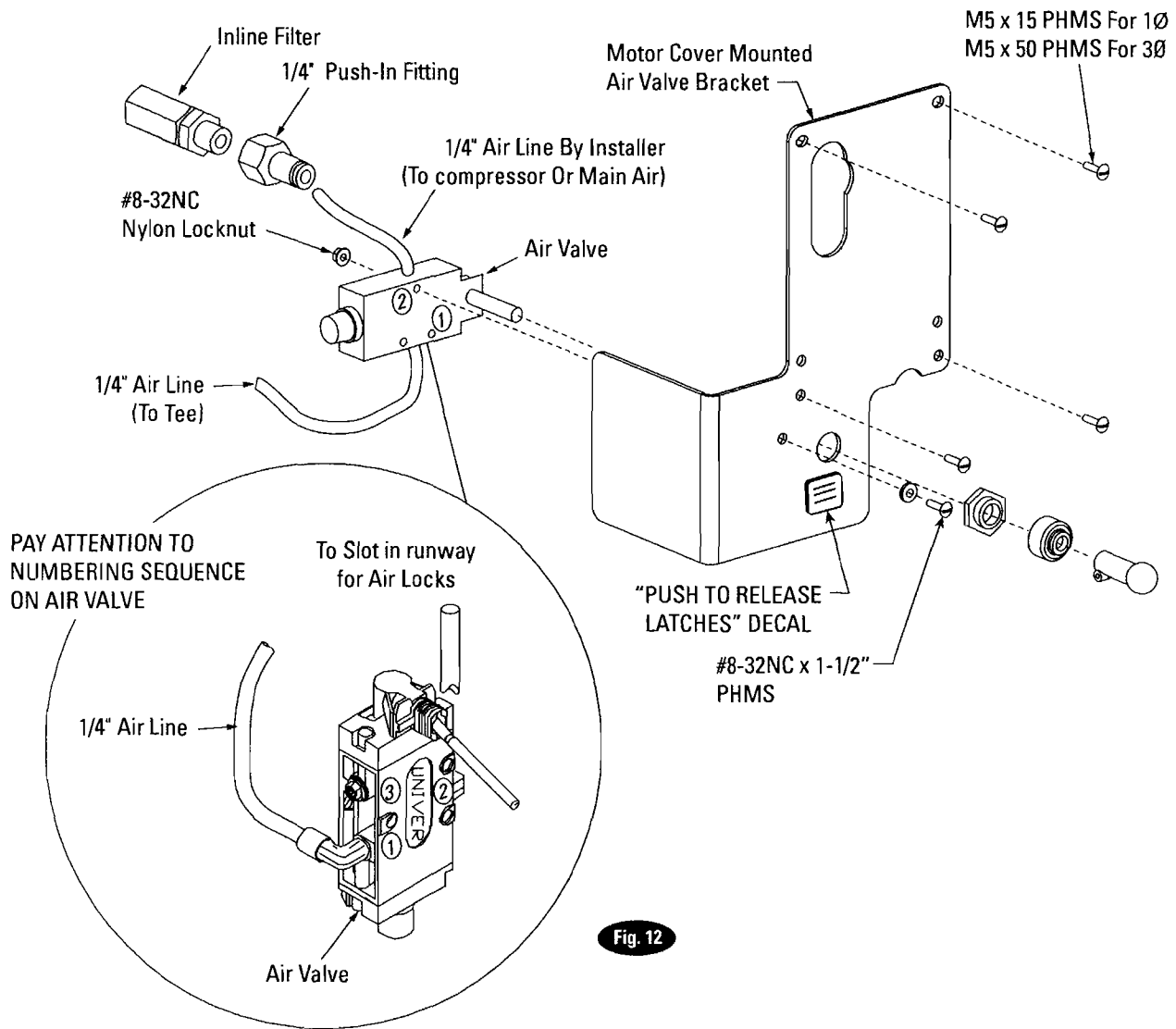


Fig. 12

Air Line Fitting Connection

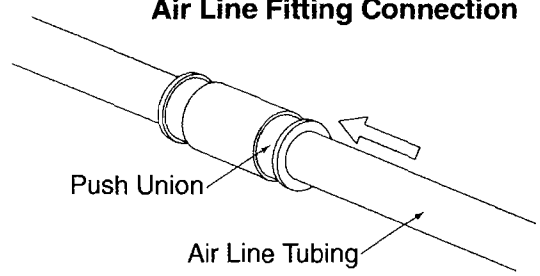


Fig. 13

11. PRESSURE TEST:

- A. Run lift to full rise and keep motor running for 5 seconds.
- B. Stop and check all hose connections.
- C. Tighten or reseal if required. Repeat cycling of lift if adjustment was made.

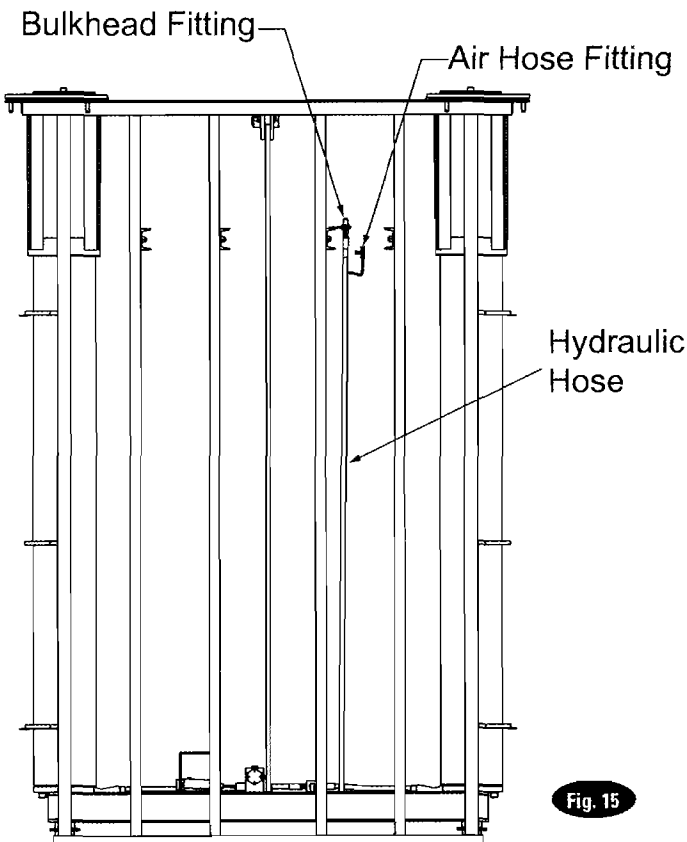
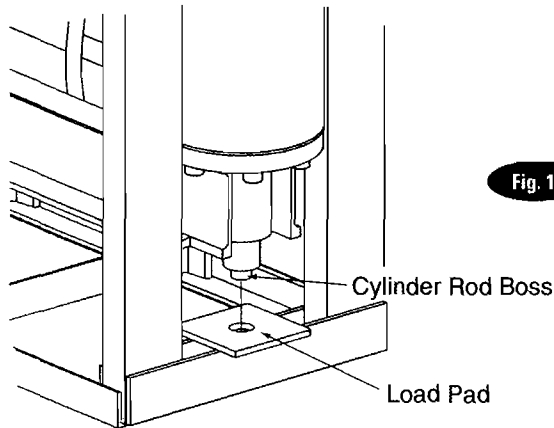
12. LOCKING LATCH TEST:

- A. With lift in up position, actuate latch release air valve.
- B. Make sure latch engages and releases.

13. CYLINDER/LOAD PAD TEST:

- A. Raise lift to full rise and lower onto locks.
- B. Look into the containment tube to check that the high pressure cylinder rod is in the load pad hole, Fig. 14.

CYLINDER/LOAD PAD TEST



- C. Use a non-metal object (do not scratch or scar the cylinder rods), try to move the cylinder rod. If it does not move skip step D.
- D. Move the cylinder rod around until its boss goes back into the load pad center hole.

14. HOSE TRACKING TEST:

- A. Have someone raise the lift while another watches the tracking of the hose between the frame bulkhead and equalizer beam, Fig. 15. If the hose does not track between the members of the equalizer beam without rubbing, adjustment is necessary.
- B. Rotate the bulkhead fitting to adjust the position of the hose. Make sure that the bulkhead nut is tight after adjustment.

15. Setting Cover; refer to Fig. 16:

- A. Insert cover seal into lip in opening, making sure all holes align.
- B. Install center cover onto seal.
- C. Install and tighten cover retaining bolts. Torque to 60 ft.-lbs.
IMPORTANT Clean areas indicated with X, Fig. 16, and seal with a premium 25 year silicone.

16. Superstructure:

SI210 Series:

- A. Base Unit Lifts: Install roll-on/wheel alignment runway per instructions from superstructure manufacturer.
- B. Swing Arm Superstructures:
 1. Install yokes to plungers with 7/8"-10NC x 2-1/2" HHCS and 7/8" external tooth lockwasher. Torque to 150 ft.-lbs, Fig. 17.
 2. Grease swivel arm pins and arm holes with Lithium grease.
 3. Install (4) arm assemblies using the arm pins and snap rings.
- C. Moveable Pad Assemblies:

Note: The mounting holes in the pad assemblies are offset. This allows for two different configurations. The standard configuration is shown in fig 18a. The narrower configuration is shown in fig 18b.

 1. Install pads on lift using 7/8"-10NC x 2-1/2" HHCS and 7/8" external tooth lockwasher and torque to 150 ft.-lbs, Fig.18a and 18b.

SL212 series:

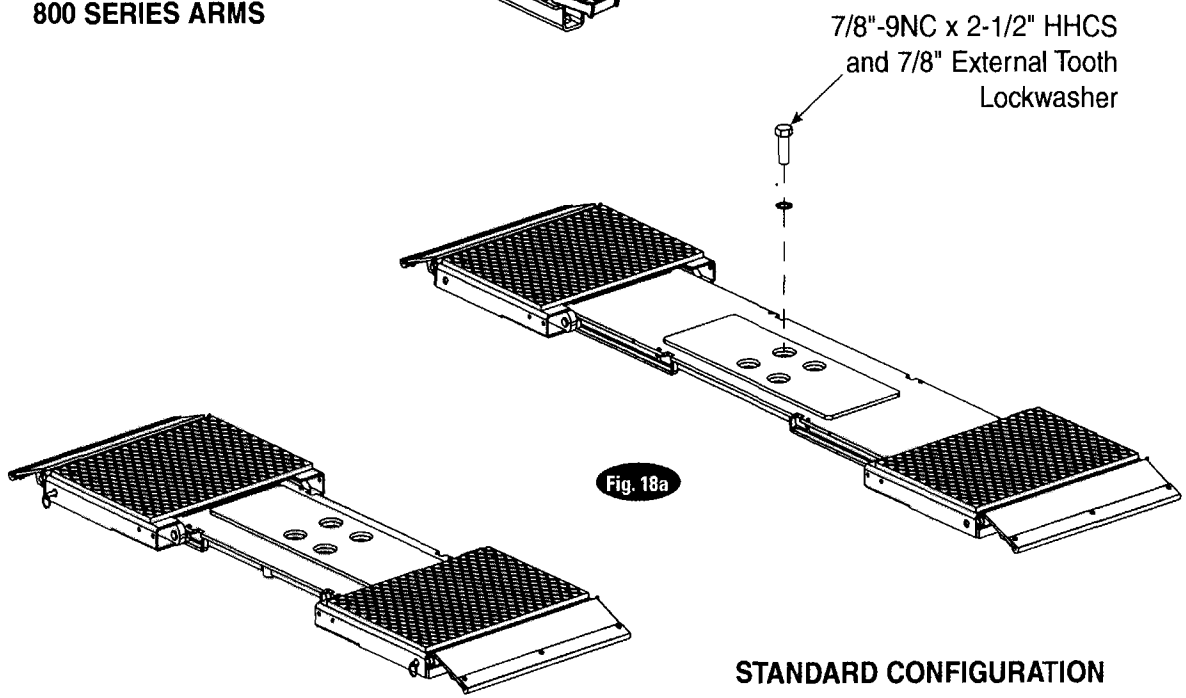
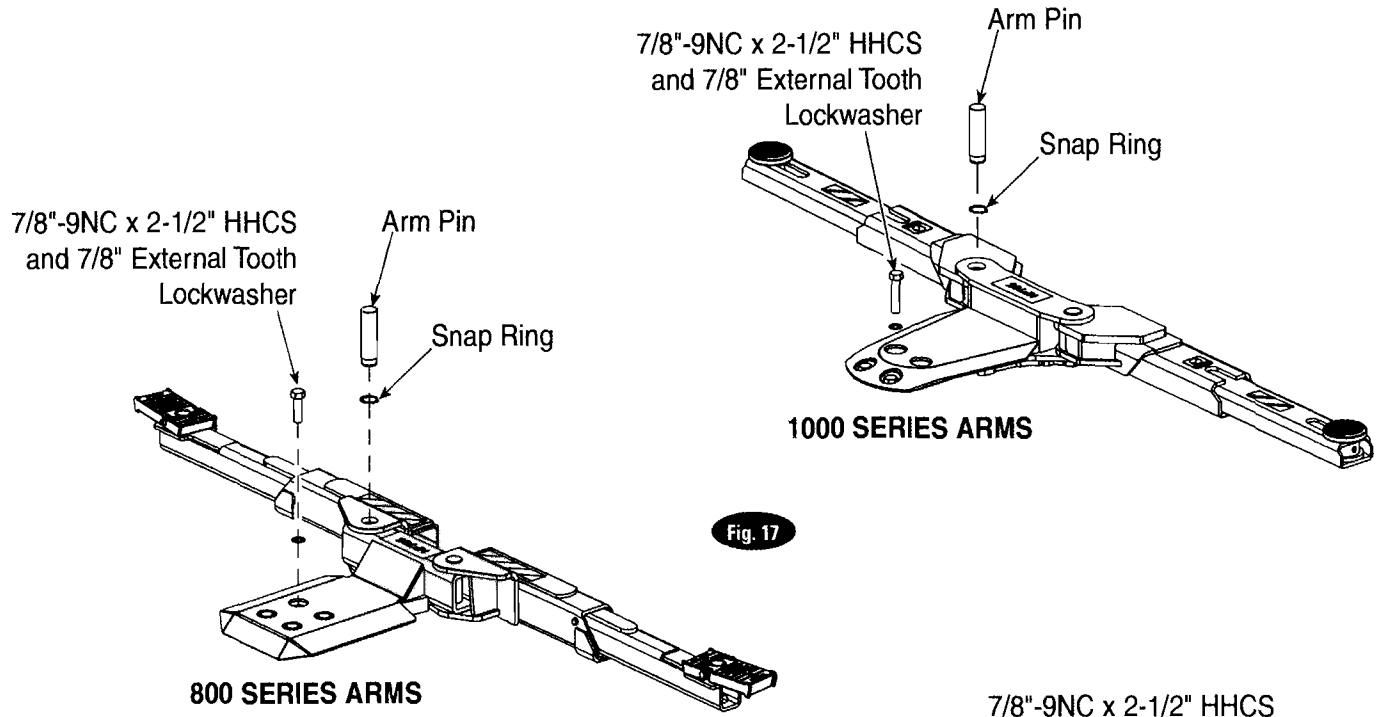
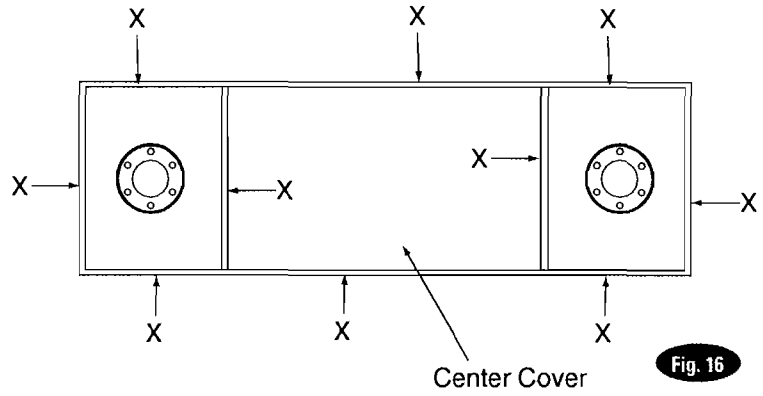
- A. Base Unit Lifts: Install roll-on/wheel alignment runway per instructions from superstructure manufacturer.
- B. Swing Arm Superstructures:
 1. Install yokes to plungers with 7/8"-9NC x 3-1/2" HHCS and 7/8" external tooth lockwasher. Torque to 150 ft.-lbs., Fig. 19.
 2. Grease swivel arm pins and arm holes with Lithium grease.
 3. Install (4) arm assemblies using the arm pins and cotter pins, Fig. 20.

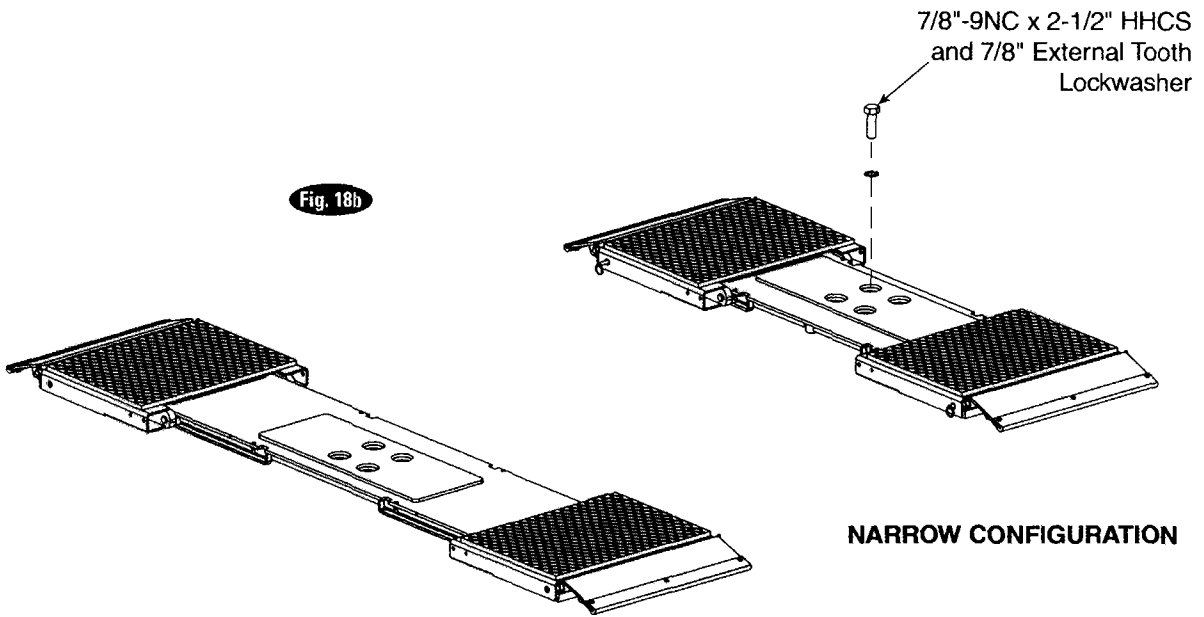
17. Final Touches:

- A. Lag wheel spotting dish to floor using two 3/8" anchors provided. Verify model number of lift being installed and refer to Fig. 1 for respective dimensions.
- B. Raise lift and clean sand and dirt from plunger and lift area.
- C. Double check to make sure the guide barrel and center cover are sealed per Step 14.

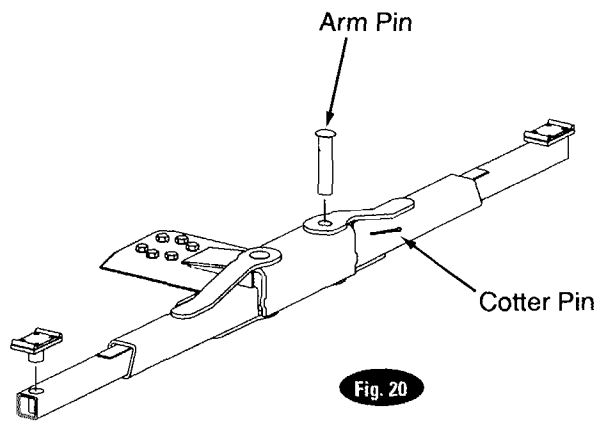
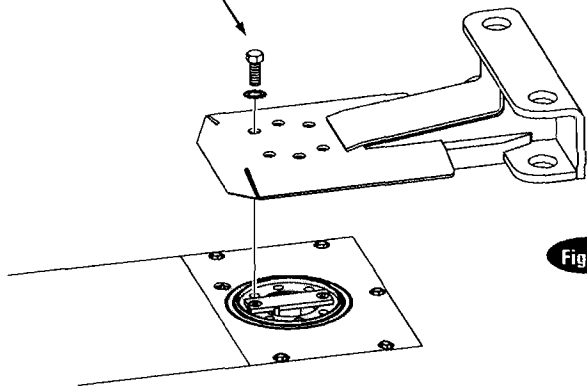
18. Upon completion of the assembly of the lift, the lift is to be operated to assure proper function. Observe for locks operating in all locking positions, each side lifts equally, hydraulics do not leak, all electrical controls function as labeled, all pneumatics are functional and leak free, ramps rotate freely (if applicable), and proper clearances with all items in bay have been maintained.

Operate the lift with a typical vehicle and observe to assure the same items for proper functioning.





7/8"-9NC x 3-1/2" HHCS &
7/8" External Tooth Lockwasher



Installer: Please return this booklet to literature package, and give to lift owner/operator.

Thank You

Trained Operators and Regular Maintenance Ensures Satisfactory Performance of Your Rotary Lift.

Contact Your Nearest Authorized Rotary Parts Distributor for Genuine Rotary Replacement Parts. See Literature Package for Parts Breakdown.

Revision	Date	Change(s) Made
--	08/15/07	New 800 Series lift.
A	02/21/08	Correct errors in 800 series installion instructions.
B	09/22/10	Update graphics for 3 phase motors and control bracket.
C	03/29/11	Added 1000 arm series.
D	04/05/12	Remove star washers, note P/U mounting bolts and nuts are locking.
E	02/14/14	Identify air valve bracket mounting screws.
F	08/07/14	Update to include latest standard and narrow M-Pads.
G	02/19/15	Add final check notes.

Rotary World Headquarters
2700 Lanier Drive
Madison, IN 47250, USA
www.rotarylif.com

North America Contact Information

Tech. Support:
p 800.445.5438
f 800.578.5438
e userlink@rotarylif.com
Sales: p 800.640.5438
f 800.578.5438
e userlink@rotarylif.com

World Wide Contact Information

World Headquarters/USA: 1.812.273.1622
Canada: 1.905.812.9920
European Headquarters/Germany: +49.771.9233.0
United Kingdom: +44.178.747.7711
Australasia: +60.3.7660.0285
Latin America / Caribbean: +54.3488.431.608
Middle East / Northern Africa: +49.771.9233.0

© Vehicle Service GroupSM

Printed in U.S.A., All Rights Reserved. Unless otherwise indicated, ROTARY, and all other trademarks are property of Dover Corporation and its affiliates.



CITY OF CUPERTINO BUILDING PERMIT

BUILDING ADDRESS: 10931 N DE ANZA BLVD	CONTRACTOR: EDWARDS&SONS AUTOMOTIVE EQUIPMENT	PERMIT NO: 15010175
OWNER'S NAME: VIDOVICH JOHN T ET AL	3573 VINEYARD AVE	DATE ISSUED: 01/29/2015
OWNER'S PHONE: 4082552166	PLEASANTON, CA 94566	PHONE NO: (925) 918-7449

LICENSED CONTRACTOR'S DECLARATION

License Class D24 Lic. # 716505
 Contractor Edwards+Sons Date 1/29/2015

I hereby affirm that I am licensed under the provisions of Chapter 9 (commencing with Section 7000) of Division 3 of the Business & Professions Code and that my license is in full force and effect.

I hereby affirm under penalty of perjury one of the following two declarations:
 I have and will maintain a certificate of consent to self-insure for Worker's Compensation, as provided for by Section 3700 of the Labor Code, for the performance of the work for which this permit is issued.
 I have and will maintain Worker's Compensation Insurance, as provided for by Section 3700 of the Labor Code, for the performance of the work for which this permit is issued.

APPLICANT CERTIFICATION

I certify that I have read this application and state that the above information is correct. I agree to comply with all city and county ordinances and state laws relating to building construction, and hereby authorize representatives of this city to enter upon the above mentioned property for inspection purposes. (We) agree to save indemnify and keep harmless the City of Cupertino against liabilities, judgments, costs, and expenses which may accrue against said City in consequence of the granting of this permit. Additionally, the applicant understands and will comply with all non-point source regulations per the Cupertino Municipal Code, Section 9.18.

Signature Jamie LaJoutie Date 1/29/2015

JOB DESCRIPTION: RESIDENTIAL COMMERCIAL
GOODYEAR; INSTALL GROUND LIFT

Sq. Ft Floor Area:	Valuation: \$17000
APN Number: 32610061.00	Occupancy Type:

**PERMIT EXPIRES IF WORK IS NOT STARTED
 WITHIN 180 DAYS OF PERMIT ISSUANCE OR
 180 DAYS FROM LAST CALLED INSPECTION.**

Issued by: [Signature] Date: 1/29/15

RE-ROOFS:

All roofs shall be inspected prior to any roofing material being installed. If a roof is installed without first obtaining an inspection, I agree to remove all new materials for inspection.

Signature of Applicant: _____ Date: _____

ALL ROOF COVERINGS TO BE CLASS "A" OR BETTER

OWNER-BUILDER DECLARATION

I hereby affirm that I am exempt from the Contractor's License Law for one of the following two reasons:
 I, as owner of the property, or my employees with wages as their sole compensation, will do the work, and the structure is not intended or offered for sale (Sec.7044, Business & Professions Code)
 I, as owner of the property, am exclusively contracting with licensed contractors to construct the project (Sec.7044, Business & Professions Code).

I hereby affirm under penalty of perjury one of the following three declarations:
 I have and will maintain a Certificate of Consent to self-insure for Worker's Compensation, as provided for by Section 3700 of the Labor Code, for the performance of the work for which this permit is issued.
 I have and will maintain Worker's Compensation Insurance, as provided for by Section 3700 of the Labor Code, for the performance of the work for which this permit is issued.
 I certify that in the performance of the work for which this permit is issued, I shall not employ any person in any manner so as to become subject to the Worker's Compensation laws of California. If, after making this certificate of exemption, I become subject to the Worker's Compensation provisions of the Labor Code, I must forthwith comply with such provisions or this permit shall be deemed revoked.

APPLICANT CERTIFICATION

I certify that I have read this application and state that the above information is correct. I agree to comply with all city and county ordinances and state laws relating to building construction, and hereby authorize representatives of this city to enter upon the above mentioned property for inspection purposes. (We) agree to save indemnify and keep harmless the City of Cupertino against liabilities, judgments, costs, and expenses which may accrue against said City in consequence of the granting of this permit. Additionally, the applicant understands and will comply with all non-point source regulations per the Cupertino Municipal Code, Section 9.18.

Signature _____ Date _____

HAZARDOUS MATERIALS DISCLOSURE

I have read the hazardous materials requirements under Chapter 6.95 of the California Health & Safety Code, Sections 25505, 25533, and 25534. I will maintain compliance with the Cupertino Municipal Code, Chapter 9.12 and the Health & Safety Code, Section 25532(a) should I store or handle hazardous material. Additionally, should I use equipment or devices which emit hazardous air contaminants as defined by the Bay Area Air Quality Management District I will maintain compliance with the Cupertino Municipal Code, Chapter 9.12 and the Health & Safety Code, Sections 25505, 25533, and 25534.

Owner or authorized agent: Jamie LaJoutie Date: 1/29/15

CONSTRUCTION LENDING AGENCY

I hereby affirm that there is a construction lending agency for the performance of work's for which this permit is issued (Sec. 3097, Civ C.)

Lender's Name _____

Lender's Address _____

ARCHITECT'S DECLARATION

I understand my plans shall be used as public records.

Licensed Professional _____



CUPERTINO

CONSTRUCTION PERMIT APPLICATION

COMMUNITY DEVELOPMENT DEPARTMENT • BUILDING DIVISION
10300 TORRE AVENUE • CUPERTINO, CA 95014-3255
(408) 777-3228 • FAX (408) 777-3333 • building@cupertino.org

15010175

B

NEW CONSTRUCTION ADDITION ALTERATION / TI REVISION / DEFERRED ORIGINAL PERMIT #

PROJECT ADDRESS 10931 N. DeAnza Blvd.		APN # 326-10-061	
OWNER NAME John Vidovich		PHONE (408) 255-2166	E-MAIL
STREET ADDRESS 960 San Antonio St. # 114		CITY, STATE, ZIP LOS ATOS, CA 94022	
CONTACT NAME		PHONE	E-MAIL
STREET ADDRESS		CITY, STATE, ZIP	
FAX			
<input type="checkbox"/> OWNER <input type="checkbox"/> OWNER-BUILDER <input type="checkbox"/> OWNER AGENT <input type="checkbox"/> CONTRACTOR <input type="checkbox"/> CONTRACTOR AGENT <input type="checkbox"/> ARCHITECT <input type="checkbox"/> ENGINEER <input type="checkbox"/> DEVELOPER <input type="checkbox"/> TENANT			
CONTRACTOR NAME Jamie LaFountain		LICENSE NUMBER 716500	LICENSE TYPE D21
BUS. LIC # 35703			
COMPANY NAME Edwards + Sons Automotive Equip		E-MAIL jamie@eardsinc.com	
FAX 925.600.0262			
STREET ADDRESS 3673 Vineyard Avenue		CITY, STATE, ZIP Piedmont, CA 94566	
PHONE 925.918.7449			
ARCHITECT/ENGINEER NAME Adam Wiseman		LICENSE NUMBER	
BUS. LIC #			
COMPANY NAME Universal Structural Engineers		E-MAIL awiseman@engineers.com	
FAX 650.312.9229			
STREET ADDRESS 1160 S. Amphlett Blvd. # 250		CITY, STATE, ZIP San Mateo, CA 94402	
PHONE 650.312.9233			
DESCRIPTION OF WORK Install an in ground lift in bay #6.			
250 v/30 Amp			

EXISTING USE	PROPOSED USE	CONSTR. TYPE	# STORIES	USE	TYPE	OCC.	SQ.FT.	VALUATION (\$)
EXISTG AREA	NEW FLOOR AREA	DEMO AREA	TOTAL NET AREA					
BATHROOM REMODEL AREA	KITCHEN REMODEL AREA	OTHER REMODEL AREA						
PORCH AREA	DECK AREA	TOTAL DECK/PORCH AREA	GARAGE AREA: <input type="checkbox"/> DETACH <input type="checkbox"/> ATTACH					
# DWELLING UNITS:	IS A SECOND UNIT BEING ADDED? <input type="checkbox"/> YES <input type="checkbox"/> NO	SECOND STORY ADDITION? <input type="checkbox"/> YES <input type="checkbox"/> NO						
PRE-APPLICATION PLANNING APPL # <input type="checkbox"/> YES <input type="checkbox"/> NO	IF YES, PROVIDE COPY OF PLANNING APPROVAL LETTER	IS THE BLDG AN EICHLER HOME? <input type="checkbox"/> YES <input type="checkbox"/> NO		RECEIVED BY:			TOTAL VALUATION: 12000	

By my signature below, I certify to each of the following: I am the property owner or authorized agent to act on the property owner's behalf. I have read this application and the information I have provided is correct. I have read the Description of Work and verify it is accurate. I agree to comply with all applicable local ordinances and state laws relating to building construction. I authorize representatives of Cupertino to enter the above-identified property for inspection purposes.

Signature of Applicant/Agent: **Jamie LaFountain** Date: **1/29/2015**

SUPPLEMENTAL INFORMATION REQUIRED	PLAN CHECK TYPE	ROUTING SLIP
<p><input type="checkbox"/> New SFD or Multifamily dwellings: Apply for demolition permit for existing building(s). Demolition permit is required prior to issuance of building permit for new building.</p> <p><input type="checkbox"/> Commercial Bldgs: Provide a completed Hazardous Materials Disclosure form if any Hazardous Materials are being used as part of this project.</p> <p><input type="checkbox"/> Copy of Planning Approval Letter or Meeting with Planning prior to submittal of Building Permit application.</p>	<input type="checkbox"/> OVER-THE-COUNTER <input type="checkbox"/> EXPRESS <input type="checkbox"/> STANDARD <input type="checkbox"/> LARGE <input type="checkbox"/> MAJOR	<input type="checkbox"/> BUILDING PLAN REVIEW <input type="checkbox"/> PLANNING PLAN REVIEW <input type="checkbox"/> PUBLIC WORKS <input type="checkbox"/> FIRE DEPT <input type="checkbox"/> SANITARY SEWER DISTRICT <input type="checkbox"/> ENVIRONMENTAL HEALTH



CITY OF CUPERTINO FEE ESTIMATOR – BUILDING DIVISION

ADDRESS: 10931 n de anza blvd		DATE: 01/29/2015	REVIEWED BY: Mendez
APN:	BP#: 15010175	*VALUATION: \$17,000	
*PERMIT TYPE: Electrical Permit		PLAN CHECK TYPE: Alteration / Addition / Repair	
PRIMARY USE: Commercial Building	PENTAMATION PERMIT TYPE: 1CEAP8		
WORK SCOPE	goodyear; install ground lift		

APPLIANCE / EQUIP TYPE	FEE ID	QTY	UNITS	BP FEES
Other Power Devices	1BREMPOWER	1	#	\$179
TOTALS:				\$179.00

	0.0	hrs	\$0.00
	Elec. Plan Check		
	Elec. Permit Fee: 1Epermit		
	0.0	hrs	\$48.00
	Other Elec. Insp.		

NOTE: This estimate does not include fees due to other Departments (i.e. Planning, Public Works, Fire, Sanitary Sewer District, School District, etc.). These fees are based on the preliminary information available and are only an estimate. Contact the Dept for addn'l info.

FEE ITEMS <small>(Fee Resolution 11-053 Eff. 7/1/13)</small>	FEE	QTY/FEE	MISC ITEMS
PME Plan Check:	\$0.00		
PME Unit Fee:	\$179.00		
PME Permit Fee:	\$48.00		
Administrative Fee: 1ADMIN	\$45.00		
Work Without Permit? <input type="radio"/> Yes <input checked="" type="radio"/> No	\$0.00		
Travel Documentation Fee: 1TRAVDOC	\$48.00		
Strong Motion Fee: 1BSEISMICO	\$4.76		Select an Administrative Item
Bldg Stds Commission Fee: 1BCBSC	\$1.00		
SUBTOTALS:	\$325.76	\$0.00	TOTAL FEE: \$325.76

UNIFIED PROGRAM CONSOLIDATED FORM
FACILITY INFORMATION

08-0533

EC
SI
3/11/08

BUSINESS OWNER/OPERATOR IDENTIFICATION

Page of

I. IDENTIFICATION

FACILITY ID # (Agency Use Only)	1	BEGINNING DATE 01.01.08	100	ENDING DATE 12.31.08	101
BUSINESS NAME (State as FACILITY NAME or DBA - Doing Business As)				BUSINESS PHONE	
The Goodyear Tire & Rubber Company (dba) Goodyear Auto Service Center #8773				408.255.2166	
BUSINESS SITE ADDRESS					
10931 North De Anza Blvd.					
CITY	134	CA	135	ZIP CODE	103
Cupertino				95014	
DUN & BRADSTREET	106			SIC CODE (4 digit #)	107
004 467 924				7538	
COUNTY					
Santa Clara					
BUSINESS OPERATOR NAME				BUSINESS OPERATOR PHONE	
Store Manager - Israr Refai				408.255.2166	

II. BUSINESS OWNER

OWNER NAME	111			OWNER PHONE	112
The Goodyear Tire & Rubber Company				330.796.3709	
OWNER MAILING ADDRESS					
1144 East Market Street, Dept.: 704 Attn: Mr. Dave Johnson					
CITY	114	STATE	115	ZIP CODE	116
Akron		Ohio		44316-0001	

III. ENVIRONMENTAL CONTACT

CONTACT NAME	117			CONTACT PHONE	118
Store Manager - Israr Refai				408.255.2166	
CONTACT MAILING ADDRESS					
10931 North De Anza Blvd.					
CITY	120	STATE	121	ZIP CODE	122
Cupertino		CA.		95014	

-PRIMARY-

IV. EMERGENCY CONTACTS

-SECONDARY-

NAME	123	NAME	124
Israr Refai		Albert Sepinoza	
TITLE	125	TITLE	126
Store Manager		Sales / Service	
BUSINESS PHONE	127	BUSINESS PHONE	128
408.255.2166		408.255.2166	
24-HOUR PHONE*	129	24-HOUR PHONE*	130
510.290.4047		408.903.6256	
PAGER #	131	PAGER #	132
Cell: 510.295.8336		NA	

ADDITIONAL LOCALLY COLLECTED INFORMATION:

Property Owner: _____ Phone No.: _____
Billing Address: 10931 North De Anza Blvd., Cupertino, CA. 95014

Certification: Based on my inquiry of those individuals responsible for obtaining the information, I certify under penalty of law that I have personally examined and am familiar with the information submitted and believe the information is true, accurate, and complete.

SIGNATURE OF BUSINESS OPERATOR OR DESIGNATED REPRESENTATIVE	133	DATE	134	NAME OF TAX RETURN PREPARER	135
		2.19.08		E.S.S. - C.J. Sims	
NAME OF SIGNER (print)	136	TITLE OF SIGNER	137		
Israr Refai		Store Manager			

* See instructions on next page.

**UNIFIED PROGRAM CONSOLIDATED FORM
FACILITY INFORMATION
BUSINESS ACTIVITIES**

08-0533

Page 1 of 1

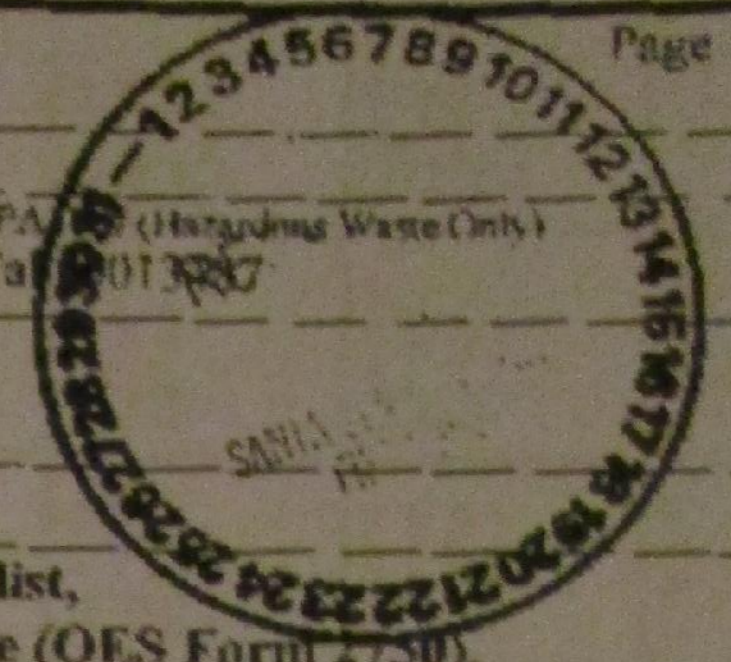
I. FACILITY IDENTIFICATION

FACILITY ID # _____
(Agency Use Only)

BUSINESS NAME (Same as Facility Name or DBA - Doing Business As)

The Goodyear Tire & Rubber Company (dba) Goodyear Auto Service Center #8773

HPA # _____ (Hazardous Waste Only)
Cal # 013807



II. ACTIVITIES DECLARATION

**NOTE: If you check YES to any part of this list,
please submit the Business Owner/Operator Identification page (OES Form 2750).**

Does your facility...	If Yes, please complete these pages of the UICF...	
<p>A. HAZARDOUS MATERIALS Have on site (for any purpose) hazardous materials at or above 55 gallons for liquids, 500 pounds for solids, or 200 cubic feet for compressed gases (include liquids in ASTs and USTs); or the applicable Federal threshold quantity for an extremely hazardous substance specified in 40 CFR Part 355, Appendix A or B; or handle radiological materials in quantities for which an emergency plan is required pursuant to 10 CFR Parts 30, 40 or 70?</p>	<p><input checked="" type="checkbox"/> YES <input type="checkbox"/> NO 4</p>	<p>HAZARDOUS MATERIALS INVENTORY - CHEMICAL DESCRIPTION (OES 2731)</p>
<p>B. UNDERGROUND STORAGE TANKS (UST's) 1. Own or operate underground storage tanks? 2. Intend to upgrade existing or install new UST's? 3. Need to report closing a UST?</p>	<p><input type="checkbox"/> YES <input checked="" type="checkbox"/> NO 5 <input type="checkbox"/> YES <input checked="" type="checkbox"/> NO 6 <input type="checkbox"/> YES <input checked="" type="checkbox"/> NO 7</p>	<p>UST FACILITY (Form by SWRCA Form A) UST TANK (one page per tank) (Form by Form B) UST FACILITY UST TANK (one per tank) UST INSTALLATION - CERTIFICATE OF COMPLIANCE (one page per tank) (Form by Form C) UST TANK (alternate provision - one page per tank)</p>
<p>C. ABOVE GROUND PETROLEUM STORAGE TANKS (AST's) Own or operate ASTs above these thresholds: —any tank capacity is greater than 660 gallons, or —the total capacity for the facility is greater than 1,320 gallons?</p>	<p><input type="checkbox"/> YES <input checked="" type="checkbox"/> NO 8</p>	<p>NO FORM REQUIRED TO CUPAS</p>
<p>D. HAZARDOUS WASTE: 1. Generate hazardous waste? 2. Recycle more than 100 kg/month of excluded or exempted recyclable materials (per HSC §25143.2)? 3. Treat hazardous waste on site? 4. Treatment subject to financial assurance requirements (for Permit by Rule and Conditional Authorization)? 5. Consolidate hazardous waste generated at a remote site? 6. Need to report the closure/removal of a tank that was classified as hazardous waste and cleaned onsite?</p>	<p><input checked="" type="checkbox"/> YES <input type="checkbox"/> NO 9 <input type="checkbox"/> YES <input checked="" type="checkbox"/> NO 10 <input type="checkbox"/> YES <input checked="" type="checkbox"/> NO 11 <input type="checkbox"/> YES <input checked="" type="checkbox"/> NO 12 <input type="checkbox"/> YES <input checked="" type="checkbox"/> NO 13 <input type="checkbox"/> YES <input checked="" type="checkbox"/> NO 14</p>	<p>EPA ID NUMBER - provide at the top of this page RECYCLABLE MATERIALS REPORT (one per receipt) ONSITE HAZARDOUS WASTE TREATMENT - FACILITY (Form by DTSC Form 1772) ONSITE HAZARDOUS WASTE TREATMENT - UNIT (one page per unit) (Form by DTSC Form 1772 A, B, C and L) CERTIFICATION OF FINANCIAL ASSURANCE (Form by DTSC Form 1237) REMOTE WASTE / CONSOLIDATION SITE ANNUAL NOTIFICATION (Form by DTSC Form 1238) HAZARDOUS WASTE TANK CLOSURE CERTIFICATION (Form by DTSC Form 1239)</p>
<p>E. LOCAL REQUIREMENTS</p>		

(You may also be required to provide additional information by your CUPA or local agency.)

Non-Waste Hazardous Materials Inventory Statement

08-0533

Date: 02/19/08

For use by Unidocs Member Agencies or where approved by your Local Jurisdiction

Business Name: **The Goodyear Tire & Rubber Company (dba) Goodyear Auto Service Center #8773** Type of Report on This Page: Add; Delete; Revise

Chemical Location: **As per location code** Page of
(One page per building or area)

EPCRA Confidential Location? Yes; No Facility ID #

Trade Secret Information? Yes; No (Agency Use Only)

1. Mat. Class	2. Map and Grid or Location Code	3. Common Name	4. Hazardous Components (For mixtures only)			5. Type and Physical State	6. Quantities			7. Storage Codes			9. Hazard Categories	
			Chemical Name	% Wt.	EHS		CAS No.	Max. Daily	Average Daily	Largest Cont.	Units	Storage Pressure		Storage Temp.
II	B Tire Storage	Motor Oil	Petroleum hydrocarbons	100	<input type="checkbox"/>	NA	<input type="checkbox"/> pure <input checked="" type="checkbox"/> mixture	280	100	280	<input checked="" type="checkbox"/> gallons <input type="checkbox"/> pounds <input type="checkbox"/> cu. feet <input type="checkbox"/> tons	<input checked="" type="checkbox"/> ambient <input type="checkbox"/> > amb. <input type="checkbox"/> < amb.	<input checked="" type="checkbox"/> ambient <input type="checkbox"/> > amb. <input type="checkbox"/> < amb. <input type="checkbox"/> cryogenic	<input checked="" type="checkbox"/> flammable <input type="checkbox"/> reactive <input type="checkbox"/> pressure release <input type="checkbox"/> acute health <input type="checkbox"/> chronic health <input type="checkbox"/> radioactive
		CAS No. NA <input type="checkbox"/> LHS					<input type="checkbox"/> solid <input checked="" type="checkbox"/> liquid <input type="checkbox"/> gas	Carton: (if radioactive) NA Days On Site: 365 Storage Container: C						
III	A Service Bay	Antifreeze	Ethylene Glycol	90	<input type="checkbox"/>	107-21-1	<input checked="" type="checkbox"/> pure <input type="checkbox"/> mixture	50	20	1	<input checked="" type="checkbox"/> gallons <input type="checkbox"/> pounds <input type="checkbox"/> cu. feet <input type="checkbox"/> tons	<input checked="" type="checkbox"/> ambient <input type="checkbox"/> > amb. <input type="checkbox"/> < amb.	<input checked="" type="checkbox"/> ambient <input type="checkbox"/> > amb. <input type="checkbox"/> < amb. <input type="checkbox"/> cryogenic	<input type="checkbox"/> flammable <input checked="" type="checkbox"/> reactive <input type="checkbox"/> pressure release <input type="checkbox"/> acute health <input type="checkbox"/> chronic health <input type="checkbox"/> radioactive
		CAS No. 107-21-1 <input type="checkbox"/> ERY					<input type="checkbox"/> solid <input checked="" type="checkbox"/> liquid <input type="checkbox"/> gas	Carton: (if radioactive) NA Days On Site: 365 Storage Container: N						
IV	B Tire Storage	R-12 Airconditioning Refrigerant	Dichlorodifluoromethane	100	<input type="checkbox"/>	75-71-8	<input checked="" type="checkbox"/> pure <input type="checkbox"/> mixture	30	30	30	<input checked="" type="checkbox"/> gallons <input type="checkbox"/> pounds <input type="checkbox"/> cu. feet <input type="checkbox"/> tons	<input type="checkbox"/> ambient <input checked="" type="checkbox"/> > amb. <input type="checkbox"/> < amb.	<input checked="" type="checkbox"/> ambient <input type="checkbox"/> > amb. <input type="checkbox"/> < amb. <input type="checkbox"/> cryogenic	<input type="checkbox"/> flammable <input checked="" type="checkbox"/> reactive <input type="checkbox"/> pressure release <input type="checkbox"/> acute health <input type="checkbox"/> chronic health <input type="checkbox"/> radioactive
		CAS No. 75-71-8 <input type="checkbox"/> KSS					<input type="checkbox"/> solid <input checked="" type="checkbox"/> liquid <input type="checkbox"/> gas	Carton: (if radioactive) NA Days On Site: 365 Storage Container: L						
VI	B Tire Storage	Transmission Fluid	Petroleum Hydrocarbons	100	<input type="checkbox"/>	NA	<input type="checkbox"/> pure <input checked="" type="checkbox"/> mixture	32	32	16	<input checked="" type="checkbox"/> gallons <input type="checkbox"/> pounds <input type="checkbox"/> cu. feet <input type="checkbox"/> tons	<input checked="" type="checkbox"/> ambient <input type="checkbox"/> > amb. <input type="checkbox"/> < amb.	<input checked="" type="checkbox"/> ambient <input type="checkbox"/> > amb. <input type="checkbox"/> < amb. <input type="checkbox"/> cryogenic	<input checked="" type="checkbox"/> flammable <input type="checkbox"/> reactive <input type="checkbox"/> pressure release <input type="checkbox"/> acute health <input type="checkbox"/> chronic health <input type="checkbox"/> radioactive
		CAS No. N/A <input type="checkbox"/> TBS					<input type="checkbox"/> solid <input checked="" type="checkbox"/> liquid <input type="checkbox"/> gas	Carton: (if radioactive) NA Days On Site: 365 Storage Container: D						
VII	E Office	Helium	Helium	100	<input type="checkbox"/>	7440-59-7	<input checked="" type="checkbox"/> pure <input type="checkbox"/> mixture	244	244	244	<input type="checkbox"/> gallons <input type="checkbox"/> pounds <input type="checkbox"/> cu. feet <input checked="" type="checkbox"/> tons	<input type="checkbox"/> ambient <input checked="" type="checkbox"/> > amb. <input type="checkbox"/> < amb.	<input checked="" type="checkbox"/> ambient <input type="checkbox"/> > amb. <input type="checkbox"/> < amb. <input type="checkbox"/> cryogenic	<input checked="" type="checkbox"/> flammable <input type="checkbox"/> reactive <input type="checkbox"/> pressure release <input type="checkbox"/> acute health <input type="checkbox"/> chronic health <input type="checkbox"/> radioactive
		CAS No. 7440-59-7 <input type="checkbox"/> EMS					<input type="checkbox"/> solid <input checked="" type="checkbox"/> liquid <input type="checkbox"/> gas	Carton: (if radioactive) N/A Days On Site: 365 Storage Container: J						
							<input type="checkbox"/> pure <input type="checkbox"/> mixture				<input type="checkbox"/> gallons <input type="checkbox"/> pounds <input type="checkbox"/> cu. feet <input type="checkbox"/> tons	<input type="checkbox"/> ambient <input type="checkbox"/> > amb. <input type="checkbox"/> < amb.	<input type="checkbox"/> ambient <input type="checkbox"/> > amb. <input type="checkbox"/> < amb. <input type="checkbox"/> cryogenic	<input type="checkbox"/> flammable <input type="checkbox"/> reactive <input type="checkbox"/> pressure release <input type="checkbox"/> acute health <input type="checkbox"/> chronic health <input type="checkbox"/> radioactive
							<input type="checkbox"/> solid <input checked="" type="checkbox"/> liquid <input type="checkbox"/> gas	Carton: (if radioactive)	Days On Site: 365	Storage Container: J				
							<input type="checkbox"/> pure <input type="checkbox"/> mixture				<input type="checkbox"/> gallons <input type="checkbox"/> pounds <input type="checkbox"/> cu. feet <input type="checkbox"/> tons	<input type="checkbox"/> ambient <input type="checkbox"/> > amb. <input type="checkbox"/> < amb.	<input type="checkbox"/> ambient <input type="checkbox"/> > amb. <input type="checkbox"/> < amb. <input type="checkbox"/> cryogenic	<input type="checkbox"/> flammable <input type="checkbox"/> reactive <input type="checkbox"/> pressure release <input type="checkbox"/> acute health <input type="checkbox"/> chronic health <input type="checkbox"/> radioactive

- Code Storage Type**
- A Aboveground Tank
- B Buried Tank
- C Tank Inside Building
- D Steel Drum
- E Flexible Intermediate Bulk Container
- F Can
- G Carboy
- H 5-gal
- I The Drum
- J Bag
- K Box
- L Cylinder
- M Glass Bottle or Jug
- N Plastic Bottle or Jug
- O Tote Bin
- P Tank Wagon
- Q Rail Car
- R Other

If EPCRA, sign below:

08-0533

Hazardous Waste Inventory Statement

For use by Unidocs Member Agencies or where approved by your Local Jurisdiction

Date: 02/18/08

Business Name: The Goodyear Tire & Rubber Company (dba) Goodyear Auto Service Center #8773
 Type of Report on This Page: Add; Delete; Revise
 Page 1 of 1
(Own page per building or area)

Chemical Location: As per location code
 EPCRA Confidential Location? Yes; No
 Trade Secret Information? Yes; No
 Facility ID #

1. Reg. Class	2. Map and Grid or Location Code	3. Waste Stream Name	4. Hazardous Components			5. Type and Physical State	6. Quantities			7. Annual Waste Amount	8. Units	9. Storage Codes		10. Hazard Categories	
			Chemical Name	% WL	EHS		CAS No.	Max. Daily	Average Daily			Largest Cont.	Storage Pressure		Storage Temp.
B	C Outside Fenced Storage Area	Used Motor Oil	Petroleum hydrocarbons	100	<input type="checkbox"/>	NA	<input checked="" type="checkbox"/> waste	245	100	245	4800	<input checked="" type="checkbox"/> gallons	<input checked="" type="checkbox"/> ambient	<input checked="" type="checkbox"/> ambient	<input checked="" type="checkbox"/> fire
		Management Method: <input checked="" type="checkbox"/> Shipped Off-site <input type="checkbox"/> Recycled On-site <input type="checkbox"/> Treated On-site					<input type="checkbox"/> solid <input checked="" type="checkbox"/> liquid <input type="checkbox"/> gas	Carries: (if radioactive) NA	Days On Site: 365	Storage Containers: A	State Waste Code: 221	<input type="checkbox"/> pounds <input type="checkbox"/> cu. feet <input type="checkbox"/> tons	<input type="checkbox"/> > amb <input type="checkbox"/> < amb	<input type="checkbox"/> > amb <input type="checkbox"/> < amb <input type="checkbox"/> cryogenic	<input type="checkbox"/> reactive <input type="checkbox"/> pressure release <input type="checkbox"/> acute health <input type="checkbox"/> chronic health <input type="checkbox"/> radioactive
B	A Service Bay	Used Antifreeze	Ethylene Glycol	60	<input type="checkbox"/>	107-21-1	<input checked="" type="checkbox"/> waste	180	90	45	400	<input checked="" type="checkbox"/> gallons	<input checked="" type="checkbox"/> ambient	<input checked="" type="checkbox"/> ambient	<input checked="" type="checkbox"/> fire
		Management Method: <input checked="" type="checkbox"/> Shipped Off-site <input checked="" type="checkbox"/> Recycled On-site <input type="checkbox"/> Treated On-site					<input type="checkbox"/> solid <input checked="" type="checkbox"/> liquid <input type="checkbox"/> gas	Carries: (if radioactive) NA	Days On Site: 365	Storage Containers: B	State Waste Code: 343	<input type="checkbox"/> pounds <input type="checkbox"/> cu. feet <input type="checkbox"/> tons	<input type="checkbox"/> > amb <input type="checkbox"/> < amb	<input type="checkbox"/> > amb <input type="checkbox"/> < amb <input type="checkbox"/> cryogenic	<input type="checkbox"/> reactive <input type="checkbox"/> pressure release <input checked="" type="checkbox"/> acute health <input type="checkbox"/> chronic health <input type="checkbox"/> radioactive
NA	A Service Bay	AutoWorks part wash (Replace Solvent part wash)	Parts Wash		<input type="checkbox"/>		<input checked="" type="checkbox"/> waste	16	16	16	192	<input checked="" type="checkbox"/> gallons	<input checked="" type="checkbox"/> ambient	<input checked="" type="checkbox"/> ambient	<input type="checkbox"/> fire
		Management Method: <input checked="" type="checkbox"/> Shipped Off-site <input type="checkbox"/> Recycled On-site <input type="checkbox"/> Treated On-site	Sodium Carbonate	<1.5	<input type="checkbox"/>	497-19-8	<input type="checkbox"/> solid <input checked="" type="checkbox"/> liquid <input type="checkbox"/> gas	Carries: (if radioactive) NA	Days On Site: 365	Storage Containers: D	State Waste Code: NA	<input type="checkbox"/> pounds <input type="checkbox"/> cu. feet <input type="checkbox"/> tons	<input type="checkbox"/> > amb <input type="checkbox"/> < amb	<input type="checkbox"/> > amb <input type="checkbox"/> < amb <input type="checkbox"/> cryogenic	<input type="checkbox"/> reactive <input type="checkbox"/> pressure release <input checked="" type="checkbox"/> acute health <input type="checkbox"/> chronic health <input type="checkbox"/> radioactive
		Management Method: <input type="checkbox"/> Shipped Off-site <input type="checkbox"/> Recycled On-site <input type="checkbox"/> Treated On-site	Alcohols	<1.5	<input type="checkbox"/>	68439-46-3	<input type="checkbox"/> solid <input checked="" type="checkbox"/> liquid <input type="checkbox"/> gas	Carries: (if radioactive) NA	Days On Site: 365	Storage Containers: D	State Waste Code: NA	<input type="checkbox"/> pounds <input type="checkbox"/> cu. feet <input type="checkbox"/> tons	<input type="checkbox"/> > amb <input type="checkbox"/> < amb	<input type="checkbox"/> > amb <input type="checkbox"/> < amb <input type="checkbox"/> cryogenic	<input type="checkbox"/> reactive <input type="checkbox"/> pressure release <input type="checkbox"/> acute health <input type="checkbox"/> chronic health <input type="checkbox"/> radioactive
		Management Method: <input type="checkbox"/> Shipped Off-site <input type="checkbox"/> Recycled On-site <input type="checkbox"/> Treated On-site	Trimethylhexanoic Acids	<1.5	<input type="checkbox"/>	3302-10-1	<input type="checkbox"/> solid <input checked="" type="checkbox"/> liquid <input type="checkbox"/> gas	Carries: (if radioactive) NA	Days On Site: 365	Storage Containers: D	State Waste Code: NA	<input type="checkbox"/> pounds <input type="checkbox"/> cu. feet <input type="checkbox"/> tons	<input type="checkbox"/> > amb <input type="checkbox"/> < amb	<input type="checkbox"/> > amb <input type="checkbox"/> < amb <input type="checkbox"/> cryogenic	<input type="checkbox"/> fire <input type="checkbox"/> reactive <input type="checkbox"/> pressure release <input type="checkbox"/> acute health <input type="checkbox"/> chronic health <input type="checkbox"/> radioactive
		Management Method: <input type="checkbox"/> Shipped Off-site <input type="checkbox"/> Recycled On-site <input type="checkbox"/> Treated On-site					<input type="checkbox"/> solid <input checked="" type="checkbox"/> liquid <input type="checkbox"/> gas	Carries: (if radioactive) NA	Days On Site: 365	Storage Containers: D	State Waste Code: NA	<input type="checkbox"/> pounds <input type="checkbox"/> cu. feet <input type="checkbox"/> tons	<input type="checkbox"/> > amb <input type="checkbox"/> < amb	<input type="checkbox"/> > amb <input type="checkbox"/> < amb <input type="checkbox"/> cryogenic	<input type="checkbox"/> fire <input type="checkbox"/> reactive <input type="checkbox"/> pressure release <input type="checkbox"/> acute health <input type="checkbox"/> chronic health <input type="checkbox"/> radioactive
		Management Method: <input type="checkbox"/> Shipped Off-site <input type="checkbox"/> Recycled On-site <input type="checkbox"/> Treated On-site						<input type="checkbox"/> solid <input checked="" type="checkbox"/> liquid <input type="checkbox"/> gas	Carries: (if radioactive) NA	Days On Site: 365	Storage Containers: D	State Waste Code: NA	<input type="checkbox"/> pounds <input type="checkbox"/> cu. feet <input type="checkbox"/> tons	<input type="checkbox"/> > amb <input type="checkbox"/> < amb	<input type="checkbox"/> > amb <input type="checkbox"/> < amb <input type="checkbox"/> cryogenic

* Legend:

A	Approved Tank	M	Steel Drum	G	Can	J	Bag	N	Glass Bottle or Jug	P	Tank Wagon
B	Belowground Tank	E	Plastic/Nonmetallic Drum	H	Bin	K	Box	F	Plastic Bottle or Jug	Q	Mail Car
C	Tank Inside Building	F	Can	I	Fiber Drum	L	Cylinder	O	Tote Bin	R	Other

If EPCRA, sign below:

Aboveground Separation, Containment, and Monitoring Plan

(Appendix to Hazardous Materials Business Plan)

09-1533

Complete one column for each aboveground storage area shown on the Hazardous Materials Business Plan Storage Map(s). Write the appropriate location code in the box provided at the top of each column, then moving down the column, check all boxes which apply to that location. Make additional copies of this page if needed.

Location	A=Service Bays	B=Tire Storage	C=Outside Storage	D=Showroom	Office(s)
Storage Type	<input checked="" type="checkbox"/> Inside building <input type="checkbox"/> Outside storage shed <input type="checkbox"/> Outdoors	<input checked="" type="checkbox"/> Inside building <input type="checkbox"/> Outside storage shed <input type="checkbox"/> Outdoors	<input type="checkbox"/> Inside building <input checked="" type="checkbox"/> Outside storage shed <input checked="" type="checkbox"/> Outdoors	<input checked="" type="checkbox"/> Inside building <input type="checkbox"/> Outside storage shed <input type="checkbox"/> Outdoors	<input checked="" type="checkbox"/> Inside building <input type="checkbox"/> Outside storage shed <input type="checkbox"/> Outdoors
Primary Containment	<input checked="" type="checkbox"/> Original containers <input type="checkbox"/> Safety cans <input checked="" type="checkbox"/> Inside machinery <input type="checkbox"/> Drums/barrels <input type="checkbox"/> Pressure vessels <input type="checkbox"/> Bulk tanks <input type="checkbox"/> Aboveground piping <input checked="" type="checkbox"/> Other	<input checked="" type="checkbox"/> Original containers <input type="checkbox"/> Safety cans <input checked="" type="checkbox"/> Inside machinery <input checked="" type="checkbox"/> Drums/barrels <input checked="" type="checkbox"/> Pressure vessels <input checked="" type="checkbox"/> Bulk tanks <input type="checkbox"/> Aboveground piping <input type="checkbox"/> Other	<input type="checkbox"/> Original containers <input type="checkbox"/> Safety cans <input type="checkbox"/> Inside machinery <input type="checkbox"/> Drums/barrels <input type="checkbox"/> Pressure vessels <input checked="" type="checkbox"/> Bulk tanks <input type="checkbox"/> Aboveground piping <input checked="" type="checkbox"/> Other	<input type="checkbox"/> Original containers <input type="checkbox"/> Safety cans <input type="checkbox"/> Inside machinery <input type="checkbox"/> Drums/barrels <input type="checkbox"/> Pressure vessels <input type="checkbox"/> Bulk tanks <input type="checkbox"/> Aboveground piping <input type="checkbox"/> Other	<input checked="" type="checkbox"/> Original containers <input type="checkbox"/> Safety cans <input type="checkbox"/> Inside machinery <input type="checkbox"/> Drums/barrels <input checked="" type="checkbox"/> Pressure vessels <input type="checkbox"/> Bulk tanks <input type="checkbox"/> Aboveground piping <input type="checkbox"/> Other
Secondary Containment	<input checked="" type="checkbox"/> Approved cabinets <input type="checkbox"/> Secondary drum <input type="checkbox"/> Tray <input checked="" type="checkbox"/> Bermed & coated floor <input type="checkbox"/> Tank vault <input type="checkbox"/> Secondary piping or piping trench <input type="checkbox"/> Other	<input checked="" type="checkbox"/> Approved cabinets <input checked="" type="checkbox"/> Secondary drum <input type="checkbox"/> Tray <input checked="" type="checkbox"/> Bermed & coated floor <input type="checkbox"/> Tank vault <input type="checkbox"/> Secondary piping or piping trench <input type="checkbox"/> Other	<input type="checkbox"/> Approved cabinets <input checked="" type="checkbox"/> Secondary drum <input type="checkbox"/> Tray <input type="checkbox"/> Bermed & coated floor <input type="checkbox"/> Tank vault <input type="checkbox"/> Secondary piping or piping trench <input type="checkbox"/> Other	<input type="checkbox"/> Approved cabinets <input type="checkbox"/> Secondary drum <input type="checkbox"/> Tray <input type="checkbox"/> Bermed & coated floor <input type="checkbox"/> Tank vault <input type="checkbox"/> Secondary piping or piping trench <input type="checkbox"/> Other	<input type="checkbox"/> Approved cabinets <input type="checkbox"/> Secondary drum <input type="checkbox"/> Tray <input type="checkbox"/> Bermed & coated floor <input type="checkbox"/> Tank vault <input type="checkbox"/> Secondary piping or piping trench <input type="checkbox"/> Other
Separation	<input type="checkbox"/> All materials compatible <input type="checkbox"/> One-hour separation wall/partition <input checked="" type="checkbox"/> Separation by at least 20 feet <input type="checkbox"/> Approved cabinets <input type="checkbox"/> Other	<input checked="" type="checkbox"/> All materials compatible <input type="checkbox"/> One-hour separation wall/partition <input checked="" type="checkbox"/> Separation by at least 20 feet <input type="checkbox"/> Approved cabinets <input type="checkbox"/> Other	<input type="checkbox"/> All materials compatible <input type="checkbox"/> One-hour separation wall/partition <input type="checkbox"/> Separation by at least 20 feet <input type="checkbox"/> Approved cabinets <input type="checkbox"/> Other	<input checked="" type="checkbox"/> All materials compatible <input type="checkbox"/> One-hour separation wall/partition <input type="checkbox"/> Separation by at least 20 feet <input type="checkbox"/> Approved cabinets <input type="checkbox"/> Other	<input type="checkbox"/> All materials compatible <input type="checkbox"/> One-hour separation wall/partition <input type="checkbox"/> Separation by at least 20 feet <input type="checkbox"/> Approved cabinets <input type="checkbox"/> Other
Monitoring Type	<input checked="" type="checkbox"/> Visual <input type="checkbox"/> Automatic sensors <input type="checkbox"/> Other	<input checked="" type="checkbox"/> Visual <input type="checkbox"/> Automatic sensors <input type="checkbox"/> Other	<input checked="" type="checkbox"/> Visual <input type="checkbox"/> Automatic sensors <input type="checkbox"/> Other	<input checked="" type="checkbox"/> Visual <input type="checkbox"/> Automatic sensors <input type="checkbox"/> Other	<input checked="" type="checkbox"/> Visual <input type="checkbox"/> Automatic sensors <input type="checkbox"/> Other
Monitoring Frequency	<input checked="" type="checkbox"/> Daily <input type="checkbox"/> Weekly <input type="checkbox"/> Monthly <input type="checkbox"/> Continuous <input type="checkbox"/> Other	<input checked="" type="checkbox"/> Daily <input type="checkbox"/> Weekly <input type="checkbox"/> Monthly <input type="checkbox"/> Continuous <input type="checkbox"/> Other	<input checked="" type="checkbox"/> Daily <input type="checkbox"/> Weekly <input type="checkbox"/> Monthly <input type="checkbox"/> Continuous <input type="checkbox"/> Other	<input checked="" type="checkbox"/> Daily <input type="checkbox"/> Weekly <input type="checkbox"/> Monthly <input type="checkbox"/> Continuous <input type="checkbox"/> Other	<input checked="" type="checkbox"/> Daily <input type="checkbox"/> Weekly <input type="checkbox"/> Monthly <input type="checkbox"/> Continuous <input type="checkbox"/> Other

In the space provided below, describe the location, type, manufacturer's specifications (if applicable) and suitability of any monitoring methods used other than visual monitoring. Attach additional pages if needed:

All Monitoring is performed visually

Emergency Response/Contingency Plan

(Hazardous Materials Business Plan Module)

Authority Cited: HSC, Section 25504(b); Title 22, Div. 4.5, Ch. 12, Art. 3 CCR

08-00

Page ___ of ___

All facilities that handle hazardous materials in specified quantities must have a written emergency response plan. In addition, facilities that generate 1,000 kilograms or more of hazardous waste per month, or accumulate more than 6,000 kilograms of hazardous waste on-site at any one time, must prepare a contingency plan. Because the requirements are similar, they have been combined in a single document, provided below, for your convenience. This plan is a required module of the Hazardous Materials Business Plan (HMBP). If you already have a plan that meets these requirements, you should not complete the blank plan, below, but you must include a copy of your existing plan as part of your HMBP.

This site-specific Emergency Response/Contingency Plan is the facility's plan for dealing with emergencies and shall be implemented immediately whenever there is a fire, explosion, or release of hazardous materials that could threaten human health and/or the environment. At least one copy of the plan shall be maintained at the facility for use in the event of an emergency and for inspection by the local agency. Within Santa Clara County, hospitals and police agencies have delegated receipt of these plans to the local agencies administering Hazardous Materials Business Plans, so additional copies need not be submitted. However, a copy of the plan and any revisions must be provided to any contractor, hospital, or agency with whom special (i.e. contractual) emergency services arrangements have been made (see section 3, below).

I. Evacuation Plan:

a. The following alarm signal(s) will be used to begin evacuation of the facility (check all that apply):

Bells; Horns/Sirens; Verbal (i.e. shouting); Other (specify) _____

b. Evacuation map is prominently displayed throughout the facility.

Note: A properly completed HMBP Site Plan satisfies contingency plan map requirements. This drawing (or any other drawing that shows primary and alternate evacuation routes, emergency exits, and primary and alternate staging areas) must be prominently posted throughout the facility in locations where it will be visible to employees and visitors.

2. a. Emergency Contacts*:

Fire/Police/Ambulance Phone No. 911
State Office of Emergency Services Phone No. (800) 852-7550

b. Post-Incident Contacts*:

Fire Department Hazardous Materials Program Phone No.: (408) 378-4010
Santa Clara County Hazardous Materials Compliance Division Phone No. (408) 918-3400
California EPA Department of Toxic Substances Control Phone No. (510) 540-3739
Cal-OSHA Division of Occupational Safety and Health Phone No. (408) 452-7288
Air Quality Management District Phone No. (415) 771-6000
Regional Water Quality Control Board Phone No. (510) 622-2300

* These telephone numbers are provided as a general aid to emergency notification. Be advised that additional agencies may be required to be notified.

c. Emergency Resources:

Poison Control Center Phone No. (800) 876-4766
Nearest Hospital: Name: Cupertino Medical Center Phone No.: (408) 996-8656
Address: 202089 Stevens Creek Blvd. City: Cupertino

3. Arrangements With Emergency Responders:

If you have made special (i.e. contractual) arrangements with any police department, fire department, hospital, contractor, or State or local emergency response team to coordinate emergency services, describe those arrangements below:

None at this time.

08-0533

4. Emergency Procedures:Emergency Coordinator Responsibilities:

- a. Whenever there is an imminent or actual emergency situation such as an explosion, fire, or release, the emergency coordinator (or his/her designee when the emergency coordinator is on call) shall:
- Identify the character, exact source, amount, and areal extent of any released hazardous materials.
 - Assess possible hazards to human health or the environment that may result from the explosion, fire, or release. This assessment must consider both direct and indirect effects (e.g. the effects of any toxic, irritating, or asphyxiating gases that are generated, the effects of any hazardous surface water run-off from water or chemical agents used to control fire, etc.).
 - Activate internal facility alarms or communications systems, where applicable, to notify all facility personnel.
 - Notify appropriate local authorities (i.e. call 911).
 - Notify the State Office of Emergency Services at 1-800-852-7550.
 - Monitor for leaks, pressure build-up, gas generation, or ruptures in valves, pipes, or other equipment shut down in response to the incident.
 - Take all reasonable measures necessary to ensure that fires, explosions, and releases do not occur, recur, or spread to other hazardous materials at the facility.
- b. Before facility operations are resumed in areas of the facility affected by the incident, the emergency coordinator shall:
- Provide for proper storage and disposal of recovered waste, contaminated soil or surface water, or any other material that results from a explosion, fire, or release at the facility.
 - Ensure that no material that is incompatible with the released material is transferred, stored, or disposed of in areas of the facility affected by the incident until cleanup procedures are completed.
 - Ensure that all emergency equipment is cleaned, fit for its intended use, and available for use.
 - Notify the California Environmental Protection Agency's Department of Toxic Substances Control, the County of Santa Clara's Hazardous Materials Compliance Division, and the local fire department's hazardous materials program that the facility is in compliance with requirements b-i and b-ii, above.

Responsibilities of Other Personnel:

(On a separate page, list any emergency response functions not covered in the "Emergency Coordinator Responsibilities" section, above. Next to each function, list the job title or name of each person responsible for performing the function. Number the page(s) appropriately.)

5. Post-Incident Reporting/Recording:

The time, date, and details of any hazardous materials incident that requires implementation of this plan shall be noted in the facility's operating record.

Within 15 days of any hazardous materials emergency incident or threatened hazardous materials emergency incident that triggers implementation of this plan, a written Emergency Incident Report, including, but not limited to a description of the incident and the facility's response to the incident, must be submitted to the California Environmental Protection Agency's Department of Toxic Substances Control, the County of Santa Clara's Hazardous Materials Compliance Division, and the local fire department's hazardous materials program. The report shall include:

- Name, address, and telephone number of the facility's owner/operator;
- Name, address, and telephone number of the facility;
- Date, time, and type of incident (e.g. fire, explosion, etc.);
- Name and quantity of material(s) involved;
- The extent of injuries, if any;
- An assessment of actual or potential hazards to human health or the environment, where this is applicable;
- Estimated quantity and disposition of recovered material that resulted from the incident;
- Cause(s) of the incident;
- Actions taken in response to the incident;
- Administrative or engineering controls designed to prevent such incidents in the future.

6. Earthquake Vulnerability: [19 CFR §273.1(e)]

Identify any areas of the facility and mechanical or other systems that require immediate inspection or isolation because of their vulnerability to earthquake-related ground motion:

Hazardous material & waste storage locations, associated piping, pressure vessels, utility connections. New tire storage racks, alignment bay area and hydraulic car lifts.

08-0533

HAZARDOUS MATERIAL EMERGENCY RESPONSE PLAN

The following constitutes the Hazardous Material Emergency Response Plan for the Goodyear Auto Service Center (the facility). The facility is a tire retail sales store that also performs general automotive maintenance.

Emergency Response Team: YES; but limited

The emergency response team, made of trained employees, will be notified by direct voice. The store manager (the primary contact) will assess the situation, and determine the proper procedure for controlling the release. If the release is beyond the capabilities of the trained employees an off-site emergency release contractor will be notified.

Prevention / Mitigation / Abatement:

Prevention:

To prevent a spill or release, hazardous materials are kept in proper storage containers, and separated from other incompatible materials. New motor oil and waste motor oil are stored in double wall Above ground Storage Tanks (AST). Hazardous Materials Storage Areas are visually inspected daily by the primary contact. These storage areas are posted with warning signs of the potential hazard known to exist with each material. All hazardous waste generated at this site, are picked up for off-site recycling on a regular basis. Disposal manifests records are available on site.

Mitigation for a Hazardous Material Spill or Release:

For spill or leak greater than 1 gallon, the observer of the incident will notify the primary contact. The primary contact, will secure the area, arrange to shut off equipment & utilities and report the incident to appropriate parties and agencies. Dry absorbent will be placed at spill boundaries, drains will be blocked, sources of ignition will be removed, and the area will be ventilated and cleared of other hazards. Absorbent will be used for small spills and then placed in an acceptable container for future off-site disposal.

Abatement

Spill/release: For spills or leaks greater the 1 gallon, the observer of the incident will notify the primary contact. The primary contact will secure the area, arrange to shut-off equipment and utilities and report the incident to the appropriate parties and agencies. Dry absorbent will be placed at spill boundary, drains will be blocked, sources of ignition will be removed, the area will be ventilated and cleared of other hazards.

Absorbent will be used for small spills and then placed in an acceptable container for future off-site disposal. In the event of a large hazardous material release, the primary contact will arrange for further containment, clean up and disposal by qualified professionals.

Employee Evacuation / Notification:

The primary contact will notify by direct voice to evacuate all nonessential employees and customers to the predetermined assembly area. Employees are to shut off the equipment in their immediate work area and proceed to the staging/assembly area, through the nearest safe exit.

Once at the assembly area the Primary Contact will contact the Fire Department (911) and /or the appropriate agency, to report the type, approximate quantity and location of the hazardous material involved. The primary contact will perform a head count of all persons (employees, customers and contractors) known to have been at the facility. Employees will be releases back to their work areas only after they have been advised it is safe to do so.

08-11533

Hazardous Material Business Plan Location

This Hazardous Material Business Plan (HMBP) is the facility's Business Emergency Plan. A copy of the HMBP is located in the Manager's Office at the facility. Additional copies may be maintained for Health and Safety Training, along with all other related records such as employee training, form reports for releases & maintenance records.

Facility Training Plan

All employees are provided with initial and continuing safety and emergency response training. Training is conducted by verbal instructions and hands-on experience. All employees are trained as follows: Hazardous communication, conducting on-site notification of emergencies, the location and content of this plan, evacuation and re-entry procedures, the location and contents of the first aid kit, procedures for spill mitigation.

Employees that may handle hazardous materials are trained as follows: Knowledge of each chemical handled including location of MSDS, safe storage and handling methods, use of personal protective equipment, use of fire and spill control equipment.

Employee(s) that will respond to emergencies are trained in the following: Spill containment procedures, shutdown procedures, use and maintenance of emergency equipment. Training will be documented on forms describing the nature of the training, date of the training, and topics discussed. The trainees and trainers are required to date and sign training forms to verify that he/she attended and the training session. Training documents will be retained for three years.

Emergency Procedures:

The duties of the *Emergency Response Coordinator (Primary Contact)* are to notify all employees, customers, and contractors to evacuate the facility (or secure and isolate a hazardous area) during an emergency. The Primary Contact will instruct all individuals to assemble at a predetermined staging area, where a head count will be performed. The Primary Contact is responsible to contact emergency services (Fire Department, Rescue, Etc.). First aid will be performed at this location.

Depending on the severity of the incident, designated employees may assist in the mitigation & abatement procedures. If a spill, release or incident is beyond to capabilities of the Primary Contact and the trained employees, an off-site qualified professional contractor & appropriate agencies will be contacted.

ADDITIONAL EMERGENCY RESPONSE INFORMATION

Facility Emergency Equipment

Employees are supplied with the necessary personal protection equipment required for handling each hazardous material at this facility including the following: Changeable uniforms, gloves, rubber gloves, and safety glasses. Fire extinguishers are available throughout the facility. Absorbent material, shovels, mops and brooms are stored on site to respond to a leak or spill. Metal drums, labeled by contents, will be used to store used absorbent materials until future off-site disposal.

08-0533

Fire Equipment/Response Procedures:

Any employee who sees a fire burning out of control will notify others, evacuate the facility and call the fire department. In the event of a small fire, trained employees may attempt to put out the fire with available fire extinguishers.

Small Fire: Trained employees may attempt to put out the fire with a fire extinguisher, available at multiple locations throughout the facility. **DO NOT USE WATER!** The trained employee is to remove the fire extinguisher from the wall mount, pull the pin, aim nozzle at the base of the flame, and spray the fire with a sweeping motion. To prevent re-ignition, turn off all power supplies, including air compressors.

Large Fire: Notify by direct voice all employees and customers to evacuate to the assembly area, outside the building. The primary contact will notify the fire department (911). The Primary Contact will perform a head count & arrange for medical attention if necessary.

Earthquakes

In the event of an earthquake, **WAIT OUT SAFETY** and follow the earthquake procedures posted in the facility. After the earthquake, promptly proceed to the assembly area, where the primary contact will check for injuries, apply first aid if required or arrange for professional medical treatment. Stay calm and be prepared for aftershocks. The primary contact will perform a head count to identify any missing personnel or customers.

When it is safe to re-enter the building, which may need to be determined by a professional, depending on the severity of the earthquake, clean up any spilled materials and place compatible materials in appropriate containers for off-site disposal. Label and date all spill containers by material for off-site disposal.

The primary contact or an assigned qualified professional will check for structural damage to the facility, gas and water leaks, and broken electrical wiring or sewage lines. The appropriate agency or contractor will be contacted depending on the nature or severity of the damage.

Employee Training Plan

(Hazardous Materials Business Plan Module)

Authority Cited: HSC, Section 25504(e): Title 22, Div. 4.5, Ch. 12, Art. 3 CCR

Page ___ of ___

All facilities that handle hazardous materials must have a written employee training plan. This plan is a required module of the Hazardous Materials Business Plan (HMBP). A blank plan has been provided below for you to complete and submit if you do not already have such a plan. If you already have a brief written description of your training program that addresses all subjects covered below, you are not required to complete the blank plan, below, but you must include a copy of your existing document as part of your HMBP.

Check all boxes that apply. [Note: Items marked with an asterisk (*) are required.]:

1. Personnel are trained in the following procedures:

<input checked="" type="checkbox"/> Internal alarm/notification *
<input checked="" type="checkbox"/> Evacuation/re-entry procedures & assembly point locations*
<input checked="" type="checkbox"/> Emergency incident reporting
<input checked="" type="checkbox"/> External emergency response organization notification
<input checked="" type="checkbox"/> Location(s) and contents of Emergency Response/Contingency Plan
<input checked="" type="checkbox"/> Facility evacuation drills, that are conducted at least (specify) <u>Once a year</u> (e.g. "Quarterly", etc.)

2. Chemical Handlers are additionally trained in the following:

<input checked="" type="checkbox"/> Safe methods for handling and storage of hazardous materials *
<input checked="" type="checkbox"/> Location(s) and proper use of fire and spill control equipment
<input checked="" type="checkbox"/> Spill procedures/emergency procedures
<input checked="" type="checkbox"/> Proper use of personal protective equipment *
<input checked="" type="checkbox"/> Specific hazard(s) of each chemical to which they may be exposed, including routes of exposure (i.e. inhalation, ingestion, absorption) *
<input checked="" type="checkbox"/> Hazardous Waste Handlers/Managers are trained in all aspects of hazardous waste management specific to their job duties (e.g. container accumulation time requirements, labeling requirements, storage area inspection requirements, manifesting requirements, etc.) *

3. Emergency Response Team Members are capable of and engaged in the following:

<input type="checkbox"/> Personnel rescue procedures
<input checked="" type="checkbox"/> Shutdown of operations
<input checked="" type="checkbox"/> Liaison with responding agencies
<input checked="" type="checkbox"/> Use, maintenance, and replacement of emergency response equipment
<input checked="" type="checkbox"/> Refresher training, which is provided at least annually *
<input checked="" type="checkbox"/> Emergency response drills, which are conducted at least (specify) <u>Once a year</u> (e.g. "Quarterly", etc.)

7. Emergency Equipment:

22 CFR §66265.52(e) [as referenced by 22 CFR §66262.34(a)(4)] and the Hazardous Materials Storage Containment and Security emergency equipment at the facility he listed. Completion of the following Emergency Equipment Inventory Table meets the requirement.

08-1153

EMERGENCY EQUIPMENT INVENTORY TABLE

1. Equipment Category	2. Equipment Type	3. Locations *	4. Description **
Personal Protective Equipment, Safety Equipment, and First Aid Equipment	<input type="checkbox"/> Cartridge Respirators		
	<input type="checkbox"/> Chemical Monitoring Equipment (describe)		
	<input checked="" type="checkbox"/> Chemical Protective Aprons/Coats	Service bays	PPE for battery handling
	<input type="checkbox"/> Chemical Protective Boots		
	<input checked="" type="checkbox"/> Chemical Protective Gloves	Service bays	PPE for oil handling
	<input type="checkbox"/> Chemical Protective Suits (describe)		
	<input checked="" type="checkbox"/> Face Shields	Service bays	
	<input checked="" type="checkbox"/> First Aid Kits/Stations (describe)	Service bays	Basic supplies
	<input type="checkbox"/> Hard Hats		
	<input type="checkbox"/> Plumbed Eye Wash Stations		
	<input checked="" type="checkbox"/> Portable Eye Wash Kits (i.e. bottle type)	Service bays	General use
	<input type="checkbox"/> Respirator Cartridges (describe)		
	<input checked="" type="checkbox"/> Safety Glasses/Splash Goggles	Service bays	General use
	<input type="checkbox"/> Safety Showers		
Fire Extinguishing Systems	<input type="checkbox"/> Automatic Fire Sprinkler Systems		
	<input type="checkbox"/> Fire Alarm Boxes/Stations		
	<input type="checkbox"/> Fire Extinguisher Systems (describe)		
	<input checked="" type="checkbox"/> Other (describe)	Throughout Tire storage	Hand held fire extinguishers Speedy Dry or equal
Spill Control Equipment and Decontamination Equipment	<input checked="" type="checkbox"/> Absorbents (describe)		
	<input type="checkbox"/> Berms/Dikes (describe)		
	<input type="checkbox"/> Decontamination Equipment (describe)		
	<input type="checkbox"/> Emergency Tanks (describe)		
	<input type="checkbox"/> Exhaust Hoods		
	<input type="checkbox"/> Gas Cylinder Leak Repair Kits (describe)		
	<input checked="" type="checkbox"/> Neutralizers (describe)	Service bays	Battery related
	<input type="checkbox"/> Overpack Drums		
Communications and Alarm Systems	<input type="checkbox"/> Chemical Alarms (describe)		
	<input type="checkbox"/> Intercom/ P/A Systems		
	<input type="checkbox"/> Portable Radios		
	<input checked="" type="checkbox"/> Telephones		
	<input type="checkbox"/> Underground Tank Leak Detection Monitors		
	<input type="checkbox"/> Other (describe)		
Additional Equipment	<input checked="" type="checkbox"/> Broom, Shovel	Tire storage	Used absorbent handling
	<input checked="" type="checkbox"/> Drum	Tire storage	Temporary storage of spent absorbent for future off-site disposal
(Use Additional Pages if needed)	<input type="checkbox"/>		
	<input type="checkbox"/>		
	<input type="checkbox"/>		
	<input type="checkbox"/>		

* Use the map and grid numbers from the Storage Map prepared earlier for your HMBP.
 ** Describe the equipment and its capabilities. If applicable, specify any testing/maintenance procedures/intervals. Attach additional pages, numbered appropriately, if needed.

Record Keeping
(Hazardous Materials Business Plan Module)

08-05-33

All facilities that handle hazardous materials must maintain records associated with their management. A summary of your recordkeeping procedures is a required module of the Hazardous Materials Business Plan (HMBP). A blank summary has been provided below for you to complete and submit if you do not already have such a document. If you already have a brief written description of your hazardous materials recordkeeping systems that addresses all subjects covered below, you are not required to complete this page, but you must include a copy of your existing document as part of your HMBP.

Check all boxes that apply. The following records are maintained at the facility. [Note: Items marked with an asterisk (*) are required.]:

- | | |
|-------------------------------------|--|
| <input checked="" type="checkbox"/> | Current employees' training records (to be retained until closure of the facility) * |
| <input checked="" type="checkbox"/> | Former employees' training records (to be retained at least three years after termination of employment) * |
| <input checked="" type="checkbox"/> | Training Program(s) (i.e. written description of introductory and continuing training) * |
| <input checked="" type="checkbox"/> | Current copy of this Emergency Response/Contingency Plan * |
| <input checked="" type="checkbox"/> | Record of recordable/reportable hazardous material/waste releases * |
| <input checked="" type="checkbox"/> | Record of hazardous material/waste storage area inspections * |
| <input checked="" type="checkbox"/> | Record of hazardous waste tank daily inspections * |
| <input checked="" type="checkbox"/> | Description and documentation of facility emergency response drills |

Note: The above list of records does not necessarily identify every type of record required to be maintained by the facility.

A copy of the Inspection Check Sheet(s) or Log(s) used in conjunction with required routine self-inspections of your facility must be submitted with your HMBP. (Exception: Available from your local agency is a Hazardous Materials/Waste Storage Area Inspection Form that you may use if you do not already have your own form. If you use the example provided, you do not need to attach a copy.)

Check the appropriate box:

- | | |
|-------------------------------------|--|
| <input checked="" type="checkbox"/> | We will use the Unidocs "Hazardous Materials/Waste Storage Area Inspection Form" to document inspections. |
| <input type="checkbox"/> | We will use our own documents to record inspections. (A blank copy of each document used must be attached to this HMBP.) |

SI, Q1, ZC

13-2928

California Environmental Reporting System (CERS)

Business Owner Operator

Facility/Site
GOODYEAR TIRE & RUBBER CO
 10931 N DE ANZA BL
 CUPERTINO, CA 95014

CERS ID
10344415

Submittal Status
 Submitted on 9/11/2013 by Anthony DeSanto of The Goodyear Tire and Rubber Company (Akron, Oh)

Identification

GOODYEAR TIRE & RUBBER CO			Beginning Date	Ending Date	
Operator Phone	Business Phone	Business Fax	9/11/2013		
(408) 255-2166	(408) 255-2166		Dun & Bradstreet	SIC Code	Primary NAICS
			004467924	7538	81111

Facility/Site Mailing Address
 10931 N DE ANZA BL
 CUPERTINO, CA 95014

Primary Emergency Contact
 Dale Berninghausen
Title
 Store Manager
Business Phone (408) 255-2166
24-Hour Phone (408) 242-7289
Pager Number

Owner
 GOODYEAR TIRE & RUBBER CO
 (330) 796-7202
 200 Innovation Way
 Akron, oh 44316

Secondary Emergency Contact
 Albert Espinoza
Title
 Service Manager
Business Phone (408) 255-2166
24-Hour Phone (408) 903-6256
Pager Number

Billing Contact
 Larry Robert
 (330) 796-7860
 200 Innovation Way, Dept 704
 Akron, oh 44316
 a robert@goodyear.com

Environmental Contact
 Anthony DeSanto
 (330) 796-2490
 200 Innovation Way, Dept 704
 Akron, OH 44316
 anthony_desanto@goodyear.com

Name of Signer Anthony DeSanto	Signer Title EHS Manager	Document Preparer Anthony DeSanto
Additional Information		

Locally-collected Fields
 Some or all of the following fields may be required by your local regulator(s).

Property Owner JOHN T VIDOVICH MARY JANE VIDOVICH Phone Mailing Address Sunnyvale, CA 94087	Assessor Parcel Number (APN) Number of Employees 10 Facility ID
--	---

SI, Q1, EC

13-2928

Facility/Site GOODYEAR TIRE & RUBBER CO 10931 N DE ANZA BL CUPERTINO, CA 95014	CERS ID 10344415
--	----------------------------

Submittal Status
 Submitted on 9/11/2013 by Anthony DeSanto of The Goodyear Tire and Rubber Company (Akron, Oh)

Identification			Beginning Date	Ending Date	
GOODYEAR TIRE & RUBBER CO			9/11/2013		
Operator Phone	Business Phone	Business Fax	Dun & Bradstreet	SIC Code	Primary NAICS
(408) 255-2166	(408) 255-2166		004467924	7538	81111

Facility/Site Mailing Address
 10931 N DE ANZA BL
 CUPERTINO, CA 95014

Primary Emergency Contact
 Dale Berninghausen
 Title
 Store Manager
Business Phone (408) 255-2166
24-Hour Phone (408) 242-7289
Pager Number

Owner
 GOODYEAR TIRE & RUBBER CO
 (330) 796-7202
 200 Innovation Way
 Akron, oh 44316

Secondary Emergency Contact
 Albert Espinoza
 Title
 Service Manager
Business Phone (408) 255-2166
24-Hour Phone (408) 903-6256
Pager Number

Billing Contact
 Larry Robert
 (330) 796-7860 a robert@goodyear.com
 200 Innovation Way, Dept 704
 Akron, oh 44316

Environmental Contact
 Anthony DeSanto
 (330) 796-2490 anthony_desanto@goodyear.com
 200 Innovation Way, Dept 704
 Akron, OH 44316

Name of Signer Anthony DeSanto	Signer Title EHS Manager	Document Preparer Anthony DeSanto
Additional Information		

Locally-collected Fields
 Some or all of the following fields may be required by your local regulator(s).

Property Owner JOHN T VIDOVICH MARY JANE VIDOVICH Phone Mailing Address Scripps Valley, CA 94087	Assessor Parcel Number (APN) Number of Employees 10 Facility ID
---	---

SI, Q1, ZC

13-2928

California Environmental Reporting System (CERS) Business Owner Operator

Facility/Site
GOODYEAR TIRE & RUBBER CO
10931 N DE ANZA BL
CUPERTINO, CA 95014
CERS ID
10344415

Submittal Status
Submitted on 9/11/2013 by Anthony DeSanto of The Goodyear Tire and Rubber Company (Akron, Oh)

Identification
GOODYEAR TIRE & RUBBER CO
Beginning Date 9/11/2013 Ending Date
Operator Phone (408) 255-2166 Business Phone (408) 255-2166 Business Fax
Dun & Bradstreet 004467924 SIC Code 7538 Primary NAICS 81111

Facility/Site Mailing Address
10931 N DE ANZA BL
CUPERTINO, CA 95014

Primary Emergency Contact
Dale Berninghausen
Title Store Manager
Business Phone (408) 255-2166 24-Hour Phone (408) 242-7289 Pager Number

Owner
GOODYEAR TIRE & RUBBER CO
(330) 796-7202
200 Innovation Way
Akron, oh 44316

Secondary Emergency Contact
Albert Espinoza
Title Service Manager
Business Phone (408) 255-2166 24-Hour Phone (408) 903-6256 Pager Number

Billing Contact
Larry Robert
(330) 796-7860 alrobert@goodyear.com
200 Innovation Way, Dept 704
Akron, oh 44316

Environmental Contact
Anthony DeSanto
(330) 796-2490 anthony_desanto@goodyear.com
200 Innovation Way, Dept 704
Akron, OH 44316

Name of Signer Anthony DeSanto Signer Title EHS Manager Document Preparer Anthony DeSanto
Additional Information

Locally-collected Fields
Some or all of the following fields may be required by your local regulator(s).

Property Owner
JOHN T VIDOVICH MARY JANE VIDOVICH
Phone
Mailing Address
Sunnyvale, CA 94087

Assessor Parcel Number (APN)
Number of Employees 10
Facility ID

California Environmental Reporting System (CERS) Business Owner Operator

Facility/Site
 GOODYEAR TIRE & RUBBER CO
 10931 N DE ANZA BL
 CUPERTINO, CA 95014
 CERS ID
 10344415

Submission Status
 Submitted on 9/11/2013 by Anthony DeSanto of The Goodyear Tire and Rubber Company (Akron, OH)

Identification

GOODYEAR TIRE & RUBBER CO	Beginning Date	Ending Date
Operator Phone (408) 255-2166	9/11/2013	
Business Phone (408) 255-2166	Dun & Bradstreet	SIC Code
Business Fax	004467924	7538
		Primary NAICS
		81111

Facility/Site Mailing Address
 10931 N DE ANZA BL
 CUPERTINO, CA 95014

Primary Emergency Contact
 Dale Berninghausen
 Title
 Store Manager
 Business Phone (408) 255-2166
 24-Hour Phone (408) 242-7289
 Pager Number

Owner
 GOODYEAR TIRE & RUBBER CO
 (330) 796-7202
 200 Innovation Way
 Akron, oh 44316

Secondary Emergency Contact
 Albert Espinoza
 Title
 Service Manager
 Business Phone (408) 255-2166
 24-Hour Phone (408) 903-6256
 Pager Number

Billing Contact
 Larry Robert
 (330) 796-7860
 200 Innovation Way, Dept 704
 Akron, oh 44316
 alrobert@goodyear.com

Environmental Contact
 Anthony DeSanto
 (330) 796-2490
 200 Innovation Way, Dept 704
 Akron, OH 44316
 anthony_desanto@goodyear.com

Name of Signer Anthony DeSanto	Signer Title EHS Manager	Document Preparer Anthony DeSanto
Additional Information		

Locally-collected Fields
 Some or all of the following fields may be required by your local regulator(s).

Property Owner JOHN T VIDOVICH MARY JANE VIDOVICH Phone Mailing Address Sunnyvale, CA 94087	Assessor Parcel Number (APN) Number of Employees 10 Facility ID
---	--

PC Number	Description of Job	PC by	Date	Final by	Date
P7/12-473	Build Plans	RHE	12-2-71		
P7/12-473R	Revised Plans	RHE	12-21-71		
12-12-90	File prepared for microfilm	2048			
5/1/91	Haz Mat Permit/exp 4/30/92		K-11		
2/22/91	insp. Rep/exp 4/30/93		K-11		
5/1/92	HM Storage Permit exp 4/30/93		K-11		
5/22/92	Plan Review Comments		K11		
1/29/93	HM Inspection Report		K11		
4/15/93	Permit - exp 4/30/94		K-11		
3/14/94	Inspection Notice		WS		
1/30/95	H.M. Permit #95-2427 Exp 4/30/95		WS		
11/2/94	Ltr to Goodyear re HMMMP		WS		
4/28/95	Haz Mat Storage Permit (Exp 4/30/96)		WS		
4-11-95	Haz Mat Inspection report		WS		
2-28-96	Haz Mat Insp. Report/ok to permit		W4/W6		
8/9/96	HAZMAT PERMIT (EXP 4/30/97)		W4		
8/30-96	File Review/Howard Jellgren		W4		
3/18-97	HAZMAT INSPECTION (C. MAUEL)		RB/je		
6/13/97	HAZMAT PERMIT (EXP: 4-30-98)		je		

GOODYEAR TIRE & RUBBER CO (CERSID: 10344415)**Facility Information Accepted Apr 3, 2018**

Submitted on 3/30/2018 7:41:50 AM by *Chris Wiley* of The Goodyear Tire and Rubber Company (Akron, Oh)

Submittal was **Accepted** on 4/3/2018 8:49:37 AM by Yoni Fajardo

Comments by regulator: Accepted as administratively complete. A technical review may be conducted subsequently as part of your next facility inspection.

- Business Activities
- Business Owner/Operator Identification

Hazardous Materials Inventory Accepted Apr 17, 2018

Submitted on 3/30/2018 7:41:50 AM by *Chris Wiley* of The Goodyear Tire and Rubber Company (Akron, Oh)

Submittal was **Accepted** on 4/17/2018 7:55:39 AM by Lorenzo Perez

- Hazardous Material Inventory (5)
- Site Map (Official Use Only)
 - *Annotated Site Map (Official Use Only)* (Web graphic, 258KB)

Emergency Response and Training Plans Accepted Apr 17, 2018

Submitted on 3/30/2018 7:41:50 AM by *Chris Wiley* of The Goodyear Tire and Rubber Company (Akron, Oh)

Submittal was **Accepted** on 4/17/2018 7:55:46 AM by Lorenzo Perez

- Emergency Response/Contingency Plan
 - *Emergency Response/Contingency Plan* (Adobe PDF, 185KB)
- Employee Training Plan
 - *Employee Training Plan* (MS Excel, 20KB)

Site Identification**GOODYEAR TIRE & RUBBER CO**10931 N DE ANZA BL
CUPERTINO, CA 95014County
Santa ClaraCERS ID
10344415EPA ID Number
CAL000013487**Submittal Status**Submitted on 3/30/2018 by *Chris Wiley* of The Goodyear Tire and Rubber Company (Akron, Oh)Submittal was **Accepted**; Processed on 4/3/2018 by *Yoni Fajardo* for Santa Clara County Environmental Health

Comments by regulator: Accepted as administratively complete. A technical review may be conducted subsequently as part of your next facility inspection.

Hazardous Materials

Does your facility have on site (for any purpose) at any one time, hazardous materials at or above 55 gallons for liquids, 500 pounds for solids, or 200 cubic feet for compressed gases (include liquids in ASTs and USTs); or is regulated under more restrictive inventory local reporting requirements (shown below if present); or the applicable Federal threshold quantity for an extremely hazardous substance specified in 40 CFR Part 355, Appendix A or B; or handle radiological materials in quantities for which an emergency plan is required pursuant to 10 CFR Parts 30, 40 or 70?

Yes**Underground Storage Tank(s) (UST)**

Does your facility own or operate underground storage tanks?

No**Hazardous Waste**

Is your facility a Hazardous Waste Generator?

Yes

Does your facility treat hazardous waste on-site?

No

Is your facility's treatment subject to financial assurance requirements (for Permit by Rule and Conditional Authorization)?

No

Does your facility consolidate hazardous waste generated at a remote site?

No

Does your facility need to report the closure/removal of a tank that was classified as hazardous waste and cleaned on-site?

No

Does your facility generate in any single calendar month 1,000 kilograms (kg) (2,200 pounds) or more of federal RCRA hazardous waste, or generate in any single calendar month, or accumulate at any time, 1 kg (2.2 pounds) of RCRA acute hazardous waste; or generate or accumulate at any time more than 100 kg (220 pounds) of spill cleanup materials contaminated with RCRA acute hazardous waste.

No

Is your facility a Household Hazardous Waste (HHW) Collection site?

No**Excluded and/or Exempted Materials**

Does your facility recycle more than 100 kg/month of excluded or exempted recyclable materials (per HSC 25143.2)?

No

Does your facility own or operate ASTs above these thresholds? Store greater than 1,320 gallons of petroleum products (new or used) in aboveground tanks or containers.

No

Does your facility have Regulated Substances stored onsite in quantities greater than the threshold quantities established by the California Accidental Release prevention Program (CalARP)?

No**Additional Information**

No additional comments provided.

Facility/Site**GOODYEAR TIRE & RUBBER CO**10931 N DE ANZA BL
CUPERTINO, CA 95014CERS ID
10344415**Submittal Status**Submitted on 3/30/2018 by *Chris Wiley* of The Goodyear Tire and Rubber Company (Akron, Oh)Submittal was **Accepted**; Processed on 4/3/2018 by *Yoni Fajardo* for Santa Clara County Environmental Health

Comments by regulator: Accepted as administratively complete. A technical review may be conducted subsequently as part of your next facility inspection.

Identification**GOODYEAR TIRE & RUBBER CO**Operator Phone
(408) 255-2166Business Phone
(408) 255-2166

Business Fax

Beginning Date

Ending Date

Dun & Bradstreet
004467924SIC Code
7538Primary NAICS
81111**Facility/Site Mailing Address**10931 N DE ANZA BL
CUPERTINO, CA 95014**Primary Emergency Contact**

Jim Walker

Title

Store Manager

Business Phone
(408) 255-216624-Hour Phone
(408) 963-9725

Pager Number

Owner**GOODYEAR TIRE & RUBBER CO**

(330) 796-7202

200 Innovation Way
Akron, OH 44316**Secondary Emergency Contact**

Albert Espinoza

Title

Service Manager

Business Phone
(408) 255-216624-Hour Phone
(408) 903-6256

Pager Number

Billing Contact

Adam Ritter

(330) 796-7860

adam_ritter@goodyear.com

200 Innovation Way, Dept 704
Akron, OH 44316**Environmental Contact**

Anthony DeSanto

(330) 796-2490

anthony_desanto@goodyear.com

200 Innovation Way, Dept 704
Akron, OH 44316

Name of Signer

Anthony DeSanto

Signer Title

EHS Manager

Document Preparer

Chris Wiley

Additional Information

Locally-collected Fields

Some or all of the following fields may be required by your local regulator(s).

Property Owner

JOHN T VIDOVICH MARY JANE VIDOVICH

Phone

Mailing Address

Sunnyvale, CA 94087

Assessor Parcel Number (APN)

Number of Employees

10

Facility ID

Hazardous Materials And Wastes Inventory Matrix Report

CERS Business/Org. The Goodyear Tire and Rubber Company Facility Name GOODYEAR TIRE & RUBBER CO 10931 N DE ANZA BL, CUPERTINO 95014	Chemical Location Bay 8	CERS ID 10344415 Facility ID Status Submitted on 3/30/2018 7:41 AM
---	-----------------------------------	--

DOT Code/Fire Haz. Class	Common Name	Unit	Quantities			Annual Waste Amount	Federal Hazard Categories	Hazardous Components (For mixture only)		
			Max. Daily	Largest Cont.	Avg. Daily			Component Name	% Wt	EHS CAS No.
	Automatic Transmission Fluid	Gallons	100	55	35	0				
	<u>CAS No</u>	<u>State</u>	<u>Storage Container</u>		<u>Pressue</u>	<u>Waste Code</u>				
		<u>Liquid</u>	Steel Drum							
		<u>Type</u>			<u>Temperature</u>					
			Days on Site: 365							

Hazardous Materials And Wastes Inventory Matrix Report

CERS Business/Org. The Goodyear Tire and Rubber Company Facility Name GOODYEAR TIRE & RUBBER CO 10931 N DE ANZA BL, CUPERTINO 95014	Chemical Location Outside Parking Lot	CERS ID 10344415 Facility ID Status Submitted on 3/30/2018 7:41 AM
---	---	--

DOT Code/Fire Haz. Class	Common Name	Unit	Quantities			Annual Waste Amount	Federal Hazard Categories	Hazardous Components (For mixture only)		
			Max. Daily	Largest Cont.	Avg. Daily			Component Name	% Wt	EHS CAS No.
Combustible Liquid, Class III-B	Used lubricating oils	Gallons	245	245	150	1600				
	<u>CAS No</u>	<u>State</u>	<u>Storage Container</u>		<u>Pressure</u>	<u>Waste Code</u>				
	70514-12-4	Liquid	Tank Inside Building		Ambient	221				
		<u>Type</u>			<u>Temperature</u>					
		Mixture	Days on Site: 365		Ambient					

Hazardous Materials And Wastes Inventory Matrix Report

CERS Business/Org. The Goodyear Tire and Rubber Company Facility Name GOODYEAR TIRE & RUBBER CO 10931 N DE ANZA BL, CUPERTINO 95014	Chemical Location Shop Area	CERS ID 10344415 Facility ID Status Submitted on 3/30/2018 7:41 AM
---	---------------------------------------	--

DOT Code/Fire Haz. Class	Common Name	Unit	Quantities			Annual Waste Amount	Federal Hazard Categories	Hazardous Components (For mixture only)		
			Max. Daily	Largest Cont.	Avg. Daily			Component Name	% Wt	EHS CAS No.
	Drained Used Oil Filters	Pounds	300	300	150	2500		Waste Petroleum Hydrocarbons	100 %	Mixture
	<u>CAS No</u> NA	<u>State</u> Solid	<u>Storage Container</u> Steel Drum		<u>Pressue</u> Ambient	<u>Waste Code</u> 223				
		<u>Type</u> Mixture	Days on Site: 365		<u>Temperature</u> Ambient					
Combustible Liquid, Class III-B	Waste Ethylene Glycol	Gallons	55	55	30	1600	- Health Acute Toxicity			
	<u>CAS No</u> 107-21-1	<u>State</u> Liquid	<u>Storage Container</u> Plastic/Non-metalic Drum		<u>Pressue</u> Ambient	<u>Waste Code</u>				
		<u>Type</u> Mixture	Days on Site: 365		<u>Temperature</u> Ambient					

Hazardous Materials And Wastes Inventory Matrix Report

CERS Business/Org. The Goodyear Tire and Rubber Company Facility Name GOODYEAR TIRE & RUBBER CO 10931 N DE ANZA BL, CUPERTINO 95014	Chemical Location Stock room and shop	CERS ID 10344415 Facility ID Status Submitted on 3/30/2018 7:41 AM
---	---	--

DOT Code/Fire Haz. Class	Common Name	Unit	Quantities			Annual Waste Amount	Federal Hazard Categories	Hazardous Components (For mixture only)		
			Max. Daily	Largest Cont.	Avg. Daily			Component Name	% Wt	EHS CAS No.
Combustible Liquid, Class III-B	Motor Oil	Gallons	300	245	300	0		VARIOUS LUBRICATING BASE OILS	85 %	6474X-XX-X
	<u>CAS No</u>	<u>State</u>	<u>Storage Container</u>		<u>Pressure</u>	<u>Waste Code</u>		ADDITIVE PACKAGE, INCLUDING	15 %	MIXTURE
		Liquid	Tank Inside Building, Steel Drum		Ambient	221		ZINC ALKYL DITHIOPHOSPHATE	2 %	68649-42-3
		<u>Type</u>			<u>Temperature</u>					
	Mixture	Days on Site: 365		Ambient						

CALIFORNIA ENVIRONMENTAL REPORTING SYSTEM (CERS)
CONSOLIDATED EMERGENCY RESPONSE / CONTINGENCY PLAN

Prior to completing this Plan, please refer to the INSTRUCTIONS FOR COMPLETING A CONSOLIDATED CONTINGENCY PLAN

A. FACILITY IDENTIFICATION AND OPERATIONS OVERVIEW

FACILITY ID #	1.	CERS ID	A1.	DATE OF PLAN PREPARATION/REVISION	A2.
10305193		10305193		3/11/2013	
BUSINESS NAME (Same as Facility Name or DBA - Doing Business As)					3.
Goodyear Auto Service Center 8773					
BUSINESS SITE ADDRESS					103.
10931 North de Anza Blvd					
BUSINESS SITE CITY	104.	ZIP CODE	105.		
Cupertino		CA	95014		
TYPE OF BUSINESS (e.g., Painting Contractor)	A3.	INCIDENTAL OPERATIONS (e.g., Fleet Maintenance)	A4.		
Automotive Repair		None			
THIS PLAN COVERS CHEMICAL SPILLS, FIRES, AND EARTHQUAKES INVOLVING: (Check all that apply)					A5.
<input checked="" type="checkbox"/> 1. HAZARDOUS MATERIALS; <input type="checkbox"/> 2. HAZARDOUS WASTES					

B. INTERNAL RESPONSE

INTERNAL FACILITY EMERGENCY RESPONSE WILL OCCUR VIA: (Check all that apply)	B1.
<input checked="" type="checkbox"/> 1. CALLING PUBLIC EMERGENCY RESPONDERS (i.e., 9-1-1)	
<input type="checkbox"/> 2. CALLING HAZARDOUS WASTE CONTRACTOR	
<input type="checkbox"/> 3. ACTIVATING IN-HOUSE EMERGENCY RESPONSE TEAM	

C. EMERGENCY COMMUNICATIONS, PHONE NUMBERS AND NOTIFICATIONS

Whenever there is an imminent or actual emergency situation such as an explosion, fire, or release, the Emergency Coordinator (or his/her designee when the Emergency Coordinator is on call) shall:

1. Activate internal facility alarms or communications systems, where applicable, to notify all facility personnel.
2. Notify appropriate local authorities (i.e., call 9-1-1).
3. Notify the California Emergency Management Agency at (800) 852-7550.

Before facility operations are resumed in areas of the facility affected by the incident, the emergency coordinator shall notify the California Department of Toxic Substances Control (DTSC), the local Unified Program Agency (UPA), and the local fire department's hazardous materials program that the facility is in compliance with requirements to:

1. Provide for proper storage and disposal of recovered waste, contaminated soil or surface water, or any other material that results from an explosion, fire, or release at the facility; and
2. Ensure that no material that is incompatible with the released material is transferred, stored, or disposed of in areas of the facility affected by the incident until cleanup procedures are completed.

INTERNAL FACILITY EMERGENCY COMMUNICATIONS OR ALARM NOTIFICATION WILL OCCUR VIA: (Check all that apply)	C1.	
<input checked="" type="checkbox"/> 1. VERBAL WARNINGS;	<input type="checkbox"/> 2. PUBLIC ADDRESS OR INTERCOM SYSTEM;	<input type="checkbox"/> 3. TELEPHONE;
<input type="checkbox"/> 4. PAGERS;	<input type="checkbox"/> 5. ALARM SYSTEM;	<input type="checkbox"/> 6. PORTABLE RADIO
NOTIFICATIONS TO NEIGHBORING FACILITIES THAT MAY BE AFFECTED BY AN OFF-SITE RELEASE WILL OCCUR BY: (Check all that apply)	C2.	
<input checked="" type="checkbox"/> 1. VERBAL WARNINGS;	<input type="checkbox"/> 2. PUBLIC ADDRESS OR INTERCOM SYSTEM;	<input type="checkbox"/> 3. TELEPHONE;
<input type="checkbox"/> 4. PAGERS;	<input type="checkbox"/> 5. ALARM SYSTEM;	<input type="checkbox"/> 6. PORTABLE RADIO
EMERGENCY RESPONSE PHONE NUMBERS:		
AMBULANCE, FIRE, POLICE AND CHP	9-1-1	
CALIFORNIA EMERGENCY MANAGEMENT AGENCY (CAL/EMA)	(800) 852-7550	
NATIONAL RESPONSE CENTER (NRC)	(800) 424-8802	
POISON CONTROL CENTER	(800) 222-1222	
LOCAL UNIFIED PROGRAM AGENCY (UPA/CUPA)		
OTHER (Specify):		
NEAREST MEDICAL FACILITY / HOSPITAL NAME: Kaiser Hospital	(408) 851-1000	
AGENCY NOTIFICATION PHONE NUMBERS:		
CALIFORNIA DEPT. OF TOXIC SUBSTANCES CONTROL (DTSC)	(916) 255-3545	
REGIONAL WATER QUALITY CONTROL BOARD		
U.S. ENVIRONMENTAL PROTECTION AGENCY (US EPA)	(800) 300-2193	
CALIFORNIA DEPT OF FISH AND GAME (DFG)	(916) 358-2900	
U.S. COAST GUARD	(202) 267-2180	
CAL/OSHA	(916) 263-2800	
STATE FIRE MARSHAL	(916) 445-8200	
OTHER (Specify):		
OTHER (Specify):		

D. EMERGENCY CONTAINMENT AND CLEANUP PROCEDURES

SPILL PREVENTION, CONTAINMENT, AND CLEANUP PROCEDURES: (Check all boxes that apply to indicate your procedures for containing spills, releases, fires or explosions; and, preventing and mitigating associated harm to persons, property, and the environment.)

- 1. MONITOR FOR LEAKS, RUPTURES, PRESSURE BUILD-UP, ETC.;
- 2. PROVIDE STRUCTURAL PHYSICAL BARRIERS (e.g., Portable spill containment walls);
- 3. PROVIDE ABSORBENT PHYSICAL BARRIERS (e.g., Pads, pigs, pillows);
- 4. COVER OR BLOCK FLOOR AND/ OR STORM DRAINS;
- 5. BUILT-IN BERM IN WORK / STORAGE AREA;
- 6. AUTOMATIC FIRE SUPPRESSION SYSTEM;
- 7. ELIMINATE SOURCES OF IGNITION FOR FLAMMABLE HAZARDS (e.g. Flammable liquids, Propane);
- 8. STOP PROCESSES AND/OR OPERATIONS;
- 9. AUTOMATIC / ELECTRONIC EQUIPMENT SHUT-OFF SYSTEM;
- 10. SHUT-OFF WATER, GAS, ELECTRICAL UTILITIES AS APPROPRIATE;
- 11. CALL 9-1-1 FOR PUBLIC EMERGENCY RESPONDER ASSISTANCE / MEDICAL AID;
- 12. NOTIFY AND EVACUATE PERSONS IN ALL THREATENED AREAS;
- 13. ACCOUNT FOR EVACUATED PERSONS IMMEDIATELY AFTER EVACUATION CALL;
- 14. PROVIDE PROTECTIVE EQUIPMENT FOR ON-SITE RESPONSE TEAM;
- 15. REMOVE OR ISOLATE CONTAINERS / AREA AS APPROPRIATE;
- 16. HIRE LICENSED HAZARDOUS WASTE CONTRACTOR;
- 17. USE ABSORBENT MATERIAL FOR SPILLS WITH SUBSEQUENT PROPER LABELING, STORAGE, AND HAZARDOUS WASTE DISPOSAL AS APPROPRIATE;
- 18. SUCTION USING SHOP VACUUM WITH SUBSEQUENT PROPER LABELING, STORAGE, AND HAZARDOUS WASTE DISPOSAL AS APPROPRIATE;
- 19. WASH / DECONTAMINATE EQUIPMENT W/ CONTAINMENT and DISPOSAL OF EFFLUENT / RINSATE AS HAZARDOUS WASTE;
- 20. PROVIDE SAFE TEMPORARY STORAGE OF EMERGENCY-GENERATED WASTES;
- 21. OTHER (Specify):

D1.

D2.

E. FACILITY EVACUATION

THE FOLLOWING ALARM SIGNAL(S) WILL BE USED TO BEGIN EVACUATION OF THE FACILITY (CHECK ALL THAT APPLY):

- 1. BELLS;
- 2. HORNS/SIRENS;
- 3. VERBAL (I.E., SHOUTING);
- 4. OTHER (Specify):

E1.

E2.

THE FOLLOWING LOCATION(S) IS/ARE EVACUEE EMERGENCY ASSEMBLY AREA(S) (i.e., Front parking lot, specific street corner, etc.)

E3.

Parking Lot

Note: The Emergency Coordinator must account for all on site employees and/or site visitors after evacuation.

- EVACUATION ROUTE MAP(S) POSTED AS REQUIRED

E4.

Note: The map(s) must show primary and alternate evacuation routes, emergency exits, and primary and alternate staging areas, and must be prominently posted throughout the facility in locations where it will be visible to employees and visitors.

F. ARRANGEMENTS FOR EMERGENCY SERVICES

Explanation of Requirement: Advance arrangements with local fire and police departments, hospitals, and/or emergency services contractors should be made as appropriate for your facility. You may determine that such arrangements are not necessary.

ADVANCE ARRANGEMENTS FOR LOCAL EMERGENCY SERVICES (Check one of the following)

F1.

- 1. HAVE BEEN DETERMINED NOT NECESSARY; *or*
- 2. THE FOLLOWING ARRANGEMENTS HAVE BEEN MADE (Specify):

F2.

G. EMERGENCY EQUIPMENT

Check all boxes that apply to list emergency response equipment available at the facility and identify the location(s) where the equipment is kept and the equipment's capability, if applicable. [e.g., CHEMICAL PROTECTIVE GLOVES | Spill response kit | One time use, Oil & solvent resistant only.]

TYPE	EQUIPMENT AVAILABLE ^{G1.}	LOCATION	CAPABILITY (If applicable)
Safety and First Aid	1. <input type="checkbox"/> CHEMICAL PROTECTIVE SUITS, APRONS, OR VESTS	G2.	G3.
	2. <input checked="" type="checkbox"/> CHEMICAL PROTECTIVE GLOVES	G4.	G5.
	3. <input type="checkbox"/> CHEMICAL PROTECTIVE BOOTS	G6.	G7.
	4. <input checked="" type="checkbox"/> SAFETY GLASSES / GOGGLES / SHIELDS	G8.	G9.
	5. <input type="checkbox"/> HARD HATS	G10.	G11.
	6. <input type="checkbox"/> CARTRIDGE RESPIRATORS	G12.	G13.
	7. <input type="checkbox"/> SELF-CONTAINED BREATHING APPARATUS (SCBA)	G14.	G15.
	8. <input checked="" type="checkbox"/> FIRST AID KITS / STATIONS	G16.	G17.
	9. <input checked="" type="checkbox"/> PLUMBED EYEWASH FOUNTAIN / SHOWER	G18.	G19.
	10. <input type="checkbox"/> PORTABLE EYEWASH KITS	G20.	G21.
	11. <input type="checkbox"/> OTHER	G22.	G23.
	12. <input type="checkbox"/> OTHER	G24.	G25.
Fire Fighting	13. <input checked="" type="checkbox"/> PORTABLE FIRE EXTINGUISHERS	G26.	G27.
	14. <input type="checkbox"/> FIXED FIRE SYSTEMS / SPRINKLERS / FIRE HOSES	G28.	G29.
	15. <input type="checkbox"/> FIRE ALARM BOXES OR STATIONS	G30.	G31.
	16. <input type="checkbox"/> OTHER	G32.	G33.
Spill Control and Clean-Up	17. <input checked="" type="checkbox"/> ALL-IN-ONE SPILL KIT	G34.	G35.
	18. <input checked="" type="checkbox"/> ABSORBENT MATERIAL	G36.	G37.
	19. <input type="checkbox"/> CONTAINER FOR USED ABSORBENT	G38.	G39.
	20. <input type="checkbox"/> BERMING / DIKING EQUIPMENT	G40.	G41.
	21. <input type="checkbox"/> BROOM	G42.	G43.
	22. <input type="checkbox"/> SHOVEL	G44.	G45.
	23. <input type="checkbox"/> SHOP VAC	G46.	G47.
	24. <input type="checkbox"/> EXHAUST HOOD	G48.	G49.
	25. <input type="checkbox"/> EMERGENCY SUMP / HOLDING TANK	G50.	G51.
	26. <input type="checkbox"/> CHEMICAL NEUTRALIZERS	G52.	G53.
	27. <input type="checkbox"/> GAS CYLINDER LEAK REPAIR KIT	G54.	G55.
Communications and Alarm Systems	30. <input checked="" type="checkbox"/> TELEPHONES (Includes cellular)	G60.	G61.
	31. <input type="checkbox"/> INTERCOM / PA SYSTEM	G62.	G63.
	32. <input type="checkbox"/> PORTABLE RADIOS	G64.	G65.
	33. <input type="checkbox"/> AUTOMATIC ALARM CHEMICAL MONITORING EQUIPMENT	G66.	G67.
Other	34. <input type="checkbox"/> OTHER	G68.	G69.
	35. <input type="checkbox"/> OTHER	G70.	G71.

H. EARTHQUAKE VULNERABILITY

Identify areas of the facility that are vulnerable to hazardous materials releases / spills due to earthquake-related motion. These areas require immediate isolation and inspection.

VULNERABLE AREAS: (Check all that apply)		H1.	LOCATIONS (e.g., shop, outdoor shed, forensic lab)	
<input type="checkbox"/> 1. HAZARDOUS MATERIALS / WASTE STORAGE AREA				H2.
<input type="checkbox"/> 2. PROCESS LINES / PIPING				H3.
<input type="checkbox"/> 3. LABORATORY				H4.
<input type="checkbox"/> 4. WASTE TREATMENT AREA				H5.

Identify mechanical systems vulnerable to releases / spills due to earthquake-related motion. These systems require immediate isolation and inspection.

VULNERABLE SYSTEMS: (Check all that apply)		H6.	LOCATIONS	
<input type="checkbox"/> 1. SHELVES, CABINETS AND RACKS				H7.
<input type="checkbox"/> 2. TANKS (EMERGENCY SHUTOFF)				H8.
<input type="checkbox"/> 3. PORTABLE GAS CYLINDERS				H9.
<input type="checkbox"/> 4. EMERGENCY SHUTOFF AND/OR UTILITY VALVES				H10.
<input type="checkbox"/> 5. SPRINKLER SYSTEMS				H11.
<input type="checkbox"/> 6. STATIONARY PRESSURIZED CONTAINERS (e.g., Propane dispensing tank)				H12.

I. EMPLOYEE TRAINING

Explanation of Requirement: Employee training is required for all employees handling hazardous materials and hazardous wastes in day-to-day or clean-up operations including volunteers and/or contractors. Training must be:

- Provided within 6 months for new hires;
- Amended as necessary prior to change in process or work assignment;
- Given upon modification to the Emergency Response / Contingency Plan, and updated/refreshed annually for all employees.

Required content includes all of the following:

- | | |
|---|--|
| <ul style="list-style-type: none"> • Material Safety Data Sheets; • Hazard communication related to health and safety; • Methods for safe handling of hazardous substances; • Fire hazards of materials / processes; • Conditions likely to worsen emergencies; • Coordination of emergency response; • Notification procedures; • Applicable laws and regulations; | <ul style="list-style-type: none"> • Communication and alarm systems; • Personal protective equipment; • Use of emergency response equipment (e.g. Fire extinguishers, respirators, etc.); • Decontamination procedures; • Evacuation procedures; • Control and containment procedures; • UST monitoring system equipment and procedures (if applicable). |
|---|--|

INDICATE HOW EMPLOYEE TRAINING PROGRAM IS ADMINISTERED (Check all that apply) I1.

- | | | | |
|--|-------------------------------------|--|-----|
| <input checked="" type="checkbox"/> 1. FORMAL CLASSROOM; | <input type="checkbox"/> 2. VIDEOS; | <input checked="" type="checkbox"/> 3. SAFETY / TAILGATE MEETINGS; | |
| <input type="checkbox"/> 4. STUDY GUIDES / MANUALS (Specify): _____ | | | I2. |
| <input type="checkbox"/> 5. OTHER (Specify): _____ | | | I3. |
| <input type="checkbox"/> 6. NOT APPLICABLE BECAUSE FACILITY HAS NO EMPLOYEES | | | |

Large Quantity Generator (LQG) Training Records: Large quantity hazardous waste generators (i.e., who generate more than 270 gallons/1,000 kilograms of hazardous waste per month) must retain written documentation of employee hazardous waste management training sessions which includes:

- A written outline/agenda of the type and amount of both introductory and continuing training that will be given to persons filling each job position having responsibility for the management of hazardous waste (e.g., labeling, manifesting, compliance with accumulation time limits, etc.).
- The name, job title, and date of training for each hazardous waste management training session given to an employee filling such a job position; and
- A written job description for each of the above job positions that describes job duties and the skills, education, or other qualifications required of personnel assigned to the position.
- Current employee training records must be retained until closure of the facility.
- Former employee training records must be retained at least three years after termination of employment.


J. LIST OF ATTACHMENTS

(Check one of the following) J1.

- | | |
|--|-----|
| <input checked="" type="checkbox"/> 1. NO ATTACHMENTS ARE REQUIRED; or | |
| <input type="checkbox"/> 2. THE FOLLOWING DOCUMENTS ARE ATTACHED: | J2. |

K. SIGNATURE / CERTIFICATION

Certification: Based on my inquiry of those individuals responsible for obtaining the information, I certify under penalty of law that I have personally examined and am familiar with the information submitted and believe the information is true, accurate, and complete, and that a copy is available on site.

SIGNATURE OF OWNER/OPERATOR 	DATE SIGNED 6/11/2013	K1.
NAME OF SIGNER (print) Anthony DeSanto	TITLE OF SIGNER EHS Manager	K2. K3.



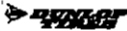
Albert Espinoza
Service Manager



8/28/8



PIRELLI



BFGoodrich

Continental
(ZEPPERO)

(and many more!)

10931 N. De Anza Blvd., Cupertino, CA 95014

gsr8773@goodyear.com

(408) 255-2166

Fax (408) 255-0721

GOODYEAR

Israr Refai
Store Manager

Continental

GOODYEAR

PIRELLA

Continental

Republic
TIRES

MICHELIN

BFGoodrich

Continental
LAUREL

(and many more!)

10831 N. De Anza Blvd., Cupertino, CA 95014
gsr8773@goodyear.com

(408) 255-2166
Fax (408) 255-0721

CO/PR/TA ID	E	SC	Time
PRO 3132	VED 21265	01	
DEPT. OF ENV. HEALTH			
2008 SEP 25	AM 10:37		

OFFICIAL NOTICE OF INSPECTION

Facility Name: <u>Goodyear Tire & Rubber Co.</u>	Inspection Date: <u>8/28/08</u>
Site Address: <u>10934 N. De Anza Blvd. Cupertino</u>	Employee No.: <u>4656</u>
Contact Person(s): <u>AL ESPINOZA</u>	<input type="checkbox"/> Samples Taken <input type="checkbox"/> Photographs Taken
Inspection Type: <input type="checkbox"/> Hazardous Materials Storage <input type="checkbox"/> HazMat Business Plan <input type="checkbox"/> Underground Storage Tank <input type="checkbox"/> A/G Storage Tank (SPCC Plan) <input checked="" type="checkbox"/> Hazardous Waste Generator <input type="checkbox"/> HazWaste Tiered Permit <input type="checkbox"/> Cal-ARP <input type="checkbox"/> Toxic Gas	Hazardous Waste Generator Type: <input type="checkbox"/> < 1,000 Kg./mo. <input type="checkbox"/> CESQG <input type="checkbox"/> Silver Only <input checked="" type="checkbox"/> ≥ 1,000 Kg./mo. <input type="checkbox"/> Satellite Only <input type="checkbox"/> N/A

VIOLATIONS: Codes noted below in the "Violation Codes" column represent specific violations of State law and/or local Ordinance. These codes are defined in the attached Violation Codes document(s). Time granted for correction of violations does not preclude any enforcement action by this Department or other agencies.

This facility may be subject to reinspection at any time.

Consent to Inspect Given By: AL ESPINOZA

Violation Codes	Summary of Violations, Notice to Comply, Observations, and Required Corrective Actions	Corrective Actions Taken
G020	The following hazardous waste containers were not properly labelled: A) 6 - mobile waste oil drums with funnels were unlabelled B) 4 - 55-gallon waste coolant drums had blank labels on them. Use the labels provided to you to properly label your waste containers	Applied Labels to All Hazardous Waste Containers Listed 8/29/08
G023	Observed four 55-gallon waste coolant drums that were open. Secure the drum drums to the bundles for sealed storage.	Secured All 4 Drums w/ Tops 08/29/08
G100	Remove/relocate items stored on top of your waste coolant drums. Transfer the releases of waste coolant from the secondary containment back into the waste drums. Doing this facilitates detection of releases & inspection of drums.	Removed All Items from Tops of Coolant Containers 08/29/08 Removed Waste Coolant from Secondary Containment & put into Drum 09/01/08

All violations must be corrected within 30 days of the inspection date unless noted otherwise, above. Section 25404.1.2(c)(1) of California Health and Safety Code (HSC) requires that you write a brief description of the corrective actions you have taken to bring this facility into compliance and submit it to HMCD within 5 days of achieving compliance, or within 35 days of the inspection date, whichever comes first. (Note: Detailed instructions on actions you must take are printed on the reverse side of this page.)

Received by: Al Espinoza #71 Inspected by: Rich Owens Entered by: SP 11/21/08

Certification: I certify under penalty of perjury that this facility has complied with directives specified in this Notice to Comply.
 Signature of Owner/Operator: [Signature] Title: Store Manager Date: 09/23/08

THE OFFICIAL NOTICE OF INSPECTION EXPLAINED

This Official Notice of Inspection (NOI) describes the findings made during the inspection, including all violations and any actions that must be taken by the facility to correct the violations. All violations must be corrected within 30 days of the inspection date unless noted otherwise by the inspector.

Within five working days of achieving compliance, or within 35 days of the inspection, whichever comes first, you must submit a written response which describes the corrective actions you have taken or — for those violations which are impossible to correct within 30 days — propose to take in order to bring your facility into compliance. Where proposed corrective actions are described, you must specify a date by which you expect each violation to be corrected. After you have addressed each violation, complete the certification box located at the bottom of page 1 of the NOI. **Your description of corrective actions taken, along with your signed certification of the NOI and any required supporting documents, will serve as your written response to this Notice to Comply.** Your response must be mailed to Santa Clara County Hazardous Materials Compliance Division (HMCD) at 1555 Berger Drive, Suite 300, San Jose, CA 95112-2716. The effective date of the certification that any violation has been corrected is the date that it is postmarked.

What Does the Information in Each Column Mean?

Violation Code: Codes listed in this column identify specific violations of laws, regulations, or codes which were observed during this inspection. Definitions of Violation Codes are listed on the attached Violation Codes document(s).

Summary of Violations, Notice to Comply, Observations, and Required Corrective Actions: Information noted in this column describes the circumstances of any violations noted in the first column and describes how the violations may be corrected. Additionally, the inspector may use this space to note any additional observations resulting from the inspection.

Corrective Actions Taken: This column on the NOI has been provided so that you can note how you have corrected or propose to correct each violation. Where proposed corrective actions are described, you must specify a date by which you expect each violation to be corrected. If more space is needed, attach additional pages.

Why Were Two Copies of the Notice of Inspection Given to Me?

You have been given two copies so you will have a copy for your own records after you submit your written response to HMCD. **Do not separate the copies until you have described all of your corrective actions and signed the certification box on page 1. The yellow copy of each page must be returned to HMCD. The pink copy is for your records.**

What if I Disagree With a Violation Noted on the Notice of Inspection?

If you disagree with any violation listed in this NOI, you must submit a written Notice of Disagreement to HMCD within 30 days of the inspection date. Address such notices to the attention of the inspector who cited the violation. In your Notice of Disagreement, you must explain in detail why you believe the violation does not exist. If there is sufficient space, you may use the "Corrective Actions Taken" column of this NOI to dispute violations.

What About Photographs or Samples Taken During the Inspection?

If samples were taken, split samples will be given to you upon request. Since this NOI was prepared and given to you at the end of the inspection, any photographs and sampling or laboratory results associated with the inspection were not yet available. A copy of any photographs and/or analytical results from sampling taken during this inspection, will be provided to you upon written request. Other pertinent information derived from the inspection is attached to this NOI. Photographs and sample results may be withheld in the event of a criminal investigation or other ongoing investigation.

- Per HSC §§25187.8(b) and 25404.1.2(c), failure to sign the certification on this Notice to Comply and return it to HMCD is a violation of State law.
- Per HSC §25404.1.2(c)(2), a false statement that compliance has been achieved is a misdemeanor.
- Per HSC §25191(b), a false statement that hazardous waste compliance has been achieved is a violation of State law punishable by a fine of not less than \$2,000 or more than \$25,000 and/or imprisonment in the county jail for up to one year.
- Per HSC §§25299(a)(8) and (b)(7), a false statement that underground storage tank compliance has been achieved is a violation of State law punishable by a fine of not less than \$500 or more than \$5,000.
- Per HSC §§25187.8(i), HMCD has the right to require the submittal of reasonable and necessary documentation in support of any claim of compliance made by your facility.

OFFICIAL NOTICE OF INSPECTION

(Continuation Page)

Facility Name: Goodyear Tire & Rubber Co.

Inspection Date: 8/28/08

Violation Codes	Summary of Violations, Notice to Comply, Observations, and Required Corrective Actions	Corrective Actions Taken
G112	1 fire extinguisher was undercharged. Recharge the extinguisher.	All Fire extinguishers Inspected & 1 Recharged
G114	Remove the containers/equipment away from the waste oil tank to facilitate tank inspections & promote access for emergency personnel	Empty drums were removed by safety cleaned on 09/18/08
G312	Emergency Coordinator's changed several months ago & changes to the contingency plan were not made. Update your plan w/ to show current emergency coordinators	Obtained Current Business Plan & Updated Current emergency coordinators 09/05/08
G320	Obtain hazardous waste management training from a qualified professional & ensure that the training is refreshed annually.	Scheduling Hazardous Training using website provided updated within 90 days
G321	Provide hazardous waste training recommendations for each employee & maintain records on site for review (example training record was provided).	Providing folders on each employee on Hazardous Training 09/23/08
G340	Your waste oil tank does not have a tank assessment. Obtain a current written hazardous waste tank system assessment certified by a Professional Engineer.	In Process - called AC on 9/23 & expanded options on tank assessment/n
G343	Waste oil tank inspections are being correctly performed. Increase frequency of inspections to daily & record observations in an inspection log. Clean up the waste oil tank releases from the top of the waste oil tank & from the tank's secondary containment.	Keeping log for Daily Inspections on waste oil tank & recording observations. 08/23/08 Cleaned top of waste oil tank & removed oil from secondary containment

Received by: Al Lopez #71

Inspected by: T. Howard Lewis

FACILITY SENDS YELLOW COPY TO AGENCY, KEEPS PINK COPY.

CO/PR/TA/ID	2205	SC	2:10
PRO313936		01	

OFFICIAL NOTICE OF INSPECTION

Facility Name: Goodyear Tire & Rubber Co.	Inspection Date: 8/28/8
Site Address: 10934 N. De Anza Blvd. Cupertino	Employee No.: 4656
Contact Person(s): AL ESPINOZA	<input type="checkbox"/> Samples Taken <input type="checkbox"/> Photographs Taken
Inspection Type: <input type="checkbox"/> Hazardous Materials Storage <input type="checkbox"/> HazMat Business Plan <input type="checkbox"/> Underground Storage Tank <input type="checkbox"/> A/G Storage Tank (SPCC Plan) <input checked="" type="checkbox"/> Hazardous Waste Generator <input type="checkbox"/> HazWaste Tiered Permit <input type="checkbox"/> Cal-ARP <input type="checkbox"/> Toxic Gas	Hazardous Waste Generator Type: <input type="checkbox"/> < 1,000 Kg./mo. <input checked="" type="checkbox"/> ≥ 1,000 Kg./mo. <input type="checkbox"/> CFSQG <input type="checkbox"/> Satellite Only <input type="checkbox"/> Silver Only <input type="checkbox"/> N/A

VIOLATIONS: Codes noted below in the "Violation Codes" column represent specific violations of State law and/or local Ordinance. These codes are defined in the attached Violation Codes document(s). Time granted for correction of violations does not preclude any enforcement action by this Department or other agencies.

This facility may be subject to reinspection at any time.

Consent to Inspect Given By: **AL ESPINOZA**

Violation Codes	Summary of Violations, Notice to Comply, Observations, and Required Corrective Actions	Corrective Actions Taken
G020	The following hazardous waste containers were not properly labelled: A) 6 - mobile waste oil drains with funnels were unlabelled B) 4 - 55-gallon waste coolant drums had blank labels on them. Use the labels provided to you to properly label your waste containers.	
G023	Observed four 55-gallon waste coolant drums that were open. Secure the drum bungs to the bungholes for sealed storage.	
G109	Remove/relocate items stored on top of your waste coolant drums.	
G100	Thatched the releases of waste coolant from the secondary containment back into the waste drums. Doing this facilitates detection of releases & inspection of drums.	

All violations must be corrected within 30 days of the inspection date unless noted otherwise, above. Section 25404.1.2(c)(1) of California Health and Safety Code (HSC) requires that you write a brief description of the corrective actions you have taken to bring this facility into compliance and submit it to HMCD within 5 days of achieving compliance, or within 35 days of the inspection date, whichever comes first. (Note: Detailed instructions on actions you must take are printed on the reverse side of this page.)

Received by: **Al Espinoza #71** Inspected by: **Rich Dumas** Entered by: **Rich Dumas**

Certification: I certify under penalty of perjury that this facility has complied with directives specified in this Notice to Comply.
 Signature of Owner/Operator: _____ Title: _____ Date: ____/____/____

© 2004 RL.V 8/06

THE OFFICIAL NOTICE OF INSPECTION EXPLAINED

This Official Notice of Inspection (NOI) describes the findings made during the inspection, including all violations and any actions that must be taken by the facility to correct the violations. All violations must be corrected within 30 days of the inspection date unless noted otherwise by the inspector.

Within five working days of achieving compliance, or within 35 days of the inspection, whichever comes first, you must submit a written response which describes the corrective actions you have taken or — for those violations which are impossible to correct within 30 days — propose to take in order to bring your facility into compliance. Where proposed corrective actions are described, you must specify a date by which you expect each violation to be corrected. After you have addressed each violation, complete the certification box located at the bottom of page 1 of the NOI. **Your description of corrective actions taken, along with your signed certification of the NOI and any required supporting documents, will serve as your written response to this Notice to Comply.** Your response must be mailed to Santa Clara County Hazardous Materials Compliance Division (HMCD) at 1555 Berger Drive, Suite 300, San Jose, CA 95112-2716. The effective date of the certification that any violation has been corrected is the date that it is postmarked.

What Does the Information in Each Column Mean?

Violation Code: Codes listed in this column identify specific violations of laws, regulations, or codes which were observed during this inspection. Definitions of Violation Codes are listed on the attached Violation Codes document(s).

Summary of Violations, Notice to Comply, Observations, and Required Corrective Actions: Information noted in this column describes the circumstances of any violations noted in the first column and describes how the violations may be corrected. Additionally, the inspector may use this space to note any additional observations resulting from the inspection.

Corrective Actions Taken: This column on the NOI has been provided so that you can note how you have corrected or propose to correct each violation. Where proposed corrective actions are described, you must specify a date by which you expect each violation to be corrected. If more space is needed, attach additional pages.

Why Were Two Copies of the Notice of Inspection Given to Me?

You have been given two copies so you will have a copy for your own records after you submit your written response to HMCD. **Do not separate the copies until you have described all of your corrective actions and signed the certification box on page 1. The yellow copy of each page must be returned to HMCD. The pink copy is for your records.**

What if I Disagree With a Violation Noted on the Notice of Inspection?

If you disagree with any violation listed in this NOI, you must submit a written Notice of Disagreement to HMCD within 30 days of the inspection date. Address such notices to the attention of the inspector who cited the violation. In your Notice of Disagreement, you must explain in detail why you believe the violation does not exist. If there is sufficient space, you may use the "Corrective Actions Taken" column of this NOI to dispute violations.

What About Photographs or Samples Taken During the Inspection?

If samples were taken, split samples will be given to you upon request. Since this NOI was prepared and given to you at the end of the inspection, any photographs and sampling or laboratory results associated with the inspection were not yet available. A copy of any photographs and/or analytical results from sampling taken during this inspection will be provided to you upon written request. Other pertinent information derived from the inspection is attached to this NOI. Photographs and sample results may be withheld in the event of a criminal investigation or other ongoing investigation.

- Per HSC §§25187.8(b) and 25404.1.2(c), failure to sign the certification on this Notice to Comply and return it to HMCD is a violation of State law.
- Per HSC §25404.1.2(c)(2), a false statement that compliance has been achieved is a misdemeanor.
- Per HSC §25191(b), a false statement that hazardous waste compliance has been achieved is a violation of State law punishable by a fine of not less than \$2,000 or more than \$25,000 and/or imprisonment in the county jail for up to one year.
- Per HSC §§25299(a)(8) and (b)(7), a false statement that underground storage tank compliance has been achieved is a violation of State law punishable by a fine of not less than \$500 or more than \$5,000.
- Per HSC §§25187.8(i), HMCD has the right to require the submittal of reasonable and necessary documentation in support of any claim of compliance made by your facility.

OFFICIAL NOTICE OF INSPECTION
 (Continuation Page)

Facility Name: Goodyear Tire & Rubber Co.

Inspection Date: 8/28/8

Violation Codes	Summary of Violations, Notice to Comply, Observations, and Required Corrective Actions	Corrective Actions Taken
G112	1 fire extinguisher was undercharged. Re-charge the extinguisher.	
G114	Remove flammable containers/equipment away from the waste oil tank to facilitate tank inspections & promote access for emergency personnel.	
G312	Emergency Coordinator's changed several months ago & changes to the contingency plan used a not made. Update your plan to show current emergency coordinators.	
G320	Obtain hazardous waste management training from a qualified professional & ensure that the training is refreshed annually.	
G321	Provide hazardous waste training documentation for each employee & maintain records on site for review (example training record was provided).	
G340	Your waste oil tank does not have a tank assessment. Obtain a current written hazardous waste tank system assessment certified by a Professional Engineer.	
G343	Waste oil tank inspections are being correctly performed. Increase frequency of inspections to daily & record observations in an inspection log. Clean up the waste oil tank releases from the top of the waste oil tank & from the tank secondary containment.	

Received by: Al Lopez #11

Inspected by: Richard Deven

FACILITY SENDS YELLOW COPY TO AGENCY, KEEPS PINK COPY.

CB

County of Santa Clara

Department of Environmental Health
 Hazardous Materials Compliance Division
 2220 Moorpark Avenue
 P.O. Box 28070
 San Jose, CA 95159-8070
 (408) 299-6930 Fax (408) 280-6479

ENTERED MAR 06 2000

Program Record ID	SC	Time
313936	2205	02
		150

OFFICIAL NOTICE OF INSPECTION

Facility Name: <u>Goodyear Tire + Rubber Company</u>	Inspection Date: <u>2/2/2000</u>
Site Address: <u>10931 N. De Anza Blvd. Cupertino</u>	Work Area:
Contact Person(s): <u>John Sciarano - Store Manager</u>	Employee No.: <u>4658</u>
Inspection Type: <input type="checkbox"/> Hazardous Materials <input type="checkbox"/> Cal-Accidental Release Prevention Program - <input checked="" type="checkbox"/> Hazardous Waste <input type="checkbox"/> Medical Waste Storage/Treatment <input type="checkbox"/> Toxic Gas <input type="checkbox"/> Medical Waste Generator	Samples Taken? <input type="checkbox"/> Yes, <input checked="" type="checkbox"/> No Photographs Taken? <input type="checkbox"/> Yes, <input checked="" type="checkbox"/> No

VIOLATIONS: Codes noted below in the "Violation Code" column represent specific violations of State law and/or local Ordinance. These codes are defined in the attached Violation Codes document(s). Time granted for correction of violations does not preclude any enforcement action by this Department or other agencies. This facility may be subject to reinspection at any time.

Violation Codes	Summary of Violations, Notice to Comply, Observations, and Required Corrective Actions	Corrective Actions Taken
	<i>inspection (initial) 1/31/00; concluded 2/2/00</i>	
2206-C	<i>waste oil tank (AG) not labeled w/ "Hazardous Waste" + accumulation start date - corrected by 2/2 inspection</i>	
2206	<i>5 - roll-around waste oil containers (15-gals.) - missing hazardous waste labels. Start date may read "empties" daily</i>	
2209-C	<i>Spills of waste oil around oil filter storage area (this was cleaned up by 2/2/00)</i>	
2209	<i>significant amt. of waste oil noted in 2nd. containment</i>	
2212	<i>of waste oil tank. 2nd. containment must be kept dry (per Fire Dept. storage ordinance). Not cleaned up w/in 8 hours.</i>	
2210	<i>weekly inspections of waste storage areas not conducted.</i>	
2255-C	<i>waste oil tank not inspected-daily to detect leaks;</i>	
2259	<i>proper working order, to detect leaking of fixtures or seams. Any spill that is not cleaned up in 2nd. containment w/in 8 hours is a reportable spill.</i>	

All violations must be corrected within 30 days of the inspection date unless noted otherwise, above. Section 25187.8 of the State Health and Safety Code (H&SC) requires that you write a brief description of the corrective actions you have taken to bring this facility into compliance and submit it to this Department within 5 days of achieving compliance, or within 35 days of the inspection date, whichever comes first. (Note: Detailed instructions on actions you must take are printed on the reverse side of this page.)

Received by: [Signature] Inspected by: [Signature] Entered by: _____

Certification: I certify under penalty of perjury that this facility has complied with directives specified in this Notice to Comply.

Signature of Owner/Operator: _____ Title: _____ Date: 1/2/00

FACILITY SENDS YELLOW COPY TO AGENCY, KEEPS PINK COPY.

THE OFFICIAL NOTICE OF INSPECTION EXPLAINED

- This Official Notice of Inspection (Notice of Inspection) describes the findings made during the inspection, including all violations and any actions that must be taken by the facility to correct the violations. All violations must be corrected within 30 days of the inspection date unless noted otherwise by the inspector.

Within five working days of achieving compliance, or within 35 days of the inspection, whichever comes first, you must submit a written response which describes the corrective actions you have taken or - for those violations which are impossible to correct within 30 days - propose to take in order to bring your facility into compliance. Where proposed corrective actions are described, you must specify a date by which you expect each violation to be corrected. After you have addressed each violation, complete the certification box located at the bottom of page 1 of the Notice of Inspection. Your description of corrective actions taken, along with your signed certification of the Notice of Inspection and any required supporting documents, will serve as your written response to the inspection. Your response must be mailed to the Santa Clara County Hazardous Materials Compliance Division (HMCD) at P.O. Box 28070, San Jose, CA 95159-8070.

What Does the Information in Each Column Mean?

Violation Code: Codes listed in this column identify specific violations of laws, regulations, or codes which were observed during this inspection. Definitions of Violation Codes are listed on the attached Violation Codes document(s).

Summary of Violations, Notice to Comply, Observations, and Required Corrective Actions: Information noted in this column describes the circumstances of any violations noted in the first column and describes how the violations may be corrected. Additionally, the inspector may use this space to note any additional observations resulting from the inspection.

Corrective Actions Taken: This column on the Notice of Inspection has been provided so that you can note how you have corrected or propose to correct each violation. Where proposed corrective actions are described, you must specify a date by which you expect each violation to be corrected. If more space is needed, attach additional pages.

Why Were Two Copies of the Notice of Inspection Given to Me?

You have been given two copies so you will have a copy for your own records after you submit your written response to HMCD. Do not separate the copies until you have described all of your corrective actions and signed the certification box on page 1. The yellow copy of each page must be submitted to HMCD. The pink copy is for your records.

What if I Disagree With a Violation Noted on the Notice of Inspection?

If you disagree with any violation listed in this Notice of Inspection, you must submit a written Notice of Disagreement, within 35 days of the inspection date, to the inspector who cited the violation. In your Notice of Disagreement, you must explain in detail why the violation does not exist. If there is sufficient space, you may use the "Corrective Actions Taken" column of this Notice of Inspection to dispute violations.

What About Photographs or Samples Taken During the Inspection?

Since this Notice of Inspection was prepared and given to you at the end of the inspection, any photographs and sampling or laboratory results associated with the inspection were not yet available. A copy of any photographs and/or analytical results from sampling taken during this inspection will be provided to you upon written request. Other pertinent information derived from the inspection is attached to this Notice of Inspection. Photographs and sample results may be withheld in the event of a criminal investigation or other ongoing investigation.

Hazardous Waste Violations

- Per H&SC, Section 25187.8(g)(1), failure to sign the certification on this Notice of Inspection and return it to this Department is a violation of State law.
- Per H&SC, Section 25191, a false statement that compliance has been achieved is a violation of State law punishable by a fine of not less than \$2,000 or more than \$25,000 and/or imprisonment in the county jail for up to one year.
- Per H&SC, Section 25187.8(j), this Department has the right to acquire the submittal of reasonable and necessary documentation in support of any claim of compliance made by your facility.

ENTERED NOV 14 1997

2220 Moorpark Avenue
 San Jose, CA 95128
 (408) 299-6930

OFFICIAL NOTICE OF INSPECTION

DBA/Name GOODYEAR TIRE & RUBBER CO.	Facility ID # 313936	Hours 240	Service Code 1	Date 11/6/97
Address 10931 N. DE ANZA BL., CUPERTINO				Work Area Location 613
Contact Person STEVE NURENBERG				Emp# 4678
Additional Information				Prog/Elem 2205
				Permit Exp. Date

- Hazardous Materials
- Hazardous Waste
- Toxic Gas

- Medical Waste Storage & Treatment
- Medical Waste Generator
- Risk Management and Prevention Program

Minor Violations / Notes to Comply:

VC 2206 & 2282:

Waste ke tank - Tank must be labelled with: words "HAZARDOUS WASTE"
 accumulation start date

4 oil chargers must be labelled with: words "HAZARDOUS WASTE"

facility name & address

accumulation start date

waste composition

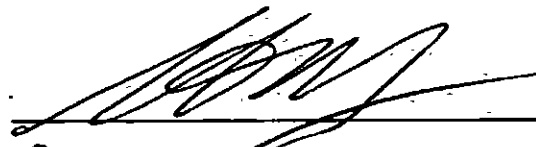
regarding properties & physical state of contents

1x 45 gallons spent antifreeze must be labelled similar to oil chargers

except that words "HAZARDOUS WASTE" are replaced with "EXCLUDED

RECYCLABLE MATERIAL"

VC 2253: Contingency / emergency response plan must be updated
 to include emergency procedures & evacuation procedures & routes

Received by: 

Inspected by: Mary Ann J. Kelly

Page 1 of 3

Mailing Address: Dept. of Environmental Health
 Hazardous Materials Compliance Division
 P.O. Box 28070
 San Jose, CA 95159-8070

Entered by: _____

County of Santa Clara

Environmental Resources Agency
Department of Environmental Health
2220 Moorpark Avenue
San Jose, California 95128
(408) 299-6930
FAX (408) 280-6479



HAZARDOUS MATERIALS STORAGE
 HAZARDOUS WASTE GENERATOR
OFFICIAL NOTICE OF INSPECTION

DATE 11/6/87

DBA/NAME Goodyear Tire & Rubber

Comments: (see marked violations on page 1) Inspection must be recorded.

VC 2259: Waste oil tanks must be inspected daily, see items on checklist which should be included in daily inspection.

Other (1):

1) Antifreeze spills observed in parking lot, ~~and~~ around the antifreeze storage area leading outside building and in one of the service bays.

2) Waste oil spills observed in area where waste oil is signboard to tank.

Spills must be properly cleaned up immediately. Rags cannot be used to clean anything other than minor leaks which will not saturate rags. Mop water ~~and~~ bucket used to clean spills cannot be discharged to drain leading to oil/water separator. Instead, the water contents of the bucket must be handled as hazardous waste.

VC 2265: Old ~~as~~ waste antifreeze containers sitting outside waste oil storage area. Containers must be labeled with date emptied & must be disposed or sold within 1 year of date emptied. If sold, obtain & keep copy of proof of sale.

VC 2268: Waste oil received in lids of drained oil filter drum.

Received by: 

Inspected by: Mary Anne J. Kelly
Hazardous Materials Compliance Division

Samples taken? Yes No
Photos taken? Yes No

County of Santa Clara

Environmental Resources Agency
Department of Environmental Health
2220 Moorpark Avenue
San Jose, California 95128
(408) 299-6930
FAX (408) 280-6479



HAZARDOUS MATERIALS STORAGE
 HAZARDOUS WASTE GENERATOR
OFFICIAL NOTICE OF INSPECTION

DATE 4/6/97

DBA/NAME Goodyear Tire & Rubber

Comments: (see marked violations on page 1)

Keep lid free of waste oil.

Other (1) additional:

3) Waste oil observed in secondary containment of waste oil tank. Siphon out waste oil & keep secondary containment free of waste oil.

VC 2280:

Waste antifeed recycled on site (~45 gallons/month). Complete & submit recycling notification.

Correct all violations within 30 days. Within 35 days, submit a letter indicating how above violations were corrected. Include the completed recycling notification.

Recommendation: Waste disposal receipts / manifests for waste oil, safety klean solvent, drained oil filters must be separated from other billing receipts so they can be easily made available during inspections.

Hazardous waste labels to be mailed to facility.

Received by:

Inspected by:

Ray Anne J. Bolz
Hazardous Materials Compliance Division

Samples taken? Yes No

Photos taken? Yes No

Page 3 of 3

MR. Reisch Peak return completed application by Feb. 11, 1994 or
FAX copy of current County permit

County of Santa Clara

Environmental Resources Agency
Department of Environmental Health

Hazardous Materials Compliance Division
2220 Moorpark Avenue, East Wing, Room 204
San Jose, California 95128-2690
(408) 290-6930 FAX 280-6479

505838AB
3-3-94

OFFICIAL USE ONLY
BC: 2213-A
WA: 613
LC: 5
CT: 78.01
PS: 1
KG: 1043

49586
3-31-95



County and Bill

HAZARDOUS WASTE GENERATOR PERMIT APPLICATION

Business Name (DBA): The Goodyear Tire & Rubber Co
DBA Location Address: 10931 North De Anza Blvd, Cupertino, CA, 95014
Mailing Address (if different): Same
Proprietor/Billing Name: Same
Billing Address (if different from mailing address): _____

Business Phone: 408-255-2166 Hours of Operation: 7:00 AM To 7:00 PM
Contact Person: MIKE REISCH Contact Phone: 408-255-2166
Type of Business: Tire & Auto Repair EPA ID Number: 000013487
Primary SIC (Standard Industrial Classification) Code: _____ Secondary SIC Code: _____

List any other permits you currently have for the storage, treatment and/or disposal of hazardous waste: 0

The annual permit fee is determined by the quantity of hazardous waste generated per year. Check [X] the one line below that best describes the amount and kind of waste generated by your business over the past year.

Hazardous Waste Generated	Hazardous Waste Business Code
<input type="checkbox"/> Recycles Waste Oil Only - any amount.	2212 A
<input type="checkbox"/> Generates less than 100 kg/yr (Approx. 27 gallons).	2212 B
<input checked="" type="checkbox"/> Generates less than 5 tons/year.	2213 A
<input type="checkbox"/> Generates 5 to less than 25 tons/year.	2213 B
<input type="checkbox"/> Generates 25 to less than 50 tons/year.	2213 C
<input type="checkbox"/> Generates 50 to less than 250 tons/year.	2213 D
<input type="checkbox"/> Generates 250 to less than 500 tons/year.	2213 E
<input type="checkbox"/> Generates 500 to less than 1,000 tons/year.	2213 F
<input type="checkbox"/> Generates 1,000 to less than 2,000 tons/year.	2213 G
<input type="checkbox"/> Generates 2,000 or more tons/year.	2213 H

The undersigned hereby applies for a hazardous waste generator permit from the County of Santa Clara and agrees to comply with all applicable hazardous waste regulations and with inspectional procedures needed to insure compliance.

Mike Reisch manager
Signature of Owner/Operator, Title

2-8-94
Date

Board of Supervisors: Michael M. Honda, Zoe Lofgren, Ron Gonzales, Rod Dirksen, Dianne McKenna

REVIEWED

By Ruben.Williams at 8:22 am, Sep 11, 2017



OFFICIAL NOTICE OF INSPECTION

Facility ID: FA0200739	Inspection Date: 09/08/2017
Facility Name: GOODYEAR TIRE & RUBBER CO	
Site Address: 10931 N DE ANZA BL, CUPERTINO, CA 95014	
HW Generator Type: >=1000 KG/MO.	<input type="checkbox"/> RCRA LQG
Consent to Inspect Granted By: ALBERT ESPINOZA, SERVICE MANAGER	<input type="checkbox"/> Pictures Taken
	<input type="checkbox"/> Samples Taken

Summary of Violations & Notice to Comply

Program: PR0313936 - HAZARDOUS WASTE GENERATOR - 2205

Inspection Type: ROUTINE INSPECTION

VC	Class	Violation	Corrective Actions Taken
G010	II	<p>HAZARDOUS WASTE DETERMINATION [3030005] Facility failed to determine whether a waste is a hazardous waste.</p> <p>Observed 1 x 55 gallon drum in the waste storage room. Per facility, they were unsure what the contents were. Make a hazardous waste determination and if determined to be hazardous manage accordingly.</p> <p>Determine whether the waste is hazardous using generator knowledge, or by having the waste analyzed by a state-certified environmental laboratory. Submit the results of your determination, including any laboratory reports, to HMCD. A list of state-certified laboratories is available at www.waterboards.ca.gov/drinking_water/certlic/labs/documents/elap_certified_hazardous_waste_labs.pdf . Cease any disposal of the waste as non-hazardous waste until the determination is complete. Keep all hazardous waste determination documents for at least 3 years from the date the waste was last shipped. [CCR 66262.11]</p>	
G020	M	<p>MARKING OF HAZARDOUS WASTE [3030007] Facility failed to properly mark a hazardous waste tank and/or container.</p> <p>The following containers were missing complete hazardous waste markings:</p> <p>3 x 15 gallon used oil rollers 1 x 120 gallon container of waste coolant</p> <p>Mark all hazardous waste tanks with the words "HAZARDOUS WASTE" and the accumulation start date. Mark all hazardous waste containers and portable tanks with the words "HAZARDOUS WASTE," the accumulation start date; the name and address of the generator; and the composition, physical state, and hazardous properties of the waste. Additionally, mark used oil containers, aboveground tanks, and fill pipes for underground tanks with the words "USED OIL." [CCR 66262.34(f), 66279.21(b)]</p>	
G035	II	<p>ACCUMULATION TIME: POINT OF GENERATION [3030057] Facility accumulated hazardous waste at the point of generation for longer than the allowed time limit.</p> <p>Observed 1 x 15 gallon container of waste brake fluid with an accumulation start date of 10/28/15.</p> <p>Make arrangements for the immediate removal of the waste. Submit to HMCD a copy of the manifest or consolidated manifest receipt demonstrating that the waste was removed. Ensure that point of generation wastes are not held on-site for longer than one year, or the applicable accumulation time limit (90/180/270 days) after the date the quantity limit was reached, whichever comes first. The quantity limit for each wastestream is 55 gallons for hazardous waste, or 1 quart for acutely/extremely hazardous waste. [CCR 66262.34(e)(1)(B)]</p>	

OFFICIAL NOTICE OF INSPECTION

Facility ID: FA0200739
Facility Name: GOODYEAR TIRE & RUBBER CO
Site Address: 10931 N DE ANZA BL, CUPERTINO, CA 95014

Inspection Date: 09/08/2017

Summary of Violations & Notice to Comply

VC	Class	Violation	Corrective Actions Taken
G052	M	<p>CONSOLIDATED MANIFESTING: RECEIPT RETENTION [3010]</p> <p>Facility failed to keep a consolidated manifest receipt for at least 3 years from the date of shipment.</p> <p><i>Per facility waste coolant is disposed of once a month. Disposal records for waste coolant were unavailable for review except for one dated 7/14/17.</i></p> <p>Obtain copies of all missing receipts noted above from your hazardous waste hauler. [HSC 25160.2(b)(3)]</p>	
G110	M	<p>MAINTENANCE AND OPERATION OF FACILITY [3030030]</p> <p>Facility is not maintained or operated in a manner to minimize the possibility of a fire, explosion, or any unplanned release of hazardous waste to air, soil, or surface water that could threaten human health or the environment.</p> <p><i>Observed saturated absorbent on the floor surrounding the secondary containment and free flowing amounts of used oil in the secondary containment areas. Per facility, the absorbent has been accumulating there "for years" Ensure that secondary containment and surrounding areas are clean and free of saturated absorbent and free flowing liquids to minimize the event of an unplanned release into the environment.</i></p> <p>Maintain and operate the facility in a manner that minimizes potential emergencies and unplanned releases. [CCR 66265.31, CFR 265.31]</p>	
G340	II	<p>TANK SYSTEM ASSESSMENT:INSTALLATION [3010025]</p> <p>Facility failed to obtain or keep on file a current and complete written hazardous waste tank system assessment prepared at the time of installation of the tank.</p> <p><i>Per facility, a tank assessment has not been performed for the 1 x 220 gallon used oil tank.</i></p> <p>Make arrangements to have the tank system assessed by an appropriate Professional Engineer (PE) who is knowledgeable of hazardous waste tank system requirements. Provide a specific date by which the assessment is expected to be completed. Upon completion of the assessment, submit a copy of the final report to HMCD. [CCR 66265.191(a), 66265.192(a), 66265.192(h)]</p>	
G343	M	<p>TANK INSPECTIONS [3030029]</p> <p>Facility could not demonstrate that hazardous waste tanks are being inspected daily as required.</p> <p><i>Observed incomplete entries in the daily tank log inspection book attached to 1 x 220 gallon used oil tank. Per facility daily inspections are not being conducted.</i></p> <p>Perform and document hazardous waste tank inspections daily. Inspections must cover: 1) overfill/spill control equipment; 2) aboveground portions of the tank system; 3) data gathered from monitoring and leak detection equipment; 4) construction materials and the area immediately surrounding the tank system; and 5) the level of waste in the tank, for uncovered tanks. [CCR 66265.195]</p>	

OFFICIAL NOTICE OF INSPECTION

Facility ID: FA0200739
Facility Name: GOODYEAR TIRE & RUBBER CO
Site Address: 10931 N DE ANZA BL, CUPERTINO, CA 95014

Inspection Date: 09/08/2017

Summary of Violations & Notice to Comply

VC	Class	Violation	Corrective Actions Taken
G403	II	<p>MANAGEMENT OF CONTAMINATED CONTAINERS [3030058]</p> <p>Facility improperly treated, managed, or disposed of a hazardous materials container that was not empty because it still contained a pourable or scrapeable quantity of hazardous material that upon disposal meets the definition of a hazardous waste.</p> <p>Observed 1 x quart bottle of injection fluid in the trash with pourable amounts of product present. Ensure that all containers under 5 gallons are completely empty of free flowing liquids and scrap able material before disposal.</p> <p>Thoroughly empty hazardous material/waste containers prior to treating, managing, or disposing of them, when allowed under empty container management standards. If a container cannot be emptied, manage it per standard hazardous waste requirements. [CCR 66261.7(b)]</p>	

Comments: On site to conduct a routine hazardous waste inspection
Areas inspected include service bays, back storage room, hazardous waste accumulation areas and dumpsters

Observed the following wastes on site:

- 1 x 220 gallon tank of used oil
- 1 x 120 gallon container of waste coolant
- 3 x 55 gallon drums of drained used oil filters
- 1 x 55 gallon drum of oily debris (paper filters)
- 1 x 55 gallon drum of waste absorbent
- 3 x 15 gallon used oil rollers
- 1 x 15 gallon drum of waste brake fluid (point of generation)

Fire extinguishers have had annual maintenance
Spill control is available on site
Rags are managed by UniFirst
Batteries are managed by NAPA
Brake shavings are collected and managed as scrap metal
Container areas are inspected weekly
Employee training plan and records are available in Goodyear's Online Portal
Facility's Emergency plan is available online via CERS
Disposal records were reviewed
EPA ID# CAL000013487 is active

The following violations were corrected on site:
1 x 55 gallon drum of waste oily debris was missing the start date. Start date was added during inspection

Immediately correct any violation designated as a Class I or Class II violation. Correct all other violations no later than **10/08/2017**, unless otherwise noted by the inspector.

Using the space provided, write a brief description of the actions taken by the facility to correct each violation. Attach additional pages if more space is needed. Within 5 days of achieving compliance or within 35 days of the inspection date, whichever comes first, sign the certification statement below and return a copy of this report to HMCD. Time granted for correction of violations does not preclude any enforcement action by HMCD or other agencies. This facility may be subject to reinspection at any time. [Authority: HSC 25185(c), 25187.8, 25404.1.2(c)]



Received By: Albert Espinoza
 Service Manager



Inspected By: EE0010435 - LOREN LIM

OFFICIAL NOTICE OF INSPECTION

Facility ID: FA0200739
Facility Name: GOODYEAR TIRE & RUBBER CO
Site Address: 10931 N DE ANZA BL, CUPERTINO, CA 95014

Inspection Date: 09/08/2017

Summary of Violations & Notice to Comply

Certification of Compliance

I certify under penalty of perjury that this facility has complied with directives specified in this Notice to Comply.

Signature of Owner/Operator

Date

Printed Name of Owner/Operator

Title

OFFICIAL NOTICE OF INSPECTION - SUPPLEMENTAL INFORMATION

This Official Notice of Inspection (NOI) documents the results of an inspection by HMCD, including a list of alleged violations, evidence in support of the alleged violations, corrective actions that must be taken by the facility, and general observations.

What am I supposed to do upon receiving a NOI?

- Correct the violations within 30 days of the inspection date, unless otherwise noted.
- In the “Corrective Actions Taken” column, write a brief description of the actions taken by the facility to correct each violation. Attach additional pages if more space is needed.
- Certify that the facility has returned to compliance by signing and dating the certification statement at the end of the report.
- Make a photocopy of the NOI and any attachments for your records.
- Within 5 days of achieving compliance or 35 days of the inspection date, whichever comes first, return the original copy of the report and any attachments to HMCD at 1555 Berger Drive, Suite 300, San Jose, CA 95112-2716.

What if there are violations that cannot be corrected within 30 days?

For each violation that cannot be corrected within 30 days, submit a written Compliance Plan describing the corrective actions you propose to take and the date by which the actions will be completed. State law grants up to 30 days to correct minor violations without penalty. Minor violations that are uncorrected after 30 days, and class I and II violations may be subject to enforcement action. To lessen the possibility of enforcement action, correct all violations as soon as possible.

What if I disagree with a violation on the NOI?

If you disagree with any violation listed in this NOI, you must submit a written Notice of Disagreement to HMCD within 30 days of the inspection date. Address such notices to the attention of the inspector who cited the violation. In your Notice of Disagreement, explain in detail why you believe the alleged violation was incorrectly cited.

What about photographs or samples taken during the inspection?

A co-located sample will be given to you upon request if adequate sample volume is available. Photographs and sample analytical results will not generally be available until after the inspection has been concluded. A copy of photographs and/or analytical results will be provided to you upon written request. Photographs and sample analytical results may be withheld in the event of a criminal investigation or other ongoing investigation.

Key to Acronyms and Regulatory Terms

XX CCR	California Code of Regulations, Title XX
XX CFR	Code of Federal Regulations, Title XX
Class	Violation classification: I = Class I violation, II = Class II violation, M = Minor violation, C = Corrected minor violation [HSC §25110.8.5, HSC §25117.6, CCR §66260.10]
DTSC	California Department of Toxic Substances Control
EPA	U.S. Environmental Protection Agency
HMCD	County of Santa Clara, Department of Environmental Health, Hazardous Materials Compliance Division
HSC	California Health and Safety Code
RCRA	Resource Conservation and Recovery Act
SCCO	Santa Clara County Ordinance Code
TSDF	Hazardous waste treatment, storage or disposal facility
UPCF	Unified Program Consolidated Form
UST	Underground storage tank
VC	HMCD violation code

Warning:

- It is a violation of State law to make a false statement that a facility has returned to compliance [HSC §25404.1.2(c)(2)].
- Making a false statement regarding a hazardous waste violation is punishable by a fine of not less than \$2,000 or more than \$25,000 and/or imprisonment in the county jail for up to one year [HSC §25191(b)].
- Making a false statement regarding an underground storage tank violation is punishable by a fine of not less than \$500 or more than \$5,000 [HSC §25299(a)(8), 25299(b)(7)].
- HMCD has the right to require the submittal of reasonable and necessary documentation in support of any claim of compliance made by your facility [HSC §25187.8(i)].

HMCD-014A

www.EHinfo.org/hazmat

Rev. 07/28/10

County of Santa Clara

Department of Environmental Health

Hazardous Materials Compliance Division (HMCD)

1555 Berger Drive, Suite 300, San Jose, CA 95112-2716

Phone (408) 918-3400 Fax (408) 280-6479 www.EHinfo.org/hazmat

REVIEWED

By Loren Lim at 10:38 am, Nov 20, 2017



OFFICIAL NOTICE OF INSPECTION

Facility ID: FA0200739
 Facility Name: GOODYEAR TIRE & RUBBER CO
 Site Address: 10931 N DE ANZA BL, CUPERTINO, CA 95014

Inspection Date: 09/08/2017

HW Generator Type: >=1000 KG/MO.
 Consent to Inspect Granted By: ALBERT ESPINOZA, SERVICE MANAGER

- RCRA LQG
 Pictures Taken
 Samples Taken

Summary of Violations & Notice to Comply

Program: PR0313936 - HAZARDOUS WASTE GENERATOR - 2205

Inspection Type: ROUTINE INSPECTION




VC	Class	Violation	Corrective Actions Taken
G010	II	<p>HAZARDOUS WASTE DETERMINATION [3030005] Facility failed to determine whether a waste is a hazardous waste.</p> <p><i>Observed 1 x 55 gallon drum in the waste storage room. Per facility, they were unsure what the contents were. Make a hazardous waste determination and if determined to be hazardous manage accordingly.</i></p> <p>Determine whether the waste is hazardous using generator knowledge, or by having the waste analyzed by a state-certified environmental laboratory. Submit the results of your determination, including any laboratory reports, to HMCD. A list of state-certified laboratories is available at www.waterboards.ca.gov/drinking_water/certlic/labs/documents/elap_certified_hazardous_waste_labs.pdf. Cease any disposal of the waste as non-hazardous waste until the determination is complete. Keep all hazardous waste determination documents for at least 3 years from the date the waste was last shipped. [CCR 66262.11]</p>	Please see attached letter for all corrective actions
G020	M	<p>MARKING OF HAZARDOUS WASTE [3030007] Facility failed to properly mark a hazardous waste tank and/or container.</p> <p><i>The following containers were missing complete hazardous waste markings:</i></p> <p><i>3 x 15 gallon used oil rollers</i> <i>1 x 120 gallon container of waste coolant</i></p> <p>Mark all hazardous waste tanks with the words "HAZARDOUS WASTE" and the accumulation start date. Mark all hazardous waste containers and portable tanks with the words "HAZARDOUS WASTE," the accumulation start date; the name and address of the generator; and the composition, physical state, and hazardous properties of the waste. Additionally, mark used oil containers, aboveground tanks, and fill pipes for underground tanks with the words "USED OIL." [CCR 66262.34(f), 66279.21(b)]</p>	
G035	II	<p>ACCUMULATION TIME: POINT OF GENERATION [3030057] Facility accumulated hazardous waste at the point of generation for longer than the allowed time limit.</p> <p><i>Observed 1 x 15 gallon container of waste brake fluid with an accumulation start date of 10/28/15.</i></p> <p>Make arrangements for the immediate removal of the waste. Submit to HMCD a copy of the manifest or consolidated manifest receipt demonstrating that the waste was removed. Ensure that point of generation wastes are not held on-site for longer than one year, or the applicable accumulation time limit (90/180/270 days) after the date the quantity limit was reached, whichever comes first. The quantity limit for each wastestream is 55 gallons for hazardous waste, or 1 quart for acutely/extremely hazardous waste. [CCR 66262.34(e)(1)(B)]</p>	

OFFICIAL NOTICE OF INSPECTION

Facility ID: FA0200739
Facility Name: GOODYEAR TIRE & RUBBER CO
Site Address: 10931 N DE ANZA BL, CUPERTINO, CA 95014

Inspection Date: 09/08/2017

Summary of Violations & Notice to Comply

VC	Class	Violation	Corrective Actions Taken
G052	M	<p>CONSOLIDATED MANIFESTING: RECEIPT RETENTION [3010]</p> <p>Facility failed to keep a consolidated manifest receipt for at least 3 years from the date of shipment.</p> <p> Per facility waste coolant is disposed of once a month. Disposal records for waste coolant were unavailable for review except for one dated 7/14/17.</p> <p>Obtain copies of all missing receipts noted above from your hazardous waste hauler. [HSC 25160.2(b)(3)]</p>	
G110	M	<p>MAINTENANCE AND OPERATION OF FACILITY [3030030]</p> <p>Facility is not maintained or operated in a manner to minimize the possibility of a fire, explosion, or any unplanned release of hazardous waste to air, soil, or surface water that could threaten human health or the environment.</p> <p> Observed saturated absorbent on the floor surrounding the secondary containment and free flowing amounts of used oil in the secondary containment areas. Per facility, the absorbent has been accumulating there "for years" Ensure that secondary containment and surrounding areas are clean and free of saturated absorbent and free flowing liquids to minimize the event of an unplanned release into the environment.</p> <p>Maintain and operate the facility in a manner that minimizes potential emergencies and unplanned releases. [CCR 66265.31, CFR 265.31]</p>	
G340	II	<p>TANK SYSTEM ASSESSMENT:INSTALLATION [3010025]</p> <p>Facility failed to obtain or keep on file a current and complete written hazardous waste tank system assessment prepared at the time of installation of the tank.</p> <p>Per facility, a tank assessment has not been performed for the 1 x 220 gallon used oil tank.</p> <p>Make arrangements to have the tank system assessed by an appropriate Professional Engineer (PE) who is knowledgeable of hazardous waste tank system requirements. Provide a specific date by which the assessment is expected to be completed. Upon completion of the assessment, submit a copy of the final report to HMCD. [CCR 66265.191(a), 66265.192(a), 66265.192(h)]</p>	
G343	M	<p>TANK INSPECTIONS [3030029]</p> <p>Facility could not demonstrate that hazardous waste tanks are being inspected daily as required.</p> <p> Observed incomplete entries in the daily tank log inspection book attached to 1 x 220 gallon used oil tank. Per facility daily inspections are not being conducted.</p> <p>Perform and document hazardous waste tank inspections daily. Inspections must cover: 1) overfill/spill control equipment; 2) aboveground portions of the tank system; 3) data gathered from monitoring and leak detection equipment; 4) construction materials and the area immediately surrounding the tank system; and 5) the level of waste in the tank, for uncovered tanks. [CCR 66265.195]</p>	

OFFICIAL NOTICE OF INSPECTION

Facility ID: FA0200739
Facility Name: GOODYEAR TIRE & RUBBER CO
Site Address: 10931 N DE ANZA BL, CUPERTINO, CA 95014

Inspection Date: 09/08/2017

Summary of Violations & Notice to Comply

VC	Class	Violation	Corrective Actions Taken
G403	II	<p>MANAGEMENT OF CONTAMINATED CONTAINERS [3030058]</p> <p>Facility improperly treated, managed, or disposed of a hazardous materials container that was not empty because it still contained a pourable or scrapeable quantity of hazardous material that upon disposal meets the definition of a hazardous waste.</p> <p style="text-align: center;"> Observed 1 x quart bottle of injection fluid in the trash with pourable amounts of product present. Ensure that all containers under 5 gallons are completely empty of free flowing liquids and scrap able material before disposal.</p> <p>Thoroughly empty hazardous material/waste containers prior to treating, managing, or disposing of them, when allowed under empty container management standards. If a container cannot be emptied, manage it per standard hazardous waste requirements. [CCR 66261.7(b)]</p>	

Comments: On site to conduct a routine hazardous waste inspection
Areas inspected include service bays, back storage room, hazardous waste accumulation areas and dumpsters

Observed the following wastes on site:
 1 x 220 gallon tank of used oil
 1 x 120 gallon container of waste coolant
 3 x 55 gallon drums of drained used oil filters
 1 x 55 gallon drum of oily debris (paper filters)
 1 x 55 gallon drum of waste absorbent
 3 x 15 gallon used oil rollers
 1 x 15 gallon drum of waste brake fluid (point of generation)

Fire extinguishers have had annual maintenance
Spill control is available on site
Rags are managed by UniFirst
Batteries are managed by NAPA
Brake shavings are collected and managed as scrap metal
Container areas are inspected weekly
Employee training plan and records are available in Goodyear's Online Portal
Facility's Emergency plan is available online via CERS
Disposal records were reviewed
EPA ID# CAL000013487 is active

The following violations were corrected on site:
 1 x 55 gallon drum of waste oily debris was missing the start date. Start date was added during inspection

Immediately correct any violation designated as a Class I or Class II violation. Correct all other violations no later than 10/08/2017, unless otherwise noted by the inspector.

Using the space provided, write a brief description of the actions taken by the facility to correct each violation. Attach additional pages if more space is needed. Within 5 days of achieving compliance or within 35 days of the inspection date, whichever comes first, sign the certification statement below and return a copy of this report to HMCD. Time granted for correction of violations does not preclude any enforcement action by HMCD or other agencies. This facility may be subject to reinspection at any time. [Authority: HSC 25185(c), 25187.8, 25404.1.2(c)]

Received By: Albert Espinoza
Service Manager

Inspected By: EE0010435 - LOREN LIM

OFFICIAL NOTICE OF INSPECTION

Facility ID: FA0200739
Facility Name: GOODYEAR TIRE & RUBBER CO
Site Address: 10931 N DE ANZA BL, CUPERTINO, CA 95014

Inspection Date: 09/08/2017

Summary of Violations & Notice to Comply

Certification of Compliance

I certify under penalty of perjury that this facility has complied with directives specified in this Notice to Comply.

Signature of Owner/Operator

Date

Printed Name of Owner/Operator

Title

OFFICIAL NOTICE OF INSPECTION - SUPPLEMENTAL INFORMATION

This Official Notice of Inspection (NOI) documents the results of an inspection by HMCD, including a list of alleged violations, evidence in support of the alleged violations, corrective actions that must be taken by the facility, and general observations.

What am I supposed to do upon receiving a NOI?

- Correct the violations within 30 days of the inspection date, unless otherwise noted.
- In the “Corrective Actions Taken” column, write a brief description of the actions taken by the facility to correct each violation. Attach additional pages if more space is needed.
- Certify that the facility has returned to compliance by signing and dating the certification statement at the end of the report.
- Make a photocopy of the NOI and any attachments for your records.
- Within 5 days of achieving compliance or 35 days of the inspection date, whichever comes first, return the original copy of the report and any attachments to HMCD at 1555 Berger Drive, Suite 300, San Jose, CA 95112-2716.

What if there are violations that cannot be corrected within 30 days?

For each violation that cannot be corrected within 30 days, submit a written Compliance Plan describing the corrective actions you propose to take and the date by which the actions will be completed. State law grants up to 30 days to correct minor violations without penalty. Minor violations that are uncorrected after 30 days, and class I and II violations may be subject to enforcement action. To lessen the possibility of enforcement action, correct all violations as soon as possible.

What if I disagree with a violation on the NOI?

If you disagree with any violation listed in this NOI, you must submit a written Notice of Disagreement to HMCD within 30 days of the inspection date. Address such notices to the attention of the inspector who cited the violation. In your Notice of Disagreement, explain in detail why you believe the alleged violation was incorrectly cited.

What about photographs or samples taken during the inspection?

A co-located sample will be given to you upon request if adequate sample volume is available. Photographs and sample analytical results will not generally be available until after the inspection has been concluded. A copy of photographs and/or analytical results will be provided to you upon written request. Photographs and sample analytical results may be withheld in the event of a criminal investigation or other ongoing investigation.

Key to Acronyms and Regulatory Terms

XX CCR	California Code of Regulations, Title XX
XX CFR	Code of Federal Regulations, Title XX
Class	Violation classification: I = Class I violation, II = Class II violation, M = Minor violation, C = Corrected minor violation [HSC §25110.8.5, HSC §25117.6, CCR §66260.10]
DTSC	California Department of Toxic Substances Control
EPA	U.S. Environmental Protection Agency
HMCD	County of Santa Clara, Department of Environmental Health, Hazardous Materials Compliance Division
HSC	California Health and Safety Code
RCRA	Resource Conservation and Recovery Act
SCCO	Santa Clara County Ordinance Code
TSDF	Hazardous waste treatment, storage or disposal facility
UPCF	Unified Program Consolidated Form
UST	Underground storage tank
VC	HMCD violation code

Warning:

- It is a violation of State law to make a false statement that a facility has returned to compliance [HSC §25404.1.2(c)(2)].
- Making a false statement regarding a hazardous waste violation is punishable by a fine of not less than \$2,000 or more than \$25,000 and/or imprisonment in the county jail for up to one year [HSC §25191(b)].
- Making a false statement regarding an underground storage tank violation is punishable by a fine of not less than \$500 or more than \$5,000 [HSC §25299(a)(8), 25299(b)(7)].
- HMCD has the right to require the submittal of reasonable and necessary documentation in support of any claim of compliance made by your facility [HSC §25187.8(i)].

HMCD-014A

www.EHinfo.org/hazmat

Rev. 07/28/10

The Goodyear Tire & Rubber Company

200 Innovation Way
Akron, Ohio 44316 – 0001

November 2, 2017

Ms. Loren Lim
County of Santa Clara
Department of Environmental Health
Hazardous Materials Compliance Division
1555 Berger Drive Suite 300
San Jose Ca 95112-2716

Dear Ms. Lim,

This letter is in response to Official Notice of inspection for FA0200739.

G010

Drum was properly classified and shipped through Safety Kleen on 9/26/17.
Manifest A Aerosols Can is attached.

G020

We were not sure what was meant by 3x15 used oil rollers.
Here is a photo of the waste coolant label.



G035

We had this shipped off site to Safety Kleen on 9/26/17. Manifest B Brake Fluid Absorbents is attached.

The Goodyear Tire & Rubber Company

200 Innovation Way
Akron, Ohio 44316 – 0001

G052

Safety Kleen is contracted to pick up waste coolant. We have placed this waste stream on a 90 day pick up schedule.

G110

Floor around secondary containment has been cleaned. Saturated pads and clean up items shipped to Safety Kleen on 9/26. Manifest B Brake Fluid Absorbents is attached.



G340

We have contracted through our service provider to get this tank assessment completed. We expect to have this completed by the end of November. I will forward a copy to you when it is completed.

G343

Store has started the Daily Tank Inspection in October. We will inspect daily and record on log.

G403

Store has started using a bottle draining system. See photo.

The Goodyear Tire & Rubber Company

200 Innovation Way
Akron, Ohio 44316 – 0001



At Goodyear, we are continuously striving to maintain a safe and healthy work environment. If you have any questions, please contact me at 330-208-7783 or at anthony_desanto@goodyear.com.

Sincerely,

A handwritten signature in black ink that reads "Tony DeSanto".

Tony DeSanto
Retail EHS Manager
Goodyear Tire And Rubber Company

BILL OF LADING/MANIFEST

1. Shipper's US EPA ID No. (If Applicable) **COL 000013487** Document No. **79664** 2. Page 1 of 1

3. Shipper's Name and Mailing Address **Goodyear B773
10931 N De Anza Blvd
CUPERTINO CA 95014-0439**

4. Shipper's Phone (**408-255-2166**)

5. Transporter 1 Company Name **SAFETY-KLEEN SYSTEMS INC** 6. US EPA ID Number **TXD000001205** A. Transporter's Phone **572-265-2000**

7. Transporter 2 Company Name **CLEAN HARBORS ENVIRONMENTAL SVC INC. MAD039322250** 8. US EPA ID Number **MAD039322250** B. Transporter's Phone **781-792-5000**

9. Designated Facility Name and Site Address **SJ
CLEAN HARBORS SAN JOSE
1021 BERRYESSA ROAD
SAN JOSE CA 95133** 10. US EPA ID Number **CAD059494310** C. Facility's Phone **408-441-0962**

11. Shipping Name and Description		12. Containers	13. Total	14. Unit
HM		No.	Quantity	Wt/Vol
a.	<input checked="" type="checkbox"/> UN1950, AEROSOLS, 2.1, UNIVERSAL WASTE - AEROSOLS	001	0080	P
b.				
c.				
d.				

15. Special Handling Instruction and Additional Information
 SK SHIP# **223548514** **6010600**
 1) ERG#126;
 24 HR EMERGENCY #1-800-468-1760 (SK / TFI)
 AUTH AS "AGENT-FOR" BY GEN TO RETAIN LICENSED SUB CARRIERS AS NECESSARY
 DOT/PREF. A. 7823874/966206 B. C. D.
 A) NONE B) C) D) **1704909012**

16a. US DOT HAZARDOUS MATERIALS SHIPPER'S CERTIFICATION: This is to certify that the above-named materials are properly classified, described, packaged, marked and labeled and are in proper condition for transportation according to the applicable regulations of the Department of Transportation.

Printed/Typed Name **AL Espinoza** Signature required here if US DOT regulated **X Al Espinoza** Month **10** Day **27** Year **17**

16b. NON-REGULATED SHIPPER'S CERTIFICATION: I certify the materials described above on this form are not subject to federal regulations for Transportation or Disposal.

Printed/Typed Name _____ Sign here if material is not DOT regulated _____ Month _____ Day _____ Year _____

17. Transporter 1 Acknowledgement of Receipt of Materials
 Printed/Typed Name **Dennis Jauregui** Signature **D. Jauregui** Month **10** Day **27** Year **17**

18. Transporter 2 Acknowledgement of Receipt of Materials
 Printed/Typed Name **Greg Jensen** Signature **Greg Jensen** Month **10** Day **27** Year **17**

19. Discrepancy Indication Space

20. Facility Owner or Operator: Certification of receipt of materials covered by this form except as noted in Item 19.
 Printed/Typed Name **David Baker** Signature **David Baker** Month **10** Day **27** Year **17**

SHIPPER USE OR 16B TRANSPORTER FACILITY

USE OR 16B

24 HR EMERGENCY # 800-468-1760 (SAFETY-KLEEN)

ORIGINAL-RETURN TO GENERATOR

FORM NO. 01-90291 (03/2015)

SSJ

SK SHIP# ~~22342233~~
223548529



006162102SKS

Form Approved. OMB No. 2050-0039

Please print or type. (Form designed for use on elite (12-pitch) typewriter.)

VIT102073

UNIFORM HAZARDOUS WASTE MANIFEST	1. Generator ID Number CAL000013487	2. Page 1 of 4	3. Emergency Response Phone 1-800-468-1760	4. Manifest Tracking Number 006162102 SKS
----------------------------------	--	----------------	---	--

5. Generator's Name and Mailing Address Goodyear 8773 10931 N De Anza Blvd CUPERTINO CA 95014-0439		Generator's Site Address (if different than mailing address)	
Generator's Phone: 408-255-2166			

6. Transporter 1 Company Name SAFETY-KLEEN SYSTEMS INC	U.S. EPA ID Number TXR000081205
---	------------------------------------

7. Transporter 2 Company Name CLEAN HARBORS ENVIRONMENTAL SVC INC.	U.S. EPA ID Number MAD039322250
---	------------------------------------

8. Designated Facility Name and Site Address CLEAN HARBORS ENVIRONMENTAL SERVICES, IN 2247 S HIGHWAY 71 KIMBALL, NE 69145	U.S. EPA ID Number NED981723513
Facility's Phone: 308-235-4012	

9a. HM	9b. U.S. DOT Description (including Proper Shipping Name, Hazard Class, ID Number, and Packing Group (if any))	10. Containers		11. Total Quantity	12. Unit Wt./Vol.	13. Waste Codes		
		No.	Type					
1.	NONE NON RCRA HAZARDOUS WASTE SOLIDS, (ABSORBENTS CONTAMINATED WITH OIL), N/A	1	DM	80	P	352		
2.	NON RCRA HAZARDOUS WASTE LIQUIDS, (BRAKE FLUID)	1	DM	50	P	343		
3.								
4.								

14. Special Handling Instructions and Additional Information TSD:KP 74779664 6010608 CSG: 24 HR EMERGENCY #1-800-468-1760 (SK / TFI) AUTH AS "AGENT-FOR" BY GEN TO RETAIN LICENSED SUB CARRIERS AS NECESSARY 1704909612

15. GENERATOR'S/OFFEROR'S CERTIFICATION: I hereby declare that the contents of this consignment are fully and accurately described above by the proper shipping name, and are classified, packaged, marked and labeled/placarded, and are in all respects in proper condition for transport according to applicable international and national governmental regulations. If export shipment and I am the Primary Exporter, I certify that the contents of this consignment conform to the terms of the attached EPA Acknowledgment of Consent. I certify that the waste minimization statement identified in 40 CFR 262.27(a) (if I am a large quantity generator) or (b) (if I am a small quantity generator) is true.		
Generator's/Offeor's Printed/Typed Name AL Espinoza	Signature <i>AL Espinoza</i>	Month Day Year 19 27 17

16. International Shipments <input type="checkbox"/> Import to U.S. <input type="checkbox"/> Export from U.S. Port of entry/exit: Date leaving U.S.:

17. Transporter Acknowledgment of Receipt of Materials		
Transporter 1 Printed/Typed Name <i>Dennis Jarama</i>	Signature <i>Dennis Jarama</i>	Month Day Year 19 27 17
Transporter 2 Printed/Typed Name <i>Greg Jensen</i>	Signature <i>Greg Jensen</i>	Month Day Year 10 3 17

18. Discrepancy
18a. Discrepancy Indication Space <input type="checkbox"/> Quantity <input type="checkbox"/> Type <input type="checkbox"/> Residue <input type="checkbox"/> Partial Rejection <input type="checkbox"/> Full Rejection

18b. Alternate Facility (or Generator)	Manifest Reference Number:	U.S. EPA ID Number:
Facility's Phone:		

18c. Signature of Alternate Facility (or Generator)	Month Day Year
---	----------------

19. Hazardous Waste Report Management Method Codes (i.e., codes for hazardous waste treatment, disposal, and recycling systems)			
1. H040	2. H040 H41	3.	4.

20. Designated Facility Owner or Operator: Certification of receipt of hazardous materials covered by the manifest except as noted in Item 18a		
Printed/Typed Name <i>John Micko</i>	Signature <i>John Micko</i>	Month Day Year 10 23 17



Please print or type. (Form designed for use on elite (12-pitch) typewriter.)

UNIFORM HAZARDOUS WASTE MANIFEST		1. Generator ID Number CAL000013487	2. Page 1 of 1	3. Emergency Response Phone 1-800-468-1760	4. Manifest Tracking Number 006162103 SKS		
5. Generator's Name and Mailing Address Goodyear 8773 10931 N De Anza Blvd CUPERTINO Generator's Phone: 408-255-2166				Generator's Site Address (if different than mailing address) CA 95014-0439			
6. Transporter 1 Company Name SAFETY-KLEEN SYSTEMS INC			U.S. EPA ID Number TXR000081205				
7. Transporter 2 Company Name CLEAN HARBORS ENVIRONMENTAL SVC INC.			U.S. EPA ID Number MAD039322250				
8. Designated Facility Name and Site Address THERMO FLUIDS INC 12533 SE CARPENTER DR CLACKAMAS Facility's Phone: 503-788-4616				U.S. EPA ID Number OR000025197		, OR 97015-8988	
GENERATOR	9a. HM	9b. U.S. DOT Description (including Proper Shipping Name, Hazard Class, ID Number, and Packing Group (if any))	10. Containers		11. Total Quantity	12. Unit Wt./Vol.	13. Waste Codes
		1. NON-RCRA HAZARDOUS WASTE, SOLID (DRAINED/UNDRAINED USED OIL FILTERS)	No. 2	Type DM	500	P	223
		2.					
		3.					
		4.					
14. Special Handling Instructions and Additional Information TSD:TPO 74779664 6010608 CSG: 24 HR EMERGENCY #1-800-468-1760 (SK / TFI) AUTH AS "AGENT FOR" BY GEN TO RETAIN LICENSED SUB CARRIERS AS NECESSARY 1704909612							
15. GENERATOR'S/OFFEROR'S CERTIFICATION: I hereby declare that the contents of this consignment are fully and accurately described above by the proper shipping name, and are classified, packaged, marked and labeled/placarded, and are in all respects in proper condition for transport according to applicable international and national governmental regulations. If export shipment and I am the Primary Exporter, I certify that the contents of this consignment conform to the terms of the attached EPA Acknowledgment of Consent. I certify that the waste minimization statement identified in 40 CFR 262.27(a) (if I am a large quantity generator) or (b) (if I am a small quantity generator) is true.							
Generator's/Offoror's Printed/Typed Name AL Espinoza				Signature <i>AL Espinoza</i>		Month Day Year 09 27 17	
16. International Shipments <input type="checkbox"/> Import to U.S. <input type="checkbox"/> Export from U.S. Port of entry/exit: Date leaving U.S.:							
17. Transporter Acknowledgment of Receipt of Materials							
Transporter 1 Printed/Typed Name Dennis Jauregui				Signature <i>Dennis Jauregui</i>		Month Day Year 09 27 17	
Transporter 2 Printed/Typed Name A.C. Gonzalez				Signature <i>A.C. Gonzalez</i>		Month Day Year 10 12 17	
18. Discrepancy							
18a. Discrepancy Indication Space <input type="checkbox"/> Quantity <input type="checkbox"/> Type <input type="checkbox"/> Residue <input type="checkbox"/> Partial Rejection <input type="checkbox"/> Full Rejection							
18b. Alternate Facility (or Generator) Manifest Reference Number: U.S. EPA ID Number:							
18c. Signature of Alternate Facility (or Generator) Month Day Year							
19. Hazardous Waste Report Management Method Codes (i.e., codes for hazardous waste treatment, disposal, and recycling systems)							
1.		2.		3.		4.	
20. Designated Facility Owner or Operator: Certification of receipt of hazardous materials covered by the manifest except as noted in Item 18a							
Printed/Typed Name Jeremy Sequin				Signature <i>Jeremy Sequin</i>		Month Day Year 10 04 17	

DESIGNATED FACILITY TO DESTINATION STATE (IF REQUIRED)



USED OIL

Used Oil

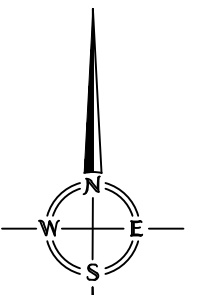
Used Oil

USED OIL

BOOK 316 PAGE 2

BOOK 326

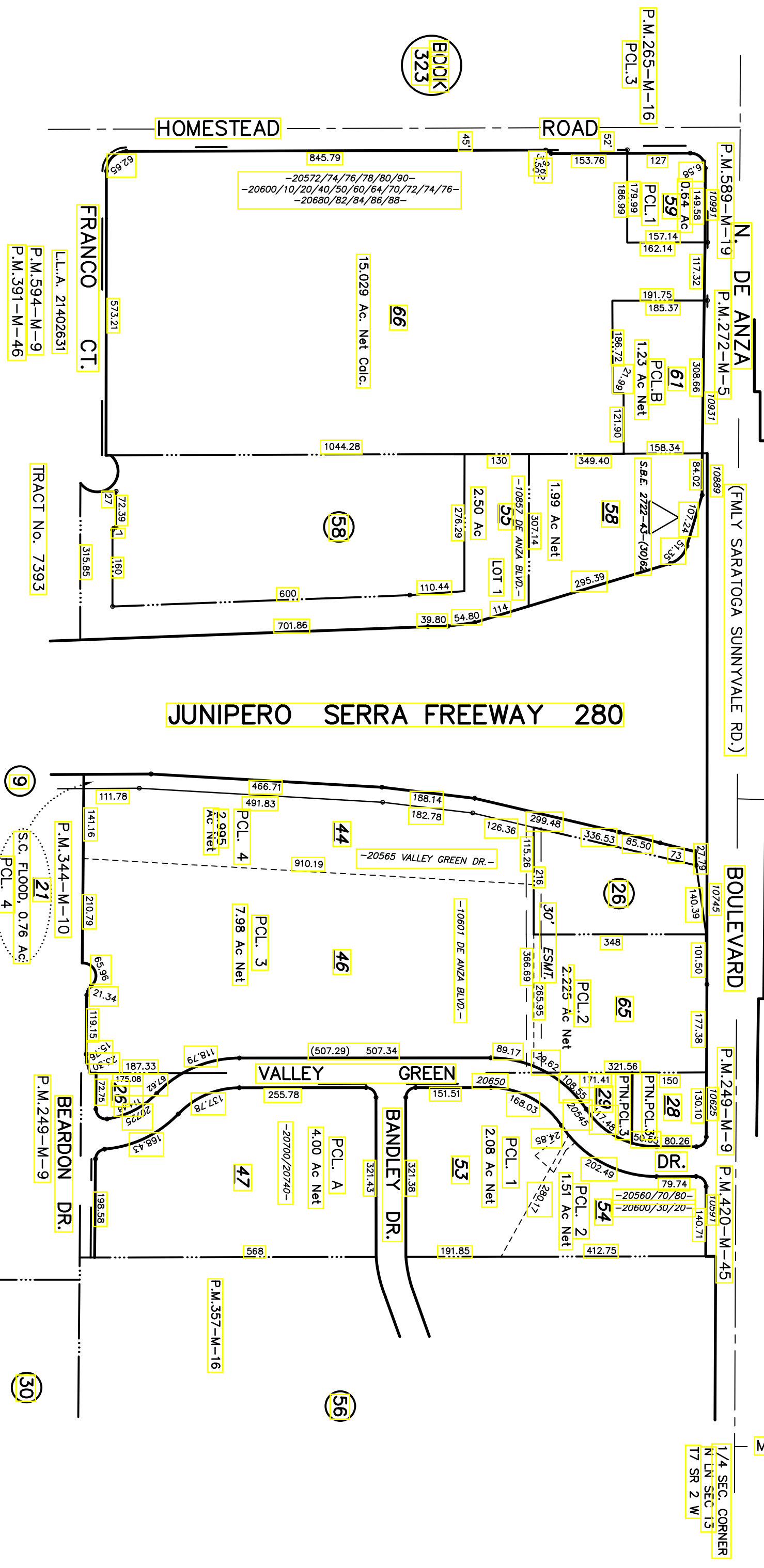
PAGE 10



1" = 200'

MARIANI AVE.

1/4 SEC. CORNER
N LN. SEC. 15
T7 SR 2 W



BOOK 323

FRANCO CT.
L.L.A. 21402631
P.M.594-M-9
P.M.391-M-46

TRACT No. 7393

HOMESTEAD ROAD

N. DE ANZA

(FMLY SARATOGA SUNNYVALE RD.)

BOULEVARD

JUNIPERO SERRA FREEWAY 280

TRACT NO. 9729
OAK PARK VILLAGE

VALLEY GREEN DR.

BANDLEY DR.

BEARDON DR.

S.C. FLOOD, 0.76 Ac;
PCL. 4

P.M.344-M-10

P.M.249-M-9

P.M.249-M-9

P.M.420-M-45

P.M.357-M-16

30

56

26

44

46

47

53

28

54

65

66

58

58

59

61

T74 DET. MAP 085
LAWRENCE E. STONE - ASSESSOR
Cadastral map for assessment purposes only.
Compiled under R. & J. Code, Sec. 327.
Effective Roll Year 2018-2019

APPENDIX F

QUALIFICATIONS

Christopher Olsen □ Associate Consultant

Education:

BA Environmental Studies, UC Santa Barbara
MBA Santa Clara University, Leavey School of Business

Training/Licenses/Registrations:

AHERA, Asbestos Building Inspector

Summary of professional experience:

Mr. Olsen has had experience in the environmental consulting, property disclosure, and real estate due diligence industry since 1994. Mr. Olsen has performed several thousand Phase I ESAs, including Fannie Mae, Freddie Mac, HUD and FDIC scopes of work. Mr. Olsen has performed asbestos, lead-based paint, radon, and mold sampling on hundreds of Phase I ESA projects. He has completed Phase I ESA projects on all property types, including heavy and light industrial, commercial office and retail, hospitality, multi-family, mobile home parks, hospital and skilled nursing facilities, resort properties, automotive service facilities, and waste processing facilities. Mr. Olsen has several years' experience reviewing Phase I ESA reports, and conducting "desk reviews" of Phase I ESAs as a third party reviewer. Mr. Olsen has completed approximately 50 PCA reports.

Select Phase I ESA project experience for Mr. Olsen includes:

- Oakridge Shopping Center, San Jose, CA - This 1.14M SF shopping center was constructed in 1971. HRECs were identified in connection with a former auto service facility which was on site. Mr. Olsen recommended an ACM O&M plan.
- Garaventa Transfer Station, Pittsburg, CA - This 11.05 acre site is a recycling and solid waste transfer station. RECs were identified and an ACM O&M plan was recommended as well as continued groundwater monitoring and remediation per RWQCB requirements.
- Embassy Suites, South Lake Tahoe, CA - Embassy Suites is a resort hotel. No RECs were identified; however, Mr. Olsen recommended an ACM O&M plan.
- Durkee Industrial Facility, Richmond, CA - This 6.32 acre commercial/industrial property was found to have multiple RECs due to historic industrial uses. Groundwater contamination was reported. Mr. Olsen recommended continued groundwater monitoring and remediation per RWQCB requirements.
- Office Tower, 100 Van Ness Ave, San Francisco, CA - This 29 story office tower constructed in 1973 was undergoing a complete interior renovation for conversion to residential use. Several RECs were identified due to the operation of vaulted tanks without permits or tank testing documentation.
- Mixed-use Property, Oakland, CA - This 2.45 acre site consisted of ten office and retail buildings constructed between 1868 and 1881. RECs were identified in connection with undocumented former onsite contaminated soil removal. Additionally, an adjacent open SLIC case (groundwater contamination) was reported.
- Portfolio of five multi-family residential facilities, San Francisco, CA - No RECs were found while reviewing this portfolio of multi-family residential properties in San Francisco. Mr. Olsen recommended both ACM and LBP O&M plans for these properties.

Nicole Burns □ **Client Manager**

B.S. – Occupational Safety and Health, Keene State College, Keene, New Hampshire - 2007

Ms. Burns has been in the environmental industry since 2007 and provides project management and oversight to ensure compliance and satisfaction of client requirements for Phase I Environmental Site Assessments, Real Estate Transaction Screens, Database Reviews, and other similar environmental assessments. She has successfully completed assessments on a variety of residential, agricultural, commercial and complex industrial sites. Ms. Burns is accustomed to all aspects of Due Diligence Property Assessments and the needs and requirements of a variety of reporting standards, including ASTM, EPA's All Appropriate Inquiry (AAI), Freddie Mac, Fannie Mae, and customized client formats.

Project experience for Ms. Burns includes:

- Conducted numerous Phase I Environmental Site Assessments, Environmental Transaction Screens, Regulatory Database Reviews for residential, commercial and industrial properties throughout the Northeast, Nevada and California, which included field inspections, conducting state and federal research, and interpretation of State specific environmental programs;
- Conducted groundwater monitoring activities at a closed solid waste landfill in Connecticut, which included logging and analyzing data and generating quarterly reports;
- Phase II Environmental Site Assessments and Limited Subsurface Investigations including groundwater and soil sampling activities, collection of field samples, and analyzing environmental data;
- Assisted in the operations of field logging, geotechnical surveys, environmental drilling, and sample collection at the Southern California Edison Tehachapi Transmission Project. In addition, Ms. Burns performed daily air monitoring for dust control of pesticide and herbicide contaminated soils including summarizing and evaluation of data;
- Completed AHERA accredited Building Inspector for Asbestos courses. Ms. Burns has also performed several asbestos inspections, mold inspections, and lead-based paint inspections throughout Connecticut, Massachusetts, Rhode Island, Pennsylvania, New Jersey, and New York State

As a Client Manager, Ms. Burns provides senior author services and client management, including project management and staff mentorship.

APPENDIX G

LIST OF COMMONLY USED ABBREVIATIONS

UNITS

µg/L	Micrograms per Liter	pCi/L	PicoCuries per Liter
mg/kg	Milligrams per Kilogram	ppb	Parts per Billion
mg/L	Milligrams per Liter	ppm	Parts per Million

ABBREVIATIONS AND ACRONYMS

ACM	Asbestos-Containing Material	NESHAP	National Emission Standards for Hazardous Air Pollutants
ADJ	Adjacent site	NFA	No Further Action
AEI	AEI Consultants	NFRAP	No Further Remedial Action Planned
AHERA	Asbestos Hazard Emergency Response Act	NLR	No Longer Reporting
APN	Assessor's Parcel Number	NOV	Notice of Violation
AST	Aboveground Storage Tank	NPL	National Priorities List
AUL	Activity and Use Limitation	O&M	Operations and Maintenance
bgs	Below Ground Surface	OEC	Other Environmental Considerations
BTEX	Benzene, Toluene, Ethylbenzene, and Xylenes	OSHA	Occupational Safety and Health Administration
CERCLA	Comprehensive Environmental Response Compensation and Liability Act	PCB	Polychlorinated Biphenyl
CERCLIS	Comprehensive Environmental Response Compensation and Liability Information System	PCE, PERC	Perchloroethylene, Tetrachloroethylene, Tetrachloroethene
CESQGs	Conditionally Exempt Small Quantity Generators	RCRA	Resource Conservation and Recovery Act
COC	Contaminant of Concern	REC	Recognized Environmental Condition
CREC	Controlled Recognized Environmental Condition	RP	Responsible Party
EC	Engineering Controls	SDS	Safety Data Sheet
EDR	Environmental Data Resources, Inc.	SEMS	Superfund Enterprise Management System
EPA	Environmental Protection Agency	SF	Square Footage/Square Feet
ERIS	Environmental Risk Information Services	SP	Subject Property
ERNS	Emergency Response Notification System	SQG	Small Quantity Generator
ESA	Environmental Site Assessment	SWLF	Solid Waste Landfill
GPR	Ground-Penetrating Radar	SVOC	Semi-Volatile Organic Compound
HREC	Historical Recognized Environmental Condition	TCE	Trichloroethylene, Trichloroethene
HVAC	Heating, Ventilation and Air Conditioning	TPH	Total Petroleum Hydrocarbons
HWS	Hazardous Waste Site	TPHd	Total Petroleum Hydrocarbons (diesel range)
IC	Institutional Controls	TPHg	Total Petroleum Hydrocarbons (gasoline range)
LBP	Lead-Based Paint	TPHo	Total Petroleum Hydrocarbons (oil range)
LCP	Lead-Containing Paint	TRPH	Total Recoverable Petroleum Hydrocarbons
LLP	Landowner Liability Protection	TSDf	Treatment, Storage, and Disposal Facility
LQG	Large Quantity Generator	USDA	United States Department of Agriculture
LUST	Leaking Underground Storage Tank	USGS	United States Geological Survey
MCL	Maximum Contaminant Level	UST	Underground Storage Tank
MTBE	Methyl Tertiary Butyl Ether	VCP	Voluntary Cleanup Program
ND	None Detected	VOC	Volatile Organic Compound



October 26, 2018

Jeremy Haggberg
De Anza Properties
960 North San Antonio Road, Suite 114
Los Altos, CA 94022

**RE: Limited Phase II ESA Soil & Soil Vapor Sampling Results
10931 North De Anza Blvd, Cupertino, CA 95014**

Dear Mr. Haggberg:

As per the request of De Anza Properties (Client), Applied Remedial Technologies, Inc. (ARTI) has prepared this letter report regarding a limited Phase II Environmental Site Assessment (ESA) related to commercial property located at 10931 North De Anza Boulevard, in Cupertino, California (Site) as shown in **Figure 1**.

FIELD ACTIVITIES

Drilling of Seven (7) Borings for Soil & Soil Vapor Sampling: ARTI drilled a total of seven (7) soil borings adjacent to and in proximity to the existing Hydraulic Lifts and existing in-ground Clarifier (or identified as an Oil/Water Separator) areas. Six (6) soil borings (B1 through B6) were drilled to a depth of approximately ten (10) feet, and adjacent to six (6) existing Hydraulic Lifts. One (1) soil boring (Boring B7) was drilled to a depth of approximately twelve (12) feet, and adjacent to the O/W (Oil/Water) Separator location (for boring locations see **Figure 2**, and for boring logs see **Appendix A**).

Additionally, the one (1) soil boring (Boring B7) located at the O/W Separator area was converted into a temporary soil vapor well for collection of soil vapor samples at two different depths using two vapor probes placed at depths of approximately 8.0 feet and 11.5 feet below ground surface(bgs), respectively.

Each boring was advanced using a truck-mounted Geoprobe direct push drill rig equipped with a macrocore sampling system. Soil cores will be collected with the macro sampling system in acetate liners under the direction of a licensed California professional (geologist/civil engineer). All soil samples were collected at bottom of each of the borings.

Geophysical Survey for Location of 200-Gallon Waste Oil UST: ARTI performed a geophysical survey within accessible areas (perimeter areas around the building structure) of the Site to evaluate the presence of the 200-gallon waste oil Underground Storage Tanks (UST). The ground penetrating radar (GPR) method used did not identify any anomalies or signatures from the scans that would suggest the presence of the UST (see **Appendix B** for the GPR survey results).

LABORATORY ANALYTICAL RESULTS

Soil Sampling Results: The soil samples collected from the seven (7) soil borings were analyzed for various contaminants of concern (COCs) by a state-certified lab as following (see **Table 1** below for a summary of the lab results shown in **Appendix C**):

- **Hydraulic Lift Area** – A total of six (6) soil samples (Borings B1 through B6) collected at each of the Hydraulic Lift locations were analyzed by a state-certified lab for TPH (Total Volatile Hydrocarbons) as Diesel (TPH-d) & TPH as Motor Oil (TPH-mo) per EPA Method 8015B, and PCBs (Polychlorinated Biphenyls) per EPA Method 8082.
- **Oil/Water Separator Area** – The one (1) soil sample collected from Boring B7 in this area was analyzed by a state-certified lab for TPH Multi-Range including Diesel, Gasoline and Motor Oil per EPA Method 8015Bm, PCBs (Polychlorinated Biphenyls) per EPA Method 8082, and VOCs (Volatile Organic Compounds) using EPA Method 8260B.

The soil sampling lab results are summarized below in **Table 1**, and indicate detection of very low levels of TPH-d and TPH-mo in the hydraulic lift areas, which however are below the San Francisco Regional Quality Control Board (RWQCB) Soil Tier 1 Environmental Screening Levels (ESLs). All other lab results for the soils including PCBs were reported below detection limits and are indicated as ND (Non-Detect).

TABLE 1 – SUMMARY OF SOIL ANALYTICAL RESULTS

SAMPLE ID	DATE	DEPTH (ft bgs)	TPH-Diesel (mg/kg)	TPH-Motor Oil (mg/kg)	TPH-Multi Range (mg/kg)	VOCs (Volatile Organic Compounds) (mg/kg)	PCBs (mg/kg)
B1-10	10/10/18	10	1.6	ND	NA	NA	ND
B2-10	10/10/18	10	4.2	ND	NA	NA	ND
B3-10	10/10/18	10	3.4	5.8	NA	NA	ND
B4-10	10/10/18	10	2.3	8.8	NA	NA	ND
B5-10	10/10/18	10	1.6	7.7	NA	NA	ND
B6-10	10/10/18	10	1.3	7.0	NA	NA	ND
B7-12	10/10/18	12	NA	NA	ND	ND	ND
TIER 1 ESLs	-	-	230	5,100	Varies by Compound	Varies by Compound	Varies by Compound

NOTES: 1) Tier 1 ESLs (Environmental Screening Levels) based on SFRWQCB Interim Final, Rev. 3, Feb 2016
 2) ND = Non Detect
 3) NA = Not Analyzed

Soil Vapor Sampling Results: The temporary soil vapor well (converted at Boring B7) located near the in-ground O/W Separator area was used to collect soil vapor samples from each of the two vapor probes placed in the well at depths of approximately 8 feet and 11.5 feet bgs. The two (2) soil vapor samples collected at the two different depths were analyzed by a state-certified lab for VOCs using EPA Method TO-15 (see **Table 2** below for a summary of the lab results shown in **Appendix C**). As shown below in **Table 2**, the results for the soil vapor samples indicate low levels of the generally concerned VOCs, which however, are below the San Francisco Regional Quality Control Board (SFRWQCB) Soil Gas Environmental Screening Levels (ESLs). In addition, several compounds other compounds, including 1,1,1-Trichloroethane, 1,2,4-Trimethylbenzene, 1,3,5-Trimethylbenzene, 4-Ethyltoluene, Carbon Disulfide, Chloroform, Dichlorodifluoromethane and Ethylbenzene, were reported at or near non-detection limits.

TABLE 2 – SUMMARY OF SOIL VAPOR ANALYTICAL RESULTS FOR VOCs

SAMPLE ID	DATE	DEPTH (ft bgs)	TCE (µg/m ³)	PCE (µg/m ³)	Acetone (µg/m ³)	MIBK (µg/m ³)	Benzene (µg/m ³)	Toluene (µg/m ³)	Xylenes (µg/m ³)
B7-8.0	10/10/18	8.0	5.5	4.2	32.7	4.2	13.2	13.1	8.3
B7-11.5	10/10/18	11.5	2.1	3.0	8.8	ND	8.5	9.3	4.9
ESL-R	-	-	240	240	1.5E+07	2.1E+05	48	1.6E+05	5.2E+04
ESL-C	-	-	3,000	2,100	3.1E+07	4.2E+05	420	1.3E+06	4.4E+05

NOTES: 1) ESL-R = Environmental Screening Levels, Residential, based on SFRWQCB Interim Final, Rev. 3, Feb 2016
 2) ESL-C = Environmental Screening Levels, Commercial, based on SFRWQCB Interim Final, Rev. 3, Feb 2016
 3) ND = Not Detect

DISCUSSION & CONCLUSION

As indicated above in **Table 1**, very low detectable concentrations of TPH-d (as Diesel) and TPH-mo (as Motor Oil) were reported in all six (6) soil samples (Borings B1 through B6) collected from the hydraulic lift areas. However, these soil concentrations are below the San Francisco Regional Quality Control Board (RWQCB) Tier 1 Environmental Screening Levels (ESLs). No detectable concentrations of PCBs were reported in all the six (6) soil samples collected from the hydraulic lift areas.

Also, as indicated above in **Table 1**, the one (1) soil sample collected from Boring B7 near the in-ground Oil/Water Separator area reported detection levels as ND (Non-Detect) for TPH Multi-Range including Diesel, Gasoline & Motor Oil, VOCs and PCBs.

In addition, two (2) soil vapor samples were collected from each of the two soil vapor probes located at two different depths of 8.0 feet and 11.5 feet bgs in the temporary soil vapor well that was converted at Boring B7 located at the in-ground Oil/Water Separator area. As indicated above in **Table 2**, the soil vapor concentrations of VOCs from these samples were reported at relatively low levels, which are below the San Francisco Regional Quality Control Board (SFRWQCB) Soil Gas Environmental Screening Levels (ESLs).

Finally, a geophysical survey was performed within accessible areas (perimeter areas around the building structure) of the Site to evaluate the presence of the 200-gallon waste oil Underground Storage Tanks (UST). The ground penetrating radar (GPR) method used did not identify any anomalies or signatures from the scans that would suggest the presence of the UST (see **Appendix B** for the GPR survey results).

This report was prepared consistent with generally accepted environmental consulting principles and practices that are within the limitations described in **Appendix D**. We thank you for providing us the opportunity for performing the limited Phase II ESA. If you have any questions, please do not hesitate to call us at (415) 816-2134 or contact us via email at asghuman@applied.us.com.

Very Truly Yours,

APPLIED REMEDIAL TECHNOLOGIES, INC.

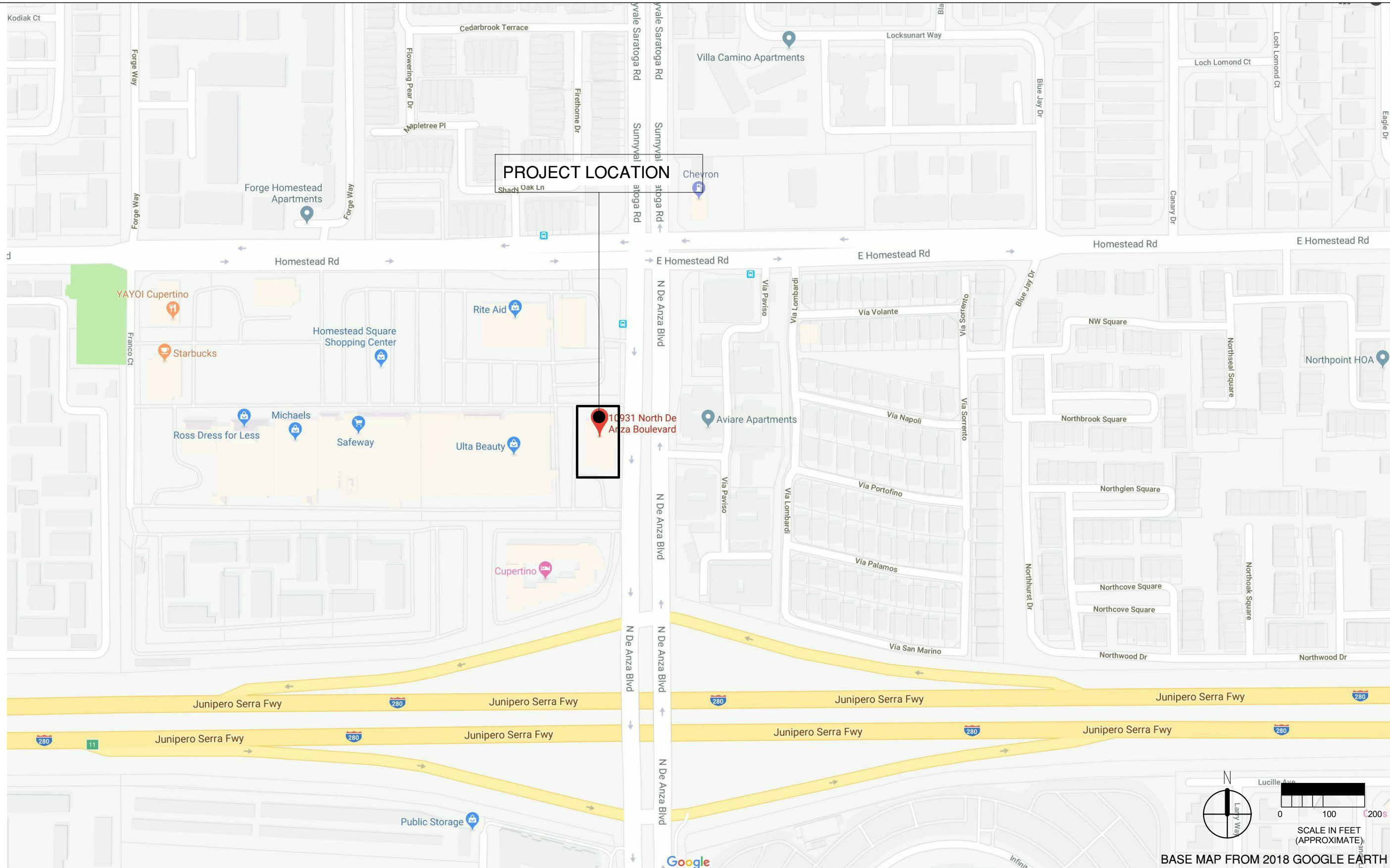
Varinder S. Oberoi, PE
Senior Engineer

Apri S. Ghuman, PE, CIH
Principal Engineer



Attachments:

- Figure 1 – Site Location Map
- Figure 2 – Site Plan
- Appendix A – Soil Boring Logs
- Appendix B – Ground Penetrating Radar Survey
- Appendix C – Laboratory Analytical Results
- Appendix D - Limitations



SITE LOCATION MAP

10931 N De Anza Blvd, Cupertino, CA 95014

FIGURE

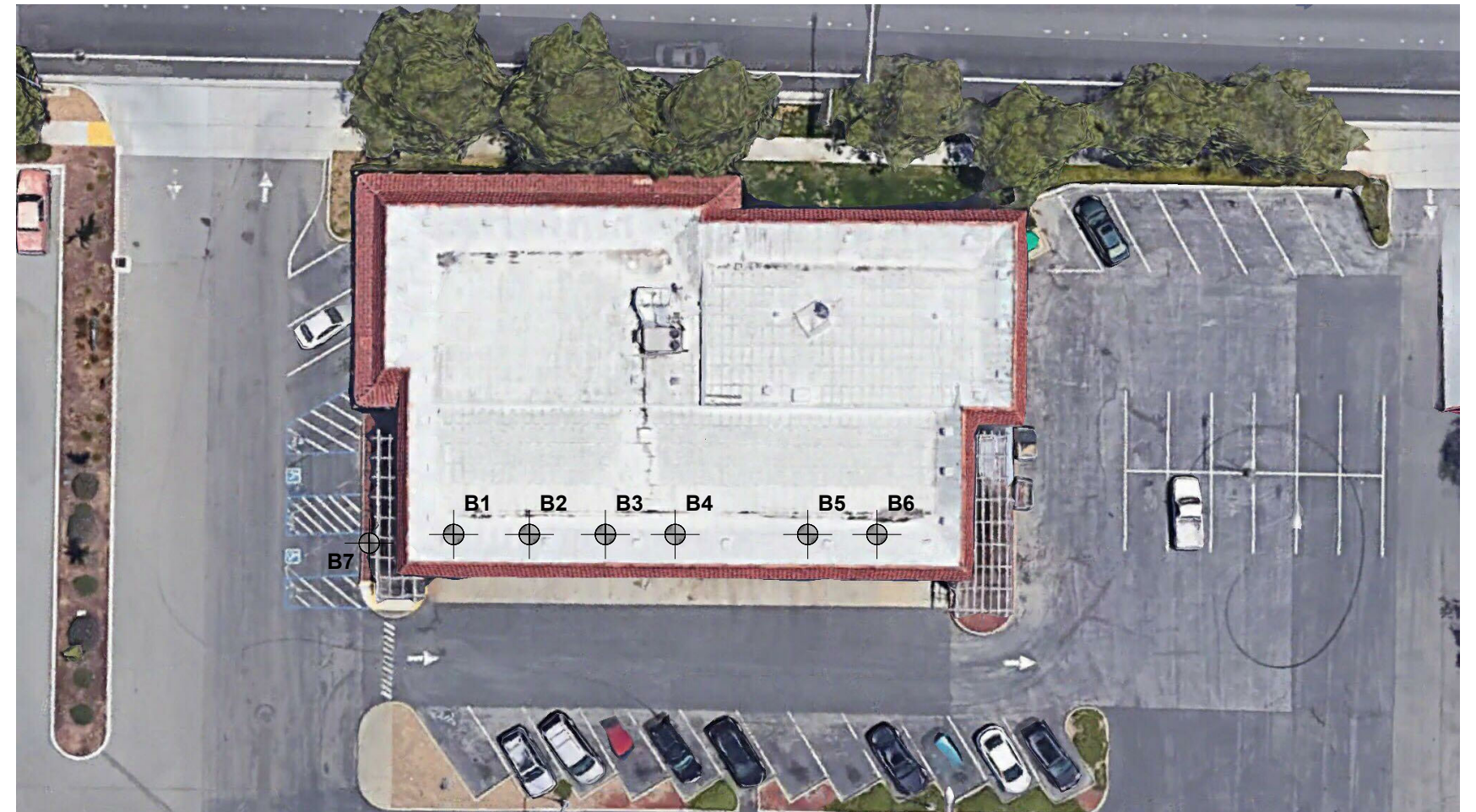
1

SITE PHOTOS SHOWING APPROXIMATE LOCATION OF BORINGS



LEGEND

B-1 APPROXIMATE LOCATION OF SOIL BORINGS BY APPLIED REMEDIAL TECHNOLOGIES, INC. (DRILLED 10/10/18)



SITE PLAN

10931 N De Anza Blvd, Cupertino, CA 95014

FIGURE

2

APPENDIX “A”

FIELD LOCATION OF BORING:

PROJECT: DeAnza DATES DRILLED: 10-10-18

CLIENT: ARTI DRILLER: ECA (C-57 #695970)

PAGE 1 OF 1

SITE ADDRESS: 10931 DeAnza Blvd., Cupertino, CA LOGGED BY: Forrest Cook PG#8201

DRILLING METHOD AND EQUIPMENT: Geoprobe with Macrocore sampler

WATER LEVEL

TIME

1st Encountered

NA

Start

Static

NA

Finish

SOIL DESCRIPTION

Depth (Feet)	Sample	Sample ID	Blow Count	PID (ppm)	Well Const.	Lithology	USCS	SOIL DESCRIPTION		
1					Backfilled with neat cement		SW	4-6" Concrete slab.		
2										SILTY SAND (SW): Reddish Brown (5YR4/3), estimated slightly damp, estimated loose to medium dense. Sand is fine. With trace gravels.
3										
4										
5										
6										
7										
8										
9										
10		B1-10								
11								Increased gravel content (approximately 75%).		
12										
13										
14										
15										
16										
17										
18										
19										
20										
21										
22										
23										
24										
25										

BOH = 10'

WELL / BORING CONSTRUCTION DETAILS:

Backfilled with neat cement (Portland I/II)



10931 De Anza Blvd.
Cupertino, California

BORING

BORING LOG

B1

FIELD LOCATION OF BORING:

PROJECT: DeAnza DATES DRILLED: 10-10-18

CLIENT: ARTI DRILLER: ECA (C-57 #695970)

PAGE 1 OF 1

SITE ADDRESS: 10931 DeAnza Blvd., Cupertino, CA LOGGED BY: Forrest Cook PG#8201

DRILLING METHOD AND EQUIPMENT: Geoprobe with Macrocore sampler

WATER LEVEL

TIME

1st Encountered

NA

Start

Static

NA

Finish

SOIL DESCRIPTION

Depth (Feet)	Sample	Sample ID	Blow Count	PID (ppm)	Well Const.	Lithology	USCS	SOIL DESCRIPTION
1					Backfilled with neat cement			4-6" Concrete slab.
2						SW	SILTY SAND (SW): Reddish Brown (5YR4/3), estimated slightly damp, estimated loose to medium dense. Sand is fine to coarse. With trace gravels.	
3								
4						GW	SANDY GRAVEL (GW): Brown (7.5YR5/5), estimated slightly damp, estimated dense to very dense. Approximately 50% angular gravel up to 1 inch. Approximately 50% coarse sand.	
5								
6								
7								
8								
9								Increased gravel content (approximately 75%).
10		B2-10						
11							BOH = 10'	
12								
13								
14								
15								
16								
17								
18								
19								
20								
21								
22								
23								
24								
25								

WELL / BORING CONSTRUCTION DETAILS:

Backfilled with neat cement (Portland I/II)



10931 De Anza Blvd.
Cupertino, California

BORING

BORING LOG

B2

FIELD LOCATION OF BORING:

PROJECT: DeAnza DATES DRILLED: 10-10-18

CLIENT: ARTI DRILLER: ECA (C-57 #695970)

PAGE 1 OF 1

SITE ADDRESS: 10931 DeAnza Blvd., Cupertino, CA LOGGED BY: Forrest Cook PG#8201

DRILLING METHOD AND EQUIPMENT: Geoprobe with Macrocore sampler

WATER LEVEL

TIME

1st Encountered

NA

Start

Static

NA

Finish

SOIL DESCRIPTION

Depth (Feet)	Sample	Sample ID	Blow Count	PID (ppm)	Well Const.	Lithology	USCS	SOIL DESCRIPTION
1					Backfilled with neat cement			4-6" Concrete slab.
2							SW	SILTY SAND (SW): Dark reddish Brown (5YR3/3), estimated slightly damp, estimated loose to medium dense. Sand is fine to coarse. With trace gravels.
3								
4								
5							GW	SANDY GRAVEL (GW): Brown (7.5YR5/5), estimated slightly damp, estimated very dense. Approximately 50% angular gravel up to 1.5 inch. Approximately 50% coarse sand.
6								
7								
8								
9								Increased gravel content (approximately 75%).
10		B3-10						
11								BOH = 10'
12								
13								
14								
15								
16								
17								
18								
19								
20								
21								
22								
23								
24								
25								

WELL / BORING CONSTRUCTION DETAILS:

Backfilled with neat cement (Portland I/II)



10931 De Anza Blvd.
Cupertino, California

BORING

BORING LOG

B3

FIELD LOCATION OF BORING:

PROJECT: DeAnza DATES DRILLED: 10-10-18

CLIENT: ARTI DRILLER: ECA (C-57 #695970)

PAGE 1 OF 1

SITE ADDRESS: 10931 DeAnza Blvd., Cupertino, CA LOGGED BY: Forrest Cook PG#8201

DRILLING METHOD AND EQUIPMENT: Geoprobe with Macrocore sampler

WATER LEVEL

TIME

1st Encountered

NA

Start

Static

NA

Finish

SOIL DESCRIPTION

Depth (Feet)	Sample	Sample ID	Blow Count	PID (ppm)	Well Const.	Lithology	USCS	SOIL DESCRIPTION
1					Backfilled with neat cement			4-6" Concrete slab.
2							SW	SILTY SAND (SW): Dark reddish Brown (5YR3/3), estimated slightly damp, estimated loose to medium dense. Sand is fine to coarse. With trace gravels.
3								
4								
5							GW	SANDY GRAVEL (GW): Brown (7.5YR5/5), estimated slightly damp, estimated very dense. Approximately 50% angular gravel up to 1.5 inch. Approximately 50% coarse sand.
6								
7								
8								Increased gravel content (approximately 75%).
9								
10		B4-10						
11								BOH = 10'
12								
13								
14								
15								
16								
17								
18								
19								
20								
21								
22								
23								
24								
25								

WELL / BORING CONSTRUCTION DETAILS:

Backfilled with neat cement (Portland I/II)



10931 De Anza Blvd.
Cupertino, California

BORING

BORING LOG

B4

FIELD LOCATION OF BORING:

PROJECT: DeAnza DATES DRILLED: 10-10-18

CLIENT: ARTI DRILLER: ECA (C-57 #695970)

PAGE 1 OF 1

SITE ADDRESS: 10931 DeAnza Blvd., Cupertino, CA LOGGED BY: Forrest Cook PG#8201

DRILLING METHOD AND EQUIPMENT: Geoprobe with Macrocore sampler

WATER LEVEL

TIME

1st Encountered

NA

Start

Static

NA

Finish

SOIL DESCRIPTION

Depth (Feet)	Sample	Sample ID	Blow Count	PID (ppm)	Well Const.	Lithology	USCS	SOIL DESCRIPTION
1					Backfilled with neat cement			4-6" Concrete slab.
2						SW	SILTY SAND (SW): Dark reddish Brown (5YR3/3), estimated slightly damp, estimated loose to medium dense. Sand is fine to coarse. With trace gravels.	
3						GW	SANDY GRAVEL (GW): Brown (7.5YR5/5), estimated slightly damp, estimated very dense. Approximately 50% angular gravel up to 1.5 inch. Approximately 50% coarse sand.	
4								
5								
6							Increased gravel content (approximately 75%).	
7								
8								
9								
10		B5-10						
11							BOH = 10'	
12								
13								
14								
15								
16								
17								
18								
19								
20								
21								
22								
23								
24								
25								

WELL / BORING CONSTRUCTION DETAILS:

Backfilled with neat cement (Portland I/II)



10931 De Anza Blvd.
Cupertino, California

BORING

BORING LOG

B5

FIELD LOCATION OF BORING:

PROJECT: DeAnza DATES DRILLED: 10-10-18

CLIENT: ARTI DRILLER: ECA (C-57 #695970)

PAGE 1 OF 1

SITE ADDRESS: 10931 DeAnza Blvd., Cupertino, CA LOGGED BY: Forrest Cook PG#8201

DRILLING METHOD AND EQUIPMENT: Geoprobe with Macrocore sampler

WATER LEVEL

TIME

1st Encountered

NA

Start

Static

NA

Finish

SOIL DESCRIPTION

Depth (Feet)	Sample	Sample ID	Blow Count	PID (ppm)	Well Const.	Lithology	USCS	SOIL DESCRIPTION
1					Backfilled with neat cement			4-6" Concrete slab.
2							SW	SILTY SAND (SW): Reddish Brown (5YR4/3), estimated slightly damp, estimated loose to medium dense. Sand is fine to coarse. With trace gravels.
3								
4							GW	SANDY GRAVEL (GW): Brown (7.5YR5/5), estimated slightly damp, estimated very dense. Approximately 50% angular gravel up to 1.25 inch. Approximately 50% coarse sand.
5								
6								
7								
8								Increased gravel content (approximately 75%).
9								
10		B6-10						
11								BOH = 10'
12								
13								
14								
15								
16								
17								
18								
19								
20								
21								
22								
23								
24								
25								

WELL / BORING CONSTRUCTION DETAILS:

Backfilled with neat cement (Portland I/II)



ARTI
Applied Remedial
Technologies Inc.

10931 De Anza Blvd.
Cupertino, California

BORING

BORING LOG

B6

FIELD LOCATION OF BORING:

PROJECT: DeAnza DATES DRILLED: 10-10-18

CLIENT: ARTI DRILLER: ECA (C-57 #695970)

PAGE 1 OF 1

SITE ADDRESS: 10931 DeAnza Blvd., Cupertino, CA LOGGED BY: Forrest Cook PG#8201

DRILLING METHOD AND EQUIPMENT: Geoprobe with Macrocore sampler

WATER LEVEL

TIME

1st Encountered

NA

Start

Static

NA

Finish

SOIL DESCRIPTION

Depth (Feet)	Sample	Sample ID	Blow Count	PID (ppm)	Well Const.	Lithology	USCS	SOIL DESCRIPTION
1					Backfilled with neat cement			Landscaped Surface
2							SW	SILTY SAND (SW): Reddish Brown (5YR4/4), estimated slightly damp, estimated loose to medium dense. Sand is fine. With trace gravels.
3								
4							GW	SANDY GRAVEL (GW): Brown (7.5YR4/4), estimated slightly damp, estimated dense to very dense. Approximately 50% angular gravel up to 1 inch. Approximately 50% coarse sand.
5								
6								
7								
8								
9								Increased gravel content (approximately 75%).
10								
11								
12		B7-12						
13								BOH = 12'
14								
15								
16								
17								
18								
19								
20								
21								
22								
23								
24								
25								

WELL / BORING CONSTRUCTION DETAILS:

Backfilled with neat cement (Portland I/II)



10931 De Anza Blvd.
Cupertino, California

BORING

BORING LOG

B7

APPENDIX “B”



Subdynamic Locating Services Inc
 274 Hillsdale Ave
 San Jose, CA 95136
 Phone 408-723-4191
 Fax 408-723-4142

G18-4433

SERVICE AGREEMENT - GPR

This is an agreement by and between Subdynamic Locating Services, Inc. hereafter referred to as "SLS" and the undersigned, hereafter referred to as "Customer"

NO. **G18-4433**

Date 10/8/2018

Complete

Customer Name Applied Remedial Technology	
Billing Address	
City, State, Zip	
Requested By Apri Ghuman	Phone 415-816-2134
PO#	JOB# 98301

FINDINGS:
 GPR cart scans were conducted around perimeter of building to search for possible UST. No UST was able to be detected. 6 bore locations were located inside garage area boxed with white chalk paint. Minimal markings was asked to be made by client. Locations inside were cleared by GPR cart ,passive power and radio scans, which no signatures were detected inside white boxed areas.

Job Name	10931 N.De Anza Blvd
Job Address	10931 N.De Anza Blvd
City, State, Zip	Cupertino, California
Contact	Apri Ghuman 415-816-2134
E-mail:	Asghuman888@yahoo.com

The scope of work for this site will be to perform GPR scanning of areas specified below.

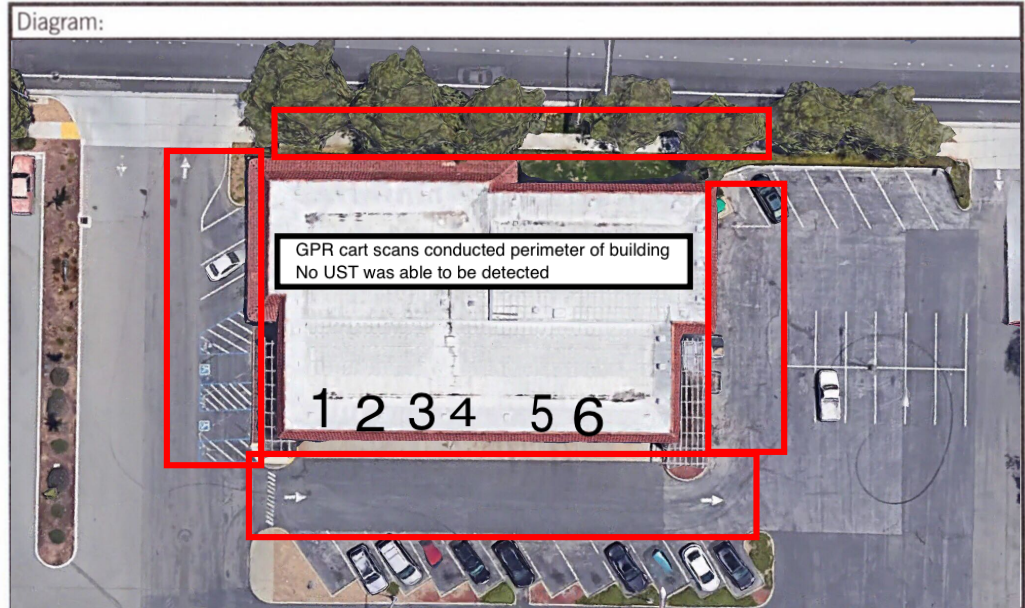
Scope of Work:
 GPR & Locate 4 outside 6 inside
 UST search

GPR can't see PVC, Transite, cement, clay pipe in clay soil, any type of insulated line

Antenna 2600MHz 2000MHz 1600MHz 400MHz

Work Authorization and Billing Terms: I the undersigned am owner / authorized representative of the property or company mentioned above. I hereby authorize SLS to perform the scope of work outlined above. I understand that the cost of performing this work is \$ 185 Per Hour with a 4 hour minimum up to 8 hours in a day and time and a half for any time over 8 hours in a day and that SLS charges mob-demob time (including travel time). I understand that downtime and standby time due to circumstances at the jobsite out of SLS control will be charged at the same rate. I understand that GPR and GPR equipment can not 'see' everything that is burried and that there are limitations as to what can be discovered with GPR and shall hold SLS harmless for any and all liability in the event that something can not be detected by GPR. All work is to be done COD unless a previous agreement has been arranged in writing with SLS in which case terms are net 30. I agree to pay reasonable attorney fees and court costs in the event of legal action pursuant to section 1717 and/or 1719 of the California Civil Code. I have read, agree to and will receive a copy of this Service Agreement.

SIGNATURE :



TECH/ITEM	DATE	Start Time	End Time	HOURS	AMOUNT
Adam Lazaro	10/8/2018	8:00 AM	12:00 PM	4:00	4

Client OT Authorization	Total Amount Due:	4
Credit Card		
Name on Card		
Billing Address		
CVN II		
Exp. Date		
To be billed		

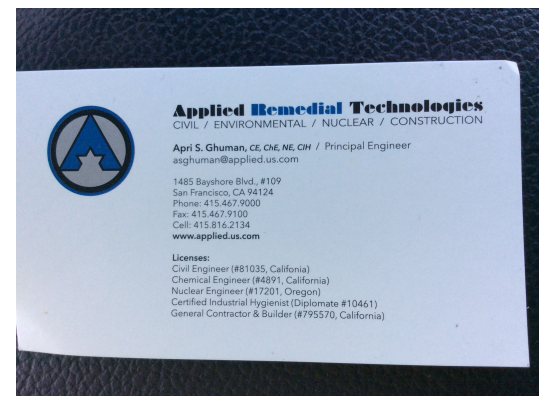
ALL WORK IS COMPLETE FOR THIS SERVICE AGREEMENT Complete

Tech Signature:

Authorized Signature: Signature Print Apri Ghuman

Service Agreement Page 2 Additional Notes, Findings, Pictures

Along entrance to each garage port there was an electrical utility detected, but was outside of white boxed boundary, so no markings were made. Area inside white boxes are clear. Vehicles inside working garage ports prevented full complete GPR cart scans to be conducted. 4 bore locations outside were marked by Apri with white dots near main entrance side of building. Electrical line was marked with red paint near one location (see photos). Passive power and radio scans were conducted on outside locations and no new signatures detected other than one marked out in red paint. GPR cart scans were conducted on outside white dot locations and no anomalies/possible utilities were located other than marked red electrical line. Apri was unable to view final findings.



APPENDIX “C”



ENTHALPY

ANALYTICAL



Enthalpy Analytical

2323 Fifth Street, Berkeley, CA 94710, Phone (510) 486-0900

Laboratory Job Number 304062
ANALYTICAL REPORT

Applied Remedial Technologies, Inc.
1485 Bayshore Blvd. #109
San Francisco, CA 94124

Project : STANDARD
Location : De Anza Properties
Level : II

<u>Sample ID</u>	<u>Lab ID</u>
B7-12	304062-001
B1-10	304062-002
B2-10	304062-003
B3-10	304062-004
B4-10	304062-005
B5-10	304062-006
B6-10	304062-007

This data package has been reviewed for technical correctness and completeness. Release of this data has been authorized by the Laboratory Manager or the Manager's designee, as verified by the following signature which applies to this PDF file as well as any associated electronic data deliverable files. The results contained in this report meet all requirements of NELAP and pertain only to those samples which were submitted for analysis. This report may be reproduced only in its entirety.

Signature: _____

Date: 10/26/2018

Will Rice
Project Manager
will.rice@enthalpy.com
(510) 204-2221 Ext 13102

CA ELAP# 2896, NELAP# 4044-001

CASE NARRATIVE

Laboratory number: 304062
Client: Applied Remedial Technologies, Inc.
Location: De Anza Properties
Request Date: 10/10/18
Samples Received: 10/10/18

This data package contains sample and QC results for seven soil samples, requested for the above referenced project on 10/10/18. The samples were received cold and intact.

TPH-Purgeables and/or BTXE by GC (EPA 8015B):

No analytical problems were encountered.

TPH-Extractables by GC (EPA 8015B):

No analytical problems were encountered.

Volatile Organics by GC/MS (EPA 8260B):

No analytical problems were encountered.

PCBs (EPA 8082):

All samples underwent sulfuric acid cleanup using EPA Method 3665A. All samples underwent sulfur cleanup using the copper option in EPA Method 3660B. No analytical problems were encountered.

SAMPLE RECEIPT CHECKLIST



Section 1: Login # 304062
Date Received: 10/10/18

Client: ARTI
Project: De Anza Properties

Section 2: Samples received in a cooler? Yes, how many? 1 No (skip Section 3 below)

If no cooler Sample Temp (°C): _____ using IR Gun # A, or B

Samples received on ice directly from the field. Cooling process had begun

If in cooler: Date Opened 10/10/18 By (print) AC (sign) [Signature]

Shipping info (if applicable) _____

Are custody seals present? No, or Yes. If yes, where? on cooler, on samples, on package

Date: _____ How many _____ Signature, Initials, None

Were custody seals intact upon arrival? Yes No N/A

Section 3:

Important : Notify PM if temperature exceeds 6°C or arrive frozen.

Packing in cooler: (if other, describe) _____

Bubble Wrap, Foam blocks, Bags, None, Cloth material, Cardboard, Styrofoam, Paper towels

Samples received on ice directly from the field. Cooling process had begun

Type of ice used : Wet, Blue/Gel, None Temperature blank(s) included? Yes, No

Temperature measured using Thermometer ID: _____, or IR Gun # A B

Cooler Temp (°C): #1: 4.9, #2: _____, #3: _____, #4: _____, #5: _____, #6: _____, #7: _____

Section 4:

	YES	NO	N/A
Were custody papers dry, filled out properly, and the project identifiable	X		
Were Method 5035 sampling containers present?		X	
If YES, what time were they transferred to freezer?			
Did all bottles arrive unbroken/unopened?	X		
Are there any missing / extra samples?		X	
Are samples in the appropriate containers for indicated tests?	X		
Are sample labels present, in good condition and complete?	X		
Does the container count match the COC?	X		
Do the sample labels agree with custody papers?	X		
Was sufficient amount of sample sent for tests requested?	X		
Did you change the hold time in LIMS for unpreserved VOAs?			X
Did you change the hold time in LIMS for preserved terracores?			X
Are bubbles > 6mm absent in VOA samples?			X
Was the client contacted concerning this sample delivery?		X	
If YES, who was called? _____ By _____ Date: _____			

Section 5:

	YES	NO	N/A
Are the samples appropriately preserved? (if N/A, skip the rest of section 5)			X
Did you check preservatives for all bottles for each sample?			
Did you document your preservative check?			
pH strip lot# _____, pH strip lot# _____, pH strip lot# _____			
Preservative added:			
<input type="checkbox"/> H2SO4 lot# _____ added to samples _____ on/at _____			
<input type="checkbox"/> HCL lot# _____ added to samples _____ on/at _____			
<input type="checkbox"/> HNO3 lot# _____ added to samples _____ on/at _____			
<input type="checkbox"/> NaOH lot# _____ added to samples _____ on/at _____			

Section 6:

Explanations/Comments: _____

Date Logged In 10/10/18
Date Labeled 10-11-18

By (print) [Signature] (sign) [Signature]
By (print) TKM (sign) [Signature]

Y = Sample exhibits chromatographic pattern which does not resemble standard
Z = Sample exhibits unknown single peak or peaks

Total Volatile Hydrocarbons			
Lab #:	304062	Location:	De Anza Properties
Client:	Applied Remedial Technologies, Inc.	Prep:	EPA 5030B
Project#:	STANDARD	Analysis:	EPA 8015B
Field ID:	B7-12	Batch#:	264446
Matrix:	Soil	Sampled:	10/10/18
Units:	mg/Kg	Received:	10/10/18
Basis:	as received	Analyzed:	10/11/18
Diln Fac:	1.000		

Type: SAMPLE Lab ID: 304062-001

Analyte	Result	RL
Gasoline C7-C12	ND	1.0

Surrogate	%REC	Limits
Bromofluorobenzene (FID)	95	64-134

Type: BLANK Lab ID: QC951420

Analyte	Result	RL
Gasoline C7-C12	ND	1.0

Surrogate	%REC	Limits
Bromofluorobenzene (FID)	87	64-134

ND= Not Detected
 RL= Reporting Limit

Batch QC Report

Total Volatile Hydrocarbons			
Lab #:	304062	Location:	De Anza Properties
Client:	Applied Remedial Technologies, Inc.	Prep:	EPA 5030B
Project#:	STANDARD	Analysis:	EPA 8015B
Matrix:	Soil	Batch#:	264446
Units:	mg/Kg	Analyzed:	10/11/18
Diln Fac:	1.000		

Type: BS Lab ID: QC951416

Analyte	Spiked	Result	%REC	Limits
Gasoline C7-C12	1.000	0.9465	95	80-120

Surrogate	%REC	Limits
Bromofluorobenzene (FID)	90	64-134

Type: BSD Lab ID: QC951417

Analyte	Spiked	Result	%REC	Limits	RPD	Lim
Gasoline C7-C12	1.000	0.9924	99	80-120	5	20

Surrogate	%REC	Limits
Bromofluorobenzene (FID)	101	64-134

RPD= Relative Percent Difference

Batch QC Report

Total Volatile Hydrocarbons			
Lab #:	304062	Location:	De Anza Properties
Client:	Applied Remedial Technologies, Inc.	Prep:	EPA 5030B
Project#:	STANDARD	Analysis:	EPA 8015B
Field ID:	B7-12	Diln Fac:	1.000
MSS Lab ID:	304062-001	Batch#:	264446
Matrix:	Soil	Sampled:	10/10/18
Units:	mg/Kg	Received:	10/10/18
Basis:	as received	Analyzed:	10/11/18

Type: MS Lab ID: QC951418

Analyte	MSS Result	Spiked	Result	%REC	Limits
Gasoline C7-C12	0.1096	9.346	7.590	80	46-120

Surrogate	%REC	Limits
Bromofluorobenzene (FID)	102	64-134

Type: MSD Lab ID: QC951419

Analyte	Spiked	Result	%REC	Limits	RPD	Lim
Gasoline C7-C12	10.31	8.287	79	46-120	1	33

Surrogate	%REC	Limits
Bromofluorobenzene (FID)	104	64-134

RPD= Relative Percent Difference

Batch QC Report

Total Extractable Hydrocarbons			
Lab #:	304062	Location:	De Anza Properties
Client:	Applied Remedial Technologies, Inc.	Prep:	EPA 3550C
Project#:	STANDARD	Analysis:	EPA 8015B
Type:	LCS	Diln Fac:	1.000
Lab ID:	QC951637	Batch#:	264499
Matrix:	Soil	Prepared:	10/12/18
Units:	mg/Kg	Analyzed:	10/12/18

Analyte	Spiked	Result	%REC	Limits
Diesel C10-C24	50.00	56.26	113	56-137

Surrogate	%REC	Limits
o-Terphenyl	117	59-130

Batch QC Report

Total Extractable Hydrocarbons			
Lab #:	304062	Location:	De Anza Properties
Client:	Applied Remedial Technologies, Inc.	Prep:	EPA 3550C
Project#:	STANDARD	Analysis:	EPA 8015B
Field ID:	B3-10	Batch#:	264499
MSS Lab ID:	304062-004	Sampled:	10/10/18
Matrix:	Soil	Received:	10/10/18
Units:	mg/Kg	Prepared:	10/12/18
Basis:	as received	Analyzed:	10/12/18
Diln Fac:	1.000		

Type: MS Lab ID: QC951638

Analyte	MSS Result	Spiked	Result	%REC	Limits
Diesel C10-C24	3.371	50.37	47.56	88	52-128

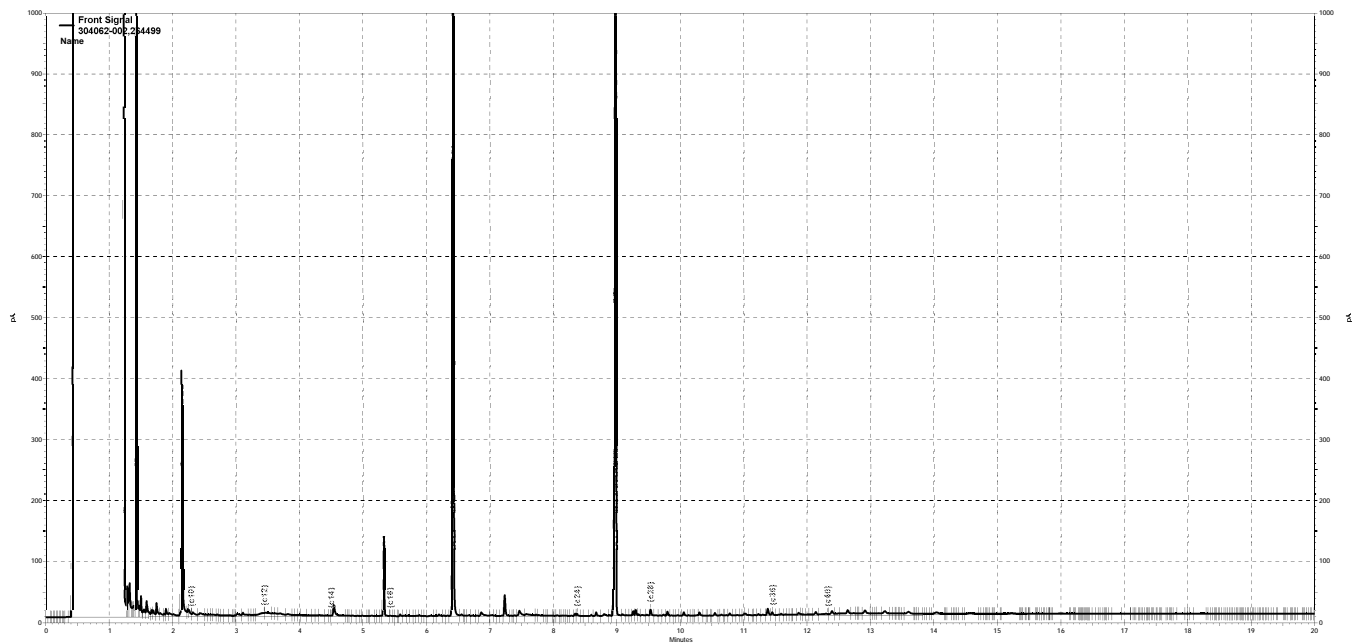
Surrogate	%REC	Limits
o-Terphenyl	108	59-130

Type: MSD Lab ID: QC951639

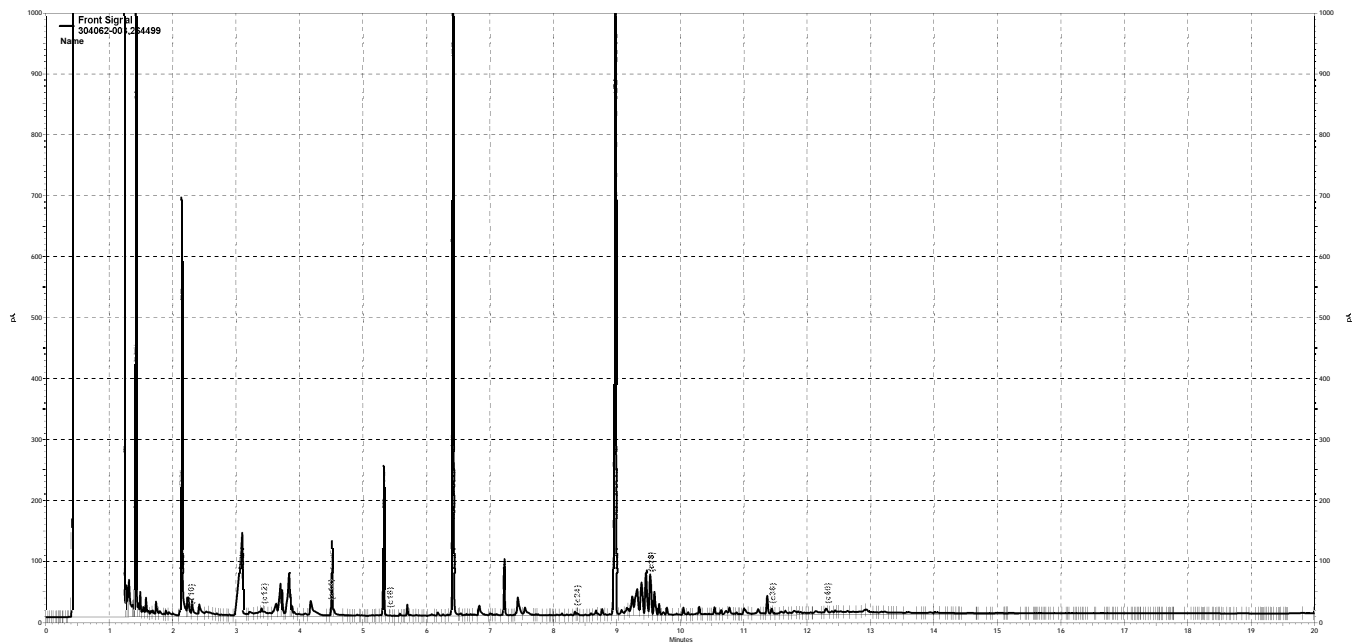
Analyte	Spiked	Result	%REC	Limits	RPD	Lim
Diesel C10-C24	50.32	44.75	82	52-128	6	42

Surrogate	%REC	Limits
o-Terphenyl	104	59-130

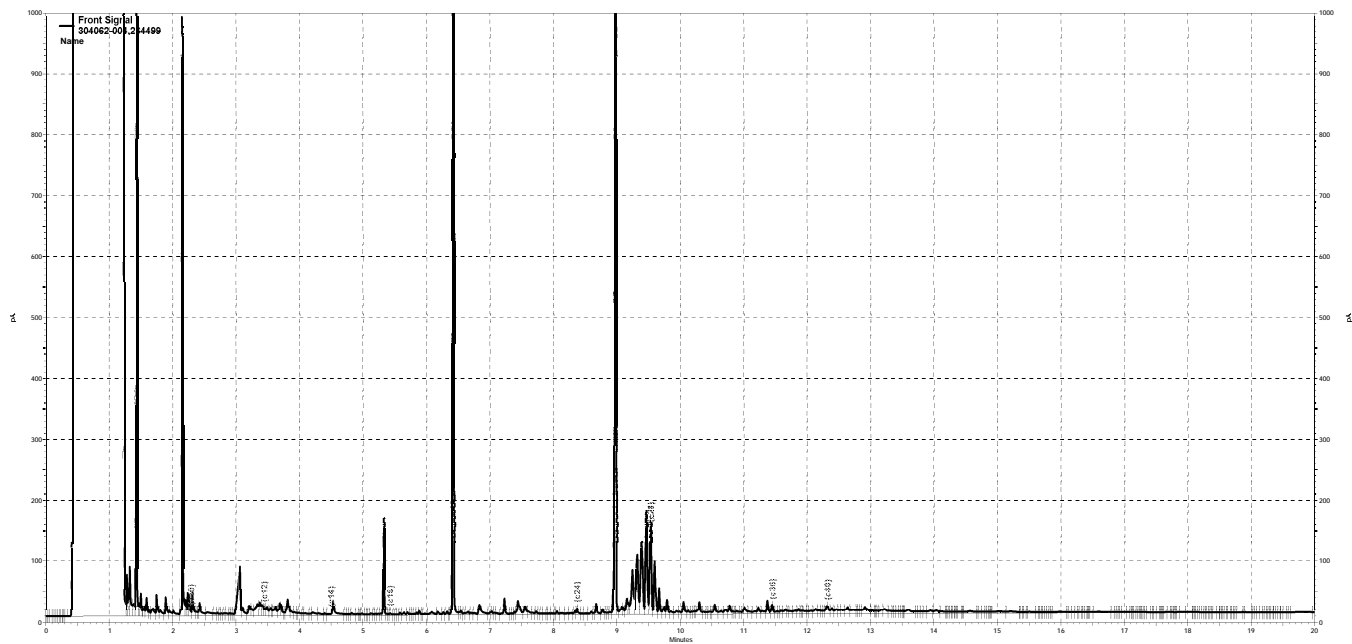
RPD= Relative Percent Difference



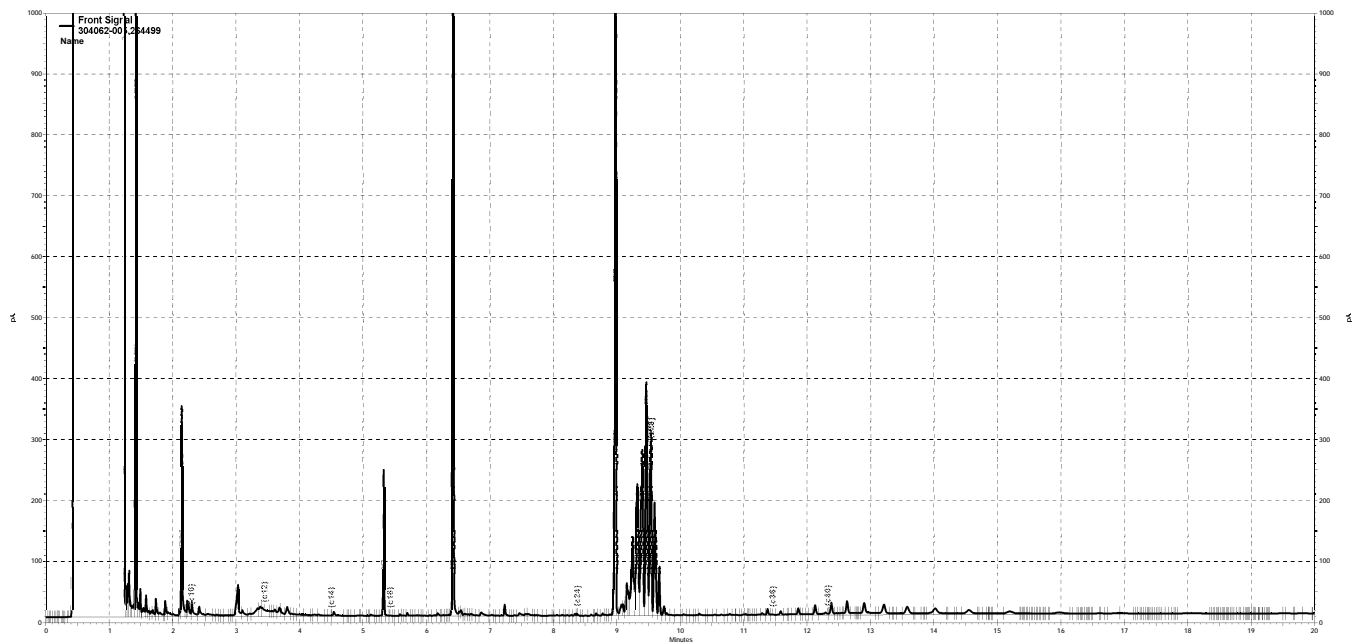
— \\kraken\gdrive\ezchrom\Projects\GC27\Data\2018\285a021.dat, Front Signal



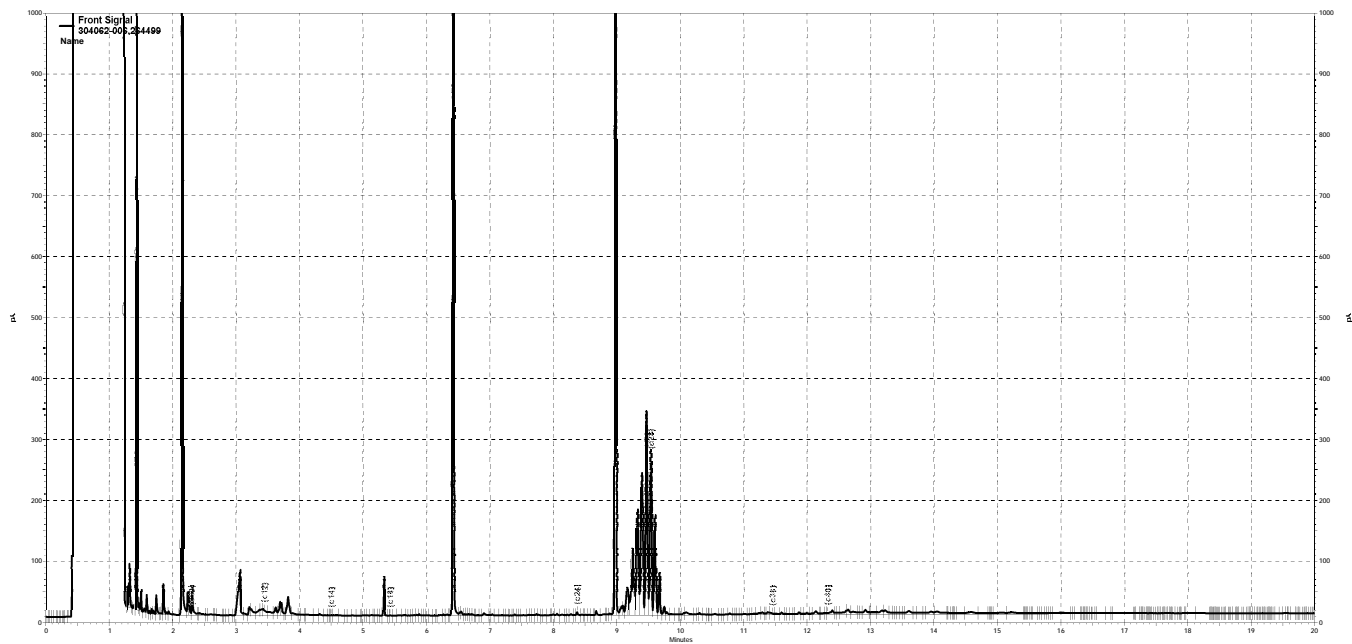
— \\kraken\gdrive\ezchrom\Projects\GC27\Data\2018\285a022.dat, Front Signal



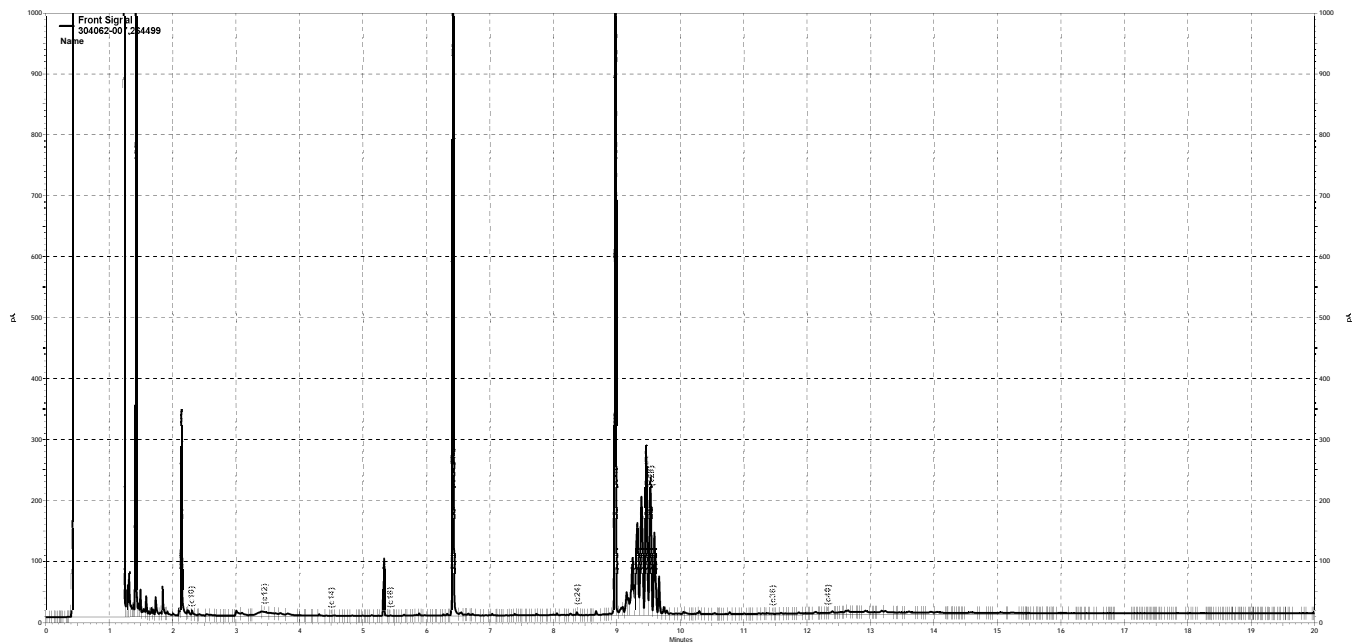
— \\kraken\gdrive\ezchrom\Projects\GC27\Data\2018\285a017.dat, Front Signal



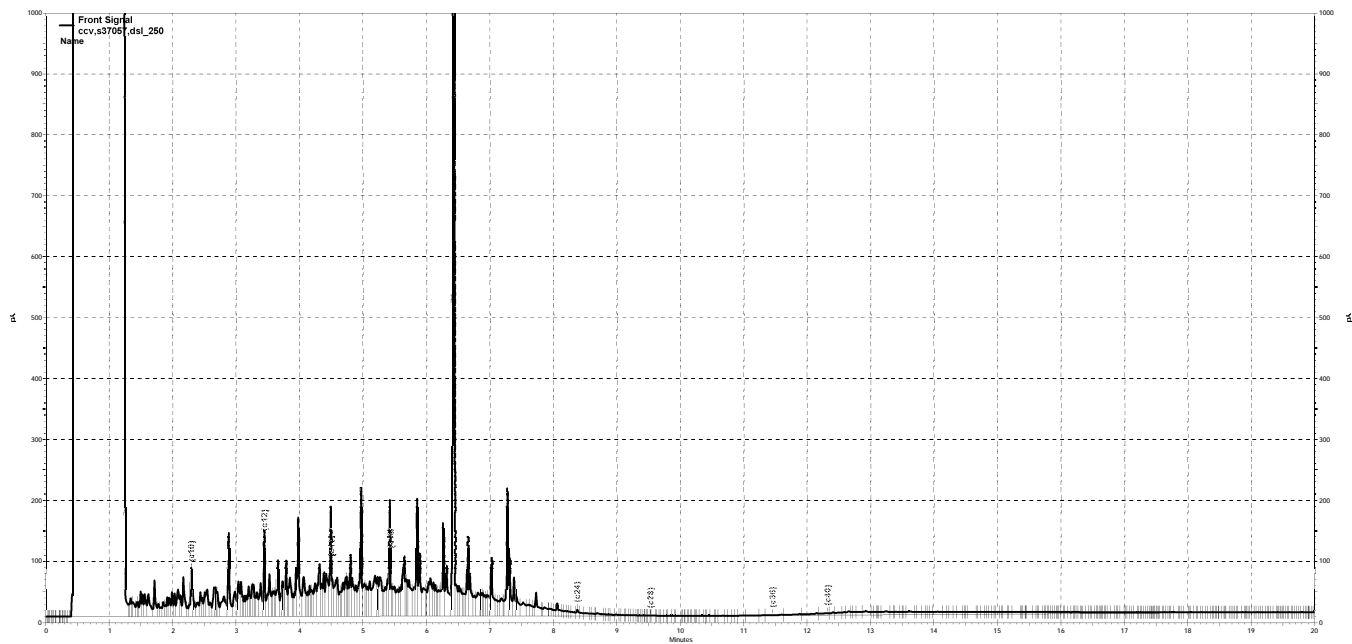
— \\kraken\gdrive\ezchrom\Projects\GC27\Data\2018\285a023.dat, Front Signal



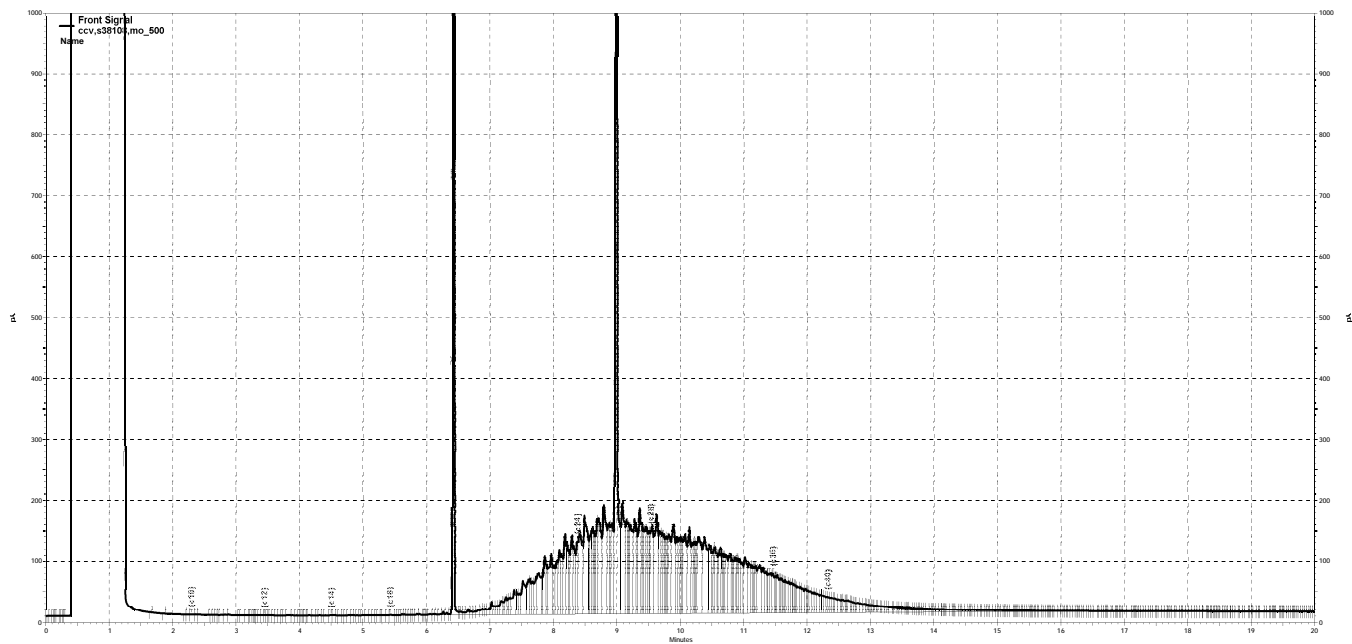
— \\kraken\gdrive\ezchrom\Projects\GC27\Data\2018\285a024.dat, Front Signal



— \\kraken\gdrive\ezchrom\Projects\GC27\Data\2018\285a025.dat, Front Signal



— \\kraken\gdrive\ezchrom\Projects\GC27\Data\2018\285a012.dat, Front Signal



— \\kraken\gdrive\ezchrom\Projects\GC27\Data\2018\285a013.dat, Front Signal

Purgeable Organics by GC/MS

Lab #:	304062	Location:	De Anza Properties
Client:	Applied Remedial Technologies, Inc.	Prep:	EPA 5030B
Project#:	STANDARD	Analysis:	EPA 8260B
Field ID:	B7-12	Diln Fac:	0.9862
Lab ID:	304062-001	Batch#:	264469
Matrix:	Soil	Sampled:	10/10/18
Units:	ug/Kg	Received:	10/10/18
Basis:	as received	Analyzed:	10/12/18

Analyte	Result	RL
Freon 12	ND	9.9
Chloromethane	ND	9.9
Vinyl Chloride	ND	9.9
Bromomethane	ND	9.9
Chloroethane	ND	9.9
Trichlorofluoromethane	ND	4.9
Acetone	ND	20
Freon 113	ND	4.9
1,1-Dichloroethene	ND	4.9
Methylene Chloride	ND	20
Carbon Disulfide	ND	4.9
MTBE	ND	4.9
trans-1,2-Dichloroethene	ND	4.9
Vinyl Acetate	ND	49
1,1-Dichloroethane	ND	4.9
2-Butanone	ND	9.9
cis-1,2-Dichloroethene	ND	4.9
2,2-Dichloropropane	ND	4.9
Chloroform	ND	4.9
Bromochloromethane	ND	4.9
1,1,1-Trichloroethane	ND	4.9
1,1-Dichloropropene	ND	4.9
Carbon Tetrachloride	ND	4.9
1,2-Dichloroethane	ND	4.9
Benzene	ND	4.9
Trichloroethene	ND	4.9
1,2-Dichloropropane	ND	4.9
Bromodichloromethane	ND	4.9
Dibromomethane	ND	4.9
4-Methyl-2-Pentanone	ND	9.9
cis-1,3-Dichloropropene	ND	4.9
Toluene	ND	4.9
trans-1,3-Dichloropropene	ND	4.9
1,1,2-Trichloroethane	ND	4.9
2-Hexanone	ND	9.9
1,3-Dichloropropane	ND	4.9
Tetrachloroethene	ND	4.9

ND= Not Detected
 RL= Reporting Limit

Purgeable Organics by GC/MS

Lab #:	304062	Location:	De Anza Properties
Client:	Applied Remedial Technologies, Inc.	Prep:	EPA 5030B
Project#:	STANDARD	Analysis:	EPA 8260B
Field ID:	B7-12	Diln Fac:	0.9862
Lab ID:	304062-001	Batch#:	264469
Matrix:	Soil	Sampled:	10/10/18
Units:	ug/Kg	Received:	10/10/18
Basis:	as received	Analyzed:	10/12/18

Analyte	Result	RL
Dibromochloromethane	ND	4.9
1,2-Dibromoethane	ND	4.9
Chlorobenzene	ND	4.9
1,1,1,2-Tetrachloroethane	ND	4.9
Ethylbenzene	ND	4.9
m,p-Xylenes	ND	4.9
o-Xylene	ND	4.9
Styrene	ND	4.9
Bromoform	ND	4.9
Isopropylbenzene	ND	4.9
1,1,2,2-Tetrachloroethane	ND	4.9
1,2,3-Trichloropropane	ND	4.9
Propylbenzene	ND	4.9
Bromobenzene	ND	4.9
1,3,5-Trimethylbenzene	ND	4.9
2-Chlorotoluene	ND	4.9
4-Chlorotoluene	ND	4.9
tert-Butylbenzene	ND	4.9
1,2,4-Trimethylbenzene	ND	4.9
sec-Butylbenzene	ND	4.9
para-Isopropyl Toluene	ND	4.9
1,3-Dichlorobenzene	ND	4.9
1,4-Dichlorobenzene	ND	4.9
n-Butylbenzene	ND	4.9
1,2-Dichlorobenzene	ND	4.9
1,2-Dibromo-3-Chloropropane	ND	4.9
1,2,4-Trichlorobenzene	ND	4.9
Hexachlorobutadiene	ND	4.9
Naphthalene	ND	4.9
1,2,3-Trichlorobenzene	ND	4.9

Surrogate	%REC	Limits
Dibromofluoromethane	109	79-127
1,2-Dichloroethane-d4	122	73-139
Toluene-d8	101	80-120
Bromofluorobenzene	117	80-127

ND= Not Detected
 RL= Reporting Limit

Batch QC Report

Purgeable Organics by GC/MS			
Lab #:	304062	Location:	De Anza Properties
Client:	Applied Remedial Technologies, Inc.	Prep:	EPA 5030B
Project#:	STANDARD	Analysis:	EPA 8260B
Matrix:	Soil	Batch#:	264469
Units:	ug/Kg	Analyzed:	10/12/18
Diln Fac:	1.000		

Type: BS Lab ID: QC951509

Analyte	Spiked	Result	%REC	Limits
1,1-Dichloroethene	25.00	27.65	111	68-140
Benzene	25.00	22.54	90	74-123
Trichloroethene	25.00	27.09	108	72-125
Toluene	25.00	25.44	102	73-121
Chlorobenzene	25.00	26.34	105	76-123

Surrogate	%REC	Limits
Dibromofluoromethane	114	79-127
1,2-Dichloroethane-d4	121	73-139
Toluene-d8	102	80-120
Bromofluorobenzene	117	80-127

Type: BSD Lab ID: QC951510

Analyte	Spiked	Result	%REC	Limits	RPD	Lim
1,1-Dichloroethene	25.00	25.80	103	68-140	7	25
Benzene	25.00	20.93	84	74-123	7	22
Trichloroethene	25.00	25.90	104	72-125	4	23
Toluene	25.00	24.56	98	73-121	3	22
Chlorobenzene	25.00	24.94	100	76-123	5	20

Surrogate	%REC	Limits
Dibromofluoromethane	112	79-127
1,2-Dichloroethane-d4	123	73-139
Toluene-d8	102	80-120
Bromofluorobenzene	115	80-127

RPD= Relative Percent Difference

Batch QC Report

Purgeable Organics by GC/MS			
Lab #:	304062	Location:	De Anza Properties
Client:	Applied Remedial Technologies, Inc.	Prep:	EPA 5030B
Project#:	STANDARD	Analysis:	EPA 8260B
Type:	BLANK	Diln Fac:	1.000
Lab ID:	QC951511	Batch#:	264469
Matrix:	Soil	Analyzed:	10/12/18
Units:	ug/Kg		

Analyte	Result	RL
Freon 12	ND	10
Chloromethane	ND	10
Vinyl Chloride	ND	10
Bromomethane	ND	10
Chloroethane	ND	10
Trichlorofluoromethane	ND	5.0
Acetone	ND	20
Freon 113	ND	5.0
1,1-Dichloroethene	ND	5.0
Methylene Chloride	ND	20
Carbon Disulfide	ND	5.0
MTBE	ND	5.0
trans-1,2-Dichloroethene	ND	5.0
Vinyl Acetate	ND	50
1,1-Dichloroethane	ND	5.0
2-Butanone	ND	10
cis-1,2-Dichloroethene	ND	5.0
2,2-Dichloropropane	ND	5.0
Chloroform	ND	5.0
Bromochloromethane	ND	5.0
1,1,1-Trichloroethane	ND	5.0
1,1-Dichloropropene	ND	5.0
Carbon Tetrachloride	ND	5.0
1,2-Dichloroethane	ND	5.0
Benzene	ND	5.0
Trichloroethene	ND	5.0
1,2-Dichloropropane	ND	5.0
Bromodichloromethane	ND	5.0
Dibromomethane	ND	5.0
4-Methyl-2-Pentanone	ND	10
cis-1,3-Dichloropropene	ND	5.0
Toluene	ND	5.0
trans-1,3-Dichloropropene	ND	5.0
1,1,2-Trichloroethane	ND	5.0
2-Hexanone	ND	10
1,3-Dichloropropane	ND	5.0
Tetrachloroethene	ND	5.0

ND= Not Detected

RL= Reporting Limit

Batch QC Report

Purgeable Organics by GC/MS			
Lab #:	304062	Location:	De Anza Properties
Client:	Applied Remedial Technologies, Inc.	Prep:	EPA 5030B
Project#:	STANDARD	Analysis:	EPA 8260B
Type:	BLANK	Diln Fac:	1.000
Lab ID:	QC951511	Batch#:	264469
Matrix:	Soil	Analyzed:	10/12/18
Units:	ug/Kg		

Analyte	Result	RL
Dibromochloromethane	ND	5.0
1,2-Dibromoethane	ND	5.0
Chlorobenzene	ND	5.0
1,1,1,2-Tetrachloroethane	ND	5.0
Ethylbenzene	ND	5.0
m,p-Xylenes	ND	5.0
o-Xylene	ND	5.0
Styrene	ND	5.0
Bromoform	ND	5.0
Isopropylbenzene	ND	5.0
1,1,2,2-Tetrachloroethane	ND	5.0
1,2,3-Trichloropropane	ND	5.0
Propylbenzene	ND	5.0
Bromobenzene	ND	5.0
1,3,5-Trimethylbenzene	ND	5.0
2-Chlorotoluene	ND	5.0
4-Chlorotoluene	ND	5.0
tert-Butylbenzene	ND	5.0
1,2,4-Trimethylbenzene	ND	5.0
sec-Butylbenzene	ND	5.0
para-Isopropyl Toluene	ND	5.0
1,3-Dichlorobenzene	ND	5.0
1,4-Dichlorobenzene	ND	5.0
n-Butylbenzene	ND	5.0
1,2-Dichlorobenzene	ND	5.0
1,2-Dibromo-3-Chloropropane	ND	5.0
1,2,4-Trichlorobenzene	ND	5.0
Hexachlorobutadiene	ND	5.0
Naphthalene	ND	5.0
1,2,3-Trichlorobenzene	ND	5.0

Surrogate	%REC	Limits
Dibromofluoromethane	113	79-127
1,2-Dichloroethane-d4	126	73-139
Toluene-d8	102	80-120
Bromofluorobenzene	118	80-127

ND= Not Detected

RL= Reporting Limit

Batch QC Report

Purgeable Organics by GC/MS			
Lab #:	304062	Location:	De Anza Properties
Client:	Applied Remedial Technologies, Inc.	Prep:	EPA 5030B
Project#:	STANDARD	Analysis:	EPA 8260B
Field ID:	B7-12	Batch#:	264469
MSS Lab ID:	304062-001	Sampled:	10/10/18
Matrix:	Soil	Received:	10/10/18
Units:	ug/Kg	Analyzed:	10/15/18
Basis:	as received		

Type: MS Diln Fac: 0.9381
 Lab ID: QC951634

Analyte	MSS Result	Spiked	Result	%REC	Limits
1,1-Dichloroethene	<0.9267	46.90	49.37	105	67-137
Benzene	<0.8898	46.90	38.28	82	60-123
Trichloroethene	<0.8236	46.90	49.10	105	51-143
Toluene	<0.7015	46.90	44.48	95	53-120
Chlorobenzene	<0.6766	46.90	44.85	96	48-120

Surrogate	%REC	Limits
Dibromofluoromethane	115	79-127
1,2-Dichloroethane-d4	128	73-139
Toluene-d8	102	80-120
Bromofluorobenzene	120	80-127

Type: MSD Diln Fac: 0.9346
 Lab ID: QC951635

Analyte	Spiked	Result	%REC	Limits	RPD	Lim
1,1-Dichloroethene	46.73	59.01	126	67-137	18	36
Benzene	46.73	44.94	96	60-123	16	34
Trichloroethene	46.73	56.23	120	51-143	14	37
Toluene	46.73	50.42	108	53-120	13	34
Chlorobenzene	46.73	52.03	111	48-120	15	36

Surrogate	%REC	Limits
Dibromofluoromethane	111	79-127
1,2-Dichloroethane-d4	125	73-139
Toluene-d8	99	80-120
Bromofluorobenzene	118	80-127

RPD= Relative Percent Difference

Enthalpy Analytical - Berkeley Analytical Report

Lab #: 304062	Location: De Anza Properties
Client: Applied Remedial Technologies, Inc.	Prep: EPA 3546
Project#: STANDARD	Analysis: EPA 8082
Matrix: Soil	Diln Fac: 1.000
Units: ug/Kg	Sampled: 10/10/18
Basis: as received	Received: 10/10/18

Field ID: B7-12	Batch#: 264460
Type: SAMPLE	Prepared: 10/11/18
Lab ID: 304062-001	Analyzed: 10/15/18

Analyte	Result	RL
Aroclor-1016	ND	12
Aroclor-1221	ND	24
Aroclor-1232	ND	12
Aroclor-1242	ND	12
Aroclor-1248	ND	12
Aroclor-1254	ND	12
Aroclor-1260	ND	12

Surrogate	%REC	Limits
Decachlorobiphenyl	108	37-170

Field ID: B1-10	Batch#: 264864
Type: SAMPLE	Prepared: 10/25/18
Lab ID: 304062-002	Analyzed: 10/25/18

Analyte	Result	RL
Aroclor-1016	ND	12
Aroclor-1221	ND	24
Aroclor-1232	ND	12
Aroclor-1242	ND	12
Aroclor-1248	ND	12
Aroclor-1254	ND	12
Aroclor-1260	ND	12

Surrogate	%REC	Limits
Decachlorobiphenyl	91	37-170

Field ID: B2-10	Batch#: 264864
Type: SAMPLE	Prepared: 10/25/18
Lab ID: 304062-003	Analyzed: 10/25/18

Analyte	Result	RL
Aroclor-1016	ND	12
Aroclor-1221	ND	24
Aroclor-1232	ND	12
Aroclor-1242	ND	12
Aroclor-1248	ND	12
Aroclor-1254	ND	12
Aroclor-1260	ND	12

Surrogate	%REC	Limits
Decachlorobiphenyl	98	37-170

ND= Not Detected
RL= Reporting Limit

Enthalpy Analytical - Berkeley Analytical Report

Lab #: 304062	Location: De Anza Properties
Client: Applied Remedial Technologies, Inc.	Prep: EPA 3546
Project#: STANDARD	Analysis: EPA 8082
Matrix: Soil	Diln Fac: 1.000
Units: ug/Kg	Sampled: 10/10/18
Basis: as received	Received: 10/10/18

Field ID: B3-10	Batch#: 264864
Type: SAMPLE	Prepared: 10/25/18
Lab ID: 304062-004	Analyzed: 10/25/18

Analyte	Result	RL
Aroclor-1016	ND	12
Aroclor-1221	ND	24
Aroclor-1232	ND	12
Aroclor-1242	ND	12
Aroclor-1248	ND	12
Aroclor-1254	ND	12
Aroclor-1260	ND	12

Surrogate	%REC	Limits
Decachlorobiphenyl	98	37-170

Field ID: B4-10	Batch#: 264864
Type: SAMPLE	Prepared: 10/25/18
Lab ID: 304062-005	Analyzed: 10/25/18

Analyte	Result	RL
Aroclor-1016	ND	12
Aroclor-1221	ND	24
Aroclor-1232	ND	12
Aroclor-1242	ND	12
Aroclor-1248	ND	12
Aroclor-1254	ND	12
Aroclor-1260	ND	12

Surrogate	%REC	Limits
Decachlorobiphenyl	72	37-170

Field ID: B5-10	Batch#: 264864
Type: SAMPLE	Prepared: 10/25/18
Lab ID: 304062-006	Analyzed: 10/25/18

Analyte	Result	RL
Aroclor-1016	ND	12
Aroclor-1221	ND	24
Aroclor-1232	ND	12
Aroclor-1242	ND	12
Aroclor-1248	ND	12
Aroclor-1254	ND	12
Aroclor-1260	ND	12

Surrogate	%REC	Limits
Decachlorobiphenyl	105	37-170

ND= Not Detected
RL= Reporting Limit

Batch QC Report

Enthalpy Analytical - Berkeley Analytical Report

Lab #:	304062	Location:	De Anza Properties
Client:	Applied Remedial Technologies, Inc.	Prep:	EPA 3546
Project#:	STANDARD	Analysis:	EPA 8082
Type:	LCS	Diln Fac:	1.000
Lab ID:	QC951465	Batch#:	264460
Matrix:	Soil	Prepared:	10/11/18
Units:	ug/Kg	Analyzed:	10/12/18

Analyte	Spiked	Result	%REC	Limits
Aroclor-1016	125.0	145.9	117	59-160
Aroclor-1260	125.0	142.8	114	59-170

Surrogate	%REC	Limits
Decachlorobiphenyl	116	37-170

Batch QC Report

Enthalpy Analytical - Berkeley Analytical Report

Lab #:	304062	Location:	De Anza Properties
Client:	Applied Remedial Technologies, Inc.	Prep:	EPA 3546
Project#:	STANDARD	Analysis:	EPA 8082
Field ID:	ZZZZZZZZZZ	Batch#:	264460
MSS Lab ID:	304053-006	Sampled:	09/26/18
Matrix:	Soil	Received:	10/10/18
Units:	ug/Kg	Prepared:	10/11/18
Basis:	as received	Analyzed:	10/12/18
Diln Fac:	5.000		

Type: MS Lab ID: QC951466

Analyte	MSS Result	Spiked	Result	%REC	Limits
Aroclor-1016	<18.03	164.7	207.4	126	73-167
Aroclor-1260	<22.61	164.7	198.8	121	57-178

Surrogate	%REC	Limits
Decachlorobiphenyl	113	37-170

Type: MSD Lab ID: QC951467

Analyte	Spiked	Result	%REC	Limits	RPD	Lim
Aroclor-1016	164.8	191.0	116	73-167	8	40
Aroclor-1260	164.8	245.3	149	57-178	21	41

Surrogate	%REC	Limits
Decachlorobiphenyl	149	37-170

RPD= Relative Percent Difference

Batch QC Report

Enthalpy Analytical - Berkeley Analytical Report

Lab #:	304062	Location:	De Anza Properties
Client:	Applied Remedial Technologies, Inc.	Prep:	EPA 3546
Project#:	STANDARD	Analysis:	EPA 8082
Type:	LCS	Diln Fac:	1.000
Lab ID:	QC953112	Batch#:	264864
Matrix:	Soil	Prepared:	10/25/18
Units:	ug/Kg	Analyzed:	10/25/18

Analyte	Spiked	Result	%REC	Limits
Aroclor-1016	125.0	97.18	78	59-160
Aroclor-1260	125.0	100.4	80	59-170

Surrogate	%REC	Limits
Decachlorobiphenyl	84	37-170

Batch QC Report

Enthalpy Analytical - Berkeley Analytical Report

Lab #:	304062	Location:	De Anza Properties
Client:	Applied Remedial Technologies, Inc.	Prep:	EPA 3546
Project#:	STANDARD	Analysis:	EPA 8082
Field ID:	B4-10	Batch#:	264864
MSS Lab ID:	304062-005	Sampled:	10/10/18
Matrix:	Soil	Received:	10/10/18
Units:	ug/Kg	Prepared:	10/25/18
Basis:	as received	Analyzed:	10/25/18
Diln Fac:	1.000		

Type: MS Lab ID: QC953113

Analyte	MSS Result	Spiked	Result	%REC	Limits
Aroclor-1016	<4.384	166.7	149.5	90	73-167
Aroclor-1260	<3.194	166.7	160.2	96	57-178

Surrogate	%REC	Limits
Decachlorobiphenyl	100	37-170

Type: MSD Lab ID: QC953114

Analyte	Spiked	Result	%REC	Limits	RPD	Lim
Aroclor-1016	164.7	157.3	96	73-167	6	40
Aroclor-1260	164.7	153.3	93	57-178	3	41

Surrogate	%REC	Limits
Decachlorobiphenyl	96	37-170

RPD= Relative Percent Difference



ENTHALPY

ANALYTICAL



Enthalpy Analytical

2323 Fifth Street, Berkeley, CA 94710, Phone (510) 486-0900

Laboratory Job Number 304063
ANALYTICAL REPORT

Almar Environmental
407 Almar Avenue
Santa Cruz, CA 95060

Project : 983-01
Location : DeAnza Properties
Level : II

Sample ID

B7-11.5

B7-8.0

Lab ID

304063-001

304063-002

This data package has been reviewed for technical correctness and completeness. Release of this data has been authorized by the Laboratory Manager or the Manager's designee, as verified by the following signature which applies to this PDF file as well as any associated electronic data deliverable files. The results contained in this report meet all requirements of NELAP and pertain only to those samples which were submitted for analysis. This report may be reproduced only in its entirety.

Signature: _____

Date: 10/25/2018

Will Rice
Project Manager
will.rice@enthalpy.com
(510) 204-2221 Ext 13102

CA ELAP# 2896, NELAP# 4044-001

CASE NARRATIVE

Laboratory number: 304063
Client: Almar Environmental
Project: 983-01
Location: DeAnza Properties
Request Date: 10/10/18
Samples Received: 10/10/18

This data package contains sample and QC results for two air samples, requested for the above referenced project on 10/10/18. The samples were received cold and intact.

Volatile Organics in Air by MS (EPA TO-15):

No analytical problems were encountered.

Volatile Organics in Air GC (ASTM D1946-90):

No analytical problems were encountered.

COOLER RECEIPT CHECKLIST



Curtis & Tompkins, Ltd.

Login # 304063 Date Received 10/10/18 Number of coolers 0
Client ALMAR Project 983-01

Date Opened 10/10/18 By (print) BNL (sign) [Signature]
Date Logged in [Signature] By (print) [Signature] (sign) [Signature]
Date Labeled [Signature] By (print) [Signature] (sign) [Signature]

1. Did cooler come with a shipping slip (airbill, etc) YES NO?
Shipping info

2A. Were custody seals present? ... YES (circle) on cooler on samples YES NO
How many Name Date

2B. Were custody seals intact upon arrival? YES NO N/A

3. Were custody papers dry and intact when received? YES NO

4. Were custody papers filled out properly (ink, signed, etc)? YES NO

5. Is the project identifiable from custody papers? (If so fill out top of form) YES NO

6. Indicate the packing in cooler: (if other, describe)

- Bubble Wrap, Foam blocks, Bags, None, Cloth material, Cardboard, Styrofoam, Paper towels

7. Temperature documentation: * Notify PM if temperature exceeds 6°C

Type of ice used: Wet, Blue/Gel, None Temp(°C)

Temperature blank(s) included? Thermometer# IR Gun#

Samples received on ice directly from the field. Cooling process had begun

8. Were Method 5035 sampling containers present? YES NO

If YES, what time were they transferred to freezer?

9. Did all bottles arrive unbroken/unopened? YES NO

10. Are there any missing / extra samples? YES NO

11. Are samples in the appropriate containers for indicated tests? YES NO

12. Are sample labels present, in good condition and complete? YES NO

13. Do the sample labels agree with custody papers? YES NO

14. Was sufficient amount of sample sent for tests requested? YES NO

15. Are the samples appropriately preserved? YES NO N/A

16. Did you check preservatives for all bottles for each sample? YES NO N/A

17. Did you document your preservative check? (pH strip lot#) YES NO N/A

18. Did you change the hold time in LIMS for unpreserved VOAs? YES NO N/A

19. Did you change the hold time in LIMS for preserved terracores? YES NO N/A

20. Are bubbles > 6mm absent in VOA samples? YES NO N/A

21. Was the client contacted concerning this sample delivery? YES NO

If YES, Who was called? By Date:

COMMENTS

Blank lines for handwritten comments.

Laboratory Job Number 304063

Subcontracted Products

Enthalpy Analytical (Orange)



Enthalpy Analytical, LLC

931 W. Barkley Ave - Orange, CA 92868
Tel: (714)771-6900 Fax: (714)538-1209
www.enthalpy.com
info-sc@enthalpy.com



Client: Enthalpy - Berkeley
Address: 2323 Fifth Street
Berkeley, CA 94710

Attn: Will Rice

Comments: Project Number: 304063
Site: DeAnza Properties

Lab Request: 407664
Report Date: 10/25/2018
Date Received: 10/19/2018
Client ID: 15279

This laboratory request covers the following listed samples which were analyzed for the parameters indicated on the attached Analytical Result Report. All analyses were conducted using the appropriate methods. Methods accredited by NELAC are indicated on the report. This cover letter is an integral part of the final report.

Sample # **Client Sample ID**

407664-002 B7-8.0

Thank you for the opportunity to be of service to your company. Please feel free to call if there are any questions regarding this report or if we can be of further service.

PRELIMINARY

Please use the data with caution as the results are preliminary and they have not undergone complete QC validation and/or second party review. The data is subject to change upon final review.

Preliminary report generated by: Lisa Nguyen, PM

NOTE: Unless notified in writing, all samples will be discarded by appropriate disposal protocol 60 days from date received.

The reports of the Enthalpy Analytical, Inc. are confidential property of our clients and may not be reproduced or used for publication in part or in full without our written permission. This is for the mutual protection of the public, our clients, and ourselves.



Matrix: Air	Client: Enthalpy - Berkeley	Collector: Client
Sampled: 10/10/2018 12:30	Site:	
Sample #: 407664-002	Client Sample #: B7-8.0	Sample Type:

Analyte	Result	DF	MDL	RDL	Units	Prepared	Analyzed By	Notes
Method: EPA TO-15	Prep Method: Method						QCBatchID: QC1196837	
1,1,1-Trichloroethane	ND	1	1.1	5.5	ug/m3	10/19/18 21:25	ZZ	
1,1,1,2-Tetrachloroethane	ND	1	1.38	6.9	ug/m3	10/19/18 21:25	ZZ	
1,1,2-Trichloroethane	ND	1	1.1	5.5	ug/m3	10/19/18 21:25	ZZ	
1,1,2-Trichlorotrifluoroethane	ND	1	1.54	7.7	ug/m3	10/19/18 21:25	ZZ	
1,1-Dichloroethane	ND	1	0.82	4.1	ug/m3	10/19/18 21:25	ZZ	
1,1-Dichloroethene	ND	1	0.8	4	ug/m3	10/19/18 21:25	ZZ	
1,2,4-Trichlorobenzene	ND	1	1.48	7.4	ug/m3	10/19/18 21:25	ZZ	
1,2,4-Trimethylbenzene	2.8 J	1	0.98	4.9	ug/m3	10/19/18 21:25	ZZ	J
1,2-Dibromoethane	ND	1	1.54	7.7	ug/m3	10/19/18 21:25	ZZ	
1,2-Dichloro-1,1,2,2-tetrafluoroethane	ND	1	1.4	7	ug/m3	10/19/18 21:25	ZZ	
1,2-Dichlorobenzene	ND	1	1.2	6	ug/m3	10/19/18 21:25	ZZ	
1,2-Dichloroethane	ND	1	0.82	4.1	ug/m3	10/19/18 21:25	ZZ	
1,2-Dichloropropane	ND	1	0.92	4.6	ug/m3	10/19/18 21:25	ZZ	
1,3,5-Trimethylbenzene	ND	1	0.98	4.9	ug/m3	10/19/18 21:25	ZZ	
1,3-Butadiene	ND	1	0.44	2.2	ug/m3	10/19/18 21:25	ZZ	
1,3-Dichlorobenzene	ND	1	1.2	6	ug/m3	10/19/18 21:25	ZZ	
1,4-Dichlorobenzene	ND	1	1.2	6	ug/m3	10/19/18 21:25	ZZ	
2-Butanone (MEK)	ND	1	7.4	14.8	ug/m3	10/19/18 21:25	ZZ	
2-Hexanone	ND	1	0.82	4.1	ug/m3	10/19/18 21:25	ZZ	
4-Ethyltoluene	1.1 J	1	0.98	4.9	ug/m3	10/19/18 21:25	ZZ	J
4-Methyl-2-pentanone (MIBK)	4.2	1	0.82	4.1	ug/m3	10/19/18 21:25	ZZ	
Acetone	32.7	1	5.9	11.8	ug/m3	10/19/18 21:25	ZZ	
Benzene	13.2	1	0.64	3.2	ug/m3	10/19/18 21:25	ZZ	
Benzyl Chloride	ND	1	1.04	5.2	ug/m3	10/19/18 21:25	ZZ	
Bromodichloromethane	ND	1	1.34	6.7	ug/m3	10/19/18 21:25	ZZ	
Bromoform	ND	1	2.06	10.3	ug/m3	10/19/18 21:25	ZZ	
Bromomethane	ND	1	0.78	3.9	ug/m3	10/19/18 21:25	ZZ	
Carbon disulfide	ND	1	0.62	3.1	ug/m3	10/19/18 21:25	ZZ	
Carbon Tetrachloride	ND	1	1.26	6.3	ug/m3	10/19/18 21:25	ZZ	
Chlorobenzene	ND	1	0.92	4.6	ug/m3	10/19/18 21:25	ZZ	
Chloroethane	ND	1	0.52	2.6	ug/m3	10/19/18 21:25	ZZ	
Chloroform	ND	1	0.98	4.9	ug/m3	10/19/18 21:25	ZZ	
Chloromethane	ND	1	0.42	2.1	ug/m3	10/19/18 21:25	ZZ	
cis-1,2-Dichloroethene	ND	1	0.8	4	ug/m3	10/19/18 21:25	ZZ	
cis-1,3-dichloropropene	ND	1	0.9	4.5	ug/m3	10/19/18 21:25	ZZ	
Dichlorodifluoromethane	ND	1	0.98	4.9	ug/m3	10/19/18 21:25	ZZ	
Ethylbenzene	1.8 J	1	0.86	4.3	ug/m3	10/19/18 21:25	ZZ	J
Hexachlorobutadiene	ND	1	2.14	10.7	ug/m3	10/19/18 21:25	ZZ	
Isopropyl alcohol (IPA)	ND	1	6.1	12.2	ug/m3	10/19/18 21:25	ZZ	
m and p-Xylene	5.9	1	0.86	4.3	ug/m3	10/19/18 21:25	ZZ	
Methylene chloride	ND	1	0.7	3.5	ug/m3	10/19/18 21:25	ZZ	
Methyl-t-butyl Ether (MTBE)	ND	1	0.72	3.6	ug/m3	10/19/18 21:25	ZZ	
o-Xylene	2.4 J	1	0.86	4.3	ug/m3	10/19/18 21:25	ZZ	J
Styrene	ND	1	0.86	4.3	ug/m3	10/19/18 21:25	ZZ	
Tetrachloroethene	4.2 J	1	1.36	6.8	ug/m3	10/19/18 21:25	ZZ	J
Toluene	13.1	1	0.76	3.8	ug/m3	10/19/18 21:25	ZZ	
trans-1,2-dichloroethene	ND	1	0.8	4	ug/m3	10/19/18 21:25	ZZ	
trans-1,3-dichloropropene	ND	1	0.8	4	ug/m3	10/19/18 21:25	ZZ	
Trichloroethene	5.5	1	1.08	5.4	ug/m3	10/19/18 21:25	ZZ	
Trichlorofluoromethane	ND	1	1.12	5.6	ug/m3	10/19/18 21:25	ZZ	
Vinyl acetate	ND	1	8.8	17.6	ug/m3	10/19/18 21:25	ZZ	
Vinyl Chloride	ND	1	0.52	2.6	ug/m3	10/19/18 21:25	ZZ	
Xylenes (Total)	8.3	1	0.86	4.3	ug/m3	10/19/18 21:25	ZZ	

PRELIMINARY RESULTS

Matrix: Air	Client: Enthalpy - Berkeley	Collector: Client
Sampled: 10/10/2018 12:30	Site:	
Sample #: <u>407664-002</u>	Client Sample #: B7-8.0	Sample Type:

Analyte	Result	DF	MDL	RDL	Units	Prepared	Analyzed By	Notes
<u>Surrogate</u>								
	<u>% Recovery</u>			<u>Limits</u>				<u>Notes</u>
4-Bromofluorobenzene (SUR)	117			60-140				
4-Bromofluorobenzene (SUR)	117			60-140				

PRELIMINARY RESULTS

QCBatchID: **QC1196837**

Analyst: nicollez

Method: EPA TO-15

Matrix: Air

Analyzed: 10/18/2018

Instrument: VOA-MS (group)

Blank Summary

Analyte	Blank Result	Units	MDL	RDL	Notes
QC1196837MB1					
1,1,1-Trichloroethane	ND	Vppb	0.2	1	
1,1,1,2-Tetrachloroethane	ND	Vppb	0.2	1	
1,1,1,2-Trichloroethane	ND	Vppb	0.2	1	
1,1,1,2-Trichlorotrifluoroethane	ND	Vppb	0.2	1	
1,1-Dichloroethane	ND	Vppb	0.2	1	
1,1-Dichloroethene	ND	Vppb	0.2	1	
1,2,4-Trichlorobenzene	ND	Vppb	0.2	1	
1,2,4-Trimethylbenzene	ND	Vppb	0.2	1	
1,2-Dibromoethane	ND	Vppb	0.2	1	
1,2-Dichloro-1,1,2,2-tetrafluoroethane	ND	Vppb	0.2	1	
1,2-Dichlorobenzene	ND	Vppb	0.2	1	
1,2-Dichloroethane	ND	Vppb	0.2	1	
1,2-Dichloropropane	ND	Vppb	0.2	1	
1,3,5-Trimethylbenzene	ND	Vppb	0.2	1	
1,3-Butadiene	ND	Vppb	0.2	1	
1,3-Dichlorobenzene	ND	Vppb	0.2	1	
1,4-Dichlorobenzene	ND	Vppb	0.2	1	
1,4-Dioxane	ND	Vppb	0.2	1	
2-Butanone (MEK)	ND	Vppb	2.5	5	
2-Hexanone	ND	Vppb	0.2	1	
4-Ethyltoluene	ND	Vppb	0.2	1	
4-Methyl-2-pentanone (MIBK)	ND	Vppb	0.2	1	
Acetone	ND	Vppb	2.5	5	
Benzene	ND	Vppb	1	1	
Benzyl Chloride	ND	Vppb	0.2	1	
Bromodichloromethane	ND	Vppb	0.2	1	
Bromoform	ND	Vppb	0.2	1	
Bromomethane	ND	Vppb	0.2	1	
Carbon disulfide	ND	Vppb	0.2	1	
Carbon Tetrachloride	0.4 J	Vppb	0.2	1	
Chlorobenzene	ND	Vppb	0.2	1	
Chlorodibromomethane	ND	Vppb	0.2	1	
Chloroethane	ND	Vppb	0.2	1	
Chloroform	0.3 J	Vppb	0.2	1	
Chloromethane	ND	Vppb	0.2	1	
cis-1,2-Dichloroethene	ND	Vppb	0.2	1	
cis-1,3-dichloropropene	ND	Vppb	0.2	1	
Cyclohexane	ND	Vppb	0.2	1	
Dichlorodifluoromethane	ND	Vppb	0.2	1	
Ethanol	ND	Vppb	2.5	5	
Ethyl Acetate	ND	Vppb	0.2	2	
Ethylbenzene	ND	Vppb	1	1	
Heptane	ND	Vppb	0.2	1	
Hexachlorobutadiene	ND	Vppb	0.2	1	
Hexane	ND	Vppb	0.2	1	
Isopropyl alcohol (IPA)	ND	Vppb	2.5	5	
m and p-Xylene	ND	Vppb	1	1	
Methylene chloride	ND	Vppb	0.2	1	
Methyl-t-butyl Ether (MTBE)	ND	Vppb	1	1	
o-Xylene	ND	Vppb	1	1	
Propene	ND	Vppb	0.2	1	
Styrene	ND	Vppb	0.2	1	

PRELIMINARY RESULTS

QCBatchID: QC1196837	Analyst: nicollez	Method: EPA TO-15
Matrix: Air	Analyzed: 10/18/2018	Instrument: VOA-MS (group)

Analyte	Blank Result	Units	MDL	RDL	Notes
QC1196837MB1					
Tetrachloroethene	ND	Vppb	0.2	1	
Toluene	ND	Vppb	1	1	
trans-1,2-dichloroethene	ND	Vppb	0.2	1	
trans-1,3-dichloropropene	ND	Vppb	0.2	1	
Trichloroethene	ND	Vppb	0.2	1	
Trichlorofluoromethane	ND	Vppb	0.2	1	
Vinyl acetate	ND	Vppb	2.5	5	
Vinyl Chloride	ND	Vppb	0.2	1	
Xylenes (Total)	ND	Vppb	1	1	

Duplicate Summary						
Analyte	Sample Amount	Duplicate Amount	Units	RPD	Limits RPD	Notes
QC1196837DUP1						
Benzene	1410	1530	Vppb	8.2	20	
Ethylbenzene	1040	1000	Vppb	3.9	20	
m and p-Xylene	3830	3750	Vppb	2.1	20	
Methyl-t-butyl Ether (MTBE)	4250	4270	Vppb	0.5	20	
o-Xylene	1240	1220	Vppb	1.6	20	
Toluene	2250	2280	Vppb	1.3	20	
Xylenes (Total)	5070	4970	Vppb	2.0	20	

PRELIMINARY RESULTS

Data Qualifiers and Definitions

Qualifiers

A	See Report Comments.
B	Analyte was present in an associated method blank.
B1	Analyte was present in a sample and associated method blank greater than MDL but less than RDL.
BQ1	No valid test replicates. Sample Toxicity is possible. Best result was reported.
BQ2	No valid test replicates.
BQ3	No valid test replicates. Final DO is less than 1.0 mg/L. Result may be greater.
BQ4	Minor Dissolved Oxygen loss was observed in the blank water check, however, the LCS was within criteria, validating the batch.
BQ5	Minor Dissolved Oxygen loss was observed in the blank water check.
C	Possible laboratory contamination.
D	RPD was not within control limits. The sample data was reported without further clarification.
D1	Lesser amount of sample was used due to insufficient amount of sample supplied.
D2	Reporting limit is elevated due to sample matrix. Target analyte was not detected above the elevated reporting limit.
D3	Insufficient sample was supplied for TCLP. Client was notified. TCLP was performed per the Client's instructions.
DW	Sample result is calculated on a dry weigh basis.
E	Concentration is estimated because it exceeds the quantification limits of the method.
I	The sample was read outside of the method required incubation period.
IR	Inconclusive Result. Legionella is present, however, there is possible non-specific agglutination preventing specific identification.
J	Reported value is estimated
L	The laboratory control sample (LCS) or laboratory control sample duplicate (LCSD) was out of control limits. Associated sample data was reported with qualifier.
L2	LCS did not meet recovery criteria, however, the MS and/or MSD met LCS recovery criteria, validating the batch.
M	The matrix spike (MS) or matrix spike duplicate (MSD) was not within control limits due to matrix interference. The associated LCS and/or LCSD was within control limits and the sample data was reported without further clarification.
M1	The matrix spike (MS) or matrix spike duplicate (MSD) is not within control limits due to matrix interference.
M2	The matrix spike (MS) or matrix spike duplicate (MSD) was not within control limits. The associated LCS and/or LCSD was not within control limits. Sample result is estimated.
N1	Sample chromatography does not match the specified TPH standard pattern.
NC	The analyte concentration in the sample exceeded the spike level by a factor of four or greater, spike recovery and limits do not apply.
P	Sample was received without proper preservation according to EPA guidelines.
P1	Temperature of sample storage refrigerator was out of acceptance limits.
P2	The sample was preserved within 24 hours of collection in accordance with EPA 218.6.
P3	Per Client request, sample was composited for volatile analysis. Sample compositing for volatile analysis is not recommended due to potential loss of target analytes. Results may be biased low.
Q1	Analyte Calibration Verification exceeds criteria. The result is estimated.
Q2	Analyte calibration was not verified and the result was estimated.
Q3	Analyte initial calibration was not available or exceeds criteria. The result was estimated.
S	The surrogate recovery was out of control limits due to matrix interference. The associated method blank surrogate recovery was within control limits and the sample data was reported without further clarification.
S1	The associated surrogate recovery was out of control limits; result is estimated.
S2	The surrogate was diluted out due to the presence of high concentrations of target and/or non-target compounds. Surrogate recoveries in the associated batch QC met recovery criteria.
S3	Internal Standard did not meet recovery limits. Analyte concentration is estimated.
T	Sample was extracted/analyzed past the holding time.
T1	Reanalysis was reported past hold time due to failing replicates in the original analysis (BOD only).
T2	Sample was analyzed ASAP but received and analyzed past the 15 minute holding time.
T3	Sample received and analyzed out of hold time per client's request.
T4	Sample was analyzed out of hold time per client's request.
T5	Reanalysis was reported past hold time. The original analysis was within hold time, but not reportable.
T6	Hold time is indeterminable due to unspecified sampling time.
T7	Sample was analyzed past hold time due to insufficient time remaining at time of receipt.

Definitions

DF	Dilution Factor
MDL	Method Detection Limit. Result is reported ND when it is less than or equal to MDL.
ND	Analyte was not detected or was less than the detection limit.
NR	Not Reported. See Report Comments.
RDL	Reporting Detection Limit
TIC	Tentatively Identified Compounds

PRELIMINARY RESULTS

Enthalpy Berkeley
 2323 Fifth Street
 Berkeley, CA 94710
 (510) 486-0900
 (510) 486-0532

407664

Project Number: 304063
 Site: DeAnza Properties


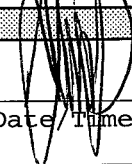
Subcontract Laboratory:
 Enthalpy Analytical (Orange)
 931 W Barkley Avenue
 Orange, CA 92868
 (714) 771-9923
 ATTN: Lisa Nguyen

Results due: Report Level: II

Please send report to: Will Rice (will.rice@enthalpy.com)

*** Please report using Sample ID rather than Enthalpy (Berkeley) Lab #.

Sample ID	Sampled	Matrix	Analysis	Lab #	Comments
B7-11.5	10/10 12:00	Air	TO15	304063-001	
B7-8.0	10/10 12:30	Air	TO15	304063-002	

Notes:	Relinquished By:	Received By:
	 10/18 12:00	
	Date/Time:	Date/Time: 10/19/18 10:00AM
	Date/Time:	Date/Time:

Signature on this form constitutes a firm Purchase Order for the services requested above.



ENTHALPY ANALYTICAL

SAMPLE ACCEPTANCE CHECKLIST


Section 1
 Client: Enthalpy - Berkeley Project: 304063
 Date Received: 10/19/18 Sampler's Name Present: Yes No

Section 2
 Sample(s) received in a cooler? Yes, How many? _____ No (skip section 2) Sample Temp (°C) ambient
 (No Cooler) _____
 Sample Temp (°C), One from each cooler: #1: _____ #2: _____ #3: _____ #4: _____
(Acceptance range is < 6°C but not frozen (for Microbiology samples, acceptance range is < 10°C but not frozen). It is acceptable for samples collected the same day as sample receipt to have a higher temperature as long as there is evidence that cooling has begun.)
 Shipping Information: _____

Section 3
 Was the cooler packed with: Ice Ice Packs Bubble Wrap Styrofoam
 Paper None Other _____
 Cooler Temp (°C): #1: _____ #2: _____ #3: _____ #4: _____

Section 4	YES	NO	N/A
Was a COC received?	✓		
Are sample IDs present?	✓		
Are sampling dates & times present?	✓		
Is a relinquished signature present?	✓		
Are the tests required clearly indicated on the COC?	✓		
Are custody seals present?		✓	
If custody seals are present, were they intact?			✓
Are all samples sealed in plastic bags? (Recommended for Microbiology samples)			✓
Did all samples arrive intact? If no, indicate in Section 4 below.	✓		
Did all bottle labels agree with COC? (ID, dates and times)	✓		
Were the samples collected in the correct containers for the required tests?	✓		
Are the containers labeled with the correct preservatives?			✓
Is there headspace in the VOA vials greater than 5-6 mm in diameter?			✓
Was a sufficient amount of sample submitted for the requested tests?	✓		

Section 5 Explanations/Comments
 Sample B7-11.5 was not received.

Section 6
 For discrepancies, how was the Project Manager notified? Verbal PM Initials: LN Date/Time 10/19/18
 Email (email sent to/on): _____ / _____
 Project Manager's response:


Completed By: _____ Date: 10/19/18

ORIGIN ID: JEMA (510) 486-0900
SAMPLE CONTROL
ENTHALPY ANALYTICAL
2323 5TH STREET
BERKELEY, CA 94710
UNITED STATES US

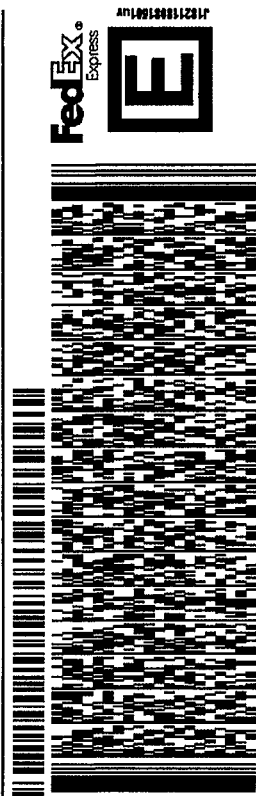
SHIP DATE: 18OCT18
ACT WGT: 30.00 LB
CAD: 760360091NET 4040
DIMS: 17x18x16 IN
BILL SENDER

552J188FB/DCA5

TO **SAMPLE CONTROL**
ENTHALPY ANALYTICAL LLC.
931 W. BARKLEY

ORANGE CA 92868

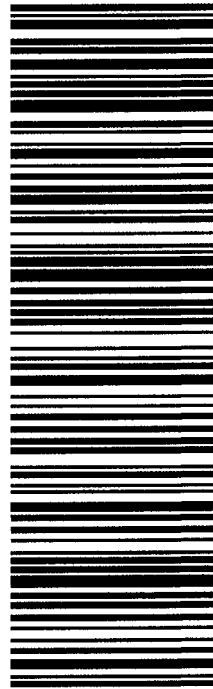
(714) 771-6900 REF:
INV. PO. DEPT:



FRI - 19 OCT 3:00P
STANDARD OVERNIGHT

TRK# **7735 1620 3491**
0201

92 APVA
92868
CA-US **SNA**



After printing this label:
1. Use the 'Print' button on this page to print your label to your laser or inkjet printer.
2. Fold the printed page along the horizontal line.
3. Place label in shipping pouch and affix it to your shipment so that the barcode portion of the label can be read and scanned.
Warning: Use only the printed original label for shipping. Using a photocopy of this label for shipping purposes is fraudulent and could result in additional billing charges, along with the cancellation of your FedEx account number.
Use of this system constitutes your agreement to the service conditions in the current FedEx Service Guide, available on fedex.com. FedEx will not be responsible for any claim in excess of \$100 per package, whether the result of loss, damage, delay, non-delivery, misdelivery, or misinformation, unless you declare a higher value, pay an additional charge, document your actual loss and file a timely claim. Limitations found in the current FedEx Service Guide apply. Your right to recover from FedEx for any loss, including intrinsic value of the package, loss of sales, income interest, profit, attorney's fees, costs, and other forms of damage whether direct, incidental, consequential, or special is limited to the greater of \$100 or the authorized declared value. Recovery cannot exceed actual documented loss. Maximum for items of extraordinary value is \$1,000, e.g. jewelry, precious metals, negotiable instruments and other items listed in our ServiceGuide. Written claims must be filed within strict time limits, see current FedEx Service Guide.

ORIGIN ID: JEMA (510) 486-0900
SAMPLE CONTROL
ENTHALPY ANALYTICAL
2323 5TH STREET
BERKELEY, CA 94710
UNITED STATES US

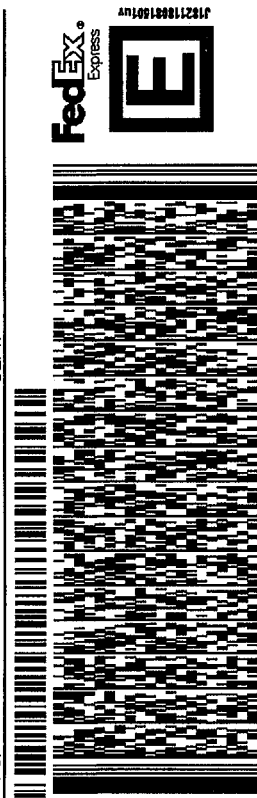
TO **SAMPLE CONTROL**
ENTHALPY ANALYTICAL LLC.
931 W. BARKLEY

ORANGE CA 92868

REF: (714) 771-6900

INV: PO: DEPT:

SHIP DATE: 18OCT18
ACTWGST: 30.00 LB
CAD: 7603600/NET: 4040
DIMS: 17x18x16 IN
BILL SENDER



FRI - 19 OCT 3:00P
STANDARD OVERNIGHT

TRK# **7735 1610 3992**

92868
SNA
CA-US

92 APVA



After printing this label:

1. Use the 'Print' button on this page to print your label to your laser or inkjet printer.
2. Fold the printed page along the horizontal line.
3. Place label in shipping pouch and affix it to your shipment so that the barcode portion of the label can be read and scanned.

Warning: Use only the printed original label for shipping. Using a photocopy of this label for shipping purposes is fraudulent and could result in additional billing charges, along with the cancellation of your FedEx account number.

Use of this system constitutes your agreement to the service conditions in the current FedEx Service Guide, available on fedex.com. FedEx will not be responsible for any claim in excess of \$100 per package, whether the result of loss, damage, delay, non-delivery, misdelivery, or misinformation, unless you declare a higher value, pay an additional charge, document your actual loss and file a timely claim. Limitations found in the current FedEx Service Guide apply. Your right to recover from FedEx for any loss, including intrinsic value of the package, loss of sales, income interest, profit, attorney's fees, costs, and other forms of damage whether direct, incidental, consequential, or special is limited to the greater of \$1,000 or the authorized declared value. Recovery cannot exceed actual documented loss. Maximum for items of extraordinary value is \$1,000, e.g. jewelry, precious metals, negotiable instruments and other items listed in our Service Guide. Written claims must be filed within strict time limits, see current FedEx Service Guide.

ORIGIN ID: JEMA (510) 486-0900
SAMPLE CONTROL
ENTHALPY ANALYTICAL
2323 5TH STREET
BERKELEY CA 94710
UNITED STATES US

SHIP DATE: 18OCT18
ACT WGT: 30.00 LB
CAD: 7603600/NET 4040
DIMS: 17x18x16 IN
BILL SENDER

TO **SAMPLE CONTROL**
ENTHALPY ANALYTICAL LLC.
931 W. BARKLEY

5521189FB/DCA5

ORANGE CA 92868

REF: (714) 771-6900

INVT: PO: DEPT:

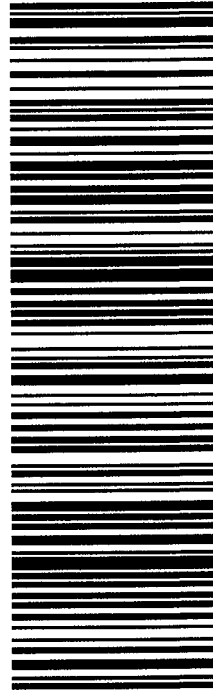


FRI - 19 OCT 10:30A
PRIORITY OVERNIGHT

TRK# **7735 1621 2636**

92868
SNA
CA-US

92 APVA



Warning: Use only the printed original label for shipping. Using a photocopy of this label for shipping purposes is fraudulent and could result in additional billing charges, along with the cancellation of your FedEx account number.
Use of this system constitutes your agreement to the service conditions in the current FedEx Service Guide, available on fedex.com. FedEx will not be responsible for any claim in excess of \$100 per package, whether the result of loss, damage, delay, non-delivery, misdelivery, or misinformation, unless you declare a higher value, pay an additional charge, document your actual loss and file a timely claim. Limitations found in the current FedEx Service Guide apply. Your right to recover from FedEx for any loss, including intrinsic value of the package, loss of sales, income interest, profit, attorney's fees, costs, and other forms of damage whether direct, incidental, consequential, or special is limited to the greater of \$1,000, e.g. jewelry, precious metals, negotiable instruments and other items listed in our Service Guide. Written claims must be filed within strict time limits, see current FedEx Service Guide.

- 1. Use the 'Print' button on this page to print your label to your laser or inkjet printer.
- 2. Fold the printed page along the horizontal line.
- 3. Place label in shipping pouch and affix it to your shipment so that the barcode portion of the label can be read and scanned.

After printing this label:

Enthalpy Analytical - Berkeley Analytical Report

Lab #:	304063	Location:	DeAnza Properties
Client:	Almar Environmental	Prep:	METHOD
Project#:	983-01	Analysis:	ASTM D1946-90
Analyte:	Helium	Batch#:	264433
Matrix:	Air	Sampled:	10/10/18
Units:	ppmv	Received:	10/10/18
Units (Mol %):	MOL %	Analyzed:	10/11/18

Field ID	Type	Lab ID	Result	RL	Result (Mol %)	RL	Diln Fac
B7-11.5	SAMPLE	304063-001	ND	2,000	ND	0.20	2.010
B7-8.0	SAMPLE	304063-002	ND	2,000	ND	0.20	1.960
	BLANK	QC951355	ND	1,000	ND	0.10	1.000

ND= Not Detected

RL= Reporting Limit

Result Mol %= Result in Mole Percent

Batch QC Report

Enthalpy Analytical - Berkeley Analytical Report

Lab #:	304063	Location:	DeAnza Properties
Client:	Almar Environmental	Prep:	METHOD
Project#:	983-01	Analysis:	ASTM D1946-90
Analyte:	Helium	Units (Mol %):	MOL %
Field ID:	ZZZZZZZZZZ	Batch#:	264433
MSS Lab ID:	304034-001	Sampled:	10/05/18
Matrix:	Air	Received:	10/09/18
Units:	ppmv	Analyzed:	10/11/18

Type	Lab ID	MSS Result	Spiked	Result	RL	Result (Mol %)	RL	%REC	Limits	RPD	Lim	Diln	Fac
BS	QC951352		100,000	83,280				83	70-130				1.000
BSD	QC951353		100,000	83,340				83	70-130	0	20		1.000
SDUP	QC951356	<1,810		ND	1,810	ND	0.1810			NC	30		1.810

NC= Not Calculated

ND= Not Detected

RL= Reporting Limit

RPD= Relative Percent Difference

Result Mol %= Result in Mole Percent



Enthalpy Analytical, LLC

931 W. Barkley Ave - Orange, CA 92868
Tel: (714)771-6900 Fax: (714)538-1209
www.enthalpy.com
info-sc@enthalpy.com



Client: Enthalpy - Berkeley
Address: 2323 Fifth Street
Berkeley, CA 94710

Attn: Will Rice

Comments: Project Number: 304063
Site: DeAnza Properties

Lab Request: 407664
Report Date: 10/26/2018
Date Received: 10/19/2018
Client ID: 15279

This laboratory request covers the following listed samples which were analyzed for the parameters indicated on the attached Analytical Result Report. All analyses were conducted using the appropriate methods. Methods accredited by NELAC are indicated on the report. This cover letter is an integral part of the final report.

Sample # **Client Sample ID**

407664-001 B7-11.5

Thank you for the opportunity to be of service to your company. Please feel free to call if there are any questions regarding this report or if we can be of further service.

PRELIMINARY

Please use the data with caution as the results are preliminary and they have not undergone complete QC validation and/or second party review. The data is subject to change upon final review.

Preliminary report generated by: Lisa Nguyen, PM

NOTE: Unless notified in writing, all samples will be discarded by appropriate disposal protocol 60 days from date received.

The reports of the Enthalpy Analytical, Inc. are confidential property of our clients and may not be reproduced or used for publication in part or in full without our written permission. This is for the mutual protection of the public, our clients, and ourselves.



Matrix: Air	Client: Enthalpy - Berkeley	Collector: Client
Sampled: 10/10/2018 12:00	Site:	
Sample #: 407664-001	Client Sample #: B7-11.5	Sample Type:

Analyte	Result	DF	MDL	RDL	Units	Prepared	Analyzed By	Notes
Method: EPA TO-15	Prep Method: Method						QCBatchID: QC1196992	
1,1,1-Trichloroethane	4.5	1	0.2	1	Vppb	10/26/18 08:07	ZZ	
1,1,2,2-Tetrachloroethane	ND	1	0.2	1	Vppb	10/26/18 08:07	ZZ	
1,1,2-Trichloroethane	ND	1	0.2	1	Vppb	10/26/18 08:07	ZZ	
1,1,2-Trichlorotrifluoroethane	ND	1	0.2	1	Vppb	10/26/18 08:07	ZZ	
1,1-Dichloroethane	ND	1	0.2	1	Vppb	10/26/18 08:07	ZZ	
1,1-Dichloroethene	ND	1	0.2	1	Vppb	10/26/18 08:07	ZZ	
1,2,4-Trichlorobenzene	ND	1	0.2	1	Vppb	10/26/18 08:07	ZZ	
1,2,4-Trimethylbenzene	0.5 J	1	0.2	1	Vppb	10/26/18 08:07	ZZ	J
1,2-Dibromoethane	ND	1	0.2	1	Vppb	10/26/18 08:07	ZZ	
1,2-Dichloro-1,1,2,2-tetrafluoroethane	ND	1	0.2	1	Vppb	10/26/18 08:07	ZZ	
1,2-Dichlorobenzene	ND	1	0.2	1	Vppb	10/26/18 08:07	ZZ	
1,2-Dichloroethane	ND	1	0.2	1	Vppb	10/26/18 08:07	ZZ	
1,2-Dichloropropane	ND	1	0.2	1	Vppb	10/26/18 08:07	ZZ	
1,3,5-Trimethylbenzene	0.3 J	1	0.2	1	Vppb	10/26/18 08:07	ZZ	J
1,3-Butadiene	ND	1	0.2	1	Vppb	10/26/18 08:07	ZZ	
1,3-Dichlorobenzene	ND	1	0.2	1	Vppb	10/26/18 08:07	ZZ	
1,4-Dichlorobenzene	ND	1	0.2	1	Vppb	10/26/18 08:07	ZZ	
2-Butanone (MEK)	ND	1	2.5	5	Vppb	10/26/18 08:07	ZZ	
2-Hexanone	ND	1	0.2	1	Vppb	10/26/18 08:07	ZZ	
4-Ethyltoluene	0.5 J	1	0.2	1	Vppb	10/26/18 08:07	ZZ	J
4-Methyl-2-pentanone (MIBK)	ND	1	0.2	1	Vppb	10/26/18 08:07	ZZ	
Acetone	8.8	1	2.5	5	Vppb	10/26/18 08:07	ZZ	
Benzene	8.5	1	0.2	1	Vppb	10/26/18 08:07	ZZ	
Benzyl Chloride	ND	1	0.2	1	Vppb	10/26/18 08:07	ZZ	
Bromodichloromethane	ND	1	0.2	1	Vppb	10/26/18 08:07	ZZ	
Bromoform	ND	1	0.2	1	Vppb	10/26/18 08:07	ZZ	
Bromomethane	ND	1	0.2	1	Vppb	10/26/18 08:07	ZZ	
Carbon disulfide	0.9 J	1	0.2	1	Vppb	10/26/18 08:07	ZZ	J
Carbon Tetrachloride	ND	1	0.2	1	Vppb	10/26/18 08:07	ZZ	
Chlorobenzene	ND	1	0.2	1	Vppb	10/26/18 08:07	ZZ	
Chloroethane	ND	1	0.2	1	Vppb	10/26/18 08:07	ZZ	
Chloroform	1.3	1	0.2	1	Vppb	10/26/18 08:07	ZZ	
Chloromethane	ND	1	0.2	1	Vppb	10/26/18 08:07	ZZ	
cis-1,2-Dichloroethene	ND	1	0.2	1	Vppb	10/26/18 08:07	ZZ	
cis-1,3-dichloropropene	ND	1	0.2	1	Vppb	10/26/18 08:07	ZZ	
Dichlorodifluoromethane	0.3 J	1	0.2	1	Vppb	10/26/18 08:07	ZZ	J
Ethylbenzene	1.0	1	0.2	1	Vppb	10/26/18 08:07	ZZ	
Hexachlorobutadiene	ND	1	0.2	1	Vppb	10/26/18 08:07	ZZ	
Isopropyl alcohol (IPA)	ND	1	2.5	5	Vppb	10/26/18 08:07	ZZ	
m and p-Xylene	3.6	1	0.2	1	Vppb	10/26/18 08:07	ZZ	
Methylene chloride	ND	1	0.2	1	Vppb	10/26/18 08:07	ZZ	
Methyl-t-butyl Ether (MTBE)	ND	1	0.2	1	Vppb	10/26/18 08:07	ZZ	
o-Xylene	1.4	1	0.2	1	Vppb	10/26/18 08:07	ZZ	
Styrene	ND	1	0.2	1	Vppb	10/26/18 08:07	ZZ	
Tetrachloroethene	3.0	1	0.2	1	Vppb	10/26/18 08:07	ZZ	
Toluene	9.3	1	0.2	1	Vppb	10/26/18 08:07	ZZ	
trans-1,2-dichloroethene	ND	1	0.2	1	Vppb	10/26/18 08:07	ZZ	
trans-1,3-dichloropropene	ND	1	0.2	1	Vppb	10/26/18 08:07	ZZ	
Trichloroethene	2.1	1	0.2	1	Vppb	10/26/18 08:07	ZZ	
Trichlorofluoromethane	ND	1	0.2	1	Vppb	10/26/18 08:07	ZZ	
Vinyl acetate	ND	1	2.5	5	Vppb	10/26/18 08:07	ZZ	
Vinyl Chloride	ND	1	0.2	1	Vppb	10/26/18 08:07	ZZ	
Xylenes (Total)	4.9	1	0.2	1	Vppb	10/26/18 08:07	ZZ	

PRELIMINARY RESULTS

Matrix: Air	Client: Enthalpy - Berkeley	Collector: Client
Sampled: 10/10/2018 12:00	Site:	
Sample #: <u>407664-001</u>	Client Sample #: B7-11.5	Sample Type:

Analyte	Result	DF	MDL	RDL	Units	Prepared	Analyzed By	Notes
<i>Surrogate</i>	<i>% Recovery</i>			<i>Limits</i>	<i>Notes</i>			
4-Bromofluorobenzene (SUR)	107			60-140				
4-Bromofluorobenzene (SUR)				60-140				

PRELIMINARY RESULTS

QCBatchID: **QC1196992**

Analyst: nicollez

Method: EPA TO-15

Matrix: Air

Analyzed: 10/25/2018

Instrument: VOA-MS (group)

Blank Summary

Analyte	Blank Result	Units	MDL	RDL	Notes
QC1196992MB1					
1,1,1-Trichloroethane	ND	Vppb	0.2	1	
1,1,1,2-Tetrachloroethane	ND	Vppb	0.2	1	
1,1,1,2-Trichloroethane	ND	Vppb	0.2	1	
1,1,1,2-Trichlorotrifluoroethane	ND	Vppb	0.2	1	
1,1-Dichloroethane	ND	Vppb	0.2	1	
1,1-Dichloroethene	ND	Vppb	0.2	1	
1,1-Difluoroethane	ND	Vppb	1	1	
1,2,4-Trichlorobenzene	ND	Vppb	0.2	1	
1,2,4-Trimethylbenzene	ND	Vppb	0.2	1	
1,2-Dibromoethane	ND	Vppb	0.2	1	
1,2-Dichloro-1,1,2,2-tetrafluoroethane	ND	Vppb	0.2	1	
1,2-Dichlorobenzene	ND	Vppb	0.2	1	
1,2-Dichloroethane	ND	Vppb	0.2	1	
1,2-Dichloropropane	ND	Vppb	0.2	1	
1,3,5-Trimethylbenzene	ND	Vppb	0.2	1	
1,3-Butadiene	ND	Vppb	0.2	1	
1,3-Dichlorobenzene	ND	Vppb	0.2	1	
1,4-Dichlorobenzene	ND	Vppb	0.2	1	
2-Butanone (MEK)	ND	Vppb	2.5	5	
2-Hexanone	ND	Vppb	0.2	1	
4-Ethyltoluene	ND	Vppb	0.2	1	
4-Methyl-2-pentanone (MIBK)	ND	Vppb	0.2	1	
Acetone	ND	Vppb	2.5	5	
Benzene	ND	Vppb	0.2	1	
Benzyl Chloride	ND	Vppb	0.2	1	
Bromodichloromethane	ND	Vppb	0.2	1	
Bromoform	ND	Vppb	0.2	1	
Bromomethane	ND	Vppb	0.2	1	
Carbon disulfide	ND	Vppb	0.2	1	
Carbon Tetrachloride	ND	Vppb	0.2	1	
Chlorobenzene	ND	Vppb	0.2	1	
Chloroethane	ND	Vppb	0.2	1	
Chloroform	ND	Vppb	0.2	1	
Chloromethane	ND	Vppb	0.2	1	
cis-1,2-Dichloroethene	ND	Vppb	0.2	1	
cis-1,3-dichloropropene	ND	Vppb	0.2	1	
Dichlorobenzenes (Total)	ND	Vppb	0.2	1	
Dichlorodifluoromethane	ND	Vppb	0.2	1	
Ethylbenzene	ND	Vppb	0.2	1	
Heptane	ND	Vppb	0.2	1	
Hexachlorobutadiene	ND	Vppb	0.2	1	
Hexane	ND	Vppb	0.2	1	
Isobutane	ND	Vppb			
Isopropyl alcohol (IPA)	ND	Vppb	2.5	5	
m and p-Xylene	ND	Vppb	0.2	1	
Methylene chloride	ND	Vppb	0.2	1	
Methyl-t-butyl Ether (MTBE)	ND	Vppb	0.2	1	
Naphthalene	ND	Vppb	5	5	
o-Xylene	ND	Vppb	0.2	1	
Styrene	ND	Vppb	0.2	1	
Tetrachloroethene	ND	Vppb	0.2	1	
Toluene	ND	Vppb	0.2	1	

PRELIMINARY RESULTS

QCBatchID: **QC1196992**

Analyst: nicollez

Method: EPA TO-15

Matrix: Air

Analyzed: 10/25/2018

Instrument: VOA-MS (group)

Analyte	Blank Result	Units	MDL	RDL	Notes
QC1196992MB1					
trans-1,2-dichloroethene	ND	Vppb	0.2	1	
trans-1,3-dichloropropene	ND	Vppb	0.2	1	
Trichloroethene	ND	Vppb	0.2	1	
Trichlorofluoromethane	ND	Vppb	0.2	1	
Vinyl acetate	ND	Vppb	2.5	5	
Vinyl Chloride	ND	Vppb	0.2	1	
Xylenes (Total)	ND	Vppb	0.2	1	

Duplicate Summary

Analyte	Sample Amount	Duplicate Amount	Units	RPD	Limits RPD	Notes
QC1196992DUP1						Source: 407664-001
1,1,1-Trichloroethane	4.5	4.5	Vppb	0.0	30	
1,1,2,2-Tetrachloroethane	ND	ND	Vppb	0.0	30	
1,1,2-Trichloroethane	ND	ND	Vppb	0.0	30	
1,1,2-Trichlorotrifluoroethane	ND	ND	Vppb	0.0	30	
1,1-Dichloroethane	ND	ND	Vppb	0.0	30	
1,1-Dichloroethene	ND	ND	Vppb	0.0	30	
1,2,4-Trichlorobenzene	ND	ND	Vppb	0.0	30	
1,2,4-Trimethylbenzene	0.5	0.5	Vppb	0.0	30	
1,2-Dibromoethane	ND	ND	Vppb	0.0	30	
1,2-Dichloro-1,1,2,2-tetrafluoroethane	ND	ND	Vppb	0.0	30	
1,2-Dichlorobenzene	ND	ND	Vppb	0.0	30	
1,2-Dichloroethane	ND	ND	Vppb	0.0	30	
1,2-Dichloropropane	ND	ND	Vppb	0.0	30	
1,3,5-Trimethylbenzene	0.3	0.3	Vppb	0.0	30	
1,3-Butadiene	ND	ND	Vppb	0.0	30	
1,3-Dichlorobenzene	ND	ND	Vppb	0.0	30	
1,4-Dichlorobenzene	ND	ND	Vppb	0.0	30	
2-Butanone (MEK)	ND	ND	Vppb	0.0	30	
2-Hexanone	ND	ND	Vppb	0.0	30	
4-Ethyltoluene	0.5	0.5	Vppb	0.0	30	
4-Methyl-2-pentanone (MIBK)	ND	ND	Vppb	0.0	30	
Acetone	8.8	8.8	Vppb	0.0	30	
Benzene	8.5	8.0	Vppb	6.1	30	
Benzyl Chloride	ND	ND	Vppb	0.0	30	
Bromodichloromethane	ND	ND	Vppb	0.0	30	
Bromoform	ND	ND	Vppb	0.0	30	
Bromomethane	ND	ND	Vppb	0.0	30	
Carbon disulfide	0.9	0.9	Vppb	0.0	30	
Carbon Tetrachloride	ND	ND	Vppb	0.0	30	
Chlorobenzene	ND	ND	Vppb	0.0	30	
Chloroethane	ND	ND	Vppb	0.0	30	
Chloroform	1.3	1.2	Vppb	8.0	30	
Chloromethane	ND	ND	Vppb	0.0	30	
cis-1,2-Dichloroethene	ND	ND	Vppb	0.0	30	
cis-1,3-dichloropropene	ND	ND	Vppb	0.0	30	
Dichlorodifluoromethane	0.3	0.4	Vppb	28.6	30	
Ethylbenzene	1.0	1.0	Vppb	0.0	30	
Hexachlorobutadiene	ND	ND	Vppb	0.0	30	
Isopropyl alcohol (IPA)	ND	ND	Vppb	0.0	30	
m and p-Xylene	3.6	3.4	Vppb	5.7	30	
Methylene chloride	ND	ND	Vppb	0.0	30	

PRELIMINARY RESULTS

QCBatchID: QC1196992**Analyst: nicollez****Method: EPA TO-15****Matrix: Air****Analyzed: 10/25/2018****Instrument: VOA-MS (group)**

Analyte	Sample Amount	Duplicate Amount	Units	RPD	Limits RPD	Notes
QC1196992DUP1						Source: 407664-001
Methyl-t-butyl Ether (MTBE)	ND	ND	Vppb	0.0	30	
o-Xylene	1.4	1.4	Vppb	0.0	30	
Styrene	ND	ND	Vppb	0.0	30	
Tetrachloroethene	3.0	2.9	Vppb	3.4	30	
Toluene	9.3	8.8	Vppb	5.5	30	
trans-1,2-dichloroethene	ND	ND	Vppb	0.0	30	
trans-1,3-dichloropropene	ND	ND	Vppb	0.0	30	
Trichloroethene	2.1	2.1	Vppb	0.0	30	
Trichlorofluoromethane	0.2	0.2	Vppb	0.0	30	
Vinyl acetate	ND	ND	Vppb	0.0	30	
Vinyl Chloride	ND	ND	Vppb	0.0	30	
Xylenes (Total)	4.9	4.7	Vppb	4.2	30	

PRELIMINARY RESULTS

Data Qualifiers and Definitions

Qualifiers

A	See Report Comments.
B	Analyte was present in an associated method blank.
B1	Analyte was present in a sample and associated method blank greater than MDL but less than RDL.
BQ1	No valid test replicates. Sample Toxicity is possible. Best result was reported.
BQ2	No valid test replicates.
BQ3	No valid test replicates. Final DO is less than 1.0 mg/L. Result may be greater.
BQ4	Minor Dissolved Oxygen loss was observed in the blank water check, however, the LCS was within criteria, validating the batch.
BQ5	Minor Dissolved Oxygen loss was observed in the blank water check.
C	Possible laboratory contamination.
D	RPD was not within control limits. The sample data was reported without further clarification.
D1	Lesser amount of sample was used due to insufficient amount of sample supplied.
D2	Reporting limit is elevated due to sample matrix. Target analyte was not detected above the elevated reporting limit.
D3	Insufficient sample was supplied for TCLP. Client was notified. TCLP was performed per the Client's instructions.
DW	Sample result is calculated on a dry weigh basis.
E	Concentration is estimated because it exceeds the quantification limits of the method.
I	The sample was read outside of the method required incubation period.
IR	Inconclusive Result. Legionella is present, however, there is possible non-specific agglutination preventing specific identification.
J	Reported value is estimated
L	The laboratory control sample (LCS) or laboratory control sample duplicate (LCSD) was out of control limits. Associated sample data was reported with qualifier.
L2	LCS did not meet recovery criteria, however, the MS and/or MSD met LCS recovery criteria, validating the batch.
M	The matrix spike (MS) or matrix spike duplicate (MSD) was not within control limits due to matrix interference. The associated LCS and/or LCSD was within control limits and the sample data was reported without further clarification.
M1	The matrix spike (MS) or matrix spike duplicate (MSD) is not within control limits due to matrix interference.
M2	The matrix spike (MS) or matrix spike duplicate (MSD) was not within control limits. The associated LCS and/or LCSD was not within control limits. Sample result is estimated.
N1	Sample chromatography does not match the specified TPH standard pattern.
NC	The analyte concentration in the sample exceeded the spike level by a factor of four or greater, spike recovery and limits do not apply.
P	Sample was received without proper preservation according to EPA guidelines.
P1	Temperature of sample storage refrigerator was out of acceptance limits.
P2	The sample was preserved within 24 hours of collection in accordance with EPA 218.6.
P3	Per Client request, sample was composited for volatile analysis. Sample compositing for volatile analysis is not recommended due to potential loss of target analytes. Results may be biased low.
Q1	Analyte Calibration Verification exceeds criteria. The result is estimated.
Q2	Analyte calibration was not verified and the result was estimated.
Q3	Analyte initial calibration was not available or exceeds criteria. The result was estimated.
S	The surrogate recovery was out of control limits due to matrix interference. The associated method blank surrogate recovery was within control limits and the sample data was reported without further clarification.
S1	The associated surrogate recovery was out of control limits; result is estimated.
S2	The surrogate was diluted out due to the presence of high concentrations of target and/or non-target compounds. Surrogate recoveries in the associated batch QC met recovery criteria.
S3	Internal Standard did not meet recovery limits. Analyte concentration is estimated.
T	Sample was extracted/analyzed past the holding time.
T1	Reanalysis was reported past hold time due to failing replicates in the original analysis (BOD only).
T2	Sample was analyzed ASAP but received and analyzed past the 15 minute holding time.
T3	Sample received and analyzed out of hold time per client's request.
T4	Sample was analyzed out of hold time per client's request.
T5	Reanalysis was reported past hold time. The original analysis was within hold time, but not reportable.
T6	Hold time is indeterminable due to unspecified sampling time.
T7	Sample was analyzed past hold time due to insufficient time remaining at time of receipt.

Definitions

DF	Dilution Factor
MDL	Method Detection Limit. Result is reported ND when it is less than or equal to MDL.
ND	Analyte was not detected or was less than the detection limit.
NR	Not Reported. See Report Comments.
RDL	Reporting Detection Limit
TIC	Tentatively Identified Compounds

PRELIMINARY RESULTS

Enthalpy Berkeley
2323 Fifth Street
Berkeley, CA 94710
(510) 486-0900
(510) 486-0532

407664

Project Number: 304063
Site: DeAnza Properties


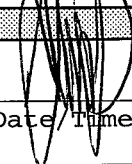
Subcontract Laboratory:
Enthalpy Analytical (Orange)
931 W Barkley Avenue
Orange, CA 92868
(714) 771-9923
ATTN: Lisa Nguyen

Results due: Report Level: II

Please send report to: Will Rice (will.rice@enthalpy.com)

*** Please report using Sample ID rather than Enthalpy (Berkeley) Lab #.

Sample ID	Sampled	Matrix	Analysis	Lab #	Comments
B7-11.5	10/10 12:00	Air	TO15	304063-001	
B7-8.0	10/10 12:30	Air	TO15	304063-002	

Notes:	Relinquished By:	Received By:
	 10/18 12:00	
	Date/Time:	Date/Time: 10/19/18 10:00AM
	Date/Time:	Date/Time:

Signature on this form constitutes a firm Purchase Order for the services requested above.



ENTHALPY ANALYTICAL

SAMPLE ACCEPTANCE CHECKLIST


Section 1
 Client: Enthalpy - Berkeley Project: 304063
 Date Received: 10/19/18 Sampler's Name Present: Yes No

Section 2
 Sample(s) received in a cooler? Yes, How many? _____ No (skip section 2) Sample Temp (°C) ambient
 (No Cooler) _____
 Sample Temp (°C), One from each cooler: #1: _____ #2: _____ #3: _____ #4: _____
(Acceptance range is < 6°C but not frozen (for Microbiology samples, acceptance range is < 10°C but not frozen). It is acceptable for samples collected the same day as sample receipt to have a higher temperature as long as there is evidence that cooling has begun.)
 Shipping Information: _____

Section 3
 Was the cooler packed with: Ice Ice Packs Bubble Wrap Styrofoam
 Paper None Other _____
 Cooler Temp (°C): #1: _____ #2: _____ #3: _____ #4: _____

Section 4	YES	NO	N/A
Was a COC received?	✓		
Are sample IDs present?	✓		
Are sampling dates & times present?	✓		
Is a relinquished signature present?	✓		
Are the tests required clearly indicated on the COC?	✓		
Are custody seals present?		✓	
If custody seals are present, were they intact?			✓
Are all samples sealed in plastic bags? (Recommended for Microbiology samples)			✓
Did all samples arrive intact? If no, indicate in Section 4 below.	✓		
Did all bottle labels agree with COC? (ID, dates and times)	✓		
Were the samples collected in the correct containers for the required tests?	✓		
Are the containers labeled with the correct preservatives?			✓
Is there headspace in the VOA vials greater than 5-6 mm in diameter?			✓
Was a sufficient amount of sample submitted for the requested tests?	✓		

Section 5 Explanations/Comments
 Sample B7-11.5 was not received.

Section 6
 For discrepancies, how was the Project Manager notified? Verbal PM Initials: LN Date/Time 10/19/18
 Email (email sent to/on): _____ / _____
 Project Manager's response:


Completed By: _____ Date: 10/19/18

ORIGIN ID: JEMA (510) 486-0900
SAMPLE CONTROL
ENTHALPY ANALYTICAL
2323 5TH STREET
BERKELEY, CA 94710
UNITED STATES US

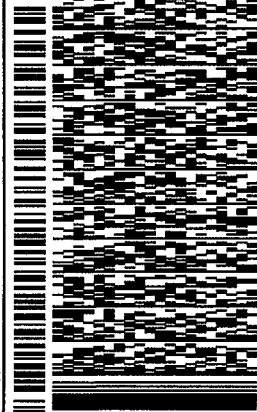
SHIP DATE: 18OCT18
ACT WGT: 30.00 LB
CAD: 760360091NET 4040
DIMS: 17x18x16 IN
BILL SENDER

552J188FB/DCA5

TO **SAMPLE CONTROL**
ENTHALPY ANALYTICAL LLC.
931 W. BARKLEY

ORANGE CA 92868

REF: (714) 771-6900
INV: PO: DEPT:

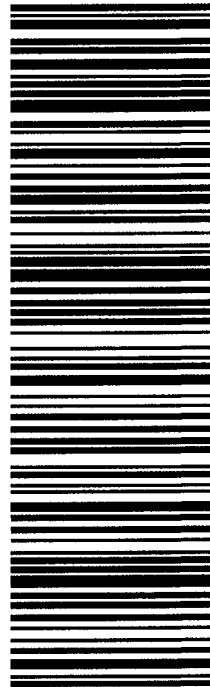


FRI - 19 OCT 3:00P
STANDARD OVERNIGHT

TRK# **7735 1620 3491**

92868
SNA
CA-US

92 APVA



After printing this label:
1. Use the 'Print' button on this page to print your label to your laser or inkjet printer.
2. Fold the printed page along the horizontal line.
3. Place label in shipping pouch and affix it to your shipment so that the barcode portion of the label can be read and scanned.
Warning: Use only the printed original label for shipping. Using a photocopy of this label for shipping purposes is fraudulent and could result in additional billing charges, along with the cancellation of your FedEx account number.
Use of this system constitutes your agreement to the service conditions in the current FedEx Service Guide, available on fedex.com. FedEx will not be responsible for any claim in excess of \$100 per package, whether the result of loss, damage, delay, non-delivery, misdelivery, or misinformation, unless you declare a higher value, pay an additional charge, document your actual loss and file a timely claim. Limitations found in the current FedEx Service Guide apply. Your right to recover from FedEx for any loss, including intrinsic value of the package, loss of sales, income interest, profit, attorney's fees, costs, and other forms of damage whether direct, incidental, consequential, or special is limited to the greater of \$100 or the authorized declared value. Recovery cannot exceed actual documented loss. Maximum for items of extraordinary value is \$1,000, e.g. jewelry, precious metals, negotiable instruments and other items listed in our Service Guide. Written claims must be filed within strict time limits, see current FedEx Service Guide.

SHIP DATE: 18OCT18
ACTWGST: 30.00 LB
CAD: 7603600/NET: 4040
DIMS: 17x18x16 IN

BILL SENDER

ORIGIN ID: JEMA (510) 486-0900
SAMPLE CONTROL
ENTHALPY ANALYTICAL
2323 5TH STREET
BERKELEY, CA 94710
UNITED STATES US

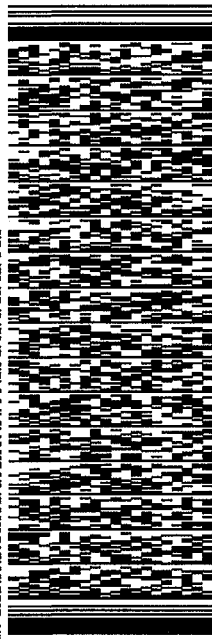
TO **SAMPLE CONTROL**
ENTHALPY ANALYTICAL LLC.
931 W. BARKLEY

5521189FB/DCA5

ORANGE CA 92868

REF: (714) 771-6900

DEPT:



11821189180710

FRI - 19 OCT 3:00P

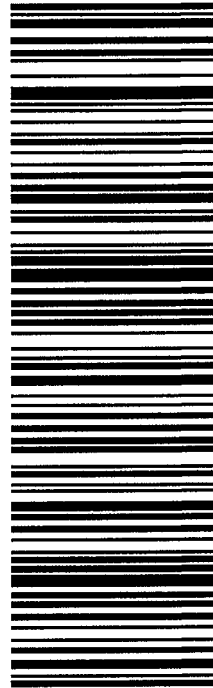
STANDARD OVERNIGHT

TRK# **7735 1610 3992**

0201

92868
SNA
CA-US

92 APVA



Warning: Use only the printed original label for shipping. Using a photocopy of this label for shipping purposes is fraudulent and could result in additional billing charges, along with the cancellation of your FedEx account number. Use of this system constitutes your agreement to the service conditions in the current FedEx Service Guide, available on fedex.com. FedEx will not be responsible for any claim in excess of \$100 per package, whether the result of loss, damage, delay, non-delivery, misdelivery, or misinformation, unless you declare a higher value, pay an additional charge, document your actual loss and file a timely claim. Limitations found in the current FedEx Service Guide apply. Your right to recover from FedEx for any loss, including intrinsic value of the package, loss of sales, income interest, profit, attorney's fees, costs, and other forms of damage whether direct, incidental, consequential, or special is limited to the greater of \$1,000 or the authorized declared value. Recovery cannot exceed actual documented loss. Maximum for items of extraordinary value is \$1,000, e.g. jewelry, precious metals, negotiable instruments and other items listed in our Service Guide. Written claims must be filed within strict time limits, see current FedEx Service Guide.

After printing this label:

1. Use the 'Print' button on this page to print your label to your laser or inkjet printer.
2. Fold the printed page along the horizontal line.
3. Place label in shipping pouch and affix it to your shipment so that the barcode portion of the label can be read and scanned.

ORIGIN ID: JEMA (510) 486-0900
SAMPLE CONTROL
ENTHALPY ANALYTICAL
2323 5TH STREET
BERKELEY CA 94710
UNITED STATES US

SHIP DATE: 18OCT18
ACT WGT: 30.00 LB
CAD: 7603600/NET 4040
DIMS: 17x18x16 IN
BILL SENDER

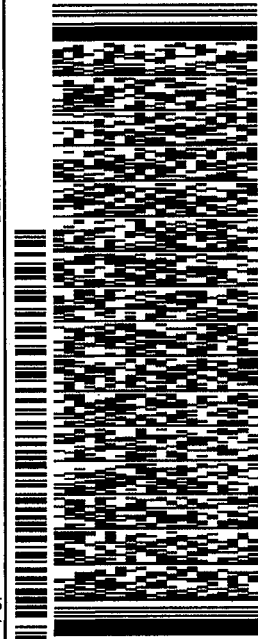
TO **SAMPLE CONTROL**
ENTHALPY ANALYTICAL LLC.
931 W. BARKLEY

ORANGE CA 92868

REF: (714) 771-6900

DEPT:

552J189FB/DCA5



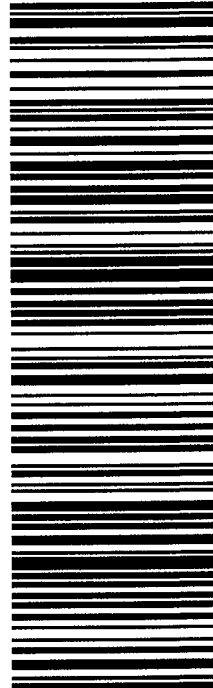
41221188786710

FRI - 19 OCT 10:30A
PRIORITY OVERNIGHT

TRK# **7735 1621 2636**

0201

92 APVA
92868
SNA
CA-US



After printing this label:

- 1. Use the 'Print' button on this page to print your label to your laser or inkjet printer.
- 2. Fold the printed page along the horizontal line.
- 3. Place label in shipping pouch and affix it to your shipment so that the barcode portion of the label can be read and scanned.

Warning: Use only the printed original label for shipping. Using a photocopy of this label for shipping purposes is fraudulent and could result in additional billing charges, along with the cancellation of your FedEx account number.

Use of this system constitutes your agreement to the service conditions in the current FedEx Service Guide, available on fedex.com. FedEx will not be responsible for any claim in excess of \$100 per package, whether the result of loss, damage, delay, non-delivery, misdelivery, or misinformation, unless you declare a higher value, pay an additional charge, document your actual loss and file a timely claim. Limitations found in the current FedEx Service Guide apply. Your right to recover from FedEx for any loss, including intrinsic value of the package, loss of sales, income interest, profit, attorney's fees, costs, and other forms of damage whether direct, incidental, consequential, or special is limited to the greater of \$1,000, e.g. jewelry, precious metals, negotiable instruments and other items listed in our Service Guide. Written claims must be filed within strict time limits, see current FedEx Service Guide.

APPENDIX ‘D’

LIMITATIONS

This report has been prepared by Applied Remedial Technologies, Inc. (ARTI) for the exclusive use of *De Anza Properties* and its affiliates (Client) as it pertains to the project site located at 10931 N De Anza Blvd in the City of Cupertino, County of Santa Clara, California.

ARTI professional services have been performed using the degree of care and skill ordinarily exercised under similar circumstances by other engineers, geologists, and/or scientists practicing in this field. No other warranty, express or implied, is made as to the professional advice in this report.

ARTI offers no assurances and assumes no responsibility for site conditions or activities that were outside the Proposed Scope of Work (SOW) outlined in the attached report. In the preparation of this report, ARTI has relied on the accuracy of documents, oral information, and materials provided by others. No warranty is expressed or implied with the usage such information or material. This report may contain recommendations and conclusions, which are generally based on incomplete and/or insufficient information of the site conditions present. However, further engineering and hydrogeological investigation may reveal additional information, which may require the enclosed recommendations and conclusions to be reevaluated.

Prior to use of this report by any party other than the Client, the party should notify ARTI of such intended use. The attached report may not contain sufficient information for purposes of other parties or other uses. Any use or reliance on this report by a third party shall be at such party's sole risk.

The findings set forth in the attached report are strictly limited in time and scope to the date of the services described herein, and not on scientific tasks or procedures beyond the services agreed upon, or the time and budgeting constraints imposed by the Client. Any conditions and factors, including land use and contaminant plume migration, may change over passage of time, additional investigation may be required to update the site conditions (on-site and off-site), which may require the findings in the report to be reevaluated.