

DMA AREA X	POST-PROJECT RAINOFF FACTOR	DMA AREA X	POST-PROJECT RAINOFF FACTOR	DMA AREA X	POST-PROJECT RAINOFF FACTOR
DMA1	2.144	DMA2	2.144	DMA3	2.144
DMA4	2.144	DMA5	2.144	DMA6	2.144
TOTAL 126.4316					

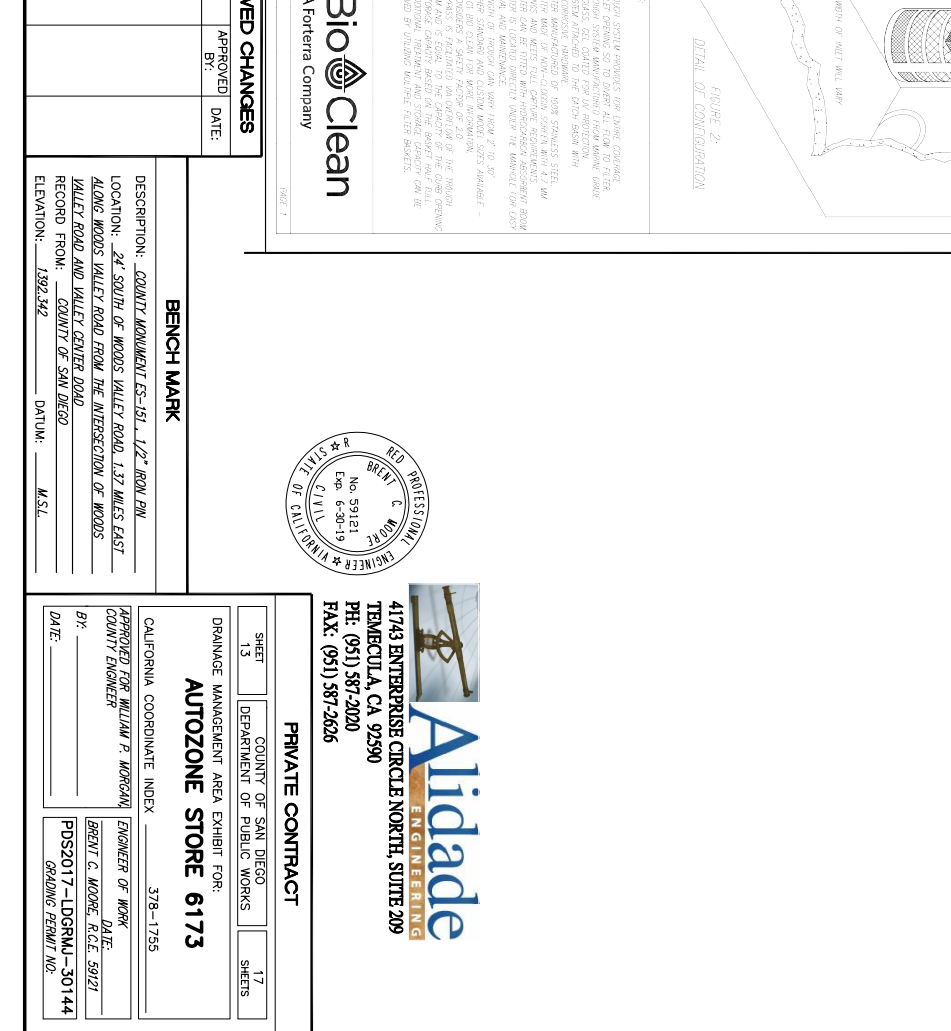
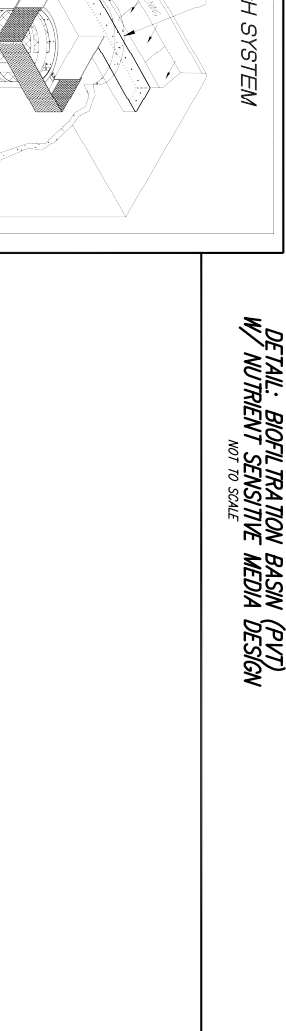
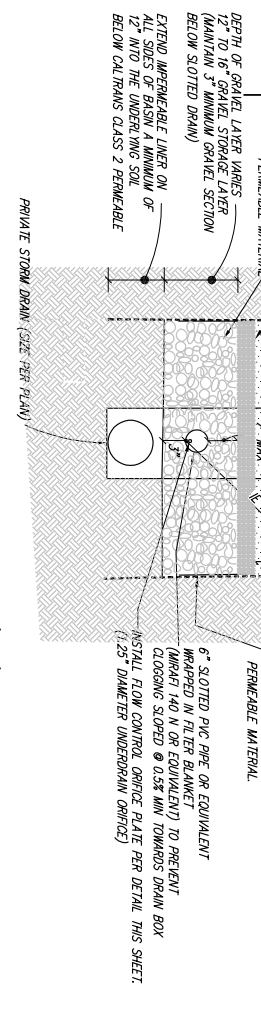
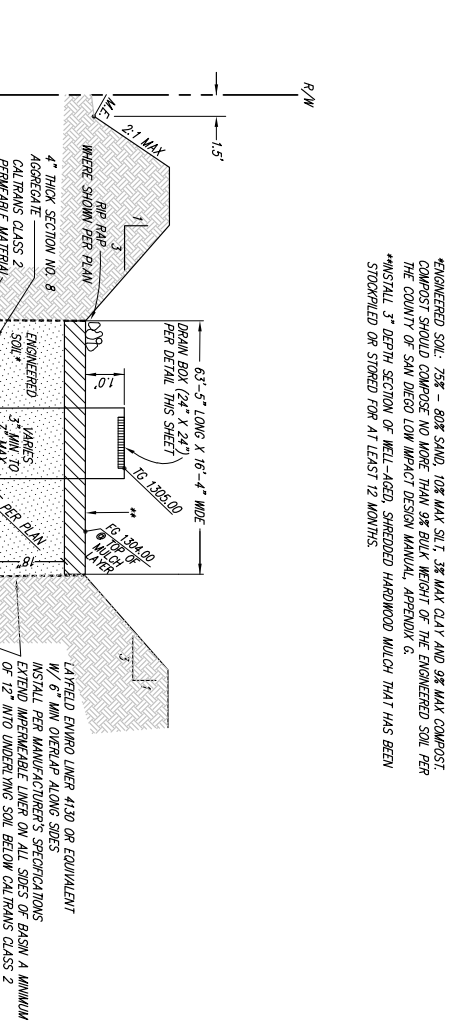
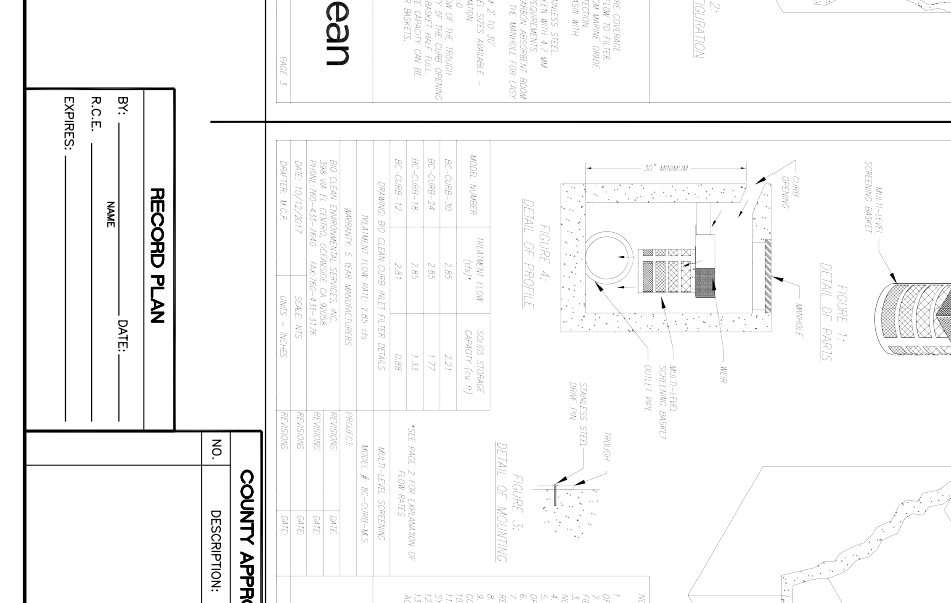
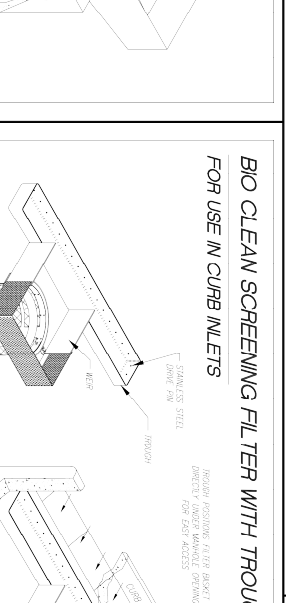
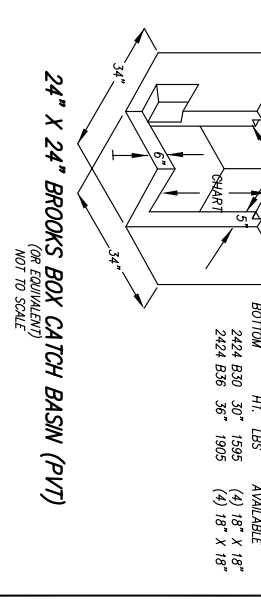
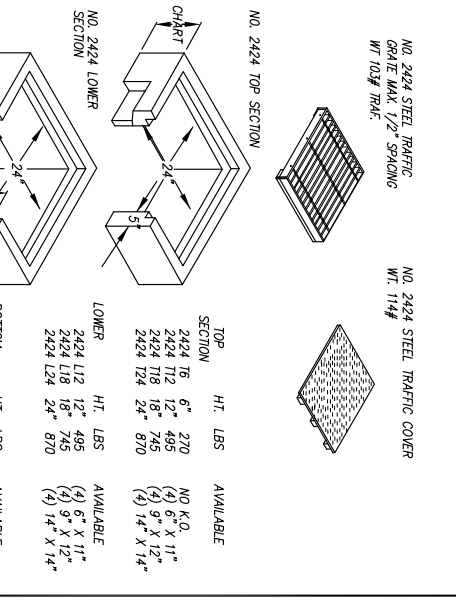
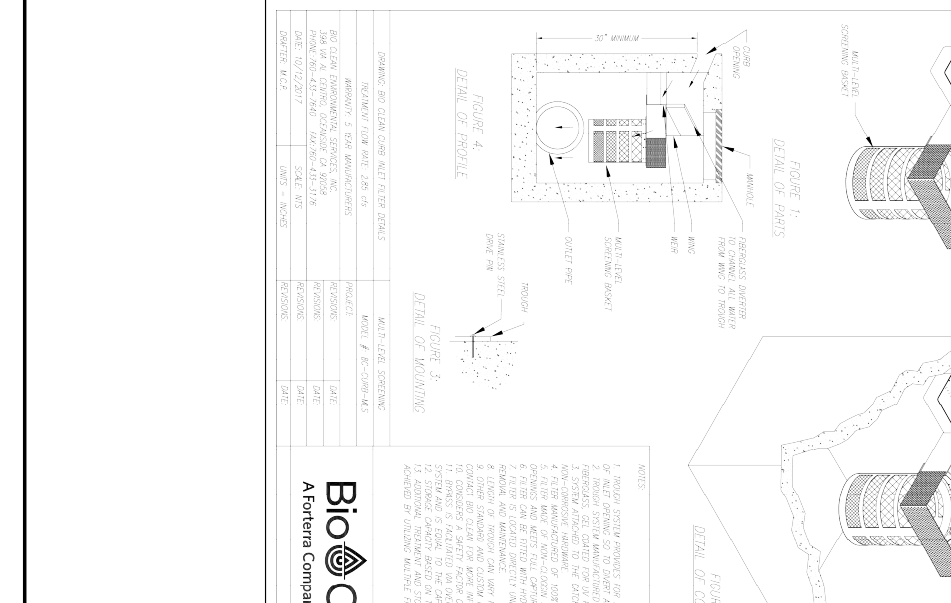
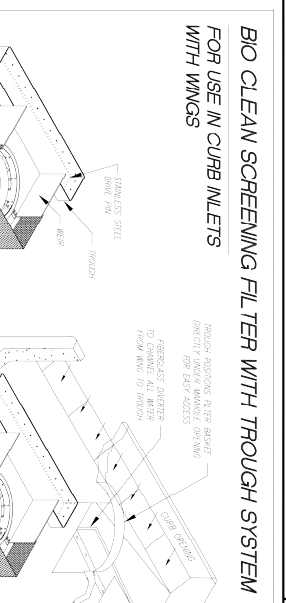
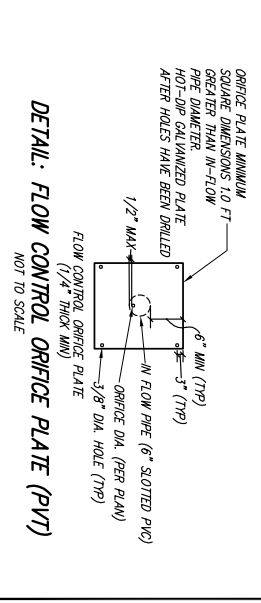
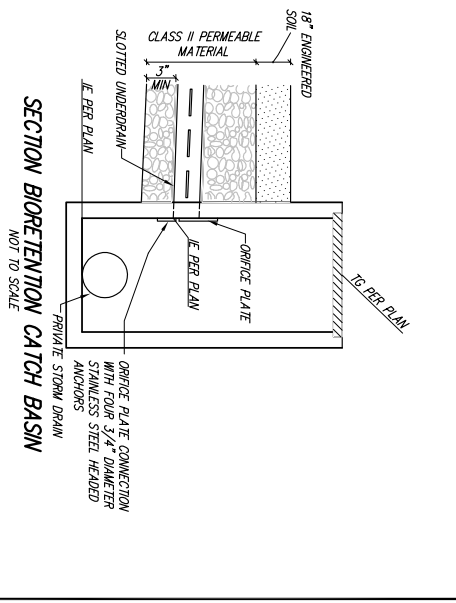
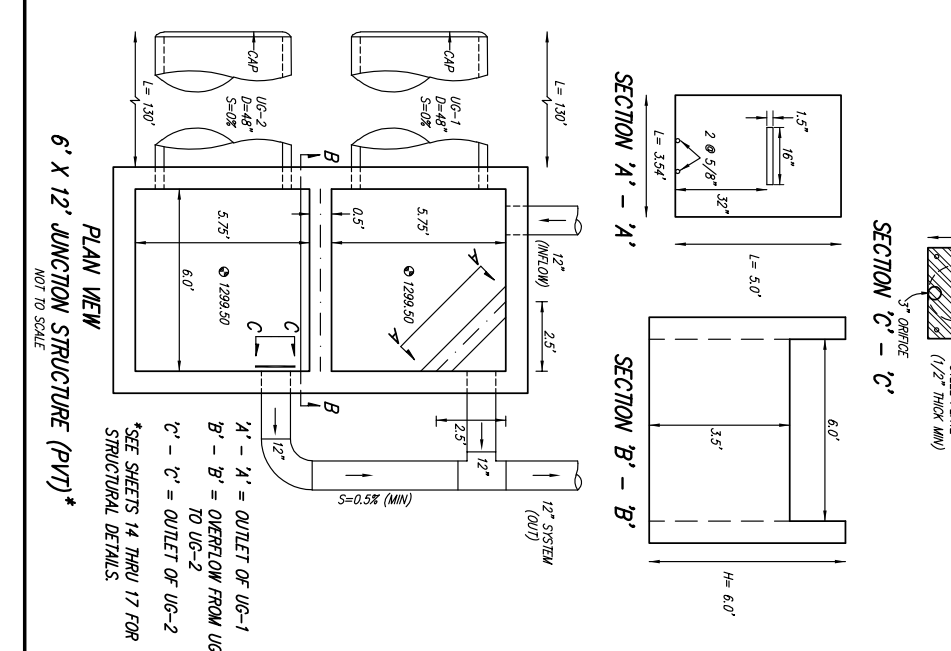
**INCLUDES 55 SF OF IMPERVIOUS AREA FROM TRACTOR SUPPLY SITE
**ON-SITE IMPERVIOUS AREA THAT WAS CONSTRUCTED WITH THE ADJACENT TRACTOR SUPPLY PROJECT.

DMA AREA X	POST-PROJECT RAINOFF FACTOR	DMA AREA X	POST-PROJECT RAINOFF FACTOR	DMA AREA X	POST-PROJECT RAINOFF FACTOR
DMA1	0.9	DMA2	0.9	DMA3	0.9
DMA4	0.9	DMA5	0.9	DMA6	0.9
TOTAL 45.0					

DMA AREA X	POST-PROJECT RAINOFF FACTOR	DMA AREA X	POST-PROJECT RAINOFF FACTOR	DMA AREA X	POST-PROJECT RAINOFF FACTOR
DMA1	0.9	DMA2	0.9	DMA3	0.9
DMA4	0.9	DMA5	0.9	DMA6	0.9
TOTAL 45.0					

DMA AREA X	POST-PROJECT RAINOFF FACTOR	DMA AREA X	POST-PROJECT RAINOFF FACTOR	DMA AREA X	POST-PROJECT RAINOFF FACTOR
DMA1	0.1	DMA2	0.1	DMA3	0.1
DMA4	0.1	DMA5	0.1	DMA6	0.1
TOTAL 0.3					

DMA AREA X	POST-PROJECT RAINOFF FACTOR	DMA AREA X	POST-PROJECT RAINOFF FACTOR	DMA AREA X	POST-PROJECT RAINOFF FACTOR
DMA1	0.1	DMA2	0.1	DMA3	0.1
DMA4	0.1	DMA5	0.1	DMA6	0.1
TOTAL 0.3					



ENGINEERS NAME: ALIDADE ENGINEERING
PHONE NO. (951) 587-2020

PROJECT: AUTOZONE STORE 6173
LOCATION: 378-1755

DATE: 3/7/2020
BY: BRENT C. MOORE, R.C.E., 59121

PROJECT: AUTOZONE STORE 6173
LOCATION: 378-1755
DATE: 3/7/2020
BY: BRENT C. MOORE, R.C.E., 59121



Alidade
ENGINEERING
41743 ENTERPRISE CIRCLE NORTH, SUITE 209
THERMIDULA, CA 92590
PH: (951) 587-2020
FAX: (951) 587-2626

RECORD PLAN

NO. _____ DESCRIPTION: _____ APPROVED BY: _____ DATE: _____

COUNTY APPROVED CHANGES

NO. _____ DESCRIPTION: _____ APPROVED BY: _____ DATE: _____

BENCH MARK

DESCRIPTION: COUNTY MONUMENT ES-151, 1.27' FROM BN
LOCATION: 24' SOUTH OF MOORS VALLEY ROAD, 1.27 MILES EAST
VALLEY ROAD AND VALLEY CENTER ROAD
RECORD FROM: COUNTY OF SAN DIEGO
ELEVATION: 1392.342 DATUM: M.S.L.