

NO. 2424 STEEL TRAFFIC GRADE MAX 1/2" SPACING WT 103# TRAF.

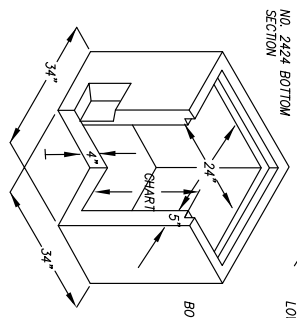
NO. 2424 STEEL TRAFFIC COVER WT 114#



NO. 2424 TOP SECTION	TOP SECTION	HT. LBS	AVAILABLE
2424 TB	6"	270	NO K.O.
2424 T12	12"	495	(4) 6" X 11"
2424 T18	18"	745	(4) 9" X 12"
2424 T24	24"	870	(4) 14" X 14"

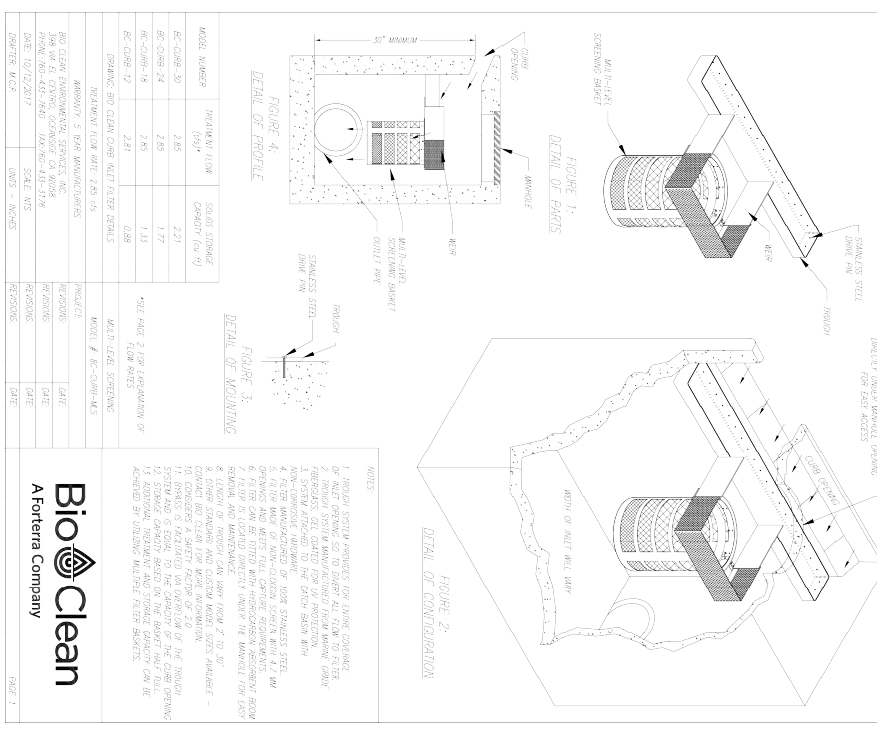
  

NO. 2424 BOTTOM SECTION	LOWER SECTION	HT. LBS	AVAILABLE
2424 LB	12"	495	(4) 6" X 11"
2424 L18	18"	745	(4) 9" X 12"
2424 L24	24"	870	(4) 14" X 14"



**24"x24" BROOKS BOX CATCH BASIN OR EQUIVALENT (PVT)**  
NOT TO SCALE

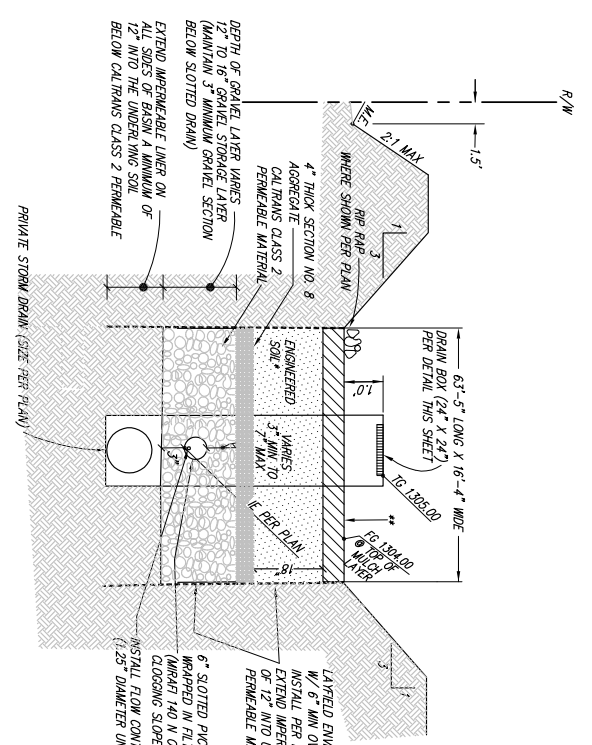
**BIO CLEAN SCREENING FILTER WITH TROUGH SYSTEM**  
FOR USE IN CURB INLETS



MODEL NUMBER	HEIGHT (IN)	WIDTH (IN)	DEPTH (IN)	WEIGHT (LBS)
BC-CURB-30	2.85	2.21	1.17	1.11
BC-CURB-24	2.85	1.77	1.17	1.11
BC-CURB-18	2.85	1.33	1.17	1.11
BC-CURB-12	2.85	0.89	1.17	1.11

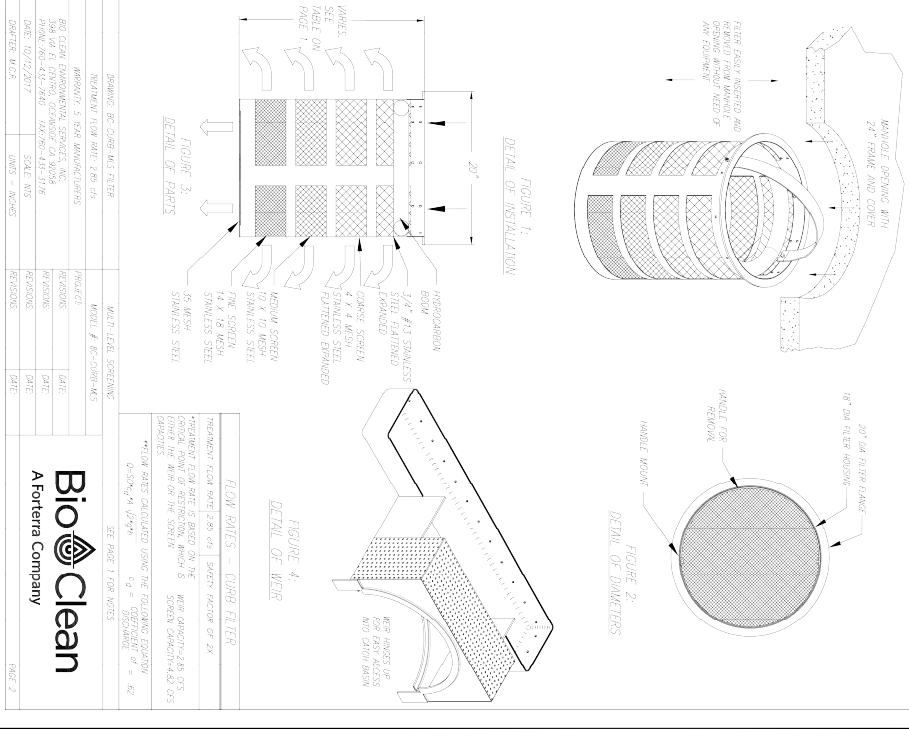
**Bio Clean**  
A Forterra Company

ENGINEERED SOIL - 25% - 90% SAND, 10% MAX SILT, 3% MAX CLAY AND 0% MAX COMPOST COMPOST SHOULD COMPOSE NO MORE THAN 60% BY WEIGHT OF THE ENGINEERED SOIL PER THE COUNTY OF SAN DIEGO LOW IMPACT DESIGN MANUAL, APPENDIX G. \*INSTALL 3" DEPTH SECTION OF WELDED, SMOOTHED HARDWOOD MULCH THAT HAS BEEN STOCKPAILED OR STORED FOR AT LEAST 12 MONTHS.



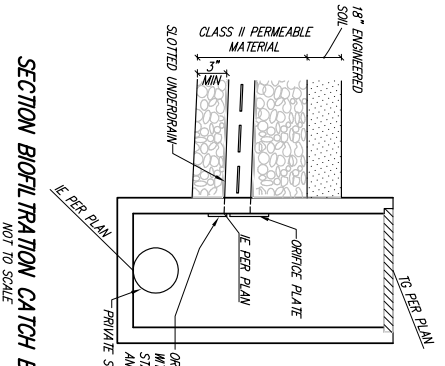
**DETAIL: BIOFILTRATION BASIN (PVT) W/ NUTRIENT SENSITIVE MEDIA DESIGN**  
NOT TO SCALE

**MODEL # BC-CURB-MLS FILTER**

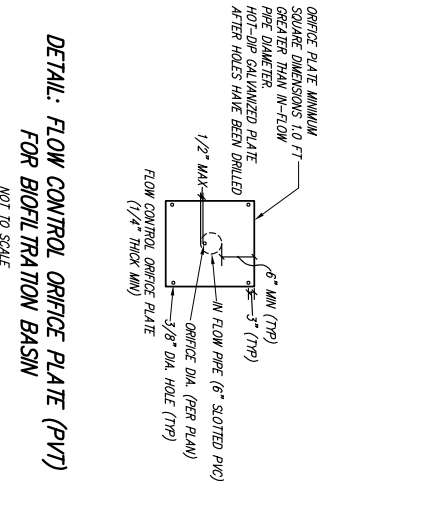


MODEL NUMBER	HEIGHT (IN)	WIDTH (IN)	DEPTH (IN)	WEIGHT (LBS)
BC-CURB-MLS-30	2.85	2.21	1.17	1.11
BC-CURB-MLS-24	2.85	1.77	1.17	1.11
BC-CURB-MLS-18	2.85	1.33	1.17	1.11
BC-CURB-MLS-12	2.85	0.89	1.17	1.11

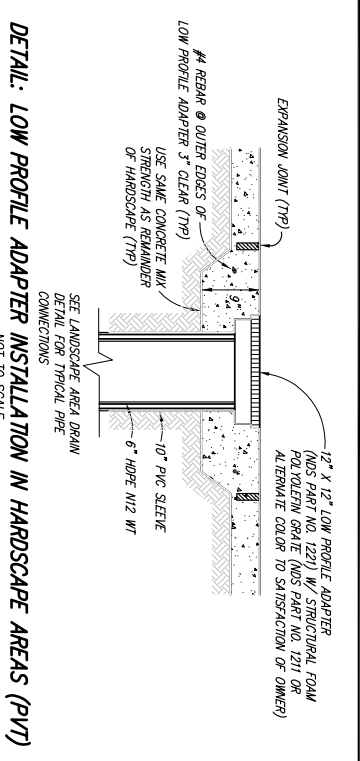
**Bio Clean**  
A Forterra Company



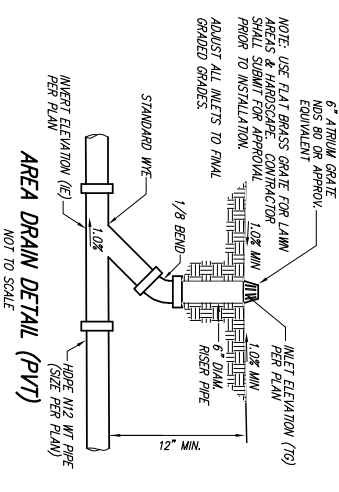
**SECTION BIOFILTRATION CATCH BASIN (PVT)**  
NOT TO SCALE



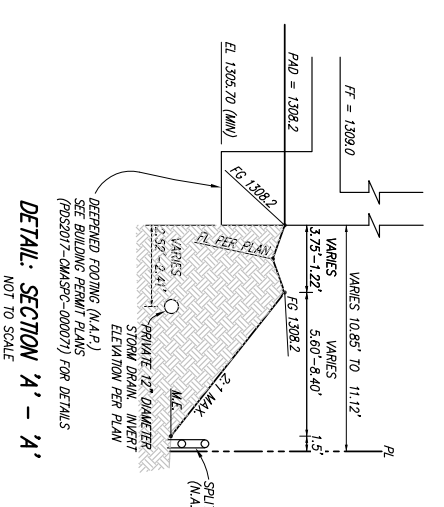
**DETAIL: FLOW CONTROL ORIFICE PLATE (PVT) FOR BIOFILTRATION BASIN**  
NOT TO SCALE



**DETAIL: LOW PROFILE ADAPTER INSTALLATION IN HARDSCAPE AREAS (PVT)**  
NOT TO SCALE



**AREA DRAIN DETAIL (PVT)**  
NOT TO SCALE



**DETAIL: SECTION 'A' - 'A'**  
NOT TO SCALE

NO.	DESCRIPTION	APPROVED BY:	DATE:

**COUNTY APPROVED CHANGES**

**BENCH MARK**

DESCRIPTION: COUNTY MONUMENT ES-151, 1.2" IRON PIN.  
LOCATION: 24' SOUTH OF MOODS VALLEY ROAD, 1.27 MILES EAST ALONG MOODS VALLEY ROAD FROM THE INTERSECTION OF MOODS VALLEY ROAD AND VALEY CENTER ROAD.  
RECORD FROM: COUNTY OF SAN DIEGO  
ELEVATION: 1292.342 DATUM: M.S.L.

**RECORD PLAN**

BY: \_\_\_\_\_ NAME: \_\_\_\_\_ DATE: \_\_\_\_\_  
R.C.E. \_\_\_\_\_  
EXPIRES: \_\_\_\_\_

**PRIVATE CONTRACT**

CALIFORNIA COORDINATE INDEX 378-1755  
SHEET 5 DEPARTMENT OF SAN DIEGO COUNTY OF SAN DIEGO COUNTY ENGINEER 17 SHEETS  
DETAILS FOR: **AUTOZONE STORE 6173**

**Alidade**  
REGISTERED PROFESSIONAL ENGINEER  
41743 ENTERPRISE CIRCLE NORTH, SUITE 209  
TEMECULA, CA 92590  
PH: (951) 587-2020  
FAX: (951) 587-2626

