

APPENDIX A
EXISTING TRAFFIC COUNT DATA

City of Murrieta
 N/S: Winchester Road (SR-79)
 E/W: Campus Drive
 Weather: Clear

File Name : 01_MUR_Winchester_La Alba_Sparkman AM
 Site Code : 05718679
 Start Date : 9/18/2018
 Page No : 1

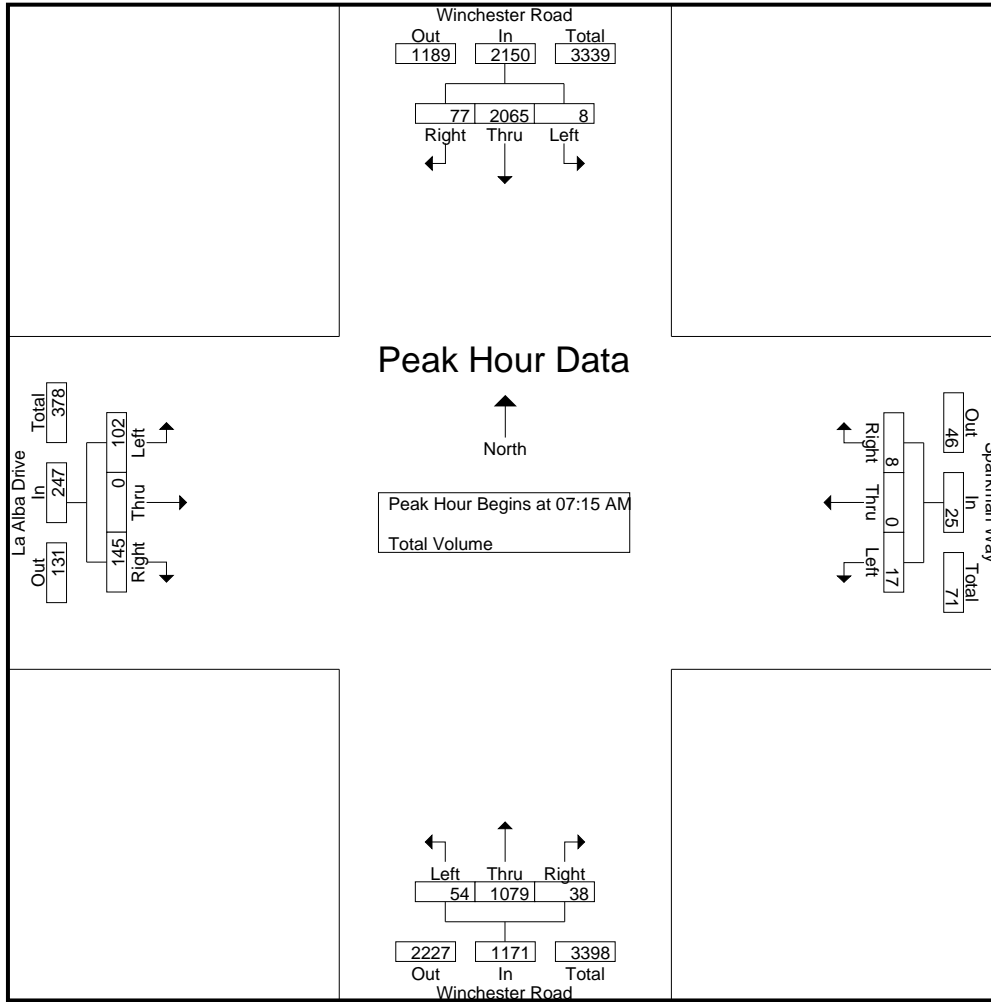
Groups Printed- Total Volume

Start Time	Winchester Road Southbound				Sparkman Way Westbound				Winchester Road Northbound				La Alba Drive Eastbound				Int. Total
	Left	Thru	Right	App. Total	Left	Thru	Right	App. Total	Left	Thru	Right	App. Total	Left	Thru	Right	App. Total	
07:00 AM	1	429	11	441	6	0	0	6	7	283	10	300	21	0	30	51	798
07:15 AM	1	474	20	495	2	0	0	2	9	321	9	339	25	0	32	57	893
07:30 AM	1	544	17	562	3	0	3	6	10	310	9	329	27	0	38	65	962
07:45 AM	3	518	17	538	3	0	1	4	16	215	12	243	29	0	44	73	858
Total	6	1965	65	2036	14	0	4	18	42	1129	40	1211	102	0	144	246	3511
08:00 AM	3	529	23	555	9	0	4	13	19	233	8	260	21	0	31	52	880
08:15 AM	0	468	21	489	7	0	3	10	29	205	12	246	45	0	65	110	855
08:30 AM	1	488	19	508	4	1	0	5	15	190	7	212	34	2	47	83	808
08:45 AM	1	451	21	473	4	0	1	5	12	220	10	242	17	0	41	58	778
Total	5	1936	84	2025	24	1	8	33	75	848	37	960	117	2	184	303	3321
Grand Total	11	3901	149	4061	38	1	12	51	117	1977	77	2171	219	2	328	549	6832
Apprch %	0.3	96.1	3.7		74.5	2	23.5		5.4	91.1	3.5		39.9	0.4	59.7		
Total %	0.2	57.1	2.2	59.4	0.6	0	0.2	0.7	1.7	28.9	1.1	31.8	3.2	0	4.8	8	

Start Time	Winchester Road Southbound				Sparkman Way Westbound				Winchester Road Northbound				La Alba Drive Eastbound				Int. Total
	Left	Thru	Right	App. Total	Left	Thru	Right	App. Total	Left	Thru	Right	App. Total	Left	Thru	Right	App. Total	
Peak Hour Analysis From 07:00 AM to 08:45 AM - Peak 1 of 1																	
Peak Hour for Entire Intersection Begins at 07:15 AM																	
07:15 AM	1	474	20	495	2	0	0	2	9	321	9	339	25	0	32	57	893
07:30 AM	1	544	17	562	3	0	3	6	10	310	9	329	27	0	38	65	962
07:45 AM	3	518	17	538	3	0	1	4	16	215	12	243	29	0	44	73	858
08:00 AM	3	529	23	555	9	0	4	13	19	233	8	260	21	0	31	52	880
Total Volume	8	2065	77	2150	17	0	8	25	54	1079	38	1171	102	0	145	247	3593
% App. Total	0.4	96	3.6		68	0	32		4.6	92.1	3.2		41.3	0	58.7		
PHF	.667	.949	.837	.956	.472	.000	.500	.481	.711	.840	.792	.864	.879	.000	.824	.846	.934

City of Murrieta
 N/S: Winchester Road (SR-79)
 E/W: Campus Drive
 Weather: Clear

File Name : 01_MUR_Winchester_La Alba_Sparkman AM
 Site Code : 05718679
 Start Date : 9/18/2018
 Page No : 2



Peak Hour Analysis From 07:00 AM to 08:45 AM - Peak 1 of 1
 Peak Hour for Each Approach Begins at:

	07:15 AM				07:30 AM				07:00 AM				07:45 AM			
+0 mins.	1	474	20	495	3	0	3	6	7	283	10	300	29	0	44	73
+15 mins.	1	544	17	562	3	0	1	4	9	321	9	339	21	0	31	52
+30 mins.	3	518	17	538	9	0	4	13	10	310	9	329	45	0	65	110
+45 mins.	3	529	23	555	7	0	3	10	16	215	12	243	34	2	47	83
Total Volume	8	2065	77	2150	22	0	11	33	42	1129	40	1211	129	2	187	318
% App. Total	0.4	96	3.6		66.7	0	33.3		3.5	93.2	3.3		40.6	0.6	58.8	
PHF	.667	.949	.837	.956	.611	.000	.688	.635	.656	.879	.833	.893	.717	.250	.719	.723

City of Murrieta
 N/S: Winchester Road (SR-79)
 E/W: Campus Drive
 Weather: Clear

File Name : 01_MUR_Winchester_La Alba_Sparkman PM
 Site Code : 05718679
 Start Date : 9/18/2018
 Page No : 1

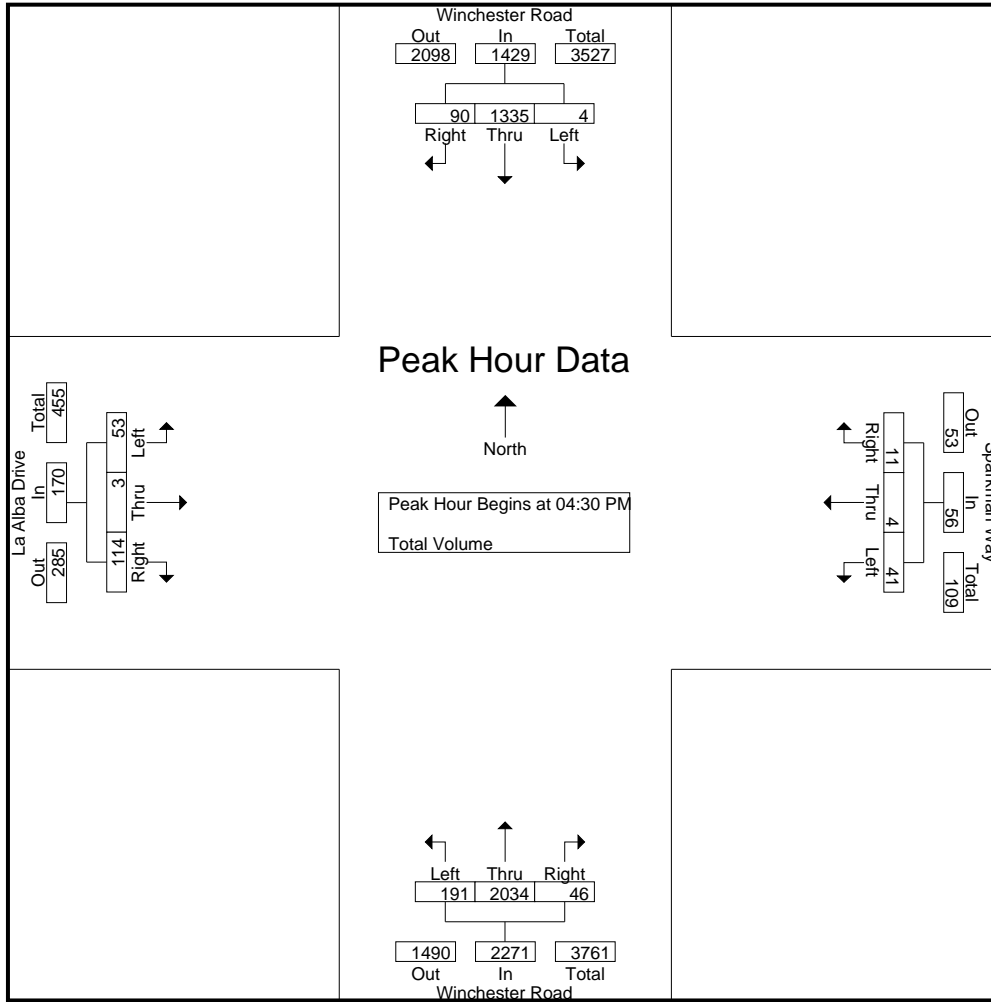
Groups Printed- Total Volume

Start Time	Winchester Road Southbound				Sparkman Way Westbound				Winchester Road Northbound				La Alba Drive Eastbound				Int. Total
	Left	Thru	Right	App. Total	Left	Thru	Right	App. Total	Left	Thru	Right	App. Total	Left	Thru	Right	App. Total	
04:00 PM	1	333	20	354	6	1	0	7	51	462	4	517	11	0	31	42	920
04:15 PM	0	339	24	363	5	1	2	8	30	463	6	499	13	1	28	42	912
04:30 PM	2	336	20	358	12	2	4	18	44	468	10	522	7	0	36	43	941
04:45 PM	2	353	21	376	14	0	1	15	44	489	5	538	12	1	26	39	968
Total	5	1361	85	1451	37	4	7	48	169	1882	25	2076	43	2	121	166	3741
05:00 PM	0	312	24	336	11	2	3	16	50	546	8	604	16	1	26	43	999
05:15 PM	0	334	25	359	4	0	3	7	53	531	23	607	18	1	26	45	1018
05:30 PM	2	316	27	345	7	1	2	10	39	481	8	528	12	0	30	42	925
05:45 PM	2	297	25	324	3	1	0	4	41	461	2	504	10	0	21	31	863
Total	4	1259	101	1364	25	4	8	37	183	2019	41	2243	56	2	103	161	3805
Grand Total	9	2620	186	2815	62	8	15	85	352	3901	66	4319	99	4	224	327	7546
Apprch %	0.3	93.1	6.6		72.9	9.4	17.6		8.2	90.3	1.5		30.3	1.2	68.5		
Total %	0.1	34.7	2.5	37.3	0.8	0.1	0.2	1.1	4.7	51.7	0.9	57.2	1.3	0.1	3	4.3	

Start Time	Winchester Road Southbound				Sparkman Way Westbound				Winchester Road Northbound				La Alba Drive Eastbound				Int. Total
	Left	Thru	Right	App. Total	Left	Thru	Right	App. Total	Left	Thru	Right	App. Total	Left	Thru	Right	App. Total	
Peak Hour Analysis From 04:00 PM to 05:45 PM - Peak 1 of 1																	
Peak Hour for Entire Intersection Begins at 04:30 PM																	
04:30 PM	2	336	20	358	12	2	4	18	44	468	10	522	7	0	36	43	941
04:45 PM	2	353	21	376	14	0	1	15	44	489	5	538	12	1	26	39	968
05:00 PM	0	312	24	336	11	2	3	16	50	546	8	604	16	1	26	43	999
05:15 PM	0	334	25	359	4	0	3	7	53	531	23	607	18	1	26	45	1018
Total Volume	4	1335	90	1429	41	4	11	56	191	2034	46	2271	53	3	114	170	3926
% App. Total	0.3	93.4	6.3		73.2	7.1	19.6		8.4	89.6	2		31.2	1.8	67.1		
PHF	.500	.945	.900	.950	.732	.500	.688	.778	.901	.931	.500	.935	.736	.750	.792	.944	.964

City of Murrieta
 N/S: Winchester Road (SR-79)
 E/W: Campus Drive
 Weather: Clear

File Name : 01_MUR_Winchester_La Alba_Sparkman PM
 Site Code : 05718679
 Start Date : 9/18/2018
 Page No : 2



Peak Hour Analysis From 04:00 PM to 05:45 PM - Peak 1 of 1
 Peak Hour for Each Approach Begins at:

	04:00 PM				04:15 PM				04:45 PM				04:30 PM			
+0 mins.	1	333	20	354	5	1	2	8	44	489	5	538	7	0	36	43
+15 mins.	0	339	24	363	12	2	4	18	50	546	8	604	12	1	26	39
+30 mins.	2	336	20	358	14	0	1	15	53	531	23	607	16	1	26	43
+45 mins.	2	353	21	376	11	2	3	16	39	481	8	528	18	1	26	45
Total Volume	5	1361	85	1451	42	5	10	57	186	2047	44	2277	53	3	114	170
% App. Total	0.3	93.8	5.9		73.7	8.8	17.5		8.2	89.9	1.9		31.2	1.8	67.1	
PHF	.625	.964	.885	.965	.750	.625	.625	.792	.877	.937	.478	.938	.736	.750	.792	.944

City of Murrieta
 N/S: Winchester Road (SR-79)
 E/W: Hunter Road
 Weather: Clear

File Name : 02_MUR_Winchester_Hunter AM
 Site Code : 05718679
 Start Date : 9/18/2018
 Page No : 1

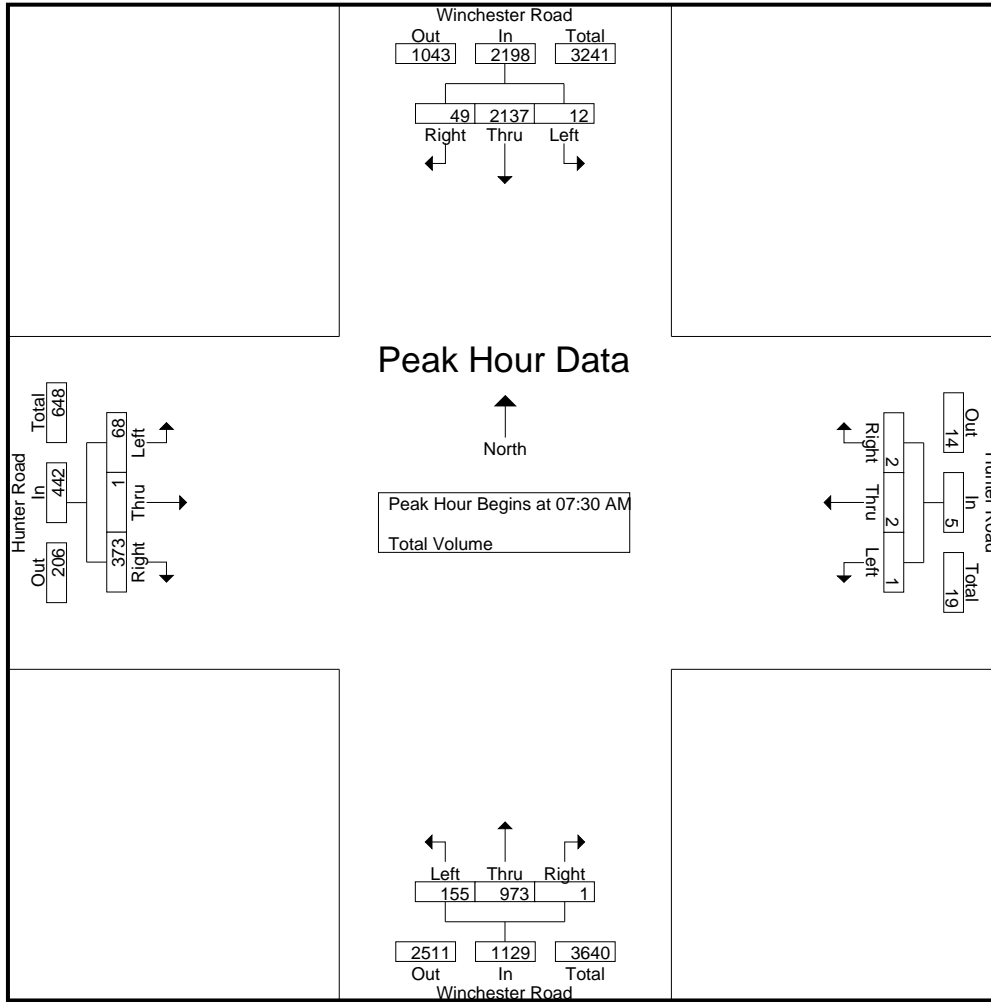
Groups Printed- Total Volume

Start Time	Winchester Road Southbound				Hunter Road Westbound				Winchester Road Northbound				Hunter Road Eastbound				Int. Total
	Left	Thru	Right	App. Total	Left	Thru	Right	App. Total	Left	Thru	Right	App. Total	Left	Thru	Right	App. Total	
07:00 AM	0	483	7	490	0	0	0	0	16	338	0	354	14	0	79	93	937
07:15 AM	0	499	15	514	0	0	1	1	21	304	2	327	15	0	71	86	928
07:30 AM	1	492	14	507	0	0	1	1	22	284	0	306	21	0	91	112	926
07:45 AM	2	602	11	615	0	0	0	0	30	226	0	256	11	0	75	86	957
Total	3	2076	47	2126	0	0	2	2	89	1152	2	1243	61	0	316	377	3748
08:00 AM	4	511	8	523	1	1	1	3	50	252	0	302	20	1	103	124	952
08:15 AM	5	532	16	553	0	1	0	1	53	211	1	265	16	0	104	120	939
08:30 AM	1	534	8	543	0	0	1	1	27	196	1	224	19	0	99	118	886
08:45 AM	0	507	20	527	2	1	0	3	33	225	2	260	12	1	83	96	886
Total	10	2084	52	2146	3	3	2	8	163	884	4	1051	67	2	389	458	3663
Grand Total	13	4160	99	4272	3	3	4	10	252	2036	6	2294	128	2	705	835	7411
Apprch %	0.3	97.4	2.3		30	30	40		11	88.8	0.3		15.3	0.2	84.4		
Total %	0.2	56.1	1.3	57.6	0	0	0.1	0.1	3.4	27.5	0.1	31	1.7	0	9.5	11.3	

Start Time	Winchester Road Southbound				Hunter Road Westbound				Winchester Road Northbound				Hunter Road Eastbound				Int. Total
	Left	Thru	Right	App. Total	Left	Thru	Right	App. Total	Left	Thru	Right	App. Total	Left	Thru	Right	App. Total	
Peak Hour Analysis From 07:00 AM to 08:45 AM - Peak 1 of 1																	
Peak Hour for Entire Intersection Begins at 07:30 AM																	
07:30 AM	1	492	14	507	0	0	1	1	22	284	0	306	21	0	91	112	926
07:45 AM	2	602	11	615	0	0	0	0	30	226	0	256	11	0	75	86	957
08:00 AM	4	511	8	523	1	1	1	3	50	252	0	302	20	1	103	124	952
08:15 AM	5	532	16	553	0	1	0	1	53	211	1	265	16	0	104	120	939
Total Volume	12	2137	49	2198	1	2	2	5	155	973	1	1129	68	1	373	442	3774
% App. Total	0.5	97.2	2.2		20	40	40		13.7	86.2	0.1		15.4	0.2	84.4		
PHF	.600	.887	.766	.893	.250	.500	.500	.417	.731	.857	.250	.922	.810	.250	.897	.891	.986

City of Murrieta
 N/S: Winchester Road (SR-79)
 E/W: Hunter Road
 Weather: Clear

File Name : 02_MUR_Winchester_Hunter AM
 Site Code : 05718679
 Start Date : 9/18/2018
 Page No : 2



Peak Hour Analysis From 07:00 AM to 08:45 AM - Peak 1 of 1
 Peak Hour for Each Approach Begins at:

	07:45 AM				08:00 AM				07:00 AM				08:00 AM			
+0 mins.	2	602	11	615	1	1	1	3	16	338	0	354	20	1	103	124
+15 mins.	4	511	8	523	0	1	0	1	21	304	2	327	16	0	104	120
+30 mins.	5	532	16	553	0	0	1	1	22	284	0	306	19	0	99	118
+45 mins.	1	534	8	543	2	1	0	3	30	226	0	256	12	1	83	96
Total Volume	12	2179	43	2234	3	3	2	8	89	1152	2	1243	67	2	389	458
% App. Total	0.5	97.5	1.9		37.5	37.5	25		7.2	92.7	0.2		14.6	0.4	84.9	
PHF	.600	.905	.672	.908	.375	.750	.500	.667	.742	.852	.250	.878	.838	.500	.935	.923

City of Murrieta
 N/S: Winchester Road (SR-79)
 E/W: Hunter Road
 Weather: Clear

File Name : 02_MUR_Winchester_Hunter PM
 Site Code : 05718679
 Start Date : 9/18/2018
 Page No : 1

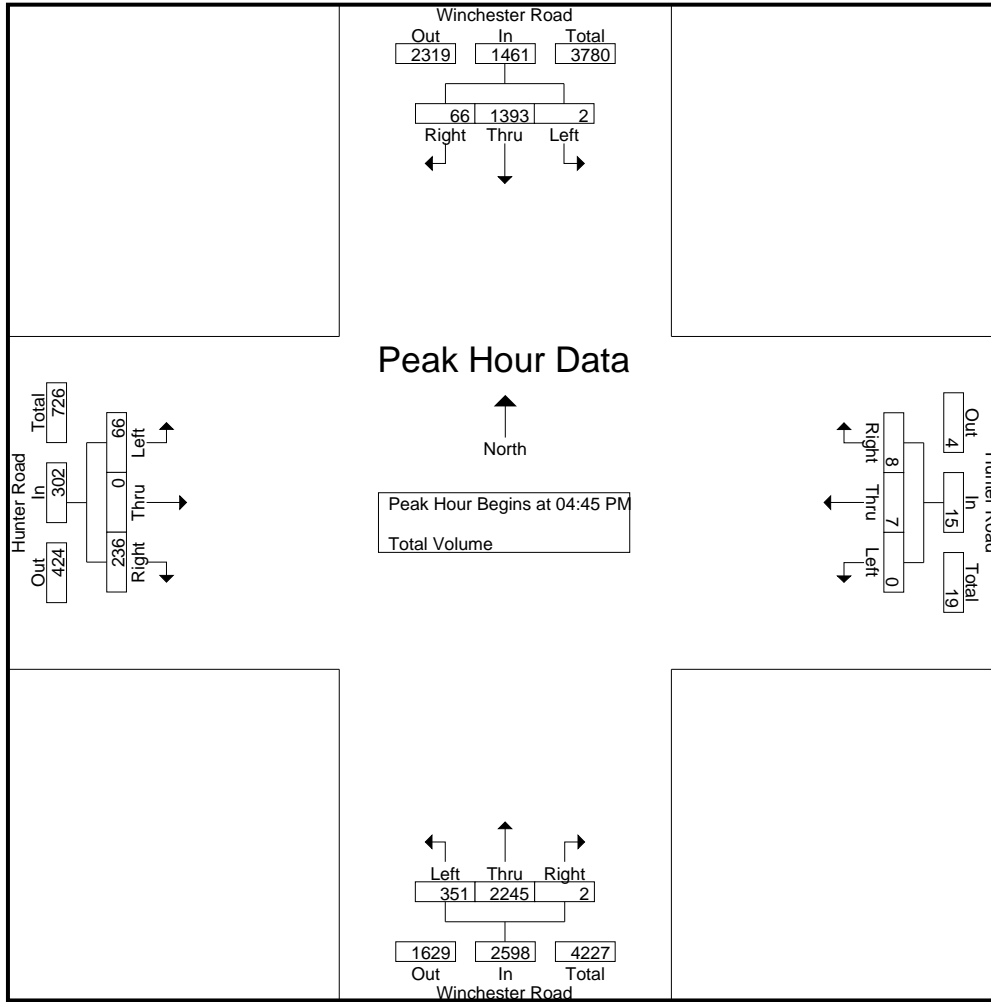
Groups Printed- Total Volume

Start Time	Winchester Road Southbound				Hunter Road Westbound				Winchester Road Northbound				Hunter Road Eastbound				Int. Total
	Left	Thru	Right	App. Total	Left	Thru	Right	App. Total	Left	Thru	Right	App. Total	Left	Thru	Right	App. Total	
04:00 PM	0	363	18	381	0	1	2	3	89	505	0	594	19	0	57	76	1054
04:15 PM	0	346	23	369	0	1	3	4	77	479	2	558	9	1	57	67	998
04:30 PM	0	383	15	398	0	0	4	4	69	480	1	550	16	0	70	86	1038
04:45 PM	0	365	19	384	0	3	1	4	84	552	0	636	15	0	54	69	1093
Total	0	1457	75	1532	0	5	10	15	319	2016	3	2338	59	1	238	298	4183
05:00 PM	1	352	11	364	0	1	3	4	79	605	1	685	16	0	48	64	1117
05:15 PM	0	343	14	357	0	1	0	1	94	556	0	650	25	0	67	92	1100
05:30 PM	1	333	22	356	0	2	4	6	94	532	1	627	10	0	67	77	1066
05:45 PM	1	320	11	332	0	0	2	2	85	483	0	568	15	1	63	79	981
Total	3	1348	58	1409	0	4	9	13	352	2176	2	2530	66	1	245	312	4264
Grand Total	3	2805	133	2941	0	9	19	28	671	4192	5	4868	125	2	483	610	8447
Apprch %	0.1	95.4	4.5		0	32.1	67.9		13.8	86.1	0.1		20.5	0.3	79.2		
Total %	0	33.2	1.6	34.8	0	0.1	0.2	0.3	7.9	49.6	0.1	57.6	1.5	0	5.7	7.2	

Start Time	Winchester Road Southbound				Hunter Road Westbound				Winchester Road Northbound				Hunter Road Eastbound				Int. Total
	Left	Thru	Right	App. Total	Left	Thru	Right	App. Total	Left	Thru	Right	App. Total	Left	Thru	Right	App. Total	
Peak Hour Analysis From 04:00 PM to 05:45 PM - Peak 1 of 1																	
Peak Hour for Entire Intersection Begins at 04:45 PM																	
04:45 PM	0	365	19	384	0	3	1	4	84	552	0	636	15	0	54	69	1093
05:00 PM	1	352	11	364	0	1	3	4	79	605	1	685	16	0	48	64	1117
05:15 PM	0	343	14	357	0	1	0	1	94	556	0	650	25	0	67	92	1100
05:30 PM	1	333	22	356	0	2	4	6	94	532	1	627	10	0	67	77	1066
Total Volume	2	1393	66	1461	0	7	8	15	351	2245	2	2598	66	0	236	302	4376
% App. Total	0.1	95.3	4.5		0	46.7	53.3		13.5	86.4	0.1		21.9	0	78.1		
PHF	.500	.954	.750	.951	.000	.583	.500	.625	.934	.928	.500	.948	.660	.000	.881	.821	.979

City of Murrieta
 N/S: Winchester Road (SR-79)
 E/W: Hunter Road
 Weather: Clear

File Name : 02_MUR_Winchester_Hunter PM
 Site Code : 05718679
 Start Date : 9/18/2018
 Page No : 2



Peak Hour Analysis From 04:00 PM to 05:45 PM - Peak 1 of 1
 Peak Hour for Each Approach Begins at:

	04:00 PM				04:15 PM				04:45 PM				05:00 PM			
+0 mins.	0	363	18	381	0	1	3	4	84	552	0	636	16	0	48	64
+15 mins.	0	346	23	369	0	0	4	4	79	605	1	685	25	0	67	92
+30 mins.	0	383	15	398	0	3	1	4	94	556	0	650	10	0	67	77
+45 mins.	0	365	19	384	0	1	3	4	94	532	1	627	15	1	63	79
Total Volume	0	1457	75	1532	0	5	11	16	351	2245	2	2598	66	1	245	312
% App. Total	0	95.1	4.9		0	31.2	68.8		13.5	86.4	0.1		21.2	0.3	78.5	
PHF	.000	.951	.815	.962	.000	.417	.688	1.000	.934	.928	.500	.948	.660	.250	.914	.848

City of Murrieta
 N/S: Winchester Road (SR-79)
 E/W: Robert T Jones Pkwy/Technology Dr
 Weather: Clear

File Name : 03_MUR_Winchester_Robert Trent Jones_Technology AM
 Site Code : 05718679
 Start Date : 9/18/2018
 Page No : 1

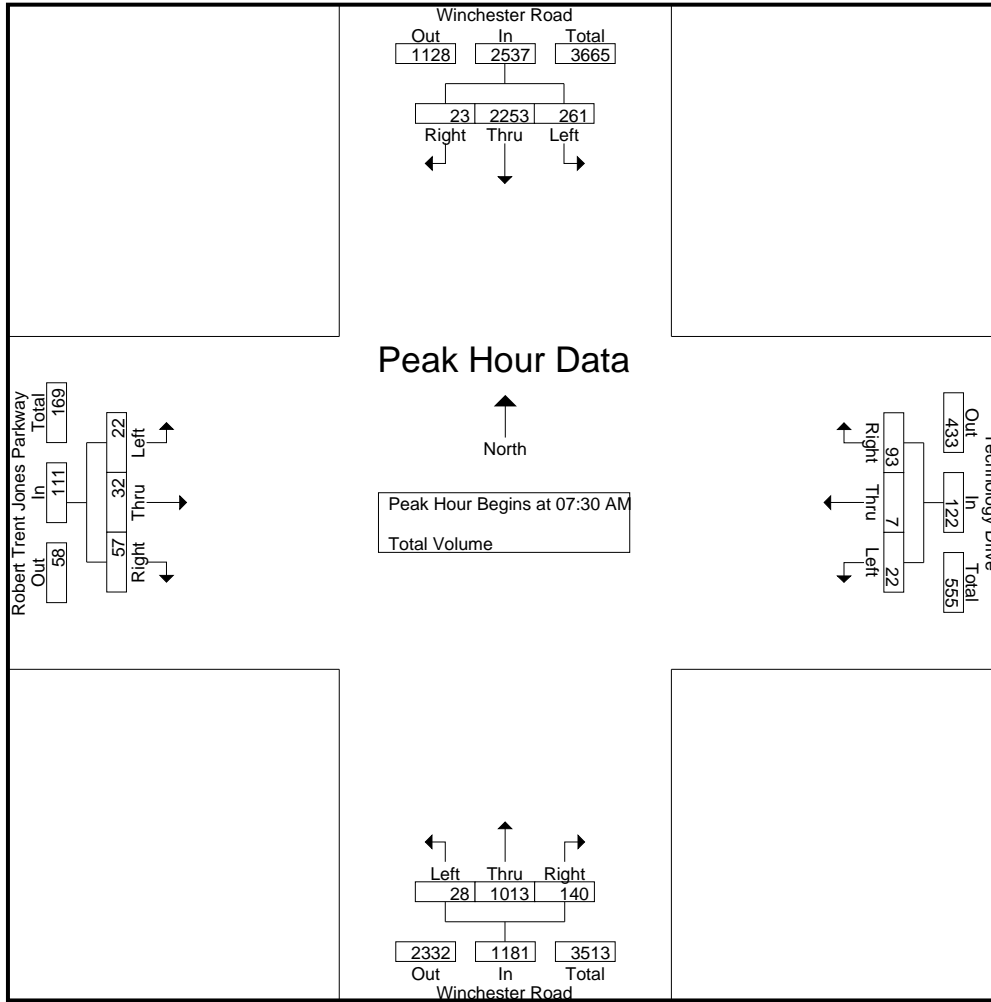
Groups Printed- Total Volume

Start Time	Winchester Road Southbound				Technology Drive Westbound				Winchester Road Northbound				Robert Trent Jones Parkway Eastbound				Int. Total
	Left	Thru	Right	App. Total	Left	Thru	Right	App. Total	Left	Thru	Right	App. Total	Left	Thru	Right	App. Total	
07:00 AM	33	523	2	558	4	3	15	22	5	310	9	324	6	7	8	21	925
07:15 AM	39	511	4	554	3	5	9	17	4	299	11	314	9	5	8	22	907
07:30 AM	53	559	4	616	4	0	23	27	14	289	31	334	4	4	12	20	997
07:45 AM	78	562	10	650	7	1	18	26	4	236	34	274	5	11	15	31	981
Total	203	2155	20	2378	18	9	65	92	27	1134	85	1246	24	27	43	94	3810
08:00 AM	79	556	5	640	3	3	30	36	6	239	38	283	5	7	8	20	979
08:15 AM	51	576	4	631	8	3	22	33	4	249	37	290	8	10	22	40	994
08:30 AM	50	578	5	633	9	8	17	34	5	211	27	243	5	9	13	27	937
08:45 AM	52	555	10	617	7	6	23	36	8	219	34	261	1	11	17	29	943
Total	232	2265	24	2521	27	20	92	139	23	918	136	1077	19	37	60	116	3853
Grand Total	435	4420	44	4899	45	29	157	231	50	2052	221	2323	43	64	103	210	7663
Apprch %	8.9	90.2	0.9		19.5	12.6	68		2.2	88.3	9.5		20.5	30.5	49		
Total %	5.7	57.7	0.6	63.9	0.6	0.4	2	3	0.7	26.8	2.9	30.3	0.6	0.8	1.3	2.7	

Start Time	Winchester Road Southbound				Technology Drive Westbound				Winchester Road Northbound				Robert Trent Jones Parkway Eastbound				Int. Total
	Left	Thru	Right	App. Total	Left	Thru	Right	App. Total	Left	Thru	Right	App. Total	Left	Thru	Right	App. Total	
Peak Hour Analysis From 07:00 AM to 08:45 AM - Peak 1 of 1																	
Peak Hour for Entire Intersection Begins at 07:30 AM																	
07:30 AM	53	559	4	616	4	0	23	27	14	289	31	334	4	4	12	20	997
07:45 AM	78	562	10	650	7	1	18	26	4	236	34	274	5	11	15	31	981
08:00 AM	79	556	5	640	3	3	30	36	6	239	38	283	5	7	8	20	979
08:15 AM	51	576	4	631	8	3	22	33	4	249	37	290	8	10	22	40	994
Total Volume	261	2253	23	2537	22	7	93	122	28	1013	140	1181	22	32	57	111	3951
% App. Total	10.3	88.8	0.9		18	5.7	76.2		2.4	85.8	11.9		19.8	28.8	51.4		
PHF	.826	.978	.575	.976	.688	.583	.775	.847	.500	.876	.921	.884	.688	.727	.648	.694	.991

City of Murrieta
 N/S: Winchester Road (SR-79)
 E/W: Robert T Jones Pkwy/Technology Dr
 Weather: Clear

File Name : 03_MUR_Winchester_Robert Trent Jones_Technology AM
 Site Code : 05718679
 Start Date : 9/18/2018
 Page No : 2



Peak Hour Analysis From 07:00 AM to 08:45 AM - Peak 1 of 1
 Peak Hour for Each Approach Begins at:

	07:45 AM				08:00 AM				07:00 AM				07:45 AM			
+0 mins.	78	562	10	650	3	3	30	36	5	310	9	324	5	11	15	31
+15 mins.	79	556	5	640	8	3	22	33	4	299	11	314	5	7	8	20
+30 mins.	51	576	4	631	9	8	17	34	14	289	31	334	8	10	22	40
+45 mins.	50	578	5	633	7	6	23	36	4	236	34	274	5	9	13	27
Total Volume	258	2272	24	2554	27	20	92	139	27	1134	85	1246	23	37	58	118
% App. Total	10.1	89	0.9		19.4	14.4	66.2		2.2	91	6.8		19.5	31.4	49.2	
PHF	.816	.983	.600	.982	.750	.625	.767	.965	.482	.915	.625	.933	.719	.841	.659	.738

City of Murrieta
 N/S: Winchester Road (SR-79)
 E/W: Robert T Jones Pkwy/Technology Dr
 Weather: Clear

File Name : 03_MUR_Winchester_Robert Trent Jones_Technology PM
 Site Code : 05718679
 Start Date : 9/18/2018
 Page No : 1

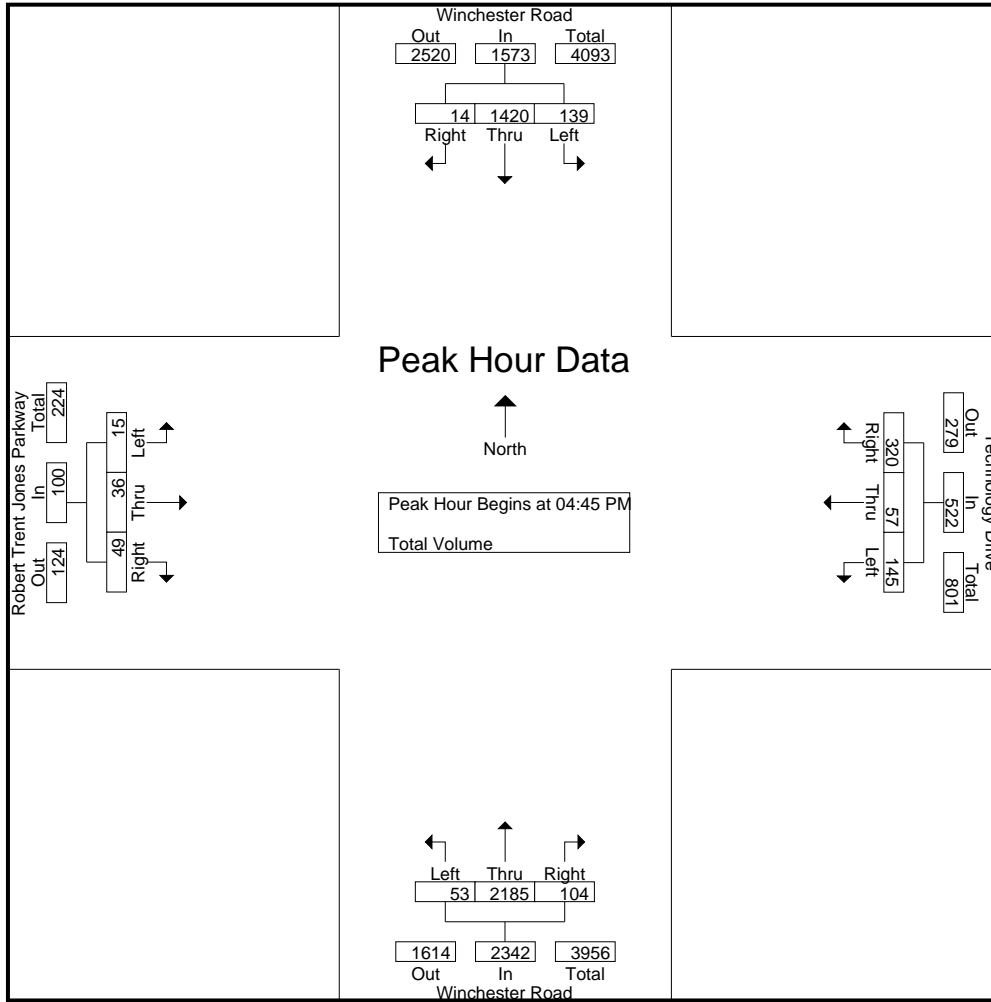
Groups Printed- Total Volume

Start Time	Winchester Road Southbound				Technology Drive Westbound				Winchester Road Northbound				Robert Trent Jones Parkway Eastbound				Int. Total
	Left	Thru	Right	App. Total	Left	Thru	Right	App. Total	Left	Thru	Right	App. Total	Left	Thru	Right	App. Total	
04:00 PM	61	344	6	411	30	8	63	101	13	496	28	537	3	3	12	18	1067
04:15 PM	31	324	6	361	28	4	72	104	9	476	23	508	0	4	11	15	988
04:30 PM	59	334	6	399	31	10	47	88	8	518	24	550	4	5	9	18	1055
04:45 PM	42	331	4	377	22	18	62	102	13	554	48	615	6	6	12	24	1118
Total	193	1333	22	1548	111	40	244	395	43	2044	123	2210	13	18	44	75	4228
05:00 PM	41	347	2	390	63	13	120	196	15	532	23	570	3	12	11	26	1182
05:15 PM	27	384	3	414	38	16	84	138	8	554	14	576	3	9	18	30	1158
05:30 PM	29	358	5	392	22	10	54	86	17	545	19	581	3	9	8	20	1079
05:45 PM	45	347	7	399	19	7	55	81	9	525	41	575	0	5	7	12	1067
Total	142	1436	17	1595	142	46	313	501	49	2156	97	2302	9	35	44	88	4486
Grand Total	335	2769	39	3143	253	86	557	896	92	4200	220	4512	22	53	88	163	8714
Apprch %	10.7	88.1	1.2		28.2	9.6	62.2		2	93.1	4.9		13.5	32.5	54		
Total %	3.8	31.8	0.4	36.1	2.9	1	6.4	10.3	1.1	48.2	2.5	51.8	0.3	0.6	1	1.9	

Start Time	Winchester Road Southbound				Technology Drive Westbound				Winchester Road Northbound				Robert Trent Jones Parkway Eastbound				Int. Total
	Left	Thru	Right	App. Total	Left	Thru	Right	App. Total	Left	Thru	Right	App. Total	Left	Thru	Right	App. Total	
Peak Hour Analysis From 04:00 PM to 05:45 PM - Peak 1 of 1																	
Peak Hour for Entire Intersection Begins at 04:45 PM																	
04:45 PM	42	331	4	377	22	18	62	102	13	554	48	615	6	6	12	24	1118
05:00 PM	41	347	2	390	63	13	120	196	15	532	23	570	3	12	11	26	1182
05:15 PM	27	384	3	414	38	16	84	138	8	554	14	576	3	9	18	30	1158
05:30 PM	29	358	5	392	22	10	54	86	17	545	19	581	3	9	8	20	1079
Total Volume	139	1420	14	1573	145	57	320	522	53	2185	104	2342	15	36	49	100	4537
% App. Total	8.8	90.3	0.9		27.8	10.9	61.3		2.3	93.3	4.4		15	36	49		
PHF	.827	.924	.700	.950	.575	.792	.667	.666	.779	.986	.542	.952	.625	.750	.681	.833	.960

City of Murrieta
 N/S: Winchester Road (SR-79)
 E/W: Robert T Jones Pkwy/Technology Dr
 Weather: Clear

File Name : 03_MUR_Winchester_Robert Trent Jones_Technology PM
 Site Code : 05718679
 Start Date : 9/18/2018
 Page No : 2



Peak Hour Analysis From 04:00 PM to 05:45 PM - Peak 1 of 1
 Peak Hour for Each Approach Begins at:

	05:00 PM				04:30 PM				04:45 PM				04:45 PM			
+0 mins.	41	347	2	390	31	10	47	88	13	554	48	615	6	6	12	24
+15 mins.	27	384	3	414	22	18	62	102	15	532	23	570	3	12	11	26
+30 mins.	29	358	5	392	63	13	120	196	8	554	14	576	3	9	18	30
+45 mins.	45	347	7	399	38	16	84	138	17	545	19	581	3	9	8	20
Total Volume	142	1436	17	1595	154	57	313	524	53	2185	104	2342	15	36	49	100
% App. Total	8.9	90	1.1		29.4	10.9	59.7		2.3	93.3	4.4		15	36	49	
PHF	.789	.935	.607	.963	.611	.792	.652	.668	.779	.986	.542	.952	.625	.750	.681	.833

City of Murrieta
 N/S: Winchester Road (SR-79)
 E/W: Murrieta Hot Springs Road
 Weather: Clear

File Name : 04_MUR_Winchester_Murrieta Hot Springs AM
 Site Code : 05718679
 Start Date : 9/18/2018
 Page No : 1

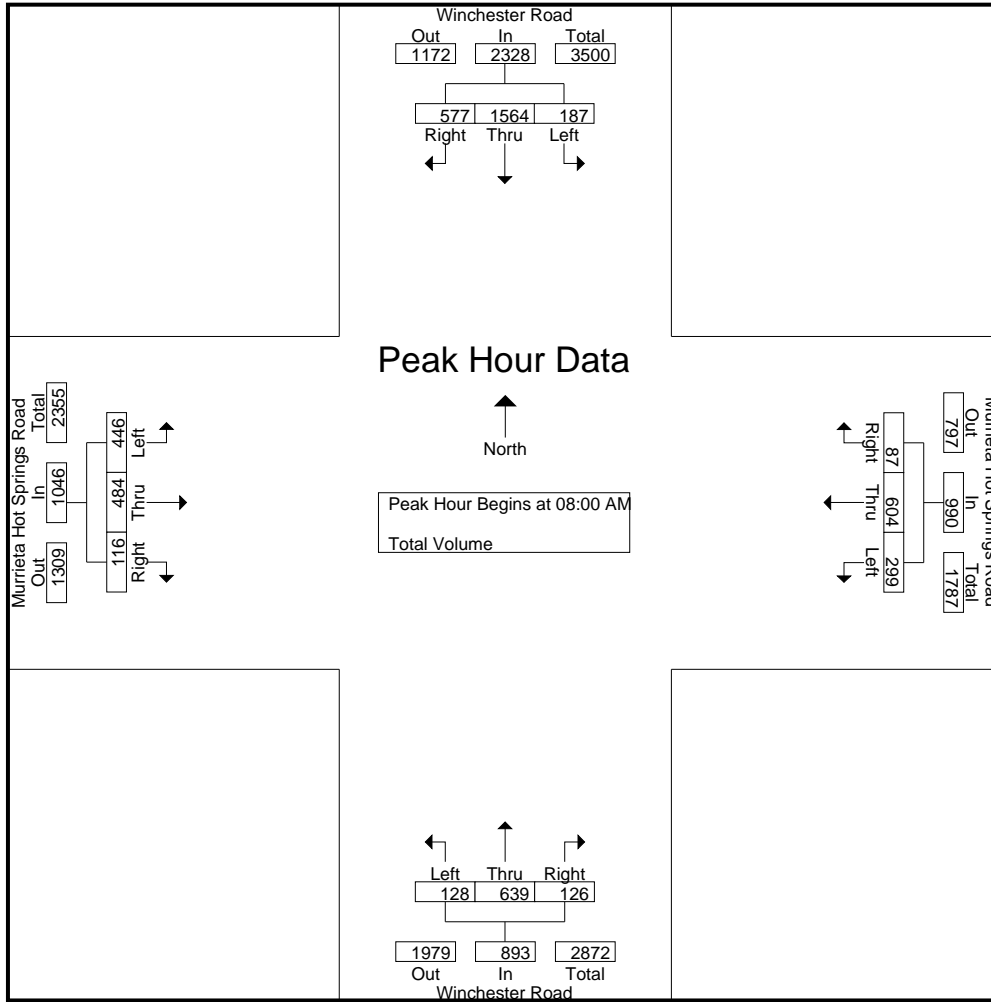
Groups Printed- Total Volume

Start Time	Winchester Road Southbound				Murrieta Hot Springs Road Westbound				Winchester Road Northbound				Murrieta Hot Springs Road Eastbound				Int. Total
	Left	Thru	Right	App. Total	Left	Thru	Right	App. Total	Left	Thru	Right	App. Total	Left	Thru	Right	App. Total	
07:00 AM	22	402	118	542	52	128	4	184	34	227	43	304	119	88	22	229	1259
07:15 AM	23	390	134	547	49	197	17	263	40	198	60	298	124	101	22	247	1355
07:30 AM	43	354	115	512	45	132	18	195	45	167	43	255	89	129	33	251	1213
07:45 AM	32	449	145	626	52	117	16	185	34	146	32	212	112	139	25	276	1299
Total	120	1595	512	2227	198	574	55	827	153	738	178	1069	444	457	102	1003	5126
08:00 AM	55	364	107	526	57	128	15	200	21	151	36	208	140	153	24	317	1251
08:15 AM	54	382	142	578	79	149	26	254	39	153	36	228	115	132	22	269	1329
08:30 AM	36	419	143	598	77	168	16	261	25	157	36	218	89	100	35	224	1301
08:45 AM	42	399	185	626	86	159	30	275	43	178	18	239	102	99	35	236	1376
Total	187	1564	577	2328	299	604	87	990	128	639	126	893	446	484	116	1046	5257
Grand Total	307	3159	1089	4555	497	1178	142	1817	281	1377	304	1962	890	941	218	2049	10383
Apprch %	6.7	69.4	23.9		27.4	64.8	7.8		14.3	70.2	15.5		43.4	45.9	10.6		
Total %	3	30.4	10.5	43.9	4.8	11.3	1.4	17.5	2.7	13.3	2.9	18.9	8.6	9.1	2.1	19.7	

Start Time	Winchester Road Southbound				Murrieta Hot Springs Road Westbound				Winchester Road Northbound				Murrieta Hot Springs Road Eastbound				Int. Total
	Left	Thru	Right	App. Total	Left	Thru	Right	App. Total	Left	Thru	Right	App. Total	Left	Thru	Right	App. Total	
Peak Hour Analysis From 07:00 AM to 08:45 AM - Peak 1 of 1																	
Peak Hour for Entire Intersection Begins at 08:00 AM																	
08:00 AM	55	364	107	526	57	128	15	200	21	151	36	208	140	153	24	317	1251
08:15 AM	54	382	142	578	79	149	26	254	39	153	36	228	115	132	22	269	1329
08:30 AM	36	419	143	598	77	168	16	261	25	157	36	218	89	100	35	224	1301
08:45 AM	42	399	185	626	86	159	30	275	43	178	18	239	102	99	35	236	1376
Total Volume	187	1564	577	2328	299	604	87	990	128	639	126	893	446	484	116	1046	5257
% App. Total	8	67.2	24.8		30.2	61	8.8		14.3	71.6	14.1		42.6	46.3	11.1		
PHF	.850	.933	.780	.930	.869	.899	.725	.900	.744	.897	.875	.934	.796	.791	.829	.825	.955

City of Murrieta
 N/S: Winchester Road (SR-79)
 E/W: Murrieta Hot Springs Road
 Weather: Clear

File Name : 04_MUR_Winchester_Murrieta Hot Springs AM
 Site Code : 05718679
 Start Date : 9/18/2018
 Page No : 2



Peak Hour Analysis From 07:00 AM to 08:45 AM - Peak 1 of 1
 Peak Hour for Each Approach Begins at:

	07:45 AM				08:00 AM				07:00 AM				07:30 AM			
+0 mins.	32	449	145	626	57	128	15	200	34	227	43	304	89	129	33	251
+15 mins.	55	364	107	526	79	149	26	254	40	198	60	298	112	139	25	276
+30 mins.	54	382	142	578	77	168	16	261	45	167	43	255	140	153	24	317
+45 mins.	36	419	143	598	86	159	30	275	34	146	32	212	115	132	22	269
Total Volume	177	1614	537	2328	299	604	87	990	153	738	178	1069	456	553	104	1113
% App. Total	7.6	69.3	23.1		30.2	61	8.8		14.3	69	16.7		41	49.7	9.3	
PHF	.805	.899	.926	.930	.869	.899	.725	.900	.850	.813	.742	.879	.814	.904	.788	.878

City of Murrieta
 N/S: Winchester Road (SR-79)
 E/W: Murrieta Hot Springs Road
 Weather: Clear

File Name : 04_MUR_Winchester_Murrieta Hot Springs PM
 Site Code : 05718679
 Start Date : 9/18/2018
 Page No : 1

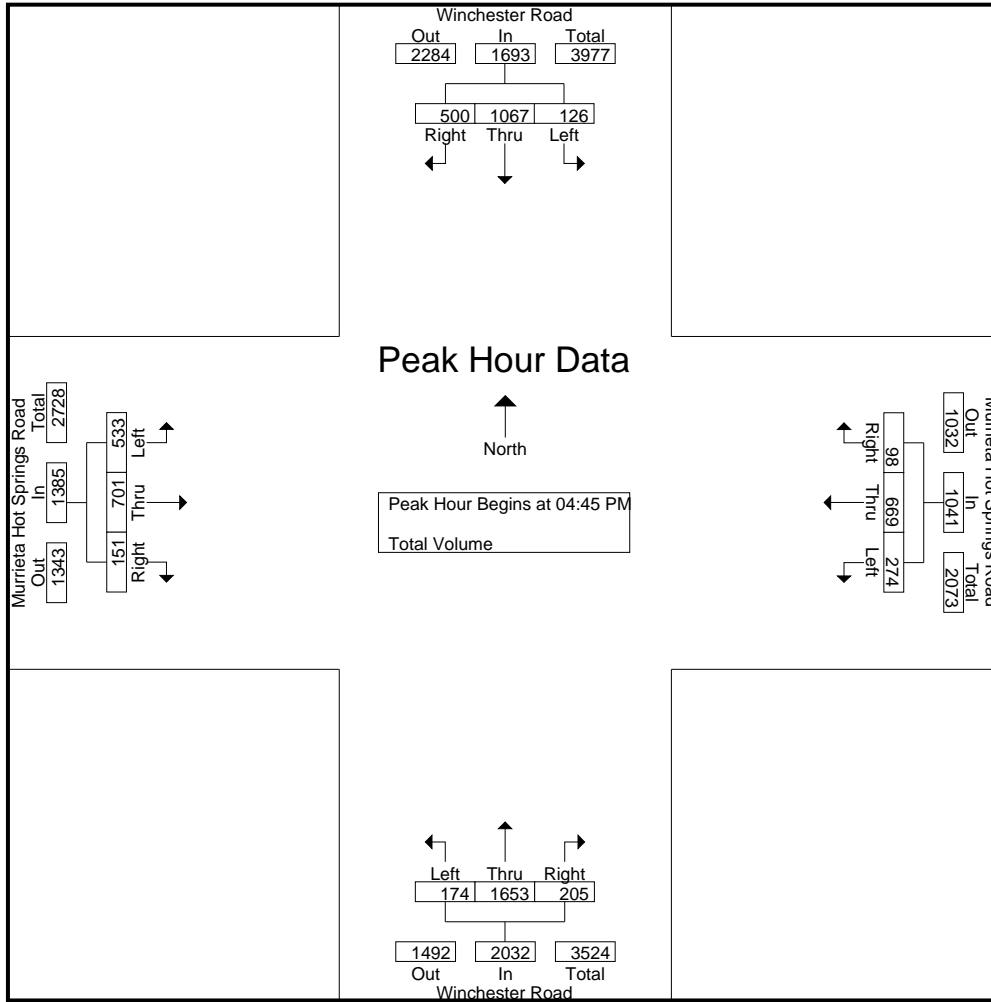
Groups Printed- Total Volume

Start Time	Winchester Road Southbound				Murrieta Hot Springs Road Westbound				Winchester Road Northbound				Murrieta Hot Springs Road Eastbound				Int. Total
	Left	Thru	Right	App. Total	Left	Thru	Right	App. Total	Left	Thru	Right	App. Total	Left	Thru	Right	App. Total	
04:00 PM	43	228	117	388	64	162	26	252	48	375	60	483	134	165	38	337	1460
04:15 PM	42	245	119	406	54	172	24	250	43	394	41	478	112	132	40	284	1418
04:30 PM	35	226	122	383	70	177	33	280	48	388	52	488	140	102	35	277	1428
04:45 PM	33	246	95	374	66	171	34	271	40	398	48	486	132	176	36	344	1475
Total	153	945	453	1551	254	682	117	1053	179	1555	201	1935	518	575	149	1242	5781
05:00 PM	33	253	143	429	81	197	15	293	44	411	51	506	137	169	42	348	1576
05:15 PM	38	354	141	533	58	127	29	214	36	450	56	542	138	158	40	336	1625
05:30 PM	22	214	121	357	69	174	20	263	54	394	50	498	126	198	33	357	1475
05:45 PM	33	313	92	438	71	125	35	231	59	381	37	477	130	170	27	327	1473
Total	126	1134	497	1757	279	623	99	1001	193	1636	194	2023	531	695	142	1368	6149
Grand Total	279	2079	950	3308	533	1305	216	2054	372	3191	395	3958	1049	1270	291	2610	11930
Apprch %	8.4	62.8	28.7		25.9	63.5	10.5		9.4	80.6	10		40.2	48.7	11.1		
Total %	2.3	17.4	8	27.7	4.5	10.9	1.8	17.2	3.1	26.7	3.3	33.2	8.8	10.6	2.4	21.9	

Start Time	Winchester Road Southbound				Murrieta Hot Springs Road Westbound				Winchester Road Northbound				Murrieta Hot Springs Road Eastbound				Int. Total
	Left	Thru	Right	App. Total	Left	Thru	Right	App. Total	Left	Thru	Right	App. Total	Left	Thru	Right	App. Total	
Peak Hour Analysis From 04:00 PM to 05:45 PM - Peak 1 of 1																	
Peak Hour for Entire Intersection Begins at 04:45 PM																	
04:45 PM	33	246	95	374	66	171	34	271	40	398	48	486	132	176	36	344	1475
05:00 PM	33	253	143	429	81	197	15	293	44	411	51	506	137	169	42	348	1576
05:15 PM	38	354	141	533	58	127	29	214	36	450	56	542	138	158	40	336	1625
05:30 PM	22	214	121	357	69	174	20	263	54	394	50	498	126	198	33	357	1475
Total Volume	126	1067	500	1693	274	669	98	1041	174	1653	205	2032	533	701	151	1385	6151
% App. Total	7.4	63	29.5		26.3	64.3	9.4		8.6	81.3	10.1		38.5	50.6	10.9		
PHF	.829	.754	.874	.794	.846	.849	.721	.888	.806	.918	.915	.937	.966	.885	.899	.970	.946

City of Murrieta
 N/S: Winchester Road (SR-79)
 E/W: Murrieta Hot Springs Road
 Weather: Clear

File Name : 04_MUR_Winchester_Murrieta Hot Springs PM
 Site Code : 05718679
 Start Date : 9/18/2018
 Page No : 2



Peak Hour Analysis From 04:00 PM to 05:45 PM - Peak 1 of 1
 Peak Hour for Each Approach Begins at:

	05:00 PM				04:15 PM				04:45 PM				04:45 PM			
+0 mins.	33	253	143	429	54	172	24	250	40	398	48	486	132	176	36	344
+15 mins.	38	354	141	533	70	177	33	280	44	411	51	506	137	169	42	348
+30 mins.	22	214	121	357	66	171	34	271	36	450	56	542	138	158	40	336
+45 mins.	33	313	92	438	81	197	15	293	54	394	50	498	126	198	33	357
Total Volume	126	1134	497	1757	271	717	106	1094	174	1653	205	2032	533	701	151	1385
% App. Total	7.2	64.5	28.3		24.8	65.5	9.7		8.6	81.3	10.1		38.5	50.6	10.9	
PHF	.829	.801	.869	.824	.836	.910	.779	.933	.806	.918	.915	.937	.966	.885	.899	.970

City of Murrieta
 N/S: Winchester Road (SR-79)
 E/W: Winchester Square Drive
 Weather: Clear

File Name : 05_MUR_Winchester_Winchester Square AM
 Site Code : 05718679
 Start Date : 9/18/2018
 Page No : 1

Groups Printed- Total Volume

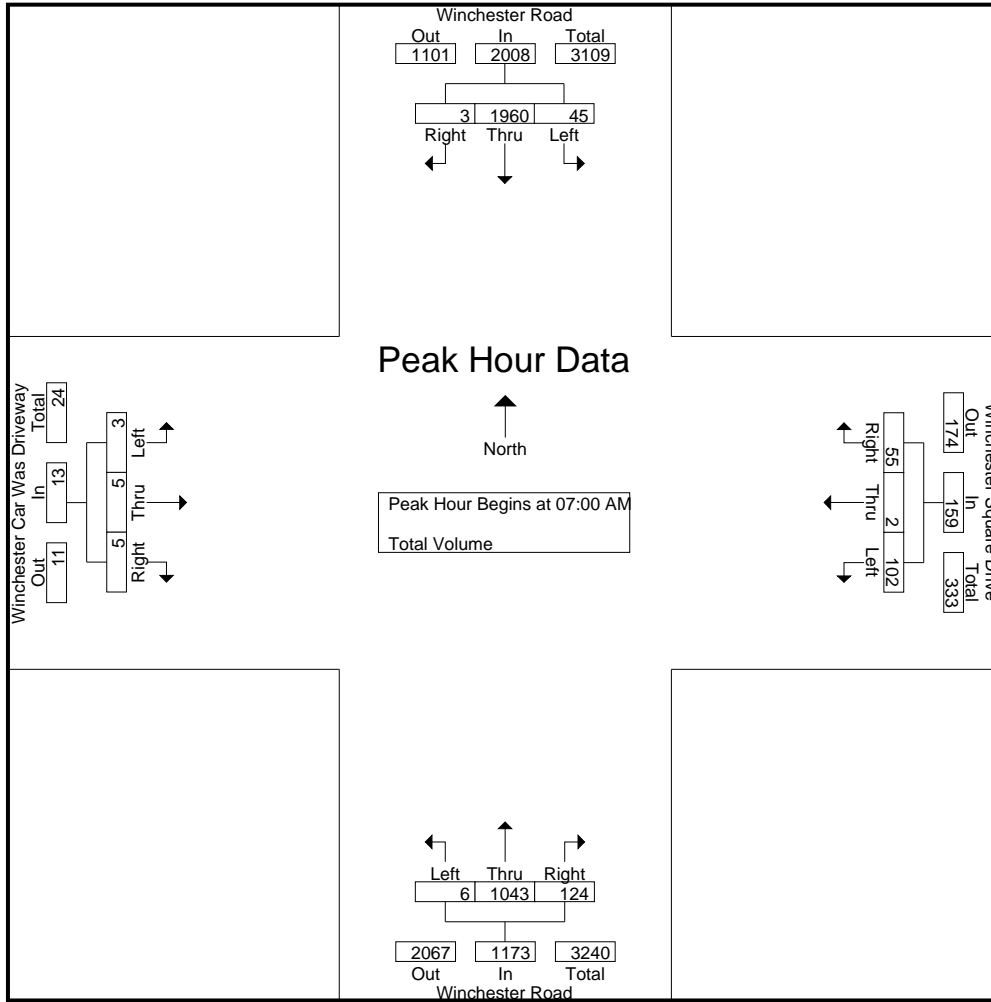
Start Time	Winchester Road Southbound				Winchester Square Drive Westbound				Winchester Road Northbound				Winchester Car Was Driveway Eastbound				Int. Total
	Left	Thru	Right	App. Total	Left	Thru	Right	App. Total	Left	Thru	Right	App. Total	Left	Thru	Right	App. Total	
07:00 AM	13	501	1	515	27	1	16	44	2	290	30	322	1	2	2	5	886
07:15 AM	14	483	0	497	32	0	14	46	0	311	47	358	1	1	1	3	904
07:30 AM	7	465	0	472	23	1	12	36	1	229	22	252	0	2	1	3	763
07:45 AM	11	511	2	524	20	0	13	33	3	213	25	241	1	0	1	2	800
Total	45	1960	3	2008	102	2	55	159	6	1043	124	1173	3	5	5	13	3353
08:00 AM	14	465	0	479	29	0	22	51	1	198	27	226	0	1	0	1	757
08:15 AM	11	499	1	511	44	3	19	66	2	211	31	244	1	4	2	7	828
08:30 AM	23	538	2	563	34	1	28	63	1	207	38	246	0	1	1	2	874
08:45 AM	15	502	4	521	26	1	29	56	5	188	25	218	1	3	4	8	803
Total	63	2004	7	2074	133	5	98	236	9	804	121	934	2	9	7	18	3262
Grand Total	108	3964	10	4082	235	7	153	395	15	1847	245	2107	5	14	12	31	6615
Apprch %	2.6	97.1	0.2		59.5	1.8	38.7		0.7	87.7	11.6		16.1	45.2	38.7		
Total %	1.6	59.9	0.2	61.7	3.6	0.1	2.3	6	0.2	27.9	3.7	31.9	0.1	0.2	0.2	0.5	

Start Time	Winchester Road Southbound				Winchester Square Drive Westbound				Winchester Road Northbound				Winchester Car Was Driveway Eastbound				Int. Total
	Left	Thru	Right	App. Total	Left	Thru	Right	App. Total	Left	Thru	Right	App. Total	Left	Thru	Right	App. Total	
07:00 AM	13	501	1	515	27	1	16	44	2	290	30	322	1	2	2	5	886
07:15 AM	14	483	0	497	32	0	14	46	0	311	47	358	1	1	1	3	904
07:30 AM	7	465	0	472	23	1	12	36	1	229	22	252	0	2	1	3	763
07:45 AM	11	511	2	524	20	0	13	33	3	213	25	241	1	0	1	2	800
Total Volume	45	1960	3	2008	102	2	55	159	6	1043	124	1173	3	5	5	13	3353
% App. Total	2.2	97.6	0.1		64.2	1.3	34.6		0.5	88.9	10.6		23.1	38.5	38.5		
PHF	.804	.959	.375	.958	.797	.500	.859	.864	.500	.838	.660	.819	.750	.625	.625	.650	.927

Peak Hour Analysis From 07:00 AM to 08:45 AM - Peak 1 of 1
 Peak Hour for Entire Intersection Begins at 07:00 AM

City of Murrieta
 N/S: Winchester Road (SR-79)
 E/W: Winchester Square Drive
 Weather: Clear

File Name : 05_MUR_Winchester_Winchester Square AM
 Site Code : 05718679
 Start Date : 9/18/2018
 Page No : 2



Peak Hour Analysis From 07:00 AM to 08:45 AM - Peak 1 of 1
 Peak Hour for Each Approach Begins at:

	07:45 AM				08:00 AM				07:00 AM				08:00 AM			
+0 mins.	11	511	2	524	29	0	22	51	2	290	30	322	0	1	0	1
+15 mins.	14	465	0	479	44	3	19	66	0	311	47	358	1	4	2	7
+30 mins.	11	499	1	511	34	1	28	63	1	229	22	252	0	1	1	2
+45 mins.	23	538	2	563	26	1	29	56	3	213	25	241	1	3	4	8
Total Volume	59	2013	5	2077	133	5	98	236	6	1043	124	1173	2	9	7	18
% App. Total	2.8	96.9	0.2		56.4	2.1	41.5		0.5	88.9	10.6		11.1	50	38.9	
PHF	.641	.935	.625	.922	.756	.417	.845	.894	.500	.838	.660	.819	.500	.563	.438	.563

City of Murrieta
 N/S: Winchester Road (SR-79)
 E/W: Winchester Square Drive
 Weather: Clear

File Name : 05_MUR_Winchester_Winchester Square PM
 Site Code : 05718679
 Start Date : 9/18/2018
 Page No : 1

Groups Printed- Total Volume

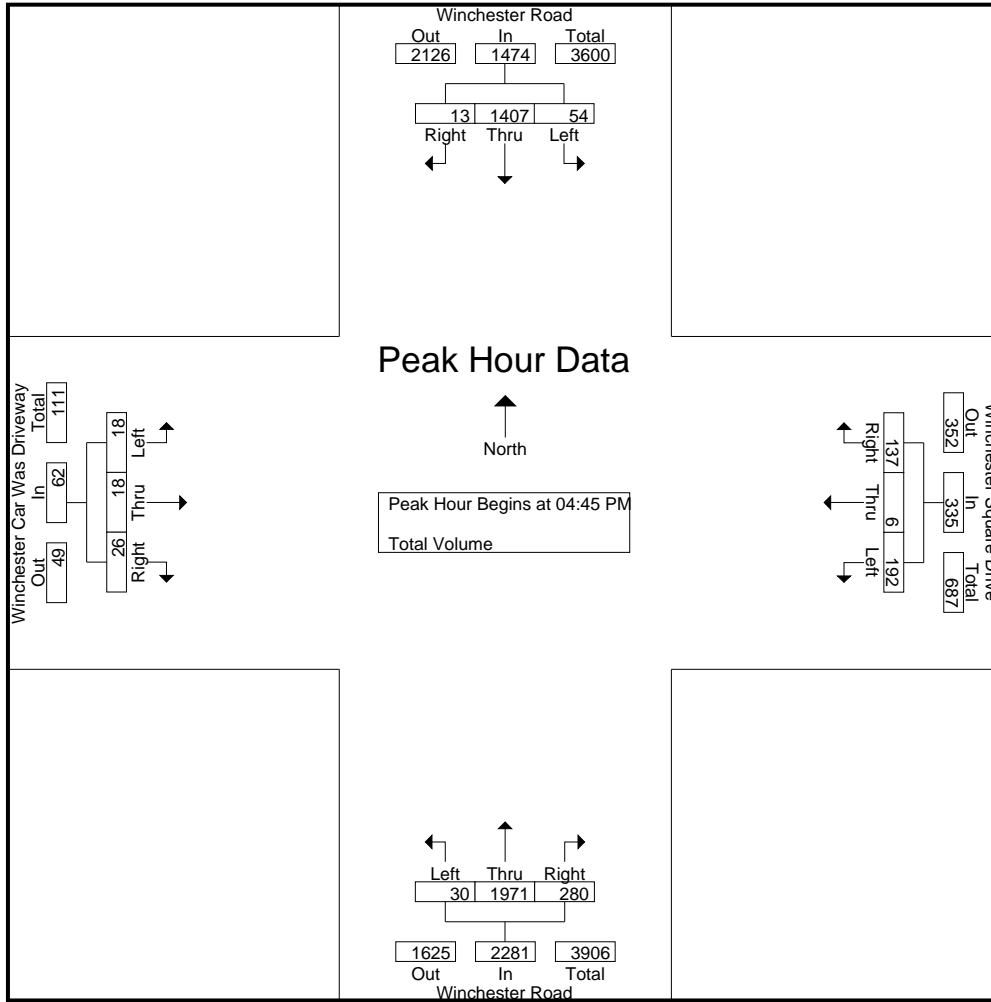
Start Time	Winchester Road Southbound				Winchester Square Drive Westbound				Winchester Road Northbound				Winchester Car Was Driveway Eastbound				Int. Total
	Left	Thru	Right	App. Total	Left	Thru	Right	App. Total	Left	Thru	Right	App. Total	Left	Thru	Right	App. Total	
04:00 PM	9	309	2	320	43	1	39	83	6	446	78	530	11	1	3	15	948
04:15 PM	6	332	2	340	57	1	36	94	7	440	75	522	5	6	4	15	971
04:30 PM	10	350	1	361	53	0	34	87	3	457	61	521	9	2	5	16	985
04:45 PM	17	337	4	358	43	4	29	76	10	495	59	564	4	6	4	14	1012
Total	42	1328	9	1379	196	6	138	340	26	1838	273	2137	29	15	16	60	3916
05:00 PM	15	336	4	355	53	2	33	88	4	486	76	566	6	5	11	22	1031
05:15 PM	11	399	3	413	48	0	32	80	5	509	82	596	3	4	5	12	1101
05:30 PM	11	335	2	348	48	0	43	91	11	481	63	555	5	3	6	14	1008
05:45 PM	9	358	4	371	39	5	30	74	4	456	57	517	6	5	5	16	978
Total	46	1428	13	1487	188	7	138	333	24	1932	278	2234	20	17	27	64	4118
Grand Total	88	2756	22	2866	384	13	276	673	50	3770	551	4371	49	32	43	124	8034
Apprch %	3.1	96.2	0.8		57.1	1.9	41		1.1	86.3	12.6		39.5	25.8	34.7		
Total %	1.1	34.3	0.3	35.7	4.8	0.2	3.4	8.4	0.6	46.9	6.9	54.4	0.6	0.4	0.5	1.5	

Start Time	Winchester Road Southbound				Winchester Square Drive Westbound				Winchester Road Northbound				Winchester Car Was Driveway Eastbound				Int. Total
	Left	Thru	Right	App. Total	Left	Thru	Right	App. Total	Left	Thru	Right	App. Total	Left	Thru	Right	App. Total	
04:45 PM	17	337	4	358	43	4	29	76	10	495	59	564	4	6	4	14	1012
05:00 PM	15	336	4	355	53	2	33	88	4	486	76	566	6	5	11	22	1031
05:15 PM	11	399	3	413	48	0	32	80	5	509	82	596	3	4	5	12	1101
05:30 PM	11	335	2	348	48	0	43	91	11	481	63	555	5	3	6	14	1008
Total Volume	54	1407	13	1474	192	6	137	335	30	1971	280	2281	18	18	26	62	4152
% App. Total	3.7	95.5	0.9		57.3	1.8	40.9		1.3	86.4	12.3		29	29	41.9		
PHF	.794	.882	.813	.892	.906	.375	.797	.920	.682	.968	.854	.957	.750	.750	.591	.705	.943

Peak Hour Analysis From 04:00 PM to 05:45 PM - Peak 1 of 1
 Peak Hour for Entire Intersection Begins at 04:45 PM

City of Murrieta
 N/S: Winchester Road (SR-79)
 E/W: Winchester Square Drive
 Weather: Clear

File Name : 05_MUR_Winchester_Winchester Square PM
 Site Code : 05718679
 Start Date : 9/18/2018
 Page No : 2



Peak Hour Analysis From 04:00 PM to 05:45 PM - Peak 1 of 1
 Peak Hour for Each Approach Begins at:

	04:30 PM				04:15 PM				04:45 PM				04:15 PM			
+0 mins.	10	350	1	361	57	1	36	94	10	495	59	564	5	6	4	15
+15 mins.	17	337	4	358	53	0	34	87	4	486	76	566	9	2	5	16
+30 mins.	15	336	4	355	43	4	29	76	5	509	82	596	4	6	4	14
+45 mins.	11	399	3	413	53	2	33	88	11	481	63	555	6	5	11	22
Total Volume	53	1422	12	1487	206	7	132	345	30	1971	280	2281	24	19	24	67
% App. Total	3.6	95.6	0.8		59.7	2	38.3		1.3	86.4	12.3		35.8	28.4	35.8	
PHF	.779	.891	.750	.900	.904	.438	.917	.918	.682	.968	.854	.957	.667	.792	.545	.761

City of Temecula
 N/S: Winchester Road (SR-79)
 E/W: Winchester Creek Ave/Willows Avenue
 Weather: Clear

File Name : 06_TEM_Winchester_Winchester Creek_Willows AM
 Site Code : 05718679
 Start Date : 9/18/2018
 Page No : 1

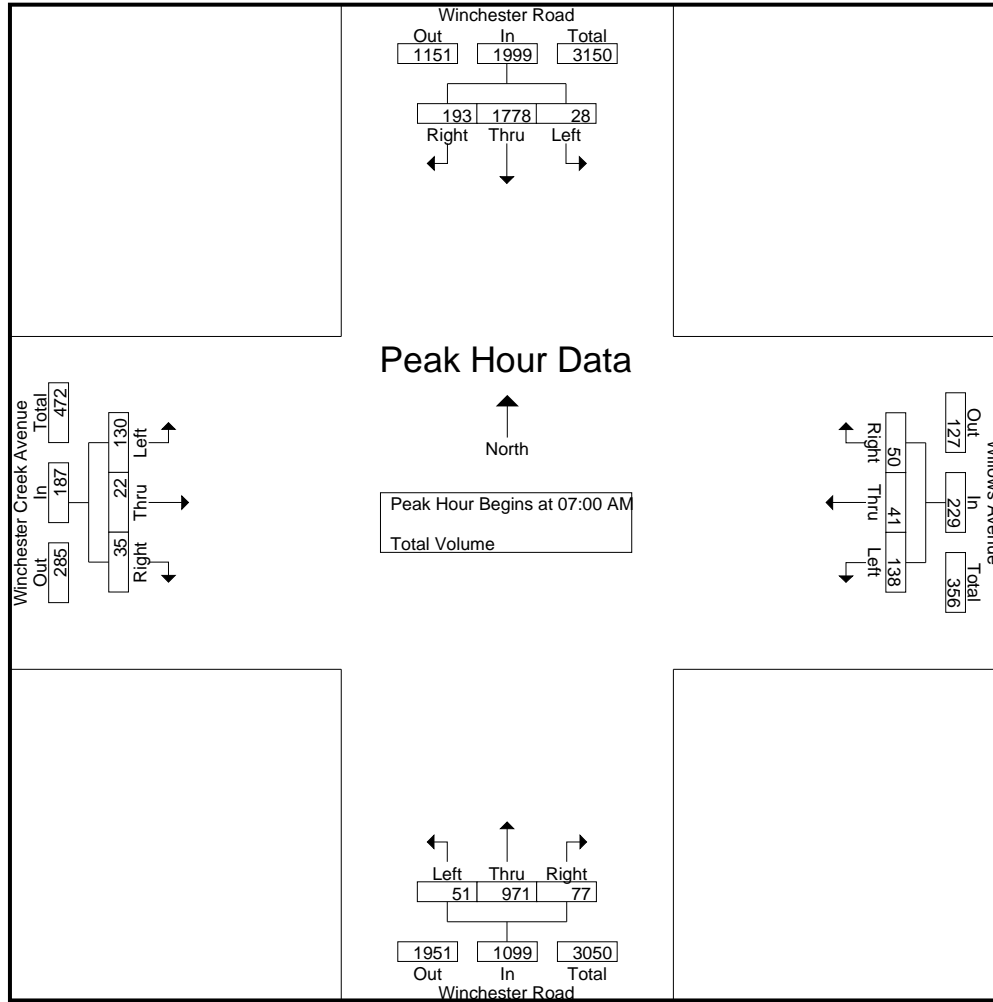
Groups Printed- Total Volume

Start Time	Winchester Road Southbound				Willows Avenue Westbound				Winchester Road Northbound				Winchester Creek Avenue Eastbound				Int. Total
	Left	Thru	Right	App. Total	Left	Thru	Right	App. Total	Left	Thru	Right	App. Total	Left	Thru	Right	App. Total	
07:00 AM	6	456	44	506	44	13	10	67	13	254	23	290	40	6	11	57	920
07:15 AM	5	445	59	509	20	11	15	46	17	341	23	381	26	4	9	39	975
07:30 AM	12	422	39	473	41	12	10	63	12	187	11	210	28	6	7	41	787
07:45 AM	5	455	51	511	33	5	15	53	9	189	20	218	36	6	8	50	832
Total	28	1778	193	1999	138	41	50	229	51	971	77	1099	130	22	35	187	3514
08:00 AM	9	435	34	478	41	7	11	59	7	208	22	237	30	7	9	46	820
08:15 AM	7	458	40	505	35	10	12	57	14	172	10	196	38	8	13	59	817
08:30 AM	8	494	38	540	37	15	19	71	15	193	22	230	36	7	10	53	894
08:45 AM	4	509	42	555	38	12	15	65	9	186	15	210	26	9	18	53	883
Total	28	1896	154	2078	151	44	57	252	45	759	69	873	130	31	50	211	3414
Grand Total	56	3674	347	4077	289	85	107	481	96	1730	146	1972	260	53	85	398	6928
Apprch %	1.4	90.1	8.5		60.1	17.7	22.2		4.9	87.7	7.4		65.3	13.3	21.4		
Total %	0.8	53	5	58.8	4.2	1.2	1.5	6.9	1.4	25	2.1	28.5	3.8	0.8	1.2	5.7	

Start Time	Winchester Road Southbound				Willows Avenue Westbound				Winchester Road Northbound				Winchester Creek Avenue Eastbound				Int. Total
	Left	Thru	Right	App. Total	Left	Thru	Right	App. Total	Left	Thru	Right	App. Total	Left	Thru	Right	App. Total	
Peak Hour Analysis From 07:00 AM to 08:45 AM - Peak 1 of 1																	
Peak Hour for Entire Intersection Begins at 07:00 AM																	
07:00 AM	6	456	44	506	44	13	10	67	13	254	23	290	40	6	11	57	920
07:15 AM	5	445	59	509	20	11	15	46	17	341	23	381	26	4	9	39	975
07:30 AM	12	422	39	473	41	12	10	63	12	187	11	210	28	6	7	41	787
07:45 AM	5	455	51	511	33	5	15	53	9	189	20	218	36	6	8	50	832
Total Volume	28	1778	193	1999	138	41	50	229	51	971	77	1099	130	22	35	187	3514
% App. Total	1.4	88.9	9.7		60.3	17.9	21.8		4.6	88.4	7		69.5	11.8	18.7		
PHF	.583	.975	.818	.978	.784	.788	.833	.854	.750	.712	.837	.721	.813	.917	.795	.820	.901

City of Temecula
 N/S: Winchester Road (SR-79)
 E/W: Winchester Creek Ave/Willows Avenue
 Weather: Clear

File Name : 06_TEM_Winchester_Winchester Creek_Willows AM
 Site Code : 05718679
 Start Date : 9/18/2018
 Page No : 2



Peak Hour Analysis From 07:00 AM to 08:45 AM - Peak 1 of 1
 Peak Hour for Each Approach Begins at:

	08:00 AM				08:00 AM				07:00 AM				08:00 AM			
+0 mins.	9	435	34	478	41	7	11	59	13	254	23	290	30	7	9	46
+15 mins.	7	458	40	505	35	10	12	57	17	341	23	381	38	8	13	59
+30 mins.	8	494	38	540	37	15	19	71	12	187	11	210	36	7	10	53
+45 mins.	4	509	42	555	38	12	15	65	9	189	20	218	26	9	18	53
Total Volume	28	1896	154	2078	151	44	57	252	51	971	77	1099	130	31	50	211
% App. Total	1.3	91.2	7.4		59.9	17.5	22.6		4.6	88.4	7		61.6	14.7	23.7	
PHF	.778	.931	.917	.936	.921	.733	.750	.887	.750	.712	.837	.721	.855	.861	.694	.894

City of Temecula
 N/S: Winchester Road (SR-79)
 E/W: Winchester Creek Ave/Willows Avenue
 Weather: Clear

File Name : 06_TEM_Winchester_Winchester Creek_Willows PM
 Site Code : 05718679
 Start Date : 9/18/2018
 Page No : 1

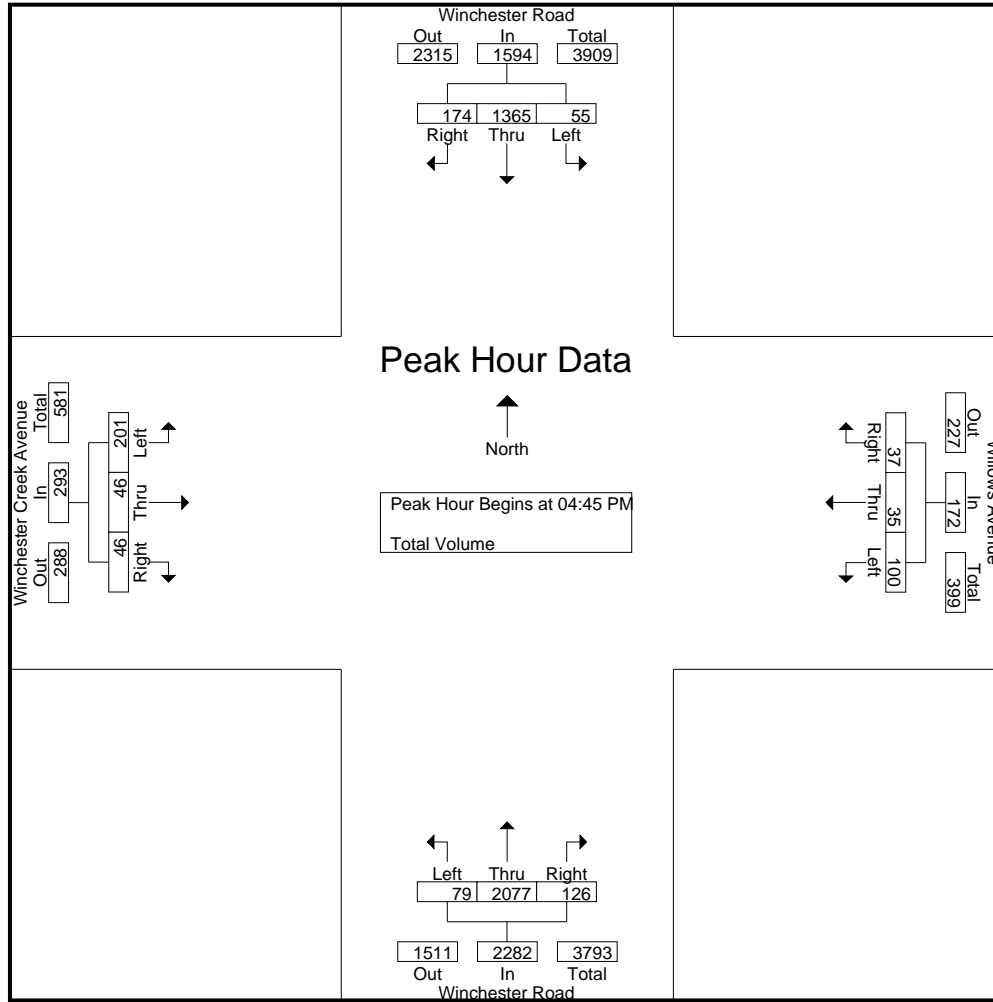
Groups Printed- Total Volume

Start Time	Winchester Road Southbound				Willows Avenue Westbound				Winchester Road Northbound				Winchester Creek Avenue Eastbound				Int. Total
	Left	Thru	Right	App. Total	Left	Thru	Right	App. Total	Left	Thru	Right	App. Total	Left	Thru	Right	App. Total	
04:00 PM	14	304	40	358	24	5	10	39	21	481	32	534	31	10	9	50	981
04:15 PM	9	338	40	387	26	14	8	48	17	526	34	577	40	7	11	58	1070
04:30 PM	14	336	38	388	21	9	9	39	17	493	30	540	35	12	10	57	1024
04:45 PM	13	311	55	379	18	16	11	45	22	540	36	598	50	9	12	71	1093
Total	50	1289	173	1512	89	44	38	171	77	2040	132	2249	156	38	42	236	4168
05:00 PM	12	359	34	405	30	4	11	45	19	503	23	545	53	11	10	74	1069
05:15 PM	10	361	47	418	26	11	7	44	16	495	33	544	46	10	10	66	1072
05:30 PM	20	334	38	392	26	4	8	38	22	539	34	595	52	16	14	82	1107
05:45 PM	16	327	43	386	20	11	13	44	24	479	41	544	33	9	11	53	1027
Total	58	1381	162	1601	102	30	39	171	81	2016	131	2228	184	46	45	275	4275
Grand Total	108	2670	335	3113	191	74	77	342	158	4056	263	4477	340	84	87	511	8443
Apprch %	3.5	85.8	10.8		55.8	21.6	22.5		3.5	90.6	5.9		66.5	16.4	17		
Total %	1.3	31.6	4	36.9	2.3	0.9	0.9	4.1	1.9	48	3.1	53	4	1	1	6.1	

Start Time	Winchester Road Southbound				Willows Avenue Westbound				Winchester Road Northbound				Winchester Creek Avenue Eastbound				Int. Total
	Left	Thru	Right	App. Total	Left	Thru	Right	App. Total	Left	Thru	Right	App. Total	Left	Thru	Right	App. Total	
Peak Hour Analysis From 04:00 PM to 05:45 PM - Peak 1 of 1																	
Peak Hour for Entire Intersection Begins at 04:45 PM																	
04:45 PM	13	311	55	379	18	16	11	45	22	540	36	598	50	9	12	71	1093
05:00 PM	12	359	34	405	30	4	11	45	19	503	23	545	53	11	10	74	1069
05:15 PM	10	361	47	418	26	11	7	44	16	495	33	544	46	10	10	66	1072
05:30 PM	20	334	38	392	26	4	8	38	22	539	34	595	52	16	14	82	1107
Total Volume	55	1365	174	1594	100	35	37	172	79	2077	126	2282	201	46	46	293	4341
% App. Total	3.5	85.6	10.9		58.1	20.3	21.5		3.5	91	5.5		68.6	15.7	15.7		
PHF	.688	.945	.791	.953	.833	.547	.841	.956	.898	.962	.875	.954	.948	.719	.821	.893	.980

City of Temecula
 N/S: Winchester Road (SR-79)
 E/W: Winchester Creek Ave/Willows Avenue
 Weather: Clear

File Name : 06_TEM_Winchester_Winchester Creek_Willows PM
 Site Code : 05718679
 Start Date : 9/18/2018
 Page No : 2



Peak Hour Analysis From 04:00 PM to 05:45 PM - Peak 1 of 1
 Peak Hour for Each Approach Begins at:

	05:00 PM				04:15 PM				04:45 PM				04:45 PM			
+0 mins.	12	359	34	405	26	14	8	48	22	540	36	598	50	9	12	71
+15 mins.	10	361	47	418	21	9	9	39	19	503	23	545	53	11	10	74
+30 mins.	20	334	38	392	18	16	11	45	16	495	33	544	46	10	10	66
+45 mins.	16	327	43	386	30	4	11	45	22	539	34	595	52	16	14	82
Total Volume	58	1381	162	1601	95	43	39	177	79	2077	126	2282	201	46	46	293
% App. Total	3.6	86.3	10.1		53.7	24.3	22		3.5	91	5.5		68.6	15.7	15.7	
PHF	.725	.956	.862	.958	.792	.672	.886	.922	.898	.962	.875	.954	.948	.719	.821	.893

City of Temecula
 N/S: Winchester Road (SR-79)
 E/W: Nicholas Road
 Weather: Clear

File Name : 07_TEM_Winchester_Nicolas AM
 Site Code : 05718679
 Start Date : 9/18/2018
 Page No : 1

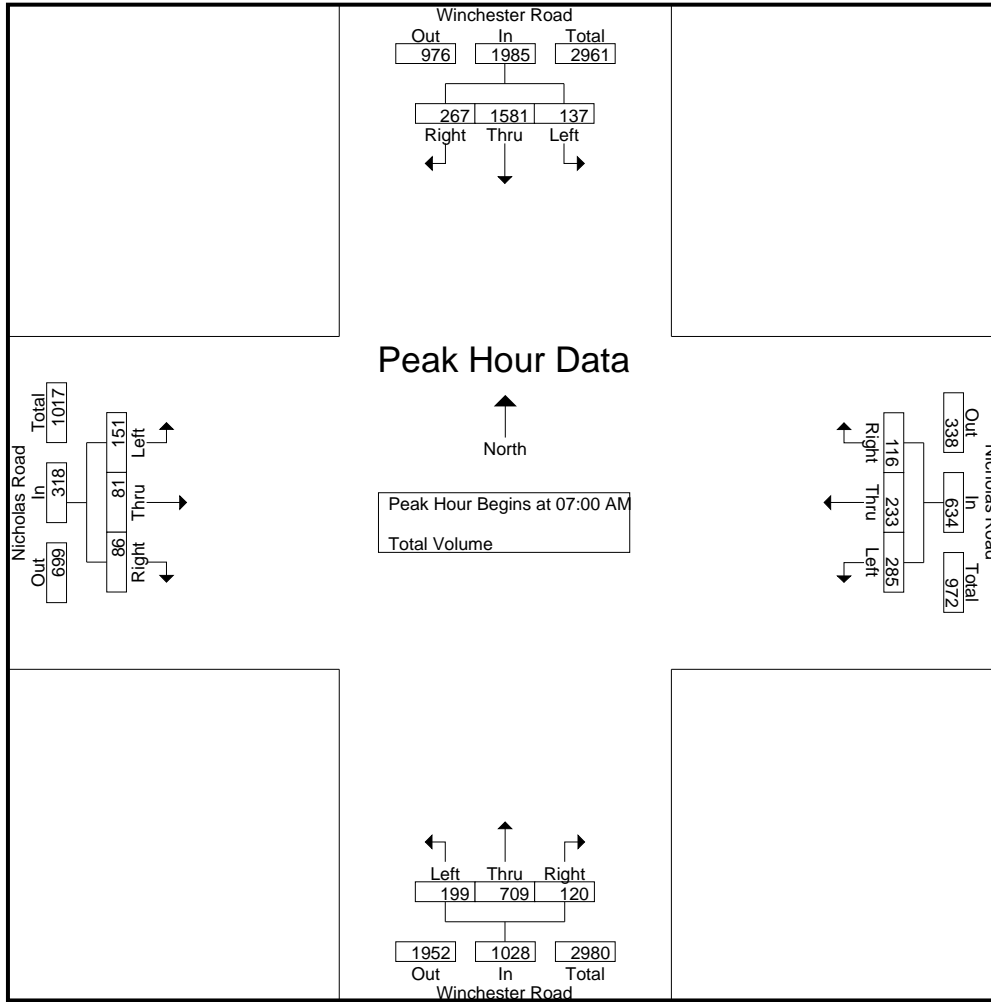
Groups Printed- Total Volume

Start Time	Winchester Road Southbound				Nicholas Road Westbound				Winchester Road Northbound				Nicholas Road Eastbound				Int. Total
	Left	Thru	Right	App. Total	Left	Thru	Right	App. Total	Left	Thru	Right	App. Total	Left	Thru	Right	App. Total	
07:00 AM	45	333	108	486	29	100	24	153	67	160	19	246	31	16	15	62	947
07:15 AM	31	331	122	484	40	105	37	182	94	197	36	327	49	27	24	100	1093
07:30 AM	30	494	24	548	110	23	29	162	25	166	33	224	46	24	26	96	1030
07:45 AM	31	423	13	467	106	5	26	137	13	186	32	231	25	14	21	60	895
Total	137	1581	267	1985	285	233	116	634	199	709	120	1028	151	81	86	318	3965
08:00 AM	49	474	17	540	96	5	30	131	14	184	61	259	8	3	6	17	947
08:15 AM	34	447	24	505	82	8	27	117	6	192	47	245	6	3	4	13	880
08:30 AM	44	431	8	483	129	4	30	163	3	193	50	246	3	4	6	13	905
08:45 AM	48	438	7	493	126	8	35	169	5	160	51	216	5	2	9	16	894
Total	175	1790	56	2021	433	25	122	580	28	729	209	966	22	12	25	59	3626
Grand Total	312	3371	323	4006	718	258	238	1214	227	1438	329	1994	173	93	111	377	7591
Apprch %	7.8	84.1	8.1		59.1	21.3	19.6		11.4	72.1	16.5		45.9	24.7	29.4		
Total %	4.1	44.4	4.3	52.8	9.5	3.4	3.1	16	3	18.9	4.3	26.3	2.3	1.2	1.5	5	

Start Time	Winchester Road Southbound				Nicholas Road Westbound				Winchester Road Northbound				Nicholas Road Eastbound				Int. Total
	Left	Thru	Right	App. Total	Left	Thru	Right	App. Total	Left	Thru	Right	App. Total	Left	Thru	Right	App. Total	
Peak Hour Analysis From 07:00 AM to 08:45 AM - Peak 1 of 1																	
Peak Hour for Entire Intersection Begins at 07:00 AM																	
07:00 AM	45	333	108	486	29	100	24	153	67	160	19	246	31	16	15	62	947
07:15 AM	31	331	122	484	40	105	37	182	94	197	36	327	49	27	24	100	1093
07:30 AM	30	494	24	548	110	23	29	162	25	166	33	224	46	24	26	96	1030
07:45 AM	31	423	13	467	106	5	26	137	13	186	32	231	25	14	21	60	895
Total Volume	137	1581	267	1985	285	233	116	634	199	709	120	1028	151	81	86	318	3965
% App. Total	6.9	79.6	13.5		45	36.8	18.3		19.4	69	11.7		47.5	25.5	27		
PHF	.761	.800	.547	.906	.648	.555	.784	.871	.529	.900	.833	.786	.770	.750	.827	.795	.907

City of Temecula
 N/S: Winchester Road (SR-79)
 E/W: Nicholas Road
 Weather: Clear

File Name : 07_TEM_Winchester_Nicolas AM
 Site Code : 05718679
 Start Date : 9/18/2018
 Page No : 2



Peak Hour Analysis From 07:00 AM to 08:45 AM - Peak 1 of 1
 Peak Hour for Each Approach Begins at:

	07:30 AM				07:00 AM				07:15 AM				07:00 AM			
+0 mins.	30	494	24	548	29	100	24	153	94	197	36	327	31	16	15	62
+15 mins.	31	423	13	467	40	105	37	182	25	166	33	224	49	27	24	100
+30 mins.	49	474	17	540	110	23	29	162	13	186	32	231	46	24	26	96
+45 mins.	34	447	24	505	106	5	26	137	14	184	61	259	25	14	21	60
Total Volume	144	1838	78	2060	285	233	116	634	146	733	162	1041	151	81	86	318
% App. Total	7	89.2	3.8		45	36.8	18.3		14	70.4	15.6		47.5	25.5	27	
PHF	.735	.930	.813	.940	.648	.555	.784	.871	.388	.930	.664	.796	.770	.750	.827	.795

City of Temecula
 N/S: Winchester Road (SR-79)
 E/W: Nicholas Road
 Weather: Clear

File Name : 07_TEM_Winchester_Nicolas PM
 Site Code : 05718679
 Start Date : 9/18/2018
 Page No : 1

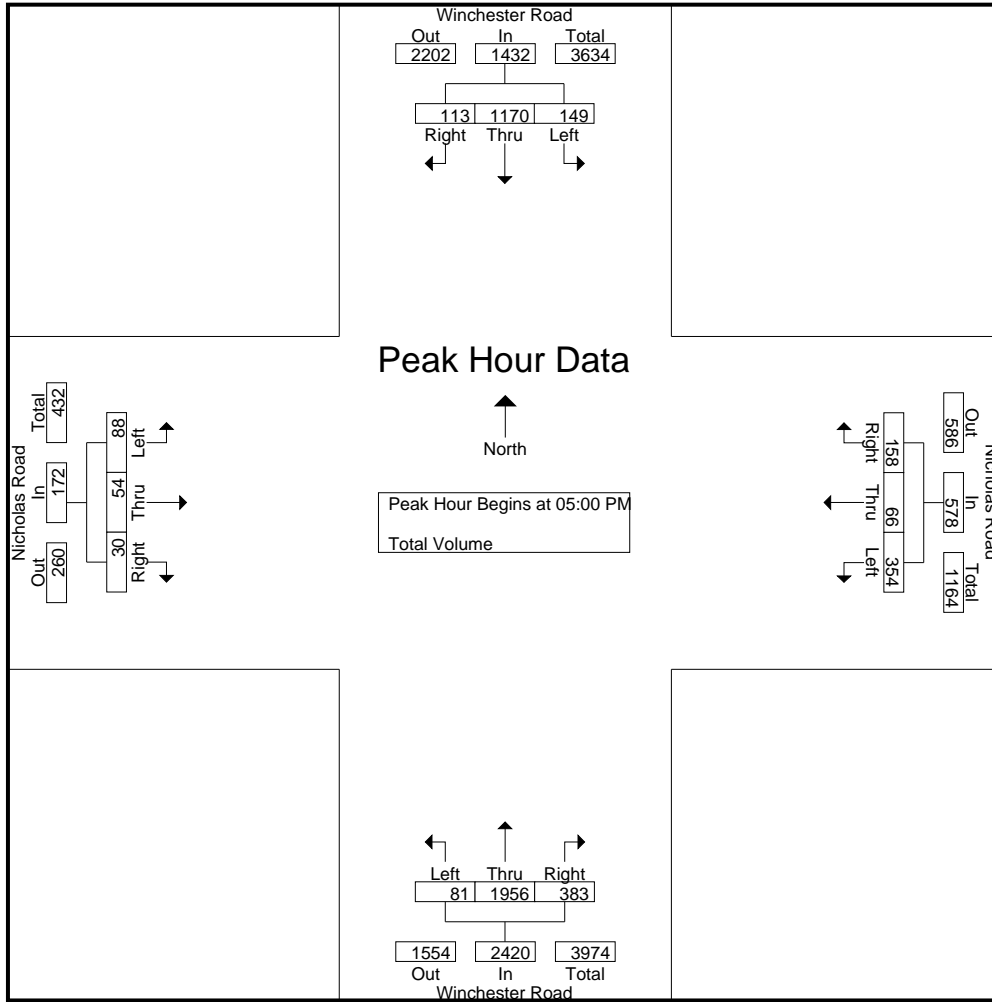
Groups Printed- Total Volume

Start Time	Winchester Road Southbound				Nicholas Road Westbound				Winchester Road Northbound				Nicholas Road Eastbound				Int. Total
	Left	Thru	Right	App. Total	Left	Thru	Right	App. Total	Left	Thru	Right	App. Total	Left	Thru	Right	App. Total	
04:00 PM	24	284	31	339	97	9	54	160	12	518	94	624	28	21	10	59	1182
04:15 PM	40	267	8	315	102	6	49	157	15	490	97	602	18	10	7	35	1109
04:30 PM	45	278	5	328	127	6	44	177	12	474	97	583	5	2	6	13	1101
04:45 PM	14	261	14	289	82	9	54	145	33	507	105	645	8	8	1	17	1096
Total	123	1090	58	1271	408	30	201	639	72	1989	393	2454	59	41	24	124	4488
05:00 PM	35	284	22	341	74	14	36	124	17	520	93	630	26	13	10	49	1144
05:15 PM	43	321	16	380	82	14	35	131	26	493	95	614	7	6	5	18	1143
05:30 PM	31	273	21	325	96	11	41	148	19	498	107	624	19	17	8	44	1141
05:45 PM	40	292	54	386	102	27	46	175	19	445	88	552	36	18	7	61	1174
Total	149	1170	113	1432	354	66	158	578	81	1956	383	2420	88	54	30	172	4602
Grand Total	272	2260	171	2703	762	96	359	1217	153	3945	776	4874	147	95	54	296	9090
Apprch %	10.1	83.6	6.3		62.6	7.9	29.5		3.1	80.9	15.9		49.7	32.1	18.2		
Total %	3	24.9	1.9	29.7	8.4	1.1	3.9	13.4	1.7	43.4	8.5	53.6	1.6	1	0.6	3.3	

Start Time	Winchester Road Southbound				Nicholas Road Westbound				Winchester Road Northbound				Nicholas Road Eastbound				Int. Total
	Left	Thru	Right	App. Total	Left	Thru	Right	App. Total	Left	Thru	Right	App. Total	Left	Thru	Right	App. Total	
Peak Hour Analysis From 04:00 PM to 05:45 PM - Peak 1 of 1																	
Peak Hour for Entire Intersection Begins at 05:00 PM																	
05:00 PM	35	284	22	341	74	14	36	124	17	520	93	630	26	13	10	49	1144
05:15 PM	43	321	16	380	82	14	35	131	26	493	95	614	7	6	5	18	1143
05:30 PM	31	273	21	325	96	11	41	148	19	498	107	624	19	17	8	44	1141
05:45 PM	40	292	54	386	102	27	46	175	19	445	88	552	36	18	7	61	1174
Total Volume	149	1170	113	1432	354	66	158	578	81	1956	383	2420	88	54	30	172	4602
% App. Total	10.4	81.7	7.9		61.2	11.4	27.3		3.3	80.8	15.8		51.2	31.4	17.4		
PHF	.866	.911	.523	.927	.868	.611	.859	.826	.779	.940	.895	.960	.611	.750	.750	.705	.980

City of Temecula
 N/S: Winchester Road (SR-79)
 E/W: Nicholas Road
 Weather: Clear

File Name : 07_TEM_Winchester_Nicolas PM
 Site Code : 05718679
 Start Date : 9/18/2018
 Page No : 2



Peak Hour Analysis From 04:00 PM to 05:45 PM - Peak 1 of 1
 Peak Hour for Each Approach Begins at:

	05:00 PM				04:00 PM				04:45 PM				05:00 PM			
+0 mins.	35	284	22	341	97	9	54	160	33	507	105	645	26	13	10	49
+15 mins.	43	321	16	380	102	6	49	157	17	520	93	630	7	6	5	18
+30 mins.	31	273	21	325	127	6	44	177	26	493	95	614	19	17	8	44
+45 mins.	40	292	54	386	82	9	54	145	19	498	107	624	36	18	7	61
Total Volume	149	1170	113	1432	408	30	201	639	95	2018	400	2513	88	54	30	172
% App. Total	10.4	81.7	7.9		63.8	4.7	31.5		3.8	80.3	15.9		51.2	31.4	17.4	
PHF	.866	.911	.523	.927	.803	.833	.931	.903	.720	.970	.935	.974	.611	.750	.750	.705

City of Temecula
 N/S: Winchester Road (SR-79)
 E/W: Margarita Road
 Weather: Clear

File Name : 08_TEM_Winchester_Margarita AM
 Site Code : 05718679
 Start Date : 9/18/2018
 Page No : 1

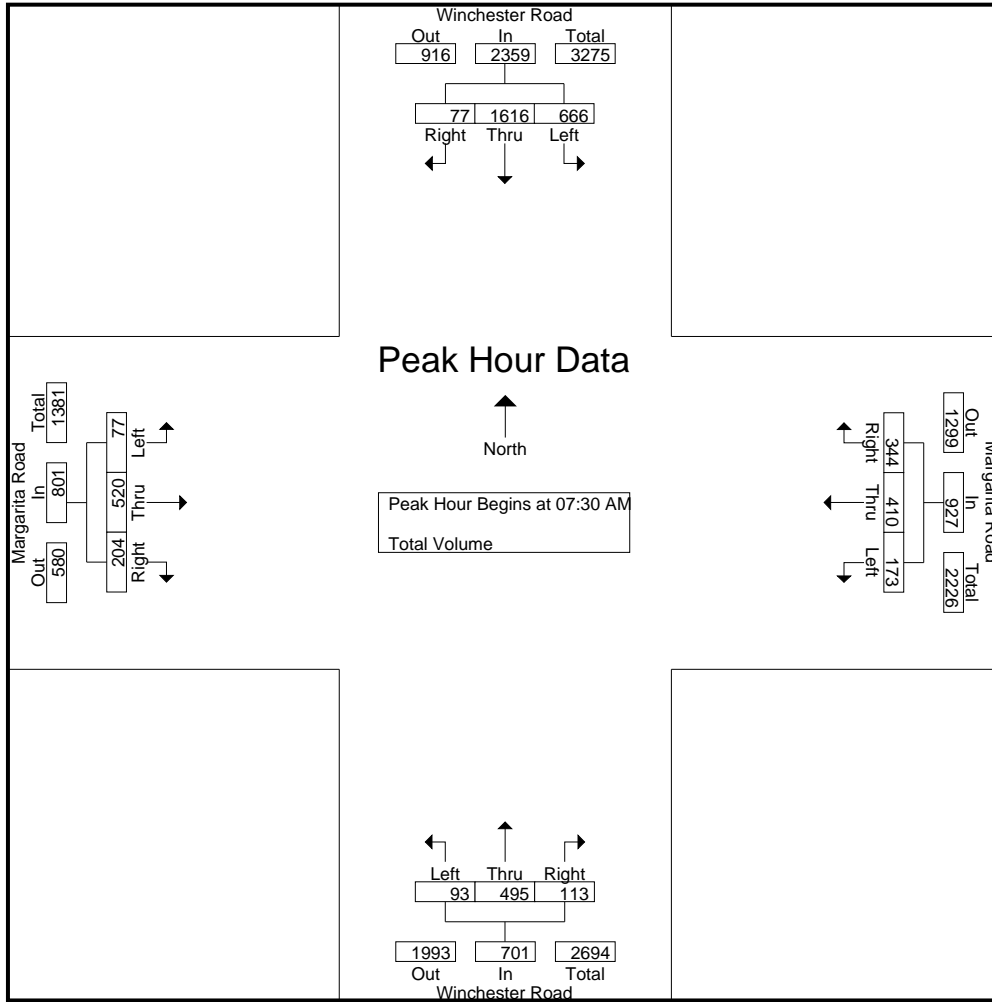
Groups Printed- Total Volume

Start Time	Winchester Road Southbound				Margarita Road Westbound				Winchester Road Northbound				Margarita Road Eastbound				Int. Total
	Left	Thru	Right	App. Total	Left	Thru	Right	App. Total	Left	Thru	Right	App. Total	Left	Thru	Right	App. Total	
07:00 AM	108	355	16	479	26	48	123	197	21	121	7	149	35	61	35	131	956
07:15 AM	125	336	29	490	36	53	98	187	17	118	19	154	31	95	48	174	1005
07:30 AM	187	472	28	687	39	68	66	173	20	105	21	146	13	135	45	193	1199
07:45 AM	187	425	9	621	48	110	81	239	26	121	29	176	19	158	61	238	1274
Total	607	1588	82	2277	149	279	368	796	84	465	76	625	98	449	189	736	4434
08:00 AM	169	377	19	565	48	136	120	304	27	133	28	188	20	130	52	202	1259
08:15 AM	123	342	21	486	38	96	77	211	20	136	35	191	25	97	46	168	1056
08:30 AM	152	405	36	593	44	66	79	189	34	157	29	220	31	98	52	181	1183
08:45 AM	136	441	30	607	33	96	79	208	23	142	38	203	29	111	76	216	1234
Total	580	1565	106	2251	163	394	355	912	104	568	130	802	105	436	226	767	4732
Grand Total	1187	3153	188	4528	312	673	723	1708	188	1033	206	1427	203	885	415	1503	9166
Apprch %	26.2	69.6	4.2		18.3	39.4	42.3		13.2	72.4	14.4		13.5	58.9	27.6		
Total %	13	34.4	2.1	49.4	3.4	7.3	7.9	18.6	2.1	11.3	2.2	15.6	2.2	9.7	4.5	16.4	

Start Time	Winchester Road Southbound				Margarita Road Westbound				Winchester Road Northbound				Margarita Road Eastbound				Int. Total
	Left	Thru	Right	App. Total	Left	Thru	Right	App. Total	Left	Thru	Right	App. Total	Left	Thru	Right	App. Total	
Peak Hour Analysis From 07:00 AM to 08:45 AM - Peak 1 of 1																	
Peak Hour for Entire Intersection Begins at 07:30 AM																	
07:30 AM	187	472	28	687	39	68	66	173	20	105	21	146	13	135	45	193	1199
07:45 AM	187	425	9	621	48	110	81	239	26	121	29	176	19	158	61	238	1274
08:00 AM	169	377	19	565	48	136	120	304	27	133	28	188	20	130	52	202	1259
08:15 AM	123	342	21	486	38	96	77	211	20	136	35	191	25	97	46	168	1056
Total Volume	666	1616	77	2359	173	410	344	927	93	495	113	701	77	520	204	801	4788
% App. Total	28.2	68.5	3.3		18.7	44.2	37.1		13.3	70.6	16.1		9.6	64.9	25.5		
PHF	.890	.856	.688	.858	.901	.754	.717	.762	.861	.910	.807	.918	.770	.823	.836	.841	.940

City of Temecula
 N/S: Winchester Road (SR-79)
 E/W: Margarita Road
 Weather: Clear

File Name : 08_TEM_Winchester_Margarita AM
 Site Code : 05718679
 Start Date : 9/18/2018
 Page No : 2



Peak Hour Analysis From 07:00 AM to 08:45 AM - Peak 1 of 1
 Peak Hour for Each Approach Begins at:

	07:15 AM				07:45 AM				08:00 AM				07:15 AM			
+0 mins.	125	336	29	490	48	110	81	239	27	133	28	188	31	95	48	174
+15 mins.	187	472	28	687	48	136	120	304	20	136	35	191	13	135	45	193
+30 mins.	187	425	9	621	38	96	77	211	34	157	29	220	19	158	61	238
+45 mins.	169	377	19	565	44	66	79	189	23	142	38	203	20	130	52	202
Total Volume	668	1610	85	2363	178	408	357	943	104	568	130	802	83	518	206	807
% App. Total	28.3	68.1	3.6		18.9	43.3	37.9		13	70.8	16.2		10.3	64.2	25.5	
PHF	.893	.853	.733	.860	.927	.750	.744	.775	.765	.904	.855	.911	.669	.820	.844	.848

City of Temecula
 N/S: Winchester Road (SR-79)
 E/W: Margarita Road
 Weather: Clear

File Name : 08_TEM_Winchester_Margarita PM
 Site Code : 05718679
 Start Date : 9/18/2018
 Page No : 1

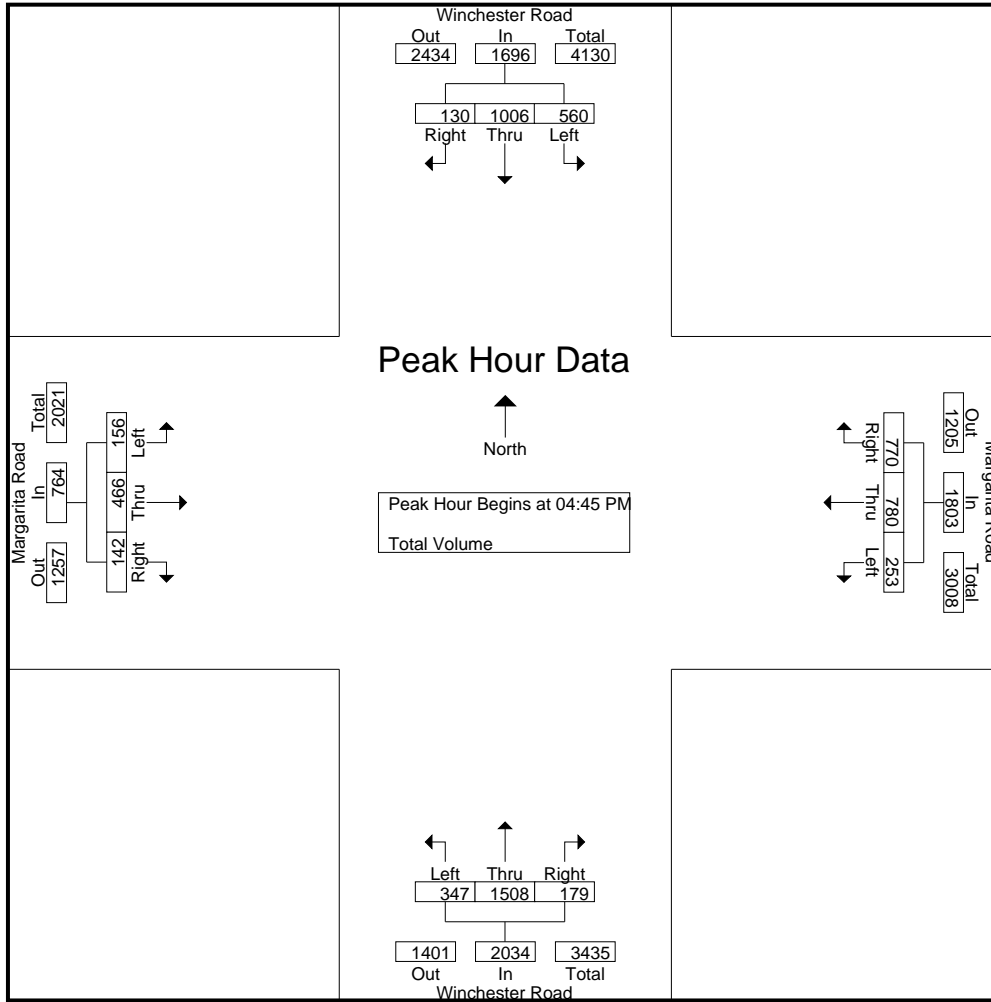
Groups Printed- Total Volume

Start Time	Winchester Road Southbound				Margarita Road Westbound				Winchester Road Northbound				Margarita Road Eastbound				Int. Total
	Left	Thru	Right	App. Total	Left	Thru	Right	App. Total	Left	Thru	Right	App. Total	Left	Thru	Right	App. Total	
04:00 PM	129	231	34	394	72	163	197	432	67	355	30	452	47	103	31	181	1459
04:15 PM	138	252	21	411	55	170	193	418	77	400	37	514	43	94	37	174	1517
04:30 PM	154	277	33	464	71	145	176	392	82	376	46	504	30	114	39	183	1543
04:45 PM	159	245	21	425	59	177	199	435	88	416	35	539	41	129	35	205	1604
Total	580	1005	109	1694	257	655	765	1677	314	1547	148	2009	161	440	142	743	6123
05:00 PM	127	240	33	400	65	185	191	441	90	379	53	522	40	115	37	192	1555
05:15 PM	139	253	46	438	64	213	195	472	86	357	46	489	35	120	27	182	1581
05:30 PM	135	268	30	433	65	205	185	455	83	356	45	484	40	102	43	185	1557
05:45 PM	165	248	34	447	52	170	175	397	97	356	44	497	25	108	38	171	1512
Total	566	1009	143	1718	246	773	746	1765	356	1448	188	1992	140	445	145	730	6205
Grand Total	1146	2014	252	3412	503	1428	1511	3442	670	2995	336	4001	301	885	287	1473	12328
Apprch %	33.6	59	7.4		14.6	41.5	43.9		16.7	74.9	8.4		20.4	60.1	19.5		
Total %	9.3	16.3	2	27.7	4.1	11.6	12.3	27.9	5.4	24.3	2.7	32.5	2.4	7.2	2.3	11.9	

Start Time	Winchester Road Southbound				Margarita Road Westbound				Winchester Road Northbound				Margarita Road Eastbound				Int. Total
	Left	Thru	Right	App. Total	Left	Thru	Right	App. Total	Left	Thru	Right	App. Total	Left	Thru	Right	App. Total	
Peak Hour Analysis From 04:00 PM to 05:45 PM - Peak 1 of 1																	
Peak Hour for Entire Intersection Begins at 04:45 PM																	
04:45 PM	159	245	21	425	59	177	199	435	88	416	35	539	41	129	35	205	1604
05:00 PM	127	240	33	400	65	185	191	441	90	379	53	522	40	115	37	192	1555
05:15 PM	139	253	46	438	64	213	195	472	86	357	46	489	35	120	27	182	1581
05:30 PM	135	268	30	433	65	205	185	455	83	356	45	484	40	102	43	185	1557
Total Volume	560	1006	130	1696	253	780	770	1803	347	1508	179	2034	156	466	142	764	6297
% App. Total	33	59.3	7.7		14	43.3	42.7		17.1	74.1	8.8		20.4	61	18.6		
PHF	.881	.938	.707	.968	.973	.915	.967	.955	.964	.906	.844	.943	.951	.903	.826	.932	.981

City of Temecula
 N/S: Winchester Road (SR-79)
 E/W: Margarita Road
 Weather: Clear

File Name : 08_TEM_Winchester_Margarita PM
 Site Code : 05718679
 Start Date : 9/18/2018
 Page No : 2



Peak Hour Analysis From 04:00 PM to 05:45 PM - Peak 1 of 1
 Peak Hour for Each Approach Begins at:

	04:30 PM				04:45 PM				04:15 PM				04:45 PM			
+0 mins.	154	277	33	464	59	177	199	435	77	400	37	514	41	129	35	205
+15 mins.	159	245	21	425	65	185	191	441	82	376	46	504	40	115	37	192
+30 mins.	127	240	33	400	64	213	195	472	88	416	35	539	35	120	27	182
+45 mins.	139	253	46	438	65	205	185	455	90	379	53	522	40	102	43	185
Total Volume	579	1015	133	1727	253	780	770	1803	337	1571	171	2079	156	466	142	764
% App. Total	33.5	58.8	7.7		14	43.3	42.7		16.2	75.6	8.2		20.4	61	18.6	
PHF	.910	.916	.723	.930	.973	.915	.967	.955	.936	.944	.807	.964	.951	.903	.826	.932

City of Temecula
 N/S: Winchester Road (SR-79)
 E/W: Ynez Road
 Weather: Clear

File Name : 09_TEM_Winchester_Ynez AM
 Site Code : 05718679
 Start Date : 9/18/2018
 Page No : 1

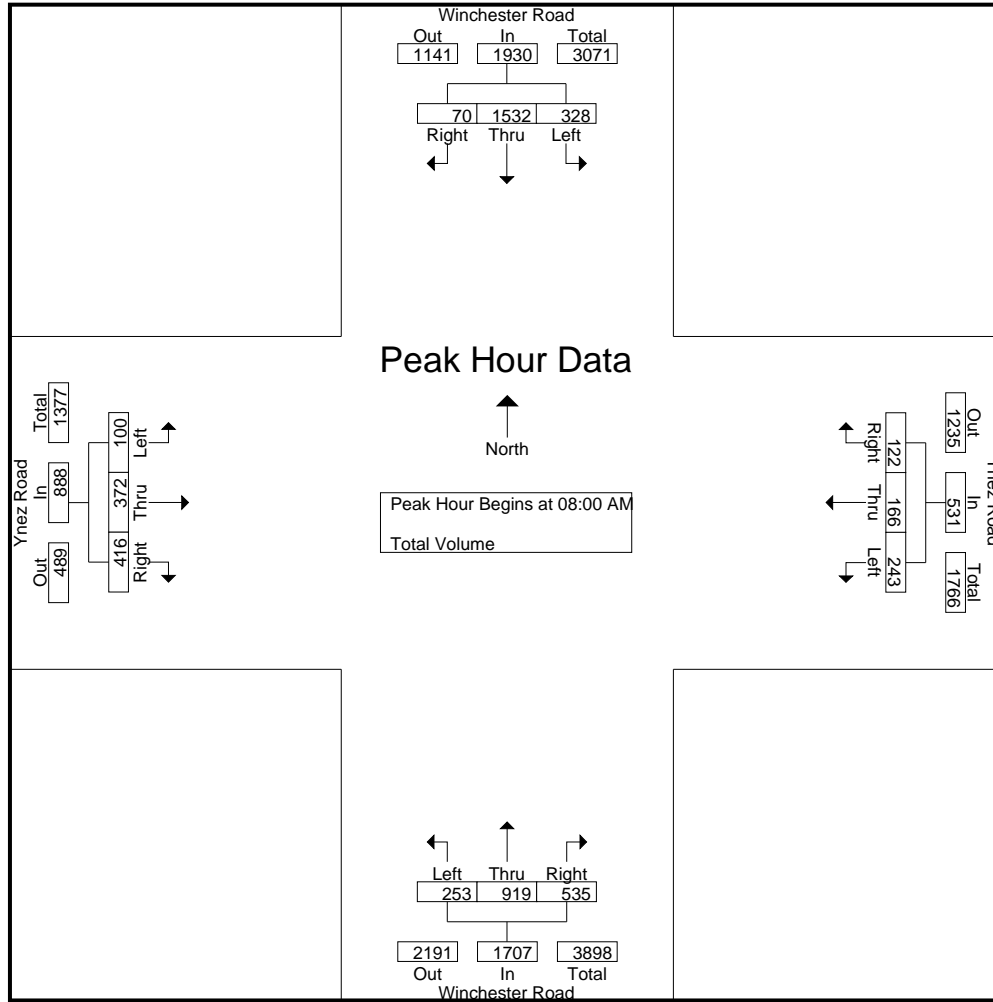
Groups Printed- Total Volume

Start Time	Winchester Road Southbound				Ynez Road Westbound				Winchester Road Northbound				Ynez Road Eastbound				Int. Total
	Left	Thru	Right	App. Total	Left	Thru	Right	App. Total	Left	Thru	Right	App. Total	Left	Thru	Right	App. Total	
07:00 AM	46	352	3	401	43	22	12	77	40	151	146	337	13	97	96	206	1021
07:15 AM	39	357	7	403	47	11	9	67	54	183	123	360	14	96	118	228	1058
07:30 AM	94	420	9	523	48	42	14	104	41	169	132	342	16	106	115	237	1206
07:45 AM	120	379	14	513	43	44	25	112	86	188	152	426	21	115	111	247	1298
Total	299	1508	33	1840	181	119	60	360	221	691	553	1465	64	414	440	918	4583
08:00 AM	81	419	21	521	40	41	31	112	61	219	111	391	27	83	93	203	1227
08:15 AM	62	352	12	426	60	42	34	136	52	195	116	363	19	108	103	230	1155
08:30 AM	83	374	14	471	67	36	38	141	75	245	154	474	24	82	122	228	1314
08:45 AM	102	387	23	512	76	47	19	142	65	260	154	479	30	99	98	227	1360
Total	328	1532	70	1930	243	166	122	531	253	919	535	1707	100	372	416	888	5056
Grand Total	627	3040	103	3770	424	285	182	891	474	1610	1088	3172	164	786	856	1806	9639
Apprch %	16.6	80.6	2.7		47.6	32	20.4		14.9	50.8	34.3		9.1	43.5	47.4		
Total %	6.5	31.5	1.1	39.1	4.4	3	1.9	9.2	4.9	16.7	11.3	32.9	1.7	8.2	8.9	18.7	

Start Time	Winchester Road Southbound				Ynez Road Westbound				Winchester Road Northbound				Ynez Road Eastbound				Int. Total
	Left	Thru	Right	App. Total	Left	Thru	Right	App. Total	Left	Thru	Right	App. Total	Left	Thru	Right	App. Total	
Peak Hour Analysis From 07:00 AM to 08:45 AM - Peak 1 of 1																	
Peak Hour for Entire Intersection Begins at 08:00 AM																	
08:00 AM	81	419	21	521	40	41	31	112	61	219	111	391	27	83	93	203	1227
08:15 AM	62	352	12	426	60	42	34	136	52	195	116	363	19	108	103	230	1155
08:30 AM	83	374	14	471	67	36	38	141	75	245	154	474	24	82	122	228	1314
08:45 AM	102	387	23	512	76	47	19	142	65	260	154	479	30	99	98	227	1360
Total Volume	328	1532	70	1930	243	166	122	531	253	919	535	1707	100	372	416	888	5056
% App. Total	17	79.4	3.6		45.8	31.3	23		14.8	53.8	31.3		11.3	41.9	46.8		
PHF	.804	.914	.761	.926	.799	.883	.803	.935	.843	.884	.869	.891	.833	.861	.852	.965	.929

City of Temecula
 N/S: Winchester Road (SR-79)
 E/W: Ynez Road
 Weather: Clear

File Name : 09_TEM_Winchester_Ynez AM
 Site Code : 05718679
 Start Date : 9/18/2018
 Page No : 2



Peak Hour Analysis From 07:00 AM to 08:45 AM - Peak 1 of 1
 Peak Hour for Each Approach Begins at:

	07:30 AM				08:00 AM				08:00 AM				07:00 AM			
+0 mins.	94	420	9	523	40	41	31	112	61	219	111	391	13	97	96	206
+15 mins.	120	379	14	513	60	42	34	136	52	195	116	363	14	96	118	228
+30 mins.	81	419	21	521	67	36	38	141	75	245	154	474	16	106	115	237
+45 mins.	62	352	12	426	76	47	19	142	65	260	154	479	21	115	111	247
Total Volume	357	1570	56	1983	243	166	122	531	253	919	535	1707	64	414	440	918
% App. Total	18	79.2	2.8		45.8	31.3	23		14.8	53.8	31.3		7	45.1	47.9	
PHF	.744	.935	.667	.948	.799	.883	.803	.935	.843	.884	.869	.891	.762	.900	.932	.929

City of Temecula
 N/S: Winchester Road (SR-79)
 E/W: Ynez Road
 Weather: Clear

File Name : 09_TEM_Winchester_Ynez PM
 Site Code : 05718679
 Start Date : 9/18/2018
 Page No : 1

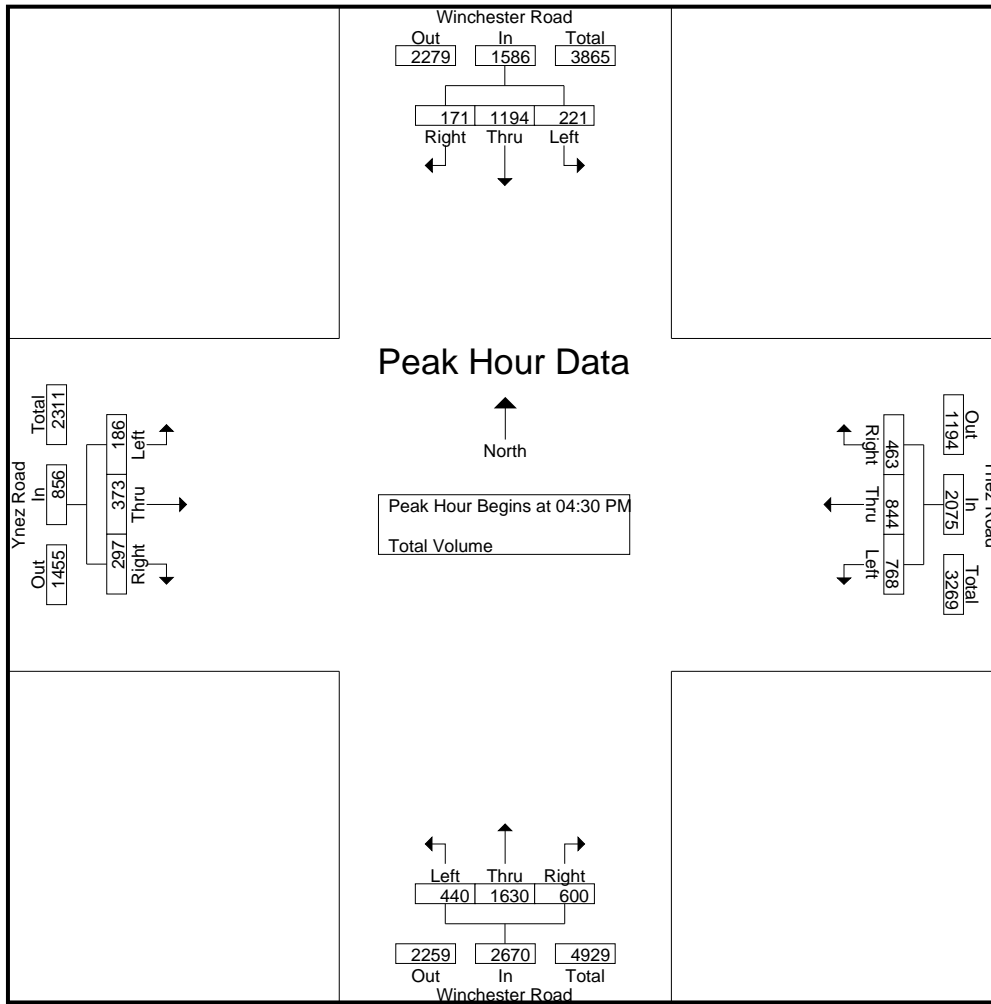
Groups Printed- Total Volume

Start Time	Winchester Road Southbound				Ynez Road Westbound				Winchester Road Northbound				Ynez Road Eastbound				Int. Total
	Left	Thru	Right	App. Total	Left	Thru	Right	App. Total	Left	Thru	Right	App. Total	Left	Thru	Right	App. Total	
04:00 PM	75	313	46	434	204	155	104	463	96	389	130	615	49	87	69	205	1717
04:15 PM	68	308	42	418	188	208	113	509	99	393	175	667	48	82	49	179	1773
04:30 PM	63	288	39	390	198	212	107	517	103	408	159	670	55	79	69	203	1780
04:45 PM	59	325	40	424	190	199	125	514	115	409	152	676	34	91	81	206	1820
Total	265	1234	167	1666	780	774	449	2003	413	1599	616	2628	186	339	268	793	7090
05:00 PM	43	302	40	385	187	206	106	499	106	399	145	650	52	102	76	230	1764
05:15 PM	56	279	52	387	193	227	125	545	116	414	144	674	45	101	71	217	1823
05:30 PM	73	295	44	412	179	202	97	478	133	407	138	678	40	102	35	177	1745
05:45 PM	59	320	40	419	177	183	106	466	110	416	169	695	42	87	33	162	1742
Total	231	1196	176	1603	736	818	434	1988	465	1636	596	2697	179	392	215	786	7074
Grand Total	496	2430	343	3269	1516	1592	883	3991	878	3235	1212	5325	365	731	483	1579	14164
Apprch %	15.2	74.3	10.5		38	39.9	22.1		16.5	60.8	22.8		23.1	46.3	30.6		
Total %	3.5	17.2	2.4	23.1	10.7	11.2	6.2	28.2	6.2	22.8	8.6	37.6	2.6	5.2	3.4	11.1	

Start Time	Winchester Road Southbound				Ynez Road Westbound				Winchester Road Northbound				Ynez Road Eastbound				Int. Total
	Left	Thru	Right	App. Total	Left	Thru	Right	App. Total	Left	Thru	Right	App. Total	Left	Thru	Right	App. Total	
Peak Hour Analysis From 04:00 PM to 05:45 PM - Peak 1 of 1																	
Peak Hour for Entire Intersection Begins at 04:30 PM																	
04:30 PM	63	288	39	390	198	212	107	517	103	408	159	670	55	79	69	203	1780
04:45 PM	59	325	40	424	190	199	125	514	115	409	152	676	34	91	81	206	1820
05:00 PM	43	302	40	385	187	206	106	499	106	399	145	650	52	102	76	230	1764
05:15 PM	56	279	52	387	193	227	125	545	116	414	144	674	45	101	71	217	1823
Total Volume	221	1194	171	1586	768	844	463	2075	440	1630	600	2670	186	373	297	856	7187
% App. Total	13.9	75.3	10.8		37	40.7	22.3		16.5	61	22.5		21.7	43.6	34.7		
PHF	.877	.918	.822	.935	.970	.930	.926	.952	.948	.984	.943	.987	.845	.914	.917	.930	.986

City of Temecula
 N/S: Winchester Road (SR-79)
 E/W: Ynez Road
 Weather: Clear

File Name : 09_TEM_Winchester_Ynez PM
 Site Code : 05718679
 Start Date : 9/18/2018
 Page No : 2



Peak Hour Analysis From 04:00 PM to 05:45 PM - Peak 1 of 1
 Peak Hour for Each Approach Begins at:

	04:00 PM				04:30 PM				05:00 PM				04:30 PM			
+0 mins.	75	313	46	434	198	212	107	517	106	399	145	650	55	79	69	203
+15 mins.	68	308	42	418	190	199	125	514	116	414	144	674	34	91	81	206
+30 mins.	63	288	39	390	187	206	106	499	133	407	138	678	52	102	76	230
+45 mins.	59	325	40	424	193	227	125	545	110	416	169	695	45	101	71	217
Total Volume	265	1234	167	1666	768	844	463	2075	465	1636	596	2697	186	373	297	856
% App. Total	15.9	74.1	10		37	40.7	22.3		17.2	60.7	22.1		21.7	43.6	34.7	
PHF	.883	.949	.908	.960	.970	.930	.926	.952	.874	.983	.882	.970	.845	.914	.917	.930