

Appendix C

Conceptual Grading Plan

CONCEPTUAL GRADING PLAN

APN: 933-020-005-6

EARTHWORK

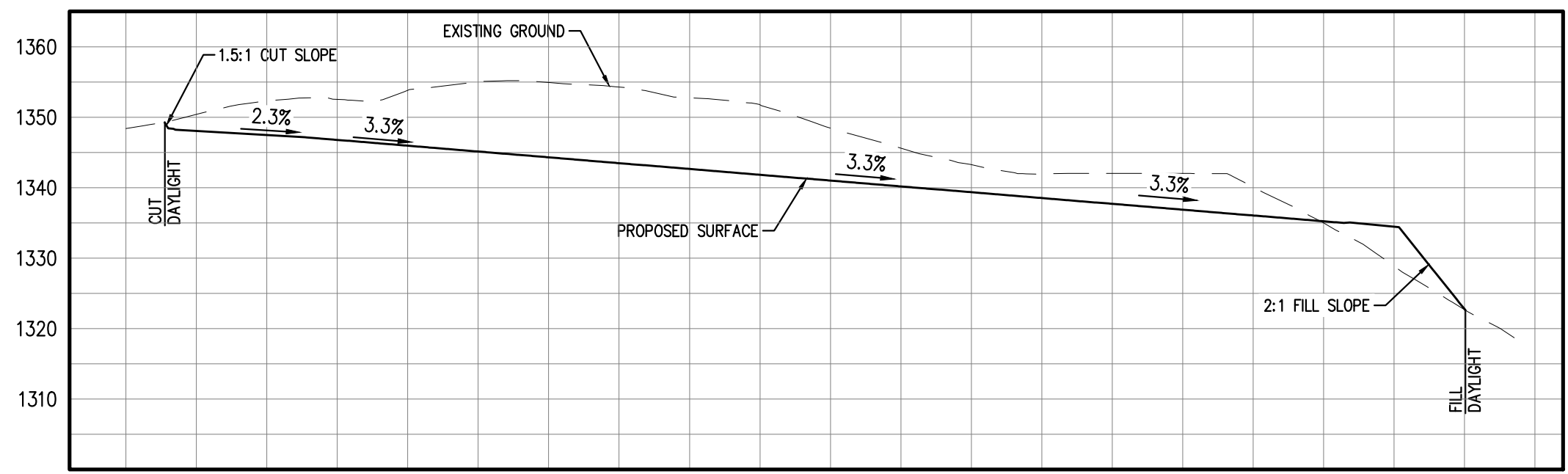
CUT: 22,761 CY
 FILL: 22,761 CY

AREA OF DISTURBANCE

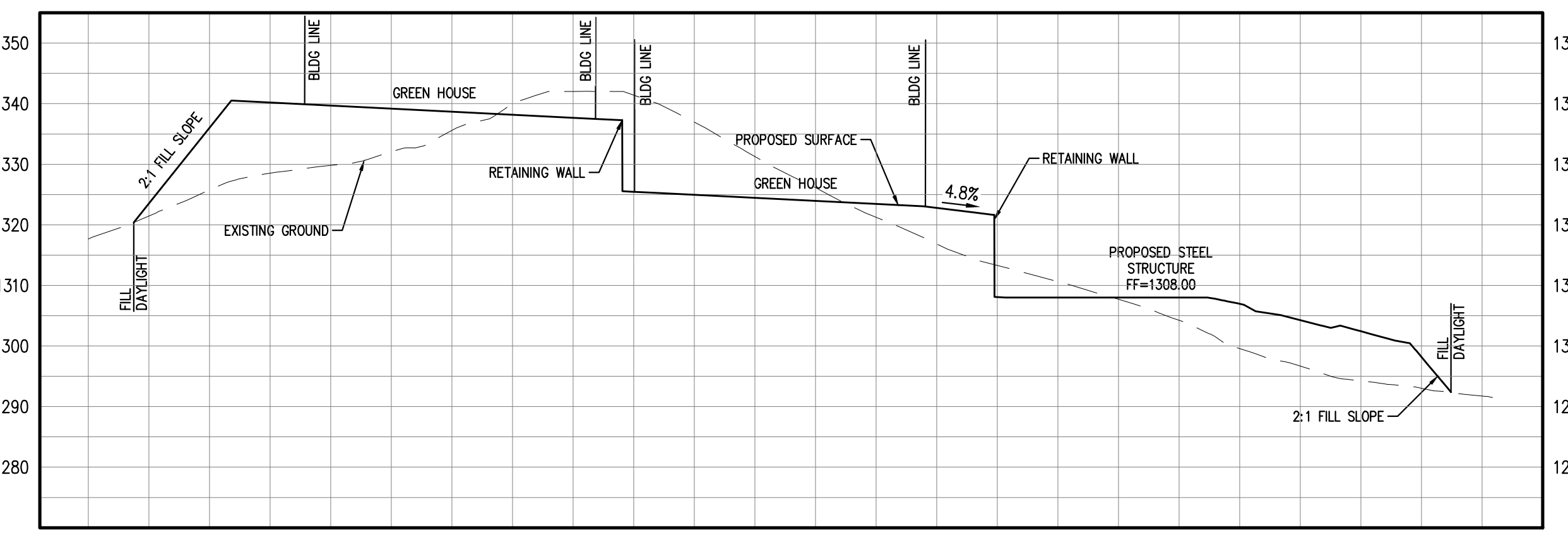
185,916 S.F. (4.27 ACRES)

DRIVEWAY LENGTH

481 LF



SECTION A-A
 HORIZONTAL SCALE: 1"=50'
 VERTICAL SCALE: 1"=20'



SECTION B-B
 HORIZONTAL SCALE: 1"=50'
 VERTICAL SCALE: 1"=20'



WORK CONTAINED WITHIN THESE PLANS SHALL NOT COMMENCE UNTIL AN ENCROACHMENT PERMIT AND/OR A GRADING PERMIT HAS BEEN ISSUED.

MARK	BY	DATE	REVISIONS	APPR.	COUNTY

SEAL-COUNTY	
SEAL-ENGINEER	

ENGINEER OF WORK
 Ventura Engineering Inland, INC
 27393 Ynez Road, Suite 159
 Temecula, CA 92591
 Phone: (951)252-7632
 wilfredo@venturaengineeringinland.com

Wilfredo Ventura
 DATE 2/12/21

WILFREDO S.D. VENTURA
 RCE 66532 EXP. 06/30/22

BENCHMARK:	
DRAWN	VEY
DESIGNED	VEY
CHECKED	WV
SCALE	AS SHOWN
JOB NUMBER	VEI 2020-200

COUNTY OF RIVERSIDE

CANNABIS CULTIVATION FACILITY

APN 933-020-005-6

CONCEPTUAL GRADING PLAN

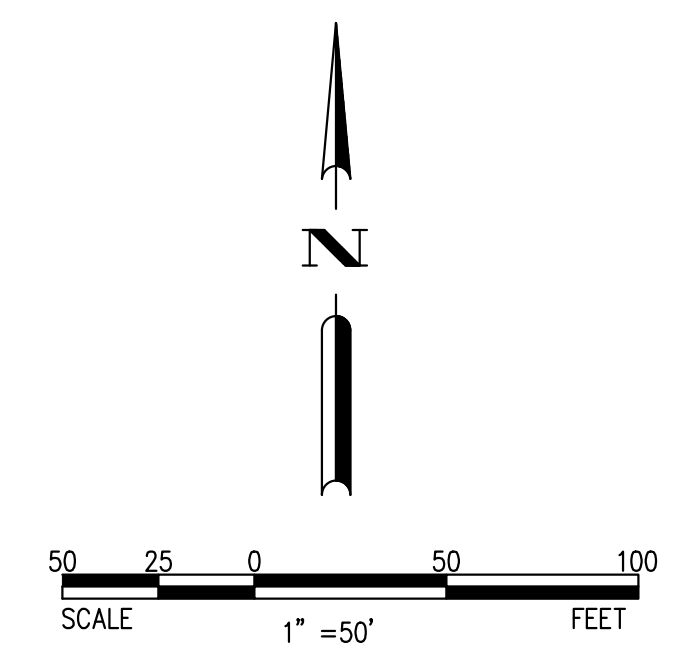
SHEET NO. 1 OF 3 SHEETS

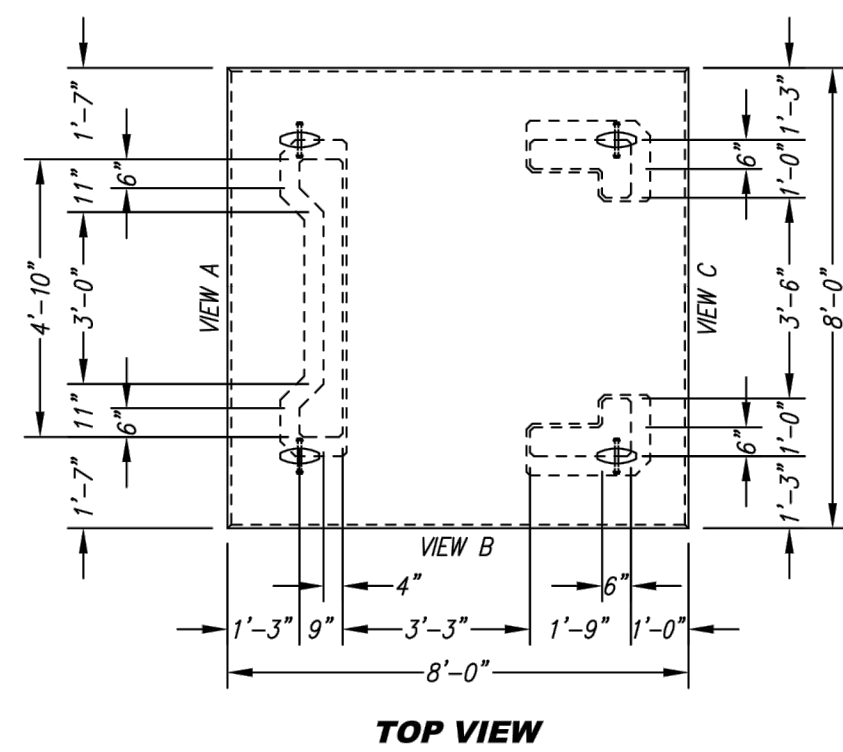
FILE NO.

FOR:

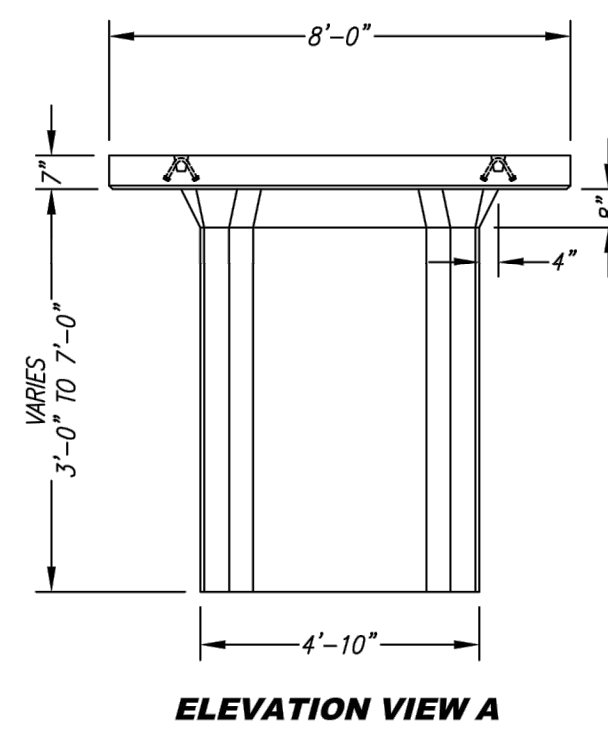
W.O.

COUNTY FILE NO.

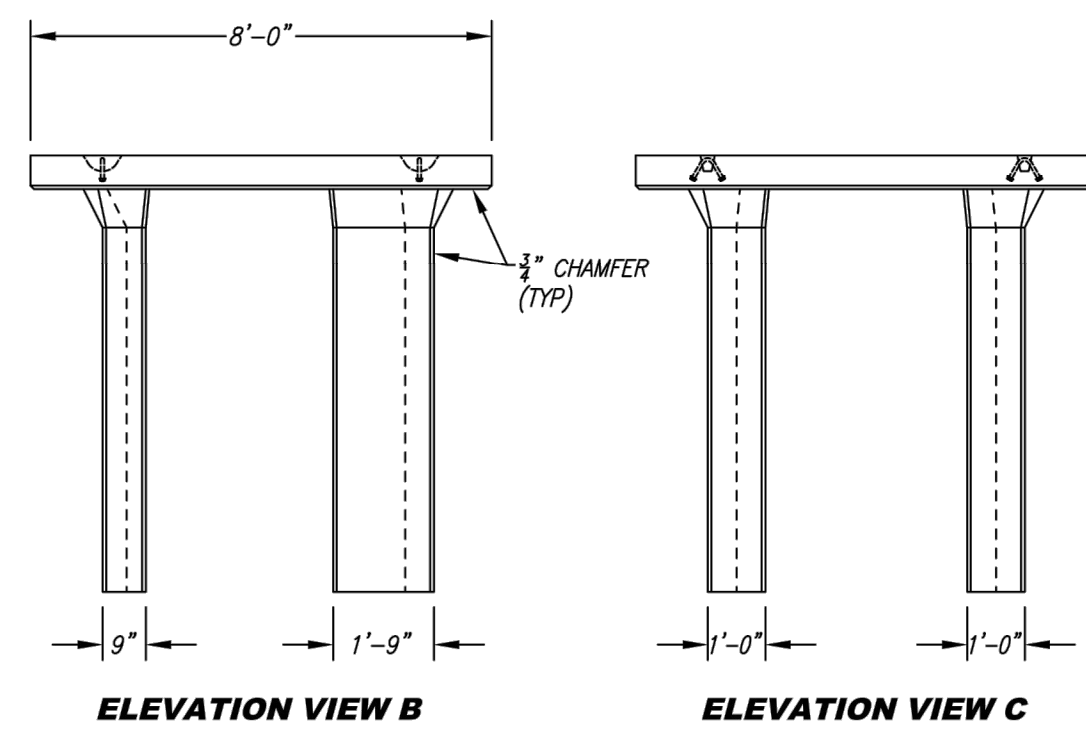




TOP VIEW

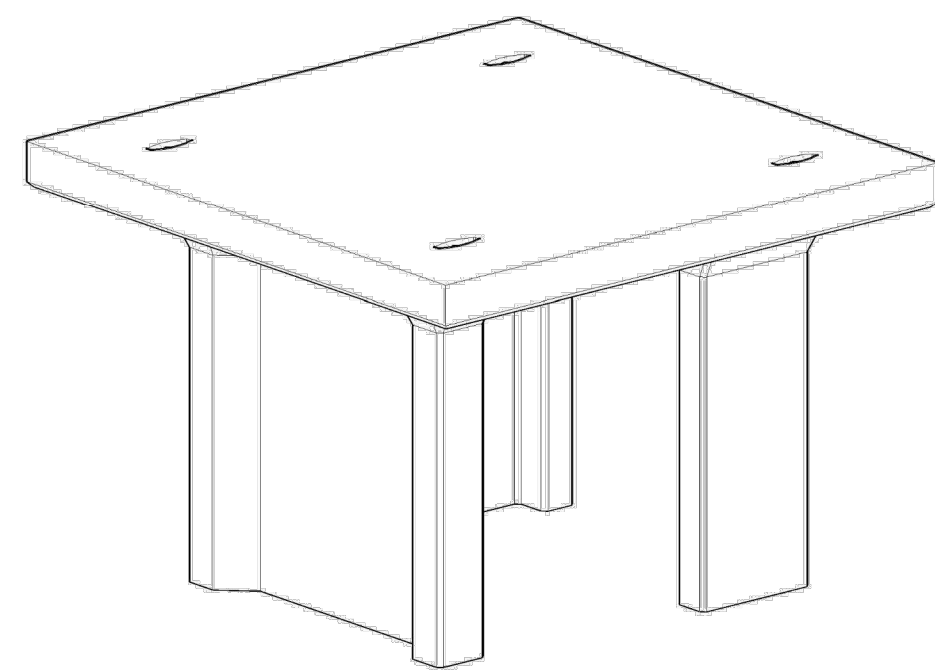


ELEVATION VIEW A

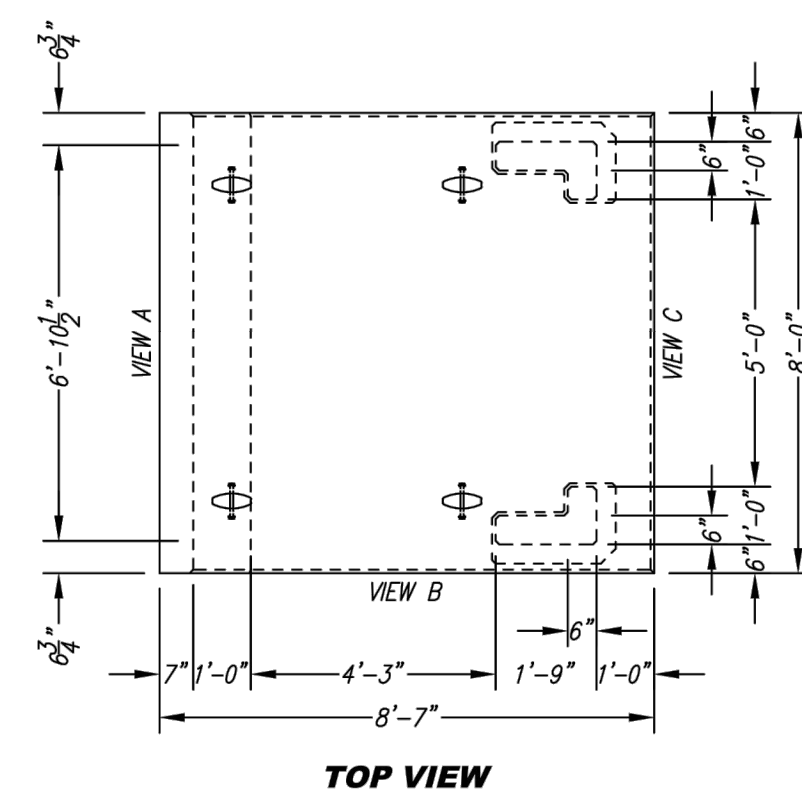


ELEVATION VIEW B

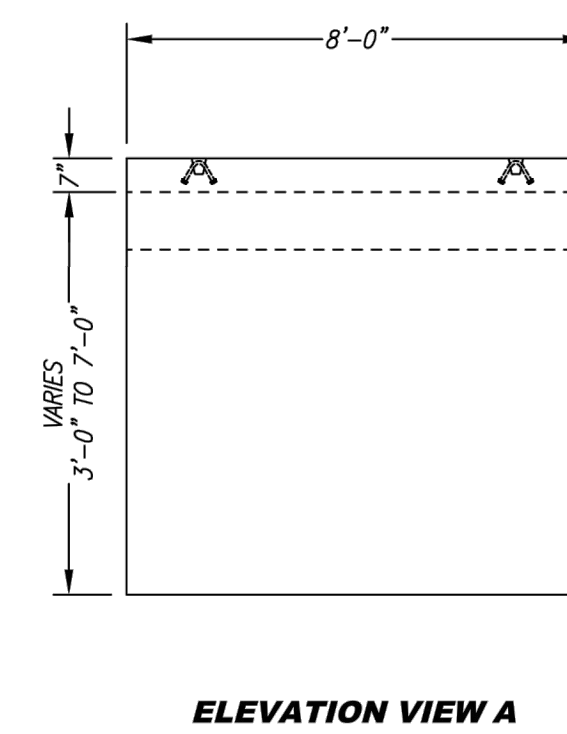
ELEVATION VIEW C



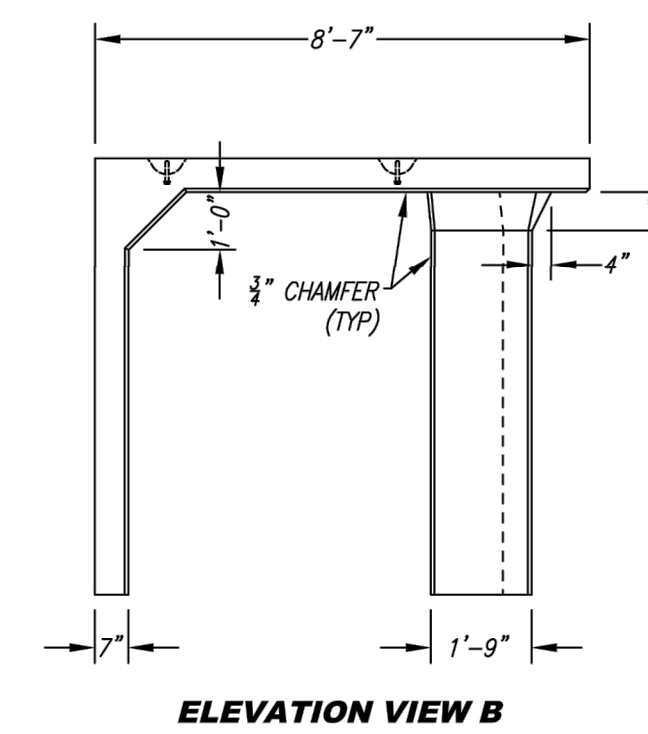
URBAN POND – SINGULAR MODULAR – INTERIOR



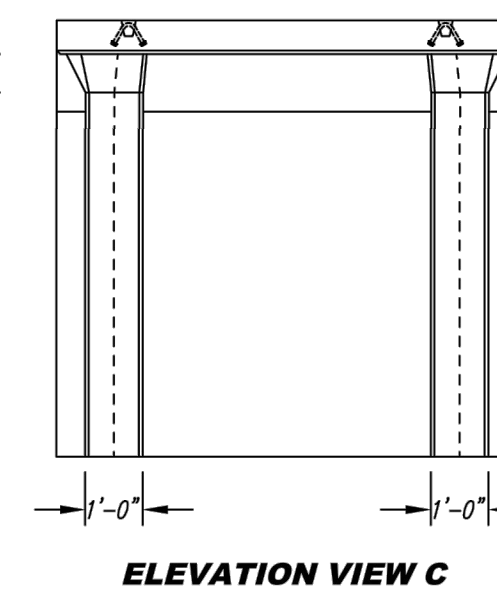
TOP VIEW



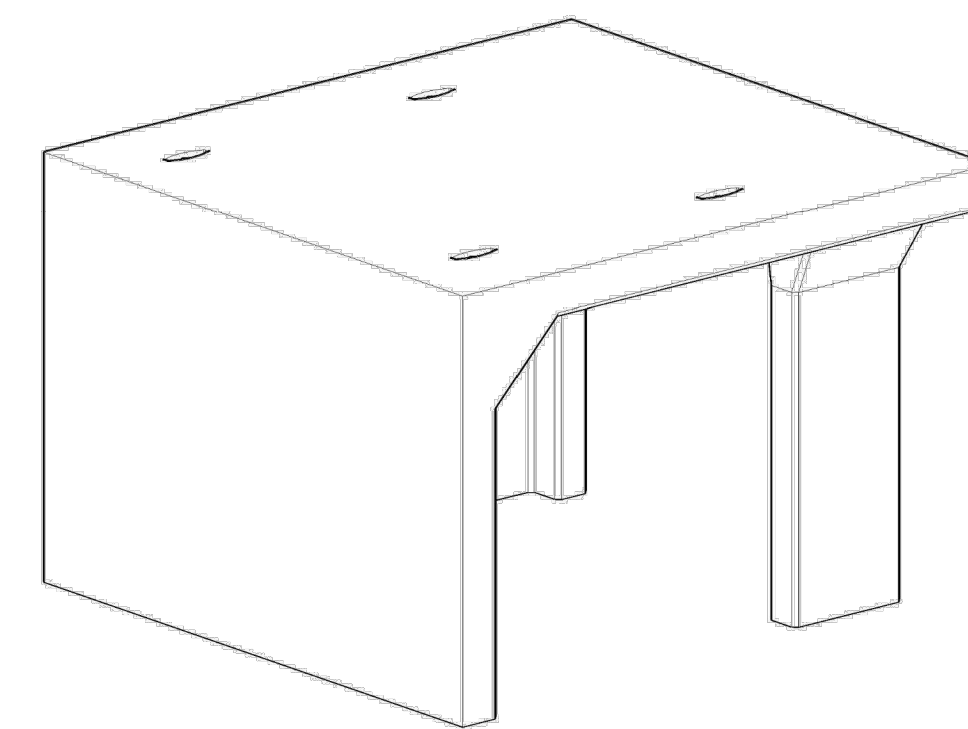
ELEVATION VIEW A



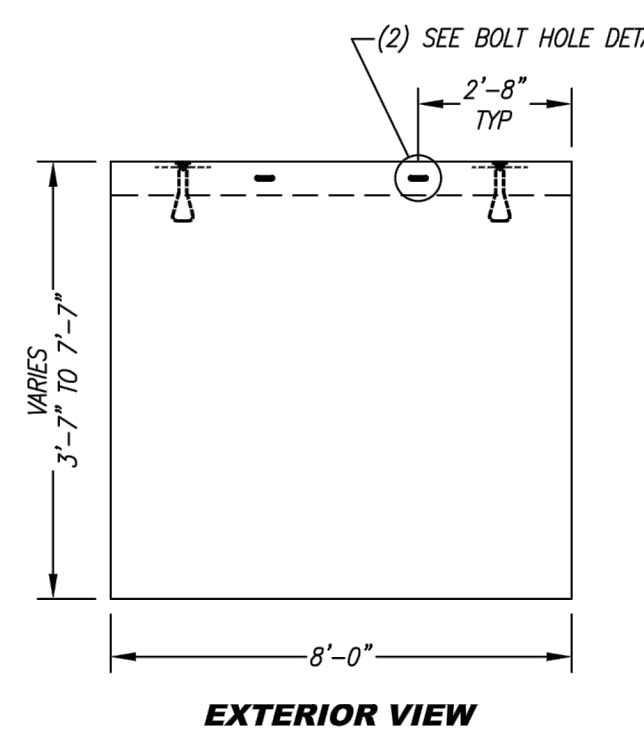
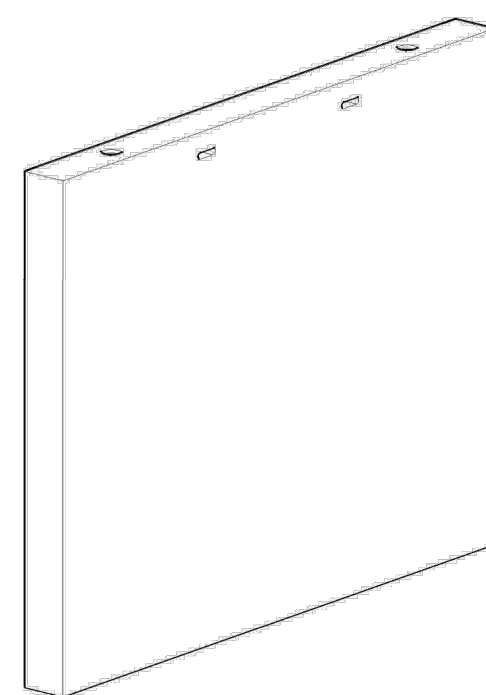
ELEVATION VIEW B



ELEVATION VIEW C

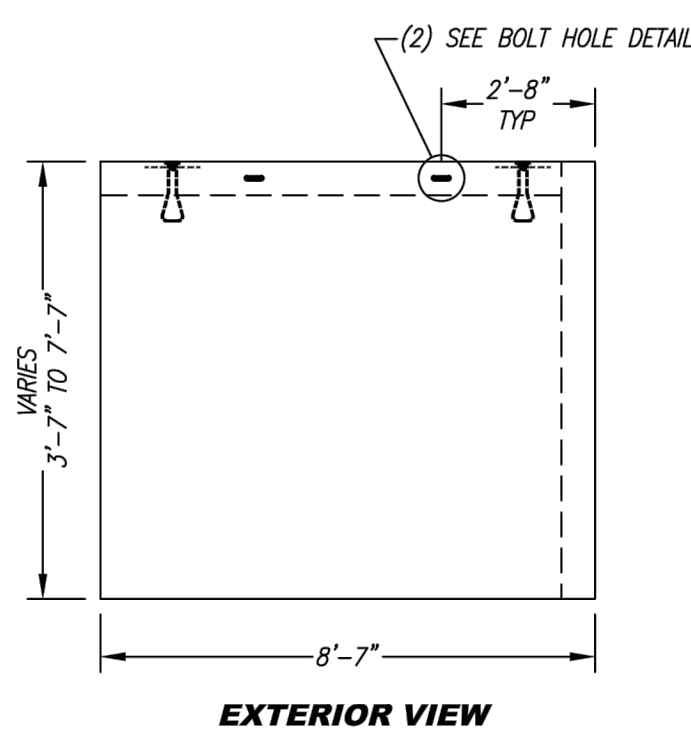


URBAN POND – SINGULAR MODULAR – PERIMETER



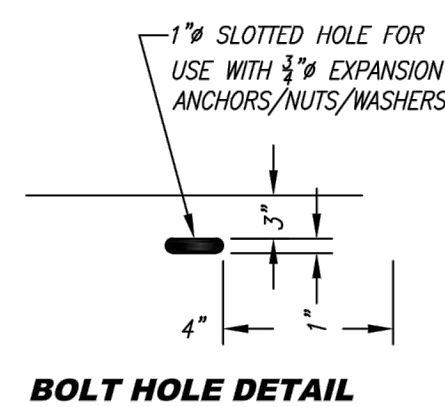
EXTERIOR VIEW

TOP VIEW



EXTERIOR VIEW

TOP VIEW



BOLT HOLE DETAIL

URBAN POND – EXTERIOR WALL PANELS

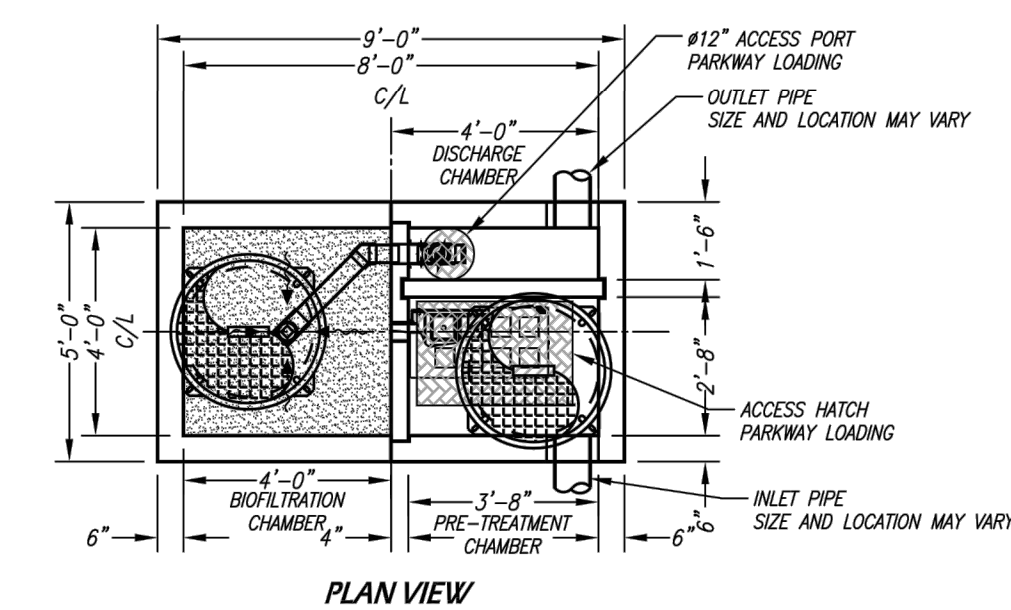
SITE SPECIFIC DATA*	
PROJECT NAME	
PROJECT LOCATION	
STRUCTURE ID	
PERFORMANCE DATA	
TREATMENT FLOW (CFS)	0.116
TREATMENT HGL (FT)	
BYPASS FLOW RATE (CFS)	DEPENDANT ON PIPE SIZE
PROJECT PARAMETERS	
PIPE DATA	I.E. MATERIAL DIAMETER
INLET PIPE 1	PVC 8"
OUTLET PIPE	-4.13 PVC 8"
RIM ELEVATION	0.0
SURFACE LOADING REQUIREMENT	PARKWAY
FRAME & COVER	PRETREATMENT BIOFILTRATION DISCHARGE 24"x36" OPEN PLANTER 12"
WETLAND MEDIA VOLUME (CY)	2.4
MEDIA DELIVERED	TBD
ORIFICE SIZE (DIA)	
MAX PICK WEIGHT (LBS)	TBD
NOTES:	
*PER ENGINEER OF RECORD	

INSTALLATION NOTES

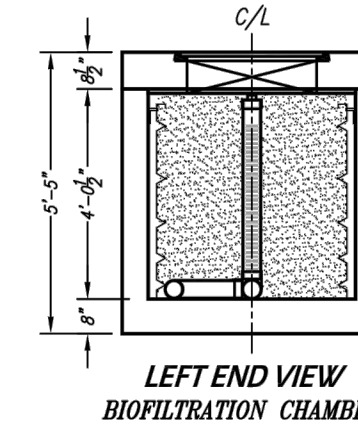
- CONTRACTOR TO PROVIDE ALL LABOR, EQUIPMENT, MATERIALS AND INCIDENTALS REQUIRED TO OFFLOAD AND INSTALL THE SYSTEM AND APPURTENANCES IN ACCORDANCE WITH THIS DRAWING AND THE MANUFACTURERS SPECIFICATIONS, UNLESS OTHERWISE STATED IN MANUFACTURERS CONTRACT.
- MANUFACTURER RECOMMENDS A MINIMUM 6" LEVEL ROCK BASE UNLESS SPECIFIED BY THE PROJECT ENGINEER. CONTRACTOR IS RESPONSIBLE TO VERIFY PROJECT ENGINEERS RECOMMENDED BASE SPECIFICATIONS.
- ALL PIPES MUST BE FLUSH WITH INSIDE SURFACE OF CONCRETE. (PIPES CANNOT INTRUDE BEYOND FLUSH).
- INVERT OF OUTFLOW PIPE MUST BE FLUSH WITH DISCHARGE CHAMBER FLOOR.
- CONTRACTOR TO SUPPLY AND INSTALL ALL EXTERNAL CONNECTING PIPES.
- ALL GAPS AROUND PIPES SHALL BE SEALED WATER TIGHT WITH A NON-SHRINK GROUT PER MANUFACTURERS STANDARD CONNECTION DETAIL AND SHALL MEET OR EXCEED REGIONAL PIPE CONNECTION STANDARDS.
- CONTRACTOR RESPONSIBLE FOR INSTALLATION OF ALL RISERS, MANHOLES, AND HATCHES. CONTRACTOR TO GROUT ALL MANHOLES AND HATCHES TO MATCH FINISHED SURFACE UNLESS SPECIFIED OTHERWISE.

GENERAL NOTES

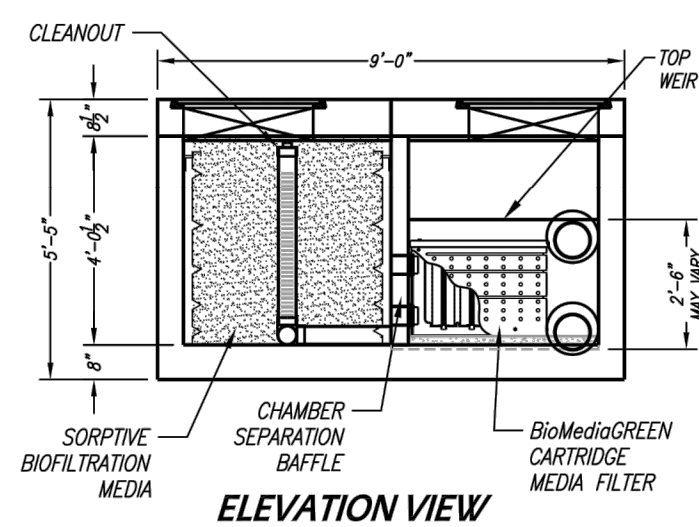
- MANUFACTURER TO PROVIDE ALL MATERIALS UNLESS OTHERWISE NOTED.
- ALL DIMENSIONS, ELEVATIONS, SPECIFICATIONS AND CAPACITIES ARE SUBJECT TO CHANGE. FOR PROJECT SPECIFIC DRAWINGS DETAILING EXACT DIMENSIONS, WEIGHTS AND ACCESSORIES PLEASE CONTACT MANUFACTURER.



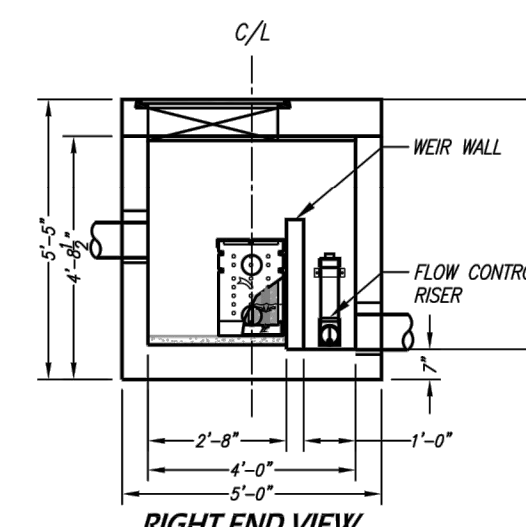
PLAN VIEW



LEFT END VIEW BIOFILTRATION CHAMBER



ELEVATION VIEW



RIGHT END VIEW PRETREATMENT/DISCHARGE CHAMBER

MWS UNIT DESIGN DATA	
TREATMENT CAPACITY (CFS)	0.115
OPERATING HEAD (FT)	3.4
PRETREATMENT LOADING RATE (GPM/SF)	2.0
WETLAND LOADING RATE (GPM/SF)	1.0

MWS-L-4-8-UG-V STORMWATER BIOFILTRATION SYSTEM STANDARD DETAIL

DIG ALERT
 DIAL TOLL FREE
 1-800-227-2600
 AT LEAST TWO DAYS BEFORE YOU DIG
 UNDERGROUND SERVICE ALERT OF SOUTHERN CALIFORNIA

MARK	BY	DATE	REVISIONS	APPR.	COUNTY

SEAL-COUNTY	SEAL-ENGINEER	ENGINEER OF WORK	BENCHMARK:	DRAWN	VEY	DESIGNED	VEY	CHECKED	WV	SCALE	AS SHOWN	JOB NUMBER	VEI 2020-200	FOR:	W.O.	COUNTY FILE NO.

WILFREDO S.D. VENTURA
 No. 66532
 Exp. 6-30-22
 CIVIL
 STATE OF CALIFORNIA

ENGINEER OF WORK
 Ventura Engineering Inland, INC
 27393 Ynez Road, Suite 159
 Temecula, CA 92591
 Phone: (951)252-7632
 wilfredo@venturaengineeringinland.com
 WILFREDO S.D. VENTURA
 RCE 66532 EXP. 06/30/22

VEI
 DATE 2/12/21

COUNTY OF RIVERSIDE
 CANNABIS CULTIVATION FACILITY
 APN 933-020-005-6
 CONCEPTUAL GRADING PLAN

SHEET NO.
 2
 OF 3 SHEETS
 FILE NO.

EROSION CONTROL NOTES

- A. IN CASE OF EMERGENCY, CALL **RAY & STACY MORAN** (RESPONSIBLE PERSON) AT (24-HOUR PHONE NUMBER).
- B. THE UNDERSIGNED CIVIL ENGINEER WILL REVIEW PLACEMENT OF EROSION CONTROL AND INSURE THAT WORK IS IN ACCORDANCE WITH THE APPROVED PLANS. WILFREDO S.D. VENTURA RCE. NO. 66532 EXP. DATE: 06-30-18
- C. A STANDBY CREW FOR EMERGENCY WORK SHALL BE AVAILABLE AT ALL TIMES DURING THE RAINY SEASON, OCTOBER 15 THROUGH APRIL 15. NECESSARY MATERIALS SHALL BE AVAILABLE ON-SITE AND STOCKPILED AT CONVENIENT LOCATIONS TO FACILITATE RAPID CONSTRUCTION OF TEMPORARY DEVICES OR TO REPAIR ANY DAMAGED EROSION CONTROL MEASURE WHEN RAIN IS IMMINENT.
- D. EROSION CONTROL DEVICES SHALL NOT BE MOVED OR MODIFIED WITHOUT THE APPROVAL OF THE COUNTY INSPECTOR/ ENGINEER.
- E. ALL REMOVABLE PROTECTIVE EROSION CONTROL DEVICES SHOWN SHALL BE IN PLACE AT THE END OF EACH WORKING DAY WHEN THE FIVE (5) DAY RAIN PROBABILITY FORECAST EXCEEDS FORTY PERCENT (40%).
- F. AFTER A RAINSTORM, ALL SILT AND DEBRIS SHALL BE REMOVED FROM CHECK BERMS AND DESILTING BASINS. ANY GRADED SLOPE SURFACE PROTECTION MEASURES DAMAGED DURING A RAINSTORM SHALL ALSO BE IMMEDIATELY REPAIRED.
- G. FILL SLOPES AT THE TRACT PERIMETER MUST DRAIN AWAY FROM THE TOP OF THE SLOPE AT THE CONCLUSION OF EACH WORKING DAY.
- H. THE CONTRACTOR SHALL BE RESPONSIBLE AND HAVE POSTED ON THE SITE TO PREVENT PUBLIC TRESPASS INTO AREAS WHERE WATER IS IMPOUNDED WHENEVER THE DEPTH EXCEEDS TWO (2) FEET OR CREATES A HAZARDOUS CONDITION.

ATTACHMENTS & BMP'S

THE FOLLOWING BMP'S AS OUTLINED IN, BUT NOT LIMITED TO, THE CALIFORNIA STORMWATER BEST MANAGEMENT PRACTICES HANDBOOK, JANUARY 2003, OR THE LATEST REVISED EDITION, MAY APPLY DURING THE CONSTRUCTION OF THIS PROJECT (ADDITIONAL MEASURES MAY BE REQUIRED IF DEEMED APPROPRIATE BY THE PROJECT ENGINEER OR BUILDING OFFICIAL)

- ### EROSION CONTROL
- EC1- SCHEDULING
 - EC2- PRESERVATION OF EXISTING VEGETATION
 - EC4- HYDROSEEDING
 - EC5- SOIL BINDERS
 - EC9- DRAINAGE SWALES
 - EC10- STORM DRAIN INLET PROTECTION

- ### WIND EROSION CONTROL
- WE1- WIND EROSION CONTROL

- ### TEMPORARY SEDIMENT CONTROL

- SE1- SILT FENCE
- SE5- FIBER ROLL
- SE6- GRAVEL BAG BERM
- SE7- STREET SWEEPING AND VACUUMING
- SE10- STORM DRAIN INLET PROTECTION

- ### EQUIPMENT TRACKING CONTROL
- TC1- STABILIZED CONSTRUCTION ENTRANCE EXIT

NON-STORMWATER MANAGEMENT

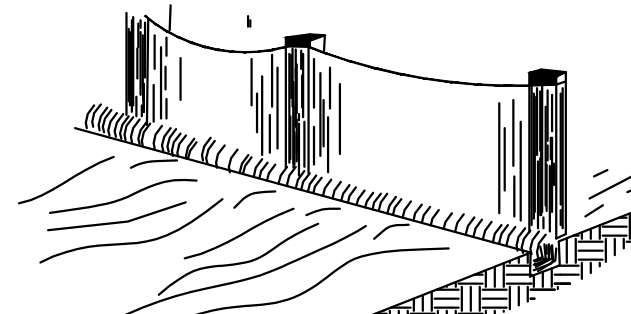
- NS1- WATER CONSERVATION PRACTICES
- NS6- ILLICIT CONNECTION
- NS8- VEHICLE AND EQUIPMENT CLEANING
- NS10- VEHICLE AND EQUIPMENT MAINTENANCE

WASTE MANAGEMENT & MATERIAL POLLUTION CONTROL

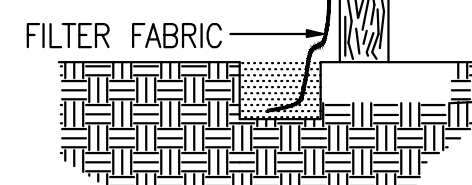
- WM1- MATERIAL DELIVERY AND STORAGE
- WM2- MATERIAL USE/DISCHARGE
- WM3- STOCKPILE MANAGEMENT
- WM4- SPILL PREVENTION AND CONTROL
- WM5- SOLID WASTE MANAGEMENT
- WM7- CONTAMINATION SOIL MANAGEMENT
- WM8- CONCRETE WASTE MANAGEMENT
- WM9- SANITARY

CONSTRUCTION NOTES

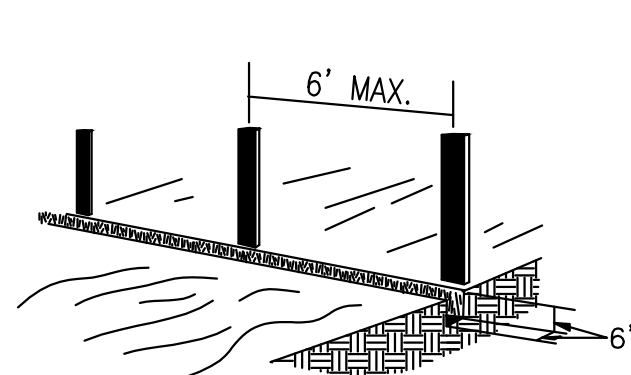
- DESCRIPTION**
- 1 STABILIZED CONSTRUCTION ENTRANCE PER DETAIL HEREON TC-1, TC-3
 - 2 SILT FENCE PER DETAIL HEREON SE-1
 - 3 CHECK DAM PER DETAIL HEREON SE-6



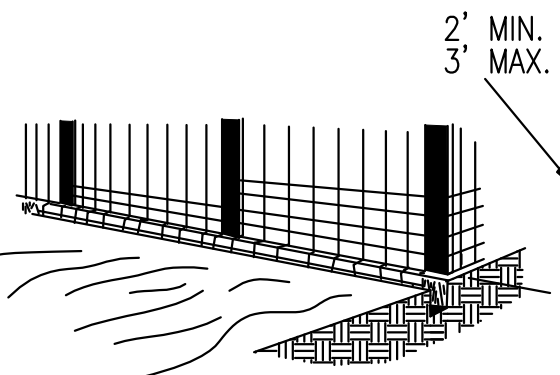
1. SET POSTS AND EXCAVATE A 6 INCH BY 6 INCH TRENCH UPSLOPE FROM AND ALONG THE LINE OF POSTS.



2. STAPLE THE FILTER FABRIC TO THE FENCE.



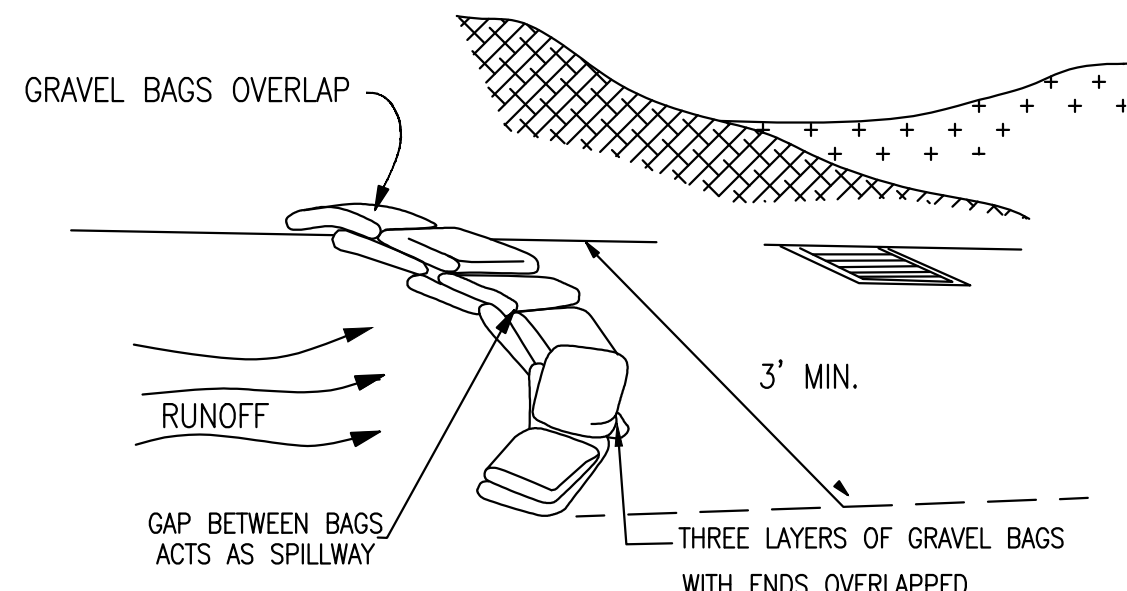
3. EXTEND THE FILTER FABRIC INTO THE 6" x 6" TRENCH.



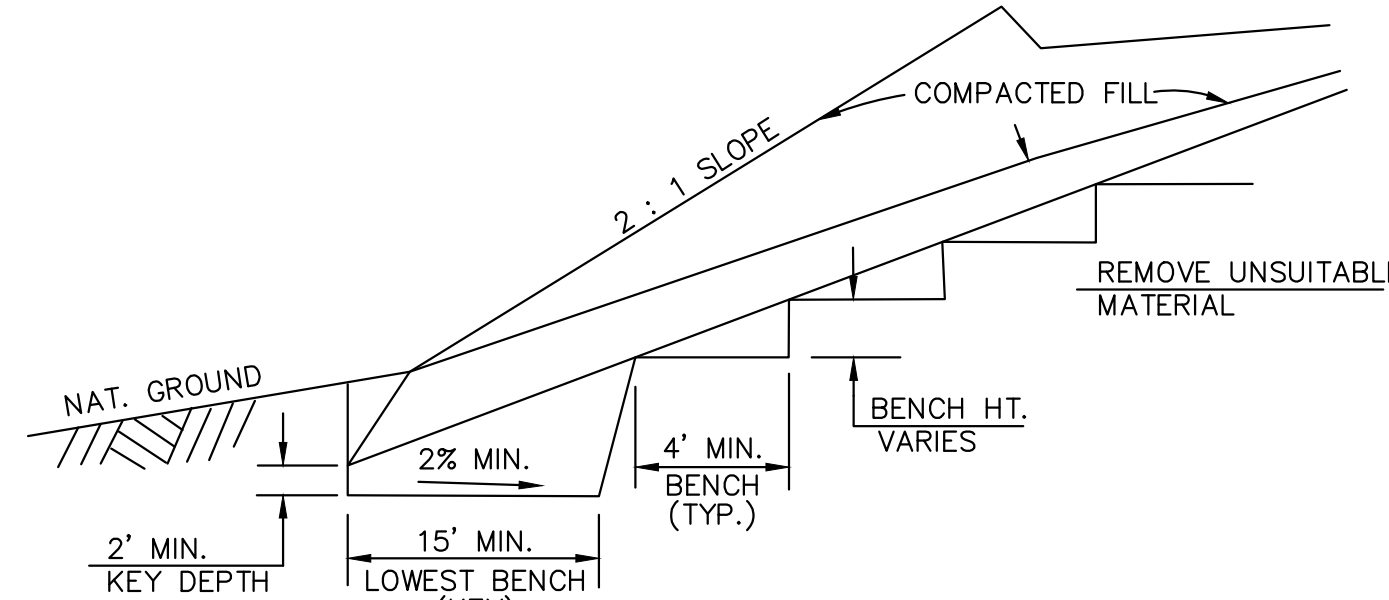
4. BACKFILL AND COMPACT THE EXCAVATED SOIL.

2 SILT FENCE DETAIL
NO SCALE

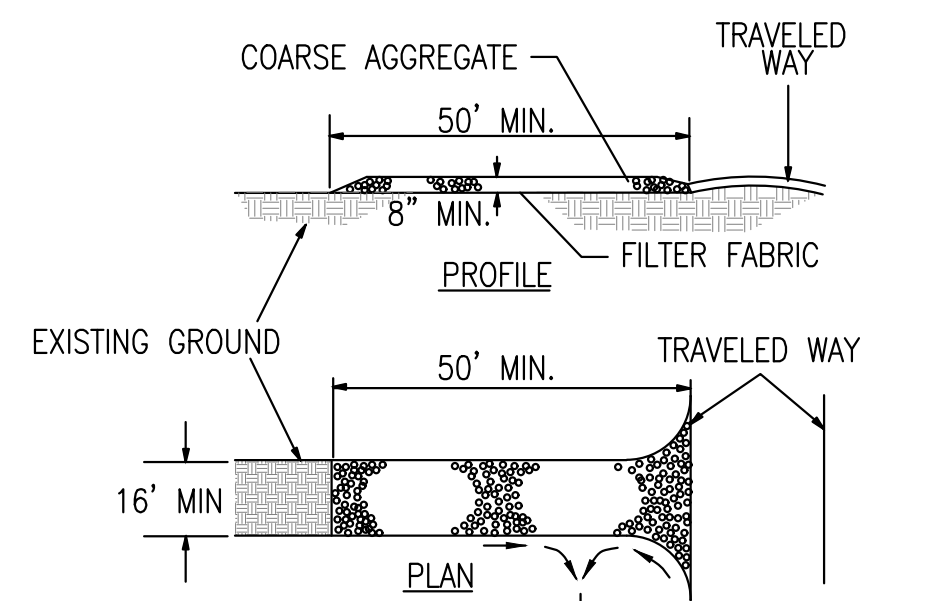
THE SILT FENCE SHOULD BE SUPPORTED BY A WIRE MESH IF THE FILTER FABRIC DOES NOT HAVE SUFFICIENT STRENGTH AND BURSTING STRENGTH CHARACTERISTICS (AS RECOMMENDED BY THE FABRIC MANUFACTURER)



3 GRAVEL BAGS
NO SCALE



FILL OVER NATURAL SLOPE DETAIL
NOTE: DETAIL PER CBC 2016 APPENDIX 'J' FIGURE J107.3



1 STABILIZED CONSTRUCTION ENTRANCE AND CONSTRUCTION ROADWAY
NO SCALE

NOTE: CONSTRUCT SEDIMENT BARRIER AND CHANNELIZE RUNOFF TO SEDIMENT TRAPPING DEVICE

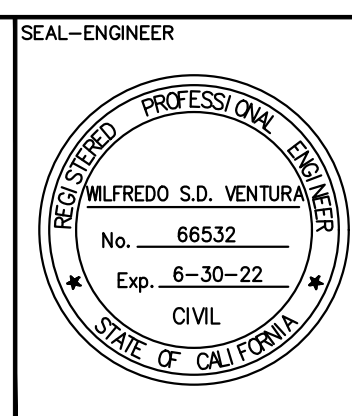


WORK CONTAINED WITHIN THESE PLANS SHALL NOT COMMENCE UNTIL AN ENCROACHMENT PERMIT AND/OR A GRADING PERMIT HAS BEEN ISSUED.

MARK	BY	DATE	REVISIONS	APPR.	COUNTY

SEAL-COUNTY

SEAL-ENGINEER



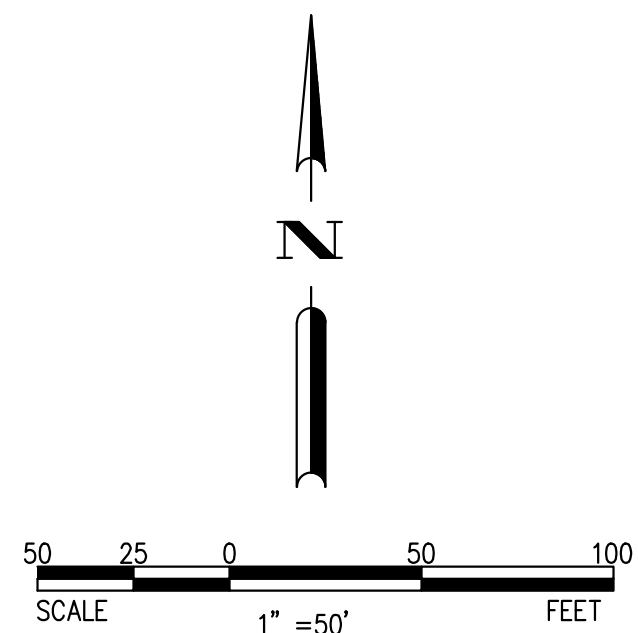
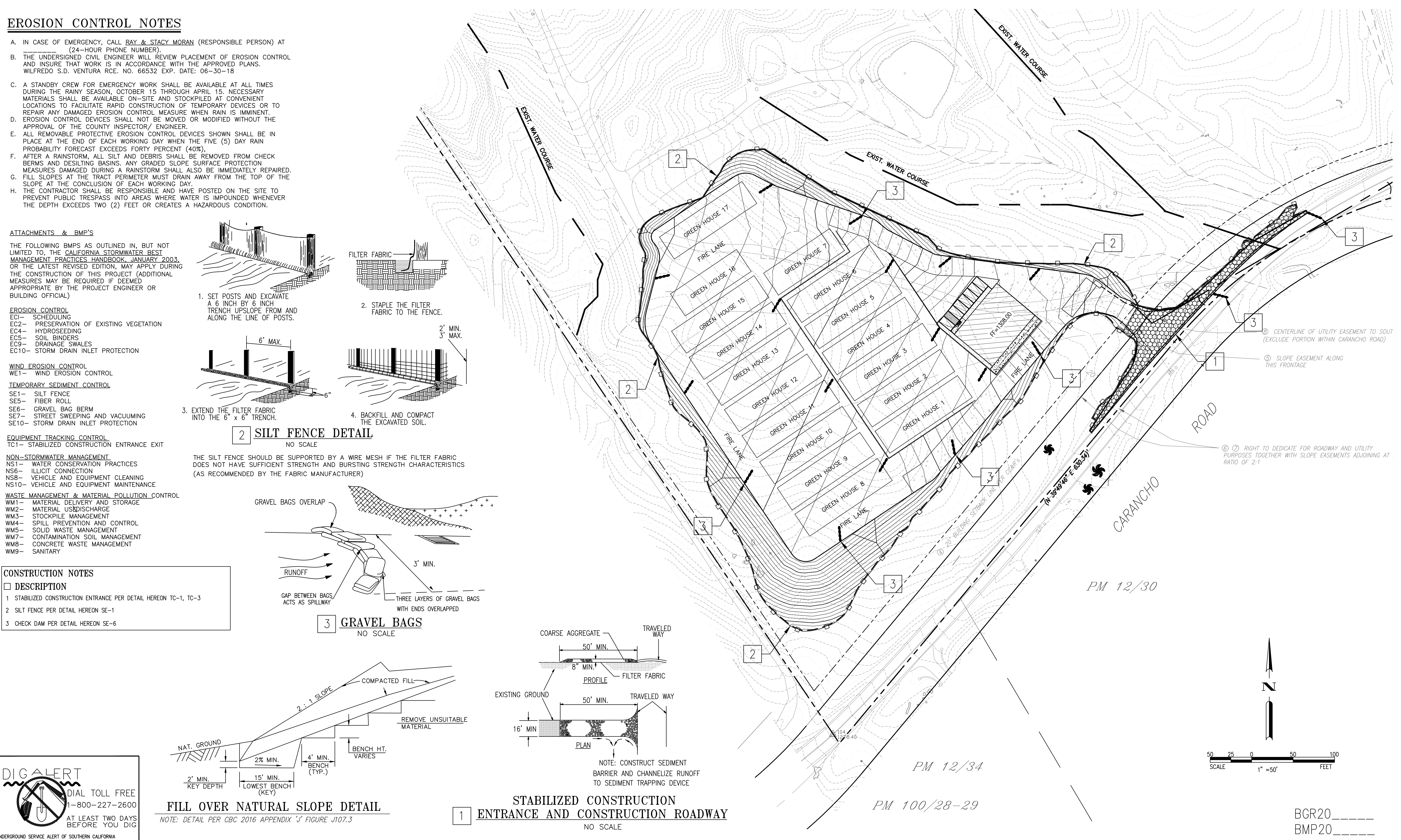
ENGINEER OF WORK
Ventura Engineering Inland, INC
27393 Ynez Road, Suite 159
Temecula, CA 92591
Phone: (951)252-7632
wilfredo@venturaengineeringinland.com
Wilfredo Ventura
DATE 2/12/21
WILFREDO S.D. VENTURA
RCE 66532 EXP. 06/30/22

BENCHMARK:

DRAWN VEY
DESIGNED VEY
CHECKED WV
SCALE AS SHOWN
JOB NUMBER VEI 2020-200

COUNTY OF RIVERSIDE
CANNABIS CULTIVATION FACILITY
APN 933-020-005-6
SITE EROSION AND CONTROL PLAN

SHEET NO. 3
OF 3 SHEETS
FILE NO.



BGR20
BMP20