

City of Long Beach
 N/S: Long Beach Boulevard
 E/W: East San Antonio Drive
 Weather: Clear

File Name : 02_LBC_LB_E San AM
 Site Code : 00321641
 Start Date : 11/4/2021
 Page No : 1

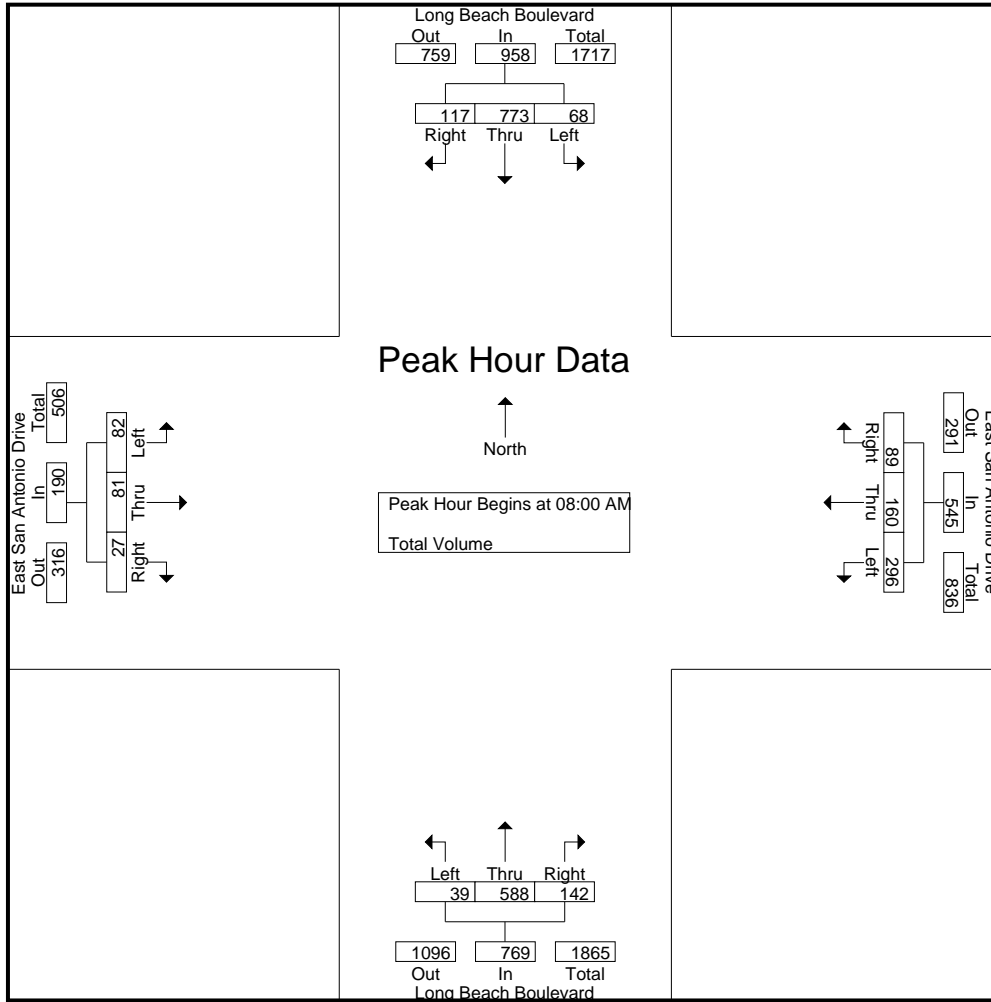
Groups Printed- Total Volume

Start Time	Long Beach Boulevard Southbound				East San Antonio Drive Westbound				Long Beach Boulevard Northbound				East San Antonio Drive Eastbound				Int. Total
	Left	Thru	Right	App. Total	Left	Thru	Right	App. Total	Left	Thru	Right	App. Total	Left	Thru	Right	App. Total	
07:00 AM	7	161	5	173	48	10	16	74	3	85	20	108	7	11	3	21	376
07:15 AM	6	162	15	183	93	12	14	119	5	102	30	137	5	11	4	20	459
07:30 AM	12	199	8	219	76	16	26	118	7	141	41	189	4	13	5	22	548
07:45 AM	11	189	9	209	96	23	21	140	11	124	39	174	14	21	14	49	572
Total	36	711	37	784	313	61	77	451	26	452	130	608	30	56	26	112	1955
08:00 AM	15	165	12	192	86	30	28	144	8	186	36	230	15	12	8	35	601
08:15 AM	15	202	22	239	84	28	25	137	11	148	31	190	15	15	4	34	600
08:30 AM	20	213	35	268	53	49	17	119	3	141	43	187	22	23	7	52	626
08:45 AM	18	193	48	259	73	53	19	145	17	113	32	162	30	31	8	69	635
Total	68	773	117	958	296	160	89	545	39	588	142	769	82	81	27	190	2462
Grand Total	104	1484	154	1742	609	221	166	996	65	1040	272	1377	112	137	53	302	4417
Apprch %	6	85.2	8.8		61.1	22.2	16.7		4.7	75.5	19.8		37.1	45.4	17.5		
Total %	2.4	33.6	3.5	39.4	13.8	5	3.8	22.5	1.5	23.5	6.2	31.2	2.5	3.1	1.2	6.8	

Start Time	Long Beach Boulevard Southbound				East San Antonio Drive Westbound				Long Beach Boulevard Northbound				East San Antonio Drive Eastbound				Int. Total
	Left	Thru	Right	App. Total	Left	Thru	Right	App. Total	Left	Thru	Right	App. Total	Left	Thru	Right	App. Total	
Peak Hour Analysis From 07:00 AM to 08:45 AM - Peak 1 of 1																	
Peak Hour for Entire Intersection Begins at 08:00 AM																	
08:00 AM	15	165	12	192	86	30	28	144	8	186	36	230	15	12	8	35	601
08:15 AM	15	202	22	239	84	28	25	137	11	148	31	190	15	15	4	34	600
08:30 AM	20	213	35	268	53	49	17	119	3	141	43	187	22	23	7	52	626
08:45 AM	18	193	48	259	73	53	19	145	17	113	32	162	30	31	8	69	635
Total Volume	68	773	117	958	296	160	89	545	39	588	142	769	82	81	27	190	2462
% App. Total	7.1	80.7	12.2		54.3	29.4	16.3		5.1	76.5	18.5		43.2	42.6	14.2		
PHF	.850	.907	.609	.894	.860	.755	.795	.940	.574	.790	.826	.836	.683	.653	.844	.688	.969

City of Long Beach
 N/S: Long Beach Boulevard
 E/W: East San Antonio Drive
 Weather: Clear

File Name : 02_LBC_LB_E San AM
 Site Code : 00321641
 Start Date : 11/4/2021
 Page No : 2



Peak Hour Analysis From 07:00 AM to 08:45 AM - Peak 1 of 1
 Peak Hour for Each Approach Begins at:

	08:00 AM				08:00 AM				07:30 AM				08:00 AM			
+0 mins.	15	165	12	192	86	30	28	144	7	141	41	189	15	12	8	35
+15 mins.	15	202	22	239	84	28	25	137	11	124	39	174	15	15	4	34
+30 mins.	20	213	35	268	53	49	17	119	8	186	36	230	22	23	7	52
+45 mins.	18	193	48	259	73	53	19	145	11	148	31	190	30	31	8	69
Total Volume	68	773	117	958	296	160	89	545	37	599	147	783	82	81	27	190
% App. Total	7.1	80.7	12.2		54.3	29.4	16.3		4.7	76.5	18.8		43.2	42.6	14.2	
PHF	.850	.907	.609	.894	.860	.755	.795	.940	.841	.805	.896	.851	.683	.653	.844	.688

City of Long Beach
 N/S: Long Beach Boulevard
 E/W: East San Antonio Drive
 Weather: Clear

File Name : 02_LBC_LB_E San PM
 Site Code : 00321641
 Start Date : 11/4/2021
 Page No : 1

Groups Printed- Total Volume

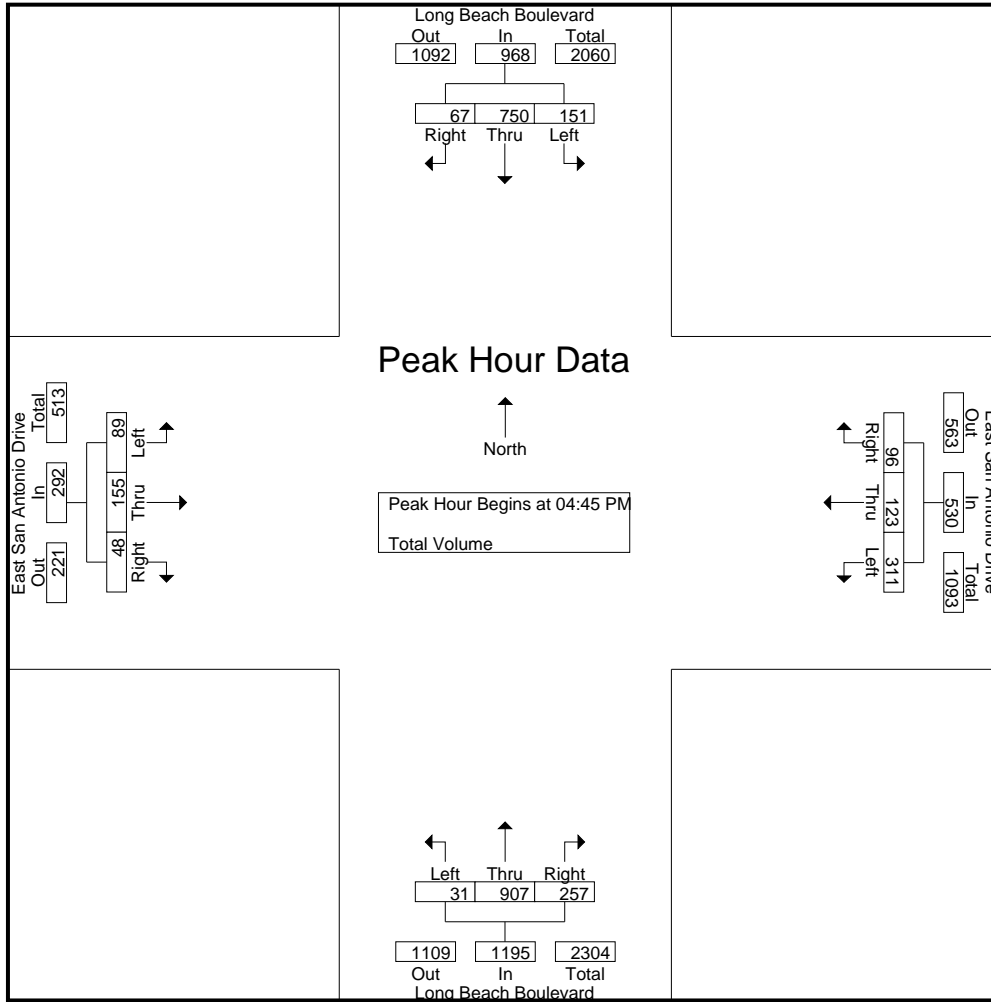
Start Time	Long Beach Boulevard Southbound				East San Antonio Drive Westbound				Long Beach Boulevard Northbound				East San Antonio Drive Eastbound				Int. Total
	Left	Thru	Right	App. Total	Left	Thru	Right	App. Total	Left	Thru	Right	App. Total	Left	Thru	Right	App. Total	
04:00 PM	44	262	11	317	65	28	26	119	10	191	57	258	29	31	12	72	766
04:15 PM	33	179	9	221	63	21	16	100	9	225	59	293	22	41	17	80	694
04:30 PM	27	187	12	226	81	28	22	131	7	230	53	290	18	35	17	70	717
04:45 PM	34	193	12	239	71	30	25	126	6	234	63	303	25	40	10	75	743
Total	138	821	44	1003	280	107	89	476	32	880	232	1144	94	147	56	297	2920
05:00 PM	31	184	18	233	93	31	26	150	6	237	59	302	20	36	14	70	755
05:15 PM	45	188	19	252	77	29	20	126	10	210	62	282	27	39	14	80	740
05:30 PM	41	185	18	244	70	33	25	128	9	226	73	308	17	40	10	67	747
05:45 PM	31	179	13	223	69	16	17	102	5	199	51	255	16	38	10	64	644
Total	148	736	68	952	309	109	88	506	30	872	245	1147	80	153	48	281	2886
Grand Total	286	1557	112	1955	589	216	177	982	62	1752	477	2291	174	300	104	578	5806
Apprch %	14.6	79.6	5.7		60	22	18		2.7	76.5	20.8		30.1	51.9	18		
Total %	4.9	26.8	1.9	33.7	10.1	3.7	3	16.9	1.1	30.2	8.2	39.5	3	5.2	1.8	10	

Start Time	Long Beach Boulevard Southbound				East San Antonio Drive Westbound				Long Beach Boulevard Northbound				East San Antonio Drive Eastbound				Int. Total
	Left	Thru	Right	App. Total	Left	Thru	Right	App. Total	Left	Thru	Right	App. Total	Left	Thru	Right	App. Total	
04:45 PM	34	193	12	239	71	30	25	126	6	234	63	303	25	40	10	75	743
05:00 PM	31	184	18	233	93	31	26	150	6	237	59	302	20	36	14	70	755
05:15 PM	45	188	19	252	77	29	20	126	10	210	62	282	27	39	14	80	740
05:30 PM	41	185	18	244	70	33	25	128	9	226	73	308	17	40	10	67	747
Total Volume	151	750	67	968	311	123	96	530	31	907	257	1195	89	155	48	292	2985
% App. Total	15.6	77.5	6.9		58.7	23.2	18.1		2.6	75.9	21.5		30.5	53.1	16.4		
PHF	.839	.972	.882	.960	.836	.932	.923	.883	.775	.957	.880	.970	.824	.969	.857	.913	.988

Peak Hour Analysis From 04:00 PM to 05:45 PM - Peak 1 of 1
 Peak Hour for Entire Intersection Begins at 04:45 PM

City of Long Beach
 N/S: Long Beach Boulevard
 E/W: East San Antonio Drive
 Weather: Clear

File Name : 02_LBC_LB_E San PM
 Site Code : 00321641
 Start Date : 11/4/2021
 Page No : 2



Peak Hour Analysis From 04:00 PM to 05:45 PM - Peak 1 of 1
 Peak Hour for Each Approach Begins at:

	04:00 PM				04:30 PM				04:45 PM				04:00 PM			
+0 mins.	44	262	11	317	81	28	22	131	6	234	63	303	29	31	12	72
+15 mins.	33	179	9	221	71	30	25	126	6	237	59	302	22	41	17	80
+30 mins.	27	187	12	226	93	31	26	150	10	210	62	282	18	35	17	70
+45 mins.	34	193	12	239	77	29	20	126	9	226	73	308	25	40	10	75
Total Volume	138	821	44	1003	322	118	93	533	31	907	257	1195	94	147	56	297
% App. Total	13.8	81.9	4.4		60.4	22.1	17.4		2.6	75.9	21.5		31.6	49.5	18.9	
PHF	.784	.783	.917	.791	.866	.952	.894	.888	.775	.957	.880	.970	.810	.896	.824	.928

City of Long Beach
 N/S: Long Beach Boulevard
 E/W: East Carson Street
 Weather: Clear

File Name : 01_LBC_LB_E Carson AM
 Site Code : 00321641
 Start Date : 11/4/2021
 Page No : 1

Groups Printed- Total Volume

Start Time	Long Beach Boulevard Southbound				East Carson Street Westbound				Long Beach Boulevard Northbound				Alleyway Eastbound				Int. Total
	Left	Thru	Right	App. Total	Left	Thru	Right	App. Total	Left	Thru	Right	App. Total	Left	Thru	Right	App. Total	
07:00 AM	15	195	1	211	13	0	25	38	0	80	10	90	0	0	0	0	339
07:15 AM	30	232	0	262	16	0	32	48	0	105	6	111	0	0	1	1	422
07:30 AM	41	240	0	281	9	0	52	61	0	135	9	144	0	0	1	1	487
07:45 AM	39	263	2	304	16	0	36	52	0	143	16	159	0	0	0	0	515
Total	125	930	3	1058	54	0	145	199	0	463	41	504	0	0	2	2	1763
08:00 AM	34	223	2	259	16	0	44	60	1	177	14	192	0	0	0	0	511
08:15 AM	33	254	2	289	20	0	36	56	0	156	16	172	0	1	0	1	518
08:30 AM	39	233	3	275	15	0	29	44	1	155	16	172	0	0	1	1	492
08:45 AM	39	230	4	273	17	0	37	54	1	125	14	140	0	0	1	1	468
Total	145	940	11	1096	68	0	146	214	3	613	60	676	0	1	2	3	1989
Grand Total	270	1870	14	2154	122	0	291	413	3	1076	101	1180	0	1	4	5	3752
Apprch %	12.5	86.8	0.6		29.5	0	70.5		0.3	91.2	8.6		0	20	80		
Total %	7.2	49.8	0.4	57.4	3.3	0	7.8	11	0.1	28.7	2.7	31.4	0	0	0.1	0.1	

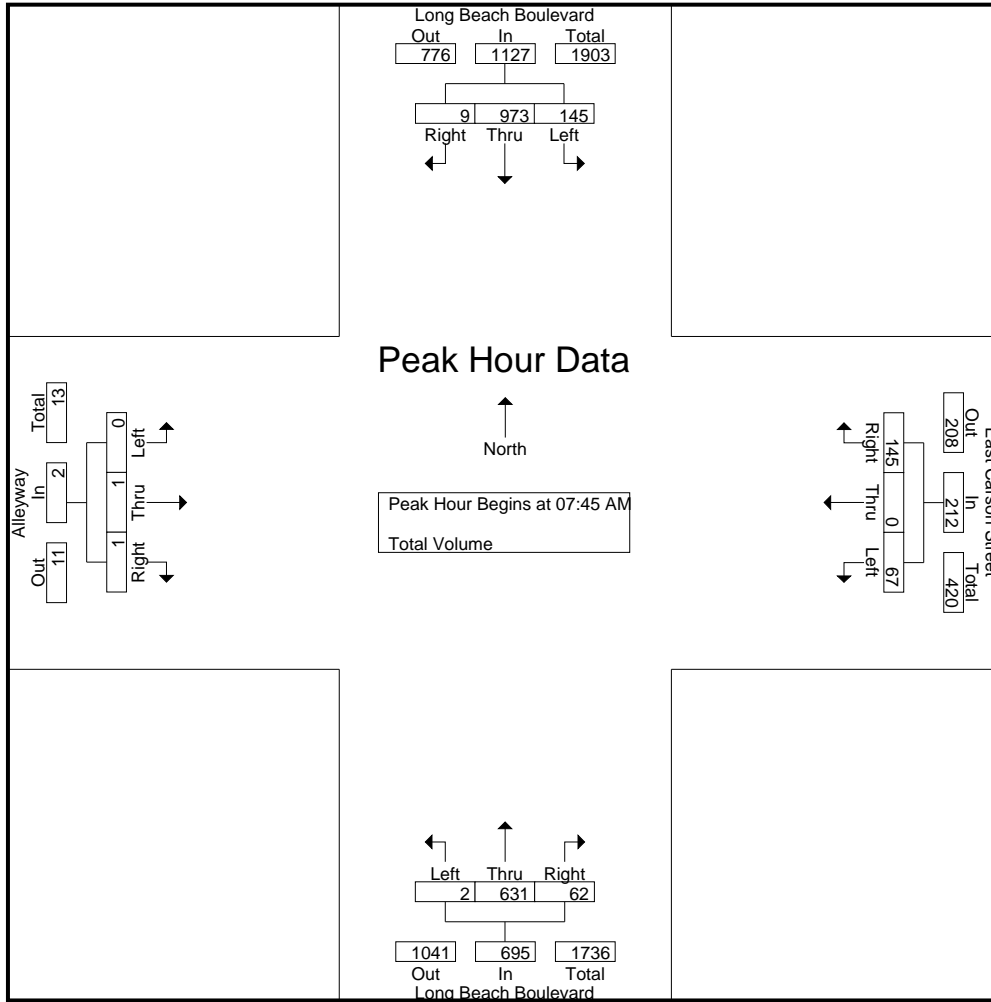
Start Time	Long Beach Boulevard Southbound				East Carson Street Westbound				Long Beach Boulevard Northbound				Alleyway Eastbound				Int. Total
	Left	Thru	Right	App. Total	Left	Thru	Right	App. Total	Left	Thru	Right	App. Total	Left	Thru	Right	App. Total	
07:45 AM	39	263	2	304	16	0	36	52	0	143	16	159	0	0	0	0	515
08:00 AM	34	223	2	259	16	0	44	60	1	177	14	192	0	0	0	0	511
08:15 AM	33	254	2	289	20	0	36	56	0	156	16	172	0	1	0	1	518
08:30 AM	39	233	3	275	15	0	29	44	1	155	16	172	0	0	1	1	492
Total Volume	145	973	9	1127	67	0	145	212	2	631	62	695	0	1	1	2	2036
% App. Total	12.9	86.3	0.8		31.6	0	68.4		0.3	90.8	8.9		0	50	50		
PHF	.929	.925	.750	.927	.838	.000	.824	.883	.500	.891	.969	.905	.000	.250	.250	.500	.983

Peak Hour Analysis From 07:00 AM to 08:45 AM - Peak 1 of 1

Peak Hour for Entire Intersection Begins at 07:45 AM

City of Long Beach
 N/S: Long Beach Boulevard
 E/W: East Carson Street
 Weather: Clear

File Name : 01_LBC_LB_E Carson AM
 Site Code : 00321641
 Start Date : 11/4/2021
 Page No : 2



Peak Hour Analysis From 07:00 AM to 08:45 AM - Peak 1 of 1
 Peak Hour for Each Approach Begins at:

	07:30 AM				07:30 AM				07:45 AM				08:00 AM			
+0 mins.	41	240	0	281	9	0	52	61	0	143	16	159	0	0	0	0
+15 mins.	39	263	2	304	16	0	36	52	1	177	14	192	0	1	0	1
+30 mins.	34	223	2	259	16	0	44	60	0	156	16	172	0	0	1	1
+45 mins.	33	254	2	289	20	0	36	56	1	155	16	172	0	0	1	1
Total Volume	147	980	6	1133	61	0	168	229	2	631	62	695	0	1	2	3
% App. Total	13	86.5	0.5		26.6	0	73.4		0.3	90.8	8.9		0	33.3	66.7	
PHF	.896	.932	.750	.932	.763	.000	.808	.939	.500	.891	.969	.905	.000	.250	.500	.750

City of Long Beach
 N/S: Long Beach Boulevard
 E/W: East Carson Street
 Weather: Clear

File Name : 01_LBC_LB_E Carson PM
 Site Code : 00321641
 Start Date : 11/4/2021
 Page No : 1

Groups Printed- Total Volume

Start Time	Long Beach Boulevard Southbound				East Carson Street Westbound				Long Beach Boulevard Northbound				Alleyway Eastbound				Int. Total
	Left	Thru	Right	App. Total	Left	Thru	Right	App. Total	Left	Thru	Right	App. Total	Left	Thru	Right	App. Total	
04:00 PM	66	266	6	338	14	1	31	46	1	221	15	237	1	1	0	2	623
04:15 PM	61	195	3	259	23	0	47	70	0	250	18	268	1	0	1	2	599
04:30 PM	71	202	8	281	17	1	42	60	2	249	24	275	0	0	1	1	617
04:45 PM	66	205	3	274	22	0	43	65	3	249	21	273	3	1	0	4	616
Total	264	868	20	1152	76	2	163	241	6	969	78	1053	5	2	2	9	2455
05:00 PM	56	229	6	291	21	1	55	77	1	249	25	275	2	0	3	5	648
05:15 PM	61	214	5	280	23	1	51	75	2	232	22	256	3	0	2	5	616
05:30 PM	42	214	4	260	14	5	46	65	2	258	20	280	3	1	1	5	610
05:45 PM	51	209	3	263	23	1	41	65	1	210	15	226	3	0	1	4	558
Total	210	866	18	1094	81	8	193	282	6	949	82	1037	11	1	7	19	2432
Grand Total	474	1734	38	2246	157	10	356	523	12	1918	160	2090	16	3	9	28	4887
Apprch %	21.1	77.2	1.7		30	1.9	68.1		0.6	91.8	7.7		57.1	10.7	32.1		
Total %	9.7	35.5	0.8	46	3.2	0.2	7.3	10.7	0.2	39.2	3.3	42.8	0.3	0.1	0.2	0.6	

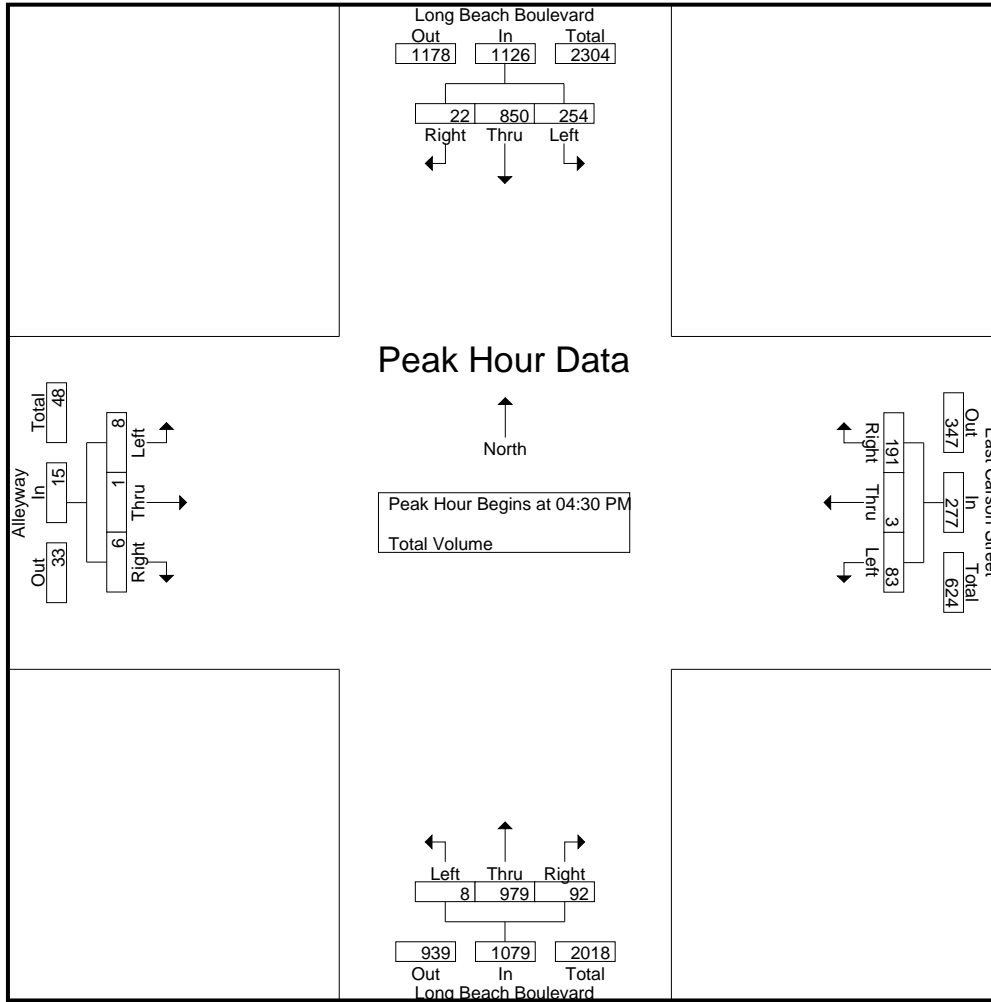
Start Time	Long Beach Boulevard Southbound				East Carson Street Westbound				Long Beach Boulevard Northbound				Alleyway Eastbound				Int. Total
	Left	Thru	Right	App. Total	Left	Thru	Right	App. Total	Left	Thru	Right	App. Total	Left	Thru	Right	App. Total	
04:30 PM	71	202	8	281	17	1	42	60	2	249	24	275	0	0	1	1	617
04:45 PM	66	205	3	274	22	0	43	65	3	249	21	273	3	1	0	4	616
05:00 PM	56	229	6	291	21	1	55	77	1	249	25	275	2	0	3	5	648
05:15 PM	61	214	5	280	23	1	51	75	2	232	22	256	3	0	2	5	616
Total Volume	254	850	22	1126	83	3	191	277	8	979	92	1079	8	1	6	15	2497
% App. Total	22.6	75.5	2		30	1.1	69		0.7	90.7	8.5		53.3	6.7	40		
PHF	.894	.928	.688	.967	.902	.750	.868	.899	.667	.983	.920	.981	.667	.250	.500	.750	.963

Peak Hour Analysis From 04:00 PM to 05:45 PM - Peak 1 of 1

Peak Hour for Entire Intersection Begins at 04:30 PM

City of Long Beach
 N/S: Long Beach Boulevard
 E/W: East Carson Street
 Weather: Clear

File Name : 01_LBC_LB_E Carson PM
 Site Code : 00321641
 Start Date : 11/4/2021
 Page No : 2



Peak Hour Analysis From 04:00 PM to 05:45 PM - Peak 1 of 1
 Peak Hour for Each Approach Begins at:

	04:00 PM				04:45 PM				04:15 PM				04:45 PM			
+0 mins.	66	266	6	338	22	0	43	65	0	250	18	268	3	1	0	4
+15 mins.	61	195	3	259	21	1	55	77	2	249	24	275	2	0	3	5
+30 mins.	71	202	8	281	23	1	51	75	3	249	21	273	3	0	2	5
+45 mins.	66	205	3	274	14	5	46	65	1	249	25	275	3	1	1	5
Total Volume	264	868	20	1152	80	7	195	282	6	997	88	1091	11	2	6	19
% App. Total	22.9	75.3	1.7		28.4	2.5	69.1		0.5	91.4	8.1		57.9	10.5	31.6	
PHF	.930	.816	.625	.852	.870	.350	.886	.916	.500	.997	.880	.992	.917	.500	.500	.950

City of Long Beach
 N/S: Long Beach Boulevard
 E/W: East Randolph Place
 Weather: Clear

File Name : 04_LBC_LB_Rand AM
 Site Code : 00321641
 Start Date : 11/4/2021
 Page No : 1

Groups Printed- Total Volume

Start Time	Long Beach Boulevard Southbound				Family Eye Driveway Westbound				Long Beach Boulevard Northbound				East Randolph Place Eastbound				Int. Total
	Left	Thru	Right	App. Total	Left	Thru	Right	App. Total	Left	Thru	Right	App. Total	Left	Thru	Right	App. Total	
07:00 AM	0	198	0	198	0	0	0	0	0	84	0	84	1	0	1	2	284
07:15 AM	0	247	0	247	0	0	0	0	2	118	0	120	0	0	1	1	368
07:30 AM	0	250	1	251	0	0	0	0	5	134	0	139	1	0	1	2	392
07:45 AM	0	265	3	268	0	0	0	0	3	175	0	178	1	0	1	2	448
Total	0	960	4	964	0	0	0	0	10	511	0	521	3	0	4	7	1492
08:00 AM	0	228	1	229	0	0	0	0	4	179	0	183	0	0	1	1	413
08:15 AM	0	273	3	276	0	0	0	0	2	180	0	182	0	0	1	1	459
08:30 AM	0	241	1	242	0	0	0	0	5	168	0	173	0	0	1	1	416
08:45 AM	0	243	6	249	0	0	0	0	4	154	0	158	0	0	0	0	407
Total	0	985	11	996	0	0	0	0	15	681	0	696	0	0	3	3	1695
Grand Total	0	1945	15	1960	0	0	0	0	25	1192	0	1217	3	0	7	10	3187
Apprch %	0	99.2	0.8		0	0	0		2.1	97.9	0		30	0	70		
Total %	0	61	0.5	61.5	0	0	0	0	0.8	37.4	0	38.2	0.1	0	0.2	0.3	

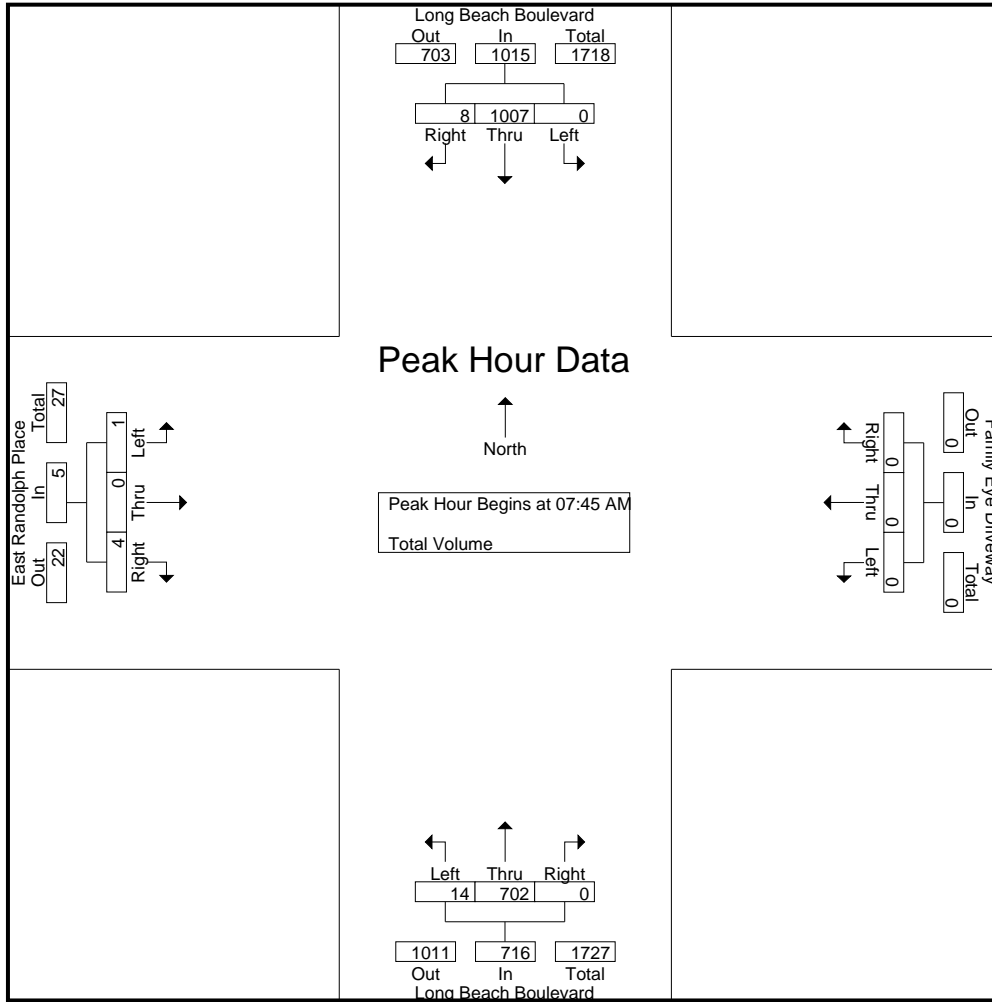
Start Time	Long Beach Boulevard Southbound				Family Eye Driveway Westbound				Long Beach Boulevard Northbound				East Randolph Place Eastbound				Int. Total
	Left	Thru	Right	App. Total	Left	Thru	Right	App. Total	Left	Thru	Right	App. Total	Left	Thru	Right	App. Total	
07:45 AM	0	265	3	268	0	0	0	0	3	175	0	178	1	0	1	2	448
08:00 AM	0	228	1	229	0	0	0	0	4	179	0	183	0	0	1	1	413
08:15 AM	0	273	3	276	0	0	0	0	2	180	0	182	0	0	1	1	459
08:30 AM	0	241	1	242	0	0	0	0	5	168	0	173	0	0	1	1	416
Total Volume	0	1007	8	1015	0	0	0	0	14	702	0	716	1	0	4	5	1736
% App. Total	0	99.2	0.8		0	0	0		2	98	0		20	0	80		
PHF	.000	.922	.667	.919	.000	.000	.000	.000	.700	.975	.000	.978	.250	.000	1.00	.625	.946

Peak Hour Analysis From 07:00 AM to 08:45 AM - Peak 1 of 1

Peak Hour for Entire Intersection Begins at 07:45 AM

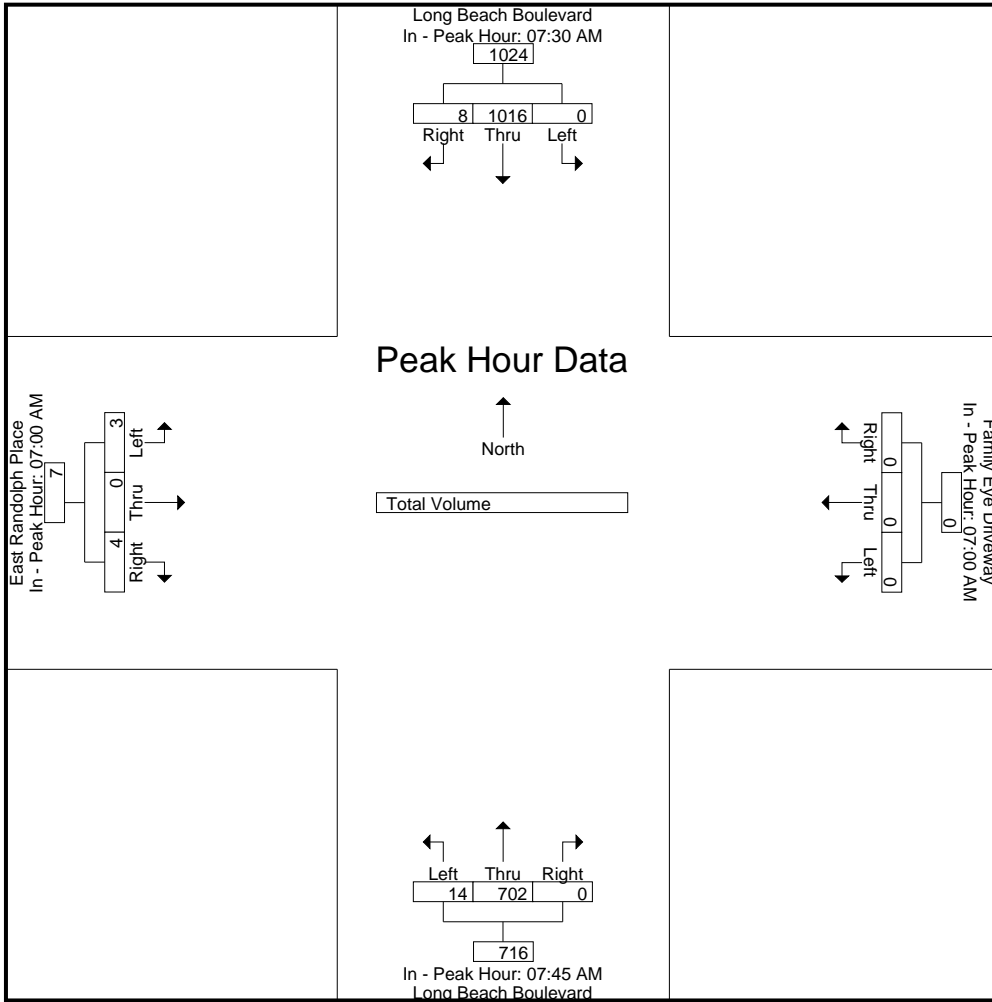
City of Long Beach
 N/S: Long Beach Boulevard
 E/W: East Randolph Place
 Weather: Clear

File Name : 04_LBC_LB_Rand AM
 Site Code : 00321641
 Start Date : 11/4/2021
 Page No : 2



Peak Hour Analysis From 07:00 AM to 08:45 AM - Peak 1 of 1
 Peak Hour for Each Approach Begins at:

	07:30 AM				07:00 AM				07:45 AM				07:00 AM			
+0 mins.	0	250	1	251	0	0	0	0	3	175	0	178	1	0	1	2
+15 mins.	0	265	3	268	0	0	0	0	4	179	0	183	0	0	1	1
+30 mins.	0	228	1	229	0	0	0	0	2	180	0	182	1	0	1	2
+45 mins.	0	273	3	276	0	0	0	0	5	168	0	173	1	0	1	2
Total Volume	0	1016	8	1024	0	0	0	0	14	702	0	716	3	0	4	7
% App. Total	0	99.2	0.8		0	0	0		2	98	0		42.9	0	57.1	
PHF	.000	.930	.667	.928	.000	.000	.000	.000	.700	.975	.000	.978	.750	.000	1.000	.875



City of Long Beach
 N/S: Long Beach Boulevard
 E/W: East Randolph Place
 Weather: Clear

File Name : 04_LBC_LB_Rand PM
 Site Code : 00321641
 Start Date : 11/4/2021
 Page No : 1

Groups Printed- Total Volume

Start Time	Long Beach Boulevard Southbound				Family Eye Driveway Westbound				Long Beach Boulevard Northbound				East Randolph Place Eastbound				Int. Total
	Left	Thru	Right	App. Total	Left	Thru	Right	App. Total	Left	Thru	Right	App. Total	Left	Thru	Right	App. Total	
04:00 PM	0	267	3	270	0	0	0	0	7	251	0	258	0	0	0	0	528
04:15 PM	0	222	2	224	0	0	0	0	4	274	0	278	1	0	2	3	505
04:30 PM	0	219	1	220	0	0	0	0	3	256	0	259	1	0	1	2	481
04:45 PM	0	229	1	230	0	0	0	0	0	293	0	293	1	0	2	3	526
Total	0	937	7	944	0	0	0	0	14	1074	0	1088	3	0	5	8	2040
05:00 PM	0	251	0	251	0	0	0	0	1	256	0	257	1	0	2	3	511
05:15 PM	0	232	5	237	0	0	0	0	1	275	0	276	0	0	2	2	515
05:30 PM	0	223	2	225	0	0	0	0	2	262	0	264	1	0	4	5	494
05:45 PM	0	236	2	238	0	0	0	0	1	228	0	229	2	0	1	3	470
Total	0	942	9	951	0	0	0	0	5	1021	0	1026	4	0	9	13	1990
Grand Total	0	1879	16	1895	0	0	0	0	19	2095	0	2114	7	0	14	21	4030
Apprch %	0	99.2	0.8		0	0	0		0.9	99.1	0		33.3	0	66.7		
Total %	0	46.6	0.4	47	0	0	0		0.5	52	0	52.5	0.2	0	0.3	0.5	

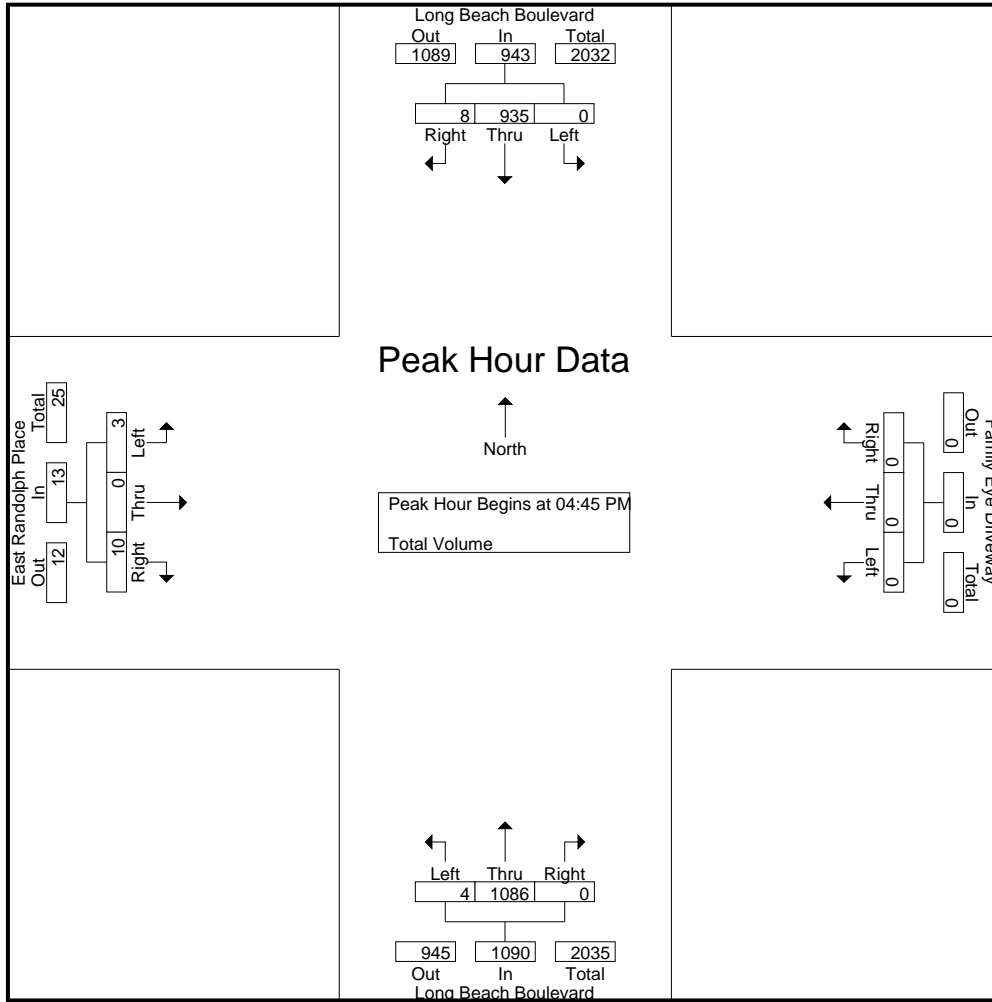
Start Time	Long Beach Boulevard Southbound				Family Eye Driveway Westbound				Long Beach Boulevard Northbound				East Randolph Place Eastbound				Int. Total
	Left	Thru	Right	App. Total	Left	Thru	Right	App. Total	Left	Thru	Right	App. Total	Left	Thru	Right	App. Total	
04:45 PM	0	229	1	230	0	0	0	0	0	293	0	293	1	0	2	3	526
05:00 PM	0	251	0	251	0	0	0	0	1	256	0	257	1	0	2	3	511
05:15 PM	0	232	5	237	0	0	0	0	1	275	0	276	0	0	2	2	515
05:30 PM	0	223	2	225	0	0	0	0	2	262	0	264	1	0	4	5	494
Total Volume	0	935	8	943	0	0	0	0	4	1086	0	1090	3	0	10	13	2046
% App. Total	0	99.2	0.8		0	0	0		0.4	99.6	0		23.1	0	76.9		
PHF	.000	.931	.400	.939	.000	.000	.000	.000	.500	.927	.000	.930	.750	.000	.625	.650	.972

Peak Hour Analysis From 04:00 PM to 05:45 PM - Peak 1 of 1

Peak Hour for Entire Intersection Begins at 04:45 PM

City of Long Beach
 N/S: Long Beach Boulevard
 E/W: East Randolph Place
 Weather: Clear

File Name : 04_LBC_LB_Rand PM
 Site Code : 00321641
 Start Date : 11/4/2021
 Page No : 2



Peak Hour Analysis From 04:00 PM to 05:45 PM - Peak 1 of 1
 Peak Hour for Each Approach Begins at:

	05:00 PM				04:00 PM				04:45 PM				04:45 PM			
+0 mins.	0	251	0	251	0	0	0	0	0	293	0	293	1	0	2	3
+15 mins.	0	232	5	237	0	0	0	0	1	256	0	257	1	0	2	3
+30 mins.	0	223	2	225	0	0	0	0	1	275	0	276	0	0	2	2
+45 mins.	0	236	2	238	0	0	0	0	2	262	0	264	1	0	4	5
Total Volume	0	942	9	951	0	0	0	0	4	1086	0	1090	3	0	10	13
% App. Total	0	99.1	0.9		0	0	0		0.4	99.6	0		23.1	0	76.9	
PHF	.000	.938	.450	.947	.000	.000	.000	.000	.500	.927	.000	.930	.750	.000	.625	.650

City of Long Beach
 N/S: Long Beach Boulevard
 E/W: East Roosevelt Road
 Weather: Clear

File Name : 03_LBC_LB_Roose AM
 Site Code : 00321641
 Start Date : 11/4/2021
 Page No : 1

Groups Printed- Total Volume

Start Time	Long Beach Boulevard Southbound				East Roosevelt Road Westbound				Long Beach Boulevard Northbound				East Roosevelt Road Eastbound				Int. Total
	Left	Thru	Right	App. Total	Left	Thru	Right	App. Total	Left	Thru	Right	App. Total	Left	Thru	Right	App. Total	
07:00 AM	4	184	1	189	12	1	5	18	7	87	4	98	1	3	7	11	316
07:15 AM	8	255	0	263	13	4	6	23	7	105	5	117	3	8	11	22	425
07:30 AM	8	230	6	244	16	7	7	30	14	139	12	165	3	13	7	23	462
07:45 AM	22	243	4	269	13	15	9	37	16	188	20	224	3	5	10	18	548
Total	42	912	11	965	54	27	27	108	44	519	41	604	10	29	35	74	1751
08:00 AM	10	204	1	215	17	10	15	42	15	184	21	220	0	10	12	22	499
08:15 AM	20	250	4	274	12	8	7	27	23	188	12	223	0	8	8	16	540
08:30 AM	11	213	4	228	21	18	8	47	23	172	21	216	2	6	5	13	504
08:45 AM	7	229	6	242	26	14	7	47	20	165	5	190	2	15	10	27	506
Total	48	896	15	959	76	50	37	163	81	709	59	849	4	39	35	78	2049
Grand Total	90	1808	26	1924	130	77	64	271	125	1228	100	1453	14	68	70	152	3800
Apprch %	4.7	94	1.4		48	28.4	23.6		8.6	84.5	6.9		9.2	44.7	46.1		
Total %	2.4	47.6	0.7	50.6	3.4	2	1.7	7.1	3.3	32.3	2.6	38.2	0.4	1.8	1.8	4	

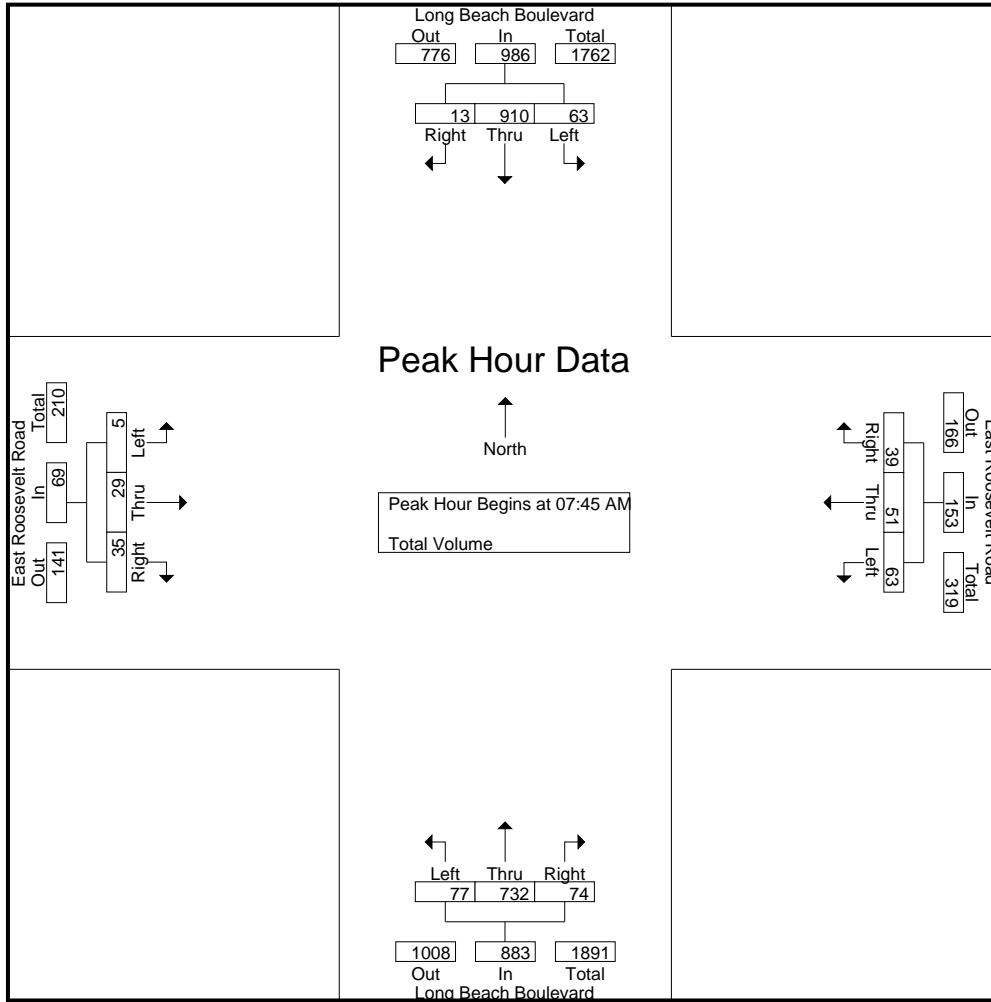
Start Time	Long Beach Boulevard Southbound				East Roosevelt Road Westbound				Long Beach Boulevard Northbound				East Roosevelt Road Eastbound				Int. Total
	Left	Thru	Right	App. Total	Left	Thru	Right	App. Total	Left	Thru	Right	App. Total	Left	Thru	Right	App. Total	
07:45 AM	22	243	4	269	13	15	9	37	16	188	20	224	3	5	10	18	548
08:00 AM	10	204	1	215	17	10	15	42	15	184	21	220	0	10	12	22	499
08:15 AM	20	250	4	274	12	8	7	27	23	188	12	223	0	8	8	16	540
08:30 AM	11	213	4	228	21	18	8	47	23	172	21	216	2	6	5	13	504
Total Volume	63	910	13	986	63	51	39	153	77	732	74	883	5	29	35	69	2091
% App. Total	6.4	92.3	1.3		41.2	33.3	25.5		8.7	82.9	8.4		7.2	42	50.7		
PHF	.716	.910	.813	.900	.750	.708	.650	.814	.837	.973	.881	.985	.417	.725	.729	.784	.954

Peak Hour Analysis From 07:00 AM to 08:45 AM - Peak 1 of 1

Peak Hour for Entire Intersection Begins at 07:45 AM

City of Long Beach
 N/S: Long Beach Boulevard
 E/W: East Roosevelt Road
 Weather: Clear

File Name : 03_LBC_LB_Roose AM
 Site Code : 00321641
 Start Date : 11/4/2021
 Page No : 2



Peak Hour Analysis From 07:00 AM to 08:45 AM - Peak 1 of 1
 Peak Hour for Each Approach Begins at:

	07:30 AM				08:00 AM				07:45 AM				07:15 AM			
+0 mins.	8	230	6	244	17	10	15	42	16	188	20	224	3	8	11	22
+15 mins.	22	243	4	269	12	8	7	27	15	184	21	220	3	13	7	23
+30 mins.	10	204	1	215	21	18	8	47	23	188	12	223	3	5	10	18
+45 mins.	20	250	4	274	26	14	7	47	23	172	21	216	0	10	12	22
Total Volume	60	927	15	1002	76	50	37	163	77	732	74	883	9	36	40	85
% App. Total	6	92.5	1.5		46.6	30.7	22.7		8.7	82.9	8.4		10.6	42.4	47.1	
PHF	.682	.927	.625	.914	.731	.694	.617	.867	.837	.973	.881	.985	.750	.692	.833	.924

City of Long Beach
 N/S: Long Beach Boulevard
 E/W: East Roosevelt Road
 Weather: Clear

File Name : 03_LBC_LB_Roose PM
 Site Code : 00321641
 Start Date : 11/4/2021
 Page No : 1

Groups Printed- Total Volume

Start Time	Long Beach Boulevard Southbound				East Roosevelt Road Westbound				Long Beach Boulevard Northbound				East Roosevelt Road Eastbound				Int. Total
	Left	Thru	Right	App. Total	Left	Thru	Right	App. Total	Left	Thru	Right	App. Total	Left	Thru	Right	App. Total	
04:00 PM	26	242	4	272	12	13	10	35	19	246	16	281	3	6	19	28	616
04:15 PM	14	222	2	238	14	13	13	40	8	254	20	282	4	7	17	28	588
04:30 PM	5	200	2	207	16	7	12	35	17	258	15	290	2	5	18	25	557
04:45 PM	13	228	9	250	12	5	11	28	16	242	20	278	5	13	11	29	585
Total	58	892	17	967	54	38	46	138	60	1000	71	1131	14	31	65	110	2346
05:00 PM	7	238	0	245	17	9	10	36	11	289	21	321	3	10	14	27	629
05:15 PM	18	237	2	257	21	7	13	41	24	253	20	297	3	9	11	23	618
05:30 PM	12	201	3	216	14	6	6	26	19	221	15	255	1	5	15	21	518
05:45 PM	16	234	7	257	11	6	5	22	15	216	13	244	6	9	12	27	550
Total	53	910	12	975	63	28	34	125	69	979	69	1117	13	33	52	98	2315
Grand Total	111	1802	29	1942	117	66	80	263	129	1979	140	2248	27	64	117	208	4661
Apprch %	5.7	92.8	1.5		44.5	25.1	30.4		5.7	88	6.2		13	30.8	56.2		
Total %	2.4	38.7	0.6	41.7	2.5	1.4	1.7	5.6	2.8	42.5	3	48.2	0.6	1.4	2.5	4.5	

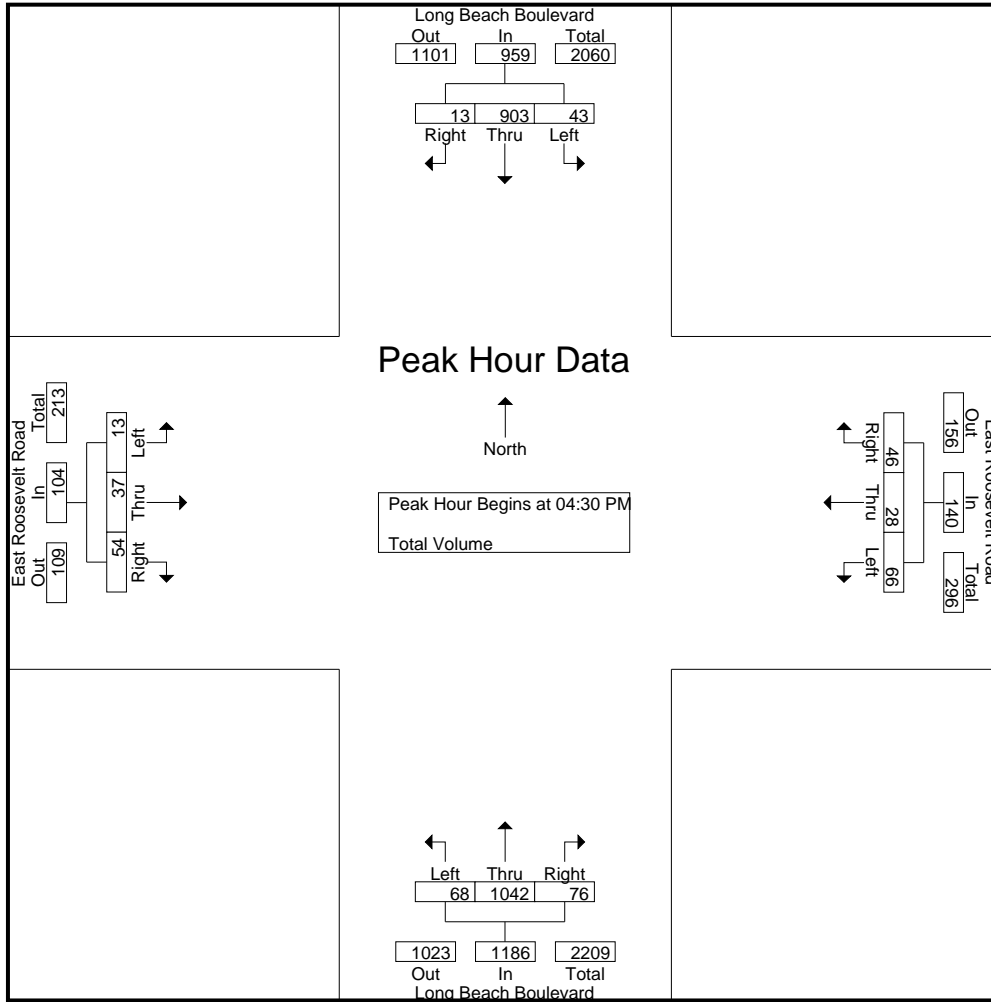
Start Time	Long Beach Boulevard Southbound				East Roosevelt Road Westbound				Long Beach Boulevard Northbound				East Roosevelt Road Eastbound				Int. Total
	Left	Thru	Right	App. Total	Left	Thru	Right	App. Total	Left	Thru	Right	App. Total	Left	Thru	Right	App. Total	
04:30 PM	5	200	2	207	16	7	12	35	17	258	15	290	2	5	18	25	557
04:45 PM	13	228	9	250	12	5	11	28	16	242	20	278	5	13	11	29	585
05:00 PM	7	238	0	245	17	9	10	36	11	289	21	321	3	10	14	27	629
05:15 PM	18	237	2	257	21	7	13	41	24	253	20	297	3	9	11	23	618
Total Volume	43	903	13	959	66	28	46	140	68	1042	76	1186	13	37	54	104	2389
% App. Total	4.5	94.2	1.4		47.1	20	32.9		5.7	87.9	6.4		12.5	35.6	51.9		
PHF	.597	.949	.361	.933	.786	.778	.885	.854	.708	.901	.905	.924	.650	.712	.750	.897	.950

Peak Hour Analysis From 04:00 PM to 05:45 PM - Peak 1 of 1

Peak Hour for Entire Intersection Begins at 04:30 PM

City of Long Beach
 N/S: Long Beach Boulevard
 E/W: East Roosevelt Road
 Weather: Clear

File Name : 03_LBC_LB_Roose PM
 Site Code : 00321641
 Start Date : 11/4/2021
 Page No : 2



Peak Hour Analysis From 04:00 PM to 05:45 PM - Peak 1 of 1
 Peak Hour for Each Approach Begins at:

	05:00 PM				04:30 PM				04:30 PM				04:00 PM			
+0 mins.	7	238	0	245	16	7	12	35	17	258	15	290	3	6	19	28
+15 mins.	18	237	2	257	12	5	11	28	16	242	20	278	4	7	17	28
+30 mins.	12	201	3	216	17	9	10	36	11	289	21	321	2	5	18	25
+45 mins.	16	234	7	257	21	7	13	41	24	253	20	297	5	13	11	29
Total Volume	53	910	12	975	66	28	46	140	68	1042	76	1186	14	31	65	110
% App. Total	5.4	93.3	1.2		47.1	20	32.9		5.7	87.9	6.4		12.7	28.2	59.1	
PHF	.736	.956	.429	.948	.786	.778	.885	.854	.708	.901	.905	.924	.700	.596	.855	.948