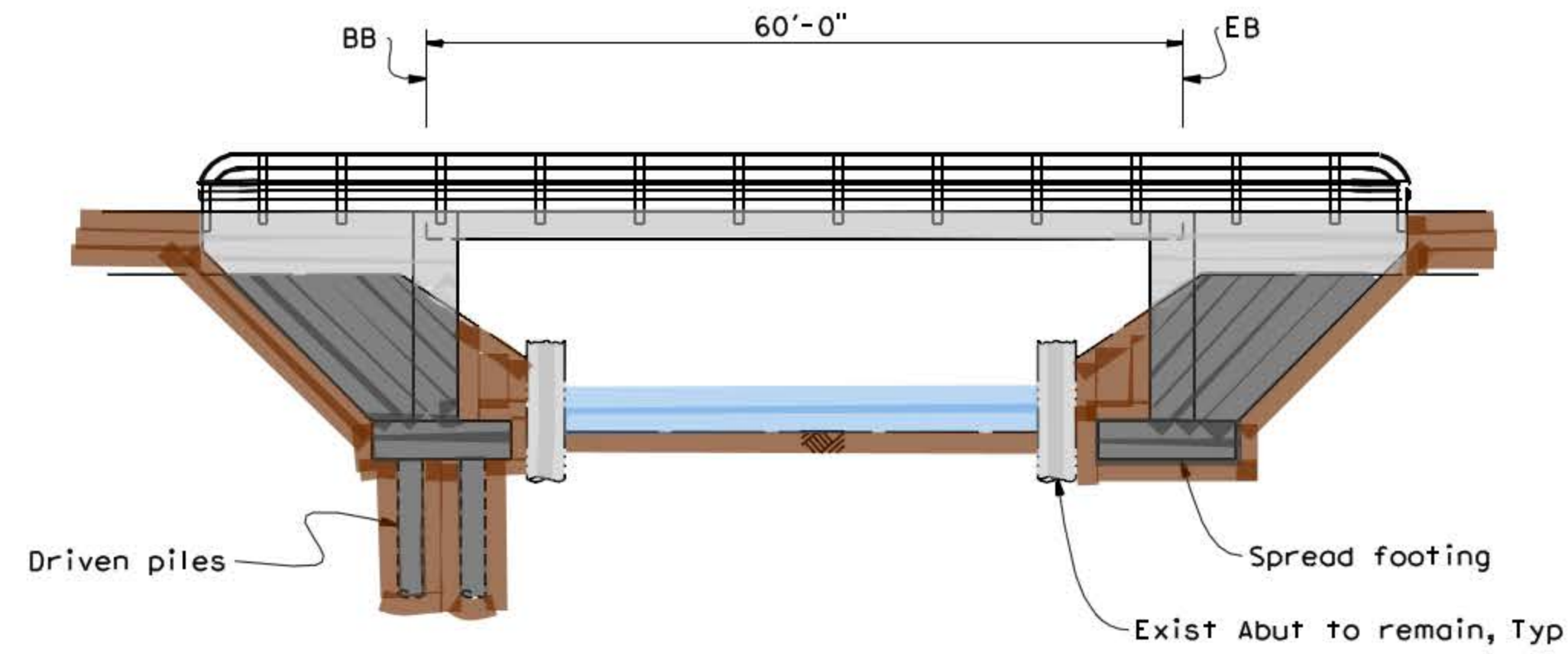
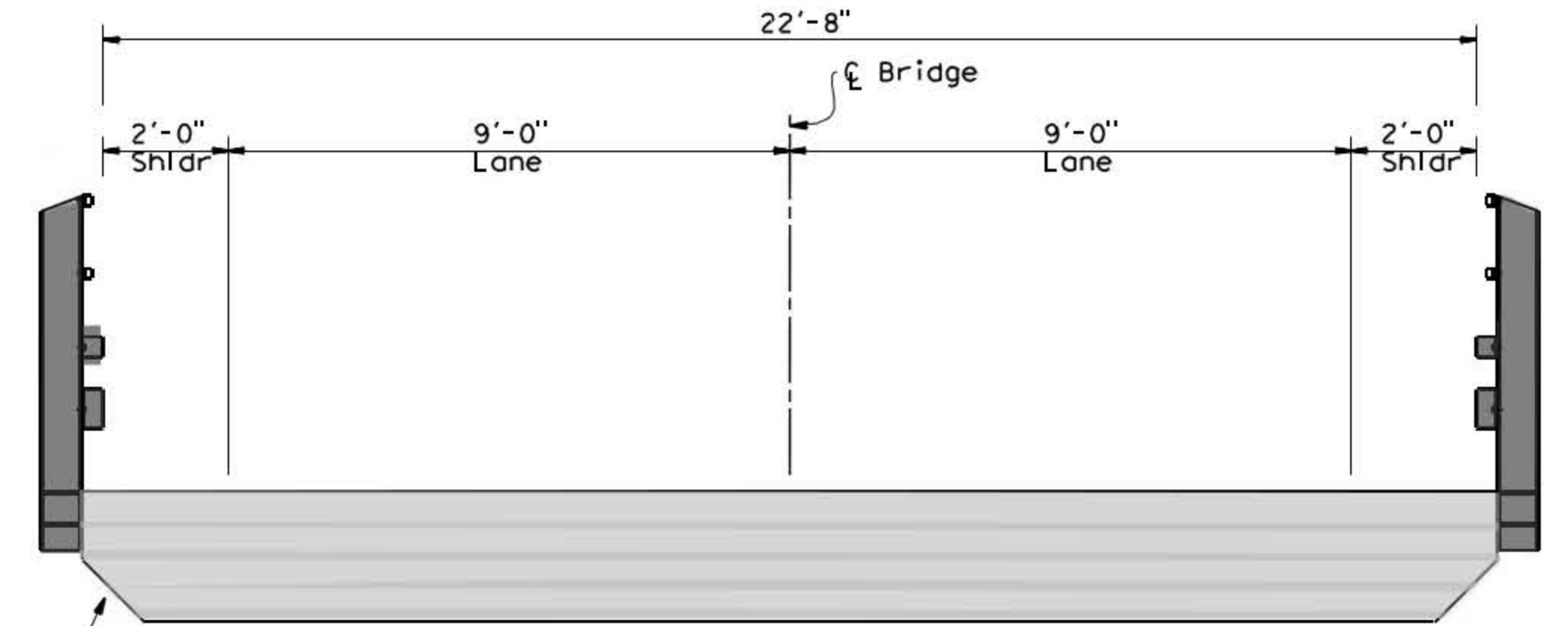


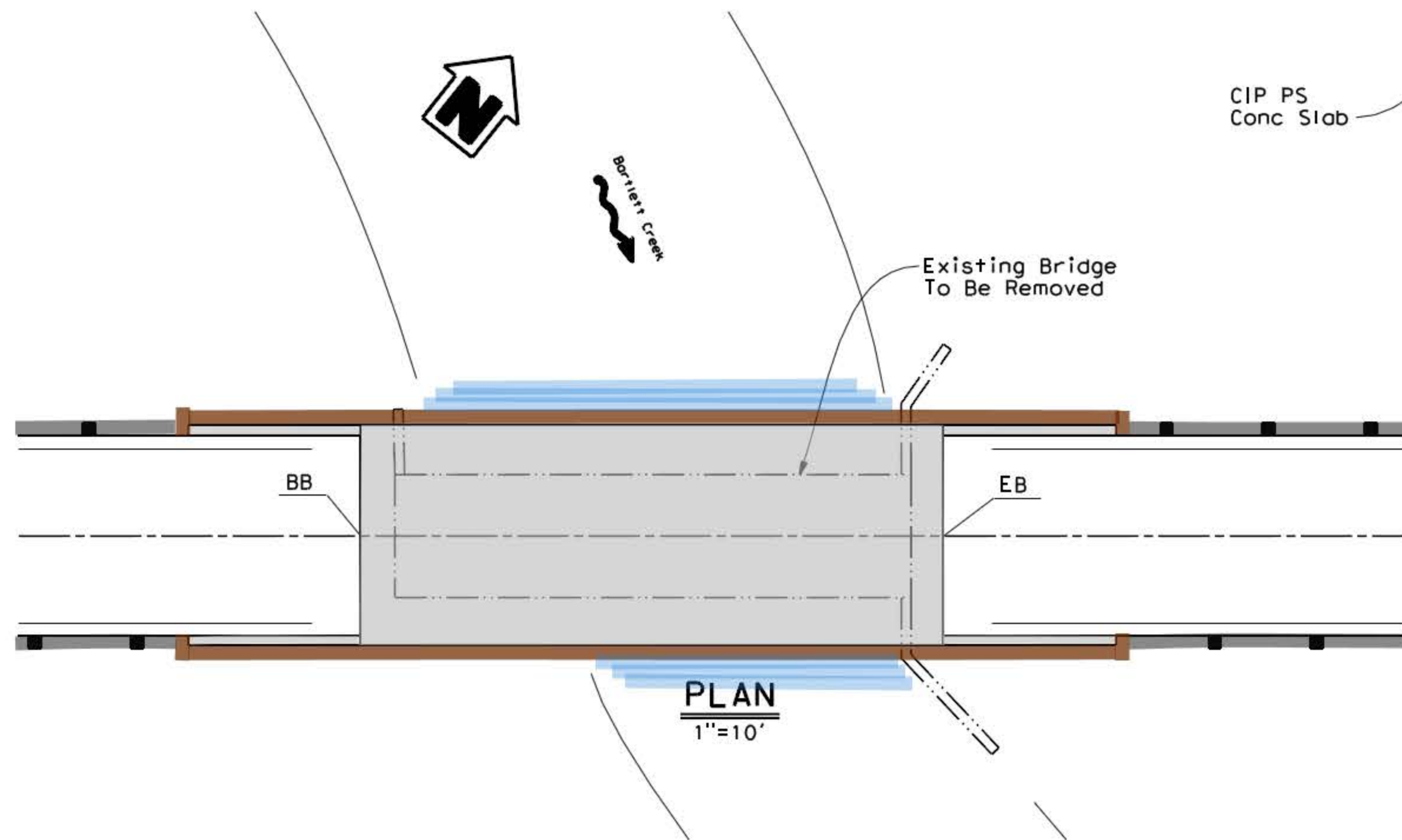
DIST.	COUNTY	ROUTE	POST MILES TOTAL PROJECT
01	LAK	CR	XX
QUINCY ENGINEERING			



ELEVATION
1"=10'



TYPICAL SECTION
1/2"=1'-0"



PLAN
1"=10'

CIP PRESTRESSED CONCRETE SLAB

DESIGNED BY	H. Chou	DATE	6/19/2015
DRAWN BY	H. Chou	DATE	6/19/2015
CHECKED BY	M. Katt	DATE	6/19/2015
APPROVED	M. Reno	DATE	6/19/2015

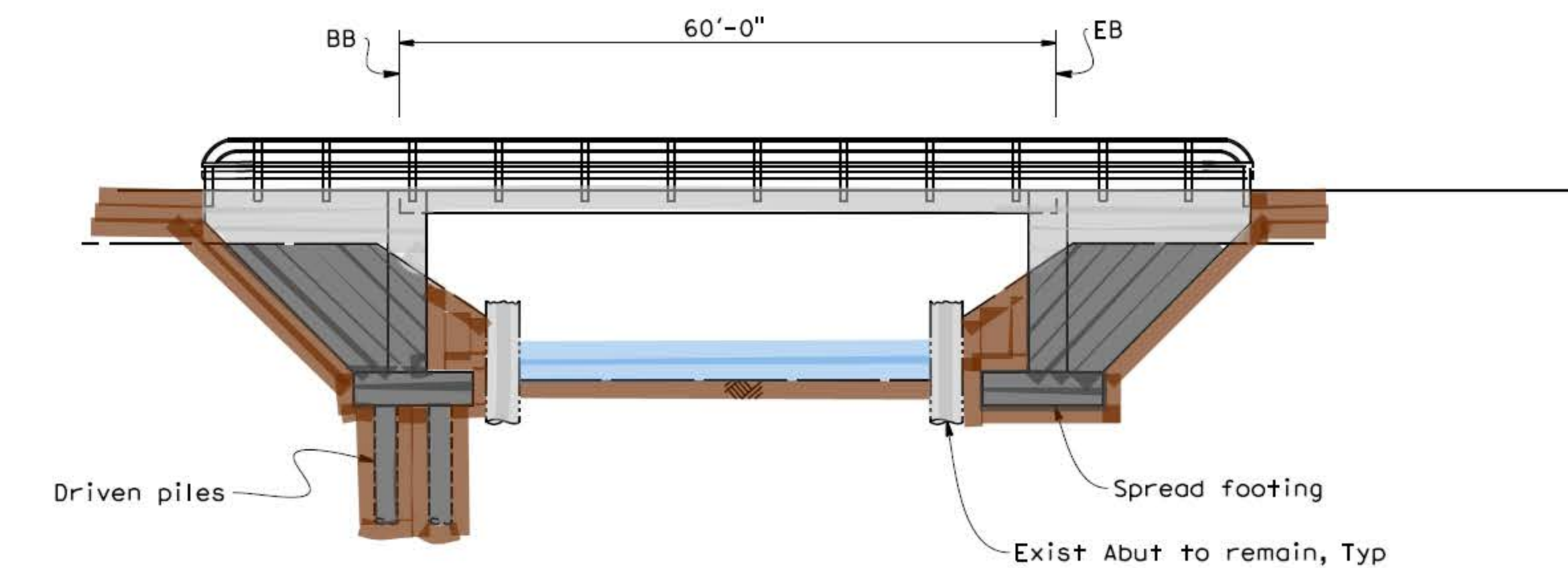
M. Katt
PROJECT ENGINEER

PLANNING STUDY	
BARTLETT SPRINGS ROAD OVER BARTLETT CREEK	
BRIDGE NO. 14C-0099	UNIT: X
SCALE: As Shown	PROJECT NUMBER & PHASE: X

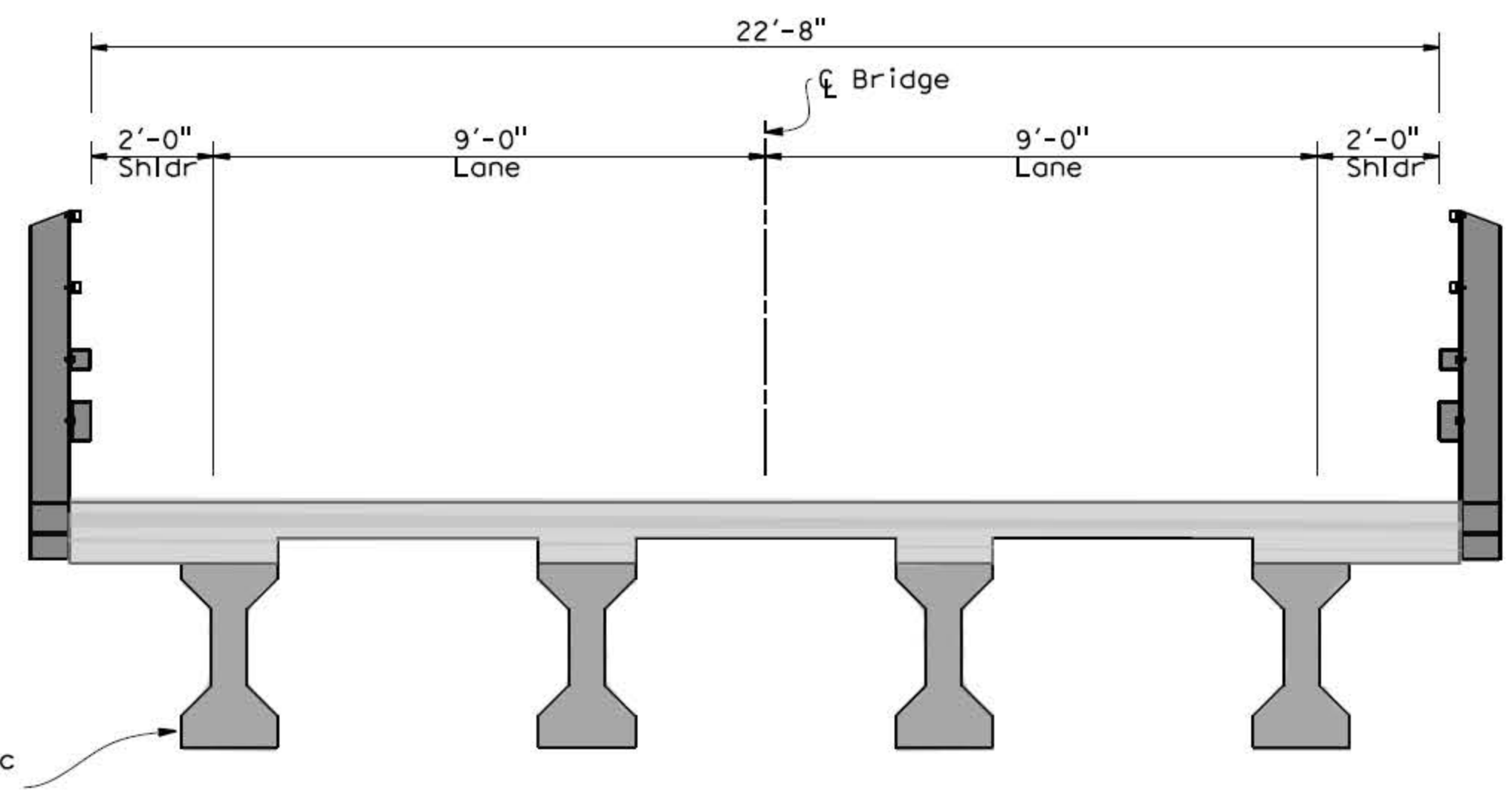
X	DESIGN OVERSIGHT
X	SIGN OFF DATE

DIST.	COUNTY	ROUTE	POST MILES TOTAL PROJECT
01	LAK	CR	XX

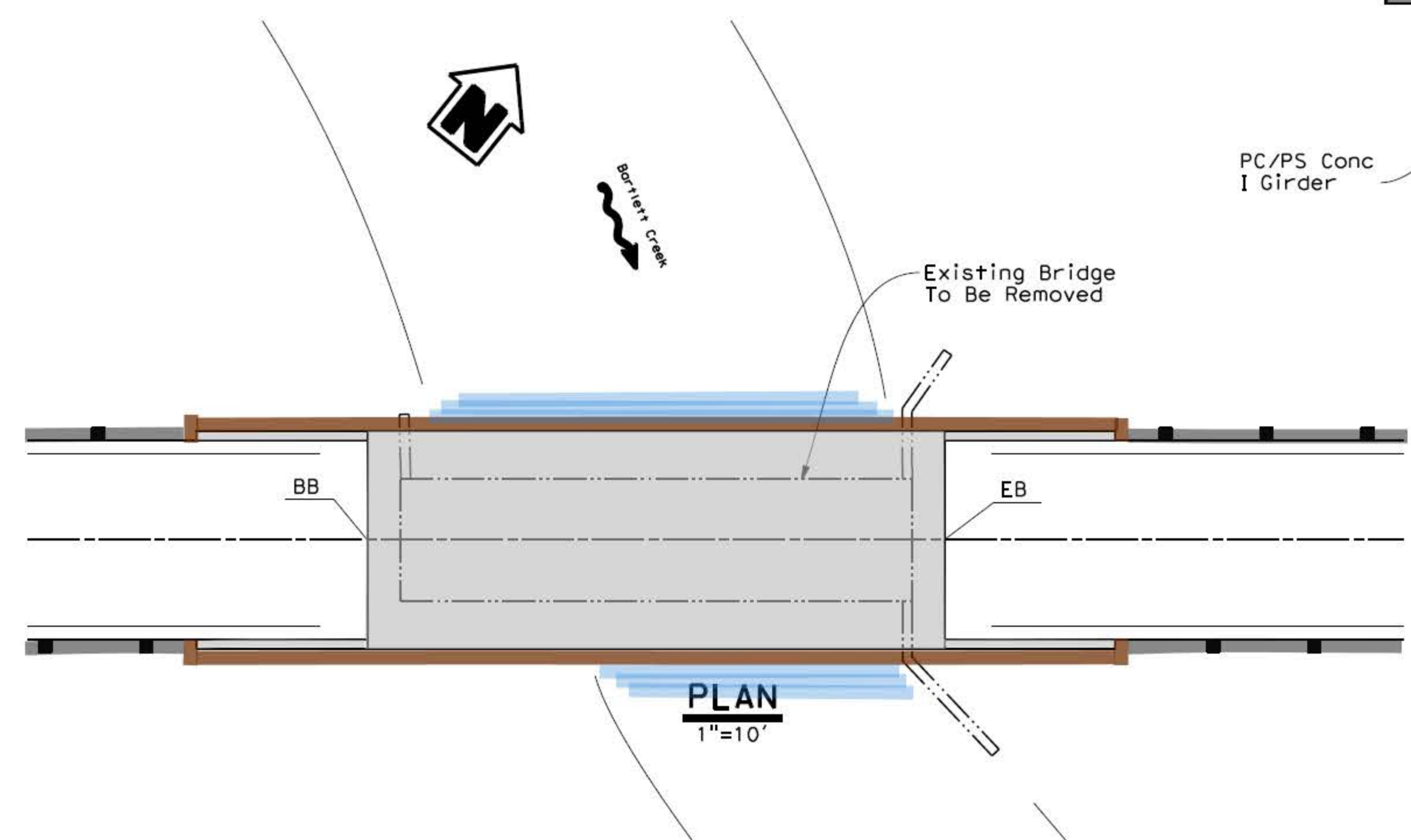
QUINCY ENGINEERING



ELEVATION
1"=10'



TYPICAL SECTION
1/2"=1'-0"



PLAN
1"=10'

PRECAST PRESTRESSED CONCRETE I GIRDER

DESIGNED BY	H. Chou	DATE	6/19/2015
DRAWN BY	H. Chou	DATE	6/19/2015
CHECKED BY	M. Katt	DATE	6/19/2015
APPROVED	M. Reno	DATE	6/19/2015

M. Katt
PROJECT ENGINEER

PLANNING STUDY	
BARTLETT SPRINGS ROAD OVER BARTLETT CREEK	
BRIDGE NO. 14C-0099	UNIT: X
SCALE: As Shown	PROJECT NUMBER & PHASE: X

X	DESIGN OVERSIGHT
X	SIGN OFF DATE