

APPENDIX E
TYPICAL INTERPRETIVE PANEL AND POST
SPECIFICATIONS

Single & Double Pedestal

Assembly and In-ground Installation

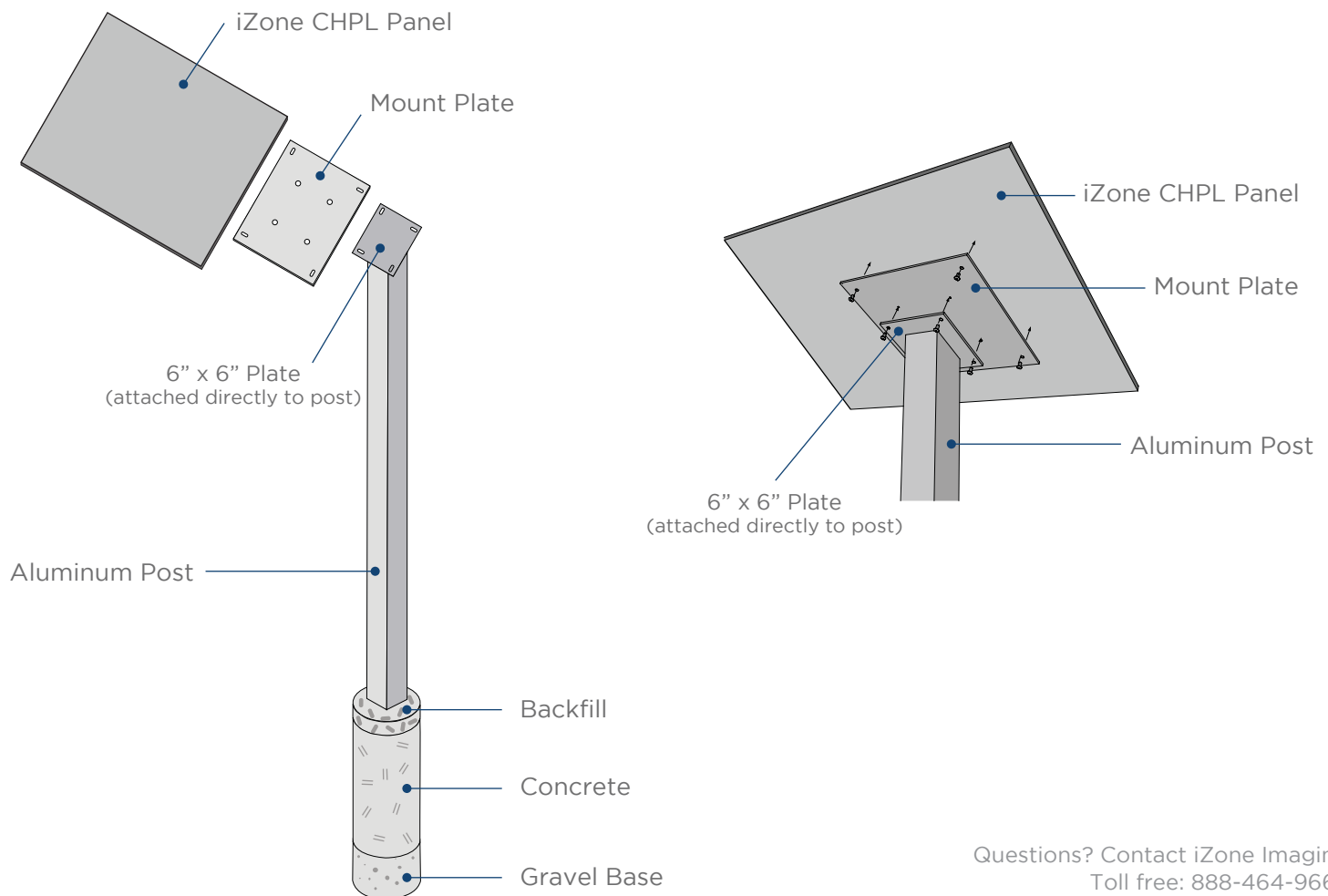
DIRECTIONS

1. Dig an 8" diameter hole to 6" below the frost line, considering the desired install height from grade.
2. Add gravel, tamp and verify installation height.
3. Wrap post with kraft paper or plastic sheet to protect from concrete spatter. Stabilize post in hole with wood braces and clamps. Add prepared concrete, verify level, plumb and installation height.
4. Remove braces and plastic sheeting after concrete is set. Clean exhibit with soap and water, backfill if desired.
5. Can use optional 6" long piece of rebar through hole at bottom of post to prevent post from pulling out of set concrete.

At installation height 32" from grade, 45° angle, standard 60" post length. Refer to your area's recommendations for specific below-grade installation requirements.

TOOLS REQUIRED

- | | |
|--------------------|--------------------------------|
| • Post hole digger | • Concrete |
| • Shovel | • Gravel |
| • Wood braces | • Soil |
| • Clamps | • Tamping stick for gravel |
| • Level | • Kraft paper or plastic sheet |
| • Tape Measure | |



Questions? Contact iZone Imaging
Toll free: 888-464-9663

Double Pedestal

In-Ground Mount and Surface Mount All Aluminum Construction

> Standard Posts

3" x 3" post

In-Ground Mount: 60" long

Surface Mount: 44.5" long

* Custom post lengths available

* Standard and custom color options available

> Standard Mount Plates

✓ 6" x 6"

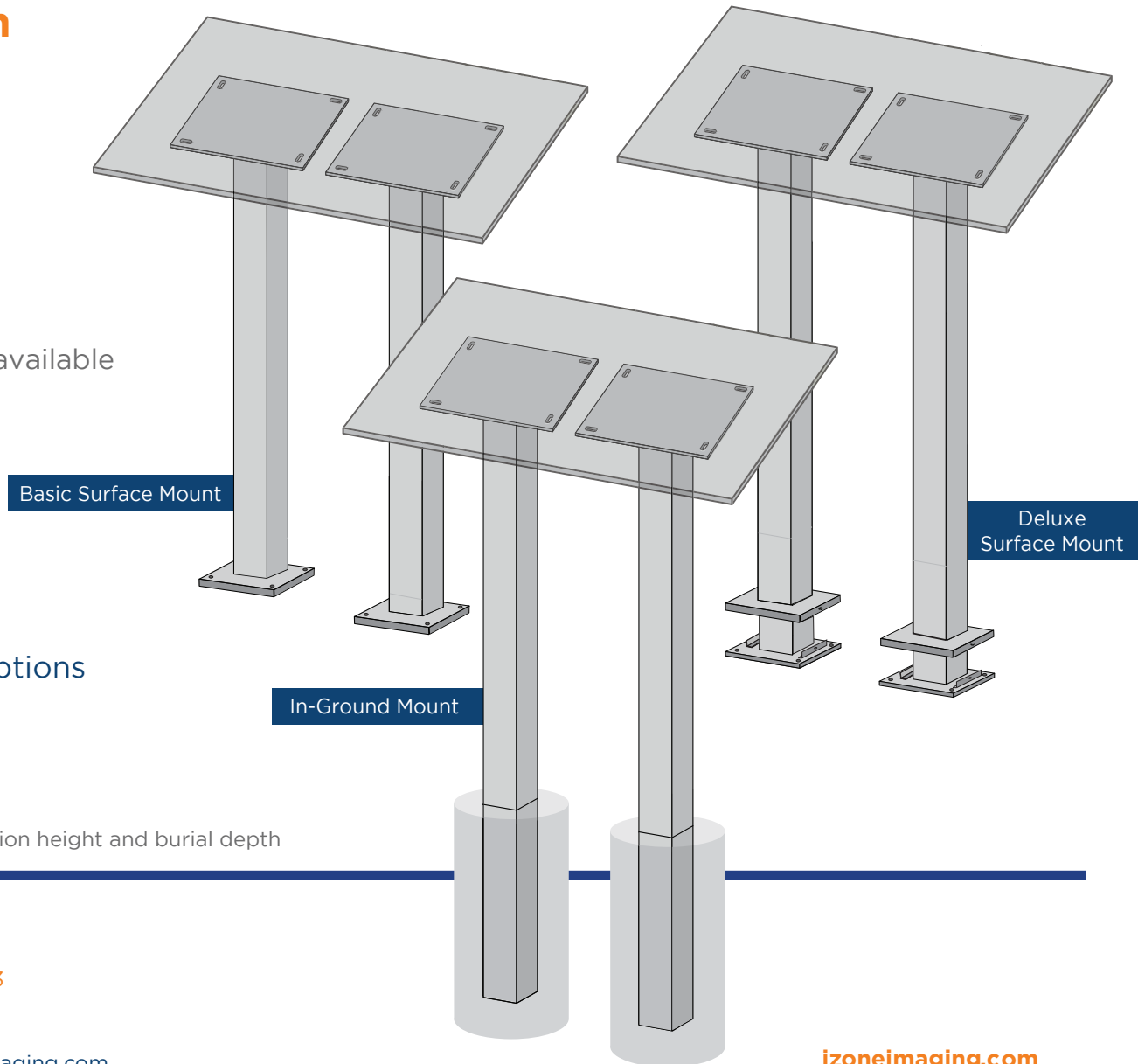
✓ 12" x 18"

✓ 12" x 12"

✓ 16" x 20"

> 45° or 30° Mount Options

> Basic and Deluxe Surface Mount Options



* Post length is determined by panel height, installation height and burial depth



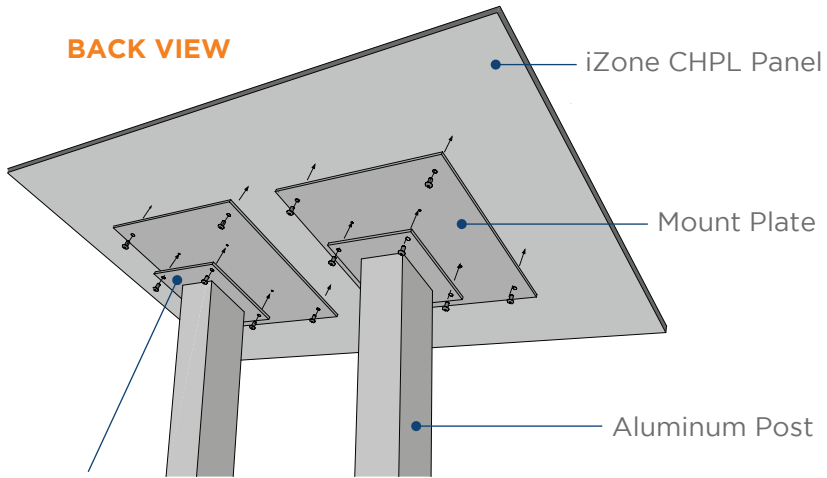
Toll Free 888.464.9663
Local 254.778.0722
Fax 254.778.0938
Email info@izoneimaging.com

izoneimaging.com

Double Pedestal

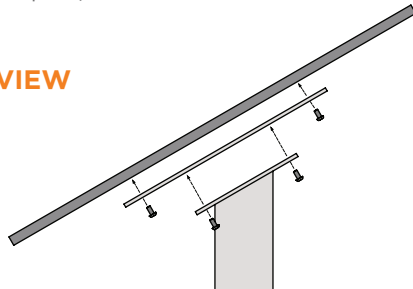
In-Ground Mount and Surface Mount
All Aluminum Construction

BACK VIEW



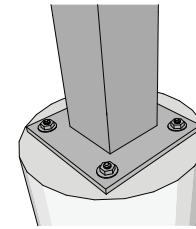
6" x 6" Plates
(attached directly to post)

SIDE VIEW

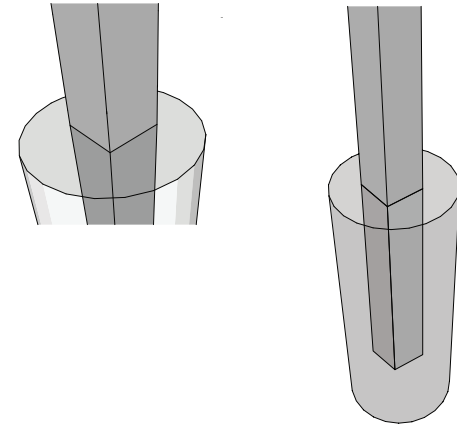


> Post Mounting Options

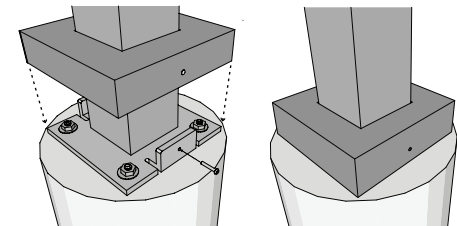
Surface Mount



In-Ground Mount



Deluxe Surface Mount

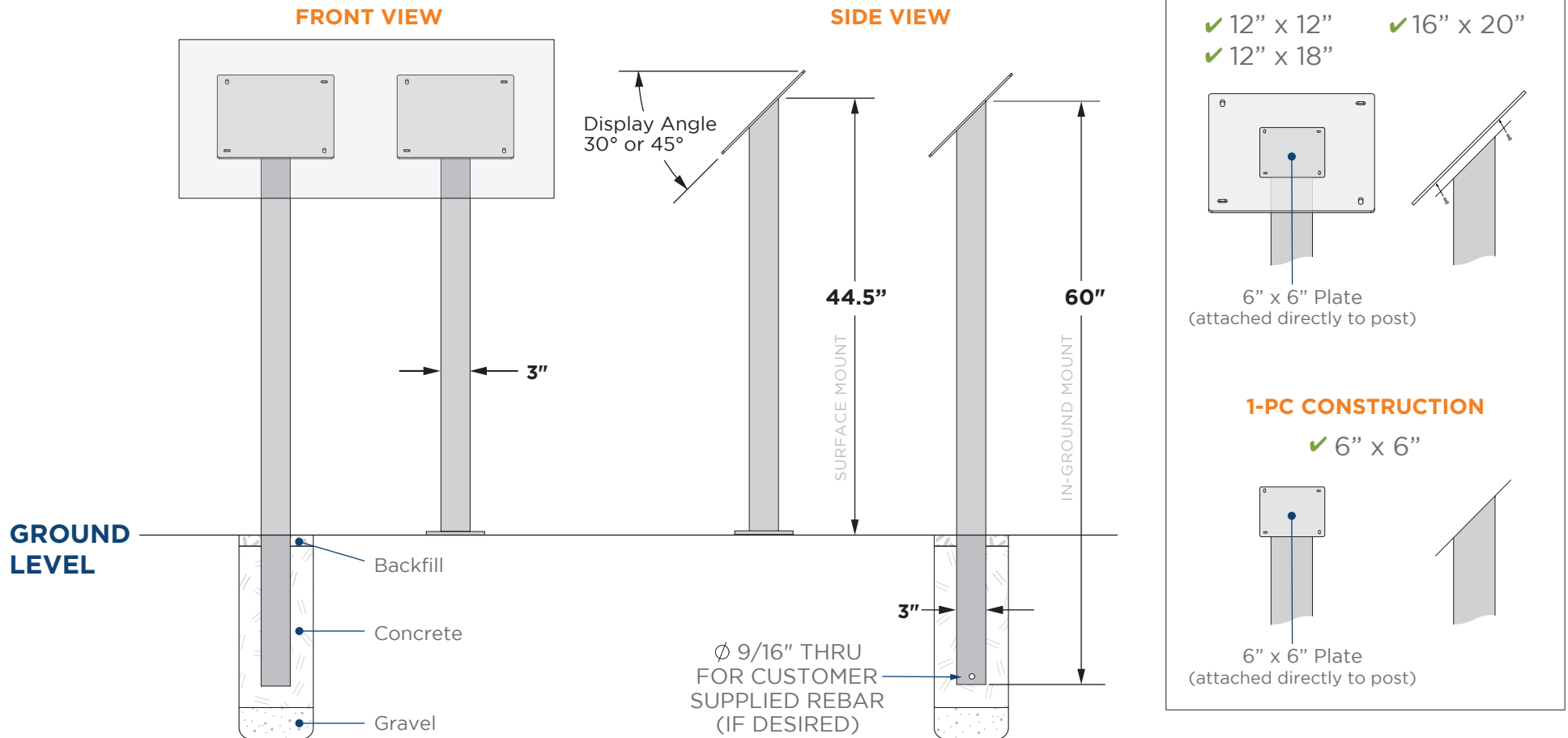


Toll Free 888.464.9663
Local 254.778.0722
Fax 254.778.0938
Email info@izoneimaging.com

izoneimaging.com

Double Pedestal

In-Ground Mount and Surface Mount
All Aluminum Construction



Project details pertaining to below grade installation depths, ADA requirements, wind loads, or other specifications, should be discussed with your Sales Representative at estimating.



Toll Free 888.464.9663
Local 254.778.0722
Fax 254.778.0938
Email info@izoneimaging.com

izoneimaging.com