

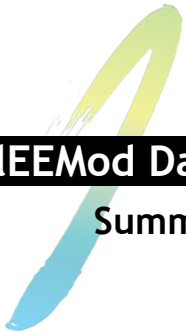


APPENDIX A

Air Quality and Greenhouse Gas Calculations

CalEEMod Data

Summer



City of Needles - Land Use and Circulation Elements - San Bernardino-Mojave Desert County, Summer

EMFAC Off-Model Adjustment Factors for Gasoline Light Duty Vehicle to Account for the SAFE Vehicle Rule Applied

City of Needles - Land Use and Circulation Elements

San Bernardino-Mojave Desert County, Summer

1.0 Project Characteristics

1.1 Land Usage

Land Uses	Size	Metric	Lot Acreage	Floor Surface Area	Population
Single Family Housing	1,078.00	Dwelling Unit	350.00	1,940,400.00	2525
Industrial Park	458.40	1000sqft	10.52	458,400.00	0
Regional Shopping Center	152.75	1000sqft	3.51	152,750.00	0
General Office Building	160.00	1000sqft	3.67	160,000.00	0
Hotel	230.00	Room	7.67	87,000.00	0

1.2 Other Project Characteristics

Urbanization	Urban	Wind Speed (m/s)	2.6	Precipitation Freq (Days)	32
Climate Zone	10			Operational Year	2040
Utility Company	Statewide Average				
CO2 Intensity (lb/MW hr)	453.21	CH4 Intensity (lb/MW hr)	0.033	N2O Intensity (lb/MW hr)	0.004

1.3 User Entered Comments & Non-Default Data

Project Characteristics -

Land Use - Industrial park includes agricultural, manufacturing, and wholesale uses. Regional shopping center includes retail, arts, and other services. General office includes education and healthcare uses. Conservatively assumed all residential units would be single family housing.

Construction Phase - Operation only.

Vehicle Trips - Mobile emissions calculated separately.

Area Coating - Per MDAQMD Rule 1113 assumed VOC content of 50 g/L for architectural coatings.

Area Mitigation - Per MDAQMD Rule 1113 assumed VOC content of 50 g/L for architectural coatings.

Woodstoves - No new woodburning fireplaces would be installed.

City of Needles - Land Use and Circulation Elements - San Bernardino-Mojave Desert County, Summer

EMFAC Off-Model Adjustment Factors for Gasoline Light Duty Vehicle to Account for the SAFE Vehicle Rule Applied

Table Name	Column Name	Default Value	New Value
tblAreaCoating	Area_EF_Nonresidential_Exterior	250	50
tblAreaCoating	Area_EF_Nonresidential_Interior	250	50
tblAreaCoating	Area_EF_Parking	250	50
tblAreaCoating	Area_EF_Residential_Exterior	250	50
tblAreaCoating	Area_EF_Residential_Interior	250	50
tblConstructionPhase	NumDays	400.00	0.00
tblConstructionPhase	PhaseEndDate	4/15/2024	10/3/2022
tblFireplaces	FireplaceWoodMass	3,078.40	0.00
tblFireplaces	NumberWood	377.30	0.00
tblLandUse	LandUseSquareFeet	333,960.00	87,000.00
tblLandUse	Population	3,083.00	2,525.00
tblVehicleTrips	ST_TR	2.21	0.00
tblVehicleTrips	ST_TR	8.19	0.00
tblVehicleTrips	ST_TR	2.54	0.00
tblVehicleTrips	ST_TR	46.12	0.00
tblVehicleTrips	ST_TR	9.54	0.00
tblVehicleTrips	SU_TR	0.70	0.00
tblVehicleTrips	SU_TR	5.95	0.00
tblVehicleTrips	SU_TR	1.24	0.00
tblVehicleTrips	SU_TR	21.10	0.00
tblVehicleTrips	SU_TR	8.55	0.00
tblVehicleTrips	WD_TR	9.74	0.00
tblVehicleTrips	WD_TR	8.36	0.00
tblVehicleTrips	WD_TR	3.37	0.00
tblVehicleTrips	WD_TR	37.75	0.00
tblVehicleTrips	WD_TR	9.44	0.00

City of Needles - Land Use and Circulation Elements - San Bernardino-Mojave Desert County, Summer

EMFAC Off-Model Adjustment Factors for Gasoline Light Duty Vehicle to Account for the SAFE Vehicle Rule Applied

3.0 Construction Detail

Construction Phase

Phase Number	Phase Name	Phase Type	Start Date	End Date	Num Days Week	Num Days	Phase Description
1	Demolition	Demolition	10/4/2022	10/3/2022	5	0	

Acres of Grading (Site Preparation Phase): 0

Acres of Grading (Grading Phase): 0

Acres of Paving: 0

Residential Indoor: 0; Residential Outdoor: 0; Non-Residential Indoor: 0; Non-Residential Outdoor: 0; Striped Parking Area: 0 (Architectural Coating –

OffRoad Equipment

Phase Name	Offroad Equipment Type	Amount	Usage Hours	Horse Power	Load Factor
Demolition	Concrete/Industrial Saws	1	8.00	81	0.73
Demolition	Excavators	3	8.00	158	0.38
Demolition	Rubber Tired Dozers	2	8.00	247	0.40

Trips and VMT

Phase Name	Offroad Equipment Count	Worker Trip Number	Vendor Trip Number	Hauling Trip Number	Worker Trip Length	Vendor Trip Length	Hauling Trip Length	Worker Vehicle Class	Vendor Vehicle Class	Hauling Vehicle Class
Demolition	6	15.00	0.00	0.00	10.80	7.30	20.00	LD_Mix	HDT_Mix	HHDT

City of Needles - Land Use and Circulation Elements - San Bernardino-Mojave Desert County, Summer

EMFAC Off-Model Adjustment Factors for Gasoline Light Duty Vehicle to Account for the SAFE Vehicle Rule Applied

Mitigated Construction Off-Site

	ROG	NOx	CO	SO2	Fugitive PM10	Exhaust PM10	PM10 Total	Fugitive PM2.5	Exhaust PM2.5	PM2.5 Total	Bio- CO2	NBio- CO2	Total CO2	CH4	N2O	CO2e
Category	lb/day										lb/day					
Hauling	0.0000	0.0000	0.0000	0.0000	0.0000	0.0000	0.0000	0.0000	0.0000	0.0000	0.0000	0.0000	0.0000	0.0000	0.0000	0.0000
Vendor	0.0000	0.0000	0.0000	0.0000	0.0000	0.0000	0.0000	0.0000	0.0000	0.0000	0.0000	0.0000	0.0000	0.0000	0.0000	0.0000
Worker	0.0000	0.0000	0.0000	0.0000	0.0000	0.0000	0.0000	0.0000	0.0000	0.0000	0.0000	0.0000	0.0000	0.0000	0.0000	0.0000
Total	0.0000	0.0000	0.0000	0.0000	0.0000	0.0000	0.0000	0.0000	0.0000	0.0000	0.0000	0.0000	0.0000	0.0000	0.0000	0.0000

4.0 Operational Detail - Mobile

4.1 Mitigation Measures Mobile

	ROG	NOx	CO	SO2	Fugitive PM10	Exhaust PM10	PM10 Total	Fugitive PM2.5	Exhaust PM2.5	PM2.5 Total	Bio- CO2	NBio- CO2	Total CO2	CH4	N2O	CO2e
Category	lb/day										lb/day					
Mitigated	0.0000	0.0000	0.0000	0.0000	0.0000	0.0000	0.0000	0.0000	0.0000	0.0000		0.0000	0.0000	0.0000	0.0000	0.0000
Unmitigated	0.0000	0.0000	0.0000	0.0000	0.0000	0.0000	0.0000	0.0000	0.0000	0.0000		0.0000	0.0000	0.0000	0.0000	0.0000

4.2 Trip Summary Information

Land Use	Average Daily Trip Rate			Unmitigated Annual VMT	Mitigated Annual VMT
	Weekday	Saturday	Sunday		
General Office Building	0.00	0.00	0.00		
Hotel	0.00	0.00	0.00		
Industrial Park	0.00	0.00	0.00		
Regional Shopping Center	0.00	0.00	0.00		
Single Family Housing	0.00	0.00	0.00		
Total	0.00	0.00	0.00		

City of Needles - Land Use and Circulation Elements - San Bernardino-Mojave Desert County, Summer

EMFAC Off-Model Adjustment Factors for Gasoline Light Duty Vehicle to Account for the SAFE Vehicle Rule Applied

4.3 Trip Type Information

Land Use	Miles			Trip %			Trip Purpose %		
	H-W or C-W	H-S or C-C	H-O or C-NW	H-W or C-W	H-S or C-C	H-O or C-NW	Primary	Diverted	Pass-by
General Office Building	9.50	7.30	7.30	33.00	48.00	19.00	77	19	4
Hotel	9.50	7.30	7.30	19.40	61.60	19.00	58	38	4
Industrial Park	9.50	7.30	7.30	59.00	28.00	13.00	79	19	2
Regional Shopping Center	9.50	7.30	7.30	16.30	64.70	19.00	54	35	11
Single Family Housing	10.80	7.30	7.50	40.20	19.20	40.60	86	11	3

4.4 Fleet Mix

Land Use	LDA	LDT1	LDT2	MDV	LHD1	LHD2	MHD	HHD	OBUS	UBUS	MCY	SBUS	MH
General Office Building	0.556303	0.059490	0.178460	0.122507	0.021438	0.006223	0.012536	0.015684	0.000507	0.000213	0.022842	0.000934	0.002862
Hotel	0.556303	0.059490	0.178460	0.122507	0.021438	0.006223	0.012536	0.015684	0.000507	0.000213	0.022842	0.000934	0.002862
Industrial Park	0.556303	0.059490	0.178460	0.122507	0.021438	0.006223	0.012536	0.015684	0.000507	0.000213	0.022842	0.000934	0.002862
Regional Shopping Center	0.556303	0.059490	0.178460	0.122507	0.021438	0.006223	0.012536	0.015684	0.000507	0.000213	0.022842	0.000934	0.002862
Single Family Housing	0.556303	0.059490	0.178460	0.122507	0.021438	0.006223	0.012536	0.015684	0.000507	0.000213	0.022842	0.000934	0.002862

5.0 Energy Detail

Historical Energy Use: N

5.1 Mitigation Measures Energy

Category	ROG	NOx	CO	SO2	Fugitive PM10	Exhaust PM10	PM10 Total	Fugitive PM2.5	Exhaust PM2.5	PM2.5 Total	Bio- CO2	NBio- CO2	Total CO2	CH4	N2O	CO2e
	lb/day										lb/day					
Natural Gas Mitigated	1.1264	9.7486	4.9978	0.0614		0.7782	0.7782		0.7782	0.7782		12,287.9946	12,287.9946	0.2355	0.2253	12,361.0160
Natural Gas Unmitigated	1.1264	9.7486	4.9978	0.0614		0.7782	0.7782		0.7782	0.7782		12,287.9946	12,287.9946	0.2355	0.2253	12,361.0160

City of Needles - Land Use and Circulation Elements - San Bernardino-Mojave Desert County, Summer

EMFAC Off-Model Adjustment Factors for Gasoline Light Duty Vehicle to Account for the SAFE Vehicle Rule Applied

5.2 Energy by Land Use - NaturalGas

Unmitigated

	NaturalGas Use	ROG	NOx	CO	SO2	Fugitive PM10	Exhaust PM10	PM10 Total	Fugitive PM2.5	Exhaust PM2.5	PM2.5 Total	Bio- CO2	NBio- CO2	Total CO2	CH4	N2O	CO2e
Land Use	kBTU/yr	lb/day										lb/day					
General Office Building	1503.56	0.0162	0.1474	0.1238	8.8000e-004		0.0112	0.0112		0.0112	0.0112		176.8896	176.8896	3.3900e-003	3.2400e-003	177.9408
Hotel	14172.7	0.1528	1.3895	1.1672	8.3400e-003		0.1056	0.1056		0.1056	0.1056		1,667.3715	1,667.3715	0.0320	0.0306	1,677.2798
Industrial Park	4307.7	0.0465	0.4223	0.3548	2.5300e-003		0.0321	0.0321		0.0321	0.0321		506.7887	506.7887	9.7100e-003	9.2900e-003	509.8003
Regional Shopping Center	920.685	9.9300e-003	0.0903	0.0758	5.4000e-004		6.8600e-003	6.8600e-003		6.8600e-003	6.8600e-003		108.3159	108.3159	2.0800e-003	1.9900e-003	108.9595
Single Family Housing	83543.3	0.9010	7.6991	3.2762	0.0491		0.6225	0.6225		0.6225	0.6225		9,828.6290	9,828.6290	0.1884	0.1802	9,887.0356
Total		1.1264	9.7486	4.9978	0.0614		0.7782	0.7782		0.7782	0.7782		12,287.9946	12,287.9946	0.2355	0.2253	12,361.0160

Mitigated

	NaturalGas Use	ROG	NOx	CO	SO2	Fugitive PM10	Exhaust PM10	PM10 Total	Fugitive PM2.5	Exhaust PM2.5	PM2.5 Total	Bio- CO2	NBio- CO2	Total CO2	CH4	N2O	CO2e
Land Use	kBTU/yr	lb/day										lb/day					
General Office Building	1.50356	0.0162	0.1474	0.1238	8.8000e-004		0.0112	0.0112		0.0112	0.0112		176.8896	176.8896	3.3900e-003	3.2400e-003	177.9408
Hotel	14.1727	0.1528	1.3895	1.1672	8.3400e-003		0.1056	0.1056		0.1056	0.1056		1,667.3715	1,667.3715	0.0320	0.0306	1,677.2798
Industrial Park	4.3077	0.0465	0.4223	0.3548	2.5300e-003		0.0321	0.0321		0.0321	0.0321		506.7887	506.7887	9.7100e-003	9.2900e-003	509.8003
Regional Shopping Center	0.920685	9.9300e-003	0.0903	0.0758	5.4000e-004		6.8600e-003	6.8600e-003		6.8600e-003	6.8600e-003		108.3159	108.3159	2.0800e-003	1.9900e-003	108.9595
Single Family Housing	83.5433	0.9010	7.6991	3.2762	0.0491		0.6225	0.6225		0.6225	0.6225		9,828.6290	9,828.6290	0.1884	0.1802	9,887.0356
Total		1.1264	9.7486	4.9978	0.0614		0.7782	0.7782		0.7782	0.7782		12,287.9946	12,287.9946	0.2355	0.2253	12,361.0160

City of Needles - Land Use and Circulation Elements - San Bernardino-Mojave Desert County, Summer

EMFAC Off-Model Adjustment Factors for Gasoline Light Duty Vehicle to Account for the SAFE Vehicle Rule Applied

6.0 Area Detail

6.1 Mitigation Measures Area

Use Low VOC Paint - Residential Interior

Use Low VOC Paint - Residential Exterior

Use Low VOC Paint - Non-Residential Interior

Use Low VOC Paint - Non-Residential Exterior

	ROG	NOx	CO	SO2	Fugitive PM10	Exhaust PM10	PM10 Total	Fugitive PM2.5	Exhaust PM2.5	PM2.5 Total	Bio- CO2	NBio- CO2	Total CO2	CH4	N2O	CO2e
Category	lb/day										lb/day					
Mitigated	68.1137	10.8581	92.8324	0.0675		1.2887	1.2887		1.2887	1.2887	0.0000	12,715.8879	12,715.8879	0.3936	0.2302	12,794.3239
Unmitigated	68.1137	10.8581	92.8324	0.0675		1.2887	1.2887		1.2887	1.2887	0.0000	12,715.8879	12,715.8879	0.3936	0.2302	12,794.3239

6.2 Area by SubCategory

Unmitigated

	ROG	NOx	CO	SO2	Fugitive PM10	Exhaust PM10	PM10 Total	Fugitive PM2.5	Exhaust PM2.5	PM2.5 Total	Bio- CO2	NBio- CO2	Total CO2	CH4	N2O	CO2e
SubCategory	lb/day										lb/day					
Architectural Coating	4.4162					0.0000	0.0000		0.0000	0.0000			0.0000			0.0000
Consumer Products	59.8890					0.0000	0.0000		0.0000	0.0000			0.0000			0.0000
Hearth	1.1509	9.8352	4.1852	0.0628		0.7952	0.7952		0.7952	0.7952	0.0000	12,555.5294	12,555.5294	0.2407	0.2302	12,630.1407
Landscaping	2.6576	1.0230	88.6472	4.7000e-003		0.4936	0.4936		0.4936	0.4936		160.3585	160.3585	0.1530		164.1833
Total	68.1137	10.8581	92.8324	0.0675		1.2887	1.2887		1.2887	1.2887	0.0000	12,715.8879	12,715.8879	0.3936	0.2302	12,794.3239

City of Needles - Land Use and Circulation Elements - San Bernardino-Mojave Desert County, Summer

EMFAC Off-Model Adjustment Factors for Gasoline Light Duty Vehicle to Account for the SAFE Vehicle Rule Applied

Mitigated

	ROG	NOx	CO	SO2	Fugitive PM10	Exhaust PM10	PM10 Total	Fugitive PM2.5	Exhaust PM2.5	PM2.5 Total	Bio- CO2	NBio- CO2	Total CO2	CH4	N2O	CO2e
SubCategory	lb/day										lb/day					
Architectural Coating	4.4162					0.0000	0.0000		0.0000	0.0000			0.0000			0.0000
Consumer Products	59.8890					0.0000	0.0000		0.0000	0.0000			0.0000			0.0000
Hearth	1.1509	9.8352	4.1852	0.0628		0.7952	0.7952		0.7952	0.7952	0.0000	12,555.5294	12,555.5294	0.2407	0.2302	12,630.1407
Landscaping	2.6576	1.0230	88.6472	4.7000e-003		0.4936	0.4936		0.4936	0.4936		160.3585	160.3585	0.1530		164.1833
Total	68.1137	10.8581	92.8324	0.0675		1.2887	1.2887		1.2887	1.2887	0.0000	12,715.8879	12,715.8879	0.3936	0.2302	12,794.3239

7.0 Water Detail

7.1 Mitigation Measures Water

8.0 Waste Detail

8.1 Mitigation Measures Waste

9.0 Operational Offroad

Equipment Type	Number	Hours/Day	Days/Year	Horse Power	Load Factor	Fuel Type
----------------	--------	-----------	-----------	-------------	-------------	-----------

10.0 Stationary Equipment

Fire Pumps and Emergency Generators

Equipment Type	Number	Hours/Day	Hours/Year	Horse Power	Load Factor	Fuel Type
----------------	--------	-----------	------------	-------------	-------------	-----------

City of Needles - Land Use and Circulation Elements - San Bernardino-Mojave Desert County, Summer

EMFAC Off-Model Adjustment Factors for Gasoline Light Duty Vehicle to Account for the SAFE Vehicle Rule Applied

Boilers

Equipment Type	Number	Heat Input/Day	Heat Input/Year	Boiler Rating	Fuel Type
----------------	--------	----------------	-----------------	---------------	-----------

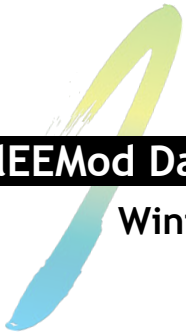
User Defined Equipment

Equipment Type	Number
----------------	--------

11.0 Vegetation

CalEEMod Data

Winter



City of Needles - Land Use and Circulation Elements - San Bernardino-Mojave Desert County, Winter

EMFAC Off-Model Adjustment Factors for Gasoline Light Duty Vehicle to Account for the SAFE Vehicle Rule Applied

City of Needles - Land Use and Circulation Elements

San Bernardino-Mojave Desert County, Winter

1.0 Project Characteristics

1.1 Land Usage

Land Uses	Size	Metric	Lot Acreage	Floor Surface Area	Population
Single Family Housing	1,078.00	Dwelling Unit	350.00	1,940,400.00	2525
Industrial Park	458.40	1000sqft	10.52	458,400.00	0
Regional Shopping Center	152.75	1000sqft	3.51	152,750.00	0
General Office Building	160.00	1000sqft	3.67	160,000.00	0
Hotel	230.00	Room	7.67	87,000.00	0

1.2 Other Project Characteristics

Urbanization	Urban	Wind Speed (m/s)	2.6	Precipitation Freq (Days)	32
Climate Zone	10			Operational Year	2040
Utility Company	Statewide Average				
CO2 Intensity (lb/MW hr)	453.21	CH4 Intensity (lb/MW hr)	0.033	N2O Intensity (lb/MW hr)	0.004

1.3 User Entered Comments & Non-Default Data

Project Characteristics -

Land Use - Industrial park includes agricultural, manufacturing, and wholesale uses. Regional shopping center includes retail, arts, and other services. General office includes education and healthcare uses. Conservatively assumed all residential units would be single family housing.

Construction Phase - Operation only.

Vehicle Trips - Mobile emissions calculated separately.

Area Coating - Per MDAQMD Rule 1113 assumed VOC content of 50 g/L for architectural coatings.

Area Mitigation - Per MDAQMD Rule 1113 assumed VOC content of 50 g/L for architectural coatings.

Woodstoves - No new woodburning fireplaces would be installed.

City of Needles - Land Use and Circulation Elements - San Bernardino-Mojave Desert County, Winter

EMFAC Off-Model Adjustment Factors for Gasoline Light Duty Vehicle to Account for the SAFE Vehicle Rule Applied

Table Name	Column Name	Default Value	New Value
tblAreaCoating	Area_EF_Nonresidential_Exterior	250	50
tblAreaCoating	Area_EF_Nonresidential_Interior	250	50
tblAreaCoating	Area_EF_Parking	250	50
tblAreaCoating	Area_EF_Residential_Exterior	250	50
tblAreaCoating	Area_EF_Residential_Interior	250	50
tblConstructionPhase	NumDays	400.00	0.00
tblConstructionPhase	PhaseEndDate	4/15/2024	10/3/2022
tblFireplaces	FireplaceWoodMass	3,078.40	0.00
tblFireplaces	NumberWood	377.30	0.00
tblLandUse	LandUseSquareFeet	333,960.00	87,000.00
tblLandUse	Population	3,083.00	2,525.00
tblVehicleTrips	ST_TR	2.21	0.00
tblVehicleTrips	ST_TR	8.19	0.00
tblVehicleTrips	ST_TR	2.54	0.00
tblVehicleTrips	ST_TR	46.12	0.00
tblVehicleTrips	ST_TR	9.54	0.00
tblVehicleTrips	SU_TR	0.70	0.00
tblVehicleTrips	SU_TR	5.95	0.00
tblVehicleTrips	SU_TR	1.24	0.00
tblVehicleTrips	SU_TR	21.10	0.00
tblVehicleTrips	SU_TR	8.55	0.00
tblVehicleTrips	WD_TR	9.74	0.00
tblVehicleTrips	WD_TR	8.36	0.00
tblVehicleTrips	WD_TR	3.37	0.00
tblVehicleTrips	WD_TR	37.75	0.00
tblVehicleTrips	WD_TR	9.44	0.00

City of Needles - Land Use and Circulation Elements - San Bernardino-Mojave Desert County, Winter

EMFAC Off-Model Adjustment Factors for Gasoline Light Duty Vehicle to Account for the SAFE Vehicle Rule Applied

3.0 Construction Detail

Construction Phase

Phase Number	Phase Name	Phase Type	Start Date	End Date	Num Days Week	Num Days	Phase Description
1	Demolition	Demolition	10/4/2022	10/3/2022	5	0	

Acres of Grading (Site Preparation Phase): 0

Acres of Grading (Grading Phase): 0

Acres of Paving: 0

Residential Indoor: 0; Residential Outdoor: 0; Non-Residential Indoor: 0; Non-Residential Outdoor: 0; Striped Parking Area: 0 (Architectural Coating –

OffRoad Equipment

Phase Name	Offroad Equipment Type	Amount	Usage Hours	Horse Power	Load Factor
Demolition	Concrete/Industrial Saws	1	8.00	81	0.73
Demolition	Excavators	3	8.00	158	0.38
Demolition	Rubber Tired Dozers	2	8.00	247	0.40

Trips and VMT

Phase Name	Offroad Equipment Count	Worker Trip Number	Vendor Trip Number	Hauling Trip Number	Worker Trip Length	Vendor Trip Length	Hauling Trip Length	Worker Vehicle Class	Vendor Vehicle Class	Hauling Vehicle Class
Demolition	6	15.00	0.00	0.00	10.80	7.30	20.00	LD_Mix	HDT_Mix	HHDT

City of Needles - Land Use and Circulation Elements - San Bernardino-Mojave Desert County, Winter

EMFAC Off-Model Adjustment Factors for Gasoline Light Duty Vehicle to Account for the SAFE Vehicle Rule Applied

Mitigated Construction Off-Site

	ROG	NOx	CO	SO2	Fugitive PM10	Exhaust PM10	PM10 Total	Fugitive PM2.5	Exhaust PM2.5	PM2.5 Total	Bio- CO2	NBio- CO2	Total CO2	CH4	N2O	CO2e
Category	lb/day										lb/day					
Hauling	0.0000	0.0000	0.0000	0.0000	0.0000	0.0000	0.0000	0.0000	0.0000	0.0000	0.0000	0.0000	0.0000	0.0000	0.0000	0.0000
Vendor	0.0000	0.0000	0.0000	0.0000	0.0000	0.0000	0.0000	0.0000	0.0000	0.0000	0.0000	0.0000	0.0000	0.0000	0.0000	0.0000
Worker	0.0000	0.0000	0.0000	0.0000	0.0000	0.0000	0.0000	0.0000	0.0000	0.0000	0.0000	0.0000	0.0000	0.0000	0.0000	0.0000
Total	0.0000	0.0000	0.0000	0.0000	0.0000	0.0000	0.0000	0.0000	0.0000	0.0000	0.0000	0.0000	0.0000	0.0000	0.0000	0.0000

4.0 Operational Detail - Mobile

4.1 Mitigation Measures Mobile

	ROG	NOx	CO	SO2	Fugitive PM10	Exhaust PM10	PM10 Total	Fugitive PM2.5	Exhaust PM2.5	PM2.5 Total	Bio- CO2	NBio- CO2	Total CO2	CH4	N2O	CO2e
Category	lb/day										lb/day					
Mitigated	0.0000	0.0000	0.0000	0.0000	0.0000	0.0000	0.0000	0.0000	0.0000	0.0000		0.0000	0.0000	0.0000	0.0000	0.0000
Unmitigated	0.0000	0.0000	0.0000	0.0000	0.0000	0.0000	0.0000	0.0000	0.0000	0.0000		0.0000	0.0000	0.0000	0.0000	0.0000

4.2 Trip Summary Information

Land Use	Average Daily Trip Rate			Unmitigated Annual VMT	Mitigated Annual VMT
	Weekday	Saturday	Sunday		
General Office Building	0.00	0.00	0.00		
Hotel	0.00	0.00	0.00		
Industrial Park	0.00	0.00	0.00		
Regional Shopping Center	0.00	0.00	0.00		
Single Family Housing	0.00	0.00	0.00		
Total	0.00	0.00	0.00		

City of Needles - Land Use and Circulation Elements - San Bernardino-Mojave Desert County, Winter

EMFAC Off-Model Adjustment Factors for Gasoline Light Duty Vehicle to Account for the SAFE Vehicle Rule Applied

4.3 Trip Type Information

Land Use	Miles			Trip %			Trip Purpose %		
	H-W or C-W	H-S or C-C	H-O or C-NW	H-W or C-W	H-S or C-C	H-O or C-NW	Primary	Diverted	Pass-by
General Office Building	9.50	7.30	7.30	33.00	48.00	19.00	77	19	4
Hotel	9.50	7.30	7.30	19.40	61.60	19.00	58	38	4
Industrial Park	9.50	7.30	7.30	59.00	28.00	13.00	79	19	2
Regional Shopping Center	9.50	7.30	7.30	16.30	64.70	19.00	54	35	11
Single Family Housing	10.80	7.30	7.50	40.20	19.20	40.60	86	11	3

4.4 Fleet Mix

Land Use	LDA	LDT1	LDT2	MDV	LHD1	LHD2	MHD	HHD	OBUS	UBUS	MCY	SBUS	MH
General Office Building	0.556303	0.059490	0.178460	0.122507	0.021438	0.006223	0.012536	0.015684	0.000507	0.000213	0.022842	0.000934	0.002862
Hotel	0.556303	0.059490	0.178460	0.122507	0.021438	0.006223	0.012536	0.015684	0.000507	0.000213	0.022842	0.000934	0.002862
Industrial Park	0.556303	0.059490	0.178460	0.122507	0.021438	0.006223	0.012536	0.015684	0.000507	0.000213	0.022842	0.000934	0.002862
Regional Shopping Center	0.556303	0.059490	0.178460	0.122507	0.021438	0.006223	0.012536	0.015684	0.000507	0.000213	0.022842	0.000934	0.002862
Single Family Housing	0.556303	0.059490	0.178460	0.122507	0.021438	0.006223	0.012536	0.015684	0.000507	0.000213	0.022842	0.000934	0.002862

5.0 Energy Detail

Historical Energy Use: N

5.1 Mitigation Measures Energy

	ROG	NOx	CO	SO2	Fugitive PM10	Exhaust PM10	PM10 Total	Fugitive PM2.5	Exhaust PM2.5	PM2.5 Total	Bio- CO2	NBio- CO2	Total CO2	CH4	N2O	CO2e
Category	lb/day										lb/day					
Natural Gas Mitigated	1.1264	9.7486	4.9978	0.0614		0.7782	0.7782		0.7782	0.7782		12,287.9946	12,287.9946	0.2355	0.2253	12,361.0160
Natural Gas Unmitigated	1.1264	9.7486	4.9978	0.0614		0.7782	0.7782		0.7782	0.7782		12,287.9946	12,287.9946	0.2355	0.2253	12,361.0160

City of Needles - Land Use and Circulation Elements - San Bernardino-Mojave Desert County, Winter

EMFAC Off-Model Adjustment Factors for Gasoline Light Duty Vehicle to Account for the SAFE Vehicle Rule Applied

5.2 Energy by Land Use - NaturalGas

Unmitigated

	NaturalGas Use	ROG	NOx	CO	SO2	Fugitive PM10	Exhaust PM10	PM10 Total	Fugitive PM2.5	Exhaust PM2.5	PM2.5 Total	Bio- CO2	NBio- CO2	Total CO2	CH4	N2O	CO2e
Land Use	kBTU/yr	lb/day										lb/day					
General Office Building	1503.56	0.0162	0.1474	0.1238	8.8000e-004		0.0112	0.0112		0.0112	0.0112		176.8896	176.8896	3.3900e-003	3.2400e-003	177.9408
Hotel	14172.7	0.1528	1.3895	1.1672	8.3400e-003		0.1056	0.1056		0.1056	0.1056		1,667.3715	1,667.3715	0.0320	0.0306	1,677.2798
Industrial Park	4307.7	0.0465	0.4223	0.3548	2.5300e-003		0.0321	0.0321		0.0321	0.0321		506.7887	506.7887	9.7100e-003	9.2900e-003	509.8003
Regional Shopping Center	920.685	9.9300e-003	0.0903	0.0758	5.4000e-004		6.8600e-003	6.8600e-003		6.8600e-003	6.8600e-003		108.3159	108.3159	2.0800e-003	1.9900e-003	108.9595
Single Family Housing	83543.3	0.9010	7.6991	3.2762	0.0491		0.6225	0.6225		0.6225	0.6225		9,828.6290	9,828.6290	0.1884	0.1802	9,887.0356
Total		1.1264	9.7486	4.9978	0.0614		0.7782	0.7782		0.7782	0.7782		12,287.9946	12,287.9946	0.2355	0.2253	12,361.0160

Mitigated

	NaturalGas Use	ROG	NOx	CO	SO2	Fugitive PM10	Exhaust PM10	PM10 Total	Fugitive PM2.5	Exhaust PM2.5	PM2.5 Total	Bio- CO2	NBio- CO2	Total CO2	CH4	N2O	CO2e
Land Use	kBTU/yr	lb/day										lb/day					
General Office Building	1.50356	0.0162	0.1474	0.1238	8.8000e-004		0.0112	0.0112		0.0112	0.0112		176.8896	176.8896	3.3900e-003	3.2400e-003	177.9408
Hotel	14.1727	0.1528	1.3895	1.1672	8.3400e-003		0.1056	0.1056		0.1056	0.1056		1,667.3715	1,667.3715	0.0320	0.0306	1,677.2798
Industrial Park	4.3077	0.0465	0.4223	0.3548	2.5300e-003		0.0321	0.0321		0.0321	0.0321		506.7887	506.7887	9.7100e-003	9.2900e-003	509.8003
Regional Shopping Center	0.920685	9.9300e-003	0.0903	0.0758	5.4000e-004		6.8600e-003	6.8600e-003		6.8600e-003	6.8600e-003		108.3159	108.3159	2.0800e-003	1.9900e-003	108.9595
Single Family Housing	83.5433	0.9010	7.6991	3.2762	0.0491		0.6225	0.6225		0.6225	0.6225		9,828.6290	9,828.6290	0.1884	0.1802	9,887.0356
Total		1.1264	9.7486	4.9978	0.0614		0.7782	0.7782		0.7782	0.7782		12,287.9946	12,287.9946	0.2355	0.2253	12,361.0160

City of Needles - Land Use and Circulation Elements - San Bernardino-Mojave Desert County, Winter

EMFAC Off-Model Adjustment Factors for Gasoline Light Duty Vehicle to Account for the SAFE Vehicle Rule Applied

6.0 Area Detail

6.1 Mitigation Measures Area

- Use Low VOC Paint - Residential Interior
- Use Low VOC Paint - Residential Exterior
- Use Low VOC Paint - Non-Residential Interior
- Use Low VOC Paint - Non-Residential Exterior

	ROG	NOx	CO	SO2	Fugitive PM10	Exhaust PM10	PM10 Total	Fugitive PM2.5	Exhaust PM2.5	PM2.5 Total	Bio- CO2	NBio- CO2	Total CO2	CH4	N2O	CO2e
Category	lb/day										lb/day					
Mitigated	68.1137	10.8581	92.8324	0.0675		1.2887	1.2887		1.2887	1.2887	0.0000	12,715.8879	12,715.8879	0.3936	0.2302	12,794.3239
Unmitigated	68.1137	10.8581	92.8324	0.0675		1.2887	1.2887		1.2887	1.2887	0.0000	12,715.8879	12,715.8879	0.3936	0.2302	12,794.3239

6.2 Area by SubCategory

Unmitigated

	ROG	NOx	CO	SO2	Fugitive PM10	Exhaust PM10	PM10 Total	Fugitive PM2.5	Exhaust PM2.5	PM2.5 Total	Bio- CO2	NBio- CO2	Total CO2	CH4	N2O	CO2e
SubCategory	lb/day										lb/day					
Architectural Coating	4.4162					0.0000	0.0000		0.0000	0.0000			0.0000			0.0000
Consumer Products	59.8890					0.0000	0.0000		0.0000	0.0000			0.0000			0.0000
Hearth	1.1509	9.8352	4.1852	0.0628		0.7952	0.7952		0.7952	0.7952	0.0000	12,555.5294	12,555.5294	0.2407	0.2302	12,630.1407
Landscaping	2.6576	1.0230	88.6472	4.7000e-003		0.4936	0.4936		0.4936	0.4936		160.3585	160.3585	0.1530		164.1833
Total	68.1137	10.8581	92.8324	0.0675		1.2887	1.2887		1.2887	1.2887	0.0000	12,715.8879	12,715.8879	0.3936	0.2302	12,794.3239

City of Needles - Land Use and Circulation Elements - San Bernardino-Mojave Desert County, Winter

EMFAC Off-Model Adjustment Factors for Gasoline Light Duty Vehicle to Account for the SAFE Vehicle Rule Applied

Mitigated

	ROG	NOx	CO	SO2	Fugitive PM10	Exhaust PM10	PM10 Total	Fugitive PM2.5	Exhaust PM2.5	PM2.5 Total	Bio- CO2	NBio- CO2	Total CO2	CH4	N2O	CO2e
SubCategory	lb/day										lb/day					
Architectural Coating	4.4162					0.0000	0.0000		0.0000	0.0000			0.0000			0.0000
Consumer Products	59.8890					0.0000	0.0000		0.0000	0.0000			0.0000			0.0000
Hearth	1.1509	9.8352	4.1852	0.0628		0.7952	0.7952		0.7952	0.7952	0.0000	12,555.5294	12,555.5294	0.2407	0.2302	12,630.1407
Landscaping	2.6576	1.0230	88.6472	4.7000e-003		0.4936	0.4936		0.4936	0.4936		160.3585	160.3585	0.1530		164.1833
Total	68.1137	10.8581	92.8324	0.0675		1.2887	1.2887		1.2887	1.2887	0.0000	12,715.8879	12,715.8879	0.3936	0.2302	12,794.3239

7.0 Water Detail

7.1 Mitigation Measures Water

8.0 Waste Detail

8.1 Mitigation Measures Waste

9.0 Operational Offroad

Equipment Type	Number	Hours/Day	Days/Year	Horse Power	Load Factor	Fuel Type
----------------	--------	-----------	-----------	-------------	-------------	-----------

City of Needles - Land Use and Circulation Elements - San Bernardino-Mojave Desert County, Winter

EMFAC Off-Model Adjustment Factors for Gasoline Light Duty Vehicle to Account for the SAFE Vehicle Rule Applied

10.0 Stationary Equipment

Fire Pumps and Emergency Generators

Equipment Type	Number	Hours/Day	Hours/Year	Horse Power	Load Factor	Fuel Type
----------------	--------	-----------	------------	-------------	-------------	-----------

Boilers

Equipment Type	Number	Heat Input/Day	Heat Input/Year	Boiler Rating	Fuel Type
----------------	--------	----------------	-----------------	---------------	-----------

User Defined Equipment

Equipment Type	Number
----------------	--------

11.0 Vegetation

CalEEMod Data

Annual



City of Needles - Land Use and Circulation Elements - San Bernardino-Mojave Desert County, Annual

EMFAC Off-Model Adjustment Factors for Gasoline Light Duty Vehicle to Account for the SAFE Vehicle Rule Applied

City of Needles - Land Use and Circulation Elements

San Bernardino-Mojave Desert County, Annual

1.0 Project Characteristics

1.1 Land Usage

Land Uses	Size	Metric	Lot Acreage	Floor Surface Area	Population
Single Family Housing	1,078.00	Dwelling Unit	350.00	1,940,400.00	2525
Industrial Park	458.40	1000sqft	10.52	458,400.00	0
Regional Shopping Center	152.75	1000sqft	3.51	152,750.00	0
General Office Building	160.00	1000sqft	3.67	160,000.00	0
Hotel	230.00	Room	7.67	87,000.00	0

1.2 Other Project Characteristics

Urbanization	Urban	Wind Speed (m/s)	2.6	Precipitation Freq (Days)	32
Climate Zone	10			Operational Year	2040
Utility Company	Statewide Average				
CO2 Intensity (lb/MWhr)	453.21	CH4 Intensity (lb/MWhr)	0.033	N2O Intensity (lb/MWhr)	0.004

1.3 User Entered Comments & Non-Default Data

Project Characteristics -

Land Use - Industrial park includes agricultural, manufacturing, and wholesale uses. Regional shopping center includes retail, arts, and other services. General office includes education and healthcare uses. Conservatively assumed all residential units would be single-family housing.

Construction Phase - Operation only.

Vehicle Trips - Mobile emissions calculated separately.

Area Coating - Per MDAQMD Rule 1113 assumed VOC content of 50 g/L for architectural coatings.

Area Mitigation - Per MDAQMD Rule 1113 assumed VOC content of 50 g/L for architectural coatings.

City of Needles - Land Use and Circulation Elements - San Bernardino-Mojave Desert County, Annual

EMFAC Off-Model Adjustment Factors for Gasoline Light Duty Vehicle to Account for the SAFE Vehicle Rule Applied

Woodstoves - No new woodburning fireplaces would be installed.

Table Name	Column Name	Default Value	New Value
tblAreaCoating	Area_EF_Nonresidential_Exterior	250	50
tblAreaCoating	Area_EF_Nonresidential_Interior	250	50
tblAreaCoating	Area_EF_Parking	250	50
tblAreaCoating	Area_EF_Residential_Exterior	250	50
tblAreaCoating	Area_EF_Residential_Interior	250	50
tblConstructionPhase	NumDays	400.00	0.00
tblConstructionPhase	PhaseEndDate	4/15/2024	10/3/2022
tblFireplaces	FireplaceWoodMass	3,078.40	0.00
tblFireplaces	NumberWood	377.30	0.00
tblLandUse	LandUseSquareFeet	333,960.00	87,000.00
tblLandUse	Population	3,083.00	2,525.00
tblVehicleTrips	ST_TR	2.21	0.00
tblVehicleTrips	ST_TR	8.19	0.00
tblVehicleTrips	ST_TR	2.54	0.00
tblVehicleTrips	ST_TR	46.12	0.00
tblVehicleTrips	ST_TR	9.54	0.00
tblVehicleTrips	SU_TR	0.70	0.00
tblVehicleTrips	SU_TR	5.95	0.00
tblVehicleTrips	SU_TR	1.24	0.00
tblVehicleTrips	SU_TR	21.10	0.00
tblVehicleTrips	SU_TR	8.55	0.00
tblVehicleTrips	WD_TR	9.74	0.00
tblVehicleTrips	WD_TR	8.36	0.00
tblVehicleTrips	WD_TR	3.37	0.00
tblVehicleTrips	WD_TR	37.75	0.00

City of Needles - Land Use and Circulation Elements - San Bernardino-Mojave Desert County, Annual

EMFAC Off-Model Adjustment Factors for Gasoline Light Duty Vehicle to Account for the SAFE Vehicle Rule Applied

tblVehicleTrips	WD_TR	9.44	0.00
tblWoodstoves	WoodstoveWoodMass	3,019.20	0.00

2.0 Emissions Summary

2.1 Overall Construction

Unmitigated Construction

	ROG	NOx	CO	SO2	Fugitive PM10	Exhaust PM10	PM10 Total	Fugitive PM2.5	Exhaust PM2.5	PM2.5 Total	Bio- CO2	NBio- CO2	Total CO2	CH4	N2O	CO2e
Year	tons/yr										MT/yr					
2022	0.0000	0.0000	0.0000	0.0000	0.0000	0.0000	0.0000	0.0000	0.0000	0.0000	0.0000	0.0000	0.0000	0.0000	0.0000	0.0000
Maximum	0.0000	0.0000	0.0000	0.0000	0.0000	0.0000	0.0000	0.0000	0.0000	0.0000	0.0000	0.0000	0.0000	0.0000	0.0000	0.0000

Mitigated Construction

	ROG	NOx	CO	SO2	Fugitive PM10	Exhaust PM10	PM10 Total	Fugitive PM2.5	Exhaust PM2.5	PM2.5 Total	Bio- CO2	NBio- CO2	Total CO2	CH4	N2O	CO2e
Year	tons/yr										MT/yr					
2022	0.0000	0.0000	0.0000	0.0000	0.0000	0.0000	0.0000	0.0000	0.0000	0.0000	0.0000	0.0000	0.0000	0.0000	0.0000	0.0000
Maximum	0.0000	0.0000	0.0000	0.0000	0.0000	0.0000	0.0000	0.0000	0.0000	0.0000	0.0000	0.0000	0.0000	0.0000	0.0000	0.0000

	ROG	NOx	CO	SO2	Fugitive PM10	Exhaust PM10	PM10 Total	Fugitive PM2.5	Exhaust PM2.5	PM2.5 Total	Bio- CO2	NBio- CO2	Total CO2	CH4	N2O	CO2e
Percent Reduction	0.00	0.00	0.00	0.00	0.00	0.00	0.00	0.00	0.00	0.00	0.00	0.00	0.00	0.00	0.00	0.00

Quarter	Start Date	End Date	Maximum Unmitigated ROG + NOX (tons/quarter)	Maximum Mitigated ROG + NOX (tons/quarter)
		Highest		

City of Needles - Land Use and Circulation Elements - San Bernardino-Mojave Desert County, Annual

EMFAC Off-Model Adjustment Factors for Gasoline Light Duty Vehicle to Account for the SAFE Vehicle Rule Applied

2.2 Overall Operational

Unmitigated Operational

	ROG	NOx	CO	SO2	Fugitive PM10	Exhaust PM10	PM10 Total	Fugitive PM2.5	Exhaust PM2.5	PM2.5 Total	Bio- CO2	NBio- CO2	Total CO2	CH4	N2O	CO2e
Category	tons/yr										MT/yr					
Area	12.0221	0.4953	8.1498	3.0000e-003		0.0770	0.0770		0.0770	0.0770	0.0000	480.0903	480.0903	0.0214	8.5600e-003	483.1777
Energy	0.2056	1.7791	0.9121	0.0112		0.1420	0.1420		0.1420	0.1420	0.0000	5,661.0314	5,661.0314	0.3031	0.0693	5,689.2611
Mobile	0.0000	0.0000	0.0000	0.0000	0.0000	0.0000	0.0000	0.0000	0.0000	0.0000	0.0000	0.0000	0.0000	0.0000	0.0000	0.0000
Waste						0.0000	0.0000		0.0000	0.0000	413.8539	0.0000	413.8539	24.4581	0.0000	1,025.3056
Water						0.0000	0.0000		0.0000	0.0000	70.3756	752.0348	822.4103	7.2830	0.1773	1,057.3245
Total	12.2276	2.2744	9.0619	0.0142	0.0000	0.2191	0.2191	0.0000	0.2191	0.2191	484.2295	6,893.1565	7,377.3860	32.0656	0.2552	8,255.0688

Mitigated Operational

	ROG	NOx	CO	SO2	Fugitive PM10	Exhaust PM10	PM10 Total	Fugitive PM2.5	Exhaust PM2.5	PM2.5 Total	Bio- CO2	NBio- CO2	Total CO2	CH4	N2O	CO2e
Category	tons/yr										MT/yr					
Area	12.0221	0.4953	8.1498	3.0000e-003		0.0770	0.0770		0.0770	0.0770	0.0000	480.0903	480.0903	0.0214	8.5600e-003	483.1777
Energy	0.2056	1.7791	0.9121	0.0112		0.1420	0.1420		0.1420	0.1420	0.0000	5,661.0314	5,661.0314	0.3031	0.0693	5,689.2611
Mobile	0.0000	0.0000	0.0000	0.0000	0.0000	0.0000	0.0000	0.0000	0.0000	0.0000	0.0000	0.0000	0.0000	0.0000	0.0000	0.0000
Waste						0.0000	0.0000		0.0000	0.0000	413.8539	0.0000	413.8539	24.4581	0.0000	1,025.3056
Water						0.0000	0.0000		0.0000	0.0000	70.3756	752.0348	822.4103	7.2830	0.1773	1,057.3245
Total	12.2276	2.2744	9.0619	0.0142	0.0000	0.2191	0.2191	0.0000	0.2191	0.2191	484.2295	6,893.1565	7,377.3860	32.0656	0.2552	8,255.0688

City of Needles - Land Use and Circulation Elements - San Bernardino-Mojave Desert County, Annual

EMFAC Off-Model Adjustment Factors for Gasoline Light Duty Vehicle to Account for the SAFE Vehicle Rule Applied

	ROG	NOx	CO	SO2	Fugitive PM10	Exhaust PM10	PM10 Total	Fugitive PM2.5	Exhaust PM2.5	PM2.5 Total	Bio- CO2	NBio-CO2	Total CO2	CH4	N20	CO2e
Percent Reduction	0.00	0.00	0.00	0.00	0.00	0.00	0.00	0.00	0.00	0.00	0.00	0.00	0.00	0.00	0.00	0.00

3.0 Construction Detail

Construction Phase

Phase Number	Phase Name	Phase Type	Start Date	End Date	Num Days Week	Num Days	Phase Description
1	Demolition	Demolition	10/4/2022	10/3/2022	5	0	

Acres of Grading (Site Preparation Phase): 0

Acres of Grading (Grading Phase): 0

Acres of Paving: 0

Residential Indoor: 0; Residential Outdoor: 0; Non-Residential Indoor: 0; Non-Residential Outdoor: 0; Striped Parking Area: 0 (Architectural Coating –

OffRoad Equipment

Phase Name	Offroad Equipment Type	Amount	Usage Hours	Horse Power	Load Factor
Demolition	Concrete/Industrial Saws	1	8.00	81	0.73
Demolition	Excavators	3	8.00	158	0.38
Demolition	Rubber Tired Dozers	2	8.00	247	0.40

Trips and VMT

Phase Name	Offroad Equipment Count	Worker Trip Number	Vendor Trip Number	Hauling Trip Number	Worker Trip Length	Vendor Trip Length	Hauling Trip Length	Worker Vehicle Class	Vendor Vehicle Class	Hauling Vehicle Class
Demolition	6	15.00	0.00	0.00	10.80	7.30	20.00	LD_Mix	HDT_Mix	HHDT

City of Needles - Land Use and Circulation Elements - San Bernardino-Mojave Desert County, Annual

EMFAC Off-Model Adjustment Factors for Gasoline Light Duty Vehicle to Account for the SAFE Vehicle Rule Applied

Mitigated Construction Off-Site

	ROG	NOx	CO	SO2	Fugitive PM10	Exhaust PM10	PM10 Total	Fugitive PM2.5	Exhaust PM2.5	PM2.5 Total	Bio- CO2	NBio- CO2	Total CO2	CH4	N2O	CO2e
Category	tons/yr										MT/yr					
Hauling	0.0000	0.0000	0.0000	0.0000	0.0000	0.0000	0.0000	0.0000	0.0000	0.0000	0.0000	0.0000	0.0000	0.0000	0.0000	0.0000
Vendor	0.0000	0.0000	0.0000	0.0000	0.0000	0.0000	0.0000	0.0000	0.0000	0.0000	0.0000	0.0000	0.0000	0.0000	0.0000	0.0000
Worker	0.0000	0.0000	0.0000	0.0000	0.0000	0.0000	0.0000	0.0000	0.0000	0.0000	0.0000	0.0000	0.0000	0.0000	0.0000	0.0000
Total	0.0000	0.0000	0.0000	0.0000	0.0000	0.0000	0.0000	0.0000	0.0000	0.0000	0.0000	0.0000	0.0000	0.0000	0.0000	0.0000

4.0 Operational Detail - Mobile

4.1 Mitigation Measures Mobile

	ROG	NOx	CO	SO2	Fugitive PM10	Exhaust PM10	PM10 Total	Fugitive PM2.5	Exhaust PM2.5	PM2.5 Total	Bio- CO2	NBio- CO2	Total CO2	CH4	N2O	CO2e
Category	tons/yr										MT/yr					
Mitigated	0.0000	0.0000	0.0000	0.0000	0.0000	0.0000	0.0000	0.0000	0.0000	0.0000	0.0000	0.0000	0.0000	0.0000	0.0000	0.0000
Unmitigated	0.0000	0.0000	0.0000	0.0000	0.0000	0.0000	0.0000	0.0000	0.0000	0.0000	0.0000	0.0000	0.0000	0.0000	0.0000	0.0000

4.2 Trip Summary Information

Land Use	Average Daily Trip Rate			Unmitigated Annual VMT	Mitigated Annual VMT
	Weekday	Saturday	Sunday		
General Office Building	0.00	0.00	0.00		
Hotel	0.00	0.00	0.00		
Industrial Park	0.00	0.00	0.00		
Regional Shopping Center	0.00	0.00	0.00		
Single Family Housing	0.00	0.00	0.00		
Total	0.00	0.00	0.00		

City of Needles - Land Use and Circulation Elements - San Bernardino-Mojave Desert County, Annual

EMFAC Off-Model Adjustment Factors for Gasoline Light Duty Vehicle to Account for the SAFE Vehicle Rule Applied

4.3 Trip Type Information

Land Use	Miles			Trip %			Trip Purpose %		
	H-W or C-W	H-S or C-C	H-O or C-NW	H-W or C-W	H-S or C-C	H-O or C-NW	Primary	Diverted	Pass-by
General Office Building	9.50	7.30	7.30	33.00	48.00	19.00	77	19	4
Hotel	9.50	7.30	7.30	19.40	61.60	19.00	58	38	4
Industrial Park	9.50	7.30	7.30	59.00	28.00	13.00	79	19	2
Regional Shopping Center	9.50	7.30	7.30	16.30	64.70	19.00	54	35	11
Single Family Housing	10.80	7.30	7.50	40.20	19.20	40.60	86	11	3

4.4 Fleet Mix

Land Use	LDA	LDT1	LDT2	MDV	LHD1	LHD2	MHD	HHD	OBUS	UBUS	MCY	SBUS	MH
General Office Building	0.556303	0.059490	0.178460	0.122507	0.021438	0.006223	0.012536	0.015684	0.000507	0.000213	0.022842	0.000934	0.002862
Hotel	0.556303	0.059490	0.178460	0.122507	0.021438	0.006223	0.012536	0.015684	0.000507	0.000213	0.022842	0.000934	0.002862
Industrial Park	0.556303	0.059490	0.178460	0.122507	0.021438	0.006223	0.012536	0.015684	0.000507	0.000213	0.022842	0.000934	0.002862
Regional Shopping Center	0.556303	0.059490	0.178460	0.122507	0.021438	0.006223	0.012536	0.015684	0.000507	0.000213	0.022842	0.000934	0.002862
Single Family Housing	0.556303	0.059490	0.178460	0.122507	0.021438	0.006223	0.012536	0.015684	0.000507	0.000213	0.022842	0.000934	0.002862

5.0 Energy Detail

Historical Energy Use: N

5.1 Mitigation Measures Energy

Category	ROG	NOx	CO	SO2	Fugitive PM10	Exhaust PM10	PM10 Total	Fugitive PM2.5	Exhaust PM2.5	PM2.5 Total	Bio- CO2	NBio- CO2	Total CO2	CH4	N2O	CO2e
	tons/yr										MT/yr					
Electricity Mitigated						0.0000	0.0000		0.0000	0.0000	0.0000	3,626.6161	3,626.6161	0.2641	0.0320	3,642.7562
Electricity Unmitigated						0.0000	0.0000		0.0000	0.0000	0.0000	3,626.6161	3,626.6161	0.2641	0.0320	3,642.7562
Natural Gas Mitigated	0.2056	1.7791	0.9121	0.0112		0.1420	0.1420		0.1420	0.1420	0.0000	2,034.4153	2,034.4153	0.0390	0.0373	2,046.5048
Natural Gas Unmitigated	0.2056	1.7791	0.9121	0.0112		0.1420	0.1420		0.1420	0.1420	0.0000	2,034.4153	2,034.4153	0.0390	0.0373	2,046.5048

City of Needles - Land Use and Circulation Elements - San Bernardino-Mojave Desert County, Annual

EMFAC Off-Model Adjustment Factors for Gasoline Light Duty Vehicle to Account for the SAFE Vehicle Rule Applied

5.2 Energy by Land Use - NaturalGas

Unmitigated

	NaturalGas Use	ROG	NOx	CO	SO2	Fugitive PM10	Exhaust PM10	PM10 Total	Fugitive PM2.5	Exhaust PM2.5	PM2.5 Total	Bio- CO2	NBio- CO2	Total CO2	CH4	N2O	CO2e
Land Use	kBTU/yr	tons/yr										MT/yr					
General Office Building	548800	2.9600e-003	0.0269	0.0226	1.6000e-004		2.0400e-003	2.0400e-003		2.0400e-003	2.0400e-003	0.0000	29.2861	29.2861	5.6000e-004	5.4000e-004	29.4601
Hotel	5.17302e+006	0.0279	0.2536	0.2130	1.5200e-003		0.0193	0.0193		0.0193	0.0193	0.0000	276.0521	276.0521	5.2900e-003	5.0600e-003	277.6925
Industrial Park	1.57231e+006	8.4800e-003	0.0771	0.0647	4.6000e-004		5.8600e-003	5.8600e-003		5.8600e-003	5.8600e-003	0.0000	83.9046	83.9046	1.6100e-003	1.5400e-003	84.4032
Regional Shopping Center	336050	1.8100e-003	0.0165	0.0138	1.0000e-004		1.2500e-003	1.2500e-003		1.2500e-003	1.2500e-003	0.0000	17.9329	17.9329	3.4000e-004	3.3000e-004	18.0395
Single Family Housing	3.04933e+007	0.1644	1.4051	0.5979	8.9700e-003		0.1136	0.1136		0.1136	0.1136	0.0000	1,627.2398	1,627.2398	0.0312	0.0298	1,636.9096
Total		0.2056	1.7791	0.9121	0.0112		0.1420	0.1420		0.1420	0.1420	0.0000	2,034.4153	2,034.4153	0.0390	0.0373	2,046.5048

Mitigated

	NaturalGas Use	ROG	NOx	CO	SO2	Fugitive PM10	Exhaust PM10	PM10 Total	Fugitive PM2.5	Exhaust PM2.5	PM2.5 Total	Bio- CO2	NBio- CO2	Total CO2	CH4	N2O	CO2e
Land Use	kBTU/yr	tons/yr										MT/yr					
General Office Building	548800	2.9600e-003	0.0269	0.0226	1.6000e-004		2.0400e-003	2.0400e-003		2.0400e-003	2.0400e-003	0.0000	29.2861	29.2861	5.6000e-004	5.4000e-004	29.4601
Hotel	5.17302e+006	0.0279	0.2536	0.2130	1.5200e-003		0.0193	0.0193		0.0193	0.0193	0.0000	276.0521	276.0521	5.2900e-003	5.0600e-003	277.6925
Industrial Park	1.57231e+006	8.4800e-003	0.0771	0.0647	4.6000e-004		5.8600e-003	5.8600e-003		5.8600e-003	5.8600e-003	0.0000	83.9046	83.9046	1.6100e-003	1.5400e-003	84.4032
Regional Shopping Center	336050	1.8100e-003	0.0165	0.0138	1.0000e-004		1.2500e-003	1.2500e-003		1.2500e-003	1.2500e-003	0.0000	17.9329	17.9329	3.4000e-004	3.3000e-004	18.0395
Single Family Housing	3.04933e+007	0.1644	1.4051	0.5979	8.9700e-003		0.1136	0.1136		0.1136	0.1136	0.0000	1,627.2398	1,627.2398	0.0312	0.0298	1,636.9096
Total		0.2056	1.7791	0.9121	0.0112		0.1420	0.1420		0.1420	0.1420	0.0000	2,034.4153	2,034.4153	0.0390	0.0373	2,046.5048

City of Needles - Land Use and Circulation Elements - San Bernardino-Mojave Desert County, Annual

EMFAC Off-Model Adjustment Factors for Gasoline Light Duty Vehicle to Account for the SAFE Vehicle Rule Applied

5.3 Energy by Land Use - Electricity

Unmitigated

	Electricity Use	Total CO2	CH4	N2O	CO2e
Land Use	kWh/yr	MT/yr			
General Office Building	1.4704e+006	302.2740	0.0220	2.6700e-003	303.6192
Hotel	1.51815e+006	312.0900	0.0227	2.7500e-003	313.4790
Industrial Park	4.2127e+006	866.0149	0.0631	7.6400e-003	869.8690
Regional Shopping Center	1.85439e+006	381.2107	0.0278	3.3600e-003	382.9073
Single Family Housing	8.5859e+006	1,765.0265	0.1285	0.0156	1,772.8817
Total		3,626.6161	0.2641	0.0320	3,642.7562

Mitigated

	Electricity Use	Total CO2	CH4	N2O	CO2e
Land Use	kWh/yr	MT/yr			
General Office Building	1.4704e+006	302.2740	0.0220	2.6700e-003	303.6192
Hotel	1.51815e+006	312.0900	0.0227	2.7500e-003	313.4790
Industrial Park	4.2127e+006	866.0149	0.0631	7.6400e-003	869.8690
Regional Shopping Center	1.85439e+006	381.2107	0.0278	3.3600e-003	382.9073
Single Family Housing	8.5859e+006	1,765.0265	0.1285	0.0156	1,772.8817
Total		3,626.6161	0.2641	0.0320	3,642.7562

City of Needles - Land Use and Circulation Elements - San Bernardino-Mojave Desert County, Annual

EMFAC Off-Model Adjustment Factors for Gasoline Light Duty Vehicle to Account for the SAFE Vehicle Rule Applied

6.0 Area Detail

6.1 Mitigation Measures Area

Use Low VOC Paint - Residential Interior

Use Low VOC Paint - Residential Exterior

Use Low VOC Paint - Non-Residential Interior

Use Low VOC Paint - Non-Residential Exterior

	ROG	NOx	CO	SO2	Fugitive PM10	Exhaust PM10	PM10 Total	Fugitive PM2.5	Exhaust PM2.5	PM2.5 Total	Bio- CO2	NBio- CO2	Total CO2	CH4	N2O	CO2e
Category	tons/yr										MT/yr					
Mitigated	12.0221	0.4953	8.1498	3.0000e-003		0.0770	0.0770		0.0770	0.0770	0.0000	480.0903	480.0903	0.0214	8.5600e-003	483.1777
Unmitigated	12.0221	0.4953	8.1498	3.0000e-003		0.0770	0.0770		0.0770	0.0770	0.0000	480.0903	480.0903	0.0214	8.5600e-003	483.1777

6.2 Area by SubCategory

Unmitigated

	ROG	NOx	CO	SO2	Fugitive PM10	Exhaust PM10	PM10 Total	Fugitive PM2.5	Exhaust PM2.5	PM2.5 Total	Bio- CO2	NBio- CO2	Total CO2	CH4	N2O	CO2e
SubCategory	tons/yr										MT/yr					
Architectural Coating	0.8060					0.0000	0.0000		0.0000	0.0000	0.0000	0.0000	0.0000	0.0000	0.0000	0.0000
Consumer Products	10.9297					0.0000	0.0000		0.0000	0.0000	0.0000	0.0000	0.0000	0.0000	0.0000	0.0000
Hearth	0.0472	0.4032	0.1716	2.5700e-003		0.0326	0.0326		0.0326	0.0326	0.0000	466.9976	466.9976	8.9500e-003	8.5600e-003	469.7727
Landscaping	0.2392	0.0921	7.9783	4.2000e-004		0.0444	0.0444		0.0444	0.0444	0.0000	13.0927	13.0927	0.0125	0.0000	13.4050
Total	12.0221	0.4953	8.1498	2.9900e-003		0.0770	0.0770		0.0770	0.0770	0.0000	480.0903	480.0903	0.0214	8.5600e-003	483.1777

City of Needles - Land Use and Circulation Elements - San Bernardino-Mojave Desert County, Annual

EMFAC Off-Model Adjustment Factors for Gasoline Light Duty Vehicle to Account for the SAFE Vehicle Rule Applied

Mitigated

	ROG	NOx	CO	SO2	Fugitive PM10	Exhaust PM10	PM10 Total	Fugitive PM2.5	Exhaust PM2.5	PM2.5 Total	Bio- CO2	NBio- CO2	Total CO2	CH4	N2O	CO2e
SubCategory	tons/yr										MT/yr					
Architectural Coating	0.8060					0.0000	0.0000		0.0000	0.0000	0.0000	0.0000	0.0000	0.0000	0.0000	0.0000
Consumer Products	10.9297					0.0000	0.0000		0.0000	0.0000	0.0000	0.0000	0.0000	0.0000	0.0000	0.0000
Hearth	0.0472	0.4032	0.1716	2.5700e-003		0.0326	0.0326		0.0326	0.0326	0.0000	466.9976	466.9976	8.9500e-003	8.5600e-003	469.7727
Landscaping	0.2392	0.0921	7.9783	4.2000e-004		0.0444	0.0444		0.0444	0.0444	0.0000	13.0927	13.0927	0.0125	0.0000	13.4050
Total	12.0221	0.4953	8.1498	2.9900e-003		0.0770	0.0770		0.0770	0.0770	0.0000	480.0903	480.0903	0.0214	8.5600e-003	483.1777

7.0 Water Detail

7.1 Mitigation Measures Water

	Total CO2	CH4	N2O	CO2e
Category	MT/yr			
Mitigated	822.4103	7.2830	0.1773	1,057.3245
Unmitigated	822.4103	7.2830	0.1773	1,057.3245

City of Needles - Land Use and Circulation Elements - San Bernardino-Mojave Desert County, Annual

EMFAC Off-Model Adjustment Factors for Gasoline Light Duty Vehicle to Account for the SAFE Vehicle Rule Applied

7.2 Water by Land Use

Unmitigated

	Indoor/Outdoor Use	Total CO2	CH4	N2O	CO2e
Land Use	Mgal	MT/yr			
General Office Building	28.4374 / 17.4294	124.9491	0.9351	0.0229	155.1511
Hotel	5.83436 / 0.648262	18.9487	0.1914	4.6400e-003	25.1154
Industrial Park	106.005 / 0	317.3805	3.4748	0.0841	429.3028
Regional Shopping Center	11.3146 / 6.93474	49.7144	0.3720	9.1100e-003	61.7310
Single Family Housing	70.236 / 44.2792	311.4176	2.3097	0.0566	386.0243
Total		822.4103	7.2830	0.1773	1,057.3245

Mitigated

	Indoor/Outdoor Use	Total CO2	CH4	N2O	CO2e
Land Use	Mgal	MT/yr			
General Office Building	28.4374 / 17.4294	124.9491	0.9351	0.0229	155.1511
Hotel	5.83436 / 0.648262	18.9487	0.1914	4.6400e-003	25.1154
Industrial Park	106.005 / 0	317.3805	3.4748	0.0841	429.3028
Regional Shopping Center	11.3146 / 6.93474	49.7144	0.3720	9.1100e-003	61.7310
Single Family Housing	70.236 / 44.2792	311.4176	2.3097	0.0566	386.0243
Total		822.4103	7.2830	0.1773	1,057.3245

City of Needles - Land Use and Circulation Elements - San Bernardino-Mojave Desert County, Annual

EMFAC Off-Model Adjustment Factors for Gasoline Light Duty Vehicle to Account for the SAFE Vehicle Rule Applied

8.0 Waste Detail

8.1 Mitigation Measures Waste

Category/Year

	Total CO2	CH4	N2O	CO2e
	MT/yr			
Mitigated	413.8539	24.4581	0.0000	1,025.3056
Unmitigated	413.8539	24.4581	0.0000	1,025.3056

8.2 Waste by Land Use

Unmitigated

	Waste Disposed	Total CO2	CH4	N2O	CO2e
Land Use	tons	MT/yr			
General Office Building	148.8	30.2051	1.7851	0.0000	74.8318
Hotel	125.92	25.5606	1.5106	0.0000	63.3254
Industrial Park	568.42	115.3841	6.8190	0.0000	285.8593
Regional Shopping Center	160.39	32.5577	1.9241	0.0000	80.6604
Single Family Housing	1035.25	210.1464	12.4193	0.0000	520.6288
Total		413.8539	24.4581	0.0000	1,025.3056

City of Needles - Land Use and Circulation Elements - San Bernardino-Mojave Desert County, Annual

EMFAC Off-Model Adjustment Factors for Gasoline Light Duty Vehicle to Account for the SAFE Vehicle Rule Applied

Mitigated

	Waste Disposed	Total CO2	CH4	N2O	CO2e
Land Use	tons	MT/yr			
General Office Building	148.8	30.2051	1.7851	0.0000	74.8318
Hotel	125.92	25.5606	1.5106	0.0000	63.3254
Industrial Park	568.42	115.3841	6.8190	0.0000	285.8593
Regional Shopping Center	160.39	32.5577	1.9241	0.0000	80.6604
Single Family Housing	1035.25	210.1464	12.4193	0.0000	520.6288
Total		413.8539	24.4581	0.0000	1,025.3056

9.0 Operational Offroad

Equipment Type	Number	Hours/Day	Days/Year	Horse Power	Load Factor	Fuel Type
----------------	--------	-----------	-----------	-------------	-------------	-----------

10.0 Stationary Equipment

Fire Pumps and Emergency Generators

Equipment Type	Number	Hours/Day	Hours/Year	Horse Power	Load Factor	Fuel Type
----------------	--------	-----------	------------	-------------	-------------	-----------

Boilers

Equipment Type	Number	Heat Input/Day	Heat Input/Year	Boiler Rating	Fuel Type
----------------	--------	----------------	-----------------	---------------	-----------

User Defined Equipment

Equipment Type	Number
----------------	--------

11.0 Vegetation



Vehicle Emissions Data

Table 1: Daily Vehicle Emissions (pounds/day)

Scenario	ROG/TOG	CO	NOX	PM10	PM2.5	SOX	CO2e
Existing (2021)	30.5	350.0	100.7	4.9	2.6	1.1	127305.0
Project (2040)	16.0	221.7	32.2	5.3	1.8	1.4	155670.9
Net Change	-14.5	-128.3	-68.5	0.4	-0.9	0.2	28365.9

Table 2: Annual Vehicle Emissions (tons/year)

Scenario	ROG/TOG	CO	NOX	PM10	PM2.5	SOX	CO2e
Existing (2021)	5.3	60.7	17.5	0.9	0.5	0.2	22087.4
Project (2040)	2.8	38.5	5.6	0.9	0.3	0.2	27008.9
Net Change	-2.5	-22.3	-11.9	0.1	-0.1	0.0	4921.5

Table 3: VMT Summary

Scenario	Daily VMT	Annual VMT
Existing (2021)		
Passenger Vehicles	224,566	77,924,402
Light-Duty Truck	27,618	9,583,446
Medium-Duty Truck	877	304,319
Heavy-Duty Truck	10,774	3,738,578
Future Project (2040)		
Passenger Vehicles	295,585	102,567,995
Light-Duty Truck	74,382	25,810,554
Medium-Duty Truck	2,303	799,141
Heavy-Duty Truck	25,600	8,883,200

Source: City of Needles, Transportation Element Update Level of Service and Vehicle Miles Traveled Analysis Transportation Study, October 2022. Annual VMT calculated by multiplying Daily VMT by 347 days/year per CARB methodology within the 2008 Climate Change Scoping Plan Measure Documentation Supplement.

Table 4: Emission Factors (g/mile)

Vehicle Type	ROG	TOG	CO	NOX	CO2	CH4	N2O	PM10	PM2.5	SOX
Existing (2021)										
Passenger Vehicles	0.01	0.01	0.38	0.09	172.10	0.00	0.01	0.01	0.00	0.00
Light-Duty Truck	0.05	0.06	0.79	0.27	221.28	0.00	0.02	0.02	0.01	0.00
Medium-Duty Truck	0.01	0.02	0.53	0.10	263.00	0.00	0.02	0.01	0.00	0.00
Heavy-Duty Truck	0.08	0.36	4.76	1.74	1,183.07	0.27	0.20	0.03	0.01	0.01
Future Project (2040)										
Passenger Vehicles	0.00	0.00	0.21	0.01	133.49	0.00	0.01	0.00	0.00	0.00
Light-Duty Truck	0.00	0.01	0.22	0.01	171.48	0.00	0.01	0.01	0.00	0.00
Medium-Duty Truck	0.00	0.00	0.24	0.01	198.21	0.00	0.01	0.00	0.00	0.00
Heavy-Duty Truck	0.01	0.18	0.89	0.37	700.42	0.17	0.12	0.02	0.01	0.00

Table 5: Daily Emissions (pounds/day)

Vehicle Type	ROG	TOG	CO	NOX	CO2	CH4	N2O	PM10	PM2.5	SOX
Existing (2021)										
Passenger Vehicles	6	7	187	43	85,203	1	6	3	2	0.8
Light-Duty Truck	3	4	48	16	13,473	0	1	1	1	0.1
Medium-Duty Truck	0	0	1	0	508	0	0	0	0	0.0
Heavy-Duty Truck	2	9	113	41	28,101	6	5	1	0	0.2
Future Project (2040)										
Passenger Vehicles	2	2	134	9	86,990	0	6	3	1	0.8
Light-Duty Truck	1	1	36	2	28,120	0	2	1	0	0.3
Medium-Duty Truck	0	0	1	0	1,006	0	0	0	0	0.0
Heavy-Duty Truck	0	10	50	21	39,531	10	7	1	0	0.3

Table 6: Annual Emissions (tons/year)

ROG	TOG	CO	NOX	CO2	CH4	N2O	PM10	PM2.5	SOX	CO2e (metric tons/year)
Existing (2021)										
1.0	1.3	33	7	14,783	0	1	0.6	0.3	0.14	13,646
0.5	0.6	8	3	2,338	0	0	0.2	0.1	0.02	2,168
0.0	0.0	0	0	88	0	0	0.0	0.0	0.00	82
0.3	1.5	20	7	4,876	1	1	0.1	0.1	0.03	4,649
Future Project (2040)										
0.3	0.4	23	2	15,093	0	1	0.5	0.2	0.15	13,923
0.1	0.1	6	0	4,879	0	0	0.1	0.0	0.05	4,514
0.0	0.0	0	0	175	0	0	0.0	0.0	0.00	162
0.1	1.8	9	4	6,859	2	1	0.2	0.1	0.04	6,540



APPENDIX B

Biological Resources



APPENDIX B.1

California Natural Diversity Database

Table X.X
Table Title

Species Type	Scientific Name	Common Name	Federal Status	State Status	CDFW Status
Bird	<i>Rallus obsoletus yumanensis</i>	Yuma Ridgway's Rail	Endangered	Threatened	Fully Protected
Bird	<i>Empidonax traillii extimus</i>	Southwestern Willow Flycatcher	Endangered	Endangered	None
Fish	<i>Xyrauchen texanus</i>	Razorback Sucker	Endangered	Endangered	Fully Protected
Fish	<i>Gila elegans</i>	Bonytail	Endangered	Endangered	None
Fish	<i>Ptychocheilus lucius</i>	Colorado Pikeminnow	Endangered	Endangered	Fully Protected
Amphibians	<i>Incilius alvarius</i>	Sonoran Desert Toad	None	None	Special Concern
Bird	<i>Accipiter cooperii</i>	Cooper's Hawk	None	None	Watch List
Bird	<i>Accipiter striatus</i>	Sharp-Shinned Hawk	None	None	Watch List
Bird	<i>Circus hudsonius</i>	Northern Harrier	None	None	Special Concern
Bird	<i>Ardea alba</i>	Great Egret	None	None	None
Bird	<i>Ardea herodias</i>	Great Blue Heron	None	None	None
Bird	<i>Ixobrychus exilis</i>	Least Bittern	None	None	Special Concern
Bird	<i>Nycticorax nycticorax</i>	Black-Crowned Night Heron	None	None	None
Bird	<i>Cardinalis cardinalis</i>	Northern Cardinal	None	None	Watch List
Bird	<i>Piranga rubra</i>	Summer Tanager	None	None	Special Concern
Bird	<i>Charadrius montanus</i>	Mountain Plover	None	None	Special Concern
Bird	<i>Falco columbarius</i>	Merlin	None	None	Watch List
Bird	<i>Falco mexicanus</i>	Prairie Falcon	None	None	Watch List
Bird	<i>Xanthocephalus xanthocephalus</i>	Yellow-Headed Blackbird	None	None	Special Concern
Bird	<i>Icteria virens</i>	Yellow-Breasted Chat	None	None	Special Concern
Bird	<i>Lanius ludovicianus</i>	Loggerhead Shrike	None	None	Special Concern
Bird	<i>Hydroprogne caspia</i>	Caspian Tern	None	None	None
Bird	<i>Larus californicus</i>	California Gull	None	None	Watch List
Bird	<i>Toxostoma crissale</i>	Crissal Thrasher	None	None	Special Concern
Bird	<i>Pandion haliaetus</i>	Osprey	None	None	Watch List
Bird	<i>Leiothlypis luciae</i>	Lucy's Warbler	None	None	Special Concern
Bird	<i>Setophaga petechia</i>	Yellow Warbler	None	None	Special Concern
Bird	<i>Setophaga petechia sonorana</i>	Sonoran Yellow Warbler	None	None	Special Concern

Bird	<i>Melospiza aberti</i>	Abert's Towhee	None	None	None
Bird	<i>Spizella breweri</i>	Brewer's Sparrow	None	None	None
Bird	<i>Nannopterum auritum</i>	Double-Crested Cormorant	None	None	Watch List
Bird	<i>Colaptes chrysoides</i>	Gilded Flicker	None	Endangered	None
Bird	<i>Melanerpes uropygialis</i>	Gila Woodpecker	None	Endangered	None
Bird	<i>Polioptila melanura</i>	Black-Tailed Gnatcatcher	None	None	Watch List
Bird	<i>Asio otus</i>	Long-Eared Owl	None	None	Special Concern
Bird	<i>Athene cucularia</i>	Burrowing Owl	None	None	Special Concern
Bird	<i>Micrathene whitneyi</i>	Elf Owl	None	Endangered	None
Bird	<i>Plegadis chihi</i>	White-Faced Ibis	None	None	Watch List
Bird	<i>Calypte costae</i>	Costa's Hummingbird	None	None	None
Bird	<i>Empidonax traillii</i>	Willow Flycatcher	None	Endangered	None
Bird	<i>Myiarchus tyrannulus</i>	Brown-Crested Flycatcher	None	None	Watch List
Bird	<i>Pyrocephalus rubinus</i>	Vermilion Flycatcher	None	None	Special Concern
Bird	<i>Vireo bellii arizonae</i>	Arizona Bell's Vireo	None	Endangered	None
Fish	<i>Catostomus latipinnis</i>	Flannelmouth Sucker	None	None	None
Insect	<i>Habropoda pallida</i>	White Faced Bee	None	None	None
Insect	<i>Hesperopsis graciellae</i>	MacNeill's Sootywing	None	None	None
Mammal	<i>Ovis canadensis nelsoni</i>	Desert Bighorn Sheep	None	None	Fully Protected
Mammal	<i>Neotoma albigula venusta</i>	Colorado Valley Woodrat	None	None	None
Mammal	<i>Eumops perotis californicus</i>	Western Mastiff Bat	None	None	Special Concern
Mammal	<i>Nyctinomops femorosaccus</i>	Pocketed Free-Tailed Bat	None	None	Special Concern
Mammal	<i>Lontra canadensis sonora</i>	Southwestern River Otter	None	None	Special Concern
Mammal	<i>Taxidea taxus</i>	American Badger	None	None	Special Concern
Mammal	<i>Antrozous pallidus</i>	Pallid Bat	None	None	Special Concern
Mammal	<i>Corynorhinus townsendii</i>	Townsend's Big-Eared Bat	None	None	Special Concern
Mammal	<i>Lasiurus cinereus</i>	Hoary Bat	None	None	None
Mammal	<i>Myotis yumanensis</i>	Yuma Myotis	None	None	None

Terrestrial Community	<i>Mesquite Bosque</i>	Mesquite Bosque	None	None	None
Vascular Plant	<i>Funastrum utahense</i>	Utah Vine Milkweed	None	None	None
Vascular Plant	<i>Johnstonella costata</i>	Ribbed Cryptantha	None	None	None
Vascular Plant	<i>Cuscuta californica</i> var. <i>apiculata</i>	Pointed Dodder	None	None	None
Vascular Plant	<i>Parkinsonia microphylla</i>	Little-Leaved Palo Verde	None	None	None
Vascular Plant	<i>Psoralea fremontii</i> var. <i>attenuata</i>	Narrow-Leaved Psoralea	None	None	None
Vascular Plant	<i>Juncus cooperi</i>	Cooper's Rush	None	None	None
Vascular Plant	<i>Mentzelia tricuspis</i>	Spiny-Hair Blazing Star	None	None	None
Vascular Plant	<i>Chylismia arenaria</i>	Sand Evening-Primrose	None	None	None
Vascular Plant	<i>Lycium torreyi</i>	Torrey's Box-Thorn	None	None	None
Bird	<i>Coccyzus americanus</i> <i>occidentalis</i>	Western Yellow-Billed Cuckoo	Threatened	Endangered	None
Reptile	<i>Gopherus agassizii</i>	Desert Tortoise	Threatened	Threatened	None

Source: California Water Resources Control Board, [GeoTracker Database](#). Accessed September 2022.



APPENDIX B.2

eBird Database

1. **Great-tailed Grackle(/species/grtgra/L5129568)**

6

4 Apr 2022 (/checklist/S112354065)

Michael Wooten

2. **Canada Goose(/species/cangoo/L5129568)**

3

23 Mar 2022 (/checklist/S105459703)

Nathan Mansor (/profile/ODY4NzM5/L5129568)

3. **Mallard(/species/mallar3/L5129568)**

11

23 Mar 2022 (/checklist/S105459703)

Nathan Mansor (/profile/ODY4NzM5/L5129568)

4. **Common Goldeneye(/species/comgol/L5129568)**

1

23 Mar 2022 (/checklist/S105459703)

Nathan Mansor (/profile/ODY4NzM5/L5129568)

5. **Eurasian Collared-Dove(/species/eucdov/L5129568)**

*

3

23 Mar 2022 (/checklist/S105459703)

Nathan Mansor (/profile/ODY4NzM5/L5129568)

6. **American Coot(/species/y00475/L5129568)**

25

23 Mar 2022 (/checklist/S105459703)

Nathan Mansor (/profile/ODY4NzM5/L5129568)

7. **Double-crested Cormorant(/species/doccor/L5129568)**

3

23 Mar 2022 (/checklist/S105459703)

Nathan Mansor (/profile/ODY4NzM5/L5129568)

8. **American White Pelican(/species/amwpel/L5129568)**

3

23 Mar 2022 (/checklist/S105459703)

Nathan Mansor (/profile/ODY4NzM5/L5129568)

9. **Great Blue Heron(/species/grbher3/L5129568)**

1

23 Mar 2022 (/checklist/S105459703)

Nathan Mansor (/profile/ODY4NzM5/L5129568)

10. **Black Phoebe(/species/blkpho/L5129568)**

2

23 Mar 2022 (/checklist/S105459703)

Nathan Mansor (/profile/ODY4NzM5/L5129568)

11. **American Pipit(/species/amepip/L5129568)**

1

23 Mar 2022 (/checklist/S105459703)

Nathan Mansor (/profile/ODY4NzM5/L5129568)

12. **Abert's Towhee(/species/abetow/L5129568)**

2

23 Mar 2022 (/checklist/S105459703)

Nathan Mansor (/profile/ODY4NzM5/L5129568)

13. **Red-winged Blackbird(/species/rewbla/L5129568)**

10

23 Mar 2022 (/checklist/S105459703)

Nathan Mansor (/profile/ODY4NzM5/L5129568)

14. **Brown-headed Cowbird(/species/bnhcow/L5129568)**

50

23 Mar 2022 (/checklist/S105459703)

Nathan Mansor (/profile/ODY4NzM5/L5129568)
























































15. **Brewer's Blackbird(/species/brebla/L5129568)**






































75








































23 Mar 2022 (/checklist/S105459703)










































Nathan Mansor (/profile/ODY4NzM5/L5129568)































16. **American Wigeon(/species/amewig/L5129568)**



# 24	 6 Mar 2022 (/checklist/S104338906)	 Milton Paul (/profile/MTQ5MDQ1Mw/L5129568)	
17. Ring-necked Duck (/species/rinduc/L5129568)			 
# 6	 6 Mar 2022 (/checklist/S104338906)	 Milton Paul (/profile/MTQ5MDQ1Mw/L5129568)	
18. Bufflehead (/species/buffle/L5129568)			 
# 2	 6 Mar 2022 (/checklist/S104338906)	 Milton Paul (/profile/MTQ5MDQ1Mw/L5129568)	
19. Ruddy Duck (/species/rudduc/L5129568)			 
# 3	 6 Mar 2022 (/checklist/S104338906)	 Milton Paul (/profile/MTQ5MDQ1Mw/L5129568)	
20. Turkey Vulture (/species/turvul/L5129568)			 
# 1	 6 Mar 2022 (/checklist/S104338906)	 Milton Paul (/profile/MTQ5MDQ1Mw/L5129568)	
21. Ladder-backed Woodpecker (/species/labwoo/L5129568)			 
# 1	 6 Mar 2022 (/checklist/S104338906)	 Milton Paul (/profile/MTQ5MDQ1Mw/L5129568)	
22. Northern Flicker (/species/norfli/L5129568)			 
# 1	 6 Mar 2022 (/checklist/S104338906)	 Milton Paul (/profile/MTQ5MDQ1Mw/L5129568)	
23. Vermilion Flycatcher (/species/verfly/L5129568)			 
# 1	 6 Mar 2022 (/checklist/S104338906)	 Milton Paul (/profile/MTQ5MDQ1Mw/L5129568)	
24. Common Raven (/species/comrav/L5129568)			 
# X	 6 Mar 2022 (/checklist/S104338906)	 Milton Paul (/profile/MTQ5MDQ1Mw/L5129568)	
25. Northern Rough-winged Swallow (/species/nrwsa/L5129568)			 
# 5	 6 Mar 2022 (/checklist/S104338906)	 Milton Paul (/profile/MTQ5MDQ1Mw/L5129568)	
26. Northern Mockingbird (/species/normoc/L5129568)			 
# 2	 6 Mar 2022 (/checklist/S104338906)	 Milton Paul (/profile/MTQ5MDQ1Mw/L5129568)	
27. Yellow-rumped Warbler (/species/yerwar/L5129568)			 
# 1	 6 Mar 2022 (/checklist/S104338906)	 Milton Paul (/profile/MTQ5MDQ1Mw/L5129568)	
28. Redhead (/species/redhea/L5129568)			
# 1	 21 Feb 2022 (/checklist/S103378181)	 Chris Wilson (/profile/MzUyNDEy/L5129568)	
29. Pied-billed Grebe (/species/pibgre/L5129568)			
# 1	 21 Feb 2022 (/checklist/S103378181)	 Chris Wilson (/profile/MzUyNDEy/L5129568)	
30. Rock Pigeon (/species/rocpig/L5129568)			
# 2	 21 Feb 2022 (/checklist/S103378181)	 Chris Wilson (/profile/MzUyNDEy/L5129568)	
31. Mourning Dove (/species/moudov/L5129568)			
# 1	 21 Feb 2022 (/checklist/S103378181)	 Chris Wilson (/profile/MzUyNDEy/L5129568)	
32. Belted Kingfisher (/species/belkin1/L5129568)			
# 1	 21 Feb 2022 (/checklist/S103378181)	 Chris Wilson (/profile/MzUyNDEy/L5129568)	
33. Tree Swallow (/species/treswa/L5129568)			
# 1	 21 Feb 2022 (/checklist/S103378181)	 Chris Wilson (/profile/MzUyNDEy/L5129568)	

# 12	 21 Feb 2022 (/checklist/S103378181)	 Chris Wilson (/profile/MzUyNDEy/L5129568)
34. <u>Lesser Scaup (/species/lessca/L5129568)</u>		
# 1	 16 Feb 2022 (/checklist/S102750895)	 Cliff Jury
35. <u>Anna's Hummingbird (/species/annhum/L5129568)</u>		
# 2	 16 Feb 2022 (/checklist/S102750895)	 Cliff Jury
36. <u>Ruby-crowned Kinglet (/species/ruckin/L5129568)</u>		
# 2	 16 Feb 2022 (/checklist/S102750895)	 Cliff Jury
37. <u>Blue-gray Gnatcatcher (/species/buggna/L5129568)</u>		
# 6	 16 Feb 2022 (/checklist/S102750895)	 Cliff Jury
38. <u>Orange-crowned Warbler (/species/orcwar/L5129568)</u>		
# 2	 16 Feb 2022 (/checklist/S102750895)	 Cliff Jury
39. <u>American Kestrel (/species/amekes/L5129568)</u>		
# 1	 12 Jan 2022 (/checklist/S100603685)	 Ken Schneider (/profile/MTEyODM2/L5129568)
40. <u>Gambel's Quail (/species/gamqua/L5129568)</u>		
# 2	 16 Dec 2021 (/checklist/S98978319)	 Jan Parrott
41. <u>Killdeer (/species/killde/L5129568)</u>		
# 3	 16 Dec 2021 (/checklist/S98978319)	 Jan Parrott
42. <u>Northern Harrier (/species/norhar2/L5129568)</u>		
# 1	 16 Dec 2021 (/checklist/S98978319)	 Jan Parrott
43. <u>Say's Phoebe (/species/saypho/L5129568)</u>		
# 2	 16 Dec 2021 (/checklist/S98978319)	 Jan Parrott
44. <u>White-winged Dove (/species/whwdov/L5129568)</u>		
# 1	 3 Jun 2021 (/checklist/S89573431)	 Scott Taylor
45. <u>Verdin (/species/verdin/L5129568)</u>		
# 1	 3 Jun 2021 (/checklist/S89573431)	 Scott Taylor
46. <u>European Starling (/species/eursta/L5129568)</u>		
# 4	 3 Jun 2021 (/checklist/S89573431)	 Scott Taylor
47. <u>House Finch (/species/houfin/L5129568)</u>		
# 2	 3 Jun 2021 (/checklist/S89573431)	 Scott Taylor
48. <u>Common Yellowthroat (/species/comyel/L5129568)</u>		
# 1	 3 Jun 2021 (/checklist/S89573431)	 Scott Taylor
49. <u>Eared Grebe (/species/eargre/L5129568)</u>		
# 1	 5 May 2021 (/checklist/S87218068)	 Scott Taylor
50. <u>Black-necked Stilt (/species/bknsti/L5129568)</u>		
# 1	 5 May 2021 (/checklist/S87218068)	 Scott Taylor

# 2	 5 May 2021 (/checklist/S87218068)	 Scott Taylor
51. <u>Western Kingbird(/species/weskin/L5129568)</u>		
# 3	 5 May 2021 (/checklist/S87218068)	 Scott Taylor
52. <u>Wilson's Warbler(/species/wlswar/L5129568)</u>		
# 2	 5 May 2021 (/checklist/S87218068)	 Scott Taylor
53. <u>Lazuli Bunting(/species/lazbun/L5129568)</u>		
# 2	 5 May 2021 (/checklist/S87218068)	 Scott Taylor
54. <u>Long-billed Dowitcher(/species/lobdow/L5129568)</u>		
# 24	 3 May 2021 (/checklist/S87008025)	 George Chrisman (/profile/MTE1NTIx/L5129568)
55. <u>White-faced Ibis(/species/whfibi/L5129568)</u>		
# 10	 3 May 2021 (/checklist/S87008025)	 George Chrisman (/profile/MTE1NTIx/L5129568)
56. <u>Cooper's Hawk(/species/coohaw/L5129568)</u>		
# 1	 3 May 2021 (/checklist/S87008025)	 George Chrisman (/profile/MTE1NTIx/L5129568)
57. <u>Cliff Swallow(/species/cliswa/L5129568)</u>		
# 2	 3 May 2021 (/checklist/S87008025)	 George Chrisman (/profile/MTE1NTIx/L5129568)
58. <u>Greater Roadrunner(/species/greroa/L5129568)</u>		
# 1	 2 Jan 2021 (/checklist/S79797559)	 Steve Rottenborn (/profile/Mjl3MDgw/L5129568)
59. <u>Merlin(/species/merlin/L5129568)</u>		
# 1	 2 Jan 2021 (/checklist/S79797559)	 Steve Rottenborn (/profile/Mjl3MDgw/L5129568)
60. <u>Loggerhead Shrike(/species/logshr/L5129568)</u>		
# 2	 2 Jan 2021 (/checklist/S79797559)	 Steve Rottenborn (/profile/Mjl3MDgw/L5129568)
61. <u>Black-tailed Gnatcatcher(/species/bktgna/L5129568)</u>		
# 2	 2 Jan 2021 (/checklist/S79797559)	 Steve Rottenborn (/profile/Mjl3MDgw/L5129568)
62. <u>Dark-eyed Junco(/species/daejun/L5129568)</u>		
# 5	 2 Jan 2021 (/checklist/S79797559)	 Steve Rottenborn (/profile/Mjl3MDgw/L5129568)
63. <u>White-crowned Sparrow(/species/whcspa/L5129568)</u>		
# 36	 2 Jan 2021 (/checklist/S79797559)	 Steve Rottenborn (/profile/Mjl3MDgw/L5129568)
64. <u>Western Meadowlark(/species/wesmea/L5129568)</u>		
# 25	 2 Jan 2021 (/checklist/S79797559)	 Steve Rottenborn (/profile/Mjl3MDgw/L5129568)
65. <u>Great Egret(/species/greegr/L5129568)</u>		
# 1	 24 Dec 2020 (/checklist/S77937342)	  Dan Pittenger  (/profile/MTk2OTQw/L5129568)
66. <u>Red-tailed Hawk(/species/rethaw/L5129568)</u>		
# 1	 13 Sep 2020 (/checklist/S73562713)	 Tom Benson (/profile/MTU4ODQz/L5129568)
67. <u>Western Wood-Pewee(/species/wewpew/L5129568)</u>		
# 1	 13 Sep 2020 (/checklist/S73562713)	 Tom Benson (/profile/MTU4ODQz/L5129568)

# 1	 13 Sep 2020 (/checklist/S/3562713)	 Iom Benson (/profile/MIU4ODQz/L5129568)
68. <u>Warbling Vireo(/species/warvir/L5129568)</u>		
# 1	 13 Sep 2020 (/checklist/S73562713)	 Tom Benson (/profile/MTU4ODQz/L5129568)
69. <u>Brewer's Sparrow(/species/brespa/L5129568)</u>		
# 1	 13 Sep 2020 (/checklist/S73562713)	 Tom Benson (/profile/MTU4ODQz/L5129568)
70. <u>Bullock's Oriole(/species/bulori/L5129568)</u>		
# 2	 20 May 2020 (/checklist/S69378700)	  Dan Pittenger  (/profile/MTk2OTQw/L5129568)
71. <u>Yellow Warbler(/species/yelwar/L5129568)</u>		
# 1	 20 May 2020 (/checklist/S69378700)	  Dan Pittenger  (/profile/MTk2OTQw/L5129568)
72. <u>Rufous Hummingbird(/species/rufhum/L5129568)</u>		
# 1	 15 Sep 2019 (/checklist/S59826712)	 Bruce Mast (/profile/OTI3MzM/L5129568)
73. <u>Osprey(/species/osprey/L5129568)</u>		
# 1	 15 Sep 2019 (/checklist/S59826712)	 Bruce Mast (/profile/OTI3MzM/L5129568)
74. <u>Spotted Sandpiper(/species/sposan/L5129568)</u>		
# 2	 18 Aug 2019 (/checklist/S59089810)	 Jim Rowoth (/profile/Mjc0NTY/L5129568)
75. <u>Barn Swallow(/species/barswa/L5129568)</u>		
# 1	 16 Apr 2019 (/checklist/S55016836)	 Aaron Maizlish (/profile/MjMwNjE0/L5129568)
76. <u>Lincoln's Sparrow(/species/linspa/L5129568)</u>		
# 1	 16 Apr 2019 (/checklist/S55016836)	 Aaron Maizlish (/profile/MjMwNjE0/L5129568)
77. <u>Crissal Thrasher(/species/crithr/L5129568)</u>		
# 2	 17 Jan 2019 (/checklist/S51776821)	 logan kahle (/profile/MTg4NDI2/L5129568)
78. <u>Least Sandpiper(/species/leasan/L5129568)</u>		
# 2	 29 Dec 2018 (/checklist/S51186393)	 Martha Prumers
79. <u>Greater Yellowlegs(/species/greyel/L5129568)</u>		
# 1	 29 Dec 2018 (/checklist/S51186393)	 Martha Prumers
80. <u>Phainopepla(/species/phaino/L5129568)</u>		
# 1	 29 Dec 2018 (/checklist/S51186393)	 Martha Prumers
81. <u>Bewick's Wren(/species/bewwre/L5129568)</u>		
# 1	 16 Dec 2018 (/checklist/S50729816)	 K K (/profile/NTI2NDQ1/L5129568)
82. <u>American Robin(/species/amerob/L5129568)</u>		
# 7	 16 Dec 2018 (/checklist/S50729816)	 K K (/profile/NTI2NDQ1/L5129568)
83. <u>Lesser Goldfinch(/species/lesgol/L5129568)</u>		
# 2	 16 Dec 2018 (/checklist/S50729816)	 K K (/profile/NTI2NDQ1/L5129568)
84. <u>American Avocet(/species/ameavo/L5129568)</u>		
# 2	 16 Dec 2018 (/checklist/S50729816)	 K K (/profile/NTI2NDQ1/L5129568)

# 3	 6 Oct 2018 (/checklist/S489/4144)	 Donald Pendleton (/profile/MjczMTE3/L5129568)
85. <u>Black-crowned Night-Heron(/species/bcnher/L5129568)</u>		
# 1	 6 Oct 2018 (/checklist/S48974144)	 Donald Pendleton (/profile/MjczMTE3/L5129568)
86. <u>Solitary Sandpiper(/species/solsan/L5129568)</u>		 
# 2	 8 Sep 2018 (/checklist/S48375024)	 Michelle Brock (/profile/MzQ5NDIw/L5129568)
87. <u>Bell's Vireo(/species/belvir/L5129568)</u>		
# 1	 5 Jun 2018 (/checklist/S46322358)	 Aaron Keller (/profile/NTU3MjQw/L5129568)
88. <u>Lucy's Warbler(/species/lucwar/L5129568)</u>		
# 2	 5 Jun 2018 (/checklist/S46322358)	 Aaron Keller (/profile/NTU3MjQw/L5129568)
89. <u>Violet-green Swallow(/species/vigswa/L5129568)</u>		
# 3	 30 Apr 2018 (/checklist/S45123045)	 Amanda Northrup
90. <u>Wilson's Phalarope(/species/wilpha/L5129568)</u>		
# 2	 30 Apr 2018 (/checklist/S45110893)	 Aaron Keller (/profile/NTU3MjQw/L5129568)
91. <u>Red-necked Phalarope(/species/renpha/L5129568)</u>		
# 1	 29 Apr 2018 (/checklist/S45091657)	 Aaron Keller (/profile/NTU3MjQw/L5129568)
92. <u>Yellow-headed Blackbird(/species/yehbla/L5129568)</u>		
# 2	 16 Feb 2018 (/checklist/S42859516)	 Aaron Keller (/profile/NTU3MjQw/L5129568)
93. <u>Red-naped Sapsucker(/species/rensap/L5129568)</u>		 
# 1	 9 Feb 2018 (/checklist/S42627667)	 Nancy Overholtz (/profile/NDQ2MTU2/L5129568)
94. <u>Costa's Hummingbird(/species/coshum/L5129568)</u>		
# 1	 4 Feb 2018 (/checklist/S42499948)	 Aaron Keller (/profile/NTU3MjQw/L5129568)
95. <u>Common Merganser(/species/commer/L5129568)</u>		
# 4	 6 Jan 2018 (/checklist/S41691438)	 Aaron Keller (/profile/NTU3MjQw/L5129568)
96. <u>Virginia Rail(/species/virrai/L5129568)</u>		
# 1	 6 Jan 2018 (/checklist/S41691438)	 Aaron Keller (/profile/NTU3MjQw/L5129568)
97. <u>Marsh Wren(/species/marwre/L5129568)</u>		
# 1	 6 Jan 2018 (/checklist/S41691438)	 Aaron Keller (/profile/NTU3MjQw/L5129568)
98. <u>Song Sparrow(/species/sonspa/L5129568)</u>		
# 1	 5 Jan 2018 (/checklist/S41660495)	 Aaron Keller (/profile/NTU3MjQw/L5129568)
99. <u>Green Heron(/species/grnher/L5129568)</u>		
# 1	 29 Dec 2017 (/checklist/S41555823)	 Martha Prumers
100. <u>Horned Lark(/species/horlar/L5129568)</u>		
# 1	 4 Nov 2017 (/checklist/S40302855)	 Tom Benson (/profile/MTU4ODQz/L5129568)
101. <u>House Wren(/species/houwre/L5129568)</u>		
# 1	 4 Nov 2017 (/checklist/S40302855)	 Tom Benson (/profile/MTU4ODQz/L5129568)

# 1	4 Nov 2017 (/checklist/S40302855)	Tom Benson (/profile/M1U4ODQZ/L5129568)
102. Wood Duck(/species/wooduc/L5129568)		 
# 1	1 Oct 2017 (/checklist/S39511346)	Michael Woodruff (/profile/Mjl2MTQ/L5129568)
103. Savannah Sparrow(/species/savspa/L5129568)		
# 2	1 Oct 2017 (/checklist/S39511346)	Michael Woodruff (/profile/Mjl2MTQ/L5129568)
104. Ring-billed Gull(/species/ribgul/L5129568)		
# X	29 Dec 2015 (/checklist/S34735769)	Chris Chappell (/profile/NDA5Mjc0/L5129568)
105. Gila Woodpecker(/species/gilwoo/L5129568)		
# 1	15 Nov 2008 (/checklist/S108425665)	marc breuning
106. Clark's Grebe(/species/clagre/L5129568)		
# 1	15 Apr 2001 (/checklist/S6274400)	Chet Ogan (/profile/MzQ4Nzk/L5129568)
107. Black-chinned Hummingbird(/species/bkchum/L5129568)		
# 1	15 Apr 2001 (/checklist/S6274400)	Chet Ogan (/profile/MzQ4Nzk/L5129568)
108. Cactus Wren(/species/cacwre/L5129568)		
# 2	15 Apr 2001 (/checklist/S6274400)	Chet Ogan (/profile/MzQ4Nzk/L5129568)

ADDITIONAL TAXA

duck sp.		
# 6	10 Oct 2020 (/checklist/S74647870)	Kevin Durso (/profile/MjkwNzc4/L5129568)
shorebird sp.		
# 1	29 Dec 2018 (/checklist/S51186393)	Martha Prumers
Spizella sp.		
# 1	8 Sep 2018 (/checklist/S48375024)	Michelle Brock (/profile/MzQ5NDlw/L5129568)
hummingbird sp.		
# 1	30 Apr 2018 (/checklist/S45123045)	Amanda Northrup
swallow sp.		
# 12	12 Mar 2018 (/checklist/S43604967)	Aaron Keller (/profile/NTU3MjQw/L5129568)

[Show all sightings](#)



APPENDIX C

Energy Use Calculations

Table 1. Summary of Annual Energy Use During Operation		
Source	Units	Buildout
Electricity		
Housing	kWh/yr	8,585,900
Ag/Manufacturing/Wholesale	kWh/yr	4,212,700
Retail/Arts/Other	kWh/yr	1,854,390
Education/Healthcare	kWh/yr	1,470,400
Hotel	kWh/yr	1,518,150
Total Building	kWh/yr	17,641,540
Water	kWh/yr	3,658,244
Total	kWh/yr	21,299,784
Natural Gas		
Housing	kBTU/yr	30,493,300
Ag/Manufacturing/Wholesale	kBTU/yr	1,572,310
Retail/Arts/Other	kBTU/yr	336,050
Education/Healthcare	kBTU/yr	548,800
Hotel	kBTU/yr	5,173,020
Total	kBTU/yr	38,123,480

Table 2. Water by Land Use				
Land Use	Units	Indoor/Outdoor Use	Indoor Use	Outdoor Use
Buildout	Mgal	221.82736 / 69.291602	221.82736	69.291602

Water and Wastewater Electricity Intensity (kWh/gallon)

Supply Water	0.009727
Treat Water	0.000111
Distribute Water	0.001272
Wastewater Treatment	0.001911

Source: CalEEMod User's Guide, Appendix D, Table 9.2 Los Angeles - South Coast

Indoor Water Factor	0.013021 kWh/gallon (supply, treat, distribute, wastewater treatment)
Outdoor Water Factor	0.01111 kWh/gallon (supply, treat, and distribute)

Notes:

Electricity and Natural Gas for the Project calculated from CalEEMod.

Table 3. On road Vehicles - Operational				
Scenario	Annual VMT	Fuel Consumption (gal)		
		Gasoline	Diesel	Total
Existing	91,550,745	3,530,969	1,222,004	4,752,973
Project	138,060,890	3,931,342	1,846,293	5,777,636
Difference	46,510,145	400,373	624,290	1,024,663

Table 4. Fuel Consumption Summary		
Existing		
Fuel	Fuel Efficiency (MPG)	%Fleet
Gasoline	23.4	90.1%
Diesel	7.4	9.9%
Project		
Fuel	Fuel Efficiency (MPG)	%Fleet
Gasoline	31.2	88.8%
Diesel	8.4	11.2%

Notes:

*Percent fleet and fuel efficiency based on
Table 5: EMFAC2021 Emissions Inventory-
Operations*

Table 5. EMFAC2021 Emissions Inventory - Operations								
Fuel	VMT (miles/day)	Fuel Consumption (1,000 gal/day)	Fuel Efficiency (miles per gallon)	Fuel Percentage	Existing VMT	Fuel Consumption	Fuel Efficiency	Fuel Percentage
GAS	63,022,818	2,021	31.2	89%	58,745,027	2,514	23.4	90%
DSL	7,941,796	949	8.4	11%	6,443,281	870	7.4	10%

Note: Fuel percentage based on VMT.

Fuel efficiency calculated using fuel consumption and VMT from EMFAC2021.

Buildout

Source: EMFAC2021 (v1.0.1) Emissions Inventory

Region Type: County

Region: Los Angeles

Calendar Year: 2025

Season: Annual

Vehicle Classification: EMFAC202x Categories

Units: miles/day for VMT, trips/day for Trips, tons/day for Emissions, 1000 gallons/day for Fuel Consumption.

Region	CalYr	VehClass	MdIYr	Speed	Fuel	Population	VMT	Trips	Fuel_Consumption	
San Bernardino		2040 All Other Buses	Aggregate	Aggregate	Diesel	253.1666667	12700.31016	2253.18333	1.221154687	
San Bernardino		2040 LDA	Aggregate	Aggregate	Diesel	571.5361472	21019.62362	2507.46849	0.395397357	
San Bernardino		2040 LDT1	Aggregate	Aggregate	Diesel	0.541516579	22.28227283	2.5460078	0.00075588	
San Bernardino		2040 LDT2	Aggregate	Aggregate	Diesel	1568.998569	63861.3863	7339.94061	1.611955528	
San Bernardino		2040 LHD1	Aggregate	Aggregate	Diesel	15732.27484	534606.4533	197892.226	24.78492639	
San Bernardino		2040 LHD2	Aggregate	Aggregate	Diesel	7698.648023	252376.8624	96839.3072	13.74681539	
San Bernardino		2040 MDV	Aggregate	Aggregate	Diesel	2978.304095	114657.6496	13484.0173	3.871647732	
San Bernardino		2040 MH	Aggregate	Aggregate	Diesel	1979.950536	17430.36651	197.995054	1.695521446	
San Bernardino		2040 Motor Coach	Aggregate	Aggregate	Diesel	71.21790251	8942.523894	1636.5874	1.407290095	
San Bernardino		2040 PTO	Aggregate	Aggregate	Diesel		0	39261.67501	0	6.88553178
San Bernardino		2040 SBUS	Aggregate	Aggregate	Diesel	689.1603393	14038.14366	9979.04171	1.76132979	
San Bernardino		2040 T6 CAIRP Class 4	Aggregate	Aggregate	Diesel	17.49437653	1224.92805	402.020773	0.122941931	
San Bernardino		2040 T6 CAIRP Class 5	Aggregate	Aggregate	Diesel	21.63799463	1687.905474	497.241117	0.169445028	
San Bernardino		2040 T6 CAIRP Class 6	Aggregate	Aggregate	Diesel	96.34710943	4353.678635	2214.05657	0.437557867	
San Bernardino		2040 T6 CAIRP Class 7	Aggregate	Aggregate	Diesel	218.8797162	44674.98719	5029.85588	3.928487996	
San Bernardino		2040 T6 Instate Delivery	Aggregate	Aggregate	Diesel	619.426773	20084.53639	8839.22005	2.101328422	
San Bernardino		2040 T6 Instate Delivery	Aggregate	Aggregate	Diesel	722.1044345	23453.44286	10304.4303	2.461828238	
San Bernardino		2040 T6 Instate Delivery	Aggregate	Aggregate	Diesel	2916.16835	94983.71004	41613.7224	9.939781102	
San Bernardino		2040 T6 Instate Delivery	Aggregate	Aggregate	Diesel	700.603748	34875.59195	9997.61548	3.665524777	
San Bernardino		2040 T6 Instate Other Cl:	Aggregate	Aggregate	Diesel	1324.749284	51222.83455	15314.1017	5.317172628	
San Bernardino		2040 T6 Instate Other Cl:	Aggregate	Aggregate	Diesel	3256.383562	125432.7387	37643.794	13.02421142	
San Bernardino		2040 T6 Instate Other Cl:	Aggregate	Aggregate	Diesel	2796.750987	107878.0321	32330.4414	11.18410201	
San Bernardino		2040 T6 Instate Other Cl:	Aggregate	Aggregate	Diesel	2126.77755	81626.76279	24585.5485	8.547126196	
San Bernardino		2040 T6 Instate Tractor C	Aggregate	Aggregate	Diesel	26.9901229	1231.758777	312.005821	0.12654758	

San Bernardino	2040 T6 Instate Tractor C	Aggregate	Aggregate	Diesel	1270.732573	71526.90275	14689.6685	6.798067267
San Bernardino	2040 T6 OOS Class 4	Aggregate	Aggregate	Diesel	19.66298667	1453.305527	451.855434	0.136044732
San Bernardino	2040 T6 OOS Class 5	Aggregate	Aggregate	Diesel	24.24195838	1993.673845	557.080203	0.186714122
San Bernardino	2040 T6 OOS Class 6	Aggregate	Aggregate	Diesel	108.7697485	5209.526795	2499.52882	0.487794012
San Bernardino	2040 T6 OOS Class 7	Aggregate	Aggregate	Diesel	135.137731	37879.73779	3105.46506	3.184285036
San Bernardino	2040 T6 Public Class 4	Aggregate	Aggregate	Diesel	86.69908609	2971.301901	444.766312	0.323882674
San Bernardino	2040 T6 Public Class 5	Aggregate	Aggregate	Diesel	167.2633174	5734.72471	858.060818	0.628912526
San Bernardino	2040 T6 Public Class 6	Aggregate	Aggregate	Diesel	125.9264554	4322.703869	646.002716	0.47054818
San Bernardino	2040 T6 Public Class 7	Aggregate	Aggregate	Diesel	301.8958894	12417.36252	1548.72591	1.317660867
San Bernardino	2040 T6 Utility Class 5	Aggregate	Aggregate	Diesel	110.2452229	4326.589866	1411.13885	0.437855177
San Bernardino	2040 T6 Utility Class 6	Aggregate	Aggregate	Diesel	20.83689383	817.8328941	266.712241	0.082738337
San Bernardino	2040 T6 Utility Class 7	Aggregate	Aggregate	Diesel	23.07376997	1097.302578	295.344256	0.110292212
San Bernardino	2040 T7 CAIRP Class 8	Aggregate	Aggregate	Diesel	7583.222242	1606643.954	174262.447	216.8107733
San Bernardino	2040 T7 NNOOS Class 8	Aggregate	Aggregate	Diesel	8298.528187	2421701.016	190700.178	310.7202515
San Bernardino	2040 T7 NOOS Class 8	Aggregate	Aggregate	Diesel	3576.006814	879630.8784	82176.6366	114.1180202
San Bernardino	2040 T7 POLA Class 8	Aggregate	Aggregate	Diesel	2204.07092	426741.443	36058.6003	60.61912004
San Bernardino	2040 T7 Public Class 8	Aggregate	Aggregate	Diesel	487.5428863	18934.78348	2501.09501	3.013427685
San Bernardino	2040 T7 Single Concrete/	Aggregate	Aggregate	Diesel	259.4911025	16453.8762	2444.40619	2.428660967
San Bernardino	2040 T7 Single Dump Cla	Aggregate	Aggregate	Diesel	696.0791614	33744.40909	6557.0657	5.249483697
San Bernardino	2040 T7 Single Other Cla	Aggregate	Aggregate	Diesel	3184.820248	134331.2467	30001.0067	20.72124245
San Bernardino	2040 T7 SWCV Class 8	Aggregate	Aggregate	Diesel	126.2913143	8197.689742	580.940046	2.891899761
San Bernardino	2040 T7 Tractor Class 8	Aggregate	Aggregate	Diesel	8705.232167	569380.7878	126487.023	79.16321568
San Bernardino	2040 T7 Utility Class 8	Aggregate	Aggregate	Diesel	113.740693	4636.633057	1455.88087	0.703116188
San Bernardino	2040 LDA	Aggregate	Aggregate	Gasoline	758621.2705	32493792.45	3521922.03	893.8894472
San Bernardino	2040 LDT1	Aggregate	Aggregate	Gasoline	56389.08299	2077714.942	251025.558	67.57299836
San Bernardino	2040 LDT2	Aggregate	Aggregate	Gasoline	425575.5793	16970280.82	1968738.85	562.1810323
San Bernardino	2040 LHD1	Aggregate	Aggregate	Gasoline	21750.57834	768717.0761	324051.209	46.04258763
San Bernardino	2040 LHD2	Aggregate	Aggregate	Gasoline	2827.248187	95063.21361	42121.7854	6.446775834
San Bernardino	2040 MCY	Aggregate	Aggregate	Gasoline	39113.20459	219528.7088	78226.4092	5.058809712
San Bernardino	2040 MDV	Aggregate	Aggregate	Gasoline	261414.4151	10246618.29	1190675.69	414.5040851
San Bernardino	2040 MH	Aggregate	Aggregate	Gasoline	3030.064022	30256.28655	303.127605	6.231704039
San Bernardino	2040 OBUS	Aggregate	Aggregate	Gasoline	361.2779152	13693.7544	7228.44853	2.404647059
San Bernardino	2040 SBUS	Aggregate	Aggregate	Gasoline	302.7504009	16049.70938	1211.0016	1.652136201
San Bernardino	2040 T6TS	Aggregate	Aggregate	Gasoline	1448.997105	84513.9825	28991.5341	14.3105744
San Bernardino	2040 T7IS	Aggregate	Aggregate	Gasoline	1.890188811	283.0983937	37.8188977	0.054928572
San Bernardino	2040 UBUS	Aggregate	Aggregate	Gasoline	64.72615897	6306.071213	258.904636	0.397667683

	VMT Sum	Fuel Sum	Fuel Sum/Year
Diesel	7941795.868	949.0123879	346,389,522
Gas	63022818.4	2020.747394	737,572,799
			1,083,962,320

Existing

Source: EMFAC2021 (v1.0.2) Emissions Inventory

Region Type: County

Region: San Bernardino

Calendar Year: 2021

Season: Annual

Vehicle Classification: EMFAC202x Categories

Units: miles/day for CVMT and EVMT, trips/day for Trips, kWh/day for Energy Consumption, tons/day for Emissions, 1000 gallons/day for Fuel Consumption

Region	Calendar Year	Vehicle Category	Model Year	Speed	Fuel	Population	Total VMT	Trips	Fuel Consumption	
San Bernardino	2021	All Other Buses	Aggregate	Aggregate	Diesel	221.9437101	11589.718	1975.29902	1.199335689	
San Bernardino	2021	LDA	Aggregate	Aggregate	Diesel	2477.028361	87898.298	10823.1395	2.129274474	
San Bernardino	2021	LDT1	Aggregate	Aggregate	Diesel	37.13821415	541.7638693	111.887859	0.02280757	
San Bernardino	2021	LDT2	Aggregate	Aggregate	Diesel	759.4236615	32712.37789	3670.24418	1.067676755	
San Bernardino	2021	LHD1	Aggregate	Aggregate	Diesel	22825.57007	836029.9244	287116.957	41.32522521	
San Bernardino	2021	LHD2	Aggregate	Aggregate	Diesel	9302.017679	353098.5192	117007.68	21.09533187	
San Bernardino	2021	MDV	Aggregate	Aggregate	Diesel	3660.254619	149093.2126	17248.5937	6.600080595	
San Bernardino	2021	MH	Aggregate	Aggregate	Diesel	2685.021529	23799.45152	268.502153	2.297888134	
San Bernardino	2021	Motor Coach	Aggregate	Aggregate	Diesel	56.51608392	8095.846496	1298.73961	1.453082385	
San Bernardino	2021	PTO	Aggregate	Aggregate	Diesel		0	44899.53541	0	9.493176668
San Bernardino	2021	SBUS	Aggregate	Aggregate	Diesel	1007.013472	23173.07477	14581.5551	3.113861985	
San Bernardino	2021	T6 CAIRP Class 4	Aggregate	Aggregate	Diesel	23.74070543	1620.667749	545.561411	0.182843464	
San Bernardino	2021	T6 CAIRP Class 5	Aggregate	Aggregate	Diesel	32.05343487	2223.264718	736.587933	0.249723477	
San Bernardino	2021	T6 CAIRP Class 6	Aggregate	Aggregate	Diesel	92.95768161	5809.454316	2136.16752	0.649002233	
San Bernardino	2021	T6 CAIRP Class 7	Aggregate	Aggregate	Diesel	170.8299687	36431.55293	3925.67268	3.781879774	
San Bernardino	2021	T6 Instate Delivery	Aggregate	Aggregate	Diesel	648.4807572	22363.79566	9253.82041	2.52895789	
San Bernardino	2021	T6 Instate Delivery	Aggregate	Aggregate	Diesel	724.755843	26117.3895	10342.2659	3.000853381	
San Bernardino	2021	T6 Instate Delivery	Aggregate	Aggregate	Diesel	2992.456434	105769.2062	42702.3533	11.96865114	
San Bernardino	2021	T6 Instate Delivery	Aggregate	Aggregate	Diesel	563.4451911	30853.04454	8040.36288	3.38569824	
San Bernardino	2021	T6 Instate Other Cl:	Aggregate	Aggregate	Diesel	1475.073957	58428.23645	17051.8549	6.595790589	
San Bernardino	2021	T6 Instate Other Cl:	Aggregate	Aggregate	Diesel	3205.66701	143238.0695	37057.5106	16.29776732	
San Bernardino	2021	T6 Instate Other Cl:	Aggregate	Aggregate	Diesel	2859.683081	122965.2556	33057.9364	13.85590758	
San Bernardino	2021	T6 Instate Other Cl:	Aggregate	Aggregate	Diesel	1589.790495	80068.03562	18377.9781	8.853302435	
San Bernardino	2021	T6 Instate Tractor C	Aggregate	Aggregate	Diesel	28.80834587	1461.486946	333.024478	0.162728658	
San Bernardino	2021	T6 Instate Tractor C	Aggregate	Aggregate	Diesel	876.2189917	54286.79972	10129.0915	5.669752318	
San Bernardino	2021	T6 OOS Class 4	Aggregate	Aggregate	Diesel	13.56647181	919.8131755	311.757522	0.103721747	
San Bernardino	2021	T6 OOS Class 5	Aggregate	Aggregate	Diesel	18.25284969	1261.818272	419.450486	0.141699967	
San Bernardino	2021	T6 OOS Class 6	Aggregate	Aggregate	Diesel	53.06610845	3297.167247	1219.45917	0.368261322	
San Bernardino	2021	T6 OOS Class 7	Aggregate	Aggregate	Diesel	94.20309216	23974.50588	2164.78706	2.48165011	
San Bernardino	2021	T6 Public Class 4	Aggregate	Aggregate	Diesel	136.3014037	4469.79995	699.226201	0.529900236	
San Bernardino	2021	T6 Public Class 5	Aggregate	Aggregate	Diesel	212.9944708	8022.267636	1092.66164	0.943641991	
San Bernardino	2021	T6 Public Class 6	Aggregate	Aggregate	Diesel	190.42902	6378.625347	976.900873	0.757700047	
San Bernardino	2021	T6 Public Class 7	Aggregate	Aggregate	Diesel	421.059401	17729.02791	2160.03473	2.093368255	
San Bernardino	2021	T6 Utility Class 5	Aggregate	Aggregate	Diesel	194.6769457	7960.323647	2491.8649	0.869246391	
San Bernardino	2021	T6 Utility Class 6	Aggregate	Aggregate	Diesel	37.24121125	1495.992684	476.687504	0.163572058	
San Bernardino	2021	T6 Utility Class 7	Aggregate	Aggregate	Diesel	42.49356505	2077.019968	543.917633	0.226227651	
San Bernardino	2021	T7 CAIRP Class 8	Aggregate	Aggregate	Diesel	5666.814379	1201265.92	130223.394	200.5086623	
San Bernardino	2021	T7 NNOOS Class 8	Aggregate	Aggregate	Diesel	5160.44955	1422194.928	118587.131	238.6644338	

San Bernardino	2021 T7 NOOS Class 8	Aggregate	Aggregate	Diesel	2119.923828	516581.7604	48715.8496	86.75704339
San Bernardino	2021 T7 POLA Class 8	Aggregate	Aggregate	Diesel	2114.819861	277140.611	34598.4529	46.2823574
San Bernardino	2021 T7 Public Class 8	Aggregate	Aggregate	Diesel	898.0809957	36064.99324	4607.15551	6.304151992
San Bernardino	2021 T7 Single Concrete/	Aggregate	Aggregate	Diesel	453.9799625	30333.72087	4276.49125	5.131977566
San Bernardino	2021 T7 Single Dump Cla	Aggregate	Aggregate	Diesel	811.9300689	48483.03798	7648.38125	8.158418113
San Bernardino	2021 T7 Single Other Cla	Aggregate	Aggregate	Diesel	2202.106996	133069.8079	20743.8479	22.39954319
San Bernardino	2021 T7 SWCV Class 8	Aggregate	Aggregate	Diesel	645.0732156	41870.72869	2967.33679	15.37968282
San Bernardino	2021 T7 Tractor Class 8	Aggregate	Aggregate	Diesel	4472.185393	389062.9888	64980.8538	63.75887114
San Bernardino	2021 T7 Utility Class 8	Aggregate	Aggregate	Diesel	130.5762509	6311.158419	1671.37601	1.037692492
San Bernardino	2021 UBUS	Aggregate	Aggregate	Diesel	7.618822758	746.6197041	30.475291	0.080003723
San Bernardino	2021 LDA	Aggregate	Aggregate	Gasoline	784424.9924	32689773.57	3654046.67	1166.320016
San Bernardino	2021 LDT1	Aggregate	Aggregate	Gasoline	78558.37384	2564208.565	338254.948	110.7131735
San Bernardino	2021 LDT2	Aggregate	Aggregate	Gasoline	309089.8863	12084561.36	1439451.7	543.4460158
San Bernardino	2021 LHD1	Aggregate	Aggregate	Gasoline	31804.50093	1095500.187	473839.675	89.37770815
San Bernardino	2021 LHD2	Aggregate	Aggregate	Gasoline	4870.694169	169765.9931	72566.0858	15.13055538
San Bernardino	2021 MCY	Aggregate	Aggregate	Gasoline	39203.29622	226996.107	78406.5924	5.575203247
San Bernardino	2021 MDV	Aggregate	Aggregate	Gasoline	255683.2426	9638715.795	1166651.49	529.7279641
San Bernardino	2021 MH	Aggregate	Aggregate	Gasoline	7838.822748	67566.098	784.195828	13.97517536
San Bernardino	2021 OBUS	Aggregate	Aggregate	Gasoline	714.2166839	36098.32421	14290.0474	7.327092681
San Bernardino	2021 SBUS	Aggregate	Aggregate	Gasoline	380.2074618	18571.06409	1520.82985	2.087100535
San Bernardino	2021 T6TS	Aggregate	Aggregate	Gasoline	2563.673166	142322.3108	51293.9727	28.5715006
San Bernardino	2021 T7IS	Aggregate	Aggregate	Gasoline	16.36386701	492.2743352	327.408251	0.147541591
San Bernardino	2021 UBUS	Aggregate	Aggregate	Gasoline	109.2284931	10455.15073	436.913972	1.811849347

	VMT Sum	Fuel Sum	Fuel Sum/Year
Diesel	6443280.619	870.1224275	317,594,686
Gas	58745026.8	2514.210897	917,686,977
			1,235,281,663
Difference		18844.25192	5.568083907



APPENDIX D

Environmental Data Resources Tab

City of Needles, CA

817 Third St.

Needles, CA 92363

Inquiry Number: 7094717.5s

August 24, 2022

EDR Area / Corridor Report



6 Armstrong Road, 4th floor
Shelton, CT 06484
Toll Free: 800.352.0050
www.edrnet.com

TABLE OF CONTENTS

SECTION	PAGE
Executive Summary	ES1
Mapped Sites Summary	2
Key Map	25
Map Findings Summary	26
Focus Maps	31
Map Findings	91
Orphan Summary	OR-1
Government Records Searched/Data Currency Tracking	GR-1

Thank you for your business.
 Please contact EDR at 1-800-352-0050
 with any questions or comments.

Disclaimer - Copyright and Trademark Notice

This Report contains certain information obtained from a variety of public and other sources reasonably available to Environmental Data Resources, Inc. It cannot be concluded from this Report that coverage information for the target and surrounding properties does not exist from other sources. **NO WARRANTY EXPRESSED OR IMPLIED, IS MADE WHATSOEVER IN CONNECTION WITH THIS REPORT. ENVIRONMENTAL DATA RESOURCES, INC. SPECIFICALLY DISCLAIMS THE MAKING OF ANY SUCH WARRANTIES, INCLUDING WITHOUT LIMITATION, MERCHANTABILITY OR FITNESS FOR A PARTICULAR USE OR PURPOSE. ALL RISK IS ASSUMED BY THE USER. IN NO EVENT SHALL ENVIRONMENTAL DATA RESOURCES, INC. BE LIABLE TO ANYONE, WHETHER ARISING OUT OF ERRORS OR OMISSIONS, NEGLIGENCE, ACCIDENT OR ANY OTHER CAUSE, FOR ANY LOSS OF DAMAGE, INCLUDING, WITHOUT LIMITATION, SPECIAL, INCIDENTAL, CONSEQUENTIAL, OR EXEMPLARY DAMAGES. ANY LIABILITY ON THE PART OF ENVIRONMENTAL DATA RESOURCES, INC. IS STRICTLY LIMITED TO A REFUND OF THE AMOUNT PAID FOR THIS REPORT.** Purchaser accepts this Report "AS IS". Any analyses, estimates, ratings, environmental risk levels or risk codes provided in this Report are provided for illustrative purposes only, and are not intended to provide, nor should they be interpreted as providing any facts regarding, or prediction or forecast of, any environmental risk for any property. Only a Phase I Environmental Site Assessment performed by an environmental professional can provide information regarding the environmental risk for any property. Additionally, the information provided in this Report is not to be construed as legal advice.

Copyright 2020 by Environmental Data Resources, Inc. All rights reserved. Reproduction in any media or format, in whole or in part, of any report or map of Environmental Data Resources, Inc., or its affiliates, is prohibited without prior written permission.

EDR and its logos (including Sanborn and Sanborn Map) are trademarks of Environmental Data Resources, Inc. or its affiliates. All other trademarks used herein are the property of their respective owners.

EXECUTIVE SUMMARY

A search of available environmental records was conducted by Environmental Data Resources, Inc (EDR). The report was designed to assist parties seeking to meet the search requirements of EPA's Standards and Practices for All Appropriate Inquiries (40 CFR Part 312), the ASTM Standard Practice for Environmental Site Assessments (E1527-21), the ASTM Standard Practice for Environmental Site Assessments for Forestland or Rural Property (E 2247-16), the ASTM Standard Practice for Limited Environmental Due Diligence: Transaction Screen Process (E 1528-14) or custom requirements developed for the evaluation of environmental risk associated with a parcel of real estate.

SUBJECT PROPERTY INFORMATION

ADDRESS

817 THIRD ST.
NEEDLES, CA 92363

TARGET PROPERTY SEARCH RESULTS

The Target Property was identified in the following databases.

Page Numbers and Map Identifications refer to the EDR Area/Corridor Report where detailed data on individual sites can be reviewed.

Sites listed in ***bold italics*** are in multiple databases.

STANDARD ENVIRONMENTAL RECORDS

Lists of Federal sites subject to CERCLA removals and CERCLA orders

SEMS: Superfund Enterprise Management System

A review of the SEMS list, as provided by EDR, and dated 07/26/2022 has revealed that there are 2 SEMS sites within the requested target property.

<u>Site</u>	<u>Address</u>	<u>Map ID / Focus Map(s)</u>	<u>Page</u>
<i>NEEDLES SMELTER</i>	<i>799 NORTH L STREET</i>	<i>T123 / 7</i>	<i>328</i>
<i>NEEDLES FIELD OFFICE</i> Site ID: 0908508 EPA Id: CAN000908508	<i>DIKE ROAD</i>	<i>872 / 11</i>	<i>2265</i>

Lists of Federal CERCLA sites with NFRAP

SEMS-ARCHIVE: Superfund Enterprise Management System Archive

A review of the SEMS-ARCHIVE list, as provided by EDR, and dated 07/26/2022 has revealed that there is 1 SEMS-ARCHIVE site within the requested target property.

<u>Site</u>	<u>Address</u>	<u>Map ID / Focus Map(s)</u>	<u>Page</u>
NEEDLES DSPL SITE Site ID: 0902789 EPA Id: CA8141190100	US HWY 95	883 / 14	2282

EXECUTIVE SUMMARY

Lists of Federal RCRA generators

RCRA-LQG: RCRA - Large Quantity Generators

A review of the RCRA-LQG list, as provided by EDR, and dated 06/20/2022 has revealed that there are 3 RCRA-LQG sites within the requested target property.

<u>Site</u>	<u>Address</u>	<u>Map ID / Focus Map(s)</u>	<u>Page</u>
SOUTHERN CALIFORNIA EPA ID:: CAR000041145	HWY 95 AT MILE POST	A1 / 2	90
RITE AID #5699 EPA ID:: CAL000379971	1020 E BROADWAY ST	DC819 / 11	2064
CALTRANS DISTRICT 8 EPA ID:: CAD982417644	800 SAN CLEMENTE	DE830 / 11	2094

RCRA-SQG: RCRA - Small Quantity Generators

A review of the RCRA-SQG list, as provided by EDR, and dated 06/20/2022 has revealed that there are 12 RCRA-SQG sites within the requested target property.

<u>Site</u>	<u>Address</u>	<u>Map ID / Focus Map(s)</u>	<u>Page</u>
ALLTEL CP NATIONAL EPA ID:: CAD981375009	911 BROADWAY	R96 / 6	271
MCDANIELS GARAGE EPA ID:: CAD982476988	1005 VINE ST	W143 / 6	366
CROSS RV REPAIR EPA ID:: CAD983615386	2208 RACE ST	Y190 / 6	469
LARRY GREEN AUTO CEN EPA ID:: CAD982498990	2204 W BROADWAY	AD225 / 6	575
BURLINGTON NORTHERN EPA ID:: CAR000004234	316 BROADWAY	AI236 / 7	618
COLORADO RIVER FORD EPA ID:: CA0000997932	539 BROADWAY	AH252 / 7	657
CHEVRON STATION 9 80 EPA ID:: CAD983661497	2205 W BROADWAY	AD257 / 6	663
BNSF - NEEDLES EPA ID:: CAD981460181	900 FRONT ST	BI463 / 7	1161
ACTION AUTOMOTIVE MA EPA ID:: CAD982512345	130 C ST	BP522 / 7	1309
GREAT WEST TRUCK AND EPA ID:: CAR000081729	211 BALBOA PLACE	BX550 / 10	1397
I 40 TEXACO EPA ID:: CAD983655705	916 E BROADWAY	CY768 / 11	1943
RITE AID NO 5699 EPA ID:: CAR000248179	1020 E BROADWAY ST	DC820 / 11	2067

EXECUTIVE SUMMARY

RCRA-VSQG: RCRA - Very Small Quantity Generators (Formerly Conditionally Exempt Small Quantity Generators)

A review of the RCRA-VSQG list, as provided by EDR, and dated 06/20/2022 has revealed that there is 1 RCRA-VSQG site within the requested target property.

<u>Site</u>	<u>Address</u>	<u>Map ID / Focus Map(s)</u>	<u>Page</u>
A&G TOWING & STORAGE EPA ID:: CAR000337139	600 SAN CLEMENTE ST	DF834 / 11	2169

Federal ERNS list

ERNS: Emergency Response Notification System

A review of the ERNS list, as provided by EDR, and dated 06/14/2022 has revealed that there are 6 ERNS sites within the requested target property.

<u>Site</u>	<u>Address</u>	<u>Map ID / Focus Map(s)</u>	<u>Page</u>
Not reported NRC Report #: 952134 Incident Date Time: 2010-08-25 18:26:00	3502 NEEDLES HIGHWAY	G27 / 6	160
Not reported NRC Report #: 265385 Incident Date Time: 1994-10-14 10:00:00	1005 VINE ST	W142 / 6	365
Not reported NRC Report #: 1179475 Incident Date Time: 2017-05-26 17:00:00	826 BEACH DR	370 / 7	885
Not reported NRC Report #: 1146644 Incident Date Time: 2016-05-01 09:10:00	834 FRONT ST	BJ450 / 7	1042
Not reported NRC Report #: 812870 Incident Date Time: 2006-09-20 12:00:00	997 SMITH ROAD	CT680 / 11	1675
Not reported NRC Report #: 796013 Incident Date Time: 2006-04-05 04:30:00	1224 RIVERVIEW LANE	DL858 / 11	2245

Lists of state- and tribal (Superfund) equivalent sites

RESPONSE: State Response Sites

A review of the RESPONSE list, as provided by EDR, has revealed that there is 1 RESPONSE site within the requested target property.

<u>Site</u>	<u>Address</u>	<u>Map ID / Focus Map(s)</u>	<u>Page</u>
NEEDLES SMELTER Database: RESPONSE, Date of Government Version: 04/25/2022 Status: Refer: EPA	799 N L STREET	T125 / 7	329

EXECUTIVE SUMMARY

Facility Id: 60002607

Lists of state- and tribal hazardous waste facilities

ENVIROSTOR: EnviroStor Database

A review of the ENVIROSTOR list, as provided by EDR, and dated 04/25/2022 has revealed that there are 6 ENVIROSTOR sites within the requested target property.

<u>Site</u>	<u>Address</u>	<u>Map ID / Focus Map(s)</u>	<u>Page</u>
NEEDLES SMELTER Facility Id: 60002607 Status: Refer: EPA	799 N L STREET	T125 / 7	329
NEEDLES DISPOSAL SIT Facility Id: 36490103 Status: Refer: RWQCB	HIGHWAY 95, 3 MILES	AJ294 / 6	712
PACIFIC GAS & ELECTR Facility Id: 80001836 Status: Active	12 MI E NEEDLES ON I	321 / 6	772
NEEDLES STATION HOSP Facility Id: 80000330 Status: Inactive - Needs Evaluation		CJ634 / 11	1594
NEEDLES MUNICIPAL AI Facility Id: 80000329 Status: Inactive - Needs Evaluation		DP874 / 11	2267
NEEDLES-LAND MGMT AR Facility Id: 80000049 Status: Inactive - Needs Evaluation		DV928 / 18	2422

Lists of state and tribal landfills and solid waste disposal facilities

SWF/LF: Solid Waste Information System

A review of the SWF/LF list, as provided by EDR, has revealed that there are 2 SWF/LF sites within the requested target property.

<u>Site</u>	<u>Address</u>	<u>Map ID / Focus Map(s)</u>	<u>Page</u>
CALTRANS DISTRICT 8 Database: SWF/LF (SWIS), Date of Government Version: 05/09/2022 Operational Status: Active Facility ID: 36-AA-0461 Regulation Status: Notification	800 SAN CLEMENTE	DE830 / 11	2094
NEEDLES SOLID WASTE Database: SWF/LF (SWIS), Date of Government Version: 05/09/2022 Operational Status: Closed Facility ID: 36-AA-0059 Regulation Status: Permitted	13930 NEEDLES LANDFI	885 / 14	2285

EXECUTIVE SUMMARY

Lists of state and tribal leaking storage tanks

LUST: Geotracker's Leaking Underground Fuel Tank Report

A review of the LUST list, as provided by EDR, has revealed that there are 43 LUST sites within the requested target property.

<u>Site</u>	<u>Address</u>	<u>Map ID / Focus Map(s)</u>	<u>Page</u>
GREAT WESTERN DIESEL Database: LUST REG 7, Date of Government Version: 02/26/2004 Status: 9 - Case Closed Global ID: T0607101007	211 BALBOA PLACE	J44 / 6	195
MOBIL STATION #18 LK Database: LUST REG 7, Date of Government Version: 02/26/2004 Database: LUST, Date of Government Version: 05/23/2022 Global Id: T0607101001 Status: Completed - Case Closed Status: 9 - Case Closed Global ID: T0607101001	2511 WEST BROADWAY A	O76 / 6	246
CALIMESA OIL INC Database: LUST, Date of Government Version: 05/23/2022 Global Id: T0607101015 Status: Completed - Case Closed	901 BROADWAY	R103 / 6	277
NEEDLES CHEVRON Database: LUST REG 7, Date of Government Version: 02/26/2004 Database: LUST, Date of Government Version: 05/23/2022 Global Id: T0607101017 Status: Completed - Case Closed Status: 1 - Leak Confirmation Global ID: T0607101017	810 BROADWAY E.	V130 / 6	337
CALIFORNIA PANTRY Database: LUST REG 7, Date of Government Version: 02/26/2004 Status: 5C - Pollution Characterization Global ID: T0607159545	2411 NEEDLES HWY.	X136 / 6	341
CALIFORNIA PANTRY Database: LUST REG 7, Date of Government Version: 02/26/2004 Database: LUST, Date of Government Version: 05/23/2022 Global Id: T0607126001 Status: Completed - Case Closed Status: 3B - Preliminary Site Assessment Underway Global ID: T0607126001	2411 NEEDLES HIGHWAY	X140 / 6	343
ARCO STATION #6166 Database: LUST REG 7, Date of Government Version: 02/26/2004 Status: 9 - Case Closed Global ID: T0607101098	2410 WEST BROADWAY A	W148 / 6	397
ARCO STATION #6166 Database: LUST REG 7, Date of Government Version: 02/26/2004 Database: LUST, Date of Government Version: 05/23/2022 Global Id: T0607101006 Global Id: T0607101098 Status: Completed - Case Closed Status: 9 - Case Closed	2410 WEST BROADWAY A	W153 / 6	412

EXECUTIVE SUMMARY

Global ID: T0607101006			
WHITING BROS	2402 WEST BROADWAY A	Z173 / 6	446
Database: LUST REG 7, Date of Government Version: 02/26/2004			
Status: 5R - Remediation Plan			
Global ID: T0607101014			
WHITING BROS 32	2402 WEST BROADWAY	Z179 / 6	449
Database: LUST, Date of Government Version: 05/23/2022			
Global Id: T0607101014			
Status: Completed - Case Closed			
G & M OIL #26	2321 BROADWAY AVE W	AC211 / 6	533
Database: LUST REG 7, Date of Government Version: 02/26/2004			
Database: LUST, Date of Government Version: 05/23/2022			
Global Id: T0607101016			
Status: Completed - Case Closed			
Status: 7 - Remedial Action Underway			
Global ID: T0607101016			
CHEVRON STA #9-8066	2205 WEST BROADWAY A	AD268 / 6	677
Database: LUST REG 7, Date of Government Version: 02/26/2004			
Database: LUST, Date of Government Version: 05/23/2022			
Global Id: T0607100999			
Status: Completed - Case Closed			
Status: 9 - Case Closed			
Global ID: T0607100999			
CAMA DESE T SITES		AJ291 / 6	711
Database: LUST REG 7, Date of Government Version: 02/26/2004			
Global ID: T0607135768			
CAMP IBIS - CAMP IBI		AJ295 / 6	713
Database: LUST REG 7, Date of Government Version: 02/26/2004			
Global ID: T0607183754			
EZ SERVE #1152	1632 WEST BROADWAY A	AN311 / 6	731
Database: LUST REG 7, Date of Government Version: 02/26/2004			
Database: LUST, Date of Government Version: 05/23/2022			
Global Id: T0607101012			
Status: Completed - Case Closed			
Status: 9 - Case Closed			
Global ID: T0607101012			
TEN FOUR CORPORATION	1621 N STREET	320 / 6	753
Database: LUST REG 7, Date of Government Version: 02/26/2004			
Database: LUST, Date of Government Version: 05/23/2022			
Global Id: T0607192343			
Status: Open - Inactive			
Status: 3A - Preliminary Site Assessment Workplan Submitted			
Global ID: T0607192343			
NEEDLES GOLF COURSE	997 BRIDGE	AQ323 / 7	790
Database: LUST REG 7, Date of Government Version: 02/26/2004			
Database: LUST, Date of Government Version: 05/23/2022			
Global Id: T0607101000			
Status: Completed - Case Closed			
Status: 9 - Case Closed			
Global ID: T0607101000			
CP NATIONAL SERVICE	1705 FRONT STREET	340 / 6	804
Database: LUST REG 7, Date of Government Version: 02/26/2004			
Database: LUST, Date of Government Version: 05/23/2022			

EXECUTIVE SUMMARY

Global Id: T0607101013 Global Id: T0607101002 Status: Completed - Case Closed Status: 9 - Case Closed Global ID: T0607101013			
SHELL MINI-MART	1219 BROADWAY	BC388 / 7	928
Database: LUST REG 7, Date of Government Version: 02/26/2004 Status: 7 - Remedial Action Underway Global ID: T0607101019			
SHELL MINI MART	1219 BROADWAY	BC389 / 7	929
Database: LUST, Date of Government Version: 05/23/2022 Global Id: T0607101019 Status: Completed - Case Closed			
GRISWOLD ENTERPRISES	219 I	BG411 / 7	958
Database: LUST REG 7, Date of Government Version: 02/26/2004 Database: LUST, Date of Government Version: 05/23/2022 Global Id: T0606501109 Status: Completed - Case Closed Status: 9 - Case Closed Global ID: T0606501109			
ATS&F NEEDLES RAILYA	900 FRONT	BI460 / 7	1159
Database: LUST, Date of Government Version: 05/23/2022 Global Id: T0607101005 Status: Completed - Case Closed			
ATS & F NEEDLES RAIL	900 FRONT STREET	BI464 / 7	1165
Database: LUST REG 7, Date of Government Version: 02/26/2004 Status: 9 - Case Closed Global ID: T0607101005			
BNSF RAILWAY COMPANY	SOUTH EAST OF THE IN	BL471 / 7	1170
Database: LUST, Date of Government Version: 05/23/2022 Global Id: T10000012920 Status: Open - Eligible for Closure			
NEEDLES USD	1900 ERIN DR	BS510 / 6	1271
Database: LUST, Date of Government Version: 05/23/2022 Global Id: T0607101020 Status: Completed - Case Closed			
NEEDLES UNIFIED SCHO	1900 ERIN DRIVE	BS517 / 6	1300
Database: LUST REG 7, Date of Government Version: 02/26/2004 Status: 9 - Case Closed Global ID: T0607101020			
SAN BERNARDINO CO PA	INTERSTATE 40	BT519 / 6	1303
Database: LUST, Date of Government Version: 05/23/2022 Global Id: T0607101023 Status: Completed - Case Closed			
SB CO PARK MOABI MAR	PARK MOABI ROAD	BT520 / 6	1305
Database: LUST, Date of Government Version: 05/23/2022 Global Id: T0607101003 Status: Completed - Case Closed			
SAN BERNARDINO CO PA	INTERSTATE 40	BT521 / 6	1308
Database: LUST REG 7, Date of Government Version: 02/26/2004 Status: 9 - Case Closed			

EXECUTIVE SUMMARY

Global ID: T0607101023			
EZ SERVE #130	300 WEST BROADWAY AV	BZ553 / 11	1400
Database: LUST REG 7, Date of Government Version: 02/26/2004			
Database: LUST, Date of Government Version: 05/23/2022			
Global Id: T0607101009			
Status: Completed - Case Closed			
Status: 9 - Case Closed			
Global ID: T0607101009			
CHEVRON #1140	800 EAST BROADWAY	CX709 / 11	1833
Database: LUST REG 7, Date of Government Version: 02/26/2004			
Database: LUST, Date of Government Version: 05/23/2022			
Global Id: T0607101004			
Status: Completed - Case Closed			
Status: 9 - Case Closed			
Global ID: T0607101004			
WHITING BROS	901 EAST BROADWAY	CY730 / 11	1875
Database: LUST REG 7, Date of Government Version: 02/26/2004			
Status: 5R - Remediation Plan			
Global ID: T0607101015			
NEEDLES, CITY OF	903 BROADWAY	CY736 / 11	1878
Database: LUST, Date of Government Version: 05/23/2022			
Global Id: T0607101011			
Status: Completed - Case Closed			
CALIFORNIA HOTEL	903 EAST BROADWAY	CY738 / 11	1880
Database: LUST REG 7, Date of Government Version: 02/26/2004			
Status: 9 - Case Closed			
Global ID: T0607101011			
SHELL FOOD MART	917 E BROADWAY	CY746 / 11	1885
Database: LUST, Date of Government Version: 05/23/2022			
Global Id: T0607192342			
Status: Completed - Case Closed			
MO AVE OIL COMPANY	917 E. BROADWAY	CY747 / 11	1897
Database: LUST REG 7, Date of Government Version: 02/26/2004			
Status: 1 - Leak Confirmation			
Global ID: T0607192342			
I-40 TEXACO	916 BROADWAY	CY757 / 11	1921
Database: LUST, Date of Government Version: 05/23/2022			
Global Id: T0607101022			
Status: Completed - Case Closed			
I 40 TEXACO	916 E BROADWAY	CY768 / 11	1943
Database: LUST REG 7, Date of Government Version: 02/26/2004			
Status: 5C - Pollution Characterization			
Global ID: T0607101022			
SCG - NORTH & SOUTH	1100 ARIZONA	DA781 / 11	1953
Database: LUST, Date of Government Version: 05/23/2022			
Global Id: T0607101010			
Status: Completed - Case Closed			
SOUTHERN CALIFORNIA	1100 ARIZONA ST	DA783 / 11	1955
Database: LUST REG 7, Date of Government Version: 02/26/2004			
Status: 9 - Case Closed			
Global ID: T0607101010			
ARCO NEEDLES	1005 BROADWAY	DC796 / 11	1993
Database: LUST, Date of Government Version: 05/23/2022			

EXECUTIVE SUMMARY

Global Id: T0607101021

Status: Completed - Case Closed

<p>ARCO STATION Database: LUST REG 7, Date of Government Version: 02/26/2004 Status: 5R - Remediation Plan Global ID: T0607101021</p>	<p>1005 EAST BROADWAY</p>	<p>DC800 / 11</p>	<p>1999</p>
<p>FLEET MGMT NEEDLES Y Database: LUST REG 7, Date of Government Version: 02/26/2004 Database: LUST, Date of Government Version: 05/23/2022 Global Id: T0607101018 Status: Completed - Case Closed Status: 9 - Case Closed Global ID: T0607101018</p>	<p>#5 AIRPORT RD</p>	<p>DS903 / 15</p>	<p>2319</p>

CPS-SLIC: Statewide SLIC Cases

A review of the CPS-SLIC list, as provided by EDR, has revealed that there are 6 CPS-SLIC sites within the requested target property.

<u>Site</u>	<u>Address</u>	<u>Map ID / Focus Map(s)</u>	<u>Page</u>
<p>GREAT WESTERN DIESEL Database: CPS-SLIC, Date of Government Version: 05/23/2022 Global Id: T0607101007 Facility Status: Completed - Case Closed</p>	<p>211 BALBOA PLACE</p>	<p>J44 / 6</p>	<p>195</p>
<p>FORMER GRIGGS AND SO Database: SLIC REG 7, Date of Government Version: 11/24/2004 Facility Status: A</p>	<p>1705 WEST FRONT STRE</p>	<p>AP324 / 6</p>	<p>792</p>
<p>ACTIVE TOWING Database: CPS-SLIC, Date of Government Version: 05/23/2022 Global Id: SL0607137045 Facility Status: Open - Remediation</p>	<p>1705 EAGLE PASS RD</p>	<p>AU346 / 6</p>	<p>816</p>
<p>FORMER ATSF NEEDLES Database: SLIC REG 7, Date of Government Version: 11/24/2004 Facility Status: A</p>	<p>900 FRONT STREET</p>	<p>BI461 / 7</p>	<p>1161</p>
<p>FORMER AT&SF NEEDLES Database: SLIC REG 7, Date of Government Version: 11/24/2004 Facility Status: A</p>	<p>900 FRONT STREET</p>	<p>BI469 / 7</p>	<p>1168</p>
<p>BNSF RAILWAY COMPANY Database: CPS-SLIC, Date of Government Version: 05/23/2022 Global Id: SL0607134791 Facility Status: Completed - Case Closed</p>	<p>SOUTH EAST OF THE IN</p>	<p>BL470 / 7</p>	<p>1169</p>

Lists of state and tribal registered storage tanks

UST: Active UST Facilities

A review of the UST list, as provided by EDR, has revealed that there are 29 UST sites within the

EXECUTIVE SUMMARY

requested target property.

<u>Site</u>	<u>Address</u>	<u>Map ID / Focus Map(s)</u>	<u>Page</u>
DESERT VIEW MOBIL Database: UST, Date of Government Version: 03/07/2022 Facility Id: 86009423	2511 W BROADWAY ST	O69 / 6	243
DESERT VIEW MOBIL Database: UST, Date of Government Version: 03/07/2022 Facility Id: FA0002706	2511 W BROADWAY	O75 / 6	246
WESTSIDE TEXACO Database: UST, Date of Government Version: 03/07/2022 Facility Id: 92027865	2451 NEEDLES HWY	S108 / 6	315
WESTSIDE SHELL Database: UST, Date of Government Version: 03/07/2022 Facility Id: FA0007281	2451 W NEEDLES HWY	S115 / 6	319
ARCO PETROLEUM PROD Database: UST, Date of Government Version: 03/07/2022 Facility Id: 86010006	2410 W BROADWAY ST	W157 / 6	419
NEEDLES MARINA RESOR Database: UST, Date of Government Version: 03/07/2022 Facility Id: FA0004957	100 MARINA DR	AB194 / 7	474
WESTSIDE CIRCLE K Database: UST, Date of Government Version: 03/07/2022 Facility Id: FA0003378	2321 NEEDLES HWY	AC199 / 6	490
WESTSIDE CHEVRON Database: UST, Date of Government Version: 03/07/2022 Facility Id: FA0003378	2321 NEEDLES HWY	AC208 / 6	532
G & M OIL CO #26 Database: UST, Date of Government Version: 03/07/2022 Facility Id: 87014376	2321 W BROADWAY ST	AC216 / 6	547
NEEDLES AMERICAN GAS Database: UST, Date of Government Version: 03/07/2022 Facility Id: FA0009829	1219 W. BROADWAY STR	BC382 / 7	896
TOSCO SS # 31145-628 Database: UST, Date of Government Version: 03/07/2022 Facility Id: 86007612	301 J ST	BF417 / 7	965
J STREET GAS & OIL G Database: UST, Date of Government Version: 03/07/2022 Facility Id: FA0006741	301 S J ST	BF418 / 7	965
J B'S AUTO SERVICE C Database: UST, Date of Government Version: 03/07/2022 Facility Id: 86007646	949 W BROADWAY ST	BH475 / 7	1178
CALIFORNIA HIGHWAY P Database: UST, Date of Government Version: 03/07/2022 Facility Id: FA0006400	1916 J ST	CA572 / 10	1437
ST-CALIF HWY PATROL/ Database: UST, Date of Government Version: 03/07/2022 Facility Id: 90021154	1916 J ST	CA574 / 10	1437
TWO GUYS AUTO Database: UST, Date of Government Version: 03/07/2022	105 W BROADWAY ST	CG603 / 11	1468

EXECUTIVE SUMMARY

Facility Id: 86009653			
COLORADO RIVER MEDIC	1401 BAILEY AVE	CO649 / 10	1610
Database: UST, Date of Government Version: 03/07/2022			
Facility Id: FA0002425			
COLORADO RIVER MEDCL	1401 BAILEY AVE	CO650 / 10	1610
Database: UST, Date of Government Version: 03/07/2022			
Facility Id: 86010826			
NEEDLES CHEVRON	810 E BROADWAY ST	CX719 / 11	1843
Database: UST, Date of Government Version: 03/07/2022			
Facility Id: 89018524			
EASTSIDE CHEVRON	810 E BROADWAY ST	CX726 / 11	1872
Database: UST, Date of Government Version: 03/07/2022			
Facility Id: FA0004956			
LD EXPRESS	916 E BROADWAY	CY752 / 11	1901
Database: UST, Date of Government Version: 03/07/2022			
Facility Id: FA0003907			
I-40 TEXACO	916 E BROADWAY ST	CY766 / 11	1942
Database: UST, Date of Government Version: 03/07/2022			
Facility Id: 89018745			
CO-NEEDLES AIRPORT	HIGHWAY 95	CZ771 / 11	1950
Database: UST, Date of Government Version: 03/07/2022			
Facility Id: 88016633			
AG-RUSSELL BROS RANC	RIVER RD,9MI N/O NEE	CZ772 / 11	1950
Database: UST, Date of Government Version: 03/07/2022			
Facility Id: 87014503			
SOUTHERN CALIFORNIA	1100 ARIZONA STREET	DA774 / 11	1950
Database: UST, Date of Government Version: 03/07/2022			
Facility Id: FA0006247			
SO CAL GAS CO	1100 ARIZONA AVE	DA775 / 11	1951
Database: UST, Date of Government Version: 03/07/2022			
Facility Id: 86009661			
EASTSIDE MOBIL	1005 E BROADWAY ST	DC788 / 11	1965
Database: UST, Date of Government Version: 03/07/2022			
Facility Id: FA0001093			
ARCO SERVICE STATION	1005 E BROADWAY ST	DC802 / 11	2002
Database: UST, Date of Government Version: 03/07/2022			
Facility Id: 86009725			
NEEDLES AIRPORT	711 AIRPORT RD	DU916 / 18	2378
Database: UST, Date of Government Version: 03/07/2022			
Facility Id: FA0002334			

AST: Aboveground Petroleum Storage Tank Facilities

A review of the AST list, as provided by EDR, has revealed that there are 10 AST sites within the requested target property.

<u>Site</u>	<u>Address</u>	<u>Map ID / Focus Map(s)</u>	<u>Page</u>
SOUTHERN CALIFORNIA	4500 OLD RIVER ROAD	B8 / 2	102
Database: AST, Date of Government Version: 07/06/2016			
NEEDLES USD	1900 ERIN DR	BS510 / 6	1271
Database: AST, Date of Government Version: 07/06/2016			

EXECUTIVE SUMMARY

<u>Site</u>	<u>Address</u>	<u>Map ID / Focus Map(s)</u>	<u>Page</u>
HHW SATELLITE NEEDLE Database: AST, Date of Government Version: 07/06/2016	112 ROBUFFA ST	CG619 / 11	1568
PHILLIPS CONSTRUCTIO Database: AST, Date of Government Version: 07/06/2016	805 E. BROADWAY	CX701 / 11	1819
PHILLIPS CONSTRUCTIO Database: AST, Date of Government Version: 07/06/2016	805 E BROADWAY	CX706 / 11	1824
PARK MOABI MARINA Database: AST, Date of Government Version: 07/06/2016	PARK MOABI RD	728 / 10	1874
SUPERLITE BLOCK Database: AST, Date of Government Version: 07/06/2016	1 ICE PLANT RD	DD827 / 11	2092
CALTRANS-NEEDLES Database: AST, Date of Government Version: 07/06/2016	800 SAN CLEMENTE ST	DE828 / 11	2093
CALTRANS DISTRICT 8 Database: AST, Date of Government Version: 07/06/2016	800 SAN CLEMENTE	DE830 / 11	2094
FLEET MGMT NEEDLES Y Database: AST, Date of Government Version: 07/06/2016	#5 AIRPORT RD	DS902 / 15	2318

ADDITIONAL ENVIRONMENTAL RECORDS

Local Lists of Landfill / Solid Waste Disposal Sites

HAULERS: Registered Waste Tire Haulers Listing

A review of the HAULERS list, as provided by EDR, and dated 02/15/2022 has revealed that there are 9 HAULERS sites within the requested target property.

<u>Site</u>	<u>Address</u>	<u>Map ID / Focus Map(s)</u>	<u>Page</u>
HILO SERVICES INC. Facility ID: 1278751	2511 NEEDLES HWY	P77 / 6	247
A + AUTO CARE Facility ID: 1287138	2408 WEST BROADWAY	W164 / 6	425
BNSF RAILROAD COMPAN Facility ID: 1833951	900 FRONT ST	BI456 / 7	1051
HARTWICK AUTOMOTIVE, Facility ID: 1898958	949 WEST BROADWAY ST	BH480 / 7	1196
NEEDLES UNIFIED SCHO Facility ID: 1847327	1900 ERIN DRIVE	BS508 / 6	1270
GREAT WEST TRUCK INC Facility ID: 1002401	211 BALBOA ST	BX549 / 10	1370
CHP - NEEDLES Facility ID: 1268812	1916 J ST	CA573 / 10	1437
LD EXPRESS Facility ID: 1643158	916 E BROADWAY ST	CY759 / 11	1932
NEEDLES MTCE	800 SAN CLEMENTE ST	DE832 / 11	2100

EXECUTIVE SUMMARY

Facility ID: 1271437

Local Lists of Hazardous waste / Contaminated Sites

CDL: Clandestine Drug Labs

A review of the CDL list, as provided by EDR, and dated 12/31/2019 has revealed that there is 1 CDL site within the requested target property.

<u>Site</u>	<u>Address</u>	<u>Map ID / Focus Map(s)</u>	<u>Page</u>
Not reported Facility Id: 1995-09-038	1183 REDWOOD AVENUE	CQ670 / 11	1663

CERS HAZ WASTE: CERS HAZ WASTE

A review of the CERS HAZ WASTE list, as provided by EDR, and dated 04/18/2022 has revealed that there are 30 CERS HAZ WASTE sites within the requested target property.

<u>Site</u>	<u>Address</u>	<u>Map ID / Focus Map(s)</u>	<u>Page</u>
SOUTHERN CALIFORNIA	4500 OLD RIVER ROAD	B8 / 2	102
NEEDLES AUTO WRECKIN	5156 ROUTE 66	H29 / 6	162
WESTSIDE SHELL	2451 NEEDLES HWY	S106 / 6	287
MOBIL STATION	2511 W BROADWAY	W141 / 6	347
A+ AUTO CARE	2408 W BROADWAY	W168 / 6	434
WESTSIDE MART	2321 NEEDLES HWY	AC203 / 6	494
PREMIER SPORTS	1404 BROADWAY #A	AH230 / 7	610
DESERT RIVER LUBE &	1714 W BROADWAY ST	AJ286 / 6	701
NEEDLES MUNI. GOLF C	144 MARINA DR	AO303 / 7	720
DOLLAR GENERAL STORE	1500 HOSPITALITY LN	AP322 / 6	781
NEEDLES AMERICAN GAS	1219 W. BROADWAY STR	BC383 / 7	897
J STREET GAS & OIL G	301 S J ST	BF428 / 7	972
BNSF NEEDLES FACILIT	834 FRONT ST	BJ439 / 7	1011
BIG O TIRES & AUTO P	949 W BROADWAY ST	BH478 / 7	1191
NEEDLES USD	1900 ERIN DR	BS510 / 6	1271
CALIFORNIA HIGHWAY P	1916 J ST	CA567 / 10	1415
HHW SATELLITE NEEDLE	112 ROBUFFA ST	CG619 / 11	1568
COLORADO RIVER MEDIC	1401 BAILEY AVENUE	CO655 / 10	1627
BNSF RAILWAY COMPANY	316 E BROADWAY	CP668 / 11	1659
HARRIS MOTORS	110 GOODWILL ST	CW698 / 11	1811
PHILLIPS CONSTRUCTIO	805 E BROADWAY	CX706 / 11	1824
NEEDLES TRI-MART	810 E BROADWAY	CX721 / 11	1845
LD EXPRESS	916 E BROADWAY	CY756 / 11	1906
SOUTHERN CALIFORNIA	1100 ARIZONA ST	DA783 / 11	1955
EXXON SERVICE STATIO	1005 E BROADWAY	DC795 / 11	1972
RITE AID #5699	1020 E BROADWAY ST	DC814 / 11	2047
AUTOZONE #3699	1008 E BROADWAY ST	DC815 / 11	2057
CALTRANS D8 MAINTENA	800 SAN CLEMENTE ST	DE833 / 11	2100
FLEET MGMT NEEDLES Y	#5 AIRPORT RD	DS903 / 15	2319
NEEDLES AIRPORT	711 AIRPORT RD	DU924 / 18	2385

EXECUTIVE SUMMARY

PFAS: PFAS Contamination Site Location Listing

A review of the PFAS list, as provided by EDR, and dated 03/07/2022 has revealed that there are 3 PFAS sites within the requested target property.

<u>Site</u>	<u>Address</u>	<u>Map ID / Focus Map(s)</u>	<u>Page</u>
NEEDLES WMF 03-046	SOUTH HWY 95	882 / 15	2274
NEEDLES WMF 03-046	SOUTH HWY 95	886 / 15	2289
NEEDLES WMF 03-046	SOUTH HWY 95	887 / 14	2297

Local Lists of Registered Storage Tanks

SWEEPS UST: SWEEPS UST Listing

A review of the SWEEPS UST list, as provided by EDR, and dated 06/01/1994 has revealed that there are 34 SWEEPS UST sites within the requested target property.

<u>Site</u>	<u>Address</u>	<u>Map ID / Focus Map(s)</u>	<u>Page</u>
GREAT WESTERN DIESEL Status: A Comp Number: 200	211 BALBOA PLACE	J44 / 6	195
MOBIL STATION Status: A Tank Status: A Comp Number: 13948	2511 W BROADWAY	W141 / 6	347
ARCO PETROLEUM PROD Status: A Tank Status: A Comp Number: 26875	2410 W BROADWAY	W158 / 6	419
WHITING BROS SERVICE Status: A Tank Status: A Comp Number: 68734	2402 W BROADWAY	Z172 / 6	444
NEEDLES MARINA PARK Status: A Tank Status: A Comp Number: 1291	100 MARINA PARK	AB196 / 7	488
GANDM OIL CO 26 Status: A Tank Status: A Comp Number: 64702	2321 W BROADWAY	AC212 / 6	544
LARRY GREEN AUTO CEN Status: A Comp Number: 10007	2204 W BROADWAY	AD225 / 6	575
E-Z SERVE STATION 97 Status: A Tank Status: A Comp Number: 19618	504 BROADWAY	AH234 / 7	615
HANCOCK, C R JR. Status: A	2011 W BROADWAY	AE246 / 6	650

EXECUTIVE SUMMARY

Comp Number: 41011			
E-Z SERVE #145	2103 W BROADWAY	AE247 / 6	652
Status: A			
Comp Number: 19486			
98066	2205 W BROADWAY	AD258 / 6	666
Status: A			
Tank Status: A			
Comp Number: 63062			
E-Z SERVE STATION 11	1632 W BROADWAY	AN312 / 6	733
Status: A			
Comp Number: 13402			
LEE CHAMBERS PETROLE	1702 FRONT ST	AV350 / 7	862
Status: A			
Tank Status: A			
Comp Number: 33003			
SHELL MINI MART	1219 BROADWAY	BC389 / 7	929
Status: A			
Tank Status: A			
Comp Number: 33004			
GRISWOLD ENTERPRISES	219 I	BG411 / 7	958
Status: A			
Tank Status: A			
Comp Number: 12527			
UNOCOL 76 STN #6288	301 S J ST	BF433 / 7	999
Status: A			
Tank Status: A			
Comp Number: 13585			
DIESEL FUELING-NEEDL	900 FRONT STREET	BI459 / 7	1157
Status: A			
Tank Status: A			
Comp Number: 60166			
NEEDLES USD	1900 ERIN DR	BS510 / 6	1271
Status: A			
Tank Status: A			
Comp Number: 12994			
E-Z SERVE STATION #1	300 W BROADWAY	BZ554 / 11	1402
Status: A			
Comp Number: 13388			
NEEDLES COUNTY COMPL	1111 BAILEY	CE590 / 10	1453
Status: A			
Tank Status: A			
Comp Number: 15788			
NEEDLES SHERIFF SUB	1111 BAILEY ST	CE595 / 10	1458
Status: A			
Tank Status: A			
Comp Number: 8710			
GTE-SAN BERNARDINO C	665 E ST	CF610 / 11	1475
Status: A			
Tank Status: A			
Comp Number: 12601			
C & A CHEVRON	200 E BROADWAY	CM641 / 11	1600

EXECUTIVE SUMMARY

Status: A Comp Number: 300			
E-Z SERVE STATION 11	409 E BROADWAY	CS678 / 11	1671
Status: A Comp Number: 13401			
C R HANCOCK JR	717 E BROADWAY	CV692 / 11	1766
Status: A Comp Number: 41010			
PHILLIPS CONSTRUCTIO	805 E BROADWAY	CX706 / 11	1824
Status: A Tank Status: A Comp Number: 304			
91140	800 E BROADWAY	CX710 / 11	1835
Status: A Tank Status: A Comp Number: 61992			
NEEDLES TRI-MART	810 E BROADWAY	CX721 / 11	1845
Status: A Tank Status: A Comp Number: 54418			
SHELL FOOD MART	917 E BROADWAY	CY746 / 11	1885
Status: A Tank Status: A Comp Number: 60469			
EXXON SERVICE STATIO	1005 E BROADWAY	DC795 / 11	1972
Status: A Tank Status: A Comp Number: 23892			
CALTRANS	1006 E BROADWAY	DC811 / 11	2035
Status: A Tank Status: A Comp Number: 44941			
SO CALIF GAS CO	ARIZONA/SAN CLEMENTE	DG837 / 11	2173
Status: A Tank Status: A Comp Number: 9661			
UNION CARBIDE LINDE	507 AIRPORT DR	894 / 15	2310
Status: A Comp Number: 207			
NEEDLES AIRPORT	HIGHWAY 95	904 / 14	2329
Status: A Tank Status: A Comp Number: 2621			

HIST UST: Hazardous Substance Storage Container Database

A review of the HIST UST list, as provided by EDR, and dated 10/15/1990 has revealed that there are 41 HIST UST sites within the requested target property.

<u>Site</u>	<u>Address</u>	<u>Map ID / Focus Map(s)</u>	<u>Page</u>
NORTH NEEDLES COMP S	NORTH NEEDLES COMP S	A4 / 2	100

EXECUTIVE SUMMARY

Facility Id: 0000007533			
NORTH NEEDLESS COMP	NORTH NEEDLES COMP S	A5 / 2	101
Facility Id: 0000007557			
JOHN A LUSK	2410 W BROADWAY	W159 / 6	421
Facility Id: 00000026875			
WHITING BROS 32	2402 WEST BROADWAY	Z179 / 6	449
Facility Id: 00000068734			
WHITING BROS 90	2402 WEST BROADWAY	Z180 / 6	459
Facility Id: 00000068735			
NEEDLES MARINA RESOR	100 MARINA DR	AB194 / 7	474
Facility Id: 00000001291			
GANDM OIL CO 26	2321 W BROADWAY	AC212 / 6	544
G&M OIL CO. #26	2321 W. BROADWAY	AC215 / 6	546
Facility Id: 00000064702			
E-Z SERVE STATION 97	504 BROADWAY	AH234 / 7	615
Facility Id: 00000019618			
E-Z SERVE STATION 13	300 BROADWAY	AI240 / 7	645
Facility Id: 00000013388			
CR HANCOCK JR	2011 WEST BROADWAY	AE245 / 6	649
Facility Id: 00000041011			
E-Z SERVE STATION 14	2103 W BROADWAY	AE248 / 6	654
Facility Id: 00000019486			
98066	2205 W BROADWAY	AD258 / 6	666
Facility Id: 00000063062			
E-Z SERVE STATION 11	1632 W BROADWAY	AN312 / 6	733
Facility Id: 00000013402			
CITY OF NEEDLES MUNI	997 BRIDGE ROAD	AQ325 / 7	792
Facility Id: 00000068410			
CP NATIONAL (SERVICE	1705 FRONT ST	AV349 / 7	861
Facility Id: 00000002376			
LEE CHAMBERS PETROLE	1702 FRONT ST	AV350 / 7	862
Facility Id: 00000033003			
GRISWOLD ENTERPRISES	119 I ST	BB371 / 7	885
Facility Id: 00000012527			
SHELL MINI MART	1219 BROADWAY	BC389 / 7	929
Facility Id: 00000033004			
STATION # 6288	301 J ST	BF419 / 7	965
Facility Id: 00000043777			
UNION OIL SERVICE ST	301 J ST	BF420 / 7	966
Facility Id: 00000013585			
STATION 6288	301 SOUTH J STREET	BF424 / 7	970
UNION OIL SERVICE ST	301 SOUTH J STREET	BF425 / 7	970
DIESEL FUELING-NEEDL	900 FRONT STREET	BI459 / 7	1157
Facility Id: 00000060166			
NEEDLES SHERIFF SUB	111 BAILEY ST	576 / 10	1438
Facility Id: 00000008710			
NEEDLES COUNTY COMPL	1111 BAILEY	CE590 / 10	1453

EXECUTIVE SUMMARY

Facility Id: 00000015788			
NEEDLES ROAD YARD	607 ROBUFFA STREET	CI626 / 11	1587
Facility Id: 00000008709			
NEEDLES ROAD YARD	607 ROBUFFA	CI627 / 11	1588
Facility Id: 00000031580			
NEEDLES ROAD YARD	607 ROBUFFA ST	CI628 / 11	1589
Facility Id: 00000065928			
CITY OF NEEDLES MAIN	607 ROBUFFA	CI629 / 11	1589
Facility Id: 00000068408			
E-Z SERVE STATION 11	409 E BROADWAY	CS678 / 11	1671
Facility Id: 00000013401			
CITY OF NEEDLES WAST	516 EAST BROADWAY	CU682 / 11	1676
Facility Id: 00000068409			
C R HANCOCK JR	717 E BROADWAY	CV692 / 11	1766
Facility Id: 00000041010			
91140	800 E BROADWAY	CX710 / 11	1835
Facility Id: 00000061992			
BURP SERVICE	810 E BROADWAY ST	CX718 / 11	1842
Facility Id: 00000054418			
BURP SERVICE	810 EAST BROADWAY	CX725 / 11	1869
SHELL FOOD MART	917 E BROADWAY	CY746 / 11	1885
Facility Id: 00000060469			
SHELL FOOD MART	917 EAST BROADWAY	CY749 / 11	1898
EXXON SERVICE STATIO	1005 E BROADWAY	DC801 / 11	2000
Facility Id: 00000023892			
CALTRANS	1006 E BROADWAY	DC811 / 11	2035
Facility Id: 00000044941			
NEEDLES AIRPORT	HIGHWAY 95	904 / 14	2329
Facility Id: 00000002621			

CERS TANKS: California Environmental Reporting System (CERS) Tanks

A review of the CERS TANKS list, as provided by EDR, and dated 04/18/2022 has revealed that there are 18 CERS TANKS sites within the requested target property.

<u>Site</u>	<u>Address</u>	<u>Map ID / Focus Map(s)</u>	<u>Page</u>
SOUTHERN CALIFORNIA	4500 OLD RIVER ROAD	B8 / 2	102
WESTSIDE SHELL	2451 NEEDLES HWY	S106 / 6	287
MOBIL STATION	2511 W BROADWAY	W141 / 6	347
NEEDLES MARINA RESOR	100 MARINA DR	AB194 / 7	474
WESTSIDE MART	2321 NEEDLES HWY	AC203 / 6	494
NEEDLES AMERICAN GAS	1219 W. BROADWAY STR	BC383 / 7	897
J STREET GAS & OIL G	301 S J ST	BF428 / 7	972
NEEDLES USD	1900 ERIN DR	BS510 / 6	1271
CALIFORNIA HIGHWAY P	1916 J ST	CA567 / 10	1415
COLORADO RIVER MEDIC	1401 BAILEY AVENUE	CO655 / 10	1627
PHILLIPS CONSTRUCTIO	805 E BROADWAY	CX706 / 11	1824
NEEDLES TRI-MART	810 E BROADWAY	CX721 / 11	1845
LD EXPRESS	916 E BROADWAY	CY756 / 11	1906
SOUTHERN CALIFORNIA	1100 ARIZONA ST	DA783 / 11	1955

EXECUTIVE SUMMARY

<u>Site</u>	<u>Address</u>	<u>Map ID / Focus Map(s)</u>	<u>Page</u>
EXXON SERVICE STATIO	1005 E BROADWAY	DC795 / 11	1972
CALTRANS D8 MAINTENA	800 SAN CLEMENTE ST	DE833 / 11	2100
FLEET MGMT NEEDLES Y	#5 AIRPORT RD	DS903 / 15	2319
NEEDLES AIRPORT	711 AIRPORT RD	DU924 / 18	2385

CA FID UST: Facility Inventory Database

A review of the CA FID UST list, as provided by EDR, and dated 10/31/1994 has revealed that there are 2 CA FID UST sites within the requested target property.

<u>Site</u>	<u>Address</u>	<u>Map ID / Focus Map(s)</u>	<u>Page</u>
GTE-SAN BERNARDINO C Facility Id: 36002585 Status: A	665 E ST	CF610 / 11	1475
UNION CARBIDE LINDE Facility Id: 36008253 Status: A	507 AIRPORT DR	894 / 15	2310

Local Land Records

DEED: Deed Restriction Listing

A review of the DEED list, as provided by EDR, and dated 05/31/2022 has revealed that there is 1 DEED site within the requested target property.

<u>Site</u>	<u>Address</u>	<u>Map ID / Focus Map(s)</u>	<u>Page</u>
PACIFIC GAS & ELECTR Status: ACTIVE Envirostor ID: 80001836	12 MI E NEEDLES ON I	321 / 6	772

Records of Emergency Release Reports

HMIRS: Hazardous Materials Information Reporting System

A review of the HMIRS list, as provided by EDR, and dated 03/21/2022 has revealed that there are 2 HMIRS sites within the requested target property.

<u>Site</u>	<u>Address</u>	<u>Map ID / Focus Map(s)</u>	<u>Page</u>
Not reported	200 H STREET	BD394 / 7	943
Not reported	834 FRONT STREET	BJ447 / 7	1040

EXECUTIVE SUMMARY

CHMIRS: California Hazardous Material Incident Report System

A review of the CHMIRS list, as provided by EDR, and dated 04/03/2022 has revealed that there are 31 CHMIRS sites within the requested target property.

<u>Site</u>	<u>Address</u>	<u>Map ID / Focus Map(s)</u>	<u>Page</u>
Not reported OES Incident Number: 20-4264	3520 NEEDLE'S HWY, #	E17 / 6	118
Not reported OES Incident Number: 10-5110	3502 NEEDLES HIGHWAY	G26 / 6	159
Not reported OES Incident Number: 10-1055	2511 NEEDLES HWY	P81 / 6	251
Not reported OES Incident Number: 10-2031	2420 NEEDLES HIGHWAY	Q83 / 6	258
Not reported OES Incident Number: 18-8652	1111 PASHARD ST	120 / 6	325
Not reported OES Incident Number: 9-2780	2410 WEST BROADWAY S	W155 / 6	417
Not reported OES Incident Number: 08-0389	RACE AND T ST	AA192 / 6	472
Not reported OES Incident Number: 18-1067	INTERSECTION OF N ST	AJ243 / 6	647
Not reported OES Incident Number: 7-7099	599 NEEDLES, NEEDLES	AH251 / 7	656
Not reported OES Incident Number: 18-7103	1707 NEEDLES HIGHWAY	AM297 / 6	714
Not reported OES Incident Number: 18-2242	M STREET AND MARKET	302 / 6	719
Not reported OES Incident Number: 17-2283	300 WALNUT ST.	319 / 6	752
Not reported OES Incident Number: 17-2594	WEST BROADWAY AND J	BA372 / 7	886
Not reported OES Incident Number: 12-5208	712 BEACH DRIVE	390 / 7	939
Not reported OES Incident Number: 7-4264	200 "H" STREET	BD393 / 7	941
Not reported OES Incident Number: 8-4611	834 FRONT STREET, NE	BJ438 / 7	1009
BNSF RAILWAY COMPANY OES Incident Number: 16-3459 OES Incident Number: 7-1406 OES Incident Number: 7-4425	834 FRONT ST	BJ441 / 7	1026
Not reported OES Incident Number: 4-0966	834 FRONT ST, MP 578	BJ449 / 7	1041
Not reported OES Incident Number: 18-2605	222 F ST.	BQ501 / 7	1225
Not reported OES Incident Number: 19-8004	1195 3RD STREET	524 / 7	1314
Not reported	660 E STREET	CF609 / 11	1473

EXECUTIVE SUMMARY

OES Incident Number: 6-7044			
Not reported	2004 RIO VISTA	632 / 10	1592
OES Incident Number: 19-1835			
Not reported	REDWOOD AVE AND CASA	CQ672 / 11	1664
OES Incident Number: 2-5076			
Not reported	997 SMITH ROAD	CT679 / 11	1673
OES Incident Number: 6-5761			
Not reported	526 E BROADWAY (R/P)	CU689 / 11	1749
OES Incident Number: 0-3630			
99 CENTS ONLY STORES	1010 E BROADWAY ST	DC807 / 11	2025
OES Incident Number: 08-2030			
Not reported	I-40 E/B AT EAST BRO	DH842 / 11	2214
OES Incident Number: 119257			
Date Completed: 17-SEP-91			
Not reported	1224 RIVERVIEW LANE	DL857 / 11	2244
OES Incident Number: 6-2672			
Not reported	213 SCHULZ RD	876 / 11	2269
OES Incident Number: 20-1775			
Not reported	37 ZOE LN	879 / 15	2272
OES Incident Number: 20-0813			
AT&T MOBILITY - HAVA	16433 POLE LINE RD	911 / 18	2349
OES Incident Number: 12-0649			

LDS: Land Disposal Sites Listing

A review of the LDS list, as provided by EDR, and dated 05/23/2022 has revealed that there is 1 LDS site within the requested target property.

<u>Site</u>	<u>Address</u>	<u>Map ID / Focus Map(s)</u>	<u>Page</u>
NEEDLES WMF 03-046	SOUTH HWY 95	884 / 14	2284
Global Id: L10003086281			
Status: Open - Closed/with Monitoring			

MCS: Military Cleanup Sites Listing

A review of the MCS list, as provided by EDR, and dated 05/23/2022 has revealed that there are 4 MCS sites within the requested target property.

<u>Site</u>	<u>Address</u>	<u>Map ID / Focus Map(s)</u>	<u>Page</u>
CAMP IBIS - CAMP IBI		AJ292 / 6	711
Global Id: DOD100032800			
Status: Completed - Case Closed			
CAMP IBIS - CAMP IBI		AJ293 / 6	712
Global Id: DOD100032900			
Status: Completed - Case Closed			
CAMP IBIS - CAMP IBI		AJ295 / 6	713
Global Id: T0607183754			

EXECUTIVE SUMMARY

Status: Completed - Case Closed
 CAMP IBIS - CAMP IBI
 Global Id: DOD100033000
 Status: Completed - Case Closed

AJ296 / 6

714

Other Ascertainable Records

RCRA NonGen / NLR: RCRA - Non Generators / No Longer Regulated

A review of the RCRA NonGen / NLR list, as provided by EDR, and dated 06/20/2022 has revealed that there are 49 RCRA NonGen / NLR sites within the requested target property.

<u>Site</u>	<u>Address</u>	<u>Map ID / Focus Map(s)</u>	<u>Page</u>
3247 AM LLC EPA ID:: CAL000443884	3247 NEEDLES HWY	I35 / 6	182
3247 CM LLC EPA ID:: CAL000443476	3247 NEEDLES HIGHWAY	I39 / 6	188
DEER PARK DEVELOPMEN EPA ID:: CAC003142099	366 ROUTE 66 PLACE	J45 / 6	198
DESERT VIEW MOBIL EPA ID:: CAL000168273	2511 W NEEDLES HWY	P80 / 6	249
FRONTIER CALIFORNIA EPA ID:: CAL000448342	915 BROADWAY ST	R91 / 6	267
WESTSIDE SHELL EPA ID:: CAL000422622	2451 NEEDLES HWY	S107 / 6	312
NEEDLES PETROLEUM IN EPA ID:: CAL000466887	2451 NEEDLES HWY	S110 / 6	316
A+AUTO CARE INC EPA ID:: CAL000253391	2408 W BROADWAY	W165 / 6	425
OASIS PETROLEUMO EPA ID:: CAC002992726	2321 NEEDLES HWY	AC200 / 6	491
WESTSIDE CHEVRON EPA ID:: CAL000353316	2321 NEEDLES HWY	AC204 / 6	523
CITY OF NEEDLES MUNI EPA ID:: CAL000163763	101 RIVER RD	AK270 / 7	680
THE BNSF RAILWAY COM EPA ID:: CAL000312219	1705 EAGLE PASS RD	AU345 / 6	813
PREMIER SPORTS LLC EPA ID:: CAL000283971	1404 W BROADWAY ST	AX357 / 7	869
TRI STATE TRUSS CORP EPA ID:: CAC003165725	600 RIVER STREET	AZ366 / 7	879
TRI STATE TRUSS CORP EPA ID:: CAC003165724	600 RIVER STREET	AZ367 / 7	882
NEEDLESS GAS EPA ID:: CAL000429421	1219 W BROADWAY ST	BC378 / 7	892
EL GARCES TRAIN STAT	950 FRONT STREET	BE399 / 7	947

EXECUTIVE SUMMARY

EPA ID:: CAP000239277			
AMTRAK	834 N FRONT ST	BJ440 / 7	1023
EPA ID:: CAP000226134			
NUSD-NEEDLES HIGH SC	1600 WASHINGTON ST	BK454 / 6	1044
EPA ID:: CAD982330904			
HARTWICK AUTOMOTIVE	949 W BROADWAY ST	BH474 / 7	1175
EPA ID:: CAL000403960			
PACIFIC BELL	221 H STREET	BM482 / 7	1202
EPA ID:: CAT080025356			
OFR TRUCKING INC	1201 3RD ST	BN487 / 7	1211
EPA ID:: CAR000196063			
STEPHEN BEALS	812 BAILEY AVE	BO495 / 6	1220
EPA ID:: CAC003090581			
NEEDLES UNIFIED SCHO	1900 ERIN DR	BS513 / 6	1286
EPA ID:: CAL000000005			
KENJI FUJISHIMA	409 PALM WAY ST	BZ563 / 11	1408
EPA ID:: CAC003070167			
CALIFORNIA HIGHWAY P	1916 J ST	CA569 / 10	1433
EPA ID:: CAL000016947			
ECONO SMOG & TUNE	115 W BROADWAY	CD587 / 11	1447
EPA ID:: CAL000256664			
CALTRANS NEEDLES ARE	1111 BAILEY AVE	CE589 / 10	1450
EPA ID:: CAD981459019			
CITY OF NEEDLES ELEC	112 ROBUFFA ST	CG614 / 11	1539
EPA ID:: CAL000045187			
SAN BERNARDINO COUNT	112 ROBUFFA ST	CG615 / 11	1542
EPA ID:: CAH111000123			
DANIEL FAMILY TRUST	623 CIBOLA ST	622 / 11	1582
EPA ID:: CAC003171596			
RICHARD PENA	313 DESNOK STREET	CK636 / 11	1596
EPA ID:: CAC003164759			
MICAELA ROSE BROWN	2029 CORTEZ ST	CN645 / 10	1604
EPA ID:: CAC003160601			
COLORADO RIVER MEDIC	1401 BAILEY AVE	CO653 / 10	1618
EPA ID:: CAL000386444			
CALDERON MANUEL	2033 CORTEZ STREET	CN656 / 10	1641
EPA ID:: CAC002974227			
MANUEL CALDERON	2033 CORTEZ ST.	CN662 / 10	1646
EPA ID:: CAC002973469			
CHEVRON USA INC NEED	308 E BROADWAY	CP665 / 11	1652
EPA ID:: CAT000614842			
1905 DESOTO ST RESID	1905 DESOTO STREET	CR675 / 10	1667
EPA ID:: CAC003159960			
HARRIS MOTORS	110 GOODWILL STREET	CW695 / 11	1771
EPA ID:: CAL000121969			
PHILLIPS EXCAVATING,	805 E BROADWAY ST	CX703 / 11	1820

EXECUTIVE SUMMARY

EPA ID:: CAL000249994			
EASTSIDE CHEVRON	810 E BROADWAY ST	CX722 / 11	1865
EPA ID:: CAL000403025			
EASTSIDE SERVICE GEN	916 E BROADWAY ST	CY761 / 11	1935
EPA ID:: CAL000342271			
EASTSIDE MOBIL	1005 E BROADWAY ST	DC792 / 11	1967
EPA ID:: CAL000403023			
AUTOZONE #3699	1008 EAST BROADWAY S	DC804 / 11	2018
EPA ID:: CAL000428748			
99 CENTS ONLY STORES	1010 E BROADWAY ST	DC805 / 11	2021
EPA ID:: CAL000402171			
QUALITY BOAT YARD	1200 E BROADWAY ST	DJ849 / 11	2238
EPA ID:: CAL000461658			
CAROL BROWN	153 VICTORY DRIVE	DN866 / 11	2258
EPA ID:: CAC003083352			
FLEET MANAGEMENT NEE	5 AIRPORT RD	DS899 / 15	2315
EPA ID:: CAL000295798			
COUNTY OF SAN BERNAR	711 AIRPORT RD	DU920 / 18	2380
EPA ID:: CAL000271286			

FUDS: Formerly Used Defense Sites

A review of the FUDS list, as provided by EDR, and dated 05/11/2022 has revealed that there are 3 FUDS sites within the requested target property.

<u>Site</u>	<u>Address</u>	<u>Map ID / Focus Map(s)</u>	<u>Page</u>
NEEDLES STATION HOSP		CJ633 / 11	1594
NEEDLES MUNICIPAL AI		DP873 / 11	2266
NEEDLES-LAND MGMT AR		DV927 / 18	2421

ICIS: Integrated Compliance Information System

A review of the ICIS list, as provided by EDR, and dated 11/18/2016 has revealed that there are 2 ICIS sites within the requested target property.

<u>Site</u>	<u>Address</u>	<u>Map ID / Focus Map(s)</u>	<u>Page</u>
SOUTHWEST GAS - TOPO	817 THIRD ST	BU534 / 7	1319
FRS ID:: 110010752079			
NEEDLES WTP-NPDES 94	516 EAST BROADWAY	CU683 / 11	1682
FRS ID:: 110000736348			

FTTS: FIFRA/ TSCA Tracking System - FIFRA (Federal Insecticide, Fungicide, & Rodenticide Act)/TSCA (Toxic Substances Control Act)

A review of the FTTS list, as provided by EDR, has revealed that there are 2 FTTS sites within the requested target property.

EXECUTIVE SUMMARY

<u>Site</u>	<u>Address</u>	<u>Map ID / Focus Map(s)</u>	<u>Page</u>
CP NATIONAL Database: FTTS INSP, Date of Government Version: 04/09/2009	911 BROADWAY	R94 / 6	270
CITY OF NEEDLES Database: FTTS INSP, Date of Government Version: 04/09/2009	817 THIRD ST.	BU531 / 7	1318

HIST FTTS: FIFRA/TSCA Tracking System Administrative Case Listing

A review of the HIST FTTS list, as provided by EDR, has revealed that there are 2 HIST FTTS sites within the requested target property.

<u>Site</u>	<u>Address</u>	<u>Map ID / Focus Map(s)</u>	<u>Page</u>
CP NATIONAL Database: HIST FTTS INSP, Date of Government Version: 10/19/2006	911 BROADWAY	R97 / 6	274
CITY OF NEEDLES Database: HIST FTTS INSP, Date of Government Version: 10/19/2006	817 THIRD ST.	BU531 / 7	1318

INDIAN RESERV: Indian Reservations

A review of the INDIAN RESERV list, as provided by EDR, and dated 12/31/2014 has revealed that there is 1 INDIAN RESERV site within the requested target property.

<u>Site</u>	<u>Address</u>	<u>Map ID / Focus Map(s)</u>	<u>Page</u>
FORT MOJAVE RESERVAT		Region / 2,4	90

LEAD SMELTERS: Lead Smelter Sites

A review of the LEAD SMELTERS list, as provided by EDR, has revealed that there is 1 LEAD SMELTERS site within the requested target property.

<u>Site</u>	<u>Address</u>	<u>Map ID / Focus Map(s)</u>	<u>Page</u>
NEEDLES SMELTER Database: LEAD SMELTER 1, Date of Government Version: 07/26/2022 Site ID:: 0905067 EPAID:: CAN000905067	799 NORTH L STREET	T123 / 7	328

FINDS: Facility Index System/Facility Registry System

A review of the FINDS list, as provided by EDR, and dated 05/13/2022 has revealed that there are 144 FINDS sites within the requested target property.

<u>Site</u>	<u>Address</u>	<u>Map ID / Focus Map(s)</u>	<u>Page</u>
SO CAL GAS - NO. NEE Registry ID:: 110018950438	OLD RIVER RD	A7 / 2	102
SCG- N. NEEDLES COMP Registry ID:: 110065411316	4500 NEEDLES	B9 / 2	108
CHEMEHUEVI WATER		C12 / 4	111

EXECUTIVE SUMMARY

Registry ID:: 110065788963			
RAINBO BEACH RESORT	3520 NEEDLES HWY	E19 / 6	121
Registry ID:: 110065714490			
PACIFIC GAS & ELECTR	14543 NATIONAL TRAIL	22 / 6	152
Registry ID:: 110037256439			
Registry ID:: 110066043908			
VERIZON WIRELESS: SO	5201 NATIONAL TRAILS	F25 / 6	158
Registry ID:: 110065184785			
3247 AM LLC	3247 NEEDLES HIGHWAY	I36 / 6	185
Registry ID:: 110070538961			
3247 AM, LLC - 3241	3241 NEEDLES HIGHWAY	I42 / 6	194
BIG D TIRE LLC	315 RT 66	K50 / 6	203
Registry ID:: 110065804188			
GREAT WESTERN DIESEL	211 BALBOA PLACE	L52 / 6	204
Registry ID:: 110065094631			
NEEDLES SOLID WASTE	13930 NEEDLES LANDFI	59 / 6	215
Registry ID:: 110060958030			
FORT MOJAVE INDIAN R	500 MERRIMAN AVE	62 / 6	238
Registry ID:: 110017717817			
MOBIL STATION #18 LK	2511 WEST BROADWAY A	O73 / 6	245
Registry ID:: 110065899610			
DESERT VIEW MOBIL	2511 W BROADWAY	O74 / 6	245
Registry ID:: 110066367595			
DESERT VIEW MOBIL	2511 W NEEDLES HWY	P79 / 6	248
Registry ID:: 110070521778			
15535 SAN BERNARDINO	916 BROADWAY RD E	R84 / 6	260
Registry ID:: 110043364392			
FRONTIER CALIFORNIA	915 BROADWAY ST	R90 / 6	266
FRONTIER - 915 BROAD	915 BROADWAY	R92 / 6	269
Registry ID:: 110038080171			
Registry ID:: 110070521831			
NEEDLES CENTRAL OFFI	915 BROADWAY	R93 / 6	270
Registry ID:: 110066295244			
ALLTEL CP NATIONAL	911 BROADWAY	R96 / 6	271
Registry ID:: 110002685381			
TEN FOUR CORPORATION	1621 N STREET	R99 / 6	275
Registry ID:: 110065097102			
WHITING BROS EAST	901 BROADWAY EAST	R102 / 6	276
Registry ID:: 110065497359			
9461 SAN BERNARDINO	901 BROADWAY E	R104 / 6	286
Registry ID:: 110043361723			
WESTSIDE SHELL	2451 W NEEDLES HWY	S111 / 6	318
Registry ID:: 110064966933			
NEEDLES PETROLEUM IN	2451 NEEDLES HWY	S114 / 6	319
Registry ID:: 110070061425			
NEEDLES SMELTER	799 NORTH L STREET	T124 / 7	329
Registry ID:: 110070516811			
WELL #10	810 N K ST	U127 / 7	335

EXECUTIVE SUMMARY

Registry ID:: 110066034801			
NEW WELL #15	810 K	U129 / 7	336
Registry ID:: 110065243052			
NEEDLES CHEVRON	810 BROADWAY E.	V134 / 6	341
Registry ID:: 110065472269			
CALIFORNIA PANTRY	2411 NEEDLES HIGHWAY	X139 / 6	343
Registry ID:: 110065718183			
MCDANIELS GARAGE	1005 VINE ST	W143 / 6	366
Registry ID:: 110002823375			
ARCO STATION #6166	2410 WEST BROADWAY A	W154 / 6	417
Registry ID:: 110066459567			
A+AUTO CARE INC	2408 W BROADWAY	W166 / 6	428
Registry ID:: 110065092606			
WHITING BROS WEST	2402 WEST BROADWAY A	Z175 / 6	447
Registry ID:: 110066470982			
CROSS RV REPAIR	2208 RACE ST	Y190 / 6	469
Registry ID:: 110002866275			
NEEDLES MARINA PARK	100 MARINA DR	AB195 / 7	488
Registry ID:: 110065158858			
NEEDLES MARINA PARK	100 MARINA DRIVE	AB197 / 7	488
Registry ID:: 110070061382			
OASIS PETROLEUM	2321 NEEDLES HWY	AC202 / 6	494
Registry ID:: 110070512952			
WESTSIDE CHEVRON	2321 NEEDLES HWY	AC210 / 6	533
Registry ID:: 110064950575			
G & M OIL #26	2321 BROADWAY AVE W	AF219 / 6	551
Registry ID:: 110066019310			
LJ MOTORS	2204 WEST BROADWAY	AD222 / 6	573
Registry ID:: 110002832837			
BURLINGTON NORTHERN	316 BROADWAY	AI236 / 7	618
Registry ID:: 110002907034			
THE FILTER CHANGE	1714 W. BROADWAY	AJ242 / 6	646
Registry ID:: 110065172841			
COLORADO RIVER FORD	539 BROADWAY	AH252 / 7	657
Registry ID:: 110002622298			
CHEVRON STATION 9 80	2205 W BROADWAY	AD257 / 6	663
Registry ID:: 110002894208			
CITY OF NEEDLES MUNI	101 RIVER RD	AK269 / 7	680
Registry ID:: 110070448404			
WEST POINT AUTO	2103 NEEDLES HWY	AE281 / 6	694
Registry ID:: 110066164894			
TEST SITE FOR DATA E	666 MARKET ST, TRONA	301 / 6	718
Registry ID:: 110020814190			
NEEDLES MUNI. GOLF C	144 MARINA DR	AO304 / 7	727
Registry ID:: 110065268481			
EZ SERVE #1152	1632 WEST BROADWAY A	AN313 / 6	735

EXECUTIVE SUMMARY

Registry ID:: 110065078784			
NEEDLES GOLF COURSE	997 BRIDGE ROAD	AQ329 / 7	795
Registry ID:: 110066814488			
SLEIMAN ZEINATY	1800 EAGLE PASS RD	AS335 / 6	802
Registry ID:: 110065684708			
A TO Z COLLISION CEN	117 K ST	AT339 / 7	804
Registry ID:: 110065281297			
BNSF RAILWAY COMPANY	1705 EAGLE PASS ROAD	AU342 / 6	812
Registry ID:: 110065087417			
THE BNSF RAILWAY COM	1705 EAGLE PASS RD	AU343 / 6	812
Registry ID:: 110070466986			
PREMIER SPORTS LLC	1404 W BROADWAY ST	AX354 / 7	865
WELL #11	1274 RIVER RD	AY358 / 7	871
Registry ID:: 110066712132			
TRI STATE TRUSS CORP	600 RIVER STREET	AZ362 / 7	877
13219 SAN BERNARDINO	1219 BROADWAY	BC374 / 7	889
Registry ID:: 110043343557			
J STREET VALERO	1219 W BROADWAY	BC380 / 7	896
Registry ID:: 110065012872			
NEEDLESS GAS	1219 W BROADWAY ST	BC381 / 7	896
Registry ID:: 110070428434			
SHELL MINI-MART	1219 BROADWAY	BC386 / 7	926
Registry ID:: 110065915754			
EL GARCES TRAIN STAT	950 FRONT STREET	BE398 / 7	946
GW INVESTIGATION	1260 3RD	BF403 / 7	953
Registry ID:: 110065912846			
GRISWOLD ENTERPRISES	219 I ST	BG410 / 7	957
Registry ID:: 110066244861			
J STREET 76 GAS & O	301 J STREET	BF432 / 7	999
Registry ID:: 110070061497			
J ST 76 GAS & REPAIR	301 S J ST	BF435 / 7	1007
Registry ID:: 110066072412			
BNSF NEEDLES FACILIT	834 FRONT ST	BJ444 / 7	1034
Registry ID:: 110070090578			
AMTRAK	834 N FRONT ST	BJ446 / 7	1040
BNSF RAILWAY CO - NE	834 NORTH FRONT STRE	BJ448 / 7	1041
Registry ID:: 110066178040			
NUSD-NEEDLES HIGH SC	1600 WASHINGTON ST	BK453 / 6	1043
Registry ID:: 110070409080			
ATS & F NEEDLES RAIL	900 FRONT STREET	BI458 / 7	1156
Registry ID:: 110066067446			
BNSF - NEEDLES	900 FRONT ST	BI463 / 7	1161
Registry ID:: 110009537304			
HARTWICK AUTOMOTIVE	949 W BROADWAY ST	BH473 / 7	1175
Registry ID:: 110070417822			
BIG O TIRES & AUTO P	949 W BROADWAY ST	BH477 / 7	1190
Registry ID:: 110065320726			
PACIFIC BELL	221 H STREET	BM482 / 7	1202

EXECUTIVE SUMMARY

Registry ID:: 110002952396			
OFR TRUCKING INC	1201 3RD ST	BN486 / 7	1211
Registry ID:: 110037378913			
STEPHEN BEALS	812 BAILEY AVE	BO498 / 6	1223
SAN BERNARDINO COUNT	633 FRONT ST	BP500 / 7	1224
Registry ID:: 110066312190			
NEEDLES UNIFIED SCHO	1900 ERIN DR	BS512 / 6	1286
Registry ID:: 110070410120			
ACTION AUTOMOTIVE MA	130 C ST	BP522 / 7	1309
Registry ID:: 110002837949			
CITY OF NEEDLES	817 THIRD ST.	BU530 / 7	1318
Registry ID:: 110011641571			
NEEDLES SBR CS	817 THIRD	BU532 / 7	1319
Registry ID:: 110065304904			
NEEDLES	817 THIRD STREET	BU533 / 7	1319
SOUTHWEST GAS - TOPO	817 THIRD ST	BU534 / 7	1319
Registry ID:: 110010752079			
GREAT WEST TRUCK AND	211 BALBOA PLACE	BX550 / 10	1397
Registry ID:: 110012184457			
EZ SERVE #130	300 WEST BROADWAY AV	BZ559 / 11	1406
Registry ID:: 110066607657			
KENJI FUJISHIMA	409 PALM WAY ST	BZ565 / 11	1411
CHP - NEEDLES	1916	CA570 / 10	1436
Registry ID:: 110070443976			
CHP STATION NEEDLES	1916 J ST	CA571 / 10	1436
Registry ID:: 110066143701			
ECONO SMOG & TUNE	115 W BROADWAY	CD586 / 11	1447
Registry ID:: 110065215038			
CALTRANS NEEDLES ARE	1111 BAILEY AVE	CE589 / 10	1450
Registry ID:: 110002714590			
VERIZON WIRELESS - N	1111 BAILEY STREET	CE591 / 10	1454
Registry ID:: 110065635691			
CITY OF NEEDLES ELEC	112 ROBUFFA ST	CG611 / 11	1475
Registry ID:: 110070443559			
NEEDLES/PUBLIC WORKS	112 ROBUFFA ST	CG612 / 11	1476
Registry ID:: 110064912769			
SAN BERNARDINO COUNT	112 ROBUFFA ST	CG616 / 11	1544
Registry ID:: 110070410403			
HHW SATELLITE NEEDLE	112 ROBUFFA ST	CG617 / 11	1545
Registry ID:: 110066622621			
RICHARD PENA	313 DESNOK STREET	CK638 / 11	1599
AT & T MOBILITY - NE	2450 PARKWAY EXTENSI	CL639 / 10	1599
Registry ID:: 110065736154			
MICAELA ROSE BROWN	2029 CORTEZ ST	CN643 / 10	1603
COLORADO RIVER MEDIC	1401 BAILEY AVE	CO651 / 10	1610
Registry ID:: 110066332070			
CALDERON MANUEL	2033 CORTEZ STREET	CN658 / 10	1644

EXECUTIVE SUMMARY

Registry ID:: 110070402228			
MANUEL CALDERON	2033 CORTEZ ST.	CN659 / 10	1644
Registry ID:: 110070464239			
CHEVRON USA INC NEED	308 E BROADWAY	CP665 / 11	1652
Registry ID:: 110002943414			
BNSF RAILWAY COMPANY	316 E BROADWAY	CP669 / 11	1662
Registry ID:: 110066178077			
1905 DESOTO ST RESID	1905 DESOTO STREET	CR676 / 10	1669
NEDDLES WWTP	516 EAST BROADWAY	CU685 / 11	1685
Registry ID:: 110070092479			
NEEDLES WWTP - NPDES	516 EAST BROADWAY	CU686 / 11	1685
Registry ID:: 110066053610			
NEEDLES, CITY OF	516 EAST BROADWAY	CU688 / 11	1749
Registry ID:: 110000736348			
HARRIS MOTORS	110 GOODWILL ST	CW697 / 11	1810
Registry ID:: 110017960358			
PHILLIPS EXCAVATINGN	805 E BROADWAY	CX702 / 11	1820
Registry ID:: 110065345825			
PHILLIPS EXCAVATING,	805 E BROADWAY ST	CX704 / 11	1823
Registry ID:: 110070452614			
CHEVRON #1140	800 EAST BROADWAY	CX708 / 11	1833
Registry ID:: 110066377931			
EASTSIDE CHEVRON	810 E BROADWAY	CX716 / 11	1841
Registry ID:: 110066030823			
CALIFORNIA HOTEL	903 EAST BROADWAY	CY739 / 11	1881
Registry ID:: 110065587760			
MOHAVE OIL COMPANY	917 E. BROADWAY	CY750 / 11	1900
Registry ID:: 110066551984			
LD EXPRESS	916 E BROADWAY	CY758 / 11	1932
Registry ID:: 110066228175			
EASTSIDE SERVICE CEN	916 E BROADWAY ST	CY763 / 11	1939
Registry ID:: 110070473631			
EASTSIDE SHELL	916 E BROADWAY	CY764 / 11	1940
Registry ID:: 110070061253			
I 40 TEXACO	916 E BROADWAY	CY768 / 11	1943
Registry ID:: 110002889786			
SOUTHERN CALIF. GAS	1100 ARIZONA	DA776 / 11	1951
Registry ID:: 110066660768			
SOUTHERN CALIFORNIA	1100 ARIZONA STREET	DA778 / 11	1952
Registry ID:: 110065895614			
OLDCASTLE APG WEST/D	NO. 1 ICE PLANT RD	DB784 / 11	1963
Registry ID:: 110058314818			
16261 SAN BERNARDINO	1005 BROADWAY E	DB787 / 11	1965
Registry ID:: 110043351342			
EASTSIDE MOBIL	1005 E BROADWAY	DC790 / 11	1967
Registry ID:: 110064890346			
ARCO STATION	1005 EAST BROADWAY	DC799 / 11	1999

EXECUTIVE SUMMARY

Registry ID:: 110066745963			
99 CENTS ONLY STORES	1010 E BROADWAY ST	DC809 / 11	2034
Registry ID:: 110070415949			
AUTOZONE #3699	1008 EAST BROADWAY S	DC812 / 11	2037
Registry ID:: 110070425733			
RITE AID #5699	1020 E BROADWAY ST	DC817 / 11	2061
Registry ID:: 110061055361			
SUPERLITE BLOCK	9 ICE PLANT RD.	DD823 / 11	2075
Registry ID:: 110015779335			
CALTRANS DISTRICT 8	800 SAN CLEMENTE	DE830 / 11	2094
Registry ID:: 110002809382			
SCG - NEEDLES OFFICE	ARIZONA ST & SAN CLE	DG836 / 11	2173
Registry ID:: 110010470702			
DOLLAR TREE #03648	1100 E BROADWAY ST	DI846 / 11	2223
Registry ID:: 110065696740			
QUALITY BOAT YARD	1200 E BROADWAY ST	DJ853 / 11	2242
Registry ID:: 110065051437			
CAROL BROWN	153 VICTORY DRIVE	DN865 / 11	2257
SBCO - NEEDLES MAINT	AIRPORT ROAD & HWY 9	DR890 / 15	2308
FLEET MANAGEMENT NEE	5 AIRPORT RD	DS898 / 15	2314
Registry ID:: 110070455605			
FLEET MGMT NEEDLES Y	#5 AIRPORT RD	DS900 / 15	2317
Registry ID:: 110065017528			
COUNTY-NEEDLES ROAD	5 AIRPORT RD	DS901 / 15	2318
Registry ID:: 110065833227			
CALIZONA RV PARK 97-	1902 FIVE MILE	DT908 / 15	2348
Registry ID:: 110065961123			
VERIZON WIRELESS: MO	1902 FIVE MILE ROAD	DT909 / 15	2348
Registry ID:: 110065635628			
Registry ID:: 110070521925			
COUNTY OF SAN BERNAR	711 AIRPORT RD	DU919 / 18	2380
Registry ID:: 110070458211			
NEEDLES AIRPORT	711 AIRPORT RD	DU922 / 18	2383
Registry ID:: 110066662506			
SBCO - NEEDLES AIRPO	711 AIRPORT ROAD	DU925 / 18	2420
Registry ID:: 110070521799			

ECHO: Enforcement & Compliance History Information

A review of the ECHO list, as provided by EDR, and dated 04/02/2022 has revealed that there are 68 ECHO sites within the requested target property.

<u>Site</u>	<u>Address</u>	<u>Map ID / Focus Map(s)</u>	<u>Page</u>
SO CAL GAS - NO. NEE	OLD RIVER RD	A7 / 2	102
Registry ID: 110018950438			
PALMS RIVER RESORT		C13 / 4	112
Registry ID: 110013160523			
PACIFIC GAS & ELECTR	14543 NATIONAL TRAIL	22 / 6	152

EXECUTIVE SUMMARY

Registry ID: 110037256439			
3247 AM, LLC	3247 NEEDLES HIGHWAY	I34 / 6	182
Registry ID: 110070538961			
DEER PARK DEVELOPMEN	366 ROUTE 66 PLACE	J46 / 6	200
Registry ID: 110071129502			
DESERT VIEW MOBIL	2511 W NEEDLES HWY	P79 / 6	248
Registry ID: 110070521778			
FRONTIER CALIFORNIA	915 BROADWAY ST	R87 / 6	261
Registry ID: 110070631354			
ALLTEL CP NATIONAL	911 BROADWAY	R96 / 6	271
Registry ID: 110002685381			
WESTSIDE SHELL	2451 NEEDLES HWY	S109 / 6	315
Registry ID: 110070061425			
NEEDLES PETROLEUM IN	2451 NEEDLES HWY	S112 / 6	318
Registry ID: 110071191601			
MCDANIELS GARAGE	1005 VINE ST	W143 / 6	366
Registry ID: 110002823375			
A+AUTO CARE INC	2408 W BROADWAY	W163 / 6	424
Registry ID: 110065092606			
CROSS RV REPAIR	2208 RACE ST	Y190 / 6	469
Registry ID: 110002866275			
WESTSIDE MART	2321 NEEDLES HWY	AC201 / 6	493
Registry ID: 110064950575			
OASIS PETROLEUMO	2321 NEEDLES HWY	AC202 / 6	494
Registry ID: 110070512952			
LJ MOTORS	2204 WEST BROADWAY	AD222 / 6	573
Registry ID: 110002832837			
BURLINGTON NORTHERN	316 BROADWAY	AI238 / 7	644
Registry ID: 110002907034			
COLORADO RIVER FORD	539 BROADWAY	AH252 / 7	657
Registry ID: 110002622298			
CHEVRON STATION 9 80	2205 W BROADWAY	AD257 / 6	663
Registry ID: 110002894208			
CITY OF NEEDLES MUNI	101 RIVER RD	AK269 / 7	680
Registry ID: 110070448404			
THE BNSF RAILWAY COM	1705 EAGLE PASS RD	AU343 / 6	812
Registry ID: 110070466986			
PREMIER SPORTS LLC	1404 W BROADWAY ST	AX353 / 7	865
Registry ID: 110065612938			
TRI STATE TRUSS CORP	600 RIVER STREET	AZ365 / 7	879
TM GROUP	1219 W BROADWAY ST	BC385 / 7	926
Registry ID: 110070428434			
EL GARCES TRAIN STAT	950 FRONT STREET	BE402 / 7	953
Registry ID: 110070799959			
BNSF NEEDLES FACILIT	834 FRONT ST	BJ444 / 7	1034
Registry ID: 110070090578			
AMTRAK	834 N FRONT ST	BJ451 / 7	1043

EXECUTIVE SUMMARY

Registry ID: 110070800172			
NUSD-NEEDLES HIGH SC	1600 WASHINGTON ST	BK453 / 6	1043
Registry ID: 110070409080			
BNSF - NEEDLES	900 FRONT ST	BI462 / 7	1161
Registry ID: 110009537304			
HARTWICK AUTOMOTIVE	949 W BROADWAY ST	BH473 / 7	1175
Registry ID: 110070417822			
PACIFIC BELL	221 H STREET	BM482 / 7	1202
Registry ID: 110002952396			
OFR TRUCKING INC	1201 3RD ST	BN486 / 7	1211
Registry ID: 110037378913			
STEPHEN BEALS	812 BAILEY AVE	BO497 / 6	1223
Registry ID: 110070900474			
NEEDLES UNIFIED SCHO	1900 ERIN DR	BS512 / 6	1286
Registry ID: 110070410120			
ACTION AUTOMOTIVE MA	130 C ST	BP522 / 7	1309
Registry ID: 110002837949			
SOUTHWEST GAS - TOPO	817 THIRD ST	BU534 / 7	1319
Registry ID: 110010752079			
GREAT WEST TRUCK AND	211 BALBOA PLACE	BX550 / 10	1397
Registry ID: 110012184457			
KENJI FUJISHIMA	409 PALM WAY ST	BZ565 / 11	1411
Registry ID: 110070853017			
CHP - NEEDLES	1916	CA570 / 10	1436
Registry ID: 110070443976			
ECONO SMOG & TUNE	115 W BROADWAY	CD586 / 11	1447
Registry ID: 110065215038			
CALTRANS NEEDLES ARE	1111 BAILEY AVE	CE589 / 10	1450
Registry ID: 110002714590			
CITY OF NEEDLES ELEC	112 ROBUFFA ST	CG611 / 11	1475
Registry ID: 110070443559			
SAN BERNARDINO COUNT	112 ROBUFFA ST	CG616 / 11	1544
Registry ID: 110070410403			
RICHARD PENA	313 DESNOK STREET	CK635 / 11	1595
MICAELA ROSE BROWN	2029 CORTEZ ST	CN643 / 10	1603
Registry ID: 110071227372			
COLORADO RIVER MEDIC	1401 BAILEY AVE	CO651 / 10	1610
Registry ID: 110066332070			
CALDERON MANUEL	2033 CORTEZ STREET	CN658 / 10	1644
Registry ID: 110070402228			
MANUEL CALDERON	2033 CORTEZ ST.	CN659 / 10	1644
Registry ID: 110070464239			
CHEVRON USA INC NEED	308 E BROADWAY	CP665 / 11	1652
Registry ID: 110002943414			
1905 DESOTO ST RESID	1905 DESOTO STREET	CR676 / 10	1669
Registry ID: 110071225801			
NEEDLES WTP-NPDES 94	516 EAST BROADWAY	CU683 / 11	1682

EXECUTIVE SUMMARY

Registry ID: 110000736348			
NEDDLES WWTP	516 EAST BROADWAY	CU685 / 11	1685
Registry ID: 110070092479			
HARRIS MOTORS	110 GOODWILL ST	CW697 / 11	1810
Registry ID: 110017960358			
PHILLIPS EXCAVATING,	805 E BROADWAY ST	CX704 / 11	1823
Registry ID: 110070452614			
EAST SIDE CHEVRON	810 E BROADWAY	CX717 / 11	1842
Registry ID: 110066030823			
EASTSIDE SERVICE CEN	916 E BROADWAY ST	CY763 / 11	1939
Registry ID: 110070473631			
I 40 TEXACO	916 E BROADWAY	CY768 / 11	1943
Registry ID: 110002889786			
EAST SIDE MOBIL	1005 E BROADWAY	DC798 / 11	1998
Registry ID: 110064890346			
99 CENTS ONLY STORES	1010 E BROADWAY ST	DC809 / 11	2034
Registry ID: 110070415949			
AUTOZONE #3699	1008 EAST BROADWAY S	DC812 / 11	2037
Registry ID: 110070425733			
RITE AID #5699	1020 E BROADWAY ST	DC817 / 11	2061
Registry ID: 110061055361			
SUPERLITE BLOCK	9 ICE PLANT RD.	DD823 / 11	2075
Registry ID: 110015779335			
CALTRANS DISTRICT 8	800 SAN CLEMENTE	DE829 / 11	2093
Registry ID: 110002809382			
QUALITY BOAT YARD	1200 E BROADWAY ST	DJ851 / 11	2242
Registry ID: 110071134230			
CAROL BROWN	153 VICTORY DRIVE	DN865 / 11	2257
Registry ID: 110070845292			
FLEET MANAGEMENT NEE	5 AIRPORT RD	DS898 / 15	2314
Registry ID: 110070455605			
COUNTY OF SAN BERNAR	711 AIRPORT RD	DU919 / 18	2380
Registry ID: 110070458211			
NEEDLES AIRPORT	711 AIRPORT RD	DU922 / 18	2383
Registry ID: 110066662506			

DOCKET HWC: Hazardous Waste Compliance Docket Listing

A review of the DOCKET HWC list, as provided by EDR, and dated 05/06/2021 has revealed that there is 1 DOCKET HWC site within the requested target property.

<u>Site</u>	<u>Address</u>	<u>Map ID / Focus Map(s)</u>	<u>Page</u>
NEEDLES FIELD OFFICE	DIKE ROAD	872 / 11	2265

EXECUTIVE SUMMARY

Cortese: "Cortese" Hazardous Waste & Substances Sites List

A review of the Cortese list, as provided by EDR, and dated 03/21/2022 has revealed that there are 26 Cortese sites within the requested target property.

<u>Site</u>	<u>Address</u>	<u>Map ID / Focus Map(s)</u>	<u>Page</u>
MOBIL STATION #18 LK Cleanup Status: COMPLETED - CASE CLOSED	2511 WEST BROADWAY A	O76 / 6	246
CALIMESA OIL INC Cleanup Status: COMPLETED - CASE CLOSED	901 BROADWAY	R103 / 6	277
NEEDLES CHEVRON Cleanup Status: COMPLETED - CASE CLOSED	810 BROADWAY E.	V130 / 6	337
CALIFORNIA PANTRY Cleanup Status: COMPLETED - CASE CLOSED	2411 NEEDLES HIGHWAY	X140 / 6	343
ARCO STATION #6166 Cleanup Status: COMPLETED - CASE CLOSED	2410 WEST BROADWAY A	W153 / 6	412
WHITING BROS 32 Cleanup Status: COMPLETED - CASE CLOSED	2402 WEST BROADWAY	Z179 / 6	449
G & M OIL #26 Cleanup Status: COMPLETED - CASE CLOSED	2321 BROADWAY AVE W	AC211 / 6	533
CHEVRON STA #9-8066 Cleanup Status: COMPLETED - CASE CLOSED	2205 WEST BROADWAY A	AD268 / 6	677
EZ SERVE #1152 Cleanup Status: COMPLETED - CASE CLOSED	1632 WEST BROADWAY A	AN311 / 6	731
TEN FOUR CORPORATION Cleanup Status: OPEN - INACTIVE	1621 N STREET	320 / 6	753
NEEDLES GOLF COURSE Cleanup Status: COMPLETED - CASE CLOSED	997 BRIDGE	AQ323 / 7	790
CP NATIONAL SERVICE Cleanup Status: COMPLETED - CASE CLOSED	1705 FRONT STREET	340 / 6	804
SHELL MINI-MART Cleanup Status: COMPLETED - CASE CLOSED	1219 BROADWAY	BC388 / 7	928
GRISWOLD ENTERPRISES Cleanup Status: COMPLETED - CASE CLOSED	219 I	BG411 / 7	958
ATS & F NEEDLES RAIL Cleanup Status: COMPLETED - CASE CLOSED	900 FRONT STREET	BI464 / 7	1165
BNSF RAILWAY COMPANY Cleanup Status: OPEN - ELIGIBLE FOR CLOSURE	SOUTH EAST OF THE IN	BL471 / 7	1170
NEEDLES UNIFIED SCHO Cleanup Status: COMPLETED - CASE CLOSED	1900 ERIN DRIVE	BS517 / 6	1300
SAN BERNARDINO CO PA Cleanup Status: COMPLETED - CASE CLOSED	INTERSTATE 40	BT521 / 6	1308
EZ SERVE #130 Cleanup Status: COMPLETED - CASE CLOSED	300 WEST BROADWAY AV	BZ553 / 11	1400
CHEVRON #1140 Cleanup Status: COMPLETED - CASE CLOSED	800 EAST BROADWAY	CX709 / 11	1833
CALIFORNIA HOTEL Cleanup Status: COMPLETED - CASE CLOSED	903 EAST BROADWAY	CY738 / 11	1880
SHELL FOOD MART	917 E BROADWAY	CY746 / 11	1885

EXECUTIVE SUMMARY

Cleanup Status: COMPLETED - CASE CLOSED			
I-40 TEXACO	916 BROADWAY	CY757 / 11	1921
Cleanup Status: COMPLETED - CASE CLOSED			
SOUTHERN CALIFORNIA	1100 ARIZONA ST	DA783 / 11	1955
Cleanup Status: COMPLETED - CASE CLOSED			
ARCO STATION	1005 EAST BROADWAY	DC800 / 11	1999
Cleanup Status: COMPLETED - CASE CLOSED			
FLEET MGMT NEEDLES Y	#5 AIRPORT RD	DS903 / 15	2319
Cleanup Status: COMPLETED - CASE CLOSED			

EMI: Emissions Inventory Data

A review of the EMI list, as provided by EDR, and dated 12/31/2019 has revealed that there are 33 EMI sites within the requested target property.

<u>Site</u>	<u>Address</u>	<u>Map ID / Focus Map(s)</u>	<u>Page</u>
SOUTHERN CALIFORNIA Facility Id: 3100069	4500 NEEDLES HWY (NO	A2 / 2	92
3247 AM, LLC Facility Id: 3868	3247 NEEDLES HIGHWAY	I40 / 6	190
3241 NEEDLES HWY Facility Id: 3894	3241 NEEDLES HIGHWAY	I41 / 6	191
DESERT VIEW MOBIL Facility Id: 6500089 Facility Id: 89	2511 WEST NEEDLES HW	P82 / 6	253
FRONTIER - 915 BROAD Facility Id: 1304 Facility Id: 227801304	915 BROADWAY	R86 / 6	260
CITIZENS COMMUNICATI Facility Id: 63801304	915 BROADWAY	R89 / 6	263
WESTSIDE SHELL Facility Id: 1229 Facility Id: 55501229	2451 NEEDLES HWY	S106 / 6	287
NEEDLES MARINA RESOR Facility Id: 36301028 Facility Id: 1028	100 MARINA DR	AB194 / 7	474
WESTSIDE MART Facility Id: 2439 Facility Id: 141602439	2321 NEEDLES HWY	AC203 / 6	494
PG&E IM3 REMEDIATION Facility Id: 1502998	I-40 AND PARK MOABI	AJ290 / 6	710
A TO Z COLLISION Facility Id: 16632823	117 NORTH K STREET	AT338 / 7	803
FRONTIER - GC# 714 Facility Id: 2737 Facility Id: 227802737	RIO MESA/ARIZONA STR	376 / 6	890
NEEDLES GAS	1219 WEST BROADWAY S	BC379 / 7	894

EXECUTIVE SUMMARY

Facility Id: 3630 Facility Id: 234603630			
J STREET 76 GAS & O Facility Id: 845	301 J STREET	BF414 / 7	962
J STREET 76 GAS & OI Facility Id: 219000845	301 J STREET	BF422 / 7	968
Not reported Facility Id: 845 Facility Id: 219000845	301 J STREET	BF423 / 7	968
BNSF NEEDLES FACILIT Facility Id: 2202790	834 FRONT ST	BJ439 / 7	1011
BNSF RAILWAY CO - NE Facility Id: 2790 Facility Id: 2202790	834 NORTH FRONT STRE	BJ443 / 7	1032
AMTRAK Facility Id: 2202790	834 FRONT ST	BJ445 / 7	1034
VERIZON WIRELESS - N Facility Id: 2753 Facility Id: 110702753	1111 BAILEY STREET	CE593 / 10	1456
NEEDLES SHERIFF SUB Facility Id: 1860	1111 BAILEY ST	CE595 / 10	1458
NEEDLES DESERT COMM. Facility Id: 12600604	1401 BAILEY AVEUNE	CO652 / 10	1611
COLORADO RIVER MEDIC Facility Id: 604 Facility Id: 2114604 Facility Id: 211400604	1401 BAILEY AVENUE	CO655 / 10	1627
EAST SIDE CHEVRON Facility Id: 872 Facility Id: 229800872	810 E BROADWAY	CX723 / 11	1868
BURP SERVICE Facility Id: 211300872	810 EAST BROADWAY	CX725 / 11	1869
EASTSIDE SHELL Facility Id: 105400831 Facility Id: 831 Facility Id: 229800831	916 E BROADWAY	CY755 / 11	1902
SCG - NEEDLES OFFICE Facility Id: 3100942	1100 ARIZONA STREET	DA777 / 11	1951
OLDCASTLE APG WEST/D Facility Id: 60000189	NO. 1 ICE PLANT RD	DB785 / 11	1963
EAST SIDE MOBIL Facility Id: 873 Facility Id: 229800873	1005 E BROADWAY	DC794 / 11	1971
EXXON SERVICE STATIO Facility Id: 211300873	1005 E BROADWAY	DC801 / 11	2000
SCG - NEEDLES OFFICE Facility Id: 942	ARIZONA ST & SAN CLE	DG839 / 11	2207
SBCO - NEEDLES MAINT	AIRPORT ROAD & HWY 9	DR891 / 15	2308

EXECUTIVE SUMMARY

Facility Id: 855

COUNTY OF SAN BERNAR

711 AIRPORT RD

DU913 / 18

2372

Facility Id: 854

Facility Id: 99200854

ENF: Enforcement Action Listing

A review of the ENF list, as provided by EDR, and dated 04/12/2022 has revealed that there are 10 ENF sites within the requested target property.

<u>Site</u>	<u>Address</u>	<u>Map ID / Focus Map(s)</u>	<u>Page</u>
SCG- N. NEEDLES COMP Status: Historical Status: Historical Facility Id: 255871	4500 OLD RIVER ROAD	A3 / 2	95
RAINBO BEACH RESORT Status: Historical Status: Active Status: Withdrawn Status: Active Facility Id: 251485	3520 NEEDLES HWY	E20 / 6	121
MSB PARTNERS, INC Status: Historical Status: Active Facility Id: 856269	3515 NEEDLES HIGHWAY	23 / 6	153
3241 NEEDLES HWY Status: Historical Status: Active Facility Id: 850374	3241 NEEDLES HIGHWAY	I41 / 6	191
GREEN ACRES GROUP Status: Historical Status: Active Facility Id: 844785	NEEDLES HWY	N60 / 6	215
NORTHSHORE RV RESORT Status: Historical Status: Active Status: Active Facility Id: 244647	RR4 BOX 103	N61 / 6	220
TEN FOUR CORPORATION Status: Active Facility Id: 771462	1621 N STREET	320 / 6	753
NEEDLES WWTP - NPDES Status: Historical Status: Withdrawn Status: Historical Facility Id: 244082 Facility Id: 244080	516 EAST BROADWAY	CU687 / 11	1686
PARADISE WELLNESS CE Status: Historical Status: Active	1 ICE HOUSE ROAD ROA	860 / 11	2246

EXECUTIVE SUMMARY

Status: Active
Facility Id: 846317

CALIZONA RV PARK 97-	1902 FIVE MILE ROAD	DT905 / 15	2330
Status: Historical			
Status: Active			
Status: Active			
Facility Id: 212751			

Financial Assurance: Financial Assurance Information Listing

A review of the Financial Assurance list, as provided by EDR, has revealed that there is 1 Financial Assurance site within the requested target property.

<u>Site</u>	<u>Address</u>	<u>Map ID / Focus Map(s)</u>	<u>Page</u>
NEEDLES SOLID WASTE	13930 NEEDLES LANDFI	885 / 14	2285
Database: Financial Assurance 2, Date of Government Version: 02/23/2022			
SWIS No: 36-AA-0059			

HAZNET: Facility and Manifest Data

A review of the HAZNET list, as provided by EDR, and dated 12/31/2019 has revealed that there are 140 HAZNET sites within the requested target property.

<u>Site</u>	<u>Address</u>	<u>Map ID / Focus Map(s)</u>	<u>Page</u>
SOUTHERN CALIFORNIA GEPaid: CAD981422801	4500 NEEDLES HIGHWAY	10 / 4	108
DONNA YEAGER GEPaid: CAC001417328	3520 NEEDLES HWY	E18 / 6	119
TAMERYN MCKENZIE GEPaid: CAC002592578	1900 NATIONAL TRAILS	21 / 6	151
1X DICKSON, JEAN GEPaid: CAC000615440	RIVER ROAD AND OLD T	31 / 6	179
3247 CM LLC GEPaid: CAL000443476	3247 NEEDLES HIGHWAY	I38 / 6	186
GREAT WEST TRUCK INC GEPaid: CAL000018084	211 BALBOA	56 / 6	206
1X MOBIL OIL #18-LKT GEPaid: CAC000012724	2511 W BROADWAY ST	O70 / 6	243
DESERT VIEW MOBIL GEPaid: CAL000168273	2511 WEST NEEDLES HW	P82 / 6	253
FRONTIER CALIFORNIA GEPaid: CAL000448342	915 BROADWAY ST	R88 / 6	262
C P NATIONAL GEPaid: CAX000061945	911 BROADWAY	R95 / 6	270
C P NATIONAL GEPaid: CAD981375009	911 BROADWAY	R98 / 6	274
CALIPATRIA FIRE DEPT	125 N PARK	R116 / 6	320

EXECUTIVE SUMMARY

GEPaid: CAL000259217			
ARCO NEEDLES GAS MAR	2410 NEEDLES HWY	Q118 / 6	321
GEPaid: CAC001320512			
ARCO NEEDLES 40 AM/P	2410 W NEEDLES HWY	Q119 / 6	323
GEPaid: CAL000280271			
1X ARCO PRODUCTS CO.	2410 BROADWAY	Q121 / 6	327
GEPaid: CAC000173165			
J STREET INC	1005 VINE ST	W144 / 6	369
GEPaid: CAD982476988			
BP WEST COAST PRODUC	2410 W BROADWAY	W150 / 6	397
GEPaid: CAL000225529			
A+AUTO CARE INC	2408 W BROADWAY	W167 / 6	428
GEPaid: CAL000253391			
ARCO #6166	2401 WEST BROADWAY	W171 / 6	443
GEPaid: CAC002713018			
1X WHITING BROS STAT	2402 WEST BROADWAY	Z174 / 6	446
GEPaid: CAC000749896			
BOB'S WHOLESALE TRAN	2208 RACE	Y187 / 6	462
GEPaid: CAL000182404			
MOHAN DORAISWAMY	2306 W. BROADWAY ST.	AA198 / 6	489
GEPaid: CAC002811215			
OASIS PETROLEUM	2321 NEEDLES HWY	AC205 / 6	526
GEPaid: CAC002931186			
G & M OIL CO INC #26	2321 NEEDLES HWY	AC206 / 6	527
GEPaid: CAL000004979			
DAVID POSNER	2208 NEEDLES HWY	AD217 / 6	548
GEPaid: CAC002955925			
MOBIL SERVICE STATIO	I-40 & RIVER RD	AE218 / 6	549
GEPaid: CAL000055783			
COLORADO RIVER CHEVR	2204 W BROADWAY	AD221 / 6	552
GEPaid: CAL000259384			
1X L. J. MOTORS, INC	2204 WEST BROADWAY	AD224 / 6	574
GEPaid: CAC000238961			
LARRY GREEN AUTO CEN	2204 W BROADWAY	AD225 / 6	575
GEPaid: CAD982498990			
BNSF RAILWAY COMPANY	316 BROADWAY	AI237 / 7	620
GEPaid: CAR000004234			
HARKEN MARKETING CO	300 BROADWAY	AI239 / 7	644
GEPaid: CAD981659790			
1X HANCOCK, CLARENCE	2011 WEST BROADWAY	AE244 / 6	648
GEPaid: CAC000238657			
COLORADO RIVER FORD	539 BROADWAY	AH253 / 7	660
GEPaid: CAL000123789			
1X CHEVRON USA STA#8	2205 W BROADWAY	AD264 / 6	671
GEPaid: CAC000053797			
CHEVRON STATION # 98	2205 W BROADWAY	AD265 / 6	672

EXECUTIVE SUMMARY

GEPaid: CAL000055325			
CHEVRON 98066	2205 W BROADWAY	AD267 / 6	674
GEPaid: CAD983661497			
TRANSWESTERN PIPELIN	15 MI OF NEEDLES OFF	AK271 / 7	683
GEPaid: CAR000053207			
SOUTHERN CALIFORNIA	23 MI W/OF NEEDLES O	AK273 / 7	686
GEPaid: CAC002288889			
1X P G & E	15 MI SO OF NEEDLES	AK274 / 7	688
GEPaid: CAC000264033			
1XDALE STOUT PROPERT	2211 W. BROADWAY	AF278 / 6	690
GEPaid: CAC000038299			
L & S AUTO CENTER	1401 NEEDLES HWY	AH279 / 7	691
GEPaid: CAL000273724			
PRAMOD CHAMPANERI	1707 NEEDLES HIGHWAY	AM298 / 6	716
GEPaid: CAC003005011			
HARKEN MARKETING CO	1632 W BROADWAY	AN308 / 6	729
GEPaid: CAD981660509			
CITY OF NEEDLES MUNI	1300 RIVER RD	316 / 7	737
GEPaid: CAL000163763			
TEN FOUR CORPORATION	1621 W BROADWAY	317 / 6	749
GEPaid: CAC001442832			
BARBARA A HAMBY	317 N K ST	318 / 7	750
GEPaid: CAC002427919			
DOLLAR GENERAL STORE	1500 HOSPITALITY LN	AP322 / 6	781
GEPaid: CAL000424115			
EAGLE PASS WRECKING	1800 EAGLE PASS RD	AS332 / 6	798
GEPaid: CAL000232268			
THE BNSF RAILWAY COM	1705 EAGLE PASS RD	AU348 / 6	818
GEPaid: CAL000312219			
PREMIER SPORTS LLC	1404 W BROADWAY ST	AX355 / 7	865
GEPaid: CAL000283971			
SHELL MINI MART	1219 BROADWAY ST	BC387 / 7	927
GEPaid: CAC001181840			
EL GARGES TRAIN STAT	950 FRONT ST	BE395 / 7	943
GEPaid: CAP000239277			
CITY OF NEEDLES	950 FRONT ST	BE397 / 7	945
GEPaid: CAC002731029			
CITY OF NEEDLES - EN	950 FRONT ST	BE400 / 7	950
GEPaid: CAC002575707			
CITY OF NEEDLES	950 FRONT ST EL GARC	BE401 / 7	951
GEPaid: CAC002719552			
DONNA GRISWOLD	219 I ST	BG407 / 7	955
GEPaid: CAC001004792			
UNOCAL SERVICE STATI	301 SOUTH J STREET	BF430 / 7	996
GEPaid: CAL000046624			
J ST AMERICAN CAR CA	301 J ST	BF434 / 7	1001

EXECUTIVE SUMMARY

GEPaid: CAL000244665			
CITY OF NEEDLES	1030 BROADWAY	BH436 / 7	1008
GEPaid: CAC002333961			
BNSF RAILWAY COMPANY	834 FRONT ST	BJ441 / 7	1026
GEPaid: CAC002885138			
AMTRAK	834 FRONT ST	BJ445 / 7	1034
GEPaid: CAP000226134			
NUSD-NEEDLES HIGH SC	1600 WASHINGTON ST	BK455 / 6	1046
GEPaid: CAD982330904			
BNSF RAILWAY COMPANY	900 FRONT ST	BI457 / 7	1051
GEPaid: CAD981460181			
BIG O TIRES & AUTO P	949 WEST BROADWAY	BH476 / 7	1178
GEPaid: CAL000218513			
JB'S AUTO SRV CTR/BI	949 W BROADWAY	BH481 / 7	1196
GEPaid: CAL000015533			
1X JAMES LAMBERT	221 H STREET	BM484 / 7	1206
GEPaid: CAC000246145			
OFR TRUCKING INC	1201 3RD ST	BN485 / 7	1207
GEPaid: CAR000196063			
HUD C/O GOLDEN FEATH	732 W FRONTLEE	BL488 / 7	1214
GEPaid: CAC002236977			
NEEDLES USD	720 BAILEY AVE	BO489 / 6	1216
GEPaid: CAC002195857			
MARK ADAMS AS RECEIV	710 W BROADWAY ST	BR502 / 7	1226
GEPaid: CAC002833051			
1X OVERNIGHT TRANSP		BR503 / 7	1227
GEPaid: CAP000000797			
1X CITY OF NEEDLES	WASTEWATER TREATMENT	BR504 / 7	1229
GEPaid: CAD000321042			
BCI COCA COLA BOTTL	601-611 FRONT STREET	BP505 / 7	1236
GEPaid: CAC001011936			
NEEDLES UNIFIED SCHO	1900 ERIN DR	BS507 / 6	1238
GEPaid: CAL000000005			
NEEDLES USD	1900 ERIN DR	BS514 / 6	1289
GEPaid: CAD982331142			
PALO VERDE COMMUNITY	725 W BROADWAY ST	BR518 / 7	1301
GEPaid: CAL000329642			
CLAYPOOL & CO	534 FRONT ST	527 / 7	1316
GEPaid: CAC001472464			
DAVID DAVIS	518 W BROADWAY	BV535 / 7	1320
GEPaid: CAC002211409			
JOAN E DAVIS	504 W BROADWAY	BV539 / 7	1323
GEPaid: CAC002298473			
TRI-CITY FORD DBA CO	539 W BROADWAY ST	BV541 / 7	1325
GEPaid: CA0000997932			
1X RON RAY FORD-MERC	539 BROADWAY	BV545 / 7	1367

EXECUTIVE SUMMARY

GEPaid: CAC000272345			
US FISH & WILDLIFE S	311 & 317 MESQUITE	BX547 / 6	1368
GEPaid: CAC002617084			
GREAT WEST TRUCK INC	211 BALBOA ST	BX549 / 10	1370
GEPaid: CAR000081729			
CALIFORNIA HIGHWAY P	1916 J ST	CA566 / 10	1412
GEPaid: CAL000016947			
CHEHAB EL-AWAR	805 DOWNEY AVE	CC581 / 11	1440
GEPaid: CAC002786537			
ECONO SMOG & TUNE	115 W BROADWAY	CD584 / 11	1442
GEPaid: CAL000256664			
1X COUNTY OF SAN BER	1111 BAILEY AVE	CE592 / 10	1455
GEPaid: CAC000813512			
SAN BERNARDINO TRANS	1111 BAILEY STREET	CE597 / 10	1462
GEPaid: CAC002132785			
COUNTY OF SAN BERNAR	1111 BAILEY AVE	CE598 / 10	1463
GEPaid: CAC002619320			
NEEDLES COUNTY COMPL	1111 BAILEY AVE	CE599 / 10	1464
GEPaid: CAC001482784			
HOUSING AUTHORITY NE	908 SYCAMORE DR	600 / 10	1466
GEPaid: CAP600928385			
TUCKER'S RADIATOR	105 W BROADWAY ST	CG604 / 11	1469
GEPaid: CAL000256821			
TWO GUYS AUTO REPAIR	105 WEST BROADWAY	CG605 / 11	1471
GEPaid: CAL000082853			
SAN BERNARDINO COUNT	112 ROBUFFA ST	CG613 / 11	1476
GEPaid: CAH111000123			
CITY OF NEEDLES ELEC	112 ROBUFFA ST	CG618 / 11	1545
GEPaid: CAL000045187			
C444 L300A MP 22.13-	12.15 MI S OF I40 13	CH624 / 11	1585
GEPaid: CAP000257295			
C607 L300B MP 20.05-	12.9 MI S OF I40 11.	CH625 / 11	1586
GEPaid: CAP000257287			
ELLEN CAMPBELL	526 DESNOK ST	630 / 11	1590
GEPaid: CAC002785992			
1X CANTERBURY, CHARL	200 EAST BROADWAY	CM642 / 11	1602
GEPaid: CAC000218353			
1X NEEDLES DESERT CO	1401 BAILEY AVENUE	CO646 / 10	1606
GEPaid: CAC000544976			
COLORADO RIVER MEDIC	1401 BAILEY AVE	CO647 / 10	1607
GEPaid: CAL000338483			
COLORADO RIVER MEDIC	1401 BAILEY AVE	CO654 / 10	1620
GEPaid: CAL000301284			
MOHAVE DENTAL CENTER	1406 BAILEY AVENUE S	664 / 10	1649
GEPaid: CAL000218620			
KATHY ODELL	1933 DESOTO STREET	673 / 10	1665

EXECUTIVE SUMMARY

GEPaid: CAC002930967			
HARKEN MARKETING CO	409 E BROADWAY	CS677 / 11	1670
GEPaid: CAD981659311			
CITY OF NEEDLES WAST	516 E BROADWAY	CU681 / 11	1675
GEPaid: CAL000163762			
ONSITE OIL	1801 CORONADO ST	691 / 10	1751
GEPaid: CAL000219620			
1X HANCOCK, CLARENCE	717 EAST BROADWAY	CV693 / 11	1769
GEPaid: CAC000238649			
HARRIS MOTORS	110 GOODWILL ST	CW696 / 11	1774
GEPaid: CAL000121969			
PHILLIPS EXCAVATING,	805 E BROADWAY ST	CX700 / 11	1816
GEPaid: CAL000249994			
1X PHILLIPS CONSTRUC	805 EAST BROADWAY	CX705 / 11	1823
GEPaid: CAC000213281			
1X CHEVRON#9-1140	800 E BROADWAY	CX714 / 11	1840
GEPaid: CAC000030544			
JIM MCCLAIN	810 E BROADWAY	CX720 / 11	1843
GEPaid: CAC002588038			
BURP SERVICE	810 EAST BROADWAY	CX725 / 11	1869
GEPaid: CAC002130944			
1X MORENO VALLEY SAN	15980 GILMAN SPRINGS	727 / 11	1873
GEPaid: CAC000041426			
1X WHITING BROS STAT	901 EAST BROADWAY	CY732 / 11	1875
GEPaid: CAC000749912			
ROBINSON ELECTRIC CO	904 E BROADWAY	CY743 / 11	1883
GEPaid: CAC002529855			
SHELL FOOD MART	917 EAST BROADWAY	CY749 / 11	1898
GEPaid: CAC002211401			
EASTSIDE SHELL	916 E BROADWAY	CY755 / 11	1902
GEPaid: CAL000270609			
EASTSIDE SHELL	916 E BROADWAY ST	CY760 / 11	1933
GEPaid: CAL000286081			
DON GORRA	916 E BROADWAY	CY762 / 11	1938
GEPaid: CAC002370471			
DON GORRA/TEXMO OIL	916 E BROADWAY	CY765 / 11	1940
GEPaid: CAC002552056			
I 40 TEXACO	916 E BROADWAY	CY768 / 11	1943
GEPaid: CAD983655705			
DON GORRA	916 E BROADWAY	CY769 / 11	1947
GEPaid: CAC002322817			
TRI-VALLEY CHEVRON	1005 E BROADWAY	DC789 / 11	1965
GEPaid: CAC001488360			
RITE AID NO 5699	1020 E BROADWAY ST	DC803 / 11	2003
GEPaid: CAR000248179			
AUTOZONE #3699	1008 EAST BROADWAY S	DC806 / 11	2023

EXECUTIVE SUMMARY

GEPaid: CAL000428748			
99 CENTS ONLY STORES	1010 E BROADWAY ST	DC807 / 11	2025
GEPaid: CAL000402171			
RITE AID #5699	1020 E BROADWAY ST	DC813 / 11	2037
GEPaid: CAL000379971			
RITE AID #5699	1020 E BROADWAY ST	DC814 / 11	2047
GEPaid: CAL000315590			
C603 L300B MP 19.96	13 MI S OF I40, 11 M	822 / 11	2074
GEPaid: CAP000257279			
OLDCASTLE APG WEST I	1 ICE PLANT RD	DD825 / 11	2076
GEPaid: CAL000345318			
CALTRANS D8 MAINTENA	800 SAN CLEMENTE ST	DE833 / 11	2100
GEPaid: CAD982417644			
SOUTHERN CALIFORNIA	ARIZONA AND SAN CLEM	DG838 / 11	2174
GEPaid: CAD981422256			
DOLLAR TREE #03648	1100 E BROADWAY ST	DI847 / 11	2224
GEPaid: CAL000391001			
FLEET MANAGEMENT NEE	5 AIRPORT RD	DR889 / 15	2305
GEPaid: CAL000295798			
SARANJIT SAINI	HWY 95 SOUTH @ 5 MIL	895 / 15	2312
GEPaid: CAC002369415			
CVUSD TRANSPORTATION	83800 AIRPORT BLVD	912 / 18	2353
GEPaid: CAL000070710			
COUNTY OF SAN BERNAR	711 AIRPORT RD	DU913 / 18	2372
GEPaid: CAL000271286			
CNTY SAN BERNARDINO	711 AIRPORT RD	DU914 / 18	2376
GEPaid: CAC002131209			

HIST CORTESE: Hazardous Waste & Substance Site List

A review of the HIST CORTESE list, as provided by EDR, and dated 04/01/2001 has revealed that there are 23 HIST CORTESE sites within the requested target property.

<u>Site</u>	<u>Address</u>	<u>Map ID / Focus Map(s)</u>	<u>Page</u>
GREAT WESTERN DIESEL Reg Id: 71T2363009	211 BALBOA PLACE	J44 / 6	195
CALIMESA OIL INC Reg Id: 7T2363017	901 BROADWAY	R103 / 6	277
NEEDLES CHEVRON Reg Id: 7T2363020	810 BROADWAY	V133 / 6	341
ARCO AM/PM NO. 6166 Reg Id: 7T2363008	2410 BROADWAY	W135 / 6	341
CALIMESA OIL-WB Reg Id: 7T2363016	2402 BROADWAY	Z191 / 6	472
G & M OIL #26 Reg Id: 7T2363019	2321 BROADWAY AVE W	AC211 / 6	533
CHEVRON STA. #9-8066	2205 BROADWAY	228 / 6	609

EXECUTIVE SUMMARY

Reg Id: 7T2363001			
MOBIL STA. #100851	1632 BROADWAY	AG229 / 6	609
Reg Id: 7T2363010			
EZ SERVE #1152	1632 WEST BROADWAY A	AN311 / 6	731
Reg Id: 7T2363014			
NEEDLES GOLF COURSE	997 BRIDGE	AQ323 / 7	790
Reg Id: 7T2363002			
CP NATIONAL SERVICE	1705 FRONT STREET	340 / 6	804
Reg Id: 7T2363015			
Reg Id: 7B364003N01			
SHELL MINIMART	1219 BROADWAY	BC377 / 7	892
Reg Id: 7T2363022			
GRISWOLD ENTERPRISES	219 I	BG411 / 7	958
Reg Id: 7T2363018			
ATS&F NEEDLES RAILYA	900 FRONT	BI460 / 7	1159
Reg Id: 7T2363007			
UNOCAL STATION	705 FRONT	BL490 / 7	1218
Reg Id: 7T2363004			
NEEDLES USD	1900 ERIN DR	BS510 / 6	1271
Reg Id: 7T2363023			
EZ SERVE #130	300 WEST BROADWAY AV	BZ553 / 11	1400
Reg Id: 7T2363011			
NEEDLES WWTP - NPDES	516 EAST BROADWAY	CU687 / 11	1686
Reg Id: 7B360110011			
CHEVRON #1140	800 EAST BROADWAY	CX709 / 11	1833
Reg Id: 7T2363006			
NEEDLES, CITY OF	903 BROADWAY	CY736 / 11	1878
Reg Id: 7T2363013			
I-40 TEXACO	916 BROADWAY	CY757 / 11	1921
Reg Id: 7T2363025			
SCG - NORTH & SOUTH	1100 ARIZONA	DA781 / 11	1953
Reg Id: 7T12363012			
ARCO NEEDLES	1005 BROADWAY	DC796 / 11	1993
Reg Id: 7T2363024			

MINES: Mines Site Location Listing

A review of the MINES list, as provided by EDR, and dated 06/06/2022 has revealed that there are 4 MINES sites within the requested target property.

<u>Site</u>	<u>Address</u>	<u>Map ID / Focus Map(s)</u>	<u>Page</u>
GOURD WASH		M57 / 6	213
SUPERLITE BLOCK- (RE	4150 W. TURNEY AVE	859 / 11	2246
GRAVEL GERTIE		877 / 11	2270
NEEDLES AIRPORT (NOR		888 / 14	2305

EXECUTIVE SUMMARY

NPDES: NPDES Permits Listing

A review of the NPDES list, as provided by EDR, and dated 05/09/2022 has revealed that there are 15 NPDES sites within the requested target property.

<u>Site</u>	<u>Address</u>	<u>Map ID / Focus Map(s)</u>	<u>Page</u>
PR RESORTS LP	4132 NEEDLES HIGHWAY	D14 / 4	112
NEEDLES HIGHWAY SEGM	NEEDLES HIGHWAY	16 / 4	116
Facility Status: Terminated			
FLUID HOLDINGS MICRO	3353 NEEDLES HIGHWAY	32 / 6	180
NEEDLES MARINA RESOR	100 MARINA DR	AB194 / 7	474
DOLLAR GENERAL STORE	1500 HOSPITALITY LN	AP322 / 6	781
NEEDLES I-40 CONNECT	I-40 ALONG J BROADWA	AT341 / 7	808
RESIDENTIAL HOUSE	908 BEACH DRIVE	AW351 / 7	863
RESIDENTIAL HOUSE	904 BEACH DRIVE	AW352 / 7	864
CANNABIS DISPENSARY	1312 WEST BROADWAY S	BA369 / 7	884
BNSF NEEDLES FACILIT	834 FRONT ST	BJ439 / 7	1011
Facility Status: Terminated			
NEEDLES WWTP - NPDES	516 EAST BROADWAY	CU687 / 11	1686
Facility Status: Active			
OR142 RTE 40 NEEDLES	1060 EAST BROADWAY S	DC818 / 11	2062
Facility Status: Active			
NEEDLES FIRE STATION	1113 EAST BROADWAY S	DI844 / 11	2216
Facility Status: Terminated			
100 VICTORY DRIVE	100 VICTORY DRIVE	DO869 / 11	2262
Facility Status: Active			
NEEDLES AIRPORT	711 AIRPORT RD	DU924 / 18	2385
Facility Status: Active			

Notify 65: Proposition 65 Records

A review of the Notify 65 list, as provided by EDR, and dated 03/11/2022 has revealed that there are 2 Notify 65 sites within the requested target property.

<u>Site</u>	<u>Address</u>	<u>Map ID / Focus Map(s)</u>	<u>Page</u>
CP NATIONAL SERVICE	1705 FRONT STREET	340 / 6	804
ATSF NEEDLES RAIL YA	900 FRONT STREET	BI465 / 7	1166

WDS: Waste Discharge System

A review of the WDS list, as provided by EDR, and dated 06/19/2007 has revealed that there are 7 WDS sites within the requested target property.

<u>Site</u>	<u>Address</u>	<u>Map ID / Focus Map(s)</u>	<u>Page</u>
SCG- N. NEEDLES COMP	4500 OLD RIVER ROAD	A3 / 2	95
Facility Status: A			
Facility Id: 7B362030011			
RAINBO BEACH RESORT	3520 NEEDLES HWY	E20 / 6	121
Facility Status: A			
Facility Id: 7B361029011			
NORTHSHORE RV RESORT	RR4 BOX 103	N61 / 6	220

EXECUTIVE SUMMARY

Facility Status: A Facility Id: 7B361007001			
EAGLE PASS WRECKING	1800 EAGLE PASS RD	AS331 / 6	796
Facility Status: A Facility Id: 7 361015292			
NEEDLES SBR WWTP 01-	516 E BROADWAY ST	CU684 / 11	1684
Facility Status: A Facility Id: 7B360110014			
CALIZONA RV PARK 97-	1902 FIVE MILE ROAD	DT905 / 15	2330
Facility Status: A Facility Id: 7B361011001			
NEEDLES AIRPORT	711 AIRPORT RD	DU923 / 18	2384
Facility Status: A Facility Id: 7 361005141			

CIWQS: California Integrated Water Quality System

A review of the CIWQS list, as provided by EDR, and dated 08/16/2022 has revealed that there are 24 CIWQS sites within the requested target property.

<u>Site</u>	<u>Address</u>	<u>Map ID / Focus Map(s)</u>	<u>Page</u>
SCG- N. NEEDLES COMP	4500 OLD RIVER ROAD	A3 / 2	95
PR RESORTS LP	4132 NEEDLES HIGHWAY	D15 / 4	115
NEEDLES HIGHWAY SEGM	NEEDLES HIGHWAY	16 / 4	116
RAINBO BEACH RESORT	3520 NEEDLES HWY	E20 / 6	121
NORTHSHORE RV RESORT	RR4 BOX 103	N61 / 6	220
NEW WELL #15	810 NORTH K STREET	U128 / 7	336
NEEDLES MARINA MAINT		AL277 / 7	690
EAGLE PASS WRECKING	1800 EAGLE PASS RD	AS331 / 6	796
EAGLE PASS AUTO DIS	1800 EAGLE PASS RD	AS334 / 6	801
NEEDLES I-40 CONNECT	I-40 ALONG J BROADWA	AT341 / 7	808
BNSF NEEDLES FACILIT	834 FRONT ST	BJ439 / 7	1011
NEEDLES RAILYARD	834 FRONT ST	BJ442 / 7	1031
NUSD MAINTENANCE YAR	1900 ERIN DR	BS511 / 6	1285
NEEDLES SBR CS	817 THIRD STREET	BU529 / 7	1317
NEEDLES WWTP - NPDES	516 EAST BROADWAY	CU687 / 11	1686
1046 E BROADWAY	1046 E BROADWAY ST	DC816 / 11	2061
OR142 RTE 40 NEEDLES	1060 EAST BROADWAY S	DC818 / 11	2062
NEEDLES FIRE STATION	1113 EAST BROADWAY S	DI844 / 11	2216
SUPERLETE BLOCK	1 ICE HOUSE RD	861 / 11	2251
100 VICTORY DRIVE	100 VICTORY DRIVE	DO869 / 11	2262
BNSF BRIDGE 574.5 RE		DQ881 / 15	2273
NEEDLES WMF 03-046	SOUTH HWY 95	884 / 14	2284
CALIZONA RV PARK 97-	1902 FIVE MILE ROAD	DT905 / 15	2330
NEEDLES AIRPORT	711 AIRPORT RD	DU924 / 18	2385

EXECUTIVE SUMMARY

CERS: CERS

A review of the CERS list, as provided by EDR, and dated 04/18/2022 has revealed that there are 99 CERS sites within the requested target property.

<u>Site</u>	<u>Address</u>	<u>Map ID / Focus Map(s)</u>	<u>Page</u>
SOUTHERN CALIFORNIA	OLD RIVER RD	A6 / 2	101
SOUTHERN CALIFORNIA	4500 OLD RIVER ROAD	B8 / 2	102
RAINBO BEACH RESORT	3520 NEEDLES HWY	E20 / 6	121
VERIZON WIRELESS: SO	5201 NATIONAL TRAILS	F24 / 6	156
AT&T MOBILITY - USID	5163 NATIONAL OLD TR	28 / 6	160
NEEDLES AUTO WRECKIN	5156 ROUTE 66	H30 / 6	171
3259 NEEDLES HWY	3259 NEEDLES HWY	I33 / 6	181
GREAT WESTERN DIESEL	211 BALBOA PLACE	J44 / 6	195
GREEN ACRES GROUP	NEEDLES HWY	N60 / 6	215
NORTHSHORE RV RESORT	RR4 BOX 103	N61 / 6	220
SR 40 NEEDLES AMES Y	34 51' 6.5 114 37' 2	O64 / 6	239
MOBIL STATION #18 LK	2511 WEST BROADWAY A	O76 / 6	246
CITIZENS COMMUNICATI	915 BROADWAY	R89 / 6	263
CALIMESA OIL INC	901 BROADWAY	R103 / 6	277
WESTSIDE SHELL	2451 NEEDLES HWY	S106 / 6	287
NEEDLES SMELTER	799 N L STREET	T122 / 7	328
WELL #15	810 N K ST	U126 / 7	331
NEEDLES CHEVRON	810 BROADWAY E.	V130 / 6	337
CALIFORNIA PANTRY	2411 NEEDLES HIGHWAY	X140 / 6	343
MOBIL STATION	2511 W BROADWAY	W141 / 6	347
ARCO STATION #6166	2410 WEST BROADWAY A	W153 / 6	412
A+ AUTO CARE	2408 W BROADWAY	W168 / 6	434
WHITING BROS 32	2402 WEST BROADWAY	Z179 / 6	449
NEEDLES MARINA RESOR	100 MARINA DR	AB194 / 7	474
WESTSIDE MART	2321 NEEDLES HWY	AC203 / 6	494
G & M OIL #26	2321 BROADWAY AVE W	AC211 / 6	533
LJ MOTORS	2204 WEST BROADWAY	AD223 / 6	574
PREMIER SPORTS	1404 BROADWAY #A	AH230 / 7	610
CHEVRON STA #9-8066	2205 WEST BROADWAY A	AD268 / 6	677
NEEDLES MARINA MAINT		AL276 / 7	689
PG & E MEASURING STA	34.714956 114.490849	AK285 / 7	697
CAMA DESERT SITES -		AJ288 / 6	709
CAMP IBIS - CAMP IBI		AJ289 / 6	709
NEEDLES MUNI. GOLF C	144 MARINA DR	AO303 / 7	720
EZ SERVE #1152	1632 WEST BROADWAY A	AN311 / 6	731
TEN FOUR CORPORATION	1621 N STREET	320 / 6	753
DOLLAR GENERAL STORE	1500 HOSPITALITY LN	AP322 / 6	781
NEEDLES GOLF COURSE	997 BRIDGE	AQ323 / 7	790
CP NATIONAL SERVICE	1705 FRONT STREET	340 / 6	804
ACTIVE TOWING	1705 EAGLE PASS RD	AU346 / 6	816
WELL #11	1274 RIVER RD	AY359 / 7	871
PG&E - TOPOCK REMEDI	I-40 & PARK MOABI RD	BB373 / 7	887
FRONTIER - GC# 714	RIO MESA/ARIZONA STR	376 / 6	890
NEEDLES AMERICAN GAS	1219 W. BROADWAY STR	BC383 / 7	897
SHELL MINI-MART	1219 BROADWAY	BC388 / 7	928
GRISWOLD ENTERPRISES	219 I	BG411 / 7	958
J STREET GAS & OIL G	301 S J ST	BF428 / 7	972
BNSF NEEDLES FACILIT	834 FRONT ST	BJ439 / 7	1011
ATS&F NEEDLES RAILYA	900 FRONT	BI460 / 7	1159
BNSF RAILWAY COMPANY	SOUTH EAST OF THE IN	BL470 / 7	1169
BIG O TIRES & AUTO P	949 W BROADWAY ST	BH478 / 7	1191
NEEDLES USD	1900 ERIN DR	BS510 / 6	1271

EXECUTIVE SUMMARY

<u>Site</u>	<u>Address</u>	<u>Map ID / Focus Map(s)</u>	<u>Page</u>
SAN BERNARDINO CO PA NEEDLES	INTERSTATE 40 UNKNOWN	BT521 / 6 537 / 7	1308 1322
EZ SERVE #130	300 WEST BROADWAY AV	BZ553 / 11	1400
CALIFORNIA HIGHWAY P NEEDLES SHERIFF SUB	1916 J ST	CA567 / 10	1415
HHW SATELLITE NEEDLE	1111 BAILEY ST	CE595 / 10	1458
COLORADO RIVER MEDIC AT&T MOBILITY - NEED	112 ROBUFFA ST	CG619 / 11	1568
BNSF RAILWAY COMPANY CITY OF NEEDLES WAST	1401 BAILEY AVENUE	CO655 / 10	1627
NEEDLES WWTP - NPDES HARRIS MOTORS	2450 PARKWAY EXT	667 / 10	1656
PHILLIPS CONSTRUCTIO CHEVRON #1140	316 E BROADWAY	CP668 / 11	1659
NEEDLES TRI-MART	516 EAST BROADWAY	CU682 / 11	1676
NEEDLES, CITY OF SHELL FOOD MART	516 EAST BROADWAY	CU687 / 11	1686
LD EXPRESS	110 GOODWILL ST	CW698 / 11	1811
I-40 TEXACO	805 E BROADWAY	CX706 / 11	1824
SCG - NORTH & SOUTH SOUTHERN CALIFORNIA	800 EAST BROADWAY	CX709 / 11	1833
OLDCASTLE APG WEST/D EXXON SERVICE STATIO	810 E BROADWAY	CY721 / 11	1845
ARCO NEEDLES	903 BROADWAY	CY736 / 11	1878
RITE AID #5699	917 E BROADWAY	CY746 / 11	1885
AUTOZONE #3699	916 E BROADWAY	CY756 / 11	1906
OR142 RTE 40 NEEDLES	916 BROADWAY	CY757 / 11	1921
SUPERLITE BLOCK	1100 ARIZONA	DA781 / 11	1953
SUPERLITE BLOCK	1100 ARIZONA ST	DA783 / 11	1955
CALTRANS DISTRICT 8	NO. 1 ICE PLANT RD	DB785 / 11	1963
CALTRANS D8 MAINTENA	1005 E BROADWAY	DC795 / 11	1972
SCG - NEEDLES OFFICE	1005 BROADWAY	DC796 / 11	1993
SCE CAMINO SUBSTATIO	1020 E BROADWAY ST	DC814 / 11	2047
AT&T MOBILITY - WEST FIRE STATION 32	1008 E BROADWAY ST	DC815 / 11	2057
PG&E - TOPOCK FINAL SECTION 26 CONSERVAT	1060 EAST BROADWAY S	DC818 / 11	2062
AT&T MOBILITY - CSL0	9 ICE PLANT RD.	DD824 / 11	2075
100 VICTORY DRIVE	1 ICE PLANT RD	DD826 / 11	2090
BNSF BRIDGE 574.5 RE NEEDLES WMF 03-046	800 SAN CLEMENTE	DE830 / 11	2094
NEEDLES SOLID WASTE FLEET MGMT NEEDLES Y	800 SAN CLEMENTE ST	DE833 / 11	2100
AT&T MOBILITY - MOUN CALIZONA RV PARK 97-	ARIZONA ST & SAN CLE	DG839 / 11	2207
AT&T MOBILITY - HAVA NEEDLES AIRPORT	23 MI. W/O NEEDLES O	DH840 / 11	2208
	I-40 & HIGHWAY 95 N	DH841 / 11	2211
	100 SAFARI DR	848 / 11	2236
	LATITUDE: 34 43'9.48	DM862 / 11	2252
	34.759641 114.548067	DM863 / 11	2253
	40 HIGHWAY 3 MILES W	DM864 / 11	2256
	100 VICTORY DRIVE	DO869 / 11	2262
		DQ880 / 15	2273
	SOUTH HWY 95	884 / 14	2284
	13930 NEEDLES LANDFI	885 / 14	2285
	#5 AIRPORT RD	DS903 / 15	2319
	1902 FIVE MILE RD	DT906 / 15	2340
	1902 FIVE MILE	DT907 / 15	2345
	16433 POLE LINE RD	911 / 18	2349
	711 AIRPORT RD	DU924 / 18	2385

EXECUTIVE SUMMARY

HWTS: Hazardous Waste Tracking System

A review of the HWTS list, as provided by EDR, and dated 04/05/2022 has revealed that there are 242 HWTS sites within the requested target property.

<u>Site</u>	<u>Address</u>	<u>Map ID / Focus Map(s)</u>	<u>Page</u>
SOUTHERN CALIFORNIA	4500 NEEDLES HIGHWAY	10 / 4	108
DONNA YEAGER	3520 NEEDLES HWY	E18 / 6	119
TAMERYN MCKENZIE	1900 NATIONAL TRAILS	21 / 6	151
1X DICKSON, JEAN	RIVER ROAD AND OLD T	31 / 6	179
3247 AM LLC	3247 NEEDLES HWY	I37 / 6	185
3247 CM LLC	3247 NEEDLES HIGHWAY	I38 / 6	186
GREAT WESTERN DIESEL	211 BALBOA PLACE	J44 / 6	195
DEER PARK DEVELOPMEN	366 ROUTE 66 PLACE	J47 / 6	201
SOUTHWESTERN TIRE	315 RT 66	K49 / 6	202
BIG D TIRE	315 US HIGHWAY 66	K51 / 6	203
1X GREAT WESTERN DIE	211 BALBOA PLACE	L53 / 6	204
GREAT WEST TRUCK INC	211 BALBOA	56 / 6	206
1X MOBIL OIL #18-LKT	2511 W BROADWAY ST	O70 / 6	243
DESERT VIEW MOBIL	2511 WEST NEEDLES HW	P82 / 6	253
FRONTIER CALIFORNIA	915 BROADWAY ST	R88 / 6	262
C P NATIONAL	911 BROADWAY	R95 / 6	270
C P NATIONAL	911 BROADWAY	R98 / 6	274
NEEDLES PETROLEUM IN	2451 NEEDLES HWY	S105 / 6	286
WESTSIDE SHELL	2451 NEEDLES HWY	S106 / 6	287
CALIPATRIA FIRE DEPT	125 N PARK	R116 / 6	320
ARCO NEEDLES GAS MAR	2410 NEEDLES HWY	Q118 / 6	321
ARCO NEEDLES 40 AM/P	2410 W NEEDLES HWY	Q119 / 6	323
1X ARCO PRODUCTS CO.	2410 BROADWAY	Q121 / 6	327
J STREET INC	1005 VINE ST	W144 / 6	369
PETROMAR	2410 W BROADWAY	W145 / 6	394
BP WEST COAST PRODUC	2410 W BROADWAY	W150 / 6	397
NEEDLES RADIATOR & M	1001 VINE	Y160 / 6	423
CROSS RADIATOR AND M	1001 VINE	Y161 / 6	423
A+AUTO CARE INC	2408 W BROADWAY	W167 / 6	428
ARCO #6166	2401 WEST BROADWAY	W171 / 6	443
1X WHITING BROS STAT	2402 WEST BROADWAY	Z174 / 6	446
CROSS RV REPAIR	2208 RACE ST	Y184 / 6	461
NEEDLES RV & AUTO RE	2208 RACE ST	Y185 / 6	461
JIMS RV & AUTO REPAI	2208 RACE ST	Y186 / 6	462
BOB'S WHOLESALE TRAN	2208 RACE	Y187 / 6	462
GENES RV AND AUTO RE	2208 RACE ST	Y188 / 6	468
NEEDLES TRANSMISSION	2208 RACE ST	Y189 / 6	468
NEEDLES MARINA RESOR	100 MARINA DR	AB194 / 7	474
MOHAN DORAISWAMY	2306 W. BROADWAY ST.	AA198 / 6	489
WESTSIDE MART	2321 NEEDLES HWY	AC203 / 6	494
OASIS PETROLEUM	2321 NEEDLES HWY	AC205 / 6	526
G & M OIL CO INC #26	2321 NEEDLES HWY	AC206 / 6	527
OASIS PETROLEUMO	2321 NEEDLES HWY	AC209 / 6	532
DAVID POSNER	2208 NEEDLES HWY	AD217 / 6	548
MOBIL SERVICE STATIO	I-40 & RIVER RD	AE218 / 6	549
COLORADO RIVER CHEVR	2204 W BROADWAY	AD221 / 6	552
1X L. J. MOTORS, INC	2204 WEST BROADWAY	AD224 / 6	574
LARRY GREEN AUTO CEN	2204 W BROADWAY	AD225 / 6	575
COLORADO RIVER CHEVR	2204 W. BROADWAY	AD226 / 6	607
COLORADO RIVER CHEVR	2204 W. BROADWAY	AD227 / 6	608
HARKEN MARKETING CO	504 BROADWAY	AH233 / 7	614
BNSF RAILWAY COMPANY	316 BROADWAY	AI237 / 7	620

EXECUTIVE SUMMARY

<u>Site</u>	<u>Address</u>	<u>Map ID / Focus Map(s)</u>	<u>Page</u>
HARKEN MARKETING CO	300 BROADWAY	AI239 / 7	644
1X HANCOCK, CLARENCE	2011 WEST BROADWAY	AE244 / 6	648
1X NEEDLES DISCOUNT	2103 W BROADWAY	AE249 / 6	655
COLORADO RIVER FORD	539 BROADWAY	AH253 / 7	660
RON RAY FORD-MERCURY	539 BROADWAY	AH254 / 7	661
H AND H CYCLE WORKS	419 1/2 BROADWAY	AI256 / 7	663
1X CHEVRON USA STA#8	2205 W BROADWAY	AD264 / 6	671
CHEVRON STATION # 98	2205 W BROADWAY	AD265 / 6	672
CHEVRON 98066	2205 W BROADWAY	AD267 / 6	674
TRANSWESTERN PIPELIN	15 MI OF NEEDLES OFF	AK271 / 7	683
SOUTHERN CALIF EDISO	23 MI W OF NEEDLES O	AK272 / 7	685
SOUTHERN CALIFORNIA	23 MI W/OF NEEDLES O	AK273 / 7	686
1X P G & E	15 MI SO OF NEEDLES	AK274 / 7	688
1X CALIF DEPT OF TRA	11 MI E OF NEEDLES C	AK275 / 7	689
1XDALE STOUT PROPERTY	2211 W. BROADWAY	AF278 / 6	690
L & S AUTO CENTER	1401 NEEDLES HWY	AH279 / 7	691
ACTIVE TOWING DBA SL	2103 NEEDLES HWY	AE282 / 6	695
WEST POINT AUTO	2103 NEEDLES HWY	AE283 / 6	696
WEST POINT AUTO	2103 NEEDLES HIGHWAY	AE284 / 6	697
THE FILTER CHANGE	1714 W BROADWAY	AJ287 / 6	708
PRAMOD CHAMPANERI	1707 NEEDLES HIGHWAY	AM298 / 6	716
DESERT RIVER LUBE &	1714 W BROADWAY ST	AN299 / 6	717
OIL LUBE AND LATTE	1714 W BROADWAY ST	AN300 / 6	718
HARKEN MARKETING CO	1632 W BROADWAY	AN308 / 6	729
CITY OF NEEDLES MUNI	1300 RIVER RD	316 / 7	737
TEN FOUR CORPORATION	1621 W BROADWAY	317 / 6	749
BARBARA A HAMBY	317 N K ST	318 / 7	750
DOLLAR GENERAL STORE	1500 HOSPITALITY LN	AP322 / 6	781
I-126 C ARB YARD	34.752058 -114.59825	AR326 / 6	793
I-126D	34.684870, -114.8381	AR327 / 6	794
I-125C-D	34.670802, -114.6580	AR328 / 6	795
EAGLEPASS AUTO DIS	1800 EAGLEPASS RD	AS330 / 6	796
EAGLE PASS WRECKING	1800 EAGLE PASS RD	AS332 / 6	798
A TO Z COLLISION CEN	117 N K ST	AT337 / 7	802
ACTIVE AUTOWRECKING	1705 EAGLE PASS RD S	AU344 / 6	813
THE BNSF RAILWAY COM	1705 EAGLE PASS RD	AU348 / 6	818
PREMIER SPORTS LLC	1404 W BROADWAY ST	AX355 / 7	865
RT-752	34.7147250, -114.488	AX360 / 7	875
SOUTHERN CALIFORNIA	34.680013, -114.7326	AX361 / 7	876
TRI STATE TRUSS CORP	600 RIVER STREET	AZ363 / 7	878
TRI STATE TRUSS CORP	600 RIVER STREET	AZ364 / 7	878
SHIPCO TRANSPORT INC	5TH AND L ST/OFF FWY	375 / 6	890
NEEDLES AMERICAN GAS	1219 W. BROADWAY STR	BC383 / 7	897
NEEDLESS GAS	1219 W BROADWAY ST	BC384 / 7	925
SHELL MINI MART	1219 BROADWAY ST	BC387 / 7	927
EL GARCES TRAIN STAT	950 FRONT ST	BE395 / 7	943
CITY OF NEEDLES	950 FRONT ST	BE397 / 7	945
CITY OF NEEDLES - EN	950 FRONT ST	BE400 / 7	950
CITY OF NEEDLES	950 FRONT ST EL GARC	BE401 / 7	951
BRENT ENGINEERING IN	41911 N SHORE DR	406 / 7	954
DONNA GRISWOLD	219 I ST	BG407 / 7	955
1X GRISWOLD, DONNA R	219 I STREET	BG408 / 7	956
1X GRISWOLD, ROBERT	219 I STREET	BG409 / 7	957
J STREET GAS & OIL	301 J ST	BF413 / 7	962
J STREET 76 GAS & RE	301 J ST	BF415 / 7	963
TRIPLE J GAS & SERVI	301 J ST	BF416 / 7	964

EXECUTIVE SUMMARY

<u>Site</u>	<u>Address</u>	<u>Map ID / Focus Map(s)</u>	<u>Page</u>
BOATNER'S ENTERPRISES	301 J ST	BF421 / 7	967
TOSCO CORPORATION ST	301 SOUTH J STREET	BF426 / 7	971
UNOCAL SRV. #6288	301 SOUTH J ST.	BF427 / 7	971
J STREET UNOCAL	301 SOUTH J ST	BF429 / 7	995
UNOCAL SERVICE STATION	301 SOUTH J STREET	BF430 / 7	996
J ST AMERICAN CAR CA	301 J ST	BF434 / 7	1001
CITY OF NEEDLES	1030 BROADWAY	BH436 / 7	1008
BNSF RAILWAY COMPANY	834 FRONT ST	BJ441 / 7	1026
AMTRAK	834 FRONT ST	BJ445 / 7	1034
BNSF RAILWAY	830 FRONT ST	BJ452 / 7	1043
NUSD-NEEDLES HIGH SCHOOL	1600 WASHINGTON ST	BK455 / 6	1046
BNSF RAILWAY COMPANY	900 FRONT ST	BI457 / 7	1051
HARTWICK AUTOMOTIVE	949 W BROADWAY ST	BH472 / 7	1174
BIG O TIRES & AUTO PARTS	949 WEST BROADWAY	BH476 / 7	1178
JB'S AUTO SERVICE CENTER/BUS	949 W BROADWAY	BH481 / 7	1196
PACIFIC TELEPHONE AND	221 H STREET	BM483 / 7	1206
1X JAMES LAMBERT	221 H STREET	BM484 / 7	1206
OFR TRUCKING INC	1201 3RD ST	BN485 / 7	1207
HUD C/O GOLDEN FEATHER	732 W FRONT LEE	BL488 / 7	1214
NEEDLES USD	720 BAILEY AVE	BO489 / 6	1216
STEPHEN BEALS	812 BAILEY AVE	BO496 / 6	1222
MARK ADAMS AS RECEIVING	710 W BROADWAY ST	BR502 / 7	1226
1X OVERNIGHT TRANSPORT		BR503 / 7	1227
1X CITY OF NEEDLES	WASTEWATER TREATMENT	BR504 / 7	1229
BCI COCA COLA BOTTLING	601-611 FRONT STREET	BP505 / 7	1236
H & H CYCLE WORKS	601 FRONT ST	BP506 / 7	1237
NEEDLES UNIFIED SCHOOL	1900 ERIN DR	BS507 / 6	1238
NEEDLES USD	1900 ERIN DR	BS514 / 6	1289
NEEDLES HIGH SCHOOL	1900 ERIN DR	BS515 / 6	1300
PALO VERDE COMMUNITY	725 W BROADWAY ST	BR518 / 7	1301
ACTION AUTOMOTIVE MAINTENANCE	130 C ST	BP522 / 7	1309
CLAYPOOL & CO	534 FRONT ST	527 / 7	1316
DAVID DAVIS	518 W BROADWAY	BV535 / 7	1320
CUPP'S CAR CARE	518 W BROADWAY	BV536 / 7	1322
JOAN E DAVIS	504 W BROADWAY	BV539 / 7	1323
TRI-CITY FORD DBA COMPANY	539 W BROADWAY ST	BV541 / 7	1325
RONS TRANSMISSION	236 C STATE ST	544 / 7	1366
1X RON RAY FORD-MERCURY	539 BROADWAY	BV545 / 7	1367
US POST SERVICE	628 THIRD ST	546 / 7	1368
US FISH & WILDLIFE SERVICE	311 & 317 MESQUITE	BX547 / 6	1368
GREAT WEST TRUCK INC	211 BALBOA ST	BX549 / 10	1370
INTOWN PROPERTIES IN	35598 AVENUE F	552 / 11	1400
1X NEEDLES UNIFIED SCHOOL	D STREET ELEMENTARY	561 / 11	1407
KENJI FUJISHIMA	409 PALM WAY ST	BZ564 / 11	1410
CALIFORNIA HIGHWAY PATROL	1916 J ST	CA566 / 10	1412
CALIFORNIA HIGHWAY PATROL	1916 J ST	CA568 / 10	1432
CHEHAB EL-AWAR	805 DOWNEY AVE	CC581 / 11	1440
ECONO SMOG & TUNE	115 W BROADWAY	CD584 / 11	1442
LEVIS TRANSMISSIONS	115 W BROADWAY	CD585 / 11	1446
1X COUNTY OF SAN BERNARDINO	1111 BAILEY AVE	CE592 / 10	1455
COUNTY OF SAN BERNARDINO	1111 BAILEY AVENUE	CE594 / 10	1457
CALTRANS NEEDLES AREA	1111 BAILEY AVE	CE596 / 10	1461
SAN BERNARDINO TRANS	1111 BAILEY STREET	CE597 / 10	1462
COUNTY OF SAN BERNARDINO	1111 BAILEY AVE	CE598 / 10	1463
NEEDLES COUNTY COMPLIANCE	1111 BAILEY AVE	CE599 / 10	1464
HOUSING AUTHORITY NE	908 SYCAMORE DR	600 / 10	1466

EXECUTIVE SUMMARY

<u>Site</u>	<u>Address</u>	<u>Map ID / Focus Map(s)</u>	<u>Page</u>
TUCKER'S RADIATOR	105 W BROADWAY ST	CG604 / 11	1469
TWO GUYS AUTO REPAIR	105 WEST BROADWAY	CG605 / 11	1471
WAYNE WONEY	105 W BROADWAY	CG606 / 11	1472
SAN BERNARDINO COUNT	112 ROBUFFA ST	CG613 / 11	1476
CITY OF NEEDLES ELEC	112 ROBUFFA ST	CG618 / 11	1545
C444 L300A MP 22.13-	12.15 MI S OF I40 13	CH624 / 11	1585
C607 L300B MP 20.05-	12.9 MI S OF I40 11.	CH625 / 11	1586
ELLEN CAMPBELL	526 DESNOK ST	630 / 11	1590
RICHARD PENA	313 DESNOK STREET	CK637 / 11	1598
NEW CINGULAR WIRELES	2450 PKWY EXTENSION	CL640 / 10	1599
1X CANTERBURY, CHARL	200 EAST BROADWAY	CM642 / 11	1602
MICAELA ROSE BROWN	2029 CORTEZ ST	CN644 / 10	1603
1X NEEDLES DESERT CO	1401 BAILEY AVENUE	CO646 / 10	1606
COLORADO RIVER MEDIC	1401 BAILEY AVE	CO647 / 10	1607
COLORADO RIVER MEDIC	1401 BAILEY AVE	CO654 / 10	1620
MANUEL CALDERON	2033 CORTEZ ST.	CN660 / 10	1645
CALDERON MANUEL	2033 CORTEZ STREET	CN661 / 10	1646
TRI-STATE COMMUNITY	1402 BAILEY AVE	CO663 / 10	1649
MOHAVE DENTAL CENTER	1406 BAILEY AVENUE S	664 / 10	1649
CHEVRON USA INC NEED	308 EAST BROADWAY	CP666 / 11	1655
1X UNDERWRITERS SALV	1150 REDWOOD AVENUE	CQ671 / 11	1663
KATHY ODELL	1933 DESOTO STREET	673 / 10	1665
1905 DESOTO ST RESID	1905 DESOTO STREET	CR674 / 10	1666
HARKEN MARKETING CO	409 E BROADWAY	CS677 / 11	1670
CITY OF NEEDLES WAST	516 E BROADWAY	CU681 / 11	1675
GAIL SHAVER	1349 LARCHWOOD ST	690 / 11	1751
ONSITE OIL	1801 CORONADO ST	691 / 10	1751
1X HANCOCK, CLARENCE	717 EAST BROADWAY	CV693 / 11	1769
KRISTINE BURTON	111 ALISO ST	694 / 11	1770
HARRIS MOTORS	110 GOODWILL ST	CW696 / 11	1774
PHILLIPS EXCAVATING,	805 E BROADWAY ST	CX700 / 11	1816
1X PHILLIPS CONSTRUC	805 EAST BROADWAY	CX705 / 11	1823
1X CHEVRON#9-1140	800 E BROADWAY	CX714 / 11	1840
JIM MCCLAIN	810 E BROADWAY	CX720 / 11	1843
NEEDLES TRI-MART	810 E BROADWAY	CX721 / 11	1845
BURP SERVICE	810 EAST BROADWAY	CX725 / 11	1869
1X MORENO VALLEY SAN	15980 GILMAN SPRINGS	727 / 11	1873
1X WHITING BROS STAT	901 EAST BROADWAY	CY732 / 11	1875
CLAYPOOL & CO TRUCK	904 1/2 E BROADWAY	CY742 / 11	1883
ROBINSON ELECTRIC CO	904 E BROADWAY	CY743 / 11	1883
SHELL FOOD MART	917 EAST BROADWAY	CY749 / 11	1898
EASTSIDE SHELL	916 E BROADWAY	CY755 / 11	1902
EASTSIDE SHELL	916 E BROADWAY ST	CY760 / 11	1933
DON GORRA	916 E BROADWAY	CY762 / 11	1938
DON GORRA/TEXMO OIL	916 E BROADWAY	CY765 / 11	1940
I 40 TEXACO	916 E BROADWAY	CY768 / 11	1943
DON GORRA	916 E BROADWAY	CY769 / 11	1947
EASTSIDE SERVICE CEN	916 E BROADWAY ST	CY770 / 11	1949
TRI-VALLEY CHEVRON	1005 E BROADWAY	DC789 / 11	1965
EXXON SERVICE STATIO	1005 E BROADWAY	DC795 / 11	1972
EXXON SERVICE STATIO	1005 E BROADWAY	DC801 / 11	2000
RITE AID NO 5699	1020 E BROADWAY ST	DC803 / 11	2003
AUTOZONE #3699	1008 EAST BROADWAY S	DC806 / 11	2023
99 CENTS ONLY STORES	1010 E BROADWAY ST	DC807 / 11	2025
RITE AID #5699	1020 E BROADWAY ST	DC814 / 11	2047
1X AMERICAN SAVINGS	1019 BROADWAYN STREE	DC821 / 11	2073

EXECUTIVE SUMMARY

<u>Site</u>	<u>Address</u>	<u>Map ID / Focus Map(s)</u>	<u>Page</u>
C603 L300B MP 19.96	13 MI S OF I40, 11 M	822 / 11	2074
OLDCASTLE APG WEST I	1 ICE PLANT RD	DD825 / 11	2076
CALTRANS D8 MAINTENA	800 SAN CLEMENTE ST	DE833 / 11	2100
A&G TOWING & STORAGE	600 SAN CLEMENTE ST	DF835 / 11	2172
SOUTHERN CALIFORNIA	ARIZONA AND SAN CLEM	DG838 / 11	2174
DOLLAR TREE #03648	1100 E BROADWAY ST	DI847 / 11	2224
QUALITY BOAT YARD	1200 E BROADWAY ST	DJ850 / 11	2241
1X JOES TIRE SERVICE	1203 EAST BROADWAY	DK854 / 11	2243
CAROL BROWN	153 VICTORY DRIVE	DN867 / 11	2260
ASTON MARTIN SERVICE	111 VICTORY DR	DO870 / 11	2264
1X JAMES LAMBERT	1703 W. BROADWAY	875 / 11	2268
FLEET MANAGEMENT NEE	5 AIRPORT RD	DR889 / 15	2305
DESERT AVIATION DBA	200 AIRPORT RD	DR892 / 15	2309
SARANJIT SAINI	HWY 95 SOUTH @ 5 MIL	895 / 15	2312
AT & T MOBILITY	1902 FIVE MILE RD	910 / 15	2348
CVUSD TRANSPORTATION	83800 AIRPORT BLVD	912 / 18	2353
COUNTY OF SAN BERNAR	711 AIRPORT RD	DU913 / 18	2372
CNTY SAN BERNARDINO	711 AIRPORT RD	DU914 / 18	2376
CNTY SAN BERNARDINO/	711 AIRPORT RD	DU915 / 18	2378
COUNTY OF SAN BERNAR	711 AIRPORT RD	DU917 / 18	2379
COUNTY OF SAN BERNAR	711 AIRPORT RD	DU918 / 18	2379
NEEDLES AIRPORT	711 AIRPORT RD	DU924 / 18	2385

MINES MRDS: Mineral Resources Data System

A review of the MINES MRDS list, as provided by EDR, and dated 04/06/2018 has revealed that there are 6 MINES MRDS sites within the requested target property.

<u>Site</u>	<u>Address</u>	<u>Map ID / Focus Map(s)</u>	<u>Page</u>
GOURD WASH PIT		M58 / 6	214
NEEDLES SAND AND GRA		843 / 11	2215
NEEDLES PIT		868 / 11	2261
GRAVEL GIRTY PIT		878 / 11	2271
UNNAMED QUARRY		893 / 14	2309
LACKEY CONCRETE		926 / 19	2420

EDR HIGH RISK HISTORICAL RECORDS

EDR Exclusive Records

EDR Hist Auto: EDR Exclusive Historical Auto Stations

A review of the EDR Hist Auto list, as provided by EDR, has revealed that there are 54 EDR Hist Auto sites within the requested target property.

<u>Site</u>	<u>Address</u>	<u>Map ID / Focus Map(s)</u>	<u>Page</u>
SUN ROC 66 LLC	4170 NEEDLES HWY SPC	11 / 4	111
NEEDLES TRUCK PLAZA	3131 RIVER RD	43 / 6	195
HI-LO SERVICES INC	2511 W BROADWAY ST	O66 / 6	241
HI-LO SERVICES INC A	2511 NEEDLES HWY	P78 / 6	248
HADLEY PAUL A	900 BROADWAY	R100 / 6	275

EXECUTIVE SUMMARY

<u>Site</u>	<u>Address</u>	<u>Map ID / Focus Map(s)</u>	<u>Page</u>
WEST SIDE TEXACO SER	2451 NEEDLES HWY	S113 / 6	319
NEEDLES 40 AM PM	2410 NEEDLES HWY	Q117 / 6	321
NEEDLES GAS MART	2410 W BROADWAY ST	W156 / 6	418
ANDERSON FLOYD PAUL	700 BROADWAY	193 / 6	473
CHEVRON CORPORATION	2321 NEEDLES HWY	AC207 / 6	531
G & M OIL COMPANY IN	2321 W BROADWAY ST	AC214 / 6	546
66 BAR	1900 NEEDLES HWY	220 / 6	551
ADVOCATE WILLIAM	518 BROADWAY	AH232 / 7	614
CHUN TERRY	504 BROADWAY	AH235 / 7	618
ANDERSON FLOYD PAUL	Q & ARCH STS	241 / 6	646
TRK ENTERPRISES INC	2205 W BROADWAY ST	AD263 / 6	670
CHAMBERS LEE PETROLE	1704 EAGLE PASS RD	AS336 / 6	802
DANZER IMPORT AUTO &	1404 W BROADWAY ST C	AX356 / 7	868
CROSSS TEXACO	1124 W BROADWAY	BD391 / 7	941
ZULCH AUTO WKS	274 I ST	BG404 / 7	954
ZULCH AUTO WORKS	274 I	BG405 / 7	954
J STREET INC	301 J ST	BF431 / 7	998
J BS AUTO SERVICE CE	949 W BROADWAY	BH479 / 7	1195
SIMONS HELEN	579 BEACH DR	494 / 7	1220
THOUSAND PINES GARAG	323 F	BQ523 / 7	1313
MOLTZ B E AUTO REPR	327 F	BQ525 / 7	1315
SHELL OIL CO GAS	395 F	BW540 / 7	1324
SHERREL H C GAS STA	399 F	BW542 / 7	1366
SCHUYLER F H AUTO RE	888 4TH	BW543 / 7	1366
SHIELDS HARPER & CO	405 E	BY548 / 7	1370
DADE C R AUTO REPR	440 E	BY562 / 11	1408
DEEN FRED AUTO	494 E	CB577 / 11	1439
CALIFORNIA SERVICE S	498 E	CB578 / 11	1439
ECONO SMOG & TUNE	115 W BROADWAY ST	CD588 / 11	1450
STANDARD STATIONS	591 E	CF601 / 11	1468
MOLTZ B E AUTO REPR	635 E	CF607 / 11	1473
CALDERON MANUEL	108 E HWY 66	CG608 / 11	1473
SPARKS R L INC AUTOS	689 E	CF620 / 11	1582
WHEELER FRANCIS W	111 CIBOLA ST	CG621 / 11	1582
STRINGHAM THOMAS L &	605 CIBOLA	623 / 11	1585
CALDERON MANUEL	2033 CORTEZ	CN657 / 10	1644
CHUCKS UNION	HWY 66 & GOODWILL	CX699 / 11	1815
FLEMING ENTERPRISE I	800 E BROADWAY	CX713 / 11	1839
CALDERON MANUEL	810 E BROADWAY	CX715 / 11	1841
WHITING BROTHERS OIL	901 E BROADWAY	CY733 / 11	1876
LOCKE E J	910 E BROADWAY	CY744 / 11	1885
MOHAVE OIL COMPANY	917 E BROADWAY ST	CY751 / 11	1900
HI-LO SERVICES INC A	916 E BROADWAY ST	CY767 / 11	1942
HI-LO SERVICES INC A	2150 CASA LINDA ST	773 / 11	1950
LOCKE E J	E HWY 66 & SN CRLOS	DB786 / 11	1964
SNOWBIRD AM/PM MINI	1005 E BROADWAY ST	DC797 / 11	1998
JIMS EXXON	1000 E BROADWAY	DC810 / 11	2035
PIKES COLLISION & TO	1203 E BROADWAY ST	DK856 / 11	2244
PARADICE AVIATION	711 AIRPORT RD	DU921 / 18	2383

EXECUTIVE SUMMARY

EDR Hist Cleaner: EDR Exclusive Historical Cleaners

A review of the EDR Hist Cleaner list, as provided by EDR, has revealed that there are 10 EDR Hist Cleaner sites within the requested target property.

<u>Site</u>	<u>Address</u>	<u>Map ID / Focus Map(s)</u>	<u>Page</u>
MOHAVE VALET CLEANER	111 F ST	BI437 / 7	1009
FISHER J C DO	328 F	BU526 / 7	1315
WAITMAN R J DO	340 F	BU528 / 7	1317
GALLANES G A HAT CLN	333 E	538 / 7	1323
LARSEN DYE WORKS	425 E	BY551 / 11	1399
GALLANES G A HAT	477 E	CB575 / 11	1438
LARSEN DYE WKS	512 E	CB579 / 11	1439
LARSEN DYE WORKS	516 E	CB580 / 11	1439
DE LUXE CLNRS	533 E	CC582 / 11	1441
CATTLE H R	682 D	631 / 11	1592

EDR RECOVERED GOVERNMENT ARCHIVES

Exclusive Recovered Govt. Archives

RGA LF: Recovered Government Archive Solid Waste Facilities List

A review of the RGA LF list, as provided by EDR, has revealed that there are 2 RGA LF sites within the requested target property.

<u>Site</u>	<u>Address</u>	<u>Map ID / Focus Map(s)</u>	<u>Page</u>
TIRE DISPOSAL SERVIC Facility ID: 36-TI-1482	1705 EAGLE PASS ROAD	AU347 / 6	818
CALTRANS NEEDLES MAI Facility ID: 36-AA-0461	800 SAN CLEMENTE ST.	DE831 / 11	2100

RGA LUST: Recovered Government Archive Leaking Underground Storage Tank

A review of the RGA LUST list, as provided by EDR, has revealed that there are 74 RGA LUST sites within the requested target property.

<u>Site</u>	<u>Address</u>	<u>Map ID / Focus Map(s)</u>	<u>Page</u>
GREAT WESTERN DIESEL	211 BALBOA PLACE	L54 / 6	205
GREAT WESTERN DIESEL	211 BALBOA PLACE	L55 / 6	205
MOBIL STATION #18-LK	2511 WEST BROADWAY A	O65 / 6	241
MOBIL STATION #18 LK	2511 WEST BROADWAY A	O67 / 6	242
MOBIL STATION #18-LK	2511 WEST BROADWAY	O68 / 6	242
MOBIL STATION #18-LK	2511 WEST BROADWAY	O71 / 6	244
MOBIL STATION #18 LK	2511 WEST BROADWAY A	O72 / 6	244
MOJAVE OIL COMPANY	917 BROADWAY	R85 / 6	260
WHITING BROS EAST	901 BROADWAY EAST	R101 / 6	276
NEEDLES CHEVRON	810 BROADWAY E	V131 / 6	340
NEEDLES CHEVRON	810 BROADWAY E.	V132 / 6	340
CALIFORNIA PANTRY	2411 NEEDLES HIGHWAY	X137 / 6	342
CALIFORNIA PANTRY	2411 NEEDLES HWY.	X138 / 6	343
ARCO AM/PM NO. 6166	2410 WEST BROADWAY	W146 / 6	395

EXECUTIVE SUMMARY

<u>Site</u>	<u>Address</u>	<u>Map ID / Focus Map(s)</u>	<u>Page</u>
ARCO STATION #6166	2410 WEST BROADWAY A	W147 / 6	396
ARCO AM/PM NO. 6166	2410 WEST BROADWAY A	W149 / 6	397
ARCO AM/PM #6166 / N	2410 WEST BROADWAY	W151 / 6	412
ARCO AM/PM #6166	2410 WEST BROADWAY A	W152 / 6	412
ARCO AM/PM NO. 6166	2401 WEST BROADWAY	W170 / 6	443
WHITING BROS WEST	2402 WEST BROADWAY A	Z176 / 6	448
CALIMESA OIL WB	2402 WEST BROADWAY A	Z177 / 6	448
CALIMESA OIL-WB	2402 WEST BROADWAY	Z178 / 6	449
CALIMESA OIL-WB	2402 W. BROADWAY	Z181 / 6	460
WHITING BROS	2402 WEST BROADWAY A	Z182 / 6	460
CALIMESA OIL-WB	2402 WEST BROADWAY A	Z183 / 6	460
G.M. OIL #26	2321 W. BROADWAY ST	AC213 / 6	546
CHEVRON STA. #9-8066	2205 WEST BROADWAY	AD259 / 6	668
CHEVRON STA. #9-8066	2205 WEST BROADWAY A	AD260 / 6	669
CHEVRON STA #9-8066	2205 WEST BROADWAY A	AD261 / 6	669
CHEVRON STA #9-8066	2205 WEST BROADWAY A	AD262 / 6	669
CHEVRON STA. #9-8066	2205 WEST BROADWAY	AD266 / 6	673
MOBIL STA. #100851	1632 WEST BROADWAY	AN305 / 6	727
MOBIL STA #100851	1632 WEST BROADWAY A	AN306 / 6	728
MOBIL STA. #100851	1632 WEST BROADWAY A	AN307 / 6	728
EZ SERVE #1152	1632 W. BROADWAY AVE	AN309 / 6	730
EZ SERVE #1152	1632 WEST BROADWAY A	AN310 / 6	730
EZ SERVE #1152	1632 WEST BROADWAY A	AN314 / 6	735
MOBIL STA #100851 /	1632 W. BROADWAY	AN315 / 6	736
GRISWOLD ENTERPRISES	219 I ST	BG412 / 7	960
AT&SF NEEDLES RAIL Y	900 FRONT STREET	BI466 / 7	1166
ATS & F NEEDLES RAIL	900 FRONT STREET	BI467 / 7	1166
ATS&F NEEDLES RAILYA	900 FRONT STREET	BI468 / 7	1168
UNOCAL STATION	705 FRONT STREET	BL491 / 7	1218
UNOCAL STATION / NEE	705 FRONT STREET	BL492 / 7	1219
UNOCAL STA - NEEDLES	705 FRONT STREET	BL493 / 7	1219
NEEDLES UNIFIED SCHO	1900 ERIN DRIVE	BS509 / 6	1270
NEEDLES UNIFIED SCHO	1900 ERIN DRIVE	BS516 / 6	1300
EZ SERVE #130	300 WEST BROADWAY AV	BZ555 / 11	1404
E-Z SERVE #130 / NEE	300 W. BROADWAY	BZ556 / 11	1405
EZ SERVE #130	300 W. BROADWAY	BZ557 / 11	1405
EZ SERVE #130	300 WEST BROADWAY AV	BZ558 / 11	1405
EZ SERVE #130	300 WEST BROADWAY	BZ560 / 11	1407
CHEVRON STA. #1140 /	800 EAST BROADWAY	CX707 / 11	1833
CHEVRON #1140	800 EAST BROADWAY	CX711 / 11	1837
CHEVRON #1140	800 E. BROADWAY	CX712 / 11	1839
NEEDLES CHEVRON	810 E. BROADWAY	CX724 / 11	1869
CALIMESA OIL INC	901 EAST BROADWAY	CY729 / 11	1874
WHITING BROS	901 EAST BROADWAY	CY731 / 11	1875
CALIMESA OIL-EB	901 EAST BROADWAY	CY734 / 11	1877
NEEDLES, CITY OF	903 E. BROADWAY	CY735 / 11	1878
CITY OF NEEDLES	903 EAST BROADWAY	CY737 / 11	1880
NEEDLES, CITY OF	903 EAST BROADWAY	CY740 / 11	1881
CALIFORNIA HOTEL	903 EAST BROADWAY	CY741 / 11	1882
MOJAVE OIL COMPANY	917 E. BROADWAY	CY745 / 11	1885
MOHAVE OIL COMPANY	917 E. BROADWAY	CY748 / 11	1898
I 40 TEXACO	916 EAST BROADWAY	CY753 / 11	1901
I-40 TEXACO	916 EAST BROADWAY	CY754 / 11	1902
SCG NORTH & SOUTH NE	1100 ARIZONA	DA779 / 11	1952
SOUTHERN CALIF. GAS	1100 ARIZONA	DA780 / 11	1952
SCG - NORTH & SOUTH	1100 ARIZONA	DA782 / 11	1955

EXECUTIVE SUMMARY

<u>Site</u>	<u>Address</u>	<u>Map ID / Focus Map(s)</u>	<u>Page</u>
ARCO NEEDLES	1005 EAST BROADWAY	DC791 / 11	1967
ARCO STATION	1005 EAST BROADWAY	DC793 / 11	1970
SBCO NEEDLES ROAD YA	5 AIRPORT RD	DS896 / 15	2313
COUNTY-NEEDLES ROAD	5 AIRPORT RD	DS897 / 15	2313

SURROUNDING SITES: SEARCH RESULTS

Surrounding sites were identified in the following databases.

Page Numbers and Map Identifications refer to the EDR Area/Corridor Report where detailed data on individual sites can be reviewed.

Sites listed in ***bold italics*** are in multiple databases.

Unmappable (orphan) sites are not considered in the foregoing analysis.

MAPPED SITES SUMMARY

Target Property:
817 THIRD ST.
NEEDLES, CA 92363

MAP ID / FOCUS MAP	SITE NAME	ADDRESS	DATABASE ACRONYMS	DIST (ft. & mi.) DIRECTION
Reg / Multiple	FORT MOJAVE RESERVAT		INDIAN RESERV	TP
A1 / 2	SOUTHERN CALIFORNIA	HWY 95 AT MILE POST	RCRA-LQG	TP
A2 / 2	SOUTHERN CALIFORNIA	4500 NEEDLES HWY (NO	EMI	TP
A3 / 2	SCG- N. NEEDLES COMP	4500 OLD RIVER ROAD	ENF, WDS, CIWQS	TP
A4 / 2	NORTH NEEDLES COMP S	NORTH NEEDLES COMP S	HIST UST	TP
A5 / 2	NORTH NEEDLESS COMP	NORTH NEEDLES COMP S	HIST UST	TP
A6 / 2	SOUTHERN CALIFORNIA	OLD RIVER RD	CERS	TP
A7 / 2	SO CAL GAS - NO. NEE	OLD RIVER RD	FINDS, ECHO	TP
B8 / 2	SOUTHERN CALIFORNIA	4500 OLD RIVER ROAD	AST, CERS HAZ WASTE, CERS TANKS, San Ber...	TP
B9 / 2	SCG- N. NEEDLES COMP	4500 NEEDLES	FINDS	TP
10 / 4	SOUTHERN CALIFORNIA	4500 NEEDLES HIGHWAY	HAZNET, HWTS	TP
11 / 4	SUN ROC 66 LLC	4170 NEEDLES HWY SPC	EDR Hist Auto	TP
C12 / 4	CHEMEHUEVI WATER		FINDS	TP
C13 / 4	PALMS RIVER RESORT		ECHO	TP
D14 / 4	PR RESORTS LP	4132 NEEDLES HIGHWAY	NPDES	TP
D15 / 4	PR RESORTS LP	4132 NEEDLES HIGHWAY	CIWQS	TP
16 / 4	NEEDLES HIGHWAY SEGM	NEEDLES HIGHWAY	NPDES, CIWQS	TP
E17 / 6		3520 NEEDLE'S HWY, #	CHMIRS	TP
E18 / 6	DONNA YEAGER	3520 NEEDLES HWY	HAZNET, HWTS	TP
E19 / 6	RAINBO BEACH RESORT	3520 NEEDLES HWY	FINDS	TP
E20 / 6	RAINBO BEACH RESORT	3520 NEEDLES HWY	ENF, WDS, CIWQS, CERS	TP
21 / 6	TAMERYN MCKENZIE	1900 NATIONAL TRAILS	HAZNET, HWTS	TP
22 / 6	PACIFIC GAS & ELECTR	14543 NATIONAL TRAIL	FINDS, ECHO	TP
23 / 6	MSB PARTNERS, INC	3515 NEEDLES HIGHWAY	ENF	TP
F24 / 6	VERIZON WIRELESS: SO	5201 NATIONAL TRAILS	San Bern. Co. Permit, CERS	TP
F25 / 6	VERIZON WIRELESS: SO	5201 NATIONAL TRAILS	FINDS	TP
G26 / 6		3502 NEEDLES HIGHWAY	CHMIRS	TP
G27 / 6		3502 NEEDLES HIGHWAY	ERNS	TP
28 / 6	AT&T MOBILITY - USID	5163 NATIONAL OLD TR	San Bern. Co. Permit, CERS	TP
H29 / 6	NEEDLES AUTO WRECKIN	5156 ROUTE 66	CERS HAZ WASTE	TP
H30 / 6	NEEDLES AUTO WRECKIN	5156 ROUTE 66	CERS	TP
31 / 6	1X DICKSON, JEAN	RIVER ROAD AND OLD T	HAZNET, HWTS	TP
32 / 6	FLUID HOLDINGS MICRO	3353 NEEDLES HIGHWAY	NPDES	TP
I33 / 6	3259 NEEDLES HWY	3259 NEEDLES HWY	CERS	TP
I34 / 6	3247 AM, LLC	3247 NEEDLES HIGHWAY	ECHO	TP
I35 / 6	3247 AM LLC	3247 NEEDLES HWY	RCRA NonGen / NLR	TP
I36 / 6	3247 AM LLC	3247 NEEDLES HIGHWAY	FINDS	TP
I37 / 6	3247 AM LLC	3247 NEEDLES HWY	HWTS	TP
I38 / 6	3247 CM LLC	3247 NEEDLES HIGHWAY	HAZNET, HWTS	TP

MAPPED SITES SUMMARY

Target Property:
817 THIRD ST.
NEEDLES, CA 92363

MAP ID / FOCUS MAP	SITE NAME	ADDRESS	DATABASE ACRONYMS	DIST (ft. & mi.) DIRECTION
I39 / 6	3247 CM LLC	3247 NEEDLES HIGHWAY	RCRA NonGen / NLR	TP
I40 / 6	3247 AM, LLC	3247 NEEDLES HIGHWAY	EMI	TP
I41 / 6	3241 NEEDLES HWY	3241 NEEDLES HIGHWAY	EMI, ENF	TP
I42 / 6	3247 AM, LLC - 3241	3241 NEEDLES HIGHWAY	FINDS	TP
43 / 6	NEEDLES TRUCK PLAZA	3131 RIVER RD	EDR Hist Auto	TP
J44 / 6	GREAT WESTERN DIESEL	211 BALBOA PLACE	LUST, CPS-SLIC, SWEEPS UST, HIST CORTESE...	TP
J45 / 6	DEER PARK DEVELOPMEN	366 ROUTE 66 PLACE	RCRA NonGen / NLR	TP
J46 / 6	DEER PARK DEVELOPMEN	366 ROUTE 66 PLACE	ECHO	TP
J47 / 6	DEER PARK DEVELOPMEN	366 ROUTE 66 PLACE	HWTS	TP
K48 / 6	BIG D TIRE	315 ROUTE 66	San Bern. Co. Permit	TP
K49 / 6	SOUTHWESTERN TIRE	315 RT 66	HWTS	TP
K50 / 6	BIG D TIRE LLC	315 RT 66	FINDS	TP
K51 / 6	BIG D TIRE	315 US HIGHWAY 66	HWTS	TP
L52 / 6	GREAT WESTERN DIESEL	211 BALBOA PLACE	FINDS	TP
L53 / 6	1X GREAT WESTERN DIE	211 BALBOA PLACE	HWTS	TP
L54 / 6	GREAT WESTERN DIESEL	211 BALBOA PLACE	RGA LUST	TP
L55 / 6	GREAT WESTERN DIESEL	211 BALBOA PLACE	RGA LUST	TP
56 / 6	GREAT WEST TRUCK INC	211 BALBOA	HAZNET, HWTS	TP
M57 / 6	GOURD WASH		MINES	TP
M58 / 6	GOURD WASH PIT		MINES MRDS	TP
59 / 6	NEEDLES SOLID WASTE	13930 NEEDLES LANDFI	FINDS	TP
N60 / 6	GREEN ACRES GROUP	NEEDLES HWY	ENF, CERS	TP
N61 / 6	NORTHSHORE RV RESORT	RR4 BOX 103	ENF, WDS, CIWQS, CERS	TP
62 / 6	FORT MOJAVE INDIAN R	500 MERRIMAN AVE	FINDS	TP
63 / 6	CARL'S JR #768	2601 W BROADWAY ST	San Bern. Co. Permit	TP
O64 / 6	SR 40 NEEDLES AMES Y	34 51' 6.5 114 37' 2	CERS	TP
O65 / 6	MOBIL STATION #18-LK	2511 WEST BROADWAY A	RGA LUST	TP
O66 / 6	HI-LO SERVICES INC	2511 W BROADWAY ST	EDR Hist Auto	TP
O67 / 6	MOBIL STATION #18 LK	2511 WEST BROADWAY A	RGA LUST	TP
O68 / 6	MOBIL STATION #18-LK	2511 WEST BROADWAY	RGA LUST	TP
O69 / 6	DESERT VIEW MOBIL	2511 W BROADWAY ST	UST	TP
O70 / 6	1X MOBIL OIL #18-LKT	2511 W BROADWAY ST	HAZNET, HWTS	TP
O71 / 6	MOBIL STATION #18-LK	2511 WEST BROADWAY	RGA LUST	TP
O72 / 6	MOBIL STATION #18 LK	2511 WEST BROADWAY A	RGA LUST	TP
O73 / 6	MOBIL STATION #18 LK	2511 WEST BROADWAY A	FINDS	TP
O74 / 6	DESERT VIEW MOBIL	2511 W BROADWAY	FINDS	TP
O75 / 6	DESERT VIEW MOBIL	2511 W BROADWAY	UST	TP
O76 / 6	MOBIL STATION #18 LK	2511 WEST BROADWAY A	LUST, Cortese, CERS	TP
P77 / 6	HILO SERVICES INC.	2511 NEEDLES HWY	HAULERS	TP

MAPPED SITES SUMMARY

Target Property:
817 THIRD ST.
NEEDLES, CA 92363

MAP ID / FOCUS MAP	SITE NAME	ADDRESS	DATABASE ACRONYMS	DIST (ft. & mi.) DIRECTION
P78 / 6	HI-LO SERVICES INC A	2511 NEEDLES HWY	EDR Hist Auto	TP
P79 / 6	DESERT VIEW MOBIL	2511 W NEEDLES HWY	FINDS, ECHO	TP
P80 / 6	DESERT VIEW MOBIL	2511 W NEEDLES HWY	RCRA NonGen / NLR	TP
P81 / 6		2511 NEEDLES HWY	CHMIRS	TP
P82 / 6	DESERT VIEW MOBIL	2511 WEST NEEDLES HW	EMI, HAZNET, HWTS	TP
Q83 / 6		2420 NEEDLES HIGHWAY	CHMIRS	TP
R84 / 6	15535 SAN BERNARDINO	916 BROADWAY RD E	FINDS	TP
R85 / 6	MOJAVE OIL COMPANY	917 BROADWAY	RGA LUST	TP
R86 / 6	FRONTIER - 915 BROAD	915 BROADWAY	EMI	TP
R87 / 6	FRONTIER CALIFORNIA	915 BROADWAY ST	ECHO	TP
R88 / 6	FRONTIER CALIFORNIA	915 BROADWAY ST	HAZNET, HWTS	TP
R89 / 6	CITIZENS COMMUNICATI	915 BROADWAY	EMI, San Bern. Co. Permit, CERS	TP
R90 / 6	FRONTIER CALIFORNIA	915 BROADWAY ST	FINDS	TP
R91 / 6	FRONTIER CALIFORNIA	915 BROADWAY ST	RCRA NonGen / NLR	TP
R92 / 6	FRONTIER - 915 BROAD	915 BROADWAY	FINDS	TP
R93 / 6	NEEDLES CENTRAL OFFI	915 BROADWAY	FINDS	TP
R94 / 6	CP NATIONAL	911 BROADWAY	FTTS	TP
R95 / 6	C P NATIONAL	911 BROADWAY	HAZNET, HWTS	TP
R96 / 6	ALLTEL CP NATIONAL	911 BROADWAY	RCRA-SQG, FINDS, ECHO	TP
R97 / 6	CP NATIONAL	911 BROADWAY	HIST FTTS	TP
R98 / 6	C P NATIONAL	911 BROADWAY	HAZNET, HWTS	TP
R99 / 6	TEN FOUR CORPORATION	1621 N STREET	FINDS	TP
R100 / 6	HADLEY PAUL A	900 BROADWAY	EDR Hist Auto	TP
R101 / 6	WHITING BROS EAST	901 BROADWAY EAST	RGA LUST	TP
R102 / 6	WHITING BROS EAST	901 BROADWAY EAST	FINDS	TP
R103 / 6	CALIMESA OIL INC	901 BROADWAY	LUST, Cortese, HIST CORTESE, CERS	TP
R104 / 6	9461 SAN BERNARDINO	901 BROADWAY E	FINDS	TP
S105 / 6	NEEDLES PETROLEUM IN	2451 NEEDLES HWY	HWTS	TP
S106 / 6	WESTSIDE SHELL	2451 NEEDLES HWY	CERS HAZ WASTE, CERS TANKS, EMI, San Ber...	TP
S107 / 6	WESTSIDE SHELL	2451 NEEDLES HWY	RCRA NonGen / NLR	TP
S108 / 6	WESTSIDE TEXACO	2451 NEEDLES HWY	UST	TP
S109 / 6	WESTSIDE SHELL	2451 NEEDLES HWY	ECHO	TP
S110 / 6	NEEDLES PETROLEUM IN	2451 NEEDLES HWY	RCRA NonGen / NLR	TP
S111 / 6	WESTSIDE SHELL	2451 W NEEDLES HWY	FINDS	TP
S112 / 6	NEEDLES PETROLEUM IN	2451 NEEDLES HWY	ECHO	TP
S113 / 6	WEST SIDE TEXACO SER	2451 NEEDLES HWY	EDR Hist Auto	TP
S114 / 6	NEEDLES PETROLEUM IN	2451 NEEDLES HWY	FINDS	TP
S115 / 6	WESTSIDE SHELL	2451 W NEEDLES HWY	UST	TP
R116 / 6	CALIPATRIA FIRE DEPT	125 N PARK	HAZNET, HWTS	TP

MAPPED SITES SUMMARY

Target Property:
817 THIRD ST.
NEEDLES, CA 92363

MAP ID / FOCUS MAP	SITE NAME	ADDRESS	DATABASE ACRONYMS	DIST (ft. & mi.) DIRECTION
Q117 / 6	NEEDLES 40 AM PM	2410 NEEDLES HWY	EDR Hist Auto	TP
Q118 / 6	ARCO NEEDLES GAS MAR	2410 NEEDLES HWY	HAZNET, HWTS	TP
Q119 / 6	ARCO NEEDLES 40 AM/P	2410 W NEEDLES HWY	HAZNET, HWTS	TP
120 / 6		1111 PASHARD ST	CHMIRS	TP
Q121 / 6	1X ARCO PRODUCTS CO.	2410 BROADWAY	HAZNET, HWTS	TP
T122 / 7	NEEDLES SMELTER	799 N L STREET	CERS	TP
T123 / 7	NEEDLES SMELTER	799 NORTH L STREET	SEMS, LEAD SMELTERS	TP
T124 / 7	NEEDLES SMELTER	799 NORTH L STREET	FINDS	TP
T125 / 7	NEEDLES SMELTER	799 N L STREET	RESPONSE, ENVIROSTOR	TP
U126 / 7	WELL #15	810 N K ST	San Bern. Co. Permit, CERS	TP
U127 / 7	WELL #10	810 N K ST	FINDS	TP
U128 / 7	NEW WELL #15	810 NORTH K STREET	CIWQS	TP
U129 / 7	NEW WELL #15	810 K	FINDS	TP
V130 / 6	NEEDLES CHEVRON	810 BROADWAY E.	LUST, Cortese, CERS	TP
V131 / 6	NEEDLES CHEVRON	810 BROADWAY E	RGA LUST	TP
V132 / 6	NEEDLES CHEVRON	810 BROADWAY E.	RGA LUST	TP
V133 / 6	NEEDLES CHEVRON	810 BROADWAY	HIST CORTESE	TP
V134 / 6	NEEDLES CHEVRON	810 BROADWAY E.	FINDS	TP
W135 / 6	ARCO AM/PM NO. 6166	2410 BROADWAY	HIST CORTESE	TP
X136 / 6	CALIFORNIA PANTRY	2411 NEEDLES HWY.	LUST	TP
X137 / 6	CALIFORNIA PANTRY	2411 NEEDLES HIGHWAY	RGA LUST	TP
X138 / 6	CALIFORNIA PANTRY	2411 NEEDLES HWY.	RGA LUST	TP
X139 / 6	CALIFORNIA PANTRY	2411 NEEDLES HIGHWAY	FINDS	TP
X140 / 6	CALIFORNIA PANTRY	2411 NEEDLES HIGHWAY	LUST, Cortese, CERS	TP
W141 / 6	MOBIL STATION	2511 W BROADWAY	CERS HAZ WASTE, SWEEPS UST, CERS TANKS, .IP	TP
W142 / 6		1005 VINE ST	ERNS	TP
W143 / 6	MCDANIELS GARAGE	1005 VINE ST	RCRA-SQG, FINDS, ECHO, San Bern. Co. Per...	TP
W144 / 6	J STREET INC	1005 VINE ST	HAZNET, HWTS	TP
W145 / 6	PETROMAR	2410 W BROADWAY	HWTS	TP
W146 / 6	ARCO AM/PM NO. 6166	2410 WEST BROADWAY	RGA LUST	TP
W147 / 6	ARCO STATION #6166	2410 WEST BROADWAY A	RGA LUST	TP
W148 / 6	ARCO STATION #6166	2410 WEST BROADWAY A	LUST	TP
W149 / 6	ARCO AM/PM NO. 6166	2410 WEST BROADWAY A	RGA LUST	TP
W150 / 6	BP WEST COAST PRODUC	2410 W BROADWAY	HAZNET, HWTS	TP
W151 / 6	ARCO AM/PM #6166 / N	2410 WEST BROADWAY	RGA LUST	TP
W152 / 6	ARCO AM/PM #6166	2410 WEST BROADWAY A	RGA LUST	TP
W153 / 6	ARCO STATION #6166	2410 WEST BROADWAY A	LUST, Cortese, CERS	TP
W154 / 6	ARCO STATION #6166	2410 WEST BROADWAY A	FINDS	TP
W155 / 6		2410 WEST BROADWAY S	CHMIRS	TP

MAPPED SITES SUMMARY

Target Property:
817 THIRD ST.
NEEDLES, CA 92363

MAP ID / FOCUS MAP	SITE NAME	ADDRESS	DATABASE ACRONYMS	DIST (ft. & mi.) DIRECTION
W156 / 6	NEEDLES GAS MART	2410 W BROADWAY ST	EDR Hist Auto	TP
W157 / 6	ARCO PETROLEUM PROD	2410 W BROADWAY ST	UST	TP
W158 / 6	ARCO PETROLEUM PROD	2410 W BROADWAY	SWEEPS UST	TP
W159 / 6	JOHN A LUSK	2410 W BROADWAY	HIST UST, San Bern. Co. Permit	TP
Y160 / 6	NEEDLES RADIATOR & M	1001 VINE	HWTS	TP
Y161 / 6	CROSS RADIATOR AND M	1001 VINE	HWTS	TP
Y162 / 6	NEEDLES RADIATOR/MUF	1001 VINE ST	San Bern. Co. Permit	TP
W163 / 6	A+AUTO CARE INC	2408 W BROADWAY	ECHO	TP
W164 / 6	A + AUTO CARE	2408 WEST BROADWAY	HAULERS	TP
W165 / 6	A+AUTO CARE INC	2408 W BROADWAY	RCRA NonGen / NLR	TP
W166 / 6	A+AUTO CARE INC	2408 W BROADWAY	FINDS	TP
W167 / 6	A+AUTO CARE INC	2408 W BROADWAY	HAZNET, HWTS	TP
W168 / 6	A+ AUTO CARE	2408 W BROADWAY	CERS HAZ WASTE, San Bern. Co. Permit, CE...	TP
W169 / 6	NEEDLES AUTO WRECKIN	138990 NATIONAL TRAI	San Bern. Co. Permit	TP
W170 / 6	ARCO AM/PM NO. 6166	2401 WEST BROADWAY	RGA LUST	TP
W171 / 6	ARCO #6166	2401 WEST BROADWAY	HAZNET, HWTS	TP
Z172 / 6	WHITING BROS SERVICE	2402 W BROADWAY	SWEEPS UST	TP
Z173 / 6	WHITING BROS	2402 WEST BROADWAY A	LUST	TP
Z174 / 6	1X WHITING BROS STAT	2402 WEST BROADWAY	HAZNET, HWTS	TP
Z175 / 6	WHITING BROS WEST	2402 WEST BROADWAY A	FINDS	TP
Z176 / 6	WHITING BROS WEST	2402 WEST BROADWAY A	RGA LUST	TP
Z177 / 6	CALIMESA OIL WB	2402 WEST BROADWAY A	RGA LUST	TP
Z178 / 6	CALIMESA OIL-WB	2402 WEST BROADWAY	RGA LUST	TP
Z179 / 6	WHITING BROS 32	2402 WEST BROADWAY	LUST, HIST UST, Cortese, CERS	TP
Z180 / 6	WHITING BROS 90	2402 WEST BROADWAY	HIST UST	TP
Z181 / 6	CALIMESA OIL-WB	2402 W. BROADWAY	RGA LUST	TP
Z182 / 6	WHITING BROS	2402 WEST BROADWAY A	RGA LUST	TP
Z183 / 6	CALIMESA OIL-WB	2402 WEST BROADWAY A	RGA LUST	TP
Y184 / 6	CROSS RV REPAIR	2208 RACE ST	HWTS	TP
Y185 / 6	NEEDLES RV & AUTO RE	2208 RACE ST	HWTS	TP
Y186 / 6	JIMS RV & AUTO REPAI	2208 RACE ST	HWTS	TP
Y187 / 6	BOB'S WHOLESALE TRAN	2208 RACE	HAZNET, HWTS	TP
Y188 / 6	GENES RV AND AUTO RE	2208 RACE ST	HWTS	TP
Y189 / 6	NEEDLES TRANSMISSION	2208 RACE ST	HWTS	TP
Y190 / 6	CROSS RV REPAIR	2208 RACE ST	RCRA-SQG, FINDS, ECHO	TP
Z191 / 6	CALIMESA OIL-WB	2402 BROADWAY	HIST CORTESE	TP
AA192 / 6		RACE AND T ST	CHMIRS	TP
193 / 6	ANDERSON FLOYD PAUL	700 BROADWAY	EDR Hist Auto	TP
AB194 / 7	NEEDLES MARINA RESOR	100 MARINA DR	UST, HIST UST, CERS TANKS, EMI, NPDES, S...	TP

MAPPED SITES SUMMARY

Target Property:
817 THIRD ST.
NEEDLES, CA 92363

MAP ID / FOCUS MAP	SITE NAME	ADDRESS	DATABASE ACRONYMS	DIST (ft. & mi.) DIRECTION
AB195 / 7	NEEDLES MARINA PARK	100 MARINA DR	FINDS	TP
AB196 / 7	NEEDLES MARINA PARK	100 MARINA PARK	SWEEPS UST	TP
AB197 / 7	NEEDLES MARINA PARK	100 MARINA DRIVE	FINDS	TP
AA198 / 6	MOHAN DORAISWAMY	2306 W. BROADWAY ST.	HAZNET, HWTS	TP
AC199 / 6	WESTSIDE CIRCLE K	2321 NEEDLES HWY	UST	TP
AC200 / 6	OASIS PETROLEUMO	2321 NEEDLES HWY	RCRA NonGen / NLR	TP
AC201 / 6	WESTSIDE MART	2321 NEEDLES HWY	ECHO	TP
AC202 / 6	OASIS PETROLEUMO	2321 NEEDLES HWY	FINDS, ECHO	TP
AC203 / 6	WESTSIDE MART	2321 NEEDLES HWY	CERS HAZ WASTE, CERS TANKS, EMI, San Ber...	TP
AC204 / 6	WESTSIDE CHEVRON	2321 NEEDLES HWY	RCRA NonGen / NLR	TP
AC205 / 6	OASIS PETROLEUM	2321 NEEDLES HWY	HAZNET, HWTS	TP
AC206 / 6	G & M OIL CO INC #26	2321 NEEDLES HWY	HAZNET, HWTS	TP
AC207 / 6	CHEVRON CORPORATION	2321 NEEDLES HWY	EDR Hist Auto	TP
AC208 / 6	WESTSIDE CHEVRON	2321 NEEDLES HWY	UST	TP
AC209 / 6	OASIS PETROLEUMO	2321 NEEDLES HWY	HWTS	TP
AC210 / 6	WESTSIDE CHEVRON	2321 NEEDLES HWY	FINDS	TP
AC211 / 6	G & M OIL #26	2321 BROADWAY AVE W	LUST, Cortese, HIST CORTESE, CERS	TP
AC212 / 6	GANDM OIL CO 26	2321 W BROADWAY	SWEEPS UST, HIST UST	TP
AC213 / 6	G.M. OIL #26	2321 W. BROADWAY ST	RGA LUST	TP
AC214 / 6	G & M OIL COMPANY IN	2321 W BROADWAY ST	EDR Hist Auto	TP
AC215 / 6	G&M OIL CO. #26	2321 W. BROADWAY	HIST UST	TP
AC216 / 6	G & M OIL CO #26	2321 W BROADWAY ST	UST	TP
AD217 / 6	DAVID POSNER	2208 NEEDLES HWY	HAZNET, HWTS	TP
AE218 / 6	MOBIL SERVICE STATIO	I-40 & RIVER RD	HAZNET, HWTS	TP
AF219 / 6	G & M OIL #26	2321 BROADWAY AVE W	FINDS	TP
220 / 6	66 BAR	1900 NEEDLES HWY	EDR Hist Auto	TP
AD221 / 6	COLORADO RIVER CHEVR	2204 W BROADWAY	HAZNET, HWTS	TP
AD222 / 6	LJ MOTORS	2204 WEST BROADWAY	FINDS, ECHO	TP
AD223 / 6	LJ MOTORS	2204 WEST BROADWAY	CERS	TP
AD224 / 6	1X L. J. MOTORS, INC	2204 WEST BROADWAY	HAZNET, HWTS	TP
AD225 / 6	LARRY GREEN AUTO CEN	2204 W BROADWAY	RCRA-SQG, SWEEPS UST, HAZNET, San Bern. ...	TP
AD226 / 6	COLORADO RIVER CHEVR	2204 W. BROADWAY	HWTS	TP
AD227 / 6	COLORADO RIVER CHEVR	2204 W. BROADWAY	HWTS	TP
228 / 6	CHEVRON STA. #9-8066	2205 BROADWAY	HIST CORTESE	TP
AG229 / 6	MOBIL STA. #100851	1632 BROADWAY	HIST CORTESE	TP
AH230 / 7	PREMIER SPORTS	1404 BROADWAY #A	CERS HAZ WASTE, San Bern. Co. Permit, CE...	TP
AH231 / 7	DANZER IMPORT AUTO &	1404 BROADWAY #C	San Bern. Co. Permit	TP
AH232 / 7	ADVOCATE WILLIAM	518 BROADWAY	EDR Hist Auto	TP
AH233 / 7	HARKEN MARKETING CO	504 BROADWAY	HWTS	TP

MAPPED SITES SUMMARY

Target Property:
817 THIRD ST.
NEEDLES, CA 92363

MAP ID / FOCUS MAP	SITE NAME	ADDRESS	DATABASE ACRONYMS	DIST (ft. & mi.) DIRECTION
AH234 / 7	E-Z SERVE STATION 97	504 BROADWAY	SWEEPS UST, HIST UST	TP
AH235 / 7	CHUN TERRY	504 BROADWAY	EDR Hist Auto	TP
AI236 / 7	BURLINGTON NORTHERN	316 BROADWAY	RCRA-SQG, FINDS	TP
AI237 / 7	BNSF RAILWAY COMPANY	316 BROADWAY	HAZNET, HWTS	TP
AI238 / 7	BURLINGTON NORTHERN	316 BROADWAY	ECHO	TP
AI239 / 7	HARKEN MARKETING CO	300 BROADWAY	HAZNET, HWTS	TP
AI240 / 7	E-Z SERVE STATION 13	300 BROADWAY	HIST UST	TP
241 / 6	ANDERSON FLOYD PAUL	Q & ARCH STS	EDR Hist Auto	TP
AJ242 / 6	THE FILTER CHANGE	1714 W. BROADWAY	FINDS	TP
AJ243 / 6		INTERSECTION OF N ST	CHMIRS	TP
AE244 / 6	1X HANCOCK, CLARENCE	2011 WEST BROADWAY	HAZNET, HWTS	TP
AE245 / 6	CR HANCOCK JR	2011 WEST BROADWAY	HIST UST	TP
AE246 / 6	HANCOCK, C R JR.	2011 W BROADWAY	SWEEPS UST	TP
AE247 / 6	E-Z SERVE #145	2103 W BROADWAY	SWEEPS UST	TP
AE248 / 6	E-Z SERVE STATION 14	2103 W BROADWAY	HIST UST	TP
AE249 / 6	1X NEEDLES DISCOUNT	2103 W BROADWAY	HWTS	TP
AG250 / 6	SHOP, THE	1611 RIVER RD	San Bern. Co. Permit	TP
AH251 / 7		599 NEEDLES, NEEDLES	CHMIRS	TP
AH252 / 7	COLORADO RIVER FORD	539 BROADWAY	RCRA-SQG, FINDS, ECHO	TP
AH253 / 7	COLORADO RIVER FORD	539 BROADWAY	HAZNET, HWTS	TP
AH254 / 7	RON RAY FORD-MERCURY	539 BROADWAY	HWTS	TP
AH255 / 7	COLORADO RIVER FORD	539 BROADWAY	San Bern. Co. Permit	TP
AI256 / 7	H AND H CYCLE WORKS	419 1/2 BROADWAY	HWTS	TP
AD257 / 6	CHEVRON STATION 9 80	2205 W BROADWAY	RCRA-SQG, FINDS, ECHO	TP
AD258 / 6	98066	2205 W BROADWAY	SWEEPS UST, HIST UST	TP
AD259 / 6	CHEVRON STA. #9-8066	2205 WEST BROADWAY	RGA LUST	TP
AD260 / 6	CHEVRON STA. #9-8066	2205 WEST BROADWAY A	RGA LUST	TP
AD261 / 6	CHEVRON STA #9-8066	2205 WEST BROADWAY A	RGA LUST	TP
AD262 / 6	CHEVRON STA #9-8066	2205 WEST BROADWAY A	RGA LUST	TP
AD263 / 6	TRK ENTERPRISES INC	2205 W BROADWAY ST	EDR Hist Auto	TP
AD264 / 6	1X CHEVRON USA STA#8	2205 W BROADWAY	HAZNET, HWTS	TP
AD265 / 6	CHEVRON STATION # 98	2205 W BROADWAY	HAZNET, HWTS	TP
AD266 / 6	CHEVRON STA. #9-8066	2205 WEST BROADWAY	RGA LUST	TP
AD267 / 6	CHEVRON 98066	2205 W BROADWAY	HAZNET, HWTS	TP
AD268 / 6	CHEVRON STA #9-8066	2205 WEST BROADWAY A	LUST, Cortese, CERS	TP
AK269 / 7	CITY OF NEEDLES MUNI	101 RIVER RD	FINDS, ECHO	TP
AK270 / 7	CITY OF NEEDLES MUNI	101 RIVER RD	RCRA NonGen / NLR	TP
AK271 / 7	TRANSWESTERN PIPELIN	15 MI OF NEEDLES OFF	HAZNET, HWTS	TP
AK272 / 7	SOUTHERN CALIF EDISO	23 MI W OF NEEDLES O	HWTS	TP

MAPPED SITES SUMMARY

Target Property:
817 THIRD ST.
NEEDLES, CA 92363

MAP ID / FOCUS MAP	SITE NAME	ADDRESS	DATABASE ACRONYMS	DIST (ft. & mi.) DIRECTION
AK273 / 7	SOUTHERN CALIFORNIA	23 MI W/OF NEEDLES O	HAZNET, HWTS	TP
AK274 / 7	1X P G & E	15 MI SO OF NEEDLES	HAZNET, HWTS	TP
AK275 / 7	1X CALIF DEPT OF TRA	11 MI E OF NEEDLES C	HWTS	TP
AL276 / 7	NEEDLES MARINA MAINT		CERS	TP
AL277 / 7	NEEDLES MARINA MAINT		CIWQS	TP
AF278 / 6	1XDALE STOUT PROPERT	2211 W. BROADWAY	HAZNET, HWTS	TP
AH279 / 7	L & S AUTO CENTER	1401 NEEDLES HWY	HAZNET, HWTS	TP
AH280 / 7	L & S AUTO CARE	1401 NEEDLES HWY	San Bern. Co. Permit	TP
AE281 / 6	WEST POINT AUTO	2103 NEEDLES HWY	FINDS	TP
AE282 / 6	ACTIVE TOWING DBA SL	2103 NEEDLES HWY	HWTS	TP
AE283 / 6	WEST POINT AUTO	2103 NEEDLES HWY	San Bern. Co. Permit, HWTS	TP
AE284 / 6	WEST POINT AUTO	2103 NEEDLES HIGHWAY	HWTS	TP
AK285 / 7	PG & E MEASURING STA	34.714956 114.490849	CERS	TP
AJ286 / 6	DESERT RIVER LUBE &	1714 W BROADWAY ST	CERS HAZ WASTE, San Bern. Co. Permit	TP
AJ287 / 6	THE FILTER CHANGE	1714 W BROADWAY	HWTS	TP
AJ288 / 6	CAMA DESERT SITES -		CERS	TP
AJ289 / 6	CAMP IBIS - CAMP IBI		CERS	TP
AJ290 / 6	PG&E IM3 REMEDIATION	I-40 AND PARK MOABI	EMI	TP
AJ291 / 6	CAMA DESE T SITES		LUST	TP
AJ292 / 6	CAMP IBIS - CAMP IBI		MCS	TP
AJ293 / 6	CAMP IBIS - CAMP IBI		MCS	TP
AJ294 / 6	NEEDLES DISPOSAL SIT	HIGHWAY 95, 3 MILES	ENVIROSTOR	TP
AJ295 / 6	CAMP IBIS - CAMP IBI		LUST, MCS	TP
AJ296 / 6	CAMP IBIS - CAMP IBI		MCS	TP
AM297 / 6		1707 NEEDLES HIGHWAY	CHMIRS	TP
AM298 / 6	PRAMOD CHAMPANERI	1707 NEEDLES HIGHWAY	HAZNET, HWTS	TP
AN299 / 6	DESERT RIVER LUBE &	1714 W BROADWAY ST	HWTS	TP
AN300 / 6	OIL LUBE AND LATTE	1714 W BROADWAY ST	HWTS	TP
301 / 6	TEST SITE FOR DATA E	666 MARKET ST, TRONA	FINDS	TP
302 / 6		M STREET AND MARKET	CHMIRS	TP
AO303 / 7	NEEDLES MUNI. GOLF C	144 MARINA DR	CERS HAZ WASTE, San Bern. Co. Permit, CE...	TP
AO304 / 7	NEEDLES MUNI. GOLF C	144 MARINA DR	FINDS	TP
AN305 / 6	MOBIL STA. #100851	1632 WEST BROADWAY	RGA LUST	TP
AN306 / 6	MOBIL STA #100851	1632 WEST BROADWAY A	RGA LUST	TP
AN307 / 6	MOBIL STA. #100851	1632 WEST BROADWAY A	RGA LUST	TP
AN308 / 6	HARKEN MARKETING CO	1632 W BROADWAY	HAZNET, HWTS	TP
AN309 / 6	EZ SERVE #1152	1632 W. BROADWAY AVE	RGA LUST	TP
AN310 / 6	EZ SERVE #1152	1632 WEST BROADWAY A	RGA LUST	TP
AN311 / 6	EZ SERVE #1152	1632 WEST BROADWAY A	LUST, Cortese, HIST CORTESE, CERS	TP

MAPPED SITES SUMMARY

Target Property:
817 THIRD ST.
NEEDLES, CA 92363

MAP ID / FOCUS MAP	SITE NAME	ADDRESS	DATABASE ACRONYMS	DIST (ft. & mi.) DIRECTION
AN312 / 6	E-Z SERVE STATION 11	1632 W BROADWAY	SWEEPS UST, HIST UST	TP
AN313 / 6	EZ SERVE #1152	1632 WEST BROADWAY A	FINDS	TP
AN314 / 6	EZ SERVE #1152	1632 WEST BROADWAY A	RGA LUST	TP
AN315 / 6	MOBIL STA #100851 /	1632 W. BROADWAY	RGA LUST	TP
316 / 7	CITY OF NEEDLES MUNI	1300 RIVER RD	HAZNET, HWTS	TP
317 / 6	TEN FOUR CORPORATION	1621 W BROADWAY	HAZNET, HWTS	TP
318 / 7	BARBARA A HAMBY	317 N K ST	HAZNET, HWTS	TP
319 / 6		300 WALNUT ST.	CHMIRS	TP
320 / 6	TEN FOUR CORPORATION	1621 N STREET	LUST, Cortese, ENF, CERS	TP
321 / 6	PACIFIC GAS & ELECTR	12 MI E NEEDLES ON I	ENVIROSTOR, DEED	TP
AP322 / 6	DOLLAR GENERAL STORE	1500 HOSPITALITY LN	CERS HAZ WASTE, HAZNET, NPDES, San Bern....	TP
AQ323 / 7	NEEDLES GOLF COURSE	997 BRIDGE	LUST, Cortese, HIST CORTESE, CERS	TP
AP324 / 6	FORMER GRIGGS AND SO	1705 WEST FRONT STRE	CPS-SLIC	TP
AQ325 / 7	CITY OF NEEDLES MUNI	997 BRIDGE ROAD	HIST UST	TP
AR326 / 6	I-126 C ARB YARD	34.752058 -114.59825	HWTS	TP
AR327 / 6	I-126D	34.684870, -114.8381	HWTS	TP
AR328 / 6	I-125C-D	34.670802, -114.6580	HWTS	TP
AQ329 / 7	NEEDLES GOLF COURSE	997 BRIDGE ROAD	FINDS	TP
AS330 / 6	EAGLEPASS AUTO DIS	1800 EAGLEPASS RD	HWTS	TP
AS331 / 6	EAGLE PASS WRECKING	1800 EAGLE PASS RD	WDS, CIWQS	TP
AS332 / 6	EAGLE PASS WRECKING	1800 EAGLE PASS RD	HAZNET, HWTS	TP
AS333 / 6	SLEIMAN ZEINATY	1800 EAGLE PASS RD	San Bern. Co. Permit	TP
AS334 / 6	EAGLE PASS AUTO DIS	1800 EAGLE PASS RD	CIWQS	TP
AS335 / 6	SLEIMAN ZEINATY	1800 EAGLE PASS RD	FINDS	TP
AS336 / 6	CHAMBERS LEE PETROLE	1704 EAGLE PASS RD	EDR Hist Auto	TP
AT337 / 7	A TO Z COLLISION CEN	117 N K ST	HWTS	TP
AT338 / 7	A TO Z COLLISION	117 NORTH K STREET	EMI	TP
AT339 / 7	A TO Z COLLISION CEN	117 K ST	FINDS	TP
340 / 6	CP NATIONAL SERVICE	1705 FRONT STREET	LUST, Cortese, HIST CORTESE, Notify 65, ...	TP
AT341 / 7	NEEDLES I-40 CONNECT	I-40 ALONG J BROADWA	NPDES, CIWQS	TP
AU342 / 6	BNSF RAILWAY COMPANY	1705 EAGLE PASS ROAD	FINDS	TP
AU343 / 6	THE BNSF RAILWAY COM	1705 EAGLE PASS RD	FINDS, ECHO	TP
AU344 / 6	ACTIVE AUTOWRECKING	1705 EAGLE PASS RD S	HWTS	TP
AU345 / 6	THE BNSF RAILWAY COM	1705 EAGLE PASS RD	RCRA NonGen / NLR	TP
AU346 / 6	ACTIVE TOWING	1705 EAGLE PASS RD	CPS-SLIC, San Bern. Co. Permit, CERS	TP
AU347 / 6	TIRE DISPOSAL SERVIC	1705 EAGLE PASS ROAD	RGA LF	TP
AU348 / 6	THE BNSF RAILWAY COM	1705 EAGLE PASS RD	HAZNET, HWTS	TP
AV349 / 7	CP NATIONAL (SERVICE	1705 FRONT ST	HIST UST	TP
AV350 / 7	LEE CHAMBERS PETROLE	1702 FRONT ST	SWEEPS UST, HIST UST	TP

MAPPED SITES SUMMARY

Target Property:
817 THIRD ST.
NEEDLES, CA 92363

MAP ID / FOCUS MAP	SITE NAME	ADDRESS	DATABASE ACRONYMS	DIST (ft. & mi.) DIRECTION
AW351 / 7	RESIDENTIAL HOUSE	908 BEACH DRIVE	NPDES	TP
AW352 / 7	RESIDENTIAL HOUSE	904 BEACH DRIVE	NPDES	TP
AX353 / 7	PREMIER SPORTS LLC	1404 W BROADWAY ST	ECHO	TP
AX354 / 7	PREMIER SPORTS LLC	1404 W BROADWAY ST	FINDS	TP
AX355 / 7	PREMIER SPORTS LLC	1404 W BROADWAY ST	HAZNET, HWTS	TP
AX356 / 7	DANZER IMPORT AUTO &	1404 W BROADWAY ST C	EDR Hist Auto	TP
AX357 / 7	PREMIER SPORTS LLC	1404 W BROADWAY ST	RCRA NonGen / NLR	TP
AY358 / 7	WELL #11	1274 RIVER RD	FINDS	TP
AY359 / 7	WELL #11	1274 RIVER RD	San Bern. Co. Permit, CERS	TP
AX360 / 7	RT-752	34.7147250, -114.488	HWTS	TP
AX361 / 7	SOUTHERN CALIFORNIA	34.680013, -114.7326	HWTS	TP
AZ362 / 7	TRI STATE TRUSS CORP	600 RIVER STREET	FINDS	TP
AZ363 / 7	TRI STATE TRUSS CORP	600 RIVER STREET	HWTS	TP
AZ364 / 7	TRI STATE TRUSS CORP	600 RIVER STREET	HWTS	TP
AZ365 / 7	TRI STATE TRUSS CORP	600 RIVER STREET	ECHO	TP
AZ366 / 7	TRI STATE TRUSS CORP	600 RIVER STREET	RCRA NonGen / NLR	TP
AZ367 / 7	TRI STATE TRUSS CORP	600 RIVER STREET	RCRA NonGen / NLR	TP
368 / 7	BIG BEAR AMERICAN MA	421 FAIRWAY ST	San Bern. Co. Permit	TP
BA369 / 7	CANNABIS DISPENSARY	1312 WEST BROADWAY S	NPDES	TP
370 / 7		826 BEACH DR	ERNS	TP
BB371 / 7	GRISWOLD ENTERPRISES	119 I ST	HIST UST	TP
BA372 / 7		WEST BROADWAY AND J	CHMIRS	TP
BB373 / 7	PG&E - TOPOCK REMEDI	I-40 & PARK MOABI RD	CERS	TP
BC374 / 7	13219 SAN BERNARDINO	1219 BROADWAY	FINDS	TP
375 / 6	SHIPCO TRANSPORT INC	5TH AND L ST/OFF FWY	HWTS	TP
376 / 6	FRONTIER - GC# 714	RIO MESA/ARIZONA STR	EMI, CERS	TP
BC377 / 7	SHELL MINIMART	1219 BROADWAY	HIST CORTESE	TP
BC378 / 7	NEEDLESS GAS	1219 W BROADWAY ST	RCRA NonGen / NLR	TP
BC379 / 7	NEEDLES GAS	1219 WEST BROADWAY S	EMI	TP
BC380 / 7	J STREET VALERO	1219 W BROADWAY	FINDS	TP
BC381 / 7	NEEDLESS GAS	1219 W BROADWAY ST	FINDS	TP
BC382 / 7	NEEDLES AMERICAN GAS	1219 W. BROADWAY STR	UST	TP
BC383 / 7	NEEDLES AMERICAN GAS	1219 W. BROADWAY STR	CERS HAZ WASTE, CERS TANKS, San Bern. Co...	TP
BC384 / 7	NEEDLESS GAS	1219 W BROADWAY ST	HWTS	TP
BC385 / 7	TM GROUP	1219 W BROADWAY ST	ECHO	TP
BC386 / 7	SHELL MINI-MART	1219 BROADWAY	FINDS	TP
BC387 / 7	SHELL MINI MART	1219 BROADWAY ST	HAZNET, HWTS	TP
BC388 / 7	SHELL MINI-MART	1219 BROADWAY	LUST, Cortese, CERS	TP
BC389 / 7	SHELL MINI MART	1219 BROADWAY	LUST, SWEEPS UST, HIST UST	TP

MAPPED SITES SUMMARY

Target Property:
817 THIRD ST.
NEEDLES, CA 92363

MAP ID / FOCUS MAP	SITE NAME	ADDRESS	DATABASE ACRONYMS	DIST (ft. & mi.) DIRECTION
390 / 7		712 BEACH DRIVE	CHMIRS	TP
BD391 / 7	CROSSS TEXACO	1124 W BROADWAY	EDR Hist Auto	TP
BD392 / 7	NEEDLES PNT LIQUOR &	1109 W BROADWAY	San Bern. Co. Permit	TP
BD393 / 7		200 "H" STREET	CHMIRS	TP
BD394 / 7		200 H STREET	HMIRS	TP
BE395 / 7	EL GARCES TRAIN STAT	950 FRONT ST	HAZNET, HWTS	TP
BE396 / 7	EL-GARCES TRAIN STAT	950 FRONT ST	San Bern. Co. Permit	TP
BE397 / 7	CITY OF NEEDLES	950 FRONT ST	HAZNET, HWTS	TP
BE398 / 7	EL GARCES TRAIN STAT	950 FRONT STREET	FINDS	TP
BE399 / 7	EL GARCES TRAIN STAT	950 FRONT STREET	RCRA NonGen / NLR	TP
BE400 / 7	CITY OF NEEDLES - EN	950 FRONT ST	HAZNET, HWTS	TP
BE401 / 7	CITY OF NEEDLES	950 FRONT ST EL GARC	HAZNET, HWTS	TP
BE402 / 7	EL GARCES TRAIN STAT	950 FRONT STREET	ECHO	TP
BF403 / 7	GW INVESTIGATION	1260 3RD	FINDS	TP
BG404 / 7	ZULCH AUTO WKS	274 I ST	EDR Hist Auto	TP
BG405 / 7	ZULCH AUTO WORKS	274 I	EDR Hist Auto	TP
406 / 7	BRENT ENGINEERING IN	41911 N SHORE DR	HWTS	TP
BG407 / 7	DONNA GRISWOLD	219 I ST	HAZNET, HWTS	TP
BG408 / 7	1X GRISWOLD, DONNA R	219 I STREET	HWTS	TP
BG409 / 7	1X GRISWALD, ROBERT	219 I STREET	HWTS	TP
BG410 / 7	GRISWOLD ENTERPRISES	219 I ST	FINDS	TP
BG411 / 7	GRISWOLD ENTERPRISES	219 I	LUST, SWEEPS UST, Cortese, HIST CORTESE,...	TP
BG412 / 7	GRISWOLD ENTERPRISES	219 I ST	RGA LUST	TP
BF413 / 7	J STREET GAS & OIL	301 J ST	HWTS	TP
BF414 / 7	J' STREET 76 GAS & O	301 J STREET	EMI	TP
BF415 / 7	J STREET 76 GAS & RE	301 J ST	HWTS	TP
BF416 / 7	TRIPLE J GAS & SERVI	301 J ST	HWTS	TP
BF417 / 7	TOSCO SS # 31145-628	301 J ST	UST	TP
BF418 / 7	J STREET GAS & OIL G	301 S J ST	UST	TP
BF419 / 7	STATION # 6288	301 J ST	HIST UST	TP
BF420 / 7	UNION OIL SERVICE ST	301 J ST	HIST UST	TP
BF421 / 7	BOATNER'S ENTERPRIES	301 J ST	HWTS	TP
BF422 / 7	J STREET 76 GAS & OI	301 J STREET	EMI	TP
BF423 / 7		301 J STREET	EMI	TP
BF424 / 7	STATION 6288	301 SOUTH J STREET	HIST UST	TP
BF425 / 7	UNION OIL SERVICE ST	301 SOUTH J STREET	HIST UST	TP
BF426 / 7	TOSCO CORPORATION ST	301 SOUTH J STREET	HWTS	TP
BF427 / 7	UNOCAL SRV. #6288	301 SOUTH J ST.	HWTS	TP
BF428 / 7	J STREET GAS & OIL G	301 S J ST	CERS HAZ WASTE, CERS TANKS, San Bern. Co...	TP

MAPPED SITES SUMMARY

Target Property:
817 THIRD ST.
NEEDLES, CA 92363

MAP ID / FOCUS MAP	SITE NAME	ADDRESS	DATABASE ACRONYMS	DIST (ft. & mi.) DIRECTION
BF429 / 7	J STREET UNOCAL	301 SOUTH J ST	HWTS	TP
BF430 / 7	UNOCAL SERVICE STATI	301 SOUTH J STREET	HAZNET, HWTS	TP
BF431 / 7	J STREET INC	301 J ST	EDR Hist Auto	TP
BF432 / 7	J STREET 76 GAS & O	301 J STREET	FINDS	TP
BF433 / 7	UNOCOL 76 STN #6288	301 S J ST	SWEEPS UST	TP
BF434 / 7	J ST AMERICAN CAR CA	301 J ST	HAZNET, HWTS	TP
BF435 / 7	J ST 76 GAS & REPAIR	301 S J ST	FINDS	TP
BH436 / 7	CITY OF NEEDLES	1030 BROADWAY	HAZNET, HWTS	TP
BI437 / 7	MOHAVE VALET CLEANER	111 F ST	EDR Hist Cleaner	TP
BJ438 / 7		834 FRONT STREET, NE	CHMIRS	TP
BJ439 / 7	BNSF NEEDLES FACILIT	834 FRONT ST	CERS HAZ WASTE, EMI, NPDES, San Bern. Co...	TP
BJ440 / 7	AMTRAK	834 N FRONT ST	RCRA NonGen / NLR	TP
BJ441 / 7	BNSF RAILWAY COMPANY	834 FRONT ST	CHMIRS, HAZNET, HWTS	TP
BJ442 / 7	NEEDLES RAILYARD	834 FRONT ST	CIWQS	TP
BJ443 / 7	BNSF RAILWAY CO - NE	834 NORTH FRONT STRE	EMI	TP
BJ444 / 7	BNSF NEEDLES FACILIT	834 FRONT ST	FINDS, ECHO	TP
BJ445 / 7	AMTRAK	834 FRONT ST	EMI, HAZNET, HWTS	TP
BJ446 / 7	AMTRAK	834 N FRONT ST	FINDS	TP
BJ447 / 7		834 FRONT STREET	HMIRS	TP
BJ448 / 7	BNSF RAILWAY CO - NE	834 NORTH FRONT STRE	FINDS	TP
BJ449 / 7		834 FRONT ST, MP 578	CHMIRS	TP
BJ450 / 7		834 FRONT ST	ERNS	TP
BJ451 / 7	AMTRAK	834 N FRONT ST	ECHO	TP
BJ452 / 7	BNSF RAILWAY	830 FRONT ST	HWTS	TP
BK453 / 6	NUSD-NEEDLES HIGH SC	1600 WASHINGTON ST	FINDS, ECHO	TP
BK454 / 6	NUSD-NEEDLES HIGH SC	1600 WASHINGTON ST	RCRA NonGen / NLR	TP
BK455 / 6	NUSD-NEEDLES HIGH SC	1600 WASHINGTON ST	HAZNET, HWTS	TP
BI456 / 7	BNSF RAILROAD COMPAN	900 FRONT ST	HAULERS	TP
BI457 / 7	BNSF RAILWAY COMPANY	900 FRONT ST	HAZNET, HWTS	TP
BI458 / 7	ATS & F NEEDLES RAIL	900 FRONT STREET	FINDS	TP
BI459 / 7	DIESEL FUELING-NEEDL	900 FRONT STREET	SWEEPS UST, HIST UST	TP
BI460 / 7	ATS&F NEEDLES RAILYA	900 FRONT	LUST, HIST CORTESE, CERS	TP
BI461 / 7	FORMER ATSF NEEDLES	900 FRONT STREET	CPS-SLIC	TP
BI462 / 7	BNSF - NEEDLES	900 FRONT ST	ECHO	TP
BI463 / 7	BNSF - NEEDLES	900 FRONT ST	RCRA-SQG, FINDS	TP
BI464 / 7	ATS & F NEEDLES RAIL	900 FRONT STREET	LUST, Cortese	TP
BI465 / 7	ATSF NEEDLES RAIL YA	900 FRONT STREET	Notify 65	TP
BI466 / 7	AT&SF NEEDLES RAIL Y	900 FRONT STREET	RGA LUST	TP
BI467 / 7	ATS & F NEEDLES RAIL	900 FRONT STREET	RGA LUST	TP

MAPPED SITES SUMMARY

Target Property:
817 THIRD ST.
NEEDLES, CA 92363

MAP ID / FOCUS MAP	SITE NAME	ADDRESS	DATABASE ACRONYMS	DIST (ft. & mi.) DIRECTION
BI468 / 7	ATS&F NEEDLES RAILYA	900 FRONT STREET	RGA LUST	TP
BI469 / 7	FORMER AT&SF NEEDLES	900 FRONT STREET	CPS-SLIC	TP
BL470 / 7	BNSF RAILWAY COMPANY	SOUTH EAST OF THE IN	CPS-SLIC, CERS	TP
BL471 / 7	BNSF RAILWAY COMPANY	SOUTH EAST OF THE IN	LUST, Cortese	TP
BH472 / 7	HARTWICK AUTOMOTIVE	949 W BROADWAY ST	HWTS	TP
BH473 / 7	HARTWICK AUTOMOTIVE	949 W BROADWAY ST	FINDS, ECHO	TP
BH474 / 7	HARTWICK AUTOMOTIVE	949 W BROADWAY ST	RCRA NonGen / NLR	TP
BH475 / 7	J B'S AUTO SERVICE C	949 W BROADWAY ST	UST	TP
BH476 / 7	BIG O TIRES & AUTO P	949 WEST BROADWAY	HAZNET, HWTS	TP
BH477 / 7	BIG O TIRES & AUTO P	949 W BROADWAY ST	FINDS	TP
BH478 / 7	BIG O TIRES & AUTO P	949 W BROADWAY ST	CERS HAZ WASTE, San Bern. Co. Permit, CE...	TP
BH479 / 7	J BS AUTO SERVICE CE	949 W BROADWAY	EDR Hist Auto	TP
BH480 / 7	HARTWICK AUTOMOTIVE,	949 WEST BROADWAY ST	HAULERS	TP
BH481 / 7	JB'S AUTO SRV CTR/BI	949 W BROADWAY	HAZNET, HWTS	TP
BM482 / 7	PACIFIC BELL	221 H STREET	RCRA NonGen / NLR, FINDS, ECHO	TP
BM483 / 7	PACIFIC TELEPHONE AN	221 H STREET	HWTS	TP
BM484 / 7	1X JAMES LAMBERT	221 H STREET	HAZNET, HWTS	TP
BN485 / 7	OFR TRUCKING INC	1201 3RD ST	HAZNET, HWTS	TP
BN486 / 7	OFR TRUCKING INC	1201 3RD ST	FINDS, ECHO	TP
BN487 / 7	OFR TRUCKING INC	1201 3RD ST	RCRA NonGen / NLR	TP
BL488 / 7	HUD C/O GOLDEN FEATH	732 W FRONTLEE	HAZNET, HWTS	TP
BO489 / 6	NEEDLES USD	720 BAILEY AVE	HAZNET, HWTS	TP
BL490 / 7	UNOCAL STATION	705 FRONT	HIST CORTESE	TP
BL491 / 7	UNOCAL STATION	705 FRONT STREET	RGA LUST	TP
BL492 / 7	UNOCAL STATION / NEE	705 FRONT STREET	RGA LUST	TP
BL493 / 7	UNOCAL STA - NEEDLES	705 FRONT STREET	RGA LUST	TP
494 / 7	SIMONS HELEN	579 BEACH DR	EDR Hist Auto	TP
BO495 / 6	STEPHEN BEALS	812 BAILEY AVE	RCRA NonGen / NLR	TP
BO496 / 6	STEPHEN BEALS	812 BAILEY AVE	HWTS	TP
BO497 / 6	STEPHEN BEALS	812 BAILEY AVE	ECHO	TP
BO498 / 6	STEPHEN BEALS	812 BAILEY AVE	FINDS	TP
BP499 / 7	SAN BERNARDINO COUNT	633 FRONT ST	San Bern. Co. Permit	TP
BP500 / 7	SAN BERNARDINO COUNT	633 FRONT ST	FINDS	TP
BQ501 / 7		222 F ST.	CHMIRS	TP
BR502 / 7	MARK ADAMS AS RECEIV	710 W BROADWAY ST	HAZNET, HWTS	TP
BR503 / 7	1X OVERNIGHT TRANSP		HAZNET, HWTS	TP
BR504 / 7	1X CITY OF NEEDLES	WASTEWATER TREATMENT	HAZNET, HWTS	TP
BP505 / 7	BCI COCA COLA BOTTOL	601-611 FRONT STREET	HAZNET, HWTS	TP
BP506 / 7	H & H CYCLE WORKS	601 FRONT ST	HWTS	TP

MAPPED SITES SUMMARY

Target Property:
817 THIRD ST.
NEEDLES, CA 92363

MAP ID / FOCUS MAP	SITE NAME	ADDRESS	DATABASE ACRONYMS	DIST (ft. & mi.) DIRECTION
BS507 / 6	NEEDLES UNIFIED SCHO	1900 ERIN DR	HAZNET, HWTS	TP
BS508 / 6	NEEDLES UNIFIED SCHO	1900 ERIN DRIVE	HAULERS	TP
BS509 / 6	NEEDLES UNIFIED SCHO	1900 ERIN DRIVE	RGA LUST	TP
BS510 / 6	NEEDLES USD	1900 ERIN DR	LUST, AST, CERS HAZ WASTE, SWEEPS UST, C...	TP
BS511 / 6	NUSD MAINTENANCE YAR	1900 ERIN DR	CIWQS	TP
BS512 / 6	NEEDLES UNIFIED SCHO	1900 ERIN DR	FINDS, ECHO	TP
BS513 / 6	NEEDLES UNIFIED SCHO	1900 ERIN DR	RCRA NonGen / NLR	TP
BS514 / 6	NEEDLES USD	1900 ERIN DR	HAZNET, HWTS	TP
BS515 / 6	NEEDLES HIGH SCHOOL	1900 ERIN DR	HWTS	TP
BS516 / 6	NEEDLES UNIFIED SCHO	1900 ERIN DRIVE	RGA LUST	TP
BS517 / 6	NEEDLES UNIFIED SCHO	1900 ERIN DRIVE	LUST, Cortese	TP
BR518 / 7	PALO VERDE COMMUNITY	725 W BROADWAY ST	HAZNET, HWTS	TP
BT519 / 6	SAN BERNARDINO CO PA	INTERSTATE 40	LUST	TP
BT520 / 6	SB CO PARK MOABI MAR	PARK MOABI ROAD	LUST	TP
BT521 / 6	SAN BERNARDINO CO PA	INTERSTATE 40	LUST, Cortese, CERS	TP
BP522 / 7	ACTION AUTOMOTIVE MA	130 C ST	RCRA-SQG, FINDS, ECHO, San Bern. Co. Per...	TP
BQ523 / 7	THOUSAND PINES GARAG	323 F	EDR Hist Auto	TP
524 / 7		1195 3RD STREET	CHMIRS	TP
BQ525 / 7	MOLTZ B E AUTO REPR	327 F	EDR Hist Auto	TP
BU526 / 7	FISHER J C DO	328 F	EDR Hist Cleaner	TP
527 / 7	CLAYPOOL & CO	534 FRONT ST	HAZNET, HWTS	TP
BU528 / 7	WAITMAN R J DO	340 F	EDR Hist Cleaner	TP
BU529 / 7	NEEDLES SBR CS	817 THIRD STREET	CIWQS	TP
BU530 / 7	CITY OF NEEDLES	817 THIRD ST.	FINDS	TP
BU531 / 7	CITY OF NEEDLES	817 THIRD ST.	FTTS, HIST FTTS	TP
BU532 / 7	NEEDLES SBR CS	817 THIRD	FINDS	TP
BU533 / 7	NEEDLES	817 THIRD STREET	FINDS	TP
BU534 / 7	SOUTHWEST GAS - TOPO	817 THIRD ST	ICIS, FINDS, ECHO	TP
BV535 / 7	DAVID DAVIS	518 W BROADWAY	HAZNET, HWTS	TP
BV536 / 7	CUPP'S CAR CARE	518 W BROADWAY	HWTS	TP
537 / 7	NEEDLES	UNKNOWN	CERS	TP
538 / 7	GALLANES G A HAT CLN	333 E	EDR Hist Cleaner	TP
BV539 / 7	JOAN E DAVIS	504 W BROADWAY	HAZNET, HWTS	TP
BW540 / 7	SHELL OIL CO GAS	395 F	EDR Hist Auto	TP
BV541 / 7	TRI-CITY FORD DBA CO	539 W BROADWAY ST	HAZNET, HWTS	TP
BW542 / 7	SHERREL H C GAS STA	399 F	EDR Hist Auto	TP
BW543 / 7	SCHUYLER F H AUTO RE	888 4TH	EDR Hist Auto	TP
544 / 7	RONS TRANSMISSION	236 C STATE ST	HWTS	TP
BV545 / 7	1X RON RAY FORD-MERC	539 BROADWAY	HAZNET, HWTS	TP

MAPPED SITES SUMMARY

Target Property:
817 THIRD ST.
NEEDLES, CA 92363

MAP ID / FOCUS MAP	SITE NAME	ADDRESS	DATABASE ACRONYMS	DIST (ft. & mi.) DIRECTION
546 / 7	US POST SERVICE	628 THIRD ST	HWTS	TP
BX547 / 6	US FISH & WILDLIFE S	311 & 317 MESQUITE	HAZNET, HWTS	TP
BY548 / 7	SHIELDS HARPER & CO	405 E	EDR Hist Auto	TP
BX549 / 10	GREAT WEST TRUCK INC	211 BALBOA ST	HAULERS, HAZNET, HWTS	TP
BX550 / 10	GREAT WEST TRUCK AND	211 BALBOA PLACE	RCRA-SQG, FINDS, ECHO	TP
BY551 / 11	LARSEN DYE WORKS	425 E	EDR Hist Cleaner	TP
552 / 11	INTOWN PROPERTIES IN	35598 AVENUE F	HWTS	TP
BZ553 / 11	EZ SERVE #130	300 WEST BROADWAY AV	LUST, Cortese, HIST CORTESE, CERS	TP
BZ554 / 11	E-Z SERVE STATION #1	300 W BROADWAY	SWEEPS UST	TP
BZ555 / 11	EZ SERVE #130	300 WEST BROADWAY AV	RGA LUST	TP
BZ556 / 11	E-Z SERVE #130 / NEE	300 W. BROADWAY	RGA LUST	TP
BZ557 / 11	EZ SERVE #130	300 W. BROADWAY	RGA LUST	TP
BZ558 / 11	EZ SERVE #130	300 WEST BROADWAY AV	RGA LUST	TP
BZ559 / 11	EZ SERVE #130	300 WEST BROADWAY AV	FINDS	TP
BZ560 / 11	EZ SERVE #130	300 WEST BROADWAY	RGA LUST	TP
561 / 11	1X NEEDLES UNIFIED S	D STREET ELEMENTARY	HWTS	TP
BY562 / 11	DADE C R AUTO REPR	440 E	EDR Hist Auto	TP
BZ563 / 11	KENJI FUJISHIMA	409 PALM WAY ST	RCRA NonGen / NLR	TP
BZ564 / 11	KENJI FUJISHIMA	409 PALM WAY ST	HWTS	TP
BZ565 / 11	KENJI FUJISHIMA	409 PALM WAY ST	FINDS, ECHO	TP
CA566 / 10	CALIFORNIA HIGHWAY P	1916 J ST	HAZNET, HWTS	TP
CA567 / 10	CALIFORNIA HIGHWAY P	1916 J ST	CERS HAZ WASTE, CERS TANKS, San Bern. Co...	TP
CA568 / 10	CALIFORNIA HIGHWAY P	1916 J ST	HWTS	TP
CA569 / 10	CALIFORNIA HIGHWAY P	1916 J ST	RCRA NonGen / NLR	TP
CA570 / 10	CHP - NEEDLES	1916	FINDS, ECHO	TP
CA571 / 10	CHP STATION NEEDLES	1916 J ST	FINDS	TP
CA572 / 10	CALIFORNIA HIGHWAY P	1916 J ST	UST	TP
CA573 / 10	CHP - NEEDLES	1916 J ST	HAULERS	TP
CA574 / 10	ST-CALIF HWY PATROL/	1916 J ST	UST	TP
CB575 / 11	GALLANES G A HAT	477 E	EDR Hist Cleaner	TP
576 / 10	NEEDLES SHERIFF SUB	111 BAILEY ST	HIST UST	TP
CB577 / 11	DEEN FRED AUTO	494 E	EDR Hist Auto	TP
CB578 / 11	CALIFORNIA SERVICE S	498 E	EDR Hist Auto	TP
CB579 / 11	LARSEN DYE WKS	512 E	EDR Hist Cleaner	TP
CB580 / 11	LARSEN DYE WORKS	516 E	EDR Hist Cleaner	TP
CC581 / 11	CHEHAB EL-AWAR	805 DOWNEY AVE	HAZNET, HWTS	TP
CC582 / 11	DE LUXE CLNRS	533 E	EDR Hist Cleaner	TP
CD583 / 11	ECONO SMOG & TUNE	115 W BROADWAY	San Bern. Co. Permit	TP
CD584 / 11	ECONO SMOG & TUNE	115 W BROADWAY	HAZNET, HWTS	TP

MAPPED SITES SUMMARY

Target Property:
817 THIRD ST.
NEEDLES, CA 92363

MAP ID / FOCUS MAP	SITE NAME	ADDRESS	DATABASE ACRONYMS	DIST (ft. & mi.) DIRECTION
CD585 / 11	LEVIS TRANSMISSIONS	115 W BROADWAY	HWTS	TP
CD586 / 11	ECONO SMOG & TUNE	115 W BROADWAY	FINDS, ECHO	TP
CD587 / 11	ECONO SMOG & TUNE	115 W BROADWAY	RCRA NonGen / NLR	TP
CD588 / 11	ECONO SMOG & TUNE	115 W BROADWAY ST	EDR Hist Auto	TP
CE589 / 10	CALTRANS NEEDLES ARE	1111 BAILEY AVE	RCRA NonGen / NLR, FINDS, ECHO	TP
CE590 / 10	NEEDLES COUNTY COMPL	1111 BAILEY	SWEEPS UST, HIST UST	TP
CE591 / 10	VERIZON WIRELESS - N	1111 BAILEY STREET	FINDS	TP
CE592 / 10	1X COUNTY OF SAN BER	1111 BAILEY AVE	HAZNET, HWTS	TP
CE593 / 10	VERIZON WIRELESS - N	1111 BAILEY STREET	EMI	TP
CE594 / 10	COUNTY OF SAN BERNAR	1111 BAILEY AVENUE	HWTS	TP
CE595 / 10	NEEDLES SHERIFF SUB	1111 BAILEY ST	SWEEPS UST, EMI, San Bern. Co. Permit, C...	TP
CE596 / 10	CALTRANS NEEDLES ARE	1111 BAILEY AVE	HWTS	TP
CE597 / 10	SAN BERNARDINO TRANS	1111 BAILEY STREET	HAZNET, HWTS	TP
CE598 / 10	COUNTY OF SAN BERNAR	1111 BAILEY AVE	HAZNET, HWTS	TP
CE599 / 10	NEEDLES COUNTY COMPL	1111 BAILEY AVE	HAZNET, HWTS	TP
600 / 10	HOUSING AUTHORITY NE	908 SYCAMORE DR	HAZNET, HWTS	TP
CF601 / 11	STANDARD STATIONS	591 E	EDR Hist Auto	TP
CG602 / 11	TUCKERS RADIATOR	105 W BROADWAY	San Bern. Co. Permit	TP
CG603 / 11	TWO GUYS AUTO	105 W BROADWAY ST	UST	TP
CG604 / 11	TUCKER'S RADIATOR	105 W BROADWAY ST	HAZNET, HWTS	TP
CG605 / 11	TWO GUYS AUTO REPAIR	105 WEST BROADWAY	HAZNET, HWTS	TP
CG606 / 11	WAYNE WONEY	105 W BROADWAY	HWTS	TP
CF607 / 11	MOLTZ B E AUTO REPR	635 E	EDR Hist Auto	TP
CG608 / 11	CALDERON MANUEL	108 E HWY 66	EDR Hist Auto	TP
CF609 / 11		660 E STREET	CHMIRS	TP
CF610 / 11	GTE-SAN BERNARDINO C	665 E ST	SWEEPS UST, CA FID UST	TP
CG611 / 11	CITY OF NEEDLES ELEC	112 ROBUFFA ST	FINDS, ECHO	TP
CG612 / 11	NEEDLES/PUBLIC WORKS	112 ROBUFFA ST	FINDS	TP
CG613 / 11	SAN BERNARDINO COUNT	112 ROBUFFA ST	HAZNET, HWTS	TP
CG614 / 11	CITY OF NEEDLES ELEC	112 ROBUFFA ST	RCRA NonGen / NLR	TP
CG615 / 11	SAN BERNARDINO COUNT	112 ROBUFFA ST	RCRA NonGen / NLR	TP
CG616 / 11	SAN BERNARDINO COUNT	112 ROBUFFA ST	FINDS, ECHO	TP
CG617 / 11	HHW SATELLITE NEEDLE	112 ROBUFFA ST	FINDS	TP
CG618 / 11	CITY OF NEEDLES ELEC	112 ROBUFFA ST	HAZNET, HWTS	TP
CG619 / 11	HHW SATELLITE NEEDLE	112 ROBUFFA ST	AST, CERS HAZ WASTE, San Bern. Co. Permi...	TP
CF620 / 11	SPARKS R L INC AUTOS	689 E	EDR Hist Auto	TP
CG621 / 11	WHEELER FRANCIS W	111 CIBOLA ST	EDR Hist Auto	TP
622 / 11	DANIEL FAMILY TRUST	623 CIBOLA ST	RCRA NonGen / NLR	TP
623 / 11	STRINGHAM THOMAS L &	605 CIBOLA	EDR Hist Auto	TP

MAPPED SITES SUMMARY

Target Property:
817 THIRD ST.
NEEDLES, CA 92363

MAP ID / FOCUS MAP	SITE NAME	ADDRESS	DATABASE ACRONYMS	DIST (ft. & mi.) DIRECTION
CH624 / 11	C444 L300A MP 22.13-	12.15 MI S OF I40 13	HAZNET, HWTS	TP
CH625 / 11	C607 L300B MP 20.05-	12.9 MI S OF I40 11.	HAZNET, HWTS	TP
CI626 / 11	NEEDLES ROAD YARD	607 ROBUFFA STREET	HIST UST	TP
CI627 / 11	NEEDLES ROAD YARD	607 ROBUFFA	HIST UST	TP
CI628 / 11	NEEDLES ROAD YARD	607 ROBUFFA ST	HIST UST	TP
CI629 / 11	CITY OF NEEDLES MAIN	607 ROBUFFA	HIST UST	TP
630 / 11	ELLEN CAMPBELL	526 DESNOK ST	HAZNET, HWTS	TP
631 / 11	CATTLE H R	682 D	EDR Hist Cleaner	TP
632 / 10		2004 RIO VISTA	CHMIRS	TP
CJ633 / 11	NEEDLES STATION HOSP		FUDS	TP
CJ634 / 11	NEEDLES STATION HOSP		ENVIROSTOR	TP
CK635 / 11	RICHARD PENA	313 DESNOK STREET	ECHO	TP
CK636 / 11	RICHARD PENA	313 DESNOK STREET	RCRA NonGen / NLR	TP
CK637 / 11	RICHARD PENA	313 DESNOK STREET	HWTS	TP
CK638 / 11	RICHARD PENA	313 DESNOK STREET	FINDS	TP
CL639 / 10	AT & T MOBILITY - NE	2450 PARKWAY EXTENSI	FINDS	TP
CL640 / 10	NEW CINGULAR WIRELES	2450 PKWY EXTENSION	HWTS	TP
CM641 / 11	C & A CHEVRON	200 E BROADWAY	SWEEPS UST	TP
CM642 / 11	1X CANTERBURY, CHARL	200 EAST BROADWAY	HAZNET, HWTS	TP
CN643 / 10	MICAELA ROSE BROWN	2029 CORTEZ ST	FINDS, ECHO	TP
CN644 / 10	MICAELA ROSE BROWN	2029 CORTEZ ST	HWTS	TP
CN645 / 10	MICAELA ROSE BROWN	2029 CORTEZ ST	RCRA NonGen / NLR	TP
CO646 / 10	1X NEEDLES DESERT CO	1401 BAILEY AVENUE	HAZNET, HWTS	TP
CO647 / 10	COLORADO RIVER MEDIC	1401 BAILEY AVE	HAZNET, HWTS	TP
CO648 / 10	COLORADO RIVER MEDIC	1401 BAILEY AVE	San Bern. Co. Permit	TP
CO649 / 10	COLORADO RIVER MEDIC	1401 BAILEY AVE	UST	TP
CO650 / 10	COLORADO RIVER MEDCL	1401 BAILEY AVE	UST	TP
CO651 / 10	COLORADO RIVER MEDIC	1401 BAILEY AVE	FINDS, ECHO	TP
CO652 / 10	NEEDLES DESERT COMM.	1401 BAILEY AVEUNE	EMI	TP
CO653 / 10	COLORADO RIVER MEDIC	1401 BAILEY AVE	RCRA NonGen / NLR	TP
CO654 / 10	COLORADO RIVER MEDIC	1401 BAILEY AVE	HAZNET, HWTS	TP
CO655 / 10	COLORADO RIVER MEDIC	1401 BAILEY AVENUE	CERS HAZ WASTE, CERS TANKS, EMI, CERS	TP
CN656 / 10	CALDERON MANUEL	2033 CORTEZ STREET	RCRA NonGen / NLR	TP
CN657 / 10	CALDERON MANUEL	2033 CORTEZ	EDR Hist Auto	TP
CN658 / 10	CALDERON MANUEL	2033 CORTEZ STREET	FINDS, ECHO	TP
CN659 / 10	MANUEL CALDERON	2033 CORTEZ ST.	FINDS, ECHO	TP
CN660 / 10	MANUEL CALDERON	2033 CORTEZ ST.	HWTS	TP
CN661 / 10	CALDERON MANUEL	2033 CORTEZ STREET	HWTS	TP
CN662 / 10	MANUEL CALDERON	2033 CORTEZ ST.	RCRA NonGen / NLR	TP

MAPPED SITES SUMMARY

Target Property:
817 THIRD ST.
NEEDLES, CA 92363

MAP ID / FOCUS MAP	SITE NAME	ADDRESS	DATABASE ACRONYMS	DIST (ft. & mi.) DIRECTION
CO663 / 10	TRI-STATE COMMUNITY	1402 BAILEY AVE	HWTS	TP
664 / 10	MOHAVE DENTAL CENTER	1406 BAILEY AVENUE S	HAZNET, HWTS	TP
CP665 / 11	CHEVRON USA INC NEED	308 E BROADWAY	RCRA NonGen / NLR, FINDS, ECHO	TP
CP666 / 11	CHEVRON USA INC NEED	308 EAST BROADWAY	HWTS	TP
667 / 10	AT&T MOBILITY - NEED	2450 PARKWAY EXT	San Bern. Co. Permit, CERS	TP
CP668 / 11	BNSF RAILWAY COMPANY	316 E BROADWAY	CERS HAZ WASTE, San Bern. Co. Permit, CE...	TP
CP669 / 11	BNSF RAILWAY COMPANY	316 E BROADWAY	FINDS	TP
CQ670 / 11		1183 REDWOOD AVENUE	CDL	TP
CQ671 / 11	1X UNDERWRITERS SALV	1150 REDWOOD AVENUE	HWTS	TP
CQ672 / 11		REDWOOD AVE AND CASA	CHMIRS	TP
673 / 10	KATHY ODELL	1933 DESOTO STREET	HAZNET, HWTS	TP
CR674 / 10	1905 DESOTO ST RESID	1905 DESOTO STREET	HWTS	TP
CR675 / 10	1905 DESOTO ST RESID	1905 DESOTO STREET	RCRA NonGen / NLR	TP
CR676 / 10	1905 DESOTO ST RESID	1905 DESOTO STREET	FINDS, ECHO	TP
CS677 / 11	HARKEN MARKETING CO	409 E BROADWAY	HAZNET, HWTS	TP
CS678 / 11	E-Z SERVE STATION 11	409 E BROADWAY	SWEEPS UST, HIST UST	TP
CT679 / 11		997 SMITH ROAD	CHMIRS	TP
CT680 / 11		997 SMITH ROAD	ERNS	TP
CU681 / 11	CITY OF NEEDLES WAST	516 E BROADWAY	HAZNET, HWTS	TP
CU682 / 11	CITY OF NEEDLES WAST	516 EAST BROADWAY	HIST UST, San Bern. Co. Permit, CERS	TP
CU683 / 11	NEEDLES WTP-NPDES 94	516 EAST BROADWAY	ICIS, ECHO	TP
CU684 / 11	NEEDLES SBR WWTP 01-	516 E BROADWAY ST	WDS	TP
CU685 / 11	NEDDLES WWTP	516 EAST BROADWAY	FINDS, ECHO	TP
CU686 / 11	NEEDLES WWTP - NPDES	516 EAST BROADWAY	FINDS	TP
CU687 / 11	NEEDLES WWTP - NPDES	516 EAST BROADWAY	ENF, HIST CORTESE, NPDES, CIWQS, CERS	TP
CU688 / 11	NEEDLES, CITY OF	516 EAST BROADWAY	FINDS	TP
CU689 / 11		526 E BROADWAY (R/P	CHMIRS	TP
690 / 11	GAIL SHAVER	1349 LARCHWOOD ST	HWTS	TP
691 / 10	ONSITE OIL	1801 CORONADO ST	HAZNET, HWTS	TP
CV692 / 11	C R HANCOCK JR	717 E BROADWAY	SWEEPS UST, HIST UST, San Bern. Co. Perm...	TP
CV693 / 11	1X HANCOCK, CLARENCE	717 EAST BROADWAY	HAZNET, HWTS	TP
694 / 11	KRISTINE BURTON	111 ALISO ST	HWTS	TP
CW695 / 11	HARRIS MOTORS	110 GOODWILL STREET	RCRA NonGen / NLR	TP
CW696 / 11	HARRIS MOTORS	110 GOODWILL ST	HAZNET, HWTS	TP
CW697 / 11	HARRIS MOTORS	110 GOODWILL ST	FINDS, ECHO	TP
CW698 / 11	HARRIS MOTORS	110 GOODWILL ST	CERS HAZ WASTE, San Bern. Co. Permit, CE...	TP
CX699 / 11	CHUCKS UNION	HWY 66 & GOODWILL	EDR Hist Auto	TP
CX700 / 11	PHILLIPS EXCAVATING,	805 E BROADWAY ST	HAZNET, HWTS	TP
CX701 / 11	PHILLIPS CONSTRUCTIO	805 E. BROADWAY	AST	TP

MAPPED SITES SUMMARY

Target Property:
817 THIRD ST.
NEEDLES, CA 92363

MAP ID / FOCUS MAP	SITE NAME	ADDRESS	DATABASE ACRONYMS	DIST (ft. & mi.) DIRECTION
CX702 / 11	PHILLIPS EXCAVATINGN	805 E BROADWAY	FINDS	TP
CX703 / 11	PHILLIPS EXCAVATING,	805 E BROADWAY ST	RCRA NonGen / NLR	TP
CX704 / 11	PHILLIPS EXCAVATING,	805 E BROADWAY ST	FINDS, ECHO	TP
CX705 / 11	1X PHILLIPS CONSTRUC	805 EAST BROADWAY	HAZNET, HWTS	TP
CX706 / 11	PHILLIPS CONSTRUCTIO	805 E BROADWAY	AST, CERS HAZ WASTE, SWEEPS UST, CERS TA..TP	
CX707 / 11	CHEVRON STA. #1140 /	800 EAST BROADWAY	RGA LUST	TP
CX708 / 11	CHEVRON #1140	800 EAST BROADWAY	FINDS	TP
CX709 / 11	CHEVRON #1140	800 EAST BROADWAY	LUST, Cortese, HIST CORTESE, CERS	TP
CX710 / 11	91140	800 E BROADWAY	SWEEPS UST, HIST UST	TP
CX711 / 11	CHEVRON #1140	800 EAST BROADWAY	RGA LUST	TP
CX712 / 11	CHEVRON #1140	800 E. BROADWAY	RGA LUST	TP
CX713 / 11	FLEMING ENTERPRISE I	800 E BROADWAY	EDR Hist Auto	TP
CX714 / 11	1X CHEVRON#9-1140	800 E BROADWAY	HAZNET, HWTS	TP
CX715 / 11	CALDERON MANUEL	810 E BROADWAY	EDR Hist Auto	TP
CX716 / 11	EASTSIDE CHEVRON	810 E BROADWAY	FINDS	TP
CX717 / 11	EAST SIDE CHEVRON	810 E BROADWAY	ECHO	TP
CX718 / 11	BURP SERVICE	810 E BROADWAY ST	HIST UST	TP
CX719 / 11	NEEDLES CHEVRON	810 E BROADWAY ST	UST	TP
CX720 / 11	JIM MCCLAIN	810 E BROADWAY	HAZNET, HWTS	TP
CX721 / 11	NEEDLES TRI-MART	810 E BROADWAY	CERS HAZ WASTE, SWEEPS UST, CERS TANKS, .IP	
CX722 / 11	EASTSIDE CHEVRON	810 E BROADWAY ST	RCRA NonGen / NLR	TP
CX723 / 11	EAST SIDE CHEVRON	810 E BROADWAY	EMI	TP
CX724 / 11	NEEDLES CHEVRON	810 E. BROADWAY	RGA LUST	TP
CX725 / 11	BURP SERVICE	810 EAST BROADWAY	HIST UST, EMI, HAZNET, HWTS	TP
CX726 / 11	EASTSIDE CHEVRON	810 E BROADWAY ST	UST	TP
727 / 11	1X MORENO VALLEY SAN	15980 GILMAN SPRINGS	HAZNET, HWTS	TP
728 / 10	PARK MOABI MARINA	PARK MOABI RD	AST	TP
CY729 / 11	CALIMESA OIL INC	901 EAST BROADWAY	RGA LUST	TP
CY730 / 11	WHITING BROS	901 EAST BROADWAY	LUST	TP
CY731 / 11	WHITING BROS	901 EAST BROADWAY	RGA LUST	TP
CY732 / 11	1X WHITING BROS STAT	901 EAST BROADWAY	HAZNET, HWTS	TP
CY733 / 11	WHITING BROTHERS OIL	901 E BROADWAY	EDR Hist Auto	TP
CY734 / 11	CALIMESA OIL-EB	901 EAST BROADWAY	RGA LUST	TP
CY735 / 11	NEEDLES, CITY OF	903 E. BROADWAY	RGA LUST	TP
CY736 / 11	NEEDLES, CITY OF	903 BROADWAY	LUST, HIST CORTESE, CERS	TP
CY737 / 11	CITY OF NEEDLES	903 EAST BROADWAY	RGA LUST	TP
CY738 / 11	CALIFORNIA HOTEL	903 EAST BROADWAY	LUST, Cortese	TP
CY739 / 11	CALIFORNIA HOTEL	903 EAST BROADWAY	FINDS	TP
CY740 / 11	NEEDLES, CITY OF	903 EAST BROADWAY	RGA LUST	TP

MAPPED SITES SUMMARY

Target Property:
817 THIRD ST.
NEEDLES, CA 92363

MAP ID / FOCUS MAP	SITE NAME	ADDRESS	DATABASE ACRONYMS	DIST (ft. & mi.) DIRECTION
CY741 / 11	CALIFORNIA HOTEL	903 EAST BROADWAY	RGA LUST	TP
CY742 / 11	CLAYPOOL & CO TRUCK	904 1/2 E BROADWAY	HWTS	TP
CY743 / 11	ROBINSON ELECTRIC CO	904 E BROADWAY	HAZNET, HWTS	TP
CY744 / 11	LOCKE E J	910 E BROADWAY	EDR Hist Auto	TP
CY745 / 11	MOJAVE OIL COMPANY	917 E. BROADWAY	RGA LUST	TP
CY746 / 11	SHELL FOOD MART	917 E BROADWAY	LUST, SWEEPS UST, HIST UST, Cortese, CER...	TP
CY747 / 11	MO AVE OIL COMPANY	917 E. BROADWAY	LUST	TP
CY748 / 11	MOHAVE OIL COMPANY	917 E. BROADWAY	RGA LUST	TP
CY749 / 11	SHELL FOOD MART	917 EAST BROADWAY	HIST UST, HAZNET, HWTS	TP
CY750 / 11	MOHAVE OIL COMPANY	917 E. BROADWAY	FINDS	TP
CY751 / 11	MOHAVE OIL COMPANY	917 E BROADWAY ST	EDR Hist Auto	TP
CY752 / 11	LD EXPRESS	916 E BROADWAY	UST	TP
CY753 / 11	I 40 TEXACO	916 EAST BROADWAY	RGA LUST	TP
CY754 / 11	I-40 TEXACO	916 EAST BROADWAY	RGA LUST	TP
CY755 / 11	EASTSIDE SHELL	916 E BROADWAY	EMI, HAZNET, HWTS	TP
CY756 / 11	LD EXPRESS	916 E BROADWAY	CERS HAZ WASTE, CERS TANKS, San Bern. Co...	TP
CY757 / 11	I-40 TEXACO	916 BROADWAY	LUST, Cortese, HIST CORTESE, CERS	TP
CY758 / 11	LD EXPRESS	916 E BROADWAY	FINDS	TP
CY759 / 11	LD EXPRESS	916 E BROADWAY ST	HAULERS	TP
CY760 / 11	EASTSIDE SHELL	916 E BROADWAY ST	HAZNET, HWTS	TP
CY761 / 11	EASTSIDE SERVICE CEN	916 E BROADWAY ST	RCRA NonGen / NLR	TP
CY762 / 11	DON GORRA	916 E BROADWAY	HAZNET, HWTS	TP
CY763 / 11	EASTSIDE SERVICE CEN	916 E BROADWAY ST	FINDS, ECHO	TP
CY764 / 11	EASTSIDE SHELL	916 E BROADWAY	FINDS	TP
CY765 / 11	DON GORRA/TEXMO OIL	916 E BROADWAY	HAZNET, HWTS	TP
CY766 / 11	I-40 TEXACO	916 E BROADWAY ST	UST	TP
CY767 / 11	HI-LO SERVICES INC A	916 E BROADWAY ST	EDR Hist Auto	TP
CY768 / 11	I 40 TEXACO	916 E BROADWAY	RCRA-SQG, LUST, FINDS, ECHO, HAZNET, HWT...	TP
CY769 / 11	DON GORRA	916 E BROADWAY	HAZNET, HWTS	TP
CY770 / 11	EASTSIDE SERVICE CEN	916 E BROADWAY ST	HWTS	TP
CZ771 / 11	CO-NEEDLES AIRPORT	HIGHWAY 95	UST	TP
CZ772 / 11	AG-RUSSELL BROS RANC	RIVER RD,9MI N/O NEE	UST	TP
773 / 11	HI-LO SERVICES INC A	2150 CASA LINDA ST	EDR Hist Auto	TP
DA774 / 11	SOUTHERN CALIFORNIA	1100 ARIZONA STREET	UST	TP
DA775 / 11	SO CAL GAS CO	1100 ARIZONA AVE	UST	TP
DA776 / 11	SOUTHERN CALIF. GAS	1100 ARIZONA	FINDS	TP
DA777 / 11	SCG - NEEDLES OFFICE	1100 ARIZONA STREET	EMI	TP
DA778 / 11	SOUTHERN CALIFORNIA	1100 ARIZONA STREET	FINDS	TP
DA779 / 11	SCG NORTH & SOUTH NE	1100 ARIZONA	RGA LUST	TP

MAPPED SITES SUMMARY

Target Property:
817 THIRD ST.
NEEDLES, CA 92363

MAP ID / FOCUS MAP	SITE NAME	ADDRESS	DATABASE ACRONYMS	DIST (ft. & mi.) DIRECTION
DA780 / 11	SOUTHERN CALIF. GAS	1100 ARIZONA	RGA LUST	TP
DA781 / 11	SCG - NORTH & SOUTH	1100 ARIZONA	LUST, HIST CORTESE, CERS	TP
DA782 / 11	SCG - NORTH & SOUTH	1100 ARIZONA	RGA LUST	TP
DA783 / 11	SOUTHERN CALIFORNIA	1100 ARIZONA ST	LUST, CERS HAZ WASTE, CERS TANKS, Cortes...	TP
DB784 / 11	OLDCASTLE APG WEST/D	NO. 1 ICE PLANT RD	FINDS	TP
DB785 / 11	OLDCASTLE APG WEST/D	NO. 1 ICE PLANT RD	EMI, CERS	TP
DB786 / 11	LOCKE E J	E HWY 66 & SN CRLOS	EDR Hist Auto	TP
DB787 / 11	16261 SAN BERNARDINO	1005 BROADWAY E	FINDS	TP
DC788 / 11	EASTSIDE MOBIL	1005 E BROADWAY ST	UST	TP
DC789 / 11	TRI-VALLEY CHEVRON	1005 E BROADWAY	HAZNET, HWTS	TP
DC790 / 11	EASTSIDE MOBIL	1005 E BROADWAY	FINDS	TP
DC791 / 11	ARCO NEEDLES	1005 EAST BROADWAY	RGA LUST	TP
DC792 / 11	EASTSIDE MOBIL	1005 E BROADWAY ST	RCRA NonGen / NLR	TP
DC793 / 11	ARCO STATION	1005 EAST BROADWAY	RGA LUST	TP
DC794 / 11	EAST SIDE MOBIL	1005 E BROADWAY	EMI	TP
DC795 / 11	EXXON SERVICE STATIO	1005 E BROADWAY	CERS HAZ WASTE, SWEEPS UST, CERS TANKS, .IP	TP
DC796 / 11	ARCO NEEDLES	1005 BROADWAY	LUST, HIST CORTESE, CERS	TP
DC797 / 11	SNOWBIRD AM/PM MINI	1005 E BROADWAY ST	EDR Hist Auto	TP
DC798 / 11	EAST SIDE MOBIL	1005 E BROADWAY	ECHO	TP
DC799 / 11	ARCO STATION	1005 EAST BROADWAY	FINDS	TP
DC800 / 11	ARCO STATION	1005 EAST BROADWAY	LUST, Cortese	TP
DC801 / 11	EXXON SERVICE STATIO	1005 E BROADWAY	HIST UST, EMI, HWTS	TP
DC802 / 11	ARCO SERVICE STATION	1005 E BROADWAY ST	UST	TP
DC803 / 11	RITE AID NO 5699	1020 E BROADWAY ST	HAZNET, HWTS	TP
DC804 / 11	AUTOZONE #3699	1008 EAST BROADWAY S	RCRA NonGen / NLR	TP
DC805 / 11	99 CENTS ONLY STORES	1010 E BROADWAY ST	RCRA NonGen / NLR	TP
DC806 / 11	AUTOZONE #3699	1008 EAST BROADWAY S	HAZNET, HWTS	TP
DC807 / 11	99 CENTS ONLY STORES	1010 E BROADWAY ST	CHMIRS, HAZNET, San Bern. Co. Permit, HW...	TP
DC808 / 11	RITE AID #5699	1020 E BROADWAY ST	San Bern. Co. Permit	TP
DC809 / 11	99 CENTS ONLY STORES	1010 E BROADWAY ST	FINDS, ECHO	TP
DC810 / 11	JIMS EXXON	1000 E BROADWAY	EDR Hist Auto	TP
DC811 / 11	CALTRANS	1006 E BROADWAY	SWEEPS UST, HIST UST	TP
DC812 / 11	AUTOZONE #3699	1008 EAST BROADWAY S	FINDS, ECHO	TP
DC813 / 11	RITE AID #5699	1020 E BROADWAY ST	HAZNET	TP
DC814 / 11	RITE AID #5699	1020 E BROADWAY ST	CERS HAZ WASTE, HAZNET, CERS, HWTS	TP
DC815 / 11	AUTOZONE #3699	1008 E BROADWAY ST	CERS HAZ WASTE, San Bern. Co. Permit, CE...	TP
DC816 / 11	1046 E BROADWAY	1046 E BROADWAY ST	CIWQS	TP
DC817 / 11	RITE AID #5699	1020 E BROADWAY ST	FINDS, ECHO	TP
DC818 / 11	0R142 RTE 40 NEEDLES	1060 EAST BROADWAY S	NPDES, CIWQS, CERS	TP

MAPPED SITES SUMMARY

Target Property:
817 THIRD ST.
NEEDLES, CA 92363

MAP ID / FOCUS MAP	SITE NAME	ADDRESS	DATABASE ACRONYMS	DIST (ft. & mi.) DIRECTION
DC819 / 11	RITE AID #5699	1020 E BROADWAY ST	RCRA-LQG	TP
DC820 / 11	RITE AID NO 5699	1020 E BROADWAY ST	RCRA-SQG	TP
DC821 / 11	1X AMERICAN SAVINGS	1019 BROADWAYN STREE	HWTS	TP
822 / 11	C603 L300B MP 19.96	13 MI S OF I40, 11 M	HAZNET, HWTS	TP
DD823 / 11	SUPERLITE BLOCK	9 ICE PLANT RD.	FINDS, ECHO	TP
DD824 / 11	SUPERLITE BLOCK	9 ICE PLANT RD.	CERS	TP
DD825 / 11	OLDCASTLE APG WEST I	1 ICE PLANT RD	HAZNET, HWTS	TP
DD826 / 11	SUPERLITE BLOCK	1 ICE PLANT RD	San Bern. Co. Permit, CERS	TP
DD827 / 11	SUPERLITE BLOCK	1 ICE PLANT RD	AST	TP
DE828 / 11	CALTRANS-NEEDLES	800 SAN CLEMENTE ST	AST	TP
DE829 / 11	CALTRANS DISTRICT 8	800 SAN CLEMENTE	ECHO	TP
DE830 / 11	CALTRANS DISTRICT 8	800 SAN CLEMENTE	RCRA-LQG, SWF/LF, AST, FINDS, CERS	TP
DE831 / 11	CALTRANS NEEDLES MAI	800 SAN CLEMENTE ST.	RGA LF	TP
DE832 / 11	NEEDLES MTCE	800 SAN CLEMENTE ST	HAULERS	TP
DE833 / 11	CALTRANS D8 MAINTENA	800 SAN CLEMENTE ST	CERS HAZ WASTE, CERS TANKS, HAZNET, San ...	TP
DF834 / 11	A&G TOWING & STORAGE	600 SAN CLEMENTE ST	RCRA-VSQG	TP
DF835 / 11	A&G TOWING & STORAGE	600 SAN CLEMENTE ST	HWTS	TP
DG836 / 11	SCG - NEEDLES OFFICE	ARIZONA ST & SAN CLE	FINDS	TP
DG837 / 11	SO CALIF GAS CO	ARIZONA/SAN CLEMENTE	SWEEPS UST	TP
DG838 / 11	SOUTHERN CALIFORNIA	ARIZONA AND SAN CLEM	HAZNET, HWTS	TP
DG839 / 11	SCG - NEEDLES OFFICE	ARIZONA ST & SAN CLE	EMI, CERS	TP
DH840 / 11	SCE CAMINO SUBSTATIO	23 MI. W/O NEEDLES O	CERS	TP
DH841 / 11	AT&T MOBILITY - WEST	I-40 & HIGHWAY 95 N	San Bern. Co. Permit, CERS	TP
DH842 / 11		I-40 E/B AT EAST BRO	CHMIRS	TP
843 / 11	NEEDLES SAND AND GRA		MINES MRDS	TP
DI844 / 11	NEEDLES FIRE STATION	1113 EAST BROADWAY S	NPDES, CIWQS	TP
DI845 / 11	DOLLAR TREE #03648	1100 E BROADWAY ST	San Bern. Co. Permit	TP
DI846 / 11	DOLLAR TREE #03648	1100 E BROADWAY ST	FINDS	TP
DI847 / 11	DOLLAR TREE #03648	1100 E BROADWAY ST	HAZNET, HWTS	TP
848 / 11	FIRE STATION 32	100 SAFARI DR	San Bern. Co. Permit, CERS	TP
DJ849 / 11	QUALITY BOAT YARD	1200 E BROADWAY ST	RCRA NonGen / NLR	TP
DJ850 / 11	QUALITY BOAT YARD	1200 E BROADWAY ST	HWTS	TP
DJ851 / 11	QUALITY BOAT YARD	1200 E BROADWAY ST	ECHO	TP
DJ852 / 11	COLORADO RIVER DISTR	1200 E BROADWAY ST	San Bern. Co. Permit	TP
DJ853 / 11	QUALITY BOAT YARD	1200 E BROADWAY ST	FINDS	TP
DK854 / 11	1X JOES TIRE SERVICE	1203 EAST BROADWAY	HWTS	TP
DK855 / 11	N.C.C. NEEDLES CULTI	1203 E BROADWAY	San Bern. Co. Permit	TP
DK856 / 11	PIKES COLLISION & TO	1203 E BROADWAY ST	EDR Hist Auto	TP
DL857 / 11		1224 RIVERVIEW LANE	CHMIRS	TP

MAPPED SITES SUMMARY

Target Property:
817 THIRD ST.
NEEDLES, CA 92363

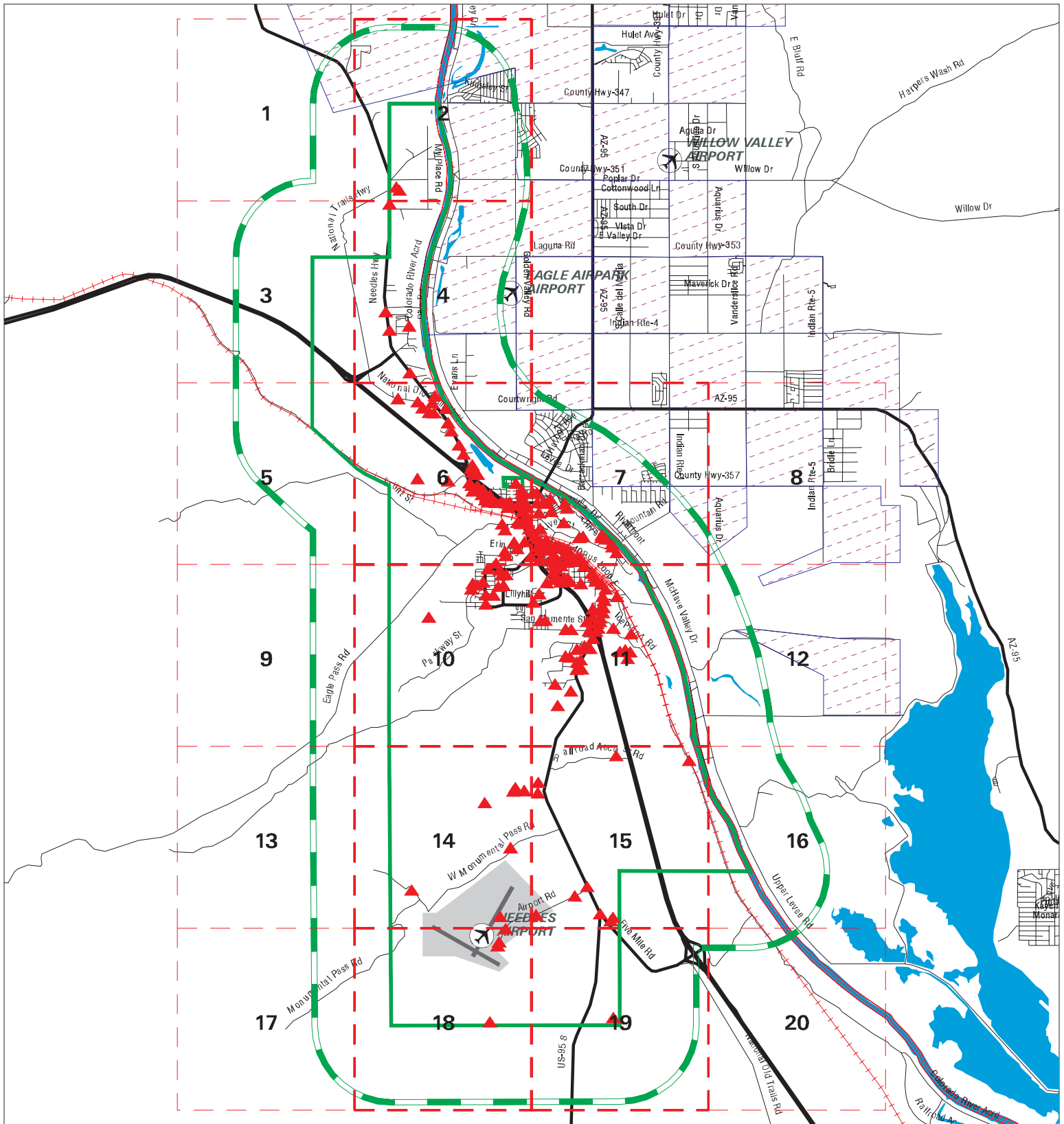
MAP ID / FOCUS MAP	SITE NAME	ADDRESS	DATABASE ACRONYMS	DIST (ft. & mi.) DIRECTION
DL858 / 11		1224 RIVERVIEW LANE	ERNS	TP
859 / 11	SUPERLITE BLOCK- (RE	4150 W. TURNEY AVE	MINES	TP
860 / 11	PARADISE WELLNESS CE	1 ICE HOUSE ROAD ROA	ENF	TP
861 / 11	SUPERLETE BLOCK	1 ICE HOUSE RD	CIWQS	TP
DM862 / 11	PG&E - TOPOCK FINAL	LATITUDE: 34 43'9.48	CERS	TP
DM863 / 11	SECTION 26 CONSERVAT	34.759641 114.548067	San Bern. Co. Permit, CERS	TP
DM864 / 11	AT&T MOBILITY - CSL0	40 HIGHWAY 3 MILES W	CERS	TP
DN865 / 11	CAROL BROWN	153 VICTORY DRIVE	FINDS, ECHO	TP
DN866 / 11	CAROL BROWN	153 VICTORY DRIVE	RCRA NonGen / NLR	TP
DN867 / 11	CAROL BROWN	153 VICTORY DRIVE	HWTS	TP
868 / 11	NEEDLES PIT		MINES MRDS	TP
DO869 / 11	100 VICTORY DRIVE	100 VICTORY DRIVE	NPDES, CIWQS, CERS	TP
DO870 / 11	ASTON MARTIN SERVICE	111 VICTORY DR	HWTS	TP
DO871 / 11	ASTON MARTIN SERVICE	111 VICTORY DR	San Bern. Co. Permit	TP
872 / 11	NEEDLES FIELD OFFICE	DIKE ROAD	SEMS, DOCKET HWC	TP
DP873 / 11	NEEDLES MUNICIPAL AI		FUDS	TP
DP874 / 11	NEEDLES MUNICIPAL AI		ENVIROSTOR	TP
875 / 11	1X JAMES LAMBERT	1703 W. BROADWAY	HWTS	TP
876 / 11		213 SCHULZ RD	CHMIRS	TP
877 / 11	GRAVEL GERTIE		MINES	TP
878 / 11	GRAVEL GIRTY PIT		MINES MRDS	TP
879 / 15		37 ZOE LN	CHMIRS	TP
DQ880 / 15	BNSF BRIDGE 574.5 RE		CERS	TP
DQ881 / 15	BNSF BRIDGE 574.5 RE		CIWQS	TP
882 / 15	NEEDLES WMF 03-046	SOUTH HWY 95	PFAS	TP
883 / 14	NEEDLES DSPL SITE	US HWY 95	SEMS-ARCHIVE	TP
884 / 14	NEEDLES WMF 03-046	SOUTH HWY 95	LDS, CIWQS, CERS	TP
885 / 14	NEEDLES SOLID WASTE	13930 NEEDLES LANDFI	SWF/LF, Financial Assurance, CERS	TP
886 / 15	NEEDLES WMF 03-046	SOUTH HWY 95	PFAS	TP
887 / 14	NEEDLES WMF 03-046	SOUTH HWY 95	PFAS	TP
888 / 14	NEEDLES AIRPORT (NOR		MINES	TP
DR889 / 15	FLEET MANAGEMENT NEE	5 AIRPORT RD	HAZNET, HWTS	TP
DR890 / 15	SBCO - NEEDLES MAINT	AIRPORT ROAD & HWY 9	FINDS	TP
DR891 / 15	SBCO - NEEDLES MAINT	AIRPORT ROAD & HWY 9	EMI	TP
DR892 / 15	DESERT AVIATION DBA	200 AIRPORT RD	HWTS	TP
893 / 14	UNNAMED QUARRY		MINES MRDS	TP
894 / 15	UNION CARBIDE LINDE	507 AIRPORT DR	SWEEPS UST, CA FID UST	TP
895 / 15	SARANJIT SAINI	HWY 95 SOUTH @ 5 MIL	HAZNET, HWTS	TP
DS896 / 15	SBCO NEEDLES ROAD YA	5 AIRPORT RD	RGA LUST	TP

MAPPED SITES SUMMARY

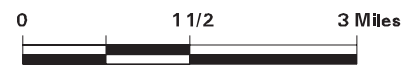
Target Property:
817 THIRD ST.
NEEDLES, CA 92363

MAP ID / FOCUS MAP	SITE NAME	ADDRESS	DATABASE ACRONYMS	DIST (ft. & mi.) DIRECTION
DS897 / 15	COUNTY-NEEDLES ROAD	5 AIRPORT RD	RGA LUST	TP
DS898 / 15	FLEET MANAGEMENT NEE	5 AIRPORT RD	FINDS, ECHO	TP
DS899 / 15	FLEET MANAGEMENT NEE	5 AIRPORT RD	RCRA NonGen / NLR	TP
DS900 / 15	FLEET MGMT NEEDLES Y	#5 AIRPORT RD	FINDS	TP
DS901 / 15	COUNTY-NEEDLES ROAD	5 AIRPORT RD	FINDS	TP
DS902 / 15	FLEET MGMT NEEDLES Y	#5 AIRPORT RD	AST	TP
DS903 / 15	FLEET MGMT NEEDLES Y	#5 AIRPORT RD	LUST, CERS HAZ WASTE, CERS TANKS, Cortes...	TP
904 / 14	NEEDLES AIRPORT	HIGHWAY 95	SWEEPS UST, HIST UST	TP
DT905 / 15	CALIZONA RV PARK 97-	1902 FIVE MILE ROAD	ENF, WDS, CIWQS	TP
DT906 / 15	AT&T MOBILITY - MOUN	1902 FIVE MILE RD	San Bern. Co. Permit, CERS	TP
DT907 / 15	CALIZONA RV PARK 97-	1902 FIVE MILE	CERS	TP
DT908 / 15	CALIZONA RV PARK 97-	1902 FIVE MILE	FINDS	TP
DT909 / 15	VERIZON WIRELESS: MO	1902 FIVE MILE ROAD	FINDS	TP
910 / 15	AT & T MOBILITY	1902 FIVE MILE RD	HWTS	TP
911 / 18	AT&T MOBILITY - HAVA	16433 POLE LINE RD	CHMIRS, San Bern. Co. Permit, CERS	TP
912 / 18	CVUSD TRANSPORTATION	83800 AIRPORT BLVD	HAZNET, HWTS	TP
DU913 / 18	COUNTY OF SAN BERNAR	711 AIRPORT RD	EMI, HAZNET, HWTS	TP
DU914 / 18	CNTY SAN BERNARDINO	711 AIRPORT RD	HAZNET, HWTS	TP
DU915 / 18	CNTY SAN BERNARDINO/	711 AIRPORT RD	HWTS	TP
DU916 / 18	NEEDLES AIRPORT	711 AIRPORT RD	UST	TP
DU917 / 18	COUNTY OF SAN BERNAR	711 AIRPORT RD	HWTS	TP
DU918 / 18	COUNTY OF SAN BERNAR	711 AIRPORT RD	HWTS	TP
DU919 / 18	COUNTY OF SAN BERNAR	711 AIRPORT RD	FINDS, ECHO	TP
DU920 / 18	COUNTY OF SAN BERNAR	711 AIRPORT RD	RCRA NonGen / NLR	TP
DU921 / 18	PARADICE AVIATION	711 AIRPORT RD	EDR Hist Auto	TP
DU922 / 18	NEEDLES AIRPORT	711 AIRPORT RD	FINDS, ECHO	TP
DU923 / 18	NEEDLES AIRPORT	711 AIRPORT RD	WDS	TP
DU924 / 18	NEEDLES AIRPORT	711 AIRPORT RD	CERS HAZ WASTE, CERS TANKS, NPDES, San B...	TP
DU925 / 18	SBCO - NEEDLES AIRPO	711 AIRPORT ROAD	FINDS	TP
926 / 19	LACKEY CONCRETE		MINES MRDS	TP
DV927 / 18	NEEDLES-LAND MGMT AR		FUDS	TP
DV928 / 18	NEEDLES-LAND MGMT AR		ENVIROSTOR	TP

Key Map - 7094717.5s



- ▲ Sites
- - - Target Property
- - - Search Buffer
- - - Focus Map - No Sites
- - - Focus Map - Sites
- National Priority List Sites
- Dept. Defense Sites
- Indian Reservations BIA



<p>SITE NAME: City of Needles, CA ADDRESS: 817 Third St. CITY/STATE: Needles CA ZIP: 92363</p>	<p>CLIENT: Meridian Consultants LLC CONTACT: Sebastian Shetty INQUIRY #: 7094717.5s DATE: 08/24/22 11:19 AM</p>
---	--

MAP FINDINGS SUMMARY

Database	Search Distance (Miles)	Target Property	< 1/8	1/8 - 1/4	1/4 - 1/2	1/2 - 1	> 1	Total Plotted
<u>STANDARD ENVIRONMENTAL RECORDS</u>								
<i>Lists of Federal NPL (Superfund) sites</i>								
NPL	TP		NR	NR	NR	NR	NR	0
Proposed NPL	TP		NR	NR	NR	NR	NR	0
NPL LIENS	TP		NR	NR	NR	NR	NR	0
<i>Lists of Federal Delisted NPL sites</i>								
Delisted NPL	TP		NR	NR	NR	NR	NR	0
<i>Lists of Federal sites subject to CERCLA removals and CERCLA orders</i>								
FEDERAL FACILITY	TP		NR	NR	NR	NR	NR	0
SEMS	TP	2	NR	NR	NR	NR	NR	2
<i>Lists of Federal CERCLA sites with NFRAP</i>								
SEMS-ARCHIVE	TP	1	NR	NR	NR	NR	NR	1
<i>Lists of Federal RCRA facilities undergoing Corrective Action</i>								
CORRACTS	TP		NR	NR	NR	NR	NR	0
<i>Lists of Federal RCRA TSD facilities</i>								
RCRA-TSDF	TP		NR	NR	NR	NR	NR	0
<i>Lists of Federal RCRA generators</i>								
RCRA-LQG	TP	3	NR	NR	NR	NR	NR	3
RCRA-SQG	TP	12	NR	NR	NR	NR	NR	12
RCRA-VSQG	TP	1	NR	NR	NR	NR	NR	1
<i>Federal institutional controls / engineering controls registries</i>								
LUCIS	TP		NR	NR	NR	NR	NR	0
US ENG CONTROLS	TP		NR	NR	NR	NR	NR	0
US INST CONTROLS	TP		NR	NR	NR	NR	NR	0
<i>Federal ERNS list</i>								
ERNS	TP	6	NR	NR	NR	NR	NR	6
<i>Lists of state- and tribal (Superfund) equivalent sites</i>								
RESPONSE	TP	1	NR	NR	NR	NR	NR	1
<i>Lists of state- and tribal hazardous waste facilities</i>								
ENVIROSTOR	TP	6	NR	NR	NR	NR	NR	6
<i>Lists of state and tribal landfills and solid waste disposal facilities</i>								
SWF/LF	TP	2	NR	NR	NR	NR	NR	2

MAP FINDINGS SUMMARY

Database	Search Distance (Miles)	Target Property	< 1/8	1/8 - 1/4	1/4 - 1/2	1/2 - 1	> 1	Total Plotted
<i>Lists of state and tribal leaking storage tanks</i>								
LUST	TP	43	NR	NR	NR	NR	NR	43
INDIAN LUST	TP		NR	NR	NR	NR	NR	0
CPS-SLIC	TP	6	NR	NR	NR	NR	NR	6
<i>Lists of state and tribal registered storage tanks</i>								
FEMA UST	TP		NR	NR	NR	NR	NR	0
UST	TP	29	NR	NR	NR	NR	NR	29
AST	TP	10	NR	NR	NR	NR	NR	10
INDIAN UST	TP		NR	NR	NR	NR	NR	0
<i>Lists of state and tribal voluntary cleanup sites</i>								
INDIAN VCP	TP		NR	NR	NR	NR	NR	0
VCP	TP		NR	NR	NR	NR	NR	0
<i>Lists of state and tribal brownfield sites</i>								
BROWNFIELDS	TP		NR	NR	NR	NR	NR	0
<u>ADDITIONAL ENVIRONMENTAL RECORDS</u>								
<i>Local Brownfield lists</i>								
US BROWNFIELDS	TP		NR	NR	NR	NR	NR	0
<i>Local Lists of Landfill / Solid Waste Disposal Sites</i>								
WMUDS/SWAT	TP		NR	NR	NR	NR	NR	0
SWRCY	TP		NR	NR	NR	NR	NR	0
HAULERS	TP	9	NR	NR	NR	NR	NR	9
INDIAN ODI	TP		NR	NR	NR	NR	NR	0
DEBRIS REGION 9	TP		NR	NR	NR	NR	NR	0
ODI	TP		NR	NR	NR	NR	NR	0
IHS OPEN DUMPS	TP		NR	NR	NR	NR	NR	0
<i>Local Lists of Hazardous waste / Contaminated Sites</i>								
US HIST CDL	TP		NR	NR	NR	NR	NR	0
HIST Cal-Sites	TP		NR	NR	NR	NR	NR	0
SCH	TP		NR	NR	NR	NR	NR	0
CDL	TP	1	NR	NR	NR	NR	NR	1
Toxic Pits	TP		NR	NR	NR	NR	NR	0
CERS HAZ WASTE	TP	30	NR	NR	NR	NR	NR	30
US CDL	TP		NR	NR	NR	NR	NR	0
AQUEOUS FOAM	TP		NR	NR	NR	NR	NR	0
PFAS	TP	3	NR	NR	NR	NR	NR	3
<i>Local Lists of Registered Storage Tanks</i>								
SWEEPS UST	TP	34	NR	NR	NR	NR	NR	34
HIST UST	TP	41	NR	NR	NR	NR	NR	41
CERS TANKS	TP	18	NR	NR	NR	NR	NR	18

MAP FINDINGS SUMMARY

Database	Search Distance (Miles)	Target Property	< 1/8	1/8 - 1/4	1/4 - 1/2	1/2 - 1	> 1	Total Plotted
CA FID UST	TP	2	NR	NR	NR	NR	NR	2
Local Land Records								
LIENS	TP		NR	NR	NR	NR	NR	0
LIENS 2	TP		NR	NR	NR	NR	NR	0
DEED	TP	1	NR	NR	NR	NR	NR	1
Records of Emergency Release Reports								
HMIRS	TP	2	NR	NR	NR	NR	NR	2
CHMIRS	TP	31	NR	NR	NR	NR	NR	31
LDS	TP	1	NR	NR	NR	NR	NR	1
MCS	TP	4	NR	NR	NR	NR	NR	4
SPILLS 90	TP		NR	NR	NR	NR	NR	0
Other Ascertainable Records								
RCRA NonGen / NLR	TP	49	NR	NR	NR	NR	NR	49
FUDS	TP	3	NR	NR	NR	NR	NR	3
DOD	TP		NR	NR	NR	NR	NR	0
SCRD DRYCLEANERS	TP		NR	NR	NR	NR	NR	0
US FIN ASSUR	TP		NR	NR	NR	NR	NR	0
EPA WATCH LIST	TP		NR	NR	NR	NR	NR	0
2020 COR ACTION	TP		NR	NR	NR	NR	NR	0
TSCA	TP		NR	NR	NR	NR	NR	0
TRIS	TP		NR	NR	NR	NR	NR	0
SSTS	TP		NR	NR	NR	NR	NR	0
ROD	TP		NR	NR	NR	NR	NR	0
RMP	TP		NR	NR	NR	NR	NR	0
RAATS	TP		NR	NR	NR	NR	NR	0
PRP	TP		NR	NR	NR	NR	NR	0
PADS	TP		NR	NR	NR	NR	NR	0
ICIS	TP	2	NR	NR	NR	NR	NR	2
FTTS	TP	2	NR	NR	NR	NR	NR	2
MLTS	TP		NR	NR	NR	NR	NR	0
COAL ASH DOE	TP		NR	NR	NR	NR	NR	0
COAL ASH EPA	TP		NR	NR	NR	NR	NR	0
PCB TRANSFORMER	TP		NR	NR	NR	NR	NR	0
RADINFO	TP		NR	NR	NR	NR	NR	0
HIST FTTS	TP	2	NR	NR	NR	NR	NR	2
DOT OPS	TP		NR	NR	NR	NR	NR	0
CONSENT	TP		NR	NR	NR	NR	NR	0
INDIAN RESERV	TP	1	NR	NR	NR	NR	NR	1
FUSRAP	TP		NR	NR	NR	NR	NR	0
UMTRA	TP		NR	NR	NR	NR	NR	0
LEAD SMELTERS	TP	1	NR	NR	NR	NR	NR	1
US AIRS	TP		NR	NR	NR	NR	NR	0
US MINES	TP		NR	NR	NR	NR	NR	0
ABANDONED MINES	TP		NR	NR	NR	NR	NR	0
FINDS	TP	144	NR	NR	NR	NR	NR	144
UXO	TP		NR	NR	NR	NR	NR	0
ECHO	TP	68	NR	NR	NR	NR	NR	68
DOCKET HWC	TP	1	NR	NR	NR	NR	NR	1

MAP FINDINGS SUMMARY

<u>Database</u>	<u>Search Distance (Miles)</u>	<u>Target Property</u>	<u>< 1/8</u>	<u>1/8 - 1/4</u>	<u>1/4 - 1/2</u>	<u>1/2 - 1</u>	<u>> 1</u>	<u>Total Plotted</u>
-----------------	--	----------------------------	-----------------	------------------	------------------	----------------	---------------	--------------------------

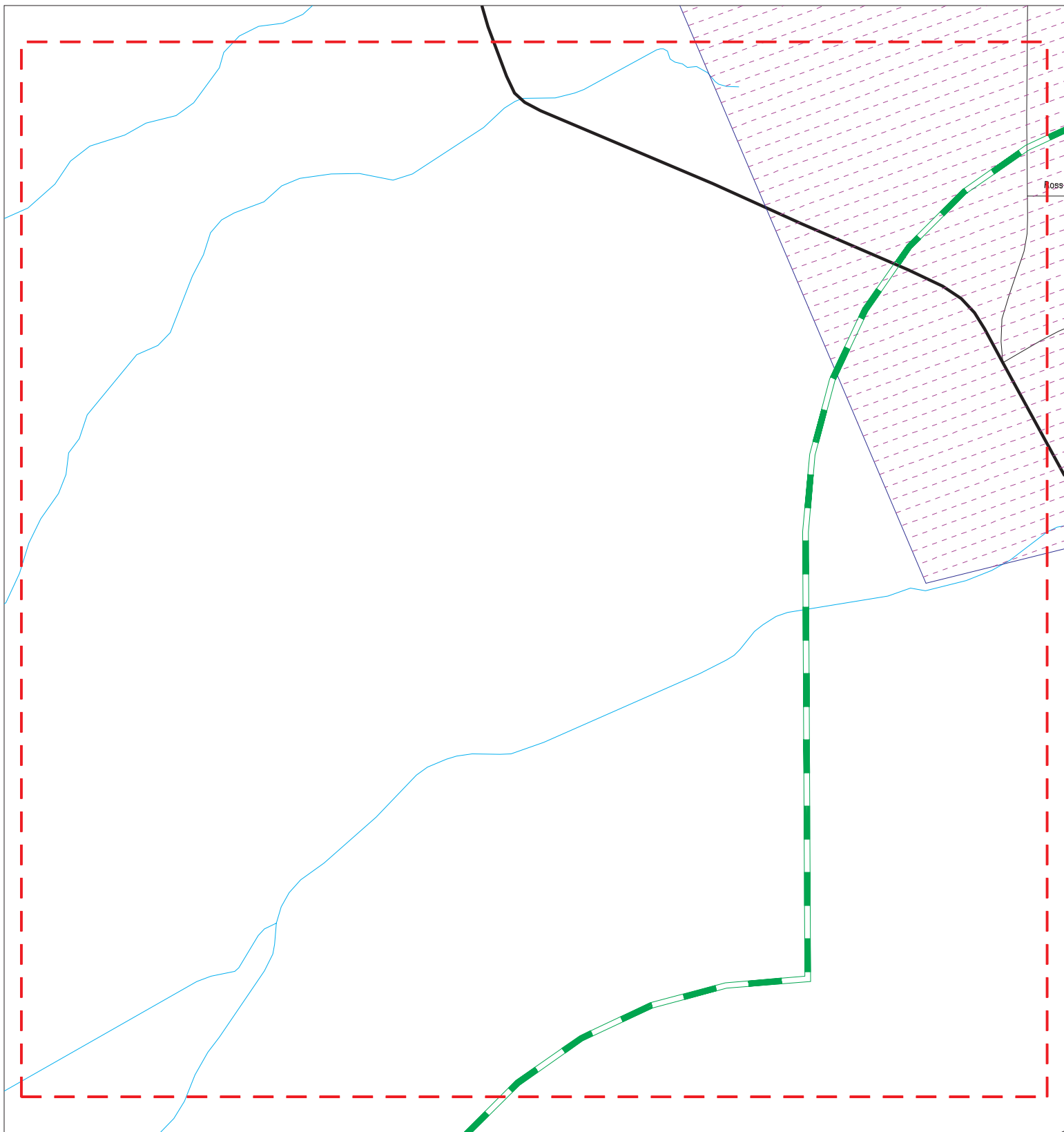
NOTES:

TP = Target Property

NR = Not Requested at this Search Distance

Sites may be listed in more than one database

Focus Map - 1 - 7094717.5s



- | | | |
|----------------------|------------------------------|-------------------------|
| Sites | Focus Map - Sites | Dept. Defense Sites |
| Target Property | Power Line | Indian Reservations BIA |
| Search Buffer | Pipe Line | |
| Focus Map - No Sites | National Priority List Sites | |



SITE NAME: City of Needles, CA
ADDRESS: 817 Third St.
CITY/STATE: Needles CA
ZIP: 92363

CLIENT: Meridian Consultants LLC
CONTACT: Sebastian Shetty
INQUIRY #: 7094717.5s
DATE: 08/24/22

MAPPED SITES SUMMARY - FOCUS MAP 1

Target Property:
817 THIRD ST.
NEEDLES, CA 92363

MAP ID / FOCUS MAP	SITE NAME	ADDRESS	DATABASE ACRONYMS	DIST (ft. & mi.) DIRECTION
-----------------------	-----------	---------	-------------------	-------------------------------

NO MAPPED SITES FOUND

Focus Map - 2 - 7094717.5s



- | | | | | | |
|--|----------------------|--|------------------------------|--|-------------------------|
| | Sites | | Focus Map - Sites | | Dept. Defense Sites |
| | Target Property | | Power Line | | Indian Reservations BIA |
| | Search Buffer | | Pipe Line | | |
| | Focus Map - No Sites | | National Priority List Sites | | |



SITE NAME: City of Needles, CA
 ADDRESS: 817 Third St.
 CITY/STATE: Needles CA
 ZIP: 92363

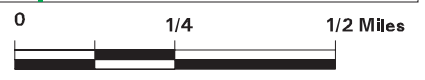
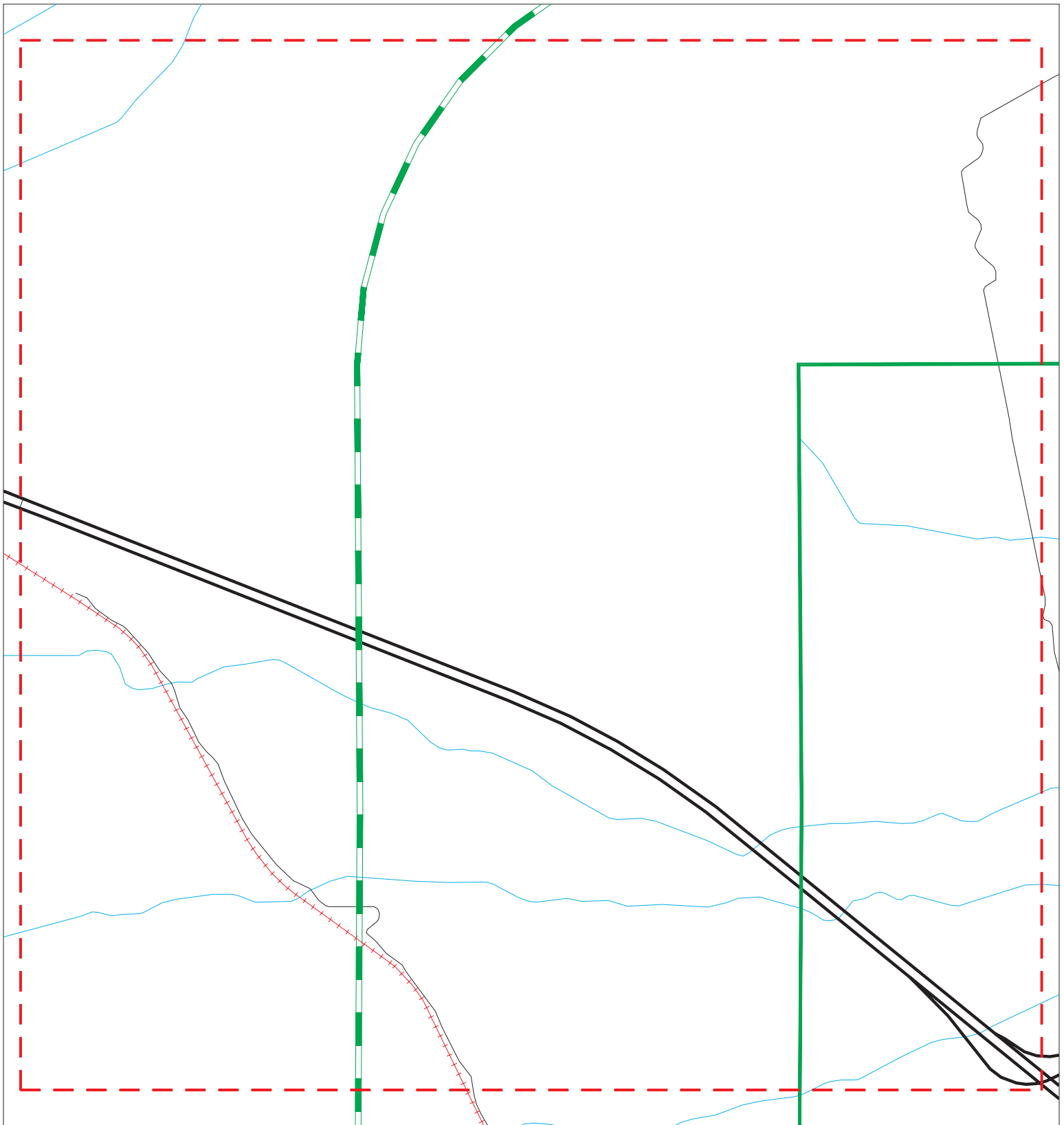
CLIENT: Meridian Consultants LLC
 CONTACT: Sebastian Shetty
 INQUIRY #: 7094717.5s
 DATE: 08/24/22

MAPPED SITES SUMMARY - FOCUS MAP 2

Target Property:
817 THIRD ST.
NEEDLES, CA 92363

MAP ID / FOCUS MAP	SITE NAME	ADDRESS	DATABASE ACRONYMS	DIST (ft. & mi.) DIRECTION
Reg / Multiple	FORT MOJAVE RESERVAT		INDIAN RESERV	TP
A1 / 2	SOUTHERN CALIFORNIA	HWY 95 AT MILE POST	RCRA-LQG	TP
A2 / 2	SOUTHERN CALIFORNIA	4500 NEEDLES HWY (NO	EMI	TP
A3 / 2	SCG- N. NEEDLES COMP	4500 OLD RIVER ROAD	ENF, WDS, CIWQS	TP
A4 / 2	NORTH NEEDLES COMP S	NORTH NEEDLES COMP S	HIST UST	TP
A5 / 2	NORTH NEEDLESS COMP	NORTH NEEDLES COMP S	HIST UST	TP
A6 / 2	SOUTHERN CALIFORNIA	OLD RIVER RD	CERS	TP
A7 / 2	SO CAL GAS - NO. NEE	OLD RIVER RD	FINDS, ECHO	TP
B8 / 2	SOUTHERN CALIFORNIA	4500 OLD RIVER ROAD	AST, CERS HAZ WASTE, CERS TANKS, San Ber...	TP
B9 / 2	SCG- N. NEEDLES COMP	4500 NEEDLES	FINDS	TP

Focus Map - 3 - 7094717.5s



- ▲ Sites
- ▬ Target Property
- ▬ Search Buffer
- ▬ Focus Map - No Sites
- ▬ Focus Map - Sites
- ▬ Power Line
- ▬ Pipe Line
- ▬ National Priority List Sites
- Dept. Defense Sites
- Indian Reservations BIA

<p>SITE NAME: City of Needles, CA ADDRESS: 817 Third St. CITY/STATE: Needles CA ZIP: 92363</p>	<p>CLIENT: Meridian Consultants LLC CONTACT: Sebastian Shetty INQUIRY #: 7094717.5s DATE: 08/24/22</p>
---	---

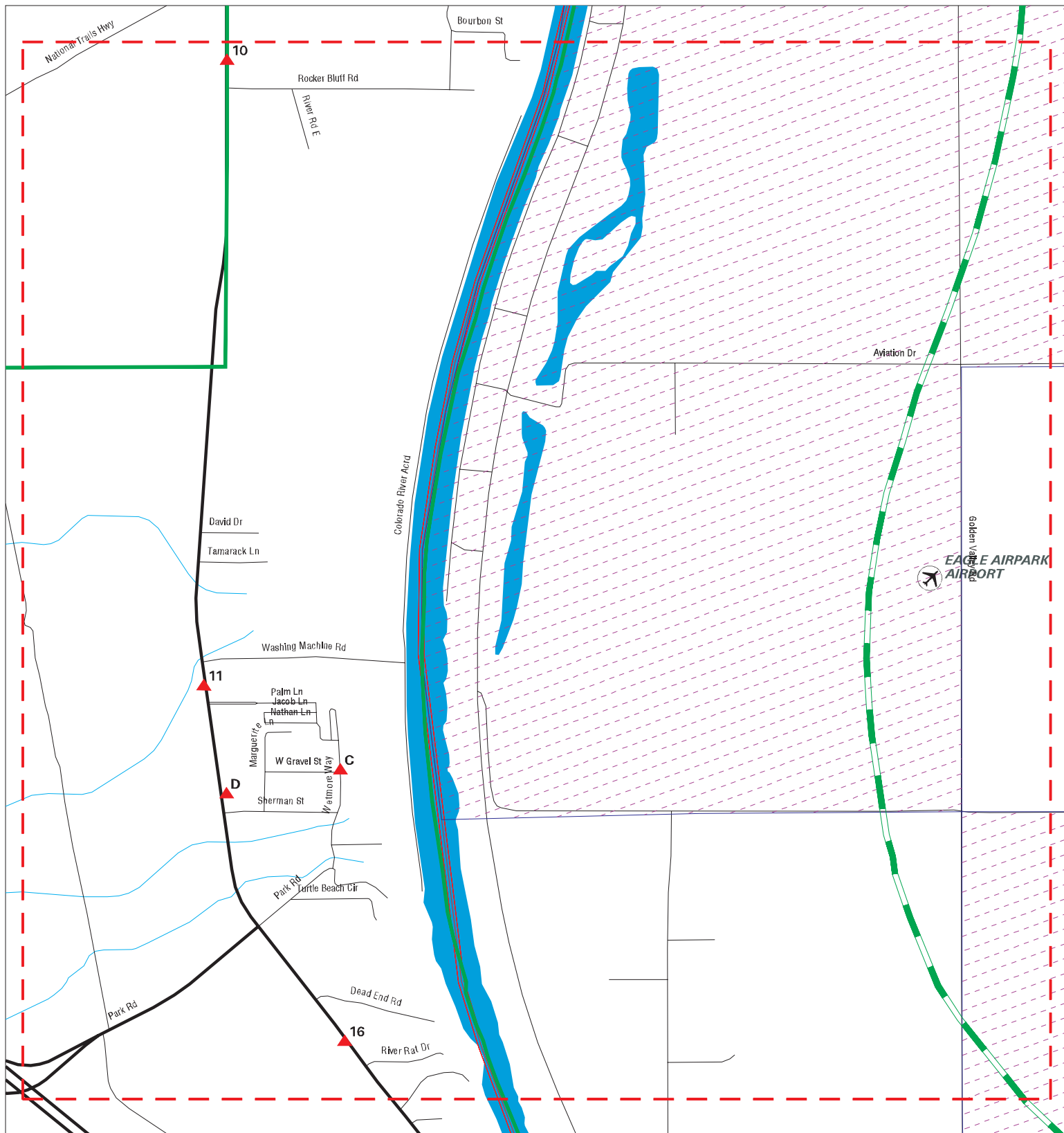
MAPPED SITES SUMMARY - FOCUS MAP 3

Target Property:
817 THIRD ST.
NEEDLES, CA 92363

MAP ID / FOCUS MAP	SITE NAME	ADDRESS	DATABASE ACRONYMS	DIST (ft. & mi.) DIRECTION
-----------------------	-----------	---------	-------------------	-------------------------------

NO MAPPED SITES FOUND

Focus Map - 4 - 7094717.5s



- | | | | | | |
|--|----------------------|--|-------------------|--|------------------------------|
| | Sites | | Focus Map - Sites | | Dept. Defense Sites |
| | Target Property | | Power Line | | Indian Reservations BIA |
| | Search Buffer | | Pipe Line | | National Priority List Sites |
| | Focus Map - No Sites | | | | |



SITE NAME: City of Needles, CA
 ADDRESS: 817 Third St.
 CITY/STATE: Needles CA
 ZIP: 92363

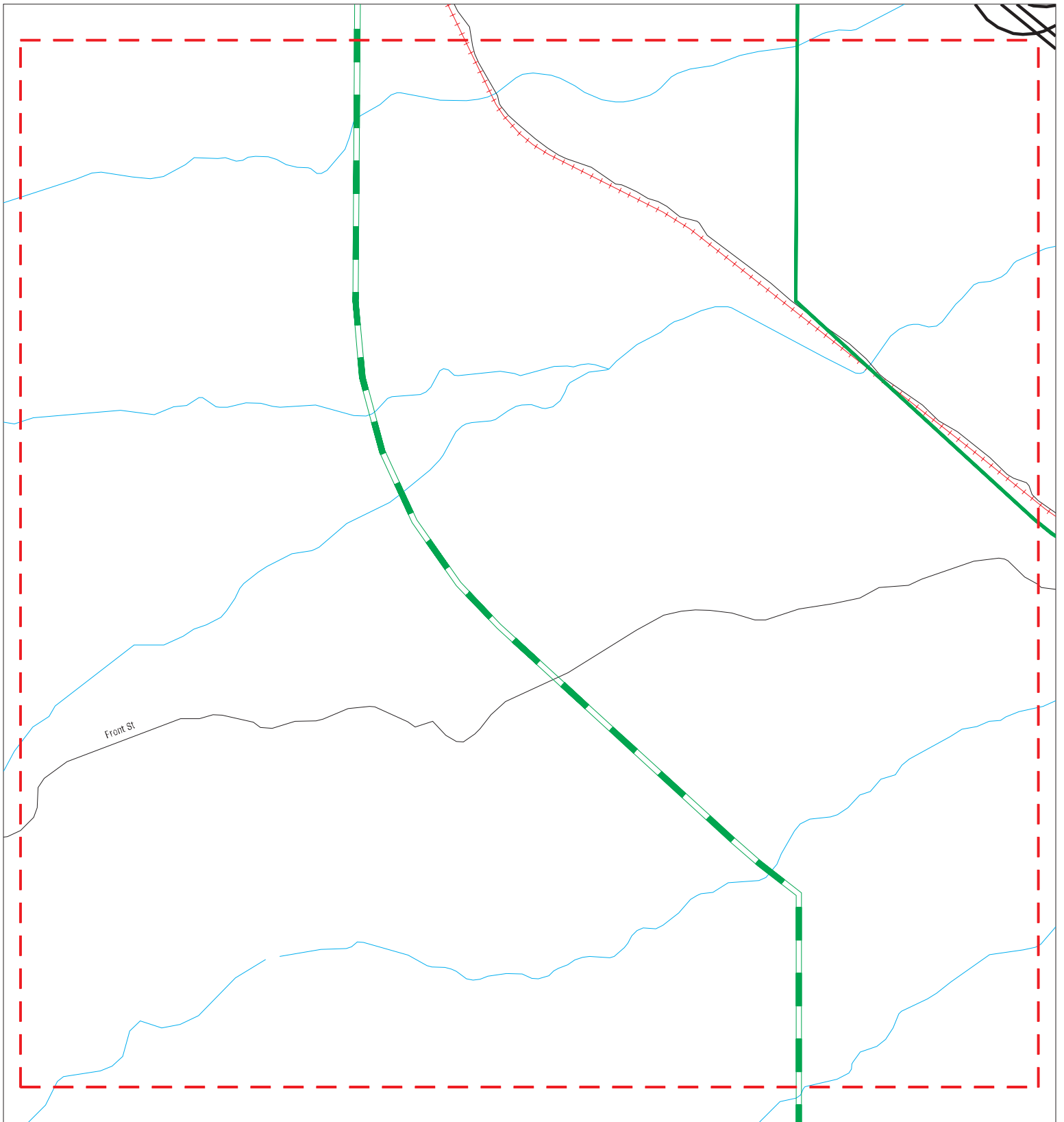
CLIENT: Meridian Consultants LLC
 CONTACT: Sebastian Shetty
 INQUIRY #: 7094717.5s
 DATE: 08/24/22











MAPPED SITES SUMMARY - FOCUS MAP 4

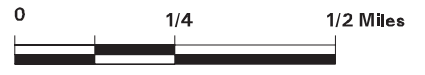
Target Property:
 817 THIRD ST.
 NEEDLES, CA 92363

MAP ID / FOCUS MAP	SITE NAME	ADDRESS	DATABASE ACRONYMS	DIST (ft. & mi.) DIRECTION
Reg / Multiple	FORT MOJAVE RESERVAT		INDIAN RESERV	TP
10 / 4	SOUTHERN CALIFORNIA	4500 NEEDLES HIGHWAY	HAZNET, HWTS	TP
11 / 4	SUN ROC 66 LLC	4170 NEEDLES HWY SPC	EDR Hist Auto	TP
C12 / 4	CHEMEHUEVI WATER		FINDS	TP
C13 / 4	PALMS RIVER RESORT		ECHO	TP
D14 / 4	PR RESORTS LP	4132 NEEDLES HIGHWAY	NPDES	TP
D15 / 4	PR RESORTS LP	4132 NEEDLES HIGHWAY	CIWQS	TP
16 / 4	NEEDLES HIGHWAY SEGM	NEEDLES HIGHWAY	NPDES, CIWQS	TP

Focus Map - 5 - 7094717.5s



- | | | |
|---|--|---|
|  Sites |  Focus Map - Sites |  Dept. Defense Sites |
|  Target Property |  Power Line |  Indian Reservations BIA |
|  Search Buffer |  Pipe Line | |
|  Focus Map - No Sites |  National Priority List Sites | |



SITE NAME: City of Needles, CA
ADDRESS: 817 Third St.
CITY/STATE: Needles CA
ZIP: 92363

CLIENT: Meridian Consultants LLC
CONTACT: Sebastian Shetty
INQUIRY #: 7094717.5s
DATE: 08/24/22

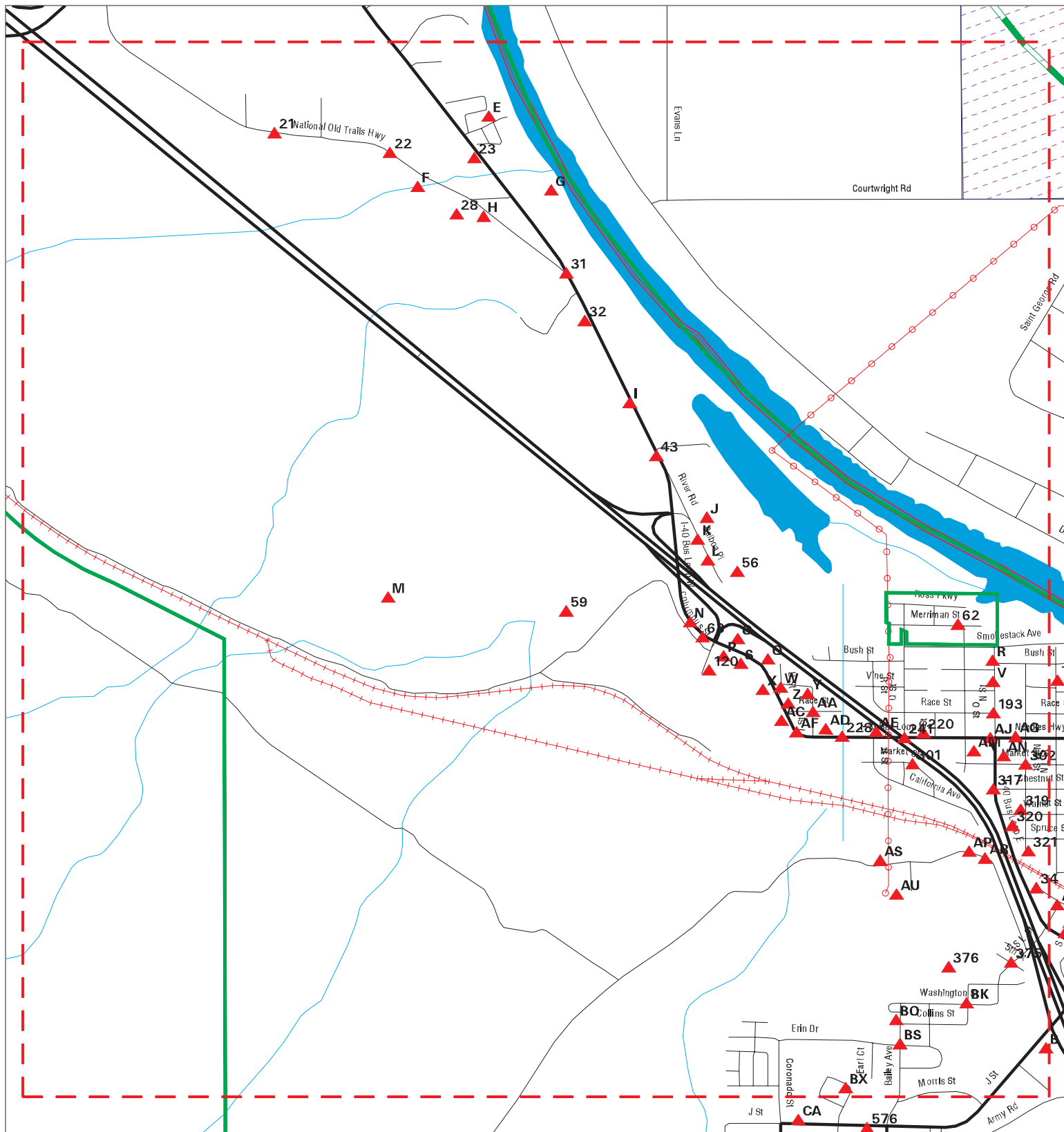
MAPPED SITES SUMMARY - FOCUS MAP 5

Target Property:
817 THIRD ST.
NEEDLES, CA 92363

MAP ID / FOCUS MAP	SITE NAME	ADDRESS	DATABASE ACRONYMS	DIST (ft. & mi.) DIRECTION
-----------------------	-----------	---------	-------------------	-------------------------------

NO MAPPED SITES FOUND

Focus Map - 6 - 7094717.5s



- | | | |
|----------------------|------------------------------|-------------------------|
| Sites | Focus Map - Sites | Dept. Defense Sites |
| Target Property | Power Line | Indian Reservations BIA |
| Search Buffer | Pipe Line | |
| Focus Map - No Sites | National Priority List Sites | |



SITE NAME: City of Needles, CA
ADDRESS: 817 Third St.
CITY/STATE: Needles CA
ZIP: 92363

CLIENT: Meridian Consultants LLC
CONTACT: Sebastian Shetty
INQUIRY #: 7094717.5s
DATE: 08/24/22

MAPPED SITES SUMMARY - FOCUS MAP 6

Target Property:
817 THIRD ST.
NEEDLES, CA 92363

MAP ID / FOCUS MAP	SITE NAME	ADDRESS	DATABASE ACRONYMS	DIST (ft. & mi.) DIRECTION
E17 / 6		3520 NEEDLE'S HWY, #	CHMIRS	TP
E18 / 6	DONNA YEAGER	3520 NEEDLES HWY	HAZNET, HWTS	TP
E19 / 6	RAINBO BEACH RESORT	3520 NEEDLES HWY	FINDS	TP
E20 / 6	RAINBO BEACH RESORT	3520 NEEDLES HWY	ENF, WDS, CIWQS, CERS	TP
21 / 6	TAMERYN MCKENZIE	1900 NATIONAL TRAILS	HAZNET, HWTS	TP
22 / 6	PACIFIC GAS & ELECTR	14543 NATIONAL TRAIL	FINDS, ECHO	TP
23 / 6	MSB PARTNERS, INC	3515 NEEDLES HIGHWAY	ENF	TP
F24 / 6	VERIZON WIRELESS: SO	5201 NATIONAL TRAILS	San Bern. Co. Permit, CERS	TP
F25 / 6	VERIZON WIRELESS: SO	5201 NATIONAL TRAILS	FINDS	TP
G26 / 6		3502 NEEDLES HIGHWAY	CHMIRS	TP
G27 / 6		3502 NEEDLES HIGHWAY	ERNS	TP
28 / 6	AT&T MOBILITY - USID	5163 NATIONAL OLD TR	San Bern. Co. Permit, CERS	TP
H29 / 6	NEEDLES AUTO WRECKIN	5156 ROUTE 66	CERS HAZ WASTE	TP
H30 / 6	NEEDLES AUTO WRECKIN	5156 ROUTE 66	CERS	TP
31 / 6	1X DICKSON, JEAN	RIVER ROAD AND OLD T	HAZNET, HWTS	TP
32 / 6	FLUID HOLDINGS MICRO	3353 NEEDLES HIGHWAY	NPDES	TP
I33 / 6	3259 NEEDLES HWY	3259 NEEDLES HWY	CERS	TP
I34 / 6	3247 AM, LLC	3247 NEEDLES HIGHWAY	ECHO	TP
I35 / 6	3247 AM LLC	3247 NEEDLES HWY	RCRA NonGen / NLR	TP
I36 / 6	3247 AM LLC	3247 NEEDLES HIGHWAY	FINDS	TP
I37 / 6	3247 AM LLC	3247 NEEDLES HWY	HWTS	TP
I38 / 6	3247 CM LLC	3247 NEEDLES HIGHWAY	HAZNET, HWTS	TP
I39 / 6	3247 CM LLC	3247 NEEDLES HIGHWAY	RCRA NonGen / NLR	TP
I40 / 6	3247 AM, LLC	3247 NEEDLES HIGHWAY	EMI	TP
I41 / 6	3241 NEEDLES HWY	3241 NEEDLES HIGHWAY	EMI, ENF	TP
I42 / 6	3247 AM, LLC - 3241	3241 NEEDLES HIGHWAY	FINDS	TP
43 / 6	NEEDLES TRUCK PLAZA	3131 RIVER RD	EDR Hist Auto	TP
J44 / 6	GREAT WESTERN DIESEL	211 BALBOA PLACE	LUST, CPS-SLIC, SWEEPS UST, HIST CORTESE...	TP
J45 / 6	DEER PARK DEVELOPMEN	366 ROUTE 66 PLACE	RCRA NonGen / NLR	TP
J46 / 6	DEER PARK DEVELOPMEN	366 ROUTE 66 PLACE	ECHO	TP
J47 / 6	DEER PARK DEVELOPMEN	366 ROUTE 66 PLACE	HWTS	TP
K48 / 6	BIG D TIRE	315 ROUTE 66	San Bern. Co. Permit	TP
K49 / 6	SOUTHWESTERN TIRE	315 RT 66	HWTS	TP
K50 / 6	BIG D TIRE LLC	315 RT 66	FINDS	TP
K51 / 6	BIG D TIRE	315 US HIGHWAY 66	HWTS	TP
L52 / 6	GREAT WESTERN DIESEL	211 BALBOA PLACE	FINDS	TP
L53 / 6	1X GREAT WESTERN DIE	211 BALBOA PLACE	HWTS	TP
L54 / 6	GREAT WESTERN DIESEL	211 BALBOA PLACE	RGA LUST	TP
L55 / 6	GREAT WESTERN DIESEL	211 BALBOA PLACE	RGA LUST	TP

MAPPED SITES SUMMARY - FOCUS MAP 6

Target Property:
817 THIRD ST.
NEEDLES, CA 92363

MAP ID / FOCUS MAP	SITE NAME	ADDRESS	DATABASE ACRONYMS	DIST (ft. & mi.) DIRECTION
56 / 6	GREAT WEST TRUCK INC	211 BALBOA	HAZNET, HWTS	TP
M57 / 6	GOURD WASH		MINES	TP
M58 / 6	GOURD WASH PIT		MINES MRDS	TP
59 / 6	NEEDLES SOLID WASTE	13930 NEEDLES LANDFI	FINDS	TP
N60 / 6	GREEN ACRES GROUP	NEEDLES HWY	ENF, CERS	TP
N61 / 6	NORTHSHORE RV RESORT	RR4 BOX 103	ENF, WDS, CIWQS, CERS	TP
62 / 6	FORT MOJAVE INDIAN R	500 MERRIMAN AVE	FINDS	TP
63 / 6	CARL'S JR #768	2601 W BROADWAY ST	San Bern. Co. Permit	TP
O64 / 6	SR 40 NEEDLES AMES Y	34 51' 6.5 114 37' 2	CERS	TP
O65 / 6	MOBIL STATION #18-LK	2511 WEST BROADWAY A	RGA LUST	TP
O66 / 6	HI-LO SERVICES INC	2511 W BROADWAY ST	EDR Hist Auto	TP
O67 / 6	MOBIL STATION #18 LK	2511 WEST BROADWAY A	RGA LUST	TP
O68 / 6	MOBIL STATION #18-LK	2511 WEST BROADWAY	RGA LUST	TP
O69 / 6	DESERT VIEW MOBIL	2511 W BROADWAY ST	UST	TP
O70 / 6	1X MOBIL OIL #18-LKT	2511 W BROADWAY ST	HAZNET, HWTS	TP
O71 / 6	MOBIL STATION #18-LK	2511 WEST BROADWAY	RGA LUST	TP
O72 / 6	MOBIL STATION #18 LK	2511 WEST BROADWAY A	RGA LUST	TP
O73 / 6	MOBIL STATION #18 LK	2511 WEST BROADWAY A	FINDS	TP
O74 / 6	DESERT VIEW MOBIL	2511 W BROADWAY	FINDS	TP
O75 / 6	DESERT VIEW MOBIL	2511 W BROADWAY	UST	TP
O76 / 6	MOBIL STATION #18 LK	2511 WEST BROADWAY A	LUST, Cortese, CERS	TP
P77 / 6	HILO SERVICES INC.	2511 NEEDLES HWY	HAULERS	TP
P78 / 6	HI-LO SERVICES INC A	2511 NEEDLES HWY	EDR Hist Auto	TP
P79 / 6	DESERT VIEW MOBIL	2511 W NEEDLES HWY	FINDS, ECHO	TP
P80 / 6	DESERT VIEW MOBIL	2511 W NEEDLES HWY	RCRA NonGen / NLR	TP
P81 / 6		2511 NEEDLES HWY	CHMIRS	TP
P82 / 6	DESERT VIEW MOBIL	2511 WEST NEEDLES HW	EMI, HAZNET, HWTS	TP
Q83 / 6		2420 NEEDLES HIGHWAY	CHMIRS	TP
R84 / 6	15535 SAN BERNARDINO	916 BROADWAY RD E	FINDS	TP
R85 / 6	MOJAVE OIL COMPANY	917 BROADWAY	RGA LUST	TP
R86 / 6	FRONTIER - 915 BROAD	915 BROADWAY	EMI	TP
R87 / 6	FRONTIER CALIFORNIA	915 BROADWAY ST	ECHO	TP
R88 / 6	FRONTIER CALIFORNIA	915 BROADWAY ST	HAZNET, HWTS	TP
R89 / 6	CITIZENS COMMUNICATI	915 BROADWAY	EMI, San Bern. Co. Permit, CERS	TP
R90 / 6	FRONTIER CALIFORNIA	915 BROADWAY ST	FINDS	TP
R91 / 6	FRONTIER CALIFORNIA	915 BROADWAY ST	RCRA NonGen / NLR	TP
R92 / 6	FRONTIER - 915 BROAD	915 BROADWAY	FINDS	TP
R93 / 6	NEEDLES CENTRAL OFFI	915 BROADWAY	FINDS	TP
R94 / 6	CP NATIONAL	911 BROADWAY	FTTS	TP

MAPPED SITES SUMMARY - FOCUS MAP 6

Target Property:
817 THIRD ST.
NEEDLES, CA 92363

MAP ID / FOCUS MAP	SITE NAME	ADDRESS	DATABASE ACRONYMS	DIST (ft. & mi.) DIRECTION
R95 / 6	C P NATIONAL	911 BROADWAY	HAZNET, HWTS	TP
R96 / 6	ALLTEL CP NATIONAL	911 BROADWAY	RCRA-SQG, FINDS, ECHO	TP
R97 / 6	CP NATIONAL	911 BROADWAY	HIST FTTS	TP
R98 / 6	C P NATIONAL	911 BROADWAY	HAZNET, HWTS	TP
R99 / 6	TEN FOUR CORPORATION	1621 N STREET	FINDS	TP
R100 / 6	HADLEY PAUL A	900 BROADWAY	EDR Hist Auto	TP
R101 / 6	WHITING BROS EAST	901 BROADWAY EAST	RGA LUST	TP
R102 / 6	WHITING BROS EAST	901 BROADWAY EAST	FINDS	TP
R103 / 6	CALIMESA OIL INC	901 BROADWAY	LUST, Cortese, HIST CORTESE, CERS	TP
R104 / 6	9461 SAN BERNARDINO	901 BROADWAY E	FINDS	TP
S105 / 6	NEEDLES PETROLEUM IN	2451 NEEDLES HWY	HWTS	TP
S106 / 6	WESTSIDE SHELL	2451 NEEDLES HWY	CERS HAZ WASTE, CERS TANKS, EMI, San Ber...	TP
S107 / 6	WESTSIDE SHELL	2451 NEEDLES HWY	RCRA NonGen / NLR	TP
S108 / 6	WESTSIDE TEXACO	2451 NEEDLES HWY	UST	TP
S109 / 6	WESTSIDE SHELL	2451 NEEDLES HWY	ECHO	TP
S110 / 6	NEEDLES PETROLEUM IN	2451 NEEDLES HWY	RCRA NonGen / NLR	TP
S111 / 6	WESTSIDE SHELL	2451 W NEEDLES HWY	FINDS	TP
S112 / 6	NEEDLES PETROLEUM IN	2451 NEEDLES HWY	ECHO	TP
S113 / 6	WEST SIDE TEXACO SER	2451 NEEDLES HWY	EDR Hist Auto	TP
S114 / 6	NEEDLES PETROLEUM IN	2451 NEEDLES HWY	FINDS	TP
S115 / 6	WESTSIDE SHELL	2451 W NEEDLES HWY	UST	TP
R116 / 6	CALIPATRIA FIRE DEPT	125 N PARK	HAZNET, HWTS	TP
Q117 / 6	NEEDLES 40 AM PM	2410 NEEDLES HWY	EDR Hist Auto	TP
Q118 / 6	ARCO NEEDLES GAS MAR	2410 NEEDLES HWY	HAZNET, HWTS	TP
Q119 / 6	ARCO NEEDLES 40 AM/P	2410 W NEEDLES HWY	HAZNET, HWTS	TP
120 / 6		1111 PASHARD ST	CHMIRS	TP
Q121 / 6	1X ARCO PRODUCTS CO.	2410 BROADWAY	HAZNET, HWTS	TP
V130 / 6	NEEDLES CHEVRON	810 BROADWAY E.	LUST, Cortese, CERS	TP
V131 / 6	NEEDLES CHEVRON	810 BROADWAY E	RGA LUST	TP
V132 / 6	NEEDLES CHEVRON	810 BROADWAY E.	RGA LUST	TP
V133 / 6	NEEDLES CHEVRON	810 BROADWAY	HIST CORTESE	TP
V134 / 6	NEEDLES CHEVRON	810 BROADWAY E.	FINDS	TP
W135 / 6	ARCO AM/PM NO. 6166	2410 BROADWAY	HIST CORTESE	TP
X136 / 6	CALIFORNIA PANTRY	2411 NEEDLES HWY.	LUST	TP
X137 / 6	CALIFORNIA PANTRY	2411 NEEDLES HIGHWAY	RGA LUST	TP
X138 / 6	CALIFORNIA PANTRY	2411 NEEDLES HWY.	RGA LUST	TP
X139 / 6	CALIFORNIA PANTRY	2411 NEEDLES HIGHWAY	FINDS	TP
X140 / 6	CALIFORNIA PANTRY	2411 NEEDLES HIGHWAY	LUST, Cortese, CERS	TP
W141 / 6	MOBIL STATION	2511 W BROADWAY	CERS HAZ WASTE, SWEEPS UST, CERS TANKS, .IP	

MAPPED SITES SUMMARY - FOCUS MAP 6

Target Property:
817 THIRD ST.
NEEDLES, CA 92363

MAP ID / FOCUS MAP	SITE NAME	ADDRESS	DATABASE ACRONYMS	DIST (ft. & mi.) DIRECTION
W142 / 6		1005 VINE ST	ERNS	TP
W143 / 6	MCDANIELS GARAGE	1005 VINE ST	RCRA-SQG, FINDS, ECHO, San Bern. Co. Per...	TP
W144 / 6	J STREET INC	1005 VINE ST	HAZNET, HWTS	TP
W145 / 6	PETROMAR	2410 W BROADWAY	HWTS	TP
W146 / 6	ARCO AM/PM NO. 6166	2410 WEST BROADWAY	RGA LUST	TP
W147 / 6	ARCO STATION #6166	2410 WEST BROADWAY A	RGA LUST	TP
W148 / 6	ARCO STATION #6166	2410 WEST BROADWAY A	LUST	TP
W149 / 6	ARCO AM/PM NO. 6166	2410 WEST BROADWAY A	RGA LUST	TP
W150 / 6	BP WEST COAST PRODUC	2410 W BROADWAY	HAZNET, HWTS	TP
W151 / 6	ARCO AM/PM #6166 / N	2410 WEST BROADWAY	RGA LUST	TP
W152 / 6	ARCO AM/PM #6166	2410 WEST BROADWAY A	RGA LUST	TP
W153 / 6	ARCO STATION #6166	2410 WEST BROADWAY A	LUST, Cortese, CERS	TP
W154 / 6	ARCO STATION #6166	2410 WEST BROADWAY A	FINDS	TP
W155 / 6		2410 WEST BROADWAY S	CHMIRS	TP
W156 / 6	NEEDLES GAS MART	2410 W BROADWAY ST	EDR Hist Auto	TP
W157 / 6	ARCO PETROLEUM PROD	2410 W BROADWAY ST	UST	TP
W158 / 6	ARCO PETROLEUM PROD	2410 W BROADWAY	SWEEPS UST	TP
W159 / 6	JOHN A LUSK	2410 W BROADWAY	HIST UST, San Bern. Co. Permit	TP
Y160 / 6	NEEDLES RADIATOR & M	1001 VINE	HWTS	TP
Y161 / 6	CROSS RADIATOR AND M	1001 VINE	HWTS	TP
Y162 / 6	NEEDLES RADIATOR/MUF	1001 VINE ST	San Bern. Co. Permit	TP
W163 / 6	A+AUTO CARE INC	2408 W BROADWAY	ECHO	TP
W164 / 6	A + AUTO CARE	2408 WEST BROADWAY	HAULERS	TP
W165 / 6	A+AUTO CARE INC	2408 W BROADWAY	RCRA NonGen / NLR	TP
W166 / 6	A+AUTO CARE INC	2408 W BROADWAY	FINDS	TP
W167 / 6	A+AUTO CARE INC	2408 W BROADWAY	HAZNET, HWTS	TP
W168 / 6	A+ AUTO CARE	2408 W BROADWAY	CERS HAZ WASTE, San Bern. Co. Permit, CE...	TP
W169 / 6	NEEDLES AUTO WRECKIN	138990 NATIONAL TRAI	San Bern. Co. Permit	TP
W170 / 6	ARCO AM/PM NO. 6166	2401 WEST BROADWAY	RGA LUST	TP
W171 / 6	ARCO #6166	2401 WEST BROADWAY	HAZNET, HWTS	TP
Z172 / 6	WHITING BROS SERVICE	2402 W BROADWAY	SWEEPS UST	TP
Z173 / 6	WHITING BROS	2402 WEST BROADWAY A	LUST	TP
Z174 / 6	1X WHITING BROS STAT	2402 WEST BROADWAY	HAZNET, HWTS	TP
Z175 / 6	WHITING BROS WEST	2402 WEST BROADWAY A	FINDS	TP
Z176 / 6	WHITING BROS WEST	2402 WEST BROADWAY A	RGA LUST	TP
Z177 / 6	CALIMESA OIL WB	2402 WEST BROADWAY A	RGA LUST	TP
Z178 / 6	CALIMESA OIL-WB	2402 WEST BROADWAY	RGA LUST	TP
Z179 / 6	WHITING BROS 32	2402 WEST BROADWAY	LUST, HIST UST, Cortese, CERS	TP
Z180 / 6	WHITING BROS 90	2402 WEST BROADWAY	HIST UST	TP

MAPPED SITES SUMMARY - FOCUS MAP 6

Target Property:
817 THIRD ST.
NEEDLES, CA 92363

MAP ID / FOCUS MAP	SITE NAME	ADDRESS	DATABASE ACRONYMS	DIST (ft. & mi.) DIRECTION
Z181 / 6	CALIMESA OIL-WB	2402 W. BROADWAY	RGA LUST	TP
Z182 / 6	WHITING BROS	2402 WEST BROADWAY A	RGA LUST	TP
Z183 / 6	CALIMESA OIL-WB	2402 WEST BROADWAY A	RGA LUST	TP
Y184 / 6	CROSS RV REPAIR	2208 RACE ST	HWTS	TP
Y185 / 6	NEEDLES RV & AUTO RE	2208 RACE ST	HWTS	TP
Y186 / 6	JIMS RV & AUTO REPAI	2208 RACE ST	HWTS	TP
Y187 / 6	BOB'S WHOLESALE TRAN	2208 RACE	HAZNET, HWTS	TP
Y188 / 6	GENES RV AND AUTO RE	2208 RACE ST	HWTS	TP
Y189 / 6	NEEDLES TRANSMISSION	2208 RACE ST	HWTS	TP
Y190 / 6	CROSS RV REPAIR	2208 RACE ST	RCRA-SQG, FINDS, ECHO	TP
Z191 / 6	CALIMESA OIL-WB	2402 BROADWAY	HIST CORTESE	TP
AA192 / 6		RACE AND T ST	CHMIRS	TP
193 / 6	ANDERSON FLOYD PAUL	700 BROADWAY	EDR Hist Auto	TP
AA198 / 6	MOHAN DORAISWAMY	2306 W. BROADWAY ST.	HAZNET, HWTS	TP
AC199 / 6	WESTSIDE CIRCLE K	2321 NEEDLES HWY	UST	TP
AC200 / 6	OASIS PETROLEUMO	2321 NEEDLES HWY	RCRA NonGen / NLR	TP
AC201 / 6	WESTSIDE MART	2321 NEEDLES HWY	ECHO	TP
AC202 / 6	OASIS PETROLEUMO	2321 NEEDLES HWY	FINDS, ECHO	TP
AC203 / 6	WESTSIDE MART	2321 NEEDLES HWY	CERS HAZ WASTE, CERS TANKS, EMI, San Ber...	TP
AC204 / 6	WESTSIDE CHEVRON	2321 NEEDLES HWY	RCRA NonGen / NLR	TP
AC205 / 6	OASIS PETROLEUM	2321 NEEDLES HWY	HAZNET, HWTS	TP
AC206 / 6	G & M OIL CO INC #26	2321 NEEDLES HWY	HAZNET, HWTS	TP
AC207 / 6	CHEVRON CORPORATION	2321 NEEDLES HWY	EDR Hist Auto	TP
AC208 / 6	WESTSIDE CHEVRON	2321 NEEDLES HWY	UST	TP
AC209 / 6	OASIS PETROLEUMO	2321 NEEDLES HWY	HWTS	TP
AC210 / 6	WESTSIDE CHEVRON	2321 NEEDLES HWY	FINDS	TP
AC211 / 6	G & M OIL #26	2321 BROADWAY AVE W	LUST, Cortese, HIST CORTESE, CERS	TP
AC212 / 6	GANDM OIL CO 26	2321 W BROADWAY	SWEEPS UST, HIST UST	TP
AC213 / 6	G.M. OIL #26	2321 W. BROADWAY ST	RGA LUST	TP
AC214 / 6	G & M OIL COMPANY IN	2321 W BROADWAY ST	EDR Hist Auto	TP
AC215 / 6	G&M OIL CO. #26	2321 W. BROADWAY	HIST UST	TP
AC216 / 6	G & M OIL CO #26	2321 W BROADWAY ST	UST	TP
AD217 / 6	DAVID POSNER	2208 NEEDLES HWY	HAZNET, HWTS	TP
AE218 / 6	MOBIL SERVICE STATIO	I-40 & RIVER RD	HAZNET, HWTS	TP
AF219 / 6	G & M OIL #26	2321 BROADWAY AVE W	FINDS	TP
220 / 6	66 BAR	1900 NEEDLES HWY	EDR Hist Auto	TP
AD221 / 6	COLORADO RIVER CHEVR	2204 W BROADWAY	HAZNET, HWTS	TP
AD222 / 6	LJ MOTORS	2204 WEST BROADWAY	FINDS, ECHO	TP
AD223 / 6	LJ MOTORS	2204 WEST BROADWAY	CERS	TP

MAPPED SITES SUMMARY - FOCUS MAP 6

Target Property:
817 THIRD ST.
NEEDLES, CA 92363

MAP ID / FOCUS MAP	SITE NAME	ADDRESS	DATABASE ACRONYMS	DIST (ft. & mi.) DIRECTION
AD224 / 6	1X L. J. MOTORS, INC	2204 WEST BROADWAY	HAZNET, HWTS	TP
AD225 / 6	LARRY GREEN AUTO CEN	2204 W BROADWAY	RCRA-SQG, SWEEPS UST, HAZNET, San Bern. ...	TP
AD226 / 6	COLORADO RIVER CHEVR	2204 W. BROADWAY	HWTS	TP
AD227 / 6	COLORADO RIVER CHEVR	2204 W. BROADWAY	HWTS	TP
228 / 6	CHEVRON STA. #9-8066	2205 BROADWAY	HIST CORTESE	TP
AG229 / 6	MOBIL STA. #100851	1632 BROADWAY	HIST CORTESE	TP
241 / 6	ANDERSON FLOYD PAUL	Q & ARCH STS	EDR Hist Auto	TP
AJ242 / 6	THE FILTER CHANGE	1714 W. BROADWAY	FINDS	TP
AJ243 / 6		INTERSECTION OF N ST	CHMIRS	TP
AE244 / 6	1X HANCOCK, CLARENCE	2011 WEST BROADWAY	HAZNET, HWTS	TP
AE245 / 6	CR HANCOCK JR	2011 WEST BROADWAY	HIST UST	TP
AE246 / 6	HANCOCK, C R JR.	2011 W BROADWAY	SWEEPS UST	TP
AE247 / 6	E-Z SERVE #145	2103 W BROADWAY	SWEEPS UST	TP
AE248 / 6	E-Z SERVE STATION 14	2103 W BROADWAY	HIST UST	TP
AE249 / 6	1X NEEDLES DISCOUNT	2103 W BROADWAY	HWTS	TP
AG250 / 6	SHOP, THE	1611 RIVER RD	San Bern. Co. Permit	TP
AD257 / 6	CHEVRON STATION 9 80	2205 W BROADWAY	RCRA-SQG, FINDS, ECHO	TP
AD258 / 6	98066	2205 W BROADWAY	SWEEPS UST, HIST UST	TP
AD259 / 6	CHEVRON STA. #9-8066	2205 WEST BROADWAY	RGA LUST	TP
AD260 / 6	CHEVRON STA. #9-8066	2205 WEST BROADWAY A	RGA LUST	TP
AD261 / 6	CHEVRON STA #9-8066	2205 WEST BROADWAY A	RGA LUST	TP
AD262 / 6	CHEVRON STA #9-8066	2205 WEST BROADWAY A	RGA LUST	TP
AD263 / 6	TRK ENTERPRISES INC	2205 W BROADWAY ST	EDR Hist Auto	TP
AD264 / 6	1X CHEVRON USA STA#8	2205 W BROADWAY	HAZNET, HWTS	TP
AD265 / 6	CHEVRON STATION # 98	2205 W BROADWAY	HAZNET, HWTS	TP
AD266 / 6	CHEVRON STA. #9-8066	2205 WEST BROADWAY	RGA LUST	TP
AD267 / 6	CHEVRON 98066	2205 W BROADWAY	HAZNET, HWTS	TP
AD268 / 6	CHEVRON STA #9-8066	2205 WEST BROADWAY A	LUST, Cortese, CERS	TP
AF278 / 6	1XDALE STOUT PROPERT	2211 W. BROADWAY	HAZNET, HWTS	TP
AE281 / 6	WEST POINT AUTO	2103 NEEDLES HWY	FINDS	TP
AE282 / 6	ACTIVE TOWING DBA SL	2103 NEEDLES HWY	HWTS	TP
AE283 / 6	WEST POINT AUTO	2103 NEEDLES HWY	San Bern. Co. Permit, HWTS	TP
AE284 / 6	WEST POINT AUTO	2103 NEEDLES HIGHWAY	HWTS	TP
AJ286 / 6	DESERT RIVER LUBE &	1714 W BROADWAY ST	CERS HAZ WASTE, San Bern. Co. Permit	TP
AJ287 / 6	THE FILTER CHANGE	1714 W BROADWAY	HWTS	TP
AJ288 / 6	CAMA DESERT SITES -		CERS	TP
AJ289 / 6	CAMP IBIS - CAMP IBI		CERS	TP
AJ290 / 6	PG&E IM3 REMEDIATION	I-40 AND PARK MOABI	EMI	TP
AJ291 / 6	CAMA DESE T SITES		LUST	TP

MAPPED SITES SUMMARY - FOCUS MAP 6

Target Property:
817 THIRD ST.
NEEDLES, CA 92363

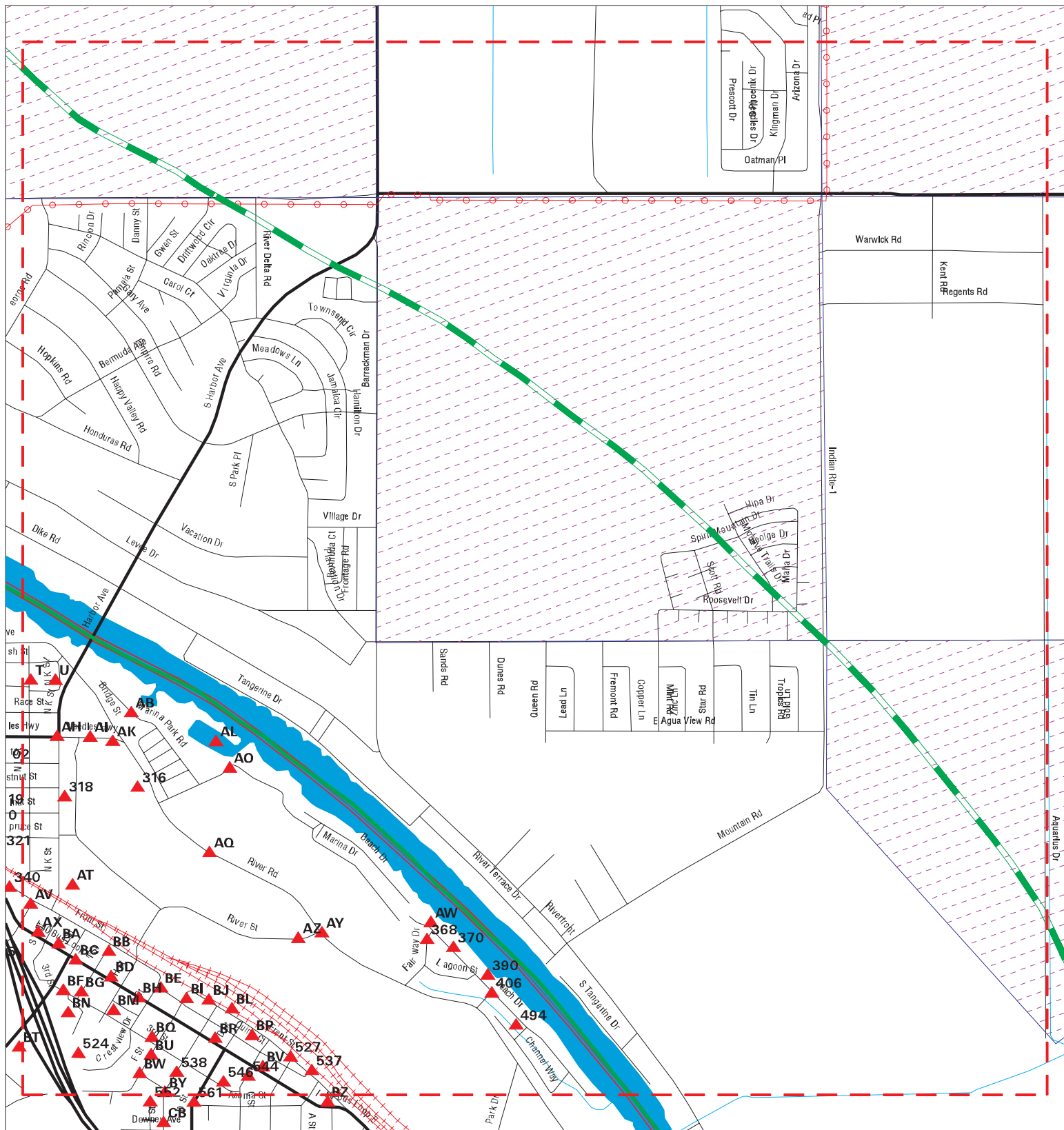
MAP ID / FOCUS MAP	SITE NAME	ADDRESS	DATABASE ACRONYMS	DIST (ft. & mi.) DIRECTION
AJ292 / 6	CAMP IBIS - CAMP IBI		MCS	TP
AJ293 / 6	CAMP IBIS - CAMP IBI		MCS	TP
AJ294 / 6	NEEDLES DISPOSAL SIT	HIGHWAY 95, 3 MILES	ENVIROSTOR	TP
AJ295 / 6	CAMP IBIS - CAMP IBI		LUST, MCS	TP
AJ296 / 6	CAMP IBIS - CAMP IBI		MCS	TP
AM297 / 6		1707 NEEDLES HIGHWAY	CHMIRS	TP
AM298 / 6	PRAMOD CHAMPANERI	1707 NEEDLES HIGHWAY	HAZNET, HWTS	TP
AN299 / 6	DESERT RIVER LUBE &	1714 W BROADWAY ST	HWTS	TP
AN300 / 6	OIL LUBE AND LATTE	1714 W BROADWAY ST	HWTS	TP
301 / 6	TEST SITE FOR DATA E	666 MARKET ST, TRONA	FINDS	TP
302 / 6		M STREET AND MARKET	CHMIRS	TP
AN305 / 6	MOBIL STA. #100851	1632 WEST BROADWAY	RGA LUST	TP
AN306 / 6	MOBIL STA #100851	1632 WEST BROADWAY A	RGA LUST	TP
AN307 / 6	MOBIL STA. #100851	1632 WEST BROADWAY A	RGA LUST	TP
AN308 / 6	HARKEN MARKETING CO	1632 W BROADWAY	HAZNET, HWTS	TP
AN309 / 6	EZ SERVE #1152	1632 W. BROADWAY AVE	RGA LUST	TP
AN310 / 6	EZ SERVE #1152	1632 WEST BROADWAY A	RGA LUST	TP
AN311 / 6	EZ SERVE #1152	1632 WEST BROADWAY A	LUST, Cortese, HIST CORTESE, CERS	TP
AN312 / 6	E-Z SERVE STATION 11	1632 W BROADWAY	SWEEPS UST, HIST UST	TP
AN313 / 6	EZ SERVE #1152	1632 WEST BROADWAY A	FINDS	TP
AN314 / 6	EZ SERVE #1152	1632 WEST BROADWAY A	RGA LUST	TP
AN315 / 6	MOBIL STA #100851 /	1632 W. BROADWAY	RGA LUST	TP
317 / 6	TEN FOUR CORPORATION	1621 W BROADWAY	HAZNET, HWTS	TP
319 / 6		300 WALNUT ST.	CHMIRS	TP
320 / 6	TEN FOUR CORPORATION	1621 N STREET	LUST, Cortese, ENF, CERS	TP
321 / 6	PACIFIC GAS & ELECTR	12 MI E NEEDLES ON I	ENVIROSTOR, DEED	TP
AP322 / 6	DOLLAR GENERAL STORE	1500 HOSPITALITY LN	CERS HAZ WASTE, HAZNET, NPDES, San Bern....	TP
AP324 / 6	FORMER GRIGGS AND SO	1705 WEST FRONT STRE	CPS-SLIC	TP
AR326 / 6	I-126 C ARB YARD	34.752058 -114.59825	HWTS	TP
AR327 / 6	I-126D	34.684870, -114.8381	HWTS	TP
AR328 / 6	I-125C-D	34.670802, -114.6580	HWTS	TP
AS330 / 6	EAGLEPASS AUTO DIS	1800 EAGLEPASS RD	HWTS	TP
AS331 / 6	EAGLE PASS WRECKING	1800 EAGLE PASS RD	WDS, CIWQS	TP
AS332 / 6	EAGLE PASS WRECKING	1800 EAGLE PASS RD	HAZNET, HWTS	TP
AS333 / 6	SLEIMAN ZEINATY	1800 EAGLE PASS RD	San Bern. Co. Permit	TP
AS334 / 6	EAGLE PASS AUTO DIS	1800 EAGLE PASS RD	CIWQS	TP
AS335 / 6	SLEIMAN ZEINATY	1800 EAGLE PASS RD	FINDS	TP
AS336 / 6	CHAMBERS LEE PETROLE	1704 EAGLE PASS RD	EDR Hist Auto	TP
340 / 6	CP NATIONAL SERVICE	1705 FRONT STREET	LUST, Cortese, HIST CORTESE, Notify 65, ...	TP

MAPPED SITES SUMMARY - FOCUS MAP 6

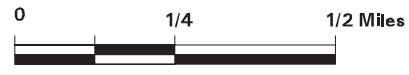
Target Property:
817 THIRD ST.
NEEDLES, CA 92363

MAP ID / FOCUS MAP	SITE NAME	ADDRESS	DATABASE ACRONYMS	DIST (ft. & mi.) DIRECTION
AU342 / 6	BNSF RAILWAY COMPANY	1705 EAGLE PASS ROAD	FINDS	TP
AU343 / 6	THE BNSF RAILWAY COM	1705 EAGLE PASS RD	FINDS, ECHO	TP
AU344 / 6	ACTIVE AUTOWRECKING	1705 EAGLE PASS RD S	HWTS	TP
AU345 / 6	THE BNSF RAILWAY COM	1705 EAGLE PASS RD	RCRA NonGen / NLR	TP
AU346 / 6	ACTIVE TOWING	1705 EAGLE PASS RD	CPS-SLIC, San Bern. Co. Permit, CERS	TP
AU347 / 6	TIRE DISPOSAL SERVIC	1705 EAGLE PASS ROAD	RGA LF	TP
AU348 / 6	THE BNSF RAILWAY COM	1705 EAGLE PASS RD	HAZNET, HWTS	TP
375 / 6	SHIPCO TRANSPORT INC	5TH AND L ST/OFF FWY	HWTS	TP
376 / 6	FRONTIER - GC# 714	RIO MESA/ARIZONA STR	EMI, CERS	TP
BK453 / 6	NUSD-NEEDLES HIGH SC	1600 WASHINGTON ST	FINDS, ECHO	TP
BK454 / 6	NUSD-NEEDLES HIGH SC	1600 WASHINGTON ST	RCRA NonGen / NLR	TP
BK455 / 6	NUSD-NEEDLES HIGH SC	1600 WASHINGTON ST	HAZNET, HWTS	TP
BO489 / 6	NEEDLES USD	720 BAILEY AVE	HAZNET, HWTS	TP
BO495 / 6	STEPHEN BEALS	812 BAILEY AVE	RCRA NonGen / NLR	TP
BO496 / 6	STEPHEN BEALS	812 BAILEY AVE	HWTS	TP
BO497 / 6	STEPHEN BEALS	812 BAILEY AVE	ECHO	TP
BO498 / 6	STEPHEN BEALS	812 BAILEY AVE	FINDS	TP
BS507 / 6	NEEDLES UNIFIED SCHO	1900 ERIN DR	HAZNET, HWTS	TP
BS508 / 6	NEEDLES UNIFIED SCHO	1900 ERIN DRIVE	HAULERS	TP
BS509 / 6	NEEDLES UNIFIED SCHO	1900 ERIN DRIVE	RGA LUST	TP
BS510 / 6	NEEDLES USD	1900 ERIN DR	LUST, AST, CERS HAZ WASTE, SWEEPS UST, C...	TP
BS511 / 6	NUSD MAINTENANCE YAR	1900 ERIN DR	CIWQS	TP
BS512 / 6	NEEDLES UNIFIED SCHO	1900 ERIN DR	FINDS, ECHO	TP
BS513 / 6	NEEDLES UNIFIED SCHO	1900 ERIN DR	RCRA NonGen / NLR	TP
BS514 / 6	NEEDLES USD	1900 ERIN DR	HAZNET, HWTS	TP
BS515 / 6	NEEDLES HIGH SCHOOL	1900 ERIN DR	HWTS	TP
BS516 / 6	NEEDLES UNIFIED SCHO	1900 ERIN DRIVE	RGA LUST	TP
BS517 / 6	NEEDLES UNIFIED SCHO	1900 ERIN DRIVE	LUST, Cortese	TP
BT519 / 6	SAN BERNARDINO CO PA	INTERSTATE 40	LUST	TP
BT520 / 6	SB CO PARK MOABI MAR	PARK MOABI ROAD	LUST	TP
BT521 / 6	SAN BERNARDINO CO PA	INTERSTATE 40	LUST, Cortese, CERS	TP
BX547 / 6	US FISH & WILDLIFE S	311 & 317 MESQUITE	HAZNET, HWTS	TP

Focus Map - 7 - 7094717.5s



Sites	Focus Map - Sites	Dept. Defense Sites
Target Property	Power Line	Indian Reservations BIA
Search Buffer	Pipe Line	
Focus Map - No Sites	National Priority List Sites	



SITE NAME: City of Needles, CA
 ADDRESS: 817 Third St.
 CITY/STATE: Needles CA
 ZIP: 92363

CLIENT: Meridian Consultants LLC
 CONTACT: Sebastian Shetty
 INQUIRY #: 7094717.5s
 DATE: 08/24/22

MAPPED SITES SUMMARY - FOCUS MAP 7

Target Property:
817 THIRD ST.
NEEDLES, CA 92363

MAP ID / FOCUS MAP	SITE NAME	ADDRESS	DATABASE ACRONYMS	DIST (ft. & mi.) DIRECTION
T122 / 7	NEEDLES SMELTER	799 N L STREET	CERS	TP
T123 / 7	NEEDLES SMELTER	799 NORTH L STREET	SEMS, LEAD SMELTERS	TP
T124 / 7	NEEDLES SMELTER	799 NORTH L STREET	FINDS	TP
T125 / 7	NEEDLES SMELTER	799 N L STREET	RESPONSE, ENVIROSTOR	TP
U126 / 7	WELL #15	810 N K ST	San Bern. Co. Permit, CERS	TP
U127 / 7	WELL #10	810 N K ST	FINDS	TP
U128 / 7	NEW WELL #15	810 NORTH K STREET	CIWQS	TP
U129 / 7	NEW WELL #15	810 K	FINDS	TP
AB194 / 7	NEEDLES MARINA RESOR	100 MARINA DR	UST, HIST UST, CERS TANKS, EMI, NPDES, S...	TP
AB195 / 7	NEEDLES MARINA PARK	100 MARINA DR	FINDS	TP
AB196 / 7	NEEDLES MARINA PARK	100 MARINA PARK	SWEEPS UST	TP
AB197 / 7	NEEDLES MARINA PARK	100 MARINA DRIVE	FINDS	TP
AH230 / 7	PREMIER SPORTS	1404 BROADWAY #A	CERS HAZ WASTE, San Bern. Co. Permit, CE...	TP
AH231 / 7	DANZER IMPORT AUTO &	1404 BROADWAY #C	San Bern. Co. Permit	TP
AH232 / 7	ADVOCATE WILLIAM	518 BROADWAY	EDR Hist Auto	TP
AH233 / 7	HARKEN MARKETING CO	504 BROADWAY	HWTS	TP
AH234 / 7	E-Z SERVE STATION 97	504 BROADWAY	SWEEPS UST, HIST UST	TP
AH235 / 7	CHUN TERRY	504 BROADWAY	EDR Hist Auto	TP
AI236 / 7	BURLINGTON NORTHERN	316 BROADWAY	RCRA-SQG, FINDS	TP
AI237 / 7	BNSF RAILWAY COMPANY	316 BROADWAY	HAZNET, HWTS	TP
AI238 / 7	BURLINGTON NORTHERN	316 BROADWAY	ECHO	TP
AI239 / 7	HARKEN MARKETING CO	300 BROADWAY	HAZNET, HWTS	TP
AI240 / 7	E-Z SERVE STATION 13	300 BROADWAY	HIST UST	TP
AH251 / 7		599 NEEDLES, NEEDLES	CHMIRS	TP
AH252 / 7	COLORADO RIVER FORD	539 BROADWAY	RCRA-SQG, FINDS, ECHO	TP
AH253 / 7	COLORADO RIVER FORD	539 BROADWAY	HAZNET, HWTS	TP
AH254 / 7	RON RAY FORD-MERCURY	539 BROADWAY	HWTS	TP
AH255 / 7	COLORADO RIVER FORD	539 BROADWAY	San Bern. Co. Permit	TP
AI256 / 7	H AND H CYCLE WORKS	419 1/2 BROADWAY	HWTS	TP
AK269 / 7	CITY OF NEEDLES MUNI	101 RIVER RD	FINDS, ECHO	TP
AK270 / 7	CITY OF NEEDLES MUNI	101 RIVER RD	RCRA NonGen / NLR	TP
AK271 / 7	TRANSWESTERN PIPELIN	15 MI OF NEEDLES OFF	HAZNET, HWTS	TP
AK272 / 7	SOUTHERN CALIF EDISO	23 MI W OF NEEDLES O	HWTS	TP
AK273 / 7	SOUTHERN CALIFORNIA	23 MI W/OF NEEDLES O	HAZNET, HWTS	TP
AK274 / 7	1X P G & E	15 MI SO OF NEEDLES	HAZNET, HWTS	TP
AK275 / 7	1X CALIF DEPT OF TRA	11 MI E OF NEEDLES C	HWTS	TP
AL276 / 7	NEEDLES MARINA MAINT		CERS	TP
AL277 / 7	NEEDLES MARINA MAINT		CIWQS	TP
AH279 / 7	L & S AUTO CENTER	1401 NEEDLES HWY	HAZNET, HWTS	TP

MAPPED SITES SUMMARY - FOCUS MAP 7

Target Property:
817 THIRD ST.
NEEDLES, CA 92363

MAP ID / FOCUS MAP	SITE NAME	ADDRESS	DATABASE ACRONYMS	DIST (ft. & mi.) DIRECTION
AH280 / 7	L & S AUTO CARE	1401 NEEDLES HWY	San Bern. Co. Permit	TP
AK285 / 7	PG & E MEASURING STA	34.714956 114.490849	CERS	TP
AO303 / 7	NEEDLES MUNI. GOLF C	144 MARINA DR	CERS HAZ WASTE, San Bern. Co. Permit, CE...	TP
AO304 / 7	NEEDLES MUNI. GOLF C	144 MARINA DR	FINDS	TP
316 / 7	CITY OF NEEDLES MUNI	1300 RIVER RD	HAZNET, HWTS	TP
318 / 7	BARBARA A HAMBY	317 N K ST	HAZNET, HWTS	TP
AQ323 / 7	NEEDLES GOLF COURSE	997 BRIDGE	LUST, Cortese, HIST CORTESE, CERS	TP
AQ325 / 7	CITY OF NEEDLES MUNI	997 BRIDGE ROAD	HIST UST	TP
AQ329 / 7	NEEDLES GOLF COURSE	997 BRIDGE ROAD	FINDS	TP
AT337 / 7	A TO Z COLLISION CEN	117 N K ST	HWTS	TP
AT338 / 7	A TO Z COLLISION	117 NORTH K STREET	EMI	TP
AT339 / 7	A TO Z COLLISION CEN	117 K ST	FINDS	TP
AT341 / 7	NEEDLES I-40 CONNECT	I-40 ALONG J BROADWA	NPDES, CIWQS	TP
AV349 / 7	CP NATIONAL (SERVICE	1705 FRONT ST	HIST UST	TP
AV350 / 7	LEE CHAMBERS PETROLE	1702 FRONT ST	SWEEPS UST, HIST UST	TP
AW351 / 7	RESIDENTIAL HOUSE	908 BEACH DRIVE	NPDES	TP
AW352 / 7	RESIDENTIAL HOUSE	904 BEACH DRIVE	NPDES	TP
AX353 / 7	PREMIER SPORTS LLC	1404 W BROADWAY ST	ECHO	TP
AX354 / 7	PREMIER SPORTS LLC	1404 W BROADWAY ST	FINDS	TP
AX355 / 7	PREMIER SPORTS LLC	1404 W BROADWAY ST	HAZNET, HWTS	TP
AX356 / 7	DANZER IMPORT AUTO &	1404 W BROADWAY ST C	EDR Hist Auto	TP
AX357 / 7	PREMIER SPORTS LLC	1404 W BROADWAY ST	RCRA NonGen / NLR	TP
AY358 / 7	WELL #11	1274 RIVER RD	FINDS	TP
AY359 / 7	WELL #11	1274 RIVER RD	San Bern. Co. Permit, CERS	TP
AX360 / 7	RT-752	34.7147250, -114.488	HWTS	TP
AX361 / 7	SOUTHERN CALIFORNIA	34.680013, -114.7326	HWTS	TP
AZ362 / 7	TRI STATE TRUSS CORP	600 RIVER STREET	FINDS	TP
AZ363 / 7	TRI STATE TRUSS CORP	600 RIVER STREET	HWTS	TP
AZ364 / 7	TRI STATE TRUSS CORP	600 RIVER STREET	HWTS	TP
AZ365 / 7	TRI STATE TRUSS CORP	600 RIVER STREET	ECHO	TP
AZ366 / 7	TRI STATE TRUSS CORP	600 RIVER STREET	RCRA NonGen / NLR	TP
AZ367 / 7	TRI STATE TRUSS CORP	600 RIVER STREET	RCRA NonGen / NLR	TP
368 / 7	BIG BEAR AMERICAN MA	421 FAIRWAY ST	San Bern. Co. Permit	TP
BA369 / 7	CANNABIS DISPENSARY	1312 WEST BROADWAY S	NPDES	TP
370 / 7		826 BEACH DR	ERNS	TP
BB371 / 7	GRISWOLD ENTERPRISES	119 I ST	HIST UST	TP
BA372 / 7		WEST BROADWAY AND J	CHMIRS	TP
BB373 / 7	PG&E - TOPOCK REMEDI	I-40 & PARK MOABI RD	CERS	TP
BC374 / 7	13219 SAN BERNARDINO	1219 BROADWAY	FINDS	TP

MAPPED SITES SUMMARY - FOCUS MAP 7

Target Property:
817 THIRD ST.
NEEDLES, CA 92363

MAP ID / FOCUS MAP	SITE NAME	ADDRESS	DATABASE ACRONYMS	DIST (ft. & mi.) DIRECTION
BC377 / 7	SHELL MINIMART	1219 BROADWAY	HIST CORTESE	TP
BC378 / 7	NEEDLESS GAS	1219 W BROADWAY ST	RCRA NonGen / NLR	TP
BC379 / 7	NEEDLES GAS	1219 WEST BROADWAY S	EMI	TP
BC380 / 7	J STREET VALERO	1219 W BROADWAY	FINDS	TP
BC381 / 7	NEEDLESS GAS	1219 W BROADWAY ST	FINDS	TP
BC382 / 7	NEEDLES AMERICAN GAS	1219 W. BROADWAY STR	UST	TP
BC383 / 7	NEEDLES AMERICAN GAS	1219 W. BROADWAY STR	CERS HAZ WASTE, CERS TANKS, San Bern. Co...	TP
BC384 / 7	NEEDLESS GAS	1219 W BROADWAY ST	HWTS	TP
BC385 / 7	TM GROUP	1219 W BROADWAY ST	ECHO	TP
BC386 / 7	SHELL MINI-MART	1219 BROADWAY	FINDS	TP
BC387 / 7	SHELL MINI MART	1219 BROADWAY ST	HAZNET, HWTS	TP
BC388 / 7	SHELL MINI-MART	1219 BROADWAY	LUST, Cortese, CERS	TP
BC389 / 7	SHELL MINI MART	1219 BROADWAY	LUST, SWEEPS UST, HIST UST	TP
390 / 7		712 BEACH DRIVE	CHMIRS	TP
BD391 / 7	CROSSS TEXACO	1124 W BROADWAY	EDR Hist Auto	TP
BD392 / 7	NEEDLES PNT LIQUOR &	1109 W BROADWAY	San Bern. Co. Permit	TP
BD393 / 7		200 "H" STREET	CHMIRS	TP
BD394 / 7		200 H STREET	HMIRS	TP
BE395 / 7	EL GARCES TRAIN STAT	950 FRONT ST	HAZNET, HWTS	TP
BE396 / 7	EL-GARCES TRAIN STAT	950 FRONT ST	San Bern. Co. Permit	TP
BE397 / 7	CITY OF NEEDLES	950 FRONT ST	HAZNET, HWTS	TP
BE398 / 7	EL GARCES TRAIN STAT	950 FRONT STREET	FINDS	TP
BE399 / 7	EL GARCES TRAIN STAT	950 FRONT STREET	RCRA NonGen / NLR	TP
BE400 / 7	CITY OF NEEDLES - EN	950 FRONT ST	HAZNET, HWTS	TP
BE401 / 7	CITY OF NEEDLES	950 FRONT ST EL GARC	HAZNET, HWTS	TP
BE402 / 7	EL GARCES TRAIN STAT	950 FRONT STREET	ECHO	TP
BF403 / 7	GW INVESTIGATION	1260 3RD	FINDS	TP
BG404 / 7	ZULCH AUTO WKS	274 I ST	EDR Hist Auto	TP
BG405 / 7	ZULCH AUTO WORKS	274 I	EDR Hist Auto	TP
406 / 7	BRENT ENGINEERING IN	41911 N SHORE DR	HWTS	TP
BG407 / 7	DONNA GRISWOLD	219 I ST	HAZNET, HWTS	TP
BG408 / 7	1X GRISWOLD, DONNA R	219 I STREET	HWTS	TP
BG409 / 7	1X GRISWOLD, ROBERT	219 I STREET	HWTS	TP
BG410 / 7	GRISWOLD ENTERPRISES	219 I ST	FINDS	TP
BG411 / 7	GRISWOLD ENTERPRISES	219 I	LUST, SWEEPS UST, Cortese, HIST CORTESE,...	TP
BG412 / 7	GRISWOLD ENTERPRISES	219 I ST	RGA LUST	TP
BF413 / 7	J STREET GAS & OIL	301 J ST	HWTS	TP
BF414 / 7	J' STREET 76 GAS & O	301 J STREET	EMI	TP
BF415 / 7	J STREET 76 GAS & RE	301 J ST	HWTS	TP

MAPPED SITES SUMMARY - FOCUS MAP 7

Target Property:
817 THIRD ST.
NEEDLES, CA 92363

MAP ID / FOCUS MAP	SITE NAME	ADDRESS	DATABASE ACRONYMS	DIST (ft. & mi.) DIRECTION
BF416 / 7	TRIPLE J GAS & SERVI	301 J ST	HWTS	TP
BF417 / 7	TOSCO SS # 31145-628	301 J ST	UST	TP
BF418 / 7	J STREET GAS & OIL G	301 S J ST	UST	TP
BF419 / 7	STATION # 6288	301 J ST	HIST UST	TP
BF420 / 7	UNION OIL SERVICE ST	301 J ST	HIST UST	TP
BF421 / 7	BOATNER'S ENTERPRIES	301 J ST	HWTS	TP
BF422 / 7	J STREET 76 GAS & OI	301 J STREET	EMI	TP
BF423 / 7		301 J STREET	EMI	TP
BF424 / 7	STATION 6288	301 SOUTH J STREET	HIST UST	TP
BF425 / 7	UNION OIL SERVICE ST	301 SOUTH J STREET	HIST UST	TP
BF426 / 7	TOSCO CORPORATION ST	301 SOUTH J STREET	HWTS	TP
BF427 / 7	UNOCAL SRV. #6288	301 SOUTH J ST.	HWTS	TP
BF428 / 7	J STREET GAS & OIL G	301 S J ST	CERS HAZ WASTE, CERS TANKS, San Bern. Co...	TP
BF429 / 7	J STREET UNOCAL	301 SOUTH J ST	HWTS	TP
BF430 / 7	UNOCAL SERVICE STATI	301 SOUTH J STREET	HAZNET, HWTS	TP
BF431 / 7	J STREET INC	301 J ST	EDR Hist Auto	TP
BF432 / 7	J STREET 76 GAS & O	301 J STREET	FINDS	TP
BF433 / 7	UNOCOL 76 STN #6288	301 S J ST	SWEEPS UST	TP
BF434 / 7	J ST AMERICAN CAR CA	301 J ST	HAZNET, HWTS	TP
BF435 / 7	J ST 76 GAS & REPAIR	301 S J ST	FINDS	TP
BH436 / 7	CITY OF NEEDLES	1030 BROADWAY	HAZNET, HWTS	TP
BI437 / 7	MOHAVE VALET CLEANER	111 F ST	EDR Hist Cleaner	TP
BJ438 / 7		834 FRONT STREET, NE	CHMIRS	TP
BJ439 / 7	BNSF NEEDLES FACILIT	834 FRONT ST	CERS HAZ WASTE, EMI, NPDES, San Bern. Co...	TP
BJ440 / 7	AMTRAK	834 N FRONT ST	RCRA NonGen / NLR	TP
BJ441 / 7	BNSF RAILWAY COMPANY	834 FRONT ST	CHMIRS, HAZNET, HWTS	TP
BJ442 / 7	NEEDLES RAILYARD	834 FRONT ST	CIWQS	TP
BJ443 / 7	BNSF RAILWAY CO - NE	834 NORTH FRONT STRE	EMI	TP
BJ444 / 7	BNSF NEEDLES FACILIT	834 FRONT ST	FINDS, ECHO	TP
BJ445 / 7	AMTRAK	834 FRONT ST	EMI, HAZNET, HWTS	TP
BJ446 / 7	AMTRAK	834 N FRONT ST	FINDS	TP
BJ447 / 7		834 FRONT STREET	HMIRS	TP
BJ448 / 7	BNSF RAILWAY CO - NE	834 NORTH FRONT STRE	FINDS	TP
BJ449 / 7		834 FRONT ST, MP 578	CHMIRS	TP
BJ450 / 7		834 FRONT ST	ERNS	TP
BJ451 / 7	AMTRAK	834 N FRONT ST	ECHO	TP
BJ452 / 7	BNSF RAILWAY	830 FRONT ST	HWTS	TP
BI456 / 7	BNSF RAILROAD COMPAN	900 FRONT ST	HAULERS	TP
BI457 / 7	BNSF RAILWAY COMPANY	900 FRONT ST	HAZNET, HWTS	TP

MAPPED SITES SUMMARY - FOCUS MAP 7

Target Property:
817 THIRD ST.
NEEDLES, CA 92363

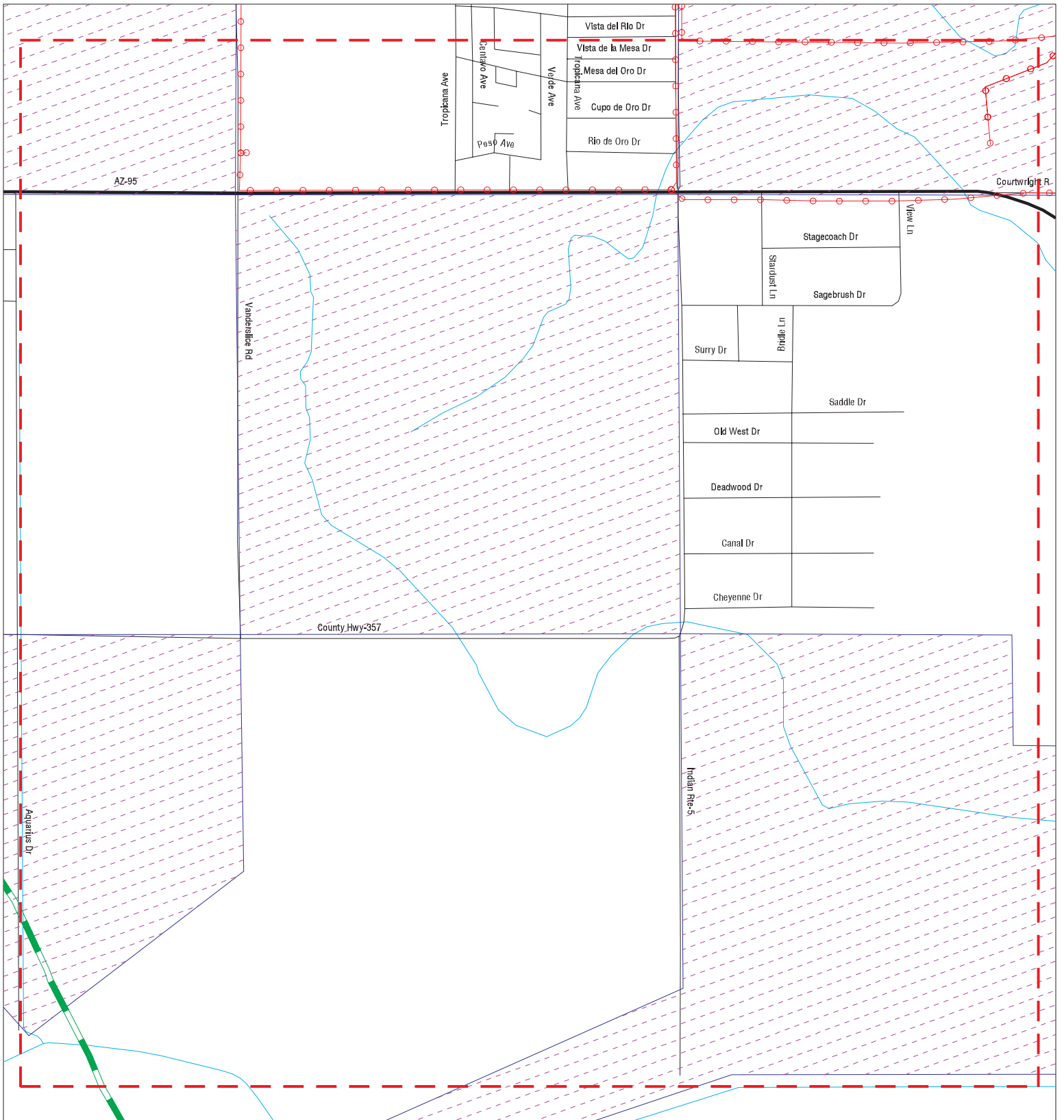
MAP ID / FOCUS MAP	SITE NAME	ADDRESS	DATABASE ACRONYMS	DIST (ft. & mi.) DIRECTION
BI458 / 7	ATS & F NEEDLES RAIL	900 FRONT STREET	FINDS	TP
BI459 / 7	DIESEL FUELING-NEEDL	900 FRONT STREET	SWEEPS UST, HIST UST	TP
BI460 / 7	ATS&F NEEDLES RAILYA	900 FRONT	LUST, HIST CORTESE, CERS	TP
BI461 / 7	FORMER ATSF NEEDLES	900 FRONT STREET	CPS-SLIC	TP
BI462 / 7	BNSF - NEEDLES	900 FRONT ST	ECHO	TP
BI463 / 7	BNSF - NEEDLES	900 FRONT ST	RCRA-SQG, FINDS	TP
BI464 / 7	ATS & F NEEDLES RAIL	900 FRONT STREET	LUST, Cortese	TP
BI465 / 7	ATSF NEEDLES RAIL YA	900 FRONT STREET	Notify 65	TP
BI466 / 7	AT&SF NEEDLES RAIL Y	900 FRONT STREET	RGA LUST	TP
BI467 / 7	ATS & F NEEDLES RAIL	900 FRONT STREET	RGA LUST	TP
BI468 / 7	ATS&F NEEDLES RAILYA	900 FRONT STREET	RGA LUST	TP
BI469 / 7	FORMER AT&SF NEEDLES	900 FRONT STREET	CPS-SLIC	TP
BL470 / 7	BNSF RAILWAY COMPANY	SOUTH EAST OF THE IN	CPS-SLIC, CERS	TP
BL471 / 7	BNSF RAILWAY COMPANY	SOUTH EAST OF THE IN	LUST, Cortese	TP
BH472 / 7	HARTWICK AUTOMOTIVE	949 W BROADWAY ST	HWTS	TP
BH473 / 7	HARTWICK AUTOMOTIVE	949 W BROADWAY ST	FINDS, ECHO	TP
BH474 / 7	HARTWICK AUTOMOTIVE	949 W BROADWAY ST	RCRA NonGen / NLR	TP
BH475 / 7	J B'S AUTO SERVICE C	949 W BROADWAY ST	UST	TP
BH476 / 7	BIG O TIRES & AUTO P	949 WEST BROADWAY	HAZNET, HWTS	TP
BH477 / 7	BIG O TIRES & AUTO P	949 W BROADWAY ST	FINDS	TP
BH478 / 7	BIG O TIRES & AUTO P	949 W BROADWAY ST	CERS HAZ WASTE, San Bern. Co. Permit, CE...	TP
BH479 / 7	J BS AUTO SERVICE CE	949 W BROADWAY	EDR Hist Auto	TP
BH480 / 7	HARTWICK AUTOMOTIVE,	949 WEST BROADWAY ST	HAULERS	TP
BH481 / 7	JB'S AUTO SRV CTR/BI	949 W BROADWAY	HAZNET, HWTS	TP
BM482 / 7	PACIFIC BELL	221 H STREET	RCRA NonGen / NLR, FINDS, ECHO	TP
BM483 / 7	PACIFIC TELEPHONE AN	221 H STREET	HWTS	TP
BM484 / 7	1X JAMES LAMBERT	221 H STREET	HAZNET, HWTS	TP
BN485 / 7	OFR TRUCKING INC	1201 3RD ST	HAZNET, HWTS	TP
BN486 / 7	OFR TRUCKING INC	1201 3RD ST	FINDS, ECHO	TP
BN487 / 7	OFR TRUCKING INC	1201 3RD ST	RCRA NonGen / NLR	TP
BL488 / 7	HUD C/O GOLDEN FEATH	732 W FRONTLEE	HAZNET, HWTS	TP
BL490 / 7	UNOCAL STATION	705 FRONT	HIST CORTESE	TP
BL491 / 7	UNOCAL STATION	705 FRONT STREET	RGA LUST	TP
BL492 / 7	UNOCAL STATION / NEE	705 FRONT STREET	RGA LUST	TP
BL493 / 7	UNOCAL STA - NEEDLES	705 FRONT STREET	RGA LUST	TP
494 / 7	SIMONS HELEN	579 BEACH DR	EDR Hist Auto	TP
BP499 / 7	SAN BERNARDINO COUNT	633 FRONT ST	San Bern. Co. Permit	TP
BP500 / 7	SAN BERNARDINO COUNT	633 FRONT ST	FINDS	TP
BQ501 / 7		222 F ST.	CHMIRS	TP

MAPPED SITES SUMMARY - FOCUS MAP 7

Target Property:
817 THIRD ST.
NEEDLES, CA 92363

MAP ID / FOCUS MAP	SITE NAME	ADDRESS	DATABASE ACRONYMS	DIST (ft. & mi.) DIRECTION
BR502 / 7	MARK ADAMS AS RECEIV	710 W BROADWAY ST	HAZNET, HWTS	TP
BR503 / 7	1X OVERNIGHT TRANSP		HAZNET, HWTS	TP
BR504 / 7	1X CITY OF NEEDLES	WASTEWATER TREATMENT	HAZNET, HWTS	TP
BP505 / 7	BCI COCA COLA BOTTOL	601-611 FRONT STREET	HAZNET, HWTS	TP
BP506 / 7	H & H CYCLE WORKS	601 FRONT ST	HWTS	TP
BR518 / 7	PALO VERDE COMMUNITY	725 W BROADWAY ST	HAZNET, HWTS	TP
BP522 / 7	ACTION AUTOMOTIVE MA	130 C ST	RCRA-SQG, FINDS, ECHO, San Bern. Co. Per...	TP
BQ523 / 7	THOUSAND PINES GARAG	323 F	EDR Hist Auto	TP
524 / 7		1195 3RD STREET	CHMIRS	TP
BQ525 / 7	MOLTZ B E AUTO REPR	327 F	EDR Hist Auto	TP
BU526 / 7	FISHER J C DO	328 F	EDR Hist Cleaner	TP
527 / 7	CLAYPOOL & CO	534 FRONT ST	HAZNET, HWTS	TP
BU528 / 7	WAITMAN R J DO	340 F	EDR Hist Cleaner	TP
BU529 / 7	NEEDLES SBR CS	817 THIRD STREET	CIWQS	TP
BU530 / 7	CITY OF NEEDLES	817 THIRD ST.	FINDS	TP
BU531 / 7	CITY OF NEEDLES	817 THIRD ST.	FTTS, HIST FTTS	TP
BU532 / 7	NEEDLES SBR CS	817 THIRD	FINDS	TP
BU533 / 7	NEEDLES	817 THIRD STREET	FINDS	TP
BU534 / 7	SOUTHWEST GAS - TOPO	817 THIRD ST	ICIS, FINDS, ECHO	TP
BV535 / 7	DAVID DAVIS	518 W BROADWAY	HAZNET, HWTS	TP
BV536 / 7	CUPP'S CAR CARE	518 W BROADWAY	HWTS	TP
537 / 7	NEEDLES	UNKNOWN	CERS	TP
538 / 7	GALLANES G A HAT CLN	333 E	EDR Hist Cleaner	TP
BV539 / 7	JOAN E DAVIS	504 W BROADWAY	HAZNET, HWTS	TP
BW540 / 7	SHELL OIL CO GAS	395 F	EDR Hist Auto	TP
BV541 / 7	TRI-CITY FORD DBA CO	539 W BROADWAY ST	HAZNET, HWTS	TP
BW542 / 7	SHERREL H C GAS STA	399 F	EDR Hist Auto	TP
BW543 / 7	SCHUYLER F H AUTO RE	888 4TH	EDR Hist Auto	TP
544 / 7	RONS TRANSMISSION	236 C STATE ST	HWTS	TP
BV545 / 7	1X RON RAY FORD-MERC	539 BROADWAY	HAZNET, HWTS	TP
546 / 7	US POST SERVICE	628 THIRD ST	HWTS	TP
BY548 / 7	SHIELDS HARPER & CO	405 E	EDR Hist Auto	TP

Focus Map - 8 - 7094717.5s



- ▲ Sites
- ▬ Target Property
- ▬ Search Buffer
- ▬ Focus Map - No Sites
- ▬ Focus Map - Sites
- ▬ Power Line
- ▬ Pipe Line
- Dept. Defense Sites
- Indian Reservations BIA
- National Priority List Sites



SITE NAME: City of Needles, CA
 ADDRESS: 817 Third St.
 CITY/STATE: Needles CA
 ZIP: 92363

CLIENT: Meridian Consultants LLC
 CONTACT: Sebastian Shetty
 INQUIRY #: 7094717.5s
 DATE: 08/24/22

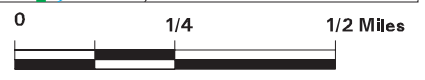
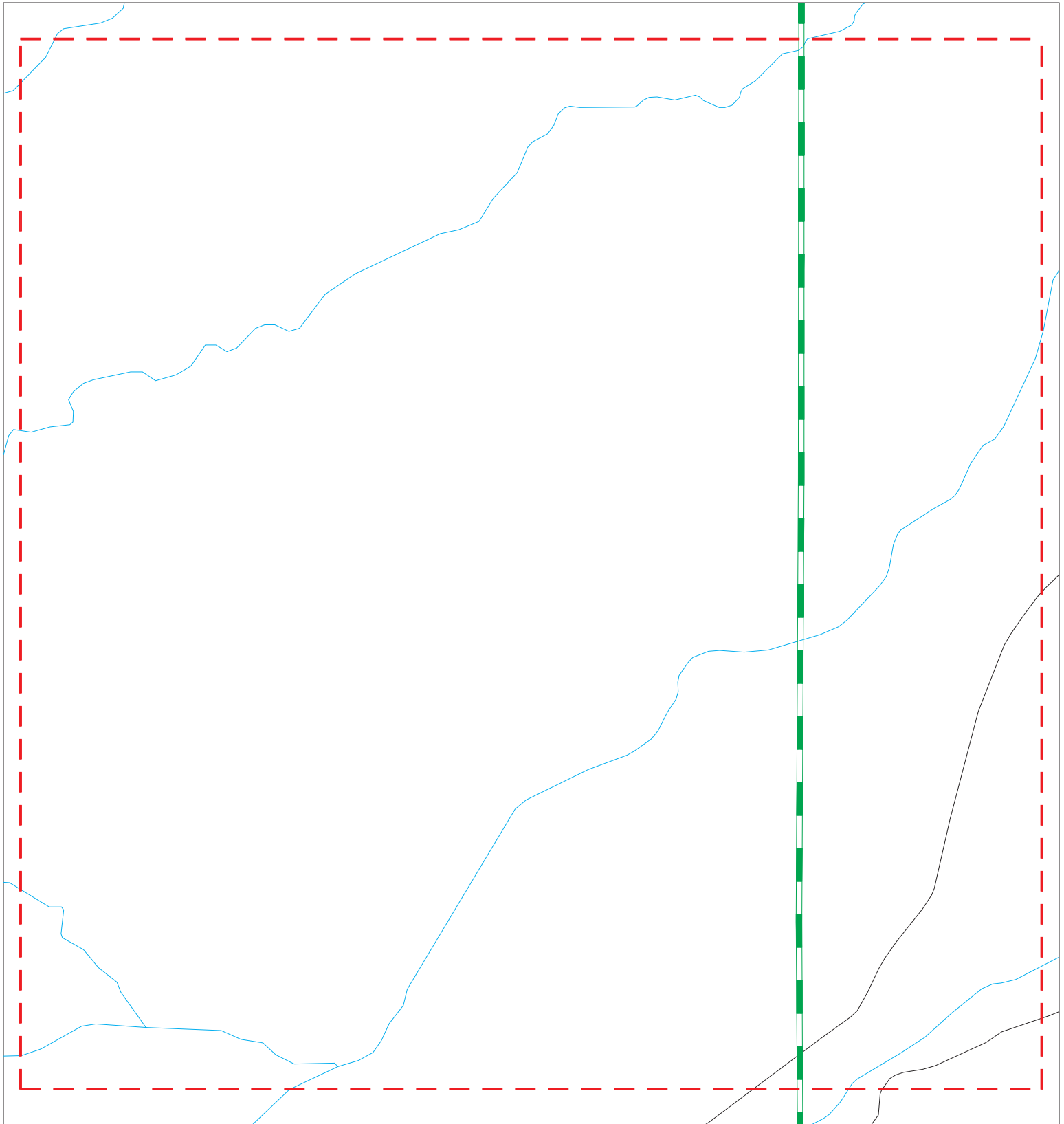
MAPPED SITES SUMMARY - FOCUS MAP 8











Target Property:
817 THIRD ST.
NEEDLES, CA 92363

MAP ID / FOCUS MAP	SITE NAME	ADDRESS	DATABASE ACRONYMS	DIST (ft. & mi.) DIRECTION
-----------------------	-----------	---------	-------------------	-------------------------------

NO MAPPED SITES FOUND

Focus Map - 9 - 7094717.5s



- | | | |
|---|--|---|
|  Sites |  Focus Map - Sites |  Dept. Defense Sites |
|  Target Property |  Power Line |  Indian Reservations BIA |
|  Search Buffer |  Pipe Line | |
|  Focus Map - No Sites |  National Priority List Sites | |

SITE NAME: City of Needles, CA
ADDRESS: 817 Third St.
CITY/STATE: Needles CA
ZIP: 92363

CLIENT: Meridian Consultants LLC
CONTACT: Sebastian Shetty
INQUIRY #: 7094717.5s
DATE: 08/24/22

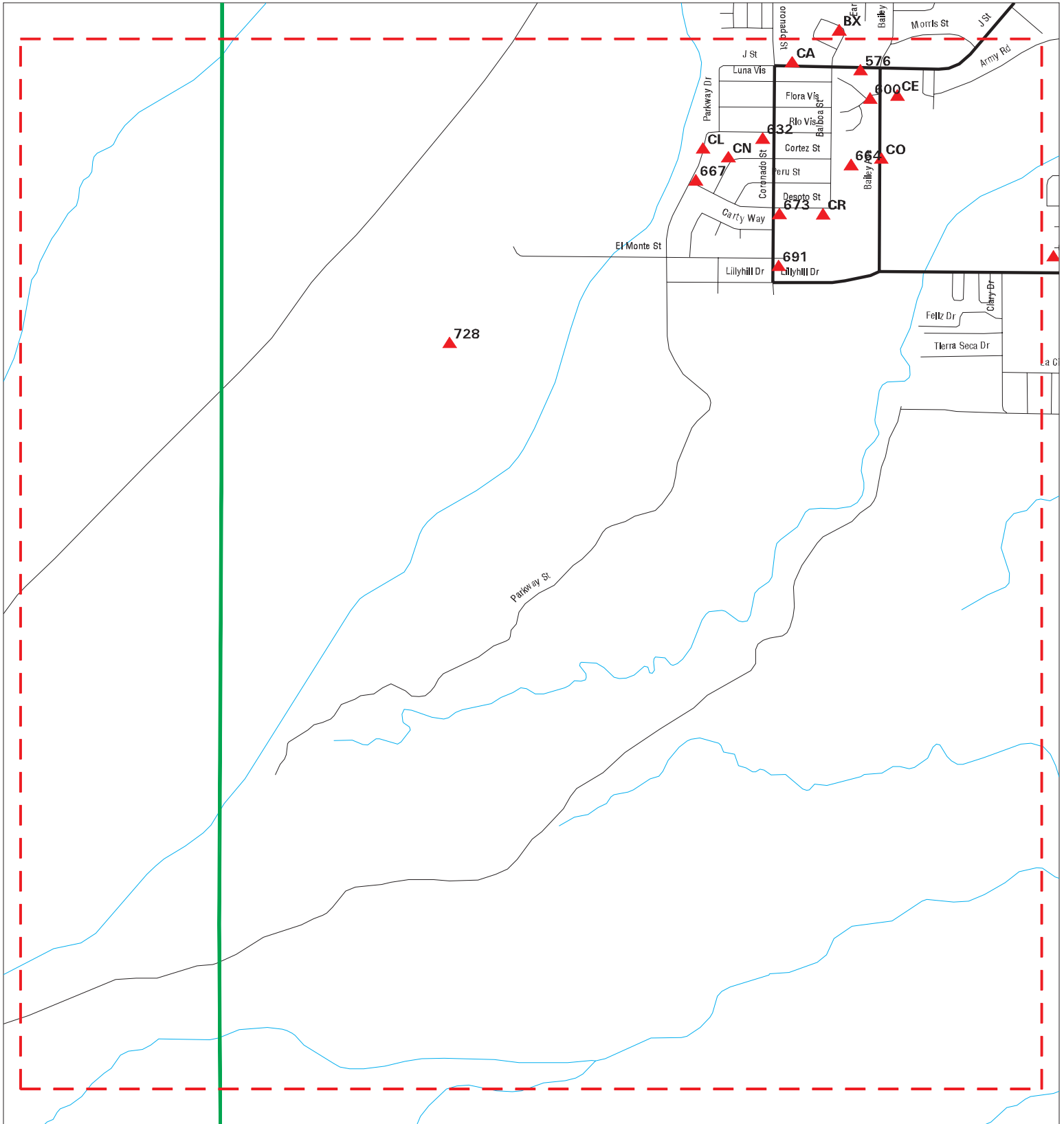
MAPPED SITES SUMMARY - FOCUS MAP 9

Target Property:
817 THIRD ST.
NEEDLES, CA 92363

MAP ID / FOCUS MAP	SITE NAME	ADDRESS	DATABASE ACRONYMS	DIST (ft. & mi.) DIRECTION
-----------------------	-----------	---------	-------------------	-------------------------------

NO MAPPED SITES FOUND

Focus Map - 10 - 7094717.5s



- ▲ Sites
- ▬ Target Property
- ▬ Search Buffer
- ▬ Focus Map - No Sites
- ▬ Focus Map - Sites
- ▬ Power Line
- ▬ Pipe Line
- Dept. Defense Sites
- Indian Reservations BIA
- National Priority List Sites



SITE NAME: City of Needles, CA
ADDRESS: 817 Third St.
CITY/STATE: Needles CA
ZIP: 92363

CLIENT: Meridian Consultants LLC
CONTACT: Sebastian Shetty
INQUIRY #: 7094717.5s
DATE: 08/24/22

MAPPED SITES SUMMARY - FOCUS MAP 10

Target Property:
817 THIRD ST.
NEEDLES, CA 92363

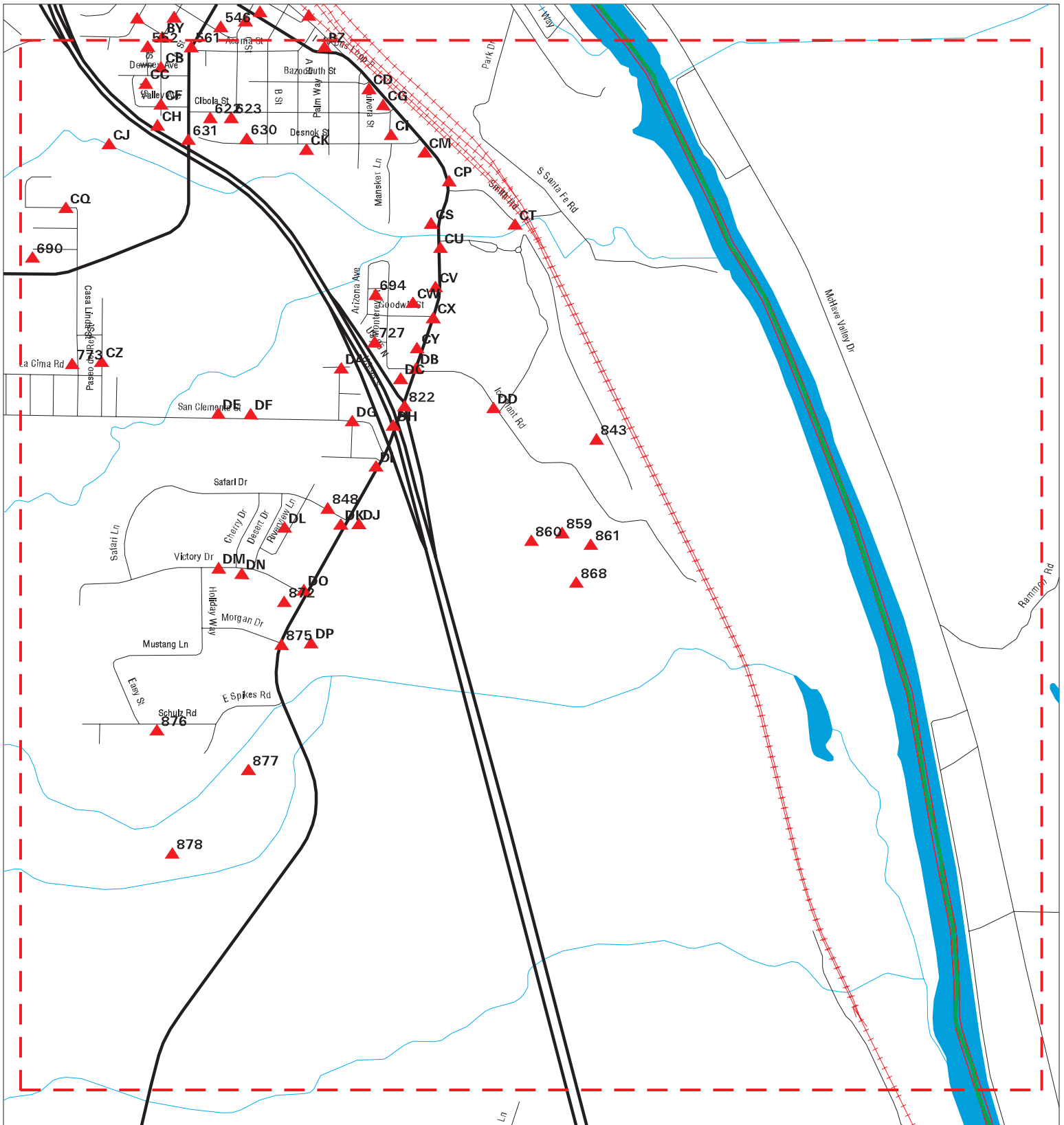
MAP ID / FOCUS MAP	SITE NAME	ADDRESS	DATABASE ACRONYMS	DIST (ft. & mi.) DIRECTION
BX549 / 10	GREAT WEST TRUCK INC	211 BALBOA ST	HAULERS, HAZNET, HWTS	TP
BX550 / 10	GREAT WEST TRUCK AND	211 BALBOA PLACE	RCRA-SQG, FINDS, ECHO	TP
CA566 / 10	CALIFORNIA HIGHWAY P	1916 J ST	HAZNET, HWTS	TP
CA567 / 10	CALIFORNIA HIGHWAY P	1916 J ST	CERS HAZ WASTE, CERS TANKS, San Bern. Co...	TP
CA568 / 10	CALIFORNIA HIGHWAY P	1916 J ST	HWTS	TP
CA569 / 10	CALIFORNIA HIGHWAY P	1916 J ST	RCRA NonGen / NLR	TP
CA570 / 10	CHP - NEEDLES	1916	FINDS, ECHO	TP
CA571 / 10	CHP STATION NEEDLES	1916 J ST	FINDS	TP
CA572 / 10	CALIFORNIA HIGHWAY P	1916 J ST	UST	TP
CA573 / 10	CHP - NEEDLES	1916 J ST	HAULERS	TP
CA574 / 10	ST-CALIF HWY PATROL/	1916 J ST	UST	TP
576 / 10	NEEDLES SHERIFF SUB	111 BAILEY ST	HIST UST	TP
CE589 / 10	CALTRANS NEEDLES ARE	1111 BAILEY AVE	RCRA NonGen / NLR, FINDS, ECHO	TP
CE590 / 10	NEEDLES COUNTY COMPL	1111 BAILEY	SWEEPS UST, HIST UST	TP
CE591 / 10	VERIZON WIRELESS - N	1111 BAILEY STREET	FINDS	TP
CE592 / 10	1X COUNTY OF SAN BER	1111 BAILEY AVE	HAZNET, HWTS	TP
CE593 / 10	VERIZON WIRELESS - N	1111 BAILEY STREET	EMI	TP
CE594 / 10	COUNTY OF SAN BERNAR	1111 BAILEY AVENUE	HWTS	TP
CE595 / 10	NEEDLES SHERIFF SUB	1111 BAILEY ST	SWEEPS UST, EMI, San Bern. Co. Permit, C...	TP
CE596 / 10	CALTRANS NEEDLES ARE	1111 BAILEY AVE	HWTS	TP
CE597 / 10	SAN BERNARDINO TRANS	1111 BAILEY STREET	HAZNET, HWTS	TP
CE598 / 10	COUNTY OF SAN BERNAR	1111 BAILEY AVE	HAZNET, HWTS	TP
CE599 / 10	NEEDLES COUNTY COMPL	1111 BAILEY AVE	HAZNET, HWTS	TP
600 / 10	HOUSING AUTHORITY NE	908 SYCAMORE DR	HAZNET, HWTS	TP
632 / 10		2004 RIO VISTA	CHMIRS	TP
CL639 / 10	AT & T MOBILITY - NE	2450 PARKWAY EXTENSI	FINDS	TP
CL640 / 10	NEW CINGULAR WIRELES	2450 PKWY EXTENSION	HWTS	TP
CN643 / 10	MICAELA ROSE BROWN	2029 CORTEZ ST	FINDS, ECHO	TP
CN644 / 10	MICAELA ROSE BROWN	2029 CORTEZ ST	HWTS	TP
CN645 / 10	MICAELA ROSE BROWN	2029 CORTEZ ST	RCRA NonGen / NLR	TP
CO646 / 10	1X NEEDLES DESERT CO	1401 BAILEY AVENUE	HAZNET, HWTS	TP
CO647 / 10	COLORADO RIVER MEDIC	1401 BAILEY AVE	HAZNET, HWTS	TP
CO648 / 10	COLORADO RIVER MEDIC	1401 BAILEY AVE	San Bern. Co. Permit	TP
CO649 / 10	COLORADO RIVER MEDIC	1401 BAILEY AVE	UST	TP
CO650 / 10	COLORADO RIVER MEDCL	1401 BAILEY AVE	UST	TP
CO651 / 10	COLORADO RIVER MEDIC	1401 BAILEY AVE	FINDS, ECHO	TP
CO652 / 10	NEEDLES DESERT COMM.	1401 BAILEY AVEUNE	EMI	TP
CO653 / 10	COLORADO RIVER MEDIC	1401 BAILEY AVE	RCRA NonGen / NLR	TP
CO654 / 10	COLORADO RIVER MEDIC	1401 BAILEY AVE	HAZNET, HWTS	TP

MAPPED SITES SUMMARY - FOCUS MAP 10

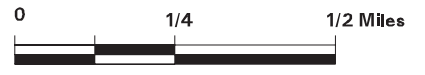
Target Property:
 817 THIRD ST.
 NEEDLES, CA 92363

MAP ID / FOCUS MAP	SITE NAME	ADDRESS	DATABASE ACRONYMS	DIST (ft. & mi.) DIRECTION
CO655 / 10	COLORADO RIVER MEDIC	1401 BAILEY AVENUE	CERS HAZ WASTE, CERS TANKS, EMI, CERS	TP
CN656 / 10	CALDERON MANUEL	2033 CORTEZ STREET	RCRA NonGen / NLR	TP
CN657 / 10	CALDERON MANUEL	2033 CORTEZ	EDR Hist Auto	TP
CN658 / 10	CALDERON MANUEL	2033 CORTEZ STREET	FINDS, ECHO	TP
CN659 / 10	MANUEL CALDERON	2033 CORTEZ ST.	FINDS, ECHO	TP
CN660 / 10	MANUEL CALDERON	2033 CORTEZ ST.	HWTS	TP
CN661 / 10	CALDERON MANUEL	2033 CORTEZ STREET	HWTS	TP
CN662 / 10	MANUEL CALDERON	2033 CORTEZ ST.	RCRA NonGen / NLR	TP
CO663 / 10	TRI-STATE COMMUNITY	1402 BAILEY AVE	HWTS	TP
664 / 10	MOHAVE DENTAL CENTER	1406 BAILEY AVENUE S	HAZNET, HWTS	TP
667 / 10	AT&T MOBILITY - NEED	2450 PARKWAY EXT	San Bern. Co. Permit, CERS	TP
673 / 10	KATHY ODELL	1933 DESOTO STREET	HAZNET, HWTS	TP
CR674 / 10	1905 DESOTO ST RESID	1905 DESOTO STREET	HWTS	TP
CR675 / 10	1905 DESOTO ST RESID	1905 DESOTO STREET	RCRA NonGen / NLR	TP
CR676 / 10	1905 DESOTO ST RESID	1905 DESOTO STREET	FINDS, ECHO	TP
691 / 10	ONSITE OIL	1801 CORONADO ST	HAZNET, HWTS	TP
728 / 10	PARK MOABI MARINA	PARK MOABI RD	AST	TP

Focus Map - 11- 7094717.5s



- ▲ Sites
- ↗ Target Property
- ↘ Search Buffer
- ↗ Focus Map - No Sites
- ↖ Focus Map - Sites
- ⚡ Power Line
- ⚡ Pipe Line
- Dept. Defense Sites
- Indian Reservations BIA
- National Priority List Sites



<p>SITE NAME: City of Needles, CA ADDRESS: 817 Third St. CITY/STATE: Needles CA ZIP: 92363</p>	<p>CLIENT: Meridian Consultants LLC CONTACT: Sebastian Shetty INQUIRY #: 7094717.5s DATE: 08/24/22</p>
---	---

MAPPED SITES SUMMARY - FOCUS MAP 11

Target Property:
817 THIRD ST.
NEEDLES, CA 92363

MAP ID / FOCUS MAP	SITE NAME	ADDRESS	DATABASE ACRONYMS	DIST (ft. & mi.) DIRECTION
BY551 / 11	LARSEN DYE WORKS	425 E	EDR Hist Cleaner	TP
552 / 11	INTOWN PROPERTIES IN	35598 AVENUE F	HWTS	TP
BZ553 / 11	EZ SERVE #130	300 WEST BROADWAY AV	LUST, Cortese, HIST CORTESE, CERS	TP
BZ554 / 11	E-Z SERVE STATION #1	300 W BROADWAY	SWEEPS UST	TP
BZ555 / 11	EZ SERVE #130	300 WEST BROADWAY AV	RGA LUST	TP
BZ556 / 11	E-Z SERVE #130 / NEE	300 W. BROADWAY	RGA LUST	TP
BZ557 / 11	EZ SERVE #130	300 W. BROADWAY	RGA LUST	TP
BZ558 / 11	EZ SERVE #130	300 WEST BROADWAY AV	RGA LUST	TP
BZ559 / 11	EZ SERVE #130	300 WEST BROADWAY AV	FINDS	TP
BZ560 / 11	EZ SERVE #130	300 WEST BROADWAY	RGA LUST	TP
561 / 11	1X NEEDLES UNIFIED S	D STREET ELEMENTARY	HWTS	TP
BY562 / 11	DADE C R AUTO REPR	440 E	EDR Hist Auto	TP
BZ563 / 11	KENJI FUJISHIMA	409 PALM WAY ST	RCRA NonGen / NLR	TP
BZ564 / 11	KENJI FUJISHIMA	409 PALM WAY ST	HWTS	TP
BZ565 / 11	KENJI FUJISHIMA	409 PALM WAY ST	FINDS, ECHO	TP
CB575 / 11	GALLANES G A HAT	477 E	EDR Hist Cleaner	TP
CB577 / 11	DEEN FRED AUTO	494 E	EDR Hist Auto	TP
CB578 / 11	CALIFORNIA SERVICE S	498 E	EDR Hist Auto	TP
CB579 / 11	LARSEN DYE WKS	512 E	EDR Hist Cleaner	TP
CB580 / 11	LARSEN DYE WORKS	516 E	EDR Hist Cleaner	TP
CC581 / 11	CHEHAB EL-AWAR	805 DOWNEY AVE	HAZNET, HWTS	TP
CC582 / 11	DE LUXE CLNRS	533 E	EDR Hist Cleaner	TP
CD583 / 11	ECONO SMOG & TUNE	115 W BROADWAY	San Bern. Co. Permit	TP
CD584 / 11	ECONO SMOG & TUNE	115 W BROADWAY	HAZNET, HWTS	TP
CD585 / 11	LEVIS TRANSMISSIONS	115 W BROADWAY	HWTS	TP
CD586 / 11	ECONO SMOG & TUNE	115 W BROADWAY	FINDS, ECHO	TP
CD587 / 11	ECONO SMOG & TUNE	115 W BROADWAY	RCRA NonGen / NLR	TP
CD588 / 11	ECONO SMOG & TUNE	115 W BROADWAY ST	EDR Hist Auto	TP
CF601 / 11	STANDARD STATIONS	591 E	EDR Hist Auto	TP
CG602 / 11	TUCKERS RADIATOR	105 W BROADWAY	San Bern. Co. Permit	TP
CG603 / 11	TWO GUYS AUTO	105 W BROADWAY ST	UST	TP
CG604 / 11	TUCKER'S RADIATOR	105 W BROADWAY ST	HAZNET, HWTS	TP
CG605 / 11	TWO GUYS AUTO REPAIR	105 WEST BROADWAY	HAZNET, HWTS	TP
CG606 / 11	WAYNE WONEY	105 W BROADWAY	HWTS	TP
CF607 / 11	MOLTZ B E AUTO REPR	635 E	EDR Hist Auto	TP
CG608 / 11	CALDERON MANUEL	108 E HWY 66	EDR Hist Auto	TP
CF609 / 11		660 E STREET	CHMIRS	TP
CF610 / 11	GTE-SAN BERNARDINO C	665 E ST	SWEEPS UST, CA FID UST	TP
CG611 / 11	CITY OF NEEDLES ELEC	112 ROBUFFA ST	FINDS, ECHO	TP

MAPPED SITES SUMMARY - FOCUS MAP 11

Target Property:
817 THIRD ST.
NEEDLES, CA 92363

MAP ID / FOCUS MAP	SITE NAME	ADDRESS	DATABASE ACRONYMS	DIST (ft. & mi.) DIRECTION
CG612 / 11	NEEDLES/PUBLIC WORKS	112 ROBUFFA ST	FINDS	TP
CG613 / 11	SAN BERNARDINO COUNT	112 ROBUFFA ST	HAZNET, HWTS	TP
CG614 / 11	CITY OF NEEDLES ELEC	112 ROBUFFA ST	RCRA NonGen / NLR	TP
CG615 / 11	SAN BERNARDINO COUNT	112 ROBUFFA ST	RCRA NonGen / NLR	TP
CG616 / 11	SAN BERNARDINO COUNT	112 ROBUFFA ST	FINDS, ECHO	TP
CG617 / 11	HHW SATELLITE NEEDLE	112 ROBUFFA ST	FINDS	TP
CG618 / 11	CITY OF NEEDLES ELEC	112 ROBUFFA ST	HAZNET, HWTS	TP
CG619 / 11	HHW SATELLITE NEEDLE	112 ROBUFFA ST	AST, CERS HAZ WASTE, San Bern. Co. Permi...	TP
CF620 / 11	SPARKS R L INC AUTOS	689 E	EDR Hist Auto	TP
CG621 / 11	WHEELER FRANCIS W	111 CIBOLA ST	EDR Hist Auto	TP
622 / 11	DANIEL FAMILY TRUST	623 CIBOLA ST	RCRA NonGen / NLR	TP
623 / 11	STRINGHAM THOMAS L &	605 CIBOLA	EDR Hist Auto	TP
CH624 / 11	C444 L300A MP 22.13-	12.15 MI S OF I40 13	HAZNET, HWTS	TP
CH625 / 11	C607 L300B MP 20.05-	12.9 MI S OF I40 11.	HAZNET, HWTS	TP
CI626 / 11	NEEDLES ROAD YARD	607 ROBUFFA STREET	HIST UST	TP
CI627 / 11	NEEDLES ROAD YARD	607 ROBUFFA	HIST UST	TP
CI628 / 11	NEEDLES ROAD YARD	607 ROBUFFA ST	HIST UST	TP
CI629 / 11	CITY OF NEEDLES MAIN	607 ROBUFFA	HIST UST	TP
630 / 11	ELLEN CAMPBELL	526 DESNOK ST	HAZNET, HWTS	TP
631 / 11	CATTLE H R	682 D	EDR Hist Cleaner	TP
CJ633 / 11	NEEDLES STATION HOSP		FUDS	TP
CJ634 / 11	NEEDLES STATION HOSP		ENVIROSTOR	TP
CK635 / 11	RICHARD PENA	313 DESNOK STREET	ECHO	TP
CK636 / 11	RICHARD PENA	313 DESNOK STREET	RCRA NonGen / NLR	TP
CK637 / 11	RICHARD PENA	313 DESNOK STREET	HWTS	TP
CK638 / 11	RICHARD PENA	313 DESNOK STREET	FINDS	TP
CM641 / 11	C & A CHEVRON	200 E BROADWAY	SWEEPS UST	TP
CM642 / 11	1X CANTERBURY, CHARL	200 EAST BROADWAY	HAZNET, HWTS	TP
CP665 / 11	CHEVRON USA INC NEED	308 E BROADWAY	RCRA NonGen / NLR, FINDS, ECHO	TP
CP666 / 11	CHEVRON USA INC NEED	308 EAST BROADWAY	HWTS	TP
CP668 / 11	BNSF RAILWAY COMPANY	316 E BROADWAY	CERS HAZ WASTE, San Bern. Co. Permit, CE...	TP
CP669 / 11	BNSF RAILWAY COMPANY	316 E BROADWAY	FINDS	TP
CQ670 / 11		1183 REDWOOD AVENUE	CDL	TP
CQ671 / 11	1X UNDERWRITERS SALV	1150 REDWOOD AVENUE	HWTS	TP
CQ672 / 11		REDWOOD AVE AND CASA	CHMIRS	TP
CS677 / 11	HARKEN MARKETING CO	409 E BROADWAY	HAZNET, HWTS	TP
CS678 / 11	E-Z SERVE STATION 11	409 E BROADWAY	SWEEPS UST, HIST UST	TP
CT679 / 11		997 SMITH ROAD	CHMIRS	TP
CT680 / 11		997 SMITH ROAD	ERNS	TP

MAPPED SITES SUMMARY - FOCUS MAP 11

Target Property:
817 THIRD ST.
NEEDLES, CA 92363

MAP ID / FOCUS MAP	SITE NAME	ADDRESS	DATABASE ACRONYMS	DIST (ft. & mi.) DIRECTION
CU681 / 11	CITY OF NEEDLES WAST	516 E BROADWAY	HAZNET, HWTS	TP
CU682 / 11	CITY OF NEEDLES WAST	516 EAST BROADWAY	HIST UST, San Bern. Co. Permit, CERS	TP
CU683 / 11	NEEDLES WTP-NPDES 94	516 EAST BROADWAY	ICIS, ECHO	TP
CU684 / 11	NEEDLES SBR WWTP 01-	516 E BROADWAY ST	WDS	TP
CU685 / 11	NEDDLES WWTP	516 EAST BROADWAY	FINDS, ECHO	TP
CU686 / 11	NEEDLES WWTP - NPDES	516 EAST BROADWAY	FINDS	TP
CU687 / 11	NEEDLES WWTP - NPDES	516 EAST BROADWAY	ENF, HIST CORTESE, NPDES, CIWQS, CERS	TP
CU688 / 11	NEEDLES, CITY OF	516 EAST BROADWAY	FINDS	TP
CU689 / 11		526 E BROADWAY (R/P	CHMIRS	TP
690 / 11	GAIL SHAVER	1349 LARCHWOOD ST	HWTS	TP
CV692 / 11	C R HANCOCK JR	717 E BROADWAY	SWEEPS UST, HIST UST, San Bern. Co. Perm...	TP
CV693 / 11	1X HANCOCK, CLARENCE	717 EAST BROADWAY	HAZNET, HWTS	TP
694 / 11	KRISTINE BURTON	111 ALISO ST	HWTS	TP
CW695 / 11	HARRIS MOTORS	110 GOODWILL STREET	RCRA NonGen / NLR	TP
CW696 / 11	HARRIS MOTORS	110 GOODWILL ST	HAZNET, HWTS	TP
CW697 / 11	HARRIS MOTORS	110 GOODWILL ST	FINDS, ECHO	TP
CW698 / 11	HARRIS MOTORS	110 GOODWILL ST	CERS HAZ WASTE, San Bern. Co. Permit, CE...	TP
CX699 / 11	CHUCKS UNION	HWY 66 & GOODWILL	EDR Hist Auto	TP
CX700 / 11	PHILLIPS EXCAVATING,	805 E BROADWAY ST	HAZNET, HWTS	TP
CX701 / 11	PHILLIPS CONSTRUCTIO	805 E. BROADWAY	AST	TP
CX702 / 11	PHILLIPS EXCAVATINGN	805 E BROADWAY	FINDS	TP
CX703 / 11	PHILLIPS EXCAVATING,	805 E BROADWAY ST	RCRA NonGen / NLR	TP
CX704 / 11	PHILLIPS EXCAVATING,	805 E BROADWAY ST	FINDS, ECHO	TP
CX705 / 11	1X PHILLIPS CONSTRUC	805 EAST BROADWAY	HAZNET, HWTS	TP
CX706 / 11	PHILLIPS CONSTRUCTIO	805 E BROADWAY	AST, CERS HAZ WASTE, SWEEPS UST, CERS TA.TP	TP
CX707 / 11	CHEVRON STA. #1140 /	800 EAST BROADWAY	RGA LUST	TP
CX708 / 11	CHEVRON #1140	800 EAST BROADWAY	FINDS	TP
CX709 / 11	CHEVRON #1140	800 EAST BROADWAY	LUST, Cortese, HIST CORTESE, CERS	TP
CX710 / 11	91140	800 E BROADWAY	SWEEPS UST, HIST UST	TP
CX711 / 11	CHEVRON #1140	800 EAST BROADWAY	RGA LUST	TP
CX712 / 11	CHEVRON #1140	800 E. BROADWAY	RGA LUST	TP
CX713 / 11	FLEMING ENTERPRISE I	800 E BROADWAY	EDR Hist Auto	TP
CX714 / 11	1X CHEVRON#9-1140	800 E BROADWAY	HAZNET, HWTS	TP
CX715 / 11	CALDERON MANUEL	810 E BROADWAY	EDR Hist Auto	TP
CX716 / 11	EASTSIDE CHEVRON	810 E BROADWAY	FINDS	TP
CX717 / 11	EAST SIDE CHEVRON	810 E BROADWAY	ECHO	TP
CX718 / 11	BURP SERVICE	810 E BROADWAY ST	HIST UST	TP
CX719 / 11	NEEDLES CHEVRON	810 E BROADWAY ST	UST	TP
CX720 / 11	JIM MCCLAIN	810 E BROADWAY	HAZNET, HWTS	TP

MAPPED SITES SUMMARY - FOCUS MAP 11

Target Property:
817 THIRD ST.
NEEDLES, CA 92363

MAP ID / FOCUS MAP	SITE NAME	ADDRESS	DATABASE ACRONYMS	DIST (ft. & mi.) DIRECTION
CX721 / 11	NEEDLES TRI-MART	810 E BROADWAY	CERS HAZ WASTE, SWEEPS UST, CERS TANKS, .IP	
CX722 / 11	EASTSIDE CHEVRON	810 E BROADWAY ST	RCRA NonGen / NLR	TP
CX723 / 11	EAST SIDE CHEVRON	810 E BROADWAY	EMI	TP
CX724 / 11	NEEDLES CHEVRON	810 E. BROADWAY	RGA LUST	TP
CX725 / 11	BURP SERVICE	810 EAST BROADWAY	HIST UST, EMI, HAZNET, HWTS	TP
CX726 / 11	EASTSIDE CHEVRON	810 E BROADWAY ST	UST	TP
727 / 11	1X MORENO VALLEY SAN	15980 GILMAN SPRINGS	HAZNET, HWTS	TP
CY729 / 11	CALIMESA OIL INC	901 EAST BROADWAY	RGA LUST	TP
CY730 / 11	WHITING BROS	901 EAST BROADWAY	LUST	TP
CY731 / 11	WHITING BROS	901 EAST BROADWAY	RGA LUST	TP
CY732 / 11	1X WHITING BROS STAT	901 EAST BROADWAY	HAZNET, HWTS	TP
CY733 / 11	WHITING BROTHERS OIL	901 E BROADWAY	EDR Hist Auto	TP
CY734 / 11	CALIMESA OIL-EB	901 EAST BROADWAY	RGA LUST	TP
CY735 / 11	NEEDLES, CITY OF	903 E. BROADWAY	RGA LUST	TP
CY736 / 11	NEEDLES, CITY OF	903 BROADWAY	LUST, HIST CORTESE, CERS	TP
CY737 / 11	CITY OF NEEDLES	903 EAST BROADWAY	RGA LUST	TP
CY738 / 11	CALIFORNIA HOTEL	903 EAST BROADWAY	LUST, Cortese	TP
CY739 / 11	CALIFORNIA HOTEL	903 EAST BROADWAY	FINDS	TP
CY740 / 11	NEEDLES, CITY OF	903 EAST BROADWAY	RGA LUST	TP
CY741 / 11	CALIFORNIA HOTEL	903 EAST BROADWAY	RGA LUST	TP
CY742 / 11	CLAYPOOL & CO TRUCK	904 1/2 E BROADWAY	HWTS	TP
CY743 / 11	ROBINSON ELECTRIC CO	904 E BROADWAY	HAZNET, HWTS	TP
CY744 / 11	LOCKE E J	910 E BROADWAY	EDR Hist Auto	TP
CY745 / 11	MOJAVE OIL COMPANY	917 E. BROADWAY	RGA LUST	TP
CY746 / 11	SHELL FOOD MART	917 E BROADWAY	LUST, SWEEPS UST, HIST UST, Cortese, CER...	TP
CY747 / 11	MO AVE OIL COMPANY	917 E. BROADWAY	LUST	TP
CY748 / 11	MOHAVE OIL COMPANY	917 E. BROADWAY	RGA LUST	TP
CY749 / 11	SHELL FOOD MART	917 EAST BROADWAY	HIST UST, HAZNET, HWTS	TP
CY750 / 11	MOHAVE OIL COMPANY	917 E. BROADWAY	FINDS	TP
CY751 / 11	MOHAVE OIL COMPANY	917 E BROADWAY ST	EDR Hist Auto	TP
CY752 / 11	LD EXPRESS	916 E BROADWAY	UST	TP
CY753 / 11	I 40 TEXACO	916 EAST BROADWAY	RGA LUST	TP
CY754 / 11	I-40 TEXACO	916 EAST BROADWAY	RGA LUST	TP
CY755 / 11	EASTSIDE SHELL	916 E BROADWAY	EMI, HAZNET, HWTS	TP
CY756 / 11	LD EXPRESS	916 E BROADWAY	CERS HAZ WASTE, CERS TANKS, San Bern. Co...	TP
CY757 / 11	I-40 TEXACO	916 BROADWAY	LUST, Cortese, HIST CORTESE, CERS	TP
CY758 / 11	LD EXPRESS	916 E BROADWAY	FINDS	TP
CY759 / 11	LD EXPRESS	916 E BROADWAY ST	HAULERS	TP
CY760 / 11	EASTSIDE SHELL	916 E BROADWAY ST	HAZNET, HWTS	TP

MAPPED SITES SUMMARY - FOCUS MAP 11

Target Property:
817 THIRD ST.
NEEDLES, CA 92363

MAP ID / FOCUS MAP	SITE NAME	ADDRESS	DATABASE ACRONYMS	DIST (ft. & mi.) DIRECTION
CY761 / 11	EASTSIDE SERVICE CEN	916 E BROADWAY ST	RCRA NonGen / NLR	TP
CY762 / 11	DON GORRA	916 E BROADWAY	HAZNET, HWTS	TP
CY763 / 11	EASTSIDE SERVICE CEN	916 E BROADWAY ST	FINDS, ECHO	TP
CY764 / 11	EASTSIDE SHELL	916 E BROADWAY	FINDS	TP
CY765 / 11	DON GORRA/TEXMO OIL	916 E BROADWAY	HAZNET, HWTS	TP
CY766 / 11	I-40 TEXACO	916 E BROADWAY ST	UST	TP
CY767 / 11	HI-LO SERVICES INC A	916 E BROADWAY ST	EDR Hist Auto	TP
CY768 / 11	I 40 TEXACO	916 E BROADWAY	RCRA-SQG, LUST, FINDS, ECHO, HAZNET, HWT...	TP
CY769 / 11	DON GORRA	916 E BROADWAY	HAZNET, HWTS	TP
CY770 / 11	EASTSIDE SERVICE CEN	916 E BROADWAY ST	HWTS	TP
CZ771 / 11	CO-NEEDLES AIRPORT	HIGHWAY 95	UST	TP
CZ772 / 11	AG-RUSSELL BROS RANC	RIVER RD,9MI N/O NEE	UST	TP
773 / 11	HI-LO SERVICES INC A	2150 CASA LINDA ST	EDR Hist Auto	TP
DA774 / 11	SOUTHERN CALIFORNIA	1100 ARIZONA STREET	UST	TP
DA775 / 11	SO CAL GAS CO	1100 ARIZONA AVE	UST	TP
DA776 / 11	SOUTHERN CALIF. GAS	1100 ARIZONA	FINDS	TP
DA777 / 11	SCG - NEEDLES OFFICE	1100 ARIZONA STREET	EMI	TP
DA778 / 11	SOUTHERN CALIFORNIA	1100 ARIZONA STREET	FINDS	TP
DA779 / 11	SCG NORTH & SOUTH NE	1100 ARIZONA	RGA LUST	TP
DA780 / 11	SOUTHERN CALIF. GAS	1100 ARIZONA	RGA LUST	TP
DA781 / 11	SCG - NORTH & SOUTH	1100 ARIZONA	LUST, HIST CORTESE, CERS	TP
DA782 / 11	SCG - NORTH & SOUTH	1100 ARIZONA	RGA LUST	TP
DA783 / 11	SOUTHERN CALIFORNIA	1100 ARIZONA ST	LUST, CERS HAZ WASTE, CERS TANKS, Cortes...	TP
DB784 / 11	OLDCASTLE APG WEST/D	NO. 1 ICE PLANT RD	FINDS	TP
DB785 / 11	OLDCASTLE APG WEST/D	NO. 1 ICE PLANT RD	EMI, CERS	TP
DB786 / 11	LOCKE E J	E HWY 66 & SN CRLOS	EDR Hist Auto	TP
DB787 / 11	16261 SAN BERNARDINO	1005 BROADWAY E	FINDS	TP
DC788 / 11	EASTSIDE MOBIL	1005 E BROADWAY ST	UST	TP
DC789 / 11	TRI-VALLEY CHEVRON	1005 E BROADWAY	HAZNET, HWTS	TP
DC790 / 11	EASTSIDE MOBIL	1005 E BROADWAY	FINDS	TP
DC791 / 11	ARCO NEEDLES	1005 EAST BROADWAY	RGA LUST	TP
DC792 / 11	EASTSIDE MOBIL	1005 E BROADWAY ST	RCRA NonGen / NLR	TP
DC793 / 11	ARCO STATION	1005 EAST BROADWAY	RGA LUST	TP
DC794 / 11	EAST SIDE MOBIL	1005 E BROADWAY	EMI	TP
DC795 / 11	EXXON SERVICE STATIO	1005 E BROADWAY	CERS HAZ WASTE, SWEEPS UST, CERS TANKS, .IP	TP
DC796 / 11	ARCO NEEDLES	1005 BROADWAY	LUST, HIST CORTESE, CERS	TP
DC797 / 11	SNOWBIRD AM/PM MINI	1005 E BROADWAY ST	EDR Hist Auto	TP
DC798 / 11	EAST SIDE MOBIL	1005 E BROADWAY	ECHO	TP
DC799 / 11	ARCO STATION	1005 EAST BROADWAY	FINDS	TP

MAPPED SITES SUMMARY - FOCUS MAP 11

Target Property:
817 THIRD ST.
NEEDLES, CA 92363

MAP ID / FOCUS MAP	SITE NAME	ADDRESS	DATABASE ACRONYMS	DIST (ft. & mi.) DIRECTION
DC800 / 11	ARCO STATION	1005 EAST BROADWAY	LUST, Cortese	TP
DC801 / 11	EXXON SERVICE STATIO	1005 E BROADWAY	HIST UST, EMI, HWTS	TP
DC802 / 11	ARCO SERVICE STATION	1005 E BROADWAY ST	UST	TP
DC803 / 11	RITE AID NO 5699	1020 E BROADWAY ST	HAZNET, HWTS	TP
DC804 / 11	AUTOZONE #3699	1008 EAST BROADWAY S	RCRA NonGen / NLR	TP
DC805 / 11	99 CENTS ONLY STORES	1010 E BROADWAY ST	RCRA NonGen / NLR	TP
DC806 / 11	AUTOZONE #3699	1008 EAST BROADWAY S	HAZNET, HWTS	TP
DC807 / 11	99 CENTS ONLY STORES	1010 E BROADWAY ST	CHMIRS, HAZNET, San Bern. Co. Permit, HW...	TP
DC808 / 11	RITE AID #5699	1020 E BROADWAY ST	San Bern. Co. Permit	TP
DC809 / 11	99 CENTS ONLY STORES	1010 E BROADWAY ST	FINDS, ECHO	TP
DC810 / 11	JIMS EXXON	1000 E BROADWAY	EDR Hist Auto	TP
DC811 / 11	CALTRANS	1006 E BROADWAY	SWEEPS UST, HIST UST	TP
DC812 / 11	AUTOZONE #3699	1008 EAST BROADWAY S	FINDS, ECHO	TP
DC813 / 11	RITE AID #5699	1020 E BROADWAY ST	HAZNET	TP
DC814 / 11	RITE AID #5699	1020 E BROADWAY ST	CERS HAZ WASTE, HAZNET, CERS, HWTS	TP
DC815 / 11	AUTOZONE #3699	1008 E BROADWAY ST	CERS HAZ WASTE, San Bern. Co. Permit, CE...	TP
DC816 / 11	1046 E BROADWAY	1046 E BROADWAY ST	CIWQS	TP
DC817 / 11	RITE AID #5699	1020 E BROADWAY ST	FINDS, ECHO	TP
DC818 / 11	0R142 RTE 40 NEEDLES	1060 EAST BROADWAY S	NPDES, CIWQS, CERS	TP
DC819 / 11	RITE AID #5699	1020 E BROADWAY ST	RCRA-LQG	TP
DC820 / 11	RITE AID NO 5699	1020 E BROADWAY ST	RCRA-SQG	TP
DC821 / 11	1X AMERICAN SAVINGS	1019 BROADWAYN STREE	HWTS	TP
822 / 11	C603 L300B MP 19.96	13 MI S OF I40, 11 M	HAZNET, HWTS	TP
DD823 / 11	SUPERLITE BLOCK	9 ICE PLANT RD.	FINDS, ECHO	TP
DD824 / 11	SUPERLITE BLOCK	9 ICE PLANT RD.	CERS	TP
DD825 / 11	OLDCASTLE APG WEST I	1 ICE PLANT RD	HAZNET, HWTS	TP
DD826 / 11	SUPERLITE BLOCK	1 ICE PLANT RD	San Bern. Co. Permit, CERS	TP
DD827 / 11	SUPERLITE BLOCK	1 ICE PLANT RD	AST	TP
DE828 / 11	CALTRANS-NEEDLES	800 SAN CLEMENTE ST	AST	TP
DE829 / 11	CALTRANS DISTRICT 8	800 SAN CLEMENTE	ECHO	TP
DE830 / 11	CALTRANS DISTRICT 8	800 SAN CLEMENTE	RCRA-LQG, SWF/LF, AST, FINDS, CERS	TP
DE831 / 11	CALTRANS NEEDLES MAI	800 SAN CLEMENTE ST.	RGA LF	TP
DE832 / 11	NEEDLES MTCE	800 SAN CLEMENTE ST	HAULERS	TP
DE833 / 11	CALTRANS D8 MAINTENA	800 SAN CLEMENTE ST	CERS HAZ WASTE, CERS TANKS, HAZNET, San ...	TP
DF834 / 11	A&G TOWING & STORAGE	600 SAN CLEMENTE ST	RCRA-VSQQ	TP
DF835 / 11	A&G TOWING & STORAGE	600 SAN CLEMENTE ST	HWTS	TP
DG836 / 11	SCG - NEEDLES OFFICE	ARIZONA ST & SAN CLE	FINDS	TP
DG837 / 11	SO CALIF GAS CO	ARIZONA/SAN CLEMENTE	SWEEPS UST	TP
DG838 / 11	SOUTHERN CALIFORNIA	ARIZONA AND SAN CLEM	HAZNET, HWTS	TP

MAPPED SITES SUMMARY - FOCUS MAP 11

Target Property:
817 THIRD ST.
NEEDLES, CA 92363

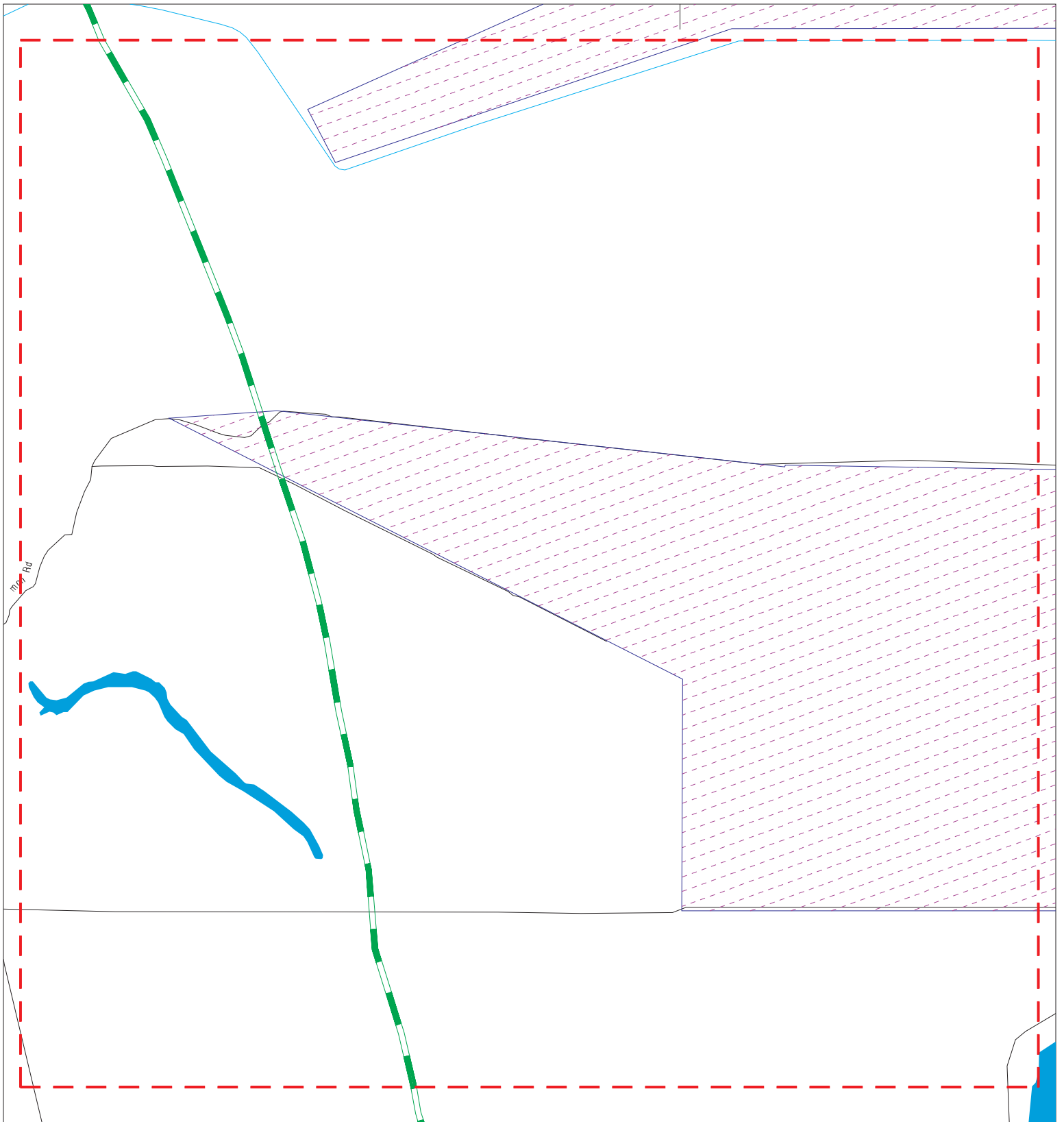
MAP ID / FOCUS MAP	SITE NAME	ADDRESS	DATABASE ACRONYMS	DIST (ft. & mi.) DIRECTION
DG839 / 11	SCG - NEEDLES OFFICE	ARIZONA ST & SAN CLE	EMI, CERS	TP
DH840 / 11	SCE CAMINO SUBSTATIO	23 MI. W/O NEEDLES O	CERS	TP
DH841 / 11	AT&T MOBILITY - WEST	I-40 & HIGHWAY 95 N	San Bern. Co. Permit, CERS	TP
DH842 / 11		I-40 E/B AT EAST BRO	CHMIRS	TP
843 / 11	NEEDLES SAND AND GRA		MINES MRDS	TP
DI844 / 11	NEEDLES FIRE STATION	1113 EAST BROADWAY S	NPDES, CIWQS	TP
DI845 / 11	DOLLAR TREE #03648	1100 E BROADWAY ST	San Bern. Co. Permit	TP
DI846 / 11	DOLLAR TREE #03648	1100 E BROADWAY ST	FINDS	TP
DI847 / 11	DOLLAR TREE #03648	1100 E BROADWAY ST	HAZNET, HWTS	TP
848 / 11	FIRE STATION 32	100 SAFARI DR	San Bern. Co. Permit, CERS	TP
DJ849 / 11	QUALITY BOAT YARD	1200 E BROADWAY ST	RCRA NonGen / NLR	TP
DJ850 / 11	QUALITY BOAT YARD	1200 E BROADWAY ST	HWTS	TP
DJ851 / 11	QUALITY BOAT YARD	1200 E BROADWAY ST	ECHO	TP
DJ852 / 11	COLORADO RIVER DISTR	1200 E BROADWAY ST	San Bern. Co. Permit	TP
DJ853 / 11	QUALITY BOAT YARD	1200 E BROADWAY ST	FINDS	TP
DK854 / 11	1X JOES TIRE SERVICE	1203 EAST BROADWAY	HWTS	TP
DK855 / 11	N.C.C. NEEDLES CULTI	1203 E BROADWAY	San Bern. Co. Permit	TP
DK856 / 11	PIKES COLLISION & TO	1203 E BROADWAY ST	EDR Hist Auto	TP
DL857 / 11		1224 RIVERVIEW LANE	CHMIRS	TP
DL858 / 11		1224 RIVERVIEW LANE	ERNS	TP
859 / 11	SUPERLITE BLOCK- (RE	4150 W. TURNEY AVE	MINES	TP
860 / 11	PARADISE WELLNESS CE	1 ICE HOUSE ROAD ROA	ENF	TP
861 / 11	SUPERLETE BLOCK	1 ICE HOUSE RD	CIWQS	TP
DM862 / 11	PG&E - TOPOCK FINAL	LATITUDE: 34 43'9.48	CERS	TP
DM863 / 11	SECTION 26 CONSERVAT	34.759641 114.548067	San Bern. Co. Permit, CERS	TP
DM864 / 11	AT&T MOBILITY - CSL0	40 HIGHWAY 3 MILES W	CERS	TP
DN865 / 11	CAROL BROWN	153 VICTORY DRIVE	FINDS, ECHO	TP
DN866 / 11	CAROL BROWN	153 VICTORY DRIVE	RCRA NonGen / NLR	TP
DN867 / 11	CAROL BROWN	153 VICTORY DRIVE	HWTS	TP
868 / 11	NEEDLES PIT		MINES MRDS	TP
DO869 / 11	100 VICTORY DRIVE	100 VICTORY DRIVE	NPDES, CIWQS, CERS	TP
DO870 / 11	ASTON MARTIN SERVICE	111 VICTORY DR	HWTS	TP
DO871 / 11	ASTON MARTIN SERVICE	111 VICTORY DR	San Bern. Co. Permit	TP
872 / 11	NEEDLES FIELD OFFICE	DIKE ROAD	SEMS, DOCKET HWC	TP
DP873 / 11	NEEDLES MUNICIPAL AI		FUDS	TP
DP874 / 11	NEEDLES MUNICIPAL AI		ENVIROSTOR	TP
875 / 11	1X JAMES LAMBERT	1703 W. BROADWAY	HWTS	TP
876 / 11		213 SCHULZ RD	CHMIRS	TP
877 / 11	GRAVEL GERTIE		MINES	TP












MAPPED SITES SUMMARY - FOCUS MAP 11

Target Property:
817 THIRD ST.
NEEDLES, CA 92363

MAP ID / FOCUS MAP	SITE NAME	ADDRESS	DATABASE ACRONYMS	DIST (ft. & mi.) DIRECTION
878 / 11	GRAVEL GIRTY PIT		MINES MRDS	TP

Focus Map - 12 - 7094717.5s



- | | | | | | |
|---|----------------------|---|-------------------|---|------------------------------|
|  | Sites |  | Focus Map - Sites |  | Dept. Defense Sites |
|  | Target Property |  | Power Line |  | Indian Reservations BIA |
|  | Search Buffer |  | Pipe Line |  | National Priority List Sites |
|  | Focus Map - No Sites |  | | | |



SITE NAME: City of Needles, CA
 ADDRESS: 817 Third St.
 CITY/STATE: Needles CA
 ZIP: 92363

CLIENT: Meridian Consultants LLC
 CONTACT: Sebastian Shetty
 INQUIRY #: 7094717.5s
 DATE: 08/24/22

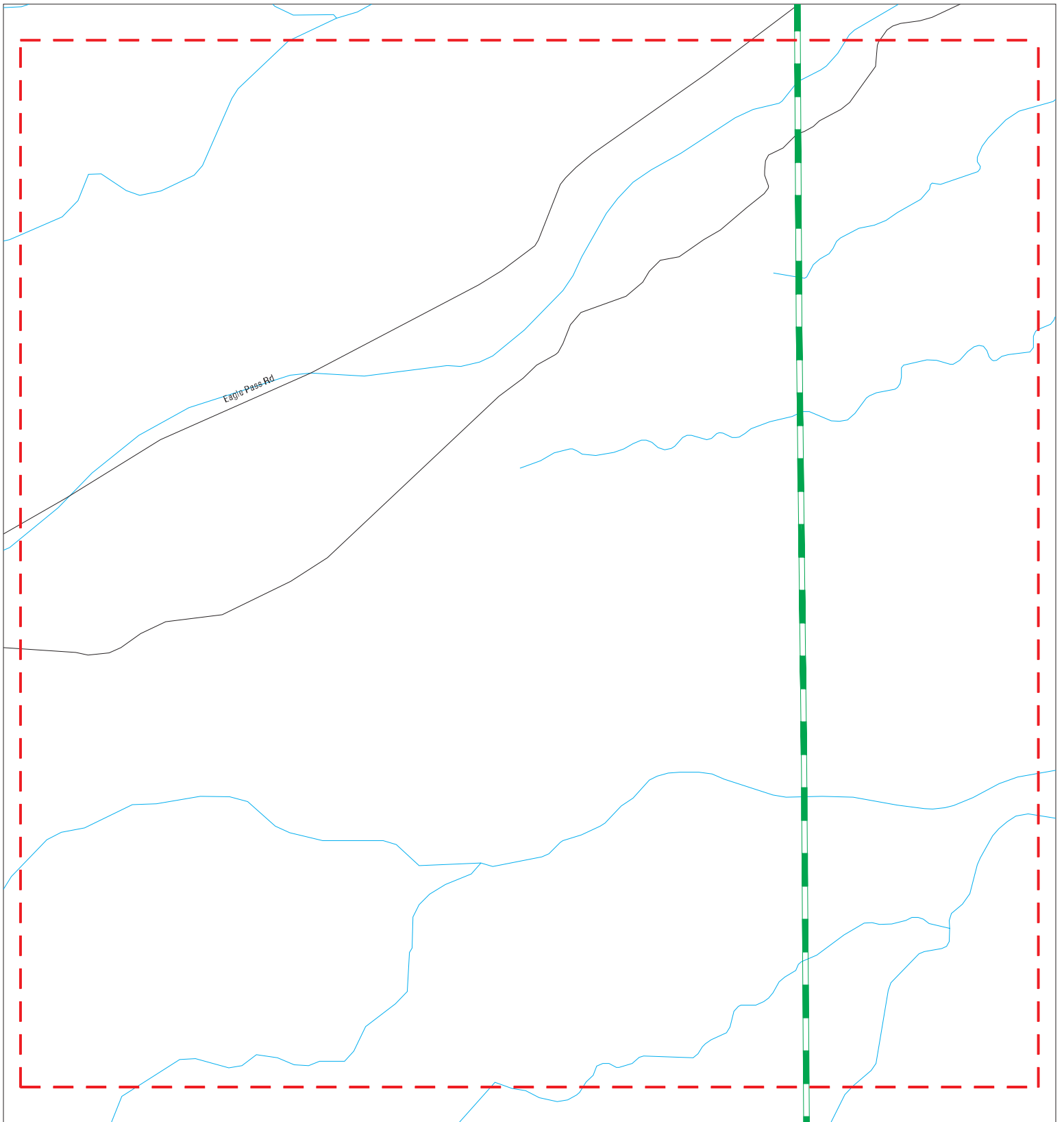
MAPPED SITES SUMMARY - FOCUS MAP 12











Target Property:
817 THIRD ST.
NEEDLES, CA 92363

MAP ID / FOCUS MAP	SITE NAME	ADDRESS	DATABASE ACRONYMS	DIST (ft. & mi.) DIRECTION
-----------------------	-----------	---------	-------------------	-------------------------------

NO MAPPED SITES FOUND

Focus Map - 13 - 7094717.5s



- | | | | | | |
|--|----------------------|---|-------------------|---|------------------------------|
|  | Sites |  | Focus Map - Sites |  | Dept. Defense Sites |
|  | Target Property |  | Power Line |  | Indian Reservations BIA |
|  | Search Buffer |  | Pipe Line |  | National Priority List Sites |
|  | Focus Map - No Sites | | | | |



SITE NAME: City of Needles, CA
ADDRESS: 817 Third St.
CITY/STATE: Needles CA
ZIP: 92363

CLIENT: Meridian Consultants LLC
CONTACT: Sebastian Shetty
INQUIRY #: 7094717.5s
DATE: 08/24/22

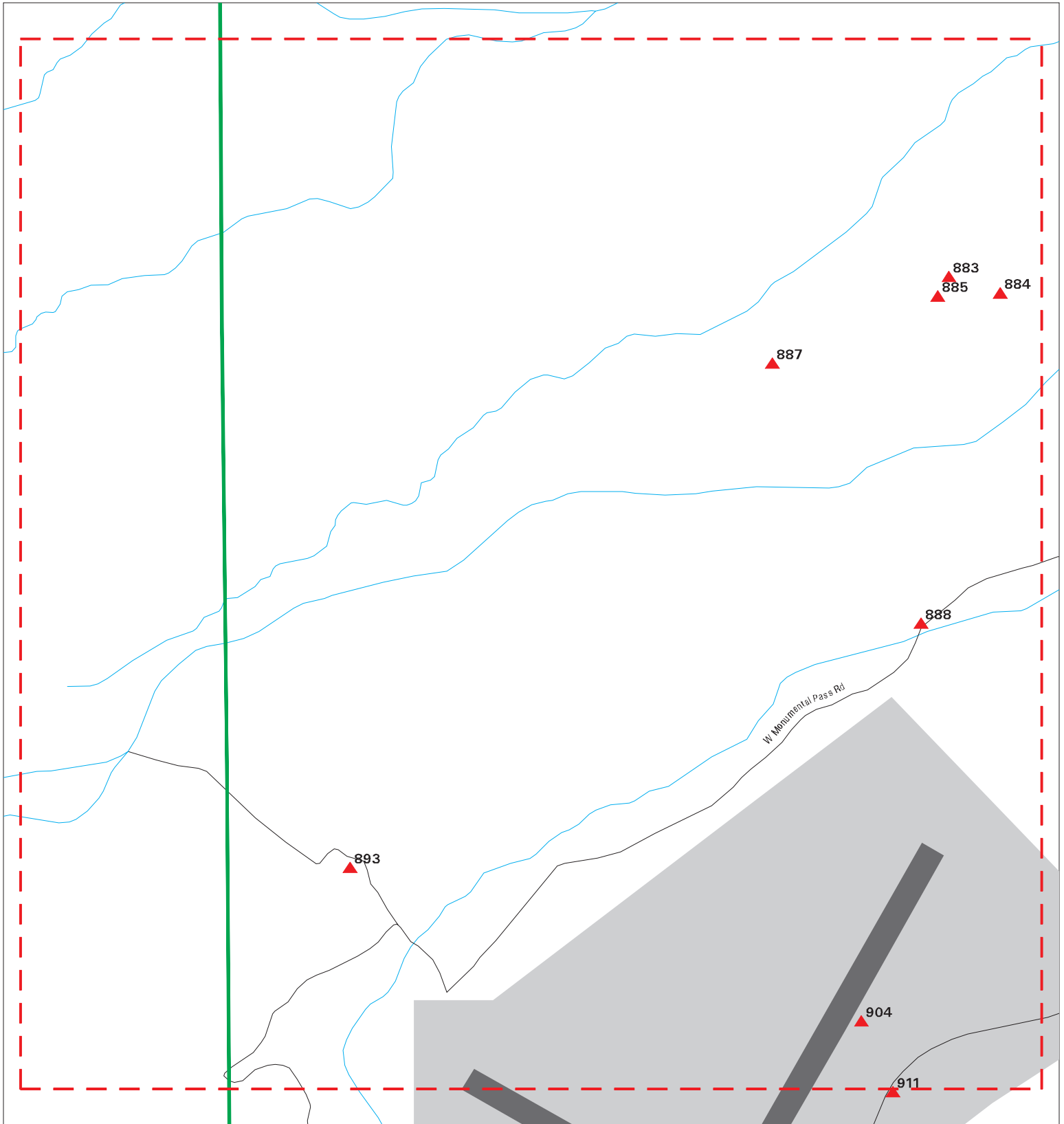
MAPPED SITES SUMMARY - FOCUS MAP 13

Target Property:
817 THIRD ST.
NEEDLES, CA 92363

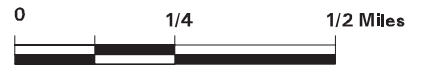
MAP ID / FOCUS MAP	SITE NAME	ADDRESS	DATABASE ACRONYMS	DIST (ft. & mi.) DIRECTION
-----------------------	-----------	---------	-------------------	-------------------------------

NO MAPPED SITES FOUND

Focus Map - 14 - 7094717.5s



- ▲ Sites
- ▬ Target Property
- ▬ Search Buffer
- ▬ Focus Map - No Sites
- ▬ Focus Map - Sites
- ▬ Power Line
- ▬ Pipe Line
- Dept. Defense Sites
- Indian Reservations BIA
- National Priority List Sites



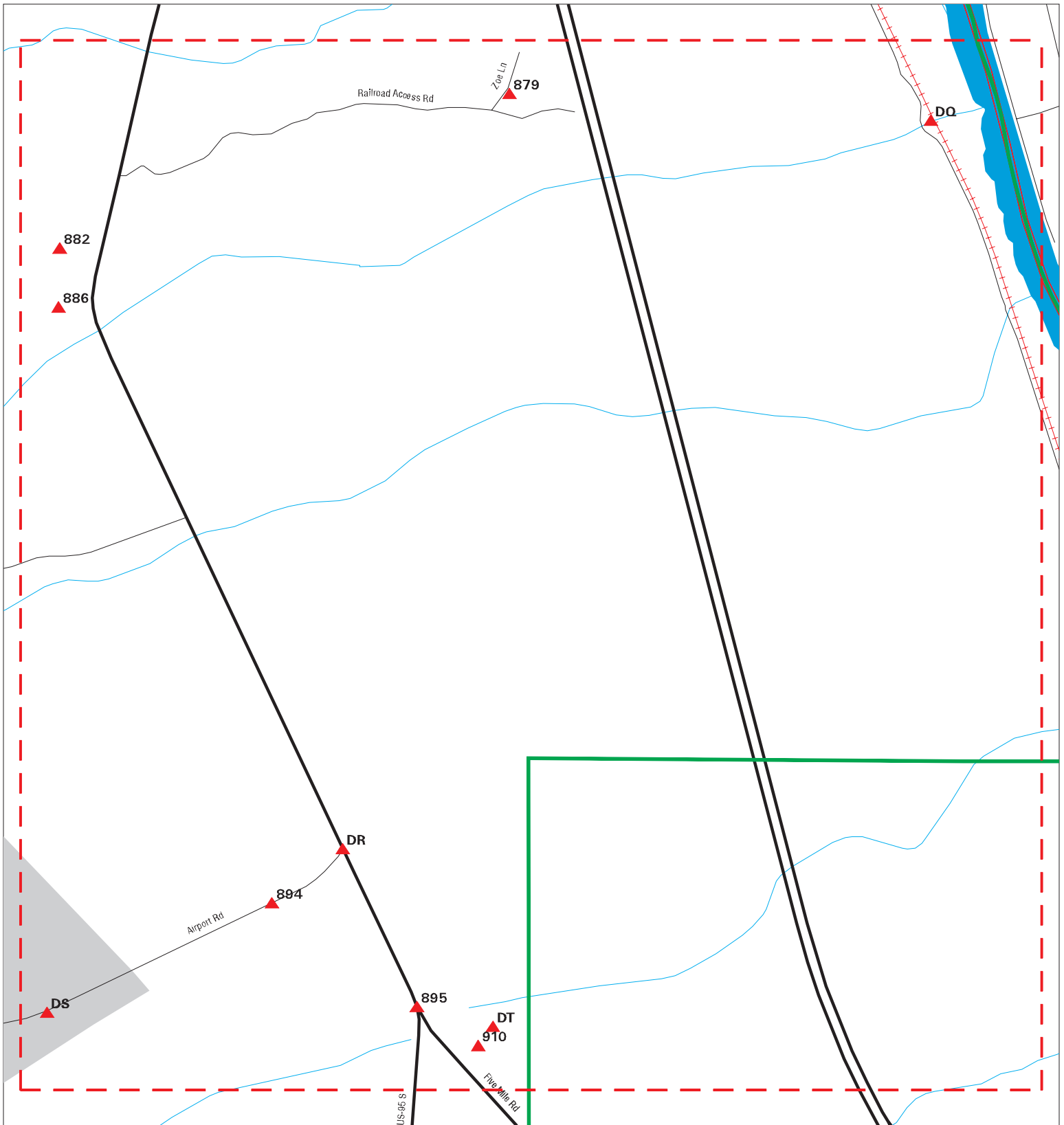
SITE NAME: City of Needles, CA ADDRESS: 817 Third St. CITY/STATE: Needles CA ZIP: 92363	CLIENT: Meridian Consultants LLC CONTACT: Sebastian Shetty INQUIRY #: 7094717.5s DATE: 08/24/22
--	--

MAPPED SITES SUMMARY - FOCUS MAP 14

Target Property:
 817 THIRD ST.
 NEEDLES, CA 92363

MAP ID / FOCUS MAP	SITE NAME	ADDRESS	DATABASE ACRONYMS	DIST (ft. & mi.) DIRECTION
883 / 14	NEEDLES DSPL SITE	US HWY 95	SEMS-ARCHIVE	TP
884 / 14	NEEDLES WMF 03-046	SOUTH HWY 95	LDS, CIWQS, CERS	TP
885 / 14	NEEDLES SOLID WASTE	13930 NEEDLES LANDFI	SWF/LF, Financial Assurance, CERS	TP
887 / 14	NEEDLES WMF 03-046	SOUTH HWY 95	PFAS	TP
888 / 14	NEEDLES AIRPORT (NOR		MINES	TP
893 / 14	UNNAMED QUARRY		MINES MRDS	TP
904 / 14	NEEDLES AIRPORT	HIGHWAY 95	SWEEPS UST, HIST UST	TP

Focus Map - 15 - 7094717.5s



- | | | |
|----------------------|------------------------------|-------------------------|
| Sites | Focus Map - Sites | Dept. Defense Sites |
| Target Property | Power Line | Indian Reservations BIA |
| Search Buffer | Pipe Line | |
| Focus Map - No Sites | National Priority List Sites | |



SITE NAME: City of Needles, CA
ADDRESS: 817 Third St.
CITY/STATE: Needles CA
ZIP: 92363

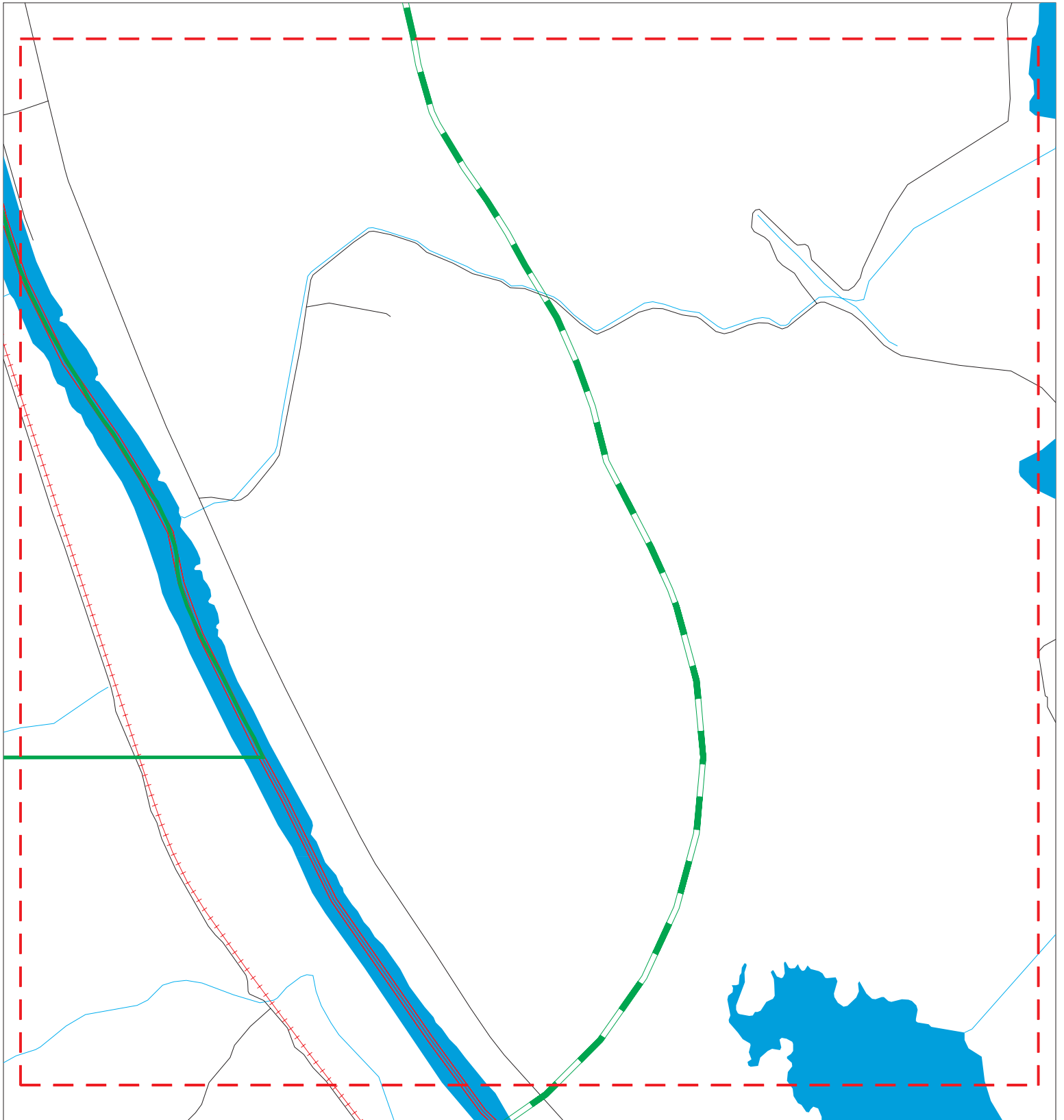
CLIENT: Meridian Consultants LLC
CONTACT: Sebastian Shetty
INQUIRY #: 7094717.5s
DATE: 08/24/22











MAPPED SITES SUMMARY - FOCUS MAP 15

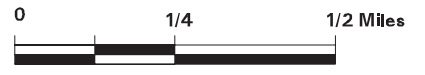
Target Property:
 817 THIRD ST.
 NEEDLES, CA 92363

MAP ID / FOCUS MAP	SITE NAME	ADDRESS	DATABASE ACRONYMS	DIST (ft. & mi.) DIRECTION
879 / 15		37 ZOE LN	CHMIRS	TP
DQ880 / 15	BNSF BRIDGE 574.5 RE		CERS	TP
DQ881 / 15	BNSF BRIDGE 574.5 RE		CIWQS	TP
882 / 15	NEEDLES WMF 03-046	SOUTH HWY 95	PFAS	TP
886 / 15	NEEDLES WMF 03-046	SOUTH HWY 95	PFAS	TP
DR889 / 15	FLEET MANAGEMENT NEE	5 AIRPORT RD	HAZNET, HWTS	TP
DR890 / 15	SBCO - NEEDLES MAINT	AIRPORT ROAD & HWY 9	FINDS	TP
DR891 / 15	SBCO - NEEDLES MAINT	AIRPORT ROAD & HWY 9	EMI	TP
DR892 / 15	DESERT AVIATION DBA	200 AIRPORT RD	HWTS	TP
894 / 15	UNION CARBIDE LINDE	507 AIRPORT DR	SWEEPS UST, CA FID UST	TP
895 / 15	SARANJIT SAINI	HWY 95 SOUTH @ 5 MIL	HAZNET, HWTS	TP
DS896 / 15	SBCO NEEDLES ROAD YA	5 AIRPORT RD	RGA LUST	TP
DS897 / 15	COUNTY-NEEDLES ROAD	5 AIRPORT RD	RGA LUST	TP
DS898 / 15	FLEET MANAGEMENT NEE	5 AIRPORT RD	FINDS, ECHO	TP
DS899 / 15	FLEET MANAGEMENT NEE	5 AIRPORT RD	RCRA NonGen / NLR	TP
DS900 / 15	FLEET MGMT NEEDLES Y	#5 AIRPORT RD	FINDS	TP
DS901 / 15	COUNTY-NEEDLES ROAD	5 AIRPORT RD	FINDS	TP
DS902 / 15	FLEET MGMT NEEDLES Y	#5 AIRPORT RD	AST	TP
DS903 / 15	FLEET MGMT NEEDLES Y	#5 AIRPORT RD	LUST, CERS HAZ WASTE, CERS TANKS, Cortes...	TP
DT905 / 15	CALIZONA RV PARK 97-	1902 FIVE MILE ROAD	ENF, WDS, CIWQS	TP
DT906 / 15	AT&T MOBILITY - MOUN	1902 FIVE MILE RD	San Bern. Co. Permit, CERS	TP
DT907 / 15	CALIZONA RV PARK 97-	1902 FIVE MILE	CERS	TP
DT908 / 15	CALIZONA RV PARK 97-	1902 FIVE MILE	FINDS	TP
DT909 / 15	VERIZON WIRELESS: MO	1902 FIVE MILE ROAD	FINDS	TP
910 / 15	AT & T MOBILITY	1902 FIVE MILE RD	HWTS	TP

Focus Map - 16 - 7094717.5s



- | | | |
|---|--|---|
|  Sites |  Focus Map - Sites |  Dept. Defense Sites |
|  Target Property |  Power Line |  Indian Reservations BIA |
|  Search Buffer |  Pipe Line | |
|  Focus Map - No Sites |  National Priority List Sites | |



SITE NAME: City of Needles, CA
ADDRESS: 817 Third St.
CITY/STATE: Needles CA
ZIP: 92363

CLIENT: Meridian Consultants LLC
CONTACT: Sebastian Shetty
INQUIRY #: 7094717.5s
DATE: 08/24/22

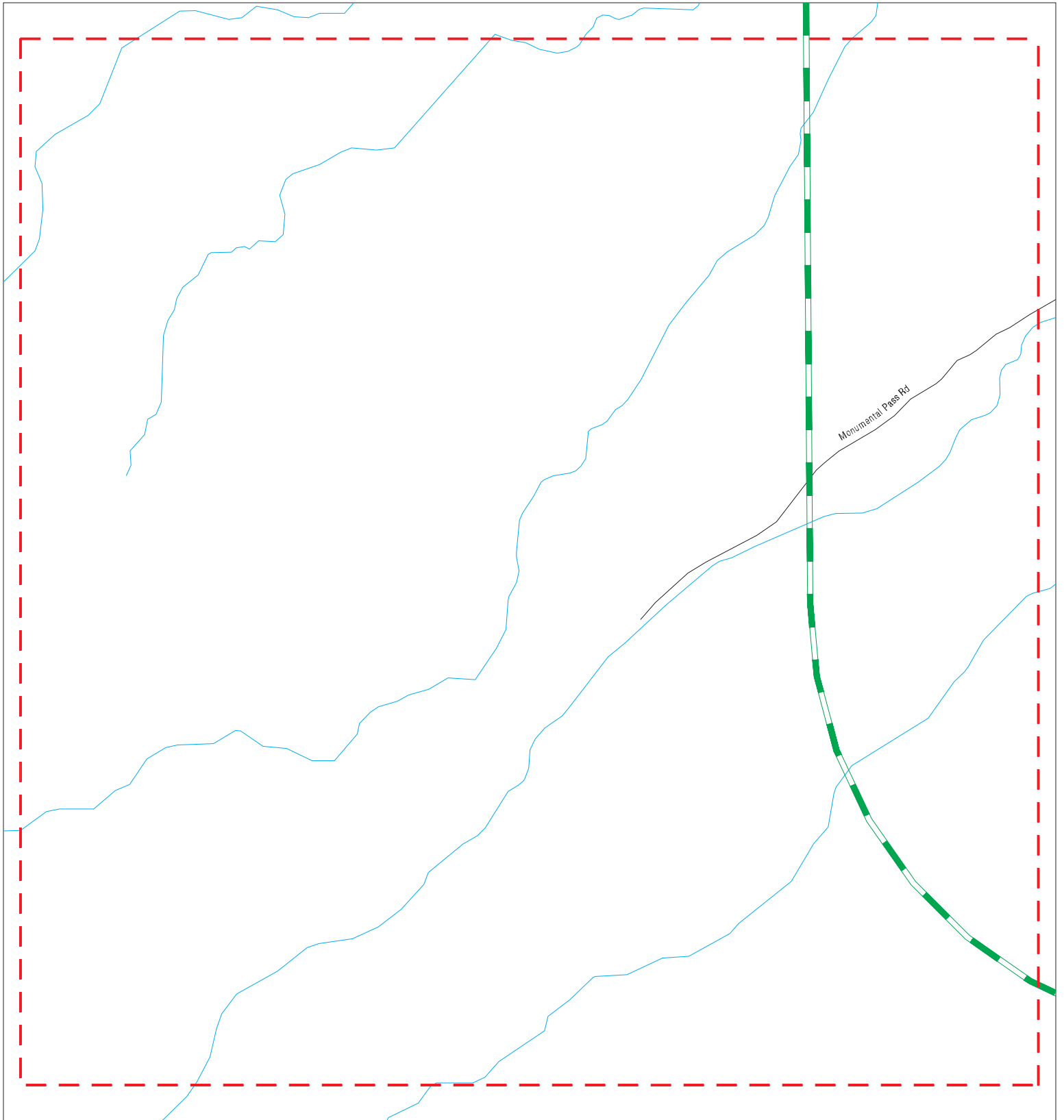
MAPPED SITES SUMMARY - FOCUS MAP 16

Target Property:
817 THIRD ST.
NEEDLES, CA 92363

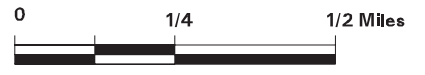
MAP ID / FOCUS MAP	SITE NAME	ADDRESS	DATABASE ACRONYMS	DIST (ft. & mi.) DIRECTION
-----------------------	-----------	---------	-------------------	-------------------------------

NO MAPPED SITES FOUND

Focus Map - 17 - 7094717.5s



- | | | |
|----------------------|------------------------------|-------------------------|
| Sites | Focus Map - Sites | Dept. Defense Sites |
| Target Property | Power Line | Indian Reservations BIA |
| Search Buffer | Pipe Line | |
| Focus Map - No Sites | National Priority List Sites | |



SITE NAME: City of Needles, CA
ADDRESS: 817 Third St.
CITY/STATE: Needles CA
ZIP: 92363

CLIENT: Meridian Consultants LLC
CONTACT: Sebastian Shetty
INQUIRY #: 7094717.5s
DATE: 08/24/22

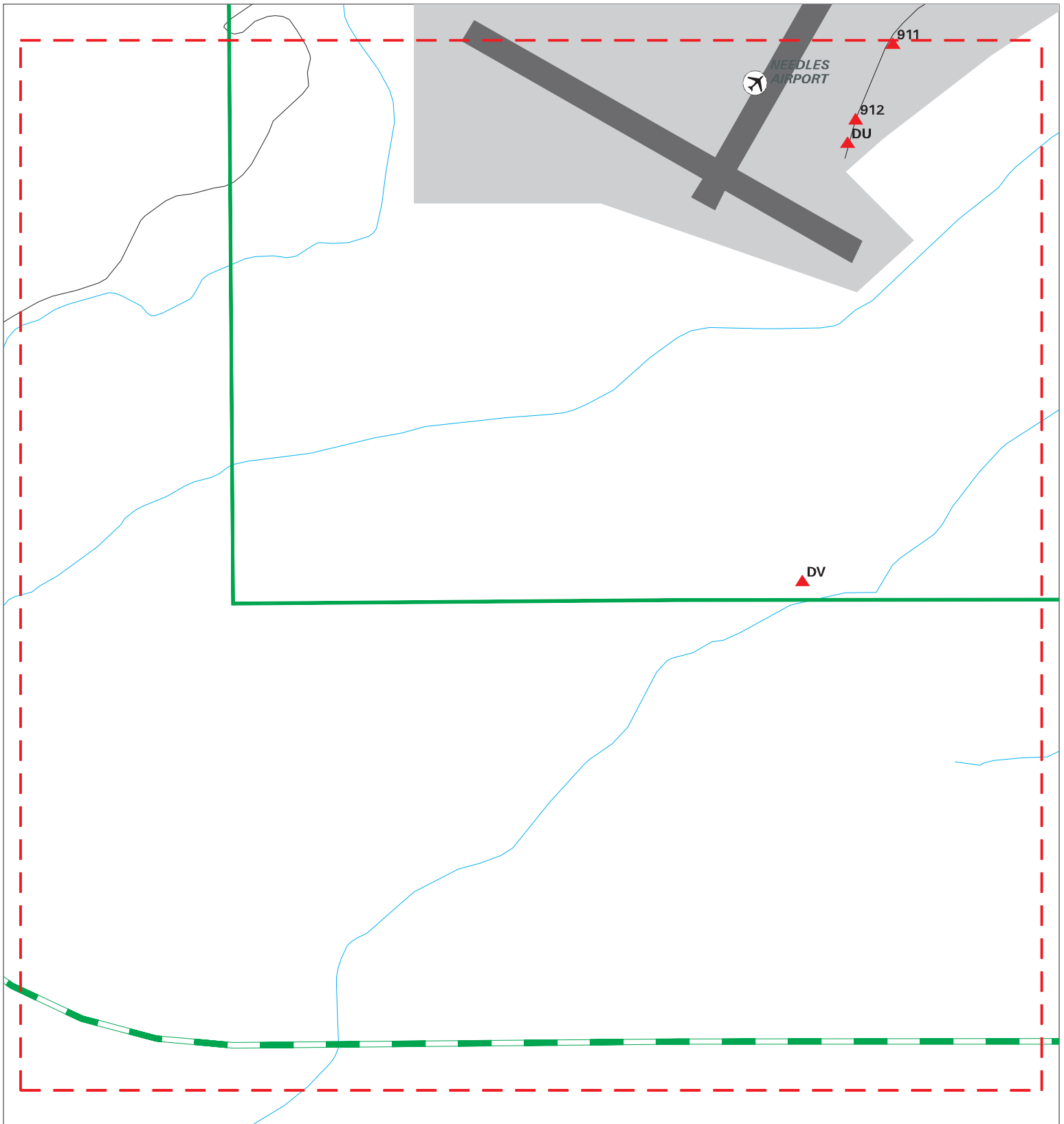
MAPPED SITES SUMMARY - FOCUS MAP 17











Target Property:
817 THIRD ST.
NEEDLES, CA 92363

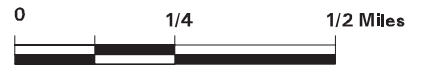
MAP ID / FOCUS MAP	SITE NAME	ADDRESS	DATABASE ACRONYMS	DIST (ft. & mi.) DIRECTION
-----------------------	-----------	---------	-------------------	-------------------------------

NO MAPPED SITES FOUND

Focus Map - 18 - 7094717.5s



- | | | |
|--|--|---|
|  Sites |  Focus Map - Sites |  Dept. Defense Sites |
|  Target Property |  Power Line |  Indian Reservations BIA |
|  Search Buffer |  Pipe Line | |
|  Focus Map - No Sites |  National Priority List Sites | |



SITE NAME: City of Needles, CA
 ADDRESS: 817 Third St.
 CITY/STATE: Needles CA
 ZIP: 92363

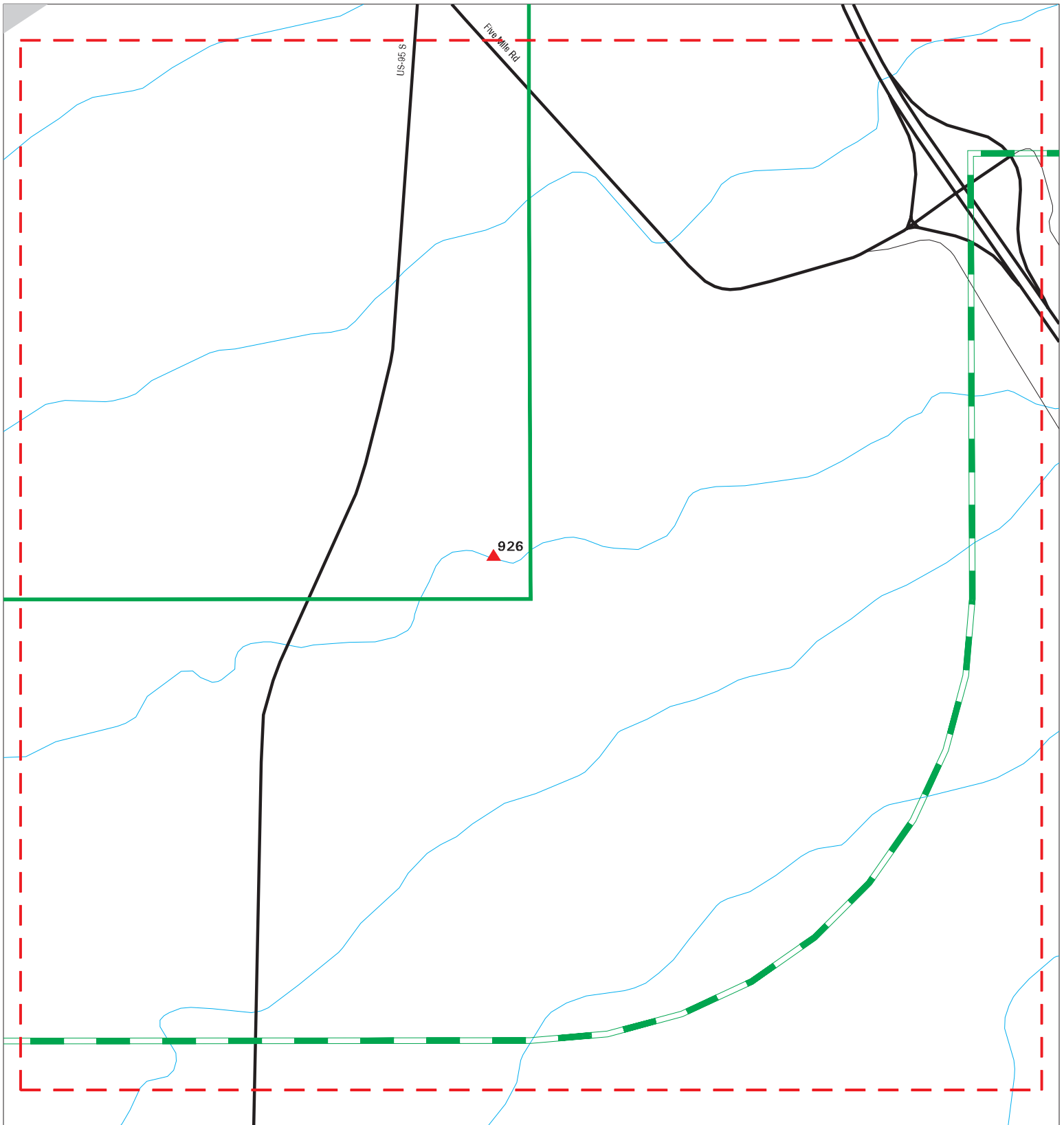
CLIENT: Meridian Consultants LLC
 CONTACT: Sebastian Shetty
 INQUIRY #: 7094717.5s
 DATE: 08/24/22

MAPPED SITES SUMMARY - FOCUS MAP 18

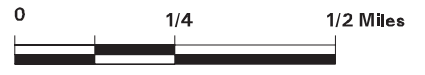
Target Property:
 817 THIRD ST.
 NEEDLES, CA 92363

MAP ID / FOCUS MAP	SITE NAME	ADDRESS	DATABASE ACRONYMS	DIST (ft. & mi.) DIRECTION
911 / 18	AT&T MOBILITY - HAVA	16433 POLE LINE RD	CHMIRS, San Bern. Co. Permit, CERS	TP
912 / 18	CVUSD TRANSPORTATION	83800 AIRPORT BLVD	HAZNET, HWTS	TP
DU913 / 18	COUNTY OF SAN BERNAR	711 AIRPORT RD	EMI, HAZNET, HWTS	TP
DU914 / 18	CNTY SAN BERNARDINO	711 AIRPORT RD	HAZNET, HWTS	TP
DU915 / 18	CNTY SAN BERNARDINO/	711 AIRPORT RD	HWTS	TP
DU916 / 18	NEEDLES AIRPORT	711 AIRPORT RD	UST	TP
DU917 / 18	COUNTY OF SAN BERNAR	711 AIRPORT RD	HWTS	TP
DU918 / 18	COUNTY OF SAN BERNAR	711 AIRPORT RD	HWTS	TP
DU919 / 18	COUNTY OF SAN BERNAR	711 AIRPORT RD	FINDS, ECHO	TP
DU920 / 18	COUNTY OF SAN BERNAR	711 AIRPORT RD	RCRA NonGen / NLR	TP
DU921 / 18	PARADICE AVIATION	711 AIRPORT RD	EDR Hist Auto	TP
DU922 / 18	NEEDLES AIRPORT	711 AIRPORT RD	FINDS, ECHO	TP
DU923 / 18	NEEDLES AIRPORT	711 AIRPORT RD	WDS	TP
DU924 / 18	NEEDLES AIRPORT	711 AIRPORT RD	CERS HAZ WASTE, CERS TANKS, NPDES, San B...	TP
DU925 / 18	SBCO - NEEDLES AIRPO	711 AIRPORT ROAD	FINDS	TP
DV927 / 18	NEEDLES-LAND MGMT AR		FUDS	TP
DV928 / 18	NEEDLES-LAND MGMT AR		ENVIROSTOR	TP

Focus Map - 19 - 7094717.5s



- | | | |
|----------------------|-------------------|------------------------------|
| Sites | Focus Map - Sites | Dept. Defense Sites |
| Target Property | Power Line | Indian Reservations BIA |
| Search Buffer | Pipe Line | National Priority List Sites |
| Focus Map - No Sites | | |



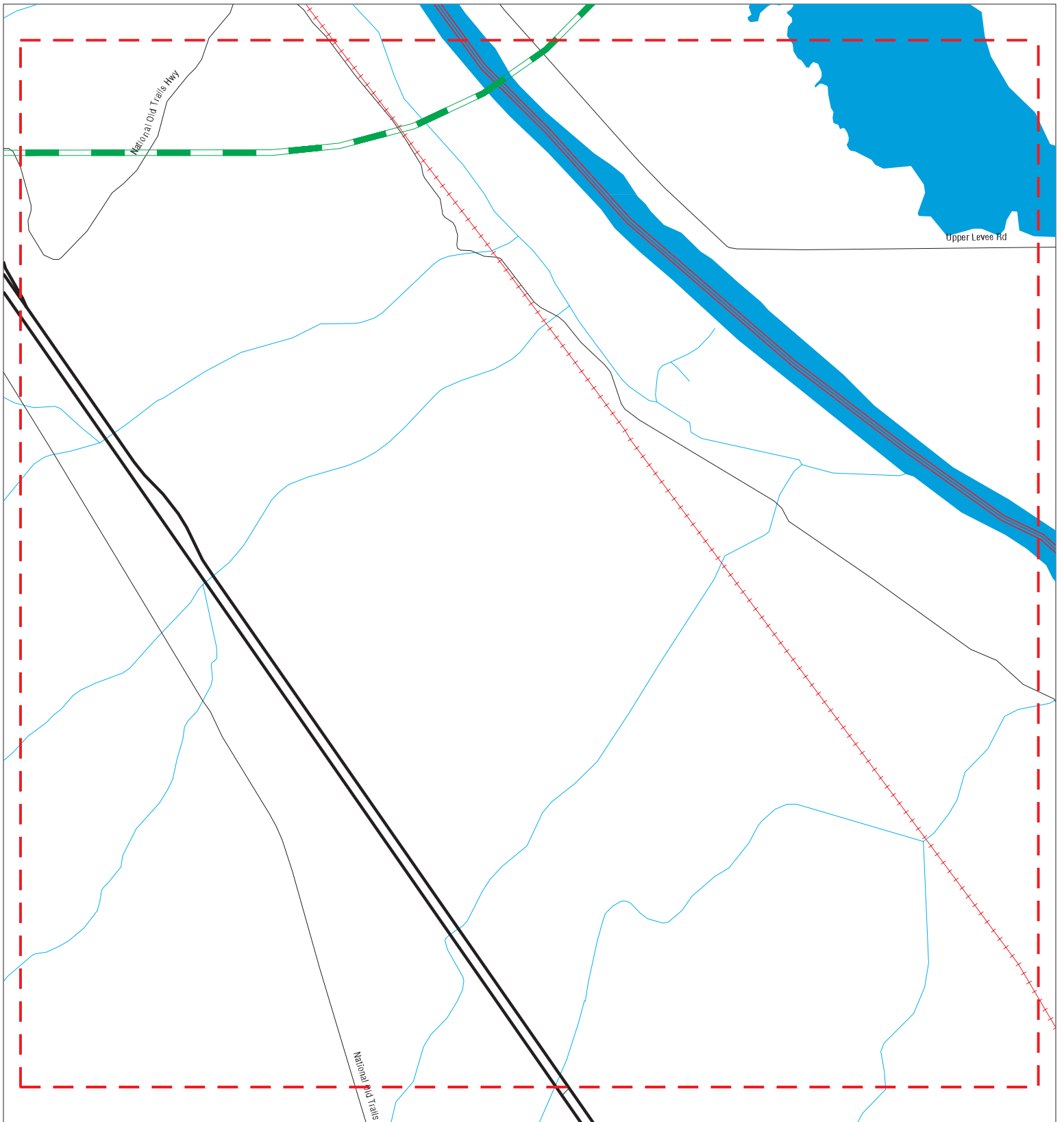
SITE NAME: City of Needles, CA ADDRESS: 817 Third St. CITY/STATE: Needles CA ZIP: 92363	CLIENT: Meridian Consultants LLC CONTACT: Sebastian Shetty INQUIRY #: 7094717.5s DATE: 08/24/22
--	--

MAPPED SITES SUMMARY - FOCUS MAP 19

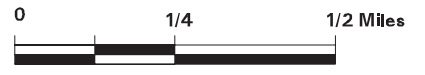
Target Property:
817 THIRD ST.
NEEDLES, CA 92363

MAP ID / FOCUS MAP	SITE NAME	ADDRESS	DATABASE ACRONYMS	DIST (ft. & mi.) DIRECTION
926 / 19	LACKEY CONCRETE		MINES MRDS	TP

Focus Map - 20 - 7094717.5s



- Sites
- Focus Map - Sites
- Dept. Defense Sites
- Target Property
- Power Line
- Indian Reservations BIA
- Search Buffer
- Pipe Line
- Focus Map - No Sites
- National Priority List Sites



SITE NAME: City of Needles, CA
ADDRESS: 817 Third St.
CITY/STATE: Needles CA
ZIP: 92363

CLIENT: Meridian Consultants LLC
CONTACT: Sebastian Shetty
INQUIRY #: 7094717.5s
DATE: 08/24/22

MAPPED SITES SUMMARY - FOCUS MAP 20

Target Property:
817 THIRD ST.
NEEDLES, CA 92363

MAP ID / FOCUS MAP	SITE NAME	ADDRESS	DATABASE ACRONYMS	DIST (ft. & mi.) DIRECTION
-----------------------	-----------	---------	-------------------	-------------------------------

NO MAPPED SITES FOUND

Map ID
 Direction
 Distance
 Elevation

MAP FINDINGS

Site

Database(s)

EDR ID Number
 EPA ID Number

IND RES **FORT MOJAVE RESERVATION**
Region
Target **, AZ**
Property

INDIAN RESERV **CIND200565**
N/A

Focus Map: **INDIAN RESERV:**
2,4 **Feature:** **Indian Reservation**
 Name: **Fort Mojave Reservation**
 Agency: **BIA**

A1 **SOUTHERN CALIFORNIA GAS CO**
Target **HWY 95 AT MILE POST 9 SEE MAP**
Property **NEEDLES, CA 92363**

RCRA-LQG **1001231360**
CAR000041145

Site 1 of 7 in cluster A

Actual: **RCRA-LQG:**
562 ft. **Date Form Received by Agency:** **19980624**
Focus Map: **Handler Name:** **SOUTHERN CALIFORNIA GAS CO**
2 **Handler Address:** **HWY 95 AT MILE POST 9 SEE MAP**
 Handler City,State,Zip: **NEEDLES, CA 92363**
 EPA ID: **CAR000041145**
 Contact Name: **DUFFY EXON**
 Contact Address: **17071 GAS LINE RD**
 Contact City,State,Zip: **VICTORVILLE, CA 92392-1007**
 Contact Telephone: **760-243-6514**
 Contact Fax: **Not reported**
 Contact Email: **Not reported**
 Contact Title: **Not reported**
 EPA Region: **09**
 Land Type: **Other**
 Federal Waste Generator Description: **Large Quantity Generator**
 Non-Notifier: **Not reported**
 Biennial Report Cycle: **Not reported**
 Accessibility: **Not reported**
 Active Site Indicator: **Handler Activities**
 State District Owner: **Not reported**
 State District: **Not reported**
 Mailing Address: **17071 GAS LINE RD**
 Mailing City,State,Zip: **VICTORVILLE, CA 92392-1007**
 Owner Name: **SOUTHERN CALIFORNIA GAS CO**
 Owner Type: **Other**
 Operator Name: **Not reported**
 Operator Type: **Not reported**
 Short-Term Generator Activity: **No**
 Importer Activity: **No**
 Mixed Waste Generator: **No**
 Transporter Activity: **No**
 Transfer Facility Activity: **No**
 Recycler Activity with Storage: **No**
 Small Quantity On-Site Burner Exemption: **No**
 Smelting Melting and Refining Furnace Exemption: **No**
 Underground Injection Control: **No**
 Off-Site Waste Receipt: **No**
 Universal Waste Indicator: **No**

Map ID
 Direction
 Distance
 Elevation

MAP FINDINGS

Site

Database(s)

EDR ID Number
 EPA ID Number

SOUTHERN CALIFORNIA GAS CO (Continued)

1001231360

Universal Waste Destination Facility:	No
Federal Universal Waste:	No
Active Site Fed-Reg Treatment Storage and Disposal Facility:	Not reported
Active Site Converter Treatment storage and Disposal Facility:	Not reported
Active Site State-Reg Treatment Storage and Disposal Facility:	Not reported
Active Site State-Reg Handler:	---
Federal Facility Indicator:	Not reported
Hazardous Secondary Material Indicator:	N
Sub-Part K Indicator:	Not reported
Commercial TSD Indicator:	No
Treatment Storage and Disposal Type:	Not reported
2018 GPRA Permit Baseline:	Not on the Baseline
2018 GPRA Renewals Baseline:	Not on the Baseline
Permit Renewals Workload Universe:	Not reported
Permit Workload Universe:	Not reported
Permit Progress Universe:	Not reported
Post-Closure Workload Universe:	Not reported
Closure Workload Universe:	Not reported
202 GPRA Corrective Action Baseline:	No
Corrective Action Workload Universe:	No
Subject to Corrective Action Universe:	No
Non-TSDFs Where RCRA CA has Been Imposed Universe:	No
TSDFs Potentially Subject to CA Under 3004 (u)/(v) Universe:	No
TSDFs Only Subject to CA under Discretionary Auth Universe:	No
Corrective Action Priority Ranking:	No NCAPS ranking
Environmental Control Indicator:	No
Institutional Control Indicator:	No
Human Exposure Controls Indicator:	N/A
Groundwater Controls Indicator:	N/A
Operating TSDF Universe:	Not reported
Full Enforcement Universe:	Not reported
Significant Non-Complier Universe:	No
Unaddressed Significant Non-Complier Universe:	No
Addressed Significant Non-Complier Universe:	No
Significant Non-Complier With a Compliance Schedule Universe:	No
Financial Assurance Required:	Not reported
Handler Date of Last Change:	20021007
Recognized Trader-Importer:	No
Recognized Trader-Exporter:	No
Importer of Spent Lead Acid Batteries:	No
Exporter of Spent Lead Acid Batteries:	No
Recycler Activity Without Storage:	No
Manifest Broker:	No
Sub-Part P Indicator:	No

Hazardous Waste Summary:

Waste Code:	D018
Waste Description:	BENZENE

Handler - Owner Operator:

Owner/Operator Indicator:	Owner
Owner/Operator Name:	SOUTHERN CALIFORNIA GAS CO
Legal Status:	Other
Date Became Current:	Not reported
Date Ended Current:	Not reported

Map ID
 Direction
 Distance
 Elevation

MAP FINDINGS

Site

Database(s)

EDR ID Number
 EPA ID Number

SOUTHERN CALIFORNIA GAS CO (Continued)

1001231360

Owner/Operator Address: 555 W FIFTH ST
 Owner/Operator City,State,Zip: LOS ANGELES, CA 90013-1011
 Owner/Operator Telephone: 213-244-8900
 Owner/Operator Telephone Ext: Not reported
 Owner/Operator Fax: Not reported
 Owner/Operator Email: Not reported

Historic Generators:

Receive Date: 19980624
 Handler Name: SOUTHERN CALIFORNIA GAS CO
 Federal Waste Generator Description: Large Quantity Generator
 State District Owner: Not reported
 Large Quantity Handler of Universal Waste: No
 Recognized Trader Importer: No
 Recognized Trader Exporter: No
 Spent Lead Acid Battery Importer: No
 Spent Lead Acid Battery Exporter: No
 Current Record: Yes
 Non Storage Recycler Activity: Not reported
 Electronic Manifest Broker: Not reported

List of NAICS Codes and Descriptions:

NAICS Codes: No NAICS Codes Found

Facility Has Received Notices of Violations:

Violations: No Violations Found

Evaluation Action Summary:

Evaluations: No Evaluations Found

A2 SOUTHERN CALIFORNIA GAS CO - NORTH NEEDLES
Target 4500 NEEDLES HWY (NORTH NEEDL)
Property NEEDLES, CA 92363

EMI S109282598
N/A

Site 2 of 7 in cluster A

Actual:
562 ft.

Focus Map:
2

EMI:
 Name: SOUTHERN CALIFORNIA GAS CO
 Address: 4500 NEEDLES HWY (NORTH NEEDL)
 City,State,Zip: NEEDLES, CA 92363
 Year: 2006
 County Code: 36
 Air Basin: MD
 Facility ID: 3100069
 Air District Name: MOJ
 SIC Code: 4922
 Air District Name: MOJAVE DESERT AQMD
 Community Health Air Pollution Info System: Y
 Consolidated Emission Reporting Rule: Not reported
 Total Organic Hydrocarbon Gases Tons/Yr: 4.9698222324
 Reactive Organic Gases Tons/Yr: 1.158647413154
 Carbon Monoxide Emissions Tons/Yr: 29.0015645
 NOX - Oxides of Nitrogen Tons/Yr: 147.0482333
 SOX - Oxides of Sulphur Tons/Yr: .046944
 Particulate Matter Tons/Yr: .6699273

Map ID
Direction
Distance
Elevation

MAP FINDINGS

Site

Database(s)

EDR ID Number
EPA ID Number

SOUTHERN CALIFORNIA GAS CO - NORTH NEEDLES (Continued)

S109282598

Part. Matter 10 Micrometers and Smlr Tons/Yr.:7695088

Name: SOUTHERN CALIFORNIA GAS CO
Address: 4500 NEEDLES HWY (NORTH NEEDL)
City,State,Zip: NEEDLES, CA 92363
Year: 2007
County Code: 36
Air Basin: MD
Facility ID: 3100069
Air District Name: MOJ
SIC Code: 4922
Air District Name: MOJAVE DESERT AQMD
Community Health Air Pollution Info System: Y
Consolidated Emission Reporting Rule: Not reported
Total Organic Hydrocarbon Gases Tons/Yr: 4.9698222324
Reactive Organic Gases Tons/Yr: 1.158647413154
Carbon Monoxide Emissions Tons/Yr: 29.0015645
NOX - Oxides of Nitrogen Tons/Yr: 147.0482333
SOX - Oxides of Sulphur Tons/Yr: .046944
Particulate Matter Tons/Yr: .6699273
Part. Matter 10 Micrometers and Smlr Tons/Yr.:7695088

Name: S C GAS NORTH NEEDLES
Address: 4500 NEEDLES HWY (NORTH NEEDL)
City,State,Zip: NEEDLES, CA 92363
Year: 2008
County Code: 36
Air Basin: MD
Facility ID: 3100069
Air District Name: MOJ
SIC Code: 4922
Air District Name: MOJAVE DESERT AQMD
Community Health Air Pollution Info System: Not reported
Consolidated Emission Reporting Rule: Not reported
Total Organic Hydrocarbon Gases Tons/Yr: 233.0033358310525992
Reactive Organic Gases Tons/Yr: 23.43104256
Carbon Monoxide Emissions Tons/Yr: 76.06954
NOX - Oxides of Nitrogen Tons/Yr: 386.5642622
SOX - Oxides of Sulphur Tons/Yr: .1172534
Particulate Matter Tons/Yr: 1.7947189
Part. Matter 10 Micrometers and Smlr Tons/Yr:1.7551809

Name: SOUTHERN CALIFORNIA GAS CO NORTH NEEDLES
Address: 4500 NEEDLES HWY (NORTH NEEDL)
City,State,Zip: NEEDLES, CA 92363
Year: 2012
County Code: 36
Air Basin: MD
Facility ID: 3100069
Air District Name: MOJ
SIC Code: 4922
Air District Name: MOJAVE DESERT AQMD
Community Health Air Pollution Info System: Not reported
Consolidated Emission Reporting Rule: Not reported
Total Organic Hydrocarbon Gases Tons/Yr: 24.253331411
Reactive Organic Gases Tons/Yr: 3.9829369076
Carbon Monoxide Emissions Tons/Yr: 45.8752796

Map ID
Direction
Distance
Elevation

MAP FINDINGS

Site

Database(s)

EDR ID Number
EPA ID Number

SOUTHERN CALIFORNIA GAS CO - NORTH NEEDLES (Continued)

S109282598

NOX - Oxides of Nitrogen Tons/Yr: 426.7715699
SOX - Oxides of Sulphur Tons/Yr: 0.08661425
Particulate Matter Tons/Yr: 0.1057321
Part. Matter 10 Micrometers and Smlr Tons/Yr:0.0998769

Name: SOUTHERN CALIFORNIA GAS CO - NORTH NEEDLES
Address: 4500 NEEDLES HWY (NORTH NEEDL)
City,State,Zip: NEEDLES, CA 92363
Year: 2013
County Code: 36
Air Basin: MD
Facility ID: 3100069
Air District Name: MOJ
SIC Code: 4922
Air District Name: MOJAVE DESERT AQMD
Community Health Air Pollution Info System: Not reported
Consolidated Emission Reporting Rule: Not reported
Total Organic Hydrocarbon Gases Tons/Yr: 15.129545842
Reactive Organic Gases Tons/Yr: 3.204262428
Carbon Monoxide Emissions Tons/Yr: 18.0415229
NOX - Oxides of Nitrogen Tons/Yr: 173.115711
SOX - Oxides of Sulphur Tons/Yr: 0.0361967
Particulate Matter Tons/Yr: 0.6335483
Part. Matter 10 Micrometers and Smlr Tons/Yr:0.6335483

Name: SOUTHERN CALIFORNIA GAS CO - NORTH NEEDLES
Address: 4500 NEEDLES HWY (NORTH NEEDL)
City,State,Zip: NEEDLES, CA 92363
Year: 2014
County Code: 36
Air Basin: MD
Facility ID: 3100069
Air District Name: MOJ
SIC Code: 4922
Air District Name: MOJAVE DESERT AQMD
Community Health Air Pollution Info System: Not reported
Consolidated Emission Reporting Rule: Not reported
Total Organic Hydrocarbon Gases Tons/Yr: 0.0063104
Reactive Organic Gases Tons/Yr: 3.07035909
Carbon Monoxide Emissions Tons/Yr: 13.3611846
NOX - Oxides of Nitrogen Tons/Yr: 8.3173498
SOX - Oxides of Sulphur Tons/Yr: 0.0169261
Particulate Matter Tons/Yr: 0.2971978
Part. Matter 10 Micrometers and Smlr Tons/Yr:0.2971978

Name: SOUTHERN CALIFORNIA GAS CO
Address: 4500 NEEDLES HWY (NORTH NEEDL)
City,State,Zip: NEEDLES, CA 92363
Year: 2015
County Code: 36
Air Basin: MD
Facility ID: 3100069
Air District Name: MOJ
SIC Code: 4922
Air District Name: MOJAVE DESERT AQMD
Community Health Air Pollution Info System: Not reported
Consolidated Emission Reporting Rule: Not reported

Map ID
Direction
Distance
Elevation

MAP FINDINGS

Site

Database(s)

EDR ID Number
EPA ID Number

SOUTHERN CALIFORNIA GAS CO - NORTH NEEDLES (Continued)

S109282598

Total Organic Hydrocarbon Gases Tons/Yr: 12.36741662
Reactive Organic Gases Tons/Yr: 2.8659551749
Carbon Monoxide Emissions Tons/Yr: 8.1483011
NOX - Oxides of Nitrogen Tons/Yr: 4.8276285
SOX - Oxides of Sulphur Tons/Yr: 0.0106833
Particulate Matter Tons/Yr: 0.2266362
Part. Matter 10 Micrometers and Smlr Tons/Yr:0.2266362

Name: SCG-NORTH NEEDLES COMPRESSOR STATION
Address: 4500 NEEDLES HWY (NORTH NEEDLES)
City,State,Zip: NEEDLES, CA 92363
Year: 2016
County Code: 36
Air Basin: MD
Facility ID: 3100069
Air District Name: MOJ
SIC Code: 4922
Air District Name: MOJAVE DESERT AQMD
Community Health Air Pollution Info System: Not reported
Consolidated Emission Reporting Rule: Not reported
Total Organic Hydrocarbon Gases Tons/Yr: 21.488206819
Reactive Organic Gases Tons/Yr: 3.8297908961
Carbon Monoxide Emissions Tons/Yr: 26.976874429
NOX - Oxides of Nitrogen Tons/Yr: 21.007754371
SOX - Oxides of Sulphur Tons/Yr: 0.029788837
Particulate Matter Tons/Yr: 0.098750482
Part. Matter 10 Micrometers and Smlr Tons/Yr:0.098750481

A3 SCG- N. NEEDLES COMP 94-070
Target 4500 OLD RIVER ROAD
Property NEEDLES, CA 92363

ENF S106203464
WDS N/A
CIWQS

Site 3 of 7 in cluster A

Actual: 562 ft.
Focus Map: 2

ENF:
Name: SCG- N. NEEDLES COMP
Address: 4500 NEEDLES HIGHWAY
City,State,Zip: NEEDLES, CA
Region: 7
Facility Id: 255871
Agency Name: Southern California Gas Company
Place Type: Manufacturing
Place Subtype: Manufacturing NEC
Facility Type: Industrial
Agency Type: Privately-Owned Business
Of Agencies: 1
Place Latitude: Not reported
Place Longitude: Not reported
SIC Code 1: 4923
SIC Desc 1: Natural Gas Transmission and Distribution
SIC Code 2: 4922
SIC Desc 2: Natural Gas Transmission
SIC Code 3: Not reported
SIC Desc 3: Not reported
NAICS Code 1: Not reported
NAICS Desc 1: Not reported
NAICS Code 2: Not reported
NAICS Desc 2: Not reported

Map ID
Direction
Distance
Elevation

MAP FINDINGS

Site

Database(s)

EDR ID Number
EPA ID Number

SCG- N. NEEDLES COMP 94-070 (Continued)

S106203464

NAICS Code 3:	Not reported
NAICS Desc 3:	Not reported
# Of Places:	1
Source Of Facility:	Reg Meas
Design Flow:	0.02
Threat To Water Quality:	3
Complexity:	C
Pretreatment:	X - Facility is not a POTW
Facility Waste Type:	Cooling water: Noncontact
Facility Waste Type 2:	Not reported
Facility Waste Type 3:	Not reported
Facility Waste Type 4:	Not reported
Program:	WDRINDIVSML
Program Category1:	WDR
Program Category2:	WDR
# Of Programs:	1
WDID:	7B362030011
Reg Measure Id:	135837
Reg Measure Type:	WDR
Region:	7
Order #:	94-070
Npdes# CA#:	Not reported
Major-Minor:	Not reported
Npdes Type:	Not reported
Reclamation:	N - No
Dredge Fill Fee:	Not reported
301H:	Not reported
Application Fee Amt Received:	Not reported
Status:	Historical
Status Date:	05/06/2014
Effective Date:	09/13/1994
Expiration/Review Date:	09/09/2009
Termination Date:	03/20/2013
WDR Review - Amend:	Not reported
WDR Review - Revise/Renew:	Not reported
WDR Review - Rescind:	Not reported
WDR Review - No Action Required:	Not reported
WDR Review - Pending:	Not reported
WDR Review - Planned:	Not reported
Status Enrollee:	N
Individual/General:	I
Fee Code:	58 - Non15 Based on (TTWQ)/CPLX
Direction/Voice:	Passive
Enforcement Id(EID):	231545
Region:	7
Order / Resolution Number:	UNKNOWN
Enforcement Action Type:	Notice of Violation
Effective Date:	02/18/2000
Adoption/Issuance Date:	Not reported
Achieve Date:	2/25/2000
Termination Date:	02/18/2000
ACL Issuance Date:	Not reported
EPL Issuance Date:	Not reported
Status:	Historical
Title:	Enforcement - 7B362030011
Description:	NOV NO. 00-047 ISSUED FOR FTS 1999 ANNUAL M&R.
Program:	WDR

Map ID
Direction
Distance
Elevation

MAP FINDINGS

Site

Database(s)

EDR ID Number
EPA ID Number

SCG- N. NEEDLES COMP 94-070 (Continued)

S106203464

Latest Milestone Completion Date: Not reported
Of Programs1: 1
Total Assessment Amount: 0
Initial Assessed Amount: 0
Liability \$ Amount: 0
Project \$ Amount: 0
Liability \$ Paid: 0
Project \$ Completed: 0
Total \$ Paid/Completed Amount: 0

Name: SCG- N. NEEDLES COMP
Address: 4500 NEEDLES HIGHWAY
City,State,Zip: NEEDLES, CA
Region: 7
Facility Id: 255871
Agency Name: Southern California Gas Company
Place Type: Manufacturing
Place Subtype: Manufacturing NEC
Facility Type: Industrial
Agency Type: Privately-Owned Business
Of Agencies: 1
Place Latitude: Not reported
Place Longitude: Not reported
SIC Code 1: 4923
SIC Desc 1: Natural Gas Transmission and Distribution
SIC Code 2: 4922
SIC Desc 2: Natural Gas Transmission
SIC Code 3: Not reported
SIC Desc 3: Not reported
NAICS Code 1: Not reported
NAICS Desc 1: Not reported
NAICS Code 2: Not reported
NAICS Desc 2: Not reported
NAICS Code 3: Not reported
NAICS Desc 3: Not reported
Of Places: 1
Source Of Facility: Reg Meas
Design Flow: 0.02
Threat To Water Quality: 3
Complexity: C
Pretreatment: X - Facility is not a POTW
Facility Waste Type: Cooling water: Noncontact
Facility Waste Type 2: Not reported
Facility Waste Type 3: Not reported
Facility Waste Type 4: Not reported
Program: WDRINDIVSML
Program Category1: WDR
Program Category2: WDR
Of Programs: 1
WDID: 7B362030011
Reg Measure Id: 135837
Reg Measure Type: WDR
Region: 7
Order #: 94-070
Npdes# CA#: Not reported
Major-Minor: Not reported
Npdes Type: Not reported

Map ID
Direction
Distance
Elevation

MAP FINDINGS

Site

Database(s)

EDR ID Number
EPA ID Number

SCG- N. NEEDLES COMP 94-070 (Continued)

S106203464

Reclamation: N - No
Dredge Fill Fee: Not reported
301H: Not reported
Application Fee Amt Received: Not reported
Status: Historical
Status Date: 05/06/2014
Effective Date: 09/13/1994
Expiration/Review Date: 09/09/2009
Termination Date: 03/20/2013
WDR Review - Amend: Not reported
WDR Review - Revise/Renew: Not reported
WDR Review - Rescind: Not reported
WDR Review - No Action Required: Not reported
WDR Review - Pending: Not reported
WDR Review - Planned: Not reported
Status Enrollee: N
Individual/General: I
Fee Code: 58 - Non15 Based on (TTWQ)/CPLX
Direction/Voice: Passive
Enforcement Id(EID): 231499
Region: 7
Order / Resolution Number: UNKNOWN
Enforcement Action Type: Staff Enforcement Letter
Effective Date: 01/26/2000
Adoption/Issuance Date: Not reported
Achieve Date: 2/25/2000
Termination Date: 01/26/2000
ACL Issuance Date: Not reported
EPL Issuance Date: Not reported
Status: Historical
Title: Enforcement - 7B362030011
Description: FTS LTR ISSUED FOR FTS 1999 ANNUAL M&R. RPT DUE BY
02/10/2000
Program: WDR
Latest Milestone Completion Date: 2/25/2000
Of Programs1: 1
Total Assessment Amount: 0
Initial Assessed Amount: 0
Liability \$ Amount: 0
Project \$ Amount: 0
Liability \$ Paid: 0
Project \$ Completed: 0
Total \$ Paid/Completed Amount: 0

WDS:

Name: SCG- N. NEEDLES COMP 94-070
Address: 4500 OLD RIVER ROAD
City: NEEDLES
Facility ID: East Colorado River 362030011
Facility Type: Industrial - Facility that treats and/or disposes of liquid or semisolid wastes from any servicing, producing, manufacturing or processing operation of whatever nature, including mining, gravel washing, geothermal operations, air conditioning, ship building and repairing, oil production, storage and disposal operations, water pumping.
Facility Status: Active - Any facility with a continuous or seasonal discharge that is under Waste Discharge Requirements.

Map ID
Direction
Distance
Elevation

MAP FINDINGS

Site

Database(s)

EDR ID Number
EPA ID Number

SCG- N. NEEDLES COMP 94-070 (Continued)

S106203464

NPDES Number: Not reported
Subregion: 7
Facility Telephone: Not reported
Facility Contact: DUFFY EXON
Agency Name: SOUTHERN CALIFORNIA GAS CO.
Agency Address: 555 WEST 5TH ST
Agency City,St,Zip: LOS ANGELES 900511249
Agency Contact: MARY HOWARD M/L 9314
Agency Telephone: 8187013422
Agency Type: Private
SIC Code: 4923
SIC Code 2: 4922
Primary Waste Type: Designated/Influent or Solid Wastes that pose a significant threat to water quality because of their high concentrations (E.G., BOD, Hardness, TRF, Chloride). 'Manageable' hazardous wastes (E.G., inorganic salts and heavy metals) are included in this category.
Primary Waste: NONCON
Waste Type2: Not reported
Waste2: Cooling Water: Noncontact
Primary Waste Type: Designated/Influent or Solid Wastes that pose a significant threat to water quality because of their high concentrations (E.G., BOD, Hardness, TRF, Chloride). 'Manageable' hazardous wastes (E.G., inorganic salts and heavy metals) are included in this category.
Secondary Waste: Not reported
Secondary Waste Type: Not reported
Design Flow: 0
Baseline Flow: 0
Reclamation: No reclamation requirements associated with this facility.
POTW: The facility is not a POTW.
Treat To Water: Minor Threat to Water Quality. A violation of a regional board order should cause a relatively minor impairment of beneficial uses compared to a major or minor threat. Not: All nurds without a TTWQ will be considered a minor threat to water quality unless coded at a higher Level. A Zero (0) may be used to code those NURDS that are found to represent no threat to water quality.
Complexity: Category C - Facilities having no waste treatment systems, such as cooling water dischargers or those who must comply through best management practices, facilities with passive waste treatment and disposal systems, such as septic systems with subsurface disposal, or dischargers having waste storage systems with land disposal such as dairy waste ponds.

CIWQS:

Name: SCG- N. NEEDLES COMP
Address: 4500 NEEDLES HIGHWAY
City,State,Zip: NEEDLES, CA 92363
Agency: Southern California Gas Company
Agency Address: Po Box 3429 17g3, Los Angeles, CA 90051-1249
Place/Project Type: Manufacturing NEC
SIC/NAICS: 4923(+)
Region: 7
Program: WDR, WDRINDIVSML
Regulatory Measure Status: Active
Regulatory Measure Type: WDR
Order Number: R7-2013-0032
WDID: 7B362030011
NPDES Number: Not reported

Map ID
Direction
Distance
Elevation

MAP FINDINGS

Site

Database(s)

EDR ID Number
EPA ID Number

SCG- N. NEEDLES COMP 94-070 (Continued)

S106203464

Adoption Date: 03/21/2013
Effective Date: 03/21/2013
Termination Date: Not reported
Expiration/Review Date: 03/21/2028
Design Flow: 0.02
Major/Minor: Not reported
Complexity: C
TTWQ: 3
Enforcement Actions within 5 years: 0
Violations within 5 years: 0
Latitude: Not reported
Longitude: Not reported

A4 **NORTH NEEDLES COMP STA**
Target **NORTH NEEDLES COMP STA**
Property **NEEDLES, CA 92363**

HIST UST **U001575260**
N/A

Site 4 of 7 in cluster A

Actual: HIST UST:
562 ft. Name: NORTH NEEDLES COMP STA
Focus Map: Address: NORTH NEEDLES COMP STA
2 City,State,Zip: NEEDLES, CA 92363
 File Number: 0002A686
 URL: http://geotracker.waterboards.ca.gov/ustpdfs/pdf/0002A686.pdf
 Region: STATE
 Facility ID: 00000007533
 Facility Type: Other
 Other Type: PUBLIC UTILITY
 Contact Name: CARTER, LLOYD
 Telephone: 6193262103
 Owner Name: SOUTHERN CALIF. GAS COMPANY
 Owner Address: BOX 3249 TERMINAL ANNEX
 Owner City,St,Zip: LOS ANGELES, CA 90051
 Total Tanks: 0001

 Tank Num: 001
 Container Num: TNIU100
 Year Installed: Not reported
 Tank Capacity: 00002000
 Tank Used for: WASTE
 Type of Fuel: 0
 Container Construction Thickness: .250
 Leak Detection: Stock Inventor

 Tank Num: 001
 Container Num: TNIU100
 Year Installed: Not reported
 Tank Capacity: 00002000
 Tank Used for: WASTE
 Type of Fuel: 0
 Container Construction Thickness: .250
 Leak Detection: Stock Inventor

[Click here for Geo Tracker PDF:](#)

Map ID
Direction
Distance
Elevation

MAP FINDINGS

Site

Database(s)

EDR ID Number
EPA ID Number

A5 **NORTH NEEDLESS COMP STA**
Target **NORTH NEEDLES COMP STA**
Property **NEEDLES, CA 92363**

HIST UST **U001575261**
N/A

Site 5 of 7 in cluster A

Actual: HIST UST:
562 ft. Name: NORTH NEEDLESS COMP STA
Focus Map: Address: NORTH NEEDLES COMP STA
2 City,State,Zip: NEEDLES, CA 92363
 File Number: 0002A694
 URL: <http://geotracker.waterboards.ca.gov/ustpdfs/pdf/0002A694.pdf>
 Region: STATE
 Facility ID: 00000007557
 Facility Type: Other
 Other Type: PUBLIC UTILITY
 Contact Name: LLOYD CARTER
 Telephone: 6193262103
 Owner Name: SOUTHERN CALIF. GAS COMPANY
 Owner Address: BOX 3249 TERMINAL ANNEX
 Owner City,St,Zip: LOS ANGELES, CA 90051
 Total Tanks: 0001

 Tank Num: 001
 Container Num: TNIU102
 Year Installed: 1964
 Tank Capacity: 00000300
 Tank Used for: WASTE
 Type of Fuel: 5
 Container Construction Thickness: .250
 Leak Detection: None

[Click here for Geo Tracker PDF:](#)

A6 **SOUTHERN CALIFORNIA GAS CO**
Target **OLD RIVER RD**
Property **NEEDLES, CA 92363**

CERS **S113005912**
N/A

Site 6 of 7 in cluster A

Actual: CERS:
562 ft. Name: SOUTHERN CALIFORNIA GAS CO
Focus Map: Address: OLD RIVER RD
2 City,State,Zip: NEEDLES, CA 923630000
 Site ID: 495339
 CERS ID: 110018950438
 CERS Description: US EPA Air Emission Inventory System (EIS)

 Affiliation:
 Affiliation Type Desc: Environmental Contact
 Entity Name: TIME HEPBURN
 Entity Title: Not reported
 Affiliation Address: Not reported
 Affiliation City: Not reported
 Affiliation State: Not reported
 Affiliation Country: Not reported
 Affiliation Zip: Not reported
 Affiliation Phone: ,

MAP FINDINGS

Map ID
Direction
Distance
Elevation

Site

Database(s)

EDR ID Number
EPA ID Number

A7 SO CAL GAS - NO. NEEDLES
Target OLD RIVER RD
Property NEEDLES, CA 92363

FINDS 1016114353
ECHO N/A

Site 7 of 7 in cluster A

Actual: FINDS:
562 ft. Registry ID: 110018950438

Focus Map: Click Here for FRS Facility Detail Report:
2

Environmental Interest/Information System:

AFS (Aerometric Information Retrieval System (AIRS) Facility Subsystem) replaces the former Compliance Data System (CDS), the National Emission Data System (NEDS), and the Storage and Retrieval of Aerometric Data (SAROAD). AIRS is the national repository for information concerning airborne pollution in the United States. AFS is used to track emissions and compliance data from industrial plants. AFS data are utilized by states to prepare State Implementation Plans to comply with regulatory programs and by EPA as an input for the estimation of total national emissions. AFS is undergoing a major redesign to support facility operating permits required under Title V of the Clean Air Act.

AIR PROGRAM

California Hazardous Waste Tracking System - Datamart (HWTS-DATAMART) provides California with information on hazardous waste shipments for generators, transporters, and treatment, storage, and disposal facilities.

HAZARDOUS AIR POLLUTANT MAJOR AIR MAJOR

Click this hyperlink while viewing on your computer to access additional FINDS: detail in the EDR Site Report.

ECHO:

Envid: 1016114353
Registry ID: 110018950438
DFR URL: <http://echo.epa.gov/detailed-facility-report?fid=110018950438>
Name: SO CAL GAS - NO. NEEDLES
Address: OLD RIVER RD
City,State,Zip: NEEDLES, CA 92363

B8 SOUTHERN CALIFORNIA GAS COMPANY - NORTH NEEDLES
Target 4500 OLD RIVER ROAD
Property NEEDLES, CA 92363

AST S105790418
CERS HAZ WASTE N/A
CERS TANKS
San Bern. Co. Permit
CERS

Site 1 of 2 in cluster B

Actual: AST:
556 ft. Name: NORTH NEEDLES COMPRESSOR STATION
Focus Map: Address: 4500 OLD RIVER RD
2 City/Zip: NEEDLES,
Certified Unified Program Agencies: San Bernardino
Owner: SOUTHERN CALIFORNIA GAS CO.
Total Gallons: 19,540
CERSID: Not reported
Facility ID: Not reported
Business Name: Not reported
Phone: Not reported
Fax: Not reported
Mailing Address: Not reported

Map ID
Direction
Distance
Elevation

MAP FINDINGS

Site

Database(s)

EDR ID Number
EPA ID Number

SOUTHERN CALIFORNIA GAS COMPANY - NORTH NEEDLES (Continued)

S105790418

Mailing Address City: Not reported
Mailing Address State: Not reported
Mailing Address Zip Code: Not reported
Operator Name: Not reported
Operator Phone: Not reported
Owner Phone: Not reported
Owner Mail Address: Not reported
Owner State: Not reported
Owner Zip Code: Not reported
Owner Country: Not reported
Property Owner Name: Not reported
Property Owner Phone: Not reported
Property Owner Mailing Address: Not reported
Property Owner City: Not reported
Property Owner Stat : Not reported
Property Owner Zip Code: Not reported
Property Owner Country: Not reported
EPAID: Not reported

CERS HAZ WASTE:

Name: SOUTHERN CALIFORNIA GAS COMPANY - NORTH NEEDLES
Address: 4500 OLD RIVER ROAD
City,State,Zip: NEEDLES, CA 92363
Site ID: 69704
CERS ID: 10151505
CERS Description: Hazardous Waste Generator

Name: SOUTHERN CALIFORNIA GAS COMPANY - NORTH NEEDLES
Address: 4500 OLD RIVER ROAD
City,State,Zip: NEEDLES, CA 92363
Site ID: 69704
CERS ID: 10151505
CERS Description: RCRA LQ HW Generator

CERS TANKS:

Name: SOUTHERN CALIFORNIA GAS COMPANY - NORTH NEEDLES
Address: 4500 OLD RIVER ROAD
City,State,Zip: NEEDLES, CA 92363
Site ID: 69704
CERS ID: 10151505
CERS Description: Aboveground Petroleum Storage

San Bern. Co. Permit:

Name: SOUTHERN CALIFORNIA GAS COMPANY - NORTH NEEDLES
Address: 4500 OLD RIVER RD
City,State,Zip: NEEDLES, CA 92363
Region: SAN BERNARDINO
Facility ID: FA0006258
Owner: SOUTHERN CALIFORNIA GAS COMPANY
Permit Number: PT0001767
Permit Category: LARGE QUANTITY GENERATOR
Facility Status: ACTIVE
Expiration Date: 11/30/2022

Name: SOUTHERN CALIFORNIA GAS COMPANY - NORTH NEEDLES
Address: 4500 OLD RIVER RD

Map ID
Direction
Distance
Elevation

MAP FINDINGS

Site

Database(s)

EDR ID Number
EPA ID Number

SOUTHERN CALIFORNIA GAS COMPANY - NORTH NEEDLES (Continued)

S105790418

City,State,Zip: NEEDLES, CA 92363
Region: SAN BERNARDINO
Facility ID: FA0006258
Owner: SOUTHERN CALIFORNIA GAS COMPANY
Permit Number: PT0016565
Permit Category: APSA 10,001-100,000 GAL FAC CAPACITY
Facility Status: ACTIVE
Expiration Date: 11/30/2022

Name: SOUTHERN CALIFORNIA GAS COMPANY - NORTH NEEDLES
Address: 4500 OLD RIVER RD
City,State,Zip: NEEDLES, CA 92363
Region: SAN BERNARDINO
Facility ID: FA0006258
Owner: SOUTHERN CALIFORNIA GAS COMPANY
Permit Number: PT0001766
Permit Category: HAZARDOUS MATERIALS 11-30 CHEMICALS
Facility Status: ACTIVE
Expiration Date: 11/30/2022

Name: SOUTHERN CALIFORNIA GAS COMPANY - NORTH NEEDLES
Address: 4500 OLD RIVER RD
City,State,Zip: NEEDLES, CA 92363
Region: SAN BERNARDINO
Facility ID: FA0006258
Owner: SOUTHERN CALIFORNIA GAS COMPANY
Permit Number: PT0036551
Permit Category: RCRA LQG GENERAL ACTIVITY(NB)
Facility Status: FEE EXEMPT
Expiration Date: 11/30/2017

Name: SOUTHERN CALIFORNIA GAS COMPANY - NORTH NEEDLES
Address: 4500 OLD RIVER RD
City,State,Zip: NEEDLES, CA 92363
Region: SAN BERNARDINO
Facility ID: FA0006258
Owner: SOUTHERN CALIFORNIA GAS COMPANY
Permit Number: PT0037653
Permit Category: HAZARDOUS WASTE CONSOLIDATION (NB)
Facility Status: FEE EXEMPT
Expiration Date: 11/30/2017

CERS:

Name: SOUTHERN CALIFORNIA GAS COMPANY - NORTH NEEDLES
Address: 4500 OLD RIVER ROAD
City,State,Zip: NEEDLES, CA 92363
Site ID: 69704
CERS ID: 10151505
CERS Description: Chemical Storage Facilities

Violations:

Site ID: 69704
Site Name: Southern California Gas Company - North Needles
Violation Date: 01-14-2016
Citation: HSC 6.5 Multiple Sections - California Health and Safety Code, Chapter 6.5, Section(s) Multiple Sections
Violation Description: Haz Waste Generator Program - Operations/Maintenance - General

Map ID
Direction
Distance
Elevation

MAP FINDINGS

Site

Database(s)

EDR ID Number
EPA ID Number

SOUTHERN CALIFORNIA GAS COMPANY - NORTH NEEDLES (Continued)

S105790418

Violation Notes: Returned to compliance on 01/14/2016. Failure to complete hazardous waste labels (CCR 66262.34(f)(3)) All containers and tanks used to store a hazardous waste must be labeled or marked with the words hazardous waste and include the following information: generator name and address, hazardous properties of the waste, composition and physical state of the waste, and the accumulation start date. Observed (1) 55 gallon drum of lead paint chip waste and (1) 55 gallon drum of PCB waste with incomplete hazardous waste labels. The violation was corrected onsite at the time of inspection. Operator provided new complete hazardous waste labels to the drums of lead paint chip waste and PCB waste.

Violation Division: San Bernardino County Fire Department
Violation Program: HW
Violation Source: CERS,

Evaluation:
Eval General Type: Compliance Evaluation Inspection
Eval Date: 11-18-2021
Violations Found: No
Eval Type: Routine done by local agency
Eval Notes: Not reported
Eval Division: San Bernardino County Fire Department
Eval Program: HW
Eval Source: CERS,

Eval General Type: Compliance Evaluation Inspection
Eval Date: 01-14-2016
Violations Found: No
Eval Type: Routine done by local agency
Eval Notes: ROUTINE INSPECTION
Eval Division: San Bernardino County Fire Department
Eval Program: HMRRP
Eval Source: CERS,

Eval General Type: Compliance Evaluation Inspection
Eval Date: 04-25-2019
Violations Found: No
Eval Type: Routine done by local agency
Eval Notes: CUPA inspection APSA, haz waste and handler
Eval Division: San Bernardino County Fire Department
Eval Program: HMRRP
Eval Source: CERS,

Eval General Type: Compliance Evaluation Inspection
Eval Date: 01-14-2016
Violations Found: Yes
Eval Type: Routine done by local agency
Eval Notes: ROUTINE INSPECTION
Eval Division: San Bernardino County Fire Department
Eval Program: HW
Eval Source: CERS,

Eval General Type: Compliance Evaluation Inspection
Eval Date: 04-25-2019
Violations Found: No
Eval Type: Routine done by local agency
Eval Notes: CUPA inspection hazmat, haz waste, APSA

Map ID
Direction
Distance
Elevation

MAP FINDINGS

Site

Database(s)

EDR ID Number
EPA ID Number

SOUTHERN CALIFORNIA GAS COMPANY - NORTH NEEDLES (Continued)

S105790418

Eval Division: San Bernardino County Fire Department
Eval Program: APSA
Eval Source: CERS,

Eval General Type: Compliance Evaluation Inspection
Eval Date: 04-25-2019
Violations Found: No
Eval Type: Routine done by local agency
Eval Notes: CUPA inspection hazmat, haz waste, APSA
Eval Division: San Bernardino County Fire Department
Eval Program: HW
Eval Source: CERS,

Eval General Type: Compliance Evaluation Inspection
Eval Date: 11-18-2021
Violations Found: No
Eval Type: Routine done by local agency
Eval Notes: Not reported
Eval Division: San Bernardino County Fire Department
Eval Program: APSA
Eval Source: CERS,

Eval General Type: Compliance Evaluation Inspection
Eval Date: 01-14-2016
Violations Found: No
Eval Type: Routine done by local agency
Eval Notes: ROUTINE INSPECTION
Eval Division: San Bernardino County Fire Department
Eval Program: APSA
Eval Source: CERS,

Eval General Type: Compliance Evaluation Inspection
Eval Date: 11-18-2021
Violations Found: No
Eval Type: Routine done by local agency
Eval Notes: Not reported
Eval Division: San Bernardino County Fire Department
Eval Program: HMRRP
Eval Source: CERS,

Enforcement Action:
Site ID: 69704
Site Name: Southern California Gas Company - North Needles
Site Address: 4500 OLD RIVER ROAD
Site City: NEEDLES
Site Zip: 92363
Enf Action Date: 01-14-2016
Enf Action Type: Notice of Violation (Unified Program)
Enf Action Description: Notice of Violation Issued by the Inspector at the Time of Inspection
Enf Action Notes: Not reported
Enf Action Division: San Bernardino County Fire Department
Enf Action Program: HW
Enf Action Source: CERS,

Affiliation:
Affiliation Type Desc: Operator

Map ID
Direction
Distance
Elevation

MAP FINDINGS

Site

Database(s)

EDR ID Number
EPA ID Number

SOUTHERN CALIFORNIA GAS COMPANY - NORTH NEEDLES (Continued)

S105790418

Entity Name: Southern California Gas Company - North Needles
Entity Title: Not reported
Affiliation Address: Not reported
Affiliation City: Not reported
Affiliation State: Not reported
Affiliation Country: Not reported
Affiliation Zip: Not reported
Affiliation Phone: (760) 243-6562,

Affiliation Type Desc: CUPA District
Entity Name: San Bernardino County Fire
Entity Title: Not reported
Affiliation Address: 620 South E Street
Affiliation City: San Bernardino
Affiliation State: CA
Affiliation Country: Not reported
Affiliation Zip: 92415-0153
Affiliation Phone: (909) 386-8401,

Affiliation Type Desc: Document Preparer
Entity Name: Mariza Arnot
Entity Title: Not reported
Affiliation Address: Not reported
Affiliation City: Not reported
Affiliation State: Not reported
Affiliation Country: Not reported
Affiliation Zip: Not reported
Affiliation Phone: ,

Affiliation Type Desc: Facility Mailing Address
Entity Name: Mailing Address
Entity Title: Not reported
Affiliation Address: P O Box 2300, M/L SC9314
Affiliation City: Chatsworth
Affiliation State: CA
Affiliation Country: Not reported
Affiliation Zip: 91313
Affiliation Phone: ,

Affiliation Type Desc: Identification Signer
Entity Name: Firas Hamez
Entity Title: Field Operations Manager
Affiliation Address: Not reported
Affiliation City: Not reported
Affiliation State: Not reported
Affiliation Country: Not reported
Affiliation Zip: Not reported
Affiliation Phone: ,

Affiliation Type Desc: Legal Owner
Entity Name: Southern California Gas Company
Entity Title: Not reported
Affiliation Address: P O Box 2300, M/L SC9314
Affiliation City: Chatsworth
Affiliation State: CA
Affiliation Country: United States
Affiliation Zip: 91313

Map ID
 Direction
 Distance
 Elevation

MAP FINDINGS

Site

Database(s)

EDR ID Number
 EPA ID Number

SOUTHERN CALIFORNIA GAS COMPANY - NORTH NEEDLES (Continued)

S105790418

Affiliation Phone: (760) 243-6562,
 Affiliation Type Desc: Parent Corporation
 Entity Name: Southern California Gas Company
 Entity Title: Not reported
 Affiliation Address: Not reported
 Affiliation City: Not reported
 Affiliation State: Not reported
 Affiliation Country: Not reported
 Affiliation Zip: Not reported
 Affiliation Phone: ,
 Affiliation Type Desc: Environmental Contact
 Entity Name: Annie Ho
 Entity Title: Not reported
 Affiliation Address: P O Box 2300, M/L SC9314
 Affiliation City: Chatsworth
 Affiliation State: CA
 Affiliation Country: Not reported
 Affiliation Zip: 91313
 Affiliation Phone: ,

B9
 Target
 Property

SCG- N. NEEDLES COMP
4500 NEEDLES
NEEDLES, CA 92363

FINDS 1023252383
N/A

Site 2 of 2 in cluster B

Actual:
556 ft.

FINDS:
 Registry ID: 110065411316

Focus Map:
2

Click Here for FRS Facility Detail Report:
 Environmental Interest/Information System:
 STATE MASTER

Click this hyperlink while viewing on your computer to access
 additional FINDS: detail in the EDR Site Report.

10
 Target
 Property

SOUTHERN CALIFORNIA GAS CO - NORTH NEEDLES
4500 NEEDLES HIGHWAY OLD RIVER RD
NEEDLES, CA 92363

HAZNET S123816154
HWTS N/A

Actual:
571 ft.

Focus Map:
4

HAZNET:
 Name: SOUTHERN CALIFORNIA GAS CO - NORTH NEEDLES
 Address: 4500 NEEDLES HIGHWAY OLD RIVER RD
 Address 2: Not reported
 City,State,Zip: NEEDLES, CA 90660
 Contact: NANCY LEE
 Telephone: 5628064419
 Mailing Name: Not reported
 Mailing Address: 8101 S. ROSEMEAD BLVD.
 Year: 2019
 Gepaid: CAD981422801
 TSD EPA ID: CAD980675276
 CA Waste Code: 223 - Unspecified oil-containing waste

Map ID
Direction
Distance
Elevation

MAP FINDINGS

Site

Database(s)

EDR ID Number
EPA ID Number

SOUTHERN CALIFORNIA GAS CO - NORTH NEEDLES (Continued)

S123816154

Disposal Method:	H132 - Landfill Or Surface Impoundment That Will Be Closed As Landfill(To Include On-Site Treatment And/Or Stabilization)
Tons:	0.44000
Year:	2019
Gepaid:	CAD981422801
TSD EPA ID:	CAD982444481
CA Waste Code:	221 - Waste oil and mixed oil
Disposal Method:	H141 - Storage, Bulking, And/Or Transfer Off Site--No Treatment/Reovery (H010-H129) Or (H131-H135)
Tons:	0.00000
Year:	2018
Gepaid:	CAD981422801
TSD EPA ID:	CAT000625137
CA Waste Code:	331 - Off-specification, aged or surplus organics
Disposal Method:	H141 - Storage, Bulking, And/Or Transfer Off Site--No Treatment/Reovery (H010-H129) Or (H131-H135)
Tons:	0.04950
Year:	2018
Gepaid:	CAD981422801
TSD EPA ID:	CAD982444481
CA Waste Code:	221 - Waste oil and mixed oil
Disposal Method:	H141 - Storage, Bulking, And/Or Transfer Off Site--No Treatment/Reovery (H010-H129) Or (H131-H135)
Tons:	0.00000
Year:	2018
Gepaid:	CAD981422801
TSD EPA ID:	CAT000625137
CA Waste Code:	151 - Asbestos containing waste
Disposal Method:	H141 - Storage, Bulking, And/Or Transfer Off Site--No Treatment/Reovery (H010-H129) Or (H131-H135)
Tons:	0.02250
Year:	2018
Gepaid:	CAD981422801
TSD EPA ID:	CAD044429835
CA Waste Code:	611 - Contaminated soil from site clean-up
Disposal Method:	H141 - Storage, Bulking, And/Or Transfer Off Site--No Treatment/Reovery (H010-H129) Or (H131-H135)
Tons:	6.00000
Year:	2018
Gepaid:	CAD981422801
TSD EPA ID:	CAD980675276
CA Waste Code:	223 - Unspecified oil-containing waste
Disposal Method:	H132 - Landfill Or Surface Impoundment That Will Be Closed As Landfill(To Include On-Site Treatment And/Or Stabilization)
Tons:	0.50000
Year:	2018
Gepaid:	CAD981422801
TSD EPA ID:	CAT000625137
CA Waste Code:	134 - Aqueous solution with total organic residues less than 10 percent

Map ID
Direction
Distance
Elevation

MAP FINDINGS

Site

Database(s)

EDR ID Number
EPA ID Number

SOUTHERN CALIFORNIA GAS CO - NORTH NEEDLES (Continued)

S123816154

Disposal Method: H141 - Storage, Bulking, And/Or Transfer Off Site--No Treatment/Reovery (H010-H129) Or (H131-H135)
Tons: 0.07980

Year: 2018
Gepaid: CAD981422801
TSD EPA ID: CAT000625137
CA Waste Code: 181 - Other inorganic solid waste
Disposal Method: H141 - Storage, Bulking, And/Or Transfer Off Site--No Treatment/Reovery (H010-H129) Or (H131-H135)
Tons: 0.17500

Year: 2018
Gepaid: CAD981422801
TSD EPA ID: CAT000625137
CA Waste Code: 352 - Other organic solids
Disposal Method: H141 - Storage, Bulking, And/Or Transfer Off Site--No Treatment/Reovery (H010-H129) Or (H131-H135)
Tons: 0.05000

[Click this hyperlink](#) while viewing on your computer to access 116 additional CA HAZNET: record(s) in the EDR Site Report.

HWTS:

Name: SOUTHERN CALIFORNIA GAS CO - NORTH NEEDLES
Address: 4500 NEEDLES HIGHWAY OLD RIVER RD
Address 2: Not reported
City,State,Zip: NEEDLES, CA 92363
EPA ID: CAD981422801
Inactive Date: Not reported
Create Date: 04/10/1987
Last Act Date: Not reported
Mailing Name: Not reported
Mailing Address: 8101 S. ROSEMEAD BLVD.
Mailing Address 2: Not reported
Mailing City,State,Zip: PICO RIVERA, CA 906605100
Owner Name: SOUTHERN CALIFORNIA GAS COMPANY
Owner Address: 8101 S. ROSEMEAD BLVD.
Owner Address 2: Not reported
Owner City,State,Zip: PICO RIVERA, CA 906605100
Contact Name: NANCY LEE
Contact Address: 8101 S. ROSEMEAD BLVD
Contact Address 2: Not reported
City,State,Zip: PICO RIVERA, CA 90660
Facility Status: Active
Facility Type: PERMANENT
Category: FEDERAL
Latitude: 34.905084
Longitude: -114.644444

NAICS:

EPA ID: CAD981422801
Create Date: 2005-09-27 15:01:35.000
NAICS Code: 22121
NAICS Description: Natural Gas Distribution
Issued EPA ID Date: 1987-04-10 00:00:00

Map ID
Direction
Distance
Elevation

MAP FINDINGS

Site

Database(s)

EDR ID Number
EPA ID Number

SOUTHERN CALIFORNIA GAS CO - NORTH NEEDLES (Continued)

S123816154

Inactive Date: Not reported
Facility Name: SOUTHERN CALIFORNIA GAS CO - NORTH NEEDLES
Facility Address: 4500 NEEDLES HIGHWAY OLD RIVER RD
Facility Address 2: Not reported
Facility City: NEEDLES
Facility County: Not reported
Facility State: CA
Facility Zip: 923630000

11 **SUN ROC 66 LLC** **EDR Hist Auto** **1020126473**
Target **4170 NEEDLES HWY SPC 8**
Property **NEEDLES, CA 92363** **N/A**

EDR Hist Auto

Actual: Year: Name: Type:
524 ft. 2011 SUN ROC 66 LLC Gasoline Service Stations, NEC
Focus Map: 2012 SUN ROC 66 LLC Gasoline Service Stations, NEC
4

C12 **CHEMEHUEVI WATER** **FINDS** **1023287691**
Target **NEEDLES, CA 92363** **N/A**
Property

Site 1 of 2 in cluster C

Actual: FINDS:
492 ft. Registry ID: 110013162273
Focus Map: Click Here for FRS Facility Detail Report:
4 Environmental Interest/Information System:
COMMUNITY WATER SYSTEM
WATER TREATMENT PLANT
Registry ID: 110013160523
Click Here for FRS Facility Detail Report:
Environmental Interest/Information System:
COMMUNITY WATER SYSTEM
Registry ID: 110065788963
Click Here for FRS Facility Detail Report:
Environmental Interest/Information System:
STATE MASTER
Registry ID: 110012936047
Click Here for FRS Facility Detail Report:
Environmental Interest/Information System:
COMMUNITY WATER SYSTEM
WATER TREATMENT PLANT

Map ID
Direction
Distance
Elevation

MAP FINDINGS

Site

Database(s)

EDR ID Number
EPA ID Number

CHEMEHUEVI WATER (Continued)

1023287691

[Click this hyperlink](#) while viewing on your computer to access additional FINDS: detail in the EDR Site Report.

C13 PALMS RIVER RESORT
Target
Property **NEEDLES, CA 92363**

ECHO 1016988323
N/A

Site 2 of 2 in cluster C

Actual: 492 ft.
Focus Map: 4

ECHO:
Envid: 1016988323
Registry ID: 110013160523
DFR URL: <http://echo.epa.gov/detailed-facility-report?fid=110013160523>
Name: PALMS RIVER RESORT
Address: Not reported
City,State,Zip: NEEDLES, CA 92363

D14 PR RESORTS LP
Target **4132 NEEDLES HIGHWAY**
Property **NEEDLES, CA 92363**

NPDES S119086783
N/A

Site 1 of 2 in cluster D

Actual: 542 ft.
Focus Map: 4

NPDES:
Name: PR RESORTS LP
Address: 4132 NEEDLES HIGHWAY
City,State,Zip: NEEDLES, CA 92363
Facility Status: Not reported
NPDES Number: Not reported
Region: Not reported
Agency Number: Not reported
Regulatory Measure ID: Not reported
Place ID: Not reported
Order Number: Not reported
WDID: 7 36C376770
Regulatory Measure Type: Construction
Program Type: Not reported
Adoption Date Of Regulatory Measure: Not reported
Effective Date Of Regulatory Measure: Not reported
Termination Date Of Regulatory Measure: Not reported
Expiration Date Of Regulatory Measure: Not reported
Discharge Address: Not reported
Discharge Name: Not reported
Discharge City: Not reported
Discharge State: Not reported
Discharge Zip: Not reported
Status: Terminated
Status Date: 02/20/2019
Operator Name: Palm Property Management
Operator Address: 7100 West Florida Avenue
Operator City: Hemet
Operator State: California
Operator Zip: 92545

NPDES as of 03/2018:
NPDES Number: Not reported
Status: Not reported

Map ID
Direction
Distance
Elevation

MAP FINDINGS

Site

Database(s)

EDR ID Number
EPA ID Number

PR RESORTS LP (Continued)

S119086783

Agency Number:	Not reported
Region:	7
Regulatory Measure ID:	473320
Order Number:	Not reported
Regulatory Measure Type:	Construction
Place ID:	Not reported
WDID:	7 36C376770
Program Type:	Not reported
Adoption Date Of Regulatory Measure:	Not reported
Effective Date Of Regulatory Measure:	Not reported
Expiration Date Of Regulatory Measure:	Not reported
Termination Date Of Regulatory Measure:	Not reported
Discharge Name:	Not reported
Discharge Address:	Not reported
Discharge City:	Not reported
Discharge State:	Not reported
Discharge Zip:	Not reported
Received Date:	06/21/2016
Processed Date:	07/07/2016
Status:	Active
Status Date:	07/07/2016
Place Size:	8
Place Size Unit:	Acres
Contact:	LEROY POLVOORDE
Contact Title:	OWNER
Contact Phone:	9513235682
Contact Phone Ext:	Not reported
Contact Email:	chip@palmsproperty.com
Operator Name:	Palm Property Management
Operator Address:	7100 West Florida Avenue
Operator City:	Hemet
Operator State:	California
Operator Zip:	92545
Operator Contact:	Leroy Polvoorde
Operator Contact Title:	owner
Operator Contact Phone:	951-323-5682
Operator Contact Phone Ext:	Not reported
Operator Contact Email:	chip@palmsproperty.com
Operator Type:	Private Business
Developer:	Palms Property Management
Developer Address:	7100 West Florida Avenue
Developer City:	Hemet
Developer State:	California
Developer Zip:	92545
Developer Contact:	Leroy Polvoorde
Developer Contact Title:	owner
Constype Linear Utility Ind:	N
Emergency Phone:	9513235682
Emergency Phone Ext:	Not reported
Constype Above Ground Ind:	N
Constype Below Ground Ind:	N
Constype Cable Line Ind:	N
Constype Comm Line Ind:	N
Constype Commercial Ind:	Y
Constype Electrical Line Ind:	N
Constype Gas Line Ind:	N
Constype Industrial Ind:	N

Map ID
Direction
Distance
Elevation

MAP FINDINGS

Site

Database(s)

EDR ID Number
EPA ID Number

PR RESORTS LP (Continued)

S119086783

Constype Other Description:	Not reported
Constype Other Ind:	N
Constype Recons Ind:	N
Constype Residential Ind:	N
Constype Transport Ind:	N
Constype Utility Description:	Not reported
Constype Utility Ind:	N
Constype Water Sewer Ind:	N
Dir Discharge Uswater Ind:	N
Receiving Water Name:	COLORADO RIVER
Certifier:	Leroy Polvoorde
Certifier Title:	Owner
Certification Date:	21-JUN-16
Primary Sic:	Not reported
Secondary Sic:	Not reported
Tertiary Sic:	Not reported
NPDES Number:	CAS000002
Status:	Active
Agency Number:	0
Region:	7
Regulatory Measure ID:	473320
Order Number:	2009-0009-DWQ
Regulatory Measure Type:	Enrollee
Place ID:	Not reported
WDID:	7 36C376770
Program Type:	Construction
Adoption Date Of Regulatory Measure:	Not reported
Effective Date Of Regulatory Measure:	07/07/2016
Expiration Date Of Regulatory Measure:	Not reported
Termination Date Of Regulatory Measure:	Not reported
Discharge Name:	Palm Property Management
Discharge Address:	7100 West Florida Avenue
Discharge City:	Hemet
Discharge State:	California
Discharge Zip:	92545
Received Date:	Not reported
Processed Date:	Not reported
Status:	Not reported
Status Date:	Not reported
Place Size:	Not reported
Place Size Unit:	Not reported
Contact:	Not reported
Contact Title:	Not reported
Contact Phone:	Not reported
Contact Phone Ext:	Not reported
Contact Email:	Not reported
Operator Name:	Not reported
Operator Address:	Not reported
Operator City:	Not reported
Operator State:	Not reported
Operator Zip:	Not reported
Operator Contact:	Not reported
Operator Contact Title:	Not reported
Operator Contact Phone:	Not reported
Operator Contact Phone Ext:	Not reported
Operator Contact Email:	Not reported

Map ID
 Direction
 Distance
 Elevation

MAP FINDINGS

Site

Database(s)

EDR ID Number
 EPA ID Number

PR RESORTS LP (Continued)

S119086783

Operator Type:	Not reported
Developer:	Not reported
Developer Address:	Not reported
Developer City:	Not reported
Developer State:	Not reported
Developer Zip:	Not reported
Developer Contact:	Not reported
Developer Contact Title:	Not reported
Constype Linear Utility Ind:	Not reported
Emergency Phone:	Not reported
Emergency Phone Ext:	Not reported
Constype Above Ground Ind:	Not reported
Constype Below Ground Ind:	Not reported
Constype Cable Line Ind:	Not reported
Constype Comm Line Ind:	Not reported
Constype Commercial Ind:	Not reported
Constype Electrical Line Ind:	Not reported
Constype Gas Line Ind:	Not reported
Constype Industrial Ind:	Not reported
Constype Other Description:	Not reported
Constype Other Ind:	Not reported
Constype Recons Ind:	Not reported
Constype Residential Ind:	Not reported
Constype Transport Ind:	Not reported
Constype Utility Description:	Not reported
Constype Utility Ind:	Not reported
Constype Water Sewer Ind:	Not reported
Dir Discharge Uswater Ind:	Not reported
Receiving Water Name:	Not reported
Certifier:	Not reported
Certifier Title:	Not reported
Certification Date:	Not reported
Primary Sic:	Not reported
Secondary Sic:	Not reported
Tertiary Sic:	Not reported

D15 PR RESORTS LP
Target 4132 NEEDLES HIGHWAY, 7100 WEST FLORIDA AVENUE
Property NEEDLES, CA 92363

CIWQS S125950926
N/A

Site 2 of 2 in cluster D

Actual: 542 ft.	CIWQS:	
Focus Map: 4	Name:	PR RESORTS LP
	Address:	4132 NEEDLES HIGHWAY, 7100 WEST FLORIDA AVENUE
	City,State,Zip:	NEEDLES, CA 92363
	Agency:	Palm Property Management
	Agency Address:	7100 West Florida Avenue, Hemet, CA 92545
	Place/Project Type:	Construction - Commercial
	SIC/NAICS:	Not reported
	Region:	7
	Program:	CONSTW
	Regulatory Measure Status:	Terminated
	Regulatory Measure Type:	Storm water construction
	Order Number:	2009-0009-DWQ
	WDID:	7 36C376770
	NPDES Number:	CAS000002

Map ID
 Direction
 Distance
 Elevation

MAP FINDINGS

Site

Database(s)

EDR ID Number
 EPA ID Number

PR RESORTS LP (Continued)

S125950926

Adoption Date: Not reported
 Effective Date: 07/07/2016
 Termination Date: 01/08/2019
 Expiration/Review Date: Not reported
 Design Flow: Not reported
 Major/Minor: Not reported
 Complexity: Not reported
 TTWQ: Not reported
 Enforcement Actions within 5 years: 1
 Violations within 5 years: 1
 Latitude: 34.88234
 Longitude: -114.64377

16 **NEEDLES HIGHWAY SEGMENT 1A**
Target **NEEDLES HIGHWAY**
Property **NEEDLES, CA 92363**

NPDES **S125344536**
CIWQS **N/A**

Actual:
549 ft.
Focus Map:
4

NPDES:
 Name: NEEDLES HIGHWAY SEGMENT 1A
 Address: NEEDLES HIGHWAY
 City,State,Zip: NEEDLES, CA 92363
 Facility Status: Terminated
 NPDES Number: CAS000002
 Region: 7
 Agency Number: 0
 Regulatory Measure ID: 512917
 Place ID: Not reported
 Order Number: 2009-0009-DWQ
 WDID: 7 36C388453
 Regulatory Measure Type: Enrollee
 Program Type: Construction
 Adoption Date Of Regulatory Measure: Not reported
 Effective Date Of Regulatory Measure: 10/21/2019
 Termination Date Of Regulatory Measure: 12/18/2020
 Expiration Date Of Regulatory Measure: Not reported
 Discharge Address: 825 E Third Street
 Discharge Name: County of San Bernardino
 Discharge City: San Bernardino
 Discharge State: California
 Discharge Zip: 92415
 Status: Not reported
 Status Date: Not reported
 Operator Name: Not reported
 Operator Address: Not reported
 Operator City: Not reported
 Operator State: Not reported
 Operator Zip: Not reported

Name: NEEDLES HIGHWAY SEGMENT 1A
 Address: NEEDLES HIGHWAY
 City,State,Zip: NEEDLES, CA 92363
 Facility Status: Not reported
 NPDES Number: Not reported
 Region: Not reported
 Agency Number: Not reported
 Regulatory Measure ID: Not reported
 Place ID: Not reported
 Order Number: Not reported

Map ID
Direction
Distance
Elevation

MAP FINDINGS

Site

Database(s)

EDR ID Number
EPA ID Number

NEEDLES HIGHWAY SEGMENT 1A (Continued)

S125344536

WDID: 7 36C388453
Regulatory Measure Type: Construction
Program Type: Not reported
Adoption Date Of Regulatory Measure: Not reported
Effective Date Of Regulatory Measure: Not reported
Termination Date Of Regulatory Measure: Not reported
Expiration Date Of Regulatory Measure: Not reported
Discharge Address: Not reported
Discharge Name: Not reported
Discharge City: Not reported
Discharge State: Not reported
Discharge Zip: Not reported
Status: Terminated
Status Date: 12/30/2020
Operator Name: County of San Bernardino
Operator Address: 825 E Third Street
Operator City: San Bernardino
Operator State: California
Operator Zip: 92415

CIWQS:

Name: NEEDLES HIGHWAY SEGMENT 1A
Address: NEEDLES HIGHWAY
City,State,Zip: NEEDLES, CA 92363
Agency: County of San Bernardino
Agency Address: 825 E Third Street #100, San Bernardino, CA 92415
Place/Project Type: Construction - Transportation
SIC/NAICS: Not reported
Region: 7
Program: CONSTW
Regulatory Measure Status: Terminated
Regulatory Measure Type: Storm water construction
Order Number: 2009-0009-DWQ
WDID: 7 36C388453
NPDES Number: CAS000002
Adoption Date: Not reported
Effective Date: 10/21/2019
Termination Date: 12/18/2020
Expiration/Review Date: Not reported
Design Flow: Not reported
Major/Minor: Not reported
Complexity: Not reported
TTWQ: Not reported
Enforcement Actions within 5 years: 0
Violations within 5 years: 0
Latitude: 34.87311
Longitude: -114.63979

Map ID
Direction
Distance
Elevation

MAP FINDINGS

Site

Database(s) EDR ID Number
EPA ID Number

E17
Target 3520 NEEDLE'S HWY, #76
Property NEEDLES, CA 92363

CHMIRS S126977396
N/A

Site 1 of 4 in cluster E

Actual: CHMIRS:
488 ft. Name: Not reported
Focus Map: Address: 3520 NEEDLE'S HWY, #76
6 City,State,Zip: NEEDLES, CA 92363
OES Incident Number: 20-4264
OES notification: 08/10/2020
OES Date: Not reported
OES Time: Not reported
Date Completed: **Not reported**
Property Use: Not reported
Agency Id Number: Not reported
Agency Incident Number: Not reported
Time Notified: Not reported
Time Completed: Not reported
Surrounding Area: Not reported
Estimated Temperature: Not reported
Property Management: Not reported
More Than Two Substances Involved?: Not reported
Resp Agncy Personel # Of Decontaminated: Not reported
Responding Agency Personel # Of Injuries: Not reported
Responding Agency Personel # Of Fatalities: Not reported
Others Number Of Decontaminated: Not reported
Others Number Of Injuries: Not reported
Others Number Of Fatalities: Not reported
Vehicle Make/year: Not reported
Vehicle License Number: Not reported
Vehicle State: Not reported
Vehicle Id Number: Not reported
CA DOT PUC/ICC Number: Not reported
Company Name: Not reported
Reporting Officer Name/ID: Not reported
Report Date: Not reported
Facility Telephone: Not reported
Waterway Involved: No
Waterway: Not reported
Spill Site: Residence
Cleanup By: Unrecoverable
Containment: Not reported
What Happened: Not reported
Type: Not reported
Measure: Not reported
Other: Not reported
Type: VAPOR
Measure: Unknown
Other: Not reported
Date/Time: 835
Year: 2020
Agency: Southwest Gas
Incident Date: 08/10/2020
Admin Agency: San Bernardino County Fire Department
Amount: Not reported
Contained: Not stopped
Site Type: Not reported

Map ID
 Direction
 Distance
 Elevation

MAP FINDINGS

Site

Database(s)

EDR ID Number
 EPA ID Number

(Continued)

S126977396

E Date:	Not reported
Substance:	Natural Gas
Quantity Released:	Unk
Unknown:	Not reported
Substance #2:	Not reported
Substance #3:	Not reported
Evacuations:	Not reported
Number of Injuries:	Not reported
Number of Fatalities:	Not reported
#1 Pipeline:	No
#2 Pipeline:	No
#3 Pipeline:	No
#1 Vessel >= 300 Tons:	No
#2 Vessel >= 300 Tons:	No
#3 Vessel >= 300 Tons:	No
Evacs:	No
Injuries:	No
Fatals:	No
Comments:	Not reported
Description:	Release is due to unknown causes, investigation is underway and crews are on scene.

E18 **DONNA YEAGER**
Target **3520 NEEDLES HWY**
Property **NEEDLES, CA 92363**

HAZNET **S112889761**
HWTS **N/A**

Site 2 of 4 in cluster E

Actual: 488 ft.	HAZNET:	
Focus Map: 6	Name:	DONNA YEAGER
	Address:	3520 NEEDLES HWY
	Address 2:	Not reported
	City,State,Zip:	NEEDLES, CA 923630000
	Contact:	DONNA YEAGER
	Telephone:	7603263101
	Mailing Name:	Not reported
	Mailing Address:	ROUTE 4 BOX 139 NEEDLES HWY
	Year:	1998
	Gepaid:	CAC001417328
	TSD EPA ID:	CAT080013352
	CA Waste Code:	241 - Tank bottom waste
	Disposal Method:	R01 - Recycler
	Tons:	0.6255
	 Additional Info:	
	Year:	1998
	Gen EPA ID:	CAC001417328
	Shipment Date:	19980609
	Creation Date:	9/3/1998 0:00:00
	Receipt Date:	19980610
	Manifest ID:	97245820
	Trans EPA ID:	CAL922125668
	Trans Name:	Not reported
	Trans 2 EPA ID:	Not reported

Map ID
Direction
Distance
Elevation

MAP FINDINGS

Site

Database(s)

EDR ID Number
EPA ID Number

DONNA YEAGER (Continued)

S112889761

Trans 2 Name: Not reported
TSDf EPA ID: CAT080013352
Trans Name: Not reported
TSDf Alt EPA ID: CAT080013352
TSDf Alt Name: Not reported
Waste Code Description: 241 - Tank bottom waste 251 Still bottoms with halogenated organics
RCRA Code: Not reported
Meth Code: R01 - Recycler
Quantity Tons: 0.6255
Waste Quantity: 150
Quantity Unit: G
Additional Code 1: Not reported
Additional Code 2: Not reported
Additional Code 3: Not reported
Additional Code 4: Not reported
Additional Code 5: Not reported

HWTS:

Name: DONNA YEAGER
Address: 3520 NEEDLES HWY
Address 2: Not reported
City,State,Zip: NEEDLES, CA 92363
EPA ID: CAC001417328
Inactive Date: 10/25/2000
Create Date: 06/08/1998
Last Act Date: Not reported
Mailing Name: Not reported
Mailing Address: ROUTE 4 BOX 139 NEEDLES HWY
Mailing Address 2: Not reported
Mailing City,State,Zip: NEEDLES, CA 923630000
Owner Name: DONNA YEAGER
Owner Address: ROUTE 4 BOX 139 NEEDLES HWY
Owner Address 2: Not reported
Owner City,State,Zip: NEEDLES, CA 923630000
Contact Name: DONNA YEAGER
Contact Address: ROUTE 4 BOX 139 NEEDLES HWY
Contact Address 2: Not reported
City,State,Zip: NEEDLES, CA 923630000
Facility Status: Inactive
Facility Type: TEMPORARY
Category: STATE
Latitude: 34.852058
Longitude: -114.62579

Name: DONNA YEAGER
Address: 3520 NEEDLES HWY
Address 2: Not reported
City,State,Zip: NEEDLES, CA 92363
EPA ID: CAC001317304
Inactive Date: 10/25/2000
Create Date: 06/08/1998
Last Act Date: Not reported
Mailing Name: Not reported
Mailing Address: ROUTE 4 BOX 139 NEEDLES HWY
Mailing Address 2: Not reported
Mailing City,State,Zip: NEEDLES, CA 923630000
Owner Name: DONNA YEAGER

Map ID
Direction
Distance
Elevation

MAP FINDINGS

Site

Database(s)

EDR ID Number
EPA ID Number

DONNA YEAGER (Continued)

S112889761

Owner Address: ROUTE 4 BOX 139 NEEDLES HWY
Owner Address 2: Not reported
Owner City,State,Zip: NEEDLES, CA 923630000
Contact Name: DONNA YEAGER
Contact Address: ROUTE 4 BOX 139 NEEDLES HWY
Contact Address 2: Not reported
City,State,Zip: NEEDLES, CA 923630000
Facility Status: Inactive
Facility Type: TEMPORARY
Category: STATE
Latitude: 34.852058
Longitude: -114.62579

E19 RAINBO BEACH RESORT 97-50034
Target 3520 NEEDLES HWY
Property NEEDLES, CA 92363

FINDS 1023280847
N/A

Site 3 of 4 in cluster E

Actual: FINDS:
488 ft. Registry ID: 110065714490

Focus Map:
6 [Click Here for FRS Facility Detail Report:](#)

Environmental Interest/Information System:
STATE MASTER

[Click this hyperlink](#) while viewing on your computer to access additional FINDS: detail in the EDR Site Report.

E20 RAINBO BEACH RESORT 97-50034
Target 3520 NEEDLES HWY
Property NEEDLES, CA 92362

ENF S102006050
WDS N/A
CIWQS
CERS

Site 4 of 4 in cluster E

Actual: ENF:
488 ft. Name: RAINBO BEACH RESORT 97-50034
Focus Map: Address: 3520 NEEDLES HWY
6 City,State,Zip: NEEDLES, CA 92362
Region: 7
Facility Id: 251485
Agency Name: Rainbo Beach Resort
Place Type: Facility
Place Subtype: Not reported
Facility Type: Municipal/Domestic
Agency Type: Privately-Owned Business
Of Agencies: 1
Place Latitude: Not reported
Place Longitude: Not reported
SIC Code 1: 6515
SIC Desc 1: Operators of Residential Mobile Home Sites
SIC Code 2: 4952
SIC Desc 2: Sewerage Systems
SIC Code 3: Not reported
SIC Desc 3: Not reported
NAICS Code 1: Not reported
NAICS Desc 1: Not reported

Map ID
Direction
Distance
Elevation

MAP FINDINGS

Site

Database(s)

EDR ID Number
EPA ID Number

RAINBO BEACH RESORT 97-50034 (Continued)

S102006050

NAICS Code 2:	Not reported
NAICS Desc 2:	Not reported
NAICS Code 3:	Not reported
NAICS Desc 3:	Not reported
# Of Places:	1
Source Of Facility:	Reg Meas
Design Flow:	0.027
Threat To Water Quality:	3
Complexity:	C
Pretreatment:	X - Facility is not a POTW
Facility Waste Type:	Domestic wastewater
Facility Waste Type 2:	Not reported
Facility Waste Type 3:	Not reported
Facility Waste Type 4:	Not reported
Program:	WDRMUNIOWTS
Program Category1:	WDR
Program Category2:	WDR
# Of Programs:	1
WDID:	7B361029011
Reg Measure Id:	205873
Reg Measure Type:	Enrollee
Region:	7
Order #:	97-500
Npdes# CA#:	Not reported
Major-Minor:	Not reported
Npdes Type:	Not reported
Reclamation:	N - No
Dredge Fill Fee:	Not reported
301H:	Not reported
Application Fee Amt Received:	Not reported
Status:	Active
Status Date:	05/04/2016
Effective Date:	09/21/1983
Expiration/Review Date:	09/24/1997
Termination Date:	Not reported
WDR Review - Amend:	Not reported
WDR Review - Revise/Renew:	Not reported
WDR Review - Rescind:	Not reported
WDR Review - No Action Required:	Not reported
WDR Review - Pending:	Not reported
WDR Review - Planned:	Not reported
Status Enrollee:	Y
Individual/General:	I
Fee Code:	58 - Non15 Based on (TTWQ)/CPLX
Direction/Voice:	Passive
Enforcement Id(EID):	381612
Region:	7
Order / Resolution Number:	Not reported
Enforcement Action Type:	Staff Enforcement Letter
Effective Date:	05/29/2009
Adoption/Issuance Date:	05/29/2009
Achieve Date:	Not reported
Termination Date:	05/29/2009
ACL Issuance Date:	Not reported
EPL Issuance Date:	Not reported
Status:	Historical
Title:	SEL 05/29/2009 for RAINBO BEACH RESORT

Map ID
Direction
Distance
Elevation

MAP FINDINGS

Site

Database(s)

EDR ID Number
EPA ID Number

RAINBO BEACH RESORT 97-50034 (Continued)

S102006050

Description: 05/29/09 Notice of Noncompliance letter issued for incomplete Annual 2008 M&R.

Program: WDRMUNIOTH

Latest Milestone Completion Date: Not reported

Of Programs1: 1

Total Assessment Amount: 0

Initial Assessed Amount: 0

Liability \$ Amount: 0

Project \$ Amount: 0

Liability \$ Paid: 0

Project \$ Completed: 0

Total \$ Paid/Completed Amount: 0

Name: RAINBO BEACH RESORT 97-50034

Address: 3520 NEEDLES HWY

City,State,Zip: NEEDLES, CA 92362

Region: 7

Facility Id: 251485

Agency Name: Rainbo Beach Resort

Place Type: Facility

Place Subtype: Not reported

Facility Type: Municipal/Domestic

Agency Type: Privately-Owned Business

Of Agencies: 1

Place Latitude: Not reported

Place Longitude: Not reported

SIC Code 1: 6515

SIC Desc 1: Operators of Residential Mobile Home Sites

SIC Code 2: 4952

SIC Desc 2: Sewerage Systems

SIC Code 3: Not reported

SIC Desc 3: Not reported

NAICS Code 1: Not reported

NAICS Desc 1: Not reported

NAICS Code 2: Not reported

NAICS Desc 2: Not reported

NAICS Code 3: Not reported

NAICS Desc 3: Not reported

Of Places: 1

Source Of Facility: Reg Meas

Design Flow: 0.027

Threat To Water Quality: 3

Complexity: C

Pretreatment: X - Facility is not a POTW

Facility Waste Type: Domestic wastewater

Facility Waste Type 2: Not reported

Facility Waste Type 3: Not reported

Facility Waste Type 4: Not reported

Program: WDRMUNIOWTS

Program Category1: WDR

Program Category2: WDR

Of Programs: 1

WDID: 7B361029011

Reg Measure Id: 205873

Reg Measure Type: Enrollee

Region: 7

Order #: 97-500

Map ID
Direction
Distance
Elevation

MAP FINDINGS

Site

Database(s)

EDR ID Number
EPA ID Number

RAINBO BEACH RESORT 97-50034 (Continued)

S102006050

Npdes# CA#: Not reported
Major-Minor: Not reported
Npdes Type: Not reported
Reclamation: N - No
Dredge Fill Fee: Not reported
301H: Not reported
Application Fee Amt Received: Not reported
Status: Active
Status Date: 05/04/2016
Effective Date: 09/21/1983
Expiration/Review Date: 09/24/1997
Termination Date: Not reported
WDR Review - Amend: Not reported
WDR Review - Revise/Renew: Not reported
WDR Review - Rescind: Not reported
WDR Review - No Action Required: Not reported
WDR Review - Pending: Not reported
WDR Review - Planned: Not reported
Status Enrollee: Y
Individual/General: I
Fee Code: 58 - Non15 Based on (TTWQ)/CPLX
Direction/Voice: Passive
Enforcement Id(EID): 375343
Region: 7
Order / Resolution Number: Not reported
Enforcement Action Type: Staff Enforcement Letter
Effective Date: 05/28/2010
Adoption/Issuance Date: 05/28/2010
Achieve Date: Not reported
Termination Date: 05/28/2010
ACL Issuance Date: Not reported
EPL Issuance Date: Not reported
Status: Historical
Title: SEL 05/28/2010 for RAINBO BEACH RESORT
Description: 05/28/2010 Notice of Noncompliance letter issued for
Incomplete Annual 2009 M&R.
Program: WDRMUNIOTH
Latest Milestone Completion Date: Not reported
Of Programs1: 1
Total Assessment Amount: 0
Initial Assessed Amount: 0
Liability \$ Amount: 0
Project \$ Amount: 0
Liability \$ Paid: 0
Project \$ Completed: 0
Total \$ Paid/Completed Amount: 0

Name: RAINBO BEACH RESORT 97-50034
Address: 3520 NEEDLES HWY
City,State,Zip: NEEDLES, CA 92362
Region: 7
Facility Id: 251485
Agency Name: Rainbo Beach Resort
Place Type: Facility
Place Subtype: Not reported
Facility Type: Municipal/Domestic
Agency Type: Privately-Owned Business

Map ID
Direction
Distance
Elevation

MAP FINDINGS

Site

Database(s)

EDR ID Number
EPA ID Number

RAINBO BEACH RESORT 97-50034 (Continued)

S102006050

# Of Agencies:	1
Place Latitude:	Not reported
Place Longitude:	Not reported
SIC Code 1:	6515
SIC Desc 1:	Operators of Residential Mobile Home Sites
SIC Code 2:	4952
SIC Desc 2:	Sewerage Systems
SIC Code 3:	Not reported
SIC Desc 3:	Not reported
NAICS Code 1:	Not reported
NAICS Desc 1:	Not reported
NAICS Code 2:	Not reported
NAICS Desc 2:	Not reported
NAICS Code 3:	Not reported
NAICS Desc 3:	Not reported
# Of Places:	1
Source Of Facility:	Reg Meas
Design Flow:	0.027
Threat To Water Quality:	3
Complexity:	C
Pretreatment:	X - Facility is not a POTW
Facility Waste Type:	Domestic wastewater
Facility Waste Type 2:	Not reported
Facility Waste Type 3:	Not reported
Facility Waste Type 4:	Not reported
Program:	WDRMUNIWTS
Program Category1:	WDR
Program Category2:	WDR
# Of Programs:	1
WDID:	7B361029011
Reg Measure Id:	205873
Reg Measure Type:	Enrollee
Region:	7
Order #:	97-500
Npdes# CA#:	Not reported
Major-Minor:	Not reported
Npdes Type:	Not reported
Reclamation:	N - No
Dredge Fill Fee:	Not reported
301H:	Not reported
Application Fee Amt Received:	Not reported
Status:	Active
Status Date:	05/04/2016
Effective Date:	09/21/1983
Expiration/Review Date:	09/24/1997
Termination Date:	Not reported
WDR Review - Amend:	Not reported
WDR Review - Revise/Renew:	Not reported
WDR Review - Rescind:	Not reported
WDR Review - No Action Required:	Not reported
WDR Review - Pending:	Not reported
WDR Review - Planned:	Not reported
Status Enrollee:	Y
Individual/General:	I
Fee Code:	58 - Non15 Based on (TTWQ)/CPLX
Direction/Voice:	Passive
Enforcement Id(EID):	324768

Map ID
Direction
Distance
Elevation

MAP FINDINGS

Site

Database(s)

EDR ID Number
EPA ID Number

RAINBO BEACH RESORT 97-50034 (Continued)

S102006050

Region: 7
Order / Resolution Number: Not reported
Enforcement Action Type: Staff Enforcement Letter
Effective Date: 01/25/2007
Adoption/Issuance Date: Not reported
Achieve Date: Not reported
Termination Date: Not reported
ACL Issuance Date: Not reported
EPL Issuance Date: Not reported
Status: Historical
Title: SEL 01/25/2007 for Rainbo Beach Resort
Description: 01/25/2007 Notice of Noncompliance letter issued for incomplete 2006 Annual M&R

Program: WDRMUNIOTH
Latest Milestone Completion Date: Not reported
Of Programs1: 1
Total Assessment Amount: 0
Initial Assessed Amount: 0
Liability \$ Amount: 0
Project \$ Amount: 0
Liability \$ Paid: 0
Project \$ Completed: 0
Total \$ Paid/Completed Amount: 0

Name: RAINBO BEACH RESORT 97-50034
Address: 3520 NEEDLES HWY
City,State,Zip: NEEDLES, CA 92362
Region: 7
Facility Id: 251485
Agency Name: Rainbo Beach Resort
Place Type: Facility
Place Subtype: Not reported
Facility Type: Municipal/Domestic
Agency Type: Privately-Owned Business
Of Agencies: 1
Place Latitude: Not reported
Place Longitude: Not reported
SIC Code 1: 6515
SIC Desc 1: Operators of Residential Mobile Home Sites
SIC Code 2: 4952
SIC Desc 2: Sewerage Systems
SIC Code 3: Not reported
SIC Desc 3: Not reported
NAICS Code 1: Not reported
NAICS Desc 1: Not reported
NAICS Code 2: Not reported
NAICS Desc 2: Not reported
NAICS Code 3: Not reported
NAICS Desc 3: Not reported
Of Places: 1
Source Of Facility: Reg Meas
Design Flow: 0.027
Threat To Water Quality: 3
Complexity: C
Pretreatment: X - Facility is not a POTW
Facility Waste Type: Domestic wastewater
Facility Waste Type 2: Not reported

Map ID
Direction
Distance
Elevation

MAP FINDINGS

Site

Database(s)

EDR ID Number
EPA ID Number

RAINBO BEACH RESORT 97-50034 (Continued)

S102006050

Facility Waste Type 3:	Not reported
Facility Waste Type 4:	Not reported
Program:	WDRMUNIWTS
Program Category1:	WDR
Program Category2:	WDR
# Of Programs:	1
WDID:	7B361029011
Reg Measure Id:	205873
Reg Measure Type:	Enrollee
Region:	7
Order #:	97-500
Npdes# CA#:	Not reported
Major-Minor:	Not reported
Npdes Type:	Not reported
Reclamation:	N - No
Dredge Fill Fee:	Not reported
301H:	Not reported
Application Fee Amt Received:	Not reported
Status:	Active
Status Date:	05/04/2016
Effective Date:	09/21/1983
Expiration/Review Date:	09/24/1997
Termination Date:	Not reported
WDR Review - Amend:	Not reported
WDR Review - Revise/Renew:	Not reported
WDR Review - Rescind:	Not reported
WDR Review - No Action Required:	Not reported
WDR Review - Pending:	Not reported
WDR Review - Planned:	Not reported
Status Enrollee:	Y
Individual/General:	I
Fee Code:	58 - Non15 Based on (TTWQ)/CPLX
Direction/Voice:	Passive
Enforcement Id(EID):	307240
Region:	7
Order / Resolution Number:	Not reported
Enforcement Action Type:	Notice to Comply
Effective Date:	01/09/2006
Adoption/Issuance Date:	Not reported
Achieve Date:	Not reported
Termination Date:	Not reported
ACL Issuance Date:	Not reported
EPL Issuance Date:	Not reported
Status:	Active
Title:	Enforcement - 7B361029011
Description:	01/09/2006 Notice of Noncompliance letter issued for 01/05/2006 site inspection
Program:	WDR
Latest Milestone Completion Date:	Not reported
# Of Programs1:	1
Total Assessment Amount:	0
Initial Assessed Amount:	0
Liability \$ Amount:	0
Project \$ Amount:	0
Liability \$ Paid:	0
Project \$ Completed:	0
Total \$ Paid/Completed Amount:	0

Map ID
Direction
Distance
Elevation

MAP FINDINGS

Site

Database(s)

EDR ID Number
EPA ID Number

RAINBO BEACH RESORT 97-50034 (Continued)

S102006050

Name: RAINBO BEACH RESORT 97-50034
Address: 3520 NEEDLES HWY
City,State,Zip: NEEDLES, CA 92362
Region: 7
Facility Id: 251485
Agency Name: Rainbo Beach Resort
Place Type: Facility
Place Subtype: Not reported
Facility Type: Municipal/Domestic
Agency Type: Privately-Owned Business
Of Agencies: 1
Place Latitude: Not reported
Place Longitude: Not reported
SIC Code 1: 6515
SIC Desc 1: Operators of Residential Mobile Home Sites
SIC Code 2: 4952
SIC Desc 2: Sewerage Systems
SIC Code 3: Not reported
SIC Desc 3: Not reported
NAICS Code 1: Not reported
NAICS Desc 1: Not reported
NAICS Code 2: Not reported
NAICS Desc 2: Not reported
NAICS Code 3: Not reported
NAICS Desc 3: Not reported
Of Places: 1
Source Of Facility: Reg Meas
Design Flow: 0.027
Threat To Water Quality: 3
Complexity: C
Pretreatment: X - Facility is not a POTW
Facility Waste Type: Domestic wastewater
Facility Waste Type 2: Not reported
Facility Waste Type 3: Not reported
Facility Waste Type 4: Not reported
Program: WDRMUNIWTS
Program Category1: WDR
Program Category2: WDR
Of Programs: 1
WDID: 7B361029011
Reg Measure Id: 205873
Reg Measure Type: Enrollee
Region: 7
Order #: 97-500
Npdes# CA#: Not reported
Major-Minor: Not reported
Npdes Type: Not reported
Reclamation: N - No
Dredge Fill Fee: Not reported
301H: Not reported
Application Fee Amt Received: Not reported
Status: Active
Status Date: 05/04/2016
Effective Date: 09/21/1983
Expiration/Review Date: 09/24/1997
Termination Date: Not reported
WDR Review - Amend: Not reported

Map ID
Direction
Distance
Elevation

MAP FINDINGS

Site

Database(s)

EDR ID Number
EPA ID Number

RAINBO BEACH RESORT 97-50034 (Continued)

S102006050

WDR Review - Revise/Renew:	Not reported
WDR Review - Rescind:	Not reported
WDR Review - No Action Required:	Not reported
WDR Review - Pending:	Not reported
WDR Review - Planned:	Not reported
Status Enrollee:	Y
Individual/General:	I
Fee Code:	58 - Non15 Based on (TTWQ)/CPLX
Direction/Voice:	Passive
Enforcement Id(EID):	255051
Region:	7
Order / Resolution Number:	UNKNOWN
Enforcement Action Type:	Staff Enforcement Letter
Effective Date:	01/06/2005
Adoption/Issuance Date:	Not reported
Achieve Date:	Not reported
Termination Date:	Not reported
ACL Issuance Date:	Not reported
EPL Issuance Date:	Not reported
Status:	Historical
Title:	Enforcement - 7B361029011
Description:	01/06/2005 Notice of Noncompliance letter issued for violation noted on 2004 Annual M&R.
Program:	WDRMUNIOTH
Latest Milestone Completion Date:	Not reported
# Of Programs1:	1
Total Assessment Amount:	0
Initial Assessed Amount:	0
Liability \$ Amount:	0
Project \$ Amount:	0
Liability \$ Paid:	0
Project \$ Completed:	0
Total \$ Paid/Completed Amount:	0
Name:	RAINBO BEACH RESORT 97-50034
Address:	3520 NEEDLES HWY
City,State,Zip:	NEEDLES, CA 92362
Region:	7
Facility Id:	251485
Agency Name:	Rainbo Beach Resort
Place Type:	Facility
Place Subtype:	Not reported
Facility Type:	Municipal/Domestic
Agency Type:	Privately-Owned Business
# Of Agencies:	1
Place Latitude:	Not reported
Place Longitude:	Not reported
SIC Code 1:	6515
SIC Desc 1:	Operators of Residential Mobile Home Sites
SIC Code 2:	4952
SIC Desc 2:	Sewerage Systems
SIC Code 3:	Not reported
SIC Desc 3:	Not reported
NAICS Code 1:	Not reported
NAICS Desc 1:	Not reported
NAICS Code 2:	Not reported
NAICS Desc 2:	Not reported

Map ID
Direction
Distance
Elevation

MAP FINDINGS

Site

Database(s)

EDR ID Number
EPA ID Number

RAINBO BEACH RESORT 97-50034 (Continued)

S102006050

NAICS Code 3:	Not reported
NAICS Desc 3:	Not reported
# Of Places:	1
Source Of Facility:	Reg Meas
Design Flow:	0.027
Threat To Water Quality:	3
Complexity:	C
Pretreatment:	X - Facility is not a POTW
Facility Waste Type:	Domestic wastewater
Facility Waste Type 2:	Not reported
Facility Waste Type 3:	Not reported
Facility Waste Type 4:	Not reported
Program:	WDRMUNIOWTS
Program Category1:	WDR
Program Category2:	WDR
# Of Programs:	1
WDID:	7B361029011
Reg Measure Id:	205873
Reg Measure Type:	Enrollee
Region:	7
Order #:	97-500
Npdes# CA#:	Not reported
Major-Minor:	Not reported
Npdes Type:	Not reported
Reclamation:	N - No
Dredge Fill Fee:	Not reported
301H:	Not reported
Application Fee Amt Received:	Not reported
Status:	Active
Status Date:	05/04/2016
Effective Date:	09/21/1983
Expiration/Review Date:	09/24/1997
Termination Date:	Not reported
WDR Review - Amend:	Not reported
WDR Review - Revise/Renew:	Not reported
WDR Review - Rescind:	Not reported
WDR Review - No Action Required:	Not reported
WDR Review - Pending:	Not reported
WDR Review - Planned:	Not reported
Status Enrollee:	Y
Individual/General:	I
Fee Code:	58 - Non15 Based on (TTWQ)/CPLX
Direction/Voice:	Passive
Enforcement Id(EID):	252386
Region:	7
Order / Resolution Number:	UNKNOWN
Enforcement Action Type:	Staff Enforcement Letter
Effective Date:	08/05/2004
Adoption/Issuance Date:	Not reported
Achieve Date:	Not reported
Termination Date:	Not reported
ACL Issuance Date:	Not reported
EPL Issuance Date:	Not reported
Status:	Historical
Title:	Enforcement - 7B361029011
Description:	08/05/2004 Notice of Noncompliance letter issued for D-Box and septic tank pump station that have lids not properly

Map ID
Direction
Distance
Elevation

MAP FINDINGS

Site

Database(s)

EDR ID Number
EPA ID Number

RAINBO BEACH RESORT 97-50034 (Continued)

S102006050

sealed were noted during site inspection.

Program:	WDRMUNIOTH
Latest Milestone Completion Date:	Not reported
# Of Programs1:	1
Total Assessment Amount:	0
Initial Assessed Amount:	0
Liability \$ Amount:	0
Project \$ Amount:	0
Liability \$ Paid:	0
Project \$ Completed:	0
Total \$ Paid/Completed Amount:	0

Name:	RAINBO BEACH RESORT 97-50034
Address:	3520 NEEDLES HWY
City,State,Zip:	NEEDLES, CA 92362
Region:	7
Facility Id:	251485
Agency Name:	Rainbo Beach Resort
Place Type:	Facility
Place Subtype:	Not reported
Facility Type:	Municipal/Domestic
Agency Type:	Privately-Owned Business
# Of Agencies:	1
Place Latitude:	Not reported
Place Longitude:	Not reported
SIC Code 1:	6515
SIC Desc 1:	Operators of Residential Mobile Home Sites
SIC Code 2:	4952
SIC Desc 2:	Sewerage Systems
SIC Code 3:	Not reported
SIC Desc 3:	Not reported
NAICS Code 1:	Not reported
NAICS Desc 1:	Not reported
NAICS Code 2:	Not reported
NAICS Desc 2:	Not reported
NAICS Code 3:	Not reported
NAICS Desc 3:	Not reported
# Of Places:	1
Source Of Facility:	Reg Meas
Design Flow:	0.027
Threat To Water Quality:	3
Complexity:	C
Pretreatment:	X - Facility is not a POTW
Facility Waste Type:	Domestic wastewater
Facility Waste Type 2:	Not reported
Facility Waste Type 3:	Not reported
Facility Waste Type 4:	Not reported
Program:	WDRMUNIOWTS
Program Category1:	WDR
Program Category2:	WDR
# Of Programs:	1
WDID:	7B361029011
Reg Measure Id:	205873
Reg Measure Type:	Enrollee
Region:	7
Order #:	97-500
Npdes# CA#:	Not reported

Map ID
Direction
Distance
Elevation

MAP FINDINGS

Site

Database(s)

EDR ID Number
EPA ID Number

RAINBO BEACH RESORT 97-50034 (Continued)

S102006050

Major-Minor:	Not reported
Npdes Type:	Not reported
Reclamation:	N - No
Dredge Fill Fee:	Not reported
301H:	Not reported
Application Fee Amt Received:	Not reported
Status:	Active
Status Date:	05/04/2016
Effective Date:	09/21/1983
Expiration/Review Date:	09/24/1997
Termination Date:	Not reported
WDR Review - Amend:	Not reported
WDR Review - Revise/Renew:	Not reported
WDR Review - Rescind:	Not reported
WDR Review - No Action Required:	Not reported
WDR Review - Pending:	Not reported
WDR Review - Planned:	Not reported
Status Enrollee:	Y
Individual/General:	I
Fee Code:	58 - Non15 Based on (TTWQ)/CPLX
Direction/Voice:	Passive
Enforcement Id(EID):	248629
Region:	7
Order / Resolution Number:	UNKNOWN
Enforcement Action Type:	Notice to Comply
Effective Date:	08/13/2002
Adoption/Issuance Date:	Not reported
Achieve Date:	Not reported
Termination Date:	Not reported
ACL Issuance Date:	Not reported
EPL Issuance Date:	Not reported
Status:	Historical
Title:	Enforcement - 7B361029011
Description:	08/13/2002 Notice of Noncompliance letter issued for 08/08/2002 site inspection. Request for installation of a riser and lid on the effluent compartment of this tank by 10/30/2002, when a follow-up inspection is scheduled
Program:	WDRMUNIOTH
Latest Milestone Completion Date:	9/27/2002
# Of Programs1:	1
Total Assessment Amount:	0
Initial Assessed Amount:	0
Liability \$ Amount:	0
Project \$ Amount:	0
Liability \$ Paid:	0
Project \$ Completed:	0
Total \$ Paid/Completed Amount:	0
Name:	RAINBO BEACH RESORT 97-50034
Address:	3520 NEEDLES HWY
City,State,Zip:	NEEDLES, CA 92362
Region:	7
Facility Id:	251485
Agency Name:	Rainbo Beach Resort
Place Type:	Facility
Place Subtype:	Not reported
Facility Type:	Municipal/Domestic

Map ID
Direction
Distance
Elevation

MAP FINDINGS

Site

Database(s)

EDR ID Number
EPA ID Number

RAINBO BEACH RESORT 97-50034 (Continued)

S102006050

Agency Type:	Privately-Owned Business
# Of Agencies:	1
Place Latitude:	Not reported
Place Longitude:	Not reported
SIC Code 1:	6515
SIC Desc 1:	Operators of Residential Mobile Home Sites
SIC Code 2:	4952
SIC Desc 2:	Sewerage Systems
SIC Code 3:	Not reported
SIC Desc 3:	Not reported
NAICS Code 1:	Not reported
NAICS Desc 1:	Not reported
NAICS Code 2:	Not reported
NAICS Desc 2:	Not reported
NAICS Code 3:	Not reported
NAICS Desc 3:	Not reported
# Of Places:	1
Source Of Facility:	Reg Meas
Design Flow:	0.027
Threat To Water Quality:	3
Complexity:	C
Pretreatment:	X - Facility is not a POTW
Facility Waste Type:	Domestic wastewater
Facility Waste Type 2:	Not reported
Facility Waste Type 3:	Not reported
Facility Waste Type 4:	Not reported
Program:	WDRMUNIWTS
Program Category1:	WDR
Program Category2:	WDR
# Of Programs:	1
WDID:	7B361029011
Reg Measure Id:	205873
Reg Measure Type:	Enrollee
Region:	7
Order #:	97-500
Npdes# CA#:	Not reported
Major-Minor:	Not reported
Npdes Type:	Not reported
Reclamation:	N - No
Dredge Fill Fee:	Not reported
301H:	Not reported
Application Fee Amt Received:	Not reported
Status:	Active
Status Date:	05/04/2016
Effective Date:	09/21/1983
Expiration/Review Date:	09/24/1997
Termination Date:	Not reported
WDR Review - Amend:	Not reported
WDR Review - Revise/Renew:	Not reported
WDR Review - Rescind:	Not reported
WDR Review - No Action Required:	Not reported
WDR Review - Pending:	Not reported
WDR Review - Planned:	Not reported
Status Enrollee:	Y
Individual/General:	I
Fee Code:	58 - Non15 Based on (TTWQ)/CPLX
Direction/Voice:	Passive

Map ID
Direction
Distance
Elevation

MAP FINDINGS

Site

Database(s)

EDR ID Number
EPA ID Number

RAINBO BEACH RESORT 97-50034 (Continued)

S102006050

Enforcement Id(EID): 246247
Region: 7
Order / Resolution Number: UNKNOWN
Enforcement Action Type: Notice of Violation
Effective Date: 01/30/2003
Adoption/Issuance Date: Not reported
Achieve Date: Not reported
Termination Date: Not reported
ACL Issuance Date: Not reported
EPL Issuance Date: Not reported
Status: Historical
Title: Enforcement - 7B361029011
Description: 01/30/2003 Notice of Violation No. R7-2003-0060 issued for failure to submit 2002 Annual M&R

Program: WDRMUNIOTH
Latest Milestone Completion Date: Not reported
Of Programs1: 1
Total Assessment Amount: 0
Initial Assessed Amount: 0
Liability \$ Amount: 0
Project \$ Amount: 0
Liability \$ Paid: 0
Project \$ Completed: 0
Total \$ Paid/Completed Amount: 0

Name: RAINBO BEACH RESORT 97-50034
Address: 3520 NEEDLES HWY
City,State,Zip: NEEDLES, CA 92362
Region: 7
Facility Id: 251485
Agency Name: Rainbo Beach Resort
Place Type: Facility
Place Subtype: Not reported
Facility Type: Municipal/Domestic
Agency Type: Privately-Owned Business
Of Agencies: 1
Place Latitude: Not reported
Place Longitude: Not reported
SIC Code 1: 6515
SIC Desc 1: Operators of Residential Mobile Home Sites
SIC Code 2: 4952
SIC Desc 2: Sewerage Systems
SIC Code 3: Not reported
SIC Desc 3: Not reported
NAICS Code 1: Not reported
NAICS Desc 1: Not reported
NAICS Code 2: Not reported
NAICS Desc 2: Not reported
NAICS Code 3: Not reported
NAICS Desc 3: Not reported
Of Places: 1
Source Of Facility: Reg Meas
Design Flow: 0.027
Threat To Water Quality: 3
Complexity: C
Pretreatment: X - Facility is not a POTW
Facility Waste Type: Domestic wastewater

Map ID
Direction
Distance
Elevation

MAP FINDINGS

Site

Database(s)

EDR ID Number
EPA ID Number

RAINBO BEACH RESORT 97-50034 (Continued)

S102006050

Facility Waste Type 2:	Not reported
Facility Waste Type 3:	Not reported
Facility Waste Type 4:	Not reported
Program:	WDRMUNIOWTS
Program Category1:	WDR
Program Category2:	WDR
# Of Programs:	1
WDID:	7B361029011
Reg Measure Id:	205873
Reg Measure Type:	Enrollee
Region:	7
Order #:	97-500
Npdes# CA#:	Not reported
Major-Minor:	Not reported
Npdes Type:	Not reported
Reclamation:	N - No
Dredge Fill Fee:	Not reported
301H:	Not reported
Application Fee Amt Received:	Not reported
Status:	Active
Status Date:	05/04/2016
Effective Date:	09/21/1983
Expiration/Review Date:	09/24/1997
Termination Date:	Not reported
WDR Review - Amend:	Not reported
WDR Review - Revise/Renew:	Not reported
WDR Review - Rescind:	Not reported
WDR Review - No Action Required:	Not reported
WDR Review - Pending:	Not reported
WDR Review - Planned:	Not reported
Status Enrollee:	Y
Individual/General:	I
Fee Code:	58 - Non15 Based on (TTWQ)/CPLX
Direction/Voice:	Passive
Enforcement Id(EID):	239532
Region:	7
Order / Resolution Number:	UNKNOWN
Enforcement Action Type:	Notice of Violation
Effective Date:	02/01/2002
Adoption/Issuance Date:	Not reported
Achieve Date:	Not reported
Termination Date:	02/01/2002
ACL Issuance Date:	Not reported
EPL Issuance Date:	Not reported
Status:	Historical
Title:	Enforcement - 7B361029011
Description:	02/01/2002 Notice of Violation R7-2002-0067 issued for failure to submit 2001 Annual M&R
Program:	WDRMUNIOH
Latest Milestone Completion Date:	Not reported
# Of Programs1:	1
Total Assessment Amount:	0
Initial Assessed Amount:	0
Liability \$ Amount:	0
Project \$ Amount:	0
Liability \$ Paid:	0
Project \$ Completed:	0

Map ID
Direction
Distance
Elevation

MAP FINDINGS

Site

Database(s)

EDR ID Number
EPA ID Number

RAINBO BEACH RESORT 97-50034 (Continued)

S102006050

Total \$ Paid/Completed Amount: 0

Name: RAINBO BEACH RESORT 97-50034
Address: 3520 NEEDLES HWY
City,State,Zip: NEEDLES, CA 92362
Region: 7
Facility Id: 251485
Agency Name: Rainbo Beach Resort
Place Type: Facility
Place Subtype: Not reported
Facility Type: Municipal/Domestic
Agency Type: Privately-Owned Business
Of Agencies: 1
Place Latitude: Not reported
Place Longitude: Not reported
SIC Code 1: 6515
SIC Desc 1: Operators of Residential Mobile Home Sites
SIC Code 2: 4952
SIC Desc 2: Sewerage Systems
SIC Code 3: Not reported
SIC Desc 3: Not reported
NAICS Code 1: Not reported
NAICS Desc 1: Not reported
NAICS Code 2: Not reported
NAICS Desc 2: Not reported
NAICS Code 3: Not reported
NAICS Desc 3: Not reported
Of Places: 1
Source Of Facility: Reg Meas
Design Flow: 0.027
Threat To Water Quality: 3
Complexity: C
Pretreatment: X - Facility is not a POTW
Facility Waste Type: Domestic wastewater
Facility Waste Type 2: Not reported
Facility Waste Type 3: Not reported
Facility Waste Type 4: Not reported
Program: WDRMUNIWTS
Program Category1: WDR
Program Category2: WDR
Of Programs: 1
WDID: 7B361029011
Reg Measure Id: 205873
Reg Measure Type: Enrollee
Region: 7
Order #: 97-500
Npdes# CA#: Not reported
Major-Minor: Not reported
Npdes Type: Not reported
Reclamation: N - No
Dredge Fill Fee: Not reported
301H: Not reported
Application Fee Amt Received: Not reported
Status: Active
Status Date: 05/04/2016
Effective Date: 09/21/1983
Expiration/Review Date: 09/24/1997

Map ID
Direction
Distance
Elevation

MAP FINDINGS

Site

Database(s)

EDR ID Number
EPA ID Number

RAINBO BEACH RESORT 97-50034 (Continued)

S102006050

Termination Date:	Not reported
WDR Review - Amend:	Not reported
WDR Review - Revise/Renew:	Not reported
WDR Review - Rescind:	Not reported
WDR Review - No Action Required:	Not reported
WDR Review - Pending:	Not reported
WDR Review - Planned:	Not reported
Status Enrollee:	Y
Individual/General:	I
Fee Code:	58 - Non15 Based on (TTWQ)/CPLX
Direction/Voice:	Passive
Enforcement Id(EID):	231295
Region:	7
Order / Resolution Number:	UNKNOWN
Enforcement Action Type:	Staff Enforcement Letter
Effective Date:	01/26/2000
Adoption/Issuance Date:	Not reported
Achieve Date:	5/9/2000
Termination Date:	01/26/2000
ACL Issuance Date:	Not reported
EPL Issuance Date:	Not reported
Status:	Historical
Title:	Enforcement - 7B361029011
Description:	FTS LTR ISSUED FOR FTS 1999 ANNUAL M&R. RPT DUE BY 02/10/2000
Program:	WDRMUNIOTH
Latest Milestone Completion Date:	5/9/2000
# Of Programs1:	1
Total Assessment Amount:	0
Initial Assessed Amount:	0
Liability \$ Amount:	0
Project \$ Amount:	0
Liability \$ Paid:	0
Project \$ Completed:	0
Total \$ Paid/Completed Amount:	0
Name:	RAINBO BEACH RESORT 97-50034
Address:	3520 NEEDLES HWY
City,State,Zip:	NEEDLES, CA 92362
Region:	7
Facility Id:	251485
Agency Name:	Rainbo Beach Resort
Place Type:	Facility
Place Subtype:	Not reported
Facility Type:	Municipal/Domestic
Agency Type:	Privately-Owned Business
# Of Agencies:	1
Place Latitude:	Not reported
Place Longitude:	Not reported
SIC Code 1:	6515
SIC Desc 1:	Operators of Residential Mobile Home Sites
SIC Code 2:	4952
SIC Desc 2:	Sewerage Systems
SIC Code 3:	Not reported
SIC Desc 3:	Not reported
NAICS Code 1:	Not reported
NAICS Desc 1:	Not reported

Map ID
Direction
Distance
Elevation

MAP FINDINGS

Site

Database(s)

EDR ID Number
EPA ID Number

RAINBO BEACH RESORT 97-50034 (Continued)

S102006050

NAICS Code 2:	Not reported
NAICS Desc 2:	Not reported
NAICS Code 3:	Not reported
NAICS Desc 3:	Not reported
# Of Places:	1
Source Of Facility:	Reg Meas
Design Flow:	0.027
Threat To Water Quality:	3
Complexity:	C
Pretreatment:	X - Facility is not a POTW
Facility Waste Type:	Domestic wastewater
Facility Waste Type 2:	Not reported
Facility Waste Type 3:	Not reported
Facility Waste Type 4:	Not reported
Program:	WDRMUNIWTS
Program Category1:	WDR
Program Category2:	WDR
# Of Programs:	1
WDID:	7B361029011
Reg Measure Id:	205873
Reg Measure Type:	Enrollee
Region:	7
Order #:	97-500
Npdes# CA#:	Not reported
Major-Minor:	Not reported
Npdes Type:	Not reported
Reclamation:	N - No
Dredge Fill Fee:	Not reported
301H:	Not reported
Application Fee Amt Received:	Not reported
Status:	Active
Status Date:	05/04/2016
Effective Date:	09/21/1983
Expiration/Review Date:	09/24/1997
Termination Date:	Not reported
WDR Review - Amend:	Not reported
WDR Review - Revise/Renew:	Not reported
WDR Review - Rescind:	Not reported
WDR Review - No Action Required:	Not reported
WDR Review - Pending:	Not reported
WDR Review - Planned:	Not reported
Status Enrollee:	Y
Individual/General:	I
Fee Code:	58 - Non15 Based on (TTWQ)/CPLX
Direction/Voice:	Passive
Enforcement Id(EID):	221464
Region:	7
Order / Resolution Number:	R7-1999-0044
Enforcement Action Type:	Admin Civil Liability
Effective Date:	05/10/1999
Adoption/Issuance Date:	Not reported
Achieve Date:	Not reported
Termination Date:	Not reported
ACL Issuance Date:	Not reported
EPL Issuance Date:	Not reported
Status:	Withdrawn
Title:	Enforcement - 7B361029011

Map ID
Direction
Distance
Elevation

MAP FINDINGS

Site

Database(s)

EDR ID Number
EPA ID Number

RAINBO BEACH RESORT 97-50034 (Continued)

S102006050

Description: ACLC NO. 99-044 ISSUED FOR FTS '98 ANNUAL. TIME EXTENSION
GRANTED 990610. ACLC CANCELLED.

Program: WDRMUNIOTH

Latest Milestone Completion Date: Not reported

Of Programs1: 1

Total Assessment Amount: 0

Initial Assessed Amount: 0

Liability \$ Amount: 0

Project \$ Amount: 0

Liability \$ Paid: 0

Project \$ Completed: 0

Total \$ Paid/Completed Amount: 0

Name: RAINBO BEACH RESORT 97-50034

Address: 3520 NEEDLES HWY

City,State,Zip: NEEDLES, CA 92362

Region: 7

Facility Id: 251485

Agency Name: Rainbo Beach Resort

Place Type: Facility

Place Subtype: Not reported

Facility Type: Municipal/Domestic

Agency Type: Privately-Owned Business

Of Agencies: 1

Place Latitude: Not reported

Place Longitude: Not reported

SIC Code 1: 6515

SIC Desc 1: Operators of Residential Mobile Home Sites

SIC Code 2: 4952

SIC Desc 2: Sewerage Systems

SIC Code 3: Not reported

SIC Desc 3: Not reported

NAICS Code 1: Not reported

NAICS Desc 1: Not reported

NAICS Code 2: Not reported

NAICS Desc 2: Not reported

NAICS Code 3: Not reported

NAICS Desc 3: Not reported

Of Places: 1

Source Of Facility: Reg Meas

Design Flow: 0.027

Threat To Water Quality: 3

Complexity: C

Pretreatment: X - Facility is not a POTW

Facility Waste Type: Domestic wastewater

Facility Waste Type 2: Not reported

Facility Waste Type 3: Not reported

Facility Waste Type 4: Not reported

Program: WDRMUNIOWTS

Program Category1: WDR

Program Category2: WDR

Of Programs: 1

WDID: 7B361029011

Reg Measure Id: 205873

Reg Measure Type: Enrollee

Region: 7

Order #: 97-500

Map ID
Direction
Distance
Elevation

MAP FINDINGS

Site

Database(s)

EDR ID Number
EPA ID Number

RAINBO BEACH RESORT 97-50034 (Continued)

S102006050

Npdes# CA#: Not reported
Major-Minor: Not reported
Npdes Type: Not reported
Reclamation: N - No
Dredge Fill Fee: Not reported
301H: Not reported
Application Fee Amt Received: Not reported
Status: Active
Status Date: 05/04/2016
Effective Date: 09/21/1983
Expiration/Review Date: 09/24/1997
Termination Date: Not reported
WDR Review - Amend: Not reported
WDR Review - Revise/Renew: Not reported
WDR Review - Rescind: Not reported
WDR Review - No Action Required: Not reported
WDR Review - Pending: Not reported
WDR Review - Planned: Not reported
Status Enrollee: Y
Individual/General: I
Fee Code: 58 - Non15 Based on (TTWQ)/CPLX
Direction/Voice: Passive
Enforcement Id(EID): 221461
Region: 7
Order / Resolution Number: LT990520
Enforcement Action Type: Staff Enforcement Letter
Effective Date: 05/20/1999
Adoption/Issuance Date: Not reported
Achieve Date: Not reported
Termination Date: 05/20/1999
ACL Issuance Date: Not reported
EPL Issuance Date: Not reported
Status: Historical
Title: Enforcement - 7B361029011
Description: ACLC NO. 99-044 RESCINDED. TIME EXTENSION GRANTED 990610.
Program: WDRMUNIOTH
Latest Milestone Completion Date: Not reported
Of Programs1: 1
Total Assessment Amount: 0
Initial Assessed Amount: 0
Liability \$ Amount: 0
Project \$ Amount: 0
Liability \$ Paid: 0
Project \$ Completed: 0
Total \$ Paid/Completed Amount: 0

WDS:

Name: RAINBO BEACH RESORT 97-50034
Address: 3520 NEEDLES HWY
City: NEEDLES
Facility ID: East Colorado River 361029011
Facility Type: Municipal/Domestic - Facility that treats sewage or a mixture of predominantly sewage and other waste from districts, municipalities, communities, hospitals, schools, and publicly or privately owned systems (excluding individual subsurface leaching systems disposing of less than 1,000 gallons per day).
Facility Status: Active - Any facility with a continuous or seasonal discharge that is

Map ID
Direction
Distance
Elevation

MAP FINDINGS

Site

Database(s)

EDR ID Number
EPA ID Number

RAINBO BEACH RESORT 97-50034 (Continued)

S102006050

under Waste Discharge Requirements.

NPDES Number: Not reported
Subregion: 7
Facility Telephone: 7603263101
Facility Contact: DON MCCONE
Agency Name: RAINBO BEACH RESORT
Agency Address: 920 MANHATTAN BEACH BLVD NO. 6
Agency City,St,Zip: MANHATTAN BEACH 90266
Agency Contact: BOB STROYKE
Agency Telephone: 3105459595
Agency Type: Private
SIC Code: 6515
SIC Code 2: 4952
Primary Waste Type: Designated/Influent or Solid Wastes that pose a significant threat to water quality because of their high concentrations (E.G., BOD, Hardness, TRF, Chloride). 'Manageable' hazardous wastes (E.G., inorganic salts and heavy metals) are included in this category.
Primary Waste: DOMEST
Waste Type2: Not reported
Waste2: Domestic Sewage
Primary Waste Type: Designated/Influent or Solid Wastes that pose a significant threat to water quality because of their high concentrations (E.G., BOD, Hardness, TRF, Chloride). 'Manageable' hazardous wastes (E.G., inorganic salts and heavy metals) are included in this category.
Secondary Waste: Not reported
Secondary Waste Type: Not reported
Design Flow: 0
Baseline Flow: 0
Reclamation: No reclamation requirements associated with this facility.
POTW: The facility is not a POTW.
Treat To Water: Minor Threat to Water Quality. A violation of a regional board order should cause a relatively minor impairment of beneficial uses compared to a major or minor threat. Not: All nurds without a TTWQ will be considered a minor threat to water quality unless coded at a higher Level. A Zero (0) may be used to code those NURDS that are found to represent no threat to water quality.
Complexity: Category C - Facilities having no waste treatment systems, such as cooling water dischargers or those who must comply through best management practices, facilities with passive waste treatment and disposal systems, such as septic systems with subsurface disposal, or dischargers having waste storage systems with land disposal such as dairy waste ponds.

CIWQS:

Name: RAINBO BEACH RESORT 97-50034
Address: 3520 NEEDLES HWY
City,State,Zip: NEEDLES, CA 92362
Agency: Rainbo Beach Resort
Agency Address: 920 Manhattan Beach Boulevard 6, Manhattan Beach, CA 90266
Place/Project Type: Other
SIC/NAICS: 6515(+)
Region: 7
Program: WDRMUNIOETH, WDRMUNIOWTS
Regulatory Measure Status: Active
Regulatory Measure Type: Enrollee
Order Number: 97-500
WDID: 7B361029011

Map ID
Direction
Distance
Elevation

MAP FINDINGS

Site

Database(s)

EDR ID Number
EPA ID Number

RAINBO BEACH RESORT 97-50034 (Continued)

S102006050

NPDES Number: Not reported
Adoption Date: Not reported
Effective Date: 09/21/1983
Termination Date: Not reported
Expiration/Review Date: 09/24/1997
Design Flow: 0.027
Major/Minor: Not reported
Complexity: C
TTWQ: 3
Enforcement Actions within 5 years: 0
Violations within 5 years: 0
Latitude: Not reported
Longitude: Not reported

CERS:

Name: RAINBO BEACH RESORT 97-50034
Address: 3520 NEEDLES HWY
City,State,Zip: NEEDLES, CA 92362
Site ID: 59972
CERS ID: 251485
CERS Description: Waste Discharge Requirements

Violations:

Site ID: 59972
Site Name: Rainbo Beach Resort 97-50034
Violation Date: 01-16-2003
Citation: California Water Code
Violation Description: Not reported
Violation Notes: FTS 2002 Annual M&R
Violation Division: Water Boards
Violation Program: WDR
Violation Source: CIWQS,

Site ID: 59972
Site Name: Rainbo Beach Resort 97-50034
Violation Date: 08-08-2002
Citation: California Water Code
Violation Description: Not reported
Violation Notes: 08/08/2002 Site inspection revealed noncompliance due to effluent compartment on noe of the septic tanks is inaccessible for sampling, inspection and pumping
Violation Division: Water Boards
Violation Program: WDR
Violation Source: CIWQS,

Site ID: 59972
Site Name: Rainbo Beach Resort 97-50034
Violation Date: 01-25-1996
Citation: California Water Code
Violation Description: Not reported
Violation Notes: FTS '95 ANNUAL RPT
Violation Division: Water Boards
Violation Program: WDR
Violation Source: CIWQS,

Site ID: 59972
Site Name: Rainbo Beach Resort 97-50034

Map ID
Direction
Distance
Elevation

MAP FINDINGS

Site

Database(s)

EDR ID Number
EPA ID Number

RAINBO BEACH RESORT 97-50034 (Continued)

S102006050

Violation Date: 01-25-1997
Citation: California Water Code
Violation Description: Not reported
Violation Notes: FTS '96 ANNUAL M&R. LATE RPT RECD 970409. NO VIOLS NOTED 970410
Violation Division: Water Boards
Violation Program: WDR
Violation Source: CIWQS,

Site ID: 59972
Site Name: Rainbo Beach Resort 97-50034
Violation Date: 01-16-2007
Citation: California Water Code
Violation Description: Not reported
Violation Notes: Incomplete 2006 Annual M&R (monitoring forms)
Violation Division: Water Boards
Violation Program: WDRMUNIOTH
Violation Source: CIWQS,

Site ID: 59972
Site Name: Rainbo Beach Resort 97-50034
Violation Date: 01-16-2002
Citation: California Water Code
Violation Description: Not reported
Violation Notes: Late submittal of 2001 Annual monitoring report. Due 01/15/2002 received 04/11/2002
Violation Division: Water Boards
Violation Program: WDR
Violation Source: CIWQS,

Site ID: 59972
Site Name: Rainbo Beach Resort 97-50034
Violation Date: 01-05-2006
Citation: California Water Code
Violation Description: Not reported
Violation Notes: 01/05/2006 Inspection - Improperly and inaccessible lids
Violation Division: Water Boards
Violation Program: WDRMUNIOTH
Violation Source: CIWQS,

Site ID: 59972
Site Name: Rainbo Beach Resort 97-50034
Violation Date: 05-12-2009
Citation: California Water Code
Violation Description: Not reported
Violation Notes: Incomplete Annual 2008 M&R
Violation Division: Water Boards
Violation Program: WDRMUNIOTH
Violation Source: CIWQS,

Site ID: 59972
Site Name: Rainbo Beach Resort 97-50034
Violation Date: 01-28-1999
Citation: California Water Code
Violation Description: Not reported
Violation Notes: FTS '98 ANN. M&R
Violation Division: Water Boards
Violation Program: WDR

Map ID
Direction
Distance
Elevation

MAP FINDINGS

Site

Database(s)

EDR ID Number
EPA ID Number

RAINBO BEACH RESORT 97-50034 (Continued)

S102006050

Violation Source: CIWQS,

Site ID: 59972
Site Name: Rainbo Beach Resort 97-50034
Violation Date: 01-06-2005
Citation: California Water Code
Violation Description: Not reported
Violation Notes: 2004 Annual M&R excess 1,4 - Dichlorobenzene. Reported at 7.9 ug/L .
Limit is 5.0 ug/L

Violation Division: Water Boards
Violation Program: WDR
Violation Source: CIWQS,

Site ID: 59972
Site Name: Rainbo Beach Resort 97-50034
Violation Date: 08-03-2004
Citation: California Water Code
Violation Description: Not reported
Violation Notes: 08/03/2004 Site inspection notes D-box & septic tank pump stations
lids not properly sealed.

Violation Division: Water Boards
Violation Program: WDR
Violation Source: CIWQS,

Site ID: 59972
Site Name: Rainbo Beach Resort 97-50034
Violation Date: 01-16-2003
Citation: California Water Code
Violation Description: Not reported
Violation Notes: Late submittal of 2002 Annual monitoring report. Due 01/15/2003
received 01/31/2003

Violation Division: Water Boards
Violation Program: WDR
Violation Source: CIWQS,

Site ID: 59972
Site Name: Rainbo Beach Resort 97-50034
Violation Date: 01-16-2002
Citation: California Water Code
Violation Description: Not reported
Violation Notes: FTS 2001 Annual M&R

Violation Division: Water Boards
Violation Program: WDR
Violation Source: CIWQS,

Site ID: 59972
Site Name: Rainbo Beach Resort 97-50034
Violation Date: 06-01-2010
Citation: California Water Code
Violation Description: Not reported
Violation Notes: Incomplete Annual 2009 M&R (Missing M&R forms)

Violation Division: Water Boards
Violation Program: WDRMUNIOTH
Violation Source: CIWQS,

Site ID: 59972
Site Name: Rainbo Beach Resort 97-50034

Map ID
Direction
Distance
Elevation

MAP FINDINGS

Site

Database(s)

EDR ID Number
EPA ID Number

RAINBO BEACH RESORT 97-50034 (Continued)

S102006050

Violation Date: 01-26-2000
Citation: California Water Code
Violation Description: Not reported
Violation Notes: FTS 1999 ANNUAL M&R
Violation Division: Water Boards
Violation Program: WDR
Violation Source: CIWQS,

Site ID: 59972
Site Name: Rainbo Beach Resort 97-50034
Violation Date: 06-21-1999
Citation: California Water Code
Violation Description: Not reported
Violation Notes: WATER SOFTENER DISCHARGING INTO SEPTIC TANKS/LEACH FIELD
Violation Division: Water Boards
Violation Program: WDR
Violation Source: CIWQS,

Site ID: 59972
Site Name: Rainbo Beach Resort 97-50034
Violation Date: 01-16-2004
Citation: California Water Code
Violation Description: Not reported
Violation Notes: Late submittal of 2003 Annual monitoring report. Due 01/15/04; received 01/27/04.
Violation Division: Water Boards
Violation Program: WDR
Violation Source: CIWQS,

Site ID: 59972
Site Name: Rainbo Beach Resort 97-50034
Violation Date: 01-26-1999
Citation: California Water Code
Violation Description: Not reported
Violation Notes: NOTICE OF VIOLATION NO. 99034 FOR FTS '98 ANN. M&R
Violation Division: Water Boards
Violation Program: WDR
Violation Source: CIWQS,

Site ID: 59972
Site Name: Rainbo Beach Resort 97-50034
Violation Date: 06-18-2008
Citation: California Water Code
Violation Description: Not reported
Violation Notes: Incomplete Annual 2007 M&R.
Violation Division: Water Boards
Violation Program: WDRMUNIOTH
Violation Source: CIWQS,

Site ID: 59972
Site Name: Rainbo Beach Resort 97-50034
Violation Date: 06-10-1999
Citation: California Water Code
Violation Description: Not reported
Violation Notes: '98 ANNUAL EXC TDS
Violation Division: Water Boards
Violation Program: WDR

Map ID
Direction
Distance
Elevation

MAP FINDINGS

Site

Database(s)

EDR ID Number
EPA ID Number

RAINBO BEACH RESORT 97-50034 (Continued)

S102006050

Violation Source: CIWQS,

Evaluation:

Eval General Type: Compliance Evaluation Inspection
Eval Date: 05-28-2003
Violations Found: No
Eval Type: RWQCB Type B compliance inspection
Eval Notes: Not reported
Eval Division: Water Boards
Eval Program: WDRMUNIOWT
Eval Source: CIWQS,

Eval General Type: Compliance Followup Inspection
Eval Date: 06-21-1999
Violations Found: No
Eval Type: Follow-up Inspection (noncompliance)
Eval Notes: Not reported
Eval Division: Water Boards
Eval Program: WDRMUNIOWT
Eval Source: CIWQS,

Eval General Type: Compliance Followup Inspection
Eval Date: 09-27-2002
Violations Found: No
Eval Type: Follow-up Inspection (noncompliance)
Eval Notes: Not reported
Eval Division: Water Boards
Eval Program: WDRMUNIOWT
Eval Source: CIWQS,

Eval General Type: Compliance Evaluation Inspection
Eval Date: 11-21-2006
Violations Found: No
Eval Type: RWQCB Type B compliance inspection
Eval Notes: Not reported
Eval Division: Water Boards
Eval Program: WDRMUNIOWT
Eval Source: CIWQS,

Eval General Type: Compliance Followup Inspection
Eval Date: 02-08-2006
Violations Found: No
Eval Type: Follow-up Inspection (noncompliance)
Eval Notes: Not reported
Eval Division: Water Boards
Eval Program: WDRMUNIOWT
Eval Source: CIWQS,

Eval General Type: Compliance Evaluation Inspection
Eval Date: 08-05-1998
Violations Found: No
Eval Type: RWQCB Type B compliance inspection
Eval Notes: Not reported
Eval Division: Water Boards
Eval Program: WDRMUNIOWT
Eval Source: CIWQS,

Map ID
Direction
Distance
Elevation

MAP FINDINGS

Site

Database(s)

EDR ID Number
EPA ID Number

RAINBO BEACH RESORT 97-50034 (Continued)

S102006050

Eval General Type:	Compliance Followup Inspection
Eval Date:	08-24-1999
Violations Found:	No
Eval Type:	Follow-up Inspection (noncompliance)
Eval Notes:	Not reported
Eval Division:	Water Boards
Eval Program:	WDRMUNIOWT
Eval Source:	CIWQS,
Eval General Type:	Compliance Followup Inspection
Eval Date:	09-28-2004
Violations Found:	No
Eval Type:	Follow-up Inspection (noncompliance)
Eval Notes:	Not reported
Eval Division:	Water Boards
Eval Program:	WDRMUNIOWT
Eval Source:	CIWQS,
Eval General Type:	Compliance Evaluation Inspection
Eval Date:	08-07-1997
Violations Found:	No
Eval Type:	RWQCB Type B compliance inspection
Eval Notes:	Not reported
Eval Division:	Water Boards
Eval Program:	WDRMUNIOWT
Eval Source:	CIWQS,
Eval General Type:	Compliance Evaluation Inspection
Eval Date:	08-08-1996
Violations Found:	No
Eval Type:	RWQCB Type B compliance inspection
Eval Notes:	Not reported
Eval Division:	Water Boards
Eval Program:	WDRMUNIOWT
Eval Source:	CIWQS,
Eval General Type:	Compliance Evaluation Inspection
Eval Date:	01-03-1996
Violations Found:	No
Eval Type:	RWQCB Type B compliance inspection
Eval Notes:	Not reported
Eval Division:	Water Boards
Eval Program:	WDRMUNIOWT
Eval Source:	CIWQS,
Eval General Type:	Compliance Evaluation Inspection
Eval Date:	01-05-2006
Violations Found:	Yes
Eval Type:	RWQCB Type B compliance inspection
Eval Notes:	Not reported
Eval Division:	Water Boards
Eval Program:	WDRMUNIOWT
Eval Source:	CIWQS,
Eval General Type:	Compliance Evaluation Inspection
Eval Date:	01-30-2013
Violations Found:	Yes

Map ID
Direction
Distance
Elevation

MAP FINDINGS

Site

Database(s)

EDR ID Number
EPA ID Number

RAINBO BEACH RESORT 97-50034 (Continued)

S102006050

Eval Type: RWQCB Type B compliance inspection
Eval Notes: Not reported
Eval Division: Water Boards
Eval Program: WDRMUNIOWT
Eval Source: CIWQS,

Eval General Type: Compliance Evaluation Inspection
Eval Date: 08-03-2004
Violations Found: No
Eval Type: RWQCB Type B compliance inspection
Eval Notes: Not reported
Eval Division: Water Boards
Eval Program: WDRMUNIOWT
Eval Source: CIWQS,

Eval General Type: Compliance Evaluation Inspection
Eval Date: 08-08-2002
Violations Found: No
Eval Type: RWQCB Type B compliance inspection
Eval Notes: Not reported
Eval Division: Water Boards
Eval Program: WDRMUNIOWT
Eval Source: CIWQS,

Eval General Type: Compliance Evaluation Inspection
Eval Date: 08-15-2001
Violations Found: No
Eval Type: RWQCB Type B compliance inspection
Eval Notes: Not reported
Eval Division: Water Boards
Eval Program: WDRMUNIOWT
Eval Source: CIWQS,

Enforcement Action:
Site ID: 59972
Site Name: Rainbo Beach Resort 97-50034
Site Address: 3520 NEEDLES HWY
Site City: NEEDLES
Site Zip: 92362
Enf Action Date: 01-06-2005
Enf Action Type: Staff Enforcement Letter (Informal)
Enf Action Description: Staff Enforcement Letter (Informal)
Enf Action Notes: Not reported
Enf Action Division: Water Boards
Enf Action Program: WDRMUNIOWT
Enf Action Source: CIWQS,

Site ID: 59972
Site Name: Rainbo Beach Resort 97-50034
Site Address: 3520 NEEDLES HWY
Site City: NEEDLES
Site Zip: 92362
Enf Action Date: 01-09-2006
Enf Action Type: Notice to Comply (Minor Violations)
Enf Action Description: Notice to Comply for Minor Violations
Enf Action Notes: Not reported
Enf Action Division: Water Boards

Map ID
Direction
Distance
Elevation

MAP FINDINGS

Site

Database(s)

EDR ID Number
EPA ID Number

RAINBO BEACH RESORT 97-50034 (Continued)

S102006050

Enf Action Program: WDRMUNIOWT
Enf Action Source: CIWQS,

Site ID: 59972
Site Name: Rainbo Beach Resort 97-50034
Site Address: 3520 NEEDLES HWY
Site City: NEEDLES
Site Zip: 92362
Enf Action Date: 01-25-2007
Enf Action Type: Staff Enforcement Letter (Informal)
Enf Action Description: Staff Enforcement Letter (Informal)
Enf Action Notes: Not reported
Enf Action Division: Water Boards
Enf Action Program: WDRMUNIOWT
Enf Action Source: CIWQS,

Site ID: 59972
Site Name: Rainbo Beach Resort 97-50034
Site Address: 3520 NEEDLES HWY
Site City: NEEDLES
Site Zip: 92362
Enf Action Date: 01-26-2000
Enf Action Type: Staff Enforcement Letter (Informal)
Enf Action Description: Staff Enforcement Letter (Informal)
Enf Action Notes: Not reported
Enf Action Division: Water Boards
Enf Action Program: WDRMUNIOWT
Enf Action Source: CIWQS,

Site ID: 59972
Site Name: Rainbo Beach Resort 97-50034
Site Address: 3520 NEEDLES HWY
Site City: NEEDLES
Site Zip: 92362
Enf Action Date: 01-30-2003
Enf Action Type: Notice of Violation (Water)
Enf Action Description: Notice of Violation Letter (Informal)
Enf Action Notes: Not reported
Enf Action Division: Water Boards
Enf Action Program: WDRMUNIOWT
Enf Action Source: CIWQS,

Site ID: 59972
Site Name: Rainbo Beach Resort 97-50034
Site Address: 3520 NEEDLES HWY
Site City: NEEDLES
Site Zip: 92362
Enf Action Date: 02-01-2002
Enf Action Type: Notice of Violation (Water)
Enf Action Description: Notice of Violation Letter (Informal)
Enf Action Notes: Not reported
Enf Action Division: Water Boards
Enf Action Program: WDRMUNIOWT
Enf Action Source: CIWQS,

Site ID: 59972
Site Name: Rainbo Beach Resort 97-50034

Map ID
Direction
Distance
Elevation

MAP FINDINGS

Site

Database(s)

EDR ID Number
EPA ID Number

RAINBO BEACH RESORT 97-50034 (Continued)

S102006050

Site Address: 3520 NEEDLES HWY
Site City: NEEDLES
Site Zip: 92362
Enf Action Date: 05-10-1999
Enf Action Type: Administrative Enforcement with Penalty
Enf Action Description: Administrative Enforcement with Civil Liability (Penalty)
Enf Action Notes: Not reported
Enf Action Division: Water Boards
Enf Action Program: WDRMUNIOWT
Enf Action Source: CIWQS,

Site ID: 59972
Site Name: Rainbo Beach Resort 97-50034
Site Address: 3520 NEEDLES HWY
Site City: NEEDLES
Site Zip: 92362
Enf Action Date: 05-20-1999
Enf Action Type: Staff Enforcement Letter (Informal)
Enf Action Description: Staff Enforcement Letter (Informal)
Enf Action Notes: Not reported
Enf Action Division: Water Boards
Enf Action Program: WDRMUNIOWT
Enf Action Source: CIWQS,

Site ID: 59972
Site Name: Rainbo Beach Resort 97-50034
Site Address: 3520 NEEDLES HWY
Site City: NEEDLES
Site Zip: 92362
Enf Action Date: 05-28-2010
Enf Action Type: Staff Enforcement Letter (Informal)
Enf Action Description: Staff Enforcement Letter (Informal)
Enf Action Notes: Not reported
Enf Action Division: Water Boards
Enf Action Program: WDRMUNIOWT
Enf Action Source: CIWQS,

Site ID: 59972
Site Name: Rainbo Beach Resort 97-50034
Site Address: 3520 NEEDLES HWY
Site City: NEEDLES
Site Zip: 92362
Enf Action Date: 05-29-2009
Enf Action Type: Staff Enforcement Letter (Informal)
Enf Action Description: Staff Enforcement Letter (Informal)
Enf Action Notes: Not reported
Enf Action Division: Water Boards
Enf Action Program: WDRMUNIOWT
Enf Action Source: CIWQS,

Site ID: 59972
Site Name: Rainbo Beach Resort 97-50034
Site Address: 3520 NEEDLES HWY
Site City: NEEDLES
Site Zip: 92362
Enf Action Date: 08-05-2004
Enf Action Type: Staff Enforcement Letter (Informal)

Map ID
Direction
Distance
Elevation

MAP FINDINGS

Site

Database(s)

EDR ID Number
EPA ID Number

RAINBO BEACH RESORT 97-50034 (Continued)

S102006050

Enf Action Description: Staff Enforcement Letter (Informal)
Enf Action Notes: Not reported
Enf Action Division: Water Boards
Enf Action Program: WDRMUNIOWT
Enf Action Source: CIWQS,

Site ID: 59972
Site Name: Rainbo Beach Resort 97-50034
Site Address: 3520 NEEDLES HWY
Site City: NEEDLES
Site Zip: 92362
Enf Action Date: 08-13-2002
Enf Action Type: Notice to Comply (Minor Violations)
Enf Action Description: Notice to Comply for Minor Violations
Enf Action Notes: Not reported
Enf Action Division: Water Boards
Enf Action Program: WDRMUNIOWT
Enf Action Source: CIWQS,

21 **TAMERYN MCKENZIE**
Target **1900 NATIONAL TRAILS HWY**
Property **ORO GRANDE, CA 92363**

HAZNET **S112946846**
HWTS **N/A**

Actual:
566 ft.
Focus Map:
6

HAZNET:
Name: TAMERYN MCKENZIE
Address: 1900 NATIONAL TRAILS HWY
Address 2: Not reported
City,State,Zip: ORO GRANDE, CA 92363
Contact: BRENDA BAILEY
Telephone: 8437608430
Mailing Name: Not reported
Mailing Address: 1900 NATIONAL TRAILS HWY

Year: 2005
Gepaid: CAC002592578
TSD EPA ID: CAT080013352
CA Waste Code: 241 - Tank bottom waste
Disposal Method: R01 - Recycler
Tons: 5.004

Additional Info:
Year: 2005
Gen EPA ID: CAC002592578

Shipment Date: 20050707
Creation Date: 10/11/2005 18:32:36
Receipt Date: 20050708
Manifest ID: 24385941
Trans EPA ID: CAT080016116
Trans Name: NIETO AND SONS TRUCKING INC
Trans 2 EPA ID: Not reported
Trans 2 Name: Not reported
TSD EPA ID: CAT080013352
Trans Name: DEMENNO KERDOON
TSD EPA ID: CAT080013352

Map ID
 Direction
 Distance
 Elevation

MAP FINDINGS

Site

Database(s)

EDR ID Number
 EPA ID Number

PACIFIC GAS & ELECTRIC GROUNDWATER REMEDIATION FACILITY (Continued)

1011908360

issued under the Clean Water Act. Under NPDES, all facilities that discharge pollutants from any point source into waters of the United States are required to obtain a permit. The permit will likely contain limits on what can be discharged, impose monitoring and reporting requirements, and include other provisions to ensure that the discharge does not adversely affect water quality.

[Click this hyperlink](#) while viewing on your computer to access additional FINDS: detail in the EDR Site Report.

ECHO:

Envid: 1011908360
 Registry ID: 110037256439
 DFR URL: <http://echo.epa.gov/detailed-facility-report?fid=110037256439>
 Name: PACIFIC GAS & ELECTRIC GROUNDW
 Address: 14543 NATIONAL TRAILS HIGHWAY
 City,State,Zip: NEEDLES, CA 92363

23 **MSB PARTNERS, INC**
Target **3515 NEEDLES HIGHWAY**
Property **NEEDLES, CA 92363**

ENF **S128040365**
N/A

ENF:

Actual:
509 ft.
Focus Map:
6

Name: MSB PARTNERS, INC
 Address: 3515 NEEDLES HIGHWAY
 City,State,Zip: NEEDLES, CA 92363
 Region: Not reported
 Facility Id: 856269
 Agency Name: Joe Morgan
 Place Type: Irrigated Land
 Place Subtype: Cannabis Site
 Facility Type: Agricultural
 Agency Type: Privately-Owned Business
 # Of Agencies: 1
 Place Latitude: 34.867536
 Place Longitude: -114.634769
 SIC Code 1: Not reported
 SIC Desc 1: Not reported
 SIC Code 2: Not reported
 SIC Desc 2: Not reported
 SIC Code 3: Not reported
 SIC Desc 3: Not reported
 NAICS Code 1: Not reported
 NAICS Desc 1: Not reported
 NAICS Code 2: Not reported
 NAICS Desc 2: Not reported
 NAICS Code 3: Not reported
 NAICS Desc 3: Not reported
 # Of Places: 1
 Source Of Facility: Reg Meas
 Design Flow: Not reported
 Threat To Water Quality: Not reported
 Complexity: Not reported
 Pretreatment: Not reported
 Facility Waste Type: Not reported
 Facility Waste Type 2: Not reported
 Facility Waste Type 3: Not reported
 Facility Waste Type 4: Not reported

Map ID
Direction
Distance
Elevation

MAP FINDINGS

Site

Database(s)

EDR ID Number
EPA ID Number

MSB PARTNERS, INC (Continued)

S128040365

Program: IRRICANNABIS
Program Category1: IRR1
Program Category2: Not reported
Of Programs: 1
WDID: 7_36CC409874
Reg Measure Id: 428925
Reg Measure Type: Enrollee - Waiver
Region: Not reported
Order #: 2019-0001-DWQ
Npdes# CA#: Not reported
Major-Minor: Not reported
Npdes Type: Not reported
Reclamation: Not reported
Dredge Fill Fee: Not reported
301H: Not reported
Application Fee Amt Received: 600
Status: Active
Status Date: 2022-02-02 00:00:00
Effective Date: 04/03/2019
Expiration/Review Date: 2024-04-15 00:00:00
Termination Date: Not reported
WDR Review - Amend: Not reported
WDR Review - Revise/Renew: Not reported
WDR Review - Rescind: Not reported
WDR Review - No Action Required: Not reported
WDR Review - Pending: Not reported
WDR Review - Planned: Not reported
Status Enrollee: N
Individual/General: I
Fee Code: 125 - Cannabis Cultivation (Statewide)
Direction/Voice: Passive
Enforcement Id(EID): 433975
Region: Not reported
Order / Resolution Number: Not reported
Enforcement Action Type: Staff Enforcement Letter
Effective Date: 2019-09-04
Adoption/Issuance Date: 09/04/2019
Achieve Date: Not reported
Termination Date: 2019-10-22 00:00:00
ACL Issuance Date: Not reported
EPL Issuance Date: Not reported
Status: Historical
Title: SEL 09/04/2019 for Joe Morgan
Description: Not reported
Program: Not reported
Latest Milestone Completion Date: 2019-10-17 00:00:00
Of Programs1: Not reported
Total Assessment Amount: Not reported
Initial Assessed Amount: Not reported
Liability \$ Amount: Not reported
Project \$ Amount: Not reported
Liability \$ Paid: Not reported
Project \$ Completed: Not reported
Total \$ Paid/Completed Amount: Not reported

Name: MSB PARTNERS, INC
Address: 3515 NEEDLES HIGHWAY

Map ID
Direction
Distance
Elevation

MAP FINDINGS

Site

Database(s)

EDR ID Number
EPA ID Number

MSB PARTNERS, INC (Continued)

S128040365

City,State,Zip: NEEDLES, CA 92363
Region: Not reported
Facility Id: 856269
Agency Name: Joe Morgan
Place Type: Irrigated Land
Place Subtype: Cannabis Site
Facility Type: Agricultural
Agency Type: Privately-Owned Business
Of Agencies: 1
Place Latitude: 34.867536
Place Longitude: -114.634769
SIC Code 1: Not reported
SIC Desc 1: Not reported
SIC Code 2: Not reported
SIC Desc 2: Not reported
SIC Code 3: Not reported
SIC Desc 3: Not reported
NAICS Code 1: Not reported
NAICS Desc 1: Not reported
NAICS Code 2: Not reported
NAICS Desc 2: Not reported
NAICS Code 3: Not reported
NAICS Desc 3: Not reported
Of Places: 1
Source Of Facility: Reg Meas
Design Flow: Not reported
Threat To Water Quality: Not reported
Complexity: Not reported
Pretreatment: Not reported
Facility Waste Type: Not reported
Facility Waste Type 2: Not reported
Facility Waste Type 3: Not reported
Facility Waste Type 4: Not reported
Program: IRRICANNABIS
Program Category1: IRR
Program Category2: Not reported
Of Programs: 1
WDID: 7_36CC409874
Reg Measure Id: 428925
Reg Measure Type: Enrollee - Waiver
Region: Not reported
Order #: 2019-0001-DWQ
Npdes# CA#: Not reported
Major-Minor: Not reported
Npdes Type: Not reported
Reclamation: Not reported
Dredge Fill Fee: Not reported
301H: Not reported
Application Fee Amt Received: 600
Status: Active
Status Date: 2022-02-02 00:00:00
Effective Date: 04/03/2019
Expiration/Review Date: 2024-04-15 00:00:00
Termination Date: Not reported
WDR Review - Amend: Not reported
WDR Review - Revise/Renew: Not reported
WDR Review - Rescind: Not reported

Map ID
Direction
Distance
Elevation

MAP FINDINGS

Site

Database(s)

EDR ID Number
EPA ID Number

MSB PARTNERS, INC (Continued)

S128040365

WDR Review - No Action Required: Not reported
WDR Review - Pending: Not reported
WDR Review - Planned: Not reported
Status Enrollee: N
Individual/General: I
Fee Code: 125 - Cannabis Cultivation (Statewide)
Direction/Voice: Passive
Enforcement Id(EID): 435038
Region: Not reported
Order / Resolution Number: Not reported
Enforcement Action Type: Notice of Violation
Effective Date: 2019-10-22
Adoption/Issuance Date: 10/22/2019
Achieve Date: Not reported
Termination Date: 2020-01-07 00:00:00
ACL Issuance Date: Not reported
EPL Issuance Date: Not reported
Status: Historical
Title: NOV 10/22/2019 for Joe Morgan
Description: Not reported
Program: Not reported
Latest Milestone Completion Date: 2020-01-07 00:00:00
Of Programs1: Not reported
Total Assessment Amount: Not reported
Initial Assessed Amount: Not reported
Liability \$ Amount: Not reported
Project \$ Amount: Not reported
Liability \$ Paid: Not reported
Project \$ Completed: Not reported
Total \$ Paid/Completed Amount: Not reported

F24 **VERIZON WIRELESS: SOUTH PASS**
Target **5201 NATIONAL TRAILS HWY**
Property **NEEDLES, CA 92363**

San Bern. Co. Permit **S119102846**
CERS **N/A**

Site 1 of 2 in cluster F

Actual: San Bern. Co. Permit:
522 ft. Name: VERIZON WIRELESS: SOUTH PASS
Focus Map: Address: 5201 NATIONAL TRAILS HWY
6 City,State,Zip: NEEDLES, CA 92363
 Region: SAN BERNARDINO
 Facility ID: FA0017094
 Owner: Verizon Wireless
 Permit Number: PT0036450
 Permit Category: HAZARDOUS MATERIALS 1-3 CHEMICALS SPECIAL
 Facility Status: ACTIVE
 Expiration Date: 11/30/2021

CERS:
Name: VERIZON WIRELESS: SOUTH PASS
Address: 5201 NATIONAL TRAILS HWY
City,State,Zip: NEEDLES, CA 92363
Site ID: 82980
CERS ID: 10164863
CERS Description: Chemical Storage Facilities

Map ID
Direction
Distance
Elevation

MAP FINDINGS

Site

Database(s)

EDR ID Number
EPA ID Number

VERIZON WIRELESS: SOUTH PASS (Continued)

S119102846

Evaluation:

Eval General Type: Compliance Evaluation Inspection
Eval Date: 05-03-2018
Violations Found: No
Eval Type: Routine done by local agency
Eval Notes: Not reported
Eval Division: San Bernardino County Fire Department
Eval Program: HMRRP
Eval Source: CERS,

Eval General Type: Compliance Evaluation Inspection
Eval Date: 02-16-2021
Violations Found: No
Eval Type: Routine done by local agency
Eval Notes: Not reported
Eval Division: San Bernardino County Fire Department
Eval Program: HMRRP
Eval Source: CERS,

Affiliation:

Affiliation Type Desc: CUPA District
Entity Name: San Bernardino County Fire
Entity Title: Not reported
Affiliation Address: 620 South E Street
Affiliation City: San Bernardino
Affiliation State: CA
Affiliation Country: Not reported
Affiliation Zip: 92415-0153
Affiliation Phone: (909) 386-8401,

Affiliation Type Desc: Facility Mailing Address
Entity Name: Mailing Address
Entity Title: Not reported
Affiliation Address: 15505 Sand Canyon Avenue, MS D-104
Affiliation City: Irvine
Affiliation State: CA
Affiliation Country: Not reported
Affiliation Zip: 92618
Affiliation Phone: ,

Affiliation Type Desc: Document Preparer
Entity Name: Steve Skanderson, Stantec
Entity Title: Not reported
Affiliation Address: Not reported
Affiliation City: Not reported
Affiliation State: Not reported
Affiliation Country: Not reported
Affiliation Zip: Not reported
Affiliation Phone: ,

Affiliation Type Desc: Environmental Contact
Entity Name: Environmental Compliance
Entity Title: Not reported
Affiliation Address: 15505 Sand Canyon Avenue, MS D-104
Affiliation City: Irvine
Affiliation State: CA

Map ID
Direction
Distance
Elevation

MAP FINDINGS

Site

Database(s)

EDR ID Number
EPA ID Number

VERIZON WIRELESS: SOUTH PASS (Continued)

S119102846

Affiliation Country: Not reported
Affiliation Zip: 92618
Affiliation Phone: ,

Affiliation Type Desc: Identification Signer
Entity Name: Wilson Rodriguez
Entity Title: Engr III Spec-RE/Regulatory
Affiliation Address: Not reported
Affiliation City: Not reported
Affiliation State: Not reported
Affiliation Country: Not reported
Affiliation Zip: Not reported
Affiliation Phone: ,

Affiliation Type Desc: Legal Owner
Entity Name: Verizon Wireless
Entity Title: Not reported
Affiliation Address: 15505 Sand Canyon Avenue, MS D-104
Affiliation City: Irvine
Affiliation State: CA
Affiliation Country: United States
Affiliation Zip: 92618
Affiliation Phone: (949) 286-7000,

Affiliation Type Desc: Operator
Entity Name: Verizon Wireless
Entity Title: Not reported
Affiliation Address: Not reported
Affiliation City: Not reported
Affiliation State: Not reported
Affiliation Country: Not reported
Affiliation Zip: Not reported
Affiliation Phone: (949) 286-7000,

Affiliation Type Desc: Parent Corporation
Entity Name: Verizon Wireless [Southern California]
Entity Title: Not reported
Affiliation Address: Not reported
Affiliation City: Not reported
Affiliation State: Not reported
Affiliation Country: Not reported
Affiliation Zip: Not reported
Affiliation Phone: ,

F25 VERIZON WIRELESS: SOUTH PASS
Target 5201 NATIONAL TRAILS HIGHWAY
Property NEEDLES, CA 92363

FINDS 1023231309
N/A

Site 2 of 2 in cluster F

Actual: FINDS:
522 ft. Registry ID: 110065184785

Focus Map:
6 [Click Here for FRS Facility Detail Report:](#)

Environmental Interest/Information System:
STATE MASTER

Map ID
Direction
Distance
Elevation

MAP FINDINGS

Site

Database(s)

EDR ID Number
EPA ID Number

VERIZON WIRELESS: SOUTH PASS (Continued)

1023231309

[Click this hyperlink](#) while viewing on your computer to access additional FINDS: detail in the EDR Site Report.

G26
Target
Property

3502 NEEDLES HIGHWAY
NEEDLES, CA

CHMIRS S110981203
N/A

Site 1 of 2 in cluster G

Actual:
473 ft.

Focus Map:
6

CHMIRS:	
Name:	Not reported
Address:	3502 NEEDLES HIGHWAY
City,State,Zip:	NEEDLES, CA
OES Incident Number:	10-5110
OES notification:	08/25/2010
OES Date:	Not reported
OES Time:	Not reported
Date Completed:	Not reported
Property Use:	Not reported
Agency Id Number:	Not reported
Agency Incident Number:	Not reported
Time Notified:	Not reported
Time Completed:	Not reported
Surrounding Area:	Not reported
Estimated Temperature:	Not reported
Property Management:	Not reported
More Than Two Substances Involved?:	Not reported
Resp Agncy Personel # Of Decontaminated:	Not reported
Responding Agency Personel # Of Injuries:	Not reported
Responding Agency Personel # Of Fatalities:	Not reported
Others Number Of Decontaminated:	Not reported
Others Number Of Injuries:	Not reported
Others Number Of Fatalities:	Not reported
Vehicle Make/year:	Not reported
Vehicle License Number:	Not reported
Vehicle State:	Not reported
Vehicle Id Number:	Not reported
CA DOT PUC/ICC Number:	Not reported
Company Name:	Not reported
Reporting Officer Name/ID:	Not reported
Report Date:	Not reported
Facility Telephone:	Not reported
Waterway Involved:	Yes
Waterway:	Colorado River
Spill Site:	Waterways
Cleanup By:	Unknown
Containment:	Not reported
What Happened:	Not reported
Type:	Not reported
Measure:	Gal(s)
Other:	Not reported
Date/Time:	1826
Year:	2010
Agency:	San Bernardino County Fire Department
Incident Date:	8/25/2010
Admin Agency:	San Bernardino County Health Department
Amount:	Not reported
Contained:	Yes

Map ID
 Direction
 Distance
 Elevation

MAP FINDINGS

Site

Database(s)

EDR ID Number
 EPA ID Number

(Continued)

S110981203

Site Type:	Colorado River
E Date:	Not reported
Substance:	gasoline
Quantity Released:	24
Unknown:	Not reported
Substance #2:	Not reported
Substance #3:	Not reported
Evacuations:	Not reported
Number of Injuries:	Not reported
Number of Fatalities:	Not reported
#1 Pipeline:	Not reported
#2 Pipeline:	Not reported
#3 Pipeline:	Not reported
#1 Vessel >= 300 Tons:	Not reported
#2 Vessel >= 300 Tons:	Not reported
#3 Vessel >= 300 Tons:	Not reported
Evacs:	Not reported
Injuries:	Not reported
Fatals:	Not reported
Comments:	Not reported
Description:	A boat caught fire and sank causing the spill. There are two 12 gallon tanks on board, but it is unknown if they were both completely full.

G27

Target Property 3502 NEEDLES HIGHWAY
 NEEDLES, CA

ERNS 2010952134
 N/A

Site 2 of 2 in cluster G

Actual: 473 ft. [Click this hyperlink](#) while viewing on your computer to access additional ERNS detail in the EDR Site Report.
Focus Map: 6

28 **AT&T MOBILITY - USID228892**
Target Property 5163 NATIONAL OLD TRAILS HWY
 NEEDLES, CA 92363

San Bern. Co. Permit CERS S128082004
 N/A

San Bern. Co. Permit:
 Name: AT&T MOBILITY - USID228892
 Address: 5163 NATIONAL OLD TRAILS HWY
 City,State,Zip: NEEDLES, CA 92363
 Region: SAN BERNARDINO
 Facility ID: FA0018961
 Owner: New Cingular Wireless PCS, LLC dba AT&T Mobility
 Permit Number: PT0040913
 Permit Category: HAZARDOUS MATERIALS 1-3 CHEMICALS SPECIAL
 Facility Status: ACTIVE
 Expiration Date: 12/31/2021

Actual: 520 ft.
Focus Map: 6

CERS:
 Name: AT&T MOBILITY - USID228892

Map ID
Direction
Distance
Elevation

MAP FINDINGS

Site

Database(s)

EDR ID Number
EPA ID Number

AT&T MOBILITY - USID228892 (Continued)

S128082004

Address: 5163 NATIONAL OLD TRAILS HWY
City,State,Zip: NEEDLES, CA 92363
Site ID: 596880
CERS ID: 10884118
CERS Description: Chemical Storage Facilities

Evaluation:
Eval General Type: Compliance Evaluation Inspection
Eval Date: 10-22-2021
Violations Found: No
Eval Type: Routine done by local agency
Eval Notes: Not reported
Eval Division: San Bernardino County Fire Department
Eval Program: HMRRP
Eval Source: CERS,

Affiliation:
Affiliation Type Desc: Environmental Contact
Entity Name: AT&T EH&S Hotline - Option #1
Entity Title: Not reported
Affiliation Address: 308 S. Akard Street, 17th Floor
Affiliation City: Dallas
Affiliation State: TX
Affiliation Country: Not reported
Affiliation Zip: 75202
Affiliation Phone: ,

Affiliation Type Desc: Legal Owner
Entity Name: New Cingular Wireless PCS, LLC dba AT&T Mobility
Entity Title: Not reported
Affiliation Address: 308 S. Akard Street, 17th Floor
Affiliation City: Dallas
Affiliation State: TX
Affiliation Country: United States
Affiliation Zip: 75202
Affiliation Phone: (214) 464-1712,

Affiliation Type Desc: Document Preparer
Entity Name: Peter Burnell, Sigma Consultants, Inc.
Entity Title: Not reported
Affiliation Address: Not reported
Affiliation City: Not reported
Affiliation State: Not reported
Affiliation Country: Not reported
Affiliation Zip: Not reported
Affiliation Phone: ,

Affiliation Type Desc: CUPA District
Entity Name: San Bernardino County Fire
Entity Title: Not reported
Affiliation Address: 620 South E Street
Affiliation City: San Bernardino
Affiliation State: CA
Affiliation Country: Not reported
Affiliation Zip: 92415-0153
Affiliation Phone: (909) 386-8401,

Map ID
Direction
Distance
Elevation

MAP FINDINGS

Site

Database(s)

EDR ID Number
EPA ID Number

AT&T MOBILITY - USID228892 (Continued)

S128082004

Affiliation Type Desc: Facility Mailing Address
Entity Name: Mailing Address
Entity Title: Not reported
Affiliation Address: 308 S. Akard Street, 17th Floor
Affiliation City: Dallas
Affiliation State: TX
Affiliation Country: Not reported
Affiliation Zip: 75202
Affiliation Phone: ,

Affiliation Type Desc: Identification Signer
Entity Name: Jeremy McGrue
Entity Title: National EPCRA Manager
Affiliation Address: Not reported
Affiliation City: Not reported
Affiliation State: Not reported
Affiliation Country: Not reported
Affiliation Zip: Not reported
Affiliation Phone: ,

Affiliation Type Desc: Operator
Entity Name: AT&T Mobility
Entity Title: Not reported
Affiliation Address: Not reported
Affiliation City: Not reported
Affiliation State: Not reported
Affiliation Country: Not reported
Affiliation Zip: Not reported
Affiliation Phone: (800) 566-9347,

Affiliation Type Desc: Parent Corporation
Entity Name: AT&T Mobility
Entity Title: Not reported
Affiliation Address: Not reported
Affiliation City: Not reported
Affiliation State: Not reported
Affiliation Country: Not reported
Affiliation Zip: Not reported
Affiliation Phone: ,

H29
Target
Property

NEEDLES AUTO WRECKING
5156 ROUTE 66
NEEDLES, CA 92363

CERS HAZ WASTE S126137971
N/A

Site 1 of 2 in cluster H

Actual: 509 ft.
Focus Map: 6

CERS HAZ WASTE:
Name: NEEDLES AUTO WRECKING
Address: 5156 ROUTE 66
City,State,Zip: NEEDLES, CA 92363
Site ID: 51415
CERS ID: 10042438
CERS Description: Hazardous Waste Generator

Violations:
Site ID: 51415
Site Name: NEEDLES AUTO WRECKING

Map ID
Direction
Distance
Elevation

MAP FINDINGS

Site

Database(s)

EDR ID Number
EPA ID Number

NEEDLES AUTO WRECKING (Continued)

S126137971

Violation Date: 12-29-2016
Citation: HSC 6.5 Multiple - California Health and Safety Code, Chapter 6.5, Section(s) Multiple
Violation Description: Hazardous Waste Generator Program - Administration/Documentation - General
Violation Notes: Returned to compliance on 09/15/2017. Failure to maintain used oil disposal receipts for at least 3 years (CHSC 25160.2(b)(3)) Used oil disposal receipts were unavailable for review.
Violation Division: San Bernardino County Fire Department
Violation Program: HW
Violation Source: CERS,

Site ID: 51415
Site Name: NEEDLES AUTO WRECKING
Violation Date: 12-29-2016
Citation: HSC 6.95 25507 - California Health and Safety Code, Chapter 6.95, Section(s) 25507
Violation Description: Failure to adequately establish and implement a business plan when storing/handling a hazardous material at or above reportable quantities.
Violation Notes: Returned to compliance on 09/15/2017. Business plan was not established and implemented.
Violation Division: San Bernardino County Fire Department
Violation Program: HMRRP
Violation Source: CERS,

Site ID: 51415
Site Name: NEEDLES AUTO WRECKING
Violation Date: 12-29-2016
Citation: HSC 6.5 Multiple - California Health and Safety Code, Chapter 6.5, Section(s) Multiple
Violation Description: Hazardous Waste Generator Program - Operations/Maintenance - General
Violation Notes: Returned to compliance on 09/15/2017. Failure to manage contaminated containers lawfully (CCR 66261.7) Observed empty containers not marked with date which containers became emptied and the words "EMPTY".
Violation Division: San Bernardino County Fire Department
Violation Program: HW
Violation Source: CERS,

Site ID: 51415
Site Name: NEEDLES AUTO WRECKING
Violation Date: 12-29-2016
Citation: HSC 6.95 25508(a)(1) - California Health and Safety Code, Chapter 6.95, Section(s) 25508(a)(1)
Violation Description: Failure to complete and electronically submit a business plan when storing/handling a hazardous material at or above reportable quantities.
Violation Notes: Returned to compliance on 09/15/2017. Business plan has not been completed and electronically submitted into the California Environmental Reporting System.
Violation Division: San Bernardino County Fire Department
Violation Program: HMRRP
Violation Source: CERS,

Site ID: 51415
Site Name: NEEDLES AUTO WRECKING
Violation Date: 12-29-2016

Map ID
Direction
Distance
Elevation

MAP FINDINGS

Site

Database(s)

EDR ID Number
EPA ID Number

NEEDLES AUTO WRECKING (Continued)

S126137971

Citation: HSC 6.5 Multiple - California Health and Safety Code, Chapter 6.5, Section(s) Multiple
Violation Description: Hazardous Waste Generator Program - Operations/Maintenance - General
Violation Notes: Returned to compliance on 09/15/2017. Failure to manage hazardous waste lawfully (CHSC 25154) Hazardous waste not managed lawfully.
Violation Division: San Bernardino County Fire Department
Violation Program: HW
Violation Source: CERS,

Site ID: 51415
Site Name: NEEDLES AUTO WRECKING
Violation Date: 08-13-2013
Citation: HSC 6.67 Multiple - California Health and Safety Code, Chapter 6.67, Section(s) Multiple
Violation Description: Haz Waste Generator Program - Administration/Documentation - General
Violation Notes: Returned to compliance on 09/15/2017. Failure to obtain an EPA ID Number (CCR 66262.12(a)) facility was using the previous owners id number
Violation Division: San Bernardino County Fire Department
Violation Program: HW
Violation Source: CERS,

Site ID: 51415
Site Name: NEEDLES AUTO WRECKING
Violation Date: 12-29-2016
Citation: HSC 6.5 Multiple - California Health and Safety Code, Chapter 6.5, Section(s) Multiple
Violation Description: Hazardous Waste Generator Program - Operations/Maintenance - General
Violation Notes: Returned to compliance on 09/15/2017. Failure to store hazardous waste in sound containers (CCR 66265.171) Observed a 55 gallon drum of used oil that appeared to be dented with visible rust.
Violation Division: San Bernardino County Fire Department
Violation Program: HW
Violation Source: CERS,

Site ID: 51415
Site Name: NEEDLES AUTO WRECKING
Violation Date: 08-13-2013
Citation: HSC 6.67 Multiple - California Health and Safety Code, Chapter 6.67, Section(s) Multiple
Violation Description: Haz Waste Generator Program - Operations/Maintenance - General
Violation Notes: Returned to compliance on 08/13/2013. Failure to complete hazardous waste labels (CCR 66262.34(f)(3)) corrected on site- operator properly labeled the used oil and used antifreeze drums
Violation Division: San Bernardino County Fire Department
Violation Program: HW
Violation Source: CERS,

Site ID: 51415
Site Name: NEEDLES AUTO WRECKING
Violation Date: 12-29-2016
Citation: HSC 6.5 Multiple - California Health and Safety Code, Chapter 6.5, Section(s) Multiple
Violation Description: Hazardous Waste Generator Program - Administration/Documentation - General
Violation Notes: Returned to compliance on 09/15/2017. Failure to obtain an EPA ID Number (CCR 66262.12(a)) EPA ID was inactive at time of inspection.

Map ID
Direction
Distance
Elevation

MAP FINDINGS

Site

Database(s)

EDR ID Number
EPA ID Number

NEEDLES AUTO WRECKING (Continued)

S126137971

Violation Division: San Bernardino County Fire Department
Violation Program: HW
Violation Source: CERS,

Site ID: 51415
Site Name: NEEDLES AUTO WRECKING
Violation Date: 08-13-2013
Citation: HSC 6.95 25505(a) - California Health and Safety Code, Chapter 6.95, Section(s) 25505(a)
Violation Description: Owner/Operator failed to complete and/or submit a Hazardous Materials Business Plan when storing hazardous materials at or above the thresholds quantities of 55 gallons/500 lbs/200 cubic feet.
Violation Notes: Returned to compliance on 09/15/2017.
Violation Division: San Bernardino County Fire Department
Violation Program: HMRRP
Violation Source: CERS,

Site ID: 51415
Site Name: NEEDLES AUTO WRECKING
Violation Date: 12-29-2016
Citation: HSC 6.5 Multiple - California Health and Safety Code, Chapter 6.5, Section(s) Multiple
Violation Description: Hazardous Waste Generator Program - Operations/Maintenance - General
Violation Notes: Returned to compliance on 09/15/2017. Failure to label hazardous waste containers (CCR 66262.34(f)(3)) Observed drum containing hazardous waste without hazardous waste label.
Violation Division: San Bernardino County Fire Department
Violation Program: HW
Violation Source: CERS,

Site ID: 51415
Site Name: NEEDLES AUTO WRECKING
Violation Date: 12-29-2016
Citation: HSC 6.5 Multiple - California Health and Safety Code, Chapter 6.5, Section(s) Multiple
Violation Description: Hazardous Waste Generator Program - Operations/Maintenance - General
Violation Notes: Returned to compliance on 09/15/2017. Hazardous waste accumulation time exceeded (CCR 66262.34(a)) Accumulation start time could not be determined by the operator through manifests/records or accumulation start time.
Violation Division: San Bernardino County Fire Department
Violation Program: HW
Violation Source: CERS,

Site ID: 51415
Site Name: NEEDLES AUTO WRECKING
Violation Date: 08-13-2013
Citation: HSC 6.67 Multiple - California Health and Safety Code, Chapter 6.67, Section(s) Multiple
Violation Description: Haz Waste Generator Program - Administration/Documentation - General
Violation Notes: Returned to compliance on 09/15/2017. Failure to maintain used oil disposal receipts for at least 3 years (CHSC 25160.2(b)(3))
Violation Division: San Bernardino County Fire Department
Violation Program: HW
Violation Source: CERS,

Site ID: 51415

Map ID
Direction
Distance
Elevation

MAP FINDINGS

Site

Database(s)

EDR ID Number
EPA ID Number

NEEDLES AUTO WRECKING (Continued)

S126137971

Site Name: NEEDLES AUTO WRECKING
Violation Date: 12-29-2016
Citation: HSC 6.5 Multiple - California Health and Safety Code, Chapter 6.5, Section(s) Multiple
Violation Description: Hazardous Waste Generator Program - Operations/Maintenance - General
Violation Notes: Returned to compliance on 09/15/2017. Failure to note accumulation start date on labels (CCR 66262.34(f)(2)) Observed drums of hazardous waste with missing accumulation start date.
Violation Division: San Bernardino County Fire Department
Violation Program: HW
Violation Source: CERS,

Site ID: 51415
Site Name: NEEDLES AUTO WRECKING
Violation Date: 08-13-2013
Citation: HSC 6.67 Multiple - California Health and Safety Code, Chapter 6.67, Section(s) Multiple
Violation Description: Haz Waste Generator Program - Administration/Documentation - General
Violation Notes: Returned to compliance on 12/29/2016. Failure to retain Hazardous Waste Manifests for at least 3 years (CCR 66262.40(a))
Violation Division: San Bernardino County Fire Department
Violation Program: HW
Violation Source: CERS,

Site ID: 51415
Site Name: NEEDLES AUTO WRECKING
Violation Date: 08-13-2013
Citation: HSC 6.67 Multiple - California Health and Safety Code, Chapter 6.67, Section(s) Multiple
Violation Description: Haz Waste Generator Program - Operations/Maintenance - General
Violation Notes: Returned to compliance on 08/13/2013. Failure to note accumulation start date on labels (CCR 66262.34(f)(2)) corrected on site- operator properly labeled the used oil and used antifreeze drums
Violation Division: San Bernardino County Fire Department
Violation Program: HW
Violation Source: CERS,

Site ID: 51415
Site Name: NEEDLES AUTO WRECKING
Violation Date: 03-10-2020
Citation: HSC 6.95 25508(a)(1) - California Health and Safety Code, Chapter 6.95, Section(s) 25508(a)(1)
Violation Description: Failure to complete and electronically submit a business plan when storing/handling a hazardous material at or above reportable quantities.
Violation Notes: Returned to compliance on 03/10/2020. OBSERVATION: The Hazardous Materials Business Plan (HMBP) has not been submitted via CERS since 2017. CORRECTIVE ACTION: The HMBP was submitted via CERS while on-site. No further corrective action necessary.
Violation Division: San Bernardino County Fire Department
Violation Program: HMRRP
Violation Source: CERS,

Site ID: 51415
Site Name: NEEDLES AUTO WRECKING
Violation Date: 12-29-2016
Citation: HSC 6.5 Multiple - California Health and Safety Code, Chapter 6.5,

Map ID
Direction
Distance
Elevation

MAP FINDINGS

Site

Database(s)

EDR ID Number
EPA ID Number

NEEDLES AUTO WRECKING (Continued)

S126137971

Violation Description: Section(s) Multiple
Hazardous Waste Generator Program - Operations/Maintenance - General
Violation Notes: Returned to compliance on 09/15/2017. Failure to complete hazardous waste labels (CCR 66262.34(f)(3)) Observed incomplete hazardous waste labels on drums containing hazardous waste.

Violation Division: San Bernardino County Fire Department
Violation Program: HW
Violation Source: CERS,

Site ID: 51415
Site Name: NEEDLES AUTO WRECKING
Violation Date: 08-13-2013
Citation: HSC 6.67 Multiple - California Health and Safety Code, Chapter 6.67, Section(s) Multiple

Violation Description: Haz Waste Generator Program - Operations/Maintenance - General
Violation Notes: Returned to compliance on 12/29/2016. Failure to operate and maintain facility to prevent a fire, spill or release (CCR 66265.31) oily debris observed behind the building

Violation Division: San Bernardino County Fire Department
Violation Program: HW
Violation Source: CERS,

Site ID: 51415
Site Name: NEEDLES AUTO WRECKING
Violation Date: 08-13-2013
Citation: HSC 6.67 Multiple - California Health and Safety Code, Chapter 6.67, Section(s) Multiple

Violation Description: Haz Waste Generator Program - Operations/Maintenance - General
Violation Notes: Returned to compliance on 08/13/2013. Failure to label hazardous waste containers (CCR 66262.34(f)(3)) corrected on site- operator properly labeled the used oil and used antifreeze drums

Violation Division: San Bernardino County Fire Department
Violation Program: HW
Violation Source: CERS,

Site ID: 51415
Site Name: NEEDLES AUTO WRECKING
Violation Date: 12-29-2016
Citation: HSC 6.5 Multiple - California Health and Safety Code, Chapter 6.5, Section(s) Multiple

Violation Description: Hazardous Waste Generator Program - Operations/Maintenance - General
Violation Notes: Returned to compliance on 09/15/2017. Failure to establish a Contingency Plan (CCR 66265.51(a)) Contingency plan was not established at time of inspection.

Violation Division: San Bernardino County Fire Department
Violation Program: HW
Violation Source: CERS,

Evaluation:
Eval General Type: Compliance Evaluation Inspection
Eval Date: 12-29-2016
Violations Found: Yes
Eval Type: Routine done by local agency
Eval Notes: ROUTINE GENERATOR INSPECTION FOR NEEDLES AUTO WRECKING.
Eval Division: San Bernardino County Fire Department
Eval Program: HW
Eval Source: CERS,

Map ID
Direction
Distance
Elevation

MAP FINDINGS

Site

Database(s)

EDR ID Number
EPA ID Number

NEEDLES AUTO WRECKING (Continued)

S126137971

Eval General Type: Compliance Evaluation Inspection
Eval Date: 03-10-2020
Violations Found: Yes
Eval Type: Routine done by local agency
Eval Notes: Not reported
Eval Division: San Bernardino County Fire Department
Eval Program: HMRRP
Eval Source: CERS,

Eval General Type: Compliance Evaluation Inspection
Eval Date: 08-13-2013
Violations Found: Yes
Eval Type: Routine done by local agency
Eval Notes: needles auto wrecking-insp
Eval Division: San Bernardino County Fire Department
Eval Program: HMRRP
Eval Source: CERS,

Eval General Type: Compliance Evaluation Inspection
Eval Date: 08-13-2013
Violations Found: Yes
Eval Type: Routine done by local agency
Eval Notes: needles auto wrecking-insp
Eval Division: San Bernardino County Fire Department
Eval Program: HW
Eval Source: CERS,

Eval General Type: Compliance Evaluation Inspection
Eval Date: 03-10-2020
Violations Found: No
Eval Type: Routine done by local agency
Eval Notes: Not reported
Eval Division: San Bernardino County Fire Department
Eval Program: HW
Eval Source: CERS,

Eval General Type: Compliance Evaluation Inspection
Eval Date: 12-29-2016
Violations Found: Yes
Eval Type: Routine done by local agency
Eval Notes: ROUTINE HANDLER INSPECTION FOR NEEDLES AUTO WRECKING.
Eval Division: San Bernardino County Fire Department
Eval Program: HMRRP
Eval Source: CERS,

Enforcement Action:
Site ID: 51415
Site Name: NEEDLES AUTO WRECKING
Site Address: 5156 ROUTE 66
Site City: NEEDLES
Site Zip: 92363
Enf Action Date: 08-10-2017
Enf Action Type: AEO - Unified Program
Enf Action Description: Administrative Enforcement Order Based on the Unified Program Statute
Enf Action Notes: Fines/Penalties Assessed: \$500.00. FACILITY FAILED TO ELECTRONICALLY SUBMIT / UPDATE BUSINESS PLAN INFORMATION ANNUALLY USING THE STATEWIDE INFORMATION MANAGEMENT SYSTEM.

Map ID
Direction
Distance
Elevation

MAP FINDINGS

Site

Database(s)

EDR ID Number
EPA ID Number

NEEDLES AUTO WRECKING (Continued)

S126137971

Enf Action Division: San Bernardino County Fire Department
Enf Action Program: HMRRP
Enf Action Source: CERS,

Site ID: 51415
Site Name: NEEDLES AUTO WRECKING
Site Address: 5156 ROUTE 66
Site City: NEEDLES
Site Zip: 92363
Enf Action Date: 08-13-2013
Enf Action Type: Notice of Violation (Unified Program)
Enf Action Description: Notice of Violation Issued by the Inspector at the Time of Inspection
Enf Action Notes: Not reported
Enf Action Division: San Bernardino County Fire Department
Enf Action Program: HMRRP
Enf Action Source: CERS,

Site ID: 51415
Site Name: NEEDLES AUTO WRECKING
Site Address: 5156 ROUTE 66
Site City: NEEDLES
Site Zip: 92363
Enf Action Date: 08-13-2013
Enf Action Type: Notice of Violation (Unified Program)
Enf Action Description: Notice of Violation Issued by the Inspector at the Time of Inspection
Enf Action Notes: Not reported
Enf Action Division: San Bernardino County Fire Department
Enf Action Program: HW
Enf Action Source: CERS,

Site ID: 51415
Site Name: NEEDLES AUTO WRECKING
Site Address: 5156 ROUTE 66
Site City: NEEDLES
Site Zip: 92363
Enf Action Date: 12-29-2016
Enf Action Type: Notice of Violation (Unified Program)
Enf Action Description: Notice of Violation Issued by the Inspector at the Time of Inspection
Enf Action Notes: Not reported
Enf Action Division: San Bernardino County Fire Department
Enf Action Program: HMRRP
Enf Action Source: CERS,

Site ID: 51415
Site Name: NEEDLES AUTO WRECKING
Site Address: 5156 ROUTE 66
Site City: NEEDLES
Site Zip: 92363
Enf Action Date: 12-29-2016
Enf Action Type: Notice of Violation (Unified Program)
Enf Action Description: Notice of Violation Issued by the Inspector at the Time of Inspection
Enf Action Notes: Not reported
Enf Action Division: San Bernardino County Fire Department
Enf Action Program: HW
Enf Action Source: CERS,

Map ID
Direction
Distance
Elevation

MAP FINDINGS

Site

Database(s)

EDR ID Number
EPA ID Number

NEEDLES AUTO WRECKING (Continued)

S126137971

Affiliation:

Affiliation Type Desc: CUPA District
Entity Name: San Bernardino County Fire
Entity Title: Not reported
Affiliation Address: 620 South E Street
Affiliation City: San Bernardino
Affiliation State: CA
Affiliation Country: Not reported
Affiliation Zip: 92415-0153
Affiliation Phone: (909) 386-8401,

Affiliation Type Desc: Parent Corporation
Entity Name: NEEDLES AUTO WRECKING
Entity Title: Not reported
Affiliation Address: Not reported
Affiliation City: Not reported
Affiliation State: Not reported
Affiliation Country: Not reported
Affiliation Zip: Not reported
Affiliation Phone: ,

Affiliation Type Desc: Legal Owner
Entity Name: MEYER, DEBORAH
Entity Title: Not reported
Affiliation Address: 5156 Route 66
Affiliation City: NEEDLES
Affiliation State: CA
Affiliation Country: United States
Affiliation Zip: 92363
Affiliation Phone: (909) 917-6678,

Affiliation Type Desc: Identification Signer
Entity Name: william meyer
Entity Title: manager
Affiliation Address: Not reported
Affiliation City: Not reported
Affiliation State: Not reported
Affiliation Country: Not reported
Affiliation Zip: Not reported
Affiliation Phone: ,

Affiliation Type Desc: Environmental Contact
Entity Name: william meyer
Entity Title: Not reported
Affiliation Address: 5156 Route 66
Affiliation City: NEEDLES
Affiliation State: CA
Affiliation Country: Not reported
Affiliation Zip: 92363
Affiliation Phone: ,

Affiliation Type Desc: Facility Mailing Address
Entity Name: Mailing Address
Entity Title: Not reported
Affiliation Address: 5156 Route 66
Affiliation City: NEEDLES
Affiliation State: CA

Map ID
Direction
Distance
Elevation

MAP FINDINGS

Site

Database(s)

EDR ID Number
EPA ID Number

NEEDLES AUTO WRECKING (Continued)

S126137971

Affiliation Country: Not reported
Affiliation Zip: 92363
Affiliation Phone: ,

Affiliation Type Desc: Operator
Entity Name: william meyer
Entity Title: Not reported
Affiliation Address: Not reported
Affiliation City: Not reported
Affiliation State: Not reported
Affiliation Country: Not reported
Affiliation Zip: Not reported
Affiliation Phone: (760) 412-0838,

H30 Target Property
NEEDLES AUTO WRECKING
5156 ROUTE 66
NEEDLES, CA 92363

CERS S126141100
N/A

Site 2 of 2 in cluster H

Actual:
509 ft.

Focus Map:
6

CERS:
Name: NEEDLES AUTO WRECKING
Address: 5156 ROUTE 66
City,State,Zip: NEEDLES, CA 92363
Site ID: 51415
CERS ID: 10042438
CERS Description: Chemical Storage Facilities

Violations:
Site ID: 51415
Site Name: NEEDLES AUTO WRECKING
Violation Date: 12-29-2016
Citation: HSC 6.5 Multiple - California Health and Safety Code, Chapter 6.5, Section(s) Multiple
Violation Description: Hazardous Waste Generator Program - Administration/Documentation - General
Violation Notes: Returned to compliance on 09/15/2017. Failure to maintain used oil disposal receipts for at least 3 years (CHSC 25160.2(b)(3)) Used oil disposal receipts were unavailable for review.
Violation Division: San Bernardino County Fire Department
Violation Program: HW
Violation Source: CERS,

Site ID: 51415
Site Name: NEEDLES AUTO WRECKING
Violation Date: 12-29-2016
Citation: HSC 6.95 25507 - California Health and Safety Code, Chapter 6.95, Section(s) 25507
Violation Description: Failure to adequately establish and implement a business plan when storing/handling a hazardous material at or above reportable quantities.
Violation Notes: Returned to compliance on 09/15/2017. Business plan was not established and implemented.
Violation Division: San Bernardino County Fire Department
Violation Program: HMRRP
Violation Source: CERS,

Map ID
Direction
Distance
Elevation

MAP FINDINGS

Site

Database(s)

EDR ID Number
EPA ID Number

NEEDLES AUTO WRECKING (Continued)

S126141100

Site ID: 51415
Site Name: NEEDLES AUTO WRECKING
Violation Date: 12-29-2016
Citation: HSC 6.5 Multiple - California Health and Safety Code, Chapter 6.5, Section(s) Multiple
Violation Description: Hazardous Waste Generator Program - Operations/Maintenance - General
Violation Notes: Returned to compliance on 09/15/2017. Failure to manage contaminated containers lawfully (CCR 66261.7) Observed empty containers not marked with date which containers became emptied and the words "EMPTY".
Violation Division: San Bernardino County Fire Department
Violation Program: HW
Violation Source: CERS,

Site ID: 51415
Site Name: NEEDLES AUTO WRECKING
Violation Date: 12-29-2016
Citation: HSC 6.95 25508(a)(1) - California Health and Safety Code, Chapter 6.95, Section(s) 25508(a)(1)
Violation Description: Failure to complete and electronically submit a business plan when storing/handling a hazardous material at or above reportable quantities.
Violation Notes: Returned to compliance on 09/15/2017. Business plan has not been completed and electronically submitted into the California Environmental Reporting System.
Violation Division: San Bernardino County Fire Department
Violation Program: HMRRP
Violation Source: CERS,

Site ID: 51415
Site Name: NEEDLES AUTO WRECKING
Violation Date: 12-29-2016
Citation: HSC 6.5 Multiple - California Health and Safety Code, Chapter 6.5, Section(s) Multiple
Violation Description: Hazardous Waste Generator Program - Operations/Maintenance - General
Violation Notes: Returned to compliance on 09/15/2017. Failure to manage hazardous waste lawfully (CHSC 25154) Hazardous waste not managed lawfully.
Violation Division: San Bernardino County Fire Department
Violation Program: HW
Violation Source: CERS,

Site ID: 51415
Site Name: NEEDLES AUTO WRECKING
Violation Date: 08-13-2013
Citation: HSC 6.67 Multiple - California Health and Safety Code, Chapter 6.67, Section(s) Multiple
Violation Description: Haz Waste Generator Program - Administration/Documentation - General
Violation Notes: Returned to compliance on 09/15/2017. Failure to obtain an EPA ID Number (CCR 66262.12(a)) facility was using the previous owners id number
Violation Division: San Bernardino County Fire Department
Violation Program: HW
Violation Source: CERS,

Site ID: 51415
Site Name: NEEDLES AUTO WRECKING
Violation Date: 12-29-2016
Citation: HSC 6.5 Multiple - California Health and Safety Code, Chapter 6.5,

Map ID
Direction
Distance
Elevation

MAP FINDINGS

Site

Database(s)

EDR ID Number
EPA ID Number

NEEDLES AUTO WRECKING (Continued)

S126141100

Section(s) Multiple
Violation Description: Hazardous Waste Generator Program - Operations/Maintenance - General
Violation Notes: Returned to compliance on 09/15/2017. Failure to store hazardous waste in sound containers (CCR 66265.171) Observed a 55 gallon drum of used oil that appeared to be dented with visible rust.

Violation Division: San Bernardino County Fire Department
Violation Program: HW
Violation Source: CERS,

Site ID: 51415
Site Name: NEEDLES AUTO WRECKING
Violation Date: 08-13-2013
Citation: HSC 6.67 Multiple - California Health and Safety Code, Chapter 6.67, Section(s) Multiple

Violation Description: Haz Waste Generator Program - Operations/Maintenance - General
Violation Notes: Returned to compliance on 08/13/2013. Failure to complete hazardous waste labels (CCR 66262.34(f)(3)) corrected on site- operator properly labeled the used oil and used antifreeze drums

Violation Division: San Bernardino County Fire Department
Violation Program: HW
Violation Source: CERS,

Site ID: 51415
Site Name: NEEDLES AUTO WRECKING
Violation Date: 12-29-2016
Citation: HSC 6.5 Multiple - California Health and Safety Code, Chapter 6.5, Section(s) Multiple

Violation Description: Hazardous Waste Generator Program - Administration/Documentation - General
Violation Notes: Returned to compliance on 09/15/2017. Failure to obtain an EPA ID Number (CCR 66262.12(a)) EPA ID was inactive at time of inspection.

Violation Division: San Bernardino County Fire Department
Violation Program: HW
Violation Source: CERS,

Site ID: 51415
Site Name: NEEDLES AUTO WRECKING
Violation Date: 08-13-2013
Citation: HSC 6.95 25505(a) - California Health and Safety Code, Chapter 6.95, Section(s) 25505(a)

Violation Description: Owner/Operator failed to complete and/or submit a Hazardous Materials Business Plan when storing hazardous materials at or above the thresholds quantities of 55 gallons/500 lbs/200 cubic feet.
Violation Notes: Returned to compliance on 09/15/2017.

Violation Division: San Bernardino County Fire Department
Violation Program: HMRRP
Violation Source: CERS,

Site ID: 51415
Site Name: NEEDLES AUTO WRECKING
Violation Date: 12-29-2016
Citation: HSC 6.5 Multiple - California Health and Safety Code, Chapter 6.5, Section(s) Multiple

Violation Description: Hazardous Waste Generator Program - Operations/Maintenance - General
Violation Notes: Returned to compliance on 09/15/2017. Failure to label hazardous waste containers (CCR 66262.34(f)(3)) Observed drum containing hazardous waste without hazardous waste label.

Map ID
Direction
Distance
Elevation

MAP FINDINGS

Site

Database(s)

EDR ID Number
EPA ID Number

NEEDLES AUTO WRECKING (Continued)

S126141100

Violation Division: San Bernardino County Fire Department
Violation Program: HW
Violation Source: CERS,

Site ID: 51415
Site Name: NEEDLES AUTO WRECKING
Violation Date: 12-29-2016
Citation: HSC 6.5 Multiple - California Health and Safety Code, Chapter 6.5, Section(s) Multiple
Violation Description: Hazardous Waste Generator Program - Operations/Maintenance - General
Violation Notes: Returned to compliance on 09/15/2017. Hazardous waste accumulation time exceeded (CCR 66262.34(a)) Accumulation start time could not be determined by the operator through manifests/records or accumulation start time.

Violation Division: San Bernardino County Fire Department
Violation Program: HW
Violation Source: CERS,

Site ID: 51415
Site Name: NEEDLES AUTO WRECKING
Violation Date: 08-13-2013
Citation: HSC 6.67 Multiple - California Health and Safety Code, Chapter 6.67, Section(s) Multiple
Violation Description: Haz Waste Generator Program - Administration/Documentation - General
Violation Notes: Returned to compliance on 09/15/2017. Failure to maintain used oil disposal receipts for at least 3 years (CHSC 25160.2(b)(3))

Violation Division: San Bernardino County Fire Department
Violation Program: HW
Violation Source: CERS,

Site ID: 51415
Site Name: NEEDLES AUTO WRECKING
Violation Date: 12-29-2016
Citation: HSC 6.5 Multiple - California Health and Safety Code, Chapter 6.5, Section(s) Multiple
Violation Description: Hazardous Waste Generator Program - Operations/Maintenance - General
Violation Notes: Returned to compliance on 09/15/2017. Failure to note accumulation start date on labels (CCR 66262.34(f)(2)) Observed drums of hazardous waste with missing accumulation start date.

Violation Division: San Bernardino County Fire Department
Violation Program: HW
Violation Source: CERS,

Site ID: 51415
Site Name: NEEDLES AUTO WRECKING
Violation Date: 08-13-2013
Citation: HSC 6.67 Multiple - California Health and Safety Code, Chapter 6.67, Section(s) Multiple
Violation Description: Haz Waste Generator Program - Administration/Documentation - General
Violation Notes: Returned to compliance on 12/29/2016. Failure to retain Hazardous Waste Manifests for at least 3 years (CCR 66262.40(a))

Violation Division: San Bernardino County Fire Department
Violation Program: HW
Violation Source: CERS,

Site ID: 51415
Site Name: NEEDLES AUTO WRECKING

Map ID
Direction
Distance
Elevation

MAP FINDINGS

Site

Database(s)

EDR ID Number
EPA ID Number

NEEDLES AUTO WRECKING (Continued)

S126141100

Violation Date: 08-13-2013
Citation: HSC 6.67 Multiple - California Health and Safety Code, Chapter 6.67, Section(s) Multiple
Violation Description: Haz Waste Generator Program - Operations/Maintenance - General
Violation Notes: Returned to compliance on 08/13/2013. Failure to note accumulation start date on labels (CCR 66262.34(f)(2)) corrected on site- operator properly labeled the used oil and used antifreeze drums
Violation Division: San Bernardino County Fire Department
Violation Program: HW
Violation Source: CERS,

Site ID: 51415
Site Name: NEEDLES AUTO WRECKING
Violation Date: 03-10-2020
Citation: HSC 6.95 25508(a)(1) - California Health and Safety Code, Chapter 6.95, Section(s) 25508(a)(1)
Violation Description: Failure to complete and electronically submit a business plan when storing/handling a hazardous material at or above reportable quantities.
Violation Notes: Returned to compliance on 03/10/2020. OBSERVATION: The Hazardous Materials Business Plan (HMBP) has not been submitted via CERS since 2017. CORRECTIVE ACTION: The HMBP was submitted via CERS while on-site. No further corrective action necessary.
Violation Division: San Bernardino County Fire Department
Violation Program: HMRRP
Violation Source: CERS,

Site ID: 51415
Site Name: NEEDLES AUTO WRECKING
Violation Date: 12-29-2016
Citation: HSC 6.5 Multiple - California Health and Safety Code, Chapter 6.5, Section(s) Multiple
Violation Description: Hazardous Waste Generator Program - Operations/Maintenance - General
Violation Notes: Returned to compliance on 09/15/2017. Failure to complete hazardous waste labels (CCR 66262.34(f)(3)) Observed incomplete hazardous waste labels on drums containing hazardous waste.
Violation Division: San Bernardino County Fire Department
Violation Program: HW
Violation Source: CERS,

Site ID: 51415
Site Name: NEEDLES AUTO WRECKING
Violation Date: 08-13-2013
Citation: HSC 6.67 Multiple - California Health and Safety Code, Chapter 6.67, Section(s) Multiple
Violation Description: Haz Waste Generator Program - Operations/Maintenance - General
Violation Notes: Returned to compliance on 12/29/2016. Failure to operate and maintain facility to prevent a fire, spill or release (CCR 66265.31) oily debris observed behind the building
Violation Division: San Bernardino County Fire Department
Violation Program: HW
Violation Source: CERS,

Site ID: 51415
Site Name: NEEDLES AUTO WRECKING
Violation Date: 08-13-2013
Citation: HSC 6.67 Multiple - California Health and Safety Code, Chapter 6.67,

Map ID
Direction
Distance
Elevation

MAP FINDINGS

Site

Database(s)

EDR ID Number
EPA ID Number

NEEDLES AUTO WRECKING (Continued)

S126141100

Violation Description: Section(s) Multiple
Violations Notes: Haz Waste Generator Program - Operations/Maintenance - General
Returned to compliance on 08/13/2013. Failure to label hazardous waste
containers (CCR 66262.34(f)(3)) corrected on site- operator properly
labeled the used oil and used antifreeze drums

Violation Division: San Bernardino County Fire Department
Violation Program: HW
Violation Source: CERS,

Site ID: 51415
Site Name: NEEDLES AUTO WRECKING
Violation Date: 12-29-2016
Citation: HSC 6.5 Multiple - California Health and Safety Code, Chapter 6.5,
Section(s) Multiple

Violation Description: Hazardous Waste Generator Program - Operations/Maintenance - General
Violations Notes: Returned to compliance on 09/15/2017. Failure to establish a
Contingency Plan (CCR 66265.51(a)) Contingency plan was not
established at time of inspection.

Violation Division: San Bernardino County Fire Department
Violation Program: HW
Violation Source: CERS,

Evaluation:
Eval General Type: Compliance Evaluation Inspection
Eval Date: 12-29-2016
Violations Found: Yes
Eval Type: Routine done by local agency
Eval Notes: ROUTINE GENERATOR INSPECTION FOR NEEDLES AUTO WRECKING.
Eval Division: San Bernardino County Fire Department
Eval Program: HW
Eval Source: CERS,

Eval General Type: Compliance Evaluation Inspection
Eval Date: 03-10-2020
Violations Found: Yes
Eval Type: Routine done by local agency
Eval Notes: Not reported
Eval Division: San Bernardino County Fire Department
Eval Program: HMRRP
Eval Source: CERS,

Eval General Type: Compliance Evaluation Inspection
Eval Date: 08-13-2013
Violations Found: Yes
Eval Type: Routine done by local agency
Eval Notes: needles auto wrecking-insp
Eval Division: San Bernardino County Fire Department
Eval Program: HMRRP
Eval Source: CERS,

Eval General Type: Compliance Evaluation Inspection
Eval Date: 08-13-2013
Violations Found: Yes
Eval Type: Routine done by local agency
Eval Notes: needles auto wrecking-insp
Eval Division: San Bernardino County Fire Department
Eval Program: HW

Map ID
Direction
Distance
Elevation

MAP FINDINGS

Site

Database(s)

EDR ID Number
EPA ID Number

NEEDLES AUTO WRECKING (Continued)

S126141100

Eval Source: CERS,
Eval General Type: Compliance Evaluation Inspection
Eval Date: 03-10-2020
Violations Found: No
Eval Type: Routine done by local agency
Eval Notes: Not reported
Eval Division: San Bernardino County Fire Department
Eval Program: HW
Eval Source: CERS,

Eval General Type: Compliance Evaluation Inspection
Eval Date: 12-29-2016
Violations Found: Yes
Eval Type: Routine done by local agency
Eval Notes: ROUTINE HANDLER INSPECTION FOR NEEDLES AUTO WRECKING.
Eval Division: San Bernardino County Fire Department
Eval Program: HMRRP
Eval Source: CERS,

Enforcement Action:

Site ID: 51415
Site Name: NEEDLES AUTO WRECKING
Site Address: 5156 ROUTE 66
Site City: NEEDLES
Site Zip: 92363
Enf Action Date: 08-10-2017
Enf Action Type: AEO - Unified Program
Enf Action Description: Administrative Enforcement Order Based on the Unified Program Statute
Enf Action Notes: Fines/Penalties Assessed: \$500.00. FACILITY FAILED TO ELECTRONICALLY SUBMIT / UPDATE BUSINESS PLAN INFORMATION ANNUALLY USING THE STATEWIDE INFORMATION MANAGEMENT SYSTEM.
Enf Action Division: San Bernardino County Fire Department
Enf Action Program: HMRRP
Enf Action Source: CERS,

Site ID: 51415
Site Name: NEEDLES AUTO WRECKING
Site Address: 5156 ROUTE 66
Site City: NEEDLES
Site Zip: 92363
Enf Action Date: 08-13-2013
Enf Action Type: Notice of Violation (Unified Program)
Enf Action Description: Notice of Violation Issued by the Inspector at the Time of Inspection
Enf Action Notes: Not reported
Enf Action Division: San Bernardino County Fire Department
Enf Action Program: HMRRP
Enf Action Source: CERS,

Site ID: 51415
Site Name: NEEDLES AUTO WRECKING
Site Address: 5156 ROUTE 66
Site City: NEEDLES
Site Zip: 92363
Enf Action Date: 08-13-2013
Enf Action Type: Notice of Violation (Unified Program)
Enf Action Description: Notice of Violation Issued by the Inspector at the Time of Inspection

Map ID
Direction
Distance
Elevation

MAP FINDINGS

Site

Database(s)

EDR ID Number
EPA ID Number

NEEDLES AUTO WRECKING (Continued)

S126141100

Enf Action Notes: Not reported
Enf Action Division: San Bernardino County Fire Department
Enf Action Program: HW
Enf Action Source: CERS,

Site ID: 51415
Site Name: NEEDLES AUTO WRECKING
Site Address: 5156 ROUTE 66
Site City: NEEDLES
Site Zip: 92363
Enf Action Date: 12-29-2016
Enf Action Type: Notice of Violation (Unified Program)
Enf Action Description: Notice of Violation Issued by the Inspector at the Time of Inspection
Enf Action Notes: Not reported
Enf Action Division: San Bernardino County Fire Department
Enf Action Program: HMRRP
Enf Action Source: CERS,

Site ID: 51415
Site Name: NEEDLES AUTO WRECKING
Site Address: 5156 ROUTE 66
Site City: NEEDLES
Site Zip: 92363
Enf Action Date: 12-29-2016
Enf Action Type: Notice of Violation (Unified Program)
Enf Action Description: Notice of Violation Issued by the Inspector at the Time of Inspection
Enf Action Notes: Not reported
Enf Action Division: San Bernardino County Fire Department
Enf Action Program: HW
Enf Action Source: CERS,

Affiliation:

Affiliation Type Desc: CUPA District
Entity Name: San Bernardino County Fire
Entity Title: Not reported
Affiliation Address: 620 South E Street
Affiliation City: San Bernardino
Affiliation State: CA
Affiliation Country: Not reported
Affiliation Zip: 92415-0153
Affiliation Phone: (909) 386-8401,

Affiliation Type Desc: Parent Corporation
Entity Name: NEEDLES AUTO WRECKING
Entity Title: Not reported
Affiliation Address: Not reported
Affiliation City: Not reported
Affiliation State: Not reported
Affiliation Country: Not reported
Affiliation Zip: Not reported
Affiliation Phone: ,

Affiliation Type Desc: Legal Owner
Entity Name: MEYER, DEBORAH
Entity Title: Not reported
Affiliation Address: 5156 Route 66
Affiliation City: NEEDLES

Map ID
Direction
Distance
Elevation

MAP FINDINGS

Site

Database(s)

EDR ID Number
EPA ID Number

NEEDLES AUTO WRECKING (Continued)

S126141100

Affiliation State: CA
Affiliation Country: United States
Affiliation Zip: 92363
Affiliation Phone: (909) 917-6678,

Affiliation Type Desc: Identification Signer
Entity Name: william meyer
Entity Title: manager
Affiliation Address: Not reported
Affiliation City: Not reported
Affiliation State: Not reported
Affiliation Country: Not reported
Affiliation Zip: Not reported
Affiliation Phone: ,

Affiliation Type Desc: Environmental Contact
Entity Name: william meyer
Entity Title: Not reported
Affiliation Address: 5156 Route 66
Affiliation City: NEEDLES
Affiliation State: CA
Affiliation Country: Not reported
Affiliation Zip: 92363
Affiliation Phone: ,

Affiliation Type Desc: Facility Mailing Address
Entity Name: Mailing Address
Entity Title: Not reported
Affiliation Address: 5156 Route 66
Affiliation City: NEEDLES
Affiliation State: CA
Affiliation Country: Not reported
Affiliation Zip: 92363
Affiliation Phone: ,

Affiliation Type Desc: Operator
Entity Name: william meyer
Entity Title: Not reported
Affiliation Address: Not reported
Affiliation City: Not reported
Affiliation State: Not reported
Affiliation Country: Not reported
Affiliation Zip: Not reported
Affiliation Phone: (760) 412-0838,

31 Target Property
1X DICKSON, JEAN
RIVER ROAD AND OLD TRAILS HWY
NEEDLES, CA 92363

HAZNET S123738512
HWTS N/A

Actual: 492 ft.
Focus Map: 6
HAZNET:
Name: 1X DICKSON, JEAN
Address: RIVER ROAD AND OLD TRAILS HWY
Address 2: Not reported
City, State, Zip: NEEDLES, CA 923630000
Contact: MELODY PHILLIPS CONTRACTOR
Telephone: 6193262527
Mailing Name: Not reported

Map ID
Direction
Distance
Elevation

MAP FINDINGS

Site

Database(s)

EDR ID Number
EPA ID Number

1X DICKSON, JEAN (Continued)

S123738512

Mailing Address: --
Year: 1991
Gepaid: CAC000615440
TSD EPA ID: CAT080025711
CA Waste Code: 221 - Waste oil and mixed oil
Disposal Method: R01 - Recycler
Tons: 0.9424

HWTS:

Name: 1X DICKSON, JEAN
Address: RIVER ROAD AND OLD TRAILS HWY
Address 2: Not reported
City,State,Zip: NEEDLES, CA 92363
EPA ID: CAC000615440
Inactive Date: 10/25/2000
Create Date: 07/12/1991
Last Act Date: Not reported
Mailing Name: Not reported
Mailing Address: Not reported
Mailing Address 2: Not reported
Mailing City,State,Zip: NEEDLES, CA 923630000
Owner Name: B B COOPER ESTATE
Owner Address: Not reported
Owner Address 2: Not reported
Owner City,State,Zip: Not reported
Contact Name: MELODY PHILLIPS CONTRACTOR
Contact Address: Not reported
Contact Address 2: Not reported
City,State,Zip: Not reported
Facility Status: Inactive
Facility Type: TEMPORARY
Category: STATE
Latitude: 34.863651
Longitude: -114.630989

32 **FLUID HOLDINGS MICROLAB FARMS**
Target **3353 NEEDLES HIGHWAY**
Property **NEEDLES, CA 92363**

NPDES **S126214374**
N/A

Actual:
490 ft.
Focus Map:
6

NPDES:
Name: FLUID HOLDINGS MICROLAB FARMS
Address: 3353 NEEDLES HIGHWAY
City,State,Zip: NEEDLES, CA 92363
Facility Status: Not reported
NPDES Number: Not reported
Region: Not reported
Agency Number: Not reported
Regulatory Measure ID: Not reported
Place ID: Not reported
Order Number: Not reported
WDID: Not reported
Regulatory Measure Type: Construction
Program Type: Not reported
Adoption Date Of Regulatory Measure: Not reported
Effective Date Of Regulatory Measure: Not reported

Map ID
Direction
Distance
Elevation

MAP FINDINGS

Site

Database(s)

EDR ID Number
EPA ID Number

FLUID HOLDINGS MICROLAB FARMS (Continued)

S126214374

Termination Date Of Regulatory Measure: Not reported
Expiration Date Of Regulatory Measure: Not reported
Discharge Address: Not reported
Discharge Name: Not reported
Discharge City: Not reported
Discharge State: Not reported
Discharge Zip: Not reported
Status: Returned
Status Date: 02/05/2020
Operator Name: Fluid Holdings
Operator Address: 297 E Harrison St
Operator City: Corona
Operator State: California
Operator Zip: 92879

I33 3259 NEEDLES HWY
Target 3259 NEEDLES HWY
Property NEEDLES, CA 92363

CERS S123523350
N/A

Site 1 of 10 in cluster I

Actual:
492 ft.

Focus Map:
6

CERS:
Name: 3259 NEEDLES HWY
Address: 3259 NEEDLES HWY
City,State,Zip: NEEDLES, CA 92363
Site ID: 447371
CERS ID: 853565
CERS Description: Agriculture Discharge

Evaluation:
Eval General Type: Compliance Evaluation Inspection
Eval Date: 06-25-2019
Violations Found: No
Eval Type: RWQCB Type B compliance inspection
Eval Notes: Not reported
Eval Division: Water Boards
Eval Program: IRRICANNAB
Eval Source: CIWQS,

Affiliation:
Affiliation Type Desc: Operator
Entity Name: NCA Management, LLC
Entity Title: Not reported
Affiliation Address: Not reported
Affiliation City: Not reported
Affiliation State: Not reported
Affiliation Country: Not reported
Affiliation Zip: Not reported
Affiliation Phone: ,

MAP FINDINGS

Map ID	Direction	Distance	Elevation	Site	Database(s)	EDR ID Number	EPA ID Number
--------	-----------	----------	-----------	------	-------------	---------------	---------------

I34	3247 AM, LLC				ECHO	1024731200	
Target	3247 NEEDLES HIGHWAY						N/A
Property	NEEDLES, CA 92363						

Site 2 of 10 in cluster I

Actual:	ECHO:		
491 ft.	Envid:	1024731200	
Focus Map:	Registry ID:	110070538961	
6	DFR URL:	http://echo.epa.gov/detailed-facility-report?fid=110070538961	
	Name:	3247 AM, LLC	
	Address:	3247 NEEDLES HIGHWAY	
	City,State,Zip:	NEEDLES, CA 92363	

I35	3247 AM LLC	RCRA NonGen / NLR	1025870776
Target	3247 NEEDLES HWY		CAL000443884
Property	NEEDLES, CA 92363		

Site 3 of 10 in cluster I

Actual:	RCRA NonGen / NLR:		
491 ft.	Date Form Received by Agency:	20220426	
Focus Map:	Handler Name:	3247 AM LLC	
6	Handler Address:	3247 NEEDLES HWY	
	Handler City,State,Zip:	NEEDLES, CA 92363	
	EPA ID:	CAL000443884	
	Contact Name:	ROBERT LYONS	
	Contact Address:	NEEDLES HWY	
	Contact City,State,Zip:	NEEDLES, CA 92363	
	Contact Telephone:	760-898-8326	
	Contact Fax:	Not reported	
	Contact Email:	RLYONS@MIH1.COM	
	Contact Title:	Not reported	
	EPA Region:	09	
	Land Type:	Not reported	
	Federal Waste Generator Description:	Not a generator, verified	
	Non-Notifier:	Not reported	
	Biennial Report Cycle:	Not reported	
	Accessibility:	Not reported	
	Active Site Indicator:	Not reported	
	State District Owner:	Not reported	
	State District:	Not reported	
	Mailing Address:	NEEDLES HWY	
	Mailing City,State,Zip:	NEEDLES, CA 92363	
	Owner Name:	3247 AM LLC	
	Owner Type:	Other	
	Operator Name:	3247 AM LLC	
	Operator Type:	Other	
	Short-Term Generator Activity:	No	
	Importer Activity:	No	
	Mixed Waste Generator:	No	
	Transporter Activity:	No	
	Transfer Facility Activity:	No	
	Recycler Activity with Storage:	No	
	Small Quantity On-Site Burner Exemption:	No	
	Smelting Melting and Refining Furnace Exemption:	No	
	Underground Injection Control:	No	
	Off-Site Waste Receipt:	No	
	Universal Waste Indicator:	No	
	Universal Waste Destination Facility:	No	

Map ID
 Direction
 Distance
 Elevation

MAP FINDINGS

Site

Database(s)

EDR ID Number
 EPA ID Number

3247 AM LLC (Continued)

1025870776

Federal Universal Waste:	No
Active Site Fed-Reg Treatment Storage and Disposal Facility:	Not reported
Active Site Converter Treatment storage and Disposal Facility:	Not reported
Active Site State-Reg Treatment Storage and Disposal Facility:	Not reported
Active Site State-Reg Handler:	---
Federal Facility Indicator:	Not reported
Hazardous Secondary Material Indicator:	N
Sub-Part K Indicator:	Not reported
Commercial TSD Indicator:	No
Treatment Storage and Disposal Type:	Not reported
2018 GPRA Permit Baseline:	Not on the Baseline
2018 GPRA Renewals Baseline:	Not on the Baseline
Permit Renewals Workload Universe:	Not reported
Permit Workload Universe:	Not reported
Permit Progress Universe:	Not reported
Post-Closure Workload Universe:	Not reported
Closure Workload Universe:	Not reported
202 GPRA Corrective Action Baseline:	No
Corrective Action Workload Universe:	No
Subject to Corrective Action Universe:	No
Non-TSDFs Where RCRA CA has Been Imposed Universe:	No
TSDFs Potentially Subject to CA Under 3004 (u)/(v) Universe:	No
TSDFs Only Subject to CA under Discretionary Auth Universe:	No
Corrective Action Priority Ranking:	No NCAPS ranking
Environmental Control Indicator:	No
Institutional Control Indicator:	No
Human Exposure Controls Indicator:	N/A
Groundwater Controls Indicator:	N/A
Operating TSDF Universe:	Not reported
Full Enforcement Universe:	Not reported
Significant Non-Complier Universe:	No
Unaddressed Significant Non-Complier Universe:	No
Addressed Significant Non-Complier Universe:	No
Significant Non-Complier With a Compliance Schedule Universe:	No
Financial Assurance Required:	Not reported
Handler Date of Last Change:	20220429
Recognized Trader-Importer:	No
Recognized Trader-Exporter:	No
Importer of Spent Lead Acid Batteries:	No
Exporter of Spent Lead Acid Batteries:	No
Recycler Activity Without Storage:	No
Manifest Broker:	No
Sub-Part P Indicator:	No

Handler - Owner Operator:

Owner/Operator Indicator:	Operator
Owner/Operator Name: 3247 AM LLC	
Legal Status:	Other
Date Became Current:	Not reported
Date Ended Current:	Not reported
Owner/Operator Address:	725 VIA ALONDRA
Owner/Operator City,State,Zip:	CAMARILLO, CA 91012
Owner/Operator Telephone:	888-537-3810
Owner/Operator Telephone Ext:	Not reported
Owner/Operator Fax:	Not reported
Owner/Operator Email:	Not reported

Map ID
Direction
Distance
Elevation

MAP FINDINGS

Site

Database(s)

EDR ID Number
EPA ID Number

3247 AM LLC (Continued)

1025870776

Owner/Operator Indicator: Owner
Owner/Operator Name: 3247 AM LLC
Legal Status: Other
Date Became Current: Not reported
Date Ended Current: Not reported
Owner/Operator Address: 725 VIA ALONDRA
Owner/Operator City,State,Zip: CAMARILLO, CA 91012
Owner/Operator Telephone: 888-537-3810
Owner/Operator Telephone Ext: Not reported
Owner/Operator Fax: Not reported
Owner/Operator Email: Not reported

Owner/Operator Indicator: Operator
Owner/Operator Name: ROBERT LYONS
Legal Status: Other
Date Became Current: Not reported
Date Ended Current: Not reported
Owner/Operator Address: 3247 NEEDLES HWY STE E
Owner/Operator City,State,Zip: NEEDLES, CA 92363
Owner/Operator Telephone: 760-898-8326
Owner/Operator Telephone Ext: Not reported
Owner/Operator Fax: Not reported
Owner/Operator Email: Not reported

Owner/Operator Indicator: Owner
Owner/Operator Name: TODD KAPLAN
Legal Status: Other
Date Became Current: Not reported
Date Ended Current: Not reported
Owner/Operator Address: 29800 AGOURA RD STE 100
Owner/Operator City,State,Zip: AGOURA HILLS, CA 92363
Owner/Operator Telephone: 888-537-3810
Owner/Operator Telephone Ext: Not reported
Owner/Operator Fax: Not reported
Owner/Operator Email: Not reported

Historic Generators:

Receive Date: 20220426
Handler Name: 3247 AM LLC
Federal Waste Generator Description: Not a generator, verified
State District Owner: Not reported
Large Quantity Handler of Universal Waste: No
Recognized Trader Importer: No
Recognized Trader Exporter: No
Spent Lead Acid Battery Importer: No
Spent Lead Acid Battery Exporter: No
Current Record: Yes
Non Storage Recycler Activity: No
Electronic Manifest Broker: No

Receive Date: 20190226
Handler Name: 3247 AM LLC
Federal Waste Generator Description: Not a generator, verified
State District Owner: Not reported
Large Quantity Handler of Universal Waste: No
Recognized Trader Importer: No
Recognized Trader Exporter: No

Map ID
 Direction
 Distance
 Elevation

MAP FINDINGS

Site

Database(s)

EDR ID Number
 EPA ID Number

3247 AM LLC (Continued)

1025870776

Spent Lead Acid Battery Importer: No
 Spent Lead Acid Battery Exporter: No
 Current Record: No
 Non Storage Recycler Activity: Not reported
 Electronic Manifest Broker: Not reported

List of NAICS Codes and Descriptions:

NAICS Code: 325998
 NAICS Description: ALL OTHER MISCELLANEOUS CHEMICAL PRODUCT AND PREPARATION MANUFACTURING

Facility Has Received Notices of Violations:

Violations: No Violations Found

Evaluation Action Summary:

Evaluations: No Evaluations Found

I36 **3247 AM LLC**
Target **3247 NEEDLES HIGHWAY**
Property **NEEDLES, CA 92363**

FINDS **1025465284**
N/A

Site 4 of 10 in cluster I

Actual: **FINDS:**
491 ft. Registry ID: 110070538961

Focus Map:
6 [Click Here for FRS Facility Detail Report:](#)

Environmental Interest/Information System:

AIR EMISSIONS CLASSIFICATION UNKNOWN
 RCRAInfo is a national information system that supports the Resource Conservation and Recovery Act (RCRA) program through the tracking of events and activities related to facilities that generate, transport, and treat, store, or dispose of hazardous waste. RCRAInfo allows RCRA program staff to track the notification, permit, compliance, and corrective action activities required under RCRA.

[Click this hyperlink](#) while viewing on your computer to access additional FINDS: detail in the EDR Site Report.

I37 **3247 AM LLC**
Target **3247 NEEDLES HWY**
Property **NEEDLES, CA 92363**

HWTS **S124929560**
N/A

Site 5 of 10 in cluster I

Actual: **HWTS:**
491 ft. Name: 3247 AM LLC
Focus Map: Address: 3247 NEEDLES HWY
6 Address 2: Not reported
 City,State,Zip: NEEDLES, CA 92363
 EPA ID: CAL000443884
 Inactive Date: Not reported
 Create Date: 02/26/2019
 Last Act Date: Not reported
 Mailing Name: Not reported

Map ID
Direction
Distance
Elevation

MAP FINDINGS

Site

Database(s)

EDR ID Number
EPA ID Number

3247 AM LLC (Continued)

S124929560

Mailing Address: 3247 NEEDLES HIGHWAY, SUITE C
Mailing Address 2: Not reported
Mailing City,State,Zip: NEEDLES, CA 92363
Owner Name: TODD KAPLAN
Owner Address: 29800 AGOURA RD STE 100
Owner Address 2: Not reported
Owner City,State,Zip: AGOURA HILLS, CA 92363
Contact Name: ROBERT LYONS
Contact Address: 3241 NEEDLES HIGHWAY
Contact Address 2: Not reported
City,State,Zip: NEEDLES, CA 92363
Facility Status: Active
Facility Type: PERMANENT
Category: STATE
Latitude: 34.85758312
Longitude: -114.6273573

NAICS:
EPA ID: CAL000443884
Create Date: 2019-02-26 09:10:22.280
NAICS Code: 325998
NAICS Description: All Other Miscellaneous Chemical Product and Preparation Manufacturing
Issued EPA ID Date: 2019-02-26 09:10:22.28000
Inactive Date: Not reported
Facility Name: 3247 AM LLC
Facility Address: 3247 NEEDLES HWY
Facility Address 2: Not reported
Facility City: NEEDLES
Facility County: Not reported
Facility State: CA
Facility Zip: 92363

EPA ID: CAL000443884
Create Date: 2019-02-26 09:10:22.280
NAICS Code: 325998
NAICS Description: All Other Miscellaneous Chemical Product and Preparation Manufacturing
Issued EPA ID Date: 2019-02-26 09:10:22.28000
Inactive Date: Not reported
Facility Name: 3247 AM LLC
Facility Address: 3247 NEEDLES HWY
Facility Address 2: Not reported
Facility City: NEEDLES
Facility County: Not reported
Facility State: CA
Facility Zip: 92363

I38 **3247 CM LLC**
Target **3247 NEEDLES HIGHWAY**
Property **NEEDLES, CA 92363**

HAZNET **S124929177**
HWTS **N/A**

Site 6 of 10 in cluster I

Actual: **HAZNET:**
491 ft. **Name:** 3247 CM LLC
Focus Map: **Address:** 3247 NEEDLES HIGHWAY
6 **Address 2:** Not reported
 City,State,Zip: NEEDLES, CA 92363

Map ID
Direction
Distance
Elevation

MAP FINDINGS

Site

Database(s)

EDR ID Number
EPA ID Number

3247 CM LLC (Continued)

S124929177

Contact: ROBERT LYONS
Telephone: 7608988326
Mailing Name: Not reported
Mailing Address: 3247 NEEDLES HIGHWAY SUITE C

Year: 2019
Gepaid: CAL000443476
TSD EPA ID: CAD008252405
CA Waste Code: 212 - Oxygenated solvents (acetone, butanol, ethyl acetate, etc.)
Disposal Method: H061 - Fuel Blending Prior To Energy Recovery At Another Site
Tons: 4.55000

HWTS:

Name: 3247 CM LLC
Address: 3247 NEEDLES HIGHWAY
Address 2: Not reported
City,State,Zip: NEEDLES, CA 92363
EPA ID: CAL000443476
Inactive Date: 06/30/2020
Create Date: 02/12/2019
Last Act Date: Not reported
Mailing Name: Not reported
Mailing Address: 3247 NEEDLES HIGHWAY, SUITE C
Mailing Address 2: Not reported
Mailing City,State,Zip: NEEDLES, CA 92363
Owner Name: TODD KAPLAN
Owner Address: 29800 AGOURA RD STE 100
Owner Address 2: Not reported
Owner City,State,Zip: AGOURA HILLS, CA 92363
Contact Name: ROBERT LYONS
Contact Address: 3241 NEEDLES HIGHWAY
Contact Address 2: Not reported
City,State,Zip: NEEDLES, CA 92363
Facility Status: Inactive
Facility Type: PERMANENT
Category: STATE
Latitude: 34.85758312
Longitude: -114.62735726

NAICS:

EPA ID: CAL000443476
Create Date: 2019-02-12 09:06:31.263
NAICS Code: 324199
NAICS Description: All Other Petroleum and Coal Products Manufacturing
Issued EPA ID Date: 2019-02-12 09:06:31.26300
Inactive Date: 2020-06-30 00:00:00
Facility Name: 3247 CM LLC
Facility Address: 3247 NEEDLES HIGHWAY
Facility Address 2: Not reported
Facility City: NEEDLES
Facility County: Not reported
Facility State: CA
Facility Zip: 92363

Map ID
 Direction
 Distance
 Elevation

MAP FINDINGS

Site

Database(s)

EDR ID Number
 EPA ID Number

I39	3247 CM LLC	RCRA NonGen / NLR	1024874818
Target Property	3247 NEEDLES HIGHWAY NEEDLES, CA 92363		CAL000443476

Site 7 of 10 in cluster I

Actual:	RCRA NonGen / NLR:		
491 ft.	Date Form Received by Agency:		20190212
Focus Map:	Handler Name:	3247 CM LLC	
6	Handler Address:		3247 NEEDLES HIGHWAY
	Handler City,State,Zip:		NEEDLES, CA 92363
	EPA ID:		CAL000443476
	Contact Name:		ROBERT LYONS
	Contact Address:		3247 NEEDLES HIGHWAY
	Contact City,State,Zip:		NEEDLES, CA 92363
	Contact Telephone:		760-898-8326
	Contact Fax:		Not reported
	Contact Email:		RLYONS@MIH1.COM
	Contact Title:		Not reported
	EPA Region:		09
	Land Type:		Not reported
	Federal Waste Generator Description:		Not a generator, verified
	Non-Notifier:		Not reported
	Biennial Report Cycle:		Not reported
	Accessibility:		Not reported
	Active Site Indicator:		Handler Activities
	State District Owner:		Not reported
	State District:		Not reported
	Mailing Address:		3247 NEEDLES HIGHWAY
	Mailing City,State,Zip:		NEEDLES, CA 92363
	Owner Name:	TODD KAPLAN	
	Owner Type:		Other
	Operator Name:	ROBERT LYONS	
	Operator Type:		Other
	Short-Term Generator Activity:		No
	Importer Activity:		No
	Mixed Waste Generator:		No
	Transporter Activity:		No
	Transfer Facility Activity:		No
	Recycler Activity with Storage:		No
	Small Quantity On-Site Burner Exemption:		No
	Smelting Melting and Refining Furnace Exemption:		No
	Underground Injection Control:		No
	Off-Site Waste Receipt:		No
	Universal Waste Indicator:		Yes
	Universal Waste Destination Facility:		Yes
	Federal Universal Waste:		No
	Active Site Fed-Reg Treatment Storage and Disposal Facility:		Not reported
	Active Site Converter Treatment storage and Disposal Facility:		Not reported
	Active Site State-Reg Treatment Storage and Disposal Facility:		Not reported
	Active Site State-Reg Handler:		---
	Federal Facility Indicator:		Not reported
	Hazardous Secondary Material Indicator:		N
	Sub-Part K Indicator:		Not reported
	Commercial TSD Indicator:		No
	Treatment Storage and Disposal Type:		Not reported
	2018 GPRA Permit Baseline:		Not on the Baseline
	2018 GPRA Renewals Baseline:		Not on the Baseline
	Permit Renewals Workload Universe:		Not reported

Map ID
 Direction
 Distance
 Elevation

MAP FINDINGS

Site

Database(s)

EDR ID Number
 EPA ID Number

3247 CM LLC (Continued)

1024874818

Permit Workload Universe:	Not reported
Permit Progress Universe:	Not reported
Post-Closure Workload Universe:	Not reported
Closure Workload Universe:	Not reported
202 GPRA Corrective Action Baseline:	No
Corrective Action Workload Universe:	No
Subject to Corrective Action Universe:	No
Non-TSDFs Where RCRA CA has Been Imposed Universe:	No
TSDFs Potentially Subject to CA Under 3004 (u)/(v) Universe:	No
TSDFs Only Subject to CA under Discretionary Auth Universe:	No
Corrective Action Priority Ranking:	No NCAPS ranking
Environmental Control Indicator:	No
Institutional Control Indicator:	No
Human Exposure Controls Indicator:	N/A
Groundwater Controls Indicator:	N/A
Operating TSDF Universe:	Not reported
Full Enforcement Universe:	Not reported
Significant Non-Complier Universe:	No
Unaddressed Significant Non-Complier Universe:	No
Addressed Significant Non-Complier Universe:	No
Significant Non-Complier With a Compliance Schedule Universe:	No
Financial Assurance Required:	Not reported
Handler Date of Last Change:	20190222
Recognized Trader-Importer:	No
Recognized Trader-Exporter:	No
Importer of Spent Lead Acid Batteries:	No
Exporter of Spent Lead Acid Batteries:	No
Recycler Activity Without Storage:	No
Manifest Broker:	No
Sub-Part P Indicator:	No

Handler - Owner Operator:

Owner/Operator Indicator:	Owner
Owner/Operator Name: TODD KAPLAN	
Legal Status:	Other
Date Became Current:	Not reported
Date Ended Current:	Not reported
Owner/Operator Address:	29800 AGOURA RD STE 100
Owner/Operator City,State,Zip:	AGOURA HILLS, CA 92363
Owner/Operator Telephone:	888-537-3810
Owner/Operator Telephone Ext:	Not reported
Owner/Operator Fax:	Not reported
Owner/Operator Email:	Not reported

Owner/Operator Indicator:	Operator
Owner/Operator Name: ROBERT LYONS	
Legal Status:	Other
Date Became Current:	Not reported
Date Ended Current:	Not reported
Owner/Operator Address:	3247 NEEDLES HIGHWAY
Owner/Operator City,State,Zip:	NEEDLES, CA 92363
Owner/Operator Telephone:	760-898-8326
Owner/Operator Telephone Ext:	Not reported
Owner/Operator Fax:	Not reported
Owner/Operator Email:	Not reported

Map ID
 Direction
 Distance
 Elevation

MAP FINDINGS

Site

Database(s)

EDR ID Number
 EPA ID Number

3247 CM LLC (Continued)

1024874818

Historic Generators:

Receive Date:	20190212
Handler Name:	3247 CM LLC
Federal Waste Generator Description:	Not a generator, verified
State District Owner:	Not reported
Large Quantity Handler of Universal Waste:	No
Recognized Trader Importer:	No
Recognized Trader Exporter:	No
Spent Lead Acid Battery Importer:	No
Spent Lead Acid Battery Exporter:	No
Current Record:	Yes
Non Storage Recycler Activity:	Not reported
Electronic Manifest Broker:	Not reported

List of NAICS Codes and Descriptions:

NAICS Code:	324199
NAICS Description:	ALL OTHER PETROLEUM AND COAL PRODUCTS MANUFACTURING

Facility Has Received Notices of Violations:

Violations:	No Violations Found
-------------	---------------------

Evaluation Action Summary:

Evaluations:	No Evaluations Found
--------------	----------------------

I40 **3247 AM, LLC**
Target **3247 NEEDLES HIGHWAY, SUITE A**
Property **NEEDLES, CA 92363**

EMI S127522885
N/A

Site 8 of 10 in cluster I

Actual:
491 ft.

Focus Map:
6

EMI:	
Name:	3247 AM, LLC
Address:	3247 NEEDLES HIGHWAY, SUITE A
City,State,Zip:	NEEDLES, CA 92363
Year:	2019
County Code:	36
Air Basin:	MD
Facility ID:	3868
Air District Name:	MOJ
SIC Code:	2833
Air District Name:	MOJAVE DESERT AQMD
Community Health Air Pollution Info System:	Not reported
Consolidated Emission Reporting Rule:	Not reported
Total Organic Hydrocarbon Gases Tons/Yr:	1.99999571
Reactive Organic Gases Tons/Yr:	1.99999571
Carbon Monoxide Emissions Tons/Yr:	Not reported
NOX - Oxides of Nitrogen Tons/Yr:	Not reported
SOX - Oxides of Sulphur Tons/Yr:	Not reported
Particulate Matter Tons/Yr:	Not reported
Part. Matter 10 Micrometers and Smlr Tons/Yr:	Not reported

Map ID
Direction
Distance
Elevation

MAP FINDINGS

Site

Database(s) EDR ID Number
EPA ID Number

I41 3241 NEEDLES HWY
Target 3241 NEEDLES HIGHWAY
Property NEEDLES, CA 92363

EMI S127522892
ENF N/A

Site 9 of 10 in cluster I

Actual: 492 ft. EMI:
Focus Map: 6
Name: 3247 AM, LLC - 3241 NEEDLES HWY
Address: 3241 NEEDLES HIGHWAY
City,State,Zip: NEEDLES, CA 92363
Year: 2019
County Code: 36
Air Basin: MD
Facility ID: 3894
Air District Name: MOJ
SIC Code: 2833
Air District Name: MOJAVE DESERT AQMD
Community Health Air Pollution Info System: Not reported
Consolidated Emission Reporting Rule: Not reported
Total Organic Hydrocarbon Gases Tons/Yr: 0.9016712
Reactive Organic Gases Tons/Yr: 0.9016712
Carbon Monoxide Emissions Tons/Yr: Not reported
NOX - Oxides of Nitrogen Tons/Yr: Not reported
SOX - Oxides of Sulphur Tons/Yr: Not reported
Particulate Matter Tons/Yr: Not reported
Part. Matter 10 Micrometers and Smllr Tons/Yr: Not reported

ENF:
Name: 3241 NEEDLES HWY
Address: 3241 NEEDLES HIGHWAY
City,State,Zip: NEEDLES, CA 92363
Region: Not reported
Facility Id: 850374
Agency Name: NCA Management, LLC
Place Type: Irrigated Land
Place Subtype: Cannabis Site
Facility Type: Agricultural
Agency Type: Privately-Owned Business
Of Agencies: 1
Place Latitude: 34.856347
Place Longitude: -114.627411
SIC Code 1: Not reported
SIC Desc 1: Not reported
SIC Code 2: Not reported
SIC Desc 2: Not reported
SIC Code 3: Not reported
SIC Desc 3: Not reported
NAICS Code 1: Not reported
NAICS Desc 1: Not reported
NAICS Code 2: Not reported
NAICS Desc 2: Not reported
NAICS Code 3: Not reported
NAICS Desc 3: Not reported
Of Places: 1
Source Of Facility: Reg Meas
Design Flow: Not reported
Threat To Water Quality: Not reported
Complexity: Not reported
Pretreatment: Not reported

Map ID
Direction
Distance
Elevation

MAP FINDINGS

Site

Database(s)

EDR ID Number
EPA ID Number

3241 NEEDLES HWY (Continued)

S127522892

Facility Waste Type: Not reported
Facility Waste Type 2: Not reported
Facility Waste Type 3: Not reported
Facility Waste Type 4: Not reported
Program: IRRICANNABIS
Program Category1: IRRI
Program Category2: Not reported
Of Programs: 1
WDID: 7_36CC403989
Reg Measure Id: 424735
Reg Measure Type: Enrollee - Waiver
Region: Not reported
Order #: 2019-0001-DWQ
Npdes# CA#: Not reported
Major-Minor: Not reported
Npdes Type: Not reported
Reclamation: Not reported
Dredge Fill Fee: Not reported
301H: Not reported
Application Fee Amt Received: 600
Status: Active
Status Date: 2019-08-29 00:00:00
Effective Date: 09/13/2018
Expiration/Review Date: 2024-04-15 00:00:00
Termination Date: Not reported
WDR Review - Amend: Not reported
WDR Review - Revise/Renew: Not reported
WDR Review - Rescind: Not reported
WDR Review - No Action Required: Not reported
WDR Review - Pending: Not reported
WDR Review - Planned: Not reported
Status Enrollee: N
Individual/General: I
Fee Code: 125 - Cannabis Cultivation (Statewide)
Direction/Voice: Passive
Enforcement Id(EID): 433899
Region: Not reported
Order / Resolution Number: Not reported
Enforcement Action Type: Staff Enforcement Letter
Effective Date: 2019-06-25
Adoption/Issuance Date: 06/25/2019
Achieve Date: Not reported
Termination Date: 2019-06-27 00:00:00
ACL Issuance Date: Not reported
EPL Issuance Date: Not reported
Status: Historical
Title: SEL 06/25/2019 for NCA Management, LLC
Description: Not reported
Program: Not reported
Latest Milestone Completion Date: Not reported
Of Programs1: Not reported
Total Assessment Amount: Not reported
Initial Assessed Amount: Not reported
Liability \$ Amount: Not reported
Project \$ Amount: Not reported
Liability \$ Paid: Not reported
Project \$ Completed: Not reported

Map ID
Direction
Distance
Elevation

MAP FINDINGS

Site

Database(s)

EDR ID Number
EPA ID Number

3241 NEEDLES HWY (Continued)

S127522892

Total \$ Paid/Completed Amount: Not reported

Name: 3241 NEEDLES HWY
Address: 3241 NEEDLES HIGHWAY
City,State,Zip: NEEDLES, CA 92363
Region: Not reported
Facility Id: 850374
Agency Name: NCA Management, LLC
Place Type: Irrigated Land
Place Subtype: Cannabis Site
Facility Type: Agricultural
Agency Type: Privately-Owned Business
Of Agencies: 1
Place Latitude: 34.856347
Place Longitude: -114.627411
SIC Code 1: Not reported
SIC Desc 1: Not reported
SIC Code 2: Not reported
SIC Desc 2: Not reported
SIC Code 3: Not reported
SIC Desc 3: Not reported
NAICS Code 1: Not reported
NAICS Desc 1: Not reported
NAICS Code 2: Not reported
NAICS Desc 2: Not reported
NAICS Code 3: Not reported
NAICS Desc 3: Not reported
Of Places: 1
Source Of Facility: Reg Meas
Design Flow: Not reported
Threat To Water Quality: Not reported
Complexity: Not reported
Pretreatment: Not reported
Facility Waste Type: Not reported
Facility Waste Type 2: Not reported
Facility Waste Type 3: Not reported
Facility Waste Type 4: Not reported
Program: IRRICANNABIS
Program Category1: IRRRI
Program Category2: Not reported
Of Programs: 1
WDID: 7_36CC403989
Reg Measure Id: 424735
Reg Measure Type: Enrollee - Waiver
Region: Not reported
Order #: 2019-0001-DWQ
Npdes# CA#: Not reported
Major-Minor: Not reported
Npdes Type: Not reported
Reclamation: Not reported
Dredge Fill Fee: Not reported
301H: Not reported
Application Fee Amt Received: 600
Status: Active
Status Date: 2019-08-29 00:00:00
Effective Date: 09/13/2018
Expiration/Review Date: 2024-04-15 00:00:00

Map ID
 Direction
 Distance
 Elevation

MAP FINDINGS

Site

Database(s)

EDR ID Number
 EPA ID Number

3241 NEEDLES HWY (Continued)

S127522892

Termination Date: Not reported
 WDR Review - Amend: Not reported
 WDR Review - Revise/Renew: Not reported
 WDR Review - Rescind: Not reported
 WDR Review - No Action Required: Not reported
 WDR Review - Pending: Not reported
 WDR Review - Planned: Not reported
 Status Enrollee: N
 Individual/General: I
 Fee Code: 125 - Cannabis Cultivation (Statewide)
 Direction/Voice: Passive
 Enforcement Id(EID): 435063
 Region: Not reported
 Order / Resolution Number: Not reported
 Enforcement Action Type: Notice of Violation
 Effective Date: 2019-10-22
 Adoption/Issuance Date: 10/22/2019
 Achieve Date: Not reported
 Termination Date: 2019-12-27 00:00:00
 ACL Issuance Date: Not reported
 EPL Issuance Date: Not reported
 Status: Historical
 Title: NOV 10/22/2019 for NCA Management, LLC
 Description: Not reported
 Program: Not reported
 Latest Milestone Completion Date: 2019-11-18 00:00:00
 # Of Programs1: Not reported
 Total Assessment Amount: Not reported
 Initial Assessed Amount: Not reported
 Liability \$ Amount: Not reported
 Project \$ Amount: Not reported
 Liability \$ Paid: Not reported
 Project \$ Completed: Not reported
 Total \$ Paid/Completed Amount: Not reported

I42
 Target
 Property

3247 AM, LLC - 3241 NEEDLES HWY
3241 NEEDLES HIGHWAY
NEEDLES, CA 92363

FINDS 1027125527
N/A

Site 10 of 10 in cluster I

Actual:
492 ft.

FINDS:
 Registry ID: 110071175532

Focus Map:
6

Click Here for FRS Facility Detail Report:

Environmental Interest/Information System:
 AIR EMISSIONS CLASSIFICATION UNKNOWN

Click this hyperlink while viewing on your computer to access additional FINDS: detail in the EDR Site Report.

Map ID
Direction
Distance
Elevation

MAP FINDINGS

Site

Database(s)

EDR ID Number
EPA ID Number

43 **NEEDLES TRUCK PLAZA**
Target **3131 RIVER RD**
Property **NEEDLES, CA 92363**

EDR Hist Auto **1020279465**
 N/A

EDR Hist Auto

Actual:	Year:	Name:	Type:
491 ft.	1985	NEEDLES TRUCK PLAZA	Gasoline Service Stations
Focus Map: 6	1986	NEEDLES TRUCK PLAZA	Gasoline Service Stations
	1987	NEEDLES TRUCK PLAZA	Gasoline Service Stations
	1988	NEEDLES TRUCK PLAZA	Gasoline Service Stations
	1989	NEEDLES TRUCK PLAZA	Gasoline Service Stations, NEC
	1990	NEEDLES TRUCK PLAZA	Gasoline Service Stations, NEC
	1991	NEEDLES TRUCK PLAZA	Gasoline Service Stations, NEC
	1992	NEEDLES TRUCK PLAZA	Gasoline Service Stations, NEC
	1993	NEEDLES TRUCK PLAZA	Gasoline Service Stations, NEC
	1994	NEEDLES TRUCK PLAZA	Gasoline Service Stations, NEC
	1995	NEEDLES TRUCK PLAZA	Gasoline Service Stations, NEC
	1996	NEEDLES TRUCK PLAZA	Gasoline Service Stations, NEC
	2000	NEEDLES TRUCK PLAZA	Gasoline Service Stations, NEC
	2001	NEEDLES TRUCK PLAZA	Gasoline Service Stations, NEC
	2002	NEEDLES TRUCK PLAZA	Gasoline Service Stations, NEC
2003	NEEDLES TRUCK PLAZA	Gasoline Service Stations, NEC	
2004	NEEDLES TRUCK PLAZA	Gasoline Service Stations, NEC	
2005	NEEDLES TRUCK PLAZA	Gasoline Service Stations, NEC	
2006	NEEDLES TRUCK PLAZA	Gasoline Service Stations, NEC	
2007	NEEDLES TRUCK PLAZA	Gasoline Service Stations, NEC	
2008	NEEDLES TRUCK PLAZA	Gasoline Service Stations, NEC	

J44 **GREAT WESTERN DIESEL**
Target **211 BALBOA PLACE**
Property **NEEDLES, CA 92363**

LUST **S101301195**
CPS-SLIC **N/A**
SWEEPS UST
HIST CORTESE
San Bern. Co. Permit
CERS
HWTS

Site 1 of 4 in cluster J

Actual:
495 ft.

Focus Map: LUST REG 7:
6 Region: 7
 Status: 9 - Case Closed
 Case Num: 7T2363009
 Substance: Diesel fuel oil and additives
 ID: 805
 Global ID: T0607101007
 Lead Agency: Local Agency
 Case Worker: KO

CPS-SLIC:
Name: GREAT WESTERN DIESEL
Address: 211 BALBOA PLACE
City,State,Zip: NEEDLES, CA 92363
Region: STATE
Facility Status: Completed - Case Closed
Status Date: 11/25/1996
Global Id: T0607101007
Lead Agency: SAN BERNARDINO COUNTY
Lead Agency Case Number: 90188
Latitude: 34.8556623
Longitude: -114.6254205

Map ID
Direction
Distance
Elevation

MAP FINDINGS

Site

Database(s)

EDR ID Number
EPA ID Number

GREAT WESTERN DIESEL (Continued)

S101301195

Case Type: Cleanup Program Site
Case Worker: CR2
Local Agency: SAN BERNARDINO COUNTY
RB Case Number: 7T2363009
File Location: Local Agency
Potential Media Affected: Soil
Potential Contaminants of Concern: Diesel
Site History: Not reported

[Click here to access the California GeoTracker records for this facility:](#)

SWEEPS UST:

Name: GREAT WESTERN DIESEL
Address: 211 BALBOA
City: NEEDLES
Status: Active
Comp Number: 200
Number: 2
Board Of Equalization: Not reported
Referral Date: 03-23-92
Action Date: 03-23-92
Created Date: 12-05-89
Owner Tank Id: Not reported
SWRCB Tank Id: Not reported
Tank Status: Not reported
Capacity: Not reported
Active Date: Not reported
Tank Use: Not reported
STG: Not reported
Content: Not reported
Number Of Tanks: Not reported

Name: GREAT WESTERN DIESEL
Address: 211 BALBOA
City: NEEDLES
Status: Not reported
Comp Number: 200
Number: Not reported
Board Of Equalization: Not reported
Referral Date: Not reported
Action Date: Not reported
Created Date: Not reported
Owner Tank Id: Not reported
SWRCB Tank Id: 36-000-000200-000001
Tank Status: Not reported
Capacity: 500
Active Date: Not reported
Tank Use: OIL
STG: WASTE
Content: WASTE OIL
Number Of Tanks: 1

HIST CORTESE:

edr_fname: GREAT WESTERN DIESEL
edr_fadd1: 211 BALBOA
City,State,Zip: NEEDLES, CA 92363

Map ID
Direction
Distance
Elevation

MAP FINDINGS

Site

Database(s)

EDR ID Number
EPA ID Number

GREAT WESTERN DIESEL (Continued)

S101301195

Region: CORTESE
Facility County Code: 36
Reg By: LTNKA
Reg Id: 71T2363009

San Bern. Co. Permit:

Name: GREAT WEST TRUCK, INC
Address: 211 BALBOA PL
City,State,Zip: NEEDLES, CA 92363
Region: SAN BERNARDINO
Facility ID: FA0003555
Owner: A. LAMONT WOLSEY
Permit Number: PT0003779
Permit Category: SMALL QUANTITY GENERATOR
Facility Status: INACTIVE
Expiration Date: 05/31/2022

Name: GREAT WEST TRUCK, INC
Address: 211 BALBOA PL
City,State,Zip: NEEDLES, CA 92363
Region: SAN BERNARDINO
Facility ID: FA0003555
Owner: A. LAMONT WOLSEY
Permit Number: PT0003778
Permit Category: HAZARDOUS MATERIALS 4-10 CHEMICALS
Facility Status: INACTIVE
Expiration Date: 05/31/2022

CERS:

Name: GREAT WESTERN DIESEL
Address: 211 BALBOA PLACE
City,State,Zip: NEEDLES, CA 92363
Site ID: 223444
CERS ID: T0607101007
CERS Description: Cleanup Program Site

Affiliation:

Affiliation Type Desc: Local Agency Caseworker
Entity Name: CATHERINE RICHARDS - SAN BERNARDINO COUNTY
Entity Title: Not reported
Affiliation Address: 620 SOUTH E STREET
Affiliation City: SAN BERNARDINO
Affiliation State: CA
Affiliation Country: Not reported
Affiliation Zip: Not reported
Affiliation Phone: 9093868419,

HWTS:

Name: GREAT WESTERN DIESEL
Address: 211 BALBOA
Address 2: Not reported
City,State,Zip: NEEDLES, CA 92363
EPA ID: CAL000033712
Inactive Date: 06/30/1998
Create Date: 05/16/1990

Map ID
 Direction
 Distance
 Elevation

MAP FINDINGS

Site

Database(s)

EDR ID Number
 EPA ID Number

GREAT WESTERN DIESEL (Continued)

S101301195

Last Act Date:	Not reported
Mailing Name:	Not reported
Mailing Address:	PO BOX 473
Mailing Address 2:	Not reported
Mailing City,State,Zip:	NEEDLES, CA 923630473
Owner Name:	WOLSEY LAMONT A
Owner Address:	Not reported
Owner Address 2:	Not reported
Owner City,State,Zip:	Not reported
Contact Name:	KARLA CONNOLLY
Contact Address:	INACTIVE PER VQ98 - BMI
Contact Address 2:	Not reported
City,State,Zip:	Not reported
Facility Status:	Inactive
Facility Type:	PERMANENT
Category:	STATE
Latitude:	34.856644
Longitude:	-114.626894

J45 DEER PARK DEVELOPMENT INC
Target 366 ROUTE 66 PLACE
Property NEEDLES, CA 92363

RCRA NonGen / NLR 1027070638
CAC003142099

Site 2 of 4 in cluster J

Actual:	RCRA NonGen / NLR:	
493 ft.	Date Form Received by Agency:	20211005
Focus Map:	Handler Name:	DEER PARK DEVELOPMENT INC
6	Handler Address:	366 ROUTE 66 PLACE
	Handler City,State,Zip:	NEEDLES, CA 92363
	EPA ID:	CAC003142099
	Contact Name:	RON KEMPER
	Contact Address:	1980 ORANGE TREE LANE
	Contact City,State,Zip:	REDLANDS, CA 92374
	Contact Telephone:	909-744-7504
	Contact Fax:	Not reported
	Contact Email:	RON@RONKEMPER.COM
	Contact Title:	Not reported
	EPA Region:	09
	Land Type:	Not reported
	Federal Waste Generator Description:	Not a generator, verified
	Non-Notifier:	Not reported
	Biennial Report Cycle:	Not reported
	Accessibility:	Not reported
	Active Site Indicator:	Not reported
	State District Owner:	Not reported
	State District:	Not reported
	Mailing Address:	1980 ORANGE TREE LANE
	Mailing City,State,Zip:	REDLANDS, CA 92374
	Owner Name:	DEER PARK DEVELOPMENT INC
	Owner Type:	Other
	Operator Name:	RON KEMPER
	Operator Type:	Other
	Short-Term Generator Activity:	No
	Importer Activity:	No
	Mixed Waste Generator:	No
	Transporter Activity:	No
	Transfer Facility Activity:	No

Map ID
 Direction
 Distance
 Elevation

MAP FINDINGS

Site

Database(s)

EDR ID Number
 EPA ID Number

DEER PARK DEVELOPMENT INC (Continued)

1027070638

Recycler Activity with Storage:	No
Small Quantity On-Site Burner Exemption:	No
Smelting Melting and Refining Furnace Exemption:	No
Underground Injection Control:	No
Off-Site Waste Receipt:	No
Universal Waste Indicator:	No
Universal Waste Destination Facility:	No
Federal Universal Waste:	No
Active Site Fed-Reg Treatment Storage and Disposal Facility:	Not reported
Active Site Converter Treatment storage and Disposal Facility:	Not reported
Active Site State-Reg Treatment Storage and Disposal Facility:	Not reported
Active Site State-Reg Handler:	---
Federal Facility Indicator:	Not reported
Hazardous Secondary Material Indicator:	N
Sub-Part K Indicator:	Not reported
Commercial TSD Indicator:	No
Treatment Storage and Disposal Type:	Not reported
2018 GPRA Permit Baseline:	Not on the Baseline
2018 GPRA Renewals Baseline:	Not on the Baseline
Permit Renewals Workload Universe:	Not reported
Permit Workload Universe:	Not reported
Permit Progress Universe:	Not reported
Post-Closure Workload Universe:	Not reported
Closure Workload Universe:	Not reported
202 GPRA Corrective Action Baseline:	No
Corrective Action Workload Universe:	No
Subject to Corrective Action Universe:	No
Non-TSDFs Where RCRA CA has Been Imposed Universe:	No
TSDFs Potentially Subject to CA Under 3004 (u)/(v) Universe:	No
TSDFs Only Subject to CA under Discretionary Auth Universe:	No
Corrective Action Priority Ranking:	No NCAPS ranking
Environmental Control Indicator:	No
Institutional Control Indicator:	No
Human Exposure Controls Indicator:	N/A
Groundwater Controls Indicator:	N/A
Operating TSDF Universe:	Not reported
Full Enforcement Universe:	Not reported
Significant Non-Complier Universe:	No
Unaddressed Significant Non-Complier Universe:	No
Addressed Significant Non-Complier Universe:	No
Significant Non-Complier With a Compliance Schedule Universe:	No
Financial Assurance Required:	Not reported
Handler Date of Last Change:	20211005
Recognized Trader-Importer:	No
Recognized Trader-Exporter:	No
Importer of Spent Lead Acid Batteries:	No
Exporter of Spent Lead Acid Batteries:	No
Recycler Activity Without Storage:	No
Manifest Broker:	No
Sub-Part P Indicator:	No

Handler - Owner Operator:

Owner/Operator Indicator:	Owner
Owner/Operator Name:	DEER PARK DEVELOPMENT INC
Legal Status:	Other
Date Became Current:	Not reported

Map ID
Direction
Distance
Elevation

MAP FINDINGS

Site

Database(s)

EDR ID Number
EPA ID Number

DEER PARK DEVELOPMENT INC (Continued)

1027070638

Date Ended Current: Not reported
Owner/Operator Address: 1980 ORANGE TREE LANE
Owner/Operator City,State,Zip: REDLANDS, CA 92374
Owner/Operator Telephone: 909-744-7504
Owner/Operator Telephone Ext: Not reported
Owner/Operator Fax: Not reported
Owner/Operator Email: Not reported

Owner/Operator Indicator: Operator
Owner/Operator Name: RON KEMPER
Legal Status: Other
Date Became Current: Not reported
Date Ended Current: Not reported
Owner/Operator Address: 1980 ORANGE TREE LANE
Owner/Operator City,State,Zip: REDLANDS, CA 92374
Owner/Operator Telephone: 909-744-7504
Owner/Operator Telephone Ext: Not reported
Owner/Operator Fax: Not reported
Owner/Operator Email: Not reported

Historic Generators:

Receive Date: 20211005
Handler Name: DEER PARK DEVELOPMENT INC
Federal Waste Generator Description: Not a generator, verified
State District Owner: Not reported
Large Quantity Handler of Universal Waste: No
Recognized Trader Importer: No
Recognized Trader Exporter: No
Spent Lead Acid Battery Importer: No
Spent Lead Acid Battery Exporter: No
Current Record: Yes
Non Storage Recycler Activity: No
Electronic Manifest Broker: No

List of NAICS Codes and Descriptions:

NAICS Code: 237210
NAICS Description: LAND SUBDIVISION

Facility Has Received Notices of Violations:

Violations: No Violations Found

Evaluation Action Summary:

Evaluations: No Evaluations Found

J46 DEER PARK DEVELOPMENT INC
Target 366 ROUTE 66 PLACE
Property NEEDLES, CA 92363

ECHO 1026922965
N/A

Site 3 of 4 in cluster J

Actual: ECHO:
493 ft. Envid: 1026922965
Focus Map: Registry ID: 110071129502
6 DFR URL: <http://echo.epa.gov/detailed-facility-report?fid=110071129502>
Name: DEER PARK DEVELOPMENT INC

Map ID
Direction
Distance
Elevation

MAP FINDINGS

Site

Database(s)

EDR ID Number
EPA ID Number

DEER PARK DEVELOPMENT INC (Continued)

1026922965

Address: 366 ROUTE 66 PLACE
City,State,Zip: NEEDLES, CA 92363

J47 DEER PARK DEVELOPMENT INC
Target 366 ROUTE 66 PLACE
Property NEEDLES, CA 92363

HWTS S128354463
N/A

Site 4 of 4 in cluster J

Actual: 493 ft. **HWTS:**
Focus Map: 6
Name: DEER PARK DEVELOPMENT INC
Address: 366 ROUTE 66 PLACE
Address 2: Not reported
City,State,Zip: NEEDLES, CA 92363
EPA ID: CAC003142099
Inactive Date: 01/04/2022
Create Date: 10/05/2021
Last Act Date: Not reported
Mailing Name: Not reported
Mailing Address: 1980 ORANGE TREE LANE
Mailing Address 2: Not reported
Mailing City,State,Zip: REDLANDS, CA 92374
Owner Name: DEER PARK DEVELOPMENT INC
Owner Address: 1980 ORANGE TREE LANE
Owner Address 2: Not reported
Owner City,State,Zip: REDLANDS, CA 92374
Contact Name: RON KEMPER
Contact Address: 1980 ORANGE TREE LANE
Contact Address 2: Not reported
City,State,Zip: REDLANDS, CA 92374
Facility Status: Inactive
Facility Type: TEMPORARY
Category: STATE
Latitude: 34.82359358
Longitude: -114.5971613

K48 BIG D TIRE
Target 315 ROUTE 66
Property NEEDLES, CA 92363

San Bern. Co. Permit S104770366
N/A

Site 1 of 4 in cluster K

Actual: 500 ft. **San Bern. Co. Permit:**
Focus Map: 6
Name: BIG D TIRE
Address: 315 ROUTE 66
City,State,Zip: NEEDLES, CA 92363
Region: SAN BERNARDINO
Facility ID: FA0011050
Owner: MAYES, DALE
Permit Number: PT0019047
Permit Category: HAZARDOUS MATERIALS 1-3 CHEMICALS SPECIAL
Facility Status: INACTIVE
Expiration Date: 11/30/2015

Name: BIG D TIRE
Address: 315 ROUTE 66

Map ID
 Direction
 Distance
 Elevation

MAP FINDINGS

Site

Database(s)

EDR ID Number
 EPA ID Number

BIG D TIRE (Continued)

S104770366

City,State,Zip: NEEDLES, CA 92363
 Region: SAN BERNARDINO
 Facility ID: FA0011050
 Owner: MAYES, DALE
 Permit Number: PT0019048
 Permit Category: SPECIAL GENERATOR
 Facility Status: INACTIVE
 Expiration Date: 11/30/2007

Name: SOUTHWESTERN TIRE CO.
 Address: 315 ROUTE 66
 City,State,Zip: NEEDLES, CA 92363
 Region: SAN BERNARDINO
 Facility ID: FA0006319
 Owner: BURRIS, ROY G.
 Permit Number: PT0006046
 Permit Category: HAZMAT HANDLER 0-10 EMPLOYEES
 Facility Status: INACTIVE
 Expiration Date: 08/31/2006

K49 **SOUTHWESTERN TIRE**
Target **315 RT 66**
Property **NEEDLES, CA 92363**

HWTS **S124789246**
N/A

Site 2 of 4 in cluster K

Actual: 500 ft.	HWTS:	
Focus Map: 6	Name:	SOUTHWESTERN TIRE
	Address:	315 RT 66
	Address 2:	Not reported
	City,State,Zip:	NEEDLES, CA 92363
	EPA ID:	CAL000076294
	Inactive Date:	06/30/2006
	Create Date:	09/17/1992
	Last Act Date:	Not reported
	Mailing Name:	Not reported
	Mailing Address:	RR 66 BOX 12
	Mailing Address 2:	Not reported
	Mailing City,State,Zip:	NEEDLES, CA 923630000
	Owner Name:	ROY G BURRIS
	Owner Address:	RT 66 BOX 12
	Owner Address 2:	Not reported
	Owner City,State,Zip:	NEEDLES, CA 923630000
	Contact Name:	ROY G BURRIS OWNER
	Contact Address:	RT-66 BOX 12
	Contact Address 2:	Not reported
	City,State,Zip:	NEEDLES, CA 923630000
	Facility Status:	Inactive
	Facility Type:	PERMANENT
	Category:	STATE
	Latitude:	34.823788
	Longitude:	-114.596914
	NAICS:	
	EPA ID:	CAL000076294
	Create Date:	2004-10-20 10:23:57.043
	NAICS Code:	44132
	NAICS Description:	Tire Dealers

Map ID
Direction
Distance
Elevation

MAP FINDINGS

Site

Database(s)

EDR ID Number
EPA ID Number

SOUTHWESTERN TIRE (Continued)

S124789246

Issued EPA ID Date: 1992-09-17 00:00:00
Inactive Date: 2006-06-30 10:14:52
Facility Name: SOUTHWESTERN TIRE
Facility Address: 315 RT 66
Facility Address 2: Not reported
Facility City: NEEDLES
Facility County: Not reported
Facility State: CA
Facility Zip: 923630000

K50
Target
Property

BIG D TIRE LLC
315 RT 66
NEEDLES, CA 92363

FINDS **1023289100**
N/A

Site 3 of 4 in cluster K

Actual: FINDS:
500 ft. Registry ID: 110065804188

Focus Map:
6 [Click Here for FRS Facility Detail Report:](#)

Environmental Interest/Information System:
STATE MASTER

[Click this hyperlink](#) while viewing on your computer to access additional FINDS: detail in the EDR Site Report.

K51
Target
Property

BIG D TIRE
315 US HIGHWAY 66
NEEDLES, CA 92363

HWTS **S124867327**
N/A

Site 4 of 4 in cluster K

Actual: HWTS:
500 ft. Name: BIG D TIRE
Focus Map: Address: 315 US HIGHWAY 66
6 Address 2: Not reported
City,State,Zip: NEEDLES, CA 92363
EPA ID: CAL000322476
Inactive Date: 06/30/2014
Create Date: 07/20/2007
Last Act Date: Not reported
Mailing Name: Not reported
Mailing Address: PO BOX 6965
Mailing Address 2: Not reported
Mailing City,State,Zip: KINGMAN, AZ 864026965
Owner Name: DALE & VALERIE MAYES
Owner Address: PO BOX 6965
Owner Address 2: Not reported
Owner City,State,Zip: KINGMAN, AZ 864026965
Contact Name: DALE MAYES
Contact Address: PO BOX 6965
Contact Address 2: Not reported
City,State,Zip: KINGMAN, AZ 86402
Facility Status: Inactive
Facility Type: PERMANENT
Category: STATE

Map ID
 Direction
 Distance
 Elevation

MAP FINDINGS

Site

Database(s)

EDR ID Number
 EPA ID Number

BIG D TIRE (Continued)

S124867327

Latitude: 34.823788
 Longitude: -114.596914
 NAICS:
 EPA ID: CAL000322476
 Create Date: 2007-07-20 10:39:50.173
 NAICS Code: 99999
 NAICS Description: Not Otherwise Specified
 Issued EPA ID Date: 2007-07-20 10:39:50.11000
 Inactive Date: 2014-06-30 00:00:00
 Facility Name: BIG D TIRE
 Facility Address: 315 US HIGHWAY 66
 Facility Address 2: Not reported
 Facility City: NEEDLES
 Facility County: Not reported
 Facility State: CA
 Facility Zip: 923634107

L52 **GREAT WESTERN DIESEL**
Target **211 BALBOA PLACE**
Property **NEEDLES, CA 92363**

FINDS **1023222998**
N/A

Site 1 of 4 in cluster L

Actual: **FINDS:**
499 ft. Registry ID: 110065094631

Focus Map:
6 [Click Here for FRS Facility Detail Report:](#)

Environmental Interest/Information System:
 STATE MASTER

[Click this hyperlink](#) while viewing on your computer to access additional FINDS: detail in the EDR Site Report.

L53 **1X GREAT WESTERN DIESEL**
Target **211 BALBOA PLACE**
Property **NEEDLES, CA 92363**

HWTS **S124524449**
N/A

Site 2 of 4 in cluster L

Actual: **HWTS:**
499 ft. Name: 1X GREAT WESTERN DIESEL
Focus Map: Address: 211 BALBOA PLACE
6 Address 2: Not reported
 City,State,Zip: NEEDLES, CA 92363
 EPA ID: CAC000089237
 Inactive Date: 10/25/2000
 Create Date: 06/03/1988
 Last Act Date: Not reported
 Mailing Name: Not reported
 Mailing Address: P.O. BOX #473
 Mailing Address 2: Not reported
 Mailing City,State,Zip: NEEDLES, CA 923630000
 Owner Name: UNDERGROUND TANK REMOVAL
 Owner Address: Not reported
 Owner Address 2: Not reported

Map ID
Direction
Distance
Elevation

MAP FINDINGS

Site

Database(s)

EDR ID Number
EPA ID Number

1X GREAT WESTERN DIESEL (Continued)

S124524449

Owner City,State,Zip: Not reported
Contact Name: BOB CHICOINE
Contact Address: Not reported
Contact Address 2: Not reported
City,State,Zip: Not reported
Facility Status: Inactive
Facility Type: TEMPORARY
Category: STATE
Latitude: 34.856644
Longitude: -114.626894

L54 GREAT WESTERN DIESEL / NEEDLES
Target 211 BALBOA PLACE
Property NEEDLES, CA

RGA LUST S114628742
N/A

Site 3 of 4 in cluster L

Actual: 499 ft. RGA LUST:
Focus Map: 6 Address: 211 BALBOA PLACE
City: NEEDLES
State: NEEDLES
1992 GREAT WESTERN DIESEL / NEEDLES 211 BALBOA PLACE

L55 GREAT WESTERN DIESEL
Target 211 BALBOA PLACE
Property NEEDLES, CA

RGA LUST S114628743
N/A

Site 4 of 4 in cluster L

Actual: 499 ft. RGA LUST:
Focus Map: 6 Address: 211 BALBOA PLACE
City: NEEDLES
State: NEEDLES
2007 GREAT WESTERN DIESEL 211 BALBOA PLACE
Name: GREAT WESTERN DIESEL
Address: 211 BALBOA PLACE
City: NEEDLES
State: NEEDLES
2006 GREAT WESTERN DIESEL 211 BALBOA PLACE
Name: GREAT WESTERN DIESEL
Address: 211 BALBOA PLACE
City: NEEDLES
State: NEEDLES
2005 GREAT WESTERN DIESEL 211 BALBOA PLACE
Name: GREAT WESTERN DIESEL
Address: 211 BALBOA PLACE
City: NEEDLES
State: NEEDLES
2003 GREAT WESTERN DIESEL 211 BALBOA PLACE
Name: GREAT WESTERN DIESEL
Address: 211 BALBOA PLACE
City: NEEDLES
State: NEEDLES
2002 GREAT WESTERN DIESEL 211 BALBOA PLACE

Map ID
 Direction
 Distance
 Elevation

MAP FINDINGS

Site

Database(s)

EDR ID Number
 EPA ID Number

GREAT WESTERN DIESEL (Continued)

S114628743

Name: GREAT WESTERN DIESEL
 Address: 211 BALBOA PLACE
 City: NEEDLES
 State: NEEDLES
 2001 GREAT WESTERN DIESEL 211 BALBOA PLACE

Name: GREAT WESTERN DIESEL
 Address: 211 BALBOA PLACE
 City: NEEDLES
 State: NEEDLES
 2000 GREAT WESTERN DIESEL 211 BALBOA PLACE

Name: GREAT WESTERN DIESEL
 Address: 211 BALBOA PLACE
 City: NEEDLES
 State: NEEDLES
 1998 GREAT WESTERN DIESEL 211 BALBOA PLACE

Name: GREAT WESTERN DIESEL
 Address: 211 BALBOA PLACE
 City: NEEDLES
 State: NEEDLES
 1997 GREAT WESTERN DIESEL 211 BALBOA PLACE

Name: GREAT WESTERN DIESEL
 Address: 211 BALBOA PLACE
 City: NEEDLES
 State: NEEDLES
 1996 GREAT WESTERN DIESEL 211 BALBOA PLACE

Name: GREAT WESTERN DIESEL
 Address: 211 BALBOA PLACE
 City: NEEDLES
 State: NEEDLES
 1995 GREAT WESTERN DIESEL 211 BALBOA PLACE

Name: GREAT WESTERN DIESEL
 Address: 211 BALBOA PLACE
 City: NEEDLES
 State: NEEDLES
 1994 GREAT WESTERN DIESEL 211 BALBOA PLACE

Name: GREAT WESTERN DIESEL
 Address: 211 BALBOA PLACE
 City: NEEDLES
 State: NEEDLES
 1993 GREAT WESTERN DIESEL 211 BALBOA PLACE

56 **GREAT WEST TRUCK INC**
Target **211 BALBOA**
Property **NEEDLES, CA 92363**

HAZNET **S113027938**
HWTS **N/A**

Actual:
495 ft.
Focus Map:
6

HAZNET:
 Name: GREAT WEST TRUCK INC
 Address: 211 BALBOA
 Address 2: Not reported
 City,State,Zip: NEEDLES, CA 923630000
 Contact: DENNIS REIBLING
 Telephone: 7603264211
 Mailing Name: Not reported
 Mailing Address: 211 BALBOA PLACE

Year: 2002
 Gepaid: CAL000018084
 TSD EPA ID: CAD099452708

Map ID
Direction
Distance
Elevation

MAP FINDINGS

Site

Database(s)

EDR ID Number
EPA ID Number

GREAT WEST TRUCK INC (Continued)

S113027938

CA Waste Code:	134 - Aqueous solution with total organic residues less than 10 percent
Disposal Method:	R01 - Recycler
Tons:	1.5372
Year:	1999
Gepaid:	CAL000018084
TSD EPA ID:	CAD099452708
CA Waste Code:	134 - Aqueous solution with total organic residues less than 10 percent
Disposal Method:	R01 - Recycler
Tons:	2.856
Year:	1999
Gepaid:	CAL000018084
TSD EPA ID:	CAD099452708
CA Waste Code:	221 - Waste oil and mixed oil
Disposal Method:	R01 - Recycler
Tons:	1.14
Year:	1998
Gepaid:	CAL000018084
TSD EPA ID:	CAT080025711
CA Waste Code:	134 - Aqueous solution with total organic residues less than 10 percent
Disposal Method:	R01 - Recycler
Tons:	1.764
Year:	1997
Gepaid:	CAL000018084
TSD EPA ID:	CAT080025711
CA Waste Code:	134 - Aqueous solution with total organic residues less than 10 percent
Disposal Method:	R01 - Recycler
Tons:	0.8526
Year:	1995
Gepaid:	CAL000018084
TSD EPA ID:	CAD981696420
CA Waste Code:	134 - Aqueous solution with total organic residues less than 10 percent
Disposal Method:	H01 - Transfer Station
Tons:	1.26
Year:	1994
Gepaid:	CAL000018084
TSD EPA ID:	AZD049318009
CA Waste Code:	352 - Other organic solids
Disposal Method:	D81 - Disposal, Land Application
Tons:	4
Year:	1994
Gepaid:	CAL000018084
TSD EPA ID:	AZD049318009
CA Waste Code:	352 - Other organic solids
Disposal Method:	H01 - Transfer Station
Tons:	0.4

Map ID
Direction
Distance
Elevation

MAP FINDINGS

Site

Database(s)

EDR ID Number
EPA ID Number

GREAT WEST TRUCK INC (Continued)

S113027938

Additional Info:

Year: 1994
Gen EPA ID: CAL000018084

Shipment Date: 19940921
Creation Date: 3/26/1996 0:00:00
Receipt Date: 19940926
Manifest ID: 93108773
Trans EPA ID: CAD000083121
Trans Name: Not reported
Trans 2 EPA ID: Not reported
Trans 2 Name: Not reported
TSDf EPA ID: AZD049318009
Trans Name: Not reported
TSDf Alt EPA ID: Not reported
TSDf Alt Name: Not reported
Waste Code Description: 352 - Other organic solids
RCRA Code: D008
Meth Code: D81 - Disposal, Land Application
Quantity Tons: 4
Waste Quantity: 8000
Quantity Unit: P
Additional Code 1: Not reported
Additional Code 2: Not reported
Additional Code 3: Not reported
Additional Code 4: Not reported
Additional Code 5: Not reported

Shipment Date: 19940921
Creation Date: 3/26/1996 0:00:00
Receipt Date: 19940926
Manifest ID: 93108773
Trans EPA ID: CAD000083121
Trans Name: Not reported
Trans 2 EPA ID: Not reported
Trans 2 Name: Not reported
TSDf EPA ID: AZD049318009
Trans Name: Not reported
TSDf Alt EPA ID: Not reported
TSDf Alt Name: Not reported
Waste Code Description: 352 - Other organic solids
RCRA Code: D008
Meth Code: H01 - Transfer Station
Quantity Tons: 0.4
Waste Quantity: 800
Quantity Unit: P
Additional Code 1: Not reported
Additional Code 2: Not reported
Additional Code 3: Not reported
Additional Code 4: Not reported
Additional Code 5: Not reported

Additional Info:

Year: 1998
Gen EPA ID: CAL000018084

Map ID
Direction
Distance
Elevation

MAP FINDINGS

Site

Database(s)

EDR ID Number
EPA ID Number

GREAT WEST TRUCK INC (Continued)

S113027938

Shipment Date: 19980820
Creation Date: 11/2/1998 0:00:00
Receipt Date: 19980825
Manifest ID: 98304833
Trans EPA ID: CAD980696041
Trans Name: Not reported
Trans 2 EPA ID: Not reported
Trans 2 Name: Not reported
TSDf EPA ID: CAT080025711
Trans Name: Not reported
TSDf Alt EPA ID: Not reported
TSDf Alt Name: Not reported
Waste Code Description: 134 - Aqueous solution with <10% total organic residues
RCRA Code: Not reported
Meth Code: R01 - Recycler
Quantity Tons: 1.344
Waste Quantity: 320
Quantity Unit: G
Additional Code 1: Not reported
Additional Code 2: Not reported
Additional Code 3: Not reported
Additional Code 4: Not reported
Additional Code 5: Not reported

Shipment Date: 19980210
Creation Date: 4/16/1998 0:00:00
Receipt Date: 19980210
Manifest ID: 93755571
Trans EPA ID: CAD980696041
Trans Name: Not reported
Trans 2 EPA ID: Not reported
Trans 2 Name: Not reported
TSDf EPA ID: CAT080025711
Trans Name: Not reported
TSDf Alt EPA ID: Not reported
TSDf Alt Name: Not reported
Waste Code Description: 134 - Aqueous solution with <10% total organic residues
RCRA Code: Not reported
Meth Code: R01 - Recycler
Quantity Tons: 0.42
Waste Quantity: 100
Quantity Unit: G
Additional Code 1: Not reported
Additional Code 2: Not reported
Additional Code 3: Not reported
Additional Code 4: Not reported
Additional Code 5: Not reported

Additional Info:
Year: 1997
Gen EPA ID: CAL000018084

Shipment Date: 19970815
Creation Date: 3/18/1998 0:00:00
Receipt Date: 19970819
Manifest ID: 93755529
Trans EPA ID: CAD980696041

Map ID
Direction
Distance
Elevation

MAP FINDINGS

Site

Database(s)

EDR ID Number
EPA ID Number

GREAT WEST TRUCK INC (Continued)

S113027938

Trans Name: Not reported
Trans 2 EPA ID: Not reported
Trans 2 Name: Not reported
TSDf EPA ID: CAT080025711
Trans Name: Not reported
TSDf Alt EPA ID: Not reported
TSDf Alt Name: Not reported
Waste Code Description: 134 - Aqueous solution with <10% total organic residues
RCRA Code: Not reported
Meth Code: R01 - Recycler
Quantity Tons: 0.8526
Waste Quantity: 203
Quantity Unit: G
Additional Code 1: Not reported
Additional Code 2: Not reported
Additional Code 3: Not reported
Additional Code 4: Not reported
Additional Code 5: Not reported

Additional Info:

Year: 1999
Gen EPA ID: CAL000018084

Shipment Date: 19991008
Creation Date: 11/22/1999 0:00:00
Receipt Date: 19991015
Manifest ID: 98304965
Trans EPA ID: CAD980696041
Trans Name: Not reported
Trans 2 EPA ID: Not reported
Trans 2 Name: Not reported
TSDf EPA ID: CAD099452708
Trans Name: Not reported
TSDf Alt EPA ID: Not reported
TSDf Alt Name: Not reported
Waste Code Description: 134 - Aqueous solution with <10% total organic residues
RCRA Code: Not reported
Meth Code: R01 - Recycler
Quantity Tons: 1.68
Waste Quantity: 400
Quantity Unit: G
Additional Code 1: Not reported
Additional Code 2: Not reported
Additional Code 3: Not reported
Additional Code 4: Not reported
Additional Code 5: Not reported

Shipment Date: 19990414
Creation Date: 5/27/1999 0:00:00
Receipt Date: 19990422
Manifest ID: 98304907
Trans EPA ID: CAD980696041
Trans Name: Not reported
Trans 2 EPA ID: Not reported
Trans 2 Name: Not reported
TSDf EPA ID: CAD099452708
Trans Name: Not reported

Map ID
Direction
Distance
Elevation

MAP FINDINGS

Site

Database(s)

EDR ID Number
EPA ID Number

GREAT WEST TRUCK INC (Continued)

S113027938

TSDF Alt EPA ID:	Not reported
TSDF Alt Name:	Not reported
Waste Code Description:	221 - Waste oil and mixed oil
RCRA Code:	Not reported
Meth Code:	R01 - Recycler
Quantity Tons:	1.14
Waste Quantity:	300
Quantity Unit:	G
Additional Code 1:	Not reported
Additional Code 2:	Not reported
Additional Code 3:	Not reported
Additional Code 4:	Not reported
Additional Code 5:	Not reported
Shipment Date:	19990412
Creation Date:	5/27/1999 0:00:00
Receipt Date:	19990422
Manifest ID:	98304873
Trans EPA ID:	CAD980696041
Trans Name:	Not reported
Trans 2 EPA ID:	Not reported
Trans 2 Name:	Not reported
TSDF EPA ID:	CAD099452708
Trans Name:	Not reported
TSDF Alt EPA ID:	Not reported
TSDF Alt Name:	Not reported
Waste Code Description:	134 - Aqueous solution with <10% total organic residues
RCRA Code:	Not reported
Meth Code:	R01 - Recycler
Quantity Tons:	1.176
Waste Quantity:	280
Quantity Unit:	G
Additional Code 1:	Not reported
Additional Code 2:	Not reported
Additional Code 3:	Not reported
Additional Code 4:	Not reported
Additional Code 5:	Not reported
Additional Info:	
Year:	1995
Gen EPA ID:	CAL000018084
Shipment Date:	19950623
Creation Date:	10/24/1995 0:00:00
Receipt Date:	19950626
Manifest ID:	95678964
Trans EPA ID:	CAL000027724
Trans Name:	Not reported
Trans 2 EPA ID:	Not reported
Trans 2 Name:	Not reported
TSDF EPA ID:	CAD981696420
Trans Name:	Not reported
TSDF Alt EPA ID:	Not reported
TSDF Alt Name:	Not reported
Waste Code Description:	134 - Aqueous solution with <10% total organic residues
RCRA Code:	Not reported
Meth Code:	H01 - Transfer Station

Map ID
Direction
Distance
Elevation

MAP FINDINGS

Site

Database(s)

EDR ID Number
EPA ID Number

GREAT WEST TRUCK INC (Continued)

S113027938

Quantity Tons: 1.26
Waste Quantity: 300
Quantity Unit: G
Additional Code 1: Not reported
Additional Code 2: Not reported
Additional Code 3: Not reported
Additional Code 4: Not reported
Additional Code 5: Not reported

Additional Info:

Year: 2002
Gen EPA ID: CAL000018084

Shipment Date: 20020731
Creation Date: 1/21/2003 18:31:48
Receipt Date: 20020802
Manifest ID: 20826163
Trans EPA ID: CAD980696041
Trans Name: Not reported
Trans 2 EPA ID: Not reported
Trans 2 Name: Not reported
TSDf EPA ID: CAD099452708
Trans Name: Not reported
TSDf Alt EPA ID: Not reported
TSDf Alt Name: Not reported
Waste Code Description: 134 - Aqueous solution with <10% total organic residues
RCRA Code: Not reported
Meth Code: R01 - Recycler
Quantity Tons: 1.5372
Waste Quantity: 366
Quantity Unit: G
Additional Code 1: Not reported
Additional Code 2: Not reported
Additional Code 3: Not reported
Additional Code 4: Not reported
Additional Code 5: Not reported

HWTS:

Name: GREAT WEST TRUCK INC
Address: 211 BALBOA
Address 2: Not reported
City,State,Zip: NEEDLES, CA 92363
EPA ID: CAL000018084
Inactive Date: 06/30/2007
Create Date: 11/14/1989
Last Act Date: Not reported
Mailing Name: Not reported
Mailing Address: 211 BALBOA PLACE
Mailing Address 2: Not reported
Mailing City,State,Zip: NEEDLES, CA 923630473
Owner Name: A LAMONT WOLSEY
Owner Address: 211 BALBOA
Owner Address 2: Not reported
Owner City,State,Zip: NEEDLES, CA 923630000
Contact Name: DENNIS REIBLING
Contact Address: 211 BALBOA PLACE

Map ID
 Direction
 Distance
 Elevation

MAP FINDINGS

Site

Database(s)

EDR ID Number
 EPA ID Number

GREAT WEST TRUCK INC (Continued)

S113027938

Contact Address 2: Not reported
 City,State,Zip: NEEDLES, CA 923630000
 Facility Status: Inactive
 Facility Type: PERMANENT
 Category: STATE
 Latitude: 34.854269
 Longitude: -114.625307

NAICS:
 EPA ID: CAL000018084
 Create Date: 2002-03-14 16:36:27.000
 NAICS Code: 811111
 NAICS Description: General Automotive Repair
 Issued EPA ID Date: 1989-11-14 00:00:00
 Inactive Date: 2007-06-30 00:00:00
 Facility Name: GREAT WEST TRUCK INC
 Facility Address: 211 BALBOA
 Facility Address 2: Not reported
 Facility City: NEEDLES
 Facility County: Not reported
 Facility State: CA
 Facility Zip: 923630000

M57
Target
Property

GOURD WASH
 , CA

MINES S117661647
N/A

Site 1 of 2 in cluster M

Actual:
593 ft.
Focus Map:
6

MINES:
 Name: GOURD WASH
 Address: Not reported
 City,State,Zip: CA
 Latitude: 34.853056
 Longitude: -114.638056
 Lead Agency identification code: 36
 Lead Agency name: County of San Bernardino
 Year of the operator supplied annual report: 1997
 Type of report submitted by operator: 2
 Number of acres disturbed by the mine: 0
 Status of mining operation: RECLAIMED
 Status of mine reclamation: Not reported
 Mine operator: CALTRANS
 Operator Address: 732 CARNEGIE DRIVE, SUITE 100
 Operator City, State, Zip: SAN BERNARDINO, CA 92408
 Operator County: Not reported
 Mine owner: CALTRANS
 Owner Address: PO BOX 231
 Owner City, State, Zip: SAN BERNARDINO, CA 92402
 Owner County: Not reported
 Reclamation plan identification number: Not reported
 Primary product produced by the mine: Sand and Gravel
 Other products produced by the mine: Not reported
 Conditional use permit identification number: Not reported
 Number of acres permitted for mining disturbance: Not reported
 Total amount of funds posted by the mine for reclamation: Not reported
 Financial Assurance Cost Estimate for reclamation: Not reported

Map ID
 Direction
 Distance
 Elevation

MAP FINDINGS

Site

Database(s)

EDR ID Number
 EPA ID Number

GOURD WASH (Continued)

S117661647

X Coordinates: -12761450.02
 Y Coordinates: 4143929.9283

M58
Target
Property

GOURD WASH PIT
NEEDLES, CA 92363

MINES MRDS 1025691304
N/A

Site 2 of 2 in cluster M

Actual:
601 ft.
Focus Map:
6

MINES MRDS:	
Name:	GOURD WASH PIT
Address:	Not reported
Deposit identification Number:	10213654
City,State,Zip:	NEEDLES, CALIFORNIA 92363
URL:	https://mrdata.usgs.gov/mrds/show-mrds.php?dep_id=10213654
MRDS Identification Number:	Not reported
MAS/MILS Identification Number:	0060713066
Region:	NA
Country:	United States
Primary Commodities:	Sand and Gravel, Construction
Secondary Commodities:	Not reported
Tertiary Commodities:	Not reported
Operation Type:	Surface
Deposit Type:	Not reported
Production Size:	Not reported
Development Status:	Producer
Ore Minerals or Materials:	Not reported
Gangue Minerals or Materials:	Not reported
Other Minerals or Materials:	Not reported
Ore Body Form:	Not reported
Workings Type:	Not reported
Mineral Deposit Model:	Not reported
Alteration Processes:	Not reported
Concentration Processes:	Not reported
Previous Names:	Not reported
Ore Controls:	Not reported
Reporter:	Ridenour, James
Host Rock Unit Name:	Not reported
Host Rock Type:	Not reported
Associated Rock Unit Name:	Not reported
Associated Rock Type Code:	Not reported
Structural Characteristics:	Not reported
Tectonic Setting:	Not reported
References:	Not reported
First Production Year:	Not reported
Began Before/After FPY:	Not reported
Last Production Year:	Not reported
Ended Before/After LPY:	Not reported
Year Discovered:	Not reported
Found Before/After YD:	Not reported
Production History:	Not reported
Discovery Information:	Not reported
Latitude:	34.85282
Longitude:	-114.63861

Map ID
 Direction
 Distance
 Elevation

MAP FINDINGS

Site

Database(s)

EDR ID Number
 EPA ID Number

59 **NEEDLES SOLID WASTE DISPOSAL SITE**
Target **13930 NEEDLES LANDFILL ROAD**
Property **NEEDLES, CA 92363**

FINDS **1017372664**
 N/A

FINDS:
 Registry ID: 110060958030

Actual:
546 ft. [Click Here for FRS Facility Detail Report:](#)

Focus Map: Environmental Interest/Information System:
6 **LANDFILL GAS (LFG) RECOVERY**

[Click this hyperlink](#) while viewing on your computer to access additional FINDS: detail in the EDR Site Report.

N60 **GREEN ACRES GROUP**
Target **NEEDLES HWY**
Property **NEEDLES, CA 92363**

ENF **S123521585**
CERS **N/A**

Site 1 of 2 in cluster N

Actual: ENF:
516 ft. Name: GREEN ACRES GROUP
Focus Map: Address: NEEDLES HWY
6 City,State,Zip: NEEDLES, CA 92363
 Region: Not reported
 Facility Id: 844785
 Agency Name: Green Acres Group
 Place Type: Irrigated Land
 Place Subtype: Cannabis Site
 Facility Type: Agricultural
 Agency Type: Privately-Owned Business
 # Of Agencies: 1
 Place Latitude: 34.8485
 Place Longitude: -114.6204
 SIC Code 1: Not reported
 SIC Desc 1: Not reported
 SIC Code 2: Not reported
 SIC Desc 2: Not reported
 SIC Code 3: Not reported
 SIC Desc 3: Not reported
 NAICS Code 1: Not reported
 NAICS Desc 1: Not reported
 NAICS Code 2: Not reported
 NAICS Desc 2: Not reported
 NAICS Code 3: Not reported
 NAICS Desc 3: Not reported
 # Of Places: 1
 Source Of Facility: Reg Meas
 Design Flow: Not reported
 Threat To Water Quality: Not reported
 Complexity: Not reported
 Pretreatment: Not reported
 Facility Waste Type: Not reported
 Facility Waste Type 2: Not reported
 Facility Waste Type 3: Not reported
 Facility Waste Type 4: Not reported
 Program: IRRICANNABIS
 Program Category1: IRR1
 Program Category2: Not reported
 # Of Programs: 1

Map ID
Direction
Distance
Elevation

MAP FINDINGS

Site

Database(s)

EDR ID Number
EPA ID Number

GREEN ACRES GROUP (Continued)

S123521585

WDID: 7_36CC400745
Reg Measure Id: 419490
Reg Measure Type: Enrollee - Waiver
Region: Not reported
Order #: 2019-0001-DWQ
Npdes# CA#: Not reported
Major-Minor: Not reported
Npdes Type: Not reported
Reclamation: Not reported
Dredge Fill Fee: Not reported
301H: Not reported
Application Fee Amt Received: 600
Status: Active
Status Date: 2022-02-02 00:00:00
Effective Date: 06/05/2018
Expiration/Review Date: 2024-04-15 00:00:00
Termination Date: Not reported
WDR Review - Amend: Not reported
WDR Review - Revise/Renew: Not reported
WDR Review - Rescind: Not reported
WDR Review - No Action Required: Not reported
WDR Review - Pending: Not reported
WDR Review - Planned: Not reported
Status Enrollee: N
Individual/General: I
Fee Code: 125 - Cannabis Cultivation (Statewide)
Direction/Voice: Passive
Enforcement Id(EID): 433900
Region: Not reported
Order / Resolution Number: Not reported
Enforcement Action Type: Staff Enforcement Letter
Effective Date: 2019-06-26
Adoption/Issuance Date: 06/26/2019
Achieve Date: Not reported
Termination Date: 2019-07-03 00:00:00
ACL Issuance Date: Not reported
EPL Issuance Date: Not reported
Status: Historical
Title: SEL 06/26/2019 for Green Acres Group
Description: Not reported
Program: Not reported
Latest Milestone Completion Date: Not reported
Of Programs1: Not reported
Total Assessment Amount: Not reported
Initial Assessed Amount: Not reported
Liability \$ Amount: Not reported
Project \$ Amount: Not reported
Liability \$ Paid: Not reported
Project \$ Completed: Not reported
Total \$ Paid/Completed Amount: Not reported

Name: GREEN ACRES GROUP
Address: NEEDLES HWY
City,State,Zip: NEEDLES, CA 92363
Region: Not reported
Facility Id: 844785
Agency Name: Green Acres Group

Map ID
Direction
Distance
Elevation

MAP FINDINGS

Site

Database(s)

EDR ID Number
EPA ID Number

GREEN ACRES GROUP (Continued)

S123521585

Place Type:	Irrigated Land
Place Subtype:	Cannabis Site
Facility Type:	Agricultural
Agency Type:	Privately-Owned Business
# Of Agencies:	1
Place Latitude:	34.8485
Place Longitude:	-114.6204
SIC Code 1:	Not reported
SIC Desc 1:	Not reported
SIC Code 2:	Not reported
SIC Desc 2:	Not reported
SIC Code 3:	Not reported
SIC Desc 3:	Not reported
NAICS Code 1:	Not reported
NAICS Desc 1:	Not reported
NAICS Code 2:	Not reported
NAICS Desc 2:	Not reported
NAICS Code 3:	Not reported
NAICS Desc 3:	Not reported
# Of Places:	1
Source Of Facility:	Reg Meas
Design Flow:	Not reported
Threat To Water Quality:	Not reported
Complexity:	Not reported
Pretreatment:	Not reported
Facility Waste Type:	Not reported
Facility Waste Type 2:	Not reported
Facility Waste Type 3:	Not reported
Facility Waste Type 4:	Not reported
Program:	IRRICANNABIS
Program Category1:	IRRI
Program Category2:	Not reported
# Of Programs:	1
WDID:	7_36CC400745
Reg Measure Id:	419490
Reg Measure Type:	Enrollee - Waiver
Region:	Not reported
Order #:	2019-0001-DWQ
Npdes# CA#:	Not reported
Major-Minor:	Not reported
Npdes Type:	Not reported
Reclamation:	Not reported
Dredge Fill Fee:	Not reported
301H:	Not reported
Application Fee Amt Received:	600
Status:	Active
Status Date:	2022-02-02 00:00:00
Effective Date:	06/05/2018
Expiration/Review Date:	2024-04-15 00:00:00
Termination Date:	Not reported
WDR Review - Amend:	Not reported
WDR Review - Revise/Renew:	Not reported
WDR Review - Rescind:	Not reported
WDR Review - No Action Required:	Not reported
WDR Review - Pending:	Not reported
WDR Review - Planned:	Not reported
Status Enrollee:	N

Map ID
Direction
Distance
Elevation

MAP FINDINGS

Site

Database(s)

EDR ID Number
EPA ID Number

GREEN ACRES GROUP (Continued)

S123521585

Individual/General: I
Fee Code: 125 - Cannabis Cultivation (Statewide)
Direction/Voice: Passive
Enforcement Id(EID): 435589
Region: Not reported
Order / Resolution Number: Not reported
Enforcement Action Type: Notice of Violation
Effective Date: 2019-11-01
Adoption/Issuance Date: 11/01/2019
Achieve Date: Not reported
Termination Date: 2020-01-27 00:00:00
ACL Issuance Date: Not reported
EPL Issuance Date: Not reported
Status: Historical
Title: NOV 11/01/2019 for Green Acres Group
Description: Requested information provided on 11/26/2019, NOV rescinded on 1/27/2020
Program: Not reported
Latest Milestone Completion Date: 2019-11-26 00:00:00
Of Programs1: Not reported
Total Assessment Amount: Not reported
Initial Assessed Amount: Not reported
Liability \$ Amount: Not reported
Project \$ Amount: Not reported
Liability \$ Paid: Not reported
Project \$ Completed: Not reported
Total \$ Paid/Completed Amount: Not reported

CERS:
Name: GREEN ACRES GROUP
Address: NEEDLES HWY
City,State,Zip: NEEDLES, CA 92363
Site ID: 439337
CERS ID: 844785
CERS Description: Agriculture Discharge

Violations:
Site ID: 439337
Site Name: Green Acres Group
Violation Date: 06-26-2019
Citation: California Water Code
Violation Description: Not reported
Violation Notes: Cannabis growth medium stored on bare soil without secondary containment.
Violation Division: Water Boards
Violation Program: IRRICANNAB
Violation Source: CIWQS,

Site ID: 439337
Site Name: Green Acres Group
Violation Date: 06-26-2019
Citation: California Water Code
Violation Description: Not reported
Violation Notes: Equipment washout water discharged to land
Violation Division: Water Boards
Violation Program: IRRICANNAB
Violation Source: CIWQS,

Map ID
Direction
Distance
Elevation

MAP FINDINGS

Site

Database(s)

EDR ID Number
EPA ID Number

GREEN ACRES GROUP (Continued)

S123521585

Site ID: 439337
Site Name: Green Acres Group
Violation Date: 06-26-2019
Citation: California Water Code
Violation Description: Not reported
Violation Notes: Reverse osmosis brine waste discharged to land
Violation Division: Water Boards
Violation Program: IRRICANNAB
Violation Source: CIWQS,

Evaluation:
Eval General Type: Compliance Evaluation Inspection
Eval Date: 06-26-2019
Violations Found: Yes
Eval Type: RWQCB Type B compliance inspection
Eval Notes: Not reported
Eval Division: Water Boards
Eval Program: IRRICANNAB
Eval Source: CIWQS,

Enforcement Action:
Site ID: 439337
Site Name: Green Acres Group
Site Address: NEEDLES HWY
Site City: NEEDLES
Site Zip: 92363
Enf Action Date: 06-26-2019
Enf Action Type: Staff Enforcement Letter (Informal)
Enf Action Description: Staff Enforcement Letter (Informal)
Enf Action Notes: Not reported
Enf Action Division: Water Boards
Enf Action Program: IRRICANNAB
Enf Action Source: CIWQS,

Site ID: 439337
Site Name: Green Acres Group
Site Address: NEEDLES HWY
Site City: NEEDLES
Site Zip: 92363
Enf Action Date: 11-01-2019
Enf Action Type: Notice of Violation (Water)
Enf Action Description: Notice of Violation Letter (Informal)
Enf Action Notes: Not reported
Enf Action Division: Water Boards
Enf Action Program: IRRICANNAB
Enf Action Source: CIWQS,

Affiliation:
Affiliation Type Desc: Operator
Entity Name: Green Acres Group
Entity Title: Not reported
Affiliation Address: Not reported
Affiliation City: Not reported
Affiliation State: Not reported
Affiliation Country: Not reported
Affiliation Zip: Not reported

Map ID
 Direction
 Distance
 Elevation

MAP FINDINGS

Site

Database(s)

EDR ID Number
 EPA ID Number

GREEN ACRES GROUP (Continued)

S123521585

Affiliation Phone: ,

N61 NORTHSHORE RV RESORT 97-50082
Target RR4 BOX 103
Property NEEDLES, CA 92363

ENF S103866550
WDS N/A
CIWQS
CERS

Site 2 of 2 in cluster N

Actual: ENF:
516 ft. Name: NORTHSHORE RV RESORT 97-50082
Focus Map: Address: RR4 BOX 103
6 City,State,Zip: NEEDLES, CA 92363
 Region: 7
 Facility Id: 244647
 Agency Name: Farrell Family Trust
 Place Type: Recreational
 Place Subtype: Campground
 Facility Type: Municipal/Domestic
 Agency Type: Privately-Owned Business
 # Of Agencies: 1
 Place Latitude: Not reported
 Place Longitude: Not reported
 SIC Code 1: 7033
 SIC Desc 1: Recreational Vehicle Parks and Campsites
 SIC Code 2: 4952
 SIC Desc 2: Sewerage Systems
 SIC Code 3: Not reported
 SIC Desc 3: Not reported
 NAICS Code 1: Not reported
 NAICS Desc 1: Not reported
 NAICS Code 2: Not reported
 NAICS Desc 2: Not reported
 NAICS Code 3: Not reported
 NAICS Desc 3: Not reported
 # Of Places: 1
 Source Of Facility: Reg Meas
 Design Flow: 0.015
 Threat To Water Quality: 3
 Complexity: C
 Pretreatment: X - Facility is not a POTW
 Facility Waste Type: Domestic wastewater
 Facility Waste Type 2: Not reported
 Facility Waste Type 3: Not reported
 Facility Waste Type 4: Not reported
 Program: WDRMUNIWTS
 Program Category1: WDR
 Program Category2: WDR
 # Of Programs: 1
 WDID: 7B361007001
 Reg Measure Id: 205869
 Reg Measure Type: Enrollee
 Region: 7
 Order #: 97-500
 Npdes# CA#: Not reported
 Major-Minor: Not reported
 Npdes Type: Not reported
 Reclamation: N - No

Map ID
Direction
Distance
Elevation

MAP FINDINGS

Site

Database(s)

EDR ID Number
EPA ID Number

NORTHSHORE RV RESORT 97-50082 (Continued)

S103866550

Dredge Fill Fee:	Not reported
301H:	Not reported
Application Fee Amt Received:	200
Status:	Active
Status Date:	05/04/2016
Effective Date:	06/26/1996
Expiration/Review Date:	06/23/2011
Termination Date:	Not reported
WDR Review - Amend:	Not reported
WDR Review - Revise/Renew:	Not reported
WDR Review - Rescind:	Not reported
WDR Review - No Action Required:	Not reported
WDR Review - Pending:	Not reported
WDR Review - Planned:	Not reported
Status Enrollee:	Y
Individual/General:	I
Fee Code:	58 - Non15 Based on (TTWQ)/CPLX
Direction/Voice:	Passive
Enforcement Id(EID):	374046
Region:	7
Order / Resolution Number:	Not reported
Enforcement Action Type:	Staff Enforcement Letter
Effective Date:	03/08/2010
Adoption/Issuance Date:	03/08/2010
Achieve Date:	Not reported
Termination Date:	03/08/2010
ACL Issuance Date:	Not reported
EPL Issuance Date:	Not reported
Status:	Historical
Title:	SEL 03/08/2010 for Farrell Family Trust
Description:	03/08/2010 Notice of Noncompliance letter issued for violations noted on Annual 2009 M&R.
Program:	WDRMUNIOTH
Latest Milestone Completion Date:	Not reported
# Of Programs1:	1
Total Assessment Amount:	0
Initial Assessed Amount:	0
Liability \$ Amount:	0
Project \$ Amount:	0
Liability \$ Paid:	0
Project \$ Completed:	0
Total \$ Paid/Completed Amount:	0
Name:	NORTHSHORE RV RESORT 97-50082
Address:	RR4 BOX 103
City,State,Zip:	NEEDLES, CA 92363
Region:	7
Facility Id:	244647
Agency Name:	Farrell Family Trust
Place Type:	Recreational
Place Subtype:	Campground
Facility Type:	Municipal/Domestic
Agency Type:	Privately-Owned Business
# Of Agencies:	1
Place Latitude:	Not reported
Place Longitude:	Not reported
SIC Code 1:	7033

Map ID
Direction
Distance
Elevation

MAP FINDINGS

Site

Database(s)

EDR ID Number
EPA ID Number

NORTHSHORE RV RESORT 97-50082 (Continued)

S103866550

SIC Desc 1:	Recreational Vehicle Parks and Campsites
SIC Code 2:	4952
SIC Desc 2:	Sewerage Systems
SIC Code 3:	Not reported
SIC Desc 3:	Not reported
NAICS Code 1:	Not reported
NAICS Desc 1:	Not reported
NAICS Code 2:	Not reported
NAICS Desc 2:	Not reported
NAICS Code 3:	Not reported
NAICS Desc 3:	Not reported
# Of Places:	1
Source Of Facility:	Reg Meas
Design Flow:	0.015
Threat To Water Quality:	3
Complexity:	C
Pretreatment:	X - Facility is not a POTW
Facility Waste Type:	Domestic wastewater
Facility Waste Type 2:	Not reported
Facility Waste Type 3:	Not reported
Facility Waste Type 4:	Not reported
Program:	WDRMUNIOWTS
Program Category1:	WDR
Program Category2:	WDR
# Of Programs:	1
WDID:	7B361007001
Reg Measure Id:	205869
Reg Measure Type:	Enrollee
Region:	7
Order #:	97-500
Npdes# CA#:	Not reported
Major-Minor:	Not reported
Npdes Type:	Not reported
Reclamation:	N - No
Dredge Fill Fee:	Not reported
301H:	Not reported
Application Fee Amt Received:	200
Status:	Active
Status Date:	05/04/2016
Effective Date:	06/26/1996
Expiration/Review Date:	06/23/2011
Termination Date:	Not reported
WDR Review - Amend:	Not reported
WDR Review - Revise/Renew:	Not reported
WDR Review - Rescind:	Not reported
WDR Review - No Action Required:	Not reported
WDR Review - Pending:	Not reported
WDR Review - Planned:	Not reported
Status Enrollee:	Y
Individual/General:	I
Fee Code:	58 - Non15 Based on (TTWQ)/CPLX
Direction/Voice:	Passive
Enforcement Id(EID):	316750
Region:	7
Order / Resolution Number:	Not reported
Enforcement Action Type:	Notice to Comply
Effective Date:	12/11/2006

Map ID
Direction
Distance
Elevation

MAP FINDINGS

Site

Database(s)

EDR ID Number
EPA ID Number

NORTHSHORE RV RESORT 97-50082 (Continued)

S103866550

Adoption/Issuance Date: Not reported
Achieve Date: Not reported
Termination Date: Not reported
ACL Issuance Date: Not reported
EPL Issuance Date: Not reported
Status: Historical
Title: Enforcement - 7B361007001
Description: 12/11/2006 Notice of Noncompliance letter issued for 2006
Annual excess TKN
Program: WDR
Latest Milestone Completion Date: 3/20/2007
Of Programs1: 1
Total Assessment Amount: 0
Initial Assessed Amount: 0
Liability \$ Amount: 0
Project \$ Amount: 0
Liability \$ Paid: 0
Project \$ Completed: 0
Total \$ Paid/Completed Amount: 0

Name: NORTHSHORE RV RESORT 97-50082
Address: RR4 BOX 103
City,State,Zip: NEEDLES, CA 92363
Region: 7
Facility Id: 244647
Agency Name: Farrell Family Trust
Place Type: Recreational
Place Subtype: Campground
Facility Type: Municipal/Domestic
Agency Type: Privately-Owned Business
Of Agencies: 1
Place Latitude: Not reported
Place Longitude: Not reported
SIC Code 1: 7033
SIC Desc 1: Recreational Vehicle Parks and Campsites
SIC Code 2: 4952
SIC Desc 2: Sewerage Systems
SIC Code 3: Not reported
SIC Desc 3: Not reported
NAICS Code 1: Not reported
NAICS Desc 1: Not reported
NAICS Code 2: Not reported
NAICS Desc 2: Not reported
NAICS Code 3: Not reported
NAICS Desc 3: Not reported
Of Places: 1
Source Of Facility: Reg Meas
Design Flow: 0.015
Threat To Water Quality: 3
Complexity: C
Pretreatment: X - Facility is not a POTW
Facility Waste Type: Domestic wastewater
Facility Waste Type 2: Not reported
Facility Waste Type 3: Not reported
Facility Waste Type 4: Not reported
Program: WDRMUNIWTS
Program Category1: WDR

Map ID
Direction
Distance
Elevation

MAP FINDINGS

Site

Database(s)

EDR ID Number
EPA ID Number

NORTHSHORE RV RESORT 97-50082 (Continued)

S103866550

Program Category2: WDR
Of Programs: 1
WDID: 7B361007001
Reg Measure Id: 205869
Reg Measure Type: Enrollee
Region: 7
Order #: 97-500
Npdes# CA#: Not reported
Major-Minor: Not reported
Npdes Type: Not reported
Reclamation: N - No
Dredge Fill Fee: Not reported
301H: Not reported
Application Fee Amt Received: 200
Status: Active
Status Date: 05/04/2016
Effective Date: 06/26/1996
Expiration/Review Date: 06/23/2011
Termination Date: Not reported
WDR Review - Amend: Not reported
WDR Review - Revise/Renew: Not reported
WDR Review - Rescind: Not reported
WDR Review - No Action Required: Not reported
WDR Review - Pending: Not reported
WDR Review - Planned: Not reported
Status Enrollee: Y
Individual/General: I
Fee Code: 58 - Non15 Based on (TTWQ)/CPLX
Direction/Voice: Passive
Enforcement Id(EID): 306963
Region: 7
Order / Resolution Number: Not reported
Enforcement Action Type: Notice to Comply
Effective Date: 06/16/2005
Adoption/Issuance Date: Not reported
Achieve Date: Not reported
Termination Date: Not reported
ACL Issuance Date: Not reported
EPL Issuance Date: Not reported
Status: Historical
Title: Enforcement - 7B361007001
Description: 06/16/2005 Notice of Noncompliance letter issued for
06/15/2005 site inspection
Program: WDR
Latest Milestone Completion Date: Not reported
Of Programs1: 1
Total Assessment Amount: 0
Initial Assessed Amount: 0
Liability \$ Amount: 0
Project \$ Amount: 0
Liability \$ Paid: 0
Project \$ Completed: 0
Total \$ Paid/Completed Amount: 0
Name: NORTHSHORE RV RESORT 97-50082
Address: RR4 BOX 103
City,State,Zip: NEEDLES, CA 92363

Map ID
Direction
Distance
Elevation

MAP FINDINGS

Site

Database(s)

EDR ID Number
EPA ID Number

NORTHSHORE RV RESORT 97-50082 (Continued)

S103866550

Region: 7
Facility Id: 244647
Agency Name: Farrell Family Trust
Place Type: Recreational
Place Subtype: Campground
Facility Type: Municipal/Domestic
Agency Type: Privately-Owned Business
Of Agencies: 1
Place Latitude: Not reported
Place Longitude: Not reported
SIC Code 1: 7033
SIC Desc 1: Recreational Vehicle Parks and Campsites
SIC Code 2: 4952
SIC Desc 2: Sewerage Systems
SIC Code 3: Not reported
SIC Desc 3: Not reported
NAICS Code 1: Not reported
NAICS Desc 1: Not reported
NAICS Code 2: Not reported
NAICS Desc 2: Not reported
NAICS Code 3: Not reported
NAICS Desc 3: Not reported
Of Places: 1
Source Of Facility: Reg Meas
Design Flow: 0.015
Threat To Water Quality: 3
Complexity: C
Pretreatment: X - Facility is not a POTW
Facility Waste Type: Domestic wastewater
Facility Waste Type 2: Not reported
Facility Waste Type 3: Not reported
Facility Waste Type 4: Not reported
Program: WDRMUNIWTS
Program Category1: WDR
Program Category2: WDR
Of Programs: 1
WDID: 7B361007001
Reg Measure Id: 205869
Reg Measure Type: Enrollee
Region: 7
Order #: 97-500
Npdes# CA#: Not reported
Major-Minor: Not reported
Npdes Type: Not reported
Reclamation: N - No
Dredge Fill Fee: Not reported
301H: Not reported
Application Fee Amt Received: 200
Status: Active
Status Date: 05/04/2016
Effective Date: 06/26/1996
Expiration/Review Date: 06/23/2011
Termination Date: Not reported
WDR Review - Amend: Not reported
WDR Review - Revise/Renew: Not reported
WDR Review - Rescind: Not reported
WDR Review - No Action Required: Not reported

Map ID
Direction
Distance
Elevation

MAP FINDINGS

Site

Database(s)

EDR ID Number
EPA ID Number

NORTHSHORE RV RESORT 97-50082 (Continued)

S103866550

WDR Review - Pending:	Not reported
WDR Review - Planned:	Not reported
Status Enrollee:	Y
Individual/General:	I
Fee Code:	58 - Non15 Based on (TTWQ)/CPLX
Direction/Voice:	Passive
Enforcement Id(EID):	296630
Region:	7
Order / Resolution Number:	Not reported
Enforcement Action Type:	Notice to Comply
Effective Date:	12/30/2005
Adoption/Issuance Date:	Not reported
Achieve Date:	Not reported
Termination Date:	Not reported
ACL Issuance Date:	Not reported
EPL Issuance Date:	Not reported
Status:	Historical
Title:	Enforcement - 7B361007001
Description:	12/30/2005 Notice of Noncompliance letter issued for 2005 Annual excess TKN
Program:	WDR
Latest Milestone Completion Date:	2/2/2006
# Of Programs1:	1
Total Assessment Amount:	0
Initial Assessed Amount:	0
Liability \$ Amount:	0
Project \$ Amount:	0
Liability \$ Paid:	0
Project \$ Completed:	0
Total \$ Paid/Completed Amount:	0
Name:	NORTHSHORE RV RESORT 97-50082
Address:	RR4 BOX 103
City,State,Zip:	NEEDLES, CA 92363
Region:	7
Facility Id:	244647
Agency Name:	Farrell Family Trust
Place Type:	Recreational
Place Subtype:	Campground
Facility Type:	Municipal/Domestic
Agency Type:	Privately-Owned Business
# Of Agencies:	1
Place Latitude:	Not reported
Place Longitude:	Not reported
SIC Code 1:	7033
SIC Desc 1:	Recreational Vehicle Parks and Campsites
SIC Code 2:	4952
SIC Desc 2:	Sewerage Systems
SIC Code 3:	Not reported
SIC Desc 3:	Not reported
NAICS Code 1:	Not reported
NAICS Desc 1:	Not reported
NAICS Code 2:	Not reported
NAICS Desc 2:	Not reported
NAICS Code 3:	Not reported
NAICS Desc 3:	Not reported
# Of Places:	1

Map ID
Direction
Distance
Elevation

MAP FINDINGS

Site

Database(s)

EDR ID Number
EPA ID Number

NORTHSHORE RV RESORT 97-50082 (Continued)

S103866550

Source Of Facility:	Reg Meas
Design Flow:	0.015
Threat To Water Quality:	3
Complexity:	C
Pretreatment:	X - Facility is not a POTW
Facility Waste Type:	Domestic wastewater
Facility Waste Type 2:	Not reported
Facility Waste Type 3:	Not reported
Facility Waste Type 4:	Not reported
Program:	WDRMUNIOWTS
Program Category1:	WDR
Program Category2:	WDR
# Of Programs:	1
WDID:	7B361007001
Reg Measure Id:	205869
Reg Measure Type:	Enrollee
Region:	7
Order #:	97-500
Npdes# CA#:	Not reported
Major-Minor:	Not reported
Npdes Type:	Not reported
Reclamation:	N - No
Dredge Fill Fee:	Not reported
301H:	Not reported
Application Fee Amt Received:	200
Status:	Active
Status Date:	05/04/2016
Effective Date:	06/26/1996
Expiration/Review Date:	06/23/2011
Termination Date:	Not reported
WDR Review - Amend:	Not reported
WDR Review - Revise/Renew:	Not reported
WDR Review - Rescind:	Not reported
WDR Review - No Action Required:	Not reported
WDR Review - Pending:	Not reported
WDR Review - Planned:	Not reported
Status Enrollee:	Y
Individual/General:	I
Fee Code:	58 - Non15 Based on (TTWQ)/CPLX
Direction/Voice:	Passive
Enforcement Id(EID):	255788
Region:	7
Order / Resolution Number:	UNKNOWN
Enforcement Action Type:	Notice to Comply
Effective Date:	04/28/2005
Adoption/Issuance Date:	Not reported
Achieve Date:	Not reported
Termination Date:	Not reported
ACL Issuance Date:	Not reported
EPL Issuance Date:	Not reported
Status:	Active
Title:	Enforcement - 7B361007001
Description:	04/28/2005 Notice of Noncompliance letter issued for 2004 Annual M&R TDS violation. Staff requested complete pump-out and resample. Resampling results due by 05/27/2005
Program:	WDRMUNIOH
Latest Milestone Completion Date:	Not reported

Map ID
Direction
Distance
Elevation

MAP FINDINGS

Site

Database(s)

EDR ID Number
EPA ID Number

NORTHSHORE RV RESORT 97-50082 (Continued)

S103866550

# Of Programs1:	1
Total Assessment Amount:	0
Initial Assessed Amount:	0
Liability \$ Amount:	0
Project \$ Amount:	0
Liability \$ Paid:	0
Project \$ Completed:	0
Total \$ Paid/Completed Amount:	0
Name:	NORTHSHORE RV RESORT 97-50082
Address:	RR4 BOX 103
City,State,Zip:	NEEDLES, CA 92363
Region:	7
Facility Id:	244647
Agency Name:	Farrell Family Trust
Place Type:	Recreational
Place Subtype:	Campground
Facility Type:	Municipal/Domestic
Agency Type:	Privately-Owned Business
# Of Agencies:	1
Place Latitude:	Not reported
Place Longitude:	Not reported
SIC Code 1:	7033
SIC Desc 1:	Recreational Vehicle Parks and Campsites
SIC Code 2:	4952
SIC Desc 2:	Sewerage Systems
SIC Code 3:	Not reported
SIC Desc 3:	Not reported
NAICS Code 1:	Not reported
NAICS Desc 1:	Not reported
NAICS Code 2:	Not reported
NAICS Desc 2:	Not reported
NAICS Code 3:	Not reported
NAICS Desc 3:	Not reported
# Of Places:	1
Source Of Facility:	Reg Meas
Design Flow:	0.015
Threat To Water Quality:	3
Complexity:	C
Pretreatment:	X - Facility is not a POTW
Facility Waste Type:	Domestic wastewater
Facility Waste Type 2:	Not reported
Facility Waste Type 3:	Not reported
Facility Waste Type 4:	Not reported
Program:	WDRMUNIWTS
Program Category1:	WDR
Program Category2:	WDR
# Of Programs:	1
WDID:	7B361007001
Reg Measure Id:	205869
Reg Measure Type:	Enrollee
Region:	7
Order #:	97-500
Npdes# CA#:	Not reported
Major-Minor:	Not reported
Npdes Type:	Not reported
Reclamation:	N - No

Map ID
Direction
Distance
Elevation

MAP FINDINGS

Site

Database(s)

EDR ID Number
EPA ID Number

NORTHSHORE RV RESORT 97-50082 (Continued)

S103866550

Dredge Fill Fee:	Not reported
301H:	Not reported
Application Fee Amt Received:	200
Status:	Active
Status Date:	05/04/2016
Effective Date:	06/26/1996
Expiration/Review Date:	06/23/2011
Termination Date:	Not reported
WDR Review - Amend:	Not reported
WDR Review - Revise/Renew:	Not reported
WDR Review - Rescind:	Not reported
WDR Review - No Action Required:	Not reported
WDR Review - Pending:	Not reported
WDR Review - Planned:	Not reported
Status Enrollee:	Y
Individual/General:	I
Fee Code:	58 - Non15 Based on (TTWQ)/CPLX
Direction/Voice:	Passive
Enforcement Id(EID):	255778
Region:	7
Order / Resolution Number:	UNKNOWN
Enforcement Action Type:	Notice of Violation
Effective Date:	02/02/2005
Adoption/Issuance Date:	Not reported
Achieve Date:	Not reported
Termination Date:	02/02/2005
ACL Issuance Date:	Not reported
EPL Issuance Date:	Not reported
Status:	Historical
Title:	Enforcement - 7B361007001
Description:	02/02/2005 Notice of Violation No. R7-2005-0047 issued for failure to submit 2004 Annual M&R
Program:	WDRMUNIOTH
Latest Milestone Completion Date:	Not reported
# Of Programs1:	1
Total Assessment Amount:	0
Initial Assessed Amount:	0
Liability \$ Amount:	0
Project \$ Amount:	0
Liability \$ Paid:	0
Project \$ Completed:	0
Total \$ Paid/Completed Amount:	0
Name:	NORTHSHORE RV RESORT 97-50082
Address:	RR4 BOX 103
City,State,Zip:	NEEDLES, CA 92363
Region:	7
Facility Id:	244647
Agency Name:	Farrell Family Trust
Place Type:	Recreational
Place Subtype:	Campground
Facility Type:	Municipal/Domestic
Agency Type:	Privately-Owned Business
# Of Agencies:	1
Place Latitude:	Not reported
Place Longitude:	Not reported
SIC Code 1:	7033

Map ID
Direction
Distance
Elevation

MAP FINDINGS

Site

Database(s)

EDR ID Number
EPA ID Number

NORTHSHORE RV RESORT 97-50082 (Continued)

S103866550

SIC Desc 1:	Recreational Vehicle Parks and Campsites
SIC Code 2:	4952
SIC Desc 2:	Sewerage Systems
SIC Code 3:	Not reported
SIC Desc 3:	Not reported
NAICS Code 1:	Not reported
NAICS Desc 1:	Not reported
NAICS Code 2:	Not reported
NAICS Desc 2:	Not reported
NAICS Code 3:	Not reported
NAICS Desc 3:	Not reported
# Of Places:	1
Source Of Facility:	Reg Meas
Design Flow:	0.015
Threat To Water Quality:	3
Complexity:	C
Pretreatment:	X - Facility is not a POTW
Facility Waste Type:	Domestic wastewater
Facility Waste Type 2:	Not reported
Facility Waste Type 3:	Not reported
Facility Waste Type 4:	Not reported
Program:	WDRMUNIOWTS
Program Category1:	WDR
Program Category2:	WDR
# Of Programs:	1
WDID:	7B361007001
Reg Measure Id:	205869
Reg Measure Type:	Enrollee
Region:	7
Order #:	97-500
Npdes# CA#:	Not reported
Major-Minor:	Not reported
Npdes Type:	Not reported
Reclamation:	N - No
Dredge Fill Fee:	Not reported
301H:	Not reported
Application Fee Amt Received:	200
Status:	Active
Status Date:	05/04/2016
Effective Date:	06/26/1996
Expiration/Review Date:	06/23/2011
Termination Date:	Not reported
WDR Review - Amend:	Not reported
WDR Review - Revise/Renew:	Not reported
WDR Review - Rescind:	Not reported
WDR Review - No Action Required:	Not reported
WDR Review - Pending:	Not reported
WDR Review - Planned:	Not reported
Status Enrollee:	Y
Individual/General:	I
Fee Code:	58 - Non15 Based on (TTWQ)/CPLX)
Direction/Voice:	Passive
Enforcement Id(EID):	248630
Region:	7
Order / Resolution Number:	UNKNOWN
Enforcement Action Type:	Notice to Comply
Effective Date:	08/13/2002

Map ID
Direction
Distance
Elevation

MAP FINDINGS

Site

Database(s)

EDR ID Number
EPA ID Number

NORTHSHORE RV RESORT 97-50082 (Continued)

S103866550

Adoption/Issuance Date: Not reported
Achieve Date: Not reported
Termination Date: Not reported
ACL Issuance Date: Not reported
EPL Issuance Date: Not reported
Status: Historical
Title: Enforcement - 7B361007001
Description: 08/13/2002 Notice of Noncompliance letter issued. Request for stallation of properly sealed lids on the pump station and on both septic tanks by 10/30/2002, when a follow-up inspection is scheduled
Program: WDRMUNIOTH
Latest Milestone Completion Date: 9/27/2002
Of Programs1: 1
Total Assessment Amount: 0
Initial Assessed Amount: 0
Liability \$ Amount: 0
Project \$ Amount: 0
Liability \$ Paid: 0
Project \$ Completed: 0
Total \$ Paid/Completed Amount: 0

WDS:

Name: NORTHSHORE RV RESORT 97-50082
Address: RR4 BOX 103
City: NEEDLES
Facility ID: East Colorado River 361007001
Facility Type: Municipal/Domestic - Facility that treats sewage or a mixture of predominantly sewage and other waste from districts, municipalities, communities, hospitals, schools, and publicly or privately owned systems (excluding individual subsurface leaching systems disposing of less than 1,000 gallons per day).
Facility Status: Active - Any facility with a continuous or seasonal discharge that is under Waste Discharge Requirements.
NPDES Number: Not reported
Subregion: 7
Facility Telephone: 7603265111
Facility Contact: SOLOMON ARROWOOD
Agency Name: FARRELL FAMILY TRUST
Agency Address: 160 OLIVE LANE
Agency City,St,Zip: LAKE HAVASU CITY 86403
Agency Contact: BERNARD FARRELL
Agency Telephone: 7603265111
Agency Type: Private
SIC Code: 7033
SIC Code 2: 4952
Primary Waste Type: Designated/Influent or Solid Wastes that pose a significant threat to water quality because of their high concentrations (E.G., BOD, Hardness, TRF, Chloride). 'Manageable' hazardous wastes (E.G., inorganic salts and heavy metals) are included in this category.
Primary Waste: DOMEST
Waste Type2: Not reported
Waste2: Domestic Sewage
Primary Waste Type: Designated/Influent or Solid Wastes that pose a significant threat to water quality because of their high concentrations (E.G., BOD, Hardness, TRF, Chloride). 'Manageable' hazardous wastes (E.G., inorganic salts and heavy metals) are included in this category.

Map ID
Direction
Distance
Elevation

MAP FINDINGS

Site

Database(s)

EDR ID Number
EPA ID Number

NORTHSHORE RV RESORT 97-50082 (Continued)

S103866550

Secondary Waste: Not reported
Secondary Waste Type: Not reported
Design Flow: 0
Baseline Flow: 0
Reclamation: No reclamation requirements associated with this facility.
POTW: The facility is not a POTW.
Treat To Water: Minor Threat to Water Quality. A violation of a regional board order should cause a relatively minor impairment of beneficial uses compared to a major or minor threat. Not: All nurds without a TTWQ will be considered a minor threat to water quality unless coded at a higher Level. A Zero (0) may be used to code those NURDS that are found to represent no threat to water quality.
Complexity: Category C - Facilities having no waste treatment systems, such as cooling water dischargers or those who must comply through best management practices, facilities with passive waste treatment and disposal systems, such as septic systems with subsurface disposal, or dischargers having waste storage systems with land disposal such as dairy waste ponds.

CIWQS:

Name: NORTHSHORE RV RESORT 97-50082
Address: RR4 BOX 103
City,State,Zip: NEEDLES, CA 92363
Agency: Farrell Family Trust
Agency Address: 160 Olive Lane, Lake Havasu City, AZ 86403
Place/Project Type: Campground
SIC/NAICS: 7033(+)
Region: 7
Program: WDRMUNIOTH, WDRMUNIOWTS
Regulatory Measure Status: Active
Regulatory Measure Type: Enrollee
Order Number: 97-500
WDID: 7B361007001
NPDES Number: Not reported
Adoption Date: Not reported
Effective Date: 06/26/1996
Termination Date: Not reported
Expiration/Review Date: 06/23/2011
Design Flow: 0.015
Major/Minor: Not reported
Complexity: C
TTWQ: 3
Enforcement Actions within 5 years: 0
Violations within 5 years: 0
Latitude: Not reported
Longitude: Not reported

CERS:

Name: NORTHSHORE RV RESORT 97-50082
Address: RR4 BOX 103
City,State,Zip: NEEDLES, CA 92363
Site ID: 138900
CERS ID: 244647
CERS Description: Waste Discharge Requirements

Violations:

Site ID: 138900

Map ID
Direction
Distance
Elevation

MAP FINDINGS

Site

Database(s)

EDR ID Number
EPA ID Number

NORTHSHORE RV RESORT 97-50082 (Continued)

S103866550

Site Name: Northshore RV Resort 97-50082
Violation Date: 04-27-2005
Citation: California Water Code
Violation Description: Not reported
Violation Notes: 2004 Annual M&R excess TDS. Sample of 03/04/2005 was reported at 2,800 mg/L
Violation Division: Water Boards
Violation Program: WDR
Violation Source: CIWQS,

Site ID: 138900
Site Name: Northshore RV Resort 97-50082
Violation Date: 01-16-2005
Citation: California Water Code
Violation Description: Not reported
Violation Notes: FTS 2004 Annual M&R
Violation Division: Water Boards
Violation Program: WDR
Violation Source: CIWQS,

Site ID: 138900
Site Name: Northshore RV Resort 97-50082
Violation Date: 06-15-2005
Citation: California Water Code
Violation Description: Not reported
Violation Notes: 06/15/2005 Inspection - Improperly sealed septic tank lids
Violation Division: Water Boards
Violation Program: WDRMUNIOTH
Violation Source: CIWQS,

Site ID: 138900
Site Name: Northshore RV Resort 97-50082
Violation Date: 03-03-2010
Citation: California Water Code
Violation Description: Not reported
Violation Notes: Incomplete Annual 2009 M&R
Violation Division: Water Boards
Violation Program: WDRMUNIOTH
Violation Source: CIWQS,

Site ID: 138900
Site Name: Northshore RV Resort 97-50082
Violation Date: 06-21-1999
Citation: California Water Code
Violation Description: Not reported
Violation Notes: EXC TDS IN WASTEWATER
Violation Division: Water Boards
Violation Program: WDR
Violation Source: CIWQS,

Site ID: 138900
Site Name: Northshore RV Resort 97-50082
Violation Date: 08-08-2002
Citation: California Water Code
Violation Description: Not reported
Violation Notes: 08/08/2002 Site inspection revealed noncompliance due to improperly sealed lids on the main sewage pump station tank next to the

Map ID
Direction
Distance
Elevation

MAP FINDINGS

Site

Database(s)

EDR ID Number
EPA ID Number

NORTHSHORE RV RESORT 97-50082 (Continued)

S103866550

clubhouse/ppol area, and on the two septic tanks serving the park
Violation Division: Water Boards
Violation Program: WDR
Violation Source: CIWQS,

Site ID: 138900
Site Name: Northshore RV Resort 97-50082
Violation Date: 03-03-2010
Citation: California Water Code
Violation Description: Not reported
Violation Notes: 2009 Annual excess Dichloromethane (5.6 ug/L)
Violation Division: Water Boards
Violation Program: WDRMUNIOTH
Violation Source: CIWQS,

Site ID: 138900
Site Name: Northshore RV Resort 97-50082
Violation Date: 01-23-1997
Citation: California Water Code
Violation Description: Not reported
Violation Notes: '96 ANNUAL EXC TDS. NONCOMPLIANCE LTR DATED 970128 REQUESTS RESAMPLING RESULTS BY 970228. RESULTS RECD 970328. NO VIOLS NOTED 970407.
Violation Division: Water Boards
Violation Program: WDR
Violation Source: CIWQS,

Site ID: 138900
Site Name: Northshore RV Resort 97-50082
Violation Date: 12-11-2006
Citation: California Water Code
Violation Description: Not reported
Violation Notes: 2006 Annual excess TKN (200 mg/L)
Violation Division: Water Boards
Violation Program: WDRMUNIOTH
Violation Source: CIWQS,

Site ID: 138900
Site Name: Northshore RV Resort 97-50082
Violation Date: 01-28-1999
Citation: California Water Code
Violation Description: Not reported
Violation Notes: FTS '98 ANN M&R. LATE RPT RECD 990202.
Violation Division: Water Boards
Violation Program: WDR
Violation Source: CIWQS,

Site ID: 138900
Site Name: Northshore RV Resort 97-50082
Violation Date: 12-30-2005
Citation: California Water Code
Violation Description: Not reported
Violation Notes: 2005 Annual excess TKN
Violation Division: Water Boards
Violation Program: WDRMUNIOTH
Violation Source: CIWQS,

Map ID
Direction
Distance
Elevation

MAP FINDINGS

Site

Database(s)

EDR ID Number
EPA ID Number

NORTHSHORE RV RESORT 97-50082 (Continued)

S103866550

Evaluation:

Eval General Type: Compliance Evaluation Inspection
Eval Date: 06-21-1999
Violations Found: No
Eval Type: RWQCB Type B compliance inspection
Eval Notes: Not reported
Eval Division: Water Boards
Eval Program: WDRMUNIOWT
Eval Source: CIWQS,

Eval General Type: Compliance Evaluation Inspection
Eval Date: 04-28-1998
Violations Found: No
Eval Type: RWQCB Type B compliance inspection
Eval Notes: Not reported
Eval Division: Water Boards
Eval Program: WDRMUNIOWT
Eval Source: CIWQS,

Eval General Type: Compliance Evaluation Inspection
Eval Date: 05-28-2003
Violations Found: No
Eval Type: RWQCB Type B compliance inspection
Eval Notes: Not reported
Eval Division: Water Boards
Eval Program: WDRMUNIOWT
Eval Source: CIWQS,

Eval General Type: Compliance Evaluation Inspection
Eval Date: 07-13-1998
Violations Found: No
Eval Type: RWQCB Type B compliance inspection
Eval Notes: Not reported
Eval Division: Water Boards
Eval Program: WDRMUNIOWT
Eval Source: CIWQS,

Eval General Type: Compliance Evaluation Inspection
Eval Date: 07-13-2004
Violations Found: No
Eval Type: RWQCB Type B compliance inspection
Eval Notes: Not reported
Eval Division: Water Boards
Eval Program: WDRMUNIOWT
Eval Source: CIWQS,

Eval General Type: Compliance Evaluation Inspection
Eval Date: 08-08-2002
Violations Found: No
Eval Type: RWQCB Type B compliance inspection
Eval Notes: Not reported
Eval Division: Water Boards
Eval Program: WDRMUNIOWT
Eval Source: CIWQS,

Eval General Type: Compliance Followup Inspection
Eval Date: 09-27-2002

Map ID
Direction
Distance
Elevation

MAP FINDINGS

Site

Database(s)

EDR ID Number
EPA ID Number

NORTHSHORE RV RESORT 97-50082 (Continued)

S103866550

Violations Found:	No
Eval Type:	Follow-up Inspection (noncompliance)
Eval Notes:	Not reported
Eval Division:	Water Boards
Eval Program:	WDRMUNIOWT
Eval Source:	CIWQS,
Eval General Type:	Compliance Evaluation Inspection
Eval Date:	05-17-2000
Violations Found:	No
Eval Type:	RWQCB Type B compliance inspection
Eval Notes:	Not reported
Eval Division:	Water Boards
Eval Program:	WDRMUNIOWT
Eval Source:	CIWQS,
Eval General Type:	Compliance Evaluation Inspection
Eval Date:	06-06-2006
Violations Found:	No
Eval Type:	RWQCB Type B compliance inspection
Eval Notes:	Not reported
Eval Division:	Water Boards
Eval Program:	WDRMUNIOWT
Eval Source:	CIWQS,
Eval General Type:	Compliance Evaluation Inspection
Eval Date:	06-15-2005
Violations Found:	Yes
Eval Type:	RWQCB Type B compliance inspection
Eval Notes:	Not reported
Eval Division:	Water Boards
Eval Program:	WDRMUNIOWT
Eval Source:	CIWQS,
Eval General Type:	Compliance Followup Inspection
Eval Date:	06-22-2005
Violations Found:	No
Eval Type:	Follow-up Inspection (noncompliance)
Eval Notes:	Not reported
Eval Division:	Water Boards
Eval Program:	WDRMUNIOWT
Eval Source:	CIWQS,
Eval General Type:	Compliance Followup Inspection
Eval Date:	07-13-1998
Violations Found:	No
Eval Type:	Follow-up Inspection (noncompliance)
Eval Notes:	Not reported
Eval Division:	Water Boards
Eval Program:	WDRMUNIOWT
Eval Source:	CIWQS,
Eval General Type:	Compliance Evaluation Inspection
Eval Date:	08-15-2001
Violations Found:	No
Eval Type:	RWQCB Type B compliance inspection
Eval Notes:	Not reported

Map ID
Direction
Distance
Elevation

MAP FINDINGS

Site

Database(s)

EDR ID Number
EPA ID Number

NORTHSHORE RV RESORT 97-50082 (Continued)

S103866550

Eval Division: Water Boards
Eval Program: WDRMUNIOWT
Eval Source: CIWQS,

Enforcement Action:
Site ID: 138900
Site Name: Northshore RV Resort 97-50082
Site Address: RR4 BOX 103
Site City: NEEDLES
Site Zip: 92363
Enf Action Date: 02-02-2005
Enf Action Type: Notice of Violation (Water)
Enf Action Description: Notice of Violation Letter (Informal)
Enf Action Notes: Not reported
Enf Action Division: Water Boards
Enf Action Program: WDRMUNIOWT
Enf Action Source: CIWQS,

Site ID: 138900
Site Name: Northshore RV Resort 97-50082
Site Address: RR4 BOX 103
Site City: NEEDLES
Site Zip: 92363
Enf Action Date: 03-08-2010
Enf Action Type: Staff Enforcement Letter (Informal)
Enf Action Description: Staff Enforcement Letter (Informal)
Enf Action Notes: Not reported
Enf Action Division: Water Boards
Enf Action Program: WDRMUNIOWT
Enf Action Source: CIWQS,

Site ID: 138900
Site Name: Northshore RV Resort 97-50082
Site Address: RR4 BOX 103
Site City: NEEDLES
Site Zip: 92363
Enf Action Date: 04-28-2005
Enf Action Type: Notice to Comply (Minor Violations)
Enf Action Description: Notice to Comply for Minor Violations
Enf Action Notes: Not reported
Enf Action Division: Water Boards
Enf Action Program: WDRMUNIOWT
Enf Action Source: CIWQS,

Site ID: 138900
Site Name: Northshore RV Resort 97-50082
Site Address: RR4 BOX 103
Site City: NEEDLES
Site Zip: 92363
Enf Action Date: 06-16-2005
Enf Action Type: Notice to Comply (Minor Violations)
Enf Action Description: Notice to Comply for Minor Violations
Enf Action Notes: Not reported
Enf Action Division: Water Boards
Enf Action Program: WDRMUNIOWT
Enf Action Source: CIWQS,

Map ID
Direction
Distance
Elevation

MAP FINDINGS

Site

Database(s)

EDR ID Number
EPA ID Number

NORTHSHORE RV RESORT 97-50082 (Continued)

S103866550

Site ID: 138900
Site Name: Northshore RV Resort 97-50082
Site Address: RR4 BOX 103
Site City: NEEDLES
Site Zip: 92363
Enf Action Date: 08-13-2002
Enf Action Type: Notice to Comply (Minor Violations)
Enf Action Description: Notice to Comply for Minor Violations
Enf Action Notes: Not reported
Enf Action Division: Water Boards
Enf Action Program: WDRMUNIOWT
Enf Action Source: CIWQS,

Site ID: 138900
Site Name: Northshore RV Resort 97-50082
Site Address: RR4 BOX 103
Site City: NEEDLES
Site Zip: 92363
Enf Action Date: 12-11-2006
Enf Action Type: Notice to Comply (Minor Violations)
Enf Action Description: Notice to Comply for Minor Violations
Enf Action Notes: Not reported
Enf Action Division: Water Boards
Enf Action Program: WDRMUNIOWT
Enf Action Source: CIWQS,

Site ID: 138900
Site Name: Northshore RV Resort 97-50082
Site Address: RR4 BOX 103
Site City: NEEDLES
Site Zip: 92363
Enf Action Date: 12-30-2005
Enf Action Type: Notice to Comply (Minor Violations)
Enf Action Description: Notice to Comply for Minor Violations
Enf Action Notes: Not reported
Enf Action Division: Water Boards
Enf Action Program: WDRMUNIOWT
Enf Action Source: CIWQS,

62 FORT MOJAVE INDIAN RESERVATION
Target 500 MERRIMAN AVE
Property NEEDLES, CA 92363

FINDS 1007466302
N/A

FINDS:
Registry ID: 110017717817

Actual:
481 ft. [Click Here for FRS Facility Detail Report:](#)

Focus Map: Environmental Interest/Information System:
6

ICIS (Integrated Compliance Information System) is the Integrated Compliance Information System and provides a database that, when complete, will contain integrated Enforcement and Compliance information across most of EPA's programs. The vision for ICIS is to replace EPA's independent databases that contain Enforcement data with a single repository for that information. Currently, ICIS contains all Federal Administrative and Judicial enforcement actions. This information is maintained in ICIS by EPA in the Regional offices and

Map ID
 Direction
 Distance
 Elevation

MAP FINDINGS

Site

Database(s)

EDR ID Number
 EPA ID Number

FORT MOJAVE INDIAN RESERVATION (Continued)

1007466302

it Headquarters. A future release of ICIS will replace the Permit Compliance System (PCS) which supports the NPDES and will integrate that information with Federal actions already in the system. ICIS also has the capability to track other activities occurring in the Region that support Compliance and Enforcement programs. These include; Incident Tracking, Compliance Assistance, and Compliance Monitoring.

[Click this hyperlink](#) while viewing on your computer to access additional FINDS: detail in the EDR Site Report.

63	CARL'S JR #768	San Bern. Co. Permit	S109598492
Target	2601 W BROADWAY ST		N/A
Property	NEEDLES, CA 92363		

San Bern. Co. Permit:

Actual:	Name:	CARL'S JR #768
515 ft.	Address:	2601 W BROADWAY ST
Focus Map:	City,State,Zip:	NEEDLES, CA 92363
6	Region:	SAN BERNARDINO
	Facility ID:	FA0012355
	Owner:	CLK, INC.
	Permit Number:	PT0021651
	Permit Category:	BULK CO2 AT RETAIL FOOD FACILITIES
	Facility Status:	INACTIVE
	Expiration Date:	05/31/2010

O64	SR 40 NEEDLES AMES YARD	CERS	S127595431
Target	34 51' 6.5 114 37' 27 NW		N/A
Property	NEEDLES, CA 92363		

Site 1 of 13 in cluster O

Actual:	CERS:	
509 ft.	Name:	SR 40 NEEDLES AMES YARD
Focus Map:	Address:	34 51' 6.5 114 37' 27 NW
6	City,State,Zip:	NEEDLES, CA 92363
	Site ID:	574910
	CERS ID:	10870669
	CERS Description:	Chemical Storage Facilities
	Affiliation:	
	Affiliation Type Desc:	Legal Owner
	Entity Name:	Ames Construction, Inc.
	Entity Title:	Not reported
	Affiliation Address:	391 N Main Street #302
	Affiliation City:	Corona
	Affiliation State:	CA
	Affiliation Country:	United States
	Affiliation Zip:	92880
	Affiliation Phone:	(951) 356-1275,
	Affiliation Type Desc:	
	Entity Name:	Ames Construction, Inc.
	Entity Title:	Not reported
	Affiliation Address:	Not reported
	Affiliation City:	Not reported
	Affiliation State:	Not reported
	Affiliation Country:	Not reported

Map ID
Direction
Distance
Elevation

MAP FINDINGS

Site

Database(s)

EDR ID Number
EPA ID Number

SR 40 NEEDLES AMES YARD (Continued)

S127595431

Affiliation Zip: Not reported
Affiliation Phone: ,

Affiliation Type Desc: Identification Signer
Entity Name: Amanda Stratton
Entity Title: Environmental Coordinator
Affiliation Address: Not reported
Affiliation City: Not reported
Affiliation State: Not reported
Affiliation Country: Not reported
Affiliation Zip: Not reported
Affiliation Phone: ,

Affiliation Type Desc: CUPA District
Entity Name: San Bernardino County Fire
Entity Title: Not reported
Affiliation Address: 620 South E Street
Affiliation City: San Bernardino
Affiliation State: CA
Affiliation Country: Not reported
Affiliation Zip: 92415-0153
Affiliation Phone: (909) 386-8401,

Affiliation Type Desc: Facility Mailing Address
Entity Name: Mailing Address
Entity Title: Not reported
Affiliation Address: 391 N Main Street #302
Affiliation City: Corona
Affiliation State: CA
Affiliation Country: Not reported
Affiliation Zip: 92880
Affiliation Phone: ,

Affiliation Type Desc: Document Preparer
Entity Name: Amanda Stratton
Entity Title: Not reported
Affiliation Address: Not reported
Affiliation City: Not reported
Affiliation State: Not reported
Affiliation Country: Not reported
Affiliation Zip: Not reported
Affiliation Phone: ,

Affiliation Type Desc: Environmental Contact
Entity Name: Amanda Stratton
Entity Title: Not reported
Affiliation Address: 391 N Main Street #302
Affiliation City: Corona
Affiliation State: CA
Affiliation Country: Not reported
Affiliation Zip: 92880
Affiliation Phone: ,

Affiliation Type Desc: Operator
Entity Name: Ames Construction, Inc.
Entity Title: Not reported
Affiliation Address: Not reported

Map ID
Direction
Distance
Elevation

MAP FINDINGS

Site

Database(s)

EDR ID Number
EPA ID Number

SR 40 NEEDLES AMES YARD (Continued)

S127595431

Affiliation City: Not reported
Affiliation State: Not reported
Affiliation Country: Not reported
Affiliation Zip: Not reported
Affiliation Phone: (951) 356-1275,

O65 MOBIL STATION #18-LKT
Target 2511 WEST BROADWAY AVENUE
Property NEEDLES, CA

RGA LUST S114655190
N/A

Site 2 of 13 in cluster O

Actual: RGA LUST:
512 ft. Name: MOBIL STATION #18-LKT
Focus Map: Address: 2511 WEST BROADWAY AVENUE
6 City: NEEDLES
State: NEEDLES
2000 MOBIL STATION #18-LKT 2511 WEST BROADWAY AVENUE

O66 HI-LO SERVICES INC
Target 2511 W BROADWAY ST
Property NEEDLES, CA 92363

EDR Hist Auto 1021910026
N/A

Site 3 of 13 in cluster O

Actual: EDR Hist Auto
512 ft.

Year:	Name:	Type:
1975	DUNN JOHN	Gasoline Service Stations
1976	DUNN JOHN	Gasoline Service Stations
1977	DUNN JOHN	Gasoline Service Stations
1978	DUNN JOHN	Gasoline Service Stations
1979	DUNN JOHN	Gasoline Service Stations
1980	DUNN JOHN	Gasoline Service Stations
1982	WEAKLEYS INTERSTATE MOBILE	Gasoline Service Stations
1983	WEAKLEYS INTERSTATE MOBILE	Gasoline Service Stations
1985	WEAKLEYS INTERSTATE MOBILE	Gasoline Service Stations
1987	SLEMONS INTERSTATE MOBILE	Gasoline Service Stations
1988	DESERT VIEW MOBILE	Gasoline Service Stations
1989	HI-LO SERVICES INC	Gasoline Service Stations, NEC
1990	HI-LO SERVICES INC	Gasoline Service Stations, NEC
1991	HI-LO SERVICES INC	Gasoline Service Stations, NEC
1992	HI-LO SERVICES INC	Gasoline Service Stations, NEC
1993	HI-LO SERVICES INC	Gasoline Service Stations, NEC
1994	HI-LO SERVICES INC ACC	Gasoline Service Stations, NEC

Map ID
Direction
Distance
Elevation

MAP FINDINGS

Site

Database(s)

EDR ID Number
EPA ID Number

O67 **MOBIL STATION #18 LKT**
Target **2511 WEST BROADWAY AVEN**
Property **NEEDLES, CA**

RGA LUST **S114655134**
 N/A

Site 4 of 13 in cluster O

Actual: RGA LUST:
512 ft. Name: MOBIL STATION #18 LKT
Focus Map: Address: 2511 WEST BROADWAY AVEN
6 City: NEEDLES
 State: NEEDLES
 2002 MOBIL STATION #18 LKT 2511 WEST BROADWAY AVEN

O68 **MOBIL STATION #18-LKT**
Target **2511 WEST BROADWAY**
Property **NEEDLES, CA**

RGA LUST **S114655191**
 N/A

Site 5 of 13 in cluster O

Actual: RGA LUST:
512 ft. Name: MOBIL STATION #18-LKT
Focus Map: Address: 2511 WEST BROADWAY
6 City: NEEDLES
 State: NEEDLES
 1998 MOBIL STATION #18-LKT 2511 WEST BROADWAY
 Name: MOBIL STATION #18-LKT
 Address: 2511 WEST BROADWAY
 City: NEEDLES
 State: NEEDLES
 1997 MOBIL STATION #18-LKT 2511 WEST BROADWAY
 Name: MOBIL STATION #18-LKT
 Address: 2511 WEST BROADWAY
 City: NEEDLES
 State: NEEDLES
 1996 MOBIL STATION #18-LKT 2511 WEST BROADWAY
 Name: MOBIL STATION #18-LKT
 Address: 2511 WEST BROADWAY
 City: NEEDLES
 State: NEEDLES
 1995 MOBIL STATION #18-LKT 2511 WEST BROADWAY
 Name: MOBIL STATION #18-LKT
 Address: 2511 WEST BROADWAY
 City: NEEDLES
 State: NEEDLES
 1994 MOBIL STATION #18-LKT 2511 WEST BROADWAY
 Name: MOBIL STATION #18-LKT
 Address: 2511 WEST BROADWAY
 City: NEEDLES
 State: NEEDLES
 1993 MOBIL STATION #18-LKT 2511 WEST BROADWAY

Map ID
Direction
Distance
Elevation

MAP FINDINGS

Site

Database(s) EDR ID Number
EPA ID Number

O69 DESERT VIEW MOBIL
Target 2511 W BROADWAY ST
Property NEEDLES, CA 92363

UST U004050676
N/A

Site 6 of 13 in cluster O

Actual: UST:
512 ft. Name: DESERT VIEW MOBIL
Focus Map: Address: 2511 W BROADWAY ST
6 City,State,Zip: NEEDLES, CA 92363
Facility ID: 86009423
Permitting Agency: SAN BERNARDINO COUNTY
CERSID: Not reported
Latitude: 34.85134
Longitude: -114.62442

O70 1X MOBIL OIL #18-LKT
Target 2511 W BROADWAY ST
Property NEEDLES, CA 91505

HAZNET S123702150
HWTS N/A

Site 7 of 13 in cluster O

Actual: HAZNET:
512 ft. Name: 1X MOBIL OIL #18-LKT
Focus Map: Address: 2511 W BROADWAY ST
6 Address 2: Not reported
City,State,Zip: NEEDLES, CA 915050000
Contact: PAUL YDE
Telephone: 8189532518
Mailing Name: Not reported
Mailing Address: 3800 W ALAMEDA STE 700

Year: 1987
Gepaid: CAC000012724
TSD EPA ID: CAD008352890
CA Waste Code: 221 - Waste oil and mixed oil
Disposal Method: UNK -
Tons: 2.7105

HWTS:
Name: 1X MOBIL OIL #18-LKT
Address: 2511 W BROADWAY ST
Address 2: Not reported
City,State,Zip: NEEDLES, CA 91505
EPA ID: CAC000012724
Inactive Date: 10/25/2000
Create Date: 06/09/1987
Last Act Date: Not reported
Mailing Name: Not reported
Mailing Address: 3800 W ALAMEDA STE 700
Mailing Address 2: Not reported
Mailing City,State,Zip: BURBANK, CA 915054331
Owner Name: Not reported
Owner Address: Not reported
Owner Address 2: Not reported
Owner City,State,Zip: Not reported
Contact Name: PAUL YDE
Contact Address: Not reported

Map ID
Direction
Distance
Elevation

MAP FINDINGS

Site

Database(s)

EDR ID Number
EPA ID Number

1X MOBIL OIL #18-LKT (Continued)

S123702150

Contact Address 2: Not reported
City,State,Zip: Not reported
Facility Status: Inactive
Facility Type: TEMPORARY
Category: STATE
Latitude: 34.851055
Longitude: -114.623744

O71 MOBIL STATION #18-LKT /NEEDLES
Target 2511 WEST BROADWAY
Property NEEDLES, CA

RGA LUST S114655189
N/A

Site 8 of 13 in cluster O

Actual: 512 ft. RGA LUST:
Name: MOBIL STATION #18-LKT /NEEDLES
Focus Map: 6 Address: 2511 WEST BROADWAY
City: NEEDLES
State: NEEDLES
1992 MOBIL STATION #18-LKT /NEEDLES 2511 WEST BROADWAY

O72 MOBIL STATION #18 LKT
Target 2511 WEST BROADWAY AVENUE
Property NEEDLES, CA

RGA LUST S114655135
N/A

Site 9 of 13 in cluster O

Actual: 512 ft. RGA LUST:
Name: MOBIL STATION #18 LKT
Focus Map: 6 Address: 2511 WEST BROADWAY AVENUE
City: NEEDLES
State: NEEDLES
2012 MOBIL STATION #18 LKT 2511 WEST BROADWAY AVENUE
Name: MOBIL STATION #18 LKT
Address: 2511 WEST BROADWAY AVENUE
City: NEEDLES
State: NEEDLES
2011 MOBIL STATION #18 LKT 2511 WEST BROADWAY AVENUE
Name: MOBIL STATION #18 LKT
Address: 2511 WEST BROADWAY AVENUE
City: NEEDLES
State: NEEDLES
2010 MOBIL STATION #18 LKT 2511 WEST BROADWAY AVENUE
Name: MOBIL STATION #18 LKT
Address: 2511 WEST BROADWAY AVENUE
City: NEEDLES
State: NEEDLES
2009 MOBIL STATION #18 LKT 2511 WEST BROADWAY AVENUE
Name: MOBIL STATION #18 LKT
Address: 2511 WEST BROADWAY AVENUE
City: NEEDLES
State: NEEDLES
2008 MOBIL STATION #18 LKT 2511 WEST BROADWAY AVENUE
Name: MOBIL STATION #18 LKT
Address: 2511 WEST BROADWAY AVENUE
City: NEEDLES

Map ID
Direction
Distance
Elevation

MAP FINDINGS

Site

Database(s)

EDR ID Number
EPA ID Number

MOBIL STATION #18 LKT (Continued)

S114655135

State: NEEDLES
2007 MOBIL STATION #18 LKT 2511 WEST BROADWAY AVENUE
Name: MOBIL STATION #18 LKT
Address: 2511 WEST BROADWAY AVENUE
City: NEEDLES
State: NEEDLES
2006 MOBIL STATION #18 LKT 2511 WEST BROADWAY AVENUE
Name: MOBIL STATION #18 LKT
Address: 2511 WEST BROADWAY AVENUE
City: NEEDLES
State: NEEDLES
2005 MOBIL STATION #18 LKT 2511 WEST BROADWAY AVENUE
Name: MOBIL STATION #18 LKT
Address: 2511 WEST BROADWAY AVENUE
City: NEEDLES
State: NEEDLES
2003 MOBIL STATION #18 LKT 2511 WEST BROADWAY AVENUE
Name: MOBIL STATION #18 LKT
Address: 2511 WEST BROADWAY AVENUE
City: NEEDLES
State: NEEDLES
2001 MOBIL STATION #18 LKT 2511 WEST BROADWAY AVENUE

O73 MOBIL STATION #18 LKT
Target 2511 WEST BROADWAY AVENUE
Property NEEDLES, CA 92363

FINDS 1023298057
N/A

Site 10 of 13 in cluster O

Actual: FINDS:
512 ft. Registry ID: 110065899610

Focus Map:
6 Click Here for FRS Facility Detail Report:

Environmental Interest/Information System:
STATE MASTER

Click this hyperlink while viewing on your computer to access additional FINDS: detail in the EDR Site Report.

O74 DESERT VIEW MOBIL
Target 2511 W BROADWAY
Property NEEDLES, CA 92363

FINDS 1023341214
N/A

Site 11 of 13 in cluster O

Actual: FINDS:
512 ft. Registry ID: 110066367595

Focus Map:
6 Click Here for FRS Facility Detail Report:

Environmental Interest/Information System:
STATE MASTER

Click this hyperlink while viewing on your computer to access additional FINDS: detail in the EDR Site Report.

Map ID
Direction
Distance
Elevation

MAP FINDINGS

Site

Database(s) EDR ID Number
EPA ID Number

O75 **DESERT VIEW MOBIL**
Target **2511 W BROADWAY**
Property **NEEDLES, CA 92363**

UST **U004263689**
N/A

Site 12 of 13 in cluster O

Actual: **512 ft.** **UST:**
Focus Map: **6** **Name:** DESERT VIEW MOBIL
Address: 2511 W BROADWAY
City,State,Zip: NEEDLES, CA 92363
Facility ID: FA0002706
Permitting Agency: San Bernardino County Fire Department
CERSID: 10038541
Latitude: 34.850995
Longitude: -114.623802

O76 **MOBIL STATION #18 LKT**
Target **2511 WEST BROADWAY AVENUE**
Property **NEEDLES, CA 92363**

LUST **S104816328**
Cortese **N/A**
CERS

Site 13 of 13 in cluster O

Actual: **512 ft.** **LUST REG 7:**
Focus Map: **6** **Region:** 7
Status: 9 - Case Closed
Case Num: 7T2363003
Substance: Gasoline - Automotive
ID: 964
Global ID: T0607101001
Lead Agency: Local Agency
Case Worker: KO

LUST:
Name: MOBIL STATION #18 LKT
Address: 2511 WEST BROADWAY AVENUE
City,State,Zip: NEEDLES, CA 92363
Lead Agency: SAN BERNARDINO COUNTY
Case Type: LUST Cleanup Site
Geo Track: http://geotracker.waterboards.ca.gov/profile_report.asp?global_id=T0607101001
Global Id: T0607101001
Latitude: 34.8064574
Longitude: -114.6039066
Status: Completed - Case Closed
Status Date: 03/10/1988
Case Worker: Not reported
RB Case Number: 7T2363003
Local Agency: Not reported
File Location: Local Agency
Local Case Number: 90193
Potential Media Affect: Soil
Potential Contaminants of Concern: Gasoline
Site History: Not reported

LUST:
Global Id: T0607101001
Action Type: Other
Date: 12/30/1987
Action: Leak Reported

Map ID
Direction
Distance
Elevation

MAP FINDINGS

Site

Database(s)

EDR ID Number
EPA ID Number

MOBIL STATION #18 LKT (Continued)

S104816328

LUST:

Global Id: T0607101001
Status: Open - Case Begin Date
Status Date: 11/20/1987

Global Id: T0607101001
Status: Completed - Case Closed
Status Date: 03/10/1988

CORTESE:

Name: MOBIL STATION #18 LKT
Address: 2511 WEST BROADWAY AVENUE
City,State,Zip: NEEDLES, CA 92363
Region: CORTESE
Envirostor Id: Not reported
Global ID: T0607101001
Site/Facility Type: LUST CLEANUP SITE
Cleanup Status: COMPLETED - CASE CLOSED
Status Date: Not reported
Site Code: Not reported
Latitude: Not reported
Longitude: Not reported
Owner: Not reported
Enf Type: Not reported
Swat R: Not reported
Flag: active
Order No: Not reported
Waste Discharge System No: Not reported
Effective Date: Not reported
Region 2: Not reported
WID Id: Not reported
Solid Waste Id No: Not reported
Waste Management Uit Name: Not reported
File Name: Active Open

CERS:

Name: MOBIL STATION #18 LKT
Address: 2511 WEST BROADWAY AVENUE
City,State,Zip: NEEDLES, CA 92363
Site ID: 229475
CERS ID: T0607101001
CERS Description: Leaking Underground Storage Tank Cleanup Site

P77 HILO SERVICES INC.
Target 2511 NEEDLES HWY
Property NEEDLES, CA 92363

HAULERS S127783434
N/A

Site 1 of 6 in cluster P

Actual: 516 ft.
Focus Map: 6
HAULERS:
Name: HILO SERVICES INC.
Address: 2511 NEEDLES HWY
City,State,Zip: NEEDLES, CA 92363-2110
Facility ID: 1278751
Facility Phone: (760) 326-3855

Map ID
Direction
Distance
Elevation

MAP FINDINGS

Site

Database(s)

EDR ID Number
EPA ID Number

HILO SERVICES INC. (Continued)

S127783434

Business Email Address:	Not reported
Contact Person:	John Harrell
Mailing Address:	2511 Needles Hwy
Mailing City:	Needles
Mailing State:	CA
Mailing Zip:	92363
Mailing County:	San Bernardino
Mailing Phone:	(760) 326-3855
Current Status:	Active
Current Hauler Status:	Not reported
Accepting Tires From Public:	Not reported
Regulatory Status Last Changed:	Not reported
Business Types:	Not reported

P78
Target
Property

HI-LO SERVICES INC ACC
2511 NEEDLES HWY
NEEDLES, CA 92363

EDR Hist Auto **1021122723**
N/A

Site 2 of 6 in cluster P

Actual:
516 ft.

EDR Hist Auto

Focus Map:
6

Year:	Name:	Type:
1995	HI-LO SERVICES INC ACC	Gasoline Service Stations, NEC
1996	HI-LO SERVICES INC ACC	Gasoline Service Stations, NEC
1997	HI-LO SERVICES INC ACC	Gasoline Service Stations, NEC
1998	HI-LO SERVICES INC ACC	Gasoline Service Stations, NEC
1999	HI-LO SERVICES INC ACC	Gasoline Service Stations, NEC
2000	HI-LO SERVICES INC ACC	Gasoline Service Stations, NEC
2001	HI-LO SERVICES INC ACC	Gasoline Service Stations, NEC
2002	HI-LO SERVICES INC ACC	Gasoline Service Stations, NEC
2003	HI-LO SERVICES INC ACC	Gasoline Service Stations, NEC
2004	HI-LO SERVICES INC ACC	Gasoline Service Stations, NEC
2005	HI-LO SERVICES INC ACC	Gasoline Service Stations, NEC
2006	HI-LO SERVICES INC ACC	Gasoline Service Stations, NEC
2007	HI-LO SERVICES INC ACC	Gasoline Service Stations, NEC
2008	HI-LO SERVICES INC ACC	Gasoline Service Stations, NEC
2009	HI-LO SERVICES INC ACC	Gasoline Service Stations, NEC
2010	HI-LO SERVICES INC ACC	Gasoline Service Stations, NEC
2011	HI-LO SERVICES INC ACC	Gasoline Service Stations, NEC
2012	HI-LO SERVICES INC ACC	Gasoline Service Stations, NEC
2013	HI-LO SERVICES INC ACC	Gasoline Service Stations, NEC
2014	HI-LO SERVICES INC ACC	Gasoline Service Stations, NEC

P79
Target
Property

DESERT VIEW MOBIL
2511 W NEEDLES HWY
NEEDLES, CA 92363

FINDS **1025451066**
ECHO **N/A**

Site 3 of 6 in cluster P

Actual:
516 ft.

FINDS:
Registry ID: 110070521778

Focus Map:
6

Click Here for FRS Facility Detail Report:
Environmental Interest/Information System:
AIR EMISSIONS CLASSIFICATION UNKNOWN

Map ID
 Direction
 Distance
 Elevation

MAP FINDINGS

Site

Database(s)

EDR ID Number
 EPA ID Number

DESERT VIEW MOBIL (Continued)

1025451066

RCRAInfo is a national information system that supports the Resource Conservation and Recovery Act (RCRA) program through the tracking of events and activities related to facilities that generate, transport, and treat, store, or dispose of hazardous waste. RCRAInfo allows RCRA program staff to track the notification, permit, compliance, and corrective action activities required under RCRA.

[Click this hyperlink](#) while viewing on your computer to access additional FINDS: detail in the EDR Site Report.

ECHO:

Envid: 1025451066
 Registry ID: 110070521778
 DFR URL: <http://echo.epa.gov/detailed-facility-report?fid=110070521778>
 Name: DESERT VIEW MOBIL
 Address: 2511 W NEEDLES HWY
 City,State,Zip: NEEDLES, CA 92363

**P80
 Target
 Property**

**DESERT VIEW MOBIL
 2511 W NEEDLES HWY
 NEEDLES, CA 92363**

RCRA NonGen / NLR

**1026054112
 CAL000168273**

Site 4 of 6 in cluster P

**Actual:
 516 ft.
 Focus Map:
 6**

RCRA NonGen / NLR:		19960522
Date Form Received by Agency:		
Handler Name:	DESERT VIEW MOBIL	
Handler Address:		2511 W NEEDLES HWY
Handler City,State,Zip:		NEEDLES, CA 92363-0000
EPA ID:		CAL000168273
Contact Name:		BILL TICHNELL
Contact Address:		1265 E LEVEE DR
Contact City,State,Zip:		MOHAVE VALLEY, CA 86426-0000
Contact Telephone:		928-768-4258
Contact Fax:		760-326-6843
Contact Email:		DESERTVIEWMOBIL@YAHOO.COM
Contact Title:		Not reported
EPA Region:		09
Land Type:		Not reported
Federal Waste Generator Description:		Not a generator, verified
Non-Notifier:		Not reported
Biennial Report Cycle:		Not reported
Accessibility:		Not reported
Active Site Indicator:		Not reported
State District Owner:		Not reported
State District:		Not reported
Mailing Address:		2511 W NEEDLES HWY
Mailing City,State,Zip:		NEEDLES, CA 92363-0000
Owner Name:	JOHNNY HARRELL	
Owner Type:		Other
Operator Name:	BILL TICHNELL	
Operator Type:		Other
Short-Term Generator Activity:		No
Importer Activity:		No
Mixed Waste Generator:		No
Transporter Activity:		No
Transfer Facility Activity:		No
Recycler Activity with Storage:		No

Map ID
 Direction
 Distance
 Elevation

MAP FINDINGS

Site

Database(s)

EDR ID Number
 EPA ID Number

DESERT VIEW MOBIL (Continued)

1026054112

Small Quantity On-Site Burner Exemption:	No
Smelting Melting and Refining Furnace Exemption:	No
Underground Injection Control:	No
Off-Site Waste Receipt:	No
Universal Waste Indicator:	No
Universal Waste Destination Facility:	No
Federal Universal Waste:	No
Active Site Fed-Reg Treatment Storage and Disposal Facility:	Not reported
Active Site Converter Treatment storage and Disposal Facility:	Not reported
Active Site State-Reg Treatment Storage and Disposal Facility:	Not reported
Active Site State-Reg Handler:	---
Federal Facility Indicator:	Not reported
Hazardous Secondary Material Indicator:	N
Sub-Part K Indicator:	Not reported
Commercial TSD Indicator:	No
Treatment Storage and Disposal Type:	Not reported
2018 GPRA Permit Baseline:	Not on the Baseline
2018 GPRA Renewals Baseline:	Not on the Baseline
Permit Renewals Workload Universe:	Not reported
Permit Workload Universe:	Not reported
Permit Progress Universe:	Not reported
Post-Closure Workload Universe:	Not reported
Closure Workload Universe:	Not reported
202 GPRA Corrective Action Baseline:	No
Corrective Action Workload Universe:	No
Subject to Corrective Action Universe:	No
Non-TSDFs Where RCRA CA has Been Imposed Universe:	No
TSDFs Potentially Subject to CA Under 3004 (u)/(v) Universe:	No
TSDFs Only Subject to CA under Discretionary Auth Universe:	No
Corrective Action Priority Ranking:	No NCAPS ranking
Environmental Control Indicator:	No
Institutional Control Indicator:	No
Human Exposure Controls Indicator:	N/A
Groundwater Controls Indicator:	N/A
Operating TSDF Universe:	Not reported
Full Enforcement Universe:	Not reported
Significant Non-Complier Universe:	No
Unaddressed Significant Non-Complier Universe:	No
Addressed Significant Non-Complier Universe:	No
Significant Non-Complier With a Compliance Schedule Universe:	No
Financial Assurance Required:	Not reported
Handler Date of Last Change:	20200313
Recognized Trader-Importer:	No
Recognized Trader-Exporter:	No
Importer of Spent Lead Acid Batteries:	No
Exporter of Spent Lead Acid Batteries:	No
Recycler Activity Without Storage:	No
Manifest Broker:	No
Sub-Part P Indicator:	No

Handler - Owner Operator:

Owner/Operator Indicator:	Owner
Owner/Operator Name: JOHNNY HARRELL	
Legal Status:	Other
Date Became Current:	Not reported
Date Ended Current:	Not reported

Map ID
Direction
Distance
Elevation

MAP FINDINGS

Site

Database(s)

EDR ID Number
EPA ID Number

DESERT VIEW MOBIL (Continued)

1026054112

Owner/Operator Address: 4427 S VIA RIALTO LN
Owner/Operator City,State,Zip: FT MOJAVE, AZ 86426-0000
Owner/Operator Telephone: 928-763-3628
Owner/Operator Telephone Ext: Not reported
Owner/Operator Fax: Not reported
Owner/Operator Email: Not reported

Owner/Operator Indicator: Operator
Owner/Operator Name: BILL TICHNELL
Legal Status: Other
Date Became Current: Not reported
Date Ended Current: Not reported
Owner/Operator Address: 1265 E LEVEE DR
Owner/Operator City,State,Zip: MOHAVE VALLEY, CA 86426-0000
Owner/Operator Telephone: 928-768-4258
Owner/Operator Telephone Ext: Not reported
Owner/Operator Fax: Not reported
Owner/Operator Email: Not reported

Historic Generators:
Receive Date: 19960522
Handler Name: DESERT VIEW MOBIL
Federal Waste Generator Description: Not a generator, verified
State District Owner: Not reported
Large Quantity Handler of Universal Waste: No
Recognized Trader Importer: Not reported
Recognized Trader Exporter: Not reported
Spent Lead Acid Battery Importer: Not reported
Spent Lead Acid Battery Exporter: Not reported
Current Record: Yes
Non Storage Recycler Activity: Not reported
Electronic Manifest Broker: Not reported

List of NAICS Codes and Descriptions:
NAICS Code: 44719
NAICS Description: OTHER GASOLINE STATIONS

Facility Has Received Notices of Violations:
Violations: No Violations Found

Evaluation Action Summary:
Evaluations: No Evaluations Found

P81
Target 2511 NEEDLES HWY
Property NEEDLES, CA

CHMIRS S110978006
N/A

Site 5 of 6 in cluster P

Actual: CHMIRS:
516 ft. Name: Not reported
Focus Map: Address: 2511 NEEDLES HWY
6 City,State,Zip: NEEDLES, CA
OES Incident Number: 10-1055
OES notification: 02/10/2010

Map ID
Direction
Distance
Elevation

MAP FINDINGS

Site

Database(s)

EDR ID Number
EPA ID Number

(Continued)

S110978006

OES Date:	Not reported
OES Time:	Not reported
Date Completed:	Not reported
Property Use:	Not reported
Agency Id Number:	Not reported
Agency Incident Number:	Not reported
Time Notified:	Not reported
Time Completed:	Not reported
Surrounding Area:	Not reported
Estimated Temperature:	Not reported
Property Management:	Not reported
More Than Two Substances Involved?:	Not reported
Resp Agncy Personel # Of Decontaminated:	Not reported
Responding Agency Personel # Of Injuries:	Not reported
Responding Agency Personel # Of Fatalities:	Not reported
Others Number Of Decontaminated:	Not reported
Others Number Of Injuries:	Not reported
Others Number Of Fatalities:	Not reported
Vehicle Make/year:	Not reported
Vehicle License Number:	Not reported
Vehicle State:	Not reported
Vehicle Id Number:	Not reported
CA DOT PUC/ICC Number:	Not reported
Company Name:	Not reported
Reporting Officer Name/ID:	Not reported
Report Date:	Not reported
Facility Telephone:	Not reported
Waterway Involved:	No
Waterway:	Not reported
Spill Site:	Other
Cleanup By:	Reporting Party
Containment:	Not reported
What Happened:	Not reported
Type:	Not reported
Measure:	Gal(s)
Other:	Not reported
Date/Time:	1130
Year:	2010
Agency:	City of Needles
Incident Date:	2/5/2010
Admin Agency:	San Bernardino County Health Department
Amount:	Not reported
Contained:	Yes
Site Type:	Not reported
E Date:	Not reported
Substance:	Sewage
Quantity Released:	500
Unknown:	Not reported
Substance #2:	Not reported
Substance #3:	Not reported
Evacuations:	Not reported
Number of Injuries:	Not reported
Number of Fatalities:	Not reported
#1 Pipeline:	Not reported
#2 Pipeline:	Not reported
#3 Pipeline:	Not reported
#1 Vessel >= 300 Tons:	Not reported

Map ID
 Direction
 Distance
 Elevation

MAP FINDINGS

Site

Database(s)

EDR ID Number
 EPA ID Number

(Continued)

S110978006

#2 Vessel >= 300 Tons:	Not reported
#3 Vessel >= 300 Tons:	Not reported
Evacs:	Not reported
Injuries:	Not reported
Fatals:	Not reported
Comments:	Not reported
Description:	A leach line was installed over a sewer line and crushed it.

P82 **DESERT VIEW MOBIL**
Target **2511 WEST NEEDLES HWY**
Property **NEEDLES, CA 92363**

EMI **S113088310**
HAZNET **N/A**
HWTS

Site 6 of 6 in cluster P

Actual:
516 ft.

Focus Map:
6

EMI:

Name:	DESERT VIEW MOBIL
Address:	2511 W NEEDLES HWY
City,State,Zip:	NEEDLES, CA 92363
Year:	2014
County Code:	36
Air Basin:	MD
Facility ID:	6500089
Air District Name:	MOJ
SIC Code:	5541
Air District Name:	MOJAVE DESERT AQMD
Community Health Air Pollution Info System:	Not reported
Consolidated Emission Reporting Rule:	Not reported
Total Organic Hydrocarbon Gases Tons/Yr:	0.15875012
Reactive Organic Gases Tons/Yr:	0.15875012
Carbon Monoxide Emissions Tons/Yr:	0
NOX - Oxides of Nitrogen Tons/Yr:	0
SOX - Oxides of Sulphur Tons/Yr:	0
Particulate Matter Tons/Yr:	0
Part. Matter 10 Micrometers and Smlr Tons/Yr:	0

Name:	DESERT VIEW MOBIL
Address:	2511 W NEEDLES HWY
City,State,Zip:	NEEDLES, CA 92363
Year:	2015
County Code:	36
Air Basin:	MD
Facility ID:	6500089
Air District Name:	MOJ
SIC Code:	5541
Air District Name:	MOJAVE DESERT AQMD
Community Health Air Pollution Info System:	Not reported
Consolidated Emission Reporting Rule:	Not reported
Total Organic Hydrocarbon Gases Tons/Yr:	0.150037818
Reactive Organic Gases Tons/Yr:	0.150037818
Carbon Monoxide Emissions Tons/Yr:	0
NOX - Oxides of Nitrogen Tons/Yr:	0
SOX - Oxides of Sulphur Tons/Yr:	0
Particulate Matter Tons/Yr:	0
Part. Matter 10 Micrometers and Smlr Tons/Yr:	0

Name:	DESERT VIEW MOBIL
Address:	2511 W NEEDLES HWY

Map ID
Direction
Distance
Elevation

MAP FINDINGS

Site

Database(s)

EDR ID Number
EPA ID Number

DESERT VIEW MOBIL (Continued)

S113088310

City,State,Zip: NEEDLES, CA 92363
Year: 2016
County Code: 36
Air Basin: MD
Facility ID: 6500089
Air District Name: MOJ
SIC Code: 5541
Air District Name: MOJAVE DESERT AQMD
Community Health Air Pollution Info System: Not reported
Consolidated Emission Reporting Rule: Not reported
Total Organic Hydrocarbon Gases Tons/Yr: 0.150037818
Reactive Organic Gases Tons/Yr: 0.150037818
Carbon Monoxide Emissions Tons/Yr: Not reported
NOX - Oxides of Nitrogen Tons/Yr: Not reported
SOX - Oxides of Sulphur Tons/Yr: Not reported
Particulate Matter Tons/Yr: Not reported
Part. Matter 10 Micrometers and Smllr Tons/Yr:Not reported

Name: DESERT VIEW MOBIL
Address: 2511 W NEEDLES HWY
City,State,Zip: NEEDLES, CA 92363
Year: 2017
County Code: 36
Air Basin: MD
Facility ID: 6500089
Air District Name: MOJ
SIC Code: 5541
Air District Name: MOJAVE DESERT AQMD
Community Health Air Pollution Info System: Not reported
Consolidated Emission Reporting Rule: Not reported
Total Organic Hydrocarbon Gases Tons/Yr: 0.105040578
Reactive Organic Gases Tons/Yr: 0.105040578
Carbon Monoxide Emissions Tons/Yr: Not reported
NOX - Oxides of Nitrogen Tons/Yr: Not reported
SOX - Oxides of Sulphur Tons/Yr: Not reported
Particulate Matter Tons/Yr: Not reported
Part. Matter 10 Micrometers and Smllr Tons/Yr:Not reported

Name: DESERT VIEW MOBIL
Address: 2511 W NEEDLES HWY
City,State,Zip: NEEDLES, CA 92363
Year: 2018
County Code: 36
Air Basin: MD
Facility ID: 89
Air District Name: MOJ
SIC Code: 5541
Air District Name: MOJAVE DESERT AQMD
Community Health Air Pollution Info System: Not reported
Consolidated Emission Reporting Rule: Not reported
Total Organic Hydrocarbon Gases Tons/Yr: 0.116
Reactive Organic Gases Tons/Yr: 0.116
Carbon Monoxide Emissions Tons/Yr: Not reported
NOX - Oxides of Nitrogen Tons/Yr: Not reported
SOX - Oxides of Sulphur Tons/Yr: Not reported
Particulate Matter Tons/Yr: Not reported
Part. Matter 10 Micrometers and Smllr Tons/Yr:Not reported

Map ID
Direction
Distance
Elevation

MAP FINDINGS

Site

Database(s)

EDR ID Number
EPA ID Number

DESERT VIEW MOBIL (Continued)

S113088310

Name: DESERT VIEW MOBIL
Address: 2511 W NEEDLES HWY
City,State,Zip: NEEDLES, CA 92363
Year: 2019
County Code: 36
Air Basin: MD
Facility ID: 89
Air District Name: MOJ
SIC Code: 5541
Air District Name: MOJAVE DESERT AQMD
Community Health Air Pollution Info System: Not reported
Consolidated Emission Reporting Rule: Not reported
Total Organic Hydrocarbon Gases Tons/Yr: 0.128
Reactive Organic Gases Tons/Yr: 0.128
Carbon Monoxide Emissions Tons/Yr: Not reported
NOX - Oxides of Nitrogen Tons/Yr: Not reported
SOX - Oxides of Sulphur Tons/Yr: Not reported
Particulate Matter Tons/Yr: Not reported
Part. Matter 10 Micrometers and Smlr Tons/Yr: Not reported

HAZNET:

Name: DESERT VIEW MOBIL
Address: 2511 WEST NEEDLES HWY
Address 2: Not reported
City,State,Zip: NEEDLES, CA 923630000
Contact: JOHNNY HARRELL OWNER
Telephone: 9287633628
Mailing Name: Not reported
Mailing Address: 2511 NEEDLES HWY

Year: 2006
Gepaid: CAL000168273
TSD EPA ID: NVR000066837
CA Waste Code: 221 - Waste oil and mixed oil
Disposal Method: -
Tons: 0.722

Year: 2005
Gepaid: CAL000168273
TSD EPA ID: NVR000066837
CA Waste Code: 221 - Waste oil and mixed oil
Disposal Method: -
Tons: 0.551

Year: 2003
Gepaid: CAL000168273
TSD EPA ID: NVR000066837
CA Waste Code: 221 - Waste oil and mixed oil
Disposal Method: -
Tons: 3.287

Year: 2003
Gepaid: CAL000168273
TSD EPA ID: NVR000066837
CA Waste Code: -
Disposal Method: H01 - Transfer Station
Tons: 0.4587

Map ID
Direction
Distance
Elevation

MAP FINDINGS

Site

Database(s)

EDR ID Number
EPA ID Number

DESERT VIEW MOBIL (Continued)

S113088310

Additional Info:

Year: 2003
Gen EPA ID: CAL000168273

Shipment Date: 20030408
Creation Date: 6/22/2003 18:31:12
Receipt Date: 20030408
Manifest ID: 20329130
Trans EPA ID: TXR000050930
Trans Name: Not reported
Trans 2 EPA ID: Not reported
Trans 2 Name: Not reported
TSDf EPA ID: NVR000066837
Trans Name: Not reported
TSDf Alt EPA ID: Not reported
TSDf Alt Name: Not reported
Waste Code Description: - Not reported
RCRA Code: Not reported
Meth Code: H01 - Transfer Station
Quantity Tons: 0.4587
Waste Quantity: 110
Quantity Unit: G
Additional Code 1: Not reported
Additional Code 2: Not reported
Additional Code 3: Not reported
Additional Code 4: Not reported
Additional Code 5: Not reported

Shipment Date: 20030402
Creation Date: 6/25/2003 18:30:52
Receipt Date: 20020403
Manifest ID: 99058157
Trans EPA ID: TXR000050930
Trans Name: Not reported
Trans 2 EPA ID: Not reported
Trans 2 Name: Not reported
TSDf EPA ID: NVR000066837
Trans Name: Not reported
TSDf Alt EPA ID: Not reported
TSDf Alt Name: Not reported
Waste Code Description: 221 - Waste oil and mixed oil
RCRA Code: Not reported
Meth Code: - Not reported
Quantity Tons: 3.287
Waste Quantity: 865
Quantity Unit: G
Additional Code 1: Not reported
Additional Code 2: Not reported
Additional Code 3: Not reported
Additional Code 4: Not reported
Additional Code 5: Not reported

Additional Info:

Year: 2005
Gen EPA ID: CAL000168273

Map ID
Direction
Distance
Elevation

MAP FINDINGS

Site

Database(s)

EDR ID Number
EPA ID Number

DESERT VIEW MOBIL (Continued)

S113088310

Shipment Date: 20050413
Creation Date: 7/21/2005 18:31:13
Receipt Date: 20050413
Manifest ID: 23020384
Trans EPA ID: TXR000050930
Trans Name: SAFETY-KLEEN SYSTEMS INC
Trans 2 EPA ID: Not reported
Trans 2 Name: Not reported
TSDf EPA ID: NVR000066837
Trans Name: SAFETY-KLEEN SYSTEMS INC
TSDf Alt EPA ID: NVR000066837
TSDf Alt Name: Not reported
Waste Code Description: 221 - Waste oil and mixed oil
RCRA Code: NONE
Meth Code: - Not reported
Quantity Tons: 0.551
Waste Quantity: 145
Quantity Unit: G
Additional Code 1: Not reported
Additional Code 2: Not reported
Additional Code 3: Not reported
Additional Code 4: Not reported
Additional Code 5: Not reported

Additional Info:

Year: 2006
Gen EPA ID: CAL000168273

Shipment Date: 20060228
Creation Date: 6/14/2006 18:34:47
Receipt Date: 20060228
Manifest ID: 24364836
Trans EPA ID: TXR000050930
Trans Name: SAFETY-KLEEN SYSTEMS INC
Trans 2 EPA ID: Not reported
Trans 2 Name: Not reported
TSDf EPA ID: NVR000066837
Trans Name: SAFETY-KLEEN SYSTEMS INC
TSDf Alt EPA ID: NVR000066837
TSDf Alt Name: Not reported
Waste Code Description: 221 - Waste oil and mixed oil
RCRA Code: Not reported
Meth Code: - Not reported
Quantity Tons: 0.722
Waste Quantity: 190
Quantity Unit: G
Additional Code 1: Not reported
Additional Code 2: Not reported
Additional Code 3: Not reported
Additional Code 4: Not reported
Additional Code 5: Not reported

HWTS:

Name: DESERT VIEW MOBIL
Address: 2511 W NEEDLES HWY
Address 2: Not reported

Map ID
 Direction
 Distance
 Elevation

MAP FINDINGS

Site

Database(s)

EDR ID Number
 EPA ID Number

DESERT VIEW MOBIL (Continued)

S113088310

City,State,Zip:	NEEDLES, CA 92363
EPA ID:	CAL000168273
Inactive Date:	Not reported
Create Date:	05/22/1996
Last Act Date:	Not reported
Mailing Name:	Not reported
Mailing Address:	2511 W. NEEDLES HWY
Mailing Address 2:	Not reported
Mailing City,State,Zip:	NEEDLES, CA 923630000
Owner Name:	JOHNNY HARRELL
Owner Address:	4427 S VIA RIALTO LANE
Owner Address 2:	Not reported
Owner City,State,Zip:	FT MOJAVE, AZ 864260000
Contact Name:	JOHNNY HARRELL OWNER
Contact Address:	4427 S VIA RIALTO LANE
Contact Address 2:	Not reported
City,State,Zip:	FORT MOJAVE, AZ 86426
Facility Status:	Active
Facility Type:	PERMANENT
Category:	STATE
Latitude:	34.850116
Longitude:	-114.62276
NAICS:	
EPA ID:	CAL000168273
Create Date:	2002-03-14 16:36:28.000
NAICS Code:	44719
NAICS Description:	Other Gasoline Stations
Issued EPA ID Date:	1996-05-22 00:00:00
Inactive Date:	Not reported
Facility Name:	DESERT VIEW MOBIL
Facility Address:	2511 W NEEDLES HWY
Facility Address 2:	Not reported
Facility City:	NEEDLES
Facility County:	Not reported
Facility State:	CA
Facility Zip:	923630000

Q83

Target Property 2420 NEEDLES HIGHWAY
 NEEDLES, CA 92363

CHMIRS S110978778
 N/A

Site 1 of 5 in cluster Q

Actual:
508 ft.

Focus Map:
6

CHMIRS:	
Name:	Not reported
Address:	2420 NEEDLES HIGHWAY
City,State,Zip:	NEEDLES, CA 92363
OES Incident Number:	10-2031
OES notification:	03/26/2010
OES Date:	Not reported
OES Time:	Not reported
Date Completed:	Not reported
Property Use:	Not reported
Agency Id Number:	Not reported
Agency Incident Number:	Not reported
Time Notified:	Not reported

Map ID
Direction
Distance
Elevation

MAP FINDINGS

Site

Database(s)

EDR ID Number
EPA ID Number

(Continued)

S110978778

Time Completed:	Not reported
Surrounding Area:	Not reported
Estimated Temperature:	Not reported
Property Management:	Not reported
More Than Two Substances Involved?:	Not reported
Resp Agncy Personel # Of Decontaminated:	Not reported
Responding Agency Personel # Of Injuries:	Not reported
Responding Agency Personel # Of Fatalities:	Not reported
Others Number Of Decontaminated:	Not reported
Others Number Of Injuries:	Not reported
Others Number Of Fatalities:	Not reported
Vehicle Make/year:	Not reported
Vehicle License Number:	Not reported
Vehicle State:	Not reported
Vehicle Id Number:	Not reported
CA DOT PUC/ICC Number:	Not reported
Company Name:	Not reported
Reporting Officer Name/ID:	Not reported
Report Date:	Not reported
Facility Telephone:	Not reported
Waterway Involved:	No
Waterway:	Not reported
Spill Site:	Other
Cleanup By:	Contractor
Containment:	Not reported
What Happened:	Not reported
Type:	Not reported
Measure:	Gal(s)
Other:	Not reported
Date/Time:	300
Year:	2010
Agency:	Curea Emergency Services
Incident Date:	3/26/2010
Admin Agency:	San Bernardino County Health Department
Amount:	Not reported
Contained:	Yes
Site Type:	Not reported
E Date:	Not reported
Substance:	Metal Cutting Lubricant
Unknown:	Not reported
Substance #2:	Not reported
Substance #3:	Not reported
Evacuations:	Not reported
Number of Injuries:	Not reported
Number of Fatalities:	Not reported
#1 Pipeline:	Not reported
#2 Pipeline:	Not reported
#3 Pipeline:	Not reported
#1 Vessel >= 300 Tons:	Not reported
#2 Vessel >= 300 Tons:	Not reported
#3 Vessel >= 300 Tons:	Not reported
Evacs:	Not reported
Injuries:	Not reported
Fatals:	Not reported
Comments:	Not reported
Description:	A defective drum or a drum puncture caused the spill.

Map ID
Direction
Distance
Elevation

MAP FINDINGS

Site

Database(s)

EDR ID Number
EPA ID Number

R84 15535 SAN BERNARDINO COUNTY FIRE DEPARTMENT
Target 916 BROADWAY RD E
Property NEEDLES, CA 92363

FINDS 1014673151
N/A

Site 1 of 22 in cluster R

Actual: FINDS:
482 ft. Registry ID: 110043364392

Focus Map:
6 [Click Here for FRS Facility Detail Report:](#)

Environmental Interest/Information System:
LEAKING UNDERGROUND STORAGE TANK - ARRA

[Click this hyperlink](#) while viewing on your computer to access additional FINDS: detail in the EDR Site Report.

R85 MOJAVE OIL COMPANY
Target 917 BROADWAY
Property NEEDLES, CA

RGA LUST S114656146
N/A

Site 2 of 22 in cluster R

Actual: RGA LUST:
482 ft. Name: MOJAVE OIL COMPANY
Focus Map: Address: 917 BROADWAY
6 City: NEEDLES
State: NEEDLES
2002 MOJAVE OIL COMPANY 917 BROADWAY
Name: MOJAVE OIL COMPANY
Address: 917 BROADWAY
City: NEEDLES
State: NEEDLES
2001 MOJAVE OIL COMPANY 917 BROADWAY

R86 FRONTIER - 915 BROADWAY
Target 915 BROADWAY
Property NEEDLES, CA 92363

EMI S124454180
N/A

Site 3 of 22 in cluster R

Actual: EMI:
482 ft. Name: FRONTIER - 915 BROADWAY
Focus Map: Address: 915 BROADWAY
6 City,State,Zip: NEEDLES, CA 92363
Year: 2017
County Code: 36
Air Basin: MD
Facility ID: 227801304
Air District Name: MOJ
SIC Code: 4813
Air District Name: MOJAVE DESERT AQMD
Community Health Air Pollution Info System: Not reported
Consolidated Emission Reporting Rule: Not reported
Total Organic Hydrocarbon Gases Tons/Yr: 0.029538131042
Reactive Organic Gases Tons/Yr: 0.00275
Carbon Monoxide Emissions Tons/Yr: 0.054
NOX - Oxides of Nitrogen Tons/Yr: 0.017796
SOX - Oxides of Sulphur Tons/Yr: 3.76e-006
Particulate Matter Tons/Yr: 6.6398390342e-005

Map ID
Direction
Distance
Elevation

MAP FINDINGS

Site

Database(s)

EDR ID Number
EPA ID Number

FRONTIER - 915 BROADWAY (Continued)

S124454180

Part. Matter 10 Micrometers and Smlr Tons/Yr:6.6e-005

Name: FRONTIER - 915 BROADWAY
Address: 915 BROADWAY
City,State,Zip: NEEDLES, CA 92363
Year: 2018
County Code: 36
Air Basin: MD
Facility ID: 1304
Air District Name: MOJ
SIC Code: 4813
Air District Name: MOJAVE DESERT AQMD
Community Health Air Pollution Info System: Not reported
Consolidated Emission Reporting Rule: Not reported
Total Organic Hydrocarbon Gases Tons/Yr: 0.029538131042
Reactive Organic Gases Tons/Yr: 0.00275
Carbon Monoxide Emissions Tons/Yr: 0.054
NOX - Oxides of Nitrogen Tons/Yr: 0.017796
SOX - Oxides of Sulphur Tons/Yr: 3.76e-006
Particulate Matter Tons/Yr: 6.6398390342e-005
Part. Matter 10 Micrometers and Smlr Tons/Yr:6.6e-005

Name: FRONTIER - 915 BROADWAY
Address: 915 BROADWAY
City,State,Zip: NEEDLES, CA 92363
Year: 2019
County Code: 36
Air Basin: MD
Facility ID: 1304
Air District Name: MOJ
SIC Code: 4813
Air District Name: MOJAVE DESERT AQMD
Community Health Air Pollution Info System: Not reported
Consolidated Emission Reporting Rule: Not reported
Total Organic Hydrocarbon Gases Tons/Yr: 0.00042964554243
Reactive Organic Gases Tons/Yr: 4e-005
Carbon Monoxide Emissions Tons/Yr: 0.00017
NOX - Oxides of Nitrogen Tons/Yr: 4e-005
SOX - Oxides of Sulphur Tons/Yr: 0
Particulate Matter Tons/Yr: 1.0060362173e-005
Part. Matter 10 Micrometers and Smlr Tons/Yr:1e-005

R87 FRONTIER CALIFORNIA INC DBA NEEDLES CENTRAL OFFICE
Target 915 BROADWAY ST
Property NEEDLES, CA 92363

ECHO 1025934624
N/A

Site 4 of 22 in cluster R

Actual: 482 ft. **ECHO:**
Focus Map: 6
Envid: 1025934624
Registry ID: 110070631354
DFR URL: <http://echo.epa.gov/detailed-facility-report?fid=110070631354>
Name: FRONTIER CALIFORNIA INC DBA NEEDLES CENTRAL OFFICE
Address: 915 BROADWAY ST
City,State,Zip: NEEDLES, CA 92363

Map ID
 Direction
 Distance
 Elevation

MAP FINDINGS

Site

Database(s)

EDR ID Number
 EPA ID Number

FRONTIER CALIFORNIA INC DBA NEEDLES CENTRAL OFFICE (Continued)

S125544923

Facility Name: FRONTIER CALIFORNIA INC DBA NEEDLES CENTRAL OFFICE
 Facility Address: 915 BROADWAY ST
 Facility Address 2: Not reported
 Facility City: NEEDLES
 Facility County: Not reported
 Facility State: CA
 Facility Zip: 92363

R89 **CITIZENS COMMUNICATION**
Target **915 BROADWAY**
Property **NEEDLES, CA 92363**

San Bern. Co. Permit
CERS

EMI **S108431405**
N/A

Site 6 of 22 in cluster R

Actual:
482 ft.

Focus Map:
6

EMI:
 Name: CITIZENS COMMUNICATION
 Address: 915 BROADWAY
 City,State,Zip: NEEDLES, CA 92363
 Year: 2005
 County Code: 36
 Air Basin: MD
 Facility ID: 63801304
 Air District Name: MOJ
 SIC Code: 5137
 Air District Name: MOJAVE DESERT AQMD
 Community Health Air Pollution Info System: Not reported
 Consolidated Emission Reporting Rule: Not reported
 Total Organic Hydrocarbon Gases Tons/Yr: .0271215
 Reactive Organic Gases Tons/Yr: .0024789051
 Carbon Monoxide Emissions Tons/Yr: 0
 NOX - Oxides of Nitrogen Tons/Yr: 0
 SOX - Oxides of Sulphur Tons/Yr: .00001085
 Particulate Matter Tons/Yr: .000001421
 Part. Matter 10 Micrometers and Smlr Tons/Yr:.00000136416

Name: CITIZENS COMMUNICATION
 Address: 915 BROADWAY
 City,State,Zip: NEEDLES, CA 92363
 Year: 2007
 County Code: 36
 Air Basin: MD
 Facility ID: 63801304
 Air District Name: MOJ
 SIC Code: 5137
 Air District Name: MOJAVE DESERT AQMD
 Community Health Air Pollution Info System: Not reported
 Consolidated Emission Reporting Rule: Not reported
 Total Organic Hydrocarbon Gases Tons/Yr: .0271215
 Reactive Organic Gases Tons/Yr: .0024789051
 Carbon Monoxide Emissions Tons/Yr: 0
 NOX - Oxides of Nitrogen Tons/Yr: 0
 SOX - Oxides of Sulphur Tons/Yr: .00001085
 Particulate Matter Tons/Yr: .000001421
 Part. Matter 10 Micrometers and Smlr Tons/Yr:.00000136416

Name: CITIZENS COMMUNICATION
 Address: 915 BROADWAY

Map ID
Direction
Distance
Elevation

MAP FINDINGS

Site

Database(s)

EDR ID Number
EPA ID Number

CITIZENS COMMUNICATION (Continued)

S108431405

City,State,Zip: NEEDLES, CA 92363
Year: 2008
County Code: 36
Air Basin: MD
Facility ID: 63801304
Air District Name: MOJ
SIC Code: 5137
Air District Name: MOJAVE DESERT AQMD
Community Health Air Pollution Info System: Not reported
Consolidated Emission Reporting Rule: Not reported
Total Organic Hydrocarbon Gases Tons/Yr: .0271215
Reactive Organic Gases Tons/Yr: .0024789051
Carbon Monoxide Emissions Tons/Yr: 0
NOX - Oxides of Nitrogen Tons/Yr: 0
SOX - Oxides of Sulphur Tons/Yr: .00001085
Particulate Matter Tons/Yr: .000001421
Part. Matter 10 Micrometers and Smllr Tons/Yr:.00000136416

Name: CITIZENS COMMUNICATION
Address: 915 BROADWAY
City,State,Zip: NEEDLES, CA 92363
Year: 2009
County Code: 36
Air Basin: MD
Facility ID: 63801304
Air District Name: MOJ
SIC Code: 5137
Air District Name: MOJAVE DESERT AQMD
Community Health Air Pollution Info System: Not reported
Consolidated Emission Reporting Rule: Not reported
Total Organic Hydrocarbon Gases Tons/Yr: 0.0271215
Reactive Organic Gases Tons/Yr: 0.0024789051
Carbon Monoxide Emissions Tons/Yr: 0
NOX - Oxides of Nitrogen Tons/Yr: 0
SOX - Oxides of Sulphur Tons/Yr: 1.0849999999999999E-5
Particulate Matter Tons/Yr: 0.000001421
Part. Matter 10 Micrometers and Smllr Tons/Yr:0.00000136416

Name: CITIZENS COMMUNICATION
Address: 915 BROADWAY
City,State,Zip: NEEDLES, CA 92363
Year: 2010
County Code: 36
Air Basin: MD
Facility ID: 63801304
Air District Name: MOJ
SIC Code: 5137
Air District Name: MOJAVE DESERT AQMD
Community Health Air Pollution Info System: Not reported
Consolidated Emission Reporting Rule: Not reported
Total Organic Hydrocarbon Gases Tons/Yr: 0.0271215
Reactive Organic Gases Tons/Yr: 0.0024789051
Carbon Monoxide Emissions Tons/Yr: 0
NOX - Oxides of Nitrogen Tons/Yr: 0
SOX - Oxides of Sulphur Tons/Yr: 1.0849999999999999E-5
Particulate Matter Tons/Yr: 0.000001421
Part. Matter 10 Micrometers and Smllr Tons/Yr:1.4124739999999999E-6

Map ID
Direction
Distance
Elevation

MAP FINDINGS

Site

Database(s)

EDR ID Number
EPA ID Number

CITIZENS COMMUNICATION (Continued)

S108431405

Name: CITIZENS COMMUNICATION
Address: 915 BROADWAY
City,State,Zip: NEEDLES, CA 92363
Year: 2011
County Code: 36
Air Basin: MD
Facility ID: 63801304
Air District Name: MOJ
SIC Code: 5137
Air District Name: MOJAVE DESERT AQMD
Community Health Air Pollution Info System: Not reported
Consolidated Emission Reporting Rule: Not reported
Total Organic Hydrocarbon Gases Tons/Yr: 0.0271215
Reactive Organic Gases Tons/Yr: 0.0024789051
Carbon Monoxide Emissions Tons/Yr: 0
NOX - Oxides of Nitrogen Tons/Yr: 0
SOX - Oxides of Sulphur Tons/Yr: 1.085e-005
Particulate Matter Tons/Yr: 1.421e-006
Part. Matter 10 Micrometers and Smlr Tons/Yr:1.412474e-006

Name: CITIZENS COMMUNICATION
Address: 915 BROADWAY
City,State,Zip: NEEDLES, CA 92363
Year: 2012
County Code: 36
Air Basin: MD
Facility ID: 63801304
Air District Name: MOJ
SIC Code: 5137
Air District Name: MOJAVE DESERT AQMD
Community Health Air Pollution Info System: Not reported
Consolidated Emission Reporting Rule: Not reported
Total Organic Hydrocarbon Gases Tons/Yr: 0.0271215
Reactive Organic Gases Tons/Yr: 0.0024789051
Carbon Monoxide Emissions Tons/Yr: 0
NOX - Oxides of Nitrogen Tons/Yr: 0
SOX - Oxides of Sulphur Tons/Yr: 1.085e-005
Particulate Matter Tons/Yr: 1.421e-006
Part. Matter 10 Micrometers and Smlr Tons/Yr:1.412474e-006

Name: CITIZENS COMMUNICATION
Address: 915 BROADWAY
City,State,Zip: NEEDLES, CA 92363
Year: 2013
County Code: 36
Air Basin: MD
Facility ID: 63801304
Air District Name: MOJ
SIC Code: 5137
Air District Name: MOJAVE DESERT AQMD
Community Health Air Pollution Info System: Not reported
Consolidated Emission Reporting Rule: Not reported
Total Organic Hydrocarbon Gases Tons/Yr: 0.0271215
Reactive Organic Gases Tons/Yr: 0.0024789051
Carbon Monoxide Emissions Tons/Yr: 0
NOX - Oxides of Nitrogen Tons/Yr: 0
SOX - Oxides of Sulphur Tons/Yr: 1.085e-005

Map ID
Direction
Distance
Elevation

MAP FINDINGS

Site

Database(s)

EDR ID Number
EPA ID Number

CITIZENS COMMUNICATION (Continued)

S108431405

Particulate Matter Tons/Yr: 1.421e-006
Part. Matter 10 Micrometers and Smlr Tons/Yr:1.412474e-006

San Bern. Co. Permit:

Name: NEEDLES CENTRAL OFFICE
Address: 915 BROADWAY
City,State,Zip: NEEDLES, CA 92363
Region: SAN BERNARDINO
Facility ID: FA0004955
Owner: Frontier Telecommunications
Permit Number: PT0039634
Permit Category: CONDITIONALLY EXEMPT SM QTY GENERATOR
Facility Status: ACTIVE
Expiration Date: 04/30/2022

Name: NEEDLES CENTRAL OFFICE
Address: 915 BROADWAY
City,State,Zip: NEEDLES, CA 92363
Region: SAN BERNARDINO
Facility ID: FA0004955
Owner: Frontier Telecommunications
Permit Number: PT0008183
Permit Category: HAZARDOUS MATERIALS 1-3 CHEMICALS
Facility Status: ACTIVE
Expiration Date: 04/30/2022

CERS:

Name: CITIZENS COMMUNICATION
Address: 915 BROADWAY
City,State,Zip: NEEDLES, CA 92363
Site ID: 459729
CERS ID: 110038080171
CERS Description: US EPA Air Emission Inventory System (EIS)

R90 FRONTIER CALIFORNIA INC DBA NEEDLES CENTRAL OFFICE
Target 915 BROADWAY ST
Property NEEDLES, CA 92363

FINDS 1026064529
N/A

Site 7 of 22 in cluster R

Actual: 482 ft. FINDS:
Registry ID: 110070631354

Focus Map: 6 Click Here for FRS Facility Detail Report:

Environmental Interest/Information System:

RCRAInfo is a national information system that supports the Resource Conservation and Recovery Act (RCRA) program through the tracking of events and activities related to facilities that generate, transport, and treat, store, or dispose of hazardous waste. RCRAInfo allows RCRA program staff to track the notification, permit, compliance, and corrective action activities required under RCRA.

Click this hyperlink while viewing on your computer to access additional FINDS: detail in the EDR Site Report.

Map ID
 Direction
 Distance
 Elevation

MAP FINDINGS

Site

Database(s)

EDR ID Number
 EPA ID Number

R91 **FRONTIER CALIFORNIA INC DBA NEEDLES CENTRAL OFFICE** **RCRA NonGen / NLR** **1025875209**
Target **915 BROADWAY ST**
Property **NEEDLES, CA 92363** **CAL000448342**

Site 8 of 22 in cluster R

Actual: RCRA NonGen / NLR:
482 ft. Date Form Received by Agency: 20190822
Focus Map: Handler Name: FRONTIER CALIFORNIA INC DBA NEEDLES CENTRAL OFFICE
6 Handler Address: 915 BROADWAY ST
 Handler City,State,Zip: NEEDLES, CA 92363
 EPA ID: CAL000448342
 Contact Name: MASOOD CHOUDHURY
 Contact Address: 280 S LOCUST ST
 Contact City,State,Zip: POMONA, CA 91766
 Contact Telephone: 909-620-5962
 Contact Fax: Not reported
 Contact Email: MASOOD.CHOUDHURY@FR.COM
 Contact Title: Not reported
 EPA Region: 09
 Land Type: Not reported
 Federal Waste Generator Description: Not a generator, verified
 Non-Notifier: Not reported
 Biennial Report Cycle: Not reported
 Accessibility: Not reported
 Active Site Indicator: Not reported
 State District Owner: Not reported
 State District: Not reported
 Mailing Address: 280 S LOCUST ST
 Mailing City,State,Zip: POMONA, CA 91766
 Owner Name: FRONTIER CALIFORNIA INC
 Owner Type: Other
 Operator Name: MASOOD CHOUDHURY
 Operator Type: Other
 Short-Term Generator Activity: No
 Importer Activity: No
 Mixed Waste Generator: No
 Transporter Activity: No
 Transfer Facility Activity: No
 Recycler Activity with Storage: No
 Small Quantity On-Site Burner Exemption: No
 Smelting Melting and Refining Furnace Exemption: No
 Underground Injection Control: No
 Off-Site Waste Receipt: No
 Universal Waste Indicator: No
 Universal Waste Destination Facility: No
 Federal Universal Waste: No
 Active Site Fed-Reg Treatment Storage and Disposal Facility: Not reported
 Active Site Converter Treatment storage and Disposal Facility: Not reported
 Active Site State-Reg Treatment Storage and Disposal Facility: Not reported
 Active Site State-Reg Handler: ---
 Federal Facility Indicator: Not reported
 Hazardous Secondary Material Indicator: N
 Sub-Part K Indicator: Not reported
 Commercial TSD Indicator: No
 Treatment Storage and Disposal Type: Not reported
 2018 GPRP Permit Baseline: Not on the Baseline
 2018 GPRP Renewals Baseline: Not on the Baseline
 Permit Renewals Workload Universe: Not reported

Map ID
 Direction
 Distance
 Elevation

MAP FINDINGS

Site

Database(s)

EDR ID Number
 EPA ID Number

FRONTIER CALIFORNIA INC DBA NEEDLES CENTRAL OFFICE (Continued)

1025875209

Permit Workload Universe:	Not reported
Permit Progress Universe:	Not reported
Post-Closure Workload Universe:	Not reported
Closure Workload Universe:	Not reported
202 GPRA Corrective Action Baseline:	No
Corrective Action Workload Universe:	No
Subject to Corrective Action Universe:	No
Non-TSDFs Where RCRA CA has Been Imposed Universe:	No
TSDFs Potentially Subject to CA Under 3004 (u)/(v) Universe:	No
TSDFs Only Subject to CA under Discretionary Auth Universe:	No
Corrective Action Priority Ranking:	No NCAPS ranking
Environmental Control Indicator:	No
Institutional Control Indicator:	No
Human Exposure Controls Indicator:	N/A
Groundwater Controls Indicator:	N/A
Operating TSDF Universe:	Not reported
Full Enforcement Universe:	Not reported
Significant Non-Complier Universe:	No
Unaddressed Significant Non-Complier Universe:	No
Addressed Significant Non-Complier Universe:	No
Significant Non-Complier With a Compliance Schedule Universe:	No
Financial Assurance Required:	Not reported
Handler Date of Last Change:	20190910
Recognized Trader-Importer:	No
Recognized Trader-Exporter:	No
Importer of Spent Lead Acid Batteries:	No
Exporter of Spent Lead Acid Batteries:	No
Recycler Activity Without Storage:	No
Manifest Broker:	No
Sub-Part P Indicator:	No

Handler - Owner Operator:

Owner/Operator Indicator:	Owner
Owner/Operator Name:	FRONTIER CALIFORNIA INC
Legal Status:	Other
Date Became Current:	Not reported
Date Ended Current:	Not reported
Owner/Operator Address:	280 S LOCUST ST
Owner/Operator City,State,Zip:	POMONA, CA 91766
Owner/Operator Telephone:	909-620-5962
Owner/Operator Telephone Ext:	Not reported
Owner/Operator Fax:	Not reported
Owner/Operator Email:	Not reported

Owner/Operator Indicator:	Operator
Owner/Operator Name:	MASOOD CHOUDHURY
Legal Status:	Other
Date Became Current:	Not reported
Date Ended Current:	Not reported
Owner/Operator Address:	280 S LOCUST ST
Owner/Operator City,State,Zip:	POMONA, CA 91766
Owner/Operator Telephone:	909-620-5962
Owner/Operator Telephone Ext:	Not reported
Owner/Operator Fax:	Not reported
Owner/Operator Email:	Not reported

Map ID
Direction
Distance
Elevation

MAP FINDINGS

Site

Database(s)

EDR ID Number
EPA ID Number

FRONTIER CALIFORNIA INC DBA NEEDLES CENTRAL OFFICE (Continued)

1025875209

Historic Generators:

Receive Date: 20190822
Handler Name: FRONTIER CALIFORNIA INC DBA NEEDLES CENTRAL OFFICE
Federal Waste Generator Description: Not a generator, verified
State District Owner: Not reported
Large Quantity Handler of Universal Waste: No
Recognized Trader Importer: No
Recognized Trader Exporter: No
Spent Lead Acid Battery Importer: No
Spent Lead Acid Battery Exporter: No
Current Record: Yes
Non Storage Recycler Activity: Not reported
Electronic Manifest Broker: Not reported

List of NAICS Codes and Descriptions:

NAICS Code: 517911
NAICS Description: TELECOMMUNICATIONS RESELLERS

Facility Has Received Notices of Violations:

Violations: No Violations Found

Evaluation Action Summary:

Evaluations: No Evaluations Found

R92 FRONTIER - 915 BROADWAY
Target 915 BROADWAY
Property NEEDLES, CA 92363

FINDS 1011977753
N/A

Site 9 of 22 in cluster R

Actual:
482 ft.

FINDS:
Registry ID: 110038080171

Focus Map:
6

Click Here for FRS Facility Detail Report:

Environmental Interest/Information System:
AIR EMISSIONS CLASSIFICATION UNKNOWN
Registry ID: 110070521831

Click Here for FRS Facility Detail Report:

Environmental Interest/Information System:
AIR EMISSIONS CLASSIFICATION UNKNOWN

Click this hyperlink while viewing on your computer to access additional FINDS: detail in the EDR Site Report.

MAP FINDINGS

Map ID
Direction
Distance
Elevation

Site

Database(s)

EDR ID Number
EPA ID Number

R93 **NEEDLES CENTRAL OFFICE**
Target **915 BROADWAY**
Property **NEEDLES, CA 92363**

FINDS **1023334577**
N/A

Site 10 of 22 in cluster R

Actual: FINDS:
482 ft. Registry ID: 110066295244

Focus Map:
6 Click Here for FRS Facility Detail Report:
Environmental Interest/Information System:
STATE MASTER

Click this hyperlink while viewing on your computer to access
additional FINDS: detail in the EDR Site Report.

R94 **CP NATIONAL**
Target **911 BROADWAY**
Property **NEEDLES, CA 92363**

FTTS **1010002870**
N/A

Site 11 of 22 in cluster R

Actual: FTTS INSP:
482 ft. Inspection Number: 19880517CA001 1
Focus Map: Region: 09
6 Inspection Date: 05/17/88
Inspector: BERMAN
Violation occurred: No
Investigation Type: Section 6 PCB State Conducted
Investigation Reason: Neutral Scheme, State
Legislation Code: TSCA
Facility Function: User

R95 **C P NATIONAL**
Target **911 BROADWAY**
Property **NEEDLES, CA 92363**

HAZNET **S123773617**
HWTS **N/A**

Site 12 of 22 in cluster R

Actual: HAZNET:
482 ft. Name: C P NATIONAL
Focus Map: Address: 911 BROADWAY
6 Address 2: Not reported
City,State,Zip: NEEDLES, CA 923630000
Contact: UNDELIVERABLE SURVEY 2-20-95LH
Telephone: 4156802578
Mailing Name: Not reported
Mailing Address: 1355 WILLOW WY.

Year: 1984
Gepaid: CAX000061945
TSD EPA ID: MOD980633069
CA Waste Code: 261 - Polychlorinated biphenyls and material containing PCBs
Disposal Method: T31 - Neutralization
Tons: 0.41

Map ID
Direction
Distance
Elevation

MAP FINDINGS

Site

Database(s)

EDR ID Number
EPA ID Number

C P NATIONAL (Continued)

S123773617

HWTS:

Name: C P NATIONAL
Address: 911 BROADWAY
Address 2: Not reported
City,State,Zip: NEEDLES, CA 92363
EPA ID: CAX000061945
Inactive Date: 04/30/1986
Create Date: 02/03/1984
Last Act Date: Not reported
Mailing Name: Not reported
Mailing Address: 1355 WILLOW WY.
Mailing Address 2: Not reported
Mailing City,State,Zip: CONCORD, CA 945200000
Owner Name: Not reported
Owner Address: Not reported
Owner Address 2: Not reported
Owner City,State,Zip: Not reported
Contact Name: UNDELIVERABLE SURVEY 2-20-95LH
Contact Address: Not reported
Contact Address 2: Not reported
City,State,Zip: Not reported
Facility Status: Inactive
Facility Type: PERMANENT
Category: STATE
Latitude: 34.839307
Longitude: -114.605988

R96 ALLTEL CP NATIONAL
Target 911 BROADWAY
Property NEEDLES, CA 92363

RCRA-SQG 1000124962
FINDS CAD981375009
ECHO

Site 13 of 22 in cluster R

Actual:
482 ft.

Focus Map:
6

RCRA-SQG:
Date Form Received by Agency: 19931015
Handler Name: ALLTEL CP NATIONAL
Handler Address: 911 BROADWAY
Handler City,State,Zip: NEEDLES, CA 92363
EPA ID: CAD981375009
Contact Name: CHARLES TURNER
Contact Address: 2121 N CALIFORNIA STE 400
Contact City,State,Zip: WALNUT CREEK, CA 94596
Contact Telephone: 510-295-9598
Contact Fax: Not reported
Contact Email: Not reported
Contact Title: Not reported
EPA Region: 09
Land Type: Private
Federal Waste Generator Description: Small Quantity Generator
Non-Notifier: Not reported
Biennial Report Cycle: Not reported
Accessibility: Not reported
Active Site Indicator: Handler Activities
State District Owner: Not reported
State District: Not reported
Mailing Address: 911 BROADWAY
Mailing City,State,Zip: NEEDLES, CA 92363

Map ID
 Direction
 Distance
 Elevation

MAP FINDINGS

Site

Database(s)

EDR ID Number
 EPA ID Number

ALLTEL CP NATIONAL (Continued)

1000124962

Owner Name:	ALLTEL SERVICE CORP	
Owner Type:		Private
Operator Name:	Not reported	
Operator Type:		Not reported
Short-Term Generator Activity:		No
Importer Activity:		No
Mixed Waste Generator:		No
Transporter Activity:		No
Transfer Facility Activity:		No
Recycler Activity with Storage:		No
Small Quantity On-Site Burner Exemption:		No
Smelting Melting and Refining Furnace Exemption:		No
Underground Injection Control:		No
Off-Site Waste Receipt:		No
Universal Waste Indicator:		No
Universal Waste Destination Facility:		No
Federal Universal Waste:		No
Active Site Fed-Reg Treatment Storage and Disposal Facility:		Not reported
Active Site Converter Treatment storage and Disposal Facility:		Not reported
Active Site State-Reg Treatment Storage and Disposal Facility:		Not reported
Active Site State-Reg Handler:		---
Federal Facility Indicator:		Not reported
Hazardous Secondary Material Indicator:		NN
Sub-Part K Indicator:		Not reported
Commercial TSD Indicator:		No
Treatment Storage and Disposal Type:		Not reported
2018 GPRA Permit Baseline:		Not on the Baseline
2018 GPRA Renewals Baseline:		Not on the Baseline
Permit Renewals Workload Universe:		Not reported
Permit Workload Universe:		Not reported
Permit Progress Universe:		Not reported
Post-Closure Workload Universe:		Not reported
Closure Workload Universe:		Not reported
202 GPRA Corrective Action Baseline:		No
Corrective Action Workload Universe:		No
Subject to Corrective Action Universe:		No
Non-TSDFs Where RCRA CA has Been Imposed Universe:		No
TSDFs Potentially Subject to CA Under 3004 (u)/(v) Universe:		No
TSDFs Only Subject to CA under Discretionary Auth Universe:		No
Corrective Action Priority Ranking:		No NCAPS ranking
Environmental Control Indicator:		No
Institutional Control Indicator:		No
Human Exposure Controls Indicator:		N/A
Groundwater Controls Indicator:		N/A
Operating TSD Universe:		Not reported
Full Enforcement Universe:		Not reported
Significant Non-Complier Universe:		No
Unaddressed Significant Non-Complier Universe:		No
Addressed Significant Non-Complier Universe:		No
Significant Non-Complier With a Compliance Schedule Universe:		No
Financial Assurance Required:		Not reported
Handler Date of Last Change:		20020627
Recognized Trader-Importer:		No
Recognized Trader-Exporter:		No
Importer of Spent Lead Acid Batteries:		No
Exporter of Spent Lead Acid Batteries:		No
Recycler Activity Without Storage:		Not reported

Map ID
Direction
Distance
Elevation

MAP FINDINGS

Site

Database(s)

EDR ID Number
EPA ID Number

ALLTEL CP NATIONAL (Continued)

1000124962

Manifest Broker: Not reported
Sub-Part P Indicator: No

Handler - Owner Operator:

Owner/Operator Indicator: Owner
Owner/Operator Name: ALLTEL SERVICE CORP
Legal Status: Private
Date Became Current: Not reported
Date Ended Current: Not reported
Owner/Operator Address: P O BOX 8192
Owner/Operator City,State,Zip: WALNUT CREEK, CA 94596-8192
Owner/Operator Telephone: 510-295-9500
Owner/Operator Telephone Ext: Not reported
Owner/Operator Fax: Not reported
Owner/Operator Email: Not reported

Historic Generators:

Receive Date: 19931015
Handler Name: ALLTEL CP NATIONAL
Federal Waste Generator Description: Small Quantity Generator
State District Owner: Not reported
Large Quantity Handler of Universal Waste: No
Recognized Trader Importer: No
Recognized Trader Exporter: No
Spent Lead Acid Battery Importer: No
Spent Lead Acid Battery Exporter: No
Current Record: Yes
Non Storage Recycler Activity: Not reported
Electronic Manifest Broker: Not reported

List of NAICS Codes and Descriptions:

NAICS Code: 221
NAICS Description: UTILITIES

Facility Has Received Notices of Violations:

Violations: No Violations Found

Evaluation Action Summary:

Evaluations: No Evaluations Found

FINDS:

Registry ID: 110002685381

[Click Here for FRS Facility Detail Report:](#)

Environmental Interest/Information System:

NCDB (National Compliance Data Base) supports implementation of the Federal Insecticide, Fungicide, and Rodenticide Act (FIFRA) and the Toxic Substances Control Act (TSCA). The system tracks inspections in regions and states with cooperative agreements, enforcement actions, and settlements.

RCRAInfo is a national information system that supports the Resource Conservation and Recovery Act (RCRA) program through the tracking of

Map ID
Direction
Distance
Elevation

MAP FINDINGS

Site

Database(s)

EDR ID Number
EPA ID Number

ALLTEL CP NATIONAL (Continued)

1000124962

events and activities related to facilities that generate, transport, and treat, store, or dispose of hazardous waste. RCRAInfo allows RCRA program staff to track the notification, permit, compliance, and corrective action activities required under RCRA.

Click this hyperlink while viewing on your computer to access additional FINDS: detail in the EDR Site Report.

ECHO:

Envid: 1000124962
Registry ID: 110002685381
DFR URL: <http://echo.epa.gov/detailed-facility-report?fid=110002685381>
Name: ALLTEL CP NATIONAL
Address: 911 BROADWAY
City,State,Zip: NEEDLES, CA 92363

**R97 CP NATIONAL
Target 911 BROADWAY
Property NEEDLES, CA 92363**

**HIST FTTS 1008178166
N/A**

Site 14 of 22 in cluster R

Actual: HIST FTTS INSP:
482 ft. Inspection Number: 19880517CA001 1
Focus Map: Region: 09
6 Inspection Date: Not reported
Inspector: BERMAN
Violation occurred: No
Investigation Type: Section 6 PCB State Conducted
Investigation Reason: Neutral Scheme, State
Legislation Code: TSCA
Facility Function: User

**R98 C P NATIONAL
Target 911 BROADWAY
Property NEEDLES, CA 92363**

**HAZNET S123755117
HWTS N/A**

Site 15 of 22 in cluster R

Actual: HAZNET:
482 ft. Name: C P NATIONAL
Focus Map: Address: 911 BROADWAY
6 Address 2: Not reported
City,State,Zip: NEEDLES, CA 923630000
Contact: UNDELIVERABLE SURVEY 2-20-95LH
Telephone: --
Mailing Name: Not reported
Mailing Address: 1355 WILLOW WY

Year: 1988
Gepaid: CAD981375009
TSD EPA ID: HAHQ36017552
CA Waste Code: 221 - Waste oil and mixed oil
Disposal Method: 01 -
Tons: 1.251

Map ID
Direction
Distance
Elevation

MAP FINDINGS

Site

Database(s)

EDR ID Number
EPA ID Number

C P NATIONAL (Continued)

S123755117

HWTS:

Name: C P NATIONAL
Address: 911 BROADWAY
Address 2: Not reported
City,State,Zip: NEEDLES, CA 92363
EPA ID: CAD981375009
Inactive Date: 12/31/1899
Create Date: 06/17/1988
Last Act Date: Not reported
Mailing Name: Not reported
Mailing Address: 1355 WILLOW WY
Mailing Address 2: Not reported
Mailing City,State,Zip: CONCORD, CA 945200000
Owner Name: Not reported
Owner Address: Not reported
Owner Address 2: Not reported
Owner City,State,Zip: Not reported
Contact Name: UNDELIVERABLE SURVEY 2-20-95LH
Contact Address: Not reported
Contact Address 2: Not reported
City,State,Zip: Not reported
Facility Status: Inactive
Facility Type: PERMANENT
Category: FEDERAL
Latitude: 34.832131
Longitude: -114.700606

R99 TEN FOUR CORPORATION PROPERTY
Target 1621 N STREET
Property NEEDLES, CA 92363

FINDS 1023223235
N/A

Site 16 of 22 in cluster R

Actual: FINDS:
482 ft. Registry ID: 110065097102

Focus Map: 6
Click Here for FRS Facility Detail Report:

Environmental Interest/Information System:
STATE MASTER

[Click this hyperlink](#) while viewing on your computer to access additional FINDS: detail in the EDR Site Report.

R100 HADLEY PAUL A
Target 900 BROADWAY
Property NEEDLES, CA 92363

EDR Hist Auto 1020844199
N/A

Site 17 of 22 in cluster R

Actual: EDR Hist Auto
482 ft.

Focus Map: 6
Year: Name: Type:
1969 HADLEY PAUL A Gasoline Service Stations
1970 HADLEY PAUL A Gasoline Service Stations
1971 HADLEY PAUL A Gasoline Service Stations
1972 HADLEY PAUL A Gasoline Service Stations

Map ID
Direction
Distance
Elevation

MAP FINDINGS

Site

Database(s)

EDR ID Number
EPA ID Number

HADLEY PAUL A (Continued)

1020844199

1973	HADLEY PAUL A	Gasoline Service Stations
1974	HADLEY PAUL A	Gasoline Service Stations
1975	HADLEY PAUL A	Gasoline Service Stations
1976	HADLEY PAUL A	Gasoline Service Stations
1977	HADLEY PAUL A	Gasoline Service Stations

R101
Target
Property

WHITING BROS EAST
901 BROADWAY EAST
NEEDLES, CA

RGA LUST **S114721980**
N/A

Site 18 of 22 in cluster R

Actual:
482 ft.

Focus Map:
6

RGALUST:

Name:	WHITING BROS EAST	
Address:	901 BROADWAY EAST	
City:	NEEDLES	
State:	NEEDLES	
Name:	2012 WHITING BROS EAST	901 BROADWAY EAST
Address:	901 BROADWAY EAST	
City:	NEEDLES	
State:	NEEDLES	
Name:	2011 WHITING BROS EAST	901 BROADWAY EAST
Address:	901 BROADWAY EAST	
City:	NEEDLES	
State:	NEEDLES	
Name:	2010 WHITING BROS EAST	901 BROADWAY EAST
Address:	901 BROADWAY EAST	
City:	NEEDLES	
State:	NEEDLES	
Name:	2009 WHITING BROS EAST	901 BROADWAY EAST
Address:	901 BROADWAY EAST	
City:	NEEDLES	
State:	NEEDLES	
Name:	2008 WHITING BROS EAST	901 BROADWAY EAST

R102
Target
Property

WHITING BROS EAST
901 BROADWAY EAST
NEEDLES, CA 92363

FINDS **1023260398**
N/A

Site 19 of 22 in cluster R

Actual:
482 ft.

Focus Map:
6

FINDS:
Registry ID: 110065497359

Click Here for FRS Facility Detail Report:

Environmental Interest/Information System:
STATE MASTER

Click this hyperlink while viewing on your computer to access additional FINDS: detail in the EDR Site Report.

Map ID
Direction
Distance
Elevation

MAP FINDINGS

Site

Database(s)

EDR ID Number
EPA ID Number

R103 **CALIMESA OIL INC**
Target **901 BROADWAY**
Property **NEEDLES, CA 92363**

LUST **S101301196**
Cortese **N/A**
HIST CORTESE
CERS

Site 20 of 22 in cluster R

Actual:
482 ft.

Focus Map:
6

LUST:
Name: WHITING BROS EAST
Address: 901 BROADWAY EAST
City,State,Zip: NEEDLES, CA 92363
Lead Agency: COLORADO RIVER BASIN RWQCB (REGION 7)
Case Type: LUST Cleanup Site
Geo Track: http://geotracker.waterboards.ca.gov/profile_report.asp?global_id=T0607101015
Global Id: T0607101015
Latitude: 34.8271206924307
Longitude: -114.596328735352
Status: Completed - Case Closed
Status Date: 05/04/2018
Case Worker: TI
RB Case Number: 7T2363017
Local Agency: SAN BERNARDINO COUNTY
File Location: Local Agency
Local Case Number: Not reported
Potential Media Affect: Aquifer used for drinking water supply
Potential Contaminants of Concern: Gasoline, MTBE / TBA / Other Fuel Oxygenates
Site History: * Site Description: Former Gasoline Service Station * Source of Release: UST System * Date of Release: Contamination discovered during site assessment and tank testing activities in Feb 92. * Affected Media: Soil and Groundwater * GW Basin: Colorado River Planning Area, Piute Hydrologic Unit * Beneficial Uses: MUN, IND, AGR * Land Use Designation: Commercial * Dist to Nearest Mun or Domestic Well: Based on GeoTracker no DHS supply wells w/n a \\\% mi of site * Minimum Depth to Groundwater: 77.30 feet below ground surface (ft bgs) (W-MW-3, 6/10/2003) * Maximum Depth to Groundwater: 82.91 ft bgs (AS-3, 12/14/2006) * Flow Direction: southwest. * Soil Types: Sands, gravelly sands, and silty sands with cobble, and boulder layers at 50-60 feet bgs and 70-80 feet bgs. Clays and silts were encountered below 90 feet bgs. * Maximum Depth Sampled (ft bgs): 100 feet bgs * Soil vapor extraction pilot test conducted in 1994 *A remedial action plan for vapor extraction/air sparging was approved in April 2010

LUST:
Global Id: T0607101015
Contact Type: Local Agency Caseworker
Contact Name: JACKSON CRUTSINGER
Organization Name: SAN BERNARDINO COUNTY
Address: 620 SOUTH E STREET
City: SAN BERNARDINO
Email: jcrutsinger@sbcfire.org
Phone Number: Not reported

Global Id: T0607101015
Contact Type: Regional Board Caseworker
Contact Name: THERESA ILLARE
Organization Name: COLORADO RIVER BASIN RWQCB (REGION 7)
Address: 73-720 FRED WARING DR. STE 100
City: PALM DESERT
Email: theresa.illare@waterboards.ca.gov
Phone Number: 7607768971

Map ID
Direction
Distance
Elevation

MAP FINDINGS

Site

Database(s)

EDR ID Number
EPA ID Number

CALIMESA OIL INC (Continued)

S101301196

LUST:

Global Id: T0607101015
Action Type: ENFORCEMENT
Date: 01/15/2004
Action: Technical Correspondence / Assistance / Other

Global Id: T0607101015
Action Type: ENFORCEMENT
Date: 05/13/2003
Action: Technical Correspondence / Assistance / Other

Global Id: T0607101015
Action Type: ENFORCEMENT
Date: 05/16/2003
Action: Technical Correspondence / Assistance / Other

Global Id: T0607101015
Action Type: ENFORCEMENT
Date: 01/10/2011
Action: Technical Correspondence / Assistance / Other

Global Id: T0607101015
Action Type: ENFORCEMENT
Date: 04/12/2010
Action: Staff Letter

Global Id: T0607101015
Action Type: ENFORCEMENT
Date: 01/12/2011
Action: Technical Correspondence / Assistance / Other

Global Id: T0607101015
Action Type: ENFORCEMENT
Date: 10/15/2013
Action: File review

Global Id: T0607101015
Action Type: ENFORCEMENT
Date: 04/21/2015
Action: Staff Letter

Global Id: T0607101015
Action Type: ENFORCEMENT
Date: 01/03/2018
Action: Verbal Communication

Global Id: T0607101015
Action Type: ENFORCEMENT
Date: 08/25/2017
Action: Staff Letter

Global Id: T0607101015
Action Type: Other
Date: 09/04/1992
Action: Leak Reported

Global Id: T0607101015

Map ID
Direction
Distance
Elevation

MAP FINDINGS

Site

Database(s)

EDR ID Number
EPA ID Number

CALIMESA OIL INC (Continued)

S101301196

Action Type:	RESPONSE
Date:	05/01/2007
Action:	CAP/RAP - Feasibility Study Report
Global Id:	T0607101015
Action Type:	RESPONSE
Date:	10/15/2010
Action:	Monitoring Report - Quarterly
Global Id:	T0607101015
Action Type:	RESPONSE
Date:	04/15/2010
Action:	Monitoring Report - Quarterly
Global Id:	T0607101015
Action Type:	RESPONSE
Date:	04/15/2013
Action:	Monitoring Report - Semi-Annually
Global Id:	T0607101015
Action Type:	RESPONSE
Date:	10/15/2012
Action:	Monitoring Report - Semi-Annually
Global Id:	T0607101015
Action Type:	RESPONSE
Date:	06/10/2013
Action:	Remedial Progress Report
Global Id:	T0607101015
Action Type:	ENFORCEMENT
Date:	07/09/2009
Action:	13267 Monitoring Program
Global Id:	T0607101015
Action Type:	ENFORCEMENT
Date:	12/15/2009
Action:	Notice to Comply
Global Id:	T0607101015
Action Type:	ENFORCEMENT
Date:	09/29/2009
Action:	13267 Monitoring Program
Global Id:	T0607101015
Action Type:	ENFORCEMENT
Date:	03/05/2012
Action:	File review
Global Id:	T0607101015
Action Type:	ENFORCEMENT
Date:	10/15/2013
Action:	Technical Correspondence / Assistance / Other
Global Id:	T0607101015
Action Type:	ENFORCEMENT
Date:	08/22/2014

Map ID
Direction
Distance
Elevation

MAP FINDINGS

Site

Database(s)

EDR ID Number
EPA ID Number

CALIMESA OIL INC (Continued)

S101301196

Action: Verbal Enforcement

Global Id: T0607101015
Action Type: ENFORCEMENT
Date: 04/06/2017
Action: Notification - Public Notice of Case Closure

Global Id: T0607101015
Action Type: ENFORCEMENT
Date: 12/08/2016
Action: Staff Letter

Global Id: T0607101015
Action Type: RESPONSE
Date: 01/15/2004
Action: Monitoring Report - Quarterly

Global Id: T0607101015
Action Type: RESPONSE
Date: 01/10/2011
Action: Correspondence - Regulator Responded

Global Id: T0607101015
Action Type: ENFORCEMENT
Date: 11/09/1994
Action: * Historical Enforcement

Global Id: T0607101015
Action Type: ENFORCEMENT
Date: 03/02/2007
Action: File review

Global Id: T0607101015
Action Type: ENFORCEMENT
Date: 01/11/2011
Action: Technical Correspondence / Assistance / Other

Global Id: T0607101015
Action Type: ENFORCEMENT
Date: 12/12/2011
Action: File review

Global Id: T0607101015
Action Type: RESPONSE
Date: 04/15/2012
Action: Monitoring Report - Quarterly

Global Id: T0607101015
Action Type: ENFORCEMENT
Date: 12/23/2005
Action: Notice of Violation

Global Id: T0607101015
Action Type: ENFORCEMENT
Date: 03/19/2009
Action: Technical Correspondence / Assistance / Other

Map ID
Direction
Distance
Elevation

MAP FINDINGS

Site

Database(s)

EDR ID Number
EPA ID Number

CALIMESA OIL INC (Continued)

S101301196

Global Id:	T0607101015
Action Type:	ENFORCEMENT
Date:	01/11/2011
Action:	Technical Correspondence / Assistance / Other
Global Id:	T0607101015
Action Type:	ENFORCEMENT
Date:	04/18/2011
Action:	File review
Global Id:	T0607101015
Action Type:	ENFORCEMENT
Date:	04/15/2011
Action:	File review
Global Id:	T0607101015
Action Type:	ENFORCEMENT
Date:	02/09/2011
Action:	File review
Global Id:	T0607101015
Action Type:	ENFORCEMENT
Date:	01/10/2011
Action:	File review
Global Id:	T0607101015
Action Type:	ENFORCEMENT
Date:	09/21/2010
Action:	Referral to Regional Board
Global Id:	T0607101015
Action Type:	ENFORCEMENT
Date:	04/15/2011
Action:	Verbal Enforcement
Global Id:	T0607101015
Action Type:	ENFORCEMENT
Date:	01/12/2011
Action:	Meeting
Global Id:	T0607101015
Action Type:	ENFORCEMENT
Date:	05/04/2018
Action:	Closure/No Further Action Letter
Global Id:	T0607101015
Action Type:	ENFORCEMENT
Date:	07/13/2010
Action:	Clean Up Fund - Case Closure Review Summary Report (RSR)
Global Id:	T0607101015
Action Type:	RESPONSE
Date:	07/15/2011
Action:	Remedial Progress Report
Global Id:	T0607101015
Action Type:	RESPONSE

Map ID
Direction
Distance
Elevation

MAP FINDINGS

Site

Database(s)

EDR ID Number
EPA ID Number

CALIMESA OIL INC (Continued)

S101301196

Date: 06/30/2011
Action: Well Installation Report

Global Id: T0607101015
Action Type: RESPONSE
Date: 10/15/2011
Action: Monitoring Report - Semi-Annually

Global Id: T0607101015
Action Type: RESPONSE
Date: 04/21/2014
Action: Monitoring Report - Semi-Annually

Global Id: T0607101015
Action Type: RESPONSE
Date: 03/19/2015
Action: Remedial Progress Report

Global Id: T0607101015
Action Type: RESPONSE
Date: 10/17/2012
Action: Monitoring Report - Semi-Annually

Global Id: T0607101015
Action Type: RESPONSE
Date: 10/17/2012
Action: Monitoring Report - Semi-Annually

Global Id: T0607101015
Action Type: RESPONSE
Date: 01/13/2013
Action: Remedial Progress Report

Global Id: T0607101015
Action Type: RESPONSE
Date: 04/21/2014
Action: Remedial Progress Report

Global Id: T0607101015
Action Type: RESPONSE
Date: 10/17/2012
Action: Remedial Progress Report

Global Id: T0607101015
Action Type: RESPONSE
Date: 10/17/2012
Action: Remedial Progress Report

Global Id: T0607101015
Action Type: RESPONSE
Date: 01/13/2014
Action: Remedial Progress Report

Global Id: T0607101015
Action Type: RESPONSE
Date: 07/08/2014
Action: Remedial Progress Report

Map ID
Direction
Distance
Elevation

MAP FINDINGS

Site

Database(s)

EDR ID Number
EPA ID Number

CALIMESA OIL INC (Continued)

S101301196

Global Id:	T0607101015
Action Type:	RESPONSE
Date:	10/15/2013
Action:	Remedial Progress Report
Global Id:	T0607101015
Action Type:	ENFORCEMENT
Date:	04/15/2011
Action:	File review
Global Id:	T0607101015
Action Type:	ENFORCEMENT
Date:	05/02/2011
Action:	Technical Correspondence / Assistance / Other
Global Id:	T0607101015
Action Type:	ENFORCEMENT
Date:	01/12/2011
Action:	Technical Correspondence / Assistance / Other
Global Id:	T0607101015
Action Type:	ENFORCEMENT
Date:	05/02/2011
Action:	Verbal Enforcement
Global Id:	T0607101015
Action Type:	ENFORCEMENT
Date:	09/21/2010
Action:	Referral to Regional Board
Global Id:	T0607101015
Action Type:	ENFORCEMENT
Date:	01/06/2011
Action:	Technical Correspondence / Assistance / Other
Global Id:	T0607101015
Action Type:	ENFORCEMENT
Date:	05/10/2011
Action:	File review
Global Id:	T0607101015
Action Type:	ENFORCEMENT
Date:	09/04/2012
Action:	Technical Correspondence / Assistance / Other
Global Id:	T0607101015
Action Type:	ENFORCEMENT
Date:	09/05/2012
Action:	File review
Global Id:	T0607101015
Action Type:	ENFORCEMENT
Date:	08/18/2010
Action:	Clean Up Fund - Case Closure Review Summary Report (RSR)
Global Id:	T0607101015
Action Type:	RESPONSE

Map ID
Direction
Distance
Elevation

MAP FINDINGS

Site

Database(s)

EDR ID Number
EPA ID Number

CALIMESA OIL INC (Continued)

S101301196

Date: 05/27/2010
Action: Correspondence

Global Id: T0607101015
Action Type: RESPONSE
Date: 05/20/2010
Action: Correspondence

Global Id: T0607101015
Action Type: RESPONSE
Date: 03/08/2011
Action: Correspondence

Global Id: T0607101015
Action Type: RESPONSE
Date: 04/15/2011
Action: Monitoring Report - Semi-Annually

Global Id: T0607101015
Action Type: RESPONSE
Date: 05/02/2011
Action: Correspondence

Global Id: T0607101015
Action Type: RESPONSE
Date: 09/03/2013
Action: Remedial Progress Report

Global Id: T0607101015
Action Type: RESPONSE
Date: 10/15/2013
Action: Correspondence

Global Id: T0607101015
Action Type: ENFORCEMENT
Date: 08/11/2010
Action: Staff Letter

LUST:

Global Id: T0607101015
Status: Open - Case Begin Date
Status Date: 09/04/1992

Global Id: T0607101015
Status: Open - Site Assessment
Status Date: 09/15/1992

Global Id: T0607101015
Status: Open - Site Assessment
Status Date: 03/25/1993

Global Id: T0607101015
Status: Open - Site Assessment
Status Date: 01/06/1994

Global Id: T0607101015
Status: Open - Site Assessment

Map ID
Direction
Distance
Elevation

MAP FINDINGS

Site

Database(s)

EDR ID Number
EPA ID Number

CALIMESA OIL INC (Continued)

S101301196

Status Date: 05/13/2009

Global Id: T0607101015
Status: Open - Site Assessment
Status Date: 05/12/2012

Global Id: T0607101015
Status: Open - Remediation
Status Date: 05/20/2015

Global Id: T0607101015
Status: Open - Eligible for Closure
Status Date: 12/08/2016

Global Id: T0607101015
Status: Completed - Case Closed
Status Date: 05/04/2018

CORTESE:

Name: WHITING BROS EAST
Address: 901 BROADWAY EAST
City,State,Zip: NEEDLES, CA 92363
Region: CORTESE
Envirostor Id: Not reported
Global ID: T0607101015
Site/Facility Type: LUST CLEANUP SITE
Cleanup Status: COMPLETED - CASE CLOSED
Status Date: Not reported
Site Code: Not reported
Latitude: Not reported
Longitude: Not reported
Owner: Not reported
Enf Type: Not reported
Swat R: Not reported
Flag: active
Order No: Not reported
Waste Discharge System No: Not reported
Effective Date: Not reported
Region 2: Not reported
WID Id: Not reported
Solid Waste Id No: Not reported
Waste Management Uit Name: Not reported
File Name: Active Open

HIST CORTESE:

edr_fname: CALIMESA OIL INC
edr_fadd1: 901 BROADWAY
City,State,Zip: NEEDLES, CA 92363
Region: CORTESE
Facility County Code: 36
Reg By: LTNKA
Reg Id: 7T2363017

CERS:

Name: WHITING BROS EAST

Map ID
Direction
Distance
Elevation

MAP FINDINGS

Site

Database(s)

EDR ID Number
EPA ID Number

CALIMESA OIL INC (Continued)

S101301196

Address: 901 BROADWAY EAST
City,State,Zip: NEEDLES, CA 92363
Site ID: 210803
CERS ID: T0607101015
CERS Description: Leaking Underground Storage Tank Cleanup Site

Affiliation:

Affiliation Type Desc: Regional Board Caseworker
Entity Name: THERESA ILLARE - COLORADO RIVER BASIN RWQCB (REGION 7)
Entity Title: Not reported
Affiliation Address: 73-720 FRED WARING DR. STE 100
Affiliation City: PALM DESERT
Affiliation State: CA
Affiliation Country: Not reported
Affiliation Zip: Not reported
Affiliation Phone: 7607768971,

Affiliation Type Desc: Local Agency Caseworker
Entity Name: JACKSON CRUTSINGER - SAN BERNARDINO COUNTY
Entity Title: Not reported
Affiliation Address: 620 SOUTH E STREET
Affiliation City: SAN BERNARDINO
Affiliation State: CA
Affiliation Country: Not reported
Affiliation Zip: Not reported
Affiliation Phone: ,

R104 9461 SAN BERNARDINO COUNTY FIRE DEPARTMENT
Target 901 BROADWAY E
Property NEEDLES, CA 92363

FINDS 1014670500
N/A

Site 21 of 22 in cluster R

Actual: FINDS:
482 ft. Registry ID: 110043361723

Focus Map:
6 [Click Here for FRS Facility Detail Report:](#)

Environmental Interest/Information System:
LEAKING UNDERGROUND STORAGE TANK - ARRA

[Click this hyperlink](#) while viewing on your computer to access additional FINDS: detail in the EDR Site Report.

S105 NEEDLES PETROLEUM INC DBA SHELL
Target 2451 NEEDLES HWY
Property NEEDLES, CA 92363

HWTS S128383692
N/A

Site 1 of 11 in cluster S

Actual: HWTS:
515 ft. Name: NEEDLES PETROLEUM INC DBA SHELL
Focus Map: Address: 2451 NEEDLES HWY
6 Address 2: Not reported
City,State,Zip: NEEDLES, CA 92363
EPA ID: CAL000466887
Inactive Date: Not reported

Map ID
Direction
Distance
Elevation

MAP FINDINGS

Site

Database(s)

EDR ID Number
EPA ID Number

NEEDLES PETROLEUM INC DBA SHELL (Continued)

S128383692

Create Date: 11/18/2021
Last Act Date: Not reported
Mailing Name: Not reported
Mailing Address: 2451 NEEDLES HWY
Mailing Address 2: Not reported
Mailing City,State,Zip: NEEDLES, CA 92363
Owner Name: NEEDLES PETROLEUM INC
Owner Address: 2451 NEEDLES HWY
Owner Address 2: Not reported
Owner City,State,Zip: NEEDLES, CA 92363
Contact Name: FADEL GHANEM
Contact Address: 2451 NEEDLES HWY
Contact Address 2: Not reported
City,State,Zip: NEEDLES, CA 92363
Facility Status: Active
Facility Type: PERMANENT
Category: STATE
Latitude: 34.85084498
Longitude: -114.624118

S106 WESTSIDE SHELL
Target 2451 NEEDLES HWY
Property NEEDLES, CA 92363

CERS HAZ WASTE S104772347
CERS TANKS N/A
EMI
San Bern. Co. Permit
CERS
HWTS

Site 2 of 11 in cluster S

Actual:
515 ft.

Focus Map:
6

CERS HAZ WASTE:
Name: NEEDLES PETROLEUM
Address: 2451 W NEEDLES HWY
City,State,Zip: NEEDLES, CA 92363
Site ID: 85743
CERS ID: 10046674
CERS Description: Hazardous Waste Generator

CERS TANKS:
Name: NEEDLES PETROLEUM
Address: 2451 W NEEDLES HWY
City,State,Zip: NEEDLES, CA 92363
Site ID: 85743
CERS ID: 10046674
CERS Description: Underground Storage Tank

EMI:
Name: WESTSIDE SHELL
Address: 2451 NEEDLES HWY
City,State,Zip: NEEDLES, CA 92363
Year: 2014
County Code: 36
Air Basin: MD
Facility ID: 55501229
Air District Name: MOJ
SIC Code: 5541
Air District Name: MOJAVE DESERT AQMD
Community Health Air Pollution Info System: Not reported
Consolidated Emission Reporting Rule: Not reported
Total Organic Hydrocarbon Gases Tons/Yr: 0.219545519

Map ID
Direction
Distance
Elevation

MAP FINDINGS

Site

Database(s)

EDR ID Number
EPA ID Number

WESTSIDE SHELL (Continued)

S104772347

Reactive Organic Gases Tons/Yr: 0.219545519
Carbon Monoxide Emissions Tons/Yr: 0
NOX - Oxides of Nitrogen Tons/Yr: 0
SOX - Oxides of Sulphur Tons/Yr: 0
Particulate Matter Tons/Yr: 0
Part. Matter 10 Micrometers and Smllr Tons/Yr:0

Name: WESTSIDE SHELL
Address: 2451 NEEDLES HWY
City,State,Zip: NEEDLES, CA 92363
Year: 2015
County Code: 36
Air Basin: MD
Facility ID: 55501229
Air District Name: MOJ
SIC Code: 5541
Air District Name: MOJAVE DESERT AQMD
Community Health Air Pollution Info System: Not reported
Consolidated Emission Reporting Rule: Not reported
Total Organic Hydrocarbon Gases Tons/Yr: 0.207496728
Reactive Organic Gases Tons/Yr: 0.207496728
Carbon Monoxide Emissions Tons/Yr: 0
NOX - Oxides of Nitrogen Tons/Yr: 0
SOX - Oxides of Sulphur Tons/Yr: 0
Particulate Matter Tons/Yr: 0
Part. Matter 10 Micrometers and Smllr Tons/Yr:0

Name: WESTSIDE SHELL
Address: 2451 NEEDLES HWY
City,State,Zip: NEEDLES, CA 92363
Year: 2016
County Code: 36
Air Basin: MD
Facility ID: 55501229
Air District Name: MOJ
SIC Code: 5541
Air District Name: MOJAVE DESERT AQMD
Community Health Air Pollution Info System: Not reported
Consolidated Emission Reporting Rule: Not reported
Total Organic Hydrocarbon Gases Tons/Yr: 0.207496728
Reactive Organic Gases Tons/Yr: 0.207496728
Carbon Monoxide Emissions Tons/Yr: Not reported
NOX - Oxides of Nitrogen Tons/Yr: Not reported
SOX - Oxides of Sulphur Tons/Yr: Not reported
Particulate Matter Tons/Yr: Not reported
Part. Matter 10 Micrometers and Smllr Tons/Yr:Not reported

Name: WESTSIDE SHELL
Address: 2451 NEEDLES HWY
City,State,Zip: NEEDLES, CA 92363
Year: 2017
County Code: 36
Air Basin: MD
Facility ID: 55501229
Air District Name: MOJ
SIC Code: 5541
Air District Name: MOJAVE DESERT AQMD

Map ID
Direction
Distance
Elevation

MAP FINDINGS

Site

Database(s)

EDR ID Number
EPA ID Number

WESTSIDE SHELL (Continued)

S104772347

Community Health Air Pollution Info System: Not reported
Consolidated Emission Reporting Rule: Not reported
Total Organic Hydrocarbon Gases Tons/Yr: 0.221154655
Reactive Organic Gases Tons/Yr: 0.221154655
Carbon Monoxide Emissions Tons/Yr: Not reported
NOX - Oxides of Nitrogen Tons/Yr: Not reported
SOX - Oxides of Sulphur Tons/Yr: Not reported
Particulate Matter Tons/Yr: Not reported
Part. Matter 10 Micrometers and Smllr Tons/Yr:Not reported

Name: WESTSIDE SHELL
Address: 2451 NEEDLES HWY
City,State,Zip: NEEDLES, CA 92363
Year: 2018
County Code: 36
Air Basin: MD
Facility ID: 1229
Air District Name: MOJ
SIC Code: 5541
Air District Name: MOJAVE DESERT AQMD
Community Health Air Pollution Info System: Not reported
Consolidated Emission Reporting Rule: Not reported
Total Organic Hydrocarbon Gases Tons/Yr: 0.195
Reactive Organic Gases Tons/Yr: 0.195
Carbon Monoxide Emissions Tons/Yr: Not reported
NOX - Oxides of Nitrogen Tons/Yr: Not reported
SOX - Oxides of Sulphur Tons/Yr: Not reported
Particulate Matter Tons/Yr: Not reported
Part. Matter 10 Micrometers and Smllr Tons/Yr:Not reported

Name: WESTSIDE SHELL
Address: 2451 NEEDLES HWY
City,State,Zip: NEEDLES, CA 92363
Year: 2019
County Code: 36
Air Basin: MD
Facility ID: 1229
Air District Name: MOJ
SIC Code: 5541
Air District Name: MOJAVE DESERT AQMD
Community Health Air Pollution Info System: Not reported
Consolidated Emission Reporting Rule: Not reported
Total Organic Hydrocarbon Gases Tons/Yr: 0.16
Reactive Organic Gases Tons/Yr: 0.16
Carbon Monoxide Emissions Tons/Yr: Not reported
NOX - Oxides of Nitrogen Tons/Yr: Not reported
SOX - Oxides of Sulphur Tons/Yr: Not reported
Particulate Matter Tons/Yr: Not reported
Part. Matter 10 Micrometers and Smllr Tons/Yr:Not reported

San Bern. Co. Permit:

Name: NEEDLES PETROLEUM INC.
Address: 2451 W NEEDLES HWY
City,State,Zip: NEEDLES, CA 92363
Region: SAN BERNARDINO
Facility ID: FA0007281
Owner: NEEDLES PETROLEUM INC.

Map ID
Direction
Distance
Elevation

MAP FINDINGS

Site

Database(s)

EDR ID Number
EPA ID Number

WESTSIDE SHELL (Continued)

S104772347

Permit Number: PT0006045
Permit Category: HAZMAT HANDLER, UST ONLY - PER YEAR
Facility Status: ACTIVE
Expiration Date: 09/30/2021

Name: NEEDLES PETROLEUM INC.
Address: 2451 W NEEDLES HWY
City,State,Zip: NEEDLES, CA 92363
Region: SAN BERNARDINO
Facility ID: FA0007281
Owner: NEEDLES PETROLEUM INC.
Permit Number: PT0029762
Permit Category: WASTE INCIDENTAL UST OPERATION ONLY -PER YEAR
Facility Status: ACTIVE
Expiration Date: 09/30/2021

Name: NEEDLES PETROLEUM INC.
Address: 2451 W NEEDLES HWY
City,State,Zip: NEEDLES, CA 92363
Region: SAN BERNARDINO
Facility ID: FA0007281
Owner: NEEDLES PETROLEUM INC.
Permit Number: PT0010251
Permit Category: REGULAR UST ANNUAL INSPECTION (PER TANK)
Facility Status: ACTIVE
Expiration Date: 09/30/2021

Name: NEEDLES PETROLEUM INC.
Address: 2451 W NEEDLES HWY
City,State,Zip: NEEDLES, CA 92363
Region: SAN BERNARDINO
Facility ID: FA0007281
Owner: NEEDLES PETROLEUM INC.
Permit Number: PT0010252
Permit Category: REGULAR UST ANNUAL INSPECTION (PER TANK)
Facility Status: ACTIVE
Expiration Date: 09/30/2021

Name: NEEDLES PETROLEUM INC.
Address: 2451 W NEEDLES HWY
City,State,Zip: NEEDLES, CA 92363
Region: SAN BERNARDINO
Facility ID: FA0007281
Owner: NEEDLES PETROLEUM INC.
Permit Number: PT0010253
Permit Category: REGULAR UST ANNUAL INSPECTION (PER TANK)
Facility Status: ACTIVE
Expiration Date: 09/30/2021

Name: NEEDLES PETROLEUM INC.
Address: 2451 W NEEDLES HWY
City,State,Zip: NEEDLES, CA 92363
Region: SAN BERNARDINO
Facility ID: FA0007281
Owner: NEEDLES PETROLEUM INC.
Permit Number: PT0010254
Permit Category: REGULAR UST ANNUAL INSPECTION (PER TANK)

Map ID
Direction
Distance
Elevation

MAP FINDINGS

Site

Database(s)

EDR ID Number
EPA ID Number

WESTSIDE SHELL (Continued)

S104772347

Facility Status: ACTIVE
Expiration Date: 09/30/2021

CERS:

Name: NEEDLES PETROLEUM
Address: 2451 W NEEDLES HWY
City,State,Zip: NEEDLES, CA 92363
Site ID: 85743
CERS ID: 10046674
CERS Description: Chemical Storage Facilities

Violations:

Site ID: 85743
Site Name: Needles Petroleum
Violation Date: 11-15-2016
Citation: 23 CCR 16 2641(a) - California Code of Regulations, Title 23, Chapter 16, Section(s) 2641(a)

Violation Description: Failure of leak detection equipment to be located such that equipment is capable of detecting a leak at the earliest possible opportunity.

Violation Notes: Returned to compliance on 11/15/2016. COMPLIANCE ACTIVITY: TANK OWNER, RANDY EMBREY PROVIDED STATEMENT REGARDING THE SENSOR. TECHNICIAN PLACED SENSOR IN PROPER POSITION PRIOR TO CLOSING SUMP. WATER WAS REMOVED FROM ANNULAR AND CONFIRMED DRY BY STICKING SPACE. EGRIMES. OBSERVATIONS: THE ANNULAR SENSOR FOR THE 87 TANK WAS LIFTED IN A MANNER THAT IT WAS NOT SITUATED AT THE BOTTOM OF TANK TANK. WHEN THE TECHNICIAN PLACED THE SENSOR BACK IN THE TANK, IT WENT INTO ALARM. TECHNICIAN PLACED MEASURING TAPE DOWN IN THE SPACE AND WHEN IT WAS REMOVED, THERE WAS PROOF OF 34 INCHES OF WATER IN THE SPACE. TECHNICIAN CONFIRMED IT WAS NOT GASOLINE. COMPLIANCE REQUIREMENT: WATER MUST BE REMOVED FROM THE ANNULAR SPACE AND THE SENSOR PLACED BACK INTO PROPER POSITIONING TO DETECT A LEAK AT THE EARLIEST POSSIBLE OPPORTUNITY. DUE TO THE SENSOR BEING LIFTED IN ORDER TO KEEP THE SYSTEM RUNNING, OUR DEPARTMENT FINDS THIS TO BE TAMPERING, WHICH IS ILLEGAL. THE TANK OWNER MUST PROVIDE A STATEMENT ACKNOWLEDGING THE TAMPERING, WHY IT [Truncated]

Violation Division: San Bernardino County Fire Department
Violation Program: UST
Violation Source: CERS,

Site ID: 85743
Site Name: Needles Petroleum
Violation Date: 11-14-2017
Citation: HSC 6.95 25508(a)(1) - California Health and Safety Code, Chapter 6.95, Section(s) 25508(a)(1)

Violation Description: Failure to complete and electronically submit hazardous material inventory information for all reportable hazardous materials on site at or above reportable quantities.

Violation Notes: Returned to compliance on 12/08/2017. OBSERVATION: UPDATE INVENTORY TO INCLUDE (1) 30-GALLON DRUM FOR WASTE DIESEL AS OBSERVED. COMPLIANCE REQUIREMENT: RESUBMIT UPDATED INVENTORY IN CERS.

Violation Division: San Bernardino County Fire Department
Violation Program: HMRRP
Violation Source: CERS,

Site ID: 85743
Site Name: Needles Petroleum
Violation Date: 11-14-2017

Map ID
Direction
Distance
Elevation

MAP FINDINGS

Site

Database(s)

EDR ID Number
EPA ID Number

WESTSIDE SHELL (Continued)

S104772347

Citation: HSC 6.5 Multiple - California Health and Safety Code, Chapter 6.5, Section(s) Multiple

Violation Description: Hazardous Waste Generator Program - Operations/Maintenance - General

Violation Notes: Returned to compliance on 12/08/2017. Failure to label hazardous waste containers (CCR 66262.34(f)(3)) OBSERVATION: HAZARDOUS WASTE DRUMS (1) 30-GALLON DRUM OF WASTE DIESEL AND (1) 55-GALLON DRUM OF WASTE GASOLINE WERE NOT LABELED. COMPLIANCE REQUIREMENT: ENSURE ALL HAZARDOUS WASTE CONTAINERS ARE LABELED PROPERLY.

Violation Division: San Bernardino County Fire Department

Violation Program: HW

Violation Source: CERS,

Site ID: 85743

Site Name: Needles Petroleum

Violation Date: 11-14-2017

Citation: 23 CCR 16 2665 - California Code of Regulations, Title 23, Chapter 16, Section(s) 2665

Violation Description: Failure to comply with one or more of the following: Failure to install or maintain a liquid-tight spill bucket. Have a minimum capacity of five gallons. Have a functional drain valve or other method for the removal of liquid from the spill bucket/spill container. Be resistant to galvanic corrosion.

Violation Notes: Returned to compliance on 12/08/2017. OBSERVATION: 91 FILL SPILL BUCKET DRAIN VALVE WAS IN DISREPAIR. 95 FILL SPILL BUCKET FAILED THE ONE HOUR HYDROSTATIC TESTING. COMPLIANCE REQUIREMENT: MAKE THE NECESSARY REPAIR TO SPILL BUCKET DRAIN VALVE AND SUBMIT A STATEMENT OF ITS REPAIR/REPLACEMENT, AND RETESTED SUCCESSFULLY.

Violation Division: San Bernardino County Fire Department

Violation Program: UST

Violation Source: CERS,

Site ID: 85743

Site Name: Needles Petroleum

Violation Date: 11-15-2016

Citation: HSC 6.7 Multiple - California Health and Safety Code, Chapter 6.7, Section(s) Multiple

Violation Description: UST Program - Administration/Documentation - General - Must include violation description, proper statute and regulation citation in the "comment" section.

Violation Notes: Returned to compliance on 12/13/2016. Failure to have a written monitoring program with monitoring procedures and response plan (CHSC 25286(a)) OBSERVATIONS: (1) THE MECHANICAL LINE LEAK DETECTOR (MLLD) INFORMATION FOR ALL TANKS IS NOT COMPLETE IN CERS. (2) TANK 4, DIESEL TANK, HAS NO INFORMATION PROVIDED IN CERS. TANK 3 IS REPEATED TWICE IN CERS AS A DUPLICATE AND NEEDS TO BE CORRECTED. (3) THE UST SITE PLAN UPLOADED IS NOT COMPLETE. COMPLIANCE REQUIREMENT: (1) THE MLLD'S FOR 89, 87, AND 91 ARE ALL VMI LD2000, THE DIESEL IS RED JACKET XLD. ENSURE THE MANUFACTURER AND MODEL IS COMPLETED IN CERS. (2) INPUT INFORMATION FOR THE DIESEL TANK IN CERS AND ENSURE IT IS COMPLETE. CONTACT OUR CERS HELPLINE REGARDING THE DUPLICATE ENTRY FOR TANK 3 AT 909-386-8432. (3) ON YOUR SITE PLAN, SHOW THE GENERAL LAYOUT OF TANKS AND PIPING. CLEARLY IDENTIFY LOCATIONS OF THE FOLLOWING EQUIPMENT, IF INSTALLED: MONITORING SYSTEM CONTROL PANELS; SENSORS MONITORING TANK ANNULAR SPACES, SUMPS, DISPENSER PANS, SPILL CONTAINERS, OR [Truncated]

Violation Division: San Bernardino County Fire Department

Violation Program: UST

Map ID
Direction
Distance
Elevation

MAP FINDINGS

Site

Database(s)

EDR ID Number
EPA ID Number

WESTSIDE SHELL (Continued)

S104772347

Violation Source: CERS,

Site ID: 85743
Site Name: Needles Petroleum
Violation Date: 11-20-2019
Citation: 23 CCR 16 2712(b)(1)(G) - California Code of Regulations, Title 23, Chapter 16, Section(s) 2712(b)(1)(G)

Violation Description: Failure to comply with one or more of the following overfill prevention equipment requirements: Alert the transfer operator when the tank is 90 percent full by restricting the flow into the tank or triggering an audible and visual alarm; or Restrict delivery of flow to the tank at least 30 minutes before the tank overfills, provided the restriction occurs when the tank is filled to no more than 95 percent of capacity; and activate an audible alarm at least five minutes before the tank overfills; or Provide positive shut-off of flow to the tank when the tank is filled to no more than 95 percent of capacity; or Provide positive shut-off of flow to the tank so that none of the fittings located on the top of the tank are exposed to product due to overfilling. Install/retrofit overfill prevention equipment that does not use flow restrictors on vent piping to meet overfill prevention equipment requirements when the overfill prevention equipment is installed, repaired, or replaced on and after October 1, 2018. For USTs installed before October 1, 2018, perform an inspection by October 13, 2018 and every 36 months thereafter. For USTs installed on and after October 1, 2018, perform an inspection at installation and every 36 months thereafter. Inspected within 30 days after a repair to the overfill prevention equipment. Inspected using an applicable manufacturer guidelines, industry codes, engineering standards, or a method approved by a professional engineer. Inspected by a certified UST service technician. Maintain records of overfill prevention equipment inspection for 36 months.

Violation Notes: Returned to compliance on 03/11/2020. OBSERVATION: The overfill prevention for this sit is not adequate for the system. This facility only has audible and visual alarms with single-walled vent lines. CORRECTIVE ACTION: This violation serves as a 7 day notice to comply. Mechanical overfill prevention drop tubes must be installed within 7 days or this facility will be subject to red tag. Within 7 days a work order and passing results must be emailed to this agency or this facility will become subject to red tag. "As-built" plans must be submitted to this agency within 30 days.

Violation Division: San Bernardino County Fire Department
Violation Program: UST
Violation Source: CERS,

Site ID: 85743
Site Name: Needles Petroleum
Violation Date: 11-14-2017
Citation: HSC 6.5 Multiple - California Health and Safety Code, Chapter 6.5, Section(s) Multiple

Violation Description: Hazardous Waste Generator Program - Operations/Maintenance - General
Violation Notes: Returned to compliance on 12/08/2017. Hazardous waste accumulation time exceeded (CCR 66262.34(a)) OBSERVATION: HAZARDOUS WASTE DRUMS (1) 30-GALLON DRUM OF WASTE DIESEL AND (1) 55-GALLON DRUM OF WASTE GASOLINE WERE NOT LABELED. HAZARDOUS WASTES WERE DETERMINED TO HAVE EXCEEDED THE ACCUMULATION TIME. COMPLIANCE REQUIREMENT: ENSURE ALL HAZARDOUS WASTE CONTAINERS ARE LABELED PROPERLY. DISPOSE / REMOVE HAZARDOUS WASTE WITHIN 30 DAYS. SUBMIT COPY OF HAZARDOUS WASTE RECEIPT

Map ID
Direction
Distance
Elevation

MAP FINDINGS

Site

Database(s)

EDR ID Number
EPA ID Number

WESTSIDE SHELL (Continued)

S104772347

TO THIS DIVISION.
San Bernardino County Fire Department
Violation Division: HW
Violation Program: CERS,
Violation Source:

Site ID: 85743
Site Name: Needles Petroleum
Violation Date: 11-14-2017
Violation Description: Citation: HSC 6.5 Multiple - California Health and Safety Code, Chapter 6.5, Section(s) Multiple
Violation Description: Hazardous Waste Generator Program - Administration/Documentation - General
Violation Notes: Returned to compliance on 12/08/2017. Failure to retain Hazardous Waste Manifests for at least 3 years (CCR 66262.40(a)) OBSERVATION: HAZARDOUS WASTE RECEIPTS WERE NOT AVAILABLE OR PROVIDED AT TIME OF INSPECTION. COMPLIANCE REQUIREMENT: SUBMIT A STATEMENT THAT COPIES OF HAZARDOUS WASTE RECEIPTS WILL BE MAINTAINED ON SITE AND AVAILABLE FOR REVIEW.

San Bernardino County Fire Department
Violation Division: HW
Violation Program: CERS,
Violation Source:

Site ID: 85743
Site Name: Needles Petroleum
Violation Date: 11-14-2017
Violation Description: Citation: HSC 6.7 25284.2 - California Health and Safety Code, Chapter 6.7, Section(s) 25284.2
Violation Description: Failure to test the spill bucket annually.
Violation Notes: Returned to compliance on 12/08/2017. OBSERVATION: 91 FILL SPILL BUCKET DRAIN VALVE WAS IN DISREPAIR. 95 FILL SPILL BUCKET FAILED THE ONE HOUR HYDROSTATIC TESTING. COMPLIANCE REQUIREMENT: MAKE THE NECESSARY REPAIR TO SPILL BUCKET DRAIN VALVE AND SUBMIT A STATEMENT OF ITS REPAIR/REPLACEMENT, AND RETESTED SUCCESSFULLY.

San Bernardino County Fire Department
Violation Division: UST
Violation Program: CERS,
Violation Source:

Site ID: 85743
Site Name: Needles Petroleum
Violation Date: 11-18-2015
Violation Description: Citation: 23 CCR 16 2715 - California Code of Regulations, Title 23, Chapter 16, Section(s) 2715
Violation Description: Failure to comply with one or more of the designated operator monthly inspection requirements: failed to inspect the monthly alarm history report; attach a copy of the alarm history; failed to inspect for the presence of liquid or debris in the spill container/spill bucket and under dispenser containment; failed to inspect the under dispenser containment to ensure that monitoring equipment is placed in the proper position; failure to inspect for liquid or debris in the containment sump where an alarm occurred or for which there is no record of a service visit; or failure to check that all testing and maintenance has been completed and documented.
Violation Notes: Returned to compliance on 11/18/2015. OBSERVATION: D.O. reports from March 2015 through June 2015 were missing. COMPLIANCE MET ON SITE: Operator submitted statement stating that 1-year of D.O. inspection logs will be retained.

San Bernardino County Fire Department
Violation Division:

Map ID
Direction
Distance
Elevation

MAP FINDINGS

Site

Database(s)

EDR ID Number
EPA ID Number

WESTSIDE SHELL (Continued)

S104772347

Violation Program: UST
Violation Source: CERS,

Site ID: 85743
Site Name: Needles Petroleum
Violation Date: 11-18-2014
Citation: 23 CCR 16 2638 - California Code of Regulations, Title 23, Chapter 16, Section(s) 2638
Violation Description: Failure to test leak detection equipment as required every 12 months (VPH, sensor, LLD, ATG, etc.) and/or submit monitoring system certification to the CUPA within 30 days of completion of the test
Violation Notes: Returned to compliance on 11/19/2014. OBSERVATION: THE 87'S MECHANICAL LINE LEAK DETECTOR FAILED WHEN TESTED. COMPLIANCE REQUIREMENT: REPAIR/ REPLACE AND RE-TEST THE 87'S MECHANICAL LINE LEAK DETECTOR. INFO OFFICE SO INSPECTOR CAN WITNESS TEST.
Violation Division: San Bernardino County Fire Department
Violation Program: UST
Violation Source: CERS,

Site ID: 85743
Site Name: Needles Petroleum
Violation Date: 11-14-2017
Citation: HSC 6.5 Multiple - California Health and Safety Code, Chapter 6.5, Section(s) Multiple
Violation Description: Hazardous Waste Generator Program - Operations/Maintenance - General
Violation Notes: Returned to compliance on 12/08/2017. Failure to note accumulation start date on labels (CCR 66262.34(f)(2)) OBSERVATION: HAZARDOUS WASTE DRUMS (1) 30-GALLON DRUM OF WASTE DIESEL AND (1) 55-GALLON DRUM OF WASTE GASOLINE WERE NOT LABELED. COMPLIANCE REQUIREMENT: ENSURE ALL HAZARDOUS WASTE CONTAINERS ARE LABELED PROPERLY.
Violation Division: San Bernardino County Fire Department
Violation Program: HW
Violation Source: CERS,

Site ID: 85743
Site Name: Needles Petroleum
Violation Date: 11-18-2014
Citation: HSC 6.7 29291(b) - California Health and Safety Code, Chapter 6.7, Section(s) 29291(b)
Violation Description: Failure of the UST system to be designed and constructed with a monitoring system capable of detecting the entry of the hazardous substance stored in the primary containment into the secondary containment.
Violation Notes: Returned to compliance on 11/18/2014. OBSERVATION: The 91/Diesel split tank s annular, & the 91 turbine sump sensors failed when tested. COMPLIANCE MET ON SITE: Technician repalce and re-tested sensors- Passed
Violation Division: San Bernardino County Fire Department
Violation Program: UST
Violation Source: CERS,

Site ID: 85743
Site Name: Needles Petroleum
Violation Date: 11-15-2016
Citation: HSC 6.95 25508(a)(1) - California Health and Safety Code, Chapter 6.95, Section(s) 25508(a)(1)
Violation Description: Failure to annually review and electronically certify that the

Map ID
Direction
Distance
Elevation

MAP FINDINGS

Site

Database(s)

EDR ID Number
EPA ID Number

WESTSIDE SHELL (Continued)

S104772347

Violation Notes: business plan is complete and accurate on or before the annual due date.
Returned to compliance on 12/13/2016. OBSERVATIONS: THE INVENTORY DOES NOT LIST THE TWO DRUMS USED TO STORE HAZARDOUS WASTE SOLIDS AND LIQUIDS. THE SITE MAP IS NOT COMPLETE. COMPLIANCE REQUIREMENT: INCLUDE THE TWO DRUMS USED TO STORE LIQUIDS AND SOLIDS AFTER SPILL CLEAN-UP AND/OR TESTING. DRUMS MUST BE LISTED EVEN IF STORED A DAY ON-SITE. (1)NORTH ORIENTATION (2)LOADING AREAS (3)INTERNAL ROADS(4) ADJACENT STREETS (5) STORM AND SEWER DRAINS (6) ACCESS AND EXIT POINTS (7) EMERGENCY SHUTOFFS (GAS, ELECTRIC, WATER, PUMPS (8) EVACUATION STAGING AREAS (9) HAZARDOUS MATERIAL HANDLING AND STORAGE AREAS (10) EMERGENCY RESPONSE EQUIPMENT (FIRE EXTINGUISHER, FIRE HOSE, FIRE ALARM, SPILL KIT, EYEWASH STATION; AND SAFETY EQUIPMENT FOR PERSONNEL THAT MAY INCLUDE EYE PROTECTION, SAFETY VESTS, HARD HATS, GLOVES, PERSONAL PROTECTIVE SUITS, RESPIRATORS, ETC.)

Violation Division: San Bernardino County Fire Department
Violation Program: HMRRP
Violation Source: CERS,

Site ID: 85743
Site Name: Needles Petroleum
Violation Date: 03-26-2019
Citation: 23 CCR 16 2715(f) - California Code of Regulations, Title 23, Chapter 16, Section(s) 2715(f)

Violation Description: Failure to have a properly qualified service technician test leak detection equipment as required every 12 months (vapor, pressure, hydrostatic (VPH) system, sensors, line-leak detectors (LLD), automatic tank gauge (ATG), etc.).

Violation Notes: Returned to compliance on 03/26/2019. OBSERVATION: The annual monitoring certification was due by 11/2018. CORRECTIVE ACTION: The annual monitoring certification was conducted today, the next annual monitoring certification is due by 11/2019. Ensure test results from the monitoring certification and submitted to this agency within 30 days.

Violation Division: San Bernardino County Fire Department
Violation Program: UST
Violation Source: CERS,

Site ID: 85743
Site Name: Needles Petroleum
Violation Date: 11-15-2016
Citation: 23 CCR 16 2665 - California Code of Regulations, Title 23, Chapter 16, Section(s) 2665

Violation Description: Failure to comply with one or more of the following: Failure to install or maintain a liquid-tight spill bucket. Have a minimum capacity of five gallons. Have a functional drain valve or other method for the removal of liquid from the spill bucket/spill container. Be resistant to galvanic corrosion.

Violation Notes: Returned to compliance on 11/18/2016. OBSERVATIONS: THE 87 SPILL BUCKET FAILED DUE TO ISSUE WITH DRAIN VALVE. COMPLIANCE REQUIREMENT: TECHNICIAN WAS UNABLE TO MAKE THE REPAIR DURING THE INSPECTION AND WILL HAVE TO RETURN TO REPAIR AND RETEST. ENSURE THE OFFICIAL RESULTS ARE SENT TO OUR DEPARTMENT WITHIN 30 DAYS OF RETEST. COMPLIANCE ACTIVITY 1/3/2017: RECEIVED EMAIL FROM TECHNICIAN ON 12/16/2016 WITH ATTACHED DOCUMENT SHOWING THE SPILL BUCKET AND DRAIN VALVE WERE REPLACED AND RETESTED, WITH PASSING RESULTS. E GRIMES.

Violation Division: San Bernardino County Fire Department

Map ID
Direction
Distance
Elevation

MAP FINDINGS

Site

Database(s)

EDR ID Number
EPA ID Number

WESTSIDE SHELL (Continued)

S104772347

Violation Program: UST
Violation Source: CERS,

Site ID: 85743
Site Name: Needles Petroleum
Violation Date: 11-15-2016
Citation: 23 CCR 16 2637 - California Code of Regulations, Title 23, Chapter 16, Section(s) 2637
Violation Description: Failure to conduct secondary containment testing, or one or more of the following requirements: Perform the test within six months of installation and every 36 months thereafter. Use a procedure that demonstrates the system works as well as at installation. Use applicable manufacturer guidelines, industry codes, engineering standard, or professional engineer approval. Performed by a certified service technician or a licensed tank tester.
Violation Notes: Returned to compliance on 12/12/2016. OBSERVATIONS: THE SITE WAS DUE FOR THEIR SB989 TESTING NO LATER THAN 7/16/2016. THERE HAS BEEN NO RECORDS PROVIDED AS PROOF THE TESTING WAS COMPLETED. COMPLIANCE REQUIREMENT: HAVE A CERTIFIED TECHNICIAN CONTACT OUR DEPARTMENT TO SCHEDULE FOR THE TESTING NO LATER THAN 12/15/2016.
Violation Division: San Bernardino County Fire Department
Violation Program: UST
Violation Source: CERS,

Site ID: 85743
Site Name: Needles Petroleum
Violation Date: 11-14-2017
Citation: HSC 6.7 25284, 25286 - California Health and Safety Code, Chapter 6.7, Section(s) 25284, 25286
Violation Description: Failure to submit a complete and accurate application for a permit to operate a UST, or for renewal of the permit.
Violation Notes: Returned to compliance on 12/08/2017. OBSERVATION: SUBMITTED UNDERGROUND STORAGE TANK (UST) INFORMATION IN CALIFORNIA ENVIRONMENTAL REPORTING SYSTEM (CERS) WAS NOT ACCURATE, COMPLETE, OR CURRENT. CORRECT THE FOLLOWING: 1) UPDATE TANK INSTALLED DATES TO 12/16/1991 TO EACH TANK INFORMATION. COMPLIANCE REQUIREMENT: RESUBMIT UPDATED UST INFORMATION IN CERS.
Violation Division: San Bernardino County Fire Department
Violation Program: UST
Violation Source: CERS,

Site ID: 85743
Site Name: Needles Petroleum
Violation Date: 11-18-2014
Citation: HSC 6.7 25290.1(h), 25290.2(g), 25291(f), 25292(e) - California Health and Safety Code, Chapter 6.7, Section(s) 25290.1(h), 25290.2(g), 25291(f), 25292(e)
Violation Description: Failure to install line leak detector.
Violation Notes: Returned to compliance on 11/19/2014. OBSERVATION: THE 87'S MECHANICAL LINE LEAK DETECTOR FAILED WHEN TESTED. COMPLIANCE REQUIREMENT: REPAIR/ REPLACE AND RE-TEST THE 87'S MECHANICAL LINE LEAK DETECTOR. INFO OFFICE SO INSPECTOR CAN WITNESS TEST..
Violation Division: San Bernardino County Fire Department
Violation Program: UST
Violation Source: CERS,

Site ID: 85743

Map ID
Direction
Distance
Elevation

MAP FINDINGS

Site

Database(s)

EDR ID Number
EPA ID Number

WESTSIDE SHELL (Continued)

S104772347

Site Name: Needles Petroleum
Violation Date: 11-15-2016
Citation: HSC 6.75 25299.30-25299.34 - California Health and Safety Code, Chapter 6.75, Section(s) 25299.30-25299.34
Violation Description: Failure to submit and maintain complete and current Certification of Financial Responsibility or other mechanism of financial assurance.
Violation Notes: Returned to compliance on 12/13/2016. OBSERVATIONS: THE CERTIFICATE AND CHIEF FINANCIAL OFFICER LETTER IS NOT CURRENT IN CERS. COMPLIANCE REQUIREMENT: BOTH THE CERTIFICATE AND FINANCIAL OFFICER LETTER MUST BE SIGNED AND DATED. DUE TO ANNUAL COVERAGE, THESE FORMS MUST BE UPDATED ANNUALLY UPON COVERAGE ENDING AND THE NEW COVERAGE STARTING. UPLOAD BOTH DOCUMENT IN CERS UNDER DESIGNATED SECTIONS.
Violation Division: San Bernardino County Fire Department
Violation Program: UST
Violation Source: CERS,

Site ID: 85743
Site Name: Needles Petroleum
Violation Date: 11-14-2017
Citation: HSC 6.5 Multiple - California Health and Safety Code, Chapter 6.5, Section(s) Multiple
Violation Description: Hazardous Waste Generator Program - Administration/Documentation - General
Violation Notes: Returned to compliance on 12/08/2017. Failure to maintain used oil disposal receipts for at least 3 years (CHSC 25160.2(b)(3))
OBSERVATION: HAZARDOUS WASTE RECEIPTS WERE NOT AVAILABLE OR PROVIDED AT TIME OF INSPECTION. COMPLIANCE REQUIREMENT: SUBMIT A STATEMENT THAT COPIES OF HAZARDOUS WASTE RECEIPTS WILL BE MAINTAINED ON SITE AND AVAILABLE FOR REVIEW.
Violation Division: San Bernardino County Fire Department
Violation Program: HW
Violation Source: CERS,

Site ID: 85743
Site Name: Needles Petroleum
Violation Date: 11-18-2015
Citation: HSC 6.7 25290.1(h), 25290.2(g), 25291(f), 25292(e) - California Health and Safety Code, Chapter 6.7, Section(s) 25290.1(h), 25290.2(g), 25291(f), 25292(e)
Violation Description: Failure to install line leak detector.
Violation Notes: Returned to compliance on 11/18/2015. OBSERVATION: The 87 Mechanical line leak detector failed when tested. COMPLIANCE REQUIREMENT: Technician replaced & re-tested newline detector-PASSED
Violation Division: San Bernardino County Fire Department
Violation Program: UST
Violation Source: CERS,

Site ID: 85743
Site Name: Needles Petroleum
Violation Date: 03-26-2019
Citation: HSC 6.7 25284.2 - California Health and Safety Code, Chapter 6.7, Section(s) 25284.2
Violation Description: "Failure to meet one or more of the following requirements: Install or maintain a liquid-tight spill container. Have a minimum capacity of five gallons. Have a functional drain valve or other method for the removal of liquid from the spill container. Be resistant to galvanic corrosion. Perform a tightness test at installation, every 12 months

Map ID
Direction
Distance
Elevation

MAP FINDINGS

Site

Database(s)

EDR ID Number
EPA ID Number

WESTSIDE SHELL (Continued)

S104772347

Violation Notes: thereafter, or within 30 days after a repair to the spill container. Tested using applicable manufacturer guidelines, industry codes, engineering standards, or a method approved by a professional engineer. Tested by a certified UST service technician. Maintain records of spill containment testing for 36 months. "

Violation Division: Returned to compliance on 11/20/2019. OBSERVATION: The 87, 91, and diesel spill buckets did not hold 5 gallons of liquid for one hour. CORRECTIVE ACTION: Repair or replace the spill buckets and submit passing test results and work orders to this agency within 30 days.

Violation Program: San Bernardino County Fire Department

Violation Source: UST

Site ID: CERS,

Site ID: 85743

Site Name: Needles Petroleum

Violation Date: 11-04-2021

Citation: 22 CCR 12 66262.12 - California Code of Regulations, Title 22, Chapter 12, Section(s) 66262.12

Violation Description: Failure to obtain an Identification Number prior to treating, storing, disposing of, transporting or offering for transportation any hazardous waste.

Violation Notes: Returned to compliance on 11/27/2021. OBSERVATION: The generator has not obtained an active EPA ID number to manage hazardous waste. A hazardous waste generator shall not treat, store, dispose of, transport or offer for transportation, hazardous waste without an active EPA ID number. CORRECTIVE ACTION: Submit documentation to the CUPA demonstrating that you have obtained an EPA ID number.

Violation Division: San Bernardino County Fire Department

Violation Program: HW

Violation Source: CERS,

Site ID: 85743

Site Name: Needles Petroleum

Violation Date: 03-26-2019

Citation: 23 CCR 16 2712(b)(1)(G) - California Code of Regulations, Title 23, Chapter 16, Section(s) 2712(b)(1)(G)

Violation Description: Failure to comply with one or more of the following overfill prevention equipment requirements: Alert the transfer operator when the tank is 90 percent full by restricting the flow into the tank or triggering an audible and visual alarm; or Restrict delivery of flow to the tank at least 30 minutes before the tank overfills, provided the restriction occurs when the tank is filled to no more than 95 percent of capacity; and activate an audible alarm at least five minutes before the tank overfills; or Provide positive shut-off of flow to the tank when the tank is filled to no more than 95 percent of capacity; or Provide positive shut-off of flow to the tank so that none of the fittings located on the top of the tank are exposed to product due to overfilling. Install/retrofit overfill prevention equipment that does not use flow restrictors on vent piping to meet overfill prevention equipment requirements when the overfill prevention equipment is installed, repaired, or replaced on and after October 1, 2018. For USTs installed before October 1, 2018, perform an inspection by October 13, 2018 and every 36 months thereafter. For USTs installed on and after October 1, 2018, perform an inspection at installation and every 36 months thereafter. Inspected within 30 days after a repair to the overfill prevention equipment. Inspected using an applicable manufacturer guidelines, industry codes, engineering

Map ID
Direction
Distance
Elevation

MAP FINDINGS

Site

Database(s)

EDR ID Number
EPA ID Number

WESTSIDE SHELL (Continued)

S104772347

Violation Notes: standards, or a method approved by a professional engineer. Inspected by a certified UST service technician. Maintain records of overfill prevention equipment inspection for 36 months. Returned to compliance on 03/11/2020. OBSERVATION: The overfill prevention equipment inspection has not yet been completed. CORRECTIVE ACTION: Complete the overfill prevention inspection and submit results to this agency within 30 days.

Violation Division: San Bernardino County Fire Department
Violation Program: UST
Violation Source: CERS,

Site ID: 85743
Site Name: Needles Petroleum
Violation Date: 11-15-2016
Citation: 23 CCR 6.7 25284, 25286 - California Code of Regulations, Title 23, Chapter 6.7, Section(s) 25284, 25286

Violation Description: Failure to submit a complete and accurate application for a permit to operate a UST, or for renewal of the permit.

Violation Notes: Returned to compliance on 01/05/2017. OBSERVATIONS: (1)THE BOE NUMBER PROVIDED IS NOT VALID. (2) THE DATE UST SYSTEMS WERE INSTALLED IS MISSING FROM ALL TANK PAGES. (3) TANK OPERATOR INFORMATION LISTS RANDY EMBREY, WHEN IT IS JOSEPH JONES. COMPLIANCE REQUIREMENT: (1)OBTAIN A VALID BOE NUMBER AND ENTER IT ON THE UST OPERATING PERMIT IN CERS. (2) ENTER THE DATE THE UST SYSTEMS WERE INSTALLED ON ALL TANK PAGES. IF ONLY THE INSTALLATION YEAR IS KNOWN, THEN ENTER 1/1/THE INSTALLATION YEAR ON THE TANK PAGES. (3) UPDATE THE TANK OPERATOR INFORMATION ON THE UST OPERATING PERMIT IN CERS.

Violation Division: San Bernardino County Fire Department
Violation Program: UST
Violation Source: CERS,

Site ID: 85743
Site Name: Needles Petroleum
Violation Date: 11-14-2017
Citation: 23 CCR 16 2715(c) - California Code of Regulations, Title 23, Chapter 16, Section(s) 2715(c)

Violation Description: Failure to comply with one or more of the following designated operator (DO) monthly inspection requirements: Be performed by an ICC certified DO. Inspect monthly alarm history report, check that alarms are documented and responded to appropriately, and attach a copy. Inspect for the presence of liquid/debris in spill containers. Inspect for the presence of liquid/debris in under dispenser containment (UDC) and ensure that the monitoring equipment is positioned correctly. Inspect for liquid or debris in containment sumps where an alarm occurred with no service visit. Check that all testing and maintenance has been completed and documented. Verify that all facility employees have been trained in accordance with 23 CCR 2715(f)(2).

Violation Notes: Returned to compliance on 12/08/2017. OBSERVATION: WORK/RESPONSE DESCRIPTIONS TO ALARMS DID NOT INDICATE WHO RESPONDED TO ALARMS AND WHEN , WHAT CAUSED THE ALARMS, WHAT ACTIONS WERE TAKEN TO REMOVE THE ALARM, AND HOW WASTE WERE MANAGED ETC. COMPLIANCE REQUIREMENT: SUBMIT A STATEMENT THAT THE DESIGNATED OPERATOR MONTHLY INSPECTION REPORTS WOULD INCLUDE DETAILED RESPONSE TO ALARM AND WORK ORDERS BE AVAILABLE READILY.

Violation Division: San Bernardino County Fire Department
Violation Program: UST
Violation Source: CERS,

Map ID
Direction
Distance
Elevation

MAP FINDINGS

Site

Database(s)

EDR ID Number
EPA ID Number

WESTSIDE SHELL (Continued)

S104772347

Site ID: 85743
Site Name: Needles Petroleum
Violation Date: 11-15-2016
Citation: HSC 6.5 Multiple - California Health and Safety Code, Chapter 6.5, Section(s) Multiple
Violation Description: Hazardous Waste Generator Program - Administration/Documentation - General
Violation Notes: Returned to compliance on 11/29/2016. Failure to obtain an EPA ID Number (CCR 66262.12(a)) OBSERVATIONS: THERE IS NO PROOF OF FACILITY HAVING A EPA ID NUMBER, WHICH IS REQUIRED FOR HAZARDOUS WASTE GENERATORS. IN ORDER FOR HAZARDOUS WASTE TO BE HAULED BY AN APPROVED HAULER, THE FACILITY MUST HAVE AN ACTIVE EPA ID NUMBER. COMPLIANCE REQUIREMENT: OBTAIN AN ACTIVE EPA ID NUMBER AND PROVIDE PROOF IN CERS AND OUR DEPARTMENT.
Violation Division: San Bernardino County Fire Department
Violation Program: HW
Violation Source: CERS,

Site ID: 85743
Site Name: Needles Petroleum
Violation Date: 11-15-2016
Citation: HSC 6.7 25284(a)(3)(A) & (B); - California Health and Safety Code, Chapter 6.7, Section(s) 25284(a)(3)(A) & (B);
Violation Description: Failure to implement or maintain a written agreement between the UST permit holder and the operator (owner/operator agreement).
Violation Notes: Returned to compliance on 12/13/2016. OBSERVATIONS: THE TANK OWNER AND OPERATOR ARE NOT THE SAME, THEREFORE, A WRITTEN AGREEMENT IS REQUIRED BETWEEN THE TWO. COMPLIANCE REQUIREMENT: THE TANK OWNER AND OPERATOR MUST COMPLETE AND SIGN THE WRITTEN AGREEMENT, THEN UPLOAD THE DOCUMENT IN CERS. A FORM WILL BE EMAILED TO JOSEPH JONES AND AVERY KRAUSE.
Violation Division: San Bernardino County Fire Department
Violation Program: UST
Violation Source: CERS,

Site ID: 85743
Site Name: Needles Petroleum
Violation Date: 11-24-2020
Citation: HSC 6.7 25284.2 - California Health and Safety Code, Chapter 6.7, Section(s) 25284.2
Violation Description: "Failure to meet one or more of the following requirements: Install or maintain a liquid-tight spill container. Have a minimum capacity of five gallons. Have a functional drain valve or other method for the removal of liquid from the spill container. Be resistant to galvanic corrosion. Perform a tightness test at installation, every 12 months thereafter, or within 30 days after a repair to the spill container. Tested using applicable manufacturer guidelines, industry codes, engineering standards, or a method approved by a professional engineer. Tested by a certified UST service technician. Maintain records of spill containment testing for 36 months. "
Violation Notes: Returned to compliance on 11/04/2021. CORRECTIVE ACTION: Replace the spill buckets like for like and re-test. Send the re-test results within thirty (30) days. OBSERVATION: The 91 and 89 Spill Containers did not pass testing.
Violation Division: San Bernardino County Fire Department
Violation Program: UST
Violation Source: CERS,

Map ID
Direction
Distance
Elevation

MAP FINDINGS

Site

Database(s)

EDR ID Number
EPA ID Number

WESTSIDE SHELL (Continued)

S104772347

Site ID: 85743
Site Name: Needles Petroleum
Violation Date: 11-14-2017
Citation: HSC 6.5 Multiple - California Health and Safety Code, Chapter 6.5, Section(s) Multiple
Violation Description: Hazardous Waste Generator Program - Operations/Maintenance - General
Violation Notes: Returned to compliance on 12/08/2017. Failure to complete hazardous waste labels (CCR 66262.34(f)(3)) OBSERVATION: HAZARDOUS WASTE DRUMS (1) 30-GALLON DRUM OF WASTE DIESEL AND (1) 55-GALLON DRUM OF WASTE GASOLINE WERE NOT LABELED. COMPLIANCE REQUIREMENT: ENSURE ALL HAZARDOUS WASTE CONTAINERS ARE LABELED PROPERLY.

Violation Division: San Bernardino County Fire Department
Violation Program: HW
Violation Source: CERS,

Site ID: 85743
Site Name: Needles Petroleum
Violation Date: 11-04-2021
Citation: HSC 6.75 25299.30-25299.34 - California Health and Safety Code, Chapter 6.75, Section(s) 25299.30-25299.34
Violation Description: Failure to submit and maintain complete and current Certification of Financial Responsibility or other mechanism of financial assurance.
Violation Notes: Returned to compliance on 11/27/2021. OBSERVATION: The CFO letter and Certificate of Financial (CFR) are for the previous owner and is no longer valid. CORRECTIVE ACTION: Update all financial documentation and re-submit all UST documentation via CERS within 30 days.

Violation Division: San Bernardino County Fire Department
Violation Program: UST
Violation Source: CERS,

Site ID: 85743
Site Name: Needles Petroleum
Violation Date: 03-26-2019
Citation: HSC 6.7 25284, 25286 - California Health and Safety Code, Chapter 6.7, Section(s) 25284, 25286
Violation Description: Failure to submit a complete and accurate application for a permit to operate a UST, or for renewal of the permit.
Violation Notes: Returned to compliance on 03/26/2019. OBSERVATION: The tank information submitted via CERS is not accurate based upon what was observed on-site. CORRECTIVE ACTION: Update the following information via CERS and re-submit all UST documents within 30 days: - For all your tanks, for overfill prevention, please check the box for ball floats . CERS was updated while on-site, no further corrective action necessary.

Violation Division: San Bernardino County Fire Department
Violation Program: UST
Violation Source: CERS,

Site ID: 85743
Site Name: Needles Petroleum
Violation Date: 11-15-2016
Citation: 23 CCR 16 2715(c) - California Code of Regulations, Title 23, Chapter 16, Section(s) 2715(c)
Violation Description: Failure to comply with one or more of the following designated operator (DO) monthly inspection requirements: Be performed by an ICC certified DO. Inspect monthly alarm history report, check that alarms are documented and responded to appropriately, and attach a copy.

Map ID
Direction
Distance
Elevation

MAP FINDINGS

Site

Database(s)

EDR ID Number
EPA ID Number

WESTSIDE SHELL (Continued)

S104772347

Violation Notes: Inspect for the presence of liquid/debris in spill containers. Inspect for the presence of liquid/debris in under dispenser containment (UDC) and ensure that the monitoring equipment is positioned correctly. Inspect for liquid or debris in containment sumps where an alarm occurred with no service visit. Check that all testing and maintenance has been completed and documented. Verify that all facility employees have been properly trained.
Returned to compliance on 11/15/2016. COMPLIANCE ACTIVITY: THE DO REPORTS FROM JULY AND AUGUST WERE EMAILED TO THE STORE DURING THE INSPECTION. STILL NEED STATEMENT FROM DO TO CLOSE VIOLATION. EGRIMES OBSERVATIONS: THE DESIGNATED OPERATOR REPORTS DID NOT ADDRESS ALL ALARMS AND THE CORRECTIVE ACTIONS ASSOCIATED. ALARMS FROM JANUARY, MAY, AND JULY OF 2016 WERE NOT MENTIONED ON THE REPORTS. THE MONTHLY REPORTS FROM JULY AND AUGUST OF 2016 WERE NOT AVAILABLE FOR REVIEW. WHEN REPORTING ALARMS IN THE REPORTS, THE DATES AND LOCATION OF ALARMS MUST BE INCLUDED. COMPLIANCE REQUIREMENT: THE DESIGNATED OPERATOR, RICK GILMAN, MUST SUBMIT A STATEMENT ACKNOWLEDGING FAILURE TO REPORT ALL ALARMS ON THE DO REPORTS, ALONG WITH THE CORRECTIVE ACTIONS TAKEN. HE MUST STATE WHAT WILL BE DONE TO ENSURE REPORTS ARE MORE DETAILED, COMPLETE AND ACCURATE FROM NOW ON. STATEMENT MUST BE SIGNED AND DATED, THEN EMAILED TO EGRIMES@SBCFIRE.ORG. IF THE FACILITY DOES NOT HAVE RICK GILMAN SUBMIT THIS STATEMENT, THEN THE TANK OWNER WILL
[Truncated]

Violation Division: San Bernardino County Fire Department
Violation Program: UST
Violation Source: CERS,

Site ID: 85743
Site Name: Needles Petroleum
Violation Date: 03-26-2019
Citation: 23 CCR 16 2715(a)(2) - California Code of Regulations, Title 23, Chapter 16, Section(s) 2715(a)(2)

Violation Description: Failure to submit the Underground Storage Tank Statement of Understanding and Compliance Form.

Violation Notes: Returned to compliance on 03/26/2019. OBSERVATION: The "Underground Storage Tank Statement of Understanding and Compliance Form" has not submitted via CERS. CORRECTIVE ACTION: Complete and upload the "Underground Storage Tank Statement of Understanding and Compliance Form" via CERS and re-submit all UST documents within 30 days.

Violation Division: San Bernardino County Fire Department
Violation Program: UST
Violation Source: CERS,

Site ID: 85743
Site Name: Needles Petroleum
Violation Date: 11-04-2021
Citation: HSC 6.7 25284, 25286 - California Health and Safety Code, Chapter 6.7, Section(s) 25284, 25286

Violation Description: Failure to submit a complete and accurate application for a permit to operate a UST, or for renewal of the permit.

Violation Notes: Returned to compliance on 11/27/2021. OBSERVATION: The tank page information submitted via CERS is not accurate based upon what was observed on-site. CORRECTIVE ACTION: Update the following information via CERS and re-submit all UST documents within 30 days: Please update the Board of Equalization (BOE) number to be valid and reflect the new owner. Also, all CERS facility information must be updated to reflect the new owner information.

Map ID
Direction
Distance
Elevation

MAP FINDINGS

Site

Database(s)

EDR ID Number
EPA ID Number

WESTSIDE SHELL (Continued)

S104772347

Violation Division: San Bernardino County Fire Department
Violation Program: UST
Violation Source: CERS,

Site ID: 85743
Site Name: Needles Petroleum
Violation Date: 11-20-2013
Citation: HSC 6.7 25292(e) - California Health and Safety Code, Chapter 6.7, Section(s) 25292(e)

Violation Description: Failure to install line leak detector on pressurized piping system.
Violation Notes: Returned to compliance on 11/20/2013. 89 LINE LEAK DETECTOR FAILED. 89 MLLD WAS REPLACED AND NEW MLLD WAS TESTED AND PASSED.

Violation Division: San Bernardino County Fire Department
Violation Program: UST
Violation Source: CERS,

Evaluation:

Eval General Type: Compliance Evaluation Inspection
Eval Date: 03-26-2019
Violations Found: No
Eval Type: Routine done by local agency
Eval Notes: Not reported
Eval Division: San Bernardino County Fire Department
Eval Program: HMRRP
Eval Source: CERS,

Eval General Type: Compliance Evaluation Inspection
Eval Date: 03-26-2019
Violations Found: Yes
Eval Type: Routine done by local agency
Eval Notes: Not reported
Eval Division: San Bernardino County Fire Department
Eval Program: UST
Eval Source: CERS,

Eval General Type: Compliance Evaluation Inspection
Eval Date: 11-15-2016
Violations Found: Yes
Eval Type: Routine done by local agency
Eval Notes: Not reported
Eval Division: San Bernardino County Fire Department
Eval Program: HW
Eval Source: CERS,

Eval General Type: Compliance Evaluation Inspection
Eval Date: 11-18-2015
Violations Found: No
Eval Type: Routine done by local agency
Eval Notes: WESTSIDE SHELL(NEEDLES)- UST WASTE INSPECTION
Eval Division: San Bernardino County Fire Department
Eval Program: HW
Eval Source: CERS,

Eval General Type: Compliance Evaluation Inspection
Eval Date: 11-24-2020
Violations Found: No
Eval Type: Routine done by local agency

Map ID
Direction
Distance
Elevation

MAP FINDINGS

Site

Database(s)

EDR ID Number
EPA ID Number

WESTSIDE SHELL (Continued)

S104772347

Eval Notes: ANNUAL UST, HM, HW INSPECTION
Eval Division: San Bernardino County Fire Department
Eval Program: HMRRP
Eval Source: CERS,

Eval General Type: Compliance Evaluation Inspection
Eval Date: 11-24-2020
Violations Found: Yes
Eval Type: Routine done by local agency
Eval Notes: ANNUAL UST, HM, HW INSPECTION
Eval Division: San Bernardino County Fire Department
Eval Program: UST
Eval Source: CERS,

Eval General Type: Compliance Evaluation Inspection
Eval Date: 11-04-2021
Violations Found: No
Eval Type: Routine done by local agency
Eval Notes: Not reported
Eval Division: San Bernardino County Fire Department
Eval Program: HMRRP
Eval Source: CERS,

Eval General Type: Compliance Evaluation Inspection
Eval Date: 11-04-2021
Violations Found: Yes
Eval Type: Routine done by local agency
Eval Notes: Not reported
Eval Division: San Bernardino County Fire Department
Eval Program: HW
Eval Source: CERS,

Eval General Type: Compliance Evaluation Inspection
Eval Date: 11-15-2016
Violations Found: Yes
Eval Type: Routine done by local agency
Eval Notes: Not reported
Eval Division: San Bernardino County Fire Department
Eval Program: HMRRP
Eval Source: CERS,

Eval General Type: Compliance Evaluation Inspection
Eval Date: 11-15-2016
Violations Found: Yes
Eval Type: Routine done by local agency
Eval Notes: Not reported
Eval Division: San Bernardino County Fire Department
Eval Program: UST
Eval Source: CERS,

Eval General Type: Other/Unknown
Eval Date: 11-19-2014
Violations Found: No
Eval Type: Other, not routine, done by local agency
Eval Notes: SHELL NEEDLES - UST- REPAIR- RETEST MLLD
Eval Division: San Bernardino County Fire Department
Eval Program: UST

Map ID
Direction
Distance
Elevation

MAP FINDINGS

Site

Database(s)

EDR ID Number
EPA ID Number

WESTSIDE SHELL (Continued)

S104772347

Eval Source: CERS,

Eval General Type: Compliance Evaluation Inspection
Eval Date: 11-20-2013
Violations Found: Yes
Eval Type: Routine done by local agency
Eval Notes: UST MONT CERT
Eval Division: San Bernardino County Fire Department
Eval Program: UST
Eval Source: CERS,

Eval General Type: Compliance Evaluation Inspection
Eval Date: 11-24-2020
Violations Found: No
Eval Type: Routine done by local agency
Eval Notes: ANNUAL UST, HM, HW INSPECTION
Eval Division: San Bernardino County Fire Department
Eval Program: HW
Eval Source: CERS,

Eval General Type: Compliance Evaluation Inspection
Eval Date: 03-26-2019
Violations Found: No
Eval Type: Routine done by local agency
Eval Notes: Not reported
Eval Division: San Bernardino County Fire Department
Eval Program: HW
Eval Source: CERS,

Eval General Type: Compliance Evaluation Inspection
Eval Date: 11-04-2021
Violations Found: Yes
Eval Type: Routine done by local agency
Eval Notes: Not reported
Eval Division: San Bernardino County Fire Department
Eval Program: UST
Eval Source: CERS,

Eval General Type: Compliance Evaluation Inspection
Eval Date: 11-18-2014
Violations Found: No
Eval Type: Routine done by local agency
Eval Notes: WESTSIDE SHELL-UST INSPECTION
Eval Division: San Bernardino County Fire Department
Eval Program: HMRRP
Eval Source: CERS,

Eval General Type: Compliance Evaluation Inspection
Eval Date: 11-18-2015
Violations Found: Yes
Eval Type: Routine done by local agency
Eval Notes: WESTSIDE SHELL(NEEDLES)- UST MONITORING CERTIFICATION
Eval Division: San Bernardino County Fire Department
Eval Program: UST
Eval Source: CERS,

Eval General Type: Compliance Evaluation Inspection

Map ID
Direction
Distance
Elevation

MAP FINDINGS

Site

Database(s)

EDR ID Number
EPA ID Number

WESTSIDE SHELL (Continued)

S104772347

Eval Date:	11-20-2013
Violations Found:	No
Eval Type:	Routine done by local agency
Eval Notes:	BP INSPECTION DURING MONT CERT
Eval Division:	San Bernardino County Fire Department
Eval Program:	HMRRP
Eval Source:	CERS,
Eval General Type:	Compliance Evaluation Inspection
Eval Date:	11-20-2019
Violations Found:	Yes
Eval Type:	Routine done by local agency
Eval Notes:	Not reported
Eval Division:	San Bernardino County Fire Department
Eval Program:	UST
Eval Source:	CERS,
Eval General Type:	Compliance Evaluation Inspection
Eval Date:	11-14-2017
Violations Found:	Yes
Eval Type:	Routine done by local agency
Eval Notes:	Not reported
Eval Division:	San Bernardino County Fire Department
Eval Program:	HMRRP
Eval Source:	CERS,
Eval General Type:	Compliance Evaluation Inspection
Eval Date:	11-14-2017
Violations Found:	Yes
Eval Type:	Routine done by local agency
Eval Notes:	Not reported
Eval Division:	San Bernardino County Fire Department
Eval Program:	HW
Eval Source:	CERS,
Eval General Type:	Compliance Evaluation Inspection
Eval Date:	11-14-2017
Violations Found:	Yes
Eval Type:	Routine done by local agency
Eval Notes:	ANNUAL UST INSPECTION WITH MONITORING CERTIFICATION
Eval Division:	San Bernardino County Fire Department
Eval Program:	UST
Eval Source:	CERS,
Eval General Type:	Compliance Evaluation Inspection
Eval Date:	11-18-2014
Violations Found:	Yes
Eval Type:	Routine done by local agency
Eval Notes:	UST WESTSIDE SHELL- MONITORING CERTIFICATION
Eval Division:	San Bernardino County Fire Department
Eval Program:	UST
Eval Source:	CERS,
Eval General Type:	Compliance Evaluation Inspection
Eval Date:	11-18-2015
Violations Found:	No
Eval Type:	Routine done by local agency

Map ID
Direction
Distance
Elevation

MAP FINDINGS

Site

Database(s)

EDR ID Number
EPA ID Number

WESTSIDE SHELL (Continued)

S104772347

Eval Notes: WESTSIDE SHELL(NEEDLES)- UST INSPECTION
Eval Division: San Bernardino County Fire Department
Eval Program: HMRRP
Eval Source: CERS,

Enforcement Action:

Site ID: 85743
Site Name: Needles Petroleum
Site Address: 2451 W NEEDLES HWY
Site City: NEEDLES
Site Zip: 92363
Enf Action Date: 11-15-2016
Enf Action Type: Notice of Violation (Unified Program)
Enf Action Description: Notice of Violation Issued by the Inspector at the Time of Inspection
Enf Action Notes: Not reported
Enf Action Division: San Bernardino County Fire Department
Enf Action Program: HMRRP
Enf Action Source: CERS,

Site ID: 85743
Site Name: Needles Petroleum
Site Address: 2451 W NEEDLES HWY
Site City: NEEDLES
Site Zip: 92363
Enf Action Date: 11-15-2016
Enf Action Type: Notice of Violation (Unified Program)
Enf Action Description: Notice of Violation Issued by the Inspector at the Time of Inspection
Enf Action Notes: Not reported
Enf Action Division: San Bernardino County Fire Department
Enf Action Program: HW
Enf Action Source: CERS,

Site ID: 85743
Site Name: Needles Petroleum
Site Address: 2451 W NEEDLES HWY
Site City: NEEDLES
Site Zip: 92363
Enf Action Date: 11-15-2016
Enf Action Type: Notice of Violation (Unified Program)
Enf Action Description: Notice of Violation Issued by the Inspector at the Time of Inspection
Enf Action Notes: Not reported
Enf Action Division: San Bernardino County Fire Department
Enf Action Program: UST
Enf Action Source: CERS,

Site ID: 85743
Site Name: Needles Petroleum
Site Address: 2451 W NEEDLES HWY
Site City: NEEDLES
Site Zip: 92363
Enf Action Date: 11-18-2014
Enf Action Type: Notice of Violation (Unified Program)
Enf Action Description: Notice of Violation Issued by the Inspector at the Time of Inspection
Enf Action Notes: Not reported
Enf Action Division: San Bernardino County Fire Department
Enf Action Program: UST
Enf Action Source: CERS,

Map ID
Direction
Distance
Elevation

MAP FINDINGS

Site

Database(s)

EDR ID Number
EPA ID Number

WESTSIDE SHELL (Continued)

S104772347

Site ID: 85743
Site Name: Needles Petroleum
Site Address: 2451 W NEEDLES HWY
Site City: NEEDLES
Site Zip: 92363
Enf Action Date: 11-18-2015
Enf Action Type: Notice of Violation (Unified Program)
Enf Action Description: Notice of Violation Issued by the Inspector at the Time of Inspection
Enf Action Notes: Not reported
Enf Action Division: San Bernardino County Fire Department
Enf Action Program: UST
Enf Action Source: CERS,

Site ID: 85743
Site Name: Needles Petroleum
Site Address: 2451 W NEEDLES HWY
Site City: NEEDLES
Site Zip: 92363
Enf Action Date: 11-20-2013
Enf Action Type: Notice of Violation (Unified Program)
Enf Action Description: Notice of Violation Issued by the Inspector at the Time of Inspection
Enf Action Notes: Not reported
Enf Action Division: San Bernardino County Fire Department
Enf Action Program: UST
Enf Action Source: CERS,

Affiliation:

Affiliation Type Desc: CUPA District
Entity Name: San Bernardino County Fire
Entity Title: Not reported
Affiliation Address: 620 South E Street
Affiliation City: San Bernardino
Affiliation State: CA
Affiliation Country: Not reported
Affiliation Zip: 92415-0153
Affiliation Phone: (909) 386-8401,

Affiliation Type Desc: Document Preparer
Entity Name: Dawn Harkey
Entity Title: Not reported
Affiliation Address: Not reported
Affiliation City: Not reported
Affiliation State: Not reported
Affiliation Country: Not reported
Affiliation Zip: Not reported
Affiliation Phone: ,

Affiliation Type Desc: Facility Mailing Address
Entity Name: Mailing Address
Entity Title: Not reported
Affiliation Address: 2451 W NEEDLES HWY
Affiliation City: NEEDLES
Affiliation State: CA
Affiliation Country: Not reported
Affiliation Zip: 92363
Affiliation Phone: ,

Map ID
Direction
Distance
Elevation

MAP FINDINGS

Site

Database(s)

EDR ID Number
EPA ID Number

WESTSIDE SHELL (Continued)

S104772347

Affiliation Type Desc: Legal Owner
Entity Name: Fadel Ghanem
Entity Title: Not reported
Affiliation Address: 2451 W NEEDLES HWY
Affiliation City: NEEDLES
Affiliation State: CA
Affiliation Country: United States
Affiliation Zip: 92363
Affiliation Phone: (760) 326-2526,

Affiliation Type Desc: Operator
Entity Name: Fadel Ghanem
Entity Title: Not reported
Affiliation Address: Not reported
Affiliation City: Not reported
Affiliation State: Not reported
Affiliation Country: Not reported
Affiliation Zip: Not reported
Affiliation Phone: (760) 326-2526,

Affiliation Type Desc: Parent Corporation
Entity Name: WESTSIDE SHELL
Entity Title: Not reported
Affiliation Address: Not reported
Affiliation City: Not reported
Affiliation State: Not reported
Affiliation Country: Not reported
Affiliation Zip: Not reported
Affiliation Phone: ,

Affiliation Type Desc: Property Owner
Entity Name: Needles Petroleum, Inc.
Entity Title: Not reported
Affiliation Address: 2451 Needles Hwy
Affiliation City: Needles
Affiliation State: CA
Affiliation Country: United States
Affiliation Zip: 92363
Affiliation Phone: (760) 662-8125,

Affiliation Type Desc: UST Permit Applicant
Entity Name: Joseph Jones
Entity Title: Tank operator
Affiliation Address: Not reported
Affiliation City: Not reported
Affiliation State: Not reported
Affiliation Country: Not reported
Affiliation Zip: Not reported
Affiliation Phone: (760) 218-6969,

Affiliation Type Desc: UST Property Owner Name
Entity Name: Needles Petroleum Inc.
Entity Title: Not reported
Affiliation Address: 2451 Needles Hwy
Affiliation City: Needles
Affiliation State: CA
Affiliation Country: United States

Map ID
Direction
Distance
Elevation

MAP FINDINGS

Site

Database(s)

EDR ID Number
EPA ID Number

WESTSIDE SHELL (Continued)

S104772347

Affiliation Zip: 92363
Affiliation Phone: (760) 326-2526,

Affiliation Type Desc: UST Tank Owner
Entity Name: Needles Petroleum Inc.
Entity Title: Not reported
Affiliation Address: 2451 W NEEDLES HWY
Affiliation City: Needles
Affiliation State: CA
Affiliation Country: United States
Affiliation Zip: 92363
Affiliation Phone: (760) 326-2526,

Affiliation Type Desc: Identification Signer
Entity Name: Fadel Ghanem
Entity Title: Owner
Affiliation Address: Not reported
Affiliation City: Not reported
Affiliation State: Not reported
Affiliation Country: Not reported
Affiliation Zip: Not reported
Affiliation Phone: ,

Affiliation Type Desc: UST Tank Operator
Entity Name: Needles Petroleum Inc.
Entity Title: Not reported
Affiliation Address: 2451 Needles Hwy
Affiliation City: Needles
Affiliation State: Ca
Affiliation Country: United States
Affiliation Zip: 92363
Affiliation Phone: (760) 326-2526,

Affiliation Type Desc: Environmental Contact
Entity Name: Fadel Ghanem
Entity Title: Not reported
Affiliation Address: 2451 NEEDLES HWY
Affiliation City: NEEDLES
Affiliation State: CA
Affiliation Country: Not reported
Affiliation Zip: 92363
Affiliation Phone: ,

HWTS:

Name: WESTSIDE SHELL
Address: 2451 NEEDLES HWY
Address 2: Not reported
City,State,Zip: NEEDLES, CA 92363
EPA ID: CAL000422622
Inactive Date: Not reported
Create Date: 11/29/2016
Last Act Date: Not reported
Mailing Name: Not reported
Mailing Address: 2451 NEEDLES HWY
Mailing Address 2: Not reported
Mailing City,State,Zip: NEEDLES, CA 92363

Map ID
 Direction
 Distance
 Elevation

MAP FINDINGS

Site

Database(s)

EDR ID Number
 EPA ID Number

WESTSIDE SHELL (Continued)

S104772347

Owner Name:	JOSEPH JONES
Owner Address:	2451 NEEDLES HWY
Owner Address 2:	Not reported
Owner City,State,Zip:	NEEDLES, CA 92363
Contact Name:	JOSEPH JONES
Contact Address:	2451 NEEDLES HWY
Contact Address 2:	Not reported
City,State,Zip:	NEEDLES, CA 92363
Facility Status:	Active
Facility Type:	PERMANENT
Category:	STATE
Latitude:	34.850898
Longitude:	-114.624081
NAICS:	
EPA ID:	CAL000422622
Create Date:	2016-12-08 14:59:49.800
NAICS Code:	44711
NAICS Description:	Gasoline Stations with Convenience Stores
Issued EPA ID Date:	2016-11-29 08:40:26.52000
Inactive Date:	Not reported
Facility Name:	WESTSIDE SHELL
Facility Address:	2451 NEEDLES HWY
Facility Address 2:	Not reported
Facility City:	NEEDLES
Facility County:	Not reported
Facility State:	CA
Facility Zip:	92363
EPA ID:	CAL000422622
Create Date:	2016-11-29 08:40:26.593
NAICS Code:	44719
NAICS Description:	Other Gasoline Stations
Issued EPA ID Date:	2016-11-29 08:40:26.52000
Inactive Date:	Not reported
Facility Name:	WESTSIDE SHELL
Facility Address:	2451 NEEDLES HWY
Facility Address 2:	Not reported
Facility City:	NEEDLES
Facility County:	Not reported
Facility State:	CA
Facility Zip:	92363

S107 **WESTSIDE SHELL**
Target **2451 NEEDLES HWY**
Property **NEEDLES, CA 92363**

RCRA NonGen / NLR **1025870241**
CAL000422622

Site 3 of 11 in cluster S

Actual:	RCRA NonGen / NLR:	
515 ft.	Date Form Received by Agency:	20161129
Focus Map:	Handler Name:	WESTSIDE SHELL
6	Handler Address:	2451 NEEDLES HWY
	Handler City,State,Zip:	NEEDLES, CA 92363
	EPA ID:	CAL000422622
	Contact Name:	JOSEPH JONES
	Contact Address:	2451 NEEDLES HWY

Map ID
 Direction
 Distance
 Elevation

MAP FINDINGS

Site

Database(s)

EDR ID Number
 EPA ID Number

WESTSIDE SHELL (Continued)

1025870241

Contact City,State,Zip:	NEEDLES, CA 92363
Contact Telephone:	760-326-2526
Contact Fax:	760-326-3031
Contact Email:	TRISTATEDAWN@GMAIL.COM
Contact Title:	Not reported
EPA Region:	09
Land Type:	Not reported
Federal Waste Generator Description:	Not a generator, verified
Non-Notifier:	Not reported
Biennial Report Cycle:	Not reported
Accessibility:	Not reported
Active Site Indicator:	Not reported
State District Owner:	Not reported
State District:	Not reported
Mailing Address:	2451 NEEDLES HWY
Mailing City,State,Zip:	NEEDLES, CA 92363
Owner Name:	JOSEPH JONES
Owner Type:	Other
Operator Name:	JOSEPH JONES
Operator Type:	Other
Short-Term Generator Activity:	No
Importer Activity:	No
Mixed Waste Generator:	No
Transporter Activity:	No
Transfer Facility Activity:	No
Recycler Activity with Storage:	No
Small Quantity On-Site Burner Exemption:	No
Smelting Melting and Refining Furnace Exemption:	No
Underground Injection Control:	No
Off-Site Waste Receipt:	No
Universal Waste Indicator:	No
Universal Waste Destination Facility:	No
Federal Universal Waste:	No
Active Site Fed-Reg Treatment Storage and Disposal Facility:	Not reported
Active Site Converter Treatment storage and Disposal Facility:	Not reported
Active Site State-Reg Treatment Storage and Disposal Facility:	Not reported
Active Site State-Reg Handler:	---
Federal Facility Indicator:	Not reported
Hazardous Secondary Material Indicator:	N
Sub-Part K Indicator:	Not reported
Commercial TSD Indicator:	No
Treatment Storage and Disposal Type:	Not reported
2018 GPRA Permit Baseline:	Not on the Baseline
2018 GPRA Renewals Baseline:	Not on the Baseline
Permit Renewals Workload Universe:	Not reported
Permit Workload Universe:	Not reported
Permit Progress Universe:	Not reported
Post-Closure Workload Universe:	Not reported
Closure Workload Universe:	Not reported
202 GPRA Corrective Action Baseline:	No
Corrective Action Workload Universe:	No
Subject to Corrective Action Universe:	No
Non-TSDFs Where RCRA CA has Been Imposed Universe:	No
TSDFs Potentially Subject to CA Under 3004 (u)/(v) Universe:	No
TSDFs Only Subject to CA under Discretionary Auth Universe:	No
Corrective Action Priority Ranking:	No NCAPS ranking
Environmental Control Indicator:	No

Map ID
 Direction
 Distance
 Elevation

MAP FINDINGS

Site

Database(s)

EDR ID Number
 EPA ID Number

WESTSIDE SHELL (Continued)

1025870241

Institutional Control Indicator:	No
Human Exposure Controls Indicator:	N/A
Groundwater Controls Indicator:	N/A
Operating TSDF Universe:	Not reported
Full Enforcement Universe:	Not reported
Significant Non-Complier Universe:	No
Unaddressed Significant Non-Complier Universe:	No
Addressed Significant Non-Complier Universe:	No
Significant Non-Complier With a Compliance Schedule Universe:	No
Financial Assurance Required:	Not reported
Handler Date of Last Change:	20190927
Recognized Trader-Importer:	No
Recognized Trader-Exporter:	No
Importer of Spent Lead Acid Batteries:	No
Exporter of Spent Lead Acid Batteries:	No
Recycler Activity Without Storage:	No
Manifest Broker:	No
Sub-Part P Indicator:	No

Handler - Owner Operator:

Owner/Operator Indicator:	Owner
Owner/Operator Name:	JOSEPH JONES
Legal Status:	Other
Date Became Current:	Not reported
Date Ended Current:	Not reported
Owner/Operator Address:	2451 NEEDLES HWY
Owner/Operator City,State,Zip:	NEEDLES, CA 92363
Owner/Operator Telephone:	760-326-2526
Owner/Operator Telephone Ext:	Not reported
Owner/Operator Fax:	Not reported
Owner/Operator Email:	Not reported

Owner/Operator Indicator:	Operator
Owner/Operator Name:	JOSEPH JONES
Legal Status:	Other
Date Became Current:	Not reported
Date Ended Current:	Not reported
Owner/Operator Address:	2451 NEEDLES HWY
Owner/Operator City,State,Zip:	NEEDLES, CA 92363
Owner/Operator Telephone:	760-326-2526
Owner/Operator Telephone Ext:	Not reported
Owner/Operator Fax:	Not reported
Owner/Operator Email:	Not reported

Historic Generators:

Receive Date:	20161129
Handler Name:	WESTSIDE SHELL
Federal Waste Generator Description:	Not a generator, verified
State District Owner:	Not reported
Large Quantity Handler of Universal Waste:	No
Recognized Trader Importer:	Not reported
Recognized Trader Exporter:	Not reported
Spent Lead Acid Battery Importer:	Not reported
Spent Lead Acid Battery Exporter:	Not reported
Current Record:	Yes

Map ID
Direction
Distance
Elevation

MAP FINDINGS

Site

Database(s)

EDR ID Number
EPA ID Number

WESTSIDE SHELL (Continued)

1025870241

Non Storage Recycler Activity: Not reported
Electronic Manifest Broker: Not reported

List of NAICS Codes and Descriptions:

NAICS Code: 44711
NAICS Description: GASOLINE STATIONS WITH CONVENIENCE STORES

NAICS Code: 44719
NAICS Description: OTHER GASOLINE STATIONS

Facility Has Received Notices of Violations:

Violations: No Violations Found

Evaluation Action Summary:

Evaluations: No Evaluations Found

S108 WESTSIDE TEXACO
Target 2451 NEEDLES HWY
Property NEEDLES, CA 92363

UST U003785294
N/A

Site 4 of 11 in cluster S

Actual: UST:
515 ft. Name: WESTSIDE TEXACO
Focus Map: Address: 2451 NEEDLES HWY
6 City,State,Zip: NEEDLES, CA 92363
Facility ID: 92027865
Permitting Agency: SAN BERNARDINO COUNTY
CERSID: Not reported
Latitude: 34.8521761
Longitude: -114.6227943

S109 WESTSIDE SHELL
Target 2451 NEEDLES HWY
Property NEEDLES, CA 92363

ECHO 1025956241
N/A

Site 5 of 11 in cluster S

Actual: ECHO:
515 ft. Envid: 1025956241
Focus Map: Registry ID: 110070061425
6 DFR URL: <http://echo.epa.gov/detailed-facility-report?fid=110070061425>
Name: WESTSIDE SHELL
Address: 2451 NEEDLES HWY
City,State,Zip: NEEDLES, CA 92363

Map ID
 Direction
 Distance
 Elevation

MAP FINDINGS

Site

Database(s)

EDR ID Number
 EPA ID Number

S110 **NEEDLES PETROLEUM INC DBA SHELL**
Target **2451 NEEDLES HWY**
Property **NEEDLES, CA 92363**

RCRA NonGen / NLR **1027093329**
CAL000466887

Site 6 of 11 in cluster S

Actual:	RCRA NonGen / NLR:	
515 ft.	Date Form Received by Agency:	20211118
Focus Map:	Handler Name:	NEEDLES PETROLEUM INC DBA SHELL
6	Handler Address:	2451 NEEDLES HWY
	Handler City,State,Zip:	NEEDLES, CA 92363
	EPA ID:	CAL000466887
	Contact Name:	FADEL GHANEM
	Contact Address:	2451 NEEDLES HWY
	Contact City,State,Zip:	NEEDLES, CA 92363
	Contact Telephone:	760-326-2526
	Contact Fax:	Not reported
	Contact Email:	NEEDLESPETROLEUM@GMAIL.COM
	Contact Title:	Not reported
	EPA Region:	09
	Land Type:	Not reported
	Federal Waste Generator Description:	Not a generator, verified
	Non-Notifier:	Not reported
	Biennial Report Cycle:	Not reported
	Accessibility:	Not reported
	Active Site Indicator:	Not reported
	State District Owner:	Not reported
	State District:	Not reported
	Mailing Address:	2451 NEEDLES HWY
	Mailing City,State,Zip:	NEEDLES, CA 92363
	Owner Name:	NEEDLES PETROLEUM INC
	Owner Type:	Other
	Operator Name:	FADEL GHANEM
	Operator Type:	Other
	Short-Term Generator Activity:	No
	Importer Activity:	No
	Mixed Waste Generator:	No
	Transporter Activity:	No
	Transfer Facility Activity:	No
	Recycler Activity with Storage:	No
	Small Quantity On-Site Burner Exemption:	No
	Smelting Melting and Refining Furnace Exemption:	No
	Underground Injection Control:	No
	Off-Site Waste Receipt:	No
	Universal Waste Indicator:	No
	Universal Waste Destination Facility:	No
	Federal Universal Waste:	No
	Active Site Fed-Reg Treatment Storage and Disposal Facility:	Not reported
	Active Site Converter Treatment storage and Disposal Facility:	Not reported
	Active Site State-Reg Treatment Storage and Disposal Facility:	Not reported
	Active Site State-Reg Handler:	---
	Federal Facility Indicator:	Not reported
	Hazardous Secondary Material Indicator:	N
	Sub-Part K Indicator:	Not reported
	Commercial TSD Indicator:	No
	Treatment Storage and Disposal Type:	Not reported
	2018 GPRC Permit Baseline:	Not on the Baseline
	2018 GPRC Renewals Baseline:	Not on the Baseline
	Permit Renewals Workload Universe:	Not reported

Map ID
 Direction
 Distance
 Elevation

MAP FINDINGS

Site

Database(s)

EDR ID Number
 EPA ID Number

NEEDLES PETROLEUM INC DBA SHELL (Continued)

1027093329

Permit Workload Universe:	Not reported
Permit Progress Universe:	Not reported
Post-Closure Workload Universe:	Not reported
Closure Workload Universe:	Not reported
202 GPRA Corrective Action Baseline:	No
Corrective Action Workload Universe:	No
Subject to Corrective Action Universe:	No
Non-TSDFs Where RCRA CA has Been Imposed Universe:	No
TSDFs Potentially Subject to CA Under 3004 (u)/(v) Universe:	No
TSDFs Only Subject to CA under Discretionary Auth Universe:	No
Corrective Action Priority Ranking:	No NCAPS ranking
Environmental Control Indicator:	No
Institutional Control Indicator:	No
Human Exposure Controls Indicator:	N/A
Groundwater Controls Indicator:	N/A
Operating TSDF Universe:	Not reported
Full Enforcement Universe:	Not reported
Significant Non-Complier Universe:	No
Unaddressed Significant Non-Complier Universe:	No
Addressed Significant Non-Complier Universe:	No
Significant Non-Complier With a Compliance Schedule Universe:	No
Financial Assurance Required:	Not reported
Handler Date of Last Change:	20211122
Recognized Trader-Importer:	No
Recognized Trader-Exporter:	No
Importer of Spent Lead Acid Batteries:	No
Exporter of Spent Lead Acid Batteries:	No
Recycler Activity Without Storage:	No
Manifest Broker:	No
Sub-Part P Indicator:	No

Handler - Owner Operator:

Owner/Operator Indicator:	Owner
Owner/Operator Name: NEEDLES PETROLEUM INC	
Legal Status:	Other
Date Became Current:	Not reported
Date Ended Current:	Not reported
Owner/Operator Address:	2451 NEEDLES HWY
Owner/Operator City,State,Zip:	NEEDLES, CA 92363
Owner/Operator Telephone:	760-326-2526
Owner/Operator Telephone Ext:	Not reported
Owner/Operator Fax:	Not reported
Owner/Operator Email:	Not reported

Owner/Operator Indicator:	Operator
Owner/Operator Name: FADEL GHANEM	
Legal Status:	Other
Date Became Current:	Not reported
Date Ended Current:	Not reported
Owner/Operator Address:	2451 NEEDLES HWY
Owner/Operator City,State,Zip:	NEEDLES, CA 92363
Owner/Operator Telephone:	760-326-2526
Owner/Operator Telephone Ext:	Not reported
Owner/Operator Fax:	Not reported
Owner/Operator Email:	Not reported

Map ID
Direction
Distance
Elevation

MAP FINDINGS

Site

Database(s)

EDR ID Number
EPA ID Number

NEEDLES PETROLEUM INC DBA SHELL (Continued)

1027093329

Historic Generators:

Receive Date: 20211118
Handler Name: NEEDLES PETROLEUM INC DBA SHELL
Federal Waste Generator Description: Not a generator, verified
State District Owner: Not reported
Large Quantity Handler of Universal Waste: No
Recognized Trader Importer: No
Recognized Trader Exporter: No
Spent Lead Acid Battery Importer: No
Spent Lead Acid Battery Exporter: No
Current Record: Yes
Non Storage Recycler Activity: No
Electronic Manifest Broker: No

List of NAICS Codes and Descriptions:

NAICS Code: 447190
NAICS Description: OTHER GASOLINE STATIONS

Facility Has Received Notices of Violations:

Violations: No Violations Found

Evaluation Action Summary:

Evaluations: No Evaluations Found

S111 WESTSIDE SHELL
Target 2451 W NEEDLES HWY
Property NEEDLES, CA 92363

FINDS 1023211178
N/A

Site 7 of 11 in cluster S

Actual: FINDS:
515 ft. Registry ID: 110064966933

Focus Map: Click Here for FRS Facility Detail Report:
6

Environmental Interest/Information System:
STATE MASTER

Click this hyperlink while viewing on your computer to access additional FINDS: detail in the EDR Site Report.

S112 NEEDLES PETROLEUM INC DBA SHELL
Target 2451 NEEDLES HWY
Property NEEDLES, CA 92363

ECHO 1026953582
N/A

Site 8 of 11 in cluster S

Actual: ECHO:
515 ft. Envid: 1026953582
Focus Map: Registry ID: 110071191601
6 DFR URL: <http://echo.epa.gov/detailed-facility-report?fid=110071191601>
Name: NEEDLES PETROLEUM INC DBA SHELL
Address: 2451 NEEDLES HWY
City,State,Zip: NEEDLES, CA 92363

MAP FINDINGS

Map ID			
Direction			
Distance			
Elevation	Site	Database(s)	EDR ID Number EPA ID Number

S113	WEST SIDE TEXACO SERVICE CTR	EDR Hist Auto	1020126278
Target	2451 NEEDLES HWY		N/A
Property	NEEDLES, CA 92363		

Site 9 of 11 in cluster S

Actual: 515 ft. EDR Hist Auto

Focus Map: 6	Year: 1992	Name: WESTSIDE TEXACO	Type: Gasoline Service Stations
---------------------	------------	-----------------------	---------------------------------

S114	NEEDLES PETROLEUM INC DBA SHELL	FINDS	1023650905
Target	2451 NEEDLES HWY		N/A
Property	NEEDLES, CA 92363		

Site 10 of 11 in cluster S

Actual: 515 ft. FINDS:

Focus Map: 6

Registry ID: 110070061425

[Click Here for FRS Facility Detail Report:](#)

Environmental Interest/Information System:
AIR EMISSIONS CLASSIFICATION UNKNOWN
RCRAInfo is a national information system that supports the Resource Conservation and Recovery Act (RCRA) program through the tracking of events and activities related to facilities that generate, transport, and treat, store, or dispose of hazardous waste. RCRAInfo allows RCRA program staff to track the notification, permit, compliance, and corrective action activities required under RCRA.

Registry ID: 110071191601

[Click Here for FRS Facility Detail Report:](#)

Environmental Interest/Information System:
RCRAInfo is a national information system that supports the Resource Conservation and Recovery Act (RCRA) program through the tracking of events and activities related to facilities that generate, transport, and treat, store, or dispose of hazardous waste. RCRAInfo allows RCRA program staff to track the notification, permit, compliance, and corrective action activities required under RCRA.

[Click this hyperlink](#) while viewing on your computer to access additional FINDS: detail in the EDR Site Report.

S115	WESTSIDE SHELL	UST	U004263985
Target	2451 W NEEDLES HWY		N/A
Property	NEEDLES, CA 92363		

Site 11 of 11 in cluster S

Actual: 515 ft. UST:

Focus Map: 6

Name:	WESTSIDE SHELL
Address:	2451 W NEEDLES HWY
City, State, Zip:	NEEDLES, CA 92363
Facility ID:	FA0007281
Permitting Agency:	San Bernardino County Fire Department
CERSID:	Not reported
Latitude:	34.850899
Longitude:	-114.624084

Map ID
Direction
Distance
Elevation

MAP FINDINGS

Site

Database(s)

EDR ID Number
EPA ID Number

WESTSIDE SHELL (Continued)

U004263985

Name: NEEDLES PETROLEUM
Address: 2451 W NEEDLES HWY
City,State,Zip: NEEDLES, CA 92363
Facility ID: FA0007281
Permitting Agency: San Bernardino County Fire Department
CERSID: 10046674
Latitude: 34.850899
Longitude: -114.624084

**R116 CALIPATRIA FIRE DEPT
Target 125 N PARK
Property CALIPATRIA, CA 92233**

**HAZNET S121018636
HWTS N/A**

Site 22 of 22 in cluster R

**Actual:
482 ft.**

**Focus Map:
6**

HAZNET:
Name: CALIPATRIA FIRE DEPT
Address: 125 N PARK
Address 2: Not reported
City,State,Zip: CALIPATRIA, CA 92233
Contact: CHRIS HALL, FIRE CHIEF
Telephone: 7603484144
Mailing Name: Not reported
Mailing Address: 125 N PARK AVENUE

Year: 2016
Gepaid: CAL000259217
TSD EPA ID: CAD097030993
CA Waste Code: 352 - Other organic solids
Disposal Method: H141 - Storage, Bulking, And/Or Transfer Off Site--No Treatment/Reovery (H010-H129) Or (H131-H135)
Tons: 0.04

HWTS:

Name: CALIPATRIA FIRE DEPT
Address: 125 N PARK
Address 2: Not reported
City,State,Zip: CALIPATRIA, CA 92233
EPA ID: CAL000259217
Inactive Date: Not reported
Create Date: 09/16/2002
Last Act Date: Not reported
Mailing Name: Not reported
Mailing Address: 125 N PARK AVENUE
Mailing Address 2: Not reported
Mailing City,State,Zip: CALIPATRIA, CA 922330000
Owner Name: CALIPATRIA FIRE DEPT
Owner Address: 125 N. PARK AVE.
Owner Address 2: Not reported
Owner City,State,Zip: CALIPATRIA, CA 922330000
Contact Name: JESSE LLANAS
Contact Address: 125 N PARK AVENUE
Contact Address 2: Not reported
City,State,Zip: CALIPATRIA, CA 92233
Facility Status: Active
Facility Type: PERMANENT

Map ID
Direction
Distance
Elevation

MAP FINDINGS

Site

Database(s)

EDR ID Number
EPA ID Number

CALIPATRIA FIRE DEPT (Continued)

S121018636

Category: STATE
Latitude: 34.850781
Longitude: -114.614016
NAICS:
EPA ID: CAL000259217
Create Date: 2002-09-16 09:33:56.937
NAICS Code: 92216
NAICS Description: Fire Protection
Issued EPA ID Date: 2002-09-16 09:33:56.92000
Inactive Date: Not reported
Facility Name: CALIPATRIA FIRE DEPT
Facility Address: 125 N PARK
Facility Address 2: Not reported
Facility City: CALIPATRIA
Facility County: Not reported
Facility State: CA
Facility Zip: 92233

Q117 **NEEDLES 40 AM PM**
Target **2410 NEEDLES HWY**
Property **NEEDLES, CA 92363**

EDR Hist Auto **1020736434**
N/A

Site 2 of 5 in cluster Q

Actual: EDR Hist Auto
510 ft.

Focus Map: Year: Name: Type:
6 2006 NEEDLES 40 AM PM Gasoline Service Stations
2007 NEEDLES 40 AM PM Gasoline Service Stations
2008 NEEDLES 40 AM PM Gasoline Service Stations
2009 NEEDLES 40 AM PM Gasoline Service Stations
2010 NEEDLES 40 AM PM Gasoline Service Stations
2011 NEEDLES 40 AM PM Gasoline Service Stations
2011 BP NORTH AMERICA Gasoline Service Stations, NEC
2012 NEEDLES 40 AM PM Gasoline Service Stations
2013 NEEDLES 40 AM PM Gasoline Service Stations

Q118 **ARCO NEEDLES GAS MART**
Target **2410 NEEDLES HWY**
Property **NEEDLES, CA 92363**

HAZNET **S112882198**
HWTS **N/A**

Site 3 of 5 in cluster Q

Actual: HAZNET:
510 ft. Name: ARCO NEEDLES GAS MART
Focus Map: Address: 2410 NEEDLES HWY
6 Address 2: Not reported
City,State,Zip: NEEDLES, CA 923630000
Contact: ISAM HADDAD - OWNER
Telephone: 7603264668
Mailing Name: Not reported
Mailing Address: 2410 NEEDLES HWY
Year: 1999
Gepaid: CAC001320512

Map ID
Direction
Distance
Elevation

MAP FINDINGS

Site

Database(s)

EDR ID Number
EPA ID Number

ARCO NEEDLES GAS MART (Continued)

S112882198

TSD EPA ID: CAT080022148
CA Waste Code: 352 - Other organic solids
Disposal Method: H01 - Transfer Station
Tons: 0.475

Additional Info:

Year: 1999
Gen EPA ID: CAC001320512

Shipment Date: 19990716
Creation Date: 9/21/1999 0:00:00
Receipt Date: 19990722
Manifest ID: 99332054
Trans EPA ID: CAR000047613
Trans Name: Not reported
Trans 2 EPA ID: Not reported
Trans 2 Name: Not reported
TSD EPA ID: CAT080022148
Trans Name: Not reported
TSD Alt EPA ID: CAT080022148
TSD Alt Name: Not reported
Waste Code Description: 352 - Other organic solids
RCRA Code: D018
Meth Code: H01 - Transfer Station
Quantity Tons: 0.475
Waste Quantity: 950
Quantity Unit: P
Additional Code 1: Not reported
Additional Code 2: Not reported
Additional Code 3: Not reported
Additional Code 4: Not reported
Additional Code 5: Not reported

HWTS:

Name: ARCO NEEDLES GAS MART
Address: 2410 NEEDLES HWY
Address 2: Not reported
City,State,Zip: NEEDLES, CA 92363
EPA ID: CAC001320512
Inactive Date: 10/25/2000
Create Date: 07/15/1999
Last Act Date: Not reported
Mailing Name: Not reported
Mailing Address: 2410 NEEDLES HWY
Mailing Address 2: Not reported
Mailing City,State,Zip: NEEDLES, CA 923630000
Owner Name: ISAM HADDAD
Owner Address: 2410 NEEDLES HWY
Owner Address 2: Not reported
Owner City,State,Zip: NEEDLES, CA 923630000
Contact Name: ISAM HADDAD - OWNER
Contact Address: 2410 NEEDLES HWY
Contact Address 2: Not reported
City,State,Zip: NEEDLES, CA 923630000
Facility Status: Inactive

Map ID
 Direction
 Distance
 Elevation

MAP FINDINGS

Site

Database(s)

EDR ID Number
 EPA ID Number

ARCO NEEDLES GAS MART (Continued)

S112882198

Facility Type: TEMPORARY
 Category: STATE
 Latitude: 34.849667
 Longitude: -114.622543

Q119 **ARCO NEEDLES 40 AM/PM**
Target **2410 W NEEDLES HWY**
Property **NEEDLES, CA 92363**

HAZNET **S113131154**
HWTS **N/A**

Site 4 of 5 in cluster Q

Actual:
510 ft.
Focus Map:
6

HAZNET:
 Name: ARCO NEEDLES 40 AM/PM
 Address: 2410 W NEEDLES HWY
 Address 2: Not reported
 City,State,Zip: NEEDLES, CA 923630000
 Contact: PAMELA E. CRUMP - MANAGER
 Telephone: 7603264668
 Mailing Name: Not reported
 Mailing Address: 1045 LA MARILLO CIR

Year: 2012
 Gepaid: CAL000280271
 TSD EPA ID: NVT330010000
 CA Waste Code: 352 - Other organic solids
 Disposal Method: H132 - Landfill Or Surface Impoundment That Will Be Closed As
 Landfill(To Include On-Site Treatment And/Or Stabilization)
 Tons: 0.125

Year: 2005
 Gepaid: CAL000280271
 TSD EPA ID: NVT330010000
 CA Waste Code: 352 - Other organic solids
 Disposal Method: D80 - Disposal, Land Fill
 Tons: 0.225

Additional Info:

Year: 2012
 Gen EPA ID: CAL000280271

Shipment Date: 20120426
 Creation Date: 6/11/2013 22:15:07
 Receipt Date: 20120504
 Manifest ID: 004660313FLE
 Trans EPA ID: CAR000183913
 Trans Name: BELSHIRE
 Trans 2 EPA ID: CAD981412356
 Trans 2 Name: PACIFIC TRANS ENVIRONMENTAL SERVICES, INC.
 TSD EPA ID: NVT330010000
 Trans Name: US ECOLOGY, NEVADA OPERATIONS
 TSD EPA Alt ID: Not reported
 TSD EPA Alt Name: Not reported
 Waste Code Description: 352 - Other organic solids
 RCRA Code: Not reported
 Meth Code: H132 - Landfill Or Surface Impoundment That Will Be Closed As
 Landfill(To Include On-Site Treatment And/Or Stabilization)

Map ID
Direction
Distance
Elevation

MAP FINDINGS

Site

Database(s)

EDR ID Number
EPA ID Number

ARCO NEEDLES 40 AM/PM (Continued)

S113131154

Quantity Tons: 0.125
Waste Quantity: 250
Quantity Unit: P
Additional Code 1: Not reported
Additional Code 2: Not reported
Additional Code 3: Not reported
Additional Code 4: Not reported
Additional Code 5: Not reported

Additional Info:

Year: 2005
Gen EPA ID: CAL000280271

Shipment Date: 20051215
Creation Date: 3/16/2006 18:30:37
Receipt Date: 20051221
Manifest ID: 24867853
Trans EPA ID: CAR000165175
Trans Name: BELSHIRE ENVIRONMENTAL SERVICES INC
Trans 2 EPA ID: CAD028277036
Trans 2 Name: ASBURY ENVIRONMENTAL
TSDf EPA ID: NVT330010000
Trans Name: US ECOLOGY NEVADA OPERATIONS
TSDf Alt EPA ID: Not reported
TSDf Alt Name: Not reported
Waste Code Description: 352 - Other organic solids
RCRA Code: Not reported
Meth Code: D80 - Disposal, Land Fill
Quantity Tons: 0.225
Waste Quantity: 450
Quantity Unit: P
Additional Code 1: Not reported
Additional Code 2: Not reported
Additional Code 3: Not reported
Additional Code 4: Not reported
Additional Code 5: Not reported

HWTS:

Name: ARCO NEEDLES 40 AM/PM
Address: 2410 W NEEDLES HWY
Address 2: Not reported
City,State,Zip: NEEDLES, CA 92363
EPA ID: CAL000280271
Inactive Date: 06/30/2012
Create Date: 03/19/2004
Last Act Date: Not reported
Mailing Name: Not reported
Mailing Address: 1045 LA MARILLO CIR
Mailing Address 2: Not reported
Mailing City,State,Zip: CORONA, CA 928798234
Owner Name: PETRO MAR ENTERPRISES INC
Owner Address: 1045 LA MARILLO CIRCLE
Owner Address 2: Not reported
Owner City,State,Zip: CORONA, CA 920241322
Contact Name: PAMELA E. CRUMP - MANAGER
Contact Address: 2410 W NEEDLES HWY

Map ID
Direction
Distance
Elevation

MAP FINDINGS

Site

Database(s)

EDR ID Number
EPA ID Number

ARCO NEEDLES 40 AM/PM (Continued)

S113131154

Contact Address 2: Not reported
City,State,Zip: NEEDLES, CA 923630000
Facility Status: Inactive
Facility Type: PERMANENT
Category: STATE
Latitude: 34.849846
Longitude: -114.62262

NAICS:
EPA ID: CAL000280271
Create Date: 2004-03-19 11:58:00.753
NAICS Code: 44719
NAICS Description: Other Gasoline Stations
Issued EPA ID Date: 2004-03-19 11:58:00.70700
Inactive Date: 2012-06-30 00:00:00
Facility Name: ARCO NEEDLES 40 AM/PM
Facility Address: 2410 W NEEDLES HWY
Facility Address 2: Not reported
Facility City: NEEDLES
Facility County: Not reported
Facility State: CA
Facility Zip: 923630000

120

Target 1111 PASHARD ST
Property NEEDLES, CA 92363

CHMIRS S124448096
N/A

Actual:
539 ft.

Focus Map:
6

CHMIRS:
Name: Not reported
Address: 1111 PASHARD ST
City,State,Zip: NEEDLES, CA 92363
OES Incident Number: 18-8652
OES notification: 12/20/2018
OES Date: Not reported
OES Time: Not reported
Date Completed: **Not reported**
Property Use: Not reported
Agency Id Number: Not reported
Agency Incident Number: Not reported
Time Notified: Not reported
Time Completed: Not reported
Surrounding Area: Not reported
Estimated Temperature: Not reported
Property Management: Not reported
More Than Two Substances Involved?: Not reported
Resp Agncy Personel # Of Decontaminated: Not reported
Responding Agency Personel # Of Injuries: Not reported
Responding Agency Personel # Of Fatalities: Not reported
Others Number Of Decontaminated: Not reported
Others Number Of Injuries: Not reported
Others Number Of Fatalities: Not reported
Vehicle Make/year: Not reported
Vehicle License Number: Not reported
Vehicle State: Not reported
Vehicle Id Number: Not reported
CA DOT PUC/ICC Number: Not reported
Company Name: Not reported

Map ID
Direction
Distance
Elevation

MAP FINDINGS

Site

Database(s)

EDR ID Number
EPA ID Number

(Continued)

S124448096

Reporting Officer Name/ID:	Not reported
Report Date:	Not reported
Facility Telephone:	Not reported
Waterway Involved:	No
Waterway:	None
Spill Site:	Merchant/Business
Cleanup By:	Unrecoverable
Containment:	Not reported
What Happened:	Not reported
Type:	Not reported
Measure:	Not reported
Other:	Not reported
Type:	VAPOR
Measure:	Cu.Ft.
Other:	Not reported
Date/Time:	858
Year:	2018
Agency:	Southwest Gas
Incident Date:	12/20/2018
Admin Agency:	San Bernardino County Fire Department
Amount:	Not reported
Contained:	Stopped,Not contained
Site Type:	None
E Date:	Not reported
Substance:	Natural Gas
Quantity Released:	Unknown
Unknown:	Not reported
Substance #2:	Not reported
Substance #3:	Not reported
Evacuations:	Not reported
Number of Injuries:	Not reported
Number of Fatalities:	Not reported
#1 Pipeline:	No
#2 Pipeline:	No
#3 Pipeline:	No
#1 Vessel >= 300 Tons:	No
#2 Vessel >= 300 Tons:	No
#3 Vessel >= 300 Tons:	No
Evacs:	No
Injuries:	No
Fatals:	No
Comments:	Not reported
Description:	A Southwest Gas customer called in a gas odor complaint. An investigation revealed a small leak, with a 30 foot spread, from a commercial service line that is feeding a pool heater. The release has been occurring for an unknown duration of time. The gas company has shut off the flow at the service meter and the leak was secured at 0930 hours. The customer will have a contractor repair the line.

Map ID
Direction
Distance
Elevation

MAP FINDINGS

Site

Database(s)

EDR ID Number
EPA ID Number

Q121 1X ARCO PRODUCTS CO., FACILITY #6166
Target 2410 BROADWAY
Property NEEDLES, CA 0

HAZNET S123716042
HWTS N/A

Site 5 of 5 in cluster Q

Actual:
514 ft.

Focus Map:
6

HAZNET:
Name: 1X ARCO PRODUCTS CO., FACILITY #6166
Address: 2410 BROADWAY
Address 2: Not reported
City,State,Zip: NEEDLES, CA 000000000
Contact: CYNTHIA KEPHART
Telephone: 2134863156
Mailing Name: Not reported
Mailing Address: 2570 PAC-1278

Year: 1989
Gepaid: CAC000173165
TSD EPA ID: CAD980883177
CA Waste Code: 241 - Tank bottom waste
Disposal Method: R01 - Recycler
Tons: 2.2935

HWTS:

Name: 1X ARCO PRODUCTS CO., FACILITY #6166
Address: 2410 BROADWAY
Address 2: Not reported
City,State,Zip: NEEDLES, CA 0
EPA ID: CAC000173165
Inactive Date: 10/25/2000
Create Date: 05/08/1989
Last Act Date: Not reported
Mailing Name: Not reported
Mailing Address: 2570 PAC-1278
Mailing Address 2: Not reported
Mailing City,State,Zip: LOS ANGELES, CA 900510570
Owner Name: ARCO PRODUCTS CO.
Owner Address: Not reported
Owner Address 2: Not reported
Owner City,State,Zip: Not reported
Contact Name: CYNTHIA KEPHART
Contact Address: Not reported
Contact Address 2: Not reported
City,State,Zip: Not reported
Facility Status: Inactive
Facility Type: TEMPORARY
Category: STATE
Latitude: 34.850512
Longitude: -114.622971

Map ID
 Direction
 Distance
 Elevation

MAP FINDINGS

Site

Database(s) EDR ID Number
 EPA ID Number

T122 **NEEDLES SMELTER**
Target **799 N L STREET**
Property **NEEDLES, CA 92363**

CERS **S128629532**
N/A

Site 1 of 4 in cluster T

Actual: **CERS:**
481 ft. Name: NEEDLES SMELTER
Focus Map: Address: 799 N L STREET
7 City,State,Zip: NEEDLES, CA 92363
 Site ID: 608832
 CERS ID: 60002607
 CERS Description: State Response

Affiliation:
 Affiliation Type Desc: Lead Project Manager
 Entity Name: Jessy Fierro
 Entity Title: Not reported
 Affiliation Address: Not reported
 Affiliation City: Not reported
 Affiliation State: Not reported
 Affiliation Country: Not reported
 Affiliation Zip: Not reported
 Affiliation Phone: ,

Affiliation Type Desc: Supervisor
 Entity Name: Allan Plaza
 Entity Title: Not reported
 Affiliation Address: Not reported
 Affiliation City: Not reported
 Affiliation State: Not reported
 Affiliation Country: Not reported
 Affiliation Zip: Not reported
 Affiliation Phone: ,

T123 **NEEDLES SMELTER**
Target **799 NORTH L STREET**
Property **NEEDLES, CA 92636**

SEMS **1024363892**
LEAD SMELTERS **CAN000905067**

Site 2 of 4 in cluster T

Actual: **SEMS:**
481 ft. Site ID: 0905067
Focus Map: EPA ID: CAN000905067
7 Name: NEEDLES SMELTER
 Address: 799 NORTH L STREET
 Address 2: Not reported
 City,State,Zip: NEEDLES, CA 92636
 Cong District: Not reported
 FIPS Code: 06071
 Latitude: Not reported
 Longitude: Not reported
 FF: N
 NPL: Not on the NPL
 Non NPL Status: PA Start Needed

SEMS Detail:
 Region: 09
 Site ID: 0905067
 EPA ID: CAN000905067

Map ID
 Direction
 Distance
 Elevation

MAP FINDINGS

Site

Database(s)

EDR ID Number
 EPA ID Number

NEEDLES SMELTER (Continued)

1024363892

Site Name: NEEDLES SMELTER
 NPL: N
 FF: N
 OU: 00
 Action Code: HX
 Action Name: PRE-CERC
 SEQ: 1
 Start Date: 2017-07-01 04:00:00
 Finish Date: 2018-09-11 05:00:00
 Qual: SI
 Current Action Lead: St Perf

Lead Smelter Sites:

Site ID: 0905067
 Facility Region Id: 09
 Latitude: Not reported
 Longitude: Not reported
 CoC Ind: Not reported
 Contaminant Name: Not reported
 FF Ind: N
 NAI: N
 Non-Primary Site-Sub Type: Not reported
 NPL: Not on the NPL
 Primary Site-Sub Type: Mineral Processing/Smelting Only (Mining)
 Special Initiative: Not reported

T124 **NEEDLES SMELTER**
Target **799 NORTH L STREET**
Property **NEEDLES, CA 92636**

FINDS **1025448342**
N/A

Site 3 of 4 in cluster T

Actual: **FINDS:**
481 ft. Registry ID: 110071101185

Focus Map:
7 [Click Here for FRS Facility Detail Report:](#)

Environmental Interest/Information System:
 SUPERFUND (NON-NPL)

[Click this hyperlink](#) while viewing on your computer to access additional FINDS: detail in the EDR Site Report.

T125 **NEEDLES SMELTER**
Target **799 N L STREET**
Property **NEEDLES, CA 92363**

RESPONSE **S122221870**
ENVIROSTOR **N/A**

Site 4 of 4 in cluster T

Actual: **RESPONSE:**
481 ft. Name: NEEDLES SMELTER
Focus Map: Address: 799 N L STREET
7 City,State,Zip: NEEDLES, CA 92363
 Facility ID: 60002607
 Site Type: State Response
 Site Type Detail: State Response or NPL

Map ID
Direction
Distance
Elevation

MAP FINDINGS

Site

Database(s)

EDR ID Number
EPA ID Number

NEEDLES SMELTER (Continued)

S122221870

Acres: 7.46
National Priorities List: NO
Cleanup Oversight Agencies: SMBRP
Lead Agency Description: DTSC - Site Cleanup Program
Project Manager: Jessy Fierro
Supervisor: Allan Plaza
Division Branch: Cleanup Chatsworth
Site Code: 401813
Site Mgmt. Req.: NONE SPECIFIED
Assembly: , 33
Senate: , 16
Special Program Status: EPA - PASI
Status: Refer: EPA
Status Date: 09/17/2020
Restricted Use: NO
Funding: EPA Grant
Latitude: 34.85
Longitude: -114.6093
APN: NONE SPECIFIED
Past Use: ILLEGAL DUMPING, LDF, METAL RECLAMATION, MINE
Potential COC : Under Investigation
Under Investigation Acid Mine Drainage (pH <6.5 Arsenic Total
Chromium (1:6 ratio Cr VI:Cr III Lead Silver 305185 Chromium VI
Copper and compounds Zinc
Confirmed COC: Under Investigation
Potential Description: AQUI, CSS, OTH, SED, SOIL, SURFW
Alias Name: 401813
Alias Type: Project Code (Site Code)
Alias Name: 60002607
Alias Type: Envirostor ID Number

Completed Info:

Completed Area Name: PROJECT WIDE
Completed Sub Area Name: Not reported
Completed Document Type: PA/SI Site Screening
Completed Date: 09/11/2018
Comments: Site Screening - Needles Smelter Site.

Future Area Name: Not reported
Future Sub Area Name: Not reported
Future Document Type: Not reported
Future Due Date: Not reported
Schedule Area Name: Not reported
Schedule Sub Area Name: Not reported
Schedule Document Type: Not reported
Schedule Due Date: Not reported
Schedule Revised Date: Not reported

ENVIROSTOR:

Name: NEEDLES SMELTER
Address: 799 N L STREET
City,State,Zip: NEEDLES, CA 92363
Facility ID: 60002607
Status: Refer: EPA
Status Date: 09/17/2020
Site Code: 401813
Site Type: State Response
Site Type Detailed: State Response or NPL

Map ID
 Direction
 Distance
 Elevation

MAP FINDINGS

Site

Database(s)

EDR ID Number
 EPA ID Number

NEEDLES SMELTER (Continued)

S122221870

Acres: 7.46
 NPL: NO
 Regulatory Agencies: SMBRP
 Lead Agency: SMBRP
 Program Manager: Jessy Fierro
 Supervisor: Allan Plaza
 Division Branch: Cleanup Chatsworth
 Assembly: , 33
 Senate: , 16
 Special Program: EPA - PASI
 Restricted Use: NO
 Site Mgmt Req: NONE SPECIFIED
 Funding: EPA Grant
 Latitude: 34.85
 Longitude: -114.6093
 APN: NONE SPECIFIED
 Past Use: ILLEGAL DUMPING, LDF, METAL RECLAMATION, MINE
 Potential COC: Under Investigation Acid Mine Drainage (pH <6.5 Arsenic Total Chromium (1:6 ratio Cr VI:Cr III Lead Silver 305185 Chromium VI Copper and compounds Zinc
 Confirmed COC: Under Investigation
 Potential Description: AQUI, CSS, OTH, SED, SOIL, SURFW
 Alias Name: 401813
 Alias Type: Project Code (Site Code)
 Alias Name: 60002607
 Alias Type: Envirostor ID Number

Completed Info:
 Completed Area Name: PROJECT WIDE
 Completed Sub Area Name: Not reported
 Completed Document Type: PA/SI Site Screening
 Completed Date: 09/11/2018
 Comments: Site Screening - Needles Smelter Site.

Future Area Name: Not reported
 Future Sub Area Name: Not reported
 Future Document Type: Not reported
 Future Due Date: Not reported
 Schedule Area Name: Not reported
 Schedule Sub Area Name: Not reported
 Schedule Document Type: Not reported
 Schedule Due Date: Not reported
 Schedule Revised Date: Not reported

U126 **WELL #15**
Target **810 N K ST**
Property **NEEDLES, CA 92363**

San Bern. Co. Permit **S106230027**
CERS **N/A**

Site 1 of 4 in cluster U

Actual: San Bern. Co. Permit:
481 ft. Name: WELL #15
Focus Map: Address: 810 N K ST
7 City,State,Zip: NEEDLES, CA 92363
 Region: SAN BERNARDINO
 Facility ID: FA0008127
 Owner: CITY OF NEEDLES
 Permit Number: PT0014378

Map ID
Direction
Distance
Elevation

MAP FINDINGS

Site

Database(s)

EDR ID Number
EPA ID Number

WELL #15 (Continued)

S106230027

Permit Category: HAZARDOUS MATERIALS 1-3 CHEMICALS SPECIAL
Facility Status: ACTIVE
Expiration Date: 03/31/2022

Name: WELL #15
Address: 810 N K ST
City,State,Zip: NEEDLES, CA 92363
Region: SAN BERNARDINO
Facility ID: FA0008127
Owner: CITY OF NEEDLES
Permit Number: PT0014379
Permit Category: CALARP FACILITY PERMIT
Facility Status: INACTIVE
Expiration Date: 03/31/2006

Name: WELL #15
Address: 810 N K ST
City,State,Zip: NEEDLES, CA 92363
Region: SAN BERNARDINO
Facility ID: FA0008127
Owner: CITY OF NEEDLES
Permit Number: PT0017119
Permit Category: RMP INSPECTION - PROGRAM 2
Facility Status: INACTIVE
Expiration Date: 03/31/2006

Name: WELL #15
Address: 810 N K ST
City,State,Zip: NEEDLES, CA 92363
Region: SAN BERNARDINO
Facility ID: FA0008127
Owner: CITY OF NEEDLES
Permit Number: PT0017118
Permit Category: EPCRA FACILITY
Facility Status: INACTIVE
Expiration Date: 03/31/2006

CERS:

Name: WELL #15
Address: 810 N K ST
City,State,Zip: NEEDLES, CA 92363
Site ID: 170734
CERS ID: 10048066
CERS Description: Chemical Storage Facilities

Violations:

Site ID: 170734
Site Name: WELL #15
Violation Date: 11-18-2021
Citation: HSC 6.95 25508(a)(3) - California Health and Safety Code, Chapter 6.95, Section(s) 25508(a)(3)
Violation Description: Failure to complete and electronically submit hazardous material inventory information for all reportable hazardous materials on site at or above reportable quantities.
Violation Notes: UPDATE THE HAZARD CATEGORIES TO THE NEW HAZARD CATEGORY SYSTEM. CORRECTIVE ACTION: COMPLY BY SUBMITTING AN ACCURATE AND COMPLETE HAZARDOUS MATERIALS INVENTORY VIA CERS.

Map ID
Direction
Distance
Elevation

MAP FINDINGS

Site

Database(s)

EDR ID Number
EPA ID Number

WELL #15 (Continued)

S106230027

Violation Division: San Bernardino County Fire Department
Violation Program: HMRRP
Violation Source: CERS,

Site ID: 170734
Site Name: WELL #15
Violation Date: 11-18-2021
Citation: HSC 6.95 25508.2 - California Health and Safety Code, Chapter 6.95,
Section(s) 25508.2

Violation Description: Failure to annually review and electronically certify that the
business plan is complete and accurate on or before the annual due
date.

Violation Notes: LAST HMBP SUBMITTED VIA CERS OCCURRED ON 02/26/2019. CORRECTIVE
ACTION: COMPLY BY REVIEWING AND CERTIFYING THE BUSINESS PLAN ANNUALLY
VIA CERS.

Violation Division: San Bernardino County Fire Department
Violation Program: HMRRP
Violation Source: CERS,

Evaluation:

Eval General Type: Compliance Evaluation Inspection
Eval Date: 10-24-2018
Violations Found: No
Eval Type: Routine done by local agency
Eval Notes: Not reported
Eval Division: San Bernardino County Fire Department
Eval Program: HMRRP
Eval Source: CERS,

Eval General Type: Compliance Evaluation Inspection
Eval Date: 11-18-2021
Violations Found: Yes
Eval Type: Routine done by local agency
Eval Notes: Not reported
Eval Division: San Bernardino County Fire Department
Eval Program: HMRRP
Eval Source: CERS,

Eval General Type: Compliance Evaluation Inspection
Eval Date: 10-15-2015
Violations Found: No
Eval Type: Routine done by local agency
Eval Notes: INSPECTION OF CITY OF NEEDLES WELL #15.
Eval Division: San Bernardino County Fire Department
Eval Program: HMRRP
Eval Source: CERS,

Coordinates:

Site ID: 170734
Facility Name: WELL #15
Env Int Type Code: HMBP
Program ID: 10048066
Coord Name: Not reported
Ref Point Type Desc: Unknown,
Latitude: 34.849453
Longitude: -114.610428

Map ID
Direction
Distance
Elevation

MAP FINDINGS

Site

Database(s)

EDR ID Number
EPA ID Number

WELL #15 (Continued)

S106230027

Affiliation:

Affiliation Type Desc: CUPA District
Entity Name: San Bernardino County Fire
Entity Title: Not reported
Affiliation Address: 620 South E Street
Affiliation City: San Bernardino
Affiliation State: CA
Affiliation Country: Not reported
Affiliation Zip: 92415-0153
Affiliation Phone: (909) 386-8401,

Affiliation Type Desc: Document Preparer
Entity Name: Bryan Hickstein
Entity Title: Not reported
Affiliation Address: Not reported
Affiliation City: Not reported
Affiliation State: Not reported
Affiliation Country: Not reported
Affiliation Zip: Not reported
Affiliation Phone: ,

Affiliation Type Desc: Identification Signer
Entity Name: Bryan Hickstein
Entity Title: CHIEF OPERATOR
Affiliation Address: Not reported
Affiliation City: Not reported
Affiliation State: Not reported
Affiliation Country: Not reported
Affiliation Zip: Not reported
Affiliation Phone: ,

Affiliation Type Desc: Legal Owner
Entity Name: City of Needles
Entity Title: Not reported
Affiliation Address: 817 THIRD STREET
Affiliation City: NEEDLES
Affiliation State: CA
Affiliation Country: United States
Affiliation Zip: 92363-9236
Affiliation Phone: (760) 326-5700,

Affiliation Type Desc: Operator
Entity Name: City of Needles
Entity Title: Not reported
Affiliation Address: Not reported
Affiliation City: Not reported
Affiliation State: Not reported
Affiliation Country: Not reported
Affiliation Zip: Not reported
Affiliation Phone: (760) 326-5700,

Affiliation Type Desc: Environmental Contact
Entity Name: Bryan Hickstein
Entity Title: Not reported
Affiliation Address: 817 THIRD ST
Affiliation City: NEEDLES
Affiliation State: CA

Map ID
Direction
Distance
Elevation

MAP FINDINGS

Site

Database(s)

EDR ID Number
EPA ID Number

WELL #15 (Continued)

S106230027

Affiliation Country: Not reported
Affiliation Zip: 92363
Affiliation Phone: ,

Affiliation Type Desc: Facility Mailing Address
Entity Name: Mailing Address
Entity Title: Not reported
Affiliation Address: 817 THIRD ST
Affiliation City: NEEDLES
Affiliation State: CA
Affiliation Country: Not reported
Affiliation Zip: 92363
Affiliation Phone: ,

Affiliation Type Desc: Parent Corporation
Entity Name: WELL #15
Entity Title: Not reported
Affiliation Address: Not reported
Affiliation City: Not reported
Affiliation State: Not reported
Affiliation Country: Not reported
Affiliation Zip: Not reported
Affiliation Phone: ,

Affiliation Type Desc: Property Owner
Entity Name: City of Needles
Entity Title: Not reported
Affiliation Address: 817 Third St
Affiliation City: Needles
Affiliation State: CA
Affiliation Country: United States
Affiliation Zip: 92363
Affiliation Phone: (760) 326-5700,

U127 **WELL #10**
Target **810 N K ST**
Property **NEEDLES, CA 92363**

FINDS **1023310676**
N/A

Site 2 of 4 in cluster U

Actual: FINDS:
481 ft. Registry ID: 110066034801

Focus Map:
7 [Click Here for FRS Facility Detail Report:](#)

Environmental Interest/Information System:
STATE MASTER

[Click this hyperlink](#) while viewing on your computer to access additional FINDS: detail in the EDR Site Report.

Map ID
Direction
Distance
Elevation

MAP FINDINGS

Site

Database(s) EDR ID Number
EPA ID Number

U128 **NEW WELL #15**
Target **810 NORTH K STREET**
Property **NEEDLES, CA**

CIWQS **S120032357**
 N/A

Site 3 of 4 in cluster U

Actual: **CIWQS:**
481 ft. Name: NEW WELL #15
Focus Map: Address: 810 NORTH K STREET
7 City,State,Zip: NEEDLES, CA
 Agency: Needles City
 Agency Address: 817 3rd Street, Needles, CA 92363
 Place/Project Type: Development Site, NEC
 SIC/NAICS: Not reported
 Region: 7
 Program: WDRNONMUNIPRCS
 Regulatory Measure Status: Historical
 Regulatory Measure Type: Enrollee
 Order Number: 2003-0003-DWQ
 WDID: 7B360113001
 NPDES Number: Not reported
 Adoption Date: 08/14/2012
 Effective Date: 08/14/2012
 Termination Date: 04/05/2018
 Expiration/Review Date: Not reported
 Design Flow: Not reported
 Major/Minor: Not reported
 Complexity: C
 TTWQ: 3
 Enforcement Actions within 5 years: 0
 Violations within 5 years: 0
 Latitude: Not reported
 Longitude: Not reported

U129 **NEW WELL #15**
Target **810 K**
Property **NEEDLES, CA 92363**

FINDS **1023236788**
 N/A

Site 4 of 4 in cluster U

Actual: **FINDS:**
481 ft. Registry ID: 110065243052
Focus Map: Click Here for FRS Facility Detail Report:
7 Environmental Interest/Information System:
 STATE MASTER

[Click this hyperlink](#) while viewing on your computer to access additional FINDS: detail in the EDR Site Report.

Map ID
Direction
Distance
Elevation

MAP FINDINGS

Site

Database(s)

EDR ID Number
EPA ID Number

V130 **NEEDLES CHEVRON**
Target **810 BROADWAY E.**
Property **NEEDLES, CA 92363**

LUST **U003785137**
Cortese **N/A**
CERS

Site 1 of 5 in cluster V

Actual: LUST REG 7:
485 ft. Region: 7
Focus Map: Status: 1 - Leak Confirmation
6 Case Num: 7T2363020
 Substance: Gasoline - Automotive
 ID: 1033
 Global ID: T0607101017
 Lead Agency: Local Agency
 Case Worker: YO

LUST:
Name: NEEDLES CHEVRON
Address: 810 BROADWAY E.
City,State,Zip: NEEDLES, CA 92363
Lead Agency: SAN BERNARDINO COUNTY
Case Type: LUST Cleanup Site
Geo Track: http://geotracker.waterboards.ca.gov/profile_report.asp?global_id=T0607101017
Global Id: T0607101017
Latitude: 34.827512
Longitude: -114.595545
Status: Completed - Case Closed
Status Date: 12/03/2008
Case Worker: JC
RB Case Number: 7T2363020
Local Agency: SAN BERNARDINO COUNTY
File Location: Local Agency
Local Case Number: 99064
Potential Media Affect: Aquifer used for drinking water supply
Potential Contaminants of Concern: Gasoline
Site History: Not reported

LUST:
Global Id: T0607101017
Contact Type: Local Agency Caseworker
Contact Name: JACKSON CRUTSINGER
Organization Name: SAN BERNARDINO COUNTY
Address: 620 SOUTH E STREET
City: SAN BERNARDINO
Email: jcrutsinger@sbcfire.org
Phone Number: Not reported

Global Id: T0607101017
Contact Type: Regional Board Caseworker
Contact Name: KAI DUNN
Organization Name: COLORADO RIVER BASIN RWQCB (REGION 7)
Address: 73-720 FRED WARING DR. STE 100
City: PALM DESERT
Email: kai.dunn@waterboards.ca.gov
Phone Number: Not reported

LUST:
Global Id: T0607101017
Action Type: Other

Map ID
Direction
Distance
Elevation

MAP FINDINGS

Site

Database(s)

EDR ID Number
EPA ID Number

NEEDLES CHEVRON (Continued)

U003785137

Date: 12/16/1998
Action: Leak Reported

Global Id: T0607101017
Action Type: ENFORCEMENT
Date: 11/25/2003
Action: Technical Correspondence / Assistance / Other

Global Id: T0607101017
Action Type: ENFORCEMENT
Date: 11/14/2000
Action: Notice of Violation

Global Id: T0607101017
Action Type: Other
Date: 12/16/1998
Action: Leak Stopped

Global Id: T0607101017
Action Type: ENFORCEMENT
Date: 12/03/2008
Action: Closure/No Further Action Letter

Global Id: T0607101017
Action Type: Other
Date: 12/16/1998
Action: Leak Discovery

Global Id: T0607101017
Action Type: RESPONSE
Date: 06/20/2008
Action: Other Report / Document

LUST:

Global Id: T0607101017
Status: Open - Case Begin Date
Status Date: 12/11/1998

Global Id: T0607101017
Status: Open - Site Assessment
Status Date: 12/11/1998

Global Id: T0607101017
Status: Open - Site Assessment
Status Date: 12/18/1998

Global Id: T0607101017
Status: Open - Site Assessment
Status Date: 02/15/2000

Global Id: T0607101017
Status: Completed - Case Closed
Status Date: 12/03/2008

CORTESE:

Map ID
Direction
Distance
Elevation

MAP FINDINGS

Site

Database(s)

EDR ID Number
EPA ID Number

NEEDLES CHEVRON (Continued)

U003785137

Name: NEEDLES CHEVRON
Address: 810 BROADWAY E.
City,State,Zip: NEEDLES, CA 92363
Region: CORTESE
Envirostor Id: Not reported
Global ID: T0607101017
Site/Facility Type: LUST CLEANUP SITE
Cleanup Status: COMPLETED - CASE CLOSED
Status Date: Not reported
Site Code: Not reported
Latitude: Not reported
Longitude: Not reported
Owner: Not reported
Enf Type: Not reported
Swat R: Not reported
Flag: active
Order No: Not reported
Waste Discharge System No: Not reported
Effective Date: Not reported
Region 2: Not reported
WID Id: Not reported
Solid Waste Id No: Not reported
Waste Management Uit Name: Not reported
File Name: Active Open

CERS:

Name: NEEDLES CHEVRON
Address: 810 BROADWAY E.
City,State,Zip: NEEDLES, CA 92363
Site ID: 193883
CERS ID: T0607101017
CERS Description: Leaking Underground Storage Tank Cleanup Site

Affiliation:

Affiliation Type Desc: Local Agency Caseworker
Entity Name: JACKSON CRUTSINGER - SAN BERNARDINO COUNTY
Entity Title: Not reported
Affiliation Address: 620 SOUTH E STREET
Affiliation City: SAN BERNARDINO
Affiliation State: CA
Affiliation Country: Not reported
Affiliation Zip: Not reported
Affiliation Phone: ,

Affiliation Type Desc: Regional Board Caseworker
Entity Name: KAI DUNN - COLORADO RIVER BASIN RWQCB (REGION 7)
Entity Title: Not reported
Affiliation Address: 73-720 FRED WARING DR. STE 100
Affiliation City: PALM DESERT
Affiliation State: CA
Affiliation Country: Not reported
Affiliation Zip: Not reported
Affiliation Phone: ,

Map ID
Direction
Distance
Elevation

MAP FINDINGS

Site

Database(s) EDR ID Number
EPA ID Number

V131 **NEEDLES CHEVRON**
Target **810 BROADWAY E**
Property **NEEDLES, CA**

RGA LUST **S114660203**
 N/A

Site 2 of 5 in cluster V

Actual: RGA LUST:
485 ft. Name: NEEDLES CHEVRON
Focus Map: Address: 810 BROADWAY E
6 City: NEEDLES
 State: NEEDLES
 2002 NEEDLES CHEVRON 810 BROADWAY E
 Name: NEEDLES CHEVRON
 Address: 810 BROADWAY E
 City: NEEDLES
 State: NEEDLES
 2001 NEEDLES CHEVRON 810 BROADWAY E
 Name: NEEDLES CHEVRON
 Address: 810 BROADWAY E
 City: NEEDLES
 State: NEEDLES
 2000 NEEDLES CHEVRON 810 BROADWAY E

V132 **NEEDLES CHEVRON**
Target **810 BROADWAY E.**
Property **NEEDLES, CA**

RGA LUST **S114660202**
 N/A

Site 3 of 5 in cluster V

Actual: RGA LUST:
485 ft. Name: NEEDLES CHEVRON
Focus Map: Address: 810 BROADWAY E.
6 City: NEEDLES
 State: NEEDLES
 2012 NEEDLES CHEVRON 810 BROADWAY E.
 Name: NEEDLES CHEVRON
 Address: 810 BROADWAY E.
 City: NEEDLES
 State: NEEDLES
 2011 NEEDLES CHEVRON 810 BROADWAY E.
 Name: NEEDLES CHEVRON
 Address: 810 BROADWAY E.
 City: NEEDLES
 State: NEEDLES
 2010 NEEDLES CHEVRON 810 BROADWAY E.
 Name: NEEDLES CHEVRON
 Address: 810 BROADWAY E.
 City: NEEDLES
 State: NEEDLES
 2009 NEEDLES CHEVRON 810 BROADWAY E.
 Name: NEEDLES CHEVRON
 Address: 810 BROADWAY E.
 City: NEEDLES
 State: NEEDLES
 2008 NEEDLES CHEVRON 810 BROADWAY E.

Map ID
Direction
Distance
Elevation

MAP FINDINGS

Site

Database(s)

EDR ID Number
EPA ID Number

V133 **NEEDLES CHEVRON**
Target **810 BROADWAY**
Property **NEEDLES, CA 92363**

HIST CORTESE **S104402864**
 N/A

Site 4 of 5 in cluster V

Actual: HIST CORTESE:
485 ft. edr_fname: NEEDLES CHEVRON
Focus Map: edr_fadd1: 810 BROADWAY
6 City,State,Zip: NEEDLES, CA 92363
 Region: CORTESE
 Facility County Code: 36
 Reg By: LTNKA
 Reg Id: 7T2363020

V134 **NEEDLES CHEVRON**
Target **810 BROADWAY E.**
Property **NEEDLES, CA 92363**

FINDS **1023258049**
 N/A

Site 5 of 5 in cluster V

Actual: FINDS:
485 ft. Registry ID: 110065472269
Focus Map: Click Here for FRS Facility Detail Report:
6 Environmental Interest/Information System:
 STATE MASTER

[Click this hyperlink](#) while viewing on your computer to access additional FINDS: detail in the EDR Site Report.

W135 **ARCO AM/PM NO. 6166**
Target **2410 BROADWAY**
Property **NEEDLES, CA 92363**

HIST CORTESE **S103645227**
 N/A

Site 1 of 29 in cluster W

Actual: HIST CORTESE:
515 ft. edr_fname: ARCO AM/PM NO. 6166
Focus Map: edr_fadd1: 2410 BROADWAY
6 City,State,Zip: NEEDLES, CA 92363
 Region: CORTESE
 Facility County Code: 36
 Reg By: LTNKA
 Reg Id: 7T2363008

X136 **CALIFORNIA PANTRY**
Target **2411 NEEDLES HWY.**
Property **NEEDLES, CA**

LUST **S106152865**
 N/A

Site 1 of 5 in cluster X

Actual: LUST REG 7:
520 ft. Region: 7
Focus Map: Status: 5C - Pollution Characterization
6 Case Num: n/a
 Substance: Gasoline - Automotive

Map ID
Direction
Distance
Elevation

MAP FINDINGS

Site

Database(s)

EDR ID Number
EPA ID Number

CALIFORNIA PANTRY (Continued)

S106152865

ID: 573
Global ID: T0607159545
Lead Agency: Local Agency
Case Worker: YO

**X137
Target
Property**

**CALIFORNIA PANTRY
2411 NEEDLES HIGHWAY
NEEDLES, CA**

**RGA LUST S114590112
N/A**

Site 2 of 5 in cluster X

**Actual:
520 ft.
Focus Map:
6**

RGA LUST:
Name: CALIFORNIA PANTRY
Address: 2411 NEEDLES HIGHWAY
City: NEEDLES
State: NEEDLES
2012 CALIFORNIA PANTRY 2411 NEEDLES HIGHWAY
Name: CALIFORNIA PANTRY
Address: 2411 NEEDLES HIGHWAY
City: NEEDLES
State: NEEDLES
2011 CALIFORNIA PANTRY 2411 NEEDLES HIGHWAY
Name: CALIFORNIA PANTRY
Address: 2411 NEEDLES HIGHWAY
City: NEEDLES
State: NEEDLES
2010 CALIFORNIA PANTRY 2411 NEEDLES HIGHWAY
Name: CALIFORNIA PANTRY
Address: 2411 NEEDLES HIGHWAY
City: NEEDLES
State: NEEDLES
2009 CALIFORNIA PANTRY 2411 NEEDLES HIGHWAY
Name: CALIFORNIA PANTRY
Address: 2411 NEEDLES HIGHWAY
City: NEEDLES
State: NEEDLES
2008 CALIFORNIA PANTRY 2411 NEEDLES HIGHWAY
Name: CALIFORNIA PANTRY
Address: 2411 NEEDLES HIGHWAY
City: NEEDLES
State: NEEDLES
2007 CALIFORNIA PANTRY 2411 NEEDLES HIGHWAY
Name: CALIFORNIA PANTRY
Address: 2411 NEEDLES HIGHWAY
City: NEEDLES
State: NEEDLES
2006 CALIFORNIA PANTRY 2411 NEEDLES HIGHWAY
Name: CALIFORNIA PANTRY
Address: 2411 NEEDLES HIGHWAY
City: NEEDLES
State: NEEDLES
2005 CALIFORNIA PANTRY 2411 NEEDLES HIGHWAY
Name: CALIFORNIA PANTRY
Address: 2411 NEEDLES HIGHWAY
City: NEEDLES
State: NEEDLES
2003 CALIFORNIA PANTRY 2411 NEEDLES HIGHWAY

Map ID
Direction
Distance
Elevation

MAP FINDINGS

Site

Database(s)

EDR ID Number
EPA ID Number

X138 CALIFORNIA PANTRY
Target 2411 NEEDLES HWY.
Property NEEDLES, CA

RGA LUST S114590114
N/A

Site 3 of 5 in cluster X

Actual: 520 ft. RGA LUST:
Focus Map: 6 Name: CALIFORNIA PANTRY
Address: 2411 NEEDLES HWY.
City: NEEDLES
State: NEEDLES
2003 CALIFORNIA PANTRY 2411 NEEDLES HWY.

X139 CALIFORNIA PANTRY
Target 2411 NEEDLES HIGHWAY
Property NEEDLES, CA 92363

FINDS 1023281182
N/A

Site 4 of 5 in cluster X

Actual: 520 ft. FINDS:
Focus Map: 6 Registry ID: 110065718183
Click Here for FRS Facility Detail Report:
Environmental Interest/Information System:
STATE MASTER

[Click this hyperlink](#) while viewing on your computer to access additional FINDS: detail in the EDR Site Report.

X140 CALIFORNIA PANTRY
Target 2411 NEEDLES HIGHWAY
Property NEEDLES, CA 92363

LUST S106152864
Cortese N/A
CERS

Site 5 of 5 in cluster X

Actual: 520 ft. LUST REG 7:
Focus Map: 6 Region: 7
Status: 3B - Preliminary Site Assessment Underway
Case Num: 7T2363030
Substance: Gasoline - Automotive
ID: 572
Global ID: T0607126001
Lead Agency: Local Agency
Case Worker: YO

LUST:
Name: CALIFORNIA PANTRY
Address: 2411 NEEDLES HIGHWAY
City,State,Zip: NEEDLES, CA 92363
Lead Agency: SAN BERNARDINO COUNTY
Case Type: LUST Cleanup Site
Geo Track: http://geotracker.waterboards.ca.gov/profile_report.asp?global_id=T0607126001
Global Id: T0607126001
Latitude: 34.8790322
Longitude: -114.6442725
Status: Completed - Case Closed
Status Date: 08/01/2006
Case Worker: JC

Map ID
Direction
Distance
Elevation

MAP FINDINGS

Site

Database(s)

EDR ID Number
EPA ID Number

CALIFORNIA PANTRY (Continued)

S106152864

RB Case Number: 7T2363030
Local Agency: SAN BERNARDINO COUNTY
File Location: Local Agency
Local Case Number: 2002026
Potential Media Affect: Aquifer used for drinking water supply
Potential Contaminants of Concern: Gasoline
Site History: Not reported

LUST:

Global Id: T0607126001
Contact Type: Local Agency Caseworker
Contact Name: JACKSON CRUTSINGER
Organization Name: SAN BERNARDINO COUNTY
Address: 620 SOUTH E STREET
City: SAN BERNARDINO
Email: jcrutsinger@sbcfire.org
Phone Number: Not reported

LUST:

Global Id: T0607126001
Action Type: ENFORCEMENT
Date: 10/03/2003
Action: Technical Correspondence / Assistance / Other

Global Id: T0607126001
Action Type: ENFORCEMENT
Date: 09/01/2004
Action: Technical Correspondence / Assistance / Other

Global Id: T0607126001
Action Type: ENFORCEMENT
Date: 01/28/2004
Action: Technical Correspondence / Assistance / Other

Global Id: T0607126001
Action Type: Other
Date: 10/25/2002
Action: Leak Reported

Global Id: T0607126001
Action Type: REMEDIATION
Date: 08/01/2006
Action: Not reported

Global Id: T0607126001
Action Type: ENFORCEMENT
Date: 11/23/2005
Action: Technical Correspondence / Assistance / Other

Global Id: T0607126001
Action Type: ENFORCEMENT
Date: 12/26/2002
Action: Staff Letter

Global Id: T0607126001
Action Type: ENFORCEMENT
Date: 03/26/2003

Map ID
Direction
Distance
Elevation

MAP FINDINGS

Site

Database(s)

EDR ID Number
EPA ID Number

CALIFORNIA PANTRY (Continued)

S106152864

Action: Technical Correspondence / Assistance / Other

Global Id: T0607126001
Action Type: RESPONSE
Date: 06/01/2005
Action: Other Workplan

Global Id: T0607126001
Action Type: RESPONSE
Date: 02/28/2005
Action: Request for Closure

Global Id: T0607126001
Action Type: RESPONSE
Date: 07/15/2004
Action: Monitoring Report - Quarterly

Global Id: T0607126001
Action Type: RESPONSE
Date: 10/15/2004
Action: Monitoring Report - Quarterly

Global Id: T0607126001
Action Type: RESPONSE
Date: 01/07/2005
Action: Request for Closure

Global Id: T0607126001
Action Type: RESPONSE
Date: 04/15/2004
Action: Monitoring Report - Quarterly

Global Id: T0607126001
Action Type: RESPONSE
Date: 04/01/2005
Action: Preliminary Site Assessment Workplan

Global Id: T0607126001
Action Type: ENFORCEMENT
Date: 04/07/2005
Action: File review - #S# 2002026

Global Id: T0607126001
Action Type: ENFORCEMENT
Date: 08/11/2005
Action: File review - #03-03-104-03

Global Id: T0607126001
Action Type: ENFORCEMENT
Date: 01/05/2006
Action: Technical Correspondence / Assistance / Other

Global Id: T0607126001
Action Type: ENFORCEMENT
Date: 08/12/2005
Action: File review - #03-03-104002

Map ID
Direction
Distance
Elevation

MAP FINDINGS

Site

Database(s)

EDR ID Number
EPA ID Number

CALIFORNIA PANTRY (Continued)

S106152864

Global Id: T0607126001
Action Type: ENFORCEMENT
Date: 09/22/2005
Action: LOP Case Closure Summary to RB

Global Id: T0607126001
Action Type: Other
Date: 08/09/2002
Action: Leak Discovery

LUST:

Global Id: T0607126001
Status: Open - Case Begin Date
Status Date: 08/09/2002

Global Id: T0607126001
Status: Open - Site Assessment
Status Date: 10/25/2002

Global Id: T0607126001
Status: Open - Site Assessment
Status Date: 03/01/2003

Global Id: T0607126001
Status: Open - Site Assessment
Status Date: 07/09/2003

Global Id: T0607126001
Status: Open - Site Assessment
Status Date: 02/28/2005

Global Id: T0607126001
Status: Open - Site Assessment
Status Date: 04/06/2005

Global Id: T0607126001
Status: Open - Site Assessment
Status Date: 04/25/2005

Global Id: T0607126001
Status: Completed - Case Closed
Status Date: 08/01/2006

CORTESE:

Name: CALIFORNIA PANTRY
Address: 2411 NEEDLES HIGHWAY
City,State,Zip: NEEDLES, CA 92363
Region: CORTESE
Envirostor Id: Not reported
Global ID: T0607126001
Site/Facility Type: LUST CLEANUP SITE
Cleanup Status: COMPLETED - CASE CLOSED
Status Date: Not reported
Site Code: Not reported
Latitude: Not reported

Map ID
Direction
Distance
Elevation

MAP FINDINGS

Site

Database(s)

EDR ID Number
EPA ID Number

CALIFORNIA PANTRY (Continued)

S106152864

Longitude: Not reported
Owner: Not reported
Enf Type: Not reported
Swat R: Not reported
Flag: active
Order No: Not reported
Waste Discharge System No: Not reported
Effective Date: Not reported
Region 2: Not reported
WID Id: Not reported
Solid Waste Id No: Not reported
Waste Management Uit Name: Not reported
File Name: Active Open

CERS:

Name: CALIFORNIA PANTRY
Address: 2411 NEEDLES HIGHWAY
City,State,Zip: NEEDLES, CA 92363
Site ID: 250115
CERS ID: T0607126001
CERS Description: Leaking Underground Storage Tank Cleanup Site

Affiliation:

Affiliation Type Desc: Local Agency Caseworker
Entity Name: JACKSON CRUTSINGER - SAN BERNARDINO COUNTY
Entity Title: Not reported
Affiliation Address: 620 SOUTH E STREET
Affiliation City: SAN BERNARDINO
Affiliation State: CA
Affiliation Country: Not reported
Affiliation Zip: Not reported
Affiliation Phone: ,

W141 MOBIL STATION
Target 2511 W BROADWAY
Property NEEDLES, CA 92363

CERS HAZ WASTE U003784820
SWEEPS UST N/A
CERS TANKS
San Bern. Co. Permit
CERS

Site 2 of 29 in cluster W

Actual: 518 ft. CERS HAZ WASTE:
Focus Map: 6 Name: DESERT VIEW MOBIL
Address: 2511 W BROADWAY
City,State,Zip: NEEDLES, CA 92363
Site ID: 111162
CERS ID: 10038541
CERS Description: Hazardous Waste Generator

SWEEPS UST:

Name: MOBIL STATION
Address: 2511 W BROADWAY
City: NEEDLES
Status: Active
Comp Number: 13948
Number: 1
Board Of Equalization: 44-000400
Referral Date: 07-28-92

Map ID
Direction
Distance
Elevation

MAP FINDINGS

Site

Database(s)

EDR ID Number
EPA ID Number

MOBIL STATION (Continued)

U003784820

Action Date: 07-28-92
Created Date: 09-22-88
Owner Tank Id: Not reported
SWRCB Tank Id: 36-000-013948-000001
Tank Status: A
Capacity: 1
Active Date: 09-22-88
Tank Use: UNKNOWN
STG: P
Content: UNKNOWN
Number Of Tanks: 2

Name: MOBIL STATION
Address: 2511 W BROADWAY
City: NEEDLES
Status: Active
Comp Number: 13948
Number: 1
Board Of Equalization: 44-000400
Referral Date: 07-28-92
Action Date: 07-28-92
Created Date: 09-22-88
Owner Tank Id: Not reported
SWRCB Tank Id: 36-000-013948-000002
Tank Status: A
Capacity: 1
Active Date: 09-22-88
Tank Use: UNKNOWN
STG: P
Content: UNKNOWN
Number Of Tanks: Not reported

CERS TANKS:

Name: DESERT VIEW MOBIL
Address: 2511 W BROADWAY
City,State,Zip: NEEDLES, CA 92363
Site ID: 111162
CERS ID: 10038541
CERS Description: Underground Storage Tank

San Bern. Co. Permit:

Name: DESERT VIEW MOBIL
Address: 2511 W BROADWAY
City,State,Zip: NEEDLES, CA 92363
Region: SAN BERNARDINO
Facility ID: FA0002706
Owner: HARRELL, JOHNNY
Permit Number: PT0002537
Permit Category: HAZMAT HANDLER, UST ONLY - PER YEAR
Facility Status: ACTIVE
Expiration Date: 10/31/2022

Name: DESERT VIEW MOBIL
Address: 2511 W BROADWAY
City,State,Zip: NEEDLES, CA 92363
Region: SAN BERNARDINO

Map ID
Direction
Distance
Elevation

MAP FINDINGS

Site

Database(s)

EDR ID Number
EPA ID Number

MOBIL STATION (Continued)

U003784820

Facility ID: FA0002706
Owner: HARRELL, JOHNNY
Permit Number: PT0002536
Permit Category: WASTE INCIDENTAL UST OPERATION ONLY -PER YEAR
Facility Status: ACTIVE
Expiration Date: 10/31/2022

Name: DESERT VIEW MOBIL
Address: 2511 W BROADWAY
City,State,Zip: NEEDLES, CA 92363
Region: SAN BERNARDINO
Facility ID: FA0002706
Owner: HARRELL, JOHNNY
Permit Number: PT0011766
Permit Category: REGULAR UST ANNUAL INSPECTION (PER TANK)
Facility Status: ACTIVE
Expiration Date: 10/31/2022

Name: DESERT VIEW MOBIL
Address: 2511 W BROADWAY
City,State,Zip: NEEDLES, CA 92363
Region: SAN BERNARDINO
Facility ID: FA0002706
Owner: HARRELL, JOHNNY
Permit Number: PT0011767
Permit Category: REGULAR UST ANNUAL INSPECTION (PER TANK)
Facility Status: ACTIVE
Expiration Date: 10/31/2022

Name: DESERT VIEW MOBIL
Address: 2511 W BROADWAY
City,State,Zip: NEEDLES, CA 92363
Region: SAN BERNARDINO
Facility ID: FA0002706
Owner: HARRELL, JOHNNY
Permit Number: PT0011768
Permit Category: REGULAR UST ANNUAL INSPECTION (PER TANK)
Facility Status: ACTIVE
Expiration Date: 10/31/2022

Name: DESERT VIEW MOBIL
Address: 2511 W BROADWAY
City,State,Zip: NEEDLES, CA 92363
Region: SAN BERNARDINO
Facility ID: FA0002706
Owner: HARRELL, JOHNNY
Permit Number: PT0011769
Permit Category: REGULAR UST ANNUAL INSPECTION (PER TANK)
Facility Status: ACTIVE
Expiration Date: 10/31/2022

Name: DESERT VIEW MOBIL
Address: 2511 W BROADWAY
City,State,Zip: NEEDLES, CA 92363
Region: SAN BERNARDINO
Facility ID: FA0002706
Owner: HARRELL, JOHNNY

Map ID
Direction
Distance
Elevation

MAP FINDINGS

Site

Database(s)

EDR ID Number
EPA ID Number

MOBIL STATION (Continued)

U003784820

Permit Number: PT0011770
Permit Category: REGULAR UST ANNUAL INSPECTION (PER TANK)
Facility Status: ACTIVE
Expiration Date: 10/31/2022

CERS:

Name: DESERT VIEW MOBIL
Address: 2511 W BROADWAY
City,State,Zip: NEEDLES, CA 92363
Site ID: 111162
CERS ID: 10038541
CERS Description: Chemical Storage Facilities

Violations:

Site ID: 111162
Site Name: DESERT VIEW MOBIL
Violation Date: 04-03-2014
Citation: HSC 6.7 25286(a) - California Health and Safety Code, Chapter 6.7, Section(s) 25286(a)
Violation Description: Failure to prepare, maintain, and submit accurate CUPA UST Operating Permit Application for Facility information and/or Tank information.
Violation Notes: Returned to compliance on 05/02/2014. PER REVIEW OF THE CERS PRINT OUTS OF THE TANK FORMS AS PART OF THE UST PERMIT APPLICATION, THE TANK FORMS WERE INACCURATE AND/OR INCOMPLETE. COMPLETE UST TANK FORMS WITH THE APPROPRIATE MONITORING SYSTEM/LEAK DETECTION EQUIPMENT ON LINE IN CERS WITHIN 30 DAYS.
Violation Division: San Bernardino County Fire Department
Violation Program: UST
Violation Source: CERS,

Site ID: 111162
Site Name: DESERT VIEW MOBIL
Violation Date: 04-01-2015
Citation: HSC 6.7 25290.1(h), 25290.2(g), 25291(f), 25292(e) - California Health and Safety Code, Chapter 6.7, Section(s) 25290.1(h), 25290.2(g), 25291(f), 25292(e)
Violation Description: Failure to install line leak detector.
Violation Notes: Returned to compliance on 04/14/2015. 91 LINE LEAK DETECTOR FAILED 3 GALLON PER HOUR SIMULATED LEAK RATE AT 10 PSI TEST. REPLACE INOPERABLE LEAK DETECTOR IMMEDIATELY AND SUBMIT DOCUMENTATION OF REPAIR TO THIS DEPARTMENT WITHIN 10 DAYS.
Violation Division: San Bernardino County Fire Department
Violation Program: UST
Violation Source: CERS,

Site ID: 111162
Site Name: DESERT VIEW MOBIL
Violation Date: 03-17-2021
Citation: HSC 6.7 25293 - California Health and Safety Code, Chapter 6.7, Section(s) 25293
Violation Description: Failure to maintain UST records in sufficient detail to enable the UPA to determine whether the UST systems are in compliance.
Violation Notes: Returned to compliance on 11/18/2021. OBSERVATION: THE LAST MONITORING CERTIFICATION RESULTS FOR (03/10/2020) & OVERFILL CERTIFICATION FOR (02/27/2019) WERE NOT AVAILABLE FOR REVIEW. TEST DATES WERE NOTED FROM ENVISION EVENT CALENDAR. COMPLIANCE REQUIREMENT: 1) OBTAIN COPIES OF THE ABOVE CERTIFICATIONS AND KEEP ON SITE. 2) SUBMIT THE SIGNED

Map ID
Direction
Distance
Elevation

MAP FINDINGS

Site

Database(s)

EDR ID Number
EPA ID Number

MOBIL STATION (Continued)

U003784820

CERTIFICATE OF COMPLIANCE TO THIS DEPARTMENT, NOTING COPIES WERE RETAINED ON SITE.

Violation Division: San Bernardino County Fire Department
Violation Program: UST
Violation Source: CERS,

Site ID: 111162
Site Name: DESERT VIEW MOBIL
Violation Date: 03-17-2021
Citation: HSC 6.5 25123.3(h)(1) - California Health and Safety Code, Chapter 6.5, Section(s) 25123.3(h)(1)
Violation Description: Failure to send hazardous waste offsite for treatment, storage, or disposal within 180 days (or 270 days if waste is transported over 200 miles) for a generator who generates less than 1000 kilogram per month if all of the following conditions are met: (1) The quantity of hazardous waste accumulated onsite never exceeds 6,000 kilograms. (2) The generator complies with the requirements of 40 Code of Federal Regulations section 262.34(d), (e) and (f). (3) The generator does not hold acutely hazardous waste or extremely hazardous waste in an amount greater than one kilogram for more than 90 days.
Violation Notes: OBSERVATION: IF A FACILITY GENERATES LESS THAN 27 GALLONS/ 220 POUNDS OF HAZARDOUS WASTE PER MONTH, FACILITY HAS 180 DAYS OR 270 DAYS IF THE TREATMENT, STORAGE, DISPOSAL FACILITY IS OVER 200 MILES (THIS SITE IS 270 DAYS), TO HAVE THE HAZARDOUS WASTE REMOVED ONCE SITE REACHES 27 GALLONS/ 220 POUNDS. THE 270 DAY TIME STARTS ONCE WASTES REACHES 27 GALLONS/ 220 POUNDS. ONE 55-GALLON DRUM OF HAZARDOUS WASTE, GREATER THAN 27/GALLONS WAS OBSERVED ON SITE. COMPLIANCE REQUIREMENT: 1) HAVE A LICENSED HAZARDOUS WASTE HAULER REMOVED THE 1- 55-GALLON DRUM OF WASTE. 2) SUBMIT A COPY OF THE HAZARDOUS WASTE MANIFEST TO THIS DEPARTMENT.

Violation Division: San Bernardino County Fire Department
Violation Program: HW
Violation Source: CERS,

Site ID: 111162
Site Name: DESERT VIEW MOBIL
Violation Date: 07-31-2013
Citation: HSC 6.67 Multiple - California Health and Safety Code, Chapter 6.67, Section(s) Multiple
Violation Description: Haz Waste Generator Program - Operations/Maintenance - General
Violation Notes: Returned to compliance on 07/31/2013. Failure to label hazardous waste containers (CCR 66262.34(f)(3)) corrected on site- operator properly labeled the used antifreeze drum

Violation Division: San Bernardino County Fire Department
Violation Program: HW
Violation Source: CERS,

Site ID: 111162
Site Name: DESERT VIEW MOBIL
Violation Date: 03-28-2017
Citation: HSC 6.7 Multiple - California Health and Safety Code, Chapter 6.7, Section(s) Multiple
Violation Description: UST Program - Administration/Documentation - General - Must include violation description, proper statute and regulation citation in the "comment" section.
Violation Notes: Returned to compliance on 04/24/2018. Failure to have a written monitoring program with monitoring procedures and response plan (CHSC

Map ID
Direction
Distance
Elevation

MAP FINDINGS

Site

Database(s)

EDR ID Number
EPA ID Number

MOBIL STATION (Continued)

U003784820

25286(a)) UST MONITORING PLAN ON LINE IN CERS FOR THE WASTE OIL TANK INDICATES THE USE OF A VR409 ANNULAR SENSOR WHERE A VR407 WAS OBSERVED. UPDATE UST MONITORING PLAN FOR WASTE OIL TANK ADDRESSING THE PREVIOUSLY NOTED DEFICIENCY ON LINE IN CERS WITHIN 30 DAYS.

Violation Division: San Bernardino County Fire Department
Violation Program: UST
Violation Source: CERS,

Site ID: 111162
Site Name: DESERT VIEW MOBIL
Violation Date: 03-17-2021
Citation: 23 CCR 16 2712(b)(1)(G) - California Code of Regulations, Title 23, Chapter 16, Section(s) 2712(b)(1)(G)

Violation Description: Failure to comply with one or more of the following overfill prevention equipment requirements: Alert the transfer operator when the tank is 90 percent full by restricting the flow into the tank or triggering an audible and visual alarm; or Restrict delivery of flow to the tank at least 30 minutes before the tank overfills, provided the restriction occurs when the tank is filled to no more than 95 percent of capacity; and activate an audible alarm at least five minutes before the tank overfills; or Provide positive shut-off of flow to the tank when the tank is filled to no more than 95 percent of capacity; or Provide positive shut-off of flow to the tank so that none of the fittings located on the top of the tank are exposed to product due to overfilling. Install/retrofit overfill prevention equipment that does not use flow restrictors on vent piping to meet overfill prevention equipment requirements when the overfill prevention equipment is installed, repaired, or replaced on and after October 1, 2018. For USTs installed before October 1, 2018, perform an inspection by October 13, 2018 and every 36 months thereafter. For USTs installed on and after October 1, 2018, perform an inspection at installation and every 36 months thereafter. Inspected within 30 days after a repair to the overfill prevention equipment. Inspected using an applicable manufacturer guidelines, industry codes, engineering standards, or a method approved by a professional engineer. Inspected by a certified UST service technician. Maintain records of overfill prevention equipment inspection for 36 months.

Violation Notes: Returned to compliance on 11/18/2021. OBSERVATION: THE LAST OVERFILL CERTIFICATION RESULTS FOR 02/27/2019 WAS NOT RETAINED ON SITE. TEST DATES WERE NOTED FROM ENVISION EVENT CALENDAR. COMPLIANCE REQUIREMENT: OBTAINED A COPY OF OF THE 02/27/2019 OVERFILL RESULTS AND RETAIN ON SITE. SUBMIT THE SIGNED CERTIFICATE OF COMPLIANCE ONCE COPY IS RETAINED ON SITE.

Violation Division: San Bernardino County Fire Department
Violation Program: UST
Violation Source: CERS,

Site ID: 111162
Site Name: DESERT VIEW MOBIL
Violation Date: 04-01-2015
Citation: HSC 6.75 25299.30-25299.34 - California Health and Safety Code, Chapter 6.75, Section(s) 25299.30-25299.34

Violation Description: Failure to submit and maintain complete and current Certification of Financial Responsibility or other mechanism of financial assurance.

Violation Notes: Returned to compliance on 05/01/2015. CFO LETTER AS PART OF THE UST CERTIFICATE OF FINANCIAL RESPONSIBILITY SUBMITTED ON LINE IN CERS DATED 2/27/14 NEEDS TO BE UPDATED. UPDATE CFO LETTER AND SUBMIT COPY

Map ID
Direction
Distance
Elevation

MAP FINDINGS

Site

Database(s)

EDR ID Number
EPA ID Number

MOBIL STATION (Continued)

U003784820

ON LINE IN CERS WITHIN 30 DAYS.
Violation Division: San Bernardino County Fire Department
Violation Program: UST
Violation Source: CERS,

Site ID: 111162
Site Name: DESERT VIEW MOBIL
Violation Date: 04-01-2015
Citation: 23 CCR 16 2715 - California Code of Regulations, Title 23, Chapter 16, Section(s) 2715
Violation Description: Failure to comply with one or more of the designated operator monthly inspection requirements: failed to inspect the monthly alarm history report; attach a copy of the alarm history; failed to inspect for the presence of liquid or debris in the spill container/spill bucket and under dispenser containment; failed to inspect the under dispenser containment to ensure that monitoring equipment is placed in the proper position; failure to inspect for liquid or debris in the containment sump where an alarm occurred or for which there is no record of a service visit; or failure to check that all testing and maintenance has been completed and documented.
Violation Notes: Returned to compliance on 05/01/2015. UST MONTHLY INSPECTION REPORTS DO NOT MENTION THE FOLLOWING ALARMS AND HOW THEY WERE ADDRESSED: L1-REG STP JULY 9, 2014 L4 SP ANN APRIL 14, 2014 INVESTIGATE THE ABOVE MENTIONED ALARMS AND SUBMIT COPY OF THE INVESTIGATION REPORT TO THIS DEPARTMENT WITHIN 30 DAYS.

Violation Division: San Bernardino County Fire Department
Violation Program: UST
Violation Source: CERS,

Site ID: 111162
Site Name: DESERT VIEW MOBIL
Violation Date: 04-01-2015
Citation: 23 CCR 16 2712(i) - California Code of Regulations, Title 23, Chapter 16, Section(s) 2712(i)
Violation Description: Failure to submit, obtain approval, or maintain a complete/accurate response plan.
Violation Notes: Returned to compliance on 05/01/2015. UST MONITORING PLAN SUBMITTED ON LINE IN CERS IS INCORRECTLY COMPLETED IN THE FOLLOWING SECTIONS: -TANK ANNULAR CONTINUOUS MONITORING SECTION -SUMP AND PIPING MONITORING -UDC MONITORING UPDATE UST MONITORING PLAN ON LINE IN CERS ADDRESSING THE ABOVE NOTED DEFICIENCY WITHIN 30 DAYS.

Violation Division: San Bernardino County Fire Department
Violation Program: UST
Violation Source: CERS,

Site ID: 111162
Site Name: DESERT VIEW MOBIL
Violation Date: 07-31-2013
Citation: 22 CCR 16 66266.130 - California Code of Regulations, Title 22, Chapter 16, Section(s) 66266.130
Violation Description: Failure to properly handle, manage, label, and recycle used oil and fuel filters.
Violation Notes: Returned to compliance on 07/31/2013. corrected on site- operator noted start date

Violation Division: San Bernardino County Fire Department
Violation Program: HW
Violation Source: CERS,

Map ID
Direction
Distance
Elevation

MAP FINDINGS

Site

Database(s)

EDR ID Number
EPA ID Number

MOBIL STATION (Continued)

U003784820

Site ID: 111162
Site Name: DESERT VIEW MOBIL
Violation Date: 03-28-2017
Citation: HSC 6.95 25508(a)(1) - California Health and Safety Code, Chapter 6.95, Section(s) 25508(a)(1)
Violation Description: Failure to establish and electronically submit an adequate emergency response plan and procedures for a release or threatened release of a hazardous material.
Violation Notes: Returned to compliance on 04/24/2018. EMERGENCY RESPONSE PLAN AGENCY NOTIFICATION FORM IS NOT CURRENT. UPDATE EMERGENCY RESPONSE PLAN ON CURRENT UPDATED FORMS AND SUBMIT ON LINE IN CERS WITHIN 30 DAYS. A COPY OF THE CURRENT AGENCY NOTIFICATION FORM WAS PROVIDED TO THE OPERATOR AT TIME OF INSPECTION WITH THE INSPECTION REPORT.
Violation Division: San Bernardino County Fire Department
Violation Program: HMRRP
Violation Source: CERS,

Site ID: 111162
Site Name: DESERT VIEW MOBIL
Violation Date: 03-17-2021
Citation: HSC 6.7 25284.2 - California Health and Safety Code, Chapter 6.7, Section(s) 25284.2
Violation Description: "Failure to meet one or more of the following requirements: Install or maintain a liquid-tight spill container. Have a minimum capacity of five gallons. Have a functional drain valve or other method for the removal of liquid from the spill container. Be resistant to galvanic corrosion. Perform a tightness test at installation, every 12 months thereafter, or within 30 days after a repair to the spill container. Tested using applicable manufacturer guidelines, industry codes, engineering standards, or a method approved by a professional engineer. Tested by a certified UST service technician. Maintain records of spill containment testing for 36 months. "
Violation Notes: Returned to compliance on 11/18/2021. OBSERVATION: THE 87 & 91 PRODUCT OVERSPILL BUCKETS FAILED WHEN TESTED. COMPLIANCE REQUIREMENT: SUBMIT A COPY OF THE WORK ORDER DOCUMENTING THE REPAIR AND FUNCTIONALITY OF THE 87 AND 91 OVERSPILL BUCKETS.
Violation Division: San Bernardino County Fire Department
Violation Program: UST
Violation Source: CERS,

Site ID: 111162
Site Name: DESERT VIEW MOBIL
Violation Date: 04-01-2015
Citation: HSC 6.5 Multiple Sections - California Health and Safety Code, Chapter 6.5, Section(s) Multiple Sections
Violation Description: Haz Waste Generator Program - Operations/Maintenance - General
Violation Notes: Returned to compliance on 05/01/2015. Failure to label hazardous waste containers (CCR 66262.34(f)(3)) HAZARDOUS WASTE LABEL FOR USED OIL WAS FADED AND NOT LEGIBLE. HAZARDOUS WASTE LABEL FOR USED COOLANT INCOMPLETE. PROVIDE AND MAINTAIN COMPLETE/LEGIBLE HAZARDOUS WASTE LABELS FOR ALL WASTE CONTAINERS.
Violation Division: San Bernardino County Fire Department
Violation Program: HW
Violation Source: CERS,

Site ID: 111162
Site Name: DESERT VIEW MOBIL

Map ID
Direction
Distance
Elevation

MAP FINDINGS

Site

Database(s)

EDR ID Number
EPA ID Number

MOBIL STATION (Continued)

U003784820

Violation Date: 03-28-2017
Citation: 23 CCR 6.7 25284, 25286 - California Code of Regulations, Title 23, Chapter 6.7, Section(s) 25284, 25286
Violation Description: Failure to submit a complete and accurate application for a permit to operate a UST, or for renewal of the permit.
Violation Notes: Returned to compliance on 03/28/2018. UST TANK INFORMATION AS PART OF THE UST PERMIT APPLICATION FAILS TO INCLUDE THE MECHANISM OF OVERFILL PREVENTION FOR THE WASTE OIL TANK. UPDATE UST TANK INFORMATION FOR THE WASTE OIL TANK TO INCLUDE THE MECHANISM OF OVERFILL PREVENTION ON LINE IN CERS WITHIN 30 DAYS.
Violation Division: San Bernardino County Fire Department
Violation Program: UST
Violation Source: CERS,

Site ID: 111162
Site Name: DESERT VIEW MOBIL
Violation Date: 04-03-2014
Citation: HSC 6.7 25299 - California Health and Safety Code, Chapter 6.7, Section(s) 25299
Violation Description: Failure to comply with one or more of the operating permit conditions.
Violation Notes: Returned to compliance on 05/02/2014. POOLED LIQUIDS WERE DISCOVERED INSIDE THE DIESEL TANK SECONDARY CONTAINMENT INTERSTITIAL SPACE DURING THE UST MONITORING SYSTEM CERTIFICATION. WHEN THE DIESEL ANNULAR SENSOR WAS PLACED AT THE LOW POINT THE UST WENT INTO POSITIVE SHUT DOWN DUE TO THE LIQUID IN THE ANNULAR. THE SENSOR SHALL BE MAINTAINED AT THE LOW POINT AND DIESEL TANK WILL REMAIN IN ALARM WITH POSITIVE SHUT DOWN UNTIL POOLED LIQUIDS IN THE ANNULAR HAS BEEN REMOVED. NOTE: RAISING THE SENSOR IS CONSIDERED TAMPERING AND IS A FELONY.
Violation Division: San Bernardino County Fire Department
Violation Program: UST
Violation Source: CERS,

Site ID: 111162
Site Name: DESERT VIEW MOBIL
Violation Date: 03-28-2018
Citation: 23 CCR 16 2637 - California Code of Regulations, Title 23, Chapter 16, Section(s) 2637
Violation Description: Failure to conduct secondary containment testing, or one or more of the following requirements: Perform the test within six months of installation and every 36 months thereafter. Use a procedure that demonstrates the system works as well as at installation. Use applicable manufacturer guidelines, industry codes, engineering standard, or professional engineer approval. Performed by a certified service technician or a licensed tank tester.
Violation Notes: COMPLIANCE NOTE: Testing of 8/21/18 followed tightening of clamps. All previous SB989 failures corrected except failed 89 annular. TC 11/15/19 OBSERVATION: 1) A 7-day notice of significant UST violation was left on site. Facility s 89 tank annular failed during the SB989 Certification performed on 05/09/2017. 2) The DSL STP, 91-Fill sump, UDCs 1/2, 5/6 & 7/8 failed during the SB989 Certification performed on 05/09/2017. COMPLIANCE REQUIREMENT: SUBMIT A SCOPE OF WORK FOR THE REPAIR OF THE 89 ANNULAR SPACE AND THE OTHER FAILED SECONDARY CONTAINMENT COMPONENTS.
Violation Division: San Bernardino County Fire Department
Violation Program: UST
Violation Source: CERS,

Map ID
Direction
Distance
Elevation

MAP FINDINGS

Site

Database(s)

EDR ID Number
EPA ID Number

MOBIL STATION (Continued)

U003784820

Site ID: 111162
Site Name: DESERT VIEW MOBIL
Violation Date: 03-27-2019
Citation: HSC 6.7 25284, 25286 - California Health and Safety Code, Chapter 6.7, Section(s) 25284, 25286
Violation Description: Failure to submit a complete and accurate application for a permit to operate a UST, or for renewal of the permit.
Violation Notes: Returned to compliance on 03/27/2019. OBSERVATION: The tank pages submitted via CERS is not accurate based upon what was observed on-site. CORRECTIVE ACTION: CERS tank pages were updated while on-site, no further action necessary.
Violation Division: San Bernardino County Fire Department
Violation Program: UST
Violation Source: CERS,

Site ID: 111162
Site Name: DESERT VIEW MOBIL
Violation Date: 04-03-2014
Citation: 23 CCR 16 2643 - California Code of Regulations, Title 23, Chapter 16, Section(s) 2643
Violation Description: Failure to demonstrate to the CUPA that the method approved to monitor the tank meets the monitoring methods set forth in 2643(f)
Violation Notes: Returned to compliance on 05/02/2014. POOLED LIQUIDS WERE DISCOVERED INSIDE THE DIESEL TANK SECONDARY CONTAINMENT INTERSTITIAL SPACE DURING THE UST MONITORING SYSTEM CERTIFICATION. WHEN THE DIESEL ANNULAR SENSOR WAS PLACED AT THE LOW POINT THE UST WENT INTO POSITIVE SHUT DOWN DUE TO THE LIQUID IN THE ANNULAR. THE SENSOR SHALL BE MAINTAINED AT THE LOW POINT AND DIESEL TANK WILL REMAIN IN ALARM WITH POSITIVE SHUT DOWN UNTIL POOLED LIQUIDS IN THE ANNULAR HAS BEEN REMOVED. NOTE: RAISING THE SENSOR IS CONSIDERED TAMPERING AND IS A FELONY.
Violation Division: San Bernardino County Fire Department
Violation Program: UST
Violation Source: CERS,

Site ID: 111162
Site Name: DESERT VIEW MOBIL
Violation Date: 03-27-2019
Citation: 23 CCR 16 2641(h) - California Code of Regulations, Title 23, Chapter 16, Section(s) 2641(h)
Violation Description: Failure to have an approved UST Monitoring Plan.
Violation Notes: Returned to compliance on 03/27/2019. OBSERVATION: The monitoring plan submitted via CERS is not accurate based upon what was observed on-site. CORRECTIVE ACTION: CERS monitoring plan was updated while on-site. No further corrective action necessary.
Violation Division: San Bernardino County Fire Department
Violation Program: UST
Violation Source: CERS,

Site ID: 111162
Site Name: DESERT VIEW MOBIL
Violation Date: 03-27-2019
Citation: 23 CCR 16 2716(e) - California Code of Regulations, Title 23, Chapter 16, Section(s) 2716(e)
Violation Description: For designated operator (DO) monthly inspections conducted before October 1, 2018, failure to comply with one or more of the following requirements: Be performed by an ICC certified DO. Inspect monthly alarm history report, check that alarms are documented and responded

Map ID
Direction
Distance
Elevation

MAP FINDINGS

Site

Database(s)

EDR ID Number
EPA ID Number

MOBIL STATION (Continued)

U003784820

to appropriately, and attach a copy. Inspect for the presence of liquid/debris in spill containers. Inspect for the presence of liquid/debris in under dispenser containment (UDC) and ensure that the monitoring equipment is positioned correctly. Inspect for liquid or debris in containment sumps where an alarm occurred with no service visit. Check that all testing and maintenance has been completed and documented. Verify that all facility employees have been trained in accordance with 23 CCR 2715(c). For designated operator (DO) 30 day inspections conducted on and after October 1, 2018, failure to conduct the designated UST operator visual inspection at least once every 30 days.

Violation Notes: Returned to compliance on 04/11/2019. OBSERVATION: The DO inspections are not being conducted every 30 days, they are not signed by the DO, and they are not being signed by the station operator is there is a compliance issue. CORRECTIVE ACTION: Submit a signed statement to this agency within 30 days stating they understand that the DO inspections are to be conducted every 30 days, must be signed by the DO every time, and must be signed by the tank owner/operator if there is a compliance issue.

Violation Division: San Bernardino County Fire Department
Violation Program: UST
Violation Source: CERS,

Site ID: 111162
Site Name: DESERT VIEW MOBIL
Violation Date: 03-28-2017
Citation: 23 CCR 16 2637 - California Code of Regulations, Title 23, Chapter 16, Section(s) 2637

Violation Description: Failure to conduct secondary containment testing, or one or more of the following requirements: Perform the test within six months of installation and every 36 months thereafter. Use a procedure that demonstrates the system works as well as at installation. Use applicable manufacturer guidelines, industry codes, engineering standard, or professional engineer approval. Performed by a certified service technician or a licensed tank tester.

Violation Notes: Returned to compliance on 05/09/2018. PREVIOUS UST SECONDARY CONTAINMENT (SB989) TESTING WAS COMPLETED ON 7/18/2013 AND IS 8 MONTHS PAST DUE. IMMEDIATELY SCHEDULE AN UST SB989 TEST WITH THIS DEPARTMENT WITHIN 30 DAYS.

Violation Division: San Bernardino County Fire Department
Violation Program: UST
Violation Source: CERS,

Site ID: 111162
Site Name: DESERT VIEW MOBIL
Violation Date: 03-17-2021
Citation: 23 CCR 16 2665(b) - California Code of Regulations, Title 23, Chapter 16, Section(s) 2665(b)

Violation Description: "Failure to submit a copy of the overfill prevention equipment inspection results on the Overfill Prevention Equipment Inspection Report Form to the UPA within 30 days after the inspection. "

Violation Notes: Returned to compliance on 11/18/2021. OBSERVATION: THE LAST OVERFILL CERTIFICATION RESULTS FOR 02/27/2019 WAS NOT SUBMITTED TO THIS DEPARTMENT. TEST DATES WERE NOTED FROM ENVISION EVENT CALENDAR. COMPLIANCE REQUIREMENT: SUBMIT A COPY OF OF THE 02/27/2019 OVERFILL RESULTS TO THIS DEPARTMENT.

Violation Division: San Bernardino County Fire Department

Map ID
Direction
Distance
Elevation

MAP FINDINGS

Site

Database(s)

EDR ID Number
EPA ID Number

MOBIL STATION (Continued)

U003784820

Violation Program: UST
Violation Source: CERS,

Site ID: 111162
Site Name: DESERT VIEW MOBIL
Violation Date: 07-31-2013
Citation: HSC 6.67 Multiple - California Health and Safety Code, Chapter 6.67, Section(s) Multiple
Violation Description: Haz Waste Generator Program - Operations/Maintenance - General
Violation Notes: Returned to compliance on 07/31/2013. Failure to note accumulation start date on labels (CCR 66262.34(f)(2)) corrected on site- operator properly labeled the used antifreeze drum

Violation Division: San Bernardino County Fire Department
Violation Program: HW
Violation Source: CERS,

Site ID: 111162
Site Name: DESERT VIEW MOBIL
Violation Date: 03-17-2021
Citation: 23 CCR 16 2638(d) - California Code of Regulations, Title 23, Chapter 16, Section(s) 2638(d)
Violation Description: Failure to submit the Monitoring System Certification Form to the UPA within 30 days of completion of the test.
Violation Notes: Returned to compliance on 11/18/2021. OBSERVATION: THE LAST MONITORING CERTIFICATION RESULTS FOR 03/10/2020) WAS NOT SUBMITTED TO THIS DEPARTMENT. TEST DATES WERE NOTED FROM ENVISION EVENT CALENDAR. COMPLIANCE REQUIREMENT: SUBMIT A COPY OF OF THE 03/10/2020 RESULTS TO THIS DEPARTMENT.
Violation Division: San Bernardino County Fire Department
Violation Program: UST
Violation Source: CERS,

Site ID: 111162
Site Name: DESERT VIEW MOBIL
Violation Date: 03-28-2017
Citation: 23 CCR 16 2715(c) - California Code of Regulations, Title 23, Chapter 16, Section(s) 2715(c)
Violation Description: Failure to comply with one or more of the following designated operator (DO) monthly inspection requirements: Be performed by an ICC certified DO. Inspect monthly alarm history report, check that alarms are documented and responded to appropriately, and attach a copy. Inspect for the presence of liquid/debris in spill containers. Inspect for the presence of liquid/debris in under dispenser containment (UDC) and ensure that the monitoring equipment is positioned correctly. Inspect for liquid or debris in containment sumps where an alarm occurred with no service visit. Check that all testing and maintenance has been completed and documented. Verify that all facility employees have been properly trained.
Violation Notes: Returned to compliance on 03/28/2018. UST DESIGNATED OPERATOR HAS FAILED TO PROVIDE THE FOLLOWING: -FAILED TO PROVIDE UST DESIGNATED OPERATOR TRAINING FOR FACILITY EMPLOYEES. -FAILED TO INFORM FACILITY OPERATOR FOR THE PAST 8 MONTHS THAT UST SYSTEM IS NOT IN COMPLIANCE WITH UST SECONDARY CONTAINMENT TEST REQUIREMENTS ON THE MONTHLY REPORTS. PROVIDE DOCUMENTATION OF EMPLOYEE TRAINING COMPLETED TO THIS DEPARTMENT WITH A SCHEDULED SB989 TEST WITHIN 30 DAYS.
Violation Division: San Bernardino County Fire Department
Violation Program: UST

Map ID
Direction
Distance
Elevation

MAP FINDINGS

Site

Database(s)

EDR ID Number
EPA ID Number

MOBIL STATION (Continued)

U003784820

Violation Source: CERS,

Site ID: 111162
Site Name: DESERT VIEW MOBIL
Violation Date: 07-31-2013
Citation: HSC 6.67 Multiple - California Health and Safety Code, Chapter 6.67, Section(s) Multiple
Violation Description: Haz Waste Generator Program - Operations/Maintenance - General
Violation Notes: Returned to compliance on 07/31/2013. Failure to complete hazardous waste labels (CCR 66262.34(f)(3)) corrected on site- operator properly labeled the used antifreeze drum

Violation Division: San Bernardino County Fire Department
Violation Program: HW
Violation Source: CERS,

Evaluation:
Eval General Type: Compliance Evaluation Inspection
Eval Date: 03-17-2021
Violations Found: Yes
Eval Type: Routine done by local agency
Eval Notes: UST MONITORING CERTIFICATION- MOBIL NEEDLES
Eval Division: San Bernardino County Fire Department
Eval Program: UST
Eval Source: CERS,

Eval General Type: Other/Unknown
Eval Date: 03-27-2019
Violations Found: No
Eval Type: Other, not routine, done by local agency
Eval Notes: Not reported
Eval Division: San Bernardino County Fire Department
Eval Program: UST
Eval Source: CERS,

Eval General Type: Compliance Evaluation Inspection
Eval Date: 04-01-2015
Violations Found: Yes
Eval Type: Routine done by local agency
Eval Notes: HAZARDOUS WASTE INSPECTION IN CONJUNCTION WITH UST ANNUAL INSPECTION
Eval Division: San Bernardino County Fire Department
Eval Program: HW
Eval Source: CERS,

Eval General Type: Compliance Evaluation Inspection
Eval Date: 03-17-2021
Violations Found: No
Eval Type: Routine done by local agency
Eval Notes: UST INSPECTION- MOBIL NEEDLES
Eval Division: San Bernardino County Fire Department
Eval Program: HMRRP
Eval Source: CERS,

Eval General Type: Compliance Evaluation Inspection
Eval Date: 03-28-2017
Violations Found: Yes
Eval Type: Routine done by local agency
Eval Notes: HAZARDOUS MATERIALS INSPECTION - UST ONLY

Map ID
Direction
Distance
Elevation

MAP FINDINGS

Site

Database(s)

EDR ID Number
EPA ID Number

MOBIL STATION (Continued)

U003784820

Eval Division:	San Bernardino County Fire Department
Eval Program:	HMRRP
Eval Source:	CERS,
Eval General Type:	Compliance Evaluation Inspection
Eval Date:	04-01-2015
Violations Found:	No
Eval Type:	Routine done by local agency
Eval Notes:	HAZARDOUS MATERIALS INSPECTION - UST ONLY
Eval Division:	San Bernardino County Fire Department
Eval Program:	HMRRP
Eval Source:	CERS,
Eval General Type:	Compliance Evaluation Inspection
Eval Date:	04-03-2014
Violations Found:	Yes
Eval Type:	Routine done by local agency
Eval Notes:	UST ANNUAL INSPECTION WITH MONITORING SYSTEM CERTIFICATION
Eval Division:	San Bernardino County Fire Department
Eval Program:	UST
Eval Source:	CERS,
Eval General Type:	Compliance Evaluation Inspection
Eval Date:	07-31-2013
Violations Found:	No
Eval Type:	Routine done by local agency
Eval Notes:	desert view mobil-insp
Eval Division:	San Bernardino County Fire Department
Eval Program:	HWRecycler
Eval Source:	CERS,
Eval General Type:	Compliance Evaluation Inspection
Eval Date:	03-10-2020
Violations Found:	No
Eval Type:	Routine done by local agency
Eval Notes:	Not reported
Eval Division:	San Bernardino County Fire Department
Eval Program:	UST
Eval Source:	CERS,
Eval General Type:	Compliance Evaluation Inspection
Eval Date:	03-17-2021
Violations Found:	Yes
Eval Type:	Routine done by local agency
Eval Notes:	UST WASTE INSPECTION- MOBIL NEEDLES
Eval Division:	San Bernardino County Fire Department
Eval Program:	HW
Eval Source:	CERS,
Eval General Type:	Compliance Evaluation Inspection
Eval Date:	03-27-2019
Violations Found:	Yes
Eval Type:	Routine done by local agency
Eval Notes:	Not reported
Eval Division:	San Bernardino County Fire Department
Eval Program:	UST
Eval Source:	CERS,

Map ID
Direction
Distance
Elevation

MAP FINDINGS

Site

Database(s)

EDR ID Number
EPA ID Number

MOBIL STATION (Continued)

U003784820

Eval General Type:	Compliance Evaluation Inspection
Eval Date:	03-28-2016
Violations Found:	No
Eval Type:	Routine done by local agency
Eval Notes:	DESERT VIEW MOBIL -UST INSPECTION
Eval Division:	San Bernardino County Fire Department
Eval Program:	HMRRP
Eval Source:	CERS,
Eval General Type:	Compliance Evaluation Inspection
Eval Date:	03-28-2016
Violations Found:	No
Eval Type:	Routine done by local agency
Eval Notes:	DESERT VIEW MOBIL- UST MONITORING CERTIFICATION
Eval Division:	San Bernardino County Fire Department
Eval Program:	UST
Eval Source:	CERS,
Eval General Type:	Compliance Evaluation Inspection
Eval Date:	03-28-2017
Violations Found:	Yes
Eval Type:	Routine done by local agency
Eval Notes:	UST ANNUAL INSPECTION WITH MONITORING SYSTEM CERTIFICATION.
Eval Division:	San Bernardino County Fire Department
Eval Program:	UST
Eval Source:	CERS,
Eval General Type:	Compliance Evaluation Inspection
Eval Date:	03-28-2018
Violations Found:	Yes
Eval Type:	Routine done by local agency
Eval Notes:	MOBIL- UST INSPECTION AND UST MONITORING CERTIFICSTION.
Eval Division:	San Bernardino County Fire Department
Eval Program:	UST
Eval Source:	CERS,
Eval General Type:	Compliance Evaluation Inspection
Eval Date:	04-01-2015
Violations Found:	Yes
Eval Type:	Routine done by local agency
Eval Notes:	UST ANNUAL INSPECTION WITH MONITORING SYSTEM CERTIFICATION
Eval Division:	San Bernardino County Fire Department
Eval Program:	UST
Eval Source:	CERS,
Eval General Type:	Compliance Evaluation Inspection
Eval Date:	07-31-2013
Violations Found:	No
Eval Type:	Routine done by local agency
Eval Notes:	desert view mobil-insp
Eval Division:	San Bernardino County Fire Department
Eval Program:	HMRRP
Eval Source:	CERS,
Eval General Type:	Compliance Evaluation Inspection
Eval Date:	07-31-2013
Violations Found:	Yes

Map ID
Direction
Distance
Elevation

MAP FINDINGS

Site

Database(s)

EDR ID Number
EPA ID Number

MOBIL STATION (Continued)

U003784820

Eval Type: Routine done by local agency
Eval Notes: desert view mobil-insp
Eval Division: San Bernardino County Fire Department
Eval Program: HW
Eval Source: CERS,

Enforcement Action:

Site ID: 111162
Site Name: DESERT VIEW MOBIL
Site Address: 2511 W BROADWAY
Site City: NEEDLES
Site Zip: 92363
Enf Action Date: 03-28-2017
Enf Action Type: Notice of Violation (Unified Program)
Enf Action Description: Notice of Violation Issued by the Inspector at the Time of Inspection
Enf Action Notes: Not reported
Enf Action Division: San Bernardino County Fire Department
Enf Action Program: HMRRP
Enf Action Source: CERS,

Site ID: 111162
Site Name: DESERT VIEW MOBIL
Site Address: 2511 W BROADWAY
Site City: NEEDLES
Site Zip: 92363
Enf Action Date: 03-28-2017
Enf Action Type: Notice of Violation (Unified Program)
Enf Action Description: Notice of Violation Issued by the Inspector at the Time of Inspection
Enf Action Notes: Not reported
Enf Action Division: San Bernardino County Fire Department
Enf Action Program: UST
Enf Action Source: CERS,

Site ID: 111162
Site Name: DESERT VIEW MOBIL
Site Address: 2511 W BROADWAY
Site City: NEEDLES
Site Zip: 92363
Enf Action Date: 04-01-2015
Enf Action Type: Notice of Violation (Unified Program)
Enf Action Description: Notice of Violation Issued by the Inspector at the Time of Inspection
Enf Action Notes: Not reported
Enf Action Division: San Bernardino County Fire Department
Enf Action Program: HW
Enf Action Source: CERS,

Site ID: 111162
Site Name: DESERT VIEW MOBIL
Site Address: 2511 W BROADWAY
Site City: NEEDLES
Site Zip: 92363
Enf Action Date: 04-01-2015
Enf Action Type: Notice of Violation (Unified Program)
Enf Action Description: Notice of Violation Issued by the Inspector at the Time of Inspection
Enf Action Notes: Not reported
Enf Action Division: San Bernardino County Fire Department
Enf Action Program: UST

Map ID
Direction
Distance
Elevation

MAP FINDINGS

Site

Database(s)

EDR ID Number
EPA ID Number

MOBIL STATION (Continued)

U003784820

Enf Action Source: CERS,

Site ID: 111162
Site Name: DESERT VIEW MOBIL
Site Address: 2511 W BROADWAY
Site City: NEEDLES
Site Zip: 92363
Enf Action Date: 04-03-2014
Enf Action Type: Notice of Violation (Unified Program)
Enf Action Description: Notice of Violation Issued by the Inspector at the Time of Inspection
Enf Action Notes: Not reported
Enf Action Division: San Bernardino County Fire Department
Enf Action Program: UST
Enf Action Source: CERS,

Site ID: 111162
Site Name: DESERT VIEW MOBIL
Site Address: 2511 W BROADWAY
Site City: NEEDLES
Site Zip: 92363
Enf Action Date: 07-31-2013
Enf Action Type: Notice of Violation (Unified Program)
Enf Action Description: Notice of Violation Issued by the Inspector at the Time of Inspection
Enf Action Notes: Not reported
Enf Action Division: San Bernardino County Fire Department
Enf Action Program: HW
Enf Action Source: CERS,

Affiliation:

Affiliation Type Desc: Environmental Contact
Entity Name: BILL TITCHNELL
Entity Title: Not reported
Affiliation Address: 2511 W NEEDLES HWY
Affiliation City: NEEDLES
Affiliation State: CA
Affiliation Country: Not reported
Affiliation Zip: 92363
Affiliation Phone: ,

Affiliation Type Desc: Identification Signer
Entity Name: Bill Titchnell
Entity Title: General Manager
Affiliation Address: Not reported
Affiliation City: Not reported
Affiliation State: Not reported
Affiliation Country: Not reported
Affiliation Zip: Not reported
Affiliation Phone: ,

Affiliation Type Desc: Operator
Entity Name: Johnny Harrell
Entity Title: Not reported
Affiliation Address: Not reported
Affiliation City: Not reported
Affiliation State: Not reported
Affiliation Country: Not reported
Affiliation Zip: Not reported

Map ID
Direction
Distance
Elevation

MAP FINDINGS

Site

Database(s)

EDR ID Number
EPA ID Number

MOBIL STATION (Continued)

U003784820

Affiliation Phone: (928) 234-5150,
Affiliation Type Desc: UST Property Owner Name
Entity Name: Johnny R Harrell
Entity Title: Not reported
Affiliation Address: P.O. Box 620
Affiliation City: Needles
Affiliation State: CA
Affiliation Country: United States
Affiliation Zip: 92363
Affiliation Phone: (760) 326-3855,

Affiliation Type Desc: Facility Mailing Address
Entity Name: Mailing Address
Entity Title: Not reported
Affiliation Address: 2511 WEST BROADWAY
Affiliation City: NEEDLES
Affiliation State: CA
Affiliation Country: Not reported
Affiliation Zip: 92363
Affiliation Phone: ,

Affiliation Type Desc: Parent Corporation
Entity Name: DESERT VIEW MOBIL
Entity Title: Not reported
Affiliation Address: Not reported
Affiliation City: Not reported
Affiliation State: Not reported
Affiliation Country: Not reported
Affiliation Zip: Not reported
Affiliation Phone: ,

Affiliation Type Desc: Property Owner
Entity Name: Johnny Harrell
Entity Title: Not reported
Affiliation Address: 2511 W BROADWAY
Affiliation City: NEEDLES
Affiliation State: CA
Affiliation Country: United States
Affiliation Zip: 92363
Affiliation Phone: (928) 234-5150,

Affiliation Type Desc: Document Preparer
Entity Name: Bill Titchnell
Entity Title: Not reported
Affiliation Address: Not reported
Affiliation City: Not reported
Affiliation State: Not reported
Affiliation Country: Not reported
Affiliation Zip: Not reported
Affiliation Phone: ,

Affiliation Type Desc: Legal Owner
Entity Name: HARRELL, JOHNNY
Entity Title: Not reported
Affiliation Address: 2511 W BROADWAY
Affiliation City: NEEDLES

Map ID
Direction
Distance
Elevation

MAP FINDINGS

Site

Database(s)

EDR ID Number
EPA ID Number

MOBIL STATION (Continued)

U003784820

Affiliation State: CA
Affiliation Country: United States
Affiliation Zip: 92363
Affiliation Phone: (928) 763-3628,

Affiliation Type Desc: UST Permit Applicant
Entity Name: Bill Titchnell
Entity Title: General Manager
Affiliation Address: Not reported
Affiliation City: Not reported
Affiliation State: Not reported
Affiliation Country: Not reported
Affiliation Zip: Not reported
Affiliation Phone: (760) 326-3855,

Affiliation Type Desc: CUPA District
Entity Name: San Bernardino County Fire
Entity Title: Not reported
Affiliation Address: 620 South E Street
Affiliation City: San Bernardino
Affiliation State: CA
Affiliation Country: Not reported
Affiliation Zip: 92415-0153
Affiliation Phone: (909) 386-8401,

Affiliation Type Desc: UST Tank Operator
Entity Name: Johnny R Harrell
Entity Title: Not reported
Affiliation Address: P.O. Box 620
Affiliation City: Needles
Affiliation State: Ca
Affiliation Country: United States
Affiliation Zip: 92363
Affiliation Phone: (760) 326-3855,

Affiliation Type Desc: UST Tank Owner
Entity Name: Johnny R Harrell
Entity Title: Not reported
Affiliation Address: P.O. Box 620
Affiliation City: Needles
Affiliation State: Ca
Affiliation Country: United States
Affiliation Zip: 92363
Affiliation Phone: (760) 326-3855,

W142
Target 1005 VINE ST
Property NEEDLES, CA 92363

ERNS 94265385
N/A

Site 3 of 29 in cluster W

Actual:
511 ft.

[Click this hyperlink](#) while viewing on your computer to access additional ERNS detail in the EDR Site Report.

Focus Map:
6

Map ID
 Direction
 Distance
 Elevation

MAP FINDINGS

Site

Database(s)

EDR ID Number
 EPA ID Number

W143 **MCDANIELS GARAGE**
Target **1005 VINE ST**
Property **NEEDLES, CA 92363**

RCRA-SQG **1000152594**
FINDS **CAD982476988**
ECHO
San Bern. Co. Permit

Site 4 of 29 in cluster W

Actual:
511 ft.

RCRA-SQG:

Focus Map:
6

Date Form Received by Agency:	MCDANIELS GARAGE	19910705
Handler Name:	MCDANIELS GARAGE	
Handler Address:		1005 VINE ST
Handler City,State,Zip:		NEEDLES, CA 92363
EPA ID:		CAD982476988
Contact Name:		ANDREWS THOMAS
Contact Address:		1005 VINE ST
Contact City,State,Zip:		NEEDLES, CA 92363
Contact Telephone:		619-326-3134
Contact Fax:		Not reported
Contact Email:		Not reported
Contact Title:		Not reported
EPA Region:		09
Land Type:		Not reported
Federal Waste Generator Description:		Small Quantity Generator
Non-Notifier:		Not reported
Biennial Report Cycle:		Not reported
Accessibility:		Not reported
Active Site Indicator:		Handler Activities
State District Owner:		CA
State District:		4
Mailing Address:		VINE ST
Mailing City,State,Zip:		NEEDLES, CA 92363
Owner Name:	DON JOHNSON	
Owner Type:		Private
Operator Name:	NOT REQUIRED	
Operator Type:		Private
Short-Term Generator Activity:		No
Importer Activity:		No
Mixed Waste Generator:		No
Transporter Activity:		No
Transfer Facility Activity:		No
Recycler Activity with Storage:		No
Small Quantity On-Site Burner Exemption:		No
Smelting Melting and Refining Furnace Exemption:		No
Underground Injection Control:		No
Off-Site Waste Receipt:		No
Universal Waste Indicator:		No
Universal Waste Destination Facility:		No
Federal Universal Waste:		No
Active Site Fed-Reg Treatment Storage and Disposal Facility:		Not reported
Active Site Converter Treatment storage and Disposal Facility:		Not reported
Active Site State-Reg Treatment Storage and Disposal Facility:		Not reported
Active Site State-Reg Handler:		---
Federal Facility Indicator:		Not reported
Hazardous Secondary Material Indicator:		NN
Sub-Part K Indicator:		Not reported
Commercial TSD Indicator:		No
Treatment Storage and Disposal Type:		Not reported
2018 GPRA Permit Baseline:		Not on the Baseline
2018 GPRA Renewals Baseline:		Not on the Baseline
Permit Renewals Workload Universe:		Not reported

Map ID
 Direction
 Distance
 Elevation

MAP FINDINGS

Site

Database(s)

EDR ID Number
 EPA ID Number

MCDANIELS GARAGE (Continued)

1000152594

Permit Workload Universe:	Not reported
Permit Progress Universe:	Not reported
Post-Closure Workload Universe:	Not reported
Closure Workload Universe:	Not reported
202 GPRA Corrective Action Baseline:	No
Corrective Action Workload Universe:	No
Subject to Corrective Action Universe:	No
Non-TSDFs Where RCRA CA has Been Imposed Universe:	No
TSDFs Potentially Subject to CA Under 3004 (u)/(v) Universe:	No
TSDFs Only Subject to CA under Discretionary Auth Universe:	No
Corrective Action Priority Ranking:	No NCAPS ranking
Environmental Control Indicator:	No
Institutional Control Indicator:	No
Human Exposure Controls Indicator:	N/A
Groundwater Controls Indicator:	N/A
Operating TSDF Universe:	Not reported
Full Enforcement Universe:	Not reported
Significant Non-Complier Universe:	No
Unaddressed Significant Non-Complier Universe:	No
Addressed Significant Non-Complier Universe:	No
Significant Non-Complier With a Compliance Schedule Universe:	No
Financial Assurance Required:	Not reported
Handler Date of Last Change:	20000915
Recognized Trader-Importer:	No
Recognized Trader-Exporter:	No
Importer of Spent Lead Acid Batteries:	No
Exporter of Spent Lead Acid Batteries:	No
Recycler Activity Without Storage:	Not reported
Manifest Broker:	Not reported
Sub-Part P Indicator:	No

Handler - Owner Operator:

Owner/Operator Indicator:	Owner
Owner/Operator Name: DON JOHNSON	
Legal Status:	Private
Date Became Current:	Not reported
Date Ended Current:	Not reported
Owner/Operator Address:	NOT REQUIRED
Owner/Operator City,State,Zip:	NOT REQUIRED, ME 99999
Owner/Operator Telephone:	415-555-1212
Owner/Operator Telephone Ext:	Not reported
Owner/Operator Fax:	Not reported
Owner/Operator Email:	Not reported

Owner/Operator Indicator:	Operator
Owner/Operator Name: NOT REQUIRED	
Legal Status:	Private
Date Became Current:	Not reported
Date Ended Current:	Not reported
Owner/Operator Address:	NOT REQUIRED
Owner/Operator City,State,Zip:	NOT REQUIRED, ME 99999
Owner/Operator Telephone:	415-555-1212
Owner/Operator Telephone Ext:	Not reported
Owner/Operator Fax:	Not reported
Owner/Operator Email:	Not reported

Map ID
Direction
Distance
Elevation

MAP FINDINGS

Site

Database(s)

EDR ID Number
EPA ID Number

MCDANIELS GARAGE (Continued)

1000152594

Historic Generators:

Receive Date: 19910705
Handler Name: MCDANIELS GARAGE
Federal Waste Generator Description: Small Quantity Generator
State District Owner: CA
Large Quantity Handler of Universal Waste: No
Recognized Trader Importer: No
Recognized Trader Exporter: No
Spent Lead Acid Battery Importer: No
Spent Lead Acid Battery Exporter: No
Current Record: Yes
Non Storage Recycler Activity: Not reported
Electronic Manifest Broker: Not reported

List of NAICS Codes and Descriptions:

NAICS Codes: No NAICS Codes Found

Facility Has Received Notices of Violations:

Violations: No Violations Found

Evaluation Action Summary:

Evaluations: No Evaluations Found

FINDS:

Registry ID: 110002823375

[Click Here for FRS Facility Detail Report:](#)

Environmental Interest/Information System:

California Hazardous Waste Tracking System - Datamart (HWTS-DATAMART) provides California with information on hazardous waste shipments for generators, transporters, and treatment, storage, and disposal facilities.

RCRAInfo is a national information system that supports the Resource Conservation and Recovery Act (RCRA) program through the tracking of events and activities related to facilities that generate, transport, and treat, store, or dispose of hazardous waste. RCRAInfo allows RCRA program staff to track the notification, permit, compliance, and corrective action activities required under RCRA.

[Click this hyperlink](#) while viewing on your computer to access additional FINDS: detail in the EDR Site Report.

ECHO:

Envid: 1000152594
Registry ID: 110002823375
DFR URL: <http://echo.epa.gov/detailed-facility-report?fid=110002823375>
Name: MCDANIELS GARAGE
Address: 1005 VINE ST
City,State,Zip: NEEDLES, CA 92363

San Bern. Co. Permit:

Name: MCDANIEL'S GARAGE
Address: 1005 VINE ST

Map ID
Direction
Distance
Elevation

MAP FINDINGS

Site

Database(s)

EDR ID Number
EPA ID Number

MCDANIELS GARAGE (Continued)

1000152594

City,State,Zip: NEEDLES, CA 92363
Region: SAN BERNARDINO
Facility ID: FA0004633
Owner: J STREET INC
Permit Number: PT0003761
Permit Category: HAZARDOUS WASTE GENERATOR - 0-10 EMPLOYEES
Facility Status: INACTIVE
Expiration Date: 08/31/2008

Name: MCDANIEL'S GARAGE
Address: 1005 VINE ST
City,State,Zip: NEEDLES, CA 92363
Region: SAN BERNARDINO
Facility ID: FA0004633
Owner: J STREET INC
Permit Number: PT0003760
Permit Category: HAZMAT HANDLER 0-10 EMPLOYEES (W/GEN PRMT)
Facility Status: INACTIVE
Expiration Date: 08/31/2008

W144 **J STREET INC**
Target **1005 VINE ST**
Property **NEEDLES, CA 92363**

HAZNET **S113016542**
HWTS **N/A**

Site 5 of 29 in cluster W

Actual:
511 ft.

Focus Map:
6

HAZNET:
Name: J STREET INC
Address: 1005 VINE ST
Address 2: Not reported
City,State,Zip: NEEDLES, CA 923630000
Contact: MIKE TAYLOR
Telephone: 7603263134
Mailing Name: Not reported
Mailing Address: 1005 VINE ST

Year: 2005
Gepaid: CAD982476988
TSD EPA ID: NVR000066837
CA Waste Code: 213 - Hydrocarbon solvents (benzene, hexane, Stoddard, Etc.)
Disposal Method: H01 - Transfer Station
Tons: 0.18348

Year: 2005
Gepaid: CAD982476988
TSD EPA ID: NVR000066837
CA Waste Code: 741 - Liquids with halogenated organic compounds >= 1,000 Mg./L
Disposal Method: H01 - Transfer Station
Tons: 0.06255

Year: 2004
Gepaid: CAD982476988
TSD EPA ID: NVR000066837
CA Waste Code: 741 - Liquids with halogenated organic compounds >= 1,000 Mg./L
Disposal Method: H01 - Transfer Station
Tons: 0.0417

Year: 2004

Map ID
Direction
Distance
Elevation

MAP FINDINGS

Site

Database(s)

EDR ID Number
EPA ID Number

J STREET INC (Continued)

S113016542

Gepaid:	CAD982476988
TSD EPA ID:	NVR000066837
CA Waste Code:	343 - Unspecified organic liquid mixture
Disposal Method:	H01 - Transfer Station
Tons:	Not reported
Year:	2004
Gepaid:	CAD982476988
TSD EPA ID:	NVR000066837
CA Waste Code:	221 - Waste oil and mixed oil
Disposal Method:	-
Tons:	1.254
Year:	2004
Gepaid:	CAD982476988
TSD EPA ID:	NVR000066837
CA Waste Code:	213 - Hydrocarbon solvents (benzene, hexane, Stoddard, Etc.)
Disposal Method:	H01 - Transfer Station
Tons:	0.09174
Year:	2003
Gepaid:	CAD982476988
TSD EPA ID:	NVR000066837
CA Waste Code:	213 - Hydrocarbon solvents (benzene, hexane, Stoddard, Etc.)
Disposal Method:	H01 - Transfer Station
Tons:	0.2502
Year:	2003
Gepaid:	CAD982476988
TSD EPA ID:	NVR000066837
CA Waste Code:	741 - Liquids with halogenated organic compounds >= 1,000 Mg./L
Disposal Method:	H01 - Transfer Station
Tons:	0.0834
Year:	2002
Gepaid:	CAD982476988
TSD EPA ID:	NVT330010208
CA Waste Code:	741 - Liquids with halogenated organic compounds >= 1,000 Mg./L
Disposal Method:	H01 - Transfer Station
Tons:	0.04587
Year:	2002
Gepaid:	CAD982476988
TSD EPA ID:	NVR000066837
CA Waste Code:	213 - Hydrocarbon solvents (benzene, hexane, Stoddard, Etc.)
Disposal Method:	H01 - Transfer Station
Tons:	0.05838

[Click this hyperlink](#) while viewing on your computer to access
12 additional CA HAZNET: record(s) in the EDR Site Report.

Additional Info:

Year:	2005
Gen EPA ID:	CAD982476988
Shipment Date:	20051130

Map ID
Direction
Distance
Elevation

MAP FINDINGS

Site

Database(s)

EDR ID Number
EPA ID Number

J STREET INC (Continued)

S113016542

Creation Date:	1/2/2007 18:30:20
Receipt Date:	20051130
Manifest ID:	24364946
Trans EPA ID:	TXR000050930
Trans Name:	SAFETY-KLEEN SYSTEMS INC
Trans 2 EPA ID:	Not reported
Trans 2 Name:	Not reported
TSDf EPA ID:	NVR000066837
Trans Name:	SAFETY-KLEEN SYSTEMS INC
TSDf Alt EPA ID:	Not reported
TSDf Alt Name:	Not reported
Waste Code Description:	213 - Hydrocarbon solvents (benzene, hexane, Stoddard, etc.
RCRA Code:	D039
Meth Code:	H01 - Transfer Station
Quantity Tons:	0.05838
Waste Quantity:	14
Quantity Unit:	G
Additional Code 1:	Not reported
Additional Code 2:	Not reported
Additional Code 3:	Not reported
Additional Code 4:	Not reported
Additional Code 5:	Not reported
Shipment Date:	20051130
Creation Date:	1/2/2007 18:30:20
Receipt Date:	20051130
Manifest ID:	24364946
Trans EPA ID:	TXR000050930
Trans Name:	SAFETY-KLEEN SYSTEMS INC
Trans 2 EPA ID:	Not reported
Trans 2 Name:	Not reported
TSDf EPA ID:	NVR000066837
Trans Name:	SAFETY-KLEEN SYSTEMS INC
TSDf Alt EPA ID:	Not reported
TSDf Alt Name:	Not reported
Waste Code Description:	741 - Liquids with halogenated organic compounds > 1000 mg/l
RCRA Code:	D006
Meth Code:	H01 - Transfer Station
Quantity Tons:	0.02085
Waste Quantity:	5
Quantity Unit:	G
Additional Code 1:	Not reported
Additional Code 2:	Not reported
Additional Code 3:	Not reported
Additional Code 4:	Not reported
Additional Code 5:	Not reported
Shipment Date:	20050602
Creation Date:	8/17/2005 18:31:07
Receipt Date:	20050602
Manifest ID:	23020304
Trans EPA ID:	TXR000050930
Trans Name:	SAFETY-KLEEN SYSTEMS INC
Trans 2 EPA ID:	Not reported
Trans 2 Name:	Not reported
TSDf EPA ID:	NVR000066837
Trans Name:	SAFETY-KLEEN SYSTEMS INC

Map ID
Direction
Distance
Elevation

MAP FINDINGS

Site

Database(s)

EDR ID Number
EPA ID Number

J STREET INC (Continued)

S113016542

TSDf Alt EPA ID:	Not reported
TSDf Alt Name:	Not reported
Waste Code Description:	213 - Hydrocarbon solvents (benzene, hexane, Stoddard, etc.
RCRA Code:	D039
Meth Code:	H01 - Transfer Station
Quantity Tons:	0.06255
Waste Quantity:	15
Quantity Unit:	G
Additional Code 1:	Not reported
Additional Code 2:	Not reported
Additional Code 3:	Not reported
Additional Code 4:	Not reported
Additional Code 5:	Not reported
Shipment Date:	20050602
Creation Date:	8/17/2005 18:31:07
Receipt Date:	20050602
Manifest ID:	23020304
Trans EPA ID:	TXR000050930
Trans Name:	SAFETY-KLEEN SYSTEMS INC
Trans 2 EPA ID:	Not reported
Trans 2 Name:	Not reported
TSDf EPA ID:	NVR000066837
Trans Name:	SAFETY-KLEEN SYSTEMS INC
TSDf Alt EPA ID:	Not reported
TSDf Alt Name:	Not reported
Waste Code Description:	741 - Liquids with halogenated organic compounds > 1000 mg/l
RCRA Code:	D006
Meth Code:	H01 - Transfer Station
Quantity Tons:	0.02085
Waste Quantity:	5
Quantity Unit:	G
Additional Code 1:	Not reported
Additional Code 2:	Not reported
Additional Code 3:	Not reported
Additional Code 4:	Not reported
Additional Code 5:	Not reported
Shipment Date:	20050118
Creation Date:	3/17/2005 18:34:39
Receipt Date:	20050118
Manifest ID:	23722856
Trans EPA ID:	TXR000050930
Trans Name:	SAFETY-KLEEN SYSTEMS INC
Trans 2 EPA ID:	Not reported
Trans 2 Name:	Not reported
TSDf EPA ID:	NVR000066837
Trans Name:	SAFETY-KLEEN SYSTEMS INC
TSDf Alt EPA ID:	Not reported
TSDf Alt Name:	Not reported
Waste Code Description:	741 - Liquids with halogenated organic compounds > 1000 mg/l
RCRA Code:	D006
Meth Code:	H01 - Transfer Station
Quantity Tons:	0.02085
Waste Quantity:	5
Quantity Unit:	G
Additional Code 1:	Not reported

Map ID
Direction
Distance
Elevation

MAP FINDINGS

Site

Database(s)

EDR ID Number
EPA ID Number

J STREET INC (Continued)

S113016542

Additional Code 2: Not reported
Additional Code 3: Not reported
Additional Code 4: Not reported
Additional Code 5: Not reported

Shipment Date: 20050118
Creation Date: 3/17/2005 18:34:39
Receipt Date: 20050118
Manifest ID: 23722856
Trans EPA ID: TXR000050930
Trans Name: SAFETY-KLEEN SYSTEMS INC
Trans 2 EPA ID: Not reported
Trans 2 Name: Not reported
TSDf EPA ID: NVR000066837
Trans Name: SAFETY-KLEEN SYSTEMS INC
TSDf Alt EPA ID: Not reported
TSDf Alt Name: Not reported
Waste Code Description: 213 - Hydrocarbon solvents (benzene, hexane, Stoddard, etc.
RCRA Code: D039
Meth Code: H01 - Transfer Station
Quantity Tons: 0.06255
Waste Quantity: 15
Quantity Unit: G
Additional Code 1: Not reported
Additional Code 2: Not reported
Additional Code 3: Not reported
Additional Code 4: Not reported
Additional Code 5: Not reported

Additional Info:
Year: 1999
Gen EPA ID: CAD982476988

Shipment Date: 19991216
Creation Date: 2/1/2000 0:00:00
Receipt Date: 19991216
Manifest ID: 99532754
Trans EPA ID: ILD984908202
Trans Name: Not reported
Trans 2 EPA ID: Not reported
Trans 2 Name: Not reported
TSDf EPA ID: NVT330010208
Trans Name: Not reported
TSDf Alt EPA ID: Not reported
TSDf Alt Name: Not reported
Waste Code Description: 213 - Hydrocarbon solvents (benzene, hexane, Stoddard, etc.
RCRA Code: D039
Meth Code: H01 - Transfer Station
Quantity Tons: 0.0625
Waste Quantity: 15
Quantity Unit: G
Additional Code 1: Not reported
Additional Code 2: Not reported
Additional Code 3: Not reported
Additional Code 4: Not reported
Additional Code 5: Not reported

Map ID
Direction
Distance
Elevation

MAP FINDINGS

Site

Database(s)

EDR ID Number
EPA ID Number

J STREET INC (Continued)

S113016542

Shipment Date: 19991216
Creation Date: 2/1/2000 0:00:00
Receipt Date: 19991216
Manifest ID: 99532754
Trans EPA ID: ILD984908202
Trans Name: Not reported
Trans 2 EPA ID: Not reported
Trans 2 Name: Not reported
TSDf EPA ID: NVT330010208
Trans Name: Not reported
TSDf Alt EPA ID: Not reported
TSDf Alt Name: Not reported
Waste Code Description: 741 - Liquids with halogenated organic compounds > 1000 mg/l
RCRA Code: D006
Meth Code: H01 - Transfer Station
Quantity Tons: 0.0208
Waste Quantity: 5
Quantity Unit: G
Additional Code 1: Not reported
Additional Code 2: Not reported
Additional Code 3: Not reported
Additional Code 4: Not reported
Additional Code 5: Not reported

Shipment Date: 19991020
Creation Date: 11/22/1999 0:00:00
Receipt Date: 19991020
Manifest ID: 99512661
Trans EPA ID: ILD984908202
Trans Name: Not reported
Trans 2 EPA ID: Not reported
Trans 2 Name: Not reported
TSDf EPA ID: NVT330010208
Trans Name: Not reported
TSDf Alt EPA ID: Not reported
TSDf Alt Name: Not reported
Waste Code Description: 741 - Liquids with halogenated organic compounds > 1000 mg/l
RCRA Code: D006
Meth Code: H01 - Transfer Station
Quantity Tons: 0.0208
Waste Quantity: 5
Quantity Unit: G
Additional Code 1: Not reported
Additional Code 2: Not reported
Additional Code 3: Not reported
Additional Code 4: Not reported
Additional Code 5: Not reported

Shipment Date: 19990825
Creation Date: 10/12/1999 0:00:00
Receipt Date: 19990825
Manifest ID: 99052318
Trans EPA ID: ILD984908202
Trans Name: Not reported
Trans 2 EPA ID: Not reported
Trans 2 Name: Not reported
TSDf EPA ID: NVT330010208

Map ID
Direction
Distance
Elevation

MAP FINDINGS

Site

Database(s)

EDR ID Number
EPA ID Number

J STREET INC (Continued)

S113016542

Trans Name: Not reported
TSDf Alt EPA ID: Not reported
TSDf Alt Name: Not reported
Waste Code Description: 741 - Liquids with halogenated organic compounds > 1000 mg/l
RCRA Code: D006
Meth Code: H01 - Transfer Station
Quantity Tons: 0.0208
Waste Quantity: 5
Quantity Unit: G
Additional Code 1: Not reported
Additional Code 2: Not reported
Additional Code 3: Not reported
Additional Code 4: Not reported
Additional Code 5: Not reported

Shipment Date: 19990825
Creation Date: 10/12/1999 0:00:00
Receipt Date: 19990825
Manifest ID: 99052318
Trans EPA ID: ILD984908202
Trans Name: Not reported
Trans 2 EPA ID: Not reported
Trans 2 Name: Not reported
TSDf EPA ID: NVT330010208
Trans Name: Not reported
TSDf Alt EPA ID: Not reported
TSDf Alt Name: Not reported
Waste Code Description: 213 - Hydrocarbon solvents (benzene, hexane, Stoddard, etc.)
RCRA Code: D039
Meth Code: H01 - Transfer Station
Quantity Tons: 0.0625
Waste Quantity: 15
Quantity Unit: G
Additional Code 1: Not reported
Additional Code 2: Not reported
Additional Code 3: Not reported
Additional Code 4: Not reported
Additional Code 5: Not reported

Shipment Date: 19990630
Creation Date: 8/16/1999 0:00:00
Receipt Date: 19990630
Manifest ID: 99237168
Trans EPA ID: ILD984908202
Trans Name: Not reported
Trans 2 EPA ID: Not reported
Trans 2 Name: Not reported
TSDf EPA ID: NVT330010208
Trans Name: Not reported
TSDf Alt EPA ID: Not reported
TSDf Alt Name: Not reported
Waste Code Description: 741 - Liquids with halogenated organic compounds > 1000 mg/l
RCRA Code: D006
Meth Code: H01 - Transfer Station
Quantity Tons: 0.0208
Waste Quantity: 5
Quantity Unit: G

Map ID
Direction
Distance
Elevation

MAP FINDINGS

Site

Database(s)

EDR ID Number
EPA ID Number

J STREET INC (Continued)

S113016542

Additional Code 1:	Not reported
Additional Code 2:	Not reported
Additional Code 3:	Not reported
Additional Code 4:	Not reported
Additional Code 5:	Not reported
Shipment Date:	19990506
Creation Date:	6/10/1999 0:00:00
Receipt Date:	19990506
Manifest ID:	98798934
Trans EPA ID:	ILD984908202
Trans Name:	Not reported
Trans 2 EPA ID:	Not reported
Trans 2 Name:	Not reported
TSDf EPA ID:	NVT330010208
Trans Name:	Not reported
TSDf Alt EPA ID:	Not reported
TSDf Alt Name:	Not reported
Waste Code Description:	741 - Liquids with halogenated organic compounds > 1000 mg/l
RCRA Code:	D006
Meth Code:	H01 - Transfer Station
Quantity Tons:	0.0208
Waste Quantity:	5
Quantity Unit:	G
Additional Code 1:	Not reported
Additional Code 2:	Not reported
Additional Code 3:	Not reported
Additional Code 4:	Not reported
Additional Code 5:	Not reported
Shipment Date:	19990506
Creation Date:	6/10/1999 0:00:00
Receipt Date:	19990506
Manifest ID:	98798934
Trans EPA ID:	ILD984908202
Trans Name:	Not reported
Trans 2 EPA ID:	Not reported
Trans 2 Name:	Not reported
TSDf EPA ID:	NVT330010208
Trans Name:	Not reported
TSDf Alt EPA ID:	Not reported
TSDf Alt Name:	Not reported
Waste Code Description:	213 - Hydrocarbon solvents (benzene, hexane, Stoddard, etc.
RCRA Code:	D039
Meth Code:	H01 - Transfer Station
Quantity Tons:	0.0625
Waste Quantity:	15
Quantity Unit:	G
Additional Code 1:	Not reported
Additional Code 2:	Not reported
Additional Code 3:	Not reported
Additional Code 4:	Not reported
Additional Code 5:	Not reported
Shipment Date:	19990304
Creation Date:	4/20/1999 0:00:00
Receipt Date:	19990304

Map ID
Direction
Distance
Elevation

MAP FINDINGS

Site

Database(s)

EDR ID Number
EPA ID Number

J STREET INC (Continued)

S113016542

Manifest ID: 98871131
Trans EPA ID: ILD984908202
Trans Name: Not reported
Trans 2 EPA ID: Not reported
Trans 2 Name: Not reported
TSDf EPA ID: NVT330010208
Trans Name: Not reported
TSDf Alt EPA ID: Not reported
TSDf Alt Name: Not reported
Waste Code Description: 741 - Liquids with halogenated organic compounds > 1000 mg/l
RCRA Code: D006
Meth Code: H01 - Transfer Station
Quantity Tons: 0.0208
Waste Quantity: 5
Quantity Unit: G
Additional Code 1: Not reported
Additional Code 2: Not reported
Additional Code 3: Not reported
Additional Code 4: Not reported
Additional Code 5: Not reported

Shipment Date: 19990304
Creation Date: 4/20/1999 0:00:00
Receipt Date: 19990304
Manifest ID: 98871131
Trans EPA ID: ILD984908202
Trans Name: Not reported
Trans 2 EPA ID: Not reported
Trans 2 Name: Not reported
TSDf EPA ID: NVT330010208
Trans Name: Not reported
TSDf Alt EPA ID: Not reported
TSDf Alt Name: Not reported
Waste Code Description: 134 - Aqueous solution with <10% total organic residues
RCRA Code: D039
Meth Code: H01 - Transfer Station
Quantity Tons: 0.1092
Waste Quantity: 26
Quantity Unit: G
Additional Code 1: Not reported
Additional Code 2: Not reported
Additional Code 3: Not reported
Additional Code 4: Not reported
Additional Code 5: Not reported

Additional Info:
Year: 2000
Gen EPA ID: CAD982476988

Shipment Date: 20001108
Creation Date: 1/9/2001 0:00:00
Receipt Date: 20001108
Manifest ID: 20294601
Trans EPA ID: SCR000075150
Trans Name: Not reported
Trans 2 EPA ID: Not reported
Trans 2 Name: Not reported

Map ID
Direction
Distance
Elevation

MAP FINDINGS

Site

Database(s)

EDR ID Number
EPA ID Number

J STREET INC (Continued)

S113016542

TSDF EPA ID:	NVT330010208
Trans Name:	Not reported
TSDF Alt EPA ID:	Not reported
TSDF Alt Name:	Not reported
Waste Code Description:	213 - Hydrocarbon solvents (benzene, hexane, Stoddard, etc.
RCRA Code:	D039
Meth Code:	H01 - Transfer Station
Quantity Tons:	0.0625
Waste Quantity:	15
Quantity Unit:	G
Additional Code 1:	Not reported
Additional Code 2:	Not reported
Additional Code 3:	Not reported
Additional Code 4:	Not reported
Additional Code 5:	Not reported
Shipment Date:	20001108
Creation Date:	1/9/2001 0:00:00
Receipt Date:	20001108
Manifest ID:	20294601
Trans EPA ID:	SCR000075150
Trans Name:	Not reported
Trans 2 EPA ID:	Not reported
Trans 2 Name:	Not reported
TSDF EPA ID:	NVT330010208
Trans Name:	Not reported
TSDF Alt EPA ID:	Not reported
TSDF Alt Name:	Not reported
Waste Code Description:	741 - Liquids with halogenated organic compounds > 1000 mg/l
RCRA Code:	D006
Meth Code:	H01 - Transfer Station
Quantity Tons:	0.0208
Waste Quantity:	5
Quantity Unit:	G
Additional Code 1:	Not reported
Additional Code 2:	Not reported
Additional Code 3:	Not reported
Additional Code 4:	Not reported
Additional Code 5:	Not reported
Shipment Date:	20001108
Creation Date:	1/9/2001 0:00:00
Receipt Date:	20001108
Manifest ID:	20294601
Trans EPA ID:	SCR000075150
Trans Name:	Not reported
Trans 2 EPA ID:	Not reported
Trans 2 Name:	Not reported
TSDF EPA ID:	NVT330010208
Trans Name:	Not reported
TSDF Alt EPA ID:	Not reported
TSDF Alt Name:	Not reported
Waste Code Description:	213 - Hydrocarbon solvents (benzene, hexane, Stoddard, etc.
RCRA Code:	D039
Meth Code:	H01 - Transfer Station
Quantity Tons:	0.1167
Waste Quantity:	28

Map ID
Direction
Distance
Elevation

MAP FINDINGS

Site

Database(s)

EDR ID Number
EPA ID Number

J STREET INC (Continued)

S113016542

Quantity Unit:	G
Additional Code 1:	Not reported
Additional Code 2:	Not reported
Additional Code 3:	Not reported
Additional Code 4:	Not reported
Additional Code 5:	Not reported
Shipment Date:	20000727
Creation Date:	9/11/2000 0:00:00
Receipt Date:	20000727
Manifest ID:	20190189
Trans EPA ID:	SCR000075150
Trans Name:	Not reported
Trans 2 EPA ID:	Not reported
Trans 2 Name:	Not reported
TSDF EPA ID:	NVT330010208
Trans Name:	Not reported
TSDF Alt EPA ID:	Not reported
TSDF Alt Name:	Not reported
Waste Code Description:	213 - Hydrocarbon solvents (benzene, hexane, Stoddard, etc.
RCRA Code:	D039
Meth Code:	H01 - Transfer Station
Quantity Tons:	0.1876
Waste Quantity:	45
Quantity Unit:	G
Additional Code 1:	Not reported
Additional Code 2:	Not reported
Additional Code 3:	Not reported
Additional Code 4:	Not reported
Additional Code 5:	Not reported
Shipment Date:	20000727
Creation Date:	9/11/2000 0:00:00
Receipt Date:	20000727
Manifest ID:	20190189
Trans EPA ID:	SCR000075150
Trans Name:	Not reported
Trans 2 EPA ID:	Not reported
Trans 2 Name:	Not reported
TSDF EPA ID:	NVT330010208
Trans Name:	Not reported
TSDF Alt EPA ID:	Not reported
TSDF Alt Name:	Not reported
Waste Code Description:	741 - Liquids with halogenated organic compounds > 1000 mg/l
RCRA Code:	D006
Meth Code:	H01 - Transfer Station
Quantity Tons:	0.0208
Waste Quantity:	5
Quantity Unit:	G
Additional Code 1:	Not reported
Additional Code 2:	Not reported
Additional Code 3:	Not reported
Additional Code 4:	Not reported
Additional Code 5:	Not reported
Shipment Date:	20000405
Creation Date:	5/23/2000 0:00:00

Map ID
Direction
Distance
Elevation

MAP FINDINGS

Site

Database(s)

EDR ID Number
EPA ID Number

J STREET INC (Continued)

S113016542

Receipt Date: 20000405
Manifest ID: 99850260
Trans EPA ID: ILD984908202
Trans Name: Not reported
Trans 2 EPA ID: Not reported
Trans 2 Name: Not reported
TSDF EPA ID: NVT330010208
Trans Name: Not reported
TSDF Alt EPA ID: Not reported
TSDF Alt Name: Not reported
Waste Code Description: 741 - Liquids with halogenated organic compounds > 1000 mg/l
RCRA Code: D006
Meth Code: H01 - Transfer Station
Quantity Tons: 0.0208
Waste Quantity: 5
Quantity Unit: G
Additional Code 1: Not reported
Additional Code 2: Not reported
Additional Code 3: Not reported
Additional Code 4: Not reported
Additional Code 5: Not reported

Shipment Date: 20000405
Creation Date: 5/23/2000 0:00:00
Receipt Date: 20000405
Manifest ID: 99850260
Trans EPA ID: ILD984908202
Trans Name: Not reported
Trans 2 EPA ID: Not reported
Trans 2 Name: Not reported
TSDF EPA ID: NVT330010208
Trans Name: Not reported
TSDF Alt EPA ID: Not reported
TSDF Alt Name: Not reported
Waste Code Description: 213 - Hydrocarbon solvents (benzene, hexane, Stoddard, etc.
RCRA Code: D039
Meth Code: H01 - Transfer Station
Quantity Tons: 0.0625
Waste Quantity: 15
Quantity Unit: G
Additional Code 1: Not reported
Additional Code 2: Not reported
Additional Code 3: Not reported
Additional Code 4: Not reported
Additional Code 5: Not reported

Additional Info:

Year: 2003
Gen EPA ID: CAD982476988

Shipment Date: 20031230
Creation Date: 7/30/2004 18:31:14
Receipt Date: 20031230
Manifest ID: 23305045
Trans EPA ID: TXR000050930
Trans Name: SAFETY-KLEEN SYSTEMS INC
Trans 2 EPA ID: Not reported

Map ID
Direction
Distance
Elevation

MAP FINDINGS

Site

Database(s)

EDR ID Number
EPA ID Number

J STREET INC (Continued)

S113016542

Trans 2 Name:	Not reported
TSDF EPA ID:	NVR000066837
Trans Name:	SAFETY-KLEEN SYSTEMS INC
TSDF Alt EPA ID:	Not reported
TSDF Alt Name:	Not reported
Waste Code Description:	213 - Hydrocarbon solvents (benzene, hexane, Stoddard, etc.
RCRA Code:	D039
Meth Code:	H01 - Transfer Station
Quantity Tons:	0.06255
Waste Quantity:	15
Quantity Unit:	G
Additional Code 1:	Not reported
Additional Code 2:	Not reported
Additional Code 3:	Not reported
Additional Code 4:	Not reported
Additional Code 5:	Not reported
Shipment Date:	20031230
Creation Date:	7/30/2004 18:31:14
Receipt Date:	20031230
Manifest ID:	23305045
Trans EPA ID:	TXR000050930
Trans Name:	SAFETY-KLEEN SYSTEMS INC
Trans 2 EPA ID:	Not reported
Trans 2 Name:	Not reported
TSDF EPA ID:	NVR000066837
Trans Name:	SAFETY-KLEEN SYSTEMS INC
TSDF Alt EPA ID:	Not reported
TSDF Alt Name:	Not reported
Waste Code Description:	741 - Liquids with halogenated organic compounds > 1000 mg/l
RCRA Code:	D006
Meth Code:	H01 - Transfer Station
Quantity Tons:	0.02085
Waste Quantity:	5
Quantity Unit:	G
Additional Code 1:	Not reported
Additional Code 2:	Not reported
Additional Code 3:	Not reported
Additional Code 4:	Not reported
Additional Code 5:	Not reported
Shipment Date:	20030912
Creation Date:	7/29/2004 7:46:19
Receipt Date:	20030912
Manifest ID:	22524495
Trans EPA ID:	TXR000050930
Trans Name:	Not reported
Trans 2 EPA ID:	Not reported
Trans 2 Name:	Not reported
TSDF EPA ID:	NVR000066837
Trans Name:	Not reported
TSDF Alt EPA ID:	Not reported
TSDF Alt Name:	Not reported
Waste Code Description:	213 - Hydrocarbon solvents (benzene, hexane, Stoddard, etc.
RCRA Code:	D039
Meth Code:	H01 - Transfer Station
Quantity Tons:	0.06255

Map ID
Direction
Distance
Elevation

MAP FINDINGS

Site

Database(s)

EDR ID Number
EPA ID Number

J STREET INC (Continued)

S113016542

Waste Quantity:	15
Quantity Unit:	G
Additional Code 1:	Not reported
Additional Code 2:	Not reported
Additional Code 3:	Not reported
Additional Code 4:	Not reported
Additional Code 5:	Not reported
Shipment Date:	20030912
Creation Date:	7/29/2004 7:46:19
Receipt Date:	20030912
Manifest ID:	22524495
Trans EPA ID:	TXR000050930
Trans Name:	Not reported
Trans 2 EPA ID:	Not reported
Trans 2 Name:	Not reported
TSDf EPA ID:	NVR000066837
Trans Name:	Not reported
TSDf Alt EPA ID:	Not reported
TSDf Alt Name:	Not reported
Waste Code Description:	741 - Liquids with halogenated organic compounds > 1000 mg/l
RCRA Code:	D006
Meth Code:	H01 - Transfer Station
Quantity Tons:	0.02085
Waste Quantity:	5
Quantity Unit:	G
Additional Code 1:	Not reported
Additional Code 2:	Not reported
Additional Code 3:	Not reported
Additional Code 4:	Not reported
Additional Code 5:	Not reported
Shipment Date:	20030522
Creation Date:	9/2/2003 18:31:45
Receipt Date:	20030522
Manifest ID:	22382129
Trans EPA ID:	TXR000050930
Trans Name:	Not reported
Trans 2 EPA ID:	Not reported
Trans 2 Name:	Not reported
TSDf EPA ID:	NVR000066837
Trans Name:	Not reported
TSDf Alt EPA ID:	Not reported
TSDf Alt Name:	Not reported
Waste Code Description:	741 - Liquids with halogenated organic compounds > 1000 mg/l
RCRA Code:	D006
Meth Code:	H01 - Transfer Station
Quantity Tons:	0.02085
Waste Quantity:	5
Quantity Unit:	G
Additional Code 1:	Not reported
Additional Code 2:	Not reported
Additional Code 3:	Not reported
Additional Code 4:	Not reported
Additional Code 5:	Not reported
Shipment Date:	20030522

Map ID
Direction
Distance
Elevation

MAP FINDINGS

Site

Database(s)

EDR ID Number
EPA ID Number

J STREET INC (Continued)

S113016542

Creation Date: 9/2/2003 18:31:45
Receipt Date: 20030522
Manifest ID: 22382129
Trans EPA ID: TXR000050930
Trans Name: Not reported
Trans 2 EPA ID: Not reported
Trans 2 Name: Not reported
TSDf EPA ID: NVR000066837
Trans Name: Not reported
TSDf Alt EPA ID: Not reported
TSDf Alt Name: Not reported
Waste Code Description: 213 - Hydrocarbon solvents (benzene, hexane, Stoddard, etc.
RCRA Code: D039
Meth Code: H01 - Transfer Station
Quantity Tons: 0.06255
Waste Quantity: 15
Quantity Unit: G
Additional Code 1: Not reported
Additional Code 2: Not reported
Additional Code 3: Not reported
Additional Code 4: Not reported
Additional Code 5: Not reported

Shipment Date: 20030123
Creation Date: 4/10/2003 10:20:47
Receipt Date: 20030123
Manifest ID: 22105569
Trans EPA ID: TXR000050930
Trans Name: Not reported
Trans 2 EPA ID: Not reported
Trans 2 Name: Not reported
TSDf EPA ID: NVR000066837
Trans Name: Not reported
TSDf Alt EPA ID: Not reported
TSDf Alt Name: Not reported
Waste Code Description: 213 - Hydrocarbon solvents (benzene, hexane, Stoddard, etc.
RCRA Code: D039
Meth Code: H01 - Transfer Station
Quantity Tons: 0.06255
Waste Quantity: 15
Quantity Unit: G
Additional Code 1: Not reported
Additional Code 2: Not reported
Additional Code 3: Not reported
Additional Code 4: Not reported
Additional Code 5: Not reported

Shipment Date: 20030123
Creation Date: 4/10/2003 10:20:47
Receipt Date: 20030123
Manifest ID: 22105569
Trans EPA ID: TXR000050930
Trans Name: Not reported
Trans 2 EPA ID: Not reported
Trans 2 Name: Not reported
TSDf EPA ID: NVR000066837
Trans Name: Not reported

Map ID
Direction
Distance
Elevation

MAP FINDINGS

Site

Database(s)

EDR ID Number
EPA ID Number

J STREET INC (Continued)

S113016542

TSDF Alt EPA ID: Not reported
TSDF Alt Name: Not reported
Waste Code Description: 741 - Liquids with halogenated organic compounds > 1000 mg/l
RCRA Code: D006
Meth Code: H01 - Transfer Station
Quantity Tons: 0.02085
Waste Quantity: 5
Quantity Unit: G
Additional Code 1: Not reported
Additional Code 2: Not reported
Additional Code 3: Not reported
Additional Code 4: Not reported
Additional Code 5: Not reported

Additional Info:

Year: 2002
Gen EPA ID: CAD982476988

Shipment Date: 20021009
Creation Date: 2/11/2003 18:31:24
Receipt Date: 20021009
Manifest ID: 21909416
Trans EPA ID: SCR000075150
Trans Name: Not reported
Trans 2 EPA ID: Not reported
Trans 2 Name: Not reported
TSDF EPA ID: NVR000066837
Trans Name: Not reported
TSDF Alt EPA ID: Not reported
TSDF Alt Name: Not reported
Waste Code Description: 213 - Hydrocarbon solvents (benzene, hexane, Stoddard, etc.)
RCRA Code: D039
Meth Code: H01 - Transfer Station
Quantity Tons: 0.05838
Waste Quantity: 14
Quantity Unit: G
Additional Code 1: Not reported
Additional Code 2: Not reported
Additional Code 3: Not reported
Additional Code 4: Not reported
Additional Code 5: Not reported

Shipment Date: 20021009
Creation Date: 2/11/2003 18:31:24
Receipt Date: 20021009
Manifest ID: 21909416
Trans EPA ID: SCR000075150
Trans Name: Not reported
Trans 2 EPA ID: Not reported
Trans 2 Name: Not reported
TSDF EPA ID: NVR000066837
Trans Name: Not reported
TSDF Alt EPA ID: Not reported
TSDF Alt Name: Not reported
Waste Code Description: 741 - Liquids with halogenated organic compounds > 1000 mg/l
RCRA Code: D006
Meth Code: H01 - Transfer Station

Map ID
Direction
Distance
Elevation

MAP FINDINGS

Site

Database(s)

EDR ID Number
EPA ID Number

J STREET INC (Continued)

S113016542

Quantity Tons:	0.02085
Waste Quantity:	5
Quantity Unit:	G
Additional Code 1:	Not reported
Additional Code 2:	Not reported
Additional Code 3:	Not reported
Additional Code 4:	Not reported
Additional Code 5:	Not reported
Shipment Date:	20020620
Creation Date:	8/29/2002 18:31:16
Receipt Date:	20020620
Manifest ID:	21733429
Trans EPA ID:	SCR000075150
Trans Name:	Not reported
Trans 2 EPA ID:	Not reported
Trans 2 Name:	Not reported
TSDf EPA ID:	NVT330010208
Trans Name:	Not reported
TSDf Alt EPA ID:	Not reported
TSDf Alt Name:	Not reported
Waste Code Description:	741 - Liquids with halogenated organic compounds > 1000 mg/l
RCRA Code:	D006
Meth Code:	H01 - Transfer Station
Quantity Tons:	0.02085
Waste Quantity:	5
Quantity Unit:	G
Additional Code 1:	Not reported
Additional Code 2:	Not reported
Additional Code 3:	Not reported
Additional Code 4:	Not reported
Additional Code 5:	Not reported
Shipment Date:	20020620
Creation Date:	8/29/2002 18:31:16
Receipt Date:	20020620
Manifest ID:	21733429
Trans EPA ID:	SCR000075150
Trans Name:	Not reported
Trans 2 EPA ID:	Not reported
Trans 2 Name:	Not reported
TSDf EPA ID:	NVT330010208
Trans Name:	Not reported
TSDf Alt EPA ID:	Not reported
TSDf Alt Name:	Not reported
Waste Code Description:	213 - Hydrocarbon solvents (benzene, hexane, Stoddard, etc.
RCRA Code:	D039
Meth Code:	H01 - Transfer Station
Quantity Tons:	0.05838
Waste Quantity:	14
Quantity Unit:	G
Additional Code 1:	Not reported
Additional Code 2:	Not reported
Additional Code 3:	Not reported
Additional Code 4:	Not reported
Additional Code 5:	Not reported

Map ID
Direction
Distance
Elevation

MAP FINDINGS

Site

Database(s)

EDR ID Number
EPA ID Number

J STREET INC (Continued)

S113016542

Shipment Date: 20020226
Creation Date: 7/2/2002 18:31:06
Receipt Date: 20020226
Manifest ID: 21489942
Trans EPA ID: SCR000075150
Trans Name: Not reported
Trans 2 EPA ID: Not reported
Trans 2 Name: Not reported
TSDf EPA ID: NVT330010208
Trans Name: Not reported
TSDf Alt EPA ID: Not reported
TSDf Alt Name: Not reported
Waste Code Description: 213 - Hydrocarbon solvents (benzene, hexane, Stoddard, etc.
RCRA Code: D039
Meth Code: H01 - Transfer Station
Quantity Tons: 8.40255
Waste Quantity: 2015
Quantity Unit: G
Additional Code 1: Not reported
Additional Code 2: Not reported
Additional Code 3: Not reported
Additional Code 4: Not reported
Additional Code 5: Not reported

Shipment Date: 20020226
Creation Date: 7/2/2002 18:31:06
Receipt Date: 20020226
Manifest ID: 21489942
Trans EPA ID: SCR000075150
Trans Name: Not reported
Trans 2 EPA ID: Not reported
Trans 2 Name: Not reported
TSDf EPA ID: NVT330010208
Trans Name: Not reported
TSDf Alt EPA ID: Not reported
TSDf Alt Name: Not reported
Waste Code Description: 741 - Liquids with halogenated organic compounds > 1000 mg/l
RCRA Code: D006
Meth Code: H01 - Transfer Station
Quantity Tons: 0.02502
Waste Quantity: 6
Quantity Unit: G
Additional Code 1: Not reported
Additional Code 2: Not reported
Additional Code 3: Not reported
Additional Code 4: Not reported
Additional Code 5: Not reported

Additional Info:
Year: 2001
Gen EPA ID: CAD982476988

Shipment Date: 20011109
Creation Date: 1/16/2002 0:00:00
Receipt Date: 20011109
Manifest ID: 21375333
Trans EPA ID: SCR000075150

Map ID
Direction
Distance
Elevation

MAP FINDINGS

Site

Database(s)

EDR ID Number
EPA ID Number

J STREET INC (Continued)

S113016542

Trans Name:	Not reported
Trans 2 EPA ID:	Not reported
Trans 2 Name:	Not reported
TSDf EPA ID:	NVT330010208
Trans Name:	Not reported
TSDf Alt EPA ID:	Not reported
TSDf Alt Name:	Not reported
Waste Code Description:	213 - Hydrocarbon solvents (benzene, hexane, Stoddard, etc.
RCRA Code:	D039
Meth Code:	H01 - Transfer Station
Quantity Tons:	0.0583
Waste Quantity:	14
Quantity Unit:	G
Additional Code 1:	Not reported
Additional Code 2:	Not reported
Additional Code 3:	Not reported
Additional Code 4:	Not reported
Additional Code 5:	Not reported
Shipment Date:	20011109
Creation Date:	1/16/2002 0:00:00
Receipt Date:	20011109
Manifest ID:	21375333
Trans EPA ID:	SCR000075150
Trans Name:	Not reported
Trans 2 EPA ID:	Not reported
Trans 2 Name:	Not reported
TSDf EPA ID:	NVT330010208
Trans Name:	Not reported
TSDf Alt EPA ID:	Not reported
TSDf Alt Name:	Not reported
Waste Code Description:	741 - Liquids with halogenated organic compounds > 1000 mg/l
RCRA Code:	D006
Meth Code:	H01 - Transfer Station
Quantity Tons:	0.0208
Waste Quantity:	5
Quantity Unit:	G
Additional Code 1:	Not reported
Additional Code 2:	Not reported
Additional Code 3:	Not reported
Additional Code 4:	Not reported
Additional Code 5:	Not reported
Shipment Date:	20010719
Creation Date:	10/1/2001 0:00:00
Receipt Date:	20010719
Manifest ID:	20650511
Trans EPA ID:	SCR000075150
Trans Name:	Not reported
Trans 2 EPA ID:	Not reported
Trans 2 Name:	Not reported
TSDf EPA ID:	NVT330010208
Trans Name:	Not reported
TSDf Alt EPA ID:	Not reported
TSDf Alt Name:	Not reported
Waste Code Description:	741 - Liquids with halogenated organic compounds > 1000 mg/l
RCRA Code:	D006

Map ID
Direction
Distance
Elevation

MAP FINDINGS

Site

Database(s)

EDR ID Number
EPA ID Number

J STREET INC (Continued)

S113016542

Meth Code:	H01 - Transfer Station
Quantity Tons:	0.0208
Waste Quantity:	5
Quantity Unit:	G
Additional Code 1:	Not reported
Additional Code 2:	Not reported
Additional Code 3:	Not reported
Additional Code 4:	Not reported
Additional Code 5:	Not reported
Shipment Date:	20010719
Creation Date:	10/1/2001 0:00:00
Receipt Date:	20010719
Manifest ID:	20650511
Trans EPA ID:	SCR000075150
Trans Name:	Not reported
Trans 2 EPA ID:	Not reported
Trans 2 Name:	Not reported
TSDf EPA ID:	NVT330010208
Trans Name:	Not reported
TSDf Alt EPA ID:	Not reported
TSDf Alt Name:	Not reported
Waste Code Description:	213 - Hydrocarbon solvents (benzene, hexane, Stoddard, etc.
RCRA Code:	D039
Meth Code:	H01 - Transfer Station
Quantity Tons:	0.0583
Waste Quantity:	14
Quantity Unit:	G
Additional Code 1:	Not reported
Additional Code 2:	Not reported
Additional Code 3:	Not reported
Additional Code 4:	Not reported
Additional Code 5:	Not reported
Shipment Date:	20010321
Creation Date:	4/30/2001 0:00:00
Receipt Date:	20010321
Manifest ID:	20371741
Trans EPA ID:	SCR000075150
Trans Name:	Not reported
Trans 2 EPA ID:	Not reported
Trans 2 Name:	Not reported
TSDf EPA ID:	NVT330010208
Trans Name:	Not reported
TSDf Alt EPA ID:	Not reported
TSDf Alt Name:	Not reported
Waste Code Description:	741 - Liquids with halogenated organic compounds > 1000 mg/l
RCRA Code:	D006
Meth Code:	H01 - Transfer Station
Quantity Tons:	0.0208
Waste Quantity:	5
Quantity Unit:	G
Additional Code 1:	Not reported
Additional Code 2:	Not reported
Additional Code 3:	Not reported
Additional Code 4:	Not reported
Additional Code 5:	Not reported

Map ID
Direction
Distance
Elevation

MAP FINDINGS

Site

Database(s)

EDR ID Number
EPA ID Number

J STREET INC (Continued)

S113016542

Shipment Date: 20010321
Creation Date: 4/30/2001 0:00:00
Receipt Date: 20010321
Manifest ID: 20371741
Trans EPA ID: SCR000075150
Trans Name: Not reported
Trans 2 EPA ID: Not reported
Trans 2 Name: Not reported
TSDf EPA ID: NVT330010208
Trans Name: Not reported
TSDf Alt EPA ID: Not reported
TSDf Alt Name: Not reported
Waste Code Description: 213 - Hydrocarbon solvents (benzene, hexane, Stoddard, etc.
RCRA Code: D039
Meth Code: H01 - Transfer Station
Quantity Tons: 0.0583
Waste Quantity: 14
Quantity Unit: G
Additional Code 1: Not reported
Additional Code 2: Not reported
Additional Code 3: Not reported
Additional Code 4: Not reported
Additional Code 5: Not reported

Additional Info:

Year: 1998
Gen EPA ID: CAD982476988

Shipment Date: 19981112
Creation Date: 1/5/1999 0:00:00
Receipt Date: 19981112
Manifest ID: 98558208
Trans EPA ID: ILD984908202
Trans Name: Not reported
Trans 2 EPA ID: Not reported
Trans 2 Name: Not reported
TSDf EPA ID: NVT330010208
Trans Name: Not reported
TSDf Alt EPA ID: Not reported
TSDf Alt Name: Not reported
Waste Code Description: 741 - Liquids with halogenated organic compounds > 1000 mg/l
RCRA Code: D006
Meth Code: H01 - Transfer Station
Quantity Tons: 0.0208
Waste Quantity: 5
Quantity Unit: G
Additional Code 1: Not reported
Additional Code 2: Not reported
Additional Code 3: Not reported
Additional Code 4: Not reported
Additional Code 5: Not reported

Shipment Date: 19981112
Creation Date: 1/5/1999 0:00:00
Receipt Date: 19981112
Manifest ID: 98558208
Trans EPA ID: ILD984908202

Map ID
Direction
Distance
Elevation

MAP FINDINGS

Site

Database(s)

EDR ID Number
EPA ID Number

J STREET INC (Continued)

S113016542

Trans Name:	Not reported
Trans 2 EPA ID:	Not reported
Trans 2 Name:	Not reported
TSDf EPA ID:	NVT330010208
Trans Name:	Not reported
TSDf Alt EPA ID:	Not reported
TSDf Alt Name:	Not reported
Waste Code Description:	134 - Aqueous solution with <10% total organic residues
RCRA Code:	D006
Meth Code:	T01 - Treatment, Tank
Quantity Tons:	0.1344
Waste Quantity:	32
Quantity Unit:	G
Additional Code 1:	Not reported
Additional Code 2:	Not reported
Additional Code 3:	Not reported
Additional Code 4:	Not reported
Additional Code 5:	Not reported
Shipment Date:	19980529
Creation Date:	7/15/1998 0:00:00
Receipt Date:	19980529
Manifest ID:	96659281
Trans EPA ID:	ILD984908202
Trans Name:	Not reported
Trans 2 EPA ID:	Not reported
Trans 2 Name:	Not reported
TSDf EPA ID:	NVT330010208
Trans Name:	Not reported
TSDf Alt EPA ID:	Not reported
TSDf Alt Name:	Not reported
Waste Code Description:	213 - Hydrocarbon solvents (benzene, hexane, Stoddard, etc.
RCRA Code:	D039
Meth Code:	H01 - Transfer Station
Quantity Tons:	0.0583
Waste Quantity:	14
Quantity Unit:	G
Additional Code 1:	Not reported
Additional Code 2:	Not reported
Additional Code 3:	Not reported
Additional Code 4:	Not reported
Additional Code 5:	Not reported
Shipment Date:	19980529
Creation Date:	7/15/1998 0:00:00
Receipt Date:	19980529
Manifest ID:	96659281
Trans EPA ID:	ILD984908202
Trans Name:	Not reported
Trans 2 EPA ID:	Not reported
Trans 2 Name:	Not reported
TSDf EPA ID:	NVT330010208
Trans Name:	Not reported
TSDf Alt EPA ID:	Not reported
TSDf Alt Name:	Not reported
Waste Code Description:	213 - Hydrocarbon solvents (benzene, hexane, Stoddard, etc.
RCRA Code:	D008

Map ID
Direction
Distance
Elevation

MAP FINDINGS

Site

Database(s)

EDR ID Number
EPA ID Number

J STREET INC (Continued)

S113016542

Meth Code: H01 - Transfer Station
Quantity Tons: 0.0208
Waste Quantity: 5
Quantity Unit: G
Additional Code 1: Not reported
Additional Code 2: Not reported
Additional Code 3: Not reported
Additional Code 4: Not reported
Additional Code 5: Not reported

Additional Info:

Year: 2004
Gen EPA ID: CAD982476988

Shipment Date: 20040929
Creation Date: 3/16/2007 18:31:12
Receipt Date: Not reported
Manifest ID: 22323414
Trans EPA ID: TXR000050930
Trans Name: SAFETY-KLEEN SYSTEMS INC
Trans 2 EPA ID: Not reported
Trans 2 Name: Not reported
TSDf EPA ID: NVR000066837
Trans Name: SAFETY-KLEEN SYSTEMS INC
TSDf Alt EPA ID: Not reported
TSDf Alt Name: Not reported
Waste Code Description: 343 - Unspecified organic liquid mixture
RCRA Code: Not reported
Meth Code: H01 - Transfer Station
Quantity Tons: Not reported
Waste Quantity: Not reported
Quantity Unit: G
Additional Code 1: Not reported
Additional Code 2: Not reported
Additional Code 3: Not reported
Additional Code 4: Not reported
Additional Code 5: Not reported

Shipment Date: 20040929
Creation Date: 3/16/2007 18:31:12
Receipt Date: Not reported
Manifest ID: 22323414
Trans EPA ID: TXR000050930
Trans Name: SAFETY-KLEEN SYSTEMS INC
Trans 2 EPA ID: Not reported
Trans 2 Name: Not reported
TSDf EPA ID: NVR000066837
Trans Name: SAFETY-KLEEN SYSTEMS INC
TSDf Alt EPA ID: Not reported
TSDf Alt Name: Not reported
Waste Code Description: 221 - Waste oil and mixed oil
RCRA Code: Not reported
Meth Code: - Not reported
Quantity Tons: 1.254
Waste Quantity: 330
Quantity Unit: G
Additional Code 1: Not reported

Map ID
Direction
Distance
Elevation

MAP FINDINGS

Site

Database(s)

EDR ID Number
EPA ID Number

J STREET INC (Continued)

S113016542

Additional Code 2:	Not reported
Additional Code 3:	Not reported
Additional Code 4:	Not reported
Additional Code 5:	Not reported
Shipment Date:	20040812
Creation Date:	11/5/2004 18:32:00
Receipt Date:	20040812
Manifest ID:	23514384
Trans EPA ID:	TXR000050930
Trans Name:	SAFETY-KLEEN SYSTEMS INC
Trans 2 EPA ID:	Not reported
Trans 2 Name:	Not reported
TSDF EPA ID:	NVR000066837
Trans Name:	SAFETY-KLEEN SYSTEMS INC
TSDF Alt EPA ID:	Not reported
TSDF Alt Name:	Not reported
Waste Code Description:	741 - Liquids with halogenated organic compounds > 1000 mg/l
RCRA Code:	D006
Meth Code:	H01 - Transfer Station
Quantity Tons:	0.02085
Waste Quantity:	5
Quantity Unit:	G
Additional Code 1:	Not reported
Additional Code 2:	Not reported
Additional Code 3:	Not reported
Additional Code 4:	Not reported
Additional Code 5:	Not reported
Shipment Date:	20040812
Creation Date:	11/5/2004 18:32:00
Receipt Date:	20040812
Manifest ID:	23514384
Trans EPA ID:	TXR000050930
Trans Name:	SAFETY-KLEEN SYSTEMS INC
Trans 2 EPA ID:	Not reported
Trans 2 Name:	Not reported
TSDF EPA ID:	NVR000066837
Trans Name:	SAFETY-KLEEN SYSTEMS INC
TSDF Alt EPA ID:	Not reported
TSDF Alt Name:	Not reported
Waste Code Description:	213 - Hydrocarbon solvents (benzene, hexane, Stoddard, etc.
RCRA Code:	D039
Meth Code:	H01 - Transfer Station
Quantity Tons:	0.05004
Waste Quantity:	12
Quantity Unit:	G
Additional Code 1:	Not reported
Additional Code 2:	Not reported
Additional Code 3:	Not reported
Additional Code 4:	Not reported
Additional Code 5:	Not reported
Shipment Date:	20040421
Creation Date:	10/14/2004 7:35:58
Receipt Date:	20040421
Manifest ID:	23462185

Map ID
Direction
Distance
Elevation

MAP FINDINGS

Site

Database(s)

EDR ID Number
EPA ID Number

J STREET INC (Continued)

S113016542

Trans EPA ID: TXR000050930
Trans Name: SAFETY-KLEEN SYSTEMS INC
Trans 2 EPA ID: Not reported
Trans 2 Name: Not reported
TSDf EPA ID: NVR000066837
Trans Name: SAFETY-KLEEN SYSTEMS INC
TSDf Alt EPA ID: Not reported
TSDf Alt Name: Not reported
Waste Code Description: 741 - Liquids with halogenated organic compounds > 1000 mg/l
RCRA Code: D006
Meth Code: H01 - Transfer Station
Quantity Tons: 0.02085
Waste Quantity: 5
Quantity Unit: G
Additional Code 1: Not reported
Additional Code 2: Not reported
Additional Code 3: Not reported
Additional Code 4: Not reported
Additional Code 5: Not reported

Shipment Date: 20040421
Creation Date: 10/14/2004 7:35:58
Receipt Date: 20040421
Manifest ID: 23462185
Trans EPA ID: TXR000050930
Trans Name: SAFETY-KLEEN SYSTEMS INC
Trans 2 EPA ID: Not reported
Trans 2 Name: Not reported
TSDf EPA ID: NVR000066837
Trans Name: SAFETY-KLEEN SYSTEMS INC
TSDf Alt EPA ID: Not reported
TSDf Alt Name: Not reported
Waste Code Description: 213 - Hydrocarbon solvents (benzene, hexane, Stoddard, etc.
RCRA Code: D039
Meth Code: H01 - Transfer Station
Quantity Tons: 0.0417
Waste Quantity: 10
Quantity Unit: G
Additional Code 1: Not reported
Additional Code 2: Not reported
Additional Code 3: Not reported
Additional Code 4: Not reported
Additional Code 5: Not reported

HWTS:

Name: J STREET INC
Address: 1005 VINE ST
Address 2: Not reported
City,State,Zip: NEEDLES, CA 92363
EPA ID: CAD982476988
Inactive Date: 06/30/2006
Create Date: 06/15/1989
Last Act Date: Not reported
Mailing Name: Not reported
Mailing Address: 1005 VINE ST
Mailing Address 2: Not reported
Mailing City,State,Zip: NEEDLES, CA 923630000

Map ID
Direction
Distance
Elevation

MAP FINDINGS

Site

Database(s)

EDR ID Number
EPA ID Number

J STREET INC (Continued)

S113016542

Owner Name: J ST INC
Owner Address: 121 F ST PO BOX 538
Owner Address 2: Not reported
Owner City,State,Zip: NEEDLES, CA 923630000
Contact Name: MIKE TAYLOR
Contact Address: 1005 VINE ST
Contact Address 2: Not reported
City,State,Zip: NEEDLES, CA 923630000
Facility Status: Inactive
Facility Type: PERMANENT
Category: FEDERAL
Latitude: 34.850139
Longitude: -114.621363

NAICS:

EPA ID: CAD982476988
Create Date: 2002-03-14 16:36:27.000
NAICS Code: 44719
NAICS Description: Other Gasoline Stations
Issued EPA ID Date: 1989-06-15 00:00:00
Inactive Date: 2006-06-30 10:14:52
Facility Name: J STREET INC
Facility Address: 1005 VINE ST
Facility Address 2: Not reported
Facility City: NEEDLES
Facility County: Not reported
Facility State: CA
Facility Zip: 923630000

W145 **PETROMAR**
Target **2410 W BROADWAY**
Property **NEEDLES, CA 92363**

HWTS **S124880421**
 N/A

Site 6 of 29 in cluster W

Actual: **HWTS:**
517 ft. Name: PETROMAR
Focus Map: Address: 2410 W BROADWAY
6 Address 2: Not reported
 City,State,Zip: NEEDLES, CA 92363
 EPA ID: CAL000351117
 Inactive Date: 06/30/2012
 Create Date: 03/23/2010
 Last Act Date: Not reported
 Mailing Name: Not reported
 Mailing Address: 1045 LA MARILLO
 Mailing Address 2: Not reported
 Mailing City,State,Zip: CORONA, CA 928790000
 Owner Name: HOMAYOUN ESMILI
 Owner Address: 2410 W BROADWAY
 Owner Address 2: Not reported
 Owner City,State,Zip: NEEDLES, CA 923630000
 Contact Name: HOMAYOUN ESMALI
 Contact Address: 1045 LA MARILLO CIRCLE
 Contact Address 2: Not reported
 City,State,Zip: CORONA, CA 928790000
 Facility Status: Inactive

Map ID
Direction
Distance
Elevation

MAP FINDINGS

Site

Database(s)

EDR ID Number
EPA ID Number

PETROMAR (Continued)

S124880421

Facility Type: PERMANENT
Category: STATE
Latitude: 34.848014
Longitude: -114.614009
NAICS:
EPA ID: CAL000351117
Create Date: 2010-03-23 15:50:07.443
NAICS Code: 99999
NAICS Description: Not Otherwise Specified
Issued EPA ID Date: 2010-03-23 15:50:07.43000
Inactive Date: 2012-06-30 00:00:00
Facility Name: PETROMAR
Facility Address: 2410 W BROADWAY
Facility Address 2: Not reported
Facility City: NEEDLES
Facility County: Not reported
Facility State: CA
Facility Zip: 92363

W146
Target
Property

ARCO AM/PM NO. 6166
2410 WEST BROADWAY
NEEDLES, CA

RGA LUST **S114575174**
N/A

Site 7 of 29 in cluster W

Actual:
517 ft.

Focus Map:
6

RGALUST:
Name: ARCO AM/PM NO. 6166
Address: 2410 WEST BROADWAY
City: NEEDLES
State: NEEDLES
1998 ARCO AM/PM NO. 6166 2410 WEST BROADWAY
Name: ARCO AM/PM NO. 6166
Address: 2410 WEST BROADWAY
City: NEEDLES
State: NEEDLES
1997 ARCO AM/PM NO. 6166 2410 WEST BROADWAY
Name: ARCO AM/PM NO. 6166
Address: 2410 WEST BROADWAY
City: NEEDLES
State: NEEDLES
1996 ARCO AM/PM NO. 6166 2410 WEST BROADWAY
Name: ARCO AM/PM NO. 6166
Address: 2410 WEST BROADWAY
City: NEEDLES
State: NEEDLES
1995 ARCO AM/PM NO. 6166 2410 WEST BROADWAY
Name: ARCO AM/PM NO. 6166
Address: 2410 WEST BROADWAY
City: NEEDLES
State: NEEDLES
1993 ARCO AM/PM NO. 6166 2410 WEST BROADWAY

Map ID
Direction
Distance
Elevation

MAP FINDINGS

Site

Database(s) EDR ID Number
EPA ID Number

W147 ARCO STATION #6166
Target 2410 WEST BROADWAY AVE
Property NEEDLES, CA

RGA LUST S114576321
N/A

Site 8 of 29 in cluster W

Actual:
517 ft.

Focus Map:
6

RGA LUST:
Name: ARCO STATION #6166
Address: 2410 WEST BROADWAY AVE
City: NEEDLES
State: NEEDLES
2012 ARCO STATION #6166 2410 WEST BROADWAY AVE
Name: ARCO STATION #6166
Address: 2410 WEST BROADWAY AVE
City: NEEDLES
State: NEEDLES
2011 ARCO STATION #6166 2410 WEST BROADWAY AVE
Name: ARCO STATION #6166
Address: 2410 WEST BROADWAY AVE
City: NEEDLES
State: NEEDLES
2010 ARCO STATION #6166 2410 WEST BROADWAY AVE
Name: ARCO STATION #6166
Address: 2410 WEST BROADWAY AVE
City: NEEDLES
State: NEEDLES
2009 ARCO STATION #6166 2410 WEST BROADWAY AVE
Name: ARCO STATION #6166
Address: 2410 WEST BROADWAY AVE
City: NEEDLES
State: NEEDLES
2008 ARCO STATION #6166 2410 WEST BROADWAY AVE
Name: ARCO STATION #6166
Address: 2410 WEST BROADWAY AVE
City: NEEDLES
State: NEEDLES
2007 ARCO STATION #6166 2410 WEST BROADWAY AVE
Name: ARCO STATION #6166
Address: 2410 WEST BROADWAY AVE
City: NEEDLES
State: NEEDLES
2007 ARCO STATION #6166 2410 WEST BROADWAY AVE
Name: ARCO STATION #6166
Address: 2410 WEST BROADWAY AVE
City: NEEDLES
State: NEEDLES
2006 ARCO STATION #6166 2410 WEST BROADWAY AVE
Name: ARCO STATION #6166
Address: 2410 WEST BROADWAY AVE
City: NEEDLES
State: NEEDLES
2005 ARCO STATION #6166 2410 WEST BROADWAY AVE
Name: ARCO STATION #6166
Address: 2410 WEST BROADWAY AVE
City: NEEDLES
State: NEEDLES
2003 ARCO STATION #6166 2410 WEST BROADWAY AVE

Map ID
Direction
Distance
Elevation

MAP FINDINGS

Site

Database(s)

EDR ID Number
EPA ID Number

W148 ARCO STATION #6166
Target 2410 WEST BROADWAY AVE
Property NEEDLES, CA

LUST S106152849
N/A

Site 9 of 29 in cluster W

Actual: LUST REG 7:
517 ft. Region: 7
Focus Map: Status: 9 - Case Closed
6 Case Num: 7T2363008
Substance: Gasoline - Automotive
ID: 429
Global ID: T0607101098
Lead Agency: Regional Board
Case Worker: YO

W149 ARCO AM/PM NO. 6166
Target 2410 WEST BROADWAY AVENUE
Property NEEDLES, CA

RGA LUST S114575173
N/A

Site 10 of 29 in cluster W

Actual: RGA LUST:
517 ft. Name: ARCO AM/PM NO. 6166
Focus Map: Address: 2410 WEST BROADWAY AVENUE
6 City: NEEDLES
State: NEEDLES
2000 ARCO AM/PM NO. 6166 2410 WEST BROADWAY AVENUE

W150 BP WEST COAST PRODUCTS LLC 06166
Target 2410 W BROADWAY
Property NEEDLES, CA 92363

HAZNET S113113916
HWTS N/A

Site 11 of 29 in cluster W

Actual: HAZNET:
517 ft. Name: BP WEST COAST PRODUCTS LLC 06166
Focus Map: Address: 2410 W BROADWAY
6 Address 2: Not reported
City,State,Zip: NEEDLES, CA 923630000
Contact: Jackie Dougherty
Telephone: 9494605200
Mailing Name: Not reported
Mailing Address: PO BOX 80249

Year: 2012
Gepaid: CAL000225529
TSD EPA ID: CAT080013352
CA Waste Code: 134 - Aqueous solution with total organic residues less than 10 percent
Disposal Method: H039 - Other Recovery Of Reclamation For Reuse Including Acid Regeneration, Organics Recovery Ect
Tons: 3.78

Year: 2011
Gepaid: CAL000225529
TSD EPA ID: CAT080013352
CA Waste Code: 134 - Aqueous solution with total organic residues less than 10

Map ID
Direction
Distance
Elevation

MAP FINDINGS

Site

Database(s)

EDR ID Number
EPA ID Number

BP WEST COAST PRODUCTS LLC 06166 (Continued)

S113113916

Disposal Method:	percent H039 - Other Recovery Of Reclamation For Reuse Including Acid Regeneration, Organics Recovery Ect
Tons:	1.449
Year:	2010
Gepaid:	CAL000225529
TSD EPA ID:	CAT080013352
CA Waste Code:	134 - Aqueous solution with total organic residues less than 10 percent
Disposal Method:	H039 - Other Recovery Of Reclamation For Reuse Including Acid Regeneration, Organics Recovery Ect
Tons:	0.126
Year:	2010
Gepaid:	CAL000225529
TSD EPA ID:	CAD982444481
CA Waste Code:	352 - Other organic solids
Disposal Method:	H141 - Storage, Bulking, And/Or Transfer Off Site--No Treatment/Reovery (H010-H129) Or (H131-H135)
Tons:	0.1
Year:	2009
Gepaid:	CAL000225529
TSD EPA ID:	NVT330010000
CA Waste Code:	352 - Other organic solids
Disposal Method:	H132 - Landfill Or Surface Impoundment That Will Be Closed As Landfill(To Include On-Site Treatment And/Or Stabilization)
Tons:	0.04
Year:	2009
Gepaid:	CAL000225529
TSD EPA ID:	CAT080013352
CA Waste Code:	134 - Aqueous solution with total organic residues less than 10 percent
Disposal Method:	H039 - Other Recovery Of Reclamation For Reuse Including Acid Regeneration, Organics Recovery Ect
Tons:	0.21
Year:	2008
Gepaid:	CAL000225529
TSD EPA ID:	CAT080013352
CA Waste Code:	134 - Aqueous solution with total organic residues less than 10 percent
Disposal Method:	H039 - Other Recovery Of Reclamation For Reuse Including Acid Regeneration, Organics Recovery Ect
Tons:	2.7384
Year:	2006
Gepaid:	CAL000225529
TSD EPA ID:	CAT080013352
CA Waste Code:	134 - Aqueous solution with total organic residues less than 10 percent
Disposal Method:	H135 - Discharge To Sewer/Potw Or Npdes(With Prior Storage--With Or Without Treatment)
Tons:	0.189

Map ID
Direction
Distance
Elevation

MAP FINDINGS

Site

Database(s)

EDR ID Number
EPA ID Number

BP WEST COAST PRODUCTS LLC 06166 (Continued)

S113113916

Year: 2005
Gepaid: CAL000225529
TSD EPA ID: CAD008302903
CA Waste Code: 352 - Other organic solids
Disposal Method: H01 - Transfer Station
Tons: 0.0125

Year: 2005
Gepaid: CAL000225529
TSD EPA ID: CAT080013352
CA Waste Code: 134 - Aqueous solution with total organic residues less than 10 percent
Disposal Method: R01 - Recycler
Tons: 1.848

[Click this hyperlink](#) while viewing on your computer to access 3 additional CA HAZNET: record(s) in the EDR Site Report.

Additional Info:

Year: 2010
Gen EPA ID: CAL000225529

Shipment Date: 20100827
Creation Date: 12/3/2010 18:30:42
Receipt Date: 20100902
Manifest ID: 002142523FLE
Trans EPA ID: CAR000183913
Trans Name: BELSHIRE
Trans 2 EPA ID: CAT080016116
Trans 2 Name: NIETO & SONS TRUCKING INC
TSD EPA ID: CAT080013352
Trans Name: DEMENNO KERDOON
TSD EPA ID: Not reported
TSD EPA Name: Not reported
Waste Code Description: 134 - Aqueous solution with <10% total organic residues
RCRA Code: Not reported
Meth Code: H039 - Other Recovery Of Reclamation For Reuse Including Acid Regeneration, Organics Recovery Ect

Quantity Tons: 0.021
Waste Quantity: 5
Quantity Unit: G
Additional Code 1: Not reported
Additional Code 2: Not reported
Additional Code 3: Not reported
Additional Code 4: Not reported
Additional Code 5: Not reported

Shipment Date: 20100407
Creation Date: 6/1/2011 15:36:25
Receipt Date: 20100408
Manifest ID: 004817397JJK
Trans EPA ID: CAR000172460
Trans Name: ENVIRONMENTAL LOGISTICS
Trans 2 EPA ID: Not reported
Trans 2 Name: Not reported
TSD EPA ID: CAD982444481

Map ID
Direction
Distance
Elevation

MAP FINDINGS

Site

Database(s)

EDR ID Number
EPA ID Number

BP WEST COAST PRODUCTS LLC 06166 (Continued)

S113113916

Trans Name:	FILTER RECYCLING SERVICES INC
TSDF Alt EPA ID:	Not reported
TSDF Alt Name:	Not reported
Waste Code Description:	352 - Other organic solids
RCRA Code:	Not reported
Meth Code:	H141 - Storage, Bulking, And/Or Transfer Off Site--No Treatment/Reovery (H010-H129) Or (H131-H135)
Quantity Tons:	0.1
Waste Quantity:	200
Quantity Unit:	P
Additional Code 1:	Not reported
Additional Code 2:	Not reported
Additional Code 3:	Not reported
Additional Code 4:	Not reported
Additional Code 5:	Not reported
Shipment Date:	20100330
Creation Date:	7/19/2010 18:30:17
Receipt Date:	20100402
Manifest ID:	002132940FLE
Trans EPA ID:	CAR000183913
Trans Name:	BELSHIRE
Trans 2 EPA ID:	Not reported
Trans 2 Name:	Not reported
TSDF EPA ID:	CAT080013352
Trans Name:	DEMENNO KERDOON
TSDF Alt EPA ID:	Not reported
TSDF Alt Name:	Not reported
Waste Code Description:	134 - Aqueous solution with <10% total organic residues
RCRA Code:	Not reported
Meth Code:	H039 - Other Recovery Of Reclamation For Reuse Including Acid Regeneration, Organics Recovery Ect
Quantity Tons:	0.105
Waste Quantity:	25
Quantity Unit:	G
Additional Code 1:	Not reported
Additional Code 2:	Not reported
Additional Code 3:	Not reported
Additional Code 4:	Not reported
Additional Code 5:	Not reported
Additional Info:	
Year:	2005
Gen EPA ID:	CAL000225529
Shipment Date:	20051215
Creation Date:	3/22/2006 18:31:37
Receipt Date:	20051216
Manifest ID:	24867713
Trans EPA ID:	CAR000165175
Trans Name:	BELSHIRE ENVIRONMENTAL SERVICES INC
Trans 2 EPA ID:	Not reported
Trans 2 Name:	Not reported
TSDF EPA ID:	CAT080013352
Trans Name:	DEMENNO KERDOON
TSDF Alt EPA ID:	CAT080013352
TSDF Alt Name:	Not reported

Map ID
Direction
Distance
Elevation

MAP FINDINGS

Site

Database(s)

EDR ID Number
EPA ID Number

BP WEST COAST PRODUCTS LLC 06166 (Continued)

S113113916

Waste Code Description: 134 - Aqueous solution with <10% total organic residues
RCRA Code: Not reported
Meth Code: R01 - Recycler
Quantity Tons: 0.021
Waste Quantity: 5
Quantity Unit: G
Additional Code 1: Not reported
Additional Code 2: Not reported
Additional Code 3: Not reported
Additional Code 4: Not reported
Additional Code 5: Not reported

Shipment Date: 20051215
Creation Date: 3/22/2006 18:31:37
Receipt Date: 20051216
Manifest ID: 24867713
Trans EPA ID: CAR000165175
Trans Name: BELSHIRE ENVIRONMENTAL SERVICES INC
Trans 2 EPA ID: Not reported
Trans 2 Name: Not reported
TSDf EPA ID: CAT080013352
Trans Name: DEMENNO KERDOON
TSDf Alt EPA ID: CAT080013352
TSDf Alt Name: Not reported
Waste Code Description: 134 - Aqueous solution with <10% total organic residues
RCRA Code: Not reported
Meth Code: R01 - Recycler
Quantity Tons: 0.42
Waste Quantity: 100
Quantity Unit: G
Additional Code 1: Not reported
Additional Code 2: Not reported
Additional Code 3: Not reported
Additional Code 4: Not reported
Additional Code 5: Not reported

Shipment Date: 20050926
Creation Date: 3/12/2006 18:31:42
Receipt Date: 20050929
Manifest ID: 24748235
Trans EPA ID: CAD983584681
Trans Name: BELSHIRE ENVIRONMENTAL SERVICES INC
Trans 2 EPA ID: Not reported
Trans 2 Name: Not reported
TSDf EPA ID: CAT080013352
Trans Name: DEMENNO KERDOON
TSDf Alt EPA ID: CAT080013352
TSDf Alt Name: Not reported
Waste Code Description: 134 - Aqueous solution with <10% total organic residues
RCRA Code: Not reported
Meth Code: R01 - Recycler
Quantity Tons: 0.021
Waste Quantity: 5
Quantity Unit: G
Additional Code 1: Not reported
Additional Code 2: Not reported
Additional Code 3: Not reported

Map ID
Direction
Distance
Elevation

MAP FINDINGS

Site

Database(s)

EDR ID Number
EPA ID Number

BP WEST COAST PRODUCTS LLC 06166 (Continued)

S113113916

Additional Code 4:	Not reported
Additional Code 5:	Not reported
Shipment Date:	20050926
Creation Date:	8/23/2006 18:35:03
Receipt Date:	20051003
Manifest ID:	24098546
Trans EPA ID:	CAD983584681
Trans Name:	BELSHIRE ENVIRONMENTAL SERVICES INC
Trans 2 EPA ID:	Not reported
Trans 2 Name:	Not reported
TSDf EPA ID:	CAD008302903
Trans Name:	ONYX ENVIRONMENTAL
TSDf Alt EPA ID:	CAD008302903
TSDf Alt Name:	Not reported
Waste Code Description:	352 - Other organic solids
RCRA Code:	D018
Meth Code:	H01 - Transfer Station
Quantity Tons:	0.0125
Waste Quantity:	25
Quantity Unit:	P
Additional Code 1:	Not reported
Additional Code 2:	Not reported
Additional Code 3:	Not reported
Additional Code 4:	Not reported
Additional Code 5:	Not reported
Shipment Date:	20050426
Creation Date:	7/27/2005 10:48:47
Receipt Date:	20050429
Manifest ID:	24533932
Trans EPA ID:	CAD983584681
Trans Name:	BELSHIRE ENVIRONMENTAL SVCS
Trans 2 EPA ID:	Not reported
Trans 2 Name:	Not reported
TSDf EPA ID:	CAT080013352
Trans Name:	DEMENNO KERDOON
TSDf Alt EPA ID:	CAT080013352
TSDf Alt Name:	Not reported
Waste Code Description:	134 - Aqueous solution with <10% total organic residues
RCRA Code:	EXEM
Meth Code:	R01 - Recycler
Quantity Tons:	1.386
Waste Quantity:	330
Quantity Unit:	G
Additional Code 1:	Not reported
Additional Code 2:	Not reported
Additional Code 3:	Not reported
Additional Code 4:	Not reported
Additional Code 5:	Not reported
Additional Info:	
Year:	2006
Gen EPA ID:	CAL000225529
Shipment Date:	20061205
Creation Date:	4/19/2007 18:31:30

Map ID
Direction
Distance
Elevation

MAP FINDINGS

Site

Database(s)

EDR ID Number
EPA ID Number

BP WEST COAST PRODUCTS LLC 06166 (Continued)

S113113916

Receipt Date: 20061211
Manifest ID: 000753349FLE
Trans EPA ID: CAR000165175
Trans Name: BELSHIRE ENVIRONMENTAL SERVICES INC
Trans 2 EPA ID: Not reported
Trans 2 Name: Not reported
TSDf EPA ID: CAT080013352
Trans Name: DEMENNO KERDOON
TSDf Alt EPA ID: Not reported
TSDf Alt Name: Not reported
Waste Code Description: 134 - Aqueous solution with <10% total organic residues
RCRA Code: Not reported
Meth Code: H135 - Discharge To Sewer/Potw Or Npdes(With Prior Storage--With Or Without Treatment)

Quantity Tons: 0.189
Waste Quantity: 45
Quantity Unit: G
Additional Code 1: Not reported
Additional Code 2: Not reported
Additional Code 3: Not reported
Additional Code 4: Not reported
Additional Code 5: Not reported

Additional Info:

Year: 2002
Gen EPA ID: CAL000225529

Shipment Date: 20021114
Creation Date: 3/16/2007 18:30:20
Receipt Date: 20021115
Manifest ID: 22246934
Trans EPA ID: CAD983584681
Trans Name: Not reported
Trans 2 EPA ID: Not reported
Trans 2 Name: Not reported
TSDf EPA ID: CAT080013352
Trans Name: Not reported
TSDf Alt EPA ID: CAT080013352
TSDf Alt Name: Not reported
Waste Code Description: 134 - Aqueous solution with <10% total organic residues
RCRA Code: Not reported
Meth Code: R01 - Recycler
Quantity Tons: 1.47
Waste Quantity: 350
Quantity Unit: G
Additional Code 1: Not reported
Additional Code 2: Not reported
Additional Code 3: Not reported
Additional Code 4: Not reported
Additional Code 5: Not reported

Shipment Date: 20020912
Creation Date: 2/6/2003 18:31:16
Receipt Date: 20020917
Manifest ID: 22247701
Trans EPA ID: CAD983584681
Trans Name: Not reported

Map ID
Direction
Distance
Elevation

MAP FINDINGS

Site

Database(s)

EDR ID Number
EPA ID Number

BP WEST COAST PRODUCTS LLC 06166 (Continued)

S113113916

Trans 2 EPA ID: Not reported
Trans 2 Name: Not reported
TSDf EPA ID: CAT080013352
Trans Name: Not reported
TSDf Alt EPA ID: Not reported
TSDf Alt Name: Not reported
Waste Code Description: 134 - Aqueous solution with <10% total organic residues
RCRA Code: Not reported
Meth Code: R01 - Recycler
Quantity Tons: 1.47
Waste Quantity: 350
Quantity Unit: G
Additional Code 1: Not reported
Additional Code 2: Not reported
Additional Code 3: Not reported
Additional Code 4: Not reported
Additional Code 5: Not reported

Shipment Date: 20020912
Creation Date: 2/6/2003 18:31:16
Receipt Date: 20020917
Manifest ID: 21824902
Trans EPA ID: CAD983584681
Trans Name: Not reported
Trans 2 EPA ID: Not reported
Trans 2 Name: Not reported
TSDf EPA ID: CAT080013352
Trans Name: Not reported
TSDf Alt EPA ID: Not reported
TSDf Alt Name: Not reported
Waste Code Description: 134 - Aqueous solution with <10% total organic residues
RCRA Code: Not reported
Meth Code: R01 - Recycler
Quantity Tons: 0.21
Waste Quantity: 50
Quantity Unit: G
Additional Code 1: Not reported
Additional Code 2: Not reported
Additional Code 3: Not reported
Additional Code 4: Not reported
Additional Code 5: Not reported

Shipment Date: 20020620
Creation Date: 9/18/2002 18:32:45
Receipt Date: 20020701
Manifest ID: 21826599
Trans EPA ID: CAD983584681
Trans Name: Not reported
Trans 2 EPA ID: Not reported
Trans 2 Name: Not reported
TSDf EPA ID: CAT080013352
Trans Name: Not reported
TSDf Alt EPA ID: Not reported
TSDf Alt Name: Not reported
Waste Code Description: 134 - Aqueous solution with <10% total organic residues
RCRA Code: Not reported
Meth Code: R01 - Recycler

Map ID
Direction
Distance
Elevation

MAP FINDINGS

Site

Database(s)

EDR ID Number
EPA ID Number

BP WEST COAST PRODUCTS LLC 06166 (Continued)

S113113916

Quantity Tons: 1.68
Waste Quantity: 400
Quantity Unit: G
Additional Code 1: Not reported
Additional Code 2: Not reported
Additional Code 3: Not reported
Additional Code 4: Not reported
Additional Code 5: Not reported

Additional Info:

Year: 2009
Gen EPA ID: CAL000225529

Shipment Date: 20090622
Creation Date: 8/12/2009 18:30:36
Receipt Date: 20090701
Manifest ID: 002122798FLE
Trans EPA ID: CAR000183913
Trans Name: BELSHIRE
Trans 2 EPA ID: CAT080016116
Trans 2 Name: NIETO AND SONS TRUCKING INC
TSDf EPA ID: CAT080013352
Trans Name: DEMENNO KERDOON
TSDf Alt EPA ID: Not reported
TSDf Alt Name: Not reported
Waste Code Description: 134 - Aqueous solution with <10% total organic residues
RCRA Code: Not reported
Meth Code: H039 - Other Recovery Of Reclamation For Reuse Including Acid Regeneration, Organics Recovery Ect

Quantity Tons: 0.21
Waste Quantity: 50
Quantity Unit: G
Additional Code 1: Not reported
Additional Code 2: Not reported
Additional Code 3: Not reported
Additional Code 4: Not reported
Additional Code 5: Not reported

Shipment Date: 20090326
Creation Date: 7/31/2009 18:30:21
Receipt Date: 20090403
Manifest ID: 002163559FLE
Trans EPA ID: CAR000183913
Trans Name: BELSHIRE
Trans 2 EPA ID: OKD981588791
Trans 2 Name: TRIAD TRANSPORT INC
TSDf EPA ID: NVT330010000
Trans Name: US ECOLOGY NEVADA OPERATIONS
TSDf Alt EPA ID: Not reported
TSDf Alt Name: Not reported
Waste Code Description: 352 - Other organic solids
RCRA Code: Not reported
Meth Code: H132 - Landfill Or Surface Impoundment That Will Be Closed As Landfill(To Include On-Site Treatment And/Or Stabilization)

Quantity Tons: 0.04
Waste Quantity: 80
Quantity Unit: P

Map ID
Direction
Distance
Elevation

MAP FINDINGS

Site

Database(s)

EDR ID Number
EPA ID Number

BP WEST COAST PRODUCTS LLC 06166 (Continued)

S113113916

Additional Code 1: Not reported
Additional Code 2: Not reported
Additional Code 3: Not reported
Additional Code 4: Not reported
Additional Code 5: Not reported

Additional Info:

Year: 2012
Gen EPA ID: CAL000225529

Shipment Date: 20120504
Creation Date: 7/16/2012 20:30:24
Receipt Date: 20120507
Manifest ID: 004645449FLE
Trans EPA ID: CAT080016116
Trans Name: NIETO AND SONS TRUCKING INC
Trans 2 EPA ID: Not reported
Trans 2 Name: Not reported
TSDf EPA ID: CAT080013352
Trans Name: DEMENNO KERDOON
TSDf Alt EPA ID: Not reported
TSDf Alt Name: Not reported
Waste Code Description: 134 - Aqueous solution with <10% total organic residues
RCRA Code: Not reported
Meth Code: H039 - Other Recovery Of Reclamation For Reuse Including Acid
Regeneration, Organics Recovery Ect
Quantity Tons: 3.78
Waste Quantity: 900
Quantity Unit: G
Additional Code 1: Not reported
Additional Code 2: Not reported
Additional Code 3: Not reported
Additional Code 4: Not reported
Additional Code 5: Not reported

Additional Info:

Year: 2008
Gen EPA ID: CAL000225529

Shipment Date: 20080721
Creation Date: 9/12/2008 18:30:23
Receipt Date: 20080723
Manifest ID: 000824623FLE
Trans EPA ID: CAR000183913
Trans Name: BELSHIRE
Trans 2 EPA ID: CAT080016116
Trans 2 Name: NIETO AND SONS
TSDf EPA ID: CAT080013352
Trans Name: DEMENNO KERDOON
TSDf Alt EPA ID: Not reported
TSDf Alt Name: Not reported
Waste Code Description: 134 - Aqueous solution with <10% total organic residues
RCRA Code: Not reported
Meth Code: H039 - Other Recovery Of Reclamation For Reuse Including Acid
Regeneration, Organics Recovery Ect
Quantity Tons: 0.105

Map ID
Direction
Distance
Elevation

MAP FINDINGS

Site

Database(s)

EDR ID Number
EPA ID Number

BP WEST COAST PRODUCTS LLC 06166 (Continued)

S113113916

Waste Quantity:	25
Quantity Unit:	G
Additional Code 1:	Not reported
Additional Code 2:	Not reported
Additional Code 3:	Not reported
Additional Code 4:	Not reported
Additional Code 5:	Not reported
Shipment Date:	20080416
Creation Date:	6/25/2008 18:30:15
Receipt Date:	20080422
Manifest ID:	000825643FLE
Trans EPA ID:	CAR000183913
Trans Name:	BELSHIRE
Trans 2 EPA ID:	CAT080016116
Trans 2 Name:	NIETO&SONS
TSDf EPA ID:	CAT080013352
Trans Name:	DEMENNO KERDOON
TSDf Alt EPA ID:	Not reported
TSDf Alt Name:	Not reported
Waste Code Description:	134 - Aqueous solution with <10% total organic residues
RCRA Code:	Not reported
Meth Code:	H039 - Other Recovery Of Reclamation For Reuse Including Acid Regeneration, Organics Recovery Ect
Quantity Tons:	0.0084
Waste Quantity:	2
Quantity Unit:	G
Additional Code 1:	Not reported
Additional Code 2:	Not reported
Additional Code 3:	Not reported
Additional Code 4:	Not reported
Additional Code 5:	Not reported
Shipment Date:	20080221
Creation Date:	4/16/2008 18:30:09
Receipt Date:	20080225
Manifest ID:	000813311FLE
Trans EPA ID:	CAR000183913
Trans Name:	BELSHIRE
Trans 2 EPA ID:	CAT080016116
Trans 2 Name:	NIETO & SONS
TSDf EPA ID:	CAT080013352
Trans Name:	DEMENNO KERDOON
TSDf Alt EPA ID:	Not reported
TSDf Alt Name:	Not reported
Waste Code Description:	134 - Aqueous solution with <10% total organic residues
RCRA Code:	Not reported
Meth Code:	H039 - Other Recovery Of Reclamation For Reuse Including Acid Regeneration, Organics Recovery Ect
Quantity Tons:	2.52
Waste Quantity:	600
Quantity Unit:	G
Additional Code 1:	Not reported
Additional Code 2:	Not reported
Additional Code 3:	Not reported
Additional Code 4:	Not reported
Additional Code 5:	Not reported

Map ID
Direction
Distance
Elevation

MAP FINDINGS

Site

Database(s)

EDR ID Number
EPA ID Number

BP WEST COAST PRODUCTS LLC 06166 (Continued)

S113113916

Shipment Date: 20080110
Creation Date: 3/18/2008 18:30:29
Receipt Date: 20080116
Manifest ID: 000809379FLE
Trans EPA ID: CAR000183913
Trans Name: BELSHIRE
Trans 2 EPA ID: CAT080016116
Trans 2 Name: NIETO&SONS
TSDf EPA ID: CAT080013352
Trans Name: DEMENNO KERDOON
TSDf Alt EPA ID: Not reported
TSDf Alt Name: Not reported
Waste Code Description: 134 - Aqueous solution with <10% total organic residues
RCRA Code: Not reported
Meth Code: H039 - Other Recovery Of Reclamation For Reuse Including Acid
Regeneration, Organics Recovery Ect

Quantity Tons: 0.105
Waste Quantity: 25
Quantity Unit: G
Additional Code 1: Not reported
Additional Code 2: Not reported
Additional Code 3: Not reported
Additional Code 4: Not reported
Additional Code 5: Not reported

Additional Info:

Year: 2004
Gen EPA ID: CAL000225529

Shipment Date: 20041216
Creation Date: 3/17/2005 18:34:39
Receipt Date: 20041220
Manifest ID: 24193848
Trans EPA ID: CAD983584681
Trans Name: BELSHIRE ENVIRONMENTAL SVCS
Trans 2 EPA ID: Not reported
Trans 2 Name: Not reported
TSDf EPA ID: CAT080013352
Trans Name: DEMENNO KERDOON
TSDf Alt EPA ID: CAT080013352
TSDf Alt Name: Not reported
Waste Code Description: 134 - Aqueous solution with <10% total organic residues
RCRA Code: EXEM
Meth Code: R01 - Recycler
Quantity Tons: 0.042
Waste Quantity: 10
Quantity Unit: G
Additional Code 1: Not reported
Additional Code 2: Not reported
Additional Code 3: Not reported
Additional Code 4: Not reported
Additional Code 5: Not reported

Shipment Date: 20041216
Creation Date: 3/13/2007 18:30:28
Receipt Date: 20041221
Manifest ID: 23868831

Map ID
Direction
Distance
Elevation

MAP FINDINGS

Site

Database(s)

EDR ID Number
EPA ID Number

BP WEST COAST PRODUCTS LLC 06166 (Continued)

S113113916

Trans EPA ID:	CAD983584681
Trans Name:	BELSHIRE ENVIRONMENTAL SVCS
Trans 2 EPA ID:	Not reported
Trans 2 Name:	Not reported
TSDf EPA ID:	CAD008302903
Trans Name:	ONYX ENVIRONMENTAL
TSDf Alt EPA ID:	CAD008302903
TSDf Alt Name:	Not reported
Waste Code Description:	352 - Other organic solids
RCRA Code:	D018
Meth Code:	H01 - Transfer Station
Quantity Tons:	0.0375
Waste Quantity:	75
Quantity Unit:	P
Additional Code 1:	Not reported
Additional Code 2:	Not reported
Additional Code 3:	Not reported
Additional Code 4:	Not reported
Additional Code 5:	Not reported
Shipment Date:	20041216
Creation Date:	3/17/2005 18:34:39
Receipt Date:	20041220
Manifest ID:	24099106
Trans EPA ID:	CAD983584681
Trans Name:	BELSHIRE ENVIRONMENTAL SERVICES INC
Trans 2 EPA ID:	Not reported
Trans 2 Name:	Not reported
TSDf EPA ID:	CAT080013352
Trans Name:	DEMENNO KERDOON
TSDf Alt EPA ID:	CAT080013352
TSDf Alt Name:	Not reported
Waste Code Description:	134 - Aqueous solution with <10% total organic residues
RCRA Code:	EXEM
Meth Code:	R01 - Recycler
Quantity Tons:	0.063
Waste Quantity:	15
Quantity Unit:	G
Additional Code 1:	Not reported
Additional Code 2:	Not reported
Additional Code 3:	Not reported
Additional Code 4:	Not reported
Additional Code 5:	Not reported
Shipment Date:	20040316
Creation Date:	10/1/2004 18:31:09
Receipt Date:	20040317
Manifest ID:	23538725
Trans EPA ID:	CAD983584681
Trans Name:	BELSHIRE ENVIRONMENTAL SERVICES INC
Trans 2 EPA ID:	Not reported
Trans 2 Name:	Not reported
TSDf EPA ID:	CAT080013352
Trans Name:	DEMENNO KERDOON
TSDf Alt EPA ID:	CAT080013352
TSDf Alt Name:	Not reported
Waste Code Description:	134 - Aqueous solution with <10% total organic residues

Map ID
Direction
Distance
Elevation

MAP FINDINGS

Site

Database(s)

EDR ID Number
EPA ID Number

BP WEST COAST PRODUCTS LLC 06166 (Continued)

S113113916

RCRA Code: Not reported
Meth Code: R01 - Recycler
Quantity Tons: 0.021
Waste Quantity: 5
Quantity Unit: G
Additional Code 1: Not reported
Additional Code 2: Not reported
Additional Code 3: Not reported
Additional Code 4: Not reported
Additional Code 5: Not reported

Additional Info:

Year: 2011
Gen EPA ID: CAL000225529

Shipment Date: 20110505
Creation Date: 7/13/2011 18:30:09
Receipt Date: 20110510
Manifest ID: 004233362FLE
Trans EPA ID: CAR000183913
Trans Name: BELSHIRE
Trans 2 EPA ID: CAT080016116
Trans 2 Name: NIETO AND SONS TRUCKING INC
TSDf EPA ID: CAT080013352
Trans Name: DEMENNO KERDOON
TSDf Alt EPA ID: Not reported
TSDf Alt Name: Not reported
Waste Code Description: 134 - Aqueous solution with <10% total organic residues
RCRA Code: Not reported
Meth Code: H039 - Other Recovery Of Reclamation For Reuse Including Acid
Regeneration, Organics Recovery Ect
Quantity Tons: 1.386
Waste Quantity: 330
Quantity Unit: G
Additional Code 1: Not reported
Additional Code 2: Not reported
Additional Code 3: Not reported
Additional Code 4: Not reported
Additional Code 5: Not reported

Shipment Date: 20110505
Creation Date: 7/13/2011 18:30:09
Receipt Date: 20110510
Manifest ID: 004233362FLE
Trans EPA ID: CAR000183913
Trans Name: BELSHIRE
Trans 2 EPA ID: CAT080016116
Trans 2 Name: NIETO AND SONS TRUCKING INC
TSDf EPA ID: CAT080013352
Trans Name: DEMENNO KERDOON
TSDf Alt EPA ID: Not reported
TSDf Alt Name: Not reported
Waste Code Description: 134 - Aqueous solution with <10% total organic residues
RCRA Code: Not reported
Meth Code: H039 - Other Recovery Of Reclamation For Reuse Including Acid
Regeneration, Organics Recovery Ect
Quantity Tons: 0.063

Map ID
Direction
Distance
Elevation

MAP FINDINGS

Site

Database(s)

EDR ID Number
EPA ID Number

BP WEST COAST PRODUCTS LLC 06166 (Continued)

S113113916

Waste Quantity: 15
Quantity Unit: G
Additional Code 1: Not reported
Additional Code 2: Not reported
Additional Code 3: Not reported
Additional Code 4: Not reported
Additional Code 5: Not reported

HWTS:

Name: BP WEST COAST PRODUCTS LLC 06166
Address: 2410 W BROADWAY
Address 2: Not reported
City,State,Zip: NEEDLES, CA 92363
EPA ID: CAL000225529
Inactive Date: 06/30/2014
Create Date: 12/14/2001
Last Act Date: Not reported
Mailing Name: Not reported
Mailing Address: PO BOX 80249
Mailing Address 2: Not reported
Mailing City,State,Zip: RANCHO SANTA MARGARI, CA 920688000
Owner Name: BP WEST COAST PRODUCTS LLC
Owner Address: 4519 GRANDVIEW RD
Owner Address 2: Not reported
Owner City,State,Zip: BLAINE, WA 982300000
Contact Name: SARAH SAMUELS
Contact Address: 4519 GRANDVIEW RD
Contact Address 2: Not reported
City,State,Zip: BLAINE, WA 982300000
Facility Status: Inactive
Facility Type: PERMANENT
Category: STATE
Latitude: 34.848014
Longitude: -114.613887

NAICS:

EPA ID: CAL000225529
Create Date: 2002-03-14 16:36:29.000
NAICS Code: 44719
NAICS Description: Other Gasoline Stations
Issued EPA ID Date: 2001-12-14 00:00:00
Inactive Date: 2014-06-30 00:00:00
Facility Name: BP WEST COAST PRODUCTS LLC 06166
Facility Address: 2410 W BROADWAY
Facility Address 2: Not reported
Facility City: NEEDLES
Facility County: Not reported
Facility State: CA
Facility Zip: 923630000

MAP FINDINGS

Map ID
 Direction
 Distance
 Elevation

Site

Database(s)

EDR ID Number
 EPA ID Number

W151 **ARCO AM/PM #6166 / NEEDLES**
Target **2410 WEST BROADWAY**
Property **NEEDLES, CA**

RGA LUST **S114575156**
 N/A

Site 12 of 29 in cluster W

Actual: RGA LUST:
517 ft. Name: ARCO AM/PM #6166 / NEEDLES
Focus Map: Address: 2410 WEST BROADWAY
6 City: NEEDLES
 State: NEEDLES
 1992 ARCO AM/PM #6166 / NEEDLES 2410 WEST BROADWAY

W152 **ARCO AM/PM #6166**
Target **2410 WEST BROADWAY AVE**
Property **NEEDLES, CA**

RGA LUST **S114575157**
 N/A

Site 13 of 29 in cluster W

Actual: RGA LUST:
517 ft. Name: ARCO AM/PM #6166
Focus Map: Address: 2410 WEST BROADWAY AVE
6 City: NEEDLES
 State: NEEDLES
 2002 ARCO AM/PM #6166 2410 WEST BROADWAY AVE
 Name: ARCO AM/PM #6166
 Address: 2410 WEST BROADWAY AVE
 City: NEEDLES
 State: NEEDLES
 2001 ARCO AM/PM #6166 2410 WEST BROADWAY AVE

W153 **ARCO STATION #6166**
Target **2410 WEST BROADWAY AVE**
Property **NEEDLES, CA 92363**

LUST **S106152848**
Cortese **N/A**
CERS

Site 14 of 29 in cluster W

Actual: LUST REG 7:
517 ft. Region: 7
Focus Map: Status: 9 - Case Closed
6 Case Num: 7T2363029
 Substance: Gasoline - Automotive
 ID: 428
 Global ID: T0607101006
 Lead Agency: Local Agency
 Case Worker: KO

LUST:
 Name: ARCO STATION #6166
 Address: 2410 WEST BROADWAY AVE
 City,State,Zip: NEEDLES, CA 92363
 Lead Agency: SAN BERNARDINO COUNTY
 Case Type: LUST Cleanup Site
 Geo Track: http://geotracker.waterboards.ca.gov/profile_report.asp?global_id=T0607101006
 Global Id: T0607101006
 Latitude: 34.8507
 Longitude: -114.622858
 Status: Completed - Case Closed

Map ID
Direction
Distance
Elevation

MAP FINDINGS

Site

Database(s)

EDR ID Number
EPA ID Number

ARCO STATION #6166 (Continued)

S106152848

Status Date: 10/29/2002
Case Worker: CR2
RB Case Number: 7T2363029
Local Agency: SAN BERNARDINO COUNTY
File Location: Local Agency
Local Case Number: 2001038
Potential Media Affect: Under Investigation
Potential Contaminants of Concern: Gasoline
Site History: Not reported

LUST:

Global Id: T0607101006
Action Type: ENFORCEMENT
Date: 11/19/2002
Action: Technical Correspondence / Assistance / Other

Global Id: T0607101006
Action Type: Other
Date: 12/06/2001
Action: Leak Reported

Global Id: T0607101006
Action Type: ENFORCEMENT
Date: 10/29/2002
Action: Closure/No Further Action Letter

Global Id: T0607101006
Action Type: ENFORCEMENT
Date: 01/07/2002
Action: Notice of Responsibility

Global Id: T0607101006
Action Type: Other
Date: 10/17/2001
Action: Leak Stopped

Global Id: T0607101006
Action Type: Other
Date: 10/17/2001
Action: Leak Discovery

LUST:

Global Id: T0607101006
Status: Open - Case Begin Date
Status Date: 10/17/2001

Global Id: T0607101006
Status: Open - Site Assessment
Status Date: 12/06/2001

Global Id: T0607101006
Status: Open - Site Assessment
Status Date: 03/01/2002

Global Id: T0607101006
Status: Completed - Case Closed
Status Date: 10/29/2002

Map ID
Direction
Distance
Elevation

MAP FINDINGS

Site

Database(s)

EDR ID Number
EPA ID Number

ARCO STATION #6166 (Continued)

S106152848

Name: ARCO STATION #6166
Address: 2410 WEST BROADWAY AVE
City,State,Zip: NEEDLES, CA 92363
Lead Agency: COLORADO RIVER BASIN RWQCB (REGION 7)
Case Type: LUST Cleanup Site
Geo Track: http://geotracker.waterboards.ca.gov/profile_report.asp?global_id=T0607101098
Global Id: T0607101098
Latitude: 34.8507
Longitude: -114.622858
Status: Completed - Case Closed
Status Date: 10/29/2002
Case Worker: Not reported
RB Case Number: 7T2363008
Local Agency: SAN BERNARDINO COUNTY
File Location: Not reported
Local Case Number: Not reported
Potential Media Affect: Aquifer used for drinking water supply
Potential Contaminants of Concern: Gasoline
Site History: Not reported

LUST:

Global Id: T0607101098
Action Type: Other
Date: 12/06/2001
Action: Leak Reported

Global Id: T0607101098
Action Type: ENFORCEMENT
Date: 10/29/2002
Action: Closure/No Further Action Letter

Global Id: T0607101098
Action Type: ENFORCEMENT
Date: 11/19/2002
Action: Technical Correspondence / Assistance / Other

Global Id: T0607101098
Action Type: Other
Date: 10/17/2001
Action: Leak Stopped

Global Id: T0607101098
Action Type: Other
Date: 10/17/2001
Action: Leak Discovery

LUST:

Global Id: T0607101098
Status: Open - Case Begin Date
Status Date: 08/16/1989

Global Id: T0607101098
Status: Open - Site Assessment
Status Date: 08/16/1989

Global Id: T0607101098
Status: Open - Site Assessment

Map ID
Direction
Distance
Elevation

MAP FINDINGS

Site

Database(s)

EDR ID Number
EPA ID Number

ARCO STATION #6166 (Continued)

S106152848

Status Date: 11/06/1989

Global Id: T0607101098
Status: Open - Site Assessment
Status Date: 01/12/1990

Global Id: T0607101098
Status: Open - Remediation
Status Date: 04/02/1990

Global Id: T0607101098
Status: Completed - Case Closed
Status Date: 05/30/1990

Global Id: T0607101098
Status: Open - Reopen Case
Status Date: 01/21/1992

Global Id: T0607101098
Status: Open - Remediation
Status Date: 01/22/1992

Global Id: T0607101098
Status: Open - Verification Monitoring
Status Date: 05/10/1996

Global Id: T0607101098
Status: Completed - Case Closed
Status Date: 09/27/1996

Global Id: T0607101098
Status: Open - Reopen Case
Status Date: 12/05/2001

Global Id: T0607101098
Status: Open - Site Assessment
Status Date: 12/06/2001

Global Id: T0607101098
Status: Open - Site Assessment
Status Date: 03/01/2002

Global Id: T0607101098
Status: Open - Site Assessment
Status Date: 07/10/2002

Global Id: T0607101098
Status: Completed - Case Closed
Status Date: 10/29/2002

CORTESE:

Name: ARCO STATION #6166
Address: 2410 WEST BROADWAY AVE
City,State,Zip: NEEDLES, CA 92363
Region: CORTESE
Envirostor Id: Not reported

Map ID
Direction
Distance
Elevation

MAP FINDINGS

Site

Database(s)

EDR ID Number
EPA ID Number

ARCO STATION #6166 (Continued)

S106152848

Global ID: T0607101098
Site/Facility Type: LUST CLEANUP SITE
Cleanup Status: COMPLETED - CASE CLOSED
Status Date: Not reported
Site Code: Not reported
Latitude: Not reported
Longitude: Not reported
Owner: Not reported
Enf Type: Not reported
Swat R: Not reported
Flag: active
Order No: Not reported
Waste Discharge System No: Not reported
Effective Date: Not reported
Region 2: Not reported
WID Id: Not reported
Solid Waste Id No: Not reported
Waste Management Uit Name: Not reported
File Name: Active Open

Name: ARCO STATION #6166
Address: 2410 WEST BROADWAY AVE
City,State,Zip: NEEDLES, CA 92363
Region: CORTESE
Envirostor Id: Not reported
Global ID: T0607101006
Site/Facility Type: LUST CLEANUP SITE
Cleanup Status: COMPLETED - CASE CLOSED
Status Date: Not reported
Site Code: Not reported
Latitude: Not reported
Longitude: Not reported
Owner: Not reported
Enf Type: Not reported
Swat R: Not reported
Flag: active
Order No: Not reported
Waste Discharge System No: Not reported
Effective Date: Not reported
Region 2: Not reported
WID Id: Not reported
Solid Waste Id No: Not reported
Waste Management Uit Name: Not reported
File Name: Active Open

CERS:

Name: ARCO STATION #6166
Address: 2410 WEST BROADWAY AVE
City,State,Zip: NEEDLES, CA 92363
Site ID: 196016
CERS ID: T0607101006
CERS Description: Leaking Underground Storage Tank Cleanup Site

Name: ARCO STATION #6166
Address: 2410 WEST BROADWAY AVE
City,State,Zip: NEEDLES, CA 92363
Site ID: 196016

Map ID
Direction
Distance
Elevation

MAP FINDINGS

Site

Database(s)

EDR ID Number
EPA ID Number

ARCO STATION #6166 (Continued)

S106152848

CERS ID: T0607101098
CERS Description: Leaking Underground Storage Tank Cleanup Site

W154
Target
Property

ARCO STATION #6166
2410 WEST BROADWAY AVE
NEEDLES, CA 92363

FINDS **S1023349694**
N/A

Site 15 of 29 in cluster W

Actual:
517 ft.

FINDS:
Registry ID: 110066459567

Focus Map:
6

Click Here for FRS Facility Detail Report:

Environmental Interest/Information System:
STATE MASTER

[Click this hyperlink](#) while viewing on your computer to access additional FINDS: detail in the EDR Site Report.

W155
Target
Property

2410 WEST BROADWAY ST
NEEDLES, CA

CHMIRS **S105660983**
N/A

Site 16 of 29 in cluster W

Actual:
517 ft.

CHMIRS:
Name: Not reported
Address: 2410 WEST BROADWAY ST
City,State,Zip: NEEDLES, CA
OES Incident Number: 9-2780
OES notification: 07/01/1999
OES Date: Not reported
OES Time: Not reported
Date Completed: Not reported
Property Use: Not reported
Agency Id Number: Not reported
Agency Incident Number: Not reported
Time Notified: Not reported
Time Completed: Not reported
Surrounding Area: Not reported
Estimated Temperature: Not reported
Property Management: Not reported
More Than Two Substances Involved?: Not reported
Resp Agncy Personel # Of Decontaminated: Not reported
Responding Agency Personel # Of Injuries: Not reported
Responding Agency Personel # Of Fatalities: Not reported
Others Number Of Decontaminated: Not reported
Others Number Of Injuries: Not reported
Others Number Of Fatalities: Not reported
Vehicle Make/year: Not reported
Vehicle License Number: Not reported
Vehicle State: Not reported
Vehicle Id Number: Not reported
CA DOT PUC/ICC Number: Not reported
Company Name: Not reported
Reporting Officer Name/ID: Not reported
Report Date: Not reported

Focus Map:
6

Map ID
 Direction
 Distance
 Elevation

MAP FINDINGS

Site

Database(s)

EDR ID Number
 EPA ID Number

(Continued)

S105660983

Facility Telephone:	Not reported
Waterway Involved:	No
Waterway:	Not reported
Spill Site:	Not reported
Cleanup By:	Contractor
Containment:	Not reported
What Happened:	Not reported
Type:	Not reported
Measure:	Not reported
Other:	Not reported
Date/Time:	Not reported
Year:	1999
Agency:	San Bernardino Co Fire Dept
Incident Date:	6/30/199912:00:00 AM
Admin Agency:	San Bernardino County Health Department
Amount:	Not reported
Contained:	Yes
Site Type:	Service Station
E Date:	Not reported
Substance:	Gasoline/Water mix
Gallons:	50
Unknown:	0
Substance #2:	Not reported
Substance #3:	Not reported
Evacuations:	0
Number of Injuries:	0
Number of Fatalities:	0
#1 Pipeline:	Not reported
#2 Pipeline:	Not reported
#3 Pipeline:	Not reported
#1 Vessel >= 300 Tons:	Not reported
#2 Vessel >= 300 Tons:	Not reported
#3 Vessel >= 300 Tons:	Not reported
Evacs:	Not reported
Injuries:	Not reported
Fatals:	Not reported
Comments:	Not reported
Description:	Drive-off at a service station, operators did not fell that absorbant was doing a good enough job so they hosed down the gasoline. Fire Dept absorbed the fuel water mix and then tarped substance. Service station operators will have someone come in to the absorbant mixture.

W156 **NEEDLES GAS MART**
Target **2410 W BROADWAY ST**
Property **NEEDLES, CA 92363**

EDR Hist Auto **1021800601**
N/A

Site 17 of 29 in cluster W

Actual: EDR Hist Auto
517 ft.

Focus Map:	Year:	Name:	Type:
6	1990	NEEDLES ARCO HOUSE ENTERPRISES	Grocery Stores
	1991	NEEDLES ARCO HOUSE ENTERPRISES	Grocery Stores
	1992	NEEDLES ARCO HOUSE ENTERPRISES	Grocery Stores
	1993	NEEDLES ARCO HOUSE ENTERPRISES	Grocery Stores
	1994	NEEDLES ARCO HOUSE ENTERPRISES	Grocery Stores

Map ID
Direction
Distance
Elevation

MAP FINDINGS

Site

Database(s)

EDR ID Number
EPA ID Number

NEEDLES GAS MART (Continued)

1021800601

1995	NEEDLES ARCO HOUSE ENTERPRISES	Grocery Stores
1996	NEEDLES GUEST HOUSE	Grocery Stores
1997	NEEDLES GAS MART	Grocery Stores
1998	NEEDLES GAS MART	Grocery Stores
1999	NEEDLES GAS MART	Grocery Stores
2000	NEEDLES GAS MART	Grocery Stores
2001	NEEDLES GAS MART	Grocery Stores
2002	NEEDLES GAS MART	Grocery Stores
2003	NEEDLES GAS MART	Grocery Stores

W157 **ARCO PETROLEUM PROD #6166**
Target **2410 W BROADWAY ST**
Property **NEEDLES, CA 92363**

UST **U004050719**
 N/A

Site 18 of 29 in cluster W

Actual: **UST:**
517 ft. **Name:** **ARCO PETROLEUM PROD #6166**
Focus Map: **Address:** **2410 W BROADWAY ST**
6 **City,State,Zip:** **NEEDLES, CA 92363**
 Facility ID: **86010006**
 Permitting Agency: **SAN BERNARDINO COUNTY**
 CERSID: **Not reported**
 Latitude: **34.84988**
 Longitude: **-114.62262**

W158 **ARCO PETROLEUM PROD #6166**
Target **2410 W BROADWAY**
Property **NEEDLES, CA 92363**

SWEEPS UST **U003938014**
 N/A

Site 19 of 29 in cluster W

Actual: **SWEEPS UST:**
517 ft. **Name:** **ARCO PETROLEUM PROD #6166**
Focus Map: **Address:** **2410 W BROADWAY**
6 **City:** **NEEDLES**
 Status: **Active**
 Comp Number: **26875**
 Number: **9**
 Board Of Equalization: **Not reported**
 Referral Date: **07-28-92**
 Action Date: **07-28-92**
 Created Date: **02-29-88**
 Owner Tank Id: **1**
 SWRCB Tank Id: **36-000-026875-000001**
 Tank Status: **A**
 Capacity: **12000**
 Active Date: **08-26-88**
 Tank Use: **M.V. FUEL**
 STG: **P**
 Content: **REG UNLEADED**
 Number Of Tanks: **4**

 Name: **ARCO PETROLEUM PROD #6166**
 Address: **2410 W BROADWAY**
 City: **NEEDLES**

Map ID
Direction
Distance
Elevation

MAP FINDINGS

Site

Database(s)

EDR ID Number
EPA ID Number

ARCO PETROLEUM PROD #6166 (Continued)

U003938014

Status: Active
Comp Number: 26875
Number: 9
Board Of Equalization: Not reported
Referral Date: 07-28-92
Action Date: 07-28-92
Created Date: 02-29-88
Owner Tank Id: 2
SWRCB Tank Id: 36-000-026875-000002
Tank Status: A
Capacity: 6000
Active Date: 08-26-88
Tank Use: M.V. FUEL
STG: P
Content: REG UNLEADED
Number Of Tanks: Not reported

Name: ARCO PETROLEUM PROD #6166
Address: 2410 W BROADWAY
City: NEEDLES
Status: Active
Comp Number: 26875
Number: 9
Board Of Equalization: Not reported
Referral Date: 07-28-92
Action Date: 07-28-92
Created Date: 02-29-88
Owner Tank Id: 3
SWRCB Tank Id: 36-000-026875-000003
Tank Status: A
Capacity: 8000
Active Date: 08-26-88
Tank Use: M.V. FUEL
STG: P
Content: REG UNLEADED
Number Of Tanks: Not reported

Name: ARCO PETROLEUM PROD #6166
Address: 2410 W BROADWAY
City: NEEDLES
Status: Active
Comp Number: 26875
Number: 9
Board Of Equalization: Not reported
Referral Date: 07-28-92
Action Date: 07-28-92
Created Date: 02-29-88
Owner Tank Id: 4
SWRCB Tank Id: 36-000-026875-000004
Tank Status: A
Capacity: 8000
Active Date: 08-26-88
Tank Use: M.V. FUEL
STG: P
Content: REG UNLEADED
Number Of Tanks: Not reported

Map ID
Direction
Distance
Elevation

MAP FINDINGS

Site

Database(s)

EDR ID Number
EPA ID Number

W159 **JOHN A LUSK**
Target **2410 W BROADWAY**
Property **NEEDLES, CA 92363**

HIST UST **U001575249**
San Bern. Co. Permit **N/A**

Site 20 of 29 in cluster W

Actual:
517 ft.

Focus Map:
6

HIST UST:
Name: JOHN A LUSK
Address: 2410 W BROADWAY
City,State,Zip: NEEDLES, CA 92363
File Number: 0002994A
URL: <http://geotracker.waterboards.ca.gov/ustpdfs/pdf/0002994A.pdf>
Region: STATE
Facility ID: 00000026875
Facility Type: Gas Station
Other Type: Not reported
Contact Name: Not reported
Telephone: 0000000000
Owner Name: ARCO PETROLEUM PRODUCTS CO.
Owner Address: 515 SOUTH FLOWER STREET
Owner City,St,Zip: LOS ANGELES, CA 90071
Total Tanks: 0004

Tank Num: 001
Container Num: 0000000001
Year Installed: 1982
Tank Capacity: 00012000
Tank Used for: PRODUCT
Type of Fuel: 06
Container Construction Thickness: Not reported
Leak Detection: Stock Inventor, 10

Tank Num: 002
Container Num: 0000000002
Year Installed: 1962
Tank Capacity: 00006000
Tank Used for: PRODUCT
Type of Fuel: 06
Container Construction Thickness: 0000240
Leak Detection: Stock Inventor, 10

Tank Num: 003
Container Num: 0000000003
Year Installed: 1962
Tank Capacity: 00008000
Tank Used for: PRODUCT
Type of Fuel: 06
Container Construction Thickness: 0000240
Leak Detection: Stock Inventor, 10

Tank Num: 004
Container Num: 0000000004
Year Installed: 1962
Tank Capacity: 00008000
Tank Used for: PRODUCT
Type of Fuel: 06
Container Construction Thickness: 0000240
Leak Detection: Stock Inventor, 10

Map ID
Direction
Distance
Elevation

MAP FINDINGS

Site

Database(s)

EDR ID Number
EPA ID Number

JOHN A LUSK (Continued)

U001575249

[Click here for Geo Tracker PDF:](#)

San Bern. Co. Permit:

Name: ARCO #6166
Address: 2410 W BROADWAY
City,State,Zip: NEEDLES, CA 92363
Region: SAN BERNARDINO
Facility ID: FA0001088
Owner: BP WEST COAST PRODUCTS LLC
Permit Number: PT0013570
Permit Category: WASTE INCIDENTAL UST OPERATION ONLY -PER YEAR
Facility Status: INACTIVE
Expiration Date: 10/31/2013

Name: ARCO #6166
Address: 2410 W BROADWAY
City,State,Zip: NEEDLES, CA 92363
Region: SAN BERNARDINO
Facility ID: FA0001088
Owner: BP WEST COAST PRODUCTS LLC
Permit Number: PT0002703
Permit Category: HAZMAT HANDLER 0-10 EMPLOYEES (W/GEN PRMT)
Facility Status: INACTIVE
Expiration Date: 10/31/2013

Name: ARCO #6166
Address: 2410 W BROADWAY
City,State,Zip: NEEDLES, CA 92363
Region: SAN BERNARDINO
Facility ID: FA0001088
Owner: BP WEST COAST PRODUCTS LLC
Permit Number: PT0011575
Permit Category: REGULAR UST ANNUAL INSPECTION (PER TANK)
Facility Status: INACTIVE
Expiration Date: 10/31/2013

Name: ARCO #6166
Address: 2410 W BROADWAY
City,State,Zip: NEEDLES, CA 92363
Region: SAN BERNARDINO
Facility ID: FA0001088
Owner: BP WEST COAST PRODUCTS LLC
Permit Number: PT0011576
Permit Category: REGULAR UST ANNUAL INSPECTION (PER TANK)
Facility Status: INACTIVE
Expiration Date: 10/31/2013

Name: ARCO #6166
Address: 2410 W BROADWAY
City,State,Zip: NEEDLES, CA 92363
Region: SAN BERNARDINO
Facility ID: FA0001088
Owner: BP WEST COAST PRODUCTS LLC
Permit Number: PT0011577
Permit Category: REGULAR UST ANNUAL INSPECTION (PER TANK)
Facility Status: INACTIVE
Expiration Date: 10/31/2013

Map ID
Direction
Distance
Elevation

MAP FINDINGS

Site

Database(s)

EDR ID Number
EPA ID Number

Y160 **NEEDLES RADIATOR & MUFFLER**
Target **1001 VINE**
Property **NEEDLES, CA 92363**

HWTS **S124809250**
 N/A

Site 1 of 10 in cluster Y

Actual: **HWTS:**
508 ft. Name: NEEDLES RADIATOR & MUFFLER
Focus Map: Address: 1001 VINE
6 Address 2: Not reported
 City,State,Zip: NEEDLES, CA 92363
 EPA ID: CAL000144086
 Inactive Date: 06/30/1998
 Create Date: 07/10/1996
 Last Act Date: Not reported
 Mailing Name: Not reported
 Mailing Address: 1001 VINE ST
 Mailing Address 2: Not reported
 Mailing City,State,Zip: NEEDLES, CA 923632133
 Owner Name: R. D. BROWN
 Owner Address: 1001 VINE ST
 Owner Address 2: Not reported
 Owner City,State,Zip: NEEDLES, CA 923632133
 Contact Name: R. D. BROWN, OWNER
 Contact Address: INACT PER NONDEL 98VQ FINAL
 Contact Address 2: Not reported
 City,State,Zip: NEEDLES, CA 923632133
 Facility Status: Inactive
 Facility Type: PERMANENT
 Category: STATE
 Latitude: 34.850057
 Longitude: -114.611588

Y161 **CROSS RADIATOR AND MUFFLER**
Target **1001 VINE**
Property **NEEDLES, CA 92363**

HWTS **S124812744**
 N/A

Site 2 of 10 in cluster Y

Actual: **HWTS:**
508 ft. Name: CROSS RADIATOR AND MUFFLER
Focus Map: Address: 1001 VINE
6 Address 2: Not reported
 City,State,Zip: NEEDLES, CA 92363
 EPA ID: CAL000160323
 Inactive Date: 12/31/1899
 Create Date: 04/09/1996
 Last Act Date: Not reported
 Mailing Name: Not reported
 Mailing Address: 1001 VINE
 Mailing Address 2: Not reported
 Mailing City,State,Zip: NEEDLES, CA 923630000
 Owner Name: ROY A CROSS
 Owner Address: 1001 VINE
 Owner Address 2: Not reported
 Owner City,State,Zip: NEEDLES, CA 923630000
 Contact Name: INACTIVE BUSINESS SOLD 8/01/96
 Contact Address: 1001 VINE
 Contact Address 2: Not reported
 City,State,Zip: NEEDLES, CA 923630000

Map ID
Direction
Distance
Elevation

MAP FINDINGS

Site

Database(s)

EDR ID Number
EPA ID Number

CROSS RADIATOR AND MUFFLER (Continued)

S124812744

Facility Status: Inactive
Facility Type: PERMANENT
Category: STATE
Latitude: 34.850057
Longitude: -114.611588

Y162 **NEEDLES RADIATOR/MUFFLER**
Target **1001 VINE ST**
Property **NEEDLES, CA 92363**

San Bern. Co. Permit **S106911005**
N/A

Site 3 of 10 in cluster Y

Actual: San Bern. Co. Permit:
508 ft.
Focus Map: Name: NEEDLES RADIATOR/MUFFLER
6 Address: 1001 VINE ST
City,State,Zip: NEEDLES, CA 92363
Region: SAN BERNARDINO
Facility ID: FA0004960
Owner: BLAIR, MELTON ALBERT. SR.
Permit Number: PT0008232
Permit Category: SPECIAL HANDLER
Facility Status: INACTIVE
Expiration Date: 11/30/2001

Name: NEEDLES RADIATOR/MUFFLER
Address: 1001 VINE ST
City,State,Zip: NEEDLES, CA 92363
Region: SAN BERNARDINO
Facility ID: FA0004960
Owner: BLAIR, MELTON ALBERT. SR.
Permit Number: PT0008233
Permit Category: SPECIAL GENERATOR
Facility Status: INACTIVE
Expiration Date: 11/30/2001

W163 **A+AUTO CARE INC**
Target **2408 W BROADWAY**
Property **NEEDLES, CA 92363**

ECHO **1026014720**
N/A

Site 21 of 29 in cluster W

Actual: ECHO:
517 ft. Envid: 1026014720
Focus Map: Registry ID: 110065092606
6 DFR URL: <http://echo.epa.gov/detailed-facility-report?fid=110065092606>
Name: A+AUTO CARE INC
Address: 2408 W BROADWAY
City,State,Zip: NEEDLES, CA 92363

Map ID
Direction
Distance
Elevation

MAP FINDINGS

Site

Database(s)

EDR ID Number
EPA ID Number

W164 **A + AUTO CARE**
Target **2408 WEST BROADWAY**
Property **NEEDLES, CA 92363**

HAULERS **S127783692**
 N/A

Site 22 of 29 in cluster W

Actual: HAULERS:
517 ft. Name: A + AUTO CARE
Focus Map: Address: 2408 WEST BROADWAY
6 City,State,Zip: NEEDLES, CA 92363
 Facility ID: 1287138
 Facility Phone: (760) 326-3688
 Business Email Address: Not reported
 Contact Person: Dave Lineberry Or Maria Pynakker
 Mailing Address: 2408 West Broadway
 Mailing City: Needles
 Mailing State: CA
 Mailing Zip: 92363
 Mailing County: San Bernardino
 Mailing Phone: (760) 326-3688
 Current Status: Active
 Current Hauler Status: Not reported
 Accepting Tires From Public: Not reported
 Regulatory Status Last Changed: Not reported
 Business Types: Not reported

W165 **A+AUTO CARE INC**
Target **2408 W BROADWAY**
Property **NEEDLES, CA 92363**

RCRA NonGen / NLR **1024803527**
 CAL000253391

Site 23 of 29 in cluster W

Actual: RCRA NonGen / NLR:
517 ft. Date Form Received by Agency: 20020606
Focus Map: Handler Name: A+AUTO CARE INC
6 Handler Address: 2408 W BROADWAY
 Handler City,State,Zip: NEEDLES, CA 92363
 EPA ID: CAL000253391
 Contact Name: DAVID A. LINEBERRY PRES.
 Contact Address: 1001 VINE ST
 Contact City,State,Zip: NEEDLES, CA 92363
 Contact Telephone: 760-412-0128
 Contact Fax: 000-000-0000
 Contact Email: APLUSAUTOCOM@HOTMAIL.COM
 Contact Title: Not reported
 EPA Region: 09
 Land Type: Not reported
 Federal Waste Generator Description: Not a generator, verified
 Non-Notifier: Not reported
 Biennial Report Cycle: Not reported
 Accessibility: Not reported
 Active Site Indicator: Handler Activities
 State District Owner: Not reported
 State District: Not reported
 Mailing Address: 2408 W BROADWAY
 Mailing City,State,Zip: NEEDLES, CA 92363-0000
 Owner Name: A+AUTO CARE INC
 Owner Type: Other
 Operator Name: DAVID A. LINEBERRY PRES.
 Operator Type: Other

Map ID
 Direction
 Distance
 Elevation

MAP FINDINGS

Site

Database(s)

EDR ID Number
 EPA ID Number

A+AUTO CARE INC (Continued)

1024803527

Short-Term Generator Activity:	No
Importer Activity:	No
Mixed Waste Generator:	No
Transporter Activity:	No
Transfer Facility Activity:	No
Recycler Activity with Storage:	No
Small Quantity On-Site Burner Exemption:	No
Smelting Melting and Refining Furnace Exemption:	No
Underground Injection Control:	No
Off-Site Waste Receipt:	No
Universal Waste Indicator:	Yes
Universal Waste Destination Facility:	Yes
Federal Universal Waste:	No
Active Site Fed-Reg Treatment Storage and Disposal Facility:	Not reported
Active Site Converter Treatment storage and Disposal Facility:	Not reported
Active Site State-Reg Treatment Storage and Disposal Facility:	Not reported
Active Site State-Reg Handler:	---
Federal Facility Indicator:	Not reported
Hazardous Secondary Material Indicator:	N
Sub-Part K Indicator:	Not reported
Commercial TSD Indicator:	No
Treatment Storage and Disposal Type:	Not reported
2018 GPRA Permit Baseline:	Not on the Baseline
2018 GPRA Renewals Baseline:	Not on the Baseline
Permit Renewals Workload Universe:	Not reported
Permit Workload Universe:	Not reported
Permit Progress Universe:	Not reported
Post-Closure Workload Universe:	Not reported
Closure Workload Universe:	Not reported
202 GPRA Corrective Action Baseline:	No
Corrective Action Workload Universe:	No
Subject to Corrective Action Universe:	No
Non-TSDFs Where RCRA CA has Been Imposed Universe:	No
TSDFs Potentially Subject to CA Under 3004 (u)/(v) Universe:	No
TSDFs Only Subject to CA under Discretionary Auth Universe:	No
Corrective Action Priority Ranking:	No NCAPS ranking
Environmental Control Indicator:	No
Institutional Control Indicator:	No
Human Exposure Controls Indicator:	N/A
Groundwater Controls Indicator:	N/A
Operating TSDF Universe:	Not reported
Full Enforcement Universe:	Not reported
Significant Non-Complier Universe:	No
Unaddressed Significant Non-Complier Universe:	No
Addressed Significant Non-Complier Universe:	No
Significant Non-Complier With a Compliance Schedule Universe:	No
Financial Assurance Required:	Not reported
Handler Date of Last Change:	20181001
Recognized Trader-Importer:	No
Recognized Trader-Exporter:	No
Importer of Spent Lead Acid Batteries:	No
Exporter of Spent Lead Acid Batteries:	No
Recycler Activity Without Storage:	No
Manifest Broker:	No
Sub-Part P Indicator:	No

Map ID
Direction
Distance
Elevation

MAP FINDINGS

Site

Database(s)

EDR ID Number
EPA ID Number

A+AUTO CARE INC (Continued)

1024803527

Handler - Owner Operator:

Owner/Operator Indicator:	Owner
Owner/Operator Name:	A+AUTO CARE INC
Legal Status:	Other
Date Became Current:	Not reported
Date Ended Current:	Not reported
Owner/Operator Address:	1001 VINE ST
Owner/Operator City,State,Zip:	NEEDLES, CA 92363
Owner/Operator Telephone:	760-412-0128
Owner/Operator Telephone Ext:	Not reported
Owner/Operator Fax:	Not reported
Owner/Operator Email:	Not reported

Owner/Operator Indicator:	Operator
Owner/Operator Name:	DAVID A. LINEBERRY PRES.
Legal Status:	Other
Date Became Current:	Not reported
Date Ended Current:	Not reported
Owner/Operator Address:	1001 VINE ST
Owner/Operator City,State,Zip:	NEEDLES, CA 92363
Owner/Operator Telephone:	760-412-0128
Owner/Operator Telephone Ext:	Not reported
Owner/Operator Fax:	Not reported
Owner/Operator Email:	Not reported

Historic Generators:

Receive Date:	20020606
Handler Name:	A+AUTO CARE INC
Federal Waste Generator Description:	Not a generator, verified
State District Owner:	Not reported
Large Quantity Handler of Universal Waste:	No
Recognized Trader Importer:	No
Recognized Trader Exporter:	No
Spent Lead Acid Battery Importer:	No
Spent Lead Acid Battery Exporter:	No
Current Record:	Yes
Non Storage Recycler Activity:	Not reported
Electronic Manifest Broker:	Not reported

List of NAICS Codes and Descriptions:

NAICS Code:	811111
NAICS Description:	GENERAL AUTOMOTIVE REPAIR

Facility Has Received Notices of Violations:

Violations:	No Violations Found
-------------	---------------------

Evaluation Action Summary:

Evaluations:	No Evaluations Found
--------------	----------------------

Map ID
Direction
Distance
Elevation

MAP FINDINGS

Site

Database(s)

EDR ID Number
EPA ID Number

W166 **A+AUTO CARE INC**
Target **2408 W BROADWAY**
Property **NEEDLES, CA 92363**

FINDS **1023222807**
 N/A

Site 24 of 29 in cluster W

Actual: **FINDS:**
517 ft. Registry ID: 110065092606

Focus Map: [Click Here for FRS Facility Detail Report:](#)
6

Environmental Interest/Information System:

RCRAInfo is a national information system that supports the Resource Conservation and Recovery Act (RCRA) program through the tracking of events and activities related to facilities that generate, transport, and treat, store, or dispose of hazardous waste. RCRAInfo allows RCRA program staff to track the notification, permit, compliance, and corrective action activities required under RCRA.
STATE MASTER

[Click this hyperlink](#) while viewing on your computer to access additional FINDS: detail in the EDR Site Report.

W167 **A+AUTO CARE INC**
Target **2408 W BROADWAY**
Property **NEEDLES, CA 92363**

HAZNET **S113119908**
HWTS **N/A**

Site 25 of 29 in cluster W

Actual: **HAZNET:**
517 ft. **Name:** A+AUTO CARE INC
Focus Map: **Address:** 2408 W BROADWAY
6 **Address 2:** Not reported
 City,State,Zip: NEEDLES, CA 92363
 Contact: DAVID A. LINEBERRY PRES.
 Telephone: 7603263688
 Mailing Name: Not reported
 Mailing Address: 2408 W Broadway

Year: 2005
Gepaid: CAL000253391
TSD EPA ID: NVR000066837
CA Waste Code: 221 - Waste oil and mixed oil
Disposal Method: -
Tons: 1.71

Year: 2005
Gepaid: CAL000253391
TSD EPA ID: NVR000066837
CA Waste Code: -
Disposal Method: H01 - Transfer Station
Tons: 0.074

Year: 2004
Gepaid: CAL000253391
TSD EPA ID: NVR000066837
CA Waste Code: 221 - Waste oil and mixed oil
Disposal Method: -
Tons: 0.893

Year: 2004

Map ID
Direction
Distance
Elevation

MAP FINDINGS

Site

Database(s)

EDR ID Number
EPA ID Number

A+AUTO CARE INC (Continued)

S113119908

Gepaid: CAL000253391
TSD EPA ID: CAD982444481
CA Waste Code: 221 - Waste oil and mixed oil
Disposal Method: H01 - Transfer Station
Tons: 0.798

Year: 2004
Gepaid: CAL000253391
TSD EPA ID: NVR000066837
CA Waste Code: 221 - Waste oil and mixed oil
Disposal Method: H01 - Transfer Station
Tons: 0.418

Year: 2004
Gepaid: CAL000253391
TSD EPA ID: NVR000066837
CA Waste Code: -
Disposal Method: -
Tons: Not reported

Year: 2002
Gepaid: CAL000253391
TSD EPA ID: CAD982444481
CA Waste Code: 221 - Waste oil and mixed oil
Disposal Method: H01 - Transfer Station
Tons: 0.418

Additional Info:

Year: 2005
Gen EPA ID: CAL000253391

Shipment Date: 20050921
Creation Date: 4/13/2006 18:48:46
Receipt Date: 20050921
Manifest ID: 24365183
Trans EPA ID: TXR000050930
Trans Name: SAFETY-KLEEN SYSTEMS INC
Trans 2 EPA ID: Not reported
Trans 2 Name: Not reported
TSD EPA ID: TXD077603371
Trans Name: SAFETY-KLEEN SYSTEMS INC
TSD EPA ID: NVR000066837
TSD EPA Name: Not reported
Waste Code Description: - Not reported
RCRA Code: Not reported
Meth Code: H01 - Transfer Station
Quantity Tons: 0.074
Waste Quantity: 148
Quantity Unit: P
Additional Code 1: Not reported
Additional Code 2: Not reported
Additional Code 3: Not reported
Additional Code 4: Not reported
Additional Code 5: Not reported

Shipment Date: 20050914

Map ID
Direction
Distance
Elevation

MAP FINDINGS

Site

Database(s)

EDR ID Number
EPA ID Number

A+AUTO CARE INC (Continued)

S113119908

Creation Date: 4/13/2006 18:47:49
Receipt Date: 20050914
Manifest ID: 23020243
Trans EPA ID: TXR000050930
Trans Name: SAFETY-KLEEN SYSTEMS INC
Trans 2 EPA ID: Not reported
Trans 2 Name: Not reported
TSDf EPA ID: NVR000066837
Trans Name: SAFETY-KLEEN SYSTEMS INC
TSDf Alt EPA ID: Not reported
TSDf Alt Name: Not reported
Waste Code Description: 221 - Waste oil and mixed oil
RCRA Code: Not reported
Meth Code: - Not reported
Quantity Tons: 1.045
Waste Quantity: 275
Quantity Unit: G
Additional Code 1: Not reported
Additional Code 2: Not reported
Additional Code 3: Not reported
Additional Code 4: Not reported
Additional Code 5: Not reported

Shipment Date: 20050301
Creation Date: 4/29/2005 11:28:07
Receipt Date: 20050301
Manifest ID: 23020342
Trans EPA ID: TXR000050930
Trans Name: SAFETY-KLEEN SYSTEMS INC
Trans 2 EPA ID: Not reported
Trans 2 Name: Not reported
TSDf EPA ID: NVR000066837
Trans Name: SAFETY-KLEEN SYSTEMS INC
TSDf Alt EPA ID: 708701
TSDf Alt Name: Not reported
Waste Code Description: 221 - Waste oil and mixed oil
RCRA Code: Not reported
Meth Code: - Not reported
Quantity Tons: 0.665
Waste Quantity: 175
Quantity Unit: G
Additional Code 1: Not reported
Additional Code 2: Not reported
Additional Code 3: Not reported
Additional Code 4: Not reported
Additional Code 5: Not reported

Additional Info:
Year: 2002
Gen EPA ID: CAL000253391

Shipment Date: 20020716
Creation Date: 3/12/2003 18:31:29
Receipt Date: 20020716
Manifest ID: 21708474
Trans EPA ID: CAD982444481
Trans Name: Not reported

Map ID
Direction
Distance
Elevation

MAP FINDINGS

Site

Database(s)

EDR ID Number
EPA ID Number

A+AUTO CARE INC (Continued)

S113119908

Trans 2 EPA ID: Not reported
Trans 2 Name: Not reported
TSDf EPA ID: CAD982444481
Trans Name: Not reported
TSDf Alt EPA ID: Not reported
TSDf Alt Name: Not reported
Waste Code Description: 221 - Waste oil and mixed oil
RCRA Code: Not reported
Meth Code: H01 - Transfer Station
Quantity Tons: 0.418
Waste Quantity: 110
Quantity Unit: G
Additional Code 1: Not reported
Additional Code 2: Not reported
Additional Code 3: Not reported
Additional Code 4: Not reported
Additional Code 5: Not reported

Additional Info:

Year: 2004
Gen EPA ID: CAL000253391

Shipment Date: 20041013
Creation Date: 12/21/2004 18:30:50
Receipt Date: 20041013
Manifest ID: 22323437
Trans EPA ID: TXR000050930
Trans Name: SAFETY-KLEEN SYSTEMS INC
Trans 2 EPA ID: Not reported
Trans 2 Name: Not reported
TSDf EPA ID: NVR000066837
Trans Name: SAFETY-KLEEN SYSTEMS INC
TSDf Alt EPA ID: NVR000066837
TSDf Alt Name: Not reported
Waste Code Description: 221 - Waste oil and mixed oil
RCRA Code: Not reported
Meth Code: H01 - Transfer Station
Quantity Tons: 0.418
Waste Quantity: 110
Quantity Unit: G
Additional Code 1: Not reported
Additional Code 2: Not reported
Additional Code 3: Not reported
Additional Code 4: Not reported
Additional Code 5: Not reported

Shipment Date: 20040707
Creation Date: 11/1/2004 9:00:46
Receipt Date: 20040707
Manifest ID: 23508447
Trans EPA ID: TXR000050930
Trans Name: SAFETY-KLEEN SYSTEMS INC
Trans 2 EPA ID: Not reported
Trans 2 Name: Not reported
TSDf EPA ID: NVR000066837
Trans Name: SAFETY-KLEEN SYSTEMS INC
TSDf Alt EPA ID: Not reported

Map ID
Direction
Distance
Elevation

MAP FINDINGS

Site

Database(s)

EDR ID Number
EPA ID Number

A+AUTO CARE INC (Continued)

S113119908

TSDf Alt Name:	Not reported
Waste Code Description:	221 - Waste oil and mixed oil
RCRA Code:	Not reported
Meth Code:	- Not reported
Quantity Tons:	0.475
Waste Quantity:	125
Quantity Unit:	G
Additional Code 1:	Not reported
Additional Code 2:	Not reported
Additional Code 3:	Not reported
Additional Code 4:	Not reported
Additional Code 5:	Not reported
Shipment Date:	20040330
Creation Date:	8/23/2004 8:30:10
Receipt Date:	20040330
Manifest ID:	21959578
Trans EPA ID:	TXR000050930
Trans Name:	SAFETY-KLEEN SYSTEMS INC
Trans 2 EPA ID:	Not reported
Trans 2 Name:	Not reported
TSDf EPA ID:	NVR000066837
Trans Name:	SAFETY-KLEEN SYSTEMS INC
TSDf Alt EPA ID:	Not reported
TSDf Alt Name:	Not reported
Waste Code Description:	221 - Waste oil and mixed oil
RCRA Code:	Not reported
Meth Code:	- Not reported
Quantity Tons:	0.418
Waste Quantity:	110
Quantity Unit:	G
Additional Code 1:	Not reported
Additional Code 2:	Not reported
Additional Code 3:	Not reported
Additional Code 4:	Not reported
Additional Code 5:	Not reported
Shipment Date:	20040330
Creation Date:	8/23/2004 8:30:10
Receipt Date:	20040330
Manifest ID:	21959578
Trans EPA ID:	TXR000050930
Trans Name:	SAFETY-KLEEN SYSTEMS INC
Trans 2 EPA ID:	Not reported
Trans 2 Name:	Not reported
TSDf EPA ID:	NVR000066837
Trans Name:	SAFETY-KLEEN SYSTEMS INC
TSDf Alt EPA ID:	Not reported
TSDf Alt Name:	Not reported
Waste Code Description:	- Not reported
RCRA Code:	Not reported
Meth Code:	- Not reported
Quantity Tons:	Not reported
Waste Quantity:	Not reported
Quantity Unit:	G
Additional Code 1:	Not reported
Additional Code 2:	Not reported

Map ID
Direction
Distance
Elevation

MAP FINDINGS

Site

Database(s)

EDR ID Number
EPA ID Number

A+AUTO CARE INC (Continued)

S113119908

Additional Code 3: Not reported
Additional Code 4: Not reported
Additional Code 5: Not reported

Shipment Date: 20040108
Creation Date: 8/19/2004 11:23:00
Receipt Date: 20040115
Manifest ID: 23554998
Trans EPA ID: CAD982444481
Trans Name: FILTER RECYCLING SERVICES INC
Trans 2 EPA ID: Not reported
Trans 2 Name: Not reported
TSDf EPA ID: CAD982444481
Trans Name: FILTER RECYCLING SERVICES INC
TSDf Alt EPA ID: CAD982444481
TSDf Alt Name: Not reported
Waste Code Description: 221 - Waste oil and mixed oil
RCRA Code: Not reported
Meth Code: H01 - Transfer Station
Quantity Tons: 0.798
Waste Quantity: 210
Quantity Unit: G
Additional Code 1: Not reported
Additional Code 2: Not reported
Additional Code 3: Not reported
Additional Code 4: Not reported
Additional Code 5: Not reported

HWTS:

Name: A+AUTO CARE INC
Address: 2408 W BROADWAY
Address 2: Not reported
City,State,Zip: NEEDLES, CA 92363
EPA ID: CAL000253391
Inactive Date: 06/30/2020
Create Date: 06/06/2002
Last Act Date: Not reported
Mailing Name: Not reported
Mailing Address: 2408 W BROADWAY
Mailing Address 2: Not reported
Mailing City,State,Zip: NEEDLES, CA 923630000
Owner Name: A+AUTO CARE INC
Owner Address: 1001 VINE ST
Owner Address 2: Not reported
Owner City,State,Zip: NEEDLES, CA 92363
Contact Name: DAVID A. LINEBERRY PRES.
Contact Address: 1001 VINE ST
Contact Address 2: Not reported
City,State,Zip: NEEDLES, CA 92363
Facility Status: Inactive
Facility Type: PERMANENT
Category: STATE
Latitude: 34.848014
Longitude: -114.614009

NAICS:

EPA ID: CAL000253391

Map ID
Direction
Distance
Elevation

MAP FINDINGS

Site

Database(s)

EDR ID Number
EPA ID Number

A+AUTO CARE INC (Continued)

S113119908

Create Date: 2002-06-06 13:44:07.013
NAICS Code: 811111
NAICS Description: General Automotive Repair
Issued EPA ID Date: 2002-06-06 13:44:06.98300
Inactive Date: 2020-06-30 00:00:00
Facility Name: A+AUTO CARE INC
Facility Address: 2408 W BROADWAY
Facility Address 2: Not reported
Facility City: NEEDLES
Facility County: Not reported
Facility State: CA
Facility Zip: 92363

W168 **A+ AUTO CARE**
Target **2408 W BROADWAY**
Property **NEEDLES, CA 92363**

CERS HAZ WASTE **S105857394**
San Bern. Co. Permit **N/A**
CERS

Site 26 of 29 in cluster W

Actual: CERS HAZ WASTE:
517 ft. Name: A+ AUTO CARE
Focus Map: Address: 2408 W BROADWAY
6 City,State,Zip: NEEDLES, CA 92363
Site ID: 2252
CERS ID: 10047508
CERS Description: Hazardous Waste Generator

San Bern. Co. Permit:

Name: A+ AUTO CARE
Address: 2408 W BROADWAY
City,State,Zip: NEEDLES, CA 92363
Region: SAN BERNARDINO
Facility ID: FA0007802
Owner: DAVID LINEBERRY
Permit Number: PT0013465
Permit Category: HAZARDOUS MATERIALS 4-10 CHEMICALS
Facility Status: ACTIVE
Expiration Date: 05/31/2022

Name: A+ AUTO CARE
Address: 2408 W BROADWAY
City,State,Zip: NEEDLES, CA 92363
Region: SAN BERNARDINO
Facility ID: FA0007802
Owner: DAVID LINEBERRY
Permit Number: PT0013464
Permit Category: SMALL QUANTITY GENERATOR
Facility Status: ACTIVE
Expiration Date: 05/31/2022

CERS:

Name: A+ AUTO CARE
Address: 2408 W BROADWAY
City,State,Zip: NEEDLES, CA 92363
Site ID: 2252
CERS ID: 10047508

Map ID
Direction
Distance
Elevation

MAP FINDINGS

Site

Database(s)

EDR ID Number
EPA ID Number

A+ AUTO CARE (Continued)

S105857394

CERS Description: Chemical Storage Facilities

Violations:

Site ID: 2252
Site Name: A+ AUTO CARE
Violation Date: 07-11-2018
Citation: HSC 6.5 25123.3(h)(1) - California Health and Safety Code, Chapter 6.5, Section(s) 25123.3(h)(1)

Violation Description: Failure to send hazardous waste offsite for treatment, storage, or disposal within 180 days (or 270 days if waste is transported over 200 miles) for a generator who generates less than 1000 kilogram per month if all of the following conditions are met: (1) The quantity of hazardous waste accumulated onsite never exceeds 6,000 kilograms. (2) The generator complies with the requirements of 40 Code of Federal Regulations section 262.34(d), (e) and (f). (3) The generator does not hold acutely hazardous waste or extremely hazardous waste in an amount greater than one kilogram for more than 90 days.

Violation Notes: Returned to compliance on 08/02/2018. OBSERVATION: Owner/Operator is a small quantity generator and failed to send hazardous waste offsite for treatment, storage, or disposal within 180 days (or 270 days if waste is transported over 200 miles), or has failed to comply with the conditions of CCR 66262.34(d) and has stored hazardous waste over 90 days. CORRECTIVE ACTION: Dispose of hazardous waste that has been stored over the applicable time limit and provide documentation that the violation has been corrected. Submit a signed certificate of compliance.

Violation Division: San Bernardino County Fire Department
Violation Program: HW
Violation Source: CERS,

Site ID: 2252
Site Name: A+ AUTO CARE
Violation Date: 11-17-2015
Citation: HSC 6.5 Multiple Sections - California Health and Safety Code, Chapter 6.5, Section(s) Multiple Sections

Violation Description: Haz Waste Generator Program - Operations/Maintenance - General
Violation Notes: Returned to compliance on 08/02/2018. Hazardous waste accumulation time exceeded (CCR 66262.34(a)) OBSERVATION: FACILITY WAS OBSERVED WITH (7)-55-GALLON DRUMS OF USED OIL. THE START DATE OF 06/27/2014 WAS NOTED ON THE HAZARDOUS WASTE LABEL. COMPLIANCE REQUIREMENT: SUBMIT A COPY OF THE HAZARDOUS WASTE MANIFEST, DOCUMENTING THE PROPER DISPOSAL OF THE USED OIL.

Violation Division: San Bernardino County Fire Department
Violation Program: HW
Violation Source: CERS,

Site ID: 2252
Site Name: A+ AUTO CARE
Violation Date: 11-17-2015
Citation: HSC 6.5 Multiple Sections - California Health and Safety Code, Chapter 6.5, Section(s) Multiple Sections

Violation Description: Haz Waste Generator Program - Operations/Maintenance - General
Violation Notes: Returned to compliance on 07/11/2018. Failure to manage hazardous waste lawfully (CHSC 25154) OBSERVATION: FACILITY WAS OBSERVED WITH (7)-55-GALLON DRUMS OF USED OIL. THE START DATE OF 06/27/2014 WAS NOTED ON THE HAZARDOUS WASTE LABEL. COMPLIANCE REQUIREMENT: SUBMIT A COPY OF THE HAZARDOUS WASTE MANIFEST, DOCUMENTING THE PROPER DISPOSAL OF THE USED OIL.

Map ID
Direction
Distance
Elevation

MAP FINDINGS

Site

Database(s)

EDR ID Number
EPA ID Number

A+ AUTO CARE (Continued)

S105857394

Violation Division: San Bernardino County Fire Department
Violation Program: HW
Violation Source: CERS,

Site ID: 2252
Site Name: A+ AUTO CARE
Violation Date: 08-19-2021
Citation: HSC 6.5 25123.3(h)(1) - California Health and Safety Code, Chapter 6.5, Section(s) 25123.3(h)(1)

Violation Description: Failure to send hazardous waste offsite for treatment, storage, or disposal within 180 days (or 270 days if waste is transported over 200 miles) for a generator who generates less than 1000 kilogram per month if all of the following conditions are met: (1) The quantity of hazardous waste accumulated onsite never exceeds 6,000 kilograms. (2) The generator complies with the requirements of 40 Code of Federal Regulations section 262.34(d), (e) and (f). (3) The generator does not hold acutely hazardous waste or extremely hazardous waste in an amount greater than one kilogram for more than 90 days.

Violation Notes: OBSERVATION: At the time of the inspection, observed (4) 55 gallon drums of used oil without hazardous waste labels. Per review of last manifests, accumulation start date was determined to be 3/12/2020. CORRECTIVE ACTION: Dispose of hazardous waste that has been stored over the accumulation time limit within 30 days. Submit copies of the hazardous waste disposal records to this Division.

Violation Division: San Bernardino County Fire Department
Violation Program: HW
Violation Source: CERS,

Site ID: 2252
Site Name: A+ AUTO CARE
Violation Date: 08-19-2021
Citation: 22 CCR 12 66262.12 - California Code of Regulations, Title 22, Chapter 12, Section(s) 66262.12

Violation Description: Failure to obtain an Identification Number prior to treating, storing, disposing of, transporting or offering for transportation any hazardous waste.

Violation Notes: Returned to compliance on 10/18/2021. OBSERVATION: At the time of the inspection, EPA ID# CAL000253391 was inactive. CORRECTIVE ACTION: Reactivate the EPA ID# CAL000253391 by submitting form 1358 to the Department of Toxic Substances Control (DTSC). Submit a signed Certificate of Compliance stating the EPA ID# has been reactivated.

Violation Division: San Bernardino County Fire Department
Violation Program: HW
Violation Source: CERS,

Site ID: 2252
Site Name: A+ AUTO CARE
Violation Date: 11-17-2015
Citation: HSC 6.5 Multiple - California Health and Safety Code, Chapter 6.5, Section(s) Multiple

Violation Description: Haz Waste Generator Program - Administration/Documentation - General

Violation Notes: Returned to compliance on 11/17/2015. Failure to obtain an EPA ID Number (CCR 66262.12(a)) OBSERVATION: FACILITY'S EPA ID NUMBER IS IN-ACTIVE. COMPLIANCE MET ON SITE: OPERATOR FILL-OUT AND FAXED EPA FORM TO DTSC- FORM PROVIDED

Violation Division: San Bernardino County Fire Department
Violation Program: HW

Map ID
Direction
Distance
Elevation

MAP FINDINGS

Site

Database(s)

EDR ID Number
EPA ID Number

A+ AUTO CARE (Continued)

S105857394

Violation Source: CERS,

Site ID: 2252
Site Name: A+ AUTO CARE
Violation Date: 08-19-2021
Citation: HSC 6.95 25508.2 - California Health and Safety Code, Chapter 6.95, Section(s) 25508.2

Violation Description: Failure to annually review and electronically certify that the business plan is complete and accurate on or before the annual due date.

Violation Notes: Returned to compliance on 10/18/2021. OBSERVATION: The last business plan certification by this facility via CERS was dated 7/24/2018 for the facility and inventory submittals and 11/18/2015 for the emergency response submittal. CORRECTIVE ACTION: Certify the business plan via CERS. The CERS ID is 10047508.

Violation Division: San Bernardino County Fire Department
Violation Program: HMRRP
Violation Source: CERS,

Site ID: 2252
Site Name: A+ AUTO CARE
Violation Date: 11-17-2015
Citation: HSC 6.95 25508.2 - California Health and Safety Code, Chapter 6.95, Section(s) 25508.2

Violation Description: Failure to annually review and electronically certify that the business plan is complete, accurate, and up-to-date.

Violation Notes: Returned to compliance on 11/18/2015. OBSERVATION: A COMPLETE CERS SUBMISSION HAD NOT BE COMPLETED. COMPLIANCE REQUIREMENT: SUBMIT ALL REQUIRED INFORMATION TO CERS.

Violation Division: San Bernardino County Fire Department
Violation Program: HMRRP
Violation Source: CERS,

Site ID: 2252
Site Name: A+ AUTO CARE
Violation Date: 07-11-2018
Citation: 22 CCR 12 66262.12 - California Code of Regulations, Title 22, Chapter 12, Section(s) 66262.12

Violation Description: Failure to obtain an Identification Number prior to treating, storing, disposing of, transporting or offering for transportation any hazardous waste.

Violation Notes: Returned to compliance on 01/30/2019. OBSERVATION: The generator's EPA ID number is inactive. A hazardous waste generator shall not treat, store, dispose of, transport or offer for transportation, hazardous waste without an active EPA ID number. CORRECTIVE ACTION: Submit documentation to the CUPA demonstrating that you have reactivated the facility's EPA ID number.

Violation Division: San Bernardino County Fire Department
Violation Program: HW
Violation Source: CERS,

Site ID: 2252
Site Name: A+ AUTO CARE
Violation Date: 07-11-2018
Citation: 22 CCR 12 66262.34(f) - California Code of Regulations, Title 22, Chapter 12, Section(s) 66262.34(f)

Violation Description: Failure to properly label hazardous waste accumulation containers and

Map ID
Direction
Distance
Elevation

MAP FINDINGS

Site

Database(s)

EDR ID Number
EPA ID Number

A+ AUTO CARE (Continued)

S105857394

Violation Notes: portable tanks with the following requirements: "Hazardous Waste", name and address of the generator, physical and chemical characteristics of the Hazardous Waste, and starting accumulation date.
Returned to compliance on 08/02/2018. OBSERVATION: 55-gallon drum of used oil located in the hazardous waste storage area was observed without a hazardous waste label. CORRECTIVE ACTION: Submit a photo to the CUPA demonstrating that the container listed above has been properly labeled. Submit a signed certificate of compliance.

Violation Division: San Bernardino County Fire Department
Violation Program: HW
Violation Source: CERS,

Site ID: 2252
Site Name: A+ AUTO CARE
Violation Date: 11-17-2015
Citation: 22 CCR 16 66266.130 - California Code of Regulations, Title 22, Chapter 16, Section(s) 66266.130

Violation Description: Failure to properly handle, manage, label, and recycle used oil and fuel filters.

Violation Notes: Returned to compliance on 07/11/2018. OBSERVATION: FACILITY WAS OBSERVED WITH (2)-55-GALLON DRUMS OF USED OIL. THE START DATE OF 06/27/2014 WAS NOTED ON THE HAZARDOUS WASTE LABEL. COMPLIANCE REQUIREMENT: SUBMIT A COPY OF THE DISPOSAL Receipt, DOCUMENTING THE PROPER DISPOSAL OF THE DRAINED USED OIL FILTERS.

Violation Division: San Bernardino County Fire Department
Violation Program: HW
Violation Source: CERS,

Site ID: 2252
Site Name: A+ AUTO CARE
Violation Date: 11-17-2015
Citation: HSC 6.5 Multiple Sections - California Health and Safety Code, Chapter 6.5, Section(s) Multiple Sections

Violation Description: Haz Waste Generator Program - Operations/Maintenance - General

Violation Notes: Returned to compliance on 11/18/2015. Failure to establish a Contingency Plan (CCR 66265.51(a)) OBSERVATION: FACILITY HAD NOT COMPLETED THE CERS SUBMISSION. COMPLIANCE REQUIREMENT: SUBMIT ALL REQUIRED INFORMATION TO THE CERS.

Violation Division: San Bernardino County Fire Department
Violation Program: HW
Violation Source: CERS,

Site ID: 2252
Site Name: A+ AUTO CARE
Violation Date: 08-19-2021
Citation: 22 CCR 12 66262.34(f) - California Code of Regulations, Title 22, Chapter 12, Section(s) 66262.34(f)

Violation Description: Failure to properly label hazardous waste accumulation containers and portable tanks with the following requirements: "Hazardous Waste", name and address of the generator, physical and chemical characteristics of the Hazardous Waste, and starting accumulation date.

Violation Notes: Returned to compliance on 08/19/2021. OBSERVATION: At the time of the inspection, observed (4) 55 gallon drums of used oil without hazardous waste labels. CORRECTED ON SITE: Operator corrected the violation by adding hazardous waste labels during the inspection.

Map ID
Direction
Distance
Elevation

MAP FINDINGS

Site

Database(s)

EDR ID Number
EPA ID Number

A+ AUTO CARE (Continued)

S105857394

Violation Division: San Bernardino County Fire Department
Violation Program: HW
Violation Source: CERS,

Site ID: 2252
Site Name: A+ AUTO CARE
Violation Date: 07-11-2018
Citation: HSC 6.95 25508(a)(1) - California Health and Safety Code, Chapter 6.95, Section(s) 25508(a)(1)
Violation Description: Failure to annually review and electronically certify that the business plan is complete and accurate on or before the annual due date.
Violation Notes: Returned to compliance on 08/02/2018. OBSERVATION: The business plan was last reviewed and certified on 09/18/2017. CORRECTIVE ACTION: Review and certify the business plan annually.

Violation Division: San Bernardino County Fire Department
Violation Program: HMRRP
Violation Source: CERS,

Evaluation:
Eval General Type: Compliance Evaluation Inspection
Eval Date: 07-11-2018
Violations Found: Yes
Eval Type: Routine done by local agency
Eval Notes: Not reported
Eval Division: San Bernardino County Fire Department
Eval Program: HMRRP
Eval Source: CERS,

Eval General Type: Compliance Evaluation Inspection
Eval Date: 08-19-2021
Violations Found: Yes
Eval Type: Routine done by local agency
Eval Notes: Not reported
Eval Division: San Bernardino County Fire Department
Eval Program: HW
Eval Source: CERS,

Eval General Type: Compliance Evaluation Inspection
Eval Date: 07-11-2018
Violations Found: Yes
Eval Type: Routine done by local agency
Eval Notes: Not reported
Eval Division: San Bernardino County Fire Department
Eval Program: HW
Eval Source: CERS,

Eval General Type: Compliance Evaluation Inspection
Eval Date: 11-17-2015
Violations Found: Yes
Eval Type: Routine done by local agency
Eval Notes: A+ AUTOMOTIVE- (CUPA INSPECTION)- HAZARDOUS WASTE INSPECTION
Eval Division: San Bernardino County Fire Department
Eval Program: HW
Eval Source: CERS,

Eval General Type: Compliance Evaluation Inspection

Map ID
Direction
Distance
Elevation

MAP FINDINGS

Site

Database(s)

EDR ID Number
EPA ID Number

A+ AUTO CARE (Continued)

S105857394

Eval Date: 11-17-2015
Violations Found: Yes
Eval Type: Routine done by local agency
Eval Notes: A+ AUTOMOTIVE-(CUPA INSPECTION)- HAZARDOUS MATERIALS INSPECTION
Eval Division: San Bernardino County Fire Department
Eval Program: HMRRP
Eval Source: CERS,

Eval General Type: Compliance Evaluation Inspection
Eval Date: 08-19-2021
Violations Found: Yes
Eval Type: Routine done by local agency
Eval Notes: Not reported
Eval Division: San Bernardino County Fire Department
Eval Program: HMRRP
Eval Source: CERS,

Enforcement Action:

Site ID: 2252
Site Name: A+ AUTO CARE
Site Address: 2408 W BROADWAY
Site City: NEEDLES
Site Zip: 92363
Enf Action Date: 11-17-2015
Enf Action Type: Notice of Violation (Unified Program)
Enf Action Description: Notice of Violation Issued by the Inspector at the Time of Inspection
Enf Action Notes: Not reported
Enf Action Division: San Bernardino County Fire Department
Enf Action Program: HMRRP
Enf Action Source: CERS,

Site ID: 2252
Site Name: A+ AUTO CARE
Site Address: 2408 W BROADWAY
Site City: NEEDLES
Site Zip: 92363
Enf Action Date: 11-17-2015
Enf Action Type: Notice of Violation (Unified Program)
Enf Action Description: Notice of Violation Issued by the Inspector at the Time of Inspection
Enf Action Notes: Not reported
Enf Action Division: San Bernardino County Fire Department
Enf Action Program: HW
Enf Action Source: CERS,

Affiliation:

Affiliation Type Desc: Facility Mailing Address
Entity Name: Mailing Address
Entity Title: Not reported
Affiliation Address: 2408 W BROADWAY
Affiliation City: NEEDLES
Affiliation State: CA
Affiliation Country: Not reported
Affiliation Zip: 92363
Affiliation Phone: ,

Affiliation Type Desc: Identification Signer

Map ID
Direction
Distance
Elevation

MAP FINDINGS

Site

Database(s)

EDR ID Number
EPA ID Number

A+ AUTO CARE (Continued)

S105857394

Entity Name: luke harvey
Entity Title: assistant manager
Affiliation Address: Not reported
Affiliation City: Not reported
Affiliation State: Not reported
Affiliation Country: Not reported
Affiliation Zip: Not reported
Affiliation Phone: ,

Affiliation Type Desc: Legal Owner
Entity Name: DAVID LINEBERRY
Entity Title: Not reported
Affiliation Address: 2408 W BROADWAY
Affiliation City: NEEDLES
Affiliation State: CA
Affiliation Country: United States
Affiliation Zip: 92363
Affiliation Phone: (760) 326-3688,

Affiliation Type Desc: Operator
Entity Name: DAVE LINEBERRY
Entity Title: Not reported
Affiliation Address: Not reported
Affiliation City: Not reported
Affiliation State: Not reported
Affiliation Country: Not reported
Affiliation Zip: Not reported
Affiliation Phone: (928) 412-9380,

Affiliation Type Desc: Parent Corporation
Entity Name: A+ AUTO CARE
Entity Title: Not reported
Affiliation Address: Not reported
Affiliation City: Not reported
Affiliation State: Not reported
Affiliation Country: Not reported
Affiliation Zip: Not reported
Affiliation Phone: ,

Affiliation Type Desc: Property Owner
Entity Name: DAVE LINEBERRY
Entity Title: Not reported
Affiliation Address: 2408 W BROADWAY
Affiliation City: NEEDLES
Affiliation State: CA
Affiliation Country: United States
Affiliation Zip: 92363
Affiliation Phone: (760) 326-3688,

Affiliation Type Desc: CUPA District
Entity Name: San Bernardino County Fire
Entity Title: Not reported
Affiliation Address: 620 South E Street
Affiliation City: San Bernardino
Affiliation State: CA
Affiliation Country: Not reported
Affiliation Zip: 92415-0153

Map ID
Direction
Distance
Elevation

MAP FINDINGS

Site

Database(s)

EDR ID Number
EPA ID Number

A+ AUTO CARE (Continued)

S105857394

Affiliation Phone: (909) 386-8401,

Affiliation Type Desc: Environmental Contact
Entity Name: DAVID LINEBERRY
Entity Title: Not reported
Affiliation Address: 2408 West Broadway
Affiliation City: NEEDLES
Affiliation State: CA
Affiliation Country: Not reported
Affiliation Zip: 92363
Affiliation Phone: ,

Affiliation Type Desc: Document Preparer
Entity Name: david linbarry
Entity Title: Not reported
Affiliation Address: Not reported
Affiliation City: Not reported
Affiliation State: Not reported
Affiliation Country: Not reported
Affiliation Zip: Not reported
Affiliation Phone: ,

W169 Target Property
NEEDLES AUTO WRECKING
138990 NATIONAL TRAILS HWY
NEEDLES, CA 92363

San Bern. Co. Permit S102039781
N/A

Site 27 of 29 in cluster W

Actual: San Bern. Co. Permit:
518 ft. Name: NEEDLES AUTO WRECKING
Focus Map: Address: 138990 NATIONAL TRAILS HWY
6 City,State,Zip: NEEDLES, CA 92363
Region: SAN BERNARDINO
Facility ID: FA0004954
Owner: MEYER, DEBORAH
Permit Number: PT0016216
Permit Category: HAZARDOUS MATERIALS 1-3 CHEMICALS
Facility Status: ACTIVE
Expiration Date: 03/31/2022

Name: NEEDLES AUTO WRECKING
Address: 138990 NATIONAL TRAILS HWY
City,State,Zip: NEEDLES, CA 92363
Region: SAN BERNARDINO
Facility ID: FA0004954
Owner: MEYER, DEBORAH
Permit Number: PT0003697
Permit Category: CONDITIONALLY EXEMPT SM QTY GENERATOR
Facility Status: ACTIVE
Expiration Date: 03/31/2022

Name: NEEDLES AUTO WRECKING
Address: 138990 NATIONAL TRAILS HWY
City,State,Zip: NEEDLES, CA 92363
Region: SAN BERNARDINO
Facility ID: FA0004954
Owner: MEYER, DEBORAH

Map ID
Direction
Distance
Elevation

MAP FINDINGS

Site

Database(s)

EDR ID Number
EPA ID Number

NEEDLES AUTO WRECKING (Continued)

S102039781

Permit Number: PT0003696
Permit Category: HAZMAT HANDLER 0-10 EMPLOYEES (W/GEN PRMT)
Facility Status: INACTIVE
Expiration Date: 03/31/2002

W170
Target
Property

ARCO AM/PM NO. 6166
2401 WEST BROADWAY
NEEDLES, CA

RGA LUST **S114575172**
N/A

Site 28 of 29 in cluster W

Actual:
519 ft.

RGA LUST:

Name: ARCO AM/PM NO. 6166
Address: 2401 WEST BROADWAY
City: NEEDLES
State: NEEDLES
1994 ARCO AM/PM NO. 6166 2401 WEST BROADWAY

Focus Map:
6

W171
Target
Property

ARCO #6166
2401 WEST BROADWAY
NEEDLES, CA 92363

HAZNET **S113794178**
HWTS **N/A**

Site 29 of 29 in cluster W

Actual:
519 ft.

HAZNET:

Name: ARCO #6166
Address: 2401 WEST BROADWAY
Address 2: Not reported
City,State,Zip: NEEDLES, CA 92363
Contact: JESSICA RUST
Telephone: 8183839343
Mailing Name: Not reported
Mailing Address: 14431 VENTURA BLVD # 318

Year: 2012
Gepaid: CAC002713018
TSD EPA ID: CAT080013352
CA Waste Code: 241 - Tank bottom waste
Disposal Method: H039 - Other Recovery Of Reclamation For Reuse Including Acid
Regeneration, Organics Recovery Ect
Tons: 0.3336

Focus Map:
6

Additional Info:

Year: 2012
Gen EPA ID: CAC002713018

Shipment Date: 20121203
Creation Date: 2/15/2013 22:15:11
Receipt Date: 20121203
Manifest ID: 004643188FLE
Trans EPA ID: CAT080016116
Trans Name: NIETO AND SONS TRUCKING INC
Trans 2 EPA ID: Not reported
Trans 2 Name: Not reported
TSD EPA ID: CAT080013352

Map ID
Direction
Distance
Elevation

MAP FINDINGS

Site

Database(s)

EDR ID Number
EPA ID Number

ARCO #6166 (Continued)

S113794178

Trans Name: DEMENNO KERDOON
TSDF Alt EPA ID: Not reported
TSDF Alt Name: Not reported
Waste Code Description: 241 - Tank bottom waste 251 Still bottoms with halogenated organics
RCRA Code: Not reported
Meth Code: H039 - Other Recovery Of Reclamation For Reuse Including Acid
Regeneration, Organics Recovery Ect
Quantity Tons: 0.3336
Waste Quantity: 80
Quantity Unit: G
Additional Code 1: Not reported
Additional Code 2: Not reported
Additional Code 3: Not reported
Additional Code 4: Not reported
Additional Code 5: Not reported

HWTS:

Name: ARCO #6166
Address: 2401 WEST BROADWAY
Address 2: Not reported
City,State,Zip: NEEDLES, CA 92363
EPA ID: CAC002713018
Inactive Date: 02/28/2013
Create Date: 11/29/2012
Last Act Date: Not reported
Mailing Name: Not reported
Mailing Address: 14431 VENTURA BLVD # 318
Mailing Address 2: Not reported
Mailing City,State,Zip: SHERMAN OAKS, CA 914232606
Owner Name: BP WEST COAST PRODUCTS LLC
Owner Address: 2401 WEST BROADWAY
Owner Address 2: Not reported
Owner City,State,Zip: NEEDLES, CA 92363
Contact Name: JESSICA RUST
Contact Address: 14431 VENTURA BLVD # 318
Contact Address 2: Not reported
City,State,Zip: SHERMAN OAKS, CA 914232606
Facility Status: Inactive
Facility Type: TEMPORARY
Category: STATE
Latitude: 34.849916
Longitude: -114.622734

Z172 WHITING BROS SERVICE #5
Target 2402 W BROADWAY
Property NEEDLES, CA 92363

SWEEPS UST S106934451
N/A

Site 1 of 13 in cluster Z

Actual: SWEEPS UST:
516 ft. Name: WHITING BROS SERVICE #5
Focus Map: Address: 2402 W BROADWAY
6 City: NEEDLES
Status: Active
Comp Number: 68734
Number: 9
Board Of Equalization: 44-021509

Map ID
Direction
Distance
Elevation

MAP FINDINGS

Site

Database(s)

EDR ID Number
EPA ID Number

WHITING BROS SERVICE #5 (Continued)

S106934451

Referral Date: 07-28-92
Action Date: 07-28-92
Created Date: 02-29-88
Owner Tank Id: 5
SWRCB Tank Id: 36-000-068734-000001
Tank Status: A
Capacity: 4000
Active Date: 08-26-88
Tank Use: M.V. FUEL
STG: P
Content: REG UNLEADED
Number Of Tanks: 4

Name: WHITING BROS SERVICE #5
Address: 2402 W BROADWAY
City: NEEDLES
Status: Active
Comp Number: 68734
Number: 9
Board Of Equalization: 44-021509
Referral Date: 07-28-92
Action Date: 07-28-92
Created Date: 02-29-88
Owner Tank Id: 6
SWRCB Tank Id: 36-000-068734-000002
Tank Status: A
Capacity: 4000
Active Date: 08-26-88
Tank Use: M.V. FUEL
STG: P
Content: LEADED
Number Of Tanks: Not reported

Name: WHITING BROS SERVICE #5
Address: 2402 W BROADWAY
City: NEEDLES
Status: Active
Comp Number: 68734
Number: 9
Board Of Equalization: 44-021509
Referral Date: 07-28-92
Action Date: 07-28-92
Created Date: 02-29-88
Owner Tank Id: 7
SWRCB Tank Id: 36-000-068734-000003
Tank Status: A
Capacity: 4000
Active Date: 08-26-88
Tank Use: M.V. FUEL
STG: P
Content: LEADED
Number Of Tanks: Not reported

Name: WHITING BROS SERVICE #5
Address: 2402 W BROADWAY
City: NEEDLES
Status: Active

Map ID
Direction
Distance
Elevation

MAP FINDINGS

Site

Database(s)

EDR ID Number
EPA ID Number

WHITING BROS SERVICE #5 (Continued)

S106934451

Comp Number: 68734
Number: 9
Board Of Equalization: 44-021509
Referral Date: 07-28-92
Action Date: 07-28-92
Created Date: 02-29-88
Owner Tank Id: 8
SWRCB Tank Id: 36-000-068734-000004
Tank Status: A
Capacity: 4000
Active Date: 08-26-88
Tank Use: M.V. FUEL
STG: P
Content: REG UNLEADED
Number Of Tanks: Not reported

Z173 **WHITING BROS**
Target **2402 WEST BROADWAY AVE**
Property **NEEDLES, CA**

LUST **S106153020**
N/A

Site 2 of 13 in cluster Z

Actual: LUST REG 7:
516 ft. Region: 7
Focus Map: Status: 5R - Remediation Plan
6 Case Num: 7T2363016
Substance: Gasoline - Automotive
ID: 1273
Global ID: T0607101014
Lead Agency: Local Agency
Case Worker: YO

Z174 **1X WHITING BROS STATION**
Target **2402 WEST BROADWAY**
Property **NEEDLES, CA 0**

HAZNET **S123746252**
HWTS **N/A**

Site 3 of 13 in cluster Z

Actual: HAZNET:
516 ft. Name: 1X WHITING BROS STATION
Focus Map: Address: 2402 WEST BROADWAY
6 Address 2: Not reported
City,State,Zip: NEEDLES, CA 00000000
Contact: TONYA SHIRELLE
Telephone: 7146257259
Mailing Name: Not reported
Mailing Address: 1861 WEST MAIN ST

Year: 1992
Gepaid: CAC000749896
TSD EPA ID: CAD982484933
CA Waste Code: 512 - Other empty containers 30 gallons or more
Disposal Method: R01 - Recycler
Tons: 12.5

Year: 1992

Map ID
Direction
Distance
Elevation

MAP FINDINGS

Site

Database(s)

EDR ID Number
EPA ID Number

1X WHITING BROS STATION (Continued)

S123746252

Gepaid: CAC000749896
TSD EPA ID: CAD981458466
CA Waste Code: 241 - Tank bottom waste
Disposal Method: R01 - Recycler
Tons: 8.5485

HWTS:

Name: 1X WHITING BROS STATION
Address: 2402 WEST BROADWAY
Address 2: Not reported
City,State,Zip: NEEDLES, CA 0
EPA ID: CAC000749896
Inactive Date: 10/25/2000
Create Date: 09/28/1992
Last Act Date: Not reported
Mailing Name: Not reported
Mailing Address: 1861 WEST MAIN ST
Mailing Address 2: Not reported
Mailing City,State,Zip: BARSTOW, CA 923110000
Owner Name: CALIMESA OIL COMPANY
Owner Address: Not reported
Owner Address 2: Not reported
Owner City,State,Zip: Not reported
Contact Name: TONYA SHIRELLE
Contact Address: Not reported
Contact Address 2: Not reported
City,State,Zip: Not reported
Facility Status: Inactive
Facility Type: TEMPORARY
Category: STATE
Latitude: 34.84967
Longitude: -114.622451

Z175 WHITING BROS WEST
Target 2402 WEST BROADWAY AVE
Property NEEDLES, CA 92363

FINDS 1023350748
N/A

Site 4 of 13 in cluster Z

Actual: FINDS:
516 ft. Registry ID: 110066470982

Focus Map:
6 [Click Here for FRS Facility Detail Report:](#)

Environmental Interest/Information System:
STATE MASTER

[Click this hyperlink](#) while viewing on your computer to access additional FINDS: detail in the EDR Site Report.

Map ID
Direction
Distance
Elevation

MAP FINDINGS

Site

Database(s) EDR ID Number
EPA ID Number

Z176 WHITING BROS WEST
Target 2402 WEST BROADWAY AVE
Property NEEDLES, CA

RGA LUST S114721981
N/A

Site 5 of 13 in cluster Z

Actual: RGA LUST:
516 ft. Name: WHITING BROS WEST
Focus Map: Address: 2402 WEST BROADWAY AVE
6 City: NEEDLES
State: NEEDLES
2012 WHITING BROS WEST 2402 WEST BROADWAY AVE
Name: WHITING BROS WEST
Address: 2402 WEST BROADWAY AVE
City: NEEDLES
State: NEEDLES
2011 WHITING BROS WEST 2402 WEST BROADWAY AVE
Name: WHITING BROS WEST
Address: 2402 WEST BROADWAY AVE
City: NEEDLES
State: NEEDLES
2010 WHITING BROS WEST 2402 WEST BROADWAY AVE
Name: WHITING BROS WEST
Address: 2402 WEST BROADWAY AVE
City: NEEDLES
State: NEEDLES
2009 WHITING BROS WEST 2402 WEST BROADWAY AVE
Name: WHITING BROS WEST
Address: 2402 WEST BROADWAY AVE
City: NEEDLES
State: NEEDLES
2008 WHITING BROS WEST 2402 WEST BROADWAY AVE

Z177 CALIMESA OIL WB
Target 2402 WEST BROADWAY AVE
Property NEEDLES, CA

RGA LUST S114590302
N/A

Site 6 of 13 in cluster Z

Actual: RGA LUST:
516 ft. Name: CALIMESA OIL WB
Focus Map: Address: 2402 WEST BROADWAY AVE
6 City: NEEDLES
State: NEEDLES
2002 CALIMESA OIL WB 2402 WEST BROADWAY AVE
Name: CALIMESA OIL WB
Address: 2402 WEST BROADWAY AVE
City: NEEDLES
State: NEEDLES
2001 CALIMESA OIL WB 2402 WEST BROADWAY AVE

Map ID
Direction
Distance
Elevation

MAP FINDINGS

Site

Database(s)

EDR ID Number
EPA ID Number

Z178 **CALIMESA OIL-WB**
Target **2402 WEST BROADWAY**
Property **NEEDLES, CA**

RGA LUST **S114590306**
 N/A

Site 7 of 13 in cluster Z

Actual: RGA LUST:
516 ft. Name: CALIMESA OIL-WB
Focus Map: Address: 2402 WEST BROADWAY
6 City: NEEDLES
 State: NEEDLES
 1998 CALIMESA OIL-WB 2402 WEST BROADWAY
 Name: CALIMESA OIL-WB
 Address: 2402 WEST BROADWAY
 City: NEEDLES
 State: NEEDLES
 1997 CALIMESA OIL-WB 2402 WEST BROADWAY
 Name: CALIMESA OIL-WB
 Address: 2402 WEST BROADWAY
 City: NEEDLES
 State: NEEDLES
 1996 CALIMESA OIL-WB 2402 WEST BROADWAY
 Name: CALIMESA OIL-WB
 Address: 2402 WEST BROADWAY
 City: NEEDLES
 State: NEEDLES
 1995 CALIMESA OIL-WB 2402 WEST BROADWAY
 Name: CALIMESA OIL-WB
 Address: 2402 WEST BROADWAY
 City: NEEDLES
 State: NEEDLES
 1994 CALIMESA OIL-WB 2402 WEST BROADWAY

Z179 **WHITING BROS 32**
Target **2402 WEST BROADWAY**
Property **NEEDLES, CA 92363**

LUST **U001575271**
HIST UST **N/A**
Cortese
CERS

Site 8 of 13 in cluster Z

Actual: LUST:
516 ft. Name: WHITING BROS WEST
Focus Map: Address: 2402 WEST BROADWAY AVE
6 City,State,Zip: NEEDLES, CA 92363
 Lead Agency: COLORADO RIVER BASIN RWQCB (REGION 7)
 Case Type: LUST Cleanup Site
 Geo Track: http://geotracker.waterboards.ca.gov/profile_report.asp?global_id=T0607101014
 Global Id: T0607101014
 Latitude: 34.8495580642368
 Longitude: -114.621992111206
 Status: Completed - Case Closed
 Status Date: 02/10/2015
 Case Worker: RF
 RB Case Number: 7T2363016
 Local Agency: SAN BERNARDINO COUNTY
 File Location: Local Agency
 Local Case Number: 92050
 Potential Media Affect: Aquifer used for drinking water supply
 Potential Contaminants of Concern: Gasoline
 Site History: Site Description: Vacant Lot Source of Release: UST System Date of Release: Discovered during tank integrity testing conducted in

Map ID
Direction
Distance
Elevation

MAP FINDINGS

Site

Database(s)

EDR ID Number
EPA ID Number

WHITING BROS 32 (Continued)

U001575271

February 1992. Affected Media: Soil and Groundwater Soil Remediation: Soil Vapor Extraction April 14, 1997 November 2002. Groundwater Remediation: Air Sparge June 1997 An evaluation by an independent consultant concluded that this property had been impacted by offsite contaminant from G & M #26 across Broadway. As such, the Fire Department required G & M to conduct additional offsite investigation in this area of the former Whiting Bros. facility.

LUST:

Global Id: T0607101014
Contact Type: Local Agency Caseworker
Contact Name: JACKSON CRUTSINGER
Organization Name: SAN BERNARDINO COUNTY
Address: 620 SOUTH E STREET
City: SAN BERNARDINO
Email: jcrutsinger@sbcfire.org
Phone Number: Not reported

Global Id: T0607101014
Contact Type: Regional Board Caseworker
Contact Name: ROSALYN FLEMING
Organization Name: COLORADO RIVER BASIN RWQCB (REGION 7)
Address: 73-720 Fred Waring Drive
City: PALM DESERT
Email: rosalyn.fleming@waterboards.ca.gov
Phone Number: 7607768948

LUST:

Global Id: T0607101014
Action Type: ENFORCEMENT
Date: 04/13/2004
Action: Technical Correspondence / Assistance / Other

Global Id: T0607101014
Action Type: ENFORCEMENT
Date: 01/12/2011
Action: Technical Correspondence / Assistance / Other

Global Id: T0607101014
Action Type: ENFORCEMENT
Date: 08/01/2013
Action: File Review - Closure

Global Id: T0607101014
Action Type: ENFORCEMENT
Date: 05/20/2013
Action: Technical Correspondence / Assistance / Other

Global Id: T0607101014
Action Type: ENFORCEMENT
Date: 05/20/2013
Action: Technical Correspondence / Assistance / Other

Global Id: T0607101014
Action Type: ENFORCEMENT
Date: 05/20/2013
Action: Technical Correspondence / Assistance / Other

Map ID
Direction
Distance
Elevation

MAP FINDINGS

Site

Database(s)

EDR ID Number
EPA ID Number

WHITING BROS 32 (Continued)

U001575271

Global Id: T0607101014
Action Type: ENFORCEMENT
Date: 05/20/2013
Action: Technical Correspondence / Assistance / Other

Global Id: T0607101014
Action Type: ENFORCEMENT
Date: 05/15/2014
Action: Technical Correspondence / Assistance / Other

Global Id: T0607101014
Action Type: ENFORCEMENT
Date: 10/22/2014
Action: Email Correspondence

Global Id: T0607101014
Action Type: ENFORCEMENT
Date: 10/22/2014
Action: Email Correspondence

Global Id: T0607101014
Action Type: ENFORCEMENT
Date: 02/10/2015
Action: Closure/No Further Action Letter

Global Id: T0607101014
Action Type: Other
Date: 09/04/1992
Action: Leak Reported

Global Id: T0607101014
Action Type: RESPONSE
Date: 10/15/2010
Action: Monitoring Report - Quarterly

Global Id: T0607101014
Action Type: RESPONSE
Date: 04/15/2010
Action: Monitoring Report - Quarterly

Global Id: T0607101014
Action Type: RESPONSE
Date: 06/10/2013
Action: Monitoring Report - Semi-Annually

Global Id: T0607101014
Action Type: REMEDIATION
Date: 04/01/1997
Action: Soil Vapor Extraction (SVE)

Global Id: T0607101014
Action Type: ENFORCEMENT
Date: 10/01/2009
Action: 13267 Monitoring Program

Global Id: T0607101014
Action Type: ENFORCEMENT

Map ID
Direction
Distance
Elevation

MAP FINDINGS

Site

Database(s)

EDR ID Number
EPA ID Number

WHITING BROS 32 (Continued)

U001575271

Date: 12/15/2009
Action: Notice to Comply

Global Id: T0607101014
Action Type: ENFORCEMENT
Date: 01/11/2012
Action: File review

Global Id: T0607101014
Action Type: ENFORCEMENT
Date: 03/05/2012
Action: Technical Correspondence / Assistance / Other

Global Id: T0607101014
Action Type: ENFORCEMENT
Date: 03/05/2011
Action: File review

Global Id: T0607101014
Action Type: ENFORCEMENT
Date: 03/05/2012
Action: File review

Global Id: T0607101014
Action Type: ENFORCEMENT
Date: 03/23/2012
Action: Technical Correspondence / Assistance / Other

Global Id: T0607101014
Action Type: ENFORCEMENT
Date: 03/15/2012
Action: File review

Global Id: T0607101014
Action Type: ENFORCEMENT
Date: 03/15/2012
Action: Meeting

Global Id: T0607101014
Action Type: ENFORCEMENT
Date: 10/22/2014
Action: Email Correspondence

Global Id: T0607101014
Action Type: ENFORCEMENT
Date: 10/24/2014
Action: File review

Global Id: T0607101014
Action Type: ENFORCEMENT
Date: 08/12/2014
Action: Email Correspondence

Global Id: T0607101014
Action Type: ENFORCEMENT
Date: 11/07/2013
Action: Notification - Public Participation Document

Map ID
Direction
Distance
Elevation

MAP FINDINGS

Site

Database(s)

EDR ID Number
EPA ID Number

WHITING BROS 32 (Continued)

U001575271

Global Id:	T0607101014
Action Type:	ENFORCEMENT
Date:	11/07/2013
Action:	Notification - Public Participation Document
Global Id:	T0607101014
Action Type:	ENFORCEMENT
Date:	10/22/2014
Action:	Technical Correspondence / Assistance / Other
Global Id:	T0607101014
Action Type:	ENFORCEMENT
Date:	08/18/2004
Action:	Notification - Preclosure
Global Id:	T0607101014
Action Type:	ENFORCEMENT
Date:	07/09/2009
Action:	13267 Monitoring Program
Global Id:	T0607101014
Action Type:	ENFORCEMENT
Date:	02/10/2011
Action:	Technical Correspondence / Assistance / Other
Global Id:	T0607101014
Action Type:	ENFORCEMENT
Date:	08/09/2010
Action:	Referral to Regional Board
Global Id:	T0607101014
Action Type:	ENFORCEMENT
Date:	12/13/2011
Action:	File review
Global Id:	T0607101014
Action Type:	ENFORCEMENT
Date:	01/12/2012
Action:	Technical Correspondence / Assistance / Other
Global Id:	T0607101014
Action Type:	ENFORCEMENT
Date:	05/15/2014
Action:	Technical Correspondence / Assistance / Other
Global Id:	T0607101014
Action Type:	ENFORCEMENT
Date:	07/08/2014
Action:	Technical Correspondence / Assistance / Other
Global Id:	T0607101014
Action Type:	ENFORCEMENT
Date:	10/22/2014
Action:	Technical Correspondence / Assistance / Other
Global Id:	T0607101014
Action Type:	ENFORCEMENT

Map ID
Direction
Distance
Elevation

MAP FINDINGS

Site

Database(s)

EDR ID Number
EPA ID Number

WHITING BROS 32 (Continued)

U001575271

Date: 01/15/2014
Action: Staff Letter

Global Id: T0607101014
Action Type: RESPONSE
Date: 04/15/2012
Action: Monitoring Report - Quarterly

Global Id: T0607101014
Action Type: ENFORCEMENT
Date: 10/10/2011
Action: File review

Global Id: T0607101014
Action Type: ENFORCEMENT
Date: 08/09/2010
Action: Referral to Regional Board

Global Id: T0607101014
Action Type: ENFORCEMENT
Date: 02/10/2011
Action: Technical Correspondence / Assistance / Other

Global Id: T0607101014
Action Type: ENFORCEMENT
Date: 05/20/2013
Action: Technical Correspondence / Assistance / Other

Global Id: T0607101014
Action Type: ENFORCEMENT
Date: 05/24/2013
Action: Technical Correspondence / Assistance / Other

Global Id: T0607101014
Action Type: ENFORCEMENT
Date: 04/21/2010
Action: Clean Up Fund - Case Closure Review Summary Report (RSR)

Global Id: T0607101014
Action Type: RESPONSE
Date: 10/15/2011
Action: Monitoring Report - Semi-Annually

Global Id: T0607101014
Action Type: RESPONSE
Date: 01/03/2012
Action: Other Report / Document

Global Id: T0607101014
Action Type: RESPONSE
Date: 10/23/2014
Action: Correspondence

Global Id: T0607101014
Action Type: RESPONSE
Date: 10/22/2014
Action: Correspondence

Map ID
Direction
Distance
Elevation

MAP FINDINGS

Site

Database(s)

EDR ID Number
EPA ID Number

WHITING BROS 32 (Continued)

U001575271

Global Id:	T0607101014
Action Type:	RESPONSE
Date:	05/16/2014
Action:	Correspondence
Global Id:	T0607101014
Action Type:	RESPONSE
Date:	10/22/2014
Action:	Correspondence
Global Id:	T0607101014
Action Type:	ENFORCEMENT
Date:	09/24/2004
Action:	Technical Correspondence / Assistance / Other
Global Id:	T0607101014
Action Type:	ENFORCEMENT
Date:	04/18/2011
Action:	File review
Global Id:	T0607101014
Action Type:	ENFORCEMENT
Date:	02/09/2011
Action:	File review
Global Id:	T0607101014
Action Type:	ENFORCEMENT
Date:	05/09/2011
Action:	File review
Global Id:	T0607101014
Action Type:	ENFORCEMENT
Date:	09/04/2012
Action:	Technical Correspondence / Assistance / Other
Global Id:	T0607101014
Action Type:	ENFORCEMENT
Date:	11/05/2013
Action:	File Review - Closure
Global Id:	T0607101014
Action Type:	ENFORCEMENT
Date:	05/20/2013
Action:	Technical Correspondence / Assistance / Other
Global Id:	T0607101014
Action Type:	ENFORCEMENT
Date:	03/13/2012
Action:	Clean Up Fund - Case Closure Review Summary Report (RSR)
Global Id:	T0607101014
Action Type:	RESPONSE
Date:	11/13/2008
Action:	Other Report / Document
Global Id:	T0607101014
Action Type:	RESPONSE

Map ID
Direction
Distance
Elevation

MAP FINDINGS

Site

Database(s)

EDR ID Number
EPA ID Number

WHITING BROS 32 (Continued)

U001575271

Date: 04/15/2011
Action: Monitoring Report - Semi-Annually

Global Id: T0607101014
Action Type: RESPONSE
Date: 02/11/2011
Action: Correspondence

Global Id: T0607101014
Action Type: RESPONSE
Date: 03/08/2011
Action: Correspondence

LUST:

Global Id: T0607101014
Status: Open - Case Begin Date
Status Date: 09/04/1992

Global Id: T0607101014
Status: Open - Site Assessment
Status Date: 09/15/1992

Global Id: T0607101014
Status: Open - Site Assessment
Status Date: 08/18/1993

Global Id: T0607101014
Status: Open - Site Assessment
Status Date: 12/30/1993

Global Id: T0607101014
Status: Open - Remediation
Status Date: 04/15/1997

Global Id: T0607101014
Status: Open - Remediation
Status Date: 06/06/1997

Global Id: T0607101014
Status: Open - Remediation
Status Date: 05/14/2012

Global Id: T0607101014
Status: Open - Eligible for Closure
Status Date: 06/23/2014

Global Id: T0607101014
Status: Completed - Case Closed
Status Date: 02/10/2015

HIST UST:

Name: WHITING BROS 32
Address: 2402 WEST BROADWAY
City,State,Zip: NEEDLES, CA 92363
File Number: 0002AA6D

Map ID
Direction
Distance
Elevation

MAP FINDINGS

Site

Database(s)

EDR ID Number
EPA ID Number

WHITING BROS 32 (Continued)

U001575271

URL: <http://geotracker.waterboards.ca.gov/ustpdfs/pdf/0002AA6D.pdf>
Region: STATE
Facility ID: 00000068734
Facility Type: Gas Station
Other Type: Not reported
Contact Name: Not reported
Telephone: 6193262016
Owner Name: WHITING BROS OIL CO.
Owner Address: 815 WEST HOPI DRIVE
Owner City,St,Zip: HOLBROOK, AZ 86025
Total Tanks: 0004

Tank Num: 001
Container Num: 005
Year Installed: Not reported
Tank Capacity: 00004000
Tank Used for: WASTE
Type of Fuel: 3
Container Construction Thickness: X
Leak Detection: Stock Inventor

Tank Num: 002
Container Num: 006
Year Installed: Not reported
Tank Capacity: 00004000
Tank Used for: PRODUCT
Type of Fuel: REGULAR
Container Construction Thickness: Not reported
Leak Detection: Stock Inventor

Tank Num: 003
Container Num: 007
Year Installed: Not reported
Tank Capacity: 00004000
Tank Used for: PRODUCT
Type of Fuel: REGULAR
Container Construction Thickness: Not reported
Leak Detection: Stock Inventor

Tank Num: 004
Container Num: 008
Year Installed: Not reported
Tank Capacity: 00004000
Tank Used for: PRODUCT
Type of Fuel: UNLEADED
Container Construction Thickness: Not reported
Leak Detection: Stock Inventor

Click here for Geo Tracker PDF:

CORTESE:

Name: WHITING BROS WEST
Address: 2402 WEST BROADWAY AVE
City,State,Zip: NEEDLES, CA 92363
Region: CORTESE
Envirostor Id: Not reported
Global ID: T0607101014

Map ID
Direction
Distance
Elevation

MAP FINDINGS

Site

Database(s)

EDR ID Number
EPA ID Number

WHITING BROS 32 (Continued)

U001575271

Site/Facility Type: LUST CLEANUP SITE
Cleanup Status: COMPLETED - CASE CLOSED
Status Date: Not reported
Site Code: Not reported
Latitude: Not reported
Longitude: Not reported
Owner: Not reported
Enf Type: Not reported
Swat R: Not reported
Flag: active
Order No: Not reported
Waste Discharge System No: Not reported
Effective Date: Not reported
Region 2: Not reported
WID Id: Not reported
Solid Waste Id No: Not reported
Waste Management Uit Name: Not reported
File Name: Active Open

CERS:

Name: WHITING BROS WEST
Address: 2402 WEST BROADWAY AVE
City,State,Zip: NEEDLES, CA 92363
Site ID: 253014
CERS ID: T0607101014
CERS Description: Leaking Underground Storage Tank Cleanup Site

Affiliation:

Affiliation Type Desc: Regional Board Caseworker
Entity Name: ROSALYN FLEMING - COLORADO RIVER BASIN RWQCB (REGION 7)
Entity Title: Not reported
Affiliation Address: 73-720 Fred Waring Drive
Affiliation City: PALM DESERT
Affiliation State: CA
Affiliation Country: Not reported
Affiliation Zip: Not reported
Affiliation Phone: 7607768948,

Affiliation Type Desc: Local Agency Caseworker
Entity Name: JACKSON CRUTSINGER - SAN BERNARDINO COUNTY
Entity Title: Not reported
Affiliation Address: 620 SOUTH E STREET
Affiliation City: SAN BERNARDINO
Affiliation State: CA
Affiliation Country: Not reported
Affiliation Zip: Not reported
Affiliation Phone: ,

Map ID
Direction
Distance
Elevation

MAP FINDINGS

Site

Database(s)

EDR ID Number
EPA ID Number

Z180 **WHITING BROS 90**
Target **2402 WEST BROADWAY**
Property **NEEDLES, CA 92363**

HIST UST **U001575272**
 N/A

Site 9 of 13 in cluster Z

Actual:
516 ft.

Focus Map:
6

HIST UST:
Name: WHITING BROS 90
Address: 2402 WEST BROADWAY
City,State,Zip: NEEDLES, CA 92363
File Number: 0002AA6F
URL: <http://geotracker.waterboards.ca.gov/ustpdfs/pdf/0002AA6F.pdf>
Region: STATE
Facility ID: 00000068735
Facility Type: Gas Station
Other Type: Not reported
Contact Name: Not reported
Telephone: 6193262311
Owner Name: WHITING BROS. OIL CO.
Owner Address: 816 WEST HOPI DRIVE
Owner City,St,Zip: HOLBROOK, AZ 86025
Total Tanks: 0004

Tank Num: 001
Container Num: 001
Year Installed: Not reported
Tank Capacity: 00004000
Tank Used for: WASTE
Type of Fuel: 2
Container Construction Thickness: X
Leak Detection: Stock Inventor

Tank Num: 002
Container Num: 002
Year Installed: Not reported
Tank Capacity: 00004000
Tank Used for: PRODUCT
Type of Fuel: UNLEADED
Container Construction Thickness: Not reported
Leak Detection: Stock Inventor

Tank Num: 003
Container Num: 003
Year Installed: Not reported
Tank Capacity: 00004000
Tank Used for: PRODUCT
Type of Fuel: UNLEADED
Container Construction Thickness: Not reported
Leak Detection: Stock Inventor

Tank Num: 004
Container Num: 004
Year Installed: Not reported
Tank Capacity: 00002000
Tank Used for: PRODUCT
Type of Fuel: PREMIUM
Container Construction Thickness: Not reported
Leak Detection: Stock Inventor

Map ID
Direction
Distance
Elevation

MAP FINDINGS

Site

Database(s)

EDR ID Number
EPA ID Number

WHITING BROS 90 (Continued)

U001575272

[Click here for Geo Tracker PDF:](#)

Z181 CALIMESA OIL-WB RGA LUST S114590304
Target 2402 W. BROADWAY N/A
Property NEEDLES, CA

Site 10 of 13 in cluster Z

Actual: RGA LUST:
516 ft. Name: CALIMESA OIL-WB
Focus Map: Address: 2402 W. BROADWAY
6 City: NEEDLES
State: NEEDLES
1993 CALIMESA OIL-WB 2402 W. BROADWAY

Z182 WHITING BROS RGA LUST S114721984
Target 2402 WEST BROADWAY AVE N/A
Property NEEDLES, CA

Site 11 of 13 in cluster Z

Actual: RGA LUST:
516 ft. Name: WHITING BROS
Focus Map: Address: 2402 WEST BROADWAY AVE
6 City: NEEDLES
State: NEEDLES
2007 WHITING BROS 2402 WEST BROADWAY AVE
Name: WHITING BROS
Address: 2402 WEST BROADWAY AVE
City: NEEDLES
State: NEEDLES
2006 WHITING BROS 2402 WEST BROADWAY AVE
Name: WHITING BROS
Address: 2402 WEST BROADWAY AVE
City: NEEDLES
State: NEEDLES
2005 WHITING BROS 2402 WEST BROADWAY AVE
Name: WHITING BROS
Address: 2402 WEST BROADWAY AVE
City: NEEDLES
State: NEEDLES
2003 WHITING BROS 2402 WEST BROADWAY AVE

Z183 CALIMESA OIL-WB RGA LUST S114590305
Target 2402 WEST BROADWAY AVENUE N/A
Property NEEDLES, CA

Site 12 of 13 in cluster Z

Actual: RGA LUST:
516 ft. Name: CALIMESA OIL-WB
Focus Map: Address: 2402 WEST BROADWAY AVENUE
6 City: NEEDLES
State: NEEDLES
2000 CALIMESA OIL-WB 2402 WEST BROADWAY AVENUE

MAP FINDINGS

Map ID
Direction
Distance
Elevation

Site

Database(s)
EDR ID Number
EPA ID Number

Y184 **CROSS RV REPAIR**
Target **2208 RACE ST**
Property **NEEDLES, CA 92363**

HWTS **S124754117**
 N/A

Site 4 of 10 in cluster Y

Actual: **HWTS:**
506 ft. Name: CROSS RV REPAIR
Focus Map: Address: 2208 RACE ST
6 Address 2: Not reported
 City,State,Zip: NEEDLES, CA 92363
 EPA ID: CAD983615386
 Inactive Date: 06/30/1992
 Create Date: 12/23/1991
 Last Act Date: Not reported
 Mailing Name: Not reported
 Mailing Address: 1001 VINE ST
 Mailing Address 2: Not reported
 Mailing City,State,Zip: NEEDLES, CA 923630000
 Owner Name: ROY A CROSS
 Owner Address: 1001 VINE ST
 Owner Address 2: Not reported
 Owner City,State,Zip: NEEDLES, CA 923630000
 Contact Name: INACTIVATE CHANGED OF NAME '92
 Contact Address: JANET CROSS
 Contact Address 2: Not reported
 City,State,Zip: 999990000
 Facility Status: Inactive
 Facility Type: PERMANENT
 Category: FEDERAL
 Latitude: 34.84931
 Longitude: -114.620112

Y185 **NEEDLES RV & AUTO REPAIR**
Target **2208 RACE ST**
Property **NEEDLES, CA 92363**

HWTS **S124797141**
 N/A

Site 5 of 10 in cluster Y

Actual: **HWTS:**
506 ft. Name: NEEDLES RV & AUTO REPAIR
Focus Map: Address: 2208 RACE ST
6 Address 2: Not reported
 City,State,Zip: NEEDLES, CA 92363
 EPA ID: CAL000097057
 Inactive Date: 12/31/1899
 Create Date: 09/17/1992
 Last Act Date: Not reported
 Mailing Name: Not reported
 Mailing Address: 1001 VINE ST
 Mailing Address 2: Not reported
 Mailing City,State,Zip: NEEDLES, CA 923630000
 Owner Name: CROSS ROY A
 Owner Address: Not reported
 Owner Address 2: Not reported
 Owner City,State,Zip: Not reported
 Contact Name: INACT BUS HAS NEW OWNER, USING
 Contact Address: CAL000173860 AS OF 8-18-95
 Contact Address 2: Not reported
 City,State,Zip: NEEDLES, CA 923630000

Map ID
Direction
Distance
Elevation

MAP FINDINGS

Site

Database(s)

EDR ID Number
EPA ID Number

NEEDLES RV & AUTO REPAIR (Continued)

S124797141

Facility Status: Inactive
Facility Type: PERMANENT
Category: STATE
Latitude: 34.849553
Longitude: -114.618524

Y186 **JIMS RV & AUTO REPAIR**
Target **2208 RACE ST**
Property **NEEDLES, CA 92363**

HWTS **S124807912**
N/A

Site 6 of 10 in cluster Y

Actual: **506 ft.** **HWTS:**
Focus Map: **6**
Name: JIMS RV & AUTO REPAIR
Address: 2208 RACE ST
Address 2: Not reported
City,State,Zip: NEEDLES, CA 92363
EPA ID: CAL000140363
Inactive Date: 06/30/1999
Create Date: 05/21/1998
Last Act Date: Not reported
Mailing Name: Not reported
Mailing Address: 1001 VINE ST
Mailing Address 2: Not reported
Mailing City,State,Zip: NEEDLES, CA 923630000
Owner Name: JIM CROSS
Owner Address: 1001 VINE ST
Owner Address 2: Not reported
Owner City,State,Zip: NEEDLES, CA 923630000
Contact Name: JIM CROSS/OWNER
Contact Address: INACTIVE PER VQ99 - BMI
Contact Address 2: Not reported
City,State,Zip: NEEDLES, CA 923630000
Facility Status: Inactive
Facility Type: PERMANENT
Category: STATE
Latitude: 34.849553
Longitude: -114.618524

Y187 **BOB'S WHOLESALE TRANSMISSION**
Target **2208 RACE**
Property **NEEDLES, CA 92363**

HAZNET **S113096745**
HWTS **N/A**

Site 7 of 10 in cluster Y

Actual: **506 ft.** **HAZNET:**
Focus Map: **6**
Name: BOB'S WHOLESALE TRANSMISSION
Address: 2208 RACE
Address 2: Not reported
City,State,Zip: NEEDLES, CA 923630000
Contact: BOB DE BOARD - OWNER
Telephone: 7603264231
Mailing Name: Not reported
Mailing Address: 1001 VINE
Year: 2005

Map ID
Direction
Distance
Elevation

MAP FINDINGS

Site

Database(s)

EDR ID Number
EPA ID Number

BOB'S WHOLESALE TRANSMISSION (Continued)

S113096745

Gepaid: CAL000182404
TSD EPA ID: NVR000066837
CA Waste Code: 221 - Waste oil and mixed oil
Disposal Method: -
Tons: 1.33

Year: 2004
Gepaid: CAL000182404
TSD EPA ID: NVR000066837
CA Waste Code: 221 - Waste oil and mixed oil
Disposal Method: -
Tons: 3.515

Year: 2004
Gepaid: CAL000182404
TSD EPA ID: NVR000066837
CA Waste Code: -
Disposal Method: -
Tons: Not reported

Year: 2003
Gepaid: CAL000182404
TSD EPA ID: NVR000066837
CA Waste Code: 221 - Waste oil and mixed oil
Disposal Method: H01 - Transfer Station
Tons: 5.016

Year: 2002
Gepaid: CAL000182404
TSD EPA ID: CAL000190816
CA Waste Code: 221 - Waste oil and mixed oil
Disposal Method: -
Tons: 0.627

Additional Info:

Year: 2003
Gen EPA ID: CAL000182404

Shipment Date: 20031009
Creation Date: 8/3/2004 7:33:04
Receipt Date: 20031009
Manifest ID: 21959396
Trans EPA ID: TXR000050930
Trans Name: SAFETY-KLEEN SYSTEMS INC
Trans 2 EPA ID: Not reported
Trans 2 Name: Not reported
TSD EPA ID: NVR000066837
Trans Name: SAFETY-KLEEN SYSTEMS INC
TSD Alt EPA ID: NVR000066837
TSD Alt Name: Not reported
Waste Code Description: 221 - Waste oil and mixed oil
RCRA Code: Not reported
Meth Code: H01 - Transfer Station
Quantity Tons: 2.47
Waste Quantity: 650
Quantity Unit: G

Map ID
Direction
Distance
Elevation

MAP FINDINGS

Site

Database(s)

EDR ID Number
EPA ID Number

BOB'S WHOLESALE TRANSMISSION (Continued)

S113096745

Additional Code 1:	Not reported
Additional Code 2:	Not reported
Additional Code 3:	Not reported
Additional Code 4:	Not reported
Additional Code 5:	Not reported
Shipment Date:	20030625
Creation Date:	7/22/2004 7:51:02
Receipt Date:	20030625
Manifest ID:	22382944
Trans EPA ID:	TXR000050930
Trans Name:	Not reported
Trans 2 EPA ID:	Not reported
Trans 2 Name:	Not reported
TSDf EPA ID:	NVR000066837
Trans Name:	Not reported
TSDf Alt EPA ID:	Not reported
TSDf Alt Name:	Not reported
Waste Code Description:	221 - Waste oil and mixed oil
RCRA Code:	Not reported
Meth Code:	H01 - Transfer Station
Quantity Tons:	1.121
Waste Quantity:	295
Quantity Unit:	G
Additional Code 1:	Not reported
Additional Code 2:	Not reported
Additional Code 3:	Not reported
Additional Code 4:	Not reported
Additional Code 5:	Not reported
Shipment Date:	20030205
Creation Date:	5/18/2003 14:28:17
Receipt Date:	20030205
Manifest ID:	99058156
Trans EPA ID:	TXR000050930
Trans Name:	Not reported
Trans 2 EPA ID:	Not reported
Trans 2 Name:	Not reported
TSDf EPA ID:	NVR000066837
Trans Name:	Not reported
TSDf Alt EPA ID:	Not reported
TSDf Alt Name:	Not reported
Waste Code Description:	221 - Waste oil and mixed oil
RCRA Code:	Not reported
Meth Code:	H01 - Transfer Station
Quantity Tons:	1.425
Waste Quantity:	375
Quantity Unit:	G
Additional Code 1:	Not reported
Additional Code 2:	Not reported
Additional Code 3:	Not reported
Additional Code 4:	Not reported
Additional Code 5:	Not reported
Additional Info:	
Year:	2002
Gen EPA ID:	CAL000182404

Map ID
Direction
Distance
Elevation

MAP FINDINGS

Site

Database(s)

EDR ID Number
EPA ID Number

BOB'S WHOLESALE TRANSMISSION (Continued)

S113096745

Shipment Date: 20020828
Creation Date: 1/27/2003 18:31:12
Receipt Date: 20020829
Manifest ID: 21877763
Trans EPA ID: CAL000027759
Trans Name: Not reported
Trans 2 EPA ID: Not reported
Trans 2 Name: Not reported
TSDf EPA ID: CAL000190816
Trans Name: Not reported
TSDf Alt EPA ID: Not reported
TSDf Alt Name: Not reported
Waste Code Description: 221 - Waste oil and mixed oil
RCRA Code: Not reported
Meth Code: - Not reported
Quantity Tons: 0.627
Waste Quantity: 165
Quantity Unit: G
Additional Code 1: Not reported
Additional Code 2: Not reported
Additional Code 3: Not reported
Additional Code 4: Not reported
Additional Code 5: Not reported

Additional Info:

Year: 2004
Gen EPA ID: CAL000182404

Shipment Date: 20041110
Creation Date: 1/11/2005 18:30:51
Receipt Date: 20041110
Manifest ID: 22323485
Trans EPA ID: TXR000050930
Trans Name: SAFETY-KLEEN SYSTEMS INC
Trans 2 EPA ID: Not reported
Trans 2 Name: Not reported
TSDf EPA ID: NVR000066837
Trans Name: SAFETY-KLEEN SYSTEMS INC
TSDf Alt EPA ID: NVR000066837
TSDf Alt Name: Not reported
Waste Code Description: 221 - Waste oil and mixed oil
RCRA Code: Not reported
Meth Code: - Not reported
Quantity Tons: 1.33
Waste Quantity: 350
Quantity Unit: G
Additional Code 1: Not reported
Additional Code 2: Not reported
Additional Code 3: Not reported
Additional Code 4: Not reported
Additional Code 5: Not reported

Shipment Date: 20040526
Creation Date: 10/15/2004 10:46:40
Receipt Date: 20040526
Manifest ID: 21959580
Trans EPA ID: TXR000050930

Map ID
Direction
Distance
Elevation

MAP FINDINGS

Site

Database(s)

EDR ID Number
EPA ID Number

BOB'S WHOLESALE TRANSMISSION (Continued)

S113096745

Trans Name: SAFETY-KLEEN SYSTEMS INC
Trans 2 EPA ID: Not reported
Trans 2 Name: Not reported
TSDf EPA ID: NVR000066837
Trans Name: SAFETY-KLEEN SYSTEMS INC
TSDf Alt EPA ID: Not reported
TSDf Alt Name: Not reported
Waste Code Description: - Not reported
RCRA Code: Not reported
Meth Code: - Not reported
Quantity Tons: Not reported
Waste Quantity: Not reported
Quantity Unit: G
Additional Code 1: Not reported
Additional Code 2: Not reported
Additional Code 3: Not reported
Additional Code 4: Not reported
Additional Code 5: Not reported

Shipment Date: 20040526
Creation Date: 10/15/2004 10:46:40
Receipt Date: 20040526
Manifest ID: 21959580
Trans EPA ID: TXR000050930
Trans Name: SAFETY-KLEEN SYSTEMS INC
Trans 2 EPA ID: Not reported
Trans 2 Name: Not reported
TSDf EPA ID: NVR000066837
Trans Name: SAFETY-KLEEN SYSTEMS INC
TSDf Alt EPA ID: Not reported
TSDf Alt Name: Not reported
Waste Code Description: 221 - Waste oil and mixed oil
RCRA Code: Not reported
Meth Code: - Not reported
Quantity Tons: 1.14
Waste Quantity: 300
Quantity Unit: G
Additional Code 1: Not reported
Additional Code 2: Not reported
Additional Code 3: Not reported
Additional Code 4: Not reported
Additional Code 5: Not reported

Shipment Date: 20040204
Creation Date: 11/18/2004 8:25:56
Receipt Date: 20040204
Manifest ID: 23304033
Trans EPA ID: TXR000050930
Trans Name: SAFETY-KLEEN SYSTEMS INC
Trans 2 EPA ID: Not reported
Trans 2 Name: Not reported
TSDf EPA ID: NVR000066837
Trans Name: SAFETY-KLEEN SYSTEMS INC
TSDf Alt EPA ID: Not reported
TSDf Alt Name: Not reported
Waste Code Description: 221 - Waste oil and mixed oil
RCRA Code: Not reported

Map ID
Direction
Distance
Elevation

MAP FINDINGS

Site

Database(s)

EDR ID Number
EPA ID Number

BOB'S WHOLESALE TRANSMISSION (Continued)

S113096745

Meth Code: - Not reported
Quantity Tons: 1.045
Waste Quantity: 275
Quantity Unit: G
Additional Code 1: Not reported
Additional Code 2: Not reported
Additional Code 3: Not reported
Additional Code 4: Not reported
Additional Code 5: Not reported

Additional Info:

Year: 2005
Gen EPA ID: CAL000182404

Shipment Date: 20050330
Creation Date: 6/1/2005 18:31:04
Receipt Date: 20050330
Manifest ID: 23020220
Trans EPA ID: TXR000050930
Trans Name: SAFETY-KLEEN SYSTEMS INC
Trans 2 EPA ID: Not reported
Trans 2 Name: Not reported
TSDf EPA ID: NVR000066837
Trans Name: SAFETY-KLEEN SYSTEMS INC
TSDf Alt EPA ID: NVR000066837
TSDf Alt Name: Not reported
Waste Code Description: 221 - Waste oil and mixed oil
RCRA Code: Not reported
Meth Code: - Not reported
Quantity Tons: 1.33
Waste Quantity: 350
Quantity Unit: G
Additional Code 1: Not reported
Additional Code 2: Not reported
Additional Code 3: Not reported
Additional Code 4: Not reported
Additional Code 5: Not reported

HWTS:

Name: BOB'S WHOLESALE TRANSMISSION
Address: 2208 RACE
Address 2: Not reported
City,State,Zip: NEEDLES, CA 92363
EPA ID: CAL000182404
Inactive Date: 06/30/2004
Create Date: 09/17/1999
Last Act Date: Not reported
Mailing Name: Not reported
Mailing Address: 1001 VINE
Mailing Address 2: Not reported
Mailing City,State,Zip: NEEDLES, CA 923630000
Owner Name: BOB DEBOARD
Owner Address: 1001 VINE
Owner Address 2: Not reported
Owner City,State,Zip: NEEDLES, CA 923630000
Contact Name: BOB DE BOARD - OWNER

Map ID
Direction
Distance
Elevation

MAP FINDINGS

Site

Database(s)

EDR ID Number
EPA ID Number

BOB'S WHOLESALE TRANSMISSION (Continued)

S113096745

Contact Address: 1001 VINE
Contact Address 2: Not reported
City,State,Zip: NEEDLES, CA 923630000
Facility Status: Inactive
Facility Type: PERMANENT
Category: STATE
Latitude: 34.84931
Longitude: -114.620112

Y188 **GENES RV AND AUTO REPAIR**
Target **2208 RACE ST**
Property **NEEDLES, CA 92363**

HWTS **S124813730**
N/A

Site 8 of 10 in cluster Y

Actual: **506 ft.** **HWTS:**
Focus Map: **6** Name: GENES RV AND AUTO REPAIR
Address: 2208 RACE ST
Address 2: Not reported
City,State,Zip: NEEDLES, CA 92363
EPA ID: CAL000163369
Inactive Date: 06/30/1998
Create Date: 04/09/1996
Last Act Date: Not reported
Mailing Name: Not reported
Mailing Address: 2208 RACE ST
Mailing Address 2: Not reported
Mailing City,State,Zip: NEEDLES, CA 923630000
Owner Name: GROVER MOSER
Owner Address: 2208 RACE ST
Owner Address 2: Not reported
Owner City,State,Zip: NEEDLES, CA
Contact Name: ALLEN CROSS
Contact Address: INACT PER NONDELIVERABLE VQ98 NK
Contact Address 2: Not reported
City,State,Zip: NEEDLES, CA
Facility Status: Inactive
Facility Type: PERMANENT
Category: STATE
Latitude: 34.849553
Longitude: -114.618524

Y189 **NEEDLES TRANSMISSION & RV**
Target **2208 RACE ST**
Property **NEEDLES, CA 92363**

HWTS **S124816333**
N/A

Site 9 of 10 in cluster Y

Actual: **506 ft.** **HWTS:**
Focus Map: **6** Name: NEEDLES TRANSMISSION & RV
Address: 2208 RACE ST
Address 2: Not reported
City,State,Zip: NEEDLES, CA 92363
EPA ID: CAL000174860
Inactive Date: 06/30/1997
Create Date: 08/18/1995

Map ID
 Direction
 Distance
 Elevation

MAP FINDINGS

Site

Database(s)

EDR ID Number
 EPA ID Number

NEEDLES TRANSMISSION & RV (Continued)

S124816333

Last Act Date: Not reported
 Mailing Name: Not reported
 Mailing Address: 1001 VINE ST
 Mailing Address 2: Not reported
 Mailing City,State,Zip: NEEDLES, CA 923632133
 Owner Name: PAMELA HOLTZHAVER
 Owner Address: P O BOX 7152
 Owner Address 2: Not reported
 Owner City,State,Zip: MOHAVE VALLEY, AZ 864400000
 Contact Name: PAMELA HOLTZHAVER
 Contact Address: INACTIVE PER VQ97 BP
 Contact Address 2: Not reported
 City,State,Zip: Not reported
 Facility Status: Inactive
 Facility Type: PERMANENT
 Category: STATE
 Latitude: 34.849553
 Longitude: -114.618524

Y190 **CROSS RV REPAIR**
Target **2208 RACE ST**
Property **NEEDLES, CA 92363**

RCRA-SQG **1000597523**
FINDS **CAD983615386**
ECHO

Site 10 of 10 in cluster Y

Actual: RCRA-SQG:
506 ft. Date Form Received by Agency: 19911223
Focus Map: Handler Name: CROSS RV REPAIR
6 Handler Address: 2208 RACE ST
 Handler City,State,Zip: NEEDLES, CA 92363
 EPA ID: CAD983615386
 Contact Name: ROY CROSS
 Contact Address: 1001 VINE ST
 Contact City,State,Zip: NEEDLES, CA 92363
 Contact Telephone: 619-326-2320
 Contact Fax: Not reported
 Contact Email: Not reported
 Contact Title: Not reported
 EPA Region: 09
 Land Type: Private
 Federal Waste Generator Description: Small Quantity Generator
 Non-Notifier: Not reported
 Biennial Report Cycle: Not reported
 Accessibility: Not reported
 Active Site Indicator: Handler Activities
 State District Owner: CA
 State District: 3
 Mailing Address: VINE ST
 Mailing City,State,Zip: NEEDLES, CA 92363
 Owner Name: ROY A CROSS
 Owner Type: Private
 Operator Name: Not reported
 Operator Type: Not reported
 Short-Term Generator Activity: No
 Importer Activity: No
 Mixed Waste Generator: No
 Transporter Activity: No
 Transfer Facility Activity: No

Map ID
 Direction
 Distance
 Elevation

MAP FINDINGS

Site

Database(s)

EDR ID Number
 EPA ID Number

CROSS RV REPAIR (Continued)

1000597523

Recycler Activity with Storage:	No
Small Quantity On-Site Burner Exemption:	No
Smelting Melting and Refining Furnace Exemption:	No
Underground Injection Control:	No
Off-Site Waste Receipt:	No
Universal Waste Indicator:	No
Universal Waste Destination Facility:	No
Federal Universal Waste:	No
Active Site Fed-Reg Treatment Storage and Disposal Facility:	Not reported
Active Site Converter Treatment storage and Disposal Facility:	Not reported
Active Site State-Reg Treatment Storage and Disposal Facility:	Not reported
Active Site State-Reg Handler:	---
Federal Facility Indicator:	Not reported
Hazardous Secondary Material Indicator:	NN
Sub-Part K Indicator:	Not reported
Commercial TSD Indicator:	No
Treatment Storage and Disposal Type:	Not reported
2018 GPRA Permit Baseline:	Not on the Baseline
2018 GPRA Renewals Baseline:	Not on the Baseline
Permit Renewals Workload Universe:	Not reported
Permit Workload Universe:	Not reported
Permit Progress Universe:	Not reported
Post-Closure Workload Universe:	Not reported
Closure Workload Universe:	Not reported
202 GPRA Corrective Action Baseline:	No
Corrective Action Workload Universe:	No
Subject to Corrective Action Universe:	No
Non-TSDFs Where RCRA CA has Been Imposed Universe:	No
TSDFs Potentially Subject to CA Under 3004 (u)/(v) Universe:	No
TSDFs Only Subject to CA under Discretionary Auth Universe:	No
Corrective Action Priority Ranking:	No NCAPS ranking
Environmental Control Indicator:	No
Institutional Control Indicator:	No
Human Exposure Controls Indicator:	N/A
Groundwater Controls Indicator:	N/A
Operating TSDF Universe:	Not reported
Full Enforcement Universe:	Not reported
Significant Non-Complier Universe:	No
Unaddressed Significant Non-Complier Universe:	No
Addressed Significant Non-Complier Universe:	No
Significant Non-Complier With a Compliance Schedule Universe:	No
Financial Assurance Required:	Not reported
Handler Date of Last Change:	20000915
Recognized Trader-Importer:	No
Recognized Trader-Exporter:	No
Importer of Spent Lead Acid Batteries:	No
Exporter of Spent Lead Acid Batteries:	No
Recycler Activity Without Storage:	Not reported
Manifest Broker:	Not reported
Sub-Part P Indicator:	No

Handler - Owner Operator:

Owner/Operator Indicator:	Owner
Owner/Operator Name: ROY A CROSS	
Legal Status:	Private
Date Became Current:	Not reported

Map ID
Direction
Distance
Elevation

MAP FINDINGS

Site

Database(s)

EDR ID Number
EPA ID Number

CROSS RV REPAIR (Continued)

1000597523

Date Ended Current: Not reported
Owner/Operator Address: 1001 VINE ST
Owner/Operator City,State,Zip: NEEDLES, CA 92363
Owner/Operator Telephone: 619-326-2320
Owner/Operator Telephone Ext: Not reported
Owner/Operator Fax: Not reported
Owner/Operator Email: Not reported

Historic Generators:

Receive Date: 19911223
Handler Name: CROSS RV REPAIR
Federal Waste Generator Description: Small Quantity Generator
State District Owner: CA
Large Quantity Handler of Universal Waste: No
Recognized Trader Importer: No
Recognized Trader Exporter: No
Spent Lead Acid Battery Importer: No
Spent Lead Acid Battery Exporter: No
Current Record: Yes
Non Storage Recycler Activity: Not reported
Electronic Manifest Broker: Not reported

List of NAICS Codes and Descriptions:

NAICS Codes: No NAICS Codes Found

Facility Has Received Notices of Violations:

Violations: No Violations Found

Evaluation Action Summary:

Evaluations: No Evaluations Found

FINDS:

Registry ID: 110002866275

[Click Here for FRS Facility Detail Report:](#)

Environmental Interest/Information System:

RCRAInfo is a national information system that supports the Resource Conservation and Recovery Act (RCRA) program through the tracking of events and activities related to facilities that generate, transport, and treat, store, or dispose of hazardous waste. RCRAInfo allows RCRA program staff to track the notification, permit, compliance, and corrective action activities required under RCRA.

[Click this hyperlink](#) while viewing on your computer to access additional FINDS: detail in the EDR Site Report.

ECHO:

Envid: 1000597523
Registry ID: 110002866275
DFR URL: <http://echo.epa.gov/detailed-facility-report?fid=110002866275>
Name: CROSS RV REPAIR
Address: 2208 RACE ST
City,State,Zip: NEEDLES, CA 92363

Map ID
Direction
Distance
Elevation

MAP FINDINGS

Site

Database(s)

EDR ID Number
EPA ID Number

Z191
Target CALIMESA OIL-WB
Property 2402 BROADWAY
NEEDLES, CA 92363

HIST CORTESE S101301200
N/A

Site 13 of 13 in cluster Z

Actual: HIST CORTESE:
517 ft. edr_fname: CALIMESA OIL-WB
Focus Map: edr_fadd1: 2402 BROADWAY
6 City,State,Zip: NEEDLES, CA 92363
Region: CORTESE
Facility County Code: 36
Reg By: LTNKA
Reg Id: 7T2363016

AA192
Target RACE AND T ST
Property NEEDLES, CA 92363

CHMIRS S110423726
N/A

Site 1 of 2 in cluster AA

Actual: CHMIRS:
508 ft. Name: Not reported
Focus Map: Address: RACE AND T ST
6 City,State,Zip: NEEDLES, CA 92363
OES Incident Number: 08-0389
OES notification: 01/12/2008
OES Date: Not reported
OES Time: Not reported
Date Completed: **Not reported**
Property Use: Not reported
Agency Id Number: Not reported
Agency Incident Number: Not reported
Time Notified: Not reported
Time Completed: Not reported
Surrounding Area: Not reported
Estimated Temperature: Not reported
Property Management: Not reported
More Than Two Substances Involved?: Not reported
Resp Agncy Personel # Of Decontaminated: Not reported
Responding Agency Personel # Of Injuries: Not reported
Responding Agency Personel # Of Fatalities: Not reported
Others Number Of Decontaminated: Not reported
Others Number Of Injuries: Not reported
Others Number Of Fatalities: Not reported
Vehicle Make/year: Not reported
Vehicle License Number: Not reported
Vehicle State: Not reported
Vehicle Id Number: Not reported
CA DOT PUC/ICC Number: Not reported
Company Name: Not reported
Reporting Officer Name/ID: Not reported
Report Date: Not reported
Facility Telephone: Not reported
Waterway Involved: No
Waterway: Not reported
Spill Site: Road
Cleanup By: Reporting Party
Containment: Not reported
What Happened: Not reported

Map ID
 Direction
 Distance
 Elevation

MAP FINDINGS

Site

Database(s)

EDR ID Number
 EPA ID Number

(Continued)

S110423726

Type:	Not reported
Measure:	Gal(s)
Other:	Not reported
Date/Time:	0820
Year:	2008
Agency:	City of Needles
Incident Date:	1/12/2008
Admin Agency:	San Bernardino County Health Department
Amount:	Not reported
Contained:	Yes
Site Type:	Not reported
E Date:	Not reported
Substance:	Sewage
Quantity Released:	600
Unknown:	Not reported
Substance #2:	Not reported
Substance #3:	Not reported
Evacuations:	0
Number of Injuries:	0
Number of Fatalities:	0
#1 Pipeline:	Not reported
#2 Pipeline:	Not reported
#3 Pipeline:	Not reported
#1 Vessel >= 300 Tons:	Not reported
#2 Vessel >= 300 Tons:	Not reported
#3 Vessel >= 300 Tons:	Not reported
Evacs:	Not reported
Injuries:	Not reported
Fatals:	Not reported
Comments:	Not reported
Description:	Substance was released from the manhole due to blockage.

193 ANDERSON FLOYD PAUL
Target 700 BROADWAY
Property NEEDLES, CA 92363

EDR Hist Auto 1020651626
N/A

EDR Hist Auto

Actual:	Year:	Name:	Type:
489 ft.	1969	ANDERSON FLOYD PAUL	Gasoline Service Stations
Focus Map:	1970	ANDERSON FLOYD PAUL	Gasoline Service Stations
6			

Map ID
Direction
Distance
Elevation

MAP FINDINGS

Site

Database(s)

EDR ID Number
EPA ID Number

AB194 **NEEDLES MARINA RESORT**
Target **100 MARINA DR**
Property **NEEDLES, CA 92363**

Site 1 of 4 in cluster AB

Actual:
477 ft.

Focus Map:
7

UST:
Name: NEEDLES MARINA RESORT
Address: 100 MARINA DR
City,State,Zip: NEEDLES, CA 92363
Facility ID: FA0004957
Permitting Agency: San Bernardino County Fire Department
CERSID: 10042447
Latitude: 34.849377
Longitude: -114.607525

UST **U001575254**
HIST UST **N/A**
CERS TANKS
EMI
NPDES
San Bern. Co. Permit
CERS
HWTS

HIST UST:
Name: NEEDLES MARINA PARK
Address: 100 MARINA DR
City,State,Zip: NEEDLES, CA 92363
File Number: 0002A352
URL: <http://geotracker.waterboards.ca.gov/ustpdfs/pdf/0002A352.pdf>
Region: STATE
Facility ID: 00000001291
Facility Type: Other
Other Type: FUEL DOCK
Contact Name: Not reported
Telephone: 6193262197
Owner Name: NEEDLES MARINA PARK
Owner Address: 100 MARINA DR.
Owner City,St,Zip: NEEDLES, CA 92363
Total Tanks: 0003

Tank Num: 001
Container Num: 1
Year Installed: Not reported
Tank Capacity: 00005000
Tank Used for: PRODUCT
Type of Fuel: REGULAR
Container Construction Thickness: Not reported
Leak Detection: Visual

Tank Num: 002
Container Num: 2
Year Installed: Not reported
Tank Capacity: 00005000
Tank Used for: PRODUCT
Type of Fuel: PREMIUM
Container Construction Thickness: Not reported
Leak Detection: Visual

Tank Num: 003
Container Num: 3
Year Installed: Not reported
Tank Capacity: 00005000
Tank Used for: PRODUCT

Map ID
Direction
Distance
Elevation

MAP FINDINGS

Site

Database(s)

EDR ID Number
EPA ID Number

NEEDLES MARINA RESORT (Continued)

U001575254

Type of Fuel: PREMIUM
Container Construction Thickness: Not reported
Leak Detection: Visual

[Click here for Geo Tracker PDF:](#)

CERS TANKS:

Name: NEEDLES MARINA RESORT
Address: 100 MARINA DR
City,State,Zip: NEEDLES, CA 92363
Site ID: 51417
CERS ID: 10042447
CERS Description: Underground Storage Tank

EMI:

Name: NEEDLES MARINA PARK - BOAT DOCK
Address: 100 MARINA DRIVE
City,State,Zip: NEEDLES, CA 92363
Year: 2014
County Code: 36
Air Basin: MD
Facility ID: 36301028
Air District Name: MOJ
SIC Code: 5541
Air District Name: MOJAVE DESERT AQMD
Community Health Air Pollution Info System: Not reported
Consolidated Emission Reporting Rule: Not reported
Total Organic Hydrocarbon Gases Tons/Yr: 0.002991508
Reactive Organic Gases Tons/Yr: 0.002991508
Carbon Monoxide Emissions Tons/Yr: 0
NOX - Oxides of Nitrogen Tons/Yr: 0
SOX - Oxides of Sulphur Tons/Yr: 0
Particulate Matter Tons/Yr: 0
Part. Matter 10 Micrometers and Smlr Tons/Yr:0

Name: NEEDLES MARINA PARK - BOAT DOCK
Address: 100 MARINA DRIVE
City,State,Zip: NEEDLES, CA 92363
Year: 2015
County Code: 36
Air Basin: MD
Facility ID: 36301028
Air District Name: MOJ
SIC Code: 5541
Air District Name: MOJAVE DESERT AQMD
Community Health Air Pollution Info System: Not reported
Consolidated Emission Reporting Rule: Not reported
Total Organic Hydrocarbon Gases Tons/Yr: 0.002827332
Reactive Organic Gases Tons/Yr: 0.002827332
Carbon Monoxide Emissions Tons/Yr: 0
NOX - Oxides of Nitrogen Tons/Yr: 0
SOX - Oxides of Sulphur Tons/Yr: 0
Particulate Matter Tons/Yr: 0
Part. Matter 10 Micrometers and Smlr Tons/Yr:0

Name: NEEDLES MARINA PARK - BOAT DOCK

Map ID
Direction
Distance
Elevation

MAP FINDINGS

Site

Database(s)

EDR ID Number
EPA ID Number

NEEDLES MARINA RESORT (Continued)

U001575254

Address: 100 MARINA DRIVE
City,State,Zip: NEEDLES, CA 92363
Year: 2016
County Code: 36
Air Basin: MD
Facility ID: 36301028
Air District Name: MOJ
SIC Code: 5541
Air District Name: MOJAVE DESERT AQMD
Community Health Air Pollution Info System: Not reported
Consolidated Emission Reporting Rule: Not reported
Total Organic Hydrocarbon Gases Tons/Yr: 0.002827332
Reactive Organic Gases Tons/Yr: 0.002827332
Carbon Monoxide Emissions Tons/Yr: Not reported
NOX - Oxides of Nitrogen Tons/Yr: Not reported
SOX - Oxides of Sulphur Tons/Yr: Not reported
Particulate Matter Tons/Yr: Not reported
Part. Matter 10 Micrometers and Smllr Tons/Yr:Not reported

Name: NEEDLES MARINA PARK - BOAT DOCK
Address: 100 MARINA DRIVE
City,State,Zip: NEEDLES, CA 92363
Year: 2018
County Code: 36
Air Basin: MD
Facility ID: 1028
Air District Name: MOJ
SIC Code: 5541
Air District Name: MOJAVE DESERT AQMD
Community Health Air Pollution Info System: Not reported
Consolidated Emission Reporting Rule: Not reported
Total Organic Hydrocarbon Gases Tons/Yr: 0.003
Reactive Organic Gases Tons/Yr: 0.003
Carbon Monoxide Emissions Tons/Yr: Not reported
NOX - Oxides of Nitrogen Tons/Yr: Not reported
SOX - Oxides of Sulphur Tons/Yr: Not reported
Particulate Matter Tons/Yr: Not reported
Part. Matter 10 Micrometers and Smllr Tons/Yr:Not reported

Name: NEEDLES MARINA PARK - BOAT DOCK
Address: 100 MARINA DRIVE
City,State,Zip: NEEDLES, CA 92363
Year: 2019
County Code: 36
Air Basin: MD
Facility ID: 1028
Air District Name: MOJ
SIC Code: 5541
Air District Name: MOJAVE DESERT AQMD
Community Health Air Pollution Info System: Not reported
Consolidated Emission Reporting Rule: Not reported
Total Organic Hydrocarbon Gases Tons/Yr: 0.003
Reactive Organic Gases Tons/Yr: 0.003
Carbon Monoxide Emissions Tons/Yr: Not reported
NOX - Oxides of Nitrogen Tons/Yr: Not reported
SOX - Oxides of Sulphur Tons/Yr: Not reported
Particulate Matter Tons/Yr: Not reported

Map ID
Direction
Distance
Elevation

MAP FINDINGS

Site

Database(s)

EDR ID Number
EPA ID Number

NEEDLES MARINA RESORT (Continued)

U001575254

Part. Matter 10 Micrometers and Smlr Tons/Yr:Not reported

NPDES:

Name: NEEDLES MATRINA PARK
Address: 100 MARINA DRIVE
City,State,Zip: NEEDLES, CA 92363
Facility Status: Not reported
NPDES Number: Not reported
Region: Not reported
Agency Number: Not reported
Regulatory Measure ID: Not reported
Place ID: Not reported
Order Number: Not reported
WDID: 7 36W003980
Regulatory Measure Type: Construction
Program Type: Not reported
Adoption Date Of Regulatory Measure: Not reported
Effective Date Of Regulatory Measure: Not reported
Termination Date Of Regulatory Measure: Not reported
Expiration Date Of Regulatory Measure: Not reported
Discharge Address: Not reported
Discharge Name: Not reported
Discharge City: Not reported
Discharge State: Not reported
Discharge Zip: Not reported
Status: Expired
Status Date: 06/18/2019
Operator Name: Technology Construction Inc
Operator Address: 5430 Side Road
Operator City: Prescott
Operator State: Arizona
Operator Zip: 86301

San Bern. Co. Permit:

Name: NEEDLES MARINA RESORT
Address: 100 MARINA DR
City,State,Zip: NEEDLES, CA 92363
Region: SAN BERNARDINO
Facility ID: FA0004957
Owner: NEEDLES MARINA RESORT
Permit Number: PT0002535
Permit Category: HAZMAT HANDLER, UST ONLY - PER YEAR
Facility Status: ACTIVE
Expiration Date: 05/31/2022

Name: NEEDLES MARINA RESORT
Address: 100 MARINA DR
City,State,Zip: NEEDLES, CA 92363
Region: SAN BERNARDINO
Facility ID: FA0004957
Owner: NEEDLES MARINA RESORT
Permit Number: PT0039877
Permit Category: WASTE INCIDENTAL UST OPERATION ONLY -PER YEAR
Facility Status: ACTIVE
Expiration Date: 05/31/2022

Map ID
Direction
Distance
Elevation

MAP FINDINGS

Site

Database(s)

EDR ID Number
EPA ID Number

NEEDLES MARINA RESORT (Continued)

U001575254

Name: NEEDLES MARINA RESORT
Address: 100 MARINA DR
City,State,Zip: NEEDLES, CA 92363
Region: SAN BERNARDINO
Facility ID: FA0004957
Owner: NEEDLES MARINA RESORT
Permit Number: PT0011765
Permit Category: REGULAR UST ANNUAL INSPECTION (PER TANK)
Facility Status: ACTIVE
Expiration Date: 05/31/2022

CERS:

Name: NEEDLES MARINA RESORT
Address: 100 MARINA DR
City,State,Zip: NEEDLES, CA 92363
Site ID: 51417
CERS ID: 10042447
CERS Description: Chemical Storage Facilities

Violations:

Site ID: 51417
Site Name: NEEDLES MARINA RESORT
Violation Date: 11-18-2016
Citation: 23 CCR 6.7 25284, 25286 - California Code of Regulations, Title 23, Chapter 6.7, Section(s) 25284, 25286
Violation Description: Failure to submit a complete and accurate application for a permit to operate a UST, or for renewal of the permit.
Violation Notes: Returned to compliance on 11/22/2016. OBSERVATIONS: TANK CONTENTS ARE LISTED AS PREMIUM, WHEN THEY ARE REGULAR. COMPLIANCE REQUIREMENT: UPDATE THE TANK CONTENTS ON THE UST TANK INFORMATION PAGE IN CERS. ENSURE ITEMS ARE ACCURATE PRIOR TO SUBMITTING.
Violation Division: San Bernardino County Fire Department
Violation Program: UST
Violation Source: CERS,

Site ID: 51417
Site Name: NEEDLES MARINA RESORT
Violation Date: 11-17-2017
Citation: 23 CCR 16 2712 - California Code of Regulations, Title 23, Chapter 16, Section(s) 2712
Violation Description: Failure to comply with any of the applicable requirements of the permit issued for the operation of the UST system.
Violation Notes: Returned to compliance on 12/20/2017. OBSERVATION: FAILSAFE WAS NOT TESTED. PER TECHNICIAN, KV-BOX / RELAY WOULD HAVE TO BE INSTALLED IN ORDER FOR FAILSAFE TO BE TESTED. COMPLIANCE REQUIREMENT: MAKE THE NECESSARY REPAIR / INSTALLATION IN ORDER FOR FAILSAFE TO BE TESTED.
Violation Division: San Bernardino County Fire Department
Violation Program: UST
Violation Source: CERS,

Site ID: 51417
Site Name: NEEDLES MARINA RESORT
Violation Date: 11-17-2017
Citation: HSC 6.7 25284, 25286 - California Health and Safety Code, Chapter 6.7, Section(s) 25284, 25286
Violation Description: Failure to submit a complete and accurate application for a permit to operate a UST, or for renewal of the permit.

Map ID
Direction
Distance
Elevation

MAP FINDINGS

Site

Database(s)

EDR ID Number
EPA ID Number

NEEDLES MARINA RESORT (Continued)

U001575254

Violation Notes: Returned to compliance on 12/20/2017. OBSERVATION: SUBMITTED UNDERGROUND STORAGE TANK INFORMATION IN CALIFORNIA ENVIRONMENTAL REPORTING SYSTEM WAS NOT ACCURATE, COMPLETE, OR CURRENT. CORRECT THE FOLLOWING: 1) UPDATE SUMPS SENSOR INFORMATION TO INCON ULS INSTEAD OF THE REPORTED LS3 SENSORS. 2) INDICATE TYPE OF VAPOR RECOVERY PRIMARY PIPING PROVIDED. COMPLIANCE REQUIREMENT: RESUBMIT UPDATED UST INFORMATION IN CERS.

Violation Division: San Bernardino County Fire Department
Violation Program: UST
Violation Source: CERS,

Site ID: 51417
Site Name: NEEDLES MARINA RESORT
Violation Date: 11-18-2019
Citation: 23 CCR 16 2712(b)(1)(G) - California Code of Regulations, Title 23, Chapter 16, Section(s) 2712(b)(1)(G)

Violation Description: Failure to comply with one or more of the following overfill prevention equipment requirements: Alert the transfer operator when the tank is 90 percent full by restricting the flow into the tank or triggering an audible and visual alarm; or Restrict delivery of flow to the tank at least 30 minutes before the tank overfills, provided the restriction occurs when the tank is filled to no more than 95 percent of capacity; and activate an audible alarm at least five minutes before the tank overfills; or Provide positive shut-off of flow to the tank when the tank is filled to no more than 95 percent of capacity; or Provide positive shut-off of flow to the tank so that none of the fittings located on the top of the tank are exposed to product due to overfilling. Install/retrofit overfill prevention equipment that does not use flow restrictors on vent piping to meet overfill prevention equipment requirements when the overfill prevention equipment is installed, repaired, or replaced on and after October 1, 2018. For USTs installed before October 1, 2018, perform an inspection by October 13, 2018 and every 36 months thereafter. For USTs installed on and after October 1, 2018, perform an inspection at installation and every 36 months thereafter. Inspected within 30 days after a repair to the overfill prevention equipment. Inspected using an applicable manufacturer guidelines, industry codes, engineering standards, or a method approved by a professional engineer. Inspected by a certified UST service technician. Maintain records of overfill prevention equipment inspection for 36 months.

Violation Notes: Returned to compliance on 11/18/2019. OBSERVATION: The mechanical overfill prevention drop tube was set above 95 percent. CORRECTIVE ACTION: The drop tube was replaced while on-site to be set at or below 95 percent "as-built" plans are to be submitted to this agency along with passing results within 30 days.

Violation Division: San Bernardino County Fire Department
Violation Program: UST
Violation Source: CERS,

Site ID: 51417
Site Name: NEEDLES MARINA RESORT
Violation Date: 11-18-2019
Citation: HSC 6.75 25299.30-25299.34 - California Health and Safety Code, Chapter 6.75, Section(s) 25299.30-25299.34

Violation Description: Failure to submit and maintain complete and current Certification of Financial Responsibility or other mechanism of financial assurance.

Violation Notes: Returned to compliance on 10/06/2020. OBSERVATION: The Certificate of

Map ID
Direction
Distance
Elevation

MAP FINDINGS

Site

Database(s)

EDR ID Number
EPA ID Number

NEEDLES MARINA RESORT (Continued)

U001575254

Financial Responsibility (CFR) submitted via CERS has expired.
CORRECTIVE ACTION: Update all financial documentation via CERS and re-submit all UST documents within 30 days.

Violation Division: San Bernardino County Fire Department
Violation Program: UST
Violation Source: CERS,

Site ID: 51417
Site Name: NEEDLES MARINA RESORT
Violation Date: 11-17-2017
Citation: HSC 6.7 Multiple - California Health and Safety Code, Chapter 6.7, Section(s) Multiple
Violation Description: UST Program -General - Must include violation description, proper statute and regulation citation in the "comment" section.
Violation Notes: Returned to compliance on 12/20/2017. Failure to submit a signed Designated UST Operator Statement (23 CCR 2715(a)) OBSERVATION: SUBMITTED DESIGNATED UST OPERATOR STATEMENT IN CERS IS NO LONGER CURRENT. COMPLIANCE REQUIREMENT: SUBMIT A CURRENT, SIGNED DESIGNATED UST OPERATOR STATEMENT.

Violation Division: San Bernardino County Fire Department
Violation Program: UST
Violation Source: CERS,

Site ID: 51417
Site Name: NEEDLES MARINA RESORT
Violation Date: 11-18-2016
Citation: HSC 6.75 25299.30-25299.34 - California Health and Safety Code, Chapter 6.75, Section(s) 25299.30-25299.34
Violation Description: Failure to submit and maintain complete and current Certification of Financial Responsibility or other mechanism of financial assurance.
Violation Notes: Returned to compliance on 11/22/2016. OBSERVATIONS: THERE IS NOT CURRENT CERTIFICATE OF FINANCIAL RESPONSIBILITY (CFR) UPLOADED IN CERS. THERE IS A CHIEF FINANCIAL OFFICER LETTER THAT HAS BEEN UPLOADED UNDER THIS SECTION. ALSO, THERE IS NO CURRENT CHIEF FINANCIAL OFFICER LETTER AVAILABLE FOR REVIEW. COMPLIANCE REQUIREMENT: COMPLETE A CFR AND CHIEF FINANCIAL OFFICER LETTER. UPLOAD FORMS INTO CORRECT DESIGNATED SECTIONS IN CERS. ENSURE DOCUMENTS ARE SUBMITTED.

Violation Division: San Bernardino County Fire Department
Violation Program: UST
Violation Source: CERS,

Site ID: 51417
Site Name: NEEDLES MARINA RESORT
Violation Date: 11-18-2016
Citation: HSC 6.7 Multiple - California Health and Safety Code, Chapter 6.7, Section(s) Multiple
Violation Description: UST Program - Administration/Documentation - General - Must include violation description, proper statute and regulation citation in the "comment" section.
Violation Notes: Returned to compliance on 11/22/2016. Failure to have a written monitoring program with monitoring procedures and response plan (CHSC 25286(a)) OBSERVATIONS: THE INCORRECT SENSORS ARE LISTED UNDER THE UST TANK MONITORING PLAN. THE MECHANICAL LINE LEAK DETECTOR MODEL INFORMATION IS MISSING. THE UDC SENSOR LISTED IS INCORRECT. THE UDC IS MARKED AS CAUSING AUDIBLE/VISUAL ALARMS WHEN IT DOESN'T. THE WRITTEN AGREEMENT SECTION IS NOT INCLUDED UNDER THE UST ELEMENT. COMPLIANCE REQUIREMENT: THE TANK TOP SUMPS (FILL AND STP) ARE BEING MONITORED BY

Map ID
Direction
Distance
Elevation

MAP FINDINGS

Site

Database(s)

EDR ID Number
EPA ID Number

NEEDLES MARINA RESORT (Continued)

U001575254

"LS3" SENSORS. THE ANNULAR SENSOR IS A "LS7". THE MONITORING PANEL IS A "RONAN X76". THE MECHANICAL LINE LEAK DETECTOR MODEL IS "FXIV". MARK NO FOR THE UNDER DISPENSER CONTAINMENT SENSOR CAUSING AN AUDIBLE/VISUAL ALARM. THE SENSOR IN THE UDC IS A BEADREAU 406, WHICH IS A STANDALONE SENSOR. FOR THE OWNER OPERATOR WRITTEN AGREEMENT, CHOOSE THE "EXEMPT" OPTION AND NOTE THAT THE OWNER/OPERATOR ARE THE SAME.

Violation Division: San Bernardino County Fire Department
Violation Program: UST
Violation Source: CERS,

Site ID: 51417
Site Name: NEEDLES MARINA RESORT
Violation Date: 11-17-2017
Citation: 23 CCR 16 2712(i), 2632(d)(2), 2634(e), 2641(h) - California Code of Regulations, Title 23, Chapter 16, Section(s) 2712(i), 2632(d)(2), 2634(e), 2641(h)

Violation Description: Failure to submit a current UST Response Plan available on site.
Violation Notes: Returned to compliance on 12/20/2017. OBSERVATION: SUBMITTED MONITORING SITE PLAN IN CERS WAS NOT ACCURATE, COMPLETE, OR CURRENT. THE FOLLOWING MUST BE INCLUDED: 1) GENERAL LAYOUT OF PIPING 2) SENSORS USED AND LOCATION 3) LINE LEAK DETECTOR USED AND LOCATION 4) EMERGENCY SHUTOFF SWITCH AND LOCATION 5) SPILL BUCKETS 6) ANNULARS AND SENSORS USED 7) SUMPS AND SENSORS USED 8) MONITORING PANEL COMPLIANCE REQUIREMENT: RESUBMIT UPDATED MONITORING SITE PLAN IN CERS.

Violation Division: San Bernardino County Fire Department
Violation Program: UST
Violation Source: CERS,

Evaluation:
Eval General Type: Compliance Evaluation Inspection
Eval Date: 11-15-2018
Violations Found: No
Eval Type: Routine done by local agency
Eval Notes: NEEDLES MARINA- UST MONITORING CERTIFICATION
Eval Division: San Bernardino County Fire Department
Eval Program: UST
Eval Source: CERS,

Eval General Type: Other/Unknown
Eval Date: 11-15-2018
Violations Found: No
Eval Type: Other, not routine, done by local agency
Eval Notes: NEEDLES MARINA- SB989 CERTIFICATION INSPECTION
Eval Division: San Bernardino County Fire Department
Eval Program: UST
Eval Source: CERS,

Eval General Type: Compliance Evaluation Inspection
Eval Date: 11-19-2015
Violations Found: No
Eval Type: Routine done by local agency
Eval Notes: NEEDLES MARINA(NEEDLES)- UST INSPECTION
Eval Division: San Bernardino County Fire Department
Eval Program: HMRRP
Eval Source: CERS,

Map ID
Direction
Distance
Elevation

MAP FINDINGS

Site

Database(s)

EDR ID Number
EPA ID Number

NEEDLES MARINA RESORT (Continued)

U001575254

Eval General Type:	Compliance Evaluation Inspection
Eval Date:	11-02-2021
Violations Found:	No
Eval Type:	Routine done by local agency
Eval Notes:	Not reported
Eval Division:	San Bernardino County Fire Department
Eval Program:	UST
Eval Source:	CERS,
Eval General Type:	Other/Unknown
Eval Date:	11-15-2018
Violations Found:	No
Eval Type:	Other, not routine, done by local agency
Eval Notes:	NEEDLES MARINA- OVERFILL CERTIFICATION INSPECTION
Eval Division:	San Bernardino County Fire Department
Eval Program:	UST
Eval Source:	CERS,
Eval General Type:	Compliance Evaluation Inspection
Eval Date:	11-17-2020
Violations Found:	No
Eval Type:	Routine done by local agency
Eval Notes:	HAZARDOUS MATERIALS HANDLER INSPECTION.
Eval Division:	San Bernardino County Fire Department
Eval Program:	HMRRP
Eval Source:	CERS,
Eval General Type:	Compliance Evaluation Inspection
Eval Date:	11-17-2020
Violations Found:	No
Eval Type:	Routine done by local agency
Eval Notes:	HAZARDOUS WASTE INSEPCTION.
Eval Division:	San Bernardino County Fire Department
Eval Program:	HW
Eval Source:	CERS,
Eval General Type:	Compliance Evaluation Inspection
Eval Date:	11-18-2019
Violations Found:	No
Eval Type:	Routine done by local agency
Eval Notes:	Not reported
Eval Division:	San Bernardino County Fire Department
Eval Program:	HW
Eval Source:	CERS,
Eval General Type:	Compliance Evaluation Inspection
Eval Date:	11-19-2015
Violations Found:	No
Eval Type:	Routine done by local agency
Eval Notes:	NEEDLES MARINA(NEEDLES)- UST MONITORING CERTIFICATION
Eval Division:	San Bernardino County Fire Department
Eval Program:	UST
Eval Source:	CERS,
Eval General Type:	Compliance Evaluation Inspection
Eval Date:	11-22-2013
Violations Found:	No

Map ID
Direction
Distance
Elevation

MAP FINDINGS

Site

Database(s)

EDR ID Number
EPA ID Number

NEEDLES MARINA RESORT (Continued)

U001575254

Eval Type:	Routine done by local agency
Eval Notes:	BP INSPECTION DURING MONT CERT
Eval Division:	San Bernardino County Fire Department
Eval Program:	HMRRP
Eval Source:	CERS,
Eval General Type:	Compliance Evaluation Inspection
Eval Date:	11-22-2013
Violations Found:	No
Eval Type:	Routine done by local agency
Eval Notes:	MONT CERT
Eval Division:	San Bernardino County Fire Department
Eval Program:	UST
Eval Source:	CERS,
Eval General Type:	Compliance Evaluation Inspection
Eval Date:	11-17-2017
Violations Found:	No
Eval Type:	Routine done by local agency
Eval Notes:	Not reported
Eval Division:	San Bernardino County Fire Department
Eval Program:	HMRRP
Eval Source:	CERS,
Eval General Type:	Compliance Evaluation Inspection
Eval Date:	11-17-2020
Violations Found:	No
Eval Type:	Routine done by local agency
Eval Notes:	ANNUAL UST INSPECTION WITH MONITORING SYSTEM CERTIFICATION.
Eval Division:	San Bernardino County Fire Department
Eval Program:	UST
Eval Source:	CERS,
Eval General Type:	Compliance Evaluation Inspection
Eval Date:	11-18-2014
Violations Found:	No
Eval Type:	Routine done by local agency
Eval Notes:	NEEDLES MARINA PARK- UST MONITORING CERTIFICATION
Eval Division:	San Bernardino County Fire Department
Eval Program:	UST
Eval Source:	CERS,
Eval General Type:	Compliance Evaluation Inspection
Eval Date:	11-18-2016
Violations Found:	No
Eval Type:	Routine done by local agency
Eval Notes:	Not reported
Eval Division:	San Bernardino County Fire Department
Eval Program:	HMRRP
Eval Source:	CERS,
Eval General Type:	Compliance Evaluation Inspection
Eval Date:	11-18-2019
Violations Found:	No
Eval Type:	Routine done by local agency
Eval Notes:	Not reported
Eval Division:	San Bernardino County Fire Department

Map ID
Direction
Distance
Elevation

MAP FINDINGS

Site

Database(s)

EDR ID Number
EPA ID Number

NEEDLES MARINA RESORT (Continued)

U001575254

Eval Program: HMRRP
Eval Source: CERS,

Eval General Type: Compliance Evaluation Inspection
Eval Date: 11-15-2018
Violations Found: No
Eval Type: Routine done by local agency
Eval Notes: NEEDLES MARINA- UST INSPECTION
Eval Division: San Bernardino County Fire Department
Eval Program: HMRRP
Eval Source: CERS,

Eval General Type: Compliance Evaluation Inspection
Eval Date: 11-17-2017
Violations Found: Yes
Eval Type: Routine done by local agency
Eval Notes: ANNUAL UST INSPECTION WITH MONITORING CERTIFICATION
Eval Division: San Bernardino County Fire Department
Eval Program: UST
Eval Source: CERS,

Eval General Type: Compliance Evaluation Inspection
Eval Date: 11-18-2014
Violations Found: No
Eval Type: Routine done by local agency
Eval Notes: NEEDLES MARINA-UST MONITORING CERTIFICATION
Eval Division: San Bernardino County Fire Department
Eval Program: HMRRP
Eval Source: CERS,

Eval General Type: Compliance Evaluation Inspection
Eval Date: 11-18-2016
Violations Found: Yes
Eval Type: Routine done by local agency
Eval Notes: Not reported
Eval Division: San Bernardino County Fire Department
Eval Program: UST
Eval Source: CERS,

Eval General Type: Compliance Evaluation Inspection
Eval Date: 11-18-2019
Violations Found: Yes
Eval Type: Routine done by local agency
Eval Notes: Not reported
Eval Division: San Bernardino County Fire Department
Eval Program: UST
Eval Source: CERS,

Enforcement Action:
Site ID: 51417
Site Name: NEEDLES MARINA RESORT
Site Address: 100 MARINA DR
Site City: NEEDLES
Site Zip: 92363
Enf Action Date: 11-18-2016
Enf Action Type: Notice of Violation (Unified Program)
Enf Action Description: Notice of Violation Issued by the Inspector at the Time of Inspection

Map ID
Direction
Distance
Elevation

MAP FINDINGS

Site

Database(s)

EDR ID Number
EPA ID Number

NEEDLES MARINA RESORT (Continued)

U001575254

Enf Action Notes: Not reported
Enf Action Division: San Bernardino County Fire Department
Enf Action Program: UST
Enf Action Source: CERS,

Coordinates:

Site ID: 51417
Facility Name: NEEDLES MARINA RESORT
Env Int Type Code: HMBP
Program ID: 10042447
Coord Name: Not reported
Ref Point Type Desc: Unknown,
Latitude: 34.849270
Longitude: -114.607540

Affiliation:

Affiliation Type Desc: Facility Mailing Address
Entity Name: Mailing Address
Entity Title: Not reported
Affiliation Address: 100 MARINA DR
Affiliation City: NEEDLES
Affiliation State: CA
Affiliation Country: Not reported
Affiliation Zip: 92363
Affiliation Phone: ,

Affiliation Type Desc: Parent Corporation
Entity Name: NEEDLES MARINA PARK
Entity Title: Not reported
Affiliation Address: Not reported
Affiliation City: Not reported
Affiliation State: Not reported
Affiliation Country: Not reported
Affiliation Zip: Not reported
Affiliation Phone: ,

Affiliation Type Desc: Property Owner
Entity Name: Eric Bryant
Entity Title: Not reported
Affiliation Address: 100 MARINA DR
Affiliation City: NEEDLES
Affiliation State: CA
Affiliation Country: United States
Affiliation Zip: 92363
Affiliation Phone: (760) 326-2197,

Affiliation Type Desc: UST Property Owner Name
Entity Name: Eric Bryant
Entity Title: Not reported
Affiliation Address: 100 marina dr
Affiliation City: Needles
Affiliation State: CA
Affiliation Country: United States
Affiliation Zip: 92363
Affiliation Phone: (928) 542-0421,

Map ID
Direction
Distance
Elevation

MAP FINDINGS

Site

Database(s)

EDR ID Number
EPA ID Number

NEEDLES MARINA RESORT (Continued)

U001575254

Affiliation Type Desc: UST Tank Operator
Entity Name: Eric Bryant
Entity Title: Not reported
Affiliation Address: 100 marina dr
Affiliation City: Needles
Affiliation State: CA
Affiliation Country: United States
Affiliation Zip: 92363
Affiliation Phone: (805) 297-9548,

Affiliation Type Desc: CUPA District
Entity Name: San Bernardino County Fire
Entity Title: Not reported
Affiliation Address: 620 South E Street
Affiliation City: San Bernardino
Affiliation State: CA
Affiliation Country: Not reported
Affiliation Zip: 92415-0153
Affiliation Phone: (909) 386-8401,

Affiliation Type Desc: Environmental Contact
Entity Name: Eric Bryant
Entity Title: Not reported
Affiliation Address: 100 MARINA DR
Affiliation City: NEEDLES
Affiliation State: CA
Affiliation Country: Not reported
Affiliation Zip: 92363
Affiliation Phone: ,

Affiliation Type Desc: Legal Owner
Entity Name: NEEDLES MARINA RESORT
Entity Title: Not reported
Affiliation Address: 100 MARINA DR.
Affiliation City: NEEDLES
Affiliation State: CA
Affiliation Country: United States
Affiliation Zip: 92363-9236
Affiliation Phone: (760) 326-2197,

Affiliation Type Desc: Operator
Entity Name: Eric Bryant
Entity Title: Not reported
Affiliation Address: Not reported
Affiliation City: Not reported
Affiliation State: Not reported
Affiliation Country: Not reported
Affiliation Zip: Not reported
Affiliation Phone: (760) 326-2197,

Affiliation Type Desc: UST Tank Owner
Entity Name: Eric Bryant
Entity Title: Not reported
Affiliation Address: 100 marina dr
Affiliation City: Needles
Affiliation State: CA
Affiliation Country: United States

Map ID
Direction
Distance
Elevation

MAP FINDINGS

Site

Database(s)

EDR ID Number
EPA ID Number

NEEDLES MARINA RESORT (Continued)

U001575254

Affiliation Zip: 92363
Affiliation Phone: (805) 297-9548,

Affiliation Type Desc: Document Preparer
Entity Name: EDWARD JUSTICE
Entity Title: Not reported
Affiliation Address: Not reported
Affiliation City: Not reported
Affiliation State: Not reported
Affiliation Country: Not reported
Affiliation Zip: Not reported
Affiliation Phone: ,

Affiliation Type Desc: Identification Signer
Entity Name: ERIC BRYANT
Entity Title: OWNER
Affiliation Address: Not reported
Affiliation City: Not reported
Affiliation State: Not reported
Affiliation Country: Not reported
Affiliation Zip: Not reported
Affiliation Phone: ,

HWTS:

Name: NEEDLES MARINA PARK
Address: 100 MARINA DR
Address 2: Not reported
City,State,Zip: NEEDLES, CA 92363
EPA ID: CAL000006211
Inactive Date: 06/30/1996
Create Date: 11/14/1989
Last Act Date: Not reported
Mailing Name: Not reported
Mailing Address: 100 MARINA DRIVE
Mailing Address 2: Not reported
Mailing City,State,Zip: NEEDLES, CA 923630000
Owner Name: DIRK RICHARD E
Owner Address: Not reported
Owner Address 2: Not reported
Owner City,State,Zip: Not reported
Contact Name: INACT PER 96 VQ AD
Contact Address: Not reported
Contact Address 2: Not reported
City,State,Zip: Not reported
Facility Status: Inactive
Facility Type: PERMANENT
Category: STATE
Latitude: 34.846209
Longitude: -114.606334

MAP FINDINGS

Map ID
Direction
Distance
Elevation

Site

Database(s)

EDR ID Number
EPA ID Number

AB195 **NEEDLES MARINA PARK**
Target **100 MARINA DR**
Property **NEEDLES, CA 92363**

FINDS **1023228934**
 N/A

Site 2 of 4 in cluster AB

Actual: **FINDS:**
477 ft. Registry ID: 110065158858

Focus Map: Click Here for FRS Facility Detail Report:
7

Environmental Interest/Information System:
STATE MASTER

Click this hyperlink while viewing on your computer to access
additional FINDS: detail in the EDR Site Report.

AB196 **NEEDLES MARINA PARK**
Target **100 MARINA PARK**
Property **NEEDLES, CA 92363**

SWEEPS UST **S106929835**
 N/A

Site 3 of 4 in cluster AB

Actual: **SWEEPS UST:**
477 ft. Name: NEEDLES MARINA PARK
Focus Map: Address: 100 MARINA PARK
7 City: NEEDLES
 Status: Active
 Comp Number: 1291
 Number: 9
 Board Of Equalization: 44-019798
 Referral Date: 03-23-92
 Action Date: 03-23-92
 Created Date: 02-29-88
 Owner Tank Id: 1
 SWRCB Tank Id: 36-000-001291-000001
 Tank Status: A
 Capacity: 6000
 Active Date: 08-25-88
 Tank Use: M.V. FUEL
 STG: P
 Content: REG UNLEADED
 Number Of Tanks: 1

AB197 **NEEDLES MARINA PARK - BOAT DOCK**
Target **100 MARINA DRIVE**
Property **NEEDLES, CA 92363**

FINDS **1023650868**
 N/A

Site 4 of 4 in cluster AB

Actual: **FINDS:**
477 ft. Registry ID: 110070061382

Focus Map: Click Here for FRS Facility Detail Report:
7

Environmental Interest/Information System:
AIR EMISSIONS CLASSIFICATION UNKNOWN

Click this hyperlink while viewing on your computer to access
additional FINDS: detail in the EDR Site Report.

Map ID
Direction
Distance
Elevation

MAP FINDINGS

Site

Database(s)

EDR ID Number
EPA ID Number

AA198 **MOHAN DORAISWAMY**
Target **2306 W. BROADWAY ST.**
Property **NEEDLES, CA 92363**

HAZNET **S118916449**
HWTS **N/A**

Site 2 of 2 in cluster AA

Actual:
514 ft.

Focus Map:
6

HAZNET:
Name: MOHAN DORAISWAMY
Address: 2306 W. BROADWAY ST.
Address 2: Not reported
City,State,Zip: NEEDLES, CA 92363
Contact: MOHAN DORAISWAMY
Telephone: 5625999511
Mailing Name: Not reported
Mailing Address: 12924 CHARLWOOD ST

Year: 2015
Gepaid: CAC002811215
TSD EPA ID: AZC950823111
CA Waste Code: 151 - Asbestos containing waste
Disposal Method: H132 - Landfill Or Surface Impoundment That Will Be Closed As Landfill(To Include On-Site Treatment And/Or Stabilization)

Tons: 14.49

Additional Info:

Year: 2015
Gen EPA ID: CAC002811215

Shipment Date: 20150515
Creation Date: 11/3/2015 22:15:10
Receipt Date: 20150515
Manifest ID: 013888107JJK
Trans EPA ID: CAR000049064
Trans Name: ECTI
Trans 2 EPA ID: Not reported
Trans 2 Name: Not reported
TSD EPA ID: AZC950823111
Trans Name: LA PAZ COUNTY LANDFILL
TSD EPA ID: Not reported
TSD EPA Name: Not reported
Waste Code Description: 151 - Asbestos-containing waste
RCRA Code: Not reported
Meth Code: H132 - Landfill Or Surface Impoundment That Will Be Closed As Landfill(To Include On-Site Treatment And/Or Stabilization)

Quantity Tons: 9.2
Waste Quantity: 40
Quantity Unit: Y
Additional Code 1: Not reported
Additional Code 2: Not reported
Additional Code 3: Not reported
Additional Code 4: Not reported
Additional Code 5: Not reported

Shipment Date: 20150514
Creation Date: 11/5/2015 22:15:08
Receipt Date: 20150526
Manifest ID: 013888106JJK
Trans EPA ID: CAR000053173

Map ID
Direction
Distance
Elevation

MAP FINDINGS

Site

Database(s)

EDR ID Number
EPA ID Number

MOHAN DORAISWAMY (Continued)

S118916449

Trans Name: BRICKLEY ENV
Trans 2 EPA ID: CAR000049064
Trans 2 Name: ECTI
TSDf EPA ID: AZC950823111
Trans Name: LA PAZ COUNTY LANDFILL
TSDf Alt EPA ID: Not reported
TSDf Alt Name: Not reported
Waste Code Description: 151 - Asbestos-containing waste
RCRA Code: Not reported
Meth Code: H132 - Landfill Or Surface Impoundment That Will Be Closed As Landfill(To Include On-Site Treatment And/Or Stabilization)

Quantity Tons: 5.29
Waste Quantity: 23
Quantity Unit: Y
Additional Code 1: Not reported
Additional Code 2: Not reported
Additional Code 3: Not reported
Additional Code 4: Not reported
Additional Code 5: Not reported

HWTS:

Name: MOHAN DORAISWAMY
Address: 2306 W. BROADWAY ST.
Address 2: Not reported
City,State,Zip: NEEDLES, CA 92363
EPA ID: CAC002811215
Inactive Date: 07/17/2015
Create Date: 04/17/2015
Last Act Date: Not reported
Mailing Name: Not reported
Mailing Address: 12924 CHARLWOOD ST
Mailing Address 2: Not reported
Mailing City,State,Zip: CERRITOS, CA 907036088
Owner Name: MOHAN DORAISWAMY
Owner Address: 12924 CHARLWOOD ST
Owner Address 2: Not reported
Owner City,State,Zip: CERRITOS, CA 907036088
Contact Name: MOHAN DORAISWAMY
Contact Address: 12924 CHARLWOOD ST
Contact Address 2: Not reported
City,State,Zip: CERRITOS, CA 907036088
Facility Status: Inactive
Facility Type: TEMPORARY
Category: STATE
Latitude: 34.848574
Longitude: -114.620504

**AC199 WESTSIDE CIRCLE K
Target 2321 NEEDLES HWY
Property NEEDLES, CA 92363**

**UST U004317305
N/A**

Site 1 of 18 in cluster AC

Actual: 521 ft. UST:
Focus Map: 6 Name: WESTSIDE CIRCLE K
Address: 2321 NEEDLES HWY
City,State,Zip: NEEDLES, CA 92363

Map ID
 Direction
 Distance
 Elevation

MAP FINDINGS

Site

Database(s)

EDR ID Number
 EPA ID Number

WESTSIDE CIRCLE K (Continued)

U004317305

Facility ID: FA0003378
 Permitting Agency: San Bernardino County Fire Department
 CERSID: 10039561
 Latitude: 34.84858
 Longitude: -114.622016

**AC200
 Target
 Property**

**OASIS PETROLEUMO
 2321 NEEDLES HWY
 NEEDLES, CA 92363**

RCRA NonGen / NLR

**1024772810
 CAC002992726**

Site 2 of 18 in cluster AC

**Actual:
 521 ft.**

RCRA NonGen / NLR:

**Focus Map:
 6**

Date Form Received by Agency:		20181212
Handler Name:	OASIS PETROLEUMO	
Handler Address:		2321 NEEDLES HWY
Handler City,State,Zip:		NEEDLES, CA 92363
EPA ID:		CAC002992726
Contact Name:		GEORGE HAMIL
Contact Address:		2321 NEEDLES HWY
Contact City,State,Zip:		NEEDLES, CA 92363
Contact Telephone:		714-808-2607
Contact Fax:		Not reported
Contact Email:		GEHAMILSR@YAHOO.COM
Contact Title:		Not reported
EPA Region:		09
Land Type:		Not reported
Federal Waste Generator Description:		Not a generator, verified
Non-Notifier:		Not reported
Biennial Report Cycle:		Not reported
Accessibility:		Not reported
Active Site Indicator:		Handler Activities
State District Owner:		Not reported
State District:		Not reported
Mailing Address:		2321 NEEDLES HWY
Mailing City,State,Zip:		NEEDLES, CA 92363
Owner Name:	MARTIN GOODMAN	
Owner Type:		Other
Operator Name:	GEORGE HAMIL	
Operator Type:		Other
Short-Term Generator Activity:		No
Importer Activity:		No
Mixed Waste Generator:		No
Transporter Activity:		No
Transfer Facility Activity:		No
Recycler Activity with Storage:		No
Small Quantity On-Site Burner Exemption:		No
Smelting Melting and Refining Furnace Exemption:		No
Underground Injection Control:		No
Off-Site Waste Receipt:		No
Universal Waste Indicator:		Yes
Universal Waste Destination Facility:		Yes
Federal Universal Waste:		No
Active Site Fed-Reg Treatment Storage and Disposal Facility:		Not reported
Active Site Converter Treatment storage and Disposal Facility:		Not reported
Active Site State-Reg Treatment Storage and Disposal Facility:		Not reported
Active Site State-Reg Handler:		---
Federal Facility Indicator:		Not reported

Map ID
 Direction
 Distance
 Elevation

MAP FINDINGS

Site

Database(s)

EDR ID Number
 EPA ID Number

OASIS PETROLEUMO (Continued)

1024772810

Hazardous Secondary Material Indicator:	N
Sub-Part K Indicator:	Not reported
Commercial TSD Indicator:	No
Treatment Storage and Disposal Type:	Not reported
2018 GPRA Permit Baseline:	Not on the Baseline
2018 GPRA Renewals Baseline:	Not on the Baseline
Permit Renewals Workload Universe:	Not reported
Permit Workload Universe:	Not reported
Permit Progress Universe:	Not reported
Post-Closure Workload Universe:	Not reported
Closure Workload Universe:	Not reported
202 GPRA Corrective Action Baseline:	No
Corrective Action Workload Universe:	No
Subject to Corrective Action Universe:	No
Non-TSDFs Where RCRA CA has Been Imposed Universe:	No
TSDFs Potentially Subject to CA Under 3004 (u)/(v) Universe:	No
TSDFs Only Subject to CA under Discretionary Auth Universe:	No
Corrective Action Priority Ranking:	No NCAPS ranking
Environmental Control Indicator:	No
Institutional Control Indicator:	No
Human Exposure Controls Indicator:	N/A
Groundwater Controls Indicator:	N/A
Operating TSDF Universe:	Not reported
Full Enforcement Universe:	Not reported
Significant Non-Complier Universe:	No
Unaddressed Significant Non-Complier Universe:	No
Addressed Significant Non-Complier Universe:	No
Significant Non-Complier With a Compliance Schedule Universe:	No
Financial Assurance Required:	Not reported
Handler Date of Last Change:	20181220
Recognized Trader-Importer:	No
Recognized Trader-Exporter:	No
Importer of Spent Lead Acid Batteries:	No
Exporter of Spent Lead Acid Batteries:	No
Recycler Activity Without Storage:	No
Manifest Broker:	No
Sub-Part P Indicator:	No

Handler - Owner Operator:

Owner/Operator Indicator:	Operator
Owner/Operator Name: GEORGE HAMIL	
Legal Status:	Other
Date Became Current:	Not reported
Date Ended Current:	Not reported
Owner/Operator Address:	2321 NEEDLES HWY
Owner/Operator City,State,Zip:	NEEDLES, CA 92363
Owner/Operator Telephone:	714-808-2607
Owner/Operator Telephone Ext:	Not reported
Owner/Operator Fax:	Not reported
Owner/Operator Email:	Not reported

Owner/Operator Indicator:	Owner
Owner/Operator Name: MARTIN GOODMAN	
Legal Status:	Other
Date Became Current:	Not reported
Date Ended Current:	Not reported

Map ID
Direction
Distance
Elevation

MAP FINDINGS

Site

Database(s)

EDR ID Number
EPA ID Number

OASIS PETROLEUMO (Continued)

1024772810

Owner/Operator Address: 2321 NEEDLES HWY
Owner/Operator City,State,Zip: NEEDLES, CA 92363
Owner/Operator Telephone: 714-808-2607
Owner/Operator Telephone Ext: Not reported
Owner/Operator Fax: Not reported
Owner/Operator Email: Not reported

Historic Generators:

Receive Date: 20181212
Handler Name: OASIS PETROLEUMO
Federal Waste Generator Description: Not a generator, verified
State District Owner: Not reported
Large Quantity Handler of Universal Waste: No
Recognized Trader Importer: No
Recognized Trader Exporter: No
Spent Lead Acid Battery Importer: No
Spent Lead Acid Battery Exporter: No
Current Record: Yes
Non Storage Recycler Activity: Not reported
Electronic Manifest Broker: Not reported

List of NAICS Codes and Descriptions:

NAICS Code: 447110
NAICS Description: GASOLINE STATIONS WITH CONVENIENCE STORES

Facility Has Received Notices of Violations:

Violations: No Violations Found

Evaluation Action Summary:

Evaluations: No Evaluations Found

AC201 WESTSIDE MART
Target 2321 NEEDLES HWY
Property NEEDLES, CA 92363

ECHO 1026014447
N/A

Site 3 of 18 in cluster AC

Actual: ECHO:
521 ft. Envid: 1026014447
Focus Map: Registry ID: 110064950575
6 DFR URL: <http://echo.epa.gov/detailed-facility-report?fid=110064950575>
Name: WESTSIDE MART
Address: 2321 NEEDLES HWY
City,State,Zip: NEEDLES, CA 92363

MAP FINDINGS

Map ID
Direction
Distance
Elevation

Site

Database(s)

EDR ID Number
EPA ID Number

AC202 **OASIS PETROLEUMO**
Target **2321 NEEDLES HWY**
Property **NEEDLES, CA 92363**

FINDS **1024724007**
ECHO **N/A**

Site 4 of 18 in cluster AC

Actual: FINDS:
521 ft. Registry ID: 110070512952

Focus Map:
6 [Click Here for FRS Facility Detail Report:](#)

Environmental Interest/Information System:

RCRAInfo is a national information system that supports the Resource Conservation and Recovery Act (RCRA) program through the tracking of events and activities related to facilities that generate, transport, and treat, store, or dispose of hazardous waste. RCRAInfo allows RCRA program staff to track the notification, permit, compliance, and corrective action activities required under RCRA.

[Click this hyperlink](#) while viewing on your computer to access additional FINDS: detail in the EDR Site Report.

ECHO:

Envid: 1024724007
Registry ID: 110070512952
DFR URL: <http://echo.epa.gov/detailed-facility-report?fid=110070512952>
Name: OASIS PETROLEUMO
Address: 2321 NEEDLES HWY
City,State,Zip: NEEDLES, CA 92363

AC203 **WESTSIDE MART**
Target **2321 NEEDLES HWY**
Property **NEEDLES, CA 92363**

CERS HAZ WASTE **S105048099**
CERS TANKS **N/A**
EMI
San Bern. Co. Permit
CERS
HWTS

Site 5 of 18 in cluster AC

Actual: CERS HAZ WASTE:
521 ft.
Focus Map: Name: WESTSIDE CIRCLE K
6 Address: 2321 NEEDLES HWY
 City,State,Zip: NEEDLES, CA 92363
 Site ID: 85730
 CERS ID: 10039561
 CERS Description: Hazardous Waste Generator

CERS TANKS:

Name: WESTSIDE CIRCLE K
Address: 2321 NEEDLES HWY
City,State,Zip: NEEDLES, CA 92363
Site ID: 85730
CERS ID: 10039561
CERS Description: Underground Storage Tank

EMI:

Name: WESTSIDE MART
Address: 2321 NEEDLES HWY
City,State,Zip: NEEDLES, CA 92363
Year: 2014
County Code: 36
Air Basin: MD

Map ID
Direction
Distance
Elevation

MAP FINDINGS

Site

Database(s)

EDR ID Number
EPA ID Number

WESTSIDE MART (Continued)

S105048099

Facility ID: 141602439
Air District Name: MOJ
SIC Code: 5541
Air District Name: MOJAVE DESERT AQMD
Community Health Air Pollution Info System: Not reported
Consolidated Emission Reporting Rule: Not reported
Total Organic Hydrocarbon Gases Tons/Yr: 0
Reactive Organic Gases Tons/Yr: 0
Carbon Monoxide Emissions Tons/Yr: 0
NOX - Oxides of Nitrogen Tons/Yr: 0
SOX - Oxides of Sulphur Tons/Yr: 0
Particulate Matter Tons/Yr: 0
Part. Matter 10 Micrometers and Smlr Tons/Yr:0

Name: WESTSIDE MART
Address: 2321 NEEDLES HWY
City,State,Zip: NEEDLES, CA 92363
Year: 2015
County Code: 36
Air Basin: MD
Facility ID: 141602439
Air District Name: MOJ
SIC Code: 5541
Air District Name: MOJAVE DESERT AQMD
Community Health Air Pollution Info System: Not reported
Consolidated Emission Reporting Rule: Not reported
Total Organic Hydrocarbon Gases Tons/Yr: 0
Reactive Organic Gases Tons/Yr: 0
Carbon Monoxide Emissions Tons/Yr: 0
NOX - Oxides of Nitrogen Tons/Yr: 0
SOX - Oxides of Sulphur Tons/Yr: 0
Particulate Matter Tons/Yr: 0
Part. Matter 10 Micrometers and Smlr Tons/Yr:0

Name: WESTSIDE MART
Address: 2321 NEEDLES HWY
City,State,Zip: NEEDLES, CA 92363
Year: 2016
County Code: 36
Air Basin: MD
Facility ID: 141602439
Air District Name: MOJ
SIC Code: 5541
Air District Name: MOJAVE DESERT AQMD
Community Health Air Pollution Info System: Not reported
Consolidated Emission Reporting Rule: Not reported
Total Organic Hydrocarbon Gases Tons/Yr: 0
Reactive Organic Gases Tons/Yr: 0
Carbon Monoxide Emissions Tons/Yr: Not reported
NOX - Oxides of Nitrogen Tons/Yr: Not reported
SOX - Oxides of Sulphur Tons/Yr: Not reported
Particulate Matter Tons/Yr: Not reported
Part. Matter 10 Micrometers and Smlr Tons/Yr:Not reported

Name: WESTSIDE MART
Address: 2321 NEEDLES HWY
City,State,Zip: NEEDLES, CA 92363

Map ID
Direction
Distance
Elevation

MAP FINDINGS

Site

Database(s)

EDR ID Number
EPA ID Number

WESTSIDE MART (Continued)

S105048099

Year: 2017
County Code: 36
Air Basin: MD
Facility ID: 141602439
Air District Name: MOJ
SIC Code: 5541
Air District Name: MOJAVE DESERT AQMD
Community Health Air Pollution Info System: Not reported
Consolidated Emission Reporting Rule: Not reported
Total Organic Hydrocarbon Gases Tons/Yr: 0.535125
Reactive Organic Gases Tons/Yr: 0.535125
Carbon Monoxide Emissions Tons/Yr: Not reported
NOX - Oxides of Nitrogen Tons/Yr: Not reported
SOX - Oxides of Sulphur Tons/Yr: Not reported
Particulate Matter Tons/Yr: Not reported
Part. Matter 10 Micrometers and Smlr Tons/Yr: Not reported

Name: WESTSIDE MART
Address: 2321 NEEDLES HWY
City,State,Zip: NEEDLES, CA 92363
Year: 2018
County Code: 36
Air Basin: MD
Facility ID: 2439
Air District Name: MOJ
SIC Code: 5541
Air District Name: MOJAVE DESERT AQMD
Community Health Air Pollution Info System: Not reported
Consolidated Emission Reporting Rule: Not reported
Total Organic Hydrocarbon Gases Tons/Yr: 0.095
Reactive Organic Gases Tons/Yr: 0.095
Carbon Monoxide Emissions Tons/Yr: Not reported
NOX - Oxides of Nitrogen Tons/Yr: Not reported
SOX - Oxides of Sulphur Tons/Yr: Not reported
Particulate Matter Tons/Yr: Not reported
Part. Matter 10 Micrometers and Smlr Tons/Yr: Not reported

Name: WESTSIDE MART
Address: 2321 NEEDLES HWY
City,State,Zip: NEEDLES, CA 92363
Year: 2019
County Code: 36
Air Basin: MD
Facility ID: 2439
Air District Name: MOJ
SIC Code: 5541
Air District Name: MOJAVE DESERT AQMD
Community Health Air Pollution Info System: Not reported
Consolidated Emission Reporting Rule: Not reported
Total Organic Hydrocarbon Gases Tons/Yr: 0.072
Reactive Organic Gases Tons/Yr: 0.072
Carbon Monoxide Emissions Tons/Yr: Not reported
NOX - Oxides of Nitrogen Tons/Yr: Not reported
SOX - Oxides of Sulphur Tons/Yr: Not reported
Particulate Matter Tons/Yr: Not reported
Part. Matter 10 Micrometers and Smlr Tons/Yr: Not reported

Map ID
Direction
Distance
Elevation

MAP FINDINGS

Site

Database(s)

EDR ID Number
EPA ID Number

WESTSIDE MART (Continued)

S105048099

San Bern. Co. Permit:

Name: WESTSIDE CIRCLE K
Address: 2321 NEEDLES HWY
City,State,Zip: NEEDLES, CA 92363
Region: SAN BERNARDINO
Facility ID: FA0003378
Owner: OASIS PETROLEUM CORP
Permit Number: PT0003530
Permit Category: HAZMAT HANDLER, UST ONLY - PER YEAR
Facility Status: ACTIVE
Expiration Date: 04/30/2022

Name: WESTSIDE CIRCLE K
Address: 2321 NEEDLES HWY
City,State,Zip: NEEDLES, CA 92363
Region: SAN BERNARDINO
Facility ID: FA0003378
Owner: OASIS PETROLEUM CORP
Permit Number: PT0019702
Permit Category: WASTE INCIDENTAL UST OPERATION ONLY -PER YEAR
Facility Status: ACTIVE
Expiration Date: 04/30/2022

Name: WESTSIDE CIRCLE K
Address: 2321 NEEDLES HWY
City,State,Zip: NEEDLES, CA 92363
Region: SAN BERNARDINO
Facility ID: FA0003378
Owner: OASIS PETROLEUM CORP
Permit Number: PT0011157
Permit Category: REGULAR UST ANNUAL INSPECTION (PER TANK)
Facility Status: ACTIVE
Expiration Date: 04/30/2022

Name: WESTSIDE CIRCLE K
Address: 2321 NEEDLES HWY
City,State,Zip: NEEDLES, CA 92363
Region: SAN BERNARDINO
Facility ID: FA0003378
Owner: OASIS PETROLEUM CORP
Permit Number: PT0011158
Permit Category: REGULAR UST ANNUAL INSPECTION (PER TANK)
Facility Status: ACTIVE
Expiration Date: 04/30/2022

Name: WESTSIDE CIRCLE K
Address: 2321 NEEDLES HWY
City,State,Zip: NEEDLES, CA 92363
Region: SAN BERNARDINO
Facility ID: FA0003378
Owner: OASIS PETROLEUM CORP
Permit Number: PT0011159
Permit Category: REGULAR UST ANNUAL INSPECTION (PER TANK)
Facility Status: ACTIVE
Expiration Date: 04/30/2022

Name: WESTSIDE CIRCLE K

Map ID
Direction
Distance
Elevation

MAP FINDINGS

Site

Database(s)

EDR ID Number
EPA ID Number

WESTSIDE MART (Continued)

S105048099

Address: 2321 NEEDLES HWY
City,State,Zip: NEEDLES, CA 92363
Region: SAN BERNARDINO
Facility ID: FA0003378
Owner: OASIS PETROLEUM CORP
Permit Number: PT0011160
Permit Category: REGULAR UST ANNUAL INSPECTION (PER TANK)
Facility Status: ACTIVE
Expiration Date: 04/30/2022

CERS:

Name: WESTSIDE CIRCLE K
Address: 2321 NEEDLES HWY
City,State,Zip: NEEDLES, CA 92363
Site ID: 85730
CERS ID: 10039561
CERS Description: Chemical Storage Facilities

Violations:

Site ID: 85730
Site Name: WESTSIDE Circle K
Violation Date: 03-29-2019
Citation: 23 CCR 16 2641(j) - California Code of Regulations, Title 23, Chapter 16, Section(s) 2641(j)
Violation Description: Failure of the leak detection equipment to be installed, calibrated, operated, and/or maintained properly.
Violation Notes: Returned to compliance on 11/25/2019. OBSERVATION: 1. The annular sensors for all tanks are supposed to be placed in manufacturer's approved brine, the liquid within each of the tank annulars appeared to be contaminated with dirt and other debris. 2. The sensors within UDCs 9/10 and 11/12 were both not fully functional and would not always shut down the turbines when placed in liquid. CORRECTIVE ACTION: 1. Remove all the brine from all the tanks and replace with new brine via manufacturer's specifications. 2. Repair/replace the sensors within UDCs 9/10 and 11/12, the entire monitoring system could possibly need to be upgraded due to lack of parts.
Violation Division: San Bernardino County Fire Department
Violation Program: UST
Violation Source: CERS,

Site ID: 85730
Site Name: WESTSIDE Circle K
Violation Date: 03-28-2017
Citation: HSC 6.95 25508(a)(1) - California Health and Safety Code, Chapter 6.95, Section(s) 25508(a)(1)
Violation Description: Failure to establish and electronically submit an adequate emergency response plan and procedures for a release or threatened release of a hazardous material.
Violation Notes: Returned to compliance on 03/29/2017. AGENCY NOTIFICATION AS PART OF THE EMERGENCY RESPONSE PLANS SUBMITTED ON LINE IN CERS IS NOT CURRENT/COMPLETE AND NEEDS TO BE UPDATED TO THE MOST CURRENT/COMPLETE FORM. PREPARE A COMPLETE EMERGENCY RESPONSE PLAN WITH CURRENT AGENCY NOTIFICATION FORM AND SUBMIT ON LINE IN CERS WITHIN 30 DAYS.
Violation Division: San Bernardino County Fire Department
Violation Program: HMRRP
Violation Source: CERS,

Map ID
Direction
Distance
Elevation

MAP FINDINGS

Site

Database(s)

EDR ID Number
EPA ID Number

WESTSIDE MART (Continued)

S105048099

Site ID: 85730
Site Name: WESTSIDE Circle K
Violation Date: 04-02-2015
Citation: HSC 6.7 25290.1(h), 25290.2(g), 25291(f), 25292(e) - California Health and Safety Code, Chapter 6.7, Section(s) 25290.1(h), 25290.2(g), 25291(f), 25292(e)
Violation Description: Failure to install line leak detector.
Violation Notes: Returned to compliance on 04/14/2015. 91. 87, AND DIESEL LEAK DETECTORS FAILED WHEN TESTED. REPLACE INOPERABLE LEAK DETECTORS IMMEDIATELY AND RETEST. SUBMIT DOCUMENTATION OF REPLACEMENT AND RETEST TO THIS DEPARTMENT WITHIN 10 DAYS.
Violation Division: San Bernardino County Fire Department
Violation Program: UST
Violation Source: CERS,

Site ID: 85730
Site Name: WESTSIDE Circle K
Violation Date: 03-28-2016
Citation: HSC 6.7 25290.1(h), 25290.2(g), 25291(f), 25292(e) - California Health and Safety Code, Chapter 6.7, Section(s) 25290.1(h), 25290.2(g), 25291(f), 25292(e)
Violation Description: Failure to install line leak detector.
Violation Notes: Returned to compliance on 03/31/2016. OBSERVATION: 1) The 87 Mechanical Line leak Detector failed when tested. COMPLIANCE REQUIREMENT: Submit a copy of the work order documenting the replacement & functionality of the 87-Mechanical Line Leak Detector.
Violation Division: San Bernardino County Fire Department
Violation Program: UST
Violation Source: CERS,

Site ID: 85730
Site Name: WESTSIDE Circle K
Violation Date: 11-25-2019
Citation: 23 CCR 16 2716(e) - California Code of Regulations, Title 23, Chapter 16, Section(s) 2716(e)
Violation Description: For designated operator (DO) monthly inspections conducted before October 1, 2018, failure to comply with one or more of the following requirements: Be performed by an ICC certified DO. Inspect monthly alarm history report, check that alarms are documented and responded to appropriately, and attach a copy. Inspect for the presence of liquid/debris in spill containers. Inspect for the presence of liquid/debris in under dispenser containment (UDC) and ensure that the monitoring equipment is positioned correctly. Inspect for liquid or debris in containment sumps where an alarm occurred with no service visit. Check that all testing and maintenance has been completed and documented. Verify that all facility employees have been trained in accordance with 23 CCR 2715(c). For designated operator (DO) 30 day inspections conducted on and after October 1, 2018, failure to conduct the designated UST operator visual inspection at least once every 30 days.
Violation Notes: Returned to compliance on 11/18/2020. OBSERVATION: The DO monthly inspection for the month of October 2019 was not completed and the DO monthly inspection for November 2019 has not yet been completed and is late from what would have been 30 days past the October DO monthly inspection. CORRECTIVE ACTION: Submit a sign Certificate of Compliance and a copy of the November DO monthly inspection for 2019 to this agency within 30 days.

Map ID
Direction
Distance
Elevation

MAP FINDINGS

Site

Database(s)

EDR ID Number
EPA ID Number

WESTSIDE MART (Continued)

S105048099

Violation Division: San Bernardino County Fire Department
Violation Program: UST
Violation Source: CERS,

Site ID: 85730
Site Name: WESTSIDE Circle K
Violation Date: 04-02-2015
Citation: Un-Specified
Violation Description: UST Program - Administration/Documentation - For use of Local Ordinance only

Violation Notes: Returned to compliance on 04/02/2015. Failure to submit a signed Designated UST Operator Statement (23 CCR 2715(a)) AS OF JANUARY 1, 2014 ALL UST FACILITIES MUST SUBMIT ALL UST DOCUMENTS ON LINE INTO THE CALIFORNIA ENVIRONMENTAL REPORTING SYSTEM (CERS) INCLUDING BUT NOT LIMITED TO UST MONITORING/RESPONSE PLAN, UST TANK APPLICATION WITH TANK FORMS, OWNER/OPERATOR AGREEMENT, UST D.O. STATEMENT, AND EVIDENCE OF FINANCIAL RESPONSIBILITY FOR UST SYSTEM. PREPARE AND SUBMIT SIGNED UST DESIGNATED OPERATOR STATEMENT TO THIS DEPARTMENT ON LINE THROUGH CERS IMMEDIATELY. THIS IS A RECALCITRANT VIOLATION NOTED ON THE PRVIOUS INSPECTION REPORT DATED 4/1/2014 AND NOV LETTER DATED 1/9/2015. VIOLATION IS NOW A CLASS 2 VIOLATION.

Violation Division: San Bernardino County Fire Department
Violation Program: UST
Violation Source: CERS,

Site ID: 85730
Site Name: WESTSIDE Circle K
Violation Date: 04-02-2015
Citation: 23 CCR 16 2712(i) - California Code of Regulations, Title 23, Chapter 16, Section(s) 2712(i)

Violation Description: Failure to submit, obtain approval, or maintain a complete/accurate response plan.

Violation Notes: Returned to compliance on 04/02/2015. AS OF JANUARY 1, 2014 ALL UST FACILITIES MUST SUBMIT ALL UST DOCUMENTS ON LINE INTO THE CALIFORNIA ENVIRONMENTAL REPORTING SYSTEM (CERS) INCLUDING BUT NOT LIMITED TO UST MONITORING/RESPONSE PLAN, UST TANK APPLICATION WITH TANK FORMS, OWNER/OPERATOR AGREEMENT, UST D.O. STATEMENT, AND EVIDENCE OF FINANCIAL RESPONSIBILITY FOR UST SYSTEM. PREPARE AND SUBMIT UST MONITORING/RESPONSE PLANS TO THIS DEPARTMENT ON LINE THROUGH CERS WITHIN 30 DAYS. THIS IS A RECALCITRANT VIOLATION NOTED ON THE PREVIOUS INSPECTION REPORT DATED 4/1/2014 AND NOV LETTER DATED 1/9/2015. VIOLATION IS NOW A CLASS 2 VIOLATION.

Violation Division: San Bernardino County Fire Department
Violation Program: UST
Violation Source: CERS,

Site ID: 85730
Site Name: WESTSIDE Circle K
Violation Date: 11-04-2021
Citation: Un-Specified
Violation Description: UST Program - Administration/Documentation - General Local Ordinance - Must include violation description and proper ordinance citation in the "comment" section.

Violation Notes: OBSERVATION: A Cold Start was conducted on July 26th 2020, no plans or notification was made to this agency. CORRECTIVE ACTION: Submit "as-built" plans to this agency within 30 days along with all applicable fees.

Map ID
Direction
Distance
Elevation

MAP FINDINGS

Site

Database(s)

EDR ID Number
EPA ID Number

WESTSIDE MART (Continued)

S105048099

Violation Division: San Bernardino County Fire Department
Violation Program: UST
Violation Source: CERS,

Site ID: 85730
Site Name: WESTSIDE Circle K
Violation Date: 04-02-2015
Citation: HSC 6.5 Multiple Sections - California Health and Safety Code, Chapter 6.5, Section(s) Multiple Sections
Violation Description: Haz Waste Generator Program - Operations/Maintenance - General
Violation Notes: Returned to compliance on 11/18/2020. Failure to manage hazardous waste lawfully (CHSC 25154) FACILITY DOES NOT HAVE WASTE CONTAINERS TO STORE HAZARDOUS WASTE OR SPILL KITS. OBTAIN HAZARDOUS WASTE CONTAINERS TO STORE ANY INCIDENTAL HAZARDOUS WASTE AND SPILL KITS TO CONTAIN ANY POSSIBLE FUEL SPILLS AT THE FACILITY. SUBMIT DOCUMENTATION OF COMPLIANCE TO THIS DEPARTMENT WITHIN 30 DAYS.

Violation Division: San Bernardino County Fire Department
Violation Program: HW
Violation Source: CERS,

Site ID: 85730
Site Name: WESTSIDE Circle K
Violation Date: 03-29-2019
Citation: 23 CCR 16 2712(b)(1)(G) - California Code of Regulations, Title 23, Chapter 16, Section(s) 2712(b)(1)(G)
Violation Description: Failure to comply with one or more of the following overfill prevention equipment requirements: Alert the transfer operator when the tank is 90 percent full by restricting the flow into the tank or triggering an audible and visual alarm; or Restrict delivery of flow to the tank at least 30 minutes before the tank overfills, provided the restriction occurs when the tank is filled to no more than 95 percent of capacity; and activate an audible alarm at least five minutes before the tank overfills; or Provide positive shut-off of flow to the tank when the tank is filled to no more than 95 percent of capacity; or Provide positive shut-off of flow to the tank so that none of the fittings located on the top of the tank are exposed to product due to overfilling. Install/retrofit overfill prevention equipment that does not use flow restrictors on vent piping to meet overfill prevention equipment requirements when the overfill prevention equipment is installed, repaired, or replaced on and after October 1, 2018. For USTs installed before October 1, 2018, perform an inspection by October 13, 2018 and every 36 months thereafter. For USTs installed on and after October 1, 2018, perform an inspection at installation and every 36 months thereafter. Inspected within 30 days after a repair to the overfill prevention equipment. Inspected using an applicable manufacturer guidelines, industry codes, engineering standards, or a method approved by a professional engineer. Inspected by a certified UST service technician. Maintain records of overfill prevention equipment inspection for 36 months.
Violation Notes: Returned to compliance on 11/25/2019. OBSERVATION: The overfill prevention testing/inspection has not been conducted for this facility. CORRECTIVE ACTION: Within 30 days schedule a witnessed overfill prevention inspection with this agency.

Violation Division: San Bernardino County Fire Department
Violation Program: UST
Violation Source: CERS,

Map ID
Direction
Distance
Elevation

MAP FINDINGS

Site

Database(s)

EDR ID Number
EPA ID Number

WESTSIDE MART (Continued)

S105048099

Site ID: 85730
Site Name: WESTSIDE Circle K
Violation Date: 03-29-2019
Citation: HSC 6.7 25284.2 - California Health and Safety Code, Chapter 6.7, Section(s) 25284.2
Violation Description: "Failure to meet one or more of the following requirements: Install or maintain a liquid-tight spill container. Have a minimum capacity of five gallons. Have a functional drain valve or other method for the removal of liquid from the spill container. Be resistant to galvanic corrosion. Perform a tightness test at installation, every 12 months thereafter, or within 30 days after a repair to the spill container. Tested using applicable manufacturer guidelines, industry codes, engineering standards, or a method approved by a professional engineer. Tested by a certified UST service technician. Maintain records of spill containment testing for 36 months. "
Violation Notes: Returned to compliance on 11/25/2019. OBSERVATION: The spill buckets for the 87, 91, and AV gas could not hold 5 gallons of liquid for 1 hour. CORRECTIVE ACTION: Repair and replace the 87, 91, and AV gas spill buckets and schedule a witnessed re-test with this agency within 30 days.
Violation Division: San Bernardino County Fire Department
Violation Program: UST
Violation Source: CERS,

Site ID: 85730
Site Name: WESTSIDE Circle K
Violation Date: 03-29-2019
Citation: 23 CCR 16 2636(f)(2) - California Code of Regulations, Title 23, Chapter 16, Section(s) 2636(f)(2)
Violation Description: Failure of the functional line leak detector (LLD) monitoring pressurized piping to meet one or more of the following requirements: Monitored at least hourly with the capability of detecting a release of 3.0 gallons per hour leak at 10 pounds per square inch and restrict or shut off the flow of product through the piping when a leak is detected.
Violation Notes: Returned to compliance on 11/25/2019. OBSERVATION: The line leak detector for the AV gas was not functional when tested. CORRECTIVE ACTION: Repair and replace the line leak detector for the AV gas and schedule a witnessed re-test with this agency within 30 days.
Violation Division: San Bernardino County Fire Department
Violation Program: UST
Violation Source: CERS,

Site ID: 85730
Site Name: WESTSIDE Circle K
Violation Date: 03-29-2019
Citation: 23 CCR 16 2716(e) - California Code of Regulations, Title 23, Chapter 16, Section(s) 2716(e)
Violation Description: For designated operator (DO) monthly inspections conducted before October 1, 2018, failure to comply with one or more of the following requirements: Be performed by an ICC certified DO. Inspect monthly alarm history report, check that alarms are documented and responded to appropriately, and attach a copy. Inspect for the presence of liquid/debris in spill containers. Inspect for the presence of liquid/debris in under dispenser containment (UDC) and ensure that the monitoring equipment is positioned correctly. Inspect for liquid or debris in containment sumps where an alarm occurred with no service

Map ID
Direction
Distance
Elevation

MAP FINDINGS

Site

Database(s)

EDR ID Number
EPA ID Number

WESTSIDE MART (Continued)

S105048099

visit. Check that all testing and maintenance has been completed and documented. Verify that all facility employees have been trained in accordance with 23 CCR 2715(c). For designated operator (DO) 30 day inspections conducted on and after October 1, 2018, failure to conduct the designated UST operator visual inspection at least once every 30 days.

Violation Notes: Returned to compliance on 11/18/2020. OBSERVATION: This facility has not had a DO inspection since 12/2017. For 15 months, this facility has not had a DO inspection. CORRECTIVE ACTION: The DO inspection is being conducted today by Western Pump. Submit a signed statement to this agency stating that you understand that you must have a DO inspection completed by a licensed DO every 30 days. Formal enforcement may occur.

Violation Division: San Bernardino County Fire Department
Violation Program: UST
Violation Source: CERS,

Site ID: 85730
Site Name: WESTSIDE Circle K
Violation Date: 03-29-2019
Citation: HSC 6.7 25299(a)(9) - California Health and Safety Code, Chapter 6.7, Section(s) 25299(a)(9)

Violation Description: Leak detection equipment disabled or tampered with in a manner that would prevent the monitoring system from detecting and/or alerting the owner/operator of a leak.

Violation Notes: Returned to compliance on 11/18/2020. OBSERVATION: The sensor within UDC 11/12 was raised out of the fuel that was in the bottom of the UDC from a leaking 91 fuel meter. The sensor was not in alarm when I arrived on-site and the sensor was dry. Once the sensor was placed in the proper location it went into alarm. CORRECTIVE ACTION: Submit a signed statement to this agency stating that the facility owner/operator will ensure all employees will be trained to prevent the tampering of leak detection equipment and that tampering with leak detection equipment will no longer occur. Formal enforcement may occur.

Violation Division: San Bernardino County Fire Department
Violation Program: UST
Violation Source: CERS,

Site ID: 85730
Site Name: WESTSIDE Circle K
Violation Date: 04-01-2014
Citation: HSC 6.7 25286(a) - California Health and Safety Code, Chapter 6.7, Section(s) 25286(a)

Violation Description: Failure to prepare, maintain, and submit accurate CUPA UST Operating Permit Application for Facility information and/or Tank information.

Violation Notes: Returned to compliance on 04/02/2015. AS OF JANUARY 1, 2014 ALL UST FACILITIES MUST SUBMIT ALL UST DOCUMENTS ON LINE INTO THE CALIFORNIA ENVIRONMENTAL REPORTING SYSTEM (CERS) INCLUDING BUT NOT LIMITED TO UST MONITORING/RESPONSE PLAN, UST TANK APPLICATION WITH TANK FORMS, OWNER/OPERATOR AGREEMENT, UST D.O. STATEMENT, AND EVIDENCE OF FINANCIAL RESPONSIBILITY FOR UST SYSTEM. PREPARE AND SUBMIT UST PERMIT APPLICATION WITH TANK FORMS TO THIS DEPARTMENT ON LINE THROUGH CERS WITHIN 30 DAYS.

Violation Division: San Bernardino County Fire Department
Violation Program: UST
Violation Source: CERS,

Map ID
Direction
Distance
Elevation

MAP FINDINGS

Site

Database(s)

EDR ID Number
EPA ID Number

WESTSIDE MART (Continued)

S105048099

Site ID: 85730
Site Name: WESTSIDE Circle K
Violation Date: 03-28-2016
Citation: HSC 6.7 25286(a) - California Health and Safety Code, Chapter 6.7, Section(s) 25286(a)
Violation Description: Failure to submit an complete and accurate application for a permit to operate an underground storage tank, or for renewal of the permit.
Violation Notes: Returned to compliance on 04/05/2016. OBSERVATION: CERS noted that the four USTs have LD2000 Mechanical Line Leak Detectors, however the 87, 91 & Diesel tanks were observed with Vaperless-MLLD and the Av-Gas 100 was observed with a FePetro. Also, CERS noted facility has (Overfill protection)- Audible/ Visual Alarm.-Un-check box, site does does not have an external audible / visual alarm. COMPLIANCE REQUIREMENT: Update CERS (California Environmental Report System) with the correct information.
Violation Division: San Bernardino County Fire Department
Violation Program: UST
Violation Source: CERS,

Site ID: 85730
Site Name: WESTSIDE Circle K
Violation Date: 04-02-2015
Citation: HSC 6.75 25299.30-25299.34 - California Health and Safety Code, Chapter 6.75, Section(s) 25299.30-25299.34
Violation Description: Failure to submit and maintain complete and current Certification of Financial Responsibility or other mechanism of financial assurance.
Violation Notes: Returned to compliance on 04/02/2015. AS OF JANUARY 1, 2014 ALL UST FACILITIES MUST SUBMIT ALL UST DOCUMENTS ON LINE INTO THE CALIFORNIA ENVIRONMENTAL REPORTING SYSTEM (CERS) INCLUDING BUT NOT LIMITED TO UST MONITORING/RESPONSE PLAN, UST TANK APPLICATION WITH TANK FORMS, OWNER/OPERATOR AGREEMENT, UST D.O. STATEMENT, AND EVIDENCE OF FINANCIAL RESPONSIBILITY FOR UST SYSTEM. PREPARE AND SUBMIT UST EVIDENCE OF FINANCIAL RESPONSIBILITY TO THIS DEPARTMENT ON LINE THROUGH CERS WITHIN 30 DAYS. THIS IS A RECALCITRANT VIOLATION NOTED ON THE PREVIOUS INSPECTION REPORT DATED 4/1/2014 AND NOV LETTER DATED 1/9/205. VIOLATION IS NOW A CLASS 2 VIOLATION.
Violation Division: San Bernardino County Fire Department
Violation Program: UST
Violation Source: CERS,

Site ID: 85730
Site Name: WESTSIDE Circle K
Violation Date: 11-04-2021
Citation: 23 CCR 16 2712(b)(1)(G) - California Code of Regulations, Title 23, Chapter 16, Section(s) 2712(b)(1)(G)
Violation Description: Failure to comply with one or more of the following overfill prevention equipment requirements: Alert the transfer operator when the tank is 90 percent full by restricting the flow into the tank or triggering an audible and visual alarm; or Restrict delivery of flow to the tank at least 30 minutes before the tank overfills, provided the restriction occurs when the tank is filled to no more than 95 percent of capacity; and activate an audible alarm at least five minutes before the tank overfills; or Provide positive shut-off of flow to the tank when the tank is filled to no more than 95 percent of capacity; or Provide positive shut-off of flow to the tank so that none of the fittings located on the top of the tank are exposed to product due to overfilling. Install/retrofit overfill prevention

Map ID
Direction
Distance
Elevation

MAP FINDINGS

Site

Database(s)

EDR ID Number
EPA ID Number

WESTSIDE MART (Continued)

S105048099

equipment that does not use flow restrictors on vent piping to meet overfill prevention equipment requirements when the overfill prevention equipment is installed, repaired, or replaced on and after October 1, 2018. For USTs installed before October 1, 2018, perform an inspection by October 13, 2018 and every 36 months thereafter. For USTs installed on and after October 1, 2018, perform an inspection at installation and every 36 months thereafter. Inspected within 30 days after a repair to the overfill prevention equipment. Inspected using an applicable manufacturer guidelines, industry codes, engineering standards, or a method approved by a professional engineer. Inspected by a certified UST service technician. Maintain records of overfill prevention equipment inspection for 36 months.

Violation Notes: OBSERVATION: The Overfill Prevention testing was to be completed by the end of October 2021 and has not yet been completed. CORRECTIVE ACTION: Schedule and conduct an Overfill Prevention test with this agency within 30 days and submit test results within 30 days of testing to this agency.

Violation Division: San Bernardino County Fire Department
Violation Program: UST
Violation Source: CERS,

Site ID: 85730
Site Name: WESTSIDE Circle K
Violation Date: 11-21-2013
Citation: 22 CCR 16 66266.130 - California Code of Regulations, Title 22, Chapter 16, Section(s) 66266.130

Violation Description: Failure to properly handle, manage, label, and recycle used oil and fuel filters.

Violation Notes: Returned to compliance on 04/02/2015.
Violation Division: San Bernardino County Fire Department
Violation Program: HW
Violation Source: CERS,

Site ID: 85730
Site Name: WESTSIDE Circle K
Violation Date: 04-01-2014
Citation: HSC 6.7 Multiple Sections - California Health and Safety Code, Chapter 6.7, Section(s) Multiple Sections

Violation Description: UST Program - Administration/Documentation - General
Violation Notes: Returned to compliance on 04/02/2015. Failure to submit a signed Designated UST Operator Statement (23 CCR 2715(a)) AS OF JANUARY 1, 2014 ALL UST FACILITIES MUST SUBMIT ALL UST DOCUMENTS ON LINE INTO THE CALIFORNIA ENVIRONMENTAL REPORTING SYSTEM (CERS) INCLUDING BUT NOT LIMITED TO UST MONITORING/RESPONSE PLAN, UST TANK APPLICATION WITH TANK FORMS, OWNER/OPERATOR AGREEMENT, UST D.O. STATEMENT, AND EVIDENCE OF FINANCIAL RESPONSIBILITY FOR UST SYSTEM. PREPARE AND SUBMIT SIGNED UST DESIGNATED OPERATOR STATEMENT TO THIS DEPARTMENT ON LINE THROUGH CERS WITHIN 30 DAYS.

Violation Division: San Bernardino County Fire Department
Violation Program: UST
Violation Source: CERS,

Site ID: 85730
Site Name: WESTSIDE Circle K
Violation Date: 03-28-2016
Citation: 23 CCR 16 2638 - California Code of Regulations, Title 23, Chapter 16, Section(s) 2638

Map ID
Direction
Distance
Elevation

MAP FINDINGS

Site

Database(s)

EDR ID Number
EPA ID Number

WESTSIDE MART (Continued)

S105048099

Violation Description: Failure to test leak detection equipment as required every 12 months (VPH, sensor, LLD, ATG, etc.) and/or submit monitoring system certification to the CUPA within 30 days of completion of the test

Violation Notes: Returned to compliance on 03/31/2016. OBSERVATION: THE 91-TURBINE FAILED TO OPERATE DURING THE MONITORING CERTIFICATION. IT WAS DISCOVERED THAT THERE WAS NOT ENOUGH FUEL IN TANK, TO OPERATE THE 91 TURBINE. COMPLIANCE REQUIREMENT: OPERATOR STATED A 91 FUEL LOAD WILL ARRIVE TODAY OR TOMORROW. A RE-TEST OF THE 91 LIQUID SENSORS WILL OCCUR 03/31/2016.

Violation Division: San Bernardino County Fire Department
Violation Program: UST
Violation Source: CERS,

Site ID: 85730
Site Name: WESTSIDE Circle K
Violation Date: 03-29-2018
Citation: 23 CCR 16 2637 - California Code of Regulations, Title 23, Chapter 16, Section(s) 2637

Violation Description: Failure to conduct secondary containment testing, or one or more of the following requirements: Perform the test within six months of installation and every 36 months thereafter. Use a procedure that demonstrates the system works as well as at installation. Use applicable manufacturer guidelines, industry codes, engineering standard, or professional engineer approval. Performed by a certified service technician or a licensed tank tester.

Violation Notes: Returned to compliance on 03/29/2019. OBSERVATION: AN UST FACILITY SHALL TEST THE SECONDARY CONTAINMENT SYSTEMS EVERY 36 MONTHS. THE LAST DOCUMENTED SECONDARY CONTAINMENT TEST (SB989 CERTIFICATION) WAS PERFORMED 08/06/2014. COMPLIANCE REQUIREMENT: HAVE A LICENSED UST CONTRACTOR CONDUCTED THE SB989 CERTIFICATION. CONTACT OFFICE FOR THE SCHEDULED TEST.

Violation Division: San Bernardino County Fire Department
Violation Program: UST
Violation Source: CERS,

Site ID: 85730
Site Name: WESTSIDE Circle K
Violation Date: 11-18-2020
Citation: HSC 6.7 25298 - California Health and Safety Code, Chapter 6.7, Section(s) 25298

Violation Description: Failure to comply with temporary closure requirements.

Violation Notes: OBSERVATION: Tank 3 or AV gas tank was out of service for over a year. CORRECTIVE ACTION: Operator shall submit an application for temporary closure within 30 days. Operator may submit an application for permanent closure or place the tank in service in lieu of temporary closure, and certify all leak detection equipment associated with Tank within the same time period.

Violation Division: San Bernardino County Fire Department
Violation Program: UST
Violation Source: CERS,

Site ID: 85730
Site Name: WESTSIDE Circle K
Violation Date: 11-18-2020
Citation: HSC 6.7 25284 - California Health and Safety Code, Chapter 6.7, Section(s) 25284

Violation Description: Failure to obtain a valid permit to operate from the UPA including but

Map ID
Direction
Distance
Elevation

MAP FINDINGS

Site

Database(s)

EDR ID Number
EPA ID Number

WESTSIDE MART (Continued)

S105048099

Violation Notes: not limited to unpaid permit fees.
Returned to compliance on 01/12/2021. OBSERVATION: Permit to operate Underground Storage Tanks has been expired on 04/30/20. CORRECTIVE ACTION: Operator shall obtain a valid permit to operate underground storage tanks within 30 days, permit expired on 04/30/2020.

Violation Division: San Bernardino County Fire Department
Violation Program: UST
Violation Source: CERS,

Site ID: 85730
Site Name: WESTSIDE Circle K
Violation Date: 11-21-2013
Citation: HSC 6.67 Multiple - California Health and Safety Code, Chapter 6.67, Section(s) Multiple

Violation Description: Haz Waste Generator Program - Administration/Documentation - General
Violation Notes: Returned to compliance on 04/02/2015. Failure to obtain an EPA ID Number (CCR 66262.12(a))

Violation Division: San Bernardino County Fire Department
Violation Program: HW
Violation Source: CERS,

Site ID: 85730
Site Name: WESTSIDE Circle K
Violation Date: 04-02-2015
Citation: Un-Specified

Violation Description: UST Program - Administration/Documentation - For use of Local Ordinance only

Violation Notes: Returned to compliance on 04/02/2015. Failure to correct past UST violations within 30 days of receiving a UST inspection report (23CCR 2712(f)) VIOLATIONS #0303, #307, #0312, AND #0315 ARE RECALCITRANT VIOLATIONS NOTED ON THE PREVIOUS INSPECTION REPORT DATED 4/1/2014 AND NOV LETTER DATED 1/9/2014. VIOLATIONS ARE NOW BE A CLASS 2 VIOLATIONS. FURTHER ENFORCEMENT WILL BE REQUIRED.

Violation Division: San Bernardino County Fire Department
Violation Program: UST
Violation Source: CERS,

Site ID: 85730
Site Name: WESTSIDE Circle K
Violation Date: 11-18-2020
Citation: HSC 6.7 25284, 25286 - California Health and Safety Code, Chapter 6.7, Section(s) 25284, 25286

Violation Description: Failure to submit a complete and accurate application for a permit to operate a UST, or for renewal of the permit.

Violation Notes: Returned to compliance on 09/07/2021. OBSERVATION: BOE (Board of Equalization) number 44047754 submitted in CERS is invalid and closed. CORRECTIVE ACTION: Obtain a valid BOE (Board of Equalization) account number and submit in online in CERS within 30 days. For information on how to obtain or renew BOE account visit <https://www.cdtfa.ca.gov/services/#Register-Renewals>.

Violation Division: San Bernardino County Fire Department
Violation Program: UST
Violation Source: CERS,

Site ID: 85730
Site Name: WESTSIDE Circle K
Violation Date: 04-01-2014

Map ID
Direction
Distance
Elevation

MAP FINDINGS

Site

Database(s)

EDR ID Number
EPA ID Number

WESTSIDE MART (Continued)

S105048099

Citation: HSC 6.7 25292(e) - California Health and Safety Code, Chapter 6.7, Section(s) 25292(e)
Violation Description: Failure to install line leak detector on pressurized piping system.
Violation Notes: Returned to compliance on 04/14/2015. PER UST TESTING TECHNICIAN, THE 87 LINE LEAK DETECTOR FAILED WHEN TESTED. IMMEDIATELY REPLACE INOPERABLE LINE LEAK DETECTOR AND SUBMIT WORK ORDER WITH PASSING TEST RESULTS TO THIS DEPARTMENT WITHIN 10 DAYS. 06/02/15-VIOLATION WILL BE CLOSED; VIOLATION WAS NOT OBSERVED DURING INSPECTION. (PETER SAAVEDRA)
Violation Division: San Bernardino County Fire Department
Violation Program: UST
Violation Source: CERS,

Site ID: 85730
Site Name: WESTSIDE Circle K
Violation Date: 11-25-2019
Citation: 23 CCR 16 2715(a)(1)(B) - California Code of Regulations, Title 23, Chapter 16, Section(s) 2715(a)(1)(B)
Violation Description: Failure to submit the Designated Underground Storage Tank Operator Identification Form within 30 days of installing a UST system or within 30 days of a change in DO.
Violation Notes: Returned to compliance on 11/25/2019. OBSERVATION: The DO identification form is not accurate based upon what was observed on-site, the DO has changed. CORRECTIVE ACTION: Update the DO identification form and re-submit all UST documents within 30 days.
Violation Division: San Bernardino County Fire Department
Violation Program: UST
Violation Source: CERS,

Site ID: 85730
Site Name: WESTSIDE Circle K
Violation Date: 03-28-2017
Citation: 23 CCR 16 2715(i) - California Code of Regulations, Title 23, Chapter 16, Section(s) 2715(i)
Violation Description: Failure to have a properly qualified service technician test leak detection equipment as required every 12 months (vapor, pressure, hydrostatic (VPH) system, sensors, line-leak detectors (LLD), automatic tank gauge (ATG), etc.).
Violation Notes: Returned to compliance on 12/05/2017. OWNER PROVIDED STATEMENT, CLOSE OUT VIOLATION PER MIKE VILLARAZA-PREYES UST MONITORING SYSTEM CERTIFICATION TEST REPORTS AFTER 4/1/2013 HAS NOT BEEN SUBMITTED TO THIS DEPARTMENT. IMMEDIATELY OBTAIN UST MONITORING SYSTEM CERTIFICATION TEST REPORTS FOR 2014, 2015 AND 2016 AND SUBMIT COPIES TO THIS DEPARTMENT WITHIN 30 DAYS.
Violation Division: San Bernardino County Fire Department
Violation Program: UST
Violation Source: CERS,

Site ID: 85730
Site Name: WESTSIDE Circle K
Violation Date: 03-28-2016
Citation: HSC 6.7 29291(b) - California Health and Safety Code, Chapter 6.7, Section(s) 29291(b)
Violation Description: Failure of the UST system to be designed and constructed with a monitoring system capable of detecting the entry of the hazardous substance stored in the primary containment into the secondary containment.
Violation Notes: Returned to compliance on 03/28/2016. OBSERVATION: LIQUID SENSORS

Map ID
Direction
Distance
Elevation

MAP FINDINGS

Site

Database(s)

EDR ID Number
EPA ID Number

WESTSIDE MART (Continued)

S105048099

FAILED TO PROVIDED POSITIVE SHUT FOR THE 87-TURBINE. COMPLIANCE MET ON SITE: TECHNICIAN DISCOVERED A RELAY SWITCH FAILED TO OPERATE. TECHNICIAN REPLACED/ AND RETESTED 87 TURBINE-PASSED

Violation Division: San Bernardino County Fire Department
Violation Program: UST
Violation Source: CERS,

Site ID: 85730
Site Name: WESTSIDE Circle K
Violation Date: 04-01-2014
Citation: 23 CCR 16 2712(i) - California Code of Regulations, Title 23, Chapter 16, Section(s) 2712(i)

Violation Description: Failure to submit, obtain approval, or maintain a complete/accurate response plan.

Violation Notes: Returned to compliance on 04/02/2015. AS OF JANUARY 1, 2014 ALL UST FACILITIES MUST SUBMIT ALL UST DOCUMENTS ON LINE INTO THE CALIFORNIA ENVIRONMENTAL REPORTING SYSTEM (CERS) INCLUDING BUT NOT LIMITED TO UST MONITORING/RESPONSE PLAN, UST TANK APPLICATION WITH TANK FORMS, OWNER/OPERATOR AGREEMENT, UST D.O. STATEMENT, AND EVIDENCE OF FINANCIAL RESPONSIBILITY FOR UST SYSTEM. PREPARE AND SUBMIT UST MONITORING/RESPONSE PLANS TO THIS DEPARTMENT ON LINE THROUGH CERS WITHIN 30 DAYS.

Violation Division: San Bernardino County Fire Department
Violation Program: UST
Violation Source: CERS,

Site ID: 85730
Site Name: WESTSIDE Circle K
Violation Date: 03-28-2017
Citation: 23 CCR 16 2715(c) - California Code of Regulations, Title 23, Chapter 16, Section(s) 2715(c)

Violation Description: Failure to comply with one or more of the following designated operator (DO) monthly inspection requirements: Be performed by an ICC certified DO. Inspect monthly alarm history report, check that alarms are documented and responded to appropriately, and attach a copy. Inspect for the presence of liquid/debris in spill containers. Inspect for the presence of liquid/debris in under dispenser containment (UDC) and ensure that the monitoring equipment is positioned correctly. Inspect for liquid or debris in containment sumps where an alarm occurred with no service visit. Check that all testing and maintenance has been completed and documented. Verify that all facility employees have been properly trained.

Violation Notes: Returned to compliance on 12/05/2017. OWNER PROVIDED TRAINING DOCUMENTATION, CLOSE OUT VIOLATION PER M. VILLARAZA-PREYES UST DESIGNATED OPERATOR HAS FAILED TO PROVIDE ANNUAL TRAINING TO ALL EMPLOYEES ANNUALLY AS REQUIRED. IMMEDIATELY HAVE UST DESIGNATED OPERATOR PROVIDE EMPLOYEE TRAINING AND SUBMIT DOCUMENTATION OF TRAINING TO THIS DEPARTMENT FOR REVIEW WITHIN 30 DAYS.

Violation Division: San Bernardino County Fire Department
Violation Program: UST
Violation Source: CERS,

Site ID: 85730
Site Name: WESTSIDE Circle K
Violation Date: 11-04-2021
Citation: 23 CCR 16 2712(b)(2) - California Code of Regulations, Title 23, Chapter 16, Section(s) 2712(b)(2)

Map ID
Direction
Distance
Elevation

MAP FINDINGS

Site

Database(s)

EDR ID Number
EPA ID Number

WESTSIDE MART (Continued)

S105048099

Violation Description: Failure to maintain monitoring records for release detection and/or maintain records of appropriate follow-up actions.

Violation Notes: OBSERVATION: No alarm logs or work orders are being maintained on-site for any/all alarms that are occurring throughout the year. CORRECTIVE ACTION: Submit a signed certificate of compliance to this agency within 30 days stating that you understand that work orders and alarm logs must be maintained for your UST systems for at least 36 months.

Violation Division: San Bernardino County Fire Department
Violation Program: UST
Violation Source: CERS,

Site ID: 85730
Site Name: WESTSIDE Circle K
Violation Date: 03-28-2017
Citation: HSC 6.95 25508(a)(1) - California Health and Safety Code, Chapter 6.95, Section(s) 25508(a)(1)

Violation Description: Failure to complete and electronically submit hazardous material inventory information for all reportable hazardous materials on site at or above reportable quantities.

Violation Notes: Returned to compliance on 03/29/2017. HAZARDOUS MATERIALS INVENTORY ON LINE IN CERS FAILS TO INCLUDE HAZARDOUS WASTE SOLIDS AND HAZARDOUS WASTE LIQUIDS AS PART OF THE INVENTORY. UPDATE INVENTORY ON LINE IN CERS ADDRESSING THE PREVIOUSLY NOTED DEFICIENCIES WITHIN 30 DAYS.

Violation Division: San Bernardino County Fire Department
Violation Program: HMRRP
Violation Source: CERS,

Site ID: 85730
Site Name: WESTSIDE Circle K
Violation Date: 03-29-2019
Citation: HSC 6.7 25284, 25286 - California Health and Safety Code, Chapter 6.7, Section(s) 25284, 25286

Violation Description: Failure to submit a complete and accurate application for a permit to operate a UST, or for renewal of the permit.

Violation Notes: Returned to compliance on 11/25/2019. OBSERVATION: The tank information submitted via CERS is not accurate based upon what was observed on-site. CORRECTIVE ACTION: Update the following information via CERS and re-submit within 30 days: add vapor recovery for the 91 tank system.

Violation Division: San Bernardino County Fire Department
Violation Program: UST
Violation Source: CERS,

Site ID: 85730
Site Name: WESTSIDE Circle K
Violation Date: 04-02-2015
Citation: HSC 6.5 Multiple - California Health and Safety Code, Chapter 6.5, Section(s) Multiple

Violation Description: Haz Waste Generator Program - Administration/Documentation - General
Violation Notes: Returned to compliance on 04/14/2015. Failure to obtain an EPA ID Number (CCR 66262.12(a)) EPA ID #CAL000353316 FOR THIS FACILITY WAS CONFIRMED INACTIVE AT THE DTSC HAZ WASTE TRACKER WEBSITE. OBTAIN ACTIVE EPA ID # FOR THIS FACILITY AND SUBMIT DOCUMENTATION THAT AN ACTIVE EPA ID # WAS OBTAINED TO THIS DEPARTMENT WITHIN 30 DAYS.

Violation Division: San Bernardino County Fire Department
Violation Program: HW
Violation Source: CERS,

Map ID
Direction
Distance
Elevation

MAP FINDINGS

Site

Database(s)

EDR ID Number
EPA ID Number

WESTSIDE MART (Continued)

S105048099

Site ID: 85730
Site Name: WESTSIDE Circle K
Violation Date: 04-01-2014
Citation: HSC 6.75 25299.30-25299.34 - California Health and Safety Code, Chapter 6.75, Section(s) 25299.30-25299.34
Violation Description: Failure to submit and maintain complete and current Certification of Financial Responsibility or other mechanism of financial assurance.
Violation Notes: Returned to compliance on 04/02/2015. AS OF JANUARY 1, 2014 ALL UST FACILITIES MUST SUBMIT ALL UST DOCUMENTS ON LINE INTO THE CALIFORNIA ENVIRONMENTAL REPORTING SYSTEM (CERS) INCLUDING BUT NOT LIMITED TO UST MONITORING/RESPONSE PLAN, UST TANK APPLICATION WITH TANK FORMS, OWNER/OPERATOR AGREEMENT, UST D.O. STATEMENT, AND EVIDENCE OF FINANCIAL RESPONSIBILITY FOR UST SYSTEM. PREPARE AND SUBMIT UST EVIDENCE OF FINANCIAL RESPONSIBILITY TO THIS DEPARTMENT ON LINE THROUGH CERS WITHIN 30 DAYS.
Violation Division: San Bernardino County Fire Department
Violation Program: UST
Violation Source: CERS,

Site ID: 85730
Site Name: WESTSIDE Circle K
Violation Date: 03-29-2019
Citation: 23 CCR 16 2715(c)(4) - California Code of Regulations, Title 23, Chapter 16, Section(s) 2715(c)(4)
Violation Description: Failure to maintain a list of employees trained by the designated operator on-site or off-site at a readily available location, if approved by the UPA. For training that occurs on or after October 1, 2018, failure to maintain a copy of the "Facility Employee Training Certificate" on-site or off-site at a readily available location, if approved by the UPA.
Violation Notes: Returned to compliance on 11/25/2019. OBSERVATION: Designated Operator (DO) training has not been completed for this site since 2017. CORRECTIVE ACTION: DO training is required for employees annual, within 30 days submit a copy of your DO training sign in sheet to this agency. Formal Enforcement may occur.
Violation Division: San Bernardino County Fire Department
Violation Program: UST
Violation Source: CERS,

Site ID: 85730
Site Name: WESTSIDE Circle K
Violation Date: 04-02-2015
Citation: HSC 6.7 25286(a) - California Health and Safety Code, Chapter 6.7, Section(s) 25286(a)
Violation Description: Failure to submit an complete and accurate application for a permit to operate an underground storage tank, or for renewal of the permit.
Violation Notes: Returned to compliance on 04/02/2015. AS OF JANUARY 1, 2014 ALL UST FACILITIES MUST SUBMIT ALL UST DOCUMENTS ON LINE INTO THE CALIFORNIA ENVIRONMENTAL REPORTING SYSTEM (CERS) INCLUDING BUT NOT LIMITED TO UST MONITORING/RESPONSE PLAN, UST TANK APPLICATION WITH TANK FORMS, OWNER/OPERATOR AGREEMENT, UST D.O. STATEMENT, AND EVIDENCE OF FINANCIAL RESPONSIBILITY FOR UST SYSTEM. PREPARE AND SUBMIT UST PERMIT APPLICATION WITH TANK FORMS TO THIS DEPARTMENT ON LINE THROUGH CERS WITHIN 30 DAYS. THIS IS A RECALCITRANT VIOLATION NOTED ON THE PREVIOUS INSPECTION REPORT DATED 4/1/2014 AND NOV LETTER DATED 1/9/2015. VIOLATION IS NOW A CLASS 2 VIOLATION.
Violation Division: San Bernardino County Fire Department

Map ID
Direction
Distance
Elevation

MAP FINDINGS

Site

Database(s)

EDR ID Number
EPA ID Number

WESTSIDE MART (Continued)

S105048099

Violation Program: UST
Violation Source: CERS,

Site ID: 85730
Site Name: WESTSIDE Circle K
Violation Date: 11-25-2019
Citation: 23 CCR 16 2641(h) - California Code of Regulations, Title 23, Chapter 16, Section(s) 2641(h)
Violation Description: Failure to have an approved UST Monitoring Plan.
Violation Notes: Returned to compliance on 11/25/2019. OBSERVATION: The monitoring plan information submitted via CERS is not accurate based upon the construction recently completed at this facility. CORRECTIVE ACTION: Update the monitoring plan information for all tanks via CERS and re-submit all UST documents within 30 days.

Violation Division: San Bernardino County Fire Department
Violation Program: UST
Violation Source: CERS,

Site ID: 85730
Site Name: WESTSIDE Circle K
Violation Date: 04-02-2015
Citation: HSC 6.95 25507 - California Health and Safety Code, Chapter 6.95, Section(s) 25507
Violation Description: Failure to adequately establish and implement a business plan when storing/handling a hazardous material at or above reportable quantities.
Violation Notes: Returned to compliance on 04/02/2015. FACILITY HAZARDOUS MATERIALS BUSINESS PLAN (HMBP) HAS NOT BEEN COMPLETED FOR THIS FACILITY ON LINE IN CERS TO DATE. COMPLETE FACILITY HMBP AND SUBMIT ON LINE IN CERS WITHIN 30 DAYS.

Violation Division: San Bernardino County Fire Department
Violation Program: HMRRP
Violation Source: CERS,

Site ID: 85730
Site Name: WESTSIDE Circle K
Violation Date: 03-29-2019
Citation: HSC 6.7 25292.1(a) - California Health and Safety Code, Chapter 6.7, Section(s) 25292.1(a)
Violation Description: Failure to operate the UST system to prevent unauthorized releases including leaks, spills, and/or overfills.
Violation Notes: Returned to compliance on 11/25/2019. OBSERVATION: Dispenser 11/12 the meter for the 91 gas is broken and leaks gas when turned on. This caused about 5 to 6 inches of fuel to leak into the UDC and this fuel has not been removed from the UDC, which is an extreme fire hazard. CORRECTIVE ACTION: Immediately remove the fuel from the UDC and repair the dispenser so it will no longer spill fuel when operating. Formal enforcement may occur.

Violation Division: San Bernardino County Fire Department
Violation Program: UST
Violation Source: CERS,

Site ID: 85730
Site Name: WESTSIDE Circle K
Violation Date: 03-29-2019
Citation: HSC 6.7 25291(a)(2) - California Health and Safety Code, Chapter 6.7, Section(s) 25291(a)(2)

Map ID
Direction
Distance
Elevation

MAP FINDINGS

Site

Database(s)

EDR ID Number
EPA ID Number

WESTSIDE MART (Continued)

S105048099

Violation Description: Failure to maintain secondary containment (e.g., failure of secondary containment testing).

Violation Notes: Returned to compliance on 11/25/2019. OBSERVATION: The SB989 secondary containment testing had multiple failures. CORRECTIVE ACTION: Submit plans to this agency to address the many failures noted on the SB989 testing which was conducted today. These plans must be submitted by a licensed contractor to this agency before any construction can begin. These plans must be submitted in 30 days to this agency.

Violation Division: San Bernardino County Fire Department
Violation Program: UST
Violation Source: CERS,

Site ID: 85730
Site Name: WESTSIDE Circle K
Violation Date: 04-01-2014
Citation: 23 CCR 16 2715 - California Code of Regulations, Title 23, Chapter 16, Section(s) 2715

Violation Description: Failure to comply with one or more of the designated operator monthly inspection requirements: failed to inspect the monthly alarm history report; attach a copy of the alarm history; failed to inspect for the presence of liquid or debris in the spill container/spill bucket and under dispenser containment; failed to inspect the under dispenser containment to ensure that monitoring equipment is placed in the proper position; failure to inspect for liquid or debris in the containment sump where an alarm occurred or for which there is no record of a service visit; or failure to check that all testing and maintenance has been completed and documented.

Violation Notes: Returned to compliance on 04/02/2015. MARCH 2014 UST D.O. INSPECTION REPORT NOT ON SITE AT TIME OF INSPECTION. OBTAIN MISSING INSPECTION REPORT IMMEDIATELY AND ENSURE ALL UST D.O. INSPECTION REPORTS FOR THE PREVIOUS 12 MONTHS IS AVAILABLE ON SITE AT ALL TIMES.

Violation Division: San Bernardino County Fire Department
Violation Program: UST
Violation Source: CERS,

Evaluation:
Eval General Type: Compliance Evaluation Inspection
Eval Date: 03-29-2018
Violations Found: No
Eval Type: Routine done by local agency
Eval Notes: WESTSIDE CHEVRON- UST WASTE INSPECTION
Eval Division: San Bernardino County Fire Department
Eval Program: HW
Eval Source: CERS,

Eval General Type: Compliance Evaluation Inspection
Eval Date: 03-29-2018
Violations Found: Yes
Eval Type: Routine done by local agency
Eval Notes: WESTSIDE CHEVRON- UST MONITORING CERTIFICATION
Eval Division: San Bernardino County Fire Department
Eval Program: UST
Eval Source: CERS,

Eval General Type: Compliance Evaluation Inspection
Eval Date: 04-01-2014
Violations Found: Yes

Map ID
Direction
Distance
Elevation

MAP FINDINGS

Site

Database(s)

EDR ID Number
EPA ID Number

WESTSIDE MART (Continued)

S105048099

Eval Type: Routine done by local agency
Eval Notes: UST ANNUA INSPECTION WITH MONITORING SYSTEM CERTIFICATION.
Eval Division: San Bernardino County Fire Department
Eval Program: UST
Eval Source: CERS,

Eval General Type: Compliance Evaluation Inspection
Eval Date: 04-02-2015
Violations Found: Yes
Eval Type: Routine done by local agency
Eval Notes: HAZARDOUS WASTE INSPECTION
Eval Division: San Bernardino County Fire Department
Eval Program: HW
Eval Source: CERS,

Eval General Type: Other/Unknown
Eval Date: 11-17-2017
Violations Found: No
Eval Type: Other, not routine, done by local agency
Eval Notes: FOLLOW UP INSPECTION RE: OUTSTANDING VIOLATIONS
Eval Division: San Bernardino County Fire Department
Eval Program: UST
Eval Source: CERS,

Eval General Type: Other/Unknown
Eval Date: 11-20-2019
Violations Found: No
Eval Type: Other, not routine, done by local agency
Eval Notes: Not reported
Eval Division: San Bernardino County Fire Department
Eval Program: UST
Eval Source: CERS,

Eval General Type: Compliance Evaluation Inspection
Eval Date: 03-28-2016
Violations Found: No
Eval Type: Routine done by local agency
Eval Notes: WESTSIDE CHEVRON- UST REVIEWING .
Eval Division: San Bernardino County Fire Department
Eval Program: HMRRP
Eval Source: CERS,

Eval General Type: Compliance Evaluation Inspection
Eval Date: 03-28-2016
Violations Found: Yes
Eval Type: Routine done by local agency
Eval Notes: WESTSIDE CHEVRON- UST MONITORING CERTIFICATION
Eval Division: San Bernardino County Fire Department
Eval Program: UST
Eval Source: CERS,

Eval General Type: Compliance Evaluation Inspection
Eval Date: 03-28-2017
Violations Found: Yes
Eval Type: Routine done by local agency
Eval Notes: ANNUAL UST INSPECTION WITH MONITORING SYSTEM CERTIFICATION.
Eval Division: San Bernardino County Fire Department

Map ID
Direction
Distance
Elevation

MAP FINDINGS

Site

Database(s)

EDR ID Number
EPA ID Number

WESTSIDE MART (Continued)

S105048099

Eval Program: UST
Eval Source: CERS,

Eval General Type: Compliance Evaluation Inspection
Eval Date: 03-29-2018
Violations Found: No
Eval Type: Routine done by local agency
Eval Notes: WESTSIDE CHEVRON- UST INSPECTION
Eval Division: San Bernardino County Fire Department
Eval Program: HMRRP
Eval Source: CERS,

Eval General Type: Compliance Evaluation Inspection
Eval Date: 11-04-2021
Violations Found: No
Eval Type: Routine done by local agency
Eval Notes: Not reported
Eval Division: San Bernardino County Fire Department
Eval Program: HW
Eval Source: CERS,

Eval General Type: Compliance Evaluation Inspection
Eval Date: 11-18-2020
Violations Found: Yes
Eval Type: Routine done by local agency
Eval Notes: Annual inspection with monitoring certification.
Eval Division: San Bernardino County Fire Department
Eval Program: UST
Eval Source: CERS,

Eval General Type: Compliance Evaluation Inspection
Eval Date: 03-28-2016
Violations Found: No
Eval Type: Routine done by local agency
Eval Notes: WESTSIDE CHEVRON-UST MONITORING CERTIFICATION
Eval Division: San Bernardino County Fire Department
Eval Program: HMRRP
Eval Source: CERS,

Eval General Type: Compliance Evaluation Inspection
Eval Date: 03-28-2017
Violations Found: Yes
Eval Type: Routine done by local agency
Eval Notes: HAZARDOUS MATERIALS INSPECTION - UST ONLY
Eval Division: San Bernardino County Fire Department
Eval Program: HMRRP
Eval Source: CERS,

Eval General Type: Compliance Evaluation Inspection
Eval Date: 03-29-2019
Violations Found: Yes
Eval Type: Routine done by local agency
Eval Notes: Not reported
Eval Division: San Bernardino County Fire Department
Eval Program: UST
Eval Source: CERS,

Map ID
Direction
Distance
Elevation

MAP FINDINGS

Site

Database(s)

EDR ID Number
EPA ID Number

WESTSIDE MART (Continued)

S105048099

Eval General Type: Compliance Evaluation Inspection
Eval Date: 03-31-2016
Violations Found: No
Eval Type: Routine done by local agency
Eval Notes: LD EXPRESS(SHELL)-UST INSPECTION
Eval Division: San Bernardino County Fire Department
Eval Program: HMRRP
Eval Source: CERS,

Eval General Type: Other/Unknown
Eval Date: 03-31-2016
Violations Found: No
Eval Type: Other, not routine, done by local agency
Eval Notes: WESTSIDE CHEVRON-UST RE-INSPECTION
Eval Division: San Bernardino County Fire Department
Eval Program: UST
Eval Source: CERS,

Eval General Type: Compliance Evaluation Inspection
Eval Date: 04-02-2015
Violations Found: Yes
Eval Type: Routine done by local agency
Eval Notes: HAZ MAT HANDLER INSPECTION - UST ONLY
Eval Division: San Bernardino County Fire Department
Eval Program: HMRRP
Eval Source: CERS,

Eval General Type: Compliance Evaluation Inspection
Eval Date: 11-04-2021
Violations Found: No
Eval Type: Routine done by local agency
Eval Notes: Not reported
Eval Division: San Bernardino County Fire Department
Eval Program: HMRRP
Eval Source: CERS,

Eval General Type: Compliance Evaluation Inspection
Eval Date: 11-18-2020
Violations Found: No
Eval Type: Routine done by local agency
Eval Notes: See CO1 for inspection narrative.
Eval Division: San Bernardino County Fire Department
Eval Program: HMRRP
Eval Source: CERS,

Eval General Type: Compliance Evaluation Inspection
Eval Date: 04-01-2014
Violations Found: No
Eval Type: Routine done by local agency
Eval Notes: UST HAZ MAT HANDLER ONLY INSPECTION CONDUCTED IN CONJUNCTION WITH THE ANNUAL UST INSPECTION.
Eval Division: San Bernardino County Fire Department
Eval Program: HMRRP
Eval Source: CERS,

Eval General Type: Other/Unknown
Eval Date: 04-02-2015

Map ID
Direction
Distance
Elevation

MAP FINDINGS

Site

Database(s)

EDR ID Number
EPA ID Number

WESTSIDE MART (Continued)

S105048099

Violations Found: No
Eval Type: Other, not routine, done by local agency
Eval Notes: FACILITY WAS RED TAGGED FOR NON COMPLIANCE OF RECALCITRANT VIOLATIONS
.
Eval Division: San Bernardino County Fire Department
Eval Program: UST
Eval Source: CERS,

Eval General Type: Compliance Evaluation Inspection
Eval Date: 04-02-2015
Violations Found: Yes
Eval Type: Routine done by local agency
Eval Notes: UST ANNUAL INSPECTION WITH MONITORING SYSTEM CERTIFICATION
Eval Division: San Bernardino County Fire Department
Eval Program: UST
Eval Source: CERS,

Eval General Type: Compliance Evaluation Inspection
Eval Date: 11-04-2021
Violations Found: Yes
Eval Type: Routine done by local agency
Eval Notes: Not reported
Eval Division: San Bernardino County Fire Department
Eval Program: UST
Eval Source: CERS,

Eval General Type: Compliance Evaluation Inspection
Eval Date: 11-18-2020
Violations Found: No
Eval Type: Routine done by local agency
Eval Notes: See CO1 for inspection narrative.
Eval Division: San Bernardino County Fire Department
Eval Program: HW
Eval Source: CERS,

Eval General Type: Compliance Evaluation Inspection
Eval Date: 11-20-2019
Violations Found: Yes
Eval Type: Routine done by local agency
Eval Notes: Not reported
Eval Division: San Bernardino County Fire Department
Eval Program: UST
Eval Source: CERS,

Eval General Type: Compliance Evaluation Inspection
Eval Date: 11-21-2013
Violations Found: Yes
Eval Type: Routine done by local agency
Eval Notes: GENERATOR INSPECTION
Eval Division: San Bernardino County Fire Department
Eval Program: HW
Eval Source: CERS,

Enforcement Action:
Site ID: 85730
Site Name: WESTSIDE Circle K
Site Address: 2321 NEEDLES HWY

Map ID
Direction
Distance
Elevation

MAP FINDINGS

Site

Database(s)

EDR ID Number
EPA ID Number

WESTSIDE MART (Continued)

S105048099

Site City: NEEDLES
Site Zip: 92363
Enf Action Date: 03-28-2016
Enf Action Type: Notice of Violation (Unified Program)
Enf Action Description: Notice of Violation Issued by the Inspector at the Time of Inspection
Enf Action Notes: Not reported
Enf Action Division: San Bernardino County Fire Department
Enf Action Program: UST
Enf Action Source: CERS,

Site ID: 85730
Site Name: WESTSIDE Circle K
Site Address: 2321 NEEDLES HWY
Site City: NEEDLES
Site Zip: 92363
Enf Action Date: 03-28-2017
Enf Action Type: Notice of Violation (Unified Program)
Enf Action Description: Notice of Violation Issued by the Inspector at the Time of Inspection
Enf Action Notes: Not reported
Enf Action Division: San Bernardino County Fire Department
Enf Action Program: HMRRP
Enf Action Source: CERS,

Site ID: 85730
Site Name: WESTSIDE Circle K
Site Address: 2321 NEEDLES HWY
Site City: NEEDLES
Site Zip: 92363
Enf Action Date: 03-28-2017
Enf Action Type: Notice of Violation (Unified Program)
Enf Action Description: Notice of Violation Issued by the Inspector at the Time of Inspection
Enf Action Notes: Not reported
Enf Action Division: San Bernardino County Fire Department
Enf Action Program: UST
Enf Action Source: CERS,

Site ID: 85730
Site Name: WESTSIDE Circle K
Site Address: 2321 NEEDLES HWY
Site City: NEEDLES
Site Zip: 92363
Enf Action Date: 04-01-2014
Enf Action Type: Notice of Violation (Unified Program)
Enf Action Description: Notice of Violation Issued by the Inspector at the Time of Inspection
Enf Action Notes: Not reported
Enf Action Division: San Bernardino County Fire Department
Enf Action Program: UST
Enf Action Source: CERS,

Site ID: 85730
Site Name: WESTSIDE Circle K
Site Address: 2321 NEEDLES HWY
Site City: NEEDLES
Site Zip: 92363
Enf Action Date: 04-02-2015
Enf Action Type: Notice of Violation (Unified Program)
Enf Action Description: Notice of Violation Issued by the Inspector at the Time of Inspection

Map ID
Direction
Distance
Elevation

MAP FINDINGS

Site

Database(s)

EDR ID Number
EPA ID Number

WESTSIDE MART (Continued)

S105048099

Enf Action Notes: Not reported
Enf Action Division: San Bernardino County Fire Department
Enf Action Program: HMRRP
Enf Action Source: CERS,

Site ID: 85730
Site Name: WESTSIDE Circle K
Site Address: 2321 NEEDLES HWY
Site City: NEEDLES
Site Zip: 92363
Enf Action Date: 04-02-2015
Enf Action Type: Notice of Violation (Unified Program)
Enf Action Description: Notice of Violation Issued by the Inspector at the Time of Inspection
Enf Action Notes: Not reported
Enf Action Division: San Bernardino County Fire Department
Enf Action Program: HW
Enf Action Source: CERS,

Site ID: 85730
Site Name: WESTSIDE Circle K
Site Address: 2321 NEEDLES HWY
Site City: NEEDLES
Site Zip: 92363
Enf Action Date: 04-02-2015
Enf Action Type: Notice of Violation (Unified Program)
Enf Action Description: Notice of Violation Issued by the Inspector at the Time of Inspection
Enf Action Notes: Not reported
Enf Action Division: San Bernardino County Fire Department
Enf Action Program: UST
Enf Action Source: CERS,

Site ID: 85730
Site Name: WESTSIDE Circle K
Site Address: 2321 NEEDLES HWY
Site City: NEEDLES
Site Zip: 92363
Enf Action Date: 04-02-2015
Enf Action Type: Referral to Other
Enf Action Description: Referral to Other
Enf Action Notes: Tank ID - T1 Contents - 87 Octane gasoline Gallons/Inches 4,109 gallons/35.76 inches Red Tag No. 2638 FACILITY WAS RED TAGGED FOR NON COMPLIANCE OF RECALCITRANT VIOLATIONS .
Enf Action Division: San Bernardino County Fire Department
Enf Action Program: HMRRP
Enf Action Source: CERS,

Site ID: 85730
Site Name: WESTSIDE Circle K
Site Address: 2321 NEEDLES HWY
Site City: NEEDLES
Site Zip: 92363
Enf Action Date: 04-02-2015
Enf Action Type: Referral to Other
Enf Action Description: Referral to Other
Enf Action Notes: Tank ID - T1 Contents - 87 Octane gasoline Gallons/Inches 4,109 gallons/35.76 inches Red Tag No. 2638 FACILITY WAS RED TAGGED FOR NON COMPLIANCE OF RECALCITRANT VIOLATIONS .

Map ID
Direction
Distance
Elevation

MAP FINDINGS

Site

Database(s)

EDR ID Number
EPA ID Number

WESTSIDE MART (Continued)

S105048099

Enf Action Division: San Bernardino County Fire Department
Enf Action Program: UST
Enf Action Source: CERS,

Site ID: 85730
Site Name: WESTSIDE Circle K
Site Address: 2321 NEEDLES HWY
Site City: NEEDLES
Site Zip: 92363
Enf Action Date: 11-21-2013
Enf Action Type: Notice of Violation (Unified Program)
Enf Action Description: Notice of Violation Issued by the Inspector at the Time of Inspection
Enf Action Notes: Not reported
Enf Action Division: San Bernardino County Fire Department
Enf Action Program: HW
Enf Action Source: CERS,

Coordinates:
Site ID: 85730
Facility Name: WESTSIDE Circle K
Env Int Type Code: HWG
Program ID: 10039561
Coord Name: Not reported
Ref Point Type Desc: Unknown,
Latitude: 34.848455
Longitude: -114.620641

Affiliation:
Affiliation Type Desc: Document Preparer
Entity Name: Dawn Harkey
Entity Title: Not reported
Affiliation Address: Not reported
Affiliation City: Not reported
Affiliation State: Not reported
Affiliation Country: Not reported
Affiliation Zip: Not reported
Affiliation Phone: ,

Affiliation Type Desc: Environmental Contact
Entity Name: ATLAS ENVIRONMENTAL ENG
Entity Title: Not reported
Affiliation Address: 3185 AIRWAY AVE, STE D-1
Affiliation City: COSTA MESA
Affiliation State: CA
Affiliation Country: Not reported
Affiliation Zip: 92626
Affiliation Phone: ,

Affiliation Type Desc: Identification Signer
Entity Name: Scott Goodman
Entity Title: V.P. of Operations
Affiliation Address: Not reported
Affiliation City: Not reported
Affiliation State: Not reported
Affiliation Country: Not reported
Affiliation Zip: Not reported

Map ID
Direction
Distance
Elevation

MAP FINDINGS

Site

Database(s)

EDR ID Number
EPA ID Number

WESTSIDE MART (Continued)

S105048099

Affiliation Phone: ,

Affiliation Type Desc: Legal Owner
Entity Name: OASIS PETROLEUM CORP
Entity Title: Not reported
Affiliation Address: 10580 WILSHIRE #43
Affiliation City: LOS ANGELES
Affiliation State: CA
Affiliation Country: United States
Affiliation Zip: 90024
Affiliation Phone: (310) 276-5590,

Affiliation Type Desc: Operator
Entity Name: Scott Goodman
Entity Title: Not reported
Affiliation Address: Not reported
Affiliation City: Not reported
Affiliation State: Not reported
Affiliation Country: Not reported
Affiliation Zip: Not reported
Affiliation Phone: (928) 727-7274,

Affiliation Type Desc: UST Property Owner Name
Entity Name: Martin Goodman
Entity Title: Not reported
Affiliation Address: 10580 Wilshire Blvd. #43
Affiliation City: Los Angeles
Affiliation State: CA
Affiliation Country: United States
Affiliation Zip: 90024
Affiliation Phone: (310) 441-5590,

Affiliation Type Desc: UST Tank Operator
Entity Name: Scott Goodman
Entity Title: Not reported
Affiliation Address: PO 871
Affiliation City: Needles
Affiliation State: CA
Affiliation Country: United States
Affiliation Zip: 92363
Affiliation Phone: (928) 727-7274,

Affiliation Type Desc: CUPA District
Entity Name: San Bernardino County Fire
Entity Title: Not reported
Affiliation Address: 620 South E Street
Affiliation City: San Bernardino
Affiliation State: CA
Affiliation Country: Not reported
Affiliation Zip: 92415-0153
Affiliation Phone: (909) 386-8401,

Affiliation Type Desc: UST Tank Owner
Entity Name: Martin Goodman
Entity Title: Not reported
Affiliation Address: 10580 Wilshire Blvd.
Affiliation City: Los Angeles

Map ID
Direction
Distance
Elevation

MAP FINDINGS

Site

Database(s)

EDR ID Number
EPA ID Number

WESTSIDE MART (Continued)

S105048099

Affiliation State: CA
Affiliation Country: United States
Affiliation Zip: 90024
Affiliation Phone: (310) 441-5590,

Affiliation Type Desc: Facility Mailing Address
Entity Name: Mailing Address
Entity Title: Not reported
Affiliation Address: PO Box 871
Affiliation City: NEEDLES
Affiliation State: CA
Affiliation Country: Not reported
Affiliation Zip: 92363
Affiliation Phone: ,

Affiliation Type Desc: Parent Corporation
Entity Name: WESTSIDE CHEVRON
Entity Title: Not reported
Affiliation Address: Not reported
Affiliation City: Not reported
Affiliation State: Not reported
Affiliation Country: Not reported
Affiliation Zip: Not reported
Affiliation Phone: ,

Affiliation Type Desc: UST Permit Applicant
Entity Name: Scott Goodman
Entity Title: V.P Operations
Affiliation Address: Not reported
Affiliation City: Not reported
Affiliation State: Not reported
Affiliation Country: Not reported
Affiliation Zip: Not reported
Affiliation Phone: (928) 727-7274,

HWTS:

Name: WESTSIDE CHEVRON
Address: 2321 NEEDLES HWY
Address 2: Not reported
City,State,Zip: NEEDLES, CA 92363
EPA ID: CAL000353316
Inactive Date: Not reported
Create Date: 06/14/2010
Last Act Date: Not reported
Mailing Name: Not reported
Mailing Address: 10580 WILSHIRE BLVD #43
Mailing Address 2: Not reported
Mailing City,State,Zip: LOS ANGELES, CA 92363
Owner Name: OASIS PETROLEUM INC
Owner Address: 10580 WILSHIRE BLVD #43
Owner Address 2: Not reported
Owner City,State,Zip: LOS ANGELES, CA 92363
Contact Name: SCOTT GOODMAN
Contact Address: 2321 NEEDLES HWY
Contact Address 2: Not reported
City,State,Zip: NEEDLES, CA 92363

Map ID
 Direction
 Distance
 Elevation

MAP FINDINGS

Site

Database(s)

EDR ID Number
 EPA ID Number

WESTSIDE MART (Continued)

S105048099

Facility Status:	Active
Facility Type:	PERMANENT
Category:	STATE
Latitude:	34.84905
Longitude:	-114.62241
NAICS:	
EPA ID:	CAL000353316
Create Date:	2010-06-14 11:06:24.760
NAICS Code:	99999
NAICS Description:	Not Otherwise Specified
Issued EPA ID Date:	2010-06-14 11:06:24.74700
Inactive Date:	Not reported
Facility Name:	WESTSIDE CHEVRON
Facility Address:	2321 NEEDLES HWY
Facility Address 2:	Not reported
Facility City:	NEEDLES
Facility County:	Not reported
Facility State:	CA
Facility Zip:	923632106

**AC204
 Target
 Property**

**WESTSIDE CHEVRON
 2321 NEEDLES HWY
 NEEDLES, CA 92363**

RCRA NonGen / NLR

**1024826111
 CAL000353316**

Site 6 of 18 in cluster AC

**Actual:
 521 ft.**

RCRA NonGen / NLR:
 Date Form Received by Agency:

20100614

**Focus Map:
 6**

Handler Name:
 Handler Address:
 Handler City,State,Zip:
 EPA ID:
 Contact Name:
 Contact Address:
 Contact City,State,Zip:
 Contact Telephone:
 Contact Fax:
 Contact Email:
 Contact Title:
 EPA Region:

WESTSIDE CHEVRON

2321 NEEDLES HWY
 NEEDLES, CA 92363-2106
 CAL000353316
 SCOTT GOODMAN
 2321 NEEDLES HWY
 NEEDLES, CA 92363
 760-326-3048
 Not reported
 SCOTTGOODMAN321659@YAHOO.COM
 Not reported
 09

Land Type:
 Federal Waste Generator Description:
 Non-Notifier:
 Biennial Report Cycle:
 Accessibility:
 Active Site Indicator:
 State District Owner:
 State District:
 Mailing Address:
 Mailing City,State,Zip:
 Owner Name:
 Owner Type:
 Operator Name:
 Operator Type:
 Short-Term Generator Activity:
 Importer Activity:

OASIS PETROLEUM INC

Not reported
 Not a generator, verified
 Not reported
 Not reported
 Not reported
 Handler Activities
 Not reported
 Not reported
 10580 WILSHIRE BLVD #43
 LOS ANGELES, CA 92363

Other
 Other
 No
 No

Map ID
 Direction
 Distance
 Elevation

MAP FINDINGS

Site

Database(s)

EDR ID Number
 EPA ID Number

WESTSIDE CHEVRON (Continued)

1024826111

Mixed Waste Generator:	No
Transporter Activity:	No
Transfer Facility Activity:	No
Recycler Activity with Storage:	No
Small Quantity On-Site Burner Exemption:	No
Smelting Melting and Refining Furnace Exemption:	No
Underground Injection Control:	No
Off-Site Waste Receipt:	No
Universal Waste Indicator:	Yes
Universal Waste Destination Facility:	Yes
Federal Universal Waste:	No
Active Site Fed-Reg Treatment Storage and Disposal Facility:	Not reported
Active Site Converter Treatment storage and Disposal Facility:	Not reported
Active Site State-Reg Treatment Storage and Disposal Facility:	Not reported
Active Site State-Reg Handler:	---
Federal Facility Indicator:	Not reported
Hazardous Secondary Material Indicator:	N
Sub-Part K Indicator:	Not reported
Commercial TSD Indicator:	No
Treatment Storage and Disposal Type:	Not reported
2018 GPRA Permit Baseline:	Not on the Baseline
2018 GPRA Renewals Baseline:	Not on the Baseline
Permit Renewals Workload Universe:	Not reported
Permit Workload Universe:	Not reported
Permit Progress Universe:	Not reported
Post-Closure Workload Universe:	Not reported
Closure Workload Universe:	Not reported
202 GPRA Corrective Action Baseline:	No
Corrective Action Workload Universe:	No
Subject to Corrective Action Universe:	No
Non-TSDFs Where RCRA CA has Been Imposed Universe:	No
TSDFs Potentially Subject to CA Under 3004 (u)/(v) Universe:	No
TSDFs Only Subject to CA under Discretionary Auth Universe:	No
Corrective Action Priority Ranking:	No NCAPS ranking
Environmental Control Indicator:	No
Institutional Control Indicator:	No
Human Exposure Controls Indicator:	N/A
Groundwater Controls Indicator:	N/A
Operating TSDF Universe:	Not reported
Full Enforcement Universe:	Not reported
Significant Non-Complier Universe:	No
Unaddressed Significant Non-Complier Universe:	No
Addressed Significant Non-Complier Universe:	No
Significant Non-Complier With a Compliance Schedule Universe:	No
Financial Assurance Required:	Not reported
Handler Date of Last Change:	20180905
Recognized Trader-Importer:	No
Recognized Trader-Exporter:	No
Importer of Spent Lead Acid Batteries:	No
Exporter of Spent Lead Acid Batteries:	No
Recycler Activity Without Storage:	No
Manifest Broker:	No
Sub-Part P Indicator:	No

Handler - Owner Operator:

Owner/Operator Indicator: Owner

Map ID
Direction
Distance
Elevation

MAP FINDINGS

Site

Database(s)

EDR ID Number
EPA ID Number

WESTSIDE CHEVRON (Continued)

1024826111

Owner/Operator Name: OASIS PETROLEUM INC
Legal Status: Other
Date Became Current: Not reported
Date Ended Current: Not reported
Owner/Operator Address: 10580 WILSHIRE BLVD #43
Owner/Operator City,State,Zip: LOS ANGELES, CA 92363
Owner/Operator Telephone: 310-276-5590
Owner/Operator Telephone Ext: Not reported
Owner/Operator Fax: Not reported
Owner/Operator Email: Not reported

Owner/Operator Indicator: Operator
Owner/Operator Name: SCOTT GOODMAN
Legal Status: Other
Date Became Current: Not reported
Date Ended Current: Not reported
Owner/Operator Address: 2321 NEEDLES HWY
Owner/Operator City,State,Zip: NEEDLES, CA 92363
Owner/Operator Telephone: 760-326-3048
Owner/Operator Telephone Ext: Not reported
Owner/Operator Fax: Not reported
Owner/Operator Email: Not reported

Historic Generators:
Receive Date: 20100614
Handler Name: WESTSIDE CHEVRON
Federal Waste Generator Description: Not a generator, verified
State District Owner: Not reported
Large Quantity Handler of Universal Waste: No
Recognized Trader Importer: No
Recognized Trader Exporter: No
Spent Lead Acid Battery Importer: No
Spent Lead Acid Battery Exporter: No
Current Record: Yes
Non Storage Recycler Activity: Not reported
Electronic Manifest Broker: Not reported

List of NAICS Codes and Descriptions:
NAICS Code: 56299
NAICS Description: ALL OTHER WASTE MANAGEMENT SERVICES

Facility Has Received Notices of Violations:
Violations: No Violations Found

Evaluation Action Summary:
Evaluations: No Evaluations Found

Map ID
Direction
Distance
Elevation

MAP FINDINGS

Site

Database(s)

EDR ID Number
EPA ID Number

AC205 **OASIS PETROLEUM**
Target **2321 NEEDLES HWY**
Property **NEEDLES, CA 92363**

HAZNET **S123612262**
HWTS **N/A**

Site 7 of 18 in cluster AC

Actual:
521 ft.
Focus Map:
6

HAZNET:
Name: OASIS PETROLEUM
Address: 2321 NEEDLES HWY
Address 2: Not reported
City,State,Zip: NEEDLES, CA 92363
Contact: GEORGE HAMIL
Telephone: 9282799048
Mailing Name: Not reported
Mailing Address: PO BOX 871

Year: 2017
Gepaid: CAC002931186
TSD EPA ID: MXC130619001
CA Waste Code: 134 - Aqueous solution with total organic residues less than 10 percent
Disposal Method: H020 - Solvents Recovery
Tons: 0.5502

Additional Info:

Year: 2017
Gen EPA ID: CAC002931186

Shipment Date: 20171010
Creation Date: 7/24/2018 18:30:44
Receipt Date: 20171018
Manifest ID: 017946991JJK
Trans EPA ID: CAR000011205
Trans Name: EFR ENVIRONMENTAL SERVICES INC
Trans 2 EPA ID: CAR000194217
Trans 2 Name: TEMARRY RECYCLING INC
TSD EPA ID: MXC130619001
Trans Name: RECICLADORA TEMARRY DE MEXICO SA DE CV
TSD Alt EPA ID: Not reported
TSD Alt Name: Not reported
Waste Code Description: 134 - Aqueous solution with <10% total organic residues
RCRA Code: D018
Meth Code: H020 - Solvents Recovery
Quantity Tons: 0.5502
Waste Quantity: 131
Quantity Unit: G
Additional Code 1: D001
Additional Code 2: Not reported
Additional Code 3: Not reported
Additional Code 4: Not reported
Additional Code 5: Not reported

HWTS:

Name: OASIS PETROLEUM
Address: 2321 NEEDLES HWY
Address 2: Not reported
City,State,Zip: NEEDLES, CA 92363

Map ID
Direction
Distance
Elevation

MAP FINDINGS

Site

Database(s)

EDR ID Number
EPA ID Number

OASIS PETROLEUM (Continued)

S123612262

EPA ID: CAC002931186
Inactive Date: 01/06/2018
Create Date: 10/06/2017
Last Act Date: Not reported
Mailing Name: Not reported
Mailing Address: PO BOX 871
Mailing Address 2: Not reported
Mailing City,State,Zip: NEEDLES, CA 92363
Owner Name: MARTIN GOODMAN
Owner Address: 10580 WILSHIRE BLVD STE 43
Owner Address 2: Not reported
Owner City,State,Zip: LOS ANGELES, CA 90048
Contact Name: GEORGE HAMIL
Contact Address: 2321 NEEDLES HWY
Contact Address 2: Not reported
City,State,Zip: NEEDLES, CA 92363
Facility Status: Inactive
Facility Type: TEMPORARY
Category: STATE
Latitude: 34.848434
Longitude: -114.6206

NAICS:

EPA ID: CAC002931186
Create Date: 2017-10-06 08:56:29.887
NAICS Code: 447110
NAICS Description: Gasoline Stations with Convenience Stores
Issued EPA ID Date: 2017-10-06 08:56:29.88700
Inactive Date: 2018-01-06 03:00:15.47300
Facility Name: OASIS PETROLEUM
Facility Address: 2321 NEEDLES HWY
Facility Address 2: Not reported
Facility City: NEEDLES
Facility County: Not reported
Facility State: CA
Facility Zip: 92363

AC206 **G & M OIL CO INC #26**
Target **2321 NEEDLES HWY**
Property **NEEDLES, CA 92363**

HAZNET **S123615492**
HWTS **N/A**

Site 8 of 18 in cluster AC

Actual: HAZNET:
521 ft. Name: G & M OIL CO INC #26
Focus Map: Address: 2321 NEEDLES HWY
6 Address 2: Not reported
City,State,Zip: NEEDLES, CA 923630000
Contact: SOLEDAD GERMAN
Telephone: 7143754700
Mailing Name: Not reported
Mailing Address: 16868 A LN

Year: 2008
Gepaid: CAL000004979
TSD EPA ID: CAD028409019
CA Waste Code: 241 - Tank bottom waste

Map ID
Direction
Distance
Elevation

MAP FINDINGS

Site

Database(s)

EDR ID Number
EPA ID Number

G & M OIL CO INC #26 (Continued)

S123615492

Disposal Method: H135 - Discharge To Sewer/Potw Or Npdes(With Prior Storage--With Or Without Treatment)
Tons: 0.9174
Year: 1999
Gepaid: CAL000004979
TSD EPA ID: CAT080013352
CA Waste Code: 221 - Waste oil and mixed oil
Disposal Method: R01 - Recycler
Tons: 0.418
Year: 1997
Gepaid: CAL000004979
TSD EPA ID: CAT080013352
CA Waste Code: 221 - Waste oil and mixed oil
Disposal Method: R01 - Recycler
Tons: 3.8
Year: 1996
Gepaid: CAL000004979
TSD EPA ID: CAT080013352
CA Waste Code: 222 - Oil/water separation sludge
Disposal Method: R01 - Recycler
Tons: 0.688

Additional Info:

Year: 1997
Gen EPA ID: CAL000004979

Shipment Date: 19971006
Creation Date: 7/23/1998 0:00:00
Receipt Date: 19971010
Manifest ID: 96764353
Trans EPA ID: CAT080016116
Trans Name: Not reported
Trans 2 EPA ID: Not reported
Trans 2 Name: Not reported
TSD EPA ID: CAT080013352
Trans Name: Not reported
TSD Alt EPA ID: Not reported
TSD Alt Name: Not reported
Waste Code Description: 221 - Waste oil and mixed oil
RCRA Code: Not reported
Meth Code: R01 - Recycler
Quantity Tons: 3.8
Waste Quantity: 1000
Quantity Unit: G
Additional Code 1: Not reported
Additional Code 2: Not reported
Additional Code 3: Not reported
Additional Code 4: Not reported
Additional Code 5: Not reported

Additional Info:

Year: 1996

Map ID
Direction
Distance
Elevation

MAP FINDINGS

Site

Database(s)

EDR ID Number
EPA ID Number

G & M OIL CO INC #26 (Continued)

S123615492

Gen EPA ID: CAL000004979

Shipment Date: 19961107
Creation Date: 5/20/1997 0:00:00
Receipt Date: 19961121
Manifest ID: 96422067
Trans EPA ID: CA0000970392
Trans Name: Not reported
Trans 2 EPA ID: Not reported
Trans 2 Name: Not reported
TSDf EPA ID: CAT080013352
Trans Name: Not reported
TSDf Alt EPA ID: Not reported
TSDf Alt Name: Not reported
Waste Code Description: 222 - Oil/water separation sludge
RCRA Code: Not reported
Meth Code: R01 - Recycler
Quantity Tons: 0.2293
Waste Quantity: 55
Quantity Unit: G
Additional Code 1: Not reported
Additional Code 2: Not reported
Additional Code 3: Not reported
Additional Code 4: Not reported
Additional Code 5: Not reported

Shipment Date: 19960927
Creation Date: 5/20/1997 0:00:00
Receipt Date: 19961011
Manifest ID: 96056465
Trans EPA ID: CA0000970392
Trans Name: Not reported
Trans 2 EPA ID: Not reported
Trans 2 Name: Not reported
TSDf EPA ID: CAT080013352
Trans Name: Not reported
TSDf Alt EPA ID: Not reported
TSDf Alt Name: Not reported
Waste Code Description: 222 - Oil/water separation sludge
RCRA Code: Not reported
Meth Code: R01 - Recycler
Quantity Tons: 0.4587
Waste Quantity: 110
Quantity Unit: G
Additional Code 1: Not reported
Additional Code 2: Not reported
Additional Code 3: Not reported
Additional Code 4: Not reported
Additional Code 5: Not reported

Additional Info:
Year: 2008
Gen EPA ID: CAL000004979

Shipment Date: 20080113
Creation Date: 3/12/2008 18:30:10
Receipt Date: 20080123

Map ID
Direction
Distance
Elevation

MAP FINDINGS

Site

Database(s)

EDR ID Number
EPA ID Number

G & M OIL CO INC #26 (Continued)

S123615492

Manifest ID: 004015168JJK
Trans EPA ID: CAR000172874
Trans Name: ABLE ENVIRONMENTAL
Trans 2 EPA ID: Not reported
Trans 2 Name: Not reported
TSDf EPA ID: CAD028409019
Trans Name: CROSBY AND OVERTON
TSDf Alt EPA ID: Not reported
TSDf Alt Name: Not reported
Waste Code Description: 241 - Tank bottom waste 251 Still bottoms with halogenated organics
RCRA Code: Not reported
Meth Code: H135 - Discharge To Sewer/Potw Or Npdes(With Prior Storage--With Or Without Treatment)

Quantity Tons: 0.9174
Waste Quantity: 220
Quantity Unit: G
Additional Code 1: Not reported
Additional Code 2: Not reported
Additional Code 3: Not reported
Additional Code 4: Not reported
Additional Code 5: Not reported

Additional Info:

Year: 1999
Gen EPA ID: CAL000004979

Shipment Date: 19990427
Creation Date: 7/7/1999 0:00:00
Receipt Date: 19990505
Manifest ID: 99298995
Trans EPA ID: CA0000970392
Trans Name: Not reported
Trans 2 EPA ID: Not reported
Trans 2 Name: Not reported
TSDf EPA ID: CAT080013352
Trans Name: Not reported
TSDf Alt EPA ID: CAT080013352
TSDf Alt Name: Not reported
Waste Code Description: 221 - Waste oil and mixed oil
RCRA Code: Not reported
Meth Code: R01 - Recycler
Quantity Tons: 0.418
Waste Quantity: 110
Quantity Unit: G
Additional Code 1: Not reported
Additional Code 2: Not reported
Additional Code 3: Not reported
Additional Code 4: Not reported
Additional Code 5: Not reported

HWTS:

Name: G & M OIL CO INC #26
Address: 2321 NEEDLES HWY
Address 2: Not reported
City,State,Zip: NEEDLES, CA 92363
EPA ID: CAL000004979

Map ID
Direction
Distance
Elevation

MAP FINDINGS

Site

Database(s)

EDR ID Number
EPA ID Number

G & M OIL CO INC #26 (Continued)

S123615492

Inactive Date: 06/30/2015
Create Date: 11/14/1989
Last Act Date: Not reported
Mailing Name: Not reported
Mailing Address: 16868 A LN
Mailing Address 2: Not reported
Mailing City,State,Zip: HUNTINGTON BEACH, CA 926474831
Owner Name: G & M OIL CO LLC
Owner Address: 16868 A LN
Owner Address 2: Not reported
Owner City,State,Zip: HUNTINGTON BEACH, CA 926470000
Contact Name: SOLEDAD GERMAN
Contact Address: 16868 A LANE
Contact Address 2: Not reported
City,State,Zip: HUNTINGTON BEACH, CA 92647
Facility Status: Inactive
Facility Type: PERMANENT
Category: STATE
Latitude: 34.848936
Longitude: -114.62207

NAICS:

EPA ID: CAL000004979
Create Date: 2002-03-14 16:36:27.000
NAICS Code: 44719
NAICS Description: Other Gasoline Stations
Issued EPA ID Date: 1989-11-14 00:00:00
Inactive Date: 2015-06-30 00:00:00
Facility Name: G & M OIL CO INC #26
Facility Address: 2321 NEEDLES HWY
Facility Address 2: Not reported
Facility City: NEEDLES
Facility County: Not reported
Facility State: CA
Facility Zip: 923630000

AC207 CHEVRON CORPORATION
Target 2321 NEEDLES HWY
Property NEEDLES, CA 92363

EDR Hist Auto 1020736811
N/A

Site 9 of 18 in cluster AC

Actual: EDR Hist Auto
521 ft.

Focus Map:	Year:	Name:	Type:
6	2006	CHEVRON CORPORATION	Gasoline Service Stations
	2007	CHEVRON CORPORATION	Gasoline Service Stations, NEC
	2008	CHEVRON CORPORATION	Gasoline Service Stations, NEC
	2009	CHEVRON CORPORATION	Gasoline Service Stations, NEC
	2010	CHEVRON CORPORATION	Gasoline Service Stations, NEC
	2011	CHEVRON CORPORATION	Gasoline Service Stations, NEC
	2012	CHEVRON CORPORATION	Gasoline Service Stations, NEC
	2014	CHEVRON CORPORATION	Gasoline Service Stations, NEC

Map ID
Direction
Distance
Elevation

MAP FINDINGS

Site

Database(s) EDR ID Number
EPA ID Number

AC208 WESTSIDE CHEVRON
Target 2321 NEEDLES HWY
Property NEEDLES, CA 92363

UST U004263736
N/A

Site 10 of 18 in cluster AC

Actual: UST:
521 ft. Name: WESTSIDE CHEVRON
Focus Map: Address: 2321 NEEDLES HWY
6 City,State,Zip: NEEDLES, CA 92363
Facility ID: FA0003378
Permitting Agency: San Bernardino County Fire Department
CERSID: Not reported
Latitude: 34.84858
Longitude: -114.622016

AC209 OASIS PETROLEUMO
Target 2321 NEEDLES HWY
Property NEEDLES, CA 92363

HWTS S124710769
N/A

Site 11 of 18 in cluster AC

Actual: HWTS:
521 ft. Name: OASIS PETROLEUMO
Focus Map: Address: 2321 NEEDLES HWY
6 Address 2: Not reported
City,State,Zip: NEEDLES, CA 92363
EPA ID: CAC002992726
Inactive Date: 03/13/2019
Create Date: 12/12/2018
Last Act Date: Not reported
Mailing Name: Not reported
Mailing Address: 2321 NEEDLES HWY
Mailing Address 2: Not reported
Mailing City,State,Zip: NEEDLES, CA 92363
Owner Name: MARTIN GOODMAN
Owner Address: 2321 NEEDLES HWY
Owner Address 2: Not reported
Owner City,State,Zip: NEEDLES, CA 92363
Contact Name: GEORGE HAMIL
Contact Address: 2321 NEEDLES HWY
Contact Address 2: Not reported
City,State,Zip: NEEDLES, CA 92363
Facility Status: Inactive
Facility Type: TEMPORARY
Category: STATE
Latitude: 34.848434
Longitude: -114.6206

NAICS:
EPA ID: CAC002992726
Create Date: 2018-12-12 09:31:38.710
NAICS Code: 447110
NAICS Description: Gasoline Stations with Convenience Stores
Issued EPA ID Date: 2018-12-12 09:31:38.71000
Inactive Date: 2019-03-13 09:31:38.69300
Facility Name: OASIS PETROLEUMO
Facility Address: 2321 NEEDLES HWY
Facility Address 2: Not reported
Facility City: NEEDLES

Map ID
Direction
Distance
Elevation

MAP FINDINGS

Site

Database(s)

EDR ID Number
EPA ID Number

OASIS PETROLEUM (Continued)

S124710769

Facility County: Not reported
Facility State: CA
Facility Zip: 92363

AC210 **WESTSIDE CHEVRON**
Target **2321 NEEDLES HWY**
Property **NEEDLES, CA 92363**

FINDS **1023209692**
 N/A

Site 12 of 18 in cluster AC

Actual: **FINDS:**
521 ft. Registry ID: 110064950575

Focus Map: Click Here for FRS Facility Detail Report:
6

Environmental Interest/Information System:

AIR EMISSIONS CLASSIFICATION UNKNOWN
RCRAInfo is a national information system that supports the Resource Conservation and Recovery Act (RCRA) program through the tracking of events and activities related to facilities that generate, transport, and treat, store, or dispose of hazardous waste. RCRAInfo allows RCRA program staff to track the notification, permit, compliance, and corrective action activities required under RCRA.
STATE MASTER

[Click this hyperlink](#) while viewing on your computer to access additional FINDS: detail in the EDR Site Report.

AC211 **G & M OIL #26**
Target **2321 BROADWAY AVE W**
Property **NEEDLES, CA 92363**

LUST **S102430571**
Cortese **N/A**
HIST CORTESE
CERS

Site 13 of 18 in cluster AC

Actual: **LUST REG 7:**
517 ft. Region: 7
Focus Map: Status: 7 - Remedial Action Underway
6 Case Num: 7T2363019
 Substance: 8006619, MTB
 ID: 787
 Global ID: T0607101016
 Lead Agency: Local Agency
 Case Worker: YO

LUST:

Name: G & M OIL #26
Address: 2321 BROADWAY AVE W
City,State,Zip: NEEDLES, CA 92363
Lead Agency: COLORADO RIVER BASIN RWQCB (REGION 7)
Case Type: LUST Cleanup Site
Geo Track: http://geotracker.waterboards.ca.gov/profile_report.asp?global_id=T0607101016
Global Id: T0607101016
Latitude: 34.8488184681481
Longitude: -114.622464179993
Status: Completed - Case Closed
Status Date: 06/26/2014

Map ID
Direction
Distance
Elevation

MAP FINDINGS

Site

Database(s)

EDR ID Number
EPA ID Number

G & M OIL #26 (Continued)

S102430571

Case Worker: RF
RB Case Number: 7T2363019
Local Agency: SAN BERNARDINO COUNTY
File Location: Regional Board
Local Case Number: 96005
Potential Media Affect: Aquifer used for drinking water supply
Potential Contaminants of Concern: Gasoline, MTBE / TBA / Other Fuel Oxygenates
Site History: *Site Description: Operating retail fueling facility. *Source of Release: UST System *Date of Release: Contamination was discovered during dispenser and associated piping upgrades conducted in December 1995. *Affected Media: Soil and Groundwater *GW Basin: Colorado River Hydrologic Basin, Homer Hydrologic Unit, Needles Hydrologic Area *Beneficial Uses: MUN, AGR, IND, PROC *Land Use Designation: Commercial *Distance to Nearest Supply Well (Municipal or Domestic): The closest active supply well (City of Needles Well 10) is located approx. 3,500 ft E-NE of the site. *Minimum Groundwater Depth: 43.18 feet below ground surface (ft bgs) (MW-8, 2/28/2002) *Maximum Groundwater Depth: 62.84 ft bgs (MW-10, 6/19/2005) *Flow Direction: Historical flow direction is to the south, southeast, or variable in multiple directions with mounding in the vicinity of wells MW-1, MW-2, MW-3, MW-8. *Groundwater flow direction: Variable, east *Soil Types: Primarily gravelly silty sands to approximately 10 feet bgs, underlain by silty sands to approximately 58 feet bgs, followed by sands from approximately 58 to 65 feet bgs. Silty sand and/or clayey silt was encountered in several of the borings at depth ranging from 47 to 58 feet bgs. * Maximum Depth Sampled: 65 ft bgs *Soil Remediation: Soil Vapor Extraction April 15, 2000 January 20, 2007 *Groundwater Remediation: Pump and Treat with Bio-Sparging November 5, 2001 January 20, 2007; April 9, 2005 June 21, 2007; and December 23, 2008 *An independent consultant's review concludes that groundwater contaminant has migrated to both the adjacent motel across Broadway, and the Whiting Bros. property to the north of G & M #26 adjacent to the motel.

LUST:

Global Id: T0607101016
Contact Type: Local Agency Caseworker
Contact Name: JACKSON CRUTSINGER
Organization Name: SAN BERNARDINO COUNTY
Address: 620 SOUTH E STREET
City: SAN BERNARDINO
Email: jcrutsinger@sbcfire.org
Phone Number: Not reported

Global Id: T0607101016
Contact Type: Regional Board Caseworker
Contact Name: ROSALYN FLEMING
Organization Name: COLORADO RIVER BASIN RWQCB (REGION 7)
Address: 73-720 Fred Waring Drive
City: PALM DESERT
Email: rosalyn.fleming@waterboards.ca.gov
Phone Number: 7607768948

LUST:

Global Id: T0607101016
Action Type: ENFORCEMENT
Date: 05/12/2003

Map ID
Direction
Distance
Elevation

MAP FINDINGS

Site

Database(s)

EDR ID Number
EPA ID Number

G & M OIL #26 (Continued)

S102430571

Action: Technical Correspondence / Assistance / Other

Global Id: T0607101016
Action Type: ENFORCEMENT
Date: 11/26/2002
Action: Technical Correspondence / Assistance / Other

Global Id: T0607101016
Action Type: ENFORCEMENT
Date: 11/24/2003
Action: Technical Correspondence / Assistance / Other

Global Id: T0607101016
Action Type: ENFORCEMENT
Date: 02/24/2004
Action: Technical Correspondence / Assistance / Other

Global Id: T0607101016
Action Type: ENFORCEMENT
Date: 11/19/2002
Action: Technical Correspondence / Assistance / Other

Global Id: T0607101016
Action Type: ENFORCEMENT
Date: 08/08/2003
Action: Technical Correspondence / Assistance / Other

Global Id: T0607101016
Action Type: ENFORCEMENT
Date: 04/21/2011
Action: Technical Correspondence / Assistance / Other

Global Id: T0607101016
Action Type: ENFORCEMENT
Date: 02/10/2011
Action: Technical Correspondence / Assistance / Other

Global Id: T0607101016
Action Type: ENFORCEMENT
Date: 05/24/2013
Action: Technical Correspondence / Assistance / Other

Global Id: T0607101016
Action Type: ENFORCEMENT
Date: 09/12/2013
Action: Technical Correspondence / Assistance / Other

Global Id: T0607101016
Action Type: ENFORCEMENT
Date: 05/20/2013
Action: Technical Correspondence / Assistance / Other

Global Id: T0607101016
Action Type: ENFORCEMENT
Date: 05/20/2013
Action: Technical Correspondence / Assistance / Other

Map ID
Direction
Distance
Elevation

MAP FINDINGS

Site

Database(s)

EDR ID Number
EPA ID Number

G & M OIL #26 (Continued)

S102430571

Global Id:	T0607101016
Action Type:	ENFORCEMENT
Date:	06/23/2014
Action:	Clean Up Fund - Letter to RP
Global Id:	T0607101016
Action Type:	Other
Date:	12/20/1995
Action:	Leak Reported
Global Id:	T0607101016
Action Type:	RESPONSE
Date:	07/30/2010
Action:	Other Report / Document
Global Id:	T0607101016
Action Type:	REMEDIATION
Date:	04/15/2000
Action:	Soil Vapor Extraction (SVE)
Global Id:	T0607101016
Action Type:	REMEDIATION
Date:	11/05/2001
Action:	In Situ Physical/Chemical Treatment (other than SVE)
Global Id:	T0607101016
Action Type:	ENFORCEMENT
Date:	07/22/2005
Action:	File review
Global Id:	T0607101016
Action Type:	ENFORCEMENT
Date:	07/09/2009
Action:	13267 Monitoring Program
Global Id:	T0607101016
Action Type:	ENFORCEMENT
Date:	11/04/2009
Action:	13267 Monitoring Program
Global Id:	T0607101016
Action Type:	ENFORCEMENT
Date:	12/03/2009
Action:	Technical Correspondence / Assistance / Other
Global Id:	T0607101016
Action Type:	ENFORCEMENT
Date:	12/01/2011
Action:	Technical Correspondence / Assistance / Other
Global Id:	T0607101016
Action Type:	ENFORCEMENT
Date:	03/05/2011
Action:	File review
Global Id:	T0607101016
Action Type:	ENFORCEMENT

Map ID
Direction
Distance
Elevation

MAP FINDINGS

Site

Database(s)

EDR ID Number
EPA ID Number

G & M OIL #26 (Continued)

S102430571

Date: 03/05/2012
Action: Technical Correspondence / Assistance / Other

Global Id: T0607101016
Action Type: ENFORCEMENT
Date: 03/15/2012
Action: Meeting

Global Id: T0607101016
Action Type: ENFORCEMENT
Date: 02/27/2012
Action: Technical Correspondence / Assistance / Other

Global Id: T0607101016
Action Type: ENFORCEMENT
Date: 03/15/2012
Action: File review

Global Id: T0607101016
Action Type: ENFORCEMENT
Date: 02/09/2011
Action: Technical Correspondence / Assistance / Other

Global Id: T0607101016
Action Type: ENFORCEMENT
Date: 01/12/2011
Action: Technical Correspondence / Assistance / Other

Global Id: T0607101016
Action Type: ENFORCEMENT
Date: 10/03/2011
Action: Technical Correspondence / Assistance / Other

Global Id: T0607101016
Action Type: ENFORCEMENT
Date: 09/28/2011
Action: Technical Correspondence / Assistance / Other

Global Id: T0607101016
Action Type: ENFORCEMENT
Date: 02/10/2011
Action: Technical Correspondence / Assistance / Other

Global Id: T0607101016
Action Type: ENFORCEMENT
Date: 12/01/2011
Action: Technical Correspondence / Assistance / Other

Global Id: T0607101016
Action Type: ENFORCEMENT
Date: 01/12/2012
Action: File review

Global Id: T0607101016
Action Type: ENFORCEMENT
Date: 01/28/2014
Action: State Water Board Closure Order

Map ID
Direction
Distance
Elevation

MAP FINDINGS

Site

Database(s)

EDR ID Number
EPA ID Number

G & M OIL #26 (Continued)

S102430571

Global Id:	T0607101016
Action Type:	Other
Date:	12/04/1995
Action:	Leak Stopped
Global Id:	T0607101016
Action Type:	RESPONSE
Date:	11/15/2004
Action:	Monitoring Report - Quarterly
Global Id:	T0607101016
Action Type:	RESPONSE
Date:	04/15/2004
Action:	Monitoring Report - Quarterly
Global Id:	T0607101016
Action Type:	RESPONSE
Date:	04/15/2005
Action:	Monitoring Report - Quarterly
Global Id:	T0607101016
Action Type:	RESPONSE
Date:	04/15/2012
Action:	Monitoring Report - Semi-Annually
Global Id:	T0607101016
Action Type:	RESPONSE
Date:	03/20/2012
Action:	Correspondence
Global Id:	T0607101016
Action Type:	RESPONSE
Date:	02/27/2012
Action:	Correspondence
Global Id:	T0607101016
Action Type:	ENFORCEMENT
Date:	08/05/2005
Action:	File review
Global Id:	T0607101016
Action Type:	ENFORCEMENT
Date:	06/02/2005
Action:	File review - #SN: 96005
Global Id:	T0607101016
Action Type:	ENFORCEMENT
Date:	11/03/2005
Action:	File review
Global Id:	T0607101016
Action Type:	ENFORCEMENT
Date:	11/20/2008
Action:	Technical Correspondence / Assistance / Other
Global Id:	T0607101016
Action Type:	ENFORCEMENT

Map ID
Direction
Distance
Elevation

MAP FINDINGS

Site

Database(s)

EDR ID Number
EPA ID Number

G & M OIL #26 (Continued)

S102430571

Date: 10/03/2011
Action: File review

Global Id: T0607101016
Action Type: ENFORCEMENT
Date: 10/03/2011
Action: Technical Correspondence / Assistance / Other

Global Id: T0607101016
Action Type: ENFORCEMENT
Date: 10/07/2011
Action: File review

Global Id: T0607101016
Action Type: ENFORCEMENT
Date: 07/18/2011
Action: File review

Global Id: T0607101016
Action Type: ENFORCEMENT
Date: 04/18/2011
Action: File review

Global Id: T0607101016
Action Type: ENFORCEMENT
Date: 04/21/2011
Action: Verbal Enforcement

Global Id: T0607101016
Action Type: ENFORCEMENT
Date: 05/20/2013
Action: Technical Correspondence / Assistance / Other

Global Id: T0607101016
Action Type: ENFORCEMENT
Date: 05/20/2013
Action: Technical Correspondence / Assistance / Other

Global Id: T0607101016
Action Type: ENFORCEMENT
Date: 09/04/2012
Action: Technical Correspondence / Assistance / Other

Global Id: T0607101016
Action Type: ENFORCEMENT
Date: 11/04/2013
Action: Clean Up Fund - Case Closure Review Summary Report (RSR)

Global Id: T0607101016
Action Type: ENFORCEMENT
Date: 11/04/2013
Action: Clean Up Fund - Letter to RP

Global Id: T0607101016
Action Type: ENFORCEMENT
Date: 05/20/2013
Action: Technical Correspondence / Assistance / Other

Map ID
Direction
Distance
Elevation

MAP FINDINGS

Site

Database(s)

EDR ID Number
EPA ID Number

G & M OIL #26 (Continued)

S102430571

Global Id: T0607101016
Action Type: ENFORCEMENT
Date: 04/21/2010
Action: Clean Up Fund - Case Closure Review Summary Report (RSR)

Global Id: T0607101016
Action Type: ENFORCEMENT
Date: 03/12/2012
Action: Clean Up Fund - Case Closure Review Summary Report (RSR)

Global Id: T0607101016
Action Type: RESPONSE
Date: 08/15/2004
Action: Monitoring Report - Quarterly

Global Id: T0607101016
Action Type: RESPONSE
Date: 04/15/2011
Action: Monitoring Report - Semi-Annually

Global Id: T0607101016
Action Type: RESPONSE
Date: 08/30/2011
Action: Correspondence

Global Id: T0607101016
Action Type: RESPONSE
Date: 07/20/2011
Action: Other Report / Document

Global Id: T0607101016
Action Type: RESPONSE
Date: 10/03/2011
Action: Verbal Communication

Global Id: T0607101016
Action Type: ENFORCEMENT
Date: 06/04/2004
Action: File review

Global Id: T0607101016
Action Type: ENFORCEMENT
Date: 12/30/2004
Action: Technical Correspondence / Assistance / Other

Global Id: T0607101016
Action Type: ENFORCEMENT
Date: 05/13/2011
Action: Technical Correspondence / Assistance / Other

Global Id: T0607101016
Action Type: ENFORCEMENT
Date: 07/28/2010
Action: Referral to Other State Agency

Global Id: T0607101016
Action Type: ENFORCEMENT

Map ID
Direction
Distance
Elevation

MAP FINDINGS

Site

Database(s)

EDR ID Number
EPA ID Number

G & M OIL #26 (Continued)

S102430571

Date: 07/28/2010
Action: Referral to Regional Board

Global Id: T0607101016
Action Type: ENFORCEMENT
Date: 04/09/2011
Action: File review

Global Id: T0607101016
Action Type: ENFORCEMENT
Date: 05/20/2013
Action: Technical Correspondence / Assistance / Other

Global Id: T0607101016
Action Type: Other
Date: 12/04/1995
Action: Leak Discovery

Global Id: T0607101016
Action Type: RESPONSE
Date: 10/07/2008
Action: Other Report / Document

Global Id: T0607101016
Action Type: RESPONSE
Date: 04/15/2005
Action: Monitoring Report - Quarterly

Global Id: T0607101016
Action Type: RESPONSE
Date: 10/15/2010
Action: Monitoring Report - Semi-Annually

Global Id: T0607101016
Action Type: RESPONSE
Date: 03/15/2011
Action: Correspondence

Global Id: T0607101016
Action Type: RESPONSE
Date: 02/09/2011
Action: Correspondence

Global Id: T0607101016
Action Type: RESPONSE
Date: 02/10/2011
Action: Correspondence

Global Id: T0607101016
Action Type: RESPONSE
Date: 02/16/2011
Action: Correspondence

Global Id: T0607101016
Action Type: RESPONSE
Date: 07/08/2011
Action: Correspondence

Map ID
Direction
Distance
Elevation

MAP FINDINGS

Site

Database(s)

EDR ID Number
EPA ID Number

G & M OIL #26 (Continued)

S102430571

Global Id: T0607101016
Action Type: RESPONSE
Date: 10/15/2011
Action: Monitoring Report - Semi-Annually

Global Id: T0607101016
Action Type: RESPONSE
Date: 09/12/2013
Action: Correspondence

LUST:

Global Id: T0607101016
Status: Open - Case Begin Date
Status Date: 12/04/1995

Global Id: T0607101016
Status: Open - Site Assessment
Status Date: 12/20/1995

Global Id: T0607101016
Status: Open - Site Assessment
Status Date: 02/21/1996

Global Id: T0607101016
Status: Open - Site Assessment
Status Date: 07/24/1996

Global Id: T0607101016
Status: Open - Site Assessment
Status Date: 12/27/1996

Global Id: T0607101016
Status: Open - Remediation
Status Date: 02/18/1998

Global Id: T0607101016
Status: Open - Remediation
Status Date: 04/06/2000

Global Id: T0607101016
Status: Open - Remediation
Status Date: 05/16/2012

Global Id: T0607101016
Status: Open - Eligible for Closure
Status Date: 07/22/2013

Global Id: T0607101016
Status: Completed - Case Closed
Status Date: 06/26/2014

CORTESE:

Name: G & M OIL #26
Address: 2321 BROADWAY AVE W
City,State,Zip: NEEDLES, CA 92363

Map ID
Direction
Distance
Elevation

MAP FINDINGS

Site

Database(s)

EDR ID Number
EPA ID Number

G & M OIL #26 (Continued)

S102430571

Region: CORTESE
Envirostor Id: Not reported
Global ID: T0607101016
Site/Facility Type: LUST CLEANUP SITE
Cleanup Status: COMPLETED - CASE CLOSED
Status Date: Not reported
Site Code: Not reported
Latitude: Not reported
Longitude: Not reported
Owner: Not reported
Enf Type: Not reported
Swat R: Not reported
Flag: active
Order No: Not reported
Waste Discharge System No: Not reported
Effective Date: Not reported
Region 2: Not reported
WID Id: Not reported
Solid Waste Id No: Not reported
Waste Management Uit Name: Not reported
File Name: Active Open

HIST CORTESE:

edr_fname: G & M OIL #26
edr_fadd1: 2321 BROADWAY
City,State,Zip: NEEDLES, CA
Region: CORTESE
Facility County Code: 36
Reg By: LTNKA
Reg Id: 7T2363019

CERS:

Name: G & M OIL #26
Address: 2321 BROADWAY AVE W
City,State,Zip: NEEDLES, CA 92363
Site ID: 260716
CERS ID: T0607101016
CERS Description: Leaking Underground Storage Tank Cleanup Site

Affiliation:

Affiliation Type Desc: Local Agency Caseworker
Entity Name: JACKSON CRUTSINGER - SAN BERNARDINO COUNTY
Entity Title: Not reported
Affiliation Address: 620 SOUTH E STREET
Affiliation City: SAN BERNARDINO
Affiliation State: CA
Affiliation Country: Not reported
Affiliation Zip: Not reported
Affiliation Phone: ,

Affiliation Type Desc: Regional Board Caseworker
Entity Name: ROSALYN FLEMING - COLORADO RIVER BASIN RWQCB (REGION 7)
Entity Title: Not reported
Affiliation Address: 73-720 Fred Waring Drive
Affiliation City: PALM DESERT
Affiliation State: CA
Affiliation Country: Not reported

Map ID
Direction
Distance
Elevation

MAP FINDINGS

Site

Database(s)

EDR ID Number
EPA ID Number

G & M OIL #26 (Continued)

S102430571

Affiliation Zip: Not reported
Affiliation Phone: 7607768948,

AC212 **GANDM OIL CO 26**
Target **2321 W BROADWAY**
Property **NEEDLES, CA 92363**

SWEEPS UST **S106926514**
HIST UST **N/A**

Site 14 of 18 in cluster AC

Actual:
518 ft.

Focus Map:
6

SWEEPS UST:
Name: G&M OIL CO. #26
Address: 2321 W BROADWAY
City: NEEDLES
Status: Active
Comp Number: 64702
Number: 9
Board Of Equalization: 44-021397
Referral Date: 07-28-92
Action Date: 07-28-92
Created Date: 02-29-88
Owner Tank Id: 1
SWRCB Tank Id: 36-000-064702-000001
Tank Status: A
Capacity: 7500
Active Date: 08-26-88
Tank Use: M.V. FUEL
STG: P
Content: LEADED
Number Of Tanks: 4

Name: G&M OIL CO. #26
Address: 2321 W BROADWAY
City: NEEDLES
Status: Active
Comp Number: 64702
Number: 9
Board Of Equalization: 44-021397
Referral Date: 07-28-92
Action Date: 07-28-92
Created Date: 02-29-88
Owner Tank Id: 2
SWRCB Tank Id: 36-000-064702-000002
Tank Status: A
Capacity: 15000
Active Date: 08-26-88
Tank Use: M.V. FUEL
STG: P
Content: REG UNLEADED
Number Of Tanks: Not reported

Name: G&M OIL CO. #26
Address: 2321 W BROADWAY
City: NEEDLES
Status: Active
Comp Number: 64702
Number: 9
Board Of Equalization: 44-021397

Map ID
Direction
Distance
Elevation

MAP FINDINGS

Site

Database(s)

EDR ID Number
EPA ID Number

GANDM OIL CO 26 (Continued)

S106926514

Referral Date: 07-28-92
Action Date: 07-28-92
Created Date: 02-29-88
Owner Tank Id: 3
SWRCB Tank Id: 36-000-064702-000003
Tank Status: A
Capacity: 10000
Active Date: 08-26-88
Tank Use: M.V. FUEL
STG: P
Content: REG UNLEADED
Number Of Tanks: Not reported

Name: G&M OIL CO. #26
Address: 2321 W BROADWAY
City: NEEDLES
Status: Active
Comp Number: 64702
Number: 9
Board Of Equalization: 44-021397
Referral Date: 07-28-92
Action Date: 07-28-92
Created Date: 02-29-88
Owner Tank Id: 4
SWRCB Tank Id: 36-000-064702-000004
Tank Status: A
Capacity: 15000
Active Date: 08-26-88
Tank Use: M.V. FUEL
STG: P
Content: DIESEL
Number Of Tanks: Not reported

HIST UST:

Name: GANDM OIL CO 26
Address: 2321 W BROADWAY
City,State,Zip: NEEDLES, CA 92363
File Number: 00029F22
URL: <http://geotracker.waterboards.ca.gov/ustpdfs/pdf/00029F22.pdf>
Region: Not reported
Facility ID: Not reported
Facility Type: Not reported
Other Type: Not reported
Contact Name: Not reported
Telephone: Not reported
Owner Name: Not reported
Owner Address: Not reported
Owner City,St,Zip: Not reported
Total Tanks: Not reported

Tank Num: Not reported
Container Num: Not reported
Year Installed: Not reported
Tank Capacity: Not reported
Tank Used for: Not reported
Type of Fuel: Not reported
Container Construction Thickness: Not reported

Map ID
 Direction
 Distance
 Elevation

MAP FINDINGS

Site

Database(s)

EDR ID Number
 EPA ID Number

GANDM OIL CO 26 (Continued)

S106926514

Leak Detection: Not reported

[Click here for Geo Tracker PDF:](#)

AC213 **G.M. OIL #26**
Target **2321 W. BROADWAY ST**
Property **NEEDLES, CA**

RGA LUST **S114625263**
 N/A

Site 15 of 18 in cluster AC

Actual: RGA LUST:
518 ft. Name: G.M. OIL #26
Focus Map: Address: 2321 W. BROADWAY ST
6 City: NEEDLES
 State: NEEDLES
 1998 G.M. OIL #26 2321 W. BROADWAY ST
 Name: G.M. OIL #26
 Address: 2321 W. BROADWAY ST
 City: NEEDLES
 State: NEEDLES
 1997 G.M. OIL #26 2321 W. BROADWAY ST
 Name: G.M. OIL #26
 Address: 2321 W. BROADWAY ST
 City: NEEDLES
 State: NEEDLES
 1996 G.M. OIL #26 2321 W. BROADWAY ST

AC214 **G & M OIL COMPANY INC**
Target **2321 W BROADWAY ST**
Property **NEEDLES, CA 92363**

EDR Hist Auto **1020504835**
 N/A

Site 16 of 18 in cluster AC

Actual: EDR Hist Auto
518 ft.

Focus Map:	Year:	Name:	Type:
6	1991	G & M OIL COMPANY INC	Gasoline Service Stations, NEC
	1992	G & M OIL COMPANY INC	Gasoline Service Stations, NEC
	1993	G & M OIL COMPANY INC	Gasoline Service Stations, NEC
	1994	G & M OIL COMPANY INC	Gasoline Service Stations, NEC
	1995	G & M OIL COMPANY INC	Gasoline Service Stations, NEC

AC215 **G&M OIL CO. #26**
Target **2321 W. BROADWAY**
Property **NEEDLES, CA 92363**

HIST UST **U001575248**
 N/A

Site 17 of 18 in cluster AC

Actual: HIST UST:
518 ft. Name: G&M OIL CO. #26
Focus Map: Address: 2321 W. BROADWAY
6 City,State,Zip: NEEDLES, CA 92363
 File Number: Not reported
 URL: Not reported
 Region: STATE

Map ID
Direction
Distance
Elevation

MAP FINDINGS

Site

Database(s)

EDR ID Number
EPA ID Number

G&M OIL CO. #26 (Continued)

U001575248

Facility ID: 00000064702
Facility Type: Gas Station
Other Type: Not reported
Contact Name: R.T. OTJEN
Telephone: 7149602471
Owner Name: GEORGE A. PEARSON DBA G&M OIL
Owner Address: 2120 MAIN STREET, SUITE 140
Owner City,St,Zip: HUNTINGTON BEACH, CA 92648
Total Tanks: 0004

Tank Num: 001
Container Num: 1
Year Installed: Not reported
Tank Capacity: 00007500
Tank Used for: PRODUCT
Type of Fuel: REGULAR
Container Construction Thickness: Not reported
Leak Detection: Stock Inventor

Tank Num: 002
Container Num: 2
Year Installed: Not reported
Tank Capacity: 00015000
Tank Used for: PRODUCT
Type of Fuel: UNLEADED
Container Construction Thickness: Not reported
Leak Detection: Stock Inventor

Tank Num: 003
Container Num: 3
Year Installed: Not reported
Tank Capacity: 00010000
Tank Used for: PRODUCT
Type of Fuel: PREMIUM
Container Construction Thickness: Not reported
Leak Detection: Stock Inventor

Tank Num: 004
Container Num: 4
Year Installed: Not reported
Tank Capacity: 00015000
Tank Used for: PRODUCT
Type of Fuel: DIESEL
Container Construction Thickness: Not reported
Leak Detection: Stock Inventor

AC216 G & M OIL CO #26
Target 2321 W BROADWAY ST
Property NEEDLES, CA 92363

UST U004050747
N/A

Site 18 of 18 in cluster AC

Actual: 518 ft.
Focus Map: 6
UST:
Name: G & M OIL CO #26
Address: 2321 W BROADWAY ST
City,State,Zip: NEEDLES, CA 92363
Facility ID: 87014376
Permitting Agency: SAN BERNARDINO COUNTY

Map ID
Direction
Distance
Elevation

MAP FINDINGS

Site

Database(s)

EDR ID Number
EPA ID Number

G & M OIL CO #26 (Continued)

U004050747

CERSID: Not reported
Latitude: 34.84892
Longitude: -114.62209

AD217 **DAVID POSNER**
Target **2208 NEEDLES HWY**
Property **NEEDLES, CA 92363**

HAZNET **S124675282**
HWTS **N/A**

Site 1 of 20 in cluster AD

Actual:
507 ft.
Focus Map:
6

HAZNET:
Name: DAVID POSNER
Address: 2208 NEEDLES HWY
Address 2: Not reported
City,State,Zip: NEEDLES, CA 91316
Contact: DAVID POSNER
Telephone: 6614351506
Mailing Name: Not reported
Mailing Address: 17545 EMBASSY DR

Year: 2018
Gepaid: CAC002955925
TSD EPA ID: AZC950823111
CA Waste Code: 151 - Asbestos containing waste
Disposal Method: H132 - Landfill Or Surface Impoundment That Will Be Closed As Landfill(To Include On-Site Treatment And/Or Stabilization)

Tons: 4.60000

HWTS:
Name: DAVID POSNER
Address: 2208 NEEDLES HWY
Address 2: Not reported
City,State,Zip: NEEDLES, CA 92363
EPA ID: CAC002955925
Inactive Date: 07/07/2018
Create Date: 04/05/2018
Last Act Date: Not reported
Mailing Name: Not reported
Mailing Address: 17545 EMBASSY DR
Mailing Address 2: Not reported
Mailing City,State,Zip: ENCINO, CA 91316
Owner Name: DAVID POSNER
Owner Address: 17545 EMBASSY DR
Owner Address 2: Not reported
Owner City,State,Zip: ENCINO, CA 91316
Contact Name: DAVID POSNER
Contact Address: 17545 EMBASSY DR
Contact Address 2: Not reported
City,State,Zip: ENCINO, CA 91316
Facility Status: Inactive
Facility Type: TEMPORARY
Category: STATE
Latitude: 34.848574
Longitude: -114.620018

Map ID
Direction
Distance
Elevation

MAP FINDINGS

Site

Database(s)

EDR ID Number
EPA ID Number

AE218 MOBIL SERVICE STATION #18-LKT
Target I-40 & RIVER RD
Property NEEDLES, CA 92363

HAZNET S113043285
HWTS N/A

Site 1 of 11 in cluster AE

Actual:
503 ft.

Focus Map:
6

HAZNET:
Name: MOBIL SERVICE STATION #18-LKT
Address: I-40 & RIVER RD
Address 2: Not reported
City,State,Zip: NEEDLES, CA 923630000
Contact: DONNA HYMES
Telephone: 6194308151
Mailing Name: Not reported
Mailing Address: 882 S MATLACK ST SUITE C

Year: 2007
Gepaid: CAL000055783
TSD EPA ID: CAD028409019
CA Waste Code: 213 - Hydrocarbon solvents (benzene, hexane, Stoddard, Etc.)
Disposal Method: H135 - Discharge To Sewer/Potw Or Npdes(With Prior Storage--With Or Without Treatment)
Tons: 0.00834

Year: 1994
Gepaid: CAL000055783
TSD EPA ID: CAD028409019
CA Waste Code: 133 - Aqueous solution with total organic residues 10 percent or more
Disposal Method: T01 - Treatment, Tank
Tons: 0.1876

Year: 1992
Gepaid: CAL000055783
TSD EPA ID: CAT080011059
CA Waste Code: 134 - Aqueous solution with total organic residues less than 10 percent
Disposal Method: 01 -
Tons: 0.3336

Additional Info:

Year: 2007
Gen EPA ID: CAL000055783

Shipment Date: 20070301
Creation Date: 6/3/2009 8:53:52
Receipt Date: 20070302
Manifest ID: 001124377JJK
Trans EPA ID: CAD045226370
Trans Name: TYREE
Trans 2 EPA ID: Not reported
Trans 2 Name: Not reported
TSD EPA ID: CAD028409019
Trans Name: CROSBY & OVERTON
TSD Alt EPA ID: Not reported
TSD Alt Name: Not reported
Waste Code Description: 213 - Hydrocarbon solvents (benzene, hexane, Stoddard, etc.)
RCRA Code: D001
Meth Code: H135 - Discharge To Sewer/Potw Or Npdes(With Prior Storage--With Or

Map ID
Direction
Distance
Elevation

MAP FINDINGS

Site

Database(s)

EDR ID Number
EPA ID Number

MOBIL SERVICE STATION #18-LKT (Continued)

S113043285

Without Treatment)
Quantity Tons: 0.00834
Waste Quantity: 2
Quantity Unit: G
Additional Code 1: Not reported
Additional Code 2: Not reported
Additional Code 3: Not reported
Additional Code 4: Not reported
Additional Code 5: Not reported

Additional Info:

Year: 1994
Gen EPA ID: CAL000055783

Shipment Date: 19940524
Creation Date: 3/25/1996 0:00:00
Receipt Date: 19940524
Manifest ID: 93135982
Trans EPA ID: CAD095146296
Trans Name: Not reported
Trans 2 EPA ID: Not reported
Trans 2 Name: Not reported
TSDf EPA ID: CAD028409019
Trans Name: Not reported
TSDf Alt EPA ID: CAD028409019
TSDf Alt Name: Not reported
Waste Code Description: 133 - Aqueous solution with 10% or more total organic residues
RCRA Code: D018
Meth Code: T01 - Treatment, Tank
Quantity Tons: 0.1876
Waste Quantity: 45
Quantity Unit: G
Additional Code 1: Not reported
Additional Code 2: Not reported
Additional Code 3: Not reported
Additional Code 4: Not reported
Additional Code 5: Not reported

HWTS:

Name: MOBIL SERVICE STATION #18-LKT
Address: I-40 & RIVER RD
Address 2: Not reported
City,State,Zip: NEEDLES, CA 92363
EPA ID: CAL000055783
Inactive Date: 06/30/1997
Create Date: 06/30/1994
Last Act Date: Not reported
Mailing Name: Not reported
Mailing Address: 882 S MATLACK ST SUITE C
Mailing Address 2: Not reported
Mailing City,State,Zip: WEST CHESTER, PA 19382
Owner Name: EXXONMOBILE CORP
Owner Address: 3225 GALLOWS RD
Owner Address 2: Not reported
Owner City,State,Zip: FAIRFAX, VA 220370001
Contact Name: DONNA HYMES

Map ID
 Direction
 Distance
 Elevation

MAP FINDINGS

Site

Database(s)

EDR ID Number
 EPA ID Number

MOBIL SERVICE STATION #18-LKT (Continued)

S113043285

Contact Address: 882 S MATLACK ST SUITE C
 Contact Address 2: Not reported
 City,State,Zip: WEST CHESTER, PA 19382
 Facility Status: Inactive
 Facility Type: PERMANENT
 Category: STATE
 Latitude: 34.848663
 Longitude: -114.61872

NAICS:
 EPA ID: CAL000055783
 Create Date: 2002-03-14 16:36:27.000
 NAICS Code: 44719
 NAICS Description: Other Gasoline Stations
 Issued EPA ID Date: 1994-06-30 00:00:00
 Inactive Date: 1997-06-30 00:00:00
 Facility Name: MOBIL SERVICE STATION #18-LKT
 Facility Address: I-40 & RIVER RD
 Facility Address 2: Not reported
 Facility City: NEEDLES
 Facility County: Not reported
 Facility State: CA
 Facility Zip: 923630000

AF219 **G & M OIL #26**
Target **2321 BROADWAY AVE W**
Property **NEEDLES, CA 92363**

FINDS **1023309224**
N/A

Site 1 of 2 in cluster AF

Actual: FINDS:
517 ft. Registry ID: 110066019310

Focus Map:
6 [Click Here for FRS Facility Detail Report:](#)

Environmental Interest/Information System:
 STATE MASTER

[Click this hyperlink](#) while viewing on your computer to access additional FINDS: detail in the EDR Site Report.

220 **66 BAR**
Target **1900 NEEDLES HWY**
Property **NEEDLES, CA 92363**

EDR Hist Auto **1021075743**
N/A

EDR Hist Auto

Actual:	Year:	Name:	Type:
500 ft.	2011	66 BAR	Gasoline Service Stations, NEC
Focus Map:	2012	66 BAR	Gasoline Service Stations, NEC
6	2013	66 BAR	Gasoline Service Stations, NEC
	2014	66 BAR	Gasoline Service Stations, NEC

Map ID
Direction
Distance
Elevation

MAP FINDINGS

Site

Database(s)

EDR ID Number
EPA ID Number

AD221 **COLORADO RIVER CHEVROLET**
Target **2204 W BROADWAY**
Property **NEEDLES, CA 92363**

HAZNET **S113122169**
HWTS **N/A**

Site 2 of 20 in cluster AD

Actual:
504 ft.
Focus Map:
6

HAZNET:
Name: COLORADO RIVER CHEVROLET
Address: 2204 W BROADWAY
Address 2: Not reported
City,State,Zip: NEEDLES, CA 923630000
Contact: JAKE STUTLER
Telephone: 7603263834
Mailing Name: Not reported
Mailing Address: 2204 W BROADWAY DLR #16152

Year: 2007
Gepaid: CAL000259384
TSD EPA ID: NVR000066837
CA Waste Code: 741 - Liquids with halogenated organic compounds >= 1,000 Mg./L
Disposal Method: H141 - Storage, Bulking, And/Or Transfer Off Site--No Treatment/Reovery (H010-H129) Or (H131-H135)
Tons: 0.23769

Year: 2006
Gepaid: CAL000259384
TSD EPA ID: NVR000066837
CA Waste Code: 741 - Liquids with halogenated organic compounds >= 1,000 Mg./L
Disposal Method: H141 - Storage, Bulking, And/Or Transfer Off Site--No Treatment/Reovery (H010-H129) Or (H131-H135)
Tons: 0.05838

Year: 2006
Gepaid: CAL000259384
TSD EPA ID: NVR000066837
CA Waste Code: 741 - Liquids with halogenated organic compounds >= 1,000 Mg./L
Disposal Method: H01 - Transfer Station
Tons: 0.17514

Year: 2006
Gepaid: CAL000259384
TSD EPA ID: NVR000066837
CA Waste Code: 221 - Waste oil and mixed oil
Disposal Method: -
Tons: 2.641

Year: 2005
Gepaid: CAL000259384
TSD EPA ID: NVR000066837
CA Waste Code: 343 - Unspecified organic liquid mixture
Disposal Method: -
Tons: 0.34

Year: 2005
Gepaid: CAL000259384
TSD EPA ID: NVR000066837
CA Waste Code: -
Disposal Method: H01 - Transfer Station
Tons: Not reported

Map ID
Direction
Distance
Elevation

MAP FINDINGS

Site

Database(s)

EDR ID Number
EPA ID Number

COLORADO RIVER CHEVROLET (Continued)

S113122169

Year: 2005
Gepaid: CAL000259384
TSD EPA ID: NVR000066837
CA Waste Code: 741 - Liquids with halogenated organic compounds >= 1,000 Mg./L
Disposal Method: H01 - Transfer Station
Tons: 0.31275

Year: 2005
Gepaid: CAL000259384
TSD EPA ID: NVR000066837
CA Waste Code: 343 - Unspecified organic liquid mixture
Disposal Method: H01 - Transfer Station
Tons: 0.204

Year: 2005
Gepaid: CAL000259384
TSD EPA ID: NVR000066837
CA Waste Code: 221 - Waste oil and mixed oil
Disposal Method: -
Tons: 15.124

Year: 2004
Gepaid: CAL000259384
TSD EPA ID: NVR000066837
CA Waste Code: 343 - Unspecified organic liquid mixture
Disposal Method: -
Tons: 1.071

[Click this hyperlink](#) while viewing on your computer to access
13 additional CA HAZNET: record(s) in the EDR Site Report.

Additional Info:

Year: 2006
Gen EPA ID: CAL000259384

Shipment Date: 20061130
Creation Date: 3/30/2007 13:33:02
Receipt Date: 20061130
Manifest ID: 000137100CEX
Trans EPA ID: TXR000050930
Trans Name: SAFETY-KLEEN SYSTEMS INC
Trans 2 EPA ID: Not reported
Trans 2 Name: Not reported
TSD EPA ID: NVR000066837
Trans Name: SAFETY-KLEEN SYSTEMS INC 708701
TSD Alt EPA ID: Not reported
TSD Alt Name: Not reported
Waste Code Description: 741 - Liquids with halogenated organic compounds > 1000 mg/l
RCRA Code: D040
Meth Code: H141 - Storage, Bulking, And/Or Transfer Off Site--No
Treatment/Reovery (H010-H129) Or (H131-H135)
Quantity Tons: 0.05838
Waste Quantity: 14
Quantity Unit: G
Additional Code 1: D039
Additional Code 2: D018

Map ID
Direction
Distance
Elevation

MAP FINDINGS

Site

Database(s)

EDR ID Number
EPA ID Number

COLORADO RIVER CHEVROLET (Continued)

S113122169

Additional Code 3:	D001
Additional Code 4:	Not reported
Additional Code 5:	Not reported
Shipment Date:	20060825
Creation Date:	9/27/2006 18:36:37
Receipt Date:	20060828
Manifest ID:	24826163
Trans EPA ID:	TXR000050930
Trans Name:	SAFETY KLEEN SYSTEMS INC
Trans 2 EPA ID:	Not reported
Trans 2 Name:	Not reported
TSDF EPA ID:	NVR000066837
Trans Name:	SAFETY KLEEN SYSTEMS INC
TSDF Alt EPA ID:	Not reported
TSDF Alt Name:	Not reported
Waste Code Description:	741 - Liquids with halogenated organic compounds > 1000 mg/l
RCRA Code:	D001
Meth Code:	H01 - Transfer Station
Quantity Tons:	0.05838
Waste Quantity:	14
Quantity Unit:	G
Additional Code 1:	Not reported
Additional Code 2:	Not reported
Additional Code 3:	Not reported
Additional Code 4:	Not reported
Additional Code 5:	Not reported
Shipment Date:	20060531
Creation Date:	8/24/2006 18:32:58
Receipt Date:	20060531
Manifest ID:	23680912
Trans EPA ID:	TXR000050930
Trans Name:	SAFETY KLEEN SYSTEMS INC
Trans 2 EPA ID:	Not reported
Trans 2 Name:	Not reported
TSDF EPA ID:	NVR000066837
Trans Name:	SAFETY KLEEN SYSTEMS INC
TSDF Alt EPA ID:	Not reported
TSDF Alt Name:	Not reported
Waste Code Description:	741 - Liquids with halogenated organic compounds > 1000 mg/l
RCRA Code:	D001
Meth Code:	H01 - Transfer Station
Quantity Tons:	0.05838
Waste Quantity:	14
Quantity Unit:	G
Additional Code 1:	Not reported
Additional Code 2:	Not reported
Additional Code 3:	Not reported
Additional Code 4:	Not reported
Additional Code 5:	Not reported
Shipment Date:	20060308
Creation Date:	6/22/2006 18:34:40
Receipt Date:	20060308
Manifest ID:	24614987
Trans EPA ID:	TXR000050930

Map ID
Direction
Distance
Elevation

MAP FINDINGS

Site

Database(s)

EDR ID Number
EPA ID Number

COLORADO RIVER CHEVROLET (Continued)

S113122169

Trans Name:	SAFETY-KLEEN SYSTEMS INC
Trans 2 EPA ID:	Not reported
Trans 2 Name:	Not reported
TSDf EPA ID:	NVR000066837
Trans Name:	SAFETY-KLEEN SYSTEMS INC
TSDf Alt EPA ID:	Not reported
TSDf Alt Name:	Not reported
Waste Code Description:	741 - Liquids with halogenated organic compounds > 1000 mg/l
RCRA Code:	D001
Meth Code:	H01 - Transfer Station
Quantity Tons:	0.05838
Waste Quantity:	14
Quantity Unit:	G
Additional Code 1:	Not reported
Additional Code 2:	Not reported
Additional Code 3:	Not reported
Additional Code 4:	Not reported
Additional Code 5:	Not reported
Shipment Date:	20060214
Creation Date:	5/6/2006 18:31:14
Receipt Date:	20060214
Manifest ID:	24604852
Trans EPA ID:	TXR000050930
Trans Name:	SAFETY-KLEEN SYSTEMS INC
Trans 2 EPA ID:	Not reported
Trans 2 Name:	Not reported
TSDf EPA ID:	NVR000066837
Trans Name:	SAFETY-KLEEN SYSTEMS INC
TSDf Alt EPA ID:	Not reported
TSDf Alt Name:	Not reported
Waste Code Description:	221 - Waste oil and mixed oil
RCRA Code:	Not reported
Meth Code:	- Not reported
Quantity Tons:	1.425
Waste Quantity:	375
Quantity Unit:	G
Additional Code 1:	Not reported
Additional Code 2:	Not reported
Additional Code 3:	Not reported
Additional Code 4:	Not reported
Additional Code 5:	Not reported
Shipment Date:	20060118
Creation Date:	6/22/2006 18:32:03
Receipt Date:	20060118
Manifest ID:	24721819
Trans EPA ID:	TXR000050930
Trans Name:	SAFETY-KLEEN SYSTEMS INC
Trans 2 EPA ID:	Not reported
Trans 2 Name:	Not reported
TSDf EPA ID:	NVR000066837
Trans Name:	SAFETY-KLEEN SYSTEMS INC
TSDf Alt EPA ID:	Not reported
TSDf Alt Name:	Not reported
Waste Code Description:	221 - Waste oil and mixed oil
RCRA Code:	Not reported

Map ID
Direction
Distance
Elevation

MAP FINDINGS

Site

Database(s)

EDR ID Number
EPA ID Number

COLORADO RIVER CHEVROLET (Continued)

S113122169

Meth Code: - Not reported
Quantity Tons: 1.216
Waste Quantity: 320
Quantity Unit: G
Additional Code 1: Not reported
Additional Code 2: Not reported
Additional Code 3: Not reported
Additional Code 4: Not reported
Additional Code 5: Not reported

Additional Info:

Year: 2004
Gen EPA ID: CAL000259384

Shipment Date: 20041221
Creation Date: 3/13/2007 18:30:28
Receipt Date: 20041221
Manifest ID: 23652753
Trans EPA ID: TXR000050930
Trans Name: SAFETY-KLEEN SYSTEMS INC
Trans 2 EPA ID: Not reported
Trans 2 Name: Not reported
TSDf EPA ID: NVR000066837
Trans Name: SAFETY-KLEEN SYSTEMS INC
TSDf Alt EPA ID: Not reported
TSDf Alt Name: Not reported
Waste Code Description: - Not reported
RCRA Code: Not reported
Meth Code: H01 - Transfer Station
Quantity Tons: Not reported
Waste Quantity: Not reported
Quantity Unit: Not reported
Additional Code 1: Not reported
Additional Code 2: Not reported
Additional Code 3: Not reported
Additional Code 4: Not reported
Additional Code 5: Not reported

Shipment Date: 20041221
Creation Date: 3/13/2007 18:30:28
Receipt Date: 20041221
Manifest ID: 23652753
Trans EPA ID: TXR000050930
Trans Name: SAFETY-KLEEN SYSTEMS INC
Trans 2 EPA ID: Not reported
Trans 2 Name: Not reported
TSDf EPA ID: NVR000066837
Trans Name: SAFETY-KLEEN SYSTEMS INC
TSDf Alt EPA ID: Not reported
TSDf Alt Name: Not reported
Waste Code Description: 221 - Waste oil and mixed oil
RCRA Code: Not reported
Meth Code: - Not reported
Quantity Tons: 1.178
Waste Quantity: 310
Quantity Unit: G
Additional Code 1: Not reported

Map ID
Direction
Distance
Elevation

MAP FINDINGS

Site

Database(s)

EDR ID Number
EPA ID Number

COLORADO RIVER CHEVROLET (Continued)

S113122169

Additional Code 2:	Not reported
Additional Code 3:	Not reported
Additional Code 4:	Not reported
Additional Code 5:	Not reported
Shipment Date:	20041123
Creation Date:	1/20/2005 18:31:32
Receipt Date:	20041123
Manifest ID:	23722435
Trans EPA ID:	TXR000050930
Trans Name:	SAFETY-KLEEN SYSTEMS INC
Trans 2 EPA ID:	Not reported
Trans 2 Name:	Not reported
TSDf EPA ID:	NVR000066837
Trans Name:	SAFETY-KLEEN SYSTEMS INC
TSDf Alt EPA ID:	Not reported
TSDf Alt Name:	Not reported
Waste Code Description:	343 - Unspecified organic liquid mixture
RCRA Code:	Not reported
Meth Code:	- Not reported
Quantity Tons:	1.071
Waste Quantity:	315
Quantity Unit:	G
Additional Code 1:	Not reported
Additional Code 2:	Not reported
Additional Code 3:	Not reported
Additional Code 4:	Not reported
Additional Code 5:	Not reported
Shipment Date:	20041123
Creation Date:	1/20/2005 18:31:32
Receipt Date:	20041123
Manifest ID:	23722435
Trans EPA ID:	TXR000050930
Trans Name:	SAFETY-KLEEN SYSTEMS INC
Trans 2 EPA ID:	Not reported
Trans 2 Name:	Not reported
TSDf EPA ID:	NVR000066837
Trans Name:	SAFETY-KLEEN SYSTEMS INC
TSDf Alt EPA ID:	Not reported
TSDf Alt Name:	Not reported
Waste Code Description:	- Not reported
RCRA Code:	Not reported
Meth Code:	H01 - Transfer Station
Quantity Tons:	Not reported
Waste Quantity:	Not reported
Quantity Unit:	Not reported
Additional Code 1:	Not reported
Additional Code 2:	Not reported
Additional Code 3:	Not reported
Additional Code 4:	Not reported
Additional Code 5:	Not reported
Shipment Date:	20041027
Creation Date:	12/31/2004 18:30:54
Receipt Date:	20041027
Manifest ID:	23718806

Map ID
Direction
Distance
Elevation

MAP FINDINGS

Site

Database(s)

EDR ID Number
EPA ID Number

COLORADO RIVER CHEVROLET (Continued)

S113122169

Trans EPA ID: TXR000050930
Trans Name: SAFETY-KLEEN SYSTEMS INC
Trans 2 EPA ID: Not reported
Trans 2 Name: Not reported
TSDf EPA ID: NVR000066837
Trans Name: SAFETY-KLEEN SYSTEMS INC
TSDf Alt EPA ID: Not reported
TSDf Alt Name: Not reported
Waste Code Description: 221 - Waste oil and mixed oil
RCRA Code: Not reported
Meth Code: - Not reported
Quantity Tons: 1.425
Waste Quantity: 375
Quantity Unit: G
Additional Code 1: Not reported
Additional Code 2: Not reported
Additional Code 3: Not reported
Additional Code 4: Not reported
Additional Code 5: Not reported

Shipment Date: 20041027
Creation Date: 12/31/2004 18:30:54
Receipt Date: 20041027
Manifest ID: 23718806
Trans EPA ID: TXR000050930
Trans Name: SAFETY-KLEEN SYSTEMS INC
Trans 2 EPA ID: Not reported
Trans 2 Name: Not reported
TSDf EPA ID: NVR000066837
Trans Name: SAFETY-KLEEN SYSTEMS INC
TSDf Alt EPA ID: Not reported
TSDf Alt Name: Not reported
Waste Code Description: - Not reported
RCRA Code: Not reported
Meth Code: H01 - Transfer Station
Quantity Tons: Not reported
Waste Quantity: Not reported
Quantity Unit: Not reported
Additional Code 1: Not reported
Additional Code 2: Not reported
Additional Code 3: Not reported
Additional Code 4: Not reported
Additional Code 5: Not reported

Shipment Date: 20041014
Creation Date: 12/21/2004 18:31:57
Receipt Date: 20041014
Manifest ID: 23717684
Trans EPA ID: TXR000050930
Trans Name: SAFETY-KLEEN SYSTEMS INC
Trans 2 EPA ID: Not reported
Trans 2 Name: Not reported
TSDf EPA ID: NVR000066837
Trans Name: SAFETY-KLEEN SYSTEMS INC
TSDf Alt EPA ID: Not reported
TSDf Alt Name: Not reported
Waste Code Description: 741 - Liquids with halogenated organic compounds > 1000 mg/l

Map ID
Direction
Distance
Elevation

MAP FINDINGS

Site

Database(s)

EDR ID Number
EPA ID Number

COLORADO RIVER CHEVROLET (Continued)

S113122169

RCRA Code:	D001
Meth Code:	H01 - Transfer Station
Quantity Tons:	0.05838
Waste Quantity:	14
Quantity Unit:	G
Additional Code 1:	Not reported
Additional Code 2:	Not reported
Additional Code 3:	Not reported
Additional Code 4:	Not reported
Additional Code 5:	Not reported
Shipment Date:	20040929
Creation Date:	3/16/2007 18:31:12
Receipt Date:	20040929
Manifest ID:	23714230
Trans EPA ID:	TXR000050930
Trans Name:	SAFETY-KLEEN SYSTEMS INC
Trans 2 EPA ID:	Not reported
Trans 2 Name:	Not reported
TSDf EPA ID:	NVR000066837
Trans Name:	SAFETY-KLEEN SYSTEMS INC
TSDf Alt EPA ID:	Not reported
TSDf Alt Name:	Not reported
Waste Code Description:	- Not reported
RCRA Code:	Not reported
Meth Code:	H01 - Transfer Station
Quantity Tons:	Not reported
Waste Quantity:	Not reported
Quantity Unit:	Not reported
Additional Code 1:	Not reported
Additional Code 2:	Not reported
Additional Code 3:	Not reported
Additional Code 4:	Not reported
Additional Code 5:	Not reported
Shipment Date:	20040929
Creation Date:	3/16/2007 18:31:12
Receipt Date:	20040929
Manifest ID:	23714230
Trans EPA ID:	TXR000050930
Trans Name:	SAFETY-KLEEN SYSTEMS INC
Trans 2 EPA ID:	Not reported
Trans 2 Name:	Not reported
TSDf EPA ID:	NVR000066837
Trans Name:	SAFETY-KLEEN SYSTEMS INC
TSDf Alt EPA ID:	Not reported
TSDf Alt Name:	Not reported
Waste Code Description:	221 - Waste oil and mixed oil
RCRA Code:	Not reported
Meth Code:	- Not reported
Quantity Tons:	1.14
Waste Quantity:	300
Quantity Unit:	G
Additional Code 1:	Not reported
Additional Code 2:	Not reported
Additional Code 3:	Not reported
Additional Code 4:	Not reported

Map ID
Direction
Distance
Elevation

MAP FINDINGS

Site

Database(s)

EDR ID Number
EPA ID Number

COLORADO RIVER CHEVROLET (Continued)

S113122169

Additional Code 5:	Not reported
Shipment Date:	20040901
Creation Date:	1/6/2005 18:30:52
Receipt Date:	20040901
Manifest ID:	23712354
Trans EPA ID:	TXR000050930
Trans Name:	SAFETY-KLEEN SYSTEMS INC
Trans 2 EPA ID:	Not reported
Trans 2 Name:	Not reported
TSDf EPA ID:	NVR000066837
Trans Name:	SAFETY-KLEEN SYSTEMS INC
TSDf Alt EPA ID:	Not reported
TSDf Alt Name:	Not reported
Waste Code Description:	221 - Waste oil and mixed oil
RCRA Code:	Not reported
Meth Code:	- Not reported
Quantity Tons:	1.159
Waste Quantity:	305
Quantity Unit:	G
Additional Code 1:	Not reported
Additional Code 2:	Not reported
Additional Code 3:	Not reported
Additional Code 4:	Not reported
Additional Code 5:	Not reported
Additional Info:	
Year:	2002
Gen EPA ID:	CAL000259384
Shipment Date:	20021226
Creation Date:	4/2/2003 18:31:15
Receipt Date:	20021226
Manifest ID:	22207455
Trans EPA ID:	SCR000075150
Trans Name:	Not reported
Trans 2 EPA ID:	Not reported
Trans 2 Name:	Not reported
TSDf EPA ID:	NVR000066837
Trans Name:	Not reported
TSDf Alt EPA ID:	Not reported
TSDf Alt Name:	Not reported
Waste Code Description:	221 - Waste oil and mixed oil
RCRA Code:	Not reported
Meth Code:	- Not reported
Quantity Tons:	0.722
Waste Quantity:	190
Quantity Unit:	G
Additional Code 1:	Not reported
Additional Code 2:	Not reported
Additional Code 3:	Not reported
Additional Code 4:	Not reported
Additional Code 5:	Not reported
Shipment Date:	20021126
Creation Date:	2/13/2003 18:31:35
Receipt Date:	20021126

Map ID
Direction
Distance
Elevation

MAP FINDINGS

Site

Database(s)

EDR ID Number
EPA ID Number

COLORADO RIVER CHEVROLET (Continued)

S113122169

Manifest ID: 22147152
Trans EPA ID: SCR000075150
Trans Name: Not reported
Trans 2 EPA ID: Not reported
Trans 2 Name: Not reported
TSDf EPA ID: NVR000066837
Trans Name: Not reported
TSDf Alt EPA ID: Not reported
TSDf Alt Name: Not reported
Waste Code Description: 221 - Waste oil and mixed oil
RCRA Code: Not reported
Meth Code: - Not reported
Quantity Tons: 0.912
Waste Quantity: 240
Quantity Unit: G
Additional Code 1: Not reported
Additional Code 2: Not reported
Additional Code 3: Not reported
Additional Code 4: Not reported
Additional Code 5: Not reported

Shipment Date: 20021030
Creation Date: 2/18/2003 18:31:24
Receipt Date: 20021030
Manifest ID: 98699495
Trans EPA ID: SCR000075150
Trans Name: Not reported
Trans 2 EPA ID: Not reported
Trans 2 Name: Not reported
TSDf EPA ID: NVR000066837
Trans Name: Not reported
TSDf Alt EPA ID: Not reported
TSDf Alt Name: Not reported
Waste Code Description: 221 - Waste oil and mixed oil
RCRA Code: Not reported
Meth Code: - Not reported
Quantity Tons: 3.002
Waste Quantity: 790
Quantity Unit: G
Additional Code 1: Not reported
Additional Code 2: Not reported
Additional Code 3: Not reported
Additional Code 4: Not reported
Additional Code 5: Not reported

Additional Info:
Year: 2005
Gen EPA ID: CAL000259384

Shipment Date: 20051221
Creation Date: 1/4/2007 18:30:12
Receipt Date: 20051221
Manifest ID: 23677317
Trans EPA ID: TXR000050930
Trans Name: SAFETY-KLEEN SYSTEMS INC
Trans 2 EPA ID: Not reported
Trans 2 Name: Not reported

Map ID
Direction
Distance
Elevation

MAP FINDINGS

Site

Database(s)

EDR ID Number
EPA ID Number

COLORADO RIVER CHEVROLET (Continued)

S113122169

TSDF EPA ID: NVR000066837
Trans Name: SAFETY-KLEEN SYSTEMS INC
TSDF Alt EPA ID: Not reported
TSDF Alt Name: Not reported
Waste Code Description: 343 - Unspecified organic liquid mixture
RCRA Code: Not reported
Meth Code: - Not reported
Quantity Tons: 0.204
Waste Quantity: 60
Quantity Unit: G
Additional Code 1: Not reported
Additional Code 2: Not reported
Additional Code 3: Not reported
Additional Code 4: Not reported
Additional Code 5: Not reported

Shipment Date: 20051221
Creation Date: 1/4/2007 18:30:12
Receipt Date: 20051221
Manifest ID: 23677317
Trans EPA ID: TXR000050930
Trans Name: SAFETY-KLEEN SYSTEMS INC
Trans 2 EPA ID: Not reported
Trans 2 Name: Not reported
TSDF EPA ID: NVR000066837
Trans Name: SAFETY-KLEEN SYSTEMS INC
TSDF Alt EPA ID: Not reported
TSDF Alt Name: Not reported
Waste Code Description: 221 - Waste oil and mixed oil
RCRA Code: Not reported
Meth Code: - Not reported
Quantity Tons: 1.387
Waste Quantity: 365
Quantity Unit: G
Additional Code 1: Not reported
Additional Code 2: Not reported
Additional Code 3: Not reported
Additional Code 4: Not reported
Additional Code 5: Not reported

Shipment Date: 20051215
Creation Date: 1/4/2007 18:30:12
Receipt Date: 20051215
Manifest ID: 23672955
Trans EPA ID: TXR000050930
Trans Name: SAFETY-KLEEN SYSTEMS INC
Trans 2 EPA ID: Not reported
Trans 2 Name: Not reported
TSDF EPA ID: NVR000066837
Trans Name: SAFETY-KLEEN SYSTEMS INC
TSDF Alt EPA ID: Not reported
TSDF Alt Name: Not reported
Waste Code Description: 741 - Liquids with halogenated organic compounds > 1000 mg/l
RCRA Code: D001
Meth Code: H01 - Transfer Station
Quantity Tons: 0.06255
Waste Quantity: 15

Map ID
Direction
Distance
Elevation

MAP FINDINGS

Site

Database(s)

EDR ID Number
EPA ID Number

COLORADO RIVER CHEVROLET (Continued)

S113122169

Quantity Unit:	G
Additional Code 1:	Not reported
Additional Code 2:	Not reported
Additional Code 3:	Not reported
Additional Code 4:	Not reported
Additional Code 5:	Not reported
Shipment Date:	20051122
Creation Date:	1/2/2007 18:30:08
Receipt Date:	20051122
Manifest ID:	23675056
Trans EPA ID:	TXR000050930
Trans Name:	SAFETY-KLEEN SYSTEMS INC
Trans 2 EPA ID:	Not reported
Trans 2 Name:	Not reported
TSDf EPA ID:	NVR000066837
Trans Name:	SAFETY-KLEEN SYSTEMS INC
TSDf Alt EPA ID:	Not reported
TSDf Alt Name:	Not reported
Waste Code Description:	221 - Waste oil and mixed oil
RCRA Code:	Not reported
Meth Code:	- Not reported
Quantity Tons:	1.026
Waste Quantity:	270
Quantity Unit:	G
Additional Code 1:	Not reported
Additional Code 2:	Not reported
Additional Code 3:	Not reported
Additional Code 4:	Not reported
Additional Code 5:	Not reported
Shipment Date:	20051026
Creation Date:	5/24/2006 18:31:13
Receipt Date:	20051026
Manifest ID:	24720963
Trans EPA ID:	TXR000050930
Trans Name:	SAFETY-KLEEN SYSTEMS INC
Trans 2 EPA ID:	Not reported
Trans 2 Name:	Not reported
TSDf EPA ID:	NVR000066837
Trans Name:	SAFETY-KLEEN SYSTEMS INC
TSDf Alt EPA ID:	Not reported
TSDf Alt Name:	Not reported
Waste Code Description:	221 - Waste oil and mixed oil
RCRA Code:	Not reported
Meth Code:	- Not reported
Quantity Tons:	1.292
Waste Quantity:	340
Quantity Unit:	G
Additional Code 1:	Not reported
Additional Code 2:	Not reported
Additional Code 3:	Not reported
Additional Code 4:	Not reported
Additional Code 5:	Not reported
Shipment Date:	20051005
Creation Date:	3/12/2006 18:30:40

Map ID
Direction
Distance
Elevation

MAP FINDINGS

Site

Database(s)

EDR ID Number
EPA ID Number

COLORADO RIVER CHEVROLET (Continued)

S113122169

Receipt Date: 20051005
Manifest ID: 24719369
Trans EPA ID: TXR000050930
Trans Name: SAFETY-KLEEN SYSTEMS INC
Trans 2 EPA ID: Not reported
Trans 2 Name: Not reported
TSDf EPA ID: NVR000066837
Trans Name: SAFETY-KLEEN SYSTEMS INC
TSDf Alt EPA ID: Not reported
TSDf Alt Name: Not reported
Waste Code Description: 741 - Liquids with halogenated organic compounds > 1000 mg/l
RCRA Code: D001
Meth Code: H01 - Transfer Station
Quantity Tons: 0.06255
Waste Quantity: 15
Quantity Unit: G
Additional Code 1: Not reported
Additional Code 2: Not reported
Additional Code 3: Not reported
Additional Code 4: Not reported
Additional Code 5: Not reported

Shipment Date: 20050928
Creation Date: 4/13/2006 18:48:46
Receipt Date: 20050928
Manifest ID: 23688532
Trans EPA ID: TXR000050930
Trans Name: SAFETY-KLEEN SYSTEMS INC
Trans 2 EPA ID: Not reported
Trans 2 Name: Not reported
TSDf EPA ID: NVR000066837
Trans Name: SAFETY-KLEEN SYSTEMS INC
TSDf Alt EPA ID: Not reported
TSDf Alt Name: Not reported
Waste Code Description: 343 - Unspecified organic liquid mixture
RCRA Code: Not reported
Meth Code: - Not reported
Quantity Tons: Not reported
Waste Quantity: Not reported
Quantity Unit: G
Additional Code 1: Not reported
Additional Code 2: Not reported
Additional Code 3: Not reported
Additional Code 4: Not reported
Additional Code 5: Not reported

Shipment Date: 20050928
Creation Date: 4/13/2006 18:48:46
Receipt Date: 20050928
Manifest ID: 23688532
Trans EPA ID: TXR000050930
Trans Name: SAFETY-KLEEN SYSTEMS INC
Trans 2 EPA ID: Not reported
Trans 2 Name: Not reported
TSDf EPA ID: NVR000066837
Trans Name: SAFETY-KLEEN SYSTEMS INC
TSDf Alt EPA ID: Not reported

Map ID
Direction
Distance
Elevation

MAP FINDINGS

Site

Database(s)

EDR ID Number
EPA ID Number

COLORADO RIVER CHEVROLET (Continued)

S113122169

TSDf Alt Name:	Not reported
Waste Code Description:	221 - Waste oil and mixed oil
RCRA Code:	Not reported
Meth Code:	- Not reported
Quantity Tons:	1.197
Waste Quantity:	315
Quantity Unit:	G
Additional Code 1:	Not reported
Additional Code 2:	Not reported
Additional Code 3:	Not reported
Additional Code 4:	Not reported
Additional Code 5:	Not reported
Shipment Date:	20050901
Creation Date:	4/13/2006 18:45:56
Receipt Date:	20050901
Manifest ID:	23670333
Trans EPA ID:	TXR000050930
Trans Name:	SAFETY-KLEEN SYSTEMS INC
Trans 2 EPA ID:	Not reported
Trans 2 Name:	Not reported
TSDf EPA ID:	NVR000066837
Trans Name:	SAFETY-KLEEN SYSTEMS INC
TSDf Alt EPA ID:	Not reported
TSDf Alt Name:	Not reported
Waste Code Description:	343 - Unspecified organic liquid mixture
RCRA Code:	Not reported
Meth Code:	- Not reported
Quantity Tons:	0.136
Waste Quantity:	40
Quantity Unit:	G
Additional Code 1:	Not reported
Additional Code 2:	Not reported
Additional Code 3:	Not reported
Additional Code 4:	Not reported
Additional Code 5:	Not reported
Shipment Date:	20050901
Creation Date:	4/13/2006 18:45:56
Receipt Date:	20050901
Manifest ID:	23670333
Trans EPA ID:	TXR000050930
Trans Name:	SAFETY-KLEEN SYSTEMS INC
Trans 2 EPA ID:	Not reported
Trans 2 Name:	Not reported
TSDf EPA ID:	NVR000066837
Trans Name:	SAFETY-KLEEN SYSTEMS INC
TSDf Alt EPA ID:	Not reported
TSDf Alt Name:	Not reported
Waste Code Description:	221 - Waste oil and mixed oil
RCRA Code:	Not reported
Meth Code:	- Not reported
Quantity Tons:	1.235
Waste Quantity:	325
Quantity Unit:	G
Additional Code 1:	Not reported
Additional Code 2:	Not reported

Map ID
Direction
Distance
Elevation

MAP FINDINGS

Site

Database(s)

EDR ID Number
EPA ID Number

COLORADO RIVER CHEVROLET (Continued)

S113122169

Additional Code 3: Not reported
Additional Code 4: Not reported
Additional Code 5: Not reported

Additional Info:

Year: 2007
Gen EPA ID: CAL000259384

Shipment Date: 20071031
Creation Date: 3/18/2008 18:30:19
Receipt Date: 20071031
Manifest ID: 000765907SKS
Trans EPA ID: TXR000050930
Trans Name: SAFETY-KLEEN SYSTEMS INC
Trans 2 EPA ID: Not reported
Trans 2 Name: Not reported
TSDF EPA ID: NVR000066837
Trans Name: SAFETY-KLEEN SYSTEMS INC
TSDF Alt EPA ID: Not reported
TSDF Alt Name: Not reported
Waste Code Description: 741 - Liquids with halogenated organic compounds > 1000 mg/l
RCRA Code: D040
Meth Code: H141 - Storage, Bulking, And/Or Transfer Off Site--No
Treatment/Reovery (H010-H129) Or (H131-H135)

Quantity Tons: 0.06255
Waste Quantity: 15
Quantity Unit: G
Additional Code 1: D039
Additional Code 2: D018
Additional Code 3: D001
Additional Code 4: Not reported
Additional Code 5: Not reported

Shipment Date: 20070808
Creation Date: 2/5/2008 18:30:06
Receipt Date: 20070808
Manifest ID: 000842118SKS
Trans EPA ID: TXR000050930
Trans Name: SAFETY-KLEEN SYSTEMS INC
Trans 2 EPA ID: Not reported
Trans 2 Name: Not reported
TSDF EPA ID: NVR000066837
Trans Name: SAFETY-KLEEN SYSTEMS INC 708701
TSDF Alt EPA ID: Not reported
TSDF Alt Name: Not reported
Waste Code Description: 741 - Liquids with halogenated organic compounds > 1000 mg/l
RCRA Code: D040
Meth Code: H141 - Storage, Bulking, And/Or Transfer Off Site--No
Treatment/Reovery (H010-H129) Or (H131-H135)

Quantity Tons: 0.05004
Waste Quantity: 12
Quantity Unit: G
Additional Code 1: D039
Additional Code 2: D018
Additional Code 3: D001
Additional Code 4: Not reported
Additional Code 5: Not reported

Map ID
Direction
Distance
Elevation

MAP FINDINGS

Site

Database(s)

EDR ID Number
EPA ID Number

COLORADO RIVER CHEVROLET (Continued)

S113122169

Shipment Date: 20070516
Creation Date: 12/20/2007 18:30:27
Receipt Date: 20070516
Manifest ID: 000312257SKS
Trans EPA ID: TXR000050930
Trans Name: SAFETY-KLEEN SYSTEMS INC
Trans 2 EPA ID: Not reported
Trans 2 Name: Not reported
TSDf EPA ID: NVR000066837
Trans Name: SAFETY-KLEEN SYSTEMS INC
TSDf Alt EPA ID: Not reported
TSDf Alt Name: Not reported
Waste Code Description: 741 - Liquids with halogenated organic compounds > 1000 mg/l
RCRA Code: D040
Meth Code: H141 - Storage, Bulking, And/Or Transfer Off Site--No Treatment/Reovery (H010-H129) Or (H131-H135)

Quantity Tons: 0.06255
Waste Quantity: 15
Quantity Unit: G
Additional Code 1: D039
Additional Code 2: D018
Additional Code 3: D001
Additional Code 4: Not reported
Additional Code 5: Not reported

Shipment Date: 20070220
Creation Date: 10/10/2007 18:30:08
Receipt Date: 20070220
Manifest ID: 000375630SKS
Trans EPA ID: TXR000050930
Trans Name: SAFETY-KLEEN SYSTEMS INC
Trans 2 EPA ID: Not reported
Trans 2 Name: Not reported
TSDf EPA ID: NVR000066837
Trans Name: SAFETY-KLEEN SYSTEMS INC
TSDf Alt EPA ID: Not reported
TSDf Alt Name: Not reported
Waste Code Description: 741 - Liquids with halogenated organic compounds > 1000 mg/l
RCRA Code: D040
Meth Code: H141 - Storage, Bulking, And/Or Transfer Off Site--No Treatment/Reovery (H010-H129) Or (H131-H135)

Quantity Tons: 0.06255
Waste Quantity: 15
Quantity Unit: G
Additional Code 1: D039
Additional Code 2: D018
Additional Code 3: D001
Additional Code 4: Not reported
Additional Code 5: Not reported

Additional Info:
Year: 2003
Gen EPA ID: CAL000259384

Shipment Date: 20031223
Creation Date: 7/30/2004 18:31:14
Receipt Date: 20031223

Map ID
Direction
Distance
Elevation

MAP FINDINGS

Site

Database(s)

EDR ID Number
EPA ID Number

COLORADO RIVER CHEVROLET (Continued)

S113122169

Manifest ID: 23308280
Trans EPA ID: TXR000050930
Trans Name: SAFETY-KLEEN SYSTEMS INC
Trans 2 EPA ID: Not reported
Trans 2 Name: Not reported
TSDf EPA ID: NVR000066837
Trans Name: SAFETY-KLEEN SYSTEMS INC
TSDf Alt EPA ID: Not reported
TSDf Alt Name: Not reported
Waste Code Description: - Not reported
RCRA Code: Not reported
Meth Code: H01 - Transfer Station
Quantity Tons: Not reported
Waste Quantity: Not reported
Quantity Unit: Not reported
Additional Code 1: Not reported
Additional Code 2: Not reported
Additional Code 3: Not reported
Additional Code 4: Not reported
Additional Code 5: Not reported

Shipment Date: 20031223
Creation Date: 7/30/2004 18:31:14
Receipt Date: 20031223
Manifest ID: 23308280
Trans EPA ID: TXR000050930
Trans Name: SAFETY-KLEEN SYSTEMS INC
Trans 2 EPA ID: Not reported
Trans 2 Name: Not reported
TSDf EPA ID: NVR000066837
Trans Name: SAFETY-KLEEN SYSTEMS INC
TSDf Alt EPA ID: Not reported
TSDf Alt Name: Not reported
Waste Code Description: 221 - Waste oil and mixed oil
RCRA Code: Not reported
Meth Code: - Not reported
Quantity Tons: 0.988
Waste Quantity: 260
Quantity Unit: G
Additional Code 1: Not reported
Additional Code 2: Not reported
Additional Code 3: Not reported
Additional Code 4: Not reported
Additional Code 5: Not reported

Shipment Date: 20031126
Creation Date: 8/5/2004 10:14:17
Receipt Date: 20031126
Manifest ID: 23302248
Trans EPA ID: TXR000050930
Trans Name: SAFETY-KLEEN SYSTEMS INC
Trans 2 EPA ID: Not reported
Trans 2 Name: Not reported
TSDf EPA ID: NVR000066837
Trans Name: SAFETY-KLEEN SYSTEMS INC
TSDf Alt EPA ID: Not reported
TSDf Alt Name: Not reported

Map ID
Direction
Distance
Elevation

MAP FINDINGS

Site

Database(s)

EDR ID Number
EPA ID Number

COLORADO RIVER CHEVROLET (Continued)

S113122169

Waste Code Description: 221 - Waste oil and mixed oil
RCRA Code: Not reported
Meth Code: - Not reported
Quantity Tons: 0.893
Waste Quantity: 235
Quantity Unit: G
Additional Code 1: Not reported
Additional Code 2: Not reported
Additional Code 3: Not reported
Additional Code 4: Not reported
Additional Code 5: Not reported

Shipment Date: 20031126
Creation Date: 8/5/2004 10:14:17
Receipt Date: 20031126
Manifest ID: 23302248
Trans EPA ID: TXR000050930
Trans Name: SAFETY-KLEEN SYSTEMS INC
Trans 2 EPA ID: Not reported
Trans 2 Name: Not reported
TSDf EPA ID: NVR000066837
Trans Name: SAFETY-KLEEN SYSTEMS INC
TSDf Alt EPA ID: Not reported
TSDf Alt Name: Not reported
Waste Code Description: 343 - Unspecified organic liquid mixture
RCRA Code: Not reported
Meth Code: H01 - Transfer Station
Quantity Tons: Not reported
Waste Quantity: Not reported
Quantity Unit: P
Additional Code 1: Not reported
Additional Code 2: Not reported
Additional Code 3: Not reported
Additional Code 4: Not reported
Additional Code 5: Not reported

Shipment Date: 20031119
Creation Date: 8/5/2004 10:07:02
Receipt Date: 20031119
Manifest ID: 23303742
Trans EPA ID: TXR000050930
Trans Name: SAFETY-KLEEN SYSTEMS INC
Trans 2 EPA ID: Not reported
Trans 2 Name: Not reported
TSDf EPA ID: NVR000066837
Trans Name: SAFETY-KLEEN SYSTEMS INC
TSDf Alt EPA ID: Not reported
TSDf Alt Name: Not reported
Waste Code Description: 741 - Liquids with halogenated organic compounds > 1000 mg/l
RCRA Code: D001
Meth Code: H01 - Transfer Station
Quantity Tons: 0.06255
Waste Quantity: 15
Quantity Unit: G
Additional Code 1: Not reported
Additional Code 2: Not reported
Additional Code 3: Not reported

Map ID
Direction
Distance
Elevation

MAP FINDINGS

Site

Database(s)

EDR ID Number
EPA ID Number

COLORADO RIVER CHEVROLET (Continued)

S113122169

Additional Code 4: Not reported
Additional Code 5: Not reported

Shipment Date: 20031029
Creation Date: 8/3/2004 15:03:33
Receipt Date: 20031029
Manifest ID: 22530286
Trans EPA ID: TXR000050930
Trans Name: SAFETY-KLEEN SYSTEMS INC
Trans 2 EPA ID: Not reported
Trans 2 Name: Not reported
TSDf EPA ID: NVR000066837
Trans Name: SAFETY-KLEEN SYSTEMS INC
TSDf Alt EPA ID: Not reported
TSDf Alt Name: Not reported
Waste Code Description: - Not reported
RCRA Code: Not reported
Meth Code: H01 - Transfer Station
Quantity Tons: 0.97995
Waste Quantity: 235
Quantity Unit: G
Additional Code 1: Not reported
Additional Code 2: Not reported
Additional Code 3: Not reported
Additional Code 4: Not reported
Additional Code 5: Not reported

Shipment Date: 20031029
Creation Date: 8/3/2004 15:03:33
Receipt Date: 20031029
Manifest ID: 22530286
Trans EPA ID: TXR000050930
Trans Name: SAFETY-KLEEN SYSTEMS INC
Trans 2 EPA ID: Not reported
Trans 2 Name: Not reported
TSDf EPA ID: NVR000066837
Trans Name: SAFETY-KLEEN SYSTEMS INC
TSDf Alt EPA ID: Not reported
TSDf Alt Name: Not reported
Waste Code Description: - Not reported
RCRA Code: Not reported
Meth Code: H01 - Transfer Station
Quantity Tons: Not reported
Waste Quantity: Not reported
Quantity Unit: Not reported
Additional Code 1: Not reported
Additional Code 2: Not reported
Additional Code 3: Not reported
Additional Code 4: Not reported
Additional Code 5: Not reported

Shipment Date: 20031001
Creation Date: 7/13/2004 10:48:19
Receipt Date: 20031001
Manifest ID: 22519422
Trans EPA ID: TXR000050930
Trans Name: SAFETY-KLEEN SYSTEMS INC

Map ID
Direction
Distance
Elevation

MAP FINDINGS

Site

Database(s)

EDR ID Number
EPA ID Number

COLORADO RIVER CHEVROLET (Continued)

S113122169

Trans 2 EPA ID: Not reported
Trans 2 Name: Not reported
TSDf EPA ID: NVR000066837
Trans Name: SAFETY-KLEEN SYSTEMS INC
TSDf Alt EPA ID: Not reported
TSDf Alt Name: Not reported
Waste Code Description: 343 - Unspecified organic liquid mixture
RCRA Code: Not reported
Meth Code: H01 - Transfer Station
Quantity Tons: Not reported
Waste Quantity: Not reported
Quantity Unit: P
Additional Code 1: Not reported
Additional Code 2: Not reported
Additional Code 3: Not reported
Additional Code 4: Not reported
Additional Code 5: Not reported

Shipment Date: 20031001
Creation Date: 7/13/2004 10:48:19
Receipt Date: 20031001
Manifest ID: 22519422
Trans EPA ID: TXR000050930
Trans Name: SAFETY-KLEEN SYSTEMS INC
Trans 2 EPA ID: Not reported
Trans 2 Name: Not reported
TSDf EPA ID: NVR000066837
Trans Name: SAFETY-KLEEN SYSTEMS INC
TSDf Alt EPA ID: Not reported
TSDf Alt Name: Not reported
Waste Code Description: 221 - Waste oil and mixed oil
RCRA Code: Not reported
Meth Code: - Not reported
Quantity Tons: 0.741
Waste Quantity: 195
Quantity Unit: G
Additional Code 1: Not reported
Additional Code 2: Not reported
Additional Code 3: Not reported
Additional Code 4: Not reported
Additional Code 5: Not reported

Shipment Date: 20030904
Creation Date: 7/29/2004 7:44:50
Receipt Date: 20030904
Manifest ID: 22513842
Trans EPA ID: TXR000050930
Trans Name: Not reported
Trans 2 EPA ID: Not reported
Trans 2 Name: Not reported
TSDf EPA ID: NVR000066837
Trans Name: Not reported
TSDf Alt EPA ID: Not reported
TSDf Alt Name: Not reported
Waste Code Description: 343 - Unspecified organic liquid mixture
RCRA Code: Not reported
Meth Code: H01 - Transfer Station

Map ID
Direction
Distance
Elevation

MAP FINDINGS

Site

Database(s)

EDR ID Number
EPA ID Number

COLORADO RIVER CHEVROLET (Continued)

S113122169

Quantity Tons: 0.187
Waste Quantity: 55
Quantity Unit: G
Additional Code 1: Not reported
Additional Code 2: Not reported
Additional Code 3: Not reported
Additional Code 4: Not reported
Additional Code 5: Not reported

HWTS:

Name: COLORADO RIVER CHEVROLET
Address: 2204 W BROADWAY
Address 2: Not reported
City,State,Zip: NEEDLES, CA 92363
EPA ID: CAL000303483
Inactive Date: 06/30/2009
Create Date: 02/16/2006
Last Act Date: Not reported
Mailing Name: Not reported
Mailing Address: 2204 W BROADWAY
Mailing Address 2: Not reported
Mailing City,State,Zip: NEEDLES, CA 923632199
Owner Name: BUFORD B WILEY
Owner Address: 6815 LA JOLLA SCENIC DR S
Owner Address 2: Not reported
Owner City,State,Zip: LA JOLLA, CA 920375738
Contact Name: JAMES SMITH
Contact Address: 2204 W BROADWAY
Contact Address 2: Not reported
City,State,Zip: NEEDLES, CA 923632199
Facility Status: Inactive
Facility Type: PERMANENT
Category: STATE
Latitude: 34.848014
Longitude: -114.614009

NAICS:

EPA ID: CAL000303483
Create Date: 2006-02-16 11:52:57.477
NAICS Code: 44111
NAICS Description: New Car Dealers
Issued EPA ID Date: 2006-02-16 11:52:57.43000
Inactive Date: 2009-06-30 00:00:00
Facility Name: COLORADO RIVER CHEVROLET
Facility Address: 2204 W BROADWAY
Facility Address 2: Not reported
Facility City: NEEDLES
Facility County: Not reported
Facility State: CA
Facility Zip: 923632199

Name: COLORADO RIVER CHEVROLET
Address: 2204 W BROADWAY
Address 2: Not reported
City,State,Zip: NEEDLES, CA 92363
EPA ID: CAL000259384

Map ID
Direction
Distance
Elevation

MAP FINDINGS

Site

Database(s)

EDR ID Number
EPA ID Number

COLORADO RIVER CHEVROLET (Continued)

S113122169

Inactive Date: 06/30/2003
Create Date: 09/18/2002
Last Act Date: Not reported
Mailing Name: Not reported
Mailing Address: 2204 W BROADWAY DLR #16152
Mailing Address 2: Not reported
Mailing City,State,Zip: NEEDLES, CA 923630509
Owner Name: GARY LEWIS
Owner Address: 2204 W BROADWAY DLR #16152
Owner Address 2: Not reported
Owner City,State,Zip: NEEDLES, CA 923630000
Contact Name: JAKE STUTLER
Contact Address: 2204 W BROADWAY
Contact Address 2: Not reported
City,State,Zip: NEEDLES, CA 923630000
Facility Status: Inactive
Facility Type: PERMANENT
Category: STATE
Latitude: 34.836413
Longitude: -114.599478

NAICS:
EPA ID: CAL000259384
Create Date: 2002-09-18 10:12:43.343
NAICS Code: 811198
NAICS Description: All Other Automotive Repair and Maintenance
Issued EPA ID Date: 2002-09-18 10:12:43.25000
Inactive Date: 2003-06-30 00:00:00
Facility Name: COLORADO RIVER CHEVROLET
Facility Address: 2204 W BROADWAY
Facility Address 2: Not reported
Facility City: NEEDLES
Facility County: Not reported
Facility State: CA
Facility Zip: 923630000

AD222 LJ MOTORS
Target 2204 WEST BROADWAY
Property NEEDLES, CA 92363

FINDS 1016188381
ECHO N/A

Site 3 of 20 in cluster AD

Actual: 504 ft. FINDS:
Registry ID: 110002832837

Focus Map: 6 [Click Here for FRS Facility Detail Report:](#)

Environmental Interest/Information System:

RCRAInfo is a national information system that supports the Resource Conservation and Recovery Act (RCRA) program through the tracking of events and activities related to facilities that generate, transport, and treat, store, or dispose of hazardous waste. RCRAInfo allows RCRA program staff to track the notification, permit, compliance, and corrective action activities required under RCRA.
HAZARDOUS AIR POLLUTANT MAJOR

[Click this hyperlink](#) while viewing on your computer to access additional FINDS: detail in the EDR Site Report.

Map ID
 Direction
 Distance
 Elevation

MAP FINDINGS

Site

Database(s)

EDR ID Number
 EPA ID Number

LJ MOTORS (Continued)

1016188381

ECHO:
 Envid: 1016188381
 Registry ID: 110002832837
 DFR URL: <http://echo.epa.gov/detailed-facility-report?fid=110002832837>
 Name: LJ MOTORS
 Address: 2204 WEST BROADWAY
 City,State,Zip: NEEDLES, CA 92363

AD223 LJ MOTORS
Target 2204 WEST BROADWAY
Property NEEDLES, CA 92363

CERS S123526990
N/A

Site 4 of 20 in cluster AD

Actual: 504 ft.
Focus Map: 6

CERS:
 Name: LJ MOTORS
 Address: 2204 WEST BROADWAY
 City,State,Zip: NEEDLES, CA 92363
 Site ID: 477783
 CERS ID: 110002832837
 CERS Description: US EPA Air Emission Inventory System (EIS)

Affiliation:
 Affiliation Type Desc: Environmental Contact
 Entity Name: Jerry Williams
 Entity Title: Not reported
 Affiliation Address: POBOX 509
 Affiliation City: NEEDLES
 Affiliation State: CA
 Affiliation Country: Not reported
 Affiliation Zip: Not reported
 Affiliation Phone: ,

AD224 1X L. J. MOTORS, INC.
Target 2204 WEST BROADWAY
Property NEEDLES, CA 92362

HAZNET S123723193
HWTS N/A

Site 5 of 20 in cluster AD

Actual: 504 ft.
Focus Map: 6

HAZNET:
 Name: 1X L. J. MOTORS, INC.
 Address: 2204 WEST BROADWAY
 Address 2: Not reported
 City,State,Zip: NEEDLES, CA 923620000
 Contact: JERRY LEWIS, GENERAL MANAGER
 Telephone: 6193263834
 Mailing Name: Not reported
 Mailing Address: --

Year: 1990
 Gepaid: CAC000238961
 TSD EPA ID: CAT080013352
 CA Waste Code: 223 - Unspecified oil-containing waste
 Disposal Method: R01 - Recycler
 Tons: 2.919

Map ID
 Direction
 Distance
 Elevation

MAP FINDINGS

Site

Database(s)

EDR ID Number
 EPA ID Number

1X L. J. MOTORS, INC. (Continued)

S123723193

HWTS:

Name: 1X L. J. MOTORS, INC.
 Address: 2204 WEST BROADWAY
 Address 2: Not reported
 City,State,Zip: NEEDLES, CA 92362
 EPA ID: CAC000238961
 Inactive Date: 10/25/2000
 Create Date: 01/12/1990
 Last Act Date: Not reported
 Mailing Name: Not reported
 Mailing Address: Not reported
 Mailing Address 2: Not reported
 Mailing City,State,Zip: NEEDLES, CA 923630000
 Owner Name: HOWARD HARRIS
 Owner Address: Not reported
 Owner Address 2: Not reported
 Owner City,State,Zip: Not reported
 Contact Name: JERRY LEWIS, GENERAL MANAGER
 Contact Address: Not reported
 Contact Address 2: Not reported
 City,State,Zip: Not reported
 Facility Status: Inactive
 Facility Type: TEMPORARY
 Category: STATE
 Latitude: 34.836413
 Longitude: -114.599478

AD225 LARRY GREEN AUTO CENTER INC
Target 2204 W BROADWAY
Property NEEDLES, CA 92363

RCRA-SQG 1000124701
SWEEPS UST CAD982498990
HAZNET
San Bern. Co. Permit
HWTS

Site 6 of 20 in cluster AD

Actual:
504 ft.

Focus Map:
6

RCRA-SQG:
 Date Form Received by Agency: 19951128
 Handler Name: LARRY GREEN AUTO CENTER INC
 Handler Address: 2204 W BROADWAY
 Handler City,State,Zip: NEEDLES, CA 92363
 EPA ID: CAD982498990
 Contact Name: JERRY WILLIAMS
 Contact Address: P O BOX 509
 Contact City,State,Zip: NEEDLES, CA 92363-0509
 Contact Telephone: 619-326-3834
 Contact Fax: Not reported
 Contact Email: Not reported
 Contact Title: Not reported
 EPA Region: 09
 Land Type: Private
 Federal Waste Generator Description: Small Quantity Generator
 Non-Notifier: Not reported
 Biennial Report Cycle: Not reported
 Accessibility: Not reported
 Active Site Indicator: Handler Activities
 State District Owner: CA
 State District: 4
 Mailing Address: 2204 W BROADWAY
 Mailing City,State,Zip: NEEDLES, CA 92363

Map ID
 Direction
 Distance
 Elevation

MAP FINDINGS

Site

Database(s)

EDR ID Number
 EPA ID Number

LARRY GREEN AUTO CENTER INC (Continued)

1000124701

Owner Name:	LARRY GREEN	
Owner Type:		Private
Operator Name:	NOT REQUIRED	
Operator Type:		Private
Short-Term Generator Activity:		No
Importer Activity:		No
Mixed Waste Generator:		No
Transporter Activity:		No
Transfer Facility Activity:		No
Recycler Activity with Storage:		No
Small Quantity On-Site Burner Exemption:		No
Smelting Melting and Refining Furnace Exemption:		No
Underground Injection Control:		No
Off-Site Waste Receipt:		No
Universal Waste Indicator:		No
Universal Waste Destination Facility:		No
Federal Universal Waste:		No
Active Site Fed-Reg Treatment Storage and Disposal Facility:		Not reported
Active Site Converter Treatment storage and Disposal Facility:		Not reported
Active Site State-Reg Treatment Storage and Disposal Facility:		Not reported
Active Site State-Reg Handler:		---
Federal Facility Indicator:		Not reported
Hazardous Secondary Material Indicator:		NN
Sub-Part K Indicator:		Not reported
Commercial TSD Indicator:		No
Treatment Storage and Disposal Type:		Not reported
2018 GPRA Permit Baseline:		Not on the Baseline
2018 GPRA Renewals Baseline:		Not on the Baseline
Permit Renewals Workload Universe:		Not reported
Permit Workload Universe:		Not reported
Permit Progress Universe:		Not reported
Post-Closure Workload Universe:		Not reported
Closure Workload Universe:		Not reported
202 GPRA Corrective Action Baseline:		No
Corrective Action Workload Universe:		No
Subject to Corrective Action Universe:		No
Non-TSDFs Where RCRA CA has Been Imposed Universe:		No
TSDFs Potentially Subject to CA Under 3004 (u)/(v) Universe:		No
TSDFs Only Subject to CA under Discretionary Auth Universe:		No
Corrective Action Priority Ranking:		No NCAPS ranking
Environmental Control Indicator:		No
Institutional Control Indicator:		No
Human Exposure Controls Indicator:		N/A
Groundwater Controls Indicator:		N/A
Operating TSD Universe:		Not reported
Full Enforcement Universe:		Not reported
Significant Non-Complier Universe:		No
Unaddressed Significant Non-Complier Universe:		No
Addressed Significant Non-Complier Universe:		No
Significant Non-Complier With a Compliance Schedule Universe:		No
Financial Assurance Required:		Not reported
Handler Date of Last Change:		20020627
Recognized Trader-Importer:		No
Recognized Trader-Exporter:		No
Importer of Spent Lead Acid Batteries:		No
Exporter of Spent Lead Acid Batteries:		No
Recycler Activity Without Storage:		Not reported

Map ID
Direction
Distance
Elevation

MAP FINDINGS

Site

Database(s)

EDR ID Number
EPA ID Number

LARRY GREEN AUTO CENTER INC (Continued)

1000124701

Manifest Broker: Not reported
Sub-Part P Indicator: No

Handler - Owner Operator:

Owner/Operator Indicator: Operator
Owner/Operator Name: NOT REQUIRED
Legal Status: Private
Date Became Current: Not reported
Date Ended Current: Not reported
Owner/Operator Address: NOT REQUIRED
Owner/Operator City,State,Zip: NOT REQUIRED, ME 99999
Owner/Operator Telephone: 415-555-1212
Owner/Operator Telephone Ext: Not reported
Owner/Operator Fax: Not reported
Owner/Operator Email: Not reported

Owner/Operator Indicator: Owner
Owner/Operator Name: LARRY GREEN
Legal Status: Private
Date Became Current: Not reported
Date Ended Current: Not reported
Owner/Operator Address: P O BOX 509
Owner/Operator City,State,Zip: NEEDLES, CA 92363-0509
Owner/Operator Telephone: 619-326-3834
Owner/Operator Telephone Ext: Not reported
Owner/Operator Fax: Not reported
Owner/Operator Email: Not reported

Historic Generators:

Receive Date: 19951128
Handler Name: LARRY GREEN AUTO CENTER INC
Federal Waste Generator Description: Small Quantity Generator
State District Owner: CA
Large Quantity Handler of Universal Waste: No
Recognized Trader Importer: No
Recognized Trader Exporter: No
Spent Lead Acid Battery Importer: No
Spent Lead Acid Battery Exporter: No
Current Record: Yes
Non Storage Recycler Activity: Not reported
Electronic Manifest Broker: Not reported

List of NAICS Codes and Descriptions:

NAICS Code: 44111
NAICS Description: NEW CAR DEALERS

Facility Has Received Notices of Violations:

Violations: No Violations Found

Evaluation Action Summary:

Evaluations: No Evaluations Found

Map ID
Direction
Distance
Elevation

MAP FINDINGS

Site

Database(s)

EDR ID Number
EPA ID Number

LARRY GREEN AUTO CENTER INC (Continued)

1000124701

SWEEPS UST:

Name: DEL RIO MOTORS
Address: 2204 W BROADWAY
City: NEEDLES
Status: Not reported
Comp Number: 10007
Number: Not reported
Board Of Equalization: Not reported
Referral Date: Not reported
Action Date: Not reported
Created Date: Not reported
Owner Tank Id: Not reported
SWRCB Tank Id: 36-000-010007-000001
Tank Status: Not reported
Capacity: 1000
Active Date: Not reported
Tank Use: M.V. FUEL
STG: PRODUCT
Content: REG UNLEADED
Number Of Tanks: 1

Name: DEL RIO MOTORS
Address: 2204 W BROADWAY
City: NEEDLES
Status: Active
Comp Number: 10007
Number: 9
Board Of Equalization: Not reported
Referral Date: 03-24-92
Action Date: 03-24-92
Created Date: 09-22-88
Owner Tank Id: Not reported
SWRCB Tank Id: Not reported
Tank Status: Not reported
Capacity: Not reported
Active Date: Not reported
Tank Use: Not reported
STG: Not reported
Content: Not reported
Number Of Tanks: Not reported

HAZNET:

Name: LARRY GREEN AUTO CENTER INC
Address: 2204 W BROADWAY
Address 2: Not reported
City,State,Zip: NEEDLES, CA 923630000
Contact: PHIL BERG GM
Telephone: 7603263834
Mailing Name: Not reported
Mailing Address: 2204 W BROADWAY DLR #16152

Year: 2002
Gepaid: CAD982498990
TSD EPA ID: NVR000066837
CA Waste Code: 741 - Liquids with halogenated organic compounds >= 1,000 Mg./L
Disposal Method: H01 - Transfer Station

Map ID
Direction
Distance
Elevation

MAP FINDINGS

Site

Database(s)

EDR ID Number
EPA ID Number

LARRY GREEN AUTO CENTER INC (Continued)

1000124701

Tons:	0.06255
Year:	2002
Gepaid:	CAD982498990
TSD EPA ID:	NVT330010208
CA Waste Code:	741 - Liquids with halogenated organic compounds >= 1,000 Mg/L
Disposal Method:	H01 - Transfer Station
Tons:	0.1876
Year:	2001
Gepaid:	CAD982498990
TSD EPA ID:	NVT330010000
CA Waste Code:	213 - Hydrocarbon solvents (benzene, hexane, Stoddard, Etc.)
Disposal Method:	H01 - Transfer Station
Tons:	0.0583
Year:	2001
Gepaid:	CAD982498990
TSD EPA ID:	NVT330010208
CA Waste Code:	213 - Hydrocarbon solvents (benzene, hexane, Stoddard, Etc.)
Disposal Method:	H01 - Transfer Station
Tons:	0.1166
Year:	2001
Gepaid:	CAD982498990
TSD EPA ID:	NVT330010208
CA Waste Code:	741 - Liquids with halogenated organic compounds >= 1,000 Mg/L
Disposal Method:	H01 - Transfer Station
Tons:	0.125
Year:	2001
Gepaid:	CAD982498990
TSD EPA ID:	CAD099452708
CA Waste Code:	134 - Aqueous solution with total organic residues less than 10 percent
Disposal Method:	R01 - Recycler
Tons:	1.1634
Year:	2000
Gepaid:	CAD982498990
TSD EPA ID:	NVT330010208
CA Waste Code:	213 - Hydrocarbon solvents (benzene, hexane, Stoddard, Etc.)
Disposal Method:	H01 - Transfer Station
Tons:	0.1875
Year:	2000
Gepaid:	CAD982498990
TSD EPA ID:	CAD099452708
CA Waste Code:	134 - Aqueous solution with total organic residues less than 10 percent
Disposal Method:	R01 - Recycler
Tons:	0.42
Year:	1999
Gepaid:	CAD982498990
TSD EPA ID:	CAD099452708
CA Waste Code:	134 - Aqueous solution with total organic residues less than 10

Map ID
Direction
Distance
Elevation

MAP FINDINGS

Site

Database(s)

EDR ID Number
EPA ID Number

LARRY GREEN AUTO CENTER INC (Continued)

1000124701

Disposal Method: percent
Tons: R01 - Recycler
0.294

Year: 1999
Gepaid: CAD982498990
TSD EPA ID: NVT330010208
CA Waste Code: 213 - Hydrocarbon solvents (benzene, hexane, Stoddard, Etc.)
Disposal Method: H01 - Transfer Station
Tons: 0.1833

[Click this hyperlink](#) while viewing on your computer to access
10 additional CA HAZNET: record(s) in the EDR Site Report.

Additional Info:

Year: 1994
Gen EPA ID: CAD982498990

Shipment Date: 19941117
Creation Date: 10/19/1995 0:00:00
Receipt Date: 19941121
Manifest ID: 93792779
Trans EPA ID: ILD984908202
Trans Name: Not reported
Trans 2 EPA ID: ILD984908202
Trans 2 Name: Not reported
TSD EPA ID: CAT000613893
Trans Name: Not reported
TSD Alt EPA ID: Not reported
TSD Alt Name: Not reported
Waste Code Description: 212 - Oxygenated solvents (acetone, butanol, ethyl acetate, etc.
RCRA Code: F005
Meth Code: H01 - Transfer Station
Quantity Tons: 0.018
Waste Quantity: 36
Quantity Unit: P
Additional Code 1: Not reported
Additional Code 2: Not reported
Additional Code 3: Not reported
Additional Code 4: Not reported
Additional Code 5: Not reported

Shipment Date: 19940830
Creation Date: 10/17/1995 0:00:00
Receipt Date: 19940907
Manifest ID: 93795640
Trans EPA ID: ILD984908202
Trans Name: Not reported
Trans 2 EPA ID: ILD984908202
Trans 2 Name: Not reported
TSD EPA ID: CAT000613893
Trans Name: Not reported
TSD Alt EPA ID: Not reported
TSD Alt Name: Not reported
Waste Code Description: - Not reported
RCRA Code: Not reported

Map ID
Direction
Distance
Elevation

MAP FINDINGS

Site

Database(s)

EDR ID Number
EPA ID Number

LARRY GREEN AUTO CENTER INC (Continued)

1000124701

Meth Code: H01 - Transfer Station
Quantity Tons: 0
Waste Quantity: 0
Quantity Unit: Not reported
Additional Code 1: Not reported
Additional Code 2: Not reported
Additional Code 3: Not reported
Additional Code 4: Not reported
Additional Code 5: Not reported

Shipment Date: 19940830
Creation Date: 10/17/1995 0:00:00
Receipt Date: 19940907
Manifest ID: 93795640
Trans EPA ID: ILD984908202
Trans Name: Not reported
Trans 2 EPA ID: ILD984908202
Trans 2 Name: Not reported
TSDf EPA ID: CAT000613893
Trans Name: Not reported
TSDf Alt EPA ID: Not reported
TSDf Alt Name: Not reported
Waste Code Description: 212 - Oxygenated solvents (acetone, butanol, ethyl acetate, etc.
RCRA Code: F005
Meth Code: H01 - Transfer Station
Quantity Tons: 0.0135
Waste Quantity: 27
Quantity Unit: P
Additional Code 1: Not reported
Additional Code 2: Not reported
Additional Code 3: Not reported
Additional Code 4: Not reported
Additional Code 5: Not reported

Additional Info:

Year: 1995
Gen EPA ID: CAD982498990

Shipment Date: 19951116
Creation Date: 7/26/1996 0:00:00
Receipt Date: 19951121
Manifest ID: 95773890
Trans EPA ID: ILD984908202
Trans Name: Not reported
Trans 2 EPA ID: ILD984908202
Trans 2 Name: Not reported
TSDf EPA ID: CAT000613893
Trans Name: Not reported
TSDf Alt EPA ID: Not reported
TSDf Alt Name: Not reported
Waste Code Description: 212 - Oxygenated solvents (acetone, butanol, ethyl acetate, etc.
RCRA Code: F005
Meth Code: H01 - Transfer Station
Quantity Tons: 0.018
Waste Quantity: 36
Quantity Unit: P
Additional Code 1: Not reported

Map ID
Direction
Distance
Elevation

MAP FINDINGS

Site

Database(s)

EDR ID Number
EPA ID Number

LARRY GREEN AUTO CENTER INC (Continued)

1000124701

Additional Code 2:	Not reported
Additional Code 3:	Not reported
Additional Code 4:	Not reported
Additional Code 5:	Not reported
Shipment Date:	19951116
Creation Date:	7/26/1996 0:00:00
Receipt Date:	19951121
Manifest ID:	95773890
Trans EPA ID:	ILD984908202
Trans Name:	Not reported
Trans 2 EPA ID:	ILD984908202
Trans 2 Name:	Not reported
TSDf EPA ID:	CAT000613893
Trans Name:	Not reported
TSDf Alt EPA ID:	Not reported
TSDf Alt Name:	Not reported
Waste Code Description:	212 - Oxygenated solvents (acetone, butanol, ethyl acetate, etc.
RCRA Code:	F005
Meth Code:	H01 - Transfer Station
Quantity Tons:	0.054
Waste Quantity:	108
Quantity Unit:	P
Additional Code 1:	Not reported
Additional Code 2:	Not reported
Additional Code 3:	Not reported
Additional Code 4:	Not reported
Additional Code 5:	Not reported
Shipment Date:	19950823
Creation Date:	4/1/1996 0:00:00
Receipt Date:	19950829
Manifest ID:	95556315
Trans EPA ID:	ILD984908202
Trans Name:	Not reported
Trans 2 EPA ID:	ILD984908202
Trans 2 Name:	Not reported
TSDf EPA ID:	CAT000613893
Trans Name:	Not reported
TSDf Alt EPA ID:	Not reported
TSDf Alt Name:	Not reported
Waste Code Description:	212 - Oxygenated solvents (acetone, butanol, ethyl acetate, etc.
RCRA Code:	F005
Meth Code:	H01 - Transfer Station
Quantity Tons:	0.054
Waste Quantity:	108
Quantity Unit:	P
Additional Code 1:	Not reported
Additional Code 2:	Not reported
Additional Code 3:	Not reported
Additional Code 4:	Not reported
Additional Code 5:	Not reported
Shipment Date:	19950628
Creation Date:	10/25/1995 0:00:00
Receipt Date:	19950706
Manifest ID:	95429467

Map ID
Direction
Distance
Elevation

MAP FINDINGS

Site

Database(s)

EDR ID Number
EPA ID Number

LARRY GREEN AUTO CENTER INC (Continued)

1000124701

Trans EPA ID: ILD984908202
Trans Name: Not reported
Trans 2 EPA ID: ILD984908202
Trans 2 Name: Not reported
TSDf EPA ID: CAT000613893
Trans Name: Not reported
TSDf Alt EPA ID: Not reported
TSDf Alt Name: Not reported
Waste Code Description: 212 - Oxygenated solvents (acetone, butanol, ethyl acetate, etc.
RCRA Code: F005
Meth Code: H01 - Transfer Station
Quantity Tons: 0.018
Waste Quantity: 36
Quantity Unit: P
Additional Code 1: Not reported
Additional Code 2: Not reported
Additional Code 3: Not reported
Additional Code 4: Not reported
Additional Code 5: Not reported

Shipment Date: 19950601
Creation Date: 10/24/1995 0:00:00
Receipt Date: 19950607
Manifest ID: 95417171
Trans EPA ID: ILD984908202
Trans Name: Not reported
Trans 2 EPA ID: ILD984908202
Trans 2 Name: Not reported
TSDf EPA ID: CAT000613893
Trans Name: Not reported
TSDf Alt EPA ID: Not reported
TSDf Alt Name: Not reported
Waste Code Description: 212 - Oxygenated solvents (acetone, butanol, ethyl acetate, etc.
RCRA Code: F005
Meth Code: H01 - Transfer Station
Quantity Tons: 0.018
Waste Quantity: 36
Quantity Unit: P
Additional Code 1: Not reported
Additional Code 2: Not reported
Additional Code 3: Not reported
Additional Code 4: Not reported
Additional Code 5: Not reported

Shipment Date: 19950504
Creation Date: 10/24/1995 0:00:00
Receipt Date: 19950509
Manifest ID: 95518162
Trans EPA ID: ILD984908202
Trans Name: Not reported
Trans 2 EPA ID: ILD984908202
Trans 2 Name: Not reported
TSDf EPA ID: CAT000613893
Trans Name: Not reported
TSDf Alt EPA ID: Not reported
TSDf Alt Name: Not reported
Waste Code Description: 212 - Oxygenated solvents (acetone, butanol, ethyl acetate, etc.

Map ID
Direction
Distance
Elevation

MAP FINDINGS

Site

Database(s)

EDR ID Number
EPA ID Number

LARRY GREEN AUTO CENTER INC (Continued)

1000124701

RCRA Code:	F005
Meth Code:	H01 - Transfer Station
Quantity Tons:	0.018
Waste Quantity:	36
Quantity Unit:	P
Additional Code 1:	Not reported
Additional Code 2:	Not reported
Additional Code 3:	Not reported
Additional Code 4:	Not reported
Additional Code 5:	Not reported
Shipment Date:	19950504
Creation Date:	10/24/1995 0:00:00
Receipt Date:	19950509
Manifest ID:	95518162
Trans EPA ID:	ILD984908202
Trans Name:	Not reported
Trans 2 EPA ID:	ILD984908202
Trans 2 Name:	Not reported
TSDf EPA ID:	CAT000613893
Trans Name:	Not reported
TSDf Alt EPA ID:	Not reported
TSDf Alt Name:	Not reported
Waste Code Description:	212 - Oxygenated solvents (acetone, butanol, ethyl acetate, etc.
RCRA Code:	F005
Meth Code:	H01 - Transfer Station
Quantity Tons:	0.054
Waste Quantity:	108
Quantity Unit:	P
Additional Code 1:	Not reported
Additional Code 2:	Not reported
Additional Code 3:	Not reported
Additional Code 4:	Not reported
Additional Code 5:	Not reported
Shipment Date:	19950406
Creation Date:	10/23/1995 0:00:00
Receipt Date:	19950411
Manifest ID:	93771390
Trans EPA ID:	ILD984908202
Trans Name:	Not reported
Trans 2 EPA ID:	ILD984908202
Trans 2 Name:	Not reported
TSDf EPA ID:	CAT000613893
Trans Name:	Not reported
TSDf Alt EPA ID:	Not reported
TSDf Alt Name:	Not reported
Waste Code Description:	212 - Oxygenated solvents (acetone, butanol, ethyl acetate, etc.
RCRA Code:	F005
Meth Code:	H01 - Transfer Station
Quantity Tons:	0.018
Waste Quantity:	36
Quantity Unit:	P
Additional Code 1:	Not reported
Additional Code 2:	Not reported
Additional Code 3:	Not reported
Additional Code 4:	Not reported

Map ID
Direction
Distance
Elevation

MAP FINDINGS

Site

Database(s)

EDR ID Number
EPA ID Number

LARRY GREEN AUTO CENTER INC (Continued)

1000124701

Additional Code 5:	Not reported
Shipment Date:	19950309
Creation Date:	10/23/1995 0:00:00
Receipt Date:	19950315
Manifest ID:	93776468
Trans EPA ID:	ILD984908202
Trans Name:	Not reported
Trans 2 EPA ID:	ILD984908202
Trans 2 Name:	Not reported
TSDf EPA ID:	CAT000613893
Trans Name:	Not reported
TSDf Alt EPA ID:	Not reported
TSDf Alt Name:	Not reported
Waste Code Description:	212 - Oxygenated solvents (acetone, butanol, ethyl acetate, etc.
RCRA Code:	F005
Meth Code:	H01 - Transfer Station
Quantity Tons:	0.018
Waste Quantity:	36
Quantity Unit:	P
Additional Code 1:	Not reported
Additional Code 2:	Not reported
Additional Code 3:	Not reported
Additional Code 4:	Not reported
Additional Code 5:	Not reported
Shipment Date:	19950309
Creation Date:	10/23/1995 0:00:00
Receipt Date:	19950315
Manifest ID:	93776468
Trans EPA ID:	ILD984908202
Trans Name:	Not reported
Trans 2 EPA ID:	ILD984908202
Trans 2 Name:	Not reported
TSDf EPA ID:	CAT000613893
Trans Name:	Not reported
TSDf Alt EPA ID:	Not reported
TSDf Alt Name:	Not reported
Waste Code Description:	212 - Oxygenated solvents (acetone, butanol, ethyl acetate, etc.
RCRA Code:	F005
Meth Code:	H01 - Transfer Station
Quantity Tons:	0.108
Waste Quantity:	216
Quantity Unit:	P
Additional Code 1:	Not reported
Additional Code 2:	Not reported
Additional Code 3:	Not reported
Additional Code 4:	Not reported
Additional Code 5:	Not reported
Additional Info:	
Year:	2001
Gen EPA ID:	CAD982498990
Shipment Date:	20011127
Creation Date:	1/16/2002 0:00:00
Receipt Date:	20011129

Map ID
Direction
Distance
Elevation

MAP FINDINGS

Site

Database(s)

EDR ID Number
EPA ID Number

LARRY GREEN AUTO CENTER INC (Continued)

1000124701

Manifest ID:	20826084
Trans EPA ID:	CAD980696041
Trans Name:	Not reported
Trans 2 EPA ID:	Not reported
Trans 2 Name:	Not reported
TSDf EPA ID:	CAD099452708
Trans Name:	Not reported
TSDf Alt EPA ID:	Not reported
TSDf Alt Name:	Not reported
Waste Code Description:	134 - Aqueous solution with <10% total organic residues
RCRA Code:	Not reported
Meth Code:	R01 - Recycler
Quantity Tons:	0.7434
Waste Quantity:	177
Quantity Unit:	G
Additional Code 1:	Not reported
Additional Code 2:	Not reported
Additional Code 3:	Not reported
Additional Code 4:	Not reported
Additional Code 5:	Not reported
Shipment Date:	20011115
Creation Date:	1/16/2002 0:00:00
Receipt Date:	20011115
Manifest ID:	21316138
Trans EPA ID:	SCR000075150
Trans Name:	Not reported
Trans 2 EPA ID:	Not reported
Trans 2 Name:	Not reported
TSDf EPA ID:	NVT330010208
Trans Name:	Not reported
TSDf Alt EPA ID:	Not reported
TSDf Alt Name:	Not reported
Waste Code Description:	741 - Liquids with halogenated organic compounds > 1000 mg/l
RCRA Code:	D001
Meth Code:	H01 - Transfer Station
Quantity Tons:	0.0625
Waste Quantity:	15
Quantity Unit:	G
Additional Code 1:	Not reported
Additional Code 2:	Not reported
Additional Code 3:	Not reported
Additional Code 4:	Not reported
Additional Code 5:	Not reported
Shipment Date:	20010830
Creation Date:	10/3/2001 0:00:00
Receipt Date:	20010830
Manifest ID:	21116568
Trans EPA ID:	SCR000075150
Trans Name:	Not reported
Trans 2 EPA ID:	Not reported
Trans 2 Name:	Not reported
TSDf EPA ID:	NVT330010208
Trans Name:	Not reported
TSDf Alt EPA ID:	Not reported
TSDf Alt Name:	Not reported

Map ID
Direction
Distance
Elevation

MAP FINDINGS

Site

Database(s)

EDR ID Number
EPA ID Number

LARRY GREEN AUTO CENTER INC (Continued)

1000124701

Waste Code Description: 741 - Liquids with halogenated organic compounds > 1000 mg/l
RCRA Code: D001
Meth Code: H01 - Transfer Station
Quantity Tons: 0.0625
Waste Quantity: 15
Quantity Unit: G
Additional Code 1: Not reported
Additional Code 2: Not reported
Additional Code 3: Not reported
Additional Code 4: Not reported
Additional Code 5: Not reported

Shipment Date: 20010815
Creation Date: 10/3/2001 0:00:00
Receipt Date: 20010815
Manifest ID: 21107565
Trans EPA ID: SCR000075150
Trans Name: Not reported
Trans 2 EPA ID: Not reported
Trans 2 Name: Not reported
TSDf EPA ID: NVT330010208
Trans Name: Not reported
TSDf Alt EPA ID: Not reported
TSDf Alt Name: Not reported
Waste Code Description: 213 - Hydrocarbon solvents (benzene, hexane, Stoddard, etc.
RCRA Code: D039
Meth Code: H01 - Transfer Station
Quantity Tons: 0.0583
Waste Quantity: 14
Quantity Unit: G
Additional Code 1: Not reported
Additional Code 2: Not reported
Additional Code 3: Not reported
Additional Code 4: Not reported
Additional Code 5: Not reported

Shipment Date: 20010425
Creation Date: 6/20/2001 0:00:00
Receipt Date: 20010425
Manifest ID: 20660780
Trans EPA ID: SCR000075150
Trans Name: Not reported
Trans 2 EPA ID: Not reported
Trans 2 Name: Not reported
TSDf EPA ID: NVT330010208
Trans Name: Not reported
TSDf Alt EPA ID: Not reported
TSDf Alt Name: Not reported
Waste Code Description: 213 - Hydrocarbon solvents (benzene, hexane, Stoddard, etc.
RCRA Code: D039
Meth Code: H01 - Transfer Station
Quantity Tons: 0.0583
Waste Quantity: 14
Quantity Unit: G
Additional Code 1: Not reported
Additional Code 2: Not reported
Additional Code 3: Not reported

Map ID
Direction
Distance
Elevation

MAP FINDINGS

Site

Database(s)

EDR ID Number
EPA ID Number

LARRY GREEN AUTO CENTER INC (Continued)

1000124701

Additional Code 4:	Not reported
Additional Code 5:	Not reported
Shipment Date:	20010122
Creation Date:	4/9/2001 0:00:00
Receipt Date:	20010125
Manifest ID:	98305162
Trans EPA ID:	CAD980696041
Trans Name:	Not reported
Trans 2 EPA ID:	Not reported
Trans 2 Name:	Not reported
TSDf EPA ID:	CAD099452708
Trans Name:	Not reported
TSDf Alt EPA ID:	CAD099452708
TSDf Alt Name:	Not reported
Waste Code Description:	134 - Aqueous solution with <10% total organic residues
RCRA Code:	Not reported
Meth Code:	R01 - Recycler
Quantity Tons:	0.42
Waste Quantity:	100
Quantity Unit:	G
Additional Code 1:	Not reported
Additional Code 2:	Not reported
Additional Code 3:	Not reported
Additional Code 4:	Not reported
Additional Code 5:	Not reported
Shipment Date:	20010103
Creation Date:	3/6/2001 0:00:00
Receipt Date:	20010103
Manifest ID:	20389734
Trans EPA ID:	SCR000075150
Trans Name:	Not reported
Trans 2 EPA ID:	Not reported
Trans 2 Name:	Not reported
TSDf EPA ID:	NVT330010000
Trans Name:	Not reported
TSDf Alt EPA ID:	Not reported
TSDf Alt Name:	Not reported
Waste Code Description:	213 - Hydrocarbon solvents (benzene, hexane, Stoddard, etc.
RCRA Code:	D039
Meth Code:	H01 - Transfer Station
Quantity Tons:	0.0583
Waste Quantity:	14
Quantity Unit:	G
Additional Code 1:	Not reported
Additional Code 2:	Not reported
Additional Code 3:	Not reported
Additional Code 4:	Not reported
Additional Code 5:	Not reported
Additional Info:	
Year:	2000
Gen EPA ID:	CAD982498990
Shipment Date:	20000913
Creation Date:	10/30/2000 0:00:00

Map ID
Direction
Distance
Elevation

MAP FINDINGS

Site

Database(s)

EDR ID Number
EPA ID Number

LARRY GREEN AUTO CENTER INC (Continued)

1000124701

Receipt Date: 20000913
Manifest ID: 20030898
Trans EPA ID: SCR000075150
Trans Name: Not reported
Trans 2 EPA ID: Not reported
Trans 2 Name: Not reported
TSDf EPA ID: NVT330010208
Trans Name: Not reported
TSDf Alt EPA ID: Not reported
TSDf Alt Name: Not reported
Waste Code Description: 213 - Hydrocarbon solvents (benzene, hexane, Stoddard, etc.)
RCRA Code: D039
Meth Code: H01 - Transfer Station
Quantity Tons: 0.0625
Waste Quantity: 15
Quantity Unit: G
Additional Code 1: Not reported
Additional Code 2: Not reported
Additional Code 3: Not reported
Additional Code 4: Not reported
Additional Code 5: Not reported

Shipment Date: 20000620
Creation Date: 8/14/2000 0:00:00
Receipt Date: 20000623
Manifest ID: 98305111
Trans EPA ID: CAD980696041
Trans Name: Not reported
Trans 2 EPA ID: Not reported
Trans 2 Name: Not reported
TSDf EPA ID: CAD099452708
Trans Name: Not reported
TSDf Alt EPA ID: Not reported
TSDf Alt Name: Not reported
Waste Code Description: 134 - Aqueous solution with <10% total organic residues
RCRA Code: Not reported
Meth Code: R01 - Recycler
Quantity Tons: 0.42
Waste Quantity: 100
Quantity Unit: G
Additional Code 1: Not reported
Additional Code 2: Not reported
Additional Code 3: Not reported
Additional Code 4: Not reported
Additional Code 5: Not reported

Shipment Date: 20000518
Creation Date: 6/21/2000 0:00:00
Receipt Date: 20000518
Manifest ID: 20005782
Trans EPA ID: ILD984908202
Trans Name: Not reported
Trans 2 EPA ID: Not reported
Trans 2 Name: Not reported
TSDf EPA ID: NVT330010208
Trans Name: Not reported
TSDf Alt EPA ID: Not reported

Map ID
Direction
Distance
Elevation

MAP FINDINGS

Site

Database(s)

EDR ID Number
EPA ID Number

LARRY GREEN AUTO CENTER INC (Continued)

1000124701

TSDF Alt Name: Not reported
Waste Code Description: 213 - Hydrocarbon solvents (benzene, hexane, Stoddard, etc.
RCRA Code: D039
Meth Code: H01 - Transfer Station
Quantity Tons: 0.0625
Waste Quantity: 15
Quantity Unit: G
Additional Code 1: Not reported
Additional Code 2: Not reported
Additional Code 3: Not reported
Additional Code 4: Not reported
Additional Code 5: Not reported

Shipment Date: 20000209
Creation Date: 4/4/2000 0:00:00
Receipt Date: 20000209
Manifest ID: 99864074
Trans EPA ID: ILD984908202
Trans Name: Not reported
Trans 2 EPA ID: Not reported
Trans 2 Name: Not reported
TSDF EPA ID: NVT330010208
Trans Name: Not reported
TSDF Alt EPA ID: Not reported
TSDF Alt Name: Not reported
Waste Code Description: 213 - Hydrocarbon solvents (benzene, hexane, Stoddard, etc.
RCRA Code: D039
Meth Code: H01 - Transfer Station
Quantity Tons: 0.0625
Waste Quantity: 15
Quantity Unit: G
Additional Code 1: Not reported
Additional Code 2: Not reported
Additional Code 3: Not reported
Additional Code 4: Not reported
Additional Code 5: Not reported

Additional Info:

Year: 1996
Gen EPA ID: CAD982498990

Shipment Date: 19961210
Creation Date: 5/20/1997 0:00:00
Receipt Date: 19961216
Manifest ID: 96472216
Trans EPA ID: ILD984908202
Trans Name: Not reported
Trans 2 EPA ID: ILD984908202
Trans 2 Name: Not reported
TSDF EPA ID: CAT000613893
Trans Name: Not reported
TSDF Alt EPA ID: Not reported
TSDF Alt Name: Not reported
Waste Code Description: 212 - Oxygenated solvents (acetone, butanol, ethyl acetate, etc.
RCRA Code: F005
Meth Code: H01 - Transfer Station
Quantity Tons: 0.018

Map ID
Direction
Distance
Elevation

MAP FINDINGS

Site

Database(s)

EDR ID Number
EPA ID Number

LARRY GREEN AUTO CENTER INC (Continued)

1000124701

Waste Quantity:	36
Quantity Unit:	P
Additional Code 1:	Not reported
Additional Code 2:	Not reported
Additional Code 3:	Not reported
Additional Code 4:	Not reported
Additional Code 5:	Not reported
Shipment Date:	19961112
Creation Date:	5/20/1997 0:00:00
Receipt Date:	19961119
Manifest ID:	96458899
Trans EPA ID:	ILD984908202
Trans Name:	Not reported
Trans 2 EPA ID:	ILD984908202
Trans 2 Name:	Not reported
TSDf EPA ID:	CAT000613893
Trans Name:	Not reported
TSDf Alt EPA ID:	Not reported
TSDf Alt Name:	Not reported
Waste Code Description:	212 - Oxygenated solvents (acetone, butanol, ethyl acetate, etc.
RCRA Code:	F005
Meth Code:	H01 - Transfer Station
Quantity Tons:	0.018
Waste Quantity:	36
Quantity Unit:	P
Additional Code 1:	Not reported
Additional Code 2:	Not reported
Additional Code 3:	Not reported
Additional Code 4:	Not reported
Additional Code 5:	Not reported
Shipment Date:	19960926
Creation Date:	5/21/1997 0:00:00
Receipt Date:	19961002
Manifest ID:	96514130
Trans EPA ID:	ILD984908202
Trans Name:	Not reported
Trans 2 EPA ID:	ILD984908202
Trans 2 Name:	Not reported
TSDf EPA ID:	CAT000613893
Trans Name:	Not reported
TSDf Alt EPA ID:	Not reported
TSDf Alt Name:	Not reported
Waste Code Description:	212 - Oxygenated solvents (acetone, butanol, ethyl acetate, etc.
RCRA Code:	F005
Meth Code:	H01 - Transfer Station
Quantity Tons:	0.054
Waste Quantity:	108
Quantity Unit:	P
Additional Code 1:	Not reported
Additional Code 2:	Not reported
Additional Code 3:	Not reported
Additional Code 4:	Not reported
Additional Code 5:	Not reported
Shipment Date:	19960926

Map ID
Direction
Distance
Elevation

MAP FINDINGS

Site

Database(s)

EDR ID Number
EPA ID Number

LARRY GREEN AUTO CENTER INC (Continued)

1000124701

Creation Date: 5/21/1997 0:00:00
Receipt Date: 19961002
Manifest ID: 96514130
Trans EPA ID: ILD984908202
Trans Name: Not reported
Trans 2 EPA ID: ILD984908202
Trans 2 Name: Not reported
TSDf EPA ID: CAT000613893
Trans Name: Not reported
TSDf Alt EPA ID: Not reported
TSDf Alt Name: Not reported
Waste Code Description: 212 - Oxygenated solvents (acetone, butanol, ethyl acetate, etc.
RCRA Code: F005
Meth Code: H01 - Transfer Station
Quantity Tons: 0.018
Waste Quantity: 36
Quantity Unit: P
Additional Code 1: Not reported
Additional Code 2: Not reported
Additional Code 3: Not reported
Additional Code 4: Not reported
Additional Code 5: Not reported

Shipment Date: 19960725
Creation Date: 5/20/1997 0:00:00
Receipt Date: 19960730
Manifest ID: 96107063
Trans EPA ID: ILD984908202
Trans Name: Not reported
Trans 2 EPA ID: ILD984908202
Trans 2 Name: Not reported
TSDf EPA ID: CAT000613893
Trans Name: Not reported
TSDf Alt EPA ID: Not reported
TSDf Alt Name: Not reported
Waste Code Description: 212 - Oxygenated solvents (acetone, butanol, ethyl acetate, etc.
RCRA Code: F005
Meth Code: H01 - Transfer Station
Quantity Tons: 0.018
Waste Quantity: 36
Quantity Unit: P
Additional Code 1: Not reported
Additional Code 2: Not reported
Additional Code 3: Not reported
Additional Code 4: Not reported
Additional Code 5: Not reported

Shipment Date: 19960725
Creation Date: 5/20/1997 0:00:00
Receipt Date: 19960730
Manifest ID: 96107063
Trans EPA ID: ILD984908202
Trans Name: Not reported
Trans 2 EPA ID: ILD984908202
Trans 2 Name: Not reported
TSDf EPA ID: CAT000613893
Trans Name: Not reported

Map ID
Direction
Distance
Elevation

MAP FINDINGS

Site

Database(s)

EDR ID Number
EPA ID Number

LARRY GREEN AUTO CENTER INC (Continued)

1000124701

TSDf Alt EPA ID: Not reported
TSDf Alt Name: Not reported
Waste Code Description: 212 - Oxygenated solvents (acetone, butanol, ethyl acetate, etc.
RCRA Code: F005
Meth Code: H01 - Transfer Station
Quantity Tons: 0.054
Waste Quantity: 108
Quantity Unit: P
Additional Code 1: Not reported
Additional Code 2: Not reported
Additional Code 3: Not reported
Additional Code 4: Not reported
Additional Code 5: Not reported

Shipment Date: 19960530
Creation Date: 5/30/1997 0:00:00
Receipt Date: 19960604
Manifest ID: 96133773
Trans EPA ID: ILD984908202
Trans Name: Not reported
Trans 2 EPA ID: ILD984908202
Trans 2 Name: Not reported
TSDf EPA ID: CAT000613893
Trans Name: Not reported
TSDf Alt EPA ID: Not reported
TSDf Alt Name: Not reported
Waste Code Description: 212 - Oxygenated solvents (acetone, butanol, ethyl acetate, etc.
RCRA Code: F005
Meth Code: H01 - Transfer Station
Quantity Tons: 0.054
Waste Quantity: 108
Quantity Unit: P
Additional Code 1: Not reported
Additional Code 2: Not reported
Additional Code 3: Not reported
Additional Code 4: Not reported
Additional Code 5: Not reported

Shipment Date: 19960530
Creation Date: 5/30/1997 0:00:00
Receipt Date: 19960604
Manifest ID: 96133773
Trans EPA ID: ILD984908202
Trans Name: Not reported
Trans 2 EPA ID: ILD984908202
Trans 2 Name: Not reported
TSDf EPA ID: CAT000613893
Trans Name: Not reported
TSDf Alt EPA ID: Not reported
TSDf Alt Name: Not reported
Waste Code Description: 212 - Oxygenated solvents (acetone, butanol, ethyl acetate, etc.
RCRA Code: F005
Meth Code: H01 - Transfer Station
Quantity Tons: 0.018
Waste Quantity: 36
Quantity Unit: P
Additional Code 1: Not reported

Map ID
Direction
Distance
Elevation

MAP FINDINGS

Site

Database(s)

EDR ID Number
EPA ID Number

LARRY GREEN AUTO CENTER INC (Continued)

1000124701

Additional Code 2:	Not reported
Additional Code 3:	Not reported
Additional Code 4:	Not reported
Additional Code 5:	Not reported
Shipment Date:	19960502
Creation Date:	10/16/1996 0:00:00
Receipt Date:	19960507
Manifest ID:	96084248
Trans EPA ID:	ILD984908202
Trans Name:	Not reported
Trans 2 EPA ID:	ILD984908202
Trans 2 Name:	Not reported
TSDf EPA ID:	CAT000613893
Trans Name:	Not reported
TSDf Alt EPA ID:	Not reported
TSDf Alt Name:	Not reported
Waste Code Description:	212 - Oxygenated solvents (acetone, butanol, ethyl acetate, etc.
RCRA Code:	F005
Meth Code:	H01 - Transfer Station
Quantity Tons:	0.054
Waste Quantity:	108
Quantity Unit:	P
Additional Code 1:	Not reported
Additional Code 2:	Not reported
Additional Code 3:	Not reported
Additional Code 4:	Not reported
Additional Code 5:	Not reported
Shipment Date:	19960111
Creation Date:	9/18/1996 0:00:00
Receipt Date:	19960116
Manifest ID:	95820666
Trans EPA ID:	ILD984908202
Trans Name:	Not reported
Trans 2 EPA ID:	ILD984908202
Trans 2 Name:	Not reported
TSDf EPA ID:	CAT000613893
Trans Name:	Not reported
TSDf Alt EPA ID:	Not reported
TSDf Alt Name:	Not reported
Waste Code Description:	212 - Oxygenated solvents (acetone, butanol, ethyl acetate, etc.
RCRA Code:	F005
Meth Code:	H01 - Transfer Station
Quantity Tons:	0.054
Waste Quantity:	108
Quantity Unit:	P
Additional Code 1:	Not reported
Additional Code 2:	Not reported
Additional Code 3:	Not reported
Additional Code 4:	Not reported
Additional Code 5:	Not reported
Additional Info:	
Year:	1999
Gen EPA ID:	CAD982498990

Map ID
Direction
Distance
Elevation

MAP FINDINGS

Site

Database(s)

EDR ID Number
EPA ID Number

LARRY GREEN AUTO CENTER INC (Continued)

1000124701

Shipment Date: 19991020
Creation Date: 11/22/1999 0:00:00
Receipt Date: 19991020
Manifest ID: 99506076
Trans EPA ID: ILD984908202
Trans Name: Not reported
Trans 2 EPA ID: Not reported
Trans 2 Name: Not reported
TSDf EPA ID: NVT330010208
Trans Name: Not reported
TSDf Alt EPA ID: Not reported
TSDf Alt Name: Not reported
Waste Code Description: 213 - Hydrocarbon solvents (benzene, hexane, Stoddard, etc.
RCRA Code: D039
Meth Code: H01 - Transfer Station
Quantity Tons: 0.0625
Waste Quantity: 15
Quantity Unit: G
Additional Code 1: Not reported
Additional Code 2: Not reported
Additional Code 3: Not reported
Additional Code 4: Not reported
Additional Code 5: Not reported

Shipment Date: 19991008
Creation Date: 11/22/1999 0:00:00
Receipt Date: 19991015
Manifest ID: 98304966
Trans EPA ID: CAD980696041
Trans Name: Not reported
Trans 2 EPA ID: Not reported
Trans 2 Name: Not reported
TSDf EPA ID: CAD099452708
Trans Name: Not reported
TSDf Alt EPA ID: CAD099452708
TSDf Alt Name: Not reported
Waste Code Description: 134 - Aqueous solution with <10% total organic residues
RCRA Code: Not reported
Meth Code: R01 - Recycler
Quantity Tons: 0.294
Waste Quantity: 70
Quantity Unit: G
Additional Code 1: Not reported
Additional Code 2: Not reported
Additional Code 3: Not reported
Additional Code 4: Not reported
Additional Code 5: Not reported

Shipment Date: 19990622
Creation Date: 7/30/1999 0:00:00
Receipt Date: 19990622
Manifest ID: 99232915
Trans EPA ID: ILD984908202
Trans Name: Not reported
Trans 2 EPA ID: Not reported
Trans 2 Name: Not reported
TSDf EPA ID: NVT330010208

Map ID
Direction
Distance
Elevation

MAP FINDINGS

Site

Database(s)

EDR ID Number
EPA ID Number

LARRY GREEN AUTO CENTER INC (Continued)

1000124701

Trans Name: Not reported
TSDF Alt EPA ID: Not reported
TSDF Alt Name: Not reported
Waste Code Description: 213 - Hydrocarbon solvents (benzene, hexane, Stoddard, etc.)
RCRA Code: D039
Meth Code: H01 - Transfer Station
Quantity Tons: 0.0625
Waste Quantity: 15
Quantity Unit: G
Additional Code 1: Not reported
Additional Code 2: Not reported
Additional Code 3: Not reported
Additional Code 4: Not reported
Additional Code 5: Not reported

Shipment Date: 19990304
Creation Date: 4/20/1999 0:00:00
Receipt Date: 19990304
Manifest ID: 98871134
Trans EPA ID: ILD984908202
Trans Name: Not reported
Trans 2 EPA ID: Not reported
Trans 2 Name: Not reported
TSDF EPA ID: NVT330010208
Trans Name: Not reported
TSDF Alt EPA ID: Not reported
TSDF Alt Name: Not reported
Waste Code Description: 213 - Hydrocarbon solvents (benzene, hexane, Stoddard, etc.)
RCRA Code: D039
Meth Code: H01 - Transfer Station
Quantity Tons: 0.0583
Waste Quantity: 14
Quantity Unit: G
Additional Code 1: Not reported
Additional Code 2: Not reported
Additional Code 3: Not reported
Additional Code 4: Not reported
Additional Code 5: Not reported

Additional Info:

Year: 2002
Gen EPA ID: CAD982498990

Shipment Date: 20021016
Creation Date: 5/19/2004 8:33:07
Receipt Date: Not reported
Manifest ID: 21904013
Trans EPA ID: SCR000075150
Trans Name: Not reported
Trans 2 EPA ID: Not reported
Trans 2 Name: Not reported
TSDF EPA ID: NVR000066837
Trans Name: Not reported
TSDF Alt EPA ID: Not reported
TSDF Alt Name: Not reported
Waste Code Description: 741 - Liquids with halogenated organic compounds > 1000 mg/l
RCRA Code: D001

Map ID
Direction
Distance
Elevation

MAP FINDINGS

Site

Database(s)

EDR ID Number
EPA ID Number

LARRY GREEN AUTO CENTER INC (Continued)

1000124701

Meth Code:	H01 - Transfer Station
Quantity Tons:	0.06255
Waste Quantity:	15
Quantity Unit:	G
Additional Code 1:	Not reported
Additional Code 2:	Not reported
Additional Code 3:	Not reported
Additional Code 4:	Not reported
Additional Code 5:	Not reported
Shipment Date:	20020725
Creation Date:	9/18/2002 18:32:45
Receipt Date:	20020725
Manifest ID:	21743538
Trans EPA ID:	SCR000075150
Trans Name:	Not reported
Trans 2 EPA ID:	Not reported
Trans 2 Name:	Not reported
TSDf EPA ID:	NVT330010208
Trans Name:	Not reported
TSDf Alt EPA ID:	Not reported
TSDf Alt Name:	Not reported
Waste Code Description:	741 - Liquids with halogenated organic compounds > 1000 mg/l
RCRA Code:	D001
Meth Code:	H01 - Transfer Station
Quantity Tons:	0.06255
Waste Quantity:	15
Quantity Unit:	G
Additional Code 1:	Not reported
Additional Code 2:	Not reported
Additional Code 3:	Not reported
Additional Code 4:	Not reported
Additional Code 5:	Not reported
Shipment Date:	20020502
Creation Date:	1/8/2003 18:31:12
Receipt Date:	20020502
Manifest ID:	21589330
Trans EPA ID:	SCR000075150
Trans Name:	Not reported
Trans 2 EPA ID:	Not reported
Trans 2 Name:	Not reported
TSDf EPA ID:	NVT330010208
Trans Name:	Not reported
TSDf Alt EPA ID:	Not reported
TSDf Alt Name:	Not reported
Waste Code Description:	741 - Liquids with halogenated organic compounds > 1000 mg/l
RCRA Code:	D001
Meth Code:	H01 - Transfer Station
Quantity Tons:	0.06255
Waste Quantity:	15
Quantity Unit:	G
Additional Code 1:	Not reported
Additional Code 2:	Not reported
Additional Code 3:	Not reported
Additional Code 4:	Not reported
Additional Code 5:	Not reported

Map ID
Direction
Distance
Elevation

MAP FINDINGS

Site

Database(s)

EDR ID Number
EPA ID Number

LARRY GREEN AUTO CENTER INC (Continued)

1000124701

Shipment Date: 20020205
Creation Date: 3/7/2002 0:00:00
Receipt Date: 20020205
Manifest ID: 21485565
Trans EPA ID: SCR000075150
Trans Name: Not reported
Trans 2 EPA ID: Not reported
Trans 2 Name: Not reported
TSDf EPA ID: NVT330010208
Trans Name: Not reported
TSDf Alt EPA ID: Not reported
TSDf Alt Name: Not reported
Waste Code Description: 741 - Liquids with halogenated organic compounds > 1000 mg/l
RCRA Code: D001
Meth Code: H01 - Transfer Station
Quantity Tons: 0.0625
Waste Quantity: 15
Quantity Unit: G
Additional Code 1: Not reported
Additional Code 2: Not reported
Additional Code 3: Not reported
Additional Code 4: Not reported
Additional Code 5: Not reported

Additional Info:

Year: 1998
Gen EPA ID: CAD982498990

Shipment Date: 19981209
Creation Date: 1/21/1999 0:00:00
Receipt Date: 19981209
Manifest ID: 98449319
Trans EPA ID: ILD984908202
Trans Name: Not reported
Trans 2 EPA ID: Not reported
Trans 2 Name: Not reported
TSDf EPA ID: NVT330010208
Trans Name: Not reported
TSDf Alt EPA ID: Not reported
TSDf Alt Name: Not reported
Waste Code Description: 134 - Aqueous solution with <10% total organic residues
RCRA Code: D006
Meth Code: T01 - Treatment, Tank
Quantity Tons: 0.2184
Waste Quantity: 52
Quantity Unit: G
Additional Code 1: Not reported
Additional Code 2: Not reported
Additional Code 3: Not reported
Additional Code 4: Not reported
Additional Code 5: Not reported

Shipment Date: 19981112
Creation Date: 1/5/1999 0:00:00
Receipt Date: 19981112
Manifest ID: 98558210
Trans EPA ID: ILD984908202

Map ID
Direction
Distance
Elevation

MAP FINDINGS

Site

Database(s)

EDR ID Number
EPA ID Number

LARRY GREEN AUTO CENTER INC (Continued)

1000124701

Trans Name:	Not reported
Trans 2 EPA ID:	Not reported
Trans 2 Name:	Not reported
TSDf EPA ID:	NVT330010208
Trans Name:	Not reported
TSDf Alt EPA ID:	Not reported
TSDf Alt Name:	Not reported
Waste Code Description:	213 - Hydrocarbon solvents (benzene, hexane, Stoddard, etc.
RCRA Code:	D039
Meth Code:	H01 - Transfer Station
Quantity Tons:	0.0583
Waste Quantity:	14
Quantity Unit:	G
Additional Code 1:	Not reported
Additional Code 2:	Not reported
Additional Code 3:	Not reported
Additional Code 4:	Not reported
Additional Code 5:	Not reported
Shipment Date:	19981112
Creation Date:	1/5/1999 0:00:00
Receipt Date:	19981112
Manifest ID:	98558210
Trans EPA ID:	ILD984908202
Trans Name:	Not reported
Trans 2 EPA ID:	Not reported
Trans 2 Name:	Not reported
TSDf EPA ID:	NVT330010208
Trans Name:	Not reported
TSDf Alt EPA ID:	Not reported
TSDf Alt Name:	Not reported
Waste Code Description:	134 - Aqueous solution with <10% total organic residues
RCRA Code:	D006
Meth Code:	T01 - Treatment, Tank
Quantity Tons:	0.2184
Waste Quantity:	52
Quantity Unit:	G
Additional Code 1:	Not reported
Additional Code 2:	Not reported
Additional Code 3:	Not reported
Additional Code 4:	Not reported
Additional Code 5:	Not reported
Shipment Date:	19980722
Creation Date:	9/15/1998 0:00:00
Receipt Date:	19980722
Manifest ID:	98171610
Trans EPA ID:	ILD984908202
Trans Name:	Not reported
Trans 2 EPA ID:	Not reported
Trans 2 Name:	Not reported
TSDf EPA ID:	NVT330010208
Trans Name:	Not reported
TSDf Alt EPA ID:	Not reported
TSDf Alt Name:	Not reported
Waste Code Description:	213 - Hydrocarbon solvents (benzene, hexane, Stoddard, etc.
RCRA Code:	D039

Map ID
Direction
Distance
Elevation

MAP FINDINGS

Site

Database(s)

EDR ID Number
EPA ID Number

LARRY GREEN AUTO CENTER INC (Continued)

1000124701

Meth Code:	H01 - Transfer Station
Quantity Tons:	0.0583
Waste Quantity:	14
Quantity Unit:	G
Additional Code 1:	Not reported
Additional Code 2:	Not reported
Additional Code 3:	Not reported
Additional Code 4:	Not reported
Additional Code 5:	Not reported
Shipment Date:	19980521
Creation Date:	7/15/1998 0:00:00
Receipt Date:	19980528
Manifest ID:	97372479
Trans EPA ID:	ILD984908202
Trans Name:	Not reported
Trans 2 EPA ID:	Not reported
Trans 2 Name:	Not reported
TSDf EPA ID:	CAT000613893
Trans Name:	Not reported
TSDf Alt EPA ID:	Not reported
TSDf Alt Name:	Not reported
Waste Code Description:	212 - Oxygenated solvents (acetone, butanol, ethyl acetate, etc.
RCRA Code:	F005
Meth Code:	H01 - Transfer Station
Quantity Tons:	0.018
Waste Quantity:	36
Quantity Unit:	P
Additional Code 1:	Not reported
Additional Code 2:	Not reported
Additional Code 3:	Not reported
Additional Code 4:	Not reported
Additional Code 5:	Not reported
Shipment Date:	19980415
Creation Date:	6/16/1998 0:00:00
Receipt Date:	19980423
Manifest ID:	97385624
Trans EPA ID:	ILD984908202
Trans Name:	Not reported
Trans 2 EPA ID:	Not reported
Trans 2 Name:	Not reported
TSDf EPA ID:	CAT000613893
Trans Name:	Not reported
TSDf Alt EPA ID:	Not reported
TSDf Alt Name:	Not reported
Waste Code Description:	212 - Oxygenated solvents (acetone, butanol, ethyl acetate, etc.
RCRA Code:	F005
Meth Code:	H01 - Transfer Station
Quantity Tons:	0.018
Waste Quantity:	36
Quantity Unit:	P
Additional Code 1:	Not reported
Additional Code 2:	Not reported
Additional Code 3:	Not reported
Additional Code 4:	Not reported
Additional Code 5:	Not reported

Map ID
Direction
Distance
Elevation

MAP FINDINGS

Site

Database(s)

EDR ID Number
EPA ID Number

LARRY GREEN AUTO CENTER INC (Continued)

1000124701

Shipment Date: 19980415
Creation Date: 6/16/1998 0:00:00
Receipt Date: 19980423
Manifest ID: 97385624
Trans EPA ID: ILD984908202
Trans Name: Not reported
Trans 2 EPA ID: Not reported
Trans 2 Name: Not reported
TSDf EPA ID: CAT000613893
Trans Name: Not reported
TSDf Alt EPA ID: Not reported
TSDf Alt Name: Not reported
Waste Code Description: 212 - Oxygenated solvents (acetone, butanol, ethyl acetate, etc.
RCRA Code: F005
Meth Code: H01 - Transfer Station
Quantity Tons: 0.054
Waste Quantity: 108
Quantity Unit: P
Additional Code 1: Not reported
Additional Code 2: Not reported
Additional Code 3: Not reported
Additional Code 4: Not reported
Additional Code 5: Not reported

Shipment Date: 19980318
Creation Date: 5/8/1998 0:00:00
Receipt Date: 19980325
Manifest ID: 97386687
Trans EPA ID: ILD984908202
Trans Name: Not reported
Trans 2 EPA ID: Not reported
Trans 2 Name: Not reported
TSDf EPA ID: CAT000613893
Trans Name: Not reported
TSDf Alt EPA ID: Not reported
TSDf Alt Name: Not reported
Waste Code Description: 212 - Oxygenated solvents (acetone, butanol, ethyl acetate, etc.
RCRA Code: F005
Meth Code: H01 - Transfer Station
Quantity Tons: 0.018
Waste Quantity: 36
Quantity Unit: P
Additional Code 1: Not reported
Additional Code 2: Not reported
Additional Code 3: Not reported
Additional Code 4: Not reported
Additional Code 5: Not reported

Shipment Date: 19980225
Creation Date: 4/16/1998 0:00:00
Receipt Date: 19980304
Manifest ID: 97405465
Trans EPA ID: ILD984908202
Trans Name: Not reported
Trans 2 EPA ID: Not reported
Trans 2 Name: Not reported
TSDf EPA ID: CAT000613893

Map ID
Direction
Distance
Elevation

MAP FINDINGS

Site

Database(s)

EDR ID Number
EPA ID Number

LARRY GREEN AUTO CENTER INC (Continued)

1000124701

Trans Name: Not reported
TSDf Alt EPA ID: Not reported
TSDf Alt Name: Not reported
Waste Code Description: 212 - Oxygenated solvents (acetone, butanol, ethyl acetate, etc.)
RCRA Code: F005
Meth Code: H01 - Transfer Station
Quantity Tons: 0.054
Waste Quantity: 108
Quantity Unit: P
Additional Code 1: Not reported
Additional Code 2: Not reported
Additional Code 3: Not reported
Additional Code 4: Not reported
Additional Code 5: Not reported

Shipment Date: 19980225
Creation Date: 4/16/1998 0:00:00
Receipt Date: 19980304
Manifest ID: 97405465
Trans EPA ID: ILD984908202
Trans Name: Not reported
Trans 2 EPA ID: Not reported
Trans 2 Name: Not reported
TSDf EPA ID: CAT000613893
Trans Name: Not reported
TSDf Alt EPA ID: Not reported
TSDf Alt Name: Not reported
Waste Code Description: 212 - Oxygenated solvents (acetone, butanol, ethyl acetate, etc.)
RCRA Code: F005
Meth Code: H01 - Transfer Station
Quantity Tons: 0.018
Waste Quantity: 36
Quantity Unit: P
Additional Code 1: Not reported
Additional Code 2: Not reported
Additional Code 3: Not reported
Additional Code 4: Not reported
Additional Code 5: Not reported

Additional Info:

Year: 1997
Gen EPA ID: CAD982498990

Shipment Date: 19971223
Creation Date: 7/23/1998 0:00:00
Receipt Date: 19971230
Manifest ID: 97348540
Trans EPA ID: ILD984908202
Trans Name: Not reported
Trans 2 EPA ID: Not reported
Trans 2 Name: Not reported
TSDf EPA ID: CAT000613893
Trans Name: Not reported
TSDf Alt EPA ID: Not reported
TSDf Alt Name: Not reported
Waste Code Description: 212 - Oxygenated solvents (acetone, butanol, ethyl acetate, etc.)
RCRA Code: F005

Map ID
Direction
Distance
Elevation

MAP FINDINGS

Site

Database(s)

EDR ID Number
EPA ID Number

LARRY GREEN AUTO CENTER INC (Continued)

1000124701

Meth Code:	H01 - Transfer Station
Quantity Tons:	0.018
Waste Quantity:	36
Quantity Unit:	P
Additional Code 1:	Not reported
Additional Code 2:	Not reported
Additional Code 3:	Not reported
Additional Code 4:	Not reported
Additional Code 5:	Not reported
Shipment Date:	19971223
Creation Date:	7/23/1998 0:00:00
Receipt Date:	19971230
Manifest ID:	97348540
Trans EPA ID:	ILD984908202
Trans Name:	Not reported
Trans 2 EPA ID:	Not reported
Trans 2 Name:	Not reported
TSDf EPA ID:	CAT000613893
Trans Name:	Not reported
TSDf Alt EPA ID:	Not reported
TSDf Alt Name:	Not reported
Waste Code Description:	212 - Oxygenated solvents (acetone, butanol, ethyl acetate, etc.
RCRA Code:	F005
Meth Code:	H01 - Transfer Station
Quantity Tons:	0.054
Waste Quantity:	108
Quantity Unit:	P
Additional Code 1:	Not reported
Additional Code 2:	Not reported
Additional Code 3:	Not reported
Additional Code 4:	Not reported
Additional Code 5:	Not reported
Shipment Date:	19971125
Creation Date:	7/23/1998 0:00:00
Receipt Date:	19971202
Manifest ID:	97342717
Trans EPA ID:	ILD984908202
Trans Name:	Not reported
Trans 2 EPA ID:	Not reported
Trans 2 Name:	Not reported
TSDf EPA ID:	CAT000613893
Trans Name:	Not reported
TSDf Alt EPA ID:	Not reported
TSDf Alt Name:	Not reported
Waste Code Description:	212 - Oxygenated solvents (acetone, butanol, ethyl acetate, etc.
RCRA Code:	F005
Meth Code:	H01 - Transfer Station
Quantity Tons:	0.018
Waste Quantity:	36
Quantity Unit:	P
Additional Code 1:	Not reported
Additional Code 2:	Not reported
Additional Code 3:	Not reported
Additional Code 4:	Not reported
Additional Code 5:	Not reported

Map ID
Direction
Distance
Elevation

MAP FINDINGS

Site

Database(s)

EDR ID Number
EPA ID Number

LARRY GREEN AUTO CENTER INC (Continued)

1000124701

Shipment Date: 19971125
Creation Date: 7/23/1998 0:00:00
Receipt Date: 19971202
Manifest ID: 97342717
Trans EPA ID: ILD984908202
Trans Name: Not reported
Trans 2 EPA ID: Not reported
Trans 2 Name: Not reported
TSDf EPA ID: CAT000613893
Trans Name: Not reported
TSDf Alt EPA ID: Not reported
TSDf Alt Name: Not reported
Waste Code Description: 212 - Oxygenated solvents (acetone, butanol, ethyl acetate, etc.
RCRA Code: F005
Meth Code: H01 - Transfer Station
Quantity Tons: 0.054
Waste Quantity: 108
Quantity Unit: P
Additional Code 1: Not reported
Additional Code 2: Not reported
Additional Code 3: Not reported
Additional Code 4: Not reported
Additional Code 5: Not reported

Shipment Date: 19971028
Creation Date: 7/23/1998 0:00:00
Receipt Date: 19971104
Manifest ID: 96846964
Trans EPA ID: ILD984908202
Trans Name: Not reported
Trans 2 EPA ID: Not reported
Trans 2 Name: Not reported
TSDf EPA ID: CAT000613893
Trans Name: Not reported
TSDf Alt EPA ID: Not reported
TSDf Alt Name: Not reported
Waste Code Description: 212 - Oxygenated solvents (acetone, butanol, ethyl acetate, etc.
RCRA Code: F005
Meth Code: H01 - Transfer Station
Quantity Tons: 0.054
Waste Quantity: 108
Quantity Unit: P
Additional Code 1: Not reported
Additional Code 2: Not reported
Additional Code 3: Not reported
Additional Code 4: Not reported
Additional Code 5: Not reported

Shipment Date: 19971002
Creation Date: 7/23/1998 0:00:00
Receipt Date: 19971009
Manifest ID: 96842690
Trans EPA ID: ILD984908202
Trans Name: Not reported
Trans 2 EPA ID: Not reported
Trans 2 Name: Not reported
TSDf EPA ID: CAT000613893

Map ID
Direction
Distance
Elevation

MAP FINDINGS

Site

Database(s)

EDR ID Number
EPA ID Number

LARRY GREEN AUTO CENTER INC (Continued)

1000124701

Trans Name: Not reported
TSDf Alt EPA ID: Not reported
TSDf Alt Name: Not reported
Waste Code Description: 212 - Oxygenated solvents (acetone, butanol, ethyl acetate, etc.)
RCRA Code: F005
Meth Code: H01 - Transfer Station
Quantity Tons: 0.018
Waste Quantity: 36
Quantity Unit: P
Additional Code 1: Not reported
Additional Code 2: Not reported
Additional Code 3: Not reported
Additional Code 4: Not reported
Additional Code 5: Not reported

Shipment Date: 19970904
Creation Date: 7/23/1998 0:00:00
Receipt Date: 19970912
Manifest ID: 96849561
Trans EPA ID: ILD984908202
Trans Name: Not reported
Trans 2 EPA ID: Not reported
Trans 2 Name: Not reported
TSDf EPA ID: CAT000613893
Trans Name: Not reported
TSDf Alt EPA ID: Not reported
TSDf Alt Name: Not reported
Waste Code Description: 212 - Oxygenated solvents (acetone, butanol, ethyl acetate, etc.)
RCRA Code: F005
Meth Code: H01 - Transfer Station
Quantity Tons: 0.018
Waste Quantity: 36
Quantity Unit: P
Additional Code 1: Not reported
Additional Code 2: Not reported
Additional Code 3: Not reported
Additional Code 4: Not reported
Additional Code 5: Not reported

Shipment Date: 19970904
Creation Date: 7/23/1998 0:00:00
Receipt Date: 19970912
Manifest ID: 96849561
Trans EPA ID: ILD984908202
Trans Name: Not reported
Trans 2 EPA ID: Not reported
Trans 2 Name: Not reported
TSDf EPA ID: CAT000613893
Trans Name: Not reported
TSDf Alt EPA ID: Not reported
TSDf Alt Name: Not reported
Waste Code Description: 212 - Oxygenated solvents (acetone, butanol, ethyl acetate, etc.)
RCRA Code: F005
Meth Code: H01 - Transfer Station
Quantity Tons: 0.054
Waste Quantity: 108
Quantity Unit: P

Map ID
Direction
Distance
Elevation

MAP FINDINGS

Site

Database(s)

EDR ID Number
EPA ID Number

LARRY GREEN AUTO CENTER INC (Continued)

1000124701

Additional Code 1: Not reported
Additional Code 2: Not reported
Additional Code 3: Not reported
Additional Code 4: Not reported
Additional Code 5: Not reported

Shipment Date: 19970815
Creation Date: 3/18/1998 0:00:00
Receipt Date: 19970819
Manifest ID: 93755528
Trans EPA ID: CAD980696041
Trans Name: Not reported
Trans 2 EPA ID: Not reported
Trans 2 Name: Not reported
TSDf EPA ID: CAT080025711
Trans Name: Not reported
TSDf Alt EPA ID: Not reported
TSDf Alt Name: Not reported
Waste Code Description: 134 - Aqueous solution with <10% total organic residues
RCRA Code: Not reported
Meth Code: R01 - Recycler
Quantity Tons: 0.21
Waste Quantity: 50
Quantity Unit: G
Additional Code 1: Not reported
Additional Code 2: Not reported
Additional Code 3: Not reported
Additional Code 4: Not reported
Additional Code 5: Not reported

Shipment Date: 19970805
Creation Date: 12/4/1997 0:00:00
Receipt Date: 19970813
Manifest ID: 96846482
Trans EPA ID: ILD984908202
Trans Name: Not reported
Trans 2 EPA ID: Not reported
Trans 2 Name: Not reported
TSDf EPA ID: CAT000613893
Trans Name: Not reported
TSDf Alt EPA ID: Not reported
TSDf Alt Name: Not reported
Waste Code Description: 212 - Oxygenated solvents (acetone, butanol, ethyl acetate, etc.
RCRA Code: F005
Meth Code: H01 - Transfer Station
Quantity Tons: 0.054
Waste Quantity: 108
Quantity Unit: P
Additional Code 1: Not reported
Additional Code 2: Not reported
Additional Code 3: Not reported
Additional Code 4: Not reported
Additional Code 5: Not reported

San Bern. Co. Permit:

Name: COLORADO RIVER CHEVROLET, PONTIAC
Address: 2204 W BROADWAY

Map ID
Direction
Distance
Elevation

MAP FINDINGS

Site

Database(s)

EDR ID Number
EPA ID Number

LARRY GREEN AUTO CENTER INC (Continued)

1000124701

City,State,Zip: NEEDLES, CA 92363
Region: SAN BERNARDINO
Facility ID: FA0004382
Owner: WILEY , BOFORD
Permit Number: PT0004708
Permit Category: SPECIAL GENERATOR
Facility Status: INACTIVE
Expiration Date: 11/30/2010

Name: COLORADO RIVER CHEVROLET, PONTIAC
Address: 2204 W BROADWAY
City,State,Zip: NEEDLES, CA 92363
Region: SAN BERNARDINO
Facility ID: FA0004382
Owner: WILEY , BOFORD
Permit Number: PT0004707
Permit Category: SPECIAL HANDLER
Facility Status: INACTIVE
Expiration Date: 11/30/2010

HWTS:

Name: LARRY GREEN AUTO CENTER INC
Address: 2204 W BROADWAY
Address 2: Not reported
City,State,Zip: NEEDLES, CA 92363
EPA ID: CAD982498990
Inactive Date: 09/18/2002
Create Date: 06/29/1990
Last Act Date: Not reported
Mailing Name: Not reported
Mailing Address: 2204 W BROADWAY DLR #16152
Mailing Address 2: Not reported
Mailing City,State,Zip: NEEDLES, CA 923630509
Owner Name: LARRY GREEN PRESIDENT
Owner Address: 2204 W BROADWAY DLR #16152
Owner Address 2: Not reported
Owner City,State,Zip: NEEDLES, CA 923630000
Contact Name: PHIL BERG GM
Contact Address: 2204 W BROADWAY
Contact Address 2: Not reported
City,State,Zip: NEEDLES, CA 923630000
Facility Status: Inactive
Facility Type: PERMANENT
Category: FEDERAL
Latitude: 34.848515
Longitude: -114.620046

AD226 COLORADO RIVER CHEVROLET
Target 2204 W. BROADWAY
Property NEEDLES, CA 92363

HWTS S124620327
N/A

Site 7 of 20 in cluster AD

Actual: HWTS:
504 ft. Name: COLORADO RIVER CHEVROLET
Focus Map: Address: 2204 W. BROADWAY
6 Address 2: Not reported

Map ID
Direction
Distance
Elevation

MAP FINDINGS

Site

Database(s)

EDR ID Number
EPA ID Number

COLORADO RIVER CHEVROLET (Continued)

S124620327

City,State,Zip: NEEDLES, CA 92363
EPA ID: CAC002736066
Inactive Date: 10/08/2013
Create Date: 07/09/2013
Last Act Date: Not reported
Mailing Name: Not reported
Mailing Address: 3601 STOCKTON HILL RD
Mailing Address 2: Not reported
Mailing City,State,Zip: KINGMAN, AZ 86409
Owner Name: BUFORD B. WILEY
Owner Address: 3601 STOCKTON HILL RD
Owner Address 2: Not reported
Owner City,State,Zip: KINGMAN, AZ 86409
Contact Name: YVONNE CLOUSE
Contact Address: 3601 STOCKTON HILL RD
Contact Address 2: Not reported
City,State,Zip: KINGMAN, AZ 86409
Facility Status: Inactive
Facility Type: TEMPORARY
Category: STATE
Latitude: 34.848552
Longitude: -114.620238

NAICS:
EPA ID: CAC002736066
Create Date: 2013-07-09 12:16:20.563
NAICS Code: 44111
NAICS Description: New Car Dealers
Issued EPA ID Date: 2013-07-09 12:16:20.58300
Inactive Date: 2013-10-08 12:16:20.56000
Facility Name: COLORADO RIVER CHEVROLET
Facility Address: 2204 W. BROADWAY
Facility Address 2: Not reported
Facility City: NEEDLES
Facility County: Not reported
Facility State: CA
Facility Zip: 92363

AD227 COLORADO RIVER CHEVROLET
Target 2204 W. BROADWAY
Property NEEDLES, CA 92363

HWTS S124615537
N/A

Site 8 of 20 in cluster AD

Actual: 504 ft. HWTS:
Focus Map: 6
Name: COLORADO RIVER CHEVROLET
Address: 2204 W. BROADWAY
Address 2: Not reported
City,State,Zip: NEEDLES, CA 92363
EPA ID: CAC002709492
Inactive Date: 01/23/2013
Create Date: 10/24/2012
Last Act Date: Not reported
Mailing Name: Not reported
Mailing Address: 3601 STOCKTON HILL RD
Mailing Address 2: Not reported
Mailing City,State,Zip: KINGMAN, AZ 86409

Map ID
Direction
Distance
Elevation

MAP FINDINGS

Site

Database(s)

EDR ID Number
EPA ID Number

COLORADO RIVER CHEVROLET (Continued)

S124615537

Owner Name: BUFORD B. WILEY
Owner Address: 3601 STOCKTON HILL RD
Owner Address 2: Not reported
Owner City,State,Zip: KINGMAN, AZ 86409
Contact Name: YVONNE CLOUSE
Contact Address: 3601 STOCKTON HILL RD
Contact Address 2: Not reported
City,State,Zip: KINGMAN, AZ 86409
Facility Status: Inactive
Facility Type: TEMPORARY
Category: STATE
Latitude: 34.848552
Longitude: -114.620238

NAICS:

EPA ID: CAC002709492
Create Date: 2012-10-24 16:52:32.067
NAICS Code: 44111
NAICS Description: New Car Dealers
Issued EPA ID Date: 2012-10-24 16:52:31.89700
Inactive Date: 2013-01-23 16:52:31.80000
Facility Name: COLORADO RIVER CHEVROLET
Facility Address: 2204 W. BROADWAY
Facility Address 2: Not reported
Facility City: NEEDLES
Facility County: Not reported
Facility State: CA
Facility Zip: 92363

228 **CHEVRON STA. #9-8066**
Target **2205 BROADWAY**
Property **NEEDLES, CA 92363**

HIST CORTESE **S105025183**
N/A

Actual:
504 ft.

Focus Map:
6

HIST CORTESE:
edr_fname: CHEVRON STA. #9-8066
edr_fadd1: 2205 BROADWAY
City,State,Zip: NEEDLES, CA 92363
Region: CORTESE
Facility County Code: 36
Reg By: LTNKA
Reg Id: 7T2363001

AG229 **MOBIL STA. #100851**
Target **1632 BROADWAY**
Property **NEEDLES, CA 92363**

HIST CORTESE **S105025181**
N/A

Actual:
489 ft.

Focus Map:
6

Site 1 of 2 in cluster AG

HIST CORTESE:
edr_fname: MOBIL STA. #100851
edr_fadd1: 1632 BROADWAY
City,State,Zip: NEEDLES, CA 92363
Region: CORTESE
Facility County Code: 36
Reg By: LTNKA
Reg Id: 7T2363010

Map ID
 Direction
 Distance
 Elevation

MAP FINDINGS

Site

Database(s)

EDR ID Number
 EPA ID Number

AH230 **PREMIER SPORTS**
Target **1404 BROADWAY #A**
Property **NEEDLES, CA 92363**

CERS HAZ WASTE
San Bern. Co. Permit
CERS

S104769136
N/A

Site 1 of 13 in cluster AH

Actual: CERS HAZ WASTE:
481 ft. Name: PREMIER SPORTS
Focus Map: Address: 1404 BROADWAY #A
7 City,State,Zip: NEEDLES, CA 92363
 Site ID: 144817
 CERS ID: 10043254
 CERS Description: Hazardous Waste Generator

San Bern. Co. Permit:
 Name: PREMIER SPORTS
 Address: 1404 BROADWAY A
 City,State,Zip: NEEDLES, CA 92363
 Region: SAN BERNARDINO
 Facility ID: FA0005402
 Owner: BALDWIN, KEN
 Permit Number: PT0006491
 Permit Category: CONDITIONALLY EXEMPT SM QTY GENERATOR
 Facility Status: ACTIVE
 Expiration Date: 12/31/2021

Name: PREMIER SPORTS
 Address: 1404 BROADWAY A
 City,State,Zip: NEEDLES, CA 92363
 Region: SAN BERNARDINO
 Facility ID: FA0005402
 Owner: BALDWIN, KEN
 Permit Number: PT0016411
 Permit Category: HAZARDOUS MATERIALS 1-3 CHEMICALS
 Facility Status: ACTIVE
 Expiration Date: 12/31/2021

CERS:
 Name: PREMIER SPORTS
 Address: 1404 BROADWAY #A
 City,State,Zip: NEEDLES, CA 92363
 Site ID: 144817
 CERS ID: 10043254
 CERS Description: Chemical Storage Facilities

Violations:
 Site ID: 144817
 Site Name: PREMIER SPORTS
 Violation Date: 01-15-2015
 Citation: HSC 6.95 25508.2 - California Health and Safety Code, Chapter 6.95, Section(s) 25508.2
 Violation Description: Failure to annually review and electronically certify that the business plan is complete, accurate, and up-to-date.
 Violation Notes: Returned to compliance on 03/05/2015. Business Plan not submitted annually. Last Business Plan on file is dated 11/26/2012.
 Violation Division: San Bernardino County Fire Department
 Violation Program: HMRRP
 Violation Source: CERS,

Map ID
Direction
Distance
Elevation

MAP FINDINGS

Site

Database(s)

EDR ID Number
EPA ID Number

PREMIER SPORTS (Continued)

S104769136

Site ID: 144817
Site Name: PREMIER SPORTS
Violation Date: 06-14-2018
Citation: HSC 6.95 25508(a)(1) - California Health and Safety Code, Chapter 6.95, Section(s) 25508(a)(1)
Violation Description: Failure to annually review and electronically certify that the business plan is complete and accurate on or before the annual due date.
Violation Notes: Returned to compliance on 06/26/2018. OBSERVATION: The business plan was not reviewed and certified annually. CORRECTIVE ACTION: Review and certify the business plan annually.
Violation Division: San Bernardino County Fire Department
Violation Program: HMRRP
Violation Source: CERS,

Site ID: 144817
Site Name: PREMIER SPORTS
Violation Date: 06-14-2018
Citation: 22 CCR 12 66262.12 - California Code of Regulations, Title 22, Chapter 12, Section(s) 66262.12
Violation Description: Failure to obtain an Identification Number prior to treating, storing, disposing of, transporting or offering for transportation any hazardous waste.
Violation Notes: Returned to compliance on 06/26/2018. OBSERVATION: The generator's EPA ID number is inactive. A hazardous waste generator shall not treat, store, dispose of, transport or offer for transportation, hazardous waste without an active EPA ID number. CORRECTIVE ACTION: Submit documentation to the CUPA demonstrating that you have reactivated the facility's EPA ID number.
Violation Division: San Bernardino County Fire Department
Violation Program: HW
Violation Source: CERS,

Evaluation:
Eval General Type: Compliance Evaluation Inspection
Eval Date: 06-14-2018
Violations Found: Yes
Eval Type: Routine done by local agency
Eval Notes: Not reported
Eval Division: San Bernardino County Fire Department
Eval Program: HMRRP
Eval Source: CERS,

Eval General Type: Compliance Evaluation Inspection
Eval Date: 01-15-2015
Violations Found: No
Eval Type: Routine done by local agency
Eval Notes: PREMIER SPORTS: ROUTINE INSPECTION
Eval Division: San Bernardino County Fire Department
Eval Program: HW
Eval Source: CERS,

Eval General Type: Compliance Evaluation Inspection
Eval Date: 06-14-2018
Violations Found: Yes
Eval Type: Routine done by local agency
Eval Notes: Not reported

Map ID
Direction
Distance
Elevation

MAP FINDINGS

Site

Database(s)

EDR ID Number
EPA ID Number

PREMIER SPORTS (Continued)

S104769136

Eval Division: San Bernardino County Fire Department
Eval Program: HW
Eval Source: CERS,

Eval General Type: Compliance Evaluation Inspection
Eval Date: 08-06-2021
Violations Found: No
Eval Type: Routine done by local agency
Eval Notes: Not reported
Eval Division: San Bernardino County Fire Department
Eval Program: HW
Eval Source: CERS,

Eval General Type: Compliance Evaluation Inspection
Eval Date: 01-15-2015
Violations Found: Yes
Eval Type: Routine done by local agency
Eval Notes: PREMIER SPORTS: ROUTINE INSPECTION
Eval Division: San Bernardino County Fire Department
Eval Program: HMRRP
Eval Source: CERS,

Eval General Type: Compliance Evaluation Inspection
Eval Date: 08-06-2021
Violations Found: No
Eval Type: Routine done by local agency
Eval Notes: Not reported
Eval Division: San Bernardino County Fire Department
Eval Program: HMRRP
Eval Source: CERS,

Enforcement Action:
Site ID: 144817
Site Name: PREMIER SPORTS
Site Address: 1404 BROADWAY #A
Site City: NEEDLES
Site Zip: 92363
Enf Action Date: 01-15-2015
Enf Action Type: Notice of Violation (Unified Program)
Enf Action Description: Notice of Violation Issued by the Inspector at the Time of Inspection
Enf Action Notes: Not reported
Enf Action Division: San Bernardino County Fire Department
Enf Action Program: HMRRP
Enf Action Source: CERS,

Affiliation:
Affiliation Type Desc: CUPA District
Entity Name: San Bernardino County Fire
Entity Title: Not reported
Affiliation Address: 620 South E Street
Affiliation City: San Bernardino
Affiliation State: CA
Affiliation Country: Not reported
Affiliation Zip: 92415-0153
Affiliation Phone: (909) 386-8401,

Map ID
Direction
Distance
Elevation

MAP FINDINGS

Site

Database(s)

EDR ID Number
EPA ID Number

PREMIER SPORTS (Continued)

S104769136

Affiliation Type Desc: Identification Signer
Entity Name: MIKE BALDWIN
Entity Title: MANAGER
Affiliation Address: Not reported
Affiliation City: Not reported
Affiliation State: Not reported
Affiliation Country: Not reported
Affiliation Zip: Not reported
Affiliation Phone: ,

Affiliation Type Desc: Legal Owner
Entity Name: BALDWIN, KEN
Entity Title: Not reported
Affiliation Address: 1404 BROADWAY #A
Affiliation City: NEEDLES
Affiliation State: CA
Affiliation Country: United States
Affiliation Zip: 92363
Affiliation Phone: (702) 298-5200,

Affiliation Type Desc: Facility Mailing Address
Entity Name: Mailing Address
Entity Title: Not reported
Affiliation Address: 1404 BROADWAY #A
Affiliation City: NEEDLES
Affiliation State: CA
Affiliation Country: Not reported
Affiliation Zip: 92363
Affiliation Phone: ,

Affiliation Type Desc: Operator
Entity Name: Premier Sports LLC
Entity Title: Not reported
Affiliation Address: Not reported
Affiliation City: Not reported
Affiliation State: Not reported
Affiliation Country: Not reported
Affiliation Zip: Not reported
Affiliation Phone: (760) 326-2727,

Affiliation Type Desc: Parent Corporation
Entity Name: Premier Sports
Entity Title: Not reported
Affiliation Address: Not reported
Affiliation City: Not reported
Affiliation State: Not reported
Affiliation Country: Not reported
Affiliation Zip: Not reported
Affiliation Phone: ,

Affiliation Type Desc: Environmental Contact
Entity Name: KEN BALDWIN
Entity Title: Not reported
Affiliation Address: 1404 BROADWAY
Affiliation City: NEEDLES
Affiliation State: CA
Affiliation Country: Not reported

Map ID
 Direction
 Distance
 Elevation

MAP FINDINGS

Site

Database(s)

EDR ID Number
 EPA ID Number

PREMIER SPORTS (Continued)

S104769136

Affiliation Zip: 92363
 Affiliation Phone: ,

AH231 DANZER IMPORT AUTO & TRUCK REPAIR
Target 1404 BROADWAY #C
Property NEEDLES, CA 92363

San Bern. Co. Permit S106910793
N/A

Site 2 of 13 in cluster AH

Actual: San Bern. Co. Permit:
481 ft. Name: DANZER IMPORT AUTO & TRUCK REPAIR
Focus Map: Address: 1404 BROADWAY #C
7 City,State,Zip: NEEDLES, CA 92363
 Region: SAN BERNARDINO
 Facility ID: FA0002638
 Owner: DANZER, ROBERT E.
 Permit Number: PT0006490
 Permit Category: CONDITIONALLY EXEMPT SMALL QUANTITY GENERATOR
 Facility Status: INACTIVE
 Expiration Date: 12/31/2003

AH232 ADVOCATE WILLIAM
Target 518 BROADWAY
Property NEEDLES, CA 92363

EDR Hist Auto 1020824496
N/A

Site 3 of 13 in cluster AH

Actual: EDR Hist Auto
480 ft.

Focus Map:	Year:	Name:	Type:
7	1969	ADVOCATE BILL	Gasoline Service Stations
	1970	ADVOCATE BILL	Gasoline Service Stations
	1971	ADVOCATE BILL	Gasoline Service Stations
	1972	ADVOCATE WILLIAM	Gasoline Service Stations
	1973	ADVOCATE WILLIAM	Gasoline Service Stations
	1974	ADVOCATE WILLIAM	Gasoline Service Stations
	1975	ADVOCATE WILLIAM	Gasoline Service Stations
	1976	ADVOCATE WILLIAM	Gasoline Service Stations
	1977	ADVOCATE WILLIAM	General Automotive Repair Shops

AH233 HARKEN MARKETING CO OF CA
Target 504 BROADWAY
Property NEEDLES, CA 92363

HWTS S124746922
N/A

Site 4 of 13 in cluster AH

Actual: HWTS:
479 ft. Name: HARKEN MARKETING CO OF CA
Focus Map: Address: 504 BROADWAY
7 Address 2: Not reported
 City,State,Zip: NEEDLES, CA 92363
 EPA ID: CAD981659188
 Inactive Date: 01/01/1995
 Create Date: 04/10/1987

Map ID
Direction
Distance
Elevation

MAP FINDINGS

Site

Database(s)

EDR ID Number
EPA ID Number

HARKEN MARKETING CO OF CA (Continued)

S124746922

Last Act Date: Not reported
Mailing Name: Not reported
Mailing Address: PO BOX 5657
Mailing Address 2: Not reported
Mailing City,State,Zip: RIVERSIDE, CA 925170000
Owner Name: Not reported
Owner Address: Not reported
Owner Address 2: Not reported
Owner City,State,Zip: Not reported
Contact Name: CANCEL PER SURVEY 2-4-95 LC
Contact Address: VICE PRESIDENT
Contact Address 2: Not reported
City,State,Zip: Not reported
Facility Status: Inactive
Facility Type: PERMANENT
Category: STATE
Latitude: 34.837142
Longitude: -114.601712

AH234 E-Z SERVE STATION 97
Target 504 BROADWAY
Property NEEDLES, CA 92363

SWEEPS UST 1000131447
HIST UST N/A

Site 5 of 13 in cluster AH

Actual: SWEEPS UST:
479 ft.
Focus Map: 7

Name: BLUERAPIDS JET SKI RNTLS
Address: 504 BROADWAY
City: NEEDLES
Status: Active
Comp Number: 19618
Number: 9
Board Of Equalization: 44-020708
Referral Date: 07-28-92
Action Date: 07-28-92
Created Date: 02-29-88
Owner Tank Id: 1
SWRCB Tank Id: 36-000-019618-000001
Tank Status: A
Capacity: 5000
Active Date: 08-25-88
Tank Use: M.V. FUEL
STG: P
Content: REG UNLEADED
Number Of Tanks: 4

Name: BLUERAPIDS JET SKI RNTLS
Address: 504 BROADWAY
City: NEEDLES
Status: Active
Comp Number: 19618
Number: 9
Board Of Equalization: 44-020708
Referral Date: 07-28-92
Action Date: 07-28-92
Created Date: 02-29-88
Owner Tank Id: 2
SWRCB Tank Id: 36-000-019618-000002

Map ID
Direction
Distance
Elevation

MAP FINDINGS

Site

Database(s)

EDR ID Number
EPA ID Number

E-Z SERVE STATION 97 (Continued)

1000131447

Tank Status: A
Capacity: 5000
Active Date: 08-25-88
Tank Use: M.V. FUEL
STG: P
Content: REG UNLEADED
Number Of Tanks: Not reported

Name: BLUERAPIDS JET SKI RNTLS
Address: 504 BROADWAY
City: NEEDLES
Status: Active
Comp Number: 19618
Number: 9
Board Of Equalization: 44-020708
Referral Date: 07-28-92
Action Date: 07-28-92
Created Date: 02-29-88
Owner Tank Id: 3
SWRCB Tank Id: 36-000-019618-000003
Tank Status: A
Capacity: 8000
Active Date: 08-25-88
Tank Use: M.V. FUEL
STG: P
Content: REG UNLEADED
Number Of Tanks: Not reported

Name: BLUERAPIDS JET SKI RNTLS
Address: 504 BROADWAY
City: NEEDLES
Status: Active
Comp Number: 19618
Number: 9
Board Of Equalization: 44-020708
Referral Date: 07-28-92
Action Date: 07-28-92
Created Date: 02-29-88
Owner Tank Id: 4
SWRCB Tank Id: 36-000-019618-000004
Tank Status: A
Capacity: 280
Active Date: 08-25-88
Tank Use: OIL
STG: W
Content: WASTE OIL
Number Of Tanks: Not reported

HIST UST:

Name: E-Z SERVE STATION 97
Address: 504 BROADWAY
City,State,Zip: NEEDLES, CA 92363
File Number: 00029DDC
URL: <http://geotracker.waterboards.ca.gov/ustpdfs/pdf/00029DDC.pdf>
Region: STATE
Facility ID: 00000019618
Facility Type: Gas Station

Map ID
Direction
Distance
Elevation

MAP FINDINGS

Site

Database(s)

EDR ID Number
EPA ID Number

E-Z SERVE STATION 97 (Continued)

1000131447

Other Type: Not reported
Contact Name: LEVI PEARSON/BILLS TRANSMISSIO
Telephone: 7149841261
Owner Name: E-Z SERVE OF CALIFORNIA
Owner Address: PO BX 3550
Owner City,St,Zip: ONTARIO, CA 91761
Total Tanks: 0005

Tank Num: 001
Container Num: 1
Year Installed: Not reported
Tank Capacity: 00005000
Tank Used for: PRODUCT
Type of Fuel: UNLEADED
Container Construction Thickness: 1/4
Leak Detection: None

Tank Num: 002
Container Num: 2
Year Installed: Not reported
Tank Capacity: 00005000
Tank Used for: PRODUCT
Type of Fuel: UNLEADED
Container Construction Thickness: 1/4
Leak Detection: None

Tank Num: 003
Container Num: 3
Year Installed: Not reported
Tank Capacity: 00008000
Tank Used for: PRODUCT
Type of Fuel: PREMIUM
Container Construction Thickness: 1/4
Leak Detection: None

Tank Num: 004
Container Num: 4
Year Installed: Not reported
Tank Capacity: 00000280
Tank Used for: WASTE
Type of Fuel: WASTE OIL
Container Construction Thickness: 12
Leak Detection: None

Tank Num: 005
Container Num: 5
Year Installed: Not reported
Tank Capacity: 00000000
Tank Used for: WASTE
Type of Fuel: Not reported
Container Construction Thickness: Not reported
Leak Detection: None

[Click here for Geo Tracker PDF:](#)

Map ID
Direction
Distance
Elevation

MAP FINDINGS

Site

Database(s)

EDR ID Number
EPA ID Number

AH235 CHUN TERRY
Target 504 BROADWAY
Property NEEDLES, CA 92363

EDR Hist Auto 1021584318
N/A

Site 6 of 13 in cluster AH

Actual: EDR Hist Auto
479 ft.

Focus Map: Year: Name: Type:
7 1971 CHUN TERRY Gasoline Service Stations

AI236 BURLINGTON NORTHERN AND SANTA FE RR CO
Target 316 BROADWAY
Property NEEDLES, CA 92363

RCRA-SQG 1001023072
FINDS CAR000004234

Site 1 of 6 in cluster AI

Actual: RCRA-SQG:
479 ft. Date Form Received by Agency: 19970117
Focus Map: Handler Name: BURLINGTON NORTHERN AND SANTA FE RR CO
7 Handler Address: 316 BROADWAY
Handler City,State,Zip: NEEDLES, CA 92363
EPA ID: CAR000004234
Contact Name: LADONNA WILLIAMS
Contact Address: 740 EAST CARNEGIE DR
Contact City,State,Zip: SAN BERNARDINO, CA 92408-3571
Contact Telephone: 909-386-4082
Contact Fax: Not reported
Contact Email: Not reported
Contact Title: Not reported
EPA Region: 09
Land Type: Private
Federal Waste Generator Description: Small Quantity Generator
Non-Notifier: Not reported
Biennial Report Cycle: Not reported
Accessibility: Not reported
Active Site Indicator: Handler Activities
State District Owner: Not reported
State District: Not reported
Mailing Address: 316 BROADWAY
Mailing City,State,Zip: NEEDLES, CA 92363
Owner Name: THE BURLINGTON NORTHERN AND SANTA FE RR
Owner Type: Private
Operator Name: Not reported
Operator Type: Not reported
Short-Term Generator Activity: No
Importer Activity: No
Mixed Waste Generator: No
Transporter Activity: No
Transfer Facility Activity: No
Recycler Activity with Storage: No
Small Quantity On-Site Burner Exemption: No
Smelting Melting and Refining Furnace Exemption: No
Underground Injection Control: No
Off-Site Waste Receipt: No
Universal Waste Indicator: No
Universal Waste Destination Facility: No
Federal Universal Waste: No
Active Site Fed-Reg Treatment Storage and Disposal Facility: Not reported
Active Site Converter Treatment storage and Disposal Facility: Not reported

Map ID
 Direction
 Distance
 Elevation

MAP FINDINGS

Site

Database(s)

EDR ID Number
 EPA ID Number

BURLINGTON NORTHERN AND SANTA FE RR CO (Continued)

1001023072

Active Site State-Reg Treatment Storage and Disposal Facility:	Not reported
Active Site State-Reg Handler:	---
Federal Facility Indicator:	Not reported
Hazardous Secondary Material Indicator:	N
Sub-Part K Indicator:	Not reported
Commercial TSD Indicator:	No
Treatment Storage and Disposal Type:	Not reported
2018 GPRA Permit Baseline:	Not on the Baseline
2018 GPRA Renewals Baseline:	Not on the Baseline
Permit Renewals Workload Universe:	Not reported
Permit Workload Universe:	Not reported
Permit Progress Universe:	Not reported
Post-Closure Workload Universe:	Not reported
Closure Workload Universe:	Not reported
202 GPRA Corrective Action Baseline:	No
Corrective Action Workload Universe:	No
Subject to Corrective Action Universe:	No
Non-TSDs Where RCRA CA has Been Imposed Universe:	No
TSDs Potentially Subject to CA Under 3004 (u)/(v) Universe:	No
TSDs Only Subject to CA under Discretionary Auth Universe:	No
Corrective Action Priority Ranking:	No NCAPS ranking
Environmental Control Indicator:	No
Institutional Control Indicator:	No
Human Exposure Controls Indicator:	N/A
Groundwater Controls Indicator:	N/A
Operating TSDF Universe:	Not reported
Full Enforcement Universe:	Not reported
Significant Non-Complier Universe:	No
Unaddressed Significant Non-Complier Universe:	No
Addressed Significant Non-Complier Universe:	No
Significant Non-Complier With a Compliance Schedule Universe:	No
Financial Assurance Required:	Not reported
Handler Date of Last Change:	20020627
Recognized Trader-Importer:	No
Recognized Trader-Exporter:	No
Importer of Spent Lead Acid Batteries:	No
Exporter of Spent Lead Acid Batteries:	No
Recycler Activity Without Storage:	No
Manifest Broker:	No
Sub-Part P Indicator:	No

Handler - Owner Operator:

Owner/Operator Indicator:	Owner
Owner/Operator Name:	THE BURLINGTON NORTHERN AND SANTA FE RR
Legal Status:	Private
Date Became Current:	Not reported
Date Ended Current:	Not reported
Owner/Operator Address:	740 E CARNEGIE DR
Owner/Operator City,State,Zip:	SAN BERNARDINO, CA 92408-3571
Owner/Operator Telephone:	909-386-4082
Owner/Operator Telephone Ext:	Not reported
Owner/Operator Fax:	Not reported
Owner/Operator Email:	Not reported

Historic Generators:

Map ID
Direction
Distance
Elevation

MAP FINDINGS

Site

Database(s)

EDR ID Number
EPA ID Number

BURLINGTON NORTHERN AND SANTA FE RR CO (Continued)

1001023072

Receive Date: 19970117
Handler Name: BURLINGTON NORTHERN AND SANTA FE RR CO
Federal Waste Generator Description: Small Quantity Generator
State District Owner: Not reported
Large Quantity Handler of Universal Waste: No
Recognized Trader Importer: No
Recognized Trader Exporter: No
Spent Lead Acid Battery Importer: No
Spent Lead Acid Battery Exporter: No
Current Record: Yes
Non Storage Recycler Activity: Not reported
Electronic Manifest Broker: Not reported

List of NAICS Codes and Descriptions:

NAICS Codes: No NAICS Codes Found

Facility Has Received Notices of Violations:

Violations: No Violations Found

Evaluation Action Summary:

Evaluations: No Evaluations Found

FINDS:

Registry ID: 110002907034

[Click Here for FRS Facility Detail Report:](#)

Environmental Interest/Information System:

California Hazardous Waste Tracking System - Datamart (HWTS-DATAMART) provides California with information on hazardous waste shipments for generators, transporters, and treatment, storage, and disposal facilities.

RCRAInfo is a national information system that supports the Resource Conservation and Recovery Act (RCRA) program through the tracking of events and activities related to facilities that generate, transport, and treat, store, or dispose of hazardous waste. RCRAInfo allows RCRA program staff to track the notification, permit, compliance, and corrective action activities required under RCRA.

[Click this hyperlink](#) while viewing on your computer to access additional FINDS: detail in the EDR Site Report.

AI237 **BNSF RAILWAY COMPANY**
Target **316 BROADWAY**
Property **NEEDLES, CA 92363**

HAZNET **S113173310**
HWTS **N/A**

Site 2 of 6 in cluster AI

Actual: HAZNET:
479 ft. Name: BNSF RAILWAY COMPANY
Focus Map: Address: 316 BROADWAY
7 Address 2: Not reported
City,State,Zip: NEEDLES, CA 924083571
Contact: TIFFANIE NIXON
Telephone: 9093864081
Mailing Name: Not reported

Map ID
Direction
Distance
Elevation

MAP FINDINGS

Site

Database(s)

EDR ID Number
EPA ID Number

BNSF RAILWAY COMPANY (Continued)

S113173310

Mailing Address:	740 E. CARNEGIE DRIVE
Year:	2018
Gepaid:	CAR000004234
TSD EPA ID:	CAD982444481
CA Waste Code:	221 - Waste oil and mixed oil
Disposal Method:	H141 - Storage, Bulking, And/Or Transfer Off Site--No Treatment/Reovery (H010-H129) Or (H131-H135)
Tons:	0.00000
Year:	2016
Gepaid:	CAR000004234
TSD EPA ID:	CAD982444481
CA Waste Code:	352 - Other organic solids
Disposal Method:	H141 - Storage, Bulking, And/Or Transfer Off Site--No Treatment/Reovery (H010-H129) Or (H131-H135)
Tons:	0.1
Year:	2016
Gepaid:	CAR000004234
TSD EPA ID:	CAD028409019
CA Waste Code:	331 - Off-specification, aged or surplus organics
Disposal Method:	H061 - Fuel Blending Prior To Energy Recovery At Another Site
Tons:	0.075
Year:	2016
Gepaid:	CAR000004234
TSD EPA ID:	CAD028409019
CA Waste Code:	331 - Off-specification, aged or surplus organics
Disposal Method:	H141 - Storage, Bulking, And/Or Transfer Off Site--No Treatment/Reovery (H010-H129) Or (H131-H135)
Tons:	0.0125
Year:	2016
Gepaid:	CAR000004234
TSD EPA ID:	CAD982444481
CA Waste Code:	221 - Waste oil and mixed oil
Disposal Method:	H141 - Storage, Bulking, And/Or Transfer Off Site--No Treatment/Reovery (H010-H129) Or (H131-H135)
Tons:	0.152
Year:	2015
Gepaid:	CAR000004234
TSD EPA ID:	CAD028409019
CA Waste Code:	214 - Unspecified solvent mixture
Disposal Method:	H141 - Storage, Bulking, And/Or Transfer Off Site--No Treatment/Reovery (H010-H129) Or (H131-H135)
Tons:	0.04
Year:	2015
Gepaid:	CAR000004234
TSD EPA ID:	CAD028409019
CA Waste Code:	221 - Waste oil and mixed oil
Disposal Method:	H141 - Storage, Bulking, And/Or Transfer Off Site--No Treatment/Reovery (H010-H129) Or (H131-H135)
Tons:	0.1

Map ID
Direction
Distance
Elevation

MAP FINDINGS

Site

Database(s)

EDR ID Number
EPA ID Number

BNSF RAILWAY COMPANY (Continued)

S113173310

Year: 2015
Gepaid: CAR000004234
TSD EPA ID: CAD028409019
CA Waste Code: 291 - Latex waste
Disposal Method: H061 - Fuel Blending Prior To Energy Recovery At Another Site
Tons: 0.75

Year: 2015
Gepaid: CAR000004234
TSD EPA ID: CAD028409019
CA Waste Code: 291 - Latex waste
Disposal Method: H141 - Storage, Bulking, And/Or Transfer Off Site--No Treatment/Reovery (H010-H129) Or (H131-H135)
Tons: 0.075

Year: 2015
Gepaid: CAR000004234
TSD EPA ID: CAD028409019
CA Waste Code: 331 - Off-specification, aged or surplus organics
Disposal Method: H141 - Storage, Bulking, And/Or Transfer Off Site--No Treatment/Reovery (H010-H129) Or (H131-H135)
Tons: 0.525

[Click this hyperlink](#) while viewing on your computer to access 24 additional CA HAZNET: record(s) in the EDR Site Report.

Additional Info:

Year: 2013
Gen EPA ID: CAR000004234

Shipment Date: 20130307
Creation Date: 11/18/2013 14:00:05
Receipt Date: 20130311
Manifest ID: 010970039JJK
Trans EPA ID: CAR000172460
Trans Name: ENVIRONMENTAL LOGISTICS INC
Trans 2 EPA ID: Not reported
Trans 2 Name: Not reported
TSD EPA ID: CAD982444481
Trans Name: FILTER RECYCLING SERVICES INC
TSD EPA Alt EPA ID: Not reported
TSD EPA Alt Name: Not reported
Waste Code Description: 221 - Waste oil and mixed oil
RCRA Code: Not reported
Meth Code: H141 - Storage, Bulking, And/Or Transfer Off Site--No Treatment/Reovery (H010-H129) Or (H131-H135)

Quantity Tons: 0.076
Waste Quantity: 20
Quantity Unit: G
Additional Code 1: Not reported
Additional Code 2: Not reported
Additional Code 3: Not reported
Additional Code 4: Not reported
Additional Code 5: Not reported

Map ID
Direction
Distance
Elevation

MAP FINDINGS

Site

Database(s)

EDR ID Number
EPA ID Number

BNSF RAILWAY COMPANY (Continued)

S113173310

Additional Info:

Year: 2002
Gen EPA ID: CAR000004234

Shipment Date: 20021212
Creation Date: 3/30/2003 18:31:13
Receipt Date: 20021218
Manifest ID: 21775601
Trans EPA ID: CAD983668583
Trans Name: Not reported
Trans 2 EPA ID: Not reported
Trans 2 Name: Not reported
TSDf EPA ID: CAD028409019
Trans Name: Not reported
TSDf Alt EPA ID: Not reported
TSDf Alt Name: Not reported
Waste Code Description: 331 - Off-specification, aged, or surplus organics
RCRA Code: D001
Meth Code: H01 - Transfer Station
Quantity Tons: 0.0025
Waste Quantity: 5
Quantity Unit: P
Additional Code 1: Not reported
Additional Code 2: Not reported
Additional Code 3: Not reported
Additional Code 4: Not reported
Additional Code 5: Not reported

Shipment Date: 20021212
Creation Date: 3/30/2003 18:31:13
Receipt Date: 20021218
Manifest ID: 21775601
Trans EPA ID: CAD983668583
Trans Name: Not reported
Trans 2 EPA ID: Not reported
Trans 2 Name: Not reported
TSDf EPA ID: CAD028409019
Trans Name: Not reported
TSDf Alt EPA ID: Not reported
TSDf Alt Name: Not reported
Waste Code Description: 331 - Off-specification, aged, or surplus organics
RCRA Code: D001
Meth Code: H01 - Transfer Station
Quantity Tons: 0.01
Waste Quantity: 20
Quantity Unit: P
Additional Code 1: Not reported
Additional Code 2: Not reported
Additional Code 3: Not reported
Additional Code 4: Not reported
Additional Code 5: Not reported

Shipment Date: 20020613
Creation Date: 1/14/2003 18:31:21
Receipt Date: 20020619
Manifest ID: 21776018
Trans EPA ID: CAD983668583

Map ID
Direction
Distance
Elevation

MAP FINDINGS

Site

Database(s)

EDR ID Number
EPA ID Number

BNSF RAILWAY COMPANY (Continued)

S113173310

Trans Name: Not reported
Trans 2 EPA ID: Not reported
Trans 2 Name: Not reported
TSDf EPA ID: CAD028409019
Trans Name: Not reported
TSDf Alt EPA ID: Not reported
TSDf Alt Name: Not reported
Waste Code Description: 331 - Off-specification, aged, or surplus organics
RCRA Code: D001
Meth Code: H01 - Transfer Station
Quantity Tons: 0.005
Waste Quantity: 10
Quantity Unit: P
Additional Code 1: Not reported
Additional Code 2: Not reported
Additional Code 3: Not reported
Additional Code 4: Not reported
Additional Code 5: Not reported

Shipment Date: 20020613
Creation Date: 8/29/2002 18:31:16
Receipt Date: 20020617
Manifest ID: 21776350
Trans EPA ID: CAD983668583
Trans Name: Not reported
Trans 2 EPA ID: Not reported
Trans 2 Name: Not reported
TSDf EPA ID: CAD099452708
Trans Name: Not reported
TSDf Alt EPA ID: Not reported
TSDf Alt Name: Not reported
Waste Code Description: 221 - Waste oil and mixed oil
RCRA Code: Not reported
Meth Code: R01 - Recycler
Quantity Tons: 0.076
Waste Quantity: 20
Quantity Unit: G
Additional Code 1: Not reported
Additional Code 2: Not reported
Additional Code 3: Not reported
Additional Code 4: Not reported
Additional Code 5: Not reported

Shipment Date: 20020321
Creation Date: 7/22/2002 18:32:38
Receipt Date: 20020329
Manifest ID: 21776344
Trans EPA ID: CAD983668583
Trans Name: Not reported
Trans 2 EPA ID: Not reported
Trans 2 Name: Not reported
TSDf EPA ID: CAD099452708
Trans Name: Not reported
TSDf Alt EPA ID: Not reported
TSDf Alt Name: Not reported
Waste Code Description: 221 - Waste oil and mixed oil
RCRA Code: Not reported

Map ID
Direction
Distance
Elevation

MAP FINDINGS

Site

Database(s)

EDR ID Number
EPA ID Number

BNSF RAILWAY COMPANY (Continued)

S113173310

Meth Code: R01 - Recycler
Quantity Tons: 0.19
Waste Quantity: 50
Quantity Unit: G
Additional Code 1: Not reported
Additional Code 2: Not reported
Additional Code 3: Not reported
Additional Code 4: Not reported
Additional Code 5: Not reported

Additional Info:

Year: 2008
Gen EPA ID: CAR000004234

Shipment Date: 20080320
Creation Date: 6/9/2008 18:30:32
Receipt Date: 20080324
Manifest ID: 003804261JJK
Trans EPA ID: CAR000172460
Trans Name: ENVIROMENTAL LOGISTICS INC
Trans 2 EPA ID: Not reported
Trans 2 Name: Not reported
TSDf EPA ID: CAD982444481
Trans Name: FILTER RECYCLING SERVICES
TSDf Alt EPA ID: Not reported
TSDf Alt Name: Not reported
Waste Code Description: 221 - Waste oil and mixed oil
RCRA Code: Not reported
Meth Code: H141 - Storage, Bulking, And/Or Transfer Off Site--No Treatment/Reovery (H010-H129) Or (H131-H135)

Quantity Tons: 0.19
Waste Quantity: 50
Quantity Unit: G
Additional Code 1: Not reported
Additional Code 2: Not reported
Additional Code 3: Not reported
Additional Code 4: Not reported
Additional Code 5: Not reported

Additional Info:

Year: 2001
Gen EPA ID: CAR000004234

Shipment Date: 20010920
Creation Date: 1/16/2002 0:00:00
Receipt Date: 20010926
Manifest ID: 20938666
Trans EPA ID: CAD983668583
Trans Name: Not reported
Trans 2 EPA ID: Not reported
Trans 2 Name: Not reported
TSDf EPA ID: CAD028409019
Trans Name: Not reported
TSDf Alt EPA ID: CAD028409019
TSDf Alt Name: Not reported
Waste Code Description: 141 - Off-specification, aged, or surplus inorganics

Map ID
Direction
Distance
Elevation

MAP FINDINGS

Site

Database(s)

EDR ID Number
EPA ID Number

BNSF RAILWAY COMPANY (Continued)

S113173310

RCRA Code: D002
Meth Code: H01 - Transfer Station
Quantity Tons: 0.015
Waste Quantity: 30
Quantity Unit: P
Additional Code 1: Not reported
Additional Code 2: Not reported
Additional Code 3: Not reported
Additional Code 4: Not reported
Additional Code 5: Not reported

Additional Info:

Year: 2000
Gen EPA ID: CAR000004234

Shipment Date: 20000208
Creation Date: 4/4/2000 0:00:00
Receipt Date: 20000209
Manifest ID: 99790309
Trans EPA ID: CAD983668583
Trans Name: Not reported
Trans 2 EPA ID: Not reported
Trans 2 Name: Not reported
TSDf EPA ID: CAD028409019
Trans Name: Not reported
TSDf Alt EPA ID: CAD028409019
TSDf Alt Name: Not reported
Waste Code Description: 221 - Waste oil and mixed oil
RCRA Code: Not reported
Meth Code: T01 - Treatment, Tank
Quantity Tons: 0.209
Waste Quantity: 55
Quantity Unit: G
Additional Code 1: Not reported
Additional Code 2: Not reported
Additional Code 3: Not reported
Additional Code 4: Not reported
Additional Code 5: Not reported

Shipment Date: 20000118
Creation Date: 3/22/2000 0:00:00
Receipt Date: 20000124
Manifest ID: 99097677
Trans EPA ID: CAD983668583
Trans Name: Not reported
Trans 2 EPA ID: Not reported
Trans 2 Name: Not reported
TSDf EPA ID: CAD028409019
Trans Name: Not reported
TSDf Alt EPA ID: CAD028409019
TSDf Alt Name: Not reported
Waste Code Description: 331 - Off-specification, aged, or surplus organics
RCRA Code: Not reported
Meth Code: T01 - Treatment, Tank
Quantity Tons: 0.165
Waste Quantity: 50
Quantity Unit: G

Map ID
Direction
Distance
Elevation

MAP FINDINGS

Site

Database(s)

EDR ID Number
EPA ID Number

BNSF RAILWAY COMPANY (Continued)

S113173310

Additional Code 1: Not reported
Additional Code 2: Not reported
Additional Code 3: Not reported
Additional Code 4: Not reported
Additional Code 5: Not reported

Additional Info:

Year: 2004
Gen EPA ID: CAR000004234

Shipment Date: 20041216
Creation Date: 3/17/2005 18:34:39
Receipt Date: 20041222
Manifest ID: 24079028
Trans EPA ID: CAD983668583
Trans Name: CONSOLIDATED WASTE IND
Trans 2 EPA ID: Not reported
Trans 2 Name: Not reported
TSDf EPA ID: CAD028409019
Trans Name: CROSBY AND OVERTON
TSDf Alt EPA ID: CAD028409019
TSDf Alt Name: Not reported
Waste Code Description: 221 - Waste oil and mixed oil
RCRA Code: NR
Meth Code: H01 - Transfer Station
Quantity Tons: 0.114
Waste Quantity: 30
Quantity Unit: G
Additional Code 1: Not reported
Additional Code 2: Not reported
Additional Code 3: Not reported
Additional Code 4: Not reported
Additional Code 5: Not reported

Shipment Date: 20040618
Creation Date: 11/1/2004 9:00:46
Receipt Date: 20040625
Manifest ID: 23805521
Trans EPA ID: CAD983668583
Trans Name: CONSOLIDATED WASTE IND
Trans 2 EPA ID: Not reported
Trans 2 Name: Not reported
TSDf EPA ID: CAD028409019
Trans Name: CROSBY AND OVERTON
TSDf Alt EPA ID: CAD028409019
TSDf Alt Name: Not reported
Waste Code Description: 141 - Off-specification, aged, or surplus inorganics
RCRA Code: D002
Meth Code: H01 - Transfer Station
Quantity Tons: 0.04
Waste Quantity: 80
Quantity Unit: P
Additional Code 1: Not reported
Additional Code 2: Not reported
Additional Code 3: Not reported
Additional Code 4: Not reported
Additional Code 5: Not reported

Map ID
Direction
Distance
Elevation

MAP FINDINGS

Site

Database(s)

EDR ID Number
EPA ID Number

BNSF RAILWAY COMPANY (Continued)

S113173310

Shipment Date: 20040618
Creation Date: 11/1/2004 9:00:46
Receipt Date: 20040625
Manifest ID: 23805521
Trans EPA ID: CAD983668583
Trans Name: CONSOLIDATED WASTE IND
Trans 2 EPA ID: Not reported
Trans 2 Name: Not reported
TSDf EPA ID: CAD028409019
Trans Name: CROSBY AND OVERTON
TSDf Alt EPA ID: CAD028409019
TSDf Alt Name: Not reported
Waste Code Description: 331 - Off-specification, aged, or surplus organics
RCRA Code: D001
Meth Code: H01 - Transfer Station
Quantity Tons: 0.05
Waste Quantity: 100
Quantity Unit: P
Additional Code 1: Not reported
Additional Code 2: Not reported
Additional Code 3: Not reported
Additional Code 4: Not reported
Additional Code 5: Not reported

Additional Info:

Year: 2015
Gen EPA ID: CAR000004234

Shipment Date: 20150901
Creation Date: 11/5/2015 22:15:17
Receipt Date: 20150904
Manifest ID: 014446708JJK
Trans EPA ID: CAR000172460
Trans Name: ENVIRONMENTAL LOGISTICS INC
Trans 2 EPA ID: Not reported
Trans 2 Name: Not reported
TSDf EPA ID: CAD982444481
Trans Name: FILTER RECYCLING SERVICES INC
TSDf Alt EPA ID: Not reported
TSDf Alt Name: Not reported
Waste Code Description: 221 - Waste oil and mixed oil
RCRA Code: Not reported
Meth Code: H141 - Storage, Bulking, And/Or Transfer Off Site--No Treatment/Reovery (H010-H129) Or (H131-H135)
Quantity Tons: 0.19
Waste Quantity: 50
Quantity Unit: G
Additional Code 1: Not reported
Additional Code 2: Not reported
Additional Code 3: Not reported
Additional Code 4: Not reported
Additional Code 5: Not reported

Shipment Date: 20150811
Creation Date: 11/4/2015 22:15:23
Receipt Date: 20150819
Manifest ID: 014580521JJK

Map ID
Direction
Distance
Elevation

MAP FINDINGS

Site

Database(s)

EDR ID Number
EPA ID Number

BNSF RAILWAY COMPANY (Continued)

S113173310

Trans EPA ID: CAR000172460
Trans Name: ENVIRONMENTAL LOGISTICS INC
Trans 2 EPA ID: Not reported
Trans 2 Name: Not reported
TSDf EPA ID: CAD028409019
Trans Name: CROSBY & OVERTON
TSDf Alt EPA ID: Not reported
TSDf Alt Name: Not reported
Waste Code Description: 214 - Unspecified solvent mixture
RCRA Code: F003
Meth Code: H141 - Storage, Bulking, And/Or Transfer Off Site--No Treatment/Reovery (H010-H129) Or (H131-H135)

Quantity Tons: 0.04
Waste Quantity: 80
Quantity Unit: P
Additional Code 1: D001
Additional Code 2: Not reported
Additional Code 3: Not reported
Additional Code 4: Not reported
Additional Code 5: Not reported

Shipment Date: 20150811
Creation Date: 11/4/2015 22:15:23
Receipt Date: 20150819
Manifest ID: 014580521JJK
Trans EPA ID: CAR000172460
Trans Name: ENVIRONMENTAL LOGISTICS INC
Trans 2 EPA ID: Not reported
Trans 2 Name: Not reported
TSDf EPA ID: CAD028409019
Trans Name: CROSBY & OVERTON
TSDf Alt EPA ID: Not reported
TSDf Alt Name: Not reported
Waste Code Description: 291 - Latex waste
RCRA Code: D001
Meth Code: H061 - Fuel Blending Prior To Energy Recovery At Another Site
Quantity Tons: 0.75
Waste Quantity: 1500
Quantity Unit: P
Additional Code 1: Not reported
Additional Code 2: Not reported
Additional Code 3: Not reported
Additional Code 4: Not reported
Additional Code 5: Not reported

Shipment Date: 20150811
Creation Date: 11/4/2015 22:15:23
Receipt Date: 20150819
Manifest ID: 014580522JJK
Trans EPA ID: CAR000172460
Trans Name: ENVIRONMENTAL LOGISTICS INC
Trans 2 EPA ID: Not reported
Trans 2 Name: Not reported
TSDf EPA ID: CAD028409019
Trans Name: CROSBY & OVERTON
TSDf Alt EPA ID: Not reported
TSDf Alt Name: Not reported

Map ID
Direction
Distance
Elevation

MAP FINDINGS

Site

Database(s)

EDR ID Number
EPA ID Number

BNSF RAILWAY COMPANY (Continued)

S113173310

Waste Code Description: 291 - Latex waste
RCRA Code: Not reported
Meth Code: H141 - Storage, Bulking, And/Or Transfer Off Site--No
Treatment/Reovery (H010-H129) Or (H131-H135)
Quantity Tons: 0.075
Waste Quantity: 150
Quantity Unit: P
Additional Code 1: Not reported
Additional Code 2: Not reported
Additional Code 3: Not reported
Additional Code 4: Not reported
Additional Code 5: Not reported

Shipment Date: 20150811
Creation Date: 11/4/2015 22:15:23
Receipt Date: 20150819
Manifest ID: 014580521JJK
Trans EPA ID: CAR000172460
Trans Name: ENVIRONMENTAL LOGISTICS INC
Trans 2 EPA ID: Not reported
Trans 2 Name: Not reported
TSDf EPA ID: CAD028409019
Trans Name: CROSBY & OVERTON
TSDf Alt EPA ID: Not reported
TSDf Alt Name: Not reported
Waste Code Description: 331 - Off-specification, aged, or surplus organics
RCRA Code: D001
Meth Code: H141 - Storage, Bulking, And/Or Transfer Off Site--No
Treatment/Reovery (H010-H129) Or (H131-H135)
Quantity Tons: 0.3
Waste Quantity: 600
Quantity Unit: P
Additional Code 1: Not reported
Additional Code 2: Not reported
Additional Code 3: Not reported
Additional Code 4: Not reported
Additional Code 5: Not reported

Shipment Date: 20150811
Creation Date: 11/4/2015 22:15:23
Receipt Date: 20150819
Manifest ID: 014580521JJK
Trans EPA ID: CAR000172460
Trans Name: ENVIRONMENTAL LOGISTICS INC
Trans 2 EPA ID: Not reported
Trans 2 Name: Not reported
TSDf EPA ID: CAD028409019
Trans Name: CROSBY & OVERTON
TSDf Alt EPA ID: Not reported
TSDf Alt Name: Not reported
Waste Code Description: 331 - Off-specification, aged, or surplus organics
RCRA Code: D002
Meth Code: H141 - Storage, Bulking, And/Or Transfer Off Site--No
Treatment/Reovery (H010-H129) Or (H131-H135)
Quantity Tons: 0.225
Waste Quantity: 450
Quantity Unit: P

Map ID
Direction
Distance
Elevation

MAP FINDINGS

Site

Database(s)

EDR ID Number
EPA ID Number

BNSF RAILWAY COMPANY (Continued)

S113173310

Additional Code 1:	Not reported
Additional Code 2:	Not reported
Additional Code 3:	Not reported
Additional Code 4:	Not reported
Additional Code 5:	Not reported
Shipment Date:	20150811
Creation Date:	11/4/2015 22:15:23
Receipt Date:	20150819
Manifest ID:	014580522JJK
Trans EPA ID:	CAR000172460
Trans Name:	ENVIRONMENTAL LOGISTICS INC
Trans 2 EPA ID:	Not reported
Trans 2 Name:	Not reported
TSDf EPA ID:	CAD028409019
Trans Name:	CROSBY & OVERTON
TSDf Alt EPA ID:	Not reported
TSDf Alt Name:	Not reported
Waste Code Description:	221 - Waste oil and mixed oil
RCRA Code:	Not reported
Meth Code:	H141 - Storage, Bulking, And/Or Transfer Off Site--No Treatment/Reovery (H010-H129) Or (H131-H135)
Quantity Tons:	0.1
Waste Quantity:	200
Quantity Unit:	P
Additional Code 1:	Not reported
Additional Code 2:	Not reported
Additional Code 3:	Not reported
Additional Code 4:	Not reported
Additional Code 5:	Not reported
Shipment Date:	20150309
Creation Date:	6/25/2015 22:15:36
Receipt Date:	20150316
Manifest ID:	014446050JJK
Trans EPA ID:	CAR000172460
Trans Name:	ENVIRONMENTAL LOGISTICS INC
Trans 2 EPA ID:	Not reported
Trans 2 Name:	Not reported
TSDf EPA ID:	CAD982444481
Trans Name:	FILTER RECYCLING SERVICES INC
TSDf Alt EPA ID:	Not reported
TSDf Alt Name:	Not reported
Waste Code Description:	221 - Waste oil and mixed oil
RCRA Code:	Not reported
Meth Code:	H141 - Storage, Bulking, And/Or Transfer Off Site--No Treatment/Reovery (H010-H129) Or (H131-H135)
Quantity Tons:	0.038
Waste Quantity:	10
Quantity Unit:	G
Additional Code 1:	Not reported
Additional Code 2:	Not reported
Additional Code 3:	Not reported
Additional Code 4:	Not reported
Additional Code 5:	Not reported

Map ID
Direction
Distance
Elevation

MAP FINDINGS

Site

Database(s)

EDR ID Number
EPA ID Number

BNSF RAILWAY COMPANY (Continued)

S113173310

Additional Info:

Year: 2011
Gen EPA ID: CAR000004234

Shipment Date: 20110302
Creation Date: 4/22/2011 18:31:11
Receipt Date: 20110304
Manifest ID: 008108593JJK
Trans EPA ID: CAR000172460
Trans Name: ENVIRONMENTAL LOGISTICS
Trans 2 EPA ID: Not reported
Trans 2 Name: Not reported
TSDf EPA ID: CAD982444481
Trans Name: FILTER RECYCLING SERVICES INC
TSDf Alt EPA ID: Not reported
TSDf Alt Name: Not reported
Waste Code Description: 221 - Waste oil and mixed oil
RCRA Code: Not reported
Meth Code: H141 - Storage, Bulking, And/Or Transfer Off Site--No Treatment/Recovery (H010-H129) Or (H131-H135)

Quantity Tons: 0.076
Waste Quantity: 20
Quantity Unit: G
Additional Code 1: Not reported
Additional Code 2: Not reported
Additional Code 3: Not reported
Additional Code 4: Not reported
Additional Code 5: Not reported

Additional Info:

Year: 1997
Gen EPA ID: CAR000004234

Shipment Date: 19970915
Creation Date: 7/23/1998 0:00:00
Receipt Date: 19971002
Manifest ID: 96735807
Trans EPA ID: CAD983668583
Trans Name: Not reported
Trans 2 EPA ID: Not reported
Trans 2 Name: Not reported
TSDf EPA ID: CAD028409019
Trans Name: Not reported
TSDf Alt EPA ID: Not reported
TSDf Alt Name: Not reported
Waste Code Description: 331 - Off-specification, aged, or surplus organics
RCRA Code: D001
Meth Code: T01 - Treatment, Tank
Quantity Tons: 0.4455
Waste Quantity: 135
Quantity Unit: G
Additional Code 1: Not reported
Additional Code 2: Not reported
Additional Code 3: Not reported
Additional Code 4: Not reported
Additional Code 5: Not reported

Map ID
Direction
Distance
Elevation

MAP FINDINGS

Site

Database(s)

EDR ID Number
EPA ID Number

BNSF RAILWAY COMPANY (Continued)

S113173310

Shipment Date: 19970915
Creation Date: 7/23/1998 0:00:00
Receipt Date: 19971002
Manifest ID: 96735807
Trans EPA ID: CAD983668583
Trans Name: Not reported
Trans 2 EPA ID: Not reported
Trans 2 Name: Not reported
TSDf EPA ID: CAD028409019
Trans Name: Not reported
TSDf Alt EPA ID: Not reported
TSDf Alt Name: Not reported
Waste Code Description: 331 - Off-specification, aged, or surplus organics
RCRA Code: D001
Meth Code: T01 - Treatment, Tank
Quantity Tons: 0.099
Waste Quantity: 30
Quantity Unit: G
Additional Code 1: Not reported
Additional Code 2: Not reported
Additional Code 3: Not reported
Additional Code 4: Not reported
Additional Code 5: Not reported

Additional Info:

Year: 2010
Gen EPA ID: CAR000004234

Shipment Date: 20100305
Creation Date: 6/10/2010 18:30:18
Receipt Date: 20100310
Manifest ID: 006370208JJK
Trans EPA ID: CAR000172460
Trans Name: ENVIROMENTAL LOGISTICS
Trans 2 EPA ID: Not reported
Trans 2 Name: Not reported
TSDf EPA ID: CAD028409019
Trans Name: CROSBY & OVERTON
TSDf Alt EPA ID: Not reported
TSDf Alt Name: Not reported
Waste Code Description: 331 - Off-specification, aged, or surplus organics
RCRA Code: D001
Meth Code: H141 - Storage, Bulking, And/Or Transfer Off Site--No Treatment/Reovery (H010-H129) Or (H131-H135)
Quantity Tons: 0.125
Waste Quantity: 250
Quantity Unit: P
Additional Code 1: Not reported
Additional Code 2: Not reported
Additional Code 3: Not reported
Additional Code 4: Not reported
Additional Code 5: Not reported

Shipment Date: 20100305
Creation Date: 6/10/2010 18:30:18
Receipt Date: 20100310
Manifest ID: 006370208JJK

Map ID
Direction
Distance
Elevation

MAP FINDINGS

Site

Database(s)

EDR ID Number
EPA ID Number

BNSF RAILWAY COMPANY (Continued)

S113173310

Trans EPA ID: CAR000172460
Trans Name: ENVIROMENTAL LOGISTICS
Trans 2 EPA ID: Not reported
Trans 2 Name: Not reported
TSDf EPA ID: CAD028409019
Trans Name: CROSBY & OVERTON
TSDf Alt EPA ID: Not reported
TSDf Alt Name: Not reported
Waste Code Description: 331 - Off-specification, aged, or surplus organics
RCRA Code: D002
Meth Code: H141 - Storage, Bulking, And/Or Transfer Off Site--No Treatment/Reovery (H010-H129) Or (H131-H135)

Quantity Tons: 0.075
Waste Quantity: 150
Quantity Unit: P
Additional Code 1: Not reported
Additional Code 2: Not reported
Additional Code 3: Not reported
Additional Code 4: Not reported
Additional Code 5: Not reported

Shipment Date: 20100305
Creation Date: 6/10/2010 18:30:18
Receipt Date: 20100310
Manifest ID: 006370208JJK
Trans EPA ID: CAR000172460
Trans Name: ENVIROMENTAL LOGISTICS
Trans 2 EPA ID: Not reported
Trans 2 Name: Not reported
TSDf EPA ID: CAD028409019
Trans Name: CROSBY & OVERTON
TSDf Alt EPA ID: Not reported
TSDf Alt Name: Not reported
Waste Code Description: 331 - Off-specification, aged, or surplus organics
RCRA Code: D001
Meth Code: H141 - Storage, Bulking, And/Or Transfer Off Site--No Treatment/Reovery (H010-H129) Or (H131-H135)

Quantity Tons: 0.3
Waste Quantity: 600
Quantity Unit: P
Additional Code 1: Not reported
Additional Code 2: Not reported
Additional Code 3: Not reported
Additional Code 4: Not reported
Additional Code 5: Not reported

Shipment Date: 20100304
Creation Date: 5/27/2010 18:31:08
Receipt Date: 20100306
Manifest ID: 006370205JJK
Trans EPA ID: CAR000172460
Trans Name: ENVIROMENTAL LOGISTICS
Trans 2 EPA ID: Not reported
Trans 2 Name: Not reported
TSDf EPA ID: CAD982444481
Trans Name: FILTER RECYCLING SERVICES
TSDf Alt EPA ID: Not reported

Map ID
Direction
Distance
Elevation

MAP FINDINGS

Site

Database(s)

EDR ID Number
EPA ID Number

BNSF RAILWAY COMPANY (Continued)

S113173310

TSDF Alt Name: Not reported
Waste Code Description: 221 - Waste oil and mixed oil
RCRA Code: Not reported
Meth Code: H141 - Storage, Bulking, And/Or Transfer Off Site--No Treatment/Reovery (H010-H129) Or (H131-H135)
Quantity Tons: 0.076
Waste Quantity: 20
Quantity Unit: G
Additional Code 1: Not reported
Additional Code 2: Not reported
Additional Code 3: Not reported
Additional Code 4: Not reported
Additional Code 5: Not reported

Additional Info:

Year: 2016
Gen EPA ID: CAR000004234

Shipment Date: 20150901
Creation Date: 11/5/2015 22:15:17
Receipt Date: 20150904
Manifest ID: 014446708JJK
Trans EPA ID: CAR000172460
Trans Name: ENVIRONMENTAL LOGISTICS INC
Trans 2 EPA ID: Not reported
Trans 2 Name: Not reported
TSDF EPA ID: CAD982444481
Trans Name: FILTER RECYCLING SERVICES INC
TSDF Alt EPA ID: Not reported
TSDF Alt Name: Not reported
Waste Code Description: 221 - Waste oil and mixed oil
RCRA Code: Not reported
Meth Code: H141 - Storage, Bulking, And/Or Transfer Off Site--No Treatment/Reovery (H010-H129) Or (H131-H135)
Quantity Tons: 0.19
Waste Quantity: 50
Quantity Unit: G
Additional Code 1: Not reported
Additional Code 2: Not reported
Additional Code 3: Not reported
Additional Code 4: Not reported
Additional Code 5: Not reported

Shipment Date: 20150811
Creation Date: 11/4/2015 22:15:23
Receipt Date: 20150819
Manifest ID: 014580521JJK
Trans EPA ID: CAR000172460
Trans Name: ENVIRONMENTAL LOGISTICS INC
Trans 2 EPA ID: Not reported
Trans 2 Name: Not reported
TSDF EPA ID: CAD028409019
Trans Name: CROSBY & OVERTON
TSDF Alt EPA ID: Not reported
TSDF Alt Name: Not reported
Waste Code Description: 214 - Unspecified solvent mixture
RCRA Code: F003

Map ID
Direction
Distance
Elevation

MAP FINDINGS

Site

Database(s)

EDR ID Number
EPA ID Number

BNSF RAILWAY COMPANY (Continued)

S113173310

Meth Code: H141 - Storage, Bulking, And/Or Transfer Off Site--No Treatment/Reovery (H010-H129) Or (H131-H135)
Quantity Tons: 0.04
Waste Quantity: 80
Quantity Unit: P
Additional Code 1: D001
Additional Code 2: Not reported
Additional Code 3: Not reported
Additional Code 4: Not reported
Additional Code 5: Not reported

Shipment Date: 20150811
Creation Date: 11/4/2015 22:15:23
Receipt Date: 20150819
Manifest ID: 014580521JJK
Trans EPA ID: CAR000172460
Trans Name: ENVIRONMENTAL LOGISTICS INC
Trans 2 EPA ID: Not reported
Trans 2 Name: Not reported
TSDf EPA ID: CAD028409019
Trans Name: CROSBY & OVERTON
TSDf Alt EPA ID: Not reported
TSDf Alt Name: Not reported
Waste Code Description: 331 - Off-specification, aged, or surplus organics
RCRA Code: D001
Meth Code: H141 - Storage, Bulking, And/Or Transfer Off Site--No Treatment/Reovery (H010-H129) Or (H131-H135)

Quantity Tons: 0.3
Waste Quantity: 600
Quantity Unit: P
Additional Code 1: Not reported
Additional Code 2: Not reported
Additional Code 3: Not reported
Additional Code 4: Not reported
Additional Code 5: Not reported

Shipment Date: 20150811
Creation Date: 11/4/2015 22:15:23
Receipt Date: 20150819
Manifest ID: 014580522JJK
Trans EPA ID: CAR000172460
Trans Name: ENVIRONMENTAL LOGISTICS INC
Trans 2 EPA ID: Not reported
Trans 2 Name: Not reported
TSDf EPA ID: CAD028409019
Trans Name: CROSBY & OVERTON
TSDf Alt EPA ID: Not reported
TSDf Alt Name: Not reported
Waste Code Description: 221 - Waste oil and mixed oil
RCRA Code: Not reported
Meth Code: H141 - Storage, Bulking, And/Or Transfer Off Site--No Treatment/Reovery (H010-H129) Or (H131-H135)

Quantity Tons: 0.1
Waste Quantity: 200
Quantity Unit: P
Additional Code 1: Not reported
Additional Code 2: Not reported

Map ID
Direction
Distance
Elevation

MAP FINDINGS

Site

Database(s)

EDR ID Number
EPA ID Number

BNSF RAILWAY COMPANY (Continued)

S113173310

Additional Code 3:	Not reported
Additional Code 4:	Not reported
Additional Code 5:	Not reported
Shipment Date:	20150811
Creation Date:	11/4/2015 22:15:23
Receipt Date:	20150819
Manifest ID:	014580522JJK
Trans EPA ID:	CAR000172460
Trans Name:	ENVIRONMENTAL LOGISTICS INC
Trans 2 EPA ID:	Not reported
Trans 2 Name:	Not reported
TSDF EPA ID:	CAD028409019
Trans Name:	CROSBY & OVERTON
TSDF Alt EPA ID:	Not reported
TSDF Alt Name:	Not reported
Waste Code Description:	291 - Latex waste
RCRA Code:	Not reported
Meth Code:	H141 - Storage, Bulking, And/Or Transfer Off Site--No Treatment/Reovery (H010-H129) Or (H131-H135)
Quantity Tons:	0.075
Waste Quantity:	150
Quantity Unit:	P
Additional Code 1:	Not reported
Additional Code 2:	Not reported
Additional Code 3:	Not reported
Additional Code 4:	Not reported
Additional Code 5:	Not reported
Shipment Date:	20150811
Creation Date:	11/4/2015 22:15:23
Receipt Date:	20150819
Manifest ID:	014580521JJK
Trans EPA ID:	CAR000172460
Trans Name:	ENVIRONMENTAL LOGISTICS INC
Trans 2 EPA ID:	Not reported
Trans 2 Name:	Not reported
TSDF EPA ID:	CAD028409019
Trans Name:	CROSBY & OVERTON
TSDF Alt EPA ID:	Not reported
TSDF Alt Name:	Not reported
Waste Code Description:	291 - Latex waste
RCRA Code:	D001
Meth Code:	H061 - Fuel Blending Prior To Energy Recovery At Another Site
Quantity Tons:	0.75
Waste Quantity:	1500
Quantity Unit:	P
Additional Code 1:	Not reported
Additional Code 2:	Not reported
Additional Code 3:	Not reported
Additional Code 4:	Not reported
Additional Code 5:	Not reported
Shipment Date:	20150811
Creation Date:	11/4/2015 22:15:23
Receipt Date:	20150819
Manifest ID:	014580521JJK

Map ID
Direction
Distance
Elevation

MAP FINDINGS

Site

Database(s)

EDR ID Number
EPA ID Number

BNSF RAILWAY COMPANY (Continued)

S113173310

Trans EPA ID: CAR000172460
Trans Name: ENVIRONMENTAL LOGISTICS INC
Trans 2 EPA ID: Not reported
Trans 2 Name: Not reported
TSDf EPA ID: CAD028409019
Trans Name: CROSBY & OVERTON
TSDf Alt EPA ID: Not reported
TSDf Alt Name: Not reported
Waste Code Description: 331 - Off-specification, aged, or surplus organics
RCRA Code: D002
Meth Code: H141 - Storage, Bulking, And/Or Transfer Off Site--No Treatment/Reovery (H010-H129) Or (H131-H135)
Quantity Tons: 0.225
Waste Quantity: 450
Quantity Unit: P
Additional Code 1: Not reported
Additional Code 2: Not reported
Additional Code 3: Not reported
Additional Code 4: Not reported
Additional Code 5: Not reported

Shipment Date: 20150309
Creation Date: 6/25/2015 22:15:36
Receipt Date: 20150316
Manifest ID: 014446050JJK
Trans EPA ID: CAR000172460
Trans Name: ENVIRONMENTAL LOGISTICS INC
Trans 2 EPA ID: Not reported
Trans 2 Name: Not reported
TSDf EPA ID: CAD982444481
Trans Name: FILTER RECYCLING SERVICES INC
TSDf Alt EPA ID: Not reported
TSDf Alt Name: Not reported
Waste Code Description: 221 - Waste oil and mixed oil
RCRA Code: Not reported
Meth Code: H141 - Storage, Bulking, And/Or Transfer Off Site--No Treatment/Reovery (H010-H129) Or (H131-H135)
Quantity Tons: 0.038
Waste Quantity: 10
Quantity Unit: G
Additional Code 1: Not reported
Additional Code 2: Not reported
Additional Code 3: Not reported
Additional Code 4: Not reported
Additional Code 5: Not reported

Additional Info:

Year: 1996
Gen EPA ID: CAR000004234

Shipment Date: 19960416
Creation Date: 10/4/1996 0:00:00
Receipt Date: 19960419
Manifest ID: 95584021
Trans EPA ID: CAD983668583
Trans Name: Not reported
Trans 2 EPA ID: Not reported

Map ID
Direction
Distance
Elevation

MAP FINDINGS

Site

Database(s)

EDR ID Number
EPA ID Number

BNSF RAILWAY COMPANY (Continued)

S113173310

Trans 2 Name: Not reported
TSDf EPA ID: CAT080010101
Trans Name: Not reported
TSDf Alt EPA ID: Not reported
TSDf Alt Name: Not reported
Waste Code Description: 331 - Off-specification, aged, or surplus organics
RCRA Code: U051
Meth Code: H01 - Transfer Station
Quantity Tons: 0.0825
Waste Quantity: 25
Quantity Unit: G
Additional Code 1: Not reported
Additional Code 2: Not reported
Additional Code 3: Not reported
Additional Code 4: Not reported
Additional Code 5: Not reported

Shipment Date: 19960129
Creation Date: 10/10/1996 0:00:00
Receipt Date: 19960208
Manifest ID: 95584012
Trans EPA ID: CAD983668583
Trans Name: Not reported
Trans 2 EPA ID: Not reported
Trans 2 Name: Not reported
TSDf EPA ID: AZD980892731
Trans Name: Not reported
TSDf Alt EPA ID: Not reported
TSDf Alt Name: Not reported
Waste Code Description: 181 - Other inorganic solid waste Organics
RCRA Code: Not reported
Meth Code: H01 - Transfer Station
Quantity Tons: 0.2
Waste Quantity: 400
Quantity Unit: P
Additional Code 1: Not reported
Additional Code 2: Not reported
Additional Code 3: Not reported
Additional Code 4: Not reported
Additional Code 5: Not reported

Shipment Date: 19960129
Creation Date: 10/10/1996 0:00:00
Receipt Date: 19960208
Manifest ID: 95584012
Trans EPA ID: CAD983668583
Trans Name: Not reported
Trans 2 EPA ID: Not reported
Trans 2 Name: Not reported
TSDf EPA ID: AZD980892731
Trans Name: Not reported
TSDf Alt EPA ID: Not reported
TSDf Alt Name: Not reported
Waste Code Description: 331 - Off-specification, aged, or surplus organics
RCRA Code: D001
Meth Code: H01 - Transfer Station
Quantity Tons: 0.075

Map ID
Direction
Distance
Elevation

MAP FINDINGS

Site

Database(s)

EDR ID Number
EPA ID Number

BNSF RAILWAY COMPANY (Continued)

S113173310

Waste Quantity: 150
Quantity Unit: P
Additional Code 1: Not reported
Additional Code 2: Not reported
Additional Code 3: Not reported
Additional Code 4: Not reported
Additional Code 5: Not reported

Additional Info:

Year: 2005
Gen EPA ID: CAR000004234

Shipment Date: 20050917
Creation Date: 1/11/2006 18:31:12
Receipt Date: 20050921
Manifest ID: 24510307
Trans EPA ID: CAD982444481
Trans Name: FILTER RECYCLING SERVICES INC
Trans 2 EPA ID: Not reported
Trans 2 Name: Not reported
TSDf EPA ID: CAD028409019
Trans Name: CROSBY & OVERTON INC
TSDf Alt EPA ID: CAD028409019
TSDf Alt Name: Not reported
Waste Code Description: 331 - Off-specification, aged, or surplus organics
RCRA Code: D001
Meth Code: H01 - Transfer Station
Quantity Tons: 0.15
Waste Quantity: 300
Quantity Unit: P
Additional Code 1: Not reported
Additional Code 2: Not reported
Additional Code 3: Not reported
Additional Code 4: Not reported
Additional Code 5: Not reported

Shipment Date: 20050917
Creation Date: 1/11/2006 18:31:12
Receipt Date: 20050921
Manifest ID: 24510307
Trans EPA ID: CAD982444481
Trans Name: FILTER RECYCLING SERVICES INC
Trans 2 EPA ID: Not reported
Trans 2 Name: Not reported
TSDf EPA ID: CAD028409019
Trans Name: CROSBY & OVERTON INC
TSDf Alt EPA ID: CAD028409019
TSDf Alt Name: Not reported
Waste Code Description: 141 - Off-specification, aged, or surplus inorganics
RCRA Code: D002
Meth Code: H01 - Transfer Station
Quantity Tons: 0.075
Waste Quantity: 150
Quantity Unit: P
Additional Code 1: Not reported
Additional Code 2: Not reported
Additional Code 3: Not reported

Map ID
Direction
Distance
Elevation

MAP FINDINGS

Site

Database(s)

EDR ID Number
EPA ID Number

BNSF RAILWAY COMPANY (Continued)

S113173310

Additional Code 4:	Not reported
Additional Code 5:	Not reported
Shipment Date:	20050317
Creation Date:	6/2/2005 18:31:52
Receipt Date:	20050323
Manifest ID:	24171544
Trans EPA ID:	CAD983668583
Trans Name:	CONSOLIDATED WASTE IND
Trans 2 EPA ID:	Not reported
Trans 2 Name:	Not reported
TSDf EPA ID:	CAD028409019
Trans Name:	CROSBY AND OVERTON
TSDf Alt EPA ID:	CAD028409019
TSDf Alt Name:	Not reported
Waste Code Description:	331 - Off-specification, aged, or surplus organics
RCRA Code:	D001
Meth Code:	H01 - Transfer Station
Quantity Tons:	0.035
Waste Quantity:	70
Quantity Unit:	P
Additional Code 1:	Not reported
Additional Code 2:	Not reported
Additional Code 3:	Not reported
Additional Code 4:	Not reported
Additional Code 5:	Not reported
Additional Info:	
Year:	2014
Gen EPA ID:	CAR000004234
Shipment Date:	20140617
Creation Date:	4/16/2015 22:14:42
Receipt Date:	20140627
Manifest ID:	012427990JJK
Trans EPA ID:	CAR000172460
Trans Name:	ENVIRONMENTAL LOGISTICS INC
Trans 2 EPA ID:	CAD981412356
Trans 2 Name:	PACIFIC TRANS
TSDf EPA ID:	NVT330010000
Trans Name:	US ECOLOGY NEVADA
TSDf Alt EPA ID:	Not reported
TSDf Alt Name:	Not reported
Waste Code Description:	261 - Not reported
RCRA Code:	Not reported
Meth Code:	H039 - Other Recovery Of Reclamation For Reuse Including Acid Regeneration, Organics Recovery Ect
Quantity Tons:	0.11681
Waste Quantity:	106
Quantity Unit:	K
Additional Code 1:	Not reported
Additional Code 2:	Not reported
Additional Code 3:	Not reported
Additional Code 4:	Not reported
Additional Code 5:	Not reported
Shipment Date:	20140309

Map ID
Direction
Distance
Elevation

MAP FINDINGS

Site

Database(s)

EDR ID Number
EPA ID Number

BNSF RAILWAY COMPANY (Continued)

S113173310

Creation Date: 4/30/2014 22:15:24
Receipt Date: 20140320
Manifest ID: 011735332JJK
Trans EPA ID: CAR000172460
Trans Name: ENVIRONMENTAL LOGISTICS INC
Trans 2 EPA ID: Not reported
Trans 2 Name: Not reported
TSDf EPA ID: CAD982444481
Trans Name: FILTER RECYCLING SERVICES INC
TSDf Alt EPA ID: Not reported
TSDf Alt Name: Not reported
Waste Code Description: 181 - Other inorganic solid waste Organics
RCRA Code: Not reported
Meth Code: H141 - Storage, Bulking, And/Or Transfer Off Site--No Treatment/Reovery (H010-H129) Or (H131-H135)

Quantity Tons: 0.1
Waste Quantity: 200
Quantity Unit: P
Additional Code 1: Not reported
Additional Code 2: Not reported
Additional Code 3: Not reported
Additional Code 4: Not reported
Additional Code 5: Not reported

Shipment Date: 20140309
Creation Date: 4/30/2014 22:15:24
Receipt Date: 20140320
Manifest ID: 011735332JJK
Trans EPA ID: CAR000172460
Trans Name: ENVIRONMENTAL LOGISTICS INC
Trans 2 EPA ID: Not reported
Trans 2 Name: Not reported
TSDf EPA ID: CAD982444481
Trans Name: FILTER RECYCLING SERVICES INC
TSDf Alt EPA ID: Not reported
TSDf Alt Name: Not reported
Waste Code Description: 221 - Waste oil and mixed oil
RCRA Code: Not reported
Meth Code: H141 - Storage, Bulking, And/Or Transfer Off Site--No Treatment/Reovery (H010-H129) Or (H131-H135)

Quantity Tons: 0.057
Waste Quantity: 15
Quantity Unit: G
Additional Code 1: Not reported
Additional Code 2: Not reported
Additional Code 3: Not reported
Additional Code 4: Not reported
Additional Code 5: Not reported

Additional Info:
Year: 2009
Gen EPA ID: CAR000004234

Shipment Date: 20090911
Creation Date: 11/25/2009 18:30:08
Receipt Date: 20090914
Manifest ID: 006063133JJK

Map ID
Direction
Distance
Elevation

MAP FINDINGS

Site

Database(s)

EDR ID Number
EPA ID Number

BNSF RAILWAY COMPANY (Continued)

S113173310

Trans EPA ID: CAR000172460
Trans Name: ENVIRONMENTAL LOGISTICS INC
Trans 2 EPA ID: Not reported
Trans 2 Name: Not reported
TSDf EPA ID: CAD982444481
Trans Name: FILTER RECYCLING SERVICES
TSDf Alt EPA ID: Not reported
TSDf Alt Name: Not reported
Waste Code Description: 221 - Waste oil and mixed oil
RCRA Code: Not reported
Meth Code: H141 - Storage, Bulking, And/Or Transfer Off Site--No Treatment/Reovery (H010-H129) Or (H131-H135)

Quantity Tons: 0.152
Waste Quantity: 40
Quantity Unit: G
Additional Code 1: Not reported
Additional Code 2: Not reported
Additional Code 3: Not reported
Additional Code 4: Not reported
Additional Code 5: Not reported

HWTS:

Name: BNSF RAILWAY COMPANY
Address: 316 BROADWAY
Address 2: Not reported
City,State,Zip: NEEDLES, CA 92363
EPA ID: CAR000004234
Inactive Date: Not reported
Create Date: 12/08/1995
Last Act Date: Not reported
Mailing Name: Not reported
Mailing Address: 740 E. CARNEGIE DRIVE
Mailing Address 2: Not reported
Mailing City,State,Zip: SAN BERNARDINO, CA 924083571
Owner Name: BNSF RAILWAY CO
Owner Address: 740 E CARNEGIE DR
Owner Address 2: Not reported
Owner City,State,Zip: SAN BERNARDINO, CA 924083571
Contact Name: TIFFANIE NIXON
Contact Address: 740 E CARNEGIE DR
Contact Address 2: Not reported
City,State,Zip: SAN BERNARDINO, CA 924083571
Facility Status: Active
Facility Type: PERMANENT
Category: FEDERAL
Latitude: 34.836385
Longitude: -114.59978

NAICS:

EPA ID: CAR000004234
Create Date: 2002-03-14 16:36:30.000
NAICS Code: 482111
NAICS Description: Line-Haul Railroads
Issued EPA ID Date: 1995-12-08 00:00:00
Inactive Date: Not reported
Facility Name: BNSF RAILWAY COMPANY
Facility Address: 316 BROADWAY

Map ID
Direction
Distance
Elevation

MAP FINDINGS

Site

Database(s)

EDR ID Number
EPA ID Number

BNSF RAILWAY COMPANY (Continued)

S113173310

Facility Address 2: Not reported
Facility City: NEEDLES
Facility County: Not reported
Facility State: CA
Facility Zip: 923630000

AI238 BURLINGTON NORTHERN AND SANTA FE RR CO
Target 316 BROADWAY
Property NEEDLES, CA 92363

ECHO 1025891519
N/A

Site 3 of 6 in cluster AI

Actual: ECHO:
479 ft. Envid: 1025891519
Focus Map: Registry ID: 110002907034
7 DFR URL: <http://echo.epa.gov/detailed-facility-report?fid=110002907034>
Name: BURLINGTON NORTHERN AND SANTA FE RR CO
Address: 316 BROADWAY
City,State,Zip: NEEDLES, CA 92363

AI239 HARKEN MARKETING CO OF CA
Target 300 BROADWAY
Property NEEDLES, CA 92363

HAZNET S123758137
HWTS N/A

Site 4 of 6 in cluster AI

Actual: HAZNET:
479 ft. Name: HARKEN MARKETING CO OF CA
Focus Map: Address: 300 BROADWAY
7 Address 2: Not reported
City,State,Zip: NEEDLES, CA 923630000
Contact: CANCEL PER SURVEY 2-4-95 LC
Telephone: 7143697050
Mailing Name: Not reported
Mailing Address: PO BOX 5657

Year: 1989
Gepaid: CAD981659790
TSD EPA ID: HAHQ36017252
CA Waste Code: 223 - Unspecified oil-containing waste
Disposal Method: 01 -
Tons: 8.34

HWTS:

Name: HARKEN MARKETING CO OF CA
Address: 300 BROADWAY
Address 2: Not reported
City,State,Zip: NEEDLES, CA 92363
EPA ID: CAD981659790
Inactive Date: 01/01/1995
Create Date: 04/10/1987
Last Act Date: Not reported
Mailing Name: Not reported
Mailing Address: PO BOX 5657

Map ID
 Direction
 Distance
 Elevation

MAP FINDINGS

Site

Database(s)

EDR ID Number
 EPA ID Number

HARKEN MARKETING CO OF CA (Continued)

S123758137

Mailing Address 2:	Not reported
Mailing City,State,Zip:	RIVERSIDE, CA 925170000
Owner Name:	Not reported
Owner Address:	Not reported
Owner Address 2:	Not reported
Owner City,State,Zip:	Not reported
Contact Name:	CANCEL PER SURVEY 2-4-95 LC
Contact Address:	Not reported
Contact Address 2:	Not reported
City,State,Zip:	Not reported
Facility Status:	Inactive
Facility Type:	PERMANENT
Category:	STATE
Latitude:	34.836411
Longitude:	-114.59957

AI240 **E-Z SERVE STATION 130**
Target **300 BROADWAY**
Property **NEEDLES, CA 92363**

HIST UST **U001575246**
N/A

Site 5 of 6 in cluster AI

Actual:
479 ft.
Focus Map:
7

HIST UST:	
Name:	E-Z SERVE STATION 130
Address:	300 BROADWAY
City,State,Zip:	NEEDLES, CA 92363
File Number:	00029DE7
URL:	http://geotracker.waterboards.ca.gov/ustpdfs/pdf/00029DE7.pdf
Region:	STATE
Facility ID:	00000013388
Facility Type:	Gas Station
Other Type:	Not reported
Contact Name:	LOUIS BRAVO
Telephone:	6193252321
Owner Name:	E-Z SERVE OF CALIFORNIA, INC.
Owner Address:	P.O. BOX 3550
Owner City,St,Zip:	ONTARIO, CA 91761
Total Tanks:	0004
Tank Num:	001
Container Num:	1
Year Installed:	Not reported
Tank Capacity:	00010000
Tank Used for:	PRODUCT
Type of Fuel:	REGULAR
Container Construction Thickness:	1/4
Leak Detection:	Stock Inventor
Tank Num:	002
Container Num:	2
Year Installed:	Not reported
Tank Capacity:	00010000
Tank Used for:	PRODUCT
Type of Fuel:	UNLEADED
Container Construction Thickness:	1/4
Leak Detection:	Stock Inventor, None
Tank Num:	003

Map ID
Direction
Distance
Elevation

MAP FINDINGS

Site

Database(s)

EDR ID Number
EPA ID Number

E-Z SERVE STATION 130 (Continued)

U001575246

Container Num: 3
Year Installed: Not reported
Tank Capacity: 00010000
Tank Used for: PRODUCT
Type of Fuel: PREMIUM
Container Construction Thickness: 1/4
Leak Detection: Stock Inventor, None

Tank Num: 004
Container Num: 4
Year Installed: Not reported
Tank Capacity: 00000280
Tank Used for: WASTE
Type of Fuel: WASTE OIL
Container Construction Thickness: 12
Leak Detection: Stock Inventor, None

[Click here for Geo Tracker PDF:](#)

241 **ANDERSON FLOYD PAUL**
Target **Q & ARCH STS**
Property **NEEDLES, CA 92363**

EDR Hist Auto **1021176280**
N/A

EDR Hist Auto

Actual: 503 ft.	Year: 1971	Name: ANDERSON FLOYD PAUL	Type: Gasoline Service Stations
Focus Map: 6	1972	ANDERSON FLOYD PAUL	Gasoline Service Stations
	1973	ANDERSON FLOYD PAUL	Gasoline Service Stations
	1974	ANDERSON FLOYD PAUL	Gasoline Service Stations
	1975	ANDERSON FLOYD PAUL	Gasoline Service Stations

AJ242 **THE FILTER CHANGE**
Target **1714 W. BROADWAY**
Property **NEEDLES, CA 92363**

FINDS **1023230229**
N/A

Site 1 of 13 in cluster AJ

Actual: **FINDS:**
493 ft. Registry ID: 110071052702

Focus Map:
6 [Click Here for FRS Facility Detail Report:](#)

Environmental Interest/Information System:
RCRAInfo is a national information system that supports the Resource Conservation and Recovery Act (RCRA) program through the tracking of events and activities related to facilities that generate, transport, and treat, store, or dispose of hazardous waste. RCRAInfo allows RCRA program staff to track the notification, permit, compliance, and corrective action activities required under RCRA.

Registry ID: 110065172841

[Click Here for FRS Facility Detail Report:](#)

Environmental Interest/Information System:
STATE MASTER

Map ID
 Direction
 Distance
 Elevation

MAP FINDINGS

Site

Database(s)

EDR ID Number
 EPA ID Number

THE FILTER CHANGE (Continued)

1023230229

[Click this hyperlink](#) while viewing on your computer to access additional FINDS: detail in the EDR Site Report.

AJ243
Target
Property

INTERSECTION OF N ST AND NEEDLES HIGHWAY
NEEDLES, CA 92363

CHMIRS S122214373
N/A

Site 2 of 13 in cluster AJ

Actual:
492 ft.

Focus Map:
6

CHMIRS:	
Name:	Not reported
Address:	INTERSECTION OF N ST AND NEEDLES HIGHWAY
City, State, Zip:	NEEDLES, CA 92363
OES Incident Number:	18-1067
OES notification:	02/16/2018
OES Date:	Not reported
OES Time:	Not reported
Date Completed:	Not reported
Property Use:	Not reported
Agency Id Number:	Not reported
Agency Incident Number:	Not reported
Time Notified:	Not reported
Time Completed:	Not reported
Surrounding Area:	Not reported
Estimated Temperature:	Not reported
Property Management:	Not reported
More Than Two Substances Involved?:	Not reported
Resp Agncy Personel # Of Decontaminated:	Not reported
Responding Agency Personel # Of Injuries:	Not reported
Responding Agency Personel # Of Fatalities:	Not reported
Others Number Of Decontaminated:	Not reported
Others Number Of Injuries:	Not reported
Others Number Of Fatalities:	Not reported
Vehicle Make/year:	Not reported
Vehicle License Number:	Not reported
Vehicle State:	Not reported
Vehicle Id Number:	Not reported
CA DOT PUC/ICC Number:	Not reported
Company Name:	Not reported
Reporting Officer Name/ID:	Not reported
Report Date:	Not reported
Facility Telephone:	Not reported
Waterway Involved:	No
Waterway:	Not reported
Spill Site:	Road
Cleanup By:	Reporting Party
Containment:	Not reported
What Happened:	Not reported
Type:	Not reported
Measure:	Not reported
Other:	Not reported
Type:	SEWAGE
Measure:	Gal(s)
Other:	Not reported
Date/Time:	1800
Year:	2018
Agency:	City of Needles
Incident Date:	02/15/2018

Map ID
 Direction
 Distance
 Elevation

MAP FINDINGS

Site

Database(s)

EDR ID Number
 EPA ID Number

(Continued)

S122214373

Admin Agency:	San Bernardino County Fire Department
Amount:	Not reported
Contained:	Yes
Site Type:	Not reported
E Date:	Not reported
Substance:	Sewage
Quantity Released:	1200
Unknown:	Not reported
Substance #2:	Not reported
Substance #3:	Not reported
Evacuations:	Not reported
Number of Injuries:	Not reported
Number of Fatalities:	Not reported
#1 Pipeline:	No
#2 Pipeline:	No
#3 Pipeline:	No
#1 Vessel >= 300 Tons:	No
#2 Vessel >= 300 Tons:	No
#3 Vessel >= 300 Tons:	No
Evacs:	No
Injuries:	No
Fatals:	No
Comments:	Not reported
Description:	RP states, Due to a blockage of a mainline, approx 1200 gallons of sewage was released. The release has been stopped and the blockage has been cleared at 2200 hours yesterday the 15th. No impact to any waterways or storm drains. The reporting party is conducting cleanup of the release.

AE244 **1X HANCOCK, CLARENCE, K. JR**
Target **2011 WEST BROADWAY**
Property **NEEDLES, CA 92363**

HAZNET **S123723168**
HWTS **N/A**

Site 2 of 11 in cluster AE

Actual:	HAZNET:	
505 ft.	Name:	1X HANCOCK, CLARENCE, K. JR
Focus Map:	Address:	2011 WEST BROADWAY
6	Address 2:	Not reported
	City,State,Zip:	NEEDLES, CA 923630000
	Contact:	HANCOCK, CLARENC, K. JR
	Telephone:	6193262582
	Mailing Name:	Not reported
	Mailing Address:	--
	Year:	1990
	Gepaid:	CAC000238657
	TSD EPA ID:	CAT080013352
	CA Waste Code:	223 - Unspecified oil-containing waste
	Disposal Method:	R01 - Recycler
	Tons:	3.753

HWTS:
 Name: 1X HANCOCK, CLARENCE, K. JR

Map ID
 Direction
 Distance
 Elevation

MAP FINDINGS

Site

Database(s)

EDR ID Number
 EPA ID Number

1X HANCOCK, CLARENCE, K. JR (Continued)

S123723168

Address: 2011 WEST BROADWAY
 Address 2: Not reported
 City,State,Zip: NEEDLES, CA 92363
 EPA ID: CAC000238657
 Inactive Date: 10/25/2000
 Create Date: 01/10/1990
 Last Act Date: Not reported
 Mailing Name: Not reported
 Mailing Address: Not reported
 Mailing Address 2: Not reported
 Mailing City,State,Zip: NEEDLES, CA 923630000
 Owner Name: CLARENCE K. HANCOCK, JR.
 Owner Address: Not reported
 Owner Address 2: Not reported
 Owner City,State,Zip: Not reported
 Contact Name: HANCOCK, CLARENC, K. JR
 Contact Address: Not reported
 Contact Address 2: Not reported
 City,State,Zip: Not reported
 Facility Status: Inactive
 Facility Type: TEMPORARY
 Category: STATE
 Latitude: 34.836413
 Longitude: -114.599478

AE245 CR HANCOCK JR
Target 2011 WEST BROADWAY
Property NEEDLES, CA 92363

HIST UST U001575237
N/A

Site 3 of 11 in cluster AE

Actual: HIST UST:
505 ft. Name: CR HANCOCK JR
Focus Map: Address: 2011 WEST BROADWAY
6 City,State,Zip: NEEDLES, CA 92363
 File Number: 00029A98
 URL: <http://geotracker.waterboards.ca.gov/ustpdfs/pdf/00029A98.pdf>
 Region: STATE
 Facility ID: 00000041011
 Facility Type: Gas Station
 Other Type: Not reported
 Contact Name: Not reported
 Telephone: 6193262582
 Owner Name: C.R. HANCOCK, JR.
 Owner Address: BOX 1571
 Owner City,St,Zip: NEEDLES, CA 92363
 Total Tanks: 0003

Tank Num: 001
 Container Num: 1-A
 Year Installed: 1971
 Tank Capacity: 00005000
 Tank Used for: PRODUCT
 Type of Fuel: UNLEADED
 Container Construction Thickness: Not reported
 Leak Detection: Stock Inventor

Tank Num: 002

Map ID
Direction
Distance
Elevation

MAP FINDINGS

Site

Database(s)

EDR ID Number
EPA ID Number

CR HANCOCK JR (Continued)

U001575237

Container Num: 3A
Year Installed: 1971
Tank Capacity: 00005000
Tank Used for: PRODUCT
Type of Fuel: PREMIUM
Container Construction Thickness: Not reported
Leak Detection: Stock Inventor

Tank Num: 003
Container Num: 2A
Year Installed: 1971
Tank Capacity: 00001000
Tank Used for: WASTE
Type of Fuel: WASTE OIL
Container Construction Thickness: Not reported
Leak Detection: None

[Click here for Geo Tracker PDF:](#)

**AE246 HANCOCK, C R JR.
Target 2011 W BROADWAY
Property NEEDLES, CA 92363**

**SWEEPS UST S106927044
N/A**

Site 4 of 11 in cluster AE

**Actual:
505 ft.**

**Focus Map:
6**

SWEEPS UST:
Name: HANCOCK, C R JR.
Address: 2011 W BROADWAY
City: NEEDLES
Status: Not reported
Comp Number: 41011
Number: Not reported
Board Of Equalization: Not reported
Referral Date: Not reported
Action Date: Not reported
Created Date: Not reported
Owner Tank Id: Not reported
SWRCB Tank Id: 36-000-041011-000001
Tank Status: Not reported
Capacity: 5000
Active Date: Not reported
Tank Use: M.V. FUEL
STG: PRODUCT
Content: LEADED
Number Of Tanks: 3

Name: HANCOCK, C R JR.
Address: 2011 W BROADWAY
City: NEEDLES
Status: Not reported
Comp Number: 41011
Number: Not reported
Board Of Equalization: Not reported
Referral Date: Not reported
Action Date: Not reported
Created Date: Not reported
Owner Tank Id: Not reported
SWRCB Tank Id: 36-000-041011-000002

Map ID
Direction
Distance
Elevation

MAP FINDINGS

Site

Database(s)

EDR ID Number
EPA ID Number

HANCOCK, C R JR. (Continued)

S106927044

Tank Status: Not reported
Capacity: 5000
Active Date: Not reported
Tank Use: M.V. FUEL
STG: PRODUCT
Content: REG UNLEADED
Number Of Tanks: Not reported

Name: HANCOCK, C R JR.
Address: 2011 W BROADWAY
City: NEEDLES
Status: Not reported
Comp Number: 41011
Number: Not reported
Board Of Equalization: Not reported
Referral Date: Not reported
Action Date: Not reported
Created Date: Not reported
Owner Tank Id: Not reported
SWRCB Tank Id: 36-000-041011-000003
Tank Status: Not reported
Capacity: 1000
Active Date: Not reported
Tank Use: OIL
STG: WASTE
Content: WASTE OIL
Number Of Tanks: Not reported

Name: HANCOCK, C R JR.
Address: 2011 W BROADWAY
City: NEEDLES
Status: Active
Comp Number: 41011
Number: 2
Board Of Equalization: Not reported
Referral Date: 07-28-92
Action Date: 07-28-92
Created Date: 02-29-88
Owner Tank Id: Not reported
SWRCB Tank Id: Not reported
Tank Status: Not reported
Capacity: Not reported
Active Date: Not reported
Tank Use: Not reported
STG: Not reported
Content: Not reported
Number Of Tanks: Not reported

Map ID
Direction
Distance
Elevation

MAP FINDINGS

Site

Database(s)

EDR ID Number
EPA ID Number

AE247 **E-Z SERVE #145**
Target **2103 W BROADWAY**
Property **NEEDLES, CA 92363**

SWEEPS UST **S106925605**
 N/A

Site 5 of 11 in cluster AE

Actual:
505 ft.
Focus Map:
6

- SWEEPS UST:**
 - Name: E-Z SERVE #145
 - Address: 2103 W BROADWAY
 - City: NEEDLES
 - Status: Not reported
 - Comp Number: 19486
 - Number: Not reported
 - Board Of Equalization: Not reported
 - Referral Date: Not reported
 - Action Date: Not reported
 - Created Date: Not reported
 - Owner Tank Id: Not reported
 - SWRCB Tank Id: 36-000-019486-000001
 - Tank Status: Not reported
 - Capacity: 10000
 - Active Date: Not reported
 - Tank Use: M.V. FUEL
 - STG: PRODUCT
 - Content: LEADED
 - Number Of Tanks: 4

- Name: E-Z SERVE #145
 - Address: 2103 W BROADWAY
 - City: NEEDLES
 - Status: Not reported
 - Comp Number: 19486
 - Number: Not reported
 - Board Of Equalization: Not reported
 - Referral Date: Not reported
 - Action Date: Not reported
 - Created Date: Not reported
 - Owner Tank Id: Not reported
 - SWRCB Tank Id: 36-000-019486-000002
 - Tank Status: Not reported
 - Capacity: 8000
 - Active Date: Not reported
 - Tank Use: M.V. FUEL
 - STG: PRODUCT
 - Content: REG UNLEADED
 - Number Of Tanks: Not reported

- Name: E-Z SERVE #145
 - Address: 2103 W BROADWAY
 - City: NEEDLES
 - Status: Not reported
 - Comp Number: 19486
 - Number: Not reported
 - Board Of Equalization: Not reported
 - Referral Date: Not reported
 - Action Date: Not reported
 - Created Date: Not reported
 - Owner Tank Id: Not reported
 - SWRCB Tank Id: 36-000-019486-000003

Map ID
Direction
Distance
Elevation

MAP FINDINGS

Site

Database(s)

EDR ID Number
EPA ID Number

E-Z SERVE #145 (Continued)

S106925605

Tank Status: Not reported
Capacity: 2000
Active Date: Not reported
Tank Use: M.V. FUEL
STG: PRODUCT
Content: DIESEL
Number Of Tanks: Not reported

Name: E-Z SERVE #145
Address: 2103 W BROADWAY
City: NEEDLES
Status: Not reported
Comp Number: 19486
Number: Not reported
Board Of Equalization: Not reported
Referral Date: Not reported
Action Date: Not reported
Created Date: Not reported
Owner Tank Id: Not reported
SWRCB Tank Id: 36-000-019486-000004
Tank Status: Not reported
Capacity: 250
Active Date: Not reported
Tank Use: OIL
STG: WASTE
Content: WASTE OIL
Number Of Tanks: Not reported

Name: E-Z SERVE #145
Address: 2103 W BROADWAY
City: NEEDLES
Status: Active
Comp Number: 19486
Number: 1
Board Of Equalization: Not reported
Referral Date: 07-28-92
Action Date: 07-28-92
Created Date: 02-29-88
Owner Tank Id: Not reported
SWRCB Tank Id: Not reported
Tank Status: Not reported
Capacity: Not reported
Active Date: Not reported
Tank Use: Not reported
STG: Not reported
Content: Not reported
Number Of Tanks: Not reported

Map ID
 Direction
 Distance
 Elevation

MAP FINDINGS

Site

Database(s)

EDR ID Number
 EPA ID Number

AE248 **E-Z SERVE STATION 145**
Target **2103 W BROADWAY**
Property **NEEDLES, CA 92363**

HIST UST **1000131468**
N/A

Site 6 of 11 in cluster AE

Actual:
505 ft.

Focus Map:
6

HIST UST:

Name: E-Z SERVE STATION 145
 Address: 2103 W BROADWAY
 City,State,Zip: NEEDLES, CA 92363
 File Number: 00029DF7
 URL: <http://geotracker.waterboards.ca.gov/ustpdfs/pdf/00029DF7.pdf>
 Region: STATE
 Facility ID: 00000019486
 Facility Type: Gas Station
 Other Type: Not reported
 Contact Name: RAYMOND GONZALAS
 Telephone: 6193265112
 Owner Name: E-Z SERVE OF CALIFORNIA, INC.
 Owner Address: P.O. BOX 3550
 Owner City,St,Zip: ONTARIO, CA 91761
 Total Tanks: 0005

Tank Num: 001
 Container Num: 1
 Year Installed: Not reported
 Tank Capacity: 00010000
 Tank Used for: PRODUCT
 Type of Fuel: REGULAR
 Container Construction Thickness: 1/4
 Leak Detection: Stock Inventor

Tank Num: 002
 Container Num: 2
 Year Installed: Not reported
 Tank Capacity: 00008000
 Tank Used for: PRODUCT
 Type of Fuel: UNLEADED
 Container Construction Thickness: 1/4
 Leak Detection: None

Tank Num: 003
 Container Num: 3
 Year Installed: Not reported
 Tank Capacity: 00006000
 Tank Used for: PRODUCT
 Type of Fuel: DIESEL
 Container Construction Thickness: 1/4
 Leak Detection: None

Tank Num: 004
 Container Num: 4
 Year Installed: Not reported
 Tank Capacity: 00000550
 Tank Used for: WASTE
 Type of Fuel: WASTE OIL
 Container Construction Thickness: 12
 Leak Detection: None

Map ID
Direction
Distance
Elevation

MAP FINDINGS

Site

Database(s)

EDR ID Number
EPA ID Number

E-Z SERVE STATION 145 (Continued)

1000131468

Tank Num: 005
Container Num: 5
Year Installed: Not reported
Tank Capacity: 00000000
Tank Used for: WASTE
Type of Fuel: Not reported
Container Construction Thickness: Not reported
Leak Detection: None

[Click here for Geo Tracker PDF:](#)

AE249 **1X NEEDLES DISCOUNT TIRE & AUTO REPAIR**
Target **2103 W BROADWAY**
Property **NEEDLES, CA 92363**

HWTS **S124524524**
N/A

Site 7 of 11 in cluster AE

Actual: **505 ft.** **HWTS:**
Focus Map: **6** Name: 1X NEEDLES DISCOUNT TIRE & AUTO REPAIR
Address: 2103 W BROADWAY
Address 2: Not reported
City,State,Zip: NEEDLES, CA 92363
EPA ID: CAC000091805
Inactive Date: 10/25/2000
Create Date: 06/13/1988
Last Act Date: Not reported
Mailing Name: Not reported
Mailing Address: 2103 W BROADWAY
Mailing Address 2: Not reported
Mailing City,State,Zip: NEEDLES, CA 923630000
Owner Name: SOLVENT & OIL
Owner Address: DIRECT REQUEST VIA
Owner Address 2: Not reported
Owner City,State,Zip: SAN BERNARDINO ENV.
Contact Name: FRANK ESQUIBEL
Contact Address: Not reported
Contact Address 2: Not reported
City,State,Zip: Not reported
Facility Status: Inactive
Facility Type: TEMPORARY
Category: STATE
Latitude: 34.836413
Longitude: -114.599478

AG250 **SHOP, THE**
Target **1611 RIVER RD**
Property **NEEDLES, CA 92363**

San Bern. Co. Permit **S104770133**
N/A

Site 2 of 2 in cluster AG

Actual: **488 ft.** **San Bern. Co. Permit:**
Focus Map: **6** Name: SHOP, THE
Address: 1611 RIVER RD
City,State,Zip: NEEDLES, CA 92363
Region: SAN BERNARDINO
Facility ID: FA0006163

Map ID
Direction
Distance
Elevation

MAP FINDINGS

Site

Database(s)

EDR ID Number
EPA ID Number

SHOP, THE (Continued)

S104770133

Owner: MC CONNELL, ROBERT. J. JR
Permit Number: PT0016551
Permit Category: HAZMAT HANDLER 0-10 EMPLOYEES
Facility Status: INACTIVE
Expiration Date: 11/30/2012

Name: SHOP, THE
Address: 1611 RIVER RD
City,State,Zip: NEEDLES, CA 92363
Region: SAN BERNARDINO
Facility ID: FA0006163
Owner: MC CONNELL, ROBERT. J. JR
Permit Number: PT0003861
Permit Category: CONDITIONALLY EXEMPT SMALL QUANTITY GENERATOR
Facility Status: INACTIVE
Expiration Date: 11/30/2012

AH251
Target
Property

599 NEEDLES, NEEDLES HWY
NEEDLES, CA

CHMIRS S109040050
N/A

Site 7 of 13 in cluster AH

Actual:
481 ft.

Focus Map:
7

CHMIRS:
Name: Not reported
Address: 599 NEEDLES, NEEDLES HWY
City,State,Zip: NEEDLES, CA
OES Incident Number: 7-7099
OES notification: 11/16/2007
OES Date: Not reported
OES Time: Not reported
Date Completed: Not reported
Property Use: Not reported
Agency Id Number: Not reported
Agency Incident Number: Not reported
Time Notified: Not reported
Time Completed: Not reported
Surrounding Area: Not reported
Estimated Temperature: Not reported
Property Management: Not reported
More Than Two Substances Involved?: Not reported
Resp Agncy Personel # Of Decontaminated: Not reported
Responding Agency Personel # Of Injuries: Not reported
Responding Agency Personel # Of Fatalities: Not reported
Others Number Of Decontaminated: Not reported
Others Number Of Injuries: Not reported
Others Number Of Fatalities: Not reported
Vehicle Make/year: Not reported
Vehicle License Number: Not reported
Vehicle State: Not reported
Vehicle Id Number: Not reported
CA DOT PUC/ICC Number: Not reported
Company Name: Not reported
Reporting Officer Name/ID: Not reported
Report Date: Not reported
Facility Telephone: Not reported
Waterway Involved: Not reported
Waterway: Not reported

Map ID
 Direction
 Distance
 Elevation

MAP FINDINGS

Site

Database(s)

EDR ID Number
 EPA ID Number

(Continued)

S109040050

Spill Site:	Not reported
Cleanup By:	N/A
Containment:	Not reported
What Happened:	Not reported
Type:	Not reported
Measure:	Not reported
Other:	Not reported
Date/Time:	Not reported
Year:	2007
Agency:	Region 9 Spill phone EPA
Incident Date:	11/16/2007 12:00:00 AM
Admin Agency:	San Bernardino County Health Department
Amount:	Not reported
Contained:	Unknown
Site Type:	Other
E Date:	Not reported
Substance:	Oil drums/ construction debris
Gallons:	0.000000
Unknown:	0
Substance #2:	Not reported
Substance #3:	Not reported
Evacuations:	0
Number of Injuries:	0
Number of Fatalities:	0
#1 Pipeline:	Not reported
#2 Pipeline:	Not reported
#3 Pipeline:	Not reported
#1 Vessel >= 300 Tons:	Not reported
#2 Vessel >= 300 Tons:	Not reported
#3 Vessel >= 300 Tons:	Not reported
Evacs:	Not reported
Injuries:	Not reported
Fatals:	Not reported
Comments:	Not reported
Description:	Per EPA, a caller reported to them that a construction company was burying oil drums and construction debris in an open pit. Pit was still open when caller contacted EPA.

AH252 **COLORADO RIVER FORD**
Target **539 BROADWAY**
Property **NEEDLES, CA 92363**

RCRA-SQG **1000978272**
FINDS **CA0000997932**
ECHO

Site 8 of 13 in cluster AH

Actual:	RCRA-SQG:	
480 ft.	Date Form Received by Agency:	19940103
Focus Map:	Handler Name:	COLORADO RIVER FORD
7	Handler Address:	539 BROADWAY
	Handler City,State,Zip:	NEEDLES, CA 92363
	EPA ID:	CA0000997932
	Contact Name:	TIM NICHOLS
	Contact Address:	539 BROADWAY
	Contact City,State,Zip:	NEEDLES, CA 92363
	Contact Telephone:	619-326-2175
	Contact Fax:	Not reported
	Contact Email:	Not reported
	Contact Title:	Not reported

Map ID
 Direction
 Distance
 Elevation

MAP FINDINGS

Site

Database(s)

EDR ID Number
 EPA ID Number

COLORADO RIVER FORD (Continued)

1000978272

EPA Region:	09
Land Type:	Private
Federal Waste Generator Description:	Small Quantity Generator
Non-Notifier:	Not reported
Biennial Report Cycle:	Not reported
Accessibility:	Not reported
Active Site Indicator:	Handler Activities
State District Owner:	Not reported
State District:	Not reported
Mailing Address:	PO BOX 3159
Mailing City,State,Zip:	NEEDLES, CA 92363
Owner Name:	TRI CITY FORD INC
Owner Type:	Private
Operator Name:	Not reported
Operator Type:	Not reported
Short-Term Generator Activity:	No
Importer Activity:	No
Mixed Waste Generator:	No
Transporter Activity:	No
Transfer Facility Activity:	No
Recycler Activity with Storage:	No
Small Quantity On-Site Burner Exemption:	No
Smelting Melting and Refining Furnace Exemption:	No
Underground Injection Control:	No
Off-Site Waste Receipt:	No
Universal Waste Indicator:	No
Universal Waste Destination Facility:	No
Federal Universal Waste:	No
Active Site Fed-Reg Treatment Storage and Disposal Facility:	Not reported
Active Site Converter Treatment storage and Disposal Facility:	Not reported
Active Site State-Reg Treatment Storage and Disposal Facility:	Not reported
Active Site State-Reg Handler:	---
Federal Facility Indicator:	Not reported
Hazardous Secondary Material Indicator:	NN
Sub-Part K Indicator:	Not reported
Commercial TSD Indicator:	No
Treatment Storage and Disposal Type:	Not reported
2018 GPRC Permit Baseline:	Not on the Baseline
2018 GPRC Renewals Baseline:	Not on the Baseline
Permit Renewals Workload Universe:	Not reported
Permit Workload Universe:	Not reported
Permit Progress Universe:	Not reported
Post-Closure Workload Universe:	Not reported
Closure Workload Universe:	Not reported
202 GPRC Corrective Action Baseline:	No
Corrective Action Workload Universe:	No
Subject to Corrective Action Universe:	No
Non-TSDs Where RCRA CA has Been Imposed Universe:	No
TSDs Potentially Subject to CA Under 3004 (u)/(v) Universe:	No
TSDs Only Subject to CA under Discretionary Auth Universe:	No
Corrective Action Priority Ranking:	No NCAPS ranking
Environmental Control Indicator:	No
Institutional Control Indicator:	No
Human Exposure Controls Indicator:	N/A
Groundwater Controls Indicator:	N/A
Operating TSD Universe:	Not reported
Full Enforcement Universe:	Not reported

Map ID
Direction
Distance
Elevation

MAP FINDINGS

Site

Database(s)

EDR ID Number
EPA ID Number

COLORADO RIVER FORD (Continued)

1000978272

Significant Non-Complier Universe: No
Unaddressed Significant Non-Complier Universe: No
Addressed Significant Non-Complier Universe: No
Significant Non-Complier With a Compliance Schedule Universe: No
Financial Assurance Required: Not reported
Handler Date of Last Change: 20020627
Recognized Trader-Importer: No
Recognized Trader-Exporter: No
Importer of Spent Lead Acid Batteries: No
Exporter of Spent Lead Acid Batteries: No
Recycler Activity Without Storage: Not reported
Manifest Broker: Not reported
Sub-Part P Indicator: No

Handler - Owner Operator:

Owner/Operator Indicator: Owner
Owner/Operator Name: TRI CITY FORD INC
Legal Status: Private
Date Became Current: Not reported
Date Ended Current: Not reported
Owner/Operator Address: PO BOX 3159
Owner/Operator City,State,Zip: NEEDLES, CA 92363
Owner/Operator Telephone: 619-326-2175
Owner/Operator Telephone Ext: Not reported
Owner/Operator Fax: Not reported
Owner/Operator Email: Not reported

Historic Generators:

Receive Date: 19940103
Handler Name: COLORADO RIVER FORD
Federal Waste Generator Description: Small Quantity Generator
State District Owner: Not reported
Large Quantity Handler of Universal Waste: No
Recognized Trader Importer: No
Recognized Trader Exporter: No
Spent Lead Acid Battery Importer: No
Spent Lead Acid Battery Exporter: No
Current Record: Yes
Non Storage Recycler Activity: Not reported
Electronic Manifest Broker: Not reported

List of NAICS Codes and Descriptions:

NAICS Codes: No NAICS Codes Found

Facility Has Received Notices of Violations:

Violations: No Violations Found

Evaluation Action Summary:

Evaluations: No Evaluations Found

FINDS:

Registry ID: 110002622298

Map ID
 Direction
 Distance
 Elevation

MAP FINDINGS

Site

Database(s)

EDR ID Number
 EPA ID Number

COLORADO RIVER FORD (Continued)

1000978272

Click Here for FRS Facility Detail Report:

Environmental Interest/Information System:

RCRAInfo is a national information system that supports the Resource Conservation and Recovery Act (RCRA) program through the tracking of events and activities related to facilities that generate, transport, and treat, store, or dispose of hazardous waste. RCRAInfo allows RCRA program staff to track the notification, permit, compliance, and corrective action activities required under RCRA.

[Click this hyperlink](#) while viewing on your computer to access additional FINDS: detail in the EDR Site Report.

ECHO:

Envid: 1000978272
 Registry ID: 110002622298
 DFR URL: <http://echo.epa.gov/detailed-facility-report?fid=110002622298>
 Name: COLORADO RIVER FORD
 Address: 539 BROADWAY
 City,State,Zip: NEEDLES, CA 92363

AH253 **COLORADO RIVER FORD**
Target **539 BROADWAY**
Property **NEEDLES, CA 92363**

HAZNET **S113069777**
HWTS **N/A**

Site 9 of 13 in cluster AH

Actual:
480 ft.

Focus Map:
7

HAZNET:
 Name: COLORADO RIVER FORD
 Address: 539 BROADWAY
 Address 2: Not reported
 City,State,Zip: NEEDLES, CA 923630000
 Contact: NICK WILEY
 Telephone: --
 Mailing Name: Not reported
 Mailing Address: 539 W BROADWAY ST

Year: 1996
 Gepaid: CAL000123789
 TSD EPA ID: CAD982444481
 CA Waste Code: 352 - Other organic solids
 Disposal Method: H01 - Transfer Station
 Tons: 0.12

Additional Info:

Year: 1996
 Gen EPA ID: CAL000123789

Shipment Date: 19960719
 Creation Date: 5/20/1997 0:00:00
 Receipt Date: 19960722
 Manifest ID: 96295233
 Trans EPA ID: CAD982444481
 Trans Name: Not reported
 Trans 2 EPA ID: Not reported
 Trans 2 Name: Not reported

Map ID
Direction
Distance
Elevation

MAP FINDINGS

Site

Database(s)

EDR ID Number
EPA ID Number

COLORADO RIVER FORD (Continued)

S113069777

TSDF EPA ID: CAD982444481
Trans Name: Not reported
TSDF Alt EPA ID: Not reported
TSDF Alt Name: Not reported
Waste Code Description: 352 - Other organic solids
RCRA Code: Not reported
Meth Code: H01 - Transfer Station
Quantity Tons: 0.12
Waste Quantity: 240
Quantity Unit: P
Additional Code 1: Not reported
Additional Code 2: Not reported
Additional Code 3: Not reported
Additional Code 4: Not reported
Additional Code 5: Not reported

HWTS:

Name: COLORADO RIVER FORD
Address: 539 BROADWAY
Address 2: Not reported
City,State,Zip: NEEDLES, CA 92363
EPA ID: CAL000123789
Inactive Date: 06/01/1997
Create Date: 07/14/1994
Last Act Date: Not reported
Mailing Name: Not reported
Mailing Address: 539 W BROADWAY ST
Mailing Address 2: Not reported
Mailing City,State,Zip: NEEDLES, CA 923630000
Owner Name: NICK WILEY
Owner Address: 539 W BROADWAY ST
Owner Address 2: Not reported
Owner City,State,Zip: NEEDLES, CA
Contact Name: NICK WILEY
Contact Address: 539 W BROADWAY ST
Contact Address 2: Not reported
City,State,Zip: NEEDLES, CA
Facility Status: Inactive
Facility Type: PERMANENT
Category: STATE
Latitude: 34.837324
Longitude: -114.602071

AH254 **RON RAY FORD-MERCURY**
Target **539 BROADWAY**
Property **NEEDLES, CA 92363**

HWTS **S124802065**
 N/A

Site 10 of 13 in cluster AH

Actual: **HWTS:**
480 ft. **Name:** **RON RAY FORD-MERCURY**
Focus Map: **Address:** **539 BROADWAY**
7 **Address 2:** **Not reported**
 City,State,Zip: **NEEDLES, CA 92363**
 EPA ID: **CAL000115607**
 Inactive Date: **12/31/1899**
 Create Date: **02/16/1994**

Map ID
 Direction
 Distance
 Elevation

MAP FINDINGS

Site

Database(s)

EDR ID Number
 EPA ID Number

RON RAY FORD-MERCURY (Continued)

S124802065

Last Act Date:	Not reported
Mailing Name:	Not reported
Mailing Address:	PO BOX 425
Mailing Address 2:	Not reported
Mailing City,State,Zip:	NEEDLES, CA 923630425
Owner Name:	RON RAY OWNER
Owner Address:	539 BROADWAY
Owner Address 2:	Not reported
Owner City,State,Zip:	NEEDLES, CA 923630000
Contact Name:	RON RAY
Contact Address:	INACTIVE BUSINESS SOLD OUT
Contact Address 2:	Not reported
City,State,Zip:	NEEDLES, CA 923630000
Facility Status:	Inactive
Facility Type:	PERMANENT
Category:	STATE
Latitude:	34.837324
Longitude:	-114.602071

AH255 **COLORADO RIVER FORD**
Target **539 BROADWAY**
Property **NEEDLES, CA 92363**

San Bern. Co. Permit **S103992621**
N/A

Site 11 of 13 in cluster AH

Actual: 480 ft.	San Bern. Co. Permit:
Focus Map: 7	Name: COLORADO RIVER FORD
	Address: 539 BROADWAY
	City,State,Zip: NEEDLES, CA 92363
	Region: SAN BERNARDINO
	Facility ID: FA0002424
	Owner: COLORADO RIVER FORD
	Permit Number: PT0001773
	Permit Category: SPECIAL GENERATOR
	Facility Status: INACTIVE
	Expiration Date: 11/30/2009
	Name: COLORADO RIVER FORD
	Address: 539 BROADWAY
	City,State,Zip: NEEDLES, CA 92363
	Region: SAN BERNARDINO
	Facility ID: FA0002424
	Owner: COLORADO RIVER FORD
	Permit Number: PT0001772
	Permit Category: SPECIAL HANDLER
	Facility Status: INACTIVE
	Expiration Date: 11/30/2009

Map ID
Direction
Distance
Elevation

MAP FINDINGS

Site

Database(s)

EDR ID Number
EPA ID Number

AI256 **H AND H CYCLE WORKS**
Target **419 1/2 BROADWAY**
Property **NEEDLES, CA 92363**

HWTS **S124940161**
 N/A

Site 6 of 6 in cluster AI

Actual: **HWTS:**
479 ft. Name: H AND H CYCLE WORKS
Focus Map: Address: 419 1/2 BROADWAY
7 Address 2: Not reported
 City,State,Zip: NEEDLES, CA 92363
 EPA ID: CAL923154059
 Inactive Date: 06/30/1998
 Create Date: 11/10/1992
 Last Act Date: Not reported
 Mailing Name: Not reported
 Mailing Address: 405 ACOMA ST
 Mailing Address 2: Not reported
 Mailing City,State,Zip: NEEDLES, CA 923630148
 Owner Name: LOYD HALL AND CELINA HALL
 Owner Address: BOX 148 77 ZOE LN
 Owner Address 2: Not reported
 Owner City,State,Zip: NEEDLES, CA 923630000
 Contact Name: LYD HALL
 Contact Address: INACT PER NONDEL 98VQ FINAL
 Contact Address 2: Not reported
 City,State,Zip: NEEDLES, CA 923630000
 Facility Status: Inactive
 Facility Type: PERMANENT
 Category: STATE
 Latitude: 34.83669
 Longitude: -114.600814

AD257 **CHEVRON STATION 9 8066**
Target **2205 W BROADWAY**
Property **NEEDLES, CA 92363**

RCRA-SQG **1000820123**
FINDS **CAD983661497**
ECHO

Site 9 of 20 in cluster AD

Actual: **RCRA-SQG:**
511 ft. Date Form Received by Agency: 19930311
Focus Map: Handler Name: CHEVRON STATION 9 8066
6 Handler Address: 2205 W BROADWAY
 Handler City,State,Zip: NEEDLES, CA 92363
 EPA ID: CAD983661497
 Contact Name: ROBERT HARTWICK
 Contact Address: 2205 W BROADWAY
 Contact City,State,Zip: NEEDLES, CA 92363
 Contact Telephone: 619-326-2851
 Contact Fax: Not reported
 Contact Email: Not reported
 Contact Title: Not reported
 EPA Region: 09
 Land Type: Private
 Federal Waste Generator Description: Small Quantity Generator
 Non-Notifier: Not reported
 Biennial Report Cycle: Not reported
 Accessibility: Not reported
 Active Site Indicator: Handler Activities
 State District Owner: Not reported

Map ID
 Direction
 Distance
 Elevation

MAP FINDINGS

Site

Database(s)

EDR ID Number
 EPA ID Number

CHEVRON STATION 9 8066 (Continued)

1000820123

State District:	Not reported
Mailing Address:	W BROADWAY
Mailing City, State, Zip:	NEEDLES, CA 92363
Owner Name:	CHEVRON USA PRODUCTS CO
Owner Type:	Private
Operator Name:	Not reported
Operator Type:	Not reported
Short-Term Generator Activity:	No
Importer Activity:	No
Mixed Waste Generator:	No
Transporter Activity:	No
Transfer Facility Activity:	No
Recycler Activity with Storage:	No
Small Quantity On-Site Burner Exemption:	No
Smelting Melting and Refining Furnace Exemption:	No
Underground Injection Control:	No
Off-Site Waste Receipt:	No
Universal Waste Indicator:	No
Universal Waste Destination Facility:	No
Federal Universal Waste:	No
Active Site Fed-Reg Treatment Storage and Disposal Facility:	Not reported
Active Site Converter Treatment storage and Disposal Facility:	Not reported
Active Site State-Reg Treatment Storage and Disposal Facility:	Not reported
Active Site State-Reg Handler:	---
Federal Facility Indicator:	Not reported
Hazardous Secondary Material Indicator:	NN
Sub-Part K Indicator:	Not reported
Commercial TSD Indicator:	No
Treatment Storage and Disposal Type:	Not reported
2018 GPRA Permit Baseline:	Not on the Baseline
2018 GPRA Renewals Baseline:	Not on the Baseline
Permit Renewals Workload Universe:	Not reported
Permit Workload Universe:	Not reported
Permit Progress Universe:	Not reported
Post-Closure Workload Universe:	Not reported
Closure Workload Universe:	Not reported
202 GPRA Corrective Action Baseline:	No
Corrective Action Workload Universe:	No
Subject to Corrective Action Universe:	No
Non-TSDFs Where RCRA CA has Been Imposed Universe:	No
TSDFs Potentially Subject to CA Under 3004 (u)/(v) Universe:	No
TSDFs Only Subject to CA under Discretionary Auth Universe:	No
Corrective Action Priority Ranking:	No NCAPS ranking
Environmental Control Indicator:	No
Institutional Control Indicator:	No
Human Exposure Controls Indicator:	N/A
Groundwater Controls Indicator:	N/A
Operating TSDF Universe:	Not reported
Full Enforcement Universe:	Not reported
Significant Non-Complier Universe:	No
Unaddressed Significant Non-Complier Universe:	No
Addressed Significant Non-Complier Universe:	No
Significant Non-Complier With a Compliance Schedule Universe:	No
Financial Assurance Required:	Not reported
Handler Date of Last Change:	20000915
Recognized Trader-Importer:	No
Recognized Trader-Exporter:	No

Map ID
Direction
Distance
Elevation

MAP FINDINGS

Site

Database(s)

EDR ID Number
EPA ID Number

CHEVRON STATION 9 8066 (Continued)

1000820123

Importer of Spent Lead Acid Batteries: No
Exporter of Spent Lead Acid Batteries: No
Recycler Activity Without Storage: Not reported
Manifest Broker: Not reported
Sub-Part P Indicator: No

Handler - Owner Operator:

Owner/Operator Indicator: Owner
Owner/Operator Name: CHEVRON USA PRODUCTS CO
Legal Status: Private
Date Became Current: Not reported
Date Ended Current: Not reported
Owner/Operator Address: P O BOX 2833
Owner/Operator City,State,Zip: LA HABRA, CA 90632-2833
Owner/Operator Telephone: 310-694-7452
Owner/Operator Telephone Ext: Not reported
Owner/Operator Fax: Not reported
Owner/Operator Email: Not reported

Historic Generators:

Receive Date: 19930311
Handler Name: CHEVRON STATION 9 8066
Federal Waste Generator Description: Small Quantity Generator
State District Owner: Not reported
Large Quantity Handler of Universal Waste: No
Recognized Trader Importer: No
Recognized Trader Exporter: No
Spent Lead Acid Battery Importer: No
Spent Lead Acid Battery Exporter: No
Current Record: Yes
Non Storage Recycler Activity: Not reported
Electronic Manifest Broker: Not reported

List of NAICS Codes and Descriptions:

NAICS Codes: No NAICS Codes Found

Facility Has Received Notices of Violations:

Violations: No Violations Found

Evaluation Action Summary:

Evaluations: No Evaluations Found

FINDS:

Registry ID: 110002894208

[Click Here for FRS Facility Detail Report:](#)

Environmental Interest/Information System:

California Hazardous Waste Tracking System - Datamart (HWTS-DATAMART) provides California with information on hazardous waste shipments for generators, transporters, and treatment, storage, and disposal facilities.
RCRAInfo is a national information system that supports the Resource

Map ID
Direction
Distance
Elevation

MAP FINDINGS

Site

Database(s)

EDR ID Number
EPA ID Number

CHEVRON STATION 9 8066 (Continued)

1000820123

Conservation and Recovery Act (RCRA) program through the tracking of events and activities related to facilities that generate, transport, and treat, store, or dispose of hazardous waste. RCRAInfo allows RCRA program staff to track the notification, permit, compliance, and corrective action activities required under RCRA.
STATE MASTER

[Click this hyperlink](#) while viewing on your computer to access additional FINDS: detail in the EDR Site Report.

ECHO:

Envid: 1000820123
Registry ID: 110002894208
DFR URL: <http://echo.epa.gov/detailed-facility-report?fid=110002894208>
Name: CHEVRON STATION 9 8066
Address: 2205 W BROADWAY
City,State,Zip: NEEDLES, CA 92363

AD258 98066
Target 2205 W BROADWAY
Property NEEDLES, CA 92363

SWEEPS UST U001575235
HIST UST N/A

Site 10 of 20 in cluster AD

Actual: SWEEPS UST:
511 ft. Name: CHEVRON STATION #8066
Focus Map: Address: 2205 W BROADWAY
6 City: NEEDLES
Status: Active
Comp Number: 63062
Number: 9
Board Of Equalization: 44-021357
Referral Date: 07-28-92
Action Date: 07-28-92
Created Date: 02-29-88
Owner Tank Id: 1
SWRCB Tank Id: 36-000-063062-000001
Tank Status: A
Capacity: 10000
Active Date: 08-26-88
Tank Use: UNKNOWN
STG: P
Content: Not reported
Number Of Tanks: 4

Name: CHEVRON STATION #8066
Address: 2205 W BROADWAY
City: NEEDLES
Status: Active
Comp Number: 63062
Number: 9
Board Of Equalization: 44-021357
Referral Date: 07-28-92
Action Date: 07-28-92
Created Date: 02-29-88
Owner Tank Id: 2
SWRCB Tank Id: 36-000-063062-000002
Tank Status: A

Map ID
Direction
Distance
Elevation

MAP FINDINGS

Site

Database(s)

EDR ID Number
EPA ID Number

98066 (Continued)

U001575235

Capacity: 10000
Active Date: 08-26-88
Tank Use: UNKNOWN
STG: P
Content: Not reported
Number Of Tanks: Not reported

Name: CHEVRON STATION #8066
Address: 2205 W BROADWAY
City: NEEDLES
Status: Active
Comp Number: 63062
Number: 9
Board Of Equalization: 44-021357
Referral Date: 07-28-92
Action Date: 07-28-92
Created Date: 02-29-88
Owner Tank Id: 3
SWRCB Tank Id: 36-000-063062-000003
Tank Status: A
Capacity: 5000
Active Date: 08-26-88
Tank Use: UNKNOWN
STG: P
Content: Not reported
Number Of Tanks: Not reported

Name: CHEVRON STATION #8066
Address: 2205 W BROADWAY
City: NEEDLES
Status: Active
Comp Number: 63062
Number: 9
Board Of Equalization: 44-021357
Referral Date: 07-28-92
Action Date: 07-28-92
Created Date: 02-29-88
Owner Tank Id: 4
SWRCB Tank Id: 36-000-063062-000004
Tank Status: A
Capacity: 1000
Active Date: 08-26-88
Tank Use: UNKNOWN
STG: W
Content: Not reported
Number Of Tanks: Not reported

HIST UST:

Name: 98066
Address: 2205 W BROADWAY
City,State,Zip: NEEDLES, CA 92363
File Number: 00029BDA
URL: <http://geotracker.waterboards.ca.gov/ustpdfs/pdf/00029BDA.pdf>
Region: STATE
Facility ID: 00000063062
Facility Type: Gas Station
Other Type: Not reported

Map ID
Direction
Distance
Elevation

MAP FINDINGS

Site

Database(s)

EDR ID Number
EPA ID Number

98066 (Continued)

U001575235

Contact Name: FLEMING,DOUG
Telephone: 6193262851
Owner Name: CHEVRON U.S.A. INC.
Owner Address: 575 MARKET
Owner City,St,Zip: SAN FRANCISCO, CA 94105
Total Tanks: 0004

Tank Num: 001
Container Num: 1
Year Installed: 1970
Tank Capacity: 00010000
Tank Used for: PRODUCT
Type of Fuel: Not reported
Container Construction Thickness: 0000250
Leak Detection: Stock Inventor

Tank Num: 002
Container Num: 2
Year Installed: 1970
Tank Capacity: 00010000
Tank Used for: PRODUCT
Type of Fuel: Not reported
Container Construction Thickness: 0000250
Leak Detection: Stock Inventor

Tank Num: 003
Container Num: 3
Year Installed: 1970
Tank Capacity: 00005000
Tank Used for: PRODUCT
Type of Fuel: Not reported
Container Construction Thickness: 0000250
Leak Detection: Stock Inventor

Tank Num: 004
Container Num: 4
Year Installed: 1970
Tank Capacity: 00001000
Tank Used for: WASTE
Type of Fuel: Not reported
Container Construction Thickness: 0000130
Leak Detection: Stock Inventor

[Click here for Geo Tracker PDF:](#)

AD259 CHEVRON STA. #9-8066 / NEEDLES
Target 2205 WEST BROADWAY
Property NEEDLES, CA

RGA LUST S114599246
N/A

Site 11 of 20 in cluster AD

Actual: 511 ft. RGA LUST:
Focus Map: 6 Name: CHEVRON STA. #9-8066 / NEEDLES
Address: 2205 WEST BROADWAY
City: NEEDLES
State: NEEDLES
1992 CHEVRON STA. #9-8066 / NEEDLES 2205 WEST BROADWAY

Map ID
Direction
Distance
Elevation

MAP FINDINGS

Site

Database(s)

EDR ID Number
EPA ID Number

AD260 CHEVRON STA. #9-8066
Target 2205 WEST BROADWAY AVENUE
Property NEEDLES, CA

RGA LUST S114599247
N/A

Site 12 of 20 in cluster AD

Actual: RGA LUST:
511 ft. Name: CHEVRON STA. #9-8066
Focus Map: Address: 2205 WEST BROADWAY AVENUE
6 City: NEEDLES
State: NEEDLES
2000 CHEVRON STA. #9-8066 2205 WEST BROADWAY AVENUE

AD261 CHEVRON STA #9-8066
Target 2205 WEST BROADWAY AVEN
Property NEEDLES, CA

RGA LUST S114599227
N/A

Site 13 of 20 in cluster AD

Actual: RGA LUST:
511 ft. Name: CHEVRON STA #9-8066
Focus Map: Address: 2205 WEST BROADWAY AVEN
6 City: NEEDLES
State: NEEDLES
2002 CHEVRON STA #9-8066 2205 WEST BROADWAY AVEN

AD262 CHEVRON STA #9-8066
Target 2205 WEST BROADWAY AVENUE
Property NEEDLES, CA

RGA LUST S114599228
N/A

Site 14 of 20 in cluster AD

Actual: RGA LUST:
511 ft. Name: CHEVRON STA #9-8066
Focus Map: Address: 2205 WEST BROADWAY AVENUE
6 City: NEEDLES
State: NEEDLES
2012 CHEVRON STA #9-8066 2205 WEST BROADWAY AVENUE
Name: CHEVRON STA #9-8066
Address: 2205 WEST BROADWAY AVENUE
City: NEEDLES
State: NEEDLES
2011 CHEVRON STA #9-8066 2205 WEST BROADWAY AVENUE
Name: CHEVRON STA #9-8066
Address: 2205 WEST BROADWAY AVENUE
City: NEEDLES
State: NEEDLES
2010 CHEVRON STA #9-8066 2205 WEST BROADWAY AVENUE
Name: CHEVRON STA #9-8066
Address: 2205 WEST BROADWAY AVENUE
City: NEEDLES
State: NEEDLES
2009 CHEVRON STA #9-8066 2205 WEST BROADWAY AVENUE
Name: CHEVRON STA #9-8066
Address: 2205 WEST BROADWAY AVENUE
City: NEEDLES
State: NEEDLES
2008 CHEVRON STA #9-8066 2205 WEST BROADWAY AVENUE

Map ID
 Direction
 Distance
 Elevation

MAP FINDINGS

Site

Database(s)

EDR ID Number
 EPA ID Number

CHEVRON STA #9-8066 (Continued)

S114599228

Name:	CHEVRON STA #9-8066
Address:	2205 WEST BROADWAY AVENUE
City:	NEEDLES
State:	NEEDLES
	2007 CHEVRON STA #9-8066 2205 WEST BROADWAY AVENUE
Name:	CHEVRON STA #9-8066
Address:	2205 WEST BROADWAY AVENUE
City:	NEEDLES
State:	NEEDLES
	2006 CHEVRON STA #9-8066 2205 WEST BROADWAY AVENUE
Name:	CHEVRON STA #9-8066
Address:	2205 WEST BROADWAY AVENUE
City:	NEEDLES
State:	NEEDLES
	2005 CHEVRON STA #9-8066 2205 WEST BROADWAY AVENUE
Name:	CHEVRON STA #9-8066
Address:	2205 WEST BROADWAY AVENUE
City:	NEEDLES
State:	NEEDLES
	2003 CHEVRON STA #9-8066 2205 WEST BROADWAY AVENUE
Name:	CHEVRON STA #9-8066
Address:	2205 WEST BROADWAY AVENUE
City:	NEEDLES
State:	NEEDLES
	2001 CHEVRON STA #9-8066 2205 WEST BROADWAY AVENUE

AD263 TRK ENTERPRISES INC
Target 2205 W BROADWAY ST
Property NEEDLES, CA 92363

EDR Hist Auto 1020708810
N/A

Site 15 of 20 in cluster AD

Actual: EDR Hist Auto
511 ft.

Focus Map:	Year:	Name:	Type:
6	1974	TELLES RICHARD	Gasoline Service Stations
	1975	TELLES RICHARD	Gasoline Service Stations
	1976	TELLES RICHARD	Gasoline Service Stations
	1977	TELLES RICHARD	Gasoline Service Stations
	1987	RICKS CHEVRON GAS STATION	Gasoline Service Stations
	1987	FLEMING ENTERPRISE INC	Gasoline Service Stations
	1988	TRK ENTERPRISES INC	Gasoline Service Stations
	1988	FLEMING ENTERPRISE INC	Gasoline Service Stations
	1989	TRK ENTERPRISES INC	Gasoline Service Stations, NEC
	1989	FLEMING ENTERPRISE INC	Gasoline Service Stations
	1990	TRK ENTERPRISES INC	Gasoline Service Stations, NEC
	1990	FLEMING ENTERPRISE INC	Gasoline Service Stations
	1991	FLEMING ENTERPRISE INC	Gasoline Service Stations
	1991	TRK ENTERPRISES INC	Gasoline Service Stations, NEC
	1992	TRK ENTERPRISES INC	Gasoline Service Stations, NEC
	1992	FLEMING ENTERPRISE INC	Gasoline Service Stations
	1993	TRK ENTERPRISES INC	Gasoline Service Stations, NEC
	1993	FLEMING ENTERPRISE INC	Gasoline Service Stations
	1994	FLEMING ENTERPRISE INC	Gasoline Service Stations
	1994	TRK ENTERPRISES INC	Gasoline Service Stations, NEC
	1995	TRK ENTERPRISES INC	Gasoline Service Stations, NEC

Map ID
Direction
Distance
Elevation

MAP FINDINGS

Site

Database(s) EDR ID Number
EPA ID Number

AD264 1X CHEVRON USA STA#8066
Target 2205 W BROADWAY
Property NEEDLES, CA 92363

HAZNET S123705221
HWTS N/A

Site 16 of 20 in cluster AD

Actual: HAZNET:
511 ft. Name: 1X CHEVRON USA STA#8066
Focus Map: Address: 2205 W BROADWAY
6 Address 2: Not reported
City,State,Zip: NEEDLES, CA 923630000
Contact: JIM HAYNES
Telephone: 2136947452
Mailing Name: Not reported
Mailing Address: --

Year: 1988
Gepaid: CAC000053797
TSD EPA ID: CAD000633164
CA Waste Code: 352 - Other organic solids
Disposal Method: D80 - Disposal, Land Fill
Tons: 5.0568

HWTS:
Name: 1X CHEVRON USA STA#8066
Address: 2205 W BROADWAY
Address 2: Not reported
City,State,Zip: NEEDLES, CA 92363
EPA ID: CAC000053797
Inactive Date: 10/25/2000
Create Date: 12/16/1987
Last Act Date: Not reported
Mailing Name: Not reported
Mailing Address: Not reported
Mailing Address 2: Not reported
Mailing City,State,Zip: LA HABRA, CA 906322833
Owner Name: Not reported
Owner Address: Not reported
Owner Address 2: Not reported
Owner City,State,Zip: Not reported
Contact Name: JIM HAYNES
Contact Address: Not reported
Contact Address 2: Not reported
City,State,Zip: Not reported
Facility Status: Inactive
Facility Type: TEMPORARY
Category: STATE
Latitude: 34.836413
Longitude: -114.599478

Map ID
Direction
Distance
Elevation

MAP FINDINGS

Site

Database(s) EDR ID Number
EPA ID Number

AD265 CHEVRON STATION # 98066
Target 2205 W BROADWAY
Property NEEDLES, CA 92363

HAZNET S113043023
HWTS N/A

Site 17 of 20 in cluster AD

Actual: HAZNET:
511 ft. Name: CHEVRON STATION # 98066
Focus Map: Address: 2205 W BROADWAY
6 Address 2: Not reported
City,State,Zip: NEEDLES, CA 923630000
Contact: UNDELIVERABLE FEE FORM 1995 NJ
Telephone: --
Mailing Name: Not reported
Mailing Address: 2205 W BROADWAY

Year: 1995
Gepaid: CAL000055325
TSD EPA ID: CAD093459485
CA Waste Code: 214 - Unspecified solvent mixture
Disposal Method: H01 - Transfer Station
Tons: 0.0144

Additional Info:
Year: 1995
Gen EPA ID: CAL000055325

Shipment Date: 19950926
Creation Date: 7/26/1996 0:00:00
Receipt Date: 19951003
Manifest ID: 95641531
Trans EPA ID: ILD984908202
Trans Name: Not reported
Trans 2 EPA ID: ILD984908202
Trans 2 Name: Not reported
TSD EPA ID: CAD093459485
Trans Name: Not reported
TSD Alt EPA ID: Not reported
TSD Alt Name: Not reported
Waste Code Description: 214 - Unspecified solvent mixture
RCRA Code: D039
Meth Code: H01 - Transfer Station
Quantity Tons: 0.0144
Waste Quantity: 4
Quantity Unit: G
Additional Code 1: Not reported
Additional Code 2: Not reported
Additional Code 3: Not reported
Additional Code 4: Not reported
Additional Code 5: Not reported

HWTS:
Name: CHEVRON STATION # 98066
Address: 2205 W BROADWAY
Address 2: Not reported
City,State,Zip: NEEDLES, CA 92363
EPA ID: CAL000055325

Map ID
Direction
Distance
Elevation

MAP FINDINGS

Site

Database(s)

EDR ID Number
EPA ID Number

CHEVRON STATION # 98066 (Continued)

S113043023

Inactive Date: 06/30/1995
Create Date: 07/27/1993
Last Act Date: Not reported
Mailing Name: Not reported
Mailing Address: 2205 W BROADWAY
Mailing Address 2: Not reported
Mailing City,State,Zip: NEEDLES, CA 923630000
Owner Name: Not reported
Owner Address: Not reported
Owner Address 2: Not reported
Owner City,State,Zip: Not reported
Contact Name: UNDELIVERABLE FEE FORM 1995 NJ
Contact Address: Not reported
Contact Address 2: Not reported
City,State,Zip: Not reported
Facility Status: Inactive
Facility Type: PERMANENT
Category: STATE
Latitude: 34.836413
Longitude: -114.599478

**AD266
Target
Property**

**CHEVRON STA. #9-8066
2205 WEST BROADWAY
NEEDLES, CA**

**RGA LUST S114599248
N/A**

Site 18 of 20 in cluster AD

**Actual:
511 ft.**

**Focus Map:
6**

RGA LUST:
Name: CHEVRON STA. #9-8066
Address: 2205 WEST BROADWAY
City: NEEDLES
State: NEEDLES
1998 CHEVRON STA. #9-8066 2205 WEST BROADWAY
Name: CHEVRON STA. #9-8066
Address: 2205 WEST BROADWAY
City: NEEDLES
State: NEEDLES
1997 CHEVRON STA. #9-8066 2205 WEST BROADWAY
Name: CHEVRON STA. #9-8066
Address: 2205 WEST BROADWAY
City: NEEDLES
State: NEEDLES
1996 CHEVRON STA. #9-8066 2205 WEST BROADWAY
Name: CHEVRON STA. #9-8066
Address: 2205 WEST BROADWAY
City: NEEDLES
State: NEEDLES
1995 CHEVRON STA. #9-8066 2205 WEST BROADWAY
Name: CHEVRON STA. #9-8066
Address: 2205 WEST BROADWAY
City: NEEDLES
State: NEEDLES
1994 CHEVRON STA. #9-8066 2205 WEST BROADWAY
Name: CHEVRON STA. #9-8066
Address: 2205 WEST BROADWAY
City: NEEDLES
State: NEEDLES
1993 CHEVRON STA. #9-8066 2205 WEST BROADWAY

Map ID
Direction
Distance
Elevation

MAP FINDINGS

Site

Database(s)

EDR ID Number
EPA ID Number

AD267 **CHEVRON 98066**
Target **2205 W BROADWAY**
Property **NEEDLES, CA 92363**

HAZNET **S113019220**
HWTS **N/A**

Site 19 of 20 in cluster AD

Actual:
511 ft.

HAZNET:

Focus Map:
6

Name: CHEVRON 98066
Address: 2205 W BROADWAY
Address 2: Not reported
City,State,Zip: NEEDLES, CA 923630000
Contact: KATHY NORRIS-SLUSHER
Telephone: 8773866044
Mailing Name: Not reported
Mailing Address: PO BOX 6004

Year: 1995
Gepaid: CAD983661497
TSD EPA ID: CAD982484933
CA Waste Code: 512 - Other empty containers 30 gallons or more
Disposal Method: D99 - Disposal, Other
Tons: 11.65

Year: 1995
Gepaid: CAD983661497
TSD EPA ID: CAD980883177
CA Waste Code: 223 - Unspecified oil-containing waste
Disposal Method: R01 - Recycler
Tons: 1.0425

Additional Info:

Year: 1995
Gen EPA ID: CAD983661497

Shipment Date: 19950216
Creation Date: 3/29/1996 0:00:00
Receipt Date: 19950217
Manifest ID: 95183226
Trans EPA ID: CAD009466392
Trans Name: Not reported
Trans 2 EPA ID: Not reported
Trans 2 Name: Not reported
TSD EPA ID: CAD980883177
Trans Name: Not reported
TSD Alt EPA ID: CAD980883177
TSD Alt Name: Not reported
Waste Code Description: 223 - Unspecified oil-containing waste
RCRA Code: Not reported
Meth Code: R01 - Recycler
Quantity Tons: 1.0425
Waste Quantity: 250
Quantity Unit: G
Additional Code 1: Not reported
Additional Code 2: Not reported
Additional Code 3: Not reported
Additional Code 4: Not reported
Additional Code 5: Not reported

Map ID
Direction
Distance
Elevation

MAP FINDINGS

Site

Database(s)

EDR ID Number
EPA ID Number

CHEVRON 98066 (Continued)

S113019220

Shipment Date: 19950216
Creation Date: 10/20/1995 0:00:00
Receipt Date: 19950216
Manifest ID: 95021195
Trans EPA ID: CAT080012800
Trans Name: Not reported
Trans 2 EPA ID: Not reported
Trans 2 Name: Not reported
TSDf EPA ID: CAD982484933
Trans Name: Not reported
TSDf Alt EPA ID: CAD982484933
TSDf Alt Name: Not reported
Waste Code Description: 512 - Other empty containers 30 gallons or more
RCRA Code: Not reported
Meth Code: D99 - Disposal, Other
Quantity Tons: 3.75
Waste Quantity: 7500
Quantity Unit: P
Additional Code 1: Not reported
Additional Code 2: Not reported
Additional Code 3: Not reported
Additional Code 4: Not reported
Additional Code 5: Not reported

Shipment Date: 19950216
Creation Date: 3/29/1996 0:00:00
Receipt Date: 19950221
Manifest ID: 95021192
Trans EPA ID: CAD009466392
Trans Name: Not reported
Trans 2 EPA ID: Not reported
Trans 2 Name: Not reported
TSDf EPA ID: CAD982484933
Trans Name: Not reported
TSDf Alt EPA ID: CAD982484933
TSDf Alt Name: Not reported
Waste Code Description: 512 - Other empty containers 30 gallons or more
RCRA Code: Not reported
Meth Code: D99 - Disposal, Other
Quantity Tons: 4.15
Waste Quantity: 8300
Quantity Unit: P
Additional Code 1: Not reported
Additional Code 2: Not reported
Additional Code 3: Not reported
Additional Code 4: Not reported
Additional Code 5: Not reported

Shipment Date: 19950216
Creation Date: 3/29/1996 0:00:00
Receipt Date: 19950221
Manifest ID: 95021191
Trans EPA ID: CAD009466392
Trans Name: Not reported
Trans 2 EPA ID: Not reported
Trans 2 Name: Not reported
TSDf EPA ID: CAD982484933

Map ID
Direction
Distance
Elevation

MAP FINDINGS

Site

Database(s)

EDR ID Number
EPA ID Number

CHEVRON 98066 (Continued)

S113019220

Trans Name: Not reported
TSDf Alt EPA ID: CAD982484933
TSDf Alt Name: Not reported
Waste Code Description: 512 - Other empty containers 30 gallons or more
RCRA Code: Not reported
Meth Code: D99 - Disposal, Other
Quantity Tons: 3.75
Waste Quantity: 7500
Quantity Unit: P
Additional Code 1: Not reported
Additional Code 2: Not reported
Additional Code 3: Not reported
Additional Code 4: Not reported
Additional Code 5: Not reported

HWTS:

Name: CHEVRON 98066
Address: 2205 W BROADWAY
Address 2: Not reported
City,State,Zip: NEEDLES, CA 92363
EPA ID: CAD983661497
Inactive Date: 06/30/2013
Create Date: 03/11/1993
Last Act Date: Not reported
Mailing Name: Not reported
Mailing Address: PO BOX 6004
Mailing Address 2: Not reported
Mailing City,State,Zip: SAN RAMON, CA 945830000
Owner Name: CHEVRON
Owner Address: PO BOX 6004
Owner Address 2: Not reported
Owner City,State,Zip: SAN RAMON, CA 945830000
Contact Name: KATHY NORRIS-SLUSHER
Contact Address: 6101 BOLLINGER CANYON RD.
Contact Address 2: Not reported
City,State,Zip: SAN RAMON, CA 94583
Facility Status: Inactive
Facility Type: PERMANENT
Category: FEDERAL
Latitude: 34.84845
Longitude: -114.62111

NAICS:

EPA ID: CAD983661497
Create Date: 2003-10-23 13:13:52.000
NAICS Code: 44711
NAICS Description: Gasoline Stations with Convenience Stores
Issued EPA ID Date: 1993-03-11 00:00:00
Inactive Date: 2013-06-30 00:00:00
Facility Name: CHEVRON 98066
Facility Address: 2205 W BROADWAY
Facility Address 2: Not reported
Facility City: NEEDLES
Facility County: Not reported
Facility State: CA
Facility Zip: 923630000

Map ID
Direction
Distance
Elevation

MAP FINDINGS

Site

Database(s)

EDR ID Number
EPA ID Number

CHEVRON 98066 (Continued)

S113019220

EPA ID: CAD983661497
Create Date: 2011-08-17 14:36:26.000
NAICS Code: 447110
NAICS Description: Gasoline Stations with Convenience Stores
Issued EPA ID Date: 1993-03-11 00:00:00
Inactive Date: 2013-06-30 00:00:00
Facility Name: CHEVRON 98066
Facility Address: 2205 W BROADWAY
Facility Address 2: Not reported
Facility City: NEEDLES
Facility County: Not reported
Facility State: CA
Facility Zip: 923630000

AD268 **CHEVRON STA #9-8066**
Target **2205 WEST BROADWAY AVENUE**
Property **NEEDLES, CA 92363**

LUST **S104816327**
Cortese **N/A**
CERS

Site 20 of 20 in cluster AD

Actual: LUST REG 7:
511 ft. Region: 7
Focus Map: Status: 9 - Case Closed
6 Case Num: 7T2363001
Substance: Gasoline - Automotive
ID: 610
Global ID: T0607100999
Lead Agency: Regional Board
Case Worker: KO

LUST:

Name: CHEVRON STA #9-8066
Address: 2205 WEST BROADWAY AVENUE
City,State,Zip: NEEDLES, CA 92363
Lead Agency: COLORADO RIVER BASIN RWQCB (REGION 7)
Case Type: LUST Cleanup Site
Geo Track: http://geotracker.waterboards.ca.gov/profile_report.asp?global_id=T0607100999
Global Id: T0607100999
Latitude: 34.8383203
Longitude: -114.6119931
Status: Completed - Case Closed
Status Date: 10/10/1996
Case Worker: Not reported
RB Case Number: 7T2363001
Local Agency: SAN BERNARDINO COUNTY
File Location: Not reported
Local Case Number: 90191
Potential Media Affect: Aquifer used for drinking water supply
Potential Contaminants of Concern: Gasoline
Site History: Not reported

LUST:

Global Id: T0607100999
Contact Type: Local Agency Caseworker
Contact Name: CURTIS BRUNDAGE
Organization Name: SAN BERNARDINO COUNTY
Address: 620 S. E STREET

Map ID
Direction
Distance
Elevation

MAP FINDINGS

Site

Database(s)

EDR ID Number
EPA ID Number

CHEVRON STA #9-8066 (Continued)

S104816327

City: SAN BERNARDINO
Email: cbrundage@sbcfire.org
Phone Number: Not reported

LUST:

Global Id: T0607100999
Action Type: Other
Date: 03/16/1987
Action: Leak Reported

Global Id: T0607100999
Action Type: Other
Date: 11/06/1986
Action: Leak Stopped

Global Id: T0607100999
Action Type: Other
Date: 11/03/1987
Action: Leak Discovery

LUST:

Global Id: T0607100999
Status: Open - Case Begin Date
Status Date: 11/06/1986

Global Id: T0607100999
Status: Open - Site Assessment
Status Date: 01/21/1987

Global Id: T0607100999
Status: Completed - Case Closed
Status Date: 04/14/1987

Global Id: T0607100999
Status: Open - Reopen Case
Status Date: 10/19/1987

Global Id: T0607100999
Status: Open - Site Assessment
Status Date: 10/20/1987

Global Id: T0607100999
Status: Open - Site Assessment
Status Date: 05/09/1991

Global Id: T0607100999
Status: Open - Remediation
Status Date: 09/03/1991

Global Id: T0607100999
Status: Open - Remediation
Status Date: 05/15/1995

Global Id: T0607100999
Status: Open - Verification Monitoring
Status Date: 09/18/1995

Map ID
Direction
Distance
Elevation

MAP FINDINGS

Site

Database(s)

EDR ID Number
EPA ID Number

CHEVRON STA #9-8066 (Continued)

S104816327

Global Id: T0607100999
Status: Completed - Case Closed
Status Date: 10/10/1996

CORTESE:

Name: CHEVRON STA #9-8066
Address: 2205 WEST BROADWAY AVENUE
City,State,Zip: NEEDLES, CA 92363
Region: CORTESE
Envirostor Id: Not reported
Global ID: T0607100999
Site/Facility Type: LUST CLEANUP SITE
Cleanup Status: COMPLETED - CASE CLOSED
Status Date: Not reported
Site Code: Not reported
Latitude: Not reported
Longitude: Not reported
Owner: Not reported
Enf Type: Not reported
Swat R: Not reported
Flag: active
Order No: Not reported
Waste Discharge System No: Not reported
Effective Date: Not reported
Region 2: Not reported
WID Id: Not reported
Solid Waste Id No: Not reported
Waste Management Uit Name: Not reported
File Name: Active Open

CERS:

Name: CHEVRON STA #9-8066
Address: 2205 WEST BROADWAY AVENUE
City,State,Zip: NEEDLES, CA 92363
Site ID: 209994
CERS ID: T0607100999
CERS Description: Leaking Underground Storage Tank Cleanup Site

Affiliation:

Affiliation Type Desc: Local Agency Caseworker
Entity Name: CURTIS BRUNDAGE - SAN BERNARDINO COUNTY
Entity Title: Not reported
Affiliation Address: 620 S. E STREET
Affiliation City: SAN BERNARDINO
Affiliation State: CA
Affiliation Country: Not reported
Affiliation Zip: Not reported
Affiliation Phone: ,

Map ID
 Direction
 Distance
 Elevation

MAP FINDINGS

Site

Database(s)

EDR ID Number
 EPA ID Number

AK269	CITY OF NEEDLES MUNICIPAL GOLF COURSE	FINDS	1024660010
Target	101 RIVER RD	ECHO	N/A
Property	NEEDLES, CA 92363		

Site 1 of 8 in cluster AK

Actual: FINDS:
482 ft. Registry ID: 110070448404

Focus Map:
7 [Click Here for FRS Facility Detail Report:](#)

Environmental Interest/Information System:

RCRAInfo is a national information system that supports the Resource Conservation and Recovery Act (RCRA) program through the tracking of events and activities related to facilities that generate, transport, and treat, store, or dispose of hazardous waste. RCRAInfo allows RCRA program staff to track the notification, permit, compliance, and corrective action activities required under RCRA.

[Click this hyperlink](#) while viewing on your computer to access additional FINDS: detail in the EDR Site Report.

ECHO:

Envid: 1024660010
 Registry ID: 110070448404
 DFR URL: <http://echo.epa.gov/detailed-facility-report?fid=110070448404>
 Name: CITY OF NEEDLES MUNICIPAL GOLF COURSE
 Address: 101 RIVER RD
 City,State,Zip: NEEDLES, CA 92363

AK270	CITY OF NEEDLES MUNICIPAL GOLF COURSE	RCRA NonGen / NLR	1024795506
Target	101 RIVER RD		CAL000163763
Property	NEEDLES, CA 92363		

Site 2 of 8 in cluster AK

Actual: RCRA NonGen / NLR:
482 ft. Date Form Received by Agency: 19960926

Focus Map: Handler Name: CITY OF NEEDLES MUNICIPAL GOLF COURSE
7 Handler Address: 101 RIVER RD
 Handler City,State,Zip: NEEDLES, CA 92363-0000
 EPA ID: CAL000163763
 Contact Name: DENNIS CALLAWAY,
 Contact Address: 101 RIVER ROAD
 Contact City,State,Zip: NEEDLES, CA 92363
 Contact Telephone: 760-326-3949
 Contact Fax: 000-000-0000
 Contact Email: NDLSPPARKS@FRONTIER.COM
 Contact Title: Not reported
 EPA Region: 09
 Land Type: Not reported
 Federal Waste Generator Description: Not a generator, verified
 Non-Notifier: Not reported
 Biennial Report Cycle: Not reported
 Accessibility: Not reported
 Active Site Indicator: Handler Activities
 State District Owner: Not reported
 State District: Not reported
 Mailing Address: 817 3RD ST
 Mailing City,State,Zip: NEEDLES, CA 92363-0000
 Owner Name: CITY OF NEEDLES

Map ID
 Direction
 Distance
 Elevation

MAP FINDINGS

Site

Database(s)

EDR ID Number
 EPA ID Number

CITY OF NEEDLES MUNICIPAL GOLF COURSE (Continued)

1024795506

Owner Type:		Other
Operator Name:	DENNIS CALLAWAY,	
Operator Type:		Other
Short-Term Generator Activity:		No
Importer Activity:		No
Mixed Waste Generator:		No
Transporter Activity:		No
Transfer Facility Activity:		No
Recycler Activity with Storage:		No
Small Quantity On-Site Burner Exemption:		No
Smelting Melting and Refining Furnace Exemption:		No
Underground Injection Control:		No
Off-Site Waste Receipt:		No
Universal Waste Indicator:		Yes
Universal Waste Destination Facility:		Yes
Federal Universal Waste:		No
Active Site Fed-Reg Treatment Storage and Disposal Facility:		Not reported
Active Site Converter Treatment storage and Disposal Facility:		Not reported
Active Site State-Reg Treatment Storage and Disposal Facility:		Not reported
Active Site State-Reg Handler:		---
Federal Facility Indicator:		Not reported
Hazardous Secondary Material Indicator:		N
Sub-Part K Indicator:		Not reported
Commercial TSD Indicator:		No
Treatment Storage and Disposal Type:		Not reported
2018 GPRA Permit Baseline:		Not on the Baseline
2018 GPRA Renewals Baseline:		Not on the Baseline
Permit Renewals Workload Universe:		Not reported
Permit Workload Universe:		Not reported
Permit Progress Universe:		Not reported
Post-Closure Workload Universe:		Not reported
Closure Workload Universe:		Not reported
202 GPRA Corrective Action Baseline:		No
Corrective Action Workload Universe:		No
Subject to Corrective Action Universe:		No
Non-TSDs Where RCRA CA has Been Imposed Universe:		No
TSDs Potentially Subject to CA Under 3004 (u)/(v) Universe:		No
TSDs Only Subject to CA under Discretionary Auth Universe:		No
Corrective Action Priority Ranking:		No NCAPS ranking
Environmental Control Indicator:		No
Institutional Control Indicator:		No
Human Exposure Controls Indicator:		N/A
Groundwater Controls Indicator:		N/A
Operating TSD Universe:		Not reported
Full Enforcement Universe:		Not reported
Significant Non-Complier Universe:		No
Unaddressed Significant Non-Complier Universe:		No
Addressed Significant Non-Complier Universe:		No
Significant Non-Complier With a Compliance Schedule Universe:		No
Financial Assurance Required:		Not reported
Handler Date of Last Change:		20180905
Recognized Trader-Importer:		No
Recognized Trader-Exporter:		No
Importer of Spent Lead Acid Batteries:		No
Exporter of Spent Lead Acid Batteries:		No
Recycler Activity Without Storage:		No
Manifest Broker:		No

Map ID
Direction
Distance
Elevation

MAP FINDINGS

Site

Database(s)

EDR ID Number
EPA ID Number

CITY OF NEEDLES MUNICIPAL GOLF COURSE (Continued)

1024795506

Sub-Part P Indicator: No

Handler - Owner Operator:
Owner/Operator Indicator: Owner
Owner/Operator Name: CITY OF NEEDLES
Legal Status: Other
Date Became Current: Not reported
Date Ended Current: Not reported
Owner/Operator Address: 817 3RD ST
Owner/Operator City,State,Zip: NEEDLES, CA 92363-0000
Owner/Operator Telephone: 760-326-2113
Owner/Operator Telephone Ext: Not reported
Owner/Operator Fax: Not reported
Owner/Operator Email: Not reported

Owner/Operator Indicator: Operator
Owner/Operator Name: DENNIS CALLAWAY,
Legal Status: Other
Date Became Current: Not reported
Date Ended Current: Not reported
Owner/Operator Address: 101 RIVER ROAD
Owner/Operator City,State,Zip: NEEDLES, CA 92363
Owner/Operator Telephone: 760-326-3949
Owner/Operator Telephone Ext: Not reported
Owner/Operator Fax: Not reported
Owner/Operator Email: Not reported

Historic Generators:
Receive Date: 19960926
Handler Name: CITY OF NEEDLES MUNICIPAL GOLF COURSE
Federal Waste Generator Description: Not a generator, verified
State District Owner: Not reported
Large Quantity Handler of Universal Waste: No
Recognized Trader Importer: No
Recognized Trader Exporter: No
Spent Lead Acid Battery Importer: No
Spent Lead Acid Battery Exporter: No
Current Record: Yes
Non Storage Recycler Activity: Not reported
Electronic Manifest Broker: Not reported

List of NAICS Codes and Descriptions:
NAICS Code: 56299
NAICS Description: ALL OTHER WASTE MANAGEMENT SERVICES

Facility Has Received Notices of Violations:
Violations: No Violations Found

Evaluation Action Summary:
Evaluations: No Evaluations Found

Map ID
Direction
Distance
Elevation

MAP FINDINGS

Site

Database(s)

EDR ID Number
EPA ID Number

AK271 **TRANSWESTERN PIPELINE COMPANY PG&E MEASUREMENT STA**
Target **15 MI OF NEEDLES OFF I40**
Property **NEEDLES, CA 92363**

HAZNET **S123817844**
HWTS **N/A**

Site 3 of 8 in cluster AK

Actual: **HAZNET:**
482 ft. Name: TW PACIFIC GAS & ELECTRIC MEASURING STATION
Focus Map: Address: 15 MI OF NEEDLES OFF I40
7 Address 2: Not reported
 City,State,Zip: NEEDLES, CA 923630000
 Contact: L CAMPBELL SR ENVRN SPECIALIST
 Telephone: 5756258022
 Mailing Name: Not reported
 Mailing Address: 6381 N MAIN ST

 Year: 2001
 Gepaid: CAR000053207
 TSD EPA ID: AZD049318009
 CA Waste Code: 213 - Hydrocarbon solvents (benzene, hexane, Stoddard, Etc.)
 Disposal Method: T03 - Treatment, Incineration
 Tons: 0.1668

 Year: 2000
 Gepaid: CAR000053207
 TSD EPA ID: UTD981552177
 CA Waste Code: 261 - Polychlorinated biphenyls and material containing PCBs
 Disposal Method: T03 - Treatment, Incineration
 Tons: 0.4507

 Year: 2000
 Gepaid: CAR000053207
 TSD EPA ID: AZD049318009
 CA Waste Code: 181 - Other inorganic solid waste
 Disposal Method: -
 Tons: 0.0025

Additional Info:
 Year: 2001
 Gen EPA ID: CAR000053207

 Shipment Date: 20011116
 Creation Date: 1/29/2002 0:00:00
 Receipt Date: 20011120
 Manifest ID: 99062219
 Trans EPA ID: SCR000074591
 Trans Name: Not reported
 Trans 2 EPA ID: Not reported
 Trans 2 Name: Not reported
 TSDF EPA ID: AZD049318009
 Trans Name: Not reported
 TSDF Alt EPA ID: Not reported
 TSDF Alt Name: Not reported
 Waste Code Description: 213 - Hydrocarbon solvents (benzene, hexane, Stoddard, etc.)
 RCRA Code: D018
 Meth Code: T03 - Treatment, Incineration
 Quantity Tons: 0.1668
 Waste Quantity: 40

Map ID
Direction
Distance
Elevation

MAP FINDINGS

Site

Database(s)

EDR ID Number
EPA ID Number

TRANSWESTERN PIPELINE COMPANY PG&E MEASUREMENT STATION (Continued)

S123817844

Quantity Unit: G
Additional Code 1: Not reported
Additional Code 2: Not reported
Additional Code 3: Not reported
Additional Code 4: Not reported
Additional Code 5: Not reported

Additional Info:

Year: 2000
Gen EPA ID: CAR000053207

Shipment Date: 20000815
Creation Date: 10/23/2000 0:00:00
Receipt Date: 20000818
Manifest ID: 96283025
Trans EPA ID: SCR000074591
Trans Name: Not reported
Trans 2 EPA ID: CAT000624247
Trans 2 Name: Not reported
TSDf EPA ID: UTD981552177
Trans Name: Not reported
TSDf Alt EPA ID: Not reported
TSDf Alt Name: Not reported
Waste Code Description: 261 - Not reported
RCRA Code: D004
Meth Code: T03 - Treatment, Incineration
Quantity Tons: 0.4507
Waste Quantity: 409
Quantity Unit: K
Additional Code 1: Not reported
Additional Code 2: Not reported
Additional Code 3: Not reported
Additional Code 4: Not reported
Additional Code 5: Not reported

Shipment Date: 20000316
Creation Date: 5/23/2000 0:00:00
Receipt Date: 20000405
Manifest ID: 96283128
Trans EPA ID: SCR000074591
Trans Name: Not reported
Trans 2 EPA ID: SCR000074591
Trans 2 Name: Not reported
TSDf EPA ID: AZD049318009
Trans Name: Not reported
TSDf Alt EPA ID: Not reported
TSDf Alt Name: Not reported
Waste Code Description: 181 - Other inorganic solid waste Organics
RCRA Code: D008
Meth Code: - Not reported
Quantity Tons: 0.0025
Waste Quantity: 5
Quantity Unit: P
Additional Code 1: Not reported
Additional Code 2: Not reported
Additional Code 3: Not reported
Additional Code 4: Not reported

Map ID
Direction
Distance
Elevation

MAP FINDINGS

Site

Database(s)

EDR ID Number
EPA ID Number

TRANSWESTERN PIPELINE COMPANY PG&E MEASUREMENT STATION (Continued)

S123817844

Additional Code 5: Not reported

HWTS:

Name: TRANSWESTERN PIPELINE COMPANY PG&E MEASUREMENT STATION
Address: 15 MI OF NEEDLES OFF I40
Address 2: Not reported
City,State,Zip: NEEDLES, CA 92363
EPA ID: CAR000053207
Inactive Date: Not reported
Create Date: 04/27/2000
Last Act Date: Not reported
Mailing Name: Not reported
Mailing Address: 8501 JEFFERSON NE AVE
Mailing Address 2: Not reported
Mailing City,State,Zip: ALBUQUERQUE, NM 87113
Owner Name: TRANSWESTERN PIPELINE CO
Owner Address: 8501 JEFFERSON NE AVE
Owner Address 2: Not reported
Owner City,State,Zip: ALBUQUERQUE, NM 87113
Contact Name: KERRY EGAN
Contact Address: 8501 JEFFERSON NE AVE
Contact Address 2: Not reported
City,State,Zip: ALBUQUERQUE, NM 87113
Facility Status: Active
Facility Type: PERMANENT
Category: FEDERAL
Latitude: 34.84832618
Longitude: -114.6080859

NAICS:

EPA ID: CAR000053207
Create Date: 2002-03-14 16:36:30.000
NAICS Code: 48621
NAICS Description: Pipeline Transportation of Natural Gas
Issued EPA ID Date: 2000-04-27 00:00:00
Inactive Date: Not reported
Facility Name: TW PACIFIC GAS & ELECTRIC MEASURING STATION
Facility Address: 15 MI OF NEEDLES OFF I40
Facility Address 2: Not reported
Facility City: NEEDLES
Facility County: Not reported
Facility State: CA
Facility Zip: 923630000

AK272 SOUTHERN CALIF EDISON-CAMINO STATION
Target 23 MI W OF NEEDLES ON I40
Property NEEDLES, CA 92363

HWTS S124564133
N/A

Site 4 of 8 in cluster AK

Actual:
482 ft.

Focus Map:
7

HWTS:

Name: SOUTHERN CALIF EDISON-CAMINO STATION
Address: 23 MI W OF NEEDLES ON I40
Address 2: Not reported
City,State,Zip: NEEDLES, CA 92363
EPA ID: CAC002220265
Inactive Date: 12/31/1899

Map ID
Direction
Distance
Elevation

MAP FINDINGS

Site

Database(s)

EDR ID Number
EPA ID Number

SOUTHERN CALIF EDISON-CAMINO STATION (Continued)

S124564133

Create Date: 12/07/1999
Last Act Date: Not reported
Mailing Name: Not reported
Mailing Address: 2244 S WALNUT GROVE AVE
Mailing Address 2: Not reported
Mailing City,State,Zip: ROSEMEAD, CA 917700000
Owner Name: SOUTHERN CALIF EDISON
Owner Address: 2244 S WALNUT GROVE AVE
Owner Address 2: Not reported
Owner City,State,Zip: ROSEMEAD, CA 917700000
Contact Name: PETE GUERECA
Contact Address: 2244 S WALNUT GROVE AVE
Contact Address 2: Not reported
City,State,Zip: ROSEMEAD, CA 917700000
Facility Status: Inactive
Facility Type: TEMPORARY
Category: STATE
Latitude: 34.848326
Longitude: -114.608117

AK273 SOUTHERN CALIFORNIA EDISON INC
Target 23 MI W/OF NEEDLES ON I40
Property NEEDLES, CA 92363

HAZNET S112909799
HWTS N/A

Site 5 of 8 in cluster AK

Actual: HAZNET:
482 ft. Name: SOUTHERN CALIFORNIA EDISON INC
Focus Map: Address: 23 MI W/OF NEEDLES ON I40
7 Address 2: Not reported
City,State,Zip: NEEDLES, CA 923630000
Contact: PETE GUERECA
Telephone: 9098205542
Mailing Name: Not reported
Mailing Address: 2244 S WALNUT GROVE AVE

Year: 2000
Gepaid: CAC002288889
TSD EPA ID: UTD981552177
CA Waste Code: 261 - Polychlorinated biphenyls and material containing PCBs
Disposal Method: T03 - Treatment, Incineration
Tons: 43.5446

Additional Info:
Year: 2000
Gen EPA ID: CAC002288889

Shipment Date: 20001211
Creation Date: 2/1/2001 0:00:00
Receipt Date: 20001212
Manifest ID: 98786400
Trans EPA ID: CAT000624247
Trans Name: Not reported
Trans 2 EPA ID: Not reported
Trans 2 Name: Not reported
TSD EPA ID: UTD981552177

Map ID
Direction
Distance
Elevation

MAP FINDINGS

Site

Database(s)

EDR ID Number
EPA ID Number

SOUTHERN CALIFORNIA EDISON INC (Continued)

S112909799

Trans Name: Not reported
TSDf Alt EPA ID: Not reported
TSDf Alt Name: Not reported
Waste Code Description: 261 - Not reported
RCRA Code: Not reported
Meth Code: T03 - Treatment, Incineration
Quantity Tons: 25.02
Waste Quantity: 6000
Quantity Unit: G
Additional Code 1: Not reported
Additional Code 2: Not reported
Additional Code 3: Not reported
Additional Code 4: Not reported
Additional Code 5: Not reported

Shipment Date: 20001211
Creation Date: 2/1/2001 0:00:00
Receipt Date: 20001212
Manifest ID: 99724693
Trans EPA ID: CAT000624247
Trans Name: Not reported
Trans 2 EPA ID: Not reported
Trans 2 Name: Not reported
TSDf EPA ID: UTD981552177
Trans Name: Not reported
TSDf Alt EPA ID: Not reported
TSDf Alt Name: Not reported
Waste Code Description: 261 - Not reported
RCRA Code: Not reported
Meth Code: T03 - Treatment, Incineration
Quantity Tons: 18.5246
Waste Quantity: 16810
Quantity Unit: K
Additional Code 1: Not reported
Additional Code 2: Not reported
Additional Code 3: Not reported
Additional Code 4: Not reported
Additional Code 5: Not reported

HWTS:

Name: SOUTHERN CALIFORNIA EDISON INC
Address: 23 MI W/OF NEEDLES ON I40
Address 2: Not reported
City,State,Zip: NEEDLES, CA 92363
EPA ID: CAC002288889
Inactive Date: 06/11/2001
Create Date: 10/24/2000
Last Act Date: Not reported
Mailing Name: Not reported
Mailing Address: 2244 S WALNUT GROVE AVE
Mailing Address 2: Not reported
Mailing City,State,Zip: ROSEMEAD, CA 917700000
Owner Name: SOUTHERN CA EDISON INC
Owner Address: 2244 S WALNUT GROVE AVE
Owner Address 2: Not reported
Owner City,State,Zip: ROSEMEAD, CA 917700000
Contact Name: PETE GUERECA

Map ID
Direction
Distance
Elevation

MAP FINDINGS

Site

Database(s)

EDR ID Number
EPA ID Number

SOUTHERN CALIFORNIA EDISON INC (Continued)

S112909799

Contact Address: 2244 S WALNUT GROVE AVE
Contact Address 2: Not reported
City,State,Zip: ROSEMEAD, CA 917700000
Facility Status: Inactive
Facility Type: TEMPORARY
Category: STATE
Latitude: 34.848326
Longitude: -114.608117

AK274 1X P G & E
Target 15 MI SO OF NEEDLES & INT 80
Property NEEDLES, CA 92363

HAZNET S123725319
HWTS N/A

Site 6 of 8 in cluster AK

Actual: HAZNET:
482 ft. Name: 1X P G & E
Focus Map: Address: 15 MI SO OF NEEDLES & INT 80
7 Address 2: Not reported
City,State,Zip: NEEDLES, CA 923630000
Contact: CAPPS, DARRYLE
Telephone: 4158665503
Mailing Name: Not reported
Mailing Address: --

Year: 1990
Gepaid: CAC000264033
TSD EPA ID: CAD083166728
CA Waste Code: 241 - Tank bottom waste
Disposal Method: 14 -
Tons: 0

HWTS:
Name: 1X P G & E
Address: 15 MI SO OF NEEDLES & INT 80
Address 2: Not reported
City,State,Zip: NEEDLES, CA 92363
EPA ID: CAC000264033
Inactive Date: 10/25/2000
Create Date: 03/28/1990
Last Act Date: Not reported
Mailing Name: Not reported
Mailing Address: Not reported
Mailing Address 2: Not reported
Mailing City,State,Zip: NEEDLES, CA 923630000
Owner Name: P G & E
Owner Address: Not reported
Owner Address 2: Not reported
Owner City,State,Zip: Not reported
Contact Name: CAPPS, DARRYLE
Contact Address: Not reported
Contact Address 2: Not reported
City,State,Zip: Not reported
Facility Status: Inactive
Facility Type: TEMPORARY
Category: STATE

Map ID
Direction
Distance
Elevation

MAP FINDINGS

Site

Database(s)

EDR ID Number
EPA ID Number

1X P G & E (Continued)

S123725319

Latitude: 34.848326
Longitude: -114.608086

**AK275 1X CALIF DEPT OF TRANS
Target 11 MI E OF NEEDLES CA
Property NEEDLES, CA 92363**

**HWTS S124533983
N/A**

Site 7 of 8 in cluster AK

Actual: 482 ft.
Focus Map: 7

HWTS:
Name: 1X CALIF DEPT OF TRANS
Address: 11 MI E OF NEEDLES CA
Address 2: Not reported
City,State,Zip: NEEDLES, CA 92363
EPA ID: CAC000579592
Inactive Date: 10/25/2000
Create Date: 03/29/1991
Last Act Date: Not reported
Mailing Name: Not reported
Mailing Address: Not reported
Mailing Address 2: Not reported
Mailing City,State,Zip: SAN BERNARDINO, CA 924020000
Owner Name: STATE
Owner Address: Not reported
Owner Address 2: Not reported
Owner City,State,Zip: Not reported
Contact Name: BEAL, THAD/V P
Contact Address: Not reported
Contact Address 2: Not reported
City,State,Zip: Not reported
Facility Status: Inactive
Facility Type: TEMPORARY
Category: STATE
Latitude: 34.848326
Longitude: -114.60807

**AL276 NEEDLES MARINA MAINTENANCE DREDGING
Target
Property NEEDLES, CA**

**CERS S123521834
N/A**

Site 1 of 2 in cluster AL

Actual: 462 ft.
Focus Map: 7

CERS:
Name: NEEDLES MARINA MAINTENANCE DREDGING
Address: Not reported
City,State,Zip: NEEDLES, CA
Site ID: 441533
CERS ID: 840048
CERS Description: Wetlands - Fill and Dredge Material

Map ID
Direction
Distance
Elevation

MAP FINDINGS

Site

Database(s)

EDR ID Number
EPA ID Number

AL277 **NEEDLES MARINA MAINTENANCE DREDGING**
Target
Property **NEEDLES, CA**

CIWQS **S122829878**
N/A

Site 2 of 2 in cluster AL

Actual: **CIWQS:**
462 ft. Name: NEEDLES MARINA MAINTENANCE DREDGING
Focus Map: Address: Not reported
7 City,State,Zip: NEEDLES, CA
 Agency: Needles Marina Park
 Agency Address: 100 Marina Drive, Needles, CA 92363
 Place/Project Type: Dredge/Fill Site
 SIC/NAICS: Not reported
 Region: 7
 Program: CERDREDGE
 Regulatory Measure Status: Active
 Regulatory Measure Type: 401 Certification
 Order Number: Not reported
 WDID: 7B363037001
 NPDES Number: Not reported
 Adoption Date: Not reported
 Effective Date: 08/01/2018
 Termination Date: Not reported
 Expiration/Review Date: 08/01/2023
 Design Flow: Not reported
 Major/Minor: Not reported
 Complexity: Not reported
 TTWQ: Not reported
 Enforcement Actions within 5 years: 0
 Violations within 5 years: 0
 Latitude: 34.848326
 Longitude: -114.604179

AF278 **1XDALE STOUT PROPERTY OWNER**
Target **2211 W. BROADWAY**
Property **NEEDLES, CA 92363**

HAZNET **S123703996**
HWTS **N/A**

Site 2 of 2 in cluster AF

Actual: **HAZNET:**
516 ft. Name: 1XDALE STOUT PROPERTY OWNER
Focus Map: Address: 2211 W. BROADWAY
6 Address 2: Not reported
 City,State,Zip: NEEDLES, CA 923630000
 Contact: DALE STOUT
 Telephone: 6193263225
 Mailing Name: Not reported
 Mailing Address: P.O.BOX B.J.

 Year: 1987
 Gepaid: CAC000038299
 TSD EPA ID: CAT080013352
 CA Waste Code: 241 - Tank bottom waste
 Disposal Method: UNK -
 Tons: 3.336

HWTS:

Map ID
 Direction
 Distance
 Elevation

MAP FINDINGS

Site

Database(s)

EDR ID Number
 EPA ID Number

1XDALE STOUT PROPERTY OWNER (Continued)

S123703996

Name: 1XDALE STOUT PROPERTY OWNER
 Address: 2211 W. BROADWAY
 Address 2: Not reported
 City,State,Zip: NEEDLES, CA 92363
 EPA ID: CAC000038299
 Inactive Date: 10/25/2000
 Create Date: 09/23/1987
 Last Act Date: Not reported
 Mailing Name: Not reported
 Mailing Address: P.O.BOX B.J.
 Mailing Address 2: Not reported
 Mailing City,State,Zip: NEEDLES, CA 923630000
 Owner Name: Not reported
 Owner Address: Not reported
 Owner Address 2: Not reported
 Owner City,State,Zip: Not reported
 Contact Name: DALE STOUT
 Contact Address: Not reported
 Contact Address 2: Not reported
 City,State,Zip: Not reported
 Facility Status: Inactive
 Facility Type: TEMPORARY
 Category: STATE
 Latitude: 34.836413
 Longitude: -114.599478

AH279 L & S AUTO CENTER
Target 1401 NEEDLES HWY
Property NEEDLES, CA 92363

HAZNET S113127918
HWTS N/A

Site 12 of 13 in cluster AH

Actual: HAZNET:
481 ft. Name: L & S AUTO CENTER
Focus Map: Address: 1401 NEEDLES HWY
7 Address 2: Not reported
 City,State,Zip: NEEDLES, CA 92363
 Contact: WILLIAM G LILLARD OWNER
 Telephone: 7603266245
 Mailing Name: Not reported
 Mailing Address: 1401 NEEDLES HWY

Year: 2004
 Gepaid: CAL000273724
 TSD EPA ID: NVR000066837
 CA Waste Code: 221 - Waste oil and mixed oil
 Disposal Method: -
 Tons: 1.026

Year: 2003
 Gepaid: CAL000273724
 TSD EPA ID: NVR000066837
 CA Waste Code: 221 - Waste oil and mixed oil
 Disposal Method: H01 - Transfer Station
 Tons: 1.102

Year: 2003
 Gepaid: CAL000273724

Map ID
Direction
Distance
Elevation

MAP FINDINGS

Site

Database(s)

EDR ID Number
EPA ID Number

L & S AUTO CENTER (Continued)

S113127918

TSD EPA ID: NVR000066837
CA Waste Code: -
Disposal Method: H01 - Transfer Station
Tons: Not reported

Additional Info:

Year: 2004
Gen EPA ID: CAL000273724

Shipment Date: 20041110
Creation Date: 1/11/2005 18:30:51
Receipt Date: 20041110
Manifest ID: 22323560
Trans EPA ID: TXR000050930
Trans Name: SAFETY-KLEEN SYSTEMS INC
Trans 2 EPA ID: Not reported
Trans 2 Name: Not reported
TSD EPA ID: NVR000066837
Trans Name: SAFETY-KLEEN SYSTEMS INC
TSD EPA ID: NVR000066837
TSD Alt Name: Not reported
Waste Code Description: 221 - Waste oil and mixed oil
RCRA Code: Not reported
Meth Code: - Not reported
Quantity Tons: 1.026
Waste Quantity: 270
Quantity Unit: G
Additional Code 1: Not reported
Additional Code 2: Not reported
Additional Code 3: Not reported
Additional Code 4: Not reported
Additional Code 5: Not reported

Additional Info:

Year: 2003
Gen EPA ID: CAL000273724

Shipment Date: 20030904
Creation Date: 7/29/2004 7:44:50
Receipt Date: 20030904
Manifest ID: 21959236
Trans EPA ID: TXR000050930
Trans Name: Not reported
Trans 2 EPA ID: Not reported
Trans 2 Name: Not reported
TSD EPA ID: NVR000066837
Trans Name: Not reported
TSD EPA ID: Not reported
TSD Alt Name: Not reported
Waste Code Description: 221 - Waste oil and mixed oil
RCRA Code: Not reported
Meth Code: H01 - Transfer Station
Quantity Tons: 1.102
Waste Quantity: 290
Quantity Unit: G

Map ID
Direction
Distance
Elevation

MAP FINDINGS

Site

Database(s)

EDR ID Number
EPA ID Number

L & S AUTO CENTER (Continued)

S113127918

Additional Code 1: Not reported
Additional Code 2: Not reported
Additional Code 3: Not reported
Additional Code 4: Not reported
Additional Code 5: Not reported

Shipment Date: 20030904
Creation Date: 7/29/2004 7:44:50
Receipt Date: 20030904
Manifest ID: 21959236
Trans EPA ID: TXR000050930
Trans Name: Not reported
Trans 2 EPA ID: Not reported
Trans 2 Name: Not reported
TSDf EPA ID: NVR000066837
Trans Name: Not reported
TSDf Alt EPA ID: Not reported
TSDf Alt Name: Not reported
Waste Code Description: - Not reported
RCRA Code: Not reported
Meth Code: H01 - Transfer Station
Quantity Tons: Not reported
Waste Quantity: Not reported
Quantity Unit: Not reported
Additional Code 1: Not reported
Additional Code 2: Not reported
Additional Code 3: Not reported
Additional Code 4: Not reported
Additional Code 5: Not reported

HWTS:

Name: L & S AUTO CENTER
Address: 1401 NEEDLES HWY
Address 2: Not reported
City,State,Zip: NEEDLES, CA 92363
EPA ID: CAL000273724
Inactive Date: 06/30/2013
Create Date: 08/11/2003
Last Act Date: Not reported
Mailing Name: Not reported
Mailing Address: 1401 NEEDLES HWY
Mailing Address 2: Not reported
Mailing City,State,Zip: NEEDLES, CA 923630000
Owner Name: WILLIAM LILLARD
Owner Address: 1401 NEEDLES HWY
Owner Address 2: Not reported
Owner City,State,Zip: NEEDLES, CA 923630000
Contact Name: WILLIAM G LILLARD OWNER
Contact Address: 579 BEACH
Contact Address 2: Not reported
City,State,Zip: NEEDLES, CA 923630000
Facility Status: Inactive
Facility Type: PERMANENT
Category: STATE
Latitude: 34.848449
Longitude: -114.616318

Map ID
Direction
Distance
Elevation

MAP FINDINGS

Site

Database(s)

EDR ID Number
EPA ID Number

L & S AUTO CENTER (Continued)

S113127918

NAICS:

EPA ID: CAL000273724
Create Date: 2003-08-11 08:15:43.500
NAICS Code: 811111
NAICS Description: General Automotive Repair
Issued EPA ID Date: 2003-08-11 08:15:43.34000
Inactive Date: 2013-06-30 00:00:00
Facility Name: L & S AUTO CENTER
Facility Address: 1401 NEEDLES HWY
Facility Address 2: Not reported
Facility City: NEEDLES
Facility County: Not reported
Facility State: CA
Facility Zip: 92363

AH280 L & S AUTO CARE
Target 1401 NEEDLES HWY
Property NEEDLES, CA 92363

San Bern. Co. Permit S104767651
N/A

Site 13 of 13 in cluster AH

Actual: San Bern. Co. Permit:
481 ft. Name: L & S AUTO CARE
Focus Map: Address: 1401 NEEDLES HWY
7 City,State,Zip: NEEDLES, CA 92363
Region: SAN BERNARDINO
Facility ID: FA0004317
Owner: LILLARD, WILLIAM G.
Permit Number: PT0003699
Permit Category: SPECIAL GENERATOR
Facility Status: INACTIVE
Expiration Date: 11/30/2012

Name: L & S AUTO CARE
Address: 1401 NEEDLES HWY
City,State,Zip: NEEDLES, CA 92363
Region: SAN BERNARDINO
Facility ID: FA0004317
Owner: LILLARD, WILLIAM G.
Permit Number: PT0003698
Permit Category: SPECIAL HANDLER
Facility Status: INACTIVE
Expiration Date: 11/30/2012

AE281 WEST POINT AUTO
Target 2103 NEEDLES HWY
Property NEEDLES, CA 92363

FINDS 1023322613
N/A

Site 8 of 11 in cluster AE

Actual: FINDS:
507 ft. Registry ID: 110066164894
Focus Map:
6 [Click Here for FRS Facility Detail Report:](#)

Map ID
Direction
Distance
Elevation

MAP FINDINGS

Site

Database(s)

EDR ID Number
EPA ID Number

WEST POINT AUTO (Continued)

1023322613

Environmental Interest/Information System:
STATE MASTER

[Click this hyperlink](#) while viewing on your computer to access
additional FINDS: detail in the EDR Site Report.

AE282 **ACTIVE TOWING DBA SLEIMAN ZEINATY**
Target **2103 NEEDLES HWY**
Property **NEEDLES, CA 92363**

HWTS **S124834954**
 N/A

Site 9 of 11 in cluster AE

Actual: HWTS:
507 ft. Name: ACTIVE TOWING DBA SLEIMAN ZEINATY
Focus Map: Address: 2103 NEEDLES HWY
6 Address 2: Not reported
 City,State,Zip: NEEDLES, CA 92363
 EPA ID: CAL000252200
 Inactive Date: 06/30/2009
 Create Date: 05/16/2002
 Last Act Date: Not reported
 Mailing Name: Not reported
 Mailing Address: PO BOX 3343
 Mailing Address 2: Not reported
 Mailing City,State,Zip: NEEDLES, CA 923632056
 Owner Name: SLIM ZEINATY
 Owner Address: 31251 GOFFS RD
 Owner Address 2: Not reported
 Owner City,State,Zip: ESSEX, CA 923329701
 Contact Name: SLIM ZEINATY
 Contact Address: PO BOX 3343
 Contact Address 2: Not reported
 City,State,Zip: NEEDLES, CA 923632056
 Facility Status: Inactive
 Facility Type: PERMANENT
 Category: STATE
 Latitude: 34.848482
 Longitude: -114.618849

NAICS:
EPA ID: CAL000252200
Create Date: 2002-05-16 14:57:34.153
NAICS Code: 811111
NAICS Description: General Automotive Repair
Issued EPA ID Date: 2002-05-16 14:57:34.12300
Inactive Date: 2009-06-30 00:00:00
Facility Name: ACTIVE TOWING DBA SLEIMAN ZEINATY
Facility Address: 2103 NEEDLES HWY
Facility Address 2: Not reported
Facility City: NEEDLES
Facility County: Not reported
Facility State: CA
Facility Zip: 92363

Map ID
Direction
Distance
Elevation

MAP FINDINGS

Site

Database(s)

EDR ID Number
EPA ID Number

AE283 **WEST POINT AUTO**
Target **2103 NEEDLES HWY**
Property **NEEDLES, CA 92363**

San Bern. Co. Permit **S106911187**
HWTS **N/A**

Site 10 of 11 in cluster AE

Actual:
507 ft.

San Bern. Co. Permit:

Focus Map:
6

Name: WEST POINT AUTO
Address: 2103 NEEDLES HWY
City,State,Zip: NEEDLES, CA 92363
Region: SAN BERNARDINO
Facility ID: FA0007260
Owner: ZEINATY, NAJAH
Permit Number: PT0003879
Permit Category: HAZARDOUS MATERIALS 1-3 CHEMICALS
Facility Status: INACTIVE
Expiration Date: 11/30/2014

Name: WEST POINT AUTO
Address: 2103 NEEDLES HWY
City,State,Zip: NEEDLES, CA 92363
Region: SAN BERNARDINO
Facility ID: FA0007260
Owner: ZEINATY, NAJAH
Permit Number: PT0003878
Permit Category: CONDITIONALLY EXEMPT SM QTY GENERATOR
Facility Status: INACTIVE
Expiration Date: 11/30/2014

HWTS:

Name: WEST POINT AUTO
Address: 2103 NEEDLES HWY
Address 2: Not reported
City,State,Zip: NEEDLES, CA 92363
EPA ID: CAL000367604
Inactive Date: 07/24/2013
Create Date: 09/20/2011
Last Act Date: Not reported
Mailing Name: Not reported
Mailing Address: 2103 NEEDLES HWY
Mailing Address 2: Not reported
Mailing City,State,Zip: NEEDLES, CA 923632102
Owner Name: NAJAH ZEINATY
Owner Address: 2571 CAMINO DEL RIO
Owner Address 2: Not reported
Owner City,State,Zip: BULLHEAD CITY, AZ 864427621
Contact Name: MARY POTTER
Contact Address: 2103 NEEDLES HWY
Contact Address 2: Not reported
City,State,Zip: NEEDLES, CA 923632102
Facility Status: Inactive
Facility Type: PERMANENT
Category: STATE
Latitude: 34.84824
Longitude: -114.61918

NAICS:

EPA ID: CAL000367604
Create Date: 2011-09-20 14:54:39.123

Map ID
Direction
Distance
Elevation

MAP FINDINGS

Site

Database(s)

EDR ID Number
EPA ID Number

WEST POINT AUTO (Continued)

S106911187

NAICS Code: 811111
NAICS Description: General Automotive Repair
Issued EPA ID Date: 2011-09-20 14:54:39.07700
Inactive Date: 2013-07-24 00:00:00
Facility Name: WEST POINT AUTO
Facility Address: 2103 NEEDLES HWY
Facility Address 2: Not reported
Facility City: NEEDLES
Facility County: Not reported
Facility State: CA
Facility Zip: 923632102

AE284 WEST POINT AUTO
Target 2103 NEEDLES HIGHWAY
Property NEEDLES, CA 92363

HWTS S124804121
N/A

Site 11 of 11 in cluster AE

Actual: 507 ft. **HWTS:**
Focus Map: 6
Name: WEST POINT AUTO
Address: 2103 NEEDLES HIGHWAY
Address 2: Not reported
City,State,Zip: NEEDLES, CA 92363
EPA ID: CAL000123937
Inactive Date: 06/30/1999
Create Date: 09/29/1994
Last Act Date: Not reported
Mailing Name: Not reported
Mailing Address: 2103 NEEDLES HWY
Mailing Address 2: Not reported
Mailing City,State,Zip: NEEDLES, CA 923630000
Owner Name: ASSAD ZEINATY
Owner Address: 2103 NEEDLES HWY
Owner Address 2: Not reported
Owner City,State,Zip: NEEDLES, CA
Contact Name: MARY POTTER
Contact Address: INACT 99VQ FINAL NOTICE - BATCH
Contact Address 2: Not reported
City,State,Zip: NEEDLES, CA
Facility Status: Inactive
Facility Type: PERMANENT
Category: STATE
Latitude: 34.848485
Longitude: -114.61894

AK285 PG & E MEASURING STATION
Target 34.714956 114.490849
Property NEEDLES, CA 92363

CERS S127392316
N/A

Site 8 of 8 in cluster AK

Actual: 482 ft. **CERS:**
Focus Map: 7
Name: PG & E MEASURING STATION
Address: 34.714956 114.490849
City,State,Zip: NEEDLES, CA 92363

Map ID
Direction
Distance
Elevation

MAP FINDINGS

Site

Database(s)

EDR ID Number
EPA ID Number

PG & E MEASURING STATION (Continued)

S127392316

Site ID: 142898
CERS ID: 10045723
CERS Description: Chemical Storage Facilities

Violations:
Site ID: 142898
Site Name: PG & E MEASURING STATION
Violation Date: 09-04-2013
Citation: HSC 6.95 25505(a) - California Health and Safety Code, Chapter 6.95, Section(s) 25505(a)
Violation Description: Owner/Operator failed to complete and/or submit a Hazardous Materials Business Plan when storing hazardous materials at or above the thresholds quantities of 55 gallons/500 lbs/200 cubic feet.
Violation Notes: Returned to compliance on 11/15/2017.
Violation Division: San Bernardino County Fire Department
Violation Program: HMRRP
Violation Source: CERS,

Evaluation:
Eval General Type: Compliance Evaluation Inspection
Eval Date: 02-11-2021
Violations Found: No
Eval Type: Routine done by local agency
Eval Notes: Not reported
Eval Division: San Bernardino County Fire Department
Eval Program: HW
Eval Source: CERS,

Eval General Type: Compliance Evaluation Inspection
Eval Date: 09-04-2013
Violations Found: No
Eval Type: Routine done by local agency
Eval Notes: pg&e metering station-insp
Eval Division: San Bernardino County Fire Department
Eval Program: HW
Eval Source: CERS,

Eval General Type: Compliance Evaluation Inspection
Eval Date: 02-11-2021
Violations Found: No
Eval Type: Routine done by local agency
Eval Notes: Not reported
Eval Division: San Bernardino County Fire Department
Eval Program: HMRRP
Eval Source: CERS,

Eval General Type: Compliance Evaluation Inspection
Eval Date: 09-04-2013
Violations Found: Yes
Eval Type: Routine done by local agency
Eval Notes: pg&e- metering station-insp
Eval Division: San Bernardino County Fire Department
Eval Program: HMRRP
Eval Source: CERS,

Eval General Type: Compliance Evaluation Inspection
Eval Date: 12-06-2017

Map ID
Direction
Distance
Elevation

MAP FINDINGS

Site

Database(s)

EDR ID Number
EPA ID Number

PG & E MEASURING STATION (Continued)

S127392316

Violations Found: No
Eval Type: Routine done by local agency
Eval Notes: Not reported
Eval Division: San Bernardino County Fire Department
Eval Program: HW
Eval Source: CERS,

Enforcement Action:
Site ID: 142898
Site Name: PG & E MEASURING STATION
Site Address: 34.714956 114.490849
Site City: NEEDLES
Site Zip: 92363
Enf Action Date: 09-04-2013
Enf Action Type: Notice of Violation (Unified Program)
Enf Action Description: Notice of Violation Issued by the Inspector at the Time of Inspection
Enf Action Notes: Not reported
Enf Action Division: San Bernardino County Fire Department
Enf Action Program: HMRRP
Enf Action Source: CERS,

Affiliation:
Affiliation Type Desc: Parent Corporation
Entity Name: PG & E MEASURING STATION
Entity Title: Not reported
Affiliation Address: Not reported
Affiliation City: Not reported
Affiliation State: Not reported
Affiliation Country: Not reported
Affiliation Zip: Not reported
Affiliation Phone: ,

Affiliation Type Desc: Environmental Contact
Entity Name: Kerry Egan
Entity Title: Not reported
Affiliation Address: 8501 Jefferson ST NE
Affiliation City: Albuquerque
Affiliation State: NM
Affiliation Country: Not reported
Affiliation Zip: 87113
Affiliation Phone: ,

Affiliation Type Desc: Facility Mailing Address
Entity Name: Mailing Address
Entity Title: Not reported
Affiliation Address: 8501 Jefferson ST NE
Affiliation City: Albuquerque
Affiliation State: NM
Affiliation Country: Not reported
Affiliation Zip: 87113
Affiliation Phone: ,

Affiliation Type Desc: Identification Signer
Entity Name: Kerry Egan
Entity Title: Environmental Specialist
Affiliation Address: Not reported

Map ID
Direction
Distance
Elevation

MAP FINDINGS

Site

Database(s)

EDR ID Number
EPA ID Number

PG & E MEASURING STATION (Continued)

S127392316

Affiliation City: Not reported
Affiliation State: Not reported
Affiliation Country: Not reported
Affiliation Zip: Not reported
Affiliation Phone: ,

Affiliation Type Desc: Legal Owner
Entity Name: TRANSWESTERN PIPELINE CO.
Entity Title: Not reported
Affiliation Address: 8501 Jefferson ST NE
Affiliation City: Albuquerque
Affiliation State: NM
Affiliation Country: United States
Affiliation Zip: 87113
Affiliation Phone: (505) 260-4023,

Affiliation Type Desc: CUPA District
Entity Name: San Bernardino County Fire
Entity Title: Not reported
Affiliation Address: 620 South E Street
Affiliation City: San Bernardino
Affiliation State: CA
Affiliation Country: Not reported
Affiliation Zip: 92415-0153
Affiliation Phone: (909) 386-8401,

Affiliation Type Desc: Document Preparer
Entity Name: same
Entity Title: Not reported
Affiliation Address: Not reported
Affiliation City: Not reported
Affiliation State: Not reported
Affiliation Country: Not reported
Affiliation Zip: Not reported
Affiliation Phone: ,

Affiliation Type Desc: Operator
Entity Name: Transwestern Pipeline Comany
Entity Title: Not reported
Affiliation Address: Not reported
Affiliation City: Not reported
Affiliation State: Not reported
Affiliation Country: Not reported
Affiliation Zip: Not reported
Affiliation Phone: (928) 768-4455,

Affiliation Type Desc: Property Owner
Entity Name: Transwestern Pipeline Company
Entity Title: Not reported
Affiliation Address: 8501 Jefferson ST NE
Affiliation City: Albuquerque
Affiliation State: NM
Affiliation Country: United States
Affiliation Zip: 87113
Affiliation Phone: (505) 260-4023,

Map ID
Direction
Distance
Elevation

MAP FINDINGS

Site

Database(s)

EDR ID Number
EPA ID Number

AJ286 **DESERT RIVER LUBE & AUTO**
Target **1714 W BROADWAY ST**
Property **NEEDLES, CA 92363**

CERS HAZ WASTE **S105047918**
San Bern. Co. Permit **N/A**

Site 3 of 13 in cluster AJ

Actual:
493 ft.

Focus Map:
6

CERS HAZ WASTE:
Name: DESERT RIVER LUBE & AUTO
Address: 1714 W BROADWAY ST
City,State,Zip: NEEDLES, CA 92363
Site ID: 597247
CERS ID: 10042621
CERS Description: Hazardous Waste Generator

Violations:

Site ID: 597247
Site Name: DESERT RIVER LUBE & AUTO
Violation Date: 12-27-2016
Citation: HSC 6.5 Multiple - California Health and Safety Code, Chapter 6.5, Section(s) Multiple
Violation Description: Hazardous Waste Generator Program - Operations/Maintenance - General
Violation Notes: Returned to compliance on 01/11/2017. Failure to establish a Contingency Plan (CCR 66265.51(a)) Contingency Plan not established.
Violation Division: San Bernardino County Fire Department
Violation Program: HW
Violation Source: CERS,

Site ID: 597247
Site Name: DESERT RIVER LUBE & AUTO
Violation Date: 12-27-2016
Citation: HSC 6.5 25250.22 - California Health and Safety Code, Chapter 6.5, Section(s) 25250.22
Violation Description: Failure to properly manage used oil and/or fuel filters in accordance with the requirements.
Violation Notes: Returned to compliance on 01/11/2017. Drum of drained used oil filters missing accumulation start date.
Violation Division: San Bernardino County Fire Department
Violation Program: HW
Violation Source: CERS,

Site ID: 597247
Site Name: DESERT RIVER LUBE & AUTO
Violation Date: 09-04-2013
Citation: 22 CCR 16 66266.130 - California Code of Regulations, Title 22, Chapter 16, Section(s) 66266.130
Violation Description: Failure to properly handle, manage, label, and recycle used oil and fuel filters.
Violation Notes: Returned to compliance on 09/04/2013. corrected on site- operator properly labeled the used oil filter drum-
Violation Division: San Bernardino County Fire Department
Violation Program: HW
Violation Source: CERS,

Site ID: 597247
Site Name: DESERT RIVER LUBE & AUTO
Violation Date: 12-27-2016
Citation: HSC 6.95 25508(a)(1) - California Health and Safety Code, Chapter 6.95, Section(s) 25508(a)(1)
Violation Description: Failure to complete and electronically submit a business plan when storing/handling a hazardous material at or above reportable

Map ID
Direction
Distance
Elevation

MAP FINDINGS

Site

Database(s)

EDR ID Number
EPA ID Number

DESERT RIVER LUBE & AUTO (Continued)

S105047918

Violation Notes: quantities.
Returned to compliance on 01/11/2017. Business plan has not been submitted electronically into the California Environmental Reporting System (CERS).

Violation Division: San Bernardino County Fire Department
Violation Program: HMRRP
Violation Source: CERS,

Site ID: 597247
Site Name: DESERT RIVER LUBE & AUTO
Violation Date: 09-04-2013
Citation: HSC 6.67 Multiple - California Health and Safety Code, Chapter 6.67, Section(s) Multiple

Violation Description: Haz Waste Generator Program - Operations/Maintenance - General
Violation Notes: Returned to compliance on 09/04/2013. Failure to note accumulation start date on labels (CCR 66262.34(f)(2)) corrected on site- operator properly labeled the used oil tank-

Violation Division: San Bernardino County Fire Department
Violation Program: HW
Violation Source: CERS,

Site ID: 597247
Site Name: DESERT RIVER LUBE & AUTO
Violation Date: 12-27-2016
Citation: HSC 6.5 Multiple - California Health and Safety Code, Chapter 6.5, Section(s) Multiple

Violation Description: Hazardous Waste Generator Program - Operations/Maintenance - General
Violation Notes: Returned to compliance on 01/11/2017. Failure to complete hazardous waste labels (CCR 66262.34(f)(3)) Hazardous waste labels are incomplete.

Violation Division: San Bernardino County Fire Department
Violation Program: HW
Violation Source: CERS,

Site ID: 597247
Site Name: DESERT RIVER LUBE & AUTO
Violation Date: 09-04-2013
Citation: HSC 6.67 Multiple - California Health and Safety Code, Chapter 6.67, Section(s) Multiple

Violation Description: Haz Waste Generator Program - Operations/Maintenance - General
Violation Notes: Returned to compliance on 09/04/2013. Failure to complete hazardous waste labels (CCR 66262.34(f)(3)) corrected on site- operator properly labeled the used oil tank-

Violation Division: San Bernardino County Fire Department
Violation Program: HW
Violation Source: CERS,

Site ID: 597247
Site Name: DESERT RIVER LUBE & AUTO
Violation Date: 12-27-2016
Citation: HSC 6.5 Multiple - California Health and Safety Code, Chapter 6.5, Section(s) Multiple

Violation Description: Hazardous Waste Generator Program - Operations/Maintenance - General
Violation Notes: Returned to compliance on 01/11/2017. Failure to label hazardous waste containers (CCR 66262.34(f)(3)) Hazardous waste container missing proper labeling.

Violation Division: San Bernardino County Fire Department

Map ID
Direction
Distance
Elevation

MAP FINDINGS

Site

Database(s)

EDR ID Number
EPA ID Number

DESERT RIVER LUBE & AUTO (Continued)

S105047918

Violation Program: HW
Violation Source: CERS,

Site ID: 597247
Site Name: DESERT RIVER LUBE & AUTO
Violation Date: 12-27-2016
Citation: HSC 6.5 Multiple - California Health and Safety Code, Chapter 6.5, Section(s) Multiple
Violation Description: Hazardous Waste Generator Program - Operations/Maintenance - General
Violation Notes: Returned to compliance on 01/11/2017. Failure to note accumulation start date on labels (CCR 66262.34(f)(2)) Accumulation start date missing from hazardous waste label.

Violation Division: San Bernardino County Fire Department
Violation Program: HW
Violation Source: CERS,

Site ID: 597247
Site Name: DESERT RIVER LUBE & AUTO
Violation Date: 09-04-2013
Citation: HSC 6.67 Multiple - California Health and Safety Code, Chapter 6.67, Section(s) Multiple
Violation Description: Haz Waste Generator Program - Operations/Maintenance - General
Violation Notes: Returned to compliance on 09/04/2013. Failure to label hazardous waste containers (CCR 66262.34(f)(3)) corrected on site- operator properly labeled the used oil tank-

Violation Division: San Bernardino County Fire Department
Violation Program: HW
Violation Source: CERS,

Site ID: 597247
Site Name: DESERT RIVER LUBE & AUTO
Violation Date: 12-27-2016
Citation: HSC 6.5 Multiple - California Health and Safety Code, Chapter 6.5, Section(s) Multiple
Violation Description: Hazardous Waste Generator Program - Operations/Maintenance - General
Violation Notes: Returned to compliance on 01/11/2017. Failure to manage hazardous waste lawfully (CHSC 25154) Hazardous waste not managed lawfully.

Violation Division: San Bernardino County Fire Department
Violation Program: HW
Violation Source: CERS,

Site ID: 597247
Site Name: DESERT RIVER LUBE & AUTO
Violation Date: 12-27-2016
Citation: HSC 6.95 25507 - California Health and Safety Code, Chapter 6.95, Section(s) 25507
Violation Description: Failure to adequately establish and implement a business plan when storing/handling a hazardous material at or above reportable quantities.

Violation Notes: Returned to compliance on 01/11/2017. Business plan is not adequately established and implemented.

Violation Division: San Bernardino County Fire Department
Violation Program: HMRRP
Violation Source: CERS,

Evaluation:
Eval General Type: Compliance Evaluation Inspection

Map ID
Direction
Distance
Elevation

MAP FINDINGS

Site

Database(s)

EDR ID Number
EPA ID Number

DESERT RIVER LUBE & AUTO (Continued)

S105047918

Eval Date: 12-27-2016
Violations Found: Yes
Eval Type: Routine done by local agency
Eval Notes: ROUTINE GENERATOR INSPECTION.
Eval Division: San Bernardino County Fire Department
Eval Program: HW
Eval Source: CERS,

Eval General Type: Compliance Evaluation Inspection
Eval Date: 12-27-2016
Violations Found: Yes
Eval Type: Routine done by local agency
Eval Notes: ROUTINE HANDLER INSPECTION.
Eval Division: San Bernardino County Fire Department
Eval Program: HMRRP
Eval Source: CERS,

Eval General Type: Compliance Evaluation Inspection
Eval Date: 09-04-2013
Violations Found: No
Eval Type: Routine done by local agency
Eval Notes: oil lube and latte- insp
Eval Division: San Bernardino County Fire Department
Eval Program: HMRRP
Eval Source: CERS,

Eval General Type: Compliance Evaluation Inspection
Eval Date: 09-04-2013
Violations Found: Yes
Eval Type: Routine done by local agency
Eval Notes: oil lube and latte- insp
Eval Division: San Bernardino County Fire Department
Eval Program: HW
Eval Source: CERS,

Eval General Type: Other/Unknown
Eval Date: 11-06-2019
Violations Found: No
Eval Type: Other, not routine, done by local agency
Eval Notes: Not reported
Eval Division: San Bernardino County Fire Department
Eval Program: HW
Eval Source: CERS,

Eval General Type: Other/Unknown
Eval Date: 11-06-2019
Violations Found: No
Eval Type: Other, not routine, done by local agency
Eval Notes: CLOSURE- NO WALK THROUGH
Eval Division: San Bernardino County Fire Department
Eval Program: HMRRP
Eval Source: CERS,

Enforcement Action:
Site ID: 597247
Site Name: DESERT RIVER LUBE & AUTO
Site Address: 1714 W BROADWAY ST

Map ID
Direction
Distance
Elevation

MAP FINDINGS

Site

Database(s)

EDR ID Number
EPA ID Number

DESERT RIVER LUBE & AUTO (Continued)

S105047918

Site City: NEEDLES
Site Zip: 92363
Enf Action Date: 09-04-2013
Enf Action Type: Notice of Violation (Unified Program)
Enf Action Description: Notice of Violation Issued by the Inspector at the Time of Inspection
Enf Action Notes: Not reported
Enf Action Division: San Bernardino County Fire Department
Enf Action Program: HW
Enf Action Source: CERS,

Site ID: 597247
Site Name: DESERT RIVER LUBE & AUTO
Site Address: 1714 W BROADWAY ST
Site City: NEEDLES
Site Zip: 92363
Enf Action Date: 12-27-2016
Enf Action Type: Notice of Violation (Unified Program)
Enf Action Description: Notice of Violation Issued by the Inspector at the Time of Inspection
Enf Action Notes: Not reported
Enf Action Division: San Bernardino County Fire Department
Enf Action Program: HMRRP
Enf Action Source: CERS,

Site ID: 597247
Site Name: DESERT RIVER LUBE & AUTO
Site Address: 1714 W BROADWAY ST
Site City: NEEDLES
Site Zip: 92363
Enf Action Date: 12-27-2016
Enf Action Type: Notice of Violation (Unified Program)
Enf Action Description: Notice of Violation Issued by the Inspector at the Time of Inspection
Enf Action Notes: Not reported
Enf Action Division: San Bernardino County Fire Department
Enf Action Program: HW
Enf Action Source: CERS,

Coordinates:

Site ID: 597247
Facility Name: DESERT RIVER LUBE & AUTO
Env Int Type Code: HWG
Program ID: 10042621
Coord Name: Not reported
Ref Point Type Desc: Unknown,
Latitude: 34.847870
Longitude: -114.613663

Affiliation:

Affiliation Type Desc: Document Preparer
Entity Name: Greg Yeager
Entity Title: Not reported
Affiliation Address: Not reported
Affiliation City: Not reported
Affiliation State: Not reported
Affiliation Country: Not reported
Affiliation Zip: Not reported
Affiliation Phone: ,

Map ID
Direction
Distance
Elevation

MAP FINDINGS

Site

Database(s)

EDR ID Number
EPA ID Number

DESERT RIVER LUBE & AUTO (Continued)

S105047918

Affiliation Type Desc: Environmental Contact
Entity Name: GREG YEAGER
Entity Title: Not reported
Affiliation Address: 1714 W BROADWAY ST
Affiliation City: NEEDLES
Affiliation State: CA
Affiliation Country: Not reported
Affiliation Zip: 92363
Affiliation Phone: ,

Affiliation Type Desc: Legal Owner
Entity Name: GREG YEAGER
Entity Title: Not reported
Affiliation Address: 1417 W BROADWAY
Affiliation City: NEEDLES
Affiliation State: CA
Affiliation Country: United States
Affiliation Zip: 92363
Affiliation Phone: (760) 326-2739,

Affiliation Type Desc: CUPA District
Entity Name: San Bernardino County Fire
Entity Title: Not reported
Affiliation Address: 620 South E Street
Affiliation City: San Bernardino
Affiliation State: CA
Affiliation Country: Not reported
Affiliation Zip: 92415-0153
Affiliation Phone: (909) 386-8401,

Affiliation Type Desc: Facility Mailing Address
Entity Name: Mailing Address
Entity Title: Not reported
Affiliation Address: 1417 W BROADWAY
Affiliation City: NEEDLES
Affiliation State: CA
Affiliation Country: Not reported
Affiliation Zip: 92363
Affiliation Phone: ,

Affiliation Type Desc: Identification Signer
Entity Name: Greg Yeager
Entity Title: OWNER
Affiliation Address: Not reported
Affiliation City: Not reported
Affiliation State: Not reported
Affiliation Country: Not reported
Affiliation Zip: Not reported
Affiliation Phone: ,

Affiliation Type Desc: Operator
Entity Name: GREG YEAGER
Entity Title: Not reported
Affiliation Address: Not reported
Affiliation City: Not reported
Affiliation State: Not reported
Affiliation Country: Not reported

Map ID
Direction
Distance
Elevation

MAP FINDINGS

Site

Database(s)

EDR ID Number
EPA ID Number

DESERT RIVER LUBE & AUTO (Continued)

S105047918

Affiliation Zip: Not reported
Affiliation Phone: (760) 326-2739,

Affiliation Type Desc: Parent Corporation
Entity Name: The filter change
Entity Title: Not reported
Affiliation Address: Not reported
Affiliation City: Not reported
Affiliation State: Not reported
Affiliation Country: Not reported
Affiliation Zip: Not reported
Affiliation Phone: ,

San Bern. Co. Permit:

Name: DESERT RIVER LUBE & AUTO
Address: 1714 W BROADWAY ST
City,State,Zip: NEEDLES, CA 92363
Region: SAN BERNARDINO
Facility ID: FA0014063
Owner: DESERT RIVER LUBE & AUTO
Permit Number: PT0024716
Permit Category: HAZARDOUS MATERIALS 1-3 CHEMICALS
Facility Status: INACTIVE
Expiration Date: 10/31/2020

Name: DESERT RIVER LUBE & AUTO
Address: 1714 W BROADWAY ST
City,State,Zip: NEEDLES, CA 92363
Region: SAN BERNARDINO
Facility ID: FA0014063
Owner: DESERT RIVER LUBE & AUTO
Permit Number: PT0024717
Permit Category: SMALL QUANTITY GENERATOR
Facility Status: INACTIVE
Expiration Date: 10/31/2020

Name: ON SITE OIL, LUBE & LATTE
Address: 1714 W BROADWAY
City,State,Zip: NEEDLES, CA 92363
Region: SAN BERNARDINO
Facility ID: FA0005062
Owner: BROWN, BRADY & KIMBERLY
Permit Number: PT0000918
Permit Category: SPECIAL GENERATOR
Facility Status: INACTIVE
Expiration Date: 04/30/2010

Name: ON SITE OIL, LUBE & LATTE
Address: 1714 W BROADWAY
City,State,Zip: NEEDLES, CA 92363
Region: SAN BERNARDINO
Facility ID: FA0005062
Owner: BROWN, BRADY & KIMBERLY
Permit Number: PT0000917
Permit Category: SPECIAL HANDLER
Facility Status: INACTIVE

Map ID
Direction
Distance
Elevation

MAP FINDINGS

Site

Database(s)

EDR ID Number
EPA ID Number

DESERT RIVER LUBE & AUTO (Continued)

S105047918

Expiration Date: 04/30/2010

AJ287 THE FILTER CHANGE
Target 1714 W BROADWAY
Property NEEDLES, CA 92363

HWTS S127127639
N/A

Site 4 of 13 in cluster AJ

Actual:
495 ft.

HWTS:

Focus Map:
6

Name: THE FILTER CHANGE
Address: 1714 W BROADWAY
Address 2: Not reported
City,State,Zip: NEEDLES, CA 92363
EPA ID: CAR000318303
Inactive Date: 06/30/2021
Create Date: 01/27/2021
Last Act Date: Not reported
Mailing Name: Not reported
Mailing Address: 1714 W BROADWAY
Mailing Address 2: Not reported
Mailing City,State,Zip: NEEDLES, CA 92363
Owner Name: GREG A YEAGER
Owner Address: 1714 W BROADWAY
Owner Address 2: Not reported
Owner City,State,Zip: NEEDLES, CA 92363
Contact Name: GREG A YEAGER
Contact Address: 1714 W BROADWAY
Contact Address 2: Not reported
City,State,Zip: NEEDLES, CA 92363
Facility Status: Inactive
Facility Type: PERMANENT
Category: FEDERAL
Latitude: 34.848061
Longitude: -114.614128

NAICS:
EPA ID: CAR000318303
Create Date: 2021-01-27 09:53:00.270
NAICS Code: 811191
NAICS Description: Automotive Oil Change and Lubrication Shops
Issued EPA ID Date: 2021-01-27 09:53:00.26300
Inactive Date: Not reported
Facility Name: THE FILTER CHANGE
Facility Address: 1714 W BROADWAY
Facility Address 2: Not reported
Facility City: NEEDLES
Facility County: Not reported
Facility State: CA
Facility Zip: 92363

MAP FINDINGS

Map ID
Direction
Distance
Elevation

Site

Database(s)

EDR ID Number
EPA ID Number

AJ288 **CAMA DESERT SITES - CAMA DESERT SITES**
Target
Property **NEEDLES, CA 92363**

CERS **S123504675**
N/A

Site 5 of 13 in cluster AJ

Actual: 495 ft.	CERS:	
	Name:	CAMA DESERT SITES - CAMA DESERT SITES
Focus Map: 6	Address:	Not reported
	City,State,Zip:	NEEDLES, CA 92363
	Site ID:	202492
	CERS ID:	DOD100031800
	CERS Description:	Military Cleanup Site
	Name:	CAMA DESERT SITES - CAMA DESERT SITES
	Address:	Not reported
	City,State,Zip:	NEEDLES, CA 92363
	Site ID:	202492
	CERS ID:	T0607135768
	CERS Description:	Military Cleanup Site

AJ289 **CAMP IBIS - CAMP IBIS (J09CA028300) - * BW**
Target
Property **NEEDLES, CA 92363**

CERS **S123505168**
N/A

Site 6 of 13 in cluster AJ

Actual: 495 ft.	CERS:	
	Name:	CAMP IBIS - CAMP IBIS (J09CA028300)
Focus Map: 6	Address:	Not reported
	City,State,Zip:	NEEDLES, CA 92363
	Site ID:	192579
	CERS ID:	T0607183754
	CERS Description:	Military Cleanup Site
	Name:	CAMP IBIS - CAMP IBIS (J09CA028300) - A
	Address:	Not reported
	City,State,Zip:	NEEDLES, CA 92363
	Site ID:	204847
	CERS ID:	DOD100032900
	CERS Description:	Military Cleanup Site
	Name:	CAMP IBIS - CAMP IBIS (J09CA028300) - * BW
	Address:	Not reported
	City,State,Zip:	NEEDLES, CA 92363
	Site ID:	220702
	CERS ID:	DOD100032800
	CERS Description:	Military Cleanup Site
	Name:	CAMP IBIS - CAMP IBIS (J09CA028300) - B&C
	Address:	Not reported
	City,State,Zip:	NEEDLES, CA 92363
	Site ID:	245125
	CERS ID:	DOD100033000
	CERS Description:	Military Cleanup Site

Map ID
Direction
Distance
Elevation

MAP FINDINGS

Site

Database(s)

EDR ID Number
EPA ID Number

AJ290 **PG&E IM3 REMEDIATION SITE**
Target **I-40 AND PARK MOABI RD., 5 MILES EAST OF**
Property **NEEDLES, CA 92363**

EMI **S118494353**
 N/A

Site 7 of 13 in cluster AJ

Actual:
495 ft.

Focus Map:
6

EMI:
Name: PG&E IM3 REMEDIATION SITE
Address: I-40 AND PARK MOABI RD., 5 MILES EAST OF
City,State,Zip: NEEDLES, CA 92363
Year: 2014
County Code: 36
Air Basin: MD
Facility ID: 1502998
Air District Name: MOJ
SIC Code: 4939
Air District Name: MOJAVE DESERT AQMD
Community Health Air Pollution Info System: Not reported
Consolidated Emission Reporting Rule: Not reported
Total Organic Hydrocarbon Gases Tons/Yr: 0.0013406568014
Reactive Organic Gases Tons/Yr: 0.001177767
Carbon Monoxide Emissions Tons/Yr: 0.001354433
NOX - Oxides of Nitrogen Tons/Yr: 0.033566371
SOX - Oxides of Sulphur Tons/Yr: 4.12e-005
Particulate Matter Tons/Yr: 0.00060338114754
Part. Matter 10 Micrometers and Smllr Tons/Yr:0.000588884

Name: PG&E IM3 REMEDIATION SITE
Address: I-40 AND PARK MOABI RD., 5 MILES EAST OF
City,State,Zip: NEEDLES, CA 92363
Year: 2015
County Code: 36
Air Basin: MD
Facility ID: 1502998
Air District Name: MOJ
SIC Code: 4939
Air District Name: MOJAVE DESERT AQMD
Community Health Air Pollution Info System: Not reported
Consolidated Emission Reporting Rule: Not reported
Total Organic Hydrocarbon Gases Tons/Yr: 0.0013406568014
Reactive Organic Gases Tons/Yr: 0.001177767
Carbon Monoxide Emissions Tons/Yr: 0.001354433
NOX - Oxides of Nitrogen Tons/Yr: 0.033566371
SOX - Oxides of Sulphur Tons/Yr: 4.12e-005
Particulate Matter Tons/Yr: 0.000603381
Part. Matter 10 Micrometers and Smllr Tons/Yr:0.000588884

Name: PG&E IM3 REMEDIATION SITE
Address: I-40 AND PARK MOABI RD., 5 MILES EAST OF
City,State,Zip: NEEDLES, CA 92363
Year: 2016
County Code: 36
Air Basin: MD
Facility ID: 1502998
Air District Name: MOJ
SIC Code: 4939
Air District Name: MOJAVE DESERT AQMD
Community Health Air Pollution Info System: Not reported
Consolidated Emission Reporting Rule: Not reported

Map ID
Direction
Distance
Elevation

MAP FINDINGS

Site

Database(s)

EDR ID Number
EPA ID Number

PG&E IM3 REMEDIATION SITE (Continued)

S118494353

Total Organic Hydrocarbon Gases Tons/Yr: 0.0013406568014
Reactive Organic Gases Tons/Yr: 0.001177767
Carbon Monoxide Emissions Tons/Yr: 0.001354433
NOX - Oxides of Nitrogen Tons/Yr: 0.033566371
SOX - Oxides of Sulphur Tons/Yr: 4.12e-005
Particulate Matter Tons/Yr: 0.000603381
Part. Matter 10 Micrometers and Smlr Tons/Yr:0.000588884

AJ291 CAMA DESE T SITES
Target
Property **NEEDLES, CA**

LUST S105790776
N/A

Site 8 of 13 in cluster AJ

Actual: LUST REG 7:
495 ft. Region: 7
Focus Map: Status: Not reported
6 Case Num: n/a
Substance: Not reported
ID: 587
Global ID: T0607135768
Lead Agency: Regional Board
Case Worker: Not reported

AJ292 CAMP IBIS - CAMP IBIS (J09CA028300) - * BW
Target
Property **NEEDLES, CA 92363**

MCS S110167347
N/A

Site 9 of 13 in cluster AJ

Actual: MCS:
495 ft. Name: CAMP IBIS - CAMP IBIS (J09CA028300) - * BW
Focus Map: Address: Not reported
6 City,State,Zip: NEEDLES, CA 92363
Global Id: DOD100032800
Latitude: 34.84805
Longitude: -114.6141
Case Type: Military Cleanup Site
Status: Completed - Case Closed
Status Date: 05/12/2010
Lead Agency: DEPARTMENT OF TOXIC SUBSTANCES CONTROL
Caseworker: Not reported
Local Agency: DEPARTMENT OF TOXIC SUBSTANCES CONTROL
RB Case Number: Not reported
LOC Case Number: 36970011
File Location: Not reported
Potential Media Affect: Not reported
EDR Link ID: DOD100032800
Potential Contaminants of Concern: Not reported
Site History: Not reported

Click here to access the California GeoTracker records for this facility:

Map ID
Direction
Distance
Elevation

MAP FINDINGS

Site

Database(s)

EDR ID Number
EPA ID Number

AJ293 **CAMP IBIS - CAMP IBIS (J09CA028300) - A**
Target
Property **NEEDLES, CA 92363**

MCS **S110167007**
N/A

Site 10 of 13 in cluster AJ

Actual: **MCS:**
495 ft. Name: CAMP IBIS - CAMP IBIS (J09CA028300) - A
Focus Map: Address: Not reported
6 City,State,Zip: NEEDLES, CA 92363
 Global Id: DOD100032900
 Latitude: 34.84805
 Longitude: -114.6141
 Case Type: Military Cleanup Site
 Status: Completed - Case Closed
 Status Date: 05/12/2010
 Lead Agency: DEPARTMENT OF TOXIC SUBSTANCES CONTROL
 Caseworker: Not reported
 Local Agency: DEPARTMENT OF TOXIC SUBSTANCES CONTROL
 RB Case Number: Not reported
 LOC Case Number: 36970011
 File Location: Not reported
 Potential Media Affect: Not reported
 EDR Link ID: DOD100032900
 Potential Contaminants of Concern: Not reported
 Site History: Not reported

[Click here to access the California GeoTracker records for this facility:](#)

AJ294 **NEEDLES DISPOSAL SITE**
Target **HIGHWAY 95, 3 MILES SOUTH OF NEEDLES**
Property **NEEDLES, CA 92363**

ENVIROSTOR **1000190158**
N/A

Site 11 of 13 in cluster AJ

Actual: **ENVIROSTOR:**
495 ft. Name: NEEDLES DISPOSAL SITE
Focus Map: Address: HIGHWAY 95, 3 MILES SOUTH OF NEEDLES
6 City,State,Zip: NEEDLES, CA 92363
 Facility ID: 36490103
 Status: Refer: RWQCB
 Status Date: 05/06/1998
 Site Code: Not reported
 Site Type: Historical
 Site Type Detailed: * Historical
 Acres: Not reported
 NPL: NO
 Regulatory Agencies: NONE SPECIFIED
 Lead Agency: NONE SPECIFIED
 Program Manager: Not reported
 Supervisor: Referred - Not Assigned
 Division Branch: Cleanup Chatsworth
 Assembly: Not reported
 Senate: Not reported
 Special Program: * Site Char & Assess Grant (CERCLA 104)
 Restricted Use: NO
 Site Mgmt Req: NONE SPECIFIED
 Funding: Not reported
 Latitude: 34.84805
 Longitude: -114.6141

Map ID
Direction
Distance
Elevation

MAP FINDINGS

Site

Database(s)

EDR ID Number
EPA ID Number

NEEDLES DISPOSAL SITE (Continued)

1000190158

APN: NONE SPECIFIED
Past Use: NONE SPECIFIED
Potential COC: * AQUEOUS SOLUTION WITH METALS * UNSPECIFIED ALKALINE SOLUTIONS *
UNSPECIFIED AQUEOUS SOLUTION Chromium VI
Confirmed COC: NONE SPECIFIED
Potential Description: NONE SPECIFIED
Alias Name: CA8141190100
Alias Type: EPA Identification Number
Alias Name: 36490103
Alias Type: Envirostor ID Number

Completed Info:
Completed Area Name: PROJECT WIDE
Completed Sub Area Name: Not reported
Completed Document Type: Preliminary Assessment Report
Completed Date: 04/01/1985
Comments: T/C W/ DOLAN,PG&E,619-326-2615,7/2/84 - SOURCE ACT: COOLING TOWER
WATER WASTE WASTE TYPE: CHROMIC HYDROXIDE SLUDGE PG&E TOPOCK
COMPRESSOR STATION HAULED SLUDGE FROM ITS EVAPORATION POND. WASTES
WERE BURIED 4-15 FT BELOW THE SURFACE OF ALLUVIAL FANS. COUNTY LEASES
SITE & CITY OPER. SUBMIT TO EPA PRELIM ASSESS DONE CERCLA 104

Future Area Name: Not reported
Future Sub Area Name: Not reported
Future Document Type: Not reported
Future Due Date: Not reported
Schedule Area Name: Not reported
Schedule Sub Area Name: Not reported
Schedule Document Type: Not reported
Schedule Due Date: Not reported
Schedule Revised Date: Not reported

AJ295 CAMP IBIS - CAMP IBIS (J09CA028300)
Target
Property **NEEDLES, CA 92363**

LUST S105790804
MCS N/A

Site 12 of 13 in cluster AJ

Actual: LUST REG 7:
495 ft. Region: 7
Focus Map: Status: Not reported
6 Case Num: n/a
Substance: Not reported
ID: 688
Global ID: T0607183754
Lead Agency: Regional Board
Case Worker: Not reported

MCS:
Name: CAMP IBIS - CAMP IBIS (J09CA028300)
Address: Not reported
City,State,Zip: NEEDLES, CA 92363
Global Id: T0607183754
Latitude: 34.84805
Longitude: -114.6141
Case Type: Military Cleanup Site
Status: Completed - Case Closed
Status Date: 05/12/2010

Map ID
Direction
Distance
Elevation

MAP FINDINGS

Site

Database(s)

EDR ID Number
EPA ID Number

CAMP IBIS - CAMP IBIS (J09CA028300) (Continued)

S105790804

Lead Agency: DEPARTMENT OF TOXIC SUBSTANCES CONTROL
Caseworker: Not reported
Local Agency: DEPARTMENT OF TOXIC SUBSTANCES CONTROL
RB Case Number: Not reported
LOC Case Number: 36970011
File Location: Not reported
Potential Media Affect: Not reported
EDR Link ID: T0607183754
Potential Contaminants of Concern: Not reported
Site History: Not reported

[Click here to access the California GeoTracker records for this facility:](#)

AJ296 **CAMP IBIS - CAMP IBIS (J09CA028300) - B&C**
Target
Property **NEEDLES, CA 92363**

MCS **S110167192**
N/A

Site 13 of 13 in cluster AJ

Actual: MCS:
495 ft. Name: CAMP IBIS - CAMP IBIS (J09CA028300) - B&C
Focus Map: Address: Not reported
6 City,State,Zip: NEEDLES, CA 92363
Global Id: DOD100033000
Latitude: 34.84805
Longitude: -114.6141
Case Type: Military Cleanup Site
Status: Completed - Case Closed
Status Date: 05/12/2010
Lead Agency: DEPARTMENT OF TOXIC SUBSTANCES CONTROL
Caseworker: Not reported
Local Agency: DEPARTMENT OF TOXIC SUBSTANCES CONTROL
RB Case Number: Not reported
LOC Case Number: 36970011
File Location: Not reported
Potential Media Affect: Not reported
EDR Link ID: DOD100033000
Potential Contaminants of Concern: Not reported
Site History: Not reported

[Click here to access the California GeoTracker records for this facility:](#)

AM297
Target **1707 NEEDLES HIGHWAY**
Property **NEEDLES, CA 92363**

CHMIRS **S123300170**
N/A

Site 1 of 2 in cluster AM

Actual: CHMIRS:
499 ft. Name: Not reported
Focus Map: Address: 1707 NEEDLES HIGHWAY
6 City,State,Zip: NEEDLES, CA 92363
OES Incident Number: 18-7103
OES notification: 10/19/2018
OES Date: Not reported
OES Time: Not reported

Map ID
Direction
Distance
Elevation

MAP FINDINGS

Site

Database(s)

EDR ID Number
EPA ID Number

(Continued)

S123300170

Date Completed:	Not reported
Property Use:	Not reported
Agency Id Number:	Not reported
Agency Incident Number:	Not reported
Time Notified:	Not reported
Time Completed:	Not reported
Surrounding Area:	Not reported
Estimated Temperature:	Not reported
Property Management:	Not reported
More Than Two Substances Involved?:	Not reported
Resp Agency Personel # Of Decontaminated:	Not reported
Responding Agency Personel # Of Injuries:	Not reported
Responding Agency Personel # Of Fatalities:	Not reported
Others Number Of Decontaminated:	Not reported
Others Number Of Injuries:	Not reported
Others Number Of Fatalities:	Not reported
Vehicle Make/year:	Not reported
Vehicle License Number:	Not reported
Vehicle State:	Not reported
Vehicle Id Number:	Not reported
CA DOT PUC/ICC Number:	Not reported
Company Name:	Not reported
Reporting Officer Name/ID:	Not reported
Report Date:	Not reported
Facility Telephone:	Not reported
Waterway Involved:	No
Waterway:	Not reported
Spill Site:	Merchant/Business
Cleanup By:	Unrecoverable
Containment:	Not reported
What Happened:	Not reported
Type:	Not reported
Measure:	Not reported
Other:	Not reported
Type:	VAPOR
Measure:	Gal(s)
Other:	Not reported
Date/Time:	1442
Year:	2018
Agency:	Southwest Gas
Incident Date:	10/19/2018
Admin Agency:	San Bernardino County Fire Department
Amount:	Not reported
Contained:	Stopped,Contained
Site Type:	Not reported
E Date:	Not reported
Substance:	Natural Gas
Quantity Released:	Unknown
Unknown:	Not reported
Substance #2:	Not reported
Substance #3:	Not reported
Evacuations:	Not reported
Number of Injuries:	Not reported
Number of Fatalities:	Not reported
#1 Pipeline:	No
#2 Pipeline:	No
#3 Pipeline:	No

Map ID
 Direction
 Distance
 Elevation

MAP FINDINGS

Site

Database(s)

EDR ID Number
 EPA ID Number

(Continued)

S123300170

#1 Vessel >= 300 Tons:	No
#2 Vessel >= 300 Tons:	No
#3 Vessel >= 300 Tons:	No
Evacs:	No
Injuries:	No
Fatals:	No
Comments:	Not reported
Description:	Per the caller corrosion on an underground customer house line caused the release.

AM298 **PRAMOD CHAMPANERI**
Target **1707 NEEDLES HIGHWAY**
Property **NEEDLES, CA 92363**

HAZNET **S124722708**
HWTS **N/A**

Site 2 of 2 in cluster AM

Actual:
499 ft.

Focus Map:
6

HAZNET:	
Name:	PRAMOD CHAMPANERI
Address:	1707 NEEDLES HIGHWAY
Address 2:	Not reported
City,State,Zip:	NEEDLES, CA 923632503
Contact:	PRAMOD CHAMPANERI
Telephone:	7023281862
Mailing Name:	Not reported
Mailing Address:	1707 NEEDLES HIGHWAY
Year:	2019
Gepaid:	CAC003005011
TSD EPA ID:	AZR000520882
CA Waste Code:	151 - Asbestos containing waste
Disposal Method:	H132 - Landfill Or Surface Impoundment That Will Be Closed As Landfill(To Include On-Site Treatment And/Or Stabilization)
Tons:	9.20000

HWTS:

Name:	PRAMOD CHAMPANERI
Address:	1707 NEEDLES HIGHWAY
Address 2:	Not reported
City,State,Zip:	NEEDLES, CA 92363
EPA ID:	CAC003005011
Inactive Date:	06/10/2019
Create Date:	03/11/2019
Last Act Date:	Not reported
Mailing Name:	Not reported
Mailing Address:	1707 NEEDLES HIGHWAY
Mailing Address 2:	Not reported
Mailing City,State,Zip:	NEEDLES, CA 923632503
Owner Name:	PRAMOD CHAMPANERI
Owner Address:	1707 NEEDLES HIGHWAY
Owner Address 2:	Not reported
Owner City,State,Zip:	NEEDLES, CA 923632503
Contact Name:	PRAMOD CHAMPANERI
Contact Address:	1707 NEEDLES HIGHWAY
Contact Address 2:	Not reported
City,State,Zip:	NEEDLES, CA 923632503
Facility Status:	Inactive

Map ID
Direction
Distance
Elevation

MAP FINDINGS

Site

Database(s)

EDR ID Number
EPA ID Number

PRAMOD CHAMPANERI (Continued)

S124722708

Facility Type: TEMPORARY
Category: STATE
Latitude: 34.848391
Longitude: -114.614131

AN299 DESERT RIVER LUBE & LATTE
Target 1714 W BROADWAY ST
Property NEEDLES, CA 92363

HWTS S124897504
N/A

Site 1 of 13 in cluster AN

Actual:
494 ft.

Focus Map:
6

HWTS:
Name: DESERT RIVER LUBE & LATTE
Address: 1714 W BROADWAY ST
Address 2: Not reported
City,State,Zip: NEEDLES, CA 92363
EPA ID: CAL000389453
Inactive Date: 06/30/2020
Create Date: 09/13/2013
Last Act Date: Not reported
Mailing Name: Not reported
Mailing Address: 1714 W BROADWAY ST
Mailing Address 2: Not reported
Mailing City,State,Zip: NEEDLES, CA 923632504
Owner Name: MIKE PHELPS
Owner Address: 1714 W BROADWAY ST
Owner Address 2: Not reported
Owner City,State,Zip: NEEDLES, CA 923632504
Contact Name: MIKE PHELPS
Contact Address: 1714 W BROADWAY ST
Contact Address 2: Not reported
City,State,Zip: NEEDLES, CA 92363
Facility Status: Inactive
Facility Type: PERMANENT
Category: STATE
Latitude: 34.847874
Longitude: -114.6136635

NAICS:
EPA ID: CAL000389453
Create Date: 2013-09-13 14:11:05.260
NAICS Code: 811111
NAICS Description: General Automotive Repair
Issued EPA ID Date: 2013-09-13 14:11:05.24700
Inactive Date: 2020-06-30 00:00:00
Facility Name: DESERT RIVER LUBE & LATTE
Facility Address: 1714 W BROADWAY ST
Facility Address 2: Not reported
Facility City: NEEDLES
Facility County: Not reported
Facility State: CA
Facility Zip: 923632504

Map ID
Direction
Distance
Elevation

MAP FINDINGS

Site

Database(s)

EDR ID Number
EPA ID Number

AN300 **OIL LUBE AND LATTE**
Target **1714 W BROADWAY ST**
Property **NEEDLES, CA 92363**

HWTS **S124888866**
 N/A

Site 2 of 13 in cluster AN

Actual: HWTS:
494 ft. Name: OIL LUBE AND LATTE
Focus Map: Address: 1714 W BROADWAY ST
6 Address 2: Not reported
 City,State,Zip: NEEDLES, CA 92363
 EPA ID: CAL000370016
 Inactive Date: 06/30/2013
 Create Date: 12/08/2011
 Last Act Date: Not reported
 Mailing Name: Not reported
 Mailing Address: 1714 W BROADWAY ST
 Mailing Address 2: Not reported
 Mailing City,State,Zip: NEEDLES, CA 923632504
 Owner Name: JOHNNY CAMERON
 Owner Address: 1714 W BROADWAY
 Owner Address 2: Not reported
 Owner City,State,Zip: NEEDLES, CA 923630000
 Contact Name: JOHNNY CAMERON
 Contact Address: 1714 W BROADWAY ST
 Contact Address 2: Not reported
 City,State,Zip: NEEDLES, CA 923632504
 Facility Status: Inactive
 Facility Type: PERMANENT
 Category: STATE
 Latitude: 34.847874
 Longitude: -114.6136635

NAICS:
EPA ID: CAL000370016
Create Date: 2011-12-08 12:58:08.167
NAICS Code: 811111
NAICS Description: General Automotive Repair
Issued EPA ID Date: 2011-12-08 12:58:08.13300
Inactive Date: 2013-06-30 00:00:00
Facility Name: OIL LUBE AND LATTE
Facility Address: 1714 W BROADWAY ST
Facility Address 2: Not reported
Facility City: NEEDLES
Facility County: Not reported
Facility State: CA
Facility Zip: 923632504

301 **TEST SITE FOR DATA ENTRY INVESTIGATION**
Target **666 MARKET ST, TRONA**
Property **TRONA, CA 93562**

FINDS **1007999647**
 N/A

FINDS:
Registry ID: 110020814190

Actual:
509 ft. [Click Here for FRS Facility Detail Report:](#)

Focus Map: Environmental Interest/Information System:
6 US EPA Air Quality System (AQS) contains ambient air pollution data
 collected by EPA, State, Local, and Tribal air pollution control

Map ID
 Direction
 Distance
 Elevation

MAP FINDINGS

Site

Database(s)

EDR ID Number
 EPA ID Number

TEST SITE FOR DATA ENTRY INVESTIGATION (Continued)

1007999647

agencies from thousands of monitoring stations.

[Click this hyperlink](#) while viewing on your computer to access additional FINDS: detail in the EDR Site Report.

302

**CHMIRS S123295537
 N/A**

**Target M STREET AND MARKET STREET
 Property NEEDLES, CA 92363**

Actual: 491 ft.	Focus Map: 6	CHMIRS: Name: Not reported Address: M STREET AND MARKET STREET City,State,Zip: NEEDLES, CA 92363 OES Incident Number: 18-2242 OES notification: 04/06/2018 OES Date: Not reported OES Time: Not reported Date Completed: Not reported Property Use: Not reported Agency Id Number: Not reported Agency Incident Number: Not reported Time Notified: Not reported Time Completed: Not reported Surrounding Area: Not reported Estimated Temperature: Not reported Property Management: Not reported More Than Two Substances Involved?: Not reported Resp Agncy Personel # Of Decontaminated: Not reported Responding Agency Personel # Of Injuries: Not reported Responding Agency Personel # Of Fatalities: Not reported Others Number Of Decontaminated: Not reported Others Number Of Injuries: Not reported Others Number Of Fatalities: Not reported Vehicle Make/year: Not reported Vehicle License Number: Not reported Vehicle State: Not reported Vehicle Id Number: Not reported CA DOT PUC/ICC Number: Not reported Company Name: Not reported Reporting Officer Name/ID: Not reported Report Date: Not reported Facility Telephone: Not reported Waterway Involved: No Waterway: Not reported Spill Site: Residence Cleanup By: Reporting Party Containment: Not reported What Happened: Not reported Type: Not reported Measure: Not reported Other: Not reported Type: SEWAGE Measure: Gal(s) Other: Not reported Date/Time: 2130 Year: 2018 Agency: City of Needles Incident Date: 04/05/2018 Admin Agency: San Bernardino County Fire Department
---------------------------	------------------------	--

Map ID
 Direction
 Distance
 Elevation

MAP FINDINGS

Site

Database(s)

EDR ID Number
 EPA ID Number

(Continued)

S123295537

Amount:	Not reported
Contained:	Yes
Site Type:	Not reported
E Date:	Not reported
Substance:	Sewage
Quantity Released:	500
Unknown:	Not reported
Substance #2:	Not reported
Substance #3:	Not reported
Evacuations:	Not reported
Number of Injuries:	Not reported
Number of Fatalities:	Not reported
#1 Pipeline:	No
#2 Pipeline:	No
#3 Pipeline:	No
#1 Vessel >= 300 Tons:	No
#2 Vessel >= 300 Tons:	No
#3 Vessel >= 300 Tons:	No
Evacs:	Unknown
Injuries:	No
Fatals:	No
Comments:	Not reported
Description:	RP States: Blockage due to construction debris caused a release of less than 500 gallons of sewage onto asphalt. The release is contained, no waterways were impacted and clean up is complete.

AO303 **NEEDLES MUNI. GOLF COURSE**
Target **144 MARINA DR**
Property **NEEDLES, CA 92363**

CERS HAZ WASTE **S104768553**
San Bern. Co. Permit **N/A**
CERS

Site 1 of 2 in cluster AO

Actual: CERS HAZ WASTE:
477 ft. Name: NEEDLES MUNI. GOLF COURSE
Focus Map: Address: 144 MARINA DR
7 City,State,Zip: NEEDLES, CA 92363
 Site ID: 51418
 CERS ID: 10042450
 CERS Description: Hazardous Waste Generator

San Bern. Co. Permit:
 Name: NEEDLES MUNI. GOLF COURSE
 Address: 144 MARINA DR
 City,State,Zip: NEEDLES, CA 92363
 Region: SAN BERNARDINO
 Facility ID: FA0004958
 Owner: CITY OF NEEDLES
 Permit Number: PT0003776
 Permit Category: HAZARDOUS MATERIALS 4-10 CHEMICALS
 Facility Status: ACTIVE
 Expiration Date: 05/31/2022

Name: NEEDLES MUNI. GOLF COURSE
 Address: 144 MARINA DR
 City,State,Zip: NEEDLES, CA 92363
 Region: SAN BERNARDINO

Map ID
Direction
Distance
Elevation

MAP FINDINGS

Site

Database(s)

EDR ID Number
EPA ID Number

NEEDLES MUNI. GOLF COURSE (Continued)

S104768553

Facility ID: FA0004958
Owner: CITY OF NEEDLES
Permit Number: PT0003777
Permit Category: CONDITIONALLY EXEMPT SM QTY GENERATOR
Facility Status: ACTIVE
Expiration Date: 05/31/2022

CERS:

Name: NEEDLES MUNI. GOLF COURSE
Address: 144 MARINA DR
City,State,Zip: NEEDLES, CA 92363
Site ID: 51418
CERS ID: 10042450
CERS Description: Chemical Storage Facilities

Violations:

Site ID: 51418
Site Name: NEEDLES MUNI. GOLF COURSE
Violation Date: 10-25-2018
Citation: HSC 6.5 25123.3(h)(1) - California Health and Safety Code, Chapter 6.5, Section(s) 25123.3(h)(1)
Violation Description: Failure to send hazardous waste offsite for treatment, storage, or disposal within 180 days (or 270 days if waste is transported over 200 miles) for a generator who generates less than 1000 kilogram per month if all of the following conditions are met: (1) The quantity of hazardous waste accumulated onsite never exceeds 6,000 kilograms. (2) The generator complies with the requirements of 40 Code of Federal Regulations section 262.34(d), (e) and (f). (3) The generator does not hold acutely hazardous waste or extremely hazardous waste in an amount greater than one kilogram for more than 90 days.
Violation Notes: Returned to compliance on 11/19/2018. Observed (2) 55 gallon drums of used lubricating oil to have exceeded the accumulation time frame for this facility. The drums were observed to have greater than 27 gallons of used lubricating oil, and the last documented accumulation start date was on 01/25/2018. CORRECTIVE ACTION: Sign the Certificate of Compliance in attestation that all hazardous waste currently on site has been transported off site by a licensed hazardous waste transporter. Provide this Division with a copy of the associated hazardous waste disposal record.
Violation Division: San Bernardino County Fire Department
Violation Program: HW
Violation Source: CERS,

Site ID: 51418
Site Name: NEEDLES MUNI. GOLF COURSE
Violation Date: 01-14-2016
Citation: HSC 6.95 25508.2 - California Health and Safety Code, Chapter 6.95, Section(s) 25508.2
Violation Description: Failure to annually review and electronically certify that the business plan is complete, accurate, and up-to-date.
Violation Notes: Returned to compliance on 08/16/2016.
Violation Division: San Bernardino County Fire Department
Violation Program: HMRRP
Violation Source: CERS,

Site ID: 51418
Site Name: NEEDLES MUNI. GOLF COURSE

Map ID
Direction
Distance
Elevation

MAP FINDINGS

Site

Database(s)

EDR ID Number
EPA ID Number

NEEDLES MUNI. GOLF COURSE (Continued)

S104768553

Violation Date: 10-25-2018
Citation: 40 CFR 1 262.34(d)(5)(iii) - U.S. Code of Federal Regulations, Title 40, Chapter 1, Section(s) 262.34(d)(5)(iii)
Violation Description: Failure to ensure that all employees are thoroughly familiar with proper waste handling and emergency procedures, relevant to their responsibilities during normal facility operations and emergencies.
Violation Notes: Returned to compliance on 11/19/2018. Facility management was unable to adequately demonstrate that hazardous waste training is conducted for employees. CORRECTIVE ACTION: Sign the Certificate of Compliance in attestation that all employees that are exposed to hazardous waste as part of their regular duties, have received initial hazardous waste training, and will receive annual refresher hazardous waste training.
Violation Division: San Bernardino County Fire Department
Violation Program: HW
Violation Source: CERS,

Site ID: 51418
Site Name: NEEDLES MUNI. GOLF COURSE
Violation Date: 01-14-2016
Citation: HSC 6.5 Multiple Sections - California Health and Safety Code, Chapter 6.5, Section(s) Multiple Sections
Violation Description: Haz Waste Generator Program - Operations/Maintenance - General
Violation Notes: Returned to compliance on 08/09/2016. Hazardous waste accumulation time exceeded (CCR 66262.34(a))
Violation Division: San Bernardino County Fire Department
Violation Program: HW
Violation Source: CERS,

Site ID: 51418
Site Name: NEEDLES MUNI. GOLF COURSE
Violation Date: 01-14-2016
Citation: HSC 6.5 Multiple Sections - California Health and Safety Code, Chapter 6.5, Section(s) Multiple Sections
Violation Description: Haz Waste Generator Program - Operations/Maintenance - General
Violation Notes: Returned to compliance on 03/24/2016. Failure to note accumulation start date on labels (CCR 66262.34(f)(2))
Violation Division: San Bernardino County Fire Department
Violation Program: HW
Violation Source: CERS,

Site ID: 51418
Site Name: NEEDLES MUNI. GOLF COURSE
Violation Date: 11-10-2021
Citation: 22 CCR 12 66262.12 - California Code of Regulations, Title 22, Chapter 12, Section(s) 66262.12
Violation Description: Failure to obtain an Identification Number prior to treating, storing, disposing of, transporting or offering for transportation any hazardous waste.
Violation Notes: EPA ID NUMBER INACTIVE; CAL000163763 CORRECTIVE ACTION: COMPLY BY SUBMITTING FORM 1358 TO DTSC.
Violation Division: San Bernardino County Fire Department
Violation Program: HW
Violation Source: CERS,

Site ID: 51418
Site Name: NEEDLES MUNI. GOLF COURSE
Violation Date: 11-10-2021

Map ID
Direction
Distance
Elevation

MAP FINDINGS

Site

Database(s)

EDR ID Number
EPA ID Number

NEEDLES MUNI. GOLF COURSE (Continued)

S104768553

Citation: HSC 6.95 25508(a)(1) - California Health and Safety Code, Chapter 6.95, Section(s) 25508(a)(1)

Violation Description: Failure to complete and electronically submit a business plan when storing/handling a hazardous material at or above reportable quantities.

Violation Notes: Returned to compliance on 11/17/2021. THE LAST HMBP SUBMITTED VIA CERS OCCURRED ON 02/26/2019. CORRECTIVE ACTION: COMPLY BY SUBMITTING AN ACCURATE AND COMPLETE BUSINESS PLAN VIA THE CALIFORNIA ENVIRONMENTAL REPORTING SYSTEM (CERS).

Violation Division: San Bernardino County Fire Department

Violation Program: HMRRP

Violation Source: CERS,

Site ID: 51418

Site Name: NEEDLES MUNI. GOLF COURSE

Violation Date: 01-14-2016

Citation: HSC 6.5 Multiple Sections - California Health and Safety Code, Chapter 6.5, Section(s) Multiple Sections

Violation Description: Haz Waste Generator Program - Operations/Maintenance - General

Violation Notes: Returned to compliance on 03/24/2016. Failure to label hazardous waste containers (CCR 66262.34(f)(3))

Violation Division: San Bernardino County Fire Department

Violation Program: HW

Violation Source: CERS,

Site ID: 51418

Site Name: NEEDLES MUNI. GOLF COURSE

Violation Date: 01-14-2016

Citation: HSC 6.95 25508(d) - California Health and Safety Code, Chapter 6.95, Section(s) 25508(d)

Violation Description: Failure to complete and/or electronically submit a business plan when storing/handling a hazardous material at or above reportable quantities.

Violation Notes: Returned to compliance on 08/16/2016.

Violation Division: San Bernardino County Fire Department

Violation Program: HMRRP

Violation Source: CERS,

Site ID: 51418

Site Name: NEEDLES MUNI. GOLF COURSE

Violation Date: 10-25-2018

Citation: HSC 6.95 25505(a)(4) - California Health and Safety Code, Chapter 6.95, Section(s) 25505(a)(4)

Violation Description: Failure to provide initial and annual training to all employees in safety procedures in the event of a release or threatened release of a hazardous material or failure to document and maintain training records for a minimum of three years.

Violation Notes: Returned to compliance on 11/19/2018. Facility management was unable to adequately demonstrate that hazardous materials training is conducted for employees. No hazardous materials training documentation was available for review at the time of the inspection. CORRECTIVE ACTION: Sign the Certificate of Compliance in attestation that all employees that are exposed to hazardous materials as part of their regular duties, have received initial hazardous waste training, and will receive annual refresher hazardous waste training. All hazardous materials training is required to be documented, and those documents need to be retained for three years.

Map ID
Direction
Distance
Elevation

MAP FINDINGS

Site

Database(s)

EDR ID Number
EPA ID Number

NEEDLES MUNI. GOLF COURSE (Continued)

S104768553

Violation Division: San Bernardino County Fire Department
Violation Program: HMRRP
Violation Source: CERS,

Site ID: 51418
Site Name: NEEDLES MUNI. GOLF COURSE
Violation Date: 01-14-2016
Citation: 22 CCR 16 66266.130 - California Code of Regulations, Title 22, Chapter 16, Section(s) 66266.130
Violation Description: Failure to properly handle, manage, label, and recycle used oil and fuel filters.
Violation Notes: Returned to compliance on 08/09/2016.
Violation Division: San Bernardino County Fire Department
Violation Program: HW
Violation Source: CERS,

Site ID: 51418
Site Name: NEEDLES MUNI. GOLF COURSE
Violation Date: 01-14-2016
Citation: HSC 6.5 Multiple Sections - California Health and Safety Code, Chapter 6.5, Section(s) Multiple Sections
Violation Description: Haz Waste Generator Program - Operations/Maintenance - General
Violation Notes: Returned to compliance on 03/24/2016. Failure to complete hazardous waste labels (CCR 66262.34(f)(3))
Violation Division: San Bernardino County Fire Department
Violation Program: HW
Violation Source: CERS,

Evaluation:
Eval General Type: Compliance Evaluation Inspection
Eval Date: 01-14-2016
Violations Found: Yes
Eval Type: Routine done by local agency
Eval Notes: INSPECTION OF NEEDLES MUNI. GOLF COURSE IN NEEDLES.
Eval Division: San Bernardino County Fire Department
Eval Program: HMRRP
Eval Source: CERS,

Eval General Type: Compliance Evaluation Inspection
Eval Date: 11-10-2021
Violations Found: Yes
Eval Type: Routine done by local agency
Eval Notes: Not reported
Eval Division: San Bernardino County Fire Department
Eval Program: HMRRP
Eval Source: CERS,

Eval General Type: Compliance Evaluation Inspection
Eval Date: 11-10-2021
Violations Found: Yes
Eval Type: Routine done by local agency
Eval Notes: Not reported
Eval Division: San Bernardino County Fire Department
Eval Program: HW
Eval Source: CERS,

Eval General Type: Compliance Evaluation Inspection

Map ID
Direction
Distance
Elevation

MAP FINDINGS

Site

Database(s)

EDR ID Number
EPA ID Number

NEEDLES MUNI. GOLF COURSE (Continued)

S104768553

Eval Date: 01-14-2016
Violations Found: Yes
Eval Type: Routine done by local agency
Eval Notes: INSPECTION OF NEEDLES MUNI GOLF COURSE IN NEEDLES.
Eval Division: San Bernardino County Fire Department
Eval Program: HW
Eval Source: CERS,

Eval General Type: Compliance Evaluation Inspection
Eval Date: 10-25-2018
Violations Found: Yes
Eval Type: Routine done by local agency
Eval Notes: Not reported
Eval Division: San Bernardino County Fire Department
Eval Program: HMRRP
Eval Source: CERS,

Eval General Type: Compliance Evaluation Inspection
Eval Date: 10-25-2018
Violations Found: Yes
Eval Type: Routine done by local agency
Eval Notes: Not reported
Eval Division: San Bernardino County Fire Department
Eval Program: HW
Eval Source: CERS,

Enforcement Action:

Site ID: 51418
Site Name: NEEDLES MUNI. GOLF COURSE
Site Address: 144 MARINA DR
Site City: NEEDLES
Site Zip: 92363
Enf Action Date: 01-14-2016
Enf Action Type: Notice of Violation (Unified Program)
Enf Action Description: Notice of Violation Issued by the Inspector at the Time of Inspection
Enf Action Notes: Not reported
Enf Action Division: San Bernardino County Fire Department
Enf Action Program: HMRRP
Enf Action Source: CERS,

Site ID: 51418
Site Name: NEEDLES MUNI. GOLF COURSE
Site Address: 144 MARINA DR
Site City: NEEDLES
Site Zip: 92363
Enf Action Date: 01-14-2016
Enf Action Type: Notice of Violation (Unified Program)
Enf Action Description: Notice of Violation Issued by the Inspector at the Time of Inspection
Enf Action Notes: Not reported
Enf Action Division: San Bernardino County Fire Department
Enf Action Program: HW
Enf Action Source: CERS,

Coordinates:

Site ID: 51418
Facility Name: NEEDLES MUNI. GOLF COURSE

Map ID
Direction
Distance
Elevation

MAP FINDINGS

Site

Database(s)

EDR ID Number
EPA ID Number

NEEDLES MUNI. GOLF COURSE (Continued)

S104768553

Env Int Type Code: HWG
Program ID: 10042450
Coord Name: Not reported
Ref Point Type Desc: Unknown,
Latitude: 34.846349
Longitude: -114.606342

Affiliation:

Affiliation Type Desc: Operator
Entity Name: NEEDLES MUNI. GOLF COURSE
Entity Title: Not reported
Affiliation Address: Not reported
Affiliation City: Not reported
Affiliation State: Not reported
Affiliation Country: Not reported
Affiliation Zip: Not reported
Affiliation Phone: (760) 326-3949,

Affiliation Type Desc: Parent Corporation
Entity Name: NEEDLES MUNI. GOLF COURSE
Entity Title: Not reported
Affiliation Address: Not reported
Affiliation City: Not reported
Affiliation State: Not reported
Affiliation Country: Not reported
Affiliation Zip: Not reported
Affiliation Phone: ,

Affiliation Type Desc: Environmental Contact
Entity Name: Dennis Callaway
Entity Title: Not reported
Affiliation Address: 144 MARINA DR
Affiliation City: NEEDLES
Affiliation State: CA
Affiliation Country: Not reported
Affiliation Zip: 92363
Affiliation Phone: ,

Affiliation Type Desc: Identification Signer
Entity Name: Dennis Callaway
Entity Title: superintendent
Affiliation Address: Not reported
Affiliation City: Not reported
Affiliation State: Not reported
Affiliation Country: Not reported
Affiliation Zip: Not reported
Affiliation Phone: ,

Affiliation Type Desc: CUPA District
Entity Name: San Bernardino County Fire
Entity Title: Not reported
Affiliation Address: 620 South E Street
Affiliation City: San Bernardino
Affiliation State: CA
Affiliation Country: Not reported
Affiliation Zip: 92415-0153
Affiliation Phone: (909) 386-8401,

Map ID
Direction
Distance
Elevation

MAP FINDINGS

Site

Database(s)

EDR ID Number
EPA ID Number

NEEDLES MUNI. GOLF COURSE (Continued)

S104768553

Affiliation Type Desc: Facility Mailing Address
Entity Name: Mailing Address
Entity Title: Not reported
Affiliation Address: 144 MARINA DR
Affiliation City: NEEDLES
Affiliation State: CA
Affiliation Country: Not reported
Affiliation Zip: 92363
Affiliation Phone: ,

Affiliation Type Desc: Legal Owner
Entity Name: City of Needles
Entity Title: Not reported
Affiliation Address: 817 THIRD STREET
Affiliation City: NEEDLES
Affiliation State: CA
Affiliation Country: United States
Affiliation Zip: 92363-9236
Affiliation Phone: (760) 326-2113,

AO304 **NEEDLES MUNI. GOLF COURSE**
Target **144 MARINA DR**
Property **NEEDLES, CA 92363**

FINDS **1023239178**
N/A

Site 2 of 2 in cluster AO

Actual: FINDS:
477 ft. Registry ID: 110065268481

Focus Map:
7 [Click Here for FRS Facility Detail Report:](#)

Environmental Interest/Information System:
STATE MASTER

[Click this hyperlink](#) while viewing on your computer to access additional FINDS: detail in the EDR Site Report.

AN305 **MOBIL STA. #100851**
Target **1632 WEST BROADWAY**
Property **NEEDLES, CA**

RGA LUST **S114654952**
N/A

Site 3 of 13 in cluster AN

Actual: RGA LUST:
497 ft. Name: MOBIL STA. #100851
Focus Map: Address: 1632 WEST BROADWAY
6 City: NEEDLES
State: NEEDLES
1998 MOBIL STA. #100851 1632 WEST BROADWAY
Name: MOBIL STA. #100851
Address: 1632 WEST BROADWAY
City: NEEDLES
State: NEEDLES
1997 MOBIL STA. #100851 1632 WEST BROADWAY
Name: MOBIL STA. #100851
Address: 1632 WEST BROADWAY
City: NEEDLES

Map ID
Direction
Distance
Elevation

MAP FINDINGS

Site

Database(s)

EDR ID Number
EPA ID Number

MOBIL STA. #100851 (Continued)

S114654952

State: NEEDLES
1996 MOBIL STA. #100851 1632 WEST BROADWAY
Name: MOBIL STA. #100851
Address: 1632 WEST BROADWAY
City: NEEDLES
State: NEEDLES
1995 MOBIL STA. #100851 1632 WEST BROADWAY
Name: MOBIL STA. #100851
Address: 1632 WEST BROADWAY
City: NEEDLES
State: NEEDLES
1994 MOBIL STA. #100851 1632 WEST BROADWAY
Name: MOBIL STA. #100851
Address: 1632 WEST BROADWAY
City: NEEDLES
State: NEEDLES
1993 MOBIL STA. #100851 1632 WEST BROADWAY

AN306 MOBIL STA #100851
Target 1632 WEST BROADWAY AVE
Property NEEDLES, CA

RGA LUST S114654950
N/A

Site 4 of 13 in cluster AN

Actual: RGA LUST:
497 ft. Name: MOBIL STA #100851
Focus Map: Address: 1632 WEST BROADWAY AVE
6 City: NEEDLES
State: NEEDLES
2002 MOBIL STA #100851 1632 WEST BROADWAY AVE
Name: MOBIL STA #100851
Address: 1632 WEST BROADWAY AVE
City: NEEDLES
State: NEEDLES
2001 MOBIL STA #100851 1632 WEST BROADWAY AVE

AN307 MOBIL STA. #100851
Target 1632 WEST BROADWAY AVENUE
Property NEEDLES, CA

RGA LUST S114654951
N/A

Site 5 of 13 in cluster AN

Actual: RGA LUST:
497 ft. Name: MOBIL STA. #100851
Focus Map: Address: 1632 WEST BROADWAY AVENUE
6 City: NEEDLES
State: NEEDLES
2000 MOBIL STA. #100851 1632 WEST BROADWAY AVENUE

Map ID
Direction
Distance
Elevation

MAP FINDINGS

Site

Database(s) EDR ID Number
EPA ID Number

AN308 HARKEN MARKETING CO OF CA
Target 1632 W BROADWAY
Property NEEDLES, CA 92363

HAZNET S123758155
HWTS N/A

Site 6 of 13 in cluster AN

Actual:
497 ft.

Focus Map:
6

HAZNET:
Name: HARKEN MARKETING CO OF CA
Address: 1632 W BROADWAY
Address 2: Not reported
City,State,Zip: NEEDLES, CA 923630000
Contact: CANCEL PER SURVEY 2-4-95 LC
Telephone: 7143697050
Mailing Name: Not reported
Mailing Address: PO BOX 5657

Year: 1989
Gepaid: CAD981660509
TSD EPA ID: HAHQ36017252
CA Waste Code: 223 - Unspecified oil-containing waste
Disposal Method: 01 -
Tons: 1.251

HWTS:
Name: HARKEN MARKETING CO OF CA
Address: 1632 W BROADWAY
Address 2: Not reported
City,State,Zip: NEEDLES, CA 92363
EPA ID: CAD981660509
Inactive Date: 01/01/1995
Create Date: 04/10/1987
Last Act Date: Not reported
Mailing Name: Not reported
Mailing Address: PO BOX 5657
Mailing Address 2: Not reported
Mailing City,State,Zip: RIVERSIDE, CA 925170000
Owner Name: Not reported
Owner Address: Not reported
Owner Address 2: Not reported
Owner City,State,Zip: Not reported
Contact Name: CANCEL PER SURVEY 2-4-95 LC
Contact Address: VP
Contact Address 2: Not reported
City,State,Zip: Not reported
Facility Status: Inactive
Facility Type: PERMANENT
Category: STATE
Latitude: 34.845921
Longitude: -114.613666

Map ID
Direction
Distance
Elevation

MAP FINDINGS

Site

Database(s)

EDR ID Number
EPA ID Number

AN309 EZ SERVE #1152
Target 1632 W. BROADWAY AVENUE
Property NEEDLES, CA

RGA LUST S114617711
N/A

Site 7 of 13 in cluster AN

Actual: RGA LUST:
497 ft. Name: EZ SERVE #1152
Focus Map: Address: 1632 W. BROADWAY AVENUE
6 City: NEEDLES
State: NEEDLES
1993 EZ SERVE #1152 1632 W. BROADWAY AVENUE

AN310 EZ SERVE #1152
Target 1632 WEST BROADWAY AVENUE
Property NEEDLES, CA

RGA LUST S114617713
N/A

Site 8 of 13 in cluster AN

Actual: RGA LUST:
497 ft. Name: EZ SERVE #1152
Focus Map: Address: 1632 WEST BROADWAY AVENUE
6 City: NEEDLES
State: NEEDLES
2000 EZ SERVE #1152 1632 WEST BROADWAY AVENUE
Name: EZ SERVE #1152
Address: 1632 WEST BROADWAY AVENUE
City: NEEDLES
State: NEEDLES
1998 EZ SERVE #1152 1632 WEST BROADWAY AVENUE
Name: EZ SERVE #1152
Address: 1632 WEST BROADWAY AVENUE
City: NEEDLES
State: NEEDLES
1997 EZ SERVE #1152 1632 WEST BROADWAY AVENUE
Name: EZ SERVE #1152
Address: 1632 WEST BROADWAY AVENUE
City: NEEDLES
State: NEEDLES
1996 EZ SERVE #1152 1632 WEST BROADWAY AVENUE
Name: EZ SERVE #1152
Address: 1632 WEST BROADWAY AVENUE
City: NEEDLES
State: NEEDLES
1995 EZ SERVE #1152 1632 WEST BROADWAY AVENUE
Name: EZ SERVE #1152
Address: 1632 WEST BROADWAY AVENUE
City: NEEDLES
State: NEEDLES
1994 EZ SERVE #1152 1632 WEST BROADWAY AVENUE

Map ID
Direction
Distance
Elevation

MAP FINDINGS

Site

Database(s)

EDR ID Number
EPA ID Number

AN311 **EZ SERVE #1152**
Target **1632 WEST BROADWAY AVE**
Property **NEEDLES, CA 92363**

LUST **S105025182**
Cortese **N/A**
HIST CORTESE
CERS

Site 9 of 13 in cluster AN

Actual: LUST REG 7:
497 ft. Region: 7
Focus Map: Status: 9 - Case Closed
6 Case Num: 7T2363014
Substance: Gasoline - Automotive
ID: 751
Global ID: T0607101012
Lead Agency: Local Agency
Case Worker: KO

LUST:
Name: EZ SERVE #1152
Address: 1632 WEST BROADWAY AVE
City,State,Zip: NEEDLES, CA 92363
Lead Agency: SAN BERNARDINO COUNTY
Case Type: LUST Cleanup Site
Geo Track: http://geotracker.waterboards.ca.gov/profile_report.asp?global_id=T0607101012
Global Id: T0607101012
Latitude: 34.8045872
Longitude: -114.6055868
Status: Completed - Case Closed
Status Date: 09/30/1991
Case Worker: CR2
RB Case Number: 7T2363014
Local Agency: SAN BERNARDINO COUNTY
File Location: Local Agency
Local Case Number: 90016
Potential Media Affect: Soil
Potential Contaminants of Concern: Gasoline
Site History: Not reported

LUST:
Global Id: T0607101012
Contact Type: Local Agency Caseworker
Contact Name: CATHERINE RICHARDS
Organization Name: SAN BERNARDINO COUNTY
Address: 620 SOUTH E STREET
City: SAN BERNARDINO
Email: crichards@sbcfire.org
Phone Number: 9093868419

LUST:
Global Id: T0607101012
Action Type: Other
Date: 09/09/1999
Action: Leak Reported

LUST:
Global Id: T0607101012
Status: Open - Case Begin Date
Status Date: 11/07/1989

Map ID
Direction
Distance
Elevation

MAP FINDINGS

Site

Database(s)

EDR ID Number
EPA ID Number

EZ SERVE #1152 (Continued)

S105025182

Global Id: T0607101012
Status: Completed - Case Closed
Status Date: 09/30/1991

CORTESE:

Name: EZ SERVE #1152
Address: 1632 WEST BROADWAY AVE
City,State,Zip: NEEDLES, CA 92363
Region: CORTESE
Envirostor Id: Not reported
Global ID: T0607101012
Site/Facility Type: LUST CLEANUP SITE
Cleanup Status: COMPLETED - CASE CLOSED
Status Date: Not reported
Site Code: Not reported
Latitude: Not reported
Longitude: Not reported
Owner: Not reported
Enf Type: Not reported
Swat R: Not reported
Flag: active
Order No: Not reported
Waste Discharge System No: Not reported
Effective Date: Not reported
Region 2: Not reported
WID Id: Not reported
Solid Waste Id No: Not reported
Waste Management Uit Name: Not reported
File Name: Active Open

HIST CORTESE:

edr_fname: EZ SERVE #1152
edr_fadd1: 1632 BROADWAY
City,State,Zip: NEEDLES, CA 92363
Region: CORTESE
Facility County Code: 36
Reg By: LTNKA
Reg Id: 7T2363014

CERS:

Name: EZ SERVE #1152
Address: 1632 WEST BROADWAY AVE
City,State,Zip: NEEDLES, CA 92363
Site ID: 208298
CERS ID: T0607101012
CERS Description: Leaking Underground Storage Tank Cleanup Site

Affiliation:

Affiliation Type Desc: Local Agency Caseworker
Entity Name: CATHERINE RICHARDS - SAN BERNARDINO COUNTY
Entity Title: Not reported
Affiliation Address: 620 SOUTH E STREET
Affiliation City: SAN BERNARDINO
Affiliation State: CA
Affiliation Country: Not reported

Map ID
Direction
Distance
Elevation

MAP FINDINGS

Site

Database(s)

EDR ID Number
EPA ID Number

EZ SERVE #1152 (Continued)

S105025182

Affiliation Zip: Not reported
Affiliation Phone: 9093868419,

AN312 E-Z SERVE STATION 1152
Target 1632 W BROADWAY
Property NEEDLES, CA 92363

SWEEPS UST 1000131494
HIST UST N/A

Site 10 of 13 in cluster AN

Actual:
497 ft.

Focus Map:
6

SWEEPS UST:
Name: MOBIL #100851
Address: 1632 W BROADWAY
City: NEEDLES
Status: Not reported
Comp Number: 13402
Number: Not reported
Board Of Equalization: Not reported
Referral Date: Not reported
Action Date: Not reported
Created Date: Not reported
Owner Tank Id: Not reported
SWRCB Tank Id: 36-000-013402-000001
Tank Status: Not reported
Capacity: 10000
Active Date: Not reported
Tank Use: M.V. FUEL
STG: PRODUCT
Content: LEADED
Number Of Tanks: 3

Name: MOBIL #100851
Address: 1632 W BROADWAY
City: NEEDLES
Status: Not reported
Comp Number: 13402
Number: Not reported
Board Of Equalization: Not reported
Referral Date: Not reported
Action Date: Not reported
Created Date: Not reported
Owner Tank Id: Not reported
SWRCB Tank Id: 36-000-013402-000002
Tank Status: Not reported
Capacity: 10000
Active Date: Not reported
Tank Use: M.V. FUEL
STG: PRODUCT
Content: REG UNLEADED
Number Of Tanks: Not reported

Name: MOBIL #100851
Address: 1632 W BROADWAY
City: NEEDLES
Status: Not reported
Comp Number: 13402
Number: Not reported
Board Of Equalization: Not reported

Map ID
Direction
Distance
Elevation

MAP FINDINGS

Site

Database(s)

EDR ID Number
EPA ID Number

E-Z SERVE STATION 1152 (Continued)

1000131494

Referral Date: Not reported
Action Date: Not reported
Created Date: Not reported
Owner Tank Id: Not reported
SWRCB Tank Id: 36-000-013402-000003
Tank Status: Not reported
Capacity: 10000
Active Date: Not reported
Tank Use: M.V. FUEL
STG: PRODUCT
Content: REG UNLEADED
Number Of Tanks: Not reported

Name: MOBIL #100851
Address: 1632 W BROADWAY
City: NEEDLES
Status: Active
Comp Number: 13402
Number: 1
Board Of Equalization: Not reported
Referral Date: 07-28-92
Action Date: 07-28-92
Created Date: 02-29-88
Owner Tank Id: Not reported
SWRCB Tank Id: Not reported
Tank Status: Not reported
Capacity: Not reported
Active Date: Not reported
Tank Use: Not reported
STG: Not reported
Content: Not reported
Number Of Tanks: Not reported

HIST UST:

Name: E-Z SERVE STATION 1152
Address: 1632 W BROADWAY
City,State,Zip: NEEDLES, CA 92363
File Number: 00029DEE
URL: <http://geotracker.waterboards.ca.gov/ustpdfs/pdf/00029DEE.pdf>
Region: STATE
Facility ID: 00000013402
Facility Type: Gas Station
Other Type: Not reported
Contact Name: RAYMOND GONZALES
Telephone: 6193264258
Owner Name: E-Z SERVE OF CALIFORNIA, INC.
Owner Address: P.O. BOX 3550
Owner City,St,Zip: ONTARIO, CA 91761
Total Tanks: 0003

Tank Num: 001
Container Num: 1
Year Installed: Not reported
Tank Capacity: 00010000
Tank Used for: PRODUCT
Type of Fuel: REGULAR
Container Construction Thickness: 1/4

Map ID
Direction
Distance
Elevation

MAP FINDINGS

Site

Database(s)

EDR ID Number
EPA ID Number

E-Z SERVE STATION 1152 (Continued)

1000131494

Leak Detection: Stock Inventor, None

Tank Num: 002

Container Num: 2

Year Installed: Not reported

Tank Capacity: 00010000

Tank Used for: PRODUCT

Type of Fuel: UNLEADED

Container Construction Thickness: 1/4

Leak Detection: Stock Inventor, None

Tank Num: 003

Container Num: 3

Year Installed: Not reported

Tank Capacity: 00010000

Tank Used for: PRODUCT

Type of Fuel: PREMIUM

Container Construction Thickness: 1/4

Leak Detection: Stock Inventor, None

[Click here for Geo Tracker PDF:](#)

AN313 **EZ SERVE #1152**
Target **1632 WEST BROADWAY AVE**
Property **NEEDLES, CA 92363**

FINDS **1023221494**
N/A

Site 11 of 13 in cluster AN

Actual: **FINDS:**
497 ft. Registry ID: 110065078784

Focus Map:
6 [Click Here for FRS Facility Detail Report:](#)

Environmental Interest/Information System:
STATE MASTER

[Click this hyperlink](#) while viewing on your computer to access additional FINDS: detail in the EDR Site Report.

AN314 **EZ SERVE #1152**
Target **1632 WEST BROADWAY AVE**
Property **NEEDLES, CA**

RGA LUST **S114617712**
N/A

Site 12 of 13 in cluster AN

Actual: **RGA LUST:**
497 ft. Name: EZ SERVE #1152
Focus Map: Address: 1632 WEST BROADWAY AVE
6 City: NEEDLES
State: NEEDLES
2012 EZ SERVE #1152 1632 WEST BROADWAY AVE
Name: EZ SERVE #1152
Address: 1632 WEST BROADWAY AVE
City: NEEDLES
State: NEEDLES
2011 EZ SERVE #1152 1632 WEST BROADWAY AVE
Name: EZ SERVE #1152
Address: 1632 WEST BROADWAY AVE

Map ID
Direction
Distance
Elevation

MAP FINDINGS

Site

Database(s)

EDR ID Number
EPA ID Number

EZ SERVE #1152 (Continued)

S114617712

City: NEEDLES
State: NEEDLES
2010 EZ SERVE #1152 1632 WEST BROADWAY AVE
Name: EZ SERVE #1152
Address: 1632 WEST BROADWAY AVE
City: NEEDLES
State: NEEDLES
2009 EZ SERVE #1152 1632 WEST BROADWAY AVE
Name: EZ SERVE #1152
Address: 1632 WEST BROADWAY AVE
City: NEEDLES
State: NEEDLES
2008 EZ SERVE #1152 1632 WEST BROADWAY AVE
Name: EZ SERVE #1152
Address: 1632 WEST BROADWAY AVE
City: NEEDLES
State: NEEDLES
2007 EZ SERVE #1152 1632 WEST BROADWAY AVE
Name: EZ SERVE #1152
Address: 1632 WEST BROADWAY AVE
City: NEEDLES
State: NEEDLES
2006 EZ SERVE #1152 1632 WEST BROADWAY AVE
Name: EZ SERVE #1152
Address: 1632 WEST BROADWAY AVE
City: NEEDLES
State: NEEDLES
2005 EZ SERVE #1152 1632 WEST BROADWAY AVE
Name: EZ SERVE #1152
Address: 1632 WEST BROADWAY AVE
City: NEEDLES
State: NEEDLES
2003 EZ SERVE #1152 1632 WEST BROADWAY AVE
Name: EZ SERVE #1152
Address: 1632 WEST BROADWAY AVE
City: NEEDLES
State: NEEDLES
2002 EZ SERVE #1152 1632 WEST BROADWAY AVE
Name: EZ SERVE #1152
Address: 1632 WEST BROADWAY AVE
City: NEEDLES
State: NEEDLES
2001 EZ SERVE #1152 1632 WEST BROADWAY AVE

AN315 MOBIL STA #100851 / NEEDLES
Target 1632 W. BROADWAY
Property NEEDLES, CA

RGA LUST S114654949
N/A

Site 13 of 13 in cluster AN

Actual: RGA LUST:
497 ft. Name: MOBIL STA #100851 / NEEDLES
Focus Map: Address: 1632 W. BROADWAY
6 City: NEEDLES
State: NEEDLES
1992 MOBIL STA #100851 / NEEDLES 1632 W. BROADWAY

Map ID
 Direction
 Distance
 Elevation

MAP FINDINGS

Site

Database(s)

EDR ID Number
 EPA ID Number

316 **CITY OF NEEDLES MUNICIPAL GOLF COURSE**
Target **1300 RIVER RD**
Property **NEEDLES, CA 92363**

HAZNET **S113087715**
HWTS **N/A**

Actual:
477 ft.
Focus Map:
7

HAZNET:	
Name:	CITY OF NEEDLES MUNICIPAL GOLF COURSE
Address:	1300 RIVER RD
Address 2:	Not reported
City,State,Zip:	NEEDLES, CA 923630000
Contact:	DENNIS CALLAWAY
Telephone:	7603263949
Mailing Name:	Not reported
Mailing Address:	817 3RD ST
Year:	2019
Gepaid:	CAL000163763
TSD EPA ID:	CAT000613976
CA Waste Code:	213 - Hydrocarbon solvents (benzene, hexane, Stoddard, Etc.)
Disposal Method:	H141 - Storage, Bulking, And/Or Transfer Off Site--No Treatment/Reovery (H010-H129) Or (H131-H135)
Tons:	0.25020
Year:	2019
Gepaid:	CAL000163763
TSD EPA ID:	CAD044429835
CA Waste Code:	223 - Unspecified oil-containing waste
Disposal Method:	H141 - Storage, Bulking, And/Or Transfer Off Site--No Treatment/Reovery (H010-H129) Or (H131-H135)
Tons:	0.17500
Year:	2018
Gepaid:	CAL000163763
TSD EPA ID:	CAT000613976
CA Waste Code:	213 - Hydrocarbon solvents (benzene, hexane, Stoddard, Etc.)
Disposal Method:	H141 - Storage, Bulking, And/Or Transfer Off Site--No Treatment/Reovery (H010-H129) Or (H131-H135)
Tons:	0.25020
Year:	2017
Gepaid:	CAL000163763
TSD EPA ID:	CAT000613976
CA Waste Code:	213 - Hydrocarbon solvents (benzene, hexane, Stoddard, Etc.)
Disposal Method:	H141 - Storage, Bulking, And/Or Transfer Off Site--No Treatment/Reovery (H010-H129) Or (H131-H135)
Tons:	0.0417
Year:	2016
Gepaid:	CAL000163763
TSD EPA ID:	CAT000613976
CA Waste Code:	213 - Hydrocarbon solvents (benzene, hexane, Stoddard, Etc.)
Disposal Method:	H141 - Storage, Bulking, And/Or Transfer Off Site--No Treatment/Reovery (H010-H129) Or (H131-H135)
Tons:	0.0834
Year:	2015
Gepaid:	CAL000163763
TSD EPA ID:	CAT000613976
CA Waste Code:	213 - Hydrocarbon solvents (benzene, hexane, Stoddard, Etc.)
Disposal Method:	H141 - Storage, Bulking, And/Or Transfer Off Site--No

Map ID
Direction
Distance
Elevation

MAP FINDINGS

Site

Database(s)

EDR ID Number
EPA ID Number

CITY OF NEEDLES MUNICIPAL GOLF COURSE (Continued)

S113087715

Tons:	Treatment/Reovery (H010-H129) Or (H131-H135) 0.14178
Year:	2014
Gepaid:	CAL000163763
TSD EPA ID:	CAD044429835
CA Waste Code:	213 - Hydrocarbon solvents (benzene, hexane, Stoddard, Etc.)
Disposal Method:	H141 - Storage, Bulking, And/Or Transfer Off Site--No Treatment/Reovery (H010-H129) Or (H131-H135)
Tons:	0.0834
Year:	2014
Gepaid:	CAL000163763
TSD EPA ID:	CAT000613976
CA Waste Code:	213 - Hydrocarbon solvents (benzene, hexane, Stoddard, Etc.)
Disposal Method:	H141 - Storage, Bulking, And/Or Transfer Off Site--No Treatment/Reovery (H010-H129) Or (H131-H135)
Tons:	0.0417
Year:	2013
Gepaid:	CAL000163763
TSD EPA ID:	CAT000613893
CA Waste Code:	213 - Hydrocarbon solvents (benzene, hexane, Stoddard, Etc.)
Disposal Method:	H141 - Storage, Bulking, And/Or Transfer Off Site--No Treatment/Reovery (H010-H129) Or (H131-H135)
Tons:	0.1251
Year:	2012
Gepaid:	CAL000163763
TSD EPA ID:	CAT000613893
CA Waste Code:	213 - Hydrocarbon solvents (benzene, hexane, Stoddard, Etc.)
Disposal Method:	H141 - Storage, Bulking, And/Or Transfer Off Site--No Treatment/Reovery (H010-H129) Or (H131-H135)
Tons:	0.1251

[Click this hyperlink](#) while viewing on your computer to access
7 additional CA HAZNET: record(s) in the EDR Site Report.

Additional Info:

Year:	2005
Gen EPA ID:	CAL000163763
Shipment Date:	20051103
Creation Date:	12/22/2006 18:30:28
Receipt Date:	20051103
Manifest ID:	24365030
Trans EPA ID:	TXR000050930
Trans Name:	SAFETY-KLEEN SYSTEMS INC
Trans 2 EPA ID:	Not reported
Trans 2 Name:	Not reported
TSDF EPA ID:	NVR000066837
Trans Name:	SAFETY-KLEEN SYSTEMS INC
TSDF Alt EPA ID:	NVR000066837
TSDF Alt Name:	Not reported
Waste Code Description:	221 - Waste oil and mixed oil
RCRA Code:	Not reported

Map ID
Direction
Distance
Elevation

MAP FINDINGS

Site

Database(s)

EDR ID Number
EPA ID Number

CITY OF NEEDLES MUNICIPAL GOLF COURSE (Continued)

S113087715

Meth Code: - Not reported
Quantity Tons: 0.418
Waste Quantity: 110
Quantity Unit: G
Additional Code 1: Not reported
Additional Code 2: Not reported
Additional Code 3: Not reported
Additional Code 4: Not reported
Additional Code 5: Not reported

Additional Info:

Year: 2016
Gen EPA ID: CAL000163763

Shipment Date: 20151104
Creation Date: 5/23/2016 18:30:23
Receipt Date: 20151110
Manifest ID: 005104281SKS
Trans EPA ID: TXR000081205
Trans Name: SAFETY-KLEEN SYSTEMS INC
Trans 2 EPA ID: Not reported
Trans 2 Name: Not reported
TSDf EPA ID: CAT000613976
Trans Name: SAFETY-KLEEN SYSTEMS INC
TSDf Alt EPA ID: Not reported
TSDf Alt Name: Not reported
Waste Code Description: 213 - Hydrocarbon solvents (benzene, hexane, Stoddard, etc.
RCRA Code: D039
Meth Code: H141 - Storage, Bulking, And/Or Transfer Off Site--No
Treatment/Reovery (H010-H129) Or (H131-H135)

Quantity Tons: 0.0834
Waste Quantity: 20
Quantity Unit: G
Additional Code 1: Not reported
Additional Code 2: Not reported
Additional Code 3: Not reported
Additional Code 4: Not reported
Additional Code 5: Not reported

Shipment Date: 20150305
Creation Date: 8/5/2015 22:15:33
Receipt Date: 20150313
Manifest ID: 004639020SKS
Trans EPA ID: TXR000081205
Trans Name: SAFETY-KLEEN SYSTEMS INC
Trans 2 EPA ID: Not reported
Trans 2 Name: Not reported
TSDf EPA ID: CAT000613976
Trans Name: SAFETY-KLEEN SYSTEMS INC
TSDf Alt EPA ID: Not reported
TSDf Alt Name: Not reported
Waste Code Description: 213 - Hydrocarbon solvents (benzene, hexane, Stoddard, etc.
RCRA Code: D039
Meth Code: H141 - Storage, Bulking, And/Or Transfer Off Site--No
Treatment/Reovery (H010-H129) Or (H131-H135)
Quantity Tons: 0.05838
Waste Quantity: 14

Map ID
Direction
Distance
Elevation

MAP FINDINGS

Site

Database(s)

EDR ID Number
EPA ID Number

CITY OF NEEDLES MUNICIPAL GOLF COURSE (Continued)

S113087715

Quantity Unit: G
Additional Code 1: Not reported
Additional Code 2: Not reported
Additional Code 3: Not reported
Additional Code 4: Not reported
Additional Code 5: Not reported

Additional Info:

Year: 1999
Gen EPA ID: CAL000163763

Shipment Date: 19990126
Creation Date: 3/15/1999 0:00:00
Receipt Date: 19990126
Manifest ID: 98637367
Trans EPA ID: ILD984908202
Trans Name: Not reported
Trans 2 EPA ID: Not reported
Trans 2 Name: Not reported
TSDf EPA ID: NVT330010208
Trans Name: Not reported
TSDf Alt EPA ID: Not reported
TSDf Alt Name: Not reported
Waste Code Description: 221 - Waste oil and mixed oil
RCRA Code: Not reported
Meth Code: H01 - Transfer Station
Quantity Tons: 0.38
Waste Quantity: 100
Quantity Unit: G
Additional Code 1: Not reported
Additional Code 2: Not reported
Additional Code 3: Not reported
Additional Code 4: Not reported
Additional Code 5: Not reported

Additional Info:

Year: 2008
Gen EPA ID: CAL000163763

Shipment Date: 20080206
Creation Date: 7/22/2008 18:30:16
Receipt Date: 20080206
Manifest ID: 000515749SKS
Trans EPA ID: TXR000050930
Trans Name: SAFETY-KLEEN SYSTEMS INC
Trans 2 EPA ID: Not reported
Trans 2 Name: Not reported
TSDf EPA ID: NVR000066837
Trans Name: SAFETY-KLEEN SYSTEMS INC
TSDf Alt EPA ID: Not reported
TSDf Alt Name: Not reported
Waste Code Description: 741 - Liquids with halogenated organic compounds > 1000 mg/l
RCRA Code: D040
Meth Code: H141 - Storage, Bulking, And/Or Transfer Off Site--No Treatment/Reovery (H010-H129) Or (H131-H135)
Quantity Tons: 0.05838

Map ID
Direction
Distance
Elevation

MAP FINDINGS

Site

Database(s)

EDR ID Number
EPA ID Number

CITY OF NEEDLES MUNICIPAL GOLF COURSE (Continued)

S113087715

Waste Quantity: 14
Quantity Unit: G
Additional Code 1: D039
Additional Code 2: D018
Additional Code 3: D001
Additional Code 4: Not reported
Additional Code 5: Not reported

Additional Info:

Year: 1997
Gen EPA ID: CAL000163763

Shipment Date: 19971203
Creation Date: 7/23/1998 0:00:00
Receipt Date: 19971209
Manifest ID: 96613751
Trans EPA ID: CAD982413262
Trans Name: Not reported
Trans 2 EPA ID: Not reported
Trans 2 Name: Not reported
TSDf EPA ID: CAD981696420
Trans Name: Not reported
TSDf Alt EPA ID: Not reported
TSDf Alt Name: Not reported
Waste Code Description: 134 - Aqueous solution with <10% total organic residues
RCRA Code: Not reported
Meth Code: H01 - Transfer Station
Quantity Tons: 0.231
Waste Quantity: 55
Quantity Unit: G
Additional Code 1: Not reported
Additional Code 2: Not reported
Additional Code 3: Not reported
Additional Code 4: Not reported
Additional Code 5: Not reported

Additional Info:

Year: 2002
Gen EPA ID: CAL000163763

Shipment Date: 20020123
Creation Date: 2/26/2002 0:00:00
Receipt Date: 20020123
Manifest ID: 21487418
Trans EPA ID: SCR000075150
Trans Name: Not reported
Trans 2 EPA ID: Not reported
Trans 2 Name: Not reported
TSDf EPA ID: NVT330010208
Trans Name: Not reported
TSDf Alt EPA ID: Not reported
TSDf Alt Name: Not reported
Waste Code Description: 221 - Waste oil and mixed oil
RCRA Code: Not reported
Meth Code: - Not reported
Quantity Tons: 0.209

Map ID
Direction
Distance
Elevation

MAP FINDINGS

Site

Database(s)

EDR ID Number
EPA ID Number

CITY OF NEEDLES MUNICIPAL GOLF COURSE (Continued)

S113087715

Waste Quantity: 55
Quantity Unit: G
Additional Code 1: Not reported
Additional Code 2: Not reported
Additional Code 3: Not reported
Additional Code 4: Not reported
Additional Code 5: Not reported

Additional Info:

Year: 2014
Gen EPA ID: CAL000163763

Shipment Date: 20141204
Creation Date: 3/5/2015 22:15:15
Receipt Date: 20141216
Manifest ID: 004661350SKS
Trans EPA ID: TXR000081205
Trans Name: SAFETY-KLEEN SYSTEMS INC
Trans 2 EPA ID: Not reported
Trans 2 Name: Not reported
TSDf EPA ID: CAT000613976
Trans Name: SAFETY-KLEEN SYSTEMS INC
TSDf Alt EPA ID: Not reported
TSDf Alt Name: Not reported
Waste Code Description: 213 - Hydrocarbon solvents (benzene, hexane, Stoddard, etc.
RCRA Code: D039
Meth Code: H141 - Storage, Bulking, And/Or Transfer Off Site--No Treatment/Reovery (H010-H129) Or (H131-H135)

Quantity Tons: 0.0417
Waste Quantity: 10
Quantity Unit: G
Additional Code 1: Not reported
Additional Code 2: Not reported
Additional Code 3: Not reported
Additional Code 4: Not reported
Additional Code 5: Not reported

Shipment Date: 20140723
Creation Date: 10/22/2014 22:15:11
Receipt Date: 20140807
Manifest ID: 004341179SKS
Trans EPA ID: TXR000081205
Trans Name: SAFETY-KLEEN SYSTEMS INC
Trans 2 EPA ID: Not reported
Trans 2 Name: Not reported
TSDf EPA ID: CAD044429835
Trans Name: CLEAN HARBORS WILMINGTON LLC
TSDf Alt EPA ID: Not reported
TSDf Alt Name: Not reported
Waste Code Description: 213 - Hydrocarbon solvents (benzene, hexane, Stoddard, etc.
RCRA Code: D039
Meth Code: H141 - Storage, Bulking, And/Or Transfer Off Site--No Treatment/Reovery (H010-H129) Or (H131-H135)

Quantity Tons: 0.0417
Waste Quantity: 10
Quantity Unit: G
Additional Code 1: Not reported

Map ID
Direction
Distance
Elevation

MAP FINDINGS

Site

Database(s)

EDR ID Number
EPA ID Number

CITY OF NEEDLES MUNICIPAL GOLF COURSE (Continued)

S113087715

Additional Code 2: Not reported
Additional Code 3: Not reported
Additional Code 4: Not reported
Additional Code 5: Not reported

Shipment Date: 20140213
Creation Date: 4/5/2014 22:15:21
Receipt Date: 20140224
Manifest ID: 004019438SKS
Trans EPA ID: TXR000081205
Trans Name: SAFETY-KLEEN SYSTEMS INC
Trans 2 EPA ID: Not reported
Trans 2 Name: Not reported
TSDf EPA ID: CAD044429835
Trans Name: CLEAN HARBORS WILMINGTON LLC
TSDf Alt EPA ID: Not reported
TSDf Alt Name: Not reported
Waste Code Description: 213 - Hydrocarbon solvents (benzene, hexane, Stoddard, etc.
RCRA Code: D039
Meth Code: H141 - Storage, Bulking, And/Or Transfer Off Site--No Treatment/Reovery (H010-H129) Or (H131-H135)

Quantity Tons: 0.0417
Waste Quantity: 10
Quantity Unit: G
Additional Code 1: Not reported
Additional Code 2: Not reported
Additional Code 3: Not reported
Additional Code 4: Not reported
Additional Code 5: Not reported

Additional Info:

Year: 2000
Gen EPA ID: CAL000163763

Shipment Date: 20000126
Creation Date: 3/22/2000 0:00:00
Receipt Date: 20000126
Manifest ID: 99866911
Trans EPA ID: ILD984908202
Trans Name: Not reported
Trans 2 EPA ID: Not reported
Trans 2 Name: Not reported
TSDf EPA ID: NVT330010208
Trans Name: Not reported
TSDf Alt EPA ID: Not reported
TSDf Alt Name: Not reported
Waste Code Description: 221 - Waste oil and mixed oil
RCRA Code: Not reported
Meth Code: - Not reported
Quantity Tons: 0.114
Waste Quantity: 30
Quantity Unit: G
Additional Code 1: Not reported
Additional Code 2: Not reported
Additional Code 3: Not reported
Additional Code 4: Not reported
Additional Code 5: Not reported

Map ID
Direction
Distance
Elevation

MAP FINDINGS

Site

Database(s)

EDR ID Number
EPA ID Number

CITY OF NEEDLES MUNICIPAL GOLF COURSE (Continued)

S113087715

Additional Info:

Year: 1998
Gen EPA ID: CAL000163763

Shipment Date: 19980203
Creation Date: 4/16/1998 0:00:00
Receipt Date: 19980203
Manifest ID: 96659379
Trans EPA ID: ILD984908202
Trans Name: Not reported
Trans 2 EPA ID: Not reported
Trans 2 Name: Not reported
TSDf EPA ID: NVT330010208
Trans Name: Not reported
TSDf Alt EPA ID: Not reported
TSDf Alt Name: Not reported
Waste Code Description: 221 - Waste oil and mixed oil
RCRA Code: Not reported
Meth Code: H01 - Transfer Station
Quantity Tons: 0.247
Waste Quantity: 65
Quantity Unit: G
Additional Code 1: Not reported
Additional Code 2: Not reported
Additional Code 3: Not reported
Additional Code 4: Not reported
Additional Code 5: Not reported

Additional Info:

Year: 2012
Gen EPA ID: CAL000163763

Shipment Date: 20121108
Creation Date: 3/26/2013 22:15:29
Receipt Date: 20121112
Manifest ID: 003353164SKS
Trans EPA ID: TXR000081205
Trans Name: SAFETY-KLEEN SYSTEMS INC
Trans 2 EPA ID: Not reported
Trans 2 Name: Not reported
TSDf EPA ID: CAT000613893
Trans Name: SAFETY-KLEEN SYSTEMS INC
TSDf Alt EPA ID: Not reported
TSDf Alt Name: Not reported
Waste Code Description: 213 - Hydrocarbon solvents (benzene, hexane, Stoddard, etc.
RCRA Code: D039
Meth Code: H141 - Storage, Bulking, And/Or Transfer Off Site--No Treatment/Reovery (H010-H129) Or (H131-H135)
Quantity Tons: 0.06255
Waste Quantity: 15
Quantity Unit: G
Additional Code 1: Not reported
Additional Code 2: Not reported
Additional Code 3: Not reported
Additional Code 4: Not reported
Additional Code 5: Not reported

Map ID
Direction
Distance
Elevation

MAP FINDINGS

Site

Database(s)

EDR ID Number
EPA ID Number

CITY OF NEEDLES MUNICIPAL GOLF COURSE (Continued)

S113087715

Shipment Date: 20120725
Creation Date: 12/29/2012 22:15:14
Receipt Date: 20120801
Manifest ID: 003313202SKS
Trans EPA ID: TXR000050930
Trans Name: SAFETY-KLEEN SYSTEMS INC
Trans 2 EPA ID: Not reported
Trans 2 Name: Not reported
TSDf EPA ID: CAT000613893
Trans Name: SAFETY-KLEEN SYSTEMS INC
TSDf Alt EPA ID: Not reported
TSDf Alt Name: Not reported
Waste Code Description: 213 - Hydrocarbon solvents (benzene, hexane, Stoddard, etc.
RCRA Code: D039
Meth Code: H141 - Storage, Bulking, And/Or Transfer Off Site--No
Treatment/Reovery (H010-H129) Or (H131-H135)

Quantity Tons: 0.06255
Waste Quantity: 15
Quantity Unit: G
Additional Code 1: Not reported
Additional Code 2: Not reported
Additional Code 3: Not reported
Additional Code 4: Not reported
Additional Code 5: Not reported

Additional Info:

Year: 2013
Gen EPA ID: CAL000163763

Shipment Date: 20130920
Creation Date: 11/17/2014 8:01:10
Receipt Date: 20130926
Manifest ID: 003919598SKS
Trans EPA ID: TXR000081205
Trans Name: SAFETY-KLEEN SYSTEMS INC
Trans 2 EPA ID: Not reported
Trans 2 Name: Not reported
TSDf EPA ID: CAT000613893
Trans Name: SAFETY-KLEEN SYSTEMS INC
TSDf Alt EPA ID: Not reported
TSDf Alt Name: Not reported
Waste Code Description: 213 - Hydrocarbon solvents (benzene, hexane, Stoddard, etc.
RCRA Code: D039
Meth Code: H141 - Storage, Bulking, And/Or Transfer Off Site--No
Treatment/Reovery (H010-H129) Or (H131-H135)

Quantity Tons: 0.0834
Waste Quantity: 20
Quantity Unit: G
Additional Code 1: Not reported
Additional Code 2: Not reported
Additional Code 3: Not reported
Additional Code 4: Not reported
Additional Code 5: Not reported

Shipment Date: 20130619
Creation Date: 11/16/2013 22:15:24
Receipt Date: 20130708

Map ID
Direction
Distance
Elevation

MAP FINDINGS

Site

Database(s)

EDR ID Number
EPA ID Number

CITY OF NEEDLES MUNICIPAL GOLF COURSE (Continued)

S113087715

Manifest ID: 003105346SKS
Trans EPA ID: TXR000081205
Trans Name: SAFETY-KLEEN SYSTEMS INC
Trans 2 EPA ID: Not reported
Trans 2 Name: Not reported
TSDf EPA ID: CAT000613893
Trans Name: SAFETY-KLEEN SYSTEMS INC
TSDf Alt EPA ID: Not reported
TSDf Alt Name: Not reported
Waste Code Description: 213 - Hydrocarbon solvents (benzene, hexane, Stoddard, etc.
RCRA Code: D039
Meth Code: H141 - Storage, Bulking, And/Or Transfer Off Site--No
Treatment/Reovery (H010-H129) Or (H131-H135)
Quantity Tons: 0.06255
Waste Quantity: 15
Quantity Unit: G
Additional Code 1: Not reported
Additional Code 2: Not reported
Additional Code 3: Not reported
Additional Code 4: Not reported
Additional Code 5: Not reported

Shipment Date: 20130226
Creation Date: 7/30/2013 22:15:07
Receipt Date: 20130304
Manifest ID: 003381927SKS
Trans EPA ID: TXR000081205
Trans Name: SAFETY-KLEEN SYSTEMS INC
Trans 2 EPA ID: Not reported
Trans 2 Name: Not reported
TSDf EPA ID: CAT000613893
Trans Name: SAFETY-KLEEN SYSTEMS INC
TSDf Alt EPA ID: Not reported
TSDf Alt Name: Not reported
Waste Code Description: 213 - Hydrocarbon solvents (benzene, hexane, Stoddard, etc.
RCRA Code: D039
Meth Code: H141 - Storage, Bulking, And/Or Transfer Off Site--No
Treatment/Reovery (H010-H129) Or (H131-H135)
Quantity Tons: 0.06255
Waste Quantity: 15
Quantity Unit: G
Additional Code 1: Not reported
Additional Code 2: Not reported
Additional Code 3: Not reported
Additional Code 4: Not reported
Additional Code 5: Not reported

Additional Info:
Year: 2017
Gen EPA ID: CAL000163763

Shipment Date: 20171109
Creation Date: 12/5/2018 18:30:10
Receipt Date: 20171114
Manifest ID: 006041420SKS
Trans EPA ID: TXR000081205
Trans Name: SAFETY-KLEEN SYSTEMS INC

Map ID
Direction
Distance
Elevation

MAP FINDINGS

Site

Database(s)

EDR ID Number
EPA ID Number

CITY OF NEEDLES MUNICIPAL GOLF COURSE (Continued)

S113087715

Trans 2 EPA ID: MAD039322250
Trans 2 Name: CLEAN HARBORS
TSDf EPA ID: CAT000613976
Trans Name: SAFETY-KLEEN SYSTEMS INC
TSDf Alt EPA ID: Not reported
TSDf Alt Name: Not reported
Waste Code Description: 213 - Hydrocarbon solvents (benzene, hexane, Stoddard, etc.
RCRA Code: D039
Meth Code: H141 - Storage, Bulking, And/Or Transfer Off Site--No
Treatment/Reovery (H010-H129) Or (H131-H135)

Quantity Tons: 0.0834
Waste Quantity: 20
Quantity Unit: G
Additional Code 1: Not reported
Additional Code 2: Not reported
Additional Code 3: Not reported
Additional Code 4: Not reported
Additional Code 5: Not reported

Shipment Date: 20170517
Creation Date: 7/12/2018 18:30:13
Receipt Date: 20170526
Manifest ID: 005764017SKS
Trans EPA ID: TXR000081205
Trans Name: SAFETY-KLEEN SYSTEMS INC
Trans 2 EPA ID: MAD039322250
Trans 2 Name: CLEAN HARBORS
TSDf EPA ID: CAT000613976
Trans Name: SAFETY-KLEEN SYSTEMS INC
TSDf Alt EPA ID: Not reported
TSDf Alt Name: Not reported
Waste Code Description: 213 - Hydrocarbon solvents (benzene, hexane, Stoddard, etc.
RCRA Code: D039
Meth Code: H141 - Storage, Bulking, And/Or Transfer Off Site--No
Treatment/Reovery (H010-H129) Or (H131-H135)

Quantity Tons: 0.0417
Waste Quantity: 10
Quantity Unit: G
Additional Code 1: Not reported
Additional Code 2: Not reported
Additional Code 3: Not reported
Additional Code 4: Not reported
Additional Code 5: Not reported

Additional Info:

Year: 2015
Gen EPA ID: CAL000163763

Shipment Date: 20151104
Creation Date: 5/23/2016 18:30:23
Receipt Date: 20151110
Manifest ID: 005104281SKS
Trans EPA ID: TXR000081205
Trans Name: SAFETY-KLEEN SYSTEMS INC
Trans 2 EPA ID: Not reported
Trans 2 Name: Not reported
TSDf EPA ID: CAT000613976

Map ID
Direction
Distance
Elevation

MAP FINDINGS

Site

Database(s)

EDR ID Number
EPA ID Number

CITY OF NEEDLES MUNICIPAL GOLF COURSE (Continued)

S113087715

Trans Name: SAFETY-KLEEN SYSTEMS INC
TSDF Alt EPA ID: Not reported
TSDF Alt Name: Not reported
Waste Code Description: 213 - Hydrocarbon solvents (benzene, hexane, Stoddard, etc.
RCRA Code: D039
Meth Code: H141 - Storage, Bulking, And/Or Transfer Off Site--No Treatment/Reovery (H010-H129) Or (H131-H135)
Quantity Tons: 0.0834
Waste Quantity: 20
Quantity Unit: G
Additional Code 1: Not reported
Additional Code 2: Not reported
Additional Code 3: Not reported
Additional Code 4: Not reported
Additional Code 5: Not reported

Shipment Date: 20150305
Creation Date: 8/5/2015 22:15:33
Receipt Date: 20150313
Manifest ID: 004639020SKS
Trans EPA ID: TXR000081205
Trans Name: SAFETY-KLEEN SYSTEMS INC
Trans 2 EPA ID: Not reported
Trans 2 Name: Not reported
TSDF EPA ID: CAT000613976
Trans Name: SAFETY-KLEEN SYSTEMS INC
TSDF Alt EPA ID: Not reported
TSDF Alt Name: Not reported
Waste Code Description: 213 - Hydrocarbon solvents (benzene, hexane, Stoddard, etc.
RCRA Code: D039
Meth Code: H141 - Storage, Bulking, And/Or Transfer Off Site--No Treatment/Reovery (H010-H129) Or (H131-H135)
Quantity Tons: 0.05838
Waste Quantity: 14
Quantity Unit: G
Additional Code 1: Not reported
Additional Code 2: Not reported
Additional Code 3: Not reported
Additional Code 4: Not reported
Additional Code 5: Not reported

HWTS:

Name: CITY OF NEEDLES MUNICIPAL GOLF COURSE
Address: 1300 RIVER RD
Address 2: Not reported
City,State,Zip: NEEDLES, CA 92363
EPA ID: CAL000163763
Inactive Date: 06/30/2020
Create Date: 09/26/1996
Last Act Date: Not reported
Mailing Name: Not reported
Mailing Address: 817 3RD ST
Mailing Address 2: Not reported
Mailing City,State,Zip: NEEDLES, CA 923630000
Owner Name: CITY OF NEEDLES
Owner Address: 817 3RD ST
Owner Address 2: Not reported

Map ID
Direction
Distance
Elevation

MAP FINDINGS

Site

Database(s)

EDR ID Number
EPA ID Number

CITY OF NEEDLES MUNICIPAL GOLF COURSE (Continued)

S113087715

Owner City,State,Zip: NEEDLES, CA 923630000
Contact Name: DENNIS CALLAWAY,
Contact Address: 1300 RIVER RD
Contact Address 2: Not reported
City,State,Zip: NEEDLES, CA 92363
Facility Status: Inactive
Facility Type: PERMANENT
Category: STATE
Latitude: 35.045387
Longitude: -114.690123

NAICS:
EPA ID: CAL000163763
Create Date: 2018-11-13 15:14:09.933
NAICS Code: 561730
NAICS Description: Landscaping Services
Issued EPA ID Date: 1996-09-26 00:00:00
Inactive Date: 2020-06-30 00:00:00
Facility Name: CITY OF NEEDLES MUNICIPAL GOLF COURSE
Facility Address: 1300 RIVER RD
Facility Address 2: Not reported
Facility City: NEEDLES
Facility County: Not reported
Facility State: CA
Facility Zip: 92363

317 **TEN FOUR CORPORATION**
Target **1621 W BROADWAY**
Property **NEEDLES, CA 92363**

HAZNET **S112892044**
HWTS **N/A**

Actual:
500 ft.
Focus Map:
6

HAZNET:
Name: TEN FOUR CORPORATION
Address: 1621 W BROADWAY
Address 2: Not reported
City,State,Zip: NEEDLES, CA 923630000
Contact: TERRY DZVONICK
Telephone: 9093526767
Mailing Name: Not reported
Mailing Address: PO BOX 7877

Year: 2000
Gepaid: CAC001442832
TSD EPA ID: CAT080013352
CA Waste Code: 221 - Waste oil and mixed oil
Disposal Method: R01 - Recycler
Tons: 0.95

Additional Info:
Year: 2000
Gen EPA ID: CAC001442832

Shipment Date: 20001101
Creation Date: 1/24/2001 0:00:00
Receipt Date: 20001107
Manifest ID: 20081598
Trans EPA ID: CAT080016116

Map ID
 Direction
 Distance
 Elevation

MAP FINDINGS

Site

Database(s)

EDR ID Number
 EPA ID Number

TEN FOUR CORPORATION (Continued)

S112892044

Trans Name:	Not reported
Trans 2 EPA ID:	Not reported
Trans 2 Name:	Not reported
TSDf EPA ID:	CAT080013352
Trans Name:	Not reported
TSDf Alt EPA ID:	Not reported
TSDf Alt Name:	Not reported
Waste Code Description:	221 - Waste oil and mixed oil
RCRA Code:	Not reported
Meth Code:	R01 - Recycler
Quantity Tons:	0.95
Waste Quantity:	250
Quantity Unit:	G
Additional Code 1:	Not reported
Additional Code 2:	Not reported
Additional Code 3:	Not reported
Additional Code 4:	Not reported
Additional Code 5:	Not reported

HWTS:

Name:	TEN FOUR CORPORATION
Address:	1621 W BROADWAY
Address 2:	Not reported
City,State,Zip:	NEEDLES, CA 92363
EPA ID:	CAC001442832
Inactive Date:	06/11/2001
Create Date:	10/03/2000
Last Act Date:	Not reported
Mailing Name:	Not reported
Mailing Address:	PO BOX 7877
Mailing Address 2:	Not reported
Mailing City,State,Zip:	RIVERSIDE, CA 925130000
Owner Name:	TEN FOUR CORP
Owner Address:	PO BOX 7877
Owner Address 2:	Not reported
Owner City,State,Zip:	RIVERSIDE, CA 925130000
Contact Name:	TERRY DZVONICK
Contact Address:	1621 W BROADWAY
Contact Address 2:	Not reported
City,State,Zip:	NEEDLES, CA 923630000
Facility Status:	Inactive
Facility Type:	TEMPORARY
Category:	STATE
Latitude:	34.845658
Longitude:	-114.613518

318 **BARBARA A HAMBY**
Target **317 N K ST**
Property **NEEDLES, CA 92363**

HAZNET **S112918769**
HWTS **N/A**

HAZNET:	
Actual:	Name: BARBARA A HAMBY
481 ft.	Address: 317 N K ST
	Address 2: Not reported
Focus Map:	City,State,Zip: NEEDLES, CA 923630000
7	Contact: RON FRANKLIN/G BRYANT CONSTRUC
	Telephone: 9099443517

Map ID
Direction
Distance
Elevation

MAP FINDINGS

Site

Database(s)

EDR ID Number
EPA ID Number

BARBARA A HAMBY (Continued)

S112918769

Mailing Name: Not reported
Mailing Address: 27704 AVE SCOTT

Year: 2002
Gepaid: CAC002427919
TSD EPA ID: CAL000827758
CA Waste Code: 141 - Off-specification, aged or surplus inorganics
Disposal Method: -
Tons: 0.0005

Additional Info:

Year: 2002
Gen EPA ID: CAC002427919

Shipment Date: 20020211
Creation Date: 7/23/2002 18:30:21
Receipt Date: Not reported
Manifest ID: 98389947
Trans EPA ID: CAD009661844
Trans Name: Not reported
Trans 2 EPA ID: Not reported
Trans 2 Name: Not reported
TSD EPA ID: CAL000827758
Trans Name: Not reported
TSD Alt EPA ID: Not reported
TSD Alt Name: Not reported
Waste Code Description: 141 - Off-specification, aged, or surplus inorganics
RCRA Code: D009
Meth Code: - Not reported
Quantity Tons: 0.0005
Waste Quantity: 1
Quantity Unit: P
Additional Code 1: Not reported
Additional Code 2: Not reported
Additional Code 3: Not reported
Additional Code 4: Not reported
Additional Code 5: Not reported

HWTS:

Name: BARBARA A HAMBY
Address: 317 N K ST
Address 2: Not reported
City,State,Zip: NEEDLES, CA 92363
EPA ID: CAC002427919
Inactive Date: 09/10/2002
Create Date: 01/30/2002
Last Act Date: Not reported
Mailing Name: Not reported
Mailing Address: 27704 AVE SCOTT
Mailing Address 2: Not reported
Mailing City,State,Zip: VALENCIA, CA 913550000
Owner Name: BARBARA A HAMBY
Owner Address: 27704 AVE SCOTT
Owner Address 2: Not reported
Owner City,State,Zip: VALENCIA, CA 913550000

Map ID
Direction
Distance
Elevation

MAP FINDINGS

Site

Database(s)

EDR ID Number
EPA ID Number

BARBARA A HAMBY (Continued)

S112918769

Contact Name: RON FRANKLIN/G BRYANT CONSTRUC
Contact Address: 9333 GOLDEN ST
Contact Address 2: Not reported
City,State,Zip: ALTA LOMA, CA 917370000
Facility Status: Inactive
Facility Type: TEMPORARY
Category: STATE
Latitude: 34.845671
Longitude: -114.610339

319

Target 300 WALNUT ST.
Property NEEDLES, CA 92363

CHMIRS S120833793
N/A

Actual:
498 ft.
Focus Map:
6

CHMIRS:
Name: Not reported
Address: 300 WALNUT ST.
City,State,Zip: NEEDLES, CA 92363
OES Incident Number: 17-2283
OES notification: 03/21/2017
OES Date: Not reported
OES Time: Not reported
Date Completed: **Not reported**
Property Use: Not reported
Agency Id Number: Not reported
Agency Incident Number: Not reported
Time Notified: Not reported
Time Completed: Not reported
Surrounding Area: Not reported
Estimated Temperature: Not reported
Property Management: Not reported
More Than Two Substances Involved?: Not reported
Resp Agncy Personel # Of Decontaminated: Not reported
Responding Agency Personel # Of Injuries: Not reported
Responding Agency Personel # Of Fatalities: Not reported
Others Number Of Decontaminated: Not reported
Others Number Of Injuries: Not reported
Others Number Of Fatalities: Not reported
Vehicle Make/year: Not reported
Vehicle License Number: Not reported
Vehicle State: Not reported
Vehicle Id Number: Not reported
CA DOT PUC/ICC Number: Not reported
Company Name: Not reported
Reporting Officer Name/ID: Not reported
Report Date: Not reported
Facility Telephone: Not reported
Waterway Involved: No
Waterway: Not reported
Spill Site: Residence
Cleanup By: Unrecoverable
Containment: Not reported
What Happened: Not reported
Type: Not reported
Measure: Not reported
Other: Not reported
Type: VAPOR
Measure: N/A

Map ID
 Direction
 Distance
 Elevation

MAP FINDINGS

Site

Database(s)

EDR ID Number
 EPA ID Number

(Continued)

S120833793

Other: Not reported
 Date/Time: 1256
 Year: 2017
 Agency: South West Gas
 Incident Date: 03/21/2017
 Admin Agency: San Bernardino County Fire Department
 Amount: Not reported
 Contained: Yes
 Site Type: Not reported
 E Date: Not reported
 Substance: Natural Gas
 Quantity Released: unknown
 Unknown: Not reported
 Substance #2: Not reported
 Substance #3: Not reported
 Evacuations: Not reported
 Number of Injuries: Not reported
 Number of Fatalities: Not reported
 #1 Pipeline: No
 #2 Pipeline: No
 #3 Pipeline: No
 #1 Vessel >= 300 Tons: No
 #2 Vessel >= 300 Tons: No
 #3 Vessel >= 300 Tons: No
 Evacs: No
 Injuries: No
 Fataals: No
 Comments: Not reported
 Description: RP states unknown amount of natural gas was released into the atmosphere due to class 1 leak just below the regulator. The release is contained as of 1321 hrs. No waterways were impacted.

320 **TEN FOUR CORPORATION PROPERTY**
Target **1621 N STREET**
Property **NEEDLES, CA 92363**

LUST **S104891103**
Cortese **N/A**
ENF
CERS

Actual: LUST REG 7:
501 ft. Region: 7
Focus Map: Status: 3A - Preliminary Site Assessment Workplan Submitted
6 Case Num: 7T2363028
 Substance: Diesel fuel oil and additives
 ID: 1188
 Global ID: T0607192343
 Lead Agency: Local Agency
 Case Worker: YO

LUST:
 Name: TEN FOUR CORPORATION PROPERTY
 Address: 1621 N STREET
 City,State,Zip: NEEDLES, CA 92363
 Lead Agency: COLORADO RIVER BASIN RWQCB (REGION 7)
 Case Type: LUST Cleanup Site
 Geo Track: http://geotracker.waterboards.ca.gov/profile_report.asp?global_id=T0607192343
 Global Id: T0607192343

Map ID
Direction
Distance
Elevation

MAP FINDINGS

Site

Database(s)

EDR ID Number
EPA ID Number

TEN FOUR CORPORATION PROPERTY (Continued)

S104891103

Latitude: 34.8472424019264
Longitude: -114.614315629006
Status: Open - Inactive
Status Date: 05/15/2012
Case Worker: TI
RB Case Number: 7T2363028
Local Agency: SAN BERNARDINO COUNTY
File Location: Regional Board
Local Case Number: Not reported
Potential Media Affect: Soil
Potential Contaminants of Concern: Diesel
Site History: Source of Release: Tank leak (Diesel) Date of Release: Discovered
11/6/00 Affected Media: Soil A WORK PLAN (5/7/2009) FOR SITE
ASSESSMENT WAS SUBMITTED TO AND APPROVED (6/2/2009) BY THE LOP
AGENCY. THE WORK PLAN HAS NOT BEEN IMPLEMENTED. SEVERAL EXTENSION
WERE REQUESTED. ENFORCEMENT ACTION HAS BEEN TAKEN. THE LATEST LOW
THREAT CLOSURE POLICY REVIEW WAS 02/20/2013.

LUST:

Global Id: T0607192343
Contact Type: Local Agency Caseworker
Contact Name: CATHERINE RICHARDS
Organization Name: SAN BERNARDINO COUNTY
Address: 620 SOUTH E STREET
City: SAN BERNARDINO
Email: crichards@sbcfire.org
Phone Number: 9093868419

Global Id: T0607192343
Contact Type: Regional Board Caseworker
Contact Name: THERESA ILLARE
Organization Name: COLORADO RIVER BASIN RWQCB (REGION 7)
Address: 73-720 FRED WARING DR. STE 100
City: PALM DESERT
Email: theresa.illare@waterboards.ca.gov
Phone Number: 7607768971

LUST:

Global Id: T0607192343
Action Type: ENFORCEMENT
Date: 03/14/2003
Action: Technical Correspondence / Assistance / Other

Global Id: T0607192343
Action Type: ENFORCEMENT
Date: 12/15/2000
Action: Unauthorized Release Form

Global Id: T0607192343
Action Type: ENFORCEMENT
Date: 08/03/2011
Action: File review

Global Id: T0607192343
Action Type: ENFORCEMENT
Date: 09/04/2012
Action: Technical Correspondence / Assistance / Other

Map ID
Direction
Distance
Elevation

MAP FINDINGS

Site

Database(s)

EDR ID Number
EPA ID Number

TEN FOUR CORPORATION PROPERTY (Continued)

S104891103

Global Id:	T0607192343
Action Type:	ENFORCEMENT
Date:	06/14/2012
Action:	File review
Global Id:	T0607192343
Action Type:	ENFORCEMENT
Date:	10/30/2018
Action:	Notice to Comply
Global Id:	T0607192343
Action Type:	ENFORCEMENT
Date:	05/09/2018
Action:	Staff Letter
Global Id:	T0607192343
Action Type:	Other
Date:	12/15/2000
Action:	Leak Reported
Global Id:	T0607192343
Action Type:	ENFORCEMENT
Date:	01/25/2012
Action:	Meeting
Global Id:	T0607192343
Action Type:	ENFORCEMENT
Date:	01/12/2012
Action:	Technical Correspondence / Assistance / Other
Global Id:	T0607192343
Action Type:	ENFORCEMENT
Date:	01/11/2012
Action:	Technical Correspondence / Assistance / Other
Global Id:	T0607192343
Action Type:	ENFORCEMENT
Date:	12/29/2011
Action:	Meeting
Global Id:	T0607192343
Action Type:	ENFORCEMENT
Date:	03/05/2012
Action:	File review
Global Id:	T0607192343
Action Type:	ENFORCEMENT
Date:	02/22/2012
Action:	Technical Correspondence / Assistance / Other
Global Id:	T0607192343
Action Type:	ENFORCEMENT
Date:	01/25/2012
Action:	Technical Correspondence / Assistance / Other
Global Id:	T0607192343
Action Type:	ENFORCEMENT

Map ID
Direction
Distance
Elevation

MAP FINDINGS

Site

Database(s)

EDR ID Number
EPA ID Number

TEN FOUR CORPORATION PROPERTY (Continued)

S104891103

Date: 03/08/2012
Action: Technical Correspondence / Assistance / Other

Global Id: T0607192343
Action Type: ENFORCEMENT
Date: 03/08/2012
Action: Technical Correspondence / Assistance / Other

Global Id: T0607192343
Action Type: ENFORCEMENT
Date: 06/14/2012
Action: Technical Correspondence / Assistance / Other

Global Id: T0607192343
Action Type: ENFORCEMENT
Date: 12/15/2021
Action: Health and Safety Code Section 25296.10(c)

Global Id: T0607192343
Action Type: RESPONSE
Date: 03/08/2011
Action: Correspondence - Regulator Responded

Global Id: T0607192343
Action Type: ENFORCEMENT
Date: 08/03/2011
Action: Technical Correspondence / Assistance / Other

Global Id: T0607192343
Action Type: ENFORCEMENT
Date: 09/09/2011
Action: Technical Correspondence / Assistance / Other

Global Id: T0607192343
Action Type: ENFORCEMENT
Date: 09/08/2011
Action: Technical Correspondence / Assistance / Other

Global Id: T0607192343
Action Type: ENFORCEMENT
Date: 01/12/2011
Action: Technical Correspondence / Assistance / Other

Global Id: T0607192343
Action Type: ENFORCEMENT
Date: 03/07/2011
Action: Technical Correspondence / Assistance / Other

Global Id: T0607192343
Action Type: ENFORCEMENT
Date: 04/11/2011
Action: Technical Correspondence / Assistance / Other

Global Id: T0607192343
Action Type: ENFORCEMENT
Date: 06/02/2011
Action: Technical Correspondence / Assistance / Other

Map ID
Direction
Distance
Elevation

MAP FINDINGS

Site

Database(s)

EDR ID Number
EPA ID Number

TEN FOUR CORPORATION PROPERTY (Continued)

S104891103

Global Id: T0607192343
Action Type: ENFORCEMENT
Date: 04/13/2011
Action: Technical Correspondence / Assistance / Other

Global Id: T0607192343
Action Type: ENFORCEMENT
Date: 08/16/2011
Action: Technical Correspondence / Assistance / Other

Global Id: T0607192343
Action Type: ENFORCEMENT
Date: 04/23/2001
Action: Staff Letter

Global Id: T0607192343
Action Type: ENFORCEMENT
Date: 08/03/2011
Action: Technical Correspondence / Assistance / Other

Global Id: T0607192343
Action Type: ENFORCEMENT
Date: 06/17/2011
Action: Warning Letter

Global Id: T0607192343
Action Type: ENFORCEMENT
Date: 09/23/2011
Action: 13267 Requirement

Global Id: T0607192343
Action Type: ENFORCEMENT
Date: 08/15/2011
Action: Technical Correspondence / Assistance / Other

Global Id: T0607192343
Action Type: ENFORCEMENT
Date: 08/22/2001
Action: Staff Letter

Global Id: T0607192343
Action Type: ENFORCEMENT
Date: 08/10/2010
Action: Letter - Notice

Global Id: T0607192343
Action Type: ENFORCEMENT
Date: 09/12/2011
Action: Technical Correspondence / Assistance / Other

Global Id: T0607192343
Action Type: ENFORCEMENT
Date: 09/12/2011
Action: Technical Correspondence / Assistance / Other

Global Id: T0607192343
Action Type: ENFORCEMENT

Map ID
Direction
Distance
Elevation

MAP FINDINGS

Site

Database(s)

EDR ID Number
EPA ID Number

TEN FOUR CORPORATION PROPERTY (Continued)

S104891103

Date: 09/07/2011
Action: Technical Correspondence / Assistance / Other

Global Id: T0607192343
Action Type: ENFORCEMENT
Date: 06/03/2011
Action: Technical Correspondence / Assistance / Other

Global Id: T0607192343
Action Type: ENFORCEMENT
Date: 09/12/2011
Action: Technical Correspondence / Assistance / Other

Global Id: T0607192343
Action Type: ENFORCEMENT
Date: 07/18/1989
Action: Staff Letter

Global Id: T0607192343
Action Type: ENFORCEMENT
Date: 04/11/2011
Action: Technical Correspondence / Assistance / Other

Global Id: T0607192343
Action Type: ENFORCEMENT
Date: 06/17/2011
Action: Technical Correspondence / Assistance / Other

Global Id: T0607192343
Action Type: ENFORCEMENT
Date: 12/21/2001
Action: Staff Letter

Global Id: T0607192343
Action Type: ENFORCEMENT
Date: 06/02/2011
Action: Technical Correspondence / Assistance / Other

Global Id: T0607192343
Action Type: ENFORCEMENT
Date: 01/11/2012
Action: Meeting

Global Id: T0607192343
Action Type: ENFORCEMENT
Date: 01/11/2012
Action: Technical Correspondence / Assistance / Other

Global Id: T0607192343
Action Type: ENFORCEMENT
Date: 12/12/2011
Action: File review

Global Id: T0607192343
Action Type: ENFORCEMENT
Date: 08/20/2013
Action: Technical Correspondence / Assistance / Other

Map ID
Direction
Distance
Elevation

MAP FINDINGS

Site

Database(s)

EDR ID Number
EPA ID Number

TEN FOUR CORPORATION PROPERTY (Continued)

S104891103

Global Id:	T0607192343
Action Type:	ENFORCEMENT
Date:	02/03/2014
Action:	Verbal Enforcement
Global Id:	T0607192343
Action Type:	ENFORCEMENT
Date:	10/25/2011
Action:	Technical Correspondence / Assistance / Other
Global Id:	T0607192343
Action Type:	ENFORCEMENT
Date:	01/20/2012
Action:	Technical Correspondence / Assistance / Other
Global Id:	T0607192343
Action Type:	ENFORCEMENT
Date:	08/28/2012
Action:	Technical Correspondence / Assistance / Other
Global Id:	T0607192343
Action Type:	ENFORCEMENT
Date:	02/03/2014
Action:	Technical Correspondence / Assistance / Other
Global Id:	T0607192343
Action Type:	ENFORCEMENT
Date:	02/03/2014
Action:	Technical Correspondence / Assistance / Other
Global Id:	T0607192343
Action Type:	ENFORCEMENT
Date:	08/28/2012
Action:	Technical Correspondence / Assistance / Other
Global Id:	T0607192343
Action Type:	ENFORCEMENT
Date:	06/14/2012
Action:	Technical Correspondence / Assistance / Other
Global Id:	T0607192343
Action Type:	ENFORCEMENT
Date:	06/18/2012
Action:	Technical Correspondence / Assistance / Other
Global Id:	T0607192343
Action Type:	ENFORCEMENT
Date:	05/09/2018
Action:	Staff Letter
Global Id:	T0607192343
Action Type:	ENFORCEMENT
Date:	12/15/2021
Action:	Health and Safety Code Section 25296.10(c)
Global Id:	T0607192343
Action Type:	ENFORCEMENT

Map ID
Direction
Distance
Elevation

MAP FINDINGS

Site

Database(s)

EDR ID Number
EPA ID Number

TEN FOUR CORPORATION PROPERTY (Continued)

S104891103

Date: 02/10/2022
Action: Deadline Extension

Global Id: T0607192343
Action Type: ENFORCEMENT
Date: 12/15/2021
Action: Health and Safety Code Section 25296.10(c)

Global Id: T0607192343
Action Type: Other
Date: 11/06/2000
Action: Leak Stopped

Global Id: T0607192343
Action Type: ENFORCEMENT
Date: 08/08/2011
Action: Technical Correspondence / Assistance / Other

Global Id: T0607192343
Action Type: ENFORCEMENT
Date: 08/08/2011
Action: Technical Correspondence / Assistance / Other

Global Id: T0607192343
Action Type: ENFORCEMENT
Date: 09/12/2011
Action: Technical Correspondence / Assistance / Other

Global Id: T0607192343
Action Type: ENFORCEMENT
Date: 06/17/2011
Action: Technical Correspondence / Assistance / Other

Global Id: T0607192343
Action Type: ENFORCEMENT
Date: 06/17/2011
Action: Technical Correspondence / Assistance / Other

Global Id: T0607192343
Action Type: ENFORCEMENT
Date: 07/08/2011
Action: Technical Correspondence / Assistance / Other

Global Id: T0607192343
Action Type: ENFORCEMENT
Date: 03/09/2011
Action: Technical Correspondence / Assistance / Other

Global Id: T0607192343
Action Type: ENFORCEMENT
Date: 12/20/2000
Action: Staff Letter

Global Id: T0607192343
Action Type: ENFORCEMENT
Date: 09/07/2010
Action: Referral to Regional Board

Map ID
Direction
Distance
Elevation

MAP FINDINGS

Site

Database(s)

EDR ID Number
EPA ID Number

TEN FOUR CORPORATION PROPERTY (Continued)

S104891103

Global Id: T0607192343
Action Type: ENFORCEMENT
Date: 03/09/2011
Action: Technical Correspondence / Assistance / Other

Global Id: T0607192343
Action Type: ENFORCEMENT
Date: 03/25/2002
Action: Lien

Global Id: T0607192343
Action Type: ENFORCEMENT
Date: 07/20/2011
Action: Technical Correspondence / Assistance / Other

Global Id: T0607192343
Action Type: ENFORCEMENT
Date: 09/06/2011
Action: Technical Correspondence / Assistance / Other

Global Id: T0607192343
Action Type: ENFORCEMENT
Date: 09/12/2011
Action: Technical Correspondence / Assistance / Other

Global Id: T0607192343
Action Type: ENFORCEMENT
Date: 11/04/2010
Action: Clean Up Fund - Letter to RP

Global Id: T0607192343
Action Type: ENFORCEMENT
Date: 09/08/2011
Action: Technical Correspondence / Assistance / Other

Global Id: T0607192343
Action Type: ENFORCEMENT
Date: 09/06/2011
Action: File review

Global Id: T0607192343
Action Type: ENFORCEMENT
Date: 09/12/2011
Action: Technical Correspondence / Assistance / Other

Global Id: T0607192343
Action Type: ENFORCEMENT
Date: 11/21/2001
Action: Staff Letter

Global Id: T0607192343
Action Type: ENFORCEMENT
Date: 06/17/2011
Action: Technical Correspondence / Assistance / Other

Global Id: T0607192343
Action Type: ENFORCEMENT

Map ID
Direction
Distance
Elevation

MAP FINDINGS

Site

Database(s)

EDR ID Number
EPA ID Number

TEN FOUR CORPORATION PROPERTY (Continued)

S104891103

Date: 03/07/2011
Action: Technical Correspondence / Assistance / Other

Global Id: T0607192343
Action Type: ENFORCEMENT
Date: 09/05/2000
Action: Staff Letter

Global Id: T0607192343
Action Type: ENFORCEMENT
Date: 02/20/2003
Action: Staff Letter

Global Id: T0607192343
Action Type: ENFORCEMENT
Date: 07/06/2011
Action: Technical Correspondence / Assistance / Other

Global Id: T0607192343
Action Type: ENFORCEMENT
Date: 08/09/2011
Action: Technical Correspondence / Assistance / Other

Global Id: T0607192343
Action Type: ENFORCEMENT
Date: 03/25/2011
Action: Technical Correspondence / Assistance / Other

Global Id: T0607192343
Action Type: ENFORCEMENT
Date: 09/07/2011
Action: Technical Correspondence / Assistance / Other

Global Id: T0607192343
Action Type: ENFORCEMENT
Date: 07/11/2011
Action: Technical Correspondence / Assistance / Other

Global Id: T0607192343
Action Type: ENFORCEMENT
Date: 07/01/2011
Action: Technical Correspondence / Assistance / Other

Global Id: T0607192343
Action Type: ENFORCEMENT
Date: 02/08/2011
Action: Clean Up Fund - Letter to RP

Global Id: T0607192343
Action Type: RESPONSE
Date: 04/13/2011
Action: Correspondence

Global Id: T0607192343
Action Type: RESPONSE
Date: 07/13/2011
Action: Other Report / Document

Map ID
Direction
Distance
Elevation

MAP FINDINGS

Site

Database(s)

EDR ID Number
EPA ID Number

TEN FOUR CORPORATION PROPERTY (Continued)

S104891103

Global Id: T0607192343
Action Type: RESPONSE
Date: 07/13/2011
Action: Other Report / Document

Global Id: T0607192343
Action Type: RESPONSE
Date: 06/17/2011
Action: Correspondence

Global Id: T0607192343
Action Type: RESPONSE
Date: 06/13/2011
Action: Verbal Communication

Global Id: T0607192343
Action Type: RESPONSE
Date: 06/13/2011
Action: Verbal Communication

Global Id: T0607192343
Action Type: RESPONSE
Date: 06/17/2011
Action: Correspondence

Global Id: T0607192343
Action Type: RESPONSE
Date: 06/03/2011
Action: Verbal Communication

Global Id: T0607192343
Action Type: RESPONSE
Date: 06/07/2011
Action: Verbal Communication

Global Id: T0607192343
Action Type: RESPONSE
Date: 06/17/2011
Action: Correspondence

Global Id: T0607192343
Action Type: RESPONSE
Date: 06/02/2011
Action: Verbal Communication

Global Id: T0607192343
Action Type: RESPONSE
Date: 06/03/2011
Action: Correspondence

Global Id: T0607192343
Action Type: RESPONSE
Date: 08/10/2011
Action: Other Report / Document

Global Id: T0607192343
Action Type: RESPONSE

Map ID
Direction
Distance
Elevation

MAP FINDINGS

Site

Database(s)

EDR ID Number
EPA ID Number

TEN FOUR CORPORATION PROPERTY (Continued)

S104891103

Date: 12/15/2011
Action: Preliminary Site Assessment Report

Global Id: T0607192343
Action Type: RESPONSE
Date: 04/19/2001
Action: Other Report / Document

Global Id: T0607192343
Action Type: RESPONSE
Date: 04/15/2012
Action: Monitoring Report - Semi-Annually

Global Id: T0607192343
Action Type: RESPONSE
Date: 02/02/2001
Action: Other Report / Document

Global Id: T0607192343
Action Type: RESPONSE
Date: 12/07/2000
Action: Tank Removal Report / UST Sampling Report

Global Id: T0607192343
Action Type: RESPONSE
Date: 08/28/2009
Action: Correspondence

Global Id: T0607192343
Action Type: RESPONSE
Date: 05/09/2009
Action: Preliminary Site Assessment Workplan

Global Id: T0607192343
Action Type: RESPONSE
Date: 02/07/2003
Action: Preliminary Site Assessment Workplan

Global Id: T0607192343
Action Type: RESPONSE
Date: 03/16/2001
Action: Correspondence

Global Id: T0607192343
Action Type: RESPONSE
Date: 07/16/2001
Action: Correspondence

Global Id: T0607192343
Action Type: RESPONSE
Date: 12/19/2011
Action: Correspondence

Global Id: T0607192343
Action Type: ENFORCEMENT
Date: 07/20/2011
Action: Technical Correspondence / Assistance / Other

Map ID
Direction
Distance
Elevation

MAP FINDINGS

Site

Database(s)

EDR ID Number
EPA ID Number

TEN FOUR CORPORATION PROPERTY (Continued)

S104891103

Global Id:	T0607192343
Action Type:	ENFORCEMENT
Date:	08/10/2010
Action:	Letter - Notice
Global Id:	T0607192343
Action Type:	ENFORCEMENT
Date:	07/01/2011
Action:	Technical Correspondence / Assistance / Other
Global Id:	T0607192343
Action Type:	ENFORCEMENT
Date:	03/18/2010
Action:	Staff Letter
Global Id:	T0607192343
Action Type:	ENFORCEMENT
Date:	03/09/2011
Action:	Technical Correspondence / Assistance / Other
Global Id:	T0607192343
Action Type:	ENFORCEMENT
Date:	08/10/2011
Action:	Technical Correspondence / Assistance / Other
Global Id:	T0607192343
Action Type:	ENFORCEMENT
Date:	08/12/2011
Action:	Technical Correspondence / Assistance / Other
Global Id:	T0607192343
Action Type:	ENFORCEMENT
Date:	09/06/2011
Action:	Technical Correspondence / Assistance / Other
Global Id:	T0607192343
Action Type:	ENFORCEMENT
Date:	09/08/2011
Action:	Technical Correspondence / Assistance / Other
Global Id:	T0607192343
Action Type:	ENFORCEMENT
Date:	08/17/2011
Action:	Technical Correspondence / Assistance / Other
Global Id:	T0607192343
Action Type:	ENFORCEMENT
Date:	10/24/1996
Action:	Staff Letter
Global Id:	T0607192343
Action Type:	ENFORCEMENT
Date:	06/26/2009
Action:	Letter - Notice
Global Id:	T0607192343
Action Type:	ENFORCEMENT

Map ID
Direction
Distance
Elevation

MAP FINDINGS

Site

Database(s)

EDR ID Number
EPA ID Number

TEN FOUR CORPORATION PROPERTY (Continued)

S104891103

Date: 12/01/2009
Action: Staff Letter

Global Id: T0607192343
Action Type: ENFORCEMENT
Date: 07/06/2011
Action: Technical Correspondence / Assistance / Other

Global Id: T0607192343
Action Type: ENFORCEMENT
Date: 06/08/2011
Action: Technical Correspondence / Assistance / Other

Global Id: T0607192343
Action Type: ENFORCEMENT
Date: 09/15/1992
Action: Staff Letter

Global Id: T0607192343
Action Type: ENFORCEMENT
Date: 12/18/2000
Action: Notice of Responsibility

Global Id: T0607192343
Action Type: ENFORCEMENT
Date: 06/02/2009
Action: Staff Letter

Global Id: T0607192343
Action Type: ENFORCEMENT
Date: 09/09/2011
Action: Technical Correspondence / Assistance / Other

Global Id: T0607192343
Action Type: ENFORCEMENT
Date: 04/23/2001
Action: Notice of Responsibility

Global Id: T0607192343
Action Type: ENFORCEMENT
Date: 06/12/2001
Action: Notice of Violation

Global Id: T0607192343
Action Type: ENFORCEMENT
Date: 03/09/2011
Action: Technical Correspondence / Assistance / Other

Global Id: T0607192343
Action Type: ENFORCEMENT
Date: 07/20/2011
Action: File review

Global Id: T0607192343
Action Type: ENFORCEMENT
Date: 08/02/2011
Action: File review

Map ID
Direction
Distance
Elevation

MAP FINDINGS

Site

Database(s)

EDR ID Number
EPA ID Number

TEN FOUR CORPORATION PROPERTY (Continued)

S104891103

Global Id: T0607192343
Action Type: ENFORCEMENT
Date: 08/02/2011
Action: Technical Correspondence / Assistance / Other

Global Id: T0607192343
Action Type: ENFORCEMENT
Date: 07/06/2011
Action: File review

Global Id: T0607192343
Action Type: ENFORCEMENT
Date: 06/02/2011
Action: Technical Correspondence / Assistance / Other

Global Id: T0607192343
Action Type: ENFORCEMENT
Date: 08/12/2011
Action: File review

Global Id: T0607192343
Action Type: ENFORCEMENT
Date: 08/16/2011
Action: Technical Correspondence / Assistance / Other

Global Id: T0607192343
Action Type: ENFORCEMENT
Date: 09/07/2010
Action: Referral to Regional Board

Global Id: T0607192343
Action Type: ENFORCEMENT
Date: 09/08/2011
Action: Technical Correspondence / Assistance / Other

Global Id: T0607192343
Action Type: ENFORCEMENT
Date: 10/10/2011
Action: File review

Global Id: T0607192343
Action Type: ENFORCEMENT
Date: 01/02/2002
Action: Staff Letter

Global Id: T0607192343
Action Type: ENFORCEMENT
Date: 06/17/2011
Action: Warning Letter

Global Id: T0607192343
Action Type: ENFORCEMENT
Date: 02/23/2012
Action: Notice of Violation

Global Id: T0607192343
Action Type: ENFORCEMENT

Map ID
Direction
Distance
Elevation

MAP FINDINGS

Site

Database(s)

EDR ID Number
EPA ID Number

TEN FOUR CORPORATION PROPERTY (Continued)

S104891103

Date: 08/31/2018
Action: Notice to Comply

Global Id: T0607192343
Action Type: ENFORCEMENT
Date: 03/22/2019
Action: Letter - Notice

Global Id: T0607192343
Action Type: Other
Date: 11/06/2000
Action: Leak Discovery

Global Id: T0607192343
Action Type: RESPONSE
Date: 03/22/2011
Action: Verbal Communication

Global Id: T0607192343
Action Type: RESPONSE
Date: 03/09/2011
Action: Correspondence

Global Id: T0607192343
Action Type: RESPONSE
Date: 03/08/2011
Action: Verbal Communication

Global Id: T0607192343
Action Type: RESPONSE
Date: 03/10/2011
Action: Correspondence

Global Id: T0607192343
Action Type: RESPONSE
Date: 06/08/2011
Action: Verbal Communication

Global Id: T0607192343
Action Type: RESPONSE
Date: 03/21/2011
Action: Correspondence

Global Id: T0607192343
Action Type: RESPONSE
Date: 03/09/2011
Action: Verbal Communication

Global Id: T0607192343
Action Type: RESPONSE
Date: 06/03/2011
Action: Verbal Communication

Global Id: T0607192343
Action Type: RESPONSE
Date: 07/01/2011
Action: Correspondence

Map ID
Direction
Distance
Elevation

MAP FINDINGS

Site

Database(s)

EDR ID Number
EPA ID Number

TEN FOUR CORPORATION PROPERTY (Continued)

S104891103

Global Id: T0607192343
Action Type: RESPONSE
Date: 06/30/2011
Action: Correspondence

Global Id: T0607192343
Action Type: RESPONSE
Date: 11/04/2011
Action: Correspondence

LUST:

Global Id: T0607192343
Status: Open - Case Begin Date
Status Date: 11/06/2000

Global Id: T0607192343
Status: Open - Site Assessment
Status Date: 12/07/2000

Global Id: T0607192343
Status: Open - Site Assessment
Status Date: 02/07/2003

Global Id: T0607192343
Status: Open - Site Assessment
Status Date: 05/14/2012

Global Id: T0607192343
Status: Open - Inactive
Status Date: 05/15/2012

CORTESE:

Name: TEN FOUR CORPORATION PROPERTY
Address: 1621 N STREET
City,State,Zip: NEEDLES, CA 92363
Region: CORTESE
Envirostor Id: Not reported
Global ID: T0607192343
Site/Facility Type: LUST CLEANUP SITE
Cleanup Status: OPEN - INACTIVE
Status Date: Not reported
Site Code: Not reported
Latitude: Not reported
Longitude: Not reported
Owner: Not reported
Enf Type: Not reported
Swat R: Not reported
Flag: active
Order No: Not reported
Waste Discharge System No: Not reported
Effective Date: Not reported
Region 2: Not reported
WID Id: Not reported
Solid Waste Id No: Not reported
Waste Management Uit Name: Not reported

Map ID
Direction
Distance
Elevation

MAP FINDINGS

Site

Database(s)

EDR ID Number
EPA ID Number

TEN FOUR CORPORATION PROPERTY (Continued)

S104891103

File Name: Active Open

ENF:

Name:	TEN FOUR CORP PROPERTY
Address:	1621 N STREET
City,State,Zip:	NEEDLES, CA
Region:	7
Facility Id:	771462
Agency Name:	Not reported
Place Type:	Facility
Place Subtype:	Not reported
Facility Type:	Not reported
Agency Type:	Not reported
# Of Agencies:	Not reported
Place Latitude:	Not reported
Place Longitude:	Not reported
SIC Code 1:	Not reported
SIC Desc 1:	Not reported
SIC Code 2:	Not reported
SIC Desc 2:	Not reported
SIC Code 3:	Not reported
SIC Desc 3:	Not reported
NAICS Code 1:	Not reported
NAICS Desc 1:	Not reported
NAICS Code 2:	Not reported
NAICS Desc 2:	Not reported
NAICS Code 3:	Not reported
NAICS Desc 3:	Not reported
# Of Places:	1
Source Of Facility:	Enf Action
Design Flow:	Not reported
Threat To Water Quality:	Not reported
Complexity:	Not reported
Pretreatment:	Not reported
Facility Waste Type:	Not reported
Facility Waste Type 2:	Not reported
Facility Waste Type 3:	Not reported
Facility Waste Type 4:	Not reported
Program:	Not reported
Program Category1:	Not reported
Program Category2:	TANKS
# Of Programs:	Not reported
WDID:	Not reported
Reg Measure Id:	Not reported
Reg Measure Type:	Not reported
Region:	Not reported
Order #:	Not reported
Npdes# CA#:	Not reported
Major-Minor:	Not reported
Npdes Type:	Not reported
Reclamation:	Not reported
Dredge Fill Fee:	Not reported
301H:	Not reported
Application Fee Amt Received:	Not reported
Status:	Not reported
Status Date:	Not reported
Effective Date:	Not reported

Map ID
Direction
Distance
Elevation

MAP FINDINGS

Site

Database(s)

EDR ID Number
EPA ID Number

TEN FOUR CORPORATION PROPERTY (Continued)

S104891103

Expiration/Review Date: Not reported
Termination Date: Not reported
WDR Review - Amend: Not reported
WDR Review - Revise/Renew: Not reported
WDR Review - Rescind: Not reported
WDR Review - No Action Required: Not reported
WDR Review - Pending: Not reported
WDR Review - Planned: Not reported
Status Enrollee: Not reported
Individual/General: Not reported
Fee Code: Not reported
Direction/Voice: Not reported
Enforcement Id(EID): 381556
Region: 7
Order / Resolution Number: Not reported
Enforcement Action Type: 13267 Letter
Effective Date: 09/23/2011
Adoption/Issuance Date: Not reported
Achieve Date: Not reported
Termination Date: Not reported
ACL Issuance Date: Not reported
EPL Issuance Date: Not reported
Status: Active
Title: 13267 Letter for Ten Four Corp
Description: 09/23/2011 13267 Letter issued requesting submittal of technical and monitoring program reports pertaining to a UST release that occurred at the subject site.
Program: UST
Latest Milestone Completion Date: Not reported
Of Programs1: 1
Total Assessment Amount: 0
Initial Assessed Amount: 0
Liability \$ Amount: 0
Project \$ Amount: 0
Liability \$ Paid: 0
Project \$ Completed: 0
Total \$ Paid/Completed Amount: 0

CERS:

Name: TEN FOUR CORPORATION PROPERTY
Address: 1621 N STREET
City,State,Zip: NEEDLES, CA 92363
Site ID: 239723
CERS ID: T0607192343
CERS Description: Leaking Underground Storage Tank Cleanup Site

Affiliation:

Affiliation Type Desc: Local Agency Caseworker
Entity Name: CATHERINE RICHARDS - SAN BERNARDINO COUNTY
Entity Title: Not reported
Affiliation Address: 620 SOUTH E STREET
Affiliation City: SAN BERNARDINO
Affiliation State: CA
Affiliation Country: Not reported
Affiliation Zip: Not reported
Affiliation Phone: 9093868419,

Map ID
 Direction
 Distance
 Elevation

MAP FINDINGS

Site

Database(s)

EDR ID Number
 EPA ID Number

TEN FOUR CORPORATION PROPERTY (Continued)

S104891103

Affiliation Type Desc: Regional Board Caseworker
 Entity Name: THERESA ILLARE - COLORADO RIVER BASIN RWQCB (REGION 7)
 Entity Title: Not reported
 Affiliation Address: 73-720 FRED WARING DR. STE 100
 Affiliation City: PALM DESERT
 Affiliation State: CA
 Affiliation Country: Not reported
 Affiliation Zip: Not reported
 Affiliation Phone: 7607768971,

321 **PACIFIC GAS & ELECTRIC/ TOPOCK COMPRESSOR STATION**
Target **12 MI E NEEDLES ON I 40**
Property **NEEDLES, CA 92363**

ENVIROSTOR **S100942337**
DEED **N/A**

Actual:
499 ft.

Focus Map:
6

ENVIROSTOR:

Name: PACIFIC GAS & ELECTRIC/ TOPOCK COMPRESSOR STATION
 Address: 12 MI E NEEDLES ON I 40
 City,State,Zip: NEEDLES, CA 92363
 Facility ID: 80001836
 Status: Active
 Status Date: 01/01/2008
 Site Code: 540015
 Site Type: Corrective Action
 Site Type Detailed: Corrective Action
 Acres: 779
 NPL: NO
 Regulatory Agencies: SMBRP
 Lead Agency: WM
 Program Manager: Aaron Yue
 Supervisor: Karen Baker
 Division Branch: Cleanup Cypress
 Assembly: 33
 Senate: 16
 Special Program: Not reported
 Restricted Use: YES
 Site Mgmt Req: NONE SPECIFIED
 Funding: Responsible Party
 Latitude: 34.71667
 Longitude: -114.4924
 APN: NONE SPECIFIED
 Past Use: ABOVE GROUND STORAGE TANKS, EQUIPMENT/INSTRUMENT REPAIR, ILLEGAL DUMPING, LDF, MACHINE SHOP, MAINTENANCE / CLEANING, SAND BLASTING, UNDERGROUND STORAGE TANKS, UTILITY - NATURAL GAS, WASTE WATER PONDS, ILLEGAL DUMPING, LDF, UTILITY - NATURAL GAS, WASTE WATER PONDS, ILLEGAL DUMPING, LDF, UTILITY - NATURAL GAS, WASTE WATER PONDS
 Potential COC: Total Chromium (1:6 ratio Cr VI:Cr III Dioxin (as 2,3,7,8-TCDD TEQ Polychlorinated biphenyls (PCBs Chromium VI Molybdenum Nitrate Selenium Chromium VI Molybdenum Nitrate Selenium Under Investigation Asbestos Containing Materials (ACM Dioxin (as 2,3,7,8-TCDD TEQ Polychlorinated biphenyls (PCBs TPH-diesel Chromium III Chromium VI
 Confirmed COC: Dioxin (as 2,3,7,8-TCDD TEQ 30024-NO Chromium III Chromium VI 40001-NO 30018-NO Under Investigation Selenium Chromium VI Molybdenum Nitrate Dioxin (as 2,3,7,8-TCDD TEQ Chromium VI Polychlorinated biphenyls (PCBs
 Potential Description: AQUIC, CSS, SOIL, AQUIC, AQUIC, SOIL, UE
 Alias Name: PG&E
 Alias Type: Alternate Name

Map ID
Direction
Distance
Elevation

MAP FINDINGS

Site

Database(s)

EDR ID Number
EPA ID Number

PACIFIC GAS & ELECTRIC/ TOPOCK COMPRESSOR STATION (Continued)

S100942337

Alias Name: CAT080011729
Alias Type: EPA Identification Number
Alias Name: L10004096479
Alias Type: GeoTracker Global ID
Alias Name: SL0607161506
Alias Type: GeoTracker Global ID
Alias Name: 540015
Alias Type: Project Code (Site Code)
Alias Name: 36490090
Alias Type: Envirostor ID Number
Alias Name: 80001836
Alias Type: Envirostor ID Number
Alias Name: www.dtsc-topock.com
Alias Type: External Website Link / URL

Completed Info:

Completed Area Name: PROJECT WIDE
Completed Sub Area Name: Not reported
Completed Document Type: RFI Report
Completed Date: 06/04/2014
Comments: Not reported

Completed Area Name: PROJECT WIDE
Completed Sub Area Name: Not reported
Completed Document Type: Fact Sheets
Completed Date: 06/20/2014
Comments: Not reported

Completed Area Name: PROJECT WIDE
Completed Sub Area Name: Not reported
Completed Document Type: Community Profile
Completed Date: 03/25/2014
Comments: DTSC approved the switch over to revised website on 3/25/2014

Completed Area Name: PROJECT WIDE
Completed Sub Area Name: Not reported
Completed Document Type: Fact Sheets
Completed Date: 04/24/2018
Comments: Annual Factsheet updating community sent end of April 2018

Completed Area Name: PROJECT WIDE
Completed Sub Area Name: Not reported
Completed Document Type: Mitigation Monitoring Report
Completed Date: 10/30/2020
Comments: MMRP Compliance report accepted.

Completed Area Name: PROJECT WIDE
Completed Sub Area Name: Not reported
Completed Document Type: Mitigation Monitoring Report
Completed Date: 08/19/2020
Comments: Not reported

Completed Area Name: PROJECT WIDE
Completed Sub Area Name: Not reported
Completed Document Type: Mitigation Monitoring Report
Completed Date: 04/30/2021
Comments: Report Submitted on-time.

Map ID
Direction
Distance
Elevation

MAP FINDINGS

Site

Database(s)

EDR ID Number
EPA ID Number

PACIFIC GAS & ELECTRIC/ TOPOCK COMPRESSOR STATION (Continued)

S100942337

Completed Area Name: PROJECT WIDE
Completed Sub Area Name: Not reported
Completed Document Type: Mitigation Monitoring Report
Completed Date: 01/30/2021
Comments: Not reported

Completed Area Name: PROJECT WIDE
Completed Sub Area Name: Not reported
Completed Document Type: Financial Assurance Documentation
Completed Date: 04/13/2021
Comments: Not reported

Completed Area Name: PROJECT WIDE
Completed Sub Area Name: Not reported
Completed Document Type: Fact Sheets
Completed Date: 01/14/2022
Comments: Not reported

Completed Area Name: PROJECT WIDE
Completed Sub Area Name: Not reported
Completed Document Type: Soils Management Plan
Completed Date: 11/19/2019
Comments: Not reported

Completed Area Name: Soil
Completed Sub Area Name: Not reported
Completed Document Type: CEQA - Initial Study/ Environmental Impact Report
Completed Date: 08/24/2015
Comments: Not reported

Completed Area Name: PROJECT WIDE
Completed Sub Area Name: Not reported
Completed Document Type: Corrective Action Oversight Cost Recovery Estimate
Completed Date: 08/12/2014
Comments: Estimate sent to PG&E on 8/12/2014

Completed Area Name: AOC 1/ SWMU 1/ AOC 10 Groundwater
Completed Sub Area Name: Not reported
Completed Document Type: CEQA - Initial Study/ Environmental Impact Report
Completed Date: 04/24/2018
Comments: Not reported

Completed Area Name: AOC 1/ SWMU 1/ AOC 10 Groundwater
Completed Sub Area Name: Not reported
Completed Document Type: Financial Assurance Documentation
Completed Date: 09/26/2013
Comments: Not reported

Completed Area Name: PROJECT WIDE
Completed Sub Area Name: Not reported
Completed Document Type: Technical Workplan
Completed Date: 06/19/2013
Comments: Discussed during June TWG, verbal approval granted by DTSC to proceed with work.

Completed Area Name: PROJECT WIDE
Completed Sub Area Name: Not reported

Map ID
Direction
Distance
Elevation

MAP FINDINGS

Site

Database(s)

EDR ID Number
EPA ID Number

PACIFIC GAS & ELECTRIC/ TOPOCK COMPRESSOR STATION (Continued)

S100942337

Completed Document Type: Public Participation Plan / Community Relations Plan
Completed Date: 01/11/2013
Comments: Not reported

Completed Area Name: PROJECT WIDE
Completed Sub Area Name: Not reported
Completed Document Type: Risk Assessment Workplan
Completed Date: 09/02/2015
Comments: Not reported

Completed Area Name: PROJECT WIDE
Completed Sub Area Name: Not reported
Completed Document Type: Risk Assessment Workplan
Completed Date: 05/15/2014
Comments: Sent response letter to Tribal toxicologist on findings by Dr. Eichelberger

Completed Area Name: AOC 1/ SWMU 1/ AOC 10 Groundwater
Completed Sub Area Name: Not reported
Completed Document Type: Remedial Design - Preliminary/Intermediate
Completed Date: 09/04/2013
Comments: Not reported

Completed Area Name: PROJECT WIDE
Completed Sub Area Name: Not reported
Completed Document Type: Risk Assessment Report
Completed Date: 05/29/2020
Comments: Not reported

Completed Area Name: AOC 1/ SWMU 1/ AOC 10 Groundwater
Completed Sub Area Name: Not reported
Completed Document Type: Remedial Design - Preliminary/Intermediate
Completed Date: 04/04/2014
Comments: Not reported

Completed Area Name: AOC 1/ SWMU 1/ AOC 10 Groundwater
Completed Sub Area Name: Not reported
Completed Document Type: Financial Assurance Documentation
Completed Date: 04/05/2011
Comments: Corrective Action Cost Estimate for Groundwater Remedy, mechanism is Financial Test for \$198,000,000.00

Completed Area Name: PROJECT WIDE
Completed Sub Area Name: Not reported
Completed Document Type: Public Participation Plan / Community Relations Plan
Completed Date: 05/13/2019
Comments: Not reported

Completed Area Name: PROJECT WIDE
Completed Sub Area Name: Not reported
Completed Document Type: Consent Order
Completed Date: 02/26/1996
Comments: Not reported

Completed Area Name: PROJECT WIDE
Completed Sub Area Name: Not reported
Completed Document Type: Interim Measures Questionnaire

Map ID
Direction
Distance
Elevation

MAP FINDINGS

Site

Database(s)

EDR ID Number
EPA ID Number

PACIFIC GAS & ELECTRIC/ TOPOCK COMPRESSOR STATION (Continued)

S100942337

Completed Date: 09/22/1994
Comments: Not reported

Completed Area Name: AOC 1/ SWMU 1/ AOC 10 Groundwater
Completed Sub Area Name: Not reported
Completed Document Type: Remedy Selection and Statement of Basis
Completed Date: 01/31/2011
Comments: Not reported

Completed Area Name: AOC 1/ SWMU 1/ AOC 10 Groundwater
Completed Sub Area Name: Not reported
Completed Document Type: CEQA - Initial Study/ Environmental Impact Report
Completed Date: 01/31/2011
Comments: Final EIR certified, NOD filed with Office of Planning and Research. Adopted final groundwater remedy. Approval documents can be downloaded in envirostor. All supporting documents are available at www.dtsc-topock.com

Completed Area Name: PROJECT WIDE
Completed Sub Area Name: Not reported
Completed Document Type: Groundwater Migration Controlled
Completed Date: 09/19/2008
Comments: Not reported

Completed Area Name: AOC 1/ SWMU 1/ AOC 10 Groundwater
Completed Sub Area Name: Not reported
Completed Document Type: Health & Safety Plan
Completed Date: 03/11/2011
Comments: Sent email accepting Health and Safety Plan for proposed activities.

Completed Area Name: PROJECT WIDE
Completed Sub Area Name: Not reported
Completed Document Type: Risk Assessment Workplan
Completed Date: 02/04/2009
Comments: RAWP is for both Soil and Groundwater.

Completed Area Name: AOC 1/ SWMU 1/ AOC 10 Groundwater
Completed Sub Area Name: Not reported
Completed Document Type: Corrective Measure Implementation Workplan
Completed Date: 04/24/2018
Comments: Not reported

Completed Area Name: AOC 1/ SWMU 1/ AOC 10 Groundwater
Completed Sub Area Name: Not reported
Completed Document Type: Design/Implementation Workplan
Completed Date: 04/24/2018
Comments: Not reported

Completed Area Name: Soil
Completed Sub Area Name: Not reported
Completed Document Type: RFI Workplan
Completed Date: 08/24/2015
Comments: Final Soil Workplan conditionally approved 8-24-2015

Completed Area Name: AOC 1/ SWMU 1/ AOC 10 Groundwater
Completed Sub Area Name: Not reported
Completed Document Type: Corrective Measures Study Report

Map ID
Direction
Distance
Elevation

MAP FINDINGS

Site

Database(s)

EDR ID Number
EPA ID Number

PACIFIC GAS & ELECTRIC/ TOPOCK COMPRESSOR STATION (Continued)

S100942337

Completed Date: 12/18/2009
Comments: Not reported

Completed Area Name: AOC 1/ SWMU 1/ AOC 10 Groundwater
Completed Sub Area Name: Not reported
Completed Document Type: Risk Assessment Report
Completed Date: 12/10/2009
Comments: Document can be downloaded from www.dtsc-topock.com

Completed Area Name: PROJECT WIDE
Completed Sub Area Name: Not reported
Completed Document Type: Fact Sheets
Completed Date: 11/21/2016
Comments: Not reported

Completed Area Name: PROJECT WIDE
Completed Sub Area Name: Not reported
Completed Document Type: RCRA Facility Assessment Report
Completed Date: 08/24/1987
Comments: Topock RFA Questionnaire

Completed Area Name: AOC 1/ SWMU 1/ AOC 10 Groundwater
Completed Sub Area Name: Not reported
Completed Document Type: Monitoring Report
Completed Date: 09/19/2007
Comments: Bi-weekly chromium groundwater results for well MW-34-100

Completed Area Name: AOC 1/ SWMU 1/ AOC 10 Groundwater
Completed Sub Area Name: Not reported
Completed Document Type: Monitoring Report
Completed Date: 10/05/2007
Comments: Interim Measures Compliance Monitoring Program, Groundwater Monitoring Report, Third Quarter 2007

Completed Area Name: AOC 1/ SWMU 1/ AOC 10 Groundwater
Completed Sub Area Name: Not reported
Completed Document Type: Interim Measures Workplan
Completed Date: 03/03/2004
Comments: Interim Measures No. 2 work plan approved

Completed Area Name: PROJECT WIDE
Completed Sub Area Name: Not reported
Completed Document Type: Monitoring Report
Completed Date: 01/23/2015
Comments: Not reported

Completed Area Name: AOC 1/ SWMU 1/ AOC 10 Groundwater
Completed Sub Area Name: Not reported
Completed Document Type: Health & Safety Plan
Completed Date: 07/23/2019
Comments: DTSC provided concurrence on the revised programmatic Health and Safety Plan for groundwater remedy construction activities.

Completed Area Name: Soil
Completed Sub Area Name: Not reported
Completed Document Type: RFI Workplan Addendum
Completed Date: 11/10/2016

Map ID
Direction
Distance
Elevation

MAP FINDINGS

Site

Database(s)

EDR ID Number
EPA ID Number

PACIFIC GAS & ELECTRIC/ TOPOCK COMPRESSOR STATION (Continued)

S100942337

Comments: Data Gap Work Plan #3 approval

Completed Area Name: AOC 1/ SWMU 1/ AOC 10 Groundwater
Completed Sub Area Name: Not reported
Completed Document Type: Interim Measures Implementation Report
Completed Date: 04/05/2004
Comments: Interim Measures #1 Imposition

Completed Area Name: AOC 1/ SWMU 1/ AOC 10 Groundwater
Completed Sub Area Name: Not reported
Completed Document Type: Monitoring Report
Completed Date: 10/03/2007
Comments: Bi-weekly chromium groundwater results for well MW-34-100

Completed Area Name: PROJECT WIDE
Completed Sub Area Name: Not reported
Completed Document Type: Preliminary Assessment Report
Completed Date: 09/21/1990
Comments: Not reported

Completed Area Name: PROJECT WIDE
Completed Sub Area Name: Not reported
Completed Document Type: RFI Workplan
Completed Date: 12/19/1996
Comments: Not reported

Completed Area Name: PROJECT WIDE
Completed Sub Area Name: Not reported
Completed Document Type: Preliminary Assessment Report
Completed Date: 01/01/1986
Comments: Not reported

Completed Area Name: AOC 1/ SWMU 1/ AOC 10 Groundwater
Completed Sub Area Name: Not reported
Completed Document Type: Interim Measures Implementation Report
Completed Date: 10/18/2005
Comments: Interim Measures No. 3 - Construction Completion Report

Completed Area Name: AOC 1/ SWMU 1/ AOC 10 Groundwater
Completed Sub Area Name: Not reported
Completed Document Type: RFI Report
Completed Date: 08/15/2007
Comments: VOLUME 1 - SITE BACKGROUND & HISTORY REPORT

Completed Area Name: AOC 1/ SWMU 1/ AOC 10 Groundwater
Completed Sub Area Name: Not reported
Completed Document Type: Interim Measures Workplan
Completed Date: 06/30/2004
Comments: INTERIM MEASURES IMPOSED #3 - Construction of a treatment plant and injection well.

Completed Area Name: AOC 1/ SWMU 1/ AOC 10 Groundwater
Completed Sub Area Name: Not reported
Completed Document Type: Interim Measures Workplan
Completed Date: 02/11/2004
Comments: Interim Measure 1for Groundwater replaced by IM2 to immediately begin extracting groundwater from existing monitoring well

Map ID
Direction
Distance
Elevation

MAP FINDINGS

Site

Database(s)

EDR ID Number
EPA ID Number

PACIFIC GAS & ELECTRIC/ TOPOCK COMPRESSOR STATION (Continued)

S100942337

Completed Area Name: PROJECT WIDE
Completed Sub Area Name: Not reported
Completed Document Type: Corrective Measures Study Workplan
Completed Date: 06/24/2003
Comments: This is approval of CMS WP submitted on 12/23/02.

Completed Area Name: AOC 1/ SWMU 1/ AOC 10 Groundwater
Completed Sub Area Name: Not reported
Completed Document Type: Corrective Measures Study Workplan
Completed Date: 06/13/2008
Comments: Conditional approval of Final Corrective Measures/Feasibility Study Work Plan

Completed Area Name: AOC 1/ SWMU 1/ AOC 10 Groundwater
Completed Sub Area Name: Not reported
Completed Document Type: Interim Measures Implementation Report
Completed Date: 04/14/2004
Comments: 1st Implementation Report for Interim Measure #2

Completed Area Name: AOC 1/ SWMU 1/ AOC 10 Groundwater
Completed Sub Area Name: Not reported
Completed Document Type: Financial Assurance Documentation
Completed Date: 06/10/2014
Comments: Not reported

Completed Area Name: AOC 1/ SWMU 1/ AOC 10 Groundwater
Completed Sub Area Name: Not reported
Completed Document Type: Mitigation Monitoring Report
Completed Date: 07/31/2014
Comments: Not reported

Completed Area Name: PROJECT WIDE
Completed Sub Area Name: Not reported
Completed Document Type: Monitoring Report
Completed Date: 04/02/2015
Comments: Not reported

Completed Area Name: AOC 1/ SWMU 1/ AOC 10 Groundwater
Completed Sub Area Name: Not reported
Completed Document Type: Monitoring Plan
Completed Date: 08/18/2014
Comments: Not reported

Completed Area Name: PROJECT WIDE
Completed Sub Area Name: Not reported
Completed Document Type: Fact Sheets
Completed Date: 09/28/2015
Comments: Not reported

Completed Area Name: AOC 1/ SWMU 1/ AOC 10 Groundwater
Completed Sub Area Name: Not reported
Completed Document Type: Monitoring Report
Completed Date: 03/14/2014
Comments: Not reported

Completed Area Name: PROJECT WIDE
Completed Sub Area Name: Not reported

Map ID
Direction
Distance
Elevation

MAP FINDINGS

Site

Database(s)

EDR ID Number
EPA ID Number

PACIFIC GAS & ELECTRIC/ TOPOCK COMPRESSOR STATION (Continued)

S100942337

Completed Document Type: Fact Sheets
Completed Date: 02/17/2021
Comments: Not reported

Completed Area Name: AOC 1/ SWMU 1/ AOC 10 Groundwater
Completed Sub Area Name: Not reported
Completed Document Type: Monitoring Report
Completed Date: 12/16/2020
Comments: Not reported

Completed Area Name: PROJECT WIDE
Completed Sub Area Name: Not reported
Completed Document Type: Mitigation Monitoring Report
Completed Date: 10/04/2021
Comments: Reviewed and found document acceptable.

Completed Area Name: PROJECT WIDE
Completed Sub Area Name: Not reported
Completed Document Type: Mitigation Monitoring Report
Completed Date: 11/12/2021
Comments: Submitted and accepted.

Completed Area Name: PROJECT WIDE
Completed Sub Area Name: Not reported
Completed Document Type: Land Use Restriction
Completed Date: 07/18/2018
Comments: Not reported

Completed Area Name: PROJECT WIDE
Completed Sub Area Name: Not reported
Completed Document Type: Consent Agreement
Completed Date: 01/29/2018
Comments: Not reported

Future Area Name: AOC 1/ SWMU 1/ AOC 10 Groundwater
Future Sub Area Name: Not reported
Future Document Type: Remedy Constructed: Operating Properly & Successfully
Future Due Date: 2023
Future Area Name: PROJECT WIDE
Future Sub Area Name: Not reported
Future Document Type: Remedy Construction Complete
Future Due Date: 2023
Schedule Area Name: Soil
Schedule Sub Area Name: Not reported
Schedule Document Type: RFI Report
Schedule Due Date: 09/30/2020
Schedule Revised Date: 06/21/2022
Schedule Area Name: PROJECT WIDE
Schedule Sub Area Name: Not reported
Schedule Document Type: Human Exposure Controlled
Schedule Due Date: 09/30/2019
Schedule Revised Date: 01/21/2024

DEED:

Name: PACIFIC GAS & ELECTRIC/ TOPOCK COMPRESSOR STATION
Address: 12 MI E NEEDLES ON I 40
City,State,Zip: NEEDLES, CA 92363

Map ID
Direction
Distance
Elevation

MAP FINDINGS

Site

Database(s)

EDR ID Number
EPA ID Number

PACIFIC GAS & ELECTRIC/ TOPOCK COMPRESSOR STATION (Continued)

S100942337

Envirostor ID: 80001836
Area: PROJECT WIDE
Sub Area: Not reported
Site Type: CORRECTIVE ACTION
Status: ACTIVE
Agency: Not reported
Covenant Uploaded: Not reported
Deed Date(s): Not reported
File Name: Envirostor Land Use Restrictions

AP322 DOLLAR GENERAL STORE #16860
Target 1500 HOSPITALITY LN
Property NEEDLES, CA 92363

CERS HAZ WASTE S120765560
HAZNET N/A
NPDES
San Bern. Co. Permit
CERS
HWTS

Site 1 of 2 in cluster AP

Actual:
516 ft.

Focus Map:
6

CERS HAZ WASTE:
Name: DOLLAR GENERAL STORE #16860
Address: 1500 HOSPITALITY LN
City,State,Zip: NEEDLES, CA 92363
Site ID: 421945
CERS ID: 10734214
CERS Description: Hazardous Waste Generator

HAZNET:
Name: DOLLAR GENERAL STORE #16860
Address: 1500 HOSPITALITY LN
Address 2: Not reported
City,State,Zip: NEEDLES, CA 370722171
Contact: KRISTIN ELLIOTT
Telephone: 6158555365
Mailing Name: Not reported
Mailing Address: 100 MISSION RDG

Year: 2019
Gepaid: CAL000424115
TSD EPA ID: NVD980895338
CA Waste Code: 352 - Other organic solids
Disposal Method: H141 - Storage, Bulking, And/Or Transfer Off Site--No Treatment/Reovery (H010-H129) Or (H131-H135)
Tons: 0.03250

Year: 2019
Gepaid: CAL000424115
TSD EPA ID: NVD980895338
CA Waste Code: 331 - Off-specification, aged or surplus organics
Disposal Method: H141 - Storage, Bulking, And/Or Transfer Off Site--No Treatment/Reovery (H010-H129) Or (H131-H135)
Tons: 0.18200

Year: 2019
Gepaid: CAL000424115
TSD EPA ID: NVD980895338
CA Waste Code: 311 - Pharmaceutical waste
Disposal Method: H141 - Storage, Bulking, And/Or Transfer Off Site--No Treatment/Reovery (H010-H129) Or (H131-H135)

Map ID
Direction
Distance
Elevation

MAP FINDINGS

Site

Database(s)

EDR ID Number
EPA ID Number

DOLLAR GENERAL STORE #16860 (Continued)

S120765560

Tons:	0.00050
Year:	2019
Gepaid:	CAL000424115
TSD EPA ID:	NVD980895338
CA Waste Code:	122 - Alkaline solution without metals pH >= 12.5
Disposal Method:	H121 - Neutralization Only
Tons:	0.00700
Year:	2018
Gepaid:	CAL000424115
TSD EPA ID:	NVD980895338
CA Waste Code:	122 - Alkaline solution without metals pH >= 12.5
Disposal Method:	H121 - Neutralization Only
Tons:	0.00200
Year:	2018
Gepaid:	CAL000424115
TSD EPA ID:	NVD980895338
CA Waste Code:	331 - Off-specification, aged or surplus organics
Disposal Method:	H141 - Storage, Bulking, And/Or Transfer Off Site--No Treatment/Reovery (H010-H129) Or (H131-H135)
Tons:	0.05550
Year:	2018
Gepaid:	CAL000424115
TSD EPA ID:	NVD980895338
CA Waste Code:	352 - Other organic solids
Disposal Method:	H141 - Storage, Bulking, And/Or Transfer Off Site--No Treatment/Reovery (H010-H129) Or (H131-H135)
Tons:	0.02950
Year:	2018
Gepaid:	CAL000424115
TSD EPA ID:	NVD980895338
CA Waste Code:	311 - Pharmaceutical waste
Disposal Method:	H141 - Storage, Bulking, And/Or Transfer Off Site--No Treatment/Reovery (H010-H129) Or (H131-H135)
Tons:	0.00050
Year:	2018
Gepaid:	CAL000424115
TSD EPA ID:	AZR000515924
CA Waste Code:	331 - Off-specification, aged or surplus organics
Disposal Method:	H141 - Storage, Bulking, And/Or Transfer Off Site--No Treatment/Reovery (H010-H129) Or (H131-H135)
Tons:	0.32100
Year:	2017
Gepaid:	CAL000424115
TSD EPA ID:	NVD980895338
CA Waste Code:	122 - Alkaline solution without metals pH >= 12.5
Disposal Method:	H121 - Neutralization Only
Tons:	0.0135

Map ID
Direction
Distance
Elevation

MAP FINDINGS

Site

Database(s)

EDR ID Number
EPA ID Number

DOLLAR GENERAL STORE #16860 (Continued)

S120765560

[Click this hyperlink](#) while viewing on your computer to access
1 additional CA HAZNET: record(s) in the EDR Site Report.

Additional Info:

Year:	2017
Gen EPA ID:	CAL000424115
Shipment Date:	20170907
Creation Date:	7/24/2018 18:30:44
Receipt Date:	20170920
Manifest ID:	008472488FLE
Trans EPA ID:	MNS000110924
Trans Name:	STERICYCLE SPECIALTY WASTE SOLUTIONS INC
Trans 2 EPA ID:	Not reported
Trans 2 Name:	Not reported
TSDf EPA ID:	NVD980895338
Trans Name:	21ST CENTURY EMN LLC
TSDf Alt EPA ID:	Not reported
TSDf Alt Name:	Not reported
Waste Code Description:	122 - Alkaline solution without metals (pH > 12.5
RCRA Code:	D002
Meth Code:	H121 - Neutralization Only
Quantity Tons:	0.004
Waste Quantity:	8
Quantity Unit:	P
Additional Code 1:	Not reported
Additional Code 2:	Not reported
Additional Code 3:	Not reported
Additional Code 4:	Not reported
Additional Code 5:	Not reported
Shipment Date:	20170907
Creation Date:	7/24/2018 18:30:44
Receipt Date:	20170920
Manifest ID:	008472488FLE
Trans EPA ID:	MNS000110924
Trans Name:	STERICYCLE SPECIALTY WASTE SOLUTIONS INC
Trans 2 EPA ID:	Not reported
Trans 2 Name:	Not reported
TSDf EPA ID:	NVD980895338
Trans Name:	21ST CENTURY EMN LLC
TSDf Alt EPA ID:	Not reported
TSDf Alt Name:	Not reported
Waste Code Description:	331 - Off-specification, aged, or surplus organics
RCRA Code:	D001
Meth Code:	H141 - Storage, Bulking, And/Or Transfer Off Site--No Treatment/Reovery (H010-H129) Or (H131-H135)
Quantity Tons:	0.0025
Waste Quantity:	5
Quantity Unit:	P
Additional Code 1:	Not reported
Additional Code 2:	Not reported
Additional Code 3:	Not reported
Additional Code 4:	Not reported
Additional Code 5:	Not reported

Map ID
Direction
Distance
Elevation

MAP FINDINGS

Site

Database(s)

EDR ID Number
EPA ID Number

DOLLAR GENERAL STORE #16860 (Continued)

S120765560

Shipment Date: 20170907
Creation Date: 7/24/2018 18:30:44
Receipt Date: 20170920
Manifest ID: 008472488FLE
Trans EPA ID: MNS000110924
Trans Name: STERICYCLE SPECIALTY WASTE SOLUTIONS INC
Trans 2 EPA ID: Not reported
Trans 2 Name: Not reported
TSDf EPA ID: NVD980895338
Trans Name: 21ST CENTURY EMN LLC
TSDf Alt EPA ID: Not reported
TSDf Alt Name: Not reported
Waste Code Description: 331 - Off-specification, aged, or surplus organics
RCRA Code: D001
Meth Code: H141 - Storage, Bulking, And/Or Transfer Off Site--No Treatment/Reovery (H010-H129) Or (H131-H135)

Quantity Tons: 0.007
Waste Quantity: 14
Quantity Unit: P
Additional Code 1: Not reported
Additional Code 2: Not reported
Additional Code 3: Not reported
Additional Code 4: Not reported
Additional Code 5: Not reported

Shipment Date: 20170907
Creation Date: 7/24/2018 18:30:44
Receipt Date: 20170920
Manifest ID: 008472488FLE
Trans EPA ID: MNS000110924
Trans Name: STERICYCLE SPECIALTY WASTE SOLUTIONS INC
Trans 2 EPA ID: Not reported
Trans 2 Name: Not reported
TSDf EPA ID: NVD980895338
Trans Name: 21ST CENTURY EMN LLC
TSDf Alt EPA ID: Not reported
TSDf Alt Name: Not reported
Waste Code Description: 331 - Off-specification, aged, or surplus organics
RCRA Code: Not reported
Meth Code: H141 - Storage, Bulking, And/Or Transfer Off Site--No Treatment/Reovery (H010-H129) Or (H131-H135)

Quantity Tons: 0.0595
Waste Quantity: 119
Quantity Unit: P
Additional Code 1: Not reported
Additional Code 2: Not reported
Additional Code 3: Not reported
Additional Code 4: Not reported
Additional Code 5: Not reported

Shipment Date: 20170711
Creation Date: 7/28/2018 18:34:05
Receipt Date: 20170719
Manifest ID: 010216958FLE
Trans EPA ID: MNS000110924
Trans Name: STERICYCLE SPECIALTY WASTE SOLUTIONS INC
Trans 2 EPA ID: Not reported

Map ID
Direction
Distance
Elevation

MAP FINDINGS

Site

Database(s)

EDR ID Number
EPA ID Number

DOLLAR GENERAL STORE #16860 (Continued)

S120765560

Trans 2 Name: Not reported
TSDf EPA ID: NVD980895338
Trans Name: 21ST CENTURY EMN LLC
TSDf Alt EPA ID: Not reported
TSDf Alt Name: Not reported
Waste Code Description: 122 - Alkaline solution without metals (pH > 12.5)
RCRA Code: D002
Meth Code: H121 - Neutralization Only
Quantity Tons: 0.0095
Waste Quantity: 19
Quantity Unit: P
Additional Code 1: Not reported
Additional Code 2: Not reported
Additional Code 3: Not reported
Additional Code 4: Not reported
Additional Code 5: Not reported

Shipment Date: 20170711
Creation Date: 7/28/2018 18:34:05
Receipt Date: 20170719
Manifest ID: 010216958FLE
Trans EPA ID: MNS000110924
Trans Name: STERICYCLE SPECIALTY WASTE SOLUTIONS INC
Trans 2 EPA ID: Not reported
Trans 2 Name: Not reported
TSDf EPA ID: NVD980895338
Trans Name: 21ST CENTURY EMN LLC
TSDf Alt EPA ID: Not reported
TSDf Alt Name: Not reported
Waste Code Description: 331 - Off-specification, aged, or surplus organics
RCRA Code: D001
Meth Code: H141 - Storage, Bulking, And/Or Transfer Off Site--No Treatment/Reovery (H010-H129) Or (H131-H135)
Quantity Tons: 0.0045
Waste Quantity: 9
Quantity Unit: P
Additional Code 1: Not reported
Additional Code 2: Not reported
Additional Code 3: Not reported
Additional Code 4: Not reported
Additional Code 5: Not reported

Shipment Date: 20170711
Creation Date: 7/28/2018 18:34:05
Receipt Date: 20170719
Manifest ID: 010216958FLE
Trans EPA ID: MNS000110924
Trans Name: STERICYCLE SPECIALTY WASTE SOLUTIONS INC
Trans 2 EPA ID: Not reported
Trans 2 Name: Not reported
TSDf EPA ID: NVD980895338
Trans Name: 21ST CENTURY EMN LLC
TSDf Alt EPA ID: Not reported
TSDf Alt Name: Not reported
Waste Code Description: 331 - Off-specification, aged, or surplus organics
RCRA Code: D001
Meth Code: H141 - Storage, Bulking, And/Or Transfer Off Site--No

Map ID
Direction
Distance
Elevation

MAP FINDINGS

Site

Database(s)

EDR ID Number
EPA ID Number

DOLLAR GENERAL STORE #16860 (Continued)

S120765560

	Treatment/Reovery (H010-H129) Or (H131-H135)
Quantity Tons:	0.0015
Waste Quantity:	3
Quantity Unit:	P
Additional Code 1:	Not reported
Additional Code 2:	Not reported
Additional Code 3:	Not reported
Additional Code 4:	Not reported
Additional Code 5:	Not reported
Shipment Date:	20170711
Creation Date:	7/28/2018 18:34:05
Receipt Date:	20170719
Manifest ID:	010216958FLE
Trans EPA ID:	MNS000110924
Trans Name:	STERICYCLE SPECIALTY WASTE SOLUTIONS INC
Trans 2 EPA ID:	Not reported
Trans 2 Name:	Not reported
TSDf EPA ID:	NVD980895338
Trans Name:	21ST CENTURY EMN LLC
TSDf Alt EPA ID:	Not reported
TSDf Alt Name:	Not reported
Waste Code Description:	331 - Off-specification, aged, or surplus organics
RCRA Code:	Not reported
Meth Code:	H141 - Storage, Bulking, And/Or Transfer Off Site--No Treatment/Reovery (H010-H129) Or (H131-H135)
Quantity Tons:	0.0855
Waste Quantity:	171
Quantity Unit:	P
Additional Code 1:	Not reported
Additional Code 2:	Not reported
Additional Code 3:	Not reported
Additional Code 4:	Not reported
Additional Code 5:	Not reported

NPDES:

Name:	DOLLAR GENERAL NEEDLES
Address:	1500 HOSPITALITY LANE
City,State,Zip:	NEEDLES, CA 92363
Facility Status:	Not reported
NPDES Number:	Not reported
Region:	Not reported
Agency Number:	Not reported
Regulatory Measure ID:	Not reported
Place ID:	Not reported
Order Number:	Not reported
WDID:	7 36W002470
Regulatory Measure Type:	Construction
Program Type:	Not reported
Adoption Date Of Regulatory Measure:	Not reported
Effective Date Of Regulatory Measure:	Not reported
Termination Date Of Regulatory Measure:	Not reported
Expiration Date Of Regulatory Measure:	Not reported
Discharge Address:	Not reported
Discharge Name:	Not reported
Discharge City:	Not reported
Discharge State:	Not reported

Map ID
Direction
Distance
Elevation

MAP FINDINGS

Site

Database(s)

EDR ID Number
EPA ID Number

DOLLAR GENERAL STORE #16860 (Continued)

S120765560

Discharge Zip: Not reported
Status: Expired
Status Date: 10/28/2016
Operator Name: SimonCRE Spruce V LLC
Operator Address: 5111 N Scottsdale Rd Suite 200
Operator City: Scottsdale
Operator State: Arizona
Operator Zip: 85250

San Bern. Co. Permit:

Name: DOLLAR GENERAL STORE #16860
Address: 1500 HOSPITALITY LN
City,State,Zip: NEEDLES, CA 92363
Region: SAN BERNARDINO
Facility ID: FA0017423
Owner: DG RETAIL LLC
Permit Number: PT0037099
Permit Category: CONDITIONALLY EXEMPT SM QTY GENERATOR SPECIAL
Facility Status: ACTIVE
Expiration Date: 08/31/2021

Name: DOLLAR GENERAL STORE #16860
Address: 1500 HOSPITALITY LN
City,State,Zip: NEEDLES, CA 92363
Region: SAN BERNARDINO
Facility ID: FA0017423
Owner: DG RETAIL LLC
Permit Number: PT0037744
Permit Category: HAZMAT HANDLER GENERAL ACT.(NB)
Facility Status: FEE EXEMPT
Expiration Date: 08/31/2017

CERS:

Name: DOLLAR GENERAL STORE #16860
Address: 1500 HOSPITALITY LN
City,State,Zip: NEEDLES, CA 92363
Site ID: 421945
CERS ID: 10734214
CERS Description: Chemical Storage Facilities

Evaluation:

Eval General Type: Compliance Evaluation Inspection
Eval Date: 02-08-2019
Violations Found: No
Eval Type: Routine done by local agency
Eval Notes: Not reported
Eval Division: San Bernardino County Fire Department
Eval Program: HW
Eval Source: CERS,

Eval General Type: Compliance Evaluation Inspection
Eval Date: 02-08-2022
Violations Found: No
Eval Type: Routine done by local agency
Eval Notes: Not reported
Eval Division: San Bernardino County Fire Department
Eval Program: HW

Map ID
Direction
Distance
Elevation

MAP FINDINGS

Site

Database(s)

EDR ID Number
EPA ID Number

DOLLAR GENERAL STORE #16860 (Continued)

S120765560

Eval Source: CERS,

Affiliation:
Affiliation Type Desc: Environmental Contact
Entity Name: ERIC VOYLES
Entity Title: Not reported
Affiliation Address: 100 MISSION RIDGE
Affiliation City: GOODLETTSVILLE
Affiliation State: TN
Affiliation Country: Not reported
Affiliation Zip: 37072
Affiliation Phone: ,

Affiliation Type Desc: Parent Corporation
Entity Name: Dollar General
Entity Title: Not reported
Affiliation Address: Not reported
Affiliation City: Not reported
Affiliation State: Not reported
Affiliation Country: Not reported
Affiliation Zip: Not reported
Affiliation Phone: ,

Affiliation Type Desc: Operator
Entity Name: DOLLAR GENERAL STORE #16860
Entity Title: Not reported
Affiliation Address: Not reported
Affiliation City: Not reported
Affiliation State: Not reported
Affiliation Country: Not reported
Affiliation Zip: Not reported
Affiliation Phone: (760) 903-0004,

Affiliation Type Desc: CUPA District
Entity Name: San Bernardino County Fire
Entity Title: Not reported
Affiliation Address: 620 South E Street
Affiliation City: San Bernardino
Affiliation State: CA
Affiliation Country: Not reported
Affiliation Zip: 92415-0153
Affiliation Phone: (909) 386-8401,

Affiliation Type Desc: Legal Owner
Entity Name: DG RETAIL LLC
Entity Title: Not reported
Affiliation Address: 100 MISSION RIDGE
Affiliation City: GOODLETTSVILLE
Affiliation State: TN
Affiliation Country: United States
Affiliation Zip: 37072
Affiliation Phone: (615) 651-3207,

Affiliation Type Desc: Document Preparer
Entity Name: ASHLEY CAMPBELL
Entity Title: Not reported
Affiliation Address: Not reported

Map ID
Direction
Distance
Elevation

MAP FINDINGS

Site

Database(s)

EDR ID Number
EPA ID Number

DOLLAR GENERAL STORE #16860 (Continued)

S120765560

Affiliation City: Not reported
Affiliation State: Not reported
Affiliation Country: Not reported
Affiliation Zip: Not reported
Affiliation Phone: ,

Affiliation Type Desc: Facility Mailing Address
Entity Name: Mailing Address
Entity Title: Not reported
Affiliation Address: 100 MISSION RIDGE/ATTN: ERIC VOYLES
Affiliation City: GOODLETTSVILLE
Affiliation State: TN
Affiliation Country: Not reported
Affiliation Zip: 37072
Affiliation Phone: ,

Affiliation Type Desc: Identification Signer
Entity Name: Ashley Campbell
Entity Title: COMPLIANCE® AFFAIR SPECIALIST
Affiliation Address: Not reported
Affiliation City: Not reported
Affiliation State: Not reported
Affiliation Country: Not reported
Affiliation Zip: Not reported
Affiliation Phone: ,

HWTS:

Name: DOLLAR GENERAL STORE #16860
Address: 1500 HOSPITALITY LN
Address 2: Not reported
City,State,Zip: NEEDLES, CA 92363
EPA ID: CAL000424115
Inactive Date: Not reported
Create Date: 01/10/2017
Last Act Date: Not reported
Mailing Name: Not reported
Mailing Address: 100 MISSION RDG
Mailing Address 2: Not reported
Mailing City,State,Zip: GOODLETTSVILLE, TN 370722171
Owner Name: DOLLAR GENERAL
Owner Address: 100 MISSION RDG
Owner Address 2: Not reported
Owner City,State,Zip: GOODLETTSVILLE, TN 370722171
Contact Name: KRISTIN ELLIOTT
Contact Address: 100 MISSION RIDGE
Contact Address 2: Not reported
City,State,Zip: GOODLETTSVILLE, TN 37072
Facility Status: Active
Facility Type: PERMANENT
Category: STATE
Latitude: 34.83736453
Longitude: -114.6124532

NAICS:

EPA ID: CAL000424115
Create Date: 2017-01-10 14:34:53.353

Map ID
Direction
Distance
Elevation

MAP FINDINGS

Site

Database(s)

EDR ID Number
EPA ID Number

DOLLAR GENERAL STORE #16860 (Continued)

S120765560

NAICS Code: 45299
NAICS Description: All Other General Merchandise Stores
Issued EPA ID Date: 2017-01-10 14:34:53.32000
Inactive Date: Not reported
Facility Name: DOLLAR GENERAL STORE #16860
Facility Address: 1500 HOSPITALITY LN
Facility Address 2: Not reported
Facility City: NEEDLES
Facility County: Not reported
Facility State: CA
Facility Zip: 92363

AQ323 **NEEDLES GOLF COURSE**
Target **997 BRIDGE**
Property **NEEDLES, CA 92363**

LUST **S100225209**
Cortese **N/A**
HIST CORTESE
CERS

Site 1 of 3 in cluster AQ

Actual: LUST REG 7:
480 ft. Region: 7
Focus Map: Status: 9 - Case Closed
7 Case Num: 7T2363002
Substance: Gasoline - Automotive
ID: 1034
Global ID: T0607101000
Lead Agency: Regional Board
Case Worker: YO

LUST:

Name: NEEDLES GOLF COURSE
Address: 997 BRIDGE ROAD
City,State,Zip: NEEDLES, CA 92363
Lead Agency: COLORADO RIVER BASIN RWQCB (REGION 7)
Case Type: LUST Cleanup Site
Geo Track: http://geotracker.waterboards.ca.gov/profile_report.asp?global_id=T0607101000
Global Id: T0607101000
Latitude: 34.8446924
Longitude: -114.6044294
Status: Completed - Case Closed
Status Date: 08/17/2000
Case Worker: Not reported
RB Case Number: 7T2363002
Local Agency: Not reported
File Location: Not reported
Local Case Number: 90189
Potential Media Affect: Aquifer used for drinking water supply
Potential Contaminants of Concern: Gasoline
Site History: Not reported

LUST:

Global Id: T0607101000
Action Type: Other
Date: 09/01/1999
Action: Leak Reported

Global Id: T0607101000
Action Type: ENFORCEMENT

Map ID
Direction
Distance
Elevation

MAP FINDINGS

Site

Database(s)

EDR ID Number
EPA ID Number

NEEDLES GOLF COURSE (Continued)

S100225209

Date: 05/18/1993
Action: * Historical Enforcement

LUST:

Global Id: T0607101000
Status: Open - Case Begin Date
Status Date: 04/14/1987

Global Id: T0607101000
Status: Open - Site Assessment
Status Date: 04/14/1987

Global Id: T0607101000
Status: Open - Site Assessment
Status Date: 08/08/1988

Global Id: T0607101000
Status: Open - Site Assessment
Status Date: 03/04/1994

Global Id: T0607101000
Status: Open - Verification Monitoring
Status Date: 02/14/1997

Global Id: T0607101000
Status: Completed - Case Closed
Status Date: 08/17/2000

CORTESE:

Name: NEEDLES GOLF COURSE
Address: 997 BRIDGE ROAD
City,State,Zip: NEEDLES, CA 92363
Region: CORTESE
Envirostor Id: Not reported
Global ID: T0607101000
Site/Facility Type: LUST CLEANUP SITE
Cleanup Status: COMPLETED - CASE CLOSED
Status Date: Not reported
Site Code: Not reported
Latitude: Not reported
Longitude: Not reported
Owner: Not reported
Enf Type: Not reported
Swat R: Not reported
Flag: active
Order No: Not reported
Waste Discharge System No: Not reported
Effective Date: Not reported
Region 2: Not reported
WID Id: Not reported
Solid Waste Id No: Not reported
Waste Management Uit Name: Not reported
File Name: Active Open

Map ID
Direction
Distance
Elevation

MAP FINDINGS

Site

Database(s)

EDR ID Number
EPA ID Number

NEEDLES GOLF COURSE (Continued)

S100225209

HIST CORTESE:

edr_fname: NEEDLES GOLF COURSE
edr_fadd1: 997 BRIDGE
City,State,Zip: NEEDLES, CA 92363
Region: CORTESE
Facility County Code: 36
Reg By: LTNKA
Reg Id: 7T2363002

CERS:

Name: NEEDLES GOLF COURSE
Address: 997 BRIDGE ROAD
City,State,Zip: NEEDLES, CA 92363
Site ID: 243121
CERS ID: T0607101000
CERS Description: Leaking Underground Storage Tank Cleanup Site

AP324
Target
Property

FORMER GRIGGS AND SON
1705 WEST FRONT STREET
NEEDLES, CA

CPS-SLIC S106388961
N/A

Site 2 of 2 in cluster AP

Actual:
514 ft.

SLIC REG 7:

Region: 7
Responsible Party Name: Burlington Northern & Santa Fe Railway Co
Facility Status: Active
SLIC File Code: GRIG
Township / Range: Not reported
Hydrologic Unit: Not reported
Groundwater Levels: Not reported
Case Reference: 7SLC36000010
Consultant ID: 2
Agency ID: Not reported

Focus Map:
6

AQ325
Target
Property

CITY OF NEEDLES MUNICIPAL GOLF
997 BRIDGE ROAD
NEEDLES, CA 92363

HIST UST U001575240
N/A

Site 2 of 3 in cluster AQ

Actual:
480 ft.

HIST UST:

Name: CITY OF NEEDLES MUNICIPAL GOLF
Address: 997 BRIDGE ROAD
City,State,Zip: NEEDLES, CA 92363
File Number: 00029C92
URL: <http://geotracker.waterboards.ca.gov/ustpdfs/pdf/00029C92.pdf>
Region: STATE
Facility ID: 00000068410
Facility Type: Other
Other Type: CITY
Contact Name: FLIP MENDEZ
Telephone: 6193263949
Owner Name: CITY OF NEEDLES
Owner Address: 1111 BAILEY AVENUE P.O. BX 887

Focus Map:
7

Map ID
 Direction
 Distance
 Elevation

MAP FINDINGS

Site

Database(s)

EDR ID Number
 EPA ID Number

CITY OF NEEDLES MUNICIPAL GOLF (Continued)

U001575240

Owner City,St,Zip:	NEEDLES, CA 92363
Total Tanks:	0002
Tank Num:	001
Container Num:	GC1
Year Installed:	1984
Tank Capacity:	00000500
Tank Used for:	WASTE
Type of Fuel:	2
Container Construction Thickness:	X
Leak Detection:	Visual, Stock Inventor
Tank Num:	002
Container Num:	GC2
Year Installed:	Not reported
Tank Capacity:	00000500
Tank Used for:	PRODUCT
Type of Fuel:	REGULAR
Container Construction Thickness:	Not reported
Leak Detection:	Visual, Stock Inventor

[Click here for Geo Tracker PDF:](#)

AR326
Target
Property

I-126 C ARB YARD
34.752058 -114.598251
NEEDLES, CA 92363

HWTS S127607482
N/A

Site 1 of 3 in cluster AR

Actual:
511 ft.
Focus Map:
6

Actual:	HWTS:	
511 ft.	Name:	I-126 C ARB YARD
Focus Map:	Address:	34.752058 -114.598251
6	Address 2:	Not reported
	City,State,Zip:	NEEDLES, CA 92363
	EPA ID:	CAC003127235
	Inactive Date:	09/29/2021
	Create Date:	06/30/2021
	Last Act Date:	Not reported
	Mailing Name:	Not reported
	Mailing Address:	PO BOX 7640
	Mailing Address 2:	Not reported
	Mailing City,State,Zip:	SAN FRANCISCO, CA 94102
	Owner Name:	PG&E-EPA ID'S
	Owner Address:	PO BOX 7640
	Owner Address 2:	Not reported
	Owner City,State,Zip:	SAN FRANCISCO, CA 94102
	Contact Name:	SCOTTIE GEE
	Contact Address:	1918 H STREET
	Contact Address 2:	Not reported
	City,State,Zip:	BAKERSFIELD, CA 93301
	Facility Status:	Inactive
	Facility Type:	TEMPORARY
	Category:	STATE
	Latitude:	34.8445276
	Longitude:	-114.6143967
	NAICS:	
	EPA ID:	CAC003127235

Map ID
 Direction
 Distance
 Elevation

MAP FINDINGS

Site

Database(s)

EDR ID Number
 EPA ID Number

I-126 C ARB YARD (Continued)

S127607482

Create Date: 2021-06-30 12:08:56.887
 NAICS Code: 99999
 NAICS Description: Not Otherwise Specified
 Issued EPA ID Date: 2021-06-30 12:08:56.88700
 Inactive Date: Not reported
 Facility Name: I-126 C ARB YARD
 Facility Address: 34.752058 -114.598251
 Facility Address 2: Not reported
 Facility City: NEEDLES
 Facility County: Not reported
 Facility State: CA
 Facility Zip: 92363

AR327 I-126D
Target 34.684870, -114.838166
Property NEEDLES, CA 92363

HWTS S127606148
N/A

Site 2 of 3 in cluster AR

Actual: 511 ft. **HWTS:**
Focus Map: 6

Name: I-126D
 Address: 34.684870, -114.838166
 Address 2: Not reported
 City,State,Zip: NEEDLES, CA 92363
 EPA ID: CAC003125392
 Inactive Date: 09/17/2021
 Create Date: 06/18/2021
 Last Act Date: Not reported
 Mailing Name: Not reported
 Mailing Address: PO BOX 7640
 Mailing Address 2: Not reported
 Mailing City,State,Zip: SAN FRANCISCO, CA 94102
 Owner Name: PG&E-EPA ID'S
 Owner Address: PO BOX 7640
 Owner Address 2: Not reported
 Owner City,State,Zip: SAN FRANCISCO, CA 94102
 Contact Name: SCOTTIE GEE
 Contact Address: 1918 H STREET
 Contact Address 2: Not reported
 City,State,Zip: BAKERSFIELD, CA 93301
 Facility Status: Inactive
 Facility Type: TEMPORARY
 Category: STATE
 Latitude: 34.8445276
 Longitude: -114.6143967

NAICS:
 EPA ID: CAC003125392
 Create Date: 2021-06-18 12:57:54.730
 NAICS Code: 99999
 NAICS Description: Not Otherwise Specified
 Issued EPA ID Date: 2021-06-18 12:57:54.73700
 Inactive Date: Not reported
 Facility Name: I-126D
 Facility Address: 34.684870, -114.838166
 Facility Address 2: Not reported
 Facility City: NEEDLES

Map ID
Direction
Distance
Elevation

MAP FINDINGS

Site

Database(s)

EDR ID Number
EPA ID Number

I-126D (Continued)

S127606148

Facility County: Not reported
Facility State: CA
Facility Zip: 92363

AR328
Target
Property

I-125C-D
34.670802, -114.658099
NEEDLES, CA 92363

HWTS **S128343567**
N/A

Site 3 of 3 in cluster AR

Actual:
511 ft.

Focus Map:
6

HWTS:
Name: I-125C-D
Address: 34.670802, -114.658099
Address 2: Not reported
City,State,Zip: NEEDLES, CA 92363
EPA ID: CAC003130076
Inactive Date: 10/18/2021
Create Date: 07/19/2021
Last Act Date: Not reported
Mailing Name: Not reported
Mailing Address: PO BOX 7640
Mailing Address 2: Not reported
Mailing City,State,Zip: SAN FRANCISCO, CA 94120
Owner Name: PGE-EPA ID'S
Owner Address: PO BOX 7640
Owner Address 2: Not reported
Owner City,State,Zip: SAN FRANCISCO, CA 94120
Contact Name: SCOTTIE GEE
Contact Address: 1918 H STREET
Contact Address 2: Not reported
City,State,Zip: BAKERSFIELD, CA 93301
Facility Status: Inactive
Facility Type: TEMPORARY
Category: STATE
Latitude: 34.8445276
Longitude: -114.6143967

AQ329
Target
Property

NEEDLES GOLF COURSE
997 BRIDGE ROAD
NEEDLES, CA 92363

FINDS **1023382672**
N/A

Site 3 of 3 in cluster AQ

Actual:
477 ft.

Focus Map:
7

FINDS:
Registry ID: 110066814488
Click Here for FRS Facility Detail Report:
Environmental Interest/Information System:
STATE MASTER

Click this hyperlink while viewing on your computer to access additional FINDS: detail in the EDR Site Report.

Map ID
Direction
Distance
Elevation

MAP FINDINGS

Site

Database(s)

EDR ID Number
EPA ID Number

EAGLE PASS WRECKING (Continued)

S104765938

Primary Waste Type: Not reported
Primary Waste: Not reported
Waste Type2: Not reported
Waste2: Not reported
Primary Waste Type: Not reported
Secondary Waste: Not reported
Secondary Waste Type: Not reported
Design Flow: 0
Baseline Flow: 0
Reclamation: Not reported
POTW: Not reported
Treat To Water: Minor Threat to Water Quality. A violation of a regional board order should cause a relatively minor impairment of beneficial uses compared to a major or minor threat. Not: All nurds without a TTWQ will be considered a minor threat to water quality unless coded at a higher Level. A Zero (0) may be used to code those NURDS that are found to represent no threat to water quality.

Complexity: Category C - Facilities having no waste treatment systems, such as cooling water dischargers or those who must comply through best management practices, facilities with passive waste treatment and disposal systems, such as septic systems with subsurface disposal, or dischargers having waste storage systems with land disposal such as dairy waste ponds.

CIWQS:

Name: EAGLE PASS WRECKING
Address: 1800 EAGLE PASS RD
City,State,Zip: NEEDLES, CA 92363
Agency: Pool, Merl & Edith P
Agency Address: 2342 Starlight Dr, Schererville, IN 46375
Place/Project Type: Industrial - Motor Vehicle Parts, Used
SIC/NAICS: 5015
Region: 7
Program: INDSTW
Regulatory Measure Status: Terminated
Regulatory Measure Type: Storm water industrial
Order Number: 2014-0057-DWQ
WDID: 7 36I013880
NPDES Number: CAS000001
Adoption Date: Not reported
Effective Date: 04/08/1998
Termination Date: 02/28/2000
Expiration/Review Date: Not reported
Design Flow: Not reported
Major/Minor: Not reported
Complexity: Not reported
TTWQ: Not reported
Enforcement Actions within 5 years: 0
Violations within 5 years: 0
Latitude: 34.84441
Longitude: -114.61741

Name: EAGLE PASS WRECKING
Address: 1800 EAGLE PASS RD
City,State,Zip: NEEDLES, CA 92363
Agency: Renfro, Lonnie
Agency Address: 1800 Eagle Pass Rd, Needles, CA 92363

Map ID
 Direction
 Distance
 Elevation

MAP FINDINGS

Site

Database(s)

EDR ID Number
 EPA ID Number

EAGLE PASS WRECKING (Continued)

S104765938

Place/Project Type:	Industrial - Motor Vehicle Parts, Used
SIC/NAICS:	5015
Region:	7
Program:	INDSTW
Regulatory Measure Status:	Terminated
Regulatory Measure Type:	Storm water industrial
Order Number:	2014-0057-DWQ
WDID:	7 36I015292
NPDES Number:	CAS000001
Adoption Date:	Not reported
Effective Date:	07/26/1999
Termination Date:	10/11/2012
Expiration/Review Date:	Not reported
Design Flow:	Not reported
Major/Minor:	Not reported
Complexity:	Not reported
TTWQ:	Not reported
Enforcement Actions within 5 years:	0
Violations within 5 years:	0
Latitude:	34.84441
Longitude:	-114.61741

AS332 **EAGLE PASS WRECKING & TOWING**
Target **1800 EAGLE PASS RD**
Property **NEEDLES, CA 92363**

HAZNET **S113115412**
HWTS **N/A**

Site 3 of 7 in cluster AS

Actual: 534 ft.	HAZNET:	
Focus Map: 6	Name:	EAGLE PASS WRECKING & TOWING
	Address:	1800 EAGLE PASS RD
	Address 2:	Not reported
	City,State,Zip:	NEEDLES, CA 923630000
	Contact:	LONNIE RENFRO/OWNER
	Telephone:	7603263880
	Mailing Name:	Not reported
	Mailing Address:	1800 EAGLE PASS RD
	Year:	2005
	Gepaid:	CAL000232268
	TSD EPA ID:	NVR000066837
	CA Waste Code:	-
	Disposal Method:	H01 - Transfer Station
	Tons:	Not reported
	Year:	2005
	Gepaid:	CAL000232268
	TSD EPA ID:	NVR000066837
	CA Waste Code:	221 - Waste oil and mixed oil
	Disposal Method:	-
	Tons:	1.235
	Additional Info:	
	Year:	2005
	Gen EPA ID:	CAL000232268

Map ID
Direction
Distance
Elevation

MAP FINDINGS

Site

Database(s)

EDR ID Number
EPA ID Number

EAGLE PASS WRECKING & TOWING (Continued)

S113115412

Shipment Date: 20050330
Creation Date: 6/1/2005 18:31:04
Receipt Date: 20050330
Manifest ID: 22323417
Trans EPA ID: TXR000050930
Trans Name: SAFETY-KLEEN SYSTEMS INC
Trans 2 EPA ID: Not reported
Trans 2 Name: Not reported
TSDf EPA ID: NVR000066837
Trans Name: SAFETY-KLEEN SYSTEMS INC
TSDf Alt EPA ID: Not reported
TSDf Alt Name: Not reported
Waste Code Description: 221 - Waste oil and mixed oil
RCRA Code: Not reported
Meth Code: - Not reported
Quantity Tons: 1.235
Waste Quantity: 325
Quantity Unit: G
Additional Code 1: Not reported
Additional Code 2: Not reported
Additional Code 3: Not reported
Additional Code 4: Not reported
Additional Code 5: Not reported

Shipment Date: 20050330
Creation Date: 6/1/2005 18:31:04
Receipt Date: 20050330
Manifest ID: 22323417
Trans EPA ID: TXR000050930
Trans Name: SAFETY-KLEEN SYSTEMS INC
Trans 2 EPA ID: Not reported
Trans 2 Name: Not reported
TSDf EPA ID: NVR000066837
Trans Name: SAFETY-KLEEN SYSTEMS INC
TSDf Alt EPA ID: Not reported
TSDf Alt Name: Not reported
Waste Code Description: - Not reported
RCRA Code: Not reported
Meth Code: H01 - Transfer Station
Quantity Tons: Not reported
Waste Quantity: Not reported
Quantity Unit: Not reported
Additional Code 1: Not reported
Additional Code 2: Not reported
Additional Code 3: Not reported
Additional Code 4: Not reported
Additional Code 5: Not reported

HWTS:

Name: EAGLE PASS WRECKING & TOWING
Address: 1800 EAGLE PASS RD
Address 2: Not reported
City, State, Zip: NEEDLES, CA 92363
EPA ID: CAL000232268
Inactive Date: 06/30/2008
Create Date: 02/14/2002
Last Act Date: Not reported

Map ID
Direction
Distance
Elevation

MAP FINDINGS

Site

Database(s)

EDR ID Number
EPA ID Number

EAGLE PASS WRECKING & TOWING (Continued)

S113115412

Mailing Name: Not reported
Mailing Address: 1800 EAGLE PASS RD
Mailing Address 2: Not reported
Mailing City,State,Zip: NEEDLES, CA 923630000
Owner Name: LONNIE RENFRO
Owner Address: 1800 EAGLE PASS RD
Owner Address 2: Not reported
Owner City,State,Zip: NEEDLES, CA 923630000
Contact Name: LONNIE RENFRO/OWNER
Contact Address: 1800 EAGLE PASS RD
Contact Address 2: Not reported
City,State,Zip: NEEDLES, CA 923630000
Facility Status: Inactive
Facility Type: PERMANENT
Category: STATE
Latitude: 34.844509
Longitude: -114.617364

NAICS:
EPA ID: CAL000232268
Create Date: 2002-03-14 16:36:29.000
NAICS Code: 42193
NAICS Description: Recyclable Material Wholesalers
Issued EPA ID Date: 2002-02-14 00:00:00
Inactive Date: 2008-06-30 00:00:00
Facility Name: EAGLE PASS WRECKING & TOWING
Facility Address: 1800 EAGLE PASS RD
Facility Address 2: Not reported
Facility City: NEEDLES
Facility County: Not reported
Facility State: CA
Facility Zip: 923630000

AS333 SLEIMAN ZEINATY
Target 1800 EAGLE PASS RD
Property NEEDLES, CA 92363

San Bern. Co. Permit S108205577
N/A

Site 4 of 7 in cluster AS

Actual: San Bern. Co. Permit:
534 ft. Name: SLEIMAN ZEINATY
Focus Map: Address: 1800 EAGLE PASS RD
6 City,State,Zip: NEEDLES, CA 92363
Region: SAN BERNARDINO
Facility ID: FA0014561
Owner: ZEINATY, SLEIMAN
Permit Number: PT0025429
Permit Category: SMALL QUANTITY GENERATOR
Facility Status: INACTIVE
Expiration Date: 05/31/2017

Name: SLEIMAN ZEINATY
Address: 1800 EAGLE PASS RD
City,State,Zip: NEEDLES, CA 92363
Region: SAN BERNARDINO
Facility ID: FA0014561
Owner: ZEINATY, SLEIMAN

Map ID
Direction
Distance
Elevation

MAP FINDINGS

Site

Database(s)

EDR ID Number
EPA ID Number

SLEIMAN ZEINATY (Continued)

S108205577

Permit Number: PT0025430
Permit Category: HAZARDOUS MATERIALS 4-10 CHEMICALS
Facility Status: INACTIVE
Expiration Date: 05/31/2017

Name: EAGLE PASS AUTO WRECKING
Address: 1800 EAGLE PASS RD
City,State,Zip: NEEDLES, CA 92363
Region: SAN BERNARDINO
Facility ID: FA0002831
Owner: EAGLE PASS AUTO WRECKING
Permit Number: PT0006493
Permit Category: SPECIAL GENERATOR
Facility Status: INACTIVE
Expiration Date: 12/31/2008

Name: EAGLE PASS AUTO WRECKING
Address: 1800 EAGLE PASS RD
City,State,Zip: NEEDLES, CA 92363
Region: SAN BERNARDINO
Facility ID: FA0002831
Owner: EAGLE PASS AUTO WRECKING
Permit Number: PT0006492
Permit Category: SPECIAL HANDLER
Facility Status: INACTIVE
Expiration Date: 12/31/2008

AS334 EAGLE PASS AUTO DIS
Target 1800 EAGLE PASS RD
Property NEEDLES, CA 92363

CIWQS S121635558
N/A

Site 5 of 7 in cluster AS

Actual:
534 ft.

Focus Map:
6

CIWQS:
Name: EAGLE PASS AUTO DIS
Address: 1800 EAGLE PASS RD
City,State,Zip: NEEDLES, CA 92363
Agency: Wayne Yoney & Frank Schuster
Agency Address: PO Box 916, Needles, CA 92363
Place/Project Type: Industrial - Scrap and Waste Materials
SIC/NAICS: 5093(+)
Region: 7
Program: INDSTW
Regulatory Measure Status: Terminated
Regulatory Measure Type: Storm water industrial
Order Number: 2014-0057-DWQ
WDID: 7 36I010134
NPDES Number: CAS000001
Adoption Date: Not reported
Effective Date: 06/17/1993
Termination Date: 05/04/1998
Expiration/Review Date: Not reported
Design Flow: Not reported
Major/Minor: Not reported
Complexity: Not reported
TTWQ: Not reported
Enforcement Actions within 5 years: 0
Violations within 5 years: 0

Map ID
Direction
Distance
Elevation

MAP FINDINGS

Site

Database(s)

EDR ID Number
EPA ID Number

EAGLE PASS AUTO DIS (Continued)

S121635558

Latitude: 34.84441
Longitude: -114.61741

AS335 SLEIMAN ZEINATY
Target 1800 EAGLE PASS RD
Property NEEDLES, CA 92363

FINDS 1023278018
N/A

Site 6 of 7 in cluster AS

Actual: FINDS:
534 ft. Registry ID: 110065684708

Focus Map: Click Here for FRS Facility Detail Report:
6

Environmental Interest/Information System:
STATE MASTER

[Click this hyperlink](#) while viewing on your computer to access additional FINDS: detail in the EDR Site Report.

AS336 CHAMBERS LEE PETROLEUM
Target 1704 EAGLE PASS RD
Property NEEDLES, CA 92363

EDR Hist Auto 1022128863
N/A

Site 7 of 7 in cluster AS

Actual: EDR Hist Auto
535 ft.

Focus Map: Year: Name: Type:
6 1991 CHAMBERS LEE PETROLEUM Gasoline Service Stations, NEC

AT337 A TO Z COLLISION CENTER
Target 117 N K ST
Property NEEDLES, CA 92363

HWTS S124878763
N/A

Site 1 of 4 in cluster AT

Actual: HWTS:
481 ft. Name: A TO Z COLLISION CENTER
Focus Map: Address: 117 N K ST
7 Address 2: Not reported
City,State,Zip: NEEDLES, CA 92363
EPA ID: CAL000347456
Inactive Date: 06/30/2015
Create Date: 10/23/2009
Last Act Date: Not reported
Mailing Name: Not reported
Mailing Address: 117 N K ST
Mailing Address 2: Not reported
Mailing City,State,Zip: NEEDLES, CA 923632540
Owner Name: JOHN WILSON III
Owner Address: 1728 EAST VALLEY DR
Owner Address 2: Not reported
Owner City,State,Zip: MOHAVE VALLEY, AZ 864400000
Contact Name: JOHN WILSON III
Contact Address: 117 N K ST

Map ID
Direction
Distance
Elevation

MAP FINDINGS

Site

Database(s)

EDR ID Number
EPA ID Number

A TO Z COLLISION CENTER (Continued)

S124878763

Contact Address 2: Not reported
City,State,Zip: NEEDLES, CA 923632540
Facility Status: Inactive
Facility Type: PERMANENT
Category: STATE
Latitude: 34.843494
Longitude: -114.610406
NAICS:
EPA ID: CAL000347456
Create Date: 2009-10-23 13:40:53.110
NAICS Code: 811111
NAICS Description: General Automotive Repair
Issued EPA ID Date: 2009-10-23 13:40:53.11000
Inactive Date: 2015-06-30 00:00:00
Facility Name: A TO Z COLLISION CENTER
Facility Address: 117 N K ST
Facility Address 2: Not reported
Facility City: NEEDLES
Facility County: Not reported
Facility State: CA
Facility Zip: 923632540

AT338 A TO Z COLLISION
Target 117 NORTH K STREET
Property NEEDLES, CA 92363

EMI S118171639
N/A

Site 2 of 4 in cluster AT

Actual: EMI:
481 ft. Name: A TO Z COLLISION
Focus Map: Address: 117 NORTH K STREET
7 City,State,Zip: NEEDLES, CA 92363
Year: 2013
County Code: 36
Air Basin: MD
Facility ID: 16632823
Air District Name: MOJ
SIC Code: 7532
Air District Name: MOJAVE DESERT AQMD
Community Health Air Pollution Info System: Not reported
Consolidated Emission Reporting Rule: Not reported
Total Organic Hydrocarbon Gases Tons/Yr: 0.03429
Reactive Organic Gases Tons/Yr: 0.03429
Carbon Monoxide Emissions Tons/Yr: 0
NOX - Oxides of Nitrogen Tons/Yr: 0
SOX - Oxides of Sulphur Tons/Yr: 0
Particulate Matter Tons/Yr: 0
Part. Matter 10 Micrometers and Smllr Tons/Yr:0

Map ID
Direction
Distance
Elevation

MAP FINDINGS

Site

Database(s)

EDR ID Number
EPA ID Number

AT339 **A TO Z COLLISION CENTER**
Target **117 K ST**
Property **NEEDLES, CA 92363**

FINDS **1023240293**
 N/A

Site 3 of 4 in cluster AT

Actual: **FINDS:**
481 ft. Registry ID: 110065281297

Focus Map: **7** [Click Here for FRS Facility Detail Report:](#)

Environmental Interest/Information System:
STATE MASTER

[Click this hyperlink](#) while viewing on your computer to access
additional FINDS: detail in the EDR Site Report.

340 **CP NATIONAL SERVICE CENTER**
Target **1705 FRONT STREET**
Property **NEEDLES, CA 90010**

LUST **U000033363**
Cortese **N/A**
HIST CORTESE
Notify 65
CERS

Actual: **LUST REG 7:**
501 ft. Region: 7
Focus Map: Status: 9 - Case Closed
6 Case Num: 7T2363015
 Substance: Unleaded gasoline
 ID: 679
 Global ID: T0607101013
 Lead Agency: Local Agency
 Case Worker: KO

LUST:

Name: CP NATIONAL
Address: 1705 FRONT STREET
City,State,Zip: NEEDLES, CA 92363
Lead Agency: SAN BERNARDINO COUNTY
Case Type: LUST Cleanup Site
Geo Track: http://geotracker.waterboards.ca.gov/profile_report.asp?global_id=T0607101013
Global Id: T0607101013
Latitude: 34.8435605
Longitude: -114.6123663
Status: Completed - Case Closed
Status Date: 10/02/1991
Case Worker: CR2
RB Case Number: 7T2363015
Local Agency: SAN BERNARDINO COUNTY
File Location: Local Agency
Local Case Number: 90121
Potential Media Affect: Soil
Potential Contaminants of Concern: Gasoline
Site History: Not reported

LUST:

Global Id: T0607101013
Contact Type: Local Agency Caseworker
Contact Name: CATHERINE RICHARDS
Organization Name: SAN BERNARDINO COUNTY
Address: 620 SOUTH E STREET
City: SAN BERNARDINO

Map ID
Direction
Distance
Elevation

MAP FINDINGS

Site

Database(s)

EDR ID Number
EPA ID Number

CP NATIONAL SERVICE CENTER (Continued)

U000033363

Email: crichards@sbcfire.org
Phone Number: 9093868419

LUST:

Global Id: T0607101013
Action Type: Other
Date: 09/01/1988
Action: Leak Reported

Global Id: T0607101013
Action Type: Other
Date: 05/13/1988
Action: Leak Stopped

Global Id: T0607101013
Action Type: Other
Date: 05/13/1988
Action: Leak Discovery

LUST:

Global Id: T0607101013
Status: Open - Case Begin Date
Status Date: 05/13/1988

Global Id: T0607101013
Status: Completed - Case Closed
Status Date: 10/02/1991

Name: UNOCAL STATION
Address: 1705 FRONT STREET
City,State,Zip: NEEDLES, CA 92363
Lead Agency: COLORADO RIVER BASIN RWQCB (REGION 7)
Case Type: LUST Cleanup Site
Geo Track: http://geotracker.waterboards.ca.gov/profile_report.asp?global_id=T0607101002
Global Id: T0607101002
Latitude: 34.8435605
Longitude: -114.6123663
Status: Completed - Case Closed
Status Date: 10/07/1996
Case Worker: Not reported
RB Case Number: 7T2363004
Local Agency: SAN BERNARDINO COUNTY
File Location: Not reported
Local Case Number: 90249
Potential Media Affect: Soil
Potential Contaminants of Concern: Gasoline
Site History: Not reported

LUST:

Global Id: T0607101002
Contact Type: Local Agency Caseworker
Contact Name: CATHERINE RICHARDS
Organization Name: SAN BERNARDINO COUNTY
Address: 620 SOUTH E STREET
City: SAN BERNARDINO
Email: crichards@sbcfire.org

Map ID
Direction
Distance
Elevation

MAP FINDINGS

Site

Database(s)

EDR ID Number
EPA ID Number

CP NATIONAL SERVICE CENTER (Continued)

U000033363

Phone Number: 9093868419

LUST:

Global Id: T0607101002
Action Type: Other
Date: 09/09/1999
Action: Leak Reported

Global Id: T0607101002
Action Type: Other
Date: 03/09/1989
Action: Leak Discovery

LUST:

Global Id: T0607101002
Status: Open - Case Begin Date
Status Date: 03/24/1988

Global Id: T0607101002
Status: Open - Site Assessment
Status Date: 03/24/1988

Global Id: T0607101002
Status: Open - Site Assessment
Status Date: 09/28/1990

Global Id: T0607101002
Status: Open - Site Assessment
Status Date: 11/06/1990

Global Id: T0607101002
Status: Completed - Case Closed
Status Date: 10/07/1996

CORTESE:

Name: CP NATIONAL
Address: 1705 FRONT STREET
City,State,Zip: NEEDLES, CA 92363
Region: CORTESE
Envirostor Id: Not reported
Global ID: T0607101013
Site/Facility Type: LUST CLEANUP SITE
Cleanup Status: COMPLETED - CASE CLOSED
Status Date: Not reported
Site Code: Not reported
Latitude: Not reported
Longitude: Not reported
Owner: Not reported
Enf Type: Not reported
Swat R: Not reported
Flag: active
Order No: Not reported
Waste Discharge System No: Not reported
Effective Date: Not reported
Region 2: Not reported

Map ID
Direction
Distance
Elevation

MAP FINDINGS

Site

Database(s)

EDR ID Number
EPA ID Number

CP NATIONAL SERVICE CENTER (Continued)

U000033363

WID Id: Not reported
Solid Waste Id No: Not reported
Waste Management Uit Name: Not reported
File Name: Active Open

HIST CORTESE:

edr_fname: CP NATIONAL
edr_fadd1: 1705 FRONT
City,State,Zip: NEEDLES, CA 92363
Region: CORTESE
Facility County Code: 36
Reg By: LTNKA
Reg Id: 7T2363015

edr_fname: ATCHISON, TOPEKA & SANTA
edr_fadd1: 1705 FRONT
City,State,Zip: NEEDLES, CA 92363
Region: CORTESE
Facility County Code: 36
Reg By: WBC&D
Reg Id: 7B364003N01

NOTIFY 65:

Name: CP NATIONAL SERVICE CENTER
Address: 1705 FRONT STREET
City,State,Zip: NEEDLES, CA 90010
Date Reported: Not reported
Staff Initials: Not reported
Board File Number: Not reported
Facility Type: Not reported
Discharge Date: Not reported
Issue Date: Not reported
Incident Description: Not reported
Global ID: Not reported
Status: Not reported

CERS:

Name: UNOCAL STATION
Address: 1705 FRONT STREET
City,State,Zip: NEEDLES, CA 92363
Site ID: 240848
CERS ID: T0607101002
CERS Description: Leaking Underground Storage Tank Cleanup Site

Affiliation:

Affiliation Type Desc: Local Agency Caseworker
Entity Name: CATHERINE RICHARDS - SAN BERNARDINO COUNTY
Entity Title: Not reported
Affiliation Address: 620 SOUTH E STREET
Affiliation City: SAN BERNARDINO
Affiliation State: CA
Affiliation Country: Not reported
Affiliation Zip: Not reported
Affiliation Phone: 9093868419,

Map ID
Direction
Distance
Elevation

MAP FINDINGS

Site

Database(s)

EDR ID Number
EPA ID Number

CP NATIONAL SERVICE CENTER (Continued)

U000033363

Name: CP NATIONAL
Address: 1705 FRONT STREET
City,State,Zip: NEEDLES, CA 92363
Site ID: 246951
CERS ID: T0607101013
CERS Description: Leaking Underground Storage Tank Cleanup Site

Affiliation:
Affiliation Type Desc: Local Agency Caseworker
Entity Name: CATHERINE RICHARDS - SAN BERNARDINO COUNTY
Entity Title: Not reported
Affiliation Address: 620 SOUTH E STREET
Affiliation City: SAN BERNARDINO
Affiliation State: CA
Affiliation Country: Not reported
Affiliation Zip: Not reported
Affiliation Phone: 9093868419,

AT341 **NEEDLES I-40 CONNECTOR PROJECT**
Target **I-40 ALONG J BROADWAY NEEDLES HIGHWAY AND NORTH K STREET**
Property **NEEDLES, CA 92363**

NPDES **S119086337**
CIWQS **N/A**

Site 4 of 4 in cluster AT

Actual: NPDES:
482 ft. Name: NEEDLES I-40 CONNECTOR PROJECT
Focus Map: Address: I-40 ALONG J BROADWAY NEEDLES HIGHWAY AND NORTH K STREET
7 City,State,Zip: NEEDLES, CA 92363
Facility Status: Not reported
NPDES Number: Not reported
Region: Not reported
Agency Number: Not reported
Regulatory Measure ID: Not reported
Place ID: Not reported
Order Number: Not reported
WDID: 7 36C378282
Regulatory Measure Type: Construction
Program Type: Not reported
Adoption Date Of Regulatory Measure: Not reported
Effective Date Of Regulatory Measure: Not reported
Termination Date Of Regulatory Measure: Not reported
Expiration Date Of Regulatory Measure: Not reported
Discharge Address: Not reported
Discharge Name: Not reported
Discharge City: Not reported
Discharge State: Not reported
Discharge Zip: Not reported
Status: Terminated
Status Date: 08/03/2017
Operator Name: City of Needles
Operator Address: 817 Third Street
Operator City: Needles
Operator State: California
Operator Zip: 92363
NPDES as of 03/2018:
NPDES Number: CAS000002
Status: Terminated

Map ID
Direction
Distance
Elevation

MAP FINDINGS

Site

Database(s)

EDR ID Number
EPA ID Number

NEEDLES I-40 CONNECTOR PROJECT (Continued)

S119086337

Agency Number: 0
Region: 7
Regulatory Measure ID: 480995
Order Number: 2009-0009-DWQ
Regulatory Measure Type: Enrollee
Place ID: Not reported
WDID: 7 36C378282
Program Type: Construction
Adoption Date Of Regulatory Measure: Not reported
Effective Date Of Regulatory Measure: 11/29/2016
Expiration Date Of Regulatory Measure: Not reported
Termination Date Of Regulatory Measure: 07/06/2017
Discharge Name: City of Needles
Discharge Address: 817 Third Street
Discharge City: Needles
Discharge State: California
Discharge Zip: 92363
Received Date: Not reported
Processed Date: Not reported
Status: Not reported
Status Date: Not reported
Place Size: Not reported
Place Size Unit: Not reported
Contact: Not reported
Contact Title: Not reported
Contact Phone: Not reported
Contact Phone Ext: Not reported
Contact Email: Not reported
Operator Name: Not reported
Operator Address: Not reported
Operator City: Not reported
Operator State: Not reported
Operator Zip: Not reported
Operator Contact: Not reported
Operator Contact Title: Not reported
Operator Contact Phone: Not reported
Operator Contact Phone Ext: Not reported
Operator Contact Email: Not reported
Operator Type: Not reported
Developer: Not reported
Developer Address: Not reported
Developer City: Not reported
Developer State: Not reported
Developer Zip: Not reported
Developer Contact: Not reported
Developer Contact Title: Not reported
Constype Linear Utility Ind: Not reported
Emergency Phone: Not reported
Emergency Phone Ext: Not reported
Constype Above Ground Ind: Not reported
Constype Below Ground Ind: Not reported
Constype Cable Line Ind: Not reported
Constype Comm Line Ind: Not reported
Constype Commercial Ind: Not reported
Constype Electrical Line Ind: Not reported
Constype Gas Line Ind: Not reported
Constype Industrial Ind: Not reported

Map ID
Direction
Distance
Elevation

MAP FINDINGS

Site

Database(s)

EDR ID Number
EPA ID Number

NEEDLES I-40 CONNECTOR PROJECT (Continued)

S119086337

Constype Other Description:	Not reported
Constype Other Ind:	Not reported
Constype Recons Ind:	Not reported
Constype Residential Ind:	Not reported
Constype Transport Ind:	Not reported
Constype Utility Description:	Not reported
Constype Utility Ind:	Not reported
Constype Water Sewer Ind:	Not reported
Dir Discharge Uswater Ind:	Not reported
Receiving Water Name:	Not reported
Certifier:	Not reported
Certifier Title:	Not reported
Certification Date:	Not reported
Primary Sic:	Not reported
Secondary Sic:	Not reported
Tertiary Sic:	Not reported
NPDES Number:	Not reported
Status:	Not reported
Agency Number:	Not reported
Region:	7
Regulatory Measure ID:	480995
Order Number:	Not reported
Regulatory Measure Type:	Construction
Place ID:	Not reported
WDID:	7 36C378282
Program Type:	Not reported
Adoption Date Of Regulatory Measure:	Not reported
Effective Date Of Regulatory Measure:	Not reported
Expiration Date Of Regulatory Measure:	Not reported
Termination Date Of Regulatory Measure:	07/06/2017
Discharge Name:	Not reported
Discharge Address:	Not reported
Discharge City:	Not reported
Discharge State:	Not reported
Discharge Zip:	Not reported
Received Date:	11/23/2016
Processed Date:	11/29/2016
Status:	Terminated
Status Date:	08/03/2017
Place Size:	8.14
Place Size Unit:	Acres
Contact:	Tammy Ellmore
Contact Title:	Not reported
Contact Phone:	760-326-5740
Contact Phone Ext:	Not reported
Contact Email:	ndlsgis@citlink.net
Operator Name:	City of Needles
Operator Address:	817 Third Street
Operator City:	Needles
Operator State:	California
Operator Zip:	92363
Operator Contact:	Tammy Ellmore
Operator Contact Title:	Not reported
Operator Contact Phone:	760-326-5740
Operator Contact Phone Ext:	Not reported
Operator Contact Email:	ndlsgis@citlink.net

Map ID
Direction
Distance
Elevation

MAP FINDINGS

Site

Database(s)

EDR ID Number
EPA ID Number

NEEDLES I-40 CONNECTOR PROJECT (Continued)

S119086337

Operator Type: City/Town Agency
Developer: City of Needles
Developer Address: 817 Third Street
Developer City: Needles
Developer State: California
Developer Zip: 92363
Developer Contact: Tammy Ellmore
Developer Contact Title: Not reported
Constype Linear Utility Ind: N
Emergency Phone: Not reported
Emergency Phone Ext: Not reported
Constype Above Ground Ind: N
Constype Below Ground Ind: N
Constype Cable Line Ind: N
Constype Comm Line Ind: N
Constype Commercial Ind: N
Constype Electrical Line Ind: N
Constype Gas Line Ind: N
Constype Industrial Ind: N
Constype Other Description: Not reported
Constype Other Ind: N
Constype Recons Ind: N
Constype Residential Ind: N
Constype Transport Ind: Y
Constype Utility Description: Not reported
Constype Utility Ind: N
Constype Water Sewer Ind: N
Dir Discharge Uswater Ind: N
Receiving Water Name: Colorado River
Certifier: Tammy Ellmore
Certifier Title: Engineering Tech II
Certification Date: 23-NOV-16
Primary Sic: Not reported
Secondary Sic: Not reported
Tertiary Sic: Not reported

CIWQS:

Name: NEEDLES I-40 CONNECTOR PROJECT
Address: I-40 ALONG J, BROADWAY, NEEDLES HIGHWAY AND NORTH K STREET
City,State,Zip: NEEDLES, CA 92363
Agency: City of Needles
Agency Address: 817 Third Street, Needles, CA 92363
Place/Project Type: Construction - Transportation
SIC/NAICS: Not reported
Region: 7
Program: CONSTW
Regulatory Measure Status: Terminated
Regulatory Measure Type: Storm water construction
Order Number: 2009-0009-DWQ
WDID: 7 36C378282
NPDES Number: CAS000002
Adoption Date: Not reported
Effective Date: 11/29/2016
Termination Date: 07/06/2017
Expiration/Review Date: Not reported
Design Flow: Not reported

Map ID
Direction
Distance
Elevation

MAP FINDINGS

Site

Database(s)

EDR ID Number
EPA ID Number

NEEDLES I-40 CONNECTOR PROJECT (Continued)

S119086337

Major/Minor: Not reported
Complexity: Not reported
TTWQ: Not reported
Enforcement Actions within 5 years: 0
Violations within 5 years: 0
Latitude: 34.843376
Longitude: -114.610415

AU342 BNSF RAILWAY COMPANY (FORMER C.S. GRIGG SITE)
Target 1705 EAGLE PASS ROAD
Property NEEDLES, CA 92363

FINDS 1023222310
N/A

Site 1 of 7 in cluster AU

Actual: FINDS:
539 ft. Registry ID: 110065087417

Focus Map:
6 [Click Here for FRS Facility Detail Report:](#)

Environmental Interest/Information System:
STATE MASTER

[Click this hyperlink](#) while viewing on your computer to access additional FINDS: detail in the EDR Site Report.

AU343 THE BNSF RAILWAY COMPANY
Target 1705 EAGLE PASS RD
Property NEEDLES, CA 92363

FINDS 1024678592
ECHO N/A

Site 2 of 7 in cluster AU

Actual: FINDS:
539 ft. Registry ID: 110070466986

Focus Map:
6 [Click Here for FRS Facility Detail Report:](#)

Environmental Interest/Information System:
RCRAInfo is a national information system that supports the Resource Conservation and Recovery Act (RCRA) program through the tracking of events and activities related to facilities that generate, transport, and treat, store, or dispose of hazardous waste. RCRAInfo allows RCRA program staff to track the notification, permit, compliance, and corrective action activities required under RCRA.

[Click this hyperlink](#) while viewing on your computer to access additional FINDS: detail in the EDR Site Report.

ECHO:
Envid: 1024678592
Registry ID: 110070466986
DFR URL: <http://echo.epa.gov/detailed-facility-report?fid=110070466986>
Name: THE BNSF RAILWAY COMPANY
Address: 1705 EAGLE PASS RD
City,State,Zip: NEEDLES, CA 92363

Map ID
 Direction
 Distance
 Elevation

MAP FINDINGS

Site

Database(s)

EDR ID Number
 EPA ID Number

AU344 **ACTIVE AUTOWRECKING DBA SLEIMAN ZEINATY**
Target **1705 EAGLE PASS RD STE B**
Property **NEEDLES, CA 92363**

HWTS **S124876676**
 N/A

Site 3 of 7 in cluster AU

Actual: **HWTS:**
539 ft. Name: ACTIVE AUTOWRECKING DBA SLEIMAN ZEINATY
Focus Map: Address: 1705 EAGLE PASS RD STE B
6 Address 2: Not reported
 City,State,Zip: NEEDLES, CA 92363
 EPA ID: CAL000343000
 Inactive Date: 06/30/2009
 Create Date: 05/15/2009
 Last Act Date: Not reported
 Mailing Name: Not reported
 Mailing Address: PO BOX 3343
 Mailing Address 2: Not reported
 Mailing City,State,Zip: NEEDLES, CA 923632056
 Owner Name: SLEIMAN ZEINATY
 Owner Address: 31251 GOFFS RD
 Owner Address 2: Not reported
 Owner City,State,Zip: ESSEX, CA 923329701
 Contact Name: SHAWN GUDMUNDSON
 Contact Address: 1705 EAGLE PASS RD STE B
 Contact Address 2: Not reported
 City,State,Zip: NEEDLES, CA 923632822
 Facility Status: Inactive
 Facility Type: PERMANENT
 Category: STATE
 Latitude: 34.844479
 Longitude: -114.614237

NAICS:
 EPA ID: CAL000343000
 Create Date: 2009-05-15 09:14:00.503
 NAICS Code: 811111
 NAICS Description: General Automotive Repair
 Issued EPA ID Date: 2009-05-15 09:14:00.47000
 Inactive Date: 2009-06-30 00:00:00
 Facility Name: ACTIVE AUTOWRECKING DBA SLEIMAN ZEINATY
 Facility Address: 1705 EAGLE PASS RD STE B
 Facility Address 2: Not reported
 Facility City: NEEDLES
 Facility County: Not reported
 Facility State: CA
 Facility Zip: 923632822

AU345 **THE BNSF RAILWAY COMPANY**
Target **1705 EAGLE PASS RD**
Property **NEEDLES, CA 92363**

RCRA NonGen / NLR **1024815173**
 CAL000312219

Site 4 of 7 in cluster AU

Actual: **RCRA NonGen / NLR:**
539 ft. Date Form Received by Agency: 20061004
Focus Map: Handler Name: THE BNSF RAILWAY COMPANY
6 Handler Address: 1705 EAGLE PASS RD
 Handler City,State,Zip: NEEDLES, CA 92363-2822

Map ID
 Direction
 Distance
 Elevation

MAP FINDINGS

Site

Database(s)

EDR ID Number
 EPA ID Number

THE BNSF RAILWAY COMPANY (Continued)

1024815173

EPA ID:	CAL000312219
Contact Name:	EVELYN WATSON
Contact Address:	740 E CARNEGIE DR
Contact City,State,Zip:	SAN BERNARDINO, CA 92408-3571
Contact Telephone:	909-386-4081
Contact Fax:	909-386-4087
Contact Email:	EVELYN.WATSON@BNSF.COM
Contact Title:	Not reported
EPA Region:	09
Land Type:	Not reported
Federal Waste Generator Description:	Not a generator, verified
Non-Notifier:	Not reported
Biennial Report Cycle:	Not reported
Accessibility:	Not reported
Active Site Indicator:	Handler Activities
State District Owner:	Not reported
State District:	Not reported
Mailing Address:	740 E. CARNEGIE DRIVE
Mailing City,State,Zip:	SAN BERNARDINO, CA 92408-3571
Owner Name:	BNSF RAILWAY CO
Owner Type:	Other
Operator Name:	EVELYN WATSON
Operator Type:	Other
Short-Term Generator Activity:	No
Importer Activity:	No
Mixed Waste Generator:	No
Transporter Activity:	No
Transfer Facility Activity:	No
Recycler Activity with Storage:	No
Small Quantity On-Site Burner Exemption:	No
Smelting Melting and Refining Furnace Exemption:	No
Underground Injection Control:	No
Off-Site Waste Receipt:	No
Universal Waste Indicator:	Yes
Universal Waste Destination Facility:	Yes
Federal Universal Waste:	No
Active Site Fed-Reg Treatment Storage and Disposal Facility:	Not reported
Active Site Converter Treatment storage and Disposal Facility:	Not reported
Active Site State-Reg Treatment Storage and Disposal Facility:	Not reported
Active Site State-Reg Handler:	---
Federal Facility Indicator:	Not reported
Hazardous Secondary Material Indicator:	N
Sub-Part K Indicator:	Not reported
Commercial TSD Indicator:	No
Treatment Storage and Disposal Type:	Not reported
2018 GPRA Permit Baseline:	Not on the Baseline
2018 GPRA Renewals Baseline:	Not on the Baseline
Permit Renewals Workload Universe:	Not reported
Permit Workload Universe:	Not reported
Permit Progress Universe:	Not reported
Post-Closure Workload Universe:	Not reported
Closure Workload Universe:	Not reported
202 GPRA Corrective Action Baseline:	No
Corrective Action Workload Universe:	No
Subject to Corrective Action Universe:	No
Non-TSDs Where RCRA CA has Been Imposed Universe:	No
TSDs Potentially Subject to CA Under 3004 (u)/(v) Universe:	No

Map ID
 Direction
 Distance
 Elevation

MAP FINDINGS

Site

Database(s)

EDR ID Number
 EPA ID Number

THE BNSF RAILWAY COMPANY (Continued)

1024815173

TSDFs Only Subject to CA under Discretionary Auth Universe:	No
Corrective Action Priority Ranking:	No NCAPS ranking
Environmental Control Indicator:	No
Institutional Control Indicator:	No
Human Exposure Controls Indicator:	N/A
Groundwater Controls Indicator:	N/A
Operating TSDF Universe:	Not reported
Full Enforcement Universe:	Not reported
Significant Non-Complier Universe:	No
Unaddressed Significant Non-Complier Universe:	No
Addressed Significant Non-Complier Universe:	No
Significant Non-Complier With a Compliance Schedule Universe:	No
Financial Assurance Required:	Not reported
Handler Date of Last Change:	20180905
Recognized Trader-Importer:	No
Recognized Trader-Exporter:	No
Importer of Spent Lead Acid Batteries:	No
Exporter of Spent Lead Acid Batteries:	No
Recycler Activity Without Storage:	No
Manifest Broker:	No
Sub-Part P Indicator:	No

Handler - Owner Operator:

Owner/Operator Indicator:	Owner
Owner/Operator Name: BNSF RAILWAY CO	
Legal Status:	Other
Date Became Current:	Not reported
Date Ended Current:	Not reported
Owner/Operator Address:	740 E CARNEGIE DR
Owner/Operator City,State,Zip:	SAN BERNARDINO, CA 92408-3571
Owner/Operator Telephone:	909-386-4082
Owner/Operator Telephone Ext:	Not reported
Owner/Operator Fax:	Not reported
Owner/Operator Email:	Not reported

Owner/Operator Indicator:	Operator
Owner/Operator Name: EVELYN WATSON	
Legal Status:	Other
Date Became Current:	Not reported
Date Ended Current:	Not reported
Owner/Operator Address:	740 E CARNEGIE DR
Owner/Operator City,State,Zip:	SAN BERNARDINO, CA 92408-3571
Owner/Operator Telephone:	909-386-4081
Owner/Operator Telephone Ext:	Not reported
Owner/Operator Fax:	Not reported
Owner/Operator Email:	Not reported

Historic Generators:

Receive Date:	20061004
Handler Name:	THE BNSF RAILWAY COMPANY
Federal Waste Generator Description:	Not a generator, verified
State District Owner:	Not reported
Large Quantity Handler of Universal Waste:	No
Recognized Trader Importer:	No
Recognized Trader Exporter:	No

Map ID
 Direction
 Distance
 Elevation

MAP FINDINGS

Site

Database(s)

EDR ID Number
 EPA ID Number

THE BNSF RAILWAY COMPANY (Continued)

1024815173

Spent Lead Acid Battery Importer: No
 Spent Lead Acid Battery Exporter: No
 Current Record: Yes
 Non Storage Recycler Activity: Not reported
 Electronic Manifest Broker: Not reported

List of NAICS Codes and Descriptions:

NAICS Code: 482111
 NAICS Description: LINE-HAUL RAILROADS

Facility Has Received Notices of Violations:

Violations: No Violations Found

Evaluation Action Summary:

Evaluations: No Evaluations Found

AU346
Target
Property

ACTIVE TOWING
1705 EAGLE PASS RD
NEEDLES, CA 92363

CPS-SLIC
San Bern. Co. Permit
CERS

S108756322
N/A

Site 5 of 7 in cluster AU

Actual:
539 ft.

Focus Map:
6

CPS-SLIC:
 Name: BNSF RAILWAY COMPANY (FORMER C.S. GRIGG SITE)
 Address: 1705 EAGLE PASS ROAD
 City,State,Zip: NEEDLES, CA
 Region: STATE
Facility Status: **Open - Remediation**
 Status Date: 12/14/2021
 Global Id: SL0607137045
 Lead Agency: COLORADO RIVER BASIN RWQCB (REGION 7)
 Lead Agency Case Number: Not reported
 Latitude: 34.8451996343111
 Longitude: -114.616219997406
 Case Type: Cleanup Program Site
 Case Worker: TI
 Local Agency: Not reported
 RB Case Number: BNSFG
 File Location: Regional Board
 Potential Media Affected: Other Groundwater (uses other than drinking water)
 Potential Contaminants of Concern: Other Solvent or Non-Petroleum Hydrocarbon
 Site History: The BNSF Railyard dates back to the 1890s, and was used as a maintenance and fueling point for locomotives since before the 1940s. The 54-acre Site is bounded by River Road and the Rivers Edge Golf Course on the north and 1101thwest; by the Rivers Edge Golf Course on the east; and by BNSF Railroad tracks, Front Street, and the City of Needles on the south and southwest. The fueling facilities, which included multiple aboveground storage tanks (ASTs) and underground storage tanks (USTs) to store diesel, bunker fuel, and heavy oil, were removed during the 1970s. The Site is now used primarily for offices, right-of-way maintenance crews, and as a crew change location. Environmental investigations and remediation activities have been ongoing since the 1980s in connection with Cleanup and Abatement Order (CAO) 88-126 dated June 25, 1988, issued by the RWQCB. The CAO was issued to address removal of heavy oil from the

Map ID
Direction
Distance
Elevation

MAP FINDINGS

Site

Database(s)

EDR ID Number
EPA ID Number

ACTIVE TOWING (Continued)

S108756322

groundwater associated with a historical fuel pipeline leak known as the Former Pipeline Leak Area. Two additional soil remediation projects that have been completed at the Railyard - n 1959, a diesel fuel storage tank located near the Former Roundhouse Area was dismantled and diesel impacted soil was identified in the surrounding area. The principal source of the diesel fuel release was a partially welded elbow joint in a fuel unloading pipeline installed by an outside contractor during World War II. As a result, this area has historically been referred to as the Former Pipeline Leak Area. A recovery system was established to reclaim fuel from the subsurface. The recovery system consisted of a trench filled with rock in the saturated zone then backfilled with soil to the surface. Oil was skimmed from a collection sump installed at one end of the trench. Records of the operation of the oil recovery system indicate that approximately 310,000 gallons of diesel oil were reclaimed. The recovery sump eventually filled in with silt, and the operation was abandoned. From 1981 to 1988, BNSF completed investigations to evaluate the nature and extent of the impacted soil and groundwater to determine if further oil recovery was feasible. These investigation included Installation of 27 groundwater monitoring wells (MW-A through MW-Y, MW-AA, and MW-BB); Installation of three recovery wells (RW-1, RW-2, and RW-3); Installation of three oil recovery trenches with 14 oil collection sumps (N-1 through N-7, S-1 through S-4, and W-1 through W-3) (discussed further below); and Proper abandonment of six groundwater monitoring wells (MW-A, MW-G, MW-J, MW-L, MW-T, and MW-BB).

[Click here to access the California GeoTracker records for this facility:](#)

San Bern. Co. Permit:

Name: ACTIVE TOWING
Address: 1705 EAGLE PASS RD
City,State,Zip: NEEDLES, CA 92363
Region: SAN BERNARDINO
Facility ID: FA0012323
Owner: ZEINATY, SLEIMAN
Permit Number: PT0021615
Permit Category: SPECIAL GENERATOR
Facility Status: INACTIVE
Expiration Date: 05/31/2011

Name: ACTIVE TOWING
Address: 1705 EAGLE PASS RD
City,State,Zip: NEEDLES, CA 92363
Region: SAN BERNARDINO
Facility ID: FA0012323
Owner: ZEINATY, SLEIMAN
Permit Number: PT0021616
Permit Category: SPECIAL HANDLER
Facility Status: INACTIVE
Expiration Date: 05/31/2011

CERS:

Name: BNSF RAILWAY COMPANY (FORMER C.S. GRIGG SITE)
Address: 1705 EAGLE PASS ROAD
City,State,Zip: NEEDLES, CA

Map ID
 Direction
 Distance
 Elevation

MAP FINDINGS

Site

Database(s)

EDR ID Number
 EPA ID Number

ACTIVE TOWING (Continued)

S108756322

Site ID: 221661
 CERS ID: SL0607137045
 CERS Description: Cleanup Program Site

Affiliation:
 Affiliation Type Desc: Regional Board Caseworker
 Entity Name: THERESA ILLARE - COLORADO RIVER BASIN RWQCB (REGION 7)
 Entity Title: Not reported
 Affiliation Address: 73-720 FRED WARING DR. STE 100
 Affiliation City: PALM DESERT
 Affiliation State: CA
 Affiliation Country: Not reported
 Affiliation Zip: Not reported
 Affiliation Phone: 7607768971,

AU347	TIRE DISPOSAL SERVICE	RGA LF	S114733488
Target	1705 EAGLE PASS ROAD		N/A
Property	NEEDLES, CA		

Site 6 of 7 in cluster AU

Actual:	RGA LF:	
539 ft.	Name:	TIRE DISPOSAL SERVICE
Focus Map:	Address:	1705 EAGLE PASS ROAD
6	City:	NEEDLES
	State:	NEEDLES
		2004 TIRE DISPOSAL SERVICE 1705 EAGLE PASS ROAD
	Name:	TIRE DISPOSAL SERVICE
	Address:	1705 EAGLE PASS ROAD
	City:	NEEDLES
	State:	NEEDLES
		2003 TIRE DISPOSAL SERVICE 1705 EAGLE PASS ROAD

AU348	THE BNSF RAILWAY COMPANY	HAZNET	S113144701
Target	1705 EAGLE PASS RD	HWTS	N/A
Property	NEEDLES, CA 92363		

Site 7 of 7 in cluster AU

Actual:	HAZNET:	
539 ft.	Name:	THE BNSF RAILWAY COMPANY
Focus Map:	Address:	1705 EAGLE PASS RD
6	Address 2:	Not reported
	City,State,Zip:	NEEDLES, CA 924083571
	Contact:	TIFFANIE NIXON
	Telephone:	9093864081
	Mailing Name:	Not reported
	Mailing Address:	740 E. CARNEGIE DRIVE
	Year:	2019
	Gepaid:	CAL000312219
	TSD EPA ID:	CAD982444481
	CA Waste Code:	134 - Aqueous solution with total organic residues less than 10 percent
	Disposal Method:	H141 - Storage, Bulking, And/Or Transfer Off Site--No Treatment/Reovery (H010-H129) Or (H131-H135)
	Tons:	7.11060

Map ID
Direction
Distance
Elevation

MAP FINDINGS

Site

Database(s)

EDR ID Number
EPA ID Number

THE BNSF RAILWAY COMPANY (Continued)

S113144701

Year: 2018
Gepaid: CAL000312219
TSD EPA ID: CAD982444481
CA Waste Code: 134 - Aqueous solution with total organic residues less than 10 percent
Disposal Method: H141 - Storage, Bulking, And/Or Transfer Off Site--No Treatment/Reovery (H010-H129) Or (H131-H135)
Tons: 6.93000

Year: 2017
Gepaid: CAL000312219
TSD EPA ID: CAD982444481
CA Waste Code: 134 - Aqueous solution with total organic residues less than 10 percent
Disposal Method: H141 - Storage, Bulking, And/Or Transfer Off Site--No Treatment/Reovery (H010-H129) Or (H131-H135)
Tons: 11.6172

Year: 2016
Gepaid: CAL000312219
TSD EPA ID: CAD982444481
CA Waste Code: 134 - Aqueous solution with total organic residues less than 10 percent
Disposal Method: H141 - Storage, Bulking, And/Or Transfer Off Site--No Treatment/Reovery (H010-H129) Or (H131-H135)
Tons: 15.9684

Year: 2015
Gepaid: CAL000312219
TSD EPA ID: CAD982444481
CA Waste Code: 134 - Aqueous solution with total organic residues less than 10 percent
Disposal Method: H141 - Storage, Bulking, And/Or Transfer Off Site--No Treatment/Reovery (H010-H129) Or (H131-H135)
Tons: 20.7144

Year: 2014
Gepaid: CAL000312219
TSD EPA ID: CAD982444481
CA Waste Code: 134 - Aqueous solution with total organic residues less than 10 percent
Disposal Method: H141 - Storage, Bulking, And/Or Transfer Off Site--No Treatment/Reovery (H010-H129) Or (H131-H135)
Tons: 15.0108

Year: 2013
Gepaid: CAL000312219
TSD EPA ID: CAD982444481
CA Waste Code: 134 - Aqueous solution with total organic residues less than 10 percent
Disposal Method: H141 - Storage, Bulking, And/Or Transfer Off Site--No Treatment/Reovery (H010-H129) Or (H131-H135)
Tons: 12.7092

Year: 2012
Gepaid: CAL000312219
TSD EPA ID: CAD982444481

Map ID
Direction
Distance
Elevation

MAP FINDINGS

Site

Database(s)

EDR ID Number
EPA ID Number

THE BNSF RAILWAY COMPANY (Continued)

S113144701

CA Waste Code: 134 - Aqueous solution with total organic residues less than 10 percent
Disposal Method: H141 - Storage, Bulking, And/Or Transfer Off Site--No Treatment/Reovery (H010-H129) Or (H131-H135)
Tons: 13.5744

Year: 2011
Gepaid: CAL000312219
TSD EPA ID: CAD982444461
CA Waste Code: 134 - Aqueous solution with total organic residues less than 10 percent
Disposal Method: H141 - Storage, Bulking, And/Or Transfer Off Site--No Treatment/Reovery (H010-H129) Or (H131-H135)
Tons: 1.68

Year: 2011
Gepaid: CAL000312219
TSD EPA ID: CAD982444481
CA Waste Code: 134 - Aqueous solution with total organic residues less than 10 percent
Disposal Method: H141 - Storage, Bulking, And/Or Transfer Off Site--No Treatment/Reovery (H010-H129) Or (H131-H135)
Tons: 10.458

[Click this hyperlink](#) while viewing on your computer to access 5 additional CA HAZNET: record(s) in the EDR Site Report.

Additional Info:

Year: 2008
Gen EPA ID: CAL000312219

Shipment Date: 20081008
Creation Date: 11/18/2008 18:30:24
Receipt Date: 20081009
Manifest ID: 001975531JJK
Trans EPA ID: CAR000172460
Trans Name: ENVIRONMENTAL LOGISTICS
Trans 2 EPA ID: Not reported
Trans 2 Name: Not reported
TSD EPA ID: CAD982444481
Trans Name: FILTER RECYCLING SERVICES INC
TSD EPA ID: Not reported
TSD EPA Name: Not reported
Waste Code Description: 134 - Aqueous solution with <10% total organic residues
RCRA Code: Not reported
Meth Code: H141 - Storage, Bulking, And/Or Transfer Off Site--No Treatment/Reovery (H010-H129) Or (H131-H135)

Quantity Tons: 4.2
Waste Quantity: 1000
Quantity Unit: G
Additional Code 1: Not reported
Additional Code 2: Not reported
Additional Code 3: Not reported
Additional Code 4: Not reported
Additional Code 5: Not reported

Map ID
Direction
Distance
Elevation

MAP FINDINGS

Site

Database(s)

EDR ID Number
EPA ID Number

THE BNSF RAILWAY COMPANY (Continued)

S113144701

Shipment Date:	20080717
Creation Date:	9/10/2008 18:30:08
Receipt Date:	20080722
Manifest ID:	003807972JJK
Trans EPA ID:	CAR000172460
Trans Name:	ENVIRONMENTAL LOGISTICS
Trans 2 EPA ID:	Not reported
Trans 2 Name:	Not reported
TSDf EPA ID:	CAD982444481
Trans Name:	FILTER RECYCLING SERVICES INC
TSDf Alt EPA ID:	Not reported
TSDf Alt Name:	Not reported
Waste Code Description:	134 - Aqueous solution with <10% total organic residues
RCRA Code:	Not reported
Meth Code:	H141 - Storage, Bulking, And/Or Transfer Off Site--No Treatment/Reovery (H010-H129) Or (H131-H135)
Quantity Tons:	1.575
Waste Quantity:	375
Quantity Unit:	G
Additional Code 1:	Not reported
Additional Code 2:	Not reported
Additional Code 3:	Not reported
Additional Code 4:	Not reported
Additional Code 5:	Not reported
Shipment Date:	20080414
Creation Date:	6/9/2008 18:30:18
Receipt Date:	20080414
Manifest ID:	003807987JJK
Trans EPA ID:	CAR000172460
Trans Name:	ENVIRONMENTAL LOGISTICS
Trans 2 EPA ID:	Not reported
Trans 2 Name:	Not reported
TSDf EPA ID:	CAD982444481
Trans Name:	FILTER RECYCLING SERVICES INC
TSDf Alt EPA ID:	Not reported
TSDf Alt Name:	Not reported
Waste Code Description:	134 - Aqueous solution with <10% total organic residues
RCRA Code:	Not reported
Meth Code:	H141 - Storage, Bulking, And/Or Transfer Off Site--No Treatment/Reovery (H010-H129) Or (H131-H135)
Quantity Tons:	1.68
Waste Quantity:	400
Quantity Unit:	G
Additional Code 1:	Not reported
Additional Code 2:	Not reported
Additional Code 3:	Not reported
Additional Code 4:	Not reported
Additional Code 5:	Not reported
Shipment Date:	20080225
Creation Date:	5/16/2008 18:30:07
Receipt Date:	20080226
Manifest ID:	003807999JJK
Trans EPA ID:	CAR000172460
Trans Name:	ENVIRONMENTAL LOGISTICS
Trans 2 EPA ID:	Not reported

Map ID
Direction
Distance
Elevation

MAP FINDINGS

Site

Database(s)

EDR ID Number
EPA ID Number

THE BNSF RAILWAY COMPANY (Continued)

S113144701

Trans 2 Name:	Not reported
TSDf EPA ID:	CAD982444481
Trans Name:	FILTER RECYCLING SERVICES INC
TSDf Alt EPA ID:	Not reported
TSDf Alt Name:	Not reported
Waste Code Description:	134 - Aqueous solution with <10% total organic residues
RCRA Code:	Not reported
Meth Code:	H141 - Storage, Bulking, And/Or Transfer Off Site--No Treatment/Reovery (H010-H129) Or (H131-H135)
Quantity Tons:	0.966
Waste Quantity:	230
Quantity Unit:	G
Additional Code 1:	Not reported
Additional Code 2:	Not reported
Additional Code 3:	Not reported
Additional Code 4:	Not reported
Additional Code 5:	Not reported
Additional Info:	
Year:	2006
Gen EPA ID:	CAL000312219
Shipment Date: 20061114	
Creation Date: 3/30/2007 13:32:41	
Receipt Date: 20061114	
Manifest ID: 000443011JJK	
Trans EPA ID: CAD982444481	
Trans Name: FILTER RECYCLING SERVICES INC	
Trans 2 EPA ID: Not reported	
Trans 2 Name: Not reported	
TSDf EPA ID: CAD982444481	
Trans Name: FILTER RECYCLING SERVICES INC	
TSDf Alt EPA ID: Not reported	
TSDf Alt Name: Not reported	
Waste Code Description: 134 - Aqueous solution with <10% total organic residues	
RCRA Code: Not reported	
Meth Code: H141 - Storage, Bulking, And/Or Transfer Off Site--No Treatment/Reovery (H010-H129) Or (H131-H135)	
Quantity Tons: 2.394	
Waste Quantity: 570	
Quantity Unit: G	
Additional Code 1: Not reported	
Additional Code 2: Not reported	
Additional Code 3: Not reported	
Additional Code 4: Not reported	
Additional Code 5: Not reported	
Additional Info:	
Year:	2017
Gen EPA ID:	CAL000312219
Shipment Date: 20171228	
Creation Date: 8/10/2018 18:30:24	
Receipt Date: 20171228	
Manifest ID: 017380664JJK	
Trans EPA ID: CAR000172460	

Map ID
Direction
Distance
Elevation

MAP FINDINGS

Site

Database(s)

EDR ID Number
EPA ID Number

THE BNSF RAILWAY COMPANY (Continued)

S113144701

Trans Name:	ENVIRONMENTAL LOGISTICS INC
Trans 2 EPA ID:	Not reported
Trans 2 Name:	Not reported
TSDf EPA ID:	CAD982444481
Trans Name:	FILTER RECYCLING SERVICES INC
TSDf Alt EPA ID:	Not reported
TSDf Alt Name:	Not reported
Waste Code Description:	134 - Aqueous solution with <10% total organic residues
RCRA Code:	Not reported
Meth Code:	H141 - Storage, Bulking, And/Or Transfer Off Site--No Treatment/Reovery (H010-H129) Or (H131-H135)
Quantity Tons:	0.609
Waste Quantity:	145
Quantity Unit:	G
Additional Code 1:	Not reported
Additional Code 2:	Not reported
Additional Code 3:	Not reported
Additional Code 4:	Not reported
Additional Code 5:	Not reported
Shipment Date:	20171130
Creation Date:	6/20/2018 18:31:56
Receipt Date:	20171130
Manifest ID:	017380594JJK
Trans EPA ID:	CAR000172460
Trans Name:	ENVIRONMENTAL LOGISTICS INC
Trans 2 EPA ID:	Not reported
Trans 2 Name:	Not reported
TSDf EPA ID:	CAD982444481
Trans Name:	FILTER RECYCLING SERVICES INC
TSDf Alt EPA ID:	Not reported
TSDf Alt Name:	Not reported
Waste Code Description:	134 - Aqueous solution with <10% total organic residues
RCRA Code:	Not reported
Meth Code:	H141 - Storage, Bulking, And/Or Transfer Off Site--No Treatment/Reovery (H010-H129) Or (H131-H135)
Quantity Tons:	0.5964
Waste Quantity:	142
Quantity Unit:	G
Additional Code 1:	Not reported
Additional Code 2:	Not reported
Additional Code 3:	Not reported
Additional Code 4:	Not reported
Additional Code 5:	Not reported
Shipment Date:	20171024
Creation Date:	6/13/2018 18:31:10
Receipt Date:	20171027
Manifest ID:	017382305JJK
Trans EPA ID:	CAR000172460
Trans Name:	ENVIRONMENTAL LOGISTICS INC
Trans 2 EPA ID:	Not reported
Trans 2 Name:	Not reported
TSDf EPA ID:	CAD982444481
Trans Name:	FILTER RECYCLING SERVICES INC
TSDf Alt EPA ID:	Not reported
TSDf Alt Name:	Not reported

Map ID
Direction
Distance
Elevation

MAP FINDINGS

Site

Database(s)

EDR ID Number
EPA ID Number

THE BNSF RAILWAY COMPANY (Continued)

S113144701

Waste Code Description: 134 - Aqueous solution with <10% total organic residues
RCRA Code: Not reported
Meth Code: H141 - Storage, Bulking, And/Or Transfer Off Site--No Treatment/Reovery (H010-H129) Or (H131-H135)
Quantity Tons: 0.6594
Waste Quantity: 157
Quantity Unit: G
Additional Code 1: Not reported
Additional Code 2: Not reported
Additional Code 3: Not reported
Additional Code 4: Not reported
Additional Code 5: Not reported

Shipment Date: 20170926
Creation Date: 5/30/2018 18:34:06
Receipt Date: 20170926
Manifest ID: 017382402JJK
Trans EPA ID: CAR000172460
Trans Name: ENVIRONMENTAL LOGISTICS INC
Trans 2 EPA ID: Not reported
Trans 2 Name: Not reported
TSDf EPA ID: CAD982444481
Trans Name: FILTER RECYCLING SERVICES INC
TSDf Alt EPA ID: Not reported
TSDf Alt Name: Not reported
Waste Code Description: 134 - Aqueous solution with <10% total organic residues
RCRA Code: Not reported
Meth Code: H141 - Storage, Bulking, And/Or Transfer Off Site--No Treatment/Reovery (H010-H129) Or (H131-H135)

Quantity Tons: 0.399
Waste Quantity: 95
Quantity Unit: G
Additional Code 1: Not reported
Additional Code 2: Not reported
Additional Code 3: Not reported
Additional Code 4: Not reported
Additional Code 5: Not reported

Shipment Date: 20170824
Creation Date: 8/1/2018 18:30:18
Receipt Date: 20170824
Manifest ID: 017178369JJK
Trans EPA ID: CAR000172460
Trans Name: ENVIRONMENTAL LOGISTICS INC
Trans 2 EPA ID: Not reported
Trans 2 Name: Not reported
TSDf EPA ID: CAD982444481
Trans Name: FILTER RECYCLING SERVICES INC
TSDf Alt EPA ID: Not reported
TSDf Alt Name: Not reported
Waste Code Description: 134 - Aqueous solution with <10% total organic residues
RCRA Code: Not reported
Meth Code: H141 - Storage, Bulking, And/Or Transfer Off Site--No Treatment/Reovery (H010-H129) Or (H131-H135)

Quantity Tons: 0.4326
Waste Quantity: 103
Quantity Unit: G

Map ID
Direction
Distance
Elevation

MAP FINDINGS

Site

Database(s)

EDR ID Number
EPA ID Number

THE BNSF RAILWAY COMPANY (Continued)

S113144701

Additional Code 1:	Not reported
Additional Code 2:	Not reported
Additional Code 3:	Not reported
Additional Code 4:	Not reported
Additional Code 5:	Not reported
Shipment Date:	20170720
Creation Date:	5/17/2018 18:32:12
Receipt Date:	20170720
Manifest ID:	017178477JJK
Trans EPA ID:	CAR000172460
Trans Name:	ENVIRONMENTAL LOGISTICS INC
Trans 2 EPA ID:	Not reported
Trans 2 Name:	Not reported
TSDf EPA ID:	CAD982444481
Trans Name:	FILTER RECYCLING SERVICES INC
TSDf Alt EPA ID:	Not reported
TSDf Alt Name:	Not reported
Waste Code Description:	134 - Aqueous solution with <10% total organic residues
RCRA Code:	Not reported
Meth Code:	H141 - Storage, Bulking, And/Or Transfer Off Site--No Treatment/Reovery (H010-H129) Or (H131-H135)
Quantity Tons:	0.84
Waste Quantity:	200
Quantity Unit:	G
Additional Code 1:	Not reported
Additional Code 2:	Not reported
Additional Code 3:	Not reported
Additional Code 4:	Not reported
Additional Code 5:	Not reported
Shipment Date:	20170622
Creation Date:	5/20/2018 18:31:05
Receipt Date:	20170622
Manifest ID:	016468643JJK
Trans EPA ID:	CAR000172460
Trans Name:	ENVIRONMENTAL LOGISTICS INC
Trans 2 EPA ID:	Not reported
Trans 2 Name:	Not reported
TSDf EPA ID:	CAD982444481
Trans Name:	FILTER RECYCLING SERVICES INC
TSDf Alt EPA ID:	Not reported
TSDf Alt Name:	Not reported
Waste Code Description:	134 - Aqueous solution with <10% total organic residues
RCRA Code:	Not reported
Meth Code:	H141 - Storage, Bulking, And/Or Transfer Off Site--No Treatment/Reovery (H010-H129) Or (H131-H135)
Quantity Tons:	0.6594
Waste Quantity:	157
Quantity Unit:	G
Additional Code 1:	Not reported
Additional Code 2:	Not reported
Additional Code 3:	Not reported
Additional Code 4:	Not reported
Additional Code 5:	Not reported
Shipment Date:	20170525

Map ID
Direction
Distance
Elevation

MAP FINDINGS

Site

Database(s)

EDR ID Number
EPA ID Number

THE BNSF RAILWAY COMPANY (Continued)

S113144701

Creation Date: 5/20/2018 18:32:00
Receipt Date: 20170525
Manifest ID: 016468899JJK
Trans EPA ID: CAR000172460
Trans Name: ENVIRONMENTAL LOGISTICS INC
Trans 2 EPA ID: Not reported
Trans 2 Name: Not reported
TSDf EPA ID: CAD982444481
Trans Name: FILTER RECYCLING SERVICES INC
TSDf Alt EPA ID: Not reported
TSDf Alt Name: Not reported
Waste Code Description: 134 - Aqueous solution with <10% total organic residues
RCRA Code: Not reported
Meth Code: H141 - Storage, Bulking, And/Or Transfer Off Site--No Treatment/Reovery (H010-H129) Or (H131-H135)

Quantity Tons: 0.6594
Waste Quantity: 157
Quantity Unit: G
Additional Code 1: Not reported
Additional Code 2: Not reported
Additional Code 3: Not reported
Additional Code 4: Not reported
Additional Code 5: Not reported

Shipment Date: 20170427
Creation Date: 5/9/2018 18:32:31
Receipt Date: 20170427
Manifest ID: 016468782JJK
Trans EPA ID: CAR000172460
Trans Name: ENVIRONMENTAL LOGISTICS INC
Trans 2 EPA ID: Not reported
Trans 2 Name: Not reported
TSDf EPA ID: CAD982444481
Trans Name: FILTER RECYCLING SERVICES INC
TSDf Alt EPA ID: Not reported
TSDf Alt Name: Not reported
Waste Code Description: 134 - Aqueous solution with <10% total organic residues
RCRA Code: Not reported
Meth Code: H141 - Storage, Bulking, And/Or Transfer Off Site--No Treatment/Reovery (H010-H129) Or (H131-H135)

Quantity Tons: 1.554
Waste Quantity: 370
Quantity Unit: G
Additional Code 1: Not reported
Additional Code 2: Not reported
Additional Code 3: Not reported
Additional Code 4: Not reported
Additional Code 5: Not reported

Shipment Date: 20170223
Creation Date: 5/17/2017 18:31:30
Receipt Date: 20170224
Manifest ID: 016021883JJK
Trans EPA ID: CAR000172460
Trans Name: ENVIRONMENTAL LOGISTICS, INC.
Trans 2 EPA ID: Not reported
Trans 2 Name: Not reported

Map ID
Direction
Distance
Elevation

MAP FINDINGS

Site

Database(s)

EDR ID Number
EPA ID Number

THE BNSF RAILWAY COMPANY (Continued)

S113144701

TSDF EPA ID: CAD982444481
Trans Name: FILTER RECYCLING SERVICES, INC.
TSDF Alt EPA ID: Not reported
TSDF Alt Name: Not reported
Waste Code Description: 134 - Aqueous solution with <10% total organic residues
RCRA Code: Not reported
Meth Code: H141 - Storage, Bulking, And/Or Transfer Off Site--No Treatment/Reovery (H010-H129) Or (H131-H135)

Quantity Tons: 1.4658
Waste Quantity: 349
Quantity Unit: G
Additional Code 1: Not reported
Additional Code 2: Not reported
Additional Code 3: Not reported
Additional Code 4: Not reported
Additional Code 5: Not reported

Additional Info:

Year: 2011
Gen EPA ID: CAL000312219

Shipment Date: 20111220
Creation Date: 3/13/2012 20:30:40
Receipt Date: 20111221
Manifest ID: 009216193JJK
Trans EPA ID: CAR000172460
Trans Name: ENVIRONMENTAL LOGISTICS INC
Trans 2 EPA ID: Not reported
Trans 2 Name: Not reported
TSDF EPA ID: CAD982444481
Trans Name: FILTER RECYCLING SERVICES INC
TSDF Alt EPA ID: Not reported
TSDF Alt Name: Not reported
Waste Code Description: 134 - Aqueous solution with <10% total organic residues
RCRA Code: Not reported
Meth Code: H141 - Storage, Bulking, And/Or Transfer Off Site--No Treatment/Reovery (H010-H129) Or (H131-H135)

Quantity Tons: 0.714
Waste Quantity: 170
Quantity Unit: G
Additional Code 1: Not reported
Additional Code 2: Not reported
Additional Code 3: Not reported
Additional Code 4: Not reported
Additional Code 5: Not reported

Shipment Date: 20111122
Creation Date: 1/27/2012 20:30:21
Receipt Date: 20111123
Manifest ID: 009216002JJK
Trans EPA ID: CAR000172460
Trans Name: ENVIRONMENTAL LOGISTICS INC
Trans 2 EPA ID: Not reported
Trans 2 Name: Not reported
TSDF EPA ID: CAD982444481
Trans Name: FILTER RECYCLING SERVICES INC
TSDF Alt EPA ID: Not reported

Map ID
Direction
Distance
Elevation

MAP FINDINGS

Site

Database(s)

EDR ID Number
EPA ID Number

THE BNSF RAILWAY COMPANY (Continued)

S113144701

TSDF Alt Name: Not reported
Waste Code Description: 134 - Aqueous solution with <10% total organic residues
RCRA Code: Not reported
Meth Code: H141 - Storage, Bulking, And/Or Transfer Off Site--No Treatment/Reovery (H010-H129) Or (H131-H135)
Quantity Tons: 0.882
Waste Quantity: 210
Quantity Unit: G
Additional Code 1: Not reported
Additional Code 2: Not reported
Additional Code 3: Not reported
Additional Code 4: Not reported
Additional Code 5: Not reported

Shipment Date: 20111025
Creation Date: 1/6/2012 18:30:18
Receipt Date: 20111026
Manifest ID: 009215501JJK
Trans EPA ID: CAR000172460
Trans Name: ENVIRONMENTAL LOGISTICS INC
Trans 2 EPA ID: Not reported
Trans 2 Name: Not reported
TSDF EPA ID: CAD982444481
Trans Name: FILTER RECYCLING SERVICES INC
TSDF Alt EPA ID: Not reported
TSDF Alt Name: Not reported
Waste Code Description: 134 - Aqueous solution with <10% total organic residues
RCRA Code: Not reported
Meth Code: H141 - Storage, Bulking, And/Or Transfer Off Site--No Treatment/Reovery (H010-H129) Or (H131-H135)

Quantity Tons: 1.722
Waste Quantity: 410
Quantity Unit: G
Additional Code 1: Not reported
Additional Code 2: Not reported
Additional Code 3: Not reported
Additional Code 4: Not reported
Additional Code 5: Not reported

Shipment Date: 20110922
Creation Date: 12/9/2011 18:30:51
Receipt Date: 20110926
Manifest ID: 008883989JJK
Trans EPA ID: CAR000172460
Trans Name: ENVIRONMENTAL LOGISTICS INC
Trans 2 EPA ID: Not reported
Trans 2 Name: Not reported
TSDF EPA ID: CAD982444461
Trans Name: FILTER RECYCLING SERVICES INC
TSDF Alt EPA ID: Not reported
TSDF Alt Name: Not reported
Waste Code Description: 134 - Aqueous solution with <10% total organic residues
RCRA Code: Not reported
Meth Code: H141 - Storage, Bulking, And/Or Transfer Off Site--No Treatment/Reovery (H010-H129) Or (H131-H135)

Quantity Tons: 1.68
Waste Quantity: 400

Map ID
Direction
Distance
Elevation

MAP FINDINGS

Site

Database(s)

EDR ID Number
EPA ID Number

THE BNSF RAILWAY COMPANY (Continued)

S113144701

Quantity Unit: G
Additional Code 1: Not reported
Additional Code 2: Not reported
Additional Code 3: Not reported
Additional Code 4: Not reported
Additional Code 5: Not reported

Shipment Date: 20110823
Creation Date: 10/19/2011 18:30:39
Receipt Date: 20110824
Manifest ID: 008884001JJK
Trans EPA ID: CAR000172460
Trans Name: ENVIRONMENTAL LOGISTICS INC
Trans 2 EPA ID: Not reported
Trans 2 Name: Not reported
TSDf EPA ID: CAD982444481
Trans Name: FILTER RECYCLING SERVICES INC
TSDf Alt EPA ID: Not reported
TSDf Alt Name: Not reported
Waste Code Description: 134 - Aqueous solution with <10% total organic residues
RCRA Code: Not reported
Meth Code: H141 - Storage, Bulking, And/Or Transfer Off Site--No Treatment/Reovery (H010-H129) Or (H131-H135)

Quantity Tons: 0.63
Waste Quantity: 150
Quantity Unit: G
Additional Code 1: Not reported
Additional Code 2: Not reported
Additional Code 3: Not reported
Additional Code 4: Not reported
Additional Code 5: Not reported

Shipment Date: 20110714
Creation Date: 9/1/2011 18:31:36
Receipt Date: 20110715
Manifest ID: 008698534JJK
Trans EPA ID: CAR000172460
Trans Name: ENVIRONMENTAL LOGISTICS INC
Trans 2 EPA ID: Not reported
Trans 2 Name: Not reported
TSDf EPA ID: CAD982444481
Trans Name: FILTER RECYCLING SERVICES INC
TSDf Alt EPA ID: Not reported
TSDf Alt Name: Not reported
Waste Code Description: 134 - Aqueous solution with <10% total organic residues
RCRA Code: Not reported
Meth Code: H141 - Storage, Bulking, And/Or Transfer Off Site--No Treatment/Reovery (H010-H129) Or (H131-H135)

Quantity Tons: 1.05
Waste Quantity: 250
Quantity Unit: G
Additional Code 1: Not reported
Additional Code 2: Not reported
Additional Code 3: Not reported
Additional Code 4: Not reported
Additional Code 5: Not reported

Map ID
Direction
Distance
Elevation

MAP FINDINGS

Site

Database(s)

EDR ID Number
EPA ID Number

THE BNSF RAILWAY COMPANY (Continued)

S113144701

Shipment Date:	20110525
Creation Date:	7/14/2011 18:30:12
Receipt Date:	20110526
Manifest ID:	008698505JJK
Trans EPA ID:	CAR000172460
Trans Name:	ENVIRONMENTAL LOGISTICS
Trans 2 EPA ID:	Not reported
Trans 2 Name:	Not reported
TSDf EPA ID:	CAD982444481
Trans Name:	FILTER RECYCLING SERVICES INC
TSDf Alt EPA ID:	Not reported
TSDf Alt Name:	Not reported
Waste Code Description:	134 - Aqueous solution with <10% total organic residues
RCRA Code:	Not reported
Meth Code:	H141 - Storage, Bulking, And/Or Transfer Off Site--No Treatment/Reovery (H010-H129) Or (H131-H135)
Quantity Tons:	1.68
Waste Quantity:	400
Quantity Unit:	G
Additional Code 1:	Not reported
Additional Code 2:	Not reported
Additional Code 3:	Not reported
Additional Code 4:	Not reported
Additional Code 5:	Not reported
Shipment Date:	20110322
Creation Date:	5/19/2011 18:30:10
Receipt Date:	20110325
Manifest ID:	008108603JJK
Trans EPA ID:	CAR000172460
Trans Name:	ENVIRONMENTAL LOGISTICS
Trans 2 EPA ID:	Not reported
Trans 2 Name:	Not reported
TSDf EPA ID:	CAD982444481
Trans Name:	FILTER RECYCLING SERVICES INC
TSDf Alt EPA ID:	Not reported
TSDf Alt Name:	Not reported
Waste Code Description:	134 - Aqueous solution with <10% total organic residues
RCRA Code:	Not reported
Meth Code:	H141 - Storage, Bulking, And/Or Transfer Off Site--No Treatment/Reovery (H010-H129) Or (H131-H135)
Quantity Tons:	1.05
Waste Quantity:	250
Quantity Unit:	G
Additional Code 1:	Not reported
Additional Code 2:	Not reported
Additional Code 3:	Not reported
Additional Code 4:	Not reported
Additional Code 5:	Not reported
Shipment Date:	20110222
Creation Date:	4/22/2011 18:30:45
Receipt Date:	20110223
Manifest ID:	008108591JJK
Trans EPA ID:	CAR000172460
Trans Name:	ENVIRONMENTAL LOGISTICS
Trans 2 EPA ID:	Not reported

Map ID
Direction
Distance
Elevation

MAP FINDINGS

Site

Database(s)

EDR ID Number
EPA ID Number

THE BNSF RAILWAY COMPANY (Continued)

S113144701

Trans 2 Name: Not reported
TSDf EPA ID: CAD982444481
Trans Name: FILTER RECYCLING SERVICES INC
TSDf Alt EPA ID: Not reported
TSDf Alt Name: Not reported
Waste Code Description: 134 - Aqueous solution with <10% total organic residues
RCRA Code: Not reported
Meth Code: H141 - Storage, Bulking, And/Or Transfer Off Site--No Treatment/Reovery (H010-H129) Or (H131-H135)

Quantity Tons: 2.73
Waste Quantity: 650
Quantity Unit: G
Additional Code 1: Not reported
Additional Code 2: Not reported
Additional Code 3: Not reported
Additional Code 4: Not reported
Additional Code 5: Not reported

Additional Info:

Year: 2016
Gen EPA ID: CAL000312219

Shipment Date: 20151201
Creation Date: 2/9/2016 22:15:50
Receipt Date: 20151204
Manifest ID: 014446659JJK
Trans EPA ID: CAR000172460
Trans Name: ENVIRONMENTAL LOGISTICS INC
Trans 2 EPA ID: Not reported
Trans 2 Name: Not reported
TSDf EPA ID: CAD982444481
Trans Name: FILTER RECYCLING SERVICES INC
TSDf Alt EPA ID: Not reported
TSDf Alt Name: Not reported
Waste Code Description: 134 - Aqueous solution with <10% total organic residues
RCRA Code: Not reported
Meth Code: H141 - Storage, Bulking, And/Or Transfer Off Site--No Treatment/Reovery (H010-H129) Or (H131-H135)

Quantity Tons: 1.9236
Waste Quantity: 458
Quantity Unit: G
Additional Code 1: Not reported
Additional Code 2: Not reported
Additional Code 3: Not reported
Additional Code 4: Not reported
Additional Code 5: Not reported

Shipment Date: 20151110
Creation Date: 1/11/2016 22:16:27
Receipt Date: 20151110
Manifest ID: 014446697JJK
Trans EPA ID: CAR000172460
Trans Name: ENVIRONMENTAL LOGISTICS INC
Trans 2 EPA ID: Not reported
Trans 2 Name: Not reported
TSDf EPA ID: CAD982444481
Trans Name: FILTER RECYCLING SERVICES INC

Map ID
Direction
Distance
Elevation

MAP FINDINGS

Site

Database(s)

EDR ID Number
EPA ID Number

THE BNSF RAILWAY COMPANY (Continued)

S113144701

TSDF Alt EPA ID: Not reported
TSDF Alt Name: Not reported
Waste Code Description: 134 - Aqueous solution with <10% total organic residues
RCRA Code: Not reported
Meth Code: H141 - Storage, Bulking, And/Or Transfer Off Site--No Treatment/Reovery (H010-H129) Or (H131-H135)

Quantity Tons: 1.197
Waste Quantity: 285
Quantity Unit: G
Additional Code 1: Not reported
Additional Code 2: Not reported
Additional Code 3: Not reported
Additional Code 4: Not reported
Additional Code 5: Not reported

Shipment Date: 20151020
Creation Date: 12/22/2015 22:15:07
Receipt Date: 20151021
Manifest ID: 015033518JJK
Trans EPA ID: CAR000172460
Trans Name: ENVIRONMENTAL LOGISTICS INC
Trans 2 EPA ID: Not reported
Trans 2 Name: Not reported
TSDF EPA ID: CAD982444481
Trans Name: FILTER RECYCLING SERVICES INC
TSDF Alt EPA ID: Not reported
TSDF Alt Name: Not reported
Waste Code Description: 134 - Aqueous solution with <10% total organic residues
RCRA Code: Not reported
Meth Code: H141 - Storage, Bulking, And/Or Transfer Off Site--No Treatment/Reovery (H010-H129) Or (H131-H135)

Quantity Tons: 1.68
Waste Quantity: 400
Quantity Unit: G
Additional Code 1: Not reported
Additional Code 2: Not reported
Additional Code 3: Not reported
Additional Code 4: Not reported
Additional Code 5: Not reported

Shipment Date: 20150915
Creation Date: 11/6/2015 22:15:24
Receipt Date: 20150915
Manifest ID: 014446134JJK
Trans EPA ID: CAR000172460
Trans Name: ENVIRONMENTAL LOGISTICS INC
Trans 2 EPA ID: Not reported
Trans 2 Name: Not reported
TSDF EPA ID: CAD982444481
Trans Name: FILTER RECYCLING SERVICES INC
TSDF Alt EPA ID: Not reported
TSDF Alt Name: Not reported
Waste Code Description: 134 - Aqueous solution with <10% total organic residues
RCRA Code: Not reported
Meth Code: H141 - Storage, Bulking, And/Or Transfer Off Site--No Treatment/Reovery (H010-H129) Or (H131-H135)

Quantity Tons: 1.512

Map ID
Direction
Distance
Elevation

MAP FINDINGS

Site

Database(s)

EDR ID Number
EPA ID Number

THE BNSF RAILWAY COMPANY (Continued)

S113144701

Waste Quantity:	360
Quantity Unit:	G
Additional Code 1:	Not reported
Additional Code 2:	Not reported
Additional Code 3:	Not reported
Additional Code 4:	Not reported
Additional Code 5:	Not reported
Shipment Date:	20150826
Creation Date:	11/5/2015 22:15:17
Receipt Date:	20150828
Manifest ID:	014580510JJK
Trans EPA ID:	CAR000172460
Trans Name:	ENVIRONMENTAL LOGISTICS INC
Trans 2 EPA ID:	Not reported
Trans 2 Name:	Not reported
TSDf EPA ID:	CAD982444481
Trans Name:	FILTER RECYCLING SERVICES INC
TSDf Alt EPA ID:	Not reported
TSDf Alt Name:	Not reported
Waste Code Description:	134 - Aqueous solution with <10% total organic residues
RCRA Code:	Not reported
Meth Code:	H141 - Storage, Bulking, And/Or Transfer Off Site--No Treatment/Reovery (H010-H129) Or (H131-H135)
Quantity Tons:	1.4658
Waste Quantity:	349
Quantity Unit:	G
Additional Code 1:	Not reported
Additional Code 2:	Not reported
Additional Code 3:	Not reported
Additional Code 4:	Not reported
Additional Code 5:	Not reported
Shipment Date:	20150721
Creation Date:	9/23/2015 22:15:13
Receipt Date:	20150721
Manifest ID:	014580572JJK
Trans EPA ID:	CAR000172460
Trans Name:	ENVIRONMENTAL LOGISTICS INC
Trans 2 EPA ID:	Not reported
Trans 2 Name:	Not reported
TSDf EPA ID:	CAD982444481
Trans Name:	FILTER RECYCLING SERVICES INC
TSDf Alt EPA ID:	Not reported
TSDf Alt Name:	Not reported
Waste Code Description:	134 - Aqueous solution with <10% total organic residues
RCRA Code:	Not reported
Meth Code:	H141 - Storage, Bulking, And/Or Transfer Off Site--No Treatment/Reovery (H010-H129) Or (H131-H135)
Quantity Tons:	1.4658
Waste Quantity:	349
Quantity Unit:	G
Additional Code 1:	Not reported
Additional Code 2:	Not reported
Additional Code 3:	Not reported
Additional Code 4:	Not reported
Additional Code 5:	Not reported

Map ID
Direction
Distance
Elevation

MAP FINDINGS

Site

Database(s)

EDR ID Number
EPA ID Number

THE BNSF RAILWAY COMPANY (Continued)

S113144701

Shipment Date: 20150609
Creation Date: 9/3/2015 22:15:34
Receipt Date: 20150610
Manifest ID: 014446135JJK
Trans EPA ID: CAR000172460
Trans Name: ENVIRONMENTAL LOGISTICS INC
Trans 2 EPA ID: Not reported
Trans 2 Name: Not reported
TSDf EPA ID: CAD982444481
Trans Name: FILTER RECYCLING SERVICES INC
TSDf Alt EPA ID: Not reported
TSDf Alt Name: Not reported
Waste Code Description: 134 - Aqueous solution with <10% total organic residues
RCRA Code: Not reported
Meth Code: H141 - Storage, Bulking, And/Or Transfer Off Site--No Treatment/Reovery (H010-H129) Or (H131-H135)

Quantity Tons: 1.2348
Waste Quantity: 294
Quantity Unit: G
Additional Code 1: Not reported
Additional Code 2: Not reported
Additional Code 3: Not reported
Additional Code 4: Not reported
Additional Code 5: Not reported

Shipment Date: 20150527
Creation Date: 7/16/2015 22:15:31
Receipt Date: 20150528
Manifest ID: 014446138JJK
Trans EPA ID: CAR000172460
Trans Name: ENVIRONMENTAL LOGISTICS INC
Trans 2 EPA ID: Not reported
Trans 2 Name: Not reported
TSDf EPA ID: CAD982444481
Trans Name: FILTER RECYCLING SERVICES INC
TSDf Alt EPA ID: Not reported
TSDf Alt Name: Not reported
Waste Code Description: 134 - Aqueous solution with <10% total organic residues
RCRA Code: Not reported
Meth Code: H141 - Storage, Bulking, And/Or Transfer Off Site--No Treatment/Reovery (H010-H129) Or (H131-H135)

Quantity Tons: 1.4658
Waste Quantity: 349
Quantity Unit: G
Additional Code 1: Not reported
Additional Code 2: Not reported
Additional Code 3: Not reported
Additional Code 4: Not reported
Additional Code 5: Not reported

Shipment Date: 20150421
Creation Date: 6/25/2015 22:15:58
Receipt Date: 20150423
Manifest ID: 014446121JJK
Trans EPA ID: CAR000172460
Trans Name: ENVIRONMENTAL LOGISTICS INC
Trans 2 EPA ID: Not reported

Map ID
Direction
Distance
Elevation

MAP FINDINGS

Site

Database(s)

EDR ID Number
EPA ID Number

THE BNSF RAILWAY COMPANY (Continued)

S113144701

Trans 2 Name: Not reported
TSDf EPA ID: CAD982444481
Trans Name: FILTER RECYCLING SERVICES INC
TSDf Alt EPA ID: Not reported
TSDf Alt Name: Not reported
Waste Code Description: 134 - Aqueous solution with <10% total organic residues
RCRA Code: Not reported
Meth Code: H141 - Storage, Bulking, And/Or Transfer Off Site--No Treatment/Reovery (H010-H129) Or (H131-H135)

Quantity Tons: 1.8354
Waste Quantity: 437
Quantity Unit: G
Additional Code 1: Not reported
Additional Code 2: Not reported
Additional Code 3: Not reported
Additional Code 4: Not reported
Additional Code 5: Not reported

Shipment Date: 20150317
Creation Date: 6/25/2015 22:15:36
Receipt Date: 20150318
Manifest ID: 013856782JJK
Trans EPA ID: CAR000172460
Trans Name: ENVIRONMENTAL LOGISTICS INC
Trans 2 EPA ID: Not reported
Trans 2 Name: Not reported
TSDf EPA ID: CAD982444481
Trans Name: FILTER RECYCLING SERVICES INC
TSDf Alt EPA ID: Not reported
TSDf Alt Name: Not reported
Waste Code Description: 134 - Aqueous solution with <10% total organic residues
RCRA Code: Not reported
Meth Code: H141 - Storage, Bulking, And/Or Transfer Off Site--No Treatment/Reovery (H010-H129) Or (H131-H135)

Quantity Tons: 1.8354
Waste Quantity: 437
Quantity Unit: G
Additional Code 1: Not reported
Additional Code 2: Not reported
Additional Code 3: Not reported
Additional Code 4: Not reported
Additional Code 5: Not reported

Additional Info:

Year: 2015
Gen EPA ID: CAL000312219

Shipment Date: 20151201
Creation Date: 2/9/2016 22:15:50
Receipt Date: 20151204
Manifest ID: 014446659JJK
Trans EPA ID: CAR000172460
Trans Name: ENVIRONMENTAL LOGISTICS INC
Trans 2 EPA ID: Not reported
Trans 2 Name: Not reported
TSDf EPA ID: CAD982444481
Trans Name: FILTER RECYCLING SERVICES INC

Map ID
Direction
Distance
Elevation

MAP FINDINGS

Site

Database(s)

EDR ID Number
EPA ID Number

THE BNSF RAILWAY COMPANY (Continued)

S113144701

TSDf Alt EPA ID:	Not reported
TSDf Alt Name:	Not reported
Waste Code Description:	134 - Aqueous solution with <10% total organic residues
RCRA Code:	Not reported
Meth Code:	H141 - Storage, Bulking, And/Or Transfer Off Site--No Treatment/Reovery (H010-H129) Or (H131-H135)
Quantity Tons:	1.9236
Waste Quantity:	458
Quantity Unit:	G
Additional Code 1:	Not reported
Additional Code 2:	Not reported
Additional Code 3:	Not reported
Additional Code 4:	Not reported
Additional Code 5:	Not reported
Shipment Date:	20151110
Creation Date:	1/11/2016 22:16:27
Receipt Date:	20151110
Manifest ID:	014446697JJK
Trans EPA ID:	CAR000172460
Trans Name:	ENVIRONMENTAL LOGISTICS INC
Trans 2 EPA ID:	Not reported
Trans 2 Name:	Not reported
TSDf EPA ID:	CAD982444481
Trans Name:	FILTER RECYCLING SERVICES INC
TSDf Alt EPA ID:	Not reported
TSDf Alt Name:	Not reported
Waste Code Description:	134 - Aqueous solution with <10% total organic residues
RCRA Code:	Not reported
Meth Code:	H141 - Storage, Bulking, And/Or Transfer Off Site--No Treatment/Reovery (H010-H129) Or (H131-H135)
Quantity Tons:	1.197
Waste Quantity:	285
Quantity Unit:	G
Additional Code 1:	Not reported
Additional Code 2:	Not reported
Additional Code 3:	Not reported
Additional Code 4:	Not reported
Additional Code 5:	Not reported
Shipment Date:	20151020
Creation Date:	12/22/2015 22:15:07
Receipt Date:	20151021
Manifest ID:	015033518JJK
Trans EPA ID:	CAR000172460
Trans Name:	ENVIRONMENTAL LOGISTICS INC
Trans 2 EPA ID:	Not reported
Trans 2 Name:	Not reported
TSDf EPA ID:	CAD982444481
Trans Name:	FILTER RECYCLING SERVICES INC
TSDf Alt EPA ID:	Not reported
TSDf Alt Name:	Not reported
Waste Code Description:	134 - Aqueous solution with <10% total organic residues
RCRA Code:	Not reported
Meth Code:	H141 - Storage, Bulking, And/Or Transfer Off Site--No Treatment/Reovery (H010-H129) Or (H131-H135)
Quantity Tons:	1.68

Map ID
Direction
Distance
Elevation

MAP FINDINGS

Site

Database(s)

EDR ID Number
EPA ID Number

THE BNSF RAILWAY COMPANY (Continued)

S113144701

Waste Quantity:	400
Quantity Unit:	G
Additional Code 1:	Not reported
Additional Code 2:	Not reported
Additional Code 3:	Not reported
Additional Code 4:	Not reported
Additional Code 5:	Not reported
Shipment Date:	20150915
Creation Date:	11/6/2015 22:15:24
Receipt Date:	20150915
Manifest ID:	014446134JJK
Trans EPA ID:	CAR000172460
Trans Name:	ENVIRONMENTAL LOGISTICS INC
Trans 2 EPA ID:	Not reported
Trans 2 Name:	Not reported
TSDf EPA ID:	CAD982444481
Trans Name:	FILTER RECYCLING SERVICES INC
TSDf Alt EPA ID:	Not reported
TSDf Alt Name:	Not reported
Waste Code Description:	134 - Aqueous solution with <10% total organic residues
RCRA Code:	Not reported
Meth Code:	H141 - Storage, Bulking, And/Or Transfer Off Site--No Treatment/Reovery (H010-H129) Or (H131-H135)
Quantity Tons:	1.512
Waste Quantity:	360
Quantity Unit:	G
Additional Code 1:	Not reported
Additional Code 2:	Not reported
Additional Code 3:	Not reported
Additional Code 4:	Not reported
Additional Code 5:	Not reported
Shipment Date:	20150826
Creation Date:	11/5/2015 22:15:17
Receipt Date:	20150828
Manifest ID:	014580510JJK
Trans EPA ID:	CAR000172460
Trans Name:	ENVIRONMENTAL LOGISTICS INC
Trans 2 EPA ID:	Not reported
Trans 2 Name:	Not reported
TSDf EPA ID:	CAD982444481
Trans Name:	FILTER RECYCLING SERVICES INC
TSDf Alt EPA ID:	Not reported
TSDf Alt Name:	Not reported
Waste Code Description:	134 - Aqueous solution with <10% total organic residues
RCRA Code:	Not reported
Meth Code:	H141 - Storage, Bulking, And/Or Transfer Off Site--No Treatment/Reovery (H010-H129) Or (H131-H135)
Quantity Tons:	1.4658
Waste Quantity:	349
Quantity Unit:	G
Additional Code 1:	Not reported
Additional Code 2:	Not reported
Additional Code 3:	Not reported
Additional Code 4:	Not reported
Additional Code 5:	Not reported

Map ID
Direction
Distance
Elevation

MAP FINDINGS

Site

Database(s)

EDR ID Number
EPA ID Number

THE BNSF RAILWAY COMPANY (Continued)

S113144701

Shipment Date: 20150721
Creation Date: 9/23/2015 22:15:13
Receipt Date: 20150721
Manifest ID: 014580572JJK
Trans EPA ID: CAR000172460
Trans Name: ENVIRONMENTAL LOGISTICS INC
Trans 2 EPA ID: Not reported
Trans 2 Name: Not reported
TSDf EPA ID: CAD982444481
Trans Name: FILTER RECYCLING SERVICES INC
TSDf Alt EPA ID: Not reported
TSDf Alt Name: Not reported
Waste Code Description: 134 - Aqueous solution with <10% total organic residues
RCRA Code: Not reported
Meth Code: H141 - Storage, Bulking, And/Or Transfer Off Site--No Treatment/Reovery (H010-H129) Or (H131-H135)

Quantity Tons: 1.4658
Waste Quantity: 349
Quantity Unit: G
Additional Code 1: Not reported
Additional Code 2: Not reported
Additional Code 3: Not reported
Additional Code 4: Not reported
Additional Code 5: Not reported

Shipment Date: 20150609
Creation Date: 9/3/2015 22:15:34
Receipt Date: 20150610
Manifest ID: 014446135JJK
Trans EPA ID: CAR000172460
Trans Name: ENVIRONMENTAL LOGISTICS INC
Trans 2 EPA ID: Not reported
Trans 2 Name: Not reported
TSDf EPA ID: CAD982444481
Trans Name: FILTER RECYCLING SERVICES INC
TSDf Alt EPA ID: Not reported
TSDf Alt Name: Not reported
Waste Code Description: 134 - Aqueous solution with <10% total organic residues
RCRA Code: Not reported
Meth Code: H141 - Storage, Bulking, And/Or Transfer Off Site--No Treatment/Reovery (H010-H129) Or (H131-H135)

Quantity Tons: 1.2348
Waste Quantity: 294
Quantity Unit: G
Additional Code 1: Not reported
Additional Code 2: Not reported
Additional Code 3: Not reported
Additional Code 4: Not reported
Additional Code 5: Not reported

Shipment Date: 20150527
Creation Date: 7/16/2015 22:15:31
Receipt Date: 20150528
Manifest ID: 014446138JJK
Trans EPA ID: CAR000172460
Trans Name: ENVIRONMENTAL LOGISTICS INC
Trans 2 EPA ID: Not reported

Map ID
Direction
Distance
Elevation

MAP FINDINGS

Site

Database(s)

EDR ID Number
EPA ID Number

THE BNSF RAILWAY COMPANY (Continued)

S113144701

Trans 2 Name: Not reported
TSDf EPA ID: CAD982444481
Trans Name: FILTER RECYCLING SERVICES INC
TSDf Alt EPA ID: Not reported
TSDf Alt Name: Not reported
Waste Code Description: 134 - Aqueous solution with <10% total organic residues
RCRA Code: Not reported
Meth Code: H141 - Storage, Bulking, And/Or Transfer Off Site--No Treatment/Reovery (H010-H129) Or (H131-H135)

Quantity Tons: 1.4658
Waste Quantity: 349
Quantity Unit: G
Additional Code 1: Not reported
Additional Code 2: Not reported
Additional Code 3: Not reported
Additional Code 4: Not reported
Additional Code 5: Not reported

Shipment Date: 20150421
Creation Date: 6/25/2015 22:15:58
Receipt Date: 20150423
Manifest ID: 014446121JJK
Trans EPA ID: CAR000172460
Trans Name: ENVIRONMENTAL LOGISTICS INC
Trans 2 EPA ID: Not reported
Trans 2 Name: Not reported
TSDf EPA ID: CAD982444481
Trans Name: FILTER RECYCLING SERVICES INC
TSDf Alt EPA ID: Not reported
TSDf Alt Name: Not reported
Waste Code Description: 134 - Aqueous solution with <10% total organic residues
RCRA Code: Not reported
Meth Code: H141 - Storage, Bulking, And/Or Transfer Off Site--No Treatment/Reovery (H010-H129) Or (H131-H135)

Quantity Tons: 1.8354
Waste Quantity: 437
Quantity Unit: G
Additional Code 1: Not reported
Additional Code 2: Not reported
Additional Code 3: Not reported
Additional Code 4: Not reported
Additional Code 5: Not reported

Shipment Date: 20150317
Creation Date: 6/25/2015 22:15:36
Receipt Date: 20150318
Manifest ID: 013856782JJK
Trans EPA ID: CAR000172460
Trans Name: ENVIRONMENTAL LOGISTICS INC
Trans 2 EPA ID: Not reported
Trans 2 Name: Not reported
TSDf EPA ID: CAD982444481
Trans Name: FILTER RECYCLING SERVICES INC
TSDf Alt EPA ID: Not reported
TSDf Alt Name: Not reported
Waste Code Description: 134 - Aqueous solution with <10% total organic residues
RCRA Code: Not reported

Map ID
Direction
Distance
Elevation

MAP FINDINGS

Site

Database(s)

EDR ID Number
EPA ID Number

THE BNSF RAILWAY COMPANY (Continued)

S113144701

Meth Code: H141 - Storage, Bulking, And/Or Transfer Off Site--No Treatment/Reovery (H010-H129) Or (H131-H135)
Quantity Tons: 1.8354
Waste Quantity: 437
Quantity Unit: G
Additional Code 1: Not reported
Additional Code 2: Not reported
Additional Code 3: Not reported
Additional Code 4: Not reported
Additional Code 5: Not reported

Additional Info:

Year: 2010
Gen EPA ID: CAL000312219

Shipment Date: 20101207
Creation Date: 2/11/2011 18:30:08
Receipt Date: 20101209
Manifest ID: 008108505JJK
Trans EPA ID: CAR000172460
Trans Name: ENVIRONMENTAL LOGISTICS
Trans 2 EPA ID: Not reported
Trans 2 Name: Not reported
TSDf EPA ID: CAD982444481
Trans Name: FILTER RECYCLING SERVICES INC
TSDf Alt EPA ID: Not reported
TSDf Alt Name: Not reported
Waste Code Description: 134 - Aqueous solution with <10% total organic residues
RCRA Code: Not reported
Meth Code: H141 - Storage, Bulking, And/Or Transfer Off Site--No Treatment/Reovery (H010-H129) Or (H131-H135)
Quantity Tons: 1.848
Waste Quantity: 440
Quantity Unit: G
Additional Code 1: Not reported
Additional Code 2: Not reported
Additional Code 3: Not reported
Additional Code 4: Not reported
Additional Code 5: Not reported

Shipment Date: 20101111
Creation Date: 1/3/2011 18:31:02
Receipt Date: 20101115
Manifest ID: 007927006JJK
Trans EPA ID: CAR000172460
Trans Name: ENVIRONMENTAL LOGISTICS
Trans 2 EPA ID: Not reported
Trans 2 Name: Not reported
TSDf EPA ID: CAD982444481
Trans Name: FILTER RECYCLING SERVICES INC
TSDf Alt EPA ID: Not reported
TSDf Alt Name: Not reported
Waste Code Description: 134 - Aqueous solution with <10% total organic residues
RCRA Code: Not reported
Meth Code: H141 - Storage, Bulking, And/Or Transfer Off Site--No Treatment/Reovery (H010-H129) Or (H131-H135)
Quantity Tons: 2.1

Map ID
Direction
Distance
Elevation

MAP FINDINGS

Site

Database(s)

EDR ID Number
EPA ID Number

THE BNSF RAILWAY COMPANY (Continued)

S113144701

Waste Quantity:	500
Quantity Unit:	G
Additional Code 1:	Not reported
Additional Code 2:	Not reported
Additional Code 3:	Not reported
Additional Code 4:	Not reported
Additional Code 5:	Not reported
Shipment Date:	20101012
Creation Date:	12/30/2010 18:30:37
Receipt Date:	20101014
Manifest ID:	007927024JJK
Trans EPA ID:	CAR000172460
Trans Name:	ENVIRONMENTAL LOGISTICS
Trans 2 EPA ID:	Not reported
Trans 2 Name:	Not reported
TSDf EPA ID:	CAD982444481
Trans Name:	FILTER RECYCLING SERVICES INC
TSDf Alt EPA ID:	Not reported
TSDf Alt Name:	Not reported
Waste Code Description:	134 - Aqueous solution with <10% total organic residues
RCRA Code:	Not reported
Meth Code:	H141 - Storage, Bulking, And/Or Transfer Off Site--No Treatment/Reovery (H010-H129) Or (H131-H135)
Quantity Tons:	1.365
Waste Quantity:	325
Quantity Unit:	G
Additional Code 1:	Not reported
Additional Code 2:	Not reported
Additional Code 3:	Not reported
Additional Code 4:	Not reported
Additional Code 5:	Not reported
Shipment Date:	20100629
Creation Date:	8/30/2010 18:30:37
Receipt Date:	20100629
Manifest ID:	007023511JJK
Trans EPA ID:	CAR000172460
Trans Name:	ENVIRONMENTAL LOGISTICS
Trans 2 EPA ID:	Not reported
Trans 2 Name:	Not reported
TSDf EPA ID:	CAD982444481
Trans Name:	FILTER RECYCLING SERVICES INC
TSDf Alt EPA ID:	Not reported
TSDf Alt Name:	Not reported
Waste Code Description:	134 - Aqueous solution with <10% total organic residues
RCRA Code:	Not reported
Meth Code:	H141 - Storage, Bulking, And/Or Transfer Off Site--No Treatment/Reovery (H010-H129) Or (H131-H135)
Quantity Tons:	2.73
Waste Quantity:	650
Quantity Unit:	G
Additional Code 1:	Not reported
Additional Code 2:	Not reported
Additional Code 3:	Not reported
Additional Code 4:	Not reported
Additional Code 5:	Not reported

Map ID
Direction
Distance
Elevation

MAP FINDINGS

Site

Database(s)

EDR ID Number
EPA ID Number

THE BNSF RAILWAY COMPANY (Continued)

S113144701

Shipment Date: 20100511
Creation Date: 8/6/2010 18:30:48
Receipt Date: 20100512
Manifest ID: 006651543JJK
Trans EPA ID: CAR000172460
Trans Name: ENVIRONMENTAL LOGISTICS
Trans 2 EPA ID: Not reported
Trans 2 Name: Not reported
TSDf EPA ID: CAD982444481
Trans Name: FILTER RECYCLING SERVICES INC
TSDf Alt EPA ID: Not reported
TSDf Alt Name: Not reported
Waste Code Description: 134 - Aqueous solution with <10% total organic residues
RCRA Code: Not reported
Meth Code: H141 - Storage, Bulking, And/Or Transfer Off Site--No Treatment/Reovery (H010-H129) Or (H131-H135)

Quantity Tons: 1.428
Waste Quantity: 340
Quantity Unit: G
Additional Code 1: Not reported
Additional Code 2: Not reported
Additional Code 3: Not reported
Additional Code 4: Not reported
Additional Code 5: Not reported

Shipment Date: 20100129
Creation Date: 4/12/2010 18:30:47
Receipt Date: 20100129
Manifest ID: 006651503JJK
Trans EPA ID: CAR000172460
Trans Name: ENVIRONMENTAL LOGISTICS
Trans 2 EPA ID: Not reported
Trans 2 Name: Not reported
TSDf EPA ID: CAD982444481
Trans Name: FILTER RECYCLING SERVICES INC
TSDf Alt EPA ID: Not reported
TSDf Alt Name: Not reported
Waste Code Description: 134 - Aqueous solution with <10% total organic residues
RCRA Code: Not reported
Meth Code: H141 - Storage, Bulking, And/Or Transfer Off Site--No Treatment/Reovery (H010-H129) Or (H131-H135)

Quantity Tons: 1.932
Waste Quantity: 460
Quantity Unit: G
Additional Code 1: Not reported
Additional Code 2: Not reported
Additional Code 3: Not reported
Additional Code 4: Not reported
Additional Code 5: Not reported

Additional Info:
Year: 2007
Gen EPA ID: CAL000312219

Shipment Date: 20071120
Creation Date: 2/29/2008 18:30:58
Receipt Date: 20071120

Map ID
Direction
Distance
Elevation

MAP FINDINGS

Site

Database(s)

EDR ID Number
EPA ID Number

THE BNSF RAILWAY COMPANY (Continued)

S113144701

Manifest ID: 002990119JJK
Trans EPA ID: CAD982444481
Trans Name: FILTER RECYCLING SERVICES INC
Trans 2 EPA ID: Not reported
Trans 2 Name: Not reported
TSDf EPA ID: CAD982444481
Trans Name: FILTER RECYCLING SERVICES INC
TSDf Alt EPA ID: Not reported
TSDf Alt Name: Not reported
Waste Code Description: 134 - Aqueous solution with <10% total organic residues
RCRA Code: Not reported
Meth Code: H141 - Storage, Bulking, And/Or Transfer Off Site--No Treatment/Reovery (H010-H129) Or (H131-H135)

Quantity Tons: 1.785
Waste Quantity: 425
Quantity Unit: G
Additional Code 1: Not reported
Additional Code 2: Not reported
Additional Code 3: Not reported
Additional Code 4: Not reported
Additional Code 5: Not reported

Shipment Date: 20070917
Creation Date: 12/28/2007 18:31:14
Receipt Date: 20070919
Manifest ID: 002984117JJK
Trans EPA ID: CAD982444481
Trans Name: FILTER RECYCLING SERVICES INC
Trans 2 EPA ID: Not reported
Trans 2 Name: Not reported
TSDf EPA ID: CAD982444481
Trans Name: FILTER RECYCLING SERVICES INC
TSDf Alt EPA ID: Not reported
TSDf Alt Name: Not reported
Waste Code Description: 134 - Aqueous solution with <10% total organic residues
RCRA Code: Not reported
Meth Code: H141 - Storage, Bulking, And/Or Transfer Off Site--No Treatment/Reovery (H010-H129) Or (H131-H135)

Quantity Tons: 1.26
Waste Quantity: 300
Quantity Unit: G
Additional Code 1: Not reported
Additional Code 2: Not reported
Additional Code 3: Not reported
Additional Code 4: Not reported
Additional Code 5: Not reported

Shipment Date: 20070718
Creation Date: 11/5/2007 18:30:14
Receipt Date: 20070718
Manifest ID: 000455216JJK
Trans EPA ID: CAD982444481
Trans Name: FILTER RECYCLING SERVICES INC
Trans 2 EPA ID: Not reported
Trans 2 Name: Not reported
TSDf EPA ID: CAD982444481
Trans Name: FILTER RECYCLING SERVICES INC

Map ID
Direction
Distance
Elevation

MAP FINDINGS

Site

Database(s)

EDR ID Number
EPA ID Number

THE BNSF RAILWAY COMPANY (Continued)

S113144701

TSDF Alt EPA ID: Not reported
TSDF Alt Name: Not reported
Waste Code Description: 134 - Aqueous solution with <10% total organic residues
RCRA Code: Not reported
Meth Code: H141 - Storage, Bulking, And/Or Transfer Off Site--No Treatment/Reovery (H010-H129) Or (H131-H135)

Quantity Tons: 2.205
Waste Quantity: 525
Quantity Unit: G
Additional Code 1: Not reported
Additional Code 2: Not reported
Additional Code 3: Not reported
Additional Code 4: Not reported
Additional Code 5: Not reported

Shipment Date: 20070417
Creation Date: 12/28/2007 18:30:13
Receipt Date: 20070419
Manifest ID: 000455245JJK
Trans EPA ID: CAD982444481
Trans Name: FILTER RECYCLING SERVICES INC
Trans 2 EPA ID: Not reported
Trans 2 Name: Not reported
TSDF EPA ID: CAD982444481
Trans Name: FILTER RECYCLING SERVICES INC
TSDF Alt EPA ID: Not reported
TSDF Alt Name: Not reported
Waste Code Description: 134 - Aqueous solution with <10% total organic residues
RCRA Code: Not reported
Meth Code: H141 - Storage, Bulking, And/Or Transfer Off Site--No Treatment/Reovery (H010-H129) Or (H131-H135)

Quantity Tons: 1.344
Waste Quantity: 320
Quantity Unit: G
Additional Code 1: Not reported
Additional Code 2: Not reported
Additional Code 3: Not reported
Additional Code 4: Not reported
Additional Code 5: Not reported

Shipment Date: 20070219
Creation Date: 8/9/2007 18:31:20
Receipt Date: 20070219
Manifest ID: 000455204JJK
Trans EPA ID: CAD982444481
Trans Name: FILTER RECYCLING SERVICES INC
Trans 2 EPA ID: Not reported
Trans 2 Name: Not reported
TSDF EPA ID: CAD982444481
Trans Name: FILTER RECYCLING SERVICES INC
TSDF Alt EPA ID: Not reported
TSDF Alt Name: Not reported
Waste Code Description: 134 - Aqueous solution with <10% total organic residues
RCRA Code: Not reported
Meth Code: H141 - Storage, Bulking, And/Or Transfer Off Site--No Treatment/Reovery (H010-H129) Or (H131-H135)

Quantity Tons: 1.785

Map ID
Direction
Distance
Elevation

MAP FINDINGS

Site

Database(s)

EDR ID Number
EPA ID Number

THE BNSF RAILWAY COMPANY (Continued)

S113144701

Waste Quantity: 425
Quantity Unit: G
Additional Code 1: Not reported
Additional Code 2: Not reported
Additional Code 3: Not reported
Additional Code 4: Not reported
Additional Code 5: Not reported

Additional Info:

Year: 2012
Gen EPA ID: CAL000312219

Shipment Date: 20121205
Creation Date: 2/15/2013 22:15:11
Receipt Date: 20121205
Manifest ID: 010971188JJK
Trans EPA ID: CAR000172460
Trans Name: ENVIRONMENTAL LOGISTICS INC
Trans 2 EPA ID: Not reported
Trans 2 Name: Not reported
TSDf EPA ID: CAD982444481
Trans Name: FILTER RECYCLING SERVICES INC
TSDf Alt EPA ID: Not reported
TSDf Alt Name: Not reported
Waste Code Description: 134 - Aqueous solution with <10% total organic residues
RCRA Code: Not reported
Meth Code: H141 - Storage, Bulking, And/Or Transfer Off Site--No Treatment/Reovery (H010-H129) Or (H131-H135)

Quantity Tons: 1.806
Waste Quantity: 430
Quantity Unit: G
Additional Code 1: Not reported
Additional Code 2: Not reported
Additional Code 3: Not reported
Additional Code 4: Not reported
Additional Code 5: Not reported

Shipment Date: 20121113
Creation Date: 1/6/2013 22:15:07
Receipt Date: 20121114
Manifest ID: 009216372JJK
Trans EPA ID: CAR000172460
Trans Name: ENVIRONMENTAL LOGISTICS INC
Trans 2 EPA ID: Not reported
Trans 2 Name: Not reported
TSDf EPA ID: CAD982444481
Trans Name: FILTER RECYCLING SERVICES INC
TSDf Alt EPA ID: Not reported
TSDf Alt Name: Not reported
Waste Code Description: 134 - Aqueous solution with <10% total organic residues
RCRA Code: Not reported
Meth Code: H141 - Storage, Bulking, And/Or Transfer Off Site--No Treatment/Reovery (H010-H129) Or (H131-H135)

Quantity Tons: 0.84
Waste Quantity: 200
Quantity Unit: G
Additional Code 1: Not reported

Map ID
Direction
Distance
Elevation

MAP FINDINGS

Site

Database(s)

EDR ID Number
EPA ID Number

THE BNSF RAILWAY COMPANY (Continued)

S113144701

Additional Code 2: Not reported
Additional Code 3: Not reported
Additional Code 4: Not reported
Additional Code 5: Not reported

Shipment Date: 20121018
Creation Date: 12/20/2012 22:15:24
Receipt Date: 20121019
Manifest ID: 009216386JJK
Trans EPA ID: CAR000172460
Trans Name: ENVIRONMENTAL LOGISTICS INC
Trans 2 EPA ID: Not reported
Trans 2 Name: Not reported
TSDf EPA ID: CAD982444481
Trans Name: FILTER RECYCLING SERVICES INC
TSDf Alt EPA ID: Not reported
TSDf Alt Name: Not reported
Waste Code Description: 134 - Aqueous solution with <10% total organic residues
RCRA Code: Not reported
Meth Code: H141 - Storage, Bulking, And/Or Transfer Off Site--No Treatment/Reovery (H010-H129) Or (H131-H135)

Quantity Tons: 1.1046
Waste Quantity: 263
Quantity Unit: G
Additional Code 1: Not reported
Additional Code 2: Not reported
Additional Code 3: Not reported
Additional Code 4: Not reported
Additional Code 5: Not reported

Shipment Date: 20120920
Creation Date: 11/9/2012 22:15:09
Receipt Date: 20120920
Manifest ID: 009944537JJK
Trans EPA ID: CAR000172460
Trans Name: ENVIRONMENTAL LOGISTICS INC
Trans 2 EPA ID: Not reported
Trans 2 Name: Not reported
TSDf EPA ID: CAD982444481
Trans Name: FILTER RECYCLING SERVICES INC
TSDf Alt EPA ID: Not reported
TSDf Alt Name: Not reported
Waste Code Description: 134 - Aqueous solution with <10% total organic residues
RCRA Code: Not reported
Meth Code: H141 - Storage, Bulking, And/Or Transfer Off Site--No Treatment/Reovery (H010-H129) Or (H131-H135)

Quantity Tons: 1.134
Waste Quantity: 270
Quantity Unit: G
Additional Code 1: Not reported
Additional Code 2: Not reported
Additional Code 3: Not reported
Additional Code 4: Not reported
Additional Code 5: Not reported

Shipment Date: 20120821
Creation Date: 9/28/2012 22:15:13

Map ID
Direction
Distance
Elevation

MAP FINDINGS

Site

Database(s)

EDR ID Number
EPA ID Number

THE BNSF RAILWAY COMPANY (Continued)

S113144701

Receipt Date: 20120821
Manifest ID: 010208509JJK
Trans EPA ID: CAR000172460
Trans Name: ENVIRONMENTAL LOGISTICS INC
Trans 2 EPA ID: Not reported
Trans 2 Name: Not reported
TSDf EPA ID: CAD982444481
Trans Name: FILTER RECYCLING SERVICES INC
TSDf Alt EPA ID: Not reported
TSDf Alt Name: Not reported
Waste Code Description: 134 - Aqueous solution with <10% total organic residues
RCRA Code: Not reported
Meth Code: H141 - Storage, Bulking, And/Or Transfer Off Site--No Treatment/Reovery (H010-H129) Or (H131-H135)

Quantity Tons: 1.449
Waste Quantity: 345
Quantity Unit: G
Additional Code 1: Not reported
Additional Code 2: Not reported
Additional Code 3: Not reported
Additional Code 4: Not reported
Additional Code 5: Not reported

Shipment Date: 20120717
Creation Date: 10/15/2012 22:15:38
Receipt Date: 20120718
Manifest ID: 010208521JJK
Trans EPA ID: CAR000172460
Trans Name: ENVIRONMENTAL LOGISTICS INC
Trans 2 EPA ID: Not reported
Trans 2 Name: Not reported
TSDf EPA ID: CAD982444481
Trans Name: FILTER RECYCLING SERVICES INC
TSDf Alt EPA ID: Not reported
TSDf Alt Name: Not reported
Waste Code Description: 134 - Aqueous solution with <10% total organic residues
RCRA Code: Not reported
Meth Code: H141 - Storage, Bulking, And/Or Transfer Off Site--No Treatment/Reovery (H010-H129) Or (H131-H135)

Quantity Tons: 1.365
Waste Quantity: 325
Quantity Unit: G
Additional Code 1: Not reported
Additional Code 2: Not reported
Additional Code 3: Not reported
Additional Code 4: Not reported
Additional Code 5: Not reported

Shipment Date: 20120614
Creation Date: 9/17/2012 22:15:18
Receipt Date: 20120615
Manifest ID: 009503004JJK
Trans EPA ID: CAR000172460
Trans Name: ENVIRONMENTAL LOGISTICS INC
Trans 2 EPA ID: Not reported
Trans 2 Name: Not reported
TSDf EPA ID: CAD982444481

Map ID
Direction
Distance
Elevation

MAP FINDINGS

Site

Database(s)

EDR ID Number
EPA ID Number

THE BNSF RAILWAY COMPANY (Continued)

S113144701

Trans Name: FILTER RECYCLING SERVICES INC
TSDf Alt EPA ID: Not reported
TSDf Alt Name: Not reported
Waste Code Description: 134 - Aqueous solution with <10% total organic residues
RCRA Code: Not reported
Meth Code: H141 - Storage, Bulking, And/Or Transfer Off Site--No Treatment/Reovery (H010-H129) Or (H131-H135)
Quantity Tons: 1.26
Waste Quantity: 300
Quantity Unit: G
Additional Code 1: Not reported
Additional Code 2: Not reported
Additional Code 3: Not reported
Additional Code 4: Not reported
Additional Code 5: Not reported

Shipment Date: 20120522
Creation Date: 8/7/2012 22:15:13
Receipt Date: 20120523
Manifest ID: 009503014JJK
Trans EPA ID: CAR000172460
Trans Name: ENVIRONMENTAL LOGISTICS INC
Trans 2 EPA ID: Not reported
Trans 2 Name: Not reported
TSDf EPA ID: CAD982444481
Trans Name: FILTER RECYCLING SERVICES INC
TSDf Alt EPA ID: Not reported
TSDf Alt Name: Not reported
Waste Code Description: 134 - Aqueous solution with <10% total organic residues
RCRA Code: Not reported
Meth Code: H141 - Storage, Bulking, And/Or Transfer Off Site--No Treatment/Reovery (H010-H129) Or (H131-H135)
Quantity Tons: 1.26
Waste Quantity: 300
Quantity Unit: G
Additional Code 1: Not reported
Additional Code 2: Not reported
Additional Code 3: Not reported
Additional Code 4: Not reported
Additional Code 5: Not reported

Shipment Date: 20120424
Creation Date: 6/1/2012 20:30:08
Receipt Date: 20120425
Manifest ID: 009943536JJK
Trans EPA ID: CAR000172460
Trans Name: ENVIRONMENTAL LOGISTICS INC
Trans 2 EPA ID: Not reported
Trans 2 Name: Not reported
TSDf EPA ID: CAD982444481
Trans Name: FILTER RECYCLING SERVICES INC
TSDf Alt EPA ID: Not reported
TSDf Alt Name: Not reported
Waste Code Description: 134 - Aqueous solution with <10% total organic residues
RCRA Code: Not reported
Meth Code: H141 - Storage, Bulking, And/Or Transfer Off Site--No Treatment/Reovery (H010-H129) Or (H131-H135)

Map ID
Direction
Distance
Elevation

MAP FINDINGS

Site

Database(s)

EDR ID Number
EPA ID Number

THE BNSF RAILWAY COMPANY (Continued)

S113144701

Quantity Tons: 1.785
Waste Quantity: 425
Quantity Unit: G
Additional Code 1: Not reported
Additional Code 2: Not reported
Additional Code 3: Not reported
Additional Code 4: Not reported
Additional Code 5: Not reported

Shipment Date: 20120327
Creation Date: 5/22/2012 20:30:10
Receipt Date: 20120328
Manifest ID: 009943523JJK
Trans EPA ID: CAR000172460
Trans Name: ENVIRONMENTAL LOGISTICS INC
Trans 2 EPA ID: Not reported
Trans 2 Name: Not reported
TSDf EPA ID: CAD982444481
Trans Name: FILTER RECYCLING SERVICES INC
TSDf Alt EPA ID: Not reported
TSDf Alt Name: Not reported
Waste Code Description: 134 - Aqueous solution with <10% total organic residues
RCRA Code: Not reported
Meth Code: H141 - Storage, Bulking, And/Or Transfer Off Site--No Treatment/Reovery (H010-H129) Or (H131-H135)

Quantity Tons: 0.6468
Waste Quantity: 154
Quantity Unit: G
Additional Code 1: Not reported
Additional Code 2: Not reported
Additional Code 3: Not reported
Additional Code 4: Not reported
Additional Code 5: Not reported

Additional Info:

Year: 2013
Gen EPA ID: CAL000312219

Shipment Date: 20131220
Creation Date: 2/24/2014 22:15:29
Receipt Date: 20131223
Manifest ID: 012157378JJK
Trans EPA ID: CAR000172460
Trans Name: ENVIRONMENTAL LOGISTICS INC
Trans 2 EPA ID: Not reported
Trans 2 Name: Not reported
TSDf EPA ID: CAD982444481
Trans Name: FILTER RECYCLING SERVICES INC
TSDf Alt EPA ID: Not reported
TSDf Alt Name: Not reported
Waste Code Description: 134 - Aqueous solution with <10% total organic residues
RCRA Code: Not reported
Meth Code: H141 - Storage, Bulking, And/Or Transfer Off Site--No Treatment/Reovery (H010-H129) Or (H131-H135)

Quantity Tons: 1.1172
Waste Quantity: 266
Quantity Unit: G

Map ID
Direction
Distance
Elevation

MAP FINDINGS

Site

Database(s)

EDR ID Number
EPA ID Number

THE BNSF RAILWAY COMPANY (Continued)

S113144701

Additional Code 1:	Not reported
Additional Code 2:	Not reported
Additional Code 3:	Not reported
Additional Code 4:	Not reported
Additional Code 5:	Not reported
Shipment Date:	20131126
Creation Date:	1/12/2014 22:15:07
Receipt Date:	20131127
Manifest ID:	011439032JJK
Trans EPA ID:	CAR000172460
Trans Name:	ENVIRONMENTAL LOGISTICS INC
Trans 2 EPA ID:	Not reported
Trans 2 Name:	Not reported
TSDf EPA ID:	CAD982444481
Trans Name:	FILTER RECYCLING SERVICES INC
TSDf Alt EPA ID:	Not reported
TSDf Alt Name:	Not reported
Waste Code Description:	134 - Aqueous solution with <10% total organic residues
RCRA Code:	Not reported
Meth Code:	H141 - Storage, Bulking, And/Or Transfer Off Site--No Treatment/Reovery (H010-H129) Or (H131-H135)
Quantity Tons:	2.1
Waste Quantity:	500
Quantity Unit:	G
Additional Code 1:	Not reported
Additional Code 2:	Not reported
Additional Code 3:	Not reported
Additional Code 4:	Not reported
Additional Code 5:	Not reported
Shipment Date:	20130924
Creation Date:	11/7/2013 22:15:14
Receipt Date:	20130925
Manifest ID:	011439008JJK
Trans EPA ID:	CAR000172460
Trans Name:	ENVIRONMENTAL LOGISTICS INC
Trans 2 EPA ID:	Not reported
Trans 2 Name:	Not reported
TSDf EPA ID:	CAD982444481
Trans Name:	FILTER RECYCLING SERVICES INC
TSDf Alt EPA ID:	Not reported
TSDf Alt Name:	Not reported
Waste Code Description:	134 - Aqueous solution with <10% total organic residues
RCRA Code:	Not reported
Meth Code:	H141 - Storage, Bulking, And/Or Transfer Off Site--No Treatment/Reovery (H010-H129) Or (H131-H135)
Quantity Tons:	0.8232
Waste Quantity:	196
Quantity Unit:	G
Additional Code 1:	Not reported
Additional Code 2:	Not reported
Additional Code 3:	Not reported
Additional Code 4:	Not reported
Additional Code 5:	Not reported
Shipment Date:	20130806

Map ID
Direction
Distance
Elevation

MAP FINDINGS

Site

Database(s)

EDR ID Number
EPA ID Number

THE BNSF RAILWAY COMPANY (Continued)

S113144701

Creation Date: 9/30/2013 22:15:16
Receipt Date: 20130808
Manifest ID: 011439010JJK
Trans EPA ID: CAR000172460
Trans Name: ENVIRONMENTAL LOGISTICS INC
Trans 2 EPA ID: Not reported
Trans 2 Name: Not reported
TSDf EPA ID: CAD982444481
Trans Name: FILTER RECYCLING SERVICES INC
TSDf Alt EPA ID: Not reported
TSDf Alt Name: Not reported
Waste Code Description: 134 - Aqueous solution with <10% total organic residues
RCRA Code: Not reported
Meth Code: H141 - Storage, Bulking, And/Or Transfer Off Site--No Treatment/Reovery (H010-H129) Or (H131-H135)

Quantity Tons: 0.735
Waste Quantity: 175
Quantity Unit: G
Additional Code 1: Not reported
Additional Code 2: Not reported
Additional Code 3: Not reported
Additional Code 4: Not reported
Additional Code 5: Not reported

Shipment Date: 20130716
Creation Date: 9/15/2013 22:15:33
Receipt Date: 20130716
Manifest ID: 011133034JJK
Trans EPA ID: CAR000172460
Trans Name: ENVIRONMENTAL LOGISTICS INC
Trans 2 EPA ID: Not reported
Trans 2 Name: Not reported
TSDf EPA ID: CAD982444481
Trans Name: FILTER RECYCLING SERVICES INC
TSDf Alt EPA ID: Not reported
TSDf Alt Name: Not reported
Waste Code Description: 134 - Aqueous solution with <10% total organic residues
RCRA Code: Not reported
Meth Code: H141 - Storage, Bulking, And/Or Transfer Off Site--No Treatment/Reovery (H010-H129) Or (H131-H135)

Quantity Tons: 0.7476
Waste Quantity: 178
Quantity Unit: G
Additional Code 1: Not reported
Additional Code 2: Not reported
Additional Code 3: Not reported
Additional Code 4: Not reported
Additional Code 5: Not reported

Shipment Date: 20130611
Creation Date: 8/11/2013 22:15:06
Receipt Date: 20130611
Manifest ID: 010608716JJK
Trans EPA ID: CAR000172460
Trans Name: ENVIRONMENTAL LOGISTICS INC
Trans 2 EPA ID: Not reported
Trans 2 Name: Not reported

Map ID
Direction
Distance
Elevation

MAP FINDINGS

Site

Database(s)

EDR ID Number
EPA ID Number

THE BNSF RAILWAY COMPANY (Continued)

S113144701

TSDF EPA ID: CAD982444481
Trans Name: FILTER RECYCLING SERVICES INC
TSDF Alt EPA ID: Not reported
TSDF Alt Name: Not reported
Waste Code Description: 134 - Aqueous solution with <10% total organic residues
RCRA Code: Not reported
Meth Code: H141 - Storage, Bulking, And/Or Transfer Off Site--No Treatment/Reovery (H010-H129) Or (H131-H135)

Quantity Tons: 0.5502
Waste Quantity: 131
Quantity Unit: G
Additional Code 1: Not reported
Additional Code 2: Not reported
Additional Code 3: Not reported
Additional Code 4: Not reported
Additional Code 5: Not reported

Shipment Date: 20130521
Creation Date: 7/15/2013 22:15:07
Receipt Date: 20130522
Manifest ID: 011133046JJK
Trans EPA ID: CAR000172460
Trans Name: ENVIRONMENTAL LOGISTICS, INC.
Trans 2 EPA ID: Not reported
Trans 2 Name: Not reported
TSDF EPA ID: CAD982444481
Trans Name: FILTER RECYCLING SERVICES, INC.
TSDF Alt EPA ID: Not reported
TSDF Alt Name: Not reported
Waste Code Description: 134 - Aqueous solution with <10% total organic residues
RCRA Code: Not reported
Meth Code: H141 - Storage, Bulking, And/Or Transfer Off Site--No Treatment/Reovery (H010-H129) Or (H131-H135)

Quantity Tons: 1.071
Waste Quantity: 255
Quantity Unit: G
Additional Code 1: Not reported
Additional Code 2: Not reported
Additional Code 3: Not reported
Additional Code 4: Not reported
Additional Code 5: Not reported

Shipment Date: 20130418
Creation Date: 6/19/2013 22:15:07
Receipt Date: 20130418
Manifest ID: 011133052JJK
Trans EPA ID: CAR000172460
Trans Name: ENVIRONMENTAL LOGISTICS INC
Trans 2 EPA ID: Not reported
Trans 2 Name: Not reported
TSDF EPA ID: CAD982444481
Trans Name: FILTER RECYCLING SERVICES INC
TSDF Alt EPA ID: Not reported
TSDF Alt Name: Not reported
Waste Code Description: 134 - Aqueous solution with <10% total organic residues
RCRA Code: Not reported
Meth Code: H141 - Storage, Bulking, And/Or Transfer Off Site--No

Map ID
Direction
Distance
Elevation

MAP FINDINGS

Site

Database(s)

EDR ID Number
EPA ID Number

THE BNSF RAILWAY COMPANY (Continued)

S113144701

Quantity Tons:	Treatment/Reovery (H010-H129) Or (H131-H135) 1.7934
Waste Quantity:	427
Quantity Unit:	G
Additional Code 1:	Not reported
Additional Code 2:	Not reported
Additional Code 3:	Not reported
Additional Code 4:	Not reported
Additional Code 5:	Not reported
Shipment Date:	20130312
Creation Date:	4/29/2013 22:15:15
Receipt Date:	20130313
Manifest ID:	011133069JJK
Trans EPA ID:	CAR000172460
Trans Name:	ENVIRONMENTAL LOGISTICS INC
Trans 2 EPA ID:	Not reported
Trans 2 Name:	Not reported
TSDf EPA ID:	CAD982444481
Trans Name:	FILTER RECYCLING SERVICES INC
TSDf Alt EPA ID:	Not reported
TSDf Alt Name:	Not reported
Waste Code Description:	134 - Aqueous solution with <10% total organic residues
RCRA Code:	Not reported
Meth Code:	H141 - Storage, Bulking, And/Or Transfer Off Site--No Treatment/Reovery (H010-H129) Or (H131-H135)
Quantity Tons:	1.0374
Waste Quantity:	247
Quantity Unit:	G
Additional Code 1:	Not reported
Additional Code 2:	Not reported
Additional Code 3:	Not reported
Additional Code 4:	Not reported
Additional Code 5:	Not reported
Shipment Date:	20130207
Creation Date:	4/12/2013 22:15:31
Receipt Date:	20130208
Manifest ID:	010970001JJK
Trans EPA ID:	CAR000172460
Trans Name:	ENVIRONMENTAL LOGISTICS INC
Trans 2 EPA ID:	Not reported
Trans 2 Name:	Not reported
TSDf EPA ID:	CAD982444481
Trans Name:	FILTER RECYCLING SERVICES INC
TSDf Alt EPA ID:	Not reported
TSDf Alt Name:	Not reported
Waste Code Description:	134 - Aqueous solution with <10% total organic residues
RCRA Code:	Not reported
Meth Code:	H141 - Storage, Bulking, And/Or Transfer Off Site--No Treatment/Reovery (H010-H129) Or (H131-H135)
Quantity Tons:	1.281
Waste Quantity:	305
Quantity Unit:	G
Additional Code 1:	Not reported
Additional Code 2:	Not reported
Additional Code 3:	Not reported

Map ID
Direction
Distance
Elevation

MAP FINDINGS

Site

Database(s)

EDR ID Number
EPA ID Number

THE BNSF RAILWAY COMPANY (Continued)

S113144701

Additional Code 4: Not reported
Additional Code 5: Not reported

Additional Info:

Year: 2014
Gen EPA ID: CAL000312219

Shipment Date: 20141223
Creation Date: 2/14/2015 22:15:08
Receipt Date: 20141226
Manifest ID: 013480525JJK
Trans EPA ID: CAR000172460
Trans Name: ENVIRONMENTAL LOGISTICS INC
Trans 2 EPA ID: Not reported
Trans 2 Name: Not reported
TSDf EPA ID: CAD982444481
Trans Name: FILTER RECYCLING SERVICES INC
TSDf Alt EPA ID: Not reported
TSDf Alt Name: Not reported
Waste Code Description: 134 - Aqueous solution with <10% total organic residues
RCRA Code: Not reported
Meth Code: H141 - Storage, Bulking, And/Or Transfer Off Site--No Treatment/Reovery (H010-H129) Or (H131-H135)

Quantity Tons: 1.0332
Waste Quantity: 246
Quantity Unit: G
Additional Code 1: Not reported
Additional Code 2: Not reported
Additional Code 3: Not reported
Additional Code 4: Not reported
Additional Code 5: Not reported

Shipment Date: 20141125
Creation Date: 1/15/2015 22:15:01
Receipt Date: 20141201
Manifest ID: 013482090JJK
Trans EPA ID: CAR000172460
Trans Name: ENVIRONMENTAL LOGISTICS INC
Trans 2 EPA ID: Not reported
Trans 2 Name: Not reported
TSDf EPA ID: CAD982444481
Trans Name: FILTER RECYCLING SERVICES INC
TSDf Alt EPA ID: Not reported
TSDf Alt Name: Not reported
Waste Code Description: 134 - Aqueous solution with <10% total organic residues
RCRA Code: Not reported
Meth Code: H141 - Storage, Bulking, And/Or Transfer Off Site--No Treatment/Reovery (H010-H129) Or (H131-H135)

Quantity Tons: 1.0878
Waste Quantity: 259
Quantity Unit: G
Additional Code 1: Not reported
Additional Code 2: Not reported
Additional Code 3: Not reported
Additional Code 4: Not reported
Additional Code 5: Not reported

Map ID
Direction
Distance
Elevation

MAP FINDINGS

Site

Database(s)

EDR ID Number
EPA ID Number

THE BNSF RAILWAY COMPANY (Continued)

S113144701

Shipment Date: 20141021
Creation Date: 12/26/2014 22:14:49
Receipt Date: 20141022
Manifest ID: 013480669JJK
Trans EPA ID: CAR000172460
Trans Name: ENVIRONMENTAL LOGISTICS INC
Trans 2 EPA ID: Not reported
Trans 2 Name: Not reported
TSDf EPA ID: CAD982444481
Trans Name: FILTER RECYCLING SERVICES INC
TSDf Alt EPA ID: Not reported
TSDf Alt Name: Not reported
Waste Code Description: 134 - Aqueous solution with <10% total organic residues
RCRA Code: Not reported
Meth Code: H141 - Storage, Bulking, And/Or Transfer Off Site--No Treatment/Reovery (H010-H129) Or (H131-H135)

Quantity Tons: 1.806
Waste Quantity: 430
Quantity Unit: G
Additional Code 1: Not reported
Additional Code 2: Not reported
Additional Code 3: Not reported
Additional Code 4: Not reported
Additional Code 5: Not reported

Shipment Date: 20140923
Creation Date: 11/12/2014 22:15:05
Receipt Date: 20140924
Manifest ID: 013125042JJK
Trans EPA ID: CAR000172460
Trans Name: ENVIRONMENTAL LOGISTICS INC
Trans 2 EPA ID: Not reported
Trans 2 Name: Not reported
TSDf EPA ID: CAD982444481
Trans Name: FILTER RECYCLING SERVICES INC
TSDf Alt EPA ID: Not reported
TSDf Alt Name: Not reported
Waste Code Description: 134 - Aqueous solution with <10% total organic residues
RCRA Code: Not reported
Meth Code: H141 - Storage, Bulking, And/Or Transfer Off Site--No Treatment/Reovery (H010-H129) Or (H131-H135)

Quantity Tons: 1.6464
Waste Quantity: 392
Quantity Unit: G
Additional Code 1: Not reported
Additional Code 2: Not reported
Additional Code 3: Not reported
Additional Code 4: Not reported
Additional Code 5: Not reported

Shipment Date: 20140826
Creation Date: 10/22/2014 22:15:04
Receipt Date: 20140827
Manifest ID: 013125095JJK
Trans EPA ID: CAR000172460
Trans Name: ENVIRONMENTAL LOGISTICS INC
Trans 2 EPA ID: Not reported

Map ID
Direction
Distance
Elevation

MAP FINDINGS

Site

Database(s)

EDR ID Number
EPA ID Number

THE BNSF RAILWAY COMPANY (Continued)

S113144701

Trans 2 Name:	Not reported
TSDf EPA ID:	CAD982444481
Trans Name:	FILTER RECYCLING SERVICES INC
TSDf Alt EPA ID:	Not reported
TSDf Alt Name:	Not reported
Waste Code Description:	134 - Aqueous solution with <10% total organic residues
RCRA Code:	Not reported
Meth Code:	H141 - Storage, Bulking, And/Or Transfer Off Site--No Treatment/Reovery (H010-H129) Or (H131-H135)
Quantity Tons:	1.2642
Waste Quantity:	301
Quantity Unit:	G
Additional Code 1:	Not reported
Additional Code 2:	Not reported
Additional Code 3:	Not reported
Additional Code 4:	Not reported
Additional Code 5:	Not reported
Shipment Date:	20140729
Creation Date:	9/23/2014 22:15:15
Receipt Date:	20140730
Manifest ID:	012428156JJK
Trans EPA ID:	CAR000172460
Trans Name:	ENVIRONMENTAL LOGISTICS INC
Trans 2 EPA ID:	Not reported
Trans 2 Name:	Not reported
TSDf EPA ID:	CAD982444481
Trans Name:	FILTER RECYCLING SERVICES INC
TSDf Alt EPA ID:	Not reported
TSDf Alt Name:	Not reported
Waste Code Description:	134 - Aqueous solution with <10% total organic residues
RCRA Code:	Not reported
Meth Code:	H141 - Storage, Bulking, And/Or Transfer Off Site--No Treatment/Reovery (H010-H129) Or (H131-H135)
Quantity Tons:	1.2768
Waste Quantity:	304
Quantity Unit:	G
Additional Code 1:	Not reported
Additional Code 2:	Not reported
Additional Code 3:	Not reported
Additional Code 4:	Not reported
Additional Code 5:	Not reported
Shipment Date:	20140624
Creation Date:	8/24/2014 22:15:06
Receipt Date:	20140701
Manifest ID:	012428623JJK
Trans EPA ID:	CAR000172460
Trans Name:	ENVIRONMENTAL LOGISTICS INC
Trans 2 EPA ID:	Not reported
Trans 2 Name:	Not reported
TSDf EPA ID:	CAD982444481
Trans Name:	FILTER RECYCLING SERVICES INC
TSDf Alt EPA ID:	Not reported
TSDf Alt Name:	Not reported
Waste Code Description:	134 - Aqueous solution with <10% total organic residues
RCRA Code:	Not reported

Map ID
Direction
Distance
Elevation

MAP FINDINGS

Site

Database(s)

EDR ID Number
EPA ID Number

THE BNSF RAILWAY COMPANY (Continued)

S113144701

Meth Code: H141 - Storage, Bulking, And/Or Transfer Off Site--No Treatment/Reovery (H010-H129) Or (H131-H135)

Quantity Tons: 1.4994
Waste Quantity: 357
Quantity Unit: G
Additional Code 1: Not reported
Additional Code 2: Not reported
Additional Code 3: Not reported
Additional Code 4: Not reported
Additional Code 5: Not reported

Shipment Date: 20140528
Creation Date: 7/22/2014 22:15:05
Receipt Date: 20140529
Manifest ID: 012428554JJK
Trans EPA ID: CAR000172460
Trans Name: ENVIRONMENTAL LOGISTICS INC
Trans 2 EPA ID: Not reported
Trans 2 Name: Not reported
TSDf EPA ID: CAD982444481
Trans Name: FILTER RECYCLING SERVICES INC
TSDf Alt EPA ID: Not reported
TSDf Alt Name: Not reported
Waste Code Description: 134 - Aqueous solution with <10% total organic residues
RCRA Code: Not reported
Meth Code: H141 - Storage, Bulking, And/Or Transfer Off Site--No Treatment/Reovery (H010-H129) Or (H131-H135)

Quantity Tons: 0.9282
Waste Quantity: 221
Quantity Unit: G
Additional Code 1: Not reported
Additional Code 2: Not reported
Additional Code 3: Not reported
Additional Code 4: Not reported
Additional Code 5: Not reported

Shipment Date: 20140408
Creation Date: 5/22/2014 22:14:58
Receipt Date: 20140409
Manifest ID: 012428549JJK
Trans EPA ID: CAR000172460
Trans Name: ENVIRONMENTAL LOGISTICS INC
Trans 2 EPA ID: Not reported
Trans 2 Name: Not reported
TSDf EPA ID: CAD982444481
Trans Name: FILTER RECYCLING SERVICES INC
TSDf Alt EPA ID: Not reported
TSDf Alt Name: Not reported
Waste Code Description: 134 - Aqueous solution with <10% total organic residues
RCRA Code: Not reported
Meth Code: H141 - Storage, Bulking, And/Or Transfer Off Site--No Treatment/Reovery (H010-H129) Or (H131-H135)

Quantity Tons: 1.2516
Waste Quantity: 298
Quantity Unit: G
Additional Code 1: Not reported
Additional Code 2: Not reported

Map ID
Direction
Distance
Elevation

MAP FINDINGS

Site

Database(s)

EDR ID Number
EPA ID Number

THE BNSF RAILWAY COMPANY (Continued)

S113144701

Additional Code 3: Not reported
Additional Code 4: Not reported
Additional Code 5: Not reported

Shipment Date: 20140318
Creation Date: 4/30/2014 22:15:24
Receipt Date: 20140320
Manifest ID: 012428544JJK
Trans EPA ID: CAR000172460
Trans Name: ENVIRONMENTAL LOGISTICS INC
Trans 2 EPA ID: Not reported
Trans 2 Name: Not reported
TSDf EPA ID: CAD982444481
Trans Name: FILTER RECYCLING SERVICES INC
TSDf Alt EPA ID: Not reported
TSDf Alt Name: Not reported
Waste Code Description: 134 - Aqueous solution with <10% total organic residues
RCRA Code: Not reported
Meth Code: H141 - Storage, Bulking, And/Or Transfer Off Site--No Treatment/Reovery (H010-H129) Or (H131-H135)

Quantity Tons: 1.1382
Waste Quantity: 271
Quantity Unit: G
Additional Code 1: Not reported
Additional Code 2: Not reported
Additional Code 3: Not reported
Additional Code 4: Not reported
Additional Code 5: Not reported

Additional Info:
Year: 2009
Gen EPA ID: CAL000312219

Shipment Date: 20091203
Creation Date: 2/3/2010 18:31:10
Receipt Date: 20091207
Manifest ID: 001975509JJK
Trans EPA ID: CAR000172460
Trans Name: ENVIRONMENTAL LOGISTICS
Trans 2 EPA ID: Not reported
Trans 2 Name: Not reported
TSDf EPA ID: CAD982444481
Trans Name: FILTER RECYCLING SERVICES INC
TSDf Alt EPA ID: CAD982444481
TSDf Alt Name: Not reported
Waste Code Description: 134 - Aqueous solution with <10% total organic residues
RCRA Code: Not reported
Meth Code: H141 - Storage, Bulking, And/Or Transfer Off Site--No Treatment/Reovery (H010-H129) Or (H131-H135)

Quantity Tons: 1.68
Waste Quantity: 400
Quantity Unit: G
Additional Code 1: Not reported
Additional Code 2: Not reported
Additional Code 3: Not reported
Additional Code 4: Not reported
Additional Code 5: Not reported

Map ID
Direction
Distance
Elevation

MAP FINDINGS

Site

Database(s)

EDR ID Number
EPA ID Number

THE BNSF RAILWAY COMPANY (Continued)

S113144701

Shipment Date: 20090831
Creation Date: 10/29/2009 18:30:19
Receipt Date: 20090901
Manifest ID: 004055550JJK
Trans EPA ID: CAR000172460
Trans Name: ENVIRONMENTAL LOGISTICS
Trans 2 EPA ID: Not reported
Trans 2 Name: Not reported
TSDf EPA ID: CAD982444481
Trans Name: FILTER RECYCLING SERVICES INC
TSDf Alt EPA ID: Not reported
TSDf Alt Name: Not reported
Waste Code Description: 134 - Aqueous solution with <10% total organic residues
RCRA Code: Not reported
Meth Code: H141 - Storage, Bulking, And/Or Transfer Off Site--No Treatment/Reovery (H010-H129) Or (H131-H135)

Quantity Tons: 1.89
Waste Quantity: 450
Quantity Unit: G
Additional Code 1: Not reported
Additional Code 2: Not reported
Additional Code 3: Not reported
Additional Code 4: Not reported
Additional Code 5: Not reported

Shipment Date: 20090619
Creation Date: 8/3/2009 18:30:08
Receipt Date: 20090622
Manifest ID: 004817403JJK
Trans EPA ID: CAR000172460
Trans Name: ENVIRONMENTAL LOGISTICS
Trans 2 EPA ID: Not reported
Trans 2 Name: Not reported
TSDf EPA ID: CAD982444481
Trans Name: FILTER RECYCLING SERVICES INC
TSDf Alt EPA ID: Not reported
TSDf Alt Name: Not reported
Waste Code Description: 134 - Aqueous solution with <10% total organic residues
RCRA Code: Not reported
Meth Code: H141 - Storage, Bulking, And/Or Transfer Off Site--No Treatment/Reovery (H010-H129) Or (H131-H135)

Quantity Tons: 1.68
Waste Quantity: 400
Quantity Unit: G
Additional Code 1: Not reported
Additional Code 2: Not reported
Additional Code 3: Not reported
Additional Code 4: Not reported
Additional Code 5: Not reported

Shipment Date: 20090402
Creation Date: 5/11/2009 18:30:30
Receipt Date: 20090402
Manifest ID: 004817390JJK
Trans EPA ID: CAR000172460
Trans Name: ENVIRONMENTAL LOGISTICS
Trans 2 EPA ID: Not reported

Map ID
Direction
Distance
Elevation

MAP FINDINGS

Site

Database(s)

EDR ID Number
EPA ID Number

THE BNSF RAILWAY COMPANY (Continued)

S113144701

Trans 2 Name: Not reported
TSDf EPA ID: CAD982444481
Trans Name: FILTER RECYCLING SERVICES INC
TSDf Alt EPA ID: Not reported
TSDf Alt Name: Not reported
Waste Code Description: 134 - Aqueous solution with <10% total organic residues
RCRA Code: Not reported
Meth Code: H141 - Storage, Bulking, And/Or Transfer Off Site--No Treatment/Reovery (H010-H129) Or (H131-H135)

Quantity Tons: 2.1
Waste Quantity: 500
Quantity Unit: G
Additional Code 1: Not reported
Additional Code 2: Not reported
Additional Code 3: Not reported
Additional Code 4: Not reported
Additional Code 5: Not reported

Shipment Date: 20090123
Creation Date: 3/31/2009 18:30:48
Receipt Date: 20090123
Manifest ID: 004817418JJK
Trans EPA ID: CAR000172460
Trans Name: ENVIRONMENTAL LOGISTICS
Trans 2 EPA ID: Not reported
Trans 2 Name: Not reported
TSDf EPA ID: CAD982444481
Trans Name: FILTER RECYCLING SERVICES INC
TSDf Alt EPA ID: Not reported
TSDf Alt Name: Not reported
Waste Code Description: 134 - Aqueous solution with <10% total organic residues
RCRA Code: Not reported
Meth Code: H141 - Storage, Bulking, And/Or Transfer Off Site--No Treatment/Reovery (H010-H129) Or (H131-H135)

Quantity Tons: 5.04
Waste Quantity: 1200
Quantity Unit: G
Additional Code 1: Not reported
Additional Code 2: Not reported
Additional Code 3: Not reported
Additional Code 4: Not reported
Additional Code 5: Not reported

HWTS:

Name: THE BNSF RAILWAY COMPANY
Address: 1705 EAGLE PASS RD
Address 2: Not reported
City,State,Zip: NEEDLES, CA 92363
EPA ID: CAL000312219
Inactive Date: Not reported
Create Date: 10/04/2006
Last Act Date: Not reported
Mailing Name: Not reported
Mailing Address: 740 E. CARNEGIE DRIVE
Mailing Address 2: Not reported
Mailing City,State,Zip: SAN BERNARDINO, CA 924083571
Owner Name: BNSF RAILWAY CO

Map ID
Direction
Distance
Elevation

MAP FINDINGS

Site

Database(s)

EDR ID Number
EPA ID Number

THE BNSF RAILWAY COMPANY (Continued)

S113144701

Owner Address: 740 E CARNEGIE DR
Owner Address 2: Not reported
Owner City,State,Zip: SAN BERNARDINO, CA 924083571
Contact Name: TIFFANIE NIXON
Contact Address: 740 E CARNEGIE DR
Contact Address 2: Not reported
City,State,Zip: SAN BERNARDINO, CA 924083571
Facility Status: Active
Facility Type: PERMANENT
Category: STATE
Latitude: 34.844402
Longitude: -114.614315

NAICS:

EPA ID: CAL000312219
Create Date: 2006-10-04 09:16:11.250
NAICS Code: 482111
NAICS Description: Line-Haul Railroads
Issued EPA ID Date: 2006-10-04 09:16:11.20300
Inactive Date: Not reported
Facility Name: THE BNSF RAILWAY COMPANY
Facility Address: 1705 EAGLE PASS RD
Facility Address 2: Not reported
Facility City: NEEDLES
Facility County: Not reported
Facility State: CA
Facility Zip: 923632822

AV349 CP NATIONAL (SERVICE CENTER)
Target 1705 FRONT ST
Property NEEDLES, CA 92363

HIST UST U001575243
N/A

Site 1 of 2 in cluster AV

Actual:
493 ft.

Focus Map:
7

HIST UST:
Name: CP NATIONAL (SERVICE CENTER)
Address: 1705 FRONT ST
City,State,Zip: NEEDLES, CA 92363
File Number: 00029D3D
URL: <http://geotracker.waterboards.ca.gov/ustpdfs/pdf/00029D3D.pdf>
Region: STATE
Facility ID: 0000002376
Facility Type: Gas Station
Other Type: Not reported
Contact Name: MGR. D.MCKEE/SUPT.C.CHRISTENSE
Telephone: 6193262141
Owner Name: CP NATIONAL
Owner Address: 1355 WILLOW WAY
Owner City,St,Zip: CONCORD, CA 94520
Total Tanks: 0002

Tank Num: 001
Container Num: 2
Year Installed: 1981
Tank Capacity: 00002042
Tank Used for: PRODUCT
Type of Fuel: UNLEADED

Map ID
Direction
Distance
Elevation

MAP FINDINGS

Site

Database(s)

EDR ID Number
EPA ID Number

CP NATIONAL (SERVICE CENTER) (Continued)

U001575243

Container Construction Thickness: 3/16
Leak Detection: Visual, None

Tank Num: 002
Container Num: 1
Year Installed: 1981
Tank Capacity: 00001020
Tank Used for: PRODUCT
Type of Fuel: DIESEL
Container Construction Thickness: 3/16
Leak Detection: Visual, None

[Click here for Geo Tracker PDF:](#)

AV350 **LEE CHAMBERS PETROLEUM INC**
Target **1702 FRONT ST**
Property **NEEDLES, CA 92363**

SWEEPS UST **U001575250**
HIST UST **N/A**

Site 2 of 2 in cluster AV

Actual: SWEEPS UST:
493 ft. Name: LEE CHAMBERS PETROLEUM
Focus Map: Address: 1702 FRONT ST
7 City: NEEDLES
 Status: Active
 Comp Number: 33003
 Number: 9
 Board Of Equalization: 44-020887
 Referral Date: 09-04-91
 Action Date: 09-04-91
 Created Date: 02-29-88
 Owner Tank Id: 6
 SWRCB Tank Id: 36-000-033003-000001
 Tank Status: A
 Capacity: 5000
 Active Date: 08-26-88
 Tank Use: M.V. FUEL
 STG: P
 Content: DIESEL
 Number Of Tanks: 2

Name: LEE CHAMBERS PETROLEUM
Address: 1702 FRONT ST
City: NEEDLES
Status: Active
Comp Number: 33003
Number: 9
Board Of Equalization: 44-020887
Referral Date: 09-04-91
Action Date: 09-04-91
Created Date: 02-29-88
Owner Tank Id: 5
SWRCB Tank Id: 36-000-033003-000002
Tank Status: A
Capacity: 5000
Active Date: 08-26-88
Tank Use: M.V. FUEL
STG: P

Map ID
Direction
Distance
Elevation

MAP FINDINGS

Site

Database(s)

EDR ID Number
EPA ID Number

LEE CHAMBERS PETROLEUM INC (Continued)

U001575250

Content: DIESEL
Number Of Tanks: Not reported

HIST UST:

Name: LEE CHAMBERS PETROLEUM INC
Address: 1702 FRONT ST
City,State,Zip: NEEDLES, CA 92363
File Number: 0002A181
URL: <http://geotracker.waterboards.ca.gov/ustpdfs/pdf/0002A181.pdf>
Region: STATE
Facility ID: 00000033003
Facility Type: Other
Other Type: BULK PLANT
Contact Name: LEE CHAMBERS
Telephone: 6193263851
Owner Name: LEE CHAMBERS PETROLEUM, INC.
Owner Address: 1702 FRONT ST.
Owner City,St,Zip: NEEDLES, CA 92363
Total Tanks: 0002

Tank Num: 001
Container Num: 6
Year Installed: Not reported
Tank Capacity: 00005000
Tank Used for: PRODUCT
Type of Fuel: DIESEL
Container Construction Thickness: Not reported
Leak Detection: Stock Inventor

Tank Num: 002
Container Num: 5
Year Installed: Not reported
Tank Capacity: 00005000
Tank Used for: PRODUCT
Type of Fuel: DIESEL
Container Construction Thickness: Not reported
Leak Detection: Stock Inventor

[Click here for Geo Tracker PDF:](#)

AW351 RESIDENTIAL HOUSE
Target 908 BEACH DRIVE
Property NEEDLES, CA 92363

NPDES S127281973
N/A

Site 1 of 2 in cluster AW

Actual: NPDES:
471 ft. Name: RESIDENTIAL HOUSE
Focus Map: Address: 908 BEACH DRIVE
7 City,State,Zip: NEEDLES, CA 92363
Facility Status: Not reported
NPDES Number: Not reported
Region: Not reported
Agency Number: Not reported
Regulatory Measure ID: Not reported
Place ID: Not reported
Order Number: Not reported

Map ID
 Direction
 Distance
 Elevation

MAP FINDINGS

Site

Database(s)

EDR ID Number
 EPA ID Number

RESIDENTIAL HOUSE (Continued)

S127281973

WDID: 7 36W004855
 Regulatory Measure Type: Construction
 Program Type: Not reported
 Adoption Date Of Regulatory Measure: Not reported
 Effective Date Of Regulatory Measure: Not reported
 Termination Date Of Regulatory Measure: Not reported
 Expiration Date Of Regulatory Measure: Not reported
 Discharge Address: Not reported
 Discharge Name: Not reported
 Discharge City: Not reported
 Discharge State: Not reported
 Discharge Zip: Not reported
 Status: Expired
 Status Date: 08/01/2021
 Operator Name: cfx
 Operator Address: Not reported
 Operator City: Not reported
 Operator State: Not reported
 Operator Zip: Not reported

AW352 RESIDENTIAL HOUSE
Target 904 BEACH DRIVE
Property NEEDLES, CA 92363

NPDES S127281972
N/A

Site 2 of 2 in cluster AW

Actual: NPDES:
469 ft. Name: RESIDENTIAL HOUSE
Focus Map: Address: 904 BEACH DRIVE
7 City,State,Zip: NEEDLES, CA 92363
 Facility Status: Not reported
 NPDES Number: Not reported
 Region: Not reported
 Agency Number: Not reported
 Regulatory Measure ID: Not reported
 Place ID: Not reported
 Order Number: Not reported
 WDID: 7 36W004854
 Regulatory Measure Type: Construction
 Program Type: Not reported
 Adoption Date Of Regulatory Measure: Not reported
 Effective Date Of Regulatory Measure: Not reported
 Termination Date Of Regulatory Measure: Not reported
 Expiration Date Of Regulatory Measure: Not reported
 Discharge Address: Not reported
 Discharge Name: Not reported
 Discharge City: Not reported
 Discharge State: Not reported
 Discharge Zip: Not reported
 Status: Expired
 Status Date: 06/01/2021
 Operator Name: cfx
 Operator Address: Not reported
 Operator City: Not reported
 Operator State: Not reported
 Operator Zip: Not reported

MAP FINDINGS

Map ID			EDR ID Number
Direction			EPA ID Number
Distance			
Elevation	Site	Database(s)	

AX353	PREMIER SPORTS LLC		ECHO
Target	1404 W BROADWAY ST		1026015531
Property	NEEDLES, CA 92363		N/A

Site 1 of 7 in cluster AX

Actual:	ECHO:		
499 ft.	Envid:		1026015531
Focus Map:	Registry ID:		110065612938
7	DFR URL:		http://echo.epa.gov/detailed-facility-report?fid=110065612938
	Name:		PREMIER SPORTS LLC
	Address:		1404 W BROADWAY ST
	City,State,Zip:		NEEDLES, CA 92363

AX354	PREMIER SPORTS LLC		FINDS
Target	1404 W BROADWAY ST		1026062576
Property	NEEDLES, CA 92363		N/A

Site 2 of 7 in cluster AX

Actual:	FINDS:		
499 ft.	Registry ID:		110065612938
Focus Map:	Click Here for FRS Facility Detail Report:		
7	Environmental Interest/Information System:		
	<p>RCRAInfo is a national information system that supports the Resource Conservation and Recovery Act (RCRA) program through the tracking of events and activities related to facilities that generate, transport, and treat, store, or dispose of hazardous waste. RCRAInfo allows RCRA program staff to track the notification, permit, compliance, and corrective action activities required under RCRA.</p> <p>STATE MASTER</p>		
	<p>Click this hyperlink while viewing on your computer to access additional FINDS: detail in the EDR Site Report.</p>		

AX355	PREMIER SPORTS LLC		HAZNET
Target	1404 W BROADWAY ST		S113132838
Property	NEEDLES, CA 92363		HWTS
			N/A

Site 3 of 7 in cluster AX

Actual:	HAZNET:		
499 ft.	Name:		PREMIER SPORTS
Focus Map:	Address:		1404 W BROADWAY ST
7	Address 2:		Not reported
	City,State,Zip:		NEEDLES, CA 923632736
	Contact:		MIKE BALDWIN
	Telephone:		7605054876
	Mailing Name:		Not reported
	Mailing Address:		1404 W BROADWAY ST
	Year:		2005
	Gepaid:		CAL000283971
	TSD EPA ID:		NVR000066837
	CA Waste Code:		221 - Waste oil and mixed oil
	Disposal Method:		-
	Tons:		0.418

Map ID
Direction
Distance
Elevation

MAP FINDINGS

Site

Database(s)

EDR ID Number
EPA ID Number

PREMIER SPORTS LLC (Continued)

S113132838

Year: 2005
Gepaid: CAL000283971
TSD EPA ID: CAT000613893
CA Waste Code: 221 - Waste oil and mixed oil
Disposal Method: -
Tons: 0.437

Year: 2004
Gepaid: CAL000283971
TSD EPA ID: NVR000066837
CA Waste Code: 221 - Waste oil and mixed oil
Disposal Method: -
Tons: 0.513

Additional Info:

Year: 2005
Gen EPA ID: CAL000283971

Shipment Date: 20050706
Creation Date: 9/16/2005 18:31:41
Receipt Date: 20050706
Manifest ID: 23020246
Trans EPA ID: TXR000050930
Trans Name: SAFETY-KLEEN SYSTEMS INC
Trans 2 EPA ID: Not reported
Trans 2 Name: Not reported
TSD EPA ID: NVR000066837
Trans Name: SAFETY-KLEEN SYSTEMS INC
TSD EPA Alt EPA ID: Not reported
TSD EPA Alt Name: Not reported
Waste Code Description: 221 - Waste oil and mixed oil
RCRA Code: Not reported
Meth Code: - Not reported
Quantity Tons: 0.418
Waste Quantity: 110
Quantity Unit: G
Additional Code 1: Not reported
Additional Code 2: Not reported
Additional Code 3: Not reported
Additional Code 4: Not reported
Additional Code 5: Not reported

Shipment Date: 20050413
Creation Date: 7/21/2005 18:31:13
Receipt Date: 20050413
Manifest ID: 23020211
Trans EPA ID: TXR000050930
Trans Name: SAFETY-KLEEN SYSTEMS INC
Trans 2 EPA ID: Not reported
Trans 2 Name: Not reported
TSD EPA ID: CAT000613893
Trans Name: SAFETY-KLEEN SYSTEMS INC
TSD EPA Alt EPA ID: CAT000613893
TSD EPA Alt Name: Not reported
Waste Code Description: 221 - Waste oil and mixed oil
RCRA Code: Not reported

Map ID
Direction
Distance
Elevation

MAP FINDINGS

Site

Database(s)

EDR ID Number
EPA ID Number

PREMIER SPORTS LLC (Continued)

S113132838

Meth Code: - Not reported
Quantity Tons: 0.437
Waste Quantity: 115
Quantity Unit: G
Additional Code 1: Not reported
Additional Code 2: Not reported
Additional Code 3: Not reported
Additional Code 4: Not reported
Additional Code 5: Not reported

Additional Info:

Year: 2004
Gen EPA ID: CAL000283971

Shipment Date: 20040804
Creation Date: 11/5/2004 18:30:59
Receipt Date: 20040804
Manifest ID: 22323376
Trans EPA ID: TXR000050930
Trans Name: SAFETY-KLEEN SYSTEMS INC
Trans 2 EPA ID: Not reported
Trans 2 Name: Not reported
TSDf EPA ID: NVR000066837
Trans Name: SAFETY-KLEEN SYSTEMS INC
TSDf Alt EPA ID: Not reported
TSDf Alt Name: Not reported
Waste Code Description: 221 - Waste oil and mixed oil
RCRA Code: Not reported
Meth Code: - Not reported
Quantity Tons: 0.513
Waste Quantity: 135
Quantity Unit: G
Additional Code 1: Not reported
Additional Code 2: Not reported
Additional Code 3: Not reported
Additional Code 4: Not reported
Additional Code 5: Not reported

HWTS:

Name: PREMIER SPORTS LLC
Address: 1404 W BROADWAY ST
Address 2: Not reported
City,State,Zip: NEEDLES, CA 92363
EPA ID: CAL000283971
Inactive Date: Not reported
Create Date: 07/06/2004
Last Act Date: Not reported
Mailing Name: Not reported
Mailing Address: 1404 W BROADWAY ST
Mailing Address 2: Not reported
Mailing City,State,Zip: NEEDLES, CA 923630000
Owner Name: PREMIER SPORTS LLC
Owner Address: 1404 W BROADWAY
Owner Address 2: Not reported
Owner City,State,Zip: NEEDLES, CA 92363
Contact Name: MIKE BALDWIN

Map ID
 Direction
 Distance
 Elevation

MAP FINDINGS

Site

Database(s)

EDR ID Number
 EPA ID Number

PREMIER SPORTS LLC (Continued)

S113132838

Contact Address: 1404 W BROADWAY ST
 Contact Address 2: Not reported
 City,State,Zip: NEEDLES, CA 92363
 Facility Status: Active
 Facility Type: PERMANENT
 Category: STATE
 Latitude: 34.841794
 Longitude: -114.611

NAICS:

EPA ID: CAL000283971
 Create Date: 2007-03-27 16:17:47.000
 NAICS Code: 71393
 NAICS Description: Marinas
 Issued EPA ID Date: 2004-07-06 14:22:28.71000
 Inactive Date: Not reported
 Facility Name: PREMIER SPORTS LLC
 Facility Address: 1404 W BROADWAY ST
 Facility Address 2: Not reported
 Facility City: NEEDLES
 Facility County: Not reported
 Facility State: CA
 Facility Zip: 923632736

AX356 DANZER IMPORT AUTO & TRCK REPR
Target 1404 W BROADWAY ST C
Property NEEDLES, CA 92363

EDR Hist Auto 1020332989
N/A

Site 4 of 7 in cluster AX

Actual:
499 ft.

EDR Hist Auto

Focus Map:
7

Year:	Name:	Type:
1975	PREMIER SPORTS	Sporting Goods And Bicycle Shops
1979	PREMIER SPORTS	Sporting Goods And Bicycle Shops
1996	DANZER IMPORT AUTO & TRCK REPR	General Automotive Repair Shops
1997	DANZER IMPORT AUTO & TRCK REPR	General Automotive Repair Shops
1998	DANZER IMPORT AUTO & TRCK REPR	General Automotive Repair Shops
1999	DANZER IMPORT AUTO & TRCK REPR	General Automotive Repair Shops
2000	DANZER IMPORT AUTO & TRCK REPR	General Automotive Repair Shops
2001	DANZER IMPORT AUTO & TRCK REPR	General Automotive Repair Shops
2002	DANZER IMPORT AUTO & TRCK REPR	General Automotive Repair Shops
2003	DANZER IMPORT AUTO & TRCK REPR	General Automotive Repair Shops
2004	DANZER IMPORT AUTO & TRCK REPR	General Automotive Repair Shops
2005	DANZER IMPORT AUTO & TRCK REPR	General Automotive Repair Shops

Map ID
 Direction
 Distance
 Elevation

MAP FINDINGS

Site

Database(s)

EDR ID Number
 EPA ID Number

AX357 **PREMIER SPORTS LLC**
Target **1404 W BROADWAY ST**
Property **NEEDLES, CA 92363**

RCRA NonGen / NLR **1024809300**
CAL000283971

Site 5 of 7 in cluster AX

Actual: 499 ft.	RCRA NonGen / NLR:		20040706
Focus Map: 7	Date Form Received by Agency:		
	Handler Name:	PREMIER SPORTS LLC	
	Handler Address:		1404 W BROADWAY ST
	Handler City,State,Zip:		NEEDLES, CA 92363-2736
	EPA ID:		CAL000283971
	Contact Name:		MIKE BALDWIN
	Contact Address:		1404 W BROADWAY ST
	Contact City,State,Zip:		NEEDLES, CA 92363-2736
	Contact Telephone:		760-505-4876
	Contact Fax:		760-326-2727
	Contact Email:		PREMIERSPORTS1960@HOTMAIL.COM
	Contact Title:		Not reported
	EPA Region:		09
	Land Type:		Not reported
	Federal Waste Generator Description:		Not a generator, verified
	Non-Notifier:		Not reported
	Biennial Report Cycle:		Not reported
	Accessibility:		Not reported
	Active Site Indicator:		Handler Activities
	State District Owner:		Not reported
	State District:		Not reported
	Mailing Address:		1404 W BROADWAY ST
	Mailing City,State,Zip:		NEEDLES, CA 92363-2736
	Owner Name:	PREMIER SPORTS LLC	
	Owner Type:		Other
	Operator Name:	MIKE BALDWIN	
	Operator Type:		Other
	Short-Term Generator Activity:		No
	Importer Activity:		No
	Mixed Waste Generator:		No
	Transporter Activity:		No
	Transfer Facility Activity:		No
	Recycler Activity with Storage:		No
	Small Quantity On-Site Burner Exemption:		No
	Smelting Melting and Refining Furnace Exemption:		No
	Underground Injection Control:		No
	Off-Site Waste Receipt:		No
	Universal Waste Indicator:		Yes
	Universal Waste Destination Facility:		Yes
	Federal Universal Waste:		No
	Active Site Fed-Reg Treatment Storage and Disposal Facility:		Not reported
	Active Site Converter Treatment storage and Disposal Facility:		Not reported
	Active Site State-Reg Treatment Storage and Disposal Facility:		Not reported
	Active Site State-Reg Handler:		---
	Federal Facility Indicator:		Not reported
	Hazardous Secondary Material Indicator:		N
	Sub-Part K Indicator:		Not reported
	Commercial TSD Indicator:		No
	Treatment Storage and Disposal Type:		Not reported
	2018 GPRR Permit Baseline:		Not on the Baseline
	2018 GPRR Renewals Baseline:		Not on the Baseline
	Permit Renewals Workload Universe:		Not reported

Map ID
 Direction
 Distance
 Elevation

MAP FINDINGS

Site

Database(s)

EDR ID Number
 EPA ID Number

PREMIER SPORTS LLC (Continued)

1024809300

Permit Workload Universe:	Not reported
Permit Progress Universe:	Not reported
Post-Closure Workload Universe:	Not reported
Closure Workload Universe:	Not reported
202 GPRA Corrective Action Baseline:	No
Corrective Action Workload Universe:	No
Subject to Corrective Action Universe:	No
Non-TSDFs Where RCRA CA has Been Imposed Universe:	No
TSDFs Potentially Subject to CA Under 3004 (u)/(v) Universe:	No
TSDFs Only Subject to CA under Discretionary Auth Universe:	No
Corrective Action Priority Ranking:	No NCAPS ranking
Environmental Control Indicator:	No
Institutional Control Indicator:	No
Human Exposure Controls Indicator:	N/A
Groundwater Controls Indicator:	N/A
Operating TSDF Universe:	Not reported
Full Enforcement Universe:	Not reported
Significant Non-Complier Universe:	No
Unaddressed Significant Non-Complier Universe:	No
Addressed Significant Non-Complier Universe:	No
Significant Non-Complier With a Compliance Schedule Universe:	No
Financial Assurance Required:	Not reported
Handler Date of Last Change:	20180905
Recognized Trader-Importer:	No
Recognized Trader-Exporter:	No
Importer of Spent Lead Acid Batteries:	No
Exporter of Spent Lead Acid Batteries:	No
Recycler Activity Without Storage:	No
Manifest Broker:	No
Sub-Part P Indicator:	No

Handler - Owner Operator:

Owner/Operator Indicator:	Operator
Owner/Operator Name: MIKE BALDWIN	
Legal Status:	Other
Date Became Current:	Not reported
Date Ended Current:	Not reported
Owner/Operator Address:	1404 W BROADWAY ST
Owner/Operator City,State,Zip:	NEEDLES, CA 92363-2736
Owner/Operator Telephone:	760-505-4876
Owner/Operator Telephone Ext:	Not reported
Owner/Operator Fax:	Not reported
Owner/Operator Email:	Not reported

Owner/Operator Indicator:	Owner
Owner/Operator Name: PREMIER SPORTS LLC	
Legal Status:	Other
Date Became Current:	Not reported
Date Ended Current:	Not reported
Owner/Operator Address:	2256 RIVER CITY DR
Owner/Operator City,State,Zip:	LAUGHLIN, NV 89046
Owner/Operator Telephone:	702-298-5200
Owner/Operator Telephone Ext:	Not reported
Owner/Operator Fax:	Not reported
Owner/Operator Email:	Not reported

Map ID
Direction
Distance
Elevation

MAP FINDINGS

Site

Database(s)

EDR ID Number
EPA ID Number

PREMIER SPORTS LLC (Continued)

1024809300

Historic Generators:

Receive Date: 20040706
Handler Name: PREMIER SPORTS LLC
Federal Waste Generator Description: Not a generator, verified
State District Owner: Not reported
Large Quantity Handler of Universal Waste: No
Recognized Trader Importer: No
Recognized Trader Exporter: No
Spent Lead Acid Battery Importer: No
Spent Lead Acid Battery Exporter: No
Current Record: Yes
Non Storage Recycler Activity: Not reported
Electronic Manifest Broker: Not reported

List of NAICS Codes and Descriptions:

NAICS Code: 71393
NAICS Description: MARINAS

Facility Has Received Notices of Violations:

Violations: No Violations Found

Evaluation Action Summary:

Evaluations: No Evaluations Found

AY358 WELL #11
Target 1274 RIVER RD
Property NEEDLES, CA 92363

FINDS 1023373274
N/A

Site 1 of 2 in cluster AY

Actual: FINDS:
477 ft. Registry ID: 110066712132
Focus Map:
7 [Click Here for FRS Facility Detail Report:](#)

Environmental Interest/Information System:
STATE MASTER

[Click this hyperlink](#) while viewing on your computer to access additional FINDS: detail in the EDR Site Report.

AY359 WELL #11
Target 1274 RIVER RD
Property NEEDLES, CA 92363

San Bern. Co. Permit S106230029
CERS N/A

Site 2 of 2 in cluster AY

Actual: San Bern. Co. Permit:
477 ft. Name: WELL #11
Focus Map: Address: 1274 RIVER RD
7 City,State,Zip: NEEDLES, CA 92363
Region: SAN BERNARDINO
Facility ID: FA0008128
Owner: CITY OF NEEDLES
Permit Number: PT0014376

Map ID
Direction
Distance
Elevation

MAP FINDINGS

Site

Database(s)

EDR ID Number
EPA ID Number

WELL #11 (Continued)

S106230029

Permit Category: HAZARDOUS MATERIALS 1-3 CHEMICALS SPECIAL
Facility Status: ACTIVE
Expiration Date: 03/31/2022

Name: WELL #11
Address: 1274 RIVER RD
City,State,Zip: NEEDLES, CA 92363
Region: SAN BERNARDINO
Facility ID: FA0008128
Owner: CITY OF NEEDLES
Permit Number: PT0014377
Permit Category: CALARP FACILITY PERMIT
Facility Status: INACTIVE
Expiration Date: 03/31/2006

Name: WELL #11
Address: 1274 RIVER RD
City,State,Zip: NEEDLES, CA 92363
Region: SAN BERNARDINO
Facility ID: FA0008128
Owner: CITY OF NEEDLES
Permit Number: PT0017120
Permit Category: EPCRA FACILITY
Facility Status: INACTIVE
Expiration Date: 03/31/2006

Name: WELL #11
Address: 1274 RIVER RD
City,State,Zip: NEEDLES, CA 92363
Region: SAN BERNARDINO
Facility ID: FA0008128
Owner: CITY OF NEEDLES
Permit Number: PT0017121
Permit Category: RMP INSPECTION - PROGRAM 2
Facility Status: INACTIVE
Expiration Date: 03/31/2006

CERS:

Name: WELL #11
Address: 1274 RIVER RD
City,State,Zip: NEEDLES, CA 92363
Site ID: 170736
CERS ID: 10048069
CERS Description: Chemical Storage Facilities

Violations:

Site ID: 170736
Site Name: WELL #11
Violation Date: 11-18-2021
Citation: HSC 6.95 25508.2 - California Health and Safety Code, Chapter 6.95, Section(s) 25508.2
Violation Description: Failure to annually review and electronically certify that the business plan is complete and accurate on or before the annual due date.
Violation Notes: LAST HMBP SUBMITTED VIA CERS OCCURRED ON 02/26/2019. CORRECTIVE ACTION: COMPLY BY REVIEWING AND CERTIFYING THE BUSINESS PLAN ANNUALLY VIA CERS.

Map ID
Direction
Distance
Elevation

MAP FINDINGS

Site

Database(s)

EDR ID Number
EPA ID Number

WELL #11 (Continued)

S106230029

Violation Division: San Bernardino County Fire Department
Violation Program: HMRRP
Violation Source: CERS,

Site ID: 170736
Site Name: WELL #11
Violation Date: 11-18-2021
Citation: HSC 6.95 25508(a)(3) - California Health and Safety Code, Chapter 6.95, Section(s) 25508(a)(3)

Violation Description: Failure to complete and electronically submit hazardous material inventory information for all reportable hazardous materials on site at or above reportable quantities.

Violation Notes: UPDATE THE HAZARD CATEGORIES TO THE NEW HAZARD CATEGORY SYSTEM. CORRECTIVE ACTION: COMPLY BY SUBMITTING AN ACCURATE AND COMPLETE HAZARDOUS MATERIALS INVENTORY VIA CERS.

Violation Division: San Bernardino County Fire Department
Violation Program: HMRRP
Violation Source: CERS,

Evaluation:

Eval General Type: Compliance Evaluation Inspection
Eval Date: 11-18-2021
Violations Found: Yes
Eval Type: Routine done by local agency
Eval Notes: Not reported
Eval Division: San Bernardino County Fire Department
Eval Program: HMRRP
Eval Source: CERS,

Eval General Type: Compliance Evaluation Inspection
Eval Date: 10-15-2015
Violations Found: No
Eval Type: Routine done by local agency
Eval Notes: INSPECTION OF CITY OF NEEDLES/WELL #11.
Eval Division: San Bernardino County Fire Department
Eval Program: HMRRP
Eval Source: CERS,

Eval General Type: Compliance Evaluation Inspection
Eval Date: 10-24-2018
Violations Found: No
Eval Type: Routine done by local agency
Eval Notes: Not reported
Eval Division: San Bernardino County Fire Department
Eval Program: HMRRP
Eval Source: CERS,

Coordinates:

Site ID: 170736
Facility Name: WELL #11
Env Int Type Code: HMBP
Program ID: 10048069
Coord Name: Not reported
Ref Point Type Desc: Unknown,
Latitude: 34.847016
Longitude: -114.606895

Map ID
Direction
Distance
Elevation

MAP FINDINGS

Site

Database(s)

EDR ID Number
EPA ID Number

WELL #11 (Continued)

S106230029

Affiliation:

Affiliation Type Desc: CUPA District
Entity Name: San Bernardino County Fire
Entity Title: Not reported
Affiliation Address: 620 South E Street
Affiliation City: San Bernardino
Affiliation State: CA
Affiliation Country: Not reported
Affiliation Zip: 92415-0153
Affiliation Phone: (909) 386-8401,

Affiliation Type Desc: Document Preparer
Entity Name: Bryan Hickstein
Entity Title: Not reported
Affiliation Address: Not reported
Affiliation City: Not reported
Affiliation State: Not reported
Affiliation Country: Not reported
Affiliation Zip: Not reported
Affiliation Phone: ,

Affiliation Type Desc: Facility Mailing Address
Entity Name: Mailing Address
Entity Title: Not reported
Affiliation Address: 817 THIRD ST
Affiliation City: NEEDLES
Affiliation State: CA
Affiliation Country: Not reported
Affiliation Zip: 92363
Affiliation Phone: ,

Affiliation Type Desc: Operator
Entity Name: Bryan Hickstein
Entity Title: Not reported
Affiliation Address: Not reported
Affiliation City: Not reported
Affiliation State: Not reported
Affiliation Country: Not reported
Affiliation Zip: Not reported
Affiliation Phone: (760) 326-5700,

Affiliation Type Desc: Property Owner
Entity Name: City of Needles
Entity Title: Not reported
Affiliation Address: 817 third St
Affiliation City: NEEDLES
Affiliation State: CA
Affiliation Country: United States
Affiliation Zip: 92363
Affiliation Phone: (760) 326-5700,

Affiliation Type Desc: Identification Signer
Entity Name: Bryan Hicksytein
Entity Title: Chief Operator
Affiliation Address: Not reported
Affiliation City: Not reported
Affiliation State: Not reported

Map ID
 Direction
 Distance
 Elevation

MAP FINDINGS

Site

Database(s)

EDR ID Number
 EPA ID Number

WELL #11 (Continued)

S106230029

Affiliation Country: Not reported
 Affiliation Zip: Not reported
 Affiliation Phone: ,

Affiliation Type Desc: Parent Corporation
 Entity Name: WELL #11
 Entity Title: Not reported
 Affiliation Address: Not reported
 Affiliation City: Not reported
 Affiliation State: Not reported
 Affiliation Country: Not reported
 Affiliation Zip: Not reported
 Affiliation Phone: ,

Affiliation Type Desc: Environmental Contact
 Entity Name: BBryan Hickstein
 Entity Title: Not reported
 Affiliation Address: 817 3RD ST
 Affiliation City: NEEDLES
 Affiliation State: CA
 Affiliation Country: Not reported
 Affiliation Zip: 92363
 Affiliation Phone: ,

Affiliation Type Desc: Legal Owner
 Entity Name: City of Needles
 Entity Title: Not reported
 Affiliation Address: 817 THIRD STREET
 Affiliation City: NEEDLES
 Affiliation State: CA
 Affiliation Country: United States
 Affiliation Zip: 92363-9236
 Affiliation Phone: (760) 326-2113,

AX360 RT-752
Target 34.7147250, -114.4881653
Property NEEDLES, CA 92363

HWTS S128367604
N/A

Site 6 of 7 in cluster AX

Actual: HWTS:
501 ft. Name: RT-752
Focus Map: Address: 34.7147250, -114.4881653
7 Address 2: Not reported
 City,State,Zip: NEEDLES, CA 92363
 EPA ID: CAC003156457
 Inactive Date: 04/12/2022
 Create Date: 01/11/2022
 Last Act Date: Not reported
 Mailing Name: Not reported
 Mailing Address: PO BOX 7640
 Mailing Address 2: Not reported
 Mailing City,State,Zip: SAN FRANCISCO, CA 94120
 Owner Name: PG&E-EPA ID'S
 Owner Address: PO BOX 7640
 Owner Address 2: Not reported
 Owner City,State,Zip: SAN FRANCISCO, CA 94120

Map ID
Direction
Distance
Elevation

MAP FINDINGS

Site

Database(s)

EDR ID Number
EPA ID Number

RT-752 (Continued)

S128367604

Contact Name: SCOTTIE
Contact Address: GEE
Contact Address 2: Not reported
City,State,Zip: BAKERSFIELD, CA 93301
Facility Status: Inactive
Facility Type: TEMPORARY
Category: STATE
Latitude: 34.8419427
Longitude: -114.6113363

AX361 SOUTHERN CALIFORNIA GAS COMPANY L3000 M.P. 15.5
Target 34.680013, -114.732641
Property NEEDLES, CA 92363

HWTS S124942389
N/A

Site 7 of 7 in cluster AX

Actual: 501 ft.
Focus Map: 7

HWTS:
Name: SOUTHERN CALIFORNIA GAS COMPANY L3000 M.P. 15.5
Address: 34.680013, -114.732641
Address 2: Not reported
City,State,Zip: NEEDLES, CA 92363
EPA ID: CAP000289660
Inactive Date: 02/13/2019
Create Date: 11/14/2018
Last Act Date: Not reported
Mailing Name: Not reported
Mailing Address: 8101 S. ROSEMEAD BLVD.
Mailing Address 2: Not reported
Mailing City,State,Zip: PICO RIVERA, CA 90660
Owner Name: SOUTHERN CALIFORNIA GAS COMPANY
Owner Address: 555 W. 5TH STREET
Owner Address 2: Not reported
Owner City,State,Zip: LOS ANGELES, CA 900131011
Contact Name: NANCY LEE
Contact Address: 8101 S. ROSEMEAD BLVD
Contact Address 2: Not reported
City,State,Zip: PICO RIVERA, CA 90660
Facility Status: Inactive
Facility Type: TEMPORARY
Category: FEDERAL
Latitude: 34.8419427
Longitude: -114.6113363

NAICS:
EPA ID: CAP000289660
Create Date: 2018-12-06 14:55:52.873
NAICS Code: 221210
NAICS Description: Not reported
Issued EPA ID Date: 2018-11-14 10:39:27.54700
Inactive Date: 2019-02-13 10:39:27.53000
Facility Name: SOUTHERN CALIFORNIA GAS COMPANY L3000 M.P. 15.5
Facility Address: 34.680013, -114.732641
Facility Address 2: Not reported
Facility City: NEEDLES
Facility County: Not reported
Facility State: CA
Facility Zip: 92363

Map ID
Direction
Distance
Elevation

MAP FINDINGS

Site

Database(s)

EDR ID Number
EPA ID Number

SOUTHERN CALIFORNIA GAS COMPANY L3000 M.P. 15.5 (Continued)

S124942389

EPA ID: CAP000289660
Create Date: 2018-12-06 14:55:52.873
NAICS Code: 221210
NAICS Description: Natural Gas Distribution
Issued EPA ID Date: 2018-11-14 10:39:27.54700
Inactive Date: 2019-02-13 10:39:27.53000
Facility Name: SOUTHERN CALIFORNIA GAS COMPANY L3000 M.P. 15.5
Facility Address: 34.680013, -114.732641
Facility Address 2: Not reported
Facility City: NEEDLES
Facility County: Not reported
Facility State: CA
Facility Zip: 92363

EPA ID: CAP000289660
Create Date: 2018-12-06 14:55:52.873
NAICS Code: 221210
NAICS Description: Natural Gas Distribution
Issued EPA ID Date: 2018-11-14 10:39:27.54700
Inactive Date: 2019-02-13 10:39:27.53000
Facility Name: SOUTHERN CALIFORNIA GAS COMPANY L3000 M.P. 15.5
Facility Address: 34.680013, -114.732641
Facility Address 2: Not reported
Facility City: NEEDLES
Facility County: Not reported
Facility State: CA
Facility Zip: 92363

**AZ362
Target
Property**

**TRI STATE TRUSS CORPORATION
600 RIVER STREET
NEEDLES, CA 92363**

**FINDS 1027173310
N/A**

Site 1 of 6 in cluster AZ

**Actual:
472 ft.**

FINDS:
Registry ID: 110071244642

**Focus Map:
7**

Click Here for FRS Facility Detail Report:

Environmental Interest/Information System:

RCRAInfo is a national information system that supports the Resource Conservation and Recovery Act (RCRA) program through the tracking of events and activities related to facilities that generate, transport, and treat, store, or dispose of hazardous waste. RCRAInfo allows RCRA program staff to track the notification, permit, compliance, and corrective action activities required under RCRA.

Click this hyperlink while viewing on your computer to access additional FINDS: detail in the EDR Site Report.

Map ID
Direction
Distance
Elevation

MAP FINDINGS

Site

Database(s)
EDR ID Number
EPA ID Number

AZ363 **TRI STATE TRUSS CORPORATION**
Target **600 RIVER STREET**
Property **NEEDLES, CA 92363**

HWTS **S128376169**
 N/A

Site 2 of 6 in cluster AZ

Actual: **HWTS:**
472 ft. Name: TRI STATE TRUSS CORPORATION
Focus Map: Address: 600 RIVER STREET
7 Address 2: Not reported
 City,State,Zip: NEEDLES, CA 92363
 EPA ID: CAC003165725
 Inactive Date: Not reported
 Create Date: 03/10/2022
 Last Act Date: Not reported
 Mailing Name: Not reported
 Mailing Address: P.O. BOX 628
 Mailing Address 2: Not reported
 Mailing City,State,Zip: NEEDLES, CA 92363
 Owner Name: RICHARD HUEBNER
 Owner Address: 600 RIVER STREET
 Owner Address 2: Not reported
 Owner City,State,Zip: NEEDLES, CA 92363
 Contact Name: DENNIS HUEBNER
 Contact Address: 600 RIVER STREET
 Contact Address 2: Not reported
 City,State,Zip: NEEDLES, CA 92363
 Facility Status: Active
 Facility Type: TEMPORARY
 Category: STATE
 Latitude: 34.84189236
 Longitude: -114.6006453

AZ364 **TRI STATE TRUSS CORPORATION**
Target **600 RIVER STREET**
Property **NEEDLES, CA 92363**

HWTS **S128376168**
 N/A

Site 3 of 6 in cluster AZ

Actual: **HWTS:**
472 ft. Name: TRI STATE TRUSS CORPORATION
Focus Map: Address: 600 RIVER STREET
7 Address 2: Not reported
 City,State,Zip: NEEDLES, CA 92363
 EPA ID: CAC003165724
 Inactive Date: Not reported
 Create Date: 03/10/2022
 Last Act Date: Not reported
 Mailing Name: Not reported
 Mailing Address: P.O. BOX 628
 Mailing Address 2: Not reported
 Mailing City,State,Zip: NEEDLES, CA 92363
 Owner Name: RICHARD HUEBNER
 Owner Address: 600 RIVER STREET
 Owner Address 2: Not reported
 Owner City,State,Zip: NEEDLES, CA 92363
 Contact Name: DENNIS HUEBNER
 Contact Address: 600 RIVER STREET
 Contact Address 2: Not reported
 City,State,Zip: NEEDLES, CA 92363

Map ID
Direction
Distance
Elevation

MAP FINDINGS

Site

Database(s)

EDR ID Number
EPA ID Number

TRI STATE TRUSS CORPORATION (Continued)

S128376168

Facility Status: Active
Facility Type: TEMPORARY
Category: STATE
Latitude: 34.84189236
Longitude: -114.6006453

AZ365 TRI STATE TRUSS CORPORATION
Target 600 RIVER STREET
Property NEEDLES, CA 92363

ECHO 1027198056
N/A

Site 4 of 6 in cluster AZ

Actual:
472 ft.

ECHO:

Focus Map:
7

Envid: 1027198056
Registry ID: Not reported
DFR URL: <http://echo.epa.gov/detailed-facility-report?fid=CAC003165724>
Name: TRI STATE TRUSS CORPORATION
Address: 600 RIVER STREET
City,State,Zip: NEEDLES, CA 92363

Envid: 1027198056
Registry ID: Not reported
DFR URL: <http://echo.epa.gov/detailed-facility-report?fid=CAC003165725>
Name: TRI STATE TRUSS CORPORATION
Address: 600 RIVER STREET
City,State,Zip: NEEDLES, CA 92363

AZ366 TRI STATE TRUSS CORPORATION
Target 600 RIVER STREET
Property NEEDLES, CA 92363

RCRA NonGen / NLR 1027201882
CAC003165725

Site 5 of 6 in cluster AZ

Actual:
472 ft.

RCRA NonGen / NLR:

Focus Map:
7

Date Form Received by Agency: 20220310
Handler Name: TRI STATE TRUSS CORPORATION
Handler Address: 600 RIVER STREET
Handler City,State,Zip: NEEDLES, CA 92363
EPA ID: CAC003165725
Contact Name: DENNIS HUEBNER
Contact Address: 600 RIVER STREET
Contact City,State,Zip: NEEDLES, CA 92363
Contact Telephone: 760-326-3868
Contact Fax: Not reported
Contact Email: TRISTATETRUSS@FRONTIERNET.NET
Contact Title: Not reported
EPA Region: 09
Land Type: Not reported
Federal Waste Generator Description: Not a generator, verified
Non-Notifier: Not reported
Biennial Report Cycle: Not reported
Accessibility: Not reported
Active Site Indicator: Not reported
State District Owner: Not reported
State District: Not reported
Mailing Address: P.O. BOX 628

Map ID
 Direction
 Distance
 Elevation

MAP FINDINGS

Site

Database(s)

EDR ID Number
 EPA ID Number

TRI STATE TRUSS CORPORATION (Continued)

1027201882

Mailing City,State,Zip:		NEEDLES, CA 92363
Owner Name:	RICHARD HUEBNER	
Owner Type:		Other
Operator Name:	DENNIS HUEBNER	
Operator Type:		Other
Short-Term Generator Activity:		No
Importer Activity:		No
Mixed Waste Generator:		No
Transporter Activity:		No
Transfer Facility Activity:		No
Recycler Activity with Storage:		No
Small Quantity On-Site Burner Exemption:		No
Smelting Melting and Refining Furnace Exemption:		No
Underground Injection Control:		No
Off-Site Waste Receipt:		No
Universal Waste Indicator:		No
Universal Waste Destination Facility:		No
Federal Universal Waste:		No
Active Site Fed-Reg Treatment Storage and Disposal Facility:		Not reported
Active Site Converter Treatment storage and Disposal Facility:		Not reported
Active Site State-Reg Treatment Storage and Disposal Facility:		Not reported
Active Site State-Reg Handler:		---
Federal Facility Indicator:		Not reported
Hazardous Secondary Material Indicator:		N
Sub-Part K Indicator:		Not reported
Commercial TSD Indicator:		No
Treatment Storage and Disposal Type:		Not reported
2018 GPRC Permit Baseline:		Not on the Baseline
2018 GPRC Renewals Baseline:		Not on the Baseline
Permit Renewals Workload Universe:		Not reported
Permit Workload Universe:		Not reported
Permit Progress Universe:		Not reported
Post-Closure Workload Universe:		Not reported
Closure Workload Universe:		Not reported
202 GPRC Corrective Action Baseline:		No
Corrective Action Workload Universe:		No
Subject to Corrective Action Universe:		No
Non-TSDFs Where RCRA CA has Been Imposed Universe:		No
TSDFs Potentially Subject to CA Under 3004 (u)/(v) Universe:		No
TSDFs Only Subject to CA under Discretionary Auth Universe:		No
Corrective Action Priority Ranking:		No NCAPS ranking
Environmental Control Indicator:		No
Institutional Control Indicator:		No
Human Exposure Controls Indicator:		N/A
Groundwater Controls Indicator:		N/A
Operating TSDF Universe:		Not reported
Full Enforcement Universe:		Not reported
Significant Non-Complier Universe:		No
Unaddressed Significant Non-Complier Universe:		No
Addressed Significant Non-Complier Universe:		No
Significant Non-Complier With a Compliance Schedule Universe:		No
Financial Assurance Required:		Not reported
Handler Date of Last Change:		20220311
Recognized Trader-Importer:		No
Recognized Trader-Exporter:		No
Importer of Spent Lead Acid Batteries:		No
Exporter of Spent Lead Acid Batteries:		No

Map ID
Direction
Distance
Elevation

MAP FINDINGS

Site

Database(s)

EDR ID Number
EPA ID Number

TRI STATE TRUSS CORPORATION (Continued)

1027201882

Recycler Activity Without Storage: No
Manifest Broker: No
Sub-Part P Indicator: No

Handler - Owner Operator:

Owner/Operator Indicator: Operator
Owner/Operator Name: DENNIS HUEBNER
Legal Status: Other
Date Became Current: Not reported
Date Ended Current: Not reported
Owner/Operator Address: 600 RIVER STREET
Owner/Operator City,State,Zip: NEEDLES, CA 92363
Owner/Operator Telephone: 760-326-3868
Owner/Operator Telephone Ext: Not reported
Owner/Operator Fax: Not reported
Owner/Operator Email: Not reported

Owner/Operator Indicator: Owner
Owner/Operator Name: RICHARD HUEBNER
Legal Status: Other
Date Became Current: Not reported
Date Ended Current: Not reported
Owner/Operator Address: 600 RIVER STREET
Owner/Operator City,State,Zip: NEEDLES, CA 92363
Owner/Operator Telephone: 760-326-3868
Owner/Operator Telephone Ext: Not reported
Owner/Operator Fax: Not reported
Owner/Operator Email: Not reported

Historic Generators:

Receive Date: 20220310
Handler Name: TRI STATE TRUSS CORPORATION
Federal Waste Generator Description: Not a generator, verified
State District Owner: Not reported
Large Quantity Handler of Universal Waste: No
Recognized Trader Importer: No
Recognized Trader Exporter: No
Spent Lead Acid Battery Importer: No
Spent Lead Acid Battery Exporter: No
Current Record: Yes
Non Storage Recycler Activity: No
Electronic Manifest Broker: No

List of NAICS Codes and Descriptions:

NAICS Code: 321992
NAICS Description: PREFABRICATED WOOD BUILDING MANUFACTURING

Facility Has Received Notices of Violations:

Violations: No Violations Found

Evaluation Action Summary:

Evaluations: No Evaluations Found

Map ID
 Direction
 Distance
 Elevation

MAP FINDINGS

Site

Database(s)

EDR ID Number
 EPA ID Number

AZ367 **TRI STATE TRUSS CORPORATION**
Target **600 RIVER STREET**
Property **NEEDLES, CA 92363**

RCRA NonGen / NLR **1027201881**
CAC003165724

Site 6 of 6 in cluster AZ

Actual:	RCRA NonGen / NLR:	
472 ft.	Date Form Received by Agency:	20220310
Focus Map:	Handler Name:	TRI STATE TRUSS CORPORATION
7	Handler Address:	600 RIVER STREET
	Handler City,State,Zip:	NEEDLES, CA 92363
	EPA ID:	CAC003165724
	Contact Name:	DENNIS HUEBNER
	Contact Address:	600 RIVER STREET
	Contact City,State,Zip:	NEEDLES, CA 92363
	Contact Telephone:	760-326-3868
	Contact Fax:	Not reported
	Contact Email:	TRISTATETRUSS@FRONTIERNET.NET
	Contact Title:	Not reported
	EPA Region:	09
	Land Type:	Not reported
	Federal Waste Generator Description:	Not a generator, verified
	Non-Notifier:	Not reported
	Biennial Report Cycle:	Not reported
	Accessibility:	Not reported
	Active Site Indicator:	Not reported
	State District Owner:	Not reported
	State District:	Not reported
	Mailing Address:	P.O. BOX 628
	Mailing City,State,Zip:	NEEDLES, CA 92363
	Owner Name:	RICHARD HUEBNER
	Owner Type:	Other
	Operator Name:	DENNIS HUEBNER
	Operator Type:	Other
	Short-Term Generator Activity:	No
	Importer Activity:	No
	Mixed Waste Generator:	No
	Transporter Activity:	No
	Transfer Facility Activity:	No
	Recycler Activity with Storage:	No
	Small Quantity On-Site Burner Exemption:	No
	Smelting Melting and Refining Furnace Exemption:	No
	Underground Injection Control:	No
	Off-Site Waste Receipt:	No
	Universal Waste Indicator:	No
	Universal Waste Destination Facility:	No
	Federal Universal Waste:	No
	Active Site Fed-Reg Treatment Storage and Disposal Facility:	Not reported
	Active Site Converter Treatment storage and Disposal Facility:	Not reported
	Active Site State-Reg Treatment Storage and Disposal Facility:	Not reported
	Active Site State-Reg Handler:	---
	Federal Facility Indicator:	Not reported
	Hazardous Secondary Material Indicator:	N
	Sub-Part K Indicator:	Not reported
	Commercial TSD Indicator:	No
	Treatment Storage and Disposal Type:	Not reported
	2018 GPRA Permit Baseline:	Not on the Baseline
	2018 GPRA Renewals Baseline:	Not on the Baseline
	Permit Renewals Workload Universe:	Not reported

Map ID
 Direction
 Distance
 Elevation

MAP FINDINGS

Site

Database(s)

EDR ID Number
 EPA ID Number

TRI STATE TRUSS CORPORATION (Continued)

1027201881

Permit Workload Universe:	Not reported
Permit Progress Universe:	Not reported
Post-Closure Workload Universe:	Not reported
Closure Workload Universe:	Not reported
202 GPRA Corrective Action Baseline:	No
Corrective Action Workload Universe:	No
Subject to Corrective Action Universe:	No
Non-TSDFs Where RCRA CA has Been Imposed Universe:	No
TSDFs Potentially Subject to CA Under 3004 (u)/(v) Universe:	No
TSDFs Only Subject to CA under Discretionary Auth Universe:	No
Corrective Action Priority Ranking:	No NCAPS ranking
Environmental Control Indicator:	No
Institutional Control Indicator:	No
Human Exposure Controls Indicator:	N/A
Groundwater Controls Indicator:	N/A
Operating TSDF Universe:	Not reported
Full Enforcement Universe:	Not reported
Significant Non-Complier Universe:	No
Unaddressed Significant Non-Complier Universe:	No
Addressed Significant Non-Complier Universe:	No
Significant Non-Complier With a Compliance Schedule Universe:	No
Financial Assurance Required:	Not reported
Handler Date of Last Change:	20220311
Recognized Trader-Importer:	No
Recognized Trader-Exporter:	No
Importer of Spent Lead Acid Batteries:	No
Exporter of Spent Lead Acid Batteries:	No
Recycler Activity Without Storage:	No
Manifest Broker:	No
Sub-Part P Indicator:	No

Handler - Owner Operator:

Owner/Operator Indicator:	Owner
Owner/Operator Name: RICHARD HUEBNER	
Legal Status:	Other
Date Became Current:	Not reported
Date Ended Current:	Not reported
Owner/Operator Address:	600 RIVER STREET
Owner/Operator City,State,Zip:	NEEDLES, CA 92363
Owner/Operator Telephone:	760-326-3868
Owner/Operator Telephone Ext:	Not reported
Owner/Operator Fax:	Not reported
Owner/Operator Email:	Not reported

Owner/Operator Indicator:	Operator
Owner/Operator Name: DENNIS HUEBNER	
Legal Status:	Other
Date Became Current:	Not reported
Date Ended Current:	Not reported
Owner/Operator Address:	600 RIVER STREET
Owner/Operator City,State,Zip:	NEEDLES, CA 92363
Owner/Operator Telephone:	760-326-3868
Owner/Operator Telephone Ext:	Not reported
Owner/Operator Fax:	Not reported
Owner/Operator Email:	Not reported

Map ID
Direction
Distance
Elevation

MAP FINDINGS

Site

Database(s)

EDR ID Number
EPA ID Number

TRI STATE TRUSS CORPORATION (Continued)

1027201881

Historic Generators:

Receive Date: 20220310
Handler Name: TRI STATE TRUSS CORPORATION
Federal Waste Generator Description: Not a generator, verified
State District Owner: Not reported
Large Quantity Handler of Universal Waste: No
Recognized Trader Importer: No
Recognized Trader Exporter: No
Spent Lead Acid Battery Importer: No
Spent Lead Acid Battery Exporter: No
Current Record: Yes
Non Storage Recycler Activity: No
Electronic Manifest Broker: No

List of NAICS Codes and Descriptions:

NAICS Code: 321992
NAICS Description: PREFABRICATED WOOD BUILDING MANUFACTURING

Facility Has Received Notices of Violations:

Violations: No Violations Found

Evaluation Action Summary:

Evaluations: No Evaluations Found

368 **BIG BEAR AMERICAN MADE CHOPPERS**
Target **421 FAIRWAY ST**
Property **BIG BEAR CITY, CA 92314**

San Bern. Co. Permit **S106911468**
N/A

San Bern. Co. Permit:

Actual: Name: BIG BEAR AMERICAN MADE CHOPPERS
476 ft. Address: 421 FAIRWAY ST
City,State,Zip: BIG BEAR CITY, CA 92314
Focus Map: Region: SAN BERNARDINO
7 Facility ID: FA0009856
Owner: BIG BEAR AMERICAN MADE CHOPPER
Permit Number: PT0016754
Permit Category: HAZMAT HANDLER 26-50 EMPLOYEES (W/GEN PRMT)
Facility Status: INACTIVE
Expiration Date: 05/31/2006

BA369 **CANNABIS DISPENSARY FACILITY**
Target **1312 WEST BROADWAY STREET**
Property **NEEDLES, CA 92363**

NPDES **S127776957**
N/A

Site 1 of 2 in cluster BA

Actual: NPDES:
498 ft. Name: CANNABIS DISPENSARY FACILITY
Focus Map: Address: 1312 WEST BROADWAY STREET
7 City,State,Zip: NEEDLES, CA 92363
Facility Status: Not reported
NPDES Number: Not reported
Region: Not reported

Map ID
 Direction
 Distance
 Elevation

MAP FINDINGS

Site

Database(s)

EDR ID Number
 EPA ID Number

CANNABIS DISPENSARY FACILITY (Continued)

S127776957

Agency Number: Not reported
 Regulatory Measure ID: Not reported
 Place ID: Not reported
 Order Number: Not reported
 WDID: 7 36W005091
 Regulatory Measure Type: Construction
 Program Type: Not reported
 Adoption Date Of Regulatory Measure: Not reported
 Effective Date Of Regulatory Measure: Not reported
 Termination Date Of Regulatory Measure: Not reported
 Expiration Date Of Regulatory Measure: Not reported
 Discharge Address: Not reported
 Discharge Name: Not reported
 Discharge City: Not reported
 Discharge State: Not reported
 Discharge Zip: Not reported
 Status: Expired
 Status Date: 11/30/2021
 Operator Name: MRA Enterprises
 Operator Address: 1312 broadway
 Operator City: needles
 Operator State: California
 Operator Zip: 92363

370
Target 826 BEACH DR
Property NEEDLES, CA

ERNS 2017179475
 N/A

[Click this hyperlink](#) while viewing on your computer to access additional ERNS detail in the EDR Site Report.

Actual:
 477 ft.
Focus Map:
 7

BB371 GRISWOLD ENTERPRISES
Target 119 I ST
Property NEEDLES, CA 92362

HIST UST U001575225
 N/A

Site 1 of 2 in cluster BB

Actual: HIST UST:
 489 ft. Name: GRISWOLD ENTERPRISES
Focus Map: Address: 119 I ST
 7 City,State,Zip: NEEDLES, CA 92362
 File Number: 0002A518
 URL: <http://geotracker.waterboards.ca.gov/ustpdfs/pdf/0002A518.pdf>
 Region: STATE
 Facility ID: 00000012527
 Facility Type: Other
 Other Type: WAREHOUSE
 Contact Name: SUPERVISOR
 Telephone: 6193262333
 Owner Name: ROBERT S GRISWOLD INDIVIDUAL
 Owner Address: 19038 ALLEGHENY RD
 Owner City,St,Zip: APPLE VALLEY, CA 92307

Map ID
Direction
Distance
Elevation

MAP FINDINGS

Site

Database(s)

EDR ID Number
EPA ID Number

GRISWOLD ENTERPRISES (Continued)

U001575225

Total Tanks: 0001
Tank Num: 001
Container Num: 1
Year Installed: Not reported
Tank Capacity: 00000550
Tank Used for: PRODUCT
Type of Fuel: REGULAR
Container Construction Thickness: 1/4
Leak Detection: Stock Inventor

[Click here for Geo Tracker PDF:](#)

BA372
Target
Property

WEST BROADWAY AND J STREET
NEEDLES, CA 92363

CHMIRS S120834007
N/A

Site 2 of 2 in cluster BA

Actual:
499 ft.
Focus Map:
7

CHMIRS:
Name: Not reported
Address: WEST BROADWAY AND J STREET
City,State,Zip: NEEDLES, CA 92363
OES Incident Number: 17-2594
OES notification: 04/05/2017
OES Date: Not reported
OES Time: Not reported
Date Completed: Not reported
Property Use: Not reported
Agency Id Number: Not reported
Agency Incident Number: Not reported
Time Notified: Not reported
Time Completed: Not reported
Surrounding Area: Not reported
Estimated Temperature: Not reported
Property Management: Not reported
More Than Two Substances Involved?: Not reported
Resp Agncy Personel # Of Decontaminated: Not reported
Responding Agency Personel # Of Injuries: Not reported
Responding Agency Personel # Of Fatalities: Not reported
Others Number Of Decontaminated: Not reported
Others Number Of Injuries: Not reported
Others Number Of Fatalities: Not reported
Vehicle Make/year: Not reported
Vehicle License Number: Not reported
Vehicle State: Not reported
Vehicle Id Number: Not reported
CA DOT PUC/ICC Number: Not reported
Company Name: Not reported
Reporting Officer Name/ID: Not reported
Report Date: Not reported
Facility Telephone: Not reported
Waterway Involved: No
Waterway: Not reported
Spill Site: Merchant/Business
Cleanup By: Unrecoverable
Containment: Not reported
What Happened: Not reported

Map ID
 Direction
 Distance
 Elevation

MAP FINDINGS

Site

Database(s)

EDR ID Number
 EPA ID Number

(Continued)

S120834007

Type:	Not reported
Measure:	Not reported
Other:	Not reported
Type:	VAPOR
Measure:	Unknown
Other:	Not reported
Date/Time:	847
Year:	2017
Agency:	Southwest Gas
Incident Date:	04/05/2017
Admin Agency:	San Bernardino County Fire Department
Amount:	Not reported
Contained:	No
Site Type:	Not reported
E Date:	Not reported
Substance:	Natural Gas
Quantity Released:	Unk
Unknown:	Not reported
Substance #2:	Not reported
Substance #3:	Not reported
Evacuations:	3
Number of Injuries:	Not reported
Number of Fatalities:	Not reported
#1 Pipeline:	No
#2 Pipeline:	No
#3 Pipeline:	No
#1 Vessel >= 300 Tons:	No
#2 Vessel >= 300 Tons:	No
#3 Vessel >= 300 Tons:	No
Evacs:	Yes
Injuries:	No
Fatals:	No
Comments:	Not reported
Description:	Caller stated that they have a release of an unknown amount of Natural Gas due to line break caused by a contractor resulting in the release venting into the atmosphere and becoming unrecoverable, release is ongoing, repair crews have arrived on scene and estimated time of containment is 30 minutes. West Broadway and J Street are closed while containment is conducted.

BB373 PG&E - TOPOCK REMEDIAL ACTION
Target I-40 & PARK MOABI RD (WEST OF PARK MOABI RD ON NATIONAL TRAI
Property NEEDLES, CA 92363

CERS S123522276
N/A

Site 2 of 2 in cluster BB

Actual:	CERS:	
492 ft.	Name:	PG&E - TOPOCK REMEDIAL ACTION
Focus Map:	Address:	I-40 & PARK MOABI RD (WEST OF PARK MOABI RD ON NATIONAL TRAILS HWY)
7	City,State,Zip:	NEEDLES, CA 92363
	Site ID:	444038
	CERS ID:	10773724
	CERS Description:	Chemical Storage Facilities
	Evaluation:	
	Eval General Type:	Compliance Evaluation Inspection

Map ID
Direction
Distance
Elevation

MAP FINDINGS

Site

Database(s)

EDR ID Number
EPA ID Number

PG&E - TOPOCK REMEDIAL ACTION (Continued)

S123522276

Eval Date: 02-11-2021
Violations Found: No
Eval Type: Routine done by local agency
Eval Notes: Not reported
Eval Division: San Bernardino County Fire Department
Eval Program: HMRRP
Eval Source: CERS,

Affiliation:

Affiliation Type Desc: CUPA District
Entity Name: San Bernardino County Fire
Entity Title: Not reported
Affiliation Address: 620 South E Street
Affiliation City: San Bernardino
Affiliation State: CA
Affiliation Country: Not reported
Affiliation Zip: 92415-0153
Affiliation Phone: (909) 386-8401,

Affiliation Type Desc: Environmental Contact
Entity Name: Valeri Hirst
Entity Title: Not reported
Affiliation Address: 35863 Fairview Road
Affiliation City: Hinkley
Affiliation State: CA
Affiliation Country: Not reported
Affiliation Zip: 92347
Affiliation Phone: ,

Affiliation Type Desc: Legal Owner
Entity Name: Pacific Gas & Electric Company
Entity Title: Not reported
Affiliation Address: c/o Environmental Services, 3401 Crow Canyon Road
Affiliation City: San Ramon
Affiliation State: CA
Affiliation Country: United States
Affiliation Zip: 94583
Affiliation Phone: (415) 973-7000,

Affiliation Type Desc: Document Preparer
Entity Name: VALERI HIRST
Entity Title: Not reported
Affiliation Address: Not reported
Affiliation City: Not reported
Affiliation State: Not reported
Affiliation Country: Not reported
Affiliation Zip: Not reported
Affiliation Phone: ,

Affiliation Type Desc: Identification Signer
Entity Name: Isabella Johannes
Entity Title: Manager, Water Quality & HazMat Programs
Affiliation Address: Not reported
Affiliation City: Not reported
Affiliation State: Not reported
Affiliation Country: Not reported
Affiliation Zip: Not reported

Map ID
Direction
Distance
Elevation

MAP FINDINGS

Site

Database(s)

EDR ID Number
EPA ID Number

PG&E - TOPOCK REMEDIAL ACTION (Continued)

S123522276

Affiliation Phone: ,

Affiliation Type Desc: Parent Corporation
Entity Name: PG&E
Entity Title: Not reported
Affiliation Address: Not reported
Affiliation City: Not reported
Affiliation State: Not reported
Affiliation Country: Not reported
Affiliation Zip: Not reported
Affiliation Phone: ,

Affiliation Type Desc: Facility Mailing Address
Entity Name: Mailing Address
Entity Title: Not reported
Affiliation Address: PO Box 7640
Affiliation City: San Francisco
Affiliation State: CA
Affiliation Country: Not reported
Affiliation Zip: 94120
Affiliation Phone: ,

Affiliation Type Desc: Operator
Entity Name: Pacific Gas & Electric Company
Entity Title: Not reported
Affiliation Address: Not reported
Affiliation City: Not reported
Affiliation State: Not reported
Affiliation Country: Not reported
Affiliation Zip: Not reported
Affiliation Phone: (760) 485-0132,

Affiliation Type Desc: Property Owner
Entity Name: Bureau of Reclamation, Attn: Jeff Smith
Entity Title: Not reported
Affiliation Address: PO Box 61470 (Att: LC 2640)
Affiliation City: Boulder City
Affiliation State: NV
Affiliation Country: United States
Affiliation Zip: 89006
Affiliation Phone: (702) 293-8060,

BC374 13219 SAN BERNARDINO COUNTY FIRE DEPARTMENT
Target 1219 BROADWAY
Property NEEDLES, CA 92363

FINDS 1014673057
N/A

Site 1 of 14 in cluster BC

Actual: FINDS:
498 ft. Registry ID: 110043343557

Focus Map:
7 [Click Here for FRS Facility Detail Report:](#)

Environmental Interest/Information System:
LEAKING UNDERGROUND STORAGE TANK - ARRA

Map ID
 Direction
 Distance
 Elevation

MAP FINDINGS

Site

Database(s)

EDR ID Number
 EPA ID Number

13219 SAN BERNARDINO COUNTY FIRE DEPARTMENT (Continued)

1014673057

[Click this hyperlink](#) while viewing on your computer to access additional FINDS: detail in the EDR Site Report.

375 SHIPCO TRANSPORT INC
Target 5TH AND L ST/OFF FWY 215
Property SAN BERNARDINO, CA 90000

HWTS S124548768
N/A

HWTS:

Actual: 551 ft.	Name:	SHIPCO TRANSPORT INC
	Address:	5TH AND L ST/OFF FWY 215
	Address 2:	Not reported
Focus Map: 6	City,State,Zip:	SAN BERNARDINO, CA 90000
	EPA ID:	CAC001066200
	Inactive Date:	10/25/2000
	Create Date:	05/15/1997
	Last Act Date:	Not reported
	Mailing Name:	Not reported
	Mailing Address:	101 W WALNUT ST
	Mailing Address 2:	Not reported
	Mailing City,State,Zip:	GARDENA, CA 902480000
	Owner Name:	SHIPCO TRANSPORT INC
	Owner Address:	101 W WALNUT ST
	Owner Address 2:	Not reported
	Owner City,State,Zip:	GARDENA, CA 902480000
	Contact Name:	AIDEE GAMINO
	Contact Address:	101 W WALNUT ST
	Contact Address 2:	Not reported
	City,State,Zip:	GARDENA, CA 902480000
	Facility Status:	Inactive
	Facility Type:	TEMPORARY
	Category:	STATE
	Latitude:	34.841124
	Longitude:	-114.613362

376 FRONTIER - GC# 714
Target RIO MESA/ARIZONA STREET
Property BIG RIVER, CA 92242

EMI S124454208
CERS N/A

EMI:

Actual: 579 ft.	Name:	FRONTIER - GC# 714
	Address:	RIO MESA/ARIZONA STREET
	City,State,Zip:	BIG RIVER, CA 92242
Focus Map: 6	Year:	2017
	County Code:	36
	Air Basin:	MD
	Facility ID:	227802737
	Air District Name:	MOJ
	SIC Code:	4813
	Air District Name:	MOJAVE DESERT AQMD
	Community Health Air Pollution Info System:	Not reported
	Consolidated Emission Reporting Rule:	Not reported
	Total Organic Hydrocarbon Gases Tons/Yr:	0.027296831364
	Reactive Organic Gases Tons/Yr:	0.002541335
	Carbon Monoxide Emissions Tons/Yr:	0.050149019
	NOX - Oxides of Nitrogen Tons/Yr:	0.017450504
	SOX - Oxides of Sulphur Tons/Yr:	0.000118596

Map ID
Direction
Distance
Elevation

MAP FINDINGS

Site

Database(s)

EDR ID Number
EPA ID Number

FRONTIER - GC# 714 (Continued)

S124454208

Particulate Matter Tons/Yr: 1.7002012072e-005
Part. Matter 10 Micrometers and Smlr Tons/Yr:1.69e-005

Name: FRONTIER - GC# 714
Address: RIO MESA/ARIZONA STREET
City,State,Zip: BIG RIVER, CA 92242
Year: 2018
County Code: 36
Air Basin: MD
Facility ID: 2737
Air District Name: MOJ
SIC Code: 4813
Air District Name: MOJAVE DESERT AQMD
Community Health Air Pollution Info System: Not reported
Consolidated Emission Reporting Rule: Not reported
Total Organic Hydrocarbon Gases Tons/Yr: 0.027296831364
Reactive Organic Gases Tons/Yr: 0.002541335
Carbon Monoxide Emissions Tons/Yr: 0.050149019
NOX - Oxides of Nitrogen Tons/Yr: 0.017450504
SOX - Oxides of Sulphur Tons/Yr: 0.000118596
Particulate Matter Tons/Yr: 1.7002012072e-005
Part. Matter 10 Micrometers and Smlr Tons/Yr:1.69e-005

Name: FRONTIER - GC# 714
Address: RIO MESA/ARIZONA STREET
City,State,Zip: BIG RIVER, CA 92242
Year: 2019
County Code: 36
Air Basin: MD
Facility ID: 2737
Air District Name: MOJ
SIC Code: 4813
Air District Name: MOJAVE DESERT AQMD
Community Health Air Pollution Info System: Not reported
Consolidated Emission Reporting Rule: Not reported
Total Organic Hydrocarbon Gases Tons/Yr: 0.00075187969925
Reactive Organic Gases Tons/Yr: 7e-005
Carbon Monoxide Emissions Tons/Yr: 0.00102
NOX - Oxides of Nitrogen Tons/Yr: 0.00079
SOX - Oxides of Sulphur Tons/Yr: 0
Particulate Matter Tons/Yr: 1.0060362173e-005
Part. Matter 10 Micrometers and Smlr Tons/Yr:1e-005

CERS:

Name: FRONTIER - GC# 714
Address: RIO MESA/ARIZONA STREET
City,State,Zip: BIG RIVER, CA 92242
Site ID: 565275
CERS ID: 110058347301
CERS Description: US EPA Air Emission Inventory System (EIS)

Map ID
 Direction
 Distance
 Elevation

MAP FINDINGS

Site

Database(s)

EDR ID Number
 EPA ID Number

BC377 SHELL MINIMART
Target 1219 BROADWAY
Property NEEDLES, CA 92363

HIST CORTESE S104548902
N/A

Site 2 of 14 in cluster BC

Actual: HIST CORTESE:
496 ft. edr_fname: SHELL MINIMART
Focus Map: edr_fadd1: 1219 BROADWAY
7 City,State,Zip: NEEDLES, CA 92363
 Region: CORTESE
 Facility County Code: 36
 Reg By: LTNKA
 Reg Id: 7T2363022

BC378 NEEDLESS GAS
Target 1219 W BROADWAY ST
Property NEEDLES, CA 92363

RCRA NonGen / NLR 1024860962
CAL000429421

Site 3 of 14 in cluster BC

Actual: RCRA NonGen / NLR:
500 ft. Date Form Received by Agency: 20170724
Focus Map: Handler Name: NEEDLESS GAS
7 Handler Address: 1219 W BROADWAY ST
 Handler City,State,Zip: NEEDLES, CA 92363
 EPA ID: CAL000429421
 Contact Name: SARMAD BIDI OWNER
 Contact Address: 1219 W BROADWAY ST
 Contact City,State,Zip: NEEDLES, CA 92363
 Contact Telephone: 619-726-3080
 Contact Fax: Not reported
 Contact Email: SAM_ZORA@YAHOO.COM
 Contact Title: Not reported
 EPA Region: 09
 Land Type: Not reported
 Federal Waste Generator Description: Not a generator, verified
 Non-Notifier: Not reported
 Biennial Report Cycle: Not reported
 Accessibility: Not reported
 Active Site Indicator: Handler Activities
 State District Owner: Not reported
 State District: Not reported
 Mailing Address: 1219 W BROADWAY ST
 Mailing City,State,Zip: NEEDLES, CA 92363
 Owner Name: SARMAD SAEED BIDI
 Owner Type: Other
 Operator Name: SARMAD BIDI OWNER
 Operator Type: Other
 Short-Term Generator Activity: No
 Importer Activity: No
 Mixed Waste Generator: No
 Transporter Activity: No
 Transfer Facility Activity: No
 Recycler Activity with Storage: No
 Small Quantity On-Site Burner Exemption: No
 Smelting Melting and Refining Furnace Exemption: No
 Underground Injection Control: No
 Off-Site Waste Receipt: No
 Universal Waste Indicator: Yes

Map ID
 Direction
 Distance
 Elevation

MAP FINDINGS

Site

Database(s)

EDR ID Number
 EPA ID Number

NEEDLESS GAS (Continued)

1024860962

Universal Waste Destination Facility:	Yes
Federal Universal Waste:	No
Active Site Fed-Reg Treatment Storage and Disposal Facility:	Not reported
Active Site Converter Treatment storage and Disposal Facility:	Not reported
Active Site State-Reg Treatment Storage and Disposal Facility:	Not reported
Active Site State-Reg Handler:	---
Federal Facility Indicator:	Not reported
Hazardous Secondary Material Indicator:	N
Sub-Part K Indicator:	Not reported
Commercial TSD Indicator:	No
Treatment Storage and Disposal Type:	Not reported
2018 GPRA Permit Baseline:	Not on the Baseline
2018 GPRA Renewals Baseline:	Not on the Baseline
Permit Renewals Workload Universe:	Not reported
Permit Workload Universe:	Not reported
Permit Progress Universe:	Not reported
Post-Closure Workload Universe:	Not reported
Closure Workload Universe:	Not reported
202 GPRA Corrective Action Baseline:	No
Corrective Action Workload Universe:	No
Subject to Corrective Action Universe:	No
Non-TSDs Where RCRA CA has Been Imposed Universe:	No
TSDs Potentially Subject to CA Under 3004 (u)/(v) Universe:	No
TSDs Only Subject to CA under Discretionary Auth Universe:	No
Corrective Action Priority Ranking:	No NCAPS ranking
Environmental Control Indicator:	No
Institutional Control Indicator:	No
Human Exposure Controls Indicator:	N/A
Groundwater Controls Indicator:	N/A
Operating TSDF Universe:	Not reported
Full Enforcement Universe:	Not reported
Significant Non-Complier Universe:	No
Unaddressed Significant Non-Complier Universe:	No
Addressed Significant Non-Complier Universe:	No
Significant Non-Complier With a Compliance Schedule Universe:	No
Financial Assurance Required:	Not reported
Handler Date of Last Change:	20180907
Recognized Trader-Importer:	No
Recognized Trader-Exporter:	No
Importer of Spent Lead Acid Batteries:	No
Exporter of Spent Lead Acid Batteries:	No
Recycler Activity Without Storage:	No
Manifest Broker:	No
Sub-Part P Indicator:	No

Handler - Owner Operator:

Owner/Operator Indicator:	Operator
Owner/Operator Name: SARMAD BIDI OWNER	
Legal Status:	Other
Date Became Current:	Not reported
Date Ended Current:	Not reported
Owner/Operator Address:	1219 W BROADWAY ST
Owner/Operator City,State,Zip:	NEEDLES, CA 92363
Owner/Operator Telephone:	619-726-3080
Owner/Operator Telephone Ext:	Not reported
Owner/Operator Fax:	Not reported

Map ID
Direction
Distance
Elevation

MAP FINDINGS

Site

Database(s)

EDR ID Number
EPA ID Number

NEEDLESS GAS (Continued)

1024860962

Owner/Operator Email: Not reported

Owner/Operator Indicator: Owner

Owner/Operator Name: SARMAD SAEED BIDI

Legal Status: Other

Date Became Current: Not reported

Date Ended Current: Not reported

Owner/Operator Address: 30828 HIGHLAND VISTA CIR

Owner/Operator City,State,Zip: TEMECULA, CA 92591

Owner/Operator Telephone: 619-726-3080

Owner/Operator Telephone Ext: Not reported

Owner/Operator Fax: Not reported

Owner/Operator Email: Not reported

Historic Generators:

Receive Date: 20170724

Handler Name: NEEDLESS GAS

Federal Waste Generator Description: Not a generator, verified

State District Owner: Not reported

Large Quantity Handler of Universal Waste: No

Recognized Trader Importer: No

Recognized Trader Exporter: No

Spent Lead Acid Battery Importer: No

Spent Lead Acid Battery Exporter: No

Current Record: Yes

Non Storage Recycler Activity: Not reported

Electronic Manifest Broker: Not reported

List of NAICS Codes and Descriptions:

NAICS Code: 44719

NAICS Description: OTHER GASOLINE STATIONS

Facility Has Received Notices of Violations:

Violations: No Violations Found

Evaluation Action Summary:

Evaluations: No Evaluations Found

BC379 **NEEDLES GAS**
Target **1219 WEST BROADWAY STREET**
Property **NEEDLES, CA 92363**

EMI **S124454442**
N/A

Site 4 of 14 in cluster BC

Actual: **EMI:**
500 ft. Name: NEEDLES GAS
Focus Map: Address: 1219 WEST BROADWAY STREET
7 City,State,Zip: NEEDLES, CA 92363
Year: 2017
County Code: 36
Air Basin: MD
Facility ID: 234603630
Air District Name: MOJ
SIC Code: 5541
Air District Name: MOJAVE DESERT AQMD

Map ID
Direction
Distance
Elevation

MAP FINDINGS

Site

Database(s)

EDR ID Number
EPA ID Number

NEEDLES GAS (Continued)

S124454442

Community Health Air Pollution Info System: Not reported
Consolidated Emission Reporting Rule: Not reported
Total Organic Hydrocarbon Gases Tons/Yr: 0.03912472
Reactive Organic Gases Tons/Yr: 0.03912472
Carbon Monoxide Emissions Tons/Yr: Not reported
NOX - Oxides of Nitrogen Tons/Yr: Not reported
SOX - Oxides of Sulphur Tons/Yr: Not reported
Particulate Matter Tons/Yr: Not reported
Part. Matter 10 Micrometers and Smllr Tons/Yr:Not reported

Name: NEEDLES GAS
Address: 1219 WEST BROADWAY STREET
City,State,Zip: NEEDLES, CA 92363
Year: 2018
County Code: 36
Air Basin: MD
Facility ID: 3630
Air District Name: MOJ
SIC Code: 5541
Air District Name: MOJAVE DESERT AQMD
Community Health Air Pollution Info System: Not reported
Consolidated Emission Reporting Rule: Not reported
Total Organic Hydrocarbon Gases Tons/Yr: 0.036
Reactive Organic Gases Tons/Yr: 0.036
Carbon Monoxide Emissions Tons/Yr: Not reported
NOX - Oxides of Nitrogen Tons/Yr: Not reported
SOX - Oxides of Sulphur Tons/Yr: Not reported
Particulate Matter Tons/Yr: Not reported
Part. Matter 10 Micrometers and Smllr Tons/Yr:Not reported

Name: NEEDLES GAS
Address: 1219 WEST BROADWAY STREET
City,State,Zip: NEEDLES, CA 92363
Year: 2019
County Code: 36
Air Basin: MD
Facility ID: 3630
Air District Name: MOJ
SIC Code: 5541
Air District Name: MOJAVE DESERT AQMD
Community Health Air Pollution Info System: Not reported
Consolidated Emission Reporting Rule: Not reported
Total Organic Hydrocarbon Gases Tons/Yr: 0.007
Reactive Organic Gases Tons/Yr: 0.007
Carbon Monoxide Emissions Tons/Yr: Not reported
NOX - Oxides of Nitrogen Tons/Yr: Not reported
SOX - Oxides of Sulphur Tons/Yr: Not reported
Particulate Matter Tons/Yr: Not reported
Part. Matter 10 Micrometers and Smllr Tons/Yr:Not reported

MAP FINDINGS

Map ID			EDR ID Number
Direction			EPA ID Number
Distance			
Elevation	Site	Database(s)	

BC380	J STREET VALERO	FINDS	1023215528
Target	1219 W BROADWAY		N/A
Property	NEEDLES, CA 92363		

Site 5 of 14 in cluster BC

Actual: FINDS:
500 ft. Registry ID: 110065012872

Focus Map:
7 [Click Here for FRS Facility Detail Report:](#)
 Environmental Interest/Information System:
 STATE MASTER

[Click this hyperlink](#) while viewing on your computer to access additional FINDS: detail in the EDR Site Report.

BC381	NEEDLESS GAS	FINDS	1024640047
Target	1219 W BROADWAY ST		N/A
Property	NEEDLES, CA 92363		

Site 6 of 14 in cluster BC

Actual: FINDS:
500 ft. Registry ID: 110070428434

Focus Map:
7 [Click Here for FRS Facility Detail Report:](#)
 Environmental Interest/Information System:
 AIR EMISSIONS CLASSIFICATION UNKNOWN
 RCRAInfo is a national information system that supports the Resource Conservation and Recovery Act (RCRA) program through the tracking of events and activities related to facilities that generate, transport, and treat, store, or dispose of hazardous waste. RCRAInfo allows RCRA program staff to track the notification, permit, compliance, and corrective action activities required under RCRA.

[Click this hyperlink](#) while viewing on your computer to access additional FINDS: detail in the EDR Site Report.

BC382	NEEDLES AMERICAN GAS	UST	U004264065
Target	1219 W. BROADWAY STREET		N/A
Property	NEEDLES, CA 92363		

Site 7 of 14 in cluster BC

Actual: UST:
500 ft. Name: NEEDLES AMERICAN GAS

Focus Map: Address: 1219 W. BROADWAY STREET
7 City,State,Zip: NEEDLES, CA 92363-2705
 Facility ID: FA0009829
 Permitting Agency: San Bernardino County Fire Department
 CERSID: 10050379
 Latitude: 34.840897
 Longitude: -114.609947

Map ID
Direction
Distance
Elevation

MAP FINDINGS

Site

Database(s)

EDR ID Number
EPA ID Number

BC383 **NEEDLES AMERICAN GAS**
Target **1219 W. BROADWAY STREET**
Property **NEEDLES, CA 92363**

CERS HAZ WASTE **S121309762**
CERS TANKS **N/A**
San Bern. Co. Permit
CERS
HWTS

Site 8 of 14 in cluster BC

Actual:
500 ft.

Focus Map:
7

CERS HAZ WASTE:
Name: **NEEDLES AMERICAN GAS**
Address: **1219 W. BROADWAY STREET**
City,State,Zip: **NEEDLES, CA 92363-2705**
Site ID: **395289**
CERS ID: **10050379**
CERS Description: **Hazardous Waste Generator**

CERS TANKS:
Name: **NEEDLES AMERICAN GAS**
Address: **1219 W. BROADWAY STREET**
City,State,Zip: **NEEDLES, CA 92363-2705**
Site ID: **395289**
CERS ID: **10050379**
CERS Description: **Underground Storage Tank**

San Bern. Co. Permit:

Name: **NEEDLES AMERICAN GAS**
Address: **1219 W BROADWAY ST**
City,State,Zip: **NEEDLES, CA 92363**
Region: **SAN BERNARDINO**
Facility ID: **FA0009829**
Owner: **SUNOIL RETAIL GROUP INC**
Permit Number: **PT0017392**
Permit Category: **HAZMAT HANDLER, UST ONLY - PER YEAR**
Facility Status: **ACTIVE**
Expiration Date: **05/31/2022**

Name: **NEEDLES AMERICAN GAS**
Address: **1219 W BROADWAY ST**
City,State,Zip: **NEEDLES, CA 92363**
Region: **SAN BERNARDINO**
Facility ID: **FA0009829**
Owner: **SUNOIL RETAIL GROUP INC**
Permit Number: **PT0020412**
Permit Category: **WASTE INCIDENTAL UST OPERATION ONLY -PER YEAR**
Facility Status: **ACTIVE**
Expiration Date: **05/31/2022**

Name: **NEEDLES AMERICAN GAS**
Address: **1219 W BROADWAY ST**
City,State,Zip: **NEEDLES, CA 92363**
Region: **SAN BERNARDINO**
Facility ID: **FA0009829**
Owner: **SUNOIL RETAIL GROUP INC**
Permit Number: **PT0017393**
Permit Category: **COMPLEX ANNUAL INSP VPH/ > 8 DISP (PER TANK)**
Facility Status: **ACTIVE**
Expiration Date: **05/31/2022**

Name: **NEEDLES AMERICAN GAS**
Address: **1219 W BROADWAY ST**

Map ID
Direction
Distance
Elevation

MAP FINDINGS

Site

Database(s)

EDR ID Number
EPA ID Number

NEEDLES AMERICAN GAS (Continued)

S121309762

City,State,Zip: NEEDLES, CA 92363
Region: SAN BERNARDINO
Facility ID: FA0009829
Owner: SUNOIL RETAIL GROUP INC
Permit Number: PT0017394
Permit Category: COMPLEX ANNUAL INSP VPH/ > 8 DISP (PER TANK)
Facility Status: ACTIVE
Expiration Date: 05/31/2022

Name: NEEDLES AMERICAN GAS
Address: 1219 W BROADWAY ST
City,State,Zip: NEEDLES, CA 92363
Region: SAN BERNARDINO
Facility ID: FA0009829
Owner: SUNOIL RETAIL GROUP INC
Permit Number: PT0017395
Permit Category: COMPLEX ANNUAL INSP VPH/ > 8 DISP (PER TANK)
Facility Status: ACTIVE
Expiration Date: 05/31/2022

CERS:

Name: NEEDLES AMERICAN GAS
Address: 1219 W. BROADWAY STREET
City,State,Zip: NEEDLES, CA 92363-2705
Site ID: 395289
CERS ID: 10050379
CERS Description: Chemical Storage Facilities

Violations:

Site ID: 395289
Site Name: Needles American Gas
Violation Date: 11-17-2016
Citation: 23 CCR 16 2715(c) - California Code of Regulations, Title 23, Chapter 16, Section(s) 2715(c)
Violation Description: Failure to comply with one or more of the following designated operator (DO) monthly inspection requirements: Be performed by an ICC certified DO. Inspect monthly alarm history report, check that alarms are documented and responded to appropriately, and attach a copy. Inspect for the presence of liquid/debris in spill containers. Inspect for the presence of liquid/debris in under dispenser containment (UDC) and ensure that the monitoring equipment is positioned correctly. Inspect for liquid or debris in containment sumps where an alarm occurred with no service visit. Check that all testing and maintenance has been completed and documented. Verify that all facility employees have been properly trained.

Violation Notes:

Returned to compliance on 01/11/2017. OBSERVATIONS: THE DESIGNATED OPERATOR (DO) FAILED TO REPORT ALL ALARMS AND THEIR CORRECTIVE ACTIONS ON THE MONTHLY REPORTS. THE MONTHS WHICH HAD ALARMS WERE LEFT BLANK. THERE WAS NO NOTES MADE ON HOW ALARMS WERE CLEARED AND BY WHOM. THE REPORT FOR NOVEMBER 2015 WAS MISSING FROM THE DESIGNATED BINDER. COMPLIANCE REQUIREMENT: THE DO MUST SUBMIT A STATEMENT TO OUR DEPARTMENT ON WHY THE MONTHLY REPORTS WERE NOT COMPLETE AND THE NOVEMBER REPORT MISSING. HE MUST ADDRESS WHAT ACTIONS WILL BE TAKEN TO ENSURE REPORTS ARE MAINTAINED COMPLETE AND ACCURATE. FOR A LIST OF ALARMS, REFER TO THE NARRATIVE OF THIS INSPECTION REPORT. COMPLIANCE ACTIVITY 1/13/2017: ON 1/11/2017 RON FRANKLIN, GEORGE BRYANT CONSTRUCTION, SENT A STATEMENT VIA EMAIL EXPLAINING WHY THE DO REPORTS

Map ID
Direction
Distance
Elevation

MAP FINDINGS

Site

Database(s)

EDR ID Number
EPA ID Number

NEEDLES AMERICAN GAS (Continued)

S121309762

WERE NOT COMPLETE. FACILITY WOULD NOT DISCLOSE HOW ALARMS WERE BEING
CLEARED, SO THE DO HAD NOTHING TO NOTE. THIS COMPANY IS NO LONGER
PROVIDING THEM WITH SERVICE DUE TO THIS AND OTHER ISSUES BETWEEN THE
TWO. [Truncated]

Violation Division: San Bernardino County Fire Department
Violation Program: UST
Violation Source: CERS,

Site ID: 395289
Site Name: Needles American Gas
Violation Date: 08-10-2015
Citation: HSC 6.7 25298 - California Health and Safety Code, Chapter 6.7,
Section(s) 25298

Violation Description: Failure to comply with temporary closure requirements.
Violation Notes: Returned to compliance on 11/16/2015.
Violation Division: San Bernardino County Fire Department
Violation Program: UST
Violation Source: CERS,

Site ID: 395289
Site Name: Needles American Gas
Violation Date: 11-19-2014
Citation: HSC 6.7 25284.2 - California Health and Safety Code, Chapter 6.7,
Section(s) 25284.2

Violation Description: Failure to test the spill bucket annually.
Violation Notes: Returned to compliance on 11/16/2015. OBSERVATION: THE LAST DOCUMENTED
SPILL BUCKET CERTIFICATION WAS PERFORMED 11/22/2013. COMPLIANCE
REQUIREMENT: CONTRACT WITH A CERTIFIED UST CONTRACTOR AND CONTACT THIS
OFFICE FOR A WITNESSED SPILL BUCKET CERTIFICATION INSPECTION. NOTE: AN
INSPECTOR MUST BE ON SITE WITH THE UST CONTRACTORS.

Violation Division: San Bernardino County Fire Department
Violation Program: UST
Violation Source: CERS,

Site ID: 395289
Site Name: Needles American Gas
Violation Date: 11-16-2017
Citation: 23 CCR 16 2712(b) - California Code of Regulations, Title 23, Chapter
16, Section(s) 2712(b)

Violation Description: Failure to maintain records of repairs, lining, and upgrades on site,
or off site if approved by the UPA, for the life of the UST.
Violation Notes: Returned to compliance on 01/05/2018. OBSERVATION: FACILITY DO NOT
MAINTAIN BRINE LOG FOR TIMES WHEN BRINE IS ADDED TO THE SYSTEM.
COMPLIANCE REQUIREMENT: BRINE LOG SHOULD INCLUDE THE DATE, AMOUNT, WHO
AND WHERE IT IS ADDED.

Violation Division: San Bernardino County Fire Department
Violation Program: UST
Violation Source: CERS,

Site ID: 395289
Site Name: Needles American Gas
Violation Date: 11-19-2014
Citation: 23 CCR 16 2715 - California Code of Regulations, Title 23, Chapter 16,
Section(s) 2715

Violation Description: Failure to comply with one or more of the designated operator monthly
inspection requirements: failed to inspect the monthly alarm history
report; attach a copy of the alarm history; failed to inspect for the

Map ID
Direction
Distance
Elevation

MAP FINDINGS

Site

Database(s)

EDR ID Number
EPA ID Number

NEEDLES AMERICAN GAS (Continued)

S121309762

presence of liquid or debris in the spill container/spill bucket and under dispenser containment; failed to inspect the under dispenser containment to ensure that monitoring equipment is placed in the proper position; failure to inspect for liquid or debris in the containment sump where an alarm occurred or for which there is no record of a service visit; or failure to check that all testing and maintenance has been completed and documented.

Violation Notes: Returned to compliance on 12/22/2015. OBSERVATION: FACILITY HAS NOT SUBMITTED THE REQUIRED UST DOCUMENTATION TO THE CALIFORNIA ENVIRONMENTAL REPORTING SYSTEM (CERS) COMPLIANCE REQUIREMENT: (1) SUBMIT UST DOCUMENTATION TO CERS WITHIN 30 DAYS. (2) SUBMIT A COPY OF THE MOST CURRENT DESIGNATED OPERATOR INSPECTION REPORT.

Violation Division: San Bernardino County Fire Department
Violation Program: UST
Violation Source: CERS,

Site ID: 395289
Site Name: Needles American Gas
Violation Date: 11-16-2015
Citation: HSC 6.7 25286(a) - California Health and Safety Code, Chapter 6.7, Section(s) 25286(a)

Violation Description: Failure to submit an complete and accurate application for a permit to operate an underground storage tank, or for renewal of the permit.

Violation Notes: Returned to compliance on 12/22/2015. OBSERVATION: FACILITY HAS NOT SUBMITTED THE REQUIRED UST DOCUMENTATION TO THE CALIFORNIA ENVIRONMENTAL REPORTING SYSTEM (CERS) COMPLIANCE REQUIREMENT: SUBMIT UST DOCUMENTATION TO CERS WITHIN 30 DAYS. SIGN DATE AND SUBMIT THE CERTIFICATE OF COMPLIANCE TO THIS DEPARTMENT INDICATING THE DATE OF CERS SUBMITTAL.

Violation Division: San Bernardino County Fire Department
Violation Program: UST
Violation Source: CERS,

Site ID: 395289
Site Name: Needles American Gas
Violation Date: 11-16-2017
Citation: HSC 6.7 25292(e) - California Health and Safety Code, Chapter 6.7, Section(s) 25292(e)

Violation Description: Failure to install a line leak detector (LLD).

Violation Notes: Returned to compliance on 01/05/2018. OBSERVATION: 87 PLLD WAS NOT TESTED DUE TO 87 STP CONTINUOUSLY RUNNING. COMPLIANCE REQUIREMENT: TEST 87 PLLD IMMEDIATELY. SUBMIT TEST RESULTS TO THIS DIVISION. CONTACT THIS DIVISION TO SCHEDULE AN INSPECTION TO WITNESS TESTING.

Violation Division: San Bernardino County Fire Department
Violation Program: UST
Violation Source: CERS,

Site ID: 395289
Site Name: Needles American Gas
Violation Date: 11-17-2016
Citation: HSC 6.7 25290.1(d) - California Health and Safety Code, Chapter 6.7, Section(s) 25290.1(d)

Violation Description: Failure of a UST system installed on or after July 1, 2004 to be designed and constructed with a monitoring system capable of detecting the entry of the liquid or vapor-phase of the hazardous substance stored in the primary containment into the secondary containment and capable of detecting water intrusion into the secondary containment.

Map ID
Direction
Distance
Elevation

MAP FINDINGS

Site

Database(s)

EDR ID Number
EPA ID Number

NEEDLES AMERICAN GAS (Continued)

S121309762

Violation Notes: Returned to compliance on 11/17/2016. OBSERVATIONS: OBSERVED LIQUID INSIDE OF THE 87 STP SUMP AND SENSOR SITTING INSIDE OF LIQUID. THERE WAS NOT ENOUGH LIQUID TO TRIGGER THE ALARM. COMPLIANCE REQUIREMENT: TECHNICIAN REMOVED LIQUID DURING INSPECTION. ENSURE TANK TOP COVER IS SECURED AND MAINTAINED TO PREVENT LIQUID INTRUSION.

Violation Division: San Bernardino County Fire Department
Violation Program: UST
Violation Source: CERS,

Site ID: 395289
Site Name: Needles American Gas
Violation Date: 11-21-2019
Citation: 23 CCR 16 2641(j) - California Code of Regulations, Title 23, Chapter 16, Section(s) 2641(j)

Violation Description: Failure of the leak detection equipment to be installed, calibrated, operated, and/or maintained properly.

Violation Notes: Returned to compliance on 11/01/2021. OBSERVATION: The Vacuum sensors for the piping and the tank annular could not be tested while on-site. CORRECTIVE ACTION: Test the vacuum sensors and submit the test results to this agency within 30 days.

Violation Division: San Bernardino County Fire Department
Violation Program: UST
Violation Source: CERS,

Site ID: 395289
Site Name: Needles American Gas
Violation Date: 11-16-2015
Citation: HSC 6.75 25299.30-25299.34 - California Health and Safety Code, Chapter 6.75, Section(s) 25299.30-25299.34

Violation Description: Failure to submit and maintain complete and current Certification of Financial Responsibility or other mechanism of financial assurance.

Violation Notes: Returned to compliance on 12/22/2015. OBSERVATION: FACILITY HAS NOT SUBMITTED THE REQUIRED UST DOCUMENTATION TO THE CALIFORNIA ENVIRONMENTAL REPORTING SYSTEM (CERS) COMPLIANCE REQUIREMENT: SUBMIT UST DOCUMENTATION TO CERS WITHIN 30 DAYS. SIGN DATE AND SUBMIT THE CERTIFICATE OF COMPLIANCE TO THIS DEPARTMENT INDICATING THE DATE OF CERS SUBMITTAL.

Violation Division: San Bernardino County Fire Department
Violation Program: UST
Violation Source: CERS,

Site ID: 395289
Site Name: Needles American Gas
Violation Date: 11-16-2015
Citation: 23 CCR 16 2715 - California Code of Regulations, Title 23, Chapter 16, Section(s) 2715

Violation Description: Failure to comply with one or more of the designated operator monthly inspection requirements: failed to inspect the monthly alarm history report; attach a copy of the alarm history; failed to inspect for the presence of liquid or debris in the spill container/spill bucket and under dispenser containment; failed to inspect the under dispenser containment to ensure that monitoring equipment is placed in the proper position; failure to inspect for liquid or debris in the containment sump where an alarm occurred or for which there is no record of a service visit; or failure to check that all testing and maintenance has been completed and documented.

Violation Notes: Returned to compliance on 12/22/2015. OBSERVATION: FACILITY HAS NOT

Map ID
Direction
Distance
Elevation

MAP FINDINGS

Site

Database(s)

EDR ID Number
EPA ID Number

NEEDLES AMERICAN GAS (Continued)

S121309762

SUBMITTED THE REQUIRED UST DOCUMENTATION TO THE CALIFORNIA ENVIRONMENTAL REPORTING SYSTEM (CERS) COMPLIANCE REQUIREMENT: SUBMIT UST DOCUMENTATION TO CERS WITHIN 30 DAYS. SIGN DATE AND SUBMIT THE CERTIFICATE OF COMPLIANCE TO THIS DEPARTMENT INDICATING THE DATE OF CERS SUBMITTAL.

Violation Division: San Bernardino County Fire Department
Violation Program: UST
Violation Source: CERS,

Site ID: 395289
Site Name: Needles American Gas
Violation Date: 11-17-2020
Citation: HSC 6.7 25284.2 - California Health and Safety Code, Chapter 6.7, Section(s) 25284.2

Violation Description: "Failure to meet one or more of the following requirements: Install or maintain a liquid-tight spill container. Have a minimum capacity of five gallons. Have a functional drain valve or other method for the removal of liquid from the spill container. Be resistant to galvanic corrosion. Perform a tightness test at installation, every 12 months thereafter, or within 30 days after a repair to the spill container. Tested using applicable manufacturer guidelines, industry codes, engineering standards, or a method approved by a professional engineer. Tested by a certified UST service technician. Maintain records of spill containment testing for 36 months. "

Violation Notes: Returned to compliance on 11/01/2021. OBSERVATION: Diesel fill spill container was leaking when liquid was added for testing. CORRECTIVE ACTION: Repair or replace Diesel spill container within 30 days. Ensure spill container is able to hold at least 5 gallons of liquid. Submit work order and test results to this department within 30 days.

Violation Division: San Bernardino County Fire Department
Violation Program: UST
Violation Source: CERS,

Site ID: 395289
Site Name: Needles American Gas
Violation Date: 11-17-2020
Citation: HSC 6.7 25284, 25286 - California Health and Safety Code, Chapter 6.7, Section(s) 25284, 25286

Violation Description: Failure to submit a complete and accurate application for a permit to operate a UST, or for renewal of the permit.

Violation Notes: OBSERVATION: Underground Storage Tank number or BOE account number submitted online in CERS 091368057 is invalid. CORRECTIVE ACTION: Provide a valid BOE account number online in CERS within 30 days. For information on how to obtain or renew BOE account visit <https://www.cdtfa.ca.gov/services/#Register-Renewals> .

Violation Division: San Bernardino County Fire Department
Violation Program: UST
Violation Source: CERS,

Site ID: 395289
Site Name: Needles American Gas
Violation Date: 04-03-2014
Citation: HSC 6.7 25298 - California Health and Safety Code, Chapter 6.7, Section(s) 25298

Violation Description: UST system was abandoned or not properly closed, or failure to comply with all permanent closure requirements.

Violation Notes: Returned to compliance on 11/20/2014. IMMEDIATELY APPLY FOR COMPLETE

Map ID
Direction
Distance
Elevation

MAP FINDINGS

Site

Database(s)

EDR ID Number
EPA ID Number

NEEDLES AMERICAN GAS (Continued)

S121309762

UST REMOVAL WITH OVERSIGHT FROM THIS DEPARTMENT (SAN BERNARDINO COUNTY FIRE DEPARTMENT). REMOVAL MUST BE COMPLETED WITHIN 30 DAYS.

Violation Division: San Bernardino County Fire Department
Violation Program: UST
Violation Source: CERS,

Site ID: 395289
Site Name: Needles American Gas
Violation Date: 11-21-2019
Citation: 22 CCR 12 66262.12 - California Code of Regulations, Title 22, Chapter 12, Section(s) 66262.12

Violation Description: Failure to obtain an Identification Number prior to treating, storing, disposing of, transporting or offering for transportation any hazardous waste.

Violation Notes: OBSERVATION: The generator has not obtained an active EPA ID number to manage hazardous waste. A hazardous waste generator shall not treat, store, dispose of, transport or offer for transportation, hazardous waste without an active EPA ID number. CORRECTIVE ACTION: Submit documentation to the CUPA demonstrating that you have obtained an EPA ID number.

Violation Division: San Bernardino County Fire Department
Violation Program: HW
Violation Source: CERS,

Site ID: 395289
Site Name: Needles American Gas
Violation Date: 08-10-2015
Citation: HSC 6.7 25298 - California Health and Safety Code, Chapter 6.7, Section(s) 25298

Violation Description: UST system was abandoned or not properly closed, or failure to comply with all permanent closure requirements.

Violation Notes: Returned to compliance on 11/16/2015.

Violation Division: San Bernardino County Fire Department
Violation Program: UST
Violation Source: CERS,

Site ID: 395289
Site Name: Needles American Gas
Violation Date: 11-16-2018
Citation: 23 CCR 16 2715(a)(1)(B) - California Code of Regulations, Title 23, Chapter 16, Section(s) 2715(a)(1)(B)

Violation Description: Failure to submit the Designated Underground Storage Tank Operator Identification Form within 30 days of installing a UST system or within 30 days of a change in DO.

Violation Notes: Returned to compliance on 11/21/2019. OBSERVATION: FACILITY'S CURRENT DESIGNATED OPERATOR IS NOT LISTED ON THE CERS SUBMITTED OWNER STATEMENT OF DESIGNATED UST OPERATOR COMPLIANCE SUBMITTAL COMPLIANCE REQUIREMENT: UPDATE CERS WITH CORRECT INFORMATION.

Violation Division: San Bernardino County Fire Department
Violation Program: UST
Violation Source: CERS,

Site ID: 395289
Site Name: Needles American Gas
Violation Date: 11-17-2016
Citation: HSC 6.7 29291(b) - California Health and Safety Code, Chapter 6.7, Section(s) 29291(b)

Map ID
Direction
Distance
Elevation

MAP FINDINGS

Site

Database(s)

EDR ID Number
EPA ID Number

NEEDLES AMERICAN GAS (Continued)

S121309762

Violation Description: Failure of the UST system to be designed and constructed with a monitoring system capable of detecting the entry of the hazardous substance into the secondary containment.

Violation Notes: Returned to compliance on 11/17/2016. OBSERVATIONS: OBSERVED MISSING CAPS FROM ALL SMALL UDC RESERVOIRS, EXCEPT 3-4. THE PREMIUM TANK SMART SENSORS WERE NOT PROGRAMMED FOR "NO VACUUM". COMPLIANCE REQUIREMENTS: CAPS WERE FOUND AT THE BOTTOM OF EACH DISPENSER PAN. TECHNICIAN SECURED CAPS TO RESERVOIRS. TECHNICIAN PROGRAMMED THEM FOR "NO VACUUM" AND TESTING CONDUCTED PROVIDED PROOF.

Violation Division: San Bernardino County Fire Department
Violation Program: UST
Violation Source: CERS,

Site ID: 395289
Site Name: Needles American Gas
Violation Date: 11-09-2015
Citation: Un-Specified
Violation Description: UST Program - Administration/Documentation - For use of Local Ordinance only
Violation Notes: Returned to compliance on 12/22/2015. Failure to submit a signed Designated UST Operator Statement (23 CCR 2715(a)) OBSERVATION: FACILITY HAS NOT SUBMITTED THE REQUIRED UST DOCUMENTATION TO THE CALIFORNIA ENVIRONMENTAL REPORTING SYSTEM (CERS) COMPLIANCE REQUIREMENT: SUBMIT UST DOCUMENTATION TO CERS WITHIN 30 DAYS. SIGN DATE AND SUBMIT THE CERTIFICATE OF COMPLIANCE TO THIS DEPARTMENT INDICATING THE DATE OF CERS SUBMITTAL.

Violation Division: San Bernardino County Fire Department
Violation Program: UST
Violation Source: CERS,

Site ID: 395289
Site Name: Needles American Gas
Violation Date: 11-17-2016
Citation: HSC 6.7 Multiple - California Health and Safety Code, Chapter 6.7, Section(s) Multiple
Violation Description: UST Program - Administration/Documentation - General - Must include violation description, proper statute and regulation citation in the "comment" section.
Violation Notes: Returned to compliance on 12/11/2017. Failure to have a written monitoring program with monitoring procedures and response plan (CHSC 25286(a)) OBSERVATIONS: THE UST SITE PLAN IS MISSING THE GENERAL PIPING LAYOUT, THE LOCATION OF THE LINE LEAK DETECTORS, AND THE PROBES USED FOR OVERFILL PROTECTION. ALL TANK PAGES SHOW THAT THEY ARE BEING MONITORED BY A "463" SENSOR, WHEN THERE IS NO SENSOR OF THAT KIND INSTALLED AT THIS SITE. COMPLIANCE REQUIREMENT: UPDATE THE SITE PLAN AND THE TANK INFORMATION REGARDING THE SENSORS MONITORING THIS SITE. COMPLIANCE ACTIVITY 1/3/2017: NO CORRECTIONS HAVE BEEN MADE. OUTSTANDING VIOLATIONS LETTER ISSUED. EGRIMES. COMPLIANCE ACTIVITY 10/23/2017: THE GENERAL PIPING LAYOUT IS STILL MISIING FROM THE UST SITE PLAN. SENSOR "463" IS STILL LISTED UNDER THE TANK PAGES. EGRIMES.

Violation Division: San Bernardino County Fire Department
Violation Program: UST
Violation Source: CERS,

Site ID: 395289
Site Name: Needles American Gas
Violation Date: 11-19-2014

Map ID
Direction
Distance
Elevation

MAP FINDINGS

Site

Database(s)

EDR ID Number
EPA ID Number

NEEDLES AMERICAN GAS (Continued)

S121309762

Citation: 23 CCR 16 2638 - California Code of Regulations, Title 23, Chapter 16, Section(s) 2638

Violation Description: Failure to test leak detection equipment as required every 12 months (VPH, sensor, LLD, ATG, etc.) and/or submit monitoring system certification to the CUPA within 30 days of completion of the test

Violation Notes: Returned to compliance on 11/16/2015. OBSERVATION: THE LAST DOCUMENTED MONITORING CERTIFICATION WAS PERFORMED 11/22/2013. COMPLIANCE REQUIREMENT: CONTRACT WITH A CERTIFIED UST CONTRACTOR AND CONTACT THIS OFFICE FOR A WITNESSED MONITORING CERTIFICATION INSPECTION. NOTE: AN INSPECTOR MUST BE ON SITE WITH THE UST CONTRACTORS.

Violation Division: San Bernardino County Fire Department

Violation Program: UST

Violation Source: CERS,

Site ID: 395289

Site Name: Needles American Gas

Violation Date: 11-16-2017

Citation: HSC 6.7 Multiple - California Health and Safety Code, Chapter 6.7, Section(s) Multiple

Violation Description: UST Program -General - Must include violation description, proper statute and regulation citation in the "comment" section.

Violation Notes: Returned to compliance on 12/11/2017. Failure to have a written monitoring program with monitoring procedures and response plan (CHSC 25286(a)) OBSERVATION: SUBMITTED MONITORING SITE PLAN IN CALIFORNIA ENVIRONMENTAL REPORTING SYSTEM (CERS) WAS NOT ACCURATE, COMPLETE, OR CURRENT. UPDATE THE FOLLOWING: 1) INCLUDE THE GENERAL PIPING LAYOUT 2) INCLUDE TYPE OF PROBES AND LOCATION COMPLIANCE REQUIREMENT: RESUBMIT UPDATED MONITORING SITE PLAN IN CERS.

Violation Division: San Bernardino County Fire Department

Violation Program: UST

Violation Source: CERS,

Site ID: 395289

Site Name: Needles American Gas

Violation Date: 11-01-2021

Citation: 22 CCR 12 66262.12 - California Code of Regulations, Title 22, Chapter 12, Section(s) 66262.12

Violation Description: Failure to obtain an Identification Number prior to treating, storing, disposing of, transporting or offering for transportation any hazardous waste.

Violation Notes: OBSERVATION: The generator has not obtained an active EPA ID number to manage hazardous waste. A hazardous waste generator shall not treat, store, dispose of, transport or offer for transportation, hazardous waste without an active EPA ID number. CORRECTIVE ACTION: Submit documentation to the CUPA demonstrating that you have obtained an EPA ID number.

Violation Division: San Bernardino County Fire Department

Violation Program: HW

Violation Source: CERS,

Site ID: 395289

Site Name: Needles American Gas

Violation Date: 11-17-2016

Citation: HSC 6.7 25284 - California Health and Safety Code, Chapter 6.7, Section(s) 25284

Violation Description: Failure to obtain a valid permit to operate from the CUPA.

Violation Notes: Returned to compliance on 09/28/2017. OBSERVATIONS: TANK OWNER HAS

Map ID
Direction
Distance
Elevation

MAP FINDINGS

Site

Database(s)

EDR ID Number
EPA ID Number

NEEDLES AMERICAN GAS (Continued)

S121309762

BEEN OPERATING WITHOUT PERMITS FOR THE UST SYSTEM, HAZMAT HANDLER, AND WASTE INCIDENTAL. TANK OWNER HAS OUTSTANDING FEES THAT HAVE NOT BEEN PAID TO OUR DEPARTMENT. COMPLIANCE REQUIREMENT: CONTACT OUR DEPARTMENT TO PAY FOR ALL ASSOCIATED PERMITS FOR THE UST SYSTEM. COMPLIANCE ACTIVITY 1/3/2017: NO CORRECTIONS HAVE BEEN MADE. OUTSTANDING VIOLATIONS LETTER ISSUED. EGRIMES. COMPLIANCE ACTIVITY 10/23/2017: LAST PAYMENT WAS 9/28/2017. THERE IS NO OUTSTANDING CHARGES. EGRIMES.

Violation Division: San Bernardino County Fire Department
Violation Program: UST
Violation Source: CERS,

Site ID: 395289
Site Name: Needles American Gas
Violation Date: 11-19-2018
Citation: HSC 6.7 25290.1(d) - California Health and Safety Code, Chapter 6.7, Section(s) 25290.1(d)

Violation Description: Failure of a UST system installed on or after July 1, 2004 to be designed and constructed with a monitoring system capable of detecting the entry of the liquid or vapor-phase of the hazardous substance stored in the primary containment into the secondary containment and capable of detecting water intrusion into the secondary containment.

Violation Notes: Returned to compliance on 12/21/2019. OBSERVATION: THE TECHNICIAN WAS UNABLE TO REMOVE THE ANNULAR CAP AND CERTIFY THE SHARED ANNULAR(VR 420) FOR THE 91/ DIESEL TANK. COMPLIANCE REQUIREMENT: TROUBLESHOOT RISER CAP ISSUES AND CALL OFFICE FOR A WITNESSED RE-INSPECTION.

Violation Division: San Bernardino County Fire Department
Violation Program: UST
Violation Source: CERS,

Site ID: 395289
Site Name: Needles American Gas
Violation Date: 11-19-2014
Citation: HSC 6.75 25299.30-25299.34 - California Health and Safety Code, Chapter 6.75, Section(s) 25299.30-25299.34

Violation Description: Failure to submit and maintain complete and current Certification of Financial Responsibility or other mechanism of financial assurance.

Violation Notes: Returned to compliance on 11/16/2015. OBSERVATION: (1) FACILITY HAS NOT SUBMITTED THE REQUIRED UST DOCUMENTATION TO THE CALIFORNIA ENVIRONMENTAL REPORTING SYSTEM (CERS). (2) FACILITY DOES NOT HAVE FINANCIAL RESPONSIBILITY. COMPLIANCE REQUIREMENT: (1) SUBMIT UST DOCUMENTATION TO CERS WITHIN 30 DAYS. S.(2) OBTAIN FINANCIAL RESPONSIBILITY.

Violation Division: San Bernardino County Fire Department
Violation Program: UST
Violation Source: CERS,

Site ID: 395289
Site Name: Needles American Gas
Violation Date: 11-01-2021
Citation: HSC 6.7 25284, 25286 - California Health and Safety Code, Chapter 6.7, Section(s) 25284, 25286

Violation Description: Failure to submit a complete and accurate application for a permit to operate a UST, or for renewal of the permit.

Violation Notes: OBSERVATION: Underground Storage Tank number or BOE account number submitted online in CERS 091368057 is invalid. CORRECTIVE ACTION: Provide a valid BOE account number online in CERS within 30 days. For information on how to obtain or renew BOE account visit

Map ID
Direction
Distance
Elevation

MAP FINDINGS

Site

Database(s)

EDR ID Number
EPA ID Number

NEEDLES AMERICAN GAS (Continued)

S121309762

<https://www.cdtfa.ca.gov/services/#Register-Renewals> .
Violation Division: San Bernardino County Fire Department
Violation Program: UST
Violation Source: CERS,

Site ID: 395289
Site Name: Needles American Gas
Violation Date: 11-21-2019
Citation: 23 CCR 16 2712(b)(1)(G) - California Code of Regulations, Title 23, Chapter 16, Section(s) 2712(b)(1)(G)
Violation Description: Failure to comply with one or more of the following overfill prevention equipment requirements: Alert the transfer operator when the tank is 90 percent full by restricting the flow into the tank or triggering an audible and visual alarm; or Restrict delivery of flow to the tank at least 30 minutes before the tank overfills, provided the restriction occurs when the tank is filled to no more than 95 percent of capacity; and activate an audible alarm at least five minutes before the tank overfills; or Provide positive shut-off of flow to the tank when the tank is filled to no more than 95 percent of capacity; or Provide positive shut-off of flow to the tank so that none of the fittings located on the top of the tank are exposed to product due to overfilling. Install/retrofit overfill prevention equipment that does not use flow restrictors on vent piping to meet overfill prevention equipment requirements when the overfill prevention equipment is installed, repaired, or replaced on and after October 1, 2018. For USTs installed before October 1, 2018, perform an inspection by October 13, 2018 and every 36 months thereafter. For USTs installed on and after October 1, 2018, perform an inspection at installation and every 36 months thereafter. Inspected within 30 days after a repair to the overfill prevention equipment. Inspected using an applicable manufacturer guidelines, industry codes, engineering standards, or a method approved by a professional engineer. Inspected by a certified UST service technician. Maintain records of overfill prevention equipment inspection for 36 months.

Violation Notes: Returned to compliance on 08/11/2021. OBSERVATION: The overfill prevention testing has not yet been completed for this site. The Overfill is scheduled for tomorrow. CORRECTIVE ACTION: Test the overfill prevention and submit the results to this agency within 30 days.

Violation Division: San Bernardino County Fire Department
Violation Program: UST
Violation Source: CERS,

Site ID: 395289
Site Name: Needles American Gas
Violation Date: 11-19-2014
Citation: HSC 6.7 25284 - California Health and Safety Code, Chapter 6.7, Section(s) 25284
Violation Description: Failure to obtain and maintain a valid operation permit from the CUPA.
Violation Notes: Returned to compliance on 11/16/2015. OBSERVATION: (1) FACILITY DOES NOT HAVE OPERATING PERMITS. (2) FACILITY HAS NOT SUBMITTED THE REQUIRED UST DOCUMENTATION TO THE CALIFORNIA ENVIRONMENTAL REPORTING SYSTEM (CERS) COMPLIANCE REQUIREMENT:(1) OBTAIN PERMITS FROM THIS DEPARTMENT. (2) SUBMIT UST DOCUMENTATION TO CERS WITHIN 30 DAYS. SIGN DATE AND SUBMIT THE CERTIFICATE OF COMPLIANCE TO THIS DEPARTMENT INDICATING THE DATE OF CERS SUBMITTAL.

Violation Division: San Bernardino County Fire Department

Map ID
Direction
Distance
Elevation

MAP FINDINGS

Site

Database(s)

EDR ID Number
EPA ID Number

NEEDLES AMERICAN GAS (Continued)

S121309762

Violation Program: UST
Violation Source: CERS,

Site ID: 395289
Site Name: Needles American Gas
Violation Date: 11-17-2020
Citation: 23 CCR 16 2715(c)(4) - California Code of Regulations, Title 23, Chapter 16, Section(s) 2715(c)(4)
Violation Description: Failure to maintain a list of employees trained by the designated operator on-site or off-site at a readily available location, if approved by the UPA. For training that occurs on or after October 1, 2018, failure to maintain a copy of the "Facility Employee Training Certificate" on-site or off-site at a readily available location, if approved by the UPA.
Violation Notes: Returned to compliance on 11/01/2021. OBSERVATION: Employee training log is not available for review; however, designated operator states employees were trained recently. CORRECTIVE ACTION: Submit a copy of employee training log to this department within 30 days.
Violation Division: San Bernardino County Fire Department
Violation Program: UST
Violation Source: CERS,

Site ID: 395289
Site Name: Needles American Gas
Violation Date: 11-19-2014
Citation: Un-Specified
Violation Description: UST Program - Administration/Documentation - For use of Local Ordinance only
Violation Notes: Returned to compliance on 11/16/2015. Failure to submit change of ownership within 30 days from the date of the transfer of the UST (CHSC 25284(c)) OBSERVATION: FACILITY HAS NOT SUBMITTED THE REQUIRED UST DOCUMENTATION TO THE CALIFORNIA ENVIRONMENTAL REPORTING SYSTEM (CERS) COMPLIANCE REQUIREMENT: SUBMIT UST DOCUMENTATION TO CERS WITHIN 30 DAYS.
Violation Division: San Bernardino County Fire Department
Violation Program: UST
Violation Source: CERS,

Site ID: 395289
Site Name: Needles American Gas
Violation Date: 11-19-2018
Citation: HSC 6.7 25290.1(c)(3),25290.2(c)(3) - California Health and Safety Code, Chapter 6.7, Section(s) 25290.1(c)(3),25290.2(c)(3)
Violation Description: Failure to keep water out of the secondary containment of UST systems installed on or after July 1, 2003.
Violation Notes: Returned to compliance on 11/19/2018. OBSERVATION: LIQUID WAS OBSERVED IN THE DIESEL FILL SUMP. COMPLIANCE MET ON SITE: TECHNICIAN REMOVED LIQUID FROM SUMP.
Violation Division: San Bernardino County Fire Department
Violation Program: UST
Violation Source: CERS,

Site ID: 395289
Site Name: Needles American Gas
Violation Date: 11-16-2015
Citation: HSC 6.95 25508(d) - California Health and Safety Code, Chapter 6.95, Section(s) 25508(d)

Map ID
Direction
Distance
Elevation

MAP FINDINGS

Site

Database(s)

EDR ID Number
EPA ID Number

NEEDLES AMERICAN GAS (Continued)

S121309762

Violation Description: Failure to complete and/or electronically submit a business plan when storing/handling a hazardous material at or above reportable quantities.

Violation Notes: Returned to compliance on 12/22/2015. OBSERVATION: FACILITY HAS NOT SUBMITTED THE REQUIRED CERS DOCUMENTATION TO THE CALIFORNIA ENVIRONMENTAL REPORTING SYSTEM (CERS) COMPLIANCE REQUIREMENT: SUBMIT FACILITY DOCUMENTATION TO CERS WITHIN 30 DAYS. SIGN DATE AND SUBMIT THE CERTIFICATE OF COMPLIANCE TO THIS DEPARTMENT INDICATING THE DATE OF CERS SUBMITTAL.

Violation Division: San Bernardino County Fire Department
Violation Program: HMRRP
Violation Source: CERS,

Site ID: 395289
Site Name: Needles American Gas
Violation Date: 11-16-2017
Citation: 23 CCR 16 2715(c) - California Code of Regulations, Title 23, Chapter 16, Section(s) 2715(c)

Violation Description: Failure to comply with one or more of the following designated operator (DO) monthly inspection requirements: Be performed by an ICC certified DO. Inspect monthly alarm history report, check that alarms are documented and responded to appropriately, and attach a copy. Inspect for the presence of liquid/debris in spill containers. Inspect for the presence of liquid/debris in under dispenser containment (UDC) and ensure that the monitoring equipment is positioned correctly. Inspect for liquid or debris in containment sumps where an alarm occurred with no service visit. Check that all testing and maintenance has been completed and documented. Verify that all facility employees have been trained in accordance with 23 CCR 2715(f)(2).

Violation Notes: Returned to compliance on 01/05/2018. OBSERVATION: DESIGNATED MONTHLY INSPECTION REPORTS WERE NOT AVAILABLE FOR REVIEW OR PROVIDED BY END OF INSPECTION WITH THE EXCEPTION OF: OCTOBER AND SEPTEMBER 2017 DESIGNATED OPERATOR MONTHLY REPORTS. COMPLIANCE REQUIREMENT: SUBMIT A SIGNED STATEMENT THAT THE DESIGNATED UST OPERATOR HAS COMPLETED THE MONTHLY VISUAL INSPECTION AND WILL COMPLETE A DOCUMENTED INSPECTION EACH MONTH.

Violation Division: San Bernardino County Fire Department
Violation Program: UST
Violation Source: CERS,

Site ID: 395289
Site Name: Needles American Gas
Violation Date: 11-16-2017
Citation: HSC 6.7 25284, 25286 - California Health and Safety Code, Chapter 6.7, Section(s) 25284, 25286

Violation Description: Failure to submit a complete and accurate application for a permit to operate a UST, or for renewal of the permit.

Violation Notes: Returned to compliance on 12/11/2017. OBSERVATION: SUBMITTED UNDERGROUND STORAGE TANK (UST) INFORMATION IN CALIFORNIA ENVIRONMENTAL REPORTING SYSTEM (CERS) WAS NOT ACCURATE, COMPLETE, AND CURRENT. UPDATE THE FOLLOWING: 1) UPDATE TANK INSTALLED DATES TO 10/1/2005. 2) FACILITY USES VR 208/ VR 304 TO MONITOR SUMPS, SUMPS ANNULARS, UDC AND UDC ANNULARS. FACILITY DO NOT USE VR 463 SENSORS. COMPLIANCE REQUIREMENT: RESUBMIT UPDATE UST INFORMATION IN CERS.

Violation Division: San Bernardino County Fire Department
Violation Program: UST
Violation Source: CERS,

Map ID
Direction
Distance
Elevation

MAP FINDINGS

Site

Database(s)

EDR ID Number
EPA ID Number

NEEDLES AMERICAN GAS (Continued)

S121309762

Site ID: 395289
Site Name: Needles American Gas
Violation Date: 11-19-2014
Citation: HSC 6.7 25299 - California Health and Safety Code, Chapter 6.7, Section(s) 25299
Violation Description: Failure to comply with one or more of the operating permit conditions.
Violation Notes: Returned to compliance on 11/16/2015. OBSERVATION: FACILITY WAS OBSERVED TO BE ABANDONED. NO ONE WAS ON SITE TO OVERSEE THE UNDERGROUND STORAGE TANK MONITORING SYSTEM.
Violation Division: San Bernardino County Fire Department
Violation Program: UST
Violation Source: CERS,

Site ID: 395289
Site Name: Needles American Gas
Violation Date: 11-17-2020
Citation: HSC 6.7 25290.1(e) - California Health and Safety Code, Chapter 6.7, Section(s) 25290.1(e)
Violation Description: Failure to maintain the interstitial space such that a breach in the primary or secondary containment is detected before the liquid or vapor phase of the hazardous substance stored in the UST tank is released into the environment, i.e., vapor, pressure, hydrostatic (VPH) monitoring.
Violation Notes: OBSERVATION: High liquid condition for 87 product (S1) and vent (S4) were not tested due to smart sensor module is rusted and technician was unable to remove the module from the holder for testing. In addition Smart sensors lost vacuum throughout the monitoring certification process without being worked on. CORRECTIVE ACTION: Replace smart sensors and smart sensor module within 14 days and contact this department for an inspection. Smart Sensor failures were noted on previous inspection reports.
Violation Division: San Bernardino County Fire Department
Violation Program: UST
Violation Source: CERS,

Site ID: 395289
Site Name: Needles American Gas
Violation Date: 11-16-2017
Citation: HSC 6.7 Multiple - California Health and Safety Code, Chapter 6.7, Section(s) Multiple
Violation Description: UST Program -General - Must include violation description, proper statute and regulation citation in the "comment" section.
Violation Notes: Returned to compliance on 11/18/2017. Failure to install/maintain approved monitoring equipment for existing UST system(s) 23 CCR 2635(b)(1)(C) OBSERVATION: ALL SENSORS FAILED TO SHUT DOWN 87 STP. NOTICE OF SIGNIFICANT UST VIOLATION WITH RED TAG FORM ISSUED. COMPLIANCE REQUIREMENT: REPAIR ABOVE VIOLATION IMMEDIATELY. FAILURE TO CORRECT VIOLATION MAY RESULT IN FURTHER ENFORCEMENT ACTION BY THE OFFICE OF THE FIRE MARSHALL. NOTE: APPROVED TECHNICIAN MAY REMOVE ISSUED RED TAG AFTER CORRECTION OF VIOLATIONS THAT WARRANTED RED TAG WITH THE CONDITION THAT THIS DIVISION WILL NOTIFIED AND WORK ORDER WILL BE PROVIDED. FACILITY IS TO CONTACT THIS DIVISION TO SCHEDULE AN INSPECTION TO WITNESS TESTING.
Violation Division: San Bernardino County Fire Department
Violation Program: UST
Violation Source: CERS,

Map ID
Direction
Distance
Elevation

MAP FINDINGS

Site

Database(s)

EDR ID Number
EPA ID Number

NEEDLES AMERICAN GAS (Continued)

S121309762

Site ID: 395289
Site Name: Needles American Gas
Violation Date: 11-01-2021
Citation: HSC 6.7 25290.1(e) - California Health and Safety Code, Chapter 6.7, Section(s) 25290.1(e)
Violation Description: Failure to maintain the interstitial space such that a breach in the primary or secondary containment is detected before the liquid or vapor phase of the hazardous substance stored in the UST tank is released into the environment, i.e., vapor, pressure, hydrostatic (VPH) monitoring.
Violation Notes: OBSERVATION: Brine loss was observed for the secondary containment for all UDCs and some tank top sumps. Brine loss alarms have also been noted in to DO inspection reports for all UDCs and most Tank top sumps. CORRECTIVE ACTION: Investigate Brine loss and submit investigation results to this agency for review. This agency will determine if a Plan Check Permit or any further action is required.
Violation Division: San Bernardino County Fire Department
Violation Program: UST
Violation Source: CERS,

Site ID: 395289
Site Name: Needles American Gas
Violation Date: 11-19-2014
Citation: Un-Specified
Violation Description: UST Program - Administration/Documentation - For use of Local Ordinance only
Violation Notes: Returned to compliance on 12/22/2015. Failure to submit a signed Designated UST Operator Statement (23 CCR 2715(a)) OBSERVATION: FACILITY HAS NOT SUBMITTED THE REQUIRED UST DOCUMENTATION TO THE CALIFORNIA ENVIRONMENTAL REPORTING SYSTEM (CERS) COMPLIANCE REQUIREMENT: SUBMIT UST DOCUMENTATION TO CERS WITHIN 30 DAYS.
Violation Division: San Bernardino County Fire Department
Violation Program: UST
Violation Source: CERS,

Site ID: 395289
Site Name: Needles American Gas
Violation Date: 11-19-2014
Citation: HSC 6.7 25286(a) - California Health and Safety Code, Chapter 6.7, Section(s) 25286(a)
Violation Description: Failure to submit an complete and accurate application for a permit to operate an underground storage tank, or for renewal of the permit.
Violation Notes: Returned to compliance on 12/22/2015. OBSERVATION: (1) FACILITY DOES NOT HAVE OPERATING PERMITS. (2) FACILITY HAS NOT SUBMITTED THE REQUIRED UST DOCUMENTATION TO THE CALIFORNIA ENVIRONMENTAL REPORTING SYSTEM (CERS) COMPLIANCE REQUIREMENT:(1) OBTAIN PERMITS FROM THIS DEPARTMENT. (2) SUBMIT UST DOCUMENTATION TO CERS
Violation Division: San Bernardino County Fire Department
Violation Program: UST
Violation Source: CERS,

Site ID: 395289
Site Name: Needles American Gas
Violation Date: 12-28-2021
Citation: 23 CCR 16 2712(b)(1)(G) - California Code of Regulations, Title 23, Chapter 16, Section(s) 2712(b)(1)(G)
Violation Description: Failure to comply with one or more of the following overflow

Map ID
Direction
Distance
Elevation

MAP FINDINGS

Site

Database(s)

EDR ID Number
EPA ID Number

NEEDLES AMERICAN GAS (Continued)

S121309762

prevention equipment requirements: Alert the transfer operator when the tank is 90 percent full by restricting the flow into the tank or triggering an audible and visual alarm; or Restrict delivery of flow to the tank at least 30 minutes before the tank overfills, provided the restriction occurs when the tank is filled to no more than 95 percent of capacity; and activate an audible alarm at least five minutes before the tank overfills; or Provide positive shut-off of flow to the tank when the tank is filled to no more than 95 percent of capacity; or Provide positive shut-off of flow to the tank so that none of the fittings located on the top of the tank are exposed to product due to overfilling. Install/retrofit overfill prevention equipment that does not use flow restrictors on vent piping to meet overfill prevention equipment requirements when the overfill prevention equipment is installed, repaired, or replaced on and after October 1, 2018. For USTs installed before October 1, 2018, perform an inspection by October 13, 2018 and every 36 months thereafter. For USTs installed on and after October 1, 2018, perform an inspection at installation and every 36 months thereafter. Inspected within 30 days after a repair to the overfill prevention equipment. Inspected using an applicable manufacturer guidelines, industry codes, engineering standards, or a method approved by a professional engineer. Inspected by a certified UST service technician. Maintain records of overfill prevention equipment inspection for 36 months.

Violation Notes: OBSERVATION: Failures noted on the Overfill Prevention Test results dated 08/11/2021 for all tanks. CORRECTIVE ACTION: Repair or replace the Overfill Prevention to be functional for all tanks. Submit plans to this agency for the UST modification within 30 days.

Violation Division: San Bernardino County Fire Department
Violation Program: UST
Violation Source: CERS,

Site ID: 395289
Site Name: Needles American Gas
Violation Date: 11-17-2020
Citation: HSC 6.7 25290.1(e) - California Health and Safety Code, Chapter 6.7, Section(s) 25290.1(e)

Violation Description: Failure to maintain the interstitial space such that a breach in the primary or secondary containment is detected before the liquid or vapor phase of the hazardous substance stored in the UST tank is released into the environment, i.e., vapor, pressure, hydrostatic (VPH) monitoring.

Violation Notes: OBSERVATION: L24 brine sensor for 91 Fill sump failed during testing and wasn't setup in the programming. CORRECTIVE ACTION: Replace faulty brine sensor in 91 Fill sump, and submit work order with test result to this department within 14 days.

Violation Division: San Bernardino County Fire Department
Violation Program: UST
Violation Source: CERS,

Site ID: 395289
Site Name: Needles American Gas
Violation Date: 04-01-2015
Citation: HSC 6.7 25298 - California Health and Safety Code, Chapter 6.7, Section(s) 25298

Violation Description: UST system was abandoned or not properly closed, or failure to comply with all permanent closure requirements.

Violation Notes: Returned to compliance on 11/16/2015. IMMEDIATELY APPLY FOR COMPLETE

Map ID
Direction
Distance
Elevation

MAP FINDINGS

Site

Database(s)

EDR ID Number
EPA ID Number

NEEDLES AMERICAN GAS (Continued)

S121309762

UST REMOVAL WITH OVERSIGHT FROM THIS DEPARTMENT (SAN BERNARDINO COUNTY FIRE DEPARTMENT). REMOVAL MUST BE COMPLETED WITHIN 30 DAYS.

Violation Division: San Bernardino County Fire Department
Violation Program: UST
Violation Source: CERS,

Site ID: 395289
Site Name: Needles American Gas
Violation Date: 11-17-2020
Citation: 22 CCR 12 66262.12 - California Code of Regulations, Title 22, Chapter 12, Section(s) 66262.12

Violation Description: Failure to obtain an Identification Number prior to treating, storing, disposing of, transporting or offering for transportation any hazardous waste.

Violation Notes: OBSERVATION: EPA ID CAL000412380 submitted in CERS is registered to Toys R Us #5655. CORRECTIVE ACTION: Submit a valid Hazardous Waste identification number or obtain a valid EPA ID and submit online in CERS within 30 days. Contact DTSC to obtain a valid EPA ID (<https://hwts.dtsc.ca.gov/>)

Violation Division: San Bernardino County Fire Department
Violation Program: HW
Violation Source: CERS,

Site ID: 395289
Site Name: Needles American Gas
Violation Date: 11-17-2016
Citation: 23 CCR 16 2712(b) - California Code of Regulations, Title 23, Chapter 16, Section(s) 2712(b)

Violation Description: Failure to maintain records of repairs, lining, and upgrades on site, or off site if approved by the CUPA, for the life of the UST.

Violation Notes: Returned to compliance on 01/05/2018. OBSERVATIONS: THE SITE HAS NOT BEEN MAINTAINING A BRINE LOG FOR ALL THE TIMES BRINE HAS BEEN ADDED TO THIS SYSTEM. COMPLIANCE REQUIREMENT: THE BRINE LOG MUST INCLUDE THE DATE, WHERE, AND HOW MUCH WAS ADDED. LOG MUST BE ACCURATELY MAINTAINED TO ASSIST IN TRACKING ISSUES WITH THE SYSTEM. PROVIDE PROOF OF LOG TO OUR DEPARTMENT AT EGRIMES@SBCFIRE.ORG. COMPLIANCE ACTIVITY 1/3/2017: NO CORRECTIONS HAVE BEEN MADE. OUTSTANDING VIOLATIONS LETTER ISSUED. EGRIMES.

Violation Division: San Bernardino County Fire Department
Violation Program: UST
Violation Source: CERS,

Site ID: 395289
Site Name: Needles American Gas
Violation Date: 11-01-2021
Citation: 23 CCR 16 2636(f)(2) - California Code of Regulations, Title 23, Chapter 16, Section(s) 2636(f)(2)

Violation Description: Failure of the functional line leak detector (LLD) monitoring pressurized piping to meet one or more of the following requirements: Monitored at least hourly with the capability of detecting a release of 3.0 gallons per hour leak at 10 pounds per square inch and restrict or shut off the flow of product through the piping when a leak is detected.

Violation Notes: OBSERVATION: The Diesel line leak detector was not functional when tested on-site. CORRECTIVE ACTION: Repair/replace the Diesel line leak detector and submit a work order and passing test results to this agency within 30 days.

Map ID
Direction
Distance
Elevation

MAP FINDINGS

Site

Database(s)

EDR ID Number
EPA ID Number

NEEDLES AMERICAN GAS (Continued)

S121309762

Violation Division: San Bernardino County Fire Department
Violation Program: UST
Violation Source: CERS,

Site ID: 395289
Site Name: Needles American Gas
Violation Date: 11-17-2020
Citation: 23 CCR 16 2641(j) - California Code of Regulations, Title 23, Chapter 16, Section(s) 2641(j)

Violation Description: Failure of the leak detection equipment to be installed, calibrated, operated, and/or maintained properly.

Violation Notes: Returned to compliance on 11/17/2020. OBSERVATION: Annular sensors (VR420) were not setup to detect high liquid. CORRECTIVE ACTION: Technician conducted a cold start and reprogrammed annular sensors to detect both no vacuum and high liquid conditions while onsite.

Violation Division: San Bernardino County Fire Department
Violation Program: UST
Violation Source: CERS,

Site ID: 395289
Site Name: Needles American Gas
Violation Date: 11-19-2014
Citation: HSC 6.7 25298 - California Health and Safety Code, Chapter 6.7, Section(s) 25298

Violation Description: Failure to comply with temporary closure requirements.

Violation Notes: Returned to compliance on 11/16/2015. OBSERVATION: The USTs onsite have not been legally closed and are not being monitored and maintained according to the requirements set forth by California Code of Regulations Title 23, Chapter 16, California Health and Safety Code 6.75 and California Fire Code. COMPLIANCE REQUIREMENT: Immediately apply for an underground storage tank removal permit with the Underground Storage Tank Program of San Bernardino County Fire Department, Hazardous Materials Division. The UST s onsite must be removed within 30 days.

Violation Division: San Bernardino County Fire Department
Violation Program: UST
Violation Source: CERS,

Site ID: 395289
Site Name: Needles American Gas
Violation Date: 11-19-2018
Citation: HSC 6.7 25290.1(e)2 - California Health and Safety Code, Chapter 6.7, Section(s) 25290.1(e)2

Violation Description: Failure to maintain the interstitial space such that a breach in the primary or secondary containment is detected before the liquid or vapor phase of the hazardous substance stored in the UST tank is released into the environment, i.e., vapor, pressure, hydrostatic (VPH) monitoring.

Violation Notes: Returned to compliance on 12/21/2019. OBSERVATION: 1) UDC 9/10 BRINE SENSOR (VR 304) FAILED WHEN TESTED- TECHNICIAN REPLACED/ RE-TESTED- PASSED. 2) THE DIESEL STP BRINE SENSOR(VR 304) FAILED WHEN TESTED. TECHNICIAN WAS UNABLE TO OPEN THE ELECTRICAL J-BOX, WHICH PREVENTED THE TECHNICIAN FROM REPLACING THE SENSOR. 3) SMART SENSORS S3 (87 ANNULAR), S4 (87 VENT), S9 (91 PRODUCT) AND S12 (DIESEL VENT) FAILED WHEN TESTED. TECHNICIAN STATED SYSTEM WAS UNABLE TO HOLD VACUUM, AFTER THE FIRST SENSOR WAS TESTED. COMPLIANCE REQUIREMENT: (7 -DAY NOTICE OF VIOLATION WAS LEFT ON SITE)- TROUBLESHOOT FAILURES AND MAKE

Map ID
Direction
Distance
Elevation

MAP FINDINGS

Site

Database(s)

EDR ID Number
EPA ID Number

NEEDLES AMERICAN GAS (Continued)

S121309762

REPAIRS. IF REPAIRS REQUIRE A PERMIT, CONTACT OFFICE. ONCE FAILURES HAVE BEEN ADDRESSED, CALL OFFICE FOR A WITNESSED RE-INSPECTION.

Violation Division: San Bernardino County Fire Department
Violation Program: UST
Violation Source: CERS,

Site ID: 395289
Site Name: Needles American Gas
Violation Date: 11-17-2016
Citation: HSC 6.95 25508(a)(1) - California Health and Safety Code, Chapter 6.95, Section(s) 25508(a)(1)
Violation Description: Failure to annually review and electronically certify that the business plan is complete and accurate on or before the annual due date.
Violation Notes: Returned to compliance on 07/28/2017. OBSERVATIONS: THE CONTINGENCY PLAN LISTED THE INCORRECT CONTACT NUMBER FOR EMERGENCY RESPONSE. COMPLIANCE REQUIREMENT: THE CORRECT NUMBER IS 909-386-8425. UPDATE THIS IS CERS. COMPLIANCE ACTIVITY 1/3/2017: NO CORRECTIONS HAVE BEEN MADE. OUTSTANDING VIOLATIONS LETTER ISSUED. EGRIMES.

Violation Division: San Bernardino County Fire Department
Violation Program: HMRRP
Violation Source: CERS,

Site ID: 395289
Site Name: Needles American Gas
Violation Date: 11-01-2021
Citation: HSC 6.75 25299.30-25299.34 - California Health and Safety Code, Chapter 6.75, Section(s) 25299.30-25299.34
Violation Description: Failure to submit and maintain complete and current Certification of Financial Responsibility or other mechanism of financial assurance.
Violation Notes: OBSERVATION: The CFO letter has expired as of 03/11/2021. The CFO letter must be updated annually to reflect the current financial status of the facility. CORRECTIVE ACTION: Update all financial documentation and re-submit all UST documentation via CERS within 30 days.

Violation Division: San Bernardino County Fire Department
Violation Program: UST
Violation Source: CERS,

Site ID: 395289
Site Name: Needles American Gas
Violation Date: 11-19-2014
Citation: HSC 6.7 25298 - California Health and Safety Code, Chapter 6.7, Section(s) 25298
Violation Description: UST system was abandoned or not properly closed, or failure to comply with all permanent closure requirements.
Violation Notes: Returned to compliance on 11/16/2015. OBSERVATION: The USTs onsite have not been legally closed and are not being monitored and maintained according to the requirements set forth by California Code of Regulations Title 23, Chapter 16, California Health and Safety Code 6.75 and California Fire Code. COMPLIANCE REQUIREMENT: Immediately apply for an underground storage tank removal permit with the Underground Storage Tank Program of San Bernardino County Fire Department, Hazardous Materials Division. The UST s onsite must be removed within 30 days.

Violation Division: San Bernardino County Fire Department
Violation Program: UST

Map ID
Direction
Distance
Elevation

MAP FINDINGS

Site

Database(s)

EDR ID Number
EPA ID Number

NEEDLES AMERICAN GAS (Continued)

S121309762

Violation Source: CERS,

Site ID: 395289
Site Name: Needles American Gas
Violation Date: 11-19-2014
Citation: 23 CCR 16 2632, 2634, 2636, 2666 - California Code of Regulations, Title 23, Chapter 16, Section(s) 2632, 2634, 2636, 2666
Violation Description: Failure of the leak detection equipment to have an audible and visual alarm as required.
Violation Notes: Returned to compliance on 11/16/2015. OBSERVATION:(1) THE LAST DOCUMENTED MONITORING CERTIFICATION WAS PERFORMED 11/22/2013. COMPLIANCE REQUIREMENT: CONTRACT WITH A CERTIFIED UST CONTRACTOR AND CONTACT THIS OFFICE FOR A WITNESSED MONITORING CERTIFICATION INSPECTION. NOTE: AN INSPECTOR MUST BE ON SITE WITH THE UST CONTRACTORS.
Violation Division: San Bernardino County Fire Department
Violation Program: UST
Violation Source: CERS,

Site ID: 395289
Site Name: Needles American Gas
Violation Date: 11-17-2016
Citation: 23 CCR 6.7 25284, 25286 - California Code of Regulations, Title 23, Chapter 6.7, Section(s) 25284, 25286
Violation Description: Failure to submit a complete and accurate application for a permit to operate a UST, or for renewal of the permit.
Violation Notes: Returned to compliance on 08/23/2017. OBSERVATIONS: (1)THE BOE NUMBER 44050907 IS REGISTERED TO ADVANCED PETROLEUM. IN CERS THE TANK OWNER IS LISTED AS BEING WOODLAND HILLS 76 INC ONLY.(2) THE INSTALLATION DATE IS MISSING FROM ALL TANK PAGES. IF THE YEAR IS ONLY KNOWN, THEN ENTER 1/1/INSTALLATION YEAR. COMPLIANCE REQUIREMENT: (1) TANK OWNER MUST PROVIDE PROOF THAT THEY ARE OWNER OF ADVANCED PETROLEUM, AS WELL. IF NOT, THEN THE TANK OWNER MUST APPLY FOR A BOE NUMBER IN THEIR BUSINESS'S NAME. (2) IF THE YEAR IS ONLY KNOWN, THEN ENTER 1/1/INSTALLATION YEAR. COMPLIANCE ACTIVITY 1/3/2017: NO CORRECTIONS HAVE BEEN MADE. OUTSTANDING VIOLATIONS LETTER ISSUED. EGRIMES. COMPLIANCE ACTIVITY 10/23/2017: NEW OWNERS HAVE ACTIVE BOE AS 44052428. TANK DATES WERE ENTERED. EGRIMES.
Violation Division: San Bernardino County Fire Department
Violation Program: UST
Violation Source: CERS,

Evaluation:
Eval General Type: Compliance Evaluation Inspection
Eval Date: 04-03-2014
Violations Found: Yes
Eval Type: Routine done by local agency
Eval Notes: ABANDONED UST ANNUAL INSPECTION
Eval Division: San Bernardino County Fire Department
Eval Program: UST
Eval Source: CERS,

Eval General Type: Compliance Evaluation Inspection
Eval Date: 11-01-2021
Violations Found: Yes
Eval Type: Routine done by local agency
Eval Notes: Not reported

Map ID
Direction
Distance
Elevation

MAP FINDINGS

Site

Database(s)

EDR ID Number
EPA ID Number

NEEDLES AMERICAN GAS (Continued)

S121309762

Eval Division: San Bernardino County Fire Department
Eval Program: UST
Eval Source: CERS,

Eval General Type: Compliance Evaluation Inspection
Eval Date: 11-16-2015
Violations Found: No
Eval Type: Routine done by local agency
Eval Notes: J STREET VALERO(NEEDLES)- UST WASTE INSPECTION
Eval Division: San Bernardino County Fire Department
Eval Program: HW
Eval Source: CERS,

Eval General Type: Compliance Evaluation Inspection
Eval Date: 11-16-2015
Violations Found: Yes
Eval Type: Routine done by local agency
Eval Notes: J STREET VALERO(NEEDLES)- UST MONITORING CERTIFICATION
Eval Division: San Bernardino County Fire Department
Eval Program: UST
Eval Source: CERS,

Eval General Type: Compliance Evaluation Inspection
Eval Date: 11-16-2017
Violations Found: No
Eval Type: Routine done by local agency
Eval Notes: Not reported
Eval Division: San Bernardino County Fire Department
Eval Program: HMRRP
Eval Source: CERS,

Eval General Type: Compliance Evaluation Inspection
Eval Date: 11-16-2017
Violations Found: Yes
Eval Type: Routine done by local agency
Eval Notes: ANNUAL UST INSPECTION WITH MONITORING CERTIFICATION
Eval Division: San Bernardino County Fire Department
Eval Program: UST
Eval Source: CERS,

Eval General Type: Compliance Evaluation Inspection
Eval Date: 11-17-2016
Violations Found: Yes
Eval Type: Routine done by local agency
Eval Notes: Not reported
Eval Division: San Bernardino County Fire Department
Eval Program: UST
Eval Source: CERS,

Eval General Type: Compliance Evaluation Inspection
Eval Date: 11-19-2014
Violations Found: Yes
Eval Type: Routine done by local agency
Eval Notes: J STREET VALERO- ABANDON UST
Eval Division: San Bernardino County Fire Department
Eval Program: UST
Eval Source: CERS,

Map ID
Direction
Distance
Elevation

MAP FINDINGS

Site

Database(s)

EDR ID Number
EPA ID Number

NEEDLES AMERICAN GAS (Continued)

S121309762

Eval General Type: Compliance Evaluation Inspection
Eval Date: 11-16-2015
Violations Found: Yes
Eval Type: Routine done by local agency
Eval Notes: J STREET VALERO(NEEDLES)- UST INSPECTION
Eval Division: San Bernardino County Fire Department
Eval Program: HMRRP
Eval Source: CERS,

Eval General Type: Compliance Evaluation Inspection
Eval Date: 11-17-2016
Violations Found: Yes
Eval Type: Routine done by local agency
Eval Notes: Not reported
Eval Division: San Bernardino County Fire Department
Eval Program: HMRRP
Eval Source: CERS,

Eval General Type: Compliance Evaluation Inspection
Eval Date: 11-17-2020
Violations Found: Yes
Eval Type: Routine done by local agency
Eval Notes: Annual UST inspection with monitoring certification.
Eval Division: San Bernardino County Fire Department
Eval Program: UST
Eval Source: CERS,

Eval General Type: Compliance Evaluation Inspection
Eval Date: 11-17-2020
Violations Found: Yes
Eval Type: Routine done by local agency
Eval Notes: See CO1 for inspection narrative
Eval Division: San Bernardino County Fire Department
Eval Program: HW
Eval Source: CERS,

Eval General Type: Other/Unknown
Eval Date: 03-26-2019
Violations Found: No
Eval Type: Other, not routine, done by local agency
Eval Notes: Not reported
Eval Division: San Bernardino County Fire Department
Eval Program: UST
Eval Source: CERS,

Eval General Type: Compliance Evaluation Inspection
Eval Date: 11-01-2021
Violations Found: Yes
Eval Type: Routine done by local agency
Eval Notes: Not reported
Eval Division: San Bernardino County Fire Department
Eval Program: HW
Eval Source: CERS,

Eval General Type: Compliance Evaluation Inspection
Eval Date: 11-16-2017
Violations Found: No

Map ID
Direction
Distance
Elevation

MAP FINDINGS

Site

Database(s)

EDR ID Number
EPA ID Number

NEEDLES AMERICAN GAS (Continued)

S121309762

Eval Type:	Routine done by local agency
Eval Notes:	Not reported
Eval Division:	San Bernardino County Fire Department
Eval Program:	HW
Eval Source:	CERS,
Eval General Type:	Compliance Evaluation Inspection
Eval Date:	11-16-2018
Violations Found:	Yes
Eval Type:	Routine done by local agency
Eval Notes:	NEEDLES AMERICAN GAS- VPH--- UST MONITORING CERTIFICATION
Eval Division:	San Bernardino County Fire Department
Eval Program:	UST
Eval Source:	CERS,
Eval General Type:	Compliance Evaluation Inspection
Eval Date:	11-21-2019
Violations Found:	No
Eval Type:	Routine done by local agency
Eval Notes:	Not reported
Eval Division:	San Bernardino County Fire Department
Eval Program:	HMRRP
Eval Source:	CERS,
Eval General Type:	Compliance Evaluation Inspection
Eval Date:	11-21-2019
Violations Found:	Yes
Eval Type:	Routine done by local agency
Eval Notes:	Not reported
Eval Division:	San Bernardino County Fire Department
Eval Program:	HW
Eval Source:	CERS,
Eval General Type:	Compliance Evaluation Inspection
Eval Date:	04-01-2015
Violations Found:	Yes
Eval Type:	Routine done by local agency
Eval Notes:	UST ANNUAL INSPECTION OF AN ILLEGALLY ABANDONED UNDERGROUND STORAGE TANK.
Eval Division:	San Bernardino County Fire Department
Eval Program:	UST
Eval Source:	CERS,
Eval General Type:	Compliance Evaluation Inspection
Eval Date:	08-10-2015
Violations Found:	Yes
Eval Type:	Routine done by local agency
Eval Notes:	J STREET- UST- ABAN-INSPECTION AND PAPERWORK REVIEW
Eval Division:	San Bernardino County Fire Department
Eval Program:	UST
Eval Source:	CERS,
Eval General Type:	Compliance Evaluation Inspection
Eval Date:	11-01-2021
Violations Found:	No
Eval Type:	Routine done by local agency
Eval Notes:	Not reported

Map ID
Direction
Distance
Elevation

MAP FINDINGS

Site

Database(s)

EDR ID Number
EPA ID Number

NEEDLES AMERICAN GAS (Continued)

S121309762

Eval Division: San Bernardino County Fire Department
Eval Program: HMRRP
Eval Source: CERS,

Eval General Type: Compliance Evaluation Inspection
Eval Date: 11-16-2018
Violations Found: No
Eval Type: Routine done by local agency
Eval Notes: NEEDLES AMERICAN GAS- UST INSPECTION
Eval Division: San Bernardino County Fire Department
Eval Program: HMRRP
Eval Source: CERS,

Eval General Type: Other/Unknown
Eval Date: 11-16-2018
Violations Found: No
Eval Type: Other, not routine, done by local agency
Eval Notes: NEEDLES AMERICAN GAS- UST OVERFILL PROTECTION INSPECTION.
Eval Division: San Bernardino County Fire Department
Eval Program: UST
Eval Source: CERS,

Eval General Type: Compliance Evaluation Inspection
Eval Date: 11-17-2020
Violations Found: No
Eval Type: Routine done by local agency
Eval Notes: See CO1 for inspection narrative.
Eval Division: San Bernardino County Fire Department
Eval Program: HMRRP
Eval Source: CERS,

Eval General Type: Compliance Evaluation Inspection
Eval Date: 11-21-2019
Violations Found: Yes
Eval Type: Routine done by local agency
Eval Notes: Not reported
Eval Division: San Bernardino County Fire Department
Eval Program: UST
Eval Source: CERS,

Eval General Type: Other/Unknown
Eval Date: 12-28-2021
Violations Found: Yes
Eval Type: Other, not routine, done by local agency
Eval Notes: mtgm16@yahoo.com; Aklutts@petrorepair.com; DKlutts@petrorepair.com;
based upon overfill prevention failures noted on 08/11/2021
Eval Division: San Bernardino County Fire Department
Eval Program: UST
Eval Source: CERS,

Enforcement Action:
Site ID: 395289
Site Name: Needles American Gas
Site Address: 1219 W. BROADWAY STREET
Site City: NEEDLES
Site Zip: 92363-2705
Enf Action Date: 04-01-2015

Map ID
Direction
Distance
Elevation

MAP FINDINGS

Site

Database(s)

EDR ID Number
EPA ID Number

NEEDLES AMERICAN GAS (Continued)

S121309762

Enf Action Type: Notice of Violation (Unified Program)
Enf Action Description: Notice of Violation Issued by the Inspector at the Time of Inspection
Enf Action Notes: Not reported
Enf Action Division: San Bernardino County Fire Department
Enf Action Program: UST
Enf Action Source: CERS,

Site ID: 395289
Site Name: Needles American Gas
Site Address: 1219 W. BROADWAY STREET
Site City: NEEDLES
Site Zip: 92363-2705
Enf Action Date: 04-03-2014
Enf Action Type: Notice of Violation (Unified Program)
Enf Action Description: Notice of Violation Issued by the Inspector at the Time of Inspection
Enf Action Notes: Not reported
Enf Action Division: San Bernardino County Fire Department
Enf Action Program: UST
Enf Action Source: CERS,

Site ID: 395289
Site Name: Needles American Gas
Site Address: 1219 W. BROADWAY STREET
Site City: NEEDLES
Site Zip: 92363-2705
Enf Action Date: 08-10-2015
Enf Action Type: Notice of Violation (Unified Program)
Enf Action Description: Notice of Violation Issued by the Inspector at the Time of Inspection
Enf Action Notes: Not reported
Enf Action Division: San Bernardino County Fire Department
Enf Action Program: UST
Enf Action Source: CERS,

Site ID: 395289
Site Name: Needles American Gas
Site Address: 1219 W. BROADWAY STREET
Site City: NEEDLES
Site Zip: 92363-2705
Enf Action Date: 11-16-2015
Enf Action Type: Notice of Violation (Unified Program)
Enf Action Description: Notice of Violation Issued by the Inspector at the Time of Inspection
Enf Action Notes: Not reported
Enf Action Division: San Bernardino County Fire Department
Enf Action Program: HMRRP
Enf Action Source: CERS,

Site ID: 395289
Site Name: Needles American Gas
Site Address: 1219 W. BROADWAY STREET
Site City: NEEDLES
Site Zip: 92363-2705
Enf Action Date: 11-16-2015
Enf Action Type: Notice of Violation (Unified Program)
Enf Action Description: Notice of Violation Issued by the Inspector at the Time of Inspection
Enf Action Notes: Not reported
Enf Action Division: San Bernardino County Fire Department
Enf Action Program: UST

Map ID
Direction
Distance
Elevation

MAP FINDINGS

Site

Database(s)

EDR ID Number
EPA ID Number

NEEDLES AMERICAN GAS (Continued)

S121309762

Enf Action Source: CERS,

Site ID: 395289
Site Name: Needles American Gas
Site Address: 1219 W. BROADWAY STREET
Site City: NEEDLES
Site Zip: 92363-2705
Enf Action Date: 11-17-2016
Enf Action Type: Notice of Violation (Unified Program)
Enf Action Description: Notice of Violation Issued by the Inspector at the Time of Inspection
Enf Action Notes: Not reported
Enf Action Division: San Bernardino County Fire Department
Enf Action Program: HMRRP
Enf Action Source: CERS,

Site ID: 395289
Site Name: Needles American Gas
Site Address: 1219 W. BROADWAY STREET
Site City: NEEDLES
Site Zip: 92363-2705
Enf Action Date: 11-17-2016
Enf Action Type: Notice of Violation (Unified Program)
Enf Action Description: Notice of Violation Issued by the Inspector at the Time of Inspection
Enf Action Notes: Not reported
Enf Action Division: San Bernardino County Fire Department
Enf Action Program: UST
Enf Action Source: CERS,

Site ID: 395289
Site Name: Needles American Gas
Site Address: 1219 W. BROADWAY STREET
Site City: NEEDLES
Site Zip: 92363-2705
Enf Action Date: 11-19-2014
Enf Action Type: Notice of Violation (Unified Program)
Enf Action Description: Notice of Violation Issued by the Inspector at the Time of Inspection
Enf Action Notes: Not reported
Enf Action Division: San Bernardino County Fire Department
Enf Action Program: UST
Enf Action Source: CERS,

Affiliation:
Affiliation Type Desc: Identification Signer
Entity Name: Paul Vidakovich
Entity Title: DESIGNATED OPERATOR
Affiliation Address: Not reported
Affiliation City: Not reported
Affiliation State: Not reported
Affiliation Country: Not reported
Affiliation Zip: Not reported
Affiliation Phone: ,

Affiliation Type Desc: UST Property Owner Name
Entity Name: Sun Oil Retail Group
Entity Title: Not reported
Affiliation Address: 1219 W broadway st
Affiliation City: Needles

Map ID
Direction
Distance
Elevation

MAP FINDINGS

Site

Database(s)

EDR ID Number
EPA ID Number

NEEDLES AMERICAN GAS (Continued)

S121309762

Affiliation State: CA
Affiliation Country: United States
Affiliation Zip: 92363
Affiliation Phone: (818) 919-9991,

Affiliation Type Desc: Operator
Entity Name: R & S NEEDLES PETROLEUM, INC.
Entity Title: Not reported
Affiliation Address: Not reported
Affiliation City: Not reported
Affiliation State: Not reported
Affiliation Country: Not reported
Affiliation Zip: Not reported
Affiliation Phone: (619) 666-3373,

Affiliation Type Desc: Parent Corporation
Entity Name: Needles American Gas
Entity Title: Not reported
Affiliation Address: Not reported
Affiliation City: Not reported
Affiliation State: Not reported
Affiliation Country: Not reported
Affiliation Zip: Not reported
Affiliation Phone: ,

Affiliation Type Desc: Property Owner
Entity Name: R & S NEEDLES PETROLEUM, INC.
Entity Title: Not reported
Affiliation Address: 688 SANDRA LANE
Affiliation City: EL CAJON
Affiliation State: CA
Affiliation Country: United States
Affiliation Zip: 92019
Affiliation Phone: (619) 666-3373,

Affiliation Type Desc: CUPA District
Entity Name: San Bernardino County Fire
Entity Title: Not reported
Affiliation Address: 620 South E Street
Affiliation City: San Bernardino
Affiliation State: CA
Affiliation Country: Not reported
Affiliation Zip: 92415-0153
Affiliation Phone: (909) 386-8401,

Affiliation Type Desc: Document Preparer
Entity Name: Paul Vidakovich
Entity Title: Not reported
Affiliation Address: Not reported
Affiliation City: Not reported
Affiliation State: Not reported
Affiliation Country: Not reported
Affiliation Zip: Not reported
Affiliation Phone: ,

Affiliation Type Desc: Legal Owner
Entity Name: R & S NEEDLES PETROLEUM, INC

Map ID
Direction
Distance
Elevation

MAP FINDINGS

Site

Database(s)

EDR ID Number
EPA ID Number

NEEDLES AMERICAN GAS (Continued)

S121309762

Entity Title: Not reported
Affiliation Address: 688 SANDRA LANE
Affiliation City: EL CAJON
Affiliation State: CA
Affiliation Country: United States
Affiliation Zip: 92019
Affiliation Phone: (619) 666-3373,

Affiliation Type Desc: UST Tank Owner
Entity Name: Sun Oil Retail Group
Entity Title: Not reported
Affiliation Address: 1219 W broadway st
Affiliation City: Needles
Affiliation State: CA
Affiliation Country: United States
Affiliation Zip: 92363
Affiliation Phone: (818) 919-9991,

Affiliation Type Desc: Environmental Contact
Entity Name: Paul Vidakovich-PCET
Entity Title: Not reported
Affiliation Address: 3720 OCEANIC WAY, SUITE 205
Affiliation City: Oceanside
Affiliation State: CA
Affiliation Country: Not reported
Affiliation Zip: 92056
Affiliation Phone: ,

Affiliation Type Desc: Facility Mailing Address
Entity Name: Mailing Address
Entity Title: Not reported
Affiliation Address: 1219 W BROADWAY ST
Affiliation City: NEEDLES
Affiliation State: CA
Affiliation Country: Not reported
Affiliation Zip: 92363
Affiliation Phone: ,

Affiliation Type Desc: UST Tank Operator
Entity Name: Sun Oil Retail Group
Entity Title: Not reported
Affiliation Address: 1219 W broadway st
Affiliation City: Needles
Affiliation State: CA
Affiliation Country: United States
Affiliation Zip: 92363
Affiliation Phone: (818) 919-9991,

HWTS:

Name: NEEDLES AMERICAN GAS
Address: 1219 W BROADWAY ST
Address 2: Not reported
City,State,Zip: NEEDLES, CA 92363
EPA ID: CAL000413380
Inactive Date: 06/30/2016
Create Date: 12/21/2015

Map ID
Direction
Distance
Elevation

MAP FINDINGS

Site

Database(s)

EDR ID Number
EPA ID Number

NEEDLES AMERICAN GAS (Continued)

S121309762

Last Act Date: Not reported
Mailing Name: Not reported
Mailing Address: 120021 VENTURA BLVD
Mailing Address 2: Not reported
Mailing City,State,Zip: WOODLAND HILLS, CA 913642638
Owner Name: WOODLAND HILLS 76 INC
Owner Address: 120021 VENTURA BLVD
Owner Address 2: Not reported
Owner City,State,Zip: WOODLAND HILLS, CA 913642638
Contact Name: NICK NIKAKHTAR
Contact Address: 120021 VENTURA BLVD
Contact Address 2: Not reported
City,State,Zip: WOODLAND HILLS, CA 913642638
Facility Status: Inactive
Facility Type: PERMANENT
Category: STATE
Latitude: 34.840863
Longitude: -114.609942

NAICS:

EPA ID: CAL000413380
Create Date: 2015-12-21 11:06:32.833
NAICS Code: 44719
NAICS Description: Other Gasoline Stations
Issued EPA ID Date: 2015-12-21 11:06:32.80000
Inactive Date: 2016-06-30 00:00:00
Facility Name: NEEDLES AMERICAN GAS
Facility Address: 1219 W BROADWAY ST
Facility Address 2: Not reported
Facility City: NEEDLES
Facility County: Not reported
Facility State: CA
Facility Zip: 923632705

BC384 **NEEDLESS GAS**
Target **1219 W BROADWAY ST**
Property **NEEDLES, CA 92363**

HWTS **S124917366**
N/A

Site 9 of 14 in cluster BC

Actual:
500 ft.

Focus Map:
7

HWTS:
Name: NEEDLESS GAS
Address: 1219 W BROADWAY ST
Address 2: Not reported
City,State,Zip: NEEDLES, CA 92363
EPA ID: CAL000429421
Inactive Date: 06/30/2020
Create Date: 07/24/2017
Last Act Date: Not reported
Mailing Name: Not reported
Mailing Address: 1219 W BROADWAY ST
Mailing Address 2: Not reported
Mailing City,State,Zip: NEEDLES, CA 92363
Owner Name: SARMA SAEED BIDI
Owner Address: 30828 HIGHLAND VISTA CIR
Owner Address 2: Not reported
Owner City,State,Zip: TEMECULA, CA 92591

Map ID
Direction
Distance
Elevation

MAP FINDINGS

Site

Database(s)

EDR ID Number
EPA ID Number

NEEDLESS GAS (Continued)

S124917366

Contact Name: SARMAD BIDI OWNER
Contact Address: 1219 W BROADWAY ST
Contact Address 2: Not reported
City,State,Zip: NEEDLES, CA 92363
Facility Status: Inactive
Facility Type: PERMANENT
Category: STATE
Latitude: 34.840863
Longitude: -114.609942

NAICS:
EPA ID: CAL000429421
Create Date: 2017-07-24 13:19:17.217
NAICS Code: 44719
NAICS Description: Other Gasoline Stations
Issued EPA ID Date: 2017-07-24 13:19:17.21000
Inactive Date: 2020-06-30 00:00:00
Facility Name: NEEDLESS GAS
Facility Address: 1219 W BROADWAY ST
Facility Address 2: Not reported
Facility City: NEEDLES
Facility County: Not reported
Facility State: CA
Facility Zip: 92363

BC385 **TM GROUP**
Target **1219 W BROADWAY ST**
Property **NEEDLES, CA 92363**

ECHO **1026018464**
N/A

Site 10 of 14 in cluster BC

Actual: **ECHO:**
500 ft. Envid: 1026018464
Focus Map: Registry ID: 110070428434
7 DFR URL: <http://echo.epa.gov/detailed-facility-report?fid=110070428434>
Name: TM GROUP
Address: 1219 W BROADWAY ST
City,State,Zip: NEEDLES, CA 92363

BC386 **SHELL MINI-MART**
Target **1219 BROADWAY**
Property **NEEDLES, CA 92363**

FINDS **1023299585**
N/A

Site 11 of 14 in cluster BC

Actual: **FINDS:**
500 ft. Registry ID: 110065915754
Focus Map:
7 Click Here for FRS Facility Detail Report:
Environmental Interest/Information System:
STATE MASTER

[Click this hyperlink](#) while viewing on your computer to access additional FINDS: detail in the EDR Site Report.

Map ID
Direction
Distance
Elevation

MAP FINDINGS

Site

Database(s) EDR ID Number
EPA ID Number

BC387 SHELL MINI MART
Target 1219 BROADWAY ST
Property NEEDLES, CA 92363

HAZNET S112872527
HWTS N/A

Site 12 of 14 in cluster BC

Actual: HAZNET:
500 ft. Name: SHELL MINI MART
Focus Map: Address: 1219 BROADWAY ST
7 Address 2: Not reported
City,State,Zip: NEEDLES, CA 923630000
Contact: BOB HARMON/ATTNY
Telephone: 6027200041
Mailing Name: Not reported
Mailing Address: PO BOX 1425

Year: 2000
Gepaid: CAC001181840
TSD EPA ID: CAT080013352
CA Waste Code: 221 - Waste oil and mixed oil
Disposal Method: R01 - Recycler
Tons: 2.66

Additional Info:
Year: 2000
Gen EPA ID: CAC001181840

Shipment Date: 20000427
Creation Date: 7/12/2000 0:00:00
Receipt Date: 20000506
Manifest ID: 99832133
Trans EPA ID: CAT080016116
Trans Name: Not reported
Trans 2 EPA ID: Not reported
Trans 2 Name: Not reported
TSD EPA ID: CAT080013352
Trans Name: Not reported
TSD EPA Alt ID: CAT080013352
TSD EPA Alt Name: Not reported
Waste Code Description: 221 - Waste oil and mixed oil
RCRA Code: Not reported
Meth Code: R01 - Recycler
Quantity Tons: 2.66
Waste Quantity: 700
Quantity Unit: G
Additional Code 1: Not reported
Additional Code 2: Not reported
Additional Code 3: Not reported
Additional Code 4: Not reported
Additional Code 5: Not reported

HWTS:
Name: SHELL MINI MART
Address: 1219 BROADWAY ST
Address 2: Not reported
City,State,Zip: NEEDLES, CA 92363
EPA ID: CAC001181840

Map ID
Direction
Distance
Elevation

MAP FINDINGS

Site

Database(s)

EDR ID Number
EPA ID Number

SHELL MINI MART (Continued)

S112872527

Inactive Date: 06/11/2001
Create Date: 04/19/2000
Last Act Date: Not reported
Mailing Name: Not reported
Mailing Address: PO BOX 1425
Mailing Address 2: Not reported
Mailing City,State,Zip: COTTONWOOD, AZ 863260000
Owner Name: LEE CHAMBERS PETROLEUM INC
Owner Address: 1219 BROADWAY
Owner Address 2: Not reported
Owner City,State,Zip: Not reported
Contact Name: BOB HARMON/ATTNY
Contact Address: 1219 BROADWAY ST
Contact Address 2: Not reported
City,State,Zip: NEELES, CA 923630000
Facility Status: Inactive
Facility Type: TEMPORARY
Category: STATE
Latitude: 34.840912
Longitude: -114.609159

BC388 SHELL MINI-MART
Target 1219 BROADWAY
Property NEEDLES, CA 92363

LUST S106152978
Cortese N/A
CERS

Site 13 of 14 in cluster BC

Actual: LUST REG 7:
500 ft. Region: 7
Focus Map: Status: 7 - Remedial Action Underway
7 Case Num: 7T2363022
Substance: 8006619, MTB
ID: 1137
Global ID: T0607101019
Lead Agency: Local Agency
Case Worker: YO

CORTESE:
Name: SHELL MINI-MART
Address: 1219 BROADWAY
City,State,Zip: NEEDLES, CA 92363
Region: CORTESE
Envirostor Id: Not reported
Global ID: T0607101019
Site/Facility Type: LUST CLEANUP SITE
Cleanup Status: COMPLETED - CASE CLOSED
Status Date: Not reported
Site Code: Not reported
Latitude: Not reported
Longitude: Not reported
Owner: Not reported
Enf Type: Not reported
Swat R: Not reported
Flag: active
Order No: Not reported
Waste Discharge System No: Not reported
Effective Date: Not reported

Map ID
 Direction
 Distance
 Elevation

MAP FINDINGS

Site

Database(s)

EDR ID Number
 EPA ID Number

SHELL MINI-MART (Continued)

S106152978

Region 2: Not reported
 WID Id: Not reported
 Solid Waste Id No: Not reported
 Waste Management Uit Name: Not reported
 File Name: Active Open

CERS:

Name: SHELL MINI-MART
 Address: 1219 BROADWAY
 City,State,Zip: NEEDLES, CA 92363
 Site ID: 225185
 CERS ID: T0607101019
 CERS Description: Leaking Underground Storage Tank Cleanup Site

Affiliation:

Affiliation Type Desc: Local Agency Caseworker
 Entity Name: JACKSON CRUTSINGER - SAN BERNARDINO COUNTY
 Entity Title: Not reported
 Affiliation Address: 620 SOUTH E STREET
 Affiliation City: SAN BERNARDINO
 Affiliation State: CA
 Affiliation Country: Not reported
 Affiliation Zip: Not reported
 Affiliation Phone: ,

Affiliation Type Desc: Regional Board Caseworker
 Entity Name: KAI DUNN - COLORADO RIVER BASIN RWQCB (REGION 7)
 Entity Title: Not reported
 Affiliation Address: 73-720 FRED WARING DR. STE 100
 Affiliation City: PALM DESERT
 Affiliation State: CA
 Affiliation Country: Not reported
 Affiliation Zip: Not reported
 Affiliation Phone: ,

Affiliation Type Desc: Regional Board Caseworker
 Entity Name: ROSALYN FLEMING - COLORADO RIVER BASIN RWQCB (REGION 7)
 Entity Title: Not reported
 Affiliation Address: 73-720 Fred Waring Drive
 Affiliation City: PALM DESERT
 Affiliation State: CA
 Affiliation Country: Not reported
 Affiliation Zip: Not reported
 Affiliation Phone: 7607768948,

BC389 SHELL MINI MART
Target 1219 BROADWAY
Property NEEDLES, CA 92363

LUST U001575266
SWEEPS UST N/A
HIST UST

Site 14 of 14 in cluster BC

Actual: LUST:
500 ft. Name: SHELL MINI-MART
Focus Map: Address: 1219 BROADWAY
7 City,State,Zip: NEEDLES, CA 92363
 Lead Agency: COLORADO RIVER BASIN RWQCB (REGION 7)
 Case Type: LUST Cleanup Site

Map ID
Direction
Distance
Elevation

MAP FINDINGS

Site

Database(s)

EDR ID Number
EPA ID Number

SHELL MINI MART (Continued)

U001575266

Geo Track: http://geotracker.waterboards.ca.gov/profile_report.asp?global_id=T0607101019
Global Id: T0607101019
Latitude: 34.8408233623391
Longitude: -114.609847068787
Status: Completed - Case Closed
Status Date: 06/27/2013
Case Worker: RF
RB Case Number: 7T2363022
Local Agency: SAN BERNARDINO COUNTY
File Location: Local Agency
Local Case Number: 98005
Potential Media Affect: Aquifer used for drinking water supply
Potential Contaminants of Concern: Gasoline, MTBE / TBA / Other Fuel Oxygenates
Site History: The initial unauthorized release of hydrocarbons was reported 12/1997. Assessment indicated that soil and groundwater had been impacted. Soil and groundwater remediation occurred from 08/2001 to 10/2010. Ground water monitoring has occurred since 10/1999. A "Low Threat Closure Policy Review" was performed 02/2013. The site is eligible for closure.

LUST:

Global Id: T0607101019
Contact Type: Local Agency Caseworker
Contact Name: JACKSON CRUTSINGER
Organization Name: SAN BERNARDINO COUNTY
Address: 620 SOUTH E STREET
City: SAN BERNARDINO
Email: jcrutsinger@sbcfire.org
Phone Number: Not reported

Global Id: T0607101019
Contact Type: Regional Board Caseworker
Contact Name: KAI DUNN
Organization Name: COLORADO RIVER BASIN RWQCB (REGION 7)
Address: 73-720 FRED WARING DR. STE 100
City: PALM DESERT
Email: kai.dunn@waterboards.ca.gov
Phone Number: Not reported

Global Id: T0607101019
Contact Type: Regional Board Caseworker
Contact Name: ROSALYN FLEMING
Organization Name: COLORADO RIVER BASIN RWQCB (REGION 7)
Address: 73-720 Fred Waring Drive
City: PALM DESERT
Email: rosaly.fleming@waterboards.ca.gov
Phone Number: 7607768948

LUST:

Global Id: T0607101019
Action Type: ENFORCEMENT
Date: 02/11/2004
Action: Technical Correspondence / Assistance / Other

Global Id: T0607101019
Action Type: ENFORCEMENT
Date: 07/21/2003

Map ID
Direction
Distance
Elevation

MAP FINDINGS

Site

Database(s)

EDR ID Number
EPA ID Number

SHELL MINI MART (Continued)

U001575266

Action: Technical Correspondence / Assistance / Other

Global Id: T0607101019
Action Type: ENFORCEMENT
Date: 07/28/2003
Action: Technical Correspondence / Assistance / Other

Global Id: T0607101019
Action Type: ENFORCEMENT
Date: 04/14/2004
Action: Technical Correspondence / Assistance / Other

Global Id: T0607101019
Action Type: ENFORCEMENT
Date: 01/21/2003
Action: Technical Correspondence / Assistance / Other

Global Id: T0607101019
Action Type: ENFORCEMENT
Date: 04/08/2003
Action: Technical Correspondence / Assistance / Other

Global Id: T0607101019
Action Type: ENFORCEMENT
Date: 10/24/2003
Action: Technical Correspondence / Assistance / Other

Global Id: T0607101019
Action Type: ENFORCEMENT
Date: 02/12/2010
Action: Staff Letter

Global Id: T0607101019
Action Type: ENFORCEMENT
Date: 04/13/2010
Action: Technical Correspondence / Assistance / Other

Global Id: T0607101019
Action Type: ENFORCEMENT
Date: 02/13/2013
Action: File Review - Closure

Global Id: T0607101019
Action Type: ENFORCEMENT
Date: 05/23/2012
Action: Staff Letter

Global Id: T0607101019
Action Type: Other
Date: 01/13/1998
Action: Leak Reported

Global Id: T0607101019
Action Type: REMEDIATION
Date: 06/01/2010
Action: In Situ Physical/Chemical Treatment (other than SVE)

Map ID
Direction
Distance
Elevation

MAP FINDINGS

Site

Database(s)

EDR ID Number
EPA ID Number

SHELL MINI MART (Continued)

U001575266

Global Id:	T0607101019
Action Type:	REMEDIATION
Date:	07/24/2001
Action:	Pump & Treat (P&T) Groundwater
Global Id:	T0607101019
Action Type:	REMEDIATION
Date:	08/08/2001
Action:	Soil Vapor Extraction (SVE)
Global Id:	T0607101019
Action Type:	ENFORCEMENT
Date:	06/24/2003
Action:	Technical Correspondence / Assistance / Other
Global Id:	T0607101019
Action Type:	ENFORCEMENT
Date:	07/09/2009
Action:	13267 Monitoring Program
Global Id:	T0607101019
Action Type:	ENFORCEMENT
Date:	03/05/2012
Action:	Verbal Enforcement
Global Id:	T0607101019
Action Type:	ENFORCEMENT
Date:	02/14/2013
Action:	Staff Letter
Global Id:	T0607101019
Action Type:	ENFORCEMENT
Date:	06/27/2013
Action:	Staff Letter
Global Id:	T0607101019
Action Type:	RESPONSE
Date:	07/15/2002
Action:	Monitoring Report - Quarterly
Global Id:	T0607101019
Action Type:	RESPONSE
Date:	01/29/2013
Action:	Request for Closure - Regulator Responded
Global Id:	T0607101019
Action Type:	RESPONSE
Date:	02/25/2013
Action:	Correspondence - Regulator Responded
Global Id:	T0607101019
Action Type:	ENFORCEMENT
Date:	06/29/2009
Action:	Staff Letter
Global Id:	T0607101019
Action Type:	ENFORCEMENT

Map ID
Direction
Distance
Elevation

MAP FINDINGS

Site

Database(s)

EDR ID Number
EPA ID Number

SHELL MINI MART (Continued)

U001575266

Date: 01/27/2011
Action: Referral to Regional Board

Global Id: T0607101019
Action Type: ENFORCEMENT
Date: 03/01/2011
Action: Technical Correspondence / Assistance / Other

Global Id: T0607101019
Action Type: ENFORCEMENT
Date: 11/09/2011
Action: Technical Correspondence / Assistance / Other

Global Id: T0607101019
Action Type: ENFORCEMENT
Date: 12/12/2011
Action: File review

Global Id: T0607101019
Action Type: RESPONSE
Date: 01/15/2005
Action: Monitoring Report - Quarterly

Global Id: T0607101019
Action Type: RESPONSE
Date: 04/15/2004
Action: Monitoring Report - Quarterly

Global Id: T0607101019
Action Type: RESPONSE
Date: 09/15/2004
Action: Monitoring Report - Quarterly

Global Id: T0607101019
Action Type: RESPONSE
Date: 06/22/2012
Action: Other Report / Document

Global Id: T0607101019
Action Type: RESPONSE
Date: 06/01/2012
Action: Verbal Communication

Global Id: T0607101019
Action Type: RESPONSE
Date: 01/15/2012
Action: Electronic Reporting Submittal Due

Global Id: T0607101019
Action Type: RESPONSE
Date: 07/19/2012
Action: Other Report / Document

Global Id: T0607101019
Action Type: ENFORCEMENT
Date: 04/27/2005
Action: Staff Letter - #SBD3620C5501

Map ID
Direction
Distance
Elevation

MAP FINDINGS

Site

Database(s)

EDR ID Number
EPA ID Number

SHELL MINI MART (Continued)

U001575266

Global Id:	T0607101019
Action Type:	ENFORCEMENT
Date:	08/18/2005
Action:	File review - #3620C5.501
Global Id:	T0607101019
Action Type:	ENFORCEMENT
Date:	07/28/2005
Action:	Staff Letter - #SB3620C5.892
Global Id:	T0607101019
Action Type:	ENFORCEMENT
Date:	04/27/2000
Action:	Site Visit / Inspection / Sampling
Global Id:	T0607101019
Action Type:	ENFORCEMENT
Date:	10/24/2000
Action:	Notification - Public Notice of ROD/RAP/CAP
Global Id:	T0607101019
Action Type:	ENFORCEMENT
Date:	06/28/2012
Action:	Staff Letter
Global Id:	T0607101019
Action Type:	ENFORCEMENT
Date:	05/22/2012
Action:	File review
Global Id:	T0607101019
Action Type:	ENFORCEMENT
Date:	05/22/2012
Action:	Technical Correspondence / Assistance / Other
Global Id:	T0607101019
Action Type:	ENFORCEMENT
Date:	06/27/2013
Action:	Closure/No Further Action Letter
Global Id:	T0607101019
Action Type:	ENFORCEMENT
Date:	03/14/2013
Action:	Letter - Notice - #7-13-26
Global Id:	T0607101019
Action Type:	ENFORCEMENT
Date:	04/25/2011
Action:	Clean Up Fund - Case Closure Review Summary Report (RSR)
Global Id:	T0607101019
Action Type:	ENFORCEMENT
Date:	04/21/2010
Action:	Clean Up Fund - Case Closure Review Summary Report (RSR)
Global Id:	T0607101019
Action Type:	RESPONSE

Map ID
Direction
Distance
Elevation

MAP FINDINGS

Site

Database(s)

EDR ID Number
EPA ID Number

SHELL MINI MART (Continued)

U001575266

Date: 04/15/2005
Action: Final Remedial Action Report / Corrective Action Report

Global Id: T0607101019
Action Type: RESPONSE
Date: 04/15/2005
Action: Monitoring Report - Quarterly

Global Id: T0607101019
Action Type: RESPONSE
Date: 10/15/2004
Action: Monitoring Report - Quarterly

Global Id: T0607101019
Action Type: RESPONSE
Date: 05/15/2011
Action: Monitoring Report - Other

Global Id: T0607101019
Action Type: RESPONSE
Date: 11/01/2011
Action: Verbal Communication

Global Id: T0607101019
Action Type: RESPONSE
Date: 12/15/2011
Action: Monitoring Report - Other

Global Id: T0607101019
Action Type: ENFORCEMENT
Date: 04/07/2005
Action: File review - #SBD3620C5501

Global Id: T0607101019
Action Type: ENFORCEMENT
Date: 09/27/2004
Action: Technical Correspondence / Assistance / Other

Global Id: T0607101019
Action Type: ENFORCEMENT
Date: 10/03/2004
Action: Technical Correspondence / Assistance / Other

Global Id: T0607101019
Action Type: ENFORCEMENT
Date: 05/10/2004
Action: Technical Correspondence / Assistance / Other

Global Id: T0607101019
Action Type: ENFORCEMENT
Date: 06/02/2005
Action: File review - #3620C5.892

Global Id: T0607101019
Action Type: ENFORCEMENT
Date: 01/12/2011
Action: Technical Correspondence / Assistance / Other

Map ID
Direction
Distance
Elevation

MAP FINDINGS

Site

Database(s)

EDR ID Number
EPA ID Number

SHELL MINI MART (Continued)

U001575266

Global Id: T0607101019
Action Type: ENFORCEMENT
Date: 02/16/2011
Action: Technical Correspondence / Assistance / Other

Global Id: T0607101019
Action Type: ENFORCEMENT
Date: 01/27/2011
Action: Referral to Regional Board

Global Id: T0607101019
Action Type: ENFORCEMENT
Date: 08/10/2010
Action: Staff Letter

Global Id: T0607101019
Action Type: ENFORCEMENT
Date: 11/09/2011
Action: File Review - Closure

Global Id: T0607101019
Action Type: ENFORCEMENT
Date: 06/25/2013
Action: File Review - Closure

Global Id: T0607101019
Action Type: ENFORCEMENT
Date: 09/04/2012
Action: Technical Correspondence / Assistance / Other

Global Id: T0607101019
Action Type: Other
Date: 11/24/1997
Action: Leak Discovery

Global Id: T0607101019
Action Type: RESPONSE
Date: 12/01/2004
Action: Interim Remedial Action Report

Global Id: T0607101019
Action Type: RESPONSE
Date: 07/15/2011
Action: Monitoring Report - Semi-Annually

Global Id: T0607101019
Action Type: RESPONSE
Date: 07/03/2013
Action: Well Destruction Report

LUST:

Global Id: T0607101019
Status: Open - Case Begin Date
Status Date: 11/24/1997

Global Id: T0607101019
Status: Open - Site Assessment

Map ID
Direction
Distance
Elevation

MAP FINDINGS

Site

Database(s)

EDR ID Number
EPA ID Number

SHELL MINI MART (Continued)

U001575266

Status Date: 01/13/1998

Global Id: T0607101019
Status: Open - Site Assessment
Status Date: 05/27/1998

Global Id: T0607101019
Status: Open - Site Assessment
Status Date: 06/26/1998

Global Id: T0607101019
Status: Open - Remediation
Status Date: 07/10/2000

Global Id: T0607101019
Status: Open - Remediation
Status Date: 07/24/2001

Global Id: T0607101019
Status: Open - Remediation
Status Date: 08/08/2001

Global Id: T0607101019
Status: Open - Remediation
Status Date: 03/01/2004

Global Id: T0607101019
Status: Open - Eligible for Closure
Status Date: 02/12/2013

Global Id: T0607101019
Status: Completed - Case Closed
Status Date: 06/27/2013

SWEEPS UST:

Name: SHELL MINI MART
Address: 1219 BROADWAY
City: NEEDLES
Status: Active
Comp Number: 33004
Number: 9
Board Of Equalization: 44-000074
Referral Date: 07-28-92
Action Date: 07-28-92
Created Date: 02-29-88
Owner Tank Id: 1
SWRCB Tank Id: 36-000-033004-000001
Tank Status: A
Capacity: 10000
Active Date: 08-25-88
Tank Use: M.V. FUEL
STG: P
Content: REG UNLEADED
Number Of Tanks: 3

Name: SHELL MINI MART

Map ID
Direction
Distance
Elevation

MAP FINDINGS

Site

Database(s)

EDR ID Number
EPA ID Number

SHELL MINI MART (Continued)

U001575266

Address: 1219 BROADWAY
City: NEEDLES
Status: Active
Comp Number: 33004
Number: 9
Board Of Equalization: 44-000074
Referral Date: 07-28-92
Action Date: 07-28-92
Created Date: 02-29-88
Owner Tank Id: 2
SWRCB Tank Id: 36-000-033004-000002
Tank Status: A
Capacity: 10000
Active Date: 08-25-88
Tank Use: M.V. FUEL
STG: P
Content: LEADED
Number Of Tanks: Not reported

Name: SHELL MINI MART
Address: 1219 BROADWAY
City: NEEDLES
Status: Active
Comp Number: 33004
Number: 9
Board Of Equalization: 44-000074
Referral Date: 07-28-92
Action Date: 07-28-92
Created Date: 02-29-88
Owner Tank Id: 3
SWRCB Tank Id: 36-000-033004-000003
Tank Status: A
Capacity: 10000
Active Date: 08-25-88
Tank Use: M.V. FUEL
STG: P
Content: REG UNLEADED
Number Of Tanks: Not reported

HIST UST:

Name: SHELL MINI MART
Address: 1219 BROADWAY
City,State,Zip: NEEDLES, CA 92363
File Number: 0002A183
URL: <http://geotracker.waterboards.ca.gov/ustpdfs/pdf/0002A183.pdf>
Region: STATE
Facility ID: 00000033004
Facility Type: Gas Station
Other Type: Not reported
Contact Name: LEE CHAMBERS
Telephone: 6193263871
Owner Name: LEE CHAMBERS PETROLEUM, INC.
Owner Address: 1702 FRONT ST.
Owner City,St,Zip: NEEDLES, CA 92363
Total Tanks: 0003

Tank Num: 001

Map ID
Direction
Distance
Elevation

MAP FINDINGS

Site

Database(s)

EDR ID Number
EPA ID Number

SHELL MINI MART (Continued)

U001575266

Container Num: 1
Year Installed: 1982
Tank Capacity: 00010000
Tank Used for: PRODUCT
Type of Fuel: UNLEADED
Container Construction Thickness: Not reported
Leak Detection: Stock Inventor

Tank Num: 002
Container Num: 2
Year Installed: 1982
Tank Capacity: 00010000
Tank Used for: PRODUCT
Type of Fuel: REGULAR
Container Construction Thickness: Not reported
Leak Detection: Stock Inventor

Tank Num: 003
Container Num: 3
Year Installed: 1982
Tank Capacity: 00010000
Tank Used for: PRODUCT
Type of Fuel: PREMIUM
Container Construction Thickness: Not reported
Leak Detection: Stock Inventor

[Click here for Geo Tracker PDF:](#)

390

Target 712 BEACH DRIVE
Property NEEDLES, CA

CHMIRS S112830062
N/A

Actual:
475 ft.

Focus Map:
7

CHMIRS:
Name: Not reported
Address: 712 BEACH DRIVE
City,State,Zip: NEEDLES, CA
OES Incident Number: 12-5208
OES notification: 08/30/2012
OES Date: Not reported
OES Time: Not reported
Date Completed: Not reported
Property Use: Not reported
Agency Id Number: Not reported
Agency Incident Number: Not reported
Time Notified: Not reported
Time Completed: Not reported
Surrounding Area: Not reported
Estimated Temperature: Not reported
Property Management: Not reported
More Than Two Substances Involved?: Not reported
Resp Agncy Personel # Of Decontaminated: Not reported
Responding Agency Personel # Of Injuries: Not reported
Responding Agency Personel # Of Fatalities: Not reported
Others Number Of Decontaminated: Not reported
Others Number Of Injuries: Not reported
Others Number Of Fatalities: Not reported
Vehicle Make/year: Not reported
Vehicle License Number: Not reported

Map ID
Direction
Distance
Elevation

MAP FINDINGS

Site

Database(s)

EDR ID Number
EPA ID Number

(Continued)

S112830062

Vehicle State:	Not reported
Vehicle Id Number:	Not reported
CA DOT PUC/ICC Number:	Not reported
Company Name:	Not reported
Reporting Officer Name/ID:	Not reported
Report Date:	Not reported
Facility Telephone:	Not reported
Waterway Involved:	Yes
Waterway:	Colorado River
Spill Site:	Waterways
Cleanup By:	Unknown
Containment:	Not reported
What Happened:	Not reported
Type:	Not reported
Measure:	Unknown
Other:	Not reported
Date/Time:	1525
Year:	2012
Agency:	Citizen
Incident Date:	8/30/2012
Admin Agency:	San Bernardino County Health Department
Amount:	Not reported
Contained:	Unknown
Site Type:	Colorado River
E Date:	Not reported
Substance:	Unknown
Quantity Released:	UNK
Unknown:	Not reported
Substance #2:	Not reported
Substance #3:	Not reported
Evacuations:	Not reported
Number of Injuries:	Not reported
Number of Fatalities:	Not reported
#1 Pipeline:	Not reported
#2 Pipeline:	Not reported
#3 Pipeline:	Not reported
#1 Vessel >= 300 Tons:	Not reported
#2 Vessel >= 300 Tons:	Not reported
#3 Vessel >= 300 Tons:	Not reported
Evacs:	Not reported
Injuries:	Not reported
Fatals:	Not reported
Comments:	Not reported
Description:	The caller is reporting a sheen from a boat in the river. The boat is currently at a residence four houses up stream from R/P house. The boat is described as a blue and white in color.

MAP FINDINGS

Map ID			
Direction			
Distance			
Elevation	Site	Database(s)	EDR ID Number EPA ID Number

BD391	CROSSS TEXACO	EDR Hist Auto	1022065542
Target	1124 W BROADWAY		N/A
Property	NEEDLES, CA 92363		

Site 1 of 4 in cluster BD

Actual:	EDR Hist Auto		
494 ft.			
Focus Map:	Year:	Name:	Type:
7	1976	CROSSS TEXACO	Gasoline Service Stations

BD392	NEEDLES PNT LIQUOR & 1HR	San Bern. Co. Permit	S105047921
Target	1109 W BROADWAY		N/A
Property	NEEDLES, CA 92363		

Site 2 of 4 in cluster BD

Actual:	San Bern. Co. Permit:		
496 ft.	Name:	NEEDLES PNT LIQUOR & 1HR	
Focus Map:	Address:	1109 W BROADWAY	
7	City,State,Zip:	NEEDLES, CA 92363	
	Region:	SAN BERNARDINO	
	Facility ID:	FA0004959	
	Owner:	BRIAN LIM	
	Permit Number:	PT0000925	
	Permit Category:	SPECIAL GENERATOR	
	Facility Status:	INACTIVE	
	Expiration Date:	07/31/2006	

BD393	200 "H" STREET	CHMIRS	S109037079
Target	BARSTOW, CA		N/A
Property			

Site 3 of 4 in cluster BD

Actual:	CHMIRS:		
495 ft.	Name:	Not reported	
Focus Map:	Address:	200 "H" STREET	
7	City,State,Zip:	BARSTOW, CA	
	OES Incident Number:	7-4264	
	OES notification:	07/17/2007	
	OES Date:	Not reported	
	OES Time:	Not reported	
	Date Completed:	Not reported	
	Property Use:	Not reported	
	Agency Id Number:	Not reported	
	Agency Incident Number:	Not reported	
	Time Notified:	Not reported	
	Time Completed:	Not reported	
	Surrounding Area:	Not reported	
	Estimated Temperature:	Not reported	
	Property Management:	Not reported	
	More Than Two Substances Involved?:	Not reported	
	Resp Agncy Personel # Of Decontaminated:	Not reported	
	Responding Agency Personel # Of Injuries:	Not reported	
	Responding Agency Personel # Of Fatalities:	Not reported	
	Others Number Of Decontaminated:	Not reported	
	Others Number Of Injuries:	Not reported	

Map ID
Direction
Distance
Elevation

MAP FINDINGS

Site

Database(s)

EDR ID Number
EPA ID Number

(Continued)

S109037079

Others Number Of Fatalities:	Not reported
Vehicle Make/year:	Not reported
Vehicle License Number:	Not reported
Vehicle State:	Not reported
Vehicle Id Number:	Not reported
CA DOT PUC/ICC Number:	Not reported
Company Name:	Not reported
Reporting Officer Name/ID:	Not reported
Report Date:	Not reported
Facility Telephone:	Not reported
Waterway Involved:	Not reported
Waterway:	Not reported
Spill Site:	Not reported
Cleanup By:	Contractor
Containment:	Not reported
What Happened:	Not reported
Type:	Not reported
Measure:	Not reported
Other:	Not reported
Date/Time:	Not reported
Year:	2007
Agency:	BNSF
Incident Date:	7/17/2007 12:00:00 AM
Admin Agency:	San Bernardino County Health Department
Amount:	Not reported
Contained:	Yes
Site Type:	Rail Road
E Date:	Not reported
Substance:	Diesel Fuel
Gallons:	50
Unknown:	0
Substance #2:	Not reported
Substance #3:	Not reported
Evacuations:	0
Number of Injuries:	0
Number of Fatalities:	0
#1 Pipeline:	Not reported
#2 Pipeline:	Not reported
#3 Pipeline:	Not reported
#1 Vessel >= 300 Tons:	Not reported
#2 Vessel >= 300 Tons:	Not reported
#3 Vessel >= 300 Tons:	Not reported
Evacs:	Not reported
Injuries:	Not reported
Fatals:	Not reported
Comments:	Not reported
Description:	07/17/07 at 0715 hrs, a locomotive in the BNSF servicing yard leaked about 50 gallons of diesel fuel due to overfilling. The spill is contained in the ballast and soil under the tracks. A contractor is in route to clean it up.

MAP FINDINGS

Map ID
Direction
Distance
Elevation

Site

Database(s)

EDR ID Number
EPA ID Number

BD394
Target 200 H STREET
Property BARSTOW, CA

HMIRS 2004110311
N/A

Site 4 of 4 in cluster BD

Actual: 495 ft. [Click this hyperlink](#) while viewing on your computer to access additional HMIRS detail in the EDR Site Report.

Focus Map:
7

BE395 EL GARCES TRAIN STATION
Target 950 FRONT ST
Property NEEDLES, CA 92363

HAZNET S123636715
HWTS N/A

Site 1 of 8 in cluster BE

Actual: 490 ft.
Focus Map: 7

HAZNET:
Name: EL GARCES TRAIN STATION
Address: 950 FRONT ST
Address 2: Not reported
City,State,Zip: NEEDLES, CA 923632740
Contact: MARC A RICHARDS
Telephone: 7602209027
Mailing Name: Not reported
Mailing Address: 817 3RD ST

Year: 2013
Gepaid: CAP000239277
TSD EPA ID: NVT330010000
CA Waste Code: 181 - Other inorganic solid waste
Disposal Method: H132 - Landfill Or Surface Impoundment That Will Be Closed As Landfill(To Include On-Site Treatment And/Or Stabilization)
Tons: 2.5284

Additional Info:
Year: 2013
Gen EPA ID: CAP000239277

Shipment Date: 20130919
Creation Date: 2/24/2014 22:15:16
Receipt Date: 20130925
Manifest ID: 010974478JJK
Trans EPA ID: CAR000152058
Trans Name: EARTHWISE SERVICES LLC
Trans 2 EPA ID: Not reported
Trans 2 Name: Not reported
TSD EPA ID: NVT330010000
Trans Name: US ECOLOGY NEVADA INC
TSD EPA ID: Not reported
TSD Alt Name: Not reported
Waste Code Description: 181 - Other inorganic solid waste Organics
RCRA Code: D008
Meth Code: H132 - Landfill Or Surface Impoundment That Will Be Closed As Landfill(To Include On-Site Treatment And/Or Stabilization)
Quantity Tons: 2.5284

Map ID
Direction
Distance
Elevation

MAP FINDINGS

Site

Database(s)

EDR ID Number
EPA ID Number

EL GARCES TRAIN STATION (Continued)

S123636715

Waste Quantity: 3
Quantity Unit: Y
Additional Code 1: Not reported
Additional Code 2: Not reported
Additional Code 3: Not reported
Additional Code 4: Not reported
Additional Code 5: Not reported

HWTS:

Name: EL GARCES TRAIN STATION
Address: 950 FRONT ST
Address 2: Not reported
City,State,Zip: NEEDLES, CA 92363
EPA ID: CAP000239277
Inactive Date: 02/04/2014
Create Date: 11/05/2013
Last Act Date: Not reported
Mailing Name: Not reported
Mailing Address: 817 3RD ST
Mailing Address 2: Not reported
Mailing City,State,Zip: NEEDLES, CA 923632933
Owner Name: EL GARCES TRAIN STATION
Owner Address: 817 3RD ST
Owner Address 2: Not reported
Owner City,State,Zip: NEEDLES, CA 923632933
Contact Name: MARC A RICHARDS
Contact Address: 817 3RD ST
Contact Address 2: Not reported
City,State,Zip: NEEDLES, CA 923632933
Facility Status: Inactive
Facility Type: TEMPORARY
Category: FEDERAL
Latitude: 34.84008917
Longitude: -114.60600899

BE396 EL-GARCES TRAIN STATION
Target 950 FRONT ST
Property NEEDLES, CA 92363

San Bern. Co. Permit S112936384
N/A

Site 2 of 8 in cluster BE

Actual: San Bern. Co. Permit:
490 ft. Name: EL-GARCES TRAIN STATION
Focus Map: Address: 950 FRONT ST
7 City,State,Zip: NEEDLES, CA 92363
Region: SAN BERNARDINO
Facility ID: FA0015049
Owner: CITY OF NEEDLES
Permit Number: PT0026261
Permit Category: REGULAR UST ANNUAL INSPECTION (PER TANK)
Facility Status: INACTIVE
Expiration Date: 04/30/2013

Map ID
Direction
Distance
Elevation

MAP FINDINGS

Site

Database(s)

EDR ID Number
EPA ID Number

BE397 **CITY OF NEEDLES**
Target **950 FRONT ST**
Property **NEEDLES, CA 92363**

HAZNET **S123591679**
HWTS **N/A**

Site 3 of 8 in cluster BE

Actual: HAZNET:
490 ft. Name: CITY OF NEEDLES
Focus Map: Address: 950 FRONT ST
7 Address 2: Not reported
 City,State,Zip: NEEDLES, CA 923632740
 Contact: PUBLIC WORKS DIRECTOR/MARC RICHARDS
 Telephone: 7602209027
 Mailing Name: Not reported
 Mailing Address: 817 3RD ST

 Year: 2013
 Gepaid: CAC002731029
 TSD EPA ID: CAT080013352
 CA Waste Code: 134 - Aqueous solution with total organic residues less than 10 percent
 Disposal Method: H039 - Other Recovery Of Reclamation For Reuse Including Acid Regeneration, Organics Recovery Ect
 Tons: 2.94

Additional Info:
 Year: 2013
 Gen EPA ID: CAC002731029

 Shipment Date: 20130626
 Creation Date: 8/29/2013 22:15:18
 Receipt Date: 20130627
 Manifest ID: 005779484FLE
 Trans EPA ID: CAT080016116
 Trans Name: NIETO AND SONS TRUCKING INC
 Trans 2 EPA ID: Not reported
 Trans 2 Name: Not reported
 TSD EPA ID: CAT080013352
 Trans Name: DEMENNO KERDOON
 TSD EPA Alt ID: Not reported
 TSD EPA Alt Name: Not reported
 Waste Code Description: 134 - Aqueous solution with <10% total organic residues
 RCRA Code: D001
 Meth Code: H039 - Other Recovery Of Reclamation For Reuse Including Acid Regeneration, Organics Recovery Ect

 Quantity Tons: 2.94
 Waste Quantity: 700
 Quantity Unit: G
 Additional Code 1: Not reported
 Additional Code 2: Not reported
 Additional Code 3: Not reported
 Additional Code 4: Not reported
 Additional Code 5: Not reported

HWTS:
 Name: CITY OF NEEDLES
 Address: 950 FRONT ST

Map ID
Direction
Distance
Elevation

MAP FINDINGS

Site

Database(s)

EDR ID Number
EPA ID Number

CITY OF NEEDLES (Continued)

S123591679

Address 2: Not reported
City,State,Zip: NEEDLES, CA 92363
EPA ID: CAC002731029
Inactive Date: 08/22/2013
Create Date: 05/23/2013
Last Act Date: Not reported
Mailing Name: Not reported
Mailing Address: 817 3RD ST
Mailing Address 2: Not reported
Mailing City,State,Zip: NEEDLES, CA 923632933
Owner Name: CITY MANAGER/CITY MANAGER
Owner Address: 817 3RD ST
Owner Address 2: Not reported
Owner City,State,Zip: NEEDLES, CA 923632933
Contact Name: PUBLIC WORKS DIRECTOR/MARC RICHARDS
Contact Address: 817 3RD ST
Contact Address 2: Not reported
City,State,Zip: NEEDLES, CA 923632933
Facility Status: Inactive
Facility Type: TEMPORARY
Category: STATE
Latitude: 34.840077
Longitude: -114.606004

NAICS:

EPA ID: CAC002731029
Create Date: 2013-05-23 12:57:38.290
NAICS Code: 99999
NAICS Description: Not Otherwise Specified
Issued EPA ID Date: 2013-05-23 12:57:38.29300
Inactive Date: 2013-08-22 12:57:38.29000
Facility Name: CITY OF NEEDLES
Facility Address: 950 FRONT ST
Facility Address 2: Not reported
Facility City: NEEDLES
Facility County: Not reported
Facility State: CA
Facility Zip: 923632740

BE398 EL GARCES TRAIN STATION
Target 950 FRONT STREET
Property NEEDLES, CA 92363

FINDS 1026442530
N/A

Site 4 of 8 in cluster BE

Actual: FINDS:
490 ft. Registry ID: 110070799959

Focus Map:
7 [Click Here for FRS Facility Detail Report:](#)

Environmental Interest/Information System:

RCRAInfo is a national information system that supports the Resource Conservation and Recovery Act (RCRA) program through the tracking of events and activities related to facilities that generate, transport, and treat, store, or dispose of hazardous waste. RCRAInfo allows RCRA program staff to track the notification, permit, compliance, and corrective action activities required under RCRA.

Map ID
 Direction
 Distance
 Elevation

MAP FINDINGS

Site

Database(s)

EDR ID Number
 EPA ID Number

EL GARCES TRAIN STATION (Continued)

1026442530

[Click this hyperlink](#) while viewing on your computer to access additional FINDS: detail in the EDR Site Report.

**BE399
 Target
 Property**

**EL GARCES TRAIN STATION
 950 FRONT STREET
 NEEDLES, CA 92363**

RCRA NonGen / NLR

**1025881474
 CAP000239277**

Site 5 of 8 in cluster BE

**Actual:
 490 ft.**

RCRA NonGen / NLR:

**Focus Map:
 7**

Date Form Received by Agency:	20130905
Handler Name:	EL GARCES TRAIN STATION
Handler Address:	950 FRONT STREET
Handler City,State,Zip:	NEEDLES, CA 92363
EPA ID:	CAP000239277
Contact Name:	MARC A RICHARDS
Contact Address:	817 3RD STREET
Contact City,State,Zip:	NEEDLES, CA 92363
Contact Telephone:	760-220-9027
Contact Fax:	760-326-2451
Contact Email:	MECHTECH@FRONTIERNET.NET
Contact Title:	PUBLIC WORKS DIR
EPA Region:	09
Land Type:	Municipal
Federal Waste Generator Description:	Not a generator, verified
Non-Notifier:	Not reported
Biennial Report Cycle:	Not reported
Accessibility:	Not reported
Active Site Indicator:	Not reported
State District Owner:	Not reported
State District:	Not reported
Mailing Address:	817 3RD STREET
Mailing City,State,Zip:	NEEDLES, CA 92363
Owner Name:	CITY OF NEEDLES
Owner Type:	Municipal
Operator Name:	DAVID BROWNLEE CITY MANGER
Operator Type:	Municipal
Short-Term Generator Activity:	No
Importer Activity:	No
Mixed Waste Generator:	No
Transporter Activity:	No
Transfer Facility Activity:	No
Recycler Activity with Storage:	No
Small Quantity On-Site Burner Exemption:	No
Smelting Melting and Refining Furnace Exemption:	No
Underground Injection Control:	No
Off-Site Waste Receipt:	No
Universal Waste Indicator:	No
Universal Waste Destination Facility:	No
Federal Universal Waste:	No
Active Site Fed-Reg Treatment Storage and Disposal Facility:	Not reported
Active Site Converter Treatment storage and Disposal Facility:	Not reported
Active Site State-Reg Treatment Storage and Disposal Facility:	Not reported
Active Site State-Reg Handler:	---
Federal Facility Indicator:	Not reported
Hazardous Secondary Material Indicator:	N
Sub-Part K Indicator:	Not reported
Commercial TSD Indicator:	No

Map ID
Direction
Distance
Elevation

MAP FINDINGS

Site

Database(s)

EDR ID Number
EPA ID Number

EL GARCES TRAIN STATION (Continued)

1025881474

Treatment Storage and Disposal Type:	Not reported
2018 GPRC Permit Baseline:	Not on the Baseline
2018 GPRC Renewals Baseline:	Not on the Baseline
Permit Renewals Workload Universe:	Not reported
Permit Workload Universe:	Not reported
Permit Progress Universe:	Not reported
Post-Closure Workload Universe:	Not reported
Closure Workload Universe:	Not reported
202 GPRC Corrective Action Baseline:	No
Corrective Action Workload Universe:	No
Subject to Corrective Action Universe:	No
Non-TSDFs Where RCRA CA has Been Imposed Universe:	No
TSDFs Potentially Subject to CA Under 3004 (u)/(v) Universe:	No
TSDFs Only Subject to CA under Discretionary Auth Universe:	No
Corrective Action Priority Ranking:	No NCAPS ranking
Environmental Control Indicator:	No
Institutional Control Indicator:	No
Human Exposure Controls Indicator:	N/A
Groundwater Controls Indicator:	N/A
Operating TSDF Universe:	Not reported
Full Enforcement Universe:	Not reported
Significant Non-Complier Universe:	No
Unaddressed Significant Non-Complier Universe:	No
Addressed Significant Non-Complier Universe:	No
Significant Non-Complier With a Compliance Schedule Universe:	No
Financial Assurance Required:	Not reported
Handler Date of Last Change:	20130909
Recognized Trader-Importer:	No
Recognized Trader-Exporter:	No
Importer of Spent Lead Acid Batteries:	No
Exporter of Spent Lead Acid Batteries:	No
Recycler Activity Without Storage:	No
Manifest Broker:	No
Sub-Part P Indicator:	No

Hazardous Waste Summary:

Waste Code:	D008
Waste Description:	LEAD

Handler - Owner Operator:

Owner/Operator Indicator:	Owner
Owner/Operator Name:	CITY OF NEEDLES
Legal Status:	Municipal
Date Became Current:	19130101
Date Ended Current:	Not reported
Owner/Operator Address:	817 3RD STREET
Owner/Operator City,State,Zip:	NEEDLES, CA 92363
Owner/Operator Telephone:	760-326-5700
Owner/Operator Telephone Ext:	Not reported
Owner/Operator Fax:	Not reported
Owner/Operator Email:	Not reported

Owner/Operator Indicator:	Operator
Owner/Operator Name:	DAVID BROWNLEE CITY MANGER
Legal Status:	Municipal

Map ID
Direction
Distance
Elevation

MAP FINDINGS

Site

Database(s)

EDR ID Number
EPA ID Number

EL GARCES TRAIN STATION (Continued)

1025881474

Date Became Current: 20100101
Date Ended Current: Not reported
Owner/Operator Address: Not reported
Owner/Operator City,State,Zip: Not reported
Owner/Operator Telephone: Not reported
Owner/Operator Telephone Ext: Not reported
Owner/Operator Fax: Not reported
Owner/Operator Email: Not reported

Owner/Operator Indicator: Operator
Owner/Operator Name: DAVID BROWNLEE CITY MANGER
Legal Status: Municipal
Date Became Current: 20100101
Date Ended Current: Not reported
Owner/Operator Address: Not reported
Owner/Operator City,State,Zip: Not reported
Owner/Operator Telephone: Not reported
Owner/Operator Telephone Ext: Not reported
Owner/Operator Fax: Not reported
Owner/Operator Email: Not reported

Owner/Operator Indicator: Owner
Owner/Operator Name: CITY OF NEEDLES
Legal Status: Municipal
Date Became Current: 19130101
Date Ended Current: Not reported
Owner/Operator Address: 817 3RD STREET
Owner/Operator City,State,Zip: NEEDLES, CA 92363
Owner/Operator Telephone: 760-326-5700
Owner/Operator Telephone Ext: Not reported
Owner/Operator Fax: Not reported
Owner/Operator Email: Not reported

Historic Generators:

Receive Date: 20130905
Handler Name: EL GARCES TRAIN STATION
Federal Waste Generator Description: Not a generator, verified
State District Owner: Not reported
Large Quantity Handler of Universal Waste: No
Recognized Trader Importer: No
Recognized Trader Exporter: No
Spent Lead Acid Battery Importer: No
Spent Lead Acid Battery Exporter: No
Current Record: Yes
Non Storage Recycler Activity: Not reported
Electronic Manifest Broker: Not reported

Receive Date: 20130529
Handler Name: EL GARCES TRAIN STATION
Federal Waste Generator Description: Large Quantity Generator
State District Owner: Not reported
Large Quantity Handler of Universal Waste: No
Recognized Trader Importer: No
Recognized Trader Exporter: No
Spent Lead Acid Battery Importer: No
Spent Lead Acid Battery Exporter: No
Current Record: No

Map ID
Direction
Distance
Elevation

MAP FINDINGS

Site

Database(s)

EDR ID Number
EPA ID Number

EL GARCES TRAIN STATION (Continued)

1025881474

Non Storage Recycler Activity: Not reported
Electronic Manifest Broker: Not reported

List of NAICS Codes and Descriptions:

NAICS Code: 56291
NAICS Description: REMEDIATION SERVICES

Facility Has Received Notices of Violations:

Violations: No Violations Found

Evaluation Action Summary:

Evaluations: No Evaluations Found

BE400 CITY OF NEEDLES - ENGINEERING
Target 950 FRONT ST
Property NEEDLES, CA 92363

HAZNET S123581490
HWTS N/A

Site 6 of 8 in cluster BE

Actual: HAZNET:
490 ft. Name: CITY OF NEEDLES - ENGINEERING
Focus Map: Address: 950 FRONT ST
7 Address 2: Not reported
City,State,Zip: NEEDLES, CA 92363
Contact: BILLY THOMAS
Telephone: 7603265740
Mailing Name: Not reported
Mailing Address: 817 THIRD ST

Year: 2004
Gepaid: CAC002575707
TSD EPA ID: AZC950823111
CA Waste Code: 151 - Asbestos containing waste
Disposal Method: -
Tons: 67.424

Additional Info:

Year: 2004
Gen EPA ID: CAC002575707

Shipment Date: 20040420
Creation Date: 10/14/2004 7:35:58
Receipt Date: 20040420
Manifest ID: 22418887
Trans EPA ID: CAR000049064
Trans Name: ECTI
Trans 2 EPA ID: Not reported
Trans 2 Name: Not reported
TSD EPA ID: AZC950823111
Trans Name: LA PAZ COUNTY LANDFILL
TSD EPA Alt ID: Not reported
TSD EPA Alt Name: Not reported
Waste Code Description: 151 - Asbestos-containing waste
RCRA Code: Not reported

Map ID
Direction
Distance
Elevation

MAP FINDINGS

Site

Database(s)

EDR ID Number
EPA ID Number

CITY OF NEEDLES - ENGINEERING (Continued)

S123581490

Meth Code: - Not reported
Quantity Tons: 67.424
Waste Quantity: 80
Quantity Unit: Y
Additional Code 1: Not reported
Additional Code 2: Not reported
Additional Code 3: Not reported
Additional Code 4: Not reported
Additional Code 5: Not reported

HWTS:

Name: CITY OF NEEDLES - ENGINEERING
Address: 950 FRONT ST
Address 2: Not reported
City,State,Zip: NEEDLES, CA 92363
EPA ID: CAC002575707
Inactive Date: 10/27/2004
Create Date: 03/18/2004
Last Act Date: Not reported
Mailing Name: Not reported
Mailing Address: 817 THIRD ST
Mailing Address 2: Not reported
Mailing City,State,Zip: NEEDLES, CA 92363
Owner Name: CITY OF NEEDLES - ENGINEERING
Owner Address: 817 THIRD ST
Owner Address 2: Not reported
Owner City,State,Zip: NEEDLES, CA 92363
Contact Name: BILLY THOMAS
Contact Address: 817 THIRD ST
Contact Address 2: Not reported
City,State,Zip: NEEDLES, CA 92363
Facility Status: Inactive
Facility Type: TEMPORARY
Category: STATE
Latitude: 34.840437
Longitude: -114.605812

BE401 CITY OF NEEDLES
Target 950 FRONT ST EL GARCES HOTEL
Property NEEDLES, CA 92363

HAZNET S123590592
HWTS N/A

Site 7 of 8 in cluster BE

Actual: HAZNET:
490 ft. Name: CITY OF NEEDLES
Focus Map: Address: 950 FRONT ST
7 Address 2: Not reported
City,State,Zip: NEEDLES, CA 923632740
Contact: MARK RICHARD
Telephone: 7603262113
Mailing Name: Not reported
Mailing Address: 817 3RD ST

Year: 2013
Gepaid: CAC002719552
TSD EPA ID: CAD028409019
CA Waste Code: 181 - Other inorganic solid waste

Map ID
Direction
Distance
Elevation

MAP FINDINGS

Site

Database(s)

EDR ID Number
EPA ID Number

CITY OF NEEDLES (Continued)

S123590592

Disposal Method: H141 - Storage, Bulking, And/Or Transfer Off Site--No
Treatment/Reovery (H010-H129) Or (H131-H135)
Tons: 0.02

Additional Info:

Year: 2013
Gen EPA ID: CAC002719552

Shipment Date: 20130207
Creation Date: 4/17/2013 22:15:49
Receipt Date: 20130215
Manifest ID: 009207278JJK
Trans EPA ID: CAR000053173
Trans Name: BRICKLEY ENV
Trans 2 EPA ID: CAR000049064
Trans 2 Name: ECTI
TSDf EPA ID: CAD028409019
Trans Name: CROSBY & OVERTON
TSDf Alt EPA ID: Not reported
TSDf Alt Name: Not reported
Waste Code Description: 181 - Other inorganic solid waste Organics
RCRA Code: D008
Meth Code: H141 - Storage, Bulking, And/Or Transfer Off Site--No
Treatment/Reovery (H010-H129) Or (H131-H135)

Quantity Tons: 0.02
Waste Quantity: 40
Quantity Unit: P
Additional Code 1: Not reported
Additional Code 2: Not reported
Additional Code 3: Not reported
Additional Code 4: Not reported
Additional Code 5: Not reported

HWTS:

Name: CITY OF NEEDLES
Address: 950 FRONT ST EL GARCES HOTEL
Address 2: Not reported
City,State,Zip: NEEDLES, CA 92363
EPA ID: CAC002719552
Inactive Date: 05/08/2013
Create Date: 02/06/2013
Last Act Date: Not reported
Mailing Name: Not reported
Mailing Address: 817 3RD ST
Mailing Address 2: Not reported
Mailing City,State,Zip: NEEDLES, CA 923632933
Owner Name: CITY OF NEEDLES
Owner Address: 817 3RD ST
Owner Address 2: Not reported
Owner City,State,Zip: NEEDLES, CA 923632933
Contact Name: MARK RICHARD
Contact Address: 817 3RD ST
Contact Address 2: Not reported
City,State,Zip: NEEDLES, CA 923632933
Facility Status: Inactive

Map ID
Direction
Distance
Elevation

MAP FINDINGS

Site

Database(s)

EDR ID Number
EPA ID Number

CITY OF NEEDLES (Continued)

S123590592

Facility Type: TEMPORARY
Category: STATE
Latitude: 34.840077
Longitude: -114.606004
NAICS:
EPA ID: CAC002719552
Create Date: 2013-02-06 09:42:07.473
NAICS Code: 561439
NAICS Description: Other Business Service Centers (including Copy Shops)
Issued EPA ID Date: 2013-02-06 09:42:07.48300
Inactive Date: 2013-05-08 09:42:07.44300
Facility Name: CITY OF NEEDLES
Facility Address: 950 FRONT ST
Facility Address 2: EL GARCES HOTEL
Facility City: NEEDLES
Facility County: Not reported
Facility State: CA
Facility Zip: 923632740

BE402 EL GARCES TRAIN STATION
Target 950 FRONT STREET
Property NEEDLES, CA 92363

ECHO 1026133708
N/A

Site 8 of 8 in cluster BE

Actual: 490 ft. ECHO:
Focus Map: 7 Envid: 1026133708
Registry ID: 110070799959
DFR URL: <http://echo.epa.gov/detailed-facility-report?fid=110070799959>
Name: EL GARCES TRAIN STATION
Address: 950 FRONT STREET
City,State,Zip: NEEDLES, CA 92363

BF403 GW INVESTIGATION
Target 1260 3RD
Property SAN BERNARDINO, CA 92363

FINDS 1023299308
N/A

Site 1 of 24 in cluster BF

Actual: 519 ft. FINDS:
Focus Map: 7 Registry ID: 110065912846
Click Here for FRS Facility Detail Report:
Environmental Interest/Information System:
STATE MASTER

[Click this hyperlink](#) while viewing on your computer to access additional FINDS: detail in the EDR Site Report.

MAP FINDINGS

Map ID
Direction
Distance
Elevation

Site

Database(s)

EDR ID Number
EPA ID Number

BG404 **ZULCH AUTO WKS**
Target **274 I ST**
Property **SAN BERNARDINO, CA**

EDR Hist Auto **1014183202**
N/A

Site 1 of 8 in cluster BG

Actual: EDR Hist Auto
505 ft.

Focus Map: 7	Year: Name: 1949 ZULCH AUTO WKS 1949 ZULCH AUTO WKS	Type: RADIATOR REPAIRERS-AUTOMOBILE AUTOMOBILE REPAIRING
------------------------	---	--

BG405 **ZULCH AUTO WORKS**
Target **274 I**
Property **SAN BERNARDINO, CA**

EDR Hist Auto **1014178546**
N/A

Site 2 of 8 in cluster BG

Actual: EDR Hist Auto
505 ft.

Focus Map: 7	Year: Name: 1936 ZULCH AUTO WORKS 1942 ZULCH AUTO WKS	Type: AUTOMOBILE REPAIRING AUTOMOBILE REPAIRING
------------------------	---	---

406 **BRENT ENGINEERING INC**
Target **41911 N SHORE DR**
Property **FAWNSKIN, CA 92333**

HWTS **S124585787**
N/A

HWTS:

Actual: 477 ft.	Name: Address: Address 2: City,State,Zip: EPA ID: Inactive Date: Create Date: Last Act Date: Mailing Name: Mailing Address: Mailing Address 2: Mailing City,State,Zip: Owner Name: Owner Address: Owner Address 2: Owner City,State,Zip: Contact Name: Contact Address: Contact Address 2: City,State,Zip: Facility Status: Facility Type: Category: Latitude: Longitude:	BRENT ENGINEERING INC 41911 N SHORE DR Not reported FAWNSKIN, CA 92333 CAC002596025 03/29/2006 09/29/2005 Not reported Not reported 77 SHIELD Not reported IRVINE, CA 92618 BRENT ENGINEERING INC 77 SHIELD Not reported IRVINE, CA 92618 HEATHER BUREK 77 SHIELD Not reported IRVINE, CA 92618 Inactive TEMPORARY STATE 34.840092 -114.593232
----------------------------------	---	--

Map ID
Direction
Distance
Elevation

MAP FINDINGS

Site

Database(s)

EDR ID Number
EPA ID Number

BG407 **DONNA GRISWOLD**
Target **219 I ST**
Property **NEEDLES, CA 92363**

HAZNET **S112859190**
HWTS **N/A**

Site 3 of 8 in cluster BG

Actual: HAZNET:
500 ft. Name: DONNA GRISWOLD
Focus Map: Address: 219 I ST
7 Address 2: Not reported
 City,State,Zip: NEEDLES, CA 923630000
 Contact: DONNA GRISWOLD
 Telephone: 6192423767
 Mailing Name: Not reported
 Mailing Address: 19038 ALLEGHENY RD

 Year: 1994
 Gepaid: CAC001004792
 TSD EPA ID: CAD099452708
 CA Waste Code: 222 - Oil/water separation sludge
 Disposal Method: R01 - Recycler
 Tons: 0.2085

Additional Info:
Year: 1994
Gen EPA ID: CAC001004792

Shipment Date: 19940601
Creation Date: 10/10/1995 0:00:00
Receipt Date: 19940602
Manifest ID: 93098347
Trans EPA ID: CAD981434913
Trans Name: Not reported
Trans 2 EPA ID: Not reported
Trans 2 Name: Not reported
TSD EPA ID: CAD099452708
Trans Name: Not reported
TSD EPA Alt ID: Not reported
TSD EPA Alt Name: Not reported
Waste Code Description: 222 - Oil/water separation sludge
RCRA Code: Not reported
Meth Code: R01 - Recycler
Quantity Tons: 0.2085
Waste Quantity: 50
Quantity Unit: G
Additional Code 1: Not reported
Additional Code 2: Not reported
Additional Code 3: Not reported
Additional Code 4: Not reported
Additional Code 5: Not reported

HWTS:
Name: DONNA GRISWOLD
Address: 219 I ST
Address 2: Not reported
City,State,Zip: NEEDLES, CA 92363
EPA ID: CAC001004792

Map ID
Direction
Distance
Elevation

MAP FINDINGS

Site

Database(s)

EDR ID Number
EPA ID Number

DONNA GRISWOLD (Continued)

S112859190

Inactive Date: 10/25/2000
Create Date: 06/01/1994
Last Act Date: Not reported
Mailing Name: Not reported
Mailing Address: 19038 ALLEGHENY RD
Mailing Address 2: Not reported
Mailing City,State,Zip: APPLE VALLEY, CA 923070000
Owner Name: DONNA GRISWOLD
Owner Address: 219 I ST
Owner Address 2: Not reported
Owner City,State,Zip: NEEDLES, CA 923630000
Contact Name: DONNA GRISWOLD
Contact Address: 219 I ST
Contact Address 2: Not reported
City,State,Zip: NEEDLES, CA 923630000
Facility Status: Inactive
Facility Type: TEMPORARY
Category: STATE
Latitude: 34.840649
Longitude: -114.609094

BG408 1X GRISWOLD, DONNA R.
Target 219 I STREET
Property NEEDLES, CA 92363

HWTS S124529537
N/A

Site 4 of 8 in cluster BG

Actual: 500 ft.
Focus Map: 7

HWTS:
Name: 1X GRISWOLD, DONNA R.
Address: 219 I STREET
Address 2: Not reported
City,State,Zip: NEEDLES, CA 92363
EPA ID: CAC000248305
Inactive Date: 10/25/2000
Create Date: 02/08/1990
Last Act Date: Not reported
Mailing Name: Not reported
Mailing Address: 219 I STREET
Mailing Address 2: Not reported
Mailing City,State,Zip: NEEDLES, CA 923630000
Owner Name: GRISWOLD, DONNA
Owner Address: Not reported
Owner Address 2: Not reported
Owner City,State,Zip: Not reported
Contact Name: DON BOWN, CONTRACTOR
Contact Address: Not reported
Contact Address 2: Not reported
City,State,Zip: Not reported
Facility Status: Inactive
Facility Type: TEMPORARY
Category: STATE
Latitude: 34.840649
Longitude: -114.609094

Map ID
Direction
Distance
Elevation

MAP FINDINGS

Site

Database(s) EDR ID Number
EPA ID Number

BG409 1X GRISWALD, ROBERT O.
Target 219 I STREET
Property NEEDLES, CA 92363

HWTS S124530055
N/A

Site 5 of 8 in cluster BG

Actual: HWTS:
500 ft. Name: 1X GRISWALD, ROBERT O.
Focus Map: Address: 219 I STREET
7 Address 2: Not reported
City,State,Zip: NEEDLES, CA 92363
EPA ID: CAC000264929
Inactive Date: 10/25/2000
Create Date: 04/02/1990
Last Act Date: Not reported
Mailing Name: Not reported
Mailing Address: Not reported
Mailing Address 2: Not reported
Mailing City,State,Zip: VICTORVILLE, CA 923920000
Owner Name: GRISWALD, ROBERT O.
Owner Address: Not reported
Owner Address 2: Not reported
Owner City,State,Zip: Not reported
Contact Name: DONNA GRISWALD, OWNER
Contact Address: Not reported
Contact Address 2: Not reported
City,State,Zip: Not reported
Facility Status: Inactive
Facility Type: TEMPORARY
Category: STATE
Latitude: 34.840649
Longitude: -114.609094

BG410 GRISWOLD ENTERPRISES
Target 219 I ST
Property NEEDLES, CA 92363

FINDS 1023329945
N/A

Site 6 of 8 in cluster BG

Actual: FINDS:
500 ft. Registry ID: 110066244861
Focus Map:
7 Click Here for FRS Facility Detail Report:
Environmental Interest/Information System:
STATE MASTER

[Click this hyperlink](#) while viewing on your computer to access additional FINDS: detail in the EDR Site Report.

Map ID
Direction
Distance
Elevation

MAP FINDINGS

Site

Database(s)

EDR ID Number
EPA ID Number

BG411 **GRISWOLD ENTERPRISES**
Target **219 I**
Property **NEEDLES, CA 92363**

LUST **S102430993**
SWEEPS UST **N/A**
Cortese
HIST CORTESE
CERS

Site 7 of 8 in cluster BG

Actual: LUST REG 7:
500 ft. Region: 7
Focus Map: Status: 9 - Case Closed
7 Case Num: 7T2363018
 Substance: Gasoline - Automotive
 ID: 807
 Global ID: T0606501109
 Lead Agency: Local Agency
 Case Worker: YO

LUST:
Name: GRISWOLD ENTERPRISES
Address: 219 I ST
City,State,Zip: NEEDLES, CA 92363
Lead Agency: SAN BERNARDINO COUNTY
Case Type: LUST Cleanup Site
Geo Track: http://geotracker.waterboards.ca.gov/profile_report.asp?global_id=T0606501109
Global Id: T0606501109
Latitude: 34.840084
Longitude: -114.609095
Status: Completed - Case Closed
Status Date: 05/10/2001
Case Worker: JC
RB Case Number: 7T2363018
Local Agency: SAN BERNARDINO COUNTY
File Location: Local Agency
Local Case Number: 94046
Potential Media Affect: Aquifer used for drinking water supply
Potential Contaminants of Concern: Gasoline
Site History: Not reported

LUST:
Global Id: T0606501109
Contact Type: Local Agency Caseworker
Contact Name: JACKSON CRUTSINGER
Organization Name: SAN BERNARDINO COUNTY
Address: 620 SOUTH E STREET
City: SAN BERNARDINO
Email: jcrutsinger@sbcfire.org
Phone Number: Not reported

LUST:
Global Id: T0606501109
Action Type: Other
Date: 08/12/1994
Action: Leak Reported

Global Id: T0606501109
Action Type: Other
Date: 06/01/1994
Action: Leak Discovery

Map ID
Direction
Distance
Elevation

MAP FINDINGS

Site

Database(s)

EDR ID Number
EPA ID Number

GRISWOLD ENTERPRISES (Continued)

S102430993

LUST:

Global Id: T0606501109
Status: Open - Case Begin Date
Status Date: 06/01/1994

Global Id: T0606501109
Status: Open - Site Assessment
Status Date: 08/12/1994

Global Id: T0606501109
Status: Open - Site Assessment
Status Date: 12/27/1996

Global Id: T0606501109
Status: Completed - Case Closed
Status Date: 05/10/2001

SWEEPS UST:

Name: GRISWOLD ENTERPRISES
Address: 219 I ST
City: NEEDLES
Status: Active
Comp Number: 12527
Number: 9
Board Of Equalization: 44-020399
Referral Date: 03-24-92
Action Date: 03-24-92
Created Date: 02-29-88
Owner Tank Id: 1
SWRCB Tank Id: 36-000-012527-000001
Tank Status: A
Capacity: 550
Active Date: 03-27-90
Tank Use: M.V. FUEL
STG: P
Content: LEADED
Number Of Tanks: 1

CORTESE:

Name: GRISWOLD ENTERPRISES
Address: 219 I ST
City,State,Zip: NEEDLES, CA 92363
Region: CORTESE
Envirostor Id: Not reported
Global ID: T0606501109
Site/Facility Type: LUST CLEANUP SITE
Cleanup Status: COMPLETED - CASE CLOSED
Status Date: Not reported
Site Code: Not reported
Latitude: Not reported
Longitude: Not reported
Owner: Not reported
Enf Type: Not reported
Swat R: Not reported
Flag: active

Map ID
Direction
Distance
Elevation

MAP FINDINGS

Site

Database(s)

EDR ID Number
EPA ID Number

GRISWOLD ENTERPRISES (Continued)

S102430993

Order No: Not reported
Waste Discharge System No: Not reported
Effective Date: Not reported
Region 2: Not reported
WID Id: Not reported
Solid Waste Id No: Not reported
Waste Management Uit Name: Not reported
File Name: Active Open

HIST CORTESE:

edr_fname: GRISWOLD ENTERPRISES
edr_fadd1: 219 I
City,State,Zip: NEEDLES, CA 92363
Region: CORTESE
Facility County Code: 33
Reg By: LTNKA
Reg Id: 7T2363018

CERS:

Name: GRISWOLD ENTERPRISES
Address: 219 I ST
City,State,Zip: NEEDLES, CA 92363
Site ID: 199791
CERS ID: T0606501109
CERS Description: Leaking Underground Storage Tank Cleanup Site

Affiliation:

Affiliation Type Desc: Local Agency Caseworker
Entity Name: JACKSON CRUTSINGER - SAN BERNARDINO COUNTY
Entity Title: Not reported
Affiliation Address: 620 SOUTH E STREET
Affiliation City: SAN BERNARDINO
Affiliation State: CA
Affiliation Country: Not reported
Affiliation Zip: Not reported
Affiliation Phone: ,

BG412 **GRISWOLD ENTERPRISES**
Target **219 I ST**
Property **NEEDLES, CA**

RGA LUST **S114629163**
 N/A

Site 8 of 8 in cluster BG

Actual:
500 ft.

Focus Map:
7

RGA LUST:
Name: GRISWOLD ENTERPRISES
Address: 219 I ST
City: NEEDLES
State: NEEDLES
2012 GRISWOLD ENTERPRISES 219 I ST
Name: GRISWOLD ENTERPRISES
Address: 219 I ST
City: NEEDLES
State: NEEDLES
2011 GRISWOLD ENTERPRISES 219 I ST
Name: GRISWOLD ENTERPRISES
Address: 219 I ST

Map ID
Direction
Distance
Elevation

MAP FINDINGS

Site

Database(s)

EDR ID Number
EPA ID Number

GRISWOLD ENTERPRISES (Continued)

S114629163

City: NEEDLES
State: NEEDLES
2010 GRISWOLD ENTERPRISES 219 I ST
Name: GRISWOLD ENTERPRISES
Address: 219 I ST
City: NEEDLES
State: NEEDLES
2009 GRISWOLD ENTERPRISES 219 I ST
Name: GRISWOLD ENTERPRISES
Address: 219 I ST
City: NEEDLES
State: NEEDLES
2008 GRISWOLD ENTERPRISES 219 I ST
Name: GRISWOLD ENTERPRISES
Address: 219 I ST
City: NEEDLES
State: NEEDLES
2007 GRISWOLD ENTERPRISES 219 I ST
Name: GRISWOLD ENTERPRISES
Address: 219 I ST
City: NEEDLES
State: NEEDLES
2006 GRISWOLD ENTERPRISES 219 I ST
Name: GRISWOLD ENTERPRISES
Address: 219 I ST
City: NEEDLES
State: NEEDLES
2005 GRISWOLD ENTERPRISES 219 I ST
Name: GRISWOLD ENTERPRISES
Address: 219 I ST
City: NEEDLES
State: NEEDLES
2003 GRISWOLD ENTERPRISES 219 I ST
Name: GRISWOLD ENTERPRISES
Address: 219 I ST
City: NEEDLES
State: NEEDLES
2002 GRISWOLD ENTERPRISES 219 I ST
Name: GRISWOLD ENTERPRISES
Address: 219 I ST
City: NEEDLES
State: NEEDLES
2001 GRISWOLD ENTERPRISES 219 I ST
Name: GRISWOLD ENTERPRISES
Address: 219 I ST
City: NEEDLES
State: NEEDLES
2000 GRISWOLD ENTERPRISES 219 I ST

Map ID
Direction
Distance
Elevation

MAP FINDINGS

Site

Database(s) EDR ID Number
EPA ID Number

BF413 **J STREET GAS & OIL**
Target **301 J ST**
Property **NEEDLES, CA 92363**

HWTS **S124907808**
N/A

Site 2 of 24 in cluster BF

Actual: **519 ft.** **HWTS:**
Focus Map: **7**
Name: J STREET GAS & OIL
Address: 301 J ST
Address 2: Not reported
City,State,Zip: NEEDLES, CA 92363
EPA ID: CAL000412836
Inactive Date: 06/30/2016
Create Date: 12/02/2015
Last Act Date: Not reported
Mailing Name: Not reported
Mailing Address: 301 J ST
Mailing Address 2: Not reported
Mailing City,State,Zip: NEEDLES, CA 923632721
Owner Name: ROBERT STRICKOR
Owner Address: 301 J ST
Owner Address 2: Not reported
Owner City,State,Zip: NEEDLES, CA 923632721
Contact Name: VICENTE ALVEVZDO
Contact Address: 301 J ST
Contact Address 2: Not reported
City,State,Zip: NEEDLES, CA 923632721
Facility Status: Inactive
Facility Type: PERMANENT
Category: STATE
Latitude: 34.840026
Longitude: -114.610545

NAICS:
EPA ID: CAL000412836
Create Date: 2015-12-02 15:57:33.677
NAICS Code: 99999
NAICS Description: Not Otherwise Specified
Issued EPA ID Date: 2015-12-02 15:57:33.64000
Inactive Date: 2016-06-30 00:00:00
Facility Name: J STREET GAS & OIL
Facility Address: 301 J ST
Facility Address 2: Not reported
Facility City: NEEDLES
Facility County: Not reported
Facility State: CA
Facility Zip: 923632721

BF414 **J' STREET 76 GAS & OIL'**
Target **301 J STREET**
Property **NEEDLES, CA 92363**

EMI **S126266099**
N/A

Site 3 of 24 in cluster BF

Actual: **519 ft.** **EMI:**
Focus Map: **7**
Name: J' STREET 76 GAS & OIL'
Address: 301 J STREET
City,State,Zip: NEEDLES, CA 92363
Year: 2018

Map ID
Direction
Distance
Elevation

MAP FINDINGS

Site

Database(s)

EDR ID Number
EPA ID Number

J' STREET 76 GAS & OIL' (Continued)

S126266099

County Code: 36
Air Basin: MD
Facility ID: 845
Air District Name: MOJ
SIC Code: 5541
Air District Name: MOJAVE DESERT AQMD
Community Health Air Pollution Info System: Not reported
Consolidated Emission Reporting Rule: Not reported
Total Organic Hydrocarbon Gases Tons/Yr: 0.164
Reactive Organic Gases Tons/Yr: 0.164
Carbon Monoxide Emissions Tons/Yr: Not reported
NOX - Oxides of Nitrogen Tons/Yr: Not reported
SOX - Oxides of Sulphur Tons/Yr: Not reported
Particulate Matter Tons/Yr: Not reported
Part. Matter 10 Micrometers and Smllr Tons/Yr: Not reported

BF415 J STREET 76 GAS & REPAIR
Target 301 J ST
Property NEEDLES, CA 92363

HWTS S124860295
N/A

Site 4 of 24 in cluster BF

Actual: 519 ft.
Focus Map: 7

HWTS:
Name: J STREET 76 GAS & REPAIR
Address: 301 J ST
Address 2: Not reported
City,State,Zip: NEEDLES, CA 92363
EPA ID: CAL000307100
Inactive Date: 06/30/2008
Create Date: 05/22/2006
Last Act Date: Not reported
Mailing Name: Not reported
Mailing Address: 2973 HARBOR BLVD STE 162
Mailing Address 2: Not reported
Mailing City,State,Zip: COSTA MESA, CA 926263912
Owner Name: COUNTRY LANE LLC
Owner Address: 2973 HARBOR BLVD STE 162
Owner Address 2: Not reported
Owner City,State,Zip: COSTA MESA, CA 926263912
Contact Name: ANDY MIRI
Contact Address: 2973 HARBOR BLVD STE 162
Contact Address 2: Not reported
City,State,Zip: COSTA MESA, CA 926263912
Facility Status: Inactive
Facility Type: PERMANENT
Category: STATE
Latitude: 34.840296
Longitude: -114.61049

NAICS:
EPA ID: CAL000307100
Create Date: 2006-05-22 08:51:43.697
NAICS Code: 44719
NAICS Description: Other Gasoline Stations
Issued EPA ID Date: 2006-05-22 08:51:43.29000
Inactive Date: 2008-06-30 00:00:00
Facility Name: J STREET 76 GAS & REPAIR
Facility Address: 301 J ST

Map ID
Direction
Distance
Elevation

MAP FINDINGS

Site

Database(s)

EDR ID Number
EPA ID Number

J STREET 76 GAS & REPAIR (Continued)

S124860295

Facility Address 2: Not reported
Facility City: NEEDLES
Facility County: Not reported
Facility State: CA
Facility Zip: 923632721

BF416 TRIPLE J GAS & SERVICE STATION
Target 301 J ST
Property NEEDLES, CA 92363

HWTS S124867606
N/A

Site 5 of 24 in cluster BF

Actual: HWTS:
519 ft. Name: TRIPLE J GAS & SERVICE STATION
Focus Map: Address: 301 J ST
7 Address 2: Not reported
City,State,Zip: NEEDLES, CA 92363
EPA ID: CAL000323218
Inactive Date: 06/30/2008
Create Date: 08/07/2007
Last Act Date: Not reported
Mailing Name: Not reported
Mailing Address: 8109 COZYCROFT AVE
Mailing Address 2: Not reported
Mailing City,State,Zip: WINNETKA, CA 913061711
Owner Name: JACK JOHNSON
Owner Address: 8109 COZYCROFT AVE
Owner Address 2: Not reported
Owner City,State,Zip: WINNETKA, CA 913061711
Contact Name: JACK JOHNSON
Contact Address: 8109 COZYCROFT AVE
Contact Address 2: Not reported
City,State,Zip: WINNETKA, CA 913061711
Facility Status: Inactive
Facility Type: PERMANENT
Category: STATE
Latitude: 34.840296
Longitude: -114.61049

NAICS:
EPA ID: CAL000323218
Create Date: 2007-08-07 09:23:15.543
NAICS Code: 44719
NAICS Description: Other Gasoline Stations
Issued EPA ID Date: 2007-08-07 09:23:15.51000
Inactive Date: 2008-06-30 00:00:00
Facility Name: TRIPLE J GAS & SERVICE STATION
Facility Address: 301 J ST
Facility Address 2: Not reported
Facility City: NEEDLES
Facility County: Not reported
Facility State: CA
Facility Zip: 92363

MAP FINDINGS

Map ID			EDR ID Number
Direction			EPA ID Number
Distance			
Elevation	Site	Database(s)	

BF417	TOSCO SS # 31145-6288		UST U003942331
Target	301 J ST		N/A
Property	NEEDLES, CA 92363		

Site 6 of 24 in cluster BF

Actual:	UST:	
519 ft.	Name:	TOSCO SS # 31145-6288
Focus Map:	Address:	301 J ST
7	City,State,Zip:	NEEDLES, CA 92363
	Facility ID:	86007612
	Permitting Agency:	SAN BERNARDINO COUNTY
	CERSID:	Not reported
	Latitude:	34.8413769
	Longitude:	-114.609212

BF418	J STREET GAS & OIL GASOLINE		UST U004263958
Target	301 S J ST		N/A
Property	NEEDLES, CA 92363		

Site 7 of 24 in cluster BF

Actual:	UST:	
519 ft.	Name:	J STREET GAS & OIL GASOLINE
Focus Map:	Address:	301 S J ST
7	City,State,Zip:	NEEDLES, CA 92363
	Facility ID:	FA0006741
	Permitting Agency:	San Bernardino County Fire Department
	CERSID:	10045654
	Latitude:	34.839794
	Longitude:	-114.610451

BF419	STATION # 6288		HIST UST U001575268
Target	301 J ST		N/A
Property	NEEDLES, CA 92363		

Site 8 of 24 in cluster BF

Actual:	HIST UST:	
519 ft.	Name:	STATION # 6288
Focus Map:	Address:	301 J ST
7	City,State,Zip:	NEEDLES, CA 92363
	File Number:	Not reported
	URL:	Not reported
	Region:	STATE
	Facility ID:	00000043777
	Facility Type:	Gas Station
	Other Type:	Not reported
	Contact Name:	DONALD RAY JOHNSON
	Telephone:	6193262300
	Owner Name:	UNION OIL COMPANY OF CALIFORNIA
	Owner Address:	1450 FRAZEE ROAD
	Owner City,St,Zip:	SAN DIEGO, CA 92108
	Total Tanks:	0001
	Tank Num:	001
	Container Num:	6288-00
	Year Installed:	1976

Map ID
Direction
Distance
Elevation

MAP FINDINGS

Site

Database(s)

EDR ID Number
EPA ID Number

STATION # 6288 (Continued)

U001575268

Tank Capacity: 00000000
Tank Used for: WASTE
Type of Fuel: Not reported
Container Construction Thickness: 6
Leak Detection: Visual

BF420 **UNION OIL SERVICE STATION #628**
Target **301 J ST**
Property **NEEDLES, CA 92363**

HIST UST **U001575270**
 N/A

Site 9 of 24 in cluster BF

Actual:
519 ft.

Focus Map:
7

HIST UST:
Name: UNION OIL SERVICE STATION #628
Address: 301 J ST
City,State,Zip: NEEDLES, CA 92363
File Number: Not reported
URL: Not reported
Region: STATE
Facility ID: 00000013585
Facility Type: Gas Station
Other Type: Not reported
Contact Name: DONALD JOHNSON
Telephone: 6193262300
Owner Name: UNION OIL COMPANY OF CALIFORNI
Owner Address: 123 CAMINO DE LA REINA
Owner City,St,Zip: SAN DIEGO, CA 92108
Total Tanks: 0004

Tank Num: 001
Container Num: 6288-44
Year Installed: 1976
Tank Capacity: 00000550
Tank Used for: WASTE
Type of Fuel: WASTE OIL
Container Construction Thickness: Not reported
Leak Detection: None

Tank Num: 002
Container Num: 6288-32
Year Installed: 1976
Tank Capacity: 00010000
Tank Used for: PRODUCT
Type of Fuel: PREMIUM
Container Construction Thickness: Not reported
Leak Detection: Stock Inventor, 10

Tank Num: 003
Container Num: 6288-21
Year Installed: 1976
Tank Capacity: 00010000
Tank Used for: PRODUCT
Type of Fuel: UNLEADED
Container Construction Thickness: Not reported
Leak Detection: Stock Inventor, 10

Tank Num: 004
Container Num: 6288-11

Map ID
Direction
Distance
Elevation

MAP FINDINGS

Site

Database(s)

EDR ID Number
EPA ID Number

UNION OIL SERVICE STATION #628 (Continued)

U001575270

Year Installed: 1976
Tank Capacity: 00010000
Tank Used for: PRODUCT
Type of Fuel: UNLEADED
Container Construction Thickness: Not reported
Leak Detection: Stock Inventor, 10

BF421 **BOATNER'S ENTERPRISES INC DBA J ST AMERICAN CAR C**
Target **301 J ST**
Property **NEEDLES, CA 92363**

HWTS **S124849923**
N/A

Site 10 of 24 in cluster BF

Actual: **519 ft.** **HWTS:**
Focus Map: **7**

Name: BOATNER'S ENTERPRISES INC DBA J ST AMERICAN CAR CARE
Address: 301 J ST
Address 2: Not reported
City,State,Zip: NEEDLES, CA 92363
EPA ID: CAL000283871
Inactive Date: 06/30/2006
Create Date: 07/06/2004
Last Act Date: Not reported
Mailing Name: Not reported
Mailing Address: 301 J ST
Mailing Address 2: Not reported
Mailing City,State,Zip: NEEDLES, CA 923630000
Owner Name: BOATNER'S ENTERPRISES, INC
Owner Address: 301 J ST
Owner Address 2: Not reported
Owner City,State,Zip: NEEDLES, CA 923630000
Contact Name: BOB BOATNER
Contact Address: 301 J ST
Contact Address 2: Not reported
City,State,Zip: NEEDLES, CA 923630000
Facility Status: Inactive
Facility Type: PERMANENT
Category: STATE
Latitude: 34.840349
Longitude: -114.610593

NAICS:
EPA ID: CAL000283871
Create Date: 2004-07-06 08:39:11.513
NAICS Code: 811111
NAICS Description: General Automotive Repair
Issued EPA ID Date: 2004-07-06 08:39:11.51300
Inactive Date: 2006-06-30 10:14:52
Facility Name: BOATNER'S ENTERPRISES INC DBA J ST AMERICAN CAR CARE
Facility Address: 301 J ST
Facility Address 2: Not reported
Facility City: NEEDLES
Facility County: Not reported
Facility State: CA
Facility Zip: 923630000

Map ID
Direction
Distance
Elevation

MAP FINDINGS

Site

Database(s) EDR ID Number
EPA ID Number

BF422 J STREET 76 GAS & OIL
Target 301 J STREET
Property NEEDLES, CA 92363

EMI S118494529
N/A

Site 11 of 24 in cluster BF

Actual: EMI:
519 ft. Name: J STREET 76 GAS & OIL
Focus Map: Address: 301 J STREET
7 City,State,Zip: NEEDLES, CA 92363
Year: 2014
County Code: 36
Air Basin: MD
Facility ID: 219000845
Air District Name: MOJ
SIC Code: 5541
Air District Name: MOJAVE DESERT AQMD
Community Health Air Pollution Info System: Not reported
Consolidated Emission Reporting Rule: Not reported
Total Organic Hydrocarbon Gases Tons/Yr: 0.0608685
Reactive Organic Gases Tons/Yr: 0.0608685
Carbon Monoxide Emissions Tons/Yr: 0
NOX - Oxides of Nitrogen Tons/Yr: 0
SOX - Oxides of Sulphur Tons/Yr: 0
Particulate Matter Tons/Yr: 0
Part. Matter 10 Micrometers and Smllr Tons/Yr:0

Name: J' STREET 76 GAS & OIL'
Address: 301 J STREET
City,State,Zip: NEEDLES, CA 92363
Year: 2017
County Code: 36
Air Basin: MD
Facility ID: 219000845
Air District Name: MOJ
SIC Code: 5541
Air District Name: MOJAVE DESERT AQMD
Community Health Air Pollution Info System: Not reported
Consolidated Emission Reporting Rule: Not reported
Total Organic Hydrocarbon Gases Tons/Yr: 0.179025
Reactive Organic Gases Tons/Yr: 0.179025
Carbon Monoxide Emissions Tons/Yr: Not reported
NOX - Oxides of Nitrogen Tons/Yr: Not reported
SOX - Oxides of Sulphur Tons/Yr: Not reported
Particulate Matter Tons/Yr: Not reported
Part. Matter 10 Micrometers and Smllr Tons/Yr:Not reported

BF423
Target 301 J STREET
Property NEEDLES, CA 92363

EMI S120713136
N/A

Site 12 of 24 in cluster BF

Actual: EMI:
519 ft. Name: Not reported
Focus Map: Address: 301 J STREET
7 City,State,Zip: NEEDLES, CA 92363
Year: 2015
County Code: 36
Air Basin: MD

Map ID
Direction
Distance
Elevation

MAP FINDINGS

Site

Database(s)

EDR ID Number
EPA ID Number

(Continued)

S120713136

Facility ID: 219000845
Air District Name: MOJ
SIC Code: 5541
Air District Name: MOJAVE DESERT AQMD
Community Health Air Pollution Info System: Not reported
Consolidated Emission Reporting Rule: Not reported
Total Organic Hydrocarbon Gases Tons/Yr: 0.057528
Reactive Organic Gases Tons/Yr: 0.057528
Carbon Monoxide Emissions Tons/Yr: 0
NOX - Oxides of Nitrogen Tons/Yr: 0
SOX - Oxides of Sulphur Tons/Yr: 0
Particulate Matter Tons/Yr: 0
Part. Matter 10 Micrometers and Smlr Tons/Yr:0

Name: Not reported
Address: 301 J STREET
City,State,Zip: NEEDLES, CA 92363
Year: 2016
County Code: 36
Air Basin: MD
Facility ID: 219000845
Air District Name: MOJ
SIC Code: 5541
Air District Name: MOJAVE DESERT AQMD
Community Health Air Pollution Info System: Not reported
Consolidated Emission Reporting Rule: Not reported
Total Organic Hydrocarbon Gases Tons/Yr: 0.057528
Reactive Organic Gases Tons/Yr: 0.057528
Carbon Monoxide Emissions Tons/Yr: Not reported
NOX - Oxides of Nitrogen Tons/Yr: Not reported
SOX - Oxides of Sulphur Tons/Yr: Not reported
Particulate Matter Tons/Yr: Not reported
Part. Matter 10 Micrometers and Smlr Tons/Yr:Not reported

Name: Not reported
Address: 301 J STREET
City,State,Zip: NEEDLES, CA 92363
Year: 2019
County Code: 36
Air Basin: MD
Facility ID: 845
Air District Name: MOJ
SIC Code: 5541
Air District Name: MOJAVE DESERT AQMD
Community Health Air Pollution Info System: Not reported
Consolidated Emission Reporting Rule: Not reported
Total Organic Hydrocarbon Gases Tons/Yr: 0.154
Reactive Organic Gases Tons/Yr: 0.154
Carbon Monoxide Emissions Tons/Yr: Not reported
NOX - Oxides of Nitrogen Tons/Yr: Not reported
SOX - Oxides of Sulphur Tons/Yr: Not reported
Particulate Matter Tons/Yr: Not reported
Part. Matter 10 Micrometers and Smlr Tons/Yr:Not reported

Map ID
Direction
Distance
Elevation

MAP FINDINGS

Site

Database(s)

EDR ID Number
EPA ID Number

BF424 **STATION 6288**
Target **301 SOUTH J STREET**
Property **NEEDLES, CA 92363**

HIST UST **S118415703**
 N/A

Site 13 of 24 in cluster BF

Actual: HIST UST:
519 ft. Name: STATION 6288
Focus Map: Address: 301 SOUTH J STREET
7 City,State,Zip: NEEDLES, CA 92363
 File Number: 0002A92F
 URL: <http://geotracker.waterboards.ca.gov/ustpdfs/pdf/0002A92F.pdf>
 Region: Not reported
 Facility ID: Not reported
 Facility Type: Not reported
 Other Type: Not reported
 Contact Name: Not reported
 Telephone: Not reported
 Owner Name: Not reported
 Owner Address: Not reported
 Owner City,St,Zip: Not reported
 Total Tanks: Not reported

 Tank Num: Not reported
 Container Num: Not reported
 Year Installed: Not reported
 Tank Capacity: Not reported
 Tank Used for: Not reported
 Type of Fuel: Not reported
 Container Construction Thickness: Not reported
 Leak Detection: Not reported

[Click here for Geo Tracker PDF:](#)

BF425 **UNION OIL SERVICE STATION 628**
Target **301 SOUTH J STREET**
Property **NEEDLES, CA 92363**

HIST UST **S118416462**
 N/A

Site 14 of 24 in cluster BF

Actual: HIST UST:
519 ft. Name: UNION OIL SERVICE STATION 628
Focus Map: Address: 301 SOUTH J STREET
7 City,State,Zip: NEEDLES, CA 92363
 File Number: 0002A8C3
 URL: <http://geotracker.waterboards.ca.gov/ustpdfs/pdf/0002A8C3.pdf>
 Region: Not reported
 Facility ID: Not reported
 Facility Type: Not reported
 Other Type: Not reported
 Contact Name: Not reported
 Telephone: Not reported
 Owner Name: Not reported
 Owner Address: Not reported
 Owner City,St,Zip: Not reported
 Total Tanks: Not reported

 Tank Num: Not reported
 Container Num: Not reported
 Year Installed: Not reported

Map ID
Direction
Distance
Elevation

MAP FINDINGS

Site

Database(s)

EDR ID Number
EPA ID Number

UNION OIL SERVICE STATION 628 (Continued)

S118416462

Tank Capacity: Not reported
Tank Used for: Not reported
Type of Fuel: Not reported
Container Construction Thickness: Not reported
Leak Detection: Not reported

[Click here for Geo Tracker PDF:](#)

BF426 TOSCO CORPORATION STATION #31145
Target 301 SOUTH J STREET
Property NEEDLES, CA 92363

HWTS S124806699
N/A

Site 15 of 24 in cluster BF

Actual: 519 ft. **HWTS:**
Focus Map: 7
Name: TOSCO CORPORATION STATION #31145
Address: 301 SOUTH J STREET
Address 2: Not reported
City,State,Zip: NEEDLES, CA 92363
EPA ID: CAL000135623
Inactive Date: 06/30/2002
Create Date: 04/24/1997
Last Act Date: Not reported
Mailing Name: Not reported
Mailing Address: PO BOX 52085
Mailing Address 2: Not reported
Mailing City,State,Zip: PHOENIX, AZ 850722085
Owner Name: TOSCO MARKETING
Owner Address: PO BOX 52085
Owner Address 2: Not reported
Owner City,State,Zip: PHOENIX, AZ 850722085
Contact Name: HAZMAT SPECIALIST
Contact Address: PO BOX 52085
Contact Address 2: Not reported
City,State,Zip: PHOENIX, AZ 850722085
Facility Status: Inactive
Facility Type: PERMANENT
Category: STATE
Latitude: 34.840353
Longitude: -114.610593

BF427 UNOCAL SRV. #6288
Target 301 SOUTH J ST.
Property NEEDLES, CA 92363

HWTS S124808254
N/A

Site 16 of 24 in cluster BF

Actual: 519 ft. **HWTS:**
Focus Map: 7
Name: UNOCAL SRV. #6288
Address: 301 SOUTH J ST.
Address 2: Not reported
City,State,Zip: NEEDLES, CA 92363
EPA ID: CAL000141294
Inactive Date: 06/30/1994
Create Date: 08/01/1994
Last Act Date: Not reported

Map ID
Direction
Distance
Elevation

MAP FINDINGS

Site

Database(s)

EDR ID Number
EPA ID Number

UNOCAL SRV. #6288 (Continued)

S124808254

Mailing Name: Not reported
Mailing Address: 301 SOUTH J ST.
Mailing Address 2: Not reported
Mailing City,State,Zip: NEEDLES, CA 923630000
Owner Name: Not reported
Owner Address: 301 SOUTH J ST.
Owner Address 2: Not reported
Owner City,State,Zip: NEEDLES, CA 923630000
Contact Name: REFER TO CAL000117563
Contact Address: 301 SOUTH J ST.
Contact Address 2: Not reported
City,State,Zip: NEEDLES, CA 923630000
Facility Status: Inactive
Facility Type: PERMANENT
Category: STATE
Latitude: 34.840353
Longitude: -114.610593

BF428 J STREET GAS & OIL GASOLINE
Target 301 S J ST
Property NEEDLES, CA 92363

CERS HAZ WASTE S121309678
CERS TANKS N/A
San Bern. Co. Permit
CERS

Site 17 of 24 in cluster BF

Actual: CERS HAZ WASTE:
519 ft. Name: J STREET GAS & OIL GASOLINE
Focus Map: Address: 301 S J ST
7 City,State,Zip: NEEDLES, CA 92363
Site ID: 38943
CERS ID: 10045654
CERS Description: Hazardous Waste Generator

CERS TANKS:
Name: J STREET GAS & OIL GASOLINE
Address: 301 S J ST
City,State,Zip: NEEDLES, CA 92363
Site ID: 38943
CERS ID: 10045654
CERS Description: Underground Storage Tank

San Bern. Co. Permit:
Name: J STREET GAS & OIL GASOLINE
Address: 301 S J ST
City,State,Zip: NEEDLES, CA 92363
Region: SAN BERNARDINO
Facility ID: FA0006741
Owner: ROBERT STRECKER
Permit Number: PT0001744
Permit Category: HAZMAT HANDLER, UST ONLY - PER YEAR
Facility Status: ACTIVE
Expiration Date: 11/30/2019

Name: J STREET GAS & OIL GASOLINE
Address: 301 S J ST
City,State,Zip: NEEDLES, CA 92363
Region: SAN BERNARDINO
Facility ID: FA0006741

Map ID
Direction
Distance
Elevation

MAP FINDINGS

Site

Database(s)

EDR ID Number
EPA ID Number

J STREET GAS & OIL GASOLINE (Continued)

S121309678

Owner: ROBERT STRECKER
Permit Number: PT0001745
Permit Category: WASTE INCIDENTAL UST OPERATION ONLY -PER YEAR
Facility Status: ACTIVE
Expiration Date: 11/30/2019

Name: J STREET GAS & OIL GASOLINE
Address: 301 S J ST
City,State,Zip: NEEDLES, CA 92363
Region: SAN BERNARDINO
Facility ID: FA0006741
Owner: ROBERT STRECKER
Permit Number: PT0012521
Permit Category: ABANDONED UST ANNUAL INSPECTION (PER TANK)
Facility Status: ACTIVE
Expiration Date: 11/30/2019

Name: J STREET GAS & OIL GASOLINE
Address: 301 S J ST
City,State,Zip: NEEDLES, CA 92363
Region: SAN BERNARDINO
Facility ID: FA0006741
Owner: ROBERT STRECKER
Permit Number: PT0012522
Permit Category: ABANDONED UST ANNUAL INSPECTION (PER TANK)
Facility Status: ACTIVE
Expiration Date: 11/30/2019

Name: J STREET GAS & OIL GASOLINE
Address: 301 S J ST
City,State,Zip: NEEDLES, CA 92363
Region: SAN BERNARDINO
Facility ID: FA0006741
Owner: ROBERT STRECKER
Permit Number: PT0012523
Permit Category: ABANDONED UST ANNUAL INSPECTION (PER TANK)
Facility Status: ACTIVE
Expiration Date: 11/30/2019

CERS:

Name: J STREET GAS & OIL GASOLINE
Address: 301 S J ST
City,State,Zip: NEEDLES, CA 92363
Site ID: 38943
CERS ID: 10045654
CERS Description: Chemical Storage Facilities

Violations:

Site ID: 38943
Site Name: J STREET GAS & OIL GASOLINE
Violation Date: 07-31-2013
Citation: HSC 6.67 Multiple - California Health and Safety Code, Chapter 6.67, Section(s) Multiple
Violation Description: Haz Waste Generator Program - Administration/Documentation - General
Violation Notes: Returned to compliance on 11/19/2014. Failure to maintain used oil disposal receipts for at least 3 years (CHSC 25160.2(b)(3)) no manifests, except for 02/27/2012

Map ID
Direction
Distance
Elevation

MAP FINDINGS

Site

Database(s)

EDR ID Number
EPA ID Number

J STREET GAS & OIL GASOLINE (Continued)

S121309678

Violation Division: San Bernardino County Fire Department
Violation Program: HW
Violation Source: CERS,

Site ID: 38943
Site Name: J STREET GAS & OIL GASOLINE
Violation Date: 03-11-2020
Citation: HSC 6.7 25298(c) - California Health and Safety Code, Chapter 6.7, Section(s) 25298(c)

Violation Description: Failure to comply with all permanent closure requirements.
Violation Notes: OBSERVATION: This UST system was found to be illegally abandoned. No person shall abandon an UST system without complying with the requirements of CHSC 25298. CORRECTIVE ACTION: Immediately obtain a permit from the CUPA to remove this UST system. A Failure to Obtain a Permit penalty applies.

Violation Division: San Bernardino County Fire Department
Violation Program: UST
Violation Source: CERS,

Site ID: 38943
Site Name: J STREET GAS & OIL GASOLINE
Violation Date: 03-17-2021
Citation: 23 CCR 16 2712(b)(1)(F) - California Code of Regulations, Title 23, Chapter 16, Section(s) 2712(b)(1)(F)

Violation Description: "Failure to conduct secondary containment testing, or one or more of the following requirements: Perform the test of the secondary containment system upon installation, within six months of installation and every 36 months thereafter. Perform the test of a secondary containment component within 30 days of a repair or discontinuing vacuum, pressure or hydrostatic monitoring. Use a procedure that demonstrates the system works as well as at installation. Use applicable manufacturer guidelines, industry codes, engineering standard, or professional engineer approval. Performed by a certified service technician. Maintain records of secondary containment testing for 36 months."
Violation Notes: OBSERVATION: The USTs onsite have not been legally closed and are not being monitored and maintained according to the requirements set forth by California Code of Regulations Title 23, Chapter 16, California Health and Safety Code 6.75 and California Fire Code. COMPLIANCE REQUIREMENT: Immediately apply for an underground storage tank removal permit with the Underground Storage Tank Program of San Bernardino County Fire Department, Hazardous Materials Division. The UST s onsite must be removed Immediately.

Violation Division: San Bernardino County Fire Department
Violation Program: UST
Violation Source: CERS,

Site ID: 38943
Site Name: J STREET GAS & OIL GASOLINE
Violation Date: 11-16-2017
Citation: HSC 6.5 Multiple - California Health and Safety Code, Chapter 6.5, Section(s) Multiple

Violation Description: Hazardous Waste Generator Program - Operations/Maintenance - General
Violation Notes: Failure to note accumulation start date on labels (CCR 66262.34(f)(2))
OBSERVATION: ALL HAZARDOUS WASTE CONTAINERS WERE NOT PROPERLY LABELED. HAZARDOUS WASTE LABELS WERE MISSING TO THE FOLLOWING: (2) 5-GALLON CONTAINERS OF WASTE OIL (2) 55-GALLON DRUMS OF WASTE OIL (1) 55-GALLON

Map ID
Direction
Distance
Elevation

MAP FINDINGS

Site

Database(s)

EDR ID Number
EPA ID Number

J STREET GAS & OIL GASOLINE (Continued)

S121309678

DRUM CONTAINING WASTE ABSORBENT COMPLIANCE REQUIREMENT: HAZARDOUS WASTE CONTAINERS MUST BE LABELED PROPERLY.

Violation Division: San Bernardino County Fire Department
Violation Program: HW
Violation Source: CERS,

Site ID: 38943
Site Name: J STREET GAS & OIL GASOLINE
Violation Date: 11-16-2017
Citation: HSC 6.5 Multiple - California Health and Safety Code, Chapter 6.5, Section(s) Multiple
Violation Description: Hazardous Waste Generator Program - Operations/Maintenance - General
Violation Notes: Failure to label hazardous waste containers (CCR 66262.34(f)(3))
OBSERVATION: ALL HAZARDOUS WASTE CONTAINERS WERE NOT PROPERLY LABELED. HAZARDOUS WASTE LABELS WERE MISSING TO THE FOLLOWING: (2) 5-GALLON CONTAINER OF WASTE OIL (2) 55-GALLON DRUM OF WASTE OIL (1) 55-GALLON DRUM CONTAINING WASTE ABSORBENT COMPLIANCE REQUIREMENT: HAZARDOUS WASTE CONTAINERS MUST BE LABELED PROPERLY.

Violation Division: San Bernardino County Fire Department
Violation Program: HW
Violation Source: CERS,

Site ID: 38943
Site Name: J STREET GAS & OIL GASOLINE
Violation Date: 11-19-2015
Citation: HSC 6.5 Multiple Sections - California Health and Safety Code, Chapter 6.5, Section(s) Multiple Sections
Violation Description: Haz Waste Generator Program - Operations/Maintenance - General
Violation Notes: Returned to compliance on 11/16/2017. Hazardous waste accumulation time exceeded (CCR 66262.34(a)) OBSERVATION: Used oil was left in the Used oil UST from the previous owner. COMPLIANCE REQUIREMENT: Submit a copy of the hazardous waste manifest, documenting the proper disposal of the used oil.

Violation Division: San Bernardino County Fire Department
Violation Program: HW
Violation Source: CERS,

Site ID: 38943
Site Name: J STREET GAS & OIL GASOLINE
Violation Date: 11-19-2015
Citation: HSC 6.7 25284.2 - California Health and Safety Code, Chapter 6.7, Section(s) 25284.2
Violation Description: Failure to test the spill bucket annually.
Violation Notes: Returned to compliance on 11/30/2015. OBSERVATION: The 91-product overspill bucket failed, when tested. COMPLIANCE REQUIREMENT: Submit work order documenting the repair & functionality of the 91-product overspill bucket.

Violation Division: San Bernardino County Fire Department
Violation Program: UST
Violation Source: CERS,

Site ID: 38943
Site Name: J STREET GAS & OIL GASOLINE
Violation Date: 11-19-2014
Citation: 23 CCR 16 2715 - California Code of Regulations, Title 23, Chapter 16, Section(s) 2715
Violation Description: Failure to comply with one or more of the designated operator monthly

Map ID
Direction
Distance
Elevation

MAP FINDINGS

Site

Database(s)

EDR ID Number
EPA ID Number

J STREET GAS & OIL GASOLINE (Continued)

S121309678

inspection requirements: failed to inspect the monthly alarm history report; attach a copy of the alarm history; failed to inspect for the presence of liquid or debris in the spill container/spill bucket and under dispenser containment; failed to inspect the under dispenser containment to ensure that monitoring equipment is placed in the proper position; failure to inspect for liquid or debris in the containment sump where an alarm occurred or for which there is no record of a service visit; or failure to check that all testing and maintenance has been completed and documented.

Violation Notes: Returned to compliance on 11/19/2015. OBSERVATION: MONTHLY DOCUMENTED DESIGNATED OPERATOR (D.O.) INSPECTIONS WERE NOT AVAILABLE. COMPLIANCE REQUIREMENT: PERFORM MONTHLY DOCUMENTED D.O. INSPECTIONS.

Violation Division: San Bernardino County Fire Department
Violation Program: UST
Violation Source: CERS,

Site ID: 38943
Site Name: J STREET GAS & OIL GASOLINE
Violation Date: 11-17-2016
Citation: 23 CCR 6.7 25284, 25286 - California Code of Regulations, Title 23, Chapter 6.7, Section(s) 25284, 25286

Violation Description: Failure to submit a complete and accurate application for a permit to operate a UST, or for renewal of the permit.

Violation Notes: OBSERVATIONS: THE BOE NUMBER LISTED AS 447190 IS NOT COMPLETE. (2) NO DATES FOR UST SYSTEM INSTALLATION HAVE BEEN PROVIDED. (3) PRODUCT PIPING INFORMATION IS MISSING FOR ALL TANKS. (4) THE SENSOR USED TO MONITOR THE SUMP OF THE WASTE OIL TANK IS NOT PROVIDED. CONFIRMED AS BEING A VR-208 SENSOR. THERE IS NO COMMENT ON HOW A VR-420 SENSOR IS USED FOR OVERFILL PREVENTION. COMPLIANCE REQUIREMENT: PROVIDE COMPLETE AND VALID BOE NUMBER ASSOCIATED WITH THIS FACILITY. (2) ENTER DATES THE UST SYSTEMS WERE INSTALLED. IF ONLY THE YEAR IS KNOWN THEN ENTER 1/1/INSTALLTION YEAR. (3) ENTER PRODUCT PIPING INFORMATION FOR ALL TANKS. TECHNICIAN CONFIRMED PIPING IS AO SMITH RIGID FIBERGLASS. PRODUCT IS DOUBLE-WALLED PIPING, BUT VENT IS SINGLE-WALLED. (4) UPDATE THE WASTE OIL TANK PAGE WITH THE SENSORS USED TO MONITOR THIS SYSTEM. MAKE A NOTE IN THE COMMENTS SECTION ABOUT THE VR-420 SENSOR USED FOR OVERFILL ALERT INSTEAD OF PROBE. COMPLIANCE ACTIVITY 4/28/2017: THE BOE NUMBER HAS NOT [Truncated]

Violation Division: San Bernardino County Fire Department
Violation Program: UST
Violation Source: CERS,

Site ID: 38943
Site Name: J STREET GAS & OIL GASOLINE
Violation Date: 11-16-2017
Citation: HSC 6.5 Multiple - California Health and Safety Code, Chapter 6.5, Section(s) Multiple

Violation Description: Hazardous Waste Generator Program - Administration/Documentation - General

Violation Notes: Failure to obtain an EPA ID Number (CCR 66262.12(a)) OBSERVATION: WASTE ID NUMBER CAL000412836 IS INACTIVE. DTSC FORM 1358 PROVIDED. COMPLIANCE REQUIREMENT: OBTAIN A PERMANENT EPA ID NUMBER BY SUBMITTING FORM 1358 TO DTSC. SUBMIT A SIGNED STATEMENT INDICATING THAT A VALID EPA ID NUMBER HAS BEEN OBTAINED.

Violation Division: San Bernardino County Fire Department
Violation Program: HW
Violation Source: CERS,

Map ID
Direction
Distance
Elevation

MAP FINDINGS

Site

Database(s)

EDR ID Number
EPA ID Number

J STREET GAS & OIL GASOLINE (Continued)

S121309678

Site ID: 38943
Site Name: J STREET GAS & OIL GASOLINE
Violation Date: 11-17-2016
Citation: HSC 6.95 25508(a)(1) - California Health and Safety Code, Chapter 6.95, Section(s) 25508(a)(1)
Violation Description: Failure to annually review and electronically certify that the business plan is complete and accurate on or before the annual due date.
Violation Notes: Returned to compliance on 11/30/2016. OBSERVATIONS: THE INVENTORY DOES NOT LIST THE DRUMS STORED ON-SITE USED FOR SOLID AND LIQUID HAZARDOUS WASTE. (2) THE SITE MAP IS NOT COMPLETE. (3) THE EMERGENCY RESPONSE PLAN IS BLANK ON PAGE 6. COMPLIANCE REQUIREMENT: UPDATE THE INVENTORY WITH THE MISSING DRUMS IN CERS. COMPLETE PAGE 6 OF THE EMERGENCY RESPONSE PLAN AND UPLOAD IN CERS. THE SITE MAP MUST INCLUDE THE FOLLOWING, IF APPLICABLE: (1)NORTH ORIENTATION (2)LOADING AREAS (3)INTERNAL ROADS(4) ADJACENT STREETS (5) STORM AND SEWER DRAINS (6) ACCESS AND EXIT POINTS (7) EMERGENCY SHUTOFFS (GAS, ELECTRIC, WATER, PUMPS (8) EVACUATION STAGING AREAS (9) HAZARDOUS MATERIAL HANDLING AND STORAGE AREAS (10) EMERGENCY RESPONSE EQUIPMENT (FIRE EXTINGUISHER, FIRE HOSE, FIRE ALARM, SPILL KIT, EYEWASH STATION; AND SAFETY EQUIPMENT FOR PERSONNEL THAT MAY INCLUDE EYE PROTECTION, SAFETY VESTS, HARD HATS, GLOVES, PERSONAL PROTECTIVE SUITS, RESPIRATORS, ETC.)
Violation Division: San Bernardino County Fire Department
Violation Program: HMRRP
Violation Source: CERS,

Site ID: 38943
Site Name: J STREET GAS & OIL GASOLINE
Violation Date: 07-31-2013
Citation: HSC 6.67 Multiple - California Health and Safety Code, Chapter 6.67, Section(s) Multiple
Violation Description: Haz Waste Generator Program - Operations/Maintenance - General
Violation Notes: Returned to compliance on 11/19/2014. Failure to complete hazardous waste labels (CCR 66262.34(f)(3)) used antifreeze drums not properly marked
Violation Division: San Bernardino County Fire Department
Violation Program: HW
Violation Source: CERS,

Site ID: 38943
Site Name: J STREET GAS & OIL GASOLINE
Violation Date: 03-17-2021
Citation: HSC 6.5 25123.3(h)(1) - California Health and Safety Code, Chapter 6.5, Section(s) 25123.3(h)(1)
Violation Description: Failure to send hazardous waste offsite for treatment, storage, or disposal within 180 days (or 270 days if waste is transported over 200 miles) for a generator who generates less than 1000 kilogram per month if all of the following conditions are met: (1) The quantity of hazardous waste accumulated onsite never exceeds 6,000 kilograms. (2) The generator complies with the requirements of 40 Code of Federal Regulations section 262.34(d), (e) and (f). (3) The generator does not hold acutely hazardous waste or extremely hazardous waste in an amount greater than one kilogram for more than 90 days.
Violation Notes: OBSERVATION: FACILITY WAS OBSERVED WITH A USED OIL UST AND ALL HAZARDOUS WASTE MUST BE DISPOSED OF WITH IN 180 DAY OR 270 DAYS IF WASTE IS TRANSPORTED MORE THAN 200 MILES TO A LICENSED DISPOSAL SITE . NO HAZARDOUS WASTE RECORDS WERE SUBMITTED TO THIS DEPARTMENT

Map ID
Direction
Distance
Elevation

MAP FINDINGS

Site

Database(s)

EDR ID Number
EPA ID Number

J STREET GAS & OIL GASOLINE (Continued)

S121309678

DOCUMENTING THE REMOVAL OF THE USED OIL FROM THE UST AND FACILITY HAD BEEN CLOSED MORE THAN 1 YEAR. COMPLIANCE REQUIREMENT: SUBMIT A COPY OF THE HAZARDOUS WASTE MANIFEST DOCUMENTING THE REMOVAL OF THE USED OIL FROM THE USED OIL UST.

Violation Division: San Bernardino County Fire Department
Violation Program: HW
Violation Source: CERS,

Site ID: 38943
Site Name: J STREET GAS & OIL GASOLINE
Violation Date: 11-16-2017
Citation: HSC 6.5 Multiple - California Health and Safety Code, Chapter 6.5, Section(s) Multiple
Violation Description: Hazardous Waste Generator Program - Administration/Documentation - General
Violation Notes: Failure to retain Hazardous Waste Manifests for at least 3 years (CCR 66262.40(a)) OBSERVATION: HAZARDOUS WASTE MANIFESTS / DISPOSAL RECEIPTS WERE NOT AVAILABLE OR PROVIDED BY END OF INSPECTION. COMPLIANCE REQUIREMENT: SUBMIT STATEMENT THAT HAZARDOUS WASTE DISPOSAL RECORDS WILL BE MAINTAINED ON SITE FOR REVIEW.

Violation Division: San Bernardino County Fire Department
Violation Program: HW
Violation Source: CERS,

Site ID: 38943
Site Name: J STREET GAS & OIL GASOLINE
Violation Date: 11-19-2014
Citation: 23 CCR 16 2632, 2634, 2636, 2666 - California Code of Regulations, Title 23, Chapter 16, Section(s) 2632, 2634, 2636, 2666
Violation Description: Failure of the leak detection equipment to have an audible and visual alarm as required.
Violation Notes: Returned to compliance on 12/03/2014. OBSERVATION: THE USED OIL SUMP AND ANNULAR SENSORS DID NOT GIVE A FUNCTIONAL AUDIBLE AND VISUAL ALARM AT THE MONITORING PANEL. HOWEVER, THE ALARMS WERE RECORDED ON THE MONITORING PANEL TAPE. COMPLIANCE REQUIREMENT: WITHIN 30 DAYS, SUBMIT A COPY OF THE WORK ORDER SHOWING THE REPAIR OF THE AUDIBLE AND VISUAL ALARM FUNCTION FOR THE USED OIL TANK SENSORS.

Violation Division: San Bernardino County Fire Department
Violation Program: UST
Violation Source: CERS,

Site ID: 38943
Site Name: J STREET GAS & OIL GASOLINE
Violation Date: 07-31-2013
Citation: HSC 6.67 Multiple - California Health and Safety Code, Chapter 6.67, Section(s) Multiple
Violation Description: Haz Waste Generator Program - Administration/Documentation - General
Violation Notes: Returned to compliance on 11/19/2014. Failure to obtain an EPA ID Number (CCR 66262.12(a)) epa id number inactive

Violation Division: San Bernardino County Fire Department
Violation Program: HW
Violation Source: CERS,

Site ID: 38943
Site Name: J STREET GAS & OIL GASOLINE
Violation Date: 11-16-2017
Citation: HSC 6.5 Multiple - California Health and Safety Code, Chapter 6.5,

Map ID
Direction
Distance
Elevation

MAP FINDINGS

Site

Database(s)

EDR ID Number
EPA ID Number

J STREET GAS & OIL GASOLINE (Continued)

S121309678

Violation Description: Section(s) Multiple
Hazardous Waste Generator Program - Operations/Maintenance - General
Violation Notes: Failure to manage hazardous waste lawfully (CHSC 25154) OBSERVATION:
USED OIL FILTERS ARE NOT PROPERLY CONTAINERIZED, HAZARDOUS WASTE
LABELS WERE NOT PROVIDED, HAZARDOUS WASTE EXCEEDED ACCUMULATION TIME
ALLOWED, AND HAZARDOUS WASTE MANIFEST WERE NOT MAINTAINED OR
AVAILABLE. COMPLIANCE REQUIREMENT: SUBMIT A SIGNED STATEMENT
INDICATING THAT THE ISSUES NOTED IN THE OBSERVATION HAVE BEEN
CORRECTED.

Violation Division: San Bernardino County Fire Department
Violation Program: HW
Violation Source: CERS,

Site ID: 38943
Site Name: J STREET GAS & OIL GASOLINE
Violation Date: 11-19-2015
Citation: HSC 6.5 Multiple - California Health and Safety Code, Chapter 6.5,
Section(s) Multiple

Violation Description: Haz Waste Generator Program - Administration/Documentation - General
Violation Notes: Returned to compliance on 11/19/2015. Failure to obtain an EPA ID
Number (CCR 66262.12(a))

Violation Division: San Bernardino County Fire Department
Violation Program: HW
Violation Source: CERS,

Site ID: 38943
Site Name: J STREET GAS & OIL GASOLINE
Violation Date: 11-16-2017
Citation: HSC 6.75 25299.30-25299.34 - California Health and Safety Code,
Chapter 6.75, Section(s) 25299.30-25299.34

Violation Description: Failure to submit and maintain complete and current Certification of
Financial Responsibility or other mechanism of financial assurance.
Violation Notes: OBSERVATION: CERTIFICATE OF FINANCIAL RESPONSIBILITY WAS NOT SUBMITTED
IN CERS. COMPLIANCE REQUIREMENT: SUBMIT A COMPLETED CERTIFICATE OF
FINANCIAL RESPONSIBILITY AND / OR THE APPLICABLE EVIDENCE DETAILING
MECHANISM OF FINANCIAL RESPONSIBILITY.

Violation Division: San Bernardino County Fire Department
Violation Program: UST
Violation Source: CERS,

Site ID: 38943
Site Name: J STREET GAS & OIL GASOLINE
Violation Date: 11-23-2018
Citation: HSC 6.7 25298(c) - California Health and Safety Code, Chapter 6.7,
Section(s) 25298(c)

Violation Description: Failure to comply with all permanent closure requirements.
Violation Notes: OBSERVATION: The USTs onsite have not been legally closed and are not
being monitored and maintained according to the requirements set forth
by California Code of Regulations Title 23, Chapter 16, California
Health and Safety Code 6.75 and California Fire Code. COMPLIANCE
REQUIREMENT: Immediately apply for an underground storage tank removal
permit with the Underground Storage Tank Program of San Bernardino
County Fire Department, Hazardous Materials Division.

Violation Division: San Bernardino County Fire Department
Violation Program: UST
Violation Source: CERS,

Map ID
Direction
Distance
Elevation

MAP FINDINGS

Site

Database(s)

EDR ID Number
EPA ID Number

J STREET GAS & OIL GASOLINE (Continued)

S121309678

Site ID: 38943
Site Name: J STREET GAS & OIL GASOLINE
Violation Date: 03-17-2021
Citation: HSC 6.7 25292.1(a) - California Health and Safety Code, Chapter 6.7, Section(s) 25292.1(a)
Violation Description: Failure to operate the UST system to prevent unauthorized releases including leaks, spills, and/or overfills.
Violation Notes: OBSERVATION: The USTs onsite have not been legally closed and are not being monitored and maintained according to the requirements set forth by California Code of Regulations Title 23, Chapter 16, California Health and Safety Code 6.75 and California Fire Code. COMPLIANCE REQUIREMENT: Immediately apply for an underground storage tank removal permit with the Underground Storage Tank Program of San Bernardino County Fire Department, Hazardous Materials Division. The UST s onsite must be removed Immediately.
Violation Division: San Bernardino County Fire Department
Violation Program: UST
Violation Source: CERS,

Site ID: 38943
Site Name: J STREET GAS & OIL GASOLINE
Violation Date: 07-31-2013
Citation: HSC 6.67 Multiple - California Health and Safety Code, Chapter 6.67, Section(s) Multiple
Violation Description: Haz Waste Generator Program - Administration/Documentation - General
Violation Notes: Returned to compliance on 11/19/2014. Failure to complete the Hazardous Waste Manifest (CCR 66262.23) used antifreeze drums were opened
Violation Division: San Bernardino County Fire Department
Violation Program: HW
Violation Source: CERS,

Site ID: 38943
Site Name: J STREET GAS & OIL GASOLINE
Violation Date: 07-31-2013
Citation: HSC 6.67 Multiple - California Health and Safety Code, Chapter 6.67, Section(s) Multiple
Violation Description: Haz Waste Generator Program - Operations/Maintenance - General
Violation Notes: Returned to compliance on 11/19/2014. Hazardous waste accumulation time exceeded (CCR 66262.34(a)) 02/27/2012 was the last manifest
Violation Division: San Bernardino County Fire Department
Violation Program: HW
Violation Source: CERS,

Site ID: 38943
Site Name: J STREET GAS & OIL GASOLINE
Violation Date: 11-19-2014
Citation: 23 CCR 16 2715(a) - California Code of Regulations, Title 23, Chapter 16, Section(s) 2715(a)
Violation Description: The owner/operator has failed to designate an UST operator or to inform the CUPA or any change in the designated UST operator(s) within 30 days after a change.
Violation Notes: Returned to compliance on 11/19/2015. Failure to submit a signed Designated UST Operator Statement (23 CCR 2715(a))
Violation Division: San Bernardino County Fire Department
Violation Program: UST
Violation Source: CERS,

Map ID
Direction
Distance
Elevation

MAP FINDINGS

Site

Database(s)

EDR ID Number
EPA ID Number

J STREET GAS & OIL GASOLINE (Continued)

S121309678

Site ID: 38943
Site Name: J STREET GAS & OIL GASOLINE
Violation Date: 07-31-2013
Citation: HSC 6.67 Multiple - California Health and Safety Code, Chapter 6.67, Section(s) Multiple
Violation Description: Haz Waste Generator Program - Operations/Maintenance - General
Violation Notes: Returned to compliance on 11/19/2014. Failure to manage hazardous waste lawfully (CHSC 25154) used oil and antifreeze were past accumulation time
Violation Division: San Bernardino County Fire Department
Violation Program: HW
Violation Source: CERS,

Site ID: 38943
Site Name: J STREET GAS & OIL GASOLINE
Violation Date: 07-31-2013
Citation: HSC 6.67 Multiple - California Health and Safety Code, Chapter 6.67, Section(s) Multiple
Violation Description: Haz Waste Generator Program - Operations/Maintenance - General
Violation Notes: Returned to compliance on 11/19/2014. Failure to note accumulation start date on labels (CCR 66262.34(f)(2)) used antifreeze drums not properly marked
Violation Division: San Bernardino County Fire Department
Violation Program: HW
Violation Source: CERS,

Site ID: 38943
Site Name: J STREET GAS & OIL GASOLINE
Violation Date: 11-16-2017
Citation: HSC 6.95 25508(a)(1) - California Health and Safety Code, Chapter 6.95, Section(s) 25508(a)(1)
Violation Description: Failure to complete and electronically submit hazardous material inventory information for all reportable hazardous materials on site at or above reportable quantities.
Violation Notes: OBSERVATION: USED OIL FILTERS WAS MISSING IN THE INVENTORY. COMPLIANCE REQUIREMENT: UPDATE HAZARDOUS MATERIALS INVENTORY IN CERS.
Violation Division: San Bernardino County Fire Department
Violation Program: HMRRP
Violation Source: CERS,

Site ID: 38943
Site Name: J STREET GAS & OIL GASOLINE
Violation Date: 11-19-2014
Citation: HSC 6.75 25299.30-25299.34 - California Health and Safety Code, Chapter 6.75, Section(s) 25299.30-25299.34
Violation Description: Failure to submit and maintain complete and current Certification of Financial Responsibility or other mechanism of financial assurance.
Violation Notes: Returned to compliance on 11/16/2017. OBSERVATION: FACILITY HAS NOT SUBMITTED THE REQUIRED UST DOCUMENTATION TO THE CALIFORNIA ENVIRONMENTAL REPORTING SYSTEM (CERS) COMPLIANCE REQUIREMENT: SUBMIT UST DOCUMENTATION TO CERS WITHIN 30 DAYS. SIGN DATE AND SUBMIT THE CERTIFICATE OF COMPLIANCE TO THIS DEPARTMENT INDICATING THE DATE OF CERS SUBMITTAL.
Violation Division: San Bernardino County Fire Department
Violation Program: UST
Violation Source: CERS,

Map ID
Direction
Distance
Elevation

MAP FINDINGS

Site

Database(s)

EDR ID Number
EPA ID Number

J STREET GAS & OIL GASOLINE (Continued)

S121309678

Site ID: 38943
Site Name: J STREET GAS & OIL GASOLINE
Violation Date: 11-16-2017
Citation: HSC 6.5 Multiple - California Health and Safety Code, Chapter 6.5, Section(s) Multiple
Violation Description: Hazardous Waste Generator Program - Operations/Maintenance - General
Violation Notes: Failure to complete hazardous waste labels (CCR 66262.34(f)(3))
OBSERVATION: ALL HAZARDOUS WASTE CONTAINERS WERE NOT PROPERLY LABELED. HAZARDOUS WASTE LABELS WERE MISSING TO THE FOLLOWING: (2) 5-GALLON CONTAINERS OF WASTE OIL (2) 55-GALLON DRUMS OF WASTE OIL (1) 55-GALLON DRUM CONTAINING WASTE ABSORBENT COMPLIANCE REQUIREMENT: HAZARDOUS WASTE CONTAINERS MUST BE LABELED PROPERLY.
Violation Division: San Bernardino County Fire Department
Violation Program: HW
Violation Source: CERS,

Site ID: 38943
Site Name: J STREET GAS & OIL GASOLINE
Violation Date: 07-31-2013
Citation: HSC 6.67 Multiple - California Health and Safety Code, Chapter 6.67, Section(s) Multiple
Violation Description: Haz Waste Generator Program - Administration/Documentation - General
Violation Notes: Returned to compliance on 11/19/2014. Failure to retain Hazardous Waste Manifests for at least 3 years (CCR 66262.40(a)) no manifests, except for 02/27/2012
Violation Division: San Bernardino County Fire Department
Violation Program: HW
Violation Source: CERS,

Site ID: 38943
Site Name: J STREET GAS & OIL GASOLINE
Violation Date: 11-16-2017
Citation: 23 CCR 16 2636(f)(1) - California Code of Regulations, Title 23, Chapter 16, Section(s) 2636(f)(1)
Violation Description: Failure of the leak detection equipment to have an audible and visual alarm as required.
Violation Notes: OBSERVATION: TLS 350 FAILED TO PRODUCE A VISUAL ALARM CONSISTENTLY. COMPLIANCE REQUIREMENT: IMMEDIATELY REPAIR/REPLACE TLS 350 TO ENSURE PROPER FUNCTIONALITY AND SUBMIT DOCUMENTATION OF COMPLIANCE TO THIS DEPARTMENT WITHIN 10 DAYS. CONTACT THIS DEPARTMENT FOR APPROVAL PRIOR TO CONDUCTING ANY REPAIRS REQUIRING PERMITS.
Violation Division: San Bernardino County Fire Department
Violation Program: UST
Violation Source: CERS,

Site ID: 38943
Site Name: J STREET GAS & OIL GASOLINE
Violation Date: 11-19-2014
Citation: HSC 6.7 25284.2 - California Health and Safety Code, Chapter 6.7, Section(s) 25284.2
Violation Description: Failure to test the spill bucket annually.
Violation Notes: Returned to compliance on 12/03/2014. OBSERVATION: THE 91-PRODUCT OVERSPILL BUCKET FAILED WHEN TESTED. COMPLIANCE REQUIREMENT: SUBMIT A COPY OF THE WORK ORDER SHOWING THE REPLACEMENT/ REPAIR AND RE-TESTED 91-PRODUCT OVERSPILL BUCKET.
Violation Division: San Bernardino County Fire Department
Violation Program: UST

Map ID
Direction
Distance
Elevation

MAP FINDINGS

Site

Database(s)

EDR ID Number
EPA ID Number

J STREET GAS & OIL GASOLINE (Continued)

S121309678

Violation Source: CERS,

Site ID: 38943
Site Name: J STREET GAS & OIL GASOLINE
Violation Date: 07-31-2013
Citation: HSC 6.67 Multiple - California Health and Safety Code, Chapter 6.67, Section(s) Multiple
Violation Description: Haz Waste Generator Program - Operations/Maintenance - General
Violation Notes: Returned to compliance on 11/19/2014. Failure to operate and maintain facility to prevent a fire, spill or release (CCR 66265.31) oily debris around the used antifreeze drums
Violation Division: San Bernardino County Fire Department
Violation Program: HW
Violation Source: CERS,

Site ID: 38943
Site Name: J STREET GAS & OIL GASOLINE
Violation Date: 11-17-2016
Citation: HSC 6.75 25299.30-25299.34 - California Health and Safety Code, Chapter 6.75, Section(s) 25299.30-25299.34
Violation Description: Failure to submit and maintain complete and current Certification of Financial Responsibility or other mechanism of financial assurance.
Violation Notes: OBSERVATIONS: THE CERTIFICATE UPLOADED IS BLANK. THE CHIEF FINANCIAL LETTER IS NOT UPLOADED, BUT HAS THE DESIGNATED OPERATOR STATEMENT UPLOADED IN ITS PLACE. COMPLIANCE REQUIREMENT: UPLOAD CURRENT, COMPLETE, AND ACCURATE CERTIFICATE FORM AND CHIEF FINANCIAL LETTER. COMPLIANCE ACTIVITY 4/28/2017: NO UPDATES MADE IN CERS. EGRIMES.
Violation Division: San Bernardino County Fire Department
Violation Program: UST
Violation Source: CERS,

Site ID: 38943
Site Name: J STREET GAS & OIL GASOLINE
Violation Date: 11-16-2017
Citation: HSC 6.5 25250.22 - California Health and Safety Code, Chapter 6.5, Section(s) 25250.22
Violation Description: Failure to properly manage used oil and/or fuel filters in accordance with the requirements.
Violation Notes: OBSERVATION: OBSERVED (1) 5-GALLON CONTAINER OF USED OIL FILTERS WITHOUT PROPER LABELING AND COVER. COMPLIANCE REQUIREMENT: STORE USED OIL FILTERS IN CLOSED CONTAINER WITH PROPER LABELING.
Violation Division: San Bernardino County Fire Department
Violation Program: HW
Violation Source: CERS,

Site ID: 38943
Site Name: J STREET GAS & OIL GASOLINE
Violation Date: 03-17-2021
Citation: 23 CCR 16 2715(f) - California Code of Regulations, Title 23, Chapter 16, Section(s) 2715(f)
Violation Description: Failure to have a properly qualified service technician test leak detection equipment as required every 12 months (vapor, pressure, hydrostatic (VPH) system, sensors, line-leak detectors (LLD), automatic tank gauge (ATG), etc.).
Violation Notes: OBSERVATION: The USTs onsite have not been legally closed and are not being monitored and maintained according to the requirements set forth by California Code of Regulations Title 23, Chapter 16, California

Map ID
Direction
Distance
Elevation

MAP FINDINGS

Site

Database(s)

EDR ID Number
EPA ID Number

J STREET GAS & OIL GASOLINE (Continued)

S121309678

Health and Safety Code 6.75 and California Fire Code. COMPLIANCE REQUIREMENT: Immediately apply for an underground storage tank removal permit with the Underground Storage Tank Program of San Bernardino County Fire Department, Hazardous Materials Division. The UST s onsite must be removed Immediately.

Violation Division: San Bernardino County Fire Department
Violation Program: UST
Violation Source: CERS,

Site ID: 38943
Site Name: J STREET GAS & OIL GASOLINE
Violation Date: 07-31-2013
Citation: HSC 6.67 Multiple - California Health and Safety Code, Chapter 6.67, Section(s) Multiple

Violation Description: Haz Waste Generator Program - Operations/Maintenance - General
Violation Notes: Returned to compliance on 11/19/2014. Failure to label hazardous waste containers (CCR 66262.34(f)(3)) used antifreeze drums not properly marked

Violation Division: San Bernardino County Fire Department
Violation Program: HW
Violation Source: CERS,

Site ID: 38943
Site Name: J STREET GAS & OIL GASOLINE
Violation Date: 11-17-2016
Citation: HSC 6.7 Multiple - California Health and Safety Code, Chapter 6.7, Section(s) Multiple

Violation Description: UST Program - Administration/Documentation - General - Must include violation description, proper statute and regulation citation in the "comment" section.

Violation Notes: Returned to compliance on 01/05/2017. Failure to have a written monitoring program with monitoring procedures and response plan (CHSC 25286(a)) OBSERVATIONS: THE UST SITE PLAN DOCUMENT COULD NOT BE OPENED FOR REVIEW. (2) THE UST RESPONSE PLAN SECTION V WAS LEFT BLANK. COMPLIANCE REQUIREMENT: UPLOAD A UST SITE PLAN DOCUMENT THAT CAN BE OPENED FOR REVIEW. ENSURE THE PLAN HAS ALL REQUIRED INFORMATION PICTURED. (2) COMPLETE SECTION V AND UPLOAD NEW DOCUMENT IN CERS.

Violation Division: San Bernardino County Fire Department
Violation Program: UST
Violation Source: CERS,

Site ID: 38943
Site Name: J STREET GAS & OIL GASOLINE
Violation Date: 11-16-2017
Citation: HSC 6.5 Multiple - California Health and Safety Code, Chapter 6.5, Section(s) Multiple

Violation Description: Hazardous Waste Generator Program - Administration/Documentation - General

Violation Notes: Failure to maintain used oil disposal receipts for at least 3 years (CHSC 25160.2(b)(3)) OBSERVATION: HAZARDOUS WASTE MANIFESTS / DISPOSAL RECEIPTS WERE NOT AVAILABLE OR PROVIDED BY END OF INSPECTION. COMPLIANCE REQUIREMENT: SUBMIT STATEMENT THAT HAZARDOUS WASTE DISPOSAL RECORDS WILL BE MAINTAINED ON SITE FOR REVIEW.

Violation Division: San Bernardino County Fire Department
Violation Program: HW
Violation Source: CERS,

Map ID
Direction
Distance
Elevation

MAP FINDINGS

Site

Database(s)

EDR ID Number
EPA ID Number

J STREET GAS & OIL GASOLINE (Continued)

S121309678

Site ID: 38943
Site Name: J STREET GAS & OIL GASOLINE
Violation Date: 11-19-2015
Citation: HSC 6.7 29291(b) - California Health and Safety Code, Chapter 6.7, Section(s) 29291(b)
Violation Description: Failure of the UST system to be designed and constructed with a monitoring system capable of detecting the entry of the hazardous substance stored in the primary containment into the secondary containment.
Violation Notes: Returned to compliance on 11/19/2015. OBSERVATION: The UST-relay for the 91-turbine stuck closed, which prevented the turbine from turning off. COMPLIANCE MET ON SITE: Technician replaced the UST-relay for the 91-turbine.
Violation Division: San Bernardino County Fire Department
Violation Program: UST
Violation Source: CERS,

Site ID: 38943
Site Name: J STREET GAS & OIL GASOLINE
Violation Date: 03-17-2021
Citation: HSC 6.95 25508.2 - California Health and Safety Code, Chapter 6.95, Section(s) 25508.2
Violation Description: Failure to annually review and electronically certify that the business plan is complete and accurate on or before the annual due date.
Violation Notes: OBSERVATION: THE FACILITY'S CERS INFORMATION MUST BE RE-CERTIFIED BY MARCH 1ST OF EVERY YEAR. AS PER CERS, INFORMATION WAS LAST CERTIFIED 03/30/2020. COMPLIANCE REQUIREMENT: RE-CERTIFY ALL CERS INFORMATION.
Violation Division: San Bernardino County Fire Department
Violation Program: HMRRP
Violation Source: CERS,

Site ID: 38943
Site Name: J STREET GAS & OIL GASOLINE
Violation Date: 03-17-2021
Citation: HSC 6.7 25298(c) - California Health and Safety Code, Chapter 6.7, Section(s) 25298(c)
Violation Description: Failure to comply with all permanent closure requirements.
Violation Notes: OBSERVATION: The USTs onsite have not been legally closed and are not being monitored and maintained according to the requirements set forth by California Code of Regulations Title 23, Chapter 16, California Health and Safety Code 6.75 and California Fire Code. COMPLIANCE REQUIREMENT: Immediately apply for an underground storage tank removal permit with the Underground Storage Tank Program of San Bernardino County Fire Department, Hazardous Materials Division. The UST s onsite must be removed Immediately.
Violation Division: San Bernardino County Fire Department
Violation Program: UST
Violation Source: CERS,

Site ID: 38943
Site Name: J STREET GAS & OIL GASOLINE
Violation Date: 11-16-2017
Citation: 23 CCR 16 2712(i), 2632(d)(2), 2634(e), 2641(h) - California Code of Regulations, Title 23, Chapter 16, Section(s) 2712(i), 2632(d)(2), 2634(e), 2641(h)
Violation Description: Failure to submit a current UST Response Plan available on site.

Map ID
Direction
Distance
Elevation

MAP FINDINGS

Site

Database(s)

EDR ID Number
EPA ID Number

J STREET GAS & OIL GASOLINE (Continued)

S121309678

Violation Notes: Returned to compliance on 11/17/2017. OBSERVATION: MONITORING SITE PLAN WAS LACKING LOCATION OF EMERGENCY SHUT-OFF (ESO) AND ANNUNCIATOR. COMPLIANCE REQUIREMENT: RESUBMIT UPDATED MONITORING SITE PLAN.

Violation Division: San Bernardino County Fire Department
Violation Program: UST
Violation Source: CERS,

Site ID: 38943
Site Name: J STREET GAS & OIL GASOLINE
Violation Date: 11-22-2013
Citation: HSC 6.75 25299.30-25299.34 - California Health and Safety Code, Chapter 6.75, Section(s) 25299.30-25299.34

Violation Description: Failure to submit and maintain complete and current Certification of Financial Responsibility or other mechanism of financial assurance.

Violation Notes: Returned to compliance on 11/19/2014. No Financial Responsibility Form on site or file.

Violation Division: San Bernardino County Fire Department
Violation Program: UST
Violation Source: CERS,

Site ID: 38943
Site Name: J STREET GAS & OIL GASOLINE
Violation Date: 11-16-2017
Citation: HSC 6.7 25284, 25286 - California Health and Safety Code, Chapter 6.7, Section(s) 25284, 25286

Violation Description: Failure to submit a complete and accurate application for a permit to operate a UST, or for renewal of the permit.

Violation Notes: Returned to compliance on 11/17/2017. OBSERVATION: SUBMITTED UNDERGROUND STORAGE TANK (UST) INFORMATION IN CALIFORNIA ENVIRONMENTAL REPORTING SYSTEM (CERS) WAS NOT ACCURATE, COMPLETE OR CURRENT. UPDATE THE FOLLOWING: 1) BOE NUMBER WAS NOT VALID. 2) CERTIFICATE OF FINANCIAL RESPONSIBILITY WAS NOT SUBMITTED. 3) MONITORING SITE PLAN WAS INCOMPLETE AS NOTED ON THIS REPORT. COMPLIANCE REQUIREMENT: SUBMIT ALL REQUIRED UST INFORMATION IN CERS.

Violation Division: San Bernardino County Fire Department
Violation Program: UST
Violation Source: CERS,

Site ID: 38943
Site Name: J STREET GAS & OIL GASOLINE
Violation Date: 03-17-2021
Citation: 23 CCR 16 2641(j) - California Code of Regulations, Title 23, Chapter 16, Section(s) 2641(j)

Violation Description: Failure of the leak detection equipment to be installed, calibrated, operated, and/or maintained properly.

Violation Notes: OBSERVATION: The USTs onsite have not been legally closed and are not being monitored and maintained according to the requirements set forth by California Code of Regulations Title 23, Chapter 16, California Health and Safety Code 6.75 and California Fire Code. COMPLIANCE REQUIREMENT: Immediately apply for an underground storage tank removal permit with the Underground Storage Tank Program of San Bernardino County Fire Department, Hazardous Materials Division. The UST s onsite must be removed Immediately.

Violation Division: San Bernardino County Fire Department
Violation Program: UST
Violation Source: CERS,

Map ID
Direction
Distance
Elevation

MAP FINDINGS

Site

Database(s)

EDR ID Number
EPA ID Number

J STREET GAS & OIL GASOLINE (Continued)

S121309678

Site ID: 38943
Site Name: J STREET GAS & OIL GASOLINE
Violation Date: 07-31-2013
Citation: HSC 6.95 25505(a) - California Health and Safety Code, Chapter 6.95, Section(s) 25505(a)
Violation Description: Owner/Operator failed to complete and/or submit a Hazardous Materials Business Plan when storing hazardous materials at or above the thresholds quantities of 55 gallons/500 lbs/200 cubic feet.
Violation Notes:
Violation Division: San Bernardino County Fire Department
Violation Program: HMRRP
Violation Source: CERS,

Site ID: 38943
Site Name: J STREET GAS & OIL GASOLINE
Violation Date: 11-16-2017
Citation: HSC 6.5 Multiple - California Health and Safety Code, Chapter 6.5, Section(s) Multiple
Violation Description: Hazardous Waste Generator Program - Operations/Maintenance - General
Violation Notes: Hazardous waste accumulation time exceeded (CCR 66262.34(a))
OBSERVATION: ALL HAZARDOUS WASTE CONTAINERS WERE NOT PROPERLY LABELED. HAZARDOUS WASTE LABEL WERE MISSING TO THE FOLLOWING: (2) 5-GALLON CONTAINERS OF WASTE OIL (2) 55-GALLON DRUMS OF WASTE OIL (1) 55-GALLON DRUM CONTAINING WASTE ABSORBENT MANIFEST OR HAZARDOUS WASTE RECEIPTS WERE NOT AVAILABLE OR PROVIDED. COMPLIANCE REQUIREMENT: HAZARDOUS WASTE CONTAINERS MUST BE LABELED PROPERLY. HAZARDOUS WASTE MUST BE DISPOSED OF PROPERLY WITHIN 30 DAYS. SUBMIT COPY OF DISPOSAL RECEIPTS TO THIS DIVISION ALONG WITH THE CERTIFICATE OF COMPLIANCE.
Violation Division: San Bernardino County Fire Department
Violation Program: HW
Violation Source: CERS,

Site ID: 38943
Site Name: J STREET GAS & OIL GASOLINE
Violation Date: 03-17-2021
Citation: 23 CCR 16 2712 - California Code of Regulations, Title 23, Chapter 16, Section(s) 2712
Violation Description: Failure to comply with any of the applicable requirements of the permit issued for the operation of the UST system.
Violation Notes: OBSERVATION: The USTs onsite have not been legally closed and are not being monitored and maintained according to the requirements set forth by California Code of Regulations Title 23, Chapter 16, California Health and Safety Code 6.75 and California Fire Code. COMPLIANCE REQUIREMENT: Immediately apply for an underground storage tank removal permit with the Underground Storage Tank Program of San Bernardino County Fire Department, Hazardous Materials Division. The UST s onsite must be removed Immediately.
Violation Division: San Bernardino County Fire Department
Violation Program: UST
Violation Source: CERS,

Site ID: 38943
Site Name: J STREET GAS & OIL GASOLINE
Violation Date: 07-31-2013
Citation: 22 CCR 16 66266.130 - California Code of Regulations, Title 22, Chapter 16, Section(s) 66266.130
Violation Description: Failure to properly handle, manage, label, and recycle used oil and

Map ID
Direction
Distance
Elevation

MAP FINDINGS

Site

Database(s)

EDR ID Number
EPA ID Number

J STREET GAS & OIL GASOLINE (Continued)

S121309678

Violation Notes: fuel filters.
Returned to compliance on 11/19/2014. past accumulation time
Violation Division: San Bernardino County Fire Department
Violation Program: HW
Violation Source: CERS,

Evaluation:
Eval General Type: Compliance Evaluation Inspection
Eval Date: 03-17-2021
Violations Found: Yes
Eval Type: Routine done by local agency
Eval Notes: UST ABANDONED UST INSPECTION- NEEDLES J ST
Eval Division: San Bernardino County Fire Department
Eval Program: UST
Eval Source: CERS,

Eval General Type: Compliance Evaluation Inspection
Eval Date: 11-16-2017
Violations Found: Yes
Eval Type: Routine done by local agency
Eval Notes: Not reported
Eval Division: San Bernardino County Fire Department
Eval Program: HW
Eval Source: CERS,

Eval General Type: Compliance Evaluation Inspection
Eval Date: 11-16-2018
Violations Found: Yes
Eval Type: Routine done by local agency
Eval Notes: J STREET GAS & OIL- UST SITE CLOSE- OWNER DIED.
Eval Division: San Bernardino County Fire Department
Eval Program: UST
Eval Source: CERS,

Eval General Type: Compliance Evaluation Inspection
Eval Date: 11-17-2016
Violations Found: Yes
Eval Type: Routine done by local agency
Eval Notes: Not reported
Eval Division: San Bernardino County Fire Department
Eval Program: UST
Eval Source: CERS,

Eval General Type: Compliance Evaluation Inspection
Eval Date: 03-17-2021
Violations Found: Yes
Eval Type: Routine done by local agency
Eval Notes: UST INSPECTION- J ST NEEDLES
Eval Division: San Bernardino County Fire Department
Eval Program: HMRRP
Eval Source: CERS,

Eval General Type: Compliance Evaluation Inspection
Eval Date: 07-31-2013
Violations Found: Yes
Eval Type: Routine done by local agency
Eval Notes: j st 76 gas & Repair-insp

Map ID
Direction
Distance
Elevation

MAP FINDINGS

Site

Database(s)

EDR ID Number
EPA ID Number

J STREET GAS & OIL GASOLINE (Continued)

S121309678

Eval Division: San Bernardino County Fire Department
Eval Program: HMRRP
Eval Source: CERS,

Eval General Type: Compliance Evaluation Inspection
Eval Date: 07-31-2013
Violations Found: Yes
Eval Type: Routine done by local agency
Eval Notes: j st 76 gas & Repair-insp
Eval Division: San Bernardino County Fire Department
Eval Program: HW
Eval Source: CERS,

Eval General Type: Compliance Evaluation Inspection
Eval Date: 11-16-2017
Violations Found: Yes
Eval Type: Routine done by local agency
Eval Notes: ANNUAL UST INSPECTION WITH MONITORING CERTIFICATION
Eval Division: San Bernardino County Fire Department
Eval Program: UST
Eval Source: CERS,

Eval General Type: Compliance Evaluation Inspection
Eval Date: 11-17-2016
Violations Found: Yes
Eval Type: Routine done by local agency
Eval Notes: Not reported
Eval Division: San Bernardino County Fire Department
Eval Program: HMRRP
Eval Source: CERS,

Eval General Type: Compliance Evaluation Inspection
Eval Date: 11-19-2015
Violations Found: Yes
Eval Type: Routine done by local agency
Eval Notes: J STREET GAS & OIL(NEEDLES) UST & CUPA WASTE INSPECTION
Eval Division: San Bernardino County Fire Department
Eval Program: HW
Eval Source: CERS,

Eval General Type: Compliance Evaluation Inspection
Eval Date: 11-22-2013
Violations Found: Yes
Eval Type: Routine done by local agency
Eval Notes: UST MONT CERT
Eval Division: San Bernardino County Fire Department
Eval Program: UST
Eval Source: CERS,

Eval General Type: Compliance Evaluation Inspection
Eval Date: 03-17-2021
Violations Found: Yes
Eval Type: Routine done by local agency
Eval Notes: UST WASTE INSPECTION- J ST- NEEDLES
Eval Division: San Bernardino County Fire Department
Eval Program: HW
Eval Source: CERS,

Map ID
Direction
Distance
Elevation

MAP FINDINGS

Site

Database(s)

EDR ID Number
EPA ID Number

J STREET GAS & OIL GASOLINE (Continued)

S121309678

Eval General Type: Compliance Evaluation Inspection
Eval Date: 11-16-2017
Violations Found: Yes
Eval Type: Routine done by local agency
Eval Notes: Not reported
Eval Division: San Bernardino County Fire Department
Eval Program: HMRRP
Eval Source: CERS,

Eval General Type: Compliance Evaluation Inspection
Eval Date: 11-19-2015
Violations Found: No
Eval Type: Routine done by local agency
Eval Notes: J STREET GAS & OIL(NEEDLES)- UST INSPECTION & CUPA INSPECTION
Eval Division: San Bernardino County Fire Department
Eval Program: HMRRP
Eval Source: CERS,

Eval General Type: Compliance Evaluation Inspection
Eval Date: 11-19-2015
Violations Found: Yes
Eval Type: Routine done by local agency
Eval Notes: J STREET GAS & OIL-(NEEDLES)- UST MONITORING CERTIFICATION.
Eval Division: San Bernardino County Fire Department
Eval Program: UST
Eval Source: CERS,

Eval General Type: Compliance Evaluation Inspection
Eval Date: 03-11-2020
Violations Found: Yes
Eval Type: Routine done by local agency
Eval Notes: Not reported
Eval Division: San Bernardino County Fire Department
Eval Program: UST
Eval Source: CERS,

Eval General Type: Compliance Evaluation Inspection
Eval Date: 11-19-2014
Violations Found: Yes
Eval Type: Routine done by local agency
Eval Notes: J STREET 76- UST MONITORING CERTIFICATION
Eval Division: San Bernardino County Fire Department
Eval Program: UST
Eval Source: CERS,

Eval General Type: Compliance Evaluation Inspection
Eval Date: 11-22-2013
Violations Found: No
Eval Type: Routine done by local agency
Eval Notes: BP INSPECTION DURING MONT
Eval Division: San Bernardino County Fire Department
Eval Program: HMRRP
Eval Source: CERS,

Enforcement Action:
Site ID: 38943
Site Name: J STREET GAS & OIL GASOLINE

Map ID
Direction
Distance
Elevation

MAP FINDINGS

Site

Database(s)

EDR ID Number
EPA ID Number

J STREET GAS & OIL GASOLINE (Continued)

S121309678

Site Address: 301 S J ST
Site City: NEEDLES
Site Zip: 92363
Enf Action Date: 07-31-2013
Enf Action Type: Notice of Violation (Unified Program)
Enf Action Description: Notice of Violation Issued by the Inspector at the Time of Inspection
Enf Action Notes: Not reported
Enf Action Division: San Bernardino County Fire Department
Enf Action Program: HMRRP
Enf Action Source: CERS,

Site ID: 38943
Site Name: J STREET GAS & OIL GASOLINE
Site Address: 301 S J ST
Site City: NEEDLES
Site Zip: 92363
Enf Action Date: 07-31-2013
Enf Action Type: Notice of Violation (Unified Program)
Enf Action Description: Notice of Violation Issued by the Inspector at the Time of Inspection
Enf Action Notes: Not reported
Enf Action Division: San Bernardino County Fire Department
Enf Action Program: HW
Enf Action Source: CERS,

Site ID: 38943
Site Name: J STREET GAS & OIL GASOLINE
Site Address: 301 S J ST
Site City: NEEDLES
Site Zip: 92363
Enf Action Date: 11-17-2016
Enf Action Type: Notice of Violation (Unified Program)
Enf Action Description: Notice of Violation Issued by the Inspector at the Time of Inspection
Enf Action Notes: Not reported
Enf Action Division: San Bernardino County Fire Department
Enf Action Program: HMRRP
Enf Action Source: CERS,

Site ID: 38943
Site Name: J STREET GAS & OIL GASOLINE
Site Address: 301 S J ST
Site City: NEEDLES
Site Zip: 92363
Enf Action Date: 11-17-2016
Enf Action Type: Notice of Violation (Unified Program)
Enf Action Description: Notice of Violation Issued by the Inspector at the Time of Inspection
Enf Action Notes: Not reported
Enf Action Division: San Bernardino County Fire Department
Enf Action Program: UST
Enf Action Source: CERS,

Site ID: 38943
Site Name: J STREET GAS & OIL GASOLINE
Site Address: 301 S J ST
Site City: NEEDLES
Site Zip: 92363
Enf Action Date: 11-19-2014
Enf Action Type: Notice of Violation (Unified Program)

Map ID
Direction
Distance
Elevation

MAP FINDINGS

Site

Database(s)

EDR ID Number
EPA ID Number

J STREET GAS & OIL GASOLINE (Continued)

S121309678

Enf Action Description: Notice of Violation Issued by the Inspector at the Time of Inspection
Enf Action Notes: Not reported
Enf Action Division: San Bernardino County Fire Department
Enf Action Program: UST
Enf Action Source: CERS,

Site ID: 38943
Site Name: J STREET GAS & OIL GASOLINE
Site Address: 301 S J ST
Site City: NEEDLES
Site Zip: 92363
Enf Action Date: 11-19-2015
Enf Action Type: Notice of Violation (Unified Program)
Enf Action Description: Notice of Violation Issued by the Inspector at the Time of Inspection
Enf Action Notes: Not reported
Enf Action Division: San Bernardino County Fire Department
Enf Action Program: HW
Enf Action Source: CERS,

Site ID: 38943
Site Name: J STREET GAS & OIL GASOLINE
Site Address: 301 S J ST
Site City: NEEDLES
Site Zip: 92363
Enf Action Date: 11-19-2015
Enf Action Type: Notice of Violation (Unified Program)
Enf Action Description: Notice of Violation Issued by the Inspector at the Time of Inspection
Enf Action Notes: Not reported
Enf Action Division: San Bernardino County Fire Department
Enf Action Program: UST
Enf Action Source: CERS,

Site ID: 38943
Site Name: J STREET GAS & OIL GASOLINE
Site Address: 301 S J ST
Site City: NEEDLES
Site Zip: 92363
Enf Action Date: 11-22-2013
Enf Action Type: Notice of Violation (Unified Program)
Enf Action Description: Notice of Violation Issued by the Inspector at the Time of Inspection
Enf Action Notes: Not reported
Enf Action Division: San Bernardino County Fire Department
Enf Action Program: UST
Enf Action Source: CERS,

Affiliation:
Affiliation Type Desc: Operator
Entity Name: ROBERT STRECKER
Entity Title: Not reported
Affiliation Address: Not reported
Affiliation City: Not reported
Affiliation State: Not reported
Affiliation Country: Not reported
Affiliation Zip: Not reported
Affiliation Phone: (928) 234-1837,

Affiliation Type Desc: CUPA District

Map ID
Direction
Distance
Elevation

MAP FINDINGS

Site

Database(s)

EDR ID Number
EPA ID Number

J STREET GAS & OIL GASOLINE (Continued)

S121309678

Entity Name: San Bernardino County Fire
Entity Title: Not reported
Affiliation Address: 620 South E Street
Affiliation City: San Bernardino
Affiliation State: CA
Affiliation Country: Not reported
Affiliation Zip: 92415-0153
Affiliation Phone: (909) 386-8401,

Affiliation Type Desc: UST Tank Owner
Entity Name: ROBERT STRECKER
Entity Title: Not reported
Affiliation Address: P.O. BOX 89
Affiliation City: NEEDLES
Affiliation State: CA
Affiliation Country: United States
Affiliation Zip: 92363
Affiliation Phone: (928) 234-1837,

Affiliation Type Desc: Document Preparer
Entity Name: Dawn Harkey
Entity Title: Not reported
Affiliation Address: Not reported
Affiliation City: Not reported
Affiliation State: Not reported
Affiliation Country: Not reported
Affiliation Zip: Not reported
Affiliation Phone: ,

Affiliation Type Desc: Identification Signer
Entity Name: VICENTE ALVARADO
Entity Title: MGR
Affiliation Address: Not reported
Affiliation City: Not reported
Affiliation State: Not reported
Affiliation Country: Not reported
Affiliation Zip: Not reported
Affiliation Phone: ,

Affiliation Type Desc: Legal Owner
Entity Name: ROBERT STRECKER
Entity Title: Not reported
Affiliation Address: P.O. BOX 89
Affiliation City: NEEDLES
Affiliation State: CA
Affiliation Country: United States
Affiliation Zip: 92363
Affiliation Phone: (928) 234-1837,

Affiliation Type Desc: Parent Corporation
Entity Name: Abandoned USTs
Entity Title: Not reported
Affiliation Address: Not reported
Affiliation City: Not reported
Affiliation State: Not reported
Affiliation Country: Not reported
Affiliation Zip: Not reported

Map ID
Direction
Distance
Elevation

MAP FINDINGS

Site

Database(s)

EDR ID Number
EPA ID Number

J STREET GAS & OIL GASOLINE (Continued)

S121309678

Affiliation Phone: ,

Affiliation Type Desc: Property Owner
Entity Name: ROBERT STRECKER
Entity Title: Not reported
Affiliation Address: P.O. BOX 89
Affiliation City: NEEDLES
Affiliation State: CA
Affiliation Country: United States
Affiliation Zip: 92363
Affiliation Phone: (928) 234-1837,

Affiliation Type Desc: UST Property Owner Name
Entity Name: ROBERT STRECKER
Entity Title: Not reported
Affiliation Address: P.O. BOX 89
Affiliation City: NEEDLES
Affiliation State: CA
Affiliation Country: United States
Affiliation Zip: 92363
Affiliation Phone: (928) 234-1837,

Affiliation Type Desc: UST Tank Operator
Entity Name: ROBERT STRECKER
Entity Title: Not reported
Affiliation Address: P.O. BOX 89
Affiliation City: NEEDLES
Affiliation State: CA
Affiliation Country: United States
Affiliation Zip: 92363
Affiliation Phone: (928) 234-1837,

Affiliation Type Desc: Environmental Contact
Entity Name: ROBERT STRECKER
Entity Title: Not reported
Affiliation Address: 301 SOUTH J STREET
Affiliation City: NEEDLES
Affiliation State: CA
Affiliation Country: Not reported
Affiliation Zip: 92363
Affiliation Phone: ,

Affiliation Type Desc: Facility Mailing Address
Entity Name: Mailing Address
Entity Title: Not reported
Affiliation Address: P.O. BOX 89
Affiliation City: NEEDLES
Affiliation State: CA
Affiliation Country: Not reported
Affiliation Zip: 92363
Affiliation Phone: ,

Affiliation Type Desc: UST Permit Applicant
Entity Name: ROBERT STRECKER
Entity Title: OWNER
Affiliation Address: Not reported
Affiliation City: Not reported

Map ID
Direction
Distance
Elevation

MAP FINDINGS

Site

Database(s)

EDR ID Number
EPA ID Number

J STREET GAS & OIL GASOLINE (Continued)

S121309678

Affiliation State: Not reported
Affiliation Country: Not reported
Affiliation Zip: Not reported
Affiliation Phone: (928) 234-1837,

BF429 **J STREET UNOCAL**
Target **301 SOUTH J ST**
Property **NEEDLES, CA 92363**

HWTS **S124802770**
N/A

Site 18 of 24 in cluster BF

Actual:
519 ft.

Focus Map:
7

HWTS:
Name: J STREET UNOCAL
Address: 301 SOUTH J ST
Address 2: Not reported
City,State,Zip: NEEDLES, CA 92363
EPA ID: CAL000117563
Inactive Date: 06/30/2002
Create Date: 05/16/1994
Last Act Date: Not reported
Mailing Name: Not reported
Mailing Address: PO BOX 538
Mailing Address 2: Not reported
Mailing City,State,Zip: NEEDLES, CA 923630000
Owner Name: DONALD R JOHNSON
Owner Address: 301 SOUTH J ST
Owner Address 2: Not reported
Owner City,State,Zip: NEEDLES, CA
Contact Name: MIKE TAYLOR
Contact Address: 301 J STREET
Contact Address 2: Not reported
City,State,Zip: NEEDLES, CA 923630000
Facility Status: Inactive
Facility Type: PERMANENT
Category: STATE
Latitude: 34.840353
Longitude: -114.610593

NAICS:
EPA ID: CAL000117563
Create Date: 2002-03-14 16:36:28.000
NAICS Code: 44719
NAICS Description: Other Gasoline Stations
Issued EPA ID Date: 1994-05-16 00:00:00
Inactive Date: 2002-06-30 00:00:00
Facility Name: J STREET UNOCAL
Facility Address: 301 SOUTH J ST
Facility Address 2: Not reported
Facility City: NEEDLES
Facility County: Not reported
Facility State: CA
Facility Zip: 923630000

Map ID
Direction
Distance
Elevation

MAP FINDINGS

Site

Database(s)

EDR ID Number
EPA ID Number

BF430 UNOCAL SERVICE STATION #6288
Target 301 SOUTH J STREET
Property NEEDLES, CA 92363

HAZNET S113040614
HWTS N/A

Site 19 of 24 in cluster BF

Actual:
519 ft.

Focus Map:
7

HAZNET:
Name: UNOCAL SERVICE STATION #6288
Address: 301 SOUTH J STREET
Address 2: Not reported
City,State,Zip: NEEDLES, CA 923630000
Contact: CHRISTOPHER Z HILL
Telephone: 7144286802
Mailing Name: Not reported
Mailing Address: PO BOX 25376

Year: 2003
Gepaid: CAL000046624
TSD EPA ID: CAD028409019
CA Waste Code: 134 - Aqueous solution with total organic residues less than 10 percent
Disposal Method: T01 - Treatment, Tank
Tons: 0.0672

Year: 1997
Gepaid: CAL000046624
TSD EPA ID: CAD028409019
CA Waste Code: 134 - Aqueous solution with total organic residues less than 10 percent
Disposal Method: T01 - Treatment, Tank
Tons: 0.0672

Additional Info:

Year: 1997
Gen EPA ID: CAL000046624

Shipment Date: 19970507
Creation Date: 7/17/1997 0:00:00
Receipt Date: 19970509
Manifest ID: 96763146
Trans EPA ID: CAD983641598
Trans Name: Not reported
Trans 2 EPA ID: Not reported
Trans 2 Name: Not reported
TSD EPA ID: CAD028409019
Trans Name: Not reported
TSD Alt EPA ID: Not reported
TSD Alt Name: Not reported
Waste Code Description: 134 - Aqueous solution with <10% total organic residues
RCRA Code: D001
Meth Code: T01 - Treatment, Tank
Quantity Tons: 0.0672
Waste Quantity: 16
Quantity Unit: G
Additional Code 1: Not reported
Additional Code 2: Not reported
Additional Code 3: Not reported
Additional Code 4: Not reported

Map ID
Direction
Distance
Elevation

MAP FINDINGS

Site

Database(s)

EDR ID Number
EPA ID Number

UNOCAL SERVICE STATION #6288 (Continued)

S113040614

Additional Code 5: Not reported

Additional Info:
Year: 2003
Gen EPA ID: CAL000046624

Shipment Date: 20031030
Creation Date: 8/3/2004 15:03:33
Receipt Date: 20031031
Manifest ID: 22508056
Trans EPA ID: CAR000031211
Trans Name: CALIFORNIA HAZARDOUS SERVICES
Trans 2 EPA ID: Not reported
Trans 2 Name: Not reported
TSDf EPA ID: CAD028409019
Trans Name: CROSBY & OVERTON INC
TSDf Alt EPA ID: CAD028409019
TSDf Alt Name: Not reported
Waste Code Description: 134 - Aqueous solution with <10% total organic residues
RCRA Code: D001
Meth Code: T01 - Treatment, Tank
Quantity Tons: 0.0672
Waste Quantity: 16
Quantity Unit: G
Additional Code 1: Not reported
Additional Code 2: Not reported
Additional Code 3: Not reported
Additional Code 4: Not reported
Additional Code 5: Not reported

HWTS:
Name: UNOCAL SERVICE STATION #6288
Address: 301 SOUTH J STREET
Address 2: Not reported
City,State,Zip: NEEDLES, CA 92363
EPA ID: CAL000046624
Inactive Date: 06/30/1997
Create Date: 02/15/1991
Last Act Date: Not reported
Mailing Name: Not reported
Mailing Address: PO BOX 25376
Mailing Address 2: Not reported
Mailing City,State,Zip: SANTA ANA, CA 927995376
Owner Name: UNION OIL COMPANY OF CALIFORNI
Owner Address: DBA UNOCAL
Owner Address 2: Not reported
Owner City,State,Zip: EL SEGUNDO, CA 902450000
Contact Name: CHRISTOPHER Z HILL
Contact Address: PO BOX 25376 CANX VQ97 CC
Contact Address 2: Not reported
City,State,Zip: SANTA ANA, CA 927995376
Facility Status: Inactive
Facility Type: PERMANENT
Category: STATE
Latitude: 34.840353
Longitude: -114.610593

Map ID
Direction
Distance
Elevation

MAP FINDINGS

Site

Database(s)

EDR ID Number
EPA ID Number

BF431 **J STREET INC**
Target **301 J ST**
Property **NEEDLES, CA 92363**

EDR Hist Auto **1020189870**
N/A

Site 20 of 24 in cluster BF

Actual: EDR Hist Auto
519 ft.

Focus Map:
7

Year:	Name:	Type:
1980	J STREET UNION	Gasoline Service Stations
1982	J STREET UNION	Gasoline Service Stations
1983	J STREET UNION	Gasoline Service Stations
1985	J STREET UNION	Gasoline Service Stations
1986	J STREET UNION	Gasoline Service Stations
1987	J STREET UNION	Gasoline Service Stations
1988	J STREET UNION	Gasoline Service Stations
1989	J STREET UNION	Gasoline Service Stations
1990	J STREET UNION	Gasoline Service Stations
1991	J STREET INC	Gasoline Service Stations
1991	J STREET UNION	Gasoline Service Stations
1992	J STREET INC	Gasoline Service Stations
1992	J STREET UNION	Gasoline Service Stations
1993	J STREET INC	Gasoline Service Stations
1993	J STREET UNION	Gasoline Service Stations
1994	J STREET INC	Gasoline Service Stations
1994	J STREET UNION	Gasoline Service Stations
1995	J STREET INC	Gasoline Service Stations
1996	J STREET INC	Gasoline Service Stations
1997	J STREET INC	Gasoline Service Stations
1998	J STREET INC	Gasoline Service Stations
1999	J STREET INC	Gasoline Service Stations
2000	J STREET INC	Gasoline Service Stations
2001	J STREET INC	Gasoline Service Stations
2002	J STREET INC	Gasoline Service Stations
2003	J STREET INC	Gasoline Service Stations
2003	BOATNER TIRES INC	Auto And Home Supply Stores, NEC
2004	BOATNER TIRES INC	Auto And Home Supply Stores, NEC
2004	J STREET INC	Gasoline Service Stations
2004	BOATNERS ENTERPRISES INC	General Automotive Repair Shops
2005	BOATNER TIRES INC	Auto And Home Supply Stores, NEC
2005	BOATNERS ENTERPRISES INC	General Automotive Repair Shops
2005	J STREET INC	Gasoline Service Stations
2006	BOATNER TIRES INC	Auto And Home Supply Stores, NEC
2006	BOATNERS ENTERPRISES INC	General Automotive Repair Shops
2006	J STREET INC	Gasoline Service Stations
2007	BOATNERS ENTERPRISES INC	General Automotive Repair Shops
2007	BOATNER TIRES INC	Auto And Home Supply Stores, NEC
2007	J STREET INC	Gasoline Service Stations
2008	J STREET INC	Gasoline Service Stations
2008	BOATNER TIRES INC	Auto And Home Supply Stores, NEC
2008	BOATNERS ENTERPRISES INC	General Automotive Repair Shops
2009	J STREET INC	Gasoline Service Stations
2009	BOATNERS ENTERPRISES INC	General Automotive Repair Shops
2010	BOATNERS ENTERPRISES INC	General Automotive Repair Shops
2010	J STREET INC	Gasoline Service Stations
2011	BOATNERS ENTERPRISES INC	General Automotive Repair Shops
2011	J STREET INC	Gasoline Service Stations
2012	J STREET INC	Gasoline Service Stations
2013	J STREET INC	Gasoline Service Stations

Map ID
Direction
Distance
Elevation

MAP FINDINGS

Site

Database(s)

EDR ID Number
EPA ID Number

J STREET INC (Continued)

1020189870

2014 J STREET INC

Gasoline Service Stations

BF432 **J STREET 76 GAS & OIL**
Target **301 J STREET**
Property **NEEDLES, CA 92363**

FINDS **1023650977**
N/A

Site 21 of 24 in cluster BF

Actual: **519 ft.** **FINDS:**
Registry ID: 110070061497

Focus Map:
7 [Click Here for FRS Facility Detail Report:](#)

Environmental Interest/Information System:
AIR EMISSIONS CLASSIFICATION UNKNOWN

[Click this hyperlink](#) while viewing on your computer to access
additional FINDS: detail in the EDR Site Report.

BF433 **UNOCOL 76 STN #6288**
Target **301 S J ST**
Property **NEEDLES, CA 92363**

SWEEPS UST **S106803249**
N/A

Site 22 of 24 in cluster BF

Actual: **519 ft.** **SWEEPS UST:**
Focus Map: **7**
Name: UNOCOL 76 STN #6288
Address: 301 S J ST
City: NEEDLES
Status: Active
Comp Number: 13585
Number: 9
Board Of Equalization: 44-020463
Referral Date: 07-28-92
Action Date: 07-28-92
Created Date: 02-29-88
Owner Tank Id: 6288-44
SWRCB Tank Id: 36-000-013585-000001
Tank Status: A
Capacity: 550
Active Date: 08-26-88
Tank Use: OIL
STG: W
Content: WASTE OIL
Number Of Tanks: 4

Name: UNOCOL 76 STN #6288
Address: 301 S J ST
City: NEEDLES
Status: Active
Comp Number: 13585
Number: 9
Board Of Equalization: 44-020463
Referral Date: 07-28-92
Action Date: 07-28-92
Created Date: 02-29-88
Owner Tank Id: 6288-32
SWRCB Tank Id: 36-000-013585-000002

Map ID
Direction
Distance
Elevation

MAP FINDINGS

Site

Database(s)

EDR ID Number
EPA ID Number

UNOCOL 76 STN #6288 (Continued)

S106803249

Tank Status: A
Capacity: 10000
Active Date: 08-26-88
Tank Use: M.V. FUEL
STG: P
Content: REG UNLEADED
Number Of Tanks: Not reported

Name: UNOCOL 76 STN #6288
Address: 301 S J ST
City: NEEDLES
Status: Active
Comp Number: 13585
Number: 9
Board Of Equalization: 44-020463
Referral Date: 07-28-92
Action Date: 07-28-92
Created Date: 02-29-88
Owner Tank Id: 6288-21
SWRCB Tank Id: 36-000-013585-000003
Tank Status: A
Capacity: 10000
Active Date: 08-26-88
Tank Use: M.V. FUEL
STG: P
Content: REG UNLEADED
Number Of Tanks: Not reported

Name: UNOCOL 76 STN #6288
Address: 301 S J ST
City: NEEDLES
Status: Active
Comp Number: 13585
Number: 9
Board Of Equalization: 44-020463
Referral Date: 07-28-92
Action Date: 07-28-92
Created Date: 02-29-88
Owner Tank Id: 6288-11
SWRCB Tank Id: 36-000-013585-000004
Tank Status: A
Capacity: 10000
Active Date: 08-26-88
Tank Use: M.V. FUEL
STG: P
Content: REG UNLEADED
Number Of Tanks: Not reported

Map ID
Direction
Distance
Elevation

MAP FINDINGS

Site

Database(s)

EDR ID Number
EPA ID Number

BF434 **J ST AMERICAN CAR CARE**
Target **301 J ST**
Property **NEEDLES, CA 92363**

HAZNET **S113117792**
HWTS **N/A**

Site 23 of 24 in cluster BF

Actual:
519 ft.

Focus Map:
7

HAZNET:
Name: J ST AMERICAN CAR CARE
Address: 301 J ST
Address 2: Not reported
City,State,Zip: NEEDLES, CA 923630000
Contact: BOB BOATNER
Telephone: 7603262300
Mailing Name: Not reported
Mailing Address: 301 J ST

Year: 2010
Gepaid: CAL000244665
TSD EPA ID: CAT000613976
CA Waste Code: 213 - Hydrocarbon solvents (benzene, hexane, Stoddard, Etc.)
Disposal Method: -
Tons: 0.03753

Year: 2010
Gepaid: CAL000244665
TSD EPA ID: CAT000613976
CA Waste Code: 213 - Hydrocarbon solvents (benzene, hexane, Stoddard, Etc.)
Disposal Method: H141 - Storage, Bulking, And/Or Transfer Off Site--No Treatment/Reovery (H010-H129) Or (H131-H135)
Tons: 0.06255

Year: 2005
Gepaid: CAL000244665
TSD EPA ID: CAT000613893
CA Waste Code: 741 - Liquids with halogenated organic compounds >= 1,000 Mg/L
Disposal Method: H01 - Transfer Station
Tons: 0.03336

Year: 2005
Gepaid: CAL000244665
TSD EPA ID: NVR000066837
CA Waste Code: 221 - Waste oil and mixed oil
Disposal Method: -
Tons: 0.969

Year: 2005
Gepaid: CAL000244665
TSD EPA ID: NVR000066837
CA Waste Code: 741 - Liquids with halogenated organic compounds >= 1,000 Mg/L
Disposal Method: H01 - Transfer Station
Tons: 0.03336

Year: 2004
Gepaid: CAL000244665
TSD EPA ID: NVR000066837
CA Waste Code: 343 - Unspecified organic liquid mixture
Disposal Method: H01 - Transfer Station
Tons: 1.003

Map ID
Direction
Distance
Elevation

MAP FINDINGS

Site

Database(s)

EDR ID Number
EPA ID Number

J ST AMERICAN CAR CARE (Continued)

S113117792

Year: 2003
Gepaid: CAL000244665
TSD EPA ID: NVR000066837
CA Waste Code: -
Disposal Method: H01 - Transfer Station
Tons: Not reported

Year: 2003
Gepaid: CAL000244665
TSD EPA ID: NVR000066837
CA Waste Code: 221 - Waste oil and mixed oil
Disposal Method: -
Tons: 0.684

Year: 2002
Gepaid: CAL000244665
TSD EPA ID: NVR000066837
CA Waste Code: 221 - Waste oil and mixed oil
Disposal Method: -
Tons: 1.007

Additional Info:

Year: 2005
Gen EPA ID: CAL000244665

Shipment Date: 20051130
Creation Date: 1/2/2007 18:30:20
Receipt Date: 20051130
Manifest ID: 24364954
Trans EPA ID: TXR000050930
Trans Name: SAFETY-KLEEN SYSTEMS INC
Trans 2 EPA ID: Not reported
Trans 2 Name: Not reported
TSD EPA ID: NVR000066837
Trans Name: SAFETY-KLEEN SYSTEMS INC
TSD EPA ID: CAT000613893
TSD EPA Name: Not reported
Waste Code Description: 741 - Liquids with halogenated organic compounds > 1000 mg/l
RCRA Code: D001
Meth Code: H01 - Transfer Station
Quantity Tons: 0.03336
Waste Quantity: 8
Quantity Unit: G
Additional Code 1: Not reported
Additional Code 2: Not reported
Additional Code 3: Not reported
Additional Code 4: Not reported
Additional Code 5: Not reported

Shipment Date: 20050928
Creation Date: 4/13/2006 18:48:46
Receipt Date: 20050928
Manifest ID: 24365192
Trans EPA ID: TXR000050930
Trans Name: SAFETY-KLEEN SYSTEMS INC
Trans 2 EPA ID: Not reported

Map ID
Direction
Distance
Elevation

MAP FINDINGS

Site

Database(s)

EDR ID Number
EPA ID Number

J ST AMERICAN CAR CARE (Continued)

S113117792

Trans 2 Name: Not reported
TSDf EPA ID: NVR000066837
Trans Name: SAFETY-KLEEN SYSTEMS INC
TSDf Alt EPA ID: NVR000066837
TSDf Alt Name: Not reported
Waste Code Description: 221 - Waste oil and mixed oil
RCRA Code: Not reported
Meth Code: - Not reported
Quantity Tons: 0.969
Waste Quantity: 255
Quantity Unit: G
Additional Code 1: Not reported
Additional Code 2: Not reported
Additional Code 3: Not reported
Additional Code 4: Not reported
Additional Code 5: Not reported

Shipment Date: 20050407
Creation Date: 7/21/2005 18:31:13
Receipt Date: 20050407
Manifest ID: 23020232
Trans EPA ID: TXR000050930
Trans Name: SAFETY-KLEEN SYSTEMS INC
Trans 2 EPA ID: Not reported
Trans 2 Name: Not reported
TSDf EPA ID: NVR000066837
Trans Name: SAFETY-KLEEN SYSTEMS INC
TSDf Alt EPA ID: NVR000066837
TSDf Alt Name: Not reported
Waste Code Description: 741 - Liquids with halogenated organic compounds > 1000 mg/l
RCRA Code: D001
Meth Code: H01 - Transfer Station
Quantity Tons: 0.03336
Waste Quantity: 8
Quantity Unit: G
Additional Code 1: Not reported
Additional Code 2: Not reported
Additional Code 3: Not reported
Additional Code 4: Not reported
Additional Code 5: Not reported

Additional Info:
Year: 2002
Gen EPA ID: CAL000244665

Shipment Date: 20021126
Creation Date: 2/13/2003 18:31:35
Receipt Date: 20021126
Manifest ID: 99058039
Trans EPA ID: SCR000075150
Trans Name: Not reported
Trans 2 EPA ID: Not reported
Trans 2 Name: Not reported
TSDf EPA ID: NVR000066837
Trans Name: Not reported
TSDf Alt EPA ID: Not reported
TSDf Alt Name: Not reported

Map ID
Direction
Distance
Elevation

MAP FINDINGS

Site

Database(s)

EDR ID Number
EPA ID Number

J ST AMERICAN CAR CARE (Continued)

S113117792

Waste Code Description: 221 - Waste oil and mixed oil
RCRA Code: Not reported
Meth Code: - Not reported
Quantity Tons: 1.007
Waste Quantity: 265
Quantity Unit: G
Additional Code 1: Not reported
Additional Code 2: Not reported
Additional Code 3: Not reported
Additional Code 4: Not reported
Additional Code 5: Not reported

Additional Info:

Year: 2010
Gen EPA ID: CAL000244665

Shipment Date: 20101208
Creation Date: 5/24/2011 18:30:12
Receipt Date: 20101215
Manifest ID: 003828419FLE
Trans EPA ID: TXR000050930
Trans Name: SAFETY-KLEEN SYSTEMS INC
Trans 2 EPA ID: Not reported
Trans 2 Name: Not reported
TSDf EPA ID: CAT000613976
Trans Name: SAFETY-KLEEN SYSTEMS INC
TSDf Alt EPA ID: Not reported
TSDf Alt Name: Not reported
Waste Code Description: 213 - Hydrocarbon solvents (benzene, hexane, Stoddard, etc.
RCRA Code: D039
Meth Code: H141 - Storage, Bulking, And/Or Transfer Off Site--No
Treatment/Reovery (H010-H129) Or (H131-H135)
Quantity Tons: 0.02502
Waste Quantity: 6
Quantity Unit: G
Additional Code 1: Not reported
Additional Code 2: Not reported
Additional Code 3: Not reported
Additional Code 4: Not reported
Additional Code 5: Not reported

Shipment Date: 20100914
Creation Date: 2/8/2011 18:30:09
Receipt Date: 20100922
Manifest ID: 003684860FLE
Trans EPA ID: TXR000050930
Trans Name: SAFETY-KLEEN SYSTEMS INC
Trans 2 EPA ID: Not reported
Trans 2 Name: Not reported
TSDf EPA ID: CAT000613976
Trans Name: SAFETY-KLEEN SYSTEMS INC
TSDf Alt EPA ID: Not reported
TSDf Alt Name: Not reported
Waste Code Description: 213 - Hydrocarbon solvents (benzene, hexane, Stoddard, etc.
RCRA Code: D039
Meth Code: H141 - Storage, Bulking, And/Or Transfer Off Site--No
Treatment/Reovery (H010-H129) Or (H131-H135)

Map ID
Direction
Distance
Elevation

MAP FINDINGS

Site

Database(s)

EDR ID Number
EPA ID Number

J ST AMERICAN CAR CARE (Continued)

S113117792

Quantity Tons:	0.03753
Waste Quantity:	9
Quantity Unit:	G
Additional Code 1:	Not reported
Additional Code 2:	Not reported
Additional Code 3:	Not reported
Additional Code 4:	Not reported
Additional Code 5:	Not reported
Shipment Date:	20100701
Creation Date:	1/24/2011 18:30:30
Receipt Date:	20100709
Manifest ID:	003347357FLE
Trans EPA ID:	TXR000050930
Trans Name:	SAFETY-KLEEN SYSTEMS INC
Trans 2 EPA ID:	Not reported
Trans 2 Name:	Not reported
TSDF EPA ID:	CAT000613976
Trans Name:	SAFETY-KLEEN SYSTEMS INC
TSDF Alt EPA ID:	Not reported
TSDF Alt Name:	Not reported
Waste Code Description:	213 - Hydrocarbon solvents (benzene, hexane, Stoddard, etc.
RCRA Code:	D039
Meth Code:	- Not reported
Quantity Tons:	0.03753
Waste Quantity:	9
Quantity Unit:	G
Additional Code 1:	Not reported
Additional Code 2:	Not reported
Additional Code 3:	Not reported
Additional Code 4:	Not reported
Additional Code 5:	Not reported
Additional Info:	
Year:	2004
Gen EPA ID:	CAL000244665
Shipment Date:	20041123
Creation Date:	1/20/2005 18:31:32
Receipt Date:	20041123
Manifest ID:	22323331
Trans EPA ID:	TXR000050930
Trans Name:	SAFETY KLEEN INC
Trans 2 EPA ID:	Not reported
Trans 2 Name:	Not reported
TSDF EPA ID:	NVR000066837
Trans Name:	SAFETY KLEEN
TSDF Alt EPA ID:	Not reported
TSDF Alt Name:	Not reported
Waste Code Description:	343 - Unspecified organic liquid mixture
RCRA Code:	Not reported
Meth Code:	H01 - Transfer Station
Quantity Tons:	1.003
Waste Quantity:	295
Quantity Unit:	G
Additional Code 1:	Not reported
Additional Code 2:	Not reported

Map ID
Direction
Distance
Elevation

MAP FINDINGS

Site

Database(s)

EDR ID Number
EPA ID Number

J ST AMERICAN CAR CARE (Continued)

S113117792

Additional Code 3: Not reported
Additional Code 4: Not reported
Additional Code 5: Not reported

Additional Info:

Year: 2003
Gen EPA ID: CAL000244665

Shipment Date: 20031015
Creation Date: 8/3/2004 15:00:31
Receipt Date: 20031015
Manifest ID: 21959322
Trans EPA ID: TXR000050930
Trans Name: SAFETY-KLEEN SYSTEMS INC
Trans 2 EPA ID: Not reported
Trans 2 Name: Not reported
TSDf EPA ID: NVR000066837
Trans Name: SAFETY-KLEEN SYSTEMS INC
TSDf Alt EPA ID: NVR000066837
TSDf Alt Name: Not reported
Waste Code Description: 221 - Waste oil and mixed oil
RCRA Code: Not reported
Meth Code: - Not reported
Quantity Tons: 0.684
Waste Quantity: 180
Quantity Unit: G
Additional Code 1: Not reported
Additional Code 2: Not reported
Additional Code 3: Not reported
Additional Code 4: Not reported
Additional Code 5: Not reported

Shipment Date: 20031015
Creation Date: 8/3/2004 15:00:31
Receipt Date: 20031015
Manifest ID: 21959322
Trans EPA ID: TXR000050930
Trans Name: SAFETY-KLEEN SYSTEMS INC
Trans 2 EPA ID: Not reported
Trans 2 Name: Not reported
TSDf EPA ID: NVR000066837
Trans Name: SAFETY-KLEEN SYSTEMS INC
TSDf Alt EPA ID: NVR000066837
TSDf Alt Name: Not reported
Waste Code Description: - Not reported
RCRA Code: Not reported
Meth Code: H01 - Transfer Station
Quantity Tons: Not reported
Waste Quantity: Not reported
Quantity Unit: Not reported
Additional Code 1: Not reported
Additional Code 2: Not reported
Additional Code 3: Not reported
Additional Code 4: Not reported
Additional Code 5: Not reported

Map ID
Direction
Distance
Elevation

MAP FINDINGS

Site

Database(s)

EDR ID Number
EPA ID Number

J ST AMERICAN CAR CARE (Continued)

S113117792

HWTS:

Name: J ST AMERICAN CAR CARE
Address: 301 J ST
Address 2: Not reported
City,State,Zip: NEEDLES, CA 92363
EPA ID: CAL000244665
Inactive Date: 06/24/2004
Create Date: 01/22/2002
Last Act Date: Not reported
Mailing Name: Not reported
Mailing Address: 301 J ST
Mailing Address 2: Not reported
Mailing City,State,Zip: NEEDLES, CA 923630000
Owner Name: BOB BOATNER
Owner Address: 301 J ST
Owner Address 2: Not reported
Owner City,State,Zip: NEEDLES, CA 923630000
Contact Name: BOB BOATNER
Contact Address: 301 J ST
Contact Address 2: Not reported
City,State,Zip: NEEDLES, CA 923630000
Facility Status: Inactive
Facility Type: PERMANENT
Category: STATE
Latitude: 34.840349
Longitude: -114.610593

NAICS:

EPA ID: CAL000244665
Create Date: 2002-03-14 16:36:30.000
NAICS Code: 811111
NAICS Description: General Automotive Repair
Issued EPA ID Date: 2002-01-22 00:00:00
Inactive Date: 2004-06-24 00:00:00
Facility Name: J ST AMERICAN CAR CARE
Facility Address: 301 J ST
Facility Address 2: Not reported
Facility City: NEEDLES
Facility County: Not reported
Facility State: CA
Facility Zip: 923630000

BF435 J ST 76 GAS & REPAIR
Target 301 S J ST
Property NEEDLES, CA 92363

FINDS 1023314188
N/A

Site 24 of 24 in cluster BF

Actual: FINDS:
519 ft. Registry ID: 110066072412

Focus Map:
7 [Click Here for FRS Facility Detail Report:](#)

Environmental Interest/Information System:
STATE MASTER

Map ID
Direction
Distance
Elevation

MAP FINDINGS

Site

Database(s)

EDR ID Number
EPA ID Number

J ST 76 GAS & REPAIR (Continued)

1023314188

[Click this hyperlink](#) while viewing on your computer to access additional FINDS: detail in the EDR Site Report.

BH436 **CITY OF NEEDLES**
Target **1030 BROADWAY**
Property **NEEDLES, CA 92363**

HAZNET **S112913215**
HWTS **N/A**

Site 1 of 11 in cluster BH

Actual: HAZNET:
495 ft. Name: CITY OF NEEDLES
Focus Map: Address: 1030 BROADWAY
7 Address 2: Not reported
 City,State,Zip: NEEDLES, CA 923630000
 Contact: PEGGY BRYANT-GEORGE BRYANT CON
 Telephone: 9099443517
 Mailing Name: Not reported
 Mailing Address: 817 3RD ST

 Year: 2001
 Gepaid: CAC002333961
 TSD EPA ID: AZC950823111
 CA Waste Code: 151 - Asbestos containing waste
 Disposal Method: D80 - Disposal, Land Fill
 Tons: 25.284

Additional Info:
Year: 2001
Gen EPA ID: CAC002333961

Shipment Date: 20010105
Creation Date: 3/6/2001 0:00:00
Receipt Date: 20010105
Manifest ID: 20148338
Trans EPA ID: CAR000049064
Trans Name: Not reported
Trans 2 EPA ID: Not reported
Trans 2 Name: Not reported
TSD EPA ID: AZC950823111
Trans Name: Not reported
TSD Alt EPA ID: Not reported
TSD Alt Name: Not reported
Waste Code Description: 151 - Asbestos-containing waste
RCRA Code: Not reported
Meth Code: D80 - Disposal, Land Fill
Quantity Tons: 25.284
Waste Quantity: 30
Quantity Unit: Y
Additional Code 1: Not reported
Additional Code 2: Not reported
Additional Code 3: Not reported
Additional Code 4: Not reported
Additional Code 5: Not reported

HWTS:
Name: CITY OF NEEDLES

Map ID
 Direction
 Distance
 Elevation

MAP FINDINGS

Site

Database(s)

EDR ID Number
 EPA ID Number

CITY OF NEEDLES (Continued)

S112913215

Address: 1030 BROADWAY
 Address 2: Not reported
 City,State,Zip: NEEDLES, CA 92363
 EPA ID: CAC002333961
 Inactive Date: 09/11/2001
 Create Date: 12/26/2000
 Last Act Date: Not reported
 Mailing Name: Not reported
 Mailing Address: 817 3RD ST
 Mailing Address 2: Not reported
 Mailing City,State,Zip: NEEDLES, CA 923630000
 Owner Name: CITY OF NEEDLES
 Owner Address: 1030 BROADWAY
 Owner Address 2: Not reported
 Owner City,State,Zip: NEEDLES, CA 923630000
 Contact Name: PEGGY BRYANT-GEORGE BRYANT CON
 Contact Address: Not reported
 Contact Address 2: Not reported
 City,State,Zip: Not reported
 Facility Status: Inactive
 Facility Type: TEMPORARY
 Category: STATE
 Latitude: 34.839943
 Longitude: -114.607243

BI437	MOHAVE VALET CLEANERS	EDR Hist Cleaner	1020043411
Target	111 F ST		N/A
Property	NEEDLES, CA 92363		

Site 1 of 15 in cluster BI

Actual: EDR Hist Cleaner
490 ft.

Focus Map:	Year:	Name:	Type:
7	2001	MOHAVE VALET CLEANERS	Drycleaning Plants, Except Rugs

BJ438	834 FRONT STREET, NEEDLES RAILROAD YARD	CHMIRS	S105654027
Target	NEEDLES, CA 76161		N/A
Property			

Site 1 of 15 in cluster BJ

Actual: CHMIRS:
487 ft. Name: Not reported

Focus Map:	Address:	834 FRONT STREET, NEEDLES RAILROAD YARD	
7	City,State,Zip:	NEEDLES, CA 76161	
	OES Incident Number:	8-4611	
	OES notification:	10/11/1998	
	OES Date:	Not reported	
	OES Time:	Not reported	
	Date Completed:	Not reported	
	Property Use:	Not reported	
	Agency Id Number:	Not reported	
	Agency Incident Number:	Not reported	
	Time Notified:	Not reported	
	Time Completed:	Not reported	

Map ID
Direction
Distance
Elevation

MAP FINDINGS

Site

Database(s)

EDR ID Number
EPA ID Number

(Continued)

S105654027

Surrounding Area:	Not reported
Estimated Temperature:	Not reported
Property Management:	Not reported
More Than Two Substances Involved?:	Not reported
Resp Agency Personel # Of Decontaminated:	Not reported
Responding Agency Personel # Of Injuries:	Not reported
Responding Agency Personel # Of Fatalities:	Not reported
Others Number Of Decontaminated:	Not reported
Others Number Of Injuries:	Not reported
Others Number Of Fatalities:	Not reported
Vehicle Make/year:	Not reported
Vehicle License Number:	Not reported
Vehicle State:	Not reported
Vehicle Id Number:	Not reported
CA DOT PUC/ICC Number:	Not reported
Company Name:	Not reported
Reporting Officer Name/ID:	Not reported
Report Date:	Not reported
Facility Telephone:	Not reported
Waterway Involved:	No
Waterway:	Not reported
Spill Site:	Not reported
Cleanup By:	Reporting Party
Containment:	Not reported
What Happened:	Not reported
Type:	Not reported
Measure:	Not reported
Other:	Not reported
Date/Time:	Not reported
Year:	1998
Agency:	Burlington Northern - Santa Fe RR
Incident Date:	10/10/199812:00:00 AM
Admin Agency:	San Bernardino County Health Department
Amount:	Not reported
Contained:	Yes
Site Type:	Rail Road
E Date:	Not reported
Substance:	Diesel
Gallons:	20
Unknown:	0
Substance #2:	Not reported
Substance #3:	Not reported
Evacuations:	0
Number of Injuries:	0
Number of Fatalities:	0
#1 Pipeline:	Not reported
#2 Pipeline:	Not reported
#3 Pipeline:	Not reported
#1 Vessel >= 300 Tons:	Not reported
#2 Vessel >= 300 Tons:	Not reported
#3 Vessel >= 300 Tons:	Not reported
Evacs:	Not reported
Injuries:	Not reported
Fatals:	Not reported
Comments:	Not reported
Description:	Locomotive had a fuel line come loose. Discovered at Needles, CA Railroad Yard, had been leaking

Map ID
Direction
Distance
Elevation

MAP FINDINGS

Site

Database(s)

EDR ID Number
EPA ID Number

(Continued)

S105654027

for 10 minutes. Will have someone look at site in morning to see if further clean-up required.

BJ439 **BNSF NEEDLES FACILITY**
Target **834 FRONT ST**
Property **NEEDLES, CA 92363**

CERS HAZ WASTE
EMI
NPDES
San Bern. Co. Permit
CIWQS
CERS

S105697740
N/A

Site 2 of 15 in cluster BJ

Actual:
487 ft.

Focus Map:
7

CERS HAZ WASTE:	
Name:	BNSF RAILWAY COMPANY
Address:	834 FRONT ST
City,State,Zip:	NEEDLES, CA 92363
Site ID:	388017
CERS ID:	10036606
CERS Description:	Hazardous Waste Generator

EMI:	
Name:	BNSF NEEDLES RAILYARD (COPY)
Address:	834 FRONT ST.
City,State,Zip:	NEEDLES, CA 92363
Year:	2013
County Code:	36
Air Basin:	MD
Facility ID:	2202790
Air District Name:	MOJ
SIC Code:	4013
Air District Name:	MOJAVE DESERT AQMD
Community Health Air Pollution Info System:	Not reported
Consolidated Emission Reporting Rule:	Not reported
Total Organic Hydrocarbon Gases Tons/Yr:	0.077
Reactive Organic Gases Tons/Yr:	0.0646445
Carbon Monoxide Emissions Tons/Yr:	0.203999996
NOX - Oxides of Nitrogen Tons/Yr:	0.938000023
SOX - Oxides of Sulphur Tons/Yr:	0
Particulate Matter Tons/Yr:	0
Part. Matter 10 Micrometers and Smlr Tons/Yr:	0

NPDES:	
Name:	BNSF NEEDLES FACILITY
Address:	834 FRONT ST
City,State,Zip:	NEEDLES, CA 92363
Facility Status:	Not reported
NPDES Number:	Not reported
Region:	Not reported
Agency Number:	Not reported
Regulatory Measure ID:	Not reported
Place ID:	Not reported
Order Number:	Not reported
WDID:	7 36I021431
Regulatory Measure Type:	Industrial
Program Type:	Not reported
Adoption Date Of Regulatory Measure:	Not reported
Effective Date Of Regulatory Measure:	Not reported
Termination Date Of Regulatory Measure:	Not reported
Expiration Date Of Regulatory Measure:	Not reported

Map ID
Direction
Distance
Elevation

MAP FINDINGS

Site

Database(s)

EDR ID Number
EPA ID Number

BNSF NEEDLES FACILITY (Continued)

S105697740

Discharge Address:	Not reported
Discharge Name:	Not reported
Discharge City:	Not reported
Discharge State:	Not reported
Discharge Zip:	Not reported
Status:	Terminated
Status Date:	06/11/2019
Operator Name:	BNSF Railway Co
Operator Address:	740 E Carnegie Dr
Operator City:	San Bernardino
Operator State:	California
Operator Zip:	92408
NPDES as of 03/2018:	
NPDES Number:	Not reported
Status:	Not reported
Agency Number:	Not reported
Region:	7
Regulatory Measure ID:	340290
Order Number:	Not reported
Regulatory Measure Type:	Industrial
Place ID:	Not reported
WDID:	7 36I021431
Program Type:	Not reported
Adoption Date Of Regulatory Measure:	Not reported
Effective Date Of Regulatory Measure:	Not reported
Expiration Date Of Regulatory Measure:	Not reported
Termination Date Of Regulatory Measure:	Not reported
Discharge Name:	Not reported
Discharge Address:	Not reported
Discharge City:	Not reported
Discharge State:	Not reported
Discharge Zip:	Not reported
Received Date:	05/09/2008
Processed Date:	02/04/2008
Status:	Active
Status Date:	07/05/2017
Place Size:	65
Place Size Unit:	Acres
Contact:	Edward Phillips
Contact Title:	Manager Environmental Operations
Contact Phone:	909-386-4082
Contact Phone Ext:	Not reported
Contact Email:	edward.phillips@bnsf.com
Operator Name:	BNSF Railway Co
Operator Address:	740 E Carnegie Dr
Operator City:	San Bernardino
Operator State:	California
Operator Zip:	92408
Operator Contact:	Edward Phillips
Operator Contact Title:	Manager Environmental Operations
Operator Contact Phone:	909-386-4082
Operator Contact Phone Ext:	Not reported
Operator Contact Email:	edward.phillips@bnsf.com
Operator Type:	Private Business
Developer:	Not reported
Developer Address:	Not reported
Developer City:	Not reported

Map ID
Direction
Distance
Elevation

MAP FINDINGS

Site

Database(s)

EDR ID Number
EPA ID Number

BNSF NEEDLES FACILITY (Continued)

S105697740

Developer State: California
Developer Zip: Not reported
Developer Contact: Not reported
Developer Contact Title: Not reported
Constype Linear Utility Ind: Not reported
Emergency Phone: 909-266-3518
Emergency Phone Ext: Not reported
Constype Above Ground Ind: Not reported
Constype Below Ground Ind: Not reported
Constype Cable Line Ind: Not reported
Constype Comm Line Ind: Not reported
Constype Commercial Ind: Not reported
Constype Electrical Line Ind: Not reported
Constype Gas Line Ind: Not reported
Constype Industrial Ind: Not reported
Constype Other Description: Not reported
Constype Other Ind: Not reported
Constype Recons Ind: Not reported
Constype Residential Ind: Not reported
Constype Transport Ind: Not reported
Constype Utility Description: Not reported
Constype Utility Ind: Not reported
Constype Water Sewer Ind: Not reported
Dir Discharge Uswater Ind: N
Receiving Water Name: Colorado River Basin
Certifier: Edward Phillips
Certifier Title: Manager Environmental Operations
Certification Date: 25-JUN-15
Primary Sic: 4011-Railroads, Line-haul Operating
Secondary Sic: Not reported
Tertiary Sic: Not reported

NPDES Number: CAS000001
Status: Active
Agency Number: 0
Region: 7
Regulatory Measure ID: 340290
Order Number: 97-03-DWQ
Regulatory Measure Type: Enrollee
Place ID: Not reported
WDID: 7 36I021431
Program Type: Industrial
Adoption Date Of Regulatory Measure: Not reported
Effective Date Of Regulatory Measure: 02/04/2008
Expiration Date Of Regulatory Measure: Not reported
Termination Date Of Regulatory Measure: Not reported
Discharge Name: BNSF Railway Co
Discharge Address: 740 E Carnegie Dr
Discharge City: San Bernardino
Discharge State: California
Discharge Zip: 92408
Received Date: Not reported
Processed Date: Not reported
Status: Not reported
Status Date: Not reported
Place Size: Not reported
Place Size Unit: Not reported

Map ID
Direction
Distance
Elevation

MAP FINDINGS

Site

Database(s)

EDR ID Number
EPA ID Number

BNSF NEEDLES FACILITY (Continued)

S105697740

Contact:	Not reported
Contact Title:	Not reported
Contact Phone:	Not reported
Contact Phone Ext:	Not reported
Contact Email:	Not reported
Operator Name:	Not reported
Operator Address:	Not reported
Operator City:	Not reported
Operator State:	Not reported
Operator Zip:	Not reported
Operator Contact:	Not reported
Operator Contact Title:	Not reported
Operator Contact Phone:	Not reported
Operator Contact Phone Ext:	Not reported
Operator Contact Email:	Not reported
Operator Type:	Not reported
Developer:	Not reported
Developer Address:	Not reported
Developer City:	Not reported
Developer State:	Not reported
Developer Zip:	Not reported
Developer Contact:	Not reported
Developer Contact Title:	Not reported
Constype Linear Utility Ind:	Not reported
Emergency Phone:	Not reported
Emergency Phone Ext:	Not reported
Constype Above Ground Ind:	Not reported
Constype Below Ground Ind:	Not reported
Constype Cable Line Ind:	Not reported
Constype Comm Line Ind:	Not reported
Constype Commercial Ind:	Not reported
Constype Electrical Line Ind:	Not reported
Constype Gas Line Ind:	Not reported
Constype Industrial Ind:	Not reported
Constype Other Description:	Not reported
Constype Other Ind:	Not reported
Constype Recons Ind:	Not reported
Constype Residential Ind:	Not reported
Constype Transport Ind:	Not reported
Constype Utility Description:	Not reported
Constype Utility Ind:	Not reported
Constype Water Sewer Ind:	Not reported
Dir Discharge Uswater Ind:	Not reported
Receiving Water Name:	Not reported
Certifier:	Not reported
Certifier Title:	Not reported
Certification Date:	Not reported
Primary Sic:	Not reported
Secondary Sic:	Not reported
Tertiary Sic:	Not reported

Name:	BNSF NEEDLES YARD
Address:	834 FRONT STREET
City,State,Zip:	NEEDLES, CA 92363
Facility Status:	Not reported
NPDES Number:	Not reported

Map ID
Direction
Distance
Elevation

MAP FINDINGS

Site

Database(s)

EDR ID Number
EPA ID Number

BNSF NEEDLES FACILITY (Continued)

S105697740

Region: Not reported
Agency Number: Not reported
Regulatory Measure ID: Not reported
Place ID: Not reported
Order Number: Not reported
WDID: 7 36W003921
Regulatory Measure Type: Construction
Program Type: Not reported
Adoption Date Of Regulatory Measure: Not reported
Effective Date Of Regulatory Measure: Not reported
Termination Date Of Regulatory Measure: Not reported
Expiration Date Of Regulatory Measure: Not reported
Discharge Address: Not reported
Discharge Name: Not reported
Discharge City: Not reported
Discharge State: Not reported
Discharge Zip: Not reported
Status: Expired
Status Date: 08/13/2021
Operator Name: BNSF Railway Company
Operator Address: 740 Carnegie Drive
Operator City: San Bernardino
Operator State: California
Operator Zip: 95408

Name: BNSF NEEDLES FACILITY
Address: 834 FRONT ST
City,State,Zip: NEEDLES, CA 92363
Facility Status: Terminated
NPDES Number: CAS000001
Region: 7
Agency Number: 0
Regulatory Measure ID: 340290
Place ID: Not reported
Order Number: 97-03-DWQ
WDID: 7 36I021431
Regulatory Measure Type: Enrollee
Program Type: Industrial
Adoption Date Of Regulatory Measure: Not reported
Effective Date Of Regulatory Measure: 02/04/2008
Termination Date Of Regulatory Measure: 06/11/2019
Expiration Date Of Regulatory Measure: Not reported
Discharge Address: 740 E Carnegie Dr
Discharge Name: BNSF Railway Co
Discharge City: San Bernardino
Discharge State: California
Discharge Zip: 92408
Status: Not reported
Status Date: Not reported
Operator Name: Not reported
Operator Address: Not reported
Operator City: Not reported
Operator State: Not reported
Operator Zip: Not reported

NPDES as of 03/2018:

NPDES Number: Not reported
Status: Not reported

Map ID
Direction
Distance
Elevation

MAP FINDINGS

Site

Database(s)

EDR ID Number
EPA ID Number

BNSF NEEDLES FACILITY (Continued)

S105697740

Agency Number: Not reported
Region: 7
Regulatory Measure ID: 340290
Order Number: Not reported
Regulatory Measure Type: Industrial
Place ID: Not reported
WDID: 7 361021431
Program Type: Not reported
Adoption Date Of Regulatory Measure: Not reported
Effective Date Of Regulatory Measure: Not reported
Expiration Date Of Regulatory Measure: Not reported
Termination Date Of Regulatory Measure: Not reported
Discharge Name: Not reported
Discharge Address: Not reported
Discharge City: Not reported
Discharge State: Not reported
Discharge Zip: Not reported
Received Date: 05/09/2008
Processed Date: 02/04/2008
Status: Active
Status Date: 07/05/2017
Place Size: 65
Place Size Unit: Acres
Contact: Edward Phillips
Contact Title: Manager Environmental Operations
Contact Phone: 909-386-4082
Contact Phone Ext: Not reported
Contact Email: edward.phillips@bnsf.com
Operator Name: BNSF Railway Co
Operator Address: 740 E Carnegie Dr
Operator City: San Bernardino
Operator State: California
Operator Zip: 92408
Operator Contact: Edward Phillips
Operator Contact Title: Manager Environmental Operations
Operator Contact Phone: 909-386-4082
Operator Contact Phone Ext: Not reported
Operator Contact Email: edward.phillips@bnsf.com
Operator Type: Private Business
Developer: Not reported
Developer Address: Not reported
Developer City: Not reported
Developer State: California
Developer Zip: Not reported
Developer Contact: Not reported
Developer Contact Title: Not reported
Constype Linear Utility Ind: Not reported
Emergency Phone: 909-266-3518
Emergency Phone Ext: Not reported
Constype Above Ground Ind: Not reported
Constype Below Ground Ind: Not reported
Constype Cable Line Ind: Not reported
Constype Comm Line Ind: Not reported
Constype Commercial Ind: Not reported
Constype Electrical Line Ind: Not reported
Constype Gas Line Ind: Not reported
Constype Industrial Ind: Not reported

Map ID
Direction
Distance
Elevation

MAP FINDINGS

Site

Database(s)

EDR ID Number
EPA ID Number

BNSF NEEDLES FACILITY (Continued)

S105697740

Constype Other Description:	Not reported
Constype Other Ind:	Not reported
Constype Recons Ind:	Not reported
Constype Residential Ind:	Not reported
Constype Transport Ind:	Not reported
Constype Utility Description:	Not reported
Constype Utility Ind:	Not reported
Constype Water Sewer Ind:	Not reported
Dir Discharge Uswater Ind:	N
Receiving Water Name:	Colorado River Basin
Certifier:	Edward Phillips
Certifier Title:	Manager Environmental Operations
Certification Date:	25-JUN-15
Primary Sic:	4011-Railroads, Line-haul Operating
Secondary Sic:	Not reported
Tertiary Sic:	Not reported
NPDES Number:	CAS000001
Status:	Active
Agency Number:	0
Region:	7
Regulatory Measure ID:	340290
Order Number:	97-03-DWQ
Regulatory Measure Type:	Enrollee
Place ID:	Not reported
WDID:	7 36I021431
Program Type:	Industrial
Adoption Date Of Regulatory Measure:	Not reported
Effective Date Of Regulatory Measure:	02/04/2008
Expiration Date Of Regulatory Measure:	Not reported
Termination Date Of Regulatory Measure:	Not reported
Discharge Name:	BNSF Railway Co
Discharge Address:	740 E Carnegie Dr
Discharge City:	San Bernardino
Discharge State:	California
Discharge Zip:	92408
Received Date:	Not reported
Processed Date:	Not reported
Status:	Not reported
Status Date:	Not reported
Place Size:	Not reported
Place Size Unit:	Not reported
Contact:	Not reported
Contact Title:	Not reported
Contact Phone:	Not reported
Contact Phone Ext:	Not reported
Contact Email:	Not reported
Operator Name:	Not reported
Operator Address:	Not reported
Operator City:	Not reported
Operator State:	Not reported
Operator Zip:	Not reported
Operator Contact:	Not reported
Operator Contact Title:	Not reported
Operator Contact Phone:	Not reported
Operator Contact Phone Ext:	Not reported
Operator Contact Email:	Not reported

Map ID
Direction
Distance
Elevation

MAP FINDINGS

Site

Database(s)

EDR ID Number
EPA ID Number

BNSF NEEDLES FACILITY (Continued)

S105697740

Operator Type:	Not reported
Developer:	Not reported
Developer Address:	Not reported
Developer City:	Not reported
Developer State:	Not reported
Developer Zip:	Not reported
Developer Contact:	Not reported
Developer Contact Title:	Not reported
Constype Linear Utility Ind:	Not reported
Emergency Phone:	Not reported
Emergency Phone Ext:	Not reported
Constype Above Ground Ind:	Not reported
Constype Below Ground Ind:	Not reported
Constype Cable Line Ind:	Not reported
Constype Comm Line Ind:	Not reported
Constype Commercial Ind:	Not reported
Constype Electrical Line Ind:	Not reported
Constype Gas Line Ind:	Not reported
Constype Industrial Ind:	Not reported
Constype Other Description:	Not reported
Constype Other Ind:	Not reported
Constype Recons Ind:	Not reported
Constype Residential Ind:	Not reported
Constype Transport Ind:	Not reported
Constype Utility Description:	Not reported
Constype Utility Ind:	Not reported
Constype Water Sewer Ind:	Not reported
Dir Discharge Uswater Ind:	Not reported
Receiving Water Name:	Not reported
Certifier:	Not reported
Certifier Title:	Not reported
Certification Date:	Not reported
Primary Sic:	Not reported
Secondary Sic:	Not reported
Tertiary Sic:	Not reported

San Bern. Co. Permit:

Name: BNSF RAILWAY COMPANY
Address: 834 FRONT ST
City,State,Zip: NEEDLES, CA 92363
Region: SAN BERNARDINO
Facility ID: FA0001617
Owner: BNSF Railway Company
Permit Number: PT0012717
Permit Category: SMALL QUANTITY GENERATOR
Facility Status: ACTIVE
Expiration Date: 09/30/2022

Name: BNSF RAILWAY COMPANY
Address: 834 FRONT ST
City,State,Zip: NEEDLES, CA 92363
Region: SAN BERNARDINO
Facility ID: FA0001617
Owner: BNSF Railway Company
Permit Number: PT0012716
Permit Category: HAZARDOUS MATERIALS 11-30 CHEMICALS

Map ID
Direction
Distance
Elevation

MAP FINDINGS

Site

Database(s)

EDR ID Number
EPA ID Number

BNSF NEEDLES FACILITY (Continued)

S105697740

Facility Status: ACTIVE
Expiration Date: 09/30/2022

Name: BNSF RAILWAY COMPANY
Address: 834 FRONT ST
City,State,Zip: NEEDLES, CA 92363
Region: SAN BERNARDINO
Facility ID: FA0001617
Owner: BNSF Railway Company
Permit Number: PT0039469
Permit Category: APSA 1,320-10,000 GAL FAC CAPACITY
Facility Status: INACTIVE
Expiration Date: 09/30/2022

Name: BNSF RAILWAY COMPANY
Address: 834 FRONT ST
City,State,Zip: NEEDLES, CA 92363
Region: SAN BERNARDINO
Facility ID: FA0001617
Owner: BNSF Railway Company
Permit Number: PT0012713
Permit Category: REGULAR UST ANNUAL INSPECTION (PER TANK)
Facility Status: INACTIVE
Expiration Date: 09/30/2004

Name: BNSF RAILWAY COMPANY
Address: 834 FRONT ST
City,State,Zip: NEEDLES, CA 92363
Region: SAN BERNARDINO
Facility ID: FA0001617
Owner: BNSF Railway Company
Permit Number: PT0012714
Permit Category: REGULAR UST ANNUAL INSPECTION (PER TANK)
Facility Status: INACTIVE
Expiration Date: 09/30/2004

Name: BNSF RAILWAY COMPANY
Address: 834 FRONT ST
City,State,Zip: NEEDLES, CA 92363
Region: SAN BERNARDINO
Facility ID: FA0001617
Owner: BNSF Railway Company
Permit Number: PT0012715
Permit Category: REGULAR UST ANNUAL INSPECTION (PER TANK)
Facility Status: INACTIVE
Expiration Date: 09/30/2004

CIWQS:

Name: BNSF NEEDLES FACILITY
Address: 834 FRONT ST
City,State,Zip: NEEDLES, CA 92363
Agency: BNSF Railway Co
Agency Address: 740 E Carnegie Dr, San Bernardino, CA 92408
Place/Project Type: Industrial - Railroads, Line-haul Operating
SIC/NAICS: 4011
Region: 7
Program: INDSTW

Map ID
Direction
Distance
Elevation

MAP FINDINGS

Site

Database(s)

EDR ID Number
EPA ID Number

BNSF NEEDLES FACILITY (Continued)

S105697740

Regulatory Measure Status: Terminated
Regulatory Measure Type: Storm water industrial
Order Number: 2014-0057-DWQ
WDID: 7 36I021431
NPDES Number: CAS000001
Adoption Date: Not reported
Effective Date: 02/04/2008
Termination Date: 06/11/2019
Expiration/Review Date: Not reported
Design Flow: Not reported
Major/Minor: Not reported
Complexity: Not reported
TTWQ: Not reported
Enforcement Actions within 5 years: 0
Violations within 5 years: 0
Latitude: 34.840393
Longitude: -114.602821

CERS:

Name: BNSF RAILWAY COMPANY
Address: 834 FRONT ST
City,State,Zip: NEEDLES, CA 92363
Site ID: 388017
CERS ID: 10036606
CERS Description: Chemical Storage Facilities

Evaluation:

Eval General Type: Compliance Evaluation Inspection
Eval Date: 07-11-2018
Violations Found: No
Eval Type: Routine done by local agency
Eval Notes: Not reported
Eval Division: San Bernardino County Fire Department
Eval Program: HW
Eval Source: CERS,

Eval General Type: Compliance Evaluation Inspection
Eval Date: 01-15-2015
Violations Found: No
Eval Type: Routine done by local agency
Eval Notes: ROUTINE INSPECTION
Eval Division: San Bernardino County Fire Department
Eval Program: HW
Eval Source: CERS,

Eval General Type: Compliance Evaluation Inspection
Eval Date: 07-11-2018
Violations Found: No
Eval Type: Routine done by local agency
Eval Notes: Not reported
Eval Division: San Bernardino County Fire Department
Eval Program: HMRRP
Eval Source: CERS,

Eval General Type: Compliance Evaluation Inspection
Eval Date: 08-19-2021
Violations Found: No

Map ID
Direction
Distance
Elevation

MAP FINDINGS

Site

Database(s)

EDR ID Number
EPA ID Number

BNSF NEEDLES FACILITY (Continued)

S105697740

Eval Type: Routine done by local agency
Eval Notes: Not reported
Eval Division: San Bernardino County Fire Department
Eval Program: HMRRP
Eval Source: CERS,

Eval General Type: Compliance Evaluation Inspection
Eval Date: 01-15-2015
Violations Found: No
Eval Type: Routine done by local agency
Eval Notes: ROUTINE INSPECTION
Eval Division: San Bernardino County Fire Department
Eval Program: HMRRP
Eval Source: CERS,

Eval General Type: Compliance Evaluation Inspection
Eval Date: 08-19-2021
Violations Found: No
Eval Type: Routine done by local agency
Eval Notes: Not reported
Eval Division: San Bernardino County Fire Department
Eval Program: APSA
Eval Source: CERS,

Eval General Type: Compliance Evaluation Inspection
Eval Date: 08-19-2021
Violations Found: No
Eval Type: Routine done by local agency
Eval Notes: Not reported
Eval Division: San Bernardino County Fire Department
Eval Program: HW
Eval Source: CERS,

Coordinates:
Site ID: 388017
Facility Name: BNSF RAILWAY COMPANY
Env Int Type Code: HMBP
Program ID: 10036606
Coord Name: Not reported
Ref Point Type Desc: Unknown,
Latitude: 34.839890
Longitude: -114.604546

Affiliation:
Affiliation Type Desc: Document Preparer
Entity Name: Roslyn Woods
Entity Title: Not reported
Affiliation Address: Not reported
Affiliation City: Not reported
Affiliation State: Not reported
Affiliation Country: Not reported
Affiliation Zip: Not reported
Affiliation Phone: ,

Affiliation Type Desc: Environmental Contact
Entity Name: Derek Brady

Map ID
Direction
Distance
Elevation

MAP FINDINGS

Site

Database(s)

EDR ID Number
EPA ID Number

BNSF NEEDLES FACILITY (Continued)

S105697740

Entity Title: Not reported
Affiliation Address: 740 E. Carnegie Dr.
Affiliation City: San Bernardino
Affiliation State: CA
Affiliation Country: Not reported
Affiliation Zip: 92408
Affiliation Phone: ,

Affiliation Type Desc: Legal Owner
Entity Name: BNSF Railway Company
Entity Title: Not reported
Affiliation Address: 740 E. Carnegie Dr.
Affiliation City: San Bernardino
Affiliation State: CA
Affiliation Country: United States
Affiliation Zip: 92408
Affiliation Phone: (909) 386-4084,

Affiliation Type Desc: Operator
Entity Name: BNSF Railway Company
Entity Title: Not reported
Affiliation Address: Not reported
Affiliation City: Not reported
Affiliation State: Not reported
Affiliation Country: Not reported
Affiliation Zip: Not reported
Affiliation Phone: (909) 386-4084,

Affiliation Type Desc: Property Owner
Entity Name: BNSF Railway Company
Entity Title: Not reported
Affiliation Address: 740 E. Carnegie Dr.
Affiliation City: San Bernardino
Affiliation State: CA
Affiliation Country: United States
Affiliation Zip: 92408
Affiliation Phone: (909) 386-4084,

Affiliation Type Desc: CUPA District
Entity Name: San Bernardino County Fire
Entity Title: Not reported
Affiliation Address: 620 South E Street
Affiliation City: San Bernardino
Affiliation State: CA
Affiliation Country: Not reported
Affiliation Zip: 92415-0153
Affiliation Phone: (909) 386-8401,

Affiliation Type Desc: Identification Signer
Entity Name: Derek Brady
Entity Title: Manager Environmental Operations
Affiliation Address: Not reported
Affiliation City: Not reported
Affiliation State: Not reported
Affiliation Country: Not reported
Affiliation Zip: Not reported
Affiliation Phone: ,

Map ID
Direction
Distance
Elevation

MAP FINDINGS

Site

Database(s)

EDR ID Number
EPA ID Number

BNSF NEEDLES FACILITY (Continued)

S105697740

Affiliation Type Desc: Facility Mailing Address
Entity Name: Mailing Address
Entity Title: Not reported
Affiliation Address: 740 E. Carnegie Dr.
Affiliation City: San Bernardino
Affiliation State: CA
Affiliation Country: Not reported
Affiliation Zip: 92408
Affiliation Phone: ,

Affiliation Type Desc: Parent Corporation
Entity Name: BNSF Railway Company
Entity Title: Not reported
Affiliation Address: Not reported
Affiliation City: Not reported
Affiliation State: Not reported
Affiliation Country: Not reported
Affiliation Zip: Not reported
Affiliation Phone: ,

BJ440 AMTRAK
Target 834 N FRONT ST
Property NEEDLES, CA 92363

RCRA NonGen / NLR 1025881342
CAP000226134

Site 3 of 15 in cluster BJ

Actual: RCRA NonGen / NLR:
487 ft. Date Form Received by Agency: 20121014
Focus Map: Handler Name: AMTRAK
7 Handler Address: 834 N FRONT ST
Handler City,State,Zip: NEEDLES, CA 92363
EPA ID: CAP000226134
Contact Name: DONALD OLSEN
Contact Address: 114 BUSNISS CENTER DR
Contact City,State,Zip: CORONA, CA 92880
Contact Telephone: 951-280-0298 x228
Contact Fax: 951-280-0118
Contact Email: DOLSEN@HCIENV.COM
Contact Title: DIR OF OPS
EPA Region: 09
Land Type: Private
Federal Waste Generator Description: Not a generator, verified
Non-Notifier: Not reported
Biennial Report Cycle: Not reported
Accessibility: Not reported
Active Site Indicator: Not reported
State District Owner: Not reported
State District: Not reported
Mailing Address: 810 N ALAMEDA ST
Mailing City,State,Zip: LOS ANGELES, CA 90012
Owner Name: BNSF RAILWAY CO
Owner Type: Private
Operator Name: AMTRAK
Operator Type: Private
Short-Term Generator Activity: No
Importer Activity: No
Mixed Waste Generator: No

Map ID
 Direction
 Distance
 Elevation

MAP FINDINGS

Site

Database(s)

EDR ID Number
 EPA ID Number

AMTRAK (Continued)

1025881342

Transporter Activity:	No
Transfer Facility Activity:	No
Recycler Activity with Storage:	No
Small Quantity On-Site Burner Exemption:	No
Smelting Melting and Refining Furnace Exemption:	No
Underground Injection Control:	No
Off-Site Waste Receipt:	No
Universal Waste Indicator:	No
Universal Waste Destination Facility:	No
Federal Universal Waste:	No
Active Site Fed-Reg Treatment Storage and Disposal Facility:	Not reported
Active Site Converter Treatment storage and Disposal Facility:	Not reported
Active Site State-Reg Treatment Storage and Disposal Facility:	Not reported
Active Site State-Reg Handler:	---
Federal Facility Indicator:	Not reported
Hazardous Secondary Material Indicator:	N
Sub-Part K Indicator:	Not reported
Commercial TSD Indicator:	No
Treatment Storage and Disposal Type:	Not reported
2018 GPRC Permit Baseline:	Not on the Baseline
2018 GPRC Renewals Baseline:	Not on the Baseline
Permit Renewals Workload Universe:	Not reported
Permit Workload Universe:	Not reported
Permit Progress Universe:	Not reported
Post-Closure Workload Universe:	Not reported
Closure Workload Universe:	Not reported
202 GPRC Corrective Action Baseline:	No
Corrective Action Workload Universe:	No
Subject to Corrective Action Universe:	No
Non-TSDs Where RCRA CA has Been Imposed Universe:	No
TSDs Potentially Subject to CA Under 3004 (u)/(v) Universe:	No
TSDs Only Subject to CA under Discretionary Auth Universe:	No
Corrective Action Priority Ranking:	No NCAPS ranking
Environmental Control Indicator:	No
Institutional Control Indicator:	No
Human Exposure Controls Indicator:	N/A
Groundwater Controls Indicator:	N/A
Operating TSDF Universe:	Not reported
Full Enforcement Universe:	Not reported
Significant Non-Complier Universe:	No
Unaddressed Significant Non-Complier Universe:	No
Addressed Significant Non-Complier Universe:	No
Significant Non-Complier With a Compliance Schedule Universe:	No
Financial Assurance Required:	Not reported
Handler Date of Last Change:	20121018
Recognized Trader-Importer:	No
Recognized Trader-Exporter:	No
Importer of Spent Lead Acid Batteries:	No
Exporter of Spent Lead Acid Batteries:	No
Recycler Activity Without Storage:	No
Manifest Broker:	No
Sub-Part P Indicator:	No

Hazardous Waste Summary:

Waste Code: D008
 Waste Description: LEAD

Map ID
Direction
Distance
Elevation

MAP FINDINGS

Site

Database(s)

EDR ID Number
EPA ID Number

AMTRAK (Continued)

1025881342

Handler - Owner Operator:

Owner/Operator Indicator:	Owner
Owner/Operator Name:	BNSF RAILWAY CO
Legal Status:	Private
Date Became Current:	19000101
Date Ended Current:	Not reported
Owner/Operator Address:	740 E CARNEGIE DR
Owner/Operator City,State,Zip:	SAN BERNADINO, CA 92408
Owner/Operator Telephone:	909-386-4081
Owner/Operator Telephone Ext:	Not reported
Owner/Operator Fax:	Not reported
Owner/Operator Email:	Not reported

Owner/Operator Indicator:	Owner
Owner/Operator Name:	BNSF RAILWAY CO
Legal Status:	Private
Date Became Current:	19000101
Date Ended Current:	Not reported
Owner/Operator Address:	740 E CARNEGIE DR
Owner/Operator City,State,Zip:	SAN BERNADINO, CA 92408
Owner/Operator Telephone:	909-386-4081
Owner/Operator Telephone Ext:	Not reported
Owner/Operator Fax:	Not reported
Owner/Operator Email:	Not reported

Owner/Operator Indicator:	Operator
Owner/Operator Name:	AMTRAK
Legal Status:	Private
Date Became Current:	19760101
Date Ended Current:	Not reported
Owner/Operator Address:	Not reported
Owner/Operator City,State,Zip:	Not reported
Owner/Operator Telephone:	Not reported
Owner/Operator Telephone Ext:	Not reported
Owner/Operator Fax:	Not reported
Owner/Operator Email:	Not reported

Owner/Operator Indicator:	Operator
Owner/Operator Name:	AMTRAK
Legal Status:	Private
Date Became Current:	19760101
Date Ended Current:	Not reported
Owner/Operator Address:	Not reported
Owner/Operator City,State,Zip:	Not reported
Owner/Operator Telephone:	Not reported
Owner/Operator Telephone Ext:	Not reported
Owner/Operator Fax:	Not reported
Owner/Operator Email:	Not reported

Historic Generators:

Receive Date:	20121014
Handler Name:	AMTRAK
Federal Waste Generator Description:	Not a generator, verified
State District Owner:	Not reported
Large Quantity Handler of Universal Waste:	No
Recognized Trader Importer:	No

Map ID
 Direction
 Distance
 Elevation

MAP FINDINGS

Site

Database(s)

EDR ID Number
 EPA ID Number

AMTRAK (Continued)

1025881342

Recognized Trader Exporter:	No
Spent Lead Acid Battery Importer:	No
Spent Lead Acid Battery Exporter:	No
Current Record:	Yes
Non Storage Recycler Activity:	Not reported
Electronic Manifest Broker:	Not reported
Receive Date:	20120716
Handler Name:	AMTRAK
Federal Waste Generator Description:	Large Quantity Generator
State District Owner:	Not reported
Large Quantity Handler of Universal Waste:	No
Recognized Trader Importer:	No
Recognized Trader Exporter:	No
Spent Lead Acid Battery Importer:	No
Spent Lead Acid Battery Exporter:	No
Current Record:	No
Non Storage Recycler Activity:	Not reported
Electronic Manifest Broker:	Not reported

List of NAICS Codes and Descriptions:

NAICS Code:	482111
NAICS Description:	LINE-HAUL RAILROADS

Facility Has Received Notices of Violations:

Violations:	No Violations Found
-------------	---------------------

Evaluation Action Summary:

Evaluations:	No Evaluations Found
--------------	----------------------

BJ441 **BNSF RAILWAY COMPANY**
Target **834 FRONT ST**
Property **NEEDLES, CA 92363**

CHMIRS **S104905565**
HAZNET **N/A**
HWTS

Site 4 of 15 in cluster BJ

Actual:	CHMIRS:	
487 ft.	Name:	Not reported
Focus Map:	Address:	834 FRONT STREET
7	City,State,Zip:	NEEDLES, CA 92363
	OES Incident Number:	16-3459
	OES notification:	06/08/2016
	OES Date:	Not reported
	OES Time:	Not reported
	Date Completed:	Not reported
	Property Use:	Not reported
	Agency Id Number:	Not reported
	Agency Incident Number:	Not reported
	Time Notified:	Not reported
	Time Completed:	Not reported
	Surrounding Area:	Not reported
	Estimated Temperature:	Not reported
	Property Management:	Not reported
	More Than Two Substances Involved?:	Not reported
	Resp Agency Personnel # Of Decontaminated:	Not reported

Map ID
Direction
Distance
Elevation

MAP FINDINGS

Site

Database(s)

EDR ID Number
EPA ID Number

BNSF RAILWAY COMPANY (Continued)

S104905565

Responding Agency Personel # Of Injuries: Not reported
Responding Agency Personel # Of Fatalities: Not reported
Others Number Of Decontaminated: Not reported
Others Number Of Injuries: Not reported
Others Number Of Fatalities: Not reported
Vehicle Make/year: Not reported
Vehicle License Number: Not reported
Vehicle State: Not reported
Vehicle Id Number: Not reported
CA DOT PUC/ICC Number: Not reported
Company Name: Not reported
Reporting Officer Name/ID: Not reported
Report Date: Not reported
Facility Telephone: Not reported
Waterway Involved: No
Waterway: Not reported
Spill Site: Rail Road
Cleanup By: Unrecoverable
Containment: Not reported
What Happened: Not reported
Type: Not reported
Measure: Not reported
Other: Not reported
Type: VAPOR
Measure: Unknown
Other: Not reported
Date/Time: 1644
Year: 2016
Agency: BNSF Railway
Incident Date: 06/08/2016
Admin Agency: San Bernardino County Fire Department
Amount: Not reported
Contained: Yes
Site Type: Not reported
E Date: Not reported
Substance: Propane
Quantity Released: Unk
Unknown: Not reported
Substance #2: Not reported
Substance #3: Not reported
Evacuations: Unknown
Number of Injuries: Not reported
Number of Fatalities: Not reported
#1 Pipeline: No
#2 Pipeline: No
#3 Pipeline: No
#1 Vessel >= 300 Tons: No
#2 Vessel >= 300 Tons: No
#3 Vessel >= 300 Tons: No
Evacs: Yes
Injuries: No
Fataals: No
Comments: Not reported
Description: **No Train Involvement** Caller stated that they have a release of an unknown amount of propane from a propane tank located in a passenger vehicle that had a loose valve resulting in the

Map ID
Direction
Distance
Elevation

MAP FINDINGS

Site

Database(s)

EDR ID Number
EPA ID Number

BNSF RAILWAY COMPANY (Continued)

S104905565

release venting into the atmosphere and being
unrecoverable, relea

Name: Not reported
Address: 834 FRONT ST
City,State,Zip: NEEDLES, CA
OES Incident Number: 7-1406
OES notification: 03/05/2007
OES Date: Not reported
OES Time: Not reported
Date Completed: Not reported
Property Use: Not reported
Agency Id Number: Not reported
Agency Incident Number: Not reported
Time Notified: Not reported
Time Completed: Not reported
Surrounding Area: Not reported
Estimated Temperature: Not reported
Property Management: Not reported
More Than Two Substances Involved?: Not reported
Resp Agncy Personel # Of Decontaminated: Not reported
Responding Agency Personel # Of Injuries: Not reported
Responding Agency Personel # Of Fatalities: Not reported
Others Number Of Decontaminated: Not reported
Others Number Of Injuries: Not reported
Others Number Of Fatalities: Not reported
Vehicle Make/year: Not reported
Vehicle License Number: Not reported
Vehicle State: Not reported
Vehicle Id Number: Not reported
CA DOT PUC/ICC Number: Not reported
Company Name: Not reported
Reporting Officer Name/ID: Not reported
Report Date: Not reported
Facility Telephone: Not reported
Waterway Involved: Not reported
Waterway: Not reported
Spill Site: Not reported
Cleanup By: Contractor
Containment: Not reported
What Happened: Not reported
Type: Not reported
Measure: Not reported
Other: Not reported
Date/Time: Not reported
Year: 2007
Agency: BNSF
Incident Date: 3/4/2007 12:00:00 AM
Admin Agency: San Bernardino County Health Department
Amount: Not reported
Contained: Yes
Site Type: Rail Road
E Date: Not reported
Substance: Diesel fuel
Gallons: 100
Unknown: 0
Substance #2: Not reported

Map ID
Direction
Distance
Elevation

MAP FINDINGS

Site

Database(s)

EDR ID Number
EPA ID Number

BNSF RAILWAY COMPANY (Continued)

S104905565

Substance #3: Not reported
Evacuations: 0
Number of Injuries: 0
Number of Fatalities: 0
#1 Pipeline: Not reported
#2 Pipeline: Not reported
#3 Pipeline: Not reported
#1 Vessel >= 300 Tons: Not reported
#2 Vessel >= 300 Tons: Not reported
#3 Vessel >= 300 Tons: Not reported
Evacs: Not reported
Injuries: Not reported
Fatafs: Not reported
Comments: Not reported
Description: RP States: Contractor overfilled fuel tank on locomotive.

Name: Not reported
Address: 834 FRONT ST
City,State,Zip: NEEDLES, CA
OES Incident Number: 7-4425
OES notification: 11/09/1997
OES Date: Not reported
OES Time: Not reported
Date Completed: Not reported
Property Use: Not reported
Agency Id Number: Not reported
Agency Incident Number: Not reported
Time Notified: Not reported
Time Completed: Not reported
Surrounding Area: Not reported
Estimated Temperature: Not reported
Property Management: Not reported
More Than Two Substances Involved?: Not reported
Resp Agncy Personel # Of Decontaminated: Not reported
Responding Agency Personel # Of Injuries: Not reported
Responding Agency Personel # Of Fatalities: Not reported
Others Number Of Decontaminated: Not reported
Others Number Of Injuries: Not reported
Others Number Of Fatalities: Not reported
Vehicle Make/year: Not reported
Vehicle License Number: Not reported
Vehicle State: Not reported
Vehicle Id Number: Not reported
CA DOT PUC/ICC Number: Not reported
Company Name: Not reported
Reporting Officer Name/ID: Not reported
Report Date: Not reported
Facility Telephone: Not reported
Waterway Involved: No
Waterway: Not reported
Spill Site: Not reported
Cleanup By: NO
Containment: Not reported
What Happened: Not reported
Type: Not reported
Measure: Not reported

Map ID
Direction
Distance
Elevation

MAP FINDINGS

Site

Database(s)

EDR ID Number
EPA ID Number

BNSF RAILWAY COMPANY (Continued)

S104905565

Other: Not reported
Date/Time: Not reported
Year: 1997
Agency: BURLINGTON NORTHERN SANTA FE
Incident Date: 11/9/1997 12:00:00 AM
Admin Agency: San Bernardino County Health Department
Amount: Not reported
Contained: No
Site Type: Rail Road
E Date: Not reported
Substance: REFRIGERATED LIQUID OXYGEN
Gallons: 0.000000
Unknown: 0
Substance #2: Not reported
Substance #3: Not reported
Evacuations: 0
Number of Injuries: 0
Number of Fatalities: 0
#1 Pipeline: Not reported
#2 Pipeline: Not reported
#3 Pipeline: Not reported
#1 Vessel >= 300 Tons: Not reported
#2 Vessel >= 300 Tons: Not reported
#3 Vessel >= 300 Tons: Not reported
Evacs: Not reported
Injuries: Not reported
Fatals: Not reported
Comments: Not reported
Description: SUBSTANCE VENTED FROM TANK CAR AND DISSIPATED INTO THE AIR. CARS MOVED TO TOPOCK, AZ.

HAZNET:

Name: BNSF RAILWAY COMPANY
Address: 834 FRONT ST
Address 2: Not reported
City,State,Zip: NEEDLES, CA 92363
Contact: MIKE MAKEROV
Telephone: 9093864081
Mailing Name: Not reported
Mailing Address: 740 E. CARNEGIE DRIVE

Year: 2016
Gepaid: CAC002885138
TSD EPA ID: NVT330010000
CA Waste Code: -
Disposal Method: H132 - Landfill Or Surface Impoundment That Will Be Closed As Landfill(To Include On-Site Treatment And/Or Stabilization)
Tons: 33.712

Year: 2016
Gepaid: CAC002885138
TSD EPA ID: NVT330010000
CA Waste Code: -
Disposal Method: H039 - Other Recovery Of Reclamation For Reuse Including Acid Regeneration, Organics Recovery Ect
Tons: Not reported

Map ID
 Direction
 Distance
 Elevation

MAP FINDINGS

Site

Database(s)

EDR ID Number
 EPA ID Number

BNSF RAILWAY COMPANY (Continued)

S104905565

HWTS:

Name: BNSF RAILWAY COMPANY
 Address: 834 FRONT ST
 Address 2: Not reported
 City,State,Zip: NEEDLES, CA 92363
 EPA ID: CAC002885138
 Inactive Date: 02/08/2017
 Create Date: 11/08/2016
 Last Act Date: Not reported
 Mailing Name: Not reported
 Mailing Address: 740 E. CARNEGIE DRIVE
 Mailing Address 2: Not reported
 Mailing City,State,Zip: SAN BERNARDINO, CA 924083571
 Owner Name: BNSF RAILWAY COMPNAY
 Owner Address: 740 E. CARNEGIE DRIVE
 Owner Address 2: Not reported
 Owner City,State,Zip: SAN BERNARDINO, CA 924083571
 Contact Name: MIKE MAKEROV
 Contact Address: 740 E. CARNEGIE DRIVE
 Contact Address 2: Not reported
 City,State,Zip: SAN BERNARDINO, CA 924083571
 Facility Status: Inactive
 Facility Type: TEMPORARY
 Category: STATE
 Latitude: -90
 Longitude: 180

NAICS:

EPA ID: CAC002885138
 Create Date: 2016-11-08 09:31:23.870
 NAICS Code: 482111
 NAICS Description: Line-Haul Railroads
 Issued EPA ID Date: 2016-11-08 09:31:23.87000
 Inactive Date: 2017-02-08 03:00:23.95300
 Facility Name: BNSF RAILWAY COMPANY
 Facility Address: 834 FRONT ST
 Facility Address 2: Not reported
 Facility City: NEEDLES
 Facility County: Not reported
 Facility State: CA
 Facility Zip: 92363

BJ442 **NEEDLES RAILYARD**
Target **834 FRONT ST**
Property **NEEDLES, CA 92363**

CIWQS **S121658350**
N/A

Site 5 of 15 in cluster BJ

Actual:
487 ft.

Focus Map:
7

CIWQS:
 Name: NEEDLES RAILYARD
 Address: 834 FRONT ST
 City,State,Zip: NEEDLES, CA 92363
 Agency: BNSF Railway Co
 Agency Address: 740 E Carnegie Dr, San Bernardino, CA 92408
 Place/Project Type: Industrial - Railroads, Line-haul Operating
 SIC/NAICS: 4011
 Region: 7

Map ID
Direction
Distance
Elevation

MAP FINDINGS

Site

Database(s)

EDR ID Number
EPA ID Number

NEEDLES RAILYARD (Continued)

S121658350

Program: INDSTW
Regulatory Measure Status: Terminated
Regulatory Measure Type: Storm water industrial
Order Number: 2014-0057-DWQ
WDID: 7 36I012948
NPDES Number: CAS000001
Adoption Date: Not reported
Effective Date: 03/05/1997
Termination Date: 12/23/1998
Expiration/Review Date: Not reported
Design Flow: Not reported
Major/Minor: Not reported
Complexity: Not reported
TTWQ: Not reported
Enforcement Actions within 5 years: 0
Violations within 5 years: 0
Latitude: 34.83981
Longitude: -114.6045

BJ443 BNSF RAILWAY CO - NEEDLES
Target 834 NORTH FRONT STREET
Property NEEDLES, CA 92363

EMI S120713148
N/A

Site 6 of 15 in cluster BJ

Actual: EMI:
487 ft.
Focus Map: 7

Name: BNSF RAILWAY CO - NEEDLES
Address: 834 NORTH FRONT STREET
City,State,Zip: NEEDLES, CA 92363
Year: 2015
County Code: 36
Air Basin: MD
Facility ID: 2202790
Air District Name: MOJ
SIC Code: 4013
Air District Name: MOJAVE DESERT AQMD
Community Health Air Pollution Info System: Not reported
Consolidated Emission Reporting Rule: Not reported
Total Organic Hydrocarbon Gases Tons/Yr: 0.000196875
Reactive Organic Gases Tons/Yr: 0.0001729546875
Carbon Monoxide Emissions Tons/Yr: 0.0005355
NOX - Oxides of Nitrogen Tons/Yr: 0.00246225
SOX - Oxides of Sulphur Tons/Yr: 1.1e-006
Particulate Matter Tons/Yr: 0.00025095
Part. Matter 10 Micrometers and Smlr Tons/Yr:0.00025095

Name: BNSF RAILWAY CO - NEEDLES
Address: 834 NORTH FRONT STREET
City,State,Zip: NEEDLES, CA 92363
Year: 2016
County Code: 36
Air Basin: MD
Facility ID: 2202790
Air District Name: MOJ
SIC Code: 4013
Air District Name: MOJAVE DESERT AQMD
Community Health Air Pollution Info System: Not reported
Consolidated Emission Reporting Rule: Not reported

Map ID
Direction
Distance
Elevation

MAP FINDINGS

Site

Database(s)

EDR ID Number
EPA ID Number

BNSF RAILWAY CO - NEEDLES (Continued)

S120713148

Total Organic Hydrocarbon Gases Tons/Yr: 0.000196875
Reactive Organic Gases Tons/Yr: 0.0001729546875
Carbon Monoxide Emissions Tons/Yr: 0.0005355
NOX - Oxides of Nitrogen Tons/Yr: 0.00246225
SOX - Oxides of Sulphur Tons/Yr: 1.1e-006
Particulate Matter Tons/Yr: 0.00025095
Part. Matter 10 Micrometers and Smlr Tons/Yr:0.00025095

Name: BNSF RAILWAY CO - NEEDLES
Address: 834 NORTH FRONT STREET
City,State,Zip: NEEDLES, CA 92363
Year: 2017
County Code: 36
Air Basin: MD
Facility ID: 2202790
Air District Name: MOJ
SIC Code: 4013
Air District Name: MOJAVE DESERT AQMD
Community Health Air Pollution Info System: Not reported
Consolidated Emission Reporting Rule: Not reported
Total Organic Hydrocarbon Gases Tons/Yr: 0.000196875
Reactive Organic Gases Tons/Yr: 0.0001729546875
Carbon Monoxide Emissions Tons/Yr: 0.0005355
NOX - Oxides of Nitrogen Tons/Yr: 0.00246225
SOX - Oxides of Sulphur Tons/Yr: 1.1e-006
Particulate Matter Tons/Yr: 0.00025095
Part. Matter 10 Micrometers and Smlr Tons/Yr:0.00025095

Name: BNSF RAILWAY CO - NEEDLES
Address: 834 NORTH FRONT STREET
City,State,Zip: NEEDLES, CA 92363
Year: 2018
County Code: 36
Air Basin: MD
Facility ID: 2790
Air District Name: MOJ
SIC Code: 4013
Air District Name: MOJAVE DESERT AQMD
Community Health Air Pollution Info System: Not reported
Consolidated Emission Reporting Rule: Not reported
Total Organic Hydrocarbon Gases Tons/Yr: 2.8799089357e-005
Reactive Organic Gases Tons/Yr: 2.53e-005
Carbon Monoxide Emissions Tons/Yr: 0.000136205
NOX - Oxides of Nitrogen Tons/Yr: 0.00048061
SOX - Oxides of Sulphur Tons/Yr: 8.51e-007
Particulate Matter Tons/Yr: 1.9617706237e-005
Part. Matter 10 Micrometers and Smlr Tons/Yr:1.95e-005

Name: BNSF RAILWAY CO - NEEDLES
Address: 834 NORTH FRONT STREET
City,State,Zip: NEEDLES, CA 92363
Year: 2019
County Code: 36
Air Basin: MD
Facility ID: 2790
Air District Name: MOJ
SIC Code: 4013

Map ID
Direction
Distance
Elevation

MAP FINDINGS

Site

Database(s)

EDR ID Number
EPA ID Number

BNSF RAILWAY CO - NEEDLES (Continued)

S120713148

Air District Name: MOJAVE DESERT AQMD
Community Health Air Pollution Info System: Not reported
Consolidated Emission Reporting Rule: Not reported
Total Organic Hydrocarbon Gases Tons/Yr: 2.8799089357e-005
Reactive Organic Gases Tons/Yr: 2.53e-005
Carbon Monoxide Emissions Tons/Yr: 0.000136205
NOX - Oxides of Nitrogen Tons/Yr: 0.00048061
SOX - Oxides of Sulphur Tons/Yr: 8.51e-007
Particulate Matter Tons/Yr: 1.9617706237e-005
Part. Matter 10 Micrometers and Smlr Tons/Yr:1.95e-005

BJ444 BNSF NEEDLES FACILITY
Target 834 FRONT ST
Property NEEDLES, CA 92363

FINDS 1023693528
ECHO N/A

Site 7 of 15 in cluster BJ

Actual: FINDS:
487 ft. Registry ID: 110070090578

Focus Map:
7 [Click Here for FRS Facility Detail Report:](#)

Environmental Interest/Information System:

US National Pollutant Discharge Elimination System (NPDES) module of the Compliance Information System (ICIS) tracks surface water permits issued under the Clean Water Act. Under NPDES, all facilities that discharge pollutants from any point source into waters of the United States are required to obtain a permit. The permit will likely contain limits on what can be discharged, impose monitoring and reporting requirements, and include other provisions to ensure that the discharge does not adversely affect water quality.

[Click this hyperlink](#) while viewing on your computer to access additional FINDS: detail in the EDR Site Report.

ECHO:

Envid: 1023693528
Registry ID: 110070090578
DFR URL: <http://echo.epa.gov/detailed-facility-report?fid=110070090578>
Name: BNSF NEEDLES FACILITY
Address: 834 FRONT ST
City,State,Zip: NEEDLES, CA 92363

BJ445 AMTRAK
Target 834 FRONT ST
Property NEEDLES, CA 92363

EMI S113803278
HAZNET N/A
HWTS

Site 8 of 15 in cluster BJ

Actual: EMI:
487 ft. Name: BNSF NEEDLES RAILYARD
Focus Map: Address: 834 FRONT ST.
7 City,State,Zip: NEEDLES, CA 92363
Year: 2012
County Code: 36
Air Basin: MD
Facility ID: 2202790

Map ID
Direction
Distance
Elevation

MAP FINDINGS

Site

Database(s)

EDR ID Number
EPA ID Number

AMTRAK (Continued)

S113803278

Air District Name: MOJ
SIC Code: 4013
Air District Name: MOJAVE DESERT AQMD
Community Health Air Pollution Info System: Not reported
Consolidated Emission Reporting Rule: Not reported
Total Organic Hydrocarbon Gases Tons/Yr: 0.077000003075
Reactive Organic Gases Tons/Yr: 0.06414970256
Carbon Monoxide Emissions Tons/Yr: 0.20399999619
NOX - Oxides of Nitrogen Tons/Yr: 0.93800002337
SOX - Oxides of Sulphur Tons/Yr: 0
Particulate Matter Tons/Yr: 0
Part. Matter 10 Micrometers and Smllr Tons/Yr:0

HAZNET:

Name: AMTRAK
Address: 834 FRONT ST
Address 2: Not reported
City,State,Zip: NEEDLES, CA 923632757
Contact: DONALD OLSEN EXT 228
Telephone: 9512800298
Mailing Name: Not reported
Mailing Address: 810 N ALAMEDA ST

Year: 2012
Gepaid: CAP000226134
TSD EPA ID: NVT330010000
CA Waste Code: 611 - Contaminated soil from site clean-up
Disposal Method: H132 - Landfill Or Surface Impoundment That Will Be Closed As Landfill(To Include On-Site Treatment And/Or Stabilization)
Tons: 171.0875

Year: 2012
Gepaid: CAP000226134
TSD EPA ID: NVT330010000
CA Waste Code: 135 - Unspecified aqueous solution
Disposal Method: H132 - Landfill Or Surface Impoundment That Will Be Closed As Landfill(To Include On-Site Treatment And/Or Stabilization)
Tons: 0.126

Additional Info:

Year: 2012
Gen EPA ID: CAP000226134

Shipment Date: 20120719
Creation Date: 5/30/2013 22:15:07
Receipt Date: 20120720
Manifest ID: 000119648MWI
Trans EPA ID: CAR000198838
Trans Name: MOUNTAIN MATERIALS INC
Trans 2 EPA ID: Not reported
Trans 2 Name: Not reported
TSD EPA ID: NVT330010000
Trans Name: US ECOLOGY
TSD Alt EPA ID: Not reported
TSD Alt Name: Not reported

Map ID
Direction
Distance
Elevation

MAP FINDINGS

Site

Database(s)

EDR ID Number
EPA ID Number

AMTRAK (Continued)

S113803278

Waste Code Description: 611 - Contaminated soil from site clean-ups
RCRA Code: D008
Meth Code: H132 - Landfill Or Surface Impoundment That Will Be Closed As
Landfill(To Include On-Site Treatment And/Or Stabilization)
Quantity Tons: 22
Waste Quantity: 22
Quantity Unit: T
Additional Code 1: Not reported
Additional Code 2: Not reported
Additional Code 3: Not reported
Additional Code 4: Not reported
Additional Code 5: Not reported

Shipment Date: 20120719
Creation Date: 5/30/2013 22:15:07
Receipt Date: 20120720
Manifest ID: 000119649MWI
Trans EPA ID: CAR000198838
Trans Name: MOUNTAIN MATERIALS INC
Trans 2 EPA ID: Not reported
Trans 2 Name: Not reported
TSDf EPA ID: NVT330010000
Trans Name: US ECOLOGY
TSDf Alt EPA ID: Not reported
TSDf Alt Name: Not reported
Waste Code Description: 611 - Contaminated soil from site clean-ups
RCRA Code: D008
Meth Code: H132 - Landfill Or Surface Impoundment That Will Be Closed As
Landfill(To Include On-Site Treatment And/Or Stabilization)

Quantity Tons: 22
Waste Quantity: 22
Quantity Unit: T
Additional Code 1: Not reported
Additional Code 2: Not reported
Additional Code 3: Not reported
Additional Code 4: Not reported
Additional Code 5: Not reported

Shipment Date: 20120719
Creation Date: 5/30/2013 22:15:07
Receipt Date: 20120720
Manifest ID: 000119650MWI
Trans EPA ID: CAR000198838
Trans Name: MOUNTAIN MATERIALS INC
Trans 2 EPA ID: Not reported
Trans 2 Name: Not reported
TSDf EPA ID: NVT330010000
Trans Name: US ECOLOGY
TSDf Alt EPA ID: Not reported
TSDf Alt Name: Not reported
Waste Code Description: 611 - Contaminated soil from site clean-ups
RCRA Code: D008
Meth Code: H132 - Landfill Or Surface Impoundment That Will Be Closed As
Landfill(To Include On-Site Treatment And/Or Stabilization)

Quantity Tons: 25
Waste Quantity: 25
Quantity Unit: T

Map ID
Direction
Distance
Elevation

MAP FINDINGS

Site

Database(s)

EDR ID Number
EPA ID Number

AMTRAK (Continued)

S113803278

Additional Code 1:	Not reported
Additional Code 2:	Not reported
Additional Code 3:	Not reported
Additional Code 4:	Not reported
Additional Code 5:	Not reported
Shipment Date:	20120719
Creation Date:	5/30/2013 22:15:07
Receipt Date:	20120720
Manifest ID:	000119651MWI
Trans EPA ID:	CAD981425853
Trans Name:	HOYT TRANSPORTATION INC
Trans 2 EPA ID:	Not reported
Trans 2 Name:	Not reported
TSDf EPA ID:	NVT330010000
Trans Name:	US ECOLOGY
TSDf Alt EPA ID:	Not reported
TSDf Alt Name:	Not reported
Waste Code Description:	611 - Contaminated soil from site clean-ups
RCRA Code:	D008
Meth Code:	H132 - Landfill Or Surface Impoundment That Will Be Closed As Landfill(To Include On-Site Treatment And/Or Stabilization)
Quantity Tons:	28
Waste Quantity:	28
Quantity Unit:	T
Additional Code 1:	Not reported
Additional Code 2:	Not reported
Additional Code 3:	Not reported
Additional Code 4:	Not reported
Additional Code 5:	Not reported
Shipment Date:	20120719
Creation Date:	5/30/2013 22:15:07
Receipt Date:	20120720
Manifest ID:	000119652MWI
Trans EPA ID:	CAD981425853
Trans Name:	HOYT TRANSPORTATION INC
Trans 2 EPA ID:	Not reported
Trans 2 Name:	Not reported
TSDf EPA ID:	NVT330010000
Trans Name:	US ECOLOGY
TSDf Alt EPA ID:	Not reported
TSDf Alt Name:	Not reported
Waste Code Description:	611 - Contaminated soil from site clean-ups
RCRA Code:	D008
Meth Code:	H132 - Landfill Or Surface Impoundment That Will Be Closed As Landfill(To Include On-Site Treatment And/Or Stabilization)
Quantity Tons:	25
Waste Quantity:	25
Quantity Unit:	T
Additional Code 1:	Not reported
Additional Code 2:	Not reported
Additional Code 3:	Not reported
Additional Code 4:	Not reported
Additional Code 5:	Not reported
Shipment Date:	20120719

Map ID
Direction
Distance
Elevation

MAP FINDINGS

Site

Database(s)

EDR ID Number
EPA ID Number

AMTRAK (Continued)

S113803278

Creation Date: 12/24/2012 22:15:22
Receipt Date: 20120802
Manifest ID: 000119655MWI
Trans EPA ID: CAR000176826
Trans Name: HCI ENVIRONMENTAL AND ENGINEERING SERVICES
Trans 2 EPA ID: CAD981412356
Trans 2 Name: PACIFIC TRANS ENV SERVICES
TSDf EPA ID: NVT330010000
Trans Name: US ECOLOGY
TSDf Alt EPA ID: Not reported
TSDf Alt Name: Not reported
Waste Code Description: 135 - Unspecified aqueous solution
RCRA Code: D008
Meth Code: H132 - Landfill Or Surface Impoundment That Will Be Closed As
Landfill(To Include On-Site Treatment And/Or Stabilization)

Quantity Tons: 0.126
Waste Quantity: 30
Quantity Unit: G
Additional Code 1: Not reported
Additional Code 2: Not reported
Additional Code 3: Not reported
Additional Code 4: Not reported
Additional Code 5: Not reported

Shipment Date: 20120719
Creation Date: 12/24/2012 22:15:22
Receipt Date: 20120802
Manifest ID: 000119655MWI
Trans EPA ID: CAR000176826
Trans Name: HCI ENVIRONMENTAL AND ENGINEERING SERVICES
Trans 2 EPA ID: CAD981412356
Trans 2 Name: PACIFIC TRANS ENV SERVICES
TSDf EPA ID: NVT330010000
Trans Name: US ECOLOGY
TSDf Alt EPA ID: Not reported
TSDf Alt Name: Not reported
Waste Code Description: 611 - Contaminated soil from site clean-ups
RCRA Code: D008
Meth Code: H132 - Landfill Or Surface Impoundment That Will Be Closed As
Landfill(To Include On-Site Treatment And/Or Stabilization)

Quantity Tons: 0.0875
Waste Quantity: 175
Quantity Unit: P
Additional Code 1: Not reported
Additional Code 2: Not reported
Additional Code 3: Not reported
Additional Code 4: Not reported
Additional Code 5: Not reported

Shipment Date: 20120718
Creation Date: 5/29/2013 22:15:25
Receipt Date: 20120719
Manifest ID: 000119668MWI
Trans EPA ID: CAD981425853
Trans Name: HOYT TRANSPORTATION INC
Trans 2 EPA ID: Not reported
Trans 2 Name: Not reported

Map ID
Direction
Distance
Elevation

MAP FINDINGS

Site

Database(s)

EDR ID Number
EPA ID Number

AMTRAK (Continued)

S113803278

TSDF EPA ID: NVT330010000
Trans Name: US ECOLOGY
TSDF Alt EPA ID: Not reported
TSDF Alt Name: Not reported
Waste Code Description: 611 - Contaminated soil from site clean-ups
RCRA Code: D008
Meth Code: H132 - Landfill Or Surface Impoundment That Will Be Closed As Landfill(To Include On-Site Treatment And/Or Stabilization)

Quantity Tons: 24
Waste Quantity: 24
Quantity Unit: T
Additional Code 1: Not reported
Additional Code 2: Not reported
Additional Code 3: Not reported
Additional Code 4: Not reported
Additional Code 5: Not reported

Shipment Date: 20120219
Creation Date: 5/30/2013 22:15:07
Receipt Date: 20120720
Manifest ID: 000119653MWI
Trans EPA ID: CAD981425853
Trans Name: HOYT TRANSPORTATION INC
Trans 2 EPA ID: Not reported
Trans 2 Name: Not reported
TSDF EPA ID: NVT330010000
Trans Name: US ECOLOGY
TSDF Alt EPA ID: Not reported
TSDF Alt Name: Not reported
Waste Code Description: 611 - Contaminated soil from site clean-ups
RCRA Code: D008
Meth Code: H132 - Landfill Or Surface Impoundment That Will Be Closed As Landfill(To Include On-Site Treatment And/Or Stabilization)

Quantity Tons: 25
Waste Quantity: 25
Quantity Unit: T
Additional Code 1: Not reported
Additional Code 2: Not reported
Additional Code 3: Not reported
Additional Code 4: Not reported
Additional Code 5: Not reported

HWTS:

Name: AMTRAK
Address: 834 FRONT ST
Address 2: Not reported
City,State,Zip: NEEDLES, CA 92363
EPA ID: CAP000226134
Inactive Date: 02/05/2013
Create Date: 11/06/2012
Last Act Date: Not reported
Mailing Name: Not reported
Mailing Address: 810 N ALAMEDA ST
Mailing Address 2: Not reported
Mailing City,State,Zip: LOS ANGELES, CA 900120000
Owner Name: AMTRAK
Owner Address: 114 BUSINESS CENTER DR

Map ID
Direction
Distance
Elevation

MAP FINDINGS

Site

Database(s)

EDR ID Number
EPA ID Number

AMTRAK (Continued)

S113803278

Owner Address 2: Not reported
Owner City,State,Zip: CORONA, CA 928801724
Contact Name: DONALD OLSEN EXT 228
Contact Address: 114 BUSINESS CENTER DR
Contact Address 2: Not reported
City,State,Zip: CORONA, CA 928801724
Facility Status: Inactive
Facility Type: TEMPORARY
Category: FEDERAL
Latitude: 34.839881
Longitude: -114.604501

BJ446 **AMTRAK**
Target **834 N FRONT ST**
Property **NEEDLES, CA 92363**

FINDS **1026442702**
N/A

Site 9 of 15 in cluster BJ

Actual: FINDS:
487 ft. Registry ID: 110070800172

Focus Map:
7 [Click Here for FRS Facility Detail Report:](#)

Environmental Interest/Information System:

RCRAInfo is a national information system that supports the Resource Conservation and Recovery Act (RCRA) program through the tracking of events and activities related to facilities that generate, transport, and treat, store, or dispose of hazardous waste. RCRAInfo allows RCRA program staff to track the notification, permit, compliance, and corrective action activities required under RCRA.

[Click this hyperlink](#) while viewing on your computer to access additional FINDS: detail in the EDR Site Report.

BJ447
Target **834 FRONT STREET**
Property **NEEDLES, CA**

HMIRS **94081147**
N/A

Site 10 of 15 in cluster BJ

Actual:
487 ft. [Click this hyperlink](#) while viewing on your computer to access additional HMIRS detail in the EDR Site Report.

Focus Map:
7

Map ID
Direction
Distance
Elevation

MAP FINDINGS

Site

Database(s)

EDR ID Number
EPA ID Number

BJ448 **BNSF RAILWAY CO - NEEDLES**
Target **834 NORTH FRONT STREET**
Property **NEEDLES, CA 92363**

FINDS **1025446294**
 N/A

Site 11 of 15 in cluster BJ

Actual: **FINDS:**
487 ft. Registry ID: 110066178040

Focus Map: Click Here for FRS Facility Detail Report:
7

Environmental Interest/Information System:
AIR EMISSIONS CLASSIFICATION UNKNOWN
STATE MASTER

Click this hyperlink while viewing on your computer to access
additional FINDS: detail in the EDR Site Report.

BJ449 **834 FRONT ST, MP 578.4 NEEDLES SUB, NEEDLES RAILYARD**
Target **NEEDLES, CA 92363**
Property

CHMIRS **S116777534**
 N/A

Site 12 of 15 in cluster BJ

Actual: **CHMIRS:**
487 ft. Name: Not reported
Focus Map: Address: 834 FRONT ST, MP 578.4 NEEDLES SUB, NEEDLES RAILYARD
7 City,State,Zip: NEEDLES, CA 92363
 OES Incident Number: 4-0966
 OES notification: 02/17/2014
 OES Date: Not reported
 OES Time: Not reported
 Date Completed: **Not reported**
 Property Use: Not reported
 Agency Id Number: Not reported
 Agency Incident Number: Not reported
 Time Notified: Not reported
 Time Completed: Not reported
 Surrounding Area: Not reported
 Estimated Temperature: Not reported
 Property Management: Not reported
 More Than Two Substances Involved?: Not reported
 Resp Agncy Personel # Of Decontaminated: Not reported
 Responding Agency Personel # Of Injuries: Not reported
 Responding Agency Personel # Of Fatalities: Not reported
 Others Number Of Decontaminated: Not reported
 Others Number Of Injuries: Not reported
 Others Number Of Fatalities: Not reported
 Vehicle Make/year: Not reported
 Vehicle License Number: Not reported
 Vehicle State: Not reported
 Vehicle Id Number: Not reported
 CA DOT PUC/ICC Number: Not reported
 Company Name: Not reported
 Reporting Officer Name/ID: Not reported
 Report Date: Not reported
 Facility Telephone: Not reported
 Waterway Involved: No
 Waterway: Not reported
 Spill Site: Rail Road
 Cleanup By: No

Map ID
Direction
Distance
Elevation

MAP FINDINGS

Site

Database(s)

EDR ID Number
EPA ID Number

(Continued)

S116777534

Containment:	Not reported
What Happened:	Not reported
Type:	Not reported
Measure:	Not reported
Other:	Not reported
Type:	PETROLEUM
Measure:	Pt.(s)
Other:	Not reported
Date/Time:	1623
Year:	2014
Agency:	BNSF
Incident Date:	2/17/2014
Admin Agency:	Not reported
Amount:	Not reported
Contained:	Yes
Site Type:	Not reported
E Date:	Not reported
Substance:	Oil - Lube Type
Quantity Released:	0.5
Unknown:	Not reported
Substance #2:	Not reported
Substance #3:	Not reported
Evacuations:	Not reported
Number of Injuries:	Not reported
Number of Fatalities:	Not reported
#1 Pipeline:	No
#2 Pipeline:	No
#3 Pipeline:	No
#1 Vessel >= 300 Tons:	No
#2 Vessel >= 300 Tons:	No
#3 Vessel >= 300 Tons:	No
Evacs:	No
Injuries:	Mechanical
Fatals:	No
Comments:	Not reported
Description:	Unknown type mechanical failure of an Engine (#BNSF5273) caused the release, material flowed onto ballast, Train #BSBDGFZ717, occurred in a railyard, contractor is handling containment and clean up.

BJ450
Target 834 FRONT ST
Property NEEDLES, CA 92363

ERNS 2016146644
N/A

Site 13 of 15 in cluster BJ

Actual:
487 ft.

[Click this hyperlink](#) while viewing on your computer to access additional ERNS detail in the EDR Site Report.

Focus Map:
7

Map ID
 Direction
 Distance
 Elevation

MAP FINDINGS

Site

Database(s) EDR ID Number
 EPA ID Number

BJ451 **AMTRAK**
Target **834 N FRONT ST**
Property **NEEDLES, CA 92363**

ECHO **1026125726**
N/A

Site 14 of 15 in cluster BJ

Actual: **ECHO:**
487 ft. Envid: 1026125726
Focus Map: Registry ID: 110070800172
7 DFR URL: <http://echo.epa.gov/detailed-facility-report?fid=110070800172>
 Name: AMTRAK
 Address: 834 N FRONT ST
 City,State,Zip: NEEDLES, CA 92363

BJ452 **BNSF RAILWAY**
Target **830 FRONT ST**
Property **NEEDLES, CA 92363**

HWTS **S124609361**
N/A

Site 15 of 15 in cluster BJ

Actual: **HWTS:**
487 ft. Name: BNSF RAILWAY
Focus Map: Address: 830 FRONT ST
7 Address 2: Not reported
 City,State,Zip: NEEDLES, CA 92363
 EPA ID: CAC002673343
 Inactive Date: 02/07/2012
 Create Date: 08/10/2011
 Last Act Date: Not reported
 Mailing Name: Not reported
 Mailing Address: 740 CARNEGIE DR
 Mailing Address 2: Not reported
 Mailing City,State,Zip: SAN BERNARDINO, CA 924083571
 Owner Name: BNSF RAILWAY
 Owner Address: 740 CARNEGIE DR
 Owner Address 2: Not reported
 Owner City,State,Zip: SAN BERNARDINO, CA 924083571
 Contact Name: EDWARD PHILLIPS
 Contact Address: 740 CARNEGIE DR
 Contact Address 2: Not reported
 City,State,Zip: SAN BERNARDINO, CA 924083571
 Facility Status: Inactive
 Facility Type: TEMPORARY
 Category: STATE
 Latitude: 34.83982
 Longitude: -114.60444

BK453 **NUSD-NEEDLES HIGH SCHOOL**
Target **1600 WASHINGTON ST**
Property **NEEDLES, CA 92363**

FINDS **1024620693**
ECHO **N/A**

Site 1 of 3 in cluster BK

Actual: **FINDS:**
587 ft. Registry ID: 110070409080
Focus Map:
6 [Click Here for FRS Facility Detail Report:](#)

Map ID
 Direction
 Distance
 Elevation

MAP FINDINGS

Site

Database(s)

EDR ID Number
 EPA ID Number

NUSD-NEEDLES HIGH SCHOOL (Continued)

1024620693

Environmental Interest/Information System:

RCRAInfo is a national information system that supports the Resource Conservation and Recovery Act (RCRA) program through the tracking of events and activities related to facilities that generate, transport, and treat, store, or dispose of hazardous waste. RCRAInfo allows RCRA program staff to track the notification, permit, compliance, and corrective action activities required under RCRA.

[Click this hyperlink](#) while viewing on your computer to access additional FINDS: detail in the EDR Site Report.

ECHO:

Envid:	1024620693
Registry ID:	110070409080
DFR URL:	http://echo.epa.gov/detailed-facility-report?fid=110070409080
Name:	NUSD-NEEDLES HIGH SCHOOL
Address:	1600 WASHINGTON ST
City,State,Zip:	NEEDLES, CA 92363

BK454 **NUSD-NEEDLES HIGH SCHOOL**
Target **1600 WASHINGTON ST**
Property **NEEDLES, CA 92363**

RCRA NonGen / NLR **1024783844**
CAD982330904

Site 2 of 3 in cluster BK

Actual: 587 ft.	RCRA NonGen / NLR:	19880617
Focus Map: 6	Date Form Received by Agency:	19880617
	Handler Name:	NUSD-NEEDLES HIGH SCHOOL
	Handler Address:	1600 WASHINGTON ST
	Handler City,State,Zip:	NEEDLES, CA 92363-2842
	EPA ID:	CAD982330904
	Contact Name:	MARY MCNEIL, SUPT.
	Contact Address:	1900 ERIN DR
	Contact City,State,Zip:	NEEDLES, CA 92363
	Contact Telephone:	760-326-3891
	Contact Fax:	760-326-4218
	Contact Email:	MARY_MCNEIL@NEEDLESUSD.ORG
	Contact Title:	Not reported
	EPA Region:	09
	Land Type:	Not reported
	Federal Waste Generator Description:	Not a generator, verified
	Non-Notifier:	Not reported
	Biennial Report Cycle:	Not reported
	Accessibility:	Not reported
	Active Site Indicator:	Handler Activities
	State District Owner:	Not reported
	State District:	Not reported
	Mailing Address:	1900 ERIN DR
	Mailing City,State,Zip:	NEEDLES, CA 92363-0000
	Owner Name:	NEEDLES USD
	Owner Type:	Other
	Operator Name:	MARY MCNEIL, SUPT.
	Operator Type:	Other
	Short-Term Generator Activity:	No
	Importer Activity:	No
	Mixed Waste Generator:	No
	Transporter Activity:	No
	Transfer Facility Activity:	No

Map ID
 Direction
 Distance
 Elevation

MAP FINDINGS

Site

Database(s)

EDR ID Number
 EPA ID Number

NUSD-NEEDLES HIGH SCHOOL (Continued)

1024783844

Recycler Activity with Storage:	No
Small Quantity On-Site Burner Exemption:	No
Smelting Melting and Refining Furnace Exemption:	No
Underground Injection Control:	No
Off-Site Waste Receipt:	No
Universal Waste Indicator:	Yes
Universal Waste Destination Facility:	Yes
Federal Universal Waste:	No
Active Site Fed-Reg Treatment Storage and Disposal Facility:	Not reported
Active Site Converter Treatment storage and Disposal Facility:	Not reported
Active Site State-Reg Treatment Storage and Disposal Facility:	Not reported
Active Site State-Reg Handler:	---
Federal Facility Indicator:	Not reported
Hazardous Secondary Material Indicator:	N
Sub-Part K Indicator:	Not reported
Commercial TSD Indicator:	No
Treatment Storage and Disposal Type:	Not reported
2018 GPRA Permit Baseline:	Not on the Baseline
2018 GPRA Renewals Baseline:	Not on the Baseline
Permit Renewals Workload Universe:	Not reported
Permit Workload Universe:	Not reported
Permit Progress Universe:	Not reported
Post-Closure Workload Universe:	Not reported
Closure Workload Universe:	Not reported
202 GPRA Corrective Action Baseline:	No
Corrective Action Workload Universe:	No
Subject to Corrective Action Universe:	No
Non-TSDFs Where RCRA CA has Been Imposed Universe:	No
TSDFs Potentially Subject to CA Under 3004 (u)/(v) Universe:	No
TSDFs Only Subject to CA under Discretionary Auth Universe:	No
Corrective Action Priority Ranking:	No NCAPS ranking
Environmental Control Indicator:	No
Institutional Control Indicator:	No
Human Exposure Controls Indicator:	N/A
Groundwater Controls Indicator:	N/A
Operating TSDF Universe:	Not reported
Full Enforcement Universe:	Not reported
Significant Non-Complier Universe:	No
Unaddressed Significant Non-Complier Universe:	No
Addressed Significant Non-Complier Universe:	No
Significant Non-Complier With a Compliance Schedule Universe:	No
Financial Assurance Required:	Not reported
Handler Date of Last Change:	20180905
Recognized Trader-Importer:	No
Recognized Trader-Exporter:	No
Importer of Spent Lead Acid Batteries:	No
Exporter of Spent Lead Acid Batteries:	No
Recycler Activity Without Storage:	No
Manifest Broker:	No
Sub-Part P Indicator:	No

Handler - Owner Operator:

Owner/Operator Indicator:	Owner
Owner/Operator Name: NEEDLES USD	
Legal Status:	Other
Date Became Current:	Not reported

Map ID
Direction
Distance
Elevation

MAP FINDINGS

Site

Database(s)

EDR ID Number
EPA ID Number

NUSD-NEEDLES HIGH SCHOOL (Continued)

1024783844

Date Ended Current: Not reported
Owner/Operator Address: 1900 ERIN DR
Owner/Operator City,State,Zip: NEEDLES, CA 92363-2623
Owner/Operator Telephone: 760-326-3891
Owner/Operator Telephone Ext: Not reported
Owner/Operator Fax: Not reported
Owner/Operator Email: Not reported

Owner/Operator Indicator: Operator
Owner/Operator Name: MARY MCNEIL, SUPT.
Legal Status: Other
Date Became Current: Not reported
Date Ended Current: Not reported
Owner/Operator Address: 1900 ERIN DR
Owner/Operator City,State,Zip: NEEDLES, CA 92363
Owner/Operator Telephone: 760-326-3891
Owner/Operator Telephone Ext: Not reported
Owner/Operator Fax: Not reported
Owner/Operator Email: Not reported

Historic Generators:
Receive Date: 19880617
Handler Name: NUSD-NEEDLES HIGH SCHOOL
Federal Waste Generator Description: Not a generator, verified
State District Owner: Not reported
Large Quantity Handler of Universal Waste: No
Recognized Trader Importer: No
Recognized Trader Exporter: No
Spent Lead Acid Battery Importer: No
Spent Lead Acid Battery Exporter: No
Current Record: Yes
Non Storage Recycler Activity: Not reported
Electronic Manifest Broker: Not reported

List of NAICS Codes and Descriptions:
NAICS Code: 61111
NAICS Description: ELEMENTARY AND SECONDARY SCHOOLS

Facility Has Received Notices of Violations:
Violations: No Violations Found

Evaluation Action Summary:
Evaluations: No Evaluations Found

BK455 NUSD-NEEDLES HIGH SCHOOL
Target 1600 WASHINGTON ST
Property NEEDLES, CA 92363

HAZNET S123614553
HWTS N/A

Site 3 of 3 in cluster BK

Actual: HAZNET:
587 ft. Name: NUSD-NEEDLES HIGH SCHOOL
Focus Map: Address: 1600 WASHINGTON ST
6 Address 2: Not reported
City,State,Zip: NEEDLES, CA 923632842

Map ID
Direction
Distance
Elevation

MAP FINDINGS

Site

Database(s)

EDR ID Number
EPA ID Number

NUSD-NEEDLES HIGH SCHOOL (Continued)

S123614553

Contact: DON ZAMORA
Telephone: 7603263891
Mailing Name: Not reported
Mailing Address: 1900 ERIN DR

Year: 2005
Gepaid: CAD982330904
TSD EPA ID: AZC950823111
CA Waste Code: 352 - Other organic solids
Disposal Method: -
Tons: 25.284

Year: 2003
Gepaid: CAD982330904
TSD EPA ID: CAD028409019
CA Waste Code: 181 - Other inorganic solid waste
Disposal Method: H01 - Transfer Station
Tons: 0.0045

Year: 2001
Gepaid: CAD982330904
TSD EPA ID: CAD028409019
CA Waste Code: 181 - Other inorganic solid waste
Disposal Method: H01 - Transfer Station
Tons: 0.005

Year: 2000
Gepaid: CAD982330904
TSD EPA ID: CAD009007626
CA Waste Code: 151 - Asbestos containing waste
Disposal Method: D80 - Disposal, Land Fill
Tons: 7.5852

Year: 1988
Gepaid: CAD982330904
TSD EPA ID: CAD981388952
CA Waste Code: 151 - Asbestos containing waste
Disposal Method: D80 - Disposal, Land Fill
Tons: 1.73

Additional Info:

Year: 2001
Gen EPA ID: CAD982330904

Shipment Date: 20010321
Creation Date: 6/12/2001 0:00:00
Receipt Date: 20010329
Manifest ID: 20874995
Trans EPA ID: CAR000053173
Trans Name: Not reported
Trans 2 EPA ID: CAR000049064
Trans 2 Name: Not reported
TSDF EPA ID: CAD028409019
Trans Name: Not reported
TSDF Alt EPA ID: CAD028409019
TSDF Alt Name: Not reported

Map ID
Direction
Distance
Elevation

MAP FINDINGS

Site

Database(s)

EDR ID Number
EPA ID Number

NUSD-NEEDLES HIGH SCHOOL (Continued)

S123614553

Waste Code Description: 181 - Other inorganic solid waste Organics
RCRA Code: D008
Meth Code: H01 - Transfer Station
Quantity Tons: 0.005
Waste Quantity: 10
Quantity Unit: P
Additional Code 1: Not reported
Additional Code 2: Not reported
Additional Code 3: Not reported
Additional Code 4: Not reported
Additional Code 5: Not reported

Additional Info:

Year: 2005
Gen EPA ID: CAD982330904

Shipment Date: 20051102
Creation Date: 7/12/2006 18:30:47
Receipt Date: 20051107
Manifest ID: 24481034
Trans EPA ID: CAR000049064
Trans Name: E C T I
Trans 2 EPA ID: Not reported
Trans 2 Name: Not reported
TSDf EPA ID: AZC950823111
Trans Name: LA PAZ COUNTY LANDFILL
TSDf Alt EPA ID: Not reported
TSDf Alt Name: Not reported
Waste Code Description: 352 - Other organic solids
RCRA Code: Not reported
Meth Code: - Not reported
Quantity Tons: 25.284
Waste Quantity: 30
Quantity Unit: Y
Additional Code 1: Not reported
Additional Code 2: Not reported
Additional Code 3: Not reported
Additional Code 4: Not reported
Additional Code 5: Not reported

Additional Info:

Year: 2000
Gen EPA ID: CAD982330904

Shipment Date: 20000929
Creation Date: 12/8/2000 0:00:00
Receipt Date: 20001012
Manifest ID: 20219476
Trans EPA ID: CAR000053173
Trans Name: Not reported
Trans 2 EPA ID: CAR000049064
Trans 2 Name: Not reported
TSDf EPA ID: CAD009007626
Trans Name: Not reported
TSDf Alt EPA ID: Not reported
TSDf Alt Name: Not reported

Map ID
Direction
Distance
Elevation

MAP FINDINGS

Site

Database(s)

EDR ID Number
EPA ID Number

NUSD-NEEDLES HIGH SCHOOL (Continued)

S123614553

Waste Code Description: 151 - Asbestos-containing waste
RCRA Code: Not reported
Meth Code: D80 - Disposal, Land Fill
Quantity Tons: 0.8428
Waste Quantity: 1
Quantity Unit: Y
Additional Code 1: Not reported
Additional Code 2: Not reported
Additional Code 3: Not reported
Additional Code 4: Not reported
Additional Code 5: Not reported

Shipment Date: 20000914
Creation Date: 11/13/2000 0:00:00
Receipt Date: 20000921
Manifest ID: 20219445
Trans EPA ID: CAR000053173
Trans Name: Not reported
Trans 2 EPA ID: CAR000049064
Trans 2 Name: Not reported
TSDf EPA ID: CAD009007626
Trans Name: Not reported
TSDf Alt EPA ID: Not reported
TSDf Alt Name: Not reported
Waste Code Description: 151 - Asbestos-containing waste
RCRA Code: Not reported
Meth Code: D80 - Disposal, Land Fill
Quantity Tons: 6.7424
Waste Quantity: 8
Quantity Unit: Y
Additional Code 1: Not reported
Additional Code 2: Not reported
Additional Code 3: Not reported
Additional Code 4: Not reported
Additional Code 5: Not reported

Additional Info:

Year: 2003
Gen EPA ID: CAD982330904

Shipment Date: 20030509
Creation Date: 7/20/2004 12:51:42
Receipt Date: 20030528
Manifest ID: 22263873
Trans EPA ID: CAR000053173
Trans Name: Not reported
Trans 2 EPA ID: CAR000049064
Trans 2 Name: Not reported
TSDf EPA ID: CAD028409019
Trans Name: Not reported
TSDf Alt EPA ID: CAD028409019
TSDf Alt Name: Not reported
Waste Code Description: 181 - Other inorganic solid waste Organics
RCRA Code: D008
Meth Code: H01 - Transfer Station
Quantity Tons: 0.0045
Waste Quantity: 9

Map ID
Direction
Distance
Elevation

MAP FINDINGS

Site

Database(s)

EDR ID Number
EPA ID Number

NUSD-NEEDLES HIGH SCHOOL (Continued)

S123614553

Quantity Unit: P
Additional Code 1: Not reported
Additional Code 2: Not reported
Additional Code 3: Not reported
Additional Code 4: Not reported
Additional Code 5: Not reported

HWTS:

Name: NUSD-NEEDLES HIGH SCHOOL
Address: 1600 WASHINGTON ST
Address 2: Not reported
City,State,Zip: NEEDLES, CA 92363
EPA ID: CAD982330904
Inactive Date: Not reported
Create Date: 06/17/1988
Last Act Date: Not reported
Mailing Name: Not reported
Mailing Address: 1900 ERIN DRIVE
Mailing Address 2: Not reported
Mailing City,State,Zip: NEEDLES, CA 92363
Owner Name: NEEDLES USD
Owner Address: 1900 ERIN DRIVE
Owner Address 2: Not reported
Owner City,State,Zip: NEEDLES, CA 92363
Contact Name: JIM ROLLS
Contact Address: 1900 ERIN DRIVE
Contact Address 2: Not reported
City,State,Zip: NEEDLES, CA 92363
Facility Status: Active
Facility Type: PERMANENT
Category: STATE
Latitude: 34.83977
Longitude: -114.61514

NAICS:

EPA ID: CAD982330904
Create Date: 2002-12-03 15:25:10.000
NAICS Code: 61111
NAICS Description: Elementary and Secondary Schools
Issued EPA ID Date: 1988-06-17 00:00:00
Inactive Date: Not reported
Facility Name: NUSD-NEEDLES HIGH SCHOOL
Facility Address: 1600 WASHINGTON ST
Facility Address 2: Not reported
Facility City: NEEDLES
Facility County: Not reported
Facility State: CA
Facility Zip: 923632842

Map ID
Direction
Distance
Elevation

MAP FINDINGS

Site

Database(s)

EDR ID Number
EPA ID Number

BI456 **BNSF RAILROAD COMPANY**
Target **900 FRONT ST**
Property **NEEDLES, CA 92363**

HAULERS **S127799621**
 N/A

Site 2 of 15 in cluster BI

Actual: **HAULERS:**
491 ft. Name: BNSF RAILROAD COMPANY
Focus Map: Address: 900 FRONT ST
7 City,State,Zip: NEEDLES, CA 92363
 Facility ID: 1833951
 Facility Phone: (909) 386-4082
 Business Email Address: Not reported
 Contact Person: Eddie Phillips
 Mailing Address: 740 E Carnegie Dr
 Mailing City: San Bernardino
 Mailing State: CA
 Mailing Zip: 92408
 Mailing County: San Bernardino
 Mailing Phone: Not reported
 Current Status: Active
 Current Hauler Status: Not reported
 Accepting Tires From Public: Not reported
 Regulatory Status Last Changed: Not reported
 Business Types: Not reported

BI457 **BNSF RAILWAY COMPANY**
Target **900 FRONT ST**
Property **NEEDLES, CA 92363**

HAZNET **S113007015**
HWTS **N/A**

Site 3 of 15 in cluster BI

Actual: **HAZNET:**
491 ft. Name: BNSF RAILWAY COMPANY
Focus Map: Address: 900 FRONT ST
7 Address 2: Not reported
 City,State,Zip: NEEDLES, CA 924083571
 Contact: TIFFANIE NIXON
 Telephone: 9093864081
 Mailing Name: Not reported
 Mailing Address: 740 E. CARNEGIE DRIVE

 Year: 2019
 Gepaid: CAD981460181
 TSD EPA ID: CAD982444481
 CA Waste Code: 221 - Waste oil and mixed oil
 Disposal Method: H141 - Storage, Bulking, And/Or Transfer Off Site--No
 Treatment/Reovery (H010-H129) Or (H131-H135)
 Tons: 0.00000

 Year: 2019
 Gepaid: CAD981460181
 TSD EPA ID: CAD982444481
 CA Waste Code: 134 - Aqueous solution with total organic residues less than 10
 percent
 Disposal Method: H141 - Storage, Bulking, And/Or Transfer Off Site--No
 Treatment/Reovery (H010-H129) Or (H131-H135)
 Tons: 0.70140

 Year: 2018

Map ID
Direction
Distance
Elevation

MAP FINDINGS

Site

Database(s)

EDR ID Number
EPA ID Number

BNSF RAILWAY COMPANY (Continued)

S113007015

Gepaid:	CAD981460181
TSD EPA ID:	CAD982444481
CA Waste Code:	135 - Unspecified aqueous solution
Disposal Method:	H141 - Storage, Bulking, And/Or Transfer Off Site--No Treatment/Reovery (H010-H129) Or (H131-H135)
Tons:	0.02940
Year:	2018
Gepaid:	CAD981460181
TSD EPA ID:	CAD982444481
CA Waste Code:	221 - Waste oil and mixed oil
Disposal Method:	H141 - Storage, Bulking, And/Or Transfer Off Site--No Treatment/Reovery (H010-H129) Or (H131-H135)
Tons:	0.08250
Year:	2018
Gepaid:	CAD981460181
TSD EPA ID:	CAD982444481
CA Waste Code:	134 - Aqueous solution with total organic residues less than 10 percent
Disposal Method:	H141 - Storage, Bulking, And/Or Transfer Off Site--No Treatment/Reovery (H010-H129) Or (H131-H135)
Tons:	1.55820
Year:	2018
Gepaid:	CAD981460181
TSD EPA ID:	MOD981123391
CA Waste Code:	331 - Off-specification, aged or surplus organics
Disposal Method:	H141 - Storage, Bulking, And/Or Transfer Off Site--No Treatment/Reovery (H010-H129) Or (H131-H135)
Tons:	0.13250
Year:	2018
Gepaid:	CAD981460181
TSD EPA ID:	MOD981123391
CA Waste Code:	141 - Off-specification, aged or surplus inorganics
Disposal Method:	H141 - Storage, Bulking, And/Or Transfer Off Site--No Treatment/Reovery (H010-H129) Or (H131-H135)
Tons:	0.03250
Year:	2018
Gepaid:	CAD981460181
TSD EPA ID:	MOD981123391
CA Waste Code:	352 - Other organic solids
Disposal Method:	H141 - Storage, Bulking, And/Or Transfer Off Site--No Treatment/Reovery (H010-H129) Or (H131-H135)
Tons:	0.00500
Year:	2017
Gepaid:	CAD981460181
TSD EPA ID:	CAD982444481
CA Waste Code:	134 - Aqueous solution with total organic residues less than 10 percent
Disposal Method:	H141 - Storage, Bulking, And/Or Transfer Off Site--No Treatment/Reovery (H010-H129) Or (H131-H135)
Tons:	8.7822

Map ID
Direction
Distance
Elevation

MAP FINDINGS

Site

Database(s)

EDR ID Number
EPA ID Number

BNSF RAILWAY COMPANY (Continued)

S113007015

Year: 2017
Gepaid: CAD981460181
TSD EPA ID: CAD982444481
CA Waste Code: 221 - Waste oil and mixed oil
Disposal Method: H141 - Storage, Bulking, And/Or Transfer Off Site--No Treatment/Reovery (H010-H129) Or (H131-H135)
Tons: 0.988

[Click this hyperlink](#) while viewing on your computer to access 149 additional CA HAZNET: record(s) in the EDR Site Report.

Additional Info:

Year: 2007
Gen EPA ID: CAD981460181

Shipment Date: 20071120
Creation Date: 2/29/2008 18:30:58
Receipt Date: 20071120
Manifest ID: 002990120JJK
Trans EPA ID: CAD982444481
Trans Name: FILTER RECYCLING SERVICES INC
Trans 2 EPA ID: Not reported
Trans 2 Name: Not reported
TSD EPA ID: CAD982444481
Trans Name: FILTER RECYCLING SERVICES INC
TSD EPA ID: Not reported
TSD EPA Name: Not reported
Waste Code Description: 134 - Aqueous solution with <10% total organic residues
RCRA Code: Not reported
Meth Code: H141 - Storage, Bulking, And/Or Transfer Off Site--No Treatment/Reovery (H010-H129) Or (H131-H135)
Quantity Tons: 1.365
Waste Quantity: 325
Quantity Unit: G
Additional Code 1: Not reported
Additional Code 2: Not reported
Additional Code 3: Not reported
Additional Code 4: Not reported
Additional Code 5: Not reported

Shipment Date: 20070917
Creation Date: 12/28/2007 18:31:14
Receipt Date: 20070919
Manifest ID: 002984116JJK
Trans EPA ID: CAD982444481
Trans Name: FILTER RECYCLING SERVICES INC
Trans 2 EPA ID: Not reported
Trans 2 Name: Not reported
TSD EPA ID: CAD982444481
Trans Name: FILTER RECYCLING SERVICES INC
TSD EPA ID: Not reported
TSD EPA Name: Not reported
Waste Code Description: 134 - Aqueous solution with <10% total organic residues
RCRA Code: Not reported
Meth Code: H141 - Storage, Bulking, And/Or Transfer Off Site--No Treatment/Reovery (H010-H129) Or (H131-H135)

Map ID
Direction
Distance
Elevation

MAP FINDINGS

Site

Database(s)

EDR ID Number
EPA ID Number

BNSF RAILWAY COMPANY (Continued)

S113007015

Quantity Tons: 1.68
Waste Quantity: 400
Quantity Unit: G
Additional Code 1: Not reported
Additional Code 2: Not reported
Additional Code 3: Not reported
Additional Code 4: Not reported
Additional Code 5: Not reported

Shipment Date: 20070914
Creation Date: 12/28/2007 18:31:07
Receipt Date: 20070917
Manifest ID: 001870315JJK
Trans EPA ID: CAD982444481
Trans Name: FILTER RECYCLING SERVICES INC
Trans 2 EPA ID: Not reported
Trans 2 Name: Not reported
TSDf EPA ID: CAD982444481
Trans Name: FILTER RECYCLING SERVICES INC
TSDf Alt EPA ID: Not reported
TSDf Alt Name: Not reported
Waste Code Description: - Not reported
RCRA Code: Not reported
Meth Code: - Not reported
Quantity Tons: Not reported
Waste Quantity: Not reported
Quantity Unit: P
Additional Code 1: Not reported
Additional Code 2: Not reported
Additional Code 3: Not reported
Additional Code 4: Not reported
Additional Code 5: Not reported

Shipment Date: 20070914
Creation Date: 12/28/2007 18:31:07
Receipt Date: 20070917
Manifest ID: 002984355JJK
Trans EPA ID: CAD982444481
Trans Name: FILTER RECYCLING SERVICES INC
Trans 2 EPA ID: Not reported
Trans 2 Name: Not reported
TSDf EPA ID: CAD982444481
Trans Name: FILTER RECYCLING SERVICES INC
TSDf Alt EPA ID: Not reported
TSDf Alt Name: Not reported
Waste Code Description: - Not reported
RCRA Code: Not reported
Meth Code: - Not reported
Quantity Tons: Not reported
Waste Quantity: Not reported
Quantity Unit: P
Additional Code 1: Not reported
Additional Code 2: Not reported
Additional Code 3: Not reported
Additional Code 4: Not reported
Additional Code 5: Not reported

Map ID
Direction
Distance
Elevation

MAP FINDINGS

Site

Database(s)

EDR ID Number
EPA ID Number

BNSF RAILWAY COMPANY (Continued)

S113007015

Shipment Date:	20070914
Creation Date:	12/28/2007 18:31:07
Receipt Date:	20070917
Manifest ID:	002984355JJK
Trans EPA ID:	CAD982444481
Trans Name:	FILTER RECYCLING SERVICES INC
Trans 2 EPA ID:	Not reported
Trans 2 Name:	Not reported
TSDf EPA ID:	CAD982444481
Trans Name:	FILTER RECYCLING SERVICES INC
TSDf Alt EPA ID:	Not reported
TSDf Alt Name:	Not reported
Waste Code Description:	- Not reported
RCRA Code:	Not reported
Meth Code:	- Not reported
Quantity Tons:	Not reported
Waste Quantity:	Not reported
Quantity Unit:	G
Additional Code 1:	Not reported
Additional Code 2:	Not reported
Additional Code 3:	Not reported
Additional Code 4:	Not reported
Additional Code 5:	Not reported
Shipment Date:	20070914
Creation Date:	12/28/2007 18:31:07
Receipt Date:	20070917
Manifest ID:	002984355JJK
Trans EPA ID:	CAD982444481
Trans Name:	FILTER RECYCLING SERVICES INC
Trans 2 EPA ID:	Not reported
Trans 2 Name:	Not reported
TSDf EPA ID:	CAD982444481
Trans Name:	FILTER RECYCLING SERVICES INC
TSDf Alt EPA ID:	Not reported
TSDf Alt Name:	Not reported
Waste Code Description:	221 - Waste oil and mixed oil
RCRA Code:	Not reported
Meth Code:	H141 - Storage, Bulking, And/Or Transfer Off Site--No Treatment/Reovery (H010-H129) Or (H131-H135)
Quantity Tons:	0.57
Waste Quantity:	150
Quantity Unit:	G
Additional Code 1:	Not reported
Additional Code 2:	Not reported
Additional Code 3:	Not reported
Additional Code 4:	Not reported
Additional Code 5:	Not reported
Shipment Date:	20070914
Creation Date:	12/28/2007 18:31:07
Receipt Date:	20070917
Manifest ID:	001870315JJK
Trans EPA ID:	CAD982444481
Trans Name:	FILTER RECYCLING SERVICES INC
Trans 2 EPA ID:	Not reported
Trans 2 Name:	Not reported

Map ID
Direction
Distance
Elevation

MAP FINDINGS

Site

Database(s)

EDR ID Number
EPA ID Number

BNSF RAILWAY COMPANY (Continued)

S113007015

TSDF EPA ID:	CAD982444481
Trans Name:	FILTER RECYCLING SERVICES INC
TSDF Alt EPA ID:	Not reported
TSDF Alt Name:	Not reported
Waste Code Description:	221 - Waste oil and mixed oil
RCRA Code:	Not reported
Meth Code:	H141 - Storage, Bulking, And/Or Transfer Off Site--No Treatment/Reovery (H010-H129) Or (H131-H135)
Quantity Tons:	0.209
Waste Quantity:	55
Quantity Unit:	G
Additional Code 1:	Not reported
Additional Code 2:	Not reported
Additional Code 3:	Not reported
Additional Code 4:	Not reported
Additional Code 5:	Not reported
Shipment Date:	20070914
Creation Date:	12/28/2007 18:31:07
Receipt Date:	20070917
Manifest ID:	001870315JJK
Trans EPA ID:	CAD982444481
Trans Name:	FILTER RECYCLING SERVICES INC
Trans 2 EPA ID:	Not reported
Trans 2 Name:	Not reported
TSDF EPA ID:	CAD982444481
Trans Name:	FILTER RECYCLING SERVICES INC
TSDF Alt EPA ID:	Not reported
TSDF Alt Name:	Not reported
Waste Code Description:	- Not reported
RCRA Code:	Not reported
Meth Code:	- Not reported
Quantity Tons:	Not reported
Waste Quantity:	Not reported
Quantity Unit:	G
Additional Code 1:	Not reported
Additional Code 2:	Not reported
Additional Code 3:	Not reported
Additional Code 4:	Not reported
Additional Code 5:	Not reported
Shipment Date:	20070914
Creation Date:	12/28/2007 18:31:07
Receipt Date:	20070917
Manifest ID:	002984355JJK
Trans EPA ID:	CAD982444481
Trans Name:	FILTER RECYCLING SERVICES INC
Trans 2 EPA ID:	Not reported
Trans 2 Name:	Not reported
TSDF EPA ID:	CAD982444481
Trans Name:	FILTER RECYCLING SERVICES INC
TSDF Alt EPA ID:	Not reported
TSDF Alt Name:	Not reported
Waste Code Description:	- Not reported
RCRA Code:	Not reported
Meth Code:	- Not reported
Quantity Tons:	Not reported

Map ID
Direction
Distance
Elevation

MAP FINDINGS

Site

Database(s)

EDR ID Number
EPA ID Number

BNSF RAILWAY COMPANY (Continued)

S113007015

Waste Quantity:	Not reported
Quantity Unit:	P
Additional Code 1:	Not reported
Additional Code 2:	Not reported
Additional Code 3:	Not reported
Additional Code 4:	Not reported
Additional Code 5:	Not reported
Shipment Date:	20070914
Creation Date:	12/28/2007 18:31:07
Receipt Date:	20070917
Manifest ID:	001870315JJK
Trans EPA ID:	CAD982444481
Trans Name:	FILTER RECYCLING SERVICES INC
Trans 2 EPA ID:	Not reported
Trans 2 Name:	Not reported
TSDf EPA ID:	CAD982444481
Trans Name:	FILTER RECYCLING SERVICES INC
TSDf Alt EPA ID:	Not reported
TSDf Alt Name:	Not reported
Waste Code Description:	- Not reported
RCRA Code:	Not reported
Meth Code:	- Not reported
Quantity Tons:	Not reported
Waste Quantity:	Not reported
Quantity Unit:	P
Additional Code 1:	Not reported
Additional Code 2:	Not reported
Additional Code 3:	Not reported
Additional Code 4:	Not reported
Additional Code 5:	Not reported
Additional Info:	
Year:	2012
Gen EPA ID:	CAD981460181
Shipment Date:	20121205
Creation Date:	2/15/2013 22:15:11
Receipt Date:	20121205
Manifest ID:	010971189JJK
Trans EPA ID:	CAR000172460
Trans Name:	ENVIRONMENTAL LOGISTICS INC
Trans 2 EPA ID:	Not reported
Trans 2 Name:	Not reported
TSDf EPA ID:	CAD982444481
Trans Name:	FILTER RECYCLING SERVICES INC
TSDf Alt EPA ID:	Not reported
TSDf Alt Name:	Not reported
Waste Code Description:	134 - Aqueous solution with <10% total organic residues
RCRA Code:	Not reported
Meth Code:	H141 - Storage, Bulking, And/Or Transfer Off Site--No Treatment/Reovery (H010-H129) Or (H131-H135)
Quantity Tons:	1.071
Waste Quantity:	255
Quantity Unit:	G
Additional Code 1:	Not reported
Additional Code 2:	Not reported

Map ID
Direction
Distance
Elevation

MAP FINDINGS

Site

Database(s)

EDR ID Number
EPA ID Number

BNSF RAILWAY COMPANY (Continued)

S113007015

Additional Code 3:	Not reported
Additional Code 4:	Not reported
Additional Code 5:	Not reported
Shipment Date:	20121113
Creation Date:	1/6/2013 22:15:07
Receipt Date:	20121114
Manifest ID:	009216371JJK
Trans EPA ID:	CAR000172460
Trans Name:	ENVIRONMENTAL LOGISTICS INC
Trans 2 EPA ID:	Not reported
Trans 2 Name:	Not reported
TSDf EPA ID:	CAD982444481
Trans Name:	FILTER RECYCLING SERVICES INC
TSDf Alt EPA ID:	Not reported
TSDf Alt Name:	Not reported
Waste Code Description:	134 - Aqueous solution with <10% total organic residues
RCRA Code:	Not reported
Meth Code:	H141 - Storage, Bulking, And/Or Transfer Off Site--No Treatment/Reovery (H010-H129) Or (H131-H135)
Quantity Tons:	1.092
Waste Quantity:	260
Quantity Unit:	G
Additional Code 1:	Not reported
Additional Code 2:	Not reported
Additional Code 3:	Not reported
Additional Code 4:	Not reported
Additional Code 5:	Not reported
Shipment Date:	20121104
Creation Date:	1/9/2013 22:15:27
Receipt Date:	20121105
Manifest ID:	009943516JJK
Trans EPA ID:	CAR000172460
Trans Name:	ENVIRONMENTAL LOGISTICS INC
Trans 2 EPA ID:	Not reported
Trans 2 Name:	Not reported
TSDf EPA ID:	CAD982444481
Trans Name:	FILTER RECYCLING SERVICES INC
TSDf Alt EPA ID:	Not reported
TSDf Alt Name:	Not reported
Waste Code Description:	331 - Off-specification, aged, or surplus organics
RCRA Code:	Not reported
Meth Code:	H141 - Storage, Bulking, And/Or Transfer Off Site--No Treatment/Reovery (H010-H129) Or (H131-H135)
Quantity Tons:	1.452
Waste Quantity:	440
Quantity Unit:	G
Additional Code 1:	Not reported
Additional Code 2:	Not reported
Additional Code 3:	Not reported
Additional Code 4:	Not reported
Additional Code 5:	Not reported
Shipment Date:	20121104
Creation Date:	1/9/2013 22:15:27
Receipt Date:	20121105

Map ID
Direction
Distance
Elevation

MAP FINDINGS

Site

Database(s)

EDR ID Number
EPA ID Number

BNSF RAILWAY COMPANY (Continued)

S113007015

Manifest ID: 009943519JJK
Trans EPA ID: CAR000172460
Trans Name: ENVIRONMENTAL LOGISTICS INC
Trans 2 EPA ID: Not reported
Trans 2 Name: Not reported
TSDf EPA ID: CAD982444481
Trans Name: FILTER RECYCLING SERVICES INC
TSDf Alt EPA ID: Not reported
TSDf Alt Name: Not reported
Waste Code Description: 352 - Other organic solids
RCRA Code: Not reported
Meth Code: H141 - Storage, Bulking, And/Or Transfer Off Site--No Treatment/Reovery (H010-H129) Or (H131-H135)

Quantity Tons: 0.05
Waste Quantity: 100
Quantity Unit: P
Additional Code 1: Not reported
Additional Code 2: Not reported
Additional Code 3: Not reported
Additional Code 4: Not reported
Additional Code 5: Not reported

Shipment Date: 20121018
Creation Date: 12/20/2012 22:15:24
Receipt Date: 20121019
Manifest ID: 009216385JJK
Trans EPA ID: CAR000172460
Trans Name: ENVIRONMENTAL LOGISTICS INC
Trans 2 EPA ID: Not reported
Trans 2 Name: Not reported
TSDf EPA ID: CAD982444481
Trans Name: FILTER RECYCLING SERVICES INC
TSDf Alt EPA ID: Not reported
TSDf Alt Name: Not reported
Waste Code Description: 134 - Aqueous solution with <10% total organic residues
RCRA Code: Not reported
Meth Code: H141 - Storage, Bulking, And/Or Transfer Off Site--No Treatment/Reovery (H010-H129) Or (H131-H135)

Quantity Tons: 1.344
Waste Quantity: 320
Quantity Unit: G
Additional Code 1: Not reported
Additional Code 2: Not reported
Additional Code 3: Not reported
Additional Code 4: Not reported
Additional Code 5: Not reported

Shipment Date: 20120920
Creation Date: 11/9/2012 22:15:09
Receipt Date: 20120920
Manifest ID: 009944538JJK
Trans EPA ID: CAR000172460
Trans Name: ENVIRONMENTAL LOGISTICS INC
Trans 2 EPA ID: Not reported
Trans 2 Name: Not reported
TSDf EPA ID: CAD982444481
Trans Name: FILTER RECYCLING SERVICES INC

Map ID
Direction
Distance
Elevation

MAP FINDINGS

Site

Database(s)

EDR ID Number
EPA ID Number

BNSF RAILWAY COMPANY (Continued)

S113007015

TSDf Alt EPA ID:	Not reported
TSDf Alt Name:	Not reported
Waste Code Description:	134 - Aqueous solution with <10% total organic residues
RCRA Code:	Not reported
Meth Code:	H141 - Storage, Bulking, And/Or Transfer Off Site--No Treatment/Reovery (H010-H129) Or (H131-H135)
Quantity Tons:	0.4662
Waste Quantity:	111
Quantity Unit:	G
Additional Code 1:	Not reported
Additional Code 2:	Not reported
Additional Code 3:	Not reported
Additional Code 4:	Not reported
Additional Code 5:	Not reported
Shipment Date:	20120910
Creation Date:	11/9/2012 22:15:09
Receipt Date:	20120913
Manifest ID:	010208538JJK
Trans EPA ID:	CAR000172460
Trans Name:	ENVIRONMENTAL LOGISTICS INC
Trans 2 EPA ID:	Not reported
Trans 2 Name:	Not reported
TSDf EPA ID:	CAD982444481
Trans Name:	FILTER RECYCLING SERVICES INC
TSDf Alt EPA ID:	Not reported
TSDf Alt Name:	Not reported
Waste Code Description:	221 - Waste oil and mixed oil
RCRA Code:	Not reported
Meth Code:	H141 - Storage, Bulking, And/Or Transfer Off Site--No Treatment/Reovery (H010-H129) Or (H131-H135)
Quantity Tons:	0.304
Waste Quantity:	80
Quantity Unit:	G
Additional Code 1:	Not reported
Additional Code 2:	Not reported
Additional Code 3:	Not reported
Additional Code 4:	Not reported
Additional Code 5:	Not reported
Shipment Date:	20120907
Creation Date:	11/6/2012 22:15:10
Receipt Date:	20120908
Manifest ID:	009943509JJK
Trans EPA ID:	CAR000172460
Trans Name:	ENVIRONMENTAL LOGISTICS INC
Trans 2 EPA ID:	Not reported
Trans 2 Name:	Not reported
TSDf EPA ID:	CAD982444481
Trans Name:	FILTER RECYCLING SERVICES INC
TSDf Alt EPA ID:	Not reported
TSDf Alt Name:	Not reported
Waste Code Description:	135 - Unspecified aqueous solution
RCRA Code:	Not reported
Meth Code:	H141 - Storage, Bulking, And/Or Transfer Off Site--No Treatment/Reovery (H010-H129) Or (H131-H135)
Quantity Tons:	1.575

Map ID
Direction
Distance
Elevation

MAP FINDINGS

Site

Database(s)

EDR ID Number
EPA ID Number

BNSF RAILWAY COMPANY (Continued)

S113007015

Waste Quantity:	375
Quantity Unit:	G
Additional Code 1:	Not reported
Additional Code 2:	Not reported
Additional Code 3:	Not reported
Additional Code 4:	Not reported
Additional Code 5:	Not reported
Shipment Date:	20120907
Creation Date:	11/6/2012 22:15:10
Receipt Date:	20120908
Manifest ID:	009943505JJK
Trans EPA ID:	CAR000172460
Trans Name:	ENVIRONMENTAL LOGISTICS INC
Trans 2 EPA ID:	Not reported
Trans 2 Name:	Not reported
TSDf EPA ID:	CAD982444481
Trans Name:	FILTER RECYCLING SERVICES INC
TSDf Alt EPA ID:	Not reported
TSDf Alt Name:	Not reported
Waste Code Description:	133 - Aqueous solution with 10% or more total organic residues
RCRA Code:	Not reported
Meth Code:	H141 - Storage, Bulking, And/Or Transfer Off Site--No Treatment/Reovery (H010-H129) Or (H131-H135)
Quantity Tons:	1.251
Waste Quantity:	300
Quantity Unit:	G
Additional Code 1:	Not reported
Additional Code 2:	Not reported
Additional Code 3:	Not reported
Additional Code 4:	Not reported
Additional Code 5:	Not reported
Shipment Date:	20120617
Creation Date:	9/17/2012 22:15:18
Receipt Date:	20120619
Manifest ID:	009943504JJK
Trans EPA ID:	CAR000172460
Trans Name:	ENVIRONMENTAL LOGISTICS INC
Trans 2 EPA ID:	Not reported
Trans 2 Name:	Not reported
TSDf EPA ID:	CAD982444481
Trans Name:	FILTER RECYCLING SERVICES INC
TSDf Alt EPA ID:	Not reported
TSDf Alt Name:	Not reported
Waste Code Description:	331 - Off-specification, aged, or surplus organics
RCRA Code:	Not reported
Meth Code:	H141 - Storage, Bulking, And/Or Transfer Off Site--No Treatment/Reovery (H010-H129) Or (H131-H135)
Quantity Tons:	1.98
Waste Quantity:	600
Quantity Unit:	G
Additional Code 1:	Not reported
Additional Code 2:	Not reported
Additional Code 3:	Not reported
Additional Code 4:	Not reported
Additional Code 5:	Not reported

Map ID
Direction
Distance
Elevation

MAP FINDINGS

Site

Database(s)

EDR ID Number
EPA ID Number

BNSF RAILWAY COMPANY (Continued)

S113007015

Additional Info:

Year:	1993
Gen EPA ID:	CAD981460181
Shipment Date:	19930729
Creation Date:	9/12/1995 0:00:00
Receipt Date:	19930809
Manifest ID:	92357042
Trans EPA ID:	CAD990802993
Trans Name:	Not reported
Trans 2 EPA ID:	CAT000611483
Trans 2 Name:	Not reported
TSDf EPA ID:	CAT080011059
Trans Name:	Not reported
TSDf Alt EPA ID:	CAT080011059
TSDf Alt Name:	Not reported
Waste Code Description:	331 - Off-specification, aged, or surplus organics
RCRA Code:	D018
Meth Code:	R01 - Recycler
Quantity Tons:	0.99
Waste Quantity:	300
Quantity Unit:	G
Additional Code 1:	Not reported
Additional Code 2:	Not reported
Additional Code 3:	Not reported
Additional Code 4:	Not reported
Additional Code 5:	Not reported
Shipment Date:	19930713
Creation Date:	9/8/1995 0:00:00
Receipt Date:	Not reported
Manifest ID:	92735440
Trans EPA ID:	CAT000611483
Trans Name:	Not reported
Trans 2 EPA ID:	Not reported
Trans 2 Name:	Not reported
TSDf EPA ID:	CAD000088252
Trans Name:	Not reported
TSDf Alt EPA ID:	Not reported
TSDf Alt Name:	Not reported
Waste Code Description:	181 - Other inorganic solid waste Organics
RCRA Code:	D006
Meth Code:	- Not reported
Quantity Tons:	0.15
Waste Quantity:	300
Quantity Unit:	P
Additional Code 1:	Not reported
Additional Code 2:	Not reported
Additional Code 3:	Not reported
Additional Code 4:	Not reported
Additional Code 5:	Not reported
Shipment Date:	19930713
Creation Date:	9/11/1995 0:00:00
Receipt Date:	19930721
Manifest ID:	92735439
Trans EPA ID:	CAT000611483

Map ID
Direction
Distance
Elevation

MAP FINDINGS

Site

Database(s)

EDR ID Number
EPA ID Number

BNSF RAILWAY COMPANY (Continued)

S113007015

Trans Name:	Not reported
Trans 2 EPA ID:	CAD990802993
Trans 2 Name:	Not reported
TSDf EPA ID:	UTD991381748
Trans Name:	Not reported
TSDf Alt EPA ID:	Not reported
TSDf Alt Name:	Not reported
Waste Code Description:	352 - Other organic solids
RCRA Code:	Not reported
Meth Code:	D80 - Disposal, Land Fill
Quantity Tons:	0.25
Waste Quantity:	500
Quantity Unit:	P
Additional Code 1:	Not reported
Additional Code 2:	Not reported
Additional Code 3:	Not reported
Additional Code 4:	Not reported
Additional Code 5:	Not reported
Shipment Date:	19930713
Creation Date:	9/8/1995 0:00:00
Receipt Date:	Not reported
Manifest ID:	92735440
Trans EPA ID:	CAT000611483
Trans Name:	Not reported
Trans 2 EPA ID:	Not reported
Trans 2 Name:	Not reported
TSDf EPA ID:	CAD000088252
Trans Name:	Not reported
TSDf Alt EPA ID:	Not reported
TSDf Alt Name:	Not reported
Waste Code Description:	512 - Other empty containers 30 gallons or more
RCRA Code:	Not reported
Meth Code:	- Not reported
Quantity Tons:	0.04
Waste Quantity:	80
Quantity Unit:	P
Additional Code 1:	Not reported
Additional Code 2:	Not reported
Additional Code 3:	Not reported
Additional Code 4:	Not reported
Additional Code 5:	Not reported
Shipment Date:	19930713
Creation Date:	9/8/1995 0:00:00
Receipt Date:	Not reported
Manifest ID:	92735438
Trans EPA ID:	CAT000611483
Trans Name:	Not reported
Trans 2 EPA ID:	Not reported
Trans 2 Name:	Not reported
TSDf EPA ID:	CAT080011059
Trans Name:	Not reported
TSDf Alt EPA ID:	Not reported
TSDf Alt Name:	Not reported
Waste Code Description:	213 - Hydrocarbon solvents (benzene, hexane, Stoddard, etc.
RCRA Code:	D001

Map ID
Direction
Distance
Elevation

MAP FINDINGS

Site

Database(s)

EDR ID Number
EPA ID Number

BNSF RAILWAY COMPANY (Continued)

S113007015

Meth Code:	- Not reported
Quantity Tons:	0.0834
Waste Quantity:	20
Quantity Unit:	G
Additional Code 1:	Not reported
Additional Code 2:	Not reported
Additional Code 3:	Not reported
Additional Code 4:	Not reported
Additional Code 5:	Not reported
Shipment Date:	19930713
Creation Date:	9/8/1995 0:00:00
Receipt Date:	Not reported
Manifest ID:	92735438
Trans EPA ID:	CAT000611483
Trans Name:	Not reported
Trans 2 EPA ID:	Not reported
Trans 2 Name:	Not reported
TSDf EPA ID:	CAT080011059
Trans Name:	Not reported
TSDf Alt EPA ID:	Not reported
TSDf Alt Name:	Not reported
Waste Code Description:	223 - Unspecified oil-containing waste
RCRA Code:	Not reported
Meth Code:	- Not reported
Quantity Tons:	1.6263
Waste Quantity:	390
Quantity Unit:	G
Additional Code 1:	Not reported
Additional Code 2:	Not reported
Additional Code 3:	Not reported
Additional Code 4:	Not reported
Additional Code 5:	Not reported
Shipment Date:	19930713
Creation Date:	9/8/1995 0:00:00
Receipt Date:	Not reported
Manifest ID:	92735438
Trans EPA ID:	CAT000611483
Trans Name:	Not reported
Trans 2 EPA ID:	Not reported
Trans 2 Name:	Not reported
TSDf EPA ID:	CAT080011059
Trans Name:	Not reported
TSDf Alt EPA ID:	Not reported
TSDf Alt Name:	Not reported
Waste Code Description:	223 - Unspecified oil-containing waste
RCRA Code:	Not reported
Meth Code:	- Not reported
Quantity Tons:	0.2293
Waste Quantity:	55
Quantity Unit:	G
Additional Code 1:	Not reported
Additional Code 2:	Not reported
Additional Code 3:	Not reported
Additional Code 4:	Not reported
Additional Code 5:	Not reported

Map ID
Direction
Distance
Elevation

MAP FINDINGS

Site

Database(s)

EDR ID Number
EPA ID Number

BNSF RAILWAY COMPANY (Continued)

S113007015

Shipment Date: 19930630
Creation Date: 9/8/1995 0:00:00
Receipt Date: Not reported
Manifest ID: 92735225
Trans EPA ID: CAD990820993
Trans Name: Not reported
Trans 2 EPA ID: Not reported
Trans 2 Name: Not reported
TSDf EPA ID: CAT080011025
Trans Name: Not reported
TSDf Alt EPA ID: Not reported
TSDf Alt Name: Not reported
Waste Code Description: 223 - Unspecified oil-containing waste
RCRA Code: Not reported
Meth Code: - Not reported
Quantity Tons: 0.2085
Waste Quantity: 50
Quantity Unit: G
Additional Code 1: Not reported
Additional Code 2: Not reported
Additional Code 3: Not reported
Additional Code 4: Not reported
Additional Code 5: Not reported

Shipment Date: 19930630
Creation Date: 9/8/1995 0:00:00
Receipt Date: Not reported
Manifest ID: 92735226
Trans EPA ID: CAD980802993
Trans Name: Not reported
Trans 2 EPA ID: Not reported
Trans 2 Name: Not reported
TSDf EPA ID: CAT080011059
Trans Name: Not reported
TSDf Alt EPA ID: Not reported
TSDf Alt Name: Not reported
Waste Code Description: 223 - Unspecified oil-containing waste
RCRA Code: Not reported
Meth Code: - Not reported
Quantity Tons: 0.2085
Waste Quantity: 50
Quantity Unit: G
Additional Code 1: Not reported
Additional Code 2: Not reported
Additional Code 3: Not reported
Additional Code 4: Not reported
Additional Code 5: Not reported

Shipment Date: 19930413
Creation Date: 9/6/1995 0:00:00
Receipt Date: 19930421
Manifest ID: 90676979
Trans EPA ID: CAD990802993
Trans Name: Not reported
Trans 2 EPA ID: Not reported
Trans 2 Name: Not reported
TSDf EPA ID: UTD991301748

Map ID
Direction
Distance
Elevation

MAP FINDINGS

Site

Database(s)

EDR ID Number
EPA ID Number

BNSF RAILWAY COMPANY (Continued)

S113007015

Trans Name: Not reported
TSDf Alt EPA ID: Not reported
TSDf Alt Name: Not reported
Waste Code Description: 352 - Other organic solids
RCRA Code: Not reported
Meth Code: D80 - Disposal, Land Fill
Quantity Tons: 0.15
Waste Quantity: 300
Quantity Unit: P
Additional Code 1: Not reported
Additional Code 2: Not reported
Additional Code 3: Not reported
Additional Code 4: Not reported
Additional Code 5: Not reported

Additional Info:

Year: 1996
Gen EPA ID: CAD981460181

Shipment Date: 19961122
Creation Date: 5/20/1997 0:00:00
Receipt Date: 19961203
Manifest ID: 96160830
Trans EPA ID: CAD983668583
Trans Name: Not reported
Trans 2 EPA ID: Not reported
Trans 2 Name: Not reported
TSDf EPA ID: CAD028409019
Trans Name: Not reported
TSDf Alt EPA ID: Not reported
TSDf Alt Name: Not reported
Waste Code Description: 221 - Waste oil and mixed oil
RCRA Code: Not reported
Meth Code: T01 - Treatment, Tank
Quantity Tons: 0.076
Waste Quantity: 20
Quantity Unit: G
Additional Code 1: Not reported
Additional Code 2: Not reported
Additional Code 3: Not reported
Additional Code 4: Not reported
Additional Code 5: Not reported

Shipment Date: 19961107
Creation Date: 5/20/1997 0:00:00
Receipt Date: 19961107
Manifest ID: 95586208
Trans EPA ID: CAD983668583
Trans Name: Not reported
Trans 2 EPA ID: Not reported
Trans 2 Name: Not reported
TSDf EPA ID: CAD982444481
Trans Name: Not reported
TSDf Alt EPA ID: Not reported
TSDf Alt Name: Not reported
Waste Code Description: 611 - Contaminated soil from site clean-ups
RCRA Code: Not reported

Map ID
Direction
Distance
Elevation

MAP FINDINGS

Site

Database(s)

EDR ID Number
EPA ID Number

BNSF RAILWAY COMPANY (Continued)

S113007015

Meth Code:	H01 - Transfer Station
Quantity Tons:	1.6856
Waste Quantity:	2
Quantity Unit:	Y
Additional Code 1:	Not reported
Additional Code 2:	Not reported
Additional Code 3:	Not reported
Additional Code 4:	Not reported
Additional Code 5:	Not reported
Shipment Date:	19961018
Creation Date:	5/20/1997 0:00:00
Receipt Date:	19961022
Manifest ID:	95586210
Trans EPA ID:	CAD983668583
Trans Name:	Not reported
Trans 2 EPA ID:	Not reported
Trans 2 Name:	Not reported
TSDf EPA ID:	CAD982444481
Trans Name:	Not reported
TSDf Alt EPA ID:	Not reported
TSDf Alt Name:	Not reported
Waste Code Description:	611 - Contaminated soil from site clean-ups
RCRA Code:	Not reported
Meth Code:	H01 - Transfer Station
Quantity Tons:	2.5284
Waste Quantity:	3
Quantity Unit:	Y
Additional Code 1:	Not reported
Additional Code 2:	Not reported
Additional Code 3:	Not reported
Additional Code 4:	Not reported
Additional Code 5:	Not reported
Shipment Date:	19961016
Creation Date:	5/20/1997 0:00:00
Receipt Date:	19961029
Manifest ID:	96161028
Trans EPA ID:	CAD983668583
Trans Name:	Not reported
Trans 2 EPA ID:	Not reported
Trans 2 Name:	Not reported
TSDf EPA ID:	CAD028409019
Trans Name:	Not reported
TSDf Alt EPA ID:	Not reported
TSDf Alt Name:	Not reported
Waste Code Description:	221 - Waste oil and mixed oil
RCRA Code:	Not reported
Meth Code:	T01 - Treatment, Tank
Quantity Tons:	0.38
Waste Quantity:	100
Quantity Unit:	G
Additional Code 1:	Not reported
Additional Code 2:	Not reported
Additional Code 3:	Not reported
Additional Code 4:	Not reported
Additional Code 5:	Not reported

Map ID
Direction
Distance
Elevation

MAP FINDINGS

Site

Database(s)

EDR ID Number
EPA ID Number

BNSF RAILWAY COMPANY (Continued)

S113007015

Shipment Date: 19961016
Creation Date: 5/20/1997 0:00:00
Receipt Date: 19961023
Manifest ID: 96161029
Trans EPA ID: CAD983668583
Trans Name: Not reported
Trans 2 EPA ID: Not reported
Trans 2 Name: Not reported
TSDf EPA ID: CAD028409019
Trans Name: Not reported
TSDf Alt EPA ID: Not reported
TSDf Alt Name: Not reported
Waste Code Description: 181 - Other inorganic solid waste Organics
RCRA Code: Not reported
Meth Code: H01 - Transfer Station
Quantity Tons: 0.225
Waste Quantity: 450
Quantity Unit: P
Additional Code 1: Not reported
Additional Code 2: Not reported
Additional Code 3: Not reported
Additional Code 4: Not reported
Additional Code 5: Not reported

Shipment Date: 19960506
Creation Date: 10/29/1996 0:00:00
Receipt Date: 19960513
Manifest ID: 95584024
Trans EPA ID: CAD983668583
Trans Name: Not reported
Trans 2 EPA ID: Not reported
Trans 2 Name: Not reported
TSDf EPA ID: CAT080022128
Trans Name: Not reported
TSDf Alt EPA ID: CAT080022148
TSDf Alt Name: Not reported
Waste Code Description: 513 - Empty containers less than 30 gallons
RCRA Code: D001
Meth Code: H01 - Transfer Station
Quantity Tons: 0.075
Waste Quantity: 150
Quantity Unit: P
Additional Code 1: Not reported
Additional Code 2: Not reported
Additional Code 3: Not reported
Additional Code 4: Not reported
Additional Code 5: Not reported

Shipment Date: 19960416
Creation Date: 10/16/1996 0:00:00
Receipt Date: 19960423
Manifest ID: 95584020
Trans EPA ID: CAD983668583
Trans Name: Not reported
Trans 2 EPA ID: Not reported
Trans 2 Name: Not reported
TSDf EPA ID: Not reported

Map ID
Direction
Distance
Elevation

MAP FINDINGS

Site

Database(s)

EDR ID Number
EPA ID Number

BNSF RAILWAY COMPANY (Continued)

S113007015

Trans Name: Not reported
TSDf Alt EPA ID: Not reported
TSDf Alt Name: Not reported
Waste Code Description: 512 - Other empty containers 30 gallons or more
RCRA Code: Not reported
Meth Code: R01 - Recycler
Quantity Tons: 0.0375
Waste Quantity: 75
Quantity Unit: P
Additional Code 1: Not reported
Additional Code 2: Not reported
Additional Code 3: Not reported
Additional Code 4: Not reported
Additional Code 5: Not reported

Additional Info:

Year: 2008
Gen EPA ID: CAD981460181

Shipment Date: 20081008
Creation Date: 11/18/2008 18:30:24
Receipt Date: 20081009
Manifest ID: 001975526JJK
Trans EPA ID: CAR000172460
Trans Name: ENVIRONMENTAL LOGISTICS
Trans 2 EPA ID: Not reported
Trans 2 Name: Not reported
TSDf EPA ID: CAD982444481
Trans Name: FILTER RECYCLING SERVICES INC
TSDf Alt EPA ID: Not reported
TSDf Alt Name: Not reported
Waste Code Description: 134 - Aqueous solution with <10% total organic residues
RCRA Code: Not reported
Meth Code: H141 - Storage, Bulking, And/Or Transfer Off Site--No Treatment/Reovery (H010-H129) Or (H131-H135)
Quantity Tons: 6.3
Waste Quantity: 1500
Quantity Unit: G
Additional Code 1: Not reported
Additional Code 2: Not reported
Additional Code 3: Not reported
Additional Code 4: Not reported
Additional Code 5: Not reported

Shipment Date: 20080912
Creation Date: 11/3/2008 18:30:18
Receipt Date: 20080917
Manifest ID: 001870305JJK
Trans EPA ID: CAR000172460
Trans Name: ENVIROMENTAL LOGISTICS INC
Trans 2 EPA ID: Not reported
Trans 2 Name: Not reported
TSDf EPA ID: CAD028409019
Trans Name: CROSBY & OVERTON INC
TSDf Alt EPA ID: Not reported
TSDf Alt Name: Not reported
Waste Code Description: 331 - Off-specification, aged, or surplus organics

Map ID
Direction
Distance
Elevation

MAP FINDINGS

Site

Database(s)

EDR ID Number
EPA ID Number

BNSF RAILWAY COMPANY (Continued)

S113007015

RCRA Code: D001
Meth Code: H061 - Fuel Blending Prior To Energy Recovery At Another Site
Quantity Tons: 0.1815
Waste Quantity: 55
Quantity Unit: G
Additional Code 1: Not reported
Additional Code 2: Not reported
Additional Code 3: Not reported
Additional Code 4: Not reported
Additional Code 5: Not reported

Shipment Date: 20080912
Creation Date: 10/30/2008 18:30:18
Receipt Date: 20080913
Manifest ID: 004854150JJK
Trans EPA ID: CAR000172460
Trans Name: ENVIROMENTAL LOGISTICS INC
Trans 2 EPA ID: Not reported
Trans 2 Name: Not reported
TSDf EPA ID: CAD982444482
Trans Name: FILTER RECYCLING SERVICES
TSDf Alt EPA ID: Not reported
TSDf Alt Name: Not reported
Waste Code Description: 221 - Waste oil and mixed oil
RCRA Code: Not reported
Meth Code: H141 - Storage, Bulking, And/Or Transfer Off Site--No Treatment/Reovery (H010-H129) Or (H131-H135)

Quantity Tons: 0.209
Waste Quantity: 55
Quantity Unit: G
Additional Code 1: Not reported
Additional Code 2: Not reported
Additional Code 3: Not reported
Additional Code 4: Not reported
Additional Code 5: Not reported

Shipment Date: 20080912
Creation Date: 10/30/2008 18:30:18
Receipt Date: 20080913
Manifest ID: 004854151JJK
Trans EPA ID: CAR000172460
Trans Name: ENVIRONMENTAL LOGISTICS INC
Trans 2 EPA ID: Not reported
Trans 2 Name: Not reported
TSDf EPA ID: CAD982444481
Trans Name: FILTER RECYCLING SERVICES
TSDf Alt EPA ID: Not reported
TSDf Alt Name: Not reported
Waste Code Description: 221 - Waste oil and mixed oil
RCRA Code: Not reported
Meth Code: H141 - Storage, Bulking, And/Or Transfer Off Site--No Treatment/Reovery (H010-H129) Or (H131-H135)

Quantity Tons: 0.152
Waste Quantity: 40
Quantity Unit: G
Additional Code 1: Not reported
Additional Code 2: Not reported

Map ID
Direction
Distance
Elevation

MAP FINDINGS

Site

Database(s)

EDR ID Number
EPA ID Number

BNSF RAILWAY COMPANY (Continued)

S113007015

Additional Code 3:	Not reported
Additional Code 4:	Not reported
Additional Code 5:	Not reported
Shipment Date:	20080717
Creation Date:	9/10/2008 18:30:08
Receipt Date:	20080722
Manifest ID:	003807971JJK
Trans EPA ID:	CAR000172460
Trans Name:	ENVIRONMENTAL LOGISTICS
Trans 2 EPA ID:	Not reported
Trans 2 Name:	Not reported
TSDf EPA ID:	CAD982444481
Trans Name:	FILTER RECYCLING SERVICES INC
TSDf Alt EPA ID:	Not reported
TSDf Alt Name:	Not reported
Waste Code Description:	134 - Aqueous solution with <10% total organic residues
RCRA Code:	Not reported
Meth Code:	H141 - Storage, Bulking, And/Or Transfer Off Site--No Treatment/Reovery (H010-H129) Or (H131-H135)
Quantity Tons:	0.21
Waste Quantity:	50
Quantity Unit:	G
Additional Code 1:	Not reported
Additional Code 2:	Not reported
Additional Code 3:	Not reported
Additional Code 4:	Not reported
Additional Code 5:	Not reported
Shipment Date:	20080414
Creation Date:	6/9/2008 18:30:18
Receipt Date:	20080414
Manifest ID:	003807988JJK
Trans EPA ID:	CAR000172460
Trans Name:	ENVIRONMENTAL LOGISTICS
Trans 2 EPA ID:	Not reported
Trans 2 Name:	Not reported
TSDf EPA ID:	CAD982444481
Trans Name:	FILTER RECYCLING SERVICES INC
TSDf Alt EPA ID:	Not reported
TSDf Alt Name:	Not reported
Waste Code Description:	134 - Aqueous solution with <10% total organic residues
RCRA Code:	Not reported
Meth Code:	H141 - Storage, Bulking, And/Or Transfer Off Site--No Treatment/Reovery (H010-H129) Or (H131-H135)
Quantity Tons:	1.68
Waste Quantity:	400
Quantity Unit:	G
Additional Code 1:	Not reported
Additional Code 2:	Not reported
Additional Code 3:	Not reported
Additional Code 4:	Not reported
Additional Code 5:	Not reported
Shipment Date:	20080321
Creation Date:	6/9/2008 18:30:32
Receipt Date:	20080324

Map ID
Direction
Distance
Elevation

MAP FINDINGS

Site

Database(s)

EDR ID Number
EPA ID Number

BNSF RAILWAY COMPANY (Continued)

S113007015

Manifest ID: 003804262JJK
Trans EPA ID: CAR000172460
Trans Name: ENVIROMENTAL LOGISTIC INC
Trans 2 EPA ID: Not reported
Trans 2 Name: Not reported
TSDf EPA ID: CAD982444481
Trans Name: FILTER RECYCLING SERVICES
TSDf Alt EPA ID: Not reported
TSDf Alt Name: Not reported
Waste Code Description: 221 - Waste oil and mixed oil
RCRA Code: Not reported
Meth Code: H141 - Storage, Bulking, And/Or Transfer Off Site--No Treatment/Reovery (H010-H129) Or (H131-H135)

Quantity Tons: 0.19
Waste Quantity: 50
Quantity Unit: G
Additional Code 1: Not reported
Additional Code 2: Not reported
Additional Code 3: Not reported
Additional Code 4: Not reported
Additional Code 5: Not reported

Shipment Date: 20080320
Creation Date: 6/9/2008 18:30:32
Receipt Date: 20080324
Manifest ID: 003804263JJK
Trans EPA ID: CAR000172460
Trans Name: ENVIROMENTAL LOGISTICS INC
Trans 2 EPA ID: Not reported
Trans 2 Name: Not reported
TSDf EPA ID: CAD982444481
Trans Name: FILTER RECYCLING SERVICES
TSDf Alt EPA ID: Not reported
TSDf Alt Name: Not reported
Waste Code Description: 221 - Waste oil and mixed oil
RCRA Code: Not reported
Meth Code: H141 - Storage, Bulking, And/Or Transfer Off Site--No Treatment/Reovery (H010-H129) Or (H131-H135)

Quantity Tons: 0.57
Waste Quantity: 150
Quantity Unit: G
Additional Code 1: Not reported
Additional Code 2: Not reported
Additional Code 3: Not reported
Additional Code 4: Not reported
Additional Code 5: Not reported

Shipment Date: 20080225
Creation Date: 5/16/2008 18:30:07
Receipt Date: 20080226
Manifest ID: 003808000JJK
Trans EPA ID: CAR000172460
Trans Name: ENVIRONMENTAL LOGISTICS
Trans 2 EPA ID: Not reported
Trans 2 Name: Not reported
TSDf EPA ID: CAD982444481
Trans Name: FILTER RECYCLING SERVICES INC

Map ID
Direction
Distance
Elevation

MAP FINDINGS

Site

Database(s)

EDR ID Number
EPA ID Number

BNSF RAILWAY COMPANY (Continued)

S113007015

TSDF Alt EPA ID: Not reported
TSDF Alt Name: Not reported
Waste Code Description: 134 - Aqueous solution with <10% total organic residues
RCRA Code: Not reported
Meth Code: H141 - Storage, Bulking, And/Or Transfer Off Site--No Treatment/Reovery (H010-H129) Or (H131-H135)
Quantity Tons: 1.68
Waste Quantity: 400
Quantity Unit: G
Additional Code 1: Not reported
Additional Code 2: Not reported
Additional Code 3: Not reported
Additional Code 4: Not reported
Additional Code 5: Not reported

Additional Info:

Year: 2016
Gen EPA ID: CAD981460181

Shipment Date: 20151020
Creation Date: 12/22/2015 22:15:07
Receipt Date: 20151021
Manifest ID: 015033517JJK
Trans EPA ID: CAR000172460
Trans Name: ENVIRONMENTAL LOGISTICS INC
Trans 2 EPA ID: Not reported
Trans 2 Name: Not reported
TSDF EPA ID: CAD982444481
Trans Name: FILTER RECYCLING SERVICES INC
TSDF Alt EPA ID: Not reported
TSDF Alt Name: Not reported
Waste Code Description: 134 - Aqueous solution with <10% total organic residues
RCRA Code: Not reported
Meth Code: H141 - Storage, Bulking, And/Or Transfer Off Site--No Treatment/Reovery (H010-H129) Or (H131-H135)
Quantity Tons: 2.7636
Waste Quantity: 658
Quantity Unit: G
Additional Code 1: Not reported
Additional Code 2: Not reported
Additional Code 3: Not reported
Additional Code 4: Not reported
Additional Code 5: Not reported

Shipment Date: 20150915
Creation Date: 11/6/2015 22:15:24
Receipt Date: 20150915
Manifest ID: 014580549JJK
Trans EPA ID: CAR000172460
Trans Name: ENVIRONMENTAL LOGISTICS INC
Trans 2 EPA ID: Not reported
Trans 2 Name: Not reported
TSDF EPA ID: CAD982444481
Trans Name: FILTER RECYCLING SERVICES INC
TSDF Alt EPA ID: Not reported
TSDF Alt Name: Not reported
Waste Code Description: 134 - Aqueous solution with <10% total organic residues

Map ID
Direction
Distance
Elevation

MAP FINDINGS

Site

Database(s)

EDR ID Number
EPA ID Number

BNSF RAILWAY COMPANY (Continued)

S113007015

RCRA Code: Not reported
Meth Code: H141 - Storage, Bulking, And/Or Transfer Off Site--No Treatment/Reovery (H010-H129) Or (H131-H135)

Quantity Tons: 1.6128
Waste Quantity: 384
Quantity Unit: G
Additional Code 1: Not reported
Additional Code 2: Not reported
Additional Code 3: Not reported
Additional Code 4: Not reported
Additional Code 5: Not reported

Shipment Date: 20150901
Creation Date: 11/5/2015 22:15:17
Receipt Date: 20150904
Manifest ID: 014446710JJK
Trans EPA ID: CAR000172460
Trans Name: ENVIRONMENTAL LOGISTICS INC
Trans 2 EPA ID: Not reported
Trans 2 Name: Not reported
TSDf EPA ID: CAD982444481
Trans Name: FILTER RECYCLING SERVICES INC
TSDf Alt EPA ID: Not reported
TSDf Alt Name: Not reported
Waste Code Description: 221 - Waste oil and mixed oil
RCRA Code: Not reported
Meth Code: H141 - Storage, Bulking, And/Or Transfer Off Site--No Treatment/Reovery (H010-H129) Or (H131-H135)

Quantity Tons: 0.19
Waste Quantity: 50
Quantity Unit: G
Additional Code 1: Not reported
Additional Code 2: Not reported
Additional Code 3: Not reported
Additional Code 4: Not reported
Additional Code 5: Not reported

Shipment Date: 20150826
Creation Date: 11/5/2015 22:15:17
Receipt Date: 20150828
Manifest ID: 014580511JJK
Trans EPA ID: CAR000172460
Trans Name: ENVIRONMENTAL LOGISTICS INC
Trans 2 EPA ID: Not reported
Trans 2 Name: Not reported
TSDf EPA ID: CAD982444481
Trans Name: FILTER RECYCLING SERVICES INC
TSDf Alt EPA ID: Not reported
TSDf Alt Name: Not reported
Waste Code Description: 134 - Aqueous solution with <10% total organic residues
RCRA Code: Not reported
Meth Code: H141 - Storage, Bulking, And/Or Transfer Off Site--No Treatment/Reovery (H010-H129) Or (H131-H135)

Quantity Tons: 1.176
Waste Quantity: 280
Quantity Unit: G
Additional Code 1: Not reported

Map ID
Direction
Distance
Elevation

MAP FINDINGS

Site

Database(s)

EDR ID Number
EPA ID Number

BNSF RAILWAY COMPANY (Continued)

S113007015

Additional Code 2:	Not reported
Additional Code 3:	Not reported
Additional Code 4:	Not reported
Additional Code 5:	Not reported
Shipment Date:	20150721
Creation Date:	9/23/2015 22:15:13
Receipt Date:	20150721
Manifest ID:	014580574JJK
Trans EPA ID:	CAR000172460
Trans Name:	ENVIRONMENTAL LOGISTICS INC
Trans 2 EPA ID:	Not reported
Trans 2 Name:	Not reported
TSDf EPA ID:	CAD982444481
Trans Name:	FILTER RECYCLING SERVICES INC
TSDf Alt EPA ID:	Not reported
TSDf Alt Name:	Not reported
Waste Code Description:	134 - Aqueous solution with <10% total organic residues
RCRA Code:	Not reported
Meth Code:	H141 - Storage, Bulking, And/Or Transfer Off Site--No Treatment/Reovery (H010-H129) Or (H131-H135)
Quantity Tons:	0.0168
Waste Quantity:	4
Quantity Unit:	G
Additional Code 1:	Not reported
Additional Code 2:	Not reported
Additional Code 3:	Not reported
Additional Code 4:	Not reported
Additional Code 5:	Not reported
Shipment Date:	20150609
Creation Date:	9/3/2015 22:15:34
Receipt Date:	20150610
Manifest ID:	014580536JJK
Trans EPA ID:	CAR000172460
Trans Name:	ENVIRONMENTAL LOGISTICS INC
Trans 2 EPA ID:	Not reported
Trans 2 Name:	Not reported
TSDf EPA ID:	CAD982444481
Trans Name:	FILTER RECYCLING SERVICES INC
TSDf Alt EPA ID:	Not reported
TSDf Alt Name:	Not reported
Waste Code Description:	134 - Aqueous solution with <10% total organic residues
RCRA Code:	Not reported
Meth Code:	H141 - Storage, Bulking, And/Or Transfer Off Site--No Treatment/Reovery (H010-H129) Or (H131-H135)
Quantity Tons:	1.8354
Waste Quantity:	437
Quantity Unit:	G
Additional Code 1:	Not reported
Additional Code 2:	Not reported
Additional Code 3:	Not reported
Additional Code 4:	Not reported
Additional Code 5:	Not reported
Shipment Date:	20150527
Creation Date:	7/16/2015 22:15:31

Map ID
Direction
Distance
Elevation

MAP FINDINGS

Site

Database(s)

EDR ID Number
EPA ID Number

BNSF RAILWAY COMPANY (Continued)

S113007015

Receipt Date: 20150528
Manifest ID: 014446136JJK
Trans EPA ID: CAR000172460
Trans Name: ENVIRONMENTAL LOGISTICS INC
Trans 2 EPA ID: Not reported
Trans 2 Name: Not reported
TSDf EPA ID: CAD982444481
Trans Name: FILTER RECYCLING SERVICES INC
TSDf Alt EPA ID: Not reported
TSDf Alt Name: Not reported
Waste Code Description: 134 - Aqueous solution with <10% total organic residues
RCRA Code: Not reported
Meth Code: H141 - Storage, Bulking, And/Or Transfer Off Site--No Treatment/Reovery (H010-H129) Or (H131-H135)

Quantity Tons: 1.176
Waste Quantity: 280
Quantity Unit: G
Additional Code 1: Not reported
Additional Code 2: Not reported
Additional Code 3: Not reported
Additional Code 4: Not reported
Additional Code 5: Not reported

Shipment Date: 20150421
Creation Date: 6/25/2015 22:15:58
Receipt Date: 20150423
Manifest ID: 014446120JJK
Trans EPA ID: CAR000172460
Trans Name: ENVIRONMENTAL LOGISTICS INC
Trans 2 EPA ID: Not reported
Trans 2 Name: Not reported
TSDf EPA ID: CAD982444481
Trans Name: FILTER RECYCLING SERVICES INC
TSDf Alt EPA ID: Not reported
TSDf Alt Name: Not reported
Waste Code Description: 134 - Aqueous solution with <10% total organic residues
RCRA Code: Not reported
Meth Code: H141 - Storage, Bulking, And/Or Transfer Off Site--No Treatment/Reovery (H010-H129) Or (H131-H135)

Quantity Tons: 0.3906
Waste Quantity: 93
Quantity Unit: G
Additional Code 1: Not reported
Additional Code 2: Not reported
Additional Code 3: Not reported
Additional Code 4: Not reported
Additional Code 5: Not reported

Shipment Date: 20150317
Creation Date: 6/25/2015 22:15:36
Receipt Date: 20150318
Manifest ID: 013856778JJK
Trans EPA ID: CAR000172460
Trans Name: ENVIRONMENTAL LOGISTICS INC
Trans 2 EPA ID: Not reported
Trans 2 Name: Not reported
TSDf EPA ID: CAD982444481

Map ID
Direction
Distance
Elevation

MAP FINDINGS

Site

Database(s)

EDR ID Number
EPA ID Number

BNSF RAILWAY COMPANY (Continued)

S113007015

Trans Name: FILTER RECYCLING SERVICES INC
TSDf Alt EPA ID: Not reported
TSDf Alt Name: Not reported
Waste Code Description: 134 - Aqueous solution with <10% total organic residues
RCRA Code: Not reported
Meth Code: H141 - Storage, Bulking, And/Or Transfer Off Site--No Treatment/Reovery (H010-H129) Or (H131-H135)
Quantity Tons: 2.0958
Waste Quantity: 499
Quantity Unit: G
Additional Code 1: Not reported
Additional Code 2: Not reported
Additional Code 3: Not reported
Additional Code 4: Not reported
Additional Code 5: Not reported

Shipment Date: 20150309
Creation Date: 6/25/2015 22:15:36
Receipt Date: 20150316
Manifest ID: 014446055JJK
Trans EPA ID: CAR000172460
Trans Name: ENVIRONMENTAL LOGISTICS INC
Trans 2 EPA ID: Not reported
Trans 2 Name: Not reported
TSDf EPA ID: CAD982444481
Trans Name: FILTER RECYCLING SERVICES INC
TSDf Alt EPA ID: Not reported
TSDf Alt Name: Not reported
Waste Code Description: 352 - Other organic solids
RCRA Code: Not reported
Meth Code: H141 - Storage, Bulking, And/Or Transfer Off Site--No Treatment/Reovery (H010-H129) Or (H131-H135)
Quantity Tons: 0.075
Waste Quantity: 150
Quantity Unit: P
Additional Code 1: Not reported
Additional Code 2: Not reported
Additional Code 3: Not reported
Additional Code 4: Not reported
Additional Code 5: Not reported

Additional Info:
Year: 2001
Gen EPA ID: CAD981460181

Shipment Date: 20011217
Creation Date: 2/20/2002 0:00:00
Receipt Date: 20011227
Manifest ID: 20108786
Trans EPA ID: CAD983668583
Trans Name: Not reported
Trans 2 EPA ID: Not reported
Trans 2 Name: Not reported
TSDf EPA ID: CAD028409019
Trans Name: Not reported
TSDf Alt EPA ID: Not reported
TSDf Alt Name: Not reported

Map ID
Direction
Distance
Elevation

MAP FINDINGS

Site

Database(s)

EDR ID Number
EPA ID Number

BNSF RAILWAY COMPANY (Continued)

S113007015

Waste Code Description: 611 - Contaminated soil from site clean-ups
RCRA Code: Not reported
Meth Code: H01 - Transfer Station
Quantity Tons: 1.05
Waste Quantity: 2100
Quantity Unit: P
Additional Code 1: Not reported
Additional Code 2: Not reported
Additional Code 3: Not reported
Additional Code 4: Not reported
Additional Code 5: Not reported

Shipment Date: 20011217
Creation Date: 2/20/2002 0:00:00
Receipt Date: 20011227
Manifest ID: 20108786
Trans EPA ID: CAD983668583
Trans Name: Not reported
Trans 2 EPA ID: Not reported
Trans 2 Name: Not reported
TSDf EPA ID: CAD028409019
Trans Name: Not reported
TSDf Alt EPA ID: Not reported
TSDf Alt Name: Not reported
Waste Code Description: 352 - Other organic solids
RCRA Code: Not reported
Meth Code: H01 - Transfer Station
Quantity Tons: 0.0375
Waste Quantity: 75
Quantity Unit: P
Additional Code 1: Not reported
Additional Code 2: Not reported
Additional Code 3: Not reported
Additional Code 4: Not reported
Additional Code 5: Not reported

Shipment Date: 20011217
Creation Date: 2/20/2002 0:00:00
Receipt Date: 20011227
Manifest ID: 20108786
Trans EPA ID: CAD983668583
Trans Name: Not reported
Trans 2 EPA ID: Not reported
Trans 2 Name: Not reported
TSDf EPA ID: CAD028409019
Trans Name: Not reported
TSDf Alt EPA ID: Not reported
TSDf Alt Name: Not reported
Waste Code Description: 331 - Off-specification, aged, or surplus organics
RCRA Code: D001
Meth Code: H01 - Transfer Station
Quantity Tons: 0.75
Waste Quantity: 1500
Quantity Unit: P
Additional Code 1: Not reported
Additional Code 2: Not reported
Additional Code 3: Not reported

Map ID
Direction
Distance
Elevation

MAP FINDINGS

Site

Database(s)

EDR ID Number
EPA ID Number

BNSF RAILWAY COMPANY (Continued)

S113007015

Additional Code 4: Not reported
Additional Code 5: Not reported

Shipment Date: 20011217
Creation Date: 2/20/2002 0:00:00
Receipt Date: 20011227
Manifest ID: 20108786
Trans EPA ID: CAD983668583
Trans Name: Not reported
Trans 2 EPA ID: Not reported
Trans 2 Name: Not reported
TSDf EPA ID: CAD028409019
Trans Name: Not reported
TSDf Alt EPA ID: Not reported
TSDf Alt Name: Not reported
Waste Code Description: 331 - Off-specification, aged, or surplus organics
RCRA Code: D001
Meth Code: H01 - Transfer Station
Quantity Tons: 0.72
Waste Quantity: 1440
Quantity Unit: P
Additional Code 1: Not reported
Additional Code 2: Not reported
Additional Code 3: Not reported
Additional Code 4: Not reported
Additional Code 5: Not reported

Shipment Date: 20011214
Creation Date: 2/13/2002 0:00:00
Receipt Date: 20011221
Manifest ID: 20938684
Trans EPA ID: CAD983668583
Trans Name: Not reported
Trans 2 EPA ID: Not reported
Trans 2 Name: Not reported
TSDf EPA ID: CAD099452708
Trans Name: Not reported
TSDf Alt EPA ID: CAD099452708
TSDf Alt Name: Not reported
Waste Code Description: 221 - Waste oil and mixed oil
RCRA Code: Not reported
Meth Code: R01 - Recycler
Quantity Tons: 0.19
Waste Quantity: 50
Quantity Unit: G
Additional Code 1: Not reported
Additional Code 2: Not reported
Additional Code 3: Not reported
Additional Code 4: Not reported
Additional Code 5: Not reported

Shipment Date: 20011213
Creation Date: 2/13/2002 0:00:00
Receipt Date: 20011221
Manifest ID: 99679366
Trans EPA ID: CAD983668583
Trans Name: Not reported

Map ID
Direction
Distance
Elevation

MAP FINDINGS

Site

Database(s)

EDR ID Number
EPA ID Number

BNSF RAILWAY COMPANY (Continued)

S113007015

Trans 2 EPA ID:	Not reported
Trans 2 Name:	Not reported
TSDf EPA ID:	CAD099452708
Trans Name:	Not reported
TSDf Alt EPA ID:	CAD099452708
TSDf Alt Name:	Not reported
Waste Code Description:	221 - Waste oil and mixed oil
RCRA Code:	Not reported
Meth Code:	R01 - Recycler
Quantity Tons:	0.228
Waste Quantity:	60
Quantity Unit:	G
Additional Code 1:	Not reported
Additional Code 2:	Not reported
Additional Code 3:	Not reported
Additional Code 4:	Not reported
Additional Code 5:	Not reported
Shipment Date:	20011213
Creation Date:	2/20/2002 0:00:00
Receipt Date:	20011219
Manifest ID:	98239179
Trans EPA ID:	CAD983668583
Trans Name:	Not reported
Trans 2 EPA ID:	Not reported
Trans 2 Name:	Not reported
TSDf EPA ID:	CAD028409019
Trans Name:	Not reported
TSDf Alt EPA ID:	CAD028409019
TSDf Alt Name:	Not reported
Waste Code Description:	181 - Other inorganic solid waste Organics
RCRA Code:	D001
Meth Code:	H01 - Transfer Station
Quantity Tons:	0.0125
Waste Quantity:	25
Quantity Unit:	P
Additional Code 1:	Not reported
Additional Code 2:	Not reported
Additional Code 3:	Not reported
Additional Code 4:	Not reported
Additional Code 5:	Not reported
Shipment Date:	20010920
Creation Date:	11/1/2001 0:00:00
Receipt Date:	Not reported
Manifest ID:	20108782
Trans EPA ID:	CAD983668583
Trans Name:	Not reported
Trans 2 EPA ID:	Not reported
Trans 2 Name:	Not reported
TSDf EPA ID:	CAD099452708
Trans Name:	Not reported
TSDf Alt EPA ID:	Not reported
TSDf Alt Name:	Not reported
Waste Code Description:	221 - Waste oil and mixed oil
RCRA Code:	Not reported
Meth Code:	- Not reported

Map ID
Direction
Distance
Elevation

MAP FINDINGS

Site

Database(s)

EDR ID Number
EPA ID Number

BNSF RAILWAY COMPANY (Continued)

S113007015

Quantity Tons: 0.76
Waste Quantity: 200
Quantity Unit: G
Additional Code 1: Not reported
Additional Code 2: Not reported
Additional Code 3: Not reported
Additional Code 4: Not reported
Additional Code 5: Not reported

Shipment Date: 20010920
Creation Date: 11/1/2001 0:00:00
Receipt Date: Not reported
Manifest ID: 20108654
Trans EPA ID: CAD983668583
Trans Name: Not reported
Trans 2 EPA ID: Not reported
Trans 2 Name: Not reported
TSDf EPA ID: CAD099452708
Trans Name: Not reported
TSDf Alt EPA ID: Not reported
TSDf Alt Name: Not reported
Waste Code Description: 221 - Waste oil and mixed oil
RCRA Code: Not reported
Meth Code: - Not reported
Quantity Tons: 0.19
Waste Quantity: 50
Quantity Unit: G
Additional Code 1: Not reported
Additional Code 2: Not reported
Additional Code 3: Not reported
Additional Code 4: Not reported
Additional Code 5: Not reported

Shipment Date: 20010920
Creation Date: 1/16/2002 0:00:00
Receipt Date: 20010926
Manifest ID: 20938668
Trans EPA ID: CAD983668583
Trans Name: Not reported
Trans 2 EPA ID: Not reported
Trans 2 Name: Not reported
TSDf EPA ID: CAD028409019
Trans Name: Not reported
TSDf Alt EPA ID: Not reported
TSDf Alt Name: Not reported
Waste Code Description: 331 - Off-specification, aged, or surplus organics
RCRA Code: D001
Meth Code: H01 - Transfer Station
Quantity Tons: 0.1
Waste Quantity: 200
Quantity Unit: P
Additional Code 1: Not reported
Additional Code 2: Not reported
Additional Code 3: Not reported
Additional Code 4: Not reported
Additional Code 5: Not reported

Map ID
Direction
Distance
Elevation

MAP FINDINGS

Site

Database(s)

EDR ID Number
EPA ID Number

BNSF RAILWAY COMPANY (Continued)

S113007015

Additional Info:

Year: 2004
Gen EPA ID: CAD981460181

Shipment Date: 20041217
Creation Date: 3/13/2007 18:30:13
Receipt Date: 20041223
Manifest ID: 24156245
Trans EPA ID: CAD983668583
Trans Name: CONSOLIDATED WASTE INDUSTRIES INC
Trans 2 EPA ID: Not reported
Trans 2 Name: Not reported
TSDf EPA ID: CAD099452708
Trans Name: INDUSTRIAL SERVICE OIL ISO
TSDf Alt EPA ID: CAD099452708
TSDf Alt Name: Not reported
Waste Code Description: 221 - Waste oil and mixed oil
RCRA Code: NR
Meth Code: R01 - Recycler
Quantity Tons: 1.52
Waste Quantity: 400
Quantity Unit: G
Additional Code 1: Not reported
Additional Code 2: Not reported
Additional Code 3: Not reported
Additional Code 4: Not reported
Additional Code 5: Not reported

Shipment Date: 20041217
Creation Date: 3/13/2007 18:30:13
Receipt Date: 20041223
Manifest ID: 24156246
Trans EPA ID: CAD983668583
Trans Name: CONSOLIDATED WASTE INDUSTRIES INC
Trans 2 EPA ID: Not reported
Trans 2 Name: Not reported
TSDf EPA ID: CAD099452708
Trans Name: INDUSTRIAL SERVICE OIL ISO
TSDf Alt EPA ID: CAD099452708
TSDf Alt Name: Not reported
Waste Code Description: 221 - Waste oil and mixed oil
RCRA Code: NR
Meth Code: R01 - Recycler
Quantity Tons: 0.76
Waste Quantity: 200
Quantity Unit: G
Additional Code 1: Not reported
Additional Code 2: Not reported
Additional Code 3: Not reported
Additional Code 4: Not reported
Additional Code 5: Not reported

Shipment Date: 20041216
Creation Date: 3/17/2005 18:34:39
Receipt Date: 20041222
Manifest ID: 24079027
Trans EPA ID: CAD983668583

Map ID
Direction
Distance
Elevation

MAP FINDINGS

Site

Database(s)

EDR ID Number
EPA ID Number

BNSF RAILWAY COMPANY (Continued)

S113007015

Trans Name:	CONSOLIDATED WASTE IND
Trans 2 EPA ID:	Not reported
Trans 2 Name:	Not reported
TSDf EPA ID:	CAD028409019
Trans Name:	CROSBY AND OVERTON
TSDf Alt EPA ID:	CAD028409019
TSDf Alt Name:	Not reported
Waste Code Description:	221 - Waste oil and mixed oil
RCRA Code:	NR
Meth Code:	H01 - Transfer Station
Quantity Tons:	0.152
Waste Quantity:	40
Quantity Unit:	G
Additional Code 1:	Not reported
Additional Code 2:	Not reported
Additional Code 3:	Not reported
Additional Code 4:	Not reported
Additional Code 5:	Not reported
Shipment Date:	20041216
Creation Date:	3/17/2005 18:34:39
Receipt Date:	20041222
Manifest ID:	24079026
Trans EPA ID:	CAD983668583
Trans Name:	CONSOLIDATED WASTE IND
Trans 2 EPA ID:	Not reported
Trans 2 Name:	Not reported
TSDf EPA ID:	CAD028409019
Trans Name:	CROSBY AND OVERTON
TSDf Alt EPA ID:	CAD028409019
TSDf Alt Name:	Not reported
Waste Code Description:	221 - Waste oil and mixed oil
RCRA Code:	NR
Meth Code:	H01 - Transfer Station
Quantity Tons:	0.133
Waste Quantity:	35
Quantity Unit:	G
Additional Code 1:	Not reported
Additional Code 2:	Not reported
Additional Code 3:	Not reported
Additional Code 4:	Not reported
Additional Code 5:	Not reported
Shipment Date:	20040917
Creation Date:	3/16/2007 18:31:12
Receipt Date:	20040927
Manifest ID:	24078934
Trans EPA ID:	CAD983668583
Trans Name:	CONSOLIDATED WASTE INDUSTRIES INC
Trans 2 EPA ID:	Not reported
Trans 2 Name:	Not reported
TSDf EPA ID:	CAD099452708
Trans Name:	INDUSTRIAL SERVICE OIL ISO
TSDf Alt EPA ID:	CAD099452708
TSDf Alt Name:	Not reported
Waste Code Description:	221 - Waste oil and mixed oil
RCRA Code:	NR

Map ID
Direction
Distance
Elevation

MAP FINDINGS

Site

Database(s)

EDR ID Number
EPA ID Number

BNSF RAILWAY COMPANY (Continued)

S113007015

Meth Code: R01 - Recycler
Quantity Tons: 0.19
Waste Quantity: 50
Quantity Unit: G
Additional Code 1: Not reported
Additional Code 2: Not reported
Additional Code 3: Not reported
Additional Code 4: Not reported
Additional Code 5: Not reported

Shipment Date: 20040917
Creation Date: 3/16/2007 18:31:12
Receipt Date: 20040927
Manifest ID: 24078933
Trans EPA ID: CAD983668583
Trans Name: CONSOLIDATED WASTE INDUSTRIES INC
Trans 2 EPA ID: Not reported
Trans 2 Name: Not reported
TSDf EPA ID: CAD099452708
Trans Name: INDUSTRIAL SERVICE OIL ISO
TSDf Alt EPA ID: CAD099452708
TSDf Alt Name: Not reported
Waste Code Description: 221 - Waste oil and mixed oil
RCRA Code: NR
Meth Code: R01 - Recycler
Quantity Tons: 0.76
Waste Quantity: 200
Quantity Unit: G
Additional Code 1: Not reported
Additional Code 2: Not reported
Additional Code 3: Not reported
Additional Code 4: Not reported
Additional Code 5: Not reported

Shipment Date: 20040913
Creation Date: 12/21/2004 18:30:50
Receipt Date: 20040922
Manifest ID: 23860783
Trans EPA ID: CAD983668583
Trans Name: CONSOLIDATED WASTE IND
Trans 2 EPA ID: Not reported
Trans 2 Name: Not reported
TSDf EPA ID: CAD028409019
Trans Name: CROSBY AND OVERTON
TSDf Alt EPA ID: CAD028409019
TSDf Alt Name: Not reported
Waste Code Description: 221 - Waste oil and mixed oil
RCRA Code: NR
Meth Code: H01 - Transfer Station
Quantity Tons: 0.057
Waste Quantity: 15
Quantity Unit: G
Additional Code 1: Not reported
Additional Code 2: Not reported
Additional Code 3: Not reported
Additional Code 4: Not reported
Additional Code 5: Not reported

Map ID
Direction
Distance
Elevation

MAP FINDINGS

Site

Database(s)

EDR ID Number
EPA ID Number

BNSF RAILWAY COMPANY (Continued)

S113007015

Shipment Date:	20040913
Creation Date:	12/21/2004 18:30:50
Receipt Date:	20040922
Manifest ID:	23860784
Trans EPA ID:	CAD983668583
Trans Name:	CONSOLIDATED WASTE IND
Trans 2 EPA ID:	Not reported
Trans 2 Name:	Not reported
TSDf EPA ID:	CAD028409019
Trans Name:	CROSBY AND OVERTON
TSDf Alt EPA ID:	CAD028409019
TSDf Alt Name:	Not reported
Waste Code Description:	221 - Waste oil and mixed oil
RCRA Code:	NR
Meth Code:	H01 - Transfer Station
Quantity Tons:	0.19
Waste Quantity:	50
Quantity Unit:	G
Additional Code 1:	Not reported
Additional Code 2:	Not reported
Additional Code 3:	Not reported
Additional Code 4:	Not reported
Additional Code 5:	Not reported
Shipment Date:	20040824
Creation Date:	1/4/2005 18:33:27
Receipt Date:	20040824
Manifest ID:	99682234
Trans EPA ID:	CAD983668583
Trans Name:	CONSOLIDATED WASTE INDUSTRIES INC
Trans 2 EPA ID:	Not reported
Trans 2 Name:	Not reported
TSDf EPA ID:	CAD099452708
Trans Name:	INDUSTRIAL SERVICE OIL ISO
TSDf Alt EPA ID:	CAD099452708
TSDf Alt Name:	Not reported
Waste Code Description:	221 - Waste oil and mixed oil
RCRA Code:	NR
Meth Code:	R01 - Recycler
Quantity Tons:	0.57
Waste Quantity:	150
Quantity Unit:	G
Additional Code 1:	Not reported
Additional Code 2:	Not reported
Additional Code 3:	Not reported
Additional Code 4:	Not reported
Additional Code 5:	Not reported
Shipment Date:	20040824
Creation Date:	1/4/2005 18:33:27
Receipt Date:	20040824
Manifest ID:	99682233
Trans EPA ID:	CAD983668583
Trans Name:	CONSOLIDATED WASTE INDUSTRIES INC
Trans 2 EPA ID:	Not reported
Trans 2 Name:	Not reported
TSDf EPA ID:	CAD099452708

Map ID
Direction
Distance
Elevation

MAP FINDINGS

Site

Database(s)

EDR ID Number
EPA ID Number

BNSF RAILWAY COMPANY (Continued)

S113007015

Trans Name: INDUSTRIAL SERVICE OIL ISO
TSDF Alt EPA ID: CAD099452708
TSDF Alt Name: Not reported
Waste Code Description: 221 - Waste oil and mixed oil
RCRA Code: NR
Meth Code: R01 - Recycler
Quantity Tons: 0.76
Waste Quantity: 200
Quantity Unit: G
Additional Code 1: Not reported
Additional Code 2: Not reported
Additional Code 3: Not reported
Additional Code 4: Not reported
Additional Code 5: Not reported

Additional Info:

Year: 1998
Gen EPA ID: CAD981460181

Shipment Date: 19981213
Creation Date: 2/26/1999 0:00:00
Receipt Date: 19981228
Manifest ID: 97301955
Trans EPA ID: CAD983668583
Trans Name: Not reported
Trans 2 EPA ID: Not reported
Trans 2 Name: Not reported
TSDF EPA ID: CAD028409019
Trans Name: Not reported
TSDF Alt EPA ID: Not reported
TSDF Alt Name: Not reported
Waste Code Description: 221 - Waste oil and mixed oil
RCRA Code: Not reported
Meth Code: T01 - Treatment, Tank
Quantity Tons: 0.114
Waste Quantity: 30
Quantity Unit: G
Additional Code 1: Not reported
Additional Code 2: Not reported
Additional Code 3: Not reported
Additional Code 4: Not reported
Additional Code 5: Not reported

Shipment Date: 19980921
Creation Date: 11/23/1998 0:00:00
Receipt Date: 19980923
Manifest ID: 97300432
Trans EPA ID: CAD983668583
Trans Name: Not reported
Trans 2 EPA ID: Not reported
Trans 2 Name: Not reported
TSDF EPA ID: CAD088504881
Trans Name: Not reported
TSDF Alt EPA ID: CAD088504881
TSDF Alt Name: Not reported
Waste Code Description: 121 - Alkaline solution (pH >12.5) with metals (antimony, arsenic, barium, beryllium, cadmium, chromium, cobalt, copper, lead, mercury,

Map ID
Direction
Distance
Elevation

MAP FINDINGS

Site

Database(s)

EDR ID Number
EPA ID Number

BNSF RAILWAY COMPANY (Continued)

S113007015

molybdenum, nickel, selenium, silver, thallium, vanadium, and zinc

RCRA Code: D002
Meth Code: H01 - Transfer Station
Quantity Tons: 0.06
Waste Quantity: 120
Quantity Unit: P
Additional Code 1: Not reported
Additional Code 2: Not reported
Additional Code 3: Not reported
Additional Code 4: Not reported
Additional Code 5: Not reported

Shipment Date: 19980914
Creation Date: 11/19/1998 0:00:00
Receipt Date: 19981001
Manifest ID: 97301926
Trans EPA ID: CAD983668583
Trans Name: Not reported
Trans 2 EPA ID: Not reported
Trans 2 Name: Not reported
TSDf EPA ID: CAD028409019
Trans Name: Not reported
TSDf Alt EPA ID: Not reported
TSDf Alt Name: Not reported
Waste Code Description: 221 - Waste oil and mixed oil
RCRA Code: Not reported
Meth Code: T01 - Treatment, Tank
Quantity Tons: 0.57
Waste Quantity: 150
Quantity Unit: G
Additional Code 1: Not reported
Additional Code 2: Not reported
Additional Code 3: Not reported
Additional Code 4: Not reported
Additional Code 5: Not reported

Shipment Date: 19980621
Creation Date: 8/3/1998 0:00:00
Receipt Date: 19980624
Manifest ID: 96734923
Trans EPA ID: CAD983668583
Trans Name: Not reported
Trans 2 EPA ID: Not reported
Trans 2 Name: Not reported
TSDf EPA ID: CAD028409019
Trans Name: Not reported
TSDf Alt EPA ID: Not reported
TSDf Alt Name: Not reported
Waste Code Description: 331 - Off-specification, aged, or surplus organics
RCRA Code: D001
Meth Code: H01 - Transfer Station
Quantity Tons: 0.075
Waste Quantity: 150
Quantity Unit: P
Additional Code 1: Not reported
Additional Code 2: Not reported
Additional Code 3: Not reported

Map ID
Direction
Distance
Elevation

MAP FINDINGS

Site

Database(s)

EDR ID Number
EPA ID Number

BNSF RAILWAY COMPANY (Continued)

S113007015

Additional Code 4:	Not reported
Additional Code 5:	Not reported
Shipment Date:	19980621
Creation Date:	9/3/1998 0:00:00
Receipt Date:	19980713
Manifest ID:	97301964
Trans EPA ID:	CAD983668583
Trans Name:	Not reported
Trans 2 EPA ID:	Not reported
Trans 2 Name:	Not reported
TSDf EPA ID:	CAD028409019
Trans Name:	Not reported
TSDf Alt EPA ID:	Not reported
TSDf Alt Name:	Not reported
Waste Code Description:	221 - Waste oil and mixed oil
RCRA Code:	Not reported
Meth Code:	T01 - Treatment, Tank
Quantity Tons:	0.152
Waste Quantity:	40
Quantity Unit:	G
Additional Code 1:	Not reported
Additional Code 2:	Not reported
Additional Code 3:	Not reported
Additional Code 4:	Not reported
Additional Code 5:	Not reported
Shipment Date:	19980511
Creation Date:	7/15/1998 0:00:00
Receipt Date:	19980513
Manifest ID:	97301970
Trans EPA ID:	CAD983668583
Trans Name:	Not reported
Trans 2 EPA ID:	Not reported
Trans 2 Name:	Not reported
TSDf EPA ID:	CAD028409019
Trans Name:	Not reported
TSDf Alt EPA ID:	CAD028409019
TSDf Alt Name:	Not reported
Waste Code Description:	331 - Off-specification, aged, or surplus organics
RCRA Code:	D002
Meth Code:	H01 - Transfer Station
Quantity Tons:	0.33
Waste Quantity:	100
Quantity Unit:	G
Additional Code 1:	Not reported
Additional Code 2:	Not reported
Additional Code 3:	Not reported
Additional Code 4:	Not reported
Additional Code 5:	Not reported
Shipment Date:	19980428
Creation Date:	8/16/1999 0:00:00
Receipt Date:	Not reported
Manifest ID:	98239173
Trans EPA ID:	CAD983668583
Trans Name:	Not reported

Map ID
Direction
Distance
Elevation

MAP FINDINGS

Site

Database(s)

EDR ID Number
EPA ID Number

BNSF RAILWAY COMPANY (Continued)

S113007015

Trans 2 EPA ID:	Not reported
Trans 2 Name:	Not reported
TSDf EPA ID:	CAD028409019
Trans Name:	Not reported
TSDf Alt EPA ID:	Not reported
TSDf Alt Name:	Not reported
Waste Code Description:	221 - Waste oil and mixed oil
RCRA Code:	Not reported
Meth Code:	T01 - Treatment, Tank
Quantity Tons:	0.76
Waste Quantity:	200
Quantity Unit:	G
Additional Code 1:	Not reported
Additional Code 2:	Not reported
Additional Code 3:	Not reported
Additional Code 4:	Not reported
Additional Code 5:	Not reported
Shipment Date:	19980408
Creation Date:	5/26/1998 0:00:00
Receipt Date:	19980414
Manifest ID:	97301989
Trans EPA ID:	CAD983668583
Trans Name:	Not reported
Trans 2 EPA ID:	Not reported
Trans 2 Name:	Not reported
TSDf EPA ID:	CAD028409019
Trans Name:	Not reported
TSDf Alt EPA ID:	Not reported
TSDf Alt Name:	Not reported
Waste Code Description:	331 - Off-specification, aged, or surplus organics
RCRA Code:	Not reported
Meth Code:	H01 - Transfer Station
Quantity Tons:	0.045
Waste Quantity:	90
Quantity Unit:	P
Additional Code 1:	Not reported
Additional Code 2:	Not reported
Additional Code 3:	Not reported
Additional Code 4:	Not reported
Additional Code 5:	Not reported
Shipment Date:	19980408
Creation Date:	6/26/1998 0:00:00
Receipt Date:	19980420
Manifest ID:	96735299
Trans EPA ID:	CAD983668583
Trans Name:	Not reported
Trans 2 EPA ID:	Not reported
Trans 2 Name:	Not reported
TSDf EPA ID:	CAD088504881
Trans Name:	Not reported
TSDf Alt EPA ID:	CAD088504881
TSDf Alt Name:	Not reported
Waste Code Description:	141 - Off-specification, aged, or surplus inorganics
RCRA Code:	Not reported
Meth Code:	H01 - Transfer Station

Map ID
Direction
Distance
Elevation

MAP FINDINGS

Site

Database(s)

EDR ID Number
EPA ID Number

BNSF RAILWAY COMPANY (Continued)

S113007015

Quantity Tons:	0.2
Waste Quantity:	400
Quantity Unit:	P
Additional Code 1:	Not reported
Additional Code 2:	Not reported
Additional Code 3:	Not reported
Additional Code 4:	Not reported
Additional Code 5:	Not reported
Shipment Date:	19980408
Creation Date:	5/26/1998 0:00:00
Receipt Date:	19980414
Manifest ID:	97301989
Trans EPA ID:	CAD983668583
Trans Name:	Not reported
Trans 2 EPA ID:	Not reported
Trans 2 Name:	Not reported
TSDf EPA ID:	CAD028409019
Trans Name:	Not reported
TSDf Alt EPA ID:	Not reported
TSDf Alt Name:	Not reported
Waste Code Description:	331 - Off-specification, aged, or surplus organics
RCRA Code:	D001
Meth Code:	H01 - Transfer Station
Quantity Tons:	0.1
Waste Quantity:	200
Quantity Unit:	P
Additional Code 1:	Not reported
Additional Code 2:	Not reported
Additional Code 3:	Not reported
Additional Code 4:	Not reported
Additional Code 5:	Not reported
Additional Info:	
Year:	1997
Gen EPA ID:	CAD981460181
Shipment Date:	19971208
Creation Date:	7/23/1998 0:00:00
Receipt Date:	19971209
Manifest ID:	96538043
Trans EPA ID:	CAT080022148
Trans Name:	Not reported
Trans 2 EPA ID:	Not reported
Trans 2 Name:	Not reported
TSDf EPA ID:	CAT080022148
Trans Name:	Not reported
TSDf Alt EPA ID:	Not reported
TSDf Alt Name:	Not reported
Waste Code Description:	331 - Off-specification, aged, or surplus organics
RCRA Code:	D001
Meth Code:	H01 - Transfer Station
Quantity Tons:	0.001
Waste Quantity:	2
Quantity Unit:	P
Additional Code 1:	Not reported
Additional Code 2:	Not reported

Map ID
Direction
Distance
Elevation

MAP FINDINGS

Site

Database(s)

EDR ID Number
EPA ID Number

BNSF RAILWAY COMPANY (Continued)

S113007015

Additional Code 3: Not reported
Additional Code 4: Not reported
Additional Code 5: Not reported

Shipment Date: 19971208
Creation Date: 7/23/1998 0:00:00
Receipt Date: 19971222
Manifest ID: 96735328
Trans EPA ID: CAD983668583
Trans Name: Not reported
Trans 2 EPA ID: Not reported
Trans 2 Name: Not reported
TSDf EPA ID: CAD088504881
Trans Name: Not reported
TSDf Alt EPA ID: CAD088504881
TSDf Alt Name: Not reported
Waste Code Description: 141 - Off-specification, aged, or surplus inorganics
RCRA Code: Not reported
Meth Code: H01 - Transfer Station
Quantity Tons: 0.2
Waste Quantity: 400
Quantity Unit: P
Additional Code 1: Not reported
Additional Code 2: Not reported
Additional Code 3: Not reported
Additional Code 4: Not reported
Additional Code 5: Not reported

Shipment Date: 19971208
Creation Date: 3/18/1998 0:00:00
Receipt Date: 19971222
Manifest ID: 96039819
Trans EPA ID: CAD983668583
Trans Name: Not reported
Trans 2 EPA ID: Not reported
Trans 2 Name: Not reported
TSDf EPA ID: CAD088504881
Trans Name: Not reported
TSDf Alt EPA ID: Not reported
TSDf Alt Name: Not reported
Waste Code Description: 121 - Alkaline solution (pH >12.5) with metals (antimony, arsenic, barium, beryllium, cadmium, chromium, cobalt, copper, lead, mercury, molybdenum, nickel, selenium, silver, thallium, vanadium, and zinc

RCRA Code: D002
Meth Code: H01 - Transfer Station
Quantity Tons: 0.0625
Waste Quantity: 125
Quantity Unit: P
Additional Code 1: Not reported
Additional Code 2: Not reported
Additional Code 3: Not reported
Additional Code 4: Not reported
Additional Code 5: Not reported

Shipment Date: 19971208
Creation Date: 3/18/1998 0:00:00
Receipt Date: 19971222

Map ID
Direction
Distance
Elevation

MAP FINDINGS

Site

Database(s)

EDR ID Number
EPA ID Number

BNSF RAILWAY COMPANY (Continued)

S113007015

Manifest ID:	96039819
Trans EPA ID:	CAD983668583
Trans Name:	Not reported
Trans 2 EPA ID:	Not reported
Trans 2 Name:	Not reported
TSDf EPA ID:	CAD088504881
Trans Name:	Not reported
TSDf Alt EPA ID:	Not reported
TSDf Alt Name:	Not reported
Waste Code Description:	181 - Other inorganic solid waste Organics
RCRA Code:	D006
Meth Code:	H01 - Transfer Station
Quantity Tons:	0.0125
Waste Quantity:	25
Quantity Unit:	P
Additional Code 1:	Not reported
Additional Code 2:	Not reported
Additional Code 3:	Not reported
Additional Code 4:	Not reported
Additional Code 5:	Not reported
Shipment Date:	19971114
Creation Date:	7/23/1998 0:00:00
Receipt Date:	19971124
Manifest ID:	96735828
Trans EPA ID:	CAD983668583
Trans Name:	Not reported
Trans 2 EPA ID:	Not reported
Trans 2 Name:	Not reported
TSDf EPA ID:	CAD028409019
Trans Name:	Not reported
TSDf Alt EPA ID:	CAD044429835
TSDf Alt Name:	Not reported
Waste Code Description:	232 - Pesticides and other waste associated with pesticide production
RCRA Code:	P006
Meth Code:	D99 - Disposal, Other
Quantity Tons:	0.05
Waste Quantity:	100
Quantity Unit:	P
Additional Code 1:	Not reported
Additional Code 2:	Not reported
Additional Code 3:	Not reported
Additional Code 4:	Not reported
Additional Code 5:	Not reported
Shipment Date:	19971015
Creation Date:	7/23/1998 0:00:00
Receipt Date:	19971017
Manifest ID:	96735817
Trans EPA ID:	CAD983668583
Trans Name:	Not reported
Trans 2 EPA ID:	Not reported
Trans 2 Name:	Not reported
TSDf EPA ID:	CAD028409019
Trans Name:	Not reported
TSDf Alt EPA ID:	Not reported
TSDf Alt Name:	Not reported

Map ID
Direction
Distance
Elevation

MAP FINDINGS

Site

Database(s)

EDR ID Number
EPA ID Number

BNSF RAILWAY COMPANY (Continued)

S113007015

Waste Code Description:	221 - Waste oil and mixed oil
RCRA Code:	Not reported
Meth Code:	T01 - Treatment, Tank
Quantity Tons:	0.418
Waste Quantity:	110
Quantity Unit:	G
Additional Code 1:	Not reported
Additional Code 2:	Not reported
Additional Code 3:	Not reported
Additional Code 4:	Not reported
Additional Code 5:	Not reported
Shipment Date:	19970915
Creation Date:	7/23/1998 0:00:00
Receipt Date:	19971002
Manifest ID:	96735311
Trans EPA ID:	CAD983668583
Trans Name:	Not reported
Trans 2 EPA ID:	Not reported
Trans 2 Name:	Not reported
TSDf EPA ID:	CAD088504881
Trans Name:	Not reported
TSDf Alt EPA ID:	CAD088504881
TSDf Alt Name:	Not reported
Waste Code Description:	141 - Off-specification, aged, or surplus inorganics
RCRA Code:	Not reported
Meth Code:	H01 - Transfer Station
Quantity Tons:	0.3
Waste Quantity:	600
Quantity Unit:	P
Additional Code 1:	Not reported
Additional Code 2:	Not reported
Additional Code 3:	Not reported
Additional Code 4:	Not reported
Additional Code 5:	Not reported
Shipment Date:	19970724
Creation Date:	12/4/1997 0:00:00
Receipt Date:	19970725
Manifest ID:	95257859
Trans EPA ID:	CAL000127391
Trans Name:	Not reported
Trans 2 EPA ID:	Not reported
Trans 2 Name:	Not reported
TSDf EPA ID:	Not reported
Trans Name:	Not reported
TSDf Alt EPA ID:	Not reported
TSDf Alt Name:	Not reported
Waste Code Description:	151 - Asbestos-containing waste
RCRA Code:	Not reported
Meth Code:	D80 - Disposal, Land Fill
Quantity Tons:	0
Waste Quantity:	72
Quantity Unit:	*
Additional Code 1:	Not reported
Additional Code 2:	Not reported
Additional Code 3:	Not reported

Map ID
Direction
Distance
Elevation

MAP FINDINGS

Site

Database(s)

EDR ID Number
EPA ID Number

BNSF RAILWAY COMPANY (Continued)

S113007015

Additional Code 4:	Not reported
Additional Code 5:	Not reported
Shipment Date:	19970513
Creation Date:	7/17/1997 0:00:00
Receipt Date:	19970514
Manifest ID:	96525164
Trans EPA ID:	CAD983649880
Trans Name:	Not reported
Trans 2 EPA ID:	Not reported
Trans 2 Name:	Not reported
TSDf EPA ID:	AZD983481813
Trans Name:	Not reported
TSDf Alt EPA ID:	Not reported
TSDf Alt Name:	Not reported
Waste Code Description:	352 - Other organic solids
RCRA Code:	Not reported
Meth Code:	- Not reported
Quantity Tons:	8.428
Waste Quantity:	10
Quantity Unit:	Y
Additional Code 1:	Not reported
Additional Code 2:	Not reported
Additional Code 3:	Not reported
Additional Code 4:	Not reported
Additional Code 5:	Not reported
Shipment Date:	19970508
Creation Date:	7/17/1997 0:00:00
Receipt Date:	19970515
Manifest ID:	96162183
Trans EPA ID:	CAD983668583
Trans Name:	Not reported
Trans 2 EPA ID:	Not reported
Trans 2 Name:	Not reported
TSDf EPA ID:	CAD982444481
Trans Name:	Not reported
TSDf Alt EPA ID:	Not reported
TSDf Alt Name:	Not reported
Waste Code Description:	331 - Off-specification, aged, or surplus organics
RCRA Code:	D001
Meth Code:	R01 - Recycler
Quantity Tons:	0.15
Waste Quantity:	300
Quantity Unit:	P
Additional Code 1:	Not reported
Additional Code 2:	Not reported
Additional Code 3:	Not reported
Additional Code 4:	Not reported
Additional Code 5:	Not reported
Additional Info:	
Year:	1995
Gen EPA ID:	CAD981460181
Shipment Date:	19950720
Creation Date:	4/3/1996 0:00:00

Map ID
Direction
Distance
Elevation

MAP FINDINGS

Site

Database(s)

EDR ID Number
EPA ID Number

BNSF RAILWAY COMPANY (Continued)

S113007015

Receipt Date: 19950726
Manifest ID: 95490435
Trans EPA ID: CAD983649880
Trans Name: Not reported
Trans 2 EPA ID: Not reported
Trans 2 Name: Not reported
TSDf EPA ID: CAT080010101
Trans Name: Not reported
TSDf Alt EPA ID: CAT080010101
TSDf Alt Name: Not reported
Waste Code Description: 331 - Off-specification, aged, or surplus organics
RCRA Code: D001
Meth Code: H01 - Transfer Station
Quantity Tons: 0.05
Waste Quantity: 100
Quantity Unit: P
Additional Code 1: Not reported
Additional Code 2: Not reported
Additional Code 3: Not reported
Additional Code 4: Not reported
Additional Code 5: Not reported

Shipment Date: 19950720
Creation Date: 4/3/1996 0:00:00
Receipt Date: 19950726
Manifest ID: 95490435
Trans EPA ID: CAD983649880
Trans Name: Not reported
Trans 2 EPA ID: Not reported
Trans 2 Name: Not reported
TSDf EPA ID: CAT080010101
Trans Name: Not reported
TSDf Alt EPA ID: CAT080010101
TSDf Alt Name: Not reported
Waste Code Description: 221 - Waste oil and mixed oil
RCRA Code: Not reported
Meth Code: H01 - Transfer Station
Quantity Tons: 0.38
Waste Quantity: 100
Quantity Unit: G
Additional Code 1: Not reported
Additional Code 2: Not reported
Additional Code 3: Not reported
Additional Code 4: Not reported
Additional Code 5: Not reported

Shipment Date: 19950320
Creation Date: 3/29/1996 0:00:00
Receipt Date: 19950323
Manifest ID: 95180878
Trans EPA ID: CAD983649880
Trans Name: Not reported
Trans 2 EPA ID: Not reported
Trans 2 Name: Not reported
TSDf EPA ID: CAT080011059
Trans Name: Not reported
TSDf Alt EPA ID: CAT080011059

Map ID
Direction
Distance
Elevation

MAP FINDINGS

Site

Database(s)

EDR ID Number
EPA ID Number

BNSF RAILWAY COMPANY (Continued)

S113007015

TSDf Alt Name:	Not reported
Waste Code Description:	221 - Waste oil and mixed oil
RCRA Code:	Not reported
Meth Code:	R01 - Recycler
Quantity Tons:	0.38
Waste Quantity:	100
Quantity Unit:	G
Additional Code 1:	Not reported
Additional Code 2:	Not reported
Additional Code 3:	Not reported
Additional Code 4:	Not reported
Additional Code 5:	Not reported
Shipment Date:	19950320
Creation Date:	3/29/1996 0:00:00
Receipt Date:	19950323
Manifest ID:	93014618
Trans EPA ID:	CAD983649880
Trans Name:	Not reported
Trans 2 EPA ID:	Not reported
Trans 2 Name:	Not reported
TSDf EPA ID:	CAD982444481
Trans Name:	Not reported
TSDf Alt EPA ID:	Not reported
TSDf Alt Name:	Not reported
Waste Code Description:	352 - Other organic solids
RCRA Code:	Not reported
Meth Code:	R01 - Recycler
Quantity Tons:	0.1625
Waste Quantity:	325
Quantity Unit:	P
Additional Code 1:	Not reported
Additional Code 2:	Not reported
Additional Code 3:	Not reported
Additional Code 4:	Not reported
Additional Code 5:	Not reported
Shipment Date:	19950320
Creation Date:	3/29/1996 0:00:00
Receipt Date:	19950323
Manifest ID:	95180878
Trans EPA ID:	CAD983649880
Trans Name:	Not reported
Trans 2 EPA ID:	Not reported
Trans 2 Name:	Not reported
TSDf EPA ID:	CAT080011059
Trans Name:	Not reported
TSDf Alt EPA ID:	CAT080011059
TSDf Alt Name:	Not reported
Waste Code Description:	343 - Unspecified organic liquid mixture
RCRA Code:	D001
Meth Code:	R01 - Recycler
Quantity Tons:	0.102
Waste Quantity:	30
Quantity Unit:	G
Additional Code 1:	Not reported
Additional Code 2:	Not reported

Map ID
Direction
Distance
Elevation

MAP FINDINGS

Site

Database(s)

EDR ID Number
EPA ID Number

BNSF RAILWAY COMPANY (Continued)

S113007015

Additional Code 3:	Not reported
Additional Code 4:	Not reported
Additional Code 5:	Not reported
Shipment Date:	19950320
Creation Date:	3/29/1996 0:00:00
Receipt Date:	19950323
Manifest ID:	95180850
Trans EPA ID:	CAD983649880
Trans Name:	Not reported
Trans 2 EPA ID:	Not reported
Trans 2 Name:	Not reported
TSDf EPA ID:	CAT080011059
Trans Name:	Not reported
TSDf Alt EPA ID:	CAT080011059
TSDf Alt Name:	Not reported
Waste Code Description:	221 - Waste oil and mixed oil
RCRA Code:	Not reported
Meth Code:	R01 - Recycler
Quantity Tons:	0.19
Waste Quantity:	50
Quantity Unit:	G
Additional Code 1:	Not reported
Additional Code 2:	Not reported
Additional Code 3:	Not reported
Additional Code 4:	Not reported
Additional Code 5:	Not reported
Shipment Date:	19950320
Creation Date:	3/29/1996 0:00:00
Receipt Date:	19950324
Manifest ID:	95180879
Trans EPA ID:	CAD983649880
Trans Name:	Not reported
Trans 2 EPA ID:	Not reported
Trans 2 Name:	Not reported
TSDf EPA ID:	CAT080010101
Trans Name:	Not reported
TSDf Alt EPA ID:	CAT080010101
TSDf Alt Name:	Not reported
Waste Code Description:	141 - Off-specification, aged, or surplus inorganics
RCRA Code:	Not reported
Meth Code:	H01 - Transfer Station
Quantity Tons:	0.175
Waste Quantity:	350
Quantity Unit:	P
Additional Code 1:	Not reported
Additional Code 2:	Not reported
Additional Code 3:	Not reported
Additional Code 4:	Not reported
Additional Code 5:	Not reported
Shipment Date:	19950125
Creation Date:	3/28/1996 0:00:00
Receipt Date:	19950126
Manifest ID:	92356738
Trans EPA ID:	CAD983668583

Map ID
Direction
Distance
Elevation

MAP FINDINGS

Site

Database(s)

EDR ID Number
EPA ID Number

BNSF RAILWAY COMPANY (Continued)

S113007015

Trans Name: Not reported
Trans 2 EPA ID: Not reported
Trans 2 Name: Not reported
TSDf EPA ID: CAT080011059
Trans Name: Not reported
TSDf Alt EPA ID: CAT080011059
TSDf Alt Name: Not reported
Waste Code Description: 221 - Waste oil and mixed oil
RCRA Code: Not reported
Meth Code: R01 - Recycler
Quantity Tons: 14.44
Waste Quantity: 3800
Quantity Unit: G
Additional Code 1: Not reported
Additional Code 2: Not reported
Additional Code 3: Not reported
Additional Code 4: Not reported
Additional Code 5: Not reported

Additional Info:

Year: 2013
Gen EPA ID: CAD981460181

Shipment Date: 20131220
Creation Date: 2/24/2014 22:15:29
Receipt Date: 20131223
Manifest ID: 012157379JJK
Trans EPA ID: CAR000172460
Trans Name: ENVIRONMENTAL LOGISTICS INC
Trans 2 EPA ID: Not reported
Trans 2 Name: Not reported
TSDf EPA ID: CAD982444481
Trans Name: FILTER RECYCLING SERVICES INC
TSDf Alt EPA ID: Not reported
TSDf Alt Name: Not reported
Waste Code Description: 134 - Aqueous solution with <10% total organic residues
RCRA Code: Not reported
Meth Code: H141 - Storage, Bulking, And/Or Transfer Off Site--No Treatment/Reovery (H010-H129) Or (H131-H135)
Quantity Tons: 1.2222
Waste Quantity: 291
Quantity Unit: G
Additional Code 1: Not reported
Additional Code 2: Not reported
Additional Code 3: Not reported
Additional Code 4: Not reported
Additional Code 5: Not reported

Shipment Date: 20131213
Creation Date: 3/18/2014 22:15:12
Receipt Date: 20131217
Manifest ID: 011439052JJK
Trans EPA ID: CAR000172460
Trans Name: ENVIRONMENTAL LOGISTICS INC
Trans 2 EPA ID: Not reported
Trans 2 Name: Not reported
TSDf EPA ID: CAD982444481

Map ID
Direction
Distance
Elevation

MAP FINDINGS

Site

Database(s)

EDR ID Number
EPA ID Number

BNSF RAILWAY COMPANY (Continued)

S113007015

Trans Name: FILTER RECYCLING SERVICES INC
TSDf Alt EPA ID: Not reported
TSDf Alt Name: Not reported
Waste Code Description: 331 - Off-specification, aged, or surplus organics
RCRA Code: Not reported
Meth Code: H141 - Storage, Bulking, And/Or Transfer Off Site--No Treatment/Reovery (H010-H129) Or (H131-H135)
Quantity Tons: 2.97
Waste Quantity: 900
Quantity Unit: G
Additional Code 1: Not reported
Additional Code 2: Not reported
Additional Code 3: Not reported
Additional Code 4: Not reported
Additional Code 5: Not reported

Shipment Date: 20131213
Creation Date: 1/29/2014 22:15:13
Receipt Date: 20131217
Manifest ID: 011439051JJK
Trans EPA ID: CAR000172460
Trans Name: ENVIRONMENTAL LOGISTICS INC
Trans 2 EPA ID: Not reported
Trans 2 Name: Not reported
TSDf EPA ID: CAD982444481
Trans Name: FILTER RECYCLING SERVICES INC
TSDf Alt EPA ID: Not reported
TSDf Alt Name: Not reported
Waste Code Description: 352 - Other organic solids
RCRA Code: Not reported
Meth Code: H141 - Storage, Bulking, And/Or Transfer Off Site--No Treatment/Reovery (H010-H129) Or (H131-H135)
Quantity Tons: 0.25
Waste Quantity: 500
Quantity Unit: P
Additional Code 1: Not reported
Additional Code 2: Not reported
Additional Code 3: Not reported
Additional Code 4: Not reported
Additional Code 5: Not reported

Shipment Date: 20131209
Creation Date: 1/12/2014 22:15:07
Receipt Date: 20131210
Manifest ID: 011439016JJK
Trans EPA ID: CAR000172460
Trans Name: ENVIRONMENTAL LOGISTICS INC
Trans 2 EPA ID: Not reported
Trans 2 Name: Not reported
TSDf EPA ID: CAD982444481
Trans Name: FILTER RECYCLING SERVICES INC
TSDf Alt EPA ID: Not reported
TSDf Alt Name: Not reported
Waste Code Description: 221 - Waste oil and mixed oil
RCRA Code: Not reported
Meth Code: H141 - Storage, Bulking, And/Or Transfer Off Site--No Treatment/Reovery (H010-H129) Or (H131-H135)

Map ID
Direction
Distance
Elevation

MAP FINDINGS

Site

Database(s)

EDR ID Number
EPA ID Number

BNSF RAILWAY COMPANY (Continued)

S113007015

Quantity Tons:	0.361
Waste Quantity:	95
Quantity Unit:	G
Additional Code 1:	Not reported
Additional Code 2:	Not reported
Additional Code 3:	Not reported
Additional Code 4:	Not reported
Additional Code 5:	Not reported
Shipment Date:	20131209
Creation Date:	1/28/2014 22:15:25
Receipt Date:	20131211
Manifest ID:	011439015JJK
Trans EPA ID:	CAR000172460
Trans Name:	ENVIRONMENTAL LOGISTICS INC
Trans 2 EPA ID:	Not reported
Trans 2 Name:	Not reported
TSDf EPA ID:	CAD028409019
Trans Name:	CROSBY & OVERTON INC
TSDf Alt EPA ID:	Not reported
TSDf Alt Name:	Not reported
Waste Code Description:	352 - Other organic solids
RCRA Code:	D001
Meth Code:	H141 - Storage, Bulking, And/Or Transfer Off Site--No Treatment/Reovery (H010-H129) Or (H131-H135)
Quantity Tons:	0.1
Waste Quantity:	200
Quantity Unit:	P
Additional Code 1:	Not reported
Additional Code 2:	Not reported
Additional Code 3:	Not reported
Additional Code 4:	Not reported
Additional Code 5:	Not reported
Shipment Date:	20131209
Creation Date:	1/28/2014 22:15:25
Receipt Date:	20131211
Manifest ID:	011439015JJK
Trans EPA ID:	CAR000172460
Trans Name:	ENVIRONMENTAL LOGISTICS INC
Trans 2 EPA ID:	Not reported
Trans 2 Name:	Not reported
TSDf EPA ID:	CAD028409019
Trans Name:	CROSBY & OVERTON INC
TSDf Alt EPA ID:	Not reported
TSDf Alt Name:	Not reported
Waste Code Description:	331 - Off-specification, aged, or surplus organics
RCRA Code:	D018
Meth Code:	H141 - Storage, Bulking, And/Or Transfer Off Site--No Treatment/Reovery (H010-H129) Or (H131-H135)
Quantity Tons:	0.25
Waste Quantity:	500
Quantity Unit:	P
Additional Code 1:	D001
Additional Code 2:	Not reported
Additional Code 3:	Not reported
Additional Code 4:	Not reported

Map ID
Direction
Distance
Elevation

MAP FINDINGS

Site

Database(s)

EDR ID Number
EPA ID Number

BNSF RAILWAY COMPANY (Continued)

S113007015

Additional Code 5:	Not reported
Shipment Date:	20131126
Creation Date:	1/12/2014 22:15:07
Receipt Date:	20131127
Manifest ID:	011439033JJK
Trans EPA ID:	CAR000172460
Trans Name:	ENVIRONMENTAL LOGISTICS INC
Trans 2 EPA ID:	Not reported
Trans 2 Name:	Not reported
TSDf EPA ID:	CAD982444481
Trans Name:	FILTER RECYCLING SERVICES INC
TSDf Alt EPA ID:	Not reported
TSDf Alt Name:	Not reported
Waste Code Description:	134 - Aqueous solution with <10% total organic residues
RCRA Code:	Not reported
Meth Code:	H141 - Storage, Bulking, And/Or Transfer Off Site--No Treatment/Reovery (H010-H129) Or (H131-H135)
Quantity Tons:	1.05
Waste Quantity:	250
Quantity Unit:	G
Additional Code 1:	Not reported
Additional Code 2:	Not reported
Additional Code 3:	Not reported
Additional Code 4:	Not reported
Additional Code 5:	Not reported
Shipment Date:	20130909
Creation Date:	10/31/2013 22:15:06
Receipt Date:	20130918
Manifest ID:	010970040JJK
Trans EPA ID:	CAR000172460
Trans Name:	ENVIRONMENTAL LOGISTICS INC
Trans 2 EPA ID:	Not reported
Trans 2 Name:	Not reported
TSDf EPA ID:	CAD982444481
Trans Name:	FILTER RECYCLING SERVICES INC
TSDf Alt EPA ID:	Not reported
TSDf Alt Name:	Not reported
Waste Code Description:	221 - Waste oil and mixed oil
RCRA Code:	Not reported
Meth Code:	H141 - Storage, Bulking, And/Or Transfer Off Site--No Treatment/Reovery (H010-H129) Or (H131-H135)
Quantity Tons:	0.608
Waste Quantity:	160
Quantity Unit:	G
Additional Code 1:	Not reported
Additional Code 2:	Not reported
Additional Code 3:	Not reported
Additional Code 4:	Not reported
Additional Code 5:	Not reported
Shipment Date:	20130909
Creation Date:	10/31/2013 22:15:06
Receipt Date:	20130918
Manifest ID:	010970038JJK
Trans EPA ID:	CAR000172460

Map ID
Direction
Distance
Elevation

MAP FINDINGS

Site

Database(s)

EDR ID Number
EPA ID Number

BNSF RAILWAY COMPANY (Continued)

S113007015

Trans Name:	ENVIRONMENTAL LOGISTICS INC
Trans 2 EPA ID:	Not reported
Trans 2 Name:	Not reported
TSDf EPA ID:	CAD982444481
Trans Name:	FILTER RECYCLING SERVICES INC
TSDf Alt EPA ID:	Not reported
TSDf Alt Name:	Not reported
Waste Code Description:	223 - Unspecified oil-containing waste
RCRA Code:	Not reported
Meth Code:	H141 - Storage, Bulking, And/Or Transfer Off Site--No Treatment/Reovery (H010-H129) Or (H131-H135)
Quantity Tons:	0.22935
Waste Quantity:	55
Quantity Unit:	G
Additional Code 1:	Not reported
Additional Code 2:	Not reported
Additional Code 3:	Not reported
Additional Code 4:	Not reported
Additional Code 5:	Not reported
Shipment Date:	20130909
Creation Date:	10/31/2013 22:15:06
Receipt Date:	20130918
Manifest ID:	010970042JJK
Trans EPA ID:	CAR000172460
Trans Name:	ENVIRONMENTAL LOGISTICS INC
Trans 2 EPA ID:	Not reported
Trans 2 Name:	Not reported
TSDf EPA ID:	CAD982444481
Trans Name:	FILTER RECYCLING SERVICES INC
TSDf Alt EPA ID:	Not reported
TSDf Alt Name:	Not reported
Waste Code Description:	221 - Waste oil and mixed oil
RCRA Code:	Not reported
Meth Code:	H141 - Storage, Bulking, And/Or Transfer Off Site--No Treatment/Reovery (H010-H129) Or (H131-H135)
Quantity Tons:	0.209
Waste Quantity:	55
Quantity Unit:	G
Additional Code 1:	Not reported
Additional Code 2:	Not reported
Additional Code 3:	Not reported
Additional Code 4:	Not reported
Additional Code 5:	Not reported
Additional Info:	
Year:	2002
Gen EPA ID:	CAD981460181
Shipment Date:	20020927
Creation Date:	1/28/2003 18:33:13
Receipt Date:	20021011
Manifest ID:	21992882
Trans EPA ID:	CAD983668583
Trans Name:	Not reported
Trans 2 EPA ID:	Not reported
Trans 2 Name:	Not reported

Map ID
Direction
Distance
Elevation

MAP FINDINGS

Site

Database(s)

EDR ID Number
EPA ID Number

BNSF RAILWAY COMPANY (Continued)

S113007015

TSDF EPA ID: CAD099452708
Trans Name: Not reported
TSDF Alt EPA ID: Not reported
TSDF Alt Name: Not reported
Waste Code Description: 221 - Waste oil and mixed oil
RCRA Code: Not reported
Meth Code: R01 - Recycler
Quantity Tons: 0.38
Waste Quantity: 100
Quantity Unit: G
Additional Code 1: Not reported
Additional Code 2: Not reported
Additional Code 3: Not reported
Additional Code 4: Not reported
Additional Code 5: Not reported

Shipment Date: 20020926
Creation Date: 1/28/2003 18:33:13
Receipt Date: 20021011
Manifest ID: 96735185
Trans EPA ID: CAD983668583
Trans Name: Not reported
Trans 2 EPA ID: Not reported
Trans 2 Name: Not reported
TSDF EPA ID: CAD099452708
Trans Name: Not reported
TSDF Alt EPA ID: Not reported
TSDF Alt Name: Not reported
Waste Code Description: 221 - Waste oil and mixed oil
RCRA Code: Not reported
Meth Code: R01 - Recycler
Quantity Tons: 0.19
Waste Quantity: 50
Quantity Unit: G
Additional Code 1: Not reported
Additional Code 2: Not reported
Additional Code 3: Not reported
Additional Code 4: Not reported
Additional Code 5: Not reported

Shipment Date: 20020926
Creation Date: 2/18/2003 18:31:24
Receipt Date: 20021009
Manifest ID: 21775603
Trans EPA ID: CAD983668583
Trans Name: Not reported
Trans 2 EPA ID: Not reported
Trans 2 Name: Not reported
TSDF EPA ID: CAD028409019
Trans Name: Not reported
TSDF Alt EPA ID: Not reported
TSDF Alt Name: Not reported
Waste Code Description: 331 - Off-specification, aged, or surplus organics
RCRA Code: D001
Meth Code: H01 - Transfer Station
Quantity Tons: 0.005
Waste Quantity: 10

Map ID
Direction
Distance
Elevation

MAP FINDINGS

Site

Database(s)

EDR ID Number
EPA ID Number

BNSF RAILWAY COMPANY (Continued)

S113007015

Quantity Unit:	P
Additional Code 1:	Not reported
Additional Code 2:	Not reported
Additional Code 3:	Not reported
Additional Code 4:	Not reported
Additional Code 5:	Not reported
Shipment Date:	20020710
Creation Date:	9/18/2002 18:31:39
Receipt Date:	20020711
Manifest ID:	21881148
Trans EPA ID:	CAD983668583
Trans Name:	Not reported
Trans 2 EPA ID:	Not reported
Trans 2 Name:	Not reported
TSDF EPA ID:	CAD028409019
Trans Name:	Not reported
TSDF Alt EPA ID:	Not reported
TSDF Alt Name:	Not reported
Waste Code Description:	134 - Aqueous solution with <10% total organic residues
RCRA Code:	Not reported
Meth Code:	T01 - Treatment, Tank
Quantity Tons:	2.1
Waste Quantity:	500
Quantity Unit:	G
Additional Code 1:	Not reported
Additional Code 2:	Not reported
Additional Code 3:	Not reported
Additional Code 4:	Not reported
Additional Code 5:	Not reported
Shipment Date:	20020614
Creation Date:	1/21/2003 18:31:48
Receipt Date:	20020708
Manifest ID:	21881145
Trans EPA ID:	CAD983668583
Trans Name:	Not reported
Trans 2 EPA ID:	Not reported
Trans 2 Name:	Not reported
TSDF EPA ID:	CAD982444481
Trans Name:	Not reported
TSDF Alt EPA ID:	Not reported
TSDF Alt Name:	Not reported
Waste Code Description:	134 - Aqueous solution with <10% total organic residues
RCRA Code:	Not reported
Meth Code:	H01 - Transfer Station
Quantity Tons:	0.462
Waste Quantity:	110
Quantity Unit:	G
Additional Code 1:	Not reported
Additional Code 2:	Not reported
Additional Code 3:	Not reported
Additional Code 4:	Not reported
Additional Code 5:	Not reported
Shipment Date:	20020614
Creation Date:	8/29/2002 18:31:16

Map ID
Direction
Distance
Elevation

MAP FINDINGS

Site

Database(s)

EDR ID Number
EPA ID Number

BNSF RAILWAY COMPANY (Continued)

S113007015

Receipt Date: 20020617
Manifest ID: 21881146
Trans EPA ID: CAD983668583
Trans Name: Not reported
Trans 2 EPA ID: Not reported
Trans 2 Name: Not reported
TSDf EPA ID: CAD099452708
Trans Name: Not reported
TSDf Alt EPA ID: Not reported
TSDf Alt Name: Not reported
Waste Code Description: 221 - Waste oil and mixed oil
RCRA Code: Not reported
Meth Code: R01 - Recycler
Quantity Tons: 0.456
Waste Quantity: 120
Quantity Unit: G
Additional Code 1: Not reported
Additional Code 2: Not reported
Additional Code 3: Not reported
Additional Code 4: Not reported
Additional Code 5: Not reported

Shipment Date: 20020614
Creation Date: 8/29/2002 18:31:16
Receipt Date: 20020617
Manifest ID: 21881147
Trans EPA ID: CAD983668583
Trans Name: Not reported
Trans 2 EPA ID: Not reported
Trans 2 Name: Not reported
TSDf EPA ID: CAD099452708
Trans Name: Not reported
TSDf Alt EPA ID: Not reported
TSDf Alt Name: Not reported
Waste Code Description: 221 - Waste oil and mixed oil
RCRA Code: Not reported
Meth Code: R01 - Recycler
Quantity Tons: 0.019
Waste Quantity: 5
Quantity Unit: G
Additional Code 1: Not reported
Additional Code 2: Not reported
Additional Code 3: Not reported
Additional Code 4: Not reported
Additional Code 5: Not reported

Shipment Date: 20020613
Creation Date: 8/29/2002 18:31:16
Receipt Date: 20020617
Manifest ID: 21776351
Trans EPA ID: CAD983668583
Trans Name: Not reported
Trans 2 EPA ID: Not reported
Trans 2 Name: Not reported
TSDf EPA ID: CAD099452708
Trans Name: Not reported
TSDf Alt EPA ID: Not reported

Map ID
Direction
Distance
Elevation

MAP FINDINGS

Site

Database(s)

EDR ID Number
EPA ID Number

BNSF RAILWAY COMPANY (Continued)

S113007015

TSDf Alt Name:	Not reported
Waste Code Description:	221 - Waste oil and mixed oil
RCRA Code:	Not reported
Meth Code:	R01 - Recycler
Quantity Tons:	0.76
Waste Quantity:	200
Quantity Unit:	G
Additional Code 1:	Not reported
Additional Code 2:	Not reported
Additional Code 3:	Not reported
Additional Code 4:	Not reported
Additional Code 5:	Not reported
Shipment Date:	20020613
Creation Date:	8/29/2002 18:31:58
Receipt Date:	20020619
Manifest ID:	21775607
Trans EPA ID:	CAD983668583
Trans Name:	Not reported
Trans 2 EPA ID:	Not reported
Trans 2 Name:	Not reported
TSDf EPA ID:	CAD028409019
Trans Name:	Not reported
TSDf Alt EPA ID:	Not reported
TSDf Alt Name:	Not reported
Waste Code Description:	141 - Off-specification, aged, or surplus inorganics
RCRA Code:	D002
Meth Code:	H01 - Transfer Station
Quantity Tons:	0.0125
Waste Quantity:	25
Quantity Unit:	P
Additional Code 1:	Not reported
Additional Code 2:	Not reported
Additional Code 3:	Not reported
Additional Code 4:	Not reported
Additional Code 5:	Not reported
Shipment Date:	20020613
Creation Date:	8/29/2002 18:31:58
Receipt Date:	20020619
Manifest ID:	21775607
Trans EPA ID:	CAD983668583
Trans Name:	Not reported
Trans 2 EPA ID:	Not reported
Trans 2 Name:	Not reported
TSDf EPA ID:	CAD028409019
Trans Name:	Not reported
TSDf Alt EPA ID:	Not reported
TSDf Alt Name:	Not reported
Waste Code Description:	331 - Off-specification, aged, or surplus organics
RCRA Code:	D001
Meth Code:	H01 - Transfer Station
Quantity Tons:	0.01
Waste Quantity:	20
Quantity Unit:	P
Additional Code 1:	Not reported
Additional Code 2:	Not reported

Map ID
 Direction
 Distance
 Elevation

MAP FINDINGS

Site

Database(s)

EDR ID Number
 EPA ID Number

BNSF RAILWAY COMPANY (Continued)

S113007015

Additional Code 3: Not reported
 Additional Code 4: Not reported
 Additional Code 5: Not reported

Additional Info:

Year: 2011
 Gen EPA ID: CAD981460181

Shipment Date: 20111220
 Creation Date: 3/13/2012 20:30:40
 Receipt Date: 20111221
 Manifest ID: 009216192JJK
 Trans EPA ID: CAR000172460
 Trans Name: ENVIRONMENTAL LOGISTICS INC
 Trans 2 EPA ID: Not reported
 Trans 2 Name: Not reported
 TSDf EPA ID: CAD982444481
 Trans Name: FILTER RECYCLING SERVICES INC
 TSDf Alt EPA ID: Not reported
 TSDf Alt Name: Not reported
 Waste Code Description: 134 - Aqueous solution with <10% total organic residues
 RCRA Code: Not reported
 Meth Code: H141 - Storage, Bulking, And/Or Transfer Off Site--No Treatment/Reovery (H010-H129) Or (H131-H135)

Quantity Tons: 0.9534
 Waste Quantity: 227
 Quantity Unit: G
 Additional Code 1: Not reported
 Additional Code 2: Not reported
 Additional Code 3: Not reported
 Additional Code 4: Not reported
 Additional Code 5: Not reported

Shipment Date: 20111122
 Creation Date: 1/27/2012 20:30:21
 Receipt Date: 20111123
 Manifest ID: 009216003JJK
 Trans EPA ID: CAR000172460
 Trans Name: ENVIRONMENTAL LOGISTICS INC
 Trans 2 EPA ID: Not reported
 Trans 2 Name: Not reported
 TSDf EPA ID: CAD982444481
 Trans Name: FILTER RECYCLING SERVICES INC
 TSDf Alt EPA ID: Not reported
 TSDf Alt Name: Not reported
 Waste Code Description: 134 - Aqueous solution with <10% total organic residues
 RCRA Code: Not reported
 Meth Code: H141 - Storage, Bulking, And/Or Transfer Off Site--No Treatment/Reovery (H010-H129) Or (H131-H135)

Quantity Tons: 0.378
 Waste Quantity: 90
 Quantity Unit: G
 Additional Code 1: Not reported
 Additional Code 2: Not reported
 Additional Code 3: Not reported
 Additional Code 4: Not reported
 Additional Code 5: Not reported

Map ID
Direction
Distance
Elevation

MAP FINDINGS

Site

Database(s)

EDR ID Number
EPA ID Number

BNSF RAILWAY COMPANY (Continued)

S113007015

Shipment Date: 20111025
Creation Date: 1/6/2012 18:30:18
Receipt Date: 20111026
Manifest ID: 009215502JJK
Trans EPA ID: CAR000172460
Trans Name: ENVIRONMENTAL LOGISTICS INC
Trans 2 EPA ID: Not reported
Trans 2 Name: Not reported
TSDf EPA ID: CAD982444481
Trans Name: FILTER RECYCLING SERVICES INC
TSDf Alt EPA ID: Not reported
TSDf Alt Name: Not reported
Waste Code Description: 134 - Aqueous solution with <10% total organic residues
RCRA Code: Not reported
Meth Code: H141 - Storage, Bulking, And/Or Transfer Off Site--No Treatment/Reovery (H010-H129) Or (H131-H135)

Quantity Tons: 0.462
Waste Quantity: 110
Quantity Unit: G
Additional Code 1: Not reported
Additional Code 2: Not reported
Additional Code 3: Not reported
Additional Code 4: Not reported
Additional Code 5: Not reported

Shipment Date: 20111006
Creation Date: 12/9/2011 18:30:51
Receipt Date: 20111007
Manifest ID: 008883792JJK
Trans EPA ID: CAR000172460
Trans Name: ENVIRONMENTAL LOGISTICS INC
Trans 2 EPA ID: Not reported
Trans 2 Name: Not reported
TSDf EPA ID: CAD982444481
Trans Name: FILTER RECYCLING SERVICES INC
TSDf Alt EPA ID: Not reported
TSDf Alt Name: Not reported
Waste Code Description: 331 - Off-specification, aged, or surplus organics
RCRA Code: Not reported
Meth Code: H141 - Storage, Bulking, And/Or Transfer Off Site--No Treatment/Reovery (H010-H129) Or (H131-H135)

Quantity Tons: 1
Waste Quantity: 2000
Quantity Unit: P
Additional Code 1: Not reported
Additional Code 2: Not reported
Additional Code 3: Not reported
Additional Code 4: Not reported
Additional Code 5: Not reported

Shipment Date: 20111006
Creation Date: 12/9/2011 18:30:51
Receipt Date: 20111007
Manifest ID: 008883792JJK
Trans EPA ID: CAR000172460
Trans Name: ENVIRONMENTAL LOGISTICS INC
Trans 2 EPA ID: Not reported

Map ID
Direction
Distance
Elevation

MAP FINDINGS

Site

Database(s)

EDR ID Number
EPA ID Number

BNSF RAILWAY COMPANY (Continued)

S113007015

Trans 2 Name:	Not reported
TSDf EPA ID:	CAD982444481
Trans Name:	FILTER RECYCLING SERVICES INC
TSDf Alt EPA ID:	Not reported
TSDf Alt Name:	Not reported
Waste Code Description:	221 - Waste oil and mixed oil
RCRA Code:	Not reported
Meth Code:	H141 - Storage, Bulking, And/Or Transfer Off Site--No Treatment/Reovery (H010-H129) Or (H131-H135)
Quantity Tons:	0.57
Waste Quantity:	150
Quantity Unit:	G
Additional Code 1:	Not reported
Additional Code 2:	Not reported
Additional Code 3:	Not reported
Additional Code 4:	Not reported
Additional Code 5:	Not reported
Shipment Date:	20110912
Creation Date:	12/9/2011 18:30:36
Receipt Date:	20110921
Manifest ID:	008108551JJK
Trans EPA ID:	CAR000172460
Trans Name:	ENVIRONMENTAL LOGISTICS
Trans 2 EPA ID:	Not reported
Trans 2 Name:	Not reported
TSDf EPA ID:	CAD028409019
Trans Name:	CROSBY & OVERTON
TSDf Alt EPA ID:	Not reported
TSDf Alt Name:	Not reported
Waste Code Description:	331 - Off-specification, aged, or surplus organics
RCRA Code:	D018
Meth Code:	H141 - Storage, Bulking, And/Or Transfer Off Site--No Treatment/Reovery (H010-H129) Or (H131-H135)
Quantity Tons:	0.0495
Waste Quantity:	15
Quantity Unit:	G
Additional Code 1:	D001
Additional Code 2:	Not reported
Additional Code 3:	Not reported
Additional Code 4:	Not reported
Additional Code 5:	Not reported
Shipment Date:	20110912
Creation Date:	12/9/2011 18:30:29
Receipt Date:	20110919
Manifest ID:	008108550JJK
Trans EPA ID:	CAR000172460
Trans Name:	ENVIRONMENTAL LOGISTICS
Trans 2 EPA ID:	Not reported
Trans 2 Name:	Not reported
TSDf EPA ID:	CAD982444481
Trans Name:	FILTER RECYCLING SERVICES INC
TSDf Alt EPA ID:	Not reported
TSDf Alt Name:	Not reported
Waste Code Description:	221 - Waste oil and mixed oil
RCRA Code:	Not reported

Map ID
Direction
Distance
Elevation

MAP FINDINGS

Site

Database(s)

EDR ID Number
EPA ID Number

BNSF RAILWAY COMPANY (Continued)

S113007015

Meth Code:	H141 - Storage, Bulking, And/Or Transfer Off Site--No Treatment/Reovery (H010-H129) Or (H131-H135)
Quantity Tons:	1.14
Waste Quantity:	300
Quantity Unit:	G
Additional Code 1:	Not reported
Additional Code 2:	Not reported
Additional Code 3:	Not reported
Additional Code 4:	Not reported
Additional Code 5:	Not reported
Shipment Date:	20110525
Creation Date:	7/14/2011 18:30:12
Receipt Date:	20110526
Manifest ID:	008698506JJK
Trans EPA ID:	CAR000172460
Trans Name:	ENVIRONMENTAL LOGISTICS
Trans 2 EPA ID:	Not reported
Trans 2 Name:	Not reported
TSDf EPA ID:	CAD982444481
Trans Name:	FILTER RECYCLING SERVICES INC
TSDf Alt EPA ID:	Not reported
TSDf Alt Name:	Not reported
Waste Code Description:	134 - Aqueous solution with <10% total organic residues
RCRA Code:	Not reported
Meth Code:	H141 - Storage, Bulking, And/Or Transfer Off Site--No Treatment/Reovery (H010-H129) Or (H131-H135)
Quantity Tons:	2.52
Waste Quantity:	600
Quantity Unit:	G
Additional Code 1:	Not reported
Additional Code 2:	Not reported
Additional Code 3:	Not reported
Additional Code 4:	Not reported
Additional Code 5:	Not reported
Shipment Date:	20110322
Creation Date:	5/19/2011 18:30:10
Receipt Date:	20110325
Manifest ID:	008108604JJK
Trans EPA ID:	CAR000172460
Trans Name:	ENVIRONMENTAL LOGISTICS
Trans 2 EPA ID:	Not reported
Trans 2 Name:	Not reported
TSDf EPA ID:	CAD982444481
Trans Name:	FILTER RECYCLING SERVICES INC
TSDf Alt EPA ID:	Not reported
TSDf Alt Name:	Not reported
Waste Code Description:	134 - Aqueous solution with <10% total organic residues
RCRA Code:	Not reported
Meth Code:	H141 - Storage, Bulking, And/Or Transfer Off Site--No Treatment/Reovery (H010-H129) Or (H131-H135)
Quantity Tons:	1.05
Waste Quantity:	250
Quantity Unit:	G
Additional Code 1:	Not reported
Additional Code 2:	Not reported

Map ID
Direction
Distance
Elevation

MAP FINDINGS

Site

Database(s)

EDR ID Number
EPA ID Number

BNSF RAILWAY COMPANY (Continued)

S113007015

Additional Code 3:	Not reported
Additional Code 4:	Not reported
Additional Code 5:	Not reported
Shipment Date:	20110304
Creation Date:	4/27/2011 18:30:52
Receipt Date:	20110304
Manifest ID:	007386001JJK
Trans EPA ID:	CAR000172460
Trans Name:	ENVIRONMENTAL LOGISTICS INC
Trans 2 EPA ID:	Not reported
Trans 2 Name:	Not reported
TSDf EPA ID:	CAD982444481
Trans Name:	FILTER RECYCLING SERVICES INC
TSDf Alt EPA ID:	Not reported
TSDf Alt Name:	Not reported
Waste Code Description:	181 - Other inorganic solid waste Organics
RCRA Code:	Not reported
Meth Code:	H141 - Storage, Bulking, And/Or Transfer Off Site--No Treatment/Reovery (H010-H129) Or (H131-H135)
Quantity Tons:	7
Waste Quantity:	7
Quantity Unit:	T
Additional Code 1:	Not reported
Additional Code 2:	Not reported
Additional Code 3:	Not reported
Additional Code 4:	Not reported
Additional Code 5:	Not reported
Additional Info:	
Year:	2010
Gen EPA ID:	CAD981460181
Shipment Date:	20101207
Creation Date:	2/11/2011 18:30:08
Receipt Date:	20101209
Manifest ID:	008108506JJK
Trans EPA ID:	CAR000172460
Trans Name:	ENVIRONMENTAL LOGISTICS
Trans 2 EPA ID:	Not reported
Trans 2 Name:	Not reported
TSDf EPA ID:	CAD982444481
Trans Name:	FILTER RECYCLING SERVICES INC
TSDf Alt EPA ID:	Not reported
TSDf Alt Name:	Not reported
Waste Code Description:	134 - Aqueous solution with <10% total organic residues
RCRA Code:	Not reported
Meth Code:	H141 - Storage, Bulking, And/Or Transfer Off Site--No Treatment/Reovery (H010-H129) Or (H131-H135)
Quantity Tons:	1.008
Waste Quantity:	240
Quantity Unit:	G
Additional Code 1:	Not reported
Additional Code 2:	Not reported
Additional Code 3:	Not reported
Additional Code 4:	Not reported
Additional Code 5:	Not reported

Map ID
Direction
Distance
Elevation

MAP FINDINGS

Site

Database(s)

EDR ID Number
EPA ID Number

BNSF RAILWAY COMPANY (Continued)

S113007015

Shipment Date:	20101111
Creation Date:	1/3/2011 18:31:02
Receipt Date:	20101115
Manifest ID:	007927005JJK
Trans EPA ID:	CAR000172460
Trans Name:	ENVIRONMENTAL LOGISTICS
Trans 2 EPA ID:	Not reported
Trans 2 Name:	Not reported
TSDf EPA ID:	CAD982444481
Trans Name:	FILTER RECYCLING SERVICES INC
TSDf Alt EPA ID:	Not reported
TSDf Alt Name:	Not reported
Waste Code Description:	134 - Aqueous solution with <10% total organic residues
RCRA Code:	Not reported
Meth Code:	H141 - Storage, Bulking, And/Or Transfer Off Site--No Treatment/Reovery (H010-H129) Or (H131-H135)
Quantity Tons:	0.945
Waste Quantity:	225
Quantity Unit:	G
Additional Code 1:	Not reported
Additional Code 2:	Not reported
Additional Code 3:	Not reported
Additional Code 4:	Not reported
Additional Code 5:	Not reported
Shipment Date:	20101103
Creation Date:	1/3/2011 18:30:39
Receipt Date:	20101104
Manifest ID:	007386113JJK
Trans EPA ID:	CAR000172460
Trans Name:	ENVIRONMENTAL LOGISTICS INC
Trans 2 EPA ID:	Not reported
Trans 2 Name:	Not reported
TSDf EPA ID:	CAD982444481
Trans Name:	FILTER RECYCLING SERVICES INC
TSDf Alt EPA ID:	Not reported
TSDf Alt Name:	Not reported
Waste Code Description:	133 - Aqueous solution with 10% or more total organic residues
RCRA Code:	Not reported
Meth Code:	H141 - Storage, Bulking, And/Or Transfer Off Site--No Treatment/Reovery (H010-H129) Or (H131-H135)
Quantity Tons:	0.60465
Waste Quantity:	145
Quantity Unit:	G
Additional Code 1:	Not reported
Additional Code 2:	Not reported
Additional Code 3:	Not reported
Additional Code 4:	Not reported
Additional Code 5:	Not reported
Shipment Date:	20101019
Creation Date:	1/3/2011 18:30:25
Receipt Date:	20101020
Manifest ID:	007386114JJK
Trans EPA ID:	CAR000172460
Trans Name:	ENVIRONMENTAL LOGISTICS INC
Trans 2 EPA ID:	Not reported

Map ID
Direction
Distance
Elevation

MAP FINDINGS

Site

Database(s)

EDR ID Number
EPA ID Number

BNSF RAILWAY COMPANY (Continued)

S113007015

Trans 2 Name:	Not reported
TSDf EPA ID:	CAD982444481
Trans Name:	FILTER RECYCLING SERVICES INC
TSDf Alt EPA ID:	Not reported
TSDf Alt Name:	Not reported
Waste Code Description:	135 - Unspecified aqueous solution
RCRA Code:	Not reported
Meth Code:	H141 - Storage, Bulking, And/Or Transfer Off Site--No Treatment/Reovery (H010-H129) Or (H131-H135)
Quantity Tons:	1.386
Waste Quantity:	330
Quantity Unit:	G
Additional Code 1:	Not reported
Additional Code 2:	Not reported
Additional Code 3:	Not reported
Additional Code 4:	Not reported
Additional Code 5:	Not reported
Shipment Date:	20100901
Creation Date:	10/26/2010 18:30:22
Receipt Date:	20100902
Manifest ID:	007386055JJK
Trans EPA ID:	CAR000172460
Trans Name:	ENVIRONMENTAL LOGISTICS
Trans 2 EPA ID:	Not reported
Trans 2 Name:	Not reported
TSDf EPA ID:	CAD982444481
Trans Name:	FILTER RECYCLING SERVICES INC
TSDf Alt EPA ID:	Not reported
TSDf Alt Name:	Not reported
Waste Code Description:	221 - Waste oil and mixed oil
RCRA Code:	Not reported
Meth Code:	H141 - Storage, Bulking, And/Or Transfer Off Site--No Treatment/Reovery (H010-H129) Or (H131-H135)
Quantity Tons:	0.076
Waste Quantity:	20
Quantity Unit:	G
Additional Code 1:	Not reported
Additional Code 2:	Not reported
Additional Code 3:	Not reported
Additional Code 4:	Not reported
Additional Code 5:	Not reported
Shipment Date:	20100901
Creation Date:	10/26/2010 18:30:22
Receipt Date:	20100902
Manifest ID:	007386052JJK
Trans EPA ID:	CAR000172460
Trans Name:	ENVIRONMENTAL LOGISTICS
Trans 2 EPA ID:	Not reported
Trans 2 Name:	Not reported
TSDf EPA ID:	CAD982444481
Trans Name:	FILTER RECYCLING SERVICES INC
TSDf Alt EPA ID:	Not reported
TSDf Alt Name:	Not reported
Waste Code Description:	221 - Waste oil and mixed oil
RCRA Code:	Not reported

Map ID
Direction
Distance
Elevation

MAP FINDINGS

Site

Database(s)

EDR ID Number
EPA ID Number

BNSF RAILWAY COMPANY (Continued)

S113007015

Meth Code: H141 - Storage, Bulking, And/Or Transfer Off Site--No Treatment/Reovery (H010-H129) Or (H131-H135)
Quantity Tons: 0.304
Waste Quantity: 80
Quantity Unit: G
Additional Code 1: Not reported
Additional Code 2: Not reported
Additional Code 3: Not reported
Additional Code 4: Not reported
Additional Code 5: Not reported

Shipment Date: 20100305
Creation Date: 5/27/2010 18:31:08
Receipt Date: 20100306
Manifest ID: 006370207JJK
Trans EPA ID: CAR000172460
Trans Name: ENVIROMENTAL LOGISTICS
Trans 2 EPA ID: Not reported
Trans 2 Name: Not reported
TSDf EPA ID: CAD982444481
Trans Name: FILTER RECYCLING SERVICES
TSDf Alt EPA ID: Not reported
TSDf Alt Name: Not reported
Waste Code Description: 221 - Waste oil and mixed oil
RCRA Code: Not reported
Meth Code: H141 - Storage, Bulking, And/Or Transfer Off Site--No Treatment/Reovery (H010-H129) Or (H131-H135)

Quantity Tons: 0.38
Waste Quantity: 100
Quantity Unit: G
Additional Code 1: Not reported
Additional Code 2: Not reported
Additional Code 3: Not reported
Additional Code 4: Not reported
Additional Code 5: Not reported

Shipment Date: 20100304
Creation Date: 5/27/2010 18:31:08
Receipt Date: 20100306
Manifest ID: 006370206JJK
Trans EPA ID: CAR000172460
Trans Name: ENVIROMENTAL LOGISTICS
Trans 2 EPA ID: Not reported
Trans 2 Name: Not reported
TSDf EPA ID: CAD982444481
Trans Name: FILTER RECYCLING SERVICES
TSDf Alt EPA ID: Not reported
TSDf Alt Name: Not reported
Waste Code Description: 221 - Waste oil and mixed oil
RCRA Code: Not reported
Meth Code: H141 - Storage, Bulking, And/Or Transfer Off Site--No Treatment/Reovery (H010-H129) Or (H131-H135)

Quantity Tons: 0.076
Waste Quantity: 20
Quantity Unit: G
Additional Code 1: Not reported
Additional Code 2: Not reported

Map ID
Direction
Distance
Elevation

MAP FINDINGS

Site

Database(s)

EDR ID Number
EPA ID Number

BNSF RAILWAY COMPANY (Continued)

S113007015

Additional Code 3:	Not reported
Additional Code 4:	Not reported
Additional Code 5:	Not reported
Shipment Date:	20100129
Creation Date:	4/12/2010 18:30:47
Receipt Date:	20100129
Manifest ID:	006651505JJK
Trans EPA ID:	CAR000172460
Trans Name:	ENVIRONMENTAL LOGISTICS
Trans 2 EPA ID:	Not reported
Trans 2 Name:	Not reported
TSDF EPA ID:	CAD982444481
Trans Name:	FILTER RECYCLING SERVICES INC
TSDF Alt EPA ID:	Not reported
TSDF Alt Name:	Not reported
Waste Code Description:	134 - Aqueous solution with <10% total organic residues
RCRA Code:	Not reported
Meth Code:	H141 - Storage, Bulking, And/Or Transfer Off Site--No Treatment/Reovery (H010-H129) Or (H131-H135)
Quantity Tons:	1.89
Waste Quantity:	450
Quantity Unit:	G
Additional Code 1:	Not reported
Additional Code 2:	Not reported
Additional Code 3:	Not reported
Additional Code 4:	Not reported
Additional Code 5:	Not reported
Additional Info:	
Year:	2006
Gen EPA ID:	CAD981460181
Shipment Date:	20061216
Creation Date:	4/19/2007 18:31:30
Receipt Date:	20061218
Manifest ID:	000455104JJK
Trans EPA ID:	CAD982444481
Trans Name:	FILTER RECYCLING SERVICES INC
Trans 2 EPA ID:	Not reported
Trans 2 Name:	Not reported
TSDF EPA ID:	CAD982444481
Trans Name:	FILTER RECYCLING SERCIVES INC
TSDF Alt EPA ID:	Not reported
TSDF Alt Name:	Not reported
Waste Code Description:	221 - Waste oil and mixed oil
RCRA Code:	Not reported
Meth Code:	H141 - Storage, Bulking, And/Or Transfer Off Site--No Treatment/Reovery (H010-H129) Or (H131-H135)
Quantity Tons:	0.19
Waste Quantity:	50
Quantity Unit:	G
Additional Code 1:	Not reported
Additional Code 2:	Not reported
Additional Code 3:	Not reported
Additional Code 4:	Not reported
Additional Code 5:	Not reported

Map ID
Direction
Distance
Elevation

MAP FINDINGS

Site

Database(s)

EDR ID Number
EPA ID Number

BNSF RAILWAY COMPANY (Continued)

S113007015

Shipment Date:	20061114
Creation Date:	3/30/2007 13:32:41
Receipt Date:	20061114
Manifest ID:	000443012JJK
Trans EPA ID:	CAD982444481
Trans Name:	FILTER RECYCLING SERVICES INC
Trans 2 EPA ID:	Not reported
Trans 2 Name:	Not reported
TSDf EPA ID:	CAD982444481
Trans Name:	FILTER RECYCLING SERVICES INC
TSDf Alt EPA ID:	Not reported
TSDf Alt Name:	Not reported
Waste Code Description:	134 - Aqueous solution with <10% total organic residues
RCRA Code:	Not reported
Meth Code:	H141 - Storage, Bulking, And/Or Transfer Off Site--No Treatment/Reovery (H010-H129) Or (H131-H135)
Quantity Tons:	0.63
Waste Quantity:	150
Quantity Unit:	G
Additional Code 1:	Not reported
Additional Code 2:	Not reported
Additional Code 3:	Not reported
Additional Code 4:	Not reported
Additional Code 5:	Not reported
Shipment Date:	20061002
Creation Date:	4/19/2007 18:30:28
Receipt Date:	20061003
Manifest ID:	000443006JJK
Trans EPA ID:	CAD982444481
Trans Name:	FILTER RECYCLING SERVICES INC
Trans 2 EPA ID:	Not reported
Trans 2 Name:	Not reported
TSDf EPA ID:	CAD982444481
Trans Name:	FILTER RECYCLING SERVICES INC
TSDf Alt EPA ID:	Not reported
TSDf Alt Name:	Not reported
Waste Code Description:	221 - Waste oil and mixed oil
RCRA Code:	Not reported
Meth Code:	H141 - Storage, Bulking, And/Or Transfer Off Site--No Treatment/Reovery (H010-H129) Or (H131-H135)
Quantity Tons:	3.154
Waste Quantity:	830
Quantity Unit:	G
Additional Code 1:	Not reported
Additional Code 2:	Not reported
Additional Code 3:	Not reported
Additional Code 4:	Not reported
Additional Code 5:	Not reported
Shipment Date:	20060816
Creation Date:	9/27/2006 18:36:04
Receipt Date:	20060816
Manifest ID:	25144864
Trans EPA ID:	CAD982444481
Trans Name:	FILTER RECYCLING SERVICES INC
Trans 2 EPA ID:	Not reported

Map ID
Direction
Distance
Elevation

MAP FINDINGS

Site

Database(s)

EDR ID Number
EPA ID Number

BNSF RAILWAY COMPANY (Continued)

S113007015

Trans 2 Name: Not reported
TSDf EPA ID: CAD982444481
Trans Name: FILTER RECYCLING SERVICES INC
TSDf Alt EPA ID: CAD982444481
TSDf Alt Name: Not reported
Waste Code Description: 223 - Unspecified oil-containing waste
RCRA Code: Not reported
Meth Code: R01 - Recycler
Quantity Tons: 2.02245
Waste Quantity: 485
Quantity Unit: G
Additional Code 1: Not reported
Additional Code 2: Not reported
Additional Code 3: Not reported
Additional Code 4: Not reported
Additional Code 5: Not reported

Shipment Date: 20060615
Creation Date: 9/14/2006 18:39:29
Receipt Date: 20060616
Manifest ID: 25145666
Trans EPA ID: CAD982444481
Trans Name: FILTER RECYCLING SERVICES INC
Trans 2 EPA ID: Not reported
Trans 2 Name: Not reported
TSDf EPA ID: CAD982444481
Trans Name: FILTER RECYCLING SERVICES INC
TSDf Alt EPA ID: CAD982444481
TSDf Alt Name: Not reported
Waste Code Description: - Not reported
RCRA Code: Not reported
Meth Code: - Not reported
Quantity Tons: Not reported
Waste Quantity: Not reported
Quantity Unit: P
Additional Code 1: Not reported
Additional Code 2: Not reported
Additional Code 3: Not reported
Additional Code 4: Not reported
Additional Code 5: Not reported

Shipment Date: 20060615
Creation Date: 9/14/2006 18:39:29
Receipt Date: 20060621
Manifest ID: 25145688
Trans EPA ID: CAD982444481
Trans Name: FILTER RECYCLING SERVICES INC
Trans 2 EPA ID: Not reported
Trans 2 Name: Not reported
TSDf EPA ID: CAD028409019
Trans Name: CROSBY OVERTON INC
TSDf Alt EPA ID: CAD028409019
TSDf Alt Name: Not reported
Waste Code Description: - Not reported
RCRA Code: Not reported
Meth Code: - Not reported
Quantity Tons: Not reported

Map ID
Direction
Distance
Elevation

MAP FINDINGS

Site

Database(s)

EDR ID Number
EPA ID Number

BNSF RAILWAY COMPANY (Continued)

S113007015

Waste Quantity:	Not reported
Quantity Unit:	G
Additional Code 1:	Not reported
Additional Code 2:	Not reported
Additional Code 3:	Not reported
Additional Code 4:	Not reported
Additional Code 5:	Not reported
Shipment Date:	20060615
Creation Date:	9/14/2006 18:39:29
Receipt Date:	20060616
Manifest ID:	25145666
Trans EPA ID:	CAD982444481
Trans Name:	FILTER RECYCLING SERVICES INC
Trans 2 EPA ID:	Not reported
Trans 2 Name:	Not reported
TSDf EPA ID:	CAD982444481
Trans Name:	FILTER RECYCLING SERVICES INC
TSDf Alt EPA ID:	CAD982444481
TSDf Alt Name:	Not reported
Waste Code Description:	- Not reported
RCRA Code:	Not reported
Meth Code:	- Not reported
Quantity Tons:	Not reported
Waste Quantity:	Not reported
Quantity Unit:	P
Additional Code 1:	Not reported
Additional Code 2:	Not reported
Additional Code 3:	Not reported
Additional Code 4:	Not reported
Additional Code 5:	Not reported
Shipment Date:	20060615
Creation Date:	9/14/2006 18:39:29
Receipt Date:	20060616
Manifest ID:	25145666
Trans EPA ID:	CAD982444481
Trans Name:	FILTER RECYCLING SERVICES INC
Trans 2 EPA ID:	Not reported
Trans 2 Name:	Not reported
TSDf EPA ID:	CAD982444481
Trans Name:	FILTER RECYCLING SERVICES INC
TSDf Alt EPA ID:	CAD982444481
TSDf Alt Name:	Not reported
Waste Code Description:	- Not reported
RCRA Code:	Not reported
Meth Code:	- Not reported
Quantity Tons:	Not reported
Waste Quantity:	Not reported
Quantity Unit:	G
Additional Code 1:	Not reported
Additional Code 2:	Not reported
Additional Code 3:	Not reported
Additional Code 4:	Not reported
Additional Code 5:	Not reported
Shipment Date:	20060615

Map ID
Direction
Distance
Elevation

MAP FINDINGS

Site

Database(s)

EDR ID Number
EPA ID Number

BNSF RAILWAY COMPANY (Continued)

S113007015

Creation Date: 9/14/2006 18:39:29
Receipt Date: 20060616
Manifest ID: 25145666
Trans EPA ID: CAD982444481
Trans Name: FILTER RECYCLING SERVICES INC
Trans 2 EPA ID: Not reported
Trans 2 Name: Not reported
TSDf EPA ID: CAD982444481
Trans Name: FILTER RECYCLING SERVICES INC
TSDf Alt EPA ID: CAD982444481
TSDf Alt Name: Not reported
Waste Code Description: 221 - Waste oil and mixed oil
RCRA Code: Not reported
Meth Code: R01 - Recycler
Quantity Tons: 0.19
Waste Quantity: 50
Quantity Unit: G
Additional Code 1: Not reported
Additional Code 2: Not reported
Additional Code 3: Not reported
Additional Code 4: Not reported
Additional Code 5: Not reported

Shipment Date: 20060615
Creation Date: 9/14/2006 18:39:29
Receipt Date: 20060621
Manifest ID: 25145688
Trans EPA ID: CAD982444481
Trans Name: FILTER RECYCLING SERVICES INC
Trans 2 EPA ID: Not reported
Trans 2 Name: Not reported
TSDf EPA ID: CAD028409019
Trans Name: CROSBY OVERTON INC
TSDf Alt EPA ID: CAD028409019
TSDf Alt Name: Not reported
Waste Code Description: 331 - Off-specification, aged, or surplus organics
RCRA Code: D001
Meth Code: H01 - Transfer Station
Quantity Tons: 0.05
Waste Quantity: 100
Quantity Unit: P
Additional Code 1: Not reported
Additional Code 2: Not reported
Additional Code 3: Not reported
Additional Code 4: Not reported
Additional Code 5: Not reported

Additional Info:
Year: 2000
Gen EPA ID: CAD981460181

Shipment Date: 20000930
Creation Date: 1/9/2001 0:00:00
Receipt Date: 20001013
Manifest ID: 99786834
Trans EPA ID: CAD983668583
Trans Name: Not reported

Map ID
Direction
Distance
Elevation

MAP FINDINGS

Site

Database(s)

EDR ID Number
EPA ID Number

BNSF RAILWAY COMPANY (Continued)

S113007015

Trans 2 EPA ID:	Not reported
Trans 2 Name:	Not reported
TSDf EPA ID:	CAT080013352
Trans Name:	Not reported
TSDf Alt EPA ID:	CAT080013352
TSDf Alt Name:	Not reported
Waste Code Description:	221 - Waste oil and mixed oil
RCRA Code:	Not reported
Meth Code:	R01 - Recycler
Quantity Tons:	0.532
Waste Quantity:	140
Quantity Unit:	G
Additional Code 1:	Not reported
Additional Code 2:	Not reported
Additional Code 3:	Not reported
Additional Code 4:	Not reported
Additional Code 5:	Not reported
Shipment Date:	20000922
Creation Date:	11/14/2000 0:00:00
Receipt Date:	20000927
Manifest ID:	99783076
Trans EPA ID:	CAD983668583
Trans Name:	Not reported
Trans 2 EPA ID:	Not reported
Trans 2 Name:	Not reported
TSDf EPA ID:	CAD028409019
Trans Name:	Not reported
TSDf Alt EPA ID:	CAD028409019
TSDf Alt Name:	Not reported
Waste Code Description:	331 - Off-specification, aged, or surplus organics
RCRA Code:	Not reported
Meth Code:	H01 - Transfer Station
Quantity Tons:	0.33
Waste Quantity:	100
Quantity Unit:	G
Additional Code 1:	Not reported
Additional Code 2:	Not reported
Additional Code 3:	Not reported
Additional Code 4:	Not reported
Additional Code 5:	Not reported
Shipment Date:	20000414
Creation Date:	6/21/2000 0:00:00
Receipt Date:	20000419
Manifest ID:	99787921
Trans EPA ID:	CAD983668583
Trans Name:	Not reported
Trans 2 EPA ID:	Not reported
Trans 2 Name:	Not reported
TSDf EPA ID:	CAD028409019
Trans Name:	Not reported
TSDf Alt EPA ID:	CAD028409019
TSDf Alt Name:	Not reported
Waste Code Description:	122 - Alkaline solution without metals (pH > 12.5
RCRA Code:	D002
Meth Code:	H01 - Transfer Station

Map ID
Direction
Distance
Elevation

MAP FINDINGS

Site

Database(s)

EDR ID Number
EPA ID Number

BNSF RAILWAY COMPANY (Continued)

S113007015

Quantity Tons: 0.005
Waste Quantity: 10
Quantity Unit: P
Additional Code 1: Not reported
Additional Code 2: Not reported
Additional Code 3: Not reported
Additional Code 4: Not reported
Additional Code 5: Not reported

Shipment Date: 20000414
Creation Date: 6/21/2000 0:00:00
Receipt Date: 20000419
Manifest ID: 99787921
Trans EPA ID: CAD983668583
Trans Name: Not reported
Trans 2 EPA ID: Not reported
Trans 2 Name: Not reported
TSDf EPA ID: CAD028409019
Trans Name: Not reported
TSDf Alt EPA ID: CAD028409019
TSDf Alt Name: Not reported
Waste Code Description: 221 - Waste oil and mixed oil
RCRA Code: Not reported
Meth Code: T01 - Treatment, Tank
Quantity Tons: 0.152
Waste Quantity: 40
Quantity Unit: G
Additional Code 1: Not reported
Additional Code 2: Not reported
Additional Code 3: Not reported
Additional Code 4: Not reported
Additional Code 5: Not reported

Shipment Date: 20000414
Creation Date: 6/21/2000 0:00:00
Receipt Date: 20000419
Manifest ID: 99787921
Trans EPA ID: CAD983668583
Trans Name: Not reported
Trans 2 EPA ID: Not reported
Trans 2 Name: Not reported
TSDf EPA ID: CAD028409019
Trans Name: Not reported
TSDf Alt EPA ID: CAD028409019
TSDf Alt Name: Not reported
Waste Code Description: 331 - Off-specification, aged, or surplus organics
RCRA Code: D001
Meth Code: H01 - Transfer Station
Quantity Tons: 0.025
Waste Quantity: 50
Quantity Unit: P
Additional Code 1: Not reported
Additional Code 2: Not reported
Additional Code 3: Not reported
Additional Code 4: Not reported
Additional Code 5: Not reported

Map ID
Direction
Distance
Elevation

MAP FINDINGS

Site

Database(s)

EDR ID Number
EPA ID Number

BNSF RAILWAY COMPANY (Continued)

S113007015

Shipment Date:	20000414
Creation Date:	6/21/2000 0:00:00
Receipt Date:	20000419
Manifest ID:	99787920
Trans EPA ID:	CAD983668583
Trans Name:	Not reported
Trans 2 EPA ID:	Not reported
Trans 2 Name:	Not reported
TSDf EPA ID:	CAD028409019
Trans Name:	Not reported
TSDf Alt EPA ID:	CAD028409019
TSDf Alt Name:	Not reported
Waste Code Description:	331 - Off-specification, aged, or surplus organics
RCRA Code:	D001
Meth Code:	H01 - Transfer Station
Quantity Tons:	0.05
Waste Quantity:	100
Quantity Unit:	P
Additional Code 1:	Not reported
Additional Code 2:	Not reported
Additional Code 3:	Not reported
Additional Code 4:	Not reported
Additional Code 5:	Not reported
Shipment Date:	20000121
Creation Date:	4/28/2000 0:00:00
Receipt Date:	20000128
Manifest ID:	99097022
Trans EPA ID:	CAD983668583
Trans Name:	Not reported
Trans 2 EPA ID:	Not reported
Trans 2 Name:	Not reported
TSDf EPA ID:	CAD982444481
Trans Name:	Not reported
TSDf Alt EPA ID:	Not reported
TSDf Alt Name:	Not reported
Waste Code Description:	134 - Aqueous solution with <10% total organic residues
RCRA Code:	Not reported
Meth Code:	R01 - Recycler
Quantity Tons:	0.126
Waste Quantity:	30
Quantity Unit:	G
Additional Code 1:	Not reported
Additional Code 2:	Not reported
Additional Code 3:	Not reported
Additional Code 4:	Not reported
Additional Code 5:	Not reported
Shipment Date:	20000114
Creation Date:	3/22/2000 0:00:00
Receipt Date:	20000119
Manifest ID:	99097674
Trans EPA ID:	CAD983668583
Trans Name:	Not reported
Trans 2 EPA ID:	Not reported
Trans 2 Name:	Not reported
TSDf EPA ID:	CAD028409019

Map ID
Direction
Distance
Elevation

MAP FINDINGS

Site

Database(s)

EDR ID Number
EPA ID Number

BNSF RAILWAY COMPANY (Continued)

S113007015

Trans Name:	Not reported
TSDF Alt EPA ID:	CAD028409019
TSDF Alt Name:	Not reported
Waste Code Description:	331 - Off-specification, aged, or surplus organics
RCRA Code:	D001
Meth Code:	H01 - Transfer Station
Quantity Tons:	0.0375
Waste Quantity:	75
Quantity Unit:	P
Additional Code 1:	Not reported
Additional Code 2:	Not reported
Additional Code 3:	Not reported
Additional Code 4:	Not reported
Additional Code 5:	Not reported
Shipment Date:	20000114
Creation Date:	3/22/2000 0:00:00
Receipt Date:	20000119
Manifest ID:	99097674
Trans EPA ID:	CAD983668583
Trans Name:	Not reported
Trans 2 EPA ID:	Not reported
Trans 2 Name:	Not reported
TSDF EPA ID:	CAD028409019
Trans Name:	Not reported
TSDF Alt EPA ID:	CAD028409019
TSDF Alt Name:	Not reported
Waste Code Description:	791 - Liquids with pH < 2 792 Liquids with pH < 2 with metals
RCRA Code:	D002
Meth Code:	H01 - Transfer Station
Quantity Tons:	0.0375
Waste Quantity:	75
Quantity Unit:	P
Additional Code 1:	Not reported
Additional Code 2:	Not reported
Additional Code 3:	Not reported
Additional Code 4:	Not reported
Additional Code 5:	Not reported
Additional Info:	
Year:	2005
Gen EPA ID:	CAD981460181
Shipment Date:	20051215
Creation Date:	6/22/2006 18:32:03
Receipt Date:	20051219
Manifest ID:	24406997
Trans EPA ID:	CAD982444481
Trans Name:	FILTER RECYCLING SERVICES INC
Trans 2 EPA ID:	Not reported
Trans 2 Name:	Not reported
TSDF EPA ID:	CAD982444481
Trans Name:	FILTER RECYCLING SERVICES INC
TSDF Alt EPA ID:	CAD982444481
TSDF Alt Name:	Not reported
Waste Code Description:	221 - Waste oil and mixed oil
RCRA Code:	Not reported

Map ID
Direction
Distance
Elevation

MAP FINDINGS

Site

Database(s)

EDR ID Number
EPA ID Number

BNSF RAILWAY COMPANY (Continued)

S113007015

Meth Code: R01 - Recycler
Quantity Tons: 0.19
Waste Quantity: 50
Quantity Unit: G
Additional Code 1: Not reported
Additional Code 2: Not reported
Additional Code 3: Not reported
Additional Code 4: Not reported
Additional Code 5: Not reported

Shipment Date: 20051215
Creation Date: 6/22/2006 18:32:03
Receipt Date: 20051219
Manifest ID: 24406996
Trans EPA ID: CAD982444481
Trans Name: FILTER RECYCLING SERVICES INC
Trans 2 EPA ID: Not reported
Trans 2 Name: Not reported
TSDf EPA ID: CAD982444481
Trans Name: FILTER RECYCLING SERVICES INC
TSDf Alt EPA ID: CAD982444481
TSDf Alt Name: Not reported
Waste Code Description: 221 - Waste oil and mixed oil
RCRA Code: Not reported
Meth Code: R01 - Recycler
Quantity Tons: 0.095
Waste Quantity: 25
Quantity Unit: G
Additional Code 1: Not reported
Additional Code 2: Not reported
Additional Code 3: Not reported
Additional Code 4: Not reported
Additional Code 5: Not reported

Shipment Date: 20051114
Creation Date: 1/2/2007 18:30:32
Receipt Date: 20051114
Manifest ID: 24812052
Trans EPA ID: CAD982444481
Trans Name: FILTER RECYCLING SERVICES INC
Trans 2 EPA ID: Not reported
Trans 2 Name: Not reported
TSDf EPA ID: CAD982444481
Trans Name: FILTER RECYCLING SERVICES INC
TSDf Alt EPA ID: CAD982444481
TSDf Alt Name: Not reported
Waste Code Description: 221 - Waste oil and mixed oil
RCRA Code: Not reported
Meth Code: R01 - Recycler
Quantity Tons: 0.19
Waste Quantity: 50
Quantity Unit: G
Additional Code 1: Not reported
Additional Code 2: Not reported
Additional Code 3: Not reported
Additional Code 4: Not reported
Additional Code 5: Not reported

Map ID
Direction
Distance
Elevation

MAP FINDINGS

Site

Database(s)

EDR ID Number
EPA ID Number

BNSF RAILWAY COMPANY (Continued)

S113007015

Shipment Date: 20051114
Creation Date: 1/2/2007 18:30:32
Receipt Date: 20051114
Manifest ID: 24812051
Trans EPA ID: CAD982444481
Trans Name: FILTER RECYCLING SERVICES INC
Trans 2 EPA ID: Not reported
Trans 2 Name: Not reported
TSDf EPA ID: CAD982444481
Trans Name: FILTER RECYCLING SERVICES INC
TSDf Alt EPA ID: CAD982444481
TSDf Alt Name: Not reported
Waste Code Description: 221 - Waste oil and mixed oil
RCRA Code: Not reported
Meth Code: R01 - Recycler
Quantity Tons: 0.76
Waste Quantity: 200
Quantity Unit: G
Additional Code 1: Not reported
Additional Code 2: Not reported
Additional Code 3: Not reported
Additional Code 4: Not reported
Additional Code 5: Not reported

Shipment Date: 20050922
Creation Date: 8/23/2006 18:35:03
Receipt Date: 20050923
Manifest ID: 24509787
Trans EPA ID: CAD982444481
Trans Name: FILTER RECYCLING SERVICES INC
Trans 2 EPA ID: Not reported
Trans 2 Name: Not reported
TSDf EPA ID: CAD982444481
Trans Name: FILTER RECYCLING SERVICES INC
TSDf Alt EPA ID: CAD982444481
TSDf Alt Name: Not reported
Waste Code Description: 221 - Waste oil and mixed oil
RCRA Code: Not reported
Meth Code: R01 - Recycler
Quantity Tons: 0.19
Waste Quantity: 50
Quantity Unit: G
Additional Code 1: Not reported
Additional Code 2: Not reported
Additional Code 3: Not reported
Additional Code 4: Not reported
Additional Code 5: Not reported

Shipment Date: 20050922
Creation Date: 8/23/2006 18:35:03
Receipt Date: 20050923
Manifest ID: 24509788
Trans EPA ID: CAD982444481
Trans Name: FILTER RECYCLING SERVICES INC
Trans 2 EPA ID: Not reported
Trans 2 Name: Not reported
TSDf EPA ID: CAD982444481

Map ID
Direction
Distance
Elevation

MAP FINDINGS

Site

Database(s)

EDR ID Number
EPA ID Number

BNSF RAILWAY COMPANY (Continued)

S113007015

Trans Name: FILTER RECYCLING SERVICES INC
TSDf Alt EPA ID: CAD982444481
TSDf Alt Name: Not reported
Waste Code Description: 221 - Waste oil and mixed oil
RCRA Code: Not reported
Meth Code: R01 - Recycler
Quantity Tons: 0.76
Waste Quantity: 200
Quantity Unit: G
Additional Code 1: Not reported
Additional Code 2: Not reported
Additional Code 3: Not reported
Additional Code 4: Not reported
Additional Code 5: Not reported

Shipment Date: 20050917
Creation Date: 1/11/2006 18:31:12
Receipt Date: 20050920
Manifest ID: 24508573
Trans EPA ID: CAD982444481
Trans Name: FILTER RECYCLING SERVICES INC
Trans 2 EPA ID: Not reported
Trans 2 Name: Not reported
TSDf EPA ID: CAD982444481
Trans Name: FILTER RECYCLING SERVICES INC
TSDf Alt EPA ID: CAD982444481
TSDf Alt Name: Not reported
Waste Code Description: 221 - Waste oil and mixed oil
RCRA Code: Not reported
Meth Code: R01 - Recycler
Quantity Tons: 0.19
Waste Quantity: 50
Quantity Unit: G
Additional Code 1: Not reported
Additional Code 2: Not reported
Additional Code 3: Not reported
Additional Code 4: Not reported
Additional Code 5: Not reported

Shipment Date: 20050723
Creation Date: 11/23/2005 18:30:57
Receipt Date: 20050725
Manifest ID: 24509759
Trans EPA ID: CAD982444481
Trans Name: FILTER RECYCLING SERVICES INC
Trans 2 EPA ID: Not reported
Trans 2 Name: Not reported
TSDf EPA ID: CAD982444481
Trans Name: FILTER RECYCLING SERVICES INC
TSDf Alt EPA ID: CAD982444481
TSDf Alt Name: Not reported
Waste Code Description: 134 - Aqueous solution with <10% total organic residues
RCRA Code: Not reported
Meth Code: H01 - Transfer Station
Quantity Tons: 1.386
Waste Quantity: 330
Quantity Unit: G

Map ID
Direction
Distance
Elevation

MAP FINDINGS

Site

Database(s)

EDR ID Number
EPA ID Number

BNSF RAILWAY COMPANY (Continued)

S113007015

Additional Code 1:	Not reported
Additional Code 2:	Not reported
Additional Code 3:	Not reported
Additional Code 4:	Not reported
Additional Code 5:	Not reported
Shipment Date:	20050617
Creation Date:	9/15/2005 18:32:02
Receipt Date:	20050617
Manifest ID:	24460158
Trans EPA ID:	CAD983668583
Trans Name:	CONSOLIDATED WASTE INDUSTRIES INC
Trans 2 EPA ID:	Not reported
Trans 2 Name:	Not reported
TSDf EPA ID:	CAD099452727
Trans Name:	INDUSTRIAL SERVICE OIL ISO
TSDf Alt EPA ID:	CAD099452708
TSDf Alt Name:	Not reported
Waste Code Description:	221 - Waste oil and mixed oil
RCRA Code:	Not reported
Meth Code:	R01 - Recycler
Quantity Tons:	1.33
Waste Quantity:	350
Quantity Unit:	G
Additional Code 1:	Not reported
Additional Code 2:	Not reported
Additional Code 3:	Not reported
Additional Code 4:	Not reported
Additional Code 5:	Not reported
Shipment Date:	20050617
Creation Date:	9/15/2005 18:32:02
Receipt Date:	20050617
Manifest ID:	24460159
Trans EPA ID:	CAD983668583
Trans Name:	CONSOLIDATED WASTE INDUSTRIES INC
Trans 2 EPA ID:	Not reported
Trans 2 Name:	Not reported
TSDf EPA ID:	CAD099452708
Trans Name:	INDUSTRIAL SERVICE OIL ISO
TSDf Alt EPA ID:	CAD099452708
TSDf Alt Name:	Not reported
Waste Code Description:	221 - Waste oil and mixed oil
RCRA Code:	Not reported
Meth Code:	R01 - Recycler
Quantity Tons:	0.285
Waste Quantity:	75
Quantity Unit:	G
Additional Code 1:	Not reported
Additional Code 2:	Not reported
Additional Code 3:	Not reported
Additional Code 4:	Not reported
Additional Code 5:	Not reported
Additional Info:	
Year:	2014
Gen EPA ID:	CAD981460181

Map ID
Direction
Distance
Elevation

MAP FINDINGS

Site

Database(s)

EDR ID Number
EPA ID Number

BNSF RAILWAY COMPANY (Continued)

S113007015

Shipment Date:	20141223
Creation Date:	2/14/2015 22:15:08
Receipt Date:	20141226
Manifest ID:	013480524JJK
Trans EPA ID:	CAR000172460
Trans Name:	ENVIRONMENTAL LOGISTICS INC
Trans 2 EPA ID:	Not reported
Trans 2 Name:	Not reported
TSDf EPA ID:	CAD982444481
Trans Name:	FILTER RECYCLING SERVICES INC
TSDf Alt EPA ID:	Not reported
TSDf Alt Name:	Not reported
Waste Code Description:	134 - Aqueous solution with <10% total organic residues
RCRA Code:	Not reported
Meth Code:	H141 - Storage, Bulking, And/Or Transfer Off Site--No Treatment/Reovery (H010-H129) Or (H131-H135)
Quantity Tons:	2.037
Waste Quantity:	485
Quantity Unit:	G
Additional Code 1:	Not reported
Additional Code 2:	Not reported
Additional Code 3:	Not reported
Additional Code 4:	Not reported
Additional Code 5:	Not reported
Shipment Date:	20141125
Creation Date:	1/15/2015 22:15:01
Receipt Date:	20141201
Manifest ID:	013482091JJK
Trans EPA ID:	CAR000172460
Trans Name:	ENVIRONMENTAL LOGISTICS INC
Trans 2 EPA ID:	Not reported
Trans 2 Name:	Not reported
TSDf EPA ID:	CAD982444481
Trans Name:	FILTER RECYCLING SERVICES INC
TSDf Alt EPA ID:	Not reported
TSDf Alt Name:	Not reported
Waste Code Description:	134 - Aqueous solution with <10% total organic residues
RCRA Code:	Not reported
Meth Code:	H141 - Storage, Bulking, And/Or Transfer Off Site--No Treatment/Reovery (H010-H129) Or (H131-H135)
Quantity Tons:	0.7476
Waste Quantity:	178
Quantity Unit:	G
Additional Code 1:	Not reported
Additional Code 2:	Not reported
Additional Code 3:	Not reported
Additional Code 4:	Not reported
Additional Code 5:	Not reported
Shipment Date:	20141021
Creation Date:	12/26/2014 22:14:49
Receipt Date:	20141022
Manifest ID:	013480668JJK
Trans EPA ID:	CAR000172460
Trans Name:	ENVIRONMENTAL LOGISTICS INC
Trans 2 EPA ID:	Not reported

Map ID
Direction
Distance
Elevation

MAP FINDINGS

Site

Database(s)

EDR ID Number
EPA ID Number

BNSF RAILWAY COMPANY (Continued)

S113007015

Trans 2 Name:	Not reported
TSDF EPA ID:	CAD982444481
Trans Name:	FILTER RECYCLING SERVICES INC
TSDF Alt EPA ID:	Not reported
TSDF Alt Name:	Not reported
Waste Code Description:	134 - Aqueous solution with <10% total organic residues
RCRA Code:	Not reported
Meth Code:	H141 - Storage, Bulking, And/Or Transfer Off Site--No Treatment/Reovery (H010-H129) Or (H131-H135)
Quantity Tons:	0.42
Waste Quantity:	100
Quantity Unit:	G
Additional Code 1:	Not reported
Additional Code 2:	Not reported
Additional Code 3:	Not reported
Additional Code 4:	Not reported
Additional Code 5:	Not reported
Shipment Date:	20140923
Creation Date:	11/12/2014 22:15:05
Receipt Date:	20140924
Manifest ID:	013125043JJK
Trans EPA ID:	CAR000172460
Trans Name:	ENVIRONMENTAL LOGISTICS INC
Trans 2 EPA ID:	Not reported
Trans 2 Name:	Not reported
TSDF EPA ID:	CAD982444481
Trans Name:	FILTER RECYCLING SERVICES INC
TSDF Alt EPA ID:	Not reported
TSDF Alt Name:	Not reported
Waste Code Description:	134 - Aqueous solution with <10% total organic residues
RCRA Code:	Not reported
Meth Code:	H141 - Storage, Bulking, And/Or Transfer Off Site--No Treatment/Reovery (H010-H129) Or (H131-H135)
Quantity Tons:	0.6594
Waste Quantity:	157
Quantity Unit:	G
Additional Code 1:	Not reported
Additional Code 2:	Not reported
Additional Code 3:	Not reported
Additional Code 4:	Not reported
Additional Code 5:	Not reported
Shipment Date:	20140907
Creation Date:	11/12/2014 22:15:05
Receipt Date:	20140915
Manifest ID:	013125192JJK
Trans EPA ID:	CAR000172460
Trans Name:	ENVIRONMENTAL LOGISTICS INC
Trans 2 EPA ID:	Not reported
Trans 2 Name:	Not reported
TSDF EPA ID:	CAD982444481
Trans Name:	FILTER RECYCLING SERVICES INC
TSDF Alt EPA ID:	Not reported
TSDF Alt Name:	Not reported
Waste Code Description:	221 - Waste oil and mixed oil
RCRA Code:	Not reported

Map ID
Direction
Distance
Elevation

MAP FINDINGS

Site

Database(s)

EDR ID Number
EPA ID Number

BNSF RAILWAY COMPANY (Continued)

S113007015

Meth Code:	H141 - Storage, Bulking, And/Or Transfer Off Site--No Treatment/Reovery (H010-H129) Or (H131-H135)
Quantity Tons:	0.152
Waste Quantity:	40
Quantity Unit:	G
Additional Code 1:	Not reported
Additional Code 2:	Not reported
Additional Code 3:	Not reported
Additional Code 4:	Not reported
Additional Code 5:	Not reported
Shipment Date:	20140718
Creation Date:	9/14/2014 22:15:04
Receipt Date:	20140722
Manifest ID:	012428153JJK
Trans EPA ID:	CAR000172460
Trans Name:	ENVIRONMENTAL LOGISTICS INC
Trans 2 EPA ID:	Not reported
Trans 2 Name:	Not reported
TSDf EPA ID:	CAD982444481
Trans Name:	FILTER RECYCLING SERVICES INC
TSDf Alt EPA ID:	Not reported
TSDf Alt Name:	Not reported
Waste Code Description:	221 - Waste oil and mixed oil
RCRA Code:	Not reported
Meth Code:	H141 - Storage, Bulking, And/Or Transfer Off Site--No Treatment/Reovery (H010-H129) Or (H131-H135)
Quantity Tons:	0.57
Waste Quantity:	150
Quantity Unit:	G
Additional Code 1:	Not reported
Additional Code 2:	Not reported
Additional Code 3:	Not reported
Additional Code 4:	Not reported
Additional Code 5:	Not reported
Shipment Date:	20140718
Creation Date:	9/23/2014 22:15:24
Receipt Date:	20140723
Manifest ID:	012428154JJK
Trans EPA ID:	CAR000172460
Trans Name:	ENVIRONMENTAL LOGISTICS INC
Trans 2 EPA ID:	Not reported
Trans 2 Name:	Not reported
TSDf EPA ID:	CAD028409019
Trans Name:	CROSBY & OVERTON
TSDf Alt EPA ID:	Not reported
TSDf Alt Name:	Not reported
Waste Code Description:	331 - Off-specification, aged, or surplus organics
RCRA Code:	D001
Meth Code:	H061 - Fuel Blending Prior To Energy Recovery At Another Site
Quantity Tons:	0.075
Waste Quantity:	150
Quantity Unit:	P
Additional Code 1:	Not reported
Additional Code 2:	Not reported
Additional Code 3:	Not reported

Map ID
Direction
Distance
Elevation

MAP FINDINGS

Site

Database(s)

EDR ID Number
EPA ID Number

BNSF RAILWAY COMPANY (Continued)

S113007015

Additional Code 4:	Not reported
Additional Code 5:	Not reported
Shipment Date:	20140309
Creation Date:	5/20/2014 22:14:51
Receipt Date:	20140320
Manifest ID:	011735334JJK
Trans EPA ID:	CAR000172460
Trans Name:	ENVIRONMENTAL LOGISTICS INC
Trans 2 EPA ID:	Not reported
Trans 2 Name:	Not reported
TSDf EPA ID:	CAD982444481
Trans Name:	FILTER RECYCLING SERVICES INC
TSDf Alt EPA ID:	Not reported
TSDf Alt Name:	Not reported
Waste Code Description:	221 - Waste oil and mixed oil
RCRA Code:	Not reported
Meth Code:	H141 - Storage, Bulking, And/Or Transfer Off Site--No Treatment/Reovery (H010-H129) Or (H131-H135)
Quantity Tons:	0.304
Waste Quantity:	80
Quantity Unit:	G
Additional Code 1:	Not reported
Additional Code 2:	Not reported
Additional Code 3:	Not reported
Additional Code 4:	Not reported
Additional Code 5:	Not reported
Shipment Date:	20140309
Creation Date:	4/30/2014 22:15:24
Receipt Date:	20140320
Manifest ID:	010608738JJK
Trans EPA ID:	CAR000172460
Trans Name:	ENVIRONMENTAL LOGISTICS INC
Trans 2 EPA ID:	Not reported
Trans 2 Name:	Not reported
TSDf EPA ID:	CAD982444481
Trans Name:	FILTER RECYCLING SERVICES INC
TSDf Alt EPA ID:	Not reported
TSDf Alt Name:	Not reported
Waste Code Description:	221 - Waste oil and mixed oil
RCRA Code:	Not reported
Meth Code:	H141 - Storage, Bulking, And/Or Transfer Off Site--No Treatment/Reovery (H010-H129) Or (H131-H135)
Quantity Tons:	0.057
Waste Quantity:	15
Quantity Unit:	G
Additional Code 1:	Not reported
Additional Code 2:	Not reported
Additional Code 3:	Not reported
Additional Code 4:	Not reported
Additional Code 5:	Not reported
Shipment Date:	20140225
Creation Date:	4/24/2014 22:15:02
Receipt Date:	20140226
Manifest ID:	011735477JJK

Map ID
Direction
Distance
Elevation

MAP FINDINGS

Site

Database(s)

EDR ID Number
EPA ID Number

BNSF RAILWAY COMPANY (Continued)

S113007015

Trans EPA ID: CAR000172460
Trans Name: ENVIRONMENTAL LOGISTICS INC
Trans 2 EPA ID: Not reported
Trans 2 Name: Not reported
TSDf EPA ID: CAD982444481
Trans Name: FILTER RECYCLING SERVICES INC
TSDf Alt EPA ID: Not reported
TSDf Alt Name: Not reported
Waste Code Description: 134 - Aqueous solution with <10% total organic residues
RCRA Code: Not reported
Meth Code: H141 - Storage, Bulking, And/Or Transfer Off Site--No Treatment/Reovery (H010-H129) Or (H131-H135)

Quantity Tons: 0.7476
Waste Quantity: 178
Quantity Unit: G
Additional Code 1: Not reported
Additional Code 2: Not reported
Additional Code 3: Not reported
Additional Code 4: Not reported
Additional Code 5: Not reported

Additional Info:

Year: 2017
Gen EPA ID: CAD981460181

Shipment Date: 20171228
Creation Date: 8/10/2018 18:30:24
Receipt Date: 20171228
Manifest ID: 017380625JJK
Trans EPA ID: CAR000172460
Trans Name: ENVIRONMENTAL LOGISTICS INC
Trans 2 EPA ID: Not reported
Trans 2 Name: Not reported
TSDf EPA ID: CAD982444481
Trans Name: FILTER RECYCLING SERVICES INC
TSDf Alt EPA ID: Not reported
TSDf Alt Name: Not reported
Waste Code Description: 134 - Aqueous solution with <10% total organic residues
RCRA Code: Not reported
Meth Code: H141 - Storage, Bulking, And/Or Transfer Off Site--No Treatment/Reovery (H010-H129) Or (H131-H135)

Quantity Tons: 1.0374
Waste Quantity: 247
Quantity Unit: G
Additional Code 1: Not reported
Additional Code 2: Not reported
Additional Code 3: Not reported
Additional Code 4: Not reported
Additional Code 5: Not reported

Shipment Date: 20171130
Creation Date: 6/20/2018 18:31:56
Receipt Date: 20171130
Manifest ID: 017380595JJK
Trans EPA ID: CAR000172460
Trans Name: ENVIRONMENTAL LOGISTICS INC
Trans 2 EPA ID: Not reported

Map ID
Direction
Distance
Elevation

MAP FINDINGS

Site

Database(s)

EDR ID Number
EPA ID Number

BNSF RAILWAY COMPANY (Continued)

S113007015

Trans 2 Name:	Not reported
TSDf EPA ID:	CAD982444481
Trans Name:	FILTER RECYCLING SERVICES INC
TSDf Alt EPA ID:	Not reported
TSDf Alt Name:	Not reported
Waste Code Description:	134 - Aqueous solution with <10% total organic residues
RCRA Code:	Not reported
Meth Code:	H141 - Storage, Bulking, And/Or Transfer Off Site--No Treatment/Reovery (H010-H129) Or (H131-H135)
Quantity Tons:	1.68
Waste Quantity:	400
Quantity Unit:	G
Additional Code 1:	Not reported
Additional Code 2:	Not reported
Additional Code 3:	Not reported
Additional Code 4:	Not reported
Additional Code 5:	Not reported
Shipment Date:	20171024
Creation Date:	6/13/2018 18:31:10
Receipt Date:	20171027
Manifest ID:	017382304JJK
Trans EPA ID:	CAR000172460
Trans Name:	ENVIRONMENTAL LOGISTICS INC
Trans 2 EPA ID:	Not reported
Trans 2 Name:	Not reported
TSDf EPA ID:	CAD982444481
Trans Name:	FILTER RECYCLING SERVICES INC
TSDf Alt EPA ID:	Not reported
TSDf Alt Name:	Not reported
Waste Code Description:	134 - Aqueous solution with <10% total organic residues
RCRA Code:	Not reported
Meth Code:	H141 - Storage, Bulking, And/Or Transfer Off Site--No Treatment/Reovery (H010-H129) Or (H131-H135)
Quantity Tons:	1.176
Waste Quantity:	280
Quantity Unit:	G
Additional Code 1:	Not reported
Additional Code 2:	Not reported
Additional Code 3:	Not reported
Additional Code 4:	Not reported
Additional Code 5:	Not reported
Shipment Date:	20170926
Creation Date:	5/30/2018 18:34:06
Receipt Date:	20170926
Manifest ID:	017382401JJK
Trans EPA ID:	CAR000172460
Trans Name:	ENVIRONMENTAL LOGISTICS INC
Trans 2 EPA ID:	Not reported
Trans 2 Name:	Not reported
TSDf EPA ID:	CAD982444481
Trans Name:	FILTER RECYCLING SERVICES INC
TSDf Alt EPA ID:	Not reported
TSDf Alt Name:	Not reported
Waste Code Description:	134 - Aqueous solution with <10% total organic residues
RCRA Code:	Not reported

Map ID
Direction
Distance
Elevation

MAP FINDINGS

Site

Database(s)

EDR ID Number
EPA ID Number

BNSF RAILWAY COMPANY (Continued)

S113007015

Meth Code: H141 - Storage, Bulking, And/Or Transfer Off Site--No Treatment/Reovery (H010-H129) Or (H131-H135)
Quantity Tons: 0.4116
Waste Quantity: 98
Quantity Unit: G
Additional Code 1: Not reported
Additional Code 2: Not reported
Additional Code 3: Not reported
Additional Code 4: Not reported
Additional Code 5: Not reported

Shipment Date: 20170824
Creation Date: 8/1/2018 18:30:18
Receipt Date: 20170824
Manifest ID: 017178370JJK
Trans EPA ID: CAR000172460
Trans Name: ENVIRONMENTAL LOGISTICS INC
Trans 2 EPA ID: Not reported
Trans 2 Name: Not reported
TSDf EPA ID: CAD982444481
Trans Name: FILTER RECYCLING SERVICES INC
TSDf Alt EPA ID: Not reported
TSDf Alt Name: Not reported
Waste Code Description: 134 - Aqueous solution with <10% total organic residues
RCRA Code: Not reported
Meth Code: H141 - Storage, Bulking, And/Or Transfer Off Site--No Treatment/Reovery (H010-H129) Or (H131-H135)
Quantity Tons: 0.2856
Waste Quantity: 68
Quantity Unit: G
Additional Code 1: Not reported
Additional Code 2: Not reported
Additional Code 3: Not reported
Additional Code 4: Not reported
Additional Code 5: Not reported

Shipment Date: 20170720
Creation Date: 5/17/2018 18:32:12
Receipt Date: 20170720
Manifest ID: 017178476JJK
Trans EPA ID: CAR000172460
Trans Name: ENVIRONMENTAL LOGISTICS INC
Trans 2 EPA ID: Not reported
Trans 2 Name: Not reported
TSDf EPA ID: CAD982444481
Trans Name: FILTER RECYCLING SERVICES INC
TSDf Alt EPA ID: Not reported
TSDf Alt Name: Not reported
Waste Code Description: 134 - Aqueous solution with <10% total organic residues
RCRA Code: Not reported
Meth Code: H141 - Storage, Bulking, And/Or Transfer Off Site--No Treatment/Reovery (H010-H129) Or (H131-H135)
Quantity Tons: 0.4494
Waste Quantity: 107
Quantity Unit: G
Additional Code 1: Not reported
Additional Code 2: Not reported

Map ID
Direction
Distance
Elevation

MAP FINDINGS

Site

Database(s)

EDR ID Number
EPA ID Number

BNSF RAILWAY COMPANY (Continued)

S113007015

Additional Code 3:	Not reported
Additional Code 4:	Not reported
Additional Code 5:	Not reported
Shipment Date:	20170427
Creation Date:	5/9/2018 18:32:31
Receipt Date:	20170427
Manifest ID:	016468781JJK
Trans EPA ID:	CAR000172460
Trans Name:	ENVIRONMENTAL LOGISTICS INC
Trans 2 EPA ID:	Not reported
Trans 2 Name:	Not reported
TSDf EPA ID:	CAD982444481
Trans Name:	FILTER RECYCLING SERVICES INC
TSDf Alt EPA ID:	Not reported
TSDf Alt Name:	Not reported
Waste Code Description:	134 - Aqueous solution with <10% total organic residues
RCRA Code:	Not reported
Meth Code:	H141 - Storage, Bulking, And/Or Transfer Off Site--No Treatment/Reovery (H010-H129) Or (H131-H135)
Quantity Tons:	1.2978
Waste Quantity:	309
Quantity Unit:	G
Additional Code 1:	Not reported
Additional Code 2:	Not reported
Additional Code 3:	Not reported
Additional Code 4:	Not reported
Additional Code 5:	Not reported
Shipment Date:	20170323
Creation Date:	5/24/2017 18:30:49
Receipt Date:	20170323
Manifest ID:	016468732JJK
Trans EPA ID:	CAR000172460
Trans Name:	ENVIRONMENTAL LOGISTICS INC
Trans 2 EPA ID:	Not reported
Trans 2 Name:	Not reported
TSDf EPA ID:	CAD982444481
Trans Name:	FILTER RECYCLING SERVICES INC
TSDf Alt EPA ID:	Not reported
TSDf Alt Name:	Not reported
Waste Code Description:	134 - Aqueous solution with <10% total organic residues
RCRA Code:	Not reported
Meth Code:	H141 - Storage, Bulking, And/Or Transfer Off Site--No Treatment/Reovery (H010-H129) Or (H131-H135)
Quantity Tons:	0.84
Waste Quantity:	200
Quantity Unit:	G
Additional Code 1:	Not reported
Additional Code 2:	Not reported
Additional Code 3:	Not reported
Additional Code 4:	Not reported
Additional Code 5:	Not reported
Shipment Date:	20170302
Creation Date:	5/24/2017 18:30:17
Receipt Date:	20170307

Map ID
Direction
Distance
Elevation

MAP FINDINGS

Site

Database(s)

EDR ID Number
EPA ID Number

BNSF RAILWAY COMPANY (Continued)

S113007015

Manifest ID: 016468696JJK
Trans EPA ID: CAR000172460
Trans Name: ENVIRONMENTAL LOGISTICS, INC.
Trans 2 EPA ID: Not reported
Trans 2 Name: Not reported
TSDf EPA ID: CAD982444481
Trans Name: FILTER RECYCLING SERVICES, INC.
TSDf Alt EPA ID: Not reported
TSDf Alt Name: Not reported
Waste Code Description: 221 - Waste oil and mixed oil
RCRA Code: Not reported
Meth Code: H141 - Storage, Bulking, And/Or Transfer Off Site--No Treatment/Reovery (H010-H129) Or (H131-H135)

Quantity Tons: 0.057
Waste Quantity: 15
Quantity Unit: G
Additional Code 1: Not reported
Additional Code 2: Not reported
Additional Code 3: Not reported
Additional Code 4: Not reported
Additional Code 5: Not reported

Shipment Date: 20170302
Creation Date: 5/22/2017 18:30:49
Receipt Date: 20170308
Manifest ID: 016468641JJK
Trans EPA ID: CAR000172460
Trans Name: ENVIRONMENTAL LOGISTICS INC
Trans 2 EPA ID: Not reported
Trans 2 Name: Not reported
TSDf EPA ID: CAD028409019
Trans Name: CROSBY & OVERTON
TSDf Alt EPA ID: Not reported
TSDf Alt Name: Not reported
Waste Code Description: 331 - Off-specification, aged, or surplus organics
RCRA Code: D001
Meth Code: H141 - Storage, Bulking, And/Or Transfer Off Site--No Treatment/Reovery (H010-H129) Or (H131-H135)

Quantity Tons: 0.0075
Waste Quantity: 15
Quantity Unit: P
Additional Code 1: Not reported
Additional Code 2: Not reported
Additional Code 3: Not reported
Additional Code 4: Not reported
Additional Code 5: Not reported

Additional Info:
Year: 2003
Gen EPA ID: CAD981460181

Shipment Date: 20031212
Creation Date: 8/30/2004 14:52:16
Receipt Date: 20031222
Manifest ID: 23364576
Trans EPA ID: CAD983668583
Trans Name: CONSOLIDATED WASTE INDUSTRIES INC

Map ID
Direction
Distance
Elevation

MAP FINDINGS

Site

Database(s)

EDR ID Number
EPA ID Number

BNSF RAILWAY COMPANY (Continued)

S113007015

Trans 2 EPA ID:	Not reported
Trans 2 Name:	Not reported
TSDf EPA ID:	CAD099452708
Trans Name:	INDUSTRIAL SERVICE OIL ISO
TSDf Alt EPA ID:	CAD099452708
TSDf Alt Name:	Not reported
Waste Code Description:	221 - Waste oil and mixed oil
RCRA Code:	Not reported
Meth Code:	R01 - Recycler
Quantity Tons:	0.266
Waste Quantity:	70
Quantity Unit:	G
Additional Code 1:	Not reported
Additional Code 2:	Not reported
Additional Code 3:	Not reported
Additional Code 4:	Not reported
Additional Code 5:	Not reported
Shipment Date:	20031212
Creation Date:	8/30/2004 14:52:16
Receipt Date:	20031222
Manifest ID:	23364575
Trans EPA ID:	CAD983668583
Trans Name:	CONSOLIDATED WASTE INDUSTRIES INC
Trans 2 EPA ID:	Not reported
Trans 2 Name:	Not reported
TSDf EPA ID:	CAD099452708
Trans Name:	INDUSTRIAL SERVICE OIL ISO
TSDf Alt EPA ID:	CAD099452708
TSDf Alt Name:	Not reported
Waste Code Description:	221 - Waste oil and mixed oil
RCRA Code:	Not reported
Meth Code:	R01 - Recycler
Quantity Tons:	0.266
Waste Quantity:	70
Quantity Unit:	G
Additional Code 1:	Not reported
Additional Code 2:	Not reported
Additional Code 3:	Not reported
Additional Code 4:	Not reported
Additional Code 5:	Not reported
Shipment Date:	20031211
Creation Date:	8/12/2004 8:09:46
Receipt Date:	20031224
Manifest ID:	23364583
Trans EPA ID:	CAD983668583
Trans Name:	CONSOLIDATED WASTE IND
Trans 2 EPA ID:	Not reported
Trans 2 Name:	Not reported
TSDf EPA ID:	CAD099452708
Trans Name:	INDUSTRIAL SERVICE OIL
TSDf Alt EPA ID:	CAD028409019
TSDf Alt Name:	Not reported
Waste Code Description:	221 - Waste oil and mixed oil
RCRA Code:	Not reported
Meth Code:	H01 - Transfer Station

Map ID
Direction
Distance
Elevation

MAP FINDINGS

Site

Database(s)

EDR ID Number
EPA ID Number

BNSF RAILWAY COMPANY (Continued)

S113007015

Quantity Tons:	0.19
Waste Quantity:	50
Quantity Unit:	G
Additional Code 1:	Not reported
Additional Code 2:	Not reported
Additional Code 3:	Not reported
Additional Code 4:	Not reported
Additional Code 5:	Not reported
Shipment Date:	20031110
Creation Date:	8/9/2004 8:48:13
Receipt Date:	20031125
Manifest ID:	22391943
Trans EPA ID:	CAD983668583
Trans Name:	CONSOLIDATED WASTE INDUSTRIES INC
Trans 2 EPA ID:	Not reported
Trans 2 Name:	Not reported
TSDf EPA ID:	CAD099452708
Trans Name:	INDUSTRIAL SERVICE OIL COMPANY ISO
TSDf Alt EPA ID:	CAD099452708
TSDf Alt Name:	Not reported
Waste Code Description:	221 - Waste oil and mixed oil
RCRA Code:	Not reported
Meth Code:	R01 - Recycler
Quantity Tons:	0.171
Waste Quantity:	45
Quantity Unit:	G
Additional Code 1:	Not reported
Additional Code 2:	Not reported
Additional Code 3:	Not reported
Additional Code 4:	Not reported
Additional Code 5:	Not reported
Shipment Date:	20031110
Creation Date:	8/9/2004 8:48:13
Receipt Date:	20031125
Manifest ID:	22391942
Trans EPA ID:	CAD983668583
Trans Name:	CONSOLIDATED WASTE INDUSTRIES INC
Trans 2 EPA ID:	Not reported
Trans 2 Name:	Not reported
TSDf EPA ID:	CAD099452708
Trans Name:	INDUSTRIAL SERVICE OIL COMPANY ISO
TSDf Alt EPA ID:	CAD099452708
TSDf Alt Name:	Not reported
Waste Code Description:	221 - Waste oil and mixed oil
RCRA Code:	Not reported
Meth Code:	R01 - Recycler
Quantity Tons:	0.76
Waste Quantity:	200
Quantity Unit:	G
Additional Code 1:	Not reported
Additional Code 2:	Not reported
Additional Code 3:	Not reported
Additional Code 4:	Not reported
Additional Code 5:	Not reported

Map ID
Direction
Distance
Elevation

MAP FINDINGS

Site

Database(s)

EDR ID Number
EPA ID Number

BNSF RAILWAY COMPANY (Continued)

S113007015

Shipment Date: 20031009
Creation Date: 8/3/2004 15:01:39
Receipt Date: 20031015
Manifest ID: 22391717
Trans EPA ID: CAD983668583
Trans Name: CONSOLIDATED WASTE INDUSTRIES INC
Trans 2 EPA ID: Not reported
Trans 2 Name: Not reported
TSDf EPA ID: CAD099452708
Trans Name: INDUSTRIAL SERVICE OIL COMPANY ISO
TSDf Alt EPA ID: CAD099452708
TSDf Alt Name: Not reported
Waste Code Description: 221 - Waste oil and mixed oil
RCRA Code: Not reported
Meth Code: R01 - Recycler
Quantity Tons: 0.76
Waste Quantity: 200
Quantity Unit: G
Additional Code 1: Not reported
Additional Code 2: Not reported
Additional Code 3: Not reported
Additional Code 4: Not reported
Additional Code 5: Not reported

Shipment Date: 20031009
Creation Date: 8/3/2004 15:01:39
Receipt Date: 20031015
Manifest ID: 22391716
Trans EPA ID: CAD983668583
Trans Name: CONSOLIDATED WASTE INDUSTRIES INC
Trans 2 EPA ID: Not reported
Trans 2 Name: Not reported
TSDf EPA ID: CAD099452708
Trans Name: INDUSTRIAL SERVICE OIL COMPANY ISO
TSDf Alt EPA ID: CAD099452708
TSDf Alt Name: Not reported
Waste Code Description: 221 - Waste oil and mixed oil
RCRA Code: Not reported
Meth Code: R01 - Recycler
Quantity Tons: 0.114
Waste Quantity: 30
Quantity Unit: G
Additional Code 1: Not reported
Additional Code 2: Not reported
Additional Code 3: Not reported
Additional Code 4: Not reported
Additional Code 5: Not reported

Shipment Date: 20030912
Creation Date: 8/2/2004 9:38:39
Receipt Date: 20030919
Manifest ID: 22736795
Trans EPA ID: CAD983668583
Trans Name: Not reported
Trans 2 EPA ID: Not reported
Trans 2 Name: Not reported
TSDf EPA ID: CAD099452708

Map ID
Direction
Distance
Elevation

MAP FINDINGS

Site

Database(s)

EDR ID Number
EPA ID Number

BNSF RAILWAY COMPANY (Continued)

S113007015

Trans Name: Not reported
TSDf Alt EPA ID: CAD099452708
TSDf Alt Name: Not reported
Waste Code Description: 221 - Waste oil and mixed oil
RCRA Code: Not reported
Meth Code: R01 - Recycler
Quantity Tons: 0.38
Waste Quantity: 100
Quantity Unit: G
Additional Code 1: Not reported
Additional Code 2: Not reported
Additional Code 3: Not reported
Additional Code 4: Not reported
Additional Code 5: Not reported

Shipment Date: 20030912
Creation Date: 8/2/2004 9:38:39
Receipt Date: 20030919
Manifest ID: 22736796
Trans EPA ID: CAD983668583
Trans Name: Not reported
Trans 2 EPA ID: Not reported
Trans 2 Name: Not reported
TSDf EPA ID: CAD099452708
Trans Name: Not reported
TSDf Alt EPA ID: CAD099452708
TSDf Alt Name: Not reported
Waste Code Description: 221 - Waste oil and mixed oil
RCRA Code: Not reported
Meth Code: R01 - Recycler
Quantity Tons: 0.76
Waste Quantity: 200
Quantity Unit: G
Additional Code 1: Not reported
Additional Code 2: Not reported
Additional Code 3: Not reported
Additional Code 4: Not reported
Additional Code 5: Not reported

Shipment Date: 20030907
Creation Date: 8/2/2004 9:37:42
Receipt Date: 20030917
Manifest ID: 22391620
Trans EPA ID: CAD983668583
Trans Name: Not reported
Trans 2 EPA ID: Not reported
Trans 2 Name: Not reported
TSDf EPA ID: CAD099452708
Trans Name: Not reported
TSDf Alt EPA ID: CAD099452708
TSDf Alt Name: Not reported
Waste Code Description: 221 - Waste oil and mixed oil
RCRA Code: Not reported
Meth Code: R01 - Recycler
Quantity Tons: 0.19
Waste Quantity: 50
Quantity Unit: G

Map ID
Direction
Distance
Elevation

MAP FINDINGS

Site

Database(s)

EDR ID Number
EPA ID Number

BNSF RAILWAY COMPANY (Continued)

S113007015

Additional Code 1: Not reported
Additional Code 2: Not reported
Additional Code 3: Not reported
Additional Code 4: Not reported
Additional Code 5: Not reported

Additional Info:

Year: 1999
Gen EPA ID: CAD981460181

Shipment Date: 19991015
Creation Date: 12/17/1999 0:00:00
Receipt Date: 19991026
Manifest ID: 98239194
Trans EPA ID: CAD983668583
Trans Name: Not reported
Trans 2 EPA ID: Not reported
Trans 2 Name: Not reported
TSDF EPA ID: CAD028409019
Trans Name: Not reported
TSDF Alt EPA ID: Not reported
TSDF Alt Name: Not reported
Waste Code Description: 221 - Waste oil and mixed oil
RCRA Code: Not reported
Meth Code: T01 - Treatment, Tank
Quantity Tons: 0.38
Waste Quantity: 100
Quantity Unit: G
Additional Code 1: Not reported
Additional Code 2: Not reported
Additional Code 3: Not reported
Additional Code 4: Not reported
Additional Code 5: Not reported

Shipment Date: 19991015
Creation Date: 1/4/2000 0:00:00
Receipt Date: 19991019
Manifest ID: 98239195
Trans EPA ID: CAD983668583
Trans Name: Not reported
Trans 2 EPA ID: Not reported
Trans 2 Name: Not reported
TSDF EPA ID: CAD028409019
Trans Name: Not reported
TSDF Alt EPA ID: CAD028409019
TSDF Alt Name: Not reported
Waste Code Description: 331 - Off-specification, aged, or surplus organics
RCRA Code: D001
Meth Code: T01 - Treatment, Tank
Quantity Tons: 0.165
Waste Quantity: 50
Quantity Unit: G
Additional Code 1: Not reported
Additional Code 2: Not reported
Additional Code 3: Not reported
Additional Code 4: Not reported
Additional Code 5: Not reported

Map ID
Direction
Distance
Elevation

MAP FINDINGS

Site

Database(s)

EDR ID Number
EPA ID Number

BNSF RAILWAY COMPANY (Continued)

S113007015

Shipment Date: 19990422
Creation Date: 6/10/1999 0:00:00
Receipt Date: 19990427
Manifest ID: 98239174
Trans EPA ID: CAD983668583
Trans Name: Not reported
Trans 2 EPA ID: Not reported
Trans 2 Name: Not reported
TSDf EPA ID: CAD028409019
Trans Name: Not reported
TSDf Alt EPA ID: CAD028409019
TSDf Alt Name: Not reported
Waste Code Description: 331 - Off-specification, aged, or surplus organics
RCRA Code: D001
Meth Code: H01 - Transfer Station
Quantity Tons: 0.02
Waste Quantity: 40
Quantity Unit: P
Additional Code 1: Not reported
Additional Code 2: Not reported
Additional Code 3: Not reported
Additional Code 4: Not reported
Additional Code 5: Not reported

Shipment Date: 19990422
Creation Date: 6/10/1999 0:00:00
Receipt Date: 19990427
Manifest ID: 98239174
Trans EPA ID: CAD983668583
Trans Name: Not reported
Trans 2 EPA ID: Not reported
Trans 2 Name: Not reported
TSDf EPA ID: CAD028409019
Trans Name: Not reported
TSDf Alt EPA ID: CAD028409019
TSDf Alt Name: Not reported
Waste Code Description: 343 - Unspecified organic liquid mixture
RCRA Code: Not reported
Meth Code: T01 - Treatment, Tank
Quantity Tons: 0.068
Waste Quantity: 20
Quantity Unit: G
Additional Code 1: Not reported
Additional Code 2: Not reported
Additional Code 3: Not reported
Additional Code 4: Not reported
Additional Code 5: Not reported

Shipment Date: 19990125
Creation Date: 3/17/1999 0:00:00
Receipt Date: 19990127
Manifest ID: 97301896
Trans EPA ID: CAD983668583
Trans Name: Not reported
Trans 2 EPA ID: Not reported
Trans 2 Name: Not reported
TSDf EPA ID: CAD028409019

Map ID
Direction
Distance
Elevation

MAP FINDINGS

Site

Database(s)

EDR ID Number
EPA ID Number

BNSF RAILWAY COMPANY (Continued)

S113007015

Trans Name:	Not reported
TSDf Alt EPA ID:	Not reported
TSDf Alt Name:	Not reported
Waste Code Description:	221 - Waste oil and mixed oil
RCRA Code:	Not reported
Meth Code:	T01 - Treatment, Tank
Quantity Tons:	1.235
Waste Quantity:	325
Quantity Unit:	G
Additional Code 1:	Not reported
Additional Code 2:	Not reported
Additional Code 3:	Not reported
Additional Code 4:	Not reported
Additional Code 5:	Not reported
Shipment Date:	19990125
Creation Date:	3/17/1999 0:00:00
Receipt Date:	19990129
Manifest ID:	96734926
Trans EPA ID:	CAD983668583
Trans Name:	Not reported
Trans 2 EPA ID:	Not reported
Trans 2 Name:	Not reported
TSDf EPA ID:	CAT080022148
Trans Name:	Not reported
TSDf Alt EPA ID:	CAT080022148
TSDf Alt Name:	Not reported
Waste Code Description:	141 - Off-specification, aged, or surplus inorganics
RCRA Code:	D003
Meth Code:	H01 - Transfer Station
Quantity Tons:	0.03
Waste Quantity:	60
Quantity Unit:	P
Additional Code 1:	Not reported
Additional Code 2:	Not reported
Additional Code 3:	Not reported
Additional Code 4:	Not reported
Additional Code 5:	Not reported
Additional Info:	
Year:	1994
Gen EPA ID:	CAD981460181
Shipment Date:	19941227
Creation Date:	3/28/1996 0:00:00
Receipt Date:	19941228
Manifest ID:	92839717
Trans EPA ID:	CAD983649880
Trans Name:	Not reported
Trans 2 EPA ID:	Not reported
Trans 2 Name:	Not reported
TSDf EPA ID:	CAD044429835
Trans Name:	Not reported
TSDf Alt EPA ID:	CAD044429835
TSDf Alt Name:	Not reported
Waste Code Description:	343 - Unspecified organic liquid mixture
RCRA Code:	D001

Map ID
Direction
Distance
Elevation

MAP FINDINGS

Site

Database(s)

EDR ID Number
EPA ID Number

BNSF RAILWAY COMPANY (Continued)

S113007015

Meth Code: T03 - Treatment, Incineration
Quantity Tons: 0.075
Waste Quantity: 150
Quantity Unit: P
Additional Code 1: Not reported
Additional Code 2: Not reported
Additional Code 3: Not reported
Additional Code 4: Not reported
Additional Code 5: Not reported

Shipment Date: 19941227
Creation Date: 3/28/1996 0:00:00
Receipt Date: 19941228
Manifest ID: 93014675
Trans EPA ID: CAD983649880
Trans Name: Not reported
Trans 2 EPA ID: Not reported
Trans 2 Name: Not reported
TSDf EPA ID: CAT080011059
Trans Name: Not reported
TSDf Alt EPA ID: Not reported
TSDf Alt Name: Not reported
Waste Code Description: 221 - Waste oil and mixed oil
RCRA Code: Not reported
Meth Code: R01 - Recycler
Quantity Tons: 0.836
Waste Quantity: 220
Quantity Unit: G
Additional Code 1: Not reported
Additional Code 2: Not reported
Additional Code 3: Not reported
Additional Code 4: Not reported
Additional Code 5: Not reported

Shipment Date: 19941028
Creation Date: 3/28/1996 0:00:00
Receipt Date: 19941031
Manifest ID: 93014607
Trans EPA ID: CAD983649880
Trans Name: Not reported
Trans 2 EPA ID: Not reported
Trans 2 Name: Not reported
TSDf EPA ID: CAT080011059
Trans Name: Not reported
TSDf Alt EPA ID: CAT080011059
TSDf Alt Name: Not reported
Waste Code Description: 331 - Off-specification, aged, or surplus organics
RCRA Code: D001
Meth Code: R01 - Recycler
Quantity Tons: 0.33
Waste Quantity: 100
Quantity Unit: G
Additional Code 1: Not reported
Additional Code 2: Not reported
Additional Code 3: Not reported
Additional Code 4: Not reported
Additional Code 5: Not reported

Map ID
Direction
Distance
Elevation

MAP FINDINGS

Site

Database(s)

EDR ID Number
EPA ID Number

BNSF RAILWAY COMPANY (Continued)

S113007015

Shipment Date:	19941028
Creation Date:	3/28/1996 0:00:00
Receipt Date:	19941031
Manifest ID:	93014607
Trans EPA ID:	CAD983649880
Trans Name:	Not reported
Trans 2 EPA ID:	Not reported
Trans 2 Name:	Not reported
TSDf EPA ID:	CAT080011059
Trans Name:	Not reported
TSDf Alt EPA ID:	CAT080011059
TSDf Alt Name:	Not reported
Waste Code Description:	221 - Waste oil and mixed oil
RCRA Code:	Not reported
Meth Code:	R01 - Recycler
Quantity Tons:	1.9
Waste Quantity:	500
Quantity Unit:	G
Additional Code 1:	Not reported
Additional Code 2:	Not reported
Additional Code 3:	Not reported
Additional Code 4:	Not reported
Additional Code 5:	Not reported
Shipment Date:	19940729
Creation Date:	3/26/1996 0:00:00
Receipt Date:	19940801
Manifest ID:	93016973
Trans EPA ID:	CAD983649880
Trans Name:	Not reported
Trans 2 EPA ID:	Not reported
Trans 2 Name:	Not reported
TSDf EPA ID:	CAT080011059
Trans Name:	Not reported
TSDf Alt EPA ID:	CAT080011059
TSDf Alt Name:	Not reported
Waste Code Description:	331 - Off-specification, aged, or surplus organics
RCRA Code:	Not reported
Meth Code:	D99 - Disposal, Other
Quantity Tons:	0.0875
Waste Quantity:	175
Quantity Unit:	P
Additional Code 1:	Not reported
Additional Code 2:	Not reported
Additional Code 3:	Not reported
Additional Code 4:	Not reported
Additional Code 5:	Not reported
Shipment Date:	19940729
Creation Date:	3/26/1996 0:00:00
Receipt Date:	19940802
Manifest ID:	93016803
Trans EPA ID:	CAD983649980
Trans Name:	Not reported
Trans 2 EPA ID:	Not reported
Trans 2 Name:	Not reported
TSDf EPA ID:	CAD044429835

Map ID
Direction
Distance
Elevation

MAP FINDINGS

Site

Database(s)

EDR ID Number
EPA ID Number

BNSF RAILWAY COMPANY (Continued)

S113007015

Trans Name: Not reported
TSDf Alt EPA ID: Not reported
TSDf Alt Name: Not reported
Waste Code Description: 343 - Unspecified organic liquid mixture
RCRA Code: D001
Meth Code: T03 - Treatment, Incineration
Quantity Tons: 0.1125
Waste Quantity: 225
Quantity Unit: P
Additional Code 1: Not reported
Additional Code 2: Not reported
Additional Code 3: Not reported
Additional Code 4: Not reported
Additional Code 5: Not reported

Shipment Date: 19940729
Creation Date: 3/26/1996 0:00:00
Receipt Date: 19940802
Manifest ID: 93016803
Trans EPA ID: CAD983649980
Trans Name: Not reported
Trans 2 EPA ID: Not reported
Trans 2 Name: Not reported
TSDf EPA ID: CAD044429835
Trans Name: Not reported
TSDf Alt EPA ID: Not reported
TSDf Alt Name: Not reported
Waste Code Description: 352 - Other organic solids
RCRA Code: Not reported
Meth Code: R01 - Recycler
Quantity Tons: 0.1
Waste Quantity: 200
Quantity Unit: P
Additional Code 1: Not reported
Additional Code 2: Not reported
Additional Code 3: Not reported
Additional Code 4: Not reported
Additional Code 5: Not reported

Shipment Date: 19940729
Creation Date: 3/26/1996 0:00:00
Receipt Date: 19940801
Manifest ID: 93016973
Trans EPA ID: CAD983649880
Trans Name: Not reported
Trans 2 EPA ID: Not reported
Trans 2 Name: Not reported
TSDf EPA ID: CAT080011059
Trans Name: Not reported
TSDf Alt EPA ID: CAT080011059
TSDf Alt Name: Not reported
Waste Code Description: 221 - Waste oil and mixed oil
RCRA Code: Not reported
Meth Code: R01 - Recycler
Quantity Tons: 1.463
Waste Quantity: 385
Quantity Unit: G

Map ID
Direction
Distance
Elevation

MAP FINDINGS

Site

Database(s)

EDR ID Number
EPA ID Number

BNSF RAILWAY COMPANY (Continued)

S113007015

Additional Code 1: Not reported
Additional Code 2: Not reported
Additional Code 3: Not reported
Additional Code 4: Not reported
Additional Code 5: Not reported

Additional Info:

Year: 2009
Gen EPA ID: CAD981460181

Shipment Date: 20091203
Creation Date: 2/3/2010 18:31:10
Receipt Date: 20091207
Manifest ID: 001975510JJK
Trans EPA ID: CAR000172460
Trans Name: ENVIRONMENTAL LOGISTICS
Trans 2 EPA ID: Not reported
Trans 2 Name: Not reported
TSDf EPA ID: CAD982444481
Trans Name: FILTER RECYCLING SERVICES INC
TSDf Alt EPA ID: CAD982444481
TSDf Alt Name: Not reported
Waste Code Description: 134 - Aqueous solution with <10% total organic residues
RCRA Code: Not reported
Meth Code: H141 - Storage, Bulking, And/Or Transfer Off Site--No Treatment/Reovery (H010-H129) Or (H131-H135)
Quantity Tons: 1.26
Waste Quantity: 300
Quantity Unit: G
Additional Code 1: Not reported
Additional Code 2: Not reported
Additional Code 3: Not reported
Additional Code 4: Not reported
Additional Code 5: Not reported

Shipment Date: 20090911
Creation Date: 11/25/2009 18:30:08
Receipt Date: 20090914
Manifest ID: 006060878JJK
Trans EPA ID: CAR000172460
Trans Name: ENVIRONMENTAL LOGISTICS INC
Trans 2 EPA ID: Not reported
Trans 2 Name: Not reported
TSDf EPA ID: CAD982444481
Trans Name: FILTER RECYCLING SERVICES
TSDf Alt EPA ID: Not reported
TSDf Alt Name: Not reported
Waste Code Description: 221 - Waste oil and mixed oil
RCRA Code: Not reported
Meth Code: H141 - Storage, Bulking, And/Or Transfer Off Site--No Treatment/Reovery (H010-H129) Or (H131-H135)
Quantity Tons: 0.076
Waste Quantity: 20
Quantity Unit: G
Additional Code 1: Not reported
Additional Code 2: Not reported
Additional Code 3: Not reported

Map ID
Direction
Distance
Elevation

MAP FINDINGS

Site

Database(s)

EDR ID Number
EPA ID Number

BNSF RAILWAY COMPANY (Continued)

S113007015

Additional Code 4:	Not reported
Additional Code 5:	Not reported
Shipment Date:	20090911
Creation Date:	11/25/2009 18:30:08
Receipt Date:	20090914
Manifest ID:	006060896JJK
Trans EPA ID:	CAR000172460
Trans Name:	ENVIRONMENTAL LOGISTICS INC
Trans 2 EPA ID:	Not reported
Trans 2 Name:	Not reported
TSDf EPA ID:	CAD982444481
Trans Name:	FILTER RECYCLING SERVICES
TSDf Alt EPA ID:	Not reported
TSDf Alt Name:	Not reported
Waste Code Description:	221 - Waste oil and mixed oil
RCRA Code:	Not reported
Meth Code:	H141 - Storage, Bulking, And/Or Transfer Off Site--No Treatment/Reovery (H010-H129) Or (H131-H135)
Quantity Tons:	0.38
Waste Quantity:	100
Quantity Unit:	G
Additional Code 1:	Not reported
Additional Code 2:	Not reported
Additional Code 3:	Not reported
Additional Code 4:	Not reported
Additional Code 5:	Not reported
Shipment Date:	20090831
Creation Date:	10/29/2009 18:30:19
Receipt Date:	20090901
Manifest ID:	004055549JJK
Trans EPA ID:	CAR000172460
Trans Name:	ENVIRONMENTAL LOGISTICS
Trans 2 EPA ID:	Not reported
Trans 2 Name:	Not reported
TSDf EPA ID:	CAD982444481
Trans Name:	FILTER RECYCLING SERVICES INC
TSDf Alt EPA ID:	Not reported
TSDf Alt Name:	Not reported
Waste Code Description:	134 - Aqueous solution with <10% total organic residues
RCRA Code:	Not reported
Meth Code:	H141 - Storage, Bulking, And/Or Transfer Off Site--No Treatment/Reovery (H010-H129) Or (H131-H135)
Quantity Tons:	1.89
Waste Quantity:	450
Quantity Unit:	G
Additional Code 1:	Not reported
Additional Code 2:	Not reported
Additional Code 3:	Not reported
Additional Code 4:	Not reported
Additional Code 5:	Not reported
Shipment Date:	20090619
Creation Date:	8/3/2009 18:30:08
Receipt Date:	20090622
Manifest ID:	004817404JJK

Map ID
Direction
Distance
Elevation

MAP FINDINGS

Site

Database(s)

EDR ID Number
EPA ID Number

BNSF RAILWAY COMPANY (Continued)

S113007015

Trans EPA ID:	CAR000172460
Trans Name:	ENVIRONMENTAL LOGISTICS
Trans 2 EPA ID:	Not reported
Trans 2 Name:	Not reported
TSDf EPA ID:	CAD982444481
Trans Name:	FILTER RECYCLING SERVICES INC
TSDf Alt EPA ID:	Not reported
TSDf Alt Name:	Not reported
Waste Code Description:	134 - Aqueous solution with <10% total organic residues
RCRA Code:	Not reported
Meth Code:	H141 - Storage, Bulking, And/Or Transfer Off Site--No Treatment/Reovery (H010-H129) Or (H131-H135)
Quantity Tons:	0.63
Waste Quantity:	150
Quantity Unit:	G
Additional Code 1:	Not reported
Additional Code 2:	Not reported
Additional Code 3:	Not reported
Additional Code 4:	Not reported
Additional Code 5:	Not reported
Shipment Date:	20090402
Creation Date:	5/11/2009 18:30:30
Receipt Date:	20090402
Manifest ID:	004817389JJK
Trans EPA ID:	CAR000172460
Trans Name:	ENVIRONMENTAL LOGISTICS
Trans 2 EPA ID:	Not reported
Trans 2 Name:	Not reported
TSDf EPA ID:	CAD982444481
Trans Name:	FILTER RECYCLING SERVICES INC
TSDf Alt EPA ID:	Not reported
TSDf Alt Name:	Not reported
Waste Code Description:	134 - Aqueous solution with <10% total organic residues
RCRA Code:	Not reported
Meth Code:	H141 - Storage, Bulking, And/Or Transfer Off Site--No Treatment/Reovery (H010-H129) Or (H131-H135)
Quantity Tons:	1.68
Waste Quantity:	400
Quantity Unit:	G
Additional Code 1:	Not reported
Additional Code 2:	Not reported
Additional Code 3:	Not reported
Additional Code 4:	Not reported
Additional Code 5:	Not reported
Shipment Date:	20090401
Creation Date:	5/11/2009 18:30:47
Receipt Date:	20090408
Manifest ID:	004854147JJK
Trans EPA ID:	CAR000172460
Trans Name:	ENVIROMENTAL LOGISTICS INC
Trans 2 EPA ID:	Not reported
Trans 2 Name:	Not reported
TSDf EPA ID:	CAD028409019
Trans Name:	CROSBY & OVERTON
TSDf Alt EPA ID:	Not reported

Map ID
Direction
Distance
Elevation

MAP FINDINGS

Site

Database(s)

EDR ID Number
EPA ID Number

BNSF RAILWAY COMPANY (Continued)

S113007015

TSDF Alt Name: Not reported
Waste Code Description: 331 - Off-specification, aged, or surplus organics
RCRA Code: D001
Meth Code: H061 - Fuel Blending Prior To Energy Recovery At Another Site
Quantity Tons: 0.0495
Waste Quantity: 15
Quantity Unit: G
Additional Code 1: Not reported
Additional Code 2: Not reported
Additional Code 3: Not reported
Additional Code 4: Not reported
Additional Code 5: Not reported

Shipment Date: 20090401
Creation Date: 5/11/2009 18:30:30
Receipt Date: 20090403
Manifest ID: 004854146JJK
Trans EPA ID: CAR000172460
Trans Name: ENVIRONMENTAL LOGISTICS INC
Trans 2 EPA ID: Not reported
Trans 2 Name: Not reported
TSDF EPA ID: CAD982444481
Trans Name: FILTER RECYCLING SERVICES
TSDF Alt EPA ID: Not reported
TSDF Alt Name: Not reported
Waste Code Description: 221 - Waste oil and mixed oil
RCRA Code: Not reported
Meth Code: H141 - Storage, Bulking, And/Or Transfer Off Site--No
Treatment/Reovery (H010-H129) Or (H131-H135)

Quantity Tons: 0.209
Waste Quantity: 55
Quantity Unit: G
Additional Code 1: Not reported
Additional Code 2: Not reported
Additional Code 3: Not reported
Additional Code 4: Not reported
Additional Code 5: Not reported

Shipment Date: 20090401
Creation Date: 5/11/2009 18:30:30
Receipt Date: 20090403
Manifest ID: 004854145JJK
Trans EPA ID: CAR000172460
Trans Name: ENVIRONMENTAL LOGISTICS INC
Trans 2 EPA ID: Not reported
Trans 2 Name: Not reported
TSDF EPA ID: CAD982444482
Trans Name: FILTER RECYCLING SERVICES
TSDF Alt EPA ID: Not reported
TSDF Alt Name: Not reported
Waste Code Description: 221 - Waste oil and mixed oil
RCRA Code: Not reported
Meth Code: H141 - Storage, Bulking, And/Or Transfer Off Site--No
Treatment/Reovery (H010-H129) Or (H131-H135)

Quantity Tons: 0.57
Waste Quantity: 150
Quantity Unit: G

Map ID
Direction
Distance
Elevation

MAP FINDINGS

Site

Database(s)

EDR ID Number
EPA ID Number

BNSF RAILWAY COMPANY (Continued)

S113007015

Additional Code 1:	Not reported
Additional Code 2:	Not reported
Additional Code 3:	Not reported
Additional Code 4:	Not reported
Additional Code 5:	Not reported
Shipment Date:	20090123
Creation Date:	3/31/2009 18:30:48
Receipt Date:	20090123
Manifest ID:	004817419JJK
Trans EPA ID:	CAR000172460
Trans Name:	ENVIRONMENTAL LOGISTICS
Trans 2 EPA ID:	Not reported
Trans 2 Name:	Not reported
TSDf EPA ID:	CAD982444481
Trans Name:	FILTER RECYCLING SERVICES INC
TSDf Alt EPA ID:	Not reported
TSDf Alt Name:	Not reported
Waste Code Description:	134 - Aqueous solution with <10% total organic residues
RCRA Code:	Not reported
Meth Code:	H141 - Storage, Bulking, And/Or Transfer Off Site--No Treatment/Reovery (H010-H129) Or (H131-H135)
Quantity Tons:	3.36
Waste Quantity:	800
Quantity Unit:	G
Additional Code 1:	Not reported
Additional Code 2:	Not reported
Additional Code 3:	Not reported
Additional Code 4:	Not reported
Additional Code 5:	Not reported
Additional Info:	
Year:	2015
Gen EPA ID:	CAD981460181
Shipment Date:	20151020
Creation Date:	12/22/2015 22:15:07
Receipt Date:	20151021
Manifest ID:	015033517JJK
Trans EPA ID:	CAR000172460
Trans Name:	ENVIRONMENTAL LOGISTICS INC
Trans 2 EPA ID:	Not reported
Trans 2 Name:	Not reported
TSDf EPA ID:	CAD982444481
Trans Name:	FILTER RECYCLING SERVICES INC
TSDf Alt EPA ID:	Not reported
TSDf Alt Name:	Not reported
Waste Code Description:	134 - Aqueous solution with <10% total organic residues
RCRA Code:	Not reported
Meth Code:	H141 - Storage, Bulking, And/Or Transfer Off Site--No Treatment/Reovery (H010-H129) Or (H131-H135)
Quantity Tons:	2.7636
Waste Quantity:	658
Quantity Unit:	G
Additional Code 1:	Not reported
Additional Code 2:	Not reported
Additional Code 3:	Not reported

Map ID
Direction
Distance
Elevation

MAP FINDINGS

Site

Database(s)

EDR ID Number
EPA ID Number

BNSF RAILWAY COMPANY (Continued)

S113007015

Additional Code 4:	Not reported
Additional Code 5:	Not reported
Shipment Date:	20150915
Creation Date:	11/6/2015 22:15:24
Receipt Date:	20150915
Manifest ID:	014580549JJK
Trans EPA ID:	CAR000172460
Trans Name:	ENVIRONMENTAL LOGISTICS INC
Trans 2 EPA ID:	Not reported
Trans 2 Name:	Not reported
TSDf EPA ID:	CAD982444481
Trans Name:	FILTER RECYCLING SERVICES INC
TSDf Alt EPA ID:	Not reported
TSDf Alt Name:	Not reported
Waste Code Description:	134 - Aqueous solution with <10% total organic residues
RCRA Code:	Not reported
Meth Code:	H141 - Storage, Bulking, And/Or Transfer Off Site--No Treatment/Reovery (H010-H129) Or (H131-H135)
Quantity Tons:	1.6128
Waste Quantity:	384
Quantity Unit:	G
Additional Code 1:	Not reported
Additional Code 2:	Not reported
Additional Code 3:	Not reported
Additional Code 4:	Not reported
Additional Code 5:	Not reported
Shipment Date:	20150901
Creation Date:	11/5/2015 22:15:17
Receipt Date:	20150904
Manifest ID:	014446710JJK
Trans EPA ID:	CAR000172460
Trans Name:	ENVIRONMENTAL LOGISTICS INC
Trans 2 EPA ID:	Not reported
Trans 2 Name:	Not reported
TSDf EPA ID:	CAD982444481
Trans Name:	FILTER RECYCLING SERVICES INC
TSDf Alt EPA ID:	Not reported
TSDf Alt Name:	Not reported
Waste Code Description:	221 - Waste oil and mixed oil
RCRA Code:	Not reported
Meth Code:	H141 - Storage, Bulking, And/Or Transfer Off Site--No Treatment/Reovery (H010-H129) Or (H131-H135)
Quantity Tons:	0.19
Waste Quantity:	50
Quantity Unit:	G
Additional Code 1:	Not reported
Additional Code 2:	Not reported
Additional Code 3:	Not reported
Additional Code 4:	Not reported
Additional Code 5:	Not reported
Shipment Date:	20150826
Creation Date:	11/5/2015 22:15:17
Receipt Date:	20150828
Manifest ID:	014580511JJK

Map ID
Direction
Distance
Elevation

MAP FINDINGS

Site

Database(s)

EDR ID Number
EPA ID Number

BNSF RAILWAY COMPANY (Continued)

S113007015

Trans EPA ID:	CAR000172460
Trans Name:	ENVIRONMENTAL LOGISTICS INC
Trans 2 EPA ID:	Not reported
Trans 2 Name:	Not reported
TSDf EPA ID:	CAD982444481
Trans Name:	FILTER RECYCLING SERVICES INC
TSDf Alt EPA ID:	Not reported
TSDf Alt Name:	Not reported
Waste Code Description:	134 - Aqueous solution with <10% total organic residues
RCRA Code:	Not reported
Meth Code:	H141 - Storage, Bulking, And/Or Transfer Off Site--No Treatment/Reovery (H010-H129) Or (H131-H135)
Quantity Tons:	1.176
Waste Quantity:	280
Quantity Unit:	G
Additional Code 1:	Not reported
Additional Code 2:	Not reported
Additional Code 3:	Not reported
Additional Code 4:	Not reported
Additional Code 5:	Not reported
Shipment Date:	20150721
Creation Date:	9/23/2015 22:15:13
Receipt Date:	20150721
Manifest ID:	014580574JJK
Trans EPA ID:	CAR000172460
Trans Name:	ENVIRONMENTAL LOGISTICS INC
Trans 2 EPA ID:	Not reported
Trans 2 Name:	Not reported
TSDf EPA ID:	CAD982444481
Trans Name:	FILTER RECYCLING SERVICES INC
TSDf Alt EPA ID:	Not reported
TSDf Alt Name:	Not reported
Waste Code Description:	134 - Aqueous solution with <10% total organic residues
RCRA Code:	Not reported
Meth Code:	H141 - Storage, Bulking, And/Or Transfer Off Site--No Treatment/Reovery (H010-H129) Or (H131-H135)
Quantity Tons:	0.0168
Waste Quantity:	4
Quantity Unit:	G
Additional Code 1:	Not reported
Additional Code 2:	Not reported
Additional Code 3:	Not reported
Additional Code 4:	Not reported
Additional Code 5:	Not reported
Shipment Date:	20150609
Creation Date:	9/3/2015 22:15:34
Receipt Date:	20150610
Manifest ID:	014580536JJK
Trans EPA ID:	CAR000172460
Trans Name:	ENVIRONMENTAL LOGISTICS INC
Trans 2 EPA ID:	Not reported
Trans 2 Name:	Not reported
TSDf EPA ID:	CAD982444481
Trans Name:	FILTER RECYCLING SERVICES INC
TSDf Alt EPA ID:	Not reported

Map ID
Direction
Distance
Elevation

MAP FINDINGS

Site

Database(s)

EDR ID Number
EPA ID Number

BNSF RAILWAY COMPANY (Continued)

S113007015

TSDF Alt Name: Not reported
Waste Code Description: 134 - Aqueous solution with <10% total organic residues
RCRA Code: Not reported
Meth Code: H141 - Storage, Bulking, And/Or Transfer Off Site--No Treatment/Reovery (H010-H129) Or (H131-H135)
Quantity Tons: 1.8354
Waste Quantity: 437
Quantity Unit: G
Additional Code 1: Not reported
Additional Code 2: Not reported
Additional Code 3: Not reported
Additional Code 4: Not reported
Additional Code 5: Not reported

Shipment Date: 20150527
Creation Date: 7/16/2015 22:15:31
Receipt Date: 20150528
Manifest ID: 014446136JJK
Trans EPA ID: CAR000172460
Trans Name: ENVIRONMENTAL LOGISTICS INC
Trans 2 EPA ID: Not reported
Trans 2 Name: Not reported
TSDF EPA ID: CAD982444481
Trans Name: FILTER RECYCLING SERVICES INC
TSDF Alt EPA ID: Not reported
TSDF Alt Name: Not reported
Waste Code Description: 134 - Aqueous solution with <10% total organic residues
RCRA Code: Not reported
Meth Code: H141 - Storage, Bulking, And/Or Transfer Off Site--No Treatment/Reovery (H010-H129) Or (H131-H135)
Quantity Tons: 1.176
Waste Quantity: 280
Quantity Unit: G
Additional Code 1: Not reported
Additional Code 2: Not reported
Additional Code 3: Not reported
Additional Code 4: Not reported
Additional Code 5: Not reported

Shipment Date: 20150421
Creation Date: 6/25/2015 22:15:58
Receipt Date: 20150423
Manifest ID: 014446120JJK
Trans EPA ID: CAR000172460
Trans Name: ENVIRONMENTAL LOGISTICS INC
Trans 2 EPA ID: Not reported
Trans 2 Name: Not reported
TSDF EPA ID: CAD982444481
Trans Name: FILTER RECYCLING SERVICES INC
TSDF Alt EPA ID: Not reported
TSDF Alt Name: Not reported
Waste Code Description: 134 - Aqueous solution with <10% total organic residues
RCRA Code: Not reported
Meth Code: H141 - Storage, Bulking, And/Or Transfer Off Site--No Treatment/Reovery (H010-H129) Or (H131-H135)
Quantity Tons: 0.3906
Waste Quantity: 93

Map ID
Direction
Distance
Elevation

MAP FINDINGS

Site

Database(s)

EDR ID Number
EPA ID Number

BNSF RAILWAY COMPANY (Continued)

S113007015

Quantity Unit: G
Additional Code 1: Not reported
Additional Code 2: Not reported
Additional Code 3: Not reported
Additional Code 4: Not reported
Additional Code 5: Not reported

Shipment Date: 20150317
Creation Date: 6/25/2015 22:15:36
Receipt Date: 20150318
Manifest ID: 013856778JJK
Trans EPA ID: CAR000172460
Trans Name: ENVIRONMENTAL LOGISTICS INC
Trans 2 EPA ID: Not reported
Trans 2 Name: Not reported
TSDf EPA ID: CAD982444481
Trans Name: FILTER RECYCLING SERVICES INC
TSDf Alt EPA ID: Not reported
TSDf Alt Name: Not reported
Waste Code Description: 134 - Aqueous solution with <10% total organic residues
RCRA Code: Not reported
Meth Code: H141 - Storage, Bulking, And/Or Transfer Off Site--No Treatment/Reovery (H010-H129) Or (H131-H135)

Quantity Tons: 2.0958
Waste Quantity: 499
Quantity Unit: G
Additional Code 1: Not reported
Additional Code 2: Not reported
Additional Code 3: Not reported
Additional Code 4: Not reported
Additional Code 5: Not reported

Shipment Date: 20150309
Creation Date: 6/25/2015 22:15:36
Receipt Date: 20150316
Manifest ID: 014446055JJK
Trans EPA ID: CAR000172460
Trans Name: ENVIRONMENTAL LOGISTICS INC
Trans 2 EPA ID: Not reported
Trans 2 Name: Not reported
TSDf EPA ID: CAD982444481
Trans Name: FILTER RECYCLING SERVICES INC
TSDf Alt EPA ID: Not reported
TSDf Alt Name: Not reported
Waste Code Description: 221 - Waste oil and mixed oil
RCRA Code: Not reported
Meth Code: H141 - Storage, Bulking, And/Or Transfer Off Site--No Treatment/Reovery (H010-H129) Or (H131-H135)

Quantity Tons: 0.57
Waste Quantity: 150
Quantity Unit: G
Additional Code 1: Not reported
Additional Code 2: Not reported
Additional Code 3: Not reported
Additional Code 4: Not reported
Additional Code 5: Not reported

Map ID
Direction
Distance
Elevation

MAP FINDINGS

Site

Database(s)

EDR ID Number
EPA ID Number

BNSF RAILWAY COMPANY (Continued)

S113007015

HWTS:

Name: BNSF RAILWAY COMPANY
Address: 900 FRONT ST
Address 2: Not reported
City,State,Zip: NEEDLES, CA 92363
EPA ID: CAD981460181
Inactive Date: Not reported
Create Date: 06/29/1990
Last Act Date: Not reported
Mailing Name: Not reported
Mailing Address: 740 E. CARNEGIE DRIVE
Mailing Address 2: Not reported
Mailing City,State,Zip: SAN BERNARDINO, CA 924083571
Owner Name: BNSF RAILWAY CO
Owner Address: 740 E CARNEGIE DR
Owner Address 2: Not reported
Owner City,State,Zip: SAN BERNARDINO, CA 924083571
Contact Name: TIFFANIE NIXON
Contact Address: 740 E CARNEGIE DR
Contact Address 2: Not reported
City,State,Zip: SAN BERNARDINO, CA 924083571
Facility Status: Active
Facility Type: PERMANENT
Category: FEDERAL
Latitude: 34.840661
Longitude: -114.606424

NAICS:

EPA ID: CAD981460181
Create Date: 2002-03-14 16:36:26.000
NAICS Code: 482111
NAICS Description: Line-Haul Railroads
Issued EPA ID Date: 1990-06-29 00:00:00
Inactive Date: Not reported
Facility Name: BNSF RAILWAY COMPANY
Facility Address: 900 FRONT ST
Facility Address 2: Not reported
Facility City: NEEDLES
Facility County: Not reported
Facility State: CA
Facility Zip: 923630000

BI458 **ATS & F NEEDLES RAILYARD**
Target **900 FRONT STREET**
Property **NEEDLES, CA 92363**

FINDS **1023313720**
 N/A

Site 4 of 15 in cluster BI

Actual: **FINDS:**
491 ft. Registry ID: 110066067446

Focus Map:
7 [Click Here for FRS Facility Detail Report:](#)

Environmental Interest/Information System:
STATE MASTER

Map ID
Direction
Distance
Elevation

MAP FINDINGS

Site

Database(s)

EDR ID Number
EPA ID Number

ATS & F NEEDLES RAILYARD (Continued)

1023313720

[Click this hyperlink](#) while viewing on your computer to access additional FINDS: detail in the EDR Site Report.

BI459 **DIESEL FUELING-NEEDLES**
Target **900 FRONT STREET**
Property **NEEDLES, CA 92363**

SWEEPS UST **U001575244**
HIST UST **N/A**

Site 5 of 15 in cluster BI

Actual: **SWEEPS UST:**
491 ft. Name: DIESEL FUELING-NEEDLES
Focus Map: Address: 900 FRONT ST
7 City: NEEDLES
 Status: Active
 Comp Number: 60166
 Number: 9
 Board Of Equalization: 44-021301
 Referral Date: 09-04-91
 Action Date: 09-04-91
 Created Date: 02-29-88
 Owner Tank Id: 3
 SWRCB Tank Id: 36-000-060166-000001
 Tank Status: A
 Capacity: 1
 Active Date: 08-30-88
 Tank Use: M.V. FUEL
 STG: P
 Content: UNKNOWN
 Number Of Tanks: 4

Name: DIESEL FUELING-NEEDLES
Address: 900 FRONT ST
City: NEEDLES
Status: Active
Comp Number: 60166
Number: 9
Board Of Equalization: 44-021301
Referral Date: 09-04-91
Action Date: 09-04-91
Created Date: 02-29-88
Owner Tank Id: 4
SWRCB Tank Id: 36-000-060166-000002
Tank Status: A
Capacity: 1
Active Date: 08-30-88
Tank Use: M.V. FUEL
STG: P
Content: UNKNOWN
Number Of Tanks: Not reported

Name: DIESEL FUELING-NEEDLES
Address: 900 FRONT ST
City: NEEDLES
Status: Active
Comp Number: 60166
Number: 9
Board Of Equalization: 44-021301
Referral Date: 09-04-91

Map ID
Direction
Distance
Elevation

MAP FINDINGS

Site

Database(s)

EDR ID Number
EPA ID Number

DIESEL FUELING-NEEDLES (Continued)

U001575244

Action Date: 09-04-91
Created Date: 02-29-88
Owner Tank Id: 3
SWRCB Tank Id: 36-000-060166-000003
Tank Status: A
Capacity: 1
Active Date: 08-30-88
Tank Use: UNKNOWN
STG: P
Content: Not reported
Number Of Tanks: Not reported

Name: DIESEL FUELING-NEEDLES
Address: 900 FRONT ST
City: NEEDLES
Status: Active
Comp Number: 60166
Number: 9
Board Of Equalization: 44-021301
Referral Date: 09-04-91
Action Date: 09-04-91
Created Date: 02-29-88
Owner Tank Id: 4
SWRCB Tank Id: 36-000-060166-000004
Tank Status: A
Capacity: 1
Active Date: 08-30-88
Tank Use: UNKNOWN
STG: P
Content: UNKNOWN
Number Of Tanks: Not reported

HIST UST:

Name: DIESEL FUELING-NEEDLES
Address: 900 FRONT STREET
City,State,Zip: NEEDLES, CA 92363
File Number: 0002A5D6
URL: <http://geotracker.waterboards.ca.gov/ustpdfs/pdf/0002A5D6.pdf>
Region: STATE
Facility ID: 00000060166
Facility Type: Other
Other Type: RAILROAD
Contact Name: D. LOZANO
Telephone: 2132675454
Owner Name: SANTA FE RAILWAY
Owner Address: 5200 EAST SHEILA STREET
Owner City,St,Zip: LOS ANGELES, CA 90040
Total Tanks: 0004

Tank Num: 001
Container Num: NE-1
Year Installed: 1940
Tank Capacity: 02500000
Tank Used for: WASTE
Type of Fuel: Not reported
Container Construction Thickness: Not reported
Leak Detection: Groundwater Monitoring Well

Map ID
 Direction
 Distance
 Elevation

MAP FINDINGS

Site

Database(s)

EDR ID Number
 EPA ID Number

DIESEL FUELING-NEEDLES (Continued)

U001575244

Tank Num: 002
 Container Num: NE-2
 Year Installed: 1959
 Tank Capacity: 00033000
 Tank Used for: WASTE
 Type of Fuel: Not reported
 Container Construction Thickness: 6"
 Leak Detection: Visual, Groundwater Monitoring Well

Tank Num: 003
 Container Num: 3
 Year Installed: Not reported
 Tank Capacity: 00000000
 Tank Used for: PRODUCT
 Type of Fuel: 06
 Container Construction Thickness: Not reported
 Leak Detection: None

Tank Num: 004
 Container Num: 4
 Year Installed: Not reported
 Tank Capacity: 00000000
 Tank Used for: PRODUCT
 Type of Fuel: 06
 Container Construction Thickness: Not reported
 Leak Detection: None

[Click here for Geo Tracker PDF:](#)

BI460 **ATS&F NEEDLES RAILYARD**
Target **900 FRONT**
Property **NEEDLES, CA 92363**

LUST **S103675499**
HIST CORTESE **N/A**
CERS

Site 6 of 15 in cluster BI

Actual: **LUST:**
491 ft. Name: ATS & F NEEDLES RAILYARD
Focus Map: Address: 900 FRONT STREET
7 City,State,Zip: NEEDLES, CA 92363
 Lead Agency: COLORADO RIVER BASIN RWQCB (REGION 7)
 Case Type: LUST Cleanup Site
 Geo Track: http://geotracker.waterboards.ca.gov/profile_report.asp?global_id=T0607101005
 Global Id: T0607101005
 Latitude: 34.84
 Longitude: -114.604756
 Status: Completed - Case Closed
 Status Date: 10/07/1996
 Case Worker: Not reported
 RB Case Number: 7T2363007
 Local Agency: SAN BERNARDINO COUNTY
 File Location: Not reported
 Local Case Number: 90194
 Potential Media Affect: Aquifer used for drinking water supply
 Potential Contaminants of Concern: Heating Oil / Fuel Oil
 Site History: Not reported

LUST:
 Global Id: T0607101005

Map ID
Direction
Distance
Elevation

MAP FINDINGS

Site

Database(s)

EDR ID Number
EPA ID Number

ATS&F NEEDLES RAILYARD (Continued)

S103675499

Contact Type: Local Agency Caseworker
Contact Name: CURTIS BRUNDAGE
Organization Name: SAN BERNARDINO COUNTY
Address: 620 S. E STREET
City: SAN BERNARDINO
Email: cbrundage@sbcfire.org
Phone Number: Not reported

LUST:

Global Id: T0607101005
Action Type: Other
Date: 03/21/1989
Action: Leak Reported

LUST:

Global Id: T0607101005
Status: Open - Case Begin Date
Status Date: 03/21/1989

Global Id: T0607101005
Status: Completed - Case Closed
Status Date: 10/07/1996

HIST CORTESE:

edr_fname: ATS&F NEEDLES RAILYARD
edr_fadd1: 900 FRONT
City,State,Zip: NEEDLES, CA 92363
Region: CORTESE
Facility County Code: 36
Reg By: LTNKA
Reg Id: 7T2363007

CERS:

Name: ATS & F NEEDLES RAILYARD
Address: 900 FRONT STREET
City,State,Zip: NEEDLES, CA 92363
Site ID: 212197
CERS ID: T0607101005
CERS Description: Leaking Underground Storage Tank Cleanup Site

Affiliation:

Affiliation Type Desc: Local Agency Caseworker
Entity Name: CURTIS BRUNDAGE - SAN BERNARDINO COUNTY
Entity Title: Not reported
Affiliation Address: 620 S. E STREET
Affiliation City: SAN BERNARDINO
Affiliation State: CA
Affiliation Country: Not reported
Affiliation Zip: Not reported
Affiliation Phone: ,

Map ID
Direction
Distance
Elevation

MAP FINDINGS

Site

Database(s)

EDR ID Number
EPA ID Number

BI461 **FORMER ATSF NEEDLES RAILYARD**
Target **900 FRONT STREET**
Property **NEEDLES, CA 92363**

CPS-SLIC **S106388950**
N/A

Site 7 of 15 in cluster BI

Actual: SLIC REG 7:
491 ft. Region: 7
Focus Map: Responsible Party Name Burlington Northern and Santa Fe Railway Company
7 Facility Status: Active
SLIC File Code: BNSF
Township / Range: Not reported
Hydrologic Unit: Not reported
Groundwater Levels: 7 to 10 feet below ground surface
Case Reference: 7SLC3600008
Consultant ID: 2
Agency ID: Not reported

BI462 **BNSF - NEEDLES**
Target **900 FRONT ST**
Property **NEEDLES, CA 92363**

ECHO **1025892814**
N/A

Site 8 of 15 in cluster BI

Actual: ECHO:
491 ft. Envid: 1025892814
Focus Map: Registry ID: 110009537304
7 DFR URL: <http://echo.epa.gov/detailed-facility-report?fid=110009537304>
Name: BNSF - NEEDLES
Address: 900 FRONT ST
City,State,Zip: NEEDLES, CA 92363

BI463 **BNSF - NEEDLES**
Target **900 FRONT ST**
Property **NEEDLES, CA 92363**

RCRA-SQG **1000242131**
FINDS **CAD981460181**

Site 9 of 15 in cluster BI

Actual: RCRA-SQG:
491 ft. Date Form Received by Agency: 20020228
Focus Map: Handler Name: BNSF - NEEDLES
7 Handler Address: 900 FRONT ST
Handler City,State,Zip: NEEDLES, CA 92363
EPA ID: CAD981460181
Contact Name: JOHN D CHAVEZ
Contact Address: Not reported
Contact City,State,Zip: Not reported
Contact Telephone: 909-386-4082
Contact Fax: Not reported
Contact Email: Not reported
Contact Title: Not reported
EPA Region: 09
Land Type: Not reported
Federal Waste Generator Description: Small Quantity Generator
Non-Notifier: Not reported
Biennial Report Cycle: Not reported
Accessibility: Not reported
Active Site Indicator: Handler Activities

Map ID
 Direction
 Distance
 Elevation

MAP FINDINGS

Site

Database(s)

EDR ID Number
 EPA ID Number

BNSF - NEEDLES (Continued)

1000242131

State District Owner:	Not reported
State District:	Not reported
Mailing Address:	E CARNEGIE DR
Mailing City, State, Zip:	SAN BERNARDINO, CA 92408
Owner Name:	Not reported
Owner Type:	Not reported
Operator Name:	Not reported
Operator Type:	Not reported
Short-Term Generator Activity:	No
Importer Activity:	No
Mixed Waste Generator:	No
Transporter Activity:	No
Transfer Facility Activity:	No
Recycler Activity with Storage:	No
Small Quantity On-Site Burner Exemption:	No
Smelting Melting and Refining Furnace Exemption:	No
Underground Injection Control:	No
Off-Site Waste Receipt:	No
Universal Waste Indicator:	No
Universal Waste Destination Facility:	No
Federal Universal Waste:	No
Active Site Fed-Reg Treatment Storage and Disposal Facility:	Not reported
Active Site Converter Treatment storage and Disposal Facility:	Not reported
Active Site State-Reg Treatment Storage and Disposal Facility:	Not reported
Active Site State-Reg Handler:	---
Federal Facility Indicator:	Not reported
Hazardous Secondary Material Indicator:	N
Sub-Part K Indicator:	Not reported
Commercial TSD Indicator:	No
Treatment Storage and Disposal Type:	Not reported
2018 GPRA Permit Baseline:	Not on the Baseline
2018 GPRA Renewals Baseline:	Not on the Baseline
Permit Renewals Workload Universe:	Not reported
Permit Workload Universe:	Not reported
Permit Progress Universe:	Not reported
Post-Closure Workload Universe:	Not reported
Closure Workload Universe:	Not reported
202 GPRA Corrective Action Baseline:	No
Corrective Action Workload Universe:	No
Subject to Corrective Action Universe:	No
Non-TSDs Where RCRA CA has Been Imposed Universe:	No
TSDs Potentially Subject to CA Under 3004 (u)/(v) Universe:	No
TSDs Only Subject to CA under Discretionary Auth Universe:	No
Corrective Action Priority Ranking:	No NCAPS ranking
Environmental Control Indicator:	No
Institutional Control Indicator:	No
Human Exposure Controls Indicator:	N/A
Groundwater Controls Indicator:	N/A
Operating TSD Universe:	Not reported
Full Enforcement Universe:	Not reported
Significant Non-Complier Universe:	No
Unaddressed Significant Non-Complier Universe:	No
Addressed Significant Non-Complier Universe:	No
Significant Non-Complier With a Compliance Schedule Universe:	No
Financial Assurance Required:	Not reported
Handler Date of Last Change:	20060905
Recognized Trader-Importer:	No

Map ID
Direction
Distance
Elevation

MAP FINDINGS

Site

Database(s)

EDR ID Number
EPA ID Number

BNSF - NEEDLES (Continued)

1000242131

Recognized Trader-Exporter: No
Importer of Spent Lead Acid Batteries: No
Exporter of Spent Lead Acid Batteries: No
Recycler Activity Without Storage: No
Manifest Broker: No
Sub-Part P Indicator: No

Biennial: List of Years

Year: 2001

[Click Here for Biennial Reporting System Data:](#)

Handler - Owner Operator:

Owner/Operator Indicator: Owner
Owner/Operator Name: BURLINGTON NORTHERN AND SANTA FE RR CO
Legal Status: Private
Date Became Current: Not reported
Date Ended Current: Not reported
Owner/Operator Address: 740 E CARNEGIE DR
Owner/Operator City,State,Zip: SAN BERNARDINO, CA 92408-3571
Owner/Operator Telephone: 909-386-4082
Owner/Operator Telephone Ext: Not reported
Owner/Operator Fax: Not reported
Owner/Operator Email: Not reported

Historic Generators:

Receive Date: 20020228
Handler Name: BNSF - NEEDLES
Federal Waste Generator Description: Small Quantity Generator
State District Owner: Not reported
Large Quantity Handler of Universal Waste: No
Recognized Trader Importer: No
Recognized Trader Exporter: No
Spent Lead Acid Battery Importer: No
Spent Lead Acid Battery Exporter: No
Current Record: Yes
Non Storage Recycler Activity: Not reported
Electronic Manifest Broker: Not reported

Receive Date: 19970117
Handler Name: BURLINGTON NORTHERN AND SANTA FE RR CO
Federal Waste Generator Description: Small Quantity Generator
State District Owner: CA
Large Quantity Handler of Universal Waste: No
Recognized Trader Importer: No
Recognized Trader Exporter: No
Spent Lead Acid Battery Importer: No
Spent Lead Acid Battery Exporter: No
Current Record: No
Non Storage Recycler Activity: Not reported
Electronic Manifest Broker: Not reported

Receive Date: 19900402
Handler Name: ATCHISON, TOPEKA @ SANTA FE RR CO
Federal Waste Generator Description: Large Quantity Generator
State District Owner: Not reported

Map ID
Direction
Distance
Elevation

MAP FINDINGS

Site

Database(s)

EDR ID Number
EPA ID Number

BNSF - NEEDLES (Continued)

1000242131

Large Quantity Handler of Universal Waste: No
Recognized Trader Importer: No
Recognized Trader Exporter: No
Spent Lead Acid Battery Importer: No
Spent Lead Acid Battery Exporter: No
Current Record: No
Non Storage Recycler Activity: Not reported
Electronic Manifest Broker: Not reported

Receive Date: 19940330
Handler Name: ATCHISON, TOPEKA & SANTA FE RY CO.
Federal Waste Generator Description: Large Quantity Generator
State District Owner: Not reported
Large Quantity Handler of Universal Waste: No
Recognized Trader Importer: No
Recognized Trader Exporter: No
Spent Lead Acid Battery Importer: No
Spent Lead Acid Battery Exporter: No
Current Record: No
Non Storage Recycler Activity: Not reported
Electronic Manifest Broker: Not reported

Receive Date: 19990304
Handler Name: THE BURLINGTON NORTHERN & SANTA FE RAILW
Federal Waste Generator Description: Large Quantity Generator
State District Owner: Not reported
Large Quantity Handler of Universal Waste: No
Recognized Trader Importer: No
Recognized Trader Exporter: No
Spent Lead Acid Battery Importer: No
Spent Lead Acid Battery Exporter: No
Current Record: No
Non Storage Recycler Activity: Not reported
Electronic Manifest Broker: Not reported

Receive Date: 20020228
Handler Name: BNSF - NEEDLES
Federal Waste Generator Description: Large Quantity Generator
State District Owner: Not reported
Large Quantity Handler of Universal Waste: No
Recognized Trader Importer: No
Recognized Trader Exporter: No
Spent Lead Acid Battery Importer: No
Spent Lead Acid Battery Exporter: No
Current Record: No
Non Storage Recycler Activity: Not reported
Electronic Manifest Broker: Not reported

List of NAICS Codes and Descriptions:

NAICS Code: 482111
NAICS Description: LINE-HAUL RAILROADS

NAICS Code: 48821
NAICS Description: SUPPORT ACTIVITIES FOR RAIL TRANSPORTATION

Facility Has Received Notices of Violations:

Map ID
Direction
Distance
Elevation

MAP FINDINGS

Site

Database(s)

EDR ID Number
EPA ID Number

BNSF - NEEDLES (Continued)

1000242131

Violations: No Violations Found

Evaluation Action Summary:
Evaluations: No Evaluations Found

FINDS:

Registry ID: 110009537304

[Click Here for FRS Facility Detail Report:](#)

Environmental Interest/Information System:

California Hazardous Waste Tracking System - Datamart (HWTS-DATAMART) provides California with information on hazardous waste shipments for generators, transporters, and treatment, storage, and disposal facilities.

RCRAInfo is a national information system that supports the Resource Conservation and Recovery Act (RCRA) program through the tracking of events and activities related to facilities that generate, transport, and treat, store, or dispose of hazardous waste. RCRAInfo allows RCRA program staff to track the notification, permit, compliance, and corrective action activities required under RCRA.

HAZARDOUS WASTE BIENNIAL REPORTER

[Click this hyperlink](#) while viewing on your computer to access additional FINDS: detail in the EDR Site Report.

BI464 **ATS & F NEEDLES RAILYARD**
Target **900 FRONT STREET**
Property **NEEDLES, CA 92363**

LUST **S104816329**
Cortese **N/A**

Site 10 of 15 in cluster BI

Actual: LUST REG 7:
491 ft. Region: 7
Focus Map: Status: 9 - Case Closed
7 Case Num: 7T2363007
Substance: Heater fuel
ID: 436
Global ID: T0607101005
Lead Agency: Regional Board
Case Worker: KO

CORTESE:

Name: ATS & F NEEDLES RAILYARD
Address: 900 FRONT STREET
City,State,Zip: NEEDLES, CA 92363
Region: CORTESE
Envirostor Id: Not reported
Global ID: T0607101005
Site/Facility Type: LUST CLEANUP SITE
Cleanup Status: COMPLETED - CASE CLOSED
Status Date: Not reported
Site Code: Not reported
Latitude: Not reported
Longitude: Not reported
Owner: Not reported
Enf Type: Not reported

Map ID
Direction
Distance
Elevation

MAP FINDINGS

Site

Database(s)

EDR ID Number
EPA ID Number

ATS & F NEEDLES RAILYARD (Continued)

S104816329

Swat R: Not reported
Flag: active
Order No: Not reported
Waste Discharge System No: Not reported
Effective Date: Not reported
Region 2: Not reported
WID Id: Not reported
Solid Waste Id No: Not reported
Waste Management Uit Name: Not reported
File Name: Active Open

BI465 **ATSF NEEDLES RAIL YARD**
Target **900 FRONT STREET**
Property **NEEDLES, CA 90010**

Notify 65 **S100179039**
N/A

Site 11 of 15 in cluster BI

Actual: NOTIFY 65:
491 ft. Name: ATSF NEEDLES RAIL YARD
Focus Map: Address: 900 FRONT STREET
7 City,State,Zip: NEEDLES, CA 90010
Date Reported: Not reported
Staff Initials: Not reported
Board File Number: Not reported
Facility Type: Not reported
Discharge Date: Not reported
Issue Date: Not reported
Incident Description: Not reported
Global ID: Not reported
Status: Not reported

BI466 **AT&SF NEEDLES RAIL YARD**
Target **900 FRONT STREET**
Property **NEEDLES, CA**

RGA LUST **S114578450**
N/A

Site 12 of 15 in cluster BI

Actual: RGA LUST:
491 ft. Name: AT&SF NEEDLES RAIL YARD
Focus Map: Address: 900 FRONT STREET
7 City: NEEDLES
State: NEEDLES
1992 AT&SF NEEDLES RAIL YARD 900 FRONT STREET

BI467 **ATS & F NEEDLES RAILYARD**
Target **900 FRONT STREET**
Property **NEEDLES, CA**

RGA LUST **S114578778**
N/A

Site 13 of 15 in cluster BI

Actual: RGA LUST:
491 ft. Name: ATS & F NEEDLES RAILYARD
Focus Map: Address: 900 FRONT STREET
7 City: NEEDLES
State: NEEDLES

Map ID
Direction
Distance
Elevation

MAP FINDINGS

Site

Database(s)

EDR ID Number
EPA ID Number

ATS & F NEEDLES RAILYARD (Continued)

S114578778

Name:	2012	ATS & F NEEDLES RAILYARD	900 FRONT STREET
Address:		ATS & F NEEDLES RAILYARD	
City:		900 FRONT STREET	
State:		NEEDLES	
Name:	2011	ATS & F NEEDLES RAILYARD	900 FRONT STREET
Address:		ATS & F NEEDLES RAILYARD	
City:		900 FRONT STREET	
State:		NEEDLES	
Name:	2010	ATS & F NEEDLES RAILYARD	900 FRONT STREET
Address:		ATS & F NEEDLES RAILYARD	
City:		900 FRONT STREET	
State:		NEEDLES	
Name:	2009	ATS & F NEEDLES RAILYARD	900 FRONT STREET
Address:		ATS & F NEEDLES RAILYARD	
City:		900 FRONT STREET	
State:		NEEDLES	
Name:	2008	ATS & F NEEDLES RAILYARD	900 FRONT STREET
Address:		ATS & F NEEDLES RAILYARD	
City:		900 FRONT STREET	
State:		NEEDLES	
Name:	2007	ATS & F NEEDLES RAILYARD	900 FRONT STREET
Address:		ATS & F NEEDLES RAILYARD	
City:		900 FRONT STREET	
State:		NEEDLES	
Name:	2006	ATS & F NEEDLES RAILYARD	900 FRONT STREET
Address:		ATS & F NEEDLES RAILYARD	
City:		900 FRONT STREET	
State:		NEEDLES	
Name:	2005	ATS & F NEEDLES RAILYARD	900 FRONT STREET
Address:		ATS & F NEEDLES RAILYARD	
City:		900 FRONT STREET	
State:		NEEDLES	
Name:	2003	ATS & F NEEDLES RAILYARD	900 FRONT STREET
Address:		ATS & F NEEDLES RAILYARD	
City:		900 FRONT STREET	
State:		NEEDLES	
Name:	2002	ATS & F NEEDLES RAILYARD	900 FRONT STREET
Address:		ATS & F NEEDLES RAILYARD	
City:		900 FRONT STREET	
State:		NEEDLES	
Name:	2001	ATS & F NEEDLES RAILYARD	900 FRONT STREET

Map ID
Direction
Distance
Elevation

MAP FINDINGS

Site

Database(s) EDR ID Number
EPA ID Number

BI468 **ATS&F NEEDLES RAILYARD**
Target **900 FRONT STREET**
Property **NEEDLES, CA**

RGA LUST **S114578780**
N/A

Site 14 of 15 in cluster BI

Actual: RGA LUST:
491 ft. Name: ATS&F NEEDLES RAILYARD
Focus Map: Address: 900 FRONT STREET
7 City: NEEDLES
State: NEEDLES
2000 ATS&F NEEDLES RAILYARD 900 FRONT STREET
Name: ATS&F NEEDLES RAILYARD
Address: 900 FRONT STREET
City: NEEDLES
State: NEEDLES
1998 ATS&F NEEDLES RAILYARD 900 FRONT STREET
Name: ATS&F NEEDLES RAILYARD
Address: 900 FRONT STREET
City: NEEDLES
State: NEEDLES
1997 ATS&F NEEDLES RAILYARD 900 FRONT STREET
Name: ATS&F NEEDLES RAILYARD
Address: 900 FRONT STREET
City: NEEDLES
State: NEEDLES
1996 ATS&F NEEDLES RAILYARD 900 FRONT STREET
Name: ATS&F NEEDLES RAILYARD
Address: 900 FRONT STREET
City: NEEDLES
State: NEEDLES
1995 ATS&F NEEDLES RAILYARD 900 FRONT STREET
Name: ATS&F NEEDLES RAILYARD
Address: 900 FRONT STREET
City: NEEDLES
State: NEEDLES
1994 ATS&F NEEDLES RAILYARD 900 FRONT STREET
Name: ATS&F NEEDLES RAILYARD
Address: 900 FRONT STREET
City: NEEDLES
State: NEEDLES
1993 ATS&F NEEDLES RAILYARD 900 FRONT STREET

BI469 **FORMER AT&SF NEEDLES DIESEL**
Target **900 FRONT STREET**
Property **NEEDLES, CA 92363**

CPS-SLIC **S106388985**
N/A

Site 15 of 15 in cluster BI

Actual: SLIC REG 7:
491 ft. Region: 7
Focus Map: Responsible Party Name Burlington Northern and Santa Fe Railway
7 Facility Status: Active
SLIC File Code: BNSFD
Township / Range: Not reported
Hydrologic Unit: Not reported
Groundwater Levels: Not reported
Case Reference: 7SLC3600009
Consultant ID: 2
Agency ID: Not reported

Map ID
Direction
Distance
Elevation

MAP FINDINGS

Site

Database(s)

EDR ID Number
EPA ID Number

BL470 **BNSF RAILWAY COMPANY (FORMER AT&SF NEEDLES RAILYAR**
Target **SOUTH EAST OF THE INTERSECTION**
Property **NEEDLES, CA**

CPS-SLIC **S117227933**
CERS **N/A**

Site 1 of 7 in cluster BL

Actual: **CPS-SLIC:**
485 ft. Name: BNSF RAILWAY COMPANY (FORMER AT&SF NEEDLES RAILYARD)
Focus Map: Address: SOUTH EAST OF THE INTERSECTION
7 City,State,Zip: NEEDLES, CA
 Region: STATE
 Facility Status: **Completed - Case Closed**
 Status Date: 05/03/2022
 Global Id: SL0607134791
 Lead Agency: COLORADO RIVER BASIN RWQCB (REGION 7)
 Lead Agency Case Number: Not reported
 Latitude: 34.8413869194687
 Longitude: -114.603753089905
 Case Type: Cleanup Program Site
 Case Worker: TI
 Local Agency: Not reported
 RB Case Number: BNSFNR
 File Location: Regional Board
 Potential Media Affected: Soil
 Potential Contaminants of Concern: Diesel
 Site History: In the 1970s a 2-million gallon above ground storage tank (AST) was operated at the site. The AST was approximately 115 feet in diameter and 30 feet high . The diesel fuel was conveyed to the fueling platform mostly by aboveground piping. In the late 1970's the fueling operations were consolidated to another railyard and the fueling facilities at the Needles railyard were decommisioned. The AST was demolished and removed for scrap in 2005. During the demolition activities it was noted that the pad under the tank was oily and noted two nearby areas where tar/heavy oil staining was observed on the ground surface. To evaluate the extent of the impacted soil, an investigation was conducted in 2005. The results of the examination indicated that the oily soil was limited to the footprint of the AST and was extended to a depth of approximately 5 to 10 feet beneath ground surface (bgs). The volume of the excavted contaminated soil was estimated to be approximately 4,500 tons. Construction of a soil Biocell was chosen as the most cost effective remediation for the diesel contaminated soil. Construction and operation of the Biocell was completed in May of 2008. The as-buil Biocell dimesions are approximately 320 feet long and 75 feet wide at the base and approximately 6 feet high. Four low volume air blowers supply ambient air to perforated PVC piping throughout the Biocell to enhance the aerobic bioremediation process. In July of 2008 a thin layer of gunnite was sprayed on the Biocell to replace the plastic sheeting that prevented wind erosion and drying. As of the Fourth Quarter of 2008, quarterly soil sampling is ongoing at the site.

[Click here to access the California GeoTracker records for this facility:](#)

CERS:
Name: BNSF RAILWAY COMPANY (FORMER AT&SF NEEDLES RAILYARD) UST
Address: SOUTH EAST OF THE INTERSECTION
City,State,Zip: NEEDLES, CA
Site ID: 521838
CERS ID: T10000012920

Map ID
Direction
Distance
Elevation

MAP FINDINGS

Site

Database(s)

EDR ID Number
EPA ID Number

BNSF RAILWAY COMPANY (FORMER AT&SF NEEDLES RAILYARD) (Continued)

S117227933

CERS Description: Leaking Underground Storage Tank Cleanup Site

Affiliation:
Affiliation Type Desc: Regional Board Caseworker
Entity Name: THERESA ILLARE - COLORADO RIVER BASIN RWQCB (REGION 7)
Entity Title: Not reported
Affiliation Address: 73-720 FRED WARING DR. STE 100
Affiliation City: PALM DESERT
Affiliation State: CA
Affiliation Country: Not reported
Affiliation Zip: Not reported
Affiliation Phone: 7607768971,

Name: BNSF RAILWAY COMPANY (FORMER AT&SF NEEDLES RAILYARD)
Address: SOUTH EAST OF THE INTERSECTION
City,State,Zip: NEEDLES, CA
Site ID: 213627
CERS ID: SL0607134791
CERS Description: Cleanup Program Site

Affiliation:
Affiliation Type Desc: Regional Board Caseworker
Entity Name: THERESA ILLARE - COLORADO RIVER BASIN RWQCB (REGION 7)
Entity Title: Not reported
Affiliation Address: 73-720 FRED WARING DR. STE 100
Affiliation City: PALM DESERT
Affiliation State: CA
Affiliation Country: Not reported
Affiliation Zip: Not reported
Affiliation Phone: 7607768971,

BL471 BNSF RAILWAY COMPANY (FORMER AT&SF NEEDLES RAILYAR
Target SOUTH EAST OF THE INTERSECTION
Property NEEDLES, CA

LUST S124393519
Cortese N/A

Site 2 of 7 in cluster BL

Actual: LUST:
485 ft. Name: BNSF RAILWAY COMPANY (FORMER AT&SF NEEDLES RAILYARD) UST
Focus Map: Address: SOUTH EAST OF THE INTERSECTION
7 City,State,Zip: NEEDLES, CA
Lead Agency: COLORADO RIVER BASIN RWQCB (REGION 7)
Case Type: LUST Cleanup Site
Geo Track: http://geotracker.waterboards.ca.gov/profile_report.asp?global_id=T10000012920
Global Id: T10000012920
Latitude: 34.8395817669306
Longitude: -114.603536740723
Status: Open - Eligible for Closure
Status Date: 12/14/2021
Case Worker: TI
RB Case Number: Not reported
Local Agency: Not reported
File Location: Not reported
Local Case Number: Not reported
Potential Media Affect: Not reported
Potential Contaminants of Concern: Diesel, Heating Oil / Fuel Oil, Total Petroleum Hydrocarbons (TPH)
Site History: This case is a former commercial petroleum fueling facility that

Map ID
Direction
Distance
Elevation

MAP FINDINGS

Site

Database(s)

EDR ID Number
EPA ID Number

BNSF RAILWAY COMPANY (FORMER AT&SF NEEDLES RAILYARD) UST (Continued)

S124393519

included multiple aboveground storage tanks (ASTs) and USTs. Of these ASTs and USTs only one UST pertains to this claim. The Site lot is about 54-acres. The Site is currently used for offices maintenance crews, and a crew change location. Corrective action activities have been ongoing since a Cleanup and Abatement Order (CAO) 88-126 dated June 25, 1988 was issued by the Regional Water Board. At least nine ASTs reportedly existed onsite, containing either oil or diesel, one of which was a 2.3-million-gallon diesel AST (removed in 2005). Reports indicate that the ASTs were removed in the 1970s. A total of five USTs (containing either heavy oil, tar, or soil) were removed January 1989. Of the five USTs removed only one (T-2) pertains to this claim. The history of corrective actions and the RSR will focus mainly on this UST. The area of contamination attributed to the former UST T-2 is within the southern portion of the Site. The tank was adjacent to an area referenced as Former East Fueling Platform. Free product has not been observed in wells related to the former UST T-2. No soil excavation within the area of former UST T-2 has been reported. An above ground, ex-situ, soil biocell remediation system was in operation from May 2008 and April 2011. The system was designed to provide oxygen to soil beneath the Former Fueling Platform area and in the former UST T-2 area to enhance aerobic bioremediation in soil. Free product removal, soil excavation, and in-situ soil remediation did occur at other areas of the Site; however, appears to be related to corrective actions for the Site Cleanup case (Global ID SL0607134791). Active remediation has not been conducted at the Site since 2011. Since 1984, 31 groundwater monitoring wells have been installed; of which six have been abandoned. Five wells have been regularly monitored on an annual basis. According to groundwater data, water quality objectives (WQOs) have been achieved for all constituents. Site remediation has been taking place for this site since 1988.

LUST:

Global Id: T10000012920
Contact Type: Regional Board Caseworker
Contact Name: THERESA ILLARE
Organization Name: COLORADO RIVER BASIN RWQCB (REGION 7)
Address: 73-720 FRED WARING DR. STE 100
City: PALM DESERT
Email: theresa.illare@waterboards.ca.gov
Phone Number: 7607768971

LUST:

Global Id: T10000012920
Action Type: ENFORCEMENT
Date: 09/01/2020
Action: Staff Letter

Global Id: T10000012920
Action Type: Other
Date: 01/12/1989
Action: Leak Began

Global Id: T10000012920
Action Type: ENFORCEMENT
Date: 02/04/2022
Action: Notification - Public Notice of Case Closure

Map ID
Direction
Distance
Elevation

MAP FINDINGS

Site

Database(s)

EDR ID Number
EPA ID Number

BNSF RAILWAY COMPANY (FORMER AT&SF NEEDLES RAILYARD) UST (Continued)

S124393519

Global Id: T10000012920
Action Type: RESPONSE
Date: 10/03/1988
Action: Proposed Plan - Regulator Responded

Global Id: T10000012920
Action Type: RESPONSE
Date: 01/13/2020
Action: Other Workplan - Regulator Responded

Global Id: T10000012920
Action Type: ENFORCEMENT
Date: 09/12/2019
Action: Staff Letter

Global Id: T10000012920
Action Type: ENFORCEMENT
Date: 01/15/2021
Action: File review

Global Id: T10000012920
Action Type: RESPONSE
Date: 03/11/1988
Action: Preliminary Site Assessment Report

Global Id: T10000012920
Action Type: RESPONSE
Date: 06/15/1988
Action: CAP/RAP - Feasibility Study Report

Global Id: T10000012920
Action Type: RESPONSE
Date: 01/29/1988
Action: Tank Removal Report / UST Sampling Report

Global Id: T10000012920
Action Type: RESPONSE
Date: 12/07/1988
Action: Other Report / Document

Global Id: T10000012920
Action Type: ENFORCEMENT
Date: 12/05/1988
Action: Verbal Communication

Global Id: T10000012920
Action Type: ENFORCEMENT
Date: 02/04/2021
Action: Closure Summary

Global Id: T10000012920
Action Type: Other
Date: 01/12/1989
Action: Leak Discovery

Global Id: T10000012920
Action Type: ENFORCEMENT

Map ID
Direction
Distance
Elevation

MAP FINDINGS

Site

Database(s)

EDR ID Number
EPA ID Number

BNSF RAILWAY COMPANY (FORMER AT&SF NEEDLES RAILYARD) UST (Continued)

S124393519

Date: 10/18/1988
Action: Voluntary Remedial Action Agreement

Global Id: T10000012920
Action Type: ENFORCEMENT
Date: 08/25/1988
Action: Clean-up and Abatement Order - #88-126

Global Id: T10000012920
Action Type: ENFORCEMENT
Date: 06/03/2019
Action: File review

Global Id: T10000012920
Action Type: ENFORCEMENT
Date: 08/07/2019
Action: Clean Up Fund - Case Closure Review Summary Report (RSR)

Global Id: T10000012920
Action Type: Other
Date: 02/10/1989
Action: Leak Reported

Global Id: T10000012920
Action Type: RESPONSE
Date: 02/16/1988
Action: Correspondence

LUST:

Global Id: T10000012920
Status: Open - Case Begin Date
Status Date: 01/12/1989

Global Id: T10000012920
Status: Open - Active
Status Date: 04/19/2019

Global Id: T10000012920
Status: Open - Site Assessment
Status Date: 09/12/2019

Global Id: T10000012920
Status: Open - Remediation
Status Date: 12/06/2021

Global Id: T10000012920
Status: Open - Eligible for Closure
Status Date: 12/14/2021

CORTESE:

Name: BNSF RAILWAY COMPANY (FORMER AT&SF NEEDLES RAILYARD) UST
Address: SOUTH EAST OF THE INTERSECTION
City,State,Zip: NEEDLES, CA
Region: CORTESE
Envirostor Id: Not reported

Map ID
Direction
Distance
Elevation

MAP FINDINGS

Site

Database(s)

EDR ID Number
EPA ID Number

BNSF RAILWAY COMPANY (FORMER AT&SF NEEDLES RAILYARD) UST (Continued)

S124393519

Global ID: T10000012920
Site/Facility Type: LUST CLEANUP SITE
Cleanup Status: OPEN - ELIGIBLE FOR CLOSURE
Status Date: Not reported
Site Code: Not reported
Latitude: Not reported
Longitude: Not reported
Owner: Not reported
Enf Type: Not reported
Swat R: Not reported
Flag: active
Order No: Not reported
Waste Discharge System No: Not reported
Effective Date: Not reported
Region 2: Not reported
WID Id: Not reported
Solid Waste Id No: Not reported
Waste Management Uit Name: Not reported
File Name: Active Open

BH472 HARTWICK AUTOMOTIVE LLC DBA BIG O TIRES & SERVICE
Target 949 W BROADWAY ST
Property NEEDLES, CA 92363

HWTS S124903834
N/A

Site 2 of 11 in cluster BH

Actual: HWTS:
497 ft. Name: HARTWICK AUTOMOTIVE LLC DBA BIG O TIRES & SERVICE
Focus Map: Address: 949 W BROADWAY ST
7 Address 2: Not reported
City,State,Zip: NEEDLES, CA 92363
EPA ID: CAL000403960
Inactive Date: Not reported
Create Date: 01/23/2015
Last Act Date: Not reported
Mailing Name: Not reported
Mailing Address: 949 W BROADWAY ST
Mailing Address 2: Not reported
Mailing City,State,Zip: NEEDLES, CA 92363
Owner Name: HARTWICK AUTOMOTIVE LLC
Owner Address: 1200 SAFARI LN
Owner Address 2: Not reported
Owner City,State,Zip: NEEDLES, CA 923634239
Contact Name: EILEEN HARTWICK
Contact Address: 949 W BROADWAY ST
Contact Address 2: Not reported
City,State,Zip: NEEDLES, CA 92363
Facility Status: Active
Facility Type: PERMANENT
Category: STATE
Latitude: 34.83945358
Longitude: -114.6064374

NAICS:
EPA ID: CAL000403960
Create Date: 2015-01-23 10:02:02.240
NAICS Code: 44131
NAICS Description: Automotive Parts and Accessories Stores

Map ID
Direction
Distance
Elevation

MAP FINDINGS

Site

Database(s)

EDR ID Number
EPA ID Number

HARTWICK AUTOMOTIVE LLC DBA BIG O TIRES & SERVICE (Continued)

S124903834

Issued EPA ID Date: 2015-01-23 10:02:02.21300
Inactive Date: Not reported
Facility Name: HARTWICK AUTOMOTIVE LLC DBA BIG O TIRES & SERVICE
Facility Address: 949 W BROADWAY ST
Facility Address 2: Not reported
Facility City: NEEDLES
Facility County: Not reported
Facility State: CA
Facility Zip: 92363

BH473 HARTWICK AUTOMOTIVE LLC DBA BIG O TIRES & SERVICE
Target 949 W BROADWAY ST
Property NEEDLES, CA 92363

FINDS 1024629435
ECHO N/A

Site 3 of 11 in cluster BH

Actual: FINDS:
497 ft. Registry ID: 110070417822

Focus Map: Click Here for FRS Facility Detail Report:
7

Environmental Interest/Information System:

RCRAInfo is a national information system that supports the Resource Conservation and Recovery Act (RCRA) program through the tracking of events and activities related to facilities that generate, transport, and treat, store, or dispose of hazardous waste. RCRAInfo allows RCRA program staff to track the notification, permit, compliance, and corrective action activities required under RCRA.

[Click this hyperlink](#) while viewing on your computer to access additional FINDS: detail in the EDR Site Report.

ECHO:
Envid: 1024629435
Registry ID: 110070417822
DFR URL: <http://echo.epa.gov/detailed-facility-report?fid=110070417822>
Name: HARTWICK AUTOMOTIVE LLC DBA BIG O TIRES & SERVICE
Address: 949 W BROADWAY ST
City,State,Zip: NEEDLES, CA 92363

BH474 HARTWICK AUTOMOTIVE LLC DBA BIG O TIRES & SERVICE
Target 949 W BROADWAY ST
Property NEEDLES, CA 92363

RCRA NonGen / NLR 1024848397
CAL000403960

Site 4 of 11 in cluster BH

Actual: RCRA NonGen / NLR:
497 ft. Date Form Received by Agency: 20150123
Focus Map: Handler Name: HARTWICK AUTOMOTIVE LLC DBA BIG O TIRES & SERVICE
7 Handler Address: 949 W BROADWAY ST
Handler City,State,Zip: NEEDLES, CA 92363
EPA ID: CAL000403960
Contact Name: EILEEN HARTWICK
Contact Address: 949 W BROADWAY ST
Contact City,State,Zip: NEEDLES, CA 92363
Contact Telephone: 760-326-3885

Map ID
 Direction
 Distance
 Elevation

MAP FINDINGS

Site

Database(s)

EDR ID Number
 EPA ID Number

HARTWICK AUTOMOTIVE LLC DBA BIG O TIRES & SERVICE (Continued)

1024848397

Contact Fax:		760-326-3885
Contact Email:		BIGONEEDLES@GMAIL.COM
Contact Title:		Not reported
EPA Region:		09
Land Type:		Not reported
Federal Waste Generator Description:		Not a generator, verified
Non-Notifier:		Not reported
Biennial Report Cycle:		Not reported
Accessibility:		Not reported
Active Site Indicator:		Handler Activities
State District Owner:		Not reported
State District:		Not reported
Mailing Address:		949 W BROADWAY ST
Mailing City,State,Zip:		NEEDLES, CA 92363
Owner Name:	HARTWICK AUTOMOTIVE LLC	
Owner Type:		Other
Operator Name:	EILEEN HARTWICK	
Operator Type:		Other
Short-Term Generator Activity:		No
Importer Activity:		No
Mixed Waste Generator:		No
Transporter Activity:		No
Transfer Facility Activity:		No
Recycler Activity with Storage:		No
Small Quantity On-Site Burner Exemption:		No
Smelting Melting and Refining Furnace Exemption:		No
Underground Injection Control:		No
Off-Site Waste Receipt:		No
Universal Waste Indicator:		Yes
Universal Waste Destination Facility:		Yes
Federal Universal Waste:		No
Active Site Fed-Reg Treatment Storage and Disposal Facility:		Not reported
Active Site Converter Treatment storage and Disposal Facility:		Not reported
Active Site State-Reg Treatment Storage and Disposal Facility:		Not reported
Active Site State-Reg Handler:		---
Federal Facility Indicator:		Not reported
Hazardous Secondary Material Indicator:		N
Sub-Part K Indicator:		Not reported
Commercial TSD Indicator:		No
Treatment Storage and Disposal Type:		Not reported
2018 GPRA Permit Baseline:		Not on the Baseline
2018 GPRA Renewals Baseline:		Not on the Baseline
Permit Renewals Workload Universe:		Not reported
Permit Workload Universe:		Not reported
Permit Progress Universe:		Not reported
Post-Closure Workload Universe:		Not reported
Closure Workload Universe:		Not reported
202 GPRA Corrective Action Baseline:		No
Corrective Action Workload Universe:		No
Subject to Corrective Action Universe:		No
Non-TSDFs Where RCRA CA has Been Imposed Universe:		No
TSDFs Potentially Subject to CA Under 3004 (u)/(v) Universe:		No
TSDFs Only Subject to CA under Discretionary Auth Universe:		No
Corrective Action Priority Ranking:		No NCAPS ranking
Environmental Control Indicator:		No
Institutional Control Indicator:		No
Human Exposure Controls Indicator:		N/A

Map ID
Direction
Distance
Elevation

MAP FINDINGS

Site

Database(s)

EDR ID Number
EPA ID Number

HARTWICK AUTOMOTIVE LLC DBA BIG O TIRES & SERVICE (Continued)

1024848397

Groundwater Controls Indicator:	N/A
Operating TSDF Universe:	Not reported
Full Enforcement Universe:	Not reported
Significant Non-Complier Universe:	No
Unaddressed Significant Non-Complier Universe:	No
Addressed Significant Non-Complier Universe:	No
Significant Non-Complier With a Compliance Schedule Universe:	No
Financial Assurance Required:	Not reported
Handler Date of Last Change:	20180906
Recognized Trader-Importer:	No
Recognized Trader-Exporter:	No
Importer of Spent Lead Acid Batteries:	No
Exporter of Spent Lead Acid Batteries:	No
Recycler Activity Without Storage:	No
Manifest Broker:	No
Sub-Part P Indicator:	No

Handler - Owner Operator:

Owner/Operator Indicator:	Operator
Owner/Operator Name:	EILEEN HARTWICK
Legal Status:	Other
Date Became Current:	Not reported
Date Ended Current:	Not reported
Owner/Operator Address:	949 W BROADWAY ST
Owner/Operator City,State,Zip:	NEEDLES, CA 92363
Owner/Operator Telephone:	760-326-3885
Owner/Operator Telephone Ext:	Not reported
Owner/Operator Fax:	Not reported
Owner/Operator Email:	Not reported

Owner/Operator Indicator:	Owner
Owner/Operator Name:	HARTWICK AUTOMOTIVE LLC
Legal Status:	Other
Date Became Current:	Not reported
Date Ended Current:	Not reported
Owner/Operator Address:	1200 SAFARI LN
Owner/Operator City,State,Zip:	NEEDLES, CA 92363-4239
Owner/Operator Telephone:	760-326-2632
Owner/Operator Telephone Ext:	Not reported
Owner/Operator Fax:	Not reported
Owner/Operator Email:	Not reported

Historic Generators:

Receive Date:	20150123
Handler Name:	HARTWICK AUTOMOTIVE LLC DBA BIG O TIRES & SERVICE
Federal Waste Generator Description:	Not a generator, verified
State District Owner:	Not reported
Large Quantity Handler of Universal Waste:	No
Recognized Trader Importer:	No
Recognized Trader Exporter:	No
Spent Lead Acid Battery Importer:	No
Spent Lead Acid Battery Exporter:	No
Current Record:	Yes
Non Storage Recycler Activity:	Not reported
Electronic Manifest Broker:	Not reported

Map ID
Direction
Distance
Elevation

MAP FINDINGS

Site

Database(s)

EDR ID Number
EPA ID Number

HARTWICK AUTOMOTIVE LLC DBA BIG O TIRES & SERVICE (Continued)

1024848397

List of NAICS Codes and Descriptions:

NAICS Code: 44131
NAICS Description: AUTOMOTIVE PARTS AND ACCESSORIES STORES

Facility Has Received Notices of Violations:

Violations: No Violations Found

Evaluation Action Summary:

Evaluations: No Evaluations Found

BH475 J B'S AUTO SERVICE CENTER
Target 949 W BROADWAY ST
Property NEEDLES, CA 92363

UST U003971264
N/A

Site 5 of 11 in cluster BH

Actual: UST:
497 ft. Name: J B'S AUTO SERVICE CENTER
Focus Map: Address: 949 W BROADWAY ST
7 City,State,Zip: NEEDLES, CA 92363
Facility ID: 86007646
Permitting Agency: SAN BERNARDINO COUNTY
CERSID: Not reported
Latitude: 34.8409184
Longitude: -114.6054388

BH476 BIG O TIRES & AUTO PARTS
Target 949 WEST BROADWAY
Property NEEDLES, CA 92363

HAZNET S113110010
HWTS N/A

Site 6 of 11 in cluster BH

Actual: HAZNET:
497 ft. Name: BIG O TIRES & AUTO PARTS
Focus Map: Address: 949 WEST BROADWAY
7 Address 2: Not reported
City,State,Zip: NEEDLES, CA 923630000
Contact: BILL HARTWICK/OWNER
Telephone: 7603263885
Mailing Name: Not reported
Mailing Address: 949 WEST BROADWAY

Year: 2011
Gepaid: CAL000218513
TSD EPA ID: CAD982444481
CA Waste Code: 223 - Unspecified oil-containing waste
Disposal Method: H141 - Storage, Bulking, And/Or Transfer Off Site--No
Treatment/Recovery (H010-H129) Or (H131-H135)
Tons: 0.6255

Year: 2006
Gepaid: CAL000218513
TSD EPA ID: NVR000066837
CA Waste Code: 221 - Waste oil and mixed oil

Map ID
Direction
Distance
Elevation

MAP FINDINGS

Site

Database(s)

EDR ID Number
EPA ID Number

BIG O TIRES & AUTO PARTS (Continued)

S113110010

Disposal Method:	-
Tons:	0.855
Year:	2005
Gepaid:	CAL000218513
TSD EPA ID:	NVR000066837
CA Waste Code:	221 - Waste oil and mixed oil
Disposal Method:	-
Tons:	2.66
Year:	2004
Gepaid:	CAL000218513
TSD EPA ID:	NVR000066837
CA Waste Code:	134 - Aqueous solution with total organic residues less than 10 percent
Disposal Method:	H01 - Transfer Station
Tons:	0.0168
Year:	2004
Gepaid:	CAL000218513
TSD EPA ID:	NVR000066837
CA Waste Code:	221 - Waste oil and mixed oil
Disposal Method:	H01 - Transfer Station
Tons:	0.855
Year:	2004
Gepaid:	CAL000218513
TSD EPA ID:	NVR000066837
CA Waste Code:	221 - Waste oil and mixed oil
Disposal Method:	-
Tons:	1.672
Year:	2003
Gepaid:	CAL000218513
TSD EPA ID:	NVR000066837
CA Waste Code:	221 - Waste oil and mixed oil
Disposal Method:	H01 - Transfer Station
Tons:	1.444
Year:	2003
Gepaid:	CAL000218513
TSD EPA ID:	NVR000066837
CA Waste Code:	221 - Waste oil and mixed oil
Disposal Method:	-
Tons:	0.855
Year:	2003
Gepaid:	CAL000218513
TSD EPA ID:	NVR000066837
CA Waste Code:	134 - Aqueous solution with total organic residues less than 10 percent
Disposal Method:	H01 - Transfer Station
Tons:	0.0672
Year:	2002
Gepaid:	CAL000218513
TSD EPA ID:	NVR000066837

Map ID
Direction
Distance
Elevation

MAP FINDINGS

Site

Database(s)

EDR ID Number
EPA ID Number

BIG O TIRES & AUTO PARTS (Continued)

S113110010

CA Waste Code: 221 - Waste oil and mixed oil
Disposal Method: -
Tons: 1.045

[Click this hyperlink](#) while viewing on your computer to access
3 additional CA HAZNET: record(s) in the EDR Site Report.

Additional Info:

Year: 2004
Gen EPA ID: CAL000218513

Shipment Date: 20040721
Creation Date: 11/1/2004 12:36:11
Receipt Date: 20040721
Manifest ID: 23501880
Trans EPA ID: TXR000050930
Trans Name: SAFETY-KLEEN SYSTEMS INC
Trans 2 EPA ID: Not reported
Trans 2 Name: Not reported
TSDf EPA ID: NVR000066837
Trans Name: SAFETY-KLEEN SYSTEMS INC
TSDf Alt EPA ID: Not reported
TSDf Alt Name: Not reported
Waste Code Description: 221 - Waste oil and mixed oil
RCRA Code: Not reported
Meth Code: - Not reported
Quantity Tons: 0.912
Waste Quantity: 240
Quantity Unit: G
Additional Code 1: Not reported
Additional Code 2: Not reported
Additional Code 3: Not reported
Additional Code 4: Not reported
Additional Code 5: Not reported

Shipment Date: 20040428
Creation Date: 10/14/2004 7:49:48
Receipt Date: 20040428
Manifest ID: 22323252
Trans EPA ID: TXR000050930
Trans Name: SAFETY-KLEEN SYSTEMS INC
Trans 2 EPA ID: Not reported
Trans 2 Name: Not reported
TSDf EPA ID: NVR000066837
Trans Name: SAFETY-KLEEN SYSTEMS INC
TSDf Alt EPA ID: Not reported
TSDf Alt Name: Not reported
Waste Code Description: 221 - Waste oil and mixed oil
RCRA Code: Not reported
Meth Code: H01 - Transfer Station
Quantity Tons: 0.855
Waste Quantity: 225
Quantity Unit: G
Additional Code 1: Not reported
Additional Code 2: Not reported
Additional Code 3: Not reported

Map ID
Direction
Distance
Elevation

MAP FINDINGS

Site

Database(s)

EDR ID Number
EPA ID Number

BIG O TIRES & AUTO PARTS (Continued)

S113110010

Additional Code 4: Not reported
Additional Code 5: Not reported

Shipment Date: 20040218
Creation Date: 11/18/2004 8:25:56
Receipt Date: 20040218
Manifest ID: 22585951
Trans EPA ID: TXR000050930
Trans Name: SAFETY-KLEEN SYSTEMS INC
Trans 2 EPA ID: Not reported
Trans 2 Name: Not reported
TSDf EPA ID: NVR000066837
Trans Name: SAFETY-KLEEN SYSTEMS INC
TSDf Alt EPA ID: Not reported
TSDf Alt Name: Not reported
Waste Code Description: 221 - Waste oil and mixed oil
RCRA Code: Not reported
Meth Code: - Not reported
Quantity Tons: 0.76
Waste Quantity: 200
Quantity Unit: G
Additional Code 1: Not reported
Additional Code 2: Not reported
Additional Code 3: Not reported
Additional Code 4: Not reported
Additional Code 5: Not reported

Shipment Date: 20040218
Creation Date: 11/18/2004 8:25:56
Receipt Date: 20040218
Manifest ID: 22588700
Trans EPA ID: TXR000050930
Trans Name: SAFETY-KLEEN SYSTEMS INC
Trans 2 EPA ID: Not reported
Trans 2 Name: Not reported
TSDf EPA ID: NVR000066837
Trans Name: SAFETY-KLEEN SYSTEMS INC
TSDf Alt EPA ID: Not reported
TSDf Alt Name: Not reported
Waste Code Description: 134 - Aqueous solution with <10% total organic residues
RCRA Code: D039
Meth Code: H01 - Transfer Station
Quantity Tons: 0.0168
Waste Quantity: 4
Quantity Unit: G
Additional Code 1: Not reported
Additional Code 2: Not reported
Additional Code 3: Not reported
Additional Code 4: Not reported
Additional Code 5: Not reported

Additional Info:
Year: 2005
Gen EPA ID: CAL000218513

Shipment Date: 20050803
Creation Date: 10/12/2005 18:35:03

Map ID
Direction
Distance
Elevation

MAP FINDINGS

Site

Database(s)

EDR ID Number
EPA ID Number

BIG O TIRES & AUTO PARTS (Continued)

S113110010

Receipt Date: 20050803
Manifest ID: 23020165
Trans EPA ID: TXR000050930
Trans Name: SAFETY-KLEEN SYSTEMS INC
Trans 2 EPA ID: Not reported
Trans 2 Name: Not reported
TSDf EPA ID: NVR000066837
Trans Name: SAFETY-KLEEN SYSTEMS INC
TSDf Alt EPA ID: NVR000066837
TSDf Alt Name: Not reported
Waste Code Description: 221 - Waste oil and mixed oil
RCRA Code: Not reported
Meth Code: - Not reported
Quantity Tons: 0.874
Waste Quantity: 230
Quantity Unit: G
Additional Code 1: Not reported
Additional Code 2: Not reported
Additional Code 3: Not reported
Additional Code 4: Not reported
Additional Code 5: Not reported

Shipment Date: 20050511
Creation Date: 7/28/2005 18:30:54
Receipt Date: 20050511
Manifest ID: 23020268
Trans EPA ID: TXR000050930
Trans Name: SAFETY-KLEEN SYSTEMS INC
Trans 2 EPA ID: Not reported
Trans 2 Name: Not reported
TSDf EPA ID: NVR000066837
Trans Name: SAFETY-KLEEN SYSTEMS INC
TSDf Alt EPA ID: NVR000066837
TSDf Alt Name: Not reported
Waste Code Description: 221 - Waste oil and mixed oil
RCRA Code: Not reported
Meth Code: - Not reported
Quantity Tons: 0.931
Waste Quantity: 245
Quantity Unit: G
Additional Code 1: Not reported
Additional Code 2: Not reported
Additional Code 3: Not reported
Additional Code 4: Not reported
Additional Code 5: Not reported

Shipment Date: 20050202
Creation Date: 6/3/2005 18:31:06
Receipt Date: 20050202
Manifest ID: 22323584
Trans EPA ID: TXR000050930
Trans Name: SAFETY-KLEEN SYSTEMS INC
Trans 2 EPA ID: Not reported
Trans 2 Name: Not reported
TSDf EPA ID: NVR000066837
Trans Name: SAFETY-KLEEN SYSTEMS INC
TSDf Alt EPA ID: 708701

Map ID
Direction
Distance
Elevation

MAP FINDINGS

Site

Database(s)

EDR ID Number
EPA ID Number

BIG O TIRES & AUTO PARTS (Continued)

S113110010

TSDf Alt Name: Not reported
Waste Code Description: 221 - Waste oil and mixed oil
RCRA Code: Not reported
Meth Code: - Not reported
Quantity Tons: 0.855
Waste Quantity: 225
Quantity Unit: G
Additional Code 1: Not reported
Additional Code 2: Not reported
Additional Code 3: Not reported
Additional Code 4: Not reported
Additional Code 5: Not reported

Additional Info:

Year: 2006
Gen EPA ID: CAL000218513

Shipment Date: 20060118
Creation Date: 6/22/2006 18:32:03
Receipt Date: 20060118
Manifest ID: 24364889
Trans EPA ID: TXR000050930
Trans Name: SAFETY-KLEEN SYSTEMS INC
Trans 2 EPA ID: Not reported
Trans 2 Name: Not reported
TSDf EPA ID: NVR000066837
Trans Name: SAFETY-KLEEN SYSTEMS INC
TSDf Alt EPA ID: NVR000066837
TSDf Alt Name: Not reported
Waste Code Description: 221 - Waste oil and mixed oil
RCRA Code: Not reported
Meth Code: - Not reported
Quantity Tons: 0.855
Waste Quantity: 225
Quantity Unit: G
Additional Code 1: Not reported
Additional Code 2: Not reported
Additional Code 3: Not reported
Additional Code 4: Not reported
Additional Code 5: Not reported

Additional Info:

Year: 2003
Gen EPA ID: CAL000218513

Shipment Date: 20031210
Creation Date: 8/9/2004 8:48:13
Receipt Date: 20031210
Manifest ID: 23304031
Trans EPA ID: TXR000050930
Trans Name: SAFETY-KLEEN SYSTEMS INC
Trans 2 EPA ID: Not reported
Trans 2 Name: Not reported
TSDf EPA ID: NVR000066837
Trans Name: SAFETY-KLEEN SYSTEMS INC
TSDf Alt EPA ID: Not reported

Map ID
Direction
Distance
Elevation

MAP FINDINGS

Site

Database(s)

EDR ID Number
EPA ID Number

BIG O TIRES & AUTO PARTS (Continued)

S113110010

TSDf Alt Name:	Not reported
Waste Code Description:	221 - Waste oil and mixed oil
RCRA Code:	Not reported
Meth Code:	- Not reported
Quantity Tons:	0.855
Waste Quantity:	225
Quantity Unit:	G
Additional Code 1:	Not reported
Additional Code 2:	Not reported
Additional Code 3:	Not reported
Additional Code 4:	Not reported
Additional Code 5:	Not reported
Shipment Date:	20030904
Creation Date:	7/29/2004 7:44:50
Receipt Date:	20030904
Manifest ID:	22513851
Trans EPA ID:	TXR000050930
Trans Name:	Not reported
Trans 2 EPA ID:	Not reported
Trans 2 Name:	Not reported
TSDf EPA ID:	NVR000066837
Trans Name:	Not reported
TSDf Alt EPA ID:	Not reported
TSDf Alt Name:	Not reported
Waste Code Description:	134 - Aqueous solution with <10% total organic residues
RCRA Code:	D039
Meth Code:	H01 - Transfer Station
Quantity Tons:	0.0168
Waste Quantity:	4
Quantity Unit:	G
Additional Code 1:	Not reported
Additional Code 2:	Not reported
Additional Code 3:	Not reported
Additional Code 4:	Not reported
Additional Code 5:	Not reported
Shipment Date:	20030612
Creation Date:	6/23/2004 10:00:42
Receipt Date:	20030612
Manifest ID:	22380424
Trans EPA ID:	TXR000050930
Trans Name:	Not reported
Trans 2 EPA ID:	Not reported
Trans 2 Name:	Not reported
TSDf EPA ID:	NVR000066837
Trans Name:	Not reported
TSDf Alt EPA ID:	Not reported
TSDf Alt Name:	Not reported
Waste Code Description:	134 - Aqueous solution with <10% total organic residues
RCRA Code:	D039
Meth Code:	H01 - Transfer Station
Quantity Tons:	0.0168
Waste Quantity:	4
Quantity Unit:	G
Additional Code 1:	Not reported
Additional Code 2:	Not reported

Map ID
Direction
Distance
Elevation

MAP FINDINGS

Site

Database(s)

EDR ID Number
EPA ID Number

BIG O TIRES & AUTO PARTS (Continued)

S113110010

Additional Code 3: Not reported
Additional Code 4: Not reported
Additional Code 5: Not reported

Shipment Date: 20030514
Creation Date: 8/29/2003 18:31:02
Receipt Date: 20030514
Manifest ID: 22443132
Trans EPA ID: TXR000050930
Trans Name: Not reported
Trans 2 EPA ID: Not reported
Trans 2 Name: Not reported
TSDf EPA ID: NVR000066837
Trans Name: Not reported
TSDf Alt EPA ID: Not reported
TSDf Alt Name: Not reported
Waste Code Description: 221 - Waste oil and mixed oil
RCRA Code: Not reported
Meth Code: H01 - Transfer Station
Quantity Tons: 0.817
Waste Quantity: 215
Quantity Unit: G
Additional Code 1: Not reported
Additional Code 2: Not reported
Additional Code 3: Not reported
Additional Code 4: Not reported
Additional Code 5: Not reported

Shipment Date: 20030326
Creation Date: 6/12/2003 18:31:05
Receipt Date: 20030326
Manifest ID: 22448009
Trans EPA ID: TXR000050930
Trans Name: Not reported
Trans 2 EPA ID: Not reported
Trans 2 Name: Not reported
TSDf EPA ID: NVR000066837
Trans Name: Not reported
TSDf Alt EPA ID: Not reported
TSDf Alt Name: Not reported
Waste Code Description: 134 - Aqueous solution with <10% total organic residues
RCRA Code: D039
Meth Code: H01 - Transfer Station
Quantity Tons: 0.0168
Waste Quantity: 4
Quantity Unit: G
Additional Code 1: Not reported
Additional Code 2: Not reported
Additional Code 3: Not reported
Additional Code 4: Not reported
Additional Code 5: Not reported

Shipment Date: 20030205
Creation Date: 5/13/2003 18:32:19
Receipt Date: 20030205
Manifest ID: 22109285
Trans EPA ID: TXR000050930

Map ID
Direction
Distance
Elevation

MAP FINDINGS

Site

Database(s)

EDR ID Number
EPA ID Number

BIG O TIRES & AUTO PARTS (Continued)

S113110010

Trans Name:	Not reported
Trans 2 EPA ID:	Not reported
Trans 2 Name:	Not reported
TSDf EPA ID:	NVR000066837
Trans Name:	Not reported
TSDf Alt EPA ID:	Not reported
TSDf Alt Name:	Not reported
Waste Code Description:	221 - Waste oil and mixed oil
RCRA Code:	Not reported
Meth Code:	H01 - Transfer Station
Quantity Tons:	0.627
Waste Quantity:	165
Quantity Unit:	G
Additional Code 1:	Not reported
Additional Code 2:	Not reported
Additional Code 3:	Not reported
Additional Code 4:	Not reported
Additional Code 5:	Not reported
Shipment Date:	20030108
Creation Date:	4/1/2003 18:31:07
Receipt Date:	20030108
Manifest ID:	22280965
Trans EPA ID:	TXR000050930
Trans Name:	Not reported
Trans 2 EPA ID:	Not reported
Trans 2 Name:	Not reported
TSDf EPA ID:	NVR000066837
Trans Name:	Not reported
TSDf Alt EPA ID:	Not reported
TSDf Alt Name:	Not reported
Waste Code Description:	134 - Aqueous solution with <10% total organic residues
RCRA Code:	D039
Meth Code:	H01 - Transfer Station
Quantity Tons:	0.0168
Waste Quantity:	4
Quantity Unit:	G
Additional Code 1:	Not reported
Additional Code 2:	Not reported
Additional Code 3:	Not reported
Additional Code 4:	Not reported
Additional Code 5:	Not reported
Additional Info:	
Year:	2002
Gen EPA ID:	CAL000218513
Shipment Date:	20021126
Creation Date:	2/13/2003 18:31:35
Receipt Date:	20021126
Manifest ID:	99058040
Trans EPA ID:	SCR000075150
Trans Name:	Not reported
Trans 2 EPA ID:	Not reported
Trans 2 Name:	Not reported
TSDf EPA ID:	NVR000066837
Trans Name:	Not reported

Map ID
Direction
Distance
Elevation

MAP FINDINGS

Site

Database(s)

EDR ID Number
EPA ID Number

BIG O TIRES & AUTO PARTS (Continued)

S113110010

TSDf Alt EPA ID:	Not reported
TSDf Alt Name:	Not reported
Waste Code Description:	221 - Waste oil and mixed oil
RCRA Code:	Not reported
Meth Code:	- Not reported
Quantity Tons:	1.045
Waste Quantity:	275
Quantity Unit:	G
Additional Code 1:	Not reported
Additional Code 2:	Not reported
Additional Code 3:	Not reported
Additional Code 4:	Not reported
Additional Code 5:	Not reported
Shipment Date:	20021016
Creation Date:	2/6/2003 18:31:16
Receipt Date:	20021016
Manifest ID:	21904014
Trans EPA ID:	SCR000075150
Trans Name:	Not reported
Trans 2 EPA ID:	Not reported
Trans 2 Name:	Not reported
TSDf EPA ID:	NVR000066837
Trans Name:	Not reported
TSDf Alt EPA ID:	Not reported
TSDf Alt Name:	Not reported
Waste Code Description:	134 - Aqueous solution with <10% total organic residues
RCRA Code:	D039
Meth Code:	H01 - Transfer Station
Quantity Tons:	0.0168
Waste Quantity:	4
Quantity Unit:	G
Additional Code 1:	Not reported
Additional Code 2:	Not reported
Additional Code 3:	Not reported
Additional Code 4:	Not reported
Additional Code 5:	Not reported
Shipment Date:	20020725
Creation Date:	9/18/2002 18:32:45
Receipt Date:	20020725
Manifest ID:	21743539
Trans EPA ID:	SCR000075150
Trans Name:	Not reported
Trans 2 EPA ID:	Not reported
Trans 2 Name:	Not reported
TSDf EPA ID:	NVT330010208
Trans Name:	Not reported
TSDf Alt EPA ID:	Not reported
TSDf Alt Name:	Not reported
Waste Code Description:	134 - Aqueous solution with <10% total organic residues
RCRA Code:	D039
Meth Code:	H01 - Transfer Station
Quantity Tons:	0.021
Waste Quantity:	5
Quantity Unit:	G
Additional Code 1:	Not reported

Map ID
Direction
Distance
Elevation

MAP FINDINGS

Site

Database(s)

EDR ID Number
EPA ID Number

BIG O TIRES & AUTO PARTS (Continued)

S113110010

Additional Code 2: Not reported
Additional Code 3: Not reported
Additional Code 4: Not reported
Additional Code 5: Not reported

Shipment Date: 20020502
Creation Date: 1/8/2003 18:31:12
Receipt Date: 20020502
Manifest ID: 21589331
Trans EPA ID: SCR000075150
Trans Name: Not reported
Trans 2 EPA ID: Not reported
Trans 2 Name: Not reported
TSDf EPA ID: NVT330010208
Trans Name: Not reported
TSDf Alt EPA ID: Not reported
TSDf Alt Name: Not reported
Waste Code Description: 134 - Aqueous solution with <10% total organic residues
RCRA Code: D039
Meth Code: H01 - Transfer Station
Quantity Tons: 0.0168
Waste Quantity: 4
Quantity Unit: G
Additional Code 1: Not reported
Additional Code 2: Not reported
Additional Code 3: Not reported
Additional Code 4: Not reported
Additional Code 5: Not reported

Shipment Date: 20020205
Creation Date: 3/7/2002 0:00:00
Receipt Date: 20020205
Manifest ID: 21485566
Trans EPA ID: SCR000075150
Trans Name: Not reported
Trans 2 EPA ID: Not reported
Trans 2 Name: Not reported
TSDf EPA ID: NVT330010208
Trans Name: Not reported
TSDf Alt EPA ID: Not reported
TSDf Alt Name: Not reported
Waste Code Description: 134 - Aqueous solution with <10% total organic residues
RCRA Code: D039
Meth Code: H01 - Transfer Station
Quantity Tons: 0.0168
Waste Quantity: 4
Quantity Unit: G
Additional Code 1: Not reported
Additional Code 2: Not reported
Additional Code 3: Not reported
Additional Code 4: Not reported
Additional Code 5: Not reported

Additional Info:
Year: 2001
Gen EPA ID: CAL000218513

Map ID
Direction
Distance
Elevation

MAP FINDINGS

Site

Database(s)

EDR ID Number
EPA ID Number

BIG O TIRES & AUTO PARTS (Continued)

S113110010

Shipment Date: 20011115
Creation Date: 1/16/2002 0:00:00
Receipt Date: 20011115
Manifest ID: 21316139
Trans EPA ID: SCR000075150
Trans Name: Not reported
Trans 2 EPA ID: Not reported
Trans 2 Name: Not reported
TSDf EPA ID: NVT330010208
Trans Name: Not reported
TSDf Alt EPA ID: Not reported
TSDf Alt Name: Not reported
Waste Code Description: 134 - Aqueous solution with <10% total organic residues
RCRA Code: D039
Meth Code: H01 - Transfer Station
Quantity Tons: 0.0168
Waste Quantity: 4
Quantity Unit: G
Additional Code 1: Not reported
Additional Code 2: Not reported
Additional Code 3: Not reported
Additional Code 4: Not reported
Additional Code 5: Not reported

Additional Info:

Year: 2011
Gen EPA ID: CAL000218513

Shipment Date: 20110816
Creation Date: 10/19/2011 18:30:46
Receipt Date: 20110826
Manifest ID: 008893585JJK
Trans EPA ID: CAR000172460
Trans Name: ENVIRONMENTAL LOGISTICS INC
Trans 2 EPA ID: Not reported
Trans 2 Name: Not reported
TSDf EPA ID: CAD982444481
Trans Name: FILTER RECYCLING SERVICES INC
TSDf Alt EPA ID: Not reported
TSDf Alt Name: Not reported
Waste Code Description: 223 - Unspecified oil-containing waste
RCRA Code: Not reported
Meth Code: H141 - Storage, Bulking, And/Or Transfer Off Site--No Treatment/Reovery (H010-H129) Or (H131-H135)
Quantity Tons: 0.6255
Waste Quantity: 150
Quantity Unit: G
Additional Code 1: Not reported
Additional Code 2: Not reported
Additional Code 3: Not reported
Additional Code 4: Not reported
Additional Code 5: Not reported

HWTS:

Name: BIG O TIRES & AUTO PARTS
Address: 949 WEST BROADWAY

Map ID
Direction
Distance
Elevation

MAP FINDINGS

Site

Database(s)

EDR ID Number
EPA ID Number

BIG O TIRES & AUTO PARTS (Continued)

S113110010

Address 2: Not reported
City,State,Zip: NEEDLES, CA 92363
EPA ID: CAL000218513
Inactive Date: 01/23/2015
Create Date: 07/17/2000
Last Act Date: Not reported
Mailing Name: Not reported
Mailing Address: 949 WEST BROADWAY
Mailing Address 2: Not reported
Mailing City,State,Zip: NEEDLES, CA 923630000
Owner Name: WILLIAM D. HARTWICK
Owner Address: 949 WEST BROADWAY
Owner Address 2: Not reported
Owner City,State,Zip: NEEDLES, CA 923630000
Contact Name: BILL HARTWICK/OWNER
Contact Address: 949 WEST BROADWAY
Contact Address 2: Not reported
City,State,Zip: NEEDLES, CA 923630000
Facility Status: Inactive
Facility Type: PERMANENT
Category: STATE
Latitude: 34.839413
Longitude: -114.60645

NAICS:

EPA ID: CAL000218513
Create Date: 2010-11-22 13:00:50.000
NAICS Code: 44131
NAICS Description: Automotive Parts and Accessories Stores
Issued EPA ID Date: 2000-07-17 00:00:00
Inactive Date: 2015-01-23 00:00:00
Facility Name: BIG O TIRES & AUTO PARTS
Facility Address: 949 WEST BROADWAY
Facility Address 2: Not reported
Facility City: NEEDLES
Facility County: Not reported
Facility State: CA
Facility Zip: 923630000

BH477 **BIG O TIRES & AUTO PARTS**
Target **949 W BROADWAY ST**
Property **NEEDLES, CA 92363**

FINDS **1023243955**
N/A

Site 7 of 11 in cluster BH

Actual: FINDS:
497 ft. Registry ID: 110065320726

Focus Map:
7 [Click Here for FRS Facility Detail Report:](#)

Environmental Interest/Information System:
STATE MASTER

[Click this hyperlink](#) while viewing on your computer to access additional FINDS: detail in the EDR Site Report.

Map ID
Direction
Distance
Elevation

MAP FINDINGS

Site

Database(s)

EDR ID Number
EPA ID Number

BH478 **BIG O TIRES & AUTO PARTS**
Target **949 W BROADWAY ST**
Property **NEEDLES, CA 92363**

CERS HAZ WASTE
San Bern. Co. Permit
CERS

S121309620
N/A

Site 8 of 11 in cluster BH

Actual:
497 ft.

Focus Map:
7

CERS HAZ WASTE:
Name: BIG O TIRES & AUTO PARTS
Address: 949 W BROADWAY ST
City,State,Zip: NEEDLES, CA 92363
Site ID: 98775
CERS ID: 10494787
CERS Description: Hazardous Waste Generator

San Bern. Co. Permit:

Name: BIG O TIRES & AUTO PARTS
Address: 949 W BROADWAY ST
City,State,Zip: NEEDLES, CA 92363
Region: SAN BERNARDINO
Facility ID: FA0004054
Owner: Eileen Hartwick
Permit Number: PT0001760
Permit Category: HAZARDOUS MATERIALS 1-3 CHEMICALS
Facility Status: ACTIVE
Expiration Date: 10/31/2022

Name: BIG O TIRES & AUTO PARTS
Address: 949 W BROADWAY ST
City,State,Zip: NEEDLES, CA 92363
Region: SAN BERNARDINO
Facility ID: FA0004054
Owner: Eileen Hartwick
Permit Number: PT0001761
Permit Category: SMALL QUANTITY GENERATOR
Facility Status: ACTIVE
Expiration Date: 10/31/2022

Name: BIG O TIRES & AUTO PARTS
Address: 949 W BROADWAY ST
City,State,Zip: NEEDLES, CA 92363
Region: SAN BERNARDINO
Facility ID: FA0004054
Owner: Eileen Hartwick
Permit Number: PT0012524
Permit Category: REGULAR UST ANNUAL INSPECTION (PER TANK)
Facility Status: INACTIVE
Expiration Date: 10/31/2011

CERS:

Name: BIG O TIRES & AUTO PARTS
Address: 949 W BROADWAY ST
City,State,Zip: NEEDLES, CA 92363
Site ID: 98775
CERS ID: 10494787
CERS Description: Chemical Storage Facilities

Violations:

Site ID: 98775
Site Name: BIG O TIRES & AUTO PARTS

Map ID
Direction
Distance
Elevation

MAP FINDINGS

Site

Database(s)

EDR ID Number
EPA ID Number

BIG O TIRES & AUTO PARTS (Continued)

S121309620

Violation Date: 07-11-2018
Citation: HSC 6.95 25508.1(a)-(f) - California Health and Safety Code, Chapter 6.95, Section(s) 25508.1(a)-(f)
Violation Description: Failure to electronically update business plan within 30 days of any one of the following events: A 100 percent or more increase in the quantity of a previously disclosed material. Any handling of a previously undisclosed hazardous materials at or above reportable quantities. A change of business address, business ownership, or business name. A substantial change in the handler's operations that requires modification to any portion of the business plan.
Violation Notes: Returned to compliance on 07/19/2018. OBSERVATION: Observed (3) 55 gallon drums of drained used oil filters and (1) 55 gallon drum of used paper filters previously undisclosed in 02/26/2018 CERS submittal. CORRECTIVE ACTION: Submit the updated business plan information into the California Environmental Reporting System (CERS).
Violation Division: San Bernardino County Fire Department
Violation Program: HMRRP
Violation Source: CERS,

Evaluation:
Eval General Type: Compliance Evaluation Inspection
Eval Date: 01-15-2015
Violations Found: No
Eval Type: Routine done by local agency
Eval Notes: BIG O TIRES: ROUTINE INSPECTION
Eval Division: San Bernardino County Fire Department
Eval Program: HMRRP
Eval Source: CERS,

Eval General Type: Compliance Evaluation Inspection
Eval Date: 07-11-2018
Violations Found: Yes
Eval Type: Routine done by local agency
Eval Notes: Not reported
Eval Division: San Bernardino County Fire Department
Eval Program: HMRRP
Eval Source: CERS,

Eval General Type: Compliance Evaluation Inspection
Eval Date: 08-06-2021
Violations Found: No
Eval Type: Routine done by local agency
Eval Notes: Not reported
Eval Division: San Bernardino County Fire Department
Eval Program: HMRRP
Eval Source: CERS,

Eval General Type: Compliance Evaluation Inspection
Eval Date: 01-15-2015
Violations Found: No
Eval Type: Routine done by local agency
Eval Notes: BIG O TIRES: ROUTINE INSPECTION
Eval Division: San Bernardino County Fire Department
Eval Program: HW
Eval Source: CERS,

Eval General Type: Compliance Evaluation Inspection

Map ID
Direction
Distance
Elevation

MAP FINDINGS

Site

Database(s)

EDR ID Number
EPA ID Number

BIG O TIRES & AUTO PARTS (Continued)

S121309620

Eval Date: 08-06-2021
Violations Found: No
Eval Type: Routine done by local agency
Eval Notes: Not reported
Eval Division: San Bernardino County Fire Department
Eval Program: HW
Eval Source: CERS,

Eval General Type: Compliance Evaluation Inspection
Eval Date: 07-11-2018
Violations Found: No
Eval Type: Routine done by local agency
Eval Notes: Not reported
Eval Division: San Bernardino County Fire Department
Eval Program: HW
Eval Source: CERS,

Coordinates:
Site ID: 98775
Facility Name: BIG O TIRES & AUTO PARTS
Env Int Type Code: HWG
Program ID: 10494787
Coord Name: Not reported
Ref Point Type Desc: Center of a facility or station.,
Latitude: 34.839470
Longitude: -114.606440

Affiliation:
Affiliation Type Desc: CUPA District
Entity Name: San Bernardino County Fire
Entity Title: Not reported
Affiliation Address: 620 South E Street
Affiliation City: San Bernardino
Affiliation State: CA
Affiliation Country: Not reported
Affiliation Zip: 92415-0153
Affiliation Phone: (909) 386-8401,

Affiliation Type Desc: Document Preparer
Entity Name: Eileen Hartwick
Entity Title: Not reported
Affiliation Address: Not reported
Affiliation City: Not reported
Affiliation State: Not reported
Affiliation Country: Not reported
Affiliation Zip: Not reported
Affiliation Phone: ,

Affiliation Type Desc: Legal Owner
Entity Name: Eileen Hartwick
Entity Title: Not reported
Affiliation Address: 949 W Broadway St
Affiliation City: Needles
Affiliation State: CA
Affiliation Country: United States
Affiliation Zip: 92363

Map ID
Direction
Distance
Elevation

MAP FINDINGS

Site

Database(s)

EDR ID Number
EPA ID Number

BIG O TIRES & AUTO PARTS (Continued)

S121309620

Affiliation Phone: (760) 326-3885,

Affiliation Type Desc: Parent Corporation
Entity Name: Big O Tires & Auto Parts
Entity Title: Not reported
Affiliation Address: Not reported
Affiliation City: Not reported
Affiliation State: Not reported
Affiliation Country: Not reported
Affiliation Zip: Not reported
Affiliation Phone: ,

Affiliation Type Desc: Property Owner
Entity Name: Eileen Hartwick
Entity Title: Not reported
Affiliation Address: 949 W Broadway St
Affiliation City: Needles
Affiliation State: CA
Affiliation Country: United States
Affiliation Zip: 92363
Affiliation Phone: (760) 326-3885,

Affiliation Type Desc: Facility Mailing Address
Entity Name: Mailing Address
Entity Title: Not reported
Affiliation Address: 949 W Broadway St
Affiliation City: Needles
Affiliation State: CA
Affiliation Country: Not reported
Affiliation Zip: 92363
Affiliation Phone: ,

Affiliation Type Desc: Identification Signer
Entity Name: Eileen Hartwick
Entity Title: Owner
Affiliation Address: Not reported
Affiliation City: Not reported
Affiliation State: Not reported
Affiliation Country: Not reported
Affiliation Zip: Not reported
Affiliation Phone: ,

Affiliation Type Desc: Environmental Contact
Entity Name: Eileen Hartwick
Entity Title: Not reported
Affiliation Address: 949 W Broadway St
Affiliation City: Needles
Affiliation State: CA
Affiliation Country: Not reported
Affiliation Zip: 92363
Affiliation Phone: ,

Affiliation Type Desc: Operator
Entity Name: Hartwick Automotive, LLC
Entity Title: Not reported
Affiliation Address: Not reported
Affiliation City: Not reported

Map ID
 Direction
 Distance
 Elevation

MAP FINDINGS

Site

Database(s)

EDR ID Number
 EPA ID Number

BIG O TIRES & AUTO PARTS (Continued)

S121309620

Affiliation State: Not reported
 Affiliation Country: Not reported
 Affiliation Zip: Not reported
 Affiliation Phone: (760) 326-3885,

BH479 J BS AUTO SERVICE CENTER
Target 949 W BROADWAY
Property NEEDLES, CA 92363

EDR Hist Auto 1020541983
N/A

Site 9 of 11 in cluster BH

Actual: EDR Hist Auto
497 ft.

Focus Map:
7

Year:	Name:	Type:
1986	J BS AUTO SERVICE	General Automotive Repair Shops
1987	J BS AUTO SERVICE CENTER	Auto And Home Supply Stores
1988	J BS AUTO SERVICE CENTER	Auto And Home Supply Stores
1989	J BS AUTO SERVICE CENTER	Auto And Truck Equipment And Parts
1990	J BS AUTO SERVICE CENTER	Auto And Truck Equipment And Parts
1991	J BS AUTO SERVICE CENTER	Auto And Truck Equipment And Parts
1992	J BS AUTO SERVICE CENTER	Auto And Truck Equipment And Parts
1993	J BS AUTO SERVICE CENTER	Gasoline Service Stations
1994	J BS AUTO SERVICE CENTER	Gasoline Service Stations
1995	J BS AUTO SERVICE CENTER	Auto And Truck Equipment And Parts
1996	J BS AUTO SERVICE CENTER	Auto And Truck Equipment And Parts
1997	J BS AUTO SERVICE CENTER	Auto And Truck Equipment And Parts
1998	BIG O TIRES & BIG A AUTO PARTS	Auto And Truck Equipment And Parts
1999	HARTWICK ROBERT	Auto And Truck Equipment And Parts
2000	HARTWICK ROBERT	Auto And Truck Equipment And Parts
2001	BIG O TIRES & AUTO PARTS	Auto And Truck Equipment And Parts
2002	BIG O TIRES & AUTO PARTS	Auto And Truck Equipment And Parts
2003	BIG O TIRES & AUTO PARTS	Auto And Truck Equipment And Parts
2004	BIG O TIRES & AUTO PARTS	Auto And Truck Equipment And Parts
2005	BIG O TIRES & AUTO PARTS	Auto And Home Supply Stores, NEC
2006	BIG O TIRES & AUTO PARTS	Auto And Home Supply Stores, NEC
2007	BIG O TIRES & AUTO PARTS	Auto And Home Supply Stores, NEC
2008	J B AUTOMOTIVE	General Automotive Repair Shops
2008	BIG O TIRES & AUTO PARTS	Auto And Home Supply Stores, NEC
2009	BIG O TIRES & AUTO PARTS	Auto And Home Supply Stores, NEC
2009	J B AUTOMOTIVE	General Automotive Repair Shops
2010	J B AUTOMOTIVE	General Automotive Repair Shops
2010	BIG O TIRES & AUTO PARTS	Auto And Home Supply Stores, NEC
2011	J B AUTOMOTIVE	General Automotive Repair Shops
2011	BIG O TIRES & AUTO PARTS	Auto And Home Supply Stores, NEC
2012	BIG O TIRES & AUTO PARTS	Auto And Home Supply Stores, NEC
2012	J B AUTOMOTIVE	General Automotive Repair Shops
2013	BIG O TIRES & AUTO PARTS	Auto And Home Supply Stores, NEC
2014	BIG O TIRES & AUTO PARTS	Auto And Home Supply Stores, NEC

Map ID
Direction
Distance
Elevation

MAP FINDINGS

EDR ID Number
EPA ID Number

Site

Database(s)

BH480 **HARTWICK AUTOMOTIVE, LLC.**
Target **949 WEST BROADWAY STREET**
Property **NEEDLES, CA 92363**

HAULERS **S127802942**
N/A

Site 10 of 11 in cluster BH

Actual: **HAULERS:**
497 ft. Name: HARTWICK AUTOMOTIVE, LLC.
Focus Map: Address: 949 WEST BROADWAY STREET
7 City,State,Zip: NEEDLES, CA 92363
Facility ID: 1898958
Facility Phone: (760) 326-3885
Business Email Address: Not reported
Contact Person: Eileen Hartwick
Mailing Address: 949 West Broadway Street
Mailing City: Needles
Mailing State: CA
Mailing Zip: 92363
Mailing County: San Bernardino
Mailing Phone: Not reported
Current Status: Active
Current Hauler Status: Not reported
Accepting Tires From Public: Not reported
Regulatory Status Last Changed: Not reported
Business Types: Not reported

BH481 **JB'S AUTO SRV CTR/BIG O TIRE/BIG A AUTO**
Target **949 W BROADWAY**
Property **NEEDLES, CA 92363**

HAZNET **S113026974**
HWTS **N/A**

Site 11 of 11 in cluster BH

Actual: **HAZNET:**
497 ft. Name: JB'S AUTO SRV CTR/BIG O TIRE/BIG A AUTO
Focus Map: Address: 949 W BROADWAY
7 Address 2: Not reported
City,State,Zip: NEEDLES, CA 923630000
Contact: ROBERT HARTWICK/OWNER
Telephone: 7603263885
Mailing Name: Not reported
Mailing Address: PO BOX 3189

Year: 2001
Gepaid: CAL000015533
TSD EPA ID: NVT330010208
CA Waste Code: 134 - Aqueous solution with total organic residues less than 10 percent
Disposal Method: H01 - Transfer Station
Tons: 0.0504

Year: 2000
Gepaid: CAL000015533
TSD EPA ID: NVT330010208
CA Waste Code: 741 - Liquids with halogenated organic compounds >= 1,000 Mg/L
Disposal Method: H01 - Transfer Station
Tons: 0

Year: 2000
Gepaid: CAL000015533
TSD EPA ID: NVT330010208

Map ID
Direction
Distance
Elevation

MAP FINDINGS

Site

Database(s)

EDR ID Number
EPA ID Number

JB'S AUTO SRV CTR/BIG O TIRE/BIG A AUTO (Continued)

S113026974

CA Waste Code: 134 - Aqueous solution with total organic residues less than 10 percent
Disposal Method: H01 - Transfer Station
Tons: 0.084

Year: 1999
Gepaid: CAL000015533
TSD EPA ID: NVT330010208
CA Waste Code: 134 - Aqueous solution with total organic residues less than 10 percent
Disposal Method: H01 - Transfer Station
Tons: 0.0336

Additional Info:

Year: 2001
Gen EPA ID: CAL000015533

Shipment Date: 20010830
Creation Date: 10/3/2001 0:00:00
Receipt Date: 20010830
Manifest ID: 21116569
Trans EPA ID: SCR000075150
Trans Name: Not reported
Trans 2 EPA ID: Not reported
Trans 2 Name: Not reported
TSD EPA ID: NVT330010208
Trans Name: Not reported
TSD Alt EPA ID: Not reported
TSD Alt Name: Not reported
Waste Code Description: 134 - Aqueous solution with <10% total organic residues
RCRA Code: D039
Meth Code: H01 - Transfer Station
Quantity Tons: 0.0168
Waste Quantity: 4
Quantity Unit: G
Additional Code 1: Not reported
Additional Code 2: Not reported
Additional Code 3: Not reported
Additional Code 4: Not reported
Additional Code 5: Not reported

Shipment Date: 20010607
Creation Date: 7/30/2001 0:00:00
Receipt Date: 20010607
Manifest ID: 20652495
Trans EPA ID: SCR000075150
Trans Name: Not reported
Trans 2 EPA ID: Not reported
Trans 2 Name: Not reported
TSD EPA ID: NVT330010208
Trans Name: Not reported
TSD Alt EPA ID: Not reported
TSD Alt Name: Not reported
Waste Code Description: 134 - Aqueous solution with <10% total organic residues
RCRA Code: D039
Meth Code: H01 - Transfer Station

Map ID
Direction
Distance
Elevation

MAP FINDINGS

Site

Database(s)

EDR ID Number
EPA ID Number

JB'S AUTO SRV CTR/BIG O TIRE/BIG A AUTO (Continued)

S113026974

Quantity Tons: 0.0168
Waste Quantity: 4
Quantity Unit: G
Additional Code 1: Not reported
Additional Code 2: Not reported
Additional Code 3: Not reported
Additional Code 4: Not reported
Additional Code 5: Not reported

Shipment Date: 20010307
Creation Date: 4/30/2001 0:00:00
Receipt Date: 20010307
Manifest ID: 20368258
Trans EPA ID: SCR000075150
Trans Name: Not reported
Trans 2 EPA ID: Not reported
Trans 2 Name: Not reported
TSDf EPA ID: NVT330010208
Trans Name: Not reported
TSDf Alt EPA ID: Not reported
TSDf Alt Name: Not reported
Waste Code Description: 134 - Aqueous solution with <10% total organic residues
RCRA Code: D039
Meth Code: H01 - Transfer Station
Quantity Tons: 0.0168
Waste Quantity: 4
Quantity Unit: G
Additional Code 1: Not reported
Additional Code 2: Not reported
Additional Code 3: Not reported
Additional Code 4: Not reported
Additional Code 5: Not reported

Additional Info:
Year: 2000
Gen EPA ID: CAL000015533

Shipment Date: 20001212
Creation Date: 2/1/2001 0:00:00
Receipt Date: 20001212
Manifest ID: 20381415
Trans EPA ID: SCR000075150
Trans Name: Not reported
Trans 2 EPA ID: Not reported
Trans 2 Name: Not reported
TSDf EPA ID: NVT330010208
Trans Name: Not reported
TSDf Alt EPA ID: Not reported
TSDf Alt Name: Not reported
Waste Code Description: 134 - Aqueous solution with <10% total organic residues
RCRA Code: D039
Meth Code: H01 - Transfer Station
Quantity Tons: 0.0168
Waste Quantity: 4
Quantity Unit: G
Additional Code 1: Not reported
Additional Code 2: Not reported

Map ID
Direction
Distance
Elevation

MAP FINDINGS

Site

Database(s)

EDR ID Number
EPA ID Number

JB'S AUTO SRV CTR/BIG O TIRE/BIG A AUTO (Continued)

S113026974

Additional Code 3: Not reported
Additional Code 4: Not reported
Additional Code 5: Not reported

Shipment Date: 20000927
Creation Date: 11/14/2000 0:00:00
Receipt Date: 20000927
Manifest ID: 20037845
Trans EPA ID: SCR000075150
Trans Name: Not reported
Trans 2 EPA ID: Not reported
Trans 2 Name: Not reported
TSDf EPA ID: NVT330010208
Trans Name: Not reported
TSDf Alt EPA ID: Not reported
TSDf Alt Name: Not reported
Waste Code Description: 134 - Aqueous solution with <10% total organic residues
RCRA Code: D039
Meth Code: H01 - Transfer Station
Quantity Tons: 0.0168
Waste Quantity: 4
Quantity Unit: G
Additional Code 1: Not reported
Additional Code 2: Not reported
Additional Code 3: Not reported
Additional Code 4: Not reported
Additional Code 5: Not reported

Shipment Date: 20000927
Creation Date: 11/14/2000 0:00:00
Receipt Date: 20000927
Manifest ID: 20037845
Trans EPA ID: SCR000075150
Trans Name: Not reported
Trans 2 EPA ID: Not reported
Trans 2 Name: Not reported
TSDf EPA ID: NVT330010208
Trans Name: Not reported
TSDf Alt EPA ID: Not reported
TSDf Alt Name: Not reported
Waste Code Description: 741 - Liquids with halogenated organic compounds > 1000 mg/l
RCRA Code: D001
Meth Code: H01 - Transfer Station
Quantity Tons: 0
Waste Quantity: 7
Quantity Unit: *
Additional Code 1: Not reported
Additional Code 2: Not reported
Additional Code 3: Not reported
Additional Code 4: Not reported
Additional Code 5: Not reported

Shipment Date: 20000627
Creation Date: 8/9/2000 0:00:00
Receipt Date: 20000627
Manifest ID: 20011307
Trans EPA ID: SCR000075150

Map ID
Direction
Distance
Elevation

MAP FINDINGS

Site

Database(s)

EDR ID Number
EPA ID Number

JB'S AUTO SRV CTR/BIG O TIRE/BIG A AUTO (Continued)

S113026974

Trans Name: Not reported
Trans 2 EPA ID: Not reported
Trans 2 Name: Not reported
TSDf EPA ID: NVT330010208
Trans Name: Not reported
TSDf Alt EPA ID: Not reported
TSDf Alt Name: Not reported
Waste Code Description: 134 - Aqueous solution with <10% total organic residues
RCRA Code: D039
Meth Code: H01 - Transfer Station
Quantity Tons: 0.0168
Waste Quantity: 4
Quantity Unit: G
Additional Code 1: Not reported
Additional Code 2: Not reported
Additional Code 3: Not reported
Additional Code 4: Not reported
Additional Code 5: Not reported

Shipment Date: 20000405
Creation Date: 5/23/2000 0:00:00
Receipt Date: 20000405
Manifest ID: 99850262
Trans EPA ID: ILD984908202
Trans Name: Not reported
Trans 2 EPA ID: Not reported
Trans 2 Name: Not reported
TSDf EPA ID: NVT330010208
Trans Name: Not reported
TSDf Alt EPA ID: Not reported
TSDf Alt Name: Not reported
Waste Code Description: 134 - Aqueous solution with <10% total organic residues
RCRA Code: D039
Meth Code: H01 - Transfer Station
Quantity Tons: 0.0168
Waste Quantity: 4
Quantity Unit: G
Additional Code 1: Not reported
Additional Code 2: Not reported
Additional Code 3: Not reported
Additional Code 4: Not reported
Additional Code 5: Not reported

Shipment Date: 20000112
Creation Date: 2/28/2000 0:00:00
Receipt Date: 20000112
Manifest ID: 99861459
Trans EPA ID: ILD984908202
Trans Name: Not reported
Trans 2 EPA ID: Not reported
Trans 2 Name: Not reported
TSDf EPA ID: NVT330010208
Trans Name: Not reported
TSDf Alt EPA ID: Not reported
TSDf Alt Name: Not reported
Waste Code Description: 134 - Aqueous solution with <10% total organic residues
RCRA Code: D039

Map ID
Direction
Distance
Elevation

MAP FINDINGS

Site

Database(s)

EDR ID Number
EPA ID Number

JB'S AUTO SRV CTR/BIG O TIRE/BIG A AUTO (Continued)

S113026974

Meth Code: H01 - Transfer Station
Quantity Tons: 0.0168
Waste Quantity: 4
Quantity Unit: G
Additional Code 1: Not reported
Additional Code 2: Not reported
Additional Code 3: Not reported
Additional Code 4: Not reported
Additional Code 5: Not reported

Additional Info:

Year: 1999
Gen EPA ID: CAL000015533

Shipment Date: 19991020
Creation Date: 11/22/1999 0:00:00
Receipt Date: 19991020
Manifest ID: 99512662
Trans EPA ID: ILD984908202
Trans Name: Not reported
Trans 2 EPA ID: Not reported
Trans 2 Name: Not reported
TSDf EPA ID: NVT330010208
Trans Name: Not reported
TSDf Alt EPA ID: Not reported
TSDf Alt Name: Not reported
Waste Code Description: 134 - Aqueous solution with <10% total organic residues
RCRA Code: D039
Meth Code: H01 - Transfer Station
Quantity Tons: 0.0168
Waste Quantity: 4
Quantity Unit: G
Additional Code 1: Not reported
Additional Code 2: Not reported
Additional Code 3: Not reported
Additional Code 4: Not reported
Additional Code 5: Not reported

Shipment Date: 19990728
Creation Date: 9/1/1999 0:00:00
Receipt Date: 19990729
Manifest ID: 99038492
Trans EPA ID: ILD984908202
Trans Name: Not reported
Trans 2 EPA ID: Not reported
Trans 2 Name: Not reported
TSDf EPA ID: NVT330010208
Trans Name: Not reported
TSDf Alt EPA ID: Not reported
TSDf Alt Name: Not reported
Waste Code Description: 134 - Aqueous solution with <10% total organic residues
RCRA Code: D039
Meth Code: H01 - Transfer Station
Quantity Tons: 0.0168
Waste Quantity: 4
Quantity Unit: G
Additional Code 1: Not reported

Map ID
 Direction
 Distance
 Elevation

MAP FINDINGS

Site

Database(s)

EDR ID Number
 EPA ID Number

JB'S AUTO SRV CTR/BIG O TIRE/BIG A AUTO (Continued)

S113026974

Additional Code 2: Not reported
 Additional Code 3: Not reported
 Additional Code 4: Not reported
 Additional Code 5: Not reported

HWTS:

Name: JB'S AUTO SRV CTR/BIG O TIRE/BIG A AUTO
 Address: 949 W BROADWAY
 Address 2: Not reported
 City,State,Zip: NEEDLES, CA 92363
 EPA ID: CAL000015533
 Inactive Date: 06/30/2002
 Create Date: 11/14/1989
 Last Act Date: Not reported
 Mailing Name: Not reported
 Mailing Address: PO BOX 3189
 Mailing Address 2: Not reported
 Mailing City,State,Zip: NEEDLES, CA 923632051
 Owner Name: HARTWICK ROBERT
 Owner Address: PO BOX 3189
 Owner Address 2: Not reported
 Owner City,State,Zip: NEEDLES, CA 923632051
 Contact Name: ROBERT HARTWICK/OWNER
 Contact Address: INACTIVE PER VQ01 - BMI
 Contact Address 2: Not reported
 City,State,Zip: NEEDLES, CA 923632051
 Facility Status: Inactive
 Facility Type: PERMANENT
 Category: STATE
 Latitude: 34.839509
 Longitude: -114.606386

BM482 PACIFIC BELL
Target 221 H STREET
Property NEEDLES, CA 92363

RCRA NonGen / NLR 1000250395
FINDS CAT080025356
ECHO

Site 1 of 3 in cluster BM

Actual: RCRA NonGen / NLR:
499 ft. Date Form Received by Agency: 19970909
Focus Map: Handler Name: PACIFIC BELL
7 Handler Address: 221 H STREET
 Handler City,State,Zip: NEEDLES, CA 92363
 EPA ID: CAT080025356
 Contact Name: ENVIRONMENTAL MANAGER
 Contact Address: 221 H STREET
 Contact City,State,Zip: NEEDLES, CA 92363
 Contact Telephone: 714-972-5116
 Contact Fax: Not reported
 Contact Email: Not reported
 Contact Title: Not reported
 EPA Region: 09
 Land Type: Other
 Federal Waste Generator Description: Not a generator, verified
 Non-Notifier: Not reported
 Biennial Report Cycle: Not reported
 Accessibility: Not reported

Map ID
 Direction
 Distance
 Elevation

MAP FINDINGS

Site

Database(s)

EDR ID Number
 EPA ID Number

PACIFIC BELL (Continued)

1000250395

Active Site Indicator:	Not reported
State District Owner:	Not reported
State District:	Not reported
Mailing Address:	500 S MAIN S TOWER BOCC RM 260
Mailing City,State,Zip:	ORANGE, CA 92668
Owner Name:	THE PACIFIC TELEPHONE AND TELEGRAPH CO
Owner Type:	Private
Operator Name:	Not reported
Operator Type:	Not reported
Short-Term Generator Activity:	No
Importer Activity:	No
Mixed Waste Generator:	No
Transporter Activity:	No
Transfer Facility Activity:	No
Recycler Activity with Storage:	No
Small Quantity On-Site Burner Exemption:	No
Smelting Melting and Refining Furnace Exemption:	No
Underground Injection Control:	No
Off-Site Waste Receipt:	No
Universal Waste Indicator:	No
Universal Waste Destination Facility:	No
Federal Universal Waste:	No
Active Site Fed-Reg Treatment Storage and Disposal Facility:	Not reported
Active Site Converter Treatment storage and Disposal Facility:	Not reported
Active Site State-Reg Treatment Storage and Disposal Facility:	Not reported
Active Site State-Reg Handler:	---
Federal Facility Indicator:	Not reported
Hazardous Secondary Material Indicator:	NN
Sub-Part K Indicator:	Not reported
Commercial TSD Indicator:	No
Treatment Storage and Disposal Type:	Not reported
2018 GPRA Permit Baseline:	Not on the Baseline
2018 GPRA Renewals Baseline:	Not on the Baseline
Permit Renewals Workload Universe:	Not reported
Permit Workload Universe:	Not reported
Permit Progress Universe:	Not reported
Post-Closure Workload Universe:	Not reported
Closure Workload Universe:	Not reported
202 GPRA Corrective Action Baseline:	No
Corrective Action Workload Universe:	No
Subject to Corrective Action Universe:	No
Non-TSDs Where RCRA CA has Been Imposed Universe:	No
TSDs Potentially Subject to CA Under 3004 (u)/(v) Universe:	No
TSDs Only Subject to CA under Discretionary Auth Universe:	No
Corrective Action Priority Ranking:	No NCAPS ranking
Environmental Control Indicator:	No
Institutional Control Indicator:	No
Human Exposure Controls Indicator:	N/A
Groundwater Controls Indicator:	N/A
Operating TSDF Universe:	Not reported
Full Enforcement Universe:	Not reported
Significant Non-Complier Universe:	No
Unaddressed Significant Non-Complier Universe:	No
Addressed Significant Non-Complier Universe:	No
Significant Non-Complier With a Compliance Schedule Universe:	No
Financial Assurance Required:	Not reported
Handler Date of Last Change:	20020627

Map ID
Direction
Distance
Elevation

MAP FINDINGS

Site

Database(s)

EDR ID Number
EPA ID Number

PACIFIC BELL (Continued)

1000250395

Recognized Trader-Importer:	No
Recognized Trader-Exporter:	No
Importer of Spent Lead Acid Batteries:	No
Exporter of Spent Lead Acid Batteries:	No
Recycler Activity Without Storage:	Not reported
Manifest Broker:	Not reported
Sub-Part P Indicator:	No
Handler - Owner Operator:	
Owner/Operator Indicator:	Operator
Owner/Operator Name:	NOT REQUIRED
Legal Status:	Private
Date Became Current:	Not reported
Date Ended Current:	Not reported
Owner/Operator Address:	NOT REQUIRED
Owner/Operator City,State,Zip:	NOT REQUIRED, ME 99999
Owner/Operator Telephone:	415-555-1212
Owner/Operator Telephone Ext:	Not reported
Owner/Operator Fax:	Not reported
Owner/Operator Email:	Not reported
Owner/Operator Indicator:	Owner
Owner/Operator Name:	THE PACIFIC TELEPHONE AND TELEGRAPH CO
Legal Status:	Private
Date Became Current:	Not reported
Date Ended Current:	Not reported
Owner/Operator Address:	NOT REQUIRED
Owner/Operator City,State,Zip:	NOT REQUIRED, ME 99999
Owner/Operator Telephone:	415-555-1212
Owner/Operator Telephone Ext:	Not reported
Owner/Operator Fax:	Not reported
Owner/Operator Email:	Not reported
Historic Generators:	
Receive Date:	19960901
Handler Name:	PACIFIC BELL
Federal Waste Generator Description:	Small Quantity Generator
State District Owner:	Not reported
Large Quantity Handler of Universal Waste:	No
Recognized Trader Importer:	No
Recognized Trader Exporter:	No
Spent Lead Acid Battery Importer:	No
Spent Lead Acid Battery Exporter:	No
Current Record:	No
Non Storage Recycler Activity:	Not reported
Electronic Manifest Broker:	Not reported
Receive Date:	19810120
Handler Name:	PACIFIC BELL
Federal Waste Generator Description:	Large Quantity Generator
State District Owner:	Not reported
Large Quantity Handler of Universal Waste:	No
Recognized Trader Importer:	No
Recognized Trader Exporter:	No
Spent Lead Acid Battery Importer:	No

Map ID
Direction
Distance
Elevation

MAP FINDINGS

Site

Database(s)

EDR ID Number
EPA ID Number

PACIFIC BELL (Continued)

1000250395

Spent Lead Acid Battery Exporter:	No
Current Record:	No
Non Storage Recycler Activity:	Not reported
Electronic Manifest Broker:	Not reported
Receive Date:	19970909
Handler Name:	PACIFIC BELL
Federal Waste Generator Description:	Not a generator, verified
State District Owner:	Not reported
Large Quantity Handler of Universal Waste:	No
Recognized Trader Importer:	No
Recognized Trader Exporter:	No
Spent Lead Acid Battery Importer:	No
Spent Lead Acid Battery Exporter:	No
Current Record:	Yes
Non Storage Recycler Activity:	Not reported
Electronic Manifest Broker:	Not reported

List of NAICS Codes and Descriptions:
NAICS Codes: No NAICS Codes Found

Facility Has Received Notices of Violations:
Violations: No Violations Found

Evaluation Action Summary:
Evaluations: No Evaluations Found

FINDS:
Registry ID: 110002952396

[Click Here for FRS Facility Detail Report:](#)

Environmental Interest/Information System:
RCRAInfo is a national information system that supports the Resource Conservation and Recovery Act (RCRA) program through the tracking of events and activities related to facilities that generate, transport, and treat, store, or dispose of hazardous waste. RCRAInfo allows RCRA program staff to track the notification, permit, compliance, and corrective action activities required under RCRA.

[Click this hyperlink](#) while viewing on your computer to access additional FINDS: detail in the EDR Site Report.

ECHO:
Envid: 1000250395
Registry ID: 110002952396
DFR URL: <http://echo.epa.gov/detailed-facility-report?fid=110002952396>
Name: PACIFIC BELL
Address: 221 H STREET
City,State,Zip: NEEDLES, CA 92363

MAP FINDINGS

Map ID
 Direction
 Distance
 Elevation

Site

Database(s)

EDR ID Number
 EPA ID Number

BM483 **PACIFIC TELEPHONE AND TELEGRAPH CO**
Target **221 H STREET**
Property **NEEDLES, CA 92363**

HWTS **S124950019**
 N/A

Site 2 of 3 in cluster BM

Actual: **HWTS:**
499 ft. Name: PACIFIC TELEPHONE AND TELEGRAPH CO
Focus Map: Address: 221 H STREET
7 Address 2: Not reported
 City,State,Zip: NEEDLES, CA 92363
 EPA ID: CAT080025356
 Inactive Date: 12/31/1899
 Create Date: 07/23/1982
 Last Act Date: Not reported
 Mailing Name: Not reported
 Mailing Address: 500 S MAIN S TOWER BOCC RM 260
 Mailing Address 2: Not reported
 Mailing City,State,Zip: ORANGE, CA 926680000
 Owner Name: THE PACIFIC TELEPHONE AND TELE
 Owner Address: Not reported
 Owner Address 2: Not reported
 Owner City,State,Zip: Not reported
 Contact Name: UNDELIVERABLE PER SURVEY
 Contact Address: 12/94 NW
 Contact Address 2: Not reported
 City,State,Zip: Not reported
 Facility Status: Inactive
 Facility Type: PERMANENT
 Category: FEDERAL
 Latitude: 34.8401
 Longitude: -114.60809

BM484 **1X JAMES LAMBERT**
Target **221 H STREET**
Property **NEEDLES, CA 92363**

HAZNET **S123723813**
HWTS **N/A**

Site 3 of 3 in cluster BM

Actual: **HAZNET:**
499 ft. Name: 1X JAMES LAMBERT
Focus Map: Address: 221 H STREET
7 Address 2: Not reported
 City,State,Zip: NEEDLES, CA 923630000
 Contact: DON BROWN, CONST. SUP.
 Telephone: 7148803754
 Mailing Name: Not reported
 Mailing Address: --

 Year: 1990
 Gepaid: CAC000246145
 TSD EPA ID: CAD980883177
 CA Waste Code: 241 - Tank bottom waste
 Disposal Method: R01 - Recycler
 Tons: 1.0425

HWTS:
 Name: 1X JAMES LAMBERT

Map ID
 Direction
 Distance
 Elevation

MAP FINDINGS

Site

Database(s)

EDR ID Number
 EPA ID Number

1X JAMES LAMBERT (Continued)

S123723813

Address: 221 H STREET
 Address 2: Not reported
 City,State,Zip: NEEDLES, CA 92363
 EPA ID: CAC000246145
 Inactive Date: 10/25/2000
 Create Date: 02/02/1990
 Last Act Date: Not reported
 Mailing Name: Not reported
 Mailing Address: Not reported
 Mailing Address 2: Not reported
 Mailing City,State,Zip: NEEDLES, CA 923630000
 Owner Name: JAMES LAMBERT
 Owner Address: Not reported
 Owner Address 2: Not reported
 Owner City,State,Zip: Not reported
 Contact Name: DON BROWN, CONST. SUP.
 Contact Address: Not reported
 Contact Address 2: Not reported
 City,State,Zip: Not reported
 Facility Status: Inactive
 Facility Type: TEMPORARY
 Category: STATE
 Latitude: 34.840116
 Longitude: -114.608103

BN485 OFR TRUCKING INC
Target 1201 3RD ST
Property NEEDLES, CA 92363

HAZNET S118938983
HWTS N/A

Site 1 of 3 in cluster BN

Actual: 558 ft.
Focus Map: 7

HAZNET:
 Name: OFR TRUCKING INC
 Address: 1201 3RD ST
 Address 2: Not reported
 City,State,Zip: NEEDLES, CA 923630000
 Contact: CHRISTINA BEHYMER
 Telephone: 3095627271
 Mailing Name: Not reported
 Mailing Address: 320 E MAIN ST

Year: 2016
 Gepaid: CAR000196063
 TSD EPA ID: CAD059494310
 CA Waste Code: 331 - Off-specification, aged or surplus organics
 Disposal Method: H141 - Storage, Bulking, And/Or Transfer Off Site--No Treatment/Reovery (H010-H129) Or (H131-H135)
 Tons: 0.2875

Year: 2016
 Gepaid: CAR000196063
 TSD EPA ID: UTD981552177
 CA Waste Code: 141 - Off-specification, aged or surplus inorganics
 Disposal Method: H040 - Incineration--Thermal Destruction Other Than Use As A Fuel
 Tons: 0.0875

Year: 2015
 Gepaid: CAR000196063

Map ID
Direction
Distance
Elevation

MAP FINDINGS

Site

Database(s)

EDR ID Number
EPA ID Number

OFR TRUCKING INC (Continued)

S118938983

TSD EPA ID: CAD028409019
CA Waste Code: 133 - Aqueous solution with total organic residues 10 percent or more
Disposal Method: H141 - Storage, Bulking, And/Or Transfer Off Site--No Treatment/Reovery (H010-H129) Or (H131-H135)
Tons: 0.22935

Year: 2015
Gepaid: CAR000196063
TSD EPA ID: CAD028409019
CA Waste Code: 331 - Off-specification, aged or surplus organics
Disposal Method: H141 - Storage, Bulking, And/Or Transfer Off Site--No Treatment/Reovery (H010-H129) Or (H131-H135)
Tons: 0.1815

Additional Info:

Year: 2016
Gen EPA ID: CAR000196063

Shipment Date: 20150108
Creation Date: 3/20/2015 22:14:55
Receipt Date: 20150112
Manifest ID: 013387143JJK
Trans EPA ID: CAL000381082
Trans Name: THERMO FLUIDS INC
Trans 2 EPA ID: CAL000381082
Trans 2 Name: THERMO FLUIDS INC
TSD EPA ID: CAD028409019
Trans Name: CROSBY & OVERTON
TSD Alt EPA ID: Not reported
TSD Alt Name: Not reported
Waste Code Description: 133 - Aqueous solution with 10% or more total organic residues
RCRA Code: D018
Meth Code: H141 - Storage, Bulking, And/Or Transfer Off Site--No Treatment/Reovery (H010-H129) Or (H131-H135)
Quantity Tons: 0.22935
Waste Quantity: 55
Quantity Unit: G
Additional Code 1: D001
Additional Code 2: Not reported
Additional Code 3: Not reported
Additional Code 4: Not reported
Additional Code 5: Not reported

Shipment Date: 20150108
Creation Date: 3/20/2015 22:14:55
Receipt Date: 20150112
Manifest ID: 014190003JJK
Trans EPA ID: CAL000381082
Trans Name: THERMO FLUIDS INC
Trans 2 EPA ID: CAL000381082
Trans 2 Name: THERMO FLUIDS INC
TSD EPA ID: CAD028409019
Trans Name: CROSBY & OVERTON
TSD Alt EPA ID: Not reported
TSD Alt Name: Not reported
Waste Code Description: 331 - Off-specification, aged, or surplus organics

Map ID
Direction
Distance
Elevation

MAP FINDINGS

Site

Database(s)

EDR ID Number
EPA ID Number

OFR TRUCKING INC (Continued)

S118938983

RCRA Code: D001
Meth Code: H141 - Storage, Bulking, And/Or Transfer Off Site--No Treatment/Reovery (H010-H129) Or (H131-H135)
Quantity Tons: 0.1815
Waste Quantity: 55
Quantity Unit: G
Additional Code 1: Not reported
Additional Code 2: Not reported
Additional Code 3: Not reported
Additional Code 4: Not reported
Additional Code 5: Not reported

Additional Info:

Year: 2015
Gen EPA ID: CAR000196063

Shipment Date: 20150108
Creation Date: 3/20/2015 22:14:55
Receipt Date: 20150112
Manifest ID: 014190003JJK
Trans EPA ID: CAL000381082
Trans Name: THERMO FLUIDS INC
Trans 2 EPA ID: CAL000381082
Trans 2 Name: THERMO FLUIDS INC
TSDf EPA ID: CAD028409019
Trans Name: CROSBY & OVERTON
TSDf Alt EPA ID: Not reported
TSDf Alt Name: Not reported
Waste Code Description: 331 - Off-specification, aged, or surplus organics
RCRA Code: D001
Meth Code: H141 - Storage, Bulking, And/Or Transfer Off Site--No Treatment/Reovery (H010-H129) Or (H131-H135)
Quantity Tons: 0.1815
Waste Quantity: 55
Quantity Unit: G
Additional Code 1: Not reported
Additional Code 2: Not reported
Additional Code 3: Not reported
Additional Code 4: Not reported
Additional Code 5: Not reported

Shipment Date: 20150108
Creation Date: 3/20/2015 22:14:55
Receipt Date: 20150112
Manifest ID: 013387143JJK
Trans EPA ID: CAL000381082
Trans Name: THERMO FLUIDS INC
Trans 2 EPA ID: CAL000381082
Trans 2 Name: THERMO FLUIDS INC
TSDf EPA ID: CAD028409019
Trans Name: CROSBY & OVERTON
TSDf Alt EPA ID: Not reported
TSDf Alt Name: Not reported
Waste Code Description: 133 - Aqueous solution with 10% or more total organic residues
RCRA Code: D018
Meth Code: H141 - Storage, Bulking, And/Or Transfer Off Site--No Treatment/Reovery (H010-H129) Or (H131-H135)

Map ID
Direction
Distance
Elevation

MAP FINDINGS

Site

Database(s)

EDR ID Number
EPA ID Number

OFR TRUCKING INC (Continued)

S118938983

Quantity Tons: 0.22935
Waste Quantity: 55
Quantity Unit: G
Additional Code 1: D001
Additional Code 2: Not reported
Additional Code 3: Not reported
Additional Code 4: Not reported
Additional Code 5: Not reported

HWTS:

Name: OFR TRUCKING INC
Address: 1201 3RD ST
Address 2: Not reported
City,State,Zip: NEEDLES, CA 92363
EPA ID: CAR000196063
Inactive Date: 06/30/2016
Create Date: 11/10/2008
Last Act Date: Not reported
Mailing Name: Not reported
Mailing Address: 320 E MAIN ST
Mailing Address 2: Not reported
Mailing City,State,Zip: EASTON, IL 626339325
Owner Name: OFR TRUCKING INC
Owner Address: 320 E MAIN ST
Owner Address 2: Not reported
Owner City,State,Zip: EASTON, IL 626339325
Contact Name: CHRISTINA BEHYMER
Contact Address: 320 EAST MAIN ST
Contact Address 2: Not reported
City,State,Zip: EASTON, IL 62633
Facility Status: Inactive
Facility Type: PERMANENT
Category: FEDERAL
Latitude: 34.839813
Longitude: -114.609752

NAICS:

EPA ID: CAR000196063
Create Date: 2009-12-03 12:41:18.000
NAICS Code: 56292
NAICS Description: Materials Recovery Facilities
Issued EPA ID Date: 2008-11-10 10:18:57
Inactive Date: 2016-06-30 00:00:00
Facility Name: OFR TRUCKING INC
Facility Address: 1201 3RD ST
Facility Address 2: Not reported
Facility City: NEEDLES
Facility County: Not reported
Facility State: CA
Facility Zip: 923630000

Map ID
 Direction
 Distance
 Elevation

MAP FINDINGS

Site

Database(s)

EDR ID Number
 EPA ID Number

BN486 **OFR TRUCKING INC**
Target **1201 3RD ST**
Property **NEEDLES, CA 92363**

FINDS **1011917878**
ECHO **N/A**

Site 2 of 3 in cluster BN

Actual: **FINDS:**
558 ft. Registry ID: 110037378913

Focus Map:
7 [Click Here for FRS Facility Detail Report:](#)

Environmental Interest/Information System:

RCRAInfo is a national information system that supports the Resource Conservation and Recovery Act (RCRA) program through the tracking of events and activities related to facilities that generate, transport, and treat, store, or dispose of hazardous waste. RCRAInfo allows RCRA program staff to track the notification, permit, compliance, and corrective action activities required under RCRA.

[Click this hyperlink](#) while viewing on your computer to access additional FINDS: detail in the EDR Site Report.

ECHO:

Envid: 1011917878
 Registry ID: 110037378913
 DFR URL: <http://echo.epa.gov/detailed-facility-report?fid=110037378913>
 Name: OFR TRUCKING INC
 Address: 1201 3RD ST
 City,State,Zip: NEEDLES, CA 92363

BN487 **OFR TRUCKING INC**
Target **1201 3RD ST**
Property **NEEDLES, CA 92363**

RCRA NonGen / NLR **1011861653**
CAR000196063

Site 3 of 3 in cluster BN

Actual: **RCRA NonGen / NLR:**
558 ft. Date Form Received by Agency: 20081010

Focus Map:
7 Handler Name: OFR TRUCKING INC
 Handler Address: 1201 3RD ST
 Handler City,State,Zip: NEEDLES, CA 92363
 EPA ID: CAR000196063
 Contact Name: LYNN E FREER SR
 Contact Address: 320 E MAIN
 Contact City,State,Zip: EASTON, IL 62633
 Contact Telephone: 309-562-7271
 Contact Fax: Not reported
 Contact Email: LYNNF@OFRINE.NET
 Contact Title: Not reported
 EPA Region: 09
 Land Type: Private
 Federal Waste Generator Description: Not a generator, verified
 Non-Notifier: Not reported
 Biennial Report Cycle: Not reported
 Accessibility: Not reported
 Active Site Indicator: Handler Activities
 State District Owner: Not reported
 State District: Not reported
 Mailing Address: 320 E MAIN
 Mailing City,State,Zip: EASTON, IL 62633
 Owner Name: DONALD ONKEN

Map ID
 Direction
 Distance
 Elevation

MAP FINDINGS

Site

Database(s)

EDR ID Number
 EPA ID Number

OFR TRUCKING INC (Continued)

1011861653

Owner Type:		Private
Operator Name:	DONALD ONKEN	
Operator Type:		Private
Short-Term Generator Activity:		No
Importer Activity:		No
Mixed Waste Generator:		No
Transporter Activity:		Yes
Transfer Facility Activity:		No
Recycler Activity with Storage:		No
Small Quantity On-Site Burner Exemption:		No
Smelting Melting and Refining Furnace Exemption:		No
Underground Injection Control:		No
Off-Site Waste Receipt:		No
Universal Waste Indicator:		No
Universal Waste Destination Facility:		No
Federal Universal Waste:		No
Active Site Fed-Reg Treatment Storage and Disposal Facility:		Not reported
Active Site Converter Treatment storage and Disposal Facility:		Not reported
Active Site State-Reg Treatment Storage and Disposal Facility:		Not reported
Active Site State-Reg Handler:		---
Federal Facility Indicator:		Not reported
Hazardous Secondary Material Indicator:		NN
Sub-Part K Indicator:		Not reported
Commercial TSD Indicator:		No
Treatment Storage and Disposal Type:		Not reported
2018 GPRA Permit Baseline:		Not on the Baseline
2018 GPRA Renewals Baseline:		Not on the Baseline
Permit Renewals Workload Universe:		Not reported
Permit Workload Universe:		Not reported
Permit Progress Universe:		Not reported
Post-Closure Workload Universe:		Not reported
Closure Workload Universe:		Not reported
202 GPRA Corrective Action Baseline:		No
Corrective Action Workload Universe:		No
Subject to Corrective Action Universe:		No
Non-TSDs Where RCRA CA has Been Imposed Universe:		No
TSDs Potentially Subject to CA Under 3004 (u)/(v) Universe:		No
TSDs Only Subject to CA under Discretionary Auth Universe:		No
Corrective Action Priority Ranking:		No NCAPS ranking
Environmental Control Indicator:		No
Institutional Control Indicator:		No
Human Exposure Controls Indicator:		N/A
Groundwater Controls Indicator:		N/A
Operating TSD Universe:		Not reported
Full Enforcement Universe:		Not reported
Significant Non-Complier Universe:		No
Unaddressed Significant Non-Complier Universe:		No
Addressed Significant Non-Complier Universe:		No
Significant Non-Complier With a Compliance Schedule Universe:		No
Financial Assurance Required:		Not reported
Handler Date of Last Change:		20081020
Recognized Trader-Importer:		No
Recognized Trader-Exporter:		No
Importer of Spent Lead Acid Batteries:		No
Exporter of Spent Lead Acid Batteries:		No
Recycler Activity Without Storage:		Not reported
Manifest Broker:		Not reported

Map ID
Direction
Distance
Elevation

MAP FINDINGS

Site

Database(s)

EDR ID Number
EPA ID Number

OFR TRUCKING INC (Continued)

1011861653

Sub-Part P Indicator: No

Handler - Owner Operator:
Owner/Operator Indicator: Operator
Owner/Operator Name: DONALD ONKEN
Legal Status: Private
Date Became Current: 19800101
Date Ended Current: Not reported
Owner/Operator Address: Not reported
Owner/Operator City,State,Zip: Not reported
Owner/Operator Telephone: Not reported
Owner/Operator Telephone Ext: Not reported
Owner/Operator Fax: Not reported
Owner/Operator Email: Not reported

Owner/Operator Indicator: Owner
Owner/Operator Name: DONALD ONKEN
Legal Status: Private
Date Became Current: 19800101
Date Ended Current: Not reported
Owner/Operator Address: 320 E MAIN
Owner/Operator City,State,Zip: EASTON, IL 62633
Owner/Operator Telephone: Not reported
Owner/Operator Telephone Ext: Not reported
Owner/Operator Fax: Not reported
Owner/Operator Email: Not reported

Historic Generators:
Receive Date: 20081010
Handler Name: OFR TRUCKING INC
Federal Waste Generator Description: Not a generator, verified
State District Owner: Not reported
Large Quantity Handler of Universal Waste: No
Recognized Trader Importer: No
Recognized Trader Exporter: No
Spent Lead Acid Battery Importer: No
Spent Lead Acid Battery Exporter: No
Current Record: Yes
Non Storage Recycler Activity: Not reported
Electronic Manifest Broker: Not reported

List of NAICS Codes and Descriptions:
NAICS Code: 562111
NAICS Description: SOLID WASTE COLLECTION

NAICS Code: 562112
NAICS Description: HAZARDOUS WASTE COLLECTION

Facility Has Received Notices of Violations:
Violations: No Violations Found

Evaluation Action Summary:
Evaluations: No Evaluations Found

Map ID
Direction
Distance
Elevation

MAP FINDINGS

Site

Database(s)

EDR ID Number
EPA ID Number

BL488 HUD C/O GOLDEN FEATHER REALITY INC
Target 732 W FRONTLEE
Property RIALTO, CA 92376

HAZNET S112906481
HWTS N/A

Site 3 of 7 in cluster BL

Actual:
485 ft.

Focus Map:
7

HAZNET:
Name: HUD C/O GOLDEN FEATHER REALITY INC
Address: 732 W FRONTLEE
Address 2: Not reported
City,State,Zip: RIALTO, CA 923760000
Contact: JIM DONNELLY / PRESIDENT
Telephone: 9494776300
Mailing Name: Not reported
Mailing Address: 2500 MICHELSON ST STE 100

Year: 2000
Gepaid: CAC002236977
TSD EPA ID: CAD982444481
CA Waste Code: 612 - Household waste
Disposal Method: H01 - Transfer Station
Tons: 0.2501

Year: 2000
Gepaid: CAC002236977
TSD EPA ID: CAD982444481
CA Waste Code: 612 - Household waste
Disposal Method: R01 - Recycler
Tons: 0.1668

Additional Info:

Year: 2000
Gen EPA ID: CAC002236977

Shipment Date: 20000107
Creation Date: 3/22/2000 0:00:00
Receipt Date: 20000110
Manifest ID: 99154793
Trans EPA ID: CAR000048033
Trans Name: Not reported
Trans 2 EPA ID: Not reported
Trans 2 Name: Not reported
TSD EPA ID: CAD982444481
Trans Name: Not reported
TSD EPA ID: CAD982444481
TSD EPA Alt Name: Not reported
Waste Code Description: 612 - Household waste
RCRA Code: Not reported
Meth Code: H01 - Transfer Station
Quantity Tons: 0.2293
Waste Quantity: 55
Quantity Unit: G
Additional Code 1: Not reported
Additional Code 2: Not reported
Additional Code 3: Not reported
Additional Code 4: Not reported
Additional Code 5: Not reported

Map ID
Direction
Distance
Elevation

MAP FINDINGS

Site

Database(s)

EDR ID Number
EPA ID Number

HUD C/O GOLDEN FEATHER REALITY INC (Continued)

S112906481

Shipment Date: 20000107
Creation Date: 3/22/2000 0:00:00
Receipt Date: 20000110
Manifest ID: 99154793
Trans EPA ID: CAR000048033
Trans Name: Not reported
Trans 2 EPA ID: Not reported
Trans 2 Name: Not reported
TSDf EPA ID: CAD982444481
Trans Name: Not reported
TSDf Alt EPA ID: CAD982444481
TSDf Alt Name: Not reported
Waste Code Description: 612 - Household waste
RCRA Code: Not reported
Meth Code: R01 - Recycler
Quantity Tons: 0.0417
Waste Quantity: 10
Quantity Unit: G
Additional Code 1: Not reported
Additional Code 2: Not reported
Additional Code 3: Not reported
Additional Code 4: Not reported
Additional Code 5: Not reported

Shipment Date: 20000107
Creation Date: 3/22/2000 0:00:00
Receipt Date: 20000110
Manifest ID: 99154793
Trans EPA ID: CAR000048033
Trans Name: Not reported
Trans 2 EPA ID: Not reported
Trans 2 Name: Not reported
TSDf EPA ID: CAD982444481
Trans Name: Not reported
TSDf Alt EPA ID: CAD982444481
TSDf Alt Name: Not reported
Waste Code Description: 612 - Household waste
RCRA Code: Not reported
Meth Code: R01 - Recycler
Quantity Tons: 0.1251
Waste Quantity: 30
Quantity Unit: G
Additional Code 1: Not reported
Additional Code 2: Not reported
Additional Code 3: Not reported
Additional Code 4: Not reported
Additional Code 5: Not reported

Shipment Date: 20000107
Creation Date: 3/22/2000 0:00:00
Receipt Date: 20000110
Manifest ID: 99154793
Trans EPA ID: CAR000048033
Trans Name: Not reported
Trans 2 EPA ID: Not reported
Trans 2 Name: Not reported
TSDf EPA ID: CAD982444481

Map ID
Direction
Distance
Elevation

MAP FINDINGS

Site

Database(s)

EDR ID Number
EPA ID Number

HUD C/O GOLDEN FEATHER REALITY INC (Continued)

S112906481

Trans Name: Not reported
TSDf Alt EPA ID: CAD982444481
TSDf Alt Name: Not reported
Waste Code Description: 612 - Household waste
RCRA Code: Not reported
Meth Code: H01 - Transfer Station
Quantity Tons: 0.0208
Waste Quantity: 5
Quantity Unit: G
Additional Code 1: Not reported
Additional Code 2: Not reported
Additional Code 3: Not reported
Additional Code 4: Not reported
Additional Code 5: Not reported

HWTS:

Name: HUD C/O GOLDEN FEATHER REALITY INC
Address: 732 W FRONTLEE
Address 2: Not reported
City,State,Zip: RIALTO, CA 92376
EPA ID: CAC002236977
Inactive Date: 10/25/2000
Create Date: 01/07/2000
Last Act Date: Not reported
Mailing Name: Not reported
Mailing Address: 2500 MICHELSON ST STE 100
Mailing Address 2: Not reported
Mailing City,State,Zip: IRVINE, CA 926120000
Owner Name: HUD C/O GOLDEN FEATHER REALITY
Owner Address: 2500 MICHELSON ST STE 100
Owner Address 2: Not reported
Owner City,State,Zip: IRVINE, CA 926120000
Contact Name: JIM DONNELLY / PRESIDENT
Contact Address: 2500 MICHELSON ST STE 100
Contact Address 2: Not reported
City,State,Zip: IRVINE, CA 926120000
Facility Status: Inactive
Facility Type: TEMPORARY
Category: STATE
Latitude: 34.839326
Longitude: -114.603457

BO489 **NEEDLES USD**
Target **720 BAILEY AVE**
Property **NEEDLES, CA 92363**

HAZNET **S112902830**
HWTS **N/A**

Site 1 of 5 in cluster BO

Actual: HAZNET:
600 ft. Name: NEEDLES USD
Focus Map: Address: 720 BAILEY AVE
6 Address 2: Not reported
City,State,Zip: NEEDLES, CA 923630000
Contact: MIKE MC ALISTER
Telephone: 7603265989
Mailing Name: Not reported
Mailing Address: 1900 ERIN DR

Map ID
Direction
Distance
Elevation

MAP FINDINGS

Site

Database(s)

EDR ID Number
EPA ID Number

NEEDLES USD (Continued)

S112902830

Year: 2000
Gepaid: CAC002195857
TSD EPA ID: CAD028409019
CA Waste Code: 551 - Laboratory waste chemicals
Disposal Method: H01 - Transfer Station
Tons: 0.005

Additional Info:

Year: 2000
Gen EPA ID: CAC002195857

Shipment Date: 20000612
Creation Date: 8/14/2000 0:00:00
Receipt Date: 20000619
Manifest ID: 99633697
Trans EPA ID: CAD981429673
Trans Name: Not reported
Trans 2 EPA ID: Not reported
Trans 2 Name: Not reported
TSD EPA ID: CAD028409019
Trans Name: Not reported
TSD Alt EPA ID: CAD028409019
TSD Alt Name: Not reported
Waste Code Description: 551 - Laboratory waste chemicals 561 Detergent and soap
RCRA Code: D009
Meth Code: H01 - Transfer Station
Quantity Tons: 0.005
Waste Quantity: 10
Quantity Unit: P
Additional Code 1: Not reported
Additional Code 2: Not reported
Additional Code 3: Not reported
Additional Code 4: Not reported
Additional Code 5: Not reported

HWTS:

Name: NEEDLES USD
Address: 720 BAILEY AVE
Address 2: Not reported
City,State,Zip: NEEDLES, CA 92363
EPA ID: CAC002195857
Inactive Date: 06/11/2001
Create Date: 05/31/2000
Last Act Date: Not reported
Mailing Name: Not reported
Mailing Address: 1900 ERIN DR
Mailing Address 2: Not reported
Mailing City,State,Zip: NEEDLES, CA 923632623
Owner Name: NEEDLES UNIFIED SCHOOL DIST
Owner Address: 1900 ERIN DR
Owner Address 2: Not reported
Owner City,State,Zip: NEEDLES, CA 923632623
Contact Name: MIKE MC ALISTER
Contact Address: 1900 ERIN DR
Contact Address 2: Not reported

Map ID
Direction
Distance
Elevation

MAP FINDINGS

Site

Database(s)

EDR ID Number
EPA ID Number

NEEDLES USD (Continued)

S112902830

City,State,Zip: NEEDLES, CA 923632623
Facility Status: Inactive
Facility Type: TEMPORARY
Category: STATE
Latitude: 34.839594
Longitude: -114.617749

BL490 UNOCAL STATION
Target 705 FRONT
Property NEEDLES, CA 92363

HIST CORTESE S103891463
N/A

Site 4 of 7 in cluster BL

Actual: HIST CORTESE:
486 ft. edr_fname: UNOCAL STATION
Focus Map: edr_fadd1: 705 FRONT
7 City,State,Zip: NEEDLES, CA 92363
Region: CORTESE
Facility County Code: 36
Reg By: LTNKA
Reg Id: 7T2363004

BL491 UNOCAL STATION
Target 705 FRONT STREET
Property NEEDLES, CA

RGA LUST S114714019
N/A

Site 5 of 7 in cluster BL

Actual: RGA LUST:
486 ft. Name: UNOCAL STATION
Focus Map: Address: 705 FRONT STREET
7 City: NEEDLES
State: NEEDLES
2002 UNOCAL STATION 705 FRONT STREET
Name: UNOCAL STATION
Address: 705 FRONT STREET
City: NEEDLES
State: NEEDLES
2001 UNOCAL STATION 705 FRONT STREET
Name: UNOCAL STATION
Address: 705 FRONT STREET
City: NEEDLES
State: NEEDLES
2000 UNOCAL STATION 705 FRONT STREET

Map ID
Direction
Distance
Elevation

MAP FINDINGS

Site

Database(s)

EDR ID Number
EPA ID Number

BL492 UNOCAL STATION / NEEDLES
Target 705 FRONT STREET
Property NEEDLES, CA

RGA LUST S114713964
N/A

Site 6 of 7 in cluster BL

Actual: RGA LUST:
486 ft. Name: UNOCAL STATION / NEEDLES
Focus Map: Address: 705 FRONT STREET
7 City: NEEDLES
State: NEEDLES
1992 UNOCAL STATION / NEEDLES 705 FRONT STREET

BL493 UNOCAL STA - NEEDLES
Target 705 FRONT STREET
Property NEEDLES, CA

RGA LUST S114713676
N/A

Site 7 of 7 in cluster BL

Actual: RGA LUST:
486 ft. Name: UNOCAL STA - NEEDLES
Focus Map: Address: 705 FRONT STREET
7 City: NEEDLES
State: NEEDLES
1998 UNOCAL STA - NEEDLES 705 FRONT STREET
Name: UNOCAL STA - NEEDLES
Address: 705 FRONT STREET
City: NEEDLES
State: NEEDLES
1997 UNOCAL STA - NEEDLES 705 FRONT STREET
Name: UNOCAL STA - NEEDLES
Address: 705 FRONT STREET
City: NEEDLES
State: NEEDLES
1996 UNOCAL STA - NEEDLES 705 FRONT STREET
Name: UNOCAL STA - NEEDLES
Address: 705 FRONT STREET
City: NEEDLES
State: NEEDLES
1995 UNOCAL STA - NEEDLES 705 FRONT STREET
Name: UNOCAL STA - NEEDLES
Address: 705 FRONT STREET
City: NEEDLES
State: NEEDLES
1994 UNOCAL STA - NEEDLES 705 FRONT STREET
Name: UNOCAL STA - NEEDLES
Address: 705 FRONT STREET
City: NEEDLES
State: NEEDLES
1993 UNOCAL STA - NEEDLES 705 FRONT STREET

Map ID
 Direction
 Distance
 Elevation

MAP FINDINGS

Site

Database(s)

EDR ID Number
 EPA ID Number

494 **SIMONS HELEN**
Target **579 BEACH DR**
Property **NEEDLES, CA 92363**

EDR Hist Auto **1021530970**
N/A

EDR Hist Auto

Actual: 474 ft.	Year: 1989	Name: SIMONS HELEN	Type: Gasoline Service Stations, NEC
Focus Map: 7	1991	SIMONS HELEN	Gasoline Service Stations, NEC
	1992	SIMONS HELEN	Gasoline Service Stations, NEC
	1993	SIMONS HELEN	Gasoline Service Stations, NEC

BO495 **STEPHEN BEALS**
Target **812 BAILEY AVE**
Property **NEEDLES, CA 92363**

RCRA NonGen / NLR **1026484481**
CAC003090581

Site 2 of 5 in cluster BO

Actual: 603 ft.	RCRA NonGen / NLR:		
Focus Map: 6	Date Form Received by Agency:		20201029
	Handler Name:	STEPHEN BEALS	
	Handler Address:		812 BAILEY AVE
	Handler City,State,Zip:		NEEDLES, CA 92363
	EPA ID:		CAC003090581
	Contact Name:		STEPHEN BEALS
	Contact Address:		812 BAILEY AVE
	Contact City,State,Zip:		NEEDLES, CA 92363
	Contact Telephone:		480-831-0840
	Contact Fax:		Not reported
	Contact Email:		SCHEDULING@PWSEI.COM
	Contact Title:		Not reported
	EPA Region:		09
	Land Type:		Not reported
	Federal Waste Generator Description:		Not a generator, verified
	Non-Notifier:		Not reported
	Biennial Report Cycle:		Not reported
	Accessibility:		Not reported
	Active Site Indicator:		Not reported
	State District Owner:		Not reported
	State District:		Not reported
	Mailing Address:		812 BAILEY AVE
	Mailing City,State,Zip:		NEEDLES, CA 92363
	Owner Name:	STEPHEN BEALS	
	Owner Type:		Other
	Operator Name:	STEPHEN BEALS	
	Operator Type:		Other
	Short-Term Generator Activity:		No
	Importer Activity:		No
	Mixed Waste Generator:		No
	Transporter Activity:		No
	Transfer Facility Activity:		No
	Recycler Activity with Storage:		No
	Small Quantity On-Site Burner Exemption:		No
	Smelting Melting and Refining Furnace Exemption:		No
	Underground Injection Control:		No
	Off-Site Waste Receipt:		No
	Universal Waste Indicator:		No
	Universal Waste Destination Facility:		No
	Federal Universal Waste:		No
	Active Site Fed-Reg Treatment Storage and Disposal Facility:		Not reported

Map ID
 Direction
 Distance
 Elevation

MAP FINDINGS

Site

Database(s)

EDR ID Number
 EPA ID Number

STEPHEN BEALS (Continued)

1026484481

Active Site Converter Treatment storage and Disposal Facility:	Not reported
Active Site State-Reg Treatment Storage and Disposal Facility:	Not reported
Active Site State-Reg Handler:	---
Federal Facility Indicator:	Not reported
Hazardous Secondary Material Indicator:	N
Sub-Part K Indicator:	Not reported
Commercial TSD Indicator:	No
Treatment Storage and Disposal Type:	Not reported
2018 GPRA Permit Baseline:	Not on the Baseline
2018 GPRA Renewals Baseline:	Not on the Baseline
Permit Renewals Workload Universe:	Not reported
Permit Workload Universe:	Not reported
Permit Progress Universe:	Not reported
Post-Closure Workload Universe:	Not reported
Closure Workload Universe:	Not reported
202 GPRA Corrective Action Baseline:	No
Corrective Action Workload Universe:	No
Subject to Corrective Action Universe:	No
Non-TSDFs Where RCRA CA has Been Imposed Universe:	No
TSDFs Potentially Subject to CA Under 3004 (u)/(v) Universe:	No
TSDFs Only Subject to CA under Discretionary Auth Universe:	No
Corrective Action Priority Ranking:	No NCAPS ranking
Environmental Control Indicator:	No
Institutional Control Indicator:	No
Human Exposure Controls Indicator:	N/A
Groundwater Controls Indicator:	N/A
Operating TSDF Universe:	Not reported
Full Enforcement Universe:	Not reported
Significant Non-Complier Universe:	No
Unaddressed Significant Non-Complier Universe:	No
Addressed Significant Non-Complier Universe:	No
Significant Non-Complier With a Compliance Schedule Universe:	No
Financial Assurance Required:	Not reported
Handler Date of Last Change:	20201106
Recognized Trader-Importer:	No
Recognized Trader-Exporter:	No
Importer of Spent Lead Acid Batteries:	No
Exporter of Spent Lead Acid Batteries:	No
Recycler Activity Without Storage:	No
Manifest Broker:	No
Sub-Part P Indicator:	No

Handler - Owner Operator:

Owner/Operator Indicator:	Owner
Owner/Operator Name: STEPHEN BEALS	
Legal Status:	Other
Date Became Current:	Not reported
Date Ended Current:	Not reported
Owner/Operator Address:	812 BAILEY AVE
Owner/Operator City,State,Zip:	NEEDLES, CA 92363
Owner/Operator Telephone:	480-831-0840
Owner/Operator Telephone Ext:	Not reported
Owner/Operator Fax:	Not reported
Owner/Operator Email:	Not reported

Owner/Operator Indicator:	Operator
---------------------------	----------

Map ID
Direction
Distance
Elevation

MAP FINDINGS

Site

Database(s)

EDR ID Number
EPA ID Number

STEPHEN BEALS (Continued)

1026484481

Owner/Operator Name: STEPHEN BEALS
Legal Status: Other
Date Became Current: Not reported
Date Ended Current: Not reported
Owner/Operator Address: 812 BAILEY AVE
Owner/Operator City,State,Zip: NEEDLES, CA 92363
Owner/Operator Telephone: 480-831-0840
Owner/Operator Telephone Ext: Not reported
Owner/Operator Fax: Not reported
Owner/Operator Email: Not reported

Historic Generators:
Receive Date: 20201029
Handler Name: STEPHEN BEALS
Federal Waste Generator Description: Not a generator, verified
State District Owner: Not reported
Large Quantity Handler of Universal Waste: No
Recognized Trader Importer: No
Recognized Trader Exporter: No
Spent Lead Acid Battery Importer: No
Spent Lead Acid Battery Exporter: No
Current Record: Yes
Non Storage Recycler Activity: Not reported
Electronic Manifest Broker: Not reported

List of NAICS Codes and Descriptions:
NAICS Code: 56299
NAICS Description: ALL OTHER WASTE MANAGEMENT SERVICES

Facility Has Received Notices of Violations:
Violations: No Violations Found

Evaluation Action Summary:
Evaluations: No Evaluations Found

BO496 **STEPHEN BEALS**
Target **812 BAILEY AVE**
Property **NEEDLES, CA 92363**

HWTS **S127101381**
 N/A

Site 3 of 5 in cluster BO

Actual: HWTS:
603 ft. Name: STEPHEN BEALS
Focus Map: Address: 812 BAILEY AVE
6 Address 2: Not reported
 City,State,Zip: NEEDLES, CA 92363
 EPA ID: CAC003090581
 Inactive Date: 01/28/2021
 Create Date: 10/29/2020
 Last Act Date: Not reported
 Mailing Name: Not reported
 Mailing Address: 812 BAILEY AVE
 Mailing Address 2: Not reported
 Mailing City,State,Zip: NEEDLES, CA 92363
 Owner Name: STEPHEN BEALS

Map ID
Direction
Distance
Elevation

MAP FINDINGS

Site

Database(s)

EDR ID Number
EPA ID Number

STEPHEN BEALS (Continued)

S127101381

Owner Address: 812 BAILEY AVE
Owner Address 2: Not reported
Owner City,State,Zip: NEEDLES, CA 92363
Contact Name: STEPHEN BEALS
Contact Address: 812 BAILEY AVE
Contact Address 2: Not reported
City,State,Zip: NEEDLES, CA 92363
Facility Status: Inactive
Facility Type: TEMPORARY
Category: STATE
Latitude: 34.83883899
Longitude: -114.61805602

BO497 **STEPHEN BEALS**
Target **812 BAILEY AVE**
Property **NEEDLES, CA 92363**

ECHO **1026685907**
N/A

Site 4 of 5 in cluster BO

Actual: **ECHO:**
603 ft. Envid: 1026685907
Focus Map: Registry ID: 110070900474
6 DFR URL: <http://echo.epa.gov/detailed-facility-report?fid=110070900474>
Name: STEPHEN BEALS
Address: 812 BAILEY AVE
City,State,Zip: NEEDLES, CA 92363

BO498 **STEPHEN BEALS**
Target **812 BAILEY AVE**
Property **NEEDLES, CA 92363**

FINDS **1026774919**
N/A

Site 5 of 5 in cluster BO

Actual: **FINDS:**
603 ft. Registry ID: 110070900474
Focus Map:
6 [Click Here for FRS Facility Detail Report:](#)

Environmental Interest/Information System:

RCRAInfo is a national information system that supports the Resource Conservation and Recovery Act (RCRA) program through the tracking of events and activities related to facilities that generate, transport, and treat, store, or dispose of hazardous waste. RCRAInfo allows RCRA program staff to track the notification, permit, compliance, and corrective action activities required under RCRA.

[Click this hyperlink](#) while viewing on your computer to access additional FINDS: detail in the EDR Site Report.

MAP FINDINGS

Map ID
Direction
Distance
Elevation

Site

Database(s)

EDR ID Number
EPA ID Number

BP499 **SAN BERNARDINO COUNTY FIRE STATION #31**
Target **633 FRONT ST**
Property **NEEDLES, CA 92363**

San Bern. Co. Permit

S104762445
N/A

Site 1 of 5 in cluster BP

Actual: San Bern. Co. Permit:
485 ft. Name: SAN BERNARDINO COUNTY FIRE STATION #31
Focus Map: Address: 633 FRONT ST
7 City,State,Zip: NEEDLES, CA 92363
 Region: SAN BERNARDINO
 Facility ID: FA0002336
 Owner: SBCo FLEET MANAGEMENT DEPT
 Permit Number: PT0007371
 Permit Category: HAZARDOUS MATERIALS 1-3 CHEMICALS SPECIAL
 Facility Status: INACTIVE
 Expiration Date: 03/31/2018

Name: SAN BERNARDINO COUNTY FIRE STATION #31
Address: 633 FRONT ST
City,State,Zip: NEEDLES, CA 92363
Region: SAN BERNARDINO
Facility ID: FA0002336
Owner: SBCo FLEET MANAGEMENT DEPT
Permit Number: PT0026330
Permit Category: AST GENERAL ACTIVITY (NB)
Facility Status: INACTIVE
Expiration Date: 03/31/2014

Name: SAN BERNARDINO COUNTY FIRE STATION #31
Address: 633 FRONT ST
City,State,Zip: NEEDLES, CA 92363
Region: SAN BERNARDINO
Facility ID: FA0002336
Owner: SBCo FLEET MANAGEMENT DEPT
Permit Number: PT0007370
Permit Category: SPECIAL GENERATOR
Facility Status: INACTIVE
Expiration Date: 03/31/2008

BP500 **SAN BERNARDINO COUNTY FIRE STATION #31**
Target **633 FRONT ST**
Property **NEEDLES, CA 92363**

FINDS **1023336129**
N/A

Site 2 of 5 in cluster BP

Actual: FINDS:
485 ft. Registry ID: 110066312190

Focus Map: [Click Here for FRS Facility Detail Report:](#)
7

Environmental Interest/Information System:
STATE MASTER

[Click this hyperlink](#) while viewing on your computer to access additional FINDS: detail in the EDR Site Report.

Map ID
Direction
Distance
Elevation

MAP FINDINGS

Site

Database(s) EDR ID Number
EPA ID Number

BQ501
Target
Property

222 F ST.
NEEDLES, CA 92363

CHMIRS S123295884
N/A

Site 1 of 3 in cluster BQ

Actual:
506 ft.

CHMIRS:

Focus Map:
7

Name: Not reported
Address: 222 F ST.
City,State,Zip: NEEDLES, CA 92363
OES Incident Number: 18-2605
OES notification: 04/21/2018
OES Date: Not reported
OES Time: Not reported
Date Completed: Not reported
Property Use: Not reported
Agency Id Number: Not reported
Agency Incident Number: Not reported
Time Notified: Not reported
Time Completed: Not reported
Surrounding Area: Not reported
Estimated Temperature: Not reported
Property Management: Not reported
More Than Two Substances Involved?: Not reported
Resp Agncy Personel # Of Decontaminated: Not reported
Responding Agency Personel # Of Injuries: Not reported
Responding Agency Personel # Of Fatalities: Not reported
Others Number Of Decontaminated: Not reported
Others Number Of Injuries: Not reported
Others Number Of Fatalities: Not reported
Vehicle Make/year: Not reported
Vehicle License Number: Not reported
Vehicle State: Not reported
Vehicle Id Number: Not reported
CA DOT PUC/ICC Number: Not reported
Company Name: Not reported
Reporting Officer Name/ID: Not reported
Report Date: Not reported
Facility Telephone: Not reported
Waterway Involved: No
Waterway: Not reported
Spill Site: Merchant/Business
Cleanup By: Unrecoverable
Containment: Not reported
What Happened: Not reported
Type: Not reported
Measure: Not reported
Other: Not reported
Type: VAPOR
Measure: Lbs.
Other: Not reported
Date/Time: 1230
Year: 2018
Agency: Southwest Gas
Incident Date: 04/21/2018
Admin Agency: San Bernardino County Fire Department
Amount: Not reported
Contained: Yes
Site Type: Not reported

Map ID
 Direction
 Distance
 Elevation

MAP FINDINGS

Site

Database(s)

EDR ID Number
 EPA ID Number

(Continued)

S123295884

E Date:	Not reported
Substance:	Natural Gas
Quantity Released:	unknown
Unknown:	Not reported
Substance #2:	Not reported
Substance #3:	Not reported
Evacuations:	Not reported
Number of Injuries:	Not reported
Number of Fatalities:	Not reported
#1 Pipeline:	Unknown
#2 Pipeline:	No
#3 Pipeline:	No
#1 Vessel >= 300 Tons:	No
#2 Vessel >= 300 Tons:	Unknown
#3 Vessel >= 300 Tons:	No
Evacs:	No
Injuries:	No
Fatals:	No
Comments:	Not reported
Description:	Caller states a corroded customer line caused the release of material. The release is secured. No evacuations occurred. No gas within structures.

BR502 **MARK ADAMS AS RECEIVER**
Target **710 W BROADWAY ST**
Property **NEEDLES, CA 92363**

HAZNET **S118931107**
HWTS **N/A**

Site 1 of 4 in cluster BR

Actual: 493 ft.	HAZNET:	
Focus Map: 7	Name:	MARK ADAMS AS RECEIVER
	Address:	710 W BROADWAY ST
	Address 2:	Not reported
	City, State, Zip:	NEEDLES, CA 92363
	Contact:	ANDREW ADAMS
	Telephone:	3104718181
	Mailing Name:	Not reported
	Mailing Address:	2716 OCEAN PARK BLVD STE 3010
	Year:	2015
	Gepaid:	CAC002833051
	TSD EPA ID:	CAD009007626
	CA Waste Code:	151 - Asbestos containing waste
	Disposal Method:	H132 - Landfill Or Surface Impoundment That Will Be Closed As Landfill(To Include On-Site Treatment And/Or Stabilization)
	Tons:	4.14
	Additional Info:	
	Year:	2015
	Gen EPA ID:	CAC002833051
	Shipment Date:	20151019
	Creation Date:	12/22/2015 22:15:38
	Receipt Date:	20151026
	Manifest ID:	008843992JJK
	Trans EPA ID:	CAL000327992

Map ID
Direction
Distance
Elevation

MAP FINDINGS

Site

Database(s)

EDR ID Number
EPA ID Number

MARK ADAMS AS RECEIVER (Continued)

S118931107

Trans Name: J&J ENVIRONMENTAL CONSTRUCTION CORP
Trans 2 EPA ID: CAR000049064
Trans 2 Name: E C T I
TSDf EPA ID: CAD009007626
Trans Name: AZUSA LAND RECLAMATION
TSDf Alt EPA ID: Not reported
TSDf Alt Name: Not reported
Waste Code Description: 151 - Asbestos-containing waste
RCRA Code: Not reported
Meth Code: H132 - Landfill Or Surface Impoundment That Will Be Closed As
Landfill(To Include On-Site Treatment And/Or Stabilization)

Quantity Tons: 4.14
Waste Quantity: 18
Quantity Unit: Y
Additional Code 1: Not reported
Additional Code 2: Not reported
Additional Code 3: Not reported
Additional Code 4: Not reported
Additional Code 5: Not reported

HWTS:

Name: MARK ADAMS AS RECEIVER
Address: 710 W BROADWAY ST
Address 2: Not reported
City,State,Zip: NEEDLES, CA 92363
EPA ID: CAC002833051
Inactive Date: 01/08/2016
Create Date: 10/08/2015
Last Act Date: Not reported
Mailing Name: Not reported
Mailing Address: 2716 OCEAN PARK BLVD STE 3010
Mailing Address 2: Not reported
Mailing City,State,Zip: SANTA MONICA, CA 904055264
Owner Name: MARK ADAMS AS RECEIVER
Owner Address: 2716 OCEAN PARK BLVD STE 3010
Owner Address 2: Not reported
Owner City,State,Zip: SANTA MONICA, CA 904055264
Contact Name: ANDREW ADAMS
Contact Address: 2716 OCEAN PARK BLVD STE 3010
Contact Address 2: Not reported
City,State,Zip: SANTA MONICA, CA 904055264
Facility Status: Inactive
Facility Type: TEMPORARY
Category: STATE
Latitude: 34.838463
Longitude: -114.604168

BR503 1X OVERNIGHT TRANSPORTATION CO.
Target
Property **NEEDLES, CA 23224**

HAZNET S113169796
HWTS N/A

Site 2 of 4 in cluster BR

Actual: HAZNET:
496 ft. Name: 1X OVERNIGHT TRANSPORTATION CO.
Focus Map: Address: Not reported
7 Address 2: Not reported

Map ID
Direction
Distance
Elevation

MAP FINDINGS

Site

Database(s)

EDR ID Number
EPA ID Number

1X OVERNIGHT TRANSPORTATION CO. (Continued)

S113169796

City,State,Zip: NEEDLES, CA 232240000
Contact: PASQUALE PADVANO
Telephone: --
Mailing Name: Not reported
Mailing Address: --

Year: 2007
Gepaid: CAP000000797
TSD EPA ID: CAT000646117
CA Waste Code: 611 - Contaminated soil from site clean-up
Disposal Method: H132 - Landfill Or Surface Impoundment That Will Be Closed As
Landfill(To Include On-Site Treatment And/Or Stabilization)
Tons: 11.8

Additional Info:

Year: 2007
Gen EPA ID: CAP000000797

Shipment Date: 20071016
Creation Date: 1/25/2008 18:30:07
Receipt Date: 20071019
Manifest ID: 002466125JJK
Trans EPA ID: CAD072953771
Trans Name: UNITED PUMPING SERVICE INC
Trans 2 EPA ID: Not reported
Trans 2 Name: Not reported
TSD EPA ID: CAT000646117
Trans Name: CWM/KETTLEMAN
TSD EPA Alt EPA ID: Not reported
TSD EPA Alt Name: Not reported
Waste Code Description: 611 - Contaminated soil from site clean-ups
RCRA Code: U134
Meth Code: H132 - Landfill Or Surface Impoundment That Will Be Closed As
Landfill(To Include On-Site Treatment And/Or Stabilization)
Quantity Tons: 11.8
Waste Quantity: 10
Quantity Unit: Y
Additional Code 1: Not reported
Additional Code 2: Not reported
Additional Code 3: Not reported
Additional Code 4: Not reported
Additional Code 5: Not reported

HWTS:

Name: 1X OVERNIGHT TRANSPORTATION CO.
Address: Not reported
Address 2: Not reported
City,State,Zip: NEEDLES, CA 23224
EPA ID: CAP000000797
Inactive Date: 12/19/2000
Create Date: 01/26/1988
Last Act Date: Not reported
Mailing Name: Not reported
Mailing Address: Not reported
Mailing Address 2: Not reported

Map ID
Direction
Distance
Elevation

MAP FINDINGS

Site

Database(s)

EDR ID Number
EPA ID Number

1X OVERNIGHT TRANSPORTATION CO. (Continued)

S113169796

Mailing City,State,Zip: RICHMOND, VA 232240000
Owner Name: Not reported
Owner Address: Not reported
Owner Address 2: Not reported
Owner City,State,Zip: Not reported
Contact Name: PASQUALE PADVANO
Contact Address: Not reported
Contact Address 2: Not reported
City,State,Zip: Not reported
Facility Status: Inactive
Facility Type: TEMPORARY
Category: FEDERAL
Latitude: 34.83854
Longitude: -114.60448

BR504 1X CITY OF NEEDLES
Target WASTEWATER TREATMENT PLANT
Property NEEDLES, CA 92636

HAZNET S112998646
HWTS N/A

Site 3 of 4 in cluster BR

Actual:
496 ft.

Focus Map:
7

HAZNET:
Name: 1X CITY OF NEEDLES
Address: WASTEWATER TREATMENT PLANT
Address 2: Not reported
City,State,Zip: NEEDLES, CA 926360000
Contact: DAVID G BROWNLEE JR/ADMIN ASST.
Telephone: 7603265700
Mailing Name: Not reported
Mailing Address: 817 3RD ST

Year: 1994
Gepaid: CAD000321042
TSD EPA ID: CAD000088252
CA Waste Code: 223 - Unspecified oil-containing waste
Disposal Method: H01 - Transfer Station
Tons: 1.3344

Year: 1994
Gepaid: CAD000321042
TSD EPA ID: NVT330100000
CA Waste Code: 261 - Polychlorinated biphenyls and material containing PCBs
Disposal Method: -
Tons: 0.1

Year: 1994
Gepaid: CAD000321042
TSD EPA ID: NVT330010000
CA Waste Code: 261 - Polychlorinated biphenyls and material containing PCBs
Disposal Method: -
Tons: 10

Year: 1994
Gepaid: CAD000321042
TSD EPA ID: CAD000088252
CA Waste Code: 331 - Off-specification, aged or surplus organics
Disposal Method: H01 - Transfer Station
Tons: 0.5214

Map ID
Direction
Distance
Elevation

MAP FINDINGS

Site

Database(s)

EDR ID Number
EPA ID Number

1X CITY OF NEEDLES (Continued)

S112998646

Year: 1993
Gepaid: CAD000321042
TSD EPA ID: CAT080011059
CA Waste Code: 331 - Off-specification, aged or surplus organics
Disposal Method: -
Tons: 4.5

Year: 1993
Gepaid: CAD000321042
TSD EPA ID: CAT080011059
CA Waste Code: 221 - Waste oil and mixed oil
Disposal Method: -
Tons: 15.9125

Year: 1993
Gepaid: CAD000321042
TSD EPA ID: CAT080011059
CA Waste Code: 331 - Off-specification, aged or surplus organics
Disposal Method: R01 - Recycler
Tons: 0.15

Year: 1993
Gepaid: CAD000321042
TSD EPA ID: CAT080011059
CA Waste Code: -
Disposal Method: R01 - Recycler
Tons: 0

Year: 1987
Gepaid: CAD000321042
TSD EPA ID: CAT080011059
CA Waste Code: 221 - Waste oil and mixed oil
Disposal Method: R01 - Recycler
Tons: 0.417

Additional Info:

Year: 1994
Gen EPA ID: CAD000321042

Shipment Date: 19940427
Creation Date: 3/25/1996 0:00:00
Receipt Date: 19940428
Manifest ID: 92729706
Trans EPA ID: CAD982491896
Trans Name: Not reported
Trans 2 EPA ID: Not reported
Trans 2 Name: Not reported
TSD EPA ID: CAD000088252
Trans Name: Not reported
TSD EPA Alt ID: Not reported
TSD EPA Alt Name: Not reported
Waste Code Description: 223 - Unspecified oil-containing waste
RCRA Code: Not reported
Meth Code: H01 - Transfer Station
Quantity Tons: 1.3344
Waste Quantity: 320

Map ID
Direction
Distance
Elevation

MAP FINDINGS

Site

Database(s)

EDR ID Number
EPA ID Number

1X CITY OF NEEDLES (Continued)

S112998646

Quantity Unit:	G
Additional Code 1:	Not reported
Additional Code 2:	Not reported
Additional Code 3:	Not reported
Additional Code 4:	Not reported
Additional Code 5:	Not reported
Shipment Date:	19940427
Creation Date:	3/25/1996 0:00:00
Receipt Date:	19940428
Manifest ID:	92729706
Trans EPA ID:	CAD982491896
Trans Name:	Not reported
Trans 2 EPA ID:	Not reported
Trans 2 Name:	Not reported
TSDf EPA ID:	CAD000088252
Trans Name:	Not reported
TSDf Alt EPA ID:	Not reported
TSDf Alt Name:	Not reported
Waste Code Description:	223 - Unspecified oil-containing waste
RCRA Code:	Not reported
Meth Code:	H01 - Transfer Station
Quantity Tons:	0
Waste Quantity:	0
Quantity Unit:	G
Additional Code 1:	Not reported
Additional Code 2:	Not reported
Additional Code 3:	Not reported
Additional Code 4:	Not reported
Additional Code 5:	Not reported
Shipment Date:	19940427
Creation Date:	3/25/1996 0:00:00
Receipt Date:	19940427
Manifest ID:	92729709
Trans EPA ID:	CAD981413834
Trans Name:	Not reported
Trans 2 EPA ID:	Not reported
Trans 2 Name:	Not reported
TSDf EPA ID:	NVT330010000
Trans Name:	Not reported
TSDf Alt EPA ID:	Not reported
TSDf Alt Name:	Not reported
Waste Code Description:	261 - Not reported
RCRA Code:	Not reported
Meth Code:	- Not reported
Quantity Tons:	10
Waste Quantity:	20000
Quantity Unit:	P
Additional Code 1:	Not reported
Additional Code 2:	Not reported
Additional Code 3:	Not reported
Additional Code 4:	Not reported
Additional Code 5:	Not reported
Shipment Date:	19940427
Creation Date:	3/25/1996 0:00:00

Map ID
Direction
Distance
Elevation

MAP FINDINGS

Site

Database(s)

EDR ID Number
EPA ID Number

1X CITY OF NEEDLES (Continued)

S112998646

Receipt Date: 19940429
Manifest ID: 92729707
Trans EPA ID: CAD982491896
Trans Name: Not reported
Trans 2 EPA ID: Not reported
Trans 2 Name: Not reported
TSDf EPA ID: NVT330100000
Trans Name: Not reported
TSDf Alt EPA ID: Not reported
TSDf Alt Name: Not reported
Waste Code Description: 261 - Not reported
RCRA Code: Not reported
Meth Code: - Not reported
Quantity Tons: 0.1
Waste Quantity: 200
Quantity Unit: P
Additional Code 1: Not reported
Additional Code 2: Not reported
Additional Code 3: Not reported
Additional Code 4: Not reported
Additional Code 5: Not reported

Shipment Date: 19940427
Creation Date: 3/25/1996 0:00:00
Receipt Date: 19940428
Manifest ID: 92729706
Trans EPA ID: CAD982491896
Trans Name: Not reported
Trans 2 EPA ID: Not reported
Trans 2 Name: Not reported
TSDf EPA ID: CAD000088252
Trans Name: Not reported
TSDf Alt EPA ID: Not reported
TSDf Alt Name: Not reported
Waste Code Description: 331 - Off-specification, aged, or surplus organics
RCRA Code: D001
Meth Code: H01 - Transfer Station
Quantity Tons: 0.5214
Waste Quantity: 158
Quantity Unit: G
Additional Code 1: Not reported
Additional Code 2: Not reported
Additional Code 3: Not reported
Additional Code 4: Not reported
Additional Code 5: Not reported

Additional Info:

Year: 1993
Gen EPA ID: CAD000321042

Shipment Date: 19930527
Creation Date: 9/9/1995 0:00:00
Receipt Date: 19930528
Manifest ID: 92056394
Trans EPA ID: CAT080011059
Trans Name: Not reported
Trans 2 EPA ID: Not reported

Map ID
Direction
Distance
Elevation

MAP FINDINGS

Site

Database(s)

EDR ID Number
EPA ID Number

1X CITY OF NEEDLES (Continued)

S112998646

Trans 2 Name:	Not reported
TSDF EPA ID:	CAT080011059
Trans Name:	Not reported
TSDF Alt EPA ID:	CAT080011059
TSDF Alt Name:	Not reported
Waste Code Description:	221 - Waste oil and mixed oil
RCRA Code:	Not reported
Meth Code:	- Not reported
Quantity Tons:	5.7875
Waste Quantity:	11575
Quantity Unit:	P
Additional Code 1:	Not reported
Additional Code 2:	Not reported
Additional Code 3:	Not reported
Additional Code 4:	Not reported
Additional Code 5:	Not reported
Shipment Date:	19930527
Creation Date:	9/9/1995 0:00:00
Receipt Date:	19930528
Manifest ID:	92056394
Trans EPA ID:	CAT080011059
Trans Name:	Not reported
Trans 2 EPA ID:	Not reported
Trans 2 Name:	Not reported
TSDF EPA ID:	CAT080011059
Trans Name:	Not reported
TSDF Alt EPA ID:	CAT080011059
TSDF Alt Name:	Not reported
Waste Code Description:	331 - Off-specification, aged, or surplus organics
RCRA Code:	D001
Meth Code:	R01 - Recycler
Quantity Tons:	0.15
Waste Quantity:	300
Quantity Unit:	P
Additional Code 1:	Not reported
Additional Code 2:	Not reported
Additional Code 3:	Not reported
Additional Code 4:	Not reported
Additional Code 5:	Not reported
Shipment Date:	19930527
Creation Date:	9/13/1995 0:00:00
Receipt Date:	19930601
Manifest ID:	92056395
Trans EPA ID:	CAT080011059
Trans Name:	Not reported
Trans 2 EPA ID:	Not reported
Trans 2 Name:	Not reported
TSDF EPA ID:	CAT080011059
Trans Name:	Not reported
TSDF Alt EPA ID:	CAT080011059
TSDF Alt Name:	Not reported
Waste Code Description:	221 - Waste oil and mixed oil
RCRA Code:	Not reported
Meth Code:	- Not reported
Quantity Tons:	0.625

Map ID
Direction
Distance
Elevation

MAP FINDINGS

Site

Database(s)

EDR ID Number
EPA ID Number

1X CITY OF NEEDLES (Continued)

S112998646

Waste Quantity:	1250
Quantity Unit:	P
Additional Code 1:	Not reported
Additional Code 2:	Not reported
Additional Code 3:	Not reported
Additional Code 4:	Not reported
Additional Code 5:	Not reported
Shipment Date:	19930527
Creation Date:	9/9/1995 0:00:00
Receipt Date:	19930528
Manifest ID:	92056394
Trans EPA ID:	CAT080011059
Trans Name:	Not reported
Trans 2 EPA ID:	Not reported
Trans 2 Name:	Not reported
TSDf EPA ID:	CAT080011059
Trans Name:	Not reported
TSDf Alt EPA ID:	CAT080011059
TSDf Alt Name:	Not reported
Waste Code Description:	- Not reported
RCRA Code:	Not reported
Meth Code:	R01 - Recycler
Quantity Tons:	0
Waste Quantity:	0
Quantity Unit:	Not reported
Additional Code 1:	Not reported
Additional Code 2:	Not reported
Additional Code 3:	Not reported
Additional Code 4:	Not reported
Additional Code 5:	Not reported
Shipment Date:	19930527
Creation Date:	9/13/1995 0:00:00
Receipt Date:	19930601
Manifest ID:	92056395
Trans EPA ID:	CAT080011059
Trans Name:	Not reported
Trans 2 EPA ID:	Not reported
Trans 2 Name:	Not reported
TSDf EPA ID:	CAT080011059
Trans Name:	Not reported
TSDf Alt EPA ID:	CAT080011059
TSDf Alt Name:	Not reported
Waste Code Description:	331 - Off-specification, aged, or surplus organics
RCRA Code:	D001
Meth Code:	- Not reported
Quantity Tons:	4.5
Waste Quantity:	9000
Quantity Unit:	P
Additional Code 1:	Not reported
Additional Code 2:	Not reported
Additional Code 3:	Not reported
Additional Code 4:	Not reported
Additional Code 5:	Not reported
Shipment Date:	19930526

Map ID
Direction
Distance
Elevation

MAP FINDINGS

Site

Database(s)

EDR ID Number
EPA ID Number

1X CITY OF NEEDLES (Continued)

S112998646

Creation Date: 9/7/1995 0:00:00
Receipt Date: Not reported
Manifest ID: 92056392
Trans EPA ID: CAD087169686
Trans Name: Not reported
Trans 2 EPA ID: Not reported
Trans 2 Name: Not reported
TSDf EPA ID: CAT080011059
Trans Name: Not reported
TSDf Alt EPA ID: Not reported
TSDf Alt Name: Not reported
Waste Code Description: 221 - Waste oil and mixed oil
RCRA Code: Not reported
Meth Code: - Not reported
Quantity Tons: 9.5
Waste Quantity: 2500
Quantity Unit: G
Additional Code 1: Not reported
Additional Code 2: Not reported
Additional Code 3: Not reported
Additional Code 4: Not reported
Additional Code 5: Not reported

HWTS:

Name: 1X CITY OF NEEDLES
Address: WASTEWATER TREATMENT PLANT
Address 2: Not reported
City,State,Zip: NEEDLES, CA 92636
EPA ID: CAD000321042
Inactive Date: 06/30/2005
Create Date: 01/02/1987
Last Act Date: Not reported
Mailing Name: Not reported
Mailing Address: 817 3RD ST
Mailing Address 2: Not reported
Mailing City,State,Zip: NEEDLES, CA 923632933
Owner Name: CITY OF NEEDLES
Owner Address: 817 3RD ST
Owner Address 2: Not reported
Owner City,State,Zip: NEEDLES, CA 923632933
Contact Name: DAVID G BROWNLEE JR/ADMIN ASST.
Contact Address: 817 3RD ST
Contact Address 2: Not reported
City,State,Zip: NEEDLES, CA 923632933
Facility Status: Inactive
Facility Type: PERMANENT
Category: STATE
Latitude: 34.83854
Longitude: -114.60448

Map ID
Direction
Distance
Elevation

MAP FINDINGS

Site

Database(s)

EDR ID Number
EPA ID Number

BP505 **BCI COCA COLA BOTTOLING COMPANY OF L A**
Target **601-611 FRONT STREET**
Property **NEEDLES, CA 92363**

HAZNET **S112859841**
HWTS **N/A**

Site 3 of 5 in cluster BP

Actual: **HAZNET:**
485 ft. Name: BCI COCA COLA BOTTOLING COMPANY OF L A
Focus Map: Address: 601-611 FRONT STREET
7 Address 2: Not reported
 City,State,Zip: NEEDLES, CA 923630000
 Contact: ANN MACDONALD
 Telephone: 5106132717
 Mailing Name: Not reported
 Mailing Address: P.O. BOX 4067

 Year: 1995
 Gepaid: CAC001011936
 TSD EPA ID: CAT080013352
 CA Waste Code: 241 - Tank bottom waste
 Disposal Method: R01 - Recycler
 Tons: 0.2085

Additional Info:

Year: 1995
Gen EPA ID: CAC001011936

Shipment Date: 19950815
Creation Date: 4/2/1996 0:00:00
Receipt Date: 19950817
Manifest ID: 95534867
Trans EPA ID: CAL922125668
Trans Name: Not reported
Trans 2 EPA ID: Not reported
Trans 2 Name: Not reported
TSD EPA ID: CAT080013352
Trans Name: Not reported
TSD Alt EPA ID: CAT080013352
TSD Alt Name: Not reported
Waste Code Description: 241 - Tank bottom waste 251 Still bottoms with halogenated organics
RCRA Code: Not reported
Meth Code: R01 - Recycler
Quantity Tons: 0.2085
Waste Quantity: 50
Quantity Unit: G
Additional Code 1: Not reported
Additional Code 2: Not reported
Additional Code 3: Not reported
Additional Code 4: Not reported
Additional Code 5: Not reported

HWTS:

Name: BCI COCA COLA BOTTOLING COMPANY OF L A
Address: 601-611 FRONT STREET
Address 2: Not reported
City,State,Zip: NEEDLES, CA 92363
EPA ID: CAC001011936

Map ID
Direction
Distance
Elevation

MAP FINDINGS

Site

Database(s)

EDR ID Number
EPA ID Number

BCI COCA COLA BOTTOLING COMPANY OF L A (Continued)

S112859841

Inactive Date: 12/31/1899
Create Date: 08/07/1995
Last Act Date: Not reported
Mailing Name: Not reported
Mailing Address: P.O. BOX 4067
Mailing Address 2: Not reported
Mailing City,State,Zip: OAKLAND, CA 946140000
Owner Name: BCI COCA COLA BOTTOLING CO
Owner Address: P.O. BOX 4067
Owner Address 2: Not reported
Owner City,State,Zip: OAKLAND, CA 946140000
Contact Name: ANN MACDONALD
Contact Address: P.O. BOX 4067
Contact Address 2: Not reported
City,State,Zip: OAKLAND, CA 946140000
Facility Status: Inactive
Facility Type: TEMPORARY
Category: STATE
Latitude: 34.838581
Longitude: -114.602273

BP506 H & H CYCLE WORKS
Target 601 FRONT ST
Property NEEDLES, CA 92363

HWTS S124821289
N/A

Site 4 of 5 in cluster BP

Actual: 485 ft.
Focus Map: 7

HWTS:
Name: H & H CYCLE WORKS
Address: 601 FRONT ST
Address 2: Not reported
City,State,Zip: NEEDLES, CA 92363
EPA ID: CAL000191882
Inactive Date: 06/30/2002
Create Date: 09/27/2000
Last Act Date: Not reported
Mailing Name: Not reported
Mailing Address: 601 FRONT ST
Mailing Address 2: Not reported
Mailing City,State,Zip: NEEDLES, CA 923630000
Owner Name: TOM NELSON
Owner Address: 405 ACOMA
Owner Address 2: Not reported
Owner City,State,Zip: NEEDLES, CA 923630000
Contact Name: TOM NELSON
Contact Address: 601 FRONT ST
Contact Address 2: Not reported
City,State,Zip: NEEDLES, CA 923630000
Facility Status: Inactive
Facility Type: PERMANENT
Category: STATE
Latitude: 34.838549
Longitude: -114.602103

Map ID
Direction
Distance
Elevation

MAP FINDINGS

Site

Database(s)

EDR ID Number
EPA ID Number

BS507 **NEEDLES UNIFIED SCHOOL DISTRIC**
Target **1900 ERIN DR**
Property **NEEDLES, CA 92363**

HAZNET **S113021661**
HWTS **N/A**

Site 1 of 11 in cluster BS

Actual:
605 ft.
Focus Map:
6

HAZNET:	
Name:	NEEDLES UNIFIED SCHOOL DISTRIC
Address:	1900 ERIN DR
Address 2:	Not reported
City,State,Zip:	NEEDLES, CA 923630000
Contact:	MARY MCNEIL, SUPT.
Telephone:	7603263891
Mailing Name:	Not reported
Mailing Address:	1900 ERIN DR
Year:	2015
Gepaid:	CAL000000005
TSD EPA ID:	CAT000613976
CA Waste Code:	213 - Hydrocarbon solvents (benzene, hexane, Stoddard, Etc.)
Disposal Method:	H141 - Storage, Bulking, And/Or Transfer Off Site--No Treatment/Reovery (H010-H129) Or (H131-H135)
Tons:	0.14178
Year:	2014
Gepaid:	CAL000000005
TSD EPA ID:	CAD044429835
CA Waste Code:	213 - Hydrocarbon solvents (benzene, hexane, Stoddard, Etc.)
Disposal Method:	H141 - Storage, Bulking, And/Or Transfer Off Site--No Treatment/Reovery (H010-H129) Or (H131-H135)
Tons:	0.06255
Year:	2013
Gepaid:	CAL000000005
TSD EPA ID:	NED981723513
CA Waste Code:	213 - Hydrocarbon solvents (benzene, hexane, Stoddard, Etc.)
Disposal Method:	H040 - Incineration--Thermal Destruction Other Than Use As A Fuel
Tons:	0.075
Year:	2013
Gepaid:	CAL000000005
TSD EPA ID:	CAT000613893
CA Waste Code:	213 - Hydrocarbon solvents (benzene, hexane, Stoddard, Etc.)
Disposal Method:	H141 - Storage, Bulking, And/Or Transfer Off Site--No Treatment/Reovery (H010-H129) Or (H131-H135)
Tons:	0.14595
Year:	2012
Gepaid:	CAL000000005
TSD EPA ID:	NVT330010000
CA Waste Code:	223 - Unspecified oil-containing waste
Disposal Method:	H039 - Other Recovery Of Reclamation For Reuse Including Acid Regeneration, Organics Recovery Ect
Tons:	0.075
Year:	2012
Gepaid:	CAL000000005
TSD EPA ID:	TXD077603371
CA Waste Code:	352 - Other organic solids

Map ID
Direction
Distance
Elevation

MAP FINDINGS

Site

Database(s)

EDR ID Number
EPA ID Number

NEEDLES UNIFIED SCHOOL DISTRICT (Continued)

S113021661

Disposal Method: H141 - Storage, Bulking, And/Or Transfer Off Site--No Treatment/Reovery (H010-H129) Or (H131-H135)
Tons: 0.175

Year: 2012
Gepaid: CAL000000005
TSD EPA ID: NVT330010000
CA Waste Code: 181 - Other inorganic solid waste
Disposal Method: H132 - Landfill Or Surface Impoundment That Will Be Closed As Landfill(To Include On-Site Treatment And/Or Stabilization)
Tons: 0.1

Year: 2012
Gepaid: CAL000000005
TSD EPA ID: TXD077603371
CA Waste Code: 491 - Unspecified sludge waste
Disposal Method: H061 - Fuel Blending Prior To Energy Recovery At Another Site
Tons: 0.6

Year: 2012
Gepaid: CAL000000005
TSD EPA ID: CAT000613893
CA Waste Code: 213 - Hydrocarbon solvents (benzene, hexane, Stoddard, Etc.)
Disposal Method: H141 - Storage, Bulking, And/Or Transfer Off Site--No Treatment/Reovery (H010-H129) Or (H131-H135)
Tons: 0.09174

Year: 2012
Gepaid: CAL000000005
TSD EPA ID: NVT330010000
CA Waste Code: 222 - Oil/water separation sludge
Disposal Method: H039 - Other Recovery Of Reclamation For Reuse Including Acid Regeneration, Organics Recovery Ect
Tons: 0.175

[Click this hyperlink](#) while viewing on your computer to access 28 additional CA HAZNET: record(s) in the EDR Site Report.

Additional Info:

Year: 2010
Gen EPA ID: CAL000000005

Shipment Date: 20100914
Creation Date: 2/8/2011 18:30:09
Receipt Date: 20100922
Manifest ID: 003684859FLE
Trans EPA ID: TXR000050930
Trans Name: SAFETY-KLEEN SYSTEMS INC
Trans 2 EPA ID: Not reported
Trans 2 Name: Not reported
TSD EPA ID: CAT000613976
Trans Name: SAFETY-KLEEN SYSTEMS INC
TSD EPA Alt EPA ID: Not reported
TSD EPA Alt Name: Not reported
Waste Code Description: 213 - Hydrocarbon solvents (benzene, hexane, Stoddard, etc.)
RCRA Code: D039

Map ID
Direction
Distance
Elevation

MAP FINDINGS

Site

Database(s)

EDR ID Number
EPA ID Number

NEEDLES UNIFIED SCHOOL DISTRIC (Continued)

S113021661

Meth Code: - Not reported
Quantity Tons: 0.06255
Waste Quantity: 15
Quantity Unit: G
Additional Code 1: Not reported
Additional Code 2: Not reported
Additional Code 3: Not reported
Additional Code 4: Not reported
Additional Code 5: Not reported

Shipment Date: 20100701
Creation Date: 1/24/2011 18:30:30
Receipt Date: 20100709
Manifest ID: 003347356FLE
Trans EPA ID: TXR000050930
Trans Name: SAFETY-KLEEN SYSTEMS INC
Trans 2 EPA ID: Not reported
Trans 2 Name: Not reported
TSDf EPA ID: CAT000613976
Trans Name: SAFETY-KLEEN SYSTEMS INC
TSDf Alt EPA ID: Not reported
TSDf Alt Name: Not reported
Waste Code Description: 213 - Hydrocarbon solvents (benzene, hexane, Stoddard, etc.)
RCRA Code: D039
Meth Code: - Not reported
Quantity Tons: 0.06255
Waste Quantity: 15
Quantity Unit: G
Additional Code 1: Not reported
Additional Code 2: Not reported
Additional Code 3: Not reported
Additional Code 4: Not reported
Additional Code 5: Not reported

Shipment Date: 20100429
Creation Date: 8/6/2010 18:31:29
Receipt Date: 20100429
Manifest ID: 002132332FLE
Trans EPA ID: CAR000049064
Trans Name: ECTI
Trans 2 EPA ID: Not reported
Trans 2 Name: Not reported
TSDf EPA ID: AZC950823111
Trans Name: LA PAZ COUNTY LAND FILL
TSDf Alt EPA ID: Not reported
TSDf Alt Name: Not reported
Waste Code Description: 181 - Other inorganic solid waste Organics
RCRA Code: Not reported
Meth Code: H132 - Landfill Or Surface Impoundment That Will Be Closed As Landfill(To Include On-Site Treatment And/Or Stabilization)

Quantity Tons: 33.712
Waste Quantity: 40
Quantity Unit: Y
Additional Code 1: Not reported
Additional Code 2: Not reported
Additional Code 3: Not reported
Additional Code 4: Not reported

Map ID
Direction
Distance
Elevation

MAP FINDINGS

Site

Database(s)

EDR ID Number
EPA ID Number

NEEDLES UNIFIED SCHOOL DISTRIC (Continued)

S113021661

Additional Code 5:	Not reported
Shipment Date:	20100429
Creation Date:	8/6/2010 18:31:29
Receipt Date:	20100429
Manifest ID:	002132331FLE
Trans EPA ID:	CAR000049064
Trans Name:	ECTI
Trans 2 EPA ID:	Not reported
Trans 2 Name:	Not reported
TSDf EPA ID:	AZC950823111
Trans Name:	LA PAZ COUNTY LAND FILL
TSDf Alt EPA ID:	Not reported
TSDf Alt Name:	Not reported
Waste Code Description:	181 - Other inorganic solid waste Organics
RCRA Code:	Not reported
Meth Code:	H132 - Landfill Or Surface Impoundment That Will Be Closed As Landfill(To Include On-Site Treatment And/Or Stabilization)
Quantity Tons:	33.712
Waste Quantity:	40
Quantity Unit:	Y
Additional Code 1:	Not reported
Additional Code 2:	Not reported
Additional Code 3:	Not reported
Additional Code 4:	Not reported
Additional Code 5:	Not reported
Shipment Date:	20100422
Creation Date:	8/6/2010 18:30:31
Receipt Date:	20100427
Manifest ID:	006608077JJK
Trans EPA ID:	CAL000190758
Trans Name:	JANUS CORPORATION
Trans 2 EPA ID:	Not reported
Trans 2 Name:	Not reported
TSDf EPA ID:	CAD028409019
Trans Name:	CROSBY & OVERTON
TSDf Alt EPA ID:	Not reported
TSDf Alt Name:	Not reported
Waste Code Description:	352 - Other organic solids
RCRA Code:	Not reported
Meth Code:	H141 - Storage, Bulking, And/Or Transfer Off Site--No Treatment/Reovery (H010-H129) Or (H131-H135)
Quantity Tons:	0.6
Waste Quantity:	1200
Quantity Unit:	P
Additional Code 1:	Not reported
Additional Code 2:	Not reported
Additional Code 3:	Not reported
Additional Code 4:	Not reported
Additional Code 5:	Not reported
Shipment Date:	20100414
Creation Date:	8/6/2010 18:30:31
Receipt Date:	20100427
Manifest ID:	006608074JJK
Trans EPA ID:	CAL000190758

Map ID
Direction
Distance
Elevation

MAP FINDINGS

Site

Database(s)

EDR ID Number
EPA ID Number

NEEDLES UNIFIED SCHOOL DISTRIC (Continued)

S113021661

Trans Name: JANUS CORPORATION
Trans 2 EPA ID: Not reported
Trans 2 Name: Not reported
TSDf EPA ID: CAD028409019
Trans Name: CROSBY & OVERTON
TSDf Alt EPA ID: Not reported
TSDf Alt Name: Not reported
Waste Code Description: 151 - Asbestos-containing waste
RCRA Code: Not reported
Meth Code: H141 - Storage, Bulking, And/Or Transfer Off Site--No
Treatment/Reovery (H010-H129) Or (H131-H135)

Quantity Tons: Not reported
Waste Quantity: Not reported
Quantity Unit: Not reported
Additional Code 1: Not reported
Additional Code 2: Not reported
Additional Code 3: Not reported
Additional Code 4: Not reported
Additional Code 5: Not reported

Shipment Date: 20100414
Creation Date: 8/6/2010 18:30:31
Receipt Date: 20100427
Manifest ID: 006608074JJK
Trans EPA ID: CAL000190758
Trans Name: JANUS CORPORATION
Trans 2 EPA ID: Not reported
Trans 2 Name: Not reported
TSDf EPA ID: CAD028409019
Trans Name: CROSBY & OVERTON
TSDf Alt EPA ID: Not reported
TSDf Alt Name: Not reported
Waste Code Description: 151 - Asbestos-containing waste
RCRA Code: Not reported
Meth Code: - Not reported
Quantity Tons: 0.18
Waste Quantity: 360
Quantity Unit: P
Additional Code 1: Not reported
Additional Code 2: Not reported
Additional Code 3: Not reported
Additional Code 4: Not reported
Additional Code 5: Not reported

Additional Info:
Year: 2007
Gen EPA ID: CAL000000005

Shipment Date: 20071211
Creation Date: 5/6/2008 18:30:17
Receipt Date: 20071211
Manifest ID: 000900793SKS
Trans EPA ID: TXR000050930
Trans Name: SAFETY-KLEEN SYSTEMS INC
Trans 2 EPA ID: Not reported
Trans 2 Name: Not reported
TSDf EPA ID: NVR000066837

Map ID
Direction
Distance
Elevation

MAP FINDINGS

Site

Database(s)

EDR ID Number
EPA ID Number

NEEDLES UNIFIED SCHOOL DISTRIC (Continued)

S113021661

Trans Name: SAFETY-KLEEN SYSTEMS INC
TSDF Alt EPA ID: Not reported
TSDF Alt Name: Not reported
Waste Code Description: 213 - Hydrocarbon solvents (benzene, hexane, Stoddard, etc.
RCRA Code: D039
Meth Code: H141 - Storage, Bulking, And/Or Transfer Off Site--No Treatment/Reovery (H010-H129) Or (H131-H135)
Quantity Tons: 0.05838
Waste Quantity: 14
Quantity Unit: G
Additional Code 1: Not reported
Additional Code 2: Not reported
Additional Code 3: Not reported
Additional Code 4: Not reported
Additional Code 5: Not reported
Shipment Date: 20070821
Creation Date: 2/5/2008 18:30:06
Receipt Date: 20070821
Manifest ID: 000841168SKS
Trans EPA ID: TXR000050930
Trans Name: SAFETY-KLEEN SYSTEMS INC
Trans 2 EPA ID: Not reported
Trans 2 Name: Not reported
TSDF EPA ID: NVR000066837
Trans Name: SAFETY-KLEEN SYSTEMS INC 708701
TSDF Alt EPA ID: Not reported
TSDF Alt Name: Not reported
Waste Code Description: 213 - Hydrocarbon solvents (benzene, hexane, Stoddard, etc.
RCRA Code: D039
Meth Code: H141 - Storage, Bulking, And/Or Transfer Off Site--No Treatment/Reovery (H010-H129) Or (H131-H135)
Quantity Tons: 0.06255
Waste Quantity: 15
Quantity Unit: G
Additional Code 1: Not reported
Additional Code 2: Not reported
Additional Code 3: Not reported
Additional Code 4: Not reported
Additional Code 5: Not reported
Shipment Date: 20070504
Creation Date: 12/20/2007 18:30:27
Receipt Date: 20070504
Manifest ID: 000489448SKS
Trans EPA ID: TXR000050930
Trans Name: SAFETY-KLEEN SYSTEMS INC
Trans 2 EPA ID: Not reported
Trans 2 Name: Not reported
TSDF EPA ID: NVR000066837
Trans Name: SAFETY-KLEEN SYSTEMS INC
TSDF Alt EPA ID: Not reported
TSDF Alt Name: Not reported
Waste Code Description: 213 - Hydrocarbon solvents (benzene, hexane, Stoddard, etc.
RCRA Code: D039
Meth Code: H141 - Storage, Bulking, And/Or Transfer Off Site--No Treatment/Reovery (H010-H129) Or (H131-H135)

Map ID
Direction
Distance
Elevation

MAP FINDINGS

Site

Database(s)

EDR ID Number
EPA ID Number

NEEDLES UNIFIED SCHOOL DISTRIC (Continued)

S113021661

Quantity Tons: 0.06255
Waste Quantity: 15
Quantity Unit: G
Additional Code 1: Not reported
Additional Code 2: Not reported
Additional Code 3: Not reported
Additional Code 4: Not reported
Additional Code 5: Not reported

Shipment Date: 20070111
Creation Date: 8/28/2007 18:30:13
Receipt Date: 20070111
Manifest ID: 000380037SKS
Trans EPA ID: TXR000050930
Trans Name: SAFETY-KLEEN SYSTEMS INC
Trans 2 EPA ID: Not reported
Trans 2 Name: Not reported
TSDf EPA ID: NVR000066837
Trans Name: SAFETY-KLEEN SYSTEMS INC
TSDf Alt EPA ID: Not reported
TSDf Alt Name: Not reported
Waste Code Description: 213 - Hydrocarbon solvents (benzene, hexane, Stoddard, etc.)
RCRA Code: D039
Meth Code: H141 - Storage, Bulking, And/Or Transfer Off Site--No Treatment/Reovery (H010-H129) Or (H131-H135)

Quantity Tons: 0.05838
Waste Quantity: 14
Quantity Unit: G
Additional Code 1: Not reported
Additional Code 2: Not reported
Additional Code 3: Not reported
Additional Code 4: Not reported
Additional Code 5: Not reported

Additional Info:

Year: 2014
Gen EPA ID: CAL000000005

Shipment Date: 20140213
Creation Date: 4/5/2014 22:15:21
Receipt Date: 20140224
Manifest ID: 004066629SKS
Trans EPA ID: TXR000081205
Trans Name: SAFETY-KLEEN SYSTEMS INC
Trans 2 EPA ID: Not reported
Trans 2 Name: Not reported
TSDf EPA ID: CAD044429835
Trans Name: CLEAN HARBORS WILMINGTON LLC
TSDf Alt EPA ID: Not reported
TSDf Alt Name: Not reported
Waste Code Description: 213 - Hydrocarbon solvents (benzene, hexane, Stoddard, etc.)
RCRA Code: D039
Meth Code: H141 - Storage, Bulking, And/Or Transfer Off Site--No Treatment/Reovery (H010-H129) Or (H131-H135)

Quantity Tons: 0.06255
Waste Quantity: 15
Quantity Unit: G

Map ID
Direction
Distance
Elevation

MAP FINDINGS

Site

Database(s)

EDR ID Number
EPA ID Number

NEEDLES UNIFIED SCHOOL DISTRIC (Continued)

S113021661

Additional Code 1: Not reported
Additional Code 2: Not reported
Additional Code 3: Not reported
Additional Code 4: Not reported
Additional Code 5: Not reported

Additional Info:

Year: 1998
Gen EPA ID: CAL000000005

Shipment Date: 19980923
Creation Date: 11/5/1998 0:00:00
Receipt Date: 19980923
Manifest ID: 97467683
Trans EPA ID: ILD984908202
Trans Name: Not reported
Trans 2 EPA ID: Not reported
Trans 2 Name: Not reported
TSDF EPA ID: NVT330010208
Trans Name: Not reported
TSDF Alt EPA ID: Not reported
TSDF Alt Name: Not reported
Waste Code Description: 213 - Hydrocarbon solvents (benzene, hexane, Stoddard, etc.
RCRA Code: D039
Meth Code: H01 - Transfer Station
Quantity Tons: 0.0583
Waste Quantity: 14
Quantity Unit: G
Additional Code 1: Not reported
Additional Code 2: Not reported
Additional Code 3: Not reported
Additional Code 4: Not reported
Additional Code 5: Not reported

Shipment Date: 19980604
Creation Date: 7/15/1998 0:00:00
Receipt Date: 19980604
Manifest ID: 96659280
Trans EPA ID: ILD984908202
Trans Name: Not reported
Trans 2 EPA ID: Not reported
Trans 2 Name: Not reported
TSDF EPA ID: NVT330010208
Trans Name: Not reported
TSDF Alt EPA ID: Not reported
TSDF Alt Name: Not reported
Waste Code Description: 213 - Hydrocarbon solvents (benzene, hexane, Stoddard, etc.
RCRA Code: D039
Meth Code: H01 - Transfer Station
Quantity Tons: 0.0583
Waste Quantity: 14
Quantity Unit: G
Additional Code 1: Not reported
Additional Code 2: Not reported
Additional Code 3: Not reported
Additional Code 4: Not reported
Additional Code 5: Not reported

Map ID
Direction
Distance
Elevation

MAP FINDINGS

Site

Database(s)

EDR ID Number
EPA ID Number

NEEDLES UNIFIED SCHOOL DISTRIC (Continued)

S113021661

Additional Info:

Year:	2005
Gen EPA ID:	CAL000000005
Shipment Date:	20051019
Creation Date:	3/12/2006 18:31:42
Receipt Date:	20051019
Manifest ID:	24740977
Trans EPA ID:	TXR000050930
Trans Name:	SAFETY-KLEEN SYSTEMS INC
Trans 2 EPA ID:	Not reported
Trans 2 Name:	Not reported
TSDF EPA ID:	NVR000066837
Trans Name:	SAFETY-KLEEN SYSTEMS INC
TSDF Alt EPA ID:	Not reported
TSDF Alt Name:	Not reported
Waste Code Description:	213 - Hydrocarbon solvents (benzene, hexane, Stoddard, etc.
RCRA Code:	D039
Meth Code:	H01 - Transfer Station
Quantity Tons:	0.05838
Waste Quantity:	14
Quantity Unit:	G
Additional Code 1:	Not reported
Additional Code 2:	Not reported
Additional Code 3:	Not reported
Additional Code 4:	Not reported
Additional Code 5:	Not reported
Shipment Date:	20050629
Creation Date:	9/15/2005 18:32:02
Receipt Date:	20050629
Manifest ID:	23020138
Trans EPA ID:	TXR000050930
Trans Name:	SAFETY-KLEEN SYSTEMS INC
Trans 2 EPA ID:	Not reported
Trans 2 Name:	Not reported
TSDF EPA ID:	NVR000066837
Trans Name:	SAFETY-KLEEN SYSTEMS INC
TSDF Alt EPA ID:	Not reported
TSDF Alt Name:	Not reported
Waste Code Description:	213 - Hydrocarbon solvents (benzene, hexane, Stoddard, etc.
RCRA Code:	D039
Meth Code:	H01 - Transfer Station
Quantity Tons:	0.05838
Waste Quantity:	14
Quantity Unit:	G
Additional Code 1:	Not reported
Additional Code 2:	Not reported
Additional Code 3:	Not reported
Additional Code 4:	Not reported
Additional Code 5:	Not reported
Shipment Date:	20050317
Creation Date:	6/2/2005 18:30:59
Receipt Date:	20050317
Manifest ID:	23666823
Trans EPA ID:	TXR000050930

Map ID
Direction
Distance
Elevation

MAP FINDINGS

Site

Database(s)

EDR ID Number
EPA ID Number

NEEDLES UNIFIED SCHOOL DISTRIC (Continued)

S113021661

Trans Name: SAFETY-KLEEN SYSTEMS INC
Trans 2 EPA ID: Not reported
Trans 2 Name: Not reported
TSDf EPA ID: NVR000066837
Trans Name: SAFETY-KLEEN SYSTEMS INC
TSDf Alt EPA ID: Not reported
TSDf Alt Name: Not reported
Waste Code Description: 213 - Hydrocarbon solvents (benzene, hexane, Stoddard, etc.
RCRA Code: D039
Meth Code: H01 - Transfer Station
Quantity Tons: 0.06255
Waste Quantity: 15
Quantity Unit: G
Additional Code 1: Not reported
Additional Code 2: Not reported
Additional Code 3: Not reported
Additional Code 4: Not reported
Additional Code 5: Not reported

Additional Info:

Year: 2008
Gen EPA ID: CAL000000005

Shipment Date: 20081113
Creation Date: 4/3/2009 18:30:35
Receipt Date: 20081113
Manifest ID: 001474850SKS
Trans EPA ID: TXR000050930
Trans Name: SAFETY-KLEEN SYSTEMS INC
Trans 2 EPA ID: Not reported
Trans 2 Name: Not reported
TSDf EPA ID: NVR000066837
Trans Name: SAFETY-KLEEN SYSTEMS INC
TSDf Alt EPA ID: Not reported
TSDf Alt Name: Not reported
Waste Code Description: 213 - Hydrocarbon solvents (benzene, hexane, Stoddard, etc.
RCRA Code: D039
Meth Code: H141 - Storage, Bulking, And/Or Transfer Off Site--No Treatment/Reovery (H010-H129) Or (H131-H135)
Quantity Tons: 0.06255
Waste Quantity: 15
Quantity Unit: G
Additional Code 1: Not reported
Additional Code 2: Not reported
Additional Code 3: Not reported
Additional Code 4: Not reported
Additional Code 5: Not reported

Shipment Date: 20080401
Creation Date: 9/4/2008 18:30:17
Receipt Date: 20080401
Manifest ID: 000923270SKS
Trans EPA ID: TXR000050930
Trans Name: SAFETY-KLEEN SYSTEMS INC
Trans 2 EPA ID: Not reported
Trans 2 Name: Not reported
TSDf EPA ID: NVR000066837

Map ID
Direction
Distance
Elevation

MAP FINDINGS

Site

Database(s)

EDR ID Number
EPA ID Number

NEEDLES UNIFIED SCHOOL DISTRIC (Continued)

S113021661

Trans Name:	SAFETY-KLEEN SYSTEMS INC
TSDF Alt EPA ID:	Not reported
TSDF Alt Name:	Not reported
Waste Code Description:	213 - Hydrocarbon solvents (benzene, hexane, Stoddard, etc.
RCRA Code:	D039
Meth Code:	H141 - Storage, Bulking, And/Or Transfer Off Site--No Treatment/Reovery (H010-H129) Or (H131-H135)
Quantity Tons:	0.05838
Waste Quantity:	14
Quantity Unit:	G
Additional Code 1:	Not reported
Additional Code 2:	Not reported
Additional Code 3:	Not reported
Additional Code 4:	Not reported
Additional Code 5:	Not reported
Shipment Date:	20080109
Creation Date:	10/30/2008 18:30:39
Receipt Date:	20080124
Manifest ID:	001009041SKS
Trans EPA ID:	TXR000050930
Trans Name:	SAFETY-KLEEN SYSTEMS INC
Trans 2 EPA ID:	OKD981588791
Trans 2 Name:	TRIAD
TSDF EPA ID:	TXD077603371
Trans Name:	SAFETY-KLEEN SYSTEMS INC
TSDF Alt EPA ID:	Not reported
TSDF Alt Name:	Not reported
Waste Code Description:	212 - Oxygenated solvents (acetone, butanol, ethyl acetate, etc.
RCRA Code:	D018
Meth Code:	H061 - Fuel Blending Prior To Energy Recovery At Another Site
Quantity Tons:	0.3
Waste Quantity:	600
Quantity Unit:	P
Additional Code 1:	D008
Additional Code 2:	D001
Additional Code 3:	Not reported
Additional Code 4:	Not reported
Additional Code 5:	Not reported
Additional Info:	
Year:	1999
Gen EPA ID:	CAL000000005
Shipment Date:	19991216
Creation Date:	2/1/2000 0:00:00
Receipt Date:	19991216
Manifest ID:	99532755
Trans EPA ID:	ILD984908202
Trans Name:	Not reported
Trans 2 EPA ID:	Not reported
Trans 2 Name:	Not reported
TSDF EPA ID:	NVT330010208
Trans Name:	Not reported
TSDF Alt EPA ID:	Not reported
TSDF Alt Name:	Not reported
Waste Code Description:	213 - Hydrocarbon solvents (benzene, hexane, Stoddard, etc.

Map ID
Direction
Distance
Elevation

MAP FINDINGS

Site

Database(s)

EDR ID Number
EPA ID Number

NEEDLES UNIFIED SCHOOL DISTRICT (Continued)

S113021661

RCRA Code:	D039
Meth Code:	H01 - Transfer Station
Quantity Tons:	0.0625
Waste Quantity:	15
Quantity Unit:	G
Additional Code 1:	Not reported
Additional Code 2:	Not reported
Additional Code 3:	Not reported
Additional Code 4:	Not reported
Additional Code 5:	Not reported
Shipment Date:	19990825
Creation Date:	10/12/1999 0:00:00
Receipt Date:	19990825
Manifest ID:	99052319
Trans EPA ID:	ILD984908202
Trans Name:	Not reported
Trans 2 EPA ID:	Not reported
Trans 2 Name:	Not reported
TSDF EPA ID:	NVT330010208
Trans Name:	Not reported
TSDF Alt EPA ID:	Not reported
TSDF Alt Name:	Not reported
Waste Code Description:	213 - Hydrocarbon solvents (benzene, hexane, Stoddard, etc.
RCRA Code:	D039
Meth Code:	H01 - Transfer Station
Quantity Tons:	0.0625
Waste Quantity:	15
Quantity Unit:	G
Additional Code 1:	Not reported
Additional Code 2:	Not reported
Additional Code 3:	Not reported
Additional Code 4:	Not reported
Additional Code 5:	Not reported
Shipment Date:	19990506
Creation Date:	6/10/1999 0:00:00
Receipt Date:	19990506
Manifest ID:	98798935
Trans EPA ID:	ILD984908202
Trans Name:	Not reported
Trans 2 EPA ID:	Not reported
Trans 2 Name:	Not reported
TSDF EPA ID:	NVT330010208
Trans Name:	Not reported
TSDF Alt EPA ID:	Not reported
TSDF Alt Name:	Not reported
Waste Code Description:	213 - Hydrocarbon solvents (benzene, hexane, Stoddard, etc.
RCRA Code:	D039
Meth Code:	H01 - Transfer Station
Quantity Tons:	0.0625
Waste Quantity:	15
Quantity Unit:	G
Additional Code 1:	Not reported
Additional Code 2:	Not reported
Additional Code 3:	Not reported
Additional Code 4:	Not reported

Map ID
Direction
Distance
Elevation

MAP FINDINGS

Site

Database(s)

EDR ID Number
EPA ID Number

NEEDLES UNIFIED SCHOOL DISTRIC (Continued)

S113021661

Additional Code 5:	Not reported
Shipment Date:	19990107
Creation Date:	2/26/1999 0:00:00
Receipt Date:	19990107
Manifest ID:	98628117
Trans EPA ID:	ILD984908202
Trans Name:	Not reported
Trans 2 EPA ID:	Not reported
Trans 2 Name:	Not reported
TSDf EPA ID:	NVT330010208
Trans Name:	Not reported
TSDf Alt EPA ID:	Not reported
TSDf Alt Name:	Not reported
Waste Code Description:	213 - Hydrocarbon solvents (benzene, hexane, Stoddard, etc.
RCRA Code:	D039
Meth Code:	H01 - Transfer Station
Quantity Tons:	0.0583
Waste Quantity:	14
Quantity Unit:	G
Additional Code 1:	Not reported
Additional Code 2:	Not reported
Additional Code 3:	Not reported
Additional Code 4:	Not reported
Additional Code 5:	Not reported
Additional Info:	
Year:	2006
Gen EPA ID:	CAL000000005
Shipment Date:	20060919
Creation Date:	4/19/2007 18:30:06
Receipt Date:	20060919
Manifest ID:	001002188JJK
Trans EPA ID:	TXR000050930
Trans Name:	SAFETY-KLEEN SYSTEMS INC
Trans 2 EPA ID:	Not reported
Trans 2 Name:	Not reported
TSDf EPA ID:	NVR000066837
Trans Name:	SAFETY-KLEEN SYSTEMS INC
TSDf Alt EPA ID:	Not reported
TSDf Alt Name:	Not reported
Waste Code Description:	213 - Hydrocarbon solvents (benzene, hexane, Stoddard, etc.
RCRA Code:	D039
Meth Code:	H141 - Storage, Bulking, And/Or Transfer Off Site--No Treatment/Reovery (H010-H129) Or (H131-H135)
Quantity Tons:	0.05838
Waste Quantity:	14
Quantity Unit:	G
Additional Code 1:	Not reported
Additional Code 2:	Not reported
Additional Code 3:	Not reported
Additional Code 4:	Not reported
Additional Code 5:	Not reported
Shipment Date:	20060531
Creation Date:	8/24/2006 18:32:58

Map ID
Direction
Distance
Elevation

MAP FINDINGS

Site

Database(s)

EDR ID Number
EPA ID Number

NEEDLES UNIFIED SCHOOL DISTRIC (Continued)

S113021661

Receipt Date: 20060531
Manifest ID: 23680911
Trans EPA ID: TXR000050930
Trans Name: SAFETY KLEEN SYSTEMS INC
Trans 2 EPA ID: Not reported
Trans 2 Name: Not reported
TSDF EPA ID: NVR000066837
Trans Name: SAFETY KLEEN SYSTEMS INC
TSDF Alt EPA ID: Not reported
TSDF Alt Name: Not reported
Waste Code Description: 213 - Hydrocarbon solvents (benzene, hexane, Stoddard, etc.)
RCRA Code: D039
Meth Code: H01 - Transfer Station
Quantity Tons: 0.05421
Waste Quantity: 13
Quantity Unit: G
Additional Code 1: Not reported
Additional Code 2: Not reported
Additional Code 3: Not reported
Additional Code 4: Not reported
Additional Code 5: Not reported

Shipment Date: 20060207
Creation Date: 5/5/2006 18:31:14
Receipt Date: 20060207
Manifest ID: 24608076
Trans EPA ID: TXR000050930
Trans Name: SAFETY-KLEEN SYSTEMS INC
Trans 2 EPA ID: Not reported
Trans 2 Name: Not reported
TSDF EPA ID: NVR000066837
Trans Name: SAFETY-KLEEN SYSTEMS INC
TSDF Alt EPA ID: Not reported
TSDF Alt Name: Not reported
Waste Code Description: 213 - Hydrocarbon solvents (benzene, hexane, Stoddard, etc.)
RCRA Code: D039
Meth Code: H01 - Transfer Station
Quantity Tons: 0.05838
Waste Quantity: 14
Quantity Unit: G
Additional Code 1: Not reported
Additional Code 2: Not reported
Additional Code 3: Not reported
Additional Code 4: Not reported
Additional Code 5: Not reported

Additional Info:

Year: 2004
Gen EPA ID: CAL000000005

Shipment Date: 20041124
Creation Date: 1/20/2005 18:31:32
Receipt Date: 20041124
Manifest ID: 23722857
Trans EPA ID: TXR000050930
Trans Name: SAFETY-KLEEN SYSTEMS INC
Trans 2 EPA ID: Not reported

Map ID
Direction
Distance
Elevation

MAP FINDINGS

Site

Database(s)

EDR ID Number
EPA ID Number

NEEDLES UNIFIED SCHOOL DISTRIC (Continued)

S113021661

Trans 2 Name: Not reported
TSDf EPA ID: NVR000066837
Trans Name: SAFETY-KLEEN SYSTEMS INC
TSDf Alt EPA ID: Not reported
TSDf Alt Name: Not reported
Waste Code Description: 213 - Hydrocarbon solvents (benzene, hexane, Stoddard, etc.
RCRA Code: D039
Meth Code: H01 - Transfer Station
Quantity Tons: 0.05004
Waste Quantity: 12
Quantity Unit: G
Additional Code 1: Not reported
Additional Code 2: Not reported
Additional Code 3: Not reported
Additional Code 4: Not reported
Additional Code 5: Not reported

Shipment Date: 20040812
Creation Date: 11/5/2004 18:32:00
Receipt Date: 20040812
Manifest ID: 23514385
Trans EPA ID: TXR000050930
Trans Name: SAFETY-KLEEN SYSTEMS INC
Trans 2 EPA ID: Not reported
Trans 2 Name: Not reported
TSDf EPA ID: NVR000066837
Trans Name: SAFETY-KLEEN SYSTEMS INC
TSDf Alt EPA ID: Not reported
TSDf Alt Name: Not reported
Waste Code Description: 213 - Hydrocarbon solvents (benzene, hexane, Stoddard, etc.
RCRA Code: D039
Meth Code: H01 - Transfer Station
Quantity Tons: 0.05004
Waste Quantity: 12
Quantity Unit: G
Additional Code 1: Not reported
Additional Code 2: Not reported
Additional Code 3: Not reported
Additional Code 4: Not reported
Additional Code 5: Not reported

Shipment Date: 20040421
Creation Date: 10/14/2004 7:35:58
Receipt Date: 20040421
Manifest ID: 23462186
Trans EPA ID: TXR000050930
Trans Name: SAFETY-KLEEN SYSTEMS INC
Trans 2 EPA ID: Not reported
Trans 2 Name: Not reported
TSDf EPA ID: NVR000066837
Trans Name: SAFETY-KLEEN SYSTEMS INC
TSDf Alt EPA ID: Not reported
TSDf Alt Name: Not reported
Waste Code Description: 213 - Hydrocarbon solvents (benzene, hexane, Stoddard, etc.
RCRA Code: D039
Meth Code: H01 - Transfer Station
Quantity Tons: 0.05004

Map ID
Direction
Distance
Elevation

MAP FINDINGS

Site

Database(s)

EDR ID Number
EPA ID Number

NEEDLES UNIFIED SCHOOL DISTRIC (Continued)

S113021661

Waste Quantity: 12
Quantity Unit: G
Additional Code 1: Not reported
Additional Code 2: Not reported
Additional Code 3: Not reported
Additional Code 4: Not reported
Additional Code 5: Not reported

Additional Info:

Year: 2009
Gen EPA ID: CAL000000005

Shipment Date: 20090624
Creation Date: 10/29/2009 18:30:26
Receipt Date: 20090624
Manifest ID: 001862373SKS
Trans EPA ID: TXR000050930
Trans Name: SAFETY-KLEEN SYSTEMS INC
Trans 2 EPA ID: Not reported
Trans 2 Name: Not reported
TSDf EPA ID: NVR000066837
Trans Name: SAFETY-KLEEN SYSTEMS INC
TSDf Alt EPA ID: Not reported
TSDf Alt Name: Not reported
Waste Code Description: 213 - Hydrocarbon solvents (benzene, hexane, Stoddard, etc.
RCRA Code: D039
Meth Code: H141 - Storage, Bulking, And/Or Transfer Off Site--No Treatment/Reovery (H010-H129) Or (H131-H135)

Quantity Tons: 0.06255
Waste Quantity: 15
Quantity Unit: G
Additional Code 1: Not reported
Additional Code 2: Not reported
Additional Code 3: Not reported
Additional Code 4: Not reported
Additional Code 5: Not reported

Shipment Date: 20090304
Creation Date: 7/14/2009 18:30:08
Receipt Date: 20090304
Manifest ID: 001610387SKS
Trans EPA ID: TXR000050930
Trans Name: SAFETY-KLEEN SYSTEMS INC
Trans 2 EPA ID: Not reported
Trans 2 Name: Not reported
TSDf EPA ID: NVR000066837
Trans Name: SAFETY-KLEEN SYSTEMS INC
TSDf Alt EPA ID: Not reported
TSDf Alt Name: Not reported
Waste Code Description: 213 - Hydrocarbon solvents (benzene, hexane, Stoddard, etc.
RCRA Code: D039
Meth Code: H141 - Storage, Bulking, And/Or Transfer Off Site--No Treatment/Reovery (H010-H129) Or (H131-H135)

Quantity Tons: 0.06255
Waste Quantity: 15
Quantity Unit: G
Additional Code 1: Not reported

Map ID
Direction
Distance
Elevation

MAP FINDINGS

Site

Database(s)

EDR ID Number
EPA ID Number

NEEDLES UNIFIED SCHOOL DISTRICT (Continued)

S113021661

Additional Code 2: Not reported
Additional Code 3: Not reported
Additional Code 4: Not reported
Additional Code 5: Not reported

Additional Info:

Year: 2000
Gen EPA ID: CAL000000005

Shipment Date: 20001108
Creation Date: 1/9/2001 0:00:00
Receipt Date: 20001108
Manifest ID: 20294602
Trans EPA ID: SCR000075150
Trans Name: Not reported
Trans 2 EPA ID: Not reported
Trans 2 Name: Not reported
TSDf EPA ID: NVT330010208
Trans Name: Not reported
TSDf Alt EPA ID: Not reported
TSDf Alt Name: Not reported
Waste Code Description: 213 - Hydrocarbon solvents (benzene, hexane, Stoddard, etc.
RCRA Code: D039
Meth Code: H01 - Transfer Station
Quantity Tons: 0.0625
Waste Quantity: 15
Quantity Unit: G
Additional Code 1: Not reported
Additional Code 2: Not reported
Additional Code 3: Not reported
Additional Code 4: Not reported
Additional Code 5: Not reported

Shipment Date: 20001025
Creation Date: 1/9/2001 0:00:00
Receipt Date: 20001026
Manifest ID: 98599947
Trans EPA ID: CAD981400518
Trans Name: Not reported
Trans 2 EPA ID: Not reported
Trans 2 Name: Not reported
TSDf EPA ID: CAT080033681
Trans Name: Not reported
TSDf Alt EPA ID: Not reported
TSDf Alt Name: Not reported
Waste Code Description: 181 - Other inorganic solid waste Organics
RCRA Code: Not reported
Meth Code: D80 - Disposal, Land Fill
Quantity Tons: 0.09
Waste Quantity: 180
Quantity Unit: P
Additional Code 1: Not reported
Additional Code 2: Not reported
Additional Code 3: Not reported
Additional Code 4: Not reported
Additional Code 5: Not reported

Map ID
Direction
Distance
Elevation

MAP FINDINGS

Site

Database(s)

EDR ID Number
EPA ID Number

NEEDLES UNIFIED SCHOOL DISTRICT (Continued)

S113021661

Shipment Date: 20000727
Creation Date: 9/11/2000 0:00:00
Receipt Date: 20000727
Manifest ID: 20190190
Trans EPA ID: SCR000075150
Trans Name: Not reported
Trans 2 EPA ID: Not reported
Trans 2 Name: Not reported
TSDf EPA ID: NVT330010208
Trans Name: Not reported
TSDf Alt EPA ID: Not reported
TSDf Alt Name: Not reported
Waste Code Description: 213 - Hydrocarbon solvents (benzene, hexane, Stoddard, etc.
RCRA Code: D039
Meth Code: H01 - Transfer Station
Quantity Tons: 0.0625
Waste Quantity: 15
Quantity Unit: G
Additional Code 1: Not reported
Additional Code 2: Not reported
Additional Code 3: Not reported
Additional Code 4: Not reported
Additional Code 5: Not reported

Shipment Date: 20000405
Creation Date: 6/21/2000 0:00:00
Receipt Date: 20000405
Manifest ID: 99850261
Trans EPA ID: ILD984908202
Trans Name: Not reported
Trans 2 EPA ID: Not reported
Trans 2 Name: Not reported
TSDf EPA ID: NVT330010208
Trans Name: Not reported
TSDf Alt EPA ID: Not reported
TSDf Alt Name: Not reported
Waste Code Description: 213 - Hydrocarbon solvents (benzene, hexane, Stoddard, etc.
RCRA Code: D039
Meth Code: H01 - Transfer Station
Quantity Tons: 0.0625
Waste Quantity: 15
Quantity Unit: G
Additional Code 1: Not reported
Additional Code 2: Not reported
Additional Code 3: Not reported
Additional Code 4: Not reported
Additional Code 5: Not reported

Additional Info:
Year: 2003
Gen EPA ID: CAL000000005

Shipment Date: 20031230
Creation Date: 7/30/2004 18:31:14
Receipt Date: 20031230
Manifest ID: 23305046
Trans EPA ID: TXR000050930

Map ID
Direction
Distance
Elevation

MAP FINDINGS

Site

Database(s)

EDR ID Number
EPA ID Number

NEEDLES UNIFIED SCHOOL DISTRIC (Continued)

S113021661

Trans Name:	SAFETY-KLEEN SYSTEMS INC
Trans 2 EPA ID:	Not reported
Trans 2 Name:	Not reported
TSDf EPA ID:	NVR000066837
Trans Name:	SAFETY-KLEEN SYSTEMS INC
TSDf Alt EPA ID:	Not reported
TSDf Alt Name:	Not reported
Waste Code Description:	213 - Hydrocarbon solvents (benzene, hexane, Stoddard, etc.
RCRA Code:	D039
Meth Code:	H01 - Transfer Station
Quantity Tons:	0.05838
Waste Quantity:	14
Quantity Unit:	G
Additional Code 1:	Not reported
Additional Code 2:	Not reported
Additional Code 3:	Not reported
Additional Code 4:	Not reported
Additional Code 5:	Not reported
Shipment Date:	20030912
Creation Date:	8/2/2004 9:36:58
Receipt Date:	20030912
Manifest ID:	22524496
Trans EPA ID:	TXR000050930
Trans Name:	Not reported
Trans 2 EPA ID:	Not reported
Trans 2 Name:	Not reported
TSDf EPA ID:	NVR000066837
Trans Name:	Not reported
TSDf Alt EPA ID:	Not reported
TSDf Alt Name:	Not reported
Waste Code Description:	213 - Hydrocarbon solvents (benzene, hexane, Stoddard, etc.
RCRA Code:	D039
Meth Code:	H01 - Transfer Station
Quantity Tons:	0.06672
Waste Quantity:	16
Quantity Unit:	G
Additional Code 1:	Not reported
Additional Code 2:	Not reported
Additional Code 3:	Not reported
Additional Code 4:	Not reported
Additional Code 5:	Not reported
Shipment Date:	20030123
Creation Date:	4/10/2003 10:20:47
Receipt Date:	20030123
Manifest ID:	22105571
Trans EPA ID:	TXR000050930
Trans Name:	Not reported
Trans 2 EPA ID:	Not reported
Trans 2 Name:	Not reported
TSDf EPA ID:	NVR000066837
Trans Name:	Not reported
TSDf Alt EPA ID:	Not reported
TSDf Alt Name:	Not reported
Waste Code Description:	213 - Hydrocarbon solvents (benzene, hexane, Stoddard, etc.
RCRA Code:	D039

Map ID
Direction
Distance
Elevation

MAP FINDINGS

Site

Database(s)

EDR ID Number
EPA ID Number

NEEDLES UNIFIED SCHOOL DISTRIC (Continued)

S113021661

Meth Code: H01 - Transfer Station
Quantity Tons: 0.06255
Waste Quantity: 15
Quantity Unit: G
Additional Code 1: Not reported
Additional Code 2: Not reported
Additional Code 3: Not reported
Additional Code 4: Not reported
Additional Code 5: Not reported

Additional Info:

Year: 2015
Gen EPA ID: CAL000000005

Shipment Date: 20151104
Creation Date: 5/23/2016 18:30:23
Receipt Date: 20151110
Manifest ID: 004969006SKS
Trans EPA ID: TXR000081205
Trans Name: SAFETY-KLEEN SYSTEMS INC
Trans 2 EPA ID: Not reported
Trans 2 Name: Not reported
TSDf EPA ID: CAT000613976
Trans Name: SAFETY-KLEEN SYSTEMS INC
TSDf Alt EPA ID: Not reported
TSDf Alt Name: Not reported
Waste Code Description: 213 - Hydrocarbon solvents (benzene, hexane, Stoddard, etc.
RCRA Code: D039
Meth Code: H141 - Storage, Bulking, And/Or Transfer Off Site--No
Treatment/Reovery (H010-H129) Or (H131-H135)

Quantity Tons: 0.0834
Waste Quantity: 20
Quantity Unit: G
Additional Code 1: Not reported
Additional Code 2: Not reported
Additional Code 3: Not reported
Additional Code 4: Not reported
Additional Code 5: Not reported

Shipment Date: 20150305
Creation Date: 8/5/2015 22:15:33
Receipt Date: 20150313
Manifest ID: 004619282SKS
Trans EPA ID: TXR000081205
Trans Name: SAFETY-KLEEN SYSTEMS INC
Trans 2 EPA ID: Not reported
Trans 2 Name: Not reported
TSDf EPA ID: CAT000613976
Trans Name: SAFETY-KLEEN SYSTEMS INC
TSDf Alt EPA ID: Not reported
TSDf Alt Name: Not reported
Waste Code Description: 213 - Hydrocarbon solvents (benzene, hexane, Stoddard, etc.
RCRA Code: D039
Meth Code: H141 - Storage, Bulking, And/Or Transfer Off Site--No
Treatment/Reovery (H010-H129) Or (H131-H135)

Quantity Tons: 0.05838
Waste Quantity: 14

Map ID
Direction
Distance
Elevation

MAP FINDINGS

Site

Database(s)

EDR ID Number
EPA ID Number

NEEDLES UNIFIED SCHOOL DISTRICT (Continued)

S113021661

Quantity Unit: G
Additional Code 1: Not reported
Additional Code 2: Not reported
Additional Code 3: Not reported
Additional Code 4: Not reported
Additional Code 5: Not reported

Additional Info:

Year: 2011
Gen EPA ID: CAL000000005

Shipment Date: 20111207
Creation Date: 5/22/2012 20:30:10
Receipt Date: 20111213
Manifest ID: 002719897SKS
Trans EPA ID: TXR000050930
Trans Name: SAFETY-KLEEN SYSTEMS INC
Trans 2 EPA ID: Not reported
Trans 2 Name: Not reported
TSDf EPA ID: CAT000613893
Trans Name: SAFETY-KLEEN SYSTEMS INC
TSDf Alt EPA ID: Not reported
TSDf Alt Name: Not reported
Waste Code Description: 213 - Hydrocarbon solvents (benzene, hexane, Stoddard, etc.
RCRA Code: D039
Meth Code: H141 - Storage, Bulking, And/Or Transfer Off Site--No Treatment/Recovery (H010-H129) Or (H131-H135)

Quantity Tons: 0.05004
Waste Quantity: 12
Quantity Unit: G
Additional Code 1: Not reported
Additional Code 2: Not reported
Additional Code 3: Not reported
Additional Code 4: Not reported
Additional Code 5: Not reported

Shipment Date: 20111114
Creation Date: 1/20/2012 20:31:22
Receipt Date: 20111114
Manifest ID: 006762340JJK
Trans EPA ID: CAL000115612
Trans Name: S & R SERVICES INC
Trans 2 EPA ID: Not reported
Trans 2 Name: Not reported
TSDf EPA ID: AZC950823111
Trans Name: LA PAZ COUNTY LANDFILL
TSDf Alt EPA ID: Not reported
TSDf Alt Name: Not reported
Waste Code Description: 151 - Asbestos-containing waste
RCRA Code: Not reported
Meth Code: H132 - Landfill Or Surface Impoundment That Will Be Closed As Landfill(To Include On-Site Treatment And/Or Stabilization)

Quantity Tons: 16
Waste Quantity: 40
Quantity Unit: Y
Additional Code 1: Not reported
Additional Code 2: Not reported

Map ID
Direction
Distance
Elevation

MAP FINDINGS

Site

Database(s)

EDR ID Number
EPA ID Number

NEEDLES UNIFIED SCHOOL DISTRIC (Continued)

S113021661

Additional Code 3:	Not reported
Additional Code 4:	Not reported
Additional Code 5:	Not reported
Shipment Date:	20110921
Creation Date:	11/30/2011 18:30:36
Receipt Date:	20110922
Manifest ID:	000819412GBF
Trans EPA ID:	CAR000049064
Trans Name:	ECTI
Trans 2 EPA ID:	Not reported
Trans 2 Name:	Not reported
TSDf EPA ID:	AZC950823111
Trans Name:	LA PAZ COUNTY LANDFILL
TSDf Alt EPA ID:	Not reported
TSDf Alt Name:	Not reported
Waste Code Description:	151 - Asbestos-containing waste
RCRA Code:	Not reported
Meth Code:	H132 - Landfill Or Surface Impoundment That Will Be Closed As Landfill(To Include On-Site Treatment And/Or Stabilization)
Quantity Tons:	10
Waste Quantity:	25
Quantity Unit:	Y
Additional Code 1:	Not reported
Additional Code 2:	Not reported
Additional Code 3:	Not reported
Additional Code 4:	Not reported
Additional Code 5:	Not reported
Shipment Date:	20110818
Creation Date:	2/9/2012 20:30:13
Receipt Date:	20110823
Manifest ID:	004268795FLE
Trans EPA ID:	TXR000050930
Trans Name:	SAFETY-KLEEN SYSTEMS INC
Trans 2 EPA ID:	Not reported
Trans 2 Name:	Not reported
TSDf EPA ID:	CAT000613893
Trans Name:	SAFETY-KLEEN SYSTEMS INC
TSDf Alt EPA ID:	Not reported
TSDf Alt Name:	Not reported
Waste Code Description:	213 - Hydrocarbon solvents (benzene, hexane, Stoddard, etc.
RCRA Code:	D039
Meth Code:	H141 - Storage, Bulking, And/Or Transfer Off Site--No Treatment/Reovery (H010-H129) Or (H131-H135)
Quantity Tons:	0.06255
Waste Quantity:	15
Quantity Unit:	G
Additional Code 1:	Not reported
Additional Code 2:	Not reported
Additional Code 3:	Not reported
Additional Code 4:	Not reported
Additional Code 5:	Not reported
Shipment Date:	20110426
Creation Date:	10/12/2011 18:30:28
Receipt Date:	20110506

Map ID
Direction
Distance
Elevation

MAP FINDINGS

Site

Database(s)

EDR ID Number
EPA ID Number

NEEDLES UNIFIED SCHOOL DISTRIC (Continued)

S113021661

Manifest ID: 003609348FLE
Trans EPA ID: TXR000050930
Trans Name: SAFETY-KLEEN SYSTEMS INC
Trans 2 EPA ID: Not reported
Trans 2 Name: Not reported
TSDf EPA ID: CAT000613976
Trans Name: SAFETY-KLEEN SYSTEMS INC
TSDf Alt EPA ID: Not reported
TSDf Alt Name: Not reported
Waste Code Description: 213 - Hydrocarbon solvents (benzene, hexane, Stoddard, etc.
RCRA Code: D039
Meth Code: H141 - Storage, Bulking, And/Or Transfer Off Site--No
Treatment/Reovery (H010-H129) Or (H131-H135)
Quantity Tons: 0.05838
Waste Quantity: 14
Quantity Unit: G
Additional Code 1: Not reported
Additional Code 2: Not reported
Additional Code 3: Not reported
Additional Code 4: Not reported
Additional Code 5: Not reported

Shipment Date: 20110107
Creation Date: 5/27/2011 18:30:13
Receipt Date: 20110118
Manifest ID: 003628820FLE
Trans EPA ID: TXR000050930
Trans Name: SAFETY-KLEEN SYSTEMS INC
Trans 2 EPA ID: Not reported
Trans 2 Name: Not reported
TSDf EPA ID: CAT000613976
Trans Name: SAFETY-KLEEN SYSTEMS INC
TSDf Alt EPA ID: Not reported
TSDf Alt Name: Not reported
Waste Code Description: 213 - Hydrocarbon solvents (benzene, hexane, Stoddard, etc.
RCRA Code: D039
Meth Code: H141 - Storage, Bulking, And/Or Transfer Off Site--No
Treatment/Reovery (H010-H129) Or (H131-H135)
Quantity Tons: 0.05838
Waste Quantity: 14
Quantity Unit: G
Additional Code 1: Not reported
Additional Code 2: Not reported
Additional Code 3: Not reported
Additional Code 4: Not reported
Additional Code 5: Not reported

Additional Info:

Year: 2013
Gen EPA ID: CAL000000005

Shipment Date: 20130920
Creation Date: 1/18/2014 22:15:06
Receipt Date: 20130926
Manifest ID: 003919597SKS
Trans EPA ID: TXR000081205
Trans Name: SAFETY-KLEEN SYSTEMS INC

Map ID
Direction
Distance
Elevation

MAP FINDINGS

Site

Database(s)

EDR ID Number
EPA ID Number

NEEDLES UNIFIED SCHOOL DISTRIC (Continued)

S113021661

Trans 2 EPA ID:	Not reported
Trans 2 Name:	Not reported
TSDF EPA ID:	CAT000613893
Trans Name:	SAFETY-KLEEN SYSTEMS INC
TSDF Alt EPA ID:	Not reported
TSDF Alt Name:	Not reported
Waste Code Description:	213 - Hydrocarbon solvents (benzene, hexane, Stoddard, etc.
RCRA Code:	D039
Meth Code:	H141 - Storage, Bulking, And/Or Transfer Off Site--No Treatment/Reovery (H010-H129) Or (H131-H135)
Quantity Tons:	0.0834
Waste Quantity:	20
Quantity Unit:	G
Additional Code 1:	Not reported
Additional Code 2:	Not reported
Additional Code 3:	Not reported
Additional Code 4:	Not reported
Additional Code 5:	Not reported
Shipment Date:	20130920
Creation Date:	2/18/2014 22:15:06
Receipt Date:	20131007
Manifest ID:	003919892SKS
Trans EPA ID:	TXR000081205
Trans Name:	SAFETY-KLEEN SYSTEMS INC
Trans 2 EPA ID:	CAR000187922
Trans 2 Name:	RUST AND SONS TRUCKING INC
TSDF EPA ID:	NED981723513
Trans Name:	CLEAN HARBORS ENVIRONMENTAL SERVICES IN
TSDF Alt EPA ID:	Not reported
TSDF Alt Name:	Not reported
Waste Code Description:	213 - Hydrocarbon solvents (benzene, hexane, Stoddard, etc.
RCRA Code:	D018
Meth Code:	H040 - Incineration--Thermal Destruction Other Than Use As A Fuel
Quantity Tons:	0.075
Waste Quantity:	150
Quantity Unit:	P
Additional Code 1:	D008
Additional Code 2:	D001
Additional Code 3:	Not reported
Additional Code 4:	Not reported
Additional Code 5:	Not reported
Shipment Date:	20130226
Creation Date:	7/30/2013 22:15:07
Receipt Date:	20130304
Manifest ID:	003381926SKS
Trans EPA ID:	TXR000081205
Trans Name:	SAFETY-KLEEN SYSTEMS INC
Trans 2 EPA ID:	Not reported
Trans 2 Name:	Not reported
TSDF EPA ID:	CAT000613893
Trans Name:	SAFETY-KLEEN SYSTEMS INC
TSDF Alt EPA ID:	Not reported
TSDF Alt Name:	Not reported
Waste Code Description:	213 - Hydrocarbon solvents (benzene, hexane, Stoddard, etc.
RCRA Code:	D039

Map ID
Direction
Distance
Elevation

MAP FINDINGS

Site

Database(s)

EDR ID Number
EPA ID Number

NEEDLES UNIFIED SCHOOL DISTRIC (Continued)

S113021661

Meth Code: H141 - Storage, Bulking, And/Or Transfer Off Site--No Treatment/Reovery (H010-H129) Or (H131-H135)
Quantity Tons: 0.06255
Waste Quantity: 15
Quantity Unit: G
Additional Code 1: Not reported
Additional Code 2: Not reported
Additional Code 3: Not reported
Additional Code 4: Not reported
Additional Code 5: Not reported

Additional Info:
Year: 2001
Gen EPA ID: CAL000000005

Shipment Date: 20011106
Creation Date: 1/16/2002 0:00:00
Receipt Date: 20011106
Manifest ID: 21375334
Trans EPA ID: SCR000075150
Trans Name: Not reported
Trans 2 EPA ID: Not reported
Trans 2 Name: Not reported
TSDf EPA ID: NVT330010208
Trans Name: Not reported
TSDf Alt EPA ID: Not reported
TSDf Alt Name: Not reported
Waste Code Description: 213 - Hydrocarbon solvents (benzene, hexane, Stoddard, etc.
RCRA Code: D039
Meth Code: H01 - Transfer Station
Quantity Tons: 0.0625
Waste Quantity: 15
Quantity Unit: G
Additional Code 1: Not reported
Additional Code 2: Not reported
Additional Code 3: Not reported
Additional Code 4: Not reported
Additional Code 5: Not reported

Shipment Date: 20010719
Creation Date: 10/1/2001 0:00:00
Receipt Date: 20010719
Manifest ID: 21132032
Trans EPA ID: SCR000075150
Trans Name: Not reported
Trans 2 EPA ID: Not reported
Trans 2 Name: Not reported
TSDf EPA ID: NVT330010208
Trans Name: Not reported
TSDf Alt EPA ID: Not reported
TSDf Alt Name: Not reported
Waste Code Description: 213 - Hydrocarbon solvents (benzene, hexane, Stoddard, etc.
RCRA Code: D039
Meth Code: H01 - Transfer Station
Quantity Tons: 0.0583
Waste Quantity: 14
Quantity Unit: G

Map ID
Direction
Distance
Elevation

MAP FINDINGS

Site

Database(s)

EDR ID Number
EPA ID Number

NEEDLES UNIFIED SCHOOL DISTRIC (Continued)

S113021661

Additional Code 1:	Not reported
Additional Code 2:	Not reported
Additional Code 3:	Not reported
Additional Code 4:	Not reported
Additional Code 5:	Not reported
Shipment Date:	20010307
Creation Date:	4/30/2001 0:00:00
Receipt Date:	20010307
Manifest ID:	20368257
Trans EPA ID:	SCR000075150
Trans Name:	Not reported
Trans 2 EPA ID:	Not reported
Trans 2 Name:	Not reported
TSDf EPA ID:	NVT330010208
Trans Name:	Not reported
TSDf Alt EPA ID:	Not reported
TSDf Alt Name:	Not reported
Waste Code Description:	213 - Hydrocarbon solvents (benzene, hexane, Stoddard, etc.
RCRA Code:	D039
Meth Code:	H01 - Transfer Station
Quantity Tons:	0.0583
Waste Quantity:	14
Quantity Unit:	G
Additional Code 1:	Not reported
Additional Code 2:	Not reported
Additional Code 3:	Not reported
Additional Code 4:	Not reported
Additional Code 5:	Not reported
Additional Info:	
Year:	2002
Gen EPA ID:	CAL000000005
Shipment Date:	20021009
Creation Date:	2/11/2003 18:31:24
Receipt Date:	20021009
Manifest ID:	21909418
Trans EPA ID:	SCR000075150
Trans Name:	Not reported
Trans 2 EPA ID:	Not reported
Trans 2 Name:	Not reported
TSDf EPA ID:	NVR000066837
Trans Name:	Not reported
TSDf Alt EPA ID:	Not reported
TSDf Alt Name:	Not reported
Waste Code Description:	213 - Hydrocarbon solvents (benzene, hexane, Stoddard, etc.
RCRA Code:	D039
Meth Code:	H01 - Transfer Station
Quantity Tons:	0.05838
Waste Quantity:	14
Quantity Unit:	G
Additional Code 1:	Not reported
Additional Code 2:	Not reported
Additional Code 3:	Not reported
Additional Code 4:	Not reported
Additional Code 5:	Not reported

Map ID
Direction
Distance
Elevation

MAP FINDINGS

Site

Database(s)

EDR ID Number
EPA ID Number

NEEDLES UNIFIED SCHOOL DISTRIC (Continued)

S113021661

Shipment Date: 20020620
Creation Date: 8/29/2002 18:31:16
Receipt Date: 20020620
Manifest ID: 21733431
Trans EPA ID: SCR000075150
Trans Name: Not reported
Trans 2 EPA ID: Not reported
Trans 2 Name: Not reported
TSDf EPA ID: NVT330010208
Trans Name: Not reported
TSDf Alt EPA ID: Not reported
TSDf Alt Name: Not reported
Waste Code Description: 213 - Hydrocarbon solvents (benzene, hexane, Stoddard, etc.
RCRA Code: D039
Meth Code: H01 - Transfer Station
Quantity Tons: 0.05838
Waste Quantity: 14
Quantity Unit: G
Additional Code 1: Not reported
Additional Code 2: Not reported
Additional Code 3: Not reported
Additional Code 4: Not reported
Additional Code 5: Not reported

Shipment Date: 20020226
Creation Date: 7/2/2002 18:31:06
Receipt Date: 20020226
Manifest ID: 21489944
Trans EPA ID: SCR000075150
Trans Name: Not reported
Trans 2 EPA ID: Not reported
Trans 2 Name: Not reported
TSDf EPA ID: NVT330010208
Trans Name: Not reported
TSDf Alt EPA ID: Not reported
TSDf Alt Name: Not reported
Waste Code Description: 213 - Hydrocarbon solvents (benzene, hexane, Stoddard, etc.
RCRA Code: D039
Meth Code: H01 - Transfer Station
Quantity Tons: 0.06255
Waste Quantity: 15
Quantity Unit: G
Additional Code 1: Not reported
Additional Code 2: Not reported
Additional Code 3: Not reported
Additional Code 4: Not reported
Additional Code 5: Not reported

Additional Info:
Year: 2012
Gen EPA ID: CAL000000005

Shipment Date: 20121108
Creation Date: 4/6/2013 22:15:15
Receipt Date: 20121119
Manifest ID: 003541454SKS
Trans EPA ID: TXR000081205

Map ID
Direction
Distance
Elevation

MAP FINDINGS

Site

Database(s)

EDR ID Number
EPA ID Number

NEEDLES UNIFIED SCHOOL DISTRIC (Continued)

S113021661

Trans Name:	SAFETY-KLEEN SYSTEMS INC
Trans 2 EPA ID:	OKD981588791
Trans 2 Name:	TRIAD TRANSPORT INC
TSDf EPA ID:	NVT330010000
Trans Name:	US ECOLOGY NEVADA
TSDf Alt EPA ID:	Not reported
TSDf Alt Name:	Not reported
Waste Code Description:	222 - Oil/water separation sludge
RCRA Code:	Not reported
Meth Code:	H039 - Other Recovery Of Reclamation For Reuse Including Acid Regeneration, Organics Recovery Ect
Quantity Tons:	0.175
Waste Quantity:	350
Quantity Unit:	P
Additional Code 1:	Not reported
Additional Code 2:	Not reported
Additional Code 3:	Not reported
Additional Code 4:	Not reported
Additional Code 5:	Not reported
Shipment Date:	20121108
Creation Date:	3/28/2013 22:15:22
Receipt Date:	20121112
Manifest ID:	003541453SKS
Trans EPA ID:	TXR000081205
Trans Name:	SAFETY-KLEEN SYSTEMS INC
Trans 2 EPA ID:	Not reported
Trans 2 Name:	Not reported
TSDf EPA ID:	CAT000613893
Trans Name:	SAFETY-KLEEN SYSTEMS INC
TSDf Alt EPA ID:	Not reported
TSDf Alt Name:	Not reported
Waste Code Description:	331 - Off-specification, aged, or surplus organics
RCRA Code:	D001
Meth Code:	H141 - Storage, Bulking, And/Or Transfer Off Site--No Treatment/Reovery (H010-H129) Or (H131-H135)
Quantity Tons:	0.075
Waste Quantity:	150
Quantity Unit:	P
Additional Code 1:	Not reported
Additional Code 2:	Not reported
Additional Code 3:	Not reported
Additional Code 4:	Not reported
Additional Code 5:	Not reported
Shipment Date:	20120801
Creation Date:	1/15/2013 22:15:15
Receipt Date:	20120802
Manifest ID:	007547594JJK
Trans EPA ID:	CAL000115612
Trans Name:	S & R SERVICES INC
Trans 2 EPA ID:	Not reported
Trans 2 Name:	Not reported
TSDf EPA ID:	AZR000506980
Trans Name:	SOUTH YUMA COUNTY LANDFILL
TSDf Alt EPA ID:	Not reported
TSDf Alt Name:	Not reported

Map ID
Direction
Distance
Elevation

MAP FINDINGS

Site

Database(s)

EDR ID Number
EPA ID Number

NEEDLES UNIFIED SCHOOL DISTRIC (Continued)

S113021661

Waste Code Description:	151 - Asbestos-containing waste
RCRA Code:	Not reported
Meth Code:	- Not reported
Quantity Tons:	6
Waste Quantity:	15
Quantity Unit:	Y
Additional Code 1:	Not reported
Additional Code 2:	Not reported
Additional Code 3:	Not reported
Additional Code 4:	Not reported
Additional Code 5:	Not reported
Shipment Date:	20120718
Creation Date:	5/21/2013 22:15:15
Receipt Date:	20120726
Manifest ID:	003313101SKS
Trans EPA ID:	TXR000050930
Trans Name:	SAFETY-KLEEN SYSTEMS INC
Trans 2 EPA ID:	OKD981588791
Trans 2 Name:	TRIAD TRANSPORT INC
TSDf EPA ID:	NVT330010000
Trans Name:	US ECOLOGY NEVADA
TSDf Alt EPA ID:	Not reported
TSDf Alt Name:	Not reported
Waste Code Description:	222 - Oil/water separation sludge
RCRA Code:	D008
Meth Code:	H132 - Landfill Or Surface Impoundment That Will Be Closed As Landfill(To Include On-Site Treatment And/Or Stabilization)
Quantity Tons:	0.05
Waste Quantity:	100
Quantity Unit:	P
Additional Code 1:	D007
Additional Code 2:	D006
Additional Code 3:	D005
Additional Code 4:	D004
Additional Code 5:	Not reported
Shipment Date:	20120718
Creation Date:	6/1/2013 22:15:05
Receipt Date:	20120730
Manifest ID:	003313100SKS
Trans EPA ID:	TXR000050930
Trans Name:	SAFETY-KLEEN SYSTEMS INC
Trans 2 EPA ID:	OKD981588791
Trans 2 Name:	TRIAD TRANSPORT INC
TSDf EPA ID:	TXD077603371
Trans Name:	SAFETY-KLEEN SYSTEMS INC
TSDf Alt EPA ID:	Not reported
TSDf Alt Name:	Not reported
Waste Code Description:	352 - Other organic solids
RCRA Code:	Not reported
Meth Code:	H141 - Storage, Bulking, And/Or Transfer Off Site--No Treatment/Reovery (H010-H129) Or (H131-H135)
Quantity Tons:	0.175
Waste Quantity:	350
Quantity Unit:	P
Additional Code 1:	Not reported

Map ID
Direction
Distance
Elevation

MAP FINDINGS

Site

Database(s)

EDR ID Number
EPA ID Number

NEEDLES UNIFIED SCHOOL DISTRIC (Continued)

S113021661

Additional Code 2:	Not reported
Additional Code 3:	Not reported
Additional Code 4:	Not reported
Additional Code 5:	Not reported
Shipment Date:	20120718
Creation Date:	5/30/2013 22:15:07
Receipt Date:	20120723
Manifest ID:	003372679SKS
Trans EPA ID:	TXR000050930
Trans Name:	SAFETY-KLEEN SYSTEMS INC
Trans 2 EPA ID:	Not reported
Trans 2 Name:	Not reported
TSDf EPA ID:	CAT000613893
Trans Name:	SAFETY-KLEEN SYSTEMS INC
TSDf Alt EPA ID:	Not reported
TSDf Alt Name:	Not reported
Waste Code Description:	213 - Hydrocarbon solvents (benzene, hexane, Stoddard, etc.
RCRA Code:	D039
Meth Code:	H141 - Storage, Bulking, And/Or Transfer Off Site--No Treatment/Reovery (H010-H129) Or (H131-H135)
Quantity Tons:	0.0417
Waste Quantity:	10
Quantity Unit:	G
Additional Code 1:	Not reported
Additional Code 2:	Not reported
Additional Code 3:	Not reported
Additional Code 4:	Not reported
Additional Code 5:	Not reported
Shipment Date:	20120718
Creation Date:	5/21/2013 22:15:15
Receipt Date:	20120726
Manifest ID:	003313101SKS
Trans EPA ID:	TXR000050930
Trans Name:	SAFETY-KLEEN SYSTEMS INC
Trans 2 EPA ID:	OKD981588791
Trans 2 Name:	TRIAD TRANSPORT INC
TSDf EPA ID:	NVT330010000
Trans Name:	US ECOLOGY NEVADA
TSDf Alt EPA ID:	Not reported
TSDf Alt Name:	Not reported
Waste Code Description:	352 - Other organic solids
RCRA Code:	Not reported
Meth Code:	H132 - Landfill Or Surface Impoundment That Will Be Closed As Landfill(To Include On-Site Treatment And/Or Stabilization)
Quantity Tons:	0.05
Waste Quantity:	100
Quantity Unit:	P
Additional Code 1:	Not reported
Additional Code 2:	Not reported
Additional Code 3:	Not reported
Additional Code 4:	Not reported
Additional Code 5:	Not reported
Shipment Date:	20120412
Creation Date:	10/19/2012 22:15:22

Map ID
Direction
Distance
Elevation

MAP FINDINGS

Site

Database(s)

EDR ID Number
EPA ID Number

NEEDLES UNIFIED SCHOOL DISTRIC (Continued)

S113021661

Receipt Date:	20120423
Manifest ID:	003197428SKS
Trans EPA ID:	TXR000050930
Trans Name:	SAFETY-KLEEN SYSTEMS INC
Trans 2 EPA ID:	OKD981588791
Trans 2 Name:	TRIAD TRANSPORT
TSDF EPA ID:	NVT330010000
Trans Name:	US ECOLOGY NEVADA
TSDF Alt EPA ID:	Not reported
TSDF Alt Name:	Not reported
Waste Code Description:	223 - Unspecified oil-containing waste
RCRA Code:	Not reported
Meth Code:	H039 - Other Recovery Of Reclamation For Reuse Including Acid Regeneration, Organics Recovery Ect
Quantity Tons:	0.075
Waste Quantity:	150
Quantity Unit:	P
Additional Code 1:	Not reported
Additional Code 2:	Not reported
Additional Code 3:	Not reported
Additional Code 4:	Not reported
Additional Code 5:	Not reported
Shipment Date:	20120412
Creation Date:	10/19/2012 22:15:10
Receipt Date:	20120424
Manifest ID:	003197427SKS
Trans EPA ID:	TXR000050930
Trans Name:	SAFETY-KLEEN SYSTEMS INC
Trans 2 EPA ID:	OKD981588791
Trans 2 Name:	TRIAD TRANSPORT
TSDF EPA ID:	TXD077603371
Trans Name:	SAFETY-KLEEN SYSTEMS INC
TSDF Alt EPA ID:	Not reported
TSDF Alt Name:	Not reported
Waste Code Description:	491 - Unspecified sludge waste
RCRA Code:	F005
Meth Code:	H061 - Fuel Blending Prior To Energy Recovery At Another Site
Quantity Tons:	0.6
Waste Quantity:	1200
Quantity Unit:	P
Additional Code 1:	F003
Additional Code 2:	D035
Additional Code 3:	D001
Additional Code 4:	Not reported
Additional Code 5:	Not reported
Shipment Date:	20120412
Creation Date:	10/19/2012 22:15:22
Receipt Date:	20120423
Manifest ID:	003197428SKS
Trans EPA ID:	TXR000050930
Trans Name:	SAFETY-KLEEN SYSTEMS INC
Trans 2 EPA ID:	OKD981588791
Trans 2 Name:	TRIAD TRANSPORT
TSDF EPA ID:	NVT330010000
Trans Name:	US ECOLOGY NEVADA

Map ID
Direction
Distance
Elevation

MAP FINDINGS

Site

Database(s)

EDR ID Number
EPA ID Number

NEEDLES UNIFIED SCHOOL DISTRIC (Continued)

S113021661

TSDf Alt EPA ID:	Not reported
TSDf Alt Name:	Not reported
Waste Code Description:	181 - Other inorganic solid waste Organics
RCRA Code:	Not reported
Meth Code:	H132 - Landfill Or Surface Impoundment That Will Be Closed As Landfill(To Include On-Site Treatment And/Or Stabilization)
Quantity Tons:	0.1
Waste Quantity:	200
Quantity Unit:	P
Additional Code 1:	Not reported
Additional Code 2:	Not reported
Additional Code 3:	Not reported
Additional Code 4:	Not reported
Additional Code 5:	Not reported
HWTS:	
Name:	NEEDLES UNIFIED SCHOOL DISTRIC
Address:	1900 ERIN DR
Address 2:	Not reported
City,State,Zip:	NEEDLES, CA 92363
EPA ID:	CAL000000005
Inactive Date:	Not reported
Create Date:	11/14/1989
Last Act Date:	Not reported
Mailing Name:	Not reported
Mailing Address:	1900 ERIN DRIVE
Mailing Address 2:	Not reported
Mailing City,State,Zip:	NEEDLES, CA 92363
Owner Name:	NEEDLES USD
Owner Address:	1900 ERIN DRIVE
Owner Address 2:	Not reported
Owner City,State,Zip:	NEEDLES, CA 92363
Contact Name:	JIM ROLLS
Contact Address:	1900 ERIN DRIVE
Contact Address 2:	Not reported
City,State,Zip:	NEEDLES, CA 92363
Facility Status:	Active
Facility Type:	PERMANENT
Category:	STATE
Latitude:	34.838406
Longitude:	-114.61776
NAICS:	
EPA ID:	CAL000000005
Create Date:	2002-12-03 15:25:10.000
NAICS Code:	61111
NAICS Description:	Elementary and Secondary Schools
Issued EPA ID Date:	1989-11-14 00:00:00
Inactive Date:	Not reported
Facility Name:	NEEDLES UNIFIED SCHOOL DISTRIC
Facility Address:	1900 ERIN DR
Facility Address 2:	Not reported
Facility City:	NEEDLES
Facility County:	Not reported
Facility State:	CA
Facility Zip:	923630000

Map ID
Direction
Distance
Elevation

MAP FINDINGS

Site

Database(s) EDR ID Number
EPA ID Number

BS508 **NEEDLES UNIFIED SCHOOL DISTRICT**
Target **1900 ERIN DRIVE**
Property **NEEDLES, CA 92363**

HAULERS **S127800256**
N/A

Site 2 of 11 in cluster BS

Actual: **HAULERS:**
605 ft. Name: NEEDLES UNIFIED SCHOOL DISTRICT
Focus Map: Address: 1900 ERIN DRIVE
6 City,State,Zip: NEEDLES, CA 92363
Facility ID: 1847327
Facility Phone: (760) 326-3865
Business Email Address: Not reported
Contact Person: Jennifer Maddox
Mailing Address: 1900 Erin Drive
Mailing City: Needles
Mailing State: CA
Mailing Zip: 92363
Mailing County: San Bernardino
Mailing Phone: Not reported
Current Status: Active
Current Hauler Status: Not reported
Accepting Tires From Public: Not reported
Regulatory Status Last Changed: Not reported
Business Types: Not reported

BS509 **NEEDLES UNIFIED SCHOOL DIST**
Target **1900 ERIN DRIVE**
Property **NEEDLES, CA**

RGA LUST **S114660209**
N/A

Site 3 of 11 in cluster BS

Actual: **RGA LUST:**
605 ft. Name: NEEDLES UNIFIED SCHOOL DIST
Focus Map: Address: 1900 ERIN DRIVE
6 City: NEEDLES
State: NEEDLES
2012 NEEDLES UNIFIED SCHOOL DIST 1900 ERIN DRIVE
Name: NEEDLES UNIFIED SCHOOL DIST
Address: 1900 ERIN DRIVE
City: NEEDLES
State: NEEDLES
2011 NEEDLES UNIFIED SCHOOL DIST 1900 ERIN DRIVE
Name: NEEDLES UNIFIED SCHOOL DIST
Address: 1900 ERIN DRIVE
City: NEEDLES
State: NEEDLES
2010 NEEDLES UNIFIED SCHOOL DIST 1900 ERIN DRIVE
Name: NEEDLES UNIFIED SCHOOL DIST
Address: 1900 ERIN DRIVE
City: NEEDLES
State: NEEDLES
2009 NEEDLES UNIFIED SCHOOL DIST 1900 ERIN DRIVE
Name: NEEDLES UNIFIED SCHOOL DIST
Address: 1900 ERIN DRIVE
City: NEEDLES
State: NEEDLES
2008 NEEDLES UNIFIED SCHOOL DIST 1900 ERIN DRIVE
Name: NEEDLES UNIFIED SCHOOL DIST
Address: 1900 ERIN DRIVE

Map ID
 Direction
 Distance
 Elevation

MAP FINDINGS

Site

Database(s)

EDR ID Number
 EPA ID Number

NEEDLES UNIFIED SCHOOL DIST (Continued)

S114660209

City: NEEDLES
 State: NEEDLES
 2007 NEEDLES UNIFIED SCHOOL DIST 1900 ERIN DRIVE
 Name: NEEDLES UNIFIED SCHOOL DIST
 Address: 1900 ERIN DRIVE
 City: NEEDLES
 State: NEEDLES
 2006 NEEDLES UNIFIED SCHOOL DIST 1900 ERIN DRIVE
 Name: NEEDLES UNIFIED SCHOOL DIST
 Address: 1900 ERIN DRIVE
 City: NEEDLES
 State: NEEDLES
 2005 NEEDLES UNIFIED SCHOOL DIST 1900 ERIN DRIVE
 Name: NEEDLES UNIFIED SCHOOL DIST
 Address: 1900 ERIN DRIVE
 City: NEEDLES
 State: NEEDLES
 2003 NEEDLES UNIFIED SCHOOL DIST 1900 ERIN DRIVE
 Name: NEEDLES UNIFIED SCHOOL DIST
 Address: 1900 ERIN DRIVE
 City: NEEDLES
 State: NEEDLES
 2002 NEEDLES UNIFIED SCHOOL DIST 1900 ERIN DRIVE
 Name: NEEDLES UNIFIED SCHOOL DIST
 Address: 1900 ERIN DRIVE
 City: NEEDLES
 State: NEEDLES
 2001 NEEDLES UNIFIED SCHOOL DIST 1900 ERIN DRIVE

BS510 NEEDLES USD
Target 1900 ERIN DR
Property NEEDLES, CA

Site 4 of 11 in cluster BS

**Actual:
 605 ft.**

**Focus Map:
 6**

LUST:
 Name: NEEDLES UNIFIED SCHOOL DIST
 Address: 1900 ERIN DRIVE
 City,State,Zip: NEEDLES, CA 92363
 Lead Agency: SAN BERNARDINO COUNTY
 Case Type: LUST Cleanup Site
 Geo Track: http://geotracker.waterboards.ca.gov/profile_report.asp?global_id=T0607101020
 Global Id: T0607101020
 Latitude: 34.8383928
 Longitude: -114.617796
 Status: Completed - Case Closed
 Status Date: 05/19/2003
 Case Worker: CB
 RB Case Number: 7T2363023
 Local Agency: SAN BERNARDINO COUNTY
 File Location: Local Agency
 Local Case Number: 98091
 Potential Media Affect: Under Investigation
 Potential Contaminants of Concern: Gasoline
 Site History: Not reported

LUST 1000190156
AST N/A
CERS HAZ WASTE
SWEEPS UST
CERS TANKS
HIST CORTESE
San Bern. Co. Permit
CERS

Map ID
Direction
Distance
Elevation

MAP FINDINGS

Site

Database(s)

EDR ID Number
EPA ID Number

NEEDLES USD (Continued)

1000190156

LUST:

Global Id: T0607101020
Contact Type: Local Agency Caseworker
Contact Name: CURTIS BRUNDAGE
Organization Name: SAN BERNARDINO COUNTY
Address: 620 S. E STREET
City: SAN BERNARDINO
Email: cbrundage@sbcfire.org
Phone Number: Not reported

LUST:

Global Id: T0607101020
Action Type: ENFORCEMENT
Date: 12/30/2002
Action: Technical Correspondence / Assistance / Other

Global Id: T0607101020
Action Type: Other
Date: 10/05/1998
Action: Leak Reported

Global Id: T0607101020
Action Type: ENFORCEMENT
Date: 04/14/2003
Action: Technical Correspondence / Assistance / Other

Global Id: T0607101020
Action Type: ENFORCEMENT
Date: 12/09/1998
Action: Notice of Responsibility

Global Id: T0607101020
Action Type: ENFORCEMENT
Date: 03/14/2003
Action: Technical Correspondence / Assistance / Other

Global Id: T0607101020
Action Type: Other
Date: 09/11/1998
Action: Leak Stopped

Global Id: T0607101020
Action Type: Other
Date: 09/11/1998
Action: Leak Discovery

LUST:

Global Id: T0607101020
Status: Open - Case Begin Date
Status Date: 09/11/1998

Global Id: T0607101020
Status: Open - Remediation
Status Date: 09/18/1998

Global Id: T0607101020

Map ID
Direction
Distance
Elevation

MAP FINDINGS

Site

Database(s)

EDR ID Number
EPA ID Number

NEEDLES USD (Continued)

1000190156

Status: Open - Remediation
Status Date: 10/05/1998

Global Id: T0607101020
Status: Open - Site Assessment
Status Date: 11/19/1998

Global Id: T0607101020
Status: Completed - Case Closed
Status Date: 05/19/2003

AST:

Name: NEEDLES USD
Address: 1900 ERIN DR
City/Zip: NEEDLES,
Certified Unified Program Agencies: San Bernardino
Owner: NEEDLES UNIFIED SCHOOL DIST
Total Gallons: 6,055
CERSID: Not reported
Facility ID: Not reported
Business Name: Not reported
Phone: Not reported
Fax: Not reported
Mailing Address: Not reported
Mailing Address City: Not reported
Mailing Address State: Not reported
Mailing Address Zip Code: Not reported
Operator Name: Not reported
Operator Phone: Not reported
Owner Phone: Not reported
Owner Mail Address: Not reported
Owner State: Not reported
Owner Zip Code: Not reported
Owner Country: Not reported
Property Owner Name: Not reported
Property Owner Phone: Not reported
Property Owner Mailing Address: Not reported
Property Owner City: Not reported
Property Owner Stat : Not reported
Property Owner Zip Code: Not reported
Property Owner Country: Not reported
EPAID: Not reported

CERS HAZ WASTE:

Name: NEEDLES USD
Address: 1900 ERIN DR
City,State,Zip: NEEDLES, CA 92363
Site ID: 51420
CERS ID: 10044358
CERS Description: Hazardous Waste Generator

SWEEPS UST:

Name: NEEDLES UNIFIED SCH DIST
Address: 1900 ERIN DR
City: NEEDLES

Map ID
Direction
Distance
Elevation

MAP FINDINGS

Site

Database(s)

EDR ID Number
EPA ID Number

NEEDLES USD (Continued)

1000190156

Status: Active
Comp Number: 12994
Number: 4
Board Of Equalization: 44-020426
Referral Date: 03-24-92
Action Date: 03-24-92
Created Date: 09-13-88
Owner Tank Id: Not reported
SWRCB Tank Id: 36-000-012994-000001
Tank Status: A
Capacity: 1
Active Date: 09-13-88
Tank Use: UNKNOWN
STG: P
Content: UNKNOWN
Number Of Tanks: 3

Name: NEEDLES UNIFIED SCH DIST
Address: 1900 ERIN DR
City: NEEDLES
Status: Active
Comp Number: 12994
Number: 4
Board Of Equalization: 44-020426
Referral Date: 03-24-92
Action Date: 03-24-92
Created Date: 09-13-88
Owner Tank Id: Not reported
SWRCB Tank Id: 36-000-012994-000002
Tank Status: A
Capacity: 1
Active Date: 09-13-88
Tank Use: UNKNOWN
STG: P
Content: UNKNOWN
Number Of Tanks: Not reported

Name: NEEDLES UNIFIED SCH DIST
Address: 1900 ERIN DR
City: NEEDLES
Status: Active
Comp Number: 12994
Number: 4
Board Of Equalization: 44-020426
Referral Date: 03-24-92
Action Date: 03-24-92
Created Date: 09-13-88
Owner Tank Id: Not reported
SWRCB Tank Id: 36-000-012994-000003
Tank Status: A
Capacity: 1
Active Date: 09-13-88
Tank Use: UNKNOWN
STG: P
Content: UNKNOWN
Number Of Tanks: Not reported

Map ID
Direction
Distance
Elevation

MAP FINDINGS

Site

Database(s)

EDR ID Number
EPA ID Number

NEEDLES USD (Continued)

1000190156

CERS TANKS:

Name: NEEDLES USD
Address: 1900 ERIN DR
City,State,Zip: NEEDLES, CA 92363
Site ID: 51420
CERS ID: 10044358
CERS Description: Aboveground Petroleum Storage

HIST CORTESE:

edr_fname: NEEDLES UNIFIED SCHOOL DI
edr_fadd1: 1900 ERIN
City,State,Zip: NEEDLES, CA 92363
Region: CORTESE
Facility County Code: 36
Reg By: LTNKA
Reg Id: 7T2363023

San Bern. Co. Permit:

Name: NEEDLES USD
Address: 1900 ERIN DR
City,State,Zip: NEEDLES, CA 92363
Region: SAN BERNARDINO
Facility ID: FA0005990
Owner: NEEDLES UNIFIED SCHOOL DIST.
Permit Number: PT0003222
Permit Category: HAZARDOUS MATERIALS 4-10 CHEMICALS
Facility Status: ACTIVE
Expiration Date: 08/31/2022

Name: NEEDLES USD
Address: 1900 ERIN DR
City,State,Zip: NEEDLES, CA 92363
Region: SAN BERNARDINO
Facility ID: FA0005990
Owner: NEEDLES UNIFIED SCHOOL DIST.
Permit Number: PT0016563
Permit Category: APSA 1,320-10,000 GAL FAC CAPACITY
Facility Status: ACTIVE
Expiration Date: 08/31/2022

Name: NEEDLES USD
Address: 1900 ERIN DR
City,State,Zip: NEEDLES, CA 92363
Region: SAN BERNARDINO
Facility ID: FA0005990
Owner: NEEDLES UNIFIED SCHOOL DIST.
Permit Number: PT0003223
Permit Category: SMALL QUANTITY GENERATOR
Facility Status: ACTIVE
Expiration Date: 08/31/2022

CERS:

Name: NEEDLES UNIFIED SCHOOL DIST
Address: 1900 ERIN DRIVE
City,State,Zip: NEEDLES, CA 92363

Map ID
Direction
Distance
Elevation

MAP FINDINGS

Site

Database(s)

EDR ID Number
EPA ID Number

NEEDLES USD (Continued)

1000190156

Site ID: 222135
CERS ID: T0607101020
CERS Description: Leaking Underground Storage Tank Cleanup Site

Affiliation:
Affiliation Type Desc: Local Agency Caseworker
Entity Name: CURTIS BRUNDAGE - SAN BERNARDINO COUNTY
Entity Title: Not reported
Affiliation Address: 620 S. E STREET
Affiliation City: SAN BERNARDINO
Affiliation State: CA
Affiliation Country: Not reported
Affiliation Zip: Not reported
Affiliation Phone: ,

Name: NEEDLES USD
Address: 1900 ERIN DR
City,State,Zip: NEEDLES, CA 92363
Site ID: 51420
CERS ID: 10044358
CERS Description: Chemical Storage Facilities

Violations:
Site ID: 51420
Site Name: NEEDLES USD
Violation Date: 09-15-2017
Citation: HSC 6.67 25270.6(a)(1), 25270.6(a)(2) - California Health and Safety Code, Chapter 6.67, Section(s) 25270.6(a)(1), 25270.6(a)(2)
Violation Description: Failure to submit a tank facility statement on or before January 1 annually unless a current Business Plan has been submitted.
Violation Notes: Not reported
Violation Division: San Bernardino County Fire Department
Violation Program: APSA
Violation Source: CERS,

Site ID: 51420
Site Name: NEEDLES USD
Violation Date: 03-11-2020
Citation: HSC 6.95 25508(a)(1) - California Health and Safety Code, Chapter 6.95, Section(s) 25508(a)(1)
Violation Description: Failure to complete and electronically submit a business plan when storing/handling a hazardous material at or above reportable quantities.
Violation Notes: Returned to compliance on 03/11/2020. OBSERVATION: A complete Hazardous Materials Business Plan (HMBP) has not been submitted to this agency via CERS. CORRECTIVE ACTION: A complete HMBP was submitted to this agency via CERS. No further corrective action necessary.
Violation Division: San Bernardino County Fire Department
Violation Program: HMRRP
Violation Source: CERS,

Site ID: 51420
Site Name: NEEDLES USD
Violation Date: 08-28-2017
Citation: HSC 6.95 25508(a)(1) - California Health and Safety Code, Chapter 6.95, Section(s) 25508(a)(1)
Violation Description: Failure to complete and electronically submit a business plan when

Map ID
Direction
Distance
Elevation

MAP FINDINGS

Site

Database(s)

EDR ID Number
EPA ID Number

NEEDLES USD (Continued)

1000190156

storing/handling a hazardous material at or above reportable quantities.
Violation Notes: NON INSPECTION RELATED VIOLATION
Violation Division: San Bernardino County Fire Department
Violation Program: HMRRP
Violation Source: CERS,

Site ID: 51420
Site Name: NEEDLES USD
Violation Date: 03-11-2020
Citation: HSC 6.95 25508(a)(1) - California Health and Safety Code, Chapter 6.95, Section(s) 25508(a)(1)
Violation Description: Failure to establish and electronically submit an adequate emergency response plan and procedures for a release or threatened release of a hazardous material.
Violation Notes: Returned to compliance on 03/11/2020. OBSERVATION: A complete and accurate Emergency Response Plan has not been submitted via CERS. CORRECTIVE ACTION: A complete and accurate Emergency Response Plan has been submitted via CERS while on-site. No further corrective action necessary.
Violation Division: San Bernardino County Fire Department
Violation Program: HMRRP
Violation Source: CERS,

Site ID: 51420
Site Name: NEEDLES USD
Violation Date: 03-11-2020
Citation: 40 CFR 1 262.34(d)(5)(iii) - U.S. Code of Federal Regulations, Title 40, Chapter 1, Section(s) 262.34(d)(5)(iii)
Violation Description: Failure to ensure that all employees are thoroughly familiar with proper waste handling and emergency procedures, relevant to their responsibilities during normal facility operations and emergencies.
Violation Notes: OBSERVATION: Hazardous waste specific employee training is not being conducted and no training programs has been implemented. CORRECTIVE ACTION: Begin and implement a hazardous waste specific training program for all employees and conduct an annual refresher. Submit a sign in sheet and a summary of the training to this agency within 30 days.
Violation Division: San Bernardino County Fire Department
Violation Program: HW
Violation Source: CERS,

Site ID: 51420
Site Name: NEEDLES USD
Violation Date: 09-15-2017
Citation: HSC 6.67 25270.4.5(a) - California Health and Safety Code, Chapter 6.67, Section(s) 25270.4.5(a)
Violation Description: Failure of a Tier II qualified facility to have a completed SPCC Plan.
Violation Notes: Not reported
Violation Division: San Bernardino County Fire Department
Violation Program: APSA
Violation Source: CERS,

Site ID: 51420
Site Name: NEEDLES USD
Violation Date: 03-11-2020
Citation: HSC 6.67 25270.4.5(a) - California Health and Safety Code, Chapter

Map ID
Direction
Distance
Elevation

MAP FINDINGS

Site

Database(s)

EDR ID Number
EPA ID Number

NEEDLES USD (Continued)

1000190156

Violation Description: 6.67, Section(s) 25270.4.5(a)
Failure to provide the following training to all oil-handling personnel: 1. Operation and maintenance of equipment to prevent discharges. 2. Discharge procedure protocols. 3. Applicable pollution control laws, rules, and regulations. 4. General facility operations. 5. Contents of the SPCC Plan.

Violation Notes: OBSERVATION: Oil-handling specific training is not being conducted and not training program has not been implemented. CORRECTIVE ACTION: Submit a copy of the summary of the training and a training log indicating that all oil-handling personnel have been trained. This must be submitted to this agency within 30 days.

Violation Division: San Bernardino County Fire Department
Violation Program: APSA
Violation Source: CERS,

Site ID: 51420
Site Name: NEEDLES USD
Violation Date: 08-22-2013
Citation: HSC 6.95 25505(a) - California Health and Safety Code, Chapter 6.95, Section(s) 25505(a)

Violation Description: Owner/Operator failed to complete and/or submit a Hazardous Materials Business Plan when storing hazardous materials at or above the thresholds quantities of 55 gallons/500 lbs/200 cubic feet.

Violation Notes: Returned to compliance on 09/15/2017.

Violation Division: San Bernardino County Fire Department
Violation Program: HMRRP
Violation Source: CERS,

Site ID: 51420
Site Name: NEEDLES USD
Violation Date: 08-22-2013
Citation: HSC 6.67 Multiple - California Health and Safety Code, Chapter 6.67, Section(s) Multiple

Violation Description: Haz Waste Generator Program - Operations/Maintenance - General

Violation Notes: Returned to compliance on 09/15/2017. Failure to determine if waste is hazardous waste (CCR 66262.11) one red 55-gallon drum, was not marked and contained an unknown substance

Violation Division: San Bernardino County Fire Department
Violation Program: HW
Violation Source: CERS,

Site ID: 51420
Site Name: NEEDLES USD
Violation Date: 09-15-2017
Citation: HSC 6.95 25508(a)(1) - California Health and Safety Code, Chapter 6.95, Section(s) 25508(a)(1)

Violation Description: Failure to complete and electronically submit a business plan when storing/handling a hazardous material at or above reportable quantities.

Violation Notes: Failure to complete and electronically submit a business plan when storing/handling a hazardous material at or above reportable quantities.

Violation Division: San Bernardino County Fire Department
Violation Program: HMRRP
Violation Source: CERS,

Site ID: 51420

Map ID
Direction
Distance
Elevation

MAP FINDINGS

Site

Database(s)

EDR ID Number
EPA ID Number

NEEDLES USD (Continued)

1000190156

Site Name: NEEDLES USD
Violation Date: 08-22-2013
Citation: HSC 6.95 25503.5(a) - California Health and Safety Code, Chapter 6.95, Section(s) 25503.5(a)
Violation Description: Owner/Operator failed to establish and implement a Hazardous Materials Business Plan when storing hazardous materials at or above the thresholds quantities of 55 gallons/500 lbs/200 cubic feet.
Violation Notes: Returned to compliance on 09/15/2017.
Violation Division: San Bernardino County Fire Department
Violation Program: HMRRP
Violation Source: CERS,

Site ID: 51420
Site Name: NEEDLES USD
Violation Date: 03-11-2020
Citation: HSC 6.95 25508(a)(1) - California Health and Safety Code, Chapter 6.95, Section(s) 25508(a)(1)
Violation Description: Failure to complete and electronically submit a site map with all required content.
Violation Notes: Returned to compliance on 03/11/2020. OBSERVATION: An accurate and complete site map has not been submitted to this agency via CERS. CORRECTIVE ACTION: An accurate and complete site map was submitted via CERS while on-site. No further corrective action necessary.
Violation Division: San Bernardino County Fire Department
Violation Program: HMRRP
Violation Source: CERS,

Site ID: 51420
Site Name: NEEDLES USD
Violation Date: 08-22-2013
Citation: HSC 6.67 Multiple - California Health and Safety Code, Chapter 6.67, Section(s) Multiple
Violation Description: Haz Waste Generator Program - Operations/Maintenance - General
Violation Notes: Returned to compliance on 09/15/2017. Hazardous waste accumulation time exceeded (CCR 66262.34(a)) the used oil was past accumulation time
Violation Division: San Bernardino County Fire Department
Violation Program: HW
Violation Source: CERS,

Site ID: 51420
Site Name: NEEDLES USD
Violation Date: 08-22-2013
Citation: 22 CCR 16 66266.130 - California Code of Regulations, Title 22, Chapter 16, Section(s) 66266.130
Violation Description: Failure to properly handle, manage, label, and recycle used oil and fuel filters.
Violation Notes: Returned to compliance on 08/22/2013. corrected on site- operator noted the start dated on the filters
Violation Division: San Bernardino County Fire Department
Violation Program: HW
Violation Source: CERS,

Site ID: 51420
Site Name: NEEDLES USD
Violation Date: 03-11-2020
Citation: HSC 6.95 25508(a)(1) - California Health and Safety Code, Chapter

Map ID
Direction
Distance
Elevation

MAP FINDINGS

Site

Database(s)

EDR ID Number
EPA ID Number

NEEDLES USD (Continued)

1000190156

Violation Description: 6.95, Section(s) 25508(a)(1)
Failure to complete and electronically submit hazardous material inventory information for all reportable hazardous materials on site at or above reportable quantities.

Violation Notes: Returned to compliance on 03/11/2020. OBSERVATION: A complete and accurate hazardous materials inventory has not been submitted via CERS. CORRECTIVE ACTION: A complete and accurate hazardous materials inventory has been submitted via CERS while on-site. No further corrective action necessary.

Violation Division: San Bernardino County Fire Department
Violation Program: HMRRP
Violation Source: CERS,

Site ID: 51420
Site Name: NEEDLES USD
Violation Date: 03-11-2020
Citation: HSC 6.95 25505(a)(4) - California Health and Safety Code, Chapter 6.95, Section(s) 25505(a)(4)

Violation Description: Failure to provide initial and annual training to all employees in safety procedures in the event of a release or threatened release of a hazardous material or failure to document and maintain training records for a minimum of three years.

Violation Notes: OBSERVATION: Annual employee training related to Hazardous Materials is not being conducted at this time. CORRECTIVE ACTION: Conduct initial and annual employee training and maintain training records for a minimum of three years. Submit a signed certificate of compliance along with a summary of training and sign in sheet indicating that training has been conducted and that training records will be kept on site for review.

Violation Division: San Bernardino County Fire Department
Violation Program: HMRRP
Violation Source: CERS,

Site ID: 51420
Site Name: NEEDLES USD
Violation Date: 08-22-2013
Citation: HSC 6.67 Multiple - California Health and Safety Code, Chapter 6.67, Section(s) Multiple

Violation Description: Haz Waste Generator Program - Operations/Maintenance - General
Violation Notes: Returned to compliance on 09/15/2017. Failure to manage used oil lawfully (CHSC 25250.4) the used oil was past accumulation time

Violation Division: San Bernardino County Fire Department
Violation Program: HW
Violation Source: CERS,

Site ID: 51420
Site Name: NEEDLES USD
Violation Date: 03-11-2020
Citation: HSC 6.67 25270.4.5(a) - California Health and Safety Code, Chapter 6.67, Section(s) 25270.4.5(a)

Violation Description: Failure to prepare a Spill Prevention, Control, and Countermeasures (SPCC) Plan.

Violation Notes: OBSERVATION: This facility stores over 1,320 gallons of petroleum based products on site. At the time of the inspection, facility had not prepared an SPCC Plan. CORRECTIVE ACTION: Prepare and implement an SPCC Plan. Submit a signed statement indicating that an SPCC plan has been prepared. Submit the signed Certificate of compliance to this

Map ID
Direction
Distance
Elevation

MAP FINDINGS

Site

Database(s)

EDR ID Number
EPA ID Number

NEEDLES USD (Continued)

1000190156

agency within 30 days.
Violation Division: San Bernardino County Fire Department
Violation Program: APSA
Violation Source: CERS,

Site ID: 51420
Site Name: NEEDLES USD
Violation Date: 08-22-2013
Citation: HSC 6.67 Multiple - California Health and Safety Code, Chapter 6.67, Section(s) Multiple
Violation Description: Haz Waste Generator Program - Operations/Maintenance - General
Violation Notes: Returned to compliance on 09/15/2017. Failure to establish a Contingency Plan (CCR 66265.51(a))
Violation Division: San Bernardino County Fire Department
Violation Program: HW
Violation Source: CERS,

Evaluation:
Eval General Type: Compliance Evaluation Inspection
Eval Date: 03-11-2020
Violations Found: Yes
Eval Type: Routine done by local agency
Eval Notes: Not reported
Eval Division: San Bernardino County Fire Department
Eval Program: HW
Eval Source: CERS,

Eval General Type: Compliance Evaluation Inspection
Eval Date: 08-22-2013
Violations Found: Yes
Eval Type: Routine done by local agency
Eval Notes: needles usd- insp
Eval Division: San Bernardino County Fire Department
Eval Program: HMRRP
Eval Source: CERS,

Eval General Type: Compliance Evaluation Inspection
Eval Date: 09-15-2017
Violations Found: Yes
Eval Type: Routine done by local agency
Eval Notes: Not reported
Eval Division: San Bernardino County Fire Department
Eval Program: HMRRP
Eval Source: CERS,

Eval General Type: Compliance Evaluation Inspection
Eval Date: 09-15-2017
Violations Found: Yes
Eval Type: Routine done by local agency
Eval Notes: Not reported
Eval Division: San Bernardino County Fire Department
Eval Program: APSA
Eval Source: CERS,

Eval General Type: Compliance Evaluation Inspection
Eval Date: 03-11-2020
Violations Found: Yes

Map ID
Direction
Distance
Elevation

MAP FINDINGS

Site

Database(s)

EDR ID Number
EPA ID Number

NEEDLES USD (Continued)

1000190156

Eval Type: Routine done by local agency
Eval Notes: Not reported
Eval Division: San Bernardino County Fire Department
Eval Program: APSA
Eval Source: CERS,

Eval General Type: Compliance Evaluation Inspection
Eval Date: 08-22-2013
Violations Found: Yes
Eval Type: Routine done by local agency
Eval Notes: needles usd- insp
Eval Division: San Bernardino County Fire Department
Eval Program: HW
Eval Source: CERS,

Eval General Type: Compliance Evaluation Inspection
Eval Date: 09-15-2017
Violations Found: No
Eval Type: Routine done by local agency
Eval Notes: Not reported
Eval Division: San Bernardino County Fire Department
Eval Program: HW
Eval Source: CERS,

Eval General Type: Compliance Evaluation Inspection
Eval Date: 03-11-2020
Violations Found: Yes
Eval Type: Routine done by local agency
Eval Notes: Not reported
Eval Division: San Bernardino County Fire Department
Eval Program: HMRRP
Eval Source: CERS,

Eval General Type: Compliance Evaluation Inspection
Eval Date: 08-22-2013
Violations Found: No
Eval Type: Routine done by local agency
Eval Notes: needles usd- insp
Eval Division: San Bernardino County Fire Department
Eval Program: APSA
Eval Source: CERS,

Eval General Type: Other/Unknown
Eval Date: 08-28-2017
Violations Found: Yes
Eval Type: Other, not routine, done by local agency
Eval Notes: CERS ENFORCEMENT PROJECT - ENTER VIOLATION
Eval Division: San Bernardino County Fire Department
Eval Program: HMRRP
Eval Source: CERS,

Enforcement Action:
Site ID: 51420
Site Name: NEEDLES USD
Site Address: 1900 ERIN DR
Site City: NEEDLES
Site Zip: 92363

Map ID
Direction
Distance
Elevation

MAP FINDINGS

Site

Database(s)

EDR ID Number
EPA ID Number

NEEDLES USD (Continued)

1000190156

Enf Action Date: 01-26-2018
Enf Action Type: AEO - Unified Program
Enf Action Description: Administrative Enforcement Order Based on the Unified Program Statute
Enf Action Notes: FACILITY FAILED TO ELECTRONICALLY SUBMIT / UPDATE BUSINESS PLAN INFORMATION ANNUALLY USING THE STATEWIDE INFORMATION MANAGEMENT SYSTEM.
Enf Action Division: San Bernardino County Fire Department
Enf Action Program: HMRRP
Enf Action Source: CERS,

Site ID: 51420
Site Name: NEEDLES USD
Site Address: 1900 ERIN DR
Site City: NEEDLES
Site Zip: 92363
Enf Action Date: 08-22-2013
Enf Action Type: Notice of Violation (Unified Program)
Enf Action Description: Notice of Violation Issued by the Inspector at the Time of Inspection
Enf Action Notes: Not reported
Enf Action Division: San Bernardino County Fire Department
Enf Action Program: HMRRP
Enf Action Source: CERS,

Site ID: 51420
Site Name: NEEDLES USD
Site Address: 1900 ERIN DR
Site City: NEEDLES
Site Zip: 92363
Enf Action Date: 08-22-2013
Enf Action Type: Notice of Violation (Unified Program)
Enf Action Description: Notice of Violation Issued by the Inspector at the Time of Inspection
Enf Action Notes: Not reported
Enf Action Division: San Bernardino County Fire Department
Enf Action Program: HW
Enf Action Source: CERS,

Coordinates:
Site ID: 51420
Facility Name: NEEDLES USD
Env Int Type Code: HMBP
Program ID: 10044358
Coord Name: Not reported
Ref Point Type Desc: Unknown,
Latitude: 34.838416
Longitude: -114.618527

Affiliation:
Affiliation Type Desc: Environmental Contact
Entity Name: Dr. Mary McNeil
Entity Title: Not reported
Affiliation Address: 1900 ERIN DR
Affiliation City: NEEDLES
Affiliation State: CA
Affiliation Country: Not reported
Affiliation Zip: 92363
Affiliation Phone: ,

Map ID
Direction
Distance
Elevation

MAP FINDINGS

Site

Database(s)

EDR ID Number
EPA ID Number

NEEDLES USD (Continued)

1000190156

Affiliation Type Desc:	Facility Mailing Address
Entity Name:	Mailing Address
Entity Title:	Not reported
Affiliation Address:	1900 ERIN DR
Affiliation City:	NEEDLES
Affiliation State:	CA
Affiliation Country:	Not reported
Affiliation Zip:	92363
Affiliation Phone:	,
Affiliation Type Desc:	Operator
Entity Name:	Dr. Mary McNeil
Entity Title:	Not reported
Affiliation Address:	Not reported
Affiliation City:	Not reported
Affiliation State:	Not reported
Affiliation Country:	Not reported
Affiliation Zip:	Not reported
Affiliation Phone:	(760) 326-4057,
Affiliation Type Desc:	Parent Corporation
Entity Name:	NEEDLES USD
Entity Title:	Not reported
Affiliation Address:	Not reported
Affiliation City:	Not reported
Affiliation State:	Not reported
Affiliation Country:	Not reported
Affiliation Zip:	Not reported
Affiliation Phone:	,
Affiliation Type Desc:	CUPA District
Entity Name:	San Bernardino County Fire
Entity Title:	Not reported
Affiliation Address:	620 South E Street
Affiliation City:	San Bernardino
Affiliation State:	CA
Affiliation Country:	Not reported
Affiliation Zip:	92415-0153
Affiliation Phone:	(909) 386-8401,
Affiliation Type Desc:	Identification Signer
Entity Name:	Dr. Mary McNeil
Entity Title:	Superintendent
Affiliation Address:	Not reported
Affiliation City:	Not reported
Affiliation State:	Not reported
Affiliation Country:	Not reported
Affiliation Zip:	Not reported
Affiliation Phone:	,
Affiliation Type Desc:	Document Preparer
Entity Name:	Dr. Mary McNeil
Entity Title:	Not reported
Affiliation Address:	Not reported
Affiliation City:	Not reported
Affiliation State:	Not reported
Affiliation Country:	Not reported

Map ID
 Direction
 Distance
 Elevation

MAP FINDINGS

Site

Database(s)

EDR ID Number
 EPA ID Number

NEEDLES USD (Continued)

1000190156

Affiliation Zip: Not reported
 Affiliation Phone: ,

Affiliation Type Desc: Legal Owner
 Entity Name: NEEDLES UNIFIED SCHOOL DIST.
 Entity Title: Not reported
 Affiliation Address: 1900 ERIN DR
 Affiliation City: NEEDLES
 Affiliation State: CA
 Affiliation Country: United States
 Affiliation Zip: 92363-9236
 Affiliation Phone: (760) 326-3891,

Affiliation Type Desc: Property Owner
 Entity Name: Needles Unified School District
 Entity Title: Not reported
 Affiliation Address: 1900 Erin Drive
 Affiliation City: Needles
 Affiliation State: CA
 Affiliation Country: United States
 Affiliation Zip: 92363
 Affiliation Phone: (760) 326-3891,

BS511 **NUSD MAINTENANCE YARD**
Target **1900 ERIN DR**
Property **NEEDLES, CA 92363**

CIWQS **S121659807**
N/A

Site 5 of 11 in cluster BS

Actual: CIWQS:
605 ft. Name: NUSD MAINTENANCE YARD
Focus Map: Address: 1900 ERIN DR
6 City,State,Zip: NEEDLES, CA 92363
 Agency: USD
 Agency Address: 1900 Erin Dr, Needles, CA 92363
 Place/Project Type: Industrial - School Buses
 SIC/NAICS: 4151
 Region: 7
 Program: INDSTW
 Regulatory Measure Status: Terminated
 Regulatory Measure Type: Storm water industrial
 Order Number: 2014-0057-DWQ
 WDID: 7 36I009709
 NPDES Number: CAS000001
 Adoption Date: Not reported
 Effective Date: 01/15/1993
 Termination Date: 09/29/1997
 Expiration/Review Date: Not reported
 Design Flow: Not reported
 Major/Minor: Not reported
 Complexity: Not reported
 TTWQ: Not reported
 Enforcement Actions within 5 years: 0
 Violations within 5 years: 0
 Latitude: 34.83841
 Longitude: -114.61778

Map ID
Direction
Distance
Elevation

MAP FINDINGS

Site

Database(s)

EDR ID Number
EPA ID Number

BS512 **NEEDLES UNIFIED SCHOOL DISTRICT**
Target **1900 ERIN DR**
Property **NEEDLES, CA 92363**

FINDS **1024621733**
ECHO **N/A**

Site 6 of 11 in cluster BS

Actual: **FINDS:**
605 ft. Registry ID: 110070410120

Focus Map:
6 [Click Here for FRS Facility Detail Report:](#)

Environmental Interest/Information System:

AIR EMISSIONS CLASSIFICATION UNKNOWN
RCRAInfo is a national information system that supports the Resource Conservation and Recovery Act (RCRA) program through the tracking of events and activities related to facilities that generate, transport, and treat, store, or dispose of hazardous waste. RCRAInfo allows RCRA program staff to track the notification, permit, compliance, and corrective action activities required under RCRA.
STATE MASTER

[Click this hyperlink](#) while viewing on your computer to access additional FINDS: detail in the EDR Site Report.

ECHO:

Envid: 1024621733
Registry ID: 110070410120
DFR URL: <http://echo.epa.gov/detailed-facility-report?fid=110070410120>
Name: NEEDLES UNIFIED SCHOOL DISTRICT
Address: 1900 ERIN DR
City,State,Zip: NEEDLES, CA 92363

BS513 **NEEDLES UNIFIED SCHOOL DISTRICT**
Target **1900 ERIN DR**
Property **NEEDLES, CA 92363**

RCRA NonGen / NLR **1024785365**
CAL000000005

Site 7 of 11 in cluster BS

Actual: **RCRA NonGen / NLR:**
605 ft. Date Form Received by Agency: 19891114
Focus Map: Handler Name: NEEDLES UNIFIED SCHOOL DISTRICT
6 Handler Address: 1900 ERIN DR
 Handler City,State,Zip: NEEDLES, CA 92363-0000
 EPA ID: CAL000000005
 Contact Name: MARY MCNEIL, SUPT.
 Contact Address: 1900 ERIN DR
 Contact City,State,Zip: NEEDLES, CA 92363
 Contact Telephone: 760-326-3891
 Contact Fax: 760-326-4218
 Contact Email: MARY_MCNEIL@NEEDLESUSD.ORG
 Contact Title: Not reported
 EPA Region: 09
 Land Type: Not reported
 Federal Waste Generator Description: Not a generator, verified
 Non-Notifier: Not reported
 Biennial Report Cycle: Not reported
 Accessibility: Not reported
 Active Site Indicator: Handler Activities
 State District Owner: Not reported
 State District: Not reported
 Mailing Address: 1900 ERIN DR

Map ID
 Direction
 Distance
 Elevation

MAP FINDINGS

Site

Database(s)

EDR ID Number
 EPA ID Number

NEEDLES UNIFIED SCHOOL DISTRIC (Continued)

1024785365

Mailing City,State,Zip:	NEEDLES, CA 92363-0000
Owner Name:	NEEDLES USD
Owner Type:	Other
Operator Name:	MARY MCNEIL, SUPT.
Operator Type:	Other
Short-Term Generator Activity:	No
Importer Activity:	No
Mixed Waste Generator:	No
Transporter Activity:	No
Transfer Facility Activity:	No
Recycler Activity with Storage:	No
Small Quantity On-Site Burner Exemption:	No
Smelting Melting and Refining Furnace Exemption:	No
Underground Injection Control:	No
Off-Site Waste Receipt:	No
Universal Waste Indicator:	Yes
Universal Waste Destination Facility:	Yes
Federal Universal Waste:	No
Active Site Fed-Reg Treatment Storage and Disposal Facility:	Not reported
Active Site Converter Treatment storage and Disposal Facility:	Not reported
Active Site State-Reg Treatment Storage and Disposal Facility:	Not reported
Active Site State-Reg Handler:	---
Federal Facility Indicator:	Not reported
Hazardous Secondary Material Indicator:	N
Sub-Part K Indicator:	Not reported
Commercial TSD Indicator:	No
Treatment Storage and Disposal Type:	Not reported
2018 GPRA Permit Baseline:	Not on the Baseline
2018 GPRA Renewals Baseline:	Not on the Baseline
Permit Renewals Workload Universe:	Not reported
Permit Workload Universe:	Not reported
Permit Progress Universe:	Not reported
Post-Closure Workload Universe:	Not reported
Closure Workload Universe:	Not reported
202 GPRA Corrective Action Baseline:	No
Corrective Action Workload Universe:	No
Subject to Corrective Action Universe:	No
Non-TSDFs Where RCRA CA has Been Imposed Universe:	No
TSDFs Potentially Subject to CA Under 3004 (u)/(v) Universe:	No
TSDFs Only Subject to CA under Discretionary Auth Universe:	No
Corrective Action Priority Ranking:	No NCAPS ranking
Environmental Control Indicator:	No
Institutional Control Indicator:	No
Human Exposure Controls Indicator:	N/A
Groundwater Controls Indicator:	N/A
Operating TSDF Universe:	Not reported
Full Enforcement Universe:	Not reported
Significant Non-Complier Universe:	No
Unaddressed Significant Non-Complier Universe:	No
Addressed Significant Non-Complier Universe:	No
Significant Non-Complier With a Compliance Schedule Universe:	No
Financial Assurance Required:	Not reported
Handler Date of Last Change:	20180905
Recognized Trader-Importer:	No
Recognized Trader-Exporter:	No
Importer of Spent Lead Acid Batteries:	No
Exporter of Spent Lead Acid Batteries:	No

Map ID
Direction
Distance
Elevation

MAP FINDINGS

Site

Database(s)

EDR ID Number
EPA ID Number

NEEDLES UNIFIED SCHOOL DISTRIC (Continued)

1024785365

Recycler Activity Without Storage: No
Manifest Broker: No
Sub-Part P Indicator: No

Handler - Owner Operator:

Owner/Operator Indicator: Owner
Owner/Operator Name: NEEDLES USD
Legal Status: Other
Date Became Current: Not reported
Date Ended Current: Not reported
Owner/Operator Address: 1900 ERIN DR
Owner/Operator City,State,Zip: NEEDLES, CA 92363-2623
Owner/Operator Telephone: 760-326-3891
Owner/Operator Telephone Ext: Not reported
Owner/Operator Fax: Not reported
Owner/Operator Email: Not reported

Owner/Operator Indicator: Operator
Owner/Operator Name: MARY MCNEIL, SUPT.
Legal Status: Other
Date Became Current: Not reported
Date Ended Current: Not reported
Owner/Operator Address: 1900 ERIN DR
Owner/Operator City,State,Zip: NEEDLES, CA 92363
Owner/Operator Telephone: 760-326-3891
Owner/Operator Telephone Ext: Not reported
Owner/Operator Fax: Not reported
Owner/Operator Email: Not reported

Historic Generators:

Receive Date: 19891114
Handler Name: NEEDLES UNIFIED SCHOOL DISTRIC
Federal Waste Generator Description: Not a generator, verified
State District Owner: Not reported
Large Quantity Handler of Universal Waste: No
Recognized Trader Importer: No
Recognized Trader Exporter: No
Spent Lead Acid Battery Importer: No
Spent Lead Acid Battery Exporter: No
Current Record: Yes
Non Storage Recycler Activity: Not reported
Electronic Manifest Broker: Not reported

List of NAICS Codes and Descriptions:

NAICS Code: 61111
NAICS Description: ELEMENTARY AND SECONDARY SCHOOLS

Facility Has Received Notices of Violations:

Violations: No Violations Found

Evaluation Action Summary:

Evaluations: No Evaluations Found

Map ID
Direction
Distance
Elevation

MAP FINDINGS

Site

Database(s)
EDR ID Number
EPA ID Number

BS514 **NEEDLES USD**
Target **1900 ERIN DR**
Property **NEEDLES, CA 92363**

HAZNET **S113014610**
HWTS **N/A**

Site 8 of 11 in cluster BS

Actual:
605 ft.
Focus Map:
6

HAZNET:
Name: NEEDLES USD
Address: 1900 ERIN DR
Address 2: Not reported
City,State,Zip: NEEDLES, CA 923630000
Contact: USE CAL000000005
Telephone: 7603263891
Mailing Name: Not reported
Mailing Address: 1900 ERIN DR

Year: 2009
Gepaid: CAD982331142
TSD EPA ID: CAD982444481
CA Waste Code: 221 - Waste oil and mixed oil
Disposal Method: H141 - Storage, Bulking, And/Or Transfer Off Site--No Treatment/Reovery (H010-H129) Or (H131-H135)
Tons: 1.14

Year: 2002
Gepaid: CAD982331142
TSD EPA ID: CAD982444481
CA Waste Code: 222 - Oil/water separation sludge
Disposal Method: H01 - Transfer Station
Tons: 2.085

Year: 1999
Gepaid: CAD982331142
TSD EPA ID: CAD982444481
CA Waste Code: 223 - Unspecified oil-containing waste
Disposal Method: H01 - Transfer Station
Tons: 0.2

Year: 1998
Gepaid: CAD982331142
TSD EPA ID: CAT080013352
CA Waste Code: 221 - Waste oil and mixed oil
Disposal Method: R01 - Recycler
Tons: 1.52

Year: 1997
Gepaid: CAD982331142
TSD EPA ID: CAD009007626
CA Waste Code: 151 - Asbestos containing waste
Disposal Method: D80 - Disposal, Land Fill
Tons: 5.6889

Year: 1996
Gepaid: CAD982331142
TSD EPA ID: CAD009007626
CA Waste Code: 151 - Asbestos containing waste
Disposal Method: D80 - Disposal, Land Fill
Tons: 4.214

Map ID
Direction
Distance
Elevation

MAP FINDINGS

Site

Database(s)

EDR ID Number
EPA ID Number

NEEDLES USD (Continued)

S113014610

Year:	1994
Gepaid:	CAD982331142
TSD EPA ID:	CAD000088252
CA Waste Code:	352 - Other organic solids
Disposal Method:	H01 - Transfer Station
Tons:	0.688
Year:	1994
Gepaid:	CAD982331142
TSD EPA ID:	CAD000088252
CA Waste Code:	-
Disposal Method:	H01 - Transfer Station
Tons:	0
Year:	1994
Gepaid:	CAD982331142
TSD EPA ID:	CAD000088252
CA Waste Code:	181 - Other inorganic solid waste
Disposal Method:	-
Tons:	0.2293
Year:	1994
Gepaid:	CAD982331142
TSD EPA ID:	CAD982444481
CA Waste Code:	352 - Other organic solids
Disposal Method:	H01 - Transfer Station
Tons:	1.0293

[Click this hyperlink](#) while viewing on your computer to access
1 additional CA HAZNET: record(s) in the EDR Site Report.

Additional Info:

Year:	2002
Gen EPA ID:	CAD982331142
Shipment Date:	20020722
Creation Date:	3/13/2003 18:31:17
Receipt Date:	20020722
Manifest ID:	21708525
Trans EPA ID:	CAD982444481
Trans Name:	Not reported
Trans 2 EPA ID:	Not reported
Trans 2 Name:	Not reported
TSD EPA ID:	CAD982444481
Trans Name:	Not reported
TSD Alt EPA ID:	Not reported
TSD Alt Name:	Not reported
Waste Code Description:	222 - Oil/water separation sludge
RCRA Code:	Not reported
Meth Code:	H01 - Transfer Station
Quantity Tons:	2.085
Waste Quantity:	500
Quantity Unit:	G
Additional Code 1:	Not reported
Additional Code 2:	Not reported
Additional Code 3:	Not reported

Map ID
Direction
Distance
Elevation

MAP FINDINGS

Site

Database(s)

EDR ID Number
EPA ID Number

NEEDLES USD (Continued)

S113014610

Additional Code 4: Not reported
Additional Code 5: Not reported

Additional Info:

Year: 1997
Gen EPA ID: CAD982331142

Shipment Date: 19970210
Creation Date: 6/26/1997 0:00:00
Receipt Date: 19970213
Manifest ID: 96040887
Trans EPA ID: CAL000020974
Trans Name: Not reported
Trans 2 EPA ID: Not reported
Trans 2 Name: Not reported
TSDf EPA ID: CAD009007626
Trans Name: Not reported
TSDf Alt EPA ID: Not reported
TSDf Alt Name: Not reported
Waste Code Description: 151 - Asbestos-containing waste
RCRA Code: Not reported
Meth Code: D80 - Disposal, Land Fill
Quantity Tons: 0.2107
Waste Quantity: 0.25
Quantity Unit: Y
Additional Code 1: Not reported
Additional Code 2: Not reported
Additional Code 3: Not reported
Additional Code 4: Not reported
Additional Code 5: Not reported

Shipment Date: 19970210
Creation Date: 6/26/1997 0:00:00
Receipt Date: 19970213
Manifest ID: 96040888
Trans EPA ID: CAL000020974
Trans Name: Not reported
Trans 2 EPA ID: Not reported
Trans 2 Name: Not reported
TSDf EPA ID: CAD009007626
Trans Name: Not reported
TSDf Alt EPA ID: Not reported
TSDf Alt Name: Not reported
Waste Code Description: 151 - Asbestos-containing waste
RCRA Code: Not reported
Meth Code: D80 - Disposal, Land Fill
Quantity Tons: 0.4214
Waste Quantity: 0.5
Quantity Unit: Y
Additional Code 1: Not reported
Additional Code 2: Not reported
Additional Code 3: Not reported
Additional Code 4: Not reported
Additional Code 5: Not reported

Shipment Date: 19970203
Creation Date: 6/26/1997 0:00:00

Map ID
Direction
Distance
Elevation

MAP FINDINGS

Site

Database(s)

EDR ID Number
EPA ID Number

NEEDLES USD (Continued)

S113014610

Receipt Date: 19970213
Manifest ID: 96040859
Trans EPA ID: CAL000020974
Trans Name: Not reported
Trans 2 EPA ID: Not reported
Trans 2 Name: Not reported
TSDf EPA ID: CAD009007626
Trans Name: Not reported
TSDf Alt EPA ID: Not reported
TSDf Alt Name: Not reported
Waste Code Description: 151 - Asbestos-containing waste
RCRA Code: Not reported
Meth Code: D80 - Disposal, Land Fill
Quantity Tons: 1.6856
Waste Quantity: 2
Quantity Unit: Y
Additional Code 1: Not reported
Additional Code 2: Not reported
Additional Code 3: Not reported
Additional Code 4: Not reported
Additional Code 5: Not reported

Shipment Date: 19970125
Creation Date: 5/30/1997 0:00:00
Receipt Date: 19970131
Manifest ID: 96040856
Trans EPA ID: CAL000020974
Trans Name: Not reported
Trans 2 EPA ID: Not reported
Trans 2 Name: Not reported
TSDf EPA ID: CAD009007626
Trans Name: Not reported
TSDf Alt EPA ID: Not reported
TSDf Alt Name: Not reported
Waste Code Description: 151 - Asbestos-containing waste
RCRA Code: Not reported
Meth Code: D80 - Disposal, Land Fill
Quantity Tons: 3.3712
Waste Quantity: 4
Quantity Unit: Y
Additional Code 1: Not reported
Additional Code 2: Not reported
Additional Code 3: Not reported
Additional Code 4: Not reported
Additional Code 5: Not reported

Additional Info:

Year: 1999
Gen EPA ID: CAD982331142

Shipment Date: 19990427
Creation Date: 7/7/1999 0:00:00
Receipt Date: 19990428
Manifest ID: 98716231
Trans EPA ID: CAD982444481
Trans Name: Not reported
Trans 2 EPA ID: Not reported

Map ID
Direction
Distance
Elevation

MAP FINDINGS

Site

Database(s)

EDR ID Number
EPA ID Number

NEEDLES USD (Continued)

S113014610

Trans 2 Name: Not reported
TSDf EPA ID: CAD982444481
Trans Name: Not reported
TSDf Alt EPA ID: Not reported
TSDf Alt Name: Not reported
Waste Code Description: 223 - Unspecified oil-containing waste
RCRA Code: Not reported
Meth Code: H01 - Transfer Station
Quantity Tons: 0.2
Waste Quantity: 400
Quantity Unit: P
Additional Code 1: Not reported
Additional Code 2: Not reported
Additional Code 3: Not reported
Additional Code 4: Not reported
Additional Code 5: Not reported

Additional Info:

Year: 1998
Gen EPA ID: CAD982331142

Shipment Date: 19980911
Creation Date: 11/5/1998 0:00:00
Receipt Date: 19980915
Manifest ID: 98123515
Trans EPA ID: CAT080016116
Trans Name: Not reported
Trans 2 EPA ID: Not reported
Trans 2 Name: Not reported
TSDf EPA ID: CAT080013352
Trans Name: Not reported
TSDf Alt EPA ID: Not reported
TSDf Alt Name: Not reported
Waste Code Description: 221 - Waste oil and mixed oil
RCRA Code: Not reported
Meth Code: R01 - Recycler
Quantity Tons: 1.52
Waste Quantity: 400
Quantity Unit: G
Additional Code 1: Not reported
Additional Code 2: Not reported
Additional Code 3: Not reported
Additional Code 4: Not reported
Additional Code 5: Not reported

Additional Info:

Year: 2009
Gen EPA ID: CAD982331142

Shipment Date: 20090702
Creation Date: 8/12/2009 18:30:36
Receipt Date: 20090703
Manifest ID: 006063271JJK
Trans EPA ID: CAR000172460
Trans Name: ENVIRONMENTAL LOGISTICS INC
Trans 2 EPA ID: Not reported

Map ID
Direction
Distance
Elevation

MAP FINDINGS

Site

Database(s)

EDR ID Number
EPA ID Number

NEEDLES USD (Continued)

S113014610

Trans 2 Name: Not reported
TSDf EPA ID: CAD982444481
Trans Name: FILTER RECYCLING SERVICES INC
TSDf Alt EPA ID: Not reported
TSDf Alt Name: Not reported
Waste Code Description: 221 - Waste oil and mixed oil
RCRA Code: Not reported
Meth Code: H141 - Storage, Bulking, And/Or Transfer Off Site--No
Treatment/Reovery (H010-H129) Or (H131-H135)
Quantity Tons: 1.14
Waste Quantity: 300
Quantity Unit: G
Additional Code 1: Not reported
Additional Code 2: Not reported
Additional Code 3: Not reported
Additional Code 4: Not reported
Additional Code 5: Not reported

Additional Info:

Year: 1994
Gen EPA ID: CAD982331142

Shipment Date: 19941018
Creation Date: 10/19/1995 0:00:00
Receipt Date: 19941019
Manifest ID: 95014038
Trans EPA ID: CAD982444481
Trans Name: Not reported
Trans 2 EPA ID: Not reported
Trans 2 Name: Not reported
TSDf EPA ID: CAD982444481
Trans Name: Not reported
TSDf Alt EPA ID: Not reported
TSDf Alt Name: Not reported
Waste Code Description: 352 - Other organic solids
RCRA Code: Not reported
Meth Code: H01 - Transfer Station
Quantity Tons: 0.8
Waste Quantity: 1600
Quantity Unit: P
Additional Code 1: Not reported
Additional Code 2: Not reported
Additional Code 3: Not reported
Additional Code 4: Not reported
Additional Code 5: Not reported

Shipment Date: 19940510
Creation Date: 10/10/1995 0:00:00
Receipt Date: 19940512
Manifest ID: 93231050
Trans EPA ID: CAD982444481
Trans Name: Not reported
Trans 2 EPA ID: Not reported
Trans 2 Name: Not reported
TSDf EPA ID: CAD982444481
Trans Name: Not reported
TSDf Alt EPA ID: Not reported

Map ID
Direction
Distance
Elevation

MAP FINDINGS

Site

Database(s)

EDR ID Number
EPA ID Number

NEEDLES USD (Continued)

S113014610

TSDf Alt Name:	Not reported
Waste Code Description:	352 - Other organic solids
RCRA Code:	Not reported
Meth Code:	H01 - Transfer Station
Quantity Tons:	0.2293
Waste Quantity:	55
Quantity Unit:	G
Additional Code 1:	Not reported
Additional Code 2:	Not reported
Additional Code 3:	Not reported
Additional Code 4:	Not reported
Additional Code 5:	Not reported
Shipment Date:	19940414
Creation Date:	3/25/1996 0:00:00
Receipt Date:	19940426
Manifest ID:	93231028
Trans EPA ID:	CAD982444481
Trans Name:	Not reported
Trans 2 EPA ID:	Not reported
Trans 2 Name:	Not reported
TSDf EPA ID:	CAD000088252
Trans Name:	Not reported
TSDf Alt EPA ID:	Not reported
TSDf Alt Name:	Not reported
Waste Code Description:	181 - Other inorganic solid waste Organics
RCRA Code:	Not reported
Meth Code:	- Not reported
Quantity Tons:	0.2293
Waste Quantity:	55
Quantity Unit:	G
Additional Code 1:	Not reported
Additional Code 2:	Not reported
Additional Code 3:	Not reported
Additional Code 4:	Not reported
Additional Code 5:	Not reported
Shipment Date:	19940414
Creation Date:	3/25/1996 0:00:00
Receipt Date:	19940426
Manifest ID:	93231028
Trans EPA ID:	CAD982444481
Trans Name:	Not reported
Trans 2 EPA ID:	Not reported
Trans 2 Name:	Not reported
TSDf EPA ID:	CAD000088252
Trans Name:	Not reported
TSDf Alt EPA ID:	Not reported
TSDf Alt Name:	Not reported
Waste Code Description:	352 - Other organic solids
RCRA Code:	Not reported
Meth Code:	H01 - Transfer Station
Quantity Tons:	0.688
Waste Quantity:	165
Quantity Unit:	G
Additional Code 1:	Not reported
Additional Code 2:	Not reported

Map ID
Direction
Distance
Elevation

MAP FINDINGS

Site

Database(s)

EDR ID Number
EPA ID Number

NEEDLES USD (Continued)

S113014610

Additional Code 3:	Not reported
Additional Code 4:	Not reported
Additional Code 5:	Not reported
Shipment Date:	19940414
Creation Date:	3/25/1996 0:00:00
Receipt Date:	19940426
Manifest ID:	93231028
Trans EPA ID:	CAD982444481
Trans Name:	Not reported
Trans 2 EPA ID:	Not reported
Trans 2 Name:	Not reported
TSDF EPA ID:	CAD000088252
Trans Name:	Not reported
TSDF Alt EPA ID:	Not reported
TSDF Alt Name:	Not reported
Waste Code Description:	- Not reported
RCRA Code:	Not reported
Meth Code:	H01 - Transfer Station
Quantity Tons:	0
Waste Quantity:	0
Quantity Unit:	Not reported
Additional Code 1:	Not reported
Additional Code 2:	Not reported
Additional Code 3:	Not reported
Additional Code 4:	Not reported
Additional Code 5:	Not reported
Additional Info:	
Year:	1996
Gen EPA ID:	CAD982331142
Shipment Date:	19961101
Creation Date:	5/20/1997 0:00:00
Receipt Date:	19961106
Manifest ID:	95476355
Trans EPA ID:	CAL000020974
Trans Name:	Not reported
Trans 2 EPA ID:	Not reported
Trans 2 Name:	Not reported
TSDF EPA ID:	CAD009007626
Trans Name:	Not reported
TSDF Alt EPA ID:	Not reported
TSDF Alt Name:	Not reported
Waste Code Description:	151 - Asbestos-containing waste
RCRA Code:	Not reported
Meth Code:	D80 - Disposal, Land Fill
Quantity Tons:	1.6856
Waste Quantity:	2
Quantity Unit:	Y
Additional Code 1:	Not reported
Additional Code 2:	Not reported
Additional Code 3:	Not reported
Additional Code 4:	Not reported
Additional Code 5:	Not reported
Shipment Date:	19960822

Map ID
Direction
Distance
Elevation

MAP FINDINGS

Site

Database(s)

EDR ID Number
EPA ID Number

NEEDLES USD (Continued)

S113014610

Creation Date: 5/30/1997 0:00:00
Receipt Date: 19960829
Manifest ID: 96041181
Trans EPA ID: CAL000020974
Trans Name: Not reported
Trans 2 EPA ID: Not reported
Trans 2 Name: Not reported
TSDf EPA ID: CAD009007626
Trans Name: Not reported
TSDf Alt EPA ID: Not reported
TSDf Alt Name: Not reported
Waste Code Description: 151 - Asbestos-containing waste
RCRA Code: Not reported
Meth Code: D80 - Disposal, Land Fill
Quantity Tons: 0.2107
Waste Quantity: 0.25
Quantity Unit: Y
Additional Code 1: Not reported
Additional Code 2: Not reported
Additional Code 3: Not reported
Additional Code 4: Not reported
Additional Code 5: Not reported

Shipment Date: 19960808
Creation Date: 5/20/1997 0:00:00
Receipt Date: 19960812
Manifest ID: 96041155
Trans EPA ID: CAL000020974
Trans Name: Not reported
Trans 2 EPA ID: Not reported
Trans 2 Name: Not reported
TSDf EPA ID: CAD009007626
Trans Name: Not reported
TSDf Alt EPA ID: Not reported
TSDf Alt Name: Not reported
Waste Code Description: 151 - Asbestos-containing waste
RCRA Code: Not reported
Meth Code: D80 - Disposal, Land Fill
Quantity Tons: 0.8428
Waste Quantity: 1
Quantity Unit: Y
Additional Code 1: Not reported
Additional Code 2: Not reported
Additional Code 3: Not reported
Additional Code 4: Not reported
Additional Code 5: Not reported

Shipment Date: 19960808
Creation Date: 5/20/1997 0:00:00
Receipt Date: 19960812
Manifest ID: 95476287
Trans EPA ID: CAL000020974
Trans Name: Not reported
Trans 2 EPA ID: Not reported
Trans 2 Name: Not reported
TSDf EPA ID: CAD009007626
Trans Name: Not reported

Map ID
Direction
Distance
Elevation

MAP FINDINGS

Site

Database(s)

EDR ID Number
EPA ID Number

NEEDLES USD (Continued)

S113014610

TSDf Alt EPA ID: Not reported
TSDf Alt Name: Not reported
Waste Code Description: 151 - Asbestos-containing waste
RCRA Code: Not reported
Meth Code: D80 - Disposal, Land Fill
Quantity Tons: 0.2107
Waste Quantity: 0.25
Quantity Unit: Y
Additional Code 1: Not reported
Additional Code 2: Not reported
Additional Code 3: Not reported
Additional Code 4: Not reported
Additional Code 5: Not reported

Shipment Date: 19960808
Creation Date: 5/20/1997 0:00:00
Receipt Date: 19960812
Manifest ID: 96041154
Trans EPA ID: CAL000020974
Trans Name: Not reported
Trans 2 EPA ID: Not reported
Trans 2 Name: Not reported
TSDf EPA ID: CAD009007626
Trans Name: Not reported
TSDf Alt EPA ID: Not reported
TSDf Alt Name: Not reported
Waste Code Description: 151 - Asbestos-containing waste
RCRA Code: Not reported
Meth Code: D80 - Disposal, Land Fill
Quantity Tons: 0.2107
Waste Quantity: 0.25
Quantity Unit: Y
Additional Code 1: Not reported
Additional Code 2: Not reported
Additional Code 3: Not reported
Additional Code 4: Not reported
Additional Code 5: Not reported

Shipment Date: 19960808
Creation Date: 5/20/1997 0:00:00
Receipt Date: 19960812
Manifest ID: 96041153
Trans EPA ID: CAL000020974
Trans Name: Not reported
Trans 2 EPA ID: Not reported
Trans 2 Name: Not reported
TSDf EPA ID: CAD009007626
Trans Name: Not reported
TSDf Alt EPA ID: Not reported
TSDf Alt Name: Not reported
Waste Code Description: 151 - Asbestos-containing waste
RCRA Code: Not reported
Meth Code: D80 - Disposal, Land Fill
Quantity Tons: 0.8428
Waste Quantity: 1
Quantity Unit: Y
Additional Code 1: Not reported

Map ID
Direction
Distance
Elevation

MAP FINDINGS

Site

Database(s)

EDR ID Number
EPA ID Number

NEEDLES USD (Continued)

S113014610

Additional Code 2: Not reported
Additional Code 3: Not reported
Additional Code 4: Not reported
Additional Code 5: Not reported

Shipment Date: 19960808
Creation Date: 5/20/1997 0:00:00
Receipt Date: 19960812
Manifest ID: 96041156
Trans EPA ID: CAL000020974
Trans Name: Not reported
Trans 2 EPA ID: Not reported
Trans 2 Name: Not reported
TSDf EPA ID: CAD009007626
Trans Name: Not reported
TSDf Alt EPA ID: Not reported
TSDf Alt Name: Not reported
Waste Code Description: 151 - Asbestos-containing waste
RCRA Code: Not reported
Meth Code: D80 - Disposal, Land Fill
Quantity Tons: 0.2107
Waste Quantity: 0.25
Quantity Unit: Y
Additional Code 1: Not reported
Additional Code 2: Not reported
Additional Code 3: Not reported
Additional Code 4: Not reported
Additional Code 5: Not reported

HWTS:

Name: NEEDLES USD
Address: 1900 ERIN DR
Address 2: Not reported
City,State,Zip: NEEDLES, CA 92363
EPA ID: CAD982331142
Inactive Date: 12/31/1899
Create Date: 06/17/1988
Last Act Date: Not reported
Mailing Name: Not reported
Mailing Address: 1900 ERIN DR
Mailing Address 2: Not reported
Mailing City,State,Zip: NEEDLES, CA 923632623
Owner Name: NEEDLES UNIFIED SCHOOL DIST
Owner Address: 1900 ERIN DR
Owner Address 2: Not reported
Owner City,State,Zip: NEEDLES, CA 923632623
Contact Name: USE CAL000000005
Contact Address: 1900 ERIN DR
Contact Address 2: Not reported
City,State,Zip: NEEDLES, CA 923632623
Facility Status: Inactive
Facility Type: PERMANENT
Category: STATE
Latitude: 34.838406
Longitude: -114.61776

Map ID
 Direction
 Distance
 Elevation

MAP FINDINGS

Site

Database(s)

EDR ID Number
 EPA ID Number

BS515 **NEEDLES HIGH SCHOOL**
Target 1900 ERIN DR
Property NEEDLES, CA 92363

HWTS **S124756487**
N/A

Site 9 of 11 in cluster BS

Actual: 605 ft. **HWTS:**
Focus Map: 6
 Name: NEEDLES HIGH SCHOOL
 Address: 1900 ERIN DR
 Address 2: Not reported
 City,State,Zip: NEEDLES, CA 92363
 EPA ID: CAL000000006
 Inactive Date: 06/30/1996
 Create Date: 11/14/1989
 Last Act Date: Not reported
 Mailing Name: Not reported
 Mailing Address: 1900 ERIN DR
 Mailing Address 2: Not reported
 Mailing City,State,Zip: NEEDLES, CA 923630000
 Owner Name: NEEDLES UNIFIED
 Owner Address: Not reported
 Owner Address 2: Not reported
 Owner City,State,Zip: Not reported
 Contact Name: DEACT PER VQ96-RK
 Contact Address: Not reported
 Contact Address 2: Not reported
 City,State,Zip: Not reported
 Facility Status: Inactive
 Facility Type: PERMANENT
 Category: STATE
 Latitude: 34.838403
 Longitude: -114.61858

BS516 **NEEDLES UNIFIED SCHOOL DIST.**
Target 1900 ERIN DRIVE
Property NEEDLES, CA

RGA LUST **S114660208**
N/A

Site 10 of 11 in cluster BS

Actual: 605 ft. **RGA LUST:**
Focus Map: 6
 Name: NEEDLES UNIFIED SCHOOL DIST.
 Address: 1900 ERIN DRIVE
 City: NEEDLES
 State: NEEDLES
 2000 NEEDLES UNIFIED SCHOOL DIST. 1900 ERIN DRIVE

BS517 **NEEDLES UNIFIED SCHOOL DIST**
Target 1900 ERIN DRIVE
Property NEEDLES, CA 92363

LUST **S103891590**
Cortese **N/A**

Site 11 of 11 in cluster BS

Actual: 605 ft. **LUST REG 7:**
Focus Map: 6
 Region: 7
 Status: 9 - Case Closed
 Case Num: 7T2363023
 Substance: Gasoline - Automotive
 ID: 1035

Map ID
Direction
Distance
Elevation

MAP FINDINGS

Site

Database(s)

EDR ID Number
EPA ID Number

NEEDLES UNIFIED SCHOOL DIST (Continued)

S103891590

Global ID: T0607101020
Lead Agency: Local Agency
Case Worker: YO

CORTESE:

Name: NEEDLES UNIFIED SCHOOL DIST
Address: 1900 ERIN DRIVE
City,State,Zip: NEEDLES, CA 92363
Region: CORTESE
Envirostor Id: Not reported
Global ID: T0607101020
Site/Facility Type: LUST CLEANUP SITE
Cleanup Status: COMPLETED - CASE CLOSED
Status Date: Not reported
Site Code: Not reported
Latitude: Not reported
Longitude: Not reported
Owner: Not reported
Enf Type: Not reported
Swat R: Not reported
Flag: active
Order No: Not reported
Waste Discharge System No: Not reported
Effective Date: Not reported
Region 2: Not reported
WID Id: Not reported
Solid Waste Id No: Not reported
Waste Management Uit Name: Not reported
File Name: Active Open

BR518 PALO VERDE COMMUNITY COLLEGE NEEDLES CENTER
Target 725 W BROADWAY ST
Property NEEDLES, CA 92363

HAZNET S113151600
HWTS N/A

Site 4 of 4 in cluster BR

Actual:
497 ft.

Focus Map:
7

HAZNET:
Name: PALO VERDE COMMUNITY COLLEGE NEEDLES CENTER
Address: 725 W BROADWAY ST
Address 2: Not reported
City,State,Zip: NEEDLES, CA 923632910
Contact: JOHN MADOLE
Telephone: 7609215447
Mailing Name: Not reported
Mailing Address: 1 COLLEGE DR

Year: 2008
Gepaid: CAL000329642
TSD EPA ID: CAT080013352
CA Waste Code: 241 - Tank bottom waste
Disposal Method: H039 - Other Recovery Of Reclamation For Reuse Including Acid
Regeneration, Organics Recovery Ect
Tons: 0.10425

Additional Info:
Year: 2008

Map ID
Direction
Distance
Elevation

MAP FINDINGS

Site

Database(s)

EDR ID Number
EPA ID Number

PALO VERDE COMMUNITY COLLEGE NEEDLES CENTER (Continued)

S113151600

Gen EPA ID: CAL000329642
Shipment Date: 20080328
Creation Date: 5/30/2008 18:30:08
Receipt Date: 20080402
Manifest ID: 000802380FLE
Trans EPA ID: CAT080016116
Trans Name: NIETO AND SONS TRUCKING INC
Trans 2 EPA ID: Not reported
Trans 2 Name: Not reported
TSDf EPA ID: CAT080013352
Trans Name: DEMENNO KERDOON
TSDf Alt EPA ID: Not reported
TSDf Alt Name: Not reported
Waste Code Description: 241 - Tank bottom waste 251 Still bottoms with halogenated organics
RCRA Code: Not reported
Meth Code: H039 - Other Recovery Of Reclamation For Reuse Including Acid
Regeneration, Organics Recovery Ect
Quantity Tons: 0.10425
Waste Quantity: 25
Quantity Unit: G
Additional Code 1: Not reported
Additional Code 2: Not reported
Additional Code 3: Not reported
Additional Code 4: Not reported
Additional Code 5: Not reported

HWTS:

Name: PALO VERDE COMMUNITY COLLEGE NEEDLES CENTER
Address: 725 W BROADWAY ST
Address 2: Not reported
City,State,Zip: NEEDLES, CA 92363
EPA ID: CAL000329642
Inactive Date: 06/30/2008
Create Date: 02/11/2008
Last Act Date: Not reported
Mailing Name: Not reported
Mailing Address: 1 COLLEGE DR
Mailing Address 2: Not reported
Mailing City,State,Zip: BLYTHE, CA 922259561
Owner Name: PALO VERDE COMMUNITY COLLEGE DIST
Owner Address: 1 COLLEGE DR
Owner Address 2: Not reported
Owner City,State,Zip: BLYTHE, CA 922259561
Contact Name: JOHN MADOLE
Contact Address: 1 COLLEGE DR
Contact Address 2: Not reported
City,State,Zip: BLYTHE, CA 922259561
Facility Status: Inactive
Facility Type: PERMANENT
Category: STATE
Latitude: 34.838334
Longitude: -114.604049

NAICS:

EPA ID: CAL000329642
Create Date: 2008-02-11 16:45:39.870

Map ID
Direction
Distance
Elevation

MAP FINDINGS

Site

Database(s)

EDR ID Number
EPA ID Number

PALO VERDE COMMUNITY COLLEGE NEEDLES CENTER (Continued)

S113151600

NAICS Code: 61121
NAICS Description: Junior Colleges
Issued EPA ID Date: 2008-02-11 16:45:39.82300
Inactive Date: 2008-06-30 00:00:00
Facility Name: PALO VERDE COMMUNITY COLLEGE NEEDLES CENTER
Facility Address: 725 W BROADWAY ST
Facility Address 2: Not reported
Facility City: NEEDLES
Facility County: Not reported
Facility State: CA
Facility Zip: 923632910

BT519 **SAN BERNARDINO CO PARK MOABI**
Target **INTERSTATE 40**
Property **NEEDLES, CA 92363**

LUST **S110655051**
N/A

Site 1 of 3 in cluster BT

Actual:
563 ft.

Focus Map:
6

LUST:
Name: SAN BERNARDINO CO PARK MOABI
Address: INTERSTATE 40
City,State,Zip: NEEDLES, CA 92363
Lead Agency: COLORADO RIVER BASIN RWQCB (REGION 7)
Case Type: LUST Cleanup Site
Geo Track: http://geotracker.waterboards.ca.gov/profile_report.asp?global_id=T0607101023
Global Id: T0607101023
Latitude: 34.8383203
Longitude: -114.6119931
Status: Completed - Case Closed
Status Date: 08/02/2006
Case Worker: KO
RB Case Number: 7T2363026
Local Agency: SAN BERNARDINO COUNTY
File Location: Not reported
Local Case Number: Not reported
Potential Media Affect: Soil
Potential Contaminants of Concern: Gasoline
Site History: Not reported

LUST:
Global Id: T0607101023
Contact Type: Local Agency Caseworker
Contact Name: CURTIS BRUNDAGE
Organization Name: SAN BERNARDINO COUNTY
Address: 620 S. E STREET
City: SAN BERNARDINO
Email: cbrundage@sbcfire.org
Phone Number: Not reported

Global Id: T0607101023
Contact Type: Regional Board Caseworker
Contact Name: KOLA OLATUNBOSUN
Organization Name: COLORADO RIVER BASIN RWQCB (REGION 7)
Address: 73-720 FRED WARING DRIVE, SUITE 100
City: PALM DESERT
Email: kola.olatunbosun@waterboards.ca.gov
Phone Number: 7607768958

Map ID
Direction
Distance
Elevation

MAP FINDINGS

Site

Database(s)

EDR ID Number
EPA ID Number

SAN BERNARDINO CO PARK MOABI (Continued)

S110655051

LUST:

Global Id: T0607101023
Action Type: ENFORCEMENT
Date: 09/28/2004
Action: File review

Global Id: T0607101023
Action Type: ENFORCEMENT
Date: 08/03/2005
Action: File review

Global Id: T0607101023
Action Type: Other
Date: 09/10/1999
Action: Leak Reported

Global Id: T0607101023
Action Type: ENFORCEMENT
Date: 08/02/2006
Action: Closure/No Further Action Letter

Global Id: T0607101023
Action Type: ENFORCEMENT
Date: 08/20/2007
Action: File review

Global Id: T0607101023
Action Type: RESPONSE
Date: 01/15/2004
Action: Interim Remedial Action Report

Global Id: T0607101023
Action Type: RESPONSE
Date: 03/15/2006
Action: Final Remedial Action Report / Corrective Action Report

Global Id: T0607101023
Action Type: ENFORCEMENT
Date: 11/23/2004
Action: Site Visit / Inspection / Sampling

LUST:

Global Id: T0607101023
Status: Open - Case Begin Date
Status Date: 09/10/1999

Global Id: T0607101023
Status: Open - Verification Monitoring
Status Date: 09/10/1999

Global Id: T0607101023
Status: Open - Remediation
Status Date: 03/02/2006

Global Id: T0607101023
Status: Completed - Case Closed

Map ID
Direction
Distance
Elevation

MAP FINDINGS

Site

Database(s)

EDR ID Number
EPA ID Number

SAN BERNARDINO CO PARK MOABI (Continued)

S110655051

Status Date: 08/02/2006

BT520 **SB CO PARK MOABI MARINA**
Target **PARK MOABI ROAD**
Property **NEEDLES, CA 92363**

LUST **S110655050**
N/A

Site 2 of 3 in cluster BT

Actual:
563 ft.

Focus Map:
6

LUST:
Name: SB CO PARK MOABI MARINA
Address: PARK MOABI ROAD
City,State,Zip: NEEDLES, CA 92363
Lead Agency: COLORADO RIVER BASIN RWQCB (REGION 7)
Case Type: LUST Cleanup Site
Geo Track: http://geotracker.waterboards.ca.gov/profile_report.asp?global_id=T0607101003
Global Id: T0607101003
Latitude: 34.8383203
Longitude: -114.6119931
Status: Completed - Case Closed
Status Date: 08/02/2006
Case Worker: Not reported
RB Case Number: 7T2363005
Local Agency: SAN BERNARDINO COUNTY
File Location: Not reported
Local Case Number: 90195
Potential Media Affect: Aquifer used for drinking water supply
Potential Contaminants of Concern: Gasoline
Site History: Not reported

LUST:
Global Id: T0607101003
Contact Type: Local Agency Caseworker
Contact Name: CATHERINE RICHARDS
Organization Name: SAN BERNARDINO COUNTY
Address: 620 SOUTH E STREET
City: SAN BERNARDINO
Email: crichards@sbcfire.org
Phone Number: 9093868419

LUST:
Global Id: T0607101003
Action Type: ENFORCEMENT
Date: 06/10/2003
Action: Staff Letter

Global Id: T0607101003
Action Type: ENFORCEMENT
Date: 04/03/2003
Action: * Verbal Communication

Global Id: T0607101003
Action Type: ENFORCEMENT
Date: 04/01/2003
Action: * Verbal Communication

Global Id: T0607101003
Action Type: ENFORCEMENT

Map ID
Direction
Distance
Elevation

MAP FINDINGS

Site

Database(s)

EDR ID Number
EPA ID Number

SB CO PARK MOABI MARINA (Continued)

S110655050

Date: 07/24/2003
Action: * Verbal Communication

Global Id: T0607101003
Action Type: ENFORCEMENT
Date: 04/07/1995
Action: Clean-up and Abatement Order

Global Id: T0607101003
Action Type: ENFORCEMENT
Date: 05/30/2003
Action: File review

Global Id: T0607101003
Action Type: Other
Date: 05/28/1987
Action: Leak Reported

Global Id: T0607101003
Action Type: RESPONSE
Date: 04/30/2003
Action: Unauthorized Release Form

Global Id: T0607101003
Action Type: RESPONSE
Date: 10/15/2003
Action: Monitoring Report - Quarterly

Global Id: T0607101003
Action Type: RESPONSE
Date: 10/15/2003
Action: Remedial Progress Report

Global Id: T0607101003
Action Type: RESPONSE
Date: 08/01/2003
Action: Other Report / Document

Global Id: T0607101003
Action Type: ENFORCEMENT
Date: 04/01/2003
Action: Meeting

Global Id: T0607101003
Action Type: ENFORCEMENT
Date: 12/01/2003
Action: Staff Letter

Global Id: T0607101003
Action Type: RESPONSE
Date: 03/01/2004
Action: Other Report / Document

Global Id: T0607101003
Action Type: RESPONSE
Date: 06/02/2003
Action: Monitoring Report - Quarterly

Map ID
Direction
Distance
Elevation

MAP FINDINGS

Site

Database(s)

EDR ID Number
EPA ID Number

SB CO PARK MOABI MARINA (Continued)

S110655050

Global Id: T0607101003
Action Type: ENFORCEMENT
Date: 11/22/2004
Action: Site Visit / Inspection / Sampling

Global Id: T0607101003
Action Type: Other
Date: 05/28/1987
Action: Leak Discovery

Global Id: T0607101003
Action Type: RESPONSE
Date: 04/23/2003
Action: Remedial Progress Report

LUST:

Global Id: T0607101003
Status: Open - Case Begin Date
Status Date: 05/28/1987

Global Id: T0607101003
Status: Open - Site Assessment
Status Date: 05/28/1987

Global Id: T0607101003
Status: Open - Site Assessment
Status Date: 11/05/1987

Global Id: T0607101003
Status: Open - Site Assessment
Status Date: 01/21/1988

Global Id: T0607101003
Status: Open - Remediation
Status Date: 10/06/1988

Global Id: T0607101003
Status: Completed - Case Closed
Status Date: 11/16/1988

Global Id: T0607101003
Status: Open - Reopen Case
Status Date: 12/12/1988

Global Id: T0607101003
Status: Open - Remediation
Status Date: 12/13/1988

Global Id: T0607101003
Status: Open - Site Assessment
Status Date: 04/04/1989

Global Id: T0607101003
Status: Open - Remediation
Status Date: 07/23/2003

Global Id: T0607101003

Map ID
Direction
Distance
Elevation

MAP FINDINGS

Site

Database(s)

EDR ID Number
EPA ID Number

SB CO PARK MOABI MARINA (Continued)

S110655050

Status: Open - Remediation
Status Date: 11/20/2003

Global Id: T0607101003
Status: Completed - Case Closed
Status Date: 08/02/2006

BT521 SAN BERNARDINO CO PARK MOABI
Target INTERSTATE 40
Property NEEDLES, CA 92363

LUST S104816335
Cortese N/A
CERS

Site 3 of 3 in cluster BT

Actual: LUST REG 7:
563 ft. Region: 7
Focus Map: Status: 9 - Case Closed
6 Case Num: 7T2363026
Substance: Gasoline - Automotive
ID: 1123
Global ID: T0607101023
Lead Agency: Regional Board
Case Worker: YO

CORTESE:

Name: SAN BERNARDINO CO PARK MOABI
Address: INTERSTATE 40
City,State,Zip: NEEDLES, CA 92363
Region: CORTESE
Envirostor Id: Not reported
Global ID: T0607101023
Site/Facility Type: LUST CLEANUP SITE
Cleanup Status: COMPLETED - CASE CLOSED
Status Date: Not reported
Site Code: Not reported
Latitude: Not reported
Longitude: Not reported
Owner: Not reported
Enf Type: Not reported
Swat R: Not reported
Flag: active
Order No: Not reported
Waste Discharge System No: Not reported
Effective Date: Not reported
Region 2: Not reported
WID Id: Not reported
Solid Waste Id No: Not reported
Waste Management Uit Name: Not reported
File Name: Active Open

CERS:

Name: SAN BERNARDINO CO PARK MOABI
Address: INTERSTATE 40
City,State,Zip: NEEDLES, CA 92363
Site ID: 203305
CERS ID: T0607101023
CERS Description: Leaking Underground Storage Tank Cleanup Site

Map ID
 Direction
 Distance
 Elevation

MAP FINDINGS

Site

Database(s)

EDR ID Number
 EPA ID Number

SAN BERNARDINO CO PARK MOABI (Continued)

S104816335

Affiliation:

Affiliation Type Desc: Local Agency Caseworker
 Entity Name: CURTIS BRUNDAGE - SAN BERNARDINO COUNTY
 Entity Title: Not reported
 Affiliation Address: 620 S. E STREET
 Affiliation City: SAN BERNARDINO
 Affiliation State: CA
 Affiliation Country: Not reported
 Affiliation Zip: Not reported
 Affiliation Phone: ,

Affiliation Type Desc: Regional Board Caseworker
 Entity Name: KOLA OLATUNBOSUN - COLORADO RIVER BASIN RWQCB (REGION 7)
 Entity Title: Not reported
 Affiliation Address: 73-720 FRED WARING DRIVE, SUITE 100
 Affiliation City: PALM DESERT
 Affiliation State: CA
 Affiliation Country: Not reported
 Affiliation Zip: Not reported
 Affiliation Phone: 7607768958,

BP522 ACTION AUTOMOTIVE MACHINE
Target 130 C ST
Property NEEDLES, CA 92363

RCRA-SQG 1000259550
FINDS CAD982512345
ECHO
San Bern. Co. Permit
HWTS

Site 5 of 5 in cluster BP

Actual:
487 ft.

Focus Map:
7

RCRA-SQG:
 Date Form Received by Agency: 19880523
 Handler Name: ACTION AUTOMOTIVE MACHINE
 Handler Address: 130 C ST
 Handler City,State,Zip: NEEDLES, CA 92363
 EPA ID: CAD982512345
 Contact Name: ENVIRONMENTAL MANAGER
 Contact Address: 130 C ST
 Contact City,State,Zip: NEEDLES, CA 92363
 Contact Telephone: 619-326-4124
 Contact Fax: Not reported
 Contact Email: Not reported
 Contact Title: Not reported
 EPA Region: 09
 Land Type: Other
 Federal Waste Generator Description: Small Quantity Generator
 Non-Notifier: Not reported
 Biennial Report Cycle: Not reported
 Accessibility: Not reported
 Active Site Indicator: Handler Activities
 State District Owner: CA
 State District: 4
 Mailing Address: PO BOX 239
 Mailing City,State,Zip: NEEDLES, CA 92363
 Owner Name: MARK STARR WETMORE
 Owner Type: Private
 Operator Name: NOT REQUIRED
 Operator Type: Private
 Short-Term Generator Activity: No

Map ID
 Direction
 Distance
 Elevation

MAP FINDINGS

Site

Database(s)

EDR ID Number
 EPA ID Number

ACTION AUTOMOTIVE MACHINE (Continued)

1000259550

Importer Activity:	No
Mixed Waste Generator:	No
Transporter Activity:	No
Transfer Facility Activity:	No
Recycler Activity with Storage:	No
Small Quantity On-Site Burner Exemption:	No
Smelting Melting and Refining Furnace Exemption:	No
Underground Injection Control:	No
Off-Site Waste Receipt:	No
Universal Waste Indicator:	No
Universal Waste Destination Facility:	No
Federal Universal Waste:	No
Active Site Fed-Reg Treatment Storage and Disposal Facility:	Not reported
Active Site Converter Treatment storage and Disposal Facility:	Not reported
Active Site State-Reg Treatment Storage and Disposal Facility:	Not reported
Active Site State-Reg Handler:	---
Federal Facility Indicator:	Not reported
Hazardous Secondary Material Indicator:	NN
Sub-Part K Indicator:	Not reported
Commercial TSD Indicator:	No
Treatment Storage and Disposal Type:	Not reported
2018 GPRA Permit Baseline:	Not on the Baseline
2018 GPRA Renewals Baseline:	Not on the Baseline
Permit Renewals Workload Universe:	Not reported
Permit Workload Universe:	Not reported
Permit Progress Universe:	Not reported
Post-Closure Workload Universe:	Not reported
Closure Workload Universe:	Not reported
202 GPRA Corrective Action Baseline:	No
Corrective Action Workload Universe:	No
Subject to Corrective Action Universe:	No
Non-TSDs Where RCRA CA has Been Imposed Universe:	No
TSDs Potentially Subject to CA Under 3004 (u)/(v) Universe:	No
TSDs Only Subject to CA under Discretionary Auth Universe:	No
Corrective Action Priority Ranking:	No NCAPS ranking
Environmental Control Indicator:	No
Institutional Control Indicator:	No
Human Exposure Controls Indicator:	N/A
Groundwater Controls Indicator:	N/A
Operating TSD Universe:	Not reported
Full Enforcement Universe:	Not reported
Significant Non-Complier Universe:	No
Unaddressed Significant Non-Complier Universe:	No
Addressed Significant Non-Complier Universe:	No
Significant Non-Complier With a Compliance Schedule Universe:	No
Financial Assurance Required:	Not reported
Handler Date of Last Change:	20020627
Recognized Trader-Importer:	No
Recognized Trader-Exporter:	No
Importer of Spent Lead Acid Batteries:	No
Exporter of Spent Lead Acid Batteries:	No
Recycler Activity Without Storage:	Not reported
Manifest Broker:	Not reported
Sub-Part P Indicator:	No

Map ID
Direction
Distance
Elevation

MAP FINDINGS

Site

Database(s)

EDR ID Number
EPA ID Number

ACTION AUTOMOTIVE MACHINE (Continued)

1000259550

Handler - Owner Operator:

Owner/Operator Indicator: Owner
Owner/Operator Name: MARK STARR WETMORE
Legal Status: Private
Date Became Current: Not reported
Date Ended Current: Not reported
Owner/Operator Address: NOT REQUIRED
Owner/Operator City,State,Zip: NOT REQUIRED, ME 99999
Owner/Operator Telephone: 415-555-1212
Owner/Operator Telephone Ext: Not reported
Owner/Operator Fax: Not reported
Owner/Operator Email: Not reported

Owner/Operator Indicator: Operator
Owner/Operator Name: NOT REQUIRED
Legal Status: Private
Date Became Current: Not reported
Date Ended Current: Not reported
Owner/Operator Address: NOT REQUIRED
Owner/Operator City,State,Zip: NOT REQUIRED, ME 99999
Owner/Operator Telephone: 415-555-1212
Owner/Operator Telephone Ext: Not reported
Owner/Operator Fax: Not reported
Owner/Operator Email: Not reported

Historic Generators:

Receive Date: 19880523
Handler Name: ACTION AUTOMOTIVE MACHINE
Federal Waste Generator Description: Small Quantity Generator
State District Owner: CA
Large Quantity Handler of Universal Waste: No
Recognized Trader Importer: No
Recognized Trader Exporter: No
Spent Lead Acid Battery Importer: No
Spent Lead Acid Battery Exporter: No
Current Record: Yes
Non Storage Recycler Activity: Not reported
Electronic Manifest Broker: Not reported

List of NAICS Codes and Descriptions:

NAICS Code: 811118
NAICS Description: OTHER AUTOMOTIVE MECHANICAL AND ELECTRICAL REPAIR AND MAINTENANCE

Facility Has Received Notices of Violations:

Violations: No Violations Found

Evaluation Action Summary:

Evaluations: No Evaluations Found

FINDS:

Registry ID: 110002837949

Map ID
Direction
Distance
Elevation

MAP FINDINGS

Site

Database(s)

EDR ID Number
EPA ID Number

ACTION AUTOMOTIVE MACHINE (Continued)

1000259550

Click Here for FRS Facility Detail Report:

Environmental Interest/Information System:

California Hazardous Waste Tracking System - Datamart (HWTS-DATAMART) provides California with information on hazardous waste shipments for generators, transporters, and treatment, storage, and disposal facilities.

RCRAInfo is a national information system that supports the Resource Conservation and Recovery Act (RCRA) program through the tracking of events and activities related to facilities that generate, transport, and treat, store, or dispose of hazardous waste. RCRAInfo allows RCRA program staff to track the notification, permit, compliance, and corrective action activities required under RCRA.

Click this hyperlink while viewing on your computer to access additional FINDS: detail in the EDR Site Report.

ECHO:

Envid: 1000259550
Registry ID: 110002837949
DFR URL: <http://echo.epa.gov/detailed-facility-report?fid=110002837949>
Name: ACTION AUTOMOTIVE MACHINE
Address: 130 C ST
City,State,Zip: NEEDLES, CA 92363

San Bern. Co. Permit:

Name: ACTION AUTOMOTIVE MACHINE
Address: 130 C ST
City,State,Zip: NEEDLES, CA 92363
Region: SAN BERNARDINO
Facility ID: FA0000253
Owner: ACTION AUTOMOTIVE MACHINE
Permit Number: PT0007089
Permit Category: CONDITIONALLY EXEMPT SMALL QUANTITY GENERATOR
Facility Status: INACTIVE
Expiration Date: 05/31/2011

Name: ACTION AUTOMOTIVE MACHINE
Address: 130 C ST
City,State,Zip: NEEDLES, CA 92363
Region: SAN BERNARDINO
Facility ID: FA0000253
Owner: ACTION AUTOMOTIVE MACHINE
Permit Number: PT0007090
Permit Category: HAZMAT HANDLER 0-10 EMPLOYEES (W/GEN PRMT)
Facility Status: INACTIVE
Expiration Date: 05/31/2007

HWTS:

Name: ACTION AUTOMOTIVE MACHINE
Address: 130 C ST
Address 2: Not reported
City,State,Zip: NEEDLES, CA 92363
EPA ID: CAD982512345
Inactive Date: 06/30/2008
Create Date: 06/15/1989

Map ID
 Direction
 Distance
 Elevation

MAP FINDINGS

Site

Database(s)

EDR ID Number
 EPA ID Number

ACTION AUTOMOTIVE MACHINE (Continued)

1000259550

Last Act Date: Not reported
 Mailing Name: Not reported
 Mailing Address: 130 C ST
 Mailing Address 2: Not reported
 Mailing City,State,Zip: NEEDLES, CA 923630000
 Owner Name: ACTION AUTOMOTIVE MACHINE
 Owner Address: 130 C ST
 Owner Address 2: Not reported
 Owner City,State,Zip: NEEDLES, CA 923630000
 Contact Name: MARK S WETMORE
 Contact Address: 130 C ST
 Contact Address 2: Not reported
 City,State,Zip: NEEDLES, CA 923630000
 Facility Status: Inactive
 Facility Type: PERMANENT
 Category: FEDERAL
 Latitude: 34.838156
 Longitude: -114.60249

NAICS:

EPA ID: CAD982512345
 Create Date: 2002-03-14 16:36:27.000
 NAICS Code: 811111
 NAICS Description: General Automotive Repair
 Issued EPA ID Date: 1989-06-15 00:00:00
 Inactive Date: 2008-06-30 00:00:00
 Facility Name: ACTION AUTOMOTIVE MACHINE
 Facility Address: 130 C ST
 Facility Address 2: Not reported
 Facility City: NEEDLES
 Facility County: Not reported
 Facility State: CA
 Facility Zip: 923630000

BQ523 THOUSAND PINES GARAGE
Target 323 F
Property SAN BERNARDINO, CA

EDR Hist Auto 1014192401
N/A

Site 2 of 3 in cluster BQ

Actual: EDR Hist Auto
512 ft.

Focus Map:	Year:	Name:	Type:
7	1922	THOUSAND PINES GARAGE	AUTOMOBILE REPAIRING
	1922	THOUSAND PINES GARAGE	AUTOMOBILE GARAGES

Map ID
Direction
Distance
Elevation

MAP FINDINGS

Site

Database(s) EDR ID Number
EPA ID Number

524

Target 1195 3RD STREET
Property NEEDLES, CA

CHMIRS S125741306
N/A

Actual:
542 ft.

Focus Map:
7

CHMIRS:

Name: Not reported
Address: 1195 3RD STREET
City,State,Zip: NEEDLES, CA
OES Incident Number: 19-8004
OES notification: 12/15/2019
OES Date: Not reported
OES Time: Not reported
Date Completed: Not reported
Property Use: Not reported
Agency Id Number: Not reported
Agency Incident Number: Not reported
Time Notified: Not reported
Time Completed: Not reported
Surrounding Area: Not reported
Estimated Temperature: Not reported
Property Management: Not reported
More Than Two Substances Involved?: Not reported
Resp Agncy Personel # Of Decontaminated: Not reported
Responding Agency Personel # Of Injuries: Not reported
Responding Agency Personel # Of Fatalities: Not reported
Others Number Of Decontaminated: Not reported
Others Number Of Injuries: Not reported
Others Number Of Fatalities: Not reported
Vehicle Make/year: Not reported
Vehicle License Number: Not reported
Vehicle State: Not reported
Vehicle Id Number: Not reported
CA DOT PUC/ICC Number: Not reported
Company Name: Not reported
Reporting Officer Name/ID: Not reported
Report Date: Not reported
Facility Telephone: Not reported
Waterway Involved: No
Waterway: None
Spill Site: Merchant/Business
Cleanup By: Reporting Party
Containment: Not reported
What Happened: Not reported
Type: Not reported
Measure: Not reported
Other: Not reported
Type: VAPOR
Measure: N/A
Other: Not reported
Date/Time: 1626
Year: 2019
Agency: Southwest Gas
Incident Date: 12/15/2019
Admin Agency: San Bernardino County Fire Department
Amount: Not reported
Contained: Not stopped,Not contained
Site Type: None
E Date: Not reported
Substance: Gas, natural

Map ID
 Direction
 Distance
 Elevation

MAP FINDINGS

Site

Database(s)

EDR ID Number
 EPA ID Number

(Continued)

S125741306

Quantity Released:	Unknown
Unknown:	Not reported
Substance #2:	Not reported
Substance #3:	Not reported
Evacuations:	Not reported
Number of Injuries:	Not reported
Number of Fatalities:	Not reported
#1 Pipeline:	No
#2 Pipeline:	No
#3 Pipeline:	No
#1 Vessel >= 300 Tons:	No
#2 Vessel >= 300 Tons:	No
#3 Vessel >= 300 Tons:	No
Evacs:	No
Injuries:	No
Fatals:	No
Comments:	Not reported
Description:	At some point in the past, a fence post was installed which punctured a natural gas service line in a commercial area. This afternoon, an individual removed the fence post allowing the natural gas release to the atmosphere to occur. Southwest Gas crews, the local police department, and the local fire department are on-scene. No fires or injuries occurred and no evacuations were necessary. The release is expected to be under control in a short period of time. Permanent repairs are pending.

BQ525 **MOLTZ B E AUTO REPR**
Target **327 F**
Property **SAN BERNARDINO, CA**

EDR Hist Auto **1014167786**
N/A

Site 3 of 3 in cluster BQ

Actual: EDR Hist Auto
513 ft.

Focus Map:	Year:	Name:	Type:
7	1936	MOLTZ B E AUTO	AUTOMOBILE REPAIRING
	1942	MOLTZ B E AUTO REPR	AUTOMOBILE REPAIRING

BU526 **FISHER J C DO**
Target **328 F**
Property **SAN BERNARDINO, CA**

EDR Hist Cleaner **1014144935**
N/A

Site 1 of 8 in cluster BU

Actual: EDR Hist Cleaner
513 ft.

Focus Map:	Year:	Name:	Type:
7	1936	FISHER J C DO	CLOTHES PRESSERS AND CLEANERS

Map ID
Direction
Distance
Elevation

MAP FINDINGS

Site

Database(s) EDR ID Number
EPA ID Number

527 **CLAYPOOL & CO**
Target **534 FRONT ST**
Property **NEEDLES, CA 92363**

HAZNET **S112893811**
HWTS **N/A**

Actual:
481 ft.
Focus Map:
7

HAZNET:
Name: CLAYPOOL & CO
Address: 534 FRONT ST
Address 2: Not reported
City,State,Zip: NEEDLES, CA 923630000
Contact: GEORGE BRYANT/CONTR
Telephone: 9099443517
Mailing Name: Not reported
Mailing Address: 725 BROADWAY

Year: 1999
Gepaid: CAC001472464
TSD EPA ID: CAT080013352
CA Waste Code: 241 - Tank bottom waste
Disposal Method: R01 - Recycler
Tons: 0.2085

Additional Info:

Year: 1999
Gen EPA ID: CAC001472464

Shipment Date: 19990603
Creation Date: 8/19/1999 0:00:00
Receipt Date: 19990611
Manifest ID: 99288048
Trans EPA ID: CAL922125668
Trans Name: Not reported
Trans 2 EPA ID: Not reported
Trans 2 Name: Not reported
TSDF EPA ID: CAT080013352
Trans Name: Not reported
TSDF Alt EPA ID: CAT080013352
TSDF Alt Name: Not reported
Waste Code Description: 241 - Tank bottom waste 251 Still bottoms with halogenated organics
RCRA Code: Not reported
Meth Code: R01 - Recycler
Quantity Tons: 0.2085
Waste Quantity: 50
Quantity Unit: G
Additional Code 1: Not reported
Additional Code 2: Not reported
Additional Code 3: Not reported
Additional Code 4: Not reported
Additional Code 5: Not reported

HWTS:

Name: CLAYPOOL & CO
Address: 534 FRONT ST
Address 2: Not reported
City,State,Zip: NEEDLES, CA 92363
EPA ID: CAC001472464
Inactive Date: 10/25/2000
Create Date: 05/27/1999

Map ID
Direction
Distance
Elevation

MAP FINDINGS

Site

Database(s)

EDR ID Number
EPA ID Number

CLAYPOOL & CO (Continued)

S112893811

Last Act Date: Not reported
Mailing Name: Not reported
Mailing Address: 725 BROADWAY
Mailing Address 2: Not reported
Mailing City,State,Zip: NEEDLES, CA 923630000
Owner Name: CLAYPOOL & CO
Owner Address: 725 BROADWAY
Owner Address 2: Not reported
Owner City,State,Zip: NEEDLES, CA 923630000
Contact Name: GEORGE BRYANT/CONTR
Contact Address: Not reported
Contact Address 2: Not reported
City,State,Zip: Not reported
Facility Status: Inactive
Facility Type: TEMPORARY
Category: STATE
Latitude: 34.838046
Longitude: -114.601567

BU528 WAITMAN R J DO
Target 340 F
Property SAN BERNARDINO, CA

EDR Hist Cleaner 1014157352
N/A

Site 2 of 8 in cluster BU

Actual: EDR Hist Cleaner
514 ft.

Focus Map: Year: Name: Type:
7 1942 WAITMAN R J DO CLOTHES PRESSERS AND CLEANERS

BU529 NEEDLES SBR CS
Target 817 THIRD STREET
Property NEEDLES, CA 92363

CIWQS S120032321
N/A

Site 3 of 8 in cluster BU

Actual: CIWQS:
510 ft. Name: NEEDLES SBR CS
Focus Map: Address: 817 THIRD STREET
7 City,State,Zip: NEEDLES, CA 92363
Agency: Needles City
Agency Address: 817 3rd Street, Needles, CA 92363
Place/Project Type: Collection_System
SIC/NAICS: Not reported
Region: 7
Program: SSOMUNISML
Regulatory Measure Status: Active
Regulatory Measure Type: Enrollee
Order Number: 2006-0003-DWQ
WDID: 7SSO10531
NPDES Number: Not reported
Adoption Date: Not reported
Effective Date: 11/02/2006
Termination Date: Not reported
Expiration/Review Date: Not reported
Design Flow: Not reported

Map ID
Direction
Distance
Elevation

MAP FINDINGS

Site

Database(s)

EDR ID Number
EPA ID Number

NEEDLES SBR CS (Continued)

S120032321

Major/Minor: Not reported
Complexity: C
TTWQ: 3
Enforcement Actions within 5 years: 0
Violations within 5 years: 0
Latitude: Not reported
Longitude: Not reported

BU530 CITY OF NEEDLES
Target 817 THIRD ST.
Property NEEDLES, CA 92363

FINDS 1016292623
N/A

Site 4 of 8 in cluster BU

Actual: FINDS:
510 ft. Registry ID: 110011641571

Focus Map:
7 [Click Here for FRS Facility Detail Report:](#)

Environmental Interest/Information System:
NCDB (National Compliance Data Base) supports implementation of the Federal Insecticide, Fungicide, and Rodenticide Act (FIFRA) and the Toxic Substances Control Act (TSCA). The system tracks inspections in regions and states with cooperative agreements, enforcement actions, and settlements.

[Click this hyperlink](#) while viewing on your computer to access additional FINDS: detail in the EDR Site Report.

BU531 CITY OF NEEDLES
Target 817 THIRD ST.
Property NEEDLES, CA 92363

FTTS 1006282324
HIST FTTS N/A

Site 5 of 8 in cluster BU

Actual: FTTS INSP:
510 ft. Inspection Number: 200012149ST12 1
Focus Map: Region: 09
7 Inspection Date: 12/14/00
Inspector: CROLLINS
Violation occurred: Yes
Investigation Type: Section 6 PCB Federal Conducted
Investigation Reason: For Cause, Disposal
Legislation Code: TSCA
Facility Function: User

HIST FTTS INSP:
Inspection Number: 200012149ST12 1
Region: 09
Inspection Date: Not reported
Inspector: CROLLINS
Violation occurred: Yes
Investigation Type: Section 6 PCB Federal Conducted
Investigation Reason: For Cause, Disposal
Legislation Code: TSCA
Facility Function: User

MAP FINDINGS

Map ID			EDR ID Number
Direction			EPA ID Number
Distance			
Elevation	Site	Database(s)	

BU532	NEEDLES SBR CS	FINDS	1023242487
Target	817 THIRD		N/A
Property	NEEDLES, CA 92363		

Site 6 of 8 in cluster BU

Actual: FINDS:
510 ft. Registry ID: 110065304904

Focus Map:
7 [Click Here for FRS Facility Detail Report:](#)
 Environmental Interest/Information System:
 STATE MASTER

[Click this hyperlink](#) while viewing on your computer to access additional FINDS: detail in the EDR Site Report.

BU533	NEEDLES	FINDS	1026373882
Target	817 THIRD STREET		N/A
Property	NEEDLES, CA 92363		

Site 7 of 8 in cluster BU

Actual: FINDS:
510 ft. Registry ID: 110038070949

Focus Map:
7 [Click Here for FRS Facility Detail Report:](#)
 Environmental Interest/Information System:
 AIR EMISSIONS CLASSIFICATION UNKNOWN
 AIR MINOR

[Click this hyperlink](#) while viewing on your computer to access additional FINDS: detail in the EDR Site Report.

BU534	SOUTHWEST GAS - TOPOCK	ICIS	1005672375
Target	817 THIRD ST	FINDS	N/A
Property	NEEDLES, CA 92363	ECHO	

Site 8 of 8 in cluster BU

Actual: ICIS:
510 ft. Enforcement Action ID: 09-2000-0125

Focus Map: FRS ID: 110010752079
7 Action Name: SOUTHWEST GAS - TOPOCK
 Facility Name: SOUTHWEST GAS - TOPOCK
 Facility Address: 817 THIRD ST
 NEEDLES, CA 92363

Enforcement Action Type: SDWA 1414G2 AO For Compliance (PWS)
 Facility County: SAN BERNARDINO
 Program System Acronym: ICIS
 Enforcement Action Forum Desc: Administrative - Formal
 EA Type Code: 1414G2
 Facility SIC Code: 4941
 Federal Facility ID: Not reported
 Latitude in Decimal Degrees: 34.83789
 Longitude in Decimal Degrees: -114.605697
 Permit Type Desc: Not reported
 Program System Acronym: 28659
 Facility NAICS Code: Not reported
 Tribal Land Code: Not reported

Map ID
Direction
Distance
Elevation

MAP FINDINGS

Site

Database(s)

EDR ID Number
EPA ID Number

SOUTHWEST GAS - TOPOCK (Continued)

1005672375

Facility Name: SOUTHWEST GAS - TOPOCK
Address: 817 THIRD ST
Tribal Indicator: N
Fed Facility: Not reported
NAIC Code: Not reported
SIC Code: 4941

FINDS:

Registry ID: 110010752079

Click Here for FRS Facility Detail Report:

Environmental Interest/Information System:

WATER TREATMENT PLANT
TRANSIENT NON-COMMUNITY WATER SYSTEM
ICIS (Integrated Compliance Information System) is the Integrated Compliance Information System and provides a database that, when complete, will contain integrated Enforcement and Compliance information across most of EPA's programs. The vision for ICIS is to replace EPA's independent databases that contain Enforcement data with a single repository for that information. Currently, ICIS contains all Federal Administrative and Judicial enforcement actions. This information is maintained in ICIS by EPA in the Regional offices and it Headquarters. A future release of ICIS will replace the Permit Compliance System (PCS) which supports the NPDES and will integrate that information with Federal actions already in the system. ICIS also has the capability to track other activities occurring in the Region that support Compliance and Enforcement programs. These include; Incident Tracking, Compliance Assistance, and Compliance Monitoring.

Click this hyperlink while viewing on your computer to access additional FINDS: detail in the EDR Site Report.

ECHO:

Envid: 1005672375
Registry ID: 110010752079
DFR URL: <http://echo.epa.gov/detailed-facility-report?fid=110010752079>
Name: SOUTHWEST GAS - TOPOCK
Address: 817 THIRD ST
City,State,Zip: NEEDLES, CA 92363

BV535 **DAVID DAVIS**
Target **518 W BROADWAY**
Property **NEEDLES, CA 92363**

HAZNET **S112904182**
HWTS **N/A**

Site 1 of 5 in cluster BV

Actual: **HAZNET:**
488 ft. **Name:** DAVID DAVIS
Focus Map: **Address:** 518 W BROADWAY
7 **Address 2:** Not reported
 City,State,Zip: NEEDLES, CA 923630000
 Contact: DAVID DAVIS
 Telephone: 7609877780
 Mailing Name: Not reported
 Mailing Address: 501 W BROADWAY PLAZA STE A245

 Year: 2000

Map ID
Direction
Distance
Elevation

MAP FINDINGS

Site

Database(s)

EDR ID Number
EPA ID Number

DAVID DAVIS (Continued)

S112904182

Gepaid: CAC002211409
TSD EPA ID: CAD028409019
CA Waste Code: 241 - Tank bottom waste
Disposal Method: T01 - Treatment, Tank
Tons: 3.336

Additional Info:

Year: 2000
Gen EPA ID: CAC002211409

Shipment Date: 20001101
Creation Date: 1/9/2001 0:00:00
Receipt Date: 20001107
Manifest ID: 20494831
Trans EPA ID: CAR000009423
Trans Name: Not reported
Trans 2 EPA ID: Not reported
Trans 2 Name: Not reported
TSD EPA ID: CAD028409019
Trans Name: Not reported
TSD EPA ID: Not reported
TSD EPA Alt Name: Not reported
Waste Code Description: 241 - Tank bottom waste 251 Still bottoms with halogenated organics
RCRA Code: Not reported
Meth Code: T01 - Treatment, Tank
Quantity Tons: 3.336
Waste Quantity: 800
Quantity Unit: G
Additional Code 1: Not reported
Additional Code 2: Not reported
Additional Code 3: Not reported
Additional Code 4: Not reported
Additional Code 5: Not reported

HWTS:

Name: DAVID DAVIS
Address: 518 W BROADWAY
Address 2: Not reported
City,State,Zip: NEEDLES, CA 92363
EPA ID: CAC002211409
Inactive Date: 06/11/2001
Create Date: 10/23/2000
Last Act Date: Not reported
Mailing Name: Not reported
Mailing Address: 501 W BROADWAY PLAZA STE A245
Mailing Address 2: Not reported
Mailing City,State,Zip: SAN DIEGO, CA 921013536
Owner Name: DAVID DAVIS
Owner Address: 501 W BROADWAY PLAZA STE A245
Owner Address 2: Not reported
Owner City,State,Zip: SAN DIEGO, CA 921013536
Contact Name: DAVID DAVIS
Contact Address: 501 W BROADWAY PLAZA STE A245
Contact Address 2: Not reported
City,State,Zip: SAN DIEGO, CA 921013536

Map ID
Direction
Distance
Elevation

MAP FINDINGS

Site

Database(s)

EDR ID Number
EPA ID Number

DAVID DAVIS (Continued)

S112904182

Facility Status: Inactive
Facility Type: TEMPORARY
Category: STATE
Latitude: 34.837217
Longitude: -114.60186

BV536 CUPP'S CAR CARE
Target 518 W BROADWAY
Property NEEDLES, CA 92363

HWTS S124761044
N/A

Site 2 of 5 in cluster BV

Actual: 488 ft.
Focus Map: 7

HWTS:
Name: CUPP'S CAR CARE
Address: 518 W BROADWAY
Address 2: Not reported
City,State,Zip: NEEDLES, CA 92363
EPA ID: CAL000008733
Inactive Date: 12/31/1899
Create Date: 11/14/1989
Last Act Date: Not reported
Mailing Name: Not reported
Mailing Address: P O BOX 94
Mailing Address 2: Not reported
Mailing City,State,Zip: NEEDLES, CA 923630000
Owner Name: CUPP MIKE
Owner Address: 518 W BROADWAY
Owner Address 2: Not reported
Owner City,State,Zip: NEEDLES, CA 923630000
Contact Name: UNDELIVERABLE SURVEY 2-7-95 JV
Contact Address: Not reported
Contact Address 2: Not reported
City,State,Zip: Not reported
Facility Status: Inactive
Facility Type: PERMANENT
Category: STATE
Latitude: 34.837217
Longitude: -114.60186

537 NEEDLES
Target UNKNOWN
Property NEEDLES, CA 92363

CERS S123527864
N/A

Actual: 480 ft.
Focus Map: 7

CERS:
Name: NEEDLES
Address: UNKNOWN
City,State,Zip: NEEDLES, CA 92363
Site ID: 482739
CERS ID: 110038070949
CERS Description: US EPA Air Emission Inventory System (EIS)

MAP FINDINGS

Map ID			EDR ID Number
Direction			EPA ID Number
Distance			
Elevation	Site	Database(s)	

538	GALLANES G A HAT CLNR	EDR Hist Cleaner	1014147287
Target	333 E		N/A
Property	SAN BERNARDINO, CA		
	EDR Hist Cleaner		

Actual:	Year:	Name:	Type:
515 ft.	1930	GALLANES G A HAT CLNR	HAT CLEANERS AND BLOCKERS
Focus Map:	1936	GALLANES G A	HAT CLEANERS AND BLOCKERS
7			

BV539	JOAN E DAVIS	HAZNET	S112910643
Target	504 W BROADWAY	HWTS	N/A
Property	NEEDLES, CA 92363		

Site 3 of 5 in cluster BV

Actual:	HAZNET:	
486 ft.	Name:	JOAN E DAVIS
Focus Map:	Address:	504 W BROADWAY
7	Address 2:	Not reported
	City,State,Zip:	NEEDLES, CA 923632942
	Contact:	BRYANT ALEXANDER/J & V ENVIRON
	Telephone:	7608683801
	Mailing Name:	Not reported
	Mailing Address:	9525 CHUCKWAGON WAY
	Year:	2000
	Gepaid:	CAC002298473
	TSD EPA ID:	Not reported
	CA Waste Code:	241 - Tank bottom waste
	Disposal Method:	T01 - Treatment, Tank
	Tons:	0.9382

Additional Info:

Year:	2000
Gen EPA ID:	CAC002298473
Shipment Date:	20001102
Creation Date:	1/9/2001 0:00:00
Receipt Date:	20001107
Manifest ID:	20494837
Trans EPA ID:	Not reported
Trans Name:	Not reported
Trans 2 EPA ID:	Not reported
Trans 2 Name:	Not reported
TSD EPA ID:	Not reported
Trans Name:	Not reported
TSD Alt EPA ID:	Not reported
TSD Alt Name:	Not reported
Waste Code Description:	241 - Tank bottom waste 251 Still bottoms with halogenated organics
RCRA Code:	Not reported
Meth Code:	T01 - Treatment, Tank
Quantity Tons:	0.9382

Map ID
Direction
Distance
Elevation

MAP FINDINGS

Site

Database(s)

EDR ID Number
EPA ID Number

JOAN E DAVIS (Continued)

S112910643

Waste Quantity: 225
Quantity Unit: G
Additional Code 1: Not reported
Additional Code 2: Not reported
Additional Code 3: Not reported
Additional Code 4: Not reported
Additional Code 5: Not reported

HWTS:

Name: JOAN E DAVIS
Address: 504 W BROADWAY
Address 2: Not reported
City,State,Zip: NEEDLES, CA 92363
EPA ID: CAC002298473
Inactive Date: 09/11/2001
Create Date: 11/02/2000
Last Act Date: Not reported
Mailing Name: Not reported
Mailing Address: 9525 CHUCKWAGON WAY
Mailing Address 2: Not reported
Mailing City,State,Zip: SCOTTSDALE, AZ 852620000
Owner Name: JOAN E DAVIS
Owner Address: 9525 CHUCKWAGON WAY
Owner Address 2: Not reported
Owner City,State,Zip: SCOTTSDALE, AZ 852620000
Contact Name: BRYANT ALEXANDER/J & V ENVIRON
Contact Address: Not reported
Contact Address 2: Not reported
City,State,Zip: Not reported
Facility Status: Inactive
Facility Type: TEMPORARY
Category: STATE
Latitude: 34.837142
Longitude: -114.601712

BW540 SHELL OIL CO GAS
Target 395 F
Property SAN BERNARDINO, CA

EDR Hist Auto 1014192001
N/A

Site 1 of 3 in cluster BW

Actual: EDR Hist Auto
520 ft.

Focus Map: Year: Name:
7 1936 SHELL OIL CO GAS

Type:
GASOLINE AND OIL SERVICE STATIONS

Map ID
Direction
Distance
Elevation

MAP FINDINGS

Site

Database(s)

EDR ID Number
EPA ID Number

BV541 TRI-CITY FORD DBA COLORADO RIVER FORD
Target 539 W BROADWAY ST
Property NEEDLES, CA 92363

HAZNET S112836184
HWTS N/A

Site 4 of 5 in cluster BV

Actual: HAZNET:
491 ft. Name: TRI-CITY FORD DBA COLORADO RIVER FORD
Focus Map: Address: 539 W BROADWAY ST
7 Address 2: Not reported
City,State,Zip: NEEDLES, CA 923632941
Contact: JIM SMITH
Telephone: 7603262175
Mailing Name: Not reported
Mailing Address: 539 W BROADWAY ST

Year: 2008
Gepaid: CA0000997932
TSD EPA ID: TXD077603371
CA Waste Code: 212 - Oxygenated solvents (acetone, butanol, ethyl acetate, etc.)
Disposal Method: H061 - Fuel Blending Prior To Energy Recovery At Another Site
Tons: 0.15

Year: 2006
Gepaid: CA0000997932
TSD EPA ID: NVR000066837
CA Waste Code: 221 - Waste oil and mixed oil
Disposal Method: -
Tons: 3.154

Year: 2006
Gepaid: CA0000997932
TSD EPA ID: TXD077603371
CA Waste Code: 352 - Other organic solids
Disposal Method: H141 - Storage, Bulking, And/Or Transfer Off Site--No Treatment/Reovery (H010-H129) Or (H131-H135)
Tons: 0.15

Year: 2006
Gepaid: CA0000997932
TSD EPA ID: NVR000066837
CA Waste Code: -
Disposal Method: -
Tons: Not reported

Year: 2006
Gepaid: CA0000997932
TSD EPA ID: NVR000066837
CA Waste Code: 213 - Hydrocarbon solvents (benzene, hexane, Stoddard, Etc.)
Disposal Method: H141 - Storage, Bulking, And/Or Transfer Off Site--No Treatment/Reovery (H010-H129) Or (H131-H135)
Tons: 0.60465

Year: 2006
Gepaid: CA0000997932
TSD EPA ID: NVR000066837
CA Waste Code: 213 - Hydrocarbon solvents (benzene, hexane, Stoddard, Etc.)
Disposal Method: H01 - Transfer Station
Tons: 0.85068

Map ID
Direction
Distance
Elevation

MAP FINDINGS

Site

Database(s)

EDR ID Number
EPA ID Number

TRI-CITY FORD DBA COLORADO RIVER FORD (Continued)

S112836184

Year: 2006
Gepaid: CA0000997932
TSD EPA ID: NVR000066837
CA Waste Code: 343 - Unspecified organic liquid mixture
Disposal Method: -
Tons: 0.102

Year: 2006
Gepaid: CA0000997932
TSD EPA ID: NVR000066837
CA Waste Code: 741 - Liquids with halogenated organic compounds >= 1,000 Mg./L
Disposal Method: H01 - Transfer Station
Tons: Not reported

Year: 2005
Gepaid: CA0000997932
TSD EPA ID: CAT000613893
CA Waste Code: 343 - Unspecified organic liquid mixture
Disposal Method: -
Tons: 0.187

Year: 2005
Gepaid: CA0000997932
TSD EPA ID: CAT000613893
CA Waste Code: 221 - Waste oil and mixed oil
Disposal Method: -
Tons: 2.299

[Click this hyperlink](#) while viewing on your computer to access 53 additional CA HAZNET: record(s) in the EDR Site Report.

Additional Info:

Year: 2001
Gen EPA ID: CA0000997932

Shipment Date: 20011227
Creation Date: 2/13/2002 0:00:00
Receipt Date: 20011227
Manifest ID: 20329104
Trans EPA ID: SCR000075150
Trans Name: Not reported
Trans 2 EPA ID: Not reported
Trans 2 Name: Not reported
TSD EPA ID: NVT330010208
Trans Name: Not reported
TSD Alt EPA ID: Not reported
TSD Alt Name: Not reported
Waste Code Description: 221 - Waste oil and mixed oil
RCRA Code: Not reported
Meth Code: H01 - Transfer Station
Quantity Tons: 0
Waste Quantity: 100
Quantity Unit: *
Additional Code 1: Not reported
Additional Code 2: Not reported
Additional Code 3: Not reported

Map ID
Direction
Distance
Elevation

MAP FINDINGS

Site

Database(s)

EDR ID Number
EPA ID Number

TRI-CITY FORD DBA COLORADO RIVER FORD (Continued)

S112836184

Additional Code 4:	Not reported
Additional Code 5:	Not reported
Shipment Date:	20011227
Creation Date:	2/13/2002 0:00:00
Receipt Date:	20011227
Manifest ID:	21327033
Trans EPA ID:	SCR000075150
Trans Name:	Not reported
Trans 2 EPA ID:	Not reported
Trans 2 Name:	Not reported
TSDf EPA ID:	NVT330010208
Trans Name:	Not reported
TSDf Alt EPA ID:	Not reported
TSDf Alt Name:	Not reported
Waste Code Description:	213 - Hydrocarbon solvents (benzene, hexane, Stoddard, etc.
RCRA Code:	D039
Meth Code:	H01 - Transfer Station
Quantity Tons:	0.4253
Waste Quantity:	102
Quantity Unit:	G
Additional Code 1:	Not reported
Additional Code 2:	Not reported
Additional Code 3:	Not reported
Additional Code 4:	Not reported
Additional Code 5:	Not reported
Shipment Date:	20011227
Creation Date:	2/13/2002 0:00:00
Receipt Date:	20011227
Manifest ID:	21327033
Trans EPA ID:	SCR000075150
Trans Name:	Not reported
Trans 2 EPA ID:	Not reported
Trans 2 Name:	Not reported
TSDf EPA ID:	NVT330010208
Trans Name:	Not reported
TSDf Alt EPA ID:	Not reported
TSDf Alt Name:	Not reported
Waste Code Description:	741 - Liquids with halogenated organic compounds > 1000 mg/l
RCRA Code:	D001
Meth Code:	H01 - Transfer Station
Quantity Tons:	0.0291
Waste Quantity:	7
Quantity Unit:	G
Additional Code 1:	Not reported
Additional Code 2:	Not reported
Additional Code 3:	Not reported
Additional Code 4:	Not reported
Additional Code 5:	Not reported
Shipment Date:	20011227
Creation Date:	2/13/2002 0:00:00
Receipt Date:	20011227
Manifest ID:	20329104
Trans EPA ID:	SCR000075150
Trans Name:	Not reported

Map ID
Direction
Distance
Elevation

MAP FINDINGS

Site

Database(s)

EDR ID Number
EPA ID Number

TRI-CITY FORD DBA COLORADO RIVER FORD (Continued)

S112836184

Trans 2 EPA ID: Not reported
Trans 2 Name: Not reported
TSDf EPA ID: NVT330010208
Trans Name: Not reported
TSDf Alt EPA ID: Not reported
TSDf Alt Name: Not reported
Waste Code Description: 221 - Waste oil and mixed oil
RCRA Code: Not reported
Meth Code: H01 - Transfer Station
Quantity Tons: 0.741
Waste Quantity: 195
Quantity Unit: G
Additional Code 1: Not reported
Additional Code 2: Not reported
Additional Code 3: Not reported
Additional Code 4: Not reported
Additional Code 5: Not reported

Shipment Date: 20011212
Creation Date: 1/29/2002 0:00:00
Receipt Date: 20011212
Manifest ID: 20329105
Trans EPA ID: SCR000075150
Trans Name: Not reported
Trans 2 EPA ID: Not reported
Trans 2 Name: Not reported
TSDf EPA ID: NVT330010208
Trans Name: Not reported
TSDf Alt EPA ID: Not reported
TSDf Alt Name: Not reported
Waste Code Description: 221 - Waste oil and mixed oil
RCRA Code: Not reported
Meth Code: H01 - Transfer Station
Quantity Tons: 0.627
Waste Quantity: 165
Quantity Unit: G
Additional Code 1: Not reported
Additional Code 2: Not reported
Additional Code 3: Not reported
Additional Code 4: Not reported
Additional Code 5: Not reported

Shipment Date: 20011128
Creation Date: 1/16/2002 0:00:00
Receipt Date: 20011128
Manifest ID: 21316128
Trans EPA ID: SCR000075150
Trans Name: Not reported
Trans 2 EPA ID: Not reported
Trans 2 Name: Not reported
TSDf EPA ID: NVT330010208
Trans Name: Not reported
TSDf Alt EPA ID: Not reported
TSDf Alt Name: Not reported
Waste Code Description: - Not reported
RCRA Code: Not reported
Meth Code: H01 - Transfer Station

Map ID
Direction
Distance
Elevation

MAP FINDINGS

Site

Database(s)

EDR ID Number
EPA ID Number

TRI-CITY FORD DBA COLORADO RIVER FORD (Continued)

S112836184

Quantity Tons:	0.2919
Waste Quantity:	70
Quantity Unit:	G
Additional Code 1:	Not reported
Additional Code 2:	Not reported
Additional Code 3:	Not reported
Additional Code 4:	Not reported
Additional Code 5:	Not reported
Shipment Date:	20011128
Creation Date:	1/16/2002 0:00:00
Receipt Date:	20011128
Manifest ID:	21316128
Trans EPA ID:	SCR000075150
Trans Name:	Not reported
Trans 2 EPA ID:	Not reported
Trans 2 Name:	Not reported
TSDf EPA ID:	NVT330010208
Trans Name:	Not reported
TSDf Alt EPA ID:	Not reported
TSDf Alt Name:	Not reported
Waste Code Description:	221 - Waste oil and mixed oil
RCRA Code:	Not reported
Meth Code:	H01 - Transfer Station
Quantity Tons:	0.38
Waste Quantity:	100
Quantity Unit:	G
Additional Code 1:	Not reported
Additional Code 2:	Not reported
Additional Code 3:	Not reported
Additional Code 4:	Not reported
Additional Code 5:	Not reported
Shipment Date:	20011115
Creation Date:	1/16/2002 0:00:00
Receipt Date:	20011115
Manifest ID:	99058371
Trans EPA ID:	SCR000075150
Trans Name:	Not reported
Trans 2 EPA ID:	Not reported
Trans 2 Name:	Not reported
TSDf EPA ID:	NVT330010208
Trans Name:	Not reported
TSDf Alt EPA ID:	Not reported
TSDf Alt Name:	Not reported
Waste Code Description:	- Not reported
RCRA Code:	Not reported
Meth Code:	H01 - Transfer Station
Quantity Tons:	0.2919
Waste Quantity:	70
Quantity Unit:	G
Additional Code 1:	Not reported
Additional Code 2:	Not reported
Additional Code 3:	Not reported
Additional Code 4:	Not reported
Additional Code 5:	Not reported

Map ID
Direction
Distance
Elevation

MAP FINDINGS

Site

Database(s)

EDR ID Number
EPA ID Number

TRI-CITY FORD DBA COLORADO RIVER FORD (Continued)

S112836184

Shipment Date: 20011114
Creation Date: 1/16/2002 0:00:00
Receipt Date: 20011114
Manifest ID: 21375324
Trans EPA ID: SCR000075150
Trans Name: Not reported
Trans 2 EPA ID: Not reported
Trans 2 Name: Not reported
TSDf EPA ID: NVT330010208
Trans Name: Not reported
TSDf Alt EPA ID: Not reported
TSDf Alt Name: Not reported
Waste Code Description: 221 - Waste oil and mixed oil
RCRA Code: Not reported
Meth Code: - Not reported
Quantity Tons: 0.646
Waste Quantity: 170
Quantity Unit: G
Additional Code 1: Not reported
Additional Code 2: Not reported
Additional Code 3: Not reported
Additional Code 4: Not reported
Additional Code 5: Not reported

Shipment Date: 20011031
Creation Date: 1/16/2002 0:00:00
Receipt Date: 20011031
Manifest ID: 21386460
Trans EPA ID: SCR000075150
Trans Name: Not reported
Trans 2 EPA ID: Not reported
Trans 2 Name: Not reported
TSDf EPA ID: NVT330010208
Trans Name: Not reported
TSDf Alt EPA ID: Not reported
TSDf Alt Name: Not reported
Waste Code Description: 221 - Waste oil and mixed oil
RCRA Code: Not reported
Meth Code: - Not reported
Quantity Tons: 1.121
Waste Quantity: 295
Quantity Unit: G
Additional Code 1: Not reported
Additional Code 2: Not reported
Additional Code 3: Not reported
Additional Code 4: Not reported
Additional Code 5: Not reported

Additional Info:
Year: 2003
Gen EPA ID: CA0000997932

Shipment Date: 20031223
Creation Date: 7/30/2004 18:31:14
Receipt Date: 20031223
Manifest ID: 23308279
Trans EPA ID: TXR000050930

Map ID
Direction
Distance
Elevation

MAP FINDINGS

Site

Database(s)

EDR ID Number
EPA ID Number

TRI-CITY FORD DBA COLORADO RIVER FORD (Continued)

S112836184

Trans Name: SAFETY-KLEEN SYSTEMS INC
Trans 2 EPA ID: Not reported
Trans 2 Name: Not reported
TSDf EPA ID: NVR000066837
Trans Name: SAFETY-KLEEN SYSTEMS INC
TSDf Alt EPA ID: Not reported
TSDf Alt Name: Not reported
Waste Code Description: 343 - Unspecified organic liquid mixture
RCRA Code: Not reported
Meth Code: H01 - Transfer Station
Quantity Tons: Not reported
Waste Quantity: Not reported
Quantity Unit: P
Additional Code 1: Not reported
Additional Code 2: Not reported
Additional Code 3: Not reported
Additional Code 4: Not reported
Additional Code 5: Not reported

Shipment Date: 20031223
Creation Date: 7/30/2004 18:31:14
Receipt Date: 20031223
Manifest ID: 23308279
Trans EPA ID: TXR000050930
Trans Name: SAFETY-KLEEN SYSTEMS INC
Trans 2 EPA ID: Not reported
Trans 2 Name: Not reported
TSDf EPA ID: NVR000066837
Trans Name: SAFETY-KLEEN SYSTEMS INC
TSDf Alt EPA ID: Not reported
TSDf Alt Name: Not reported
Waste Code Description: 221 - Waste oil and mixed oil
RCRA Code: Not reported
Meth Code: - Not reported
Quantity Tons: 0.741
Waste Quantity: 195
Quantity Unit: G
Additional Code 1: Not reported
Additional Code 2: Not reported
Additional Code 3: Not reported
Additional Code 4: Not reported
Additional Code 5: Not reported

Shipment Date: 20031211
Creation Date: 8/24/2004 10:00:04
Receipt Date: 20031211
Manifest ID: 22571920
Trans EPA ID: TXR000050930
Trans Name: SAFETY-KLEEN SYSTEMS INC
Trans 2 EPA ID: Not reported
Trans 2 Name: Not reported
TSDf EPA ID: NVR000066837
Trans Name: SAFETY-KLEEN SYSTEMS INC
TSDf Alt EPA ID: Not reported
TSDf Alt Name: Not reported
Waste Code Description: 213 - Hydrocarbon solvents (benzene, hexane, Stoddard, etc.
RCRA Code: D039

Map ID
Direction
Distance
Elevation

MAP FINDINGS

Site

Database(s)

EDR ID Number
EPA ID Number

TRI-CITY FORD DBA COLORADO RIVER FORD (Continued)

S112836184

Meth Code:	H01 - Transfer Station
Quantity Tons:	0.27522
Waste Quantity:	66
Quantity Unit:	G
Additional Code 1:	Not reported
Additional Code 2:	Not reported
Additional Code 3:	Not reported
Additional Code 4:	Not reported
Additional Code 5:	Not reported
Shipment Date:	20031210
Creation Date:	8/24/2004 10:00:04
Receipt Date:	20031210
Manifest ID:	22807298
Trans EPA ID:	TXR000050930
Trans Name:	SAFETY-KLEEN SYSTEMS INC
Trans 2 EPA ID:	Not reported
Trans 2 Name:	Not reported
TSDf EPA ID:	NVR000066837
Trans Name:	SAFETY-KLEEN SYSTEMS INC
TSDf Alt EPA ID:	Not reported
TSDf Alt Name:	Not reported
Waste Code Description:	221 - Waste oil and mixed oil
RCRA Code:	Not reported
Meth Code:	- Not reported
Quantity Tons:	0.912
Waste Quantity:	240
Quantity Unit:	G
Additional Code 1:	Not reported
Additional Code 2:	Not reported
Additional Code 3:	Not reported
Additional Code 4:	Not reported
Additional Code 5:	Not reported
Shipment Date:	20031210
Creation Date:	8/24/2004 10:00:04
Receipt Date:	20031210
Manifest ID:	22807298
Trans EPA ID:	TXR000050930
Trans Name:	SAFETY-KLEEN SYSTEMS INC
Trans 2 EPA ID:	Not reported
Trans 2 Name:	Not reported
TSDf EPA ID:	NVR000066837
Trans Name:	SAFETY-KLEEN SYSTEMS INC
TSDf Alt EPA ID:	Not reported
TSDf Alt Name:	Not reported
Waste Code Description:	343 - Unspecified organic liquid mixture
RCRA Code:	Not reported
Meth Code:	H01 - Transfer Station
Quantity Tons:	0.0125
Waste Quantity:	25
Quantity Unit:	P
Additional Code 1:	Not reported
Additional Code 2:	Not reported
Additional Code 3:	Not reported
Additional Code 4:	Not reported
Additional Code 5:	Not reported

Map ID
Direction
Distance
Elevation

MAP FINDINGS

Site

Database(s)

EDR ID Number
EPA ID Number

TRI-CITY FORD DBA COLORADO RIVER FORD (Continued)

S112836184

Shipment Date: 20031126
Creation Date: 8/5/2004 10:14:17
Receipt Date: 20031126
Manifest ID: 23302247
Trans EPA ID: TXR000050930
Trans Name: SAFETY-KLEEN SYSTEMS INC
Trans 2 EPA ID: Not reported
Trans 2 Name: Not reported
TSDf EPA ID: NVR000066837
Trans Name: SAFETY-KLEEN SYSTEMS INC
TSDf Alt EPA ID: Not reported
TSDf Alt Name: Not reported
Waste Code Description: 221 - Waste oil and mixed oil
RCRA Code: Not reported
Meth Code: - Not reported
Quantity Tons: 0.703
Waste Quantity: 185
Quantity Unit: G
Additional Code 1: Not reported
Additional Code 2: Not reported
Additional Code 3: Not reported
Additional Code 4: Not reported
Additional Code 5: Not reported

Shipment Date: 20031126
Creation Date: 8/5/2004 10:14:17
Receipt Date: 20031126
Manifest ID: 23302247
Trans EPA ID: TXR000050930
Trans Name: SAFETY-KLEEN SYSTEMS INC
Trans 2 EPA ID: Not reported
Trans 2 Name: Not reported
TSDf EPA ID: NVR000066837
Trans Name: SAFETY-KLEEN SYSTEMS INC
TSDf Alt EPA ID: Not reported
TSDf Alt Name: Not reported
Waste Code Description: - Not reported
RCRA Code: Not reported
Meth Code: H01 - Transfer Station
Quantity Tons: Not reported
Waste Quantity: Not reported
Quantity Unit: Not reported
Additional Code 1: Not reported
Additional Code 2: Not reported
Additional Code 3: Not reported
Additional Code 4: Not reported
Additional Code 5: Not reported

Shipment Date: 20031112
Creation Date: 8/20/2004 8:27:39
Receipt Date: 20031112
Manifest ID: 23304032
Trans EPA ID: TXR000050930
Trans Name: SAFETY-KLEEN SYSTEMS INC
Trans 2 EPA ID: Not reported
Trans 2 Name: Not reported
TSDf EPA ID: NVR000066837

Map ID
Direction
Distance
Elevation

MAP FINDINGS

Site

Database(s)

EDR ID Number
EPA ID Number

TRI-CITY FORD DBA COLORADO RIVER FORD (Continued)

S112836184

Trans Name: SAFETY-KLEEN SYSTEMS INC
TSDf Alt EPA ID: Not reported
TSDf Alt Name: Not reported
Waste Code Description: 343 - Unspecified organic liquid mixture
RCRA Code: Not reported
Meth Code: H01 - Transfer Station
Quantity Tons: 0.0175
Waste Quantity: 35
Quantity Unit: P
Additional Code 1: Not reported
Additional Code 2: Not reported
Additional Code 3: Not reported
Additional Code 4: Not reported
Additional Code 5: Not reported

Shipment Date: 20031112
Creation Date: 8/20/2004 8:27:39
Receipt Date: 20031112
Manifest ID: 23304032
Trans EPA ID: TXR000050930
Trans Name: SAFETY-KLEEN SYSTEMS INC
Trans 2 EPA ID: Not reported
Trans 2 Name: Not reported
TSDf EPA ID: NVR000066837
Trans Name: SAFETY-KLEEN SYSTEMS INC
TSDf Alt EPA ID: Not reported
TSDf Alt Name: Not reported
Waste Code Description: 221 - Waste oil and mixed oil
RCRA Code: Not reported
Meth Code: - Not reported
Quantity Tons: 1.026
Waste Quantity: 270
Quantity Unit: G
Additional Code 1: Not reported
Additional Code 2: Not reported
Additional Code 3: Not reported
Additional Code 4: Not reported
Additional Code 5: Not reported

Shipment Date: 20031029
Creation Date: 8/3/2004 15:03:33
Receipt Date: 20031029
Manifest ID: 22530285
Trans EPA ID: TXR000050930
Trans Name: SAFETY-KLEEN SYSTEMS INC
Trans 2 EPA ID: Not reported
Trans 2 Name: Not reported
TSDf EPA ID: NVR000066837
Trans Name: SAFETY-KLEEN SYSTEMS INC
TSDf Alt EPA ID: Not reported
TSDf Alt Name: Not reported
Waste Code Description: - Not reported
RCRA Code: Not reported
Meth Code: H01 - Transfer Station
Quantity Tons: 0.9591
Waste Quantity: 230
Quantity Unit: G

Map ID
Direction
Distance
Elevation

MAP FINDINGS

Site

Database(s)

EDR ID Number
EPA ID Number

TRI-CITY FORD DBA COLORADO RIVER FORD (Continued)

S112836184

Additional Code 1: Not reported
Additional Code 2: Not reported
Additional Code 3: Not reported
Additional Code 4: Not reported
Additional Code 5: Not reported

Additional Info:

Year: 2000
Gen EPA ID: CA0000997932

Shipment Date: 20001205
Creation Date: 1/24/2001 0:00:00
Receipt Date: 20001205
Manifest ID: 20299746
Trans EPA ID: SCR000075150
Trans Name: Not reported
Trans 2 EPA ID: Not reported
Trans 2 Name: Not reported
TSDf EPA ID: NVT330010208
Trans Name: Not reported
TSDf Alt EPA ID: Not reported
TSDf Alt Name: Not reported
Waste Code Description: 134 - Aqueous solution with <10% total organic residues
RCRA Code: D039
Meth Code: H01 - Transfer Station
Quantity Tons: 0.0168
Waste Quantity: 4
Quantity Unit: G
Additional Code 1: Not reported
Additional Code 2: Not reported
Additional Code 3: Not reported
Additional Code 4: Not reported
Additional Code 5: Not reported

Shipment Date: 20001025
Creation Date: 12/13/2000 0:00:00
Receipt Date: 20001025
Manifest ID: 20289291
Trans EPA ID: SCR000075150
Trans Name: Not reported
Trans 2 EPA ID: Not reported
Trans 2 Name: Not reported
TSDf EPA ID: NVT330010208
Trans Name: Not reported
TSDf Alt EPA ID: Not reported
TSDf Alt Name: Not reported
Waste Code Description: 213 - Hydrocarbon solvents (benzene, hexane, Stoddard, etc.)
RCRA Code: D039
Meth Code: H01 - Transfer Station
Quantity Tons: 0.0291
Waste Quantity: 7
Quantity Unit: G
Additional Code 1: Not reported
Additional Code 2: Not reported
Additional Code 3: Not reported
Additional Code 4: Not reported
Additional Code 5: Not reported

Map ID
Direction
Distance
Elevation

MAP FINDINGS

Site

Database(s)

EDR ID Number
EPA ID Number

TRI-CITY FORD DBA COLORADO RIVER FORD (Continued)

S112836184

Shipment Date:	20001025
Creation Date:	12/13/2000 0:00:00
Receipt Date:	20001025
Manifest ID:	20289291
Trans EPA ID:	SCR000075150
Trans Name:	Not reported
Trans 2 EPA ID:	Not reported
Trans 2 Name:	Not reported
TSDf EPA ID:	NVT330010208
Trans Name:	Not reported
TSDf Alt EPA ID:	Not reported
TSDf Alt Name:	Not reported
Waste Code Description:	213 - Hydrocarbon solvents (benzene, hexane, Stoddard, etc.
RCRA Code:	D039
Meth Code:	H01 - Transfer Station
Quantity Tons:	0.4878
Waste Quantity:	117
Quantity Unit:	G
Additional Code 1:	Not reported
Additional Code 2:	Not reported
Additional Code 3:	Not reported
Additional Code 4:	Not reported
Additional Code 5:	Not reported
Shipment Date:	20000927
Creation Date:	11/14/2000 0:00:00
Receipt Date:	20000927
Manifest ID:	20033077
Trans EPA ID:	SCR000075150
Trans Name:	Not reported
Trans 2 EPA ID:	Not reported
Trans 2 Name:	Not reported
TSDf EPA ID:	NVT330010208
Trans Name:	Not reported
TSDf Alt EPA ID:	Not reported
TSDf Alt Name:	Not reported
Waste Code Description:	741 - Liquids with halogenated organic compounds > 1000 mg/l
RCRA Code:	D001
Meth Code:	H01 - Transfer Station
Quantity Tons:	0.0291
Waste Quantity:	7
Quantity Unit:	G
Additional Code 1:	Not reported
Additional Code 2:	Not reported
Additional Code 3:	Not reported
Additional Code 4:	Not reported
Additional Code 5:	Not reported
Shipment Date:	20000801
Creation Date:	9/11/2000 0:00:00
Receipt Date:	20000801
Manifest ID:	20192547
Trans EPA ID:	SCR000075150
Trans Name:	Not reported
Trans 2 EPA ID:	Not reported
Trans 2 Name:	Not reported
TSDf EPA ID:	NVT330010208

Map ID
Direction
Distance
Elevation

MAP FINDINGS

Site

Database(s)

EDR ID Number
EPA ID Number

TRI-CITY FORD DBA COLORADO RIVER FORD (Continued)

S112836184

Trans Name:	Not reported
TSDF Alt EPA ID:	Not reported
TSDF Alt Name:	Not reported
Waste Code Description:	213 - Hydrocarbon solvents (benzene, hexane, Stoddard, etc.
RCRA Code:	D039
Meth Code:	H01 - Transfer Station
Quantity Tons:	0.442
Waste Quantity:	106
Quantity Unit:	G
Additional Code 1:	Not reported
Additional Code 2:	Not reported
Additional Code 3:	Not reported
Additional Code 4:	Not reported
Additional Code 5:	Not reported
Shipment Date:	20000706
Creation Date:	8/14/2000 0:00:00
Receipt Date:	20000706
Manifest ID:	20184699
Trans EPA ID:	SCR000075150
Trans Name:	Not reported
Trans 2 EPA ID:	Not reported
Trans 2 Name:	Not reported
TSDF EPA ID:	NVT330010208
Trans Name:	Not reported
TSDF Alt EPA ID:	Not reported
TSDF Alt Name:	Not reported
Waste Code Description:	741 - Liquids with halogenated organic compounds > 1000 mg/l
RCRA Code:	D001
Meth Code:	H01 - Transfer Station
Quantity Tons:	0.0291
Waste Quantity:	7
Quantity Unit:	G
Additional Code 1:	Not reported
Additional Code 2:	Not reported
Additional Code 3:	Not reported
Additional Code 4:	Not reported
Additional Code 5:	Not reported
Shipment Date:	20000518
Creation Date:	6/21/2000 0:00:00
Receipt Date:	20000518
Manifest ID:	20008911
Trans EPA ID:	ILD984908202
Trans Name:	Not reported
Trans 2 EPA ID:	Not reported
Trans 2 Name:	Not reported
TSDF EPA ID:	NVT330010208
Trans Name:	Not reported
TSDF Alt EPA ID:	Not reported
TSDF Alt Name:	Not reported
Waste Code Description:	741 - Liquids with halogenated organic compounds > 1000 mg/l
RCRA Code:	D001
Meth Code:	H01 - Transfer Station
Quantity Tons:	0.1084
Waste Quantity:	26
Quantity Unit:	G

Map ID
Direction
Distance
Elevation

MAP FINDINGS

Site

Database(s)

EDR ID Number
EPA ID Number

TRI-CITY FORD DBA COLORADO RIVER FORD (Continued)

S112836184

Additional Code 1:	Not reported
Additional Code 2:	Not reported
Additional Code 3:	Not reported
Additional Code 4:	Not reported
Additional Code 5:	Not reported
Shipment Date:	20000509
Creation Date:	6/21/2000 0:00:00
Receipt Date:	20000509
Manifest ID:	99858105
Trans EPA ID:	ILD984908202
Trans Name:	Not reported
Trans 2 EPA ID:	Not reported
Trans 2 Name:	Not reported
TSDf EPA ID:	NVT330010208
Trans Name:	Not reported
TSDf Alt EPA ID:	Not reported
TSDf Alt Name:	Not reported
Waste Code Description:	213 - Hydrocarbon solvents (benzene, hexane, Stoddard, etc.
RCRA Code:	D039
Meth Code:	H01 - Transfer Station
Quantity Tons:	0.4503
Waste Quantity:	108
Quantity Unit:	G
Additional Code 1:	Not reported
Additional Code 2:	Not reported
Additional Code 3:	Not reported
Additional Code 4:	Not reported
Additional Code 5:	Not reported
Shipment Date:	20000412
Creation Date:	5/30/2000 0:00:00
Receipt Date:	20000412
Manifest ID:	99849294
Trans EPA ID:	ILD984908202
Trans Name:	Not reported
Trans 2 EPA ID:	Not reported
Trans 2 Name:	Not reported
TSDf EPA ID:	NVT330010208
Trans Name:	Not reported
TSDf Alt EPA ID:	Not reported
TSDf Alt Name:	Not reported
Waste Code Description:	741 - Liquids with halogenated organic compounds > 1000 mg/l
RCRA Code:	D001
Meth Code:	H01 - Transfer Station
Quantity Tons:	0.0291
Waste Quantity:	7
Quantity Unit:	G
Additional Code 1:	Not reported
Additional Code 2:	Not reported
Additional Code 3:	Not reported
Additional Code 4:	Not reported
Additional Code 5:	Not reported
Shipment Date:	20000322
Creation Date:	5/17/2000 0:00:00
Receipt Date:	20000322

Map ID
Direction
Distance
Elevation

MAP FINDINGS

Site

Database(s)

EDR ID Number
EPA ID Number

TRI-CITY FORD DBA COLORADO RIVER FORD (Continued)

S112836184

Manifest ID: 99876727
Trans EPA ID: ILD984908202
Trans Name: Not reported
Trans 2 EPA ID: Not reported
Trans 2 Name: Not reported
TSDf EPA ID: NVT330010208
Trans Name: Not reported
TSDf Alt EPA ID: Not reported
TSDf Alt Name: Not reported
Waste Code Description: 213 - Hydrocarbon solvents (benzene, hexane, Stoddard, etc.)
RCRA Code: D039
Meth Code: H01 - Transfer Station
Quantity Tons: 0.0625
Waste Quantity: 15
Quantity Unit: G
Additional Code 1: Not reported
Additional Code 2: Not reported
Additional Code 3: Not reported
Additional Code 4: Not reported
Additional Code 5: Not reported

Additional Info:

Year: 2005
Gen EPA ID: CA0000997932

Shipment Date: 20051221
Creation Date: 1/4/2007 18:30:12
Receipt Date: 20051221
Manifest ID: 23677316
Trans EPA ID: TXR000050930
Trans Name: SAFETY-KLEEN SYSTEMS INC
Trans 2 EPA ID: Not reported
Trans 2 Name: Not reported
TSDf EPA ID: NVR000066837
Trans Name: SAFETY-KLEEN SYSTEMS INC
TSDf Alt EPA ID: Not reported
TSDf Alt Name: Not reported
Waste Code Description: 343 - Unspecified organic liquid mixture
RCRA Code: Not reported
Meth Code: - Not reported
Quantity Tons: 0.085
Waste Quantity: 25
Quantity Unit: G
Additional Code 1: Not reported
Additional Code 2: Not reported
Additional Code 3: Not reported
Additional Code 4: Not reported
Additional Code 5: Not reported

Shipment Date: 20051221
Creation Date: 1/4/2007 18:30:12
Receipt Date: 20051221
Manifest ID: 23677316
Trans EPA ID: TXR000050930
Trans Name: SAFETY-KLEEN SYSTEMS INC
Trans 2 EPA ID: Not reported
Trans 2 Name: Not reported

Map ID
Direction
Distance
Elevation

MAP FINDINGS

Site

Database(s)

EDR ID Number
EPA ID Number

TRI-CITY FORD DBA COLORADO RIVER FORD (Continued)

S112836184

TSDF EPA ID:	NVR000066837
Trans Name:	SAFETY-KLEEN SYSTEMS INC
TSDF Alt EPA ID:	Not reported
TSDF Alt Name:	Not reported
Waste Code Description:	221 - Waste oil and mixed oil
RCRA Code:	Not reported
Meth Code:	- Not reported
Quantity Tons:	0.684
Waste Quantity:	180
Quantity Unit:	G
Additional Code 1:	Not reported
Additional Code 2:	Not reported
Additional Code 3:	Not reported
Additional Code 4:	Not reported
Additional Code 5:	Not reported
Shipment Date:	20051207
Creation Date:	1/2/2007 18:30:32
Receipt Date:	20051207
Manifest ID:	24606658
Trans EPA ID:	TXR000050930
Trans Name:	SAFETY-KLEEN SYSTEMS INC
Trans 2 EPA ID:	Not reported
Trans 2 Name:	Not reported
TSDF EPA ID:	NVR000066837
Trans Name:	SAFETY-KLEEN SYSTEMS INC
TSDF Alt EPA ID:	Not reported
TSDF Alt Name:	Not reported
Waste Code Description:	221 - Waste oil and mixed oil
RCRA Code:	Not reported
Meth Code:	- Not reported
Quantity Tons:	0.779
Waste Quantity:	205
Quantity Unit:	G
Additional Code 1:	Not reported
Additional Code 2:	Not reported
Additional Code 3:	Not reported
Additional Code 4:	Not reported
Additional Code 5:	Not reported
Shipment Date:	20051207
Creation Date:	1/2/2007 18:30:32
Receipt Date:	20051207
Manifest ID:	24606658
Trans EPA ID:	TXR000050930
Trans Name:	SAFETY-KLEEN SYSTEMS INC
Trans 2 EPA ID:	Not reported
Trans 2 Name:	Not reported
TSDF EPA ID:	NVR000066837
Trans Name:	SAFETY-KLEEN SYSTEMS INC
TSDF Alt EPA ID:	Not reported
TSDF Alt Name:	Not reported
Waste Code Description:	343 - Unspecified organic liquid mixture
RCRA Code:	Not reported
Meth Code:	- Not reported
Quantity Tons:	0.102
Waste Quantity:	30

Map ID
Direction
Distance
Elevation

MAP FINDINGS

Site

Database(s)

EDR ID Number
EPA ID Number

TRI-CITY FORD DBA COLORADO RIVER FORD (Continued)

S112836184

Quantity Unit:	G
Additional Code 1:	Not reported
Additional Code 2:	Not reported
Additional Code 3:	Not reported
Additional Code 4:	Not reported
Additional Code 5:	Not reported
Shipment Date:	20051122
Creation Date:	1/2/2007 18:30:08
Receipt Date:	20051122
Manifest ID:	23675055
Trans EPA ID:	TXR000050930
Trans Name:	SAFETY-KLEEN SYSTEMS INC
Trans 2 EPA ID:	Not reported
Trans 2 Name:	Not reported
TSDf EPA ID:	NVR000066837
Trans Name:	SAFETY-KLEEN SYSTEMS INC
TSDf Alt EPA ID:	Not reported
TSDf Alt Name:	Not reported
Waste Code Description:	343 - Unspecified organic liquid mixture
RCRA Code:	Not reported
Meth Code:	- Not reported
Quantity Tons:	0.102
Waste Quantity:	30
Quantity Unit:	G
Additional Code 1:	Not reported
Additional Code 2:	Not reported
Additional Code 3:	Not reported
Additional Code 4:	Not reported
Additional Code 5:	Not reported
Shipment Date:	20051122
Creation Date:	1/2/2007 18:30:08
Receipt Date:	20051122
Manifest ID:	23675055
Trans EPA ID:	TXR000050930
Trans Name:	SAFETY-KLEEN SYSTEMS INC
Trans 2 EPA ID:	Not reported
Trans 2 Name:	Not reported
TSDf EPA ID:	NVR000066837
Trans Name:	SAFETY-KLEEN SYSTEMS INC
TSDf Alt EPA ID:	Not reported
TSDf Alt Name:	Not reported
Waste Code Description:	221 - Waste oil and mixed oil
RCRA Code:	Not reported
Meth Code:	- Not reported
Quantity Tons:	0.646
Waste Quantity:	170
Quantity Unit:	G
Additional Code 1:	Not reported
Additional Code 2:	Not reported
Additional Code 3:	Not reported
Additional Code 4:	Not reported
Additional Code 5:	Not reported
Shipment Date:	20051109
Creation Date:	7/12/2006 18:31:35

Map ID
Direction
Distance
Elevation

MAP FINDINGS

Site

Database(s)

EDR ID Number
EPA ID Number

TRI-CITY FORD DBA COLORADO RIVER FORD (Continued)

S112836184

Receipt Date:	20051109
Manifest ID:	24720125
Trans EPA ID:	TXR000050930
Trans Name:	SAFETY-KLEEN SYSTEMS INC
Trans 2 EPA ID:	Not reported
Trans 2 Name:	Not reported
TSDf EPA ID:	NVR000066837
Trans Name:	SAFETY-KLEEN SYSTEMS INC
TSDf Alt EPA ID:	Not reported
TSDf Alt Name:	Not reported
Waste Code Description:	221 - Waste oil and mixed oil
RCRA Code:	Not reported
Meth Code:	- Not reported
Quantity Tons:	0.684
Waste Quantity:	180
Quantity Unit:	G
Additional Code 1:	Not reported
Additional Code 2:	Not reported
Additional Code 3:	Not reported
Additional Code 4:	Not reported
Additional Code 5:	Not reported
Shipment Date:	20051102
Creation Date:	12/22/2006 18:30:28
Receipt Date:	20051102
Manifest ID:	24741766
Trans EPA ID:	TXR000050930
Trans Name:	SAFETY-KLEEN SYSTEMS INC
Trans 2 EPA ID:	Not reported
Trans 2 Name:	Not reported
TSDf EPA ID:	NVR000066837
Trans Name:	SAFETY-KLEEN SYSTEMS INC
TSDf Alt EPA ID:	Not reported
TSDf Alt Name:	Not reported
Waste Code Description:	213 - Hydrocarbon solvents (benzene, hexane, Stoddard, etc.
RCRA Code:	D039
Meth Code:	H01 - Transfer Station
Quantity Tons:	0.29607
Waste Quantity:	71
Quantity Unit:	G
Additional Code 1:	Not reported
Additional Code 2:	Not reported
Additional Code 3:	Not reported
Additional Code 4:	Not reported
Additional Code 5:	Not reported
Shipment Date:	20051102
Creation Date:	12/22/2006 18:30:28
Receipt Date:	20051102
Manifest ID:	24741766
Trans EPA ID:	TXR000050930
Trans Name:	SAFETY-KLEEN SYSTEMS INC
Trans 2 EPA ID:	Not reported
Trans 2 Name:	Not reported
TSDf EPA ID:	NVR000066837
Trans Name:	SAFETY-KLEEN SYSTEMS INC
TSDf Alt EPA ID:	Not reported

Map ID
Direction
Distance
Elevation

MAP FINDINGS

Site

Database(s)

EDR ID Number
EPA ID Number

TRI-CITY FORD DBA COLORADO RIVER FORD (Continued)

S112836184

TSDF Alt Name: Not reported
Waste Code Description: 741 - Liquids with halogenated organic compounds > 1000 mg/l
RCRA Code: D001
Meth Code: H01 - Transfer Station
Quantity Tons: Not reported
Waste Quantity: Not reported
Quantity Unit: G
Additional Code 1: Not reported
Additional Code 2: Not reported
Additional Code 3: Not reported
Additional Code 4: Not reported
Additional Code 5: Not reported

Shipment Date: 20051012
Creation Date: 8/23/2006 18:35:03
Receipt Date: 20051012
Manifest ID: 24719365
Trans EPA ID: TXR000050930
Trans Name: SAFETY-KLEEN SYSTEMS INC
Trans 2 EPA ID: Not reported
Trans 2 Name: Not reported
TSDF EPA ID: NVR000066837
Trans Name: SAFETY-KLEEN SYSTEMS INC
TSDF Alt EPA ID: Not reported
TSDF Alt Name: Not reported
Waste Code Description: 221 - Waste oil and mixed oil
RCRA Code: Not reported
Meth Code: - Not reported
Quantity Tons: 0.456
Waste Quantity: 120
Quantity Unit: G
Additional Code 1: Not reported
Additional Code 2: Not reported
Additional Code 3: Not reported
Additional Code 4: Not reported
Additional Code 5: Not reported

Additional Info:

Year: 2006
Gen EPA ID: CA0000997932

Shipment Date: 20061228
Creation Date: 10/24/2007 18:30:14
Receipt Date: 20061228
Manifest ID: 000304596SKS
Trans EPA ID: TXR000050930
Trans Name: SAFETY-KLEEN SYSTEMS INC
Trans 2 EPA ID: Not reported
Trans 2 Name: Not reported
TSDF EPA ID: NVR000066837
Trans Name: SAFETY-KLEEN SYSTEMS INC 708701
TSDF Alt EPA ID: Not reported
TSDF Alt Name: Not reported
Waste Code Description: 213 - Hydrocarbon solvents (benzene, hexane, Stoddard, etc.
RCRA Code: D039
Meth Code: H141 - Storage, Bulking, And/Or Transfer Off Site--No Treatment/Reovery (H010-H129) Or (H131-H135)

Map ID
Direction
Distance
Elevation

MAP FINDINGS

Site

Database(s)

EDR ID Number
EPA ID Number

TRI-CITY FORD DBA COLORADO RIVER FORD (Continued)

S112836184

Quantity Tons:	0.2919
Waste Quantity:	70
Quantity Unit:	G
Additional Code 1:	Not reported
Additional Code 2:	Not reported
Additional Code 3:	Not reported
Additional Code 4:	Not reported
Additional Code 5:	Not reported
Shipment Date:	20061004
Creation Date:	3/30/2007 13:33:32
Receipt Date:	20061004
Manifest ID:	000827902JJK
Trans EPA ID:	TXR000050930
Trans Name:	SAFETY-KLEEN SYSTEMS INC
Trans 2 EPA ID:	Not reported
Trans 2 Name:	Not reported
TSDf EPA ID:	NVR000066837
Trans Name:	SAFETY-KLEEN SYSTEMS INC
TSDf Alt EPA ID:	Not reported
TSDf Alt Name:	Not reported
Waste Code Description:	213 - Hydrocarbon solvents (benzene, hexane, Stoddard, etc.
RCRA Code:	D039
Meth Code:	H141 - Storage, Bulking, And/Or Transfer Off Site--No Treatment/Reovery (H010-H129) Or (H131-H135)
Quantity Tons:	0.31275
Waste Quantity:	75
Quantity Unit:	G
Additional Code 1:	Not reported
Additional Code 2:	Not reported
Additional Code 3:	Not reported
Additional Code 4:	Not reported
Additional Code 5:	Not reported
Shipment Date:	20061004
Creation Date:	6/11/2007 18:30:13
Receipt Date:	20061017
Manifest ID:	000103065CEX
Trans EPA ID:	TXR000050930
Trans Name:	SAFETY-KLEEN SYSTEMS INC
Trans 2 EPA ID:	OKD981588791
Trans 2 Name:	TRIAD
TSDf EPA ID:	TXD077603371
Trans Name:	SAFETY-KLEEN SYSTEMS INC
TSDf Alt EPA ID:	Not reported
TSDf Alt Name:	Not reported
Waste Code Description:	352 - Other organic solids
RCRA Code:	D008
Meth Code:	H141 - Storage, Bulking, And/Or Transfer Off Site--No Treatment/Reovery (H010-H129) Or (H131-H135)
Quantity Tons:	0.15
Waste Quantity:	300
Quantity Unit:	P
Additional Code 1:	Not reported
Additional Code 2:	Not reported
Additional Code 3:	Not reported
Additional Code 4:	Not reported

Map ID
Direction
Distance
Elevation

MAP FINDINGS

Site

Database(s)

EDR ID Number
EPA ID Number

TRI-CITY FORD DBA COLORADO RIVER FORD (Continued)

S112836184

Additional Code 5:	Not reported
Shipment Date:	20060711
Creation Date:	9/8/2006 18:32:18
Receipt Date:	20060711
Manifest ID:	24944141
Trans EPA ID:	TXR000050930
Trans Name:	SAFETY KLEEN SYSTEMS INC
Trans 2 EPA ID:	Not reported
Trans 2 Name:	Not reported
TSDf EPA ID:	NVR000066837
Trans Name:	SAFETY KLEEN SYSTEMS INC
TSDf Alt EPA ID:	Not reported
TSDf Alt Name:	Not reported
Waste Code Description:	213 - Hydrocarbon solvents (benzene, hexane, Stoddard, etc.
RCRA Code:	D039
Meth Code:	H01 - Transfer Station
Quantity Tons:	0.28356
Waste Quantity:	68
Quantity Unit:	G
Additional Code 1:	Not reported
Additional Code 2:	Not reported
Additional Code 3:	Not reported
Additional Code 4:	Not reported
Additional Code 5:	Not reported
Shipment Date:	20060419
Creation Date:	7/27/2006 18:37:42
Receipt Date:	20060419
Manifest ID:	24622967
Trans EPA ID:	TXR000050930
Trans Name:	SAFETY KLEEN SYSTEMS INC
Trans 2 EPA ID:	Not reported
Trans 2 Name:	Not reported
TSDf EPA ID:	NVR000066837
Trans Name:	SAFETY KLEEN SYSTEMS INC
TSDf Alt EPA ID:	Not reported
TSDf Alt Name:	Not reported
Waste Code Description:	213 - Hydrocarbon solvents (benzene, hexane, Stoddard, etc.
RCRA Code:	D039
Meth Code:	H01 - Transfer Station
Quantity Tons:	0.28356
Waste Quantity:	68
Quantity Unit:	G
Additional Code 1:	Not reported
Additional Code 2:	Not reported
Additional Code 3:	Not reported
Additional Code 4:	Not reported
Additional Code 5:	Not reported
Shipment Date:	20060228
Creation Date:	6/14/2006 18:34:47
Receipt Date:	20060228
Manifest ID:	24617326
Trans EPA ID:	TXR000050930
Trans Name:	SAFETY-KLEEN SYSTEMS INC
Trans 2 EPA ID:	Not reported

Map ID
Direction
Distance
Elevation

MAP FINDINGS

Site

Database(s)

EDR ID Number
EPA ID Number

TRI-CITY FORD DBA COLORADO RIVER FORD (Continued)

S112836184

Trans 2 Name: Not reported
TSDf EPA ID: NVR000066837
Trans Name: SAFETY-KLEEN SYSTEMS INC
TSDf Alt EPA ID: Not reported
TSDf Alt Name: Not reported
Waste Code Description: - Not reported
RCRA Code: Not reported
Meth Code: - Not reported
Quantity Tons: Not reported
Waste Quantity: 275
Quantity Unit: Not reported
Additional Code 1: Not reported
Additional Code 2: Not reported
Additional Code 3: Not reported
Additional Code 4: Not reported
Additional Code 5: Not reported

Shipment Date: 20060228
Creation Date: 6/14/2006 18:34:47
Receipt Date: 20060228
Manifest ID: 24617326
Trans EPA ID: TXR000050930
Trans Name: SAFETY-KLEEN SYSTEMS INC
Trans 2 EPA ID: Not reported
Trans 2 Name: Not reported
TSDf EPA ID: NVR000066837
Trans Name: SAFETY-KLEEN SYSTEMS INC
TSDf Alt EPA ID: Not reported
TSDf Alt Name: Not reported
Waste Code Description: - Not reported
RCRA Code: Not reported
Meth Code: - Not reported
Quantity Tons: Not reported
Waste Quantity: 55
Quantity Unit: Not reported
Additional Code 1: Not reported
Additional Code 2: Not reported
Additional Code 3: Not reported
Additional Code 4: Not reported
Additional Code 5: Not reported

Shipment Date: 20060214
Creation Date: 5/6/2006 18:31:14
Receipt Date: 20060214
Manifest ID: 24604851
Trans EPA ID: TXR000050930
Trans Name: SAFETY-KLEEN SYSTEMS INC
Trans 2 EPA ID: Not reported
Trans 2 Name: Not reported
TSDf EPA ID: NVR000066837
Trans Name: SAFETY-KLEEN SYSTEMS INC
TSDf Alt EPA ID: Not reported
TSDf Alt Name: Not reported
Waste Code Description: 221 - Waste oil and mixed oil
RCRA Code: Not reported
Meth Code: - Not reported
Quantity Tons: 1.9

Map ID
Direction
Distance
Elevation

MAP FINDINGS

Site

Database(s)

EDR ID Number
EPA ID Number

TRI-CITY FORD DBA COLORADO RIVER FORD (Continued)

S112836184

Waste Quantity:	500
Quantity Unit:	G
Additional Code 1:	Not reported
Additional Code 2:	Not reported
Additional Code 3:	Not reported
Additional Code 4:	Not reported
Additional Code 5:	Not reported
Shipment Date:	20060123
Creation Date:	3/14/2007 18:30:33
Receipt Date:	20060123
Manifest ID:	24612579
Trans EPA ID:	TXR000050930
Trans Name:	SAFETY-KLEEN SYSTEMS INC
Trans 2 EPA ID:	Not reported
Trans 2 Name:	Not reported
TSDF EPA ID:	NVR000066837
Trans Name:	SAFETY-KLEEN SYSTEMS INC
TSDF Alt EPA ID:	Not reported
TSDF Alt Name:	Not reported
Waste Code Description:	741 - Liquids with halogenated organic compounds > 1000 mg/l
RCRA Code:	D001
Meth Code:	H01 - Transfer Station
Quantity Tons:	Not reported
Waste Quantity:	Not reported
Quantity Unit:	G
Additional Code 1:	Not reported
Additional Code 2:	Not reported
Additional Code 3:	Not reported
Additional Code 4:	Not reported
Additional Code 5:	Not reported
Shipment Date:	20060123
Creation Date:	3/14/2007 18:30:33
Receipt Date:	20060123
Manifest ID:	24612579
Trans EPA ID:	TXR000050930
Trans Name:	SAFETY-KLEEN SYSTEMS INC
Trans 2 EPA ID:	Not reported
Trans 2 Name:	Not reported
TSDF EPA ID:	NVR000066837
Trans Name:	SAFETY-KLEEN SYSTEMS INC
TSDF Alt EPA ID:	Not reported
TSDF Alt Name:	Not reported
Waste Code Description:	213 - Hydrocarbon solvents (benzene, hexane, Stoddard, etc.
RCRA Code:	D039
Meth Code:	H01 - Transfer Station
Quantity Tons:	0.28356
Waste Quantity:	68
Quantity Unit:	G
Additional Code 1:	Not reported
Additional Code 2:	Not reported
Additional Code 3:	Not reported
Additional Code 4:	Not reported
Additional Code 5:	Not reported

Map ID
Direction
Distance
Elevation

MAP FINDINGS

Site

Database(s)

EDR ID Number
EPA ID Number

TRI-CITY FORD DBA COLORADO RIVER FORD (Continued)

S112836184

Additional Info:

Year: 2004
Gen EPA ID: CA0000997932

Shipment Date: 20041221
Creation Date: 3/13/2007 18:30:28
Receipt Date: 20041221
Manifest ID: 23652752
Trans EPA ID: TXR000050930
Trans Name: SAFETY-KLEEN SYSTEMS INC
Trans 2 EPA ID: Not reported
Trans 2 Name: Not reported
TSDf EPA ID: NVR000066837
Trans Name: SAFETY-KLEEN SYSTEMS INC
TSDf Alt EPA ID: Not reported
TSDf Alt Name: Not reported
Waste Code Description: 221 - Waste oil and mixed oil
RCRA Code: Not reported
Meth Code: H01 - Transfer Station
Quantity Tons: 0.969
Waste Quantity: 255
Quantity Unit: G
Additional Code 1: Not reported
Additional Code 2: Not reported
Additional Code 3: Not reported
Additional Code 4: Not reported
Additional Code 5: Not reported

Shipment Date: 20041208
Creation Date: 2/17/2005 18:32:22
Receipt Date: 20041208
Manifest ID: 22323583
Trans EPA ID: TXR000050930
Trans Name: SAFETY-KLEEN SYSTEMS INC
Trans 2 EPA ID: Not reported
Trans 2 Name: Not reported
TSDf EPA ID: NVR000066837
Trans Name: SAFETY-KLEEN SYSTEMS INC
TSDf Alt EPA ID: 703701
TSDf Alt Name: Not reported
Waste Code Description: 221 - Waste oil and mixed oil
RCRA Code: Not reported
Meth Code: - Not reported
Quantity Tons: 0.684
Waste Quantity: 180
Quantity Unit: G
Additional Code 1: Not reported
Additional Code 2: Not reported
Additional Code 3: Not reported
Additional Code 4: Not reported
Additional Code 5: Not reported

Shipment Date: 20041123
Creation Date: 1/20/2005 18:31:32
Receipt Date: 20041123
Manifest ID: 23722434
Trans EPA ID: TXR000050930

Map ID
Direction
Distance
Elevation

MAP FINDINGS

Site

Database(s)

EDR ID Number
EPA ID Number

TRI-CITY FORD DBA COLORADO RIVER FORD (Continued)

S112836184

Trans Name: SAFETY-KLEEN SYSTEMS INC
Trans 2 EPA ID: Not reported
Trans 2 Name: Not reported
TSDf EPA ID: NVR000066837
Trans Name: SAFETY-KLEEN SYSTEMS INC
TSDf Alt EPA ID: Not reported
TSDf Alt Name: Not reported
Waste Code Description: 343 - Unspecified organic liquid mixture
RCRA Code: Not reported
Meth Code: - Not reported
Quantity Tons: Not reported
Waste Quantity: 245
Quantity Unit: Not reported
Additional Code 1: Not reported
Additional Code 2: Not reported
Additional Code 3: Not reported
Additional Code 4: Not reported
Additional Code 5: Not reported

Shipment Date: 20041123
Creation Date: 1/20/2005 18:31:32
Receipt Date: 20041123
Manifest ID: 23722434
Trans EPA ID: TXR000050930
Trans Name: SAFETY-KLEEN SYSTEMS INC
Trans 2 EPA ID: Not reported
Trans 2 Name: Not reported
TSDf EPA ID: NVR000066837
Trans Name: SAFETY-KLEEN SYSTEMS INC
TSDf Alt EPA ID: Not reported
TSDf Alt Name: Not reported
Waste Code Description: 343 - Unspecified organic liquid mixture
RCRA Code: Not reported
Meth Code: H01 - Transfer Station
Quantity Tons: 0.045
Waste Quantity: 90
Quantity Unit: P
Additional Code 1: Not reported
Additional Code 2: Not reported
Additional Code 3: Not reported
Additional Code 4: Not reported
Additional Code 5: Not reported

Shipment Date: 20041117
Creation Date: 1/14/2005 10:18:48
Receipt Date: 20041117
Manifest ID: 23722439
Trans EPA ID: TXR000050930
Trans Name: SAFETY-KLEEN SYSTEMS INC
Trans 2 EPA ID: Not reported
Trans 2 Name: Not reported
TSDf EPA ID: NVR000066837
Trans Name: SAFETY-KLEEN SYSTEMS INC
TSDf Alt EPA ID: Not reported
TSDf Alt Name: Not reported
Waste Code Description: 213 - Hydrocarbon solvents (benzene, hexane, Stoddard, etc.
RCRA Code: D039

Map ID
Direction
Distance
Elevation

MAP FINDINGS

Site

Database(s)

EDR ID Number
EPA ID Number

TRI-CITY FORD DBA COLORADO RIVER FORD (Continued)

S112836184

Meth Code: - Not reported
Quantity Tons: 0.31275
Waste Quantity: 75
Quantity Unit: G
Additional Code 1: Not reported
Additional Code 2: Not reported
Additional Code 3: Not reported
Additional Code 4: Not reported
Additional Code 5: Not reported

Shipment Date: 20041117
Creation Date: 1/14/2005 10:18:48
Receipt Date: 20041117
Manifest ID: 23722439
Trans EPA ID: TXR000050930
Trans Name: SAFETY-KLEEN SYSTEMS INC
Trans 2 EPA ID: Not reported
Trans 2 Name: Not reported
TSDf EPA ID: NVR000066837
Trans Name: SAFETY-KLEEN SYSTEMS INC
TSDf Alt EPA ID: Not reported
TSDf Alt Name: Not reported
Waste Code Description: - Not reported
RCRA Code: Not reported
Meth Code: H01 - Transfer Station
Quantity Tons: Not reported
Waste Quantity: Not reported
Quantity Unit: Not reported
Additional Code 1: Not reported
Additional Code 2: Not reported
Additional Code 3: Not reported
Additional Code 4: Not reported
Additional Code 5: Not reported

Shipment Date: 20041117
Creation Date: 1/14/2005 10:18:48
Receipt Date: 20041117
Manifest ID: 23722439
Trans EPA ID: TXR000050930
Trans Name: SAFETY-KLEEN SYSTEMS INC
Trans 2 EPA ID: Not reported
Trans 2 Name: Not reported
TSDf EPA ID: NVR000066837
Trans Name: SAFETY-KLEEN SYSTEMS INC
TSDf Alt EPA ID: Not reported
TSDf Alt Name: Not reported
Waste Code Description: - Not reported
RCRA Code: Not reported
Meth Code: H01 - Transfer Station
Quantity Tons: Not reported
Waste Quantity: Not reported
Quantity Unit: Not reported
Additional Code 1: Not reported
Additional Code 2: Not reported
Additional Code 3: Not reported
Additional Code 4: Not reported
Additional Code 5: Not reported

Map ID
Direction
Distance
Elevation

MAP FINDINGS

Site

Database(s)

EDR ID Number
EPA ID Number

TRI-CITY FORD DBA COLORADO RIVER FORD (Continued)

S112836184

Shipment Date:	20041110
Creation Date:	1/11/2005 18:30:51
Receipt Date:	20041110
Manifest ID:	22323550
Trans EPA ID:	TXR000050930
Trans Name:	SAFETY-KLEEN SYSTEMS INC
Trans 2 EPA ID:	Not reported
Trans 2 Name:	Not reported
TSDf EPA ID:	NVR000066837
Trans Name:	SAFETY-KLEEN SYSTEMS INC
TSDf Alt EPA ID:	708701
TSDf Alt Name:	Not reported
Waste Code Description:	221 - Waste oil and mixed oil
RCRA Code:	Not reported
Meth Code:	- Not reported
Quantity Tons:	0.893
Waste Quantity:	235
Quantity Unit:	G
Additional Code 1:	Not reported
Additional Code 2:	Not reported
Additional Code 3:	Not reported
Additional Code 4:	Not reported
Additional Code 5:	Not reported
Shipment Date:	20041027
Creation Date:	12/31/2004 18:30:54
Receipt Date:	20041027
Manifest ID:	23718805
Trans EPA ID:	TXR000050930
Trans Name:	SAFETY-KLEEN SYSTEMS INC
Trans 2 EPA ID:	Not reported
Trans 2 Name:	Not reported
TSDf EPA ID:	NVR000066837
Trans Name:	SAFETY-KLEEN SYSTEMS INC
TSDf Alt EPA ID:	Not reported
TSDf Alt Name:	Not reported
Waste Code Description:	343 - Unspecified organic liquid mixture
RCRA Code:	Not reported
Meth Code:	H01 - Transfer Station
Quantity Tons:	0.102
Waste Quantity:	30
Quantity Unit:	G
Additional Code 1:	Not reported
Additional Code 2:	Not reported
Additional Code 3:	Not reported
Additional Code 4:	Not reported
Additional Code 5:	Not reported
Shipment Date:	20041027
Creation Date:	12/31/2004 18:30:54
Receipt Date:	20041027
Manifest ID:	23718805
Trans EPA ID:	TXR000050930
Trans Name:	SAFETY-KLEEN SYSTEMS INC
Trans 2 EPA ID:	Not reported
Trans 2 Name:	Not reported
TSDf EPA ID:	NVR000066837

Map ID
Direction
Distance
Elevation

MAP FINDINGS

Site

Database(s)

EDR ID Number
EPA ID Number

TRI-CITY FORD DBA COLORADO RIVER FORD (Continued)

S112836184

Trans Name: SAFETY-KLEEN SYSTEMS INC
TSDf Alt EPA ID: Not reported
TSDf Alt Name: Not reported
Waste Code Description: 221 - Waste oil and mixed oil
RCRA Code: Not reported
Meth Code: - Not reported
Quantity Tons: 0.893
Waste Quantity: 235
Quantity Unit: G
Additional Code 1: Not reported
Additional Code 2: Not reported
Additional Code 3: Not reported
Additional Code 4: Not reported
Additional Code 5: Not reported

Additional Info:

Year: 1999
Gen EPA ID: CA0000997932

Shipment Date: 19991123
Creation Date: 1/11/2000 0:00:00
Receipt Date: 19991123
Manifest ID: 99527526
Trans EPA ID: ILD984908202
Trans Name: Not reported
Trans 2 EPA ID: Not reported
Trans 2 Name: Not reported
TSDf EPA ID: NVT330010208
Trans Name: Not reported
TSDf Alt EPA ID: Not reported
TSDf Alt Name: Not reported
Waste Code Description: 213 - Hydrocarbon solvents (benzene, hexane, Stoddard, etc.
RCRA Code: D039
Meth Code: H01 - Transfer Station
Quantity Tons: 0.4837
Waste Quantity: 116
Quantity Unit: G
Additional Code 1: Not reported
Additional Code 2: Not reported
Additional Code 3: Not reported
Additional Code 4: Not reported
Additional Code 5: Not reported

Shipment Date: 19991123
Creation Date: 1/11/2000 0:00:00
Receipt Date: 19991123
Manifest ID: 99519991
Trans EPA ID: ILD984908202
Trans Name: Not reported
Trans 2 EPA ID: Not reported
Trans 2 Name: Not reported
TSDf EPA ID: NVT330010208
Trans Name: Not reported
TSDf Alt EPA ID: Not reported
TSDf Alt Name: Not reported
Waste Code Description: 213 - Hydrocarbon solvents (benzene, hexane, Stoddard, etc.
RCRA Code: D039

Map ID
Direction
Distance
Elevation

MAP FINDINGS

Site

Database(s)

EDR ID Number
EPA ID Number

TRI-CITY FORD DBA COLORADO RIVER FORD (Continued)

S112836184

Meth Code:	H01 - Transfer Station
Quantity Tons:	0.0625
Waste Quantity:	15
Quantity Unit:	G
Additional Code 1:	Not reported
Additional Code 2:	Not reported
Additional Code 3:	Not reported
Additional Code 4:	Not reported
Additional Code 5:	Not reported
Shipment Date:	19991028
Creation Date:	12/17/1999 0:00:00
Receipt Date:	19991028
Manifest ID:	99511142
Trans EPA ID:	ILD984908202
Trans Name:	Not reported
Trans 2 EPA ID:	Not reported
Trans 2 Name:	Not reported
TSDf EPA ID:	NVT330010208
Trans Name:	Not reported
TSDf Alt EPA ID:	Not reported
TSDf Alt Name:	Not reported
Waste Code Description:	741 - Liquids with halogenated organic compounds > 1000 mg/l
RCRA Code:	D001
Meth Code:	H01 - Transfer Station
Quantity Tons:	0.0291
Waste Quantity:	7
Quantity Unit:	G
Additional Code 1:	Not reported
Additional Code 2:	Not reported
Additional Code 3:	Not reported
Additional Code 4:	Not reported
Additional Code 5:	Not reported
Shipment Date:	19990901
Creation Date:	10/28/1999 0:00:00
Receipt Date:	19990901
Manifest ID:	99051513
Trans EPA ID:	ILD984908202
Trans Name:	Not reported
Trans 2 EPA ID:	Not reported
Trans 2 Name:	Not reported
TSDf EPA ID:	NVT330010208
Trans Name:	Not reported
TSDf Alt EPA ID:	Not reported
TSDf Alt Name:	Not reported
Waste Code Description:	213 - Hydrocarbon solvents (benzene, hexane, Stoddard, etc.
RCRA Code:	D039
Meth Code:	H01 - Transfer Station
Quantity Tons:	0.5587
Waste Quantity:	134
Quantity Unit:	G
Additional Code 1:	Not reported
Additional Code 2:	Not reported
Additional Code 3:	Not reported
Additional Code 4:	Not reported
Additional Code 5:	Not reported

Map ID
Direction
Distance
Elevation

MAP FINDINGS

Site

Database(s)

EDR ID Number
EPA ID Number

TRI-CITY FORD DBA COLORADO RIVER FORD (Continued)

S112836184

Shipment Date:	19990805
Creation Date:	9/21/1999 0:00:00
Receipt Date:	19990805
Manifest ID:	99037326
Trans EPA ID:	ILD984908202
Trans Name:	Not reported
Trans 2 EPA ID:	Not reported
Trans 2 Name:	Not reported
TSDf EPA ID:	NVT330010208
Trans Name:	Not reported
TSDf Alt EPA ID:	Not reported
TSDf Alt Name:	Not reported
Waste Code Description:	213 - Hydrocarbon solvents (benzene, hexane, Stoddard, etc.
RCRA Code:	D039
Meth Code:	H01 - Transfer Station
Quantity Tons:	0.1084
Waste Quantity:	26
Quantity Unit:	G
Additional Code 1:	Not reported
Additional Code 2:	Not reported
Additional Code 3:	Not reported
Additional Code 4:	Not reported
Additional Code 5:	Not reported
Shipment Date:	19990805
Creation Date:	9/21/1999 0:00:00
Receipt Date:	19990805
Manifest ID:	99037326
Trans EPA ID:	ILD984908202
Trans Name:	Not reported
Trans 2 EPA ID:	Not reported
Trans 2 Name:	Not reported
TSDf EPA ID:	NVT330010208
Trans Name:	Not reported
TSDf Alt EPA ID:	Not reported
TSDf Alt Name:	Not reported
Waste Code Description:	741 - Liquids with halogenated organic compounds > 1000 mg/l
RCRA Code:	D001
Meth Code:	H01 - Transfer Station
Quantity Tons:	0.0291
Waste Quantity:	7
Quantity Unit:	G
Additional Code 1:	Not reported
Additional Code 2:	Not reported
Additional Code 3:	Not reported
Additional Code 4:	Not reported
Additional Code 5:	Not reported
Shipment Date:	19990708
Creation Date:	8/24/1999 0:00:00
Receipt Date:	19990708
Manifest ID:	99233249
Trans EPA ID:	ILD984908202
Trans Name:	Not reported
Trans 2 EPA ID:	Not reported
Trans 2 Name:	Not reported
TSDf EPA ID:	NVT330010208

Map ID
Direction
Distance
Elevation

MAP FINDINGS

Site

Database(s)

EDR ID Number
EPA ID Number

TRI-CITY FORD DBA COLORADO RIVER FORD (Continued)

S112836184

Trans Name: Not reported
TSDf Alt EPA ID: Not reported
TSDf Alt Name: Not reported
Waste Code Description: 213 - Hydrocarbon solvents (benzene, hexane, Stoddard, etc.)
RCRA Code: D039
Meth Code: H01 - Transfer Station
Quantity Tons: 0.5587
Waste Quantity: 134
Quantity Unit: G
Additional Code 1: Not reported
Additional Code 2: Not reported
Additional Code 3: Not reported
Additional Code 4: Not reported
Additional Code 5: Not reported

Shipment Date: 19990609
Creation Date: 7/19/1999 0:00:00
Receipt Date: 19990609
Manifest ID: 99223960
Trans EPA ID: ILD984908202
Trans Name: Not reported
Trans 2 EPA ID: Not reported
Trans 2 Name: Not reported
TSDf EPA ID: NVT330010208
Trans Name: Not reported
TSDf Alt EPA ID: Not reported
TSDf Alt Name: Not reported
Waste Code Description: 213 - Hydrocarbon solvents (benzene, hexane, Stoddard, etc.)
RCRA Code: D039
Meth Code: H01 - Transfer Station
Quantity Tons: 0.4837
Waste Quantity: 116
Quantity Unit: G
Additional Code 1: Not reported
Additional Code 2: Not reported
Additional Code 3: Not reported
Additional Code 4: Not reported
Additional Code 5: Not reported

Shipment Date: 19990513
Creation Date: 6/10/1999 0:00:00
Receipt Date: 19990513
Manifest ID: 98798936
Trans EPA ID: ILD984908202
Trans Name: Not reported
Trans 2 EPA ID: Not reported
Trans 2 Name: Not reported
TSDf EPA ID: NVT330010208
Trans Name: Not reported
TSDf Alt EPA ID: Not reported
TSDf Alt Name: Not reported
Waste Code Description: 741 - Liquids with halogenated organic compounds > 1000 mg/l
RCRA Code: D001
Meth Code: H01 - Transfer Station
Quantity Tons: 0.0291
Waste Quantity: 7
Quantity Unit: G

Map ID
Direction
Distance
Elevation

MAP FINDINGS

Site

Database(s)

EDR ID Number
EPA ID Number

TRI-CITY FORD DBA COLORADO RIVER FORD (Continued)

S112836184

Additional Code 1: Not reported
Additional Code 2: Not reported
Additional Code 3: Not reported
Additional Code 4: Not reported
Additional Code 5: Not reported

Shipment Date: 19990513
Creation Date: 6/10/1999 0:00:00
Receipt Date: 19990513
Manifest ID: 98798936
Trans EPA ID: ILD984908202
Trans Name: Not reported
Trans 2 EPA ID: Not reported
Trans 2 Name: Not reported
TSDf EPA ID: NVT330010208
Trans Name: Not reported
TSDf Alt EPA ID: Not reported
TSDf Alt Name: Not reported
Waste Code Description: 213 - Hydrocarbon solvents (benzene, hexane, Stoddard, etc.
RCRA Code: D039
Meth Code: H01 - Transfer Station
Quantity Tons: 0.5587
Waste Quantity: 134
Quantity Unit: G
Additional Code 1: Not reported
Additional Code 2: Not reported
Additional Code 3: Not reported
Additional Code 4: Not reported
Additional Code 5: Not reported

Additional Info:

Year: 1998
Gen EPA ID: CA0000997932

Shipment Date: 19981215
Creation Date: 1/28/1999 0:00:00
Receipt Date: 19981215
Manifest ID: 98445857
Trans EPA ID: ILD984908202
Trans Name: Not reported
Trans 2 EPA ID: Not reported
Trans 2 Name: Not reported
TSDf EPA ID: NVT330010208
Trans Name: Not reported
TSDf Alt EPA ID: Not reported
TSDf Alt Name: Not reported
Waste Code Description: 213 - Hydrocarbon solvents (benzene, hexane, Stoddard, etc.
RCRA Code: D039
Meth Code: H01 - Transfer Station
Quantity Tons: 0.0583
Waste Quantity: 14
Quantity Unit: G
Additional Code 1: Not reported
Additional Code 2: Not reported
Additional Code 3: Not reported
Additional Code 4: Not reported
Additional Code 5: Not reported

Map ID
Direction
Distance
Elevation

MAP FINDINGS

Site

Database(s)

EDR ID Number
EPA ID Number

TRI-CITY FORD DBA COLORADO RIVER FORD (Continued)

S112836184

Shipment Date: 19981209
Creation Date: 1/21/1999 0:00:00
Receipt Date: 19981209
Manifest ID: 98449318
Trans EPA ID: ILD984908202
Trans Name: Not reported
Trans 2 EPA ID: Not reported
Trans 2 Name: Not reported
TSDf EPA ID: NVT330010208
Trans Name: Not reported
TSDf Alt EPA ID: Not reported
TSDf Alt Name: Not reported
Waste Code Description: 213 - Hydrocarbon solvents (benzene, hexane, Stoddard, etc.
RCRA Code: D039
Meth Code: H01 - Transfer Station
Quantity Tons: 0.2168
Waste Quantity: 52
Quantity Unit: G
Additional Code 1: Not reported
Additional Code 2: Not reported
Additional Code 3: Not reported
Additional Code 4: Not reported
Additional Code 5: Not reported

Shipment Date: 19981119
Creation Date: 1/13/1999 0:00:00
Receipt Date: 19981119
Manifest ID: 98445265
Trans EPA ID: ILD984908202
Trans Name: Not reported
Trans 2 EPA ID: Not reported
Trans 2 Name: Not reported
TSDf EPA ID: NVT330010208
Trans Name: Not reported
TSDf Alt EPA ID: Not reported
TSDf Alt Name: Not reported
Waste Code Description: 213 - Hydrocarbon solvents (benzene, hexane, Stoddard, etc.
RCRA Code: D039
Meth Code: H01 - Transfer Station
Quantity Tons: 0.0583
Waste Quantity: 14
Quantity Unit: G
Additional Code 1: Not reported
Additional Code 2: Not reported
Additional Code 3: Not reported
Additional Code 4: Not reported
Additional Code 5: Not reported

Shipment Date: 19981112
Creation Date: 1/5/1999 0:00:00
Receipt Date: 19981112
Manifest ID: 98558209
Trans EPA ID: ILD984908202
Trans Name: Not reported
Trans 2 EPA ID: Not reported
Trans 2 Name: Not reported
TSDf EPA ID: NVT330010208

Map ID
Direction
Distance
Elevation

MAP FINDINGS

Site

Database(s)

EDR ID Number
EPA ID Number

TRI-CITY FORD DBA COLORADO RIVER FORD (Continued)

S112836184

Trans Name: Not reported
TSDf Alt EPA ID: Not reported
TSDf Alt Name: Not reported
Waste Code Description: 213 - Hydrocarbon solvents (benzene, hexane, Stoddard, etc.)
RCRA Code: D039
Meth Code: H01 - Transfer Station
Quantity Tons: 0.2168
Waste Quantity: 52
Quantity Unit: G
Additional Code 1: Not reported
Additional Code 2: Not reported
Additional Code 3: Not reported
Additional Code 4: Not reported
Additional Code 5: Not reported

Shipment Date: 19981112
Creation Date: 1/5/1999 0:00:00
Receipt Date: 19981112
Manifest ID: 98558209
Trans EPA ID: ILD984908202
Trans Name: Not reported
Trans 2 EPA ID: Not reported
Trans 2 Name: Not reported
TSDf EPA ID: NVT330010208
Trans Name: Not reported
TSDf Alt EPA ID: Not reported
TSDf Alt Name: Not reported
Waste Code Description: - Not reported
RCRA Code: D006
Meth Code: H01 - Transfer Station
Quantity Tons: 0.2543
Waste Quantity: 61
Quantity Unit: G
Additional Code 1: Not reported
Additional Code 2: Not reported
Additional Code 3: Not reported
Additional Code 4: Not reported
Additional Code 5: Not reported

Shipment Date: 19981020
Creation Date: 1/13/1999 0:00:00
Receipt Date: 19981020
Manifest ID: 98566685
Trans EPA ID: ILD984908202
Trans Name: Not reported
Trans 2 EPA ID: Not reported
Trans 2 Name: Not reported
TSDf EPA ID: NVT330010208
Trans Name: Not reported
TSDf Alt EPA ID: Not reported
TSDf Alt Name: Not reported
Waste Code Description: 213 - Hydrocarbon solvents (benzene, hexane, Stoddard, etc.)
RCRA Code: D039
Meth Code: H01 - Transfer Station
Quantity Tons: 0.0583
Waste Quantity: 14
Quantity Unit: G

Map ID
Direction
Distance
Elevation

MAP FINDINGS

Site

Database(s)

EDR ID Number
EPA ID Number

TRI-CITY FORD DBA COLORADO RIVER FORD (Continued)

S112836184

Additional Code 1:	Not reported
Additional Code 2:	Not reported
Additional Code 3:	Not reported
Additional Code 4:	Not reported
Additional Code 5:	Not reported
Shipment Date:	19981015
Creation Date:	11/23/1998 0:00:00
Receipt Date:	19981015
Manifest ID:	98571575
Trans EPA ID:	ILD984908202
Trans Name:	Not reported
Trans 2 EPA ID:	Not reported
Trans 2 Name:	Not reported
TSDf EPA ID:	NVT330010208
Trans Name:	Not reported
TSDf Alt EPA ID:	Not reported
TSDf Alt Name:	Not reported
Waste Code Description:	213 - Hydrocarbon solvents (benzene, hexane, Stoddard, etc.
RCRA Code:	D039
Meth Code:	H01 - Transfer Station
Quantity Tons:	0.1084
Waste Quantity:	26
Quantity Unit:	G
Additional Code 1:	Not reported
Additional Code 2:	Not reported
Additional Code 3:	Not reported
Additional Code 4:	Not reported
Additional Code 5:	Not reported
Shipment Date:	19980923
Creation Date:	11/5/1998 0:00:00
Receipt Date:	19980923
Manifest ID:	98282005
Trans EPA ID:	ILD984908202
Trans Name:	Not reported
Trans 2 EPA ID:	Not reported
Trans 2 Name:	Not reported
TSDf EPA ID:	NVT330010208
Trans Name:	Not reported
TSDf Alt EPA ID:	Not reported
TSDf Alt Name:	Not reported
Waste Code Description:	213 - Hydrocarbon solvents (benzene, hexane, Stoddard, etc.
RCRA Code:	D039
Meth Code:	H01 - Transfer Station
Quantity Tons:	0.0583
Waste Quantity:	14
Quantity Unit:	G
Additional Code 1:	Not reported
Additional Code 2:	Not reported
Additional Code 3:	Not reported
Additional Code 4:	Not reported
Additional Code 5:	Not reported
Shipment Date:	19980917
Creation Date:	11/2/1998 0:00:00
Receipt Date:	19980917

Map ID
Direction
Distance
Elevation

MAP FINDINGS

Site

Database(s)

EDR ID Number
EPA ID Number

TRI-CITY FORD DBA COLORADO RIVER FORD (Continued)

S112836184

Manifest ID: 98277254
Trans EPA ID: ILD984908202
Trans Name: Not reported
Trans 2 EPA ID: Not reported
Trans 2 Name: Not reported
TSDf EPA ID: NVT330010208
Trans Name: Not reported
TSDf Alt EPA ID: Not reported
TSDf Alt Name: Not reported
Waste Code Description: 213 - Hydrocarbon solvents (benzene, hexane, Stoddard, etc.)
RCRA Code: D039
Meth Code: H01 - Transfer Station
Quantity Tons: 0.0458
Waste Quantity: 11
Quantity Unit: G
Additional Code 1: Not reported
Additional Code 2: Not reported
Additional Code 3: Not reported
Additional Code 4: Not reported
Additional Code 5: Not reported

Shipment Date: 19980917
Creation Date: 11/2/1998 0:00:00
Receipt Date: 19980917
Manifest ID: 98277254
Trans EPA ID: ILD984908202
Trans Name: Not reported
Trans 2 EPA ID: Not reported
Trans 2 Name: Not reported
TSDf EPA ID: NVT330010208
Trans Name: Not reported
TSDf Alt EPA ID: Not reported
TSDf Alt Name: Not reported
Waste Code Description: 741 - Liquids with halogenated organic compounds > 1000 mg/l
RCRA Code: D001
Meth Code: H01 - Transfer Station
Quantity Tons: 0.3127
Waste Quantity: 75
Quantity Unit: G
Additional Code 1: Not reported
Additional Code 2: Not reported
Additional Code 3: Not reported
Additional Code 4: Not reported
Additional Code 5: Not reported

Additional Info:
Year: 2008
Gen EPA ID: CA0000997932

Shipment Date: 20080429
Creation Date: 9/12/2008 18:30:16
Receipt Date: 20080514
Manifest ID: 000133354SKS
Trans EPA ID: TXR000050930
Trans Name: SAFETY-KLEEN SYSTEMS INC
Trans 2 EPA ID: OKD981588791
Trans 2 Name: TRIAD

Map ID
Direction
Distance
Elevation

MAP FINDINGS

Site

Database(s)

EDR ID Number
EPA ID Number

TRI-CITY FORD DBA COLORADO RIVER FORD (Continued)

S112836184

TSDF EPA ID: TXD077603371
Trans Name: SAFETY-KLEEN SYSTEMS INC
TSDF Alt EPA ID: Not reported
TSDF Alt Name: Not reported
Waste Code Description: 212 - Oxygenated solvents (acetone, butanol, ethyl acetate, etc.
RCRA Code: D018
Meth Code: H061 - Fuel Blending Prior To Energy Recovery At Another Site
Quantity Tons: 0.15
Waste Quantity: 300
Quantity Unit: P
Additional Code 1: D008
Additional Code 2: D001
Additional Code 3: Not reported
Additional Code 4: Not reported
Additional Code 5: Not reported

Additional Info:

Year: 2002
Gen EPA ID: CA0000997932

Shipment Date: 20021226
Creation Date: 4/2/2003 18:31:15
Receipt Date: 20021226
Manifest ID: 22207454
Trans EPA ID: SCR000075150
Trans Name: Not reported
Trans 2 EPA ID: Not reported
Trans 2 Name: Not reported
TSDF EPA ID: NVR000066837
Trans Name: Not reported
TSDF Alt EPA ID: Not reported
TSDF Alt Name: Not reported
Waste Code Description: 221 - Waste oil and mixed oil
RCRA Code: Not reported
Meth Code: H01 - Transfer Station
Quantity Tons: 0.76
Waste Quantity: 200
Quantity Unit: G
Additional Code 1: Not reported
Additional Code 2: Not reported
Additional Code 3: Not reported
Additional Code 4: Not reported
Additional Code 5: Not reported

Shipment Date: 20021212
Creation Date: 3/16/2007 18:30:20
Receipt Date: Not reported
Manifest ID: 22197706
Trans EPA ID: SCR000075150
Trans Name: Not reported
Trans 2 EPA ID: Not reported
Trans 2 Name: Not reported
TSDF EPA ID: NVR000066837
Trans Name: Not reported
TSDF Alt EPA ID: Not reported
TSDF Alt Name: Not reported
Waste Code Description: 221 - Waste oil and mixed oil

Map ID
Direction
Distance
Elevation

MAP FINDINGS

Site

Database(s)

EDR ID Number
EPA ID Number

TRI-CITY FORD DBA COLORADO RIVER FORD (Continued)

S112836184

RCRA Code:	Not reported
Meth Code:	- Not reported
Quantity Tons:	0.836
Waste Quantity:	220
Quantity Unit:	G
Additional Code 1:	Not reported
Additional Code 2:	Not reported
Additional Code 3:	Not reported
Additional Code 4:	Not reported
Additional Code 5:	Not reported
Shipment Date:	20021126
Creation Date:	2/13/2003 18:31:35
Receipt Date:	20021126
Manifest ID:	22147151
Trans EPA ID:	SCR000075150
Trans Name:	Not reported
Trans 2 EPA ID:	Not reported
Trans 2 Name:	Not reported
TSDF EPA ID:	NVR000066837
Trans Name:	Not reported
TSDF Alt EPA ID:	Not reported
TSDF Alt Name:	Not reported
Waste Code Description:	221 - Waste oil and mixed oil
RCRA Code:	Not reported
Meth Code:	- Not reported
Quantity Tons:	0.76
Waste Quantity:	200
Quantity Unit:	G
Additional Code 1:	Not reported
Additional Code 2:	Not reported
Additional Code 3:	Not reported
Additional Code 4:	Not reported
Additional Code 5:	Not reported
Shipment Date:	20021125
Creation Date:	2/25/2003 18:31:38
Receipt Date:	20021126
Manifest ID:	22147163
Trans EPA ID:	SCR000075150
Trans Name:	Not reported
Trans 2 EPA ID:	Not reported
Trans 2 Name:	Not reported
TSDF EPA ID:	NVR000066837
Trans Name:	Not reported
TSDF Alt EPA ID:	Not reported
TSDF Alt Name:	Not reported
Waste Code Description:	213 - Hydrocarbon solvents (benzene, hexane, Stoddard, etc.
RCRA Code:	D039
Meth Code:	H01 - Transfer Station
Quantity Tons:	0.42534
Waste Quantity:	102
Quantity Unit:	G
Additional Code 1:	Not reported
Additional Code 2:	Not reported
Additional Code 3:	Not reported
Additional Code 4:	Not reported

Map ID
Direction
Distance
Elevation

MAP FINDINGS

Site

Database(s)

EDR ID Number
EPA ID Number

TRI-CITY FORD DBA COLORADO RIVER FORD (Continued)

S112836184

Additional Code 5:	Not reported
Shipment Date:	20021125
Creation Date:	2/25/2003 18:31:38
Receipt Date:	20021126
Manifest ID:	22147163
Trans EPA ID:	SCR000075150
Trans Name:	Not reported
Trans 2 EPA ID:	Not reported
Trans 2 Name:	Not reported
TSDf EPA ID:	NVR000066837
Trans Name:	Not reported
TSDf Alt EPA ID:	Not reported
TSDf Alt Name:	Not reported
Waste Code Description:	741 - Liquids with halogenated organic compounds > 1000 mg/l
RCRA Code:	D001
Meth Code:	H01 - Transfer Station
Quantity Tons:	0.02919
Waste Quantity:	7
Quantity Unit:	G
Additional Code 1:	Not reported
Additional Code 2:	Not reported
Additional Code 3:	Not reported
Additional Code 4:	Not reported
Additional Code 5:	Not reported
Shipment Date:	20021112
Creation Date:	2/21/2003 10:41:38
Receipt Date:	20021112
Manifest ID:	22138147
Trans EPA ID:	SCR000075150
Trans Name:	Not reported
Trans 2 EPA ID:	Not reported
Trans 2 Name:	Not reported
TSDf EPA ID:	NVR000066837
Trans Name:	Not reported
TSDf Alt EPA ID:	Not reported
TSDf Alt Name:	Not reported
Waste Code Description:	221 - Waste oil and mixed oil
RCRA Code:	Not reported
Meth Code:	H01 - Transfer Station
Quantity Tons:	0.627
Waste Quantity:	165
Quantity Unit:	G
Additional Code 1:	Not reported
Additional Code 2:	Not reported
Additional Code 3:	Not reported
Additional Code 4:	Not reported
Additional Code 5:	Not reported
Shipment Date:	20021112
Creation Date:	2/21/2003 10:41:38
Receipt Date:	20021112
Manifest ID:	22138147
Trans EPA ID:	SCR000075150
Trans Name:	Not reported
Trans 2 EPA ID:	Not reported

Map ID
Direction
Distance
Elevation

MAP FINDINGS

Site

Database(s)

EDR ID Number
EPA ID Number

TRI-CITY FORD DBA COLORADO RIVER FORD (Continued)

S112836184

Trans 2 Name: Not reported
TSDf EPA ID: NVR000066837
Trans Name: Not reported
TSDf Alt EPA ID: Not reported
TSDf Alt Name: Not reported
Waste Code Description: 221 - Waste oil and mixed oil
RCRA Code: Not reported
Meth Code: H01 - Transfer Station
Quantity Tons: 0.19
Waste Quantity: 50
Quantity Unit: G
Additional Code 1: Not reported
Additional Code 2: Not reported
Additional Code 3: Not reported
Additional Code 4: Not reported
Additional Code 5: Not reported

Shipment Date: 20021030
Creation Date: 2/18/2003 18:31:24
Receipt Date: 20021030
Manifest ID: 21913065
Trans EPA ID: SCR000075150
Trans Name: Not reported
Trans 2 EPA ID: Not reported
Trans 2 Name: Not reported
TSDf EPA ID: NVR000066837
Trans Name: Not reported
TSDf Alt EPA ID: Not reported
TSDf Alt Name: Not reported
Waste Code Description: 221 - Waste oil and mixed oil
RCRA Code: Not reported
Meth Code: - Not reported
Quantity Tons: 0.665
Waste Quantity: 175
Quantity Unit: G
Additional Code 1: Not reported
Additional Code 2: Not reported
Additional Code 3: Not reported
Additional Code 4: Not reported
Additional Code 5: Not reported

Shipment Date: 20021017
Creation Date: 2/6/2003 18:31:16
Receipt Date: 20021017
Manifest ID: 21912397
Trans EPA ID: SCR000075150
Trans Name: Not reported
Trans 2 EPA ID: Not reported
Trans 2 Name: Not reported
TSDf EPA ID: NVR000066837
Trans Name: Not reported
TSDf Alt EPA ID: Not reported
TSDf Alt Name: Not reported
Waste Code Description: 221 - Waste oil and mixed oil
RCRA Code: Not reported
Meth Code: - Not reported
Quantity Tons: 0.76

Map ID
Direction
Distance
Elevation

MAP FINDINGS

Site

Database(s)

EDR ID Number
EPA ID Number

TRI-CITY FORD DBA COLORADO RIVER FORD (Continued)

S112836184

Waste Quantity: 200
Quantity Unit: G
Additional Code 1: Not reported
Additional Code 2: Not reported
Additional Code 3: Not reported
Additional Code 4: Not reported
Additional Code 5: Not reported

Shipment Date: 20021017
Creation Date: 2/6/2003 18:31:16
Receipt Date: 20021017
Manifest ID: 21912397
Trans EPA ID: SCR000075150
Trans Name: Not reported
Trans 2 EPA ID: Not reported
Trans 2 Name: Not reported
TSDf EPA ID: NVR000066837
Trans Name: Not reported
TSDf Alt EPA ID: Not reported
TSDf Alt Name: Not reported
Waste Code Description: - Not reported
RCRA Code: Not reported
Meth Code: - Not reported
Quantity Tons: Not reported
Waste Quantity: Not reported
Quantity Unit: G
Additional Code 1: Not reported
Additional Code 2: Not reported
Additional Code 3: Not reported
Additional Code 4: Not reported
Additional Code 5: Not reported

HWTS:

Name: TRI-CITY FORD DBA COLORADO RIVER FORD
Address: 539 W BROADWAY ST
Address 2: Not reported
City,State,Zip: NEEDLES, CA 92363
EPA ID: CA0000997932
Inactive Date: 06/30/2010
Create Date: 12/08/1995
Last Act Date: Not reported
Mailing Name: Not reported
Mailing Address: 539 W BROADWAY ST
Mailing Address 2: Not reported
Mailing City,State,Zip: NEEDLES, CA 923632941
Owner Name: BUFORD B WILEY/TRI CITY FORD INC
Owner Address: 4815 LA JOLLA SCENIC DR
Owner Address 2: Not reported
Owner City,State,Zip: LA JOLLA, CA 920370000
Contact Name: JIM SMITH
Contact Address: 539 W BROADWAY ST
Contact Address 2: Not reported
City,State,Zip: NEEDLES, CA 923632941
Facility Status: Inactive
Facility Type: PERMANENT
Category: FEDERAL
Latitude: 34.83726

Map ID
Direction
Distance
Elevation

MAP FINDINGS

Site

Database(s)

EDR ID Number
EPA ID Number

TRI-CITY FORD DBA COLORADO RIVER FORD (Continued)

S112836184

Longitude: -114.60262
NAICS:
EPA ID: CA0000997932
Create Date: 2006-02-17 08:45:30.927
NAICS Code: 44111
NAICS Description: New Car Dealers
Issued EPA ID Date: 1995-12-08 00:00:00
Inactive Date: 2010-06-30 00:00:00
Facility Name: TRI-CITY FORD DBA COLORADO RIVER FORD
Facility Address: 539 W BROADWAY ST
Facility Address 2: Not reported
Facility City: NEEDLES
Facility County: Not reported
Facility State: CA
Facility Zip: 923632941

BW542 SHERREL H C GAS STA
Target 399 F
Property SAN BERNARDINO, CA

EDR Hist Auto 1014187301
N/A

Site 2 of 3 in cluster BW

Actual: EDR Hist Auto
521 ft.

Focus Map: Year: Name: Type:
7 1942 SHERREL H C GAS STA GASOLINE AND OIL SERVICE STATIONS

BW543 SCHUYLER F H AUTO REPR
Target 888 4TH
Property SAN BERNARDINO, CA

EDR Hist Auto 1014192012
N/A

Site 3 of 3 in cluster BW

Actual: EDR Hist Auto
520 ft.

Focus Map: Year: Name: Type:
7 1930 SCHUYLER F H AUTO REPR AUTOMOBILE REPAIRING

544 RONS TRANSMISSION
Target 236 C STATE ST
Property HEMET, CA 92343

HWTS S124764375
N/A

HWTS:
Name: RONS TRANSMISSION
Address: 236 C STATE ST
Address 2: Not reported
City,State,Zip: HEMET, CA 92343
EPA ID: CAL000015081
Inactive Date: 01/01/1995
Create Date: 11/14/1989
Last Act Date: Not reported
Mailing Name: Not reported
Mailing Address: 236 C STATE ST

Actual:
492 ft.
Focus Map:
7

Map ID
 Direction
 Distance
 Elevation

MAP FINDINGS

Site

Database(s)

EDR ID Number
 EPA ID Number

RON'S TRANSMISSION (Continued)

S124764375

Mailing Address 2:	Not reported
Mailing City,State,Zip:	HEMET, CA 923430000
Owner Name:	GINNINGS RON OWNER
Owner Address:	Not reported
Owner Address 2:	Not reported
Owner City,State,Zip:	Not reported
Contact Name:	UNDELIVERABLE SURVEY 2-21-95JV
Contact Address:	Not reported
Contact Address 2:	Not reported
City,State,Zip:	Not reported
Facility Status:	Inactive
Facility Type:	PERMANENT
Category:	STATE
Latitude:	34.837373
Longitude:	-114.602898

BV545 **1X RON RAY FORD-MERCURY**
Target **539 BROADWAY**
Property **NEEDLES, CA 92373**

HAZNET **S123726004**
HWTS **N/A**

Site 5 of 5 in cluster BV

Actual:
487 ft.

Focus Map:
7

HAZNET:	
Name:	1X RON RAY FORD-MERCURY
Address:	539 BROADWAY
Address 2:	Not reported
City,State,Zip:	NEEDLES, CA 923730000
Contact:	RON RAY, OWNER
Telephone:	6193262174
Mailing Name:	Not reported
Mailing Address:	--
Year:	1990
Gepaid:	CAC000272345
TSD EPA ID:	HAHQ36017252
CA Waste Code:	223 - Unspecified oil-containing waste
Disposal Method:	01 -
Tons:	0.6255

HWTS:

Name:	1X RON RAY FORD-MERCURY
Address:	539 BROADWAY
Address 2:	Not reported
City,State,Zip:	NEEDLES, CA 92373
EPA ID:	CAC000272345
Inactive Date:	10/25/2000
Create Date:	04/19/1990
Last Act Date:	Not reported
Mailing Name:	Not reported
Mailing Address:	Not reported
Mailing Address 2:	Not reported
Mailing City,State,Zip:	NEEDLES, CA 923630000
Owner Name:	RON RAY
Owner Address:	Not reported
Owner Address 2:	Not reported
Owner City,State,Zip:	Not reported

Map ID
Direction
Distance
Elevation

MAP FINDINGS

Site

Database(s)

EDR ID Number
EPA ID Number

1X RON RAY FORD-MERCURY (Continued)

S123726004

Contact Name: RON RAY, OWNER
Contact Address: Not reported
Contact Address 2: Not reported
City,State,Zip: Not reported
Facility Status: Inactive
Facility Type: TEMPORARY
Category: STATE
Latitude: 34.837324
Longitude: -114.602071

546 US POST SERVICE
Target 628 THIRD ST
Property NEEDLES, CA 92363

HWTS S124547544
N/A

Actual: 500 ft.
Focus Map: 7

HWTS:
Name: US POST SERVICE
Address: 628 THIRD ST
Address 2: Not reported
City,State,Zip: NEEDLES, CA 92363
EPA ID: CAC001030304
Inactive Date: 10/25/2000
Create Date: 07/07/1995
Last Act Date: Not reported
Mailing Name: Not reported
Mailing Address: 628 THIRD ST
Mailing Address 2: Not reported
Mailing City,State,Zip: NEEDLES, CA 923630000
Owner Name: US POST SERVICE
Owner Address: 628 THIRD ST
Owner Address 2: Not reported
Owner City,State,Zip: NEEDLES, CA 923630000
Contact Name: JAMES PARISH/FAC SPEC
Contact Address: 11251 RANCHO CARMEL DRIVE
Contact Address 2: Not reported
City,State,Zip: SAN DIEGO, CA 921996342
Facility Status: Inactive
Facility Type: TEMPORARY
Category: STATE
Latitude: 34.836886
Longitude: -114.603621

BX547 US FISH & WILDLIFE SERVICE
Target 311 & 317 MESQUITE
Property NEEDLES, CA 92363

HAZNET S112961704
HWTS N/A

Site 1 of 3 in cluster BX

Actual: 619 ft.
Focus Map: 6

HAZNET:
Name: US FISH & WILDLIFE SERVICE
Address: 311 & 317 MESQUITE
Address 2: Not reported
City,State,Zip: NEEDLES, CA 92363
Contact: JOHN EARLE
Telephone: 9099443517
Mailing Name: Not reported
Mailing Address: PO BOX 3009

Map ID
Direction
Distance
Elevation

MAP FINDINGS

Site

Database(s)

EDR ID Number
EPA ID Number

US FISH & WILDLIFE SERVICE (Continued)

S112961704

Year: 2007
Gepaid: CAC002617084
TSD EPA ID: CAT000646117
CA Waste Code: 151 - Asbestos containing waste
Disposal Method: H132 - Landfill Or Surface Impoundment That Will Be Closed As
Landfill(To Include On-Site Treatment And/Or Stabilization)
Tons: 2

Additional Info:

Year: 2007
Gen EPA ID: CAC002617084

Shipment Date: 20070614
Creation Date: 10/23/2007 18:30:22
Receipt Date: 20070620
Manifest ID: 003357003JJK
Trans EPA ID: OHD108405531
Trans Name: MEC INC
Trans 2 EPA ID: Not reported
Trans 2 Name: Not reported
TSD EPA ID: CAT000646117
Trans Name: KETTLEMAN HILLS TREATMENT FACILITY
TSD EPA Alt ID: Not reported
TSD EPA Alt Name: Not reported
Waste Code Description: 151 - Asbestos-containing waste
RCRA Code: Not reported
Meth Code: H132 - Landfill Or Surface Impoundment That Will Be Closed As
Landfill(To Include On-Site Treatment And/Or Stabilization)

Quantity Tons: 2
Waste Quantity: 5
Quantity Unit: Y
Additional Code 1: Not reported
Additional Code 2: Not reported
Additional Code 3: Not reported
Additional Code 4: Not reported
Additional Code 5: Not reported

HWTS:

Name: US FISH & WILDLIFE SERVICE
Address: 311 & 317 MESQUITE
Address 2: Not reported
City,State,Zip: NEEDLES, CA 92363
EPA ID: CAC002617084
Inactive Date: 11/26/2007
Create Date: 05/29/2007
Last Act Date: Not reported
Mailing Name: Not reported
Mailing Address: PO BOX 3009
Mailing Address 2: Not reported
Mailing City,State,Zip: NEEDLES, CA 92363
Owner Name: US FISH & WILDLIFE SERVICE
Owner Address: PO BOX 3009
Owner Address 2: Not reported
Owner City,State,Zip: NEEDLES, CA 92363
Contact Name: JOHN EARLE

Map ID
Direction
Distance
Elevation

MAP FINDINGS

Site

Database(s)

EDR ID Number
EPA ID Number

US FISH & WILDLIFE SERVICE (Continued)

S112961704

Contact Address: PO BOX 3009
Contact Address 2: Not reported
City,State,Zip: NEEDLES, CA 92363
Facility Status: Inactive
Facility Type: TEMPORARY
Category: STATE
Latitude: 34.837025
Longitude: -114.619929

BY548 SHIELDS HARPER & CO
Target 405 E
Property SAN BERNARDINO, CA

EDR Hist Auto 1014182634
N/A

Site 1 of 3 in cluster BY

Actual: 521 ft. EDR Hist Auto

Focus Map: 7 Year: 1942 Name: SHIELDS HARPER & CO Type: SERVICE STATION EQUIPMENT

BX549 GREAT WEST TRUCK INC
Target 211 BALBOA ST
Property NEEDLES, CA 92363

HAULERS S123637199
HAZNET N/A
HWTS

Site 2 of 3 in cluster BX

Actual: 621 ft. HAULERS:
Name: GREAT WEST TRUCK, INC.
Address: 211 BALBOA ST
Focus Map: 10 City,State,Zip: NEEDLES, CA 92363-4100
Facility ID: 1002401
Facility Phone: (928) 757-9251
Business Email Address: gwneedles@greatwestus.com
Contact Person: Derrick Sirekis
Mailing Address: PO Box 3697
Mailing City: Kingman
Mailing State: AZ
Mailing Zip: 86402
Mailing County: Non-CA
Mailing Phone: (760) 326-4211
Current Status: Active
Current Hauler Status: Not reported
Accepting Tires From Public: Not reported
Regulatory Status Last Changed: Not reported
Business Types: Not reported

HAZNET:
Name: GREAT WEST TRUCK INC
Address: 211 BALBOA ST
Address 2: Not reported
City,State,Zip: NEEDLES, CA 923634100
Contact: DERRICK SIREKIS/FACILITY MGR
Telephone: 7603264211
Mailing Name: Not reported
Mailing Address: 211 BALBOA ST

Map ID
Direction
Distance
Elevation

MAP FINDINGS

Site

Database(s)

EDR ID Number
EPA ID Number

GREAT WEST TRUCK INC (Continued)

S123637199

Year:	2019
Gepaid:	CAR000081729
TSD EPA ID:	AZR000003681
CA Waste Code:	223 - Unspecified oil-containing waste
Disposal Method:	H039 - Other Recovery Of Reclamation For Reuse Including Acid Regeneration, Organics Recovery Ect
Tons:	0.10000
Year:	2019
Gepaid:	CAR000081729
TSD EPA ID:	UTD991301748
CA Waste Code:	352 - Other organic solids
Disposal Method:	H132 - Landfill Or Surface Impoundment That Will Be Closed As Landfill(To Include On-Site Treatment And/Or Stabilization)
Tons:	0.05000
Year:	2019
Gepaid:	CAR000081729
TSD EPA ID:	CAD044429835
CA Waste Code:	223 - Unspecified oil-containing waste
Disposal Method:	H141 - Storage, Bulking, And/Or Transfer Off Site--No Treatment/Reovery (H010-H129) Or (H131-H135)
Tons:	0.05000
Year:	2018
Gepaid:	CAR000081729
TSD EPA ID:	AZR000003681
CA Waste Code:	223 - Unspecified oil-containing waste
Disposal Method:	H039 - Other Recovery Of Reclamation For Reuse Including Acid Regeneration, Organics Recovery Ect
Tons:	0.25000
Year:	2018
Gepaid:	CAR000081729
TSD EPA ID:	CAD044429835
CA Waste Code:	223 - Unspecified oil-containing waste
Disposal Method:	H141 - Storage, Bulking, And/Or Transfer Off Site--No Treatment/Reovery (H010-H129) Or (H131-H135)
Tons:	0.12500
Year:	2018
Gepaid:	CAR000081729
TSD EPA ID:	UTD991301748
CA Waste Code:	352 - Other organic solids
Disposal Method:	H132 - Landfill Or Surface Impoundment That Will Be Closed As Landfill(To Include On-Site Treatment And/Or Stabilization)
Tons:	0.15000
Year:	2017
Gepaid:	CAR000081729
TSD EPA ID:	CAD980675276
CA Waste Code:	352 - Other organic solids
Disposal Method:	H132 - Landfill Or Surface Impoundment That Will Be Closed As Landfill(To Include On-Site Treatment And/Or Stabilization)
Tons:	0.125
Year:	2017

Map ID
Direction
Distance
Elevation

MAP FINDINGS

Site

Database(s)

EDR ID Number
EPA ID Number

GREAT WEST TRUCK INC (Continued)

S123637199

Gepaid: CAR000081729
TSD EPA ID: AZR000003681
CA Waste Code: 223 - Unspecified oil-containing waste
Disposal Method: H039 - Other Recovery Of Reclamation For Reuse Including Acid
Regeneration, Organics Recovery Ect
Tons: 0.15
Year: 2017
Gepaid: CAR000081729
TSD EPA ID: CAD044429835
CA Waste Code: 223 - Unspecified oil-containing waste
Disposal Method: H141 - Storage, Bulking, And/Or Transfer Off Site--No
Treatment/Reovery (H010-H129) Or (H131-H135)
Tons: 0.2
Year: 2016
Gepaid: CAR000081729
TSD EPA ID: CAD980675276
CA Waste Code: 352 - Other organic solids
Disposal Method: H132 - Landfill Or Surface Impoundment That Will Be Closed As
Landfill(To Include On-Site Treatment And/Or Stabilization)
Tons: 0.3

[Click this hyperlink](#) while viewing on your computer to access
29 additional CA HAZNET: record(s) in the EDR Site Report.

Additional Info:

Year: 2004
Gen EPA ID: CAR000081729
Shipment Date: 20041013
Creation Date: 12/21/2004 18:30:50
Receipt Date: 20041013
Manifest ID: 23503826
Trans EPA ID: TXR000050930
Trans Name: SAFETY-KLEEN SYSTEMS INC
Trans 2 EPA ID: Not reported
Trans 2 Name: Not reported
TSD EPA ID: NVR000066837
Trans Name: SAFETY-KLEEN SYSTEMS INC
TSD EPA Alt EPA ID: Not reported
TSD EPA Alt Name: Not reported
Waste Code Description: 221 - Waste oil and mixed oil
RCRA Code: Not reported
Meth Code: - Not reported
Quantity Tons: 0.912
Waste Quantity: 240
Quantity Unit: G
Additional Code 1: Not reported
Additional Code 2: Not reported
Additional Code 3: Not reported
Additional Code 4: Not reported
Additional Code 5: Not reported
Shipment Date: 20041013
Creation Date: 12/21/2004 18:30:50

Map ID
Direction
Distance
Elevation

MAP FINDINGS

Site

Database(s)

EDR ID Number
EPA ID Number

GREAT WEST TRUCK INC (Continued)

S123637199

Receipt Date: 20041013
Manifest ID: 23503826
Trans EPA ID: TXR000050930
Trans Name: SAFETY-KLEEN SYSTEMS INC
Trans 2 EPA ID: Not reported
Trans 2 Name: Not reported
TSDf EPA ID: NVR000066837
Trans Name: SAFETY-KLEEN SYSTEMS INC
TSDf Alt EPA ID: Not reported
TSDf Alt Name: Not reported
Waste Code Description: 343 - Unspecified organic liquid mixture
RCRA Code: Not reported
Meth Code: H01 - Transfer Station
Quantity Tons: 1.241
Waste Quantity: 365
Quantity Unit: G
Additional Code 1: Not reported
Additional Code 2: Not reported
Additional Code 3: Not reported
Additional Code 4: Not reported
Additional Code 5: Not reported

Shipment Date: 20040414
Creation Date: 10/1/2004 18:31:09
Receipt Date: 20040414
Manifest ID: 23467212
Trans EPA ID: TXR000050930
Trans Name: SAFETY-KLEEN SYSTEMS INC
Trans 2 EPA ID: Not reported
Trans 2 Name: Not reported
TSDf EPA ID: NVR000066837
Trans Name: SAFETY-KLEEN SYSTEMS INC
TSDf Alt EPA ID: Not reported
TSDf Alt Name: Not reported
Waste Code Description: 343 - Unspecified organic liquid mixture
RCRA Code: Not reported
Meth Code: H01 - Transfer Station
Quantity Tons: Not reported
Waste Quantity: Not reported
Quantity Unit: P
Additional Code 1: Not reported
Additional Code 2: Not reported
Additional Code 3: Not reported
Additional Code 4: Not reported
Additional Code 5: Not reported

Shipment Date: 20040414
Creation Date: 10/1/2004 18:31:09
Receipt Date: 20040414
Manifest ID: 23467212
Trans EPA ID: TXR000050930
Trans Name: SAFETY-KLEEN SYSTEMS INC
Trans 2 EPA ID: Not reported
Trans 2 Name: Not reported
TSDf EPA ID: NVR000066837
Trans Name: SAFETY-KLEEN SYSTEMS INC
TSDf Alt EPA ID: Not reported

Map ID
Direction
Distance
Elevation

MAP FINDINGS

Site

Database(s)

EDR ID Number
EPA ID Number

GREAT WEST TRUCK INC (Continued)

S123637199

TSDf Alt Name:	Not reported
Waste Code Description:	221 - Waste oil and mixed oil
RCRA Code:	Not reported
Meth Code:	- Not reported
Quantity Tons:	0.684
Waste Quantity:	180
Quantity Unit:	G
Additional Code 1:	Not reported
Additional Code 2:	Not reported
Additional Code 3:	Not reported
Additional Code 4:	Not reported
Additional Code 5:	Not reported
Shipment Date:	20040121
Creation Date:	8/13/2004 7:53:20
Receipt Date:	20040121
Manifest ID:	22585952
Trans EPA ID:	TXR000050930
Trans Name:	SAFETY-KLEEN SYSTEMS INC
Trans 2 EPA ID:	Not reported
Trans 2 Name:	Not reported
TSDf EPA ID:	NVR000066837
Trans Name:	SAFETY-KLEEN SYSTEMS INC
TSDf Alt EPA ID:	Not reported
TSDf Alt Name:	Not reported
Waste Code Description:	343 - Unspecified organic liquid mixture
RCRA Code:	Not reported
Meth Code:	H01 - Transfer Station
Quantity Tons:	0.05
Waste Quantity:	100
Quantity Unit:	P
Additional Code 1:	Not reported
Additional Code 2:	Not reported
Additional Code 3:	Not reported
Additional Code 4:	Not reported
Additional Code 5:	Not reported
Shipment Date:	20040121
Creation Date:	8/13/2004 7:53:20
Receipt Date:	20040121
Manifest ID:	22585952
Trans EPA ID:	TXR000050930
Trans Name:	SAFETY-KLEEN SYSTEMS INC
Trans 2 EPA ID:	Not reported
Trans 2 Name:	Not reported
TSDf EPA ID:	NVR000066837
Trans Name:	SAFETY-KLEEN SYSTEMS INC
TSDf Alt EPA ID:	Not reported
TSDf Alt Name:	Not reported
Waste Code Description:	221 - Waste oil and mixed oil
RCRA Code:	Not reported
Meth Code:	- Not reported
Quantity Tons:	0.418
Waste Quantity:	110
Quantity Unit:	G
Additional Code 1:	Not reported
Additional Code 2:	Not reported

Map ID
 Direction
 Distance
 Elevation

MAP FINDINGS

Site

Database(s)

EDR ID Number
 EPA ID Number

GREAT WEST TRUCK INC (Continued)

S123637199

Additional Code 3: Not reported
 Additional Code 4: Not reported
 Additional Code 5: Not reported

Additional Info:

Year: 2017
 Gen EPA ID: CAR000081729

Shipment Date: 20171109
 Creation Date: 6/13/2018 18:31:31
 Receipt Date: 20171123
 Manifest ID: 006297189SKS
 Trans EPA ID: TXR000081205
 Trans Name: SAFETY-KLEEN SYSTEMS INC
 Trans 2 EPA ID: MAD039322250
 Trans 2 Name: CLEAN HARBORS ENVIRONMENTAL SVC INC
 TSDF EPA ID: CAD044429835
 Trans Name: CLEAN HARBORS OF WILMINGTON LLC
 TSDF Alt EPA ID: Not reported
 TSDF Alt Name: Not reported
 Waste Code Description: 223 - Unspecified oil-containing waste
 RCRA Code: Not reported
 Meth Code: H141 - Storage, Bulking, And/Or Transfer Off Site--No Treatment/Reovery (H010-H129) Or (H131-H135)

Quantity Tons: 0.05
 Waste Quantity: 100
 Quantity Unit: P
 Additional Code 1: Not reported
 Additional Code 2: Not reported
 Additional Code 3: Not reported
 Additional Code 4: Not reported
 Additional Code 5: Not reported

Shipment Date: 20171109
 Creation Date: 10/8/2018 18:30:25
 Receipt Date: 20171120
 Manifest ID: 006297190SKS
 Trans EPA ID: TXR000081205
 Trans Name: SAFETY-KLEEN SYSTEMS INC
 Trans 2 EPA ID: MAD039322250
 Trans 2 Name: CLEAN HARBORS ENVIRONMENTAL SVC INC
 TSDF EPA ID: UTD991301748
 Trans Name: CLEAN HARBORS GRASSY MOUNTAIN
 TSDF Alt EPA ID: Not reported
 TSDF Alt Name: Not reported
 Waste Code Description: 352 - Other organic solids
 RCRA Code: Not reported
 Meth Code: H132 - Landfill Or Surface Impoundment That Will Be Closed As Landfill(To Include On-Site Treatment And/Or Stabilization)

Quantity Tons: 0.1
 Waste Quantity: 200
 Quantity Unit: P
 Additional Code 1: Not reported
 Additional Code 2: Not reported
 Additional Code 3: Not reported
 Additional Code 4: Not reported
 Additional Code 5: Not reported

Map ID
Direction
Distance
Elevation

MAP FINDINGS

Site

Database(s)

EDR ID Number
EPA ID Number

GREAT WEST TRUCK INC (Continued)

S123637199

Shipment Date:	20171109
Creation Date:	7/30/2018 18:30:10
Receipt Date:	20171128
Manifest ID:	006297188SKS
Trans EPA ID:	TXR000081205
Trans Name:	SAFETY-KLEEN SYSTEMS INC
Trans 2 EPA ID:	MAD039322250
Trans 2 Name:	CLEAN HARBORS ENVIRONMENTAL SVC INC
TSDF EPA ID:	AZR000003681
Trans Name:	THERMO FLUIDS INC
TSDF Alt EPA ID:	Not reported
TSDF Alt Name:	Not reported
Waste Code Description:	223 - Unspecified oil-containing waste
RCRA Code:	Not reported
Meth Code:	H039 - Other Recovery Of Reclamation For Reuse Including Acid Regeneration, Organics Recovery Ect
Quantity Tons:	0.15
Waste Quantity:	300
Quantity Unit:	P
Additional Code 1:	Not reported
Additional Code 2:	Not reported
Additional Code 3:	Not reported
Additional Code 4:	Not reported
Additional Code 5:	Not reported
Shipment Date:	20170517
Creation Date:	5/17/2018 18:31:33
Receipt Date:	20170525
Manifest ID:	005985982SKS
Trans EPA ID:	TXR000081205
Trans Name:	SAFETY-KLEEN SYSTEMS INC
Trans 2 EPA ID:	MAD039322250
Trans 2 Name:	CLEAN HARBORS ENVIRONMENTAL SERVICES INC
TSDF EPA ID:	CAD044429835
Trans Name:	CLEAN HARBORS OF WILMINGTON LLC
TSDF Alt EPA ID:	Not reported
TSDF Alt Name:	Not reported
Waste Code Description:	223 - Unspecified oil-containing waste
RCRA Code:	Not reported
Meth Code:	H141 - Storage, Bulking, And/Or Transfer Off Site--No Treatment/Reovery (H010-H129) Or (H131-H135)
Quantity Tons:	0.15
Waste Quantity:	300
Quantity Unit:	P
Additional Code 1:	Not reported
Additional Code 2:	Not reported
Additional Code 3:	Not reported
Additional Code 4:	Not reported
Additional Code 5:	Not reported
Shipment Date:	20170517
Creation Date:	6/13/2018 18:31:27
Receipt Date:	20170526
Manifest ID:	005887971SKS
Trans EPA ID:	TXR000081205
Trans Name:	SAFETY-KLEEN SYSTEMS INC
Trans 2 EPA ID:	MAD039322250

Map ID
Direction
Distance
Elevation

MAP FINDINGS

Site

Database(s)

EDR ID Number
EPA ID Number

GREAT WEST TRUCK INC (Continued)

S123637199

Trans 2 Name: CLEAN HARBORS
TSDf EPA ID: CAD980675276
Trans Name: CLEAN HARBORS BUTTONWILLOW LLC
TSDf Alt EPA ID: Not reported
TSDf Alt Name: Not reported
Waste Code Description: 352 - Other organic solids
RCRA Code: Not reported
Meth Code: H132 - Landfill Or Surface Impoundment That Will Be Closed As
Landfill(To Include On-Site Treatment And/Or Stabilization)
Quantity Tons: 0.125
Waste Quantity: 250
Quantity Unit: P
Additional Code 1: Not reported
Additional Code 2: Not reported
Additional Code 3: Not reported
Additional Code 4: Not reported
Additional Code 5: Not reported

Additional Info:

Year: 2015
Gen EPA ID: CAR000081729

Shipment Date: 20151104
Creation Date: 1/25/2016 22:15:12
Receipt Date: 20151117
Manifest ID: 005104283SKS
Trans EPA ID: TXR000081205
Trans Name: SAFETY-KLEEN SYSTEMS INC
Trans 2 EPA ID: MAD039322250
Trans 2 Name: CLEAN HARBORS ENVIRONMENTAL SERVICES INC
TSDf EPA ID: CAD980675276
Trans Name: CLEAN HARBORS BUTTONWILLOW LLC
TSDf Alt EPA ID: Not reported
TSDf Alt Name: Not reported
Waste Code Description: 352 - Other organic solids
RCRA Code: Not reported
Meth Code: H132 - Landfill Or Surface Impoundment That Will Be Closed As
Landfill(To Include On-Site Treatment And/Or Stabilization)
Quantity Tons: 0.2
Waste Quantity: 400
Quantity Unit: P
Additional Code 1: Not reported
Additional Code 2: Not reported
Additional Code 3: Not reported
Additional Code 4: Not reported
Additional Code 5: Not reported

Shipment Date: 20150812
Creation Date: 10/14/2015 22:15:09
Receipt Date: 20150825
Manifest ID: 005004127SKS
Trans EPA ID: TXR000081205
Trans Name: SAFETY-KLEEN SYSTEMS INC
Trans 2 EPA ID: Not reported
Trans 2 Name: Not reported
TSDf EPA ID: CAD044429835
Trans Name: CLEAN HARBORS WILMINGTON LLC

Map ID
Direction
Distance
Elevation

MAP FINDINGS

Site

Database(s)

EDR ID Number
EPA ID Number

GREAT WEST TRUCK INC (Continued)

S123637199

TSDf Alt EPA ID:	Not reported
TSDf Alt Name:	Not reported
Waste Code Description:	213 - Hydrocarbon solvents (benzene, hexane, Stoddard, etc.
RCRA Code:	D018
Meth Code:	H141 - Storage, Bulking, And/Or Transfer Off Site--No Treatment/Reovery (H010-H129) Or (H131-H135)
Quantity Tons:	0.15
Waste Quantity:	300
Quantity Unit:	P
Additional Code 1:	D008
Additional Code 2:	D001
Additional Code 3:	Not reported
Additional Code 4:	Not reported
Additional Code 5:	Not reported
Shipment Date:	20150305
Creation Date:	8/31/2015 22:15:10
Receipt Date:	20150327
Manifest ID:	004736262SKS
Trans EPA ID:	TXR000081205
Trans Name:	SAFETY-KLEEN SYSTEMS INC
Trans 2 EPA ID:	MAD039322250
Trans 2 Name:	CLEAN HARBORS ENV SERVICES
TSDf EPA ID:	CAD980675276
Trans Name:	CLEAN HARBORS BUTTONWILLOW LLC
TSDf Alt EPA ID:	Not reported
TSDf Alt Name:	Not reported
Waste Code Description:	352 - Other organic solids
RCRA Code:	Not reported
Meth Code:	H132 - Landfill Or Surface Impoundment That Will Be Closed As Landfill(To Include On-Site Treatment And/Or Stabilization)
Quantity Tons:	0.1
Waste Quantity:	200
Quantity Unit:	P
Additional Code 1:	Not reported
Additional Code 2:	Not reported
Additional Code 3:	Not reported
Additional Code 4:	Not reported
Additional Code 5:	Not reported
Additional Info:	
Year:	2013
Gen EPA ID:	CAR000081729
Shipment Date:	20130619
Creation Date:	9/28/2013 22:15:06
Receipt Date:	20130715
Manifest ID:	003812456SKS
Trans EPA ID:	TXR000081205
Trans Name:	SAFETY-KLEEN SYSTEMS INC
Trans 2 EPA ID:	OKD981588791
Trans 2 Name:	TRIAD TRANSPORT INC
TSDf EPA ID:	CAD980675276
Trans Name:	CLEAN HARBORS BUTTONWILLOW LLC
TSDf Alt EPA ID:	Not reported
TSDf Alt Name:	Not reported
Waste Code Description:	352 - Other organic solids

Map ID
Direction
Distance
Elevation

MAP FINDINGS

Site

Database(s)

EDR ID Number
EPA ID Number

GREAT WEST TRUCK INC (Continued)

S123637199

RCRA Code: Not reported
Meth Code: H132 - Landfill Or Surface Impoundment That Will Be Closed As
Landfill(To Include On-Site Treatment And/Or Stabilization)
Quantity Tons: 0.15
Waste Quantity: 300
Quantity Unit: P
Additional Code 1: Not reported
Additional Code 2: Not reported
Additional Code 3: Not reported
Additional Code 4: Not reported
Additional Code 5: Not reported

Shipment Date: 20130103
Creation Date: 6/7/2013 22:15:09
Receipt Date: 20130115
Manifest ID: 003313223SKS
Trans EPA ID: TXR000081205
Trans Name: SAFETY-KLEEN SYSTEMS INC
Trans 2 EPA ID: OKD981588791
Trans 2 Name: TRIAD TRANSPORT INC
TSDf EPA ID: NVT330010000
Trans Name: US ECOLOGY NEVADA
TSDf Alt EPA ID: Not reported
TSDf Alt Name: Not reported
Waste Code Description: 352 - Other organic solids
RCRA Code: Not reported
Meth Code: H132 - Landfill Or Surface Impoundment That Will Be Closed As
Landfill(To Include On-Site Treatment And/Or Stabilization)
Quantity Tons: 0.2
Waste Quantity: 400
Quantity Unit: P
Additional Code 1: Not reported
Additional Code 2: Not reported
Additional Code 3: Not reported
Additional Code 4: Not reported
Additional Code 5: Not reported

Additional Info:

Year: 2011
Gen EPA ID: CAR000081729

Shipment Date: 20111109
Creation Date: 4/14/2012 20:30:11
Receipt Date: 20111121
Manifest ID: 002989719SKS
Trans EPA ID: TXR000050930
Trans Name: SAFETY-KLEEN SYSTEMS INC
Trans 2 EPA ID: OKD981588791
Trans 2 Name: TRIAD TRANSPORT
TSDf EPA ID: NVT330010000
Trans Name: US ECOLOGY NEVADA
TSDf Alt EPA ID: Not reported
TSDf Alt Name: Not reported
Waste Code Description: 352 - Other organic solids
RCRA Code: Not reported
Meth Code: H132 - Landfill Or Surface Impoundment That Will Be Closed As
Landfill(To Include On-Site Treatment And/Or Stabilization)

Map ID
Direction
Distance
Elevation

MAP FINDINGS

Site

Database(s)

EDR ID Number
EPA ID Number

GREAT WEST TRUCK INC (Continued)

S123637199

Quantity Tons:	0.35
Waste Quantity:	700
Quantity Unit:	P
Additional Code 1:	Not reported
Additional Code 2:	Not reported
Additional Code 3:	Not reported
Additional Code 4:	Not reported
Additional Code 5:	Not reported
Shipment Date:	20110818
Creation Date:	2/9/2012 20:30:13
Receipt Date:	20110829
Manifest ID:	003769402FLE
Trans EPA ID:	TXR000050930
Trans Name:	SAFETY-KLEEN SYSTEMS INC
Trans 2 EPA ID:	OKD981588791
Trans 2 Name:	TRIAD TRANSPORT INC
TSDf EPA ID:	NVT330010000
Trans Name:	US ECOLOGY NEVADA
TSDf Alt EPA ID:	Not reported
TSDf Alt Name:	Not reported
Waste Code Description:	352 - Other organic solids
RCRA Code:	Not reported
Meth Code:	H132 - Landfill Or Surface Impoundment That Will Be Closed As Landfill(To Include On-Site Treatment And/Or Stabilization)
Quantity Tons:	0.175
Waste Quantity:	350
Quantity Unit:	P
Additional Code 1:	Not reported
Additional Code 2:	Not reported
Additional Code 3:	Not reported
Additional Code 4:	Not reported
Additional Code 5:	Not reported
Shipment Date:	20110303
Creation Date:	7/15/2011 18:30:11
Receipt Date:	20110316
Manifest ID:	002667737SKS
Trans EPA ID:	TXR000050930
Trans Name:	SAFETY-KLEEN SYSTEMS INC
Trans 2 EPA ID:	OKD981588791
Trans 2 Name:	TRIAD TRANSPORT
TSDf EPA ID:	NVT330010000
Trans Name:	US ECOLOGY NEVADA
TSDf Alt EPA ID:	Not reported
TSDf Alt Name:	Not reported
Waste Code Description:	352 - Other organic solids
RCRA Code:	Not reported
Meth Code:	H132 - Landfill Or Surface Impoundment That Will Be Closed As Landfill(To Include On-Site Treatment And/Or Stabilization)
Quantity Tons:	0.2745
Waste Quantity:	549
Quantity Unit:	P
Additional Code 1:	Not reported
Additional Code 2:	Not reported
Additional Code 3:	Not reported
Additional Code 4:	Not reported

Map ID
Direction
Distance
Elevation

MAP FINDINGS

Site

Database(s)

EDR ID Number
EPA ID Number

GREAT WEST TRUCK INC (Continued)

S123637199

Additional Code 5:	Not reported
Additional Info:	
Year:	2001
Gen EPA ID:	CAR000081729
Shipment Date:	20011127
Creation Date:	1/16/2002 0:00:00
Receipt Date:	20011129
Manifest ID:	20826082
Trans EPA ID:	CAD980696041
Trans Name:	Not reported
Trans 2 EPA ID:	Not reported
Trans 2 Name:	Not reported
TSDf EPA ID:	CAD099452708
Trans Name:	Not reported
TSDf Alt EPA ID:	CAD099452708
TSDf Alt Name:	Not reported
Waste Code Description:	*** - Not reported
RCRA Code:	Not reported
Meth Code:	R01 - Recycler
Quantity Tons:	1.668
Waste Quantity:	400
Quantity Unit:	G
Additional Code 1:	Not reported
Additional Code 2:	Not reported
Additional Code 3:	Not reported
Additional Code 4:	Not reported
Additional Code 5:	Not reported
Additional Info:	
Year:	2003
Gen EPA ID:	CAR000081729
Shipment Date:	20031029
Creation Date:	8/3/2004 15:03:33
Receipt Date:	20031029
Manifest ID:	22530284
Trans EPA ID:	TXR000050930
Trans Name:	SAFETY-KLEEN SYSTEMS INC
Trans 2 EPA ID:	Not reported
Trans 2 Name:	Not reported
TSDf EPA ID:	NVR000066837
Trans Name:	SAFETY-KLEEN SYSTEMS INC
TSDf Alt EPA ID:	Not reported
TSDf Alt Name:	Not reported
Waste Code Description:	343 - Unspecified organic liquid mixture
RCRA Code:	Not reported
Meth Code:	H01 - Transfer Station
Quantity Tons:	0.408
Waste Quantity:	120
Quantity Unit:	G
Additional Code 1:	Not reported
Additional Code 2:	Not reported
Additional Code 3:	Not reported
Additional Code 4:	Not reported

Map ID
Direction
Distance
Elevation

MAP FINDINGS

Site

Database(s)

EDR ID Number
EPA ID Number

GREAT WEST TRUCK INC (Continued)

S123637199

Additional Code 5:	Not reported
Shipment Date:	20031029
Creation Date:	8/3/2004 15:03:33
Receipt Date:	20031029
Manifest ID:	22530284
Trans EPA ID:	TXR000050930
Trans Name:	SAFETY-KLEEN SYSTEMS INC
Trans 2 EPA ID:	Not reported
Trans 2 Name:	Not reported
TSDf EPA ID:	NVR000066837
Trans Name:	SAFETY-KLEEN SYSTEMS INC
TSDf Alt EPA ID:	Not reported
TSDf Alt Name:	Not reported
Waste Code Description:	221 - Waste oil and mixed oil
RCRA Code:	Not reported
Meth Code:	H01 - Transfer Station
Quantity Tons:	1.273
Waste Quantity:	335
Quantity Unit:	G
Additional Code 1:	Not reported
Additional Code 2:	Not reported
Additional Code 3:	Not reported
Additional Code 4:	Not reported
Additional Code 5:	Not reported
Shipment Date:	20030806
Creation Date:	7/26/2004 18:30:41
Receipt Date:	20030806
Manifest ID:	22875782
Trans EPA ID:	TXR000050930
Trans Name:	Not reported
Trans 2 EPA ID:	Not reported
Trans 2 Name:	Not reported
TSDf EPA ID:	NVR000066837
Trans Name:	Not reported
TSDf Alt EPA ID:	Not reported
TSDf Alt Name:	Not reported
Waste Code Description:	343 - Unspecified organic liquid mixture
RCRA Code:	Not reported
Meth Code:	H01 - Transfer Station
Quantity Tons:	0.255
Waste Quantity:	75
Quantity Unit:	G
Additional Code 1:	Not reported
Additional Code 2:	Not reported
Additional Code 3:	Not reported
Additional Code 4:	Not reported
Additional Code 5:	Not reported
Shipment Date:	20030806
Creation Date:	7/26/2004 18:30:41
Receipt Date:	20030806
Manifest ID:	22875782
Trans EPA ID:	TXR000050930
Trans Name:	Not reported
Trans 2 EPA ID:	Not reported

Map ID
Direction
Distance
Elevation

MAP FINDINGS

Site

Database(s)

EDR ID Number
EPA ID Number

GREAT WEST TRUCK INC (Continued)

S123637199

Trans 2 Name:	Not reported
TSDF EPA ID:	NVR000066837
Trans Name:	Not reported
TSDF Alt EPA ID:	Not reported
TSDF Alt Name:	Not reported
Waste Code Description:	221 - Waste oil and mixed oil
RCRA Code:	Not reported
Meth Code:	- Not reported
Quantity Tons:	24.054
Waste Quantity:	6330
Quantity Unit:	G
Additional Code 1:	Not reported
Additional Code 2:	Not reported
Additional Code 3:	Not reported
Additional Code 4:	Not reported
Additional Code 5:	Not reported
Shipment Date:	20030514
Creation Date:	8/29/2003 18:31:02
Receipt Date:	20030514
Manifest ID:	22383450
Trans EPA ID:	TXR000050930
Trans Name:	Not reported
Trans 2 EPA ID:	Not reported
Trans 2 Name:	Not reported
TSDF EPA ID:	NVR000066837
Trans Name:	Not reported
TSDF Alt EPA ID:	Not reported
TSDF Alt Name:	Not reported
Waste Code Description:	343 - Unspecified organic liquid mixture
RCRA Code:	Not reported
Meth Code:	H01 - Transfer Station
Quantity Tons:	0.578
Waste Quantity:	170
Quantity Unit:	G
Additional Code 1:	Not reported
Additional Code 2:	Not reported
Additional Code 3:	Not reported
Additional Code 4:	Not reported
Additional Code 5:	Not reported
Shipment Date:	20030514
Creation Date:	8/29/2003 18:31:02
Receipt Date:	20030514
Manifest ID:	22383450
Trans EPA ID:	TXR000050930
Trans Name:	Not reported
Trans 2 EPA ID:	Not reported
Trans 2 Name:	Not reported
TSDF EPA ID:	NVR000066837
Trans Name:	Not reported
TSDF Alt EPA ID:	Not reported
TSDF Alt Name:	Not reported
Waste Code Description:	221 - Waste oil and mixed oil
RCRA Code:	Not reported
Meth Code:	H01 - Transfer Station
Quantity Tons:	0.798

Map ID
Direction
Distance
Elevation

MAP FINDINGS

Site

Database(s)

EDR ID Number
EPA ID Number

GREAT WEST TRUCK INC (Continued)

S123637199

Waste Quantity:	210
Quantity Unit:	G
Additional Code 1:	Not reported
Additional Code 2:	Not reported
Additional Code 3:	Not reported
Additional Code 4:	Not reported
Additional Code 5:	Not reported
Shipment Date:	20030219
Creation Date:	5/16/2003 18:32:20
Receipt Date:	Not reported
Manifest ID:	22431766
Trans EPA ID:	TXR000050930
Trans Name:	Not reported
Trans 2 EPA ID:	Not reported
Trans 2 Name:	Not reported
TSDf EPA ID:	NVR000066837
Trans Name:	Not reported
TSDf Alt EPA ID:	Not reported
TSDf Alt Name:	Not reported
Waste Code Description:	- Not reported
RCRA Code:	Not reported
Meth Code:	- Not reported
Quantity Tons:	Not reported
Waste Quantity:	375
Quantity Unit:	Not reported
Additional Code 1:	Not reported
Additional Code 2:	Not reported
Additional Code 3:	Not reported
Additional Code 4:	Not reported
Additional Code 5:	Not reported
Shipment Date:	20030219
Creation Date:	5/16/2003 18:32:20
Receipt Date:	Not reported
Manifest ID:	22431766
Trans EPA ID:	TXR000050930
Trans Name:	Not reported
Trans 2 EPA ID:	Not reported
Trans 2 Name:	Not reported
TSDf EPA ID:	NVR000066837
Trans Name:	Not reported
TSDf Alt EPA ID:	Not reported
TSDf Alt Name:	Not reported
Waste Code Description:	221 - Waste oil and mixed oil
RCRA Code:	Not reported
Meth Code:	- Not reported
Quantity Tons:	2.128
Waste Quantity:	560
Quantity Unit:	G
Additional Code 1:	Not reported
Additional Code 2:	Not reported
Additional Code 3:	Not reported
Additional Code 4:	Not reported
Additional Code 5:	Not reported

Map ID
Direction
Distance
Elevation

MAP FINDINGS

Site

Database(s)

EDR ID Number
EPA ID Number

GREAT WEST TRUCK INC (Continued)

S123637199

Additional Info:

Year:	2006
Gen EPA ID:	CAR000081729
Shipment Date:	20061214
Creation Date:	9/20/2007 18:30:23
Receipt Date:	20070102
Manifest ID:	000137059CEX
Trans EPA ID:	TXR000050930
Trans Name:	SAFETY-KLEEN SYSTEMS INC
Trans 2 EPA ID:	OKD981588791
Trans 2 Name:	TRIAD TRANSPORT INC
TSDf EPA ID:	TXD077603371
Trans Name:	SAFETY-KLEEN SYSTEMS INC
TSDf Alt EPA ID:	Not reported
TSDf Alt Name:	Not reported
Waste Code Description:	352 - Other organic solids
RCRA Code:	Not reported
Meth Code:	H141 - Storage, Bulking, And/Or Transfer Off Site--No Treatment/Reovery (H010-H129) Or (H131-H135)
Quantity Tons:	0.1
Waste Quantity:	200
Quantity Unit:	P
Additional Code 1:	Not reported
Additional Code 2:	Not reported
Additional Code 3:	Not reported
Additional Code 4:	Not reported
Additional Code 5:	Not reported
Shipment Date:	20060614
Creation Date:	9/17/2006 18:33:10
Receipt Date:	20060623
Manifest ID:	25017549
Trans EPA ID:	TXR000050930
Trans Name:	SAFETY KLEEN SYSTEMS INC
Trans 2 EPA ID:	Not reported
Trans 2 Name:	Not reported
TSDf EPA ID:	CAT000613893
Trans Name:	SAFETY KLEEN SYSTEMS INC
TSDf Alt EPA ID:	CAT000613893
TSDf Alt Name:	Not reported
Waste Code Description:	- Not reported
RCRA Code:	Not reported
Meth Code:	- Not reported
Quantity Tons:	0.125
Waste Quantity:	250
Quantity Unit:	P
Additional Code 1:	Not reported
Additional Code 2:	Not reported
Additional Code 3:	Not reported
Additional Code 4:	Not reported
Additional Code 5:	Not reported
Shipment Date:	20060322
Creation Date:	7/27/2006 18:32:43
Receipt Date:	20060331
Manifest ID:	24365075

Map ID
Direction
Distance
Elevation

MAP FINDINGS

Site

Database(s)

EDR ID Number
EPA ID Number

GREAT WEST TRUCK INC (Continued)

S123637199

Trans EPA ID:	TXR000050930
Trans Name:	SAFETY KLEEN SYSTEMS INC
Trans 2 EPA ID:	Not reported
Trans 2 Name:	Not reported
TSDf EPA ID:	CAT000613893
Trans Name:	SAFETY KLEEN SYSTEMS INC
TSDf Alt EPA ID:	CAT000613893
TSDf Alt Name:	Not reported
Waste Code Description:	- Not reported
RCRA Code:	Not reported
Meth Code:	- Not reported
Quantity Tons:	0.3
Waste Quantity:	600
Quantity Unit:	P
Additional Code 1:	Not reported
Additional Code 2:	Not reported
Additional Code 3:	Not reported
Additional Code 4:	Not reported
Additional Code 5:	Not reported
Additional Info:	
Year:	2002
Gen EPA ID:	CAR000081729
Shipment Date: 20021030	
Creation Date: 2/18/2003 18:31:24	
Receipt Date: 20021030	
Manifest ID: 99058004	
Trans EPA ID: SCR000075150	
Trans Name: Not reported	
Trans 2 EPA ID: Not reported	
Trans 2 Name: Not reported	
TSDf EPA ID: NVR000066837	
Trans Name: Not reported	
TSDf Alt EPA ID: Not reported	
TSDf Alt Name: Not reported	
Waste Code Description: 221 - Waste oil and mixed oil	
RCRA Code: Not reported	
Meth Code: H01 - Transfer Station	
Quantity Tons: 2.47	
Waste Quantity: 650	
Quantity Unit: G	
Additional Code 1: Not reported	
Additional Code 2: Not reported	
Additional Code 3: Not reported	
Additional Code 4: Not reported	
Additional Code 5: Not reported	
Additional Info:	
Year:	2009
Gen EPA ID:	CAR000081729
Shipment Date: 20091207	
Creation Date: 6/30/2010 18:30:18	
Receipt Date: 20091222	
Manifest ID: 002042689SKS	

Map ID
Direction
Distance
Elevation

MAP FINDINGS

Site

Database(s)

EDR ID Number
EPA ID Number

GREAT WEST TRUCK INC (Continued)

S123637199

Trans EPA ID: TXR000050930
Trans Name: SAFETY-KLEEN SYSTEMS INC
Trans 2 EPA ID: OKD981588791
Trans 2 Name: TRIAD
TSDf EPA ID: NVT330010000
Trans Name: US ECOLOGY NEVADA
TSDf Alt EPA ID: Not reported
TSDf Alt Name: Not reported
Waste Code Description: 352 - Other organic solids
RCRA Code: Not reported
Meth Code: H132 - Landfill Or Surface Impoundment That Will Be Closed As
Landfill(To Include On-Site Treatment And/Or Stabilization)

Quantity Tons: 0.925
Waste Quantity: 1850
Quantity Unit: P
Additional Code 1: Not reported
Additional Code 2: Not reported
Additional Code 3: Not reported
Additional Code 4: Not reported
Additional Code 5: Not reported

Additional Info:

Year: 2005
Gen EPA ID: CAR000081729

Shipment Date: 20051207
Creation Date: 1/2/2007 18:30:32
Receipt Date: 20051207
Manifest ID: 24606657
Trans EPA ID: TXR000050930
Trans Name: SAFETY-KLEEN SYSTEMS INC
Trans 2 EPA ID: Not reported
Trans 2 Name: Not reported
TSDf EPA ID: NVR000066837
Trans Name: SAFETY-KLEEN SYSTEMS INC
TSDf Alt EPA ID: Not reported
TSDf Alt Name: Not reported
Waste Code Description: 343 - Unspecified organic liquid mixture
RCRA Code: Not reported
Meth Code: - Not reported
Quantity Tons: 0.493
Waste Quantity: 145
Quantity Unit: G
Additional Code 1: Not reported
Additional Code 2: Not reported
Additional Code 3: Not reported
Additional Code 4: Not reported
Additional Code 5: Not reported

Shipment Date: 20051207
Creation Date: 1/2/2007 18:30:32
Receipt Date: 20051207
Manifest ID: 24606657
Trans EPA ID: TXR000050930
Trans Name: SAFETY-KLEEN SYSTEMS INC
Trans 2 EPA ID: Not reported
Trans 2 Name: Not reported

Map ID
Direction
Distance
Elevation

MAP FINDINGS

Site

Database(s)

EDR ID Number
EPA ID Number

GREAT WEST TRUCK INC (Continued)

S123637199

TSDF EPA ID:	NVR000066837
Trans Name:	SAFETY-KLEEN SYSTEMS INC
TSDF Alt EPA ID:	Not reported
TSDF Alt Name:	Not reported
Waste Code Description:	- Not reported
RCRA Code:	Not reported
Meth Code:	- Not reported
Quantity Tons:	1.7514
Waste Quantity:	420
Quantity Unit:	G
Additional Code 1:	Not reported
Additional Code 2:	Not reported
Additional Code 3:	Not reported
Additional Code 4:	Not reported
Additional Code 5:	Not reported
Shipment Date:	20051116
Creation Date:	1/2/2007 18:30:20
Receipt Date:	20051122
Manifest ID:	24365047
Trans EPA ID:	TXR000050930
Trans Name:	SAFETY-KLEEN SYSTEMS INC
Trans 2 EPA ID:	Not reported
Trans 2 Name:	Not reported
TSDF EPA ID:	CAT000613893
Trans Name:	SAFETY-KLEEN SYSTEMS INC
TSDF Alt EPA ID:	CAT000613893
TSDF Alt Name:	Not reported
Waste Code Description:	- Not reported
RCRA Code:	Not reported
Meth Code:	- Not reported
Quantity Tons:	1.1
Waste Quantity:	2200
Quantity Unit:	P
Additional Code 1:	Not reported
Additional Code 2:	Not reported
Additional Code 3:	Not reported
Additional Code 4:	Not reported
Additional Code 5:	Not reported
Shipment Date:	20050914
Creation Date:	4/13/2006 18:47:49
Receipt Date:	20050914
Manifest ID:	24720421
Trans EPA ID:	TXR000050930
Trans Name:	SAFETY-KLEEN SYSTEMS INC
Trans 2 EPA ID:	Not reported
Trans 2 Name:	Not reported
TSDF EPA ID:	NVR000066837
Trans Name:	SAFETY-KLEEN SYSTEMS INC
TSDF Alt EPA ID:	Not reported
TSDF Alt Name:	Not reported
Waste Code Description:	343 - Unspecified organic liquid mixture
RCRA Code:	Not reported
Meth Code:	- Not reported
Quantity Tons:	0.663
Waste Quantity:	195

Map ID
Direction
Distance
Elevation

MAP FINDINGS

Site

Database(s)

EDR ID Number
EPA ID Number

GREAT WEST TRUCK INC (Continued)

S123637199

Quantity Unit:	G
Additional Code 1:	Not reported
Additional Code 2:	Not reported
Additional Code 3:	Not reported
Additional Code 4:	Not reported
Additional Code 5:	Not reported
Shipment Date:	20050914
Creation Date:	4/13/2006 18:47:49
Receipt Date:	20050914
Manifest ID:	24720421
Trans EPA ID:	TXR000050930
Trans Name:	SAFETY-KLEEN SYSTEMS INC
Trans 2 EPA ID:	Not reported
Trans 2 Name:	Not reported
TSDF EPA ID:	NVR000066837
Trans Name:	SAFETY-KLEEN SYSTEMS INC
TSDF Alt EPA ID:	Not reported
TSDF Alt Name:	Not reported
Waste Code Description:	221 - Waste oil and mixed oil
RCRA Code:	Not reported
Meth Code:	- Not reported
Quantity Tons:	Not reported
Waste Quantity:	320
Quantity Unit:	Not reported
Additional Code 1:	Not reported
Additional Code 2:	Not reported
Additional Code 3:	Not reported
Additional Code 4:	Not reported
Additional Code 5:	Not reported
Shipment Date:	20050622
Creation Date:	8/17/2005 18:33:44
Receipt Date:	20050622
Manifest ID:	24500782
Trans EPA ID:	TXR000050930
Trans Name:	SAFETY-KLEEN SYSTEMS INC
Trans 2 EPA ID:	Not reported
Trans 2 Name:	Not reported
TSDF EPA ID:	NVR000066837
Trans Name:	SAFETY-KLEEN SYSTEMS INC
TSDF Alt EPA ID:	Not reported
TSDF Alt Name:	Not reported
Waste Code Description:	221 - Waste oil and mixed oil
RCRA Code:	Not reported
Meth Code:	- Not reported
Quantity Tons:	1.121
Waste Quantity:	295
Quantity Unit:	G
Additional Code 1:	Not reported
Additional Code 2:	Not reported
Additional Code 3:	Not reported
Additional Code 4:	Not reported
Additional Code 5:	Not reported
Shipment Date:	20050622
Creation Date:	8/17/2005 18:33:44

Map ID
Direction
Distance
Elevation

MAP FINDINGS

Site

Database(s)

EDR ID Number
EPA ID Number

GREAT WEST TRUCK INC (Continued)

S123637199

Receipt Date: 20050622
Manifest ID: 24500782
Trans EPA ID: TXR000050930
Trans Name: SAFETY-KLEEN SYSTEMS INC
Trans 2 EPA ID: Not reported
Trans 2 Name: Not reported
TSDf EPA ID: NVR000066837
Trans Name: SAFETY-KLEEN SYSTEMS INC
TSDf Alt EPA ID: Not reported
TSDf Alt Name: Not reported
Waste Code Description: 343 - Unspecified organic liquid mixture
RCRA Code: Not reported
Meth Code: - Not reported
Quantity Tons: 0.374
Waste Quantity: 110
Quantity Unit: G
Additional Code 1: Not reported
Additional Code 2: Not reported
Additional Code 3: Not reported
Additional Code 4: Not reported
Additional Code 5: Not reported

Shipment Date: 20050330
Creation Date: 6/1/2005 18:31:04
Receipt Date: 20050330
Manifest ID: 23667946
Trans EPA ID: TXR000050930
Trans Name: SAFETY-KLEEN SYSTEMS INC
Trans 2 EPA ID: Not reported
Trans 2 Name: Not reported
TSDf EPA ID: NVR000066837
Trans Name: SAFETY-KLEEN SYSTEMS INC
TSDf Alt EPA ID: Not reported
TSDf Alt Name: Not reported
Waste Code Description: 221 - Waste oil and mixed oil
RCRA Code: Not reported
Meth Code: - Not reported
Quantity Tons: 0.779
Waste Quantity: 205
Quantity Unit: G
Additional Code 1: Not reported
Additional Code 2: Not reported
Additional Code 3: Not reported
Additional Code 4: Not reported
Additional Code 5: Not reported

Shipment Date: 20050330
Creation Date: 6/1/2005 18:31:04
Receipt Date: 20050330
Manifest ID: 23667946
Trans EPA ID: TXR000050930
Trans Name: SAFETY-KLEEN SYSTEMS INC
Trans 2 EPA ID: Not reported
Trans 2 Name: Not reported
TSDf EPA ID: NVR000066837
Trans Name: SAFETY-KLEEN SYSTEMS INC
TSDf Alt EPA ID: Not reported

Map ID
Direction
Distance
Elevation

MAP FINDINGS

Site

Database(s)

EDR ID Number
EPA ID Number

GREAT WEST TRUCK INC (Continued)

S123637199

TSDF Alt Name: Not reported
Waste Code Description: 343 - Unspecified organic liquid mixture
RCRA Code: Not reported
Meth Code: H01 - Transfer Station
Quantity Tons: 0.408
Waste Quantity: 120
Quantity Unit: G
Additional Code 1: Not reported
Additional Code 2: Not reported
Additional Code 3: Not reported
Additional Code 4: Not reported
Additional Code 5: Not reported

Shipment Date: 20050105
Creation Date: 3/16/2005 18:31:03
Receipt Date: 20050105
Manifest ID: 23020012
Trans EPA ID: TXR000050930
Trans Name: SAFETY-KLEEN SYSTEMS INC
Trans 2 EPA ID: Not reported
Trans 2 Name: Not reported
TSDF EPA ID: NVR000066837
Trans Name: SAFETY-KLEEN SYSTEMS INC
TSDF Alt EPA ID: CAT000613893
TSDF Alt Name: Not reported
Waste Code Description: 221 - Waste oil and mixed oil
RCRA Code: Not reported
Meth Code: - Not reported
Quantity Tons: 1.501
Waste Quantity: 395
Quantity Unit: G
Additional Code 1: Not reported
Additional Code 2: Not reported
Additional Code 3: Not reported
Additional Code 4: Not reported
Additional Code 5: Not reported

Additional Info:

Year: 2016
Gen EPA ID: CAR000081729

Shipment Date: 20151104
Creation Date: 1/25/2016 22:15:12
Receipt Date: 20151117
Manifest ID: 005104283SKS
Trans EPA ID: TXR000081205
Trans Name: SAFETY-KLEEN SYSTEMS INC
Trans 2 EPA ID: MAD039322250
Trans 2 Name: CLEAN HARBORS ENVIRONMENTAL SERVICES INC
TSDF EPA ID: CAD980675276
Trans Name: CLEAN HARBORS BUTTONWILLOW LLC
TSDF Alt EPA ID: Not reported
TSDF Alt Name: Not reported
Waste Code Description: 352 - Other organic solids
RCRA Code: Not reported
Meth Code: H132 - Landfill Or Surface Impoundment That Will Be Closed As Landfill(To Include On-Site Treatment And/Or Stabilization)

Map ID
Direction
Distance
Elevation

MAP FINDINGS

Site

Database(s)

EDR ID Number
EPA ID Number

GREAT WEST TRUCK INC (Continued)

S123637199

Quantity Tons: 0.2
Waste Quantity: 400
Quantity Unit: P
Additional Code 1: Not reported
Additional Code 2: Not reported
Additional Code 3: Not reported
Additional Code 4: Not reported
Additional Code 5: Not reported

Shipment Date: 20150812
Creation Date: 10/14/2015 22:15:09
Receipt Date: 20150825
Manifest ID: 005004127SKS
Trans EPA ID: TXR000081205
Trans Name: SAFETY-KLEEN SYSTEMS INC
Trans 2 EPA ID: Not reported
Trans 2 Name: Not reported
TSDf EPA ID: CAD044429835
Trans Name: CLEAN HARBORS WILMINGTON LLC
TSDf Alt EPA ID: Not reported
TSDf Alt Name: Not reported
Waste Code Description: 213 - Hydrocarbon solvents (benzene, hexane, Stoddard, etc.)
RCRA Code: D018
Meth Code: H141 - Storage, Bulking, And/Or Transfer Off Site--No Treatment/Reovery (H010-H129) Or (H131-H135)

Quantity Tons: 0.15
Waste Quantity: 300
Quantity Unit: P
Additional Code 1: D008
Additional Code 2: D001
Additional Code 3: Not reported
Additional Code 4: Not reported
Additional Code 5: Not reported

Shipment Date: 20150305
Creation Date: 8/31/2015 22:15:10
Receipt Date: 20150327
Manifest ID: 004736262SKS
Trans EPA ID: TXR000081205
Trans Name: SAFETY-KLEEN SYSTEMS INC
Trans 2 EPA ID: MAD039322250
Trans 2 Name: CLEAN HARBORS ENV SERVICES
TSDf EPA ID: CAD980675276
Trans Name: CLEAN HARBORS BUTTONWILLOW LLC
TSDf Alt EPA ID: Not reported
TSDf Alt Name: Not reported
Waste Code Description: 352 - Other organic solids
RCRA Code: Not reported
Meth Code: H132 - Landfill Or Surface Impoundment That Will Be Closed As Landfill(To Include On-Site Treatment And/Or Stabilization)

Quantity Tons: 0.1
Waste Quantity: 200
Quantity Unit: P
Additional Code 1: Not reported
Additional Code 2: Not reported
Additional Code 3: Not reported
Additional Code 4: Not reported

Map ID
Direction
Distance
Elevation

MAP FINDINGS

Site

Database(s)

EDR ID Number
EPA ID Number

GREAT WEST TRUCK INC (Continued)

S123637199

Additional Code 5:	Not reported
Additional Info:	
Year:	2012
Gen EPA ID:	CAR000081729
Shipment Date:	20120725
Creation Date:	12/29/2012 22:15:14
Receipt Date:	20120807
Manifest ID:	003197426SKS
Trans EPA ID:	TXR000050930
Trans Name:	SAFETY-KLEEN SYSTEMS INC
Trans 2 EPA ID:	OKD981588791
Trans 2 Name:	TRIAD TRANSPORT INC
TSDF EPA ID:	NVT330010000
Trans Name:	US ECOLOGY NEVADA
TSDF Alt EPA ID:	Not reported
TSDF Alt Name:	Not reported
Waste Code Description:	352 - Other organic solids
RCRA Code:	Not reported
Meth Code:	H132 - Landfill Or Surface Impoundment That Will Be Closed As Landfill(To Include On-Site Treatment And/Or Stabilization)
Quantity Tons:	0.1
Waste Quantity:	200
Quantity Unit:	P
Additional Code 1:	Not reported
Additional Code 2:	Not reported
Additional Code 3:	Not reported
Additional Code 4:	Not reported
Additional Code 5:	Not reported
Shipment Date:	20120130
Creation Date:	6/27/2012 20:30:16
Receipt Date:	20120207
Manifest ID:	002989841SKS
Trans EPA ID:	TXR000050930
Trans Name:	SAFETY-KLEEN SYSTEMS INC
Trans 2 EPA ID:	OKD981588791
Trans 2 Name:	TRIAD TRANSPORT INC
TSDF EPA ID:	NVT330010000
Trans Name:	US ECOLOGY NEVADA
TSDF Alt EPA ID:	Not reported
TSDF Alt Name:	Not reported
Waste Code Description:	352 - Other organic solids
RCRA Code:	Not reported
Meth Code:	H132 - Landfill Or Surface Impoundment That Will Be Closed As Landfill(To Include On-Site Treatment And/Or Stabilization)
Quantity Tons:	0.15
Waste Quantity:	300
Quantity Unit:	P
Additional Code 1:	Not reported
Additional Code 2:	Not reported
Additional Code 3:	Not reported
Additional Code 4:	Not reported
Additional Code 5:	Not reported

Map ID
Direction
Distance
Elevation

MAP FINDINGS

Site

Database(s)

EDR ID Number
EPA ID Number

GREAT WEST TRUCK INC (Continued)

S123637199

Additional Info:

Year:	2014
Gen EPA ID:	CAR000081729
Shipment Date:	20141204
Creation Date:	3/19/2015 22:14:50
Receipt Date:	20141224
Manifest ID:	004511102SKS
Trans EPA ID:	TXR000081205
Trans Name:	SAFETY-KLEEN SYSTEMS INC
Trans 2 EPA ID:	AZR000513770
Trans 2 Name:	SLT
TSDf EPA ID:	CAD980675276
Trans Name:	CLEAN HARBORS BUTTONWILLOW LLC
TSDf Alt EPA ID:	Not reported
TSDf Alt Name:	Not reported
Waste Code Description:	352 - Other organic solids
RCRA Code:	Not reported
Meth Code:	H132 - Landfill Or Surface Impoundment That Will Be Closed As Landfill(To Include On-Site Treatment And/Or Stabilization)
Quantity Tons:	0.5
Waste Quantity:	1000
Quantity Unit:	P
Additional Code 1:	Not reported
Additional Code 2:	Not reported
Additional Code 3:	Not reported
Additional Code 4:	Not reported
Additional Code 5:	Not reported
Shipment Date:	20140904
Creation Date:	12/17/2014 22:14:47
Receipt Date:	20140926
Manifest ID:	004547502SKS
Trans EPA ID:	TXR000081205
Trans Name:	SAFETY-KLEEN SYSTEMS INC
Trans 2 EPA ID:	MAD039322250
Trans 2 Name:	CLEAN HARBORS ENV SERVICES
TSDf EPA ID:	CAD980675276
Trans Name:	CLEAN HARBORS BUTTONWILLOW LLC
TSDf Alt EPA ID:	Not reported
TSDf Alt Name:	Not reported
Waste Code Description:	352 - Other organic solids
RCRA Code:	Not reported
Meth Code:	H132 - Landfill Or Surface Impoundment That Will Be Closed As Landfill(To Include On-Site Treatment And/Or Stabilization)
Quantity Tons:	0.075
Waste Quantity:	150
Quantity Unit:	P
Additional Code 1:	Not reported
Additional Code 2:	Not reported
Additional Code 3:	Not reported
Additional Code 4:	Not reported
Additional Code 5:	Not reported
Shipment Date:	20140723
Creation Date:	10/22/2014 22:15:04
Receipt Date:	20140812

Map ID
Direction
Distance
Elevation

MAP FINDINGS

Site

Database(s)

EDR ID Number
EPA ID Number

GREAT WEST TRUCK INC (Continued)

S123637199

Manifest ID: 004375430SKS
Trans EPA ID: TXR000081205
Trans Name: SAFETY-KLEEN SYSTEMS INC
Trans 2 EPA ID: MAD039322250
Trans 2 Name: CLEAN HARBORS ENV SERVICES
TSDf EPA ID: CAD980675276
Trans Name: CLEAN HARBORS BUTTONWILLOW LLC
TSDf Alt EPA ID: Not reported
TSDf Alt Name: Not reported
Waste Code Description: 352 - Other organic solids
RCRA Code: Not reported
Meth Code: H132 - Landfill Or Surface Impoundment That Will Be Closed As Landfill(To Include On-Site Treatment And/Or Stabilization)

Quantity Tons: 0.075
Waste Quantity: 150
Quantity Unit: P
Additional Code 1: Not reported
Additional Code 2: Not reported
Additional Code 3: Not reported
Additional Code 4: Not reported
Additional Code 5: Not reported

Shipment Date: 20140522
Creation Date: 8/17/2014 22:15:06
Receipt Date: 20140609
Manifest ID: 004264306SKS
Trans EPA ID: TXR000081205
Trans Name: SAFETY-KLEEN SYSTEMS INC
Trans 2 EPA ID: Not reported
Trans 2 Name: Not reported
TSDf EPA ID: CAD044429835
Trans Name: CLEAN HARBORS WILMINGTON LLC
TSDf Alt EPA ID: Not reported
TSDf Alt Name: Not reported
Waste Code Description: 213 - Hydrocarbon solvents (benzene, hexane, Stoddard, etc.
RCRA Code: D018
Meth Code: H141 - Storage, Bulking, And/Or Transfer Off Site--No Treatment/Reovery (H010-H129) Or (H131-H135)

Quantity Tons: 2.502
Waste Quantity: 600
Quantity Unit: G
Additional Code 1: D008
Additional Code 2: D001
Additional Code 3: Not reported
Additional Code 4: Not reported
Additional Code 5: Not reported

Shipment Date: 20140213
Creation Date: 8/14/2014 22:15:12
Receipt Date: Not reported
Manifest ID: 004145238SKS
Trans EPA ID: TXR000081205
Trans Name: SAFETY-KLEEN SYSTEMS INC
Trans 2 EPA ID: MAD039322250
Trans 2 Name: CLEAN HARBORS ENV SERVICES
TSDf EPA ID: UTD991301748
Trans Name: CLEAN HARBORS GRASSY MOUNTAIN LLC

Map ID
Direction
Distance
Elevation

MAP FINDINGS

Site

Database(s)

EDR ID Number
EPA ID Number

GREAT WEST TRUCK INC (Continued)

S123637199

TSDf Alt EPA ID: Not reported
TSDf Alt Name: Not reported
Waste Code Description: 352 - Other organic solids
RCRA Code: Not reported
Meth Code: H132 - Landfill Or Surface Impoundment That Will Be Closed As
Landfill(To Include On-Site Treatment And/Or Stabilization)
Quantity Tons: 0.15
Waste Quantity: 300
Quantity Unit: P
Additional Code 1: Not reported
Additional Code 2: Not reported
Additional Code 3: Not reported
Additional Code 4: Not reported
Additional Code 5: Not reported

HWTS:

Name: GREAT WEST TRUCK INC
Address: 211 BALBOA ST
Address 2: Not reported
City,State,Zip: NEEDLES, CA 92363
EPA ID: CAR000081729
Inactive Date: 06/30/2021
Create Date: 04/03/2001
Last Act Date: Not reported
Mailing Name: Not reported
Mailing Address: 211 BALBOA ST
Mailing Address 2: Not reported
Mailing City,State,Zip: NEEDLES, CA 923634100
Owner Name: GREAT WEST TRUCK INC
Owner Address: 211 BALBOA ST
Owner Address 2: Not reported
Owner City,State,Zip: NEEDLES, CA 923634100
Contact Name: DERRICK SIREKIS/FACILITY MGR
Contact Address: 211 BALBOA ST
Contact Address 2: Not reported
City,State,Zip: NEEDLES, CA 92363
Facility Status: Inactive
Facility Type: PERMANENT
Category: FEDERAL
Latitude: 34.853877
Longitude: -114.6243105

NAICS:

EPA ID: CAR000081729
Create Date: 2004-02-05 07:43:56.000
NAICS Code: 811111
NAICS Description: General Automotive Repair
Issued EPA ID Date: 2001-04-03 00:00:00
Inactive Date: Not reported
Facility Name: GREAT WEST TRUCK INC
Facility Address: 211 BALBOA ST
Facility Address 2: Not reported
Facility City: NEEDLES
Facility County: Not reported
Facility State: CA
Facility Zip: 923634100

Map ID
 Direction
 Distance
 Elevation

MAP FINDINGS

Site

Database(s)

EDR ID Number
 EPA ID Number

BX550 **GREAT WEST TRUCK AND AUTO**
Target **211 BALBOA PLACE**
Property **NEEDLES, CA 92363**

RCRA-SQG **1004676164**
FINDS **CAR000081729**
ECHO

Site 3 of 3 in cluster BX

Actual:
621 ft.

RCRA-SQG:

Focus Map:
10

Date Form Received by Agency:	20000901
Handler Name:	GREAT WEST TRUCK AND AUTO
Handler Address:	211 BALBOA PLACE
Handler City,State,Zip:	NEEDLES, CA 92363
EPA ID:	CAR000081729
Contact Name:	DENNIS REIBLING
Contact Address:	211 BALBOA PLACE
Contact City,State,Zip:	NEEDLES, CA 92363
Contact Telephone:	760-326-4211
Contact Fax:	Not reported
Contact Email:	Not reported
Contact Title:	Not reported
EPA Region:	09
Land Type:	Private
Federal Waste Generator Description:	Small Quantity Generator
Non-Notifier:	Not reported
Biennial Report Cycle:	Not reported
Accessibility:	Not reported
Active Site Indicator:	Handler Activities
State District Owner:	Not reported
State District:	Not reported
Mailing Address:	211 BALBOA PLACE
Mailing City,State,Zip:	NEEDLES, CA 92363
Owner Name:	GREAT WEST TRUCK AND AUTO
Owner Type:	Private
Operator Name:	Not reported
Operator Type:	Not reported
Short-Term Generator Activity:	No
Importer Activity:	No
Mixed Waste Generator:	No
Transporter Activity:	No
Transfer Facility Activity:	No
Recycler Activity with Storage:	No
Small Quantity On-Site Burner Exemption:	No
Smelting Melting and Refining Furnace Exemption:	No
Underground Injection Control:	No
Off-Site Waste Receipt:	No
Universal Waste Indicator:	No
Universal Waste Destination Facility:	No
Federal Universal Waste:	No
Active Site Fed-Reg Treatment Storage and Disposal Facility:	Not reported
Active Site Converter Treatment storage and Disposal Facility:	Not reported
Active Site State-Reg Treatment Storage and Disposal Facility:	Not reported
Active Site State-Reg Handler:	---
Federal Facility Indicator:	Not reported
Hazardous Secondary Material Indicator:	N
Sub-Part K Indicator:	Not reported
Commercial TSD Indicator:	No
Treatment Storage and Disposal Type:	Not reported
2018 GPRA Permit Baseline:	Not on the Baseline
2018 GPRA Renewals Baseline:	Not on the Baseline
Permit Renewals Workload Universe:	Not reported

Map ID
Direction
Distance
Elevation

MAP FINDINGS

Site

Database(s)

EDR ID Number
EPA ID Number

GREAT WEST TRUCK AND AUTO (Continued)

1004676164

Permit Workload Universe:	Not reported
Permit Progress Universe:	Not reported
Post-Closure Workload Universe:	Not reported
Closure Workload Universe:	Not reported
202 GPRA Corrective Action Baseline:	No
Corrective Action Workload Universe:	No
Subject to Corrective Action Universe:	No
Non-TSDFs Where RCRA CA has Been Imposed Universe:	No
TSDFs Potentially Subject to CA Under 3004 (u)/(v) Universe:	No
TSDFs Only Subject to CA under Discretionary Auth Universe:	No
Corrective Action Priority Ranking:	No NCAPS ranking
Environmental Control Indicator:	No
Institutional Control Indicator:	No
Human Exposure Controls Indicator:	N/A
Groundwater Controls Indicator:	N/A
Operating TSDF Universe:	Not reported
Full Enforcement Universe:	Not reported
Significant Non-Complier Universe:	No
Unaddressed Significant Non-Complier Universe:	No
Addressed Significant Non-Complier Universe:	No
Significant Non-Complier With a Compliance Schedule Universe:	No
Financial Assurance Required:	Not reported
Handler Date of Last Change:	20021007
Recognized Trader-Importer:	No
Recognized Trader-Exporter:	No
Importer of Spent Lead Acid Batteries:	No
Exporter of Spent Lead Acid Batteries:	No
Recycler Activity Without Storage:	No
Manifest Broker:	No
Sub-Part P Indicator:	No

Hazardous Waste Summary:

Waste Code:	D001
Waste Description:	IGNITABLE WASTE

Handler - Owner Operator:

Owner/Operator Indicator:	Owner
Owner/Operator Name:	GREAT WEST TRUCK AND AUTO
Legal Status:	Private
Date Became Current:	Not reported
Date Ended Current:	Not reported
Owner/Operator Address:	3401 TOWNSEND
Owner/Operator City, State, Zip:	KINGMAN, AZ 86401
Owner/Operator Telephone:	520-757-9251
Owner/Operator Telephone Ext:	Not reported
Owner/Operator Fax:	Not reported
Owner/Operator Email:	Not reported

Historic Generators:

Receive Date:	20000901
Handler Name:	GREAT WEST TRUCK AND AUTO
Federal Waste Generator Description:	Small Quantity Generator
State District Owner:	Not reported
Large Quantity Handler of Universal Waste:	No
Recognized Trader Importer:	No

Map ID
 Direction
 Distance
 Elevation

MAP FINDINGS

Site

Database(s)

EDR ID Number
 EPA ID Number

GREAT WEST TRUCK AND AUTO (Continued)

1004676164

Recognized Trader Exporter:	No
Spent Lead Acid Battery Importer:	No
Spent Lead Acid Battery Exporter:	No
Current Record:	Yes
Non Storage Recycler Activity:	Not reported
Electronic Manifest Broker:	Not reported

List of NAICS Codes and Descriptions:
 NAICS Codes: No NAICS Codes Found

Facility Has Received Notices of Violations:
 Violations: No Violations Found

Evaluation Action Summary:
 Evaluations: No Evaluations Found

FINDS:
 Registry ID: 110012184457

[Click Here for FRS Facility Detail Report:](#)

Environmental Interest/Information System:
 California Hazardous Waste Tracking System - Datamart (HWTS-DATAMART) provides California with information on hazardous waste shipments for generators, transporters, and treatment, storage, and disposal facilities.
 RCRAInfo is a national information system that supports the Resource Conservation and Recovery Act (RCRA) program through the tracking of events and activities related to facilities that generate, transport, and treat, store, or dispose of hazardous waste. RCRAInfo allows RCRA program staff to track the notification, permit, compliance, and corrective action activities required under RCRA.
 STATE MASTER

[Click this hyperlink](#) while viewing on your computer to access additional FINDS: detail in the EDR Site Report.

ECHO:
 Envid: 1004676164
 Registry ID: 110012184457
 DFR URL: <http://echo.epa.gov/detailed-facility-report?fid=110012184457>
 Name: GREAT WEST TRUCK AND AUTO
 Address: 211 BALBOA PLACE
 City,State,Zip: NEEDLES, CA 92363

BY551 **LARSEN DYE WORKS**
Target **425 E**
Property **SAN BERNARDINO, CA**

EDR Hist Cleaner **1014158688**
N/A

Site 2 of 3 in cluster BY

Actual: EDR Hist Cleaner
530 ft.

Focus Map:	Year: 1922	Name: LARSEN DYE WORKS	Type: DYERS AND CLEANERS
11			

Map ID
Direction
Distance
Elevation

MAP FINDINGS

Site

Database(s) EDR ID Number
EPA ID Number

552 INTOWN PROPERTIES INC/HUD
Target 35598 AVENUE F
Property YUCAIPA, CA 92373

HWTS S124561299
N/A

Actual: 541 ft.
Focus Map: 11

HWTS:
Name: INTOWN PROPERTIES INC/HUD
Address: 35598 AVENUE F
Address 2: Not reported
City,State,Zip: YUCAIPA, CA 92373
EPA ID: CAC002109464
Inactive Date: 10/25/2000
Create Date: 01/22/1999
Last Act Date: Not reported
Mailing Name: Not reported
Mailing Address: 6850 BROCKTON AVE STE 215
Mailing Address 2: Not reported
Mailing City,State,Zip: RIVERSIDE, CA 925060000
Owner Name: HUD
Owner Address: 3 HUTTON CENTER DR STE 500
Owner Address 2: Not reported
Owner City,State,Zip: SANTA ANA, CA 927075764
Contact Name: DEB FOX-SUN-AG
Contact Address: 236 CALLE PINTORESCO
Contact Address 2: Not reported
City,State,Zip: SAN CLEMENTE, CA 926720000
Facility Status: Inactive
Facility Type: TEMPORARY
Category: STATE
Latitude: 34.836533
Longitude: -114.606791

BZ553 EZ SERVE #130
Target 300 WEST BROADWAY AVE
Property NEEDLES, CA 92363

LUST S105025185
Cortese N/A
HIST CORTESE
CERS

Site 1 of 11 in cluster BZ

Actual: 477 ft.
Focus Map: 11

LUST REG 7:
Region: 7
Status: 9 - Case Closed
Case Num: 7T2363011
Substance: Gasoline - Automotive
ID: 752
Global ID: T0607101009
Lead Agency: Local Agency
Case Worker: KO

LUST:
Name: EZ SERVE #130
Address: 300 WEST BROADWAY AVE
City,State,Zip: NEEDLES, CA 92363
Lead Agency: SAN BERNARDINO COUNTY
Case Type: LUST Cleanup Site
Geo Track: http://geotracker.waterboards.ca.gov/profile_report.asp?global_id=T0607101009
Global Id: T0607101009
Latitude: 34.836608
Longitude: -114.599749
Status: Completed - Case Closed
Status Date: 10/02/1991

Map ID
Direction
Distance
Elevation

MAP FINDINGS

Site

Database(s)

EDR ID Number
EPA ID Number

EZ SERVE #130 (Continued)

S105025185

Case Worker: CR2
RB Case Number: 7T2363011
Local Agency: SAN BERNARDINO COUNTY
File Location: Local Agency
Local Case Number: 90015
Potential Media Affect: Under Investigation
Potential Contaminants of Concern: Gasoline
Site History: Not reported

LUST:

Global Id: T0607101009
Contact Type: Local Agency Caseworker
Contact Name: CATHERINE RICHARDS
Organization Name: SAN BERNARDINO COUNTY
Address: 620 SOUTH E STREET
City: SAN BERNARDINO
Email: crichards@sbcfire.org
Phone Number: 9093868419

LUST:

Global Id: T0607101009
Action Type: Other
Date: 01/11/1989
Action: Leak Reported

Global Id: T0607101009
Action Type: Other
Date: 10/26/1989
Action: Leak Stopped

Global Id: T0607101009
Action Type: Other
Date: 10/26/1989
Action: Leak Discovery

LUST:

Global Id: T0607101009
Status: Open - Case Begin Date
Status Date: 01/11/1989

Global Id: T0607101009
Status: Completed - Case Closed
Status Date: 10/02/1991

CORTESE:

Name: EZ SERVE #130
Address: 300 WEST BROADWAY AVE
City,State,Zip: NEEDLES, CA 92363
Region: CORTESE
Envirostor Id: Not reported
Global ID: T0607101009
Site/Facility Type: LUST CLEANUP SITE
Cleanup Status: COMPLETED - CASE CLOSED
Status Date: Not reported
Site Code: Not reported

Map ID
Direction
Distance
Elevation

MAP FINDINGS

Site

Database(s)

EDR ID Number
EPA ID Number

EZ SERVE #130 (Continued)

S105025185

Latitude: Not reported
Longitude: Not reported
Owner: Not reported
Enf Type: Not reported
Swat R: Not reported
Flag: active
Order No: Not reported
Waste Discharge System No: Not reported
Effective Date: Not reported
Region 2: Not reported
WID Id: Not reported
Solid Waste Id No: Not reported
Waste Management Uit Name: Not reported
File Name: Active Open

HIST CORTESE:

edr_fname: EZ SERVE #130
edr_fadd1: 300 BROADWAY
City,State,Zip: NEEDLES, CA 92363
Region: CORTESE
Facility County Code: 36
Reg By: LTNKA
Reg Id: 7T2363011

CERS:

Name: EZ SERVE #130
Address: 300 WEST BROADWAY AVE
City,State,Zip: NEEDLES, CA 92363
Site ID: 210621
CERS ID: T0607101009
CERS Description: Leaking Underground Storage Tank Cleanup Site

Affiliation:

Affiliation Type Desc: Local Agency Caseworker
Entity Name: CATHERINE RICHARDS - SAN BERNARDINO COUNTY
Entity Title: Not reported
Affiliation Address: 620 SOUTH E STREET
Affiliation City: SAN BERNARDINO
Affiliation State: CA
Affiliation Country: Not reported
Affiliation Zip: Not reported
Affiliation Phone: 9093868419,

BZ554 E-Z SERVE STATION #130
Target 300 W BROADWAY
Property NEEDLES, CA 92363

SWEEPS UST S106925608
N/A

Site 2 of 11 in cluster BZ

Actual: SWEEPS UST:
477 ft. Name: E-Z SERVE STATION #130
Focus Map: Address: 300 W BROADWAY
11 City: NEEDLES
Status: Not reported
Comp Number: 13388
Number: Not reported

Map ID
Direction
Distance
Elevation

MAP FINDINGS

Site

Database(s)

EDR ID Number
EPA ID Number

E-Z SERVE STATION #130 (Continued)

S106925608

Board Of Equalization: Not reported
Referral Date: Not reported
Action Date: Not reported
Created Date: Not reported
Owner Tank Id: Not reported
SWRCB Tank Id: 36-000-013388-000001
Tank Status: Not reported
Capacity: 10000
Active Date: Not reported
Tank Use: M.V. FUEL
STG: PRODUCT
Content: LEADED
Number Of Tanks: 4

Name: E-Z SERVE STATION #130
Address: 300 W BROADWAY
City: NEEDLES
Status: Not reported
Comp Number: 13388
Number: Not reported
Board Of Equalization: Not reported
Referral Date: Not reported
Action Date: Not reported
Created Date: Not reported
Owner Tank Id: Not reported
SWRCB Tank Id: 36-000-013388-000002
Tank Status: Not reported
Capacity: 10000
Active Date: Not reported
Tank Use: M.V. FUEL
STG: PRODUCT
Content: REG UNLEADED
Number Of Tanks: Not reported

Name: E-Z SERVE STATION #130
Address: 300 W BROADWAY
City: NEEDLES
Status: Not reported
Comp Number: 13388
Number: Not reported
Board Of Equalization: Not reported
Referral Date: Not reported
Action Date: Not reported
Created Date: Not reported
Owner Tank Id: Not reported
SWRCB Tank Id: 36-000-013388-000003
Tank Status: Not reported
Capacity: 10000
Active Date: Not reported
Tank Use: M.V. FUEL
STG: PRODUCT
Content: REG UNLEADED
Number Of Tanks: Not reported

Name: E-Z SERVE STATION #130
Address: 300 W BROADWAY
City: NEEDLES

Map ID
Direction
Distance
Elevation

MAP FINDINGS

Site

Database(s)

EDR ID Number
EPA ID Number

E-Z SERVE STATION #130 (Continued)

S106925608

Status: Not reported
Comp Number: 13388
Number: Not reported
Board Of Equalization: Not reported
Referral Date: Not reported
Action Date: Not reported
Created Date: Not reported
Owner Tank Id: Not reported
SWRCB Tank Id: 36-000-013388-000004
Tank Status: Not reported
Capacity: 280
Active Date: Not reported
Tank Use: OIL
STG: WASTE
Content: WASTE OIL
Number Of Tanks: Not reported

Name: E-Z SERVE STATION #130
Address: 300 W BROADWAY
City: NEEDLES
Status: Active
Comp Number: 13388
Number: 1
Board Of Equalization: Not reported
Referral Date: 07-28-92
Action Date: 07-28-92
Created Date: 02-29-88
Owner Tank Id: Not reported
SWRCB Tank Id: Not reported
Tank Status: Not reported
Capacity: Not reported
Active Date: Not reported
Tank Use: Not reported
STG: Not reported
Content: Not reported
Number Of Tanks: Not reported

BZ555 EZ SERVE #130
Target 300 WEST BROADWAY AVENUE
Property NEEDLES, CA

RGA LUST S114617717
N/A

Site 3 of 11 in cluster BZ

Actual: RGA LUST:
477 ft. Name: EZ SERVE #130
Focus Map: Address: 300 WEST BROADWAY AVENUE
11 City: NEEDLES
State: NEEDLES
2000 EZ SERVE #130 300 WEST BROADWAY AVENUE

Map ID
Direction
Distance
Elevation

MAP FINDINGS

Site

Database(s)

EDR ID Number
EPA ID Number

BZ556 E-Z SERVE #130 / NEEDLES
Target 300 W. BROADWAY
Property NEEDLES, CA

RGA LUST S114612698
N/A

Site 4 of 11 in cluster BZ

Actual: RGA LUST:
477 ft. Name: E-Z SERVE #130 / NEEDLES
Focus Map: Address: 300 W. BROADWAY
11 City: NEEDLES
State: NEEDLES
1992 E-Z SERVE #130 / NEEDLES 300 W. BROADWAY

BZ557 EZ SERVE #130
Target 300 W. BROADWAY
Property NEEDLES, CA

RGA LUST S114617715
N/A

Site 5 of 11 in cluster BZ

Actual: RGA LUST:
477 ft. Name: EZ SERVE #130
Focus Map: Address: 300 W. BROADWAY
11 City: NEEDLES
State: NEEDLES
1993 EZ SERVE #130 300 W. BROADWAY

BZ558 EZ SERVE #130
Target 300 WEST BROADWAY AVE
Property NEEDLES, CA

RGA LUST S114617716
N/A

Site 6 of 11 in cluster BZ

Actual: RGA LUST:
477 ft. Name: EZ SERVE #130
Focus Map: Address: 300 WEST BROADWAY AVE
11 City: NEEDLES
State: NEEDLES
2012 EZ SERVE #130 300 WEST BROADWAY AVE
Name: EZ SERVE #130
Address: 300 WEST BROADWAY AVE
City: NEEDLES
State: NEEDLES
2011 EZ SERVE #130 300 WEST BROADWAY AVE
Name: EZ SERVE #130
Address: 300 WEST BROADWAY AVE
City: NEEDLES
State: NEEDLES
2010 EZ SERVE #130 300 WEST BROADWAY AVE
Name: EZ SERVE #130
Address: 300 WEST BROADWAY AVE
City: NEEDLES
State: NEEDLES
2009 EZ SERVE #130 300 WEST BROADWAY AVE
Name: EZ SERVE #130
Address: 300 WEST BROADWAY AVE
City: NEEDLES
State: NEEDLES
2008 EZ SERVE #130 300 WEST BROADWAY AVE

Map ID
Direction
Distance
Elevation

MAP FINDINGS

Site

Database(s)

EDR ID Number
EPA ID Number

EZ SERVE #130 (Continued)

S114617716

Name: EZ SERVE #130
Address: 300 WEST BROADWAY AVE
City: NEEDLES
State: NEEDLES
2007 EZ SERVE #130 300 WEST BROADWAY AVE
Name: EZ SERVE #130
Address: 300 WEST BROADWAY AVE
City: NEEDLES
State: NEEDLES
2006 EZ SERVE #130 300 WEST BROADWAY AVE
Name: EZ SERVE #130
Address: 300 WEST BROADWAY AVE
City: NEEDLES
State: NEEDLES
2005 EZ SERVE #130 300 WEST BROADWAY AVE
Name: EZ SERVE #130
Address: 300 WEST BROADWAY AVE
City: NEEDLES
State: NEEDLES
2003 EZ SERVE #130 300 WEST BROADWAY AVE
Name: EZ SERVE #130
Address: 300 WEST BROADWAY AVE
City: NEEDLES
State: NEEDLES
2002 EZ SERVE #130 300 WEST BROADWAY AVE
Name: EZ SERVE #130
Address: 300 WEST BROADWAY AVE
City: NEEDLES
State: NEEDLES
2001 EZ SERVE #130 300 WEST BROADWAY AVE

BZ559 EZ SERVE #130
Target 300 WEST BROADWAY AVE
Property NEEDLES, CA 92363

FINDS 1023363419
N/A

Site 7 of 11 in cluster BZ

Actual: FINDS:
477 ft. Registry ID: 110066607657

Focus Map:
11 [Click Here for FRS Facility Detail Report:](#)

Environmental Interest/Information System:
STATE MASTER

[Click this hyperlink](#) while viewing on your computer to access additional FINDS: detail in the EDR Site Report.

Map ID
Direction
Distance
Elevation

MAP FINDINGS

Site

Database(s) EDR ID Number
EPA ID Number

BZ560 **EZ SERVE #130**
Target **300 WEST BROADWAY**
Property **NEEDLES, CA**

RGA LUST **S114617719**
N/A

Site 8 of 11 in cluster BZ

Actual: RGA LUST:
477 ft. Name: EZ SERVE #130
Focus Map: Address: 300 WEST BROADWAY
11 City: NEEDLES
State: NEEDLES
1998 EZ SERVE #130 300 WEST BROADWAY
Name: EZ SERVE #130
Address: 300 WEST BROADWAY
City: NEEDLES
State: NEEDLES
1997 EZ SERVE #130 300 WEST BROADWAY
Name: EZ SERVE #130
Address: 300 WEST BROADWAY
City: NEEDLES
State: NEEDLES
1996 EZ SERVE #130 300 WEST BROADWAY
Name: EZ SERVE #130
Address: 300 WEST BROADWAY
City: NEEDLES
State: NEEDLES
1995 EZ SERVE #130 300 WEST BROADWAY
Name: EZ SERVE #130
Address: 300 WEST BROADWAY
City: NEEDLES
State: NEEDLES
1994 EZ SERVE #130 300 WEST BROADWAY

561 **1X NEEDLES UNIFIED SCHOOL DIST**
Target **D STREET ELEMENTARY**
Property **NEEDLES, CA 92363**

HWTS **S124525270**
N/A

Actual: HWTS:
516 ft. Name: 1X NEEDLES UNIFIED SCHOOL DIST
Focus Map: Address: D STREET ELEMENTARY
11 Address 2: Not reported
City,State,Zip: NEEDLES, CA 92363
EPA ID: CAC000116285
Inactive Date: 10/25/2000
Create Date: 09/19/1988
Last Act Date: Not reported
Mailing Name: Not reported
Mailing Address: Not reported
Mailing Address 2: Not reported
Mailing City,State,Zip: NEEDLES, CA 923632699
Owner Name: NUSD
Owner Address: Not reported
Owner Address 2: Not reported
Owner City,State,Zip: Not reported
Contact Name: JOHN KOSINSKI, PROP DIR
Contact Address: Not reported
Contact Address 2: Not reported
City,State,Zip: Not reported
Facility Status: Inactive
Facility Type: TEMPORARY

Map ID
 Direction
 Distance
 Elevation

MAP FINDINGS

Site

Database(s)

EDR ID Number
 EPA ID Number

1X NEEDLES UNIFIED SCHOOL DIST (Continued)

S124525270

Category: STATE
 Latitude: 34.836519
 Longitude: -114.605055

BY562 **DADE C R AUTO REPR**
Target **440 E**
Property **SAN BERNARDINO, CA**

EDR Hist Auto **1014170882**
N/A

Site 3 of 3 in cluster BY

Actual: EDR Hist Auto
539 ft.

Focus Map: Year: Name: Type:
11 1930 DADE C R AUTO REPR AUTOMOBILE REPAIRING

BZ563 **KENJI FUJISHIMA**
Target **409 PALM WAY ST**
Property **NEEDLES, CA 92363**

RCRA NonGen / NLR **1026464963**
CAC003070167

Site 9 of 11 in cluster BZ

Actual: RCRA NonGen / NLR:
477 ft.

Focus Map: Date Form Received by Agency: 20200610
11 Handler Name: KENJI FUJISHIMA
 Handler Address: 409 PALM WAY ST
 Handler City,State,Zip: NEEDLES, CA 92363
 EPA ID: CAC003070167
 Contact Name: KENJI FUJISHIMA
 Contact Address: 409 PALM WAY ST
 Contact City,State,Zip: NEEDLES, CA 92363
 Contact Telephone: 213-400-0513
 Contact Fax: Not reported
 Contact Email: VAHEINFO@GMAIL.COM.COM
 Contact Title: Not reported
 EPA Region: 09
 Land Type: Not reported
 Federal Waste Generator Description: Not a generator, verified
 Non-Notifier: Not reported
 Biennial Report Cycle: Not reported
 Accessibility: Not reported
 Active Site Indicator: Not reported
 State District Owner: Not reported
 State District: Not reported
 Mailing Address: 409 PALM WAY ST
 Mailing City,State,Zip: NEEDLES, CA 92363
 Owner Name: KENJI FUJISHIMA
 Owner Type: Other
 Operator Name: KENJI FUJISHIMA
 Operator Type: Other
 Short-Term Generator Activity: No
 Importer Activity: No
 Mixed Waste Generator: No
 Transporter Activity: No
 Transfer Facility Activity: No
 Recycler Activity with Storage: No
 Small Quantity On-Site Burner Exemption: No

Map ID
 Direction
 Distance
 Elevation

MAP FINDINGS

Site

Database(s)

EDR ID Number
 EPA ID Number

KENJI FUJISHIMA (Continued)

1026464963

Smelting Melting and Refining Furnace Exemption:	No
Underground Injection Control:	No
Off-Site Waste Receipt:	No
Universal Waste Indicator:	No
Universal Waste Destination Facility:	No
Federal Universal Waste:	No
Active Site Fed-Reg Treatment Storage and Disposal Facility:	Not reported
Active Site Converter Treatment storage and Disposal Facility:	Not reported
Active Site State-Reg Treatment Storage and Disposal Facility:	Not reported
Active Site State-Reg Handler:	---
Federal Facility Indicator:	Not reported
Hazardous Secondary Material Indicator:	N
Sub-Part K Indicator:	Not reported
Commercial TSD Indicator:	No
Treatment Storage and Disposal Type:	Not reported
2018 GPRC Permit Baseline:	Not on the Baseline
2018 GPRC Renewals Baseline:	Not on the Baseline
Permit Renewals Workload Universe:	Not reported
Permit Workload Universe:	Not reported
Permit Progress Universe:	Not reported
Post-Closure Workload Universe:	Not reported
Closure Workload Universe:	Not reported
202 GPRC Corrective Action Baseline:	No
Corrective Action Workload Universe:	No
Subject to Corrective Action Universe:	No
Non-TSDs Where RCRA CA has Been Imposed Universe:	No
TSDs Potentially Subject to CA Under 3004 (u)/(v) Universe:	No
TSDs Only Subject to CA under Discretionary Auth Universe:	No
Corrective Action Priority Ranking:	No NCAPS ranking
Environmental Control Indicator:	No
Institutional Control Indicator:	No
Human Exposure Controls Indicator:	N/A
Groundwater Controls Indicator:	N/A
Operating TSD Universe:	Not reported
Full Enforcement Universe:	Not reported
Significant Non-Complier Universe:	No
Unaddressed Significant Non-Complier Universe:	No
Addressed Significant Non-Complier Universe:	No
Significant Non-Complier With a Compliance Schedule Universe:	No
Financial Assurance Required:	Not reported
Handler Date of Last Change:	20200710
Recognized Trader-Importer:	No
Recognized Trader-Exporter:	No
Importer of Spent Lead Acid Batteries:	No
Exporter of Spent Lead Acid Batteries:	No
Recycler Activity Without Storage:	No
Manifest Broker:	No
Sub-Part P Indicator:	No

Handler - Owner Operator:

Owner/Operator Indicator:	Owner
Owner/Operator Name: KENJI FUJISHIMA	
Legal Status:	Other
Date Became Current:	Not reported
Date Ended Current:	Not reported
Owner/Operator Address:	409 PALM WAY ST

Map ID
 Direction
 Distance
 Elevation

MAP FINDINGS

Site

Database(s)

EDR ID Number
 EPA ID Number

KENJI FUJISHIMA (Continued)

1026464963

Owner/Operator City,State,Zip: NEEDLES, CA 92363
 Owner/Operator Telephone: 213-400-0513
 Owner/Operator Telephone Ext: Not reported
 Owner/Operator Fax: Not reported
 Owner/Operator Email: Not reported

Owner/Operator Indicator: Operator

Owner/Operator Name: KENJI FUJISHIMA

Legal Status: Other

Date Became Current: Not reported

Date Ended Current: Not reported

Owner/Operator Address: 409 PALM WAY ST

Owner/Operator City,State,Zip: NEEDLES, CA 92363

Owner/Operator Telephone: 213-400-0513

Owner/Operator Telephone Ext: Not reported

Owner/Operator Fax: Not reported

Owner/Operator Email: Not reported

Historic Generators:

Receive Date: 20200610

Handler Name: KENJI FUJISHIMA

Federal Waste Generator Description: Not a generator, verified

State District Owner: Not reported

Large Quantity Handler of Universal Waste: No

Recognized Trader Importer: No

Recognized Trader Exporter: No

Spent Lead Acid Battery Importer: No

Spent Lead Acid Battery Exporter: No

Current Record: Yes

Non Storage Recycler Activity: Not reported

Electronic Manifest Broker: Not reported

List of NAICS Codes and Descriptions:

NAICS Code: 56299

NAICS Description: ALL OTHER WASTE MANAGEMENT SERVICES

Facility Has Received Notices of Violations:

Violations: No Violations Found

Evaluation Action Summary:

Evaluations: No Evaluations Found

BZ564 **KENJI FUJISHIMA**
Target **409 PALM WAY ST**
Property **NEEDLES, CA 92363**

HWTS **S126382000**
N/A

Site 10 of 11 in cluster BZ

Actual: **HWTS:**
477 ft. Name: KENJI FUJISHIMA
Focus Map: Address: 409 PALM WAY ST
11 Address 2: Not reported
 City,State,Zip: NEEDLES, CA 92363
 EPA ID: CAC003070167
 Inactive Date: 09/09/2020

Map ID
Direction
Distance
Elevation

MAP FINDINGS

Site

Database(s)

EDR ID Number
EPA ID Number

KENJI FUJISHIMA (Continued)

S126382000

Create Date: 06/10/2020
Last Act Date: Not reported
Mailing Name: Not reported
Mailing Address: 409 PALM WAY ST
Mailing Address 2: Not reported
Mailing City,State,Zip: NEEDLES, CA 92363
Owner Name: KENJI FUJISHIMA
Owner Address: 409 PALM WAY ST
Owner Address 2: Not reported
Owner City,State,Zip: NEEDLES, CA 92363
Contact Name: KENJI FUJISHIMA
Contact Address: 409 PALM WAY ST
Contact Address 2: Not reported
City,State,Zip: NEEDLES, CA 92363
Facility Status: Inactive
Facility Type: TEMPORARY
Category: STATE
Latitude: 34.836138
Longitude: -114.599241

BZ565 **KENJI FUJISHIMA**
Target **409 PALM WAY ST**
Property **NEEDLES, CA 92363**

FINDS **1026552502**
ECHO **N/A**

Site 11 of 11 in cluster BZ

Actual: **FINDS:**
477 ft. Registry ID: 110070853017

Focus Map:
11 [Click Here for FRS Facility Detail Report:](#)

Environmental Interest/Information System:

RCRAInfo is a national information system that supports the Resource Conservation and Recovery Act (RCRA) program through the tracking of events and activities related to facilities that generate, transport, and treat, store, or dispose of hazardous waste. RCRAInfo allows RCRA program staff to track the notification, permit, compliance, and corrective action activities required under RCRA.

[Click this hyperlink](#) while viewing on your computer to access additional FINDS: detail in the EDR Site Report.

ECHO:
Envid: 1026552502
Registry ID: 110070853017
DFR URL: <http://echo.epa.gov/detailed-facility-report?fid=110070853017>
Name: KENJI FUJISHIMA
Address: 409 PALM WAY ST
City,State,Zip: NEEDLES, CA 92363

Map ID
Direction
Distance
Elevation

MAP FINDINGS

Site

Database(s)

EDR ID Number
EPA ID Number

CA566 CALIFORNIA HIGHWAY PATROL #834 NEEDLES
Target 1916 J ST
Property NEEDLES, CA 92363

HAZNET S113027605
HWTS N/A

Site 1 of 9 in cluster CA

Actual:
634 ft.
Focus Map:
10

HAZNET:
Name: CALIFORNIA HIGHWAY PATROL #834 NEEDLES
Address: 1916 J ST
Address 2: Not reported
City,State,Zip: NEEDLES, CA 923632634
Contact: BETH DEPAOLA
Telephone: 9168433817
Mailing Name: Not reported
Mailing Address: PO BOX 942898

Year: 2015
Gepaid: CAL000016947
TSD EPA ID: CAT000613927
CA Waste Code: 134 - Aqueous solution with total organic residues less than 10 percent
Disposal Method: H141 - Storage, Bulking, And/Or Transfer Off Site--No Treatment/Reovery (H010-H129) Or (H131-H135)
Tons: 0.084

Year: 2011
Gepaid: CAL000016947
TSD EPA ID: CAD982444481
CA Waste Code: 221 - Waste oil and mixed oil
Disposal Method: H141 - Storage, Bulking, And/Or Transfer Off Site--No Treatment/Reovery (H010-H129) Or (H131-H135)
Tons: 0.722

Year: 2007
Gepaid: CAL000016947
TSD EPA ID: CAT080013352
CA Waste Code: 134 - Aqueous solution with total organic residues less than 10 percent
Disposal Method: H039 - Other Recovery Of Reclamation For Reuse Including Acid Regeneration, Organics Recovery Ect
Tons: 0.462

Year: 2005
Gepaid: CAL000016947
TSD EPA ID: NVR000066837
CA Waste Code: 221 - Waste oil and mixed oil
Disposal Method: -
Tons: 0.38

Additional Info:
Year: 2011
Gen EPA ID: CAL000016947

Shipment Date: 20110207
Creation Date: 3/31/2011 18:30:21
Receipt Date: 20110210
Manifest ID: 008108227JJK
Trans EPA ID: CAR000172460

Map ID
Direction
Distance
Elevation

MAP FINDINGS

Site

Database(s)

EDR ID Number
EPA ID Number

CALIFORNIA HIGHWAY PATROL #834 NEEDLES (Continued)

S113027605

Trans Name:	ENVIRONMENTAL LOGISTICS INC
Trans 2 EPA ID:	Not reported
Trans 2 Name:	Not reported
TSDf EPA ID:	CAD982444481
Trans Name:	FILTER RECYCLING SERVICES INC
TSDf Alt EPA ID:	Not reported
TSDf Alt Name:	Not reported
Waste Code Description:	221 - Waste oil and mixed oil
RCRA Code:	Not reported
Meth Code:	H141 - Storage, Bulking, And/Or Transfer Off Site--No Treatment/Reovery (H010-H129) Or (H131-H135)
Quantity Tons:	0.722
Waste Quantity:	190
Quantity Unit:	G
Additional Code 1:	Not reported
Additional Code 2:	Not reported
Additional Code 3:	Not reported
Additional Code 4:	Not reported
Additional Code 5:	Not reported
Additional Info:	
Year:	2005
Gen EPA ID:	CAL000016947
Shipment Date: 20050928	
Creation Date: 4/13/2006 18:48:46	
Receipt Date: 20050928	
Manifest ID: 22323330	
Trans EPA ID: Not reported	
Trans Name: Not reported	
Trans 2 EPA ID: Not reported	
Trans 2 Name: Not reported	
TSDf EPA ID: NVR000066837	
Trans Name: SAFETY KLEEN	
TSDf Alt EPA ID: Not reported	
TSDf Alt Name: Not reported	
Waste Code Description: 221 - Waste oil and mixed oil	
RCRA Code: Not reported	
Meth Code: - Not reported	
Quantity Tons: 0.38	
Waste Quantity: 100	
Quantity Unit: G	
Additional Code 1: Not reported	
Additional Code 2: Not reported	
Additional Code 3: Not reported	
Additional Code 4: Not reported	
Additional Code 5: Not reported	
Additional Info:	
Year:	2015
Gen EPA ID:	CAL000016947
Shipment Date: 20150305	
Creation Date: 7/23/2015 22:15:32	
Receipt Date: 20150305	
Manifest ID: 004639014SKS	

Map ID
Direction
Distance
Elevation

MAP FINDINGS

Site

Database(s)

EDR ID Number
EPA ID Number

CALIFORNIA HIGHWAY PATROL #834 NEEDLES (Continued)

S113027605

Trans EPA ID: TXR000081205
Trans Name: SAFETY-KLEEN SYSTEMS INC
Trans 2 EPA ID: Not reported
Trans 2 Name: Not reported
TSDf EPA ID: CAT000613927
Trans Name: SAFETY-KLEEN SYSTEMS INC
TSDf Alt EPA ID: Not reported
TSDf Alt Name: Not reported
Waste Code Description: 134 - Aqueous solution with <10% total organic residues
RCRA Code: Not reported
Meth Code: H141 - Storage, Bulking, And/Or Transfer Off Site--No Treatment/Reovery (H010-H129) Or (H131-H135)

Quantity Tons: 0.084
Waste Quantity: 20
Quantity Unit: G
Additional Code 1: Not reported
Additional Code 2: Not reported
Additional Code 3: Not reported
Additional Code 4: Not reported
Additional Code 5: Not reported

Additional Info:

Year: 2007
Gen EPA ID: CAL000016947

Shipment Date: 20070710
Creation Date: 11/5/2007 18:30:21
Receipt Date: 20070712
Manifest ID: 002084997JJK
Trans EPA ID: CAR000152785
Trans Name: CALIFORNIA HAZARDOUS SERVICES
Trans 2 EPA ID: Not reported
Trans 2 Name: Not reported
TSDf EPA ID: CAT080013352
Trans Name: DEMENNO KERDOON
TSDf Alt EPA ID: Not reported
TSDf Alt Name: Not reported
Waste Code Description: 134 - Aqueous solution with <10% total organic residues
RCRA Code: D001
Meth Code: H039 - Other Recovery Of Reclamation For Reuse Including Acid Regeneration, Organics Recovery Ect

Quantity Tons: 0.462
Waste Quantity: 110
Quantity Unit: G
Additional Code 1: Not reported
Additional Code 2: Not reported
Additional Code 3: Not reported
Additional Code 4: Not reported
Additional Code 5: Not reported

HWTS:

Name: CALIFORNIA HIGHWAY PATROL #834 NEEDLES
Address: 1916 J ST
Address 2: Not reported
City,State,Zip: NEEDLES, CA 92363
EPA ID: CAL000016947

Map ID
Direction
Distance
Elevation

MAP FINDINGS

Site

Database(s)

EDR ID Number
EPA ID Number

CALIFORNIA HIGHWAY PATROL #834 NEEDLES (Continued)

S113027605

Inactive Date: Not reported
Create Date: 11/14/1989
Last Act Date: Not reported
Mailing Name: Not reported
Mailing Address: PO BOX 942898
Mailing Address 2: Not reported
Mailing City,State,Zip: SACRAMENTO, CA 942980001
Owner Name: CALIFORNIA HIGHWAY PATROL
Owner Address: PO BOX 942898
Owner Address 2: Not reported
Owner City,State,Zip: SACRAMENTO, CA 942980001
Contact Name: KAREN MEJIA
Contact Address: PO BOX 942898
Contact Address 2: Not reported
City,State,Zip: SACRAMENTO, CA 942980001
Facility Status: Active
Facility Type: PERMANENT
Category: STATE
Latitude: 34.835842
Longitude: -114.620596

NAICS:
EPA ID: CAL000016947
Create Date: 2010-04-13 09:04:02.417
NAICS Code: 92212
NAICS Description: Police Protection
Issued EPA ID Date: 1989-11-14 00:00:00
Inactive Date: Not reported
Facility Name: CALIFORNIA HIGHWAY PATROL #834 NEEDLES
Facility Address: 1916 J ST
Facility Address 2: Not reported
Facility City: NEEDLES
Facility County: Not reported
Facility State: CA
Facility Zip: 923632634

CA567 CALIFORNIA HIGHWAY PATROL NEEDLES #834
Target 1916 J ST
Property NEEDLES, CA 92363

CERS HAZ WASTE S123515283
CERS TANKS N/A
San Bern. Co. Permit
CERS

Site 2 of 9 in cluster CA

Actual: 634 ft.
Focus Map: 10

CERS HAZ WASTE:
Name: CALIFORNIA HIGHWAY PATROL NEEDLES #834
Address: 1916 J ST
City,State,Zip: NEEDLES, CA 92363
Site ID: 389933
CERS ID: 10045150
CERS Description: Hazardous Waste Generator

CERS TANKS:
Name: CALIFORNIA HIGHWAY PATROL NEEDLES #834
Address: 1916 J ST
City,State,Zip: NEEDLES, CA 92363
Site ID: 389933
CERS ID: 10045150
CERS Description: Underground Storage Tank

Map ID
Direction
Distance
Elevation

MAP FINDINGS

Site

Database(s)

EDR ID Number
EPA ID Number

CALIFORNIA HIGHWAY PATROL NEEDLES #834 (Continued)

S123515283

San Bern. Co. Permit:

Name: CALIFORNIA HIGHWAY PATROL NEEDLES #834
Address: 1916 J ST
City,State,Zip: NEEDLES, CA 92363
Region: SAN BERNARDINO
Facility ID: FA0006400
Owner: DEPARTMENT OF CALIFORNIA HIGHWAY PATROL
Permit Number: PT0010776
Permit Category: REGULAR UST ANNUAL INSPECTION (PER TANK)
Facility Status: ACTIVE
Expiration Date: 09/30/2022

Name: CALIFORNIA HIGHWAY PATROL NEEDLES #834
Address: 1916 J ST
City,State,Zip: NEEDLES, CA 92363
Region: SAN BERNARDINO
Facility ID: FA0006400
Owner: DEPARTMENT OF CALIFORNIA HIGHWAY PATROL
Permit Number: PT0004946
Permit Category: SMALL QUANTITY GENERATOR
Facility Status: ACTIVE
Expiration Date: 09/30/2022

Name: CALIFORNIA HIGHWAY PATROL NEEDLES #834
Address: 1916 J ST
City,State,Zip: NEEDLES, CA 92363
Region: SAN BERNARDINO
Facility ID: FA0006400
Owner: DEPARTMENT OF CALIFORNIA HIGHWAY PATROL
Permit Number: PT0004945
Permit Category: HAZARDOUS MATERIALS 4-10 CHEMICALS
Facility Status: ACTIVE
Expiration Date: 09/30/2022

Name: CALIFORNIA HIGHWAY PATROL NEEDLES #834
Address: 1916 J ST
City,State,Zip: NEEDLES, CA 92363
Region: SAN BERNARDINO
Facility ID: FA0006400
Owner: DEPARTMENT OF CALIFORNIA HIGHWAY PATROL
Permit Number: PT0023490
Permit Category: EPCRA FACILITY
Facility Status: INACTIVE
Expiration Date: 09/30/2012

CERS:

Name: CALIFORNIA HIGHWAY PATROL NEEDLES #834
Address: 1916 J ST
City,State,Zip: NEEDLES, CA 92363
Site ID: 389933
CERS ID: 10045150
CERS Description: Chemical Storage Facilities

Violations:

Site ID: 389933
Site Name: California Highway Patrol NEEDLES #834
Violation Date: 11-02-2021

Map ID
Direction
Distance
Elevation

MAP FINDINGS

Site

Database(s)

EDR ID Number
EPA ID Number

CALIFORNIA HIGHWAY PATROL NEEDLES #834 (Continued)

S123515283

Citation: 23 CCR 16 2636(f)(2) - California Code of Regulations, Title 23, Chapter 16, Section(s) 2636(f)(2)

Violation Description: Failure of the functional line leak detector (LLD) monitoring pressurized piping to meet one or more of the following requirements: Monitored at least hourly with the capability of detecting a release of 3.0 gallons per hour leak at 10 pounds per square inch and restrict or shut off the flow of product through the piping when a leak is detected.

Violation Notes: Returned to compliance on 01/11/2022. OBSERVATION: The Mechanical line leak detector was not tested while on-site. The tester did not have the VMI testing box. CORRECTIVE ACTION: Test and/or repair/replace the line leak detector and submit passing test results to this agency within 30 days.

Violation Division: San Bernardino County Fire Department
Violation Program: UST
Violation Source: CERS,

Site ID: 389933
Site Name: California Highway Patrol NEEDLES #834
Violation Date: 11-15-2018

Citation: 23 CCR 16 2712(b)(1)(G) - California Code of Regulations, Title 23, Chapter 16, Section(s) 2712(b)(1)(G)

Violation Description: Failure to comply with one or more of the following overfill prevention equipment requirements: Alert the transfer operator when the tank is 90 percent full by restricting the flow into the tank or triggering an audible and visual alarm; or Restrict delivery of flow to the tank at least 30 minutes before the tank overfills, provided the restriction occurs when the tank is filled to no more than 95 percent of capacity; and activate an audible alarm at least five minutes before the tank overfills; or Provide positive shut-off of flow to the tank when the tank is filled to no more than 95 percent of capacity; or Provide positive shut-off of flow to the tank so that none of the fittings located on the top of the tank are exposed to product due to overfilling. Install/retrofit overfill prevention equipment that does not use flow restrictors on vent piping to meet overfill prevention equipment requirements when the overfill prevention equipment is installed, repaired, or replaced on and after October 1, 2018. For USTs installed before October 1, 2018, perform an inspection by October 13, 2018 and every 36 months thereafter. For USTs installed on and after October 1, 2018, perform an inspection at installation and every 36 months thereafter. Inspected within 30 days after a repair to the overfill prevention equipment. Inspected using an applicable manufacturer guidelines, industry codes, engineering standards, or a method approved by a professional engineer. Inspected by a certified UST service technician. Maintain records of overfill prevention equipment inspection for 36 months.

Violation Notes: OBSERVATION: THE DROP TUBE (FLAPPER) OVER FILL PREVENTION DEVICE WAS NOT CERTIFIED. COMPLIANCE REQUIREMENT: 1) NOTIFY THIS DEPARTMENT WITHIN 48 HOUR. 2) PERFORM OVERFILL PREVENTION CERTIFICATION.

Violation Division: San Bernardino County Fire Department
Violation Program: UST
Violation Source: CERS,

Site ID: 389933
Site Name: California Highway Patrol NEEDLES #834
Violation Date: 11-15-2018
Citation: HSC 6.95 25508(a)(1) - California Health and Safety Code, Chapter

Map ID
Direction
Distance
Elevation

MAP FINDINGS

Site

Database(s)

EDR ID Number
EPA ID Number

CALIFORNIA HIGHWAY PATROL NEEDLES #834 (Continued)

S123515283

Violation Description: 6.95, Section(s) 25508(a)(1)
Failure to establish and electronically submit an adequate emergency response plan and procedures for a release or threatened release of a hazardous material.

Violation Notes: Returned to compliance on 03/25/2019. OBSERVATION: Regulated facilities in this jurisdiction are required to include one of the following phone numbers in the Emergency Response Plans & Procedures: (800) 33-TOXIC or (909) 386-8425. Update the Emergency Response/Contingency Plan and resubmit via CERS. COMPLIANCE REQUIREMENT: UPDATE SUBMITTED EMERGENCY RESPONSE PLAN IN CERS TO INCLUDE CUPA EMERGENCY PHONE NUMBER. **If you have any questions about this review or the changes that must be made in order for the submittal to be accepted

Violation Division: San Bernardino County Fire Department
Violation Program: HMRRP
Violation Source: CERS,

Site ID: 389933
Site Name: California Highway Patrol NEEDLES #834
Violation Date: 11-14-2016
Citation: HSC 6.75 25299.30-25299.34 - California Health and Safety Code, Chapter 6.75, Section(s) 25299.30-25299.34

Violation Description: Failure to submit and maintain complete and current Certification of Financial Responsibility or other mechanism of financial assurance.

Violation Notes: Returned to compliance on 03/25/2019. OBSERVATIONS: THE CERTIFICATE OF FINANCIAL RESPONSIBILITY SECTION HAS NOT BEEN COMPLETED. COMPLIANCE REQUIREMENT: PROVIDE PROOF OF FINANCIAL RESPONSIBILITY IN THIS SECTION FOR CERS. COMPLIANCE ACTIVITY 1/10/2017: SENT AN EMAIL TO ALLEN GROGAN REGARDING THE VIOLATIONS AND ATTACHED THE REPORT. EGRIMES COMPLIANCE ACTIVITY 4/282017: THERE IS NO PROOF AND STATE OWNED TANKS ARE NOT EXEMPT FROM PROVIDING THIS. EGRIMES.

Violation Division: San Bernardino County Fire Department
Violation Program: UST
Violation Source: CERS,

Site ID: 389933
Site Name: California Highway Patrol NEEDLES #834
Violation Date: 11-14-2016
Citation: HSC 6.7 Multiple - California Health and Safety Code, Chapter 6.7, Section(s) Multiple

Violation Description: UST Program - Administration/Documentation - General - Must include violation description, proper statute and regulation citation in the "comment" section.

Violation Notes: Returned to compliance on 12/12/2017. Failure to have a written monitoring program with monitoring procedures and response plan (CHSC 25286(a)) OBSERVATIONS: THE INCORRECT SENSOR IS MARKED UNDER PIPE MONITORING SECTION AS BEING VR-352, WHEN IT IS A VR-350. THERE IS NO INFORMATION ON THE SENSOR MONITORING THE FILL SUMP UNDER THE COMMENTS. THE UST MONITORING SITE PLAN IS MISSING THE GENERAL PIPING LAYOUT OF THE SYSTEM. THE WRITTEN AGREEMENT SECTION CAN NOT BE LEFT BLANK AND MUST BE MARKED "EXEMPT". COMPLIANCE REQUIREMENT: UPDATE SENSOR INFORMATION FOR THE PIPING TO VR-350 AND UNDER THE COMMENTS INCLUDE THE VR-208 SENSOR USED TO MONITOR THE FILL SUMP. INCLUDE THE ESTIMATED PIPING LAYOUT ON THE UST SITE PLAN DIAGRAM. COMPLETE THE WRITTEN AGREEMENT SECTION BY CHOOSING "EXEMPT". COMPLIANCE ACTIVITY 4/28/2017: THE UST SITE PLAN IS STILL MISSING THE GENERAL PIPING LAYOUT FOR THE TANK. EGRIMES. COMPLIANCE ACTIVITY 1/10/2017: SENT AN EMAIL TO ALLEN GROGAN REGARDING THE VIOLATIONS AND ATTACHED THE REPORT. [Truncated]

Map ID
Direction
Distance
Elevation

MAP FINDINGS

Site

Database(s)

EDR ID Number
EPA ID Number

CALIFORNIA HIGHWAY PATROL NEEDLES #834 (Continued)

S123515283

Violation Division: San Bernardino County Fire Department
Violation Program: UST
Violation Source: CERS,

Site ID: 389933
Site Name: California Highway Patrol NEEDLES #834
Violation Date: 11-02-2021
Citation: HSC 6.7 25284.2 - California Health and Safety Code, Chapter 6.7, Section(s) 25284.2

Violation Description: "Failure to meet one or more of the following requirements: Install or maintain a liquid-tight spill container. Have a minimum capacity of five gallons. Have a functional drain valve or other method for the removal of liquid from the spill container. Be resistant to galvanic corrosion. Perform a tightness test at installation, every 12 months thereafter, or within 30 days after a repair to the spill container. Tested using applicable manufacturer guidelines, industry codes, engineering standards, or a method approved by a professional engineer. Tested by a certified UST service technician. Maintain records of spill containment testing for 36 months. "

Violation Notes: Returned to compliance on 11/12/2021. OBSERVATION: The 87 spill bucket could not hold 5 gallons of liquid for 1 hour and failed testing. CORRECTIVE ACTION: Repair/replace the 87 spill bucket and submit a work order and passing test results to this agency within 30 days.

Violation Division: San Bernardino County Fire Department
Violation Program: UST
Violation Source: CERS,

Site ID: 389933
Site Name: California Highway Patrol NEEDLES #834
Violation Date: 08-08-2013
Citation: HSC 6.67 Multiple - California Health and Safety Code, Chapter 6.67, Section(s) Multiple

Violation Description: Haz Waste Generator Program - Operations/Maintenance - General
Violation Notes: Returned to compliance on 04/06/2015. Failure to manage hazardous waste lawfully (CHSC 25154) water damaged /det.box of road flares

Violation Division: San Bernardino County Fire Department
Violation Program: HW
Violation Source: CERS,

Site ID: 389933
Site Name: California Highway Patrol NEEDLES #834
Violation Date: 12-12-2017
Citation: 23 CCR 16 2715(i) - California Code of Regulations, Title 23, Chapter 16, Section(s) 2715(i)

Violation Description: Failure to have a properly qualified service technician test leak detection equipment as required every 12 months (vapor, pressure, hydrostatic (VPH) system, sensors, line-leak detectors (LLD), automatic tank gauge (ATG), etc.).

Violation Notes: Returned to compliance on 12/12/2017. OBSERVATION: UST SYSTEMS MUST BE RE-CERTIFIED YEARLY. THE LAST MONITORING CERTIFICATION WAS DOCUMENTED 11/17/2016. COMPLIANCE MET ON SITE: FACILITY CONDUCTED THE MONITORING CERTIFICATION 12/12/2017.

Violation Division: San Bernardino County Fire Department
Violation Program: UST
Violation Source: CERS,

Site ID: 389933

Map ID
Direction
Distance
Elevation

MAP FINDINGS

Site

Database(s)

EDR ID Number
EPA ID Number

CALIFORNIA HIGHWAY PATROL NEEDLES #834 (Continued)

S123515283

Site Name: California Highway Patrol NEEDLES #834
Violation Date: 11-17-2017
Citation: 23 CCR 16 2712(i), 2632(d)(2), 2634(e), 2641(h) - California Code of Regulations, Title 23, Chapter 16, Section(s) 2712(i), 2632(d)(2), 2634(e), 2641(h)
Violation Description: Failure to submit a current UST Response Plan available on site.
Violation Notes: Returned to compliance on 03/25/2019. OBSERVATION: SUBMITTED MONITORING SITE PLAN MUST BE UPDATE TO INCLUDE THE FOLLOWING ELEMENTS: 1) GENERAL UST PIPING LAYOUT 2) EMERGENCY SHUT OFF COMPLIANCE REQUIREMENT: RESUBMIT UPDATED MONITORING SITE PLAN IN CERS.
Violation Division: San Bernardino County Fire Department
Violation Program: UST
Violation Source: CERS,

Site ID: 389933
Site Name: California Highway Patrol NEEDLES #834
Violation Date: 11-17-2015
Citation: Un-Specified
Violation Description: UST Program - Administration/Documentation - For use of Local Ordinance only
Violation Notes: Returned to compliance on 12/09/2015. Failure to submit a signed Designated UST Operator Statement (23 CCR 2715(a)) OBSERVATION: The current CERS submitted Designated Operator statement expired 11/30/2014. COMPLIANCE REQUIREMENT: SUBMIT A CURRENT DESIGNATED OPERATOR STATEMENT TO CERS.
Violation Division: San Bernardino County Fire Department
Violation Program: UST
Violation Source: CERS,

Site ID: 389933
Site Name: California Highway Patrol NEEDLES #834
Violation Date: 11-17-2017
Citation: HSC 6.95 25508(a)(1) - California Health and Safety Code, Chapter 6.95, Section(s) 25508(a)(1)
Violation Description: Failure to establish and electronically submit an adequate emergency response plan and procedures for a release or threatened release of a hazardous material.
Violation Notes: Returned to compliance on 03/25/2019. OBSERVATION: Regulated facilities in this jurisdiction are required to include one of the following phone numbers in the Emergency Response Plans & Procedures: (800) 33-TOXIC or (909) 386-8425. Update the Emergency Response/Contingency Plan and resubmit via CERS. COMPLIANCE REQUIREMENT: UPDATE SUBMITTED EMERGENCY RESPONSE PLAN IN CERS TO INCLUDE CUPA EMERGENCY PHONE NUMBER.
Violation Division: San Bernardino County Fire Department
Violation Program: HMRRP
Violation Source: CERS,

Site ID: 389933
Site Name: California Highway Patrol NEEDLES #834
Violation Date: 11-15-2018
Citation: 23 CCR 16 2641(h) - California Code of Regulations, Title 23, Chapter 16, Section(s) 2641(h)
Violation Description: Failure to have an approved UST Response Plan.
Violation Notes: Returned to compliance on 03/25/2019. OBSERVATION: SUBMITTED MONITORING SITE PLAN MUST BE UPDATE TO INCLUDE THE FOLLOWING ELEMENTS: 1) GENERAL UST PIPING LAYOUT 2) EMERGENCY SHUT OFF COMPLIANCE

Map ID
Direction
Distance
Elevation

MAP FINDINGS

Site

Database(s)

EDR ID Number
EPA ID Number

CALIFORNIA HIGHWAY PATROL NEEDLES #834 (Continued)

S123515283

REQUIREMENT: RESUBMIT UPDATED MONITORING SITE PLAN IN CERS.

Violation Division: San Bernardino County Fire Department
Violation Program: UST
Violation Source: CERS,

Site ID: 389933
Site Name: California Highway Patrol NEEDLES #834
Violation Date: 08-08-2013
Citation: 22 CCR 16 66266.130 - California Code of Regulations, Title 22, Chapter 16, Section(s) 66266.130
Violation Description: Failure to properly handle, manage, label, and recycle used oil and fuel filters.
Violation Notes: Returned to compliance on 08/08/2013. corrected-operator proeprly labeled the drum of drain used oil filters

Violation Division: San Bernardino County Fire Department
Violation Program: HW
Violation Source: CERS,

Site ID: 389933
Site Name: California Highway Patrol NEEDLES #834
Violation Date: 08-08-2013
Citation: HSC 6.67 Multiple - California Health and Safety Code, Chapter 6.67, Section(s) Multiple
Violation Description: Haz Waste Generator Program - Operations/Maintenance - General
Violation Notes: Returned to compliance on 08/08/2013. Failure to note accumulation start date on labels (CCR 66262.34(f)(2)) corrected on site- operator properly labeled the used oil tank

Violation Division: San Bernardino County Fire Department
Violation Program: HW
Violation Source: CERS,

Site ID: 389933
Site Name: California Highway Patrol NEEDLES #834
Violation Date: 11-14-2016
Citation: 23 CCR 6.7 25284, 25286 - California Code of Regulations, Title 23, Chapter 6.7, Section(s) 25284, 25286
Violation Description: Failure to submit a complete and accurate application for a permit to operate a UST, or for renewal of the permit.
Violation Notes: Returned to compliance on 02/14/2017. OBSERVATIONS: THE OVERFILL PROTECTION IS MARKED "YES" FOR AUDIBLE/VISUAL, WHEN THERE IS NO EXTERNAL AUDIBLE/VISUAL ALARM INSTALLED. COMPLIANCE REQUIREMENT: MARK "NO" FOR THE AUDIBLE/VISUAL ALARM. COMPLIANCE ACTIVITY 1/10/2017: SENT AN EMAIL TO ALLEN GROGAN REGARDING THE VIOLATIONS AND ATTACHED THE REPORT. EGRIMES

Violation Division: San Bernardino County Fire Department
Violation Program: UST
Violation Source: CERS,

Site ID: 389933
Site Name: California Highway Patrol NEEDLES #834
Violation Date: 12-02-2016
Citation: HSC 6.95 25508(a)(1) - California Health and Safety Code, Chapter 6.95, Section(s) 25508(a)(1)
Violation Description: Failure to annually review and electronically certify that the business plan is complete and accurate on or before the annual due date.
Violation Notes: Returned to compliance on 03/25/2019. OBSERVATION: THE BUSINESS PLAN

Map ID
Direction
Distance
Elevation

MAP FINDINGS

Site

Database(s)

EDR ID Number
EPA ID Number

CALIFORNIA HIGHWAY PATROL NEEDLES #834 (Continued)

S123515283

INFORMATION WHICH WAS SUBMITTED TO CERS WAS NOT COMPLETE.THE SUBMITTED FACILITY MAP AND THE HAZARDOUS MATERIALS/ HAZARDOUS WASTE INVENTORY WAS NOT COMPLETE. COMPLIANCE REQUIREMENT: UPDATE CERS WITH CORRECT INFORMATION.

Violation Division: San Bernardino County Fire Department
Violation Program: HMRRP
Violation Source: CERS,

Site ID: 389933
Site Name: California Highway Patrol NEEDLES #834
Violation Date: 08-08-2013
Citation: HSC 6.95 25505(a) - California Health and Safety Code, Chapter 6.95, Section(s) 25505(a)

Violation Description: Owner/Operator failed to complete and/or submit a Hazardous Materials Business Plan when storing hazardous materials at or above the thresholds quantities of 55 gallons/500 lbs/200 cubic feet.

Violation Notes: Returned to compliance on 08/08/2013.
Violation Division: San Bernardino County Fire Department
Violation Program: HMRRP
Violation Source: CERS,

Site ID: 389933
Site Name: California Highway Patrol NEEDLES #834
Violation Date: 11-06-2020
Citation: 23 CCR 16 2641(j) - California Code of Regulations, Title 23, Chapter 16, Section(s) 2641(j)

Violation Description: Failure of the leak detection equipment to be installed, calibrated, operated, and/or maintained properly.

Violation Notes: Returned to compliance on 04/02/2021. OBSERVATION: 1) THE MECHANICAL LINE LEAK DETECTOR WAS NOT TESTED DURING THE CERTIFICATION. TECHNICIAN DID NOT HAVE THE TESTING DEVICE. 2) THE VR 350 LIQUID SENSOR IN THE FILL SUMP IS NOT ALLOW IN THE COUNTY. COMPLIANCE REQUIREMENT: 1) OBTAIN TESTING DEVICE AND CONTACT OFFICE FOR A WITNESSED RE-TEST. 2) REMOVE VR 350 AND REPALCE WITH VR 208 LIQUID SENSOR. SUBMIT AS BUILT PLANS AND CALL OFFICE FOR A WITNESS RE-TEST.

Violation Division: San Bernardino County Fire Department
Violation Program: UST
Violation Source: CERS,

Site ID: 389933
Site Name: California Highway Patrol NEEDLES #834
Violation Date: 11-19-2019
Citation: 23 CCR 16 2716(f) - California Code of Regulations, Title 23, Chapter 16, Section(s) 2716(f)

Violation Description: "Failure to maintain on-site, or off-site at a readily available location if approved by the UPA, copies of Designated Operator inspection records as follows: Designated operator monthly inspection records for inspections performed before October 1, 2018 must be kept for 12 months from the month of inspection. For inspections performed on or after October 1, 2018, copies of the ""Designated Underground Storage Tank Operator Visual Inspection Report"" must be kept for 36 months from the month of inspection. "

Violation Notes: Returned to compliance on 01/29/2020. OBSERVATION: The DO monthly inspections for the months of September 2019 and August 2019 were not available on-site for review. CORRECTIVE ACTION: Submit a copy of the September 2019 and August 2019 DO monthly inspection reports to this agency within 30 days.

Map ID
Direction
Distance
Elevation

MAP FINDINGS

Site

Database(s)

EDR ID Number
EPA ID Number

CALIFORNIA HIGHWAY PATROL NEEDLES #834 (Continued)

S123515283

Violation Division: San Bernardino County Fire Department
Violation Program: UST
Violation Source: CERS,

Site ID: 389933
Site Name: California Highway Patrol NEEDLES #834
Violation Date: 08-08-2013
Citation: HSC 6.67 Multiple - California Health and Safety Code, Chapter 6.67, Section(s) Multiple

Violation Description: Haz Waste Generator Program - Operations/Maintenance - General
Violation Notes: Returned to compliance on 08/08/2013. Failure to complete hazardous waste labels (CCR 66262.34(f)(3)) corrected on site- operator properly labeled the used oil tank

Violation Division: San Bernardino County Fire Department
Violation Program: HW
Violation Source: CERS,

Site ID: 389933
Site Name: California Highway Patrol NEEDLES #834
Violation Date: 11-15-2018
Citation: HSC 6.7 25284, 25286 - California Health and Safety Code, Chapter 6.7, Section(s) 25284, 25286

Violation Description: Failure to submit a complete and accurate application for a permit to operate a UST, or for renewal of the permit.
Violation Notes: Returned to compliance on 03/28/2019. OBSERVATION: THE LIST UST INSTALL DATE IN CERS IS NOT CORRECT. THE CORRECT INSTALL DATE IS 11/30/1988. COMPLIANCE REQUIREMENT: UPDATE CERS.

Violation Division: San Bernardino County Fire Department
Violation Program: UST
Violation Source: CERS,

Site ID: 389933
Site Name: California Highway Patrol NEEDLES #834
Violation Date: 11-17-2017
Citation: HSC 6.7 25284, 25286 - California Health and Safety Code, Chapter 6.7, Section(s) 25284, 25286

Violation Description: Failure to submit a complete and accurate application for a permit to operate a UST, or for renewal of the permit.
Violation Notes: Returned to compliance on 03/25/2019. OBSERVATION: SUBMITTED UNDERGROUND STORAGE TANK (UST) INFORMATION IN CALIFORNIA ENVIRONMENTAL REPORTING SYSTEM (CERS) WAS NOT ACCURATE, COMPLETE, OR CURRENT. UPDATE THE FOLLOWING: 1) CERTIFICATE OF FINANCIAL RESPONSIBILITY MUST BE SUBMITTED. 2) MONITORING SITE PLAN MUST BE UPDATED. COMPLIANCE REQUIREMENT: RESUBMIT UPDATED UST INFORMATION IN CERS.

Violation Division: San Bernardino County Fire Department
Violation Program: UST
Violation Source: CERS,

Site ID: 389933
Site Name: California Highway Patrol NEEDLES #834
Violation Date: 11-17-2015
Citation: Un-Specified
Violation Description: UST Program - Administration/Documentation - For use of Local Ordinance only

Violation Notes: Returned to compliance on 12/09/2015. Failure to have a written monitoring program with monitoring procedures and response plan. (CCR 2632(d)) OBSERVATION: FACILITY HAS NOT SUBMITTED THE REQUIRED UST

Map ID
Direction
Distance
Elevation

MAP FINDINGS

Site

Database(s)

EDR ID Number
EPA ID Number

CALIFORNIA HIGHWAY PATROL NEEDLES #834 (Continued)

S123515283

DOCUMENTATION TO THE CALIFORNIA ENVIRONMENTAL REPORTING SYSTEM (CERS)
COMPLIANCE REQUIREMENT: SUBMIT UST DOCUMENTATION TO CERS WITHIN 30
DAYS. SIGN DATE AND SUBMIT THE CERTIFICATE OF COMPLIANCE TO THIS
DEPARTMENT INDICATING THE DATE OF CERS SUBMITTAL.

Violation Division: San Bernardino County Fire Department
Violation Program: UST
Violation Source: CERS,

Site ID: 389933
Site Name: California Highway Patrol NEEDLES #834
Violation Date: 08-08-2013
Citation: HSC 6.67 Multiple - California Health and Safety Code, Chapter 6.67,
Section(s) Multiple

Violation Description: Haz Waste Generator Program - Operations/Maintenance - General
Violation Notes: Returned to compliance on 08/08/2013. Failure to label hazardous waste
containers (CCR 66262.34(f)(3)) corrected on site- operator properly
labeled the used oil tank

Violation Division: San Bernardino County Fire Department
Violation Program: HW
Violation Source: CERS,

Site ID: 389933
Site Name: California Highway Patrol NEEDLES #834
Violation Date: 09-21-2021
Citation: 23 CCR 16 2712(b)(1)(G) - California Code of Regulations, Title 23,
Chapter 16, Section(s) 2712(b)(1)(G)

Violation Description: Failure to comply with one or more of the following overfill
prevention equipment requirements: Alert the transfer operator when
the tank is 90 percent full by restricting the flow into the tank or
triggering an audible and visual alarm; or Restrict delivery of flow
to the tank at least 30 minutes before the tank overfills, provided
the restriction occurs when the tank is filled to no more than 95
percent of capacity; and activate an audible alarm at least five
minutes before the tank overfills; or Provide positive shut-off of
flow to the tank when the tank is filled to no more than 95 percent of
capacity; or Provide positive shut-off of flow to the tank so that
none of the fittings located on the top of the tank are exposed to
product due to overfilling. Install/retrofit overfill prevention
equipment that does not use flow restrictors on vent piping to meet
overfill prevention equipment requirements when the overfill
prevention equipment is installed, repaired, or replaced on and after
October 1, 2018. For USTs installed before October 1, 2018, perform an
inspection by October 13, 2018 and every 36 months thereafter. For
USTs installed on and after October 1, 2018, perform an inspection at
installation and every 36 months thereafter. Inspected within 30 days
after a repair to the overfill prevention equipment. Inspected using
an applicable manufacturer guidelines, industry codes, engineering
standards, or a method approved by a professional engineer. Inspected
by a certified UST service technician. Maintain records of overfill
prevention equipment inspection for 36 months.

Violation Notes: Returned to compliance on 11/02/2021. OBSERVATION: The fill tube shut
off valve for the 87 tank is set above 95 percent. CORRECTIVE ACTION:
This violation serves as a 7 day notice to comply. The drop tube must
be replaced within 7 days and plans must be submitted to this agency
within 30 days for the replacement of the drop tube. If this violation
is not corrected within 7 days, this facility will become subject to
red tag.

Map ID
Direction
Distance
Elevation

MAP FINDINGS

Site

Database(s)

EDR ID Number
EPA ID Number

CALIFORNIA HIGHWAY PATROL NEEDLES #834 (Continued)

S123515283

Violation Division: San Bernardino County Fire Department
Violation Program: UST
Violation Source: CERS,

Evaluation:

Eval General Type: Compliance Evaluation Inspection
Eval Date: 11-02-2021
Violations Found: Yes
Eval Type: Routine done by local agency
Eval Notes: Not reported
Eval Division: San Bernardino County Fire Department
Eval Program: UST
Eval Source: CERS,

Eval General Type: Compliance Evaluation Inspection
Eval Date: 11-17-2017
Violations Found: No
Eval Type: Routine done by local agency
Eval Notes: Not reported
Eval Division: San Bernardino County Fire Department
Eval Program: HW
Eval Source: CERS,

Eval General Type: Compliance Evaluation Inspection
Eval Date: 11-18-2014
Violations Found: No
Eval Type: Routine done by local agency
Eval Notes: NEEDLES- CHP- UST MONITORING CERTIFICATION
Eval Division: San Bernardino County Fire Department
Eval Program: UST
Eval Source: CERS,

Eval General Type: Compliance Evaluation Inspection
Eval Date: 11-19-2019
Violations Found: Yes
Eval Type: Routine done by local agency
Eval Notes: Not reported
Eval Division: San Bernardino County Fire Department
Eval Program: UST
Eval Source: CERS,

Eval General Type: Compliance Evaluation Inspection
Eval Date: 08-08-2013
Violations Found: Yes
Eval Type: Routine done by local agency
Eval Notes: chp needles-insp
Eval Division: San Bernardino County Fire Department
Eval Program: HW
Eval Source: CERS,

Eval General Type: Compliance Evaluation Inspection
Eval Date: 11-15-2018
Violations Found: Yes
Eval Type: Routine done by local agency
Eval Notes: CHP- UST INSPECTION
Eval Division: San Bernardino County Fire Department
Eval Program: HMRRP

Map ID
Direction
Distance
Elevation

MAP FINDINGS

Site

Database(s)

EDR ID Number
EPA ID Number

CALIFORNIA HIGHWAY PATROL NEEDLES #834 (Continued)

S123515283

Eval Source: CERS,

Eval General Type: Compliance Evaluation Inspection
Eval Date: 11-15-2018
Violations Found: Yes
Eval Type: Routine done by local agency
Eval Notes: CHP- UST MONITORING CERTIFICATION
Eval Division: San Bernardino County Fire Department
Eval Program: UST
Eval Source: CERS,

Eval General Type: Compliance Evaluation Inspection
Eval Date: 11-17-2015
Violations Found: Yes
Eval Type: Routine done by local agency
Eval Notes: CHP(NEEDLES)- UST INSPECTION & UST MONITORING CERTIFICATION
Eval Division: San Bernardino County Fire Department
Eval Program: UST
Eval Source: CERS,

Eval General Type: Compliance Evaluation Inspection
Eval Date: 11-19-2013
Violations Found: No
Eval Type: Routine done by local agency
Eval Notes: BP INSPECTION DURING MONT CERT.
Eval Division: San Bernardino County Fire Department
Eval Program: HMRRP
Eval Source: CERS,

Eval General Type: Compliance Evaluation Inspection
Eval Date: 11-19-2013
Violations Found: No
Eval Type: Routine done by local agency
Eval Notes: UST MONT CERT
Eval Division: San Bernardino County Fire Department
Eval Program: UST
Eval Source: CERS,

Eval General Type: Other/Unknown
Eval Date: 03-25-2019
Violations Found: No
Eval Type: Other, not routine, done by local agency
Eval Notes: Not reported
Eval Division: San Bernardino County Fire Department
Eval Program: UST
Eval Source: CERS,

Eval General Type: Other/Unknown
Eval Date: 04-02-2021
Violations Found: No
Eval Type: Other, not routine, done by local agency
Eval Notes: Not reported
Eval Division: San Bernardino County Fire Department
Eval Program: UST
Eval Source: CERS,

Eval General Type: Compliance Evaluation Inspection

Map ID
Direction
Distance
Elevation

MAP FINDINGS

Site

Database(s)

EDR ID Number
EPA ID Number

CALIFORNIA HIGHWAY PATROL NEEDLES #834 (Continued)

S123515283

Eval Date: 08-08-2013
Violations Found: Yes
Eval Type: Routine done by local agency
Eval Notes: chp needles-insp
Eval Division: San Bernardino County Fire Department
Eval Program: HMRRP
Eval Source: CERS,

Eval General Type: Other/Unknown
Eval Date: 09-21-2021
Violations Found: Yes
Eval Type: Other, not routine, done by local agency
Eval Notes: overfill failures 08/12/2021
Eval Division: San Bernardino County Fire Department
Eval Program: UST
Eval Source: CERS,

Eval General Type: Compliance Evaluation Inspection
Eval Date: 11-02-2021
Violations Found: No
Eval Type: Routine done by local agency
Eval Notes: Not reported
Eval Division: San Bernardino County Fire Department
Eval Program: HMRRP
Eval Source: CERS,

Eval General Type: Compliance Evaluation Inspection
Eval Date: 11-06-2020
Violations Found: Yes
Eval Type: Routine done by local agency
Eval Notes: ust inspection/ ust monitoring cert- chp needles
Eval Division: San Bernardino County Fire Department
Eval Program: UST
Eval Source: CERS,

Eval General Type: Other/Unknown
Eval Date: 11-15-2018
Violations Found: Yes
Eval Type: Other, not routine, done by local agency
Eval Notes: CHP- UST- OVERFILL PROTECTION INSPECTION
Eval Division: San Bernardino County Fire Department
Eval Program: UST
Eval Source: CERS,

Eval General Type: Compliance Evaluation Inspection
Eval Date: 11-17-2017
Violations Found: Yes
Eval Type: Routine done by local agency
Eval Notes: Not reported
Eval Division: San Bernardino County Fire Department
Eval Program: HMRRP
Eval Source: CERS,

Eval General Type: Compliance Evaluation Inspection
Eval Date: 11-17-2017
Violations Found: Yes
Eval Type: Routine done by local agency

Map ID
Direction
Distance
Elevation

MAP FINDINGS

Site

Database(s)

EDR ID Number
EPA ID Number

CALIFORNIA HIGHWAY PATROL NEEDLES #834 (Continued)

S123515283

Eval Notes: ANNUAL UST INSPECTION
Eval Division: San Bernardino County Fire Department
Eval Program: UST
Eval Source: CERS,

Eval General Type: Compliance Evaluation Inspection
Eval Date: 12-02-2016
Violations Found: No
Eval Type: Routine done by local agency
Eval Notes: CHP NEEDLES STATIONS- CUPA- WASTE INSPECTIONS
Eval Division: San Bernardino County Fire Department
Eval Program: HW
Eval Source: CERS,

Eval General Type: Other/Unknown
Eval Date: 12-12-2017
Violations Found: Yes
Eval Type: Other, not routine, done by local agency
Eval Notes: CHP NEEDLES- UST MONITORING CERTIFICATIOO
Eval Division: San Bernardino County Fire Department
Eval Program: UST
Eval Source: CERS,

Eval General Type: Compliance Evaluation Inspection
Eval Date: 12-22-2020
Violations Found: No
Eval Type: Routine done by local agency
Eval Notes: Not reported
Eval Division: San Bernardino County Fire Department
Eval Program: HW
Eval Source: CERS,

Eval General Type: Compliance Evaluation Inspection
Eval Date: 11-02-2021
Violations Found: No
Eval Type: Routine done by local agency
Eval Notes: Not reported
Eval Division: San Bernardino County Fire Department
Eval Program: HW
Eval Source: CERS,

Eval General Type: Compliance Evaluation Inspection
Eval Date: 11-14-2016
Violations Found: Yes
Eval Type: Routine done by local agency
Eval Notes: Not reported
Eval Division: San Bernardino County Fire Department
Eval Program: UST
Eval Source: CERS,

Eval General Type: Compliance Evaluation Inspection
Eval Date: 12-02-2016
Violations Found: Yes
Eval Type: Routine done by local agency
Eval Notes: CHP NEEDLES STATIONS- CUPA HANDLER INSPECTION
Eval Division: San Bernardino County Fire Department
Eval Program: HMRRP

Map ID
Direction
Distance
Elevation

MAP FINDINGS

Site

Database(s)

EDR ID Number
EPA ID Number

CALIFORNIA HIGHWAY PATROL NEEDLES #834 (Continued)

S123515283

Eval Source: CERS,

Eval General Type: Compliance Evaluation Inspection
Eval Date: 12-22-2020
Violations Found: No
Eval Type: Routine done by local agency
Eval Notes: Not reported
Eval Division: San Bernardino County Fire Department
Eval Program: HMRRP
Eval Source: CERS,

Enforcement Action:
Site ID: 389933
Site Name: California Highway Patrol NEEDLES #834
Site Address: 1916 J ST
Site City: NEEDLES
Site Zip: 92363
Enf Action Date: 08-08-2013
Enf Action Type: Notice of Violation (Unified Program)
Enf Action Description: Notice of Violation Issued by the Inspector at the Time of Inspection
Enf Action Notes: Not reported
Enf Action Division: San Bernardino County Fire Department
Enf Action Program: HMRRP
Enf Action Source: CERS,

Site ID: 389933
Site Name: California Highway Patrol NEEDLES #834
Site Address: 1916 J ST
Site City: NEEDLES
Site Zip: 92363
Enf Action Date: 08-08-2013
Enf Action Type: Notice of Violation (Unified Program)
Enf Action Description: Notice of Violation Issued by the Inspector at the Time of Inspection
Enf Action Notes: Not reported
Enf Action Division: San Bernardino County Fire Department
Enf Action Program: HW
Enf Action Source: CERS,

Site ID: 389933
Site Name: California Highway Patrol NEEDLES #834
Site Address: 1916 J ST
Site City: NEEDLES
Site Zip: 92363
Enf Action Date: 11-14-2016
Enf Action Type: Notice of Violation (Unified Program)
Enf Action Description: Notice of Violation Issued by the Inspector at the Time of Inspection
Enf Action Notes: Not reported
Enf Action Division: San Bernardino County Fire Department
Enf Action Program: UST
Enf Action Source: CERS,

Site ID: 389933
Site Name: California Highway Patrol NEEDLES #834
Site Address: 1916 J ST
Site City: NEEDLES
Site Zip: 92363
Enf Action Date: 11-17-2015

Map ID
Direction
Distance
Elevation

MAP FINDINGS

Site

Database(s)

EDR ID Number
EPA ID Number

CALIFORNIA HIGHWAY PATROL NEEDLES #834 (Continued)

S123515283

Enf Action Type: Notice of Violation (Unified Program)
Enf Action Description: Notice of Violation Issued by the Inspector at the Time of Inspection
Enf Action Notes: Not reported
Enf Action Division: San Bernardino County Fire Department
Enf Action Program: UST
Enf Action Source: CERS,

Site ID: 389933
Site Name: California Highway Patrol NEEDLES #834
Site Address: 1916 J ST
Site City: NEEDLES
Site Zip: 92363

Enf Action Date: 12-02-2016
Enf Action Type: Notice of Violation (Unified Program)
Enf Action Description: Notice of Violation Issued by the Inspector at the Time of Inspection
Enf Action Notes: Not reported
Enf Action Division: San Bernardino County Fire Department
Enf Action Program: HMRRP
Enf Action Source: CERS,

Coordinates:

Site ID: 389933
Facility Name: California Highway Patrol NEEDLES #834
Env Int Type Code: HMBP
Program ID: 10045150
Coord Name: Not reported
Ref Point Type Desc: Unknown,
Latitude: 34.835886
Longitude: -114.620526

Affiliation:

Affiliation Type Desc: Operator
Entity Name: Lance Berns, Lt. Commander
Entity Title: Not reported
Affiliation Address: Not reported
Affiliation City: Not reported
Affiliation State: Not reported
Affiliation Country: Not reported
Affiliation Zip: Not reported
Affiliation Phone: (760) 326-2000,

Affiliation Type Desc: Document Preparer
Entity Name: Karen Mejia
Entity Title: Not reported
Affiliation Address: Not reported
Affiliation City: Not reported
Affiliation State: Not reported
Affiliation Country: Not reported
Affiliation Zip: Not reported
Affiliation Phone: ,

Affiliation Type Desc: Legal Owner
Entity Name: Department of California Highway Patrol
Entity Title: Not reported
Affiliation Address: PO BOX 942898
Affiliation City: SACRAMENTO

Map ID
Direction
Distance
Elevation

MAP FINDINGS

Site

Database(s)

EDR ID Number
EPA ID Number

CALIFORNIA HIGHWAY PATROL NEEDLES #834 (Continued)

S123515283

Affiliation State: CA
Affiliation Country: United States
Affiliation Zip: 94298-0001
Affiliation Phone: (916) 843-3800,

Affiliation Type Desc: UST Tank Operator
Entity Name: State of California (Highway Patrol Facilities)
Entity Title: Not reported
Affiliation Address: P.O. Box 942898
Affiliation City: Sacramento
Affiliation State: CA
Affiliation Country: United States
Affiliation Zip: 94298-0001
Affiliation Phone: (916) 843-3800,

Affiliation Type Desc: UST Tank Owner
Entity Name: State of California (Highway Patrol Facilities)
Entity Title: Not reported
Affiliation Address: P.O. Box 942898
Affiliation City: Sacramento
Affiliation State: CA
Affiliation Country: United States
Affiliation Zip: 94298-0001
Affiliation Phone: (916) 843-3800,

Affiliation Type Desc: CUPA District
Entity Name: San Bernardino County Fire
Entity Title: Not reported
Affiliation Address: 620 South E Street
Affiliation City: San Bernardino
Affiliation State: CA
Affiliation Country: Not reported
Affiliation Zip: 92415-0153
Affiliation Phone: (909) 386-8401,

Affiliation Type Desc: Identification Signer
Entity Name: Karen Mejia
Entity Title: ABMA, Facilities Section
Affiliation Address: Not reported
Affiliation City: Not reported
Affiliation State: Not reported
Affiliation Country: Not reported
Affiliation Zip: Not reported
Affiliation Phone: ,

Affiliation Type Desc: Parent Corporation
Entity Name: Department of California Highway Patrol
Entity Title: Not reported
Affiliation Address: Not reported
Affiliation City: Not reported
Affiliation State: Not reported
Affiliation Country: Not reported
Affiliation Zip: Not reported
Affiliation Phone: ,

Affiliation Type Desc: Environmental Contact
Entity Name: Karen Mejia

Map ID
Direction
Distance
Elevation

MAP FINDINGS

Site

Database(s)

EDR ID Number
EPA ID Number

CALIFORNIA HIGHWAY PATROL NEEDLES #834 (Continued)

S123515283

Entity Title: Not reported
Affiliation Address: PO Box 942898
Affiliation City: Sacramento
Affiliation State: CA
Affiliation Country: Not reported
Affiliation Zip: 94298-0001
Affiliation Phone: ,

Affiliation Type Desc: Facility Mailing Address
Entity Name: Mailing Address
Entity Title: Not reported
Affiliation Address: 1916 J STREET
Affiliation City: NEEDLES
Affiliation State: CA
Affiliation Country: Not reported
Affiliation Zip: 92363
Affiliation Phone: ,

Affiliation Type Desc: UST Permit Applicant
Entity Name: Allen Grogan
Entity Title: Sergeant
Affiliation Address: Not reported
Affiliation City: Not reported
Affiliation State: Not reported
Affiliation Country: Not reported
Affiliation Zip: Not reported
Affiliation Phone: (760) 326-2000,

Affiliation Type Desc: UST Property Owner Name
Entity Name: State of California (Highway Patrol Facilities)
Entity Title: Not reported
Affiliation Address: P.O. Box 942898
Affiliation City: Sacramento
Affiliation State: CA
Affiliation Country: United States
Affiliation Zip: 94298-0001
Affiliation Phone: (916) 843-3800,

CA568 CALIFORNIA HIGHWAY PATROL/NEEDLES AREA
Target 1916 J ST
Property NEEDLES, CA 92363

HWTS S124770204
N/A

Site 3 of 9 in cluster CA

Actual: 634 ft.
Focus Map: 10

HWTS:
Name: CALIFORNIA HIGHWAY PATROL/NEEDLES AREA
Address: 1916 J ST
Address 2: Not reported
City,State,Zip: NEEDLES, CA 92363
EPA ID: CAL000027973
Inactive Date: 06/30/2004
Create Date: 05/10/1990
Last Act Date: Not reported
Mailing Name: Not reported
Mailing Address: PO BOX 942898
Mailing Address 2: Not reported
Mailing City,State,Zip: SACRAMENTO, CA 942980001

Map ID
 Direction
 Distance
 Elevation

MAP FINDINGS

Site

Database(s)

EDR ID Number
 EPA ID Number

CALIFORNIA HIGHWAY PATROL/NEEDLES AREA (Continued)

S124770204

Owner Name: CALIFORNIA HIGHWAY PATROL
 Owner Address: PO BOX 942898
 Owner Address 2: Not reported
 Owner City,State,Zip: SACRAMENTO, CA 942980001
 Contact Name: LIGAYA REYES-IBANEZ
 Contact Address: PO BOX 942898
 Contact Address 2: Not reported
 City,State,Zip: SACRAMENTO, CA 942980001
 Facility Status: Inactive
 Facility Type: PERMANENT
 Category: STATE
 Latitude: 34.835809
 Longitude: -114.620595

NAICS:
 EPA ID: CAL000027973
 Create Date: 2003-10-15 15:12:58.247
 NAICS Code: 92212
 NAICS Description: Police Protection
 Issued EPA ID Date: 1990-05-10 00:00:00
 Inactive Date: 2004-06-30 15:01:00
 Facility Name: CALIFORNIA HIGHWAY PATROL/NEEDLES AREA
 Facility Address: 1916 J ST
 Facility Address 2: Not reported
 Facility City: NEEDLES
 Facility County: Not reported
 Facility State: CA
 Facility Zip: 923630000

CA569	CALIFORNIA HIGHWAY PATROL #834 NEEDLES	RCRA NonGen / NLR	1024786404
Target	1916 J ST		CAL000016947
Property	NEEDLES, CA 92363		

Site 4 of 9 in cluster CA

Actual:	RCRA NonGen / NLR:	
634 ft.	Date Form Received by Agency:	19891114
Focus Map:	Handler Name:	CALIFORNIA HIGHWAY PATROL #834 NEEDLES
10	Handler Address:	1916 J ST
	Handler City,State,Zip:	NEEDLES, CA 92363-2634
	EPA ID:	CAL000016947
	Contact Name:	BETH DEPAOLA
	Contact Address:	PO BOX 942898
	Contact City,State,Zip:	SACRAMENTO, CA 94298-0001
	Contact Telephone:	916-843-3817
	Contact Fax:	916-322-3172
	Contact Email:	EDEPAOLA@CHP.CA.GOV
	Contact Title:	Not reported
	EPA Region:	09
	Land Type:	Not reported
	Federal Waste Generator Description:	Not a generator, verified
	Non-Notifier:	Not reported
	Biennial Report Cycle:	Not reported
	Accessibility:	Not reported
	Active Site Indicator:	Handler Activities
	State District Owner:	Not reported
	State District:	Not reported

Map ID
 Direction
 Distance
 Elevation

MAP FINDINGS

Site

Database(s)

EDR ID Number
 EPA ID Number

CALIFORNIA HIGHWAY PATROL #834 NEEDLES (Continued)

1024786404

Mailing Address:	PO BOX 942898
Mailing City,State,Zip:	SACRAMENTO, CA 94298-0001
Owner Name:	CALIFORNIA HIGHWAY PATROL
Owner Type:	Other
Operator Name:	BETH DEPAOLA
Operator Type:	Other
Short-Term Generator Activity:	No
Importer Activity:	No
Mixed Waste Generator:	No
Transporter Activity:	No
Transfer Facility Activity:	No
Recycler Activity with Storage:	No
Small Quantity On-Site Burner Exemption:	No
Smelting Melting and Refining Furnace Exemption:	No
Underground Injection Control:	No
Off-Site Waste Receipt:	No
Universal Waste Indicator:	Yes
Universal Waste Destination Facility:	Yes
Federal Universal Waste:	No
Active Site Fed-Reg Treatment Storage and Disposal Facility:	Not reported
Active Site Converter Treatment storage and Disposal Facility:	Not reported
Active Site State-Reg Treatment Storage and Disposal Facility:	Not reported
Active Site State-Reg Handler:	---
Federal Facility Indicator:	Not reported
Hazardous Secondary Material Indicator:	N
Sub-Part K Indicator:	Not reported
Commercial TSD Indicator:	No
Treatment Storage and Disposal Type:	Not reported
2018 GPRA Permit Baseline:	Not on the Baseline
2018 GPRA Renewals Baseline:	Not on the Baseline
Permit Renewals Workload Universe:	Not reported
Permit Workload Universe:	Not reported
Permit Progress Universe:	Not reported
Post-Closure Workload Universe:	Not reported
Closure Workload Universe:	Not reported
202 GPRA Corrective Action Baseline:	No
Corrective Action Workload Universe:	No
Subject to Corrective Action Universe:	No
Non-TSDFs Where RCRA CA has Been Imposed Universe:	No
TSDFs Potentially Subject to CA Under 3004 (u)/(v) Universe:	No
TSDFs Only Subject to CA under Discretionary Auth Universe:	No
Corrective Action Priority Ranking:	No NCAPS ranking
Environmental Control Indicator:	No
Institutional Control Indicator:	No
Human Exposure Controls Indicator:	N/A
Groundwater Controls Indicator:	N/A
Operating TSDF Universe:	Not reported
Full Enforcement Universe:	Not reported
Significant Non-Complier Universe:	No
Unaddressed Significant Non-Complier Universe:	No
Addressed Significant Non-Complier Universe:	No
Significant Non-Complier With a Compliance Schedule Universe:	No
Financial Assurance Required:	Not reported
Handler Date of Last Change:	20180905
Recognized Trader-Importer:	No
Recognized Trader-Exporter:	No
Importer of Spent Lead Acid Batteries:	No

Map ID
Direction
Distance
Elevation

MAP FINDINGS

Site

Database(s)

EDR ID Number
EPA ID Number

CALIFORNIA HIGHWAY PATROL #834 NEEDLES (Continued)

1024786404

Exporter of Spent Lead Acid Batteries: No
Recycler Activity Without Storage: No
Manifest Broker: No
Sub-Part P Indicator: No

Handler - Owner Operator:

Owner/Operator Indicator: Owner
Owner/Operator Name: CALIFORNIA HIGHWAY PATROL
Legal Status: Other
Date Became Current: Not reported
Date Ended Current: Not reported
Owner/Operator Address: PO BOX 942898
Owner/Operator City,State,Zip: SACRAMENTO, CA 94298-0001
Owner/Operator Telephone: 916-843-3800
Owner/Operator Telephone Ext: Not reported
Owner/Operator Fax: Not reported
Owner/Operator Email: Not reported

Owner/Operator Indicator: Operator
Owner/Operator Name: BETH DEPAOLA
Legal Status: Other
Date Became Current: Not reported
Date Ended Current: Not reported
Owner/Operator Address: PO BOX 942898
Owner/Operator City,State,Zip: SACRAMENTO, CA 94298-0001
Owner/Operator Telephone: 916-843-3817
Owner/Operator Telephone Ext: Not reported
Owner/Operator Fax: Not reported
Owner/Operator Email: Not reported

Historic Generators:

Receive Date: 19891114
Handler Name: CALIFORNIA HIGHWAY PATROL #834 NEEDLES
Federal Waste Generator Description: Not a generator, verified
State District Owner: Not reported
Large Quantity Handler of Universal Waste: No
Recognized Trader Importer: No
Recognized Trader Exporter: No
Spent Lead Acid Battery Importer: No
Spent Lead Acid Battery Exporter: No
Current Record: Yes
Non Storage Recycler Activity: Not reported
Electronic Manifest Broker: Not reported

List of NAICS Codes and Descriptions:

NAICS Code: 92212
NAICS Description: POLICE PROTECTION

Facility Has Received Notices of Violations:

Violations: No Violations Found

Evaluation Action Summary:

Evaluations: No Evaluations Found

MAP FINDINGS

Map ID
Direction
Distance
Elevation

Site

Database(s)

EDR ID Number
EPA ID Number

CA570 **CHP - NEEDLES**
Target **1916**
Property **NEEDLES, CA 92363**

FINDS **1024655588**
ECHO **N/A**

Site 5 of 9 in cluster CA

Actual: FINDS:
634 ft. Registry ID: 110070443976

Focus Map:
10 [Click Here for FRS Facility Detail Report:](#)

Environmental Interest/Information System:
RCRAInfo is a national information system that supports the Resource Conservation and Recovery Act (RCRA) program through the tracking of events and activities related to facilities that generate, transport, and treat, store, or dispose of hazardous waste. RCRAInfo allows RCRA program staff to track the notification, permit, compliance, and corrective action activities required under RCRA.

Registry ID: 110071175643

[Click Here for FRS Facility Detail Report:](#)

Environmental Interest/Information System:
AIR EMISSIONS CLASSIFICATION UNKNOWN

[Click this hyperlink](#) while viewing on your computer to access additional FINDS: detail in the EDR Site Report.

ECHO:
Envid: 1024655588
Registry ID: 110070443976
DFR URL: <http://echo.epa.gov/detailed-facility-report?fid=110070443976>
Name: CALIFORNIA HIGHWAY PATROL #834 NEEDLES
Address: 1916 J ST
City,State,Zip: NEEDLES, CA 92363

CA571 **CHP STATION NEEDLES**
Target **1916 J ST**
Property **NEEDLES, CA 92363**

FINDS **1023320710**
ECHO **N/A**

Site 6 of 9 in cluster CA

Actual: FINDS:
634 ft. Registry ID: 110066143701

Focus Map:
10 [Click Here for FRS Facility Detail Report:](#)

Environmental Interest/Information System:
STATE MASTER

[Click this hyperlink](#) while viewing on your computer to access additional FINDS: detail in the EDR Site Report.

Map ID
Direction
Distance
Elevation

MAP FINDINGS

Site

Database(s) EDR ID Number
EPA ID Number

CA572 CALIFORNIA HIGHWAY PATROL NEEDLES #834
Target 1916 J ST
Property NEEDLES, CA 92363

UST U004312127
N/A

Site 7 of 9 in cluster CA

Actual: UST:
634 ft. Name: CALIFORNIA HIGHWAY PATROL NEEDLES #834
Focus Map: Address: 1916 J ST
10 City,State,Zip: NEEDLES, CA 92363
Facility ID: FA0006400
Permitting Agency: San Bernardino County Fire Department
CERSID: 10045150
Latitude: 34.835981
Longitude: -114.620728

CA573 CHP - NEEDLES
Target 1916 J ST
Property NEEDLES, CA 92363

HAULERS S127783183
N/A

Site 8 of 9 in cluster CA

Actual: HAULERS:
634 ft. Name: CHP - NEEDLES
Focus Map: Address: 1916 J ST
10 City,State,Zip: NEEDLES, CA 92363-2634
Facility ID: 1268812
Facility Phone: Not reported
Business Email Address: Tyler.Hutchins@CHP.CA.GOV
Contact Person: Tyler Hutchins
Mailing Address: 1916 J St
Mailing City: Needles
Mailing State: CA
Mailing Zip: 92363
Mailing County: San Bernardino
Mailing Phone: Not reported
Current Status: Active
Current Hauler Status: Not reported
Accepting Tires From Public: Not reported
Regulatory Status Last Changed: Not reported
Business Types: Not reported

CA574 ST-CALIF HWY PATROL/NDLS
Target 1916 J ST
Property NEEDLES, CA 92363

UST U003785193
N/A

Site 9 of 9 in cluster CA

Actual: UST:
634 ft. Name: ST-CALIF HWY PATROL/NDLS
Focus Map: Address: 1916 J ST
10 City,State,Zip: NEEDLES, CA 92363
Facility ID: 90021154
Permitting Agency: SAN BERNARDINO COUNTY
CERSID: Not reported
Latitude: 34.8372733
Longitude: -114.6193597

MAP FINDINGS

Map ID
Direction
Distance
Elevation

Site

Database(s)

EDR ID Number
EPA ID Number

CB575 **GALLANES G A HAT**
Target **477 E**
Property **SAN BERNARDINO, CA**

EDR Hist Cleaner **1014156262**
N/A

Site 1 of 5 in cluster CB

Actual: EDR Hist Cleaner
535 ft.

Focus Map: Year: Name: Type:
11 1942 GALLANES G A HAT HAT CLEANERS AND BLOCKERS

576 **NEEDLES SHERIFF SUB STATION**
Target **111 BAILEY ST**
Property **NEEDLES, CA 92363**

HIST UST **U001575258**
N/A

HIST UST:

Actual: Name: NEEDLES SHERIFF SUB STATION
621 ft. Address: 111 BAILEY ST
Focus Map: City,State,Zip: NEEDLES, CA 92363
10 File Number: 00029D09
URL: http://geotracker.waterboards.ca.gov/ustpdfs/pdf/00029D09.pdf
Region: STATE
Facility ID: 00000008710
Facility Type: Other
Other Type: COUNTY
Contact Name: CAPT. RODGERS
Telephone: 7143832425
Owner Name: COUNTY OF SAN BERNARDINO
Owner Address: 825 EAST 3RD ST
Owner City,St,Zip: SAN BERNARDINO, CA 92415
Total Tanks: 0002

Tank Num: 001
Container Num: 0024
Year Installed: Not reported
Tank Capacity: 00000000
Tank Used for: PRODUCT
Type of Fuel: UNLEADED
Container Construction Thickness: Not reported
Leak Detection: Visual, Stock Inventor

Tank Num: 002
Container Num: 0025
Year Installed: Not reported
Tank Capacity: 00000000
Tank Used for: PRODUCT
Type of Fuel: UNLEADED
Container Construction Thickness: Not reported
Leak Detection: Visual, Stock Inventor

Click here for Geo Tracker PDF:

MAP FINDINGS

Map ID			
Direction			
Distance			
Elevation	Site	Database(s)	EDR ID Number EPA ID Number

CB577	DEEN FRED AUTO	EDR Hist Auto	1014180178
Target	494 E		N/A
Property	SAN BERNARDINO, CA		

Site 2 of 5 in cluster CB

Actual: EDR Hist Auto
526 ft.

Focus Map:	Year:	Name:	Type:
11	1936	DEEN FRED AUTO	AUTOMOBILE LAUNDRIES

CB578	CALIFORNIA SERVICE STATION	EDR Hist Auto	1014194023
Target	498 E		N/A
Property	SAN BERNARDINO, CA		

Site 3 of 5 in cluster CB

Actual: EDR Hist Auto
525 ft.

Focus Map:	Year:	Name:	Type:
11	1930	CALIFORNIA SERVICE STATION	GASOLINE AND OIL SERVICE STATIONS
	1936	UNION SERVICE STA	GASOLINE AND OIL SERVICE STATIONS
	1942	UNION SERV STA	GASOLINE AND OIL SERVICE STATIONS

CB579	LARSEN DYE WKS	EDR Hist Cleaner	1014154163
Target	512 E		N/A
Property	SAN BERNARDINO, CA		

Site 4 of 5 in cluster CB

Actual: EDR Hist Cleaner
524 ft.

Focus Map:	Year:	Name:	Type:
11	1942	LARSEN DYE WKS	CLOTHES PRESSERS AND CLEANERS

CB580	LARSEN DYE WORKS	EDR Hist Cleaner	1014154165
Target	516 E		N/A
Property	SAN BERNARDINO, CA		

Site 5 of 5 in cluster CB

Actual: EDR Hist Cleaner
524 ft.

Focus Map:	Year:	Name:	Type:
11	1936	LARSEN DYE WORKS	CLOTHES PRESSERS AND CLEANERS

Map ID
Direction
Distance
Elevation

MAP FINDINGS

Site

Database(s)

EDR ID Number
EPA ID Number

CC581 **CHEHAB EL-AWAR**
Target **805 DOWNEY AVE**
Property **NEEDLES, CA 92363**

HAZNET **S118222719**
HWTS **N/A**

Site 1 of 2 in cluster CC

Actual:
533 ft.
Focus Map:
11

HAZNET:
Name: CHEHAB EL-AWAR
Address: 805 DOWNEY AVE
Address 2: Not reported
City,State,Zip: NEEDLES, CA 923633321
Contact: CHEHAB EL-AWAR
Telephone: 9512957358
Mailing Name: Not reported
Mailing Address: 3998 N MOUNTAIN VIEW AVE

Year: 2014
Gepaid: CAC002786537
TSD EPA ID: AZC950823111
CA Waste Code: 151 - Asbestos containing waste
Disposal Method: H132 - Landfill Or Surface Impoundment That Will Be Closed As Landfill(To Include On-Site Treatment And/Or Stabilization)
Tons: 3.45

Additional Info:

Year: 2014
Gen EPA ID: CAC002786537

Shipment Date: 20140923
Creation Date: 2/13/2015 22:15:06
Receipt Date: 20140923
Manifest ID: 011553086JJK
Trans EPA ID: CAL000160111
Trans Name: ALLIANCE ENVIRONMENTAL GROUP
Trans 2 EPA ID: CAR000049064
Trans 2 Name: ECTI
TSD EPA ID: AZC950823111
Trans Name: LA PAZ COUNTY LANDFILL
TSD Alt EPA ID: Not reported
TSD Alt Name: Not reported
Waste Code Description: 151 - Asbestos-containing waste
RCRA Code: Not reported
Meth Code: H132 - Landfill Or Surface Impoundment That Will Be Closed As Landfill(To Include On-Site Treatment And/Or Stabilization)

Quantity Tons: 3.45
Waste Quantity: 15
Quantity Unit: Y
Additional Code 1: Not reported
Additional Code 2: Not reported
Additional Code 3: Not reported
Additional Code 4: Not reported
Additional Code 5: Not reported

HWTS:

Name: CHEHAB EL-AWAR
Address: 805 DOWNEY AVE
Address 2: Not reported

Map ID
 Direction
 Distance
 Elevation

MAP FINDINGS

Site

Database(s)

EDR ID Number
 EPA ID Number

CHEHAB EL-AWAR (Continued)

S118222719

City,State,Zip: NEEDLES, CA 92363
 EPA ID: CAC002786537
 Inactive Date: 12/19/2014
 Create Date: 09/19/2014
 Last Act Date: Not reported
 Mailing Name: Not reported
 Mailing Address: 3998 N MOUNTAIN VIEW AVE
 Mailing Address 2: Not reported
 Mailing City,State,Zip: SAN BERNARDINO, CA 924052332
 Owner Name: CHEHAB EL-AWAR
 Owner Address: 3998 N MOUNTAIN VIEW AVE
 Owner Address 2: Not reported
 Owner City,State,Zip: SAN BERNARDINO, CA 924052332
 Contact Name: CHEHAB EL-AWAR
 Contact Address: 3998 N MOUNTAIN VIEW AVE
 Contact Address 2: Not reported
 City,State,Zip: SAN BERNARDINO, CA 924052332
 Facility Status: Inactive
 Facility Type: TEMPORARY
 Category: STATE
 Latitude: 34.835527
 Longitude: -114.606701

CC582 DE LUXE CLNRS
Target 533 E
Property SAN BERNARDINO, CA

EDR Hist Cleaner 1014153596
N/A

Site 2 of 2 in cluster CC

Actual: EDR Hist Cleaner
525 ft.

Focus Map:	Year: Name:	Type:
11	1936 DE LUXE CLNRS	CLOTHES PRESSERS AND CLEANERS
	1942 DE LUXE CLNRS	CLOTHES PRESSERS AND CLEANERS

CD583 ECONO SMOG & TUNE
Target 115 W BROADWAY
Property NEEDLES, CA 92363

San Bern. Co. Permit S102531736
N/A

Site 1 of 6 in cluster CD

Actual: San Bern. Co. Permit:
479 ft.

Focus Map: Name: ECONO SMOG & TUNE
 11 Address: 115 W BROADWAY
 City,State,Zip: NEEDLES, CA 92363
 Region: SAN BERNARDINO
 Facility ID: FA0002866
 Owner: HALL, ERIC R.
 Permit Number: PT0006041
 Permit Category: HAZARDOUS MATERIALS 1-3 CHEMICALS
 Facility Status: INACTIVE
 Expiration Date: 11/30/2019

Name: ECONO SMOG & TUNE
 Address: 115 W BROADWAY
 City,State,Zip: NEEDLES, CA 92363

Map ID
 Direction
 Distance
 Elevation

MAP FINDINGS

Site

Database(s)

EDR ID Number
 EPA ID Number

ECONO SMOG & TUNE (Continued)

S102531736

Region: SAN BERNARDINO
 Facility ID: FA0002866
 Owner: HALL, ERIC R.
 Permit Number: PT0006042
 Permit Category: SMALL QUANTITY GENERATOR
 Facility Status: INACTIVE
 Expiration Date: 11/30/2019

CD584 **ECONO SMOG & TUNE**
Target **115 W BROADWAY**
Property **NEEDLES, CA 92363**

HAZNET **S113121121**
HWTS **N/A**

Site 2 of 6 in cluster CD

Actual:
479 ft.

Focus Map:
11

HAZNET:	
Name:	ECONO SMOG & TUNE
Address:	115 W BROADWAY
Address 2:	Not reported
City,State,Zip:	NEEDLES, CA 92363
Contact:	ERIC HALL - OWNER
Telephone:	7603233818
Mailing Name:	Not reported
Mailing Address:	115 W BROADWAY
Year:	2005
Gepaid:	CAL000256664
TSD EPA ID:	NVR000066837
CA Waste Code:	221 - Waste oil and mixed oil
Disposal Method:	-
Tons:	0.228
Year:	2005
Gepaid:	CAL000256664
TSD EPA ID:	NVR000066837
CA Waste Code:	343 - Unspecified organic liquid mixture
Disposal Method:	-
Tons:	0.085
Year:	2004
Gepaid:	CAL000256664
TSD EPA ID:	NVR000066837
CA Waste Code:	343 - Unspecified organic liquid mixture
Disposal Method:	H01 - Transfer Station
Tons:	Not reported
Year:	2004
Gepaid:	CAL000256664
TSD EPA ID:	NVR000066837
CA Waste Code:	221 - Waste oil and mixed oil
Disposal Method:	-
Tons:	0.285
Year:	2003
Gepaid:	CAL000256664
TSD EPA ID:	NVR000066837
CA Waste Code:	221 - Waste oil and mixed oil
Disposal Method:	H01 - Transfer Station
Tons:	Not reported

Map ID
Direction
Distance
Elevation

MAP FINDINGS

Site

Database(s)

EDR ID Number
EPA ID Number

ECONO SMOG & TUNE (Continued)

S113121121

Additional Info:

Year: 2004
Gen EPA ID: CAL000256664

Shipment Date: 20040623
Creation Date: 11/1/2004 9:00:46
Receipt Date: 20040623
Manifest ID: 23503564
Trans EPA ID: TXR000050930
Trans Name: SAFETY-KLEEN SYSTEMS INC
Trans 2 EPA ID: Not reported
Trans 2 Name: Not reported
TSDf EPA ID: NVR000066837
Trans Name: SAFETY-KLEEN SYSTEMS INC
TSDf Alt EPA ID: Not reported
TSDf Alt Name: Not reported
Waste Code Description: 221 - Waste oil and mixed oil
RCRA Code: Not reported
Meth Code: - Not reported
Quantity Tons: 0.285
Waste Quantity: 75
Quantity Unit: G
Additional Code 1: Not reported
Additional Code 2: Not reported
Additional Code 3: Not reported
Additional Code 4: Not reported
Additional Code 5: Not reported

Shipment Date: 20040623
Creation Date: 11/1/2004 9:00:46
Receipt Date: 20040623
Manifest ID: 23503564
Trans EPA ID: TXR000050930
Trans Name: SAFETY-KLEEN SYSTEMS INC
Trans 2 EPA ID: Not reported
Trans 2 Name: Not reported
TSDf EPA ID: NVR000066837
Trans Name: SAFETY-KLEEN SYSTEMS INC
TSDf Alt EPA ID: Not reported
TSDf Alt Name: Not reported
Waste Code Description: 343 - Unspecified organic liquid mixture
RCRA Code: Not reported
Meth Code: H01 - Transfer Station
Quantity Tons: Not reported
Waste Quantity: Not reported
Quantity Unit: P
Additional Code 1: Not reported
Additional Code 2: Not reported
Additional Code 3: Not reported
Additional Code 4: Not reported
Additional Code 5: Not reported

Additional Info:

Year: 2005
Gen EPA ID: CAL000256664

Map ID
Direction
Distance
Elevation

MAP FINDINGS

Site

Database(s)

EDR ID Number
EPA ID Number

ECONO SMOG & TUNE (Continued)

S113121121

Shipment Date: 20050525
Creation Date: 7/27/2005 10:48:47
Receipt Date: 20050525
Manifest ID: 23020307
Trans EPA ID: TXR000050930
Trans Name: SAFETY-KLEEN SYSTEMS INC
Trans 2 EPA ID: Not reported
Trans 2 Name: Not reported
TSDf EPA ID: NVR000066837
Trans Name: SAFETY-KLEEN SYSTEMS INC
TSDf Alt EPA ID: NVR000066837
TSDf Alt Name: Not reported
Waste Code Description: 343 - Unspecified organic liquid mixture
RCRA Code: Not reported
Meth Code: - Not reported
Quantity Tons: 0.085
Waste Quantity: 25
Quantity Unit: G
Additional Code 1: Not reported
Additional Code 2: Not reported
Additional Code 3: Not reported
Additional Code 4: Not reported
Additional Code 5: Not reported

Shipment Date: 20050525
Creation Date: 7/27/2005 10:48:47
Receipt Date: 20050525
Manifest ID: 23020307
Trans EPA ID: TXR000050930
Trans Name: SAFETY-KLEEN SYSTEMS INC
Trans 2 EPA ID: Not reported
Trans 2 Name: Not reported
TSDf EPA ID: NVR000066837
Trans Name: SAFETY-KLEEN SYSTEMS INC
TSDf Alt EPA ID: NVR000066837
TSDf Alt Name: Not reported
Waste Code Description: 221 - Waste oil and mixed oil
RCRA Code: Not reported
Meth Code: - Not reported
Quantity Tons: 0.228
Waste Quantity: 60
Quantity Unit: G
Additional Code 1: Not reported
Additional Code 2: Not reported
Additional Code 3: Not reported
Additional Code 4: Not reported
Additional Code 5: Not reported

Additional Info:

Year: 2003
Gen EPA ID: CAL000256664

Shipment Date: 20030522
Creation Date: 9/2/2003 18:31:45
Receipt Date: 20030522
Manifest ID: 99058253
Trans EPA ID: TXR000050930

Map ID
Direction
Distance
Elevation

MAP FINDINGS

Site

Database(s)

EDR ID Number
EPA ID Number

ECONO SMOG & TUNE (Continued)

S113121121

Trans Name: Not reported
Trans 2 EPA ID: Not reported
Trans 2 Name: Not reported
TSDf EPA ID: NVR000066837
Trans Name: Not reported
TSDf Alt EPA ID: Not reported
TSDf Alt Name: Not reported
Waste Code Description: 221 - Waste oil and mixed oil
RCRA Code: Not reported
Meth Code: H01 - Transfer Station
Quantity Tons: Not reported
Waste Quantity: 75
Quantity Unit: Not reported
Additional Code 1: Not reported
Additional Code 2: Not reported
Additional Code 3: Not reported
Additional Code 4: Not reported
Additional Code 5: Not reported

Shipment Date: 20030522
Creation Date: 9/2/2003 18:31:45
Receipt Date: 20030522
Manifest ID: 99058253
Trans EPA ID: TXR000050930
Trans Name: Not reported
Trans 2 EPA ID: Not reported
Trans 2 Name: Not reported
TSDf EPA ID: NVR000066837
Trans Name: Not reported
TSDf Alt EPA ID: Not reported
TSDf Alt Name: Not reported
Waste Code Description: 221 - Waste oil and mixed oil
RCRA Code: Not reported
Meth Code: H01 - Transfer Station
Quantity Tons: Not reported
Waste Quantity: 45
Quantity Unit: Not reported
Additional Code 1: Not reported
Additional Code 2: Not reported
Additional Code 3: Not reported
Additional Code 4: Not reported
Additional Code 5: Not reported

HWTS:

Name: ECONO SMOG & TUNE
Address: 115 W BROADWAY
Address 2: Not reported
City,State,Zip: NEEDLES, CA 92363
EPA ID: CAL000256664
Inactive Date: Not reported
Create Date: 07/29/2002
Last Act Date: Not reported
Mailing Name: Not reported
Mailing Address: 115 W BROADWAY
Mailing Address 2: Not reported
Mailing City,State,Zip: NEEDLES, CA 923630000
Owner Name: ERIC HALL

Map ID
Direction
Distance
Elevation

MAP FINDINGS

Site

Database(s)

EDR ID Number
EPA ID Number

ECONO SMOG & TUNE (Continued)

S113121121

Owner Address: 115 W BROADWAY
Owner Address 2: Not reported
Owner City,State,Zip: NEEDLES, CA 923630000
Contact Name: ERIC HALL - OWNER
Contact Address: 115 W BROADWAY
Contact Address 2: Not reported
City,State,Zip: NEEDLES, CA 92363
Facility Status: Active
Facility Type: PERMANENT
Category: STATE
Latitude: 34.834517
Longitude: -114.597264

NAICS:

EPA ID: CAL000256664
Create Date: 2002-07-29 13:27:57.200
NAICS Code: 811111
NAICS Description: General Automotive Repair
Issued EPA ID Date: 2002-07-29 13:27:57.18700
Inactive Date: Not reported
Facility Name: ECONO SMOG & TUNE
Facility Address: 115 W BROADWAY
Facility Address 2: Not reported
Facility City: NEEDLES
Facility County: Not reported
Facility State: CA
Facility Zip: 92363

CD585 LEVIS TRANSMISSIONS
Target 115 W BROADWAY
Property NEEDLES, CA 92363

HWTS S124768642
N/A

Site 3 of 6 in cluster CD

Actual:
479 ft.

Focus Map:
11

HWTS:
Name: LEVIS TRANSMISSIONS
Address: 115 W BROADWAY
Address 2: Not reported
City,State,Zip: NEEDLES, CA 92363
EPA ID: CAL000024144
Inactive Date: 01/01/1995
Create Date: 05/09/1990
Last Act Date: Not reported
Mailing Name: Not reported
Mailing Address: 115 W BROADWAY
Mailing Address 2: Not reported
Mailing City,State,Zip: NEEDLES, CA 923630000
Owner Name: PEARSON LEVI
Owner Address: Not reported
Owner Address 2: Not reported
Owner City,State,Zip: Not reported
Contact Name: UNDELIVERABLE SURVEY 2-7-95 JV
Contact Address: Not reported
Contact Address 2: Not reported
City,State,Zip: Not reported
Facility Status: Inactive
Facility Type: PERMANENT

Map ID
 Direction
 Distance
 Elevation

MAP FINDINGS

Site _____ Database(s) _____ EDR ID Number
 _____ EPA ID Number

LEVIS TRANSMISSIONS (Continued)

S124768642

Category: STATE
 Latitude: 34.834517
 Longitude: -114.597264

CD586 **ECONO SMOG & TUNE**
Target **115 W BROADWAY**
Property **NEEDLES, CA 92363**

FINDS **1023234115**
ECHO **N/A**

Site 4 of 6 in cluster CD

Actual: **479 ft.** **FINDS:**
 Registry ID: 110065215038

Focus Map: **11** [Click Here for FRS Facility Detail Report:](#)

Environmental Interest/Information System:

RCRAInfo is a national information system that supports the Resource Conservation and Recovery Act (RCRA) program through the tracking of events and activities related to facilities that generate, transport, and treat, store, or dispose of hazardous waste. RCRAInfo allows RCRA program staff to track the notification, permit, compliance, and corrective action activities required under RCRA.
 STATE MASTER

[Click this hyperlink](#) while viewing on your computer to access additional FINDS: detail in the EDR Site Report.

ECHO:
 Envid: 1023234115
 Registry ID: 110065215038
 DFR URL: <http://echo.epa.gov/detailed-facility-report?fid=110065215038>
 Name: ECONO SMOG & TUNE
 Address: 115 W BROADWAY
 City,State,Zip: NEEDLES, CA 92363

CD587 **ECONO SMOG & TUNE**
Target **115 W BROADWAY**
Property **NEEDLES, CA 92363**

RCRA NonGen / NLR **1024804144**
CAL000256664

Site 5 of 6 in cluster CD

Actual: **479 ft.** **RCRA NonGen / NLR:**
 Date Form Received by Agency: 20020729

Focus Map: **11** Handler Name: ECONO SMOG & TUNE
 Handler Address: 115 W BROADWAY
 Handler City,State,Zip: NEEDLES, CA 92363
 EPA ID: CAL000256664
 Contact Name: ERIC HALL - OWNER
 Contact Address: 115 W BROADWAY
 Contact City,State,Zip: NEEDLES, CA 92363
 Contact Telephone: 760-323-3818
 Contact Fax: 000-000-0000
 Contact Email: ECONOSMOG@CITLINK.NET
 Contact Title: Not reported
 EPA Region: 09
 Land Type: Not reported
 Federal Waste Generator Description: Not a generator, verified

Map ID
 Direction
 Distance
 Elevation

MAP FINDINGS

Site

Database(s)

EDR ID Number
 EPA ID Number

ECONO SMOG & TUNE (Continued)

1024804144

Non-Notifier:		Not reported
Biennial Report Cycle:		Not reported
Accessibility:		Not reported
Active Site Indicator:		Handler Activities
State District Owner:		Not reported
State District:		Not reported
Mailing Address:		115 W BROADWAY
Mailing City,State,Zip:		NEEDLES, CA 92363-0000
Owner Name:	ERIC HALL	
Owner Type:		Other
Operator Name:	ERIC HALL - OWNER	
Operator Type:		Other
Short-Term Generator Activity:		No
Importer Activity:		No
Mixed Waste Generator:		No
Transporter Activity:		No
Transfer Facility Activity:		No
Recycler Activity with Storage:		No
Small Quantity On-Site Burner Exemption:		No
Smelting Melting and Refining Furnace Exemption:		No
Underground Injection Control:		No
Off-Site Waste Receipt:		No
Universal Waste Indicator:		Yes
Universal Waste Destination Facility:		Yes
Federal Universal Waste:		No
Active Site Fed-Reg Treatment Storage and Disposal Facility:		Not reported
Active Site Converter Treatment storage and Disposal Facility:		Not reported
Active Site State-Reg Treatment Storage and Disposal Facility:		Not reported
Active Site State-Reg Handler:		---
Federal Facility Indicator:		Not reported
Hazardous Secondary Material Indicator:		N
Sub-Part K Indicator:		Not reported
Commercial TSD Indicator:		No
Treatment Storage and Disposal Type:		Not reported
2018 GPRA Permit Baseline:		Not on the Baseline
2018 GPRA Renewals Baseline:		Not on the Baseline
Permit Renewals Workload Universe:		Not reported
Permit Workload Universe:		Not reported
Permit Progress Universe:		Not reported
Post-Closure Workload Universe:		Not reported
Closure Workload Universe:		Not reported
202 GPRA Corrective Action Baseline:		No
Corrective Action Workload Universe:		No
Subject to Corrective Action Universe:		No
Non-TSDFs Where RCRA CA has Been Imposed Universe:		No
TSDFs Potentially Subject to CA Under 3004 (u)/(v) Universe:		No
TSDFs Only Subject to CA under Discretionary Auth Universe:		No
Corrective Action Priority Ranking:		No NCAPS ranking
Environmental Control Indicator:		No
Institutional Control Indicator:		No
Human Exposure Controls Indicator:		N/A
Groundwater Controls Indicator:		N/A
Operating TSDF Universe:		Not reported
Full Enforcement Universe:		Not reported
Significant Non-Complier Universe:		No
Unaddressed Significant Non-Complier Universe:		No
Addressed Significant Non-Complier Universe:		No

Map ID
Direction
Distance
Elevation

MAP FINDINGS

Site

Database(s)

EDR ID Number
EPA ID Number

ECONO SMOG & TUNE (Continued)

1024804144

Significant Non-Complier With a Compliance Schedule Universe: No
Financial Assurance Required: Not reported
Handler Date of Last Change: 20180905
Recognized Trader-Importer: No
Recognized Trader-Exporter: No
Importer of Spent Lead Acid Batteries: No
Exporter of Spent Lead Acid Batteries: No
Recycler Activity Without Storage: No
Manifest Broker: No
Sub-Part P Indicator: No

Handler - Owner Operator:

Owner/Operator Indicator: Owner
Owner/Operator Name: ERIC HALL
Legal Status: Other
Date Became Current: Not reported
Date Ended Current: Not reported
Owner/Operator Address: 115 W BROADWAY
Owner/Operator City,State,Zip: NEEDLES, CA 92363-0000
Owner/Operator Telephone: 760-323-3818
Owner/Operator Telephone Ext: Not reported
Owner/Operator Fax: Not reported
Owner/Operator Email: Not reported

Owner/Operator Indicator: Operator
Owner/Operator Name: ERIC HALL - OWNER
Legal Status: Other
Date Became Current: Not reported
Date Ended Current: Not reported
Owner/Operator Address: 115 W BROADWAY
Owner/Operator City,State,Zip: NEEDLES, CA 92363
Owner/Operator Telephone: 760-323-3818
Owner/Operator Telephone Ext: Not reported
Owner/Operator Fax: Not reported
Owner/Operator Email: Not reported

Historic Generators:

Receive Date: 20020729
Handler Name: ECONO SMOG & TUNE
Federal Waste Generator Description: Not a generator, verified
State District Owner: Not reported
Large Quantity Handler of Universal Waste: No
Recognized Trader Importer: No
Recognized Trader Exporter: No
Spent Lead Acid Battery Importer: No
Spent Lead Acid Battery Exporter: No
Current Record: Yes
Non Storage Recycler Activity: Not reported
Electronic Manifest Broker: Not reported

List of NAICS Codes and Descriptions:

NAICS Code: 811111
NAICS Description: GENERAL AUTOMOTIVE REPAIR

Map ID
 Direction
 Distance
 Elevation

MAP FINDINGS

Site

Database(s)

EDR ID Number
 EPA ID Number

ECONO SMOG & TUNE (Continued)

1024804144

Facility Has Received Notices of Violations:

Violations: No Violations Found

Evaluation Action Summary:

Evaluations: No Evaluations Found

CD588
Target
Property

ECONO SMOG & TUNE
115 W BROADWAY ST
NEEDLES, CA 92363

EDR Hist Auto **1021509062**
N/A

Site 6 of 6 in cluster CD

Actual:
479 ft.

EDR Hist Auto

Focus Map:
11

Year:	Name:	Type:
1987	YONEYS BODY SHOP	Not reported
1989	LEVIS TRANSMISSION	Automotive Transmission Repair Shops
1990	LEVIS TRANSMISSION	Automotive Transmission Repair Shops
1991	LEVIS TRANSMISSION	Automotive Transmission Repair Shops
1994	LEVIS TRANSMISSION	Automotive Transmission Repair Shops
1995	LEVIS TRANSMISSION	Automotive Transmission Repair Shops
1996	ECONO SMOG & TUNE	General Automotive Repair Shops
1997	ECONO SMOG & TUNE	General Automotive Repair Shops
1998	ECONO SMOG & TUNE	General Automotive Repair Shops
1999	ECONO SMOG & TUNE	General Automotive Repair Shops
2000	ECONO SMOG & TUNE	General Automotive Repair Shops
2001	ECONO SMOG & TUNE	General Automotive Repair Shops
2002	ECONO SMOG & TUNE	General Automotive Repair Shops
2003	ECONO SMOG & TUNE	General Automotive Repair Shops
2004	ECONO SMOG & TUNE	General Automotive Repair Shops
2005	ECONO SMOG & TUNE	General Automotive Repair Shops
2006	ECONO SMOG & TUNE	General Automotive Repair Shops
2007	ECONO SMOG & TUNE	General Automotive Repair Shops
2008	ECONO SMOG & TUNE	General Automotive Repair Shops
2009	ECONO SMOG & TUNE	General Automotive Repair Shops
2010	ECONO SMOG & TUNE	General Automotive Repair Shops
2011	ECONO SMOG & TUNE	General Automotive Repair Shops
2012	ECONO SMOG & TUNE	General Automotive Repair Shops
2013	ECONO SMOG & TUNE	General Automotive Repair Shops
2014	ECONO SMOG & TUNE	General Automotive Repair Shops

CE589
Target
Property

CALTRANS NEEDLES AREA MAINT STATION
1111 BAILEY AVE
NEEDLES, CA 92363

RCRA NonGen / NLR **1000419408**
FINDS **CAD981459019**
ECHO

Site 1 of 11 in cluster CE

Actual:
615 ft.

RCRA NonGen / NLR:

Focus Map:
10

Date Form Received by Agency: 19860407
 Handler Name: CALTRANS NEEDLES AREA MAINT STATION
 Handler Address: 1111 BAILEY AVE
 Handler City,State,Zip: NEEDLES, CA 92363
 EPA ID: CAD981459019
 Contact Name: ENVIRONMENTAL MANAGER

Map ID
 Direction
 Distance
 Elevation

MAP FINDINGS

Site

Database(s)

EDR ID Number
 EPA ID Number

CALTRANS NEEDLES AREA MAINT STATION (Continued)

1000419408

Contact Address:	1111 BAILEY AVE
Contact City,State,Zip:	NEEDLES, CA 92363
Contact Telephone:	619-326-4571
Contact Fax:	Not reported
Contact Email:	Not reported
Contact Title:	Not reported
EPA Region:	09
Land Type:	Other
Federal Waste Generator Description:	Not a generator, verified
Non-Notifier:	Not reported
Biennial Report Cycle:	Not reported
Accessibility:	Not reported
Active Site Indicator:	Not reported
State District Owner:	CA
State District:	4
Mailing Address:	P O BOX 130
Mailing City,State,Zip:	NEEDLES, CA 92363
Owner Name:	CALIF DEPT OF TRANSP
Owner Type:	State
Operator Name:	NOT REQUIRED
Operator Type:	State
Short-Term Generator Activity:	No
Importer Activity:	No
Mixed Waste Generator:	No
Transporter Activity:	No
Transfer Facility Activity:	No
Recycler Activity with Storage:	No
Small Quantity On-Site Burner Exemption:	No
Smelting Melting and Refining Furnace Exemption:	No
Underground Injection Control:	No
Off-Site Waste Receipt:	No
Universal Waste Indicator:	No
Universal Waste Destination Facility:	No
Federal Universal Waste:	No
Active Site Fed-Reg Treatment Storage and Disposal Facility:	Not reported
Active Site Converter Treatment storage and Disposal Facility:	Not reported
Active Site State-Reg Treatment Storage and Disposal Facility:	Not reported
Active Site State-Reg Handler:	---
Federal Facility Indicator:	Not reported
Hazardous Secondary Material Indicator:	NN
Sub-Part K Indicator:	Not reported
Commercial TSD Indicator:	No
Treatment Storage and Disposal Type:	Not reported
2018 GPRC Permit Baseline:	Not on the Baseline
2018 GPRC Renewals Baseline:	Not on the Baseline
Permit Renewals Workload Universe:	Not reported
Permit Workload Universe:	Not reported
Permit Progress Universe:	Not reported
Post-Closure Workload Universe:	Not reported
Closure Workload Universe:	Not reported
202 GPRC Corrective Action Baseline:	No
Corrective Action Workload Universe:	No
Subject to Corrective Action Universe:	No
Non-TSDs Where RCRA CA has Been Imposed Universe:	No
TSDs Potentially Subject to CA Under 3004 (u)/(v) Universe:	No
TSDs Only Subject to CA under Discretionary Auth Universe:	No
Corrective Action Priority Ranking:	No NCAPS ranking

Map ID
Direction
Distance
Elevation

MAP FINDINGS

Site

Database(s)

EDR ID Number
EPA ID Number

CALTRANS NEEDLES AREA MAINT STATION (Continued)

1000419408

Environmental Control Indicator:	No
Institutional Control Indicator:	No
Human Exposure Controls Indicator:	N/A
Groundwater Controls Indicator:	N/A
Operating TSDU Universe:	Not reported
Full Enforcement Universe:	Not reported
Significant Non-Complier Universe:	No
Unaddressed Significant Non-Complier Universe:	No
Addressed Significant Non-Complier Universe:	No
Significant Non-Complier With a Compliance Schedule Universe:	No
Financial Assurance Required:	Not reported
Handler Date of Last Change:	20020627
Recognized Trader-Importer:	No
Recognized Trader-Exporter:	No
Importer of Spent Lead Acid Batteries:	No
Exporter of Spent Lead Acid Batteries:	No
Recycler Activity Without Storage:	Not reported
Manifest Broker:	Not reported
Sub-Part P Indicator:	No

Handler - Owner Operator:

Owner/Operator Indicator:	Operator
Owner/Operator Name:	NOT REQUIRED
Legal Status:	State
Date Became Current:	Not reported
Date Ended Current:	Not reported
Owner/Operator Address:	NOT REQUIRED
Owner/Operator City,State,Zip:	NOT REQUIRED, ME 99999
Owner/Operator Telephone:	415-555-1212
Owner/Operator Telephone Ext:	Not reported
Owner/Operator Fax:	Not reported
Owner/Operator Email:	Not reported

Owner/Operator Indicator:	Owner
Owner/Operator Name:	CALIF DEPT OF TRANSP
Legal Status:	State
Date Became Current:	Not reported
Date Ended Current:	Not reported
Owner/Operator Address:	NOT REQUIRED
Owner/Operator City,State,Zip:	NOT REQUIRED, ME 99999
Owner/Operator Telephone:	415-555-1212
Owner/Operator Telephone Ext:	Not reported
Owner/Operator Fax:	Not reported
Owner/Operator Email:	Not reported

Historic Generators:

Receive Date:	19860407
Handler Name:	CALTRANS NEEDLES AREA MAINT STATION
Federal Waste Generator Description:	Not a generator, verified
State District Owner:	CA
Large Quantity Handler of Universal Waste:	No
Recognized Trader Importer:	No
Recognized Trader Exporter:	No
Spent Lead Acid Battery Importer:	No
Spent Lead Acid Battery Exporter:	No

Map ID
 Direction
 Distance
 Elevation

MAP FINDINGS

Site

Database(s)

EDR ID Number
 EPA ID Number

CALTRANS NEEDLES AREA MAINT STATION (Continued)

1000419408

Current Record: Yes
 Non Storage Recycler Activity: Not reported
 Electronic Manifest Broker: Not reported

List of NAICS Codes and Descriptions:
 NAICS Codes: No NAICS Codes Found

Facility Has Received Notices of Violations:
 Violations: No Violations Found

Evaluation Action Summary:
 Evaluations: No Evaluations Found

FINDS:
 Registry ID: 110002714590

[Click Here for FRS Facility Detail Report:](#)

Environmental Interest/Information System:
 RCRAInfo is a national information system that supports the Resource Conservation and Recovery Act (RCRA) program through the tracking of events and activities related to facilities that generate, transport, and treat, store, or dispose of hazardous waste. RCRAInfo allows RCRA program staff to track the notification, permit, compliance, and corrective action activities required under RCRA.

[Click this hyperlink](#) while viewing on your computer to access additional FINDS: detail in the EDR Site Report.

ECHO:
 Envid: 1000419408
 Registry ID: 110002714590
 DFR URL: <http://echo.epa.gov/detailed-facility-report?fid=110002714590>
 Name: CALTRANS NEEDLES AREA MAINT STATION
 Address: 1111 BAILEY AVE
 City,State,Zip: NEEDLES, CA 92363

CE590 **NEEDLES COUNTY COMPLEX**
Target **1111 BAILEY**
Property **NEEDLES, CA 92363**

SWEEPS UST **U001575253**
HIST UST **N/A**

Site 2 of 11 in cluster CE

Actual: SWEEPS UST:
615 ft. Name: NEEDLES COUNTY COMPLEX
Focus Map: Address: 1111 BAILEY
10 City: NEEDLES
 Status: Active
 Comp Number: 15788
 Number: 5
 Board Of Equalization: 44-020625
 Referral Date: 03-24-92
 Action Date: 03-24-92
 Created Date: 02-29-88
 Owner Tank Id: 1
 SWRCB Tank Id: 36-000-015788-000001

Map ID
Direction
Distance
Elevation

MAP FINDINGS

Site

Database(s)

EDR ID Number
EPA ID Number

NEEDLES COUNTY COMPLEX (Continued)

U001575253

Tank Status: A
Capacity: 550
Active Date: 08-25-88
Tank Use: M.V. FUEL
STG: P
Content: DIESEL
Number Of Tanks: 1

HIST UST:

Name: NEEDLES COUNTY COMPLEX
Address: 1111 BAILEY
City,State,Zip: NEEDLES, CA 92363
File Number: 00029F64
URL: <http://geotracker.waterboards.ca.gov/ustpdfs/pdf/00029F64.pdf>
Region: STATE
Facility ID: 00000015788
Facility Type: Other
Other Type: OFFICE BLDG.
Contact Name: LOUIS DEGIDIO
Telephone: 6193262291
Owner Name: GSA-FACILITIES MANAGEMENT-MAIN
Owner Address: 200 S. LENA
Owner City,St,Zip: SAN BERNARDINO, CA 92415
Total Tanks: 0001

Tank Num: 001
Container Num: 1
Year Installed: 1972
Tank Capacity: 00000550
Tank Used for: PRODUCT
Type of Fuel: DIESEL
Container Construction Thickness: Not reported
Leak Detection: Visual

[Click here for Geo Tracker PDF:](#)

CE591 VERIZON WIRELESS - NEEDLES
Target 1111 BAILEY STREET
Property NEEDLES, CA 92363

FINDS 1023273446
N/A

Site 3 of 11 in cluster CE

Actual: 615 ft. FINDS:
Registry ID: 110065635691

Focus Map: 10

[Click Here for FRS Facility Detail Report:](#)

Environmental Interest/Information System:
AIR EMISSIONS CLASSIFICATION UNKNOWN
STATE MASTER

Registry ID: 110071175466

[Click Here for FRS Facility Detail Report:](#)

Environmental Interest/Information System:
AIR EMISSIONS CLASSIFICATION UNKNOWN

Map ID
Direction
Distance
Elevation

MAP FINDINGS

Site

Database(s)

EDR ID Number
EPA ID Number

VERIZON WIRELESS - NEEDLES (Continued)

1023273446

[Click this hyperlink](#) while viewing on your computer to access additional FINDS: detail in the EDR Site Report.

CE592 **1X COUNTY OF SAN BERNARDINO**
Target **1111 BAILEY AVE**
Property **NEEDLES, CA 93636**

HAZNET **S123747603**
HWTS **N/A**

Site 4 of 11 in cluster CE

Actual: HAZNET:
615 ft. Name: 1X COUNTY OF SAN BERNARDINO
Focus Map: Address: 1111 BAILEY AVE
10 Address 2: Not reported
 City,State,Zip: NEEDLES, CA 936360000
 Contact: SHAKIL PAPEL/PROJMGR
 Telephone: 7143872269
 Mailing Name: Not reported
 Mailing Address: 825 E THIRD ST

 Year: 1992
 Gepaid: CAC000813512
 TSD EPA ID: CAD007786749
 CA Waste Code: 151 - Asbestos containing waste
 Disposal Method: 03 -
 Tons: 25.284

HWTS:
Name: 1X COUNTY OF SAN BERNARDINO
Address: 1111 BAILEY AVE
Address 2: Not reported
City,State,Zip: NEEDLES, CA 93636
EPA ID: CAC000813512
Inactive Date: 10/25/2000
Create Date: 07/14/1992
Last Act Date: Not reported
Mailing Name: Not reported
Mailing Address: 825 E THIRD ST
Mailing Address 2: Not reported
Mailing City,State,Zip: SAN BERNARDINO, CA 924150849
Owner Name: COUNTY OF SAN BERNARDINO
Owner Address: Not reported
Owner Address 2: Not reported
Owner City,State,Zip: Not reported
Contact Name: SHAKIL PAPEL/PROJMGR
Contact Address: Not reported
Contact Address 2: Not reported
City,State,Zip: Not reported
Facility Status: Inactive
Facility Type: TEMPORARY
Category: STATE
Latitude: 34.285784
Longitude: -118.733028

Map ID
Direction
Distance
Elevation

MAP FINDINGS

Site

Database(s)
EDR ID Number
EPA ID Number

CE593 **VERIZON WIRELESS - NEEDLES**
Target **1111 BAILEY STREET**
Property **NEEDLES, CA 92363**

EMI **S124452373**
 N/A

Site 5 of 11 in cluster CE

Actual:
615 ft.
Focus Map:
10

EMI:
Name: VERIZON WIRELESS - NEEDLES
Address: 1111 BAILEY STREET
City,State,Zip: NEEDLES, CA 92363
Year: 2017
County Code: 36
Air Basin: MD
Facility ID: 110702753
Air District Name: MOJ
SIC Code: 4813
Air District Name: MOJAVE DESERT AQMD
Community Health Air Pollution Info System: Not reported
Consolidated Emission Reporting Rule: Not reported
Total Organic Hydrocarbon Gases Tons/Yr: 0.00019915196357
Reactive Organic Gases Tons/Yr: 0.000174955
Carbon Monoxide Emissions Tons/Yr: 0.001749559
NOX - Oxides of Nitrogen Tons/Yr: 0.005021234
SOX - Oxides of Sulphur Tons/Yr: 4.37e-006
Particulate Matter Tons/Yr: 0.00013200905433
Part. Matter 10 Micrometers and Smllr Tons/Yr:0.000131217

Name: VERIZON WIRELESS - NEEDLES
Address: 1111 BAILEY STREET
City,State,Zip: NEEDLES, CA 92363
Year: 2018
County Code: 36
Air Basin: MD
Facility ID: 2753
Air District Name: MOJ
SIC Code: 4813
Air District Name: MOJAVE DESERT AQMD
Community Health Air Pollution Info System: Not reported
Consolidated Emission Reporting Rule: Not reported
Total Organic Hydrocarbon Gases Tons/Yr: 0.00019915196357
Reactive Organic Gases Tons/Yr: 0.000174955
Carbon Monoxide Emissions Tons/Yr: 0.001749559
NOX - Oxides of Nitrogen Tons/Yr: 0.005021234
SOX - Oxides of Sulphur Tons/Yr: 4.37e-006
Particulate Matter Tons/Yr: 0.00013200905433
Part. Matter 10 Micrometers and Smllr Tons/Yr:0.000131217

Name: VERIZON WIRELESS - NEEDLES
Address: 1111 BAILEY STREET
City,State,Zip: NEEDLES, CA 92363
Year: 2019
County Code: 36
Air Basin: MD
Facility ID: 2753
Air District Name: MOJ
SIC Code: 4813
Air District Name: MOJAVE DESERT AQMD
Community Health Air Pollution Info System: Not reported
Consolidated Emission Reporting Rule: Not reported

Map ID
Direction
Distance
Elevation

MAP FINDINGS

Site

Database(s)

EDR ID Number
EPA ID Number

VERIZON WIRELESS - NEEDLES (Continued)

S124452373

Total Organic Hydrocarbon Gases Tons/Yr: Not reported
Reactive Organic Gases Tons/Yr: Not reported
Carbon Monoxide Emissions Tons/Yr: Not reported
NOX - Oxides of Nitrogen Tons/Yr: 0.000443834
SOX - Oxides of Sulphur Tons/Yr: 1.91e-006
Particulate Matter Tons/Yr: 1.8108651911e-005
Part. Matter 10 Micrometers and Smlr Tons/Yr:1.8e-005

CE594 COUNTY OF SAN BERNARDINO PMD - BANKS
Target 1111 BAILEY AVENUE
Property NEEDLES, CA 92363

HWTS S124658067
N/A

Site 6 of 11 in cluster CE

Actual:
615 ft.

Focus Map:
10

HWTS:
Name: COUNTY OF SAN BERNARDINO PMD - BANKS
Address: 1111 BAILEY AVENUE
Address 2: Not reported
City,State,Zip: NEEDLES, CA 92363
EPA ID: CAC002931865
Inactive Date: 01/11/2018
Create Date: 10/11/2017
Last Act Date: Not reported
Mailing Name: Not reported
Mailing Address: 385 N. ARROWHEAD AVE.
Mailing Address 2: Not reported
Mailing City,State,Zip: SAN BERNARDINO, CA 92415
Owner Name: COUNTY OF SAN BERNARDINO
Owner Address: 385 N. ARROWHEAD AVE.
Owner Address 2: Not reported
Owner City,State,Zip: SAN BERNARDINO, CA 92415
Contact Name: J.T. BANKS
Contact Address: 385 N. ARROWHEAD AVE.
Contact Address 2: Not reported
City,State,Zip: SAN BERNARDINO, CA 92415
Facility Status: Inactive
Facility Type: TEMPORARY
Category: STATE
Latitude: 34.835609
Longitude: -114.618264

NAICS:
EPA ID: CAC002931865
Create Date: 2017-10-11 11:18:38.633
NAICS Code: 327999
NAICS Description: All Other Miscellaneous Nonmetallic Mineral Product Manufacturing
Issued EPA ID Date: 2017-10-11 11:18:38.63700
Inactive Date: 2018-01-11 03:00:22.69700
Facility Name: COUNTY OF SAN BERNARDINO PMD - BANKS
Facility Address: 1111 BAILEY AVENUE
Facility Address 2: Not reported
Facility City: NEEDLES
Facility County: Not reported
Facility State: CA
Facility Zip: 92363

Map ID
Direction
Distance
Elevation

MAP FINDINGS

Site

Database(s)

EDR ID Number
EPA ID Number

CE595 **NEEDLES SHERIFF SUB STATION**
Target **1111 BAILEY ST**
Property **NEEDLES, CA 92363**

SWEEPS UST **S104570171**
EMI **N/A**
San Bern. Co. Permit
CERS

Site 7 of 11 in cluster CE

Actual: **SWEEPS UST:**
615 ft. Name: NEEDLES SHERIFF SUB STATION
Focus Map: Address: 1111 BAILEY ST
10 City: NEEDLES
 Status: Active
 Comp Number: 8710
 Number: 5
 Board Of Equalization: 44-020095
 Referral Date: 03-24-92
 Action Date: 03-24-92
 Created Date: 02-29-88
 Owner Tank Id: 24
 SWRCB Tank Id: 36-000-008710-000001
 Tank Status: A
 Capacity: 1
 Active Date: 08-25-88
 Tank Use: M.V. FUEL
 STG: P
 Content: REG UNLEADED
 Number Of Tanks: 2

Name: NEEDLES SHERIFF SUB STATION
Address: 1111 BAILEY ST
City: NEEDLES
Status: Active
Comp Number: 8710
Number: 5
Board Of Equalization: 44-020095
Referral Date: 03-24-92
Action Date: 03-24-92
Created Date: 02-29-88
Owner Tank Id: 25
SWRCB Tank Id: 36-000-008710-000002
Tank Status: A
Capacity: 1
Active Date: 08-25-88
Tank Use: M.V. FUEL
STG: P
Content: REG UNLEADED
Number Of Tanks: Not reported

EMI:
Name: SBCO - SHERIFF SUBSTATION NEEDLES
Address: 1111 BAILEY STREET
City,State,Zip: NEEDLES, CA 92393
Year: 2019
County Code: 36
Air Basin: MD
Facility ID: 1860
Air District Name: MOJ
SIC Code: 9221
Air District Name: MOJAVE DESERT AQMD
Community Health Air Pollution Info System: Not reported

Map ID
Direction
Distance
Elevation

MAP FINDINGS

Site

Database(s)

EDR ID Number
EPA ID Number

NEEDLES SHERIFF SUB STATION (Continued)

S104570171

Consolidated Emission Reporting Rule: Not reported
Total Organic Hydrocarbon Gases Tons/Yr: 0.00011383039271
Reactive Organic Gases Tons/Yr: 0.0001
Carbon Monoxide Emissions Tons/Yr: 0.0008
NOX - Oxides of Nitrogen Tons/Yr: 0.002
SOX - Oxides of Sulphur Tons/Yr: 0.00015
Particulate Matter Tons/Yr: 6.0362173038e-005
Part. Matter 10 Micrometers and Smllr Tons/Yr:6e-005

San Bern. Co. Permit:

Name: VERIZON WIRELESS: NEEDLES
Address: 1111 BAILEY ST
City,State,Zip: NEEDLES, CA 92363
Region: SAN BERNARDINO
Facility ID: FA0000781
Owner: Verizon Wireless
Permit Number: PT0009558
Permit Category: HAZARDOUS MATERIALS 1-3 CHEMICALS SPECIAL
Facility Status: ACTIVE
Expiration Date: 09/30/2021

CERS:

Name: VERIZON WIRELESS: NEEDLES
Address: 1111 BAILEY STREET
City,State,Zip: NEEDLES, CA 92363
Site ID: 168386
CERS ID: 10163695
CERS Description: Chemical Storage Facilities

Evaluation:

Eval General Type: Compliance Evaluation Inspection
Eval Date: 05-03-2018
Violations Found: No
Eval Type: Routine done by local agency
Eval Notes: Not reported
Eval Division: San Bernardino County Fire Department
Eval Program: HMRRP
Eval Source: CERS,

Eval General Type: Compliance Evaluation Inspection
Eval Date: 02-16-2021
Violations Found: No
Eval Type: Routine done by local agency
Eval Notes: Not reported
Eval Division: San Bernardino County Fire Department
Eval Program: HMRRP
Eval Source: CERS,

Eval General Type: Compliance Evaluation Inspection
Eval Date: 05-07-2015
Violations Found: No
Eval Type: Routine done by local agency
Eval Notes: INSPECTION - BP
Eval Division: San Bernardino County Fire Department
Eval Program: HMRRP
Eval Source: CERS,

Map ID
Direction
Distance
Elevation

MAP FINDINGS

Site

Database(s)

EDR ID Number
EPA ID Number

NEEDLES SHERIFF SUB STATION (Continued)

S104570171

Affiliation:

Affiliation Type Desc: CUPA District
Entity Name: San Bernardino County Fire
Entity Title: Not reported
Affiliation Address: 620 South E Street
Affiliation City: San Bernardino
Affiliation State: CA
Affiliation Country: Not reported
Affiliation Zip: 92415-0153
Affiliation Phone: (909) 386-8401,

Affiliation Type Desc: Facility Mailing Address
Entity Name: Mailing Address
Entity Title: Not reported
Affiliation Address: 15505 Sand Canyon Avenue, MS D-104
Affiliation City: Irvine
Affiliation State: CA
Affiliation Country: Not reported
Affiliation Zip: 92618
Affiliation Phone: ,

Affiliation Type Desc: Environmental Contact
Entity Name: Environmental Compliance
Entity Title: Not reported
Affiliation Address: 15505 Sand Canyon Avenue, MS D-104
Affiliation City: Irvine
Affiliation State: CA
Affiliation Country: Not reported
Affiliation Zip: 92618
Affiliation Phone: ,

Affiliation Type Desc: Identification Signer
Entity Name: Wilson Rodriguez
Entity Title: Engr III Spec-RE/Regulatory
Affiliation Address: Not reported
Affiliation City: Not reported
Affiliation State: Not reported
Affiliation Country: Not reported
Affiliation Zip: Not reported
Affiliation Phone: ,

Affiliation Type Desc: Legal Owner
Entity Name: Verizon Wireless
Entity Title: Not reported
Affiliation Address: 15505 Sand Canyon Avenue, MS D-104
Affiliation City: Irvine
Affiliation State: CA
Affiliation Country: United States
Affiliation Zip: 92618
Affiliation Phone: (949) 286-7000,

Affiliation Type Desc: Operator
Entity Name: Verizon Wireless
Entity Title: Not reported
Affiliation Address: Not reported
Affiliation City: Not reported
Affiliation State: Not reported

Map ID
Direction
Distance
Elevation

MAP FINDINGS

Site

Database(s)

EDR ID Number
EPA ID Number

NEEDLES SHERIFF SUB STATION (Continued)

S104570171

Affiliation Country: Not reported
Affiliation Zip: Not reported
Affiliation Phone: (949) 286-7000,

Affiliation Type Desc: Parent Corporation
Entity Name: Verizon Wireless [Southern California]
Entity Title: Not reported
Affiliation Address: Not reported
Affiliation City: Not reported
Affiliation State: Not reported
Affiliation Country: Not reported
Affiliation Zip: Not reported
Affiliation Phone: ,

Affiliation Type Desc: Document Preparer
Entity Name: Steve Skanderson, Stantec
Entity Title: Not reported
Affiliation Address: Not reported
Affiliation City: Not reported
Affiliation State: Not reported
Affiliation Country: Not reported
Affiliation Zip: Not reported
Affiliation Phone: ,

CE596 CALTRANS NEEDLES AREA MAINT STATION
Target 1111 BAILEY AVE
Property NEEDLES, CA 92363

HWTS S124745940
N/A

Site 8 of 11 in cluster CE

Actual: HWTS:
615 ft. Name: CALTRANS NEEDLES AREA MAINT STATION
Focus Map: Address: 1111 BAILEY AVE
10 Address 2: Not reported
City,State,Zip: NEEDLES, CA 92363
EPA ID: CAD981459019
Inactive Date: 01/01/1995
Create Date: 04/10/1987
Last Act Date: Not reported
Mailing Name: Not reported
Mailing Address: P O BOX 130
Mailing Address 2: Not reported
Mailing City,State,Zip: NEEDLES, CA 923630000
Owner Name: Not reported
Owner Address: Not reported
Owner Address 2: Not reported
Owner City,State,Zip: Not reported
Contact Name: INACTIVE PER SURVEY 1-25-95LH
Contact Address: Not reported
Contact Address 2: Not reported
City,State,Zip: Not reported
Facility Status: Inactive
Facility Type: PERMANENT
Category: FEDERAL
Latitude: 34.835602
Longitude: -114.618321

Map ID
Direction
Distance
Elevation

MAP FINDINGS

Site

Database(s)

EDR ID Number
EPA ID Number

CE597 **SAN BERNARDINO TRANSPORTATION/FLOOD CTRL**
Target **1111 BAILEY STREET**
Property **NEEDLES, CA 92363**

HAZNET **S112899614**
HWTS **N/A**

Site 9 of 11 in cluster CE

Actual:
615 ft.
Focus Map:
10

HAZNET:
Name: SAN BERNARDINO TRANSPORTATION/FLOOD CTRL
Address: 1111 BAILEY STREET
Address 2: Not reported
City,State,Zip: NEEDLES, CA 923630000
Contact: MICHAEL PHILLIPS
Telephone: 9093872604
Mailing Name: Not reported
Mailing Address: 825 EAST 3RD ST #147

Year: 1999
Gepaid: CAC002132785
TSD EPA ID: CAT080013352
CA Waste Code: 221 - Waste oil and mixed oil
Disposal Method: R01 - Recycler
Tons: 0.38

Additional Info:

Year: 1999
Gen EPA ID: CAC002132785

Shipment Date: 19990505
Creation Date: 7/7/1999 0:00:00
Receipt Date: 19990513
Manifest ID: 99194493
Trans EPA ID: CAT080016116
Trans Name: Not reported
Trans 2 EPA ID: Not reported
Trans 2 Name: Not reported
TSD EPA ID: CAT080013352
Trans Name: Not reported
TSD EPA ID: Not reported
TSD EPA Name: Not reported
Waste Code Description: 221 - Waste oil and mixed oil
RCRA Code: Not reported
Meth Code: R01 - Recycler
Quantity Tons: 0.38
Waste Quantity: 100
Quantity Unit: G
Additional Code 1: Not reported
Additional Code 2: Not reported
Additional Code 3: Not reported
Additional Code 4: Not reported
Additional Code 5: Not reported

HWTS:

Name: SAN BERNARDINO TRANSPORTATION/FLOOD CTRL
Address: 1111 BAILEY STREET
Address 2: Not reported
City,State,Zip: NEEDLES, CA 92363
EPA ID: CAC002132785

Map ID
Direction
Distance
Elevation

MAP FINDINGS

Site

Database(s)

EDR ID Number
EPA ID Number

SAN BERNARDINO TRANSPORTATION/FLOOD CTRL (Continued)

S112899614

Inactive Date: 10/25/2000
Create Date: 12/08/1998
Last Act Date: Not reported
Mailing Name: Not reported
Mailing Address: 825 EAST 3RD ST #147
Mailing Address 2: Not reported
Mailing City,State,Zip: SAN BERNARDINO, CA 924150835
Owner Name: SAN BERNARDINO TRANSPORTATION
Owner Address: 825 EAST 3RD ST #147
Owner Address 2: Not reported
Owner City,State,Zip: SAN BERNARDINO, CA 924150835
Contact Name: MICHAEL PHILLIPS
Contact Address: EXTENDED, NEW EXPIRATION JULY
Contact Address 2: Not reported
City,State,Zip: SAN BERNARDINO, CA 924150835
Facility Status: Inactive
Facility Type: TEMPORARY
Category: STATE
Latitude: 34.835668
Longitude: -114.618337

CE598 COUNTY OF SAN BERNARDINO - FACILITIES DEPT
Target 1111 BAILEY AVE
Property NEEDLES, CA 92363

HAZNET S112963119
HWTS N/A

Site 10 of 11 in cluster CE

Actual: HAZNET:
615 ft. Name: COUNTY OF SAN BERNARDINO - FACILITIES DEPT
Focus Map: Address: 1111 BAILEY AVE
10 Address 2: Not reported
City,State,Zip: NEEDLES, CA 923633101
Contact: ROBERT CELAYA
Telephone: 9093872250
Mailing Name: Not reported
Mailing Address: 200 S LENA RD

Year: 2007
Gepaid: CAC002619320
TSD EPA ID: AZC950823111
CA Waste Code: 151 - Asbestos containing waste
Disposal Method: H132 - Landfill Or Surface Impoundment That Will Be Closed As
Landfill(To Include On-Site Treatment And/Or Stabilization)
Tons: Not reported

Additional Info:
Year: 2007
Gen EPA ID: CAC002619320

Shipment Date: 20070724
Creation Date: 3/4/2008 18:30:07
Receipt Date: 20070801
Manifest ID: 000098495FLE
Trans EPA ID: CAR000053173
Trans Name: BRICKLEY ENVIRONMENTAL
Trans 2 EPA ID: CAR000049064

Map ID
 Direction
 Distance
 Elevation

MAP FINDINGS

Site

Database(s)

EDR ID Number
 EPA ID Number

COUNTY OF SAN BERNARDINO - FACILITIES DEPT (Continued)

S112963119

Trans 2 Name: E C T I
 TSDF EPA ID: AZC950823111
 Trans Name: LA PAZ COUNTY LANDFILL
 TSDF Alt EPA ID: Not reported
 TSDF Alt Name: Not reported
 Waste Code Description: 151 - Asbestos-containing waste
 RCRA Code: Not reported
 Meth Code: H132 - Landfill Or Surface Impoundment That Will Be Closed As
 Landfill(To Include On-Site Treatment And/Or Stabilization)
 Quantity Tons: Not reported
 Waste Quantity: 1
 Quantity Unit: Not reported
 Additional Code 1: Not reported
 Additional Code 2: Not reported
 Additional Code 3: Not reported
 Additional Code 4: Not reported
 Additional Code 5: Not reported

HWTS:

Name: COUNTY OF SAN BERNARDINO - FACILITIES DEPT
 Address: 1111 BAILEY AVE
 Address 2: Not reported
 City,State,Zip: NEEDLES, CA 92363
 EPA ID: CAC002619320
 Inactive Date: 01/20/2008
 Create Date: 07/23/2007
 Last Act Date: Not reported
 Mailing Name: Not reported
 Mailing Address: 200 S LENA RD
 Mailing Address 2: Not reported
 Mailing City,State,Zip: SAN BERNARDINO, CA 924081604
 Owner Name: COUNTY OF SAN BERNARDINO
 Owner Address: 200 S LENA RD
 Owner Address 2: Not reported
 Owner City,State,Zip: SAN BERNARDINO, CA 924081604
 Contact Name: ROBERT CELAYA
 Contact Address: 200 S LENA RD
 Contact Address 2: Not reported
 City,State,Zip: SAN BERNARDINO, CA 924081604
 Facility Status: Inactive
 Facility Type: TEMPORARY
 Category: STATE
 Latitude: 34.835726
 Longitude: -114.618282

CE599 **NEEDLES COUNTY COMPLEX**
Target **1111 BAILEY AVE**
Property **NEEDLES, CA 92363**

HAZNET **S112894771**
HWTS **N/A**

Site 11 of 11 in cluster CE

Actual: **HAZNET:**
615 ft. Name: **NEEDLES COUNTY COMPLEX**
Focus Map: Address: **1111 BAILEY AVE**
10 Address 2: **Not reported**
 City,State,Zip: **NEEDLES, CA 923630000**
 Contact: **WALT CORN/STAFF AID**

Map ID
Direction
Distance
Elevation

MAP FINDINGS

Site

Database(s)

EDR ID Number
EPA ID Number

NEEDLES COUNTY COMPLEX (Continued)

S112894771

Telephone: 9093872234
Mailing Name: Not reported
Mailing Address: 200 SO LENA RD

Year: 2002
Gepaid: CAC001482784
TSD EPA ID: AZR000005454
CA Waste Code: 261 - Polychlorinated biphenyls and material containing PCBs
Disposal Method: R01 - Recycler
Tons: 1.102

Year: 1999
Gepaid: CAC001482784
TSD EPA ID: CAT080013352
CA Waste Code: 241 - Tank bottom waste
Disposal Method: R01 - Recycler
Tons: 0.1042

Additional Info:

Year: 2002
Gen EPA ID: CAC001482784

Shipment Date: 20020412
Creation Date: 7/9/2002 18:31:13
Receipt Date: 20020422
Manifest ID: 21164326
Trans EPA ID: CAR000107656
Trans Name: Not reported
Trans 2 EPA ID: Not reported
Trans 2 Name: Not reported
TSD EPA ID: AZR000005454
Trans Name: Not reported
TSD Alt EPA ID: Not reported
TSD Alt Name: Not reported
Waste Code Description: 261 - Not reported
RCRA Code: Not reported
Meth Code: R01 - Recycler
Quantity Tons: 1.102
Waste Quantity: 1000
Quantity Unit: K
Additional Code 1: Not reported
Additional Code 2: Not reported
Additional Code 3: Not reported
Additional Code 4: Not reported
Additional Code 5: Not reported

Additional Info:

Year: 1999
Gen EPA ID: CAC001482784

Shipment Date: 19990201
Creation Date: 4/20/1999 0:00:00
Receipt Date: 19990212
Manifest ID: 98430243
Trans EPA ID: CAL922125668

Map ID
 Direction
 Distance
 Elevation

MAP FINDINGS

Site

Database(s)

EDR ID Number
 EPA ID Number

NEEDLES COUNTY COMPLEX (Continued)

S112894771

Trans Name:	Not reported
Trans 2 EPA ID:	Not reported
Trans 2 Name:	Not reported
TSDf EPA ID:	CAT080013352
Trans Name:	Not reported
TSDf Alt EPA ID:	Not reported
TSDf Alt Name:	Not reported
Waste Code Description:	241 - Tank bottom waste 251 Still bottoms with halogenated organics
RCRA Code:	Not reported
Meth Code:	R01 - Recycler
Quantity Tons:	0.1042
Waste Quantity:	25
Quantity Unit:	G
Additional Code 1:	Not reported
Additional Code 2:	Not reported
Additional Code 3:	Not reported
Additional Code 4:	Not reported
Additional Code 5:	Not reported

HWTS:

Name:	NEEDLES COUNTY COMPLEX
Address:	1111 BAILEY AVE
Address 2:	Not reported
City,State,Zip:	NEEDLES, CA 92363
EPA ID:	CAC001482784
Inactive Date:	10/17/1998
Create Date:	07/17/1998
Last Act Date:	Not reported
Mailing Name:	Not reported
Mailing Address:	200 SO LENA RD
Mailing Address 2:	Not reported
Mailing City,State,Zip:	SAN BERNARDINO, CA 924150000
Owner Name:	SAN BERNARDINO COUNTY MGMT
Owner Address:	200 SO LENA RD
Owner Address 2:	Not reported
Owner City,State,Zip:	SAN BERNARDINO, CA 924150000
Contact Name:	WALT CORN/STAFF AID
Contact Address:	200 SO LENA RD
Contact Address 2:	Not reported
City,State,Zip:	SAN BERNARDINO, CA 924150000
Facility Status:	Inactive
Facility Type:	TEMPORARY
Category:	STATE
Latitude:	34.835668
Longitude:	-114.618337

600 HOUSING AUTHORITY NEEDLES
Target 908 SYCAMORE DR
Property NEEDLES, CA 92363

HAZNET S113172289
HWTS N/A

Actual:	HAZNET:	
622 ft.	Name:	HOUSING AUTHORITY NEEDLES
	Address:	908 SYCAMORE DR
	Address 2:	Not reported
Focus Map:	City,State,Zip:	NEEDLES, CA 923633131
10	Contact:	--
	Telephone:	--

Map ID
Direction
Distance
Elevation

MAP FINDINGS

Site

Database(s)

EDR ID Number
EPA ID Number

HOUSING AUTHORITY NEEDLES (Continued)

S113172289

Mailing Name: Not reported
Mailing Address: --

Year: 1995
Gepaid: CAP600928385
TSD EPA ID: CAT080033681
CA Waste Code: 352 - Other organic solids
Disposal Method: D99 - Disposal, Other
Tons: 1.6856

Additional Info:

Year: 1995
Gen EPA ID: CAP600928385

Shipment Date: 19950216
Creation Date: 10/20/1995 0:00:00
Receipt Date: 19950223
Manifest ID: 93050994
Trans EPA ID: CAD982472854
Trans Name: Not reported
Trans 2 EPA ID: CAD981455520
Trans 2 Name: Not reported
TSD EPA ID: CAT080033681
Trans Name: Not reported
TSD Alt EPA ID: Not reported
TSD Alt Name: Not reported
Waste Code Description: 352 - Other organic solids
RCRA Code: Not reported
Meth Code: D99 - Disposal, Other
Quantity Tons: 1.6856
Waste Quantity: 2
Quantity Unit: Y
Additional Code 1: Not reported
Additional Code 2: Not reported
Additional Code 3: Not reported
Additional Code 4: Not reported
Additional Code 5: Not reported

HWTS:

Name: HOUSING AUTHORITY NEEDLES
Address: 908 SYCAMORE DR
Address 2: Not reported
City,State,Zip: NEEDLES, CA 92363
EPA ID: CAP600928385
Inactive Date: 12/21/2000
Create Date: 05/13/1998
Last Act Date: Not reported
Mailing Name: Not reported
Mailing Address: Not reported
Mailing Address 2: Not reported
Mailing City,State,Zip: 0
Owner Name: Not reported
Owner Address: Not reported
Owner Address 2: Not reported
Owner City,State,Zip: Not reported

Map ID
Direction
Distance
Elevation

MAP FINDINGS

Site

Database(s)

EDR ID Number
EPA ID Number

HOUSING AUTHORITY NEEDLES (Continued)

S113172289

Contact Name: Not reported
Contact Address: Not reported
Contact Address 2: Not reported
City,State,Zip: Not reported
Facility Status: Inactive
Facility Type: TEMPORARY
Category: FEDERAL
Latitude: 34.834762
Longitude: -114.618661

CF601 STANDARD STATIONS
Target 591 E
Property SAN BERNARDINO, CA

EDR Hist Auto 1014173464
N/A

Site 1 of 5 in cluster CF

Actual: 542 ft. EDR Hist Auto

Focus Map: 11 Year: Name: Type:
1936 STANDARD STATIONS GASOLINE AND OIL SERVICE STATIONS
1942 STANDARD STA GASOLINE AND OIL SERVICE STATIONS

CG602 TUCKERS RADIATOR
Target 105 W BROADWAY
Property NEEDLES, CA 92363

San Bern. Co. Permit S106803310
N/A

Site 1 of 16 in cluster CG

Actual: 478 ft. San Bern. Co. Permit:
Focus Map: 11 Name: TUCKERS RADIATOR
Address: 105 W BROADWAY
City,State,Zip: NEEDLES, CA 92363
Region: SAN BERNARDINO
Facility ID: FA0009494
Owner: TUCKER, WILLIAM C.
Permit Number: PT0016215
Permit Category: CONDITIONALLY EXEMPT SMALL QUANTITY GENERATOR
Facility Status: INACTIVE
Expiration Date: 02/28/2005

CG603 TWO GUYS AUTO
Target 105 W BROADWAY ST
Property NEEDLES, CA 92363

UST U003784844
N/A

Site 2 of 16 in cluster CG

Actual: 478 ft. UST:
Focus Map: 11 Name: TWO GUYS AUTO
Address: 105 W BROADWAY ST
City,State,Zip: NEEDLES, CA 92363
Facility ID: 86009653
Permitting Agency: SAN BERNARDINO COUNTY
CERSID: Not reported
Latitude: 34.8359509
Longitude: -114.596074

Map ID
Direction
Distance
Elevation

MAP FINDINGS

Site

Database(s) EDR ID Number
EPA ID Number

CG604 **TUCKER'S RADIATOR**
Target **105 W BROADWAY ST**
Property **NEEDLES, CA 92363**

HAZNET **S123622762**
HWTS **N/A**

Site 3 of 16 in cluster CG

Actual:
478 ft.

Focus Map:
11

HAZNET:
Name: TUCKER'S RADIATOR
Address: 105 W BROADWAY ST
Address 2: Not reported
City,State,Zip: NEEDLES, CA 923633949
Contact: BILL TUCKER
Telephone: 7603265013
Mailing Name: Not reported
Mailing Address: 105 W BROADWAY ST

Year: 2004
Gepaid: CAL000256821
TSD EPA ID: NVR000066837
CA Waste Code: 221 - Waste oil and mixed oil
Disposal Method: -
Tons: 0.361

Year: 2004
Gepaid: CAL000256821
TSD EPA ID: NVR000066837
CA Waste Code: -
Disposal Method: -
Tons: Not reported

Additional Info:

Year: 2004
Gen EPA ID: CAL000256821

Shipment Date: 20040330
Creation Date: 8/23/2004 8:30:10
Receipt Date: 20040330
Manifest ID: 21959582
Trans EPA ID: TXR000050930
Trans Name: SAFETY-KLEEN SYSTEMS INC
Trans 2 EPA ID: Not reported
Trans 2 Name: Not reported
TSD EPA ID: NVR000066837
Trans Name: SAFETY-KLEEN SYSTEMS INC
TSD EPA ID: Not reported
TSD EPA Alt Name: Not reported
Waste Code Description: 221 - Waste oil and mixed oil
RCRA Code: Not reported
Meth Code: - Not reported
Quantity Tons: 0.361
Waste Quantity: 95
Quantity Unit: G
Additional Code 1: Not reported
Additional Code 2: Not reported
Additional Code 3: Not reported
Additional Code 4: Not reported
Additional Code 5: Not reported

Map ID
Direction
Distance
Elevation

MAP FINDINGS

Site

Database(s)

EDR ID Number
EPA ID Number

TUCKER'S RADIATOR (Continued)

S123622762

Shipment Date: 20040330
Creation Date: 8/23/2004 8:30:10
Receipt Date: 20040330
Manifest ID: 21959582
Trans EPA ID: TXR000050930
Trans Name: SAFETY-KLEEN SYSTEMS INC
Trans 2 EPA ID: Not reported
Trans 2 Name: Not reported
TSDf EPA ID: NVR000066837
Trans Name: SAFETY-KLEEN SYSTEMS INC
TSDf Alt EPA ID: Not reported
TSDf Alt Name: Not reported
Waste Code Description: - Not reported
RCRA Code: Not reported
Meth Code: - Not reported
Quantity Tons: Not reported
Waste Quantity: Not reported
Quantity Unit: G
Additional Code 1: Not reported
Additional Code 2: Not reported
Additional Code 3: Not reported
Additional Code 4: Not reported
Additional Code 5: Not reported

HWTS:

Name: TUCKER'S RADIATOR
Address: 105 W BROADWAY ST
Address 2: Not reported
City,State,Zip: NEEDLES, CA 92363
EPA ID: CAL000256821
Inactive Date: 06/30/2007
Create Date: 07/31/2002
Last Act Date: Not reported
Mailing Name: Not reported
Mailing Address: 105 W BROADWAY ST
Mailing Address 2: Not reported
Mailing City,State,Zip: NEEDLES, CA 923633949
Owner Name: BILL TUCKER
Owner Address: 105 W BROADWAY ST
Owner Address 2: Not reported
Owner City,State,Zip: NEEDLES, CA 923633949
Contact Name: BILL TUCKER
Contact Address: 105 W BROADWAY ST
Contact Address 2: Not reported
City,State,Zip: NEEDLES, CA 923633949
Facility Status: Inactive
Facility Type: PERMANENT
Category: STATE
Latitude: 34.834529
Longitude: -114.597012

NAICS:

EPA ID: CAL000256821
Create Date: 2002-07-31 11:25:58.153
NAICS Code: 811111
NAICS Description: General Automotive Repair
Issued EPA ID Date: 2002-07-31 11:25:58.11000

Map ID
Direction
Distance
Elevation

MAP FINDINGS

Site

Database(s)

EDR ID Number
EPA ID Number

TUCKER'S RADIATOR (Continued)

S123622762

Inactive Date: 2007-06-30 16:24:40
Facility Name: TUCKER'S RADIATOR
Facility Address: 105 W BROADWAY ST
Facility Address 2: Not reported
Facility City: NEEDLES
Facility County: Not reported
Facility State: CA
Facility Zip: 923633949

CG605 **TWO GUYS AUTO REPAIR**
Target **105 WEST BROADWAY**
Property **NEEDLES, CA 92363**

HAZNET **S113053807**
HWTS **N/A**

Site 4 of 16 in cluster CG

Actual:
478 ft.

Focus Map:
11

HAZNET:
Name: TWO GUYS AUTO REPAIR
Address: 105 WEST BROADWAY
Address 2: Not reported
City,State,Zip: NEEDLES, CA 923630000
Contact: WALLACE DEVINE
Telephone: --
Mailing Name: Not reported
Mailing Address: 2408 WEST BROADWAY

Year: 1999
Gepaid: CAL000082853
TSD EPA ID: NVT330010208
CA Waste Code: 134 - Aqueous solution with total organic residues less than 10 percent
Disposal Method: H01 - Transfer Station
Tons: 0.0168

Additional Info:

Year: 1999
Gen EPA ID: CAL000082853

Shipment Date: 19990630
Creation Date: 8/16/1999 0:00:00
Receipt Date: 19990630
Manifest ID: 99237170
Trans EPA ID: ILD984908202
Trans Name: Not reported
Trans 2 EPA ID: Not reported
Trans 2 Name: Not reported
TSD EPA ID: NVT330010208
Trans Name: Not reported
TSD Ait EPA ID: Not reported
TSD Ait Name: Not reported
Waste Code Description: 134 - Aqueous solution with <10% total organic residues
RCRA Code: D039
Meth Code: H01 - Transfer Station
Quantity Tons: 0.0168
Waste Quantity: 4
Quantity Unit: G

Map ID
Direction
Distance
Elevation

MAP FINDINGS

Site

Database(s)

EDR ID Number
EPA ID Number

TWO GUYS AUTO REPAIR (Continued)

S113053807

Additional Code 1: Not reported
Additional Code 2: Not reported
Additional Code 3: Not reported
Additional Code 4: Not reported
Additional Code 5: Not reported

HWTS:

Name: TWO GUYS AUTO REPAIR
Address: 105 WEST BROADWAY
Address 2: Not reported
City,State,Zip: NEEDLES, CA 92363
EPA ID: CAL000082853
Inactive Date: 06/30/2002
Create Date: 06/15/1993
Last Act Date: Not reported
Mailing Name: Not reported
Mailing Address: 2408 WEST BROADWAY
Mailing Address 2: Not reported
Mailing City,State,Zip: NEEDLES, CA 923630000
Owner Name: WALLACE DEVINE
Owner Address: 2095 EAST MAVRICK DR
Owner Address 2: Not reported
Owner City,State,Zip: MOHAVE VALLEY, AR
Contact Name: WALLACE DEVINE
Contact Address: 2095 EAST MAVRICK DR
Contact Address 2: Not reported
City,State,Zip: MOHAVE VALLEY, AZ 864400000
Facility Status: Inactive
Facility Type: PERMANENT
Category: STATE
Latitude: 34.834536
Longitude: -114.597018

CG606 WAYNE WONEY
Target 105 W BROADWAY
Property NEEDLES, CA 92363

HWTS S124566186
N/A

Site 5 of 16 in cluster CG

Actual:
478 ft.

Focus Map:
11

HWTS:

Name: WAYNE WONEY
Address: 105 W BROADWAY
Address 2: Not reported
City,State,Zip: NEEDLES, CA 92363
EPA ID: CAC002301113
Inactive Date: 09/11/2001
Create Date: 01/24/2001
Last Act Date: Not reported
Mailing Name: Not reported
Mailing Address: PO BOX 916
Mailing Address 2: Not reported
Mailing City,State,Zip: NEEDLES, CA 923630000
Owner Name: WAYNE WONEY
Owner Address: PO BOX 916
Owner Address 2: Not reported
Owner City,State,Zip: NEEDLES, CA 923630000
Contact Name: WAYNE WONEY

Map ID
Direction
Distance
Elevation

MAP FINDINGS

Site

Database(s)

EDR ID Number
EPA ID Number

WAYNE WONEY (Continued)

S124566186

Contact Address: PO BOX 916
Contact Address 2: Not reported
City,State,Zip: NEEDLES, CA 923630000
Facility Status: Inactive
Facility Type: TEMPORARY
Category: STATE
Latitude: 34.834416
Longitude: -114.597157

CF607 **MOLTZ B E AUTO REPR** **EDR Hist Auto** **1014185844**
Target **635 E** **N/A**
Property **SAN BERNARDINO, CA**

Site 2 of 5 in cluster CF

Actual: EDR Hist Auto
544 ft.

Focus Map: Year: Name: Type:
11 1930 MOLTZ B E AUTO REPR AUTOMOBILE REPAIRING
1936 HOLLINGSWORTH D AUTOMOBILE REPAIRING

CG608 **CALDERON MANUEL** **EDR Hist Auto** **1021205180**
Target **108 E HWY 66** **N/A**
Property **NEEDLES, CA 92363**

Site 6 of 16 in cluster CG

Actual: EDR Hist Auto
478 ft.

Focus Map: Year: Name: Type:
11 1971 CALDERON MANUEL Gasoline Service Stations
1972 CALDERON MANUEL Gasoline Service Stations

CF609 **660 E STREET** **CHMIRS** **S109040294**
Target **SAN BERNARDINO, CA** **N/A**
Property

Site 3 of 5 in cluster CF

Actual: CHMIRS:
545 ft. Name: Not reported
Focus Map: Address: 660 E STREET
11 City,State,Zip: SAN BERNARDINO, CA
OES Incident Number: 6-7044
OES notification: 11/28/2006
OES Date: Not reported
OES Time: Not reported
Date Completed: **Not reported**
Property Use: Not reported
Agency Id Number: Not reported
Agency Incident Number: Not reported
Time Notified: Not reported
Time Completed: Not reported
Surrounding Area: Not reported
Estimated Temperature: Not reported

Map ID
Direction
Distance
Elevation

MAP FINDINGS

Site

Database(s)

EDR ID Number
EPA ID Number

(Continued)

S109040294

Property Management:	Not reported
More Than Two Substances Involved?:	Not reported
Resp Agncy Personel # Of Decontaminated:	Not reported
Responding Agency Personel # Of Injuries:	Not reported
Responding Agency Personel # Of Fatalities:	Not reported
Others Number Of Decontaminated:	Not reported
Others Number Of Injuries:	Not reported
Others Number Of Fatalities:	Not reported
Vehicle Make/year:	Not reported
Vehicle License Number:	Not reported
Vehicle State:	Not reported
Vehicle Id Number:	Not reported
CA DOT PUC/ICC Number:	Not reported
Company Name:	Not reported
Reporting Officer Name/ID:	Not reported
Report Date:	Not reported
Facility Telephone:	Not reported
Waterway Involved:	Not reported
Waterway:	Not reported
Spill Site:	Not reported
Cleanup By:	Contractor
Containment:	Not reported
What Happened:	Not reported
Type:	Not reported
Measure:	Not reported
Other:	Not reported
Date/Time:	Not reported
Year:	2006
Agency:	So. California Edison Electric Co.
Incident Date:	11/28/2006 12:00:00 AM
Admin Agency:	San Bernardino County Health Department
Amount:	Not reported
Contained:	Yes
Site Type:	Merchant/Business
E Date:	Not reported
Substance:	Mineral Oil / PCB
Gallons:	100
Unknown:	0
Substance #2:	Not reported
Substance #3:	Not reported
Evacuations:	0
Number of Injuries:	1
Number of Fatalities:	0
#1 Pipeline:	Not reported
#2 Pipeline:	Not reported
#3 Pipeline:	Not reported
#1 Vessel >= 300 Tons:	Not reported
#2 Vessel >= 300 Tons:	Not reported
#3 Vessel >= 300 Tons:	Not reported
Evacs:	Not reported
Injuries:	Not reported
Fatals:	Not reported
Comments:	Not reported
Description:	Electrical transformer inside a vault, was broken into by vandals, and one vandal was electrocuted.

Map ID
Direction
Distance
Elevation

MAP FINDINGS

Site

Database(s)

EDR ID Number
EPA ID Number

CF610 **GTE-SAN BERNARDINO C.D.**
Target **665 E ST**
Property **SAN BERNARDINO, CA 92411**

SWEEPS UST **S101591202**
CA FID UST **N/A**

Site 4 of 5 in cluster CF

Actual: SWEEPS UST:
545 ft. Name: GTE-SAN BERNARDINO C.D.
Focus Map: Address: 665 E ST
11 City: SAN BERNARDINO
 Status: Active
 Comp Number: 12601
 Number: 1
 Board Of Equalization: 44-020404
 Referral Date: 03-24-92
 Action Date: 03-24-92
 Created Date: 09-15-88
 Owner Tank Id: Not reported
 SWRCB Tank Id: 36-000-012601-000001
 Tank Status: A
 Capacity: 1
 Active Date: 09-15-88
 Tank Use: UNKNOWN
 STG: P
 Content: UNKNOWN
 Number Of Tanks: 1

CA FID UST:
Facility ID: 36002585
Regulated By: UTNKA
Regulated ID: Not reported
Cortese Code: Not reported
SIC Code: Not reported
Facility Phone: Not reported
Mail To: Not reported
Mailing Address: 4959 PALO VERDE DR
Mailing Address 2: Not reported
Mailing City,St,Zip: SAN BERNARDINO 92411
Contact: Not reported
Contact Phone: Not reported
DUNS Number: Not reported
NPDES Number: Not reported
EPA ID: Not reported
Comments: Not reported
Status: Active

CG611 **CITY OF NEEDLES ELECTRIC**
Target **112 ROBUFFA ST**
Property **NEEDLES, CA 92363**

FINDS **1024655171**
ECHO **N/A**

Site 7 of 16 in cluster CG

Actual: FINDS:
477 ft. Registry ID: 110070443559

Focus Map: [Click Here for FRS Facility Detail Report:](#)
11

Environmental Interest/Information System:
RCRAInfo is a national information system that supports the Resource
Conservation and Recovery Act (RCRA) program through the tracking of

Map ID
Direction
Distance
Elevation

MAP FINDINGS

Site

Database(s)

EDR ID Number
EPA ID Number

CITY OF NEEDLES ELECTRIC (Continued)

1024655171

events and activities related to facilities that generate, transport, and treat, store, or dispose of hazardous waste. RCRAInfo allows RCRA program staff to track the notification, permit, compliance, and corrective action activities required under RCRA.

[Click this hyperlink](#) while viewing on your computer to access additional FINDS: detail in the EDR Site Report.

ECHO:

Envid: 1024655171
Registry ID: 110070443559
DFR URL: <http://echo.epa.gov/detailed-facility-report?fid=110070443559>
Name: CITY OF NEEDLES ELECTRIC
Address: 112 ROBUFFA ST
City,State,Zip: NEEDLES, CA 92363

CG612 **NEEDLES/PUBLIC WORKS**
Target **112 ROBUFFA ST**
Property **NEEDLES, CA 92363**

FINDS **1023206174**
N/A

Site 8 of 16 in cluster CG

Actual: **477 ft.** **FINDS:**
Registry ID: 110064912769

Focus Map:
11 [Click Here for FRS Facility Detail Report:](#)

Environmental Interest/Information System:
STATE MASTER

[Click this hyperlink](#) while viewing on your computer to access additional FINDS: detail in the EDR Site Report.

CG613 **SAN BERNARDINO COUNTY DEHS**
Target **112 ROBUFFA ST**
Property **NEEDLES, CA 92363**

HAZNET **S113019781**
HWTS **N/A**

Site 9 of 16 in cluster CG

Actual: **477 ft.** **HAZNET:**
Name: SAN BERNARDINO COUNTY DEHS
Focus Map: Address: 112 ROBUFFA ST
11 Address 2: Not reported
City,State,Zip: NEEDLES, CA 924150160
Contact: GAIL BECKHAM
Telephone: 7143874629
Mailing Name: Not reported
Mailing Address: 385 N ARROWHEAD AVE (DEHS)

Year: 2019
Gepaid: CAH111000123
TSD EPA ID: CAH111000474
CA Waste Code: 612 - Household waste
Disposal Method: H141 - Storage, Bulking, And/Or Transfer Off Site--No Treatment/Reovery (H010-H129) Or (H131-H135)
Tons: 0.27670
Year: 2018

Map ID
Direction
Distance
Elevation

MAP FINDINGS

Site

Database(s)

EDR ID Number
EPA ID Number

SAN BERNARDINO COUNTY DEHS (Continued)

S113019781

Gepaid:	CAH111000123
TSD EPA ID:	CAH111000474
CA Waste Code:	612 - Household waste
Disposal Method:	H141 - Storage, Bulking, And/Or Transfer Off Site--No Treatment/Reovery (H010-H129) Or (H131-H135)
Tons:	0.16089
Year:	2017
Gepaid:	CAH111000123
TSD EPA ID:	CAH111000474
CA Waste Code:	612 - Household waste
Disposal Method:	H141 - Storage, Bulking, And/Or Transfer Off Site--No Treatment/Reovery (H010-H129) Or (H131-H135)
Tons:	0.0825
Year:	2016
Gepaid:	CAH111000123
TSD EPA ID:	CAH111000474
CA Waste Code:	612 - Household waste
Disposal Method:	H141 - Storage, Bulking, And/Or Transfer Off Site--No Treatment/Reovery (H010-H129) Or (H131-H135)
Tons:	0.225
Year:	2015
Gepaid:	CAH111000123
TSD EPA ID:	CAH111000474
CA Waste Code:	612 - Household waste
Disposal Method:	H141 - Storage, Bulking, And/Or Transfer Off Site--No Treatment/Reovery (H010-H129) Or (H131-H135)
Tons:	0.2043
Year:	2015
Gepaid:	CAH111000123
TSD EPA ID:	CAH111000474
CA Waste Code:	612 - Household waste
Disposal Method:	-
Tons:	0.0925
Year:	2014
Gepaid:	CAH111000123
TSD EPA ID:	CAH111000474
CA Waste Code:	612 - Household waste
Disposal Method:	-
Tons:	0.3685
Year:	2013
Gepaid:	CAH111000123
TSD EPA ID:	CAH111000474
CA Waste Code:	612 - Household waste
Disposal Method:	-
Tons:	0.3001
Year:	2012
Gepaid:	CAH111000123
TSD EPA ID:	CAH111000474
CA Waste Code:	612 - Household waste
Disposal Method:	-

Map ID
Direction
Distance
Elevation

MAP FINDINGS

Site

Database(s)

EDR ID Number
EPA ID Number

SAN BERNARDINO COUNTY DEHS (Continued)

S113019781

Tons: 0.4075

Year: 2011
Gepaid: CAH111000123
TSD EPA ID: CAH111000474
CA Waste Code: 612 - Household waste
Disposal Method: -
Tons: 0.17

[Click this hyperlink](#) while viewing on your computer to access
13 additional CA HAZNET: record(s) in the EDR Site Report.

Additional Info:

Year: 2016
Gen EPA ID: CAH111000123

Shipment Date: 20151003
Creation Date: 12/22/2015 22:15:31
Receipt Date: 20151007
Manifest ID: 010898488JJK
Trans EPA ID: CAL000272339
Trans Name: SAN BERNARDINO COUNTY FIRE DEPARTMENT
Trans 2 EPA ID: Not reported
Trans 2 Name: Not reported
TSD EPA ID: CAH111000474
Trans Name: SAN BERNARDINO COUNTY FIRE DEPARTMENT
TSD EPA Alt ID: Not reported
TSD EPA Alt Name: Not reported
Waste Code Description: 612 - Household waste
RCRA Code: Not reported
Meth Code: H141 - Storage, Bulking, And/Or Transfer Off Site--No Treatment/Reovery (H010-H129) Or (H131-H135)

Quantity Tons: 0.005
Waste Quantity: 10
Quantity Unit: P
Additional Code 1: Not reported
Additional Code 2: Not reported
Additional Code 3: Not reported
Additional Code 4: Not reported
Additional Code 5: Not reported

Shipment Date: 20151003
Creation Date: 12/22/2015 22:15:31
Receipt Date: 20151007
Manifest ID: 010898488JJK
Trans EPA ID: CAL000272339
Trans Name: SAN BERNARDINO COUNTY FIRE DEPARTMENT
Trans 2 EPA ID: Not reported
Trans 2 Name: Not reported
TSD EPA ID: CAH111000474
Trans Name: SAN BERNARDINO COUNTY FIRE DEPARTMENT
TSD EPA Alt ID: Not reported
TSD EPA Alt Name: Not reported
Waste Code Description: 612 - Household waste
RCRA Code: Not reported
Meth Code: H141 - Storage, Bulking, And/Or Transfer Off Site--No

Map ID
Direction
Distance
Elevation

MAP FINDINGS

Site

Database(s)

EDR ID Number
EPA ID Number

SAN BERNARDINO COUNTY DEHS (Continued)

S113019781

Quantity Tons:	Treatment/Reovery (H010-H129) Or (H131-H135) 0.0325
Waste Quantity:	65
Quantity Unit:	P
Additional Code 1:	Not reported
Additional Code 2:	Not reported
Additional Code 3:	Not reported
Additional Code 4:	Not reported
Additional Code 5:	Not reported
Shipment Date:	20151003
Creation Date:	12/22/2015 22:15:31
Receipt Date:	20151007
Manifest ID:	010898488JJK
Trans EPA ID:	CAL000272339
Trans Name:	SAN BERNARDINO COUNTY FIRE DEPARTMENT
Trans 2 EPA ID:	Not reported
Trans 2 Name:	Not reported
TSDf EPA ID:	CAH111000474
Trans Name:	SAN BERNARDINO COUNTY FIRE DEPARTMENT
TSDf Alt EPA ID:	Not reported
TSDf Alt Name:	Not reported
Waste Code Description:	612 - Household waste
RCRA Code:	Not reported
Meth Code:	H141 - Storage, Bulking, And/Or Transfer Off Site--No Treatment/Reovery (H010-H129) Or (H131-H135)
Quantity Tons:	0.1668
Waste Quantity:	40
Quantity Unit:	G
Additional Code 1:	Not reported
Additional Code 2:	Not reported
Additional Code 3:	Not reported
Additional Code 4:	Not reported
Additional Code 5:	Not reported
Shipment Date:	20150307
Creation Date:	6/23/2015 22:15:30
Receipt Date:	20150307
Manifest ID:	010898192JJK
Trans EPA ID:	CAL000272339
Trans Name:	SAN BERNARDINO COUNTY FIRE DEPARTMENT
Trans 2 EPA ID:	Not reported
Trans 2 Name:	Not reported
TSDf EPA ID:	CAH111000474
Trans Name:	SAN BERNARDINO COUNTY FIRE DEPARTMENT
TSDf Alt EPA ID:	Not reported
TSDf Alt Name:	Not reported
Waste Code Description:	612 - Household waste
RCRA Code:	Not reported
Meth Code:	- Not reported
Quantity Tons:	0.03
Waste Quantity:	60
Quantity Unit:	P
Additional Code 1:	Not reported
Additional Code 2:	Not reported
Additional Code 3:	Not reported
Additional Code 4:	Not reported

Map ID
Direction
Distance
Elevation

MAP FINDINGS

Site

Database(s)

EDR ID Number
EPA ID Number

SAN BERNARDINO COUNTY DEHS (Continued)

S113019781

Additional Code 5:	Not reported
Shipment Date:	20150307
Creation Date:	6/23/2015 22:15:30
Receipt Date:	20150307
Manifest ID:	010898192JJK
Trans EPA ID:	CAL000272339
Trans Name:	SAN BERNARDINO COUNTY FIRE DEPARTMENT
Trans 2 EPA ID:	Not reported
Trans 2 Name:	Not reported
TSDf EPA ID:	CAH111000474
Trans Name:	SAN BERNARDINO COUNTY FIRE DEPARTMENT
TSDf Alt EPA ID:	Not reported
TSDf Alt Name:	Not reported
Waste Code Description:	612 - Household waste
RCRA Code:	Not reported
Meth Code:	- Not reported
Quantity Tons:	0.0075
Waste Quantity:	15
Quantity Unit:	P
Additional Code 1:	Not reported
Additional Code 2:	Not reported
Additional Code 3:	Not reported
Additional Code 4:	Not reported
Additional Code 5:	Not reported
Shipment Date:	20150307
Creation Date:	6/23/2015 22:15:30
Receipt Date:	20150307
Manifest ID:	010898192JJK
Trans EPA ID:	CAL000272339
Trans Name:	SAN BERNARDINO COUNTY FIRE DEPARTMENT
Trans 2 EPA ID:	Not reported
Trans 2 Name:	Not reported
TSDf EPA ID:	CAH111000474
Trans Name:	SAN BERNARDINO COUNTY FIRE DEPARTMENT
TSDf Alt EPA ID:	Not reported
TSDf Alt Name:	Not reported
Waste Code Description:	612 - Household waste
RCRA Code:	Not reported
Meth Code:	- Not reported
Quantity Tons:	0.04
Waste Quantity:	80
Quantity Unit:	P
Additional Code 1:	Not reported
Additional Code 2:	Not reported
Additional Code 3:	Not reported
Additional Code 4:	Not reported
Additional Code 5:	Not reported
Shipment Date:	20150307
Creation Date:	Not reported
Receipt Date:	Not reported
Manifest ID:	010898192JJK
Trans EPA ID:	CAL000272339
Trans Name:	SAN BERNARDINO COUNTY FIRE DEPARTMENT
Trans 2 EPA ID:	Not reported

Map ID
Direction
Distance
Elevation

MAP FINDINGS

Site

Database(s)

EDR ID Number
EPA ID Number

SAN BERNARDINO COUNTY DEHS (Continued)

S113019781

Trans 2 Name: Not reported
TSDf EPA ID: CAH111000474
Trans Name: SAN BERNARDINO COUNTY FIRE DEPARTMENT
TSDf Alt EPA ID: Not reported
TSDf Alt Name: Not reported
Waste Code Description: 612 - Household waste
RCRA Code: Not reported
Meth Code: - Not reported
Quantity Tons: 0.015
Waste Quantity: 30
Quantity Unit: P
Additional Code 1: Not reported
Additional Code 2: Not reported
Additional Code 3: Not reported
Additional Code 4: Not reported
Additional Code 5: Not reported

Shipment Date: 20150307
Creation Date: Not reported
Receipt Date: Not reported
Manifest ID: 010898192JJK
Trans EPA ID: CAL000272339
Trans Name: SAN BERNARDINO COUNTY FIRE DEPARTMENT
Trans 2 EPA ID: Not reported
Trans 2 Name: Not reported
TSDf EPA ID: CAH111000474
Trans Name: SAN BERNARDINO COUNTY FIRE DEPARTMENT
TSDf Alt EPA ID: Not reported
TSDf Alt Name: Not reported
Waste Code Description: 612 - Household waste
RCRA Code: Not reported
Meth Code: - Not reported
Quantity Tons: 0.10425
Waste Quantity: 25
Quantity Unit: G
Additional Code 1: Not reported
Additional Code 2: Not reported
Additional Code 3: Not reported
Additional Code 4: Not reported
Additional Code 5: Not reported

Shipment Date: 20150307
Creation Date: 6/23/2015 22:15:30
Receipt Date: 20150307
Manifest ID: 010898192JJK
Trans EPA ID: CAL000272339
Trans Name: SAN BERNARDINO COUNTY FIRE DEPARTMENT
Trans 2 EPA ID: Not reported
Trans 2 Name: Not reported
TSDf EPA ID: CAH111000474
Trans Name: SAN BERNARDINO COUNTY FIRE DEPARTMENT
TSDf Alt EPA ID: Not reported
TSDf Alt Name: Not reported
Waste Code Description: 612 - Household waste
RCRA Code: Not reported
Meth Code: - Not reported
Quantity Tons: 0.015

Map ID
Direction
Distance
Elevation

MAP FINDINGS

Site

Database(s)

EDR ID Number
EPA ID Number

SAN BERNARDINO COUNTY DEHS (Continued)

S113019781

Waste Quantity: 30
Quantity Unit: P
Additional Code 1: Not reported
Additional Code 2: Not reported
Additional Code 3: Not reported
Additional Code 4: Not reported
Additional Code 5: Not reported

Additional Info:

Year: 2002
Gen EPA ID: CAH111000123

Shipment Date: 20021019
Creation Date: 2/6/2003 18:31:16
Receipt Date: 20021020
Manifest ID: 21209371
Trans EPA ID: CAL000113555
Trans Name: Not reported
Trans 2 EPA ID: Not reported
Trans 2 Name: Not reported
TSDf EPA ID: CAH111000474
Trans Name: Not reported
TSDf Alt EPA ID: Not reported
TSDf Alt Name: Not reported
Waste Code Description: 612 - Household waste
RCRA Code: Not reported
Meth Code: - Not reported
Quantity Tons: 0.2107
Waste Quantity: 0.25
Quantity Unit: Y
Additional Code 1: Not reported
Additional Code 2: Not reported
Additional Code 3: Not reported
Additional Code 4: Not reported
Additional Code 5: Not reported

Shipment Date: 20021019
Creation Date: 2/6/2003 18:31:16
Receipt Date: 20021020
Manifest ID: 21209371
Trans EPA ID: CAL000113555
Trans Name: Not reported
Trans 2 EPA ID: Not reported
Trans 2 Name: Not reported
TSDf EPA ID: CAH111000474
Trans Name: Not reported
TSDf Alt EPA ID: Not reported
TSDf Alt Name: Not reported
Waste Code Description: 612 - Household waste
RCRA Code: Not reported
Meth Code: - Not reported
Quantity Tons: 0.22935
Waste Quantity: 55
Quantity Unit: G
Additional Code 1: Not reported
Additional Code 2: Not reported
Additional Code 3: Not reported

Map ID
Direction
Distance
Elevation

MAP FINDINGS

Site

Database(s)

EDR ID Number
EPA ID Number

SAN BERNARDINO COUNTY DEHS (Continued)

S113019781

Additional Code 4: Not reported
Additional Code 5: Not reported

Shipment Date: 20020505
Creation Date: 7/17/2002 18:35:51
Receipt Date: 20020505
Manifest ID: 21209049
Trans EPA ID: CAL000113555
Trans Name: Not reported
Trans 2 EPA ID: Not reported
Trans 2 Name: Not reported
TSDf EPA ID: CAH111000474
Trans Name: Not reported
TSDf Alt EPA ID: Not reported
TSDf Alt Name: Not reported
Waste Code Description: 612 - Household waste
RCRA Code: Not reported
Meth Code: - Not reported
Quantity Tons: 0.2085
Waste Quantity: 50
Quantity Unit: G
Additional Code 1: Not reported
Additional Code 2: Not reported
Additional Code 3: Not reported
Additional Code 4: Not reported
Additional Code 5: Not reported

Shipment Date: 20020505
Creation Date: 7/17/2002 18:35:51
Receipt Date: 20020505
Manifest ID: 21209049
Trans EPA ID: CAL000113555
Trans Name: Not reported
Trans 2 EPA ID: Not reported
Trans 2 Name: Not reported
TSDf EPA ID: CAH111000474
Trans Name: Not reported
TSDf Alt EPA ID: Not reported
TSDf Alt Name: Not reported
Waste Code Description: 612 - Household waste
RCRA Code: Not reported
Meth Code: - Not reported
Quantity Tons: 0.2107
Waste Quantity: 0.25
Quantity Unit: Y
Additional Code 1: Not reported
Additional Code 2: Not reported
Additional Code 3: Not reported
Additional Code 4: Not reported
Additional Code 5: Not reported

Shipment Date: 20020505
Creation Date: 7/17/2002 18:35:51
Receipt Date: 20020505
Manifest ID: 21209049
Trans EPA ID: CAL000113555
Trans Name: Not reported

Map ID
Direction
Distance
Elevation

MAP FINDINGS

Site

Database(s)

EDR ID Number
EPA ID Number

SAN BERNARDINO COUNTY DEHS (Continued)

S113019781

Trans 2 EPA ID: Not reported
Trans 2 Name: Not reported
TSDf EPA ID: CAH111000474
Trans Name: Not reported
TSDf Alt EPA ID: Not reported
TSDf Alt Name: Not reported
Waste Code Description: 612 - Household waste
RCRA Code: Not reported
Meth Code: - Not reported
Quantity Tons: 0.0417
Waste Quantity: 10
Quantity Unit: G
Additional Code 1: Not reported
Additional Code 2: Not reported
Additional Code 3: Not reported
Additional Code 4: Not reported
Additional Code 5: Not reported

Shipment Date: 20020505
Creation Date: 7/17/2002 18:35:51
Receipt Date: 20020505
Manifest ID: 21209049
Trans EPA ID: CAL000113555
Trans Name: Not reported
Trans 2 EPA ID: Not reported
Trans 2 Name: Not reported
TSDf EPA ID: CAH111000474
Trans Name: Not reported
TSDf Alt EPA ID: Not reported
TSDf Alt Name: Not reported
Waste Code Description: 612 - Household waste
RCRA Code: Not reported
Meth Code: - Not reported
Quantity Tons: 0.10535
Waste Quantity: 0.125
Quantity Unit: Y
Additional Code 1: Not reported
Additional Code 2: Not reported
Additional Code 3: Not reported
Additional Code 4: Not reported
Additional Code 5: Not reported

Additional Info:

Year: 2009
Gen EPA ID: CAH111000123

Shipment Date: 20091003
Creation Date: 11/3/2009 18:30:08
Receipt Date: 20091003
Manifest ID: 000636766JJK
Trans EPA ID: CAL000272339
Trans Name: SAN BERNARDINO COUNTY FIRE DEPARTMENT
Trans 2 EPA ID: Not reported
Trans 2 Name: Not reported
TSDf EPA ID: CAH111000474
Trans Name: SAN BERNARDINO COUNTY FIRE DEPARTMENT
TSDf Alt EPA ID: Not reported

Map ID
Direction
Distance
Elevation

MAP FINDINGS

Site

Database(s)

EDR ID Number
EPA ID Number

SAN BERNARDINO COUNTY DEHS (Continued)

S113019781

TSDf Alt Name:	Not reported
Waste Code Description:	612 - Household waste
RCRA Code:	Not reported
Meth Code:	- Not reported
Quantity Tons:	0.0425
Waste Quantity:	85
Quantity Unit:	P
Additional Code 1:	Not reported
Additional Code 2:	Not reported
Additional Code 3:	Not reported
Additional Code 4:	Not reported
Additional Code 5:	Not reported
Shipment Date:	20091003
Creation Date:	11/3/2009 18:30:08
Receipt Date:	20091003
Manifest ID:	000636766JJK
Trans EPA ID:	CAL000272339
Trans Name:	SAN BERNARDINO COUNTY FIRE DEPARTMENT
Trans 2 EPA ID:	Not reported
Trans 2 Name:	Not reported
TSDf EPA ID:	CAH111000474
Trans Name:	SAN BERNARDINO COUNTY FIRE DEPARTMENT
TSDf Alt EPA ID:	Not reported
TSDf Alt Name:	Not reported
Waste Code Description:	612 - Household waste
RCRA Code:	Not reported
Meth Code:	- Not reported
Quantity Tons:	0.00417
Waste Quantity:	1
Quantity Unit:	G
Additional Code 1:	Not reported
Additional Code 2:	Not reported
Additional Code 3:	Not reported
Additional Code 4:	Not reported
Additional Code 5:	Not reported
Shipment Date:	20091003
Creation Date:	11/3/2009 18:30:08
Receipt Date:	20091003
Manifest ID:	000636766JJK
Trans EPA ID:	CAL000272339
Trans Name:	SAN BERNARDINO COUNTY FIRE DEPARTMENT
Trans 2 EPA ID:	Not reported
Trans 2 Name:	Not reported
TSDf EPA ID:	CAH111000474
Trans Name:	SAN BERNARDINO COUNTY FIRE DEPARTMENT
TSDf Alt EPA ID:	Not reported
TSDf Alt Name:	Not reported
Waste Code Description:	612 - Household waste
RCRA Code:	Not reported
Meth Code:	- Not reported
Quantity Tons:	0.10425
Waste Quantity:	25
Quantity Unit:	G
Additional Code 1:	Not reported
Additional Code 2:	Not reported

Map ID
Direction
Distance
Elevation

MAP FINDINGS

Site

Database(s)

EDR ID Number
EPA ID Number

SAN BERNARDINO COUNTY DEHS (Continued)

S113019781

Additional Code 3:	Not reported
Additional Code 4:	Not reported
Additional Code 5:	Not reported
Shipment Date:	20091003
Creation Date:	11/3/2009 18:30:08
Receipt Date:	20091003
Manifest ID:	000636766JJK
Trans EPA ID:	CAL000272339
Trans Name:	SAN BERNARDINO COUNTY FIRE DEPARTMENT
Trans 2 EPA ID:	Not reported
Trans 2 Name:	Not reported
TSDf EPA ID:	CAH111000474
Trans Name:	SAN BERNARDINO COUNTY FIRE DEPARTMENT
TSDf Alt EPA ID:	Not reported
TSDf Alt Name:	Not reported
Waste Code Description:	612 - Household waste
RCRA Code:	Not reported
Meth Code:	- Not reported
Quantity Tons:	0.01
Waste Quantity:	20
Quantity Unit:	P
Additional Code 1:	Not reported
Additional Code 2:	Not reported
Additional Code 3:	Not reported
Additional Code 4:	Not reported
Additional Code 5:	Not reported
Shipment Date:	20090307
Creation Date:	Not reported
Receipt Date:	Not reported
Manifest ID:	000636525JJK
Trans EPA ID:	CAL000272339
Trans Name:	SAN BERNARDINO COUNTY FIRE DEPARTMENT
Trans 2 EPA ID:	Not reported
Trans 2 Name:	Not reported
TSDf EPA ID:	CAH111000474
Trans Name:	SAN BERNARDINO COUNTY FIRE DEPARTMENT
TSDf Alt EPA ID:	Not reported
TSDf Alt Name:	Not reported
Waste Code Description:	612 - Household waste
RCRA Code:	Not reported
Meth Code:	- Not reported
Quantity Tons:	0.025
Waste Quantity:	50
Quantity Unit:	P
Additional Code 1:	Not reported
Additional Code 2:	Not reported
Additional Code 3:	Not reported
Additional Code 4:	Not reported
Additional Code 5:	Not reported
Shipment Date:	20090307
Creation Date:	Not reported
Receipt Date:	Not reported
Manifest ID:	000636525JJK
Trans EPA ID:	CAL000272339

Map ID
Direction
Distance
Elevation

MAP FINDINGS

Site

Database(s)

EDR ID Number
EPA ID Number

SAN BERNARDINO COUNTY DEHS (Continued)

S113019781

Trans Name: SAN BERNARDINO COUNTY FIRE DEPARTMENT
Trans 2 EPA ID: Not reported
Trans 2 Name: Not reported
TSDf EPA ID: CAH111000474
Trans Name: SAN BERNARDINO COUNTY FIRE DEPARTMENT
TSDf Alt EPA ID: Not reported
TSDf Alt Name: Not reported
Waste Code Description: 612 - Household waste
RCRA Code: Not reported
Meth Code: - Not reported
Quantity Tons: 0.00417
Waste Quantity: 1
Quantity Unit: G
Additional Code 1: Not reported
Additional Code 2: Not reported
Additional Code 3: Not reported
Additional Code 4: Not reported
Additional Code 5: Not reported

Shipment Date: 20090307
Creation Date: 4/16/2009 18:30:10
Receipt Date: 20090307
Manifest ID: 000636525JJK
Trans EPA ID: CAL000272339
Trans Name: SAN BERNARDINO COUNTY FIRE DEPARTMENT
Trans 2 EPA ID: Not reported
Trans 2 Name: Not reported
TSDf EPA ID: CAH111000474
Trans Name: SAN BERNARDINO COUNTY FIRE DEPARTMENT
TSDf Alt EPA ID: Not reported
TSDf Alt Name: Not reported
Waste Code Description: 612 - Household waste
RCRA Code: Not reported
Meth Code: - Not reported
Quantity Tons: 0.18765
Waste Quantity: 45
Quantity Unit: G
Additional Code 1: Not reported
Additional Code 2: Not reported
Additional Code 3: Not reported
Additional Code 4: Not reported
Additional Code 5: Not reported

Shipment Date: 20090307
Creation Date: 4/16/2009 18:30:10
Receipt Date: 20090307
Manifest ID: 000636525JJK
Trans EPA ID: CAL000272339
Trans Name: SAN BERNARDINO COUNTY FIRE DEPARTMENT
Trans 2 EPA ID: Not reported
Trans 2 Name: Not reported
TSDf EPA ID: CAH111000474
Trans Name: SAN BERNARDINO COUNTY FIRE DEPARTMENT
TSDf Alt EPA ID: Not reported
TSDf Alt Name: Not reported
Waste Code Description: 612 - Household waste
RCRA Code: Not reported

Map ID
Direction
Distance
Elevation

MAP FINDINGS

Site

Database(s)

EDR ID Number
EPA ID Number

SAN BERNARDINO COUNTY DEHS (Continued)

S113019781

Meth Code: - Not reported
Quantity Tons: 0.01
Waste Quantity: 20
Quantity Unit: P
Additional Code 1: Not reported
Additional Code 2: Not reported
Additional Code 3: Not reported
Additional Code 4: Not reported
Additional Code 5: Not reported

Shipment Date: 20090307
Creation Date: 4/16/2009 18:30:10
Receipt Date: 20090307
Manifest ID: 000636525JJK
Trans EPA ID: CAL000272339
Trans Name: SAN BERNARDINO COUNTY FIRE DEPARTMENT
Trans 2 EPA ID: Not reported
Trans 2 Name: Not reported
TSDf EPA ID: CAH111000474
Trans Name: SAN BERNARDINO COUNTY FIRE DEPARTMENT
TSDf Alt EPA ID: Not reported
TSDf Alt Name: Not reported
Waste Code Description: 612 - Household waste
RCRA Code: Not reported
Meth Code: - Not reported
Quantity Tons: 0.01
Waste Quantity: 20
Quantity Unit: P
Additional Code 1: Not reported
Additional Code 2: Not reported
Additional Code 3: Not reported
Additional Code 4: Not reported
Additional Code 5: Not reported

Shipment Date: 20090307
Creation Date: 4/16/2009 18:30:10
Receipt Date: 20090307
Manifest ID: 000636525JJK
Trans EPA ID: CAL000272339
Trans Name: SAN BERNARDINO COUNTY FIRE DEPARTMENT
Trans 2 EPA ID: Not reported
Trans 2 Name: Not reported
TSDf EPA ID: CAH111000474
Trans Name: SAN BERNARDINO COUNTY FIRE DEPARTMENT
TSDf Alt EPA ID: Not reported
TSDf Alt Name: Not reported
Waste Code Description: 612 - Household waste
RCRA Code: Not reported
Meth Code: - Not reported
Quantity Tons: 0.1
Waste Quantity: 200
Quantity Unit: P
Additional Code 1: Not reported
Additional Code 2: Not reported
Additional Code 3: Not reported
Additional Code 4: Not reported
Additional Code 5: Not reported

Map ID
Direction
Distance
Elevation

MAP FINDINGS

Site

Database(s)

EDR ID Number
EPA ID Number

SAN BERNARDINO COUNTY DEHS (Continued)

S113019781

Additional Info:

Year:	2010
Gen EPA ID:	CAH111000123
Shipment Date:	20101009
Creation Date:	12/30/2010 18:30:30
Receipt Date:	20101009
Manifest ID:	001777416JJK
Trans EPA ID:	CAL000272339
Trans Name:	SAN BERNARDINO COUNTY FIRE DEPARTMENT
Trans 2 EPA ID:	Not reported
Trans 2 Name:	Not reported
TSDf EPA ID:	CAH111000474
Trans Name:	SAN BERNARDINO COUNTY FIRE DEPARTMENT
TSDf Alt EPA ID:	Not reported
TSDf Alt Name:	Not reported
Waste Code Description:	612 - Household waste
RCRA Code:	Not reported
Meth Code:	- Not reported
Quantity Tons:	0.01
Waste Quantity:	20
Quantity Unit:	P
Additional Code 1:	Not reported
Additional Code 2:	Not reported
Additional Code 3:	Not reported
Additional Code 4:	Not reported
Additional Code 5:	Not reported
Shipment Date:	20101009
Creation Date:	Not reported
Receipt Date:	Not reported
Manifest ID:	001777416JJK
Trans EPA ID:	CAL000272339
Trans Name:	SAN BERNARDINO COUNTY FIRE DEPARTMENT
Trans 2 EPA ID:	Not reported
Trans 2 Name:	Not reported
TSDf EPA ID:	CAH111000474
Trans Name:	SAN BERNARDINO COUNTY FIRE DEPARTMENT
TSDf Alt EPA ID:	Not reported
TSDf Alt Name:	Not reported
Waste Code Description:	612 - Household waste
RCRA Code:	Not reported
Meth Code:	- Not reported
Quantity Tons:	0.1668
Waste Quantity:	40
Quantity Unit:	G
Additional Code 1:	Not reported
Additional Code 2:	Not reported
Additional Code 3:	Not reported
Additional Code 4:	Not reported
Additional Code 5:	Not reported
Shipment Date:	20101009
Creation Date:	12/30/2010 18:30:30
Receipt Date:	20101009
Manifest ID:	001777416JJK
Trans EPA ID:	CAL000272339

Map ID
Direction
Distance
Elevation

MAP FINDINGS

Site

Database(s)

EDR ID Number
EPA ID Number

SAN BERNARDINO COUNTY DEHS (Continued)

S113019781

Trans Name: SAN BERNARDINO COUNTY FIRE DEPARTMENT
Trans 2 EPA ID: Not reported
Trans 2 Name: Not reported
TSDf EPA ID: CAH111000474
Trans Name: SAN BERNARDINO COUNTY FIRE DEPARTMENT
TSDf Alt EPA ID: Not reported
TSDf Alt Name: Not reported
Waste Code Description: 612 - Household waste
RCRA Code: Not reported
Meth Code: - Not reported
Quantity Tons: 0.0417
Waste Quantity: 10
Quantity Unit: G
Additional Code 1: Not reported
Additional Code 2: Not reported
Additional Code 3: Not reported
Additional Code 4: Not reported
Additional Code 5: Not reported

Shipment Date: 20101009
Creation Date: 12/30/2010 18:30:30
Receipt Date: 20101009
Manifest ID: 001777416JJK
Trans EPA ID: CAL000272339
Trans Name: SAN BERNARDINO COUNTY FIRE DEPARTMENT
Trans 2 EPA ID: Not reported
Trans 2 Name: Not reported
TSDf EPA ID: CAH111000474
Trans Name: SAN BERNARDINO COUNTY FIRE DEPARTMENT
TSDf Alt EPA ID: Not reported
TSDf Alt Name: Not reported
Waste Code Description: 612 - Household waste
RCRA Code: Not reported
Meth Code: - Not reported
Quantity Tons: 0.125
Waste Quantity: 250
Quantity Unit: P
Additional Code 1: Not reported
Additional Code 2: Not reported
Additional Code 3: Not reported
Additional Code 4: Not reported
Additional Code 5: Not reported

Shipment Date: 20101009
Creation Date: Not reported
Receipt Date: Not reported
Manifest ID: 001777416JJK
Trans EPA ID: CAL000272339
Trans Name: SAN BERNARDINO COUNTY FIRE DEPARTMENT
Trans 2 EPA ID: Not reported
Trans 2 Name: Not reported
TSDf EPA ID: CAH111000474
Trans Name: SAN BERNARDINO COUNTY FIRE DEPARTMENT
TSDf Alt EPA ID: Not reported
TSDf Alt Name: Not reported
Waste Code Description: 612 - Household waste
RCRA Code: Not reported

Map ID
Direction
Distance
Elevation

MAP FINDINGS

Site

Database(s)

EDR ID Number
EPA ID Number

SAN BERNARDINO COUNTY DEHS (Continued)

S113019781

Meth Code:	- Not reported
Quantity Tons:	0.0075
Waste Quantity:	15
Quantity Unit:	P
Additional Code 1:	Not reported
Additional Code 2:	Not reported
Additional Code 3:	Not reported
Additional Code 4:	Not reported
Additional Code 5:	Not reported
Shipment Date:	20101009
Creation Date:	12/30/2010 18:30:30
Receipt Date:	20101009
Manifest ID:	001777416JJK
Trans EPA ID:	CAL000272339
Trans Name:	SAN BERNARDINO COUNTY FIRE DEPARTMENT
Trans 2 EPA ID:	Not reported
Trans 2 Name:	Not reported
TSDf EPA ID:	CAH111000474
Trans Name:	SAN BERNARDINO COUNTY FIRE DEPARTMENT
TSDf Alt EPA ID:	Not reported
TSDf Alt Name:	Not reported
Waste Code Description:	612 - Household waste
RCRA Code:	Not reported
Meth Code:	- Not reported
Quantity Tons:	0.1
Waste Quantity:	200
Quantity Unit:	P
Additional Code 1:	Not reported
Additional Code 2:	Not reported
Additional Code 3:	Not reported
Additional Code 4:	Not reported
Additional Code 5:	Not reported
Shipment Date:	20100306
Creation Date:	Not reported
Receipt Date:	Not reported
Manifest ID:	001777101JJK
Trans EPA ID:	CAL000272339
Trans Name:	SAN BERNARDINO COUNTY FIRE DEPARTMENT
Trans 2 EPA ID:	Not reported
Trans 2 Name:	Not reported
TSDf EPA ID:	CAH111000474
Trans Name:	SAN BERNARDINO COUNTY FIRE DEPARTMENT
TSDf Alt EPA ID:	Not reported
TSDf Alt Name:	Not reported
Waste Code Description:	612 - Household waste
RCRA Code:	Not reported
Meth Code:	- Not reported
Quantity Tons:	0.00834
Waste Quantity:	2
Quantity Unit:	G
Additional Code 1:	Not reported
Additional Code 2:	Not reported
Additional Code 3:	Not reported
Additional Code 4:	Not reported
Additional Code 5:	Not reported

Map ID
Direction
Distance
Elevation

MAP FINDINGS

Site

Database(s)

EDR ID Number
EPA ID Number

SAN BERNARDINO COUNTY DEHS (Continued)

S113019781

Shipment Date: 20100306
Creation Date: Not reported
Receipt Date: Not reported
Manifest ID: 001777101JJK
Trans EPA ID: CAL000272339
Trans Name: SAN BERNARDINO COUNTY FIRE DEPARTMENT
Trans 2 EPA ID: Not reported
Trans 2 Name: Not reported
TSDf EPA ID: CAH111000474
Trans Name: SAN BERNARDINO COUNTY FIRE DEPARTMENT
TSDf Alt EPA ID: Not reported
TSDf Alt Name: Not reported
Waste Code Description: 612 - Household waste
RCRA Code: Not reported
Meth Code: - Not reported
Quantity Tons: 0.1251
Waste Quantity: 30
Quantity Unit: G
Additional Code 1: Not reported
Additional Code 2: Not reported
Additional Code 3: Not reported
Additional Code 4: Not reported
Additional Code 5: Not reported

Shipment Date: 20100306
Creation Date: 5/27/2010 18:30:38
Receipt Date: 20100307
Manifest ID: 001777101JJK
Trans EPA ID: CAL000272339
Trans Name: SAN BERNARDINO COUNTY FIRE DEPARTMENT
Trans 2 EPA ID: Not reported
Trans 2 Name: Not reported
TSDf EPA ID: CAH111000474
Trans Name: SAN BERNARDINO COUNTY FIRE DEPARTMENT
TSDf Alt EPA ID: Not reported
TSDf Alt Name: Not reported
Waste Code Description: 612 - Household waste
RCRA Code: Not reported
Meth Code: - Not reported
Quantity Tons: 0.025
Waste Quantity: 50
Quantity Unit: P
Additional Code 1: Not reported
Additional Code 2: Not reported
Additional Code 3: Not reported
Additional Code 4: Not reported
Additional Code 5: Not reported

Shipment Date: 20100306
Creation Date: 5/27/2010 18:30:38
Receipt Date: 20100307
Manifest ID: 001777101JJK
Trans EPA ID: CAL000272339
Trans Name: SAN BERNARDINO COUNTY FIRE DEPARTMENT
Trans 2 EPA ID: Not reported
Trans 2 Name: Not reported
TSDf EPA ID: CAH111000474

Map ID
Direction
Distance
Elevation

MAP FINDINGS

Site

Database(s)

EDR ID Number
EPA ID Number

SAN BERNARDINO COUNTY DEHS (Continued)

S113019781

Trans Name: SAN BERNARDINO COUNTY FIRE DEPARTMENT
TSDf Alt EPA ID: Not reported
TSDf Alt Name: Not reported
Waste Code Description: 612 - Household waste
RCRA Code: Not reported
Meth Code: - Not reported
Quantity Tons: 0.05
Waste Quantity: 100
Quantity Unit: P
Additional Code 1: Not reported
Additional Code 2: Not reported
Additional Code 3: Not reported
Additional Code 4: Not reported
Additional Code 5: Not reported

Additional Info:

Year: 2006
Gen EPA ID: CAH111000123

Shipment Date: 20061015
Creation Date: 4/19/2007 18:30:58
Receipt Date: 20061015
Manifest ID: 000635513JJK
Trans EPA ID: CAL000272339
Trans Name: SAN BERNARDINO COUNTY FIRE DEPARTMENT
Trans 2 EPA ID: Not reported
Trans 2 Name: Not reported
TSDf EPA ID: CAH111000474
Trans Name: SAN BERNARDINO COUNTY FIRE DEPARTMENT
TSDf Alt EPA ID: Not reported
TSDf Alt Name: Not reported
Waste Code Description: 612 - Household waste
RCRA Code: Not reported
Meth Code: - Not reported
Quantity Tons: 0.02085
Waste Quantity: 5
Quantity Unit: G
Additional Code 1: Not reported
Additional Code 2: Not reported
Additional Code 3: Not reported
Additional Code 4: Not reported
Additional Code 5: Not reported

Shipment Date: 20061015
Creation Date: 4/19/2007 18:30:58
Receipt Date: 20061015
Manifest ID: 000635513JJK
Trans EPA ID: CAL000272339
Trans Name: SAN BERNARDINO COUNTY FIRE DEPARTMENT
Trans 2 EPA ID: Not reported
Trans 2 Name: Not reported
TSDf EPA ID: CAH111000474
Trans Name: SAN BERNARDINO COUNTY FIRE DEPARTMENT
TSDf Alt EPA ID: Not reported
TSDf Alt Name: Not reported
Waste Code Description: 612 - Household waste
RCRA Code: Not reported

Map ID
Direction
Distance
Elevation

MAP FINDINGS

Site

Database(s)

EDR ID Number
EPA ID Number

SAN BERNARDINO COUNTY DEHS (Continued)

S113019781

Meth Code: - Not reported
Quantity Tons: 0.3753
Waste Quantity: 90
Quantity Unit: G
Additional Code 1: Not reported
Additional Code 2: Not reported
Additional Code 3: Not reported
Additional Code 4: Not reported
Additional Code 5: Not reported

Shipment Date: 20061014
Creation Date: 4/19/2007 18:30:58
Receipt Date: 20061015
Manifest ID: 000635516JJK
Trans EPA ID: CAL000272339
Trans Name: SAN BERNARDINO COUNTY FIRE DEPARTMENT
Trans 2 EPA ID: Not reported
Trans 2 Name: Not reported
TSDf EPA ID: CAH111000474
Trans Name: SAN BERNARDINO COUNTY FIRE DEPARTMENT
TSDf Alt EPA ID: Not reported
TSDf Alt Name: Not reported
Waste Code Description: 612 - Household waste
RCRA Code: Not reported
Meth Code: - Not reported
Quantity Tons: 0.1
Waste Quantity: 200
Quantity Unit: P
Additional Code 1: Not reported
Additional Code 2: Not reported
Additional Code 3: Not reported
Additional Code 4: Not reported
Additional Code 5: Not reported

Shipment Date: 20061014
Creation Date: 4/19/2007 18:30:58
Receipt Date: 20061015
Manifest ID: 000635516JJK
Trans EPA ID: CAL000272339
Trans Name: SAN BERNARDINO COUNTY FIRE DEPARTMENT
Trans 2 EPA ID: Not reported
Trans 2 Name: Not reported
TSDf EPA ID: CAH111000474
Trans Name: SAN BERNARDINO COUNTY FIRE DEPARTMENT
TSDf Alt EPA ID: Not reported
TSDf Alt Name: Not reported
Waste Code Description: 612 - Household waste
RCRA Code: Not reported
Meth Code: - Not reported
Quantity Tons: 0.07
Waste Quantity: 140
Quantity Unit: P
Additional Code 1: Not reported
Additional Code 2: Not reported
Additional Code 3: Not reported
Additional Code 4: Not reported
Additional Code 5: Not reported

Map ID
Direction
Distance
Elevation

MAP FINDINGS

Site

Database(s)

EDR ID Number
EPA ID Number

SAN BERNARDINO COUNTY DEHS (Continued)

S113019781

Shipment Date: 20061014
Creation Date: 4/19/2007 18:30:58
Receipt Date: 20061015
Manifest ID: 000635516JJK
Trans EPA ID: CAL000272339
Trans Name: SAN BERNARDINO COUNTY FIRE DEPARTMENT
Trans 2 EPA ID: Not reported
Trans 2 Name: Not reported
TSDf EPA ID: CAH111000474
Trans Name: SAN BERNARDINO COUNTY FIRE DEPARTMENT
TSDf Alt EPA ID: Not reported
TSDf Alt Name: Not reported
Waste Code Description: 612 - Household waste
RCRA Code: Not reported
Meth Code: - Not reported
Quantity Tons: 0.1
Waste Quantity: 200
Quantity Unit: P
Additional Code 1: Not reported
Additional Code 2: Not reported
Additional Code 3: Not reported
Additional Code 4: Not reported
Additional Code 5: Not reported

Additional Info:

Year: 2013
Gen EPA ID: CAH111000123

Shipment Date: 20131005
Creation Date: 12/4/2013 22:15:05
Receipt Date: 20131005
Manifest ID: 010896962JJK
Trans EPA ID: CAL000272339
Trans Name: SAN BERNARDINO COUNTY FIRE DEPARTMENT
Trans 2 EPA ID: Not reported
Trans 2 Name: Not reported
TSDf EPA ID: CAH111000474
Trans Name: SAN BERNARDINO COUNTY FIRE DEPARTMENT
TSDf Alt EPA ID: Not reported
TSDf Alt Name: Not reported
Waste Code Description: 612 - Household waste
RCRA Code: Not reported
Meth Code: - Not reported
Quantity Tons: 0.005
Waste Quantity: 10
Quantity Unit: P
Additional Code 1: Not reported
Additional Code 2: Not reported
Additional Code 3: Not reported
Additional Code 4: Not reported
Additional Code 5: Not reported

Shipment Date: 20131005
Creation Date: 12/4/2013 22:15:05
Receipt Date: 20131005
Manifest ID: 010896962JJK
Trans EPA ID: CAL000272339

Map ID
Direction
Distance
Elevation

MAP FINDINGS

Site

Database(s)

EDR ID Number
EPA ID Number

SAN BERNARDINO COUNTY DEHS (Continued)

S113019781

Trans Name: SAN BERNARDINO COUNTY FIRE DEPARTMENT
Trans 2 EPA ID: Not reported
Trans 2 Name: Not reported
TSDf EPA ID: CAH111000474
Trans Name: SAN BERNARDINO COUNTY FIRE DEPARTMENT
TSDf Alt EPA ID: Not reported
TSDf Alt Name: Not reported
Waste Code Description: 612 - Household waste
RCRA Code: Not reported
Meth Code: - Not reported
Quantity Tons: 0.02085
Waste Quantity: 5
Quantity Unit: G
Additional Code 1: Not reported
Additional Code 2: Not reported
Additional Code 3: Not reported
Additional Code 4: Not reported
Additional Code 5: Not reported

Shipment Date: 20131005
Creation Date: 12/4/2013 22:15:05
Receipt Date: 20131005
Manifest ID: 010896962JJK
Trans EPA ID: CAL000272339
Trans Name: SAN BERNARDINO COUNTY FIRE DEPARTMENT
Trans 2 EPA ID: Not reported
Trans 2 Name: Not reported
TSDf EPA ID: CAH111000474
Trans Name: SAN BERNARDINO COUNTY FIRE DEPARTMENT
TSDf Alt EPA ID: Not reported
TSDf Alt Name: Not reported
Waste Code Description: 612 - Household waste
RCRA Code: Not reported
Meth Code: - Not reported
Quantity Tons: 0.10425
Waste Quantity: 25
Quantity Unit: G
Additional Code 1: Not reported
Additional Code 2: Not reported
Additional Code 3: Not reported
Additional Code 4: Not reported
Additional Code 5: Not reported

Shipment Date: 20131005
Creation Date: 12/4/2013 22:15:05
Receipt Date: 20131005
Manifest ID: 010896962JJK
Trans EPA ID: CAL000272339
Trans Name: SAN BERNARDINO COUNTY FIRE DEPARTMENT
Trans 2 EPA ID: Not reported
Trans 2 Name: Not reported
TSDf EPA ID: CAH111000474
Trans Name: SAN BERNARDINO COUNTY FIRE DEPARTMENT
TSDf Alt EPA ID: Not reported
TSDf Alt Name: Not reported
Waste Code Description: 612 - Household waste
RCRA Code: Not reported

Map ID
Direction
Distance
Elevation

MAP FINDINGS

Site

Database(s)

EDR ID Number
EPA ID Number

SAN BERNARDINO COUNTY DEHS (Continued)

S113019781

Meth Code:	- Not reported
Quantity Tons:	0.02
Waste Quantity:	40
Quantity Unit:	P
Additional Code 1:	Not reported
Additional Code 2:	Not reported
Additional Code 3:	Not reported
Additional Code 4:	Not reported
Additional Code 5:	Not reported
Shipment Date:	20130302
Creation Date:	Not reported
Receipt Date:	Not reported
Manifest ID:	001778184JJK
Trans EPA ID:	CAL000272339
Trans Name:	SAN BERNARDINO COUNTY FIRE DEPARTMENT
Trans 2 EPA ID:	Not reported
Trans 2 Name:	Not reported
TSDf EPA ID:	CAH111000474
Trans Name:	SAN BERNARDINO COUNTY FIRE DEPARTMENT
TSDf Alt EPA ID:	Not reported
TSDf Alt Name:	Not reported
Waste Code Description:	612 - Household waste
RCRA Code:	Not reported
Meth Code:	- Not reported
Quantity Tons:	0.1251
Waste Quantity:	30
Quantity Unit:	G
Additional Code 1:	Not reported
Additional Code 2:	Not reported
Additional Code 3:	Not reported
Additional Code 4:	Not reported
Additional Code 5:	Not reported
Shipment Date:	20130302
Creation Date:	Not reported
Receipt Date:	Not reported
Manifest ID:	001778184JJK
Trans EPA ID:	CAL000272339
Trans Name:	SAN BERNARDINO COUNTY FIRE DEPARTMENT
Trans 2 EPA ID:	Not reported
Trans 2 Name:	Not reported
TSDf EPA ID:	CAH111000474
Trans Name:	SAN BERNARDINO COUNTY FIRE DEPARTMENT
TSDf Alt EPA ID:	Not reported
TSDf Alt Name:	Not reported
Waste Code Description:	612 - Household waste
RCRA Code:	Not reported
Meth Code:	- Not reported
Quantity Tons:	0.0075
Waste Quantity:	15
Quantity Unit:	P
Additional Code 1:	Not reported
Additional Code 2:	Not reported
Additional Code 3:	Not reported
Additional Code 4:	Not reported
Additional Code 5:	Not reported

Map ID
Direction
Distance
Elevation

MAP FINDINGS

Site

Database(s)

EDR ID Number
EPA ID Number

SAN BERNARDINO COUNTY DEHS (Continued)

S113019781

Shipment Date: 20130302
Creation Date: Not reported
Receipt Date: Not reported
Manifest ID: 001778184JJK
Trans EPA ID: CAL000272339
Trans Name: SAN BERNARDINO COUNTY FIRE DEPARTMENT
Trans 2 EPA ID: Not reported
Trans 2 Name: Not reported
TSDf EPA ID: CAH111000474
Trans Name: SAN BERNARDINO COUNTY FIRE DEPARTMENT
TSDf Alt EPA ID: Not reported
TSDf Alt Name: Not reported
Waste Code Description: 612 - Household waste
RCRA Code: Not reported
Meth Code: - Not reported
Quantity Tons: 0.0417
Waste Quantity: 10
Quantity Unit: G
Additional Code 1: Not reported
Additional Code 2: Not reported
Additional Code 3: Not reported
Additional Code 4: Not reported
Additional Code 5: Not reported

Shipment Date: 20130302
Creation Date: 4/30/2013 22:15:27
Receipt Date: 20130303
Manifest ID: 001778184JJK
Trans EPA ID: CAL000272339
Trans Name: SAN BERNARDINO COUNTY FIRE DEPARTMENT
Trans 2 EPA ID: Not reported
Trans 2 Name: Not reported
TSDf EPA ID: CAH111000474
Trans Name: SAN BERNARDINO COUNTY FIRE DEPARTMENT
TSDf Alt EPA ID: Not reported
TSDf Alt Name: Not reported
Waste Code Description: 612 - Household waste
RCRA Code: Not reported
Meth Code: - Not reported
Quantity Tons: 0.025
Waste Quantity: 50
Quantity Unit: P
Additional Code 1: Not reported
Additional Code 2: Not reported
Additional Code 3: Not reported
Additional Code 4: Not reported
Additional Code 5: Not reported

Shipment Date: 20130302
Creation Date: 4/30/2013 22:15:27
Receipt Date: 20130303
Manifest ID: 001778184JJK
Trans EPA ID: CAL000272339
Trans Name: SAN BERNARDINO COUNTY FIRE DEPARTMENT
Trans 2 EPA ID: Not reported
Trans 2 Name: Not reported
TSDf EPA ID: CAH111000474

Map ID
Direction
Distance
Elevation

MAP FINDINGS

Site

Database(s)

EDR ID Number
EPA ID Number

SAN BERNARDINO COUNTY DEHS (Continued)

S113019781

Trans Name: SAN BERNARDINO COUNTY FIRE DEPARTMENT
TSDf Alt EPA ID: Not reported
TSDf Alt Name: Not reported
Waste Code Description: 612 - Household waste
RCRA Code: Not reported
Meth Code: - Not reported
Quantity Tons: 0.04
Waste Quantity: 80
Quantity Unit: P
Additional Code 1: Not reported
Additional Code 2: Not reported
Additional Code 3: Not reported
Additional Code 4: Not reported
Additional Code 5: Not reported

Shipment Date: 20130302
Creation Date: 4/30/2013 22:15:27
Receipt Date: 20130303
Manifest ID: 001778184JJK
Trans EPA ID: CAL000272339
Trans Name: SAN BERNARDINO COUNTY FIRE DEPARTMENT
Trans 2 EPA ID: Not reported
Trans 2 Name: Not reported
TSDf EPA ID: CAH111000474
Trans Name: SAN BERNARDINO COUNTY FIRE DEPARTMENT
TSDf Alt EPA ID: Not reported
TSDf Alt Name: Not reported
Waste Code Description: 612 - Household waste
RCRA Code: Not reported
Meth Code: - Not reported
Quantity Tons: 0.025
Waste Quantity: 50
Quantity Unit: P
Additional Code 1: Not reported
Additional Code 2: Not reported
Additional Code 3: Not reported
Additional Code 4: Not reported
Additional Code 5: Not reported

Additional Info:

Year: 2001
Gen EPA ID: CAH111000123

Shipment Date: 20010803
Creation Date: 10/1/2001 0:00:00
Receipt Date: 20010803
Manifest ID: 20460222
Trans EPA ID: CAL000113555
Trans Name: Not reported
Trans 2 EPA ID: Not reported
Trans 2 Name: Not reported
TSDf EPA ID: CAH111000474
Trans Name: Not reported
TSDf Alt EPA ID: Not reported
TSDf Alt Name: Not reported
Waste Code Description: 612 - Household waste
RCRA Code: Not reported

Map ID
Direction
Distance
Elevation

MAP FINDINGS

Site

Database(s)

EDR ID Number
EPA ID Number

SAN BERNARDINO COUNTY DEHS (Continued)

S113019781

Meth Code: - Not reported
Quantity Tons: 0.2293
Waste Quantity: 55
Quantity Unit: G
Additional Code 1: Not reported
Additional Code 2: Not reported
Additional Code 3: Not reported
Additional Code 4: Not reported
Additional Code 5: Not reported

Shipment Date: 20010803
Creation Date: 10/1/2001 0:00:00
Receipt Date: 20010803
Manifest ID: 20460222
Trans EPA ID: CAL000113555
Trans Name: Not reported
Trans 2 EPA ID: Not reported
Trans 2 Name: Not reported
TSDf EPA ID: CAH111000474
Trans Name: Not reported
TSDf Alt EPA ID: Not reported
TSDf Alt Name: Not reported
Waste Code Description: 612 - Household waste
RCRA Code: Not reported
Meth Code: - Not reported
Quantity Tons: 0.2293
Waste Quantity: 55
Quantity Unit: G
Additional Code 1: Not reported
Additional Code 2: Not reported
Additional Code 3: Not reported
Additional Code 4: Not reported
Additional Code 5: Not reported

Shipment Date: 20010803
Creation Date: 10/1/2001 0:00:00
Receipt Date: 20010803
Manifest ID: 20460222
Trans EPA ID: CAL000113555
Trans Name: Not reported
Trans 2 EPA ID: Not reported
Trans 2 Name: Not reported
TSDf EPA ID: CAH111000474
Trans Name: Not reported
TSDf Alt EPA ID: Not reported
TSDf Alt Name: Not reported
Waste Code Description: 612 - Household waste
RCRA Code: Not reported
Meth Code: - Not reported
Quantity Tons: 0.2293
Waste Quantity: 55
Quantity Unit: G
Additional Code 1: Not reported
Additional Code 2: Not reported
Additional Code 3: Not reported
Additional Code 4: Not reported
Additional Code 5: Not reported

Map ID
Direction
Distance
Elevation

MAP FINDINGS

Site

Database(s)

EDR ID Number
EPA ID Number

SAN BERNARDINO COUNTY DEHS (Continued)

S113019781

Shipment Date: 20010803
Creation Date: 10/1/2001 0:00:00
Receipt Date: 20010803
Manifest ID: 20460222
Trans EPA ID: CAL000113555
Trans Name: Not reported
Trans 2 EPA ID: Not reported
Trans 2 Name: Not reported
TSDf EPA ID: CAH111000474
Trans Name: Not reported
TSDf Alt EPA ID: Not reported
TSDf Alt Name: Not reported
Waste Code Description: 612 - Household waste
RCRA Code: Not reported
Meth Code: - Not reported
Quantity Tons: 0.2293
Waste Quantity: 55
Quantity Unit: G
Additional Code 1: Not reported
Additional Code 2: Not reported
Additional Code 3: Not reported
Additional Code 4: Not reported
Additional Code 5: Not reported

Shipment Date: 20010209
Creation Date: 4/9/2001 0:00:00
Receipt Date: 20010211
Manifest ID: 20461831
Trans EPA ID: CAL000113555
Trans Name: Not reported
Trans 2 EPA ID: Not reported
Trans 2 Name: Not reported
TSDf EPA ID: CAH111000474
Trans Name: Not reported
TSDf Alt EPA ID: Not reported
TSDf Alt Name: Not reported
Waste Code Description: 612 - Household waste
RCRA Code: Not reported
Meth Code: - Not reported
Quantity Tons: 0.4587
Waste Quantity: 110
Quantity Unit: G
Additional Code 1: Not reported
Additional Code 2: Not reported
Additional Code 3: Not reported
Additional Code 4: Not reported
Additional Code 5: Not reported

Additional Info:
Year: 1997
Gen EPA ID: CAH111000123

Shipment Date: 19971108
Creation Date: 7/23/1998 0:00:00
Receipt Date: 19971108
Manifest ID: 96789221
Trans EPA ID: CAL000113555

Map ID
Direction
Distance
Elevation

MAP FINDINGS

Site

Database(s)

EDR ID Number
EPA ID Number

SAN BERNARDINO COUNTY DEHS (Continued)

S113019781

Trans Name: Not reported
Trans 2 EPA ID: Not reported
Trans 2 Name: Not reported
TSDf EPA ID: CAH111000474
Trans Name: Not reported
TSDf Alt EPA ID: Not reported
TSDf Alt Name: Not reported
Waste Code Description: 612 - Household waste
RCRA Code: Not reported
Meth Code: - Not reported
Quantity Tons: 0.0417
Waste Quantity: 10
Quantity Unit: G
Additional Code 1: Not reported
Additional Code 2: Not reported
Additional Code 3: Not reported
Additional Code 4: Not reported
Additional Code 5: Not reported

Shipment Date: 19971108
Creation Date: 7/23/1998 0:00:00
Receipt Date: 19971108
Manifest ID: 96789221
Trans EPA ID: CAL000113555
Trans Name: Not reported
Trans 2 EPA ID: Not reported
Trans 2 Name: Not reported
TSDf EPA ID: CAH111000474
Trans Name: Not reported
TSDf Alt EPA ID: Not reported
TSDf Alt Name: Not reported
Waste Code Description: 612 - Household waste
RCRA Code: Not reported
Meth Code: - Not reported
Quantity Tons: 0.025
Waste Quantity: 50
Quantity Unit: P
Additional Code 1: Not reported
Additional Code 2: Not reported
Additional Code 3: Not reported
Additional Code 4: Not reported
Additional Code 5: Not reported

Shipment Date: 19971108
Creation Date: 7/23/1998 0:00:00
Receipt Date: 19971108
Manifest ID: 96789221
Trans EPA ID: CAL000113555
Trans Name: Not reported
Trans 2 EPA ID: Not reported
Trans 2 Name: Not reported
TSDf EPA ID: CAH111000474
Trans Name: Not reported
TSDf Alt EPA ID: Not reported
TSDf Alt Name: Not reported
Waste Code Description: 612 - Household waste
RCRA Code: Not reported

Map ID
Direction
Distance
Elevation

MAP FINDINGS

Site

Database(s)

EDR ID Number
EPA ID Number

SAN BERNARDINO COUNTY DEHS (Continued)

S113019781

Meth Code: - Not reported
Quantity Tons: 0.3127
Waste Quantity: 75
Quantity Unit: G
Additional Code 1: Not reported
Additional Code 2: Not reported
Additional Code 3: Not reported
Additional Code 4: Not reported
Additional Code 5: Not reported

Shipment Date: 19971108
Creation Date: 7/23/1998 0:00:00
Receipt Date: 19971108
Manifest ID: 96789221
Trans EPA ID: CAL000113555
Trans Name: Not reported
Trans 2 EPA ID: Not reported
Trans 2 Name: Not reported
TSDf EPA ID: CAH111000474
Trans Name: Not reported
TSDf Alt EPA ID: Not reported
TSDf Alt Name: Not reported
Waste Code Description: 612 - Household waste
RCRA Code: Not reported
Meth Code: - Not reported
Quantity Tons: 0.035
Waste Quantity: 70
Quantity Unit: P
Additional Code 1: Not reported
Additional Code 2: Not reported
Additional Code 3: Not reported
Additional Code 4: Not reported
Additional Code 5: Not reported

Shipment Date: 19970614
Creation Date: 12/4/1997 0:00:00
Receipt Date: 19970614
Manifest ID: 96336344
Trans EPA ID: CAD982413262
Trans Name: Not reported
Trans 2 EPA ID: Not reported
Trans 2 Name: Not reported
TSDf EPA ID: CAD982446874
Trans Name: Not reported
TSDf Alt EPA ID: CAD982446874
TSDf Alt Name: Not reported
Waste Code Description: 134 - Aqueous solution with <10% total organic residues
RCRA Code: Not reported
Meth Code: H01 - Transfer Station
Quantity Tons: 0.357
Waste Quantity: 85
Quantity Unit: G
Additional Code 1: Not reported
Additional Code 2: Not reported
Additional Code 3: Not reported
Additional Code 4: Not reported
Additional Code 5: Not reported

Map ID
Direction
Distance
Elevation

MAP FINDINGS

Site

Database(s)

EDR ID Number
EPA ID Number

SAN BERNARDINO COUNTY DEHS (Continued)

S113019781

Shipment Date: 19970426
Creation Date: 9/12/1997 0:00:00
Receipt Date: 19970426
Manifest ID: 96550699
Trans EPA ID: CAL000113555
Trans Name: Not reported
Trans 2 EPA ID: Not reported
Trans 2 Name: Not reported
TSDf EPA ID: CAH111000474
Trans Name: Not reported
TSDf Alt EPA ID: Not reported
TSDf Alt Name: Not reported
Waste Code Description: 612 - Household waste
RCRA Code: Not reported
Meth Code: - Not reported
Quantity Tons: 0.3336
Waste Quantity: 80
Quantity Unit: G
Additional Code 1: Not reported
Additional Code 2: Not reported
Additional Code 3: Not reported
Additional Code 4: Not reported
Additional Code 5: Not reported

Shipment Date: 19970426
Creation Date: 9/12/1997 0:00:00
Receipt Date: 19970426
Manifest ID: 96550699
Trans EPA ID: CAL000113555
Trans Name: Not reported
Trans 2 EPA ID: Not reported
Trans 2 Name: Not reported
TSDf EPA ID: CAH111000474
Trans Name: Not reported
TSDf Alt EPA ID: Not reported
TSDf Alt Name: Not reported
Waste Code Description: 612 - Household waste
RCRA Code: Not reported
Meth Code: - Not reported
Quantity Tons: 0.2809
Waste Quantity: 0.3333
Quantity Unit: Y
Additional Code 1: Not reported
Additional Code 2: Not reported
Additional Code 3: Not reported
Additional Code 4: Not reported
Additional Code 5: Not reported

Shipment Date: 19970426
Creation Date: 9/12/1997 0:00:00
Receipt Date: 19970426
Manifest ID: 96550699
Trans EPA ID: CAL000113555
Trans Name: Not reported
Trans 2 EPA ID: Not reported
Trans 2 Name: Not reported
TSDf EPA ID: CAH111000474

Map ID
Direction
Distance
Elevation

MAP FINDINGS

Site

Database(s)

EDR ID Number
EPA ID Number

SAN BERNARDINO COUNTY DEHS (Continued)

S113019781

Trans Name:	Not reported
TSDF Alt EPA ID:	Not reported
TSDF Alt Name:	Not reported
Waste Code Description:	612 - Household waste
RCRA Code:	Not reported
Meth Code:	- Not reported
Quantity Tons:	0.2809
Waste Quantity:	0.3333
Quantity Unit:	Y
Additional Code 1:	Not reported
Additional Code 2:	Not reported
Additional Code 3:	Not reported
Additional Code 4:	Not reported
Additional Code 5:	Not reported
Shipment Date:	19970426
Creation Date:	9/12/1997 0:00:00
Receipt Date:	19970426
Manifest ID:	96550699
Trans EPA ID:	CAL000113555
Trans Name:	Not reported
Trans 2 EPA ID:	Not reported
Trans 2 Name:	Not reported
TSDF EPA ID:	CAH111000474
Trans Name:	Not reported
TSDF Alt EPA ID:	Not reported
TSDF Alt Name:	Not reported
Waste Code Description:	612 - Household waste
RCRA Code:	Not reported
Meth Code:	- Not reported
Quantity Tons:	0.2809
Waste Quantity:	0.3333
Quantity Unit:	Y
Additional Code 1:	Not reported
Additional Code 2:	Not reported
Additional Code 3:	Not reported
Additional Code 4:	Not reported
Additional Code 5:	Not reported
Additional Info:	
Year:	2014
Gen EPA ID:	CAH111000123
Shipment Date:	20140301
Creation Date:	4/1/2014 22:15:03
Receipt Date:	20140302
Manifest ID:	010897154JJK
Trans EPA ID:	CAL000272339
Trans Name:	SAN BERNARDINO COUNTY FIRE DEPARTMENT
Trans 2 EPA ID:	Not reported
Trans 2 Name:	Not reported
TSDF EPA ID:	CAH111000474
Trans Name:	SAN BERNARDINO COUNTY FIRE DEPARTMENT
TSDF Alt EPA ID:	Not reported
TSDF Alt Name:	Not reported
Waste Code Description:	612 - Household waste
RCRA Code:	Not reported

Map ID
Direction
Distance
Elevation

MAP FINDINGS

Site

Database(s)

EDR ID Number
EPA ID Number

SAN BERNARDINO COUNTY DEHS (Continued)

S113019781

Meth Code: - Not reported
Quantity Tons: 0.1
Waste Quantity: 200
Quantity Unit: P
Additional Code 1: Not reported
Additional Code 2: Not reported
Additional Code 3: Not reported
Additional Code 4: Not reported
Additional Code 5: Not reported

Shipment Date: 20140301
Creation Date: 4/1/2014 22:15:03
Receipt Date: 20140302
Manifest ID: 010897154JJK
Trans EPA ID: CAL000272339
Trans Name: SAN BERNARDINO COUNTY FIRE DEPARTMENT
Trans 2 EPA ID: Not reported
Trans 2 Name: Not reported
TSDf EPA ID: CAH111000474
Trans Name: SAN BERNARDINO COUNTY FIRE DEPARTMENT
TSDf Alt EPA ID: Not reported
TSDf Alt Name: Not reported
Waste Code Description: 612 - Household waste
RCRA Code: Not reported
Meth Code: - Not reported
Quantity Tons: 0.2085
Waste Quantity: 50
Quantity Unit: G
Additional Code 1: Not reported
Additional Code 2: Not reported
Additional Code 3: Not reported
Additional Code 4: Not reported
Additional Code 5: Not reported

Shipment Date: 20140301
Creation Date: 4/1/2014 22:15:03
Receipt Date: 20140302
Manifest ID: 010897154JJK
Trans EPA ID: CAL000272339
Trans Name: SAN BERNARDINO COUNTY FIRE DEPARTMENT
Trans 2 EPA ID: Not reported
Trans 2 Name: Not reported
TSDf EPA ID: CAH111000474
Trans Name: SAN BERNARDINO COUNTY FIRE DEPARTMENT
TSDf Alt EPA ID: Not reported
TSDf Alt Name: Not reported
Waste Code Description: 612 - Household waste
RCRA Code: Not reported
Meth Code: - Not reported
Quantity Tons: 0.01
Waste Quantity: 20
Quantity Unit: P
Additional Code 1: Not reported
Additional Code 2: Not reported
Additional Code 3: Not reported
Additional Code 4: Not reported
Additional Code 5: Not reported

Map ID
Direction
Distance
Elevation

MAP FINDINGS

Site

Database(s)

EDR ID Number
EPA ID Number

SAN BERNARDINO COUNTY DEHS (Continued)

S113019781

Shipment Date: 20140301
Creation Date: 4/1/2014 22:15:03
Receipt Date: 20140302
Manifest ID: 010897154JJK
Trans EPA ID: CAL000272339
Trans Name: SAN BERNARDINO COUNTY FIRE DEPARTMENT
Trans 2 EPA ID: Not reported
Trans 2 Name: Not reported
TSDf EPA ID: CAH111000474
Trans Name: SAN BERNARDINO COUNTY FIRE DEPARTMENT
TSDf Alt EPA ID: Not reported
TSDf Alt Name: Not reported
Waste Code Description: 612 - Household waste
RCRA Code: Not reported
Meth Code: - Not reported
Quantity Tons: 0.05
Waste Quantity: 100
Quantity Unit: P
Additional Code 1: Not reported
Additional Code 2: Not reported
Additional Code 3: Not reported
Additional Code 4: Not reported
Additional Code 5: Not reported

Additional Info:

Year: 1998
Gen EPA ID: CAH111000123

Shipment Date: 19981121
Creation Date: 1/13/1999 0:00:00
Receipt Date: 19981122
Manifest ID: 97410000
Trans EPA ID: CAL000113555
Trans Name: Not reported
Trans 2 EPA ID: Not reported
Trans 2 Name: Not reported
TSDf EPA ID: CAH111000474
Trans Name: Not reported
TSDf Alt EPA ID: Not reported
TSDf Alt Name: Not reported
Waste Code Description: 612 - Household waste
RCRA Code: Not reported
Meth Code: - Not reported
Quantity Tons: 0.5618
Waste Quantity: 0.6667
Quantity Unit: Y
Additional Code 1: Not reported
Additional Code 2: Not reported
Additional Code 3: Not reported
Additional Code 4: Not reported
Additional Code 5: Not reported

Shipment Date: 19981121
Creation Date: 1/13/1999 0:00:00
Receipt Date: 19981122
Manifest ID: 97410000
Trans EPA ID: CAL000113555

Map ID
Direction
Distance
Elevation

MAP FINDINGS

Site

Database(s)

EDR ID Number
EPA ID Number

SAN BERNARDINO COUNTY DEHS (Continued)

S113019781

Trans Name: Not reported
Trans 2 EPA ID: Not reported
Trans 2 Name: Not reported
TSDf EPA ID: CAH111000474
Trans Name: Not reported
TSDf Alt EPA ID: Not reported
TSDf Alt Name: Not reported
Waste Code Description: 612 - Household waste
RCRA Code: Not reported
Meth Code: - Not reported
Quantity Tons: 0.1251
Waste Quantity: 30
Quantity Unit: G
Additional Code 1: Not reported
Additional Code 2: Not reported
Additional Code 3: Not reported
Additional Code 4: Not reported
Additional Code 5: Not reported

Shipment Date: 19981121
Creation Date: 1/13/1999 0:00:00
Receipt Date: 19981122
Manifest ID: 97410000
Trans EPA ID: CAL000113555
Trans Name: Not reported
Trans 2 EPA ID: Not reported
Trans 2 Name: Not reported
TSDf EPA ID: CAH111000474
Trans Name: Not reported
TSDf Alt EPA ID: Not reported
TSDf Alt Name: Not reported
Waste Code Description: 612 - Household waste
RCRA Code: Not reported
Meth Code: - Not reported
Quantity Tons: 0.2809
Waste Quantity: 0.3333
Quantity Unit: Y
Additional Code 1: Not reported
Additional Code 2: Not reported
Additional Code 3: Not reported
Additional Code 4: Not reported
Additional Code 5: Not reported

Shipment Date: 19980425
Creation Date: 8/3/1998 0:00:00
Receipt Date: 19980426
Manifest ID: 97409762
Trans EPA ID: CAL000113555
Trans Name: Not reported
Trans 2 EPA ID: Not reported
Trans 2 Name: Not reported
TSDf EPA ID: CAH111000474
Trans Name: Not reported
TSDf Alt EPA ID: Not reported
TSDf Alt Name: Not reported
Waste Code Description: 612 - Household waste
RCRA Code: Not reported

Map ID
Direction
Distance
Elevation

MAP FINDINGS

Site

Database(s)

EDR ID Number
EPA ID Number

SAN BERNARDINO COUNTY DEHS (Continued)

S113019781

Meth Code: - Not reported
Quantity Tons: 0.2809
Waste Quantity: 0.3333
Quantity Unit: Y
Additional Code 1: Not reported
Additional Code 2: Not reported
Additional Code 3: Not reported
Additional Code 4: Not reported
Additional Code 5: Not reported

Shipment Date: 19980425
Creation Date: 8/3/1998 0:00:00
Receipt Date: 19980426
Manifest ID: 97409762
Trans EPA ID: CAL000113555
Trans Name: Not reported
Trans 2 EPA ID: Not reported
Trans 2 Name: Not reported
TSDf EPA ID: CAH111000474
Trans Name: Not reported
TSDf Alt EPA ID: Not reported
TSDf Alt Name: Not reported
Waste Code Description: 612 - Household waste
RCRA Code: Not reported
Meth Code: - Not reported
Quantity Tons: 0.2809
Waste Quantity: 0.3333
Quantity Unit: Y
Additional Code 1: Not reported
Additional Code 2: Not reported
Additional Code 3: Not reported
Additional Code 4: Not reported
Additional Code 5: Not reported

Shipment Date: 19980425
Creation Date: 8/3/1998 0:00:00
Receipt Date: 19980426
Manifest ID: 97409762
Trans EPA ID: CAL000113555
Trans Name: Not reported
Trans 2 EPA ID: Not reported
Trans 2 Name: Not reported
TSDf EPA ID: CAH111000474
Trans Name: Not reported
TSDf Alt EPA ID: Not reported
TSDf Alt Name: Not reported
Waste Code Description: 612 - Household waste
RCRA Code: Not reported
Meth Code: - Not reported
Quantity Tons: 0.2809
Waste Quantity: 0.3333
Quantity Unit: Y
Additional Code 1: Not reported
Additional Code 2: Not reported
Additional Code 3: Not reported
Additional Code 4: Not reported
Additional Code 5: Not reported

Map ID
Direction
Distance
Elevation

MAP FINDINGS

Site

Database(s)

EDR ID Number
EPA ID Number

SAN BERNARDINO COUNTY DEHS (Continued)

S113019781

Shipment Date: 19980425
Creation Date: Not reported
Receipt Date: Not reported
Manifest ID: 97409762
Trans EPA ID: CAL000113555
Trans Name: Not reported
Trans 2 EPA ID: Not reported
Trans 2 Name: Not reported
TSDf EPA ID: CAH111000474
Trans Name: Not reported
TSDf Alt EPA ID: Not reported
TSDf Alt Name: Not reported
Waste Code Description: 612 - Household waste
RCRA Code: Not reported
Meth Code: - Not reported
Quantity Tons: 0.2809
Waste Quantity: 0.3333
Quantity Unit: Y
Additional Code 1: Not reported
Additional Code 2: Not reported
Additional Code 3: Not reported
Additional Code 4: Not reported
Additional Code 5: Not reported

Shipment Date: 19980425
Creation Date: 8/3/1998 0:00:00
Receipt Date: 19980426
Manifest ID: 97409762
Trans EPA ID: CAL000113555
Trans Name: Not reported
Trans 2 EPA ID: Not reported
Trans 2 Name: Not reported
TSDf EPA ID: CAH111000474
Trans Name: Not reported
TSDf Alt EPA ID: Not reported
TSDf Alt Name: Not reported
Waste Code Description: 612 - Household waste
RCRA Code: Not reported
Meth Code: - Not reported
Quantity Tons: 0.2809
Waste Quantity: 0.3333
Quantity Unit: Y
Additional Code 1: Not reported
Additional Code 2: Not reported
Additional Code 3: Not reported
Additional Code 4: Not reported
Additional Code 5: Not reported

Additional Info:
Year: 2012
Gen EPA ID: CAH111000123

Shipment Date: 20121006
Creation Date: Not reported
Receipt Date: Not reported
Manifest ID: 001778075JJK
Trans EPA ID: CAL000272339

Map ID
Direction
Distance
Elevation

MAP FINDINGS

Site

Database(s)

EDR ID Number
EPA ID Number

SAN BERNARDINO COUNTY DEHS (Continued)

S113019781

Trans Name: SAN BERNARDINO COUNTY FIRE DEPARTMENT
Trans 2 EPA ID: Not reported
Trans 2 Name: Not reported
TSDf EPA ID: CAH111000474
Trans Name: SAN BERNARDINO COUNTY FIRE DEPARTMENT
TSDf Alt EPA ID: Not reported
TSDf Alt Name: Not reported
Waste Code Description: 612 - Household waste
RCRA Code: Not reported
Meth Code: - Not reported
Quantity Tons: 0.1251
Waste Quantity: 30
Quantity Unit: G
Additional Code 1: Not reported
Additional Code 2: Not reported
Additional Code 3: Not reported
Additional Code 4: Not reported
Additional Code 5: Not reported

Shipment Date: 20121006
Creation Date: 1/12/2013 22:15:35
Receipt Date: 20121006
Manifest ID: 001778075JJK
Trans EPA ID: CAL000272339
Trans Name: SAN BERNARDINO COUNTY FIRE DEPARTMENT
Trans 2 EPA ID: Not reported
Trans 2 Name: Not reported
TSDf EPA ID: CAH111000474
Trans Name: SAN BERNARDINO COUNTY FIRE DEPARTMENT
TSDf Alt EPA ID: Not reported
TSDf Alt Name: Not reported
Waste Code Description: 612 - Household waste
RCRA Code: Not reported
Meth Code: - Not reported
Quantity Tons: 0.075
Waste Quantity: 150
Quantity Unit: P
Additional Code 1: Not reported
Additional Code 2: Not reported
Additional Code 3: Not reported
Additional Code 4: Not reported
Additional Code 5: Not reported

Shipment Date: 20121006
Creation Date: 1/12/2013 22:15:35
Receipt Date: 20121006
Manifest ID: 001778075JJK
Trans EPA ID: CAL000272339
Trans Name: SAN BERNARDINO COUNTY FIRE DEPARTMENT
Trans 2 EPA ID: Not reported
Trans 2 Name: Not reported
TSDf EPA ID: CAH111000474
Trans Name: SAN BERNARDINO COUNTY FIRE DEPARTMENT
TSDf Alt EPA ID: Not reported
TSDf Alt Name: Not reported
Waste Code Description: 612 - Household waste
RCRA Code: Not reported

Map ID
Direction
Distance
Elevation

MAP FINDINGS

Site

Database(s)

EDR ID Number
EPA ID Number

SAN BERNARDINO COUNTY DEHS (Continued)

S113019781

Meth Code: - Not reported
Quantity Tons: 0.075
Waste Quantity: 150
Quantity Unit: P
Additional Code 1: Not reported
Additional Code 2: Not reported
Additional Code 3: Not reported
Additional Code 4: Not reported
Additional Code 5: Not reported

Shipment Date: 20121006
Creation Date: 1/12/2013 22:15:35
Receipt Date: 20121006
Manifest ID: 001778075JJK
Trans EPA ID: CAL000272339
Trans Name: SAN BERNARDINO COUNTY FIRE DEPARTMENT
Trans 2 EPA ID: Not reported
Trans 2 Name: Not reported
TSDf EPA ID: CAH111000474
Trans Name: SAN BERNARDINO COUNTY FIRE DEPARTMENT
TSDf Alt EPA ID: Not reported
TSDf Alt Name: Not reported
Waste Code Description: 612 - Household waste
RCRA Code: Not reported
Meth Code: - Not reported
Quantity Tons: 0.075
Waste Quantity: 150
Quantity Unit: P
Additional Code 1: Not reported
Additional Code 2: Not reported
Additional Code 3: Not reported
Additional Code 4: Not reported
Additional Code 5: Not reported

Shipment Date: 20121006
Creation Date: Not reported
Receipt Date: Not reported
Manifest ID: 001778075JJK
Trans EPA ID: CAL000272339
Trans Name: SAN BERNARDINO COUNTY FIRE DEPARTMENT
Trans 2 EPA ID: Not reported
Trans 2 Name: Not reported
TSDf EPA ID: CAH111000474
Trans Name: SAN BERNARDINO COUNTY FIRE DEPARTMENT
TSDf Alt EPA ID: Not reported
TSDf Alt Name: Not reported
Waste Code Description: 612 - Household waste
RCRA Code: Not reported
Meth Code: - Not reported
Quantity Tons: 0.025
Waste Quantity: 50
Quantity Unit: P
Additional Code 1: Not reported
Additional Code 2: Not reported
Additional Code 3: Not reported
Additional Code 4: Not reported
Additional Code 5: Not reported

Map ID
Direction
Distance
Elevation

MAP FINDINGS

Site

Database(s)

EDR ID Number
EPA ID Number

SAN BERNARDINO COUNTY DEHS (Continued)

S113019781

Shipment Date: 20121006
Creation Date: Not reported
Receipt Date: Not reported
Manifest ID: 001778075JJK
Trans EPA ID: CAL000272339
Trans Name: SAN BERNARDINO COUNTY FIRE DEPARTMENT
Trans 2 EPA ID: Not reported
Trans 2 Name: Not reported
TSDf EPA ID: CAH111000474
Trans Name: SAN BERNARDINO COUNTY FIRE DEPARTMENT
TSDf Alt EPA ID: Not reported
TSDf Alt Name: Not reported
Waste Code Description: 612 - Household waste
RCRA Code: Not reported
Meth Code: - Not reported
Quantity Tons: 0.0417
Waste Quantity: 10
Quantity Unit: G
Additional Code 1: Not reported
Additional Code 2: Not reported
Additional Code 3: Not reported
Additional Code 4: Not reported
Additional Code 5: Not reported

Shipment Date: 20121006
Creation Date: 1/12/2013 22:15:35
Receipt Date: 20121006
Manifest ID: 001778075JJK
Trans EPA ID: CAL000272339
Trans Name: SAN BERNARDINO COUNTY FIRE DEPARTMENT
Trans 2 EPA ID: Not reported
Trans 2 Name: Not reported
TSDf EPA ID: CAH111000474
Trans Name: SAN BERNARDINO COUNTY FIRE DEPARTMENT
TSDf Alt EPA ID: Not reported
TSDf Alt Name: Not reported
Waste Code Description: 612 - Household waste
RCRA Code: Not reported
Meth Code: - Not reported
Quantity Tons: 0.025
Waste Quantity: 50
Quantity Unit: P
Additional Code 1: Not reported
Additional Code 2: Not reported
Additional Code 3: Not reported
Additional Code 4: Not reported
Additional Code 5: Not reported

Shipment Date: 20120303
Creation Date: Not reported
Receipt Date: Not reported
Manifest ID: 001777758JJK
Trans EPA ID: CAL000272339
Trans Name: SAN BERNARDINO COUNTY FIRE DEPARTMENT
Trans 2 EPA ID: Not reported
Trans 2 Name: Not reported
TSDf EPA ID: CAH111000474

Map ID
Direction
Distance
Elevation

MAP FINDINGS

Site

Database(s)

EDR ID Number
EPA ID Number

SAN BERNARDINO COUNTY DEHS (Continued)

S113019781

Trans Name: SAN BERNARDINO COUNTY FIRE DEPARTMENT
TSDf Alt EPA ID: Not reported
TSDf Alt Name: Not reported
Waste Code Description: 612 - Household waste
RCRA Code: Not reported
Meth Code: - Not reported
Quantity Tons: 0.025
Waste Quantity: 50
Quantity Unit: P
Additional Code 1: Not reported
Additional Code 2: Not reported
Additional Code 3: Not reported
Additional Code 4: Not reported
Additional Code 5: Not reported

Shipment Date: 20120303
Creation Date: Not reported
Receipt Date: Not reported
Manifest ID: 001777758JJK
Trans EPA ID: CAL000272339
Trans Name: SAN BERNARDINO COUNTY FIRE DEPARTMENT
Trans 2 EPA ID: Not reported
Trans 2 Name: Not reported
TSDf EPA ID: CAH111000474
Trans Name: SAN BERNARDINO COUNTY FIRE DEPARTMENT
TSDf Alt EPA ID: Not reported
TSDf Alt Name: Not reported
Waste Code Description: 612 - Household waste
RCRA Code: Not reported
Meth Code: - Not reported
Quantity Tons: 0.2919
Waste Quantity: 70
Quantity Unit: G
Additional Code 1: Not reported
Additional Code 2: Not reported
Additional Code 3: Not reported
Additional Code 4: Not reported
Additional Code 5: Not reported

Shipment Date: 20120303
Creation Date: 7/19/2012 22:00:24
Receipt Date: 20120304
Manifest ID: 001777758JJK
Trans EPA ID: CAL000272339
Trans Name: SAN BERNARDINO COUNTY FIRE DEPARTMENT
Trans 2 EPA ID: Not reported
Trans 2 Name: Not reported
TSDf EPA ID: CAH111000474
Trans Name: SAN BERNARDINO COUNTY FIRE DEPARTMENT
TSDf Alt EPA ID: Not reported
TSDf Alt Name: Not reported
Waste Code Description: 612 - Household waste
RCRA Code: Not reported
Meth Code: - Not reported
Quantity Tons: 0.05
Waste Quantity: 100
Quantity Unit: P

Map ID
Direction
Distance
Elevation

MAP FINDINGS

Site

Database(s)

EDR ID Number
EPA ID Number

SAN BERNARDINO COUNTY DEHS (Continued)

S113019781

Additional Code 1: Not reported
Additional Code 2: Not reported
Additional Code 3: Not reported
Additional Code 4: Not reported
Additional Code 5: Not reported

Additional Info:

Year: 2003
Gen EPA ID: CAH111000123

Shipment Date: 20031018
Creation Date: 8/3/2004 15:03:33
Receipt Date: 20031019
Manifest ID: 22689441
Trans EPA ID: CAL000272339
Trans Name: SAN BERNARDINO COUNTY FIRE DEPARTMENT
Trans 2 EPA ID: Not reported
Trans 2 Name: Not reported
TSDf EPA ID: CAH111000474
Trans Name: SAN BERNARDINO COUNTY FIRE DEPARTMENT
TSDf Alt EPA ID: Not reported
TSDf Alt Name: Not reported
Waste Code Description: 612 - Household waste
RCRA Code: Not reported
Meth Code: - Not reported
Quantity Tons: 0.02085
Waste Quantity: 5
Quantity Unit: G
Additional Code 1: Not reported
Additional Code 2: Not reported
Additional Code 3: Not reported
Additional Code 4: Not reported
Additional Code 5: Not reported

Shipment Date: 20031018
Creation Date: 8/3/2004 15:03:33
Receipt Date: 20031019
Manifest ID: 22689441
Trans EPA ID: CAL000272339
Trans Name: SAN BERNARDINO COUNTY FIRE DEPARTMENT
Trans 2 EPA ID: Not reported
Trans 2 Name: Not reported
TSDf EPA ID: CAH111000474
Trans Name: SAN BERNARDINO COUNTY FIRE DEPARTMENT
TSDf Alt EPA ID: Not reported
TSDf Alt Name: Not reported
Waste Code Description: 612 - Household waste
RCRA Code: Not reported
Meth Code: - Not reported
Quantity Tons: 0.2107
Waste Quantity: 0.25
Quantity Unit: Y
Additional Code 1: Not reported
Additional Code 2: Not reported
Additional Code 3: Not reported
Additional Code 4: Not reported
Additional Code 5: Not reported

Map ID
Direction
Distance
Elevation

MAP FINDINGS

Site

Database(s)

EDR ID Number
EPA ID Number

SAN BERNARDINO COUNTY DEHS (Continued)

S113019781

Shipment Date: 20031018
Creation Date: 8/3/2004 15:03:33
Receipt Date: 20031019
Manifest ID: 22689441
Trans EPA ID: CAL000272339
Trans Name: SAN BERNARDINO COUNTY FIRE DEPARTMENT
Trans 2 EPA ID: Not reported
Trans 2 Name: Not reported
TSDf EPA ID: CAH111000474
Trans Name: SAN BERNARDINO COUNTY FIRE DEPARTMENT
TSDf Alt EPA ID: Not reported
TSDf Alt Name: Not reported
Waste Code Description: 612 - Household waste
RCRA Code: Not reported
Meth Code: - Not reported
Quantity Tons: 0.2107
Waste Quantity: 0.25
Quantity Unit: Y
Additional Code 1: Not reported
Additional Code 2: Not reported
Additional Code 3: Not reported
Additional Code 4: Not reported
Additional Code 5: Not reported

Shipment Date: 20031018
Creation Date: 8/3/2004 15:03:33
Receipt Date: 20031019
Manifest ID: 22689441
Trans EPA ID: CAL000272339
Trans Name: SAN BERNARDINO COUNTY FIRE DEPARTMENT
Trans 2 EPA ID: Not reported
Trans 2 Name: Not reported
TSDf EPA ID: CAH111000474
Trans Name: SAN BERNARDINO COUNTY FIRE DEPARTMENT
TSDf Alt EPA ID: Not reported
TSDf Alt Name: Not reported
Waste Code Description: 612 - Household waste
RCRA Code: Not reported
Meth Code: - Not reported
Quantity Tons: 0.14595
Waste Quantity: 35
Quantity Unit: G
Additional Code 1: Not reported
Additional Code 2: Not reported
Additional Code 3: Not reported
Additional Code 4: Not reported
Additional Code 5: Not reported

Shipment Date: 20030322
Creation Date: 1/5/2007 18:30:36
Receipt Date: 20030323
Manifest ID: 22689304
Trans EPA ID: CAL000113555
Trans Name: Not reported
Trans 2 EPA ID: Not reported
Trans 2 Name: Not reported
TSDf EPA ID: CAH111000474

Map ID
Direction
Distance
Elevation

MAP FINDINGS

Site

Database(s)

EDR ID Number
EPA ID Number

SAN BERNARDINO COUNTY DEHS (Continued)

S113019781

Trans Name: Not reported
TSDf Alt EPA ID: Not reported
TSDf Alt Name: Not reported
Waste Code Description: 612 - Household waste
RCRA Code: Not reported
Meth Code: - Not reported
Quantity Tons: 0.10535
Waste Quantity: 0.125
Quantity Unit: Y
Additional Code 1: Not reported
Additional Code 2: Not reported
Additional Code 3: Not reported
Additional Code 4: Not reported
Additional Code 5: Not reported

Shipment Date: 20030322
Creation Date: 1/5/2007 18:30:36
Receipt Date: 20030323
Manifest ID: 22689304
Trans EPA ID: CAL000113555
Trans Name: Not reported
Trans 2 EPA ID: Not reported
Trans 2 Name: Not reported
TSDf EPA ID: CAH111000474
Trans Name: Not reported
TSDf Alt EPA ID: Not reported
TSDf Alt Name: Not reported
Waste Code Description: 612 - Household waste
RCRA Code: Not reported
Meth Code: - Not reported
Quantity Tons: 0.2107
Waste Quantity: 0.25
Quantity Unit: Y
Additional Code 1: Not reported
Additional Code 2: Not reported
Additional Code 3: Not reported
Additional Code 4: Not reported
Additional Code 5: Not reported

Shipment Date: 20030322
Creation Date: 1/5/2007 18:30:36
Receipt Date: 20030323
Manifest ID: 22689304
Trans EPA ID: CAL000113555
Trans Name: Not reported
Trans 2 EPA ID: Not reported
Trans 2 Name: Not reported
TSDf EPA ID: CAH111000474
Trans Name: Not reported
TSDf Alt EPA ID: Not reported
TSDf Alt Name: Not reported
Waste Code Description: 612 - Household waste
RCRA Code: Not reported
Meth Code: - Not reported
Quantity Tons: 0.2107
Waste Quantity: 0.25
Quantity Unit: Y

Map ID
Direction
Distance
Elevation

MAP FINDINGS

Site

Database(s)

EDR ID Number
EPA ID Number

SAN BERNARDINO COUNTY DEHS (Continued)

S113019781

Additional Code 1:	Not reported
Additional Code 2:	Not reported
Additional Code 3:	Not reported
Additional Code 4:	Not reported
Additional Code 5:	Not reported
Shipment Date:	20030322
Creation Date:	1/5/2007 18:30:36
Receipt Date:	20030323
Manifest ID:	22689304
Trans EPA ID:	CAL000113555
Trans Name:	Not reported
Trans 2 EPA ID:	Not reported
Trans 2 Name:	Not reported
TSDf EPA ID:	CAH111000474
Trans Name:	Not reported
TSDf Alt EPA ID:	Not reported
TSDf Alt Name:	Not reported
Waste Code Description:	612 - Household waste
RCRA Code:	Not reported
Meth Code:	- Not reported
Quantity Tons:	0.14595
Waste Quantity:	35
Quantity Unit:	G
Additional Code 1:	Not reported
Additional Code 2:	Not reported
Additional Code 3:	Not reported
Additional Code 4:	Not reported
Additional Code 5:	Not reported
Additional Info:	
Year:	2017
Gen EPA ID:	CAH111000123
Shipment Date:	20171007
Creation Date:	Not reported
Receipt Date:	Not reported
Manifest ID:	011183829FLE
Trans EPA ID:	CAL000272339
Trans Name:	SAN BERNARDINO COUNTY FIRE DEPARTMENT
Trans 2 EPA ID:	Not reported
Trans 2 Name:	Not reported
TSDf EPA ID:	CAH111000474
Trans Name:	SAN BERNARDINO COUNTY FIRE DEPARTMENT
TSDf Alt EPA ID:	Not reported
TSDf Alt Name:	Not reported
Waste Code Description:	612 - Household waste
RCRA Code:	Not reported
Meth Code:	H141 - Storage, Bulking, And/Or Transfer Off Site--No Treatment/Reovery (H010-H129) Or (H131-H135)
Quantity Tons:	0.10425
Waste Quantity:	25
Quantity Unit:	G
Additional Code 1:	Not reported
Additional Code 2:	Not reported
Additional Code 3:	Not reported
Additional Code 4:	Not reported

Map ID
Direction
Distance
Elevation

MAP FINDINGS

Site

Database(s)

EDR ID Number
EPA ID Number

SAN BERNARDINO COUNTY DEHS (Continued)

S113019781

Additional Code 5:	Not reported
Shipment Date:	20171007
Creation Date:	Not reported
Receipt Date:	Not reported
Manifest ID:	011183829FLE
Trans EPA ID:	CAL000272339
Trans Name:	SAN BERNARDINO COUNTY FIRE DEPARTMENT
Trans 2 EPA ID:	Not reported
Trans 2 Name:	Not reported
TSDf EPA ID:	CAH111000474
Trans Name:	SAN BERNARDINO COUNTY FIRE DEPARTMENT
TSDf Alt EPA ID:	Not reported
TSDf Alt Name:	Not reported
Waste Code Description:	612 - Household waste
RCRA Code:	Not reported
Meth Code:	H141 - Storage, Bulking, And/Or Transfer Off Site--No Treatment/Reovery (H010-H129) Or (H131-H135)
Quantity Tons:	0.3336
Waste Quantity:	80
Quantity Unit:	G
Additional Code 1:	Not reported
Additional Code 2:	Not reported
Additional Code 3:	Not reported
Additional Code 4:	Not reported
Additional Code 5:	Not reported
Shipment Date:	20171007
Creation Date:	Not reported
Receipt Date:	Not reported
Manifest ID:	011183829FLE
Trans EPA ID:	CAL000272339
Trans Name:	SAN BERNARDINO COUNTY FIRE DEPARTMENT
Trans 2 EPA ID:	Not reported
Trans 2 Name:	Not reported
TSDf EPA ID:	CAH111000474
Trans Name:	SAN BERNARDINO COUNTY FIRE DEPARTMENT
TSDf Alt EPA ID:	Not reported
TSDf Alt Name:	Not reported
Waste Code Description:	612 - Household waste
RCRA Code:	Not reported
Meth Code:	H141 - Storage, Bulking, And/Or Transfer Off Site--No Treatment/Reovery (H010-H129) Or (H131-H135)
Quantity Tons:	0.04
Waste Quantity:	80
Quantity Unit:	P
Additional Code 1:	Not reported
Additional Code 2:	Not reported
Additional Code 3:	Not reported
Additional Code 4:	Not reported
Additional Code 5:	Not reported
Shipment Date:	20171007
Creation Date:	11/1/2018 18:30:19
Receipt Date:	20171008
Manifest ID:	011183829FLE
Trans EPA ID:	CAL000272339

Map ID
Direction
Distance
Elevation

MAP FINDINGS

Site

Database(s)

EDR ID Number
EPA ID Number

SAN BERNARDINO COUNTY DEHS (Continued)

S113019781

Trans Name:	SAN BERNARDINO COUNTY FIRE DEPARTMENT
Trans 2 EPA ID:	Not reported
Trans 2 Name:	Not reported
TSDf EPA ID:	CAH111000474
Trans Name:	SAN BERNARDINO COUNTY FIRE DEPARTMENT
TSDf Alt EPA ID:	Not reported
TSDf Alt Name:	Not reported
Waste Code Description:	612 - Household waste
RCRA Code:	Not reported
Meth Code:	H141 - Storage, Bulking, And/Or Transfer Off Site--No Treatment/Reovery (H010-H129) Or (H131-H135)
Quantity Tons:	0.2
Waste Quantity:	400
Quantity Unit:	P
Additional Code 1:	Not reported
Additional Code 2:	Not reported
Additional Code 3:	Not reported
Additional Code 4:	Not reported
Additional Code 5:	Not reported
Shipment Date:	20171007
Creation Date:	11/1/2018 18:30:19
Receipt Date:	20171008
Manifest ID:	011183829FLE
Trans EPA ID:	CAL000272339
Trans Name:	SAN BERNARDINO COUNTY FIRE DEPARTMENT
Trans 2 EPA ID:	Not reported
Trans 2 Name:	Not reported
TSDf EPA ID:	CAH111000474
Trans Name:	SAN BERNARDINO COUNTY FIRE DEPARTMENT
TSDf Alt EPA ID:	Not reported
TSDf Alt Name:	Not reported
Waste Code Description:	612 - Household waste
RCRA Code:	Not reported
Meth Code:	H141 - Storage, Bulking, And/Or Transfer Off Site--No Treatment/Reovery (H010-H129) Or (H131-H135)
Quantity Tons:	0.075
Waste Quantity:	150
Quantity Unit:	P
Additional Code 1:	Not reported
Additional Code 2:	Not reported
Additional Code 3:	Not reported
Additional Code 4:	Not reported
Additional Code 5:	Not reported
Shipment Date:	20171007
Creation Date:	11/1/2018 18:30:19
Receipt Date:	20171008
Manifest ID:	011183829FLE
Trans EPA ID:	CAL000272339
Trans Name:	SAN BERNARDINO COUNTY FIRE DEPARTMENT
Trans 2 EPA ID:	Not reported
Trans 2 Name:	Not reported
TSDf EPA ID:	CAH111000474
Trans Name:	SAN BERNARDINO COUNTY FIRE DEPARTMENT
TSDf Alt EPA ID:	Not reported
TSDf Alt Name:	Not reported

Map ID
Direction
Distance
Elevation

MAP FINDINGS

Site

Database(s)

EDR ID Number
EPA ID Number

SAN BERNARDINO COUNTY DEHS (Continued)

S113019781

Waste Code Description: 612 - Household waste
RCRA Code: Not reported
Meth Code: H141 - Storage, Bulking, And/Or Transfer Off Site--No Treatment/Reovery (H010-H129) Or (H131-H135)
Quantity Tons: 0.05
Waste Quantity: 100
Quantity Unit: P
Additional Code 1: Not reported
Additional Code 2: Not reported
Additional Code 3: Not reported
Additional Code 4: Not reported
Additional Code 5: Not reported
Shipment Date: 20171007
Creation Date: Not reported
Receipt Date: Not reported
Manifest ID: 011183829FLE
Trans EPA ID: CAL000272339
Trans Name: SAN BERNARDINO COUNTY FIRE DEPARTMENT
Trans 2 EPA ID: Not reported
Trans 2 Name: Not reported
TSDf EPA ID: CAH111000474
Trans Name: SAN BERNARDINO COUNTY FIRE DEPARTMENT
TSDf Alt EPA ID: Not reported
TSDf Alt Name: Not reported
Waste Code Description: 612 - Household waste
RCRA Code: Not reported
Meth Code: H141 - Storage, Bulking, And/Or Transfer Off Site--No Treatment/Reovery (H010-H129) Or (H131-H135)
Quantity Tons: 0.05
Waste Quantity: 100
Quantity Unit: P
Additional Code 1: Not reported
Additional Code 2: Not reported
Additional Code 3: Not reported
Additional Code 4: Not reported
Additional Code 5: Not reported
Shipment Date: 20170304
Creation Date: Not reported
Receipt Date: Not reported
Manifest ID: 009053227FLE
Trans EPA ID: CAL000272339
Trans Name: SAN BERNARDINO COUNTY FIRE DEPARTMENT
Trans 2 EPA ID: Not reported
Trans 2 Name: Not reported
TSDf EPA ID: CAH111000474
Trans Name: SAN BERNARDINO COUNTY FIRE DEPARTMENT
TSDf Alt EPA ID: Not reported
TSDf Alt Name: Not reported
Waste Code Description: 612 - Household waste
RCRA Code: Not reported
Meth Code: H141 - Storage, Bulking, And/Or Transfer Off Site--No Treatment/Reovery (H010-H129) Or (H131-H135)
Quantity Tons: 0.3336
Waste Quantity: 80
Quantity Unit: G

Map ID
Direction
Distance
Elevation

MAP FINDINGS

Site

Database(s)

EDR ID Number
EPA ID Number

SAN BERNARDINO COUNTY DEHS (Continued)

S113019781

Additional Code 1:	Not reported
Additional Code 2:	Not reported
Additional Code 3:	Not reported
Additional Code 4:	Not reported
Additional Code 5:	Not reported
Shipment Date:	20170304
Creation Date:	Not reported
Receipt Date:	Not reported
Manifest ID:	009053227FLE
Trans EPA ID:	CAL000272339
Trans Name:	SAN BERNARDINO COUNTY FIRE DEPARTMENT
Trans 2 EPA ID:	Not reported
Trans 2 Name:	Not reported
TSDf EPA ID:	CAH111000474
Trans Name:	SAN BERNARDINO COUNTY FIRE DEPARTMENT
TSDf Alt EPA ID:	Not reported
TSDf Alt Name:	Not reported
Waste Code Description:	612 - Household waste
RCRA Code:	Not reported
Meth Code:	H141 - Storage, Bulking, And/Or Transfer Off Site--No Treatment/Reovery (H010-H129) Or (H131-H135)
Quantity Tons:	0.02085
Waste Quantity:	5
Quantity Unit:	G
Additional Code 1:	Not reported
Additional Code 2:	Not reported
Additional Code 3:	Not reported
Additional Code 4:	Not reported
Additional Code 5:	Not reported
Shipment Date:	20170304
Creation Date:	Not reported
Receipt Date:	Not reported
Manifest ID:	009053227FLE
Trans EPA ID:	CAL000272339
Trans Name:	SAN BERNARDINO COUNTY FIRE DEPARTMENT
Trans 2 EPA ID:	Not reported
Trans 2 Name:	Not reported
TSDf EPA ID:	CAH111000474
Trans Name:	SAN BERNARDINO COUNTY FIRE DEPARTMENT
TSDf Alt EPA ID:	Not reported
TSDf Alt Name:	Not reported
Waste Code Description:	612 - Household waste
RCRA Code:	Not reported
Meth Code:	H141 - Storage, Bulking, And/Or Transfer Off Site--No Treatment/Reovery (H010-H129) Or (H131-H135)
Quantity Tons:	0.0125
Waste Quantity:	25
Quantity Unit:	P
Additional Code 1:	Not reported
Additional Code 2:	Not reported
Additional Code 3:	Not reported
Additional Code 4:	Not reported
Additional Code 5:	Not reported

Map ID
Direction
Distance
Elevation

MAP FINDINGS

Site

Database(s)

EDR ID Number
EPA ID Number

SAN BERNARDINO COUNTY DEHS (Continued)

S113019781

Additional Info:

Year: 1996
Gen EPA ID: CAH111000123

Shipment Date: 19961102
Creation Date: 5/20/1997 0:00:00
Receipt Date: 19961104
Manifest ID: 95872774
Trans EPA ID: CAL000113555
Trans Name: Not reported
Trans 2 EPA ID: Not reported
Trans 2 Name: Not reported
TSDf EPA ID: CAH111000474
Trans Name: Not reported
TSDf Alt EPA ID: Not reported
TSDf Alt Name: Not reported
Waste Code Description: 612 - Household waste
RCRA Code: Not reported
Meth Code: - Not reported
Quantity Tons: 0.4214
Waste Quantity: 0.5
Quantity Unit: Y
Additional Code 1: Not reported
Additional Code 2: Not reported
Additional Code 3: Not reported
Additional Code 4: Not reported
Additional Code 5: Not reported

Shipment Date: 19961102
Creation Date: 5/20/1997 0:00:00
Receipt Date: 19961104
Manifest ID: 95872774
Trans EPA ID: CAL000113555
Trans Name: Not reported
Trans 2 EPA ID: Not reported
Trans 2 Name: Not reported
TSDf EPA ID: CAH111000474
Trans Name: Not reported
TSDf Alt EPA ID: Not reported
TSDf Alt Name: Not reported
Waste Code Description: 612 - Household waste
RCRA Code: Not reported
Meth Code: - Not reported
Quantity Tons: 0.1668
Waste Quantity: 40
Quantity Unit: G
Additional Code 1: Not reported
Additional Code 2: Not reported
Additional Code 3: Not reported
Additional Code 4: Not reported
Additional Code 5: Not reported

Shipment Date: 19961102
Creation Date: 5/20/1997 0:00:00
Receipt Date: 19961104
Manifest ID: 95872774
Trans EPA ID: CAL000113555

Map ID
Direction
Distance
Elevation

MAP FINDINGS

Site

Database(s)

EDR ID Number
EPA ID Number

SAN BERNARDINO COUNTY DEHS (Continued)

S113019781

Trans Name:	Not reported
Trans 2 EPA ID:	Not reported
Trans 2 Name:	Not reported
TSDf EPA ID:	CAH111000474
Trans Name:	Not reported
TSDf Alt EPA ID:	Not reported
TSDf Alt Name:	Not reported
Waste Code Description:	612 - Household waste
RCRA Code:	Not reported
Meth Code:	- Not reported
Quantity Tons:	0.2809
Waste Quantity:	0.3333
Quantity Unit:	Y
Additional Code 1:	Not reported
Additional Code 2:	Not reported
Additional Code 3:	Not reported
Additional Code 4:	Not reported
Additional Code 5:	Not reported
Additional Info:	
Year:	2011
Gen EPA ID:	CAH111000123
Shipment Date:	20110305
Creation Date:	Not reported
Receipt Date:	Not reported
Manifest ID:	001776682JJK
Trans EPA ID:	CAL000272339
Trans Name:	SAN BERNARDINO COUNTY FIRE DEPARTMENT
Trans 2 EPA ID:	Not reported
Trans 2 Name:	Not reported
TSDf EPA ID:	CAH111000474
Trans Name:	SAN BERNARDINO COUNTY FIRE DEPARTMENT
TSDf Alt EPA ID:	Not reported
TSDf Alt Name:	Not reported
Waste Code Description:	612 - Household waste
RCRA Code:	Not reported
Meth Code:	- Not reported
Quantity Tons:	0.14595
Waste Quantity:	35
Quantity Unit:	G
Additional Code 1:	Not reported
Additional Code 2:	Not reported
Additional Code 3:	Not reported
Additional Code 4:	Not reported
Additional Code 5:	Not reported
Shipment Date:	20110305
Creation Date:	4/22/2011 18:31:02
Receipt Date:	20110305
Manifest ID:	001776682JJK
Trans EPA ID:	CAL000272339
Trans Name:	SAN BERNARDINO COUNTY FIRE DEPARTMENT
Trans 2 EPA ID:	Not reported
Trans 2 Name:	Not reported
TSDf EPA ID:	CAH111000474
Trans Name:	SAN BERNARDINO COUNTY FIRE DEPARTMENT

Map ID
Direction
Distance
Elevation

MAP FINDINGS

Site

Database(s)

EDR ID Number
EPA ID Number

SAN BERNARDINO COUNTY DEHS (Continued)

S113019781

TSDf Alt EPA ID:	Not reported
TSDf Alt Name:	Not reported
Waste Code Description:	612 - Household waste
RCRA Code:	Not reported
Meth Code:	- Not reported
Quantity Tons:	0.01
Waste Quantity:	20
Quantity Unit:	P
Additional Code 1:	Not reported
Additional Code 2:	Not reported
Additional Code 3:	Not reported
Additional Code 4:	Not reported
Additional Code 5:	Not reported
Shipment Date:	20110305
Creation Date:	4/22/2011 18:31:02
Receipt Date:	20110305
Manifest ID:	001776682JJK
Trans EPA ID:	CAL000272339
Trans Name:	SAN BERNARDINO COUNTY FIRE DEPARTMENT
Trans 2 EPA ID:	Not reported
Trans 2 Name:	Not reported
TSDf EPA ID:	CAH111000474
Trans Name:	SAN BERNARDINO COUNTY FIRE DEPARTMENT
TSDf Alt EPA ID:	Not reported
TSDf Alt Name:	Not reported
Waste Code Description:	612 - Household waste
RCRA Code:	Not reported
Meth Code:	- Not reported
Quantity Tons:	0.05
Waste Quantity:	100
Quantity Unit:	P
Additional Code 1:	Not reported
Additional Code 2:	Not reported
Additional Code 3:	Not reported
Additional Code 4:	Not reported
Additional Code 5:	Not reported
Shipment Date:	20110305
Creation Date:	4/22/2011 18:31:02
Receipt Date:	20110305
Manifest ID:	001776682JJK
Trans EPA ID:	CAL000272339
Trans Name:	SAN BERNARDINO COUNTY FIRE DEPARTMENT
Trans 2 EPA ID:	Not reported
Trans 2 Name:	Not reported
TSDf EPA ID:	CAH111000474
Trans Name:	SAN BERNARDINO COUNTY FIRE DEPARTMENT
TSDf Alt EPA ID:	Not reported
TSDf Alt Name:	Not reported
Waste Code Description:	612 - Household waste
RCRA Code:	Not reported
Meth Code:	- Not reported
Quantity Tons:	0.1
Waste Quantity:	200
Quantity Unit:	P
Additional Code 1:	Not reported

Map ID
Direction
Distance
Elevation

MAP FINDINGS

Site

Database(s)

EDR ID Number
EPA ID Number

SAN BERNARDINO COUNTY DEHS (Continued)

S113019781

Additional Code 2:	Not reported
Additional Code 3:	Not reported
Additional Code 4:	Not reported
Additional Code 5:	Not reported
Shipment Date:	20110305
Creation Date:	4/22/2011 18:31:02
Receipt Date:	20110305
Manifest ID:	001776682JJK
Trans EPA ID:	CAL000272339
Trans Name:	SAN BERNARDINO COUNTY FIRE DEPARTMENT
Trans 2 EPA ID:	Not reported
Trans 2 Name:	Not reported
TSDf EPA ID:	CAH111000474
Trans Name:	SAN BERNARDINO COUNTY FIRE DEPARTMENT
TSDf Alt EPA ID:	Not reported
TSDf Alt Name:	Not reported
Waste Code Description:	612 - Household waste
RCRA Code:	Not reported
Meth Code:	- Not reported
Quantity Tons:	0.01
Waste Quantity:	20
Quantity Unit:	P
Additional Code 1:	Not reported
Additional Code 2:	Not reported
Additional Code 3:	Not reported
Additional Code 4:	Not reported
Additional Code 5:	Not reported
Additional Info:	
Year:	2008
Gen EPA ID:	CAH111000123
Shipment Date:	20081004
Creation Date:	11/14/2008 18:30:08
Receipt Date:	20081004
Manifest ID:	000637308JJK
Trans EPA ID:	CAL000272339
Trans Name:	SAN BERNARDINO COUNTY FIRE DEPARTMENT
Trans 2 EPA ID:	Not reported
Trans 2 Name:	Not reported
TSDf EPA ID:	CAH111000474
Trans Name:	SAN BERNARDINO COUNTY FIRE DEPARTMENT
TSDf Alt EPA ID:	Not reported
TSDf Alt Name:	Not reported
Waste Code Description:	612 - Household waste
RCRA Code:	Not reported
Meth Code:	- Not reported
Quantity Tons:	0.05
Waste Quantity:	100
Quantity Unit:	P
Additional Code 1:	Not reported
Additional Code 2:	Not reported
Additional Code 3:	Not reported
Additional Code 4:	Not reported
Additional Code 5:	Not reported

Map ID
Direction
Distance
Elevation

MAP FINDINGS

Site

Database(s)

EDR ID Number
EPA ID Number

SAN BERNARDINO COUNTY DEHS (Continued)

S113019781

Shipment Date: 20081004
Creation Date: Not reported
Receipt Date: Not reported
Manifest ID: 000637308JJK
Trans EPA ID: CAL000272339
Trans Name: SAN BERNARDINO COUNTY FIRE DEPARTMENT
Trans 2 EPA ID: Not reported
Trans 2 Name: Not reported
TSDf EPA ID: CAH111000474
Trans Name: SAN BERNARDINO COUNTY FIRE DEPARTMENT
TSDf Alt EPA ID: Not reported
TSDf Alt Name: Not reported
Waste Code Description: 612 - Household waste
RCRA Code: Not reported
Meth Code: - Not reported
Quantity Tons: 0.1251
Waste Quantity: 30
Quantity Unit: G
Additional Code 1: Not reported
Additional Code 2: Not reported
Additional Code 3: Not reported
Additional Code 4: Not reported
Additional Code 5: Not reported

Shipment Date: 20081004
Creation Date: Not reported
Receipt Date: Not reported
Manifest ID: 000637308JJK
Trans EPA ID: CAL000272339
Trans Name: SAN BERNARDINO COUNTY FIRE DEPARTMENT
Trans 2 EPA ID: Not reported
Trans 2 Name: Not reported
TSDf EPA ID: CAH111000474
Trans Name: SAN BERNARDINO COUNTY FIRE DEPARTMENT
TSDf Alt EPA ID: Not reported
TSDf Alt Name: Not reported
Waste Code Description: 612 - Household waste
RCRA Code: Not reported
Meth Code: - Not reported
Quantity Tons: 0.05
Waste Quantity: 100
Quantity Unit: P
Additional Code 1: Not reported
Additional Code 2: Not reported
Additional Code 3: Not reported
Additional Code 4: Not reported
Additional Code 5: Not reported

Shipment Date: 20081004
Creation Date: Not reported
Receipt Date: Not reported
Manifest ID: 000637308JJK
Trans EPA ID: CAL000272339
Trans Name: SAN BERNARDINO COUNTY FIRE DEPARTMENT
Trans 2 EPA ID: Not reported
Trans 2 Name: Not reported
TSDf EPA ID: CAH111000474

Map ID
Direction
Distance
Elevation

MAP FINDINGS

Site

Database(s)

EDR ID Number
EPA ID Number

SAN BERNARDINO COUNTY DEHS (Continued)

S113019781

Trans Name: SAN BERNARDINO COUNTY FIRE DEPARTMENT
TSDf Alt EPA ID: Not reported
TSDf Alt Name: Not reported
Waste Code Description: 612 - Household waste
RCRA Code: Not reported
Meth Code: - Not reported
Quantity Tons: 0.0417
Waste Quantity: 10
Quantity Unit: G
Additional Code 1: Not reported
Additional Code 2: Not reported
Additional Code 3: Not reported
Additional Code 4: Not reported
Additional Code 5: Not reported

Shipment Date: 20081004
Creation Date: 11/14/2008 18:30:08
Receipt Date: 20081004
Manifest ID: 000637308JJK
Trans EPA ID: CAL000272339
Trans Name: SAN BERNARDINO COUNTY FIRE DEPARTMENT
Trans 2 EPA ID: Not reported
Trans 2 Name: Not reported
TSDf EPA ID: CAH111000474
Trans Name: SAN BERNARDINO COUNTY FIRE DEPARTMENT
TSDf Alt EPA ID: Not reported
TSDf Alt Name: Not reported
Waste Code Description: 612 - Household waste
RCRA Code: Not reported
Meth Code: - Not reported
Quantity Tons: 0.05
Waste Quantity: 100
Quantity Unit: P
Additional Code 1: Not reported
Additional Code 2: Not reported
Additional Code 3: Not reported
Additional Code 4: Not reported
Additional Code 5: Not reported

Shipment Date: 20081004
Creation Date: 11/14/2008 18:30:08
Receipt Date: 20081004
Manifest ID: 000637308JJK
Trans EPA ID: CAL000272339
Trans Name: SAN BERNARDINO COUNTY FIRE DEPARTMENT
Trans 2 EPA ID: Not reported
Trans 2 Name: Not reported
TSDf EPA ID: CAH111000474
Trans Name: SAN BERNARDINO COUNTY FIRE DEPARTMENT
TSDf Alt EPA ID: Not reported
TSDf Alt Name: Not reported
Waste Code Description: 612 - Household waste
RCRA Code: Not reported
Meth Code: - Not reported
Quantity Tons: 0.1
Waste Quantity: 200
Quantity Unit: P

Map ID
Direction
Distance
Elevation

MAP FINDINGS

Site

Database(s)

EDR ID Number
EPA ID Number

SAN BERNARDINO COUNTY DEHS (Continued)

S113019781

Additional Code 1:	Not reported
Additional Code 2:	Not reported
Additional Code 3:	Not reported
Additional Code 4:	Not reported
Additional Code 5:	Not reported
Shipment Date:	20081004
Creation Date:	11/14/2008 18:30:08
Receipt Date:	20081004
Manifest ID:	000637308JJK
Trans EPA ID:	CAL000272339
Trans Name:	SAN BERNARDINO COUNTY FIRE DEPARTMENT
Trans 2 EPA ID:	Not reported
Trans 2 Name:	Not reported
TSDf EPA ID:	CAH111000474
Trans Name:	SAN BERNARDINO COUNTY FIRE DEPARTMENT
TSDf Alt EPA ID:	Not reported
TSDf Alt Name:	Not reported
Waste Code Description:	612 - Household waste
RCRA Code:	Not reported
Meth Code:	- Not reported
Quantity Tons:	0.025
Waste Quantity:	50
Quantity Unit:	P
Additional Code 1:	Not reported
Additional Code 2:	Not reported
Additional Code 3:	Not reported
Additional Code 4:	Not reported
Additional Code 5:	Not reported
Shipment Date:	20080301
Creation Date:	4/3/2008 18:30:29
Receipt Date:	20080302
Manifest ID:	000636497JJK
Trans EPA ID:	CAL000272339
Trans Name:	SAN BERNARDINO COUNTY FIRE DEPARTMENT
Trans 2 EPA ID:	Not reported
Trans 2 Name:	Not reported
TSDf EPA ID:	CAH111000474
Trans Name:	SAN BERNARDINO COUNTY FIRE DEPARTMENT
TSDf Alt EPA ID:	Not reported
TSDf Alt Name:	Not reported
Waste Code Description:	612 - Household waste
RCRA Code:	Not reported
Meth Code:	- Not reported
Quantity Tons:	0.22935
Waste Quantity:	55
Quantity Unit:	G
Additional Code 1:	Not reported
Additional Code 2:	Not reported
Additional Code 3:	Not reported
Additional Code 4:	Not reported
Additional Code 5:	Not reported
Shipment Date:	20080301
Creation Date:	4/3/2008 18:30:29
Receipt Date:	20080302

Map ID
Direction
Distance
Elevation

MAP FINDINGS

Site

Database(s)

EDR ID Number
EPA ID Number

SAN BERNARDINO COUNTY DEHS (Continued)

S113019781

Manifest ID: 000636497JJK
Trans EPA ID: CAL000272339
Trans Name: SAN BERNARDINO COUNTY FIRE DEPARTMENT
Trans 2 EPA ID: Not reported
Trans 2 Name: Not reported
TSDf EPA ID: CAH111000474
Trans Name: SAN BERNARDINO COUNTY FIRE DEPARTMENT
TSDf Alt EPA ID: Not reported
TSDf Alt Name: Not reported
Waste Code Description: 612 - Household waste
RCRA Code: Not reported
Meth Code: - Not reported
Quantity Tons: 0.0834
Waste Quantity: 20
Quantity Unit: G
Additional Code 1: Not reported
Additional Code 2: Not reported
Additional Code 3: Not reported
Additional Code 4: Not reported
Additional Code 5: Not reported

Additional Info:

Year: 2004
Gen EPA ID: CAH111000123

Shipment Date: 20040327
Creation Date: 8/23/2004 8:30:10
Receipt Date: 20040328
Manifest ID: 22689496
Trans EPA ID: CAL000272339
Trans Name: SAN BERNARDINO COUNTY FIRE DEPARTMENT
Trans 2 EPA ID: Not reported
Trans 2 Name: Not reported
TSDf EPA ID: CAH111000474
Trans Name: SAN BERNARDINO COUNTY FIRE DEPARTMENT
TSDf Alt EPA ID: Not reported
TSDf Alt Name: Not reported
Waste Code Description: 612 - Household waste
RCRA Code: Not reported
Meth Code: - Not reported
Quantity Tons: 0.2107
Waste Quantity: 0.25
Quantity Unit: Y
Additional Code 1: Not reported
Additional Code 2: Not reported
Additional Code 3: Not reported
Additional Code 4: Not reported
Additional Code 5: Not reported

Shipment Date: 20040327
Creation Date: 8/23/2004 8:30:10
Receipt Date: 20040328
Manifest ID: 22689496
Trans EPA ID: CAL000272339
Trans Name: SAN BERNARDINO COUNTY FIRE DEPARTMENT
Trans 2 EPA ID: Not reported
Trans 2 Name: Not reported

Map ID
Direction
Distance
Elevation

MAP FINDINGS

Site

Database(s)

EDR ID Number
EPA ID Number

SAN BERNARDINO COUNTY DEHS (Continued)

S113019781

TSDF EPA ID: CAH111000474
Trans Name: SAN BERNARDINO COUNTY FIRE DEPARTMENT
TSDF Alt EPA ID: Not reported
TSDF Alt Name: Not reported
Waste Code Description: 612 - Household waste
RCRA Code: Not reported
Meth Code: - Not reported
Quantity Tons: 0.22935
Waste Quantity: 55
Quantity Unit: G
Additional Code 1: Not reported
Additional Code 2: Not reported
Additional Code 3: Not reported
Additional Code 4: Not reported
Additional Code 5: Not reported

Shipment Date: 20040327
Creation Date: 8/23/2004 8:30:10
Receipt Date: 20040328
Manifest ID: 22689496
Trans EPA ID: CAL000272339
Trans Name: SAN BERNARDINO COUNTY FIRE DEPARTMENT
Trans 2 EPA ID: Not reported
Trans 2 Name: Not reported
TSDF EPA ID: CAH111000474
Trans Name: SAN BERNARDINO COUNTY FIRE DEPARTMENT
TSDF Alt EPA ID: Not reported
TSDF Alt Name: Not reported
Waste Code Description: 612 - Household waste
RCRA Code: Not reported
Meth Code: - Not reported
Quantity Tons: 0.0417
Waste Quantity: 10
Quantity Unit: G
Additional Code 1: Not reported
Additional Code 2: Not reported
Additional Code 3: Not reported
Additional Code 4: Not reported
Additional Code 5: Not reported

Shipment Date: 20040327
Creation Date: 8/23/2004 8:30:10
Receipt Date: 20040328
Manifest ID: 22689496
Trans EPA ID: CAL000272339
Trans Name: SAN BERNARDINO COUNTY FIRE DEPARTMENT
Trans 2 EPA ID: Not reported
Trans 2 Name: Not reported
TSDF EPA ID: CAH111000474
Trans Name: SAN BERNARDINO COUNTY FIRE DEPARTMENT
TSDF Alt EPA ID: Not reported
TSDF Alt Name: Not reported
Waste Code Description: 612 - Household waste
RCRA Code: Not reported
Meth Code: - Not reported
Quantity Tons: 0.2107
Waste Quantity: 0.25

Map ID
Direction
Distance
Elevation

MAP FINDINGS

Site

Database(s)

EDR ID Number
EPA ID Number

SAN BERNARDINO COUNTY DEHS (Continued)

S113019781

Quantity Unit: Y
Additional Code 1: Not reported
Additional Code 2: Not reported
Additional Code 3: Not reported
Additional Code 4: Not reported
Additional Code 5: Not reported

Additional Info:

Year: 2015
Gen EPA ID: CAH111000123

Shipment Date: 20151003
Creation Date: 12/22/2015 22:15:31
Receipt Date: 20151007
Manifest ID: 010898488JJK
Trans EPA ID: CAL000272339
Trans Name: SAN BERNARDINO COUNTY FIRE DEPARTMENT
Trans 2 EPA ID: Not reported
Trans 2 Name: Not reported
TSDf EPA ID: CAH111000474
Trans Name: SAN BERNARDINO COUNTY FIRE DEPARTMENT
TSDf Alt EPA ID: Not reported
TSDf Alt Name: Not reported
Waste Code Description: 612 - Household waste
RCRA Code: Not reported
Meth Code: H141 - Storage, Bulking, And/Or Transfer Off Site--No Treatment/Reovery (H010-H129) Or (H131-H135)

Quantity Tons: 0.005
Waste Quantity: 10
Quantity Unit: P
Additional Code 1: Not reported
Additional Code 2: Not reported
Additional Code 3: Not reported
Additional Code 4: Not reported
Additional Code 5: Not reported

Shipment Date: 20151003
Creation Date: 12/22/2015 22:15:31
Receipt Date: 20151007
Manifest ID: 010898488JJK
Trans EPA ID: CAL000272339
Trans Name: SAN BERNARDINO COUNTY FIRE DEPARTMENT
Trans 2 EPA ID: Not reported
Trans 2 Name: Not reported
TSDf EPA ID: CAH111000474
Trans Name: SAN BERNARDINO COUNTY FIRE DEPARTMENT
TSDf Alt EPA ID: Not reported
TSDf Alt Name: Not reported
Waste Code Description: 612 - Household waste
RCRA Code: Not reported
Meth Code: H141 - Storage, Bulking, And/Or Transfer Off Site--No Treatment/Reovery (H010-H129) Or (H131-H135)

Quantity Tons: 0.0325
Waste Quantity: 65
Quantity Unit: P
Additional Code 1: Not reported
Additional Code 2: Not reported

Map ID
Direction
Distance
Elevation

MAP FINDINGS

Site

Database(s)

EDR ID Number
EPA ID Number

SAN BERNARDINO COUNTY DEHS (Continued)

S113019781

Additional Code 3:	Not reported
Additional Code 4:	Not reported
Additional Code 5:	Not reported
Shipment Date:	20151003
Creation Date:	12/22/2015 22:15:31
Receipt Date:	20151007
Manifest ID:	010898488JJK
Trans EPA ID:	CAL000272339
Trans Name:	SAN BERNARDINO COUNTY FIRE DEPARTMENT
Trans 2 EPA ID:	Not reported
Trans 2 Name:	Not reported
TSDf EPA ID:	CAH111000474
Trans Name:	SAN BERNARDINO COUNTY FIRE DEPARTMENT
TSDf Alt EPA ID:	Not reported
TSDf Alt Name:	Not reported
Waste Code Description:	612 - Household waste
RCRA Code:	Not reported
Meth Code:	H141 - Storage, Bulking, And/Or Transfer Off Site--No Treatment/Reovery (H010-H129) Or (H131-H135)
Quantity Tons:	0.1668
Waste Quantity:	40
Quantity Unit:	G
Additional Code 1:	Not reported
Additional Code 2:	Not reported
Additional Code 3:	Not reported
Additional Code 4:	Not reported
Additional Code 5:	Not reported
Shipment Date:	20150307
Creation Date:	6/23/2015 22:15:30
Receipt Date:	20150307
Manifest ID:	010898192JJK
Trans EPA ID:	CAL000272339
Trans Name:	SAN BERNARDINO COUNTY FIRE DEPARTMENT
Trans 2 EPA ID:	Not reported
Trans 2 Name:	Not reported
TSDf EPA ID:	CAH111000474
Trans Name:	SAN BERNARDINO COUNTY FIRE DEPARTMENT
TSDf Alt EPA ID:	Not reported
TSDf Alt Name:	Not reported
Waste Code Description:	612 - Household waste
RCRA Code:	Not reported
Meth Code:	- Not reported
Quantity Tons:	0.0075
Waste Quantity:	15
Quantity Unit:	P
Additional Code 1:	Not reported
Additional Code 2:	Not reported
Additional Code 3:	Not reported
Additional Code 4:	Not reported
Additional Code 5:	Not reported
Shipment Date:	20150307
Creation Date:	Not reported
Receipt Date:	Not reported
Manifest ID:	010898192JJK

Map ID
Direction
Distance
Elevation

MAP FINDINGS

Site

Database(s)

EDR ID Number
EPA ID Number

SAN BERNARDINO COUNTY DEHS (Continued)

S113019781

Trans EPA ID: CAL000272339
Trans Name: SAN BERNARDINO COUNTY FIRE DEPARTMENT
Trans 2 EPA ID: Not reported
Trans 2 Name: Not reported
TSDf EPA ID: CAH111000474
Trans Name: SAN BERNARDINO COUNTY FIRE DEPARTMENT
TSDf Alt EPA ID: Not reported
TSDf Alt Name: Not reported
Waste Code Description: 612 - Household waste
RCRA Code: Not reported
Meth Code: - Not reported
Quantity Tons: 0.015
Waste Quantity: 30
Quantity Unit: P
Additional Code 1: Not reported
Additional Code 2: Not reported
Additional Code 3: Not reported
Additional Code 4: Not reported
Additional Code 5: Not reported

Shipment Date: 20150307
Creation Date: 6/23/2015 22:15:30
Receipt Date: 20150307
Manifest ID: 010898192JJK
Trans EPA ID: CAL000272339
Trans Name: SAN BERNARDINO COUNTY FIRE DEPARTMENT
Trans 2 EPA ID: Not reported
Trans 2 Name: Not reported
TSDf EPA ID: CAH111000474
Trans Name: SAN BERNARDINO COUNTY FIRE DEPARTMENT
TSDf Alt EPA ID: Not reported
TSDf Alt Name: Not reported
Waste Code Description: 612 - Household waste
RCRA Code: Not reported
Meth Code: - Not reported
Quantity Tons: 0.015
Waste Quantity: 30
Quantity Unit: P
Additional Code 1: Not reported
Additional Code 2: Not reported
Additional Code 3: Not reported
Additional Code 4: Not reported
Additional Code 5: Not reported

Shipment Date: 20150307
Creation Date: 6/23/2015 22:15:30
Receipt Date: 20150307
Manifest ID: 010898192JJK
Trans EPA ID: CAL000272339
Trans Name: SAN BERNARDINO COUNTY FIRE DEPARTMENT
Trans 2 EPA ID: Not reported
Trans 2 Name: Not reported
TSDf EPA ID: CAH111000474
Trans Name: SAN BERNARDINO COUNTY FIRE DEPARTMENT
TSDf Alt EPA ID: Not reported
TSDf Alt Name: Not reported
Waste Code Description: 612 - Household waste

Map ID
Direction
Distance
Elevation

MAP FINDINGS

Site

Database(s)

EDR ID Number
EPA ID Number

SAN BERNARDINO COUNTY DEHS (Continued)

S113019781

RCRA Code:	Not reported
Meth Code:	- Not reported
Quantity Tons:	0.03
Waste Quantity:	60
Quantity Unit:	P
Additional Code 1:	Not reported
Additional Code 2:	Not reported
Additional Code 3:	Not reported
Additional Code 4:	Not reported
Additional Code 5:	Not reported
Shipment Date:	20150307
Creation Date:	6/23/2015 22:15:30
Receipt Date:	20150307
Manifest ID:	010898192JJK
Trans EPA ID:	CAL000272339
Trans Name:	SAN BERNARDINO COUNTY FIRE DEPARTMENT
Trans 2 EPA ID:	Not reported
Trans 2 Name:	Not reported
TSDf EPA ID:	CAH111000474
Trans Name:	SAN BERNARDINO COUNTY FIRE DEPARTMENT
TSDf Alt EPA ID:	Not reported
TSDf Alt Name:	Not reported
Waste Code Description:	612 - Household waste
RCRA Code:	Not reported
Meth Code:	- Not reported
Quantity Tons:	0.04
Waste Quantity:	80
Quantity Unit:	P
Additional Code 1:	Not reported
Additional Code 2:	Not reported
Additional Code 3:	Not reported
Additional Code 4:	Not reported
Additional Code 5:	Not reported
Shipment Date:	20150307
Creation Date:	Not reported
Receipt Date:	Not reported
Manifest ID:	010898192JJK
Trans EPA ID:	CAL000272339
Trans Name:	SAN BERNARDINO COUNTY FIRE DEPARTMENT
Trans 2 EPA ID:	Not reported
Trans 2 Name:	Not reported
TSDf EPA ID:	CAH111000474
Trans Name:	SAN BERNARDINO COUNTY FIRE DEPARTMENT
TSDf Alt EPA ID:	Not reported
TSDf Alt Name:	Not reported
Waste Code Description:	612 - Household waste
RCRA Code:	Not reported
Meth Code:	- Not reported
Quantity Tons:	0.10425
Waste Quantity:	25
Quantity Unit:	G
Additional Code 1:	Not reported
Additional Code 2:	Not reported
Additional Code 3:	Not reported
Additional Code 4:	Not reported

Map ID
Direction
Distance
Elevation

MAP FINDINGS

Site

Database(s)

EDR ID Number
EPA ID Number

SAN BERNARDINO COUNTY DEHS (Continued)

S113019781

Additional Code 5: Not reported

Additional Info:

Year: 2007
Gen EPA ID: CAH111000123

Shipment Date: 20071013
Creation Date: 1/25/2008 18:30:39
Receipt Date: 20071013
Manifest ID: 000636365JJK
Trans EPA ID: CAL000272339
Trans Name: SAN BERNARDINO COUNTY FIRE DEPARTMENT
Trans 2 EPA ID: Not reported
Trans 2 Name: Not reported
TSDf EPA ID: CAH111000474
Trans Name: SAN BERNARDINO COUNTY FIRE DEPARTMENT
TSDf Alt EPA ID: Not reported
TSDf Alt Name: Not reported
Waste Code Description: 612 - Household waste
RCRA Code: Not reported
Meth Code: - Not reported
Quantity Tons: 0.025
Waste Quantity: 50
Quantity Unit: P
Additional Code 1: Not reported
Additional Code 2: Not reported
Additional Code 3: Not reported
Additional Code 4: Not reported
Additional Code 5: Not reported

Shipment Date: 20071013
Creation Date: 1/25/2008 18:30:39
Receipt Date: 20071013
Manifest ID: 000636366JJK
Trans EPA ID: CAL000272339
Trans Name: SAN BERNARDINO COUNTY FIRE DEPARTMENT
Trans 2 EPA ID: Not reported
Trans 2 Name: Not reported
TSDf EPA ID: CAH111000474
Trans Name: SAN BERNARDINO COUNTY FIRE DEPARTMENT
TSDf Alt EPA ID: Not reported
TSDf Alt Name: Not reported
Waste Code Description: 612 - Household waste
RCRA Code: Not reported
Meth Code: - Not reported
Quantity Tons: 0.08
Waste Quantity: 160
Quantity Unit: P
Additional Code 1: Not reported
Additional Code 2: Not reported
Additional Code 3: Not reported
Additional Code 4: Not reported
Additional Code 5: Not reported

Shipment Date: 20071013
Creation Date: 1/25/2008 18:30:39
Receipt Date: 20071013

Map ID
Direction
Distance
Elevation

MAP FINDINGS

Site

Database(s)

EDR ID Number
EPA ID Number

SAN BERNARDINO COUNTY DEHS (Continued)

S113019781

Manifest ID: 000636365JJK
Trans EPA ID: CAL000272339
Trans Name: SAN BERNARDINO COUNTY FIRE DEPARTMENT
Trans 2 EPA ID: Not reported
Trans 2 Name: Not reported
TSDf EPA ID: CAH111000474
Trans Name: SAN BERNARDINO COUNTY FIRE DEPARTMENT
TSDf Alt EPA ID: Not reported
TSDf Alt Name: Not reported
Waste Code Description: 612 - Household waste
RCRA Code: Not reported
Meth Code: - Not reported
Quantity Tons: 0.05
Waste Quantity: 100
Quantity Unit: P
Additional Code 1: Not reported
Additional Code 2: Not reported
Additional Code 3: Not reported
Additional Code 4: Not reported
Additional Code 5: Not reported

Shipment Date: 20071013
Creation Date: 1/25/2008 18:30:39
Receipt Date: 20071013
Manifest ID: 000636366JJK
Trans EPA ID: CAL000272339
Trans Name: SAN BERNARDINO COUNTY FIRE DEPARTMENT
Trans 2 EPA ID: Not reported
Trans 2 Name: Not reported
TSDf EPA ID: CAH111000474
Trans Name: SAN BERNARDINO COUNTY FIRE DEPARTMENT
TSDf Alt EPA ID: Not reported
TSDf Alt Name: Not reported
Waste Code Description: 612 - Household waste
RCRA Code: Not reported
Meth Code: - Not reported
Quantity Tons: 0.4587
Waste Quantity: 110
Quantity Unit: G
Additional Code 1: Not reported
Additional Code 2: Not reported
Additional Code 3: Not reported
Additional Code 4: Not reported
Additional Code 5: Not reported

Shipment Date: 20071013
Creation Date: 1/25/2008 18:30:39
Receipt Date: 20071013
Manifest ID: 000636365JJK
Trans EPA ID: CAL000272339
Trans Name: SAN BERNARDINO COUNTY FIRE DEPARTMENT
Trans 2 EPA ID: Not reported
Trans 2 Name: Not reported
TSDf EPA ID: CAH111000474
Trans Name: SAN BERNARDINO COUNTY FIRE DEPARTMENT
TSDf Alt EPA ID: Not reported
TSDf Alt Name: Not reported

Map ID
Direction
Distance
Elevation

MAP FINDINGS

Site

Database(s)

EDR ID Number
EPA ID Number

SAN BERNARDINO COUNTY DEHS (Continued)

S113019781

Waste Code Description:	612 - Household waste
RCRA Code:	Not reported
Meth Code:	- Not reported
Quantity Tons:	0.12
Waste Quantity:	240
Quantity Unit:	P
Additional Code 1:	Not reported
Additional Code 2:	Not reported
Additional Code 3:	Not reported
Additional Code 4:	Not reported
Additional Code 5:	Not reported
Shipment Date:	20070303
Creation Date:	8/9/2007 18:31:13
Receipt Date:	20070306
Manifest ID:	000635552JJK
Trans EPA ID:	CAL000272339
Trans Name:	SAN BERNARDINO COUNTY FIRE DEPARTMENT
Trans 2 EPA ID:	Not reported
Trans 2 Name:	Not reported
TSDf EPA ID:	CAH111000474
Trans Name:	SAN BERNARDINO COUNTY FIRE DEPARTMENT
TSDf Alt EPA ID:	Not reported
TSDf Alt Name:	Not reported
Waste Code Description:	612 - Household waste
RCRA Code:	Not reported
Meth Code:	- Not reported
Quantity Tons:	0.06255
Waste Quantity:	15
Quantity Unit:	G
Additional Code 1:	Not reported
Additional Code 2:	Not reported
Additional Code 3:	Not reported
Additional Code 4:	Not reported
Additional Code 5:	Not reported
Shipment Date:	20070303
Creation Date:	8/9/2007 18:31:13
Receipt Date:	20070306
Manifest ID:	000635552JJK
Trans EPA ID:	CAL000272339
Trans Name:	SAN BERNARDINO COUNTY FIRE DEPARTMENT
Trans 2 EPA ID:	Not reported
Trans 2 Name:	Not reported
TSDf EPA ID:	CAH111000474
Trans Name:	SAN BERNARDINO COUNTY FIRE DEPARTMENT
TSDf Alt EPA ID:	Not reported
TSDf Alt Name:	Not reported
Waste Code Description:	612 - Household waste
RCRA Code:	Not reported
Meth Code:	- Not reported
Quantity Tons:	0.22935
Waste Quantity:	55
Quantity Unit:	G
Additional Code 1:	Not reported
Additional Code 2:	Not reported
Additional Code 3:	Not reported

Map ID
 Direction
 Distance
 Elevation

MAP FINDINGS

Site

Database(s)

EDR ID Number
 EPA ID Number

SAN BERNARDINO COUNTY DEHS (Continued)

S113019781

Additional Code 4: Not reported
 Additional Code 5: Not reported

HWTS:

Name: SAN BERNARDINO COUNTY DEHS
 Address: 112 ROBUFFA ST
 Address 2: Not reported
 City,State,Zip: NEEDLES, CA 92363
 EPA ID: CAH111000123
 Inactive Date: Not reported
 Create Date: 11/09/1992
 Last Act Date: Not reported
 Mailing Name: Not reported
 Mailing Address: 385 N ARROWHEAD AVE (DEHS)
 Mailing Address 2: Not reported
 Mailing City,State,Zip: SAN BERNARDINO, CA 924150160
 Owner Name: SAN BERNARDINO COUNTY DEHS
 Owner Address: --
 Owner Address 2: Not reported
 Owner City,State,Zip: --, N/ --
 Contact Name: GAIL BECKHAM
 Contact Address: --
 Contact Address 2: Not reported
 City,State,Zip: --, N/ --
 Facility Status: Active
 Facility Type: PERMANENT
 Category: STATE
 Latitude: 34.834349
 Longitude: -114.59711

CG614 CITY OF NEEDLES ELECTRIC
Target 112 ROBUFFA ST
Property NEEDLES, CA 92363

RCRA NonGen / NLR 1024788356
CAL000045187

Site 10 of 16 in cluster CG

Actual: RCRA NonGen / NLR:
477 ft. Date Form Received by Agency: 19910402
Focus Map: Handler Name: CITY OF NEEDLES ELECTRIC
11 Handler Address: 112 ROBUFFA ST
 Handler City,State,Zip: NEEDLES, CA 92363-0000
 EPA ID: CAL000045187
 Contact Name: JOHN THOMAS/ELECTRIC
 Contact Address: 817 THIRD ST
 Contact City,State,Zip: NEEDLES, CA 92363
 Contact Telephone: 760-326-5700
 Contact Fax: 760-326-6765
 Contact Email: NDLSMATCOORD@CITLINK.NET
 Contact Title: Not reported
 EPA Region: 09
 Land Type: Not reported
 Federal Waste Generator Description: Not a generator, verified
 Non-Notifier: Not reported
 Biennial Report Cycle: Not reported
 Accessibility: Not reported
 Active Site Indicator: Handler Activities
 State District Owner: Not reported

Map ID
 Direction
 Distance
 Elevation

MAP FINDINGS

Site

Database(s)

EDR ID Number
 EPA ID Number

CITY OF NEEDLES ELECTRIC (Continued)

1024788356

State District:	Not reported
Mailing Address:	817 THIRD ST
Mailing City, State, Zip:	NEEDLES, CA 92363-0000
Owner Name:	CITY OF NEEDLES
Owner Type:	Other
Operator Name:	JOHN THOMAS/ELECTRIC
Operator Type:	Other
Short-Term Generator Activity:	No
Importer Activity:	No
Mixed Waste Generator:	No
Transporter Activity:	No
Transfer Facility Activity:	No
Recycler Activity with Storage:	No
Small Quantity On-Site Burner Exemption:	No
Smelting Melting and Refining Furnace Exemption:	No
Underground Injection Control:	No
Off-Site Waste Receipt:	No
Universal Waste Indicator:	Yes
Universal Waste Destination Facility:	Yes
Federal Universal Waste:	No
Active Site Fed-Reg Treatment Storage and Disposal Facility:	Not reported
Active Site Converter Treatment storage and Disposal Facility:	Not reported
Active Site State-Reg Treatment Storage and Disposal Facility:	Not reported
Active Site State-Reg Handler:	---
Federal Facility Indicator:	Not reported
Hazardous Secondary Material Indicator:	N
Sub-Part K Indicator:	Not reported
Commercial TSD Indicator:	No
Treatment Storage and Disposal Type:	Not reported
2018 GPRA Permit Baseline:	Not on the Baseline
2018 GPRA Renewals Baseline:	Not on the Baseline
Permit Renewals Workload Universe:	Not reported
Permit Workload Universe:	Not reported
Permit Progress Universe:	Not reported
Post-Closure Workload Universe:	Not reported
Closure Workload Universe:	Not reported
202 GPRA Corrective Action Baseline:	No
Corrective Action Workload Universe:	No
Subject to Corrective Action Universe:	No
Non-TSDFs Where RCRA CA has Been Imposed Universe:	No
TSDFs Potentially Subject to CA Under 3004 (u)/(v) Universe:	No
TSDFs Only Subject to CA under Discretionary Auth Universe:	No
Corrective Action Priority Ranking:	No NCAPS ranking
Environmental Control Indicator:	No
Institutional Control Indicator:	No
Human Exposure Controls Indicator:	N/A
Groundwater Controls Indicator:	N/A
Operating TSDF Universe:	Not reported
Full Enforcement Universe:	Not reported
Significant Non-Complier Universe:	No
Unaddressed Significant Non-Complier Universe:	No
Addressed Significant Non-Complier Universe:	No
Significant Non-Complier With a Compliance Schedule Universe:	No
Financial Assurance Required:	Not reported
Handler Date of Last Change:	20180905
Recognized Trader-Importer:	No
Recognized Trader-Exporter:	No

Map ID
Direction
Distance
Elevation

MAP FINDINGS

Site

Database(s)

EDR ID Number
EPA ID Number

CITY OF NEEDLES ELECTRIC (Continued)

1024788356

Importer of Spent Lead Acid Batteries: No
Exporter of Spent Lead Acid Batteries: No
Recycler Activity Without Storage: No
Manifest Broker: No
Sub-Part P Indicator: No

Handler - Owner Operator:

Owner/Operator Indicator: Owner
Owner/Operator Name: CITY OF NEEDLES
Legal Status: Other
Date Became Current: Not reported
Date Ended Current: Not reported
Owner/Operator Address: 817 THIRD ST
Owner/Operator City,State,Zip: NEEDLES, CA 92363-0000
Owner/Operator Telephone: 760-326-5700
Owner/Operator Telephone Ext: Not reported
Owner/Operator Fax: Not reported
Owner/Operator Email: Not reported

Owner/Operator Indicator: Operator
Owner/Operator Name: JOHN THOMAS/ELECTRIC
Legal Status: Other
Date Became Current: Not reported
Date Ended Current: Not reported
Owner/Operator Address: 817 THIRD ST
Owner/Operator City,State,Zip: NEEDLES, CA 92363
Owner/Operator Telephone: 760-326-5700
Owner/Operator Telephone Ext: Not reported
Owner/Operator Fax: Not reported
Owner/Operator Email: Not reported

Historic Generators:

Receive Date: 19910402
Handler Name: CITY OF NEEDLES ELECTRIC
Federal Waste Generator Description: Not a generator, verified
State District Owner: Not reported
Large Quantity Handler of Universal Waste: No
Recognized Trader Importer: No
Recognized Trader Exporter: No
Spent Lead Acid Battery Importer: No
Spent Lead Acid Battery Exporter: No
Current Record: Yes
Non Storage Recycler Activity: Not reported
Electronic Manifest Broker: Not reported

List of NAICS Codes and Descriptions:

NAICS Code: 2211
NAICS Description: ELECTRIC POWER GENERATION, TRANSMISSION AND DISTRIBUTION

NAICS Code: 31321
NAICS Description: BROADWOVEN FABRIC MILLS

Facility Has Received Notices of Violations:

Violations: No Violations Found

Map ID
 Direction
 Distance
 Elevation

MAP FINDINGS

Site

Database(s)

EDR ID Number
 EPA ID Number

CITY OF NEEDLES ELECTRIC (Continued)

1024788356

Evaluation Action Summary:
 Evaluations:

No Evaluations Found

CG615 **SAN BERNARDINO COUNTY DEHS**
Target **112 ROBUFFA ST**
Property **NEEDLES, CA 92363**

RCRA NonGen / NLR **1024784219**
CAH111000123

Site 11 of 16 in cluster CG

Actual: 477 ft.	RCRA NonGen / NLR:	19921109
	Date Form Received by Agency:	
Focus Map: 11	Handler Name:	SAN BERNARDINO COUNTY DEHS
	Handler Address:	112 ROBUFFA ST
	Handler City,State,Zip:	NEEDLES, CA 92363-0000
	EPA ID:	CAH111000123
	Contact Name:	GAIL BECKHAM
	Contact Address:	--
	Contact City,State,Zip:	--
	Contact Telephone:	714-387-4629
	Contact Fax:	Not reported
	Contact Email:	Not reported
	Contact Title:	Not reported
	EPA Region:	09
	Land Type:	Not reported
	Federal Waste Generator Description:	Not a generator, verified
	Non-Notifier:	Not reported
	Biennial Report Cycle:	Not reported
	Accessibility:	Not reported
	Active Site Indicator:	Handler Activities
	State District Owner:	Not reported
	State District:	Not reported
	Mailing Address:	385 N ARROWHEAD AVE (DEHS)
	Mailing City,State,Zip:	SAN BERNARDINO, CA 92415-0160
	Owner Name:	SAN BERNARDINO COUNTY DEHS
	Owner Type:	Other
	Operator Name:	GAIL BECKHAM
	Operator Type:	Other
	Short-Term Generator Activity:	No
	Importer Activity:	No
	Mixed Waste Generator:	No
	Transporter Activity:	No
	Transfer Facility Activity:	No
	Recycler Activity with Storage:	No
	Small Quantity On-Site Burner Exemption:	No
	Smelting Melting and Refining Furnace Exemption:	No
	Underground Injection Control:	No
	Off-Site Waste Receipt:	No
	Universal Waste Indicator:	Yes
	Universal Waste Destination Facility:	Yes
	Federal Universal Waste:	No
	Active Site Fed-Reg Treatment Storage and Disposal Facility:	Not reported
	Active Site Converter Treatment storage and Disposal Facility:	Not reported
	Active Site State-Reg Treatment Storage and Disposal Facility:	Not reported
	Active Site State-Reg Handler:	---
	Federal Facility Indicator:	Not reported
	Hazardous Secondary Material Indicator:	N

Map ID
 Direction
 Distance
 Elevation

MAP FINDINGS

Site

Database(s)

EDR ID Number
 EPA ID Number

SAN BERNARDINO COUNTY DEHS (Continued)

1024784219

Sub-Part K Indicator:	Not reported
Commercial TSD Indicator:	No
Treatment Storage and Disposal Type:	Not reported
2018 GPRA Permit Baseline:	Not on the Baseline
2018 GPRA Renewals Baseline:	Not on the Baseline
Permit Renewals Workload Universe:	Not reported
Permit Workload Universe:	Not reported
Permit Progress Universe:	Not reported
Post-Closure Workload Universe:	Not reported
Closure Workload Universe:	Not reported
202 GPRA Corrective Action Baseline:	No
Corrective Action Workload Universe:	No
Subject to Corrective Action Universe:	No
Non-TSDFs Where RCRA CA has Been Imposed Universe:	No
TSDFs Potentially Subject to CA Under 3004 (u)/(v) Universe:	No
TSDFs Only Subject to CA under Discretionary Auth Universe:	No
Corrective Action Priority Ranking:	No NCAPS ranking
Environmental Control Indicator:	No
Institutional Control Indicator:	No
Human Exposure Controls Indicator:	N/A
Groundwater Controls Indicator:	N/A
Operating TSDF Universe:	Not reported
Full Enforcement Universe:	Not reported
Significant Non-Complier Universe:	No
Unaddressed Significant Non-Complier Universe:	No
Addressed Significant Non-Complier Universe:	No
Significant Non-Complier With a Compliance Schedule Universe:	No
Financial Assurance Required:	Not reported
Handler Date of Last Change:	20180905
Recognized Trader-Importer:	No
Recognized Trader-Exporter:	No
Importer of Spent Lead Acid Batteries:	No
Exporter of Spent Lead Acid Batteries:	No
Recycler Activity Without Storage:	No
Manifest Broker:	No
Sub-Part P Indicator:	No

Handler - Owner Operator:

Owner/Operator Indicator:	Operator
Owner/Operator Name: GAIL BECKHAM	
Legal Status:	Other
Date Became Current:	Not reported
Date Ended Current:	Not reported
Owner/Operator Address:	--
Owner/Operator City,State,Zip:	--
Owner/Operator Telephone:	714-387-4629
Owner/Operator Telephone Ext:	Not reported
Owner/Operator Fax:	Not reported
Owner/Operator Email:	Not reported

Owner/Operator Indicator:	Owner
Owner/Operator Name: SAN BERNARDINO COUNTY DEHS	
Legal Status:	Other
Date Became Current:	Not reported
Date Ended Current:	Not reported
Owner/Operator Address:	--

Map ID
Direction
Distance
Elevation

MAP FINDINGS

Site

Database(s)

EDR ID Number
EPA ID Number

SAN BERNARDINO COUNTY DEHS (Continued)

1024784219

Owner/Operator City,State,Zip: --
Owner/Operator Telephone: 000-000-0000
Owner/Operator Telephone Ext: Not reported
Owner/Operator Fax: Not reported
Owner/Operator Email: Not reported

Historic Generators:

Receive Date: 19921109
Handler Name: SAN BERNARDINO COUNTY DEHS
Federal Waste Generator Description: Not a generator, verified
State District Owner: Not reported
Large Quantity Handler of Universal Waste: No
Recognized Trader Importer: No
Recognized Trader Exporter: No
Spent Lead Acid Battery Importer: No
Spent Lead Acid Battery Exporter: No
Current Record: Yes
Non Storage Recycler Activity: Not reported
Electronic Manifest Broker: Not reported

List of NAICS Codes and Descriptions:

NAICS Code: 56299
NAICS Description: ALL OTHER WASTE MANAGEMENT SERVICES

Facility Has Received Notices of Violations:

Violations: No Violations Found

Evaluation Action Summary:

Evaluations: No Evaluations Found

CG616 SAN BERNARDINO COUNTY DEHS
Target 112 ROBUFFA ST
Property NEEDLES, CA 92363

FINDS 1024622016
ECHO N/A

Site 12 of 16 in cluster CG

Actual: FINDS:
477 ft. Registry ID: 110070410403

Focus Map:
11 [Click Here for FRS Facility Detail Report:](#)

Environmental Interest/Information System:

RCRAInfo is a national information system that supports the Resource Conservation and Recovery Act (RCRA) program through the tracking of events and activities related to facilities that generate, transport, and treat, store, or dispose of hazardous waste. RCRAInfo allows RCRA program staff to track the notification, permit, compliance, and corrective action activities required under RCRA.

[Click this hyperlink](#) while viewing on your computer to access additional FINDS: detail in the EDR Site Report.

ECHO:

Envid: 1024622016
Registry ID: 110070410403
DFR URL: <http://echo.epa.gov/detailed-facility-report?fid=110070410403>

Map ID
 Direction
 Distance
 Elevation

MAP FINDINGS

Site

Database(s)

EDR ID Number
 EPA ID Number

SAN BERNARDINO COUNTY DEHS (Continued)

1024622016

Name: SAN BERNARDINO COUNTY DEHS
 Address: 112 ROBUFFA ST
 City,State,Zip: NEEDLES, CA 92363

CG617 **HHW SATELLITE NEEDLES**
Target **112 ROBUFFA ST**
Property **NEEDLES, CA 92363**

FINDS **1023364794**
 N/A

Site 13 of 16 in cluster CG

Actual: **FINDS:**
477 ft. Registry ID: 110066622621

Focus Map:
11 [Click Here for FRS Facility Detail Report:](#)

Environmental Interest/Information System:
 STATE MASTER

[Click this hyperlink](#) while viewing on your computer to access
 additional FINDS: detail in the EDR Site Report.

CG618 **CITY OF NEEDLES ELECTRIC**
Target **112 ROBUFFA ST**
Property **NEEDLES, CA 92363**

HAZNET **S113039808**
HWTS **N/A**

Site 14 of 16 in cluster CG

Actual: **HAZNET:**
477 ft. Name: CITY OF NEEDLES ELECTRIC
Focus Map: Address: 112 ROBUFFA ST
11 Address 2: Not reported
 City,State,Zip: NEEDLES, CA 923630000
 Contact: JOHN THOMAS/ELECTRIC
 Telephone: 7603265700
 Mailing Name: Not reported
 Mailing Address: 817 THIRD ST

Year: 2019
 Gepaid: CAL000045187
 TSD EPA ID: CAD044429835
 CA Waste Code: 133 - Aqueous solution with total organic residues 10 percent or more
 Disposal Method: H141 - Storage, Bulking, And/Or Transfer Off Site--No
 Treatment/Reovery (H010-H129) Or (H131-H135)
 Tons: 0.10000

Year: 2017
 Gepaid: CAL000045187
 TSD EPA ID: AZC950823111
 CA Waste Code: 352 - Other organic solids
 Disposal Method: H132 - Landfill Or Surface Impoundment That Will Be Closed As
 Landfill(To Include On-Site Treatment And/Or Stabilization)
 Tons: 33.712

Year: 2017
 Gepaid: CAL000045187
 TSD EPA ID: AZR000003681
 CA Waste Code: 223 - Unspecified oil-containing waste
 Disposal Method: H039 - Other Recovery Of Reclamation For Reuse Including Acid

Map ID
Direction
Distance
Elevation

MAP FINDINGS

Site

Database(s)

EDR ID Number
EPA ID Number

CITY OF NEEDLES ELECTRIC (Continued)

S113039808

Tons:	Regeneration, Organics Recovery Ect 0.05
Year:	2016
Gepaid:	CAL000045187
TSD EPA ID:	CAD980675276
CA Waste Code:	343 - Unspecified organic liquid mixture
Disposal Method:	H141 - Storage, Bulking, And/Or Transfer Off Site--No Treatment/Reovery (H010-H129) Or (H131-H135)
Tons:	0.1
Year:	2016
Gepaid:	CAL000045187
TSD EPA ID:	NED981723513
CA Waste Code:	213 - Hydrocarbon solvents (benzene, hexane, Stoddard, Etc.)
Disposal Method:	H040 - Incineration--Thermal Destruction Other Than Use As A Fuel
Tons:	0.425
Year:	2016
Gepaid:	CAL000045187
TSD EPA ID:	CAD044429835
CA Waste Code:	133 - Aqueous solution with total organic residues 10 percent or more
Disposal Method:	H141 - Storage, Bulking, And/Or Transfer Off Site--No Treatment/Reovery (H010-H129) Or (H131-H135)
Tons:	0.1
Year:	2012
Gepaid:	CAL000045187
TSD EPA ID:	CAT000613893
CA Waste Code:	213 - Hydrocarbon solvents (benzene, hexane, Stoddard, Etc.)
Disposal Method:	H141 - Storage, Bulking, And/Or Transfer Off Site--No Treatment/Reovery (H010-H129) Or (H131-H135)
Tons:	0.09174
Year:	2011
Gepaid:	CAL000045187
TSD EPA ID:	CAT000613893
CA Waste Code:	213 - Hydrocarbon solvents (benzene, hexane, Stoddard, Etc.)
Disposal Method:	H141 - Storage, Bulking, And/Or Transfer Off Site--No Treatment/Reovery (H010-H129) Or (H131-H135)
Tons:	0.11259
Year:	2011
Gepaid:	CAL000045187
TSD EPA ID:	CAT000613976
CA Waste Code:	213 - Hydrocarbon solvents (benzene, hexane, Stoddard, Etc.)
Disposal Method:	-
Tons:	0.05421
Year:	2011
Gepaid:	CAL000045187
TSD EPA ID:	CAT000613976
CA Waste Code:	213 - Hydrocarbon solvents (benzene, hexane, Stoddard, Etc.)
Disposal Method:	H141 - Storage, Bulking, And/Or Transfer Off Site--No Treatment/Reovery (H010-H129) Or (H131-H135)
Tons:	0.05421

Map ID
Direction
Distance
Elevation

MAP FINDINGS

Site

Database(s)

EDR ID Number
EPA ID Number

CITY OF NEEDLES ELECTRIC (Continued)

S113039808

[Click this hyperlink](#) while viewing on your computer to access 23 additional CA HAZNET: record(s) in the EDR Site Report.

Additional Info:

Year:	1998
Gen EPA ID:	CAL000045187
Shipment Date:	19980608
Creation Date:	8/3/1998 0:00:00
Receipt Date:	19980609
Manifest ID:	96896835
Trans EPA ID:	AZD982465866
Trans Name:	Not reported
Trans 2 EPA ID:	Not reported
Trans 2 Name:	Not reported
TSDf EPA ID:	AZD982465866
Trans Name:	Not reported
TSDf Alt EPA ID:	Not reported
TSDf Alt Name:	Not reported
Waste Code Description:	- Not reported
RCRA Code:	Not reported
Meth Code:	R01 - Recycler
Quantity Tons:	9.0154
Waste Quantity:	8181
Quantity Unit:	K
Additional Code 1:	Not reported
Additional Code 2:	Not reported
Additional Code 3:	Not reported
Additional Code 4:	Not reported
Additional Code 5:	Not reported
Shipment Date:	19980608
Creation Date:	8/3/1998 0:00:00
Receipt Date:	19980609
Manifest ID:	96896835
Trans EPA ID:	AZD982465866
Trans Name:	Not reported
Trans 2 EPA ID:	Not reported
Trans 2 Name:	Not reported
TSDf EPA ID:	AZD982465866
Trans Name:	Not reported
TSDf Alt EPA ID:	Not reported
TSDf Alt Name:	Not reported
Waste Code Description:	- Not reported
RCRA Code:	Not reported
Meth Code:	R01 - Recycler
Quantity Tons:	0.0793
Waste Quantity:	72
Quantity Unit:	K
Additional Code 1:	Not reported
Additional Code 2:	Not reported
Additional Code 3:	Not reported
Additional Code 4:	Not reported
Additional Code 5:	Not reported

Map ID
Direction
Distance
Elevation

MAP FINDINGS

Site

Database(s)

EDR ID Number
EPA ID Number

CITY OF NEEDLES ELECTRIC (Continued)

S113039808

Additional Info:

Year:	2003
Gen EPA ID:	CAL000045187
Shipment Date:	20030430
Creation Date:	3/11/2009 15:35:43
Receipt Date:	20030430
Manifest ID:	20329139
Trans EPA ID:	TXR000050930
Trans Name:	Not reported
Trans 2 EPA ID:	Not reported
Trans 2 Name:	Not reported
TSDf EPA ID:	NVR000066837
Trans Name:	Not reported
TSDf Alt EPA ID:	NVR000066837
TSDf Alt Name:	Not reported
Waste Code Description:	221 - Waste oil and mixed oil
RCRA Code:	Not reported
Meth Code:	H01 - Transfer Station
Quantity Tons:	2.451
Waste Quantity:	645
Quantity Unit:	G
Additional Code 1:	Not reported
Additional Code 2:	Not reported
Additional Code 3:	Not reported
Additional Code 4:	Not reported
Additional Code 5:	Not reported
Shipment Date:	20030430
Creation Date:	3/11/2009 15:35:43
Receipt Date:	20030430
Manifest ID:	20329139
Trans EPA ID:	TXR000050930
Trans Name:	Not reported
Trans 2 EPA ID:	Not reported
Trans 2 Name:	Not reported
TSDf EPA ID:	NVR000066837
Trans Name:	Not reported
TSDf Alt EPA ID:	NVR000066837
TSDf Alt Name:	Not reported
Waste Code Description:	221 - Waste oil and mixed oil
RCRA Code:	Not reported
Meth Code:	- Not reported
Quantity Tons:	0.114
Waste Quantity:	30
Quantity Unit:	G
Additional Code 1:	Not reported
Additional Code 2:	Not reported
Additional Code 3:	Not reported
Additional Code 4:	Not reported
Additional Code 5:	Not reported
Shipment Date:	20030408
Creation Date:	3/11/2009 15:41:51
Receipt Date:	20030408
Manifest ID:	20329131
Trans EPA ID:	TXR000050930

Map ID
Direction
Distance
Elevation

MAP FINDINGS

Site

Database(s)

EDR ID Number
EPA ID Number

CITY OF NEEDLES ELECTRIC (Continued)

S113039808

Trans Name:	Not reported
Trans 2 EPA ID:	Not reported
Trans 2 Name:	Not reported
TSDf EPA ID:	NVR000066837
Trans Name:	Not reported
TSDf Alt EPA ID:	Not reported
TSDf Alt Name:	Not reported
Waste Code Description:	221 - Waste oil and mixed oil
RCRA Code:	Not reported
Meth Code:	H01 - Transfer Station
Quantity Tons:	1.254
Waste Quantity:	330
Quantity Unit:	G
Additional Code 1:	Not reported
Additional Code 2:	Not reported
Additional Code 3:	Not reported
Additional Code 4:	Not reported
Additional Code 5:	Not reported
Additional Info:	
Year:	2000
Gen EPA ID:	CAL000045187
Shipment Date: 20000810	
Creation Date: 9/25/2000 0:00:00	
Receipt Date: 20000814	
Manifest ID: 98358316	
Trans EPA ID: AZD982365866	
Trans Name: Not reported	
Trans 2 EPA ID: Not reported	
Trans 2 Name: Not reported	
TSDf EPA ID: AZD982365866	
Trans Name: Not reported	
TSDf Alt EPA ID: Not reported	
TSDf Alt Name: Not reported	
Waste Code Description: 261 - Not reported	
RCRA Code: Not reported	
Meth Code: R01 - Recycler	
Quantity Tons: 25.346	
Waste Quantity: 23000	
Quantity Unit: K	
Additional Code 1: Not reported	
Additional Code 2: Not reported	
Additional Code 3: Not reported	
Additional Code 4: Not reported	
Additional Code 5: Not reported	
Additional Info:	
Year:	1993
Gen EPA ID:	CAL000045187
Shipment Date: 19930305	
Creation Date: 9/1/1995 0:00:00	
Receipt Date: 19930308	
Manifest ID: 92814702	
Trans EPA ID: ARD981908551	

Map ID
Direction
Distance
Elevation

MAP FINDINGS

Site

Database(s)

EDR ID Number
EPA ID Number

CITY OF NEEDLES ELECTRIC (Continued)

S113039808

Trans Name:	Not reported
Trans 2 EPA ID:	Not reported
Trans 2 Name:	Not reported
TSDf EPA ID:	ALD983167891
Trans Name:	Not reported
TSDf Alt EPA ID:	Not reported
TSDf Alt Name:	Not reported
Waste Code Description:	261 - Not reported
RCRA Code:	Not reported
Meth Code:	R01 - Recycler
Quantity Tons:	2.4186
Waste Quantity:	580
Quantity Unit:	G
Additional Code 1:	Not reported
Additional Code 2:	Not reported
Additional Code 3:	Not reported
Additional Code 4:	Not reported
Additional Code 5:	Not reported
Shipment Date:	19930115
Creation Date:	9/15/1995 0:00:00
Receipt Date:	19930120
Manifest ID:	90708257
Trans EPA ID:	MOD095038998
Trans Name:	Not reported
Trans 2 EPA ID:	Not reported
Trans 2 Name:	Not reported
TSDf EPA ID:	ALD983167891
Trans Name:	Not reported
TSDf Alt EPA ID:	Not reported
TSDf Alt Name:	Not reported
Waste Code Description:	731 - Liquids with polychlorinated biphenyls > 50 mg/l
RCRA Code:	Not reported
Meth Code:	R01 - Recycler
Quantity Tons:	0.1763
Waste Quantity:	160
Quantity Unit:	K
Additional Code 1:	Not reported
Additional Code 2:	Not reported
Additional Code 3:	Not reported
Additional Code 4:	Not reported
Additional Code 5:	Not reported
Shipment Date:	19930115
Creation Date:	9/15/1995 0:00:00
Receipt Date:	19930120
Manifest ID:	90708257
Trans EPA ID:	MOD095038998
Trans Name:	Not reported
Trans 2 EPA ID:	Not reported
Trans 2 Name:	Not reported
TSDf EPA ID:	ALD983167891
Trans Name:	Not reported
TSDf Alt EPA ID:	Not reported
TSDf Alt Name:	Not reported
Waste Code Description:	261 - Not reported
RCRA Code:	Not reported

Map ID
Direction
Distance
Elevation

MAP FINDINGS

Site

Database(s)

EDR ID Number
EPA ID Number

CITY OF NEEDLES ELECTRIC (Continued)

S113039808

Meth Code: R01 - Recycler
Quantity Tons: 0.7005
Waste Quantity: 168
Quantity Unit: G
Additional Code 1: Not reported
Additional Code 2: Not reported
Additional Code 3: Not reported
Additional Code 4: Not reported
Additional Code 5: Not reported

Additional Info:

Year: 2008
Gen EPA ID: CAL000045187

Shipment Date: 20081125
Creation Date: 4/30/2009 13:26:35
Receipt Date: 20081125
Manifest ID: 001433526SKS
Trans EPA ID: TXR000050930
Trans Name: SAFETY-KLEEN SYSTEMS INC
Trans 2 EPA ID: Not reported
Trans 2 Name: Not reported
TSDf EPA ID: NVR000066837
Trans Name: SAFETY-KLEEN SYSTEMS INC
TSDf Alt EPA ID: Not reported
TSDf Alt Name: Not reported
Waste Code Description: 213 - Hydrocarbon solvents (benzene, hexane, Stoddard, etc.)
RCRA Code: Not reported
Meth Code: H141 - Storage, Bulking, And/Or Transfer Off Site--No Treatment/Reovery (H010-H129) Or (H131-H135)

Quantity Tons: 0.06255
Waste Quantity: 15
Quantity Unit: G
Additional Code 1: Not reported
Additional Code 2: Not reported
Additional Code 3: Not reported
Additional Code 4: Not reported
Additional Code 5: Not reported

Shipment Date: 20080612
Creation Date: 4/30/2009 13:25:49
Receipt Date: 20080612
Manifest ID: 001160591SKS
Trans EPA ID: TXR000050930
Trans Name: SAFETY-KLEEN SYSTEMS INC
Trans 2 EPA ID: Not reported
Trans 2 Name: Not reported
TSDf EPA ID: NVR000066837
Trans Name: SAFETY-KLEEN SYSTEMS INC
TSDf Alt EPA ID: Not reported
TSDf Alt Name: Not reported
Waste Code Description: 213 - Hydrocarbon solvents (benzene, hexane, Stoddard, etc.)
RCRA Code: Not reported
Meth Code: H141 - Storage, Bulking, And/Or Transfer Off Site--No Treatment/Reovery (H010-H129) Or (H131-H135)

Quantity Tons: 0.05838
Waste Quantity: 14

Map ID
Direction
Distance
Elevation

MAP FINDINGS

Site

Database(s)

EDR ID Number
EPA ID Number

CITY OF NEEDLES ELECTRIC (Continued)

S113039808

Quantity Unit:	G
Additional Code 1:	Not reported
Additional Code 2:	Not reported
Additional Code 3:	Not reported
Additional Code 4:	Not reported
Additional Code 5:	Not reported
Shipment Date:	20080318
Creation Date:	3/11/2009 15:32:30
Receipt Date:	20080318
Manifest ID:	000930081SKS
Trans EPA ID:	TXR000050930
Trans Name:	SAFETY-KLEEN SYSTEMS INC
Trans 2 EPA ID:	Not reported
Trans 2 Name:	Not reported
TSDf EPA ID:	NVR000066837
Trans Name:	SAFETY-KLEEN SYSTEMS INC
TSDf Alt EPA ID:	Not reported
TSDf Alt Name:	Not reported
Waste Code Description:	213 - Hydrocarbon solvents (benzene, hexane, Stoddard, etc.
RCRA Code:	Not reported
Meth Code:	H141 - Storage, Bulking, And/Or Transfer Off Site--No Treatment/Reovery (H010-H129) Or (H131-H135)
Quantity Tons:	0.05838
Waste Quantity:	14
Quantity Unit:	G
Additional Code 1:	Not reported
Additional Code 2:	Not reported
Additional Code 3:	Not reported
Additional Code 4:	Not reported
Additional Code 5:	Not reported
Additional Info:	
Year:	2011
Gen EPA ID:	CAL000045187
Shipment Date:	20111109
Creation Date:	4/12/2012 20:30:13
Receipt Date:	20111115
Manifest ID:	002714292SKS
Trans EPA ID:	TXR000050930
Trans Name:	SAFETY-KLEEN SYSTEMS INC
Trans 2 EPA ID:	Not reported
Trans 2 Name:	Not reported
TSDf EPA ID:	CAT000613893
Trans Name:	SAFETY-KLEEN SYSTEMS INC
TSDf Alt EPA ID:	Not reported
TSDf Alt Name:	Not reported
Waste Code Description:	213 - Hydrocarbon solvents (benzene, hexane, Stoddard, etc.
RCRA Code:	D039
Meth Code:	H141 - Storage, Bulking, And/Or Transfer Off Site--No Treatment/Reovery (H010-H129) Or (H131-H135)
Quantity Tons:	0.05004
Waste Quantity:	12
Quantity Unit:	G
Additional Code 1:	Not reported
Additional Code 2:	Not reported

Map ID
Direction
Distance
Elevation

MAP FINDINGS

Site

Database(s)

EDR ID Number
EPA ID Number

CITY OF NEEDLES ELECTRIC (Continued)

S113039808

Additional Code 3:	Not reported
Additional Code 4:	Not reported
Additional Code 5:	Not reported
Shipment Date:	20110818
Creation Date:	2/7/2012 20:30:12
Receipt Date:	20110823
Manifest ID:	004268805FLE
Trans EPA ID:	TXR000050930
Trans Name:	SAFETY-KLEEN SYSTEMS INC
Trans 2 EPA ID:	Not reported
Trans 2 Name:	Not reported
TSDF EPA ID:	CAT000613893
Trans Name:	SAFETY-KLEEN SYSTEMS INC
TSDF Alt EPA ID:	Not reported
TSDF Alt Name:	Not reported
Waste Code Description:	213 - Hydrocarbon solvents (benzene, hexane, Stoddard, etc.
RCRA Code:	D039
Meth Code:	H141 - Storage, Bulking, And/Or Transfer Off Site--No Treatment/Reovery (H010-H129) Or (H131-H135)
Quantity Tons:	0.06255
Waste Quantity:	15
Quantity Unit:	G
Additional Code 1:	Not reported
Additional Code 2:	Not reported
Additional Code 3:	Not reported
Additional Code 4:	Not reported
Additional Code 5:	Not reported
Shipment Date:	20110526
Creation Date:	10/22/2011 18:30:13
Receipt Date:	20110606
Manifest ID:	003612987FLE
Trans EPA ID:	TXR000050930
Trans Name:	SAFETY-KLEEN SYSTEMS INC
Trans 2 EPA ID:	Not reported
Trans 2 Name:	Not reported
TSDF EPA ID:	CAT000613976
Trans Name:	SAFETY-KLEEN SYSTEMS INC
TSDF Alt EPA ID:	Not reported
TSDF Alt Name:	Not reported
Waste Code Description:	213 - Hydrocarbon solvents (benzene, hexane, Stoddard, etc.
RCRA Code:	D039
Meth Code:	H141 - Storage, Bulking, And/Or Transfer Off Site--No Treatment/Reovery (H010-H129) Or (H131-H135)
Quantity Tons:	0.05421
Waste Quantity:	13
Quantity Unit:	G
Additional Code 1:	Not reported
Additional Code 2:	Not reported
Additional Code 3:	Not reported
Additional Code 4:	Not reported
Additional Code 5:	Not reported
Shipment Date:	20110303
Creation Date:	7/14/2011 18:30:40
Receipt Date:	20110310

Map ID
Direction
Distance
Elevation

MAP FINDINGS

Site

Database(s)

EDR ID Number
EPA ID Number

CITY OF NEEDLES ELECTRIC (Continued)

S113039808

Manifest ID: 003591973FLE
Trans EPA ID: TXR000050930
Trans Name: SAFETY-KLEEN SYSTEMS INC
Trans 2 EPA ID: Not reported
Trans 2 Name: Not reported
TSDf EPA ID: CAT000613976
Trans Name: SAFETY-KLEEN SYSTEMS INC
TSDf Alt EPA ID: Not reported
TSDf Alt Name: Not reported
Waste Code Description: 213 - Hydrocarbon solvents (benzene, hexane, Stoddard, etc.)
RCRA Code: D039
Meth Code: - Not reported
Quantity Tons: 0.05421
Waste Quantity: 13
Quantity Unit: G
Additional Code 1: Not reported
Additional Code 2: Not reported
Additional Code 3: Not reported
Additional Code 4: Not reported
Additional Code 5: Not reported

Additional Info:

Year: 2012
Gen EPA ID: CAL000045187

Shipment Date: 20120718
Creation Date: 5/30/2013 22:15:07
Receipt Date: 20120723
Manifest ID: 003372683SKS
Trans EPA ID: TXR000050930
Trans Name: SAFETY-KLEEN SYSTEMS INC
Trans 2 EPA ID: Not reported
Trans 2 Name: Not reported
TSDf EPA ID: CAT000613893
Trans Name: SAFETY-KLEEN SYSTEMS INC
TSDf Alt EPA ID: Not reported
TSDf Alt Name: Not reported
Waste Code Description: 213 - Hydrocarbon solvents (benzene, hexane, Stoddard, etc.)
RCRA Code: D039
Meth Code: H141 - Storage, Bulking, And/Or Transfer Off Site--No Treatment/Reovery (H010-H129) Or (H131-H135)
Quantity Tons: 0.0417
Waste Quantity: 10
Quantity Unit: G
Additional Code 1: Not reported
Additional Code 2: Not reported
Additional Code 3: Not reported
Additional Code 4: Not reported
Additional Code 5: Not reported

Shipment Date: 20120130
Creation Date: 6/27/2012 20:30:16
Receipt Date: 20120202
Manifest ID: 002778784SKS
Trans EPA ID: TXR000050930
Trans Name: SAFETY-KLEEN SYSTEMS INC
Trans 2 EPA ID: Not reported

Map ID
Direction
Distance
Elevation

MAP FINDINGS

Site

Database(s)

EDR ID Number
EPA ID Number

CITY OF NEEDLES ELECTRIC (Continued)

S113039808

Trans 2 Name: Not reported
TSDf EPA ID: CAT000613893
Trans Name: SAFETY-KLEEN SYSTEMS INC
TSDf Alt EPA ID: Not reported
TSDf Alt Name: Not reported
Waste Code Description: 213 - Hydrocarbon solvents (benzene, hexane, Stoddard, etc.
RCRA Code: D039
Meth Code: H141 - Storage, Bulking, And/Or Transfer Off Site--No
Treatment/Reovery (H010-H129) Or (H131-H135)
Quantity Tons: 0.05004
Waste Quantity: 12
Quantity Unit: G
Additional Code 1: Not reported
Additional Code 2: Not reported
Additional Code 3: Not reported
Additional Code 4: Not reported
Additional Code 5: Not reported

Additional Info:

Year: 2006
Gen EPA ID: CAL000045187

Shipment Date: 20060524
Creation Date: 12/20/2006 18:30:06
Receipt Date: 20060608
Manifest ID: 24007411
Trans EPA ID: SDD980634646
Trans Name: TW SERVICES
Trans 2 EPA ID: Not reported
Trans 2 Name: Not reported
TSDf EPA ID: SDD980634646
Trans Name: TW SERVICES INC
TSDf Alt EPA ID: Not reported
TSDf Alt Name: Not reported
Waste Code Description: 261 - Not reported
RCRA Code: Not reported
Meth Code: R01 - Recycler
Quantity Tons: 17.03141
Waste Quantity: 15455
Quantity Unit: K
Additional Code 1: Not reported
Additional Code 2: Not reported
Additional Code 3: Not reported
Additional Code 4: Not reported
Additional Code 5: Not reported

Shipment Date: 20060524
Creation Date: 12/20/2006 18:30:06
Receipt Date: 20060608
Manifest ID: 24007412
Trans EPA ID: SDD980634646
Trans Name: TW SERVICES
Trans 2 EPA ID: Not reported
Trans 2 Name: Not reported
TSDf EPA ID: SDD980634646
Trans Name: TW SERVICES INC
TSDf Alt EPA ID: Not reported

Map ID
Direction
Distance
Elevation

MAP FINDINGS

Site

Database(s)

EDR ID Number
EPA ID Number

CITY OF NEEDLES ELECTRIC (Continued)

S113039808

TSDF Alt Name: Not reported
Waste Code Description: 261 - Not reported
RCRA Code: Not reported
Meth Code: R01 - Recycler
Quantity Tons: 1.23865
Waste Quantity: 1124
Quantity Unit: K
Additional Code 1: Not reported
Additional Code 2: Not reported
Additional Code 3: Not reported
Additional Code 4: Not reported
Additional Code 5: Not reported

Shipment Date: 20060524
Creation Date: 12/20/2006 18:30:06
Receipt Date: 20060608
Manifest ID: 24007412
Trans EPA ID: SDD980634646
Trans Name: TW SERVICES
Trans 2 EPA ID: Not reported
Trans 2 Name: Not reported
TSDF EPA ID: SDD980634646
Trans Name: TW SERVICES INC
TSDF Alt EPA ID: Not reported
TSDF Alt Name: Not reported
Waste Code Description: 261 - Not reported
RCRA Code: Not reported
Meth Code: R01 - Recycler
Quantity Tons: 6.07863
Waste Quantity: 5516
Quantity Unit: K
Additional Code 1: Not reported
Additional Code 2: Not reported
Additional Code 3: Not reported
Additional Code 4: Not reported
Additional Code 5: Not reported

Additional Info:

Year: 2002
Gen EPA ID: CAL000045187

Shipment Date: 20020610
Creation Date: 8/29/2002 18:31:58
Receipt Date: 20020610
Manifest ID: 20474465
Trans EPA ID: NED986382133
Trans Name: Not reported
Trans 2 EPA ID: Not reported
Trans 2 Name: Not reported
TSDF EPA ID: NVT330010000
Trans Name: Not reported
TSDF Alt EPA ID: Not reported
TSDF Alt Name: Not reported
Waste Code Description: 261 - Not reported
RCRA Code: Not reported
Meth Code: - Not reported
Quantity Tons: 0.30085

Map ID
Direction
Distance
Elevation

MAP FINDINGS

Site

Database(s)

EDR ID Number
EPA ID Number

CITY OF NEEDLES ELECTRIC (Continued)

S113039808

Waste Quantity: 273
Quantity Unit: K
Additional Code 1: Not reported
Additional Code 2: Not reported
Additional Code 3: Not reported
Additional Code 4: Not reported
Additional Code 5: Not reported

Shipment Date: 20020610
Creation Date: 8/29/2002 18:31:58
Receipt Date: 20020610
Manifest ID: 20474465
Trans EPA ID: NED986382133
Trans Name: Not reported
Trans 2 EPA ID: Not reported
Trans 2 Name: Not reported
TSDf EPA ID: NVT330010000
Trans Name: Not reported
TSDf Alt EPA ID: Not reported
TSDf Alt Name: Not reported
Waste Code Description: 261 - Not reported
RCRA Code: Not reported
Meth Code: - Not reported
Quantity Tons: 0.99951
Waste Quantity: 907
Quantity Unit: K
Additional Code 1: Not reported
Additional Code 2: Not reported
Additional Code 3: Not reported
Additional Code 4: Not reported
Additional Code 5: Not reported

Additional Info:

Year: 2004
Gen EPA ID: CAL000045187

Shipment Date: 20041103
Creation Date: 1/20/2005 18:31:32
Receipt Date: 20041103
Manifest ID: 23330701
Trans EPA ID: OKD981588791
Trans Name: TRIAD TRANSPORT INC
Trans 2 EPA ID: Not reported
Trans 2 Name: Not reported
TSDf EPA ID: NVT330010000
Trans Name: US ECOLOGY INC
TSDf Alt EPA ID: Not reported
TSDf Alt Name: Not reported
Waste Code Description: - Not reported
RCRA Code: Not reported
Meth Code: D80 - Disposal, Land Fill
Quantity Tons: 1.88662
Waste Quantity: 1712
Quantity Unit: K
Additional Code 1: Not reported
Additional Code 2: Not reported
Additional Code 3: Not reported

Map ID
Direction
Distance
Elevation

MAP FINDINGS

Site

Database(s)

EDR ID Number
EPA ID Number

CITY OF NEEDLES ELECTRIC (Continued)

S113039808

Additional Code 4:	Not reported
Additional Code 5:	Not reported
Shipment Date:	20041103
Creation Date:	1/20/2005 18:31:32
Receipt Date:	20041103
Manifest ID:	23330701
Trans EPA ID:	OKD981588791
Trans Name:	TRIAD TRANSPORT INC
Trans 2 EPA ID:	Not reported
Trans 2 Name:	Not reported
TSDf EPA ID:	NVT330010000
Trans Name:	US ECOLOGY INC
TSDf Alt EPA ID:	Not reported
TSDf Alt Name:	Not reported
Waste Code Description:	261 - Not reported
RCRA Code:	Not reported
Meth Code:	D80 - Disposal, Land Fill
Quantity Tons:	1.05351
Waste Quantity:	956
Quantity Unit:	K
Additional Code 1:	Not reported
Additional Code 2:	Not reported
Additional Code 3:	Not reported
Additional Code 4:	Not reported
Additional Code 5:	Not reported
Shipment Date:	20041013
Creation Date:	3/11/2009 15:35:02
Receipt Date:	20041013
Manifest ID:	22323478
Trans EPA ID:	TXR000050930
Trans Name:	SAFETY-KLEEN SYSTEMS INC
Trans 2 EPA ID:	Not reported
Trans 2 Name:	Not reported
TSDf EPA ID:	NVR000066837
Trans Name:	SAFETY-KLEEN SYSTEMS INC
TSDf Alt EPA ID:	NVR000066837
TSDf Alt Name:	Not reported
Waste Code Description:	221 - Waste oil and mixed oil
RCRA Code:	Not reported
Meth Code:	- Not reported
Quantity Tons:	1.007
Waste Quantity:	265
Quantity Unit:	G
Additional Code 1:	Not reported
Additional Code 2:	Not reported
Additional Code 3:	Not reported
Additional Code 4:	Not reported
Additional Code 5:	Not reported
Additional Info:	
Year:	1995
Gen EPA ID:	CAL000045187
Shipment Date:	19950117
Creation Date:	3/28/1996 0:00:00

Map ID
Direction
Distance
Elevation

MAP FINDINGS

Site

Database(s)

EDR ID Number
EPA ID Number

CITY OF NEEDLES ELECTRIC (Continued)

S113039808

Receipt Date:	19950123
Manifest ID:	92814718
Trans EPA ID:	MOD095038998
Trans Name:	Not reported
Trans 2 EPA ID:	Not reported
Trans 2 Name:	Not reported
TSDf EPA ID:	ALD983167891
Trans Name:	Not reported
TSDf Alt EPA ID:	Not reported
TSDf Alt Name:	Not reported
Waste Code Description:	- Not reported
RCRA Code:	Not reported
Meth Code:	R01 - Recycler
Quantity Tons:	1.4348
Waste Quantity:	1302
Quantity Unit:	K
Additional Code 1:	Not reported
Additional Code 2:	Not reported
Additional Code 3:	Not reported
Additional Code 4:	Not reported
Additional Code 5:	Not reported
Shipment Date:	19950117
Creation Date:	3/28/1996 0:00:00
Receipt Date:	19950123
Manifest ID:	92814718
Trans EPA ID:	MOD095038998
Trans Name:	Not reported
Trans 2 EPA ID:	Not reported
Trans 2 Name:	Not reported
TSDf EPA ID:	ALD983167891
Trans Name:	Not reported
TSDf Alt EPA ID:	Not reported
TSDf Alt Name:	Not reported
Waste Code Description:	- Not reported
RCRA Code:	Not reported
Meth Code:	R01 - Recycler
Quantity Tons:	0.7107
Waste Quantity:	645
Quantity Unit:	K
Additional Code 1:	Not reported
Additional Code 2:	Not reported
Additional Code 3:	Not reported
Additional Code 4:	Not reported
Additional Code 5:	Not reported
Shipment Date:	19950117
Creation Date:	3/28/1996 0:00:00
Receipt Date:	19950123
Manifest ID:	92814718
Trans EPA ID:	MOD095038998
Trans Name:	Not reported
Trans 2 EPA ID:	Not reported
Trans 2 Name:	Not reported
TSDf EPA ID:	ALD983167891
Trans Name:	Not reported
TSDf Alt EPA ID:	Not reported

Map ID
Direction
Distance
Elevation

MAP FINDINGS

Site

Database(s)

EDR ID Number
EPA ID Number

CITY OF NEEDLES ELECTRIC (Continued)

S113039808

TSDF Alt Name: Not reported
Waste Code Description: - Not reported
RCRA Code: Not reported
Meth Code: - Not reported
Quantity Tons: 0.3823
Waste Quantity: 347
Quantity Unit: K
Additional Code 1: Not reported
Additional Code 2: Not reported
Additional Code 3: Not reported
Additional Code 4: Not reported
Additional Code 5: Not reported

Shipment Date: 19950117
Creation Date: 3/28/1996 0:00:00
Receipt Date: 19950123
Manifest ID: 92814718
Trans EPA ID: MOD095038998
Trans Name: Not reported
Trans 2 EPA ID: Not reported
Trans 2 Name: Not reported
TSDF EPA ID: ALD983167891
Trans Name: Not reported
TSDF Alt EPA ID: Not reported
TSDF Alt Name: Not reported
Waste Code Description: - Not reported
RCRA Code: Not reported
Meth Code: R01 - Recycler
Quantity Tons: 0.221
Waste Quantity: 53
Quantity Unit: G
Additional Code 1: Not reported
Additional Code 2: Not reported
Additional Code 3: Not reported
Additional Code 4: Not reported
Additional Code 5: Not reported

Additional Info:

Year: 2010
Gen EPA ID: CAL000045187

Shipment Date: 20101208
Creation Date: 5/24/2011 18:30:12
Receipt Date: 20101215
Manifest ID: 003674806FLE
Trans EPA ID: TXR000050930
Trans Name: SAFETY-KLEEN SYSTEMS INC
Trans 2 EPA ID: Not reported
Trans 2 Name: Not reported
TSDF EPA ID: CAT000613976
Trans Name: SAFETY-KLEEN SYSTEMS INC
TSDF Alt EPA ID: Not reported
TSDF Alt Name: Not reported
Waste Code Description: 213 - Hydrocarbon solvents (benzene, hexane, Stoddard, etc.
RCRA Code: D039
Meth Code: H141 - Storage, Bulking, And/Or Transfer Off Site--No Treatment/Reovery (H010-H129) Or (H131-H135)

Map ID
Direction
Distance
Elevation

MAP FINDINGS

Site

Database(s)

EDR ID Number
EPA ID Number

CITY OF NEEDLES ELECTRIC (Continued)

S113039808

Quantity Tons:	0.0417
Waste Quantity:	10
Quantity Unit:	G
Additional Code 1:	Not reported
Additional Code 2:	Not reported
Additional Code 3:	Not reported
Additional Code 4:	Not reported
Additional Code 5:	Not reported
Shipment Date:	20100914
Creation Date:	2/8/2011 18:30:09
Receipt Date:	20100922
Manifest ID:	003684863FLE
Trans EPA ID:	TXR000050930
Trans Name:	SAFETY-KLEEN SYSTEMS INC
Trans 2 EPA ID:	Not reported
Trans 2 Name:	Not reported
TSDf EPA ID:	CAT000613976
Trans Name:	SAFETY-KLEEN SYSTEMS INC
TSDf Alt EPA ID:	Not reported
TSDf Alt Name:	Not reported
Waste Code Description:	213 - Hydrocarbon solvents (benzene, hexane, Stoddard, etc.
RCRA Code:	D039
Meth Code:	H141 - Storage, Bulking, And/Or Transfer Off Site--No Treatment/Reovery (H010-H129) Or (H131-H135)
Quantity Tons:	0.06255
Waste Quantity:	15
Quantity Unit:	G
Additional Code 1:	Not reported
Additional Code 2:	Not reported
Additional Code 3:	Not reported
Additional Code 4:	Not reported
Additional Code 5:	Not reported
Shipment Date:	20100701
Creation Date:	1/24/2011 18:30:30
Receipt Date:	20100709
Manifest ID:	003347359FLE
Trans EPA ID:	TXR000050930
Trans Name:	SAFETY-KLEEN SYSTEMS INC
Trans 2 EPA ID:	Not reported
Trans 2 Name:	Not reported
TSDf EPA ID:	CAT000613976
Trans Name:	SAFETY-KLEEN SYSTEMS INC
TSDf Alt EPA ID:	Not reported
TSDf Alt Name:	Not reported
Waste Code Description:	213 - Hydrocarbon solvents (benzene, hexane, Stoddard, etc.
RCRA Code:	D039
Meth Code:	- Not reported
Quantity Tons:	0.06255
Waste Quantity:	15
Quantity Unit:	G
Additional Code 1:	Not reported
Additional Code 2:	Not reported
Additional Code 3:	Not reported
Additional Code 4:	Not reported
Additional Code 5:	Not reported

Map ID
Direction
Distance
Elevation

MAP FINDINGS

Site

Database(s)

EDR ID Number
EPA ID Number

CITY OF NEEDLES ELECTRIC (Continued)

S113039808

Shipment Date: 20100406
Creation Date: 12/16/2010 18:30:46
Receipt Date: 20100406
Manifest ID: 002412076SKS
Trans EPA ID: TXR000050930
Trans Name: SAFETY-KLEEN SYSTEMS INC
Trans 2 EPA ID: Not reported
Trans 2 Name: Not reported
TSDf EPA ID: NVR000066837
Trans Name: SAFETY-KLEEN SYSTEMS INC
TSDf Alt EPA ID: Not reported
TSDf Alt Name: Not reported
Waste Code Description: 213 - Hydrocarbon solvents (benzene, hexane, Stoddard, etc.)
RCRA Code: Not reported
Meth Code: H141 - Storage, Bulking, And/Or Transfer Off Site--No Treatment/Reovery (H010-H129) Or (H131-H135)

Quantity Tons: 0.06255
Waste Quantity: 15
Quantity Unit: G
Additional Code 1: Not reported
Additional Code 2: Not reported
Additional Code 3: Not reported
Additional Code 4: Not reported
Additional Code 5: Not reported

Additional Info:

Year: 2009
Gen EPA ID: CAL000045187

Shipment Date: 20090528
Creation Date: 10/6/2009 18:30:28
Receipt Date: 20090611
Manifest ID: 001769229SKS
Trans EPA ID: TXR000050930
Trans Name: SAFETY-KLEEN SYSTEMS INC
Trans 2 EPA ID: OKD981588791
Trans 2 Name: TRIAD TRANSPORT
TSDf EPA ID: NVT330010000
Trans Name: US ECOLOGY NEVADA
TSDf Alt EPA ID: Not reported
TSDf Alt Name: Not reported
Waste Code Description: 791 - Liquids with pH < 2 792 Liquids with pH < 2 with metals
RCRA Code: D002
Meth Code: H132 - Landfill Or Surface Impoundment That Will Be Closed As Landfill(To Include On-Site Treatment And/Or Stabilization)

Quantity Tons: 0.08
Waste Quantity: 160
Quantity Unit: P
Additional Code 1: Not reported
Additional Code 2: Not reported
Additional Code 3: Not reported
Additional Code 4: Not reported
Additional Code 5: Not reported

Shipment Date: 20090528
Creation Date: 10/6/2009 18:30:28
Receipt Date: 20090611

Map ID
Direction
Distance
Elevation

MAP FINDINGS

Site

Database(s)

EDR ID Number
EPA ID Number

CITY OF NEEDLES ELECTRIC (Continued)

S113039808

Manifest ID: 001769229SKS
Trans EPA ID: TXR000050930
Trans Name: SAFETY-KLEEN SYSTEMS INC
Trans 2 EPA ID: OKD981588791
Trans 2 Name: TRIAD TRANSPORT
TSDf EPA ID: NVT330010000
Trans Name: US ECOLOGY NEVADA
TSDf Alt EPA ID: Not reported
TSDf Alt Name: Not reported
Waste Code Description: - Not reported
RCRA Code: Not reported
Meth Code: H039 - Other Recovery Of Reclamation For Reuse Including Acid
Regeneration, Organics Recovery Ect

Quantity Tons: 0.2
Waste Quantity: 400
Quantity Unit: P
Additional Code 1: Not reported
Additional Code 2: Not reported
Additional Code 3: Not reported
Additional Code 4: Not reported
Additional Code 5: Not reported

Shipment Date: 20090514
Creation Date: 9/23/2009 18:30:08
Receipt Date: 20090514
Manifest ID: 001916565SKS
Trans EPA ID: TXR000050930
Trans Name: SAFETY-KLEEN SYSTEMS INC
Trans 2 EPA ID: Not reported
Trans 2 Name: Not reported
TSDf EPA ID: NVR000066837
Trans Name: SAFETY-KLEEN SYSTEMS INC
TSDf Alt EPA ID: Not reported
TSDf Alt Name: Not reported
Waste Code Description: 213 - Hydrocarbon solvents (benzene, hexane, Stoddard, etc.
RCRA Code: Not reported
Meth Code: H141 - Storage, Bulking, And/Or Transfer Off Site--No
Treatment/Reovery (H010-H129) Or (H131-H135)

Quantity Tons: 0.06255
Waste Quantity: 15
Quantity Unit: G
Additional Code 1: Not reported
Additional Code 2: Not reported
Additional Code 3: Not reported
Additional Code 4: Not reported
Additional Code 5: Not reported

Shipment Date: 20090219
Creation Date: 11/18/2009 10:24:19
Receipt Date: 20090219
Manifest ID: 001619016SKS
Trans EPA ID: TXR000050930
Trans Name: SAFETY-KLEEN SYSTEMS INC
Trans 2 EPA ID: Not reported
Trans 2 Name: Not reported
TSDf EPA ID: NVR000066837
Trans Name: SAFETY-KLEEN SYSTEMS INC

Map ID
Direction
Distance
Elevation

MAP FINDINGS

Site

Database(s)

EDR ID Number
EPA ID Number

CITY OF NEEDLES ELECTRIC (Continued)

S113039808

TSDF Alt EPA ID: Not reported
TSDF Alt Name: Not reported
Waste Code Description: 213 - Hydrocarbon solvents (benzene, hexane, Stoddard, etc.)
RCRA Code: Not reported
Meth Code: H141 - Storage, Bulking, And/Or Transfer Off Site--No Treatment/Reovery (H010-H129) Or (H131-H135)
Quantity Tons: 0.06255
Waste Quantity: 15
Quantity Unit: G
Additional Code 1: Not reported
Additional Code 2: Not reported
Additional Code 3: Not reported
Additional Code 4: Not reported
Additional Code 5: Not reported

Additional Info:

Year: 2005
Gen EPA ID: CAL000045187

Shipment Date: 20050427
Creation Date: 3/11/2009 15:34:00
Receipt Date: 20050427
Manifest ID: 24492578
Trans EPA ID: TXR000050930
Trans Name: SAFETY-KLEEN SYSTEMS INC
Trans 2 EPA ID: Not reported
Trans 2 Name: Not reported
TSDF EPA ID: NVR000066837
Trans Name: SAFETY-KLEEN SYSTEMS INC
TSDF Alt EPA ID: Not reported
TSDF Alt Name: Not reported
Waste Code Description: 221 - Waste oil and mixed oil
RCRA Code: Not reported
Meth Code: - Not reported
Quantity Tons: Not reported
Waste Quantity: 225
Quantity Unit: 0
Additional Code 1: Not reported
Additional Code 2: Not reported
Additional Code 3: Not reported
Additional Code 4: Not reported
Additional Code 5: Not reported

Shipment Date: 20050427
Creation Date: 3/11/2009 15:34:00
Receipt Date: 20050427
Manifest ID: 24492578
Trans EPA ID: TXR000050930
Trans Name: SAFETY-KLEEN SYSTEMS INC
Trans 2 EPA ID: Not reported
Trans 2 Name: Not reported
TSDF EPA ID: NVR000066837
Trans Name: SAFETY-KLEEN SYSTEMS INC
TSDF Alt EPA ID: Not reported
TSDF Alt Name: Not reported
Waste Code Description: - Not reported
RCRA Code: Not reported

Map ID
Direction
Distance
Elevation

MAP FINDINGS

Site

Database(s)

EDR ID Number
EPA ID Number

CITY OF NEEDLES ELECTRIC (Continued)

S113039808

Meth Code: H01 - Transfer Station
Quantity Tons: Not reported
Waste Quantity: 0
Quantity Unit: 0
Additional Code 1: Not reported
Additional Code 2: Not reported
Additional Code 3: Not reported
Additional Code 4: Not reported
Additional Code 5: Not reported

Additional Info:

Year: 2007
Gen EPA ID: CAL000045187

Shipment Date: 20071227
Creation Date: 3/11/2009 15:33:12
Receipt Date: 20071227
Manifest ID: 000940183SKS
Trans EPA ID: TXR000050930
Trans Name: SAFETY-KLEEN SYSTEMS INC
Trans 2 EPA ID: Not reported
Trans 2 Name: Not reported
TSDf EPA ID: NVR000066837
Trans Name: SAFETY-KLEEN SYSTEMS INC
TSDf Alt EPA ID: Not reported
TSDf Alt Name: Not reported
Waste Code Description: 213 - Hydrocarbon solvents (benzene, hexane, Stoddard, etc.)
RCRA Code: Not reported
Meth Code: H141 - Storage, Bulking, And/Or Transfer Off Site--No Treatment/Reovery (H010-H129) Or (H131-H135)

Quantity Tons: 0.05838
Waste Quantity: 14
Quantity Unit: G
Additional Code 1: Not reported
Additional Code 2: Not reported
Additional Code 3: Not reported
Additional Code 4: Not reported
Additional Code 5: Not reported

Additional Info:

Year: 2017
Gen EPA ID: CAL000045187

Shipment Date: 20171109
Creation Date: 7/30/2018 18:30:10
Receipt Date: 20171128
Manifest ID: 006158309SKS
Trans EPA ID: TXR000081205
Trans Name: SAFETY-KLEEN SYSTEMS INC
Trans 2 EPA ID: MAD039322250
Trans 2 Name: CLEAN HARBORS
TSDf EPA ID: AZR000003681
Trans Name: THERMO FLUIDS INC
TSDf Alt EPA ID: Not reported
TSDf Alt Name: Not reported
Waste Code Description: 223 - Unspecified oil-containing waste

Map ID
Direction
Distance
Elevation

MAP FINDINGS

Site

Database(s)

EDR ID Number
EPA ID Number

CITY OF NEEDLES ELECTRIC (Continued)

S113039808

RCRA Code:	Not reported
Meth Code:	H039 - Other Recovery Of Reclamation For Reuse Including Acid Regeneration, Organics Recovery Ect
Quantity Tons:	0.05
Waste Quantity:	100
Quantity Unit:	P
Additional Code 1:	Not reported
Additional Code 2:	Not reported
Additional Code 3:	Not reported
Additional Code 4:	Not reported
Additional Code 5:	Not reported
Shipment Date:	20170508
Creation Date:	5/12/2018 18:32:16
Receipt Date:	20170512
Manifest ID:	010388927FLE
Trans EPA ID:	CAR000206086
Trans Name:	NORTH STATE ENVIRONMENTAL
Trans 2 EPA ID:	Not reported
Trans 2 Name:	Not reported
TSDf EPA ID:	AZC950823111
Trans Name:	LA PAZ COUNTY LANDFILL
TSDf Alt EPA ID:	Not reported
TSDf Alt Name:	Not reported
Waste Code Description:	352 - Other organic solids
RCRA Code:	Not reported
Meth Code:	H132 - Landfill Or Surface Impoundment That Will Be Closed As Landfill(To Include On-Site Treatment And/Or Stabilization)
Quantity Tons:	16.856
Waste Quantity:	20
Quantity Unit:	Y
Additional Code 1:	Not reported
Additional Code 2:	Not reported
Additional Code 3:	Not reported
Additional Code 4:	Not reported
Additional Code 5:	Not reported
Shipment Date:	20170508
Creation Date:	5/12/2018 18:32:16
Receipt Date:	20170512
Manifest ID:	010388926FLE
Trans EPA ID:	CAR000206086
Trans Name:	NORTH STATE ENVIRONMENTAL
Trans 2 EPA ID:	Not reported
Trans 2 Name:	Not reported
TSDf EPA ID:	AZC950823111
Trans Name:	LA PAZ COUNTY LANDFILL
TSDf Alt EPA ID:	Not reported
TSDf Alt Name:	Not reported
Waste Code Description:	352 - Other organic solids
RCRA Code:	Not reported
Meth Code:	H132 - Landfill Or Surface Impoundment That Will Be Closed As Landfill(To Include On-Site Treatment And/Or Stabilization)
Quantity Tons:	16.856
Waste Quantity:	20
Quantity Unit:	Y
Additional Code 1:	Not reported

Map ID
Direction
Distance
Elevation

MAP FINDINGS

Site

Database(s)

EDR ID Number
EPA ID Number

CITY OF NEEDLES ELECTRIC (Continued)

S113039808

Additional Code 2: Not reported
Additional Code 3: Not reported
Additional Code 4: Not reported
Additional Code 5: Not reported

HWTS:

Name: CITY OF NEEDLES ELECTRIC
Address: 112 ROBUFFA ST
Address 2: Not reported
City,State,Zip: NEEDLES, CA 92363
EPA ID: CAL000045187
Inactive Date: 06/30/2020
Create Date: 04/02/1991
Last Act Date: Not reported
Mailing Name: Not reported
Mailing Address: 817 THIRD ST
Mailing Address 2: Not reported
Mailing City,State,Zip: NEEDLES, CA 923630000
Owner Name: CITY OF NEEDLES
Owner Address: 817 THIRD ST
Owner Address 2: Not reported
Owner City,State,Zip: NEEDLES, CA 923630000
Contact Name: JOHN THOMAS/ELECTRIC
Contact Address: 817 THIRD ST
Contact Address 2: Not reported
City,State,Zip: NEEDLES, CA 92363
Facility Status: Inactive
Facility Type: PERMANENT
Category: STATE
Latitude: 34.834318
Longitude: -114.597283

NAICS:

EPA ID: CAL000045187
Create Date: 2002-03-14 16:36:27.000
NAICS Code: 2211
NAICS Description: Electric Power Generation, Transmission and Distribution
Issued EPA ID Date: 1991-04-02 00:00:00
Inactive Date: 2020-06-30 00:00:00
Facility Name: CITY OF NEEDLES ELECTRIC
Facility Address: 112 ROBUFFA ST
Facility Address 2: Not reported
Facility City: NEEDLES
Facility County: Not reported
Facility State: CA
Facility Zip: 923630000

EPA ID: CAL000045187
Create Date: 2011-10-26 15:19:37.000
NAICS Code: 31321
NAICS Description: Broadwoven Fabric Mills
Issued EPA ID Date: 1991-04-02 00:00:00
Inactive Date: 2020-06-30 00:00:00
Facility Name: CITY OF NEEDLES ELECTRIC
Facility Address: 112 ROBUFFA ST
Facility Address 2: Not reported
Facility City: NEEDLES

Map ID
Direction
Distance
Elevation

MAP FINDINGS

Site

Database(s)

EDR ID Number
EPA ID Number

CITY OF NEEDLES ELECTRIC (Continued)

S113039808

Facility County: Not reported
Facility State: CA
Facility Zip: 923630000

CG619 **HHW SATELLITE NEEDLES**
Target **112 ROBUFFA ST**
Property **NEEDLES, CA 92363**

AST **S102043453**
CERS HAZ WASTE **N/A**
San Bern. Co. Permit
CERS

Site 15 of 16 in cluster CG

Actual:
477 ft.
Focus Map:
11

AST:
Name: NEEDLES/PUBLIC WORKS
Address: 112 ROBUFFA ST
City/Zip: NEEDLES,92363
Certified Unified Program Agencies: Not reported
Owner: CITY OF NEEDLES
Total Gallons: Not reported
CERSID: 10037368
Facility ID: FA0002035
Business Name: NEEDLES/PUBLIC WORKS
Phone: (760) 326-2451
Fax: (760) 326-2451
Mailing Address: 112 ROBUFFA STREET
Mailing Address City: NEEDLES
Mailing Address State: CA
Mailing Address Zip Code: 92363
Operator Name: MARC RICHARDS
Operator Phone: (760) 220-9027
Owner Phone: (760) 326-2113
Owner Mail Address: 817 THIRD STREET
Owner State: CA
Owner Zip Code: Not reported
Owner Country: United States
Property Owner Name: CITY OF NEEDLES
Property Owner Phone: (760) 326-5700
Property Owner Mailing Address: 817 THIRD ST
Property Owner City: NEEDLES
Property Owner Stat : CA
Property Owner Zip Code: 923263
Property Owner Country: United States
EPAID: CA00045187

CERS HAZ WASTE:

Name: HHW SATELLITE NEEDLES
Address: 112 ROBUFFA ST
City,State,Zip: NEEDLES, CA 92363
Site ID: 122446
CERS ID: 10037875
CERS Description: Household Hazardous Waste Collection

Name: HHW SATELLITE NEEDLES
Address: 112 ROBUFFA ST
City,State,Zip: NEEDLES, CA 92363
Site ID: 122446
CERS ID: 10037875
CERS Description: Hazardous Waste Generator

Map ID
Direction
Distance
Elevation

MAP FINDINGS

Site

Database(s)

EDR ID Number
EPA ID Number

HHW SATELLITE NEEDLES (Continued)

S102043453

Name: NEEDLES/PUBLIC WORKS
Address: 112 ROBUFFA ST
City,State,Zip: NEEDLES, CA 92363
Site ID: 137624
CERS ID: 10037368
CERS Description: Hazardous Waste Generator

San Bern. Co. Permit:

Name: NEEDLES/PUBLIC WORKS
Address: 112 ROBUFFA ST
City,State,Zip: NEEDLES, CA 92363
Region: SAN BERNARDINO
Facility ID: FA0002035
Owner: CITY OF NEEDLES
Permit Number: PT0005103
Permit Category: HAZARDOUS MATERIALS 4-10 CHEMICALS
Facility Status: ACTIVE
Expiration Date: 09/30/2022

Name: NEEDLES/PUBLIC WORKS
Address: 112 ROBUFFA ST
City,State,Zip: NEEDLES, CA 92363
Region: SAN BERNARDINO
Facility ID: FA0002035
Owner: CITY OF NEEDLES
Permit Number: PT0005102
Permit Category: SMALL QUANTITY GENERATOR
Facility Status: ACTIVE
Expiration Date: 09/30/2022

Name: HHW SATELLITE NEEDLES
Address: 112 ROBUFFA ST
City,State,Zip: NEEDLES, CA 92363
Region: SAN BERNARDINO
Facility ID: FA0002313
Owner: HOUSEHOLD HAZARDOUS WASTE
Permit Number: PT0000744
Permit Category: HAZARDOUS MATERIALS 4-10 CHEMICALS
Facility Status: FEE EXEMPT
Expiration Date: 12/31/2007

Name: HHW SATELLITE NEEDLES
Address: 112 ROBUFFA ST
City,State,Zip: NEEDLES, CA 92363
Region: SAN BERNARDINO
Facility ID: FA0002313
Owner: HOUSEHOLD HAZARDOUS WASTE
Permit Number: PT0001079
Permit Category: PBR - HHW ANNUAL FEE
Facility Status: FEE EXEMPT
Expiration Date: 12/31/2007

Name: HHW SATELLITE NEEDLES
Address: 112 ROBUFFA ST
City,State,Zip: NEEDLES, CA 92363
Region: SAN BERNARDINO
Facility ID: FA0002313

Map ID
Direction
Distance
Elevation

MAP FINDINGS

Site

Database(s)

EDR ID Number
EPA ID Number

HHW SATELLITE NEEDLES (Continued)

S102043453

Owner: HOUSEHOLD HAZARDOUS WASTE
Permit Number: PT0013876
Permit Category: SMALL QUANTITY GENERATOR
Facility Status: FEE EXEMPT
Expiration Date: 12/31/2007

Name: NEEDLES/PUBLIC WORKS
Address: 112 ROBUFFA ST
City,State,Zip: NEEDLES, CA 92363
Region: SAN BERNARDINO
Facility ID: FA0002035
Owner: CITY OF NEEDLES
Permit Number: PT0035541
Permit Category: APSA 1,320-10,000 GAL FAC CAPACITY
Facility Status: INACTIVE
Expiration Date: 09/30/2022

Name: HHW SATELLITE NEEDLES
Address: 112 ROBUFFA ST
City,State,Zip: NEEDLES, CA 92363
Region: SAN BERNARDINO
Facility ID: FA0002313
Owner: HOUSEHOLD HAZARDOUS WASTE
Permit Number: PT0013877
Permit Category: HAZMAT HANDLER 0-10 EMPLOYEES (W/GEN PRMT)
Facility Status: INACTIVE
Expiration Date: 12/31/2007

CERS:

Name: HHW SATELLITE NEEDLES
Address: 112 ROBUFFA ST
City,State,Zip: NEEDLES, CA 92363
Site ID: 122446
CERS ID: 10037875
CERS Description: Chemical Storage Facilities

Evaluation:

Eval General Type: Compliance Evaluation Inspection
Eval Date: 10-01-2016
Violations Found: No
Eval Type: Routine done by local agency
Eval Notes: ROUTINE GENERATOR INSPECTION-HHW NEEDLES
Eval Division: San Bernardino County Fire Department
Eval Program: HW
Eval Source: CERS,

Eval General Type: Compliance Evaluation Inspection
Eval Date: 10-01-2016
Violations Found: No
Eval Type: Routine done by local agency
Eval Notes: ROUTINE HANDLER INSPECTION-HHW NEEDLES
Eval Division: San Bernardino County Fire Department
Eval Program: HMRRP
Eval Source: CERS,

Eval General Type: Compliance Evaluation Inspection
Eval Date: 10-05-2019

Map ID
Direction
Distance
Elevation

MAP FINDINGS

Site

Database(s)

EDR ID Number
EPA ID Number

HHW SATELLITE NEEDLES (Continued)

S102043453

Violations Found: No
Eval Type: Routine done by local agency
Eval Notes: ROUTINE HANDLER INSPECTION-HHW NEEDLES
Eval Division: San Bernardino County Fire Department
Eval Program: HMRRP
Eval Source: CERS,

Eval General Type: Compliance Evaluation Inspection
Eval Date: 10-05-2019
Violations Found: No
Eval Type: Routine done by local agency
Eval Notes: ROUTINE GENERATOR INSPECTION-HHW NEEDLES
Eval Division: San Bernardino County Fire Department
Eval Program: HW
Eval Source: CERS,

Eval General Type: Compliance Evaluation Inspection
Eval Date: 10-05-2019
Violations Found: No
Eval Type: Routine done by local agency
Eval Notes: ROUTINE HHW PBR INSPECTION-HHW NEEDLES
Eval Division: San Bernardino County Fire Department
Eval Program: HHW
Eval Source: CERS,

Eval General Type: Compliance Evaluation Inspection
Eval Date: 10-01-2016
Violations Found: No
Eval Type: Routine done by local agency
Eval Notes: ROUTINE HHW INSPECTION-HHW NEEDLES
Eval Division: San Bernardino County Fire Department
Eval Program: HHW
Eval Source: CERS,

Coordinates:
Site ID: 122446
Facility Name: HHW SATELLITE NEEDLES
Env Int Type Code: HWG
Program ID: 10037875
Coord Name: Not reported
Ref Point Type Desc: Unknown,
Latitude: 34.834190
Longitude: -114.597231

Affiliation:
Affiliation Type Desc: Facility Mailing Address
Entity Name: Mailing Address
Entity Title: Not reported
Affiliation Address: 2824 E "W" ST
Affiliation City: SAN BERNARDINO
Affiliation State: CA
Affiliation Country: Not reported
Affiliation Zip: 92415
Affiliation Phone: ,

Affiliation Type Desc: CUPA District

Map ID
Direction
Distance
Elevation

MAP FINDINGS

Site

Database(s)

EDR ID Number
EPA ID Number

HHW SATELLITE NEEDLES (Continued)

S102043453

Entity Name: San Bernardino County Fire
Entity Title: Not reported
Affiliation Address: 620 South E Street
Affiliation City: San Bernardino
Affiliation State: CA
Affiliation Country: Not reported
Affiliation Zip: 92415-0153
Affiliation Phone: (909) 386-8401,

Affiliation Type Desc: Environmental Contact
Entity Name: JOSE RODRIGUEZ
Entity Title: Not reported
Affiliation Address: 2824 EAST "W" STREET
Affiliation City: SAN BERNARDINO
Affiliation State: CA
Affiliation Country: Not reported
Affiliation Zip: 92415-0799
Affiliation Phone: ,

Affiliation Type Desc: Legal Owner
Entity Name: HOUSEHOLD HAZARDOUS WASTE
Entity Title: Not reported
Affiliation Address: 2824 E "W" ST, STE 302
Affiliation City: SAN BERNARDINO
Affiliation State: CA
Affiliation Country: United States
Affiliation Zip: 92415-0799
Affiliation Phone: (909) 382-5401,

Affiliation Type Desc: Document Preparer
Entity Name: Michael VanGese
Entity Title: Not reported
Affiliation Address: Not reported
Affiliation City: Not reported
Affiliation State: Not reported
Affiliation Country: Not reported
Affiliation Zip: Not reported
Affiliation Phone: ,

Affiliation Type Desc: Identification Signer
Entity Name: Jose Rodriguez
Entity Title: Assistant Fire Marshal
Affiliation Address: Not reported
Affiliation City: Not reported
Affiliation State: Not reported
Affiliation Country: Not reported
Affiliation Zip: Not reported
Affiliation Phone: ,

Affiliation Type Desc: Parent Corporation
Entity Name: San Bernardino County Fire Department - HHW
Entity Title: Not reported
Affiliation Address: Not reported
Affiliation City: Not reported
Affiliation State: Not reported
Affiliation Country: Not reported
Affiliation Zip: Not reported

Map ID
Direction
Distance
Elevation

MAP FINDINGS

Site

Database(s)

EDR ID Number
EPA ID Number

HHW SATELLITE NEEDLES (Continued)

S102043453

Affiliation Phone: ,
Affiliation Type Desc: Operator
Entity Name: JOSE RODRIGUEZ
Entity Title: Not reported
Affiliation Address: Not reported
Affiliation City: Not reported
Affiliation State: Not reported
Affiliation Country: Not reported
Affiliation Zip: Not reported
Affiliation Phone: (909) 382-5401,

Name: NEEDLES/PUBLIC WORKS
Address: 112 ROBUFFA ST
City,State,Zip: NEEDLES, CA 92363
Site ID: 137624
CERS ID: 10037368
CERS Description: Chemical Storage Facilities

Violations:
Site ID: 137624
Site Name: NEEDLES/PUBLIC WORKS
Violation Date: 10-15-2015
Citation: HSC 6.5 Multiple Sections - California Health and Safety Code, Chapter 6.5, Section(s) Multiple Sections
Violation Description: Haz Waste Generator Program - Operations/Maintenance - General
Violation Notes: Returned to compliance on 01/05/2016. Failure to label hazardous waste containers (CCR 66262.34(f)(3))
Violation Division: San Bernardino County Fire Department
Violation Program: HW
Violation Source: CERS,

Site ID: 137624
Site Name: NEEDLES/PUBLIC WORKS
Violation Date: 10-15-2015
Citation: HSC 6.5 Multiple Sections - California Health and Safety Code, Chapter 6.5, Section(s) Multiple Sections
Violation Description: Haz Waste Generator Program - Operations/Maintenance - General
Violation Notes: Returned to compliance on 01/05/2016. Failure to note accumulation start date on labels (CCR 66262.34(f)(2))
Violation Division: San Bernardino County Fire Department
Violation Program: HW
Violation Source: CERS,

Site ID: 137624
Site Name: NEEDLES/PUBLIC WORKS
Violation Date: 11-10-2021
Citation: HSC 6.95 25508(a)(3) - California Health and Safety Code, Chapter 6.95, Section(s) 25508(a)(3)
Violation Description: Failure to report program data electronically.
Violation Notes: This facility no longer stores petroleum materials above the APSA reporting thresholds; indicate this by checking "no" to the Aboveground Petroleum Storage disclosure in the business activities section. CORRECTIVE ACTION: Submit the Business Activities Page and/or Business Owner/Operator Identification Page as required.
Violation Division: San Bernardino County Fire Department
Violation Program: HMRRP

Map ID
Direction
Distance
Elevation

MAP FINDINGS

Site

Database(s)

EDR ID Number
EPA ID Number

HHW SATELLITE NEEDLES (Continued)

S102043453

Violation Source: CERS,

Site ID: 137624
Site Name: NEEDLES/PUBLIC WORKS
Violation Date: 11-10-2021
Citation: 22 CCR 12 66262.34(f) - California Code of Regulations, Title 22, Chapter 12, Section(s) 66262.34(f)

Violation Description: Failure to properly label hazardous waste accumulation containers and portable tanks with the following requirements: "Hazardous Waste", name and address of the generator, physical and chemical characteristics of the Hazardous Waste, and starting accumulation date.

Violation Notes: Returned to compliance on 11/10/2021. Observed (1) 55 gallon drum of waste antifreeze to not have appropriate hazardous waste labeling. Violation corrected on site.

Violation Division: San Bernardino County Fire Department
Violation Program: HW
Violation Source: CERS,

Site ID: 137624
Site Name: NEEDLES/PUBLIC WORKS
Violation Date: 11-10-2021
Citation: HSC 6.95 25508(a)(1) - California Health and Safety Code, Chapter 6.95, Section(s) 25508(a)(1)

Violation Description: Failure to complete and electronically submit a business plan when storing/handling a hazardous material at or above reportable quantities.

Violation Notes: Last HMBP submitted via CERS occurred on 10/28/2018/ CORRECTIVE ACTION: Submit an accurate and complete business plan into the California Environmental Reporting System (CERS).

Violation Division: San Bernardino County Fire Department
Violation Program: HMRRP
Violation Source: CERS,

Site ID: 137624
Site Name: NEEDLES/PUBLIC WORKS
Violation Date: 10-15-2015
Citation: HSC 6.5 Multiple Sections - California Health and Safety Code, Chapter 6.5, Section(s) Multiple Sections

Violation Description: Haz Waste Generator Program - Operations/Maintenance - General

Violation Notes: Returned to compliance on 01/05/2016. Failure to operate and maintain facility to prevent a fire, spill or release (CCR 66265.31)

Violation Division: San Bernardino County Fire Department
Violation Program: HW
Violation Source: CERS,

Site ID: 137624
Site Name: NEEDLES/PUBLIC WORKS
Violation Date: 11-10-2021
Citation: 22 CCR 12 66262.12 - California Code of Regulations, Title 22, Chapter 12, Section(s) 66262.12

Violation Description: Failure to obtain an Identification Number prior to treating, storing, disposing of, transporting or offering for transportation any hazardous waste.

Violation Notes: The EPA Id Number associated with this facility is inactive; CAL000045187. CORRECTIVE ACTION: Reactivate EPA ID number CAL000045187, by submitting form 1358 to DTSC

Map ID
Direction
Distance
Elevation

MAP FINDINGS

Site

Database(s)

EDR ID Number
EPA ID Number

HHW SATELLITE NEEDLES (Continued)

S102043453

Violation Division: San Bernardino County Fire Department
Violation Program: HW
Violation Source: CERS,

Site ID: 137624
Site Name: NEEDLES/PUBLIC WORKS
Violation Date: 10-15-2015
Citation: HSC 6.5 Multiple Sections - California Health and Safety Code, Chapter 6.5, Section(s) Multiple Sections
Violation Description: Haz Waste Generator Program - Operations/Maintenance - General
Violation Notes: Returned to compliance on 11/24/2015. Hazardous waste accumulation time exceeded (CCR 66262.34(a))

Violation Division: San Bernardino County Fire Department
Violation Program: HW
Violation Source: CERS,

Site ID: 137624
Site Name: NEEDLES/PUBLIC WORKS
Violation Date: 10-15-2015
Citation: HSC 6.67 25270.4.5(a) - California Health and Safety Code, Chapter 6.67, Section(s) 25270.4.5(a)
Violation Description: Failure to prepare and implement a Spill Prevention Control and Countermeasure (SPCC) Plan .
Violation Notes: Returned to compliance on 01/05/2016.
Violation Division: San Bernardino County Fire Department
Violation Program: APSA
Violation Source: CERS,

Site ID: 137624
Site Name: NEEDLES/PUBLIC WORKS
Violation Date: 10-15-2015
Citation: HSC 6.5 Multiple Sections - California Health and Safety Code, Chapter 6.5, Section(s) Multiple Sections
Violation Description: Haz Waste Generator Program - Operations/Maintenance - General
Violation Notes: Returned to compliance on 01/05/2016. Failure to complete hazardous waste labels (CCR 66262.34(f)(3))
Violation Division: San Bernardino County Fire Department
Violation Program: HW
Violation Source: CERS,

Site ID: 137624
Site Name: NEEDLES/PUBLIC WORKS
Violation Date: 10-15-2015
Citation: HSC 6.95 25508.1(a)-(e) - California Health and Safety Code, Chapter 6.95, Section(s) 25508.1(a)-(e)
Violation Description: Failure to electronically update business plan within 30 days of any one of the following events: A 100 percent or more increase in the quantity of a previously disclosed material. Any handling of a previously undisclosed hazardous materials at or above reportable quantities. A change of business address, business ownership, or business name.
Violation Notes: Returned to compliance on 03/10/2016.
Violation Division: San Bernardino County Fire Department
Violation Program: HMRRP
Violation Source: CERS,

Site ID: 137624

Map ID
Direction
Distance
Elevation

MAP FINDINGS

Site

Database(s)

EDR ID Number
EPA ID Number

HHW SATELLITE NEEDLES (Continued)

S102043453

Site Name: NEEDLES/PUBLIC WORKS
Violation Date: 11-10-2021
Citation: 40 CFR 1 265.173 - U.S. Code of Federal Regulations, Title 40, Chapter 1, Section(s) 265.173
Violation Description: Failure to meet the following container management requirements: (a) A container holding hazardous waste must always be closed during storage, except when it is necessary to add or remove waste. (b) A container holding hazardous waste must not be opened, handled, or stored in a manner which may rupture the container or cause it to leak.
Violation Notes: Returned to compliance on 11/10/2021. Observed (2) 5 gallon open containers of used lubricating oil on site. Violation corrected on site by properly containerizing the observed used oil.
Violation Division: San Bernardino County Fire Department
Violation Program: HW
Violation Source: CERS,

Site ID: 137624
Site Name: NEEDLES/PUBLIC WORKS
Violation Date: 10-24-2018
Citation: HSC 6.5 25123.3(h)(1) - California Health and Safety Code, Chapter 6.5, Section(s) 25123.3(h)(1)
Violation Description: Failure to send hazardous waste offsite for treatment, storage, or disposal within 180 days (or 270 days if waste is transported over 200 miles) for a generator who generates less than 1000 kilogram per month if all of the following conditions are met: (1) The quantity of hazardous waste accumulated onsite never exceeds 6,000 kilograms. (2) The generator complies with the requirements of 40 Code of Federal Regulations section 262.34(d), (e) and (f). (3) The generator does not hold acutely hazardous waste or extremely hazardous waste in an amount greater than one kilogram for more than 90 days.
Violation Notes: Returned to compliance on 11/19/2018. Observed (1) 55 gallon drum containing waste tac oil that had exceeded it's accumulation time frame for this facility. CORRECTIVE ACTION: Sign the Certificate of Compliance in attestation that the observed waste tac oil has been transported off site by a licensed hazardous waste transporter. Provide a copy of the hazardous waste disposal record to this Division regarding the disposal of the observed waste tac oil.
Violation Division: San Bernardino County Fire Department
Violation Program: HW
Violation Source: CERS,

Site ID: 137624
Site Name: NEEDLES/PUBLIC WORKS
Violation Date: 11-10-2021
Citation: HSC 6.5 25123.3(h)(1) - California Health and Safety Code, Chapter 6.5, Section(s) 25123.3(h)(1)
Violation Description: Failure to send hazardous waste offsite for treatment, storage, or disposal within 180 days (or 270 days if waste is transported over 200 miles) for a generator who generates less than 1000 kilogram per month if all of the following conditions are met: (1) The quantity of hazardous waste accumulated onsite never exceeds 6,000 kilograms. (2) The generator complies with the requirements of 40 Code of Federal Regulations section 262.34(d), (e) and (f). (3) The generator does not hold acutely hazardous waste or extremely hazardous waste in an amount greater than one kilogram for more than 90 days.
Violation Notes: Observed (1) ~200 gallon container of used lubricating oil to have

Map ID
Direction
Distance
Elevation

MAP FINDINGS

Site

Database(s)

EDR ID Number
EPA ID Number

HHW SATELLITE NEEDLES (Continued)

S102043453

content that has exceeded the accumulation time for the facility. The last documented hazardous waste pickup occurred on 11/09/2020.
CORRECTIVE ACTION: Sign the Certificate of Compliance indicating that all hazardous waste that has exceeded the 180 day accumulation time frame for the facility, has been transported of site by a licensed hazardous waste transporter.

Violation Division: San Bernardino County Fire Department
Violation Program: HW
Violation Source: CERS,

Site ID: 137624
Site Name: NEEDLES/PUBLIC WORKS
Violation Date: 10-24-2018
Citation: 22 CCR 12 66262.34(f) - California Code of Regulations, Title 22, Chapter 12, Section(s) 66262.34(f)
Violation Description: Failure to properly label hazardous waste accumulation containers and portable tanks with the following requirements: "Hazardous Waste", name and address of the generator, physical and chemical characteristics of the Hazardous Waste, and starting accumulation date.
Violation Notes: Returned to compliance on 10/24/2018. Observed (1) 55 gallon drum containing waste automotive coolant to have illegible hazardous waste labeling at the time of the inspection. Violation corrected on site at the time of the inspection.

Violation Division: San Bernardino County Fire Department
Violation Program: HW
Violation Source: CERS,

Site ID: 137624
Site Name: NEEDLES/PUBLIC WORKS
Violation Date: 10-24-2018
Citation: HSC 6.95 25508(a)(1) - California Health and Safety Code, Chapter 6.95, Section(s) 25508(a)(1)
Violation Description: Failure to complete and electronically submit hazardous material inventory information for all reportable hazardous materials on site at or above reportable quantities.
Violation Notes: Returned to compliance on 11/08/2018. Observed the following hazardous materials onsite that were not disclosed in the most recent hazardous materials inventory submitted via CERS on 02/26/2018: -(1) 55 gallon drum containing transformer oil -(1) ~250 cubic foot cylinder containing acetylene -(2) 251 cubic foot cylinders containing oxygen
CORRECTIVE ACTION: Submit an accurate and complete hazardous materials inventory into the California Environmental Reporting System (CERS).

Violation Division: San Bernardino County Fire Department
Violation Program: HMRRP
Violation Source: CERS,

Site ID: 137624
Site Name: NEEDLES/PUBLIC WORKS
Violation Date: 10-15-2015
Citation: 22 CCR 16 66266.130 - California Code of Regulations, Title 22, Chapter 16, Section(s) 66266.130
Violation Description: Failure to properly handle, manage, label, and recycle used oil and fuel filters.
Violation Notes: Returned to compliance on 01/06/2016.
Violation Division: San Bernardino County Fire Department
Violation Program: HW

Map ID
Direction
Distance
Elevation

MAP FINDINGS

Site

Database(s)

EDR ID Number
EPA ID Number

HHW SATELLITE NEEDLES (Continued)

S102043453

Violation Source: CERS,
Site ID: 137624
Site Name: NEEDLES/PUBLIC WORKS
Violation Date: 10-15-2015
Citation: HSC 6.5 Multiple Sections - California Health and Safety Code, Chapter 6.5, Section(s) Multiple Sections
Violation Description: Haz Waste Generator Program - Operations/Maintenance - General
Violation Notes: Returned to compliance on 01/05/2016. Failure to store hazardous waste in sound containers (CCR 66265.171)
Violation Division: San Bernardino County Fire Department
Violation Program: HW
Violation Source: CERS,

Evaluation:

Eval General Type: Compliance Evaluation Inspection
Eval Date: 10-24-2018
Violations Found: Yes
Eval Type: Routine done by local agency
Eval Notes: Not reported
Eval Division: San Bernardino County Fire Department
Eval Program: HW
Eval Source: CERS,

Eval General Type: Compliance Evaluation Inspection
Eval Date: 11-10-2021
Violations Found: Yes
Eval Type: Routine done by local agency
Eval Notes: Not reported
Eval Division: San Bernardino County Fire Department
Eval Program: HW
Eval Source: CERS,

Eval General Type: Compliance Evaluation Inspection
Eval Date: 10-15-2015
Violations Found: Yes
Eval Type: Routine done by local agency
Eval Notes: INSPECTION OF CITY OF NEEDLES-PUBLIC WORKS YARD.
Eval Division: San Bernardino County Fire Department
Eval Program: HW
Eval Source: CERS,

Eval General Type: Compliance Evaluation Inspection
Eval Date: 10-15-2015
Violations Found: Yes
Eval Type: Routine done by local agency
Eval Notes: INSPECTION OF NEEDLES/PUBLIC WORKS.
Eval Division: San Bernardino County Fire Department
Eval Program: APSA
Eval Source: CERS,

Eval General Type: Compliance Evaluation Inspection
Eval Date: 10-24-2018
Violations Found: No
Eval Type: Routine done by local agency
Eval Notes: Not reported
Eval Division: San Bernardino County Fire Department

Map ID
Direction
Distance
Elevation

MAP FINDINGS

Site

Database(s)

EDR ID Number
EPA ID Number

HHW SATELLITE NEEDLES (Continued)

S102043453

Eval Program: APSA
Eval Source: CERS,

Eval General Type: Compliance Evaluation Inspection
Eval Date: 10-24-2018
Violations Found: Yes
Eval Type: Routine done by local agency
Eval Notes: Not reported
Eval Division: San Bernardino County Fire Department
Eval Program: HMRRP
Eval Source: CERS,

Eval General Type: Compliance Evaluation Inspection
Eval Date: 11-10-2021
Violations Found: Yes
Eval Type: Routine done by local agency
Eval Notes: Not reported
Eval Division: San Bernardino County Fire Department
Eval Program: HMRRP
Eval Source: CERS,

Eval General Type: Compliance Evaluation Inspection
Eval Date: 10-15-2015
Violations Found: Yes
Eval Type: Routine done by local agency
Eval Notes: INSPECTION OF CITY OF NEEDLES-PUBLIC WORKS YARD.
Eval Division: San Bernardino County Fire Department
Eval Program: HMRRP
Eval Source: CERS,

Enforcement Action:
Site ID: 137624
Site Name: NEEDLES/PUBLIC WORKS
Site Address: 112 ROBUFFA ST
Site City: NEEDLES
Site Zip: 92363
Enf Action Date: 10-15-2015
Enf Action Type: Notice of Violation (Unified Program)
Enf Action Description: Notice of Violation Issued by the Inspector at the Time of Inspection
Enf Action Notes: Not reported
Enf Action Division: San Bernardino County Fire Department
Enf Action Program: APSA
Enf Action Source: CERS,

Site ID: 137624
Site Name: NEEDLES/PUBLIC WORKS
Site Address: 112 ROBUFFA ST
Site City: NEEDLES
Site Zip: 92363
Enf Action Date: 10-15-2015
Enf Action Type: Notice of Violation (Unified Program)
Enf Action Description: Notice of Violation Issued by the Inspector at the Time of Inspection
Enf Action Notes: Not reported
Enf Action Division: San Bernardino County Fire Department
Enf Action Program: HMRRP
Enf Action Source: CERS,

Map ID
Direction
Distance
Elevation

MAP FINDINGS

Site

Database(s)

EDR ID Number
EPA ID Number

HHW SATELLITE NEEDLES (Continued)

S102043453

Site ID: 137624
Site Name: NEEDLES/PUBLIC WORKS
Site Address: 112 ROBUFFA ST
Site City: NEEDLES
Site Zip: 92363
Enf Action Date: 10-15-2015
Enf Action Type: Notice of Violation (Unified Program)
Enf Action Description: Notice of Violation Issued by the Inspector at the Time of Inspection
Enf Action Notes: Not reported
Enf Action Division: San Bernardino County Fire Department
Enf Action Program: HW
Enf Action Source: CERS,

Coordinates:

Site ID: 137624
Facility Name: NEEDLES/PUBLIC WORKS
Env Int Type Code: HWG
Program ID: 10037368
Coord Name: Not reported
Ref Point Type Desc: Unknown,
Latitude: 34.834190
Longitude: -114.597231

Affiliation:

Affiliation Type Desc: Facility Mailing Address
Entity Name: Mailing Address
Entity Title: Not reported
Affiliation Address: 112 ROBUFFA STREET
Affiliation City: NEEDLES
Affiliation State: CA
Affiliation Country: Not reported
Affiliation Zip: 92363
Affiliation Phone: ,

Affiliation Type Desc: Identification Signer
Entity Name: TIM WAHLSTRAND
Entity Title: FLEET MAINTENANCE
Affiliation Address: Not reported
Affiliation City: Not reported
Affiliation State: Not reported
Affiliation Country: Not reported
Affiliation Zip: Not reported
Affiliation Phone: ,

Affiliation Type Desc: Parent Corporation
Entity Name: NEEDLES/PUBLIC WORKS
Entity Title: Not reported
Affiliation Address: Not reported
Affiliation City: Not reported
Affiliation State: Not reported
Affiliation Country: Not reported
Affiliation Zip: Not reported
Affiliation Phone: ,

Affiliation Type Desc: Document Preparer
Entity Name: TIM WAHLSTRAND

Map ID
Direction
Distance
Elevation

MAP FINDINGS

Site

Database(s)

EDR ID Number
EPA ID Number

HHW SATELLITE NEEDLES (Continued)

S102043453

Entity Title: Not reported
Affiliation Address: Not reported
Affiliation City: Not reported
Affiliation State: Not reported
Affiliation Country: Not reported
Affiliation Zip: Not reported
Affiliation Phone: ,

Affiliation Type Desc: Legal Owner
Entity Name: City of Needles
Entity Title: Not reported
Affiliation Address: 817 THIRD STREET
Affiliation City: NEEDLES
Affiliation State: CA
Affiliation Country: United States
Affiliation Zip: 92363-9236
Affiliation Phone: (760) 326-2113,

Affiliation Type Desc: Property Owner
Entity Name: City of Needles
Entity Title: Not reported
Affiliation Address: 817 THIRD ST
Affiliation City: NEEDLES
Affiliation State: CA
Affiliation Country: United States
Affiliation Zip: 923263
Affiliation Phone: (760) 326-5700,

Affiliation Type Desc: CUPA District
Entity Name: San Bernardino County Fire
Entity Title: Not reported
Affiliation Address: 620 South E Street
Affiliation City: San Bernardino
Affiliation State: CA
Affiliation Country: Not reported
Affiliation Zip: 92415-0153
Affiliation Phone: (909) 386-8401,

Affiliation Type Desc: Operator
Entity Name: TIM WAHLSTRAND
Entity Title: Not reported
Affiliation Address: Not reported
Affiliation City: Not reported
Affiliation State: Not reported
Affiliation Country: Not reported
Affiliation Zip: Not reported
Affiliation Phone: (760) 220-9027,

Affiliation Type Desc: Environmental Contact
Entity Name: Rick Daniels
Entity Title: Not reported
Affiliation Address: 817 THIRD ST
Affiliation City: NEEDLES
Affiliation State: CA
Affiliation Country: Not reported
Affiliation Zip: 92363
Affiliation Phone: ,

Map ID
 Direction
 Distance
 Elevation

MAP FINDINGS

Site

Database(s)

EDR ID Number
 EPA ID Number

CF620 **SPARKS R L INC AUTOS**
Target **689 E**
Property **SAN BERNARDINO, CA**

EDR Hist Auto **1014178165**
 N/A

Site 5 of 5 in cluster CF

Actual: EDR Hist Auto
545 ft.

Focus Map: 11	Year: Name: 1930 SPARKS R L INC AUTOS	Type: AUTOMOBILE REPAIRING
-------------------------	--	-------------------------------

CG621 **WHEELER FRANCIS W**
Target **111 CIBOLA ST**
Property **NEEDLES, CA 92363**

EDR Hist Auto **1020735177**
 N/A

Site 16 of 16 in cluster CG

Actual: EDR Hist Auto
479 ft.

Focus Map: 11	Year: Name: 1969 WHEELER FRANCIS W 1970 WHEELER FRANCIS W 1971 WHEELER FRANCIS W 1972 WHEELER FRANCIS W	Type: Gasoline Service Stations Gasoline Service Stations Gasoline Service Stations Gasoline Service Stations
-------------------------	--	---

622 **DANIEL FAMILY TRUST 8**
Target **623 CIBOLA ST**
Property **NEEDLES, CA 92363**

RCRA NonGen / NLR **1027207408**
CAC003171596

RCRA NonGen / NLR:

Actual: 545 ft.	Date Form Received by Agency: Handler Name: Handler Address: Handler City,State,Zip: EPA ID: Contact Name: Contact Address: Contact City,State,Zip: Contact Telephone: Contact Fax: Contact Email: Contact Title: EPA Region: Land Type: Federal Waste Generator Description: Non-Notifier: Biennial Report Cycle: Accessibility: Active Site Indicator: State District Owner: State District: Mailing Address: Mailing City,State,Zip: Owner Name: Owner Type: Operator Name: Operator Type: Short-Term Generator Activity:	20220415 DANIEL FAMILY TRUST 8 623 CIBOLA ST NEEDLES, CA 92363 CAC003171596 JAN TODD 623 CIBOLA ST NEEDLES, CA 92363 208-720-2749 Not reported FAVILA@BURNS-ENVIRO.COM Not reported 09 Not reported Not a generator, verified Not reported Not reported Not reported Not reported Not reported Not reported 623 CIBOLA ST NEEDLES, CA 92363 DANIEL FAMILY TRUST 8 Other JAN TODD Other No
----------------------------------	---	--

Map ID
 Direction
 Distance
 Elevation

MAP FINDINGS

Site

Database(s)

EDR ID Number
 EPA ID Number

DANIEL FAMILY TRUST 8 (Continued)

1027207408

Importer Activity:	No
Mixed Waste Generator:	No
Transporter Activity:	No
Transfer Facility Activity:	No
Recycler Activity with Storage:	No
Small Quantity On-Site Burner Exemption:	No
Smelting Melting and Refining Furnace Exemption:	No
Underground Injection Control:	No
Off-Site Waste Receipt:	No
Universal Waste Indicator:	No
Universal Waste Destination Facility:	No
Federal Universal Waste:	No
Active Site Fed-Reg Treatment Storage and Disposal Facility:	Not reported
Active Site Converter Treatment storage and Disposal Facility:	Not reported
Active Site State-Reg Treatment Storage and Disposal Facility:	Not reported
Active Site State-Reg Handler:	---
Federal Facility Indicator:	Not reported
Hazardous Secondary Material Indicator:	N
Sub-Part K Indicator:	Not reported
Commercial TSD Indicator:	No
Treatment Storage and Disposal Type:	Not reported
2018 GPRA Permit Baseline:	Not on the Baseline
2018 GPRA Renewals Baseline:	Not on the Baseline
Permit Renewals Workload Universe:	Not reported
Permit Workload Universe:	Not reported
Permit Progress Universe:	Not reported
Post-Closure Workload Universe:	Not reported
Closure Workload Universe:	Not reported
202 GPRA Corrective Action Baseline:	No
Corrective Action Workload Universe:	No
Subject to Corrective Action Universe:	No
Non-TSDFs Where RCRA CA has Been Imposed Universe:	No
TSDFs Potentially Subject to CA Under 3004 (u)/(v) Universe:	No
TSDFs Only Subject to CA under Discretionary Auth Universe:	No
Corrective Action Priority Ranking:	No NCAPS ranking
Environmental Control Indicator:	No
Institutional Control Indicator:	No
Human Exposure Controls Indicator:	N/A
Groundwater Controls Indicator:	N/A
Operating TSDF Universe:	Not reported
Full Enforcement Universe:	Not reported
Significant Non-Complier Universe:	No
Unaddressed Significant Non-Complier Universe:	No
Addressed Significant Non-Complier Universe:	No
Significant Non-Complier With a Compliance Schedule Universe:	No
Financial Assurance Required:	Not reported
Handler Date of Last Change:	20220418
Recognized Trader-Importer:	No
Recognized Trader-Exporter:	No
Importer of Spent Lead Acid Batteries:	No
Exporter of Spent Lead Acid Batteries:	No
Recycler Activity Without Storage:	No
Manifest Broker:	No
Sub-Part P Indicator:	No

Map ID
Direction
Distance
Elevation

MAP FINDINGS

Site

Database(s)

EDR ID Number
EPA ID Number

DANIEL FAMILY TRUST 8 (Continued)

1027207408

Handler - Owner Operator:

Owner/Operator Indicator:	Owner
Owner/Operator Name:	DANIEL FAMILY TRUST 8
Legal Status:	Other
Date Became Current:	Not reported
Date Ended Current:	Not reported
Owner/Operator Address:	623 CIBOLA ST
Owner/Operator City,State,Zip:	NEEDLES, CA 92363
Owner/Operator Telephone:	208-720-2749
Owner/Operator Telephone Ext:	Not reported
Owner/Operator Fax:	Not reported
Owner/Operator Email:	Not reported

Owner/Operator Indicator:	Operator
Owner/Operator Name:	JAN TODD
Legal Status:	Other
Date Became Current:	Not reported
Date Ended Current:	Not reported
Owner/Operator Address:	623 CIBOLA ST
Owner/Operator City,State,Zip:	NEEDLES, CA 92363
Owner/Operator Telephone:	208-720-2749
Owner/Operator Telephone Ext:	Not reported
Owner/Operator Fax:	Not reported
Owner/Operator Email:	Not reported

Historic Generators:

Receive Date:	20220415
Handler Name:	DANIEL FAMILY TRUST 8
Federal Waste Generator Description:	Not a generator, verified
State District Owner:	Not reported
Large Quantity Handler of Universal Waste:	No
Recognized Trader Importer:	No
Recognized Trader Exporter:	No
Spent Lead Acid Battery Importer:	No
Spent Lead Acid Battery Exporter:	No
Current Record:	Yes
Non Storage Recycler Activity:	No
Electronic Manifest Broker:	No

List of NAICS Codes and Descriptions:

NAICS Code:	56299
NAICS Description:	ALL OTHER WASTE MANAGEMENT SERVICES

Facility Has Received Notices of Violations:

Violations:	No Violations Found
-------------	---------------------

Evaluation Action Summary:

Evaluations:	No Evaluations Found
--------------	----------------------

Map ID
 Direction
 Distance
 Elevation

MAP FINDINGS

Site

Database(s)

EDR ID Number
 EPA ID Number

623 **STRINGHAM THOMAS L & P MRS T L**
Target **605 CIBOLA**
Property **NEEDLES, CA 92363**

EDR Hist Auto **1020246743**
N/A

EDR Hist Auto

Actual:	Year:	Name:	Type:
528 ft.	1969	STRINGHAM THOMAS L & P MRS T L	Eating Places
Focus Map:	1970	STRINGHAM THOMAS L & P MRS T L	Eating Places
11	1971	STRINGHAM THOMAS L & P MRS T L	Eating Places

CH624 **C444 L300A MP 22.13-22.14 RECOAT SPAN 413 (PG&E SP**
Target **12.15 MI S OF I40 13.6 MI W HWY 95**
Property **NEEDLES, CA 92363**

HAZNET **S121020797**
HWTS **N/A**

Site 1 of 2 in cluster CH

Actual:	HAZNET:	
547 ft.	Name:	C444 L300A MP 22.13-22.14 RECOAT SPAN 413 (PG&E SPANS PROJECT)
Focus Map:	Address:	12.15 MI S OF I40 13.6 MI W HWY 95
11	Address 2:	Not reported
	City,State,Zip:	NEEDLES, CA 92363
	Contact:	NATHAN CHRISTMAN
	Telephone:	9253285119
	Mailing Name:	Not reported
	Mailing Address:	PO BOX 7640
	Year:	2016
	Gepaid:	CAP000257295
	TSD EPA ID:	CAD980884183
	CA Waste Code:	181 - Other inorganic solid waste
	Disposal Method:	H141 - Storage, Bulking, And/Or Transfer Off Site--No Treatment/Reovery (H010-H129) Or (H131-H135)
	Tons:	0.45

HWTS:	Name:	C444 L300A MP 22.13-22.14 RECOAT SPAN 413 (PG&E SPANS PROJECT)
	Address:	12.15 MI S OF I40 13.6 MI W HWY 95
	Address 2:	Not reported
	City,State,Zip:	NEEDLES, CA 92363
	EPA ID:	CAP000257295
	Inactive Date:	05/16/2016
	Create Date:	01/15/2016
	Last Act Date:	Not reported
	Mailing Name:	Not reported
	Mailing Address:	PO BOX 7640
	Mailing Address 2:	Not reported
	Mailing City,State,Zip:	SAN FRANCISCO, CA 94120
	Owner Name:	PACIFIC GAS AND ELECTRIC
	Owner Address:	77 BEALE ST
	Owner Address 2:	Not reported
	Owner City,State,Zip:	SAN FRANCISCO, CA 94105
	Contact Name:	NATHAN CHRISTMAN
	Contact Address:	611
	Contact Address 2:	Not reported
	City,State,Zip:	SAN RAMON, CA 94583
	Facility Status:	Inactive
	Facility Type:	TEMPORARY

Map ID
 Direction
 Distance
 Elevation

MAP FINDINGS

Site

Database(s)

EDR ID Number
 EPA ID Number

C444 L300A MP 22.13-22.14 RECOAT SPAN 413 (PG&E SPANS PROJEC (Continued)

S121020797

Category: FEDERAL
 Latitude: 34.83394506
 Longitude: -114.60639454

CH625 C607 L300B MP 20.05-20.06 RECOAT SPAN 396 (PG&E SP
Target 12.9 MI S OF I40 11.8 MI W HWY 95
Property NEEDLES, CA 92363

HAZNET S121020796
HWTS N/A

Site 2 of 2 in cluster CH

Actual:
547 ft.
Focus Map:
11

HAZNET:
 Name: C607 L300B MP 20.05-20.06 RECOAT SPAN 396 (PG&E SPANS PROJECT)
 Address: 12.9 MI S OF I40 11.8 MI W HWY 95
 Address 2: Not reported
 City,State,Zip: NEEDLES, CA 92363
 Contact: NATHAN CHRISTMAN
 Telephone: 9253285119
 Mailing Name: Not reported
 Mailing Address: PO BOX 7640

 Year: 2016
 Gepaid: CAP000257287
 TSD EPA ID: CAD980884183
 CA Waste Code: 181 - Other inorganic solid waste
 Disposal Method: H141 - Storage, Bulking, And/Or Transfer Off Site--No Treatment/Reovery (H010-H129) Or (H131-H135)
 Tons: 0.95

HWTS:
 Name: C607 L300B MP 20.05-20.06 RECOAT SPAN 396 (PG&E SPANS PROJECT)
 Address: 12.9 MI S OF I40 11.8 MI W HWY 95
 Address 2: Not reported
 City,State,Zip: NEEDLES, CA 92363
 EPA ID: CAP000257287
 Inactive Date: 05/16/2016
 Create Date: 01/15/2016
 Last Act Date: Not reported
 Mailing Name: Not reported
 Mailing Address: PO BOX 7640
 Mailing Address 2: Not reported
 Mailing City,State,Zip: SAN FRANCISCO, CA 94120
 Owner Name: PACIFIC GAS AND ELECTRIC
 Owner Address: 77 BEALE ST
 Owner Address 2: Not reported
 Owner City,State,Zip: SAN FRANCISCO, CA 94105
 Contact Name: NATHAN CHRISTMAN
 Contact Address: 6111 BOLLINGER CANYON RD STE 3130F
 Contact Address 2: Not reported
 City,State,Zip: SAN RAMON, CA 945835186
 Facility Status: Inactive
 Facility Type: TEMPORARY
 Category: FEDERAL
 Latitude: 34.83394506
 Longitude: -114.60639454

Map ID
Direction
Distance
Elevation

MAP FINDINGS

Site

Database(s)

EDR ID Number
EPA ID Number

CI626 **NEEDLES ROAD YARD**
Target **607 ROBUFFA STREET**
Property **NEEDLES, CA 92363**

HIST UST **U001575257**
 N/A

Site 1 of 4 in cluster CI

Actual:
481 ft.
Focus Map:
11

HIST UST:
Name: NEEDLES ROAD YARD
Address: 607 ROBUFFA STREET
City,State,Zip: NEEDLES, CA 92363
File Number: 00029D30
URL: <http://geotracker.waterboards.ca.gov/ustpdfs/pdf/00029D30.pdf>
Region: STATE
Facility ID: 00000008709
Facility Type: Other
Other Type: COUNTY
Contact Name: R. D. MARK
Telephone: 7143262535
Owner Name: COUNTY OF SAN BERNARDINO
Owner Address: 825 EAST 3RD ST
Owner City,St,Zip: SAN BERNARDINO, CA 92415
Total Tanks: 0003

Tank Num: 001
Container Num: 0021
Year Installed: Not reported
Tank Capacity: 00010000
Tank Used for: PRODUCT
Type of Fuel: UNLEADED
Container Construction Thickness: Not reported
Leak Detection: Visual, Stock Inventor

Tank Num: 001
Container Num: 0021
Year Installed: Not reported
Tank Capacity: 00010000
Tank Used for: PRODUCT
Type of Fuel: UNLEADED
Container Construction Thickness: Not reported
Leak Detection: Visual, Stock Inventor

Tank Num: 002
Container Num: 0022
Year Installed: Not reported
Tank Capacity: 00010000
Tank Used for: PRODUCT
Type of Fuel: REGULAR
Container Construction Thickness: Not reported
Leak Detection: Visual, Stock Inventor

Tank Num: 002
Container Num: 0022
Year Installed: Not reported
Tank Capacity: 00010000
Tank Used for: PRODUCT
Type of Fuel: REGULAR
Container Construction Thickness: Not reported
Leak Detection: Visual, Stock Inventor

Map ID
Direction
Distance
Elevation

MAP FINDINGS

Site

Database(s)

EDR ID Number
EPA ID Number

NEEDLES ROAD YARD (Continued)

U001575257

Tank Num: 003
Container Num: 0023
Year Installed: Not reported
Tank Capacity: 00010000
Tank Used for: PRODUCT
Type of Fuel: DIESEL
Container Construction Thickness: Not reported
Leak Detection: Visual, Stock Inventor

Tank Num: 003
Container Num: 0023
Year Installed: Not reported
Tank Capacity: 00010000
Tank Used for: PRODUCT
Type of Fuel: DIESEL
Container Construction Thickness: Not reported
Leak Detection: Visual, Stock Inventor

[Click here for Geo Tracker PDF:](#)

CI627 **NEEDLES ROAD YARD**
Target **607 ROBUFFA**
Property **NEEDLES, CA 92363**

HIST UST **U001575255**
N/A

Site 2 of 4 in cluster CI

Actual:
481 ft.

Focus Map:
11

HIST UST:
Name: NEEDLES ROAD YARD
Address: 607 ROBUFFA
City,State,Zip: NEEDLES, CA 92363
File Number: 00029D36
URL: <http://geotracker.waterboards.ca.gov/ustpdfs/pdf/00029D36.pdf>
Region: STATE
Facility ID: 00000031580
Facility Type: Other
Other Type: COUNTY
Contact Name: R D MARK
Telephone: 7143262333
Owner Name: COUNTY OF SAN BERNARDINO VEHIC
Owner Address: 825 EAST THIRD STREET
Owner City,St,Zip: SAN BERNARDINO, CA 92363
Total Tanks: 0001

Tank Num: 001
Container Num: 0082
Year Installed: Not reported
Tank Capacity: 00000500
Tank Used for: WASTE
Type of Fuel: WASTE OIL
Container Construction Thickness: Not reported
Leak Detection: Visual

[Click here for Geo Tracker PDF:](#)

Map ID
Direction
Distance
Elevation

MAP FINDINGS

Site

Database(s)

EDR ID Number
EPA ID Number

CI628 **NEEDLES ROAD YARD**
Target **607 ROBUFFA ST**
Property **NEEDLES, CA 92363**

HIST UST **U001575256**
 N/A

Site 3 of 4 in cluster CI

Actual: HIST UST:
481 ft. Name: NEEDLES ROAD YARD
Focus Map: Address: 607 ROBUFFA ST
11 City,State,Zip: NEEDLES, CA 92363
 File Number: Not reported
 URL: Not reported
 Region: STATE
 Facility ID: 00000065928
 Facility Type: Other
 Other Type: COUNTY FACILITY
 Contact Name: ED COMBS
 Telephone: 6193262535
 Owner Name: COUNTY OF SAN BERNARDINO
 Owner Address: 825 E. THIRD STREET
 Owner City,St,Zip: SAN BERNARDINO, CA 92415
 Total Tanks: 0001

 Tank Num: 001
 Container Num: 103
 Year Installed: Not reported
 Tank Capacity: 00000500
 Tank Used for: WASTE
 Type of Fuel: 5
 Container Construction Thickness: X
 Leak Detection: None

CI629 **CITY OF NEEDLES MAINTENANCE YA**
Target **607 ROBUFFA**
Property **NEEDLES, CA 92363**

HIST UST **U001575239**
 N/A

Site 4 of 4 in cluster CI

Actual: HIST UST:
481 ft. Name: CITY OF NEEDLES MAINTENANCE YA
Focus Map: Address: 607 ROBUFFA
11 City,State,Zip: NEEDLES, CA 92363
 File Number: 00029C8F
 URL: <http://geotracker.waterboards.ca.gov/ustpdfs/pdf/00029C8F.pdf>
 Region: STATE
 Facility ID: 00000068408
 Facility Type: Other
 Other Type: CITY
 Contact Name: RAY R. MOSS, SUPERINTENDENT
 Telephone: 6193264834
 Owner Name: CITY OF NEEDLES
 Owner Address: 1111 BAILEY AVENUE P.O. BX 887
 Owner City,St,Zip: NEEDLES, CA 92363
 Total Tanks: 0004

 Tank Num: 001
 Container Num: C.Y.2-03D
 Year Installed: Not reported
 Tank Capacity: 00000550
 Tank Used for: WASTE

Map ID
 Direction
 Distance
 Elevation

MAP FINDINGS

Site

Database(s)

EDR ID Number
 EPA ID Number

CITY OF NEEDLES MAINTENANCE YA (Continued)

U001575239

Type of Fuel: 4
 Container Construction Thickness: X
 Leak Detection: Visual, Stock Inventor

Tank Num: 002
 Container Num: C.Y.2-04 U
 Year Installed: Not reported
 Tank Capacity: 00005000
 Tank Used for: PRODUCT
 Type of Fuel: UNLEADED
 Container Construction Thickness: Not reported
 Leak Detection: Visual, Stock Inventor

Tank Num: 003
 Container Num: C.Y.1-02 B
 Year Installed: Not reported
 Tank Capacity: 00001050
 Tank Used for: WASTE
 Type of Fuel: 2
 Container Construction Thickness: X
 Leak Detection: Visual, Stock Inventor

Tank Num: 004
 Container Num: C.Y.1-01R
 Year Installed: Not reported
 Tank Capacity: 00001050
 Tank Used for: PRODUCT
 Type of Fuel: REGULAR
 Container Construction Thickness: Not reported
 Leak Detection: Visual, Stock Inventor

[Click here for Geo Tracker PDF:](#)

630 ELLEN CAMPBELL
Target 526 DESNOK ST
Property NEEDLES, CA 92363

HAZNET S118222307
HWTS N/A

Actual: 524 ft.
Focus Map: 11

HAZNET:
 Name: ELLEN CAMPBELL
 Address: 526 DESNOK ST
 Address 2: Not reported
 City,State,Zip: NEEDLES, CA 923633349
 Contact: ELLEN CAMPBELL
 Telephone: 3104872177
 Mailing Name: Not reported
 Mailing Address: 526 DESNOK ST

Year: 2014
 Gepaid: CAC002785992
 TSD EPA ID: AZC950823111
 CA Waste Code: 151 - Asbestos containing waste
 Disposal Method: H132 - Landfill Or Surface Impoundment That Will Be Closed As Landfill(To Include On-Site Treatment And/Or Stabilization)
 Tons: 3.22

Additional Info:

Map ID
Direction
Distance
Elevation

MAP FINDINGS

Site

Database(s)

EDR ID Number
EPA ID Number

ELLEN CAMPBELL (Continued)

S118222307

Year: 2014
Gen EPA ID: CAC002785992

Shipment Date: 20140923
Creation Date: 2/13/2015 22:15:06
Receipt Date: 20140923
Manifest ID: 007653032FLE
Trans EPA ID: CAR000049064
Trans Name: ECTI
Trans 2 EPA ID: Not reported
Trans 2 Name: Not reported
TSDf EPA ID: AZC950823111
Trans Name: LA PAZ COUNTY LANDFILL
TSDf Alt EPA ID: Not reported
TSDf Alt Name: Not reported
Waste Code Description: 151 - Asbestos-containing waste
RCRA Code: Not reported
Meth Code: H132 - Landfill Or Surface Impoundment That Will Be Closed As Landfill(To Include On-Site Treatment And/Or Stabilization)

Quantity Tons: 3.22
Waste Quantity: 14
Quantity Unit: Y
Additional Code 1: Not reported
Additional Code 2: Not reported
Additional Code 3: Not reported
Additional Code 4: Not reported
Additional Code 5: Not reported

HWTS:

Name: ELLEN CAMPBELL
Address: 526 DESNOK ST
Address 2: Not reported
City,State,Zip: NEEDLES, CA 92363
EPA ID: CAC002785992
Inactive Date: 12/16/2014
Create Date: 09/16/2014
Last Act Date: Not reported
Mailing Name: Not reported
Mailing Address: 526 DESNOK ST
Mailing Address 2: Not reported
Mailing City,State,Zip: NEEDLES, CA 923633349
Owner Name: ELLEN CAMPBELL
Owner Address: 526 DESNOK ST
Owner Address 2: Not reported
Owner City,State,Zip: NEEDLES, CA 923633349
Contact Name: ELLEN CAMPBELL
Contact Address: 526 DESNOK ST
Contact Address 2: Not reported
City,State,Zip: NEEDLES, CA 923633349
Facility Status: Inactive
Facility Type: TEMPORARY
Category: STATE
Latitude: 34.833436
Longitude: -114.602461

Name: ELLEN CAMPBELL
Address: 526 DESNOK ST

Map ID
 Direction
 Distance
 Elevation

MAP FINDINGS

Site

Database(s)

EDR ID Number
 EPA ID Number

ELLEN CAMPBELL (Continued)

S118222307

Address 2:	Not reported
City,State,Zip:	NEEDLES, CA 92363
EPA ID:	CAC002798144
Inactive Date:	03/25/2015
Create Date:	12/24/2014
Last Act Date:	Not reported
Mailing Name:	Not reported
Mailing Address:	526 DESNOK ST
Mailing Address 2:	Not reported
Mailing City,State,Zip:	NEEDLES, CA 923633349
Owner Name:	ELLEN CAMPBELL
Owner Address:	526 DESNOK ST
Owner Address 2:	Not reported
Owner City,State,Zip:	NEEDLES, CA 923633349
Contact Name:	ELLEN CAMPBELL
Contact Address:	526 DESNOK ST
Contact Address 2:	Not reported
City,State,Zip:	NEEDLES, CA 923633349
Facility Status:	Inactive
Facility Type:	TEMPORARY
Category:	STATE
Latitude:	34.833436
Longitude:	-114.602461

631 **CATTLE H R**
Target **682 D**
Property **CHINO, CA**

EDR Hist Cleaner **1009210527**
N/A

EDR Hist Cleaner

Actual:	Year:	Name:	Type:
537 ft.	1934	CATTLE H R	CLOTHES PRESSERS AND CLEANERS
Focus Map:	1938	CATTLE H R	CLOTHES PRESSERS AND CLEANERS
11			

632 **2004 RIO VISTA**
Target **NEEDLES, CA**
Property

CHMIRS **S124449774**
N/A

CHMIRS:

Actual:	Name:	Not reported
653 ft.	Address:	2004 RIO VISTA
Focus Map:	City,State,Zip:	NEEDLES, CA
10	OES Incident Number:	19-1835
	OES notification:	03/17/2019
	OES Date:	Not reported
	OES Time:	Not reported
	Date Completed:	Not reported
	Property Use:	Not reported
	Agency Id Number:	Not reported
	Agency Incident Number:	Not reported
	Time Notified:	Not reported

Map ID
Direction
Distance
Elevation

MAP FINDINGS

Site

Database(s)

EDR ID Number
EPA ID Number

(Continued)

S124449774

Time Completed:	Not reported
Surrounding Area:	Not reported
Estimated Temperature:	Not reported
Property Management:	Not reported
More Than Two Substances Involved?:	Not reported
Resp Agency Personel # Of Decontaminated:	Not reported
Responding Agency Personel # Of Injuries:	Not reported
Responding Agency Personel # Of Fatalities:	Not reported
Others Number Of Decontaminated:	Not reported
Others Number Of Injuries:	Not reported
Others Number Of Fatalities:	Not reported
Vehicle Make/year:	Not reported
Vehicle License Number:	Not reported
Vehicle State:	Not reported
Vehicle Id Number:	Not reported
CA DOT PUC/ICC Number:	Not reported
Company Name:	Not reported
Reporting Officer Name/ID:	Not reported
Report Date:	Not reported
Facility Telephone:	Not reported
Waterway Involved:	No
Waterway:	None
Spill Site:	Residence
Cleanup By:	Reporting Party
Containment:	Not reported
What Happened:	Not reported
Type:	Not reported
Measure:	Not reported
Other:	Not reported
Type:	VAPOR
Measure:	N/A
Other:	Not reported
Date/Time:	1427
Year:	2019
Agency:	Southwest Gas
Incident Date:	03/17/2019
Admin Agency:	San Bernardino County Fire Department
Amount:	Not reported
Contained:	Stopped,Not contained
Site Type:	None
E Date:	Not reported
Substance:	Gas, natural
Quantity Released:	Unknown
Unknown:	Not reported
Substance #2:	Not reported
Substance #3:	Not reported
Evacuations:	1
Number of Injuries:	Not reported
Number of Fatalities:	Not reported
#1 Pipeline:	No
#2 Pipeline:	No
#3 Pipeline:	No
#1 Vessel >= 300 Tons:	No
#2 Vessel >= 300 Tons:	No
#3 Vessel >= 300 Tons:	No
Evacs:	Yes
Injuries:	No

Map ID
Direction
Distance
Elevation

MAP FINDINGS

Site

Database(s)

EDR ID Number
EPA ID Number

(Continued)

S124449774

Fatals:	No
Comments:	Not reported
Description:	Southwest Gas received an odor complaint from a customer. A crew was dispatched to the home. The crew was able to isolate the leak (1/2 inch underground service line) and stop the release. One person was evacuated from the home pending the completion of repairs. It is expected the resident will be allowed to reenter the residence within one hour.

CJ633 **NEEDLES STATION HOSPITAL**
Target
Property **NEEDLES, CA**

FUDS **1024903600**
N/A

Site 1 of 2 in cluster CJ

Actual: 565 ft.	FUDS:	
Focus Map: 11	EPA Region:	9
	Installation ID:	CA99799F553200
	Congressional District Number:	8
	Name:	NEEDLES STATION HOSPITAL
	FUDS Number:	J09CA0507
	City:	NEEDLES
	State:	CA
	County:	SAN BERNARDINO
	Object ID:	9446
	USACE Division:	SPD
	USACE District:	Los Angeles District (SPL)
	Status:	Properties without projects
	Current Owner:	Not reported
	EMS Map Link:	https://fudsportal.usace.army.mil/ems/inventory/map?id=53898
	Eligibility:	Eligible
	Has Projects:	No
	NPL Status:	Not on the NPL
	Property History:	HAD 2-250 BED HOSPITALS, NINE LATRINES
	Project Required:	No
	Feature Description:	Not reported
	Latitude:	34.83333333
	Longitude:	-114.60833333

CJ634 **NEEDLES STATION HOSP**
Target
Property **NEEDLES, CA**

ENVIROSTOR **S107736869**
N/A

Site 2 of 2 in cluster CJ

Actual: 565 ft.	ENVIROSTOR:	
Focus Map: 11	Name:	NEEDLES STATION HOSP
	Address:	Not reported
	City,State,Zip:	NEEDLES, CA
	Facility ID:	80000330
	Status:	Inactive - Needs Evaluation
	Status Date:	07/01/2005
	Site Code:	Not reported

Map ID
Direction
Distance
Elevation

MAP FINDINGS

Site

Database(s)

EDR ID Number
EPA ID Number

NEEDLES STATION HOSP (Continued)

S107736869

Site Type: Military Evaluation
Site Type Detailed: FUDS
Acres: Not reported
NPL: NO
Regulatory Agencies: SMBRP
Lead Agency: SMBRP
Program Manager: Not reported
Supervisor: Douglas Bautista
Division Branch: Cleanup Cypress
Assembly: 33
Senate: 16
Special Program: Not reported
Restricted Use: NO
Site Mgmt Req: NONE SPECIFIED
Funding: DERA
Latitude: 34.83333
Longitude: -114.6083
APN: NONE SPECIFIED
Past Use: NONE SPECIFIED
Potential COC: NONE SPECIFIED
Confirmed COC: NONE SPECIFIED
Potential Description: NONE SPECIFIED
Alias Name: CA99799F553200
Alias Type: Federal Facility ID
Alias Name: J09CA0507
Alias Type: INPR
Alias Name: 80000330
Alias Type: Envirostor ID Number

Completed Info:

Completed Area Name: Not reported
Completed Sub Area Name: Not reported
Completed Document Type: Not reported
Completed Date: Not reported
Comments: Not reported

Future Area Name: Not reported
Future Sub Area Name: Not reported
Future Document Type: Not reported
Future Due Date: Not reported
Schedule Area Name: Not reported
Schedule Sub Area Name: Not reported
Schedule Document Type: Not reported
Schedule Due Date: Not reported
Schedule Revised Date: Not reported

CK635 RICHARD PENA
Target 313 DESNOK STREET
Property NEEDLES, CA 92363

ECHO 1027195621
N/A

Site 1 of 4 in cluster CK

Actual:
511 ft.
Focus Map:
11

ECHO:
Envid: 1027195621
Registry ID: Not reported
DFR URL: <http://echo.epa.gov/detailed-facility-report?fid=CAC003164759>
Name: RICHARD PENA
Address: 313 DESNOK STREET

Map ID
 Direction
 Distance
 Elevation

MAP FINDINGS

Site

Database(s)

EDR ID Number
 EPA ID Number

RICHARD PENA (Continued)

1027195621

City,State,Zip: NEEDLES, CA 92363

CK636
Target
Property

RICHARD PENA
313 DESNOK STREET
NEEDLES, CA 92363

RCRA NonGen / NLR

1027200992
CAC003164759

Site 2 of 4 in cluster CK

Actual:
511 ft.
Focus Map:
11

RCRA NonGen / NLR:		20220304
Date Form Received by Agency:		20220304
Handler Name:	RICHARD PENA	
Handler Address:		313 DESNOK STREET
Handler City,State,Zip:		NEEDLES, CA 92363
EPA ID:		CAC003164759
Contact Name:		RICHARD PENA
Contact Address:		313 DESNOK STREET
Contact City,State,Zip:		NEEDLES, CA 92363
Contact Telephone:		818-675-2477
Contact Fax:		Not reported
Contact Email:		DONNAC@PWSEI.COM
Contact Title:		Not reported
EPA Region:		09
Land Type:		Not reported
Federal Waste Generator Description:		Not a generator, verified
Non-Notifier:		Not reported
Biennial Report Cycle:		Not reported
Accessibility:		Not reported
Active Site Indicator:		Not reported
State District Owner:		Not reported
State District:		Not reported
Mailing Address:		313 DESNOK STREET
Mailing City,State,Zip:		NEEDLES, CA 92363
Owner Name:	RICHARD PENA	
Owner Type:		Other
Operator Name:	RICHARD PENA	
Operator Type:		Other
Short-Term Generator Activity:		No
Importer Activity:		No
Mixed Waste Generator:		No
Transporter Activity:		No
Transfer Facility Activity:		No
Recycler Activity with Storage:		No
Small Quantity On-Site Burner Exemption:		No
Smelting Melting and Refining Furnace Exemption:		No
Underground Injection Control:		No
Off-Site Waste Receipt:		No
Universal Waste Indicator:		No
Universal Waste Destination Facility:		No
Federal Universal Waste:		No
Active Site Fed-Reg Treatment Storage and Disposal Facility:		Not reported
Active Site Converter Treatment storage and Disposal Facility:		Not reported
Active Site State-Reg Treatment Storage and Disposal Facility:		Not reported
Active Site State-Reg Handler:		---
Federal Facility Indicator:		Not reported
Hazardous Secondary Material Indicator:		N
Sub-Part K Indicator:		Not reported
Commercial TSD Indicator:		No
Treatment Storage and Disposal Type:		Not reported

Map ID
 Direction
 Distance
 Elevation

MAP FINDINGS

Site

Database(s)

EDR ID Number
 EPA ID Number

RICHARD PENA (Continued)

1027200992

2018 GPRA Permit Baseline:	Not on the Baseline
2018 GPRA Renewals Baseline:	Not on the Baseline
Permit Renewals Workload Universe:	Not reported
Permit Workload Universe:	Not reported
Permit Progress Universe:	Not reported
Post-Closure Workload Universe:	Not reported
Closure Workload Universe:	Not reported
202 GPRA Corrective Action Baseline:	No
Corrective Action Workload Universe:	No
Subject to Corrective Action Universe:	No
Non-TSDFs Where RCRA CA has Been Imposed Universe:	No
TSDFs Potentially Subject to CA Under 3004 (u)/(v) Universe:	No
TSDFs Only Subject to CA under Discretionary Auth Universe:	No
Corrective Action Priority Ranking:	No NCAPS ranking
Environmental Control Indicator:	No
Institutional Control Indicator:	No
Human Exposure Controls Indicator:	N/A
Groundwater Controls Indicator:	N/A
Operating TSDf Universe:	Not reported
Full Enforcement Universe:	Not reported
Significant Non-Complier Universe:	No
Unaddressed Significant Non-Complier Universe:	No
Addressed Significant Non-Complier Universe:	No
Significant Non-Complier With a Compliance Schedule Universe:	No
Financial Assurance Required:	Not reported
Handler Date of Last Change:	20220308
Recognized Trader-Importer:	No
Recognized Trader-Exporter:	No
Importer of Spent Lead Acid Batteries:	No
Exporter of Spent Lead Acid Batteries:	No
Recycler Activity Without Storage:	No
Manifest Broker:	No
Sub-Part P Indicator:	No

Handler - Owner Operator:

Owner/Operator Indicator:	Operator
Owner/Operator Name: RICHARD PENA	
Legal Status:	Other
Date Became Current:	Not reported
Date Ended Current:	Not reported
Owner/Operator Address:	313 DESNOK STREET
Owner/Operator City,State,Zip:	NEEDLES, CA 92363
Owner/Operator Telephone:	818-675-2477
Owner/Operator Telephone Ext:	Not reported
Owner/Operator Fax:	Not reported
Owner/Operator Email:	Not reported

Owner/Operator Indicator:	Owner
Owner/Operator Name: RICHARD PENA	
Legal Status:	Other
Date Became Current:	Not reported
Date Ended Current:	Not reported
Owner/Operator Address:	313 DESNOK STREET
Owner/Operator City,State,Zip:	NEEDLES, CA 92363
Owner/Operator Telephone:	818-675-2477
Owner/Operator Telephone Ext:	Not reported

Map ID
 Direction
 Distance
 Elevation

MAP FINDINGS

Site

Database(s)

EDR ID Number
 EPA ID Number

RICHARD PENA (Continued)

1027200992

Owner/Operator Fax: Not reported
 Owner/Operator Email: Not reported

Historic Generators:

Receive Date: 20220304
 Handler Name: RICHARD PENA
 Federal Waste Generator Description: Not a generator, verified
 State District Owner: Not reported
 Large Quantity Handler of Universal Waste: No
 Recognized Trader Importer: No
 Recognized Trader Exporter: No
 Spent Lead Acid Battery Importer: No
 Spent Lead Acid Battery Exporter: No
 Current Record: Yes
 Non Storage Recycler Activity: No
 Electronic Manifest Broker: No

List of NAICS Codes and Descriptions:

NAICS Code: 56299
 NAICS Description: ALL OTHER WASTE MANAGEMENT SERVICES

Facility Has Received Notices of Violations:

Violations: No Violations Found

Evaluation Action Summary:

Evaluations: No Evaluations Found

**CK637
 Target
 Property**

**RICHARD PENA
 313 DESNOK STREET
 NEEDLES, CA 92363**

**HWTS S128375285
 N/A**

Site 3 of 4 in cluster CK

**Actual:
 511 ft.**

**Focus Map:
 11**

HWTS:
 Name: RICHARD PENA
 Address: 313 DESNOK STREET
 Address 2: Not reported
 City,State,Zip: NEEDLES, CA 92363
 EPA ID: CAC003164759
 Inactive Date: Not reported
 Create Date: 03/04/2022
 Last Act Date: Not reported
 Mailing Name: Not reported
 Mailing Address: 313 DESNOK STREET
 Mailing Address 2: Not reported
 Mailing City,State,Zip: NEEDLES, CA 92363
 Owner Name: RICHARD PENA
 Owner Address: 313 DESNOK STREET
 Owner Address 2: Not reported
 Owner City,State,Zip: NEEDLES, CA 92363
 Contact Name: RICHARD PENA
 Contact Address: 313 DESNOK STREET
 Contact Address 2: Not reported
 City,State,Zip: NEEDLES, CA 92363
 Facility Status: Active

Map ID
Direction
Distance
Elevation

MAP FINDINGS

Site

Database(s)

EDR ID Number
EPA ID Number

RICHARD PENA (Continued)

S128375285

Facility Type: TEMPORARY
Category: STATE
Latitude: 34.83314299
Longitude: -114.600511

CK638
Target
Property

RICHARD PENA
313 DESNOK STREET
NEEDLES, CA 92363

FINDS 1027172794
N/A

Site 4 of 4 in cluster CK

Actual:
511 ft.

FINDS:
Registry ID: 110071244087

Focus Map:
11

Click Here for FRS Facility Detail Report:

Environmental Interest/Information System:

RCRAInfo is a national information system that supports the Resource Conservation and Recovery Act (RCRA) program through the tracking of events and activities related to facilities that generate, transport, and treat, store, or dispose of hazardous waste. RCRAInfo allows RCRA program staff to track the notification, permit, compliance, and corrective action activities required under RCRA.

[Click this hyperlink](#) while viewing on your computer to access additional FINDS: detail in the EDR Site Report.

CL639
Target
Property

AT & T MOBILITY - NEEDLES
2450 PARKWAY EXTENSION
NEEDLES, CA 92363

FINDS 1023282887
N/A

Site 1 of 2 in cluster CL

Actual:
666 ft.

FINDS:
Registry ID: 110065736154

Focus Map:
10

Click Here for FRS Facility Detail Report:

Environmental Interest/Information System:

STATE MASTER

[Click this hyperlink](#) while viewing on your computer to access additional FINDS: detail in the EDR Site Report.

CL640
Target
Property

NEW CINGULAR WIRELESS PCS LLC
2450 PKWY EXTENSION
NEEDLES, CA 92363

HWTS S126104652
N/A

Site 2 of 2 in cluster CL

Actual:
666 ft.

HWTS:
Name: NEW CINGULAR WIRELESS PCS LLC
Address: 2450 PKWY EXTENSION
Address 2: Not reported
City, State, Zip: NEEDLES, CA 92363
EPA ID: CAL000423160
Inactive Date: Not reported
Create Date: 12/23/2016

Focus Map:
10

Map ID
Direction
Distance
Elevation

MAP FINDINGS

Site

Database(s)

EDR ID Number
EPA ID Number

NEW CINGULAR WIRELESS PCS LLC (Continued)

S126104652

Last Act Date: Not reported
Mailing Name: Not reported
Mailing Address: 308 S. AKARD ST.
Mailing Address 2: Not reported
Mailing City,State,Zip: DALLAS, TX 752020000
Owner Name: NEW CINGULAR WIRELESS PCS, LLC
Owner Address: 308 S. AKARD ST.
Owner Address 2: Not reported
Owner City,State,Zip: DALLAS, TX 75202
Contact Name: EH&S WASTE MANAGER/TEAM
Contact Address: 308 S. AKARD ST.
Contact Address 2: Not reported
City,State,Zip: DALLAS, TX 75202
Facility Status: Active
Facility Type: PERMANENT
Category: STATE
Latitude: 34.83309602
Longitude: -114.625303

NAICS:

EPA ID: CAL000423160
Create Date: 2016-12-23 08:29:29.897
NAICS Code: 51334
NAICS Description: Satellite Telecommunications
Issued EPA ID Date: 2016-12-23 08:29:29.89300
Inactive Date: Not reported
Facility Name: NEW CINGULAR WIRELESS PCS LLC
Facility Address: 2450 PKWY EXTENSION
Facility Address 2: Not reported
Facility City: NEEDLES
Facility County: Not reported
Facility State: CA
Facility Zip: 92363

CM641 C & A CHEVRON
Target 200 E BROADWAY
Property NEEDLES, CA 92363

SWEEPS UST S106923696
N/A

Site 1 of 2 in cluster CM

Actual: 484 ft.
Focus Map: 11
SWEEPS UST:
Name: C & A CHEVRON
Address: 200 E BROADWAY
City: NEEDLES
Status: Active
Comp Number: 300
Number: 2
Board Of Equalization: Not reported
Referral Date: 07-28-92
Action Date: 07-28-92
Created Date: 12-15-89
Owner Tank Id: Not reported
SWRCB Tank Id: Not reported
Tank Status: Not reported
Capacity: Not reported
Active Date: Not reported
Tank Use: Not reported

Map ID
Direction
Distance
Elevation

MAP FINDINGS

Site

Database(s)

EDR ID Number
EPA ID Number

C & A CHEVRON (Continued)

S106923696

STG: Not reported
Content: Not reported
Number Of Tanks: Not reported

Name: C & A CHEVRON
Address: 200 E BROADWAY
City: NEEDLES
Status: Not reported
Comp Number: 300
Number: Not reported
Board Of Equalization: Not reported
Referral Date: Not reported
Action Date: Not reported
Created Date: Not reported
Owner Tank Id: Not reported
SWRCB Tank Id: 36-000-000300-000001
Tank Status: Not reported
Capacity: 1000
Active Date: Not reported
Tank Use: M.V. FUEL
STG: PRODUCT
Content: LEADED
Number Of Tanks: 3

Name: C & A CHEVRON
Address: 200 E BROADWAY
City: NEEDLES
Status: Not reported
Comp Number: 300
Number: Not reported
Board Of Equalization: Not reported
Referral Date: Not reported
Action Date: Not reported
Created Date: Not reported
Owner Tank Id: Not reported
SWRCB Tank Id: 36-000-000300-000002
Tank Status: Not reported
Capacity: 1000
Active Date: Not reported
Tank Use: M.V. FUEL
STG: PRODUCT
Content: LEADED
Number Of Tanks: Not reported

Name: C & A CHEVRON
Address: 200 E BROADWAY
City: NEEDLES
Status: Not reported
Comp Number: 300
Number: Not reported
Board Of Equalization: Not reported
Referral Date: Not reported
Action Date: Not reported
Created Date: Not reported
Owner Tank Id: Not reported
SWRCB Tank Id: 36-000-000300-000003
Tank Status: Not reported

Map ID
Direction
Distance
Elevation

MAP FINDINGS

Site

Database(s)

EDR ID Number
EPA ID Number

C & A CHEVRON (Continued)

S106923696

Capacity: 1000
Active Date: Not reported
Tank Use: M.V. FUEL
STG: PRODUCT
Content: LEADED
Number Of Tanks: Not reported

CM642 1X CANTERBURY, CHARLES
Target 200 EAST BROADWAY
Property NEEDLES, CA 92363

HAZNET S123721367
HWTS N/A

Site 2 of 2 in cluster CM

Actual:
484 ft.

Focus Map:
11

HAZNET:
Name: 1X CANTERBURY, CHARLES
Address: 200 EAST BROADWAY
Address 2: Not reported
City,State,Zip: NEEDLES, CA 923630000
Contact: CANTERBURY, CHARLES
Telephone: 6193263133
Mailing Name: Not reported
Mailing Address: --

Year: 1989
Gepaid: CAC000218353
TSD EPA ID: CAT080013352
CA Waste Code: 223 - Unspecified oil-containing waste
Disposal Method: R01 - Recycler
Tons: 0.3127

HWTS:

Name: 1X CANTERBURY, CHARLES
Address: 200 EAST BROADWAY
Address 2: Not reported
City,State,Zip: NEEDLES, CA 92363
EPA ID: CAC000218353
Inactive Date: 10/25/2000
Create Date: 11/03/1989
Last Act Date: Not reported
Mailing Name: Not reported
Mailing Address: Not reported
Mailing Address 2: Not reported
Mailing City,State,Zip: NEEDLES, CA 923630000
Owner Name: CANTERBURY, CHARLES
Owner Address: Not reported
Owner Address 2: Not reported
Owner City,State,Zip: Not reported
Contact Name: CANTERBURY, CHARLES
Contact Address: Not reported
Contact Address 2: Not reported
City,State,Zip: Not reported
Facility Status: Inactive
Facility Type: TEMPORARY
Category: STATE
Latitude: 34.833291
Longitude: -114.595885

Map ID
 Direction
 Distance
 Elevation

MAP FINDINGS

Site

Database(s)

EDR ID Number
 EPA ID Number

CN643 **MICAELA ROSE BROWN**
Target **2029 CORTEZ ST**
Property **NEEDLES, CA 92363**

FINDS **1027163072**
ECHO **N/A**

Site 1 of 10 in cluster CN

Actual: **FINDS:**
661 ft. Registry ID: 110071227372

Focus Map:
10 [Click Here for FRS Facility Detail Report:](#)

Environmental Interest/Information System:

RCRAInfo is a national information system that supports the Resource Conservation and Recovery Act (RCRA) program through the tracking of events and activities related to facilities that generate, transport, and treat, store, or dispose of hazardous waste. RCRAInfo allows RCRA program staff to track the notification, permit, compliance, and corrective action activities required under RCRA.

[Click this hyperlink](#) while viewing on your computer to access additional FINDS: detail in the EDR Site Report.

ECHO:

Envid: 1027163072
 Registry ID: 110071227372
 DFR URL: <http://echo.epa.gov/detailed-facility-report?fid=110071227372>
 Name: MICAELA ROSE BROWN
 Address: 2029 CORTEZ ST
 City,State,Zip: NEEDLES, CA 92363

CN644 **MICAELA ROSE BROWN**
Target **2029 CORTEZ ST**
Property **NEEDLES, CA 92363**

HWTS **S128371440**
N/A

Site 2 of 10 in cluster CN

Actual: **HWTS:**
661 ft. Name: MICAELA ROSE BROWN
Focus Map: Address: 2029 CORTEZ ST
10 Address 2: Not reported
 City,State,Zip: NEEDLES, CA 92363
 EPA ID: CAC003160601
 Inactive Date: Not reported
 Create Date: 02/07/2022
 Last Act Date: Not reported
 Mailing Name: Not reported
 Mailing Address: 2029 CORTEZ ST
 Mailing Address 2: Not reported
 Mailing City,State,Zip: NEEDLES, CA 92363
 Owner Name: MICAELA ROSE BROWN
 Owner Address: 2029 CORTEZ ST
 Owner Address 2: Not reported
 Owner City,State,Zip: NEEDLES, CA 92363
 Contact Name: MICAELA BROWN
 Contact Address: 2029 CORTEZ ST
 Contact Address 2: Not reported
 City,State,Zip: NEEDLES, CA 92363
 Facility Status: Active
 Facility Type: TEMPORARY
 Category: STATE
 Latitude: 34.83289602

Map ID
 Direction
 Distance
 Elevation

MAP FINDINGS

Site

Database(s)

EDR ID Number
 EPA ID Number

MICAELA ROSE BROWN (Continued)

S128371440

Longitude: -114.624411

CN645
Target
Property

MICAELA ROSE BROWN
2029 CORTEZ ST
NEEDLES, CA 92363

RCRA NonGen / NLR

1027088195
CAC003160601

Site 3 of 10 in cluster CN

Actual:
661 ft.
Focus Map:
10

RCRA NonGen / NLR:		
Date Form Received by Agency:		20220207
Handler Name:	MICAELA ROSE BROWN	
Handler Address:		2029 CORTEZ ST
Handler City,State,Zip:		NEEDLES, CA 92363
EPA ID:		CAC003160601
Contact Name:		MICAELA BROWN
Contact Address:		2029 CORTEZ ST
Contact City,State,Zip:		NEEDLES, CA 92363
Contact Telephone:		405-510-2127
Contact Fax:		Not reported
Contact Email:		FAVILA@BURNS-ENVIRO.COM
Contact Title:		Not reported
EPA Region:		09
Land Type:		Not reported
Federal Waste Generator Description:		Not a generator, verified
Non-Notifier:		Not reported
Biennial Report Cycle:		Not reported
Accessibility:		Not reported
Active Site Indicator:		Not reported
State District Owner:		Not reported
State District:		Not reported
Mailing Address:		2029 CORTEZ ST
Mailing City,State,Zip:		NEEDLES, CA 92363
Owner Name:	MICAELA ROSE BROWN	
Owner Type:		Other
Operator Name:	MICAELA BROWN	
Operator Type:		Other
Short-Term Generator Activity:		No
Importer Activity:		No
Mixed Waste Generator:		No
Transporter Activity:		No
Transfer Facility Activity:		No
Recycler Activity with Storage:		No
Small Quantity On-Site Burner Exemption:		No
Smelting Melting and Refining Furnace Exemption:		No
Underground Injection Control:		No
Off-Site Waste Receipt:		No
Universal Waste Indicator:		No
Universal Waste Destination Facility:		No
Federal Universal Waste:		No
Active Site Fed-Reg Treatment Storage and Disposal Facility:		Not reported
Active Site Converter Treatment storage and Disposal Facility:		Not reported
Active Site State-Reg Treatment Storage and Disposal Facility:		Not reported
Active Site State-Reg Handler:		---
Federal Facility Indicator:		Not reported
Hazardous Secondary Material Indicator:		N
Sub-Part K Indicator:		Not reported
Commercial TSD Indicator:		No
Treatment Storage and Disposal Type:		Not reported

Map ID
 Direction
 Distance
 Elevation

MAP FINDINGS

Site

Database(s)

EDR ID Number
 EPA ID Number

MICAELA ROSE BROWN (Continued)

1027088195

2018 GPRA Permit Baseline:	Not on the Baseline
2018 GPRA Renewals Baseline:	Not on the Baseline
Permit Renewals Workload Universe:	Not reported
Permit Workload Universe:	Not reported
Permit Progress Universe:	Not reported
Post-Closure Workload Universe:	Not reported
Closure Workload Universe:	Not reported
202 GPRA Corrective Action Baseline:	No
Corrective Action Workload Universe:	No
Subject to Corrective Action Universe:	No
Non-TSDFs Where RCRA CA has Been Imposed Universe:	No
TSDFs Potentially Subject to CA Under 3004 (u)/(v) Universe:	No
TSDFs Only Subject to CA under Discretionary Auth Universe:	No
Corrective Action Priority Ranking:	No NCAPS ranking
Environmental Control Indicator:	No
Institutional Control Indicator:	No
Human Exposure Controls Indicator:	N/A
Groundwater Controls Indicator:	N/A
Operating TSDf Universe:	Not reported
Full Enforcement Universe:	Not reported
Significant Non-Complier Universe:	No
Unaddressed Significant Non-Complier Universe:	No
Addressed Significant Non-Complier Universe:	No
Significant Non-Complier With a Compliance Schedule Universe:	No
Financial Assurance Required:	Not reported
Handler Date of Last Change:	20220207
Recognized Trader-Importer:	No
Recognized Trader-Exporter:	No
Importer of Spent Lead Acid Batteries:	No
Exporter of Spent Lead Acid Batteries:	No
Recycler Activity Without Storage:	No
Manifest Broker:	No
Sub-Part P Indicator:	No

Handler - Owner Operator:

Owner/Operator Indicator:	Owner
Owner/Operator Name: MICAELA ROSE BROWN	
Legal Status:	Other
Date Became Current:	Not reported
Date Ended Current:	Not reported
Owner/Operator Address:	2029 CORTEZ ST
Owner/Operator City,State,Zip:	NEEDLES, CA 92363
Owner/Operator Telephone:	405-510-2127
Owner/Operator Telephone Ext:	Not reported
Owner/Operator Fax:	Not reported
Owner/Operator Email:	Not reported

Owner/Operator Indicator:	Operator
Owner/Operator Name: MICAELA BROWN	
Legal Status:	Other
Date Became Current:	Not reported
Date Ended Current:	Not reported
Owner/Operator Address:	2029 CORTEZ ST
Owner/Operator City,State,Zip:	NEEDLES, CA 92363
Owner/Operator Telephone:	405-510-2127
Owner/Operator Telephone Ext:	Not reported

Map ID
Direction
Distance
Elevation

MAP FINDINGS

Site

Database(s)

EDR ID Number
EPA ID Number

MICAELA ROSE BROWN (Continued)

1027088195

Owner/Operator Fax: Not reported
Owner/Operator Email: Not reported

Historic Generators:

Receive Date: 20220207
Handler Name: MICAELA ROSE BROWN
Federal Waste Generator Description: Not a generator, verified
State District Owner: Not reported
Large Quantity Handler of Universal Waste: No
Recognized Trader Importer: No
Recognized Trader Exporter: No
Spent Lead Acid Battery Importer: No
Spent Lead Acid Battery Exporter: No
Current Record: Yes
Non Storage Recycler Activity: No
Electronic Manifest Broker: No

List of NAICS Codes and Descriptions:

NAICS Code: 56299
NAICS Description: ALL OTHER WASTE MANAGEMENT SERVICES

Facility Has Received Notices of Violations:

Violations: No Violations Found

Evaluation Action Summary:

Evaluations: No Evaluations Found

CO646 1X NEEDLES DESERT COMMUNITY HOSPITAL
Target 1401 BAILEY AVENUE
Property NEEDLES, CA 92363

HAZNET S123732652
HWTS N/A

Site 1 of 11 in cluster CO

Actual:
626 ft.

Focus Map:
10

HAZNET:
Name: 1X NEEDLES DESERT COMMUNITY HOSPITAL
Address: 1401 BAILEY AVENUE
Address 2: Not reported
City,State,Zip: NEEDLES, CA 923630000
Contact: LLOYD BOLTON, MAINT SUPERVISOR
Telephone: 6193264531
Mailing Name: Not reported
Mailing Address: 01 BIALEY AVENUE

Year: 1990
Gepaid: CAC000544976
TSD EPA ID: CAT080011059
CA Waste Code: 221 - Waste oil and mixed oil
Disposal Method: R01 - Recycler
Tons: 0.4503

HWTS:

Name: 1X NEEDLES DESERT COMMUNITY HOSPITAL
Address: 1401 BAILEY AVENUE

Map ID
Direction
Distance
Elevation

MAP FINDINGS

Site

Database(s)

EDR ID Number
EPA ID Number

1X NEEDLES DESERT COMMUNITY HOSPITAL (Continued)

S123732652

Address 2: Not reported
City,State,Zip: NEEDLES, CA 92363
EPA ID: CAC000544976
Inactive Date: 10/25/2000
Create Date: 12/07/1990
Last Act Date: Not reported
Mailing Name: Not reported
Mailing Address: 01 BIALEY AVENUE
Mailing Address 2: Not reported
Mailing City,State,Zip: NEEDLES, CA 923630000
Owner Name: NEEDLES DESERT COMMUNITY HOSP
Owner Address: Not reported
Owner Address 2: Not reported
Owner City,State,Zip: Not reported
Contact Name: LLOYD BOLTON, MAINT SUPERVISOR
Contact Address: Not reported
Contact Address 2: Not reported
City,State,Zip: Not reported
Facility Status: Inactive
Facility Type: TEMPORARY
Category: STATE
Latitude: 34.832481
Longitude: -114.618296

CO647 COLORADO RIVER MEDICAL CENTER
Target 1401 BAILEY AVE
Property NEEDLES, CA 92363

HAZNET S123626391
HWTS N/A

Site 2 of 11 in cluster CO

Actual: HAZNET:
626 ft. Name: COLORADO RIVER MEDICAL CENTER
Focus Map: Address: 1401 BAILEY AVE
10 Address 2: Not reported
City,State,Zip: NEEDLES, CA 923633103
Contact: MIKE ANDREWS
Telephone: 7603267253
Mailing Name: Not reported
Mailing Address: 1401 BAILEY AVE

Year: 2011
Gepaid: CAL000338483
TSD EPA ID: CAT080013352
CA Waste Code: 343 - Unspecified organic liquid mixture
Disposal Method: H039 - Other Recovery Of Reclamation For Reuse Including Acid
Regeneration, Organics Recovery Ect
Tons: 0.34

Additional Info:
Year: 2011
Gen EPA ID: CAL000338483

Shipment Date: 20111215
Creation Date: 3/16/2012 20:30:29
Receipt Date: 20111221
Manifest ID: 001836458JJK

Map ID
Direction
Distance
Elevation

MAP FINDINGS

Site

Database(s)

EDR ID Number
EPA ID Number

COLORADO RIVER MEDICAL CENTER (Continued)

S123626391

Trans EPA ID: CAR000168229
Trans Name: HAZARDOUS TECHNOLOGIES INC
Trans 2 EPA ID: Not reported
Trans 2 Name: Not reported
TSDf EPA ID: CAT080013352
Trans Name: DEMENNO/KERDOON
TSDf Alt EPA ID: Not reported
TSDf Alt Name: Not reported
Waste Code Description: 343 - Unspecified organic liquid mixture
RCRA Code: Not reported
Meth Code: H039 - Other Recovery Of Reclamation For Reuse Including Acid
Regeneration, Organics Recovery Ect
Quantity Tons: 0.34
Waste Quantity: 100
Quantity Unit: G
Additional Code 1: Not reported
Additional Code 2: Not reported
Additional Code 3: Not reported
Additional Code 4: Not reported
Additional Code 5: Not reported

HWTS:

Name: COLORADO RIVER MEDICAL CENTER
Address: 1401 BAILEY AVE
Address 2: Not reported
City,State,Zip: NEEDLES, CA 92363
EPA ID: CAL000338483
Inactive Date: 06/30/2015
Create Date: 12/03/2008
Last Act Date: Not reported
Mailing Name: Not reported
Mailing Address: 1401 BAILEY AVE
Mailing Address 2: Not reported
Mailing City,State,Zip: NEEDLES, CA 923633103
Owner Name: CITY OF NEEDLES
Owner Address: 817 3RD ST
Owner Address 2: Not reported
Owner City,State,Zip: NEEDLES, CA 923632933
Contact Name: MIKE ANDREWS
Contact Address: 1401 BAILEY AVE
Contact Address 2: Not reported
City,State,Zip: NEEDLES, CA 923633103
Facility Status: Inactive
Facility Type: PERMANENT
Category: STATE
Latitude: 34.832481
Longitude: -114.618174

NAICS:

EPA ID: CAL000338483
Create Date: 2008-12-03 16:45:51.780
NAICS Code: 62211
NAICS Description: General Medical and Surgical Hospitals
Issued EPA ID Date: 2008-12-03 16:45:51.76300
Inactive Date: 2015-06-30 00:00:00
Facility Name: COLORADO RIVER MEDICAL CENTER
Facility Address: 1401 BAILEY AVE

Map ID
Direction
Distance
Elevation

MAP FINDINGS

Site

Database(s)

EDR ID Number
EPA ID Number

COLORADO RIVER MEDICAL CENTER (Continued)

S123626391

Facility Address 2: Not reported
Facility City: NEEDLES
Facility County: Not reported
Facility State: CA
Facility Zip: 923633103

CO648 COLORADO RIVER MEDICAL CENTER
Target 1401 BAILEY AVE
Property NEEDLES, CA 92363

San Bern. Co. Permit U003784885
N/A

Site 3 of 11 in cluster CO

Actual:
626 ft.

San Bern. Co. Permit:

Focus Map:
10

Name: COLORADO RIVER MEDICAL CENTER
Address: 1401 BAILEY AVE
City,State,Zip: NEEDLES, CA 92363
Region: SAN BERNARDINO
Facility ID: FA0002425
Owner: COMMUNITY HEALTHCARE PARTNER, INC.
Permit Number: PT0002843
Permit Category: HAZARDOUS MATERIALS 4-10 CHEMICALS
Facility Status: ACTIVE
Expiration Date: 10/31/2022

Name: COLORADO RIVER MEDICAL CENTER
Address: 1401 BAILEY AVE
City,State,Zip: NEEDLES, CA 92363
Region: SAN BERNARDINO
Facility ID: FA0002425
Owner: COMMUNITY HEALTHCARE PARTNER, INC.
Permit Number: PT0002844
Permit Category: WASTE INCIDENTAL UST OPERATION ONLY -PER YEAR
Facility Status: ACTIVE
Expiration Date: 10/31/2022

Name: COLORADO RIVER MEDICAL CENTER
Address: 1401 BAILEY AVE
City,State,Zip: NEEDLES, CA 92363
Region: SAN BERNARDINO
Facility ID: FA0002425
Owner: COMMUNITY HEALTHCARE PARTNER, INC.
Permit Number: PT0011424
Permit Category: REGULAR UST ANNUAL INSPECTION (PER TANK)
Facility Status: ACTIVE
Expiration Date: 10/31/2022

Map ID
Direction
Distance
Elevation

MAP FINDINGS

Site

Database(s)

EDR ID Number
EPA ID Number

CO649 COLORADO RIVER MEDICAL CENTER
Target 1401 BAILEY AVE
Property NEEDLES, CA 92363

UST U004352238
N/A

Site 4 of 11 in cluster CO

Actual: 626 ft. **UST:**
Focus Map: 10
Name: COLORADO RIVER MEDICAL CENTER
Address: 1401 BAILEY AVE
City,State,Zip: NEEDLES, CA 92363
Facility ID: FA0002425
Permitting Agency: San Bernardino County Fire Department
CERSID: 10038091
Latitude: 34.833002
Longitude: -114.618152

CO650 COLORADO RIVER MEDCL CNTR
Target 1401 BAILEY AVE
Property NEEDLES, CA 92363

UST U004350459
N/A

Site 5 of 11 in cluster CO

Actual: 626 ft. **UST:**
Focus Map: 10
Name: COLORADO RIVER MEDCL CNTR
Address: 1401 BAILEY AVE
City,State,Zip: NEEDLES, CA 92363
Facility ID: 86010826
Permitting Agency: SAN BERNARDINO COUNTY
CERSID: Not reported
Latitude: 34.83262
Longitude: -114.61828

CO651 COLORADO RIVER MEDICAL CENTER
Target 1401 BAILEY AVE
Property NEEDLES, CA 92363

FINDS 1023337959
ECHO N/A

Site 6 of 11 in cluster CO

Actual: 626 ft. **FINDS:**
Focus Map: 10
Registry ID: 110066332070
Click Here for FRS Facility Detail Report:

Environmental Interest/Information System:

AIR EMISSIONS CLASSIFICATION UNKNOWN
RCRAInfo is a national information system that supports the Resource Conservation and Recovery Act (RCRA) program through the tracking of events and activities related to facilities that generate, transport, and treat, store, or dispose of hazardous waste. RCRAInfo allows RCRA program staff to track the notification, permit, compliance, and corrective action activities required under RCRA.
STATE MASTER

[Click this hyperlink](#) while viewing on your computer to access additional FINDS: detail in the EDR Site Report.

ECHO:
Envid: 1023337959
Registry ID: 110066332070

Map ID
Direction
Distance
Elevation

MAP FINDINGS

Site

Database(s)

EDR ID Number
EPA ID Number

COLORADO RIVER MEDICAL CENTER (Continued)

1023337959

DFR URL: <http://echo.epa.gov/detailed-facility-report?fid=110066332070>
Name: COLORADO RIVER MEDICAL CENTER
Address: 1401 BAILEY AVE
City,State,Zip: NEEDLES, CA 92363

CO652 **NEEDLES DESERT COMM. HOSPITAL**
Target **1401 BAILEY AVEUNE**
Property **NEEDLES, CA 92363**

EMI **1005774019**
N/A

Site 7 of 11 in cluster CO

Actual:
626 ft.
Focus Map:
10

EMI:
Name: NEEDLES DESERT COMM. HOSPITAL
Address: 1401 BAILEY AVEUNE
City,State,Zip: NEEDLES, CA 92363
Year: 1995
County Code: 36
Air Basin: MD
Facility ID: 12600604
Air District Name: MOJ
SIC Code: 8062
Air District Name: MOJAVE DESERT AQMD
Community Health Air Pollution Info System: Not reported
Consolidated Emission Reporting Rule: Not reported
Total Organic Hydrocarbon Gases Tons/Yr: 0
Reactive Organic Gases Tons/Yr: 0
Carbon Monoxide Emissions Tons/Yr: 0
NOX - Oxides of Nitrogen Tons/Yr: 0
SOX - Oxides of Sulphur Tons/Yr: 0
Particulate Matter Tons/Yr: 0
Part. Matter 10 Micrometers and Smlr Tons/Yr:0

Name: NEEDLES DESERT COMM. HOSPITAL
Address: 1401 BAILEY AVEUNE
City,State,Zip: NEEDLES, CA 92363
Year: 1996
County Code: 36
Air Basin: MD
Facility ID: 12600604
Air District Name: MOJ
SIC Code: 8062
Air District Name: MOJAVE DESERT AQMD
Community Health Air Pollution Info System: Not reported
Consolidated Emission Reporting Rule: Not reported
Total Organic Hydrocarbon Gases Tons/Yr: 0
Reactive Organic Gases Tons/Yr: 0
Carbon Monoxide Emissions Tons/Yr: 0
NOX - Oxides of Nitrogen Tons/Yr: 0
SOX - Oxides of Sulphur Tons/Yr: 0
Particulate Matter Tons/Yr: 0
Part. Matter 10 Micrometers and Smlr Tons/Yr:0

Name: NEEDLES DESERT COMM. HOSPITAL
Address: 1401 BAILEY AVEUNE
City,State,Zip: NEEDLES, CA 92363
Year: 1997
County Code: 36
Air Basin: MD

Map ID
Direction
Distance
Elevation

MAP FINDINGS

Site

Database(s)

EDR ID Number
EPA ID Number

NEEDLES DESERT COMM. HOSPITAL (Continued)

1005774019

Facility ID: 12600604
Air District Name: MOJ
SIC Code: 8062
Air District Name: MOJAVE DESERT AQMD
Community Health Air Pollution Info System: Not reported
Consolidated Emission Reporting Rule: Not reported
Total Organic Hydrocarbon Gases Tons/Yr: 0
Reactive Organic Gases Tons/Yr: 0
Carbon Monoxide Emissions Tons/Yr: 0
NOX - Oxides of Nitrogen Tons/Yr: 0
SOX - Oxides of Sulphur Tons/Yr: 0
Particulate Matter Tons/Yr: 0
Part. Matter 10 Micrometers and Smlr Tons/Yr:0

Name: NEEDLES DESERT COMM. HOSPITAL
Address: 1401 BAILEY AVEUNE
City,State,Zip: NEEDLES, CA 92363
Year: 1998
County Code: 36
Air Basin: MD
Facility ID: 12600604
Air District Name: MOJ
SIC Code: 8062
Air District Name: MOJAVE DESERT AQMD
Community Health Air Pollution Info System: Not reported
Consolidated Emission Reporting Rule: Not reported
Total Organic Hydrocarbon Gases Tons/Yr: 0
Reactive Organic Gases Tons/Yr: 0
Carbon Monoxide Emissions Tons/Yr: 0
NOX - Oxides of Nitrogen Tons/Yr: 0
SOX - Oxides of Sulphur Tons/Yr: 0
Particulate Matter Tons/Yr: 0
Part. Matter 10 Micrometers and Smlr Tons/Yr:0

Name: NEEDLES DESERT COMM. HOSPITAL
Address: 1401 BAILEY AVEUNE
City,State,Zip: NEEDLES, CA 92363
Year: 1999
County Code: 36
Air Basin: MD
Facility ID: 12600604
Air District Name: MOJ
SIC Code: 8062
Air District Name: MOJAVE DESERT AQMD
Community Health Air Pollution Info System: Not reported
Consolidated Emission Reporting Rule: Not reported
Total Organic Hydrocarbon Gases Tons/Yr: 0
Reactive Organic Gases Tons/Yr: 0
Carbon Monoxide Emissions Tons/Yr: 0
NOX - Oxides of Nitrogen Tons/Yr: 0
SOX - Oxides of Sulphur Tons/Yr: 0
Particulate Matter Tons/Yr: 0
Part. Matter 10 Micrometers and Smlr Tons/Yr:0

Name: NEEDLES DESERT COMM. HOSPITAL
Address: 1401 BAILEY AVEUNE
City,State,Zip: NEEDLES, CA 92363

Map ID
Direction
Distance
Elevation

MAP FINDINGS

Site

Database(s)

EDR ID Number
EPA ID Number

NEEDLES DESERT COMM. HOSPITAL (Continued)

1005774019

Year: 2000
County Code: 36
Air Basin: MD
Facility ID: 12600604
Air District Name: MOJ
SIC Code: 8062
Air District Name: MOJAVE DESERT AQMD
Community Health Air Pollution Info System: Not reported
Consolidated Emission Reporting Rule: Not reported
Total Organic Hydrocarbon Gases Tons/Yr: 0
Reactive Organic Gases Tons/Yr: 0
Carbon Monoxide Emissions Tons/Yr: 0
NOX - Oxides of Nitrogen Tons/Yr: 0
SOX - Oxides of Sulphur Tons/Yr: 0
Particulate Matter Tons/Yr: 0
Part. Matter 10 Micrometers and Smlr Tons/Yr:0

Name: NEEDLES DESERT COMM. HOSPITAL
Address: 1401 BAILEY AVEUNE
City,State,Zip: NEEDLES, CA 92363
Year: 2001
County Code: 36
Air Basin: MD
Facility ID: 12600604
Air District Name: MOJ
SIC Code: 8062
Air District Name: MOJAVE DESERT AQMD
Community Health Air Pollution Info System: Not reported
Consolidated Emission Reporting Rule: Not reported
Total Organic Hydrocarbon Gases Tons/Yr: 0
Reactive Organic Gases Tons/Yr: 0
Carbon Monoxide Emissions Tons/Yr: 0
NOX - Oxides of Nitrogen Tons/Yr: 0
SOX - Oxides of Sulphur Tons/Yr: 0
Particulate Matter Tons/Yr: 0
Part. Matter 10 Micrometers and Smlr Tons/Yr:0

Name: NEEDLES DESERT COMM. HOSPITAL
Address: 1401 BAILEY AVEUNE
City,State,Zip: NEEDLES, CA 92363
Year: 2002
County Code: 36
Air Basin: MD
Facility ID: 12600604
Air District Name: MOJ
SIC Code: 8062
Air District Name: MOJAVE DESERT AQMD
Community Health Air Pollution Info System: Not reported
Consolidated Emission Reporting Rule: Not reported
Total Organic Hydrocarbon Gases Tons/Yr: 0
Reactive Organic Gases Tons/Yr: 0
Carbon Monoxide Emissions Tons/Yr: 0
NOX - Oxides of Nitrogen Tons/Yr: 0
SOX - Oxides of Sulphur Tons/Yr: 0
Particulate Matter Tons/Yr: 0
Part. Matter 10 Micrometers and Smlr Tons/Yr:0

Map ID
Direction
Distance
Elevation

MAP FINDINGS

Site

Database(s)

EDR ID Number
EPA ID Number

NEEDLES DESERT COMM. HOSPITAL (Continued)

1005774019

Name: NEEDLES DESERT COMM. HOSPITAL
Address: 1401 BAILEY AVEUNE
City,State,Zip: NEEDLES, CA 92363
Year: 2003
County Code: 36
Air Basin: MD
Facility ID: 12600604
Air District Name: MOJ
SIC Code: 8062
Air District Name: MOJAVE DESERT AQMD
Community Health Air Pollution Info System: Not reported
Consolidated Emission Reporting Rule: Not reported
Total Organic Hydrocarbon Gases Tons/Yr: 0
Reactive Organic Gases Tons/Yr: 0
Carbon Monoxide Emissions Tons/Yr: 0
NOX - Oxides of Nitrogen Tons/Yr: 0
SOX - Oxides of Sulphur Tons/Yr: 0
Particulate Matter Tons/Yr: 0
Part. Matter 10 Micrometers and Smlr Tons/Yr:0

Name: NEEDLES DESERT COMM. HOSPITAL
Address: 1401 BAILEY AVEUNE
City,State,Zip: NEEDLES, CA 92363
Year: 2004
County Code: 36
Air Basin: MD
Facility ID: 12600604
Air District Name: MOJ
SIC Code: 8062
Air District Name: MOJAVE DESERT AQMD
Community Health Air Pollution Info System: Not reported
Consolidated Emission Reporting Rule: Not reported
Total Organic Hydrocarbon Gases Tons/Yr: 0
Reactive Organic Gases Tons/Yr: 0
Carbon Monoxide Emissions Tons/Yr: 0
NOX - Oxides of Nitrogen Tons/Yr: 0.1
SOX - Oxides of Sulphur Tons/Yr: 0
Particulate Matter Tons/Yr: 0
Part. Matter 10 Micrometers and Smlr Tons/Yr:0

Name: NEEDLES DESERT COMM. HOSPITAL
Address: 1401 BAILEY AVEUNE
City,State,Zip: NEEDLES, CA 92363
Year: 2005
County Code: 36
Air Basin: MD
Facility ID: 12600604
Air District Name: MOJ
SIC Code: 8062
Air District Name: MOJAVE DESERT AQMD
Community Health Air Pollution Info System: Not reported
Consolidated Emission Reporting Rule: Not reported
Total Organic Hydrocarbon Gases Tons/Yr: 0
Reactive Organic Gases Tons/Yr: 0
Carbon Monoxide Emissions Tons/Yr: 0
NOX - Oxides of Nitrogen Tons/Yr: .1
SOX - Oxides of Sulphur Tons/Yr: 0

Map ID
Direction
Distance
Elevation

MAP FINDINGS

Site

Database(s)

EDR ID Number
EPA ID Number

NEEDLES DESERT COMM. HOSPITAL (Continued)

1005774019

Particulate Matter Tons/Yr: 0
Part. Matter 10 Micrometers and Smlr Tons/Yr:0

Name: NEEDLES DESERT COMM. HOSPITAL
Address: 1401 BAILEY AVEUNE
City,State,Zip: NEEDLES, CA 92363
Year: 2006
County Code: 36
Air Basin: MD
Facility ID: 12600604
Air District Name: MOJ
SIC Code: 8062
Air District Name: MOJAVE DESERT AQMD
Community Health Air Pollution Info System: Not reported
Consolidated Emission Reporting Rule: Not reported
Total Organic Hydrocarbon Gases Tons/Yr: 0
Reactive Organic Gases Tons/Yr: 0
Carbon Monoxide Emissions Tons/Yr: 0
NOX - Oxides of Nitrogen Tons/Yr: .1
SOX - Oxides of Sulphur Tons/Yr: 0
Particulate Matter Tons/Yr: 0
Part. Matter 10 Micrometers and Smlr Tons/Yr:0

Name: NEEDLES DESERT COMM. HOSPITAL
Address: 1401 BAILEY AVEUNE
City,State,Zip: NEEDLES, CA 92363
Year: 2007
County Code: 36
Air Basin: MD
Facility ID: 12600604
Air District Name: MOJ
SIC Code: 8062
Air District Name: MOJAVE DESERT AQMD
Community Health Air Pollution Info System: Not reported
Consolidated Emission Reporting Rule: Not reported
Total Organic Hydrocarbon Gases Tons/Yr: 0
Reactive Organic Gases Tons/Yr: 0
Carbon Monoxide Emissions Tons/Yr: 0
NOX - Oxides of Nitrogen Tons/Yr: .1
SOX - Oxides of Sulphur Tons/Yr: 0
Particulate Matter Tons/Yr: 0
Part. Matter 10 Micrometers and Smlr Tons/Yr:0

Name: NEEDLES DESERT COMM. HOSPITAL
Address: 1401 BAILEY AVEUNE
City,State,Zip: NEEDLES, CA 92363
Year: 2008
County Code: 36
Air Basin: MD
Facility ID: 12600604
Air District Name: MOJ
SIC Code: 8062
Air District Name: MOJAVE DESERT AQMD
Community Health Air Pollution Info System: Not reported
Consolidated Emission Reporting Rule: Not reported
Total Organic Hydrocarbon Gases Tons/Yr: 0
Reactive Organic Gases Tons/Yr: 0

Map ID
Direction
Distance
Elevation

MAP FINDINGS

Site

Database(s)

EDR ID Number
EPA ID Number

NEEDLES DESERT COMM. HOSPITAL (Continued)

1005774019

Carbon Monoxide Emissions Tons/Yr: 0
NOX - Oxides of Nitrogen Tons/Yr: .1
SOX - Oxides of Sulphur Tons/Yr: 0
Particulate Matter Tons/Yr: 0
Part. Matter 10 Micrometers and Smllr Tons/Yr:0

Name: NEEDLES DESERT COMM. HOSPITAL
Address: 1401 BAILEY AVEUNE
City,State,Zip: NEEDLES, CA 92363
Year: 2009
County Code: 36
Air Basin: MD
Facility ID: 12600604
Air District Name: MOJ
SIC Code: 8062
Air District Name: MOJAVE DESERT AQMD
Community Health Air Pollution Info System: Not reported
Consolidated Emission Reporting Rule: Not reported
Total Organic Hydrocarbon Gases Tons/Yr: 0
Reactive Organic Gases Tons/Yr: 0
Carbon Monoxide Emissions Tons/Yr: 0
NOX - Oxides of Nitrogen Tons/Yr: 0.10000000000000001
SOX - Oxides of Sulphur Tons/Yr: 0
Particulate Matter Tons/Yr: 0
Part. Matter 10 Micrometers and Smllr Tons/Yr:0

Name: NEEDLES DESERT COMM. HOSPITAL
Address: 1401 BAILEY AVEUNE
City,State,Zip: NEEDLES, CA 92363
Year: 2010
County Code: 36
Air Basin: MD
Facility ID: 12600604
Air District Name: MOJ
SIC Code: 8062
Air District Name: MOJAVE DESERT AQMD
Community Health Air Pollution Info System: Not reported
Consolidated Emission Reporting Rule: Not reported
Total Organic Hydrocarbon Gases Tons/Yr: 0
Reactive Organic Gases Tons/Yr: 0
Carbon Monoxide Emissions Tons/Yr: 0
NOX - Oxides of Nitrogen Tons/Yr: 0.10000000000000001
SOX - Oxides of Sulphur Tons/Yr: 0
Particulate Matter Tons/Yr: 0
Part. Matter 10 Micrometers and Smllr Tons/Yr:0

Name: NEEDLES DESERT COMM. HOSPITAL
Address: 1401 BAILEY AVEUNE
City,State,Zip: NEEDLES, CA 92363
Year: 2011
County Code: 36
Air Basin: MD
Facility ID: 12600604
Air District Name: MOJ
SIC Code: 8062
Air District Name: MOJAVE DESERT AQMD
Community Health Air Pollution Info System: Not reported

Map ID
Direction
Distance
Elevation

MAP FINDINGS

Site

Database(s)

EDR ID Number
EPA ID Number

NEEDLES DESERT COMM. HOSPITAL (Continued)

1005774019

Consolidated Emission Reporting Rule: Not reported
Total Organic Hydrocarbon Gases Tons/Yr: 0
Reactive Organic Gases Tons/Yr: 0
Carbon Monoxide Emissions Tons/Yr: 0
NOX - Oxides of Nitrogen Tons/Yr: 0.1
SOX - Oxides of Sulphur Tons/Yr: 0
Particulate Matter Tons/Yr: 0
Part. Matter 10 Micrometers and Smlr Tons/Yr:0

Name: NEEDLES DESERT COMM. HOSPITAL
Address: 1401 BAILEY AVEUNE
City,State,Zip: NEEDLES, CA 92363
Year: 2012
County Code: 36
Air Basin: MD
Facility ID: 12600604
Air District Name: MOJ
SIC Code: 8062
Air District Name: MOJAVE DESERT AQMD
Community Health Air Pollution Info System: Not reported
Consolidated Emission Reporting Rule: Not reported
Total Organic Hydrocarbon Gases Tons/Yr: 0
Reactive Organic Gases Tons/Yr: 0
Carbon Monoxide Emissions Tons/Yr: 0
NOX - Oxides of Nitrogen Tons/Yr: 0.1
SOX - Oxides of Sulphur Tons/Yr: 0
Particulate Matter Tons/Yr: 0
Part. Matter 10 Micrometers and Smlr Tons/Yr:0

Name: NEEDLES DESERT COMM. HOSPITAL
Address: 1401 BAILEY AVEUNE
City,State,Zip: NEEDLES, CA 92363
Year: 2013
County Code: 36
Air Basin: MD
Facility ID: 12600604
Air District Name: MOJ
SIC Code: 8062
Air District Name: MOJAVE DESERT AQMD
Community Health Air Pollution Info System: Not reported
Consolidated Emission Reporting Rule: Not reported
Total Organic Hydrocarbon Gases Tons/Yr: 0
Reactive Organic Gases Tons/Yr: 0
Carbon Monoxide Emissions Tons/Yr: 0
NOX - Oxides of Nitrogen Tons/Yr: 0.1
SOX - Oxides of Sulphur Tons/Yr: 0
Particulate Matter Tons/Yr: 0
Part. Matter 10 Micrometers and Smlr Tons/Yr:0

Map ID
 Direction
 Distance
 Elevation

MAP FINDINGS

Site

Database(s)

EDR ID Number
 EPA ID Number

CO653 **COLORADO RIVER MEDICAL CENTER**
Target **1401 BAILEY AVE**
Property **NEEDLES, CA 92363**

RCRA NonGen / NLR **1024838951**
CAL000386444

Site 8 of 11 in cluster CO

Actual: 626 ft.	RCRA NonGen / NLR:		20130620
Focus Map: 10	Date Form Received by Agency:		20130620
	Handler Name:	COLORADO RIVER MEDICAL CENTER	
	Handler Address:	1401 BAILEY AVE	
	Handler City,State,Zip:	NEEDLES, CA 92363	
	EPA ID:	CAL000386444	
	Contact Name:	MICHAEL ANDREWS	
	Contact Address:	1401 BAILEY AVE	
	Contact City,State,Zip:	NEEDLES, CA 92363	
	Contact Telephone:	760-326-7253	
	Contact Fax:	760-459-2209	
	Contact Email:	MANDREWS@CRMCCARES.COM	
	Contact Title:	Not reported	
	EPA Region:	09	
	Land Type:	Not reported	
	Federal Waste Generator Description:	Not a generator, verified	
	Non-Notifier:	Not reported	
	Biennial Report Cycle:	Not reported	
	Accessibility:	Not reported	
	Active Site Indicator:	Handler Activities	
	State District Owner:	Not reported	
	State District:	Not reported	
	Mailing Address:	1401 BAILEY AVE	
	Mailing City,State,Zip:	NEEDLES, CA 92363	
	Owner Name:	COMMUNITY HEALTHCARE PARTNER INC	
	Owner Type:	Other	
	Operator Name:	MICHAEL ANDREWS	
	Operator Type:	Other	
	Short-Term Generator Activity:	No	
Importer Activity:	No		
Mixed Waste Generator:	No		
Transporter Activity:	No		
Transfer Facility Activity:	No		
Recycler Activity with Storage:	No		
Small Quantity On-Site Burner Exemption:	No		
Smelting Melting and Refining Furnace Exemption:	No		
Underground Injection Control:	No		
Off-Site Waste Receipt:	No		
Universal Waste Indicator:	Yes		
Universal Waste Destination Facility:	Yes		
Federal Universal Waste:	No		
Active Site Fed-Reg Treatment Storage and Disposal Facility:	Not reported		
Active Site Converter Treatment storage and Disposal Facility:	Not reported		
Active Site State-Reg Treatment Storage and Disposal Facility:	Not reported		
Active Site State-Reg Handler:	---		
Federal Facility Indicator:	Not reported		
Hazardous Secondary Material Indicator:	N		
Sub-Part K Indicator:	Not reported		
Commercial TSD Indicator:	No		
Treatment Storage and Disposal Type:	Not reported		
2018 GPRR Permit Baseline:	Not on the Baseline		
2018 GPRR Renewals Baseline:	Not on the Baseline		
Permit Renewals Workload Universe:	Not reported		

Map ID
 Direction
 Distance
 Elevation

MAP FINDINGS

Site

Database(s)

EDR ID Number
 EPA ID Number

COLORADO RIVER MEDICAL CENTER (Continued)

1024838951

Permit Workload Universe:	Not reported
Permit Progress Universe:	Not reported
Post-Closure Workload Universe:	Not reported
Closure Workload Universe:	Not reported
202 GPRA Corrective Action Baseline:	No
Corrective Action Workload Universe:	No
Subject to Corrective Action Universe:	No
Non-TSDFs Where RCRA CA has Been Imposed Universe:	No
TSDFs Potentially Subject to CA Under 3004 (u)/(v) Universe:	No
TSDFs Only Subject to CA under Discretionary Auth Universe:	No
Corrective Action Priority Ranking:	No NCAPS ranking
Environmental Control Indicator:	No
Institutional Control Indicator:	No
Human Exposure Controls Indicator:	N/A
Groundwater Controls Indicator:	N/A
Operating TSDF Universe:	Not reported
Full Enforcement Universe:	Not reported
Significant Non-Complier Universe:	No
Unaddressed Significant Non-Complier Universe:	No
Addressed Significant Non-Complier Universe:	No
Significant Non-Complier With a Compliance Schedule Universe:	No
Financial Assurance Required:	Not reported
Handler Date of Last Change:	20180906
Recognized Trader-Importer:	No
Recognized Trader-Exporter:	No
Importer of Spent Lead Acid Batteries:	No
Exporter of Spent Lead Acid Batteries:	No
Recycler Activity Without Storage:	No
Manifest Broker:	No
Sub-Part P Indicator:	No

Handler - Owner Operator:

Owner/Operator Indicator:	Owner
Owner/Operator Name:	COMMUNITY HEALTHCARE PARTNER INC
Legal Status:	Other
Date Became Current:	Not reported
Date Ended Current:	Not reported
Owner/Operator Address:	1401 BAILEY AVE
Owner/Operator City,State,Zip:	NEEDLES, CA 92363
Owner/Operator Telephone:	760-326-7160
Owner/Operator Telephone Ext:	Not reported
Owner/Operator Fax:	Not reported
Owner/Operator Email:	Not reported

Owner/Operator Indicator:	Operator
Owner/Operator Name:	MICHAEL ANDREWS
Legal Status:	Other
Date Became Current:	Not reported
Date Ended Current:	Not reported
Owner/Operator Address:	1401 BAILEY AVE
Owner/Operator City,State,Zip:	NEEDLES, CA 92363
Owner/Operator Telephone:	760-326-7253
Owner/Operator Telephone Ext:	Not reported
Owner/Operator Fax:	Not reported
Owner/Operator Email:	Not reported

Map ID
Direction
Distance
Elevation

MAP FINDINGS

Site

Database(s)

EDR ID Number
EPA ID Number

COLORADO RIVER MEDICAL CENTER (Continued)

1024838951

Historic Generators:

Receive Date: 20130620
Handler Name: COLORADO RIVER MEDICAL CENTER
Federal Waste Generator Description: Not a generator, verified
State District Owner: Not reported
Large Quantity Handler of Universal Waste: No
Recognized Trader Importer: No
Recognized Trader Exporter: No
Spent Lead Acid Battery Importer: No
Spent Lead Acid Battery Exporter: No
Current Record: Yes
Non Storage Recycler Activity: Not reported
Electronic Manifest Broker: Not reported

List of NAICS Codes and Descriptions:

NAICS Code: 62211
NAICS Description: GENERAL MEDICAL AND SURGICAL HOSPITALS

Facility Has Received Notices of Violations:

Violations: No Violations Found

Evaluation Action Summary:

Evaluations: No Evaluations Found

CO654 COLORADO RIVER MEDICAL CENTER
Target 1401 BAILEY AVE
Property NEEDLES, CA 92363

HAZNET S123624686
HWTS N/A

Site 9 of 11 in cluster CO

Actual:
626 ft.

Focus Map:
10

HAZNET:
Name: COLORADO RIVER MEDICAL CENTER
Address: 1401 BAILEY AVE
Address 2: Not reported
City,State,Zip: NEEDLES, CA 923633103
Contact: MIKE ANDREWS
Telephone: 7603267253
Mailing Name: Not reported
Mailing Address: 1401 BAILEY AVE

Year: 2015
Gepaid: CAL000301284
TSD EPA ID: NVD980895338
CA Waste Code: 135 - Unspecified aqueous solution
Disposal Method: H070 -
Tons: 0.006

Year: 2015
Gepaid: CAL000301284
TSD EPA ID: NVD980895338
CA Waste Code: 122 - Alkaline solution without metals pH >= 12.5
Disposal Method: H121 - Neutralization Only
Tons: 0.008

Year: 2015

Map ID
Direction
Distance
Elevation

MAP FINDINGS

Site

Database(s)

EDR ID Number
EPA ID Number

COLORADO RIVER MEDICAL CENTER (Continued)

S123624686

Gepaid: CAL000301284
TSD EPA ID: NVD980895338
CA Waste Code: 214 - Unspecified solvent mixture
Disposal Method: H141 - Storage, Bulking, And/Or Transfer Off Site--No
Treatment/Reovery (H010-H129) Or (H131-H135)
Tons: 0.02

Additional Info:

Year: 2015
Gen EPA ID: CAL000301284

Shipment Date: 20150306
Creation Date: 8/5/2015 22:15:22
Receipt Date: 20150312
Manifest ID: 006328702FLE
Trans EPA ID: MNS000110924
Trans Name: STERICYCLE SPECIALTY WASTE SOLUTIONS INC
Trans 2 EPA ID: Not reported
Trans 2 Name: Not reported
TSD EPA ID: NVD980895338
Trans Name: 21ST CENTURY EMN LLC
TSD Alt EPA ID: Not reported
TSD Alt Name: Not reported
Waste Code Description: 214 - Unspecified solvent mixture
RCRA Code: D001
Meth Code: H141 - Storage, Bulking, And/Or Transfer Off Site--No
Treatment/Reovery (H010-H129) Or (H131-H135)
Quantity Tons: 0.0155
Waste Quantity: 31
Quantity Unit: P
Additional Code 1: Not reported
Additional Code 2: Not reported
Additional Code 3: Not reported
Additional Code 4: Not reported
Additional Code 5: Not reported

Shipment Date: 20150306
Creation Date: 8/5/2015 22:15:22
Receipt Date: 20150312
Manifest ID: 006328702FLE
Trans EPA ID: MNS000110924
Trans Name: STERICYCLE SPECIALTY WASTE SOLUTIONS INC
Trans 2 EPA ID: Not reported
Trans 2 Name: Not reported
TSD EPA ID: NVD980895338
Trans Name: 21ST CENTURY EMN LLC
TSD Alt EPA ID: Not reported
TSD Alt Name: Not reported
Waste Code Description: 214 - Unspecified solvent mixture
RCRA Code: D035
Meth Code: H141 - Storage, Bulking, And/Or Transfer Off Site--No
Treatment/Reovery (H010-H129) Or (H131-H135)
Quantity Tons: 0.0045
Waste Quantity: 9
Quantity Unit: P
Additional Code 1: D001

Map ID
Direction
Distance
Elevation

MAP FINDINGS

Site

Database(s)

EDR ID Number
EPA ID Number

COLORADO RIVER MEDICAL CENTER (Continued)

S123624686

Additional Code 2:	Not reported
Additional Code 3:	Not reported
Additional Code 4:	Not reported
Additional Code 5:	Not reported
Shipment Date:	20150306
Creation Date:	8/5/2015 22:15:22
Receipt Date:	20150312
Manifest ID:	006328702FLE
Trans EPA ID:	MNS000110924
Trans Name:	STERICYCLE SPECIALTY WASTE SOLUTIONS INC
Trans 2 EPA ID:	Not reported
Trans 2 Name:	Not reported
TSDf EPA ID:	NVD980895338
Trans Name:	21ST CENTURY EMN LLC
TSDf Alt EPA ID:	Not reported
TSDf Alt Name:	Not reported
Waste Code Description:	122 - Alkaline solution without metals (pH > 12.5)
RCRA Code:	D002
Meth Code:	H121 - Neutralization Only
Quantity Tons:	0.008
Waste Quantity:	16
Quantity Unit:	P
Additional Code 1:	Not reported
Additional Code 2:	Not reported
Additional Code 3:	Not reported
Additional Code 4:	Not reported
Additional Code 5:	Not reported
Shipment Date:	20150306
Creation Date:	8/5/2015 22:15:22
Receipt Date:	20150312
Manifest ID:	006328702FLE
Trans EPA ID:	MNS000110924
Trans Name:	STERICYCLE SPECIALTY WASTE SOLUTIONS INC
Trans 2 EPA ID:	Not reported
Trans 2 Name:	Not reported
TSDf EPA ID:	NVD980895338
Trans Name:	21ST CENTURY EMN LLC
TSDf Alt EPA ID:	Not reported
TSDf Alt Name:	Not reported
Waste Code Description:	135 - Unspecified aqueous solution
RCRA Code:	D001
Meth Code:	H070 - Not reported
Quantity Tons:	0.006
Waste Quantity:	12
Quantity Unit:	P
Additional Code 1:	Not reported
Additional Code 2:	Not reported
Additional Code 3:	Not reported
Additional Code 4:	Not reported
Additional Code 5:	Not reported
Shipment Date:	20150306
Creation Date:	Not reported
Receipt Date:	Not reported
Manifest ID:	006328702FLE

Map ID
Direction
Distance
Elevation

MAP FINDINGS

Site

Database(s)

EDR ID Number
EPA ID Number

COLORADO RIVER MEDICAL CENTER (Continued)

S123624686

Trans EPA ID: MNS000110924
Trans Name: STERICYCLE SPECIALTY WASTE SOLUTIONS INC
Trans 2 EPA ID: Not reported
Trans 2 Name: Not reported
TSDf EPA ID: NVD980895338
Trans Name: 21ST CENTURY EMN LLC
TSDf Alt EPA ID: Not reported
TSDf Alt Name: Not reported
Waste Code Description: 311 - Pharmaceutical waste
RCRA Code: P001
Meth Code: H141 - Storage, Bulking, And/Or Transfer Off Site--No Treatment/Reovery (H010-H129) Or (H131-H135)

Quantity Tons: 0.0005
Waste Quantity: 1
Quantity Unit: P
Additional Code 1: Not reported
Additional Code 2: Not reported
Additional Code 3: Not reported
Additional Code 4: Not reported
Additional Code 5: Not reported

Shipment Date: 20150306
Creation Date: Not reported
Receipt Date: Not reported
Manifest ID: 006328702FLE
Trans EPA ID: MNS000110924
Trans Name: STERICYCLE SPECIALTY WASTE SOLUTIONS INC
Trans 2 EPA ID: Not reported
Trans 2 Name: Not reported
TSDf EPA ID: NVD980895338
Trans Name: 21ST CENTURY EMN LLC
TSDf Alt EPA ID: Not reported
TSDf Alt Name: Not reported
Waste Code Description: 331 - Off-specification, aged, or surplus organics
RCRA Code: Not reported
Meth Code: H141 - Storage, Bulking, And/Or Transfer Off Site--No Treatment/Reovery (H010-H129) Or (H131-H135)

Quantity Tons: 0.0535
Waste Quantity: 107
Quantity Unit: P
Additional Code 1: Not reported
Additional Code 2: Not reported
Additional Code 3: Not reported
Additional Code 4: Not reported
Additional Code 5: Not reported

Shipment Date: 20150306
Creation Date: Not reported
Receipt Date: Not reported
Manifest ID: 006328702FLE
Trans EPA ID: MNS000110924
Trans Name: STERICYCLE SPECIALTY WASTE SOLUTIONS INC
Trans 2 EPA ID: Not reported
Trans 2 Name: Not reported
TSDf EPA ID: NVD980895338
Trans Name: 21ST CENTURY EMN LLC
TSDf Alt EPA ID: Not reported

Map ID
Direction
Distance
Elevation

MAP FINDINGS

Site

Database(s)

EDR ID Number
EPA ID Number

COLORADO RIVER MEDICAL CENTER (Continued)

S123624686

TSDF Alt Name: Not reported
Waste Code Description: - Not reported
RCRA Code: Not reported
Meth Code: H141 - Storage, Bulking, And/Or Transfer Off Site--No Treatment/Reovery (H010-H129) Or (H131-H135)
Quantity Tons: 0.001
Waste Quantity: 2
Quantity Unit: P
Additional Code 1: Not reported
Additional Code 2: Not reported
Additional Code 3: Not reported
Additional Code 4: Not reported
Additional Code 5: Not reported

Shipment Date: 20150306
Creation Date: Not reported
Receipt Date: Not reported
Manifest ID: 006328702FLE
Trans EPA ID: MNS000110924
Trans Name: STERICYCLE SPECIALTY WASTE SOLUTIONS INC
Trans 2 EPA ID: Not reported
Trans 2 Name: Not reported
TSDF EPA ID: NVD980895338
Trans Name: 21ST CENTURY EMN LLC
TSDF Alt EPA ID: Not reported
TSDF Alt Name: Not reported
Waste Code Description: 331 - Off-specification, aged, or surplus organics
RCRA Code: Not reported
Meth Code: H141 - Storage, Bulking, And/Or Transfer Off Site--No Treatment/Reovery (H010-H129) Or (H131-H135)

Quantity Tons: 0.0505
Waste Quantity: 101
Quantity Unit: P
Additional Code 1: Not reported
Additional Code 2: Not reported
Additional Code 3: Not reported
Additional Code 4: Not reported
Additional Code 5: Not reported

Shipment Date: 20150306
Creation Date: Not reported
Receipt Date: Not reported
Manifest ID: 006328702FLE
Trans EPA ID: MNS000110924
Trans Name: STERICYCLE SPECIALTY WASTE SOLUTIONS INC
Trans 2 EPA ID: Not reported
Trans 2 Name: Not reported
TSDF EPA ID: NVD980895338
Trans Name: 21ST CENTURY EMN LLC
TSDF Alt EPA ID: Not reported
TSDF Alt Name: Not reported
Waste Code Description: - Not reported
RCRA Code: Not reported
Meth Code: H141 - Storage, Bulking, And/Or Transfer Off Site--No Treatment/Reovery (H010-H129) Or (H131-H135)

Quantity Tons: 0.03
Waste Quantity: 60

Map ID
Direction
Distance
Elevation

MAP FINDINGS

Site

Database(s)

EDR ID Number
EPA ID Number

COLORADO RIVER MEDICAL CENTER (Continued)

S123624686

Quantity Unit: P
Additional Code 1: Not reported
Additional Code 2: Not reported
Additional Code 3: Not reported
Additional Code 4: Not reported
Additional Code 5: Not reported

Shipment Date: 20150306
Creation Date: Not reported
Receipt Date: Not reported
Manifest ID: 006328702FLE
Trans EPA ID: MNS000110924
Trans Name: STERICYCLE SPECIALTY WASTE SOLUTIONS INC
Trans 2 EPA ID: Not reported
Trans 2 Name: Not reported
TSDf EPA ID: NVD980895338
Trans Name: 21ST CENTURY EMN LLC
TSDf Alt EPA ID: Not reported
TSDf Alt Name: Not reported
Waste Code Description: 311 - Pharmaceutical waste
RCRA Code: Not reported
Meth Code: H141 - Storage, Bulking, And/Or Transfer Off Site--No Treatment/Reovery (H010-H129) Or (H131-H135)

Quantity Tons: 0.001
Waste Quantity: 2
Quantity Unit: P
Additional Code 1: Not reported
Additional Code 2: Not reported
Additional Code 3: Not reported
Additional Code 4: Not reported
Additional Code 5: Not reported

HWTS:

Name: COLORADO RIVER MEDICAL CENTER
Address: 1401 BAILEY AVE
Address 2: Not reported
City,State,Zip: NEEDLES, CA 92363
EPA ID: CAL000386444
Inactive Date: Not reported
Create Date: 06/20/2013
Last Act Date: Not reported
Mailing Name: Not reported
Mailing Address: 1401 BAILEY AVE
Mailing Address 2: Not reported
Mailing City,State,Zip: NEEDLES, CA 92363
Owner Name: COMMUNITY HEALTHCARE PARTNER INC
Owner Address: 1401 BAILEY AVE
Owner Address 2: Not reported
Owner City,State,Zip: NEEDLES, CA 92363
Contact Name: PAT BRYANT
Contact Address: 1401 BAILEY AVE
Contact Address 2: Not reported
City,State,Zip: NEEDLES, CA 92363
Facility Status: Active
Facility Type: PERMANENT
Category: STATE
Latitude: 34.832973

Map ID
Direction
Distance
Elevation

MAP FINDINGS

Site

Database(s)

EDR ID Number
EPA ID Number

COLORADO RIVER MEDICAL CENTER (Continued)

S123624686

Longitude: -114.618254
NAICS:
EPA ID: CAL000386444
Create Date: 2013-06-20 15:32:32.313
NAICS Code: 62211
NAICS Description: General Medical and Surgical Hospitals
Issued EPA ID Date: 2013-06-20 15:32:32.30700
Inactive Date: Not reported
Facility Name: COLORADO RIVER MEDICAL CENTER
Facility Address: 1401 BAILEY AVE
Facility Address 2: Not reported
Facility City: NEEDLES
Facility County: Not reported
Facility State: CA
Facility Zip: 92363

Name: COLORADO RIVER MEDICAL CENTER
Address: 1401 BAILEY AVE
Address 2: Not reported
City,State,Zip: NEEDLES, CA 92363
EPA ID: CAL000301284
Inactive Date: 11/20/2008
Create Date: 12/09/2005
Last Act Date: Not reported
Mailing Name: Not reported
Mailing Address: 1401 BAILEY AVE
Mailing Address 2: Not reported
Mailing City,State,Zip: NEEDLES, CA 923633103
Owner Name: LIFE POINT HOSPITALS INC
Owner Address: 103 POWELL CT STE 200
Owner Address 2: Not reported
Owner City,State,Zip: BRENTWOOD, TN 37027
Contact Name: MIKE ANDREWS
Contact Address: 1401 BAILEY AVE
Contact Address 2: Not reported
City,State,Zip: NEEDLES, CA 923633103
Facility Status: Inactive
Facility Type: PERMANENT
Category: STATE
Latitude: 34.832481
Longitude: -114.618174

NAICS:
EPA ID: CAL000301284
Create Date: 2005-12-09 13:26:25.890
NAICS Code: 62211
NAICS Description: General Medical and Surgical Hospitals
Issued EPA ID Date: 2005-12-09 13:26:25.87300
Inactive Date: 2008-11-20 00:00:00
Facility Name: COLORADO RIVER MEDICAL CENTER
Facility Address: 1401 BAILEY AVE
Facility Address 2: Not reported
Facility City: NEEDLES
Facility County: Not reported
Facility State: CA
Facility Zip: 923633103

Map ID
 Direction
 Distance
 Elevation

MAP FINDINGS

Site

Database(s)

EDR ID Number
 EPA ID Number

COLORADO RIVER MEDICAL CENTER (Continued)

S123624686

Name: COLORADO RIVER MEDICAL CENTER
 Address: 1401 BAILEY AVE
 Address 2: Not reported
 City,State,Zip: NEEDLES, CA 92363
 EPA ID: CAL000290922
 Inactive Date: 12/09/2005
 Create Date: 02/08/2005
 Last Act Date: Not reported
 Mailing Name: Not reported
 Mailing Address: 1401 BAILEY AVE
 Mailing Address 2: Not reported
 Mailing City,State,Zip: NEEDLES, CA 92363
 Owner Name: PROVINCE HEALTHCARE
 Owner Address: 105 WESTWOOD PL STE 400
 Owner Address 2: Not reported
 Owner City,State,Zip: BRENTWOOD, TN 37027
 Contact Name: JON HARRIS
 Contact Address: 1401 BAILEY AVE
 Contact Address 2: Not reported
 City,State,Zip: NEEDLES, CA 92363
 Facility Status: Inactive
 Facility Type: PERMANENT
 Category: STATE
 Latitude: 34.832488
 Longitude: -114.618296

NAICS:

EPA ID: CAL000290922
 Create Date: 2005-02-08 16:23:50.460
 NAICS Code: 62211
 NAICS Description: General Medical and Surgical Hospitals
 Issued EPA ID Date: 2005-02-08 16:23:50.44700
 Inactive Date: 2005-12-09 00:00:00
 Facility Name: COLORADO RIVER MEDICAL CENTER
 Facility Address: 1401 BAILEY AVE
 Facility Address 2: Not reported
 Facility City: NEEDLES
 Facility County: Not reported
 Facility State: CA
 Facility Zip: 92363

CO655 COLORADO RIVER MEDICAL CENTER
Target 1401 BAILEY AVENUE
Property NEEDLES, CA 92363

CERS HAZ WASTE S113154735
CERS TANKS N/A
EMI
CERS

Site 10 of 11 in cluster CO

Actual: 626 ft. CERS HAZ WASTE:
 Name: COLORADO RIVER MEDICAL CENTER
Focus Map: 10 Address: 1401 BAILEY AVE
 City,State,Zip: NEEDLES, CA 92363
 Site ID: 107386
 CERS ID: 10038091
 CERS Description: Hazardous Waste Generator

CERS TANKS:
 Name: COLORADO RIVER MEDICAL CENTER

Map ID
Direction
Distance
Elevation

MAP FINDINGS

Site

Database(s)

EDR ID Number
EPA ID Number

COLORADO RIVER MEDICAL CENTER (Continued)

S113154735

Address: 1401 BAILEY AVE
City,State,Zip: NEEDLES, CA 92363
Site ID: 107386
CERS ID: 10038091
CERS Description: Underground Storage Tank

EMI:

Name: COLORADO RIVER MEDICAL CENTER
Address: 1401 BAILEY AVENUE
City,State,Zip: NEEDLES, CA 92363
Year: 2014
County Code: 36
Air Basin: MD
Facility ID: 2114604
Air District Name: MOJ
SIC Code: 8062
Air District Name: MOJAVE DESERT AQMD
Community Health Air Pollution Info System: Not reported
Consolidated Emission Reporting Rule: Not reported
Total Organic Hydrocarbon Gases Tons/Yr: 0.0083165623221
Reactive Organic Gases Tons/Yr: 0.0073061
Carbon Monoxide Emissions Tons/Yr: 0.0353524
NOX - Oxides of Nitrogen Tons/Yr: 0.132218
SOX - Oxides of Sulphur Tons/Yr: 0.0139052
Particulate Matter Tons/Yr: 0.0044779
Part. Matter 10 Micrometers and Smlr Tons/Yr:0.0044779

Name: COLORADO RIVER MEDICAL CENTER
Address: 1401 BAILEY AVENUE
City,State,Zip: NEEDLES, CA 92363
Year: 2015
County Code: 36
Air Basin: MD
Facility ID: 2114604
Air District Name: MOJ
SIC Code: 8062
Air District Name: MOJAVE DESERT AQMD
Community Health Air Pollution Info System: Not reported
Consolidated Emission Reporting Rule: Not reported
Total Organic Hydrocarbon Gases Tons/Yr: 0.0083165623221
Reactive Organic Gases Tons/Yr: 0.0073061
Carbon Monoxide Emissions Tons/Yr: 0.0353524
NOX - Oxides of Nitrogen Tons/Yr: 0.132218
SOX - Oxides of Sulphur Tons/Yr: 0.0139052
Particulate Matter Tons/Yr: 0.0044779
Part. Matter 10 Micrometers and Smlr Tons/Yr:0.0044779

Name: COLORADO RIVER MEDICAL CENTER
Address: 1401 BAILEY AVENUE
City,State,Zip: NEEDLES, CA 92363
Year: 2016
County Code: 36
Air Basin: MD
Facility ID: 2114604
Air District Name: MOJ
SIC Code: 8062
Air District Name: MOJAVE DESERT AQMD

Map ID
Direction
Distance
Elevation

MAP FINDINGS

Site

Database(s)

EDR ID Number
EPA ID Number

COLORADO RIVER MEDICAL CENTER (Continued)

S113154735

Community Health Air Pollution Info System: Not reported
Consolidated Emission Reporting Rule: Not reported
Total Organic Hydrocarbon Gases Tons/Yr: 0.0083165623221
Reactive Organic Gases Tons/Yr: 0.0073061
Carbon Monoxide Emissions Tons/Yr: 0.0353524
NOX - Oxides of Nitrogen Tons/Yr: 0.132218
SOX - Oxides of Sulphur Tons/Yr: 0.0139052
Particulate Matter Tons/Yr: 0.0044779
Part. Matter 10 Micrometers and Smlr Tons/Yr:0.0044779

Name: COLORADO RIVER MEDICAL CENTER
Address: 1401 BAILEY AVENUE
City,State,Zip: NEEDLES, CA 92363
Year: 2017
County Code: 36
Air Basin: MD
Facility ID: 211400604
Air District Name: MOJ
SIC Code: 8062
Air District Name: MOJAVE DESERT AQMD
Community Health Air Pollution Info System: Not reported
Consolidated Emission Reporting Rule: Not reported
Total Organic Hydrocarbon Gases Tons/Yr: 0.002851875
Reactive Organic Gases Tons/Yr: 0.0025053721875
Carbon Monoxide Emissions Tons/Yr: 0.01379984
NOX - Oxides of Nitrogen Tons/Yr: 0.0516165
SOX - Oxides of Sulphur Tons/Yr: 5.93e-008
Particulate Matter Tons/Yr: 0.0017585311871
Part. Matter 10 Micrometers and Smlr Tons/Yr:0.00174798

Name: COLORADO RIVER MEDICAL CENTER
Address: 1401 BAILEY AVENUE
City,State,Zip: NEEDLES, CA 92363
Year: 2018
County Code: 36
Air Basin: MD
Facility ID: 604
Air District Name: MOJ
SIC Code: 8062
Air District Name: MOJAVE DESERT AQMD
Community Health Air Pollution Info System: Not reported
Consolidated Emission Reporting Rule: Not reported
Total Organic Hydrocarbon Gases Tons/Yr: 0.002851875
Reactive Organic Gases Tons/Yr: 0.0025053721875
Carbon Monoxide Emissions Tons/Yr: 0.01379984
NOX - Oxides of Nitrogen Tons/Yr: 0.0516165
SOX - Oxides of Sulphur Tons/Yr: 5.93e-008
Particulate Matter Tons/Yr: 0.0017585311871
Part. Matter 10 Micrometers and Smlr Tons/Yr:0.00174798

Name: COLORADO RIVER MEDICAL CENTER
Address: 1401 BAILEY AVENUE
City,State,Zip: NEEDLES, CA 92363
Year: 2019
County Code: 36
Air Basin: MD
Facility ID: 604

Map ID
Direction
Distance
Elevation

MAP FINDINGS

Site

Database(s)

EDR ID Number
EPA ID Number

COLORADO RIVER MEDICAL CENTER (Continued)

S113154735

Air District Name: MOJ
SIC Code: 8062
Air District Name: MOJAVE DESERT AQMD
Community Health Air Pollution Info System: Not reported
Consolidated Emission Reporting Rule: Not reported
Total Organic Hydrocarbon Gases Tons/Yr: 0.002851875
Reactive Organic Gases Tons/Yr: 0.0025053721875
Carbon Monoxide Emissions Tons/Yr: 0.01379984
NOX - Oxides of Nitrogen Tons/Yr: 0.0516165
SOX - Oxides of Sulphur Tons/Yr: 5.93e-008
Particulate Matter Tons/Yr: 0.0017585311871
Part. Matter 10 Micrometers and Smllr Tons/Yr:0.00174798

CERS:

Name: COLORADO RIVER MEDICAL CENTER
Address: 1401 BAILEY AVE
City,State,Zip: NEEDLES, CA 92363
Site ID: 107386
CERS ID: 10038091
CERS Description: Chemical Storage Facilities

Violations:

Site ID: 107386
Site Name: COLORADO RIVER MEDICAL CENTER
Violation Date: 11-13-2017
Citation: HSC 6.7 25284, 25286 - California Health and Safety Code, Chapter 6.7, Section(s) 25284, 25286
Violation Description: Failure to submit a complete and accurate application for a permit to operate a UST, or for renewal of the permit.
Violation Notes: Returned to compliance on 11/24/2017. OBSERVATION: SUBMITTED UNDERGROUND STORAGE TANK (UST) INFORMATION IN CALIFORNIA ENVIRONMENTAL REPORTING SYSTEM (CERS) WAS NOT ACCURATE, COMPLETE, OR CURRENT. CORRECT THE FOLLOWING: 1) INDICATE TYPE OF CORROSION PROTECTION PROVIDED TO TANK SYSTEM (NOTE: PER INSPECTION, ISOLATION TYPE OF CORROSION PROTECTION WAS PROVIDED). 2) OWNER STATEMENT OF DESIGNATED UST OPERATOR AGREEMENT WAS NOT CURRENT. CERTIFICATIONS WERE NO LONGER VALID. COMPLIANCE REQUIREMENT: RESUBMIT UPDATED UST INFORMATION IN CERS.
Violation Division: San Bernardino County Fire Department
Violation Program: UST
Violation Source: CERS,

Site ID: 107386
Site Name: COLORADO RIVER MEDICAL CENTER
Violation Date: 11-13-2017
Citation: HSC 6.7 Multiple - California Health and Safety Code, Chapter 6.7, Section(s) Multiple
Violation Description: UST Program -General - Must include violation description, proper statute and regulation citation in the "comment" section.
Violation Notes: Returned to compliance on 11/13/2017. Failure to install/maintain approved monitoring equipment for existing UST system(s) 23 CCR 2635(b)(1)(C) OBSERVATION: PIPING SUMP SENSOR (VR 208) FAILED TO CAUSE AN ALARM AT THE MONITORING PANEL WHEN INITIALLY TESTED. UST TECHNICIAN WORKED ON THE WIRING CONNECTION OF THE SUBJECT SENSOR ON THE VEEDER ROOT, RE-TESTED THE SENSOR, AND THE SENSOR CAUSED AN AUDIBLE/VISUAL ALARMS AT THE MONITORING PANEL. COMPLIANCE REQUIREMENT: ENSURE THAT ALL MONITORING EQUIPMENT ARE IN GOOD REPAIR AND MAINTAINED

Map ID
Direction
Distance
Elevation

MAP FINDINGS

Site

Database(s)

EDR ID Number
EPA ID Number

COLORADO RIVER MEDICAL CENTER (Continued)

S113154735

TO ENSURE DETECTION OF ANY RELEASE.
Violation Division: San Bernardino County Fire Department
Violation Program: UST
Violation Source: CERS,

Site ID: 107386
Site Name: COLORADO RIVER MEDICAL CENTER
Violation Date: 11-13-2017
Citation: HSC 6.7 Multiple - California Health and Safety Code, Chapter 6.7, Section(s) Multiple
Violation Description: UST Program -General - Must include violation description, proper statute and regulation citation in the "comment" section.
Violation Notes: Returned to compliance on 11/24/2017. Failure to submit a signed Designated UST Operator Statement (23 CCR 2715(a)) OBSERVATION: SUBMITTED OWNER STATEMENT OF DESIGNATED UST OPERATOR AGREEMENT IN CERS WAS NOT CURRENT. CERTIFICATIONS WERE NO LONGER VALID. COMPLIANCE REQUIREMENT: RESUBMIT CURRENT SIGNED DESIGNATED UST OPERATOR STATEMENT IN CERS.

Violation Division: San Bernardino County Fire Department
Violation Program: UST
Violation Source: CERS,

Site ID: 107386
Site Name: COLORADO RIVER MEDICAL CENTER
Violation Date: 11-01-2021
Citation: HSC 6.7 25284, 25286 - California Health and Safety Code, Chapter 6.7, Section(s) 25284, 25286
Violation Description: Failure to submit a complete and accurate application for a permit to operate a UST, or for renewal of the permit.
Violation Notes: OBSERVATION: The tank page information submitted via CERS is not accurate based upon what was observed on-site. CORRECTIVE ACTION: Update the following information via CERS and re-submit all UST documents within 30 days: On the tank page information, for overfill protection, please check "no" for "ball float".

Violation Division: San Bernardino County Fire Department
Violation Program: UST
Violation Source: CERS,

Site ID: 107386
Site Name: COLORADO RIVER MEDICAL CENTER
Violation Date: 11-14-2016
Citation: HSC 6.75 25299.30-25299.34 - California Health and Safety Code, Chapter 6.75, Section(s) 25299.30-25299.34
Violation Description: Failure to submit and maintain complete and current Certification of Financial Responsibility or other mechanism of financial assurance.
Violation Notes: Returned to compliance on 12/30/2016. OBSERVATIONS: THE CERTIFICATE OF FINANCIAL RESPONSIBILITY UPLOADED IS NOT CURRENT AND WAS LAST DATED IN 2014. COMPLIANCE REQUIREMENT: UPLOAD A CURRENT CERTIFICATE IN CERS.

Violation Division: San Bernardino County Fire Department
Violation Program: UST
Violation Source: CERS,

Site ID: 107386
Site Name: COLORADO RIVER MEDICAL CENTER
Violation Date: 11-16-2020
Citation: 23 CCR 16 2712 - California Code of Regulations, Title 23, Chapter 16, Section(s) 2712

Map ID
Direction
Distance
Elevation

MAP FINDINGS

Site

Database(s)

EDR ID Number
EPA ID Number

COLORADO RIVER MEDICAL CENTER (Continued)

S113154735

Violation Description: Failure to comply with any of the applicable requirements of the permit issued for the operation of the UST system.

Violation Notes: Returned to compliance on 03/03/2021. BOARD OF EQUALIZATION NUMBER # 044046572 IS CLOSED AND NOT CURRENT. IMMEDIATELY OBTAIN VALID/CURRENT BOARD OF EQUALIZATION NUMBER AND SUBMIT DOCUMENTATION OF COMPLIANCE TO THIS DEPARTMENT WITHIN 30 DAYS.

Violation Division: San Bernardino County Fire Department

Violation Program: UST

Violation Source: CERS,

Site ID: 107386

Site Name: COLORADO RIVER MEDICAL CENTER

Violation Date: 11-14-2016

Citation: HSC 6.7 Multiple - California Health and Safety Code, Chapter 6.7, Section(s) Multiple

Violation Description: UST Program - Administration/Documentation - General - Must include violation description, proper statute and regulation citation in the "comment" section.

Violation Notes: Returned to compliance on 12/12/2016. Failure to have a written monitoring program with monitoring procedures and response plan (CHSC 25286(a)) OBSERVATIONS: THE TANK PAGE LISTS THE VENT BOX AS BEING MONITORED BY A VR-409 SENSOR, WHEN IT IS A VR-208 SENSOR. THE UST MONITORING SITE PLAN DIAGRAM IS MISSING THE GENERAL PIPING LAYOUT. COMPLIANCE REQUIREMENT: UPDATE THE VENT BOX INFORMATION ON THE SENSOR. INCLUDE PIPING LAYOUT ON THE UST SITE PLAN UNDER THE UNDERGROUND STORAGE TANK ELEMENT IN CERS.

Violation Division: San Bernardino County Fire Department

Violation Program: UST

Violation Source: CERS,

Site ID: 107386

Site Name: COLORADO RIVER MEDICAL CENTER

Violation Date: 11-16-2020

Citation: 23 CCR 16 2715(a)(1)(B) - California Code of Regulations, Title 23, Chapter 16, Section(s) 2715(a)(1)(B)

Violation Description: Failure to submit the Designated Underground Storage Tank Operator Identification Form within 30 days of installing a UST system or within 30 days of a change in DO.

Violation Notes: Returned to compliance on 12/11/2020. DANIEL KLUTTS IS THE CURRENT DESIGNATED OPERATOR FOR THIS UST SYSTEM AND NO LONGER GEORGE BRYANT OR RON FRANKLIN. IMMEDIATELY UPDATE DESIGNATED OPERATOR NOTIFICATION DOCUMENT ON LINE IN CERS AND SUBMIT DOCUMENTATION OF COMPLIANCE TO THIS DEPARTMENT WITHIN 30 DAYS.

Violation Division: San Bernardino County Fire Department

Violation Program: UST

Violation Source: CERS,

Site ID: 107386

Site Name: COLORADO RIVER MEDICAL CENTER

Violation Date: 11-14-2016

Citation: 23 CCR 6.7 25284, 25286 - California Code of Regulations, Title 23, Chapter 6.7, Section(s) 25284, 25286

Violation Description: Failure to submit a complete and accurate application for a permit to operate a UST, or for renewal of the permit.

Violation Notes: Returned to compliance on 12/12/2016. OBSERVATIONS: THE DATE UST SYSTEM WAS INSTALLED IS MISSING ON THE TANK INFORMATION PAGE. IF ONLY THE INSTALLATION YEAR IS KNOWN, THEN ENTER 1/1/INSTALLATION YEAR. THE

Map ID
Direction
Distance
Elevation

MAP FINDINGS

Site

Database(s)

EDR ID Number
EPA ID Number

COLORADO RIVER MEDICAL CENTER (Continued)

S113154735

PERMIT LISTS THE INCORRECT TANK OWNER. THE TANK OWNER IS STILL CITY OF NEEDLES AND THE TANK OPERATOR IS COMMUNITY HEALTHCARE PARTNER INC. COMPLIANCE REQUIREMENT: ENTER THE INSTALLATION INFORMATION FOR THE TANK IN CERS. UPDATE THE TANK OPERATING PERMIT WITH THE CORRECT TANK OWNER AND TANK OPERATOR INFORMATION.

Violation Division: San Bernardino County Fire Department
Violation Program: UST
Violation Source: CERS,

Site ID: 107386
Site Name: COLORADO RIVER MEDICAL CENTER
Violation Date: 11-13-2018
Citation: 23 CCR 16 2712(b)(1)(G) - California Code of Regulations, Title 23, Chapter 16, Section(s) 2712(b)(1)(G)

Violation Description: Failure to comply with one or more of the following overfill prevention equipment requirements: Alert the transfer operator when the tank is 90 percent full by restricting the flow into the tank or triggering an audible and visual alarm; or Restrict delivery of flow to the tank at least 30 minutes before the tank overfills, provided the restriction occurs when the tank is filled to no more than 95 percent of capacity; and activate an audible alarm at least five minutes before the tank overfills; or Provide positive shut-off of flow to the tank when the tank is filled to no more than 95 percent of capacity; or Provide positive shut-off of flow to the tank so that none of the fittings located on the top of the tank are exposed to product due to overfilling. Install/retrofit overfill prevention equipment that does not use flow restrictors on vent piping to meet overfill prevention equipment requirements when the overfill prevention equipment is installed, repaired, or replaced on and after October 1, 2018. For USTs installed before October 1, 2018, perform an inspection by October 13, 2018 and every 36 months thereafter. For USTs installed on and after October 1, 2018, perform an inspection at installation and every 36 months thereafter. Inspected within 30 days after a repair to the overfill prevention equipment. Inspected using an applicable manufacturer guidelines, industry codes, engineering standards, or a method approved by a professional engineer. Inspected by a certified UST service technician. Maintain records of overfill prevention equipment inspection for 36 months.

Violation Notes: Returned to compliance on 03/27/2019. OBSERVATION: THE OVERFILL PROTECTION INSPECTION WAS PERFORMED ON THE UST DROP TUBE (FLAPPER)- IT WAS DISCOVERED THAT THE TUBE WAS SET AT 98 PERCENT. DROP TUBE SHOULD BE SET AT LEAST 95%. FLAPPER DEVICE FAILED. COMPLIANCE REQUIREMENT: SUBMIT AS-BUILT PLANS FOR THE REPLACEMENT OF THE FLAPPER AND A COPY OF THE WORK ORDER, DOCUMENTING THE FUNCTIONALITY OF THE REPLACEMENT DROP TUBE.

Violation Division: San Bernardino County Fire Department
Violation Program: UST
Violation Source: CERS,

Site ID: 107386
Site Name: COLORADO RIVER MEDICAL CENTER
Violation Date: 11-16-2020
Citation: HSC 6.75 25299.30-25299.34 - California Health and Safety Code, Chapter 6.75, Section(s) 25299.30-25299.34

Violation Description: Failure to submit and maintain complete and current Certification of Financial Responsibility or other mechanism of financial assurance.
Violation Notes: Returned to compliance on 12/11/2020. CERTIFICATE OF FINANCIAL

Map ID
Direction
Distance
Elevation

MAP FINDINGS

Site

Database(s)

EDR ID Number
EPA ID Number

COLORADO RIVER MEDICAL CENTER (Continued)

S113154735

RESPONSIBILITY AND CHIEF FINANCIAL OFFICER LETTER IS NOT CURRENT AND NEEDS TO BE UPDATED IN THE CALIFORNIA ENVIRONMENTAL REPORTING SYSTEM (CERS). IMMEDIATELY UPDATE PREVIOUSLY NOTED FINANCIAL RESPONSIBILITY DOCUMENTS, SUBMIT ON LINE IN CERS AND PROVIDE DOCUMENTATION OF COMPLIANCE TO THIS DEPARTMENT WITHIN 30 DAYS.

Violation Division: San Bernardino County Fire Department
Violation Program: UST
Violation Source: CERS,

Site ID: 107386
Site Name: COLORADO RIVER MEDICAL CENTER
Violation Date: 11-17-2014
Citation: HSC 6.75 25299.30-25299.34 - California Health and Safety Code, Chapter 6.75, Section(s) 25299.30-25299.34

Violation Description: Failure to submit and maintain complete and current Certification of Financial Responsibility or other mechanism of financial assurance.

Violation Notes: Returned to compliance on 01/04/2015. OBSERVATION: FACILITY HAS NOT UPDATED THE REQUIRED UST DOCUMENTATION TO THE CALIFORNIA ENVIRONMENTAL REPORTING SYSTEM (CERS). (1) THE CURRENT CERS DOCUMENTATION NOTED THAT THE COVERAGE EXPIRED 02/05/2014. COMPLIANCE REQUIREMENT: SUBMIT UST DOCUMENTATION TO CERS WITHIN 30 DAYS. SIGN DATE AND SUBMIT THE CERTIFICATE OF COMPLIANCE TO THIS DEPARTMENT INDICATING THE DATE OF CERS SUBMITTAL.

Violation Division: San Bernardino County Fire Department
Violation Program: UST
Violation Source: CERS,

Site ID: 107386
Site Name: COLORADO RIVER MEDICAL CENTER
Violation Date: 11-17-2014
Citation: Un-Specified

Violation Description: UST Program - Administration/Documentation - For use of Local Ordinance only

Violation Notes: Returned to compliance on 01/04/2015. Failure to submit a signed Designated UST Operator Statement (23 CCR 2715(a)) OBSERVATION: FACILITY HAS NOT UPDATED THE REQUIRED UST DOCUMENTATION TO THE CALIFORNIA ENVIRONMENTAL REPORTING SYSTEM (CERS). THE CURRENT CERS SUBMITTED D.O. INFORMATION EXPIRED 08/06/2014. COMPLIANCE REQUIREMENT: SUBMIT UST DOCUMENTATION TO CERS WITHIN 30 DAYS. SIGN DATE AND SUBMIT THE CERTIFICATE OF COMPLIANCE TO THIS DEPARTMENT INDICATING THE DATE OF CERS SUBMITTAL.

Violation Division: San Bernardino County Fire Department
Violation Program: UST
Violation Source: CERS,

Site ID: 107386
Site Name: COLORADO RIVER MEDICAL CENTER
Violation Date: 11-14-2016
Citation: HSC 6.7 25284(a)(3)(A) & (B); - California Health and Safety Code, Chapter 6.7, Section(s) 25284(a)(3)(A) & (B);

Violation Description: Failure to implement or maintain a written agreement between the UST permit holder and the operator (owner/operator agreement).

Violation Notes: Returned to compliance on 12/12/2016. OBSERVATIONS: THERE IS NO WRITTEN AGREEMENT BETWEEN THE TANK OWNER, CITY OF NEEDLES, AND THE TANK OPERATOR, COMMUNITY HEALTHCARE PARTNERS INC.. COMPLIANCE REQUIREMENT: SUBMIT A WRITTEN AGREEMENT IN CERS. THIS DOCUMENT IS REQUIRED WHENEVER THE TANK OWNER AND TANK OPERATOR ARE NOT THE SAME.

Map ID
Direction
Distance
Elevation

MAP FINDINGS

Site

Database(s)

EDR ID Number
EPA ID Number

COLORADO RIVER MEDICAL CENTER (Continued)

S113154735

Violation Division: San Bernardino County Fire Department
Violation Program: UST
Violation Source: CERS,

Site ID: 107386
Site Name: COLORADO RIVER MEDICAL CENTER
Violation Date: 11-19-2019
Citation: 23 CCR 16 2715(a)(2) - California Code of Regulations, Title 23, Chapter 16, Section(s) 2715(a)(2)
Violation Description: Failure to submit the Underground Storage Tank Statement of Understanding and Compliance Form.
Violation Notes: Returned to compliance on 12/11/2019. OBSERVATION: Owner/operator failed to submit the Underground Storage Tank Statement of Understanding and Compliance Form via CERS. CORRECTIVE ACTION: Submit the Underground Storage Tank Statement of Understanding and Compliance Form via CERS and re-submit all UST documents within 30 days.

Violation Division: San Bernardino County Fire Department
Violation Program: UST
Violation Source: CERS,

Evaluation:
Eval General Type: Other/Unknown
Eval Date: 08-12-2021
Violations Found: No
Eval Type: Other, not routine, done by local agency
Eval Notes: UST OVERFILL HOSPITAL- NEEDLES
Eval Division: San Bernardino County Fire Department
Eval Program: UST
Eval Source: CERS,

Eval General Type: Compliance Evaluation Inspection
Eval Date: 11-13-2018
Violations Found: No
Eval Type: Routine done by local agency
Eval Notes: COLORADO- HOSPITAL- UST INSPECTION
Eval Division: San Bernardino County Fire Department
Eval Program: HMRRP
Eval Source: CERS,

Eval General Type: Compliance Evaluation Inspection
Eval Date: 11-16-2020
Violations Found: Yes
Eval Type: Routine done by local agency
Eval Notes: UST ANNUAL INSPECTION WITH MONITORING SYSTEM CERTIFICATION.
Eval Division: San Bernardino County Fire Department
Eval Program: UST
Eval Source: CERS,

Eval General Type: Compliance Evaluation Inspection
Eval Date: 11-17-2014
Violations Found: Yes
Eval Type: Routine done by local agency
Eval Notes: COLORADO RIVER MEDICAL- UST MONITORING CERTIFICATION
Eval Division: San Bernardino County Fire Department
Eval Program: UST
Eval Source: CERS,

Map ID
Direction
Distance
Elevation

MAP FINDINGS

Site

Database(s)

EDR ID Number
EPA ID Number

COLORADO RIVER MEDICAL CENTER (Continued)

S113154735

Eval General Type:	Compliance Evaluation Inspection
Eval Date:	09-11-2013
Violations Found:	No
Eval Type:	Routine done by local agency
Eval Notes:	colorado river medical center- insp
Eval Division:	San Bernardino County Fire Department
Eval Program:	HW
Eval Source:	CERS,
Eval General Type:	Compliance Evaluation Inspection
Eval Date:	11-19-2019
Violations Found:	Yes
Eval Type:	Routine done by local agency
Eval Notes:	Not reported
Eval Division:	San Bernardino County Fire Department
Eval Program:	UST
Eval Source:	CERS,
Eval General Type:	Compliance Evaluation Inspection
Eval Date:	11-21-2013
Violations Found:	No
Eval Type:	Routine done by local agency
Eval Notes:	BP PLAN INSPECTION
Eval Division:	San Bernardino County Fire Department
Eval Program:	HMRRP
Eval Source:	CERS,
Eval General Type:	Compliance Evaluation Inspection
Eval Date:	11-21-2013
Violations Found:	No
Eval Type:	Routine done by local agency
Eval Notes:	UST MONT CERT
Eval Division:	San Bernardino County Fire Department
Eval Program:	UST
Eval Source:	CERS,
Eval General Type:	Compliance Evaluation Inspection
Eval Date:	11-16-2015
Violations Found:	No
Eval Type:	Routine done by local agency
Eval Notes:	COLORADO MEDICAL CENTER- UST INSPECTION & UST MONITORING CERTIFICATIO N
Eval Division:	San Bernardino County Fire Department
Eval Program:	UST
Eval Source:	CERS,
Eval General Type:	Compliance Evaluation Inspection
Eval Date:	12-02-2016
Violations Found:	No
Eval Type:	Routine done by local agency
Eval Notes:	COLORADO RIVER MEDICAL CENTER- CUPA HANDLER INSPECTION
Eval Division:	San Bernardino County Fire Department
Eval Program:	HMRRP
Eval Source:	CERS,
Eval General Type:	Compliance Evaluation Inspection
Eval Date:	09-11-2013

Map ID
Direction
Distance
Elevation

MAP FINDINGS

Site

Database(s)

EDR ID Number
EPA ID Number

COLORADO RIVER MEDICAL CENTER (Continued)

S113154735

Violations Found: No
Eval Type: Routine done by local agency
Eval Notes: colorado river medical center- insp
Eval Division: San Bernardino County Fire Department
Eval Program: HMRRP
Eval Source: CERS,

Eval General Type: Compliance Evaluation Inspection
Eval Date: 11-01-2021
Violations Found: Yes
Eval Type: Routine done by local agency
Eval Notes: Not reported
Eval Division: San Bernardino County Fire Department
Eval Program: UST
Eval Source: CERS,

Eval General Type: Compliance Evaluation Inspection
Eval Date: 11-13-2017
Violations Found: Yes
Eval Type: Routine done by local agency
Eval Notes: UST INSPECTION WITH MONITORING CERTIFICATION
Eval Division: San Bernardino County Fire Department
Eval Program: UST
Eval Source: CERS,

Eval General Type: Compliance Evaluation Inspection
Eval Date: 11-13-2018
Violations Found: No
Eval Type: Routine done by local agency
Eval Notes: COLORADO- HOSPITAL- UST INSPECTION AND UST MONITORING CERTIFICATION
Eval Division: San Bernardino County Fire Department
Eval Program: UST
Eval Source: CERS,

Eval General Type: Compliance Evaluation Inspection
Eval Date: 11-13-2018
Violations Found: No
Eval Type: Routine done by local agency
Eval Notes: ust inspection
Eval Division: San Bernardino County Fire Department
Eval Program: HMRRP
Eval Source: CERS,

Eval General Type: Other/Unknown
Eval Date: 11-13-2018
Violations Found: Yes
Eval Type: Other, not routine, done by local agency
Eval Notes: COLORADO- HOSPITAL- UST OVERFILL INSPECTION
Eval Division: San Bernardino County Fire Department
Eval Program: UST
Eval Source: CERS,

Eval General Type: Compliance Evaluation Inspection
Eval Date: 11-14-2016
Violations Found: Yes
Eval Type: Routine done by local agency
Eval Notes: Not reported

Map ID
Direction
Distance
Elevation

MAP FINDINGS

Site

Database(s)

EDR ID Number
EPA ID Number

COLORADO RIVER MEDICAL CENTER (Continued)

S113154735

Eval Division: San Bernardino County Fire Department
Eval Program: UST
Eval Source: CERS,

Eval General Type: Compliance Evaluation Inspection
Eval Date: 11-16-2020
Violations Found: No
Eval Type: Routine done by local agency
Eval Notes: CUPA inspection.
Eval Division: San Bernardino County Fire Department
Eval Program: HMRRP
Eval Source: CERS,

Eval General Type: Compliance Evaluation Inspection
Eval Date: 11-16-2020
Violations Found: No
Eval Type: Routine done by local agency
Eval Notes: See CO1 for inspection report.
Eval Division: San Bernardino County Fire Department
Eval Program: HW
Eval Source: CERS,

Eval General Type: Compliance Evaluation Inspection
Eval Date: 12-02-2016
Violations Found: No
Eval Type: Routine done by local agency
Eval Notes: COLORADO MEDICAL CENTER- CUPA WASTE INSPECTION
Eval Division: San Bernardino County Fire Department
Eval Program: HW
Eval Source: CERS,

Enforcement Action:
Site ID: 107386
Site Name: COLORADO RIVER MEDICAL CENTER
Site Address: 1401 BAILEY AVE
Site City: NEEDLES
Site Zip: 92363
Enf Action Date: 11-14-2016
Enf Action Type: Notice of Violation (Unified Program)
Enf Action Description: Notice of Violation Issued by the Inspector at the Time of Inspection
Enf Action Notes: Not reported
Enf Action Division: San Bernardino County Fire Department
Enf Action Program: UST
Enf Action Source: CERS,

Site ID: 107386
Site Name: COLORADO RIVER MEDICAL CENTER
Site Address: 1401 BAILEY AVE
Site City: NEEDLES
Site Zip: 92363
Enf Action Date: 11-17-2014
Enf Action Type: Notice of Violation (Unified Program)
Enf Action Description: Notice of Violation Issued by the Inspector at the Time of Inspection
Enf Action Notes: Not reported
Enf Action Division: San Bernardino County Fire Department
Enf Action Program: UST
Enf Action Source: CERS,

Map ID
Direction
Distance
Elevation

MAP FINDINGS

Site

Database(s)

EDR ID Number
EPA ID Number

COLORADO RIVER MEDICAL CENTER (Continued)

S113154735

Coordinates:

Site ID: 107386
Facility Name: COLORADO RIVER MEDICAL CENTER
Env Int Type Code: HMBP
Program ID: 10038091
Coord Name: Not reported
Ref Point Type Desc: Unknown,
Latitude: 34.833002
Longitude: -114.618265

Affiliation:

Affiliation Type Desc: Facility Mailing Address
Entity Name: Mailing Address
Entity Title: Not reported
Affiliation Address: 1401 BAILEY AVE
Affiliation City: NEEDLES
Affiliation State: CA
Affiliation Country: Not reported
Affiliation Zip: 92363
Affiliation Phone: ,

Affiliation Type Desc: Identification Signer
Entity Name: Pat Bryant
Entity Title: Maint supervisor
Affiliation Address: Not reported
Affiliation City: Not reported
Affiliation State: Not reported
Affiliation Country: Not reported
Affiliation Zip: Not reported
Affiliation Phone: ,

Affiliation Type Desc: Parent Corporation
Entity Name: Colorado River Medical Center
Entity Title: Not reported
Affiliation Address: Not reported
Affiliation City: Not reported
Affiliation State: Not reported
Affiliation Country: Not reported
Affiliation Zip: Not reported
Affiliation Phone: ,

Affiliation Type Desc: Property Owner
Entity Name: Colorado River Medical Center
Entity Title: Not reported
Affiliation Address: 1401 Bailey Ave
Affiliation City: NEEDLES
Affiliation State: CA
Affiliation Country: United States
Affiliation Zip: 92363
Affiliation Phone: (760) 326-7100,

Affiliation Type Desc: UST Tank Owner
Entity Name: Community Healthcare Partner Inc
Entity Title: Not reported
Affiliation Address: 1401 Bailey Ave
Affiliation City: NEEDLES

Map ID
Direction
Distance
Elevation

MAP FINDINGS

Site

Database(s)

EDR ID Number
EPA ID Number

COLORADO RIVER MEDICAL CENTER (Continued)

S113154735

Affiliation State: CA
Affiliation Country: United States
Affiliation Zip: 92363
Affiliation Phone: (760) 326-7100,

Affiliation Type Desc: Legal Owner
Entity Name: Community Healthcare Partner Inc
Entity Title: Not reported
Affiliation Address: 1401 Bailey Ave.
Affiliation City: NEEDLES
Affiliation State: CA
Affiliation Country: United States
Affiliation Zip: 92363-3198
Affiliation Phone: (760) 326-7162,

Affiliation Type Desc: UST Property Owner Name
Entity Name: Community Healthcare Partner Inc
Entity Title: Not reported
Affiliation Address: 1401 Bailey Ave
Affiliation City: NEEDLES
Affiliation State: CA
Affiliation Country: United States
Affiliation Zip: 92363
Affiliation Phone: (760) 326-7100,

Affiliation Type Desc: Document Preparer
Entity Name: Pat Bryant
Entity Title: Not reported
Affiliation Address: Not reported
Affiliation City: Not reported
Affiliation State: Not reported
Affiliation Country: Not reported
Affiliation Zip: Not reported
Affiliation Phone: ,

Affiliation Type Desc: CUPA District
Entity Name: San Bernardino County Fire
Entity Title: Not reported
Affiliation Address: 620 South E Street
Affiliation City: San Bernardino
Affiliation State: CA
Affiliation Country: Not reported
Affiliation Zip: 92415-0153
Affiliation Phone: (909) 386-8401,

Affiliation Type Desc: Environmental Contact
Entity Name: Daniel Klutts
Entity Title: Not reported
Affiliation Address: 2113 San Juan dr
Affiliation City: Lake hasasu city
Affiliation State: AZ
Affiliation Country: Not reported
Affiliation Zip: 86403
Affiliation Phone: ,

Affiliation Type Desc: Operator
Entity Name: Colorado River Medical Center

Map ID
 Direction
 Distance
 Elevation

MAP FINDINGS

Site

Database(s)

EDR ID Number
 EPA ID Number

COLORADO RIVER MEDICAL CENTER (Continued)

S113154735

Entity Title: Not reported
 Affiliation Address: Not reported
 Affiliation City: Not reported
 Affiliation State: Not reported
 Affiliation Country: Not reported
 Affiliation Zip: Not reported
 Affiliation Phone: (760) 326-7100,

Affiliation Type Desc: UST Permit Applicant
 Entity Name: MICHAEL W ANDREWS
 Entity Title: MAINTENANCE MGR
 Affiliation Address: Not reported
 Affiliation City: Not reported
 Affiliation State: Not reported
 Affiliation Country: Not reported
 Affiliation Zip: Not reported
 Affiliation Phone: (760) 326-7253,

Affiliation Type Desc: UST Tank Operator
 Entity Name: Colorado River Medical Center
 Entity Title: Not reported
 Affiliation Address: 1401 BAILEY AVE
 Affiliation City: NEEDLES
 Affiliation State: CA
 Affiliation Country: United States
 Affiliation Zip: 92363
 Affiliation Phone: (760) 326-7100,

**CN656
 Target
 Property**

**CALDERON MANUEL
 2033 CORTEZ STREET
 NEEDLES, CA 92363**

RCRA NonGen / NLR

**1024754410
 CAC002974227**

Site 4 of 10 in cluster CN

**Actual:
 662 ft.**

**Focus Map:
 10**

RCRA NonGen / NLR:
 Date Form Received by Agency: 20180803
 Handler Name: CALDERON MANUEL
 Handler Address: 2033 CORTEZ STREET
 Handler City,State,Zip: NEEDLES, CA 92363
 EPA ID: CAC002974227
 Contact Name: MANUEL CALDERON
 Contact Address: 2033 CORTEZ STREET
 Contact City,State,Zip: NEEDLES, CA 92363
 Contact Telephone: 760-219-5188
 Contact Fax: Not reported
 Contact Email: NANCY.RODRIGUEZ@ATIRESTORATION.COM
 Contact Title: Not reported
 EPA Region: 09
 Land Type: Not reported
 Federal Waste Generator Description: Not a generator, verified
 Non-Notifier: Not reported
 Biennial Report Cycle: Not reported
 Accessibility: Not reported
 Active Site Indicator: Handler Activities
 State District Owner: Not reported
 State District: Not reported
 Mailing Address: 2033 CORTEZ STREET

Map ID
 Direction
 Distance
 Elevation

MAP FINDINGS

Site

Database(s)

EDR ID Number
 EPA ID Number

CALDERON MANUEL (Continued)

1024754410

Mailing City,State,Zip:		NEEDLES, CA 92363
Owner Name:	MANUEL CALDERON	
Owner Type:		Other
Operator Name:	MANUEL CALDERON	
Operator Type:		Other
Short-Term Generator Activity:		No
Importer Activity:		No
Mixed Waste Generator:		No
Transporter Activity:		No
Transfer Facility Activity:		No
Recycler Activity with Storage:		No
Small Quantity On-Site Burner Exemption:		No
Smelting Melting and Refining Furnace Exemption:		No
Underground Injection Control:		No
Off-Site Waste Receipt:		No
Universal Waste Indicator:		Yes
Universal Waste Destination Facility:		Yes
Federal Universal Waste:		No
Active Site Fed-Reg Treatment Storage and Disposal Facility:		Not reported
Active Site Converter Treatment storage and Disposal Facility:		Not reported
Active Site State-Reg Treatment Storage and Disposal Facility:		Not reported
Active Site State-Reg Handler:		---
Federal Facility Indicator:		Not reported
Hazardous Secondary Material Indicator:		N
Sub-Part K Indicator:		Not reported
Commercial TSD Indicator:		No
Treatment Storage and Disposal Type:		Not reported
2018 GPRA Permit Baseline:		Not on the Baseline
2018 GPRA Renewals Baseline:		Not on the Baseline
Permit Renewals Workload Universe:		Not reported
Permit Workload Universe:		Not reported
Permit Progress Universe:		Not reported
Post-Closure Workload Universe:		Not reported
Closure Workload Universe:		Not reported
202 GPRA Corrective Action Baseline:		No
Corrective Action Workload Universe:		No
Subject to Corrective Action Universe:		No
Non-TSDFs Where RCRA CA has Been Imposed Universe:		No
TSDFs Potentially Subject to CA Under 3004 (u)/(v) Universe:		No
TSDFs Only Subject to CA under Discretionary Auth Universe:		No
Corrective Action Priority Ranking:		No NCAPS ranking
Environmental Control Indicator:		No
Institutional Control Indicator:		No
Human Exposure Controls Indicator:		N/A
Groundwater Controls Indicator:		N/A
Operating TSDF Universe:		Not reported
Full Enforcement Universe:		Not reported
Significant Non-Complier Universe:		No
Unaddressed Significant Non-Complier Universe:		No
Addressed Significant Non-Complier Universe:		No
Significant Non-Complier With a Compliance Schedule Universe:		No
Financial Assurance Required:		Not reported
Handler Date of Last Change:		20180831
Recognized Trader-Importer:		No
Recognized Trader-Exporter:		No
Importer of Spent Lead Acid Batteries:		No
Exporter of Spent Lead Acid Batteries:		No

Map ID
Direction
Distance
Elevation

MAP FINDINGS

Site

Database(s)

EDR ID Number
EPA ID Number

CALDERON MANUEL (Continued)

1024754410

Recycler Activity Without Storage: No
Manifest Broker: No
Sub-Part P Indicator: No

Handler - Owner Operator:

Owner/Operator Indicator: Operator
Owner/Operator Name: MANUEL CALDERON
Legal Status: Other
Date Became Current: Not reported
Date Ended Current: Not reported
Owner/Operator Address: 2033 CORTEZ STREET
Owner/Operator City,State,Zip: NEEDLES, CA 92363
Owner/Operator Telephone: 760-219-5188
Owner/Operator Telephone Ext: Not reported
Owner/Operator Fax: Not reported
Owner/Operator Email: Not reported

Owner/Operator Indicator: Owner
Owner/Operator Name: MANUEL CALDERON
Legal Status: Other
Date Became Current: Not reported
Date Ended Current: Not reported
Owner/Operator Address: 2033 CORTEZ STREET
Owner/Operator City,State,Zip: NEEDLES, CA 92363
Owner/Operator Telephone: 760-219-5188
Owner/Operator Telephone Ext: Not reported
Owner/Operator Fax: Not reported
Owner/Operator Email: Not reported

Historic Generators:

Receive Date: 20180803
Handler Name: CALDERON MANUEL
Federal Waste Generator Description: Not a generator, verified
State District Owner: Not reported
Large Quantity Handler of Universal Waste: No
Recognized Trader Importer: No
Recognized Trader Exporter: No
Spent Lead Acid Battery Importer: No
Spent Lead Acid Battery Exporter: No
Current Record: Yes
Non Storage Recycler Activity: Not reported
Electronic Manifest Broker: Not reported

List of NAICS Codes and Descriptions:

NAICS Code: 56299
NAICS Description: ALL OTHER WASTE MANAGEMENT SERVICES

Facility Has Received Notices of Violations:

Violations: No Violations Found

Evaluation Action Summary:

Evaluations: No Evaluations Found

MAP FINDINGS

Map ID
Direction
Distance
Elevation

Site

Database(s)

EDR ID Number
EPA ID Number

CN657 **CALDERON MANUEL**
Target **2033 CORTEZ**
Property **NEEDLES, CA 92363**

EDR Hist Auto **1022176871**
N/A

Site 5 of 10 in cluster CN

Actual: EDR Hist Auto
662 ft.

Focus Map: 10	Year:	Name:	Type:
	1985	CALDERON MANUEL	Gasoline Service Stations
	1986	CALDERON MANUEL	Gasoline Service Stations
	1987	CALDERON MANUEL	Gasoline Service Stations
	1988	CALDERON MANUEL	Gasoline Service Stations
	1989	CALDERON MANUEL	Gasoline Service Stations
	1990	CALDERON MANUEL	Gasoline Service Stations
	1991	CALDERON MANUEL	Gasoline Service Stations
	1992	CALDERON MANUEL	Gasoline Service Stations
	1993	CALDERON MANUEL	Gasoline Service Stations

CN658 **CALDERON MANUEL**
Target **2033 CORTEZ STREET**
Property **NEEDLES, CA 92363**

FINDS **1024613841**
ECHO **N/A**

Site 6 of 10 in cluster CN

Actual: FINDS:
662 ft. Registry ID: 110070402228

Focus Map:
10 [Click Here for FRS Facility Detail Report:](#)

Environmental Interest/Information System:

RCRAInfo is a national information system that supports the Resource Conservation and Recovery Act (RCRA) program through the tracking of events and activities related to facilities that generate, transport, and treat, store, or dispose of hazardous waste. RCRAInfo allows RCRA program staff to track the notification, permit, compliance, and corrective action activities required under RCRA.

[Click this hyperlink](#) while viewing on your computer to access additional FINDS: detail in the EDR Site Report.

ECHO:

Envid: 1024613841
Registry ID: 110070402228
DFR URL: <http://echo.epa.gov/detailed-facility-report?fid=110070402228>
Name: CALDERON MANUEL
Address: 2033 CORTEZ STREET
City,State,Zip: NEEDLES, CA 92363

CN659 **MANUEL CALDERON**
Target **2033 CORTEZ ST.**
Property **NEEDLES, CA 92363**

FINDS **1024675845**
ECHO **N/A**

Site 7 of 10 in cluster CN

Actual: FINDS:
662 ft. Registry ID: 110070464239

Focus Map:
10

Map ID
 Direction
 Distance
 Elevation

MAP FINDINGS

Site

Database(s)

EDR ID Number
 EPA ID Number

MANUEL CALDERON (Continued)

1024675845

Click Here for FRS Facility Detail Report:

Environmental Interest/Information System:

RCRAInfo is a national information system that supports the Resource Conservation and Recovery Act (RCRA) program through the tracking of events and activities related to facilities that generate, transport, and treat, store, or dispose of hazardous waste. RCRAInfo allows RCRA program staff to track the notification, permit, compliance, and corrective action activities required under RCRA.

Click this hyperlink while viewing on your computer to access additional FINDS: detail in the EDR Site Report.

ECHO:

Envid:	1024675845
Registry ID:	110070464239
DFR URL:	http://echo.epa.gov/detailed-facility-report?fid=110070464239
Name:	MANUEL CALDERON
Address:	2033 CORTEZ ST.
City,State,Zip:	NEEDLES, CA 92363

CN660 **MANUEL CALDERON**
Target **2033 CORTEZ ST.**
Property **NEEDLES, CA 92363**

HWTS **S124692092**
N/A

Site 8 of 10 in cluster CN

Actual:
662 ft.

Focus Map:
10

HWTS:	
Name:	MANUEL CALDERON
Address:	2033 CORTEZ ST.
Address 2:	Not reported
City,State,Zip:	NEEDLES, CA 92363
EPA ID:	CAC002973469
Inactive Date:	10/30/2018
Create Date:	07/31/2018
Last Act Date:	Not reported
Mailing Name:	Not reported
Mailing Address:	2033 CORTEZ ST.
Mailing Address 2:	Not reported
Mailing City,State,Zip:	NEEDLES, CA 92363
Owner Name:	MANUEL CALDERON
Owner Address:	2033 CORTEZ ST.
Owner Address 2:	Not reported
Owner City,State,Zip:	NEEDLES, CA 92363
Contact Name:	MANUEL CALDERON
Contact Address:	2033 CORTEZ ST.
Contact Address 2:	Not reported
City,State,Zip:	NEEDLES, CA 92363
Facility Status:	Inactive
Facility Type:	TEMPORARY
Category:	STATE
Latitude:	34.83286
Longitude:	-114.623612

Map ID
Direction
Distance
Elevation

MAP FINDINGS

Site

Database(s)

EDR ID Number
EPA ID Number

CN661 CALDERON MANUEL
Target 2033 CORTEZ STREET
Property NEEDLES, CA 92363

HWTS S124692831
N/A

Site 9 of 10 in cluster CN

Actual: HWTS:
662 ft. Name: CALDERON MANUEL
Focus Map: Address: 2033 CORTEZ STREET
10 Address 2: Not reported
City,State,Zip: NEEDLES, CA 92363
EPA ID: CAC002974227
Inactive Date: 11/02/2018
Create Date: 08/03/2018
Last Act Date: Not reported
Mailing Name: Not reported
Mailing Address: 2033 CORTEZ STREET
Mailing Address 2: Not reported
Mailing City,State,Zip: NEEDLES, CA 92363
Owner Name: MANUEL CALDERON
Owner Address: 2033 CORTEZ STREET
Owner Address 2: Not reported
Owner City,State,Zip: NEEDLES, CA 92363
Contact Name: MANUEL CALDERON
Contact Address: 2033 CORTEZ STREET
Contact Address 2: Not reported
City,State,Zip: NEEDLES, CA 92363
Facility Status: Inactive
Facility Type: TEMPORARY
Category: STATE
Latitude: 34.83286
Longitude: -114.623612

CN662 MANUEL CALDERON
Target 2033 CORTEZ ST.
Property NEEDLES, CA 92363

RCRA NonGen / NLR 1024753655
CAC002973469

Site 10 of 10 in cluster CN

Actual: RCRA NonGen / NLR:
662 ft. Date Form Received by Agency: 20180731
Focus Map: Handler Name: MANUEL CALDERON
10 Handler Address: 2033 CORTEZ ST.
Handler City,State,Zip: NEEDLES, CA 92363
EPA ID: CAC002973469
Contact Name: MANUEL CALDERON
Contact Address: 2033 CORTEZ ST.
Contact City,State,Zip: NEEDLES, CA 92363
Contact Telephone: 760-219-5188
Contact Fax: Not reported
Contact Email: CATHYW@CALWESTENVIRONMENTAL.COM
Contact Title: Not reported
EPA Region: 09
Land Type: Not reported
Federal Waste Generator Description: Not a generator, verified
Non-Notifier: Not reported
Biennial Report Cycle: Not reported
Accessibility: Not reported
Active Site Indicator: Handler Activities
State District Owner: Not reported

Map ID
 Direction
 Distance
 Elevation

MAP FINDINGS

Site

Database(s)

EDR ID Number
 EPA ID Number

MANUEL CALDERON (Continued)

1024753655

State District:		Not reported
Mailing Address:		2033 CORTEZ ST.
Mailing City, State, Zip:		NEEDLES, CA 92363
Owner Name:	MANUEL CALDERON	
Owner Type:		Other
Operator Name:	MANUEL CALDERON	
Operator Type:		Other
Short-Term Generator Activity:		No
Importer Activity:		No
Mixed Waste Generator:		No
Transporter Activity:		No
Transfer Facility Activity:		No
Recycler Activity with Storage:		No
Small Quantity On-Site Burner Exemption:		No
Smelting Melting and Refining Furnace Exemption:		No
Underground Injection Control:		No
Off-Site Waste Receipt:		No
Universal Waste Indicator:		Yes
Universal Waste Destination Facility:		Yes
Federal Universal Waste:		No
Active Site Fed-Reg Treatment Storage and Disposal Facility:		Not reported
Active Site Converter Treatment storage and Disposal Facility:		Not reported
Active Site State-Reg Treatment Storage and Disposal Facility:		Not reported
Active Site State-Reg Handler:		---
Federal Facility Indicator:		Not reported
Hazardous Secondary Material Indicator:		N
Sub-Part K Indicator:		Not reported
Commercial TSD Indicator:		No
Treatment Storage and Disposal Type:		Not reported
2018 GPRA Permit Baseline:		Not on the Baseline
2018 GPRA Renewals Baseline:		Not on the Baseline
Permit Renewals Workload Universe:		Not reported
Permit Workload Universe:		Not reported
Permit Progress Universe:		Not reported
Post-Closure Workload Universe:		Not reported
Closure Workload Universe:		Not reported
202 GPRA Corrective Action Baseline:		No
Corrective Action Workload Universe:		No
Subject to Corrective Action Universe:		No
Non-TSDFs Where RCRA CA has Been Imposed Universe:		No
TSDFs Potentially Subject to CA Under 3004 (u)/(v) Universe:		No
TSDFs Only Subject to CA under Discretionary Auth Universe:		No
Corrective Action Priority Ranking:		No NCAPS ranking
Environmental Control Indicator:		No
Institutional Control Indicator:		No
Human Exposure Controls Indicator:		N/A
Groundwater Controls Indicator:		N/A
Operating TSD Universe:		Not reported
Full Enforcement Universe:		Not reported
Significant Non-Complier Universe:		No
Unaddressed Significant Non-Complier Universe:		No
Addressed Significant Non-Complier Universe:		No
Significant Non-Complier With a Compliance Schedule Universe:		No
Financial Assurance Required:		Not reported
Handler Date of Last Change:		20180831
Recognized Trader-Importer:		No
Recognized Trader-Exporter:		No

Map ID
Direction
Distance
Elevation

MAP FINDINGS

Site

Database(s)

EDR ID Number
EPA ID Number

MANUEL CALDERON (Continued)

1024753655

Importer of Spent Lead Acid Batteries: No
Exporter of Spent Lead Acid Batteries: No
Recycler Activity Without Storage: No
Manifest Broker: No
Sub-Part P Indicator: No

Handler - Owner Operator:

Owner/Operator Indicator: Operator
Owner/Operator Name: MANUEL CALDERON
Legal Status: Other
Date Became Current: Not reported
Date Ended Current: Not reported
Owner/Operator Address: 2033 CORTEZ ST.
Owner/Operator City,State,Zip: NEEDLES, CA 92363
Owner/Operator Telephone: 760-219-5188
Owner/Operator Telephone Ext: Not reported
Owner/Operator Fax: Not reported
Owner/Operator Email: Not reported

Owner/Operator Indicator: Owner
Owner/Operator Name: MANUEL CALDERON
Legal Status: Other
Date Became Current: Not reported
Date Ended Current: Not reported
Owner/Operator Address: 2033 CORTEZ ST.
Owner/Operator City,State,Zip: NEEDLES, CA 92363
Owner/Operator Telephone: 760-219-5188
Owner/Operator Telephone Ext: Not reported
Owner/Operator Fax: Not reported
Owner/Operator Email: Not reported

Historic Generators:

Receive Date: 20180731
Handler Name: MANUEL CALDERON
Federal Waste Generator Description: Not a generator, verified
State District Owner: Not reported
Large Quantity Handler of Universal Waste: No
Recognized Trader Importer: No
Recognized Trader Exporter: No
Spent Lead Acid Battery Importer: No
Spent Lead Acid Battery Exporter: No
Current Record: Yes
Non Storage Recycler Activity: Not reported
Electronic Manifest Broker: Not reported

List of NAICS Codes and Descriptions:

NAICS Code: 56299
NAICS Description: ALL OTHER WASTE MANAGEMENT SERVICES

Facility Has Received Notices of Violations:

Violations: No Violations Found

Evaluation Action Summary:

Evaluations: No Evaluations Found

MAP FINDINGS

Map ID
 Direction
 Distance
 Elevation

Site

Database(s)

EDR ID Number
 EPA ID Number

CO663 **TRI-STATE COMMUNITY HEALTHCARE CENTER**
Target **1402 BAILEY AVE**
Property **NEEDLES, CA 92363**

HWTS **S124907542**
 N/A

Site 11 of 11 in cluster CO

Actual:
627 ft.

Focus Map:
10

HWTS:

Name: TRI-STATE COMMUNITY HEALTHCARE CENTER
 Address: 1402 BAILEY AVE
 Address 2: Not reported
 City,State,Zip: NEEDLES, CA 92363
 EPA ID: CAL000412222
 Inactive Date: 06/30/2016
 Create Date: 11/10/2015
 Last Act Date: Not reported
 Mailing Name: Not reported
 Mailing Address: 1402 BAILEY AVE
 Mailing Address 2: Not reported
 Mailing City,State,Zip: NEEDLES, CA 92363
 Owner Name: TRI-STATE COMMUNITY HEALTHCARE CNTR
 Owner Address: 1402 BAILEY AVE
 Owner Address 2: Not reported
 Owner City,State,Zip: NEEDLES, CA 92363
 Contact Name: CRYSTALE MINEROS
 Contact Address: 1402 BAILEY AVE
 Contact Address 2: Not reported
 City,State,Zip: NEEDLES, CA 92363
 Facility Status: Inactive
 Facility Type: PERMANENT
 Category: STATE
 Latitude: 34.832736
 Longitude: -114.618672

NAICS:

EPA ID: CAL000412222
 Create Date: 2015-11-10 15:58:41.333
 NAICS Code: 621493
 NAICS Description: Freestanding Ambulatory Surgical and Emergency Centers
 Issued EPA ID Date: 2015-11-10 15:58:41.25700
 Inactive Date: 2016-06-30 00:00:00
 Facility Name: TRI-STATE COMMUNITY HEALTHCARE CENTER
 Facility Address: 1402 BAILEY AVE
 Facility Address 2: Not reported
 Facility City: NEEDLES
 Facility County: Not reported
 Facility State: CA
 Facility Zip: 92363

664 **MOHAVE DENTAL CENTER**
Target **1406 BAILEY AVENUE STE F**
Property **NEEDLES, CA 92363**

HAZNET **S113110069**
HWTS **N/A**

Actual:
633 ft.

Focus Map:
10

HAZNET:

Name: MOHAVE DENTAL CENTER
 Address: 1406 BAILEY AVENUE STE F
 Address 2: Not reported
 City,State,Zip: NEEDLES, CA 923630000
 Contact: ELAINE GILBERT
 Telephone: 7603264541

Map ID
Direction
Distance
Elevation

MAP FINDINGS

Site

Database(s)

EDR ID Number
EPA ID Number

MOHAVE DENTAL CENTER (Continued)

S113110069

Mailing Name: Not reported
Mailing Address: 1406 BAILEY AVENUE STE F

Year: 2013
Gepaid: CAL000218620
TSD EPA ID: CAT000613893
CA Waste Code: -
Disposal Method: H141 - Storage, Bulking, And/Or Transfer Off Site--No Treatment/Reovery (H010-H129) Or (H131-H135)
Tons: 0.0125

Year: 2002
Gepaid: CAL000218620
TSD EPA ID: CAT000613893
CA Waste Code: -
Disposal Method: H01 - Transfer Station
Tons: 0.018

Year: 2001
Gepaid: CAL000218620
TSD EPA ID: CAT000613976
CA Waste Code: -
Disposal Method: H01 - Transfer Station
Tons: 0.02

Additional Info:

Year: 2001
Gen EPA ID: CAL000218620

Shipment Date: 20011220
Creation Date: 2/20/2002 0:00:00
Receipt Date: 20011228
Manifest ID: 21470620
Trans EPA ID: SCR000075150
Trans Name: Not reported
Trans 2 EPA ID: Not reported
Trans 2 Name: Not reported
TSD EPA ID: CAT000613976
Trans Name: Not reported
TSD Alt EPA ID: CAT000613976
TSD Alt Name: Not reported
Waste Code Description: - Not reported
RCRA Code: Not reported
Meth Code: H01 - Transfer Station
Quantity Tons: 0.02
Waste Quantity: 40
Quantity Unit: P
Additional Code 1: Not reported
Additional Code 2: Not reported
Additional Code 3: Not reported
Additional Code 4: Not reported
Additional Code 5: Not reported

Additional Info:

Year: 2013

Map ID
Direction
Distance
Elevation

MAP FINDINGS

Site

Database(s)

EDR ID Number
EPA ID Number

MOHAVE DENTAL CENTER (Continued)

S113110069

Gen EPA ID: CAL000218620

Shipment Date: 20131121
Creation Date: 4/5/2014 22:15:10
Receipt Date: 20131125
Manifest ID: 003939339SKS
Trans EPA ID: TXR000081205
Trans Name: SAFETY-KLEEN SYSTEMS INC
Trans 2 EPA ID: Not reported
Trans 2 Name: Not reported
TSDf EPA ID: CAT000613893
Trans Name: SAFETY-KLEEN SYSTEMS INC
TSDf Alt EPA ID: Not reported
TSDf Alt Name: Not reported
Waste Code Description: - Not reported
RCRA Code: Not reported
Meth Code: H141 - Storage, Bulking, And/Or Transfer Off Site--No Treatment/Reovery (H010-H129) Or (H131-H135)

Quantity Tons: 0.0125
Waste Quantity: 25
Quantity Unit: P
Additional Code 1: Not reported
Additional Code 2: Not reported
Additional Code 3: Not reported
Additional Code 4: Not reported
Additional Code 5: Not reported

Additional Info:

Year: 2002
Gen EPA ID: CAL000218620

Shipment Date: 20021125
Creation Date: 3/16/2007 18:30:20
Receipt Date: 20021204
Manifest ID: 99058047
Trans EPA ID: SCR000075150
Trans Name: Not reported
Trans 2 EPA ID: Not reported
Trans 2 Name: Not reported
TSDf EPA ID: CAT000613893
Trans Name: Not reported
TSDf Alt EPA ID: CAT000613893
TSDf Alt Name: Not reported
Waste Code Description: - Not reported
RCRA Code: Not reported
Meth Code: H01 - Transfer Station
Quantity Tons: 0.018
Waste Quantity: 36
Quantity Unit: P
Additional Code 1: Not reported
Additional Code 2: Not reported
Additional Code 3: Not reported
Additional Code 4: Not reported
Additional Code 5: Not reported

HWTS:

Map ID
 Direction
 Distance
 Elevation

MAP FINDINGS

Site

Database(s)

EDR ID Number
 EPA ID Number

MOHAVE DENTAL CENTER (Continued)

S113110069

Name: MOHAVE DENTAL CENTER
 Address: 1406 BAILEY AVENUE STE F
 Address 2: Not reported
 City,State,Zip: NEEDLES, CA 92363
 EPA ID: CAL000218620
 Inactive Date: 06/30/2017
 Create Date: 08/31/2000
 Last Act Date: Not reported
 Mailing Name: Not reported
 Mailing Address: 1406 BAILEY AVENUE STE F
 Mailing Address 2: Not reported
 Mailing City,State,Zip: NEEDLES, CA 923630000
 Owner Name: DOUGLAS KAYLOR
 Owner Address: 1406 BAILEY AVENUE STE F
 Owner Address 2: Not reported
 Owner City,State,Zip: NEEDLES, CA 923630000
 Contact Name: ELAINE GILBERT
 Contact Address: 1406 BAILEY AVENUE STE F
 Contact Address 2: Not reported
 City,State,Zip: NEEDLES, CA 923630000
 Facility Status: Inactive
 Facility Type: PERMANENT
 Category: STATE
 Latitude: 34.832432
 Longitude: -114.618296

CP665 CHEVRON USA INC NEEDLES BULK PLT
Target 308 E BROADWAY
Property NEEDLES, CA 92363

RCRA NonGen / NLR 1000434378
FINDS CAT000614842
ECHO

Site 1 of 4 in cluster CP

Actual: RCRA NonGen / NLR:
482 ft. Date Form Received by Agency: 19800815
Focus Map: Handler Name: CHEVRON USA INC NEEDLES BULK PLT
11 Handler Address: 308 E BROADWAY
 Handler City,State,Zip: NEEDLES, CA 92363
 EPA ID: CAT000614842
 Contact Name: ENVIRONMENTAL MANAGER
 Contact Address: 308 E BROADWAY
 Contact City,State,Zip: NEEDLES, CA 92363
 Contact Telephone: 213-694-7705
 Contact Fax: Not reported
 Contact Email: Not reported
 Contact Title: Not reported
 EPA Region: 09
 Land Type: Other
 Federal Waste Generator Description: Not a generator, verified
 Non-Notifier: Not reported
 Biennial Report Cycle: Not reported
 Accessibility: Not reported
 Active Site Indicator: Not reported
 State District Owner: CA
 State District: 4
 Mailing Address: 333 WEST CHANSLOR WAY
 Mailing City,State,Zip: BLYTHE, CA 92225
 Owner Name: CHEVRON USA INC/THE ATCHISON TOPEKA&SANT
 Owner Type: Private

Map ID
 Direction
 Distance
 Elevation

MAP FINDINGS

Site

Database(s)

EDR ID Number
 EPA ID Number

CHEVRON USA INC NEEDLES BULK PLT (Continued)

1000434378

Operator Name:	NOT REQUIRED	
Operator Type:		Private
Short-Term Generator Activity:		No
Importer Activity:		No
Mixed Waste Generator:		No
Transporter Activity:		No
Transfer Facility Activity:		No
Recycler Activity with Storage:		No
Small Quantity On-Site Burner Exemption:		No
Smelting Melting and Refining Furnace Exemption:		No
Underground Injection Control:		No
Off-Site Waste Receipt:		No
Universal Waste Indicator:		No
Universal Waste Destination Facility:		No
Federal Universal Waste:		No
Active Site Fed-Reg Treatment Storage and Disposal Facility:		Not reported
Active Site Converter Treatment storage and Disposal Facility:		Not reported
Active Site State-Reg Treatment Storage and Disposal Facility:		Not reported
Active Site State-Reg Handler:		---
Federal Facility Indicator:		Not reported
Hazardous Secondary Material Indicator:		NN
Sub-Part K Indicator:		Not reported
Commercial TSD Indicator:		No
Treatment Storage and Disposal Type:		Not reported
2018 GPRC Permit Baseline:		Not on the Baseline
2018 GPRC Renewals Baseline:		Not on the Baseline
Permit Renewals Workload Universe:		Not reported
Permit Workload Universe:		Not reported
Permit Progress Universe:		Not reported
Post-Closure Workload Universe:		Not reported
Closure Workload Universe:		Not reported
202 GPRC Corrective Action Baseline:		No
Corrective Action Workload Universe:		No
Subject to Corrective Action Universe:		No
Non-TSDs Where RCRA CA has Been Imposed Universe:		No
TSDs Potentially Subject to CA Under 3004 (u)/(v) Universe:		No
TSDs Only Subject to CA under Discretionary Auth Universe:		No
Corrective Action Priority Ranking:		No NCAPS ranking
Environmental Control Indicator:		No
Institutional Control Indicator:		No
Human Exposure Controls Indicator:		N/A
Groundwater Controls Indicator:		N/A
Operating TSD Universe:		Not reported
Full Enforcement Universe:		Not reported
Significant Non-Complier Universe:		No
Unaddressed Significant Non-Complier Universe:		No
Addressed Significant Non-Complier Universe:		No
Significant Non-Complier With a Compliance Schedule Universe:		No
Financial Assurance Required:		Not reported
Handler Date of Last Change:		20020627
Recognized Trader-Importer:		No
Recognized Trader-Exporter:		No
Importer of Spent Lead Acid Batteries:		No
Exporter of Spent Lead Acid Batteries:		No
Recycler Activity Without Storage:		Not reported
Manifest Broker:		Not reported
Sub-Part P Indicator:		No

Map ID
Direction
Distance
Elevation

MAP FINDINGS

Site

Database(s)

EDR ID Number
EPA ID Number

CHEVRON USA INC NEEDLES BULK PLT (Continued)

1000434378

Handler - Owner Operator:

Owner/Operator Indicator: Owner
Owner/Operator Name: CHEVRON USA INC/THE ATCHISON TOPEKA&SANT
Legal Status: Private
Date Became Current: Not reported
Date Ended Current: Not reported
Owner/Operator Address: NOT REQUIRED
Owner/Operator City,State,Zip: NOT REQUIRED, ME 99999
Owner/Operator Telephone: 415-555-1212
Owner/Operator Telephone Ext: Not reported
Owner/Operator Fax: Not reported
Owner/Operator Email: Not reported

Owner/Operator Indicator: Operator
Owner/Operator Name: NOT REQUIRED
Legal Status: Private
Date Became Current: Not reported
Date Ended Current: Not reported
Owner/Operator Address: NOT REQUIRED
Owner/Operator City,State,Zip: NOT REQUIRED, ME 99999
Owner/Operator Telephone: 415-555-1212
Owner/Operator Telephone Ext: Not reported
Owner/Operator Fax: Not reported
Owner/Operator Email: Not reported

Historic Generators:

Receive Date: 19800815
Handler Name: CHEVRON USA INC NEEDLES BULK PLT
Federal Waste Generator Description: Not a generator, verified
State District Owner: CA
Large Quantity Handler of Universal Waste: No
Recognized Trader Importer: No
Recognized Trader Exporter: No
Spent Lead Acid Battery Importer: No
Spent Lead Acid Battery Exporter: No
Current Record: Yes
Non Storage Recycler Activity: Not reported
Electronic Manifest Broker: Not reported

List of NAICS Codes and Descriptions:

NAICS Codes: No NAICS Codes Found

Facility Has Received Notices of Violations:

Violations: No Violations Found

Evaluation Action Summary:

Evaluations: No Evaluations Found

FINDS:

Registry ID: 110002943414

[Click Here for FRS Facility Detail Report:](#)

Map ID
Direction
Distance
Elevation

MAP FINDINGS

Site

Database(s)

EDR ID Number
EPA ID Number

CHEVRON USA INC NEEDLES BULK PLT (Continued)

1000434378

Environmental Interest/Information System:

RCRAInfo is a national information system that supports the Resource Conservation and Recovery Act (RCRA) program through the tracking of events and activities related to facilities that generate, transport, and treat, store, or dispose of hazardous waste. RCRAInfo allows RCRA program staff to track the notification, permit, compliance, and corrective action activities required under RCRA.

Click this hyperlink while viewing on your computer to access additional FINDS: detail in the EDR Site Report.

ECHO:

Envid: 1000434378
Registry ID: 110002943414
DFR URL: <http://echo.epa.gov/detailed-facility-report?fid=110002943414>
Name: CHEVRON USA INC NEEDLES BULK PLT
Address: 308 E BROADWAY
City,State,Zip: NEEDLES, CA 92363

CP666 CHEVRON USA INC NEEDLES BULK PLANT
Target 308 EAST BROADWAY
Property NEEDLES, CA 92363

HWTS S124949202
N/A

Site 2 of 4 in cluster CP

Actual: 482 ft. **HWTS:**
Focus Map: 11

Name: CHEVRON USA INC NEEDLES BULK PLANT
Address: 308 EAST BROADWAY
Address 2: Not reported
City,State,Zip: NEEDLES, CA 92363
EPA ID: CAT000614842
Inactive Date: 06/30/1997
Create Date: 07/23/1982
Last Act Date: Not reported
Mailing Name: Not reported
Mailing Address: 333 W CHANSLOR WAY
Mailing Address 2: Not reported
Mailing City,State,Zip: BLYTHE, CA 922251247
Owner Name: CHEVRON USA INC/THE ATCHISON T
Owner Address: 333 W CHANSLOR WAY
Owner Address 2: Not reported
Owner City,State,Zip: BLYTHE, CA 922251247
Contact Name: UNDELIVERABLE PER VF97 AH
Contact Address: 333 W CHANSLOR WAY
Contact Address 2: Not reported
City,State,Zip: BLYTHE, CA 922251247
Facility Status: Inactive
Facility Type: PERMANENT
Category: FEDERAL
Latitude: 34.832496
Longitude: -114.594953

Map ID
Direction
Distance
Elevation

MAP FINDINGS

Site

Database(s)

EDR ID Number
EPA ID Number

667 **AT&T MOBILITY - NEEDLES (USID11643)**
Target **2450 PARKWAY EXT**
Property **NEEDLES, CA 92363**

San Bern. Co. Permit **S111456356**
CERS **N/A**

Actual:
671 ft.
Focus Map:
10

San Bern. Co. Permit:

Name: AT&T MOBILITY - NEEDLES (USID11643)
Address: 2450 PARKWAY EXT
City,State,Zip: NEEDLES, CA 92363
Region: SAN BERNARDINO
Facility ID: FA0009040
Owner: New Cingular Wireless PCS, LLC dba AT&T Mobility
Permit Number: PT0015907
Permit Category: HAZARDOUS MATERIALS 1-3 CHEMICALS
Facility Status: ACTIVE
Expiration Date: 08/31/2021

Name: AT&T MOBILITY - NEEDLES (USID11643)
Address: 2450 PARKWAY EXT
City,State,Zip: NEEDLES, CA 92363
Region: SAN BERNARDINO
Facility ID: FA0009040
Owner: New Cingular Wireless PCS, LLC dba AT&T Mobility
Permit Number: PT0038067
Permit Category: CONDITIONALLY EXEMPT SM QTY GENERATOR
Facility Status: INACTIVE
Expiration Date: 08/31/2018

Name: AT&T MOBILITY - NEEDLES (USID11643)
Address: 2450 PARKWAY EXT
City,State,Zip: NEEDLES, CA 92363
Region: SAN BERNARDINO
Facility ID: FA0009040
Owner: New Cingular Wireless PCS, LLC dba AT&T Mobility
Permit Number: PT0025034
Permit Category: EPCRA FACILITY
Facility Status: INACTIVE
Expiration Date: 08/31/2013

CERS:

Name: AT&T MOBILITY - NEEDLES (USID11643)
Address: 2450 PARKWAY EXT
City,State,Zip: NEEDLES, CA 92363
Site ID: 385531
CERS ID: 10049503
CERS Description: Chemical Storage Facilities

Evaluation:

Eval General Type: Compliance Evaluation Inspection
Eval Date: 05-27-2021
Violations Found: No
Eval Type: Routine done by local agency
Eval Notes: Not reported
Eval Division: San Bernardino County Fire Department
Eval Program: HMRRP
Eval Source: CERS,

Eval General Type: Compliance Evaluation Inspection
Eval Date: 10-29-2014
Violations Found: No

Map ID
Direction
Distance
Elevation

MAP FINDINGS

Site

Database(s)

EDR ID Number
EPA ID Number

AT&T MOBILITY - NEEDLES (USID11643) (Continued)

S111456356

Eval Type: Routine done by local agency
Eval Notes: INSPECTION - BP
Eval Division: San Bernardino County Fire Department
Eval Program: HMRRP
Eval Source: CERS,

Eval General Type: Compliance Evaluation Inspection
Eval Date: 02-07-2018
Violations Found: No
Eval Type: Routine done by local agency
Eval Notes: Not reported
Eval Division: San Bernardino County Fire Department
Eval Program: HMRRP
Eval Source: CERS,

Eval General Type: Compliance Evaluation Inspection
Eval Date: 05-27-2021
Violations Found: No
Eval Type: Routine done by local agency
Eval Notes: Not reported
Eval Division: San Bernardino County Fire Department
Eval Program: HW
Eval Source: CERS,

Affiliation:

Affiliation Type Desc: CUPA District
Entity Name: San Bernardino County Fire
Entity Title: Not reported
Affiliation Address: 620 South E Street
Affiliation City: San Bernardino
Affiliation State: CA
Affiliation Country: Not reported
Affiliation Zip: 92415-0153
Affiliation Phone: (909) 386-8401,

Affiliation Type Desc: Parent Corporation
Entity Name: AT&T Mobility
Entity Title: Not reported
Affiliation Address: Not reported
Affiliation City: Not reported
Affiliation State: Not reported
Affiliation Country: Not reported
Affiliation Zip: Not reported
Affiliation Phone: ,

Affiliation Type Desc: Environmental Contact
Entity Name: AT&T EH&S Hotline - Option #1
Entity Title: Not reported
Affiliation Address: 308 S. Akard Street, 17th Floor
Affiliation City: Dallas
Affiliation State: TX
Affiliation Country: Not reported
Affiliation Zip: 75202
Affiliation Phone: ,

Affiliation Type Desc: Facility Mailing Address
Entity Name: Mailing Address

Map ID
Direction
Distance
Elevation

MAP FINDINGS

Site

Database(s)

EDR ID Number
EPA ID Number

AT&T MOBILITY - NEEDLES (USID11643) (Continued)

S111456356

Entity Title: Not reported
Affiliation Address: 308 S. Akard Street, 17th Floor
Affiliation City: Dallas
Affiliation State: TX
Affiliation Country: Not reported
Affiliation Zip: 75202
Affiliation Phone: ,

Affiliation Type Desc: Document Preparer
Entity Name: Peter Burnell, Sigma Consultants, Inc.
Entity Title: Not reported
Affiliation Address: Not reported
Affiliation City: Not reported
Affiliation State: Not reported
Affiliation Country: Not reported
Affiliation Zip: Not reported
Affiliation Phone: ,

Affiliation Type Desc: Identification Signer
Entity Name: Jeremy McGrue
Entity Title: National EPCRA Manager
Affiliation Address: Not reported
Affiliation City: Not reported
Affiliation State: Not reported
Affiliation Country: Not reported
Affiliation Zip: Not reported
Affiliation Phone: ,

Affiliation Type Desc: Legal Owner
Entity Name: New Cingular Wireless PCS, LLC dba AT&T Mobility
Entity Title: Not reported
Affiliation Address: 308 S. Akard Street, 17th Floor
Affiliation City: Dallas
Affiliation State: TX
Affiliation Country: United States
Affiliation Zip: 75202
Affiliation Phone: (214) 464-1712,

Affiliation Type Desc: Operator
Entity Name: AT&T Mobility
Entity Title: Not reported
Affiliation Address: Not reported
Affiliation City: Not reported
Affiliation State: Not reported
Affiliation Country: Not reported
Affiliation Zip: Not reported
Affiliation Phone: (800) 566-9347,

Map ID
Direction
Distance
Elevation

MAP FINDINGS

Site

Database(s)

EDR ID Number
EPA ID Number

CP668 **BNSF RAILWAY COMPANY**
Target **316 E BROADWAY**
Property **NEEDLES, CA 92363**

CERS HAZ WASTE **S105697738**
San Bern. Co. Permit **N/A**
CERS

Site 3 of 4 in cluster CP

Actual: CERS HAZ WASTE:
482 ft. Name: BNSF RAILWAY COMPANY
Focus Map: Address: 316 E BROADWAY
11 City,State,Zip: NEEDLES, CA 92363
 Site ID: 99328
 CERS ID: 10036609
 CERS Description: Hazardous Waste Generator

San Bern. Co. Permit:

Name: BNSF RAILWAY COMPANY
Address: 316 E BROADWAY
City,State,Zip: NEEDLES, CA 92363
Region: SAN BERNARDINO
Facility ID: FA0001618
Owner: BNSF Railway Company
Permit Number: PT0005194
Permit Category: HAZARDOUS MATERIALS 1-3 CHEMICALS
Facility Status: ACTIVE
Expiration Date: 09/30/2022

Name: BNSF RAILWAY COMPANY
Address: 316 E BROADWAY
City,State,Zip: NEEDLES, CA 92363
Region: SAN BERNARDINO
Facility ID: FA0001618
Owner: BNSF Railway Company
Permit Number: PT0005195
Permit Category: SMALL QUANTITY GENERATOR
Facility Status: ACTIVE
Expiration Date: 09/30/2022

CERS:

Name: BNSF RAILWAY COMPANY
Address: 316 E BROADWAY
City,State,Zip: NEEDLES, CA 92363
Site ID: 99328
CERS ID: 10036609
CERS Description: Chemical Storage Facilities

Violations:

Site ID: 99328
Site Name: BNSF RAILWAY COMPANY
Violation Date: 11-19-2019
Citation: 22 CCR 12 66262.40(a) - California Code of Regulations, Title 22,
Chapter 12, Section(s) 66262.40(a)
Violation Description: Failure to keep a copy of each properly signed manifest for at least
three years from the date the waste was accepted by the initial
transporter. The manifest signed at the time the waste was accepted
for transport shall be kept until receiving a signed copy from the
designated facility which received the waste.
Violation Notes: Returned to compliance on 11/25/2019. OBSERVATION: Uniform Hazardous
Waste Manifests were not available at the time of inspection.
CORRECTIVE ACTION: Locate a copy of all manifests for all Hazardous

Map ID
Direction
Distance
Elevation

MAP FINDINGS

Site

Database(s)

EDR ID Number
EPA ID Number

BNSF RAILWAY COMPANY (Continued)

S105697738

waste for the past year and submit copies to this agency within 30 days.

Violation Division: San Bernardino County Fire Department
Violation Program: HW
Violation Source: CERS,

Evaluation:
Eval General Type: Compliance Evaluation Inspection
Eval Date: 07-31-2013
Violations Found: No
Eval Type: Routine done by local agency
Eval Notes: bnsf rr-insp
Eval Division: San Bernardino County Fire Department
Eval Program: HW
Eval Source: CERS,

Eval General Type: Compliance Evaluation Inspection
Eval Date: 11-19-2019
Violations Found: No
Eval Type: Routine done by local agency
Eval Notes: Not reported
Eval Division: San Bernardino County Fire Department
Eval Program: HMRRP
Eval Source: CERS,

Eval General Type: Compliance Evaluation Inspection
Eval Date: 11-19-2019
Violations Found: Yes
Eval Type: Routine done by local agency
Eval Notes: Not reported
Eval Division: San Bernardino County Fire Department
Eval Program: HW
Eval Source: CERS,

Eval General Type: Compliance Evaluation Inspection
Eval Date: 10-21-2016
Violations Found: No
Eval Type: Routine done by local agency
Eval Notes: BNSF RAILROAD- CUPA WASTE INSPECTION
Eval Division: San Bernardino County Fire Department
Eval Program: HW
Eval Source: CERS,

Eval General Type: Compliance Evaluation Inspection
Eval Date: 07-31-2013
Violations Found: No
Eval Type: Routine done by local agency
Eval Notes: bnsf rr-insp
Eval Division: San Bernardino County Fire Department
Eval Program: HMRRP
Eval Source: CERS,

Eval General Type: Compliance Evaluation Inspection
Eval Date: 10-21-2016
Violations Found: No
Eval Type: Routine done by local agency
Eval Notes: BNSF RAILROAD- CUPA HANDLER INSPECTION

Map ID
Direction
Distance
Elevation

MAP FINDINGS

Site

Database(s)

EDR ID Number
EPA ID Number

BNSF RAILWAY COMPANY (Continued)

S105697738

Eval Division: San Bernardino County Fire Department
Eval Program: HMRRP
Eval Source: CERS,

Affiliation:

Affiliation Type Desc: Environmental Contact
Entity Name: Derek Brady
Entity Title: Not reported
Affiliation Address: 740 E. Carnegie Dr.
Affiliation City: San Bernardino
Affiliation State: CA
Affiliation Country: Not reported
Affiliation Zip: 92408
Affiliation Phone: ,

Affiliation Type Desc: Operator
Entity Name: BNSF Railway Company
Entity Title: Not reported
Affiliation Address: Not reported
Affiliation City: Not reported
Affiliation State: Not reported
Affiliation Country: Not reported
Affiliation Zip: Not reported
Affiliation Phone: (909) 386-4084,

Affiliation Type Desc: Document Preparer
Entity Name: Roslyn Woods
Entity Title: Not reported
Affiliation Address: Not reported
Affiliation City: Not reported
Affiliation State: Not reported
Affiliation Country: Not reported
Affiliation Zip: Not reported
Affiliation Phone: ,

Affiliation Type Desc: Facility Mailing Address
Entity Name: Mailing Address
Entity Title: Not reported
Affiliation Address: 740 E. Carnegie Dr.
Affiliation City: San Bernardino
Affiliation State: CA
Affiliation Country: Not reported
Affiliation Zip: 92408
Affiliation Phone: ,

Affiliation Type Desc: Property Owner
Entity Name: BNSF Railway Company
Entity Title: Not reported
Affiliation Address: 740 E. Carnegie Dr.
Affiliation City: San Bernardino
Affiliation State: CA
Affiliation Country: United States
Affiliation Zip: 92408
Affiliation Phone: (909) 386-4082,

Affiliation Type Desc: Parent Corporation
Entity Name: BNSF Railway Company

Map ID
Direction
Distance
Elevation

MAP FINDINGS

Site

Database(s)

EDR ID Number
EPA ID Number

BNSF RAILWAY COMPANY (Continued)

S105697738

Entity Title: Not reported
Affiliation Address: Not reported
Affiliation City: Not reported
Affiliation State: Not reported
Affiliation Country: Not reported
Affiliation Zip: Not reported
Affiliation Phone: ,

Affiliation Type Desc: CUPA District
Entity Name: San Bernardino County Fire
Entity Title: Not reported
Affiliation Address: 620 South E Street
Affiliation City: San Bernardino
Affiliation State: CA
Affiliation Country: Not reported
Affiliation Zip: 92415-0153
Affiliation Phone: (909) 386-8401,

Affiliation Type Desc: Identification Signer
Entity Name: Derek Brady
Entity Title: Manager Environmental Operations
Affiliation Address: Not reported
Affiliation City: Not reported
Affiliation State: Not reported
Affiliation Country: Not reported
Affiliation Zip: Not reported
Affiliation Phone: ,

Affiliation Type Desc: Legal Owner
Entity Name: BNSF Railway Company
Entity Title: Not reported
Affiliation Address: 740 E. Carnegie Dr.
Affiliation City: San Bernardino
Affiliation State: CA
Affiliation Country: United States
Affiliation Zip: 92408
Affiliation Phone: (909) 386-4084,

CP669 BNSF RAILWAY COMPANY
Target 316 E BROADWAY
Property NEEDLES, CA 92363

FINDS 1023323833
N/A

Site 4 of 4 in cluster CP

Actual: FINDS:
482 ft. Registry ID: 110066178077

Focus Map: Click Here for FRS Facility Detail Report:
11

Environmental Interest/Information System:
STATE MASTER

[Click this hyperlink](#) while viewing on your computer to access additional FINDS: detail in the EDR Site Report.

Map ID
Direction
Distance
Elevation

MAP FINDINGS

Site

Database(s) EDR ID Number
EPA ID Number

CQ670
Target 1183 REDWOOD AVENUE
Property HESPERIA, CA 92345

CDL S107527563
N/A

Site 1 of 3 in cluster CQ

Actual: CDL:
598 ft. Name: Not reported
Focus Map: Address: 1183 REDWOOD AVENUE
11 City,State,Zip: HESPERIA, CA 92345
Facility ID: 1995-09-038
Date: 09/20/1995
Labtype: Illegal Drug lab
Lab Type: Illegal Drug Lab (L) - location where an illegal drug lab was operated
or drug lab equipment and/or materials were stored.

CQ671 1X UNDERWRITERS SALVAGE COMPANY
Target 1150 REDWOOD AVENUE
Property FONTANA, CA 92335

HWTS S124530366
N/A

Site 2 of 3 in cluster CQ

Actual: HWTS:
596 ft. Name: 1X UNDERWRITERS SALVAGE COMPANY
Focus Map: Address: 1150 REDWOOD AVENUE
11 Address 2: Not reported
City,State,Zip: FONTANA, CA 92335
EPA ID: CAC000274849
Inactive Date: 10/25/2000
Create Date: 04/26/1990
Last Act Date: Not reported
Mailing Name: Not reported
Mailing Address: Not reported
Mailing Address 2: Not reported
Mailing City,State,Zip: PALATINE, IL 600670000
Owner Name: UNDERWRITERS SALVAGE COMPANY
Owner Address: Not reported
Owner Address 2: Not reported
Owner City,State,Zip: Not reported
Contact Name: JOHN LUFKIN, PROJECT MANAGER
Contact Address: Not reported
Contact Address 2: Not reported
City,State,Zip: Not reported
Facility Status: Inactive
Facility Type: TEMPORARY
Category: STATE
Latitude: 34.831242
Longitude: -114.609886

Map ID
Direction
Distance
Elevation

MAP FINDINGS

Site

Database(s) EDR ID Number
EPA ID Number

CQ672

Target REDWOOD AVE AND CASA LINDA STREET
Property NEEDLES, CA 92363

CHMIRS S105886387
N/A

Site 3 of 3 in cluster CQ

Actual:
594 ft.

Focus Map:
11

CHMIRS:
Name: Not reported
Address: REDWOOD AVE AND CASA LINDA STREET
City,State,Zip: NEEDLES, CA 92363
OES Incident Number: 2-5076
OES notification: 09/17/2002
OES Date: Not reported
OES Time: Not reported
Date Completed: Not reported
Property Use: Not reported
Agency Id Number: Not reported
Agency Incident Number: Not reported
Time Notified: Not reported
Time Completed: Not reported
Surrounding Area: Not reported
Estimated Temperature: Not reported
Property Management: Not reported
More Than Two Substances Involved?: Not reported
Resp Agncy Personel # Of Decontaminated: Not reported
Responding Agency Personel # Of Injuries: Not reported
Responding Agency Personel # Of Fatalities: Not reported
Others Number Of Decontaminated: Not reported
Others Number Of Injuries: Not reported
Others Number Of Fatalities: Not reported
Vehicle Make/year: Not reported
Vehicle License Number: Not reported
Vehicle State: Not reported
Vehicle Id Number: Not reported
CA DOT PUC/ICC Number: Not reported
Company Name: Not reported
Reporting Officer Name/ID: Not reported
Report Date: Not reported
Facility Telephone: Not reported
Waterway Involved: No
Waterway: Not reported
Spill Site: Not reported
Cleanup By: Reporting Party
Containment: Not reported
What Happened: Not reported
Type: Not reported
Measure: Not reported
Other: Not reported
Date/Time: Not reported
Year: 2002
Agency: City of Needles
Incident Date: 9/16/2002 12:00:00 AM
Admin Agency: San Bernardino County Health Department
Amount: Not reported
Contained: Yes
Site Type: Other
E Date: Not reported
Substance: sewage
Gallons: 1900

Map ID
 Direction
 Distance
 Elevation

MAP FINDINGS

Site

Database(s)

EDR ID Number
 EPA ID Number

(Continued)

S105886387

Unknown:	0
Substance #2:	Not reported
Substance #3:	Not reported
Evacuations:	0
Number of Injuries:	0
Number of Fatalities:	0
#1 Pipeline:	Not reported
#2 Pipeline:	Not reported
#3 Pipeline:	Not reported
#1 Vessel >= 300 Tons:	Not reported
#2 Vessel >= 300 Tons:	Not reported
#3 Vessel >= 300 Tons:	Not reported
Evacs:	Not reported
Injuries:	Not reported
Fatals:	Not reported
Comments:	Not reported
Description:	Blockage in the collection system.

673 **KATHY ODELL**
Target **1933 DESOTO STREET**
Property **NEEDLES, CA 92363**

HAZNET **S123069229**
HWTS **N/A**

HAZNET:	
Actual:	Name: KATHY ODELL
657 ft.	Address: 1933 DESOTO STREET
Focus Map:	Address 2: Not reported
10	City,State,Zip: NEEDLES, CA 92363
	Contact: KATHY ODELL
	Telephone: 7023792274
	Mailing Name: Not reported
	Mailing Address: 1933 DESOTO STREET
	Year: 2017
	Gepaid: CAC002930967
	TSD EPA ID: AZC950823111
	CA Waste Code: 151 - Asbestos containing waste
	Disposal Method: H132 - Landfill Or Surface Impoundment That Will Be Closed As Landfill(To Include On-Site Treatment And/Or Stabilization)
	Tons: 0.46

Additional Info:	
Year:	2017
Gen EPA ID:	CAC002930967
Shipment Date:	20171009
Creation Date:	7/17/2018 18:30:34
Receipt Date:	20171020
Manifest ID:	017713455JJK
Trans EPA ID:	CAL000160111
Trans Name:	ALLIANCE ENVIRONMENTAL GROUP
Trans 2 EPA ID:	CAR000049064
Trans 2 Name:	ECTI
TSDF EPA ID:	AZC950823111
Trans Name:	LA PAZ COUNTY LANDFILL
TSDF Alt EPA ID:	Not reported
TSDF Alt Name:	Not reported

Map ID
Direction
Distance
Elevation

MAP FINDINGS

Site

Database(s)

EDR ID Number
EPA ID Number

KATHY ODELL (Continued)

S123069229

Waste Code Description: 151 - Asbestos-containing waste
RCRA Code: Not reported
Meth Code: H132 - Landfill Or Surface Impoundment That Will Be Closed As Landfill(To Include On-Site Treatment And/Or Stabilization)
Quantity Tons: 0.46
Waste Quantity: 2
Quantity Unit: Y
Additional Code 1: Not reported
Additional Code 2: Not reported
Additional Code 3: Not reported
Additional Code 4: Not reported
Additional Code 5: Not reported

HWTS:

Name: KATHY ODELL
Address: 1933 DESOTO STREET
Address 2: Not reported
City,State,Zip: NEEDLES, CA 92363
EPA ID: CAC002930967
Inactive Date: 01/04/2018
Create Date: 10/04/2017
Last Act Date: Not reported
Mailing Name: Not reported
Mailing Address: 1933 DESOTO STREET
Mailing Address 2: Not reported
Mailing City,State,Zip: NEEDLES, CA 92363
Owner Name: KATHY ODELL
Owner Address: 1933 DESOTO STREET
Owner Address 2: Not reported
Owner City,State,Zip: NEEDLES, CA 92363
Contact Name: KATHY ODELL
Contact Address: 1933 DESOTO STREET
Contact Address 2: Not reported
City,State,Zip: NEEDLES, CA 92363
Facility Status: Inactive
Facility Type: TEMPORARY
Category: STATE
Latitude: 34.831112
Longitude: -114.621051

CR674 1905 DESOTO ST RESIDENCE
Target 1905 DESOTO STREET
Property NEEDLES, CA 92363

HWTS S128370843
N/A

Site 1 of 3 in cluster CR

Actual: 646 ft.
Focus Map: 10
HWTS:
Name: 1905 DESOTO ST RESIDENCE
Address: 1905 DESOTO STREET
Address 2: Not reported
City,State,Zip: NEEDLES, CA 92363
EPA ID: CAC003159960
Inactive Date: Not reported
Create Date: 02/02/2022
Last Act Date: Not reported
Mailing Name: Not reported
Mailing Address: 1905 DESOTO STREET

Map ID
 Direction
 Distance
 Elevation

MAP FINDINGS

Site

Database(s)

EDR ID Number
 EPA ID Number

1905 DESOTO ST RESIDENCE (Continued)

S128370843

Mailing Address 2: Not reported
 Mailing City,State,Zip: NEEDLES, CA 92363
 Owner Name: SUSAN JOHNSON
 Owner Address: 1905 DESOTO STREET
 Owner Address 2: Not reported
 Owner City,State,Zip: NEEDLES, CA 92363
 Contact Name: SUSAN JOHNSON
 Contact Address: 1905 DESOTO STREET
 Contact Address 2: Not reported
 City,State,Zip: NEEDLES, CA 92363
 Facility Status: Active
 Facility Type: TEMPORARY
 Category: STATE
 Latitude: 34.83097899
 Longitude: -114.620577

CR675 1905 DESOTO ST RESIDENCE
Target 1905 DESOTO STREET
Property NEEDLES, CA 92363

RCRA NonGen / NLR 1027087584
CAC003159960

Site 2 of 3 in cluster CR

Actual:
646 ft.

Focus Map:
10

RCRA NonGen / NLR: 20220202
 Date Form Received by Agency: 20220202
 Handler Name: 1905 DESOTO ST RESIDENCE
 Handler Address: 1905 DESOTO STREET
 Handler City,State,Zip: NEEDLES, CA 92363
 EPA ID: CAC003159960
 Contact Name: SUSAN JOHNSON
 Contact Address: 1905 DESOTO STREET
 Contact City,State,Zip: NEEDLES, CA 92363
 Contact Telephone: 949-701-6643
 Contact Fax: Not reported
 Contact Email: SJDESIGNS111@YAHOO.COM
 Contact Title: Not reported
 EPA Region: 09
 Land Type: Not reported
 Federal Waste Generator Description: Not a generator, verified
 Non-Notifier: Not reported
 Biennial Report Cycle: Not reported
 Accessibility: Not reported
 Active Site Indicator: Not reported
 State District Owner: Not reported
 State District: Not reported
 Mailing Address: 1905 DESOTO STREET
 Mailing City,State,Zip: NEEDLES, CA 92363
 Owner Name: SUSAN JOHNSON
 Owner Type: Other
 Operator Name: SUSAN JOHNSON
 Operator Type: Other
 Short-Term Generator Activity: No
 Importer Activity: No
 Mixed Waste Generator: No
 Transporter Activity: No
 Transfer Facility Activity: No
 Recycler Activity with Storage: No
 Small Quantity On-Site Burner Exemption: No
 Smelting Melting and Refining Furnace Exemption: No

Map ID
 Direction
 Distance
 Elevation

MAP FINDINGS

Site

Database(s)

EDR ID Number
 EPA ID Number

1905 DESOTO ST RESIDENCE (Continued)

1027087584

Underground Injection Control:	No
Off-Site Waste Receipt:	No
Universal Waste Indicator:	No
Universal Waste Destination Facility:	No
Federal Universal Waste:	No
Active Site Fed-Reg Treatment Storage and Disposal Facility:	Not reported
Active Site Converter Treatment storage and Disposal Facility:	Not reported
Active Site State-Reg Treatment Storage and Disposal Facility:	Not reported
Active Site State-Reg Handler:	---
Federal Facility Indicator:	Not reported
Hazardous Secondary Material Indicator:	N
Sub-Part K Indicator:	Not reported
Commercial TSD Indicator:	No
Treatment Storage and Disposal Type:	Not reported
2018 GPRA Permit Baseline:	Not on the Baseline
2018 GPRA Renewals Baseline:	Not on the Baseline
Permit Renewals Workload Universe:	Not reported
Permit Workload Universe:	Not reported
Permit Progress Universe:	Not reported
Post-Closure Workload Universe:	Not reported
Closure Workload Universe:	Not reported
202 GPRA Corrective Action Baseline:	No
Corrective Action Workload Universe:	No
Subject to Corrective Action Universe:	No
Non-TSDFs Where RCRA CA has Been Imposed Universe:	No
TSDFs Potentially Subject to CA Under 3004 (u)/(v) Universe:	No
TSDFs Only Subject to CA under Discretionary Auth Universe:	No
Corrective Action Priority Ranking:	No NCAPS ranking
Environmental Control Indicator:	No
Institutional Control Indicator:	No
Human Exposure Controls Indicator:	N/A
Groundwater Controls Indicator:	N/A
Operating TSDF Universe:	Not reported
Full Enforcement Universe:	Not reported
Significant Non-Complier Universe:	No
Unaddressed Significant Non-Complier Universe:	No
Addressed Significant Non-Complier Universe:	No
Significant Non-Complier With a Compliance Schedule Universe:	No
Financial Assurance Required:	Not reported
Handler Date of Last Change:	20220202
Recognized Trader-Importer:	No
Recognized Trader-Exporter:	No
Importer of Spent Lead Acid Batteries:	No
Exporter of Spent Lead Acid Batteries:	No
Recycler Activity Without Storage:	No
Manifest Broker:	No
Sub-Part P Indicator:	No

Handler - Owner Operator:

Owner/Operator Indicator:	Owner
Owner/Operator Name: SUSAN JOHNSON	
Legal Status:	Other
Date Became Current:	Not reported
Date Ended Current:	Not reported
Owner/Operator Address:	1905 DESOTO STREET
Owner/Operator City,State,Zip:	NEEDLES, CA 92363

Map ID
 Direction
 Distance
 Elevation

MAP FINDINGS

Site

Database(s)

EDR ID Number
 EPA ID Number

1905 DESOTO ST RESIDENCE (Continued)

1027087584

Owner/Operator Telephone:	949-701-6643
Owner/Operator Telephone Ext:	Not reported
Owner/Operator Fax:	Not reported
Owner/Operator Email:	Not reported
Owner/Operator Indicator:	Operator
Owner/Operator Name:	SUSAN JOHNSON
Legal Status:	Other
Date Became Current:	Not reported
Date Ended Current:	Not reported
Owner/Operator Address:	1905 DESOTO STREET
Owner/Operator City,State,Zip:	NEEDLES, CA 92363
Owner/Operator Telephone:	949-701-6643
Owner/Operator Telephone Ext:	Not reported
Owner/Operator Fax:	Not reported
Owner/Operator Email:	Not reported

Historic Generators:

Receive Date:	20220202
Handler Name:	1905 DESOTO ST RESIDENCE
Federal Waste Generator Description:	Not a generator, verified
State District Owner:	Not reported
Large Quantity Handler of Universal Waste:	No
Recognized Trader Importer:	No
Recognized Trader Exporter:	No
Spent Lead Acid Battery Importer:	No
Spent Lead Acid Battery Exporter:	No
Current Record:	Yes
Non Storage Recycler Activity:	No
Electronic Manifest Broker:	No

List of NAICS Codes and Descriptions:

NAICS Code:	56299
NAICS Description:	ALL OTHER WASTE MANAGEMENT SERVICES

Facility Has Received Notices of Violations:

Violations:	No Violations Found
-------------	---------------------

Evaluation Action Summary:

Evaluations:	No Evaluations Found
--------------	----------------------

CR676 **1905 DESOTO ST RESIDENCE**
Target **1905 DESOTO STREET**
Property **NEEDLES, CA 92363**

FINDS **1027161620**
ECHO **N/A**

Site 3 of 3 in cluster CR

Actual: **FINDS:**
646 ft. Registry ID: 110071225801

Focus Map:
10 [Click Here for FRS Facility Detail Report:](#)

Environmental Interest/Information System:

RCRAInfo is a national information system that supports the Resource Conservation and Recovery Act (RCRA) program through the tracking of

Map ID
Direction
Distance
Elevation

MAP FINDINGS

Site

Database(s)

EDR ID Number
EPA ID Number

1905 DESOTO ST RESIDENCE (Continued)

1027161620

events and activities related to facilities that generate, transport, and treat, store, or dispose of hazardous waste. RCRAInfo allows RCRA program staff to track the notification, permit, compliance, and corrective action activities required under RCRA.

[Click this hyperlink](#) while viewing on your computer to access additional FINDS: detail in the EDR Site Report.

ECHO:

Envid: 1027161620
Registry ID: 110071225801
DFR URL: <http://echo.epa.gov/detailed-facility-report?fid=110071225801>
Name: 1905 DESOTO ST RESIDENCE
Address: 1905 DESOTO STREET
City,State,Zip: NEEDLES, CA 92363

CS677 HARKEN MARKETING CO OF CA
Target 409 E BROADWAY
Property NEEDLES, CA 92363

HAZNET S123758119
HWTS N/A

Site 1 of 2 in cluster CS

**Actual:
487 ft.**

**Focus Map:
11**

HAZNET:
Name: HARKEN MARKETING CO OF CA
Address: 409 E BROADWAY
Address 2: Not reported
City,State,Zip: NEEDLES, CA 923630000
Contact: CANCEL PER SURVEY 2-4-95 LC
Telephone: 8003686253
Mailing Name: Not reported
Mailing Address: PO BOX 922021

Year: 1989
Gepaid: CAD981659311
TSD EPA ID: HAHQ36017252
CA Waste Code: 223 - Unspecified oil-containing waste
Disposal Method: 01 -
Tons: 0.834

HWTS:

Name: HARKEN MARKETING CO OF CA
Address: 409 E BROADWAY
Address 2: Not reported
City,State,Zip: NEEDLES, CA 92363
EPA ID: CAD981659311
Inactive Date: 01/01/1995
Create Date: 04/10/1987
Last Act Date: Not reported
Mailing Name: Not reported
Mailing Address: PO BOX 922021
Mailing Address 2: Not reported
Mailing City,State,Zip: HUSTONIDE, TX 772922021
Owner Name: Not reported
Owner Address: Not reported
Owner Address 2: Not reported
Owner City,State,Zip: Not reported
Contact Name: CANCEL PER SURVEY 2-4-95 LC

Map ID
Direction
Distance
Elevation

MAP FINDINGS

Site

Database(s)

EDR ID Number
EPA ID Number

HARKEN MARKETING CO OF CA (Continued)

S123758119

Contact Address: PO BOX 922021
Contact Address 2: Not reported
City,State,Zip: HUSTONIDE, TX 772922021
Facility Status: Inactive
Facility Type: PERMANENT
Category: STATE
Latitude: 34.83086
Longitude: -114.595044

CS678 E-Z SERVE STATION 1137
Target 409 E BROADWAY
Property NEEDLES, CA 92363

SWEEPS UST 1000131453
HIST UST N/A

Site 2 of 2 in cluster CS

Actual: SWEEPS UST:
487 ft. Name: E-Z SERVE STATION #850
Focus Map: Address: 409 E BROADWAY
11 City: NEEDLES
Status: Active
Comp Number: 13401
Number: 1
Board Of Equalization: Not reported
Referral Date: 07-28-92
Action Date: 07-28-92
Created Date: 02-29-88
Owner Tank Id: Not reported
SWRCB Tank Id: Not reported
Tank Status: Not reported
Capacity: Not reported
Active Date: Not reported
Tank Use: Not reported
STG: Not reported
Content: Not reported
Number Of Tanks: Not reported

Name: E-Z SERVE STATION #850
Address: 409 E BROADWAY
City: NEEDLES
Status: Not reported
Comp Number: 13401
Number: Not reported
Board Of Equalization: Not reported
Referral Date: Not reported
Action Date: Not reported
Created Date: Not reported
Owner Tank Id: Not reported
SWRCB Tank Id: 36-000-013401-000001
Tank Status: Not reported
Capacity: 10000
Active Date: Not reported
Tank Use: M.V. FUEL
STG: PRODUCT
Content: LEADED
Number Of Tanks: 3

Name: E-Z SERVE STATION #850
Address: 409 E BROADWAY

Map ID
Direction
Distance
Elevation

MAP FINDINGS

Site

Database(s)

EDR ID Number
EPA ID Number

E-Z SERVE STATION 1137 (Continued)

1000131453

City: NEEDLES
Status: Not reported
Comp Number: 13401
Number: Not reported
Board Of Equalization: Not reported
Referral Date: Not reported
Action Date: Not reported
Created Date: Not reported
Owner Tank Id: Not reported
SWRCB Tank Id: 36-000-013401-000002
Tank Status: Not reported
Capacity: 10000
Active Date: Not reported
Tank Use: M.V. FUEL
STG: PRODUCT
Content: REG UNLEADED
Number Of Tanks: Not reported

Name: E-Z SERVE STATION #850
Address: 409 E BROADWAY
City: NEEDLES
Status: Not reported
Comp Number: 13401
Number: Not reported
Board Of Equalization: Not reported
Referral Date: Not reported
Action Date: Not reported
Created Date: Not reported
Owner Tank Id: Not reported
SWRCB Tank Id: 36-000-013401-000003
Tank Status: Not reported
Capacity: 10000
Active Date: Not reported
Tank Use: M.V. FUEL
STG: PRODUCT
Content: REG UNLEADED
Number Of Tanks: Not reported

HIST UST:

Name: E-Z SERVE STATION 1137
Address: 409 E BROADWAY
City,State,Zip: NEEDLES, CA 92363
File Number: 00029DEC
URL: <http://geotracker.waterboards.ca.gov/ustpdfs/pdf/00029DEC.pdf>
Region: STATE
Facility ID: 00000013401
Facility Type: Gas Station
Other Type: Not reported
Contact Name: E-Z SERVE OF CALIF., INC.
Telephone: 7149841261
Owner Name: E-Z SERVE OF CALIFORNIA, INC.
Owner Address: P.O. BOX 3550
Owner City,St,Zip: ONTARIO, CA 91761
Total Tanks: 0003

Tank Num: 001
Container Num: 1

Map ID
Direction
Distance
Elevation

MAP FINDINGS

Site

Database(s)

EDR ID Number
EPA ID Number

E-Z SERVE STATION 1137 (Continued)

1000131453

Year Installed: Not reported
Tank Capacity: 00010000
Tank Used for: PRODUCT
Type of Fuel: REGULAR
Container Construction Thickness: 1/4
Leak Detection: Stock Inventor, None

Tank Num: 002
Container Num: 2
Year Installed: Not reported
Tank Capacity: 00010000
Tank Used for: PRODUCT
Type of Fuel: UNLEADED
Container Construction Thickness: 1/4
Leak Detection: Stock Inventor, None

Tank Num: 003
Container Num: 3
Year Installed: Not reported
Tank Capacity: 00010000
Tank Used for: PRODUCT
Type of Fuel: PREMIUM
Container Construction Thickness: 1/4
Leak Detection: Stock Inventor, None

[Click here for Geo Tracker PDF:](#)

CT679
Target
Property

997 SMITH ROAD
NEEDLES, CA

CHMIRS S109041258
N/A

Site 1 of 2 in cluster CT

Actual:
472 ft.

Focus Map:
11

CHMIRS:
Name: Not reported
Address: 997 SMITH ROAD
City,State,Zip: NEEDLES, CA
OES Incident Number: 6-5761
OES notification: 09/27/2006
OES Date: Not reported
OES Time: Not reported
Date Completed: Not reported
Property Use: Not reported
Agency Id Number: Not reported
Agency Incident Number: Not reported
Time Notified: Not reported
Time Completed: Not reported
Surrounding Area: Not reported
Estimated Temperature: Not reported
Property Management: Not reported
More Than Two Substances Involved?: Not reported
Resp Agncy Personel # Of Decontaminated: Not reported
Responding Agency Personel # Of Injuries: Not reported
Responding Agency Personel # Of Fatalities: Not reported
Others Number Of Decontaminated: Not reported
Others Number Of Injuries: Not reported
Others Number Of Fatalities: Not reported
Vehicle Make/year: Not reported

Map ID
Direction
Distance
Elevation

MAP FINDINGS

Site

Database(s)

EDR ID Number
EPA ID Number

(Continued)

S109041258

Vehicle License Number:	Not reported
Vehicle State:	Not reported
Vehicle Id Number:	Not reported
CA DOT PUC/ICC Number:	Not reported
Company Name:	Not reported
Reporting Officer Name/ID:	Not reported
Report Date:	Not reported
Facility Telephone:	Not reported
Waterway Involved:	Not reported
Waterway:	Not reported
Spill Site:	Not reported
Cleanup By:	Unknown
Containment:	Not reported
What Happened:	Not reported
Type:	Not reported
Measure:	Not reported
Other:	Not reported
Date/Time:	Not reported
Year:	2006
Agency:	NRC
Incident Date:	9/20/2006 12:00:00 AM
Admin Agency:	San Bernardino County Health Department
Amount:	Not reported
Contained:	Unknown
Site Type:	Rail Road
E Date:	Not reported
Substance:	Unknown
Gallons:	0.000000
Unknown:	0
Substance #2:	Not reported
Substance #3:	Not reported
Evacuations:	0
Number of Injuries:	0
Number of Fatalities:	0
#1 Pipeline:	Not reported
#2 Pipeline:	Not reported
#3 Pipeline:	Not reported
#1 Vessel >= 300 Tons:	Not reported
#2 Vessel >= 300 Tons:	Not reported
#3 Vessel >= 300 Tons:	Not reported
Evacs:	Not reported
Injuries:	Not reported
Fatals:	Not reported
Comments:	Not reported
Description:	The caller reports a foul noxious smell in the air coming from the railroad ties in the rail yard.

MAP FINDINGS

Map ID
 Direction
 Distance
 Elevation

Site

Database(s)

EDR ID Number
 EPA ID Number

CT680
Target 997 SMITH ROAD
Property NEEDLES, CA 92363

ERNS 2006812870
 N/A

Site 2 of 2 in cluster CT

Actual: 472 ft. [Click this hyperlink](#) while viewing on your computer to access additional ERNS detail in the EDR Site Report.

Focus Map: 11

CU681 CITY OF NEEDLES WASTEWATER FACILITY
Target 516 E BROADWAY
Property NEEDLES, CA 92636

HAZNET S121018558
HWTS N/A

Site 1 of 9 in cluster CU

Actual: 506 ft.
Focus Map: 11

HAZNET:
 Name: CITY OF NEEDLES WASTEWATER FACILITY
 Address: 516 E BROADWAY
 Address 2: Not reported
 City,State,Zip: NEEDLES, CA 926360000
 Contact: TERRY SMITH
 Telephone: 7603262891
 Mailing Name: Not reported
 Mailing Address: 817 3RD ST

Year: 2016
 Gepaid: CAL000163762
 TSD EPA ID: AZD081705402
 CA Waste Code: -
 Disposal Method: H141 - Storage, Bulking, And/Or Transfer Off Site--No Treatment/Reovery (H010-H129) Or (H131-H135)
 Tons: 0.0125

HWTS:
 Name: CITY OF NEEDLES WASTEWATER FACILITY
 Address: 516 E BROADWAY
 Address 2: Not reported
 City,State,Zip: NEEDLES, CA 92636
 EPA ID: CAL000163762
 Inactive Date: 06/30/2013
 Create Date: 09/26/1996
 Last Act Date: Not reported
 Mailing Name: Not reported
 Mailing Address: 817 3RD ST
 Mailing Address 2: Not reported
 Mailing City,State,Zip: NEEDLES, CA 923632933
 Owner Name: CITY OF NEEDLES
 Owner Address: 817 3RD ST
 Owner Address 2: Not reported
 Owner City,State,Zip: NEEDLES, CA 923632933
 Contact Name: TERRY SMITH
 Contact Address: 817 3RD ST
 Contact Address 2: Not reported
 City,State,Zip: NEEDLES, CA 923632933

Map ID
Direction
Distance
Elevation

MAP FINDINGS

Site

Database(s)

EDR ID Number
EPA ID Number

CITY OF NEEDLES WASTEWATER FACILITY (Continued)

S121018558

Facility Status: Inactive
Facility Type: PERMANENT
Category: STATE
Latitude: 33.632506
Longitude: -117.904428

CU682 CITY OF NEEDLES WASTEWATER TRE
Target 516 EAST BROADWAY
Property NEEDLES, CA 92363

HIST UST U001575241
San Bern. Co. Permit N/A
CERS

Site 2 of 9 in cluster CU

Actual:
506 ft.
Focus Map:
11

HIST UST:
Name: CITY OF NEEDLES WASTEWATER TRE
Address: 516 EAST BROADWAY
City,State,Zip: NEEDLES, CA 92363
File Number: 00029C90
URL: <http://geotracker.waterboards.ca.gov/ustpdfs/pdf/00029C90.pdf>
Region: STATE
Facility ID: 00000068409
Facility Type: Other
Other Type: CITY
Contact Name: RAY R. MOSS
Telephone: 6193262891
Owner Name: CITY OF NEEDLES
Owner Address: 1111 BAILEY AVENUE P.O. BX 887
Owner City,St,Zip: NEEDLES, CA 92363
Total Tanks: 0003

Tank Num: 001
Container Num: WWTP#1
Year Installed: 1982
Tank Capacity: 00000500
Tank Used for: WASTE
Type of Fuel: 4
Container Construction Thickness: X
Leak Detection: Visual, Stock Inventor

Tank Num: 002
Container Num: WWTP #2
Year Installed: 1950
Tank Capacity: 00000500
Tank Used for: PRODUCT
Type of Fuel: DIESEL
Container Construction Thickness: Not reported
Leak Detection: Visual, Stock Inventor

Tank Num: 003
Container Num: WWTO #3
Year Installed: 1982
Tank Capacity: 00006000
Tank Used for: PRODUCT
Type of Fuel: Not reported
Container Construction Thickness: Not reported
Leak Detection: Visual, Stock Inventor

Map ID
Direction
Distance
Elevation

MAP FINDINGS

Site

Database(s)

EDR ID Number
EPA ID Number

CITY OF NEEDLES WASTEWATER TRE (Continued)

U001575241

[Click here for Geo Tracker PDF:](#)

San Bern. Co. Permit:

Name: NEEDLES WASTEWATER TMT
Address: 516 E BROADWAY ST
City,State,Zip: NEEDLES, CA 92363
Region: SAN BERNARDINO
Facility ID: FA0002034
Owner: CITY OF NEEDLES
Permit Number: PT0005100
Permit Category: HAZARDOUS MATERIALS 1-3 CHEMICALS SPECIAL
Facility Status: ACTIVE
Expiration Date: 09/30/2022

Name: NEEDLES WASTEWATER TMT
Address: 516 E BROADWAY ST
City,State,Zip: NEEDLES, CA 92363
Region: SAN BERNARDINO
Facility ID: FA0002034
Owner: CITY OF NEEDLES
Permit Number: PT0022608
Permit Category: HAZWASTE GENERAL ACTIVITY (NB)
Facility Status: INACTIVE
Expiration Date: 09/30/2013

Name: NEEDLES WASTEWATER TMT
Address: 516 E BROADWAY ST
City,State,Zip: NEEDLES, CA 92363
Region: SAN BERNARDINO
Facility ID: FA0002034
Owner: CITY OF NEEDLES
Permit Number: PT0005101
Permit Category: CALARP FACILITY PERMIT
Facility Status: INACTIVE
Expiration Date: 09/30/2005

CERS:

Name: NEEDLES WASTEWATER TMT
Address: 516 E BROADWAY ST
City,State,Zip: NEEDLES, CA 92363
Site ID: 137622
CERS ID: 10037365
CERS Description: Chemical Storage Facilities

Violations:

Site ID: 137622
Site Name: NEEDLES WASTEWATER TMT
Violation Date: 11-18-2021
Citation: HSC 6.95 25508.2 - California Health and Safety Code, Chapter 6.95, Section(s) 25508.2
Violation Description: Failure to annually review and electronically certify that the business plan is complete and accurate on or before the annual due date.
Violation Notes: LAST HMBP SUBMITTED VIA CERS OCCURRED ON 02/26/2018. CORRECTIVE ACTION: COMPLY BY REVIEWING AND CERTIFYING THE BUSINESS PLAN ANNUALLY VIA CERS.
Violation Division: San Bernardino County Fire Department

Map ID
Direction
Distance
Elevation

MAP FINDINGS

Site

Database(s)

EDR ID Number
EPA ID Number

CITY OF NEEDLES WASTEWATER TRE (Continued)

U001575241

Violation Program: HMRRP
Violation Source: CERS,

Site ID: 137622
Site Name: NEEDLES WASTEWATER TMT
Violation Date: 10-21-2016
Citation: HSC 6.95 25508(a)(1) - California Health and Safety Code, Chapter 6.95, Section(s) 25508(a)(1)
Violation Description: Failure to annually review and electronically certify that the business plan is complete and accurate on or before the annual due date.
Violation Notes: Returned to compliance on 12/06/2016. COMPLIANCE ACTIVITY(12/06/2016)- FACILITY SUBMITTED WASTE MANIFEST/ COMPLIANCE DOCUMENTATION. OBSERVATION: CERS WAS LAST UPDATED 09/28/2015. COMPLIANCE REQUIREMENT: UPDATED/ RE-CERTIFY CERS SUBMITTED BUSINESS PLAN
Violation Division: San Bernardino County Fire Department
Violation Program: HMRRP
Violation Source: CERS,

Site ID: 137622
Site Name: NEEDLES WASTEWATER TMT
Violation Date: 08-13-2013
Citation: HSC 6.95 25505(a) - California Health and Safety Code, Chapter 6.95, Section(s) 25505(a)
Violation Description: Owner/Operator failed to complete and/or submit a Hazardous Materials Business Plan when storing hazardous materials at or above the thresholds quantities of 55 gallons/500 lbs/200 cubic feet.
Violation Notes: Returned to compliance on 09/08/2015.
Violation Division: San Bernardino County Fire Department
Violation Program: HMRRP
Violation Source: CERS,

Site ID: 137622
Site Name: NEEDLES WASTEWATER TMT
Violation Date: 10-21-2016
Citation: HSC 6.5 Multiple - California Health and Safety Code, Chapter 6.5, Section(s) Multiple
Violation Description: Hazardous Waste Generator Program - Operations/Maintenance - General
Violation Notes: Returned to compliance on 12/06/2016. Failure to manage hazardous waste lawfully (CHSC 25154) COMPLIANCE ACTIVITY(12/06/2016)- FACILITY SUBMITTED WASTE MANIFEST/ COMPLIANCE DOCUMENTATION. Failure to manage hazardous waste lawfully (CHSC 25154) OBSERVATION: (1) BOX OF 25 & (1) BOX OF 150 COD VIALS WERE OBSERVED TO BE EXPIRED. OPERATOR STATED FACILITY NOW CONTRACTS OUT ALL LAB ANALYSIS. COMPLIANCE REQUIREMENT: SUBMIT A COPY OF THE HAZARDOUS WASTE MANIFEST, DOCUMENTING THE PROPER DISPOSAL OF THE COD VIALS.
Violation Division: San Bernardino County Fire Department
Violation Program: HW
Violation Source: CERS,

Site ID: 137622
Site Name: NEEDLES WASTEWATER TMT
Violation Date: 10-21-2016
Citation: HSC 6.5 Multiple - California Health and Safety Code, Chapter 6.5, Section(s) Multiple
Violation Description: Hazardous Waste Generator Program - Operations/Maintenance - General
Violation Notes: Returned to compliance on 12/06/2016. Failure to note accumulation

Map ID
Direction
Distance
Elevation

MAP FINDINGS

Site

Database(s)

EDR ID Number
EPA ID Number

CITY OF NEEDLES WASTEWATER TRE (Continued)

U001575241

start date on labels (CCR 66262.34(f)(2)) COMPLIANCE ACTIVITY(12/06/2016)- FACILITY SUBMITTED WASTE MANIFEST/ COMPLIANCE DOCUMENTATION. OBSERVATION: (1) BOX OF 25 & (1) BOX OF 150 COD VIALS WERE OBSERVED TO BE EXPIRED. OPERATOR STATED FACILITY NOW CONTRACTS OUT ALL LAB ANALYSIS. COMPLIANCE REQUIREMENT: SUBMIT A COPY OF THE HAZARDOUS WASTE MANIFEST, DOCUMENTING THE PROPER DISPOSAL OF THE COD VIALS.

Violation Division: San Bernardino County Fire Department
Violation Program: HW
Violation Source: CERS,

Site ID: 137622
Site Name: NEEDLES WASTEWATER TMT
Violation Date: 10-21-2016
Citation: HSC 6.5 Multiple - California Health and Safety Code, Chapter 6.5, Section(s) Multiple

Violation Description: Hazardous Waste Generator Program - Operations/Maintenance - General
Violation Notes: Returned to compliance on 12/06/2016. Hazardous waste accumulation time exceeded (CCR 66262.34(a)) Hazardous waste accumulation time exceeded (CCR 66262.34(a)) COMPLIANCE ACTIVITY(12/06/2016)- FACILITY SUBMITTED WASTE MANIFEST/ COMPLIANCE DOCUMENTATION. OBSERVATION: (1) BOX OF 25 & (1) BOX OF 150 COD VIALS WERE OBSERVED TO BE EXPIRED. OPERATOR STATED FACILITY NOW CONTRACTS OUT ALL LAB ANALYSIS. COMPLIANCE REQUIREMENT: SUBMIT A COPY OF THE HAZARDOUS WASTE MANIFEST, DOCUMENTING THE PROPER DISPOSAL OF THE COD VIALS.

Violation Division: San Bernardino County Fire Department
Violation Program: HW
Violation Source: CERS,

Evaluation:
Eval General Type: Other/Unknown
Eval Date: 10-21-2016
Violations Found: Yes
Eval Type: Other, not routine, done by local agency
Eval Notes: HANDLER VIOLATION OBSERVED DURING A UST INSPECTION.
Eval Division: San Bernardino County Fire Department
Eval Program: HW
Eval Source: CERS,

Eval General Type: Compliance Evaluation Inspection
Eval Date: 08-13-2013
Violations Found: Yes
Eval Type: Routine done by local agency
Eval Notes: needles wwtp-insp
Eval Division: San Bernardino County Fire Department
Eval Program: HMRRP
Eval Source: CERS,

Eval General Type: Compliance Evaluation Inspection
Eval Date: 10-21-2016
Violations Found: Yes
Eval Type: Routine done by local agency
Eval Notes: WWTF NEEDLES- CUPA INSPECTION
Eval Division: San Bernardino County Fire Department
Eval Program: HMRRP
Eval Source: CERS,

Map ID
Direction
Distance
Elevation

MAP FINDINGS

Site

Database(s)

EDR ID Number
EPA ID Number

CITY OF NEEDLES WASTEWATER TRE (Continued)

U001575241

Eval General Type: Compliance Evaluation Inspection
Eval Date: 11-18-2021
Violations Found: Yes
Eval Type: Routine done by local agency
Eval Notes: Not reported
Eval Division: San Bernardino County Fire Department
Eval Program: HMRRP
Eval Source: CERS,

Eval General Type: Compliance Evaluation Inspection
Eval Date: 08-13-2013
Violations Found: No
Eval Type: Routine done by local agency
Eval Notes: needles wwtp-insp
Eval Division: San Bernardino County Fire Department
Eval Program: HW
Eval Source: CERS,

Eval General Type: Compliance Evaluation Inspection
Eval Date: 10-25-2018
Violations Found: No
Eval Type: Routine done by local agency
Eval Notes: Not reported
Eval Division: San Bernardino County Fire Department
Eval Program: HMRRP
Eval Source: CERS,

Enforcement Action:
Site ID: 137622
Site Name: NEEDLES WASTEWATER TMT
Site Address: 516 E BROADWAY ST
Site City: NEEDLES
Site Zip: 92363
Enf Action Date: 08-13-2013
Enf Action Type: Notice of Violation (Unified Program)
Enf Action Description: Notice of Violation Issued by the Inspector at the Time of Inspection
Enf Action Notes: Not reported
Enf Action Division: San Bernardino County Fire Department
Enf Action Program: HMRRP
Enf Action Source: CERS,

Coordinates:
Site ID: 137622
Facility Name: NEEDLES WASTEWATER TMT
Env Int Type Code: HMBP
Program ID: 10037365
Coord Name: Not reported
Ref Point Type Desc: Unknown,
Latitude: 34.829849
Longitude: -114.595161

Affiliation:
Affiliation Type Desc: Facility Mailing Address
Entity Name: Mailing Address
Entity Title: Not reported
Affiliation Address: 817 THIRD STREET

Map ID
Direction
Distance
Elevation

MAP FINDINGS

Site

Database(s)

EDR ID Number
EPA ID Number

CITY OF NEEDLES WASTEWATER TRE (Continued)

U001575241

Affiliation City: NEEDLES
Affiliation State: CA
Affiliation Country: Not reported
Affiliation Zip: 92363
Affiliation Phone: ,

Affiliation Type Desc: Legal Owner
Entity Name: City of Needles
Entity Title: Not reported
Affiliation Address: 817 THIRD STREET
Affiliation City: NEEDLES
Affiliation State: CA
Affiliation Country: United States
Affiliation Zip: 92363-9236
Affiliation Phone: (760) 326-2113,

Affiliation Type Desc: Parent Corporation
Entity Name: NEEDLES WASTEWATER TMT
Entity Title: Not reported
Affiliation Address: Not reported
Affiliation City: Not reported
Affiliation State: Not reported
Affiliation Country: Not reported
Affiliation Zip: Not reported
Affiliation Phone: ,

Affiliation Type Desc: CUPA District
Entity Name: San Bernardino County Fire
Entity Title: Not reported
Affiliation Address: 620 South E Street
Affiliation City: San Bernardino
Affiliation State: CA
Affiliation Country: Not reported
Affiliation Zip: 92415-0153
Affiliation Phone: (909) 386-8401,

Affiliation Type Desc: Document Preparer
Entity Name: aaron gilmer
Entity Title: Not reported
Affiliation Address: Not reported
Affiliation City: Not reported
Affiliation State: Not reported
Affiliation Country: Not reported
Affiliation Zip: Not reported
Affiliation Phone: ,

Affiliation Type Desc: Operator
Entity Name: aaron gilmer
Entity Title: Not reported
Affiliation Address: Not reported
Affiliation City: Not reported
Affiliation State: Not reported
Affiliation Country: Not reported
Affiliation Zip: Not reported
Affiliation Phone: (760) 326-2891,

Affiliation Type Desc: Property Owner

Map ID
Direction
Distance
Elevation

MAP FINDINGS

Site

Database(s)

EDR ID Number
EPA ID Number

CITY OF NEEDLES WASTEWATER TRE (Continued)

U001575241

Entity Name: City of Needles
Entity Title: Not reported
Affiliation Address: 817 3rd st
Affiliation City: Needles
Affiliation State: CA
Affiliation Country: United States
Affiliation Zip: 92363
Affiliation Phone: (760) 326-5700,

Affiliation Type Desc: Environmental Contact
Entity Name: aaron gilmer
Entity Title: Not reported
Affiliation Address: 817 THIRD ST
Affiliation City: NEEDLES
Affiliation State: CA
Affiliation Country: Not reported
Affiliation Zip: 92363
Affiliation Phone: ,

Affiliation Type Desc: Identification Signer
Entity Name: aaron
Entity Title: Plant Operator
Affiliation Address: Not reported
Affiliation City: Not reported
Affiliation State: Not reported
Affiliation Country: Not reported
Affiliation Zip: Not reported
Affiliation Phone: ,

CU683 **NEEDLES WTP-NPDES 94-001**
Target **516 EAST BROADWAY**
Property **NEEDLES, CA 92363**

ICIS **1018286622**
ECHO **N/A**

Site 3 of 9 in cluster CU

Actual:
506 ft.

Focus Map:
11

ICIS:
Enforcement Action ID: CA-N00002740
FRS ID: 110000736348
Action Name: NEEDLES WTP-NPDES 94-001 (Permit CA0104205) Penalty Ao Issued By State
Facility Name: NEEDLES WTP-NPDES 94-001
Facility Address: 516 EAST BROADWAY
NEEDLES, CA 92363
Enforcement Action Type: State CWA Penalty AO
Facility County: SAN BERNARDINO
Program System Acronym: NPDES
Enforcement Action Forum Desc: Administrative - Formal
EA Type Code: SCWAAPO
Facility SIC Code: 4952
Federal Facility ID: Not reported
Latitude in Decimal Degrees: 34.829917
Longitude in Decimal Degrees: -114.581917
Permit Type Desc: NPDES Individual Permit
Program System Acronym: CA0104205
Facility NAICS Code: Not reported
Tribal Land Code: Not reported

Enforcement Action ID: CA-N00002294

Map ID
Direction
Distance
Elevation

MAP FINDINGS

Site

Database(s)

EDR ID Number
EPA ID Number

NEEDLES WTP-NPDES 94-001 (Continued)

1018286622

FRS ID: 110000736348
Action Name: NEEDLES WTP-NPDES 94-001 (Permit CA0104205) Penalty Ao Issued By State
Facility Name: NEEDLES WTP-NPDES 94-001
Facility Address: 516 EAST BROADWAY
NEEDLES, CA 92363
Enforcement Action Type: State CWA Penalty AO
Facility County: SAN BERNARDINO
Program System Acronym: NPDES
Enforcement Action Forum Desc: Administrative - Formal
EA Type Code: SCWAAPO
Facility SIC Code: 4952
Federal Facility ID: Not reported
Latitude in Decimal Degrees: 34.829917
Longitude in Decimal Degrees: -114.581917
Permit Type Desc: NPDES Individual Permit
Program System Acronym: CA0104205
Facility NAICS Code: Not reported
Tribal Land Code: Not reported

Enforcement Action ID: CA-N00000594
FRS ID: 110000736348
Action Name: NEEDLES WTP-NPDES 94-001 (Permit CA0104205) Mcp Schedule Ao-Eo
Facility Name: NEEDLES WTP-NPDES 94-001
Facility Address: 516 EAST BROADWAY
NEEDLES, CA 92363
Enforcement Action Type: State CWA Non Penalty AO
Facility County: SAN BERNARDINO
Program System Acronym: NPDES
Enforcement Action Forum Desc: Administrative - Formal
EA Type Code: SCWAAO
Facility SIC Code: 4952
Federal Facility ID: Not reported
Latitude in Decimal Degrees: 34.829917
Longitude in Decimal Degrees: -114.581917
Permit Type Desc: NPDES Individual Permit
Program System Acronym: CA0104205
Facility NAICS Code: Not reported
Tribal Land Code: Not reported

Enforcement Action ID: CA-N00000525
FRS ID: 110000736348
Action Name: NEEDLES WTP-NPDES 94-001 (Permit CA0104205) Administrative Order
Facility Name: NEEDLES WTP-NPDES 94-001
Facility Address: 516 EAST BROADWAY
NEEDLES, CA 92363
Enforcement Action Type: State CWA Non Penalty AO
Facility County: SAN BERNARDINO
Program System Acronym: NPDES
Enforcement Action Forum Desc: Administrative - Formal
EA Type Code: SCWAAO
Facility SIC Code: 4952
Federal Facility ID: Not reported
Latitude in Decimal Degrees: 34.829917
Longitude in Decimal Degrees: -114.581917
Permit Type Desc: NPDES Individual Permit
Program System Acronym: CA0104205
Facility NAICS Code: Not reported

Map ID
Direction
Distance
Elevation

MAP FINDINGS

Site

Database(s)

EDR ID Number
EPA ID Number

NEEDLES WTP-NPDES 94-001 (Continued)

1018286622

Tribal Land Code: Not reported

ECHO:

Envid: 1018286622
Registry ID: 110000736348
DFR URL: <http://echo.epa.gov/detailed-facility-report?fid=110000736348>
Name: NEEDLES, CITY OF
Address: 516 EAST BROADWAY
City,State,Zip: NEEDLES, CA 92363

CU684 **NEEDLES SBR WWTP 01-160**
Target **516 E BROADWAY ST**
Property **NEEDLES, CA 92363**

WDS **S105037043**
N/A

Site 4 of 9 in cluster CU

Actual:
506 ft.

Focus Map:
11

WDS:
Name: NEEDLES SBR WWTP 01-160
Address: 516 E BROADWAY ST
City: NEEDLES
Facility ID: East Colorado River 360110014
Facility Type: Municipal/Domestic - Facility that treats sewage or a mixture of predominantly sewage and other waste from districts, municipalities, communities, hospitals, schools, and publicly or privately owned systems (excluding individual subsurface leaching systems disposing of less than 1,000 gallons per day).
Facility Status: Active - Any facility with a continuous or seasonal discharge that is under Waste Discharge Requirements.
NPDES Number: Not reported
Subregion: 7
Facility Telephone: 7603262891
Facility Contact: DALE KNIGHT
Agency Name: NEEDLES CITY OF
Agency Address: 817 THIRD ST
Agency City,St,Zip: NEEDLES 92363
Agency Contact: ROBERT WALKER
Agency Telephone: 7603265700
Agency Type: City
SIC Code: 4952
SIC Code 2: Not reported
Primary Waste Type: Designated/Influent or Solid Wastes that pose a significant threat to water quality because of their high concentrations (E.G., BOD, Hardness, TRF, Chloride). 'Manageable' hazardous wastes (E.G., inorganic salts and heavy metals) are included in this category.
Primary Waste: DOMEST
Waste Type2: Not reported
Waste2: Domestic Sewage
Primary Waste Type: Designated/Influent or Solid Wastes that pose a significant threat to water quality because of their high concentrations (E.G., BOD, Hardness, TRF, Chloride). 'Manageable' hazardous wastes (E.G., inorganic salts and heavy metals) are included in this category.
Secondary Waste: Not reported
Secondary Waste Type: Not reported
Design Flow: 1
Baseline Flow: 1
Reclamation: Not reported

Map ID
Direction
Distance
Elevation

MAP FINDINGS

Site

Database(s)

EDR ID Number
EPA ID Number

NEEDLES SBR WWTP 01-160 (Continued)

S105037043

POTW: Not reported
Treat To Water: Moderate Threat to Water Quality. A violation could have a major adverse impact on receiving biota, can cause aesthetic impairment to a significant human population, or render unusable a potential domestic or municipal water supply. Aesthetic impairment would include nuisance from a waste treatment facility.
Complexity: Category A - Any major NPDES facility, any non-NPDES facility (particularly those with toxic wastes) that would be a major if discharge was made to surface or ground waters, or any Class I disposal site. Includes any small-volume complex facility (particularly those with toxic wastes) with numerous discharge points, leak detection systems or ground water monitoring wells.

CU685 **NEEDLES WWTP**
Target **516 EAST BROADWAY**
Property **NEEDLES, CA 92363**

FINDS **1023695409**
ECHO **N/A**

Site 5 of 9 in cluster CU

Actual: **506 ft.** **FINDS:**
Registry ID: 110070092479

Focus Map: 11 **Click Here for FRS Facility Detail Report:**

Environmental Interest/Information System:
US National Pollutant Discharge Elimination System (NPDES) module of the Compliance Information System (ICIS) tracks surface water permits issued under the Clean Water Act. Under NPDES, all facilities that discharge pollutants from any point source into waters of the United States are required to obtain a permit. The permit will likely contain limits on what can be discharged, impose monitoring and reporting requirements, and include other provisions to ensure that the discharge does not adversely affect water quality.

[Click this hyperlink](#) while viewing on your computer to access additional FINDS: detail in the EDR Site Report.

ECHO:
Envid: 1023695409
Registry ID: 110070092479
DFR URL: <http://echo.epa.gov/detailed-facility-report?fid=110070092479>
Name: NEEDLES WWTP
Address: 516 EAST BROADWAY
City,State,Zip: NEEDLES, CA 92363

CU686 **NEEDLES WWTP - NPDES (H)**
Target **516 EAST BROADWAY**
Property **NEEDLES, CA 92363**

FINDS **1023312438**
N/A

Site 6 of 9 in cluster CU

Actual: **506 ft.** **FINDS:**
Registry ID: 110066053610

Focus Map: 11 **Click Here for FRS Facility Detail Report:**

Environmental Interest/Information System:
STATE MASTER

Map ID
 Direction
 Distance
 Elevation

MAP FINDINGS

Site

Database(s)

EDR ID Number
 EPA ID Number

NEEDLES WWTP - NPDES (H) (Continued)

1023312438

[Click this hyperlink](#) while viewing on your computer to access additional FINDS: detail in the EDR Site Report.

CU687 **NEEDLES WWTP - NPDES (H)**
Target **516 EAST BROADWAY**
Property **NEEDLES, CA 92363**

ENF **S105025186**
HIST CORTESE **N/A**
NPDES
CIWQS
CERS

Site 7 of 9 in cluster CU

Actual: ENF:
506 ft. Name: NEEDLES WWTP - NPDES (H)
Focus Map: Address: 516 EAST BROADWAY
11 City,State,Zip: NEEDLES, CA 92363
 Region: 7
 Facility Id: 244082
 Agency Name: Not reported
 Place Type: Facility
 Place Subtype: Not reported
 Facility Type: Municipal/Domestic
 Agency Type: Not reported
 # Of Agencies: Not reported
 Place Latitude: 34.830645
 Place Longitude: -114.595207
 SIC Code 1: 4952
 SIC Desc 1: Sewerage Systems
 SIC Code 2: Not reported
 SIC Desc 2: Not reported
 SIC Code 3: Not reported
 SIC Desc 3: Not reported
 NAICS Code 1: Not reported
 NAICS Desc 1: Not reported
 NAICS Code 2: Not reported
 NAICS Desc 2: Not reported
 NAICS Code 3: Not reported
 NAICS Desc 3: Not reported
 # Of Places: 1
 Source Of Facility: Enf Action
 Design Flow: Not reported
 Threat To Water Quality: Not reported
 Complexity: Not reported
 Pretreatment: Not reported
 Facility Waste Type: Not reported
 Facility Waste Type 2: Not reported
 Facility Waste Type 3: Not reported
 Facility Waste Type 4: Not reported
 Program: Not reported
 Program Category1: Not reported
 Program Category2: NPDESWW
 # Of Programs: Not reported
 WDID: Not reported
 Reg Measure Id: Not reported
 Reg Measure Type: Not reported
 Region: Not reported
 Order #: Not reported
 Npdes# CA#: Not reported
 Major-Minor: Not reported
 Npdes Type: Not reported
 Reclamation: Not reported

Map ID
Direction
Distance
Elevation

MAP FINDINGS

Site

Database(s)

EDR ID Number
EPA ID Number

NEEDLES WWTP - NPDES (H) (Continued)

S105025186

Dredge Fill Fee:	Not reported
301H:	Not reported
Application Fee Amt Received:	Not reported
Status:	Not reported
Status Date:	Not reported
Effective Date:	Not reported
Expiration/Review Date:	Not reported
Termination Date:	Not reported
WDR Review - Amend:	Not reported
WDR Review - Revise/Renew:	Not reported
WDR Review - Rescind:	Not reported
WDR Review - No Action Required:	Not reported
WDR Review - Pending:	Not reported
WDR Review - Planned:	Not reported
Status Enrollee:	Not reported
Individual/General:	Not reported
Fee Code:	Not reported
Direction/Voice:	Not reported
Enforcement Id(EID):	232755
Region:	7
Order / Resolution Number:	UNKNOWN
Enforcement Action Type:	Staff Enforcement Letter
Effective Date:	08/28/2000
Adoption/Issuance Date:	Not reported
Achieve Date:	8/28/2000
Termination Date:	08/28/2000
ACL Issuance Date:	Not reported
EPL Issuance Date:	Not reported
Status:	Historical
Title:	Enforcement - 7B360110011
Description:	08/28/2000 Noncompliance ltr issued regarding equipment malfunction that caused the SBR units to overflow and failure of alarm system. Staff is concerned with the discrepancies in the various reports of the total volume of the spill.
Program:	NPDESWW
Latest Milestone Completion Date:	Not reported
# Of Programs1:	1
Total Assessment Amount:	0
Initial Assessed Amount:	0
Liability \$ Amount:	0
Project \$ Amount:	0
Liability \$ Paid:	0
Project \$ Completed:	0
Total \$ Paid/Completed Amount:	0
Name:	NEEDLES WWTP - NPDES (H)
Address:	516 EAST BROADWAY
City,State,Zip:	NEEDLES, CA 92363
Region:	7
Facility Id:	244082
Agency Name:	Not reported
Place Type:	Facility
Place Subtype:	Not reported
Facility Type:	Municipal/Domestic
Agency Type:	Not reported
# Of Agencies:	Not reported

Map ID
Direction
Distance
Elevation

MAP FINDINGS

Site

Database(s)

EDR ID Number
EPA ID Number

NEEDLES WWTP - NPDES (H) (Continued)

S105025186

Place Latitude:	34.830645
Place Longitude:	-114.595207
SIC Code 1:	4952
SIC Desc 1:	Sewerage Systems
SIC Code 2:	Not reported
SIC Desc 2:	Not reported
SIC Code 3:	Not reported
SIC Desc 3:	Not reported
NAICS Code 1:	Not reported
NAICS Desc 1:	Not reported
NAICS Code 2:	Not reported
NAICS Desc 2:	Not reported
NAICS Code 3:	Not reported
NAICS Desc 3:	Not reported
# Of Places:	1
Source Of Facility:	Enf Action
Design Flow:	Not reported
Threat To Water Quality:	Not reported
Complexity:	Not reported
Pretreatment:	Not reported
Facility Waste Type:	Not reported
Facility Waste Type 2:	Not reported
Facility Waste Type 3:	Not reported
Facility Waste Type 4:	Not reported
Program:	Not reported
Program Category1:	Not reported
Program Category2:	NPDESWW
# Of Programs:	Not reported
WDID:	Not reported
Reg Measure Id:	Not reported
Reg Measure Type:	Not reported
Region:	Not reported
Order #:	Not reported
Npdes# CA#:	Not reported
Major-Minor:	Not reported
Npdes Type:	Not reported
Reclamation:	Not reported
Dredge Fill Fee:	Not reported
301H:	Not reported
Application Fee Amt Received:	Not reported
Status:	Not reported
Status Date:	Not reported
Effective Date:	Not reported
Expiration/Review Date:	Not reported
Termination Date:	Not reported
WDR Review - Amend:	Not reported
WDR Review - Revise/Renew:	Not reported
WDR Review - Rescind:	Not reported
WDR Review - No Action Required:	Not reported
WDR Review - Pending:	Not reported
WDR Review - Planned:	Not reported
Status Enrollee:	Not reported
Individual/General:	Not reported
Fee Code:	Not reported
Direction/Voice:	Not reported
Enforcement Id(EID):	223334
Region:	7

Map ID
Direction
Distance
Elevation

MAP FINDINGS

Site

Database(s)

EDR ID Number
EPA ID Number

NEEDLES WWTP - NPDES (H) (Continued)

S105025186

Order / Resolution Number: 84-056
Enforcement Action Type: Cease and Desist Order
Effective Date: 05/16/1984
Adoption/Issuance Date: Not reported
Achieve Date: 11/12/1987
Termination Date: Not reported
ACL Issuance Date: Not reported
EPL Issuance Date: Not reported
Status: Historical
Title: Enforcement - 7B360110011
Description: VIOLATED WDR'S - HIGH COLORADO RV.FLOWS HALTED CONSTRUCTION
- CONSTRUCTION NOW COMPLETE - RESCINDED

Program: NPDESWW
Latest Milestone Completion Date: 11/12/1987
Of Programs1: 1
Total Assessment Amount: 0
Initial Assessed Amount: 0
Liability \$ Amount: 0
Project \$ Amount: 0
Liability \$ Paid: 0
Project \$ Completed: 0
Total \$ Paid/Completed Amount: 0

Name: NEEDLES WWTP - NPDES (H)
Address: 516 EAST BROADWAY
City,State,Zip: NEEDLES, CA 92363
Region: 7
Facility Id: 244082
Agency Name: Not reported
Place Type: Facility
Place Subtype: Not reported
Facility Type: Municipal/Domestic
Agency Type: Not reported
Of Agencies: Not reported
Place Latitude: 34.830645
Place Longitude: -114.595207
SIC Code 1: 4952
SIC Desc 1: Sewerage Systems
SIC Code 2: Not reported
SIC Desc 2: Not reported
SIC Code 3: Not reported
SIC Desc 3: Not reported
NAICS Code 1: Not reported
NAICS Desc 1: Not reported
NAICS Code 2: Not reported
NAICS Desc 2: Not reported
NAICS Code 3: Not reported
NAICS Desc 3: Not reported
Of Places: 1
Source Of Facility: Enf Action
Design Flow: Not reported
Threat To Water Quality: Not reported
Complexity: Not reported
Pretreatment: Not reported
Facility Waste Type: Not reported
Facility Waste Type 2: Not reported
Facility Waste Type 3: Not reported

Map ID
Direction
Distance
Elevation

MAP FINDINGS

Site

Database(s)

EDR ID Number
EPA ID Number

NEEDLES WWTP - NPDES (H) (Continued)

S105025186

Facility Waste Type 4:	Not reported
Program:	Not reported
Program Category1:	Not reported
Program Category2:	NPDESWW
# Of Programs:	Not reported
WDID:	Not reported
Reg Measure Id:	Not reported
Reg Measure Type:	Not reported
Region:	Not reported
Order #:	Not reported
Npdes# CA#:	Not reported
Major-Minor:	Not reported
Npdes Type:	Not reported
Reclamation:	Not reported
Dredge Fill Fee:	Not reported
301H:	Not reported
Application Fee Amt Received:	Not reported
Status:	Not reported
Status Date:	Not reported
Effective Date:	Not reported
Expiration/Review Date:	Not reported
Termination Date:	Not reported
WDR Review - Amend:	Not reported
WDR Review - Revise/Renew:	Not reported
WDR Review - Rescind:	Not reported
WDR Review - No Action Required:	Not reported
WDR Review - Pending:	Not reported
WDR Review - Planned:	Not reported
Status Enrollee:	Not reported
Individual/General:	Not reported
Fee Code:	Not reported
Direction/Voice:	Not reported
Enforcement Id(EID):	223107
Region:	7
Order / Resolution Number:	88-027
Enforcement Action Type:	Cease and Desist Order
Effective Date:	01/27/1988
Adoption/Issuance Date:	Not reported
Achieve Date:	Not reported
Termination Date:	Not reported
ACL Issuance Date:	Not reported
EPL Issuance Date:	Not reported
Status:	Historical
Title:	Enforcement - 7B360110011
Description:	RESCISSION OF C&D NO. 84-56 FOR THE CITY OF NEEDLES STP
Program:	NPDESWW
Latest Milestone Completion Date:	Not reported
# Of Programs1:	1
Total Assessment Amount:	0
Initial Assessed Amount:	0
Liability \$ Amount:	0
Project \$ Amount:	0
Liability \$ Paid:	0
Project \$ Completed:	0
Total \$ Paid/Completed Amount:	0
Name:	NEEDLES WWTP - NPDES (H)

Map ID
Direction
Distance
Elevation

MAP FINDINGS

Site

Database(s)

EDR ID Number
EPA ID Number

NEEDLES WWTP - NPDES (H) (Continued)

S105025186

Address: 516 EAST BROADWAY
City,State,Zip: NEEDLES, CA 92363
Region: 7
Facility Id: 244082
Agency Name: Not reported
Place Type: Facility
Place Subtype: Not reported
Facility Type: Municipal/Domestic
Agency Type: Not reported
Of Agencies: Not reported
Place Latitude: 34.830645
Place Longitude: -114.595207
SIC Code 1: 4952
SIC Desc 1: Sewerage Systems
SIC Code 2: Not reported
SIC Desc 2: Not reported
SIC Code 3: Not reported
SIC Desc 3: Not reported
NAICS Code 1: Not reported
NAICS Desc 1: Not reported
NAICS Code 2: Not reported
NAICS Desc 2: Not reported
NAICS Code 3: Not reported
NAICS Desc 3: Not reported
Of Places: 1
Source Of Facility: Enf Action
Design Flow: Not reported
Threat To Water Quality: Not reported
Complexity: Not reported
Pretreatment: Not reported
Facility Waste Type: Not reported
Facility Waste Type 2: Not reported
Facility Waste Type 3: Not reported
Facility Waste Type 4: Not reported
Program: Not reported
Program Category1: Not reported
Program Category2: NPDESWW
Of Programs: Not reported
WDID: Not reported
Reg Measure Id: Not reported
Reg Measure Type: Not reported
Region: Not reported
Order #: Not reported
Npdes# CA#: Not reported
Major-Minor: Not reported
Npdes Type: Not reported
Reclamation: Not reported
Dredge Fill Fee: Not reported
301H: Not reported
Application Fee Amt Received: Not reported
Status: Not reported
Status Date: Not reported
Effective Date: Not reported
Expiration/Review Date: Not reported
Termination Date: Not reported
WDR Review - Amend: Not reported
WDR Review - Revise/Renew: Not reported

Map ID
Direction
Distance
Elevation

MAP FINDINGS

Site

Database(s)

EDR ID Number
EPA ID Number

NEEDLES WWTP - NPDES (H) (Continued)

S105025186

WDR Review - Rescind: Not reported
WDR Review - No Action Required: Not reported
WDR Review - Pending: Not reported
WDR Review - Planned: Not reported
Status Enrollee: Not reported
Individual/General: Not reported
Fee Code: Not reported
Direction/Voice: Not reported
Enforcement Id(EID): 223106
Region: 7
Order / Resolution Number: 94-025
Enforcement Action Type: Cease and Desist Order
Effective Date: 01/18/1994
Adoption/Issuance Date: Not reported
Achieve Date: Not reported
Termination Date: Not reported
ACL Issuance Date: Not reported
EPL Issuance Date: Not reported
Status: Historical
Title: Enforcement - 7B360110011
Description: VIOLATED FINDING NO. 2 OF BOARD ORDER NO. 90-071
Program: NPDESWW
Latest Milestone Completion Date: Not reported
Of Programs1: 1
Total Assessment Amount: 0
Initial Assessed Amount: 0
Liability \$ Amount: 0
Project \$ Amount: 0
Liability \$ Paid: 0
Project \$ Completed: 0
Total \$ Paid/Completed Amount: 0

Name: NEEDLES WWTP - NPDES (H)
Address: 516 EAST BROADWAY
City,State,Zip: NEEDLES, CA 92363
Region: 7
Facility Id: 244082
Agency Name: Not reported
Place Type: Facility
Place Subtype: Not reported
Facility Type: Municipal/Domestic
Agency Type: Not reported
Of Agencies: Not reported
Place Latitude: 34.830645
Place Longitude: -114.595207
SIC Code 1: 4952
SIC Desc 1: Sewerage Systems
SIC Code 2: Not reported
SIC Desc 2: Not reported
SIC Code 3: Not reported
SIC Desc 3: Not reported
NAICS Code 1: Not reported
NAICS Desc 1: Not reported
NAICS Code 2: Not reported
NAICS Desc 2: Not reported
NAICS Code 3: Not reported
NAICS Desc 3: Not reported

Map ID
Direction
Distance
Elevation

MAP FINDINGS

Site

Database(s)

EDR ID Number
EPA ID Number

NEEDLES WWTP - NPDES (H) (Continued)

S105025186

# Of Places:	1
Source Of Facility:	Enf Action
Design Flow:	Not reported
Threat To Water Quality:	Not reported
Complexity:	Not reported
Pretreatment:	Not reported
Facility Waste Type:	Not reported
Facility Waste Type 2:	Not reported
Facility Waste Type 3:	Not reported
Facility Waste Type 4:	Not reported
Program:	Not reported
Program Category1:	Not reported
Program Category2:	NPDESWW
# Of Programs:	Not reported
WDID:	Not reported
Reg Measure Id:	Not reported
Reg Measure Type:	Not reported
Region:	Not reported
Order #:	Not reported
Npdes# CA#:	Not reported
Major-Minor:	Not reported
Npdes Type:	Not reported
Reclamation:	Not reported
Dredge Fill Fee:	Not reported
301H:	Not reported
Application Fee Amt Received:	Not reported
Status:	Not reported
Status Date:	Not reported
Effective Date:	Not reported
Expiration/Review Date:	Not reported
Termination Date:	Not reported
WDR Review - Amend:	Not reported
WDR Review - Revise/Renew:	Not reported
WDR Review - Rescind:	Not reported
WDR Review - No Action Required:	Not reported
WDR Review - Pending:	Not reported
WDR Review - Planned:	Not reported
Status Enrollee:	Not reported
Individual/General:	Not reported
Fee Code:	Not reported
Direction/Voice:	Not reported
Enforcement Id(EID):	222660
Region:	7
Order / Resolution Number:	96-042
Enforcement Action Type:	Cease and Desist Order
Effective Date:	06/26/1996
Adoption/Issuance Date:	Not reported
Achieve Date:	Not reported
Termination Date:	Not reported
ACL Issuance Date:	Not reported
EPL Issuance Date:	Not reported
Status:	Historical
Title:	Enforcement - 7B360110011
Description:	DISCHARGER FAILED TO SUBMIT PLANNING & DESIGN REPORT OF UPGRADED WWTP.
Program:	NPDESWW
Latest Milestone Completion Date:	Not reported

Map ID
Direction
Distance
Elevation

MAP FINDINGS

Site

Database(s)

EDR ID Number
EPA ID Number

NEEDLES WWTP - NPDES (H) (Continued)

S105025186

# Of Programs1:	1
Total Assessment Amount:	0
Initial Assessed Amount:	0
Liability \$ Amount:	0
Project \$ Amount:	0
Liability \$ Paid:	0
Project \$ Completed:	0
Total \$ Paid/Completed Amount:	0
Name:	NEEDLES WWTP - NPDES (H)
Address:	516 EAST BROADWAY
City,State,Zip:	NEEDLES, CA 92363
Region:	7
Facility Id:	244082
Agency Name:	Not reported
Place Type:	Facility
Place Subtype:	Not reported
Facility Type:	Municipal/Domestic
Agency Type:	Not reported
# Of Agencies:	Not reported
Place Latitude:	34.830645
Place Longitude:	-114.595207
SIC Code 1:	4952
SIC Desc 1:	Sewerage Systems
SIC Code 2:	Not reported
SIC Desc 2:	Not reported
SIC Code 3:	Not reported
SIC Desc 3:	Not reported
NAICS Code 1:	Not reported
NAICS Desc 1:	Not reported
NAICS Code 2:	Not reported
NAICS Desc 2:	Not reported
NAICS Code 3:	Not reported
NAICS Desc 3:	Not reported
# Of Places:	1
Source Of Facility:	Enf Action
Design Flow:	Not reported
Threat To Water Quality:	Not reported
Complexity:	Not reported
Pretreatment:	Not reported
Facility Waste Type:	Not reported
Facility Waste Type 2:	Not reported
Facility Waste Type 3:	Not reported
Facility Waste Type 4:	Not reported
Program:	Not reported
Program Category1:	Not reported
Program Category2:	NPDESWW
# Of Programs:	Not reported
WDID:	Not reported
Reg Measure Id:	Not reported
Reg Measure Type:	Not reported
Region:	Not reported
Order #:	Not reported
Npdes# CA#:	Not reported
Major-Minor:	Not reported
Npdes Type:	Not reported
Reclamation:	Not reported

Map ID
Direction
Distance
Elevation

MAP FINDINGS

Site

Database(s)

EDR ID Number
EPA ID Number

NEEDLES WWTP - NPDES (H) (Continued)

S105025186

Dredge Fill Fee:	Not reported
301H:	Not reported
Application Fee Amt Received:	Not reported
Status:	Not reported
Status Date:	Not reported
Effective Date:	Not reported
Expiration/Review Date:	Not reported
Termination Date:	Not reported
WDR Review - Amend:	Not reported
WDR Review - Revise/Renew:	Not reported
WDR Review - Rescind:	Not reported
WDR Review - No Action Required:	Not reported
WDR Review - Pending:	Not reported
WDR Review - Planned:	Not reported
Status Enrollee:	Not reported
Individual/General:	Not reported
Fee Code:	Not reported
Direction/Voice:	Not reported
Enforcement Id(EID):	222639
Region:	7
Order / Resolution Number:	97-070
Enforcement Action Type:	Admin Civil Liability
Effective Date:	05/02/1997
Adoption/Issuance Date:	Not reported
Achieve Date:	6/19/1997
Termination Date:	Not reported
ACL Issuance Date:	Not reported
EPL Issuance Date:	Not reported
Status:	Historical
Title:	Enforcement - 7B360110011
Description:	ACL COMPLAINT FOR VIOL OF CDO NO. 96-042. DISCHARGER CAN WAIVE HEARING OR GO TO BOARD ON 970625.
Program:	NPDESWW
Latest Milestone Completion Date:	6/19/1997
# Of Programs1:	1
Total Assessment Amount:	0
Initial Assessed Amount:	0
Liability \$ Amount:	0
Project \$ Amount:	0
Liability \$ Paid:	0
Project \$ Completed:	0
Total \$ Paid/Completed Amount:	0
Name:	NEEDLES WWTP - NPDES (H)
Address:	516 EAST BROADWAY
City,State,Zip:	NEEDLES, CA 92363
Region:	7
Facility Id:	244082
Agency Name:	Not reported
Place Type:	Facility
Place Subtype:	Not reported
Facility Type:	Municipal/Domestic
Agency Type:	Not reported
# Of Agencies:	Not reported
Place Latitude:	34.830645
Place Longitude:	-114.595207
SIC Code 1:	4952

Map ID
Direction
Distance
Elevation

MAP FINDINGS

Site

Database(s)

EDR ID Number
EPA ID Number

NEEDLES WWTP - NPDES (H) (Continued)

S105025186

SIC Desc 1:	Sewerage Systems
SIC Code 2:	Not reported
SIC Desc 2:	Not reported
SIC Code 3:	Not reported
SIC Desc 3:	Not reported
NAICS Code 1:	Not reported
NAICS Desc 1:	Not reported
NAICS Code 2:	Not reported
NAICS Desc 2:	Not reported
NAICS Code 3:	Not reported
NAICS Desc 3:	Not reported
# Of Places:	1
Source Of Facility:	Enf Action
Design Flow:	Not reported
Threat To Water Quality:	Not reported
Complexity:	Not reported
Pretreatment:	Not reported
Facility Waste Type:	Not reported
Facility Waste Type 2:	Not reported
Facility Waste Type 3:	Not reported
Facility Waste Type 4:	Not reported
Program:	Not reported
Program Category1:	Not reported
Program Category2:	NPDESWW
# Of Programs:	Not reported
WDID:	Not reported
Reg Measure Id:	Not reported
Reg Measure Type:	Not reported
Region:	Not reported
Order #:	Not reported
Npdes# CA#:	Not reported
Major-Minor:	Not reported
Npdes Type:	Not reported
Reclamation:	Not reported
Dredge Fill Fee:	Not reported
301H:	Not reported
Application Fee Amt Received:	Not reported
Status:	Not reported
Status Date:	Not reported
Effective Date:	Not reported
Expiration/Review Date:	Not reported
Termination Date:	Not reported
WDR Review - Amend:	Not reported
WDR Review - Revise/Renew:	Not reported
WDR Review - Rescind:	Not reported
WDR Review - No Action Required:	Not reported
WDR Review - Pending:	Not reported
WDR Review - Planned:	Not reported
Status Enrollee:	Not reported
Individual/General:	Not reported
Fee Code:	Not reported
Direction/Voice:	Not reported
Enforcement Id(EID):	222558
Region:	7
Order / Resolution Number:	97-103
Enforcement Action Type:	Admin Civil Liability
Effective Date:	06/11/1997

Map ID
Direction
Distance
Elevation

MAP FINDINGS

Site

Database(s)

EDR ID Number
EPA ID Number

NEEDLES WWTP - NPDES (H) (Continued)

S105025186

Adoption/Issuance Date: Not reported
Achieve Date: 6/19/1997
Termination Date: Not reported
ACL Issuance Date: Not reported
EPL Issuance Date: Not reported
Status: Historical
Title: Enforcement - 7B360110011
Description: VIOLATED TIME SCHEDULE ORDER 96-042. CDO 96-042 was rescinded and replaced by 97-098.
Program: NPDESWW
Latest Milestone Completion Date: 6/19/1997
Of Programs1: 1
Total Assessment Amount: 5000
Initial Assessed Amount: 0
Liability \$ Amount: 5000
Project \$ Amount: 0
Liability \$ Paid: 5000
Project \$ Completed: 0
Total \$ Paid/Completed Amount: 5000
Name: NEEDLES WWTP - NPDES (H)
Address: 516 EAST BROADWAY
City,State,Zip: NEEDLES, CA 92363
Region: 7
Facility Id: 244082
Agency Name: Not reported
Place Type: Facility
Place Subtype: Not reported
Facility Type: Municipal/Domestic
Agency Type: Not reported
Of Agencies: Not reported
Place Latitude: 34.830645
Place Longitude: -114.595207
SIC Code 1: 4952
SIC Desc 1: Sewerage Systems
SIC Code 2: Not reported
SIC Desc 2: Not reported
SIC Code 3: Not reported
SIC Desc 3: Not reported
NAICS Code 1: Not reported
NAICS Desc 1: Not reported
NAICS Code 2: Not reported
NAICS Desc 2: Not reported
NAICS Code 3: Not reported
NAICS Desc 3: Not reported
Of Places: 1
Source Of Facility: Enf Action
Design Flow: Not reported
Threat To Water Quality: Not reported
Complexity: Not reported
Pretreatment: Not reported
Facility Waste Type: Not reported
Facility Waste Type 2: Not reported
Facility Waste Type 3: Not reported
Facility Waste Type 4: Not reported
Program: Not reported
Program Category1: Not reported

Map ID
 Direction
 Distance
 Elevation

MAP FINDINGS

Site

Database(s)

EDR ID Number
 EPA ID Number

NEEDLES WWTP - NPDES (H) (Continued)

S105025186

Program Category2:	NPDESWW
# Of Programs:	Not reported
WDID:	Not reported
Reg Measure Id:	Not reported
Reg Measure Type:	Not reported
Region:	Not reported
Order #:	Not reported
Npdes# CA#:	Not reported
Major-Minor:	Not reported
Npdes Type:	Not reported
Reclamation:	Not reported
Dredge Fill Fee:	Not reported
301H:	Not reported
Application Fee Amt Received:	Not reported
Status:	Not reported
Status Date:	Not reported
Effective Date:	Not reported
Expiration/Review Date:	Not reported
Termination Date:	Not reported
WDR Review - Amend:	Not reported
WDR Review - Revise/Renew:	Not reported
WDR Review - Rescind:	Not reported
WDR Review - No Action Required:	Not reported
WDR Review - Pending:	Not reported
WDR Review - Planned:	Not reported
Status Enrollee:	Not reported
Individual/General:	Not reported
Fee Code:	Not reported
Direction/Voice:	Not reported
Enforcement Id(EID):	222555
Region:	7
Order / Resolution Number:	97-098
Enforcement Action Type:	Cease and Desist Order
Effective Date:	06/25/1997
Adoption/Issuance Date:	Not reported
Achieve Date:	Not reported
Termination Date:	03/21/2018
ACL Issuance Date:	Not reported
EPL Issuance Date:	Not reported
Status:	Historical
Title:	Enforcement - 7B360110011
Description:	C&D FROM DISCHARGING AND/OR THREATENING TO DISCHARGE WSTWTR CONTRARY TO WDR ISSUED TO DISCHARGER. CDO was administratively terminated by RB Staff on 03/21/2018. Facility no longer exists.
Program:	NPDESWW
Latest Milestone Completion Date:	Not reported
# Of Programs1:	1
Total Assessment Amount:	0
Initial Assessed Amount:	0
Liability \$ Amount:	0
Project \$ Amount:	0
Liability \$ Paid:	0
Project \$ Completed:	0
Total \$ Paid/Completed Amount:	0
Name:	NEEDLES WWTP - NPDES (H)

Map ID
Direction
Distance
Elevation

MAP FINDINGS

Site

Database(s)

EDR ID Number
EPA ID Number

NEEDLES WWTP - NPDES (H) (Continued)

S105025186

Address: 516 EAST BROADWAY
City,State,Zip: NEEDLES, CA 92363
Region: 7
Facility Id: 244082
Agency Name: Not reported
Place Type: Facility
Place Subtype: Not reported
Facility Type: Municipal/Domestic
Agency Type: Not reported
Of Agencies: Not reported
Place Latitude: 34.830645
Place Longitude: -114.595207
SIC Code 1: 4952
SIC Desc 1: Sewerage Systems
SIC Code 2: Not reported
SIC Desc 2: Not reported
SIC Code 3: Not reported
SIC Desc 3: Not reported
NAICS Code 1: Not reported
NAICS Desc 1: Not reported
NAICS Code 2: Not reported
NAICS Desc 2: Not reported
NAICS Code 3: Not reported
NAICS Desc 3: Not reported
Of Places: 1
Source Of Facility: Enf Action
Design Flow: Not reported
Threat To Water Quality: Not reported
Complexity: Not reported
Pretreatment: Not reported
Facility Waste Type: Not reported
Facility Waste Type 2: Not reported
Facility Waste Type 3: Not reported
Facility Waste Type 4: Not reported
Program: Not reported
Program Category1: Not reported
Program Category2: NPDESWW
Of Programs: Not reported
WDID: Not reported
Reg Measure Id: Not reported
Reg Measure Type: Not reported
Region: Not reported
Order #: Not reported
Npdes# CA#: Not reported
Major-Minor: Not reported
Npdes Type: Not reported
Reclamation: Not reported
Dredge Fill Fee: Not reported
301H: Not reported
Application Fee Amt Received: Not reported
Status: Not reported
Status Date: Not reported
Effective Date: Not reported
Expiration/Review Date: Not reported
Termination Date: Not reported
WDR Review - Amend: Not reported
WDR Review - Revise/Renew: Not reported

Map ID
Direction
Distance
Elevation

MAP FINDINGS

Site

Database(s)

EDR ID Number
EPA ID Number

NEEDLES WWTP - NPDES (H) (Continued)

S105025186

WDR Review - Rescind:	Not reported
WDR Review - No Action Required:	Not reported
WDR Review - Pending:	Not reported
WDR Review - Planned:	Not reported
Status Enrollee:	Not reported
Individual/General:	Not reported
Fee Code:	Not reported
Direction/Voice:	Not reported
Enforcement Id(EID):	222453
Region:	7
Order / Resolution Number:	LT970619
Enforcement Action Type:	Admin Civil Liability
Effective Date:	06/19/1997
Adoption/Issuance Date:	Not reported
Achieve Date:	6/19/1997
Termination Date:	Not reported
ACL Issuance Date:	Not reported
EPL Issuance Date:	Not reported
Status:	Historical
Title:	Enforcement - 7B360110011
Description:	DISCHARGER WAIVED HEARING AND SUBMITTED PAYMENT IN THE AMOUNT OF \$5000 FOR ACL COMPLAINT NO. 97-103
Program:	NPDESWW
Latest Milestone Completion Date:	Not reported
# Of Programs1:	1
Total Assessment Amount:	0
Initial Assessed Amount:	0
Liability \$ Amount:	0
Project \$ Amount:	0
Liability \$ Paid:	0
Project \$ Completed:	0
Total \$ Paid/Completed Amount:	0
Name:	NEEDLES WWTP - NPDES (H)
Address:	516 EAST BROADWAY
City,State,Zip:	NEEDLES, CA 92363
Region:	7
Facility Id:	244082
Agency Name:	Not reported
Place Type:	Facility
Place Subtype:	Not reported
Facility Type:	Municipal/Domestic
Agency Type:	Not reported
# Of Agencies:	Not reported
Place Latitude:	34.830645
Place Longitude:	-114.595207
SIC Code 1:	4952
SIC Desc 1:	Sewerage Systems
SIC Code 2:	Not reported
SIC Desc 2:	Not reported
SIC Code 3:	Not reported
SIC Desc 3:	Not reported
NAICS Code 1:	Not reported
NAICS Desc 1:	Not reported
NAICS Code 2:	Not reported
NAICS Desc 2:	Not reported
NAICS Code 3:	Not reported

Map ID
Direction
Distance
Elevation

MAP FINDINGS

Site

Database(s)

EDR ID Number
EPA ID Number

NEEDLES WWTP - NPDES (H) (Continued)

S105025186

NAICS Desc 3:	Not reported
# Of Places:	1
Source Of Facility:	Enf Action
Design Flow:	Not reported
Threat To Water Quality:	Not reported
Complexity:	Not reported
Pretreatment:	Not reported
Facility Waste Type:	Not reported
Facility Waste Type 2:	Not reported
Facility Waste Type 3:	Not reported
Facility Waste Type 4:	Not reported
Program:	Not reported
Program Category1:	Not reported
Program Category2:	NPDESWW
# Of Programs:	Not reported
WDID:	Not reported
Reg Measure Id:	Not reported
Reg Measure Type:	Not reported
Region:	Not reported
Order #:	Not reported
Npdes# CA#:	Not reported
Major-Minor:	Not reported
Npdes Type:	Not reported
Reclamation:	Not reported
Dredge Fill Fee:	Not reported
301H:	Not reported
Application Fee Amt Received:	Not reported
Status:	Not reported
Status Date:	Not reported
Effective Date:	Not reported
Expiration/Review Date:	Not reported
Termination Date:	Not reported
WDR Review - Amend:	Not reported
WDR Review - Revise/Renew:	Not reported
WDR Review - Rescind:	Not reported
WDR Review - No Action Required:	Not reported
WDR Review - Pending:	Not reported
WDR Review - Planned:	Not reported
Status Enrollee:	Not reported
Individual/General:	Not reported
Fee Code:	Not reported
Direction/Voice:	Not reported
Enforcement Id(EID):	231126
Region:	7
Order / Resolution Number:	R7-1999-0068
Enforcement Action Type:	Admin Civil Liability
Effective Date:	10/04/1999
Adoption/Issuance Date:	Not reported
Achieve Date:	10/13/2000
Termination Date:	Not reported
ACL Issuance Date:	Not reported
EPL Issuance Date:	Not reported
Status:	Historical
Title:	Enforcement - 7B360110011
Description:	NEW ACLC ISSUED FOR FAILING TO CHLORINATE EFFLUENT. A TOTAL OF 270,000 GALLONS OF UNDISINFECTED EFFLUENT WAS DISCHARGED INTO THE COLORADO RIVER.

Map ID
Direction
Distance
Elevation

MAP FINDINGS

Site

Database(s)

EDR ID Number
EPA ID Number

NEEDLES WWTP - NPDES (H) (Continued)

S105025186

Program: NPDESWW
Latest Milestone Completion Date: 12/9/2002
Of Programs1: 1
Total Assessment Amount: 5000
Initial Assessed Amount: 0
Liability \$ Amount: 5000
Project \$ Amount: 0
Liability \$ Paid: 5000
Project \$ Completed: 0
Total \$ Paid/Completed Amount: 5000

Name: NEEDLES WWTP - NPDES (H)
Address: 516 EAST BROADWAY
City,State,Zip: NEEDLES, CA 92363
Region: 7
Facility Id: 244082
Agency Name: Not reported
Place Type: Facility
Place Subtype: Not reported
Facility Type: Municipal/Domestic
Agency Type: Not reported
Of Agencies: Not reported
Place Latitude: 34.830645
Place Longitude: -114.595207
SIC Code 1: 4952
SIC Desc 1: Sewerage Systems
SIC Code 2: Not reported
SIC Desc 2: Not reported
SIC Code 3: Not reported
SIC Desc 3: Not reported
NAICS Code 1: Not reported
NAICS Desc 1: Not reported
NAICS Code 2: Not reported
NAICS Desc 2: Not reported
NAICS Code 3: Not reported
NAICS Desc 3: Not reported
Of Places: 1
Source Of Facility: Enf Action
Design Flow: Not reported
Threat To Water Quality: Not reported
Complexity: Not reported
Pretreatment: Not reported
Facility Waste Type: Not reported
Facility Waste Type 2: Not reported
Facility Waste Type 3: Not reported
Facility Waste Type 4: Not reported
Program: Not reported
Program Category1: Not reported
Program Category2: NPDESWW
Of Programs: Not reported
WDID: Not reported
Reg Measure Id: Not reported
Reg Measure Type: Not reported
Region: Not reported
Order #: Not reported
Npdes# CA#: Not reported
Major-Minor: Not reported

Map ID
 Direction
 Distance
 Elevation

MAP FINDINGS

Site

Database(s)

EDR ID Number
 EPA ID Number

NEEDLES WWTP - NPDES (H) (Continued)

S105025186

Npdes Type:	Not reported
Reclamation:	Not reported
Dredge Fill Fee:	Not reported
301H:	Not reported
Application Fee Amt Received:	Not reported
Status:	Not reported
Status Date:	Not reported
Effective Date:	Not reported
Expiration/Review Date:	Not reported
Termination Date:	Not reported
WDR Review - Amend:	Not reported
WDR Review - Revise/Renew:	Not reported
WDR Review - Rescind:	Not reported
WDR Review - No Action Required:	Not reported
WDR Review - Pending:	Not reported
WDR Review - Planned:	Not reported
Status Enrollee:	Not reported
Individual/General:	Not reported
Fee Code:	Not reported
Direction/Voice:	Not reported
Enforcement Id(EID):	231125
Region:	7
Order / Resolution Number:	R7-1999-0062
Enforcement Action Type:	Admin Civil Liability
Effective Date:	08/17/1999
Adoption/Issuance Date:	Not reported
Achieve Date:	9/30/1999
Termination Date:	Not reported
ACL Issuance Date:	Not reported
EPL Issuance Date:	Not reported
Status:	Withdrawn
Title:	Enforcement - 7B360110011
Description:	ACLC ISSUED FOR VIOLATION OF PERMIT. DISCHARGE OF UNDISINFECTED EFFLUENT TO COLORADO RIVER.
Program:	NPDESWW
Latest Milestone Completion Date:	Not reported
# Of Programs1:	1
Total Assessment Amount:	0
Initial Assessed Amount:	0
Liability \$ Amount:	0
Project \$ Amount:	0
Liability \$ Paid:	0
Project \$ Completed:	0
Total \$ Paid/Completed Amount:	0
Name:	NEEDLES WWTP
Address:	516 BROADWAY
City,State,Zip:	NEEDLES, CA 92363
Region:	7
Facility Id:	244080
Agency Name:	Needles City
Place Type:	Utility
Place Subtype:	Wastewater Treatment Facility
Facility Type:	Municipal/Domestic
Agency Type:	City Agency
# Of Agencies:	1
Place Latitude:	34.837269

Map ID
Direction
Distance
Elevation

MAP FINDINGS

Site

Database(s)

EDR ID Number
EPA ID Number

NEEDLES WWTP - NPDES (H) (Continued)

S105025186

Place Longitude:	-114.601922
SIC Code 1:	4952
SIC Desc 1:	Sewerage Systems
SIC Code 2:	Not reported
SIC Desc 2:	Not reported
SIC Code 3:	Not reported
SIC Desc 3:	Not reported
NAICS Code 1:	Not reported
NAICS Desc 1:	Not reported
NAICS Code 2:	Not reported
NAICS Desc 2:	Not reported
NAICS Code 3:	Not reported
NAICS Desc 3:	Not reported
# Of Places:	1
Source Of Facility:	Reg Meas
Design Flow:	1.2
Threat To Water Quality:	2
Complexity:	A
Pretreatment:	X - Facility is not a POTW
Facility Waste Type:	Domestic wastewater
Facility Waste Type 2:	Not reported
Facility Waste Type 3:	Not reported
Facility Waste Type 4:	Not reported
Program:	WDRMUNILRG
Program Category1:	WDR
Program Category2:	WDR
# Of Programs:	1
WDID:	7B360110014
Reg Measure Id:	148713
Reg Measure Type:	WDR
Region:	7
Order #:	01-160
Npdes# CA#:	Not reported
Major-Minor:	Not reported
Npdes Type:	Not reported
Reclamation:	Not reported
Dredge Fill Fee:	Not reported
301H:	Not reported
Application Fee Amt Received:	12000
Status:	Historical
Status Date:	03/19/2015
Effective Date:	11/14/2001
Expiration/Review Date:	11/14/2011
Termination Date:	03/11/2015
WDR Review - Amend:	Not reported
WDR Review - Revise/Renew:	Not reported
WDR Review - Rescind:	Not reported
WDR Review - No Action Required:	Not reported
WDR Review - Pending:	Not reported
WDR Review - Planned:	Not reported
Status Enrollee:	N
Individual/General:	I
Fee Code:	58 - Non15 Based on (TTWQ)/CPLX
Direction/Voice:	Passive
Enforcement Id(EID):	405548
Region:	7
Order / Resolution Number:	Not reported

Map ID
Direction
Distance
Elevation

MAP FINDINGS

Site

Database(s)

EDR ID Number
EPA ID Number

NEEDLES WWTP - NPDES (H) (Continued)

S105025186

Enforcement Action Type: Staff Enforcement Letter
Effective Date: 11/25/2014
Adoption/Issuance Date: 11/25/2014
Achieve Date: Not reported
Termination Date: 11/25/2014
ACL Issuance Date: Not reported
EPL Issuance Date: Not reported
Status: Historical
Title: SEL 11/25/2014 for Needles City
Description: July 2014 M&R
Program: WDRMUNILRG
Latest Milestone Completion Date: Not reported
Of Programs1: 1
Total Assessment Amount: 0
Initial Assessed Amount: 0
Liability \$ Amount: 0
Project \$ Amount: 0
Liability \$ Paid: 0
Project \$ Completed: 0
Total \$ Paid/Completed Amount: 0

Name: NEEDLES WWTP
Address: 516 BROADWAY
City,State,Zip: NEEDLES, CA 92363
Region: 7
Facility Id: 244080
Agency Name: Needles City
Place Type: Utility
Place Subtype: Wastewater Treatment Facility
Facility Type: Municipal/Domestic
Agency Type: City Agency
Of Agencies: 1
Place Latitude: 34.837269
Place Longitude: -114.601922
SIC Code 1: 4952
SIC Desc 1: Sewerage Systems
SIC Code 2: Not reported
SIC Desc 2: Not reported
SIC Code 3: Not reported
SIC Desc 3: Not reported
NAICS Code 1: Not reported
NAICS Desc 1: Not reported
NAICS Code 2: Not reported
NAICS Desc 2: Not reported
NAICS Code 3: Not reported
NAICS Desc 3: Not reported
Of Places: 1
Source Of Facility: Reg Meas
Design Flow: 1.2
Threat To Water Quality: 2
Complexity: A
Pretreatment: X - Facility is not a POTW
Facility Waste Type: Domestic wastewater
Facility Waste Type 2: Not reported
Facility Waste Type 3: Not reported
Facility Waste Type 4: Not reported
Program: WDRMUNILRG

Map ID
Direction
Distance
Elevation

MAP FINDINGS

Site

Database(s)

EDR ID Number
EPA ID Number

NEEDLES WWTP - NPDES (H) (Continued)

S105025186

Program Category1: WDR
Program Category2: WDR
Of Programs: 1
WDID: 7B360110014
Reg Measure Id: 148713
Reg Measure Type: WDR
Region: 7
Order #: 01-160
Npdes# CA#: Not reported
Major-Minor: Not reported
Npdes Type: Not reported
Reclamation: Not reported
Dredge Fill Fee: Not reported
301H: Not reported
Application Fee Amt Received: 12000
Status: Historical
Status Date: 03/19/2015
Effective Date: 11/14/2001
Expiration/Review Date: 11/14/2011
Termination Date: 03/11/2015
WDR Review - Amend: Not reported
WDR Review - Revise/Renew: Not reported
WDR Review - Rescind: Not reported
WDR Review - No Action Required: Not reported
WDR Review - Pending: Not reported
WDR Review - Planned: Not reported
Status Enrollee: N
Individual/General: I
Fee Code: 58 - Non15 Based on (TTWQ)/CPLX
Direction/Voice: Passive
Enforcement Id(EID): 405545
Region: 7
Order / Resolution Number: Not reported
Enforcement Action Type: Staff Enforcement Letter
Effective Date: 12/17/2014
Adoption/Issuance Date: 12/17/2014
Achieve Date: Not reported
Termination Date: 12/17/2014
ACL Issuance Date: Not reported
EPL Issuance Date: Not reported
Status: Historical
Title: SEL 12/17/2014 for Needles City
Description: September 2014 M&R
Program: WDRMUNILRG
Latest Milestone Completion Date: Not reported
Of Programs1: 1
Total Assessment Amount: 0
Initial Assessed Amount: 0
Liability \$ Amount: 0
Project \$ Amount: 0
Liability \$ Paid: 0
Project \$ Completed: 0
Total \$ Paid/Completed Amount: 0

Name: NEEDLES WWTP
Address: 516 BROADWAY
City,State,Zip: NEEDLES, CA 92363

Map ID
Direction
Distance
Elevation

MAP FINDINGS

Site

Database(s)

EDR ID Number
EPA ID Number

NEEDLES WWTP - NPDES (H) (Continued)

S105025186

Region: 7
Facility Id: 244080
Agency Name: Needles City
Place Type: Utility
Place Subtype: Wastewater Treatment Facility
Facility Type: Municipal/Domestic
Agency Type: City Agency
Of Agencies: 1
Place Latitude: 34.837269
Place Longitude: -114.601922
SIC Code 1: 4952
SIC Desc 1: Sewerage Systems
SIC Code 2: Not reported
SIC Desc 2: Not reported
SIC Code 3: Not reported
SIC Desc 3: Not reported
NAICS Code 1: Not reported
NAICS Desc 1: Not reported
NAICS Code 2: Not reported
NAICS Desc 2: Not reported
NAICS Code 3: Not reported
NAICS Desc 3: Not reported
Of Places: 1
Source Of Facility: Reg Meas
Design Flow: 1.2
Threat To Water Quality: 2
Complexity: A
Pretreatment: X - Facility is not a POTW
Facility Waste Type: Domestic wastewater
Facility Waste Type 2: Not reported
Facility Waste Type 3: Not reported
Facility Waste Type 4: Not reported
Program: WDRMUNILRG
Program Category1: WDR
Program Category2: WDR
Of Programs: 1
WDID: 7B360110014
Reg Measure Id: 148713
Reg Measure Type: WDR
Region: 7
Order #: 01-160
Npdes# CA#: Not reported
Major-Minor: Not reported
Npdes Type: Not reported
Reclamation: Not reported
Dredge Fill Fee: Not reported
301H: Not reported
Application Fee Amt Received: 12000
Status: Historical
Status Date: 03/19/2015
Effective Date: 11/14/2001
Expiration/Review Date: 11/14/2011
Termination Date: 03/11/2015
WDR Review - Amend: Not reported
WDR Review - Revise/Renew: Not reported
WDR Review - Rescind: Not reported
WDR Review - No Action Required: Not reported

Map ID
Direction
Distance
Elevation

MAP FINDINGS

Site

Database(s)

EDR ID Number
EPA ID Number

NEEDLES WWTP - NPDES (H) (Continued)

S105025186

WDR Review - Pending:	Not reported
WDR Review - Planned:	Not reported
Status Enrollee:	N
Individual/General:	I
Fee Code:	58 - Non15 Based on (TTWQ)/CPLX
Direction/Voice:	Passive
Enforcement Id(EID):	387546
Region:	7
Order / Resolution Number:	Not reported
Enforcement Action Type:	Staff Enforcement Letter
Effective Date:	09/25/2012
Adoption/Issuance Date:	09/25/2012
Achieve Date:	Not reported
Termination Date:	09/25/2012
ACL Issuance Date:	Not reported
EPL Issuance Date:	Not reported
Status:	Historical
Title:	SEL 09/25/2012 for Needles City
Description:	09/25/12 Notice of Noncompliance letter issued for incomplete August 2012 M&R.
Program:	WDRMUNILRG
Latest Milestone Completion Date:	Not reported
# Of Programs1:	1
Total Assessment Amount:	0
Initial Assessed Amount:	0
Liability \$ Amount:	0
Project \$ Amount:	0
Liability \$ Paid:	0
Project \$ Completed:	0
Total \$ Paid/Completed Amount:	0
Name:	NEEDLES WWTP
Address:	516 BROADWAY
City,State,Zip:	NEEDLES, CA 92363
Region:	7
Facility Id:	244080
Agency Name:	Needles City
Place Type:	Utility
Place Subtype:	Wastewater Treatment Facility
Facility Type:	Municipal/Domestic
Agency Type:	City Agency
# Of Agencies:	1
Place Latitude:	34.837269
Place Longitude:	-114.601922
SIC Code 1:	4952
SIC Desc 1:	Sewerage Systems
SIC Code 2:	Not reported
SIC Desc 2:	Not reported
SIC Code 3:	Not reported
SIC Desc 3:	Not reported
NAICS Code 1:	Not reported
NAICS Desc 1:	Not reported
NAICS Code 2:	Not reported
NAICS Desc 2:	Not reported
NAICS Code 3:	Not reported
NAICS Desc 3:	Not reported
# Of Places:	1

Map ID
Direction
Distance
Elevation

MAP FINDINGS

Site

Database(s)

EDR ID Number
EPA ID Number

NEEDLES WWTP - NPDES (H) (Continued)

S105025186

Source Of Facility:	Reg Meas
Design Flow:	1.2
Threat To Water Quality:	2
Complexity:	A
Pretreatment:	X - Facility is not a POTW
Facility Waste Type:	Domestic wastewater
Facility Waste Type 2:	Not reported
Facility Waste Type 3:	Not reported
Facility Waste Type 4:	Not reported
Program:	WDRMUNILRG
Program Category1:	WDR
Program Category2:	WDR
# Of Programs:	1
WDID:	7B360110014
Reg Measure Id:	148713
Reg Measure Type:	WDR
Region:	7
Order #:	01-160
Npdes# CA#:	Not reported
Major-Minor:	Not reported
Npdes Type:	Not reported
Reclamation:	Not reported
Dredge Fill Fee:	Not reported
301H:	Not reported
Application Fee Amt Received:	12000
Status:	Historical
Status Date:	03/19/2015
Effective Date:	11/14/2001
Expiration/Review Date:	11/14/2011
Termination Date:	03/11/2015
WDR Review - Amend:	Not reported
WDR Review - Revise/Renew:	Not reported
WDR Review - Rescind:	Not reported
WDR Review - No Action Required:	Not reported
WDR Review - Pending:	Not reported
WDR Review - Planned:	Not reported
Status Enrollee:	N
Individual/General:	I
Fee Code:	58 - Non15 Based on (TTWQ)/CPLX
Direction/Voice:	Passive
Enforcement Id(EID):	381493
Region:	7
Order / Resolution Number:	Not reported
Enforcement Action Type:	Staff Enforcement Letter
Effective Date:	09/12/2011
Adoption/Issuance Date:	09/12/2011
Achieve Date:	Not reported
Termination Date:	09/12/2011
ACL Issuance Date:	Not reported
EPL Issuance Date:	Not reported
Status:	Historical
Title:	SEL 09/12/2011 for Needles City
Description:	09/12/2011 Notice of Noncompliance letter issued for TSS violation noted on the January 2011 M&R.
Program:	WDRMUNILRG
Latest Milestone Completion Date:	Not reported
# Of Programs1:	1

Map ID
Direction
Distance
Elevation

MAP FINDINGS

Site

Database(s)

EDR ID Number
EPA ID Number

NEEDLES WWTP - NPDES (H) (Continued)

S105025186

Total Assessment Amount:	0
Initial Assessed Amount:	0
Liability \$ Amount:	0
Project \$ Amount:	0
Liability \$ Paid:	0
Project \$ Completed:	0
Total \$ Paid/Completed Amount:	0
Name:	NEEDLES WWTP
Address:	516 BROADWAY
City,State,Zip:	NEEDLES, CA 92363
Region:	7
Facility Id:	244080
Agency Name:	Needles City
Place Type:	Utility
Place Subtype:	Wastewater Treatment Facility
Facility Type:	Municipal/Domestic
Agency Type:	City Agency
# Of Agencies:	1
Place Latitude:	34.837269
Place Longitude:	-114.601922
SIC Code 1:	4952
SIC Desc 1:	Sewerage Systems
SIC Code 2:	Not reported
SIC Desc 2:	Not reported
SIC Code 3:	Not reported
SIC Desc 3:	Not reported
NAICS Code 1:	Not reported
NAICS Desc 1:	Not reported
NAICS Code 2:	Not reported
NAICS Desc 2:	Not reported
NAICS Code 3:	Not reported
NAICS Desc 3:	Not reported
# Of Places:	1
Source Of Facility:	Reg Meas
Design Flow:	1.2
Threat To Water Quality:	2
Complexity:	A
Pretreatment:	X - Facility is not a POTW
Facility Waste Type:	Domestic wastewater
Facility Waste Type 2:	Not reported
Facility Waste Type 3:	Not reported
Facility Waste Type 4:	Not reported
Program:	WDRMUNILRG
Program Category1:	WDR
Program Category2:	WDR
# Of Programs:	1
WDID:	7B360110014
Reg Measure Id:	148713
Reg Measure Type:	WDR
Region:	7
Order #:	01-160
Npdes# CA#:	Not reported
Major-Minor:	Not reported
Npdes Type:	Not reported
Reclamation:	Not reported
Dredge Fill Fee:	Not reported

Map ID
Direction
Distance
Elevation

MAP FINDINGS

Site

Database(s)

EDR ID Number
EPA ID Number

NEEDLES WWTP - NPDES (H) (Continued)

S105025186

301H: Not reported
Application Fee Amt Received: 12000
Status: Historical
Status Date: 03/19/2015
Effective Date: 11/14/2001
Expiration/Review Date: 11/14/2011
Termination Date: 03/11/2015
WDR Review - Amend: Not reported
WDR Review - Revise/Renew: Not reported
WDR Review - Rescind: Not reported
WDR Review - No Action Required: Not reported
WDR Review - Pending: Not reported
WDR Review - Planned: Not reported
Status Enrollee: N
Individual/General: I
Fee Code: 58 - Non15 Based on (TTWQ)/CPLX
Direction/Voice: Passive
Enforcement Id(EID): 252064
Region: 7
Order / Resolution Number: UNKNOWN
Enforcement Action Type: Staff Enforcement Letter
Effective Date: 07/15/2004
Adoption/Issuance Date: Not reported
Achieve Date: Not reported
Termination Date: Not reported
ACL Issuance Date: Not reported
EPL Issuance Date: Not reported
Status: Historical
Title: Enforcement - 7B360110014
Description: 07/15/2004 Notice of Noncompliance issued for TDS
exceedence reported on May M&R.
Program: WDRMUNILRG
Latest Milestone Completion Date: Not reported
Of Programs1: 1
Total Assessment Amount: 0
Initial Assessed Amount: 0
Liability \$ Amount: 0
Project \$ Amount: 0
Liability \$ Paid: 0
Project \$ Completed: 0
Total \$ Paid/Completed Amount: 0

Name: NEEDLES WWTP
Address: 516 BROADWAY
City,State,Zip: NEEDLES, CA 92363
Region: 7
Facility Id: 244080
Agency Name: Needles City
Place Type: Utility
Place Subtype: Wastewater Treatment Facility
Facility Type: Municipal/Domestic
Agency Type: City Agency
Of Agencies: 1
Place Latitude: 34.837269
Place Longitude: -114.601922
SIC Code 1: 4952
SIC Desc 1: Sewerage Systems

Map ID
Direction
Distance
Elevation

MAP FINDINGS

Site

Database(s)

EDR ID Number
EPA ID Number

NEEDLES WWTP - NPDES (H) (Continued)

S105025186

SIC Code 2:	Not reported
SIC Desc 2:	Not reported
SIC Code 3:	Not reported
SIC Desc 3:	Not reported
NAICS Code 1:	Not reported
NAICS Desc 1:	Not reported
NAICS Code 2:	Not reported
NAICS Desc 2:	Not reported
NAICS Code 3:	Not reported
NAICS Desc 3:	Not reported
# Of Places:	1
Source Of Facility:	Reg Meas
Design Flow:	1.2
Threat To Water Quality:	2
Complexity:	A
Pretreatment:	X - Facility is not a POTW
Facility Waste Type:	Domestic wastewater
Facility Waste Type 2:	Not reported
Facility Waste Type 3:	Not reported
Facility Waste Type 4:	Not reported
Program:	WDRMUNILRG
Program Category1:	WDR
Program Category2:	WDR
# Of Programs:	1
WDID:	7B360110014
Reg Measure Id:	148713
Reg Measure Type:	WDR
Region:	7
Order #:	01-160
Npdes# CA#:	Not reported
Major-Minor:	Not reported
Npdes Type:	Not reported
Reclamation:	Not reported
Dredge Fill Fee:	Not reported
301H:	Not reported
Application Fee Amt Received:	12000
Status:	Historical
Status Date:	03/19/2015
Effective Date:	11/14/2001
Expiration/Review Date:	11/14/2011
Termination Date:	03/11/2015
WDR Review - Amend:	Not reported
WDR Review - Revise/Renew:	Not reported
WDR Review - Rescind:	Not reported
WDR Review - No Action Required:	Not reported
WDR Review - Pending:	Not reported
WDR Review - Planned:	Not reported
Status Enrollee:	N
Individual/General:	I
Fee Code:	58 - Non15 Based on (TTWQ)/CPLX
Direction/Voice:	Passive
Enforcement Id(EID):	245316
Region:	7
Order / Resolution Number:	UNKNOWN
Enforcement Action Type:	Staff Enforcement Letter
Effective Date:	03/19/2003
Adoption/Issuance Date:	Not reported

Map ID
Direction
Distance
Elevation

MAP FINDINGS

Site

Database(s)

EDR ID Number
EPA ID Number

NEEDLES WWTP - NPDES (H) (Continued)

S105025186

Achieve Date: Not reported
Termination Date: 03/19/2003
ACL Issuance Date: Not reported
EPL Issuance Date: Not reported
Status: Historical
Title: Enforcement - 7B360110014
Description: 03/19/2003 Notice of Noncompliance letter issued for 2003
February incomplete report. Request to ensure future
monitoring reports are complete and in accordance with
Board Order No. 93-016
Program: WDRMUNILRG
Latest Milestone Completion Date: Not reported
Of Programs1: 1
Total Assessment Amount: 0
Initial Assessed Amount: 0
Liability \$ Amount: 0
Project \$ Amount: 0
Liability \$ Paid: 0
Project \$ Completed: 0
Total \$ Paid/Completed Amount: 0

Name: NEEDLES WWTP
Address: 516 BROADWAY
City,State,Zip: NEEDLES, CA 92363
Region: 7
Facility Id: 244080
Agency Name: Needles City
Place Type: Utility
Place Subtype: Wastewater Treatment Facility
Facility Type: Municipal/Domestic
Agency Type: City Agency
Of Agencies: 1
Place Latitude: 34.837269
Place Longitude: -114.601922
SIC Code 1: 4952
SIC Desc 1: Sewerage Systems
SIC Code 2: Not reported
SIC Desc 2: Not reported
SIC Code 3: Not reported
SIC Desc 3: Not reported
NAICS Code 1: Not reported
NAICS Desc 1: Not reported
NAICS Code 2: Not reported
NAICS Desc 2: Not reported
NAICS Code 3: Not reported
NAICS Desc 3: Not reported
Of Places: 1
Source Of Facility: Reg Meas
Design Flow: 1.2
Threat To Water Quality: 2
Complexity: A
Pretreatment: X - Facility is not a POTW
Facility Waste Type: Domestic wastewater
Facility Waste Type 2: Not reported
Facility Waste Type 3: Not reported
Facility Waste Type 4: Not reported
Program: WDRMUNILRG

Map ID
Direction
Distance
Elevation

MAP FINDINGS

Site

Database(s)

EDR ID Number
EPA ID Number

NEEDLES WWTP - NPDES (H) (Continued)

S105025186

Program Category1:	WDR
Program Category2:	WDR
# Of Programs:	1
WDID:	7B360110014
Reg Measure Id:	148713
Reg Measure Type:	WDR
Region:	7
Order #:	01-160
Npdes# CA#:	Not reported
Major-Minor:	Not reported
Npdes Type:	Not reported
Reclamation:	Not reported
Dredge Fill Fee:	Not reported
301H:	Not reported
Application Fee Amt Received:	12000
Status:	Historical
Status Date:	03/19/2015
Effective Date:	11/14/2001
Expiration/Review Date:	11/14/2011
Termination Date:	03/11/2015
WDR Review - Amend:	Not reported
WDR Review - Revise/Renew:	Not reported
WDR Review - Rescind:	Not reported
WDR Review - No Action Required:	Not reported
WDR Review - Pending:	Not reported
WDR Review - Planned:	Not reported
Status Enrollee:	N
Individual/General:	I
Fee Code:	58 - Non15 Based on (TTWQ)/CPLX
Direction/Voice:	Passive
Enforcement Id(EID):	244739
Region:	7
Order / Resolution Number:	UNKNOWN
Enforcement Action Type:	Staff Enforcement Letter
Effective Date:	03/27/2003
Adoption/Issuance Date:	Not reported
Achieve Date:	Not reported
Termination Date:	03/27/2003
ACL Issuance Date:	Not reported
EPL Issuance Date:	Not reported
Status:	Historical
Title:	Enforcement - 7B360110014
Description:	03/27/2003 Notice of Noncompliance letter issued for 2002 December M&R excess BOD. Request for continued review of future monitoring reports and indication of any violations of the discharge requirements
Program:	WDRMUNILRG
Latest Milestone Completion Date:	Not reported
# Of Programs1:	1
Total Assessment Amount:	0
Initial Assessed Amount:	0
Liability \$ Amount:	0
Project \$ Amount:	0
Liability \$ Paid:	0
Project \$ Completed:	0
Total \$ Paid/Completed Amount:	0

Map ID
Direction
Distance
Elevation

MAP FINDINGS

Site

Database(s)

EDR ID Number
EPA ID Number

NEEDLES WWTP - NPDES (H) (Continued)

S105025186

Name: NEEDLES WWTP
Address: 516 BROADWAY
City,State,Zip: NEEDLES, CA 92363
Region: 7
Facility Id: 244080
Agency Name: Needles City
Place Type: Utility
Place Subtype: Wastewater Treatment Facility
Facility Type: Municipal/Domestic
Agency Type: City Agency
Of Agencies: 1
Place Latitude: 34.837269
Place Longitude: -114.601922
SIC Code 1: 4952
SIC Desc 1: Sewerage Systems
SIC Code 2: Not reported
SIC Desc 2: Not reported
SIC Code 3: Not reported
SIC Desc 3: Not reported
NAICS Code 1: Not reported
NAICS Desc 1: Not reported
NAICS Code 2: Not reported
NAICS Desc 2: Not reported
NAICS Code 3: Not reported
NAICS Desc 3: Not reported
Of Places: 1
Source Of Facility: Reg Meas
Design Flow: 1.2
Threat To Water Quality: 2
Complexity: A
Pretreatment: X - Facility is not a POTW
Facility Waste Type: Domestic wastewater
Facility Waste Type 2: Not reported
Facility Waste Type 3: Not reported
Facility Waste Type 4: Not reported
Program: WDRMUNILRG
Program Category1: WDR
Program Category2: WDR
Of Programs: 1
WDID: 7B360110014
Reg Measure Id: 148713
Reg Measure Type: WDR
Region: 7
Order #: 01-160
Npdes# CA#: Not reported
Major-Minor: Not reported
Npdes Type: Not reported
Reclamation: Not reported
Dredge Fill Fee: Not reported
301H: Not reported
Application Fee Amt Received: 12000
Status: Historical
Status Date: 03/19/2015
Effective Date: 11/14/2001
Expiration/Review Date: 11/14/2011
Termination Date: 03/11/2015
WDR Review - Amend: Not reported

Map ID
Direction
Distance
Elevation

MAP FINDINGS

Site

Database(s)

EDR ID Number
EPA ID Number

NEEDLES WWTP - NPDES (H) (Continued)

S105025186

WDR Review - Revise/Renew:	Not reported
WDR Review - Rescind:	Not reported
WDR Review - No Action Required:	Not reported
WDR Review - Pending:	Not reported
WDR Review - Planned:	Not reported
Status Enrollee:	N
Individual/General:	I
Fee Code:	58 - Non15 Based on (TTWQ)/CPLX
Direction/Voice:	Passive
Enforcement Id(EID):	243268
Region:	7
Order / Resolution Number:	UNKNOWN
Enforcement Action Type:	Staff Enforcement Letter
Effective Date:	07/21/2003
Adoption/Issuance Date:	Not reported
Achieve Date:	Not reported
Termination Date:	07/21/2003
ACL Issuance Date:	Not reported
EPL Issuance Date:	Not reported
Status:	Historical
Title:	Enforcement - 7B360110014
Description:	07/21/2003 Notice of Noncompliance letter issued for 2003 June excess TDS. Request for continued review of future monitoring reports and indication of any violations of the discharge requirements
Program:	WDRMUNILRG
Latest Milestone Completion Date:	Not reported
# Of Programs1:	1
Total Assessment Amount:	0
Initial Assessed Amount:	0
Liability \$ Amount:	0
Project \$ Amount:	0
Liability \$ Paid:	0
Project \$ Completed:	0
Total \$ Paid/Completed Amount:	0
Name:	NEEDLES WWTP
Address:	516 BROADWAY
City,State,Zip:	NEEDLES, CA 92363
Region:	7
Facility Id:	244080
Agency Name:	Needles City
Place Type:	Utility
Place Subtype:	Wastewater Treatment Facility
Facility Type:	Municipal/Domestic
Agency Type:	City Agency
# Of Agencies:	1
Place Latitude:	34.837269
Place Longitude:	-114.601922
SIC Code 1:	4952
SIC Desc 1:	Sewerage Systems
SIC Code 2:	Not reported
SIC Desc 2:	Not reported
SIC Code 3:	Not reported
SIC Desc 3:	Not reported
NAICS Code 1:	Not reported
NAICS Desc 1:	Not reported

Map ID
Direction
Distance
Elevation

MAP FINDINGS

Site

Database(s)

EDR ID Number
EPA ID Number

NEEDLES WWTP - NPDES (H) (Continued)

S105025186

NAICS Code 2:	Not reported
NAICS Desc 2:	Not reported
NAICS Code 3:	Not reported
NAICS Desc 3:	Not reported
# Of Places:	1
Source Of Facility:	Reg Meas
Design Flow:	1.2
Threat To Water Quality:	2
Complexity:	A
Pretreatment:	X - Facility is not a POTW
Facility Waste Type:	Domestic wastewater
Facility Waste Type 2:	Not reported
Facility Waste Type 3:	Not reported
Facility Waste Type 4:	Not reported
Program:	WDRMUNILRG
Program Category1:	WDR
Program Category2:	WDR
# Of Programs:	1
WDID:	7B360110014
Reg Measure Id:	148713
Reg Measure Type:	WDR
Region:	7
Order #:	01-160
Npdes# CA#:	Not reported
Major-Minor:	Not reported
Npdes Type:	Not reported
Reclamation:	Not reported
Dredge Fill Fee:	Not reported
301H:	Not reported
Application Fee Amt Received:	12000
Status:	Historical
Status Date:	03/19/2015
Effective Date:	11/14/2001
Expiration/Review Date:	11/14/2011
Termination Date:	03/11/2015
WDR Review - Amend:	Not reported
WDR Review - Revise/Renew:	Not reported
WDR Review - Rescind:	Not reported
WDR Review - No Action Required:	Not reported
WDR Review - Pending:	Not reported
WDR Review - Planned:	Not reported
Status Enrollee:	N
Individual/General:	I
Fee Code:	58 - Non15 Based on (TTWQ)/CPLX
Direction/Voice:	Passive
Enforcement Id(EID):	233010
Region:	7
Order / Resolution Number:	UNKNOWN
Enforcement Action Type:	Oral Communication
Effective Date:	12/20/2000
Adoption/Issuance Date:	Not reported
Achieve Date:	Not reported
Termination Date:	12/20/2000
ACL Issuance Date:	Not reported
EPL Issuance Date:	Not reported
Status:	Historical
Title:	Enforcement - 7B360110014

Map ID
Direction
Distance
Elevation

MAP FINDINGS

Site

Database(s)

EDR ID Number
EPA ID Number

NEEDLES WWTP - NPDES (H) (Continued)

S105025186

Description: 12/20/2000 spoke to Dale Knight from City of Needles regarding viols noted on 2000 October and November M&R for sulfate, chloride and fluoride. Mr. Knight reported the source water has chlorides and sulfates in the 400-500 mg/L range

Program: WDRMUNILRG
Latest Milestone Completion Date: Not reported
Of Programs1: 1
Total Assessment Amount: 0
Initial Assessed Amount: 0
Liability \$ Amount: 0
Project \$ Amount: 0
Liability \$ Paid: 0
Project \$ Completed: 0
Total \$ Paid/Completed Amount: 0

Name: NEEDLES WWTP
Address: 516 BROADWAY
City,State,Zip: NEEDLES, CA 92363
Region: 7
Facility Id: 244080
Agency Name: Needles City
Place Type: Utility
Place Subtype: Wastewater Treatment Facility
Facility Type: Municipal/Domestic
Agency Type: City Agency
Of Agencies: 1
Place Latitude: 34.837269
Place Longitude: -114.601922
SIC Code 1: 4952
SIC Desc 1: Sewerage Systems
SIC Code 2: Not reported
SIC Desc 2: Not reported
SIC Code 3: Not reported
SIC Desc 3: Not reported
NAICS Code 1: Not reported
NAICS Desc 1: Not reported
NAICS Code 2: Not reported
NAICS Desc 2: Not reported
NAICS Code 3: Not reported
NAICS Desc 3: Not reported
Of Places: 1
Source Of Facility: Reg Meas
Design Flow: 1.2
Threat To Water Quality: 2
Complexity: A
Pretreatment: Not reported
Facility Waste Type: Domestic wastewater
Facility Waste Type 2: Not reported
Facility Waste Type 3: Not reported
Facility Waste Type 4: Not reported
Program: WDRMUNILRG
Program Category1: WDR
Program Category2: WDR
Of Programs: 1
WDID: 7B360110014
Reg Measure Id: 141307

Map ID
Direction
Distance
Elevation

MAP FINDINGS

Site

Database(s)

EDR ID Number
EPA ID Number

NEEDLES WWTP - NPDES (H) (Continued)

S105025186

Reg Measure Type: WDR
Region: 7
Order #: 01-014
Npdes# CA#: Not reported
Major-Minor: Not reported
Npdes Type: Not reported
Reclamation: Not reported
Dredge Fill Fee: Not reported
301H: Not reported
Application Fee Amt Received: Not reported
Status: Historical
Status Date: 03/14/2001
Effective Date: 03/14/2001
Expiration/Review Date: 03/14/2011
Termination Date: 11/14/2001
WDR Review - Amend: Not reported
WDR Review - Revise/Renew: Not reported
WDR Review - Rescind: Not reported
WDR Review - No Action Required: Not reported
WDR Review - Pending: Not reported
WDR Review - Planned: Not reported
Status Enrollee: N
Individual/General: I
Fee Code: Not reported
Direction/Voice: Passive
Enforcement Id(EID): 238563
Region: 7
Order / Resolution Number: UNKNOWN
Enforcement Action Type: Staff Enforcement Letter
Effective Date: 10/22/2001
Adoption/Issuance Date: Not reported
Achieve Date: Not reported
Termination Date: 10/22/2001
ACL Issuance Date: Not reported
EPL Issuance Date: Not reported
Status: Historical
Title: Enforcement - 7B360110014
Description: 10/22/2001 Notice of Noncompliance letter issued for 2001
September excess TDS
Program: WDRMUNILRG
Latest Milestone Completion Date: Not reported
Of Programs1: 1
Total Assessment Amount: 0
Initial Assessed Amount: 0
Liability \$ Amount: 0
Project \$ Amount: 0
Liability \$ Paid: 0
Project \$ Completed: 0
Total \$ Paid/Completed Amount: 0

Name: NEEDLES WWTP
Address: 516 BROADWAY
City,State,Zip: NEEDLES, CA 92363
Region: 7
Facility Id: 244080
Agency Name: Needles City
Place Type: Utility

Map ID
Direction
Distance
Elevation

MAP FINDINGS

Site

Database(s)

EDR ID Number
EPA ID Number

NEEDLES WWTP - NPDES (H) (Continued)

S105025186

Place Subtype:	Wastewater Treatment Facility
Facility Type:	Municipal/Domestic
Agency Type:	City Agency
# Of Agencies:	1
Place Latitude:	34.837269
Place Longitude:	-114.601922
SIC Code 1:	4952
SIC Desc 1:	Sewerage Systems
SIC Code 2:	Not reported
SIC Desc 2:	Not reported
SIC Code 3:	Not reported
SIC Desc 3:	Not reported
NAICS Code 1:	Not reported
NAICS Desc 1:	Not reported
NAICS Code 2:	Not reported
NAICS Desc 2:	Not reported
NAICS Code 3:	Not reported
NAICS Desc 3:	Not reported
# Of Places:	1
Source Of Facility:	Reg Meas
Design Flow:	1.2
Threat To Water Quality:	2
Complexity:	A
Pretreatment:	Not reported
Facility Waste Type:	Domestic wastewater
Facility Waste Type 2:	Not reported
Facility Waste Type 3:	Not reported
Facility Waste Type 4:	Not reported
Program:	WDRMUNILRG
Program Category1:	WDR
Program Category2:	WDR
# Of Programs:	1
WDID:	7B360110014
Reg Measure Id:	141307
Reg Measure Type:	WDR
Region:	7
Order #:	01-014
Npdes# CA#:	Not reported
Major-Minor:	Not reported
Npdes Type:	Not reported
Reclamation:	Not reported
Dredge Fill Fee:	Not reported
301H:	Not reported
Application Fee Amt Received:	Not reported
Status:	Historical
Status Date:	03/14/2001
Effective Date:	03/14/2001
Expiration/Review Date:	03/14/2011
Termination Date:	11/14/2001
WDR Review - Amend:	Not reported
WDR Review - Revise/Renew:	Not reported
WDR Review - Rescind:	Not reported
WDR Review - No Action Required:	Not reported
WDR Review - Pending:	Not reported
WDR Review - Planned:	Not reported
Status Enrollee:	N
Individual/General:	I

Map ID
Direction
Distance
Elevation

MAP FINDINGS

Site

Database(s)

EDR ID Number
EPA ID Number

NEEDLES WWTP - NPDES (H) (Continued)

S105025186

Fee Code: Not reported
Direction/Voice: Passive
Enforcement Id(EID): 238392
Region: 7
Order / Resolution Number: UNKNOWN
Enforcement Action Type: Notice to Comply
Effective Date: 09/20/2001
Adoption/Issuance Date: Not reported
Achieve Date: Not reported
Termination Date: Not reported
ACL Issuance Date: Not reported
EPL Issuance Date: Not reported
Status: Historical
Title: Enforcement - 7B360110014
Description: 09/20/2001 Notice of Noncompliance letter issued for 2001 August M&R excess TDS. Request for explanation and steps taken to prevent reoccurrence by 10/05/2001
Program: WDRMUNILRG
Latest Milestone Completion Date: Not reported
Of Programs1: 1
Total Assessment Amount: 0
Initial Assessed Amount: 0
Liability \$ Amount: 0
Project \$ Amount: 0
Liability \$ Paid: 0
Project \$ Completed: 0
Total \$ Paid/Completed Amount: 0

HIST CORTESE:
edr_fname: NEEDLES WWTP - NPDES 9
edr_fadd1: 516 BROADWAY
City,State,Zip: NEEDLES, CA 92363
Region: CORTESE
Facility County Code: 36
Reg By: WBC&D
Reg Id: 7B360110011

NPDES:
Name: NEDDLES WWTP
Address: 516 EAST BROADWAY
City,State,Zip: NEEDLES, CA 92363
Facility Status: Active
NPDES Number: CAS000001
Region: 7
Agency Number: 0
Regulatory Measure ID: 437464
Place ID: Not reported
Order Number: 97-03-DWQ
WDID: 7 36I024248
Regulatory Measure Type: Enrollee
Program Type: Industrial
Adoption Date Of Regulatory Measure: Not reported
Effective Date Of Regulatory Measure: 05/07/2013
Termination Date Of Regulatory Measure: Not reported
Expiration Date Of Regulatory Measure: Not reported
Discharge Address: 817 3rd Street

Map ID
Direction
Distance
Elevation

MAP FINDINGS

Site

Database(s)

EDR ID Number
EPA ID Number

NEEDLES WWTP - NPDES (H) (Continued)

S105025186

Discharge Name:	City of Needles
Discharge City:	Needles
Discharge State:	California
Discharge Zip:	92363
Status:	Not reported
Status Date:	Not reported
Operator Name:	Not reported
Operator Address:	Not reported
Operator City:	Not reported
Operator State:	Not reported
Operator Zip:	Not reported
NPDES as of 03/2018:	
NPDES Number:	CAS000001
Status:	Active
Agency Number:	0
Region:	7
Regulatory Measure ID:	437464
Order Number:	97-03-DWQ
Regulatory Measure Type:	Enrollee
Place ID:	Not reported
WDID:	7 361024248
Program Type:	Industrial
Adoption Date Of Regulatory Measure:	Not reported
Effective Date Of Regulatory Measure:	05/07/2013
Expiration Date Of Regulatory Measure:	Not reported
Termination Date Of Regulatory Measure:	Not reported
Discharge Name:	City of Needles
Discharge Address:	817 3rd Street
Discharge City:	Needles
Discharge State:	California
Discharge Zip:	92363
Received Date:	Not reported
Processed Date:	Not reported
Status:	Not reported
Status Date:	Not reported
Place Size:	Not reported
Place Size Unit:	Not reported
Contact:	Not reported
Contact Title:	Not reported
Contact Phone:	Not reported
Contact Phone Ext:	Not reported
Contact Email:	Not reported
Operator Name:	Not reported
Operator Address:	Not reported
Operator City:	Not reported
Operator State:	Not reported
Operator Zip:	Not reported
Operator Contact:	Not reported
Operator Contact Title:	Not reported
Operator Contact Phone:	Not reported
Operator Contact Phone Ext:	Not reported
Operator Contact Email:	Not reported
Operator Type:	Not reported
Developer:	Not reported
Developer Address:	Not reported
Developer City:	Not reported
Developer State:	Not reported

Map ID
Direction
Distance
Elevation

MAP FINDINGS

Site

Database(s)

EDR ID Number
EPA ID Number

NEEDLES WWTP - NPDES (H) (Continued)

S105025186

Developer Zip:	Not reported
Developer Contact:	Not reported
Developer Contact Title:	Not reported
Constype Linear Utility Ind:	Not reported
Emergency Phone:	Not reported
Emergency Phone Ext:	Not reported
Constype Above Ground Ind:	Not reported
Constype Below Ground Ind:	Not reported
Constype Cable Line Ind:	Not reported
Constype Comm Line Ind:	Not reported
Constype Commercial Ind:	Not reported
Constype Electrical Line Ind:	Not reported
Constype Gas Line Ind:	Not reported
Constype Industrial Ind:	Not reported
Constype Other Description:	Not reported
Constype Other Ind:	Not reported
Constype Recons Ind:	Not reported
Constype Residential Ind:	Not reported
Constype Transport Ind:	Not reported
Constype Utility Description:	Not reported
Constype Utility Ind:	Not reported
Constype Water Sewer Ind:	Not reported
Dir Discharge Uswater Ind:	Not reported
Receiving Water Name:	Not reported
Certifier:	Not reported
Certifier Title:	Not reported
Certification Date:	Not reported
Primary Sic:	Not reported
Secondary Sic:	Not reported
Tertiary Sic:	Not reported
NPDES Number:	Not reported
Status:	Not reported
Agency Number:	Not reported
Region:	7
Regulatory Measure ID:	437464
Order Number:	Not reported
Regulatory Measure Type:	Industrial
Place ID:	Not reported
WDID:	7 361024248
Program Type:	Not reported
Adoption Date Of Regulatory Measure:	Not reported
Effective Date Of Regulatory Measure:	Not reported
Expiration Date Of Regulatory Measure:	Not reported
Termination Date Of Regulatory Measure:	Not reported
Discharge Name:	Not reported
Discharge Address:	Not reported
Discharge City:	Not reported
Discharge State:	Not reported
Discharge Zip:	Not reported
Received Date:	05/07/2013
Processed Date:	05/07/2013
Status:	Active
Status Date:	05/07/2013
Place Size:	177046
Place Size Unit:	SqFt
Contact:	Robert Benoit

Map ID
Direction
Distance
Elevation

MAP FINDINGS

Site

Database(s)

EDR ID Number
EPA ID Number

NEEDLES WWTP - NPDES (H) (Continued)

S105025186

Contact Title:	Not reported
Contact Phone:	760-326-2891
Contact Phone Ext:	Not reported
Contact Email:	Not reported
Operator Name:	City of Needles
Operator Address:	817 3rd Street
Operator City:	Needles
Operator State:	California
Operator Zip:	92363
Operator Contact:	David Brownlee
Operator Contact Title:	City Manager
Operator Contact Phone:	760-326-5700
Operator Contact Phone Ext:	Not reported
Operator Contact Email:	Not reported
Operator Type:	Private Business
Developer:	Not reported
Developer Address:	Not reported
Developer City:	Not reported
Developer State:	California
Developer Zip:	Not reported
Developer Contact:	Not reported
Developer Contact Title:	Not reported
Constype Linear Utility Ind:	Not reported
Emergency Phone:	760-221-8233
Emergency Phone Ext:	Not reported
Constype Above Ground Ind:	Not reported
Constype Below Ground Ind:	Not reported
Constype Cable Line Ind:	Not reported
Constype Comm Line Ind:	Not reported
Constype Commercial Ind:	Not reported
Constype Electrical Line Ind:	Not reported
Constype Gas Line Ind:	Not reported
Constype Industrial Ind:	Not reported
Constype Other Description:	Not reported
Constype Other Ind:	Not reported
Constype Recons Ind:	Not reported
Constype Residential Ind:	Not reported
Constype Transport Ind:	Not reported
Constype Utility Description:	Not reported
Constype Utility Ind:	Not reported
Constype Water Sewer Ind:	Not reported
Dir Discharge Uswater Ind:	N
Receiving Water Name:	Colorado River
Certifier:	Rick Daniels
Certifier Title:	Utility Manager
Certification Date:	14-JUL-16
Primary Sic:	4952-Sewerage Systems
Secondary Sic:	Not reported
Tertiary Sic:	Not reported
Name:	NEEDLES WWTP
Address:	516 EAST BROADWAY
City,State,Zip:	NEEDLES, CA 92363
Facility Status:	Not reported
NPDES Number:	Not reported
Region:	Not reported

Map ID
Direction
Distance
Elevation

MAP FINDINGS

Site

Database(s)

EDR ID Number
EPA ID Number

NEEDLES WWTP - NPDES (H) (Continued)

S105025186

Agency Number: Not reported
Regulatory Measure ID: Not reported
Place ID: Not reported
Order Number: Not reported
WDID: 7 36I024248
Regulatory Measure Type: Industrial
Program Type: Not reported
Adoption Date Of Regulatory Measure: Not reported
Effective Date Of Regulatory Measure: Not reported
Termination Date Of Regulatory Measure: Not reported
Expiration Date Of Regulatory Measure: Not reported
Discharge Address: Not reported
Discharge Name: Not reported
Discharge City: Not reported
Discharge State: Not reported
Discharge Zip: Not reported
Status: Active
Status Date: 05/07/2013
Operator Name: City of Needles
Operator Address: 817 3rd Street
Operator City: Needles
Operator State: California
Operator Zip: 92363

NPDES as of 03/2018:

NPDES Number: CAS000001
Status: Active
Agency Number: 0
Region: 7
Regulatory Measure ID: 437464
Order Number: 97-03-DWQ
Regulatory Measure Type: Enrollee
Place ID: Not reported
WDID: 7 36I024248
Program Type: Industrial
Adoption Date Of Regulatory Measure: Not reported
Effective Date Of Regulatory Measure: 05/07/2013
Expiration Date Of Regulatory Measure: Not reported
Termination Date Of Regulatory Measure: Not reported
Discharge Name: City of Needles
Discharge Address: 817 3rd Street
Discharge City: Needles
Discharge State: California
Discharge Zip: 92363
Received Date: Not reported
Processed Date: Not reported
Status: Not reported
Status Date: Not reported
Place Size: Not reported
Place Size Unit: Not reported
Contact: Not reported
Contact Title: Not reported
Contact Phone: Not reported
Contact Phone Ext: Not reported
Contact Email: Not reported
Operator Name: Not reported
Operator Address: Not reported
Operator City: Not reported

Map ID
Direction
Distance
Elevation

MAP FINDINGS

Site

Database(s)

EDR ID Number
EPA ID Number

NEEDLES WWTP - NPDES (H) (Continued)

S105025186

Operator State:	Not reported
Operator Zip:	Not reported
Operator Contact:	Not reported
Operator Contact Title:	Not reported
Operator Contact Phone:	Not reported
Operator Contact Phone Ext:	Not reported
Operator Contact Email:	Not reported
Operator Type:	Not reported
Developer:	Not reported
Developer Address:	Not reported
Developer City:	Not reported
Developer State:	Not reported
Developer Zip:	Not reported
Developer Contact:	Not reported
Developer Contact Title:	Not reported
Constype Linear Utility Ind:	Not reported
Emergency Phone:	Not reported
Emergency Phone Ext:	Not reported
Constype Above Ground Ind:	Not reported
Constype Below Ground Ind:	Not reported
Constype Cable Line Ind:	Not reported
Constype Comm Line Ind:	Not reported
Constype Commercial Ind:	Not reported
Constype Electrical Line Ind:	Not reported
Constype Gas Line Ind:	Not reported
Constype Industrial Ind:	Not reported
Constype Other Description:	Not reported
Constype Other Ind:	Not reported
Constype Recons Ind:	Not reported
Constype Residential Ind:	Not reported
Constype Transport Ind:	Not reported
Constype Utility Description:	Not reported
Constype Utility Ind:	Not reported
Constype Water Sewer Ind:	Not reported
Dir Discharge Uswater Ind:	Not reported
Receiving Water Name:	Not reported
Certifier:	Not reported
Certifier Title:	Not reported
Certification Date:	Not reported
Primary Sic:	Not reported
Secondary Sic:	Not reported
Tertiary Sic:	Not reported
NPDES Number:	Not reported
Status:	Not reported
Agency Number:	Not reported
Region:	7
Regulatory Measure ID:	437464
Order Number:	Not reported
Regulatory Measure Type:	Industrial
Place ID:	Not reported
WDID:	7 361024248
Program Type:	Not reported
Adoption Date Of Regulatory Measure:	Not reported
Effective Date Of Regulatory Measure:	Not reported
Expiration Date Of Regulatory Measure:	Not reported
Termination Date Of Regulatory Measure:	Not reported

Map ID
Direction
Distance
Elevation

MAP FINDINGS

Site

Database(s)

EDR ID Number
EPA ID Number

NEEDLES WWTP - NPDES (H) (Continued)

S105025186

Discharge Name:	Not reported
Discharge Address:	Not reported
Discharge City:	Not reported
Discharge State:	Not reported
Discharge Zip:	Not reported
Received Date:	05/07/2013
Processed Date:	05/07/2013
Status:	Active
Status Date:	05/07/2013
Place Size:	177046
Place Size Unit:	SqFt
Contact:	Robert Benoit
Contact Title:	Not reported
Contact Phone:	760-326-2891
Contact Phone Ext:	Not reported
Contact Email:	Not reported
Operator Name:	City of Needles
Operator Address:	817 3rd Street
Operator City:	Needles
Operator State:	California
Operator Zip:	92363
Operator Contact:	David Brownlee
Operator Contact Title:	City Manager
Operator Contact Phone:	760-326-5700
Operator Contact Phone Ext:	Not reported
Operator Contact Email:	Not reported
Operator Type:	Private Business
Developer:	Not reported
Developer Address:	Not reported
Developer City:	Not reported
Developer State:	California
Developer Zip:	Not reported
Developer Contact:	Not reported
Developer Contact Title:	Not reported
Constype Linear Utility Ind:	Not reported
Emergency Phone:	760-221-8233
Emergency Phone Ext:	Not reported
Constype Above Ground Ind:	Not reported
Constype Below Ground Ind:	Not reported
Constype Cable Line Ind:	Not reported
Constype Comm Line Ind:	Not reported
Constype Commercial Ind:	Not reported
Constype Electrical Line Ind:	Not reported
Constype Gas Line Ind:	Not reported
Constype Industrial Ind:	Not reported
Constype Other Description:	Not reported
Constype Other Ind:	Not reported
Constype Recons Ind:	Not reported
Constype Residential Ind:	Not reported
Constype Transport Ind:	Not reported
Constype Utility Description:	Not reported
Constype Utility Ind:	Not reported
Constype Water Sewer Ind:	Not reported
Dir Discharge Uswater Ind:	N
Receiving Water Name:	Colorado River
Certifier:	Rick Daniels
Certifier Title:	Utility Manager

Map ID
Direction
Distance
Elevation

MAP FINDINGS

Site

Database(s)

EDR ID Number
EPA ID Number

NEEDLES WWTP - NPDES (H) (Continued)

S105025186

Certification Date: 14-JUL-16
Primary Sic: 4952-Sewerage Systems
Secondary Sic: Not reported
Tertiary Sic: Not reported

CIWQS:

Name: NEDDLES WWTP
Address: 516 EAST BROADWAY
City,State,Zip: NEEDLES, CA 92363
Agency: City of Needles
Agency Address: 817 3rd Street, Needles, CA 92363
Place/Project Type: Industrial - Sewerage Systems
SIC/NAICS: 4952
Region: 7
Program: INDSTW
Regulatory Measure Status: Active
Regulatory Measure Type: Storm water industrial
Order Number: 2014-0057-DWQ
WDID: 7 36I024248
NPDES Number: CAS000001
Adoption Date: Not reported
Effective Date: 05/07/2013
Termination Date: Not reported
Expiration/Review Date: Not reported
Design Flow: Not reported
Major/Minor: Not reported
Complexity: Not reported
TTWQ: Not reported
Enforcement Actions within 5 years: 1
Violations within 5 years: 1
Latitude: 34.82986
Longitude: -114.59516

Name: NEEDLES WWTP - NPDES (H)
Address: 516 EAST BROADWAY
City,State,Zip: NEEDLES, CA 92363
Agency: Needles City
Agency Address: 817 3rd Street, Needles, CA 92363
Place/Project Type: Other
SIC/NAICS: 4952
Region: 7
Program: NPDMMUNILRG
Regulatory Measure Status: Historical
Regulatory Measure Type: NPDES Permit
Order Number: 99-002
WDID: 7B360110011
NPDES Number: CA0104205
Adoption Date: 01/13/1999
Effective Date: 01/13/1999
Termination Date: 09/13/2000
Expiration/Review Date: 01/12/2004
Design Flow: 1.8
Major/Minor: Major
Complexity: A
TTWQ: 1
Enforcement Actions within 5 years: 0

Map ID
Direction
Distance
Elevation

MAP FINDINGS

Site

Database(s)

EDR ID Number
EPA ID Number

NEEDLES WWTP - NPDES (H) (Continued)

S105025186

Violations within 5 years: 0
Latitude: 34.830645
Longitude: -114.595207

Name: NEEDLES WWTP
Address: 516 BROADWAY
City,State,Zip: NEEDLES, CA 92363
Agency: Needles City
Agency Address: 817 3rd Street, Needles, CA 92363
Place/Project Type: Wastewater Treatment Facility
SIC/NAICS: 4952
Region: SB
Program: SLIC, WDRMUNILRG
Regulatory Measure Status: Active
Regulatory Measure Type: Co-Permittee
Order Number: 2020-0015-DWQ
WDID: 7B360110014
NPDES Number: Not reported
Adoption Date: Not reported
Effective Date: 07/09/2020
Termination Date: Not reported
Expiration/Review Date: Not reported
Design Flow: Not reported
Major/Minor: Not reported
Complexity: Not reported
TTWQ: Not reported
Enforcement Actions within 5 years: 0
Violations within 5 years: 0
Latitude: 34.837269
Longitude: -114.601922

CERS:

Name: NEEDLES WWTP - NPDES (H)
Address: 516 EAST BROADWAY
City,State,Zip: NEEDLES, CA 92363
Site ID: 322108
CERS ID: 244082
CERS Description: NPDES Wastewater and Stormwater

Enforcement Action:

Site ID: 322108
Site Name: Needles WWTP - NPDES (H)
Site Address: 516 EAST BROADWAY
Site City: NEEDLES
Site Zip: 92363
Enf Action Date: 01-18-1994
Enf Action Type: Cease and Desist Order
Enf Action Description: Cease and Desist Order
Enf Action Notes: Not reported
Enf Action Division: Water Boards
Enf Action Program: UNSPEC
Enf Action Source: CIWQS,

Site ID: 322108
Site Name: Needles WWTP - NPDES (H)
Site Address: 516 EAST BROADWAY
Site City: NEEDLES

Map ID
Direction
Distance
Elevation

MAP FINDINGS

Site

Database(s)

EDR ID Number
EPA ID Number

NEEDLES WWTP - NPDES (H) (Continued)

S105025186

Site Zip: 92363
Enf Action Date: 01-27-1988
Enf Action Type: Cease and Desist Order
Enf Action Description: Cease and Desist Order
Enf Action Notes: Not reported
Enf Action Division: Water Boards
Enf Action Program: UNSPEC
Enf Action Source: CIWQS,

Site ID: 322108
Site Name: Needles WWTP - NPDES (H)
Site Address: 516 EAST BROADWAY
Site City: NEEDLES
Site Zip: 92363
Enf Action Date: 05-02-1997
Enf Action Type: Administrative Enforcement with Penalty
Enf Action Description: Administrative Enforcement with Civil Liability (Penalty)
Enf Action Notes: Not reported
Enf Action Division: Water Boards
Enf Action Program: UNSPEC
Enf Action Source: CIWQS,

Site ID: 322108
Site Name: Needles WWTP - NPDES (H)
Site Address: 516 EAST BROADWAY
Site City: NEEDLES
Site Zip: 92363
Enf Action Date: 05-16-1984
Enf Action Type: Cease and Desist Order
Enf Action Description: Cease and Desist Order
Enf Action Notes: Not reported
Enf Action Division: Water Boards
Enf Action Program: UNSPEC
Enf Action Source: CIWQS,

Site ID: 322108
Site Name: Needles WWTP - NPDES (H)
Site Address: 516 EAST BROADWAY
Site City: NEEDLES
Site Zip: 92363
Enf Action Date: 06-11-1997
Enf Action Type: Administrative Enforcement with Penalty
Enf Action Description: Administrative Enforcement with Civil Liability (Penalty)
Enf Action Notes: Not reported
Enf Action Division: Water Boards
Enf Action Program: UNSPEC
Enf Action Source: CIWQS,

Site ID: 322108
Site Name: Needles WWTP - NPDES (H)
Site Address: 516 EAST BROADWAY
Site City: NEEDLES
Site Zip: 92363
Enf Action Date: 06-19-1997
Enf Action Type: Administrative Enforcement with Penalty
Enf Action Description: Administrative Enforcement with Civil Liability (Penalty)
Enf Action Notes: Not reported

Map ID
Direction
Distance
Elevation

MAP FINDINGS

Site

Database(s)

EDR ID Number
EPA ID Number

NEEDLES WWTP - NPDES (H) (Continued)

S105025186

Enf Action Division: Water Boards
Enf Action Program: UNSPEC
Enf Action Source: CIWQS,

Site ID: 322108
Site Name: Needles WWTP - NPDES (H)
Site Address: 516 EAST BROADWAY
Site City: NEEDLES
Site Zip: 92363
Enf Action Date: 06-25-1997
Enf Action Type: Cease and Desist Order
Enf Action Description: Cease and Desist Order
Enf Action Notes: Not reported
Enf Action Division: Water Boards
Enf Action Program: UNSPEC
Enf Action Source: CIWQS,

Site ID: 322108
Site Name: Needles WWTP - NPDES (H)
Site Address: 516 EAST BROADWAY
Site City: NEEDLES
Site Zip: 92363
Enf Action Date: 06-26-1996
Enf Action Type: Cease and Desist Order
Enf Action Description: Cease and Desist Order
Enf Action Notes: Not reported
Enf Action Division: Water Boards
Enf Action Program: UNSPEC
Enf Action Source: CIWQS,

Site ID: 322108
Site Name: Needles WWTP - NPDES (H)
Site Address: 516 EAST BROADWAY
Site City: NEEDLES
Site Zip: 92363
Enf Action Date: 08-17-1999
Enf Action Type: Administrative Enforcement with Penalty
Enf Action Description: Administrative Enforcement with Civil Liability (Penalty)
Enf Action Notes: Not reported
Enf Action Division: Water Boards
Enf Action Program: UNSPEC
Enf Action Source: CIWQS,

Site ID: 322108
Site Name: Needles WWTP - NPDES (H)
Site Address: 516 EAST BROADWAY
Site City: NEEDLES
Site Zip: 92363
Enf Action Date: 08-28-2000
Enf Action Type: Staff Enforcement Letter (Informal)
Enf Action Description: Staff Enforcement Letter (Informal)
Enf Action Notes: Not reported
Enf Action Division: Water Boards
Enf Action Program: UNSPEC
Enf Action Source: CIWQS,

Site ID: 322108

Map ID
Direction
Distance
Elevation

MAP FINDINGS

Site

Database(s)

EDR ID Number
EPA ID Number

NEEDLES WWTP - NPDES (H) (Continued)

S105025186

Site Name: Needles WWTP - NPDES (H)
Site Address: 516 EAST BROADWAY
Site City: NEEDLES
Site Zip: 92363
Enf Action Date: 10-04-1999
Enf Action Type: Administrative Enforcement with Penalty
Enf Action Description: Administrative Enforcement with Civil Liability (Penalty)
Enf Action Notes: Not reported
Enf Action Division: Water Boards
Enf Action Program: UNSPEC
Enf Action Source: CIWQS,

Name: NEEDLES WWTP
Address: 516 BROADWAY
City,State,Zip: NEEDLES, CA 92363
Site ID: 51419
CERS ID: 244080
CERS Description: Tanks & Ground Water Clean Up

Violations:

Site ID: 51419
Site Name: Needles WWTP
Violation Date: 09-18-2003
Citation: California Water Code
Violation Description: Not reported
Violation Notes: 09/18/2003 A spill of an estimated 8,500 gallons spilled at the Bazoobuth Lift Station. Spill was caused by a circuit breaker tripping and alarm failure
Violation Division: Water Boards
Violation Program: WDRMUNILRG
Violation Source: CIWQS,

Site ID: 51419
Site Name: Needles WWTP
Violation Date: 01-26-2001
Citation: California Water Code
Violation Description: Not reported
Violation Notes: 2000 December M&R excess chloride. 30-day avg reported at 460 mg/L in effluent. The limit is 70 mg/L
Violation Division: Water Boards
Violation Program: WDRMUNILRG
Violation Source: CIWQS,

Site ID: 51419
Site Name: Needles WWTP
Violation Date: 03-03-2002
Citation: California Water Code
Violation Description: Not reported
Violation Notes: 03/03/2002 One of their main line manholes overflowed into a non-residential area and spilled an estimated 8,000 gallons. Roots, rages and sand from the line was the cause of the blockage
Violation Division: Water Boards
Violation Program: WDRMUNILRG
Violation Source: CIWQS,

Site ID: 51419
Site Name: Needles WWTP

Map ID
Direction
Distance
Elevation

MAP FINDINGS

Site

Database(s)

EDR ID Number
EPA ID Number

NEEDLES WWTP - NPDES (H) (Continued)

S105025186

Violation Date: 05-08-2001
Citation: California Water Code
Violation Description: Not reported
Violation Notes: Blockage of sewer line causing spillage of about 20,000 gallons of sewage.
Violation Division: Water Boards
Violation Program: WDRMUNILRG
Violation Source: CIWQS,

Site ID: 51419
Site Name: Needles WWTP
Violation Date: 12-20-2000
Citation: California Water Code
Violation Description: Not reported
Violation Notes: 2000 October M&R incomplete report. Failed to submit fluoride data on effluent, discharger submitted data on sulfate and chloride but did not submit unit of measurement.
Violation Division: Water Boards
Violation Program: WDRMUNILRG
Violation Source: CIWQS,

Site ID: 51419
Site Name: Needles WWTP
Violation Date: 03-06-2001
Citation: California Water Code
Violation Description: Not reported
Violation Notes: 2001 January M&R exceeded 30-day average for Total Nitrogen. Sample of 01/03/2001 reported Total Nitrogen at 13.00 mg/L, the 30-day mean limit is 10.0 mg/L.
Violation Division: Water Boards
Violation Program: WDRMUNILRG
Violation Source: CIWQS,

Site ID: 51419
Site Name: Needles WWTP
Violation Date: 09-19-2001
Citation: California Water Code
Violation Description: Not reported
Violation Notes: 2001 August M&R excess TDS. Monthly value was reported at 420 mg/L, the limit is 400 mg/L
Violation Division: Water Boards
Violation Program: WDRMUNILRG
Violation Source: CIWQS,

Site ID: 51419
Site Name: Needles WWTP
Violation Date: 09-19-2012
Citation: California Water Code
Violation Description: Not reported
Violation Notes: Incomplete August 2012 M&R (Daily DO and pH data not provided).
Violation Division: Water Boards
Violation Program: WDRMUNILRG
Violation Source: CIWQS,

Site ID: 51419
Site Name: Needles WWTP
Violation Date: 03-06-2001

Map ID
Direction
Distance
Elevation

MAP FINDINGS

Site

Database(s)

EDR ID Number
EPA ID Number

NEEDLES WWTP - NPDES (H) (Continued)

S105025186

Citation: California Water Code
Violation Description: Not reported
Violation Notes: 2001 January M&R excess TDS. Sample of 01/31/2001 reported TDS at 415 mg/L, the limit is 400 mg/L
Violation Division: Water Boards
Violation Program: WDRMUNILRG
Violation Source: CIWQS,

Site ID: 51419
Site Name: Needles WWTP
Violation Date: 03-06-2001
Citation: California Water Code
Violation Description: Not reported
Violation Notes: 2001 January M&R exceeded 30-day average for Chloride. Sample of 01/03/2001 reported Chloride at 1,844 lbs./day, the 30-day mean limit is 700 lbs./day.
Violation Division: Water Boards
Violation Program: WDRMUNILRG
Violation Source: CIWQS,

Site ID: 51419
Site Name: Needles WWTP
Violation Date: 12-28-2000
Citation: California Water Code
Violation Description: Not reported
Violation Notes: 2000 November M&R 30-day avg sulfate loading > 700 lbs/day. Reported 1956 lbs/day.
Violation Division: Water Boards
Violation Program: WDRMUNILRG
Violation Source: CIWQS,

Site ID: 51419
Site Name: Needles WWTP
Violation Date: 01-16-2003
Citation: California Water Code
Violation Description: Not reported
Violation Notes: Late submittal of 2002 4th Quarter monitoring report. Due 01/15/2003 received 02/13/2003
Violation Division: Water Boards
Violation Program: WDRMUNILRG
Violation Source: CIWQS,

Site ID: 51419
Site Name: Needles WWTP
Violation Date: 01-26-2001
Citation: California Water Code
Violation Description: Not reported
Violation Notes: 2000 December M&R excess fluoride. 30-day avg reported at 1.7 mg/L in effluent. The limit is 1.2 mg/L
Violation Division: Water Boards
Violation Program: WDRMUNILRG
Violation Source: CIWQS,

Site ID: 51419
Site Name: Needles WWTP
Violation Date: 01-27-2003
Citation: California Water Code

Map ID
Direction
Distance
Elevation

MAP FINDINGS

Site

Database(s)

EDR ID Number
EPA ID Number

NEEDLES WWTP - NPDES (H) (Continued)

S105025186

Violation Description: Not reported
Violation Notes: 2002 December M&R exceeded 7-day average for BOD. Sample for the week of 12/22/2002 reported BOD at 53 mg/L, the 7-day average limit is 45 mg/L
Violation Division: Water Boards
Violation Program: WDRMUNILRG
Violation Source: CIWQS,

Site ID: 51419
Site Name: Needles WWTP
Violation Date: 12-20-2000
Citation: California Water Code
Violation Description: Not reported
Violation Notes: 2000 October M&R 30-day avg chloride > 70 mg/L. Reported 420 mg/L
Violation Division: Water Boards
Violation Program: WDRMUNILRG
Violation Source: CIWQS,

Site ID: 51419
Site Name: Needles WWTP
Violation Date: 10-15-2001
Citation: California Water Code
Violation Description: Not reported
Violation Notes: Late submittal of 2001 September M&R. Due 10/15/2001 received 10/17/2001
Violation Division: Water Boards
Violation Program: WDRMUNILRG
Violation Source: CIWQS,

Site ID: 51419
Site Name: Needles WWTP
Violation Date: 03-06-2001
Citation: California Water Code
Violation Description: Not reported
Violation Notes: 2001 January M&R exceeded 30-day average for Sulfate. Sample of 01/03/2001 reported Sulfate at 1,844 lbs/day, the 30-day mean is 700 lbs/day.
Violation Division: Water Boards
Violation Program: WDRMUNILRG
Violation Source: CIWQS,

Site ID: 51419
Site Name: Needles WWTP
Violation Date: 12-20-2000
Citation: California Water Code
Violation Description: Not reported
Violation Notes: 2000 October M&R 30-day avg chloride loading > 700 lbs/day. Reported 1226 lbs/day
Violation Division: Water Boards
Violation Program: WDRMUNILRG
Violation Source: CIWQS,

Site ID: 51419
Site Name: Needles WWTP
Violation Date: 03-06-2001
Citation: California Water Code
Violation Description: Not reported

Map ID
Direction
Distance
Elevation

MAP FINDINGS

Site

Database(s)

EDR ID Number
EPA ID Number

NEEDLES WWTP - NPDES (H) (Continued)

S105025186

Violation Notes: 2001 January M&R exceeded 30-day average for Sulfate. Sample of 01/03/2001 reported 330 mg/L, the 30-day mean limit is 70 mg/L.

Violation Division: Water Boards
Violation Program: WDRMUNILRG
Violation Source: CIWQS,

Site ID: 51419
Site Name: Needles WWTP
Violation Date: 09-07-2011
Citation: California Water Code
Violation Description: Not reported
Violation Notes: Total Dissolved Solids (TDS) Monthly Average limit is 1800 mg/L and reported value was 2000 mg/L.

Violation Division: Water Boards
Violation Program: WDRMUNILRG
Violation Source: CIWQS,

Site ID: 51419
Site Name: Needles WWTP
Violation Date: 12-20-2000
Citation: California Water Code
Violation Description: Not reported
Violation Notes: 2000 October M&R 30-day avg sulfate > 70 mg/L. Reported 420 mg/L

Violation Division: Water Boards
Violation Program: WDRMUNILRG
Violation Source: CIWQS,

Site ID: 51419
Site Name: Needles WWTP
Violation Date: 12-28-2000
Citation: California Water Code
Violation Description: Not reported
Violation Notes: 2000 November M&R 30-day avg chloride loading > 700 lbs/day. Reported 1914 lbs/day.

Violation Division: Water Boards
Violation Program: WDRMUNILRG
Violation Source: CIWQS,

Site ID: 51419
Site Name: Needles WWTP
Violation Date: 01-16-2003
Citation: California Water Code
Violation Description: Not reported
Violation Notes: Late submittal of 2002 Annual monitoring report. Due 01/15/2003 received 02/13/2003

Violation Division: Water Boards
Violation Program: WDRMUNILRG
Violation Source: CIWQS,

Site ID: 51419
Site Name: Needles WWTP
Violation Date: 05-11-2001
Citation: California Water Code
Violation Description: Not reported
Violation Notes: Violation of Effluent TDS Discharge(CAT 1)

Violation Division: Water Boards
Violation Program: WDRMUNILRG

Map ID
Direction
Distance
Elevation

MAP FINDINGS

Site

Database(s)

EDR ID Number
EPA ID Number

NEEDLES WWTP - NPDES (H) (Continued)

S105025186

Violation Source: CIWQS,

Site ID: 51419
Site Name: Needles WWTP
Violation Date: 10-15-2001
Citation: California Water Code
Violation Description: Not reported
Violation Notes: Late submittal of 2001 3rd Quarter M&R. Due 10/15/2001 received 10/17/2001
Violation Division: Water Boards
Violation Program: WDRMUNILRG
Violation Source: CIWQS,

Site ID: 51419
Site Name: Needles WWTP
Violation Date: 09-15-2001
Citation: California Water Code
Violation Description: Not reported
Violation Notes: Late submittal of 2001 August M&R. Due 09/15/2001 received 09/18/2001
Violation Division: Water Boards
Violation Program: WDRMUNILRG
Violation Source: CIWQS,

Site ID: 51419
Site Name: Needles WWTP
Violation Date: 08-15-2001
Citation: California Water Code
Violation Description: Not reported
Violation Notes: Late submittal of 2001 July monitoring report. Due 08/15/2001 received 08/16/2001
Violation Division: Water Boards
Violation Program: WDRMUNILRG
Violation Source: CIWQS,

Site ID: 51419
Site Name: Needles WWTP
Violation Date: 10-18-2001
Citation: California Water Code
Violation Description: Not reported
Violation Notes: 2001 September M&R exceeded 30-day mean for TDS. Monthly mean was reported at 1205 mg/L
Violation Division: Water Boards
Violation Program: WDRMUNILRG
Violation Source: CIWQS,

Site ID: 51419
Site Name: Needles WWTP
Violation Date: 03-06-2001
Citation: California Water Code
Violation Description: Not reported
Violation Notes: 2001 January M&R exceeded 30-day average for Chloride. Sample of 01/03/2001 reported Chloride at 330 mg/L, the 30-day mean limit is 70 mg/L.
Violation Division: Water Boards
Violation Program: WDRMUNILRG
Violation Source: CIWQS,

Map ID
Direction
Distance
Elevation

MAP FINDINGS

Site

Database(s)

EDR ID Number
EPA ID Number

NEEDLES WWTP - NPDES (H) (Continued)

S105025186

Site ID: 51419
Site Name: Needles WWTP
Violation Date: 07-07-2004
Citation: California Water Code
Violation Description: Not reported
Violation Notes: 2004 MAY M&R exceeded effluent TDS limit of 400 mg/L reported as 460 mg/L.
Violation Division: Water Boards
Violation Program: WDRMUNILRG
Violation Source: CIWQS,

Site ID: 51419
Site Name: Needles WWTP
Violation Date: 03-06-2001
Citation: California Water Code
Violation Description: Not reported
Violation Notes: 2001 January M&R exceeded 30-day average for Flouride. Sample of 01/03/2001 reported Flouride at 1.60 mg/L, the 30-day mean limit is 1.2 mg/L.
Violation Division: Water Boards
Violation Program: WDRMUNILRG
Violation Source: CIWQS,

Site ID: 51419
Site Name: Needles WWTP
Violation Date: 12-28-2000
Citation: California Water Code
Violation Description: Not reported
Violation Notes: 2000 November M&R incomplete report. No flouride data reported
Violation Division: Water Boards
Violation Program: WDRMUNILRG
Violation Source: CIWQS,

Site ID: 51419
Site Name: Needles WWTP
Violation Date: 12-28-2000
Citation: California Water Code
Violation Description: Not reported
Violation Notes: 2000 November M&R 30-day avg chloride > 70 mg/L. Reported 450 mg/L
Violation Division: Water Boards
Violation Program: WDRMUNILRG
Violation Source: CIWQS,

Site ID: 51419
Site Name: Needles WWTP
Violation Date: 05-10-2001
Citation: California Water Code
Violation Description: Not reported
Violation Notes: Late submittal
Violation Division: Water Boards
Violation Program: WDRMUNILRG
Violation Source: CIWQS,

Site ID: 51419
Site Name: Needles WWTP
Violation Date: 05-11-2001
Citation: California Water Code

Map ID
Direction
Distance
Elevation

MAP FINDINGS

Site

Database(s)

EDR ID Number
EPA ID Number

NEEDLES WWTP - NPDES (H) (Continued)

S105025186

Violation Description: Not reported
Violation Notes: Late submittal
Violation Division: Water Boards
Violation Program: WDRMUNILRG
Violation Source: CIWQS,

Site ID: 51419
Site Name: Needles WWTP
Violation Date: 01-26-2001
Citation: California Water Code
Violation Description: Not reported
Violation Notes: 2000 4th Qtr M&R report is deficient. Discharger did not submit results for water supply. They will forward the data as soon as it is received from lab. Groundwater wells are not installed therefore groundwater analysis cannot be conducted
Violation Division: Water Boards
Violation Program: WDRMUNILRG
Violation Source: CIWQS,

Site ID: 51419
Site Name: Needles WWTP
Violation Date: 05-11-2001
Citation: California Water Code
Violation Description: Not reported
Violation Notes: Violation of Effluent TDS Discharge(CAT 1) Limit is 1230 mg/L monthly average reported at 1730 mg/L.
Violation Division: Water Boards
Violation Program: WDRMUNILRG
Violation Source: CIWQS,

Site ID: 51419
Site Name: Needles WWTP
Violation Date: 09-16-2002
Citation: California Water Code
Violation Description: Not reported
Violation Notes: 09/16/2002 A spill of an estimated 1,960 gallons spilled in the area of the San Bernardino County flood control area, which is off limits to all public. Spill was caused by debree from the hospital along with rocks
Violation Division: Water Boards
Violation Program: WDRMUNILRG
Violation Source: CIWQS,

Site ID: 51419
Site Name: Needles WWTP
Violation Date: 12-28-2000
Citation: California Water Code
Violation Description: Not reported
Violation Notes: 2000 November M&R 30-day avg Sulfate > 70 mg/L. Reported 460 mg/L
Violation Division: Water Boards
Violation Program: WDRMUNILRG
Violation Source: CIWQS,

Site ID: 51419
Site Name: Needles WWTP
Violation Date: 10-15-2001
Citation: California Water Code

Map ID
Direction
Distance
Elevation

MAP FINDINGS

Site

Database(s)

EDR ID Number
EPA ID Number

NEEDLES WWTP - NPDES (H) (Continued)

S105025186

Violation Description: Not reported
Violation Notes: 11/29/2001 At approx 11:30 a.m., there was a collection system backup at the Fort Mohave Tribal community treatment facility resulting in a spill in the Tribal's economic building both inside and outside of the building.

Violation Division: Water Boards
Violation Program: WDRMUNILRG
Violation Source: CIWQS,

Site ID: 51419
Site Name: Needles WWTP
Violation Date: 01-26-2001
Citation: California Water Code
Violation Description: Not reported
Violation Notes: 2000 Annual M&R report is deficient. Discharger did not submit analysis for VOC and sludge. They will forward the data as soon as it is received from lab. Groundwater wells are not installed therefore groundwater analysis cannot be conducted

Violation Division: Water Boards
Violation Program: WDRMUNILRG
Violation Source: CIWQS,

Site ID: 51419
Site Name: Needles WWTP
Violation Date: 07-18-2003
Citation: California Water Code
Violation Description: Not reported
Violation Notes: 2003 June M&R excess TDS. Reported value is 1,310 mg/L

Violation Division: Water Boards
Violation Program: WDRMUNILRG
Violation Source: CIWQS,

Site ID: 51419
Site Name: Needles WWTP
Violation Date: 12-20-2000
Citation: California Water Code
Violation Description: Not reported
Violation Notes: 2000 October M&R 30-day avg sulfate loading > 700 lbs/day. Reported 1226 lbs/day

Violation Division: Water Boards
Violation Program: WDRMUNILRG
Violation Source: CIWQS,

Site ID: 51419
Site Name: Needles WWTP
Violation Date: 01-26-2001
Citation: California Water Code
Violation Description: Not reported
Violation Notes: 2000 December M&R excess sulfate. 30-day avg reported at 470 mg/L in effluent. The limit is 70 mg/L

Violation Division: Water Boards
Violation Program: WDRMUNILRG
Violation Source: CIWQS,

Site ID: 51419
Site Name: Needles WWTP
Violation Date: 03-17-2003

Map ID
Direction
Distance
Elevation

MAP FINDINGS

Site

Database(s)

EDR ID Number
EPA ID Number

NEEDLES WWTP - NPDES (H) (Continued)

S105025186

Citation: California Water Code
Violation Description: Not reported
Violation Notes: Incomplete 2003 February monitoring report. Failed to submit 1 sample to the lab for analysis
Violation Division: Water Boards
Violation Program: WDRMUNILRG
Violation Source: CIWQS,

Evaluation:
Eval General Type: Compliance Evaluation Inspection
Eval Date: 01-30-2013
Violations Found: No
Eval Type: RWQCB Type B compliance inspection
Eval Notes: Not reported
Eval Division: Water Boards
Eval Program: WDRMUNILRG
Eval Source: CIWQS,

Eval General Type: Initial Site Inspection
Eval Date: 03-03-2015
Violations Found: No
Eval Type: Prerequisite inspection
Eval Notes: Not reported
Eval Division: Water Boards
Eval Program: WDRMUNILRG
Eval Source: CIWQS,

Eval General Type: Compliance Evaluation Inspection
Eval Date: 06-18-2009
Violations Found: No
Eval Type: RWQCB Type B compliance inspection
Eval Notes: Not reported
Eval Division: Water Boards
Eval Program: WDRMUNILRG
Eval Source: CIWQS,

Eval General Type: Compliance Evaluation Inspection
Eval Date: 07-16-2001
Violations Found: No
Eval Type: RWQCB Type B compliance inspection
Eval Notes: Not reported
Eval Division: Water Boards
Eval Program: SLIC
Eval Source: CIWQS,

Eval General Type: Compliance Evaluation Inspection
Eval Date: 01-29-2001
Violations Found: No
Eval Type: RWQCB Type B compliance inspection
Eval Notes: Not reported
Eval Division: Water Boards
Eval Program: SLIC
Eval Source: CIWQS,

Eval General Type: Compliance Evaluation Inspection
Eval Date: 01-29-2001
Violations Found: No

Map ID
Direction
Distance
Elevation

MAP FINDINGS

Site

Database(s)

EDR ID Number
EPA ID Number

NEEDLES WWTP - NPDES (H) (Continued)

S105025186

Eval Type: RWQCB Type B compliance inspection
Eval Notes: Not reported
Eval Division: Water Boards
Eval Program: WDRMUNILRG
Eval Source: CIWQS,

Eval General Type: Compliance Evaluation Inspection
Eval Date: 12-06-2018
Violations Found: No
Eval Type: RWQCB Type B compliance inspection
Eval Notes: Not reported
Eval Division: Water Boards
Eval Program: SLIC
Eval Source: CIWQS,

Eval General Type: Compliance Evaluation Inspection
Eval Date: 12-06-2018
Violations Found: No
Eval Type: RWQCB Type B compliance inspection
Eval Notes: Not reported
Eval Division: Water Boards
Eval Program: WDRMUNILRG
Eval Source: CIWQS,

Eval General Type: Compliance Evaluation Inspection
Eval Date: 01-30-2013
Violations Found: No
Eval Type: RWQCB Type B compliance inspection
Eval Notes: Not reported
Eval Division: Water Boards
Eval Program: SLIC
Eval Source: CIWQS,

Eval General Type: Initial Site Inspection
Eval Date: 03-03-2015
Violations Found: No
Eval Type: Prerequisite inspection
Eval Notes: Not reported
Eval Division: Water Boards
Eval Program: SLIC
Eval Source: CIWQS,

Eval General Type: Compliance Evaluation Inspection
Eval Date: 06-18-2009
Violations Found: No
Eval Type: RWQCB Type B compliance inspection
Eval Notes: Not reported
Eval Division: Water Boards
Eval Program: SLIC
Eval Source: CIWQS,

Eval General Type: Compliance Evaluation Inspection
Eval Date: 07-16-2001
Violations Found: No
Eval Type: RWQCB Type B compliance inspection
Eval Notes: Not reported
Eval Division: Water Boards

Map ID
Direction
Distance
Elevation

MAP FINDINGS

Site

Database(s)

EDR ID Number
EPA ID Number

NEEDLES WWTP - NPDES (H) (Continued)

S105025186

Eval Program: WDRMUNILRG
Eval Source: CIWQS,

Enforcement Action:

Site ID: 51419
Site Name: Needles WWTP
Site Address: 516 BROADWAY
Site City: NEEDLES
Site Zip: 92363
Enf Action Date: 03-19-2003
Enf Action Type: Staff Enforcement Letter (Informal)
Enf Action Description: Staff Enforcement Letter (Informal)
Enf Action Notes: Not reported
Enf Action Division: Water Boards
Enf Action Program: SLIC
Enf Action Source: CIWQS,

Site ID: 51419
Site Name: Needles WWTP
Site Address: 516 BROADWAY
Site City: NEEDLES
Site Zip: 92363
Enf Action Date: 03-19-2003
Enf Action Type: Staff Enforcement Letter (Informal)
Enf Action Description: Staff Enforcement Letter (Informal)
Enf Action Notes: Not reported
Enf Action Division: Water Boards
Enf Action Program: WDRMUNILRG
Enf Action Source: CIWQS,

Site ID: 51419
Site Name: Needles WWTP
Site Address: 516 BROADWAY
Site City: NEEDLES
Site Zip: 92363
Enf Action Date: 03-27-2003
Enf Action Type: Staff Enforcement Letter (Informal)
Enf Action Description: Staff Enforcement Letter (Informal)
Enf Action Notes: Not reported
Enf Action Division: Water Boards
Enf Action Program: SLIC
Enf Action Source: CIWQS,

Site ID: 51419
Site Name: Needles WWTP
Site Address: 516 BROADWAY
Site City: NEEDLES
Site Zip: 92363
Enf Action Date: 03-27-2003
Enf Action Type: Staff Enforcement Letter (Informal)
Enf Action Description: Staff Enforcement Letter (Informal)
Enf Action Notes: Not reported
Enf Action Division: Water Boards
Enf Action Program: WDRMUNILRG
Enf Action Source: CIWQS,

Site ID: 51419

Map ID
Direction
Distance
Elevation

MAP FINDINGS

Site

Database(s)

EDR ID Number
EPA ID Number

NEEDLES WWTP - NPDES (H) (Continued)

S105025186

Site Name: Needles WWTP
Site Address: 516 BROADWAY
Site City: NEEDLES
Site Zip: 92363
Enf Action Date: 07-15-2004
Enf Action Type: Staff Enforcement Letter (Informal)
Enf Action Description: Staff Enforcement Letter (Informal)
Enf Action Notes: Not reported
Enf Action Division: Water Boards
Enf Action Program: SLIC
Enf Action Source: CIWQS,

Site ID: 51419
Site Name: Needles WWTP
Site Address: 516 BROADWAY
Site City: NEEDLES
Site Zip: 92363
Enf Action Date: 07-15-2004
Enf Action Type: Staff Enforcement Letter (Informal)
Enf Action Description: Staff Enforcement Letter (Informal)
Enf Action Notes: Not reported
Enf Action Division: Water Boards
Enf Action Program: WDRMUNILRG
Enf Action Source: CIWQS,

Site ID: 51419
Site Name: Needles WWTP
Site Address: 516 BROADWAY
Site City: NEEDLES
Site Zip: 92363
Enf Action Date: 07-21-2003
Enf Action Type: Staff Enforcement Letter (Informal)
Enf Action Description: Staff Enforcement Letter (Informal)
Enf Action Notes: Not reported
Enf Action Division: Water Boards
Enf Action Program: SLIC
Enf Action Source: CIWQS,

Site ID: 51419
Site Name: Needles WWTP
Site Address: 516 BROADWAY
Site City: NEEDLES
Site Zip: 92363
Enf Action Date: 07-21-2003
Enf Action Type: Staff Enforcement Letter (Informal)
Enf Action Description: Staff Enforcement Letter (Informal)
Enf Action Notes: Not reported
Enf Action Division: Water Boards
Enf Action Program: WDRMUNILRG
Enf Action Source: CIWQS,

Site ID: 51419
Site Name: Needles WWTP
Site Address: 516 BROADWAY
Site City: NEEDLES
Site Zip: 92363
Enf Action Date: 09-12-2011

Map ID
Direction
Distance
Elevation

MAP FINDINGS

Site

Database(s)

EDR ID Number
EPA ID Number

NEEDLES WWTP - NPDES (H) (Continued)

S105025186

Enf Action Type: Staff Enforcement Letter (Informal)
Enf Action Description: Staff Enforcement Letter (Informal)
Enf Action Notes: Not reported
Enf Action Division: Water Boards
Enf Action Program: SLIC
Enf Action Source: CIWQS,

Site ID: 51419
Site Name: Needles WWTP
Site Address: 516 BROADWAY
Site City: NEEDLES
Site Zip: 92363
Enf Action Date: 09-12-2011
Enf Action Type: Staff Enforcement Letter (Informal)
Enf Action Description: Staff Enforcement Letter (Informal)
Enf Action Notes: Not reported
Enf Action Division: Water Boards
Enf Action Program: WDRMUNILRG
Enf Action Source: CIWQS,

Site ID: 51419
Site Name: Needles WWTP
Site Address: 516 BROADWAY
Site City: NEEDLES
Site Zip: 92363
Enf Action Date: 09-20-2001
Enf Action Type: Notice to Comply (Minor Violations)
Enf Action Description: Notice to Comply for Minor Violations
Enf Action Notes: Not reported
Enf Action Division: Water Boards
Enf Action Program: SLIC
Enf Action Source: CIWQS,

Site ID: 51419
Site Name: Needles WWTP
Site Address: 516 BROADWAY
Site City: NEEDLES
Site Zip: 92363
Enf Action Date: 09-20-2001
Enf Action Type: Notice to Comply (Minor Violations)
Enf Action Description: Notice to Comply for Minor Violations
Enf Action Notes: Not reported
Enf Action Division: Water Boards
Enf Action Program: WDRMUNILRG
Enf Action Source: CIWQS,

Site ID: 51419
Site Name: Needles WWTP
Site Address: 516 BROADWAY
Site City: NEEDLES
Site Zip: 92363
Enf Action Date: 09-25-2012
Enf Action Type: Staff Enforcement Letter (Informal)
Enf Action Description: Staff Enforcement Letter (Informal)
Enf Action Notes: Not reported
Enf Action Division: Water Boards
Enf Action Program: SLIC

Map ID
Direction
Distance
Elevation

MAP FINDINGS

Site

Database(s)

EDR ID Number
EPA ID Number

NEEDLES WWTP - NPDES (H) (Continued)

S105025186

Enf Action Source: CIWQS,

Site ID: 51419
Site Name: Needles WWTP
Site Address: 516 BROADWAY
Site City: NEEDLES
Site Zip: 92363
Enf Action Date: 09-25-2012
Enf Action Type: Staff Enforcement Letter (Informal)
Enf Action Description: Staff Enforcement Letter (Informal)
Enf Action Notes: Not reported
Enf Action Division: Water Boards
Enf Action Program: WDRMUNILRG
Enf Action Source: CIWQS,

Site ID: 51419
Site Name: Needles WWTP
Site Address: 516 BROADWAY
Site City: NEEDLES
Site Zip: 92363
Enf Action Date: 10-22-2001
Enf Action Type: Staff Enforcement Letter (Informal)
Enf Action Description: Staff Enforcement Letter (Informal)
Enf Action Notes: Not reported
Enf Action Division: Water Boards
Enf Action Program: SLIC
Enf Action Source: CIWQS,

Site ID: 51419
Site Name: Needles WWTP
Site Address: 516 BROADWAY
Site City: NEEDLES
Site Zip: 92363
Enf Action Date: 10-22-2001
Enf Action Type: Staff Enforcement Letter (Informal)
Enf Action Description: Staff Enforcement Letter (Informal)
Enf Action Notes: Not reported
Enf Action Division: Water Boards
Enf Action Program: WDRMUNILRG
Enf Action Source: CIWQS,

Site ID: 51419
Site Name: Needles WWTP
Site Address: 516 BROADWAY
Site City: NEEDLES
Site Zip: 92363
Enf Action Date: 11-25-2014
Enf Action Type: Staff Enforcement Letter (Informal)
Enf Action Description: Staff Enforcement Letter (Informal)
Enf Action Notes: Not reported
Enf Action Division: Water Boards
Enf Action Program: SLIC
Enf Action Source: CIWQS,

Site ID: 51419
Site Name: Needles WWTP
Site Address: 516 BROADWAY

Map ID
Direction
Distance
Elevation

MAP FINDINGS

Site

Database(s)

EDR ID Number
EPA ID Number

NEEDLES WWTP - NPDES (H) (Continued)

S105025186

Site City: NEEDLES
Site Zip: 92363
Enf Action Date: 11-25-2014
Enf Action Type: Staff Enforcement Letter (Informal)
Enf Action Description: Staff Enforcement Letter (Informal)
Enf Action Notes: Not reported
Enf Action Division: Water Boards
Enf Action Program: WDRMUNILRG
Enf Action Source: CIWQS,

Site ID: 51419
Site Name: Needles WWTP
Site Address: 516 BROADWAY
Site City: NEEDLES
Site Zip: 92363
Enf Action Date: 12-17-2014
Enf Action Type: Staff Enforcement Letter (Informal)
Enf Action Description: Staff Enforcement Letter (Informal)
Enf Action Notes: Not reported
Enf Action Division: Water Boards
Enf Action Program: SLIC
Enf Action Source: CIWQS,

Site ID: 51419
Site Name: Needles WWTP
Site Address: 516 BROADWAY
Site City: NEEDLES
Site Zip: 92363
Enf Action Date: 12-17-2014
Enf Action Type: Staff Enforcement Letter (Informal)
Enf Action Description: Staff Enforcement Letter (Informal)
Enf Action Notes: Not reported
Enf Action Division: Water Boards
Enf Action Program: WDRMUNILRG
Enf Action Source: CIWQS,

Site ID: 51419
Site Name: Needles WWTP
Site Address: 516 BROADWAY
Site City: NEEDLES
Site Zip: 92363
Enf Action Date: 12-20-2000
Enf Action Type: Oral Communication
Enf Action Description: Oral Communication
Enf Action Notes: Not reported
Enf Action Division: Water Boards
Enf Action Program: SLIC
Enf Action Source: CIWQS,

Site ID: 51419
Site Name: Needles WWTP
Site Address: 516 BROADWAY
Site City: NEEDLES
Site Zip: 92363
Enf Action Date: 12-20-2000
Enf Action Type: Oral Communication
Enf Action Description: Oral Communication

Map ID
Direction
Distance
Elevation

MAP FINDINGS

Site

Database(s)

EDR ID Number
EPA ID Number

NEEDLES WWTP - NPDES (H) (Continued)

S105025186

Enf Action Notes: Not reported
Enf Action Division: Water Boards
Enf Action Program: WDRMUNILRG
Enf Action Source: CIWQS,

Name: NEDDLES WWTP
Address: 516 EAST BROADWAY
City,State,Zip: NEEDLES, CA 92363
Site ID: 537723
CERS ID: 823029
CERS Description: Industrial Facility Storm Water

Violations:
Site ID: 537723
Site Name: Neddles WWTP
Violation Date: 07-16-2019
Citation: 2014-0057-DWQ - Industrial General Permit
Violation Description: SW - Late Report
Violation Notes: Failure to submit 2018-2019 Annual Report
Violation Division: Water Boards
Violation Program: INDSTW
Violation Source: SMARTS,

Enforcement Action:
Site ID: 537723
Site Name: Neddles WWTP
Site Address: 516 EAST BROADWAY
Site City: NEEDLES
Site Zip: 92363
Enf Action Date: 08-22-2019
Enf Action Type: Industrial Storm Water Enforcement
Enf Action Description: Industrial Storm Water Enforcement
Enf Action Notes: 08/22/19 1st NNC issued for failure to submit 2018-2019 Annual Report.
Enf Action Division: Water Boards
Enf Action Program: INDSTW
Enf Action Source: SMARTS,

Affiliation:
Affiliation Type Desc: Owner/Operator
Entity Name: City of Needles
Entity Title: Operator
Affiliation Address: 817 3rd Street
Affiliation City: Needles
Affiliation State: CA
Affiliation Country: Not reported
Affiliation Zip: 92363
Affiliation Phone: ,

Map ID
Direction
Distance
Elevation

MAP FINDINGS

Site

Database(s)
EDR ID Number
EPA ID Number

CU688 **NEEDLES, CITY OF**
Target **516 EAST BROADWAY**
Property **NEEDLES, CA 92363**

FINDS **1007992160**
 N/A

Site 8 of 9 in cluster CU

Actual: **FINDS:**
506 ft. Registry ID: 110000736348

Focus Map: [Click Here for FRS Facility Detail Report:](#)
11

Environmental Interest/Information System:
COMMUNITY WATER SYSTEM
WATER TREATMENT PLANT
US National Pollutant Discharge Elimination System (NPDES) module of the Compliance Information System (ICIS) tracks surface water permits issued under the Clean Water Act. Under NPDES, all facilities that discharge pollutants from any point source into waters of the United States are required to obtain a permit. The permit will likely contain limits on what can be discharged, impose monitoring and reporting requirements, and include other provisions to ensure that the discharge does not adversely affect water quality.

[Click this hyperlink](#) while viewing on your computer to access additional FINDS: detail in the EDR Site Report.

CU689
Target **526 E BROADWAY (R/P NOT CERTAIN)**
Property **NEEDLES, CA 92363**

CHMIRS **S105666182**
 N/A

Site 9 of 9 in cluster CU

Actual: **CHMIRS:**
512 ft. Name: Not reported
Focus Map: Address: 526 E BROADWAY (R/P NOT CERTAIN)
11 City,State,Zip: NEEDLES, CA 92363
 OES Incident Number: 0-3630
 OES notification: 08/13/2000
 OES Date: Not reported
 OES Time: Not reported
 Date Completed: **Not reported**
 Property Use: Not reported
 Agency Id Number: Not reported
 Agency Incident Number: Not reported
 Time Notified: Not reported
 Time Completed: Not reported
 Surrounding Area: Not reported
 Estimated Temperature: Not reported
 Property Management: Not reported
 More Than Two Substances Involved?: Not reported
 Resp Agncy Personel # Of Decontaminated: Not reported
 Responding Agency Personel # Of Injuries: Not reported
 Responding Agency Personel # Of Fatalities: Not reported
 Others Number Of Decontaminated: Not reported
 Others Number Of Injuries: Not reported
 Others Number Of Fatalities: Not reported
 Vehicle Make/year: Not reported
 Vehicle License Number: Not reported
 Vehicle State: Not reported
 Vehicle Id Number: Not reported
 CA DOT PUC/ICC Number: Not reported

Map ID
Direction
Distance
Elevation

MAP FINDINGS

Site

Database(s)

EDR ID Number
EPA ID Number

(Continued)

S105666182

Company Name:	Not reported
Reporting Officer Name/ID:	Not reported
Report Date:	Not reported
Facility Telephone:	Not reported
Waterway Involved:	No
Waterway:	Not reported
Spill Site:	Not reported
Cleanup By:	Unknown
Containment:	Not reported
What Happened:	Not reported
Type:	Not reported
Measure:	Not reported
Other:	Not reported
Date/Time:	Not reported
Year:	2000
Agency:	Private Citizen
Incident Date:	8/13/200012:00:00 AM
Admin Agency:	San Bernardino County Health Department
Amount:	Not reported
Contained:	No
Site Type:	Service Station, Treatment/Sewage Facility
E Date:	Not reported
Substance:	raw sewage
Gallons:	100,000
Unknown:	0
Substance #2:	Not reported
Substance #3:	Not reported
Evacuations:	0
Number of Injuries:	0
Number of Fatalities:	0
#1 Pipeline:	Not reported
#2 Pipeline:	Not reported
#3 Pipeline:	Not reported
#1 Vessel >= 300 Tons:	Not reported
#2 Vessel >= 300 Tons:	Not reported
#3 Vessel >= 300 Tons:	Not reported
Evacs:	Not reported
Injuries:	Not reported
Fatals:	Not reported
Comments:	Not reported
Description:	Occurring at the Needles Waste Water Treatment Plant. The sequencing batch reactor tanks are overflowing. This has been occurring for at least 4 hours. There doesn't appear to be anyone at the plant or any alarms going off. It is flowing from a culvert to outside of the plant perimeter fencing.

Map ID
Direction
Distance
Elevation

MAP FINDINGS

Site

Database(s)
EDR ID Number
EPA ID Number

690
Target
Property
GAIL SHAVER
1349 LARCHWOOD ST
NEEDLES, CA 92363

HWTS **S124633973**
N/A

Actual:
611 ft.
Focus Map:
11

HWTS:
Name: GAIL SHAVER
Address: 1349 LARCHWOOD ST
Address 2: Not reported
City,State,Zip: NEEDLES, CA 92363
EPA ID: CAC002806576
Inactive Date: 06/08/2015
Create Date: 03/09/2015
Last Act Date: Not reported
Mailing Name: Not reported
Mailing Address: 1349 LARCHWOOD ST
Mailing Address 2: Not reported
Mailing City,State,Zip: NEEDLES, CA 923633403
Owner Name: GAIL SHAVER
Owner Address: 1349 LARCHWOOD ST
Owner Address 2: Not reported
Owner City,State,Zip: NEEDLES, CA 923633403
Contact Name: GAIL SHAVER
Contact Address: 1349 LARCHWOOD ST
Contact Address 2: Not reported
City,State,Zip: NEEDLES, CA 923633403
Facility Status: Inactive
Facility Type: TEMPORARY
Category: STATE
Latitude: 34.829795
Longitude: -114.61044

691
Target
Property
ONSITE OIL
1801 CORONADO ST
NEEDLES, CA 92363

HAZNET **S123621856**
HWTS **N/A**

Actual:
666 ft.
Focus Map:
10

HAZNET:
Name: ONSITE OIL
Address: 1801 CORONADO ST
Address 2: Not reported
City,State,Zip: NEEDLES, CA 923633124
Contact: KEN KLATT/OWNER
Telephone: 7603265610
Mailing Name: Not reported
Mailing Address: 1714 W BROADWAY ST

Year: 2006
Gepaid: CAL000219620
TSD EPA ID: NVR000066837
CA Waste Code: 221 - Waste oil and mixed oil
Disposal Method: -
Tons: 3.629

Year: 2005
Gepaid: CAL000219620
TSD EPA ID: NVR000066837
CA Waste Code: 221 - Waste oil and mixed oil
Disposal Method: H01 - Transfer Station
Tons: 2.66

Year: 2005

Map ID
Direction
Distance
Elevation

MAP FINDINGS

Site

Database(s)

EDR ID Number
EPA ID Number

ONSITE OIL (Continued)

S123621856

Gepaid:	CAL000219620
TSD EPA ID:	CAT000613893
CA Waste Code:	221 - Waste oil and mixed oil
Disposal Method:	-
Tons:	2.888
Year:	2005
Gepaid:	CAL000219620
TSD EPA ID:	NVR000066837
CA Waste Code:	221 - Waste oil and mixed oil
Disposal Method:	-
Tons:	16.169
Year:	2004
Gepaid:	CAL000219620
TSD EPA ID:	NVR000066837
CA Waste Code:	221 - Waste oil and mixed oil
Disposal Method:	H01 - Transfer Station
Tons:	2.565
Year:	2004
Gepaid:	CAL000219620
TSD EPA ID:	NVR000066837
CA Waste Code:	221 - Waste oil and mixed oil
Disposal Method:	-
Tons:	14.991
Year:	2004
Gepaid:	CAL000219620
TSD EPA ID:	NVR000066837
CA Waste Code:	-
Disposal Method:	H01 - Transfer Station
Tons:	Not reported
Year:	2003
Gepaid:	CAL000219620
TSD EPA ID:	NVR000066837
CA Waste Code:	221 - Waste oil and mixed oil
Disposal Method:	H01 - Transfer Station
Tons:	10.222
Year:	2003
Gepaid:	CAL000219620
TSD EPA ID:	NVR000066837
CA Waste Code:	221 - Waste oil and mixed oil
Disposal Method:	-
Tons:	9.766
Year:	2002
Gepaid:	CAL000219620
TSD EPA ID:	NVR000066837
CA Waste Code:	221 - Waste oil and mixed oil
Disposal Method:	H01 - Transfer Station
Tons:	4.2598

Map ID
Direction
Distance
Elevation

MAP FINDINGS

Site

Database(s)

EDR ID Number
EPA ID Number

ONSITE OIL (Continued)

S123621856

[Click this hyperlink](#) while viewing on your computer to access 2 additional CA HAZNET: record(s) in the EDR Site Report.

Additional Info:

Year:	2003
Gen EPA ID:	CAL000219620
Shipment Date:	20031126
Creation Date:	8/5/2004 10:14:17
Receipt Date:	20031126
Manifest ID:	23302249
Trans EPA ID:	TXR000050930
Trans Name:	SAFETY-KLEEN SYSTEMS INC
Trans 2 EPA ID:	Not reported
Trans 2 Name:	Not reported
TSDf EPA ID:	NVR000066837
Trans Name:	SAFETY-KLEEN SYSTEMS INC
TSDf Alt EPA ID:	Not reported
TSDf Alt Name:	Not reported
Waste Code Description:	221 - Waste oil and mixed oil
RCRA Code:	Not reported
Meth Code:	- Not reported
Quantity Tons:	2.451
Waste Quantity:	645
Quantity Unit:	G
Additional Code 1:	Not reported
Additional Code 2:	Not reported
Additional Code 3:	Not reported
Additional Code 4:	Not reported
Additional Code 5:	Not reported
Shipment Date:	20031015
Creation Date:	8/3/2004 15:00:31
Receipt Date:	20031015
Manifest ID:	22529649
Trans EPA ID:	TXR000050930
Trans Name:	SAFETY-KLEEN SYSTEMS INC
Trans 2 EPA ID:	Not reported
Trans 2 Name:	Not reported
TSDf EPA ID:	NVR000066837
Trans Name:	SAFETY-KLEEN SYSTEMS INC
TSDf Alt EPA ID:	Not reported
TSDf Alt Name:	Not reported
Waste Code Description:	221 - Waste oil and mixed oil
RCRA Code:	Not reported
Meth Code:	- Not reported
Quantity Tons:	2.242
Waste Quantity:	590
Quantity Unit:	G
Additional Code 1:	Not reported
Additional Code 2:	Not reported
Additional Code 3:	Not reported
Additional Code 4:	Not reported
Additional Code 5:	Not reported
Shipment Date:	20030904

Map ID
Direction
Distance
Elevation

MAP FINDINGS

Site

Database(s)

EDR ID Number
EPA ID Number

ONSITE OIL (Continued)

S123621856

Creation Date: 7/29/2004 7:44:50
Receipt Date: 20030904
Manifest ID: 22513843
Trans EPA ID: TXR000050930
Trans Name: Not reported
Trans 2 EPA ID: Not reported
Trans 2 Name: Not reported
TSDf EPA ID: NVR000066837
Trans Name: Not reported
TSDf Alt EPA ID: Not reported
TSDf Alt Name: Not reported
Waste Code Description: 221 - Waste oil and mixed oil
RCRA Code: Not reported
Meth Code: H01 - Transfer Station
Quantity Tons: 2.394
Waste Quantity: 630
Quantity Unit: G
Additional Code 1: Not reported
Additional Code 2: Not reported
Additional Code 3: Not reported
Additional Code 4: Not reported
Additional Code 5: Not reported

Shipment Date: 20030723
Creation Date: 7/23/2004 9:17:32
Receipt Date: 20030723
Manifest ID: 22877861
Trans EPA ID: TXR000050930
Trans Name: Not reported
Trans 2 EPA ID: Not reported
Trans 2 Name: Not reported
TSDf EPA ID: NVR000066837
Trans Name: Not reported
TSDf Alt EPA ID: Not reported
TSDf Alt Name: Not reported
Waste Code Description: 221 - Waste oil and mixed oil
RCRA Code: Not reported
Meth Code: - Not reported
Quantity Tons: 2.337
Waste Quantity: 615
Quantity Unit: G
Additional Code 1: Not reported
Additional Code 2: Not reported
Additional Code 3: Not reported
Additional Code 4: Not reported
Additional Code 5: Not reported

Shipment Date: 20030611
Creation Date: 7/20/2004 12:51:42
Receipt Date: 20030611
Manifest ID: 22371126
Trans EPA ID: TXR000050930
Trans Name: Not reported
Trans 2 EPA ID: Not reported
Trans 2 Name: Not reported
TSDf EPA ID: NVR000066837
Trans Name: Not reported

Map ID
Direction
Distance
Elevation

MAP FINDINGS

Site

Database(s)

EDR ID Number
EPA ID Number

ONSITE OIL (Continued)

S123621856

TSDf Alt EPA ID: Not reported
TSDf Alt Name: Not reported
Waste Code Description: 221 - Waste oil and mixed oil
RCRA Code: Not reported
Meth Code: H01 - Transfer Station
Quantity Tons: 2.66
Waste Quantity: 700
Quantity Unit: G
Additional Code 1: Not reported
Additional Code 2: Not reported
Additional Code 3: Not reported
Additional Code 4: Not reported
Additional Code 5: Not reported

Shipment Date: 20030430
Creation Date: 7/13/2003 18:31:11
Receipt Date: 20030430
Manifest ID: 22382943
Trans EPA ID: TXR000050930
Trans Name: Not reported
Trans 2 EPA ID: Not reported
Trans 2 Name: Not reported
TSDf EPA ID: NVR000066837
Trans Name: Not reported
TSDf Alt EPA ID: Not reported
TSDf Alt Name: Not reported
Waste Code Description: 221 - Waste oil and mixed oil
RCRA Code: Not reported
Meth Code: H01 - Transfer Station
Quantity Tons: 2.774
Waste Quantity: 730
Quantity Unit: G
Additional Code 1: Not reported
Additional Code 2: Not reported
Additional Code 3: Not reported
Additional Code 4: Not reported
Additional Code 5: Not reported

Shipment Date: 20030320
Creation Date: 1/5/2007 18:30:36
Receipt Date: 20030320
Manifest ID: 22437393
Trans EPA ID: TXR000050930
Trans Name: Not reported
Trans 2 EPA ID: Not reported
Trans 2 Name: Not reported
TSDf EPA ID: NVR000066837
Trans Name: Not reported
TSDf Alt EPA ID: Not reported
TSDf Alt Name: Not reported
Waste Code Description: 221 - Waste oil and mixed oil
RCRA Code: Not reported
Meth Code: H01 - Transfer Station
Quantity Tons: 2.394
Waste Quantity: 630
Quantity Unit: G
Additional Code 1: Not reported

Map ID
Direction
Distance
Elevation

MAP FINDINGS

Site

Database(s)

EDR ID Number
EPA ID Number

ONSITE OIL (Continued)

S123621856

Additional Code 2: Not reported
Additional Code 3: Not reported
Additional Code 4: Not reported
Additional Code 5: Not reported

Shipment Date: 20030205
Creation Date: 5/13/2003 18:32:19
Receipt Date: 20030203
Manifest ID: 22115909
Trans EPA ID: TXR000050930
Trans Name: Not reported
Trans 2 EPA ID: Not reported
Trans 2 Name: Not reported
TSDf EPA ID: NVR000066837
Trans Name: Not reported
TSDf Alt EPA ID: Not reported
TSDf Alt Name: Not reported
Waste Code Description: 221 - Waste oil and mixed oil
RCRA Code: Not reported
Meth Code: - Not reported
Quantity Tons: 2.736
Waste Quantity: 720
Quantity Unit: G
Additional Code 1: Not reported
Additional Code 2: Not reported
Additional Code 3: Not reported
Additional Code 4: Not reported
Additional Code 5: Not reported

Additional Info:
Year: 2005
Gen EPA ID: CAL000219620

Shipment Date: 20051122
Creation Date: 1/2/2007 18:30:08
Receipt Date: 20051122
Manifest ID: 22323476
Trans EPA ID: TXR000050930
Trans Name: SAFETY KLEEN INC
Trans 2 EPA ID: Not reported
Trans 2 Name: Not reported
TSDf EPA ID: NVR000066837
Trans Name: SAFETY KLEEN
TSDf Alt EPA ID: Not reported
TSDf Alt Name: Not reported
Waste Code Description: 221 - Waste oil and mixed oil
RCRA Code: Not reported
Meth Code: - Not reported
Quantity Tons: 2.888
Waste Quantity: 760
Quantity Unit: G
Additional Code 1: Not reported
Additional Code 2: Not reported
Additional Code 3: Not reported
Additional Code 4: Not reported
Additional Code 5: Not reported

Map ID
Direction
Distance
Elevation

MAP FINDINGS

Site

Database(s)

EDR ID Number
EPA ID Number

ONSITE OIL (Continued)

S123621856

Shipment Date: 20051012
Creation Date: 8/23/2006 18:35:03
Receipt Date: 20051012
Manifest ID: 24365120
Trans EPA ID: TXR000050930
Trans Name: SAFETY-KLEEN SYSTEMS INC
Trans 2 EPA ID: Not reported
Trans 2 Name: Not reported
TSDf EPA ID: NVR000066837
Trans Name: SAFETY-KLEEN SYSTEMS INC
TSDf Alt EPA ID: NVR000066837
TSDf Alt Name: Not reported
Waste Code Description: 221 - Waste oil and mixed oil
RCRA Code: Not reported
Meth Code: - Not reported
Quantity Tons: 2.584
Waste Quantity: 680
Quantity Unit: G
Additional Code 1: Not reported
Additional Code 2: Not reported
Additional Code 3: Not reported
Additional Code 4: Not reported
Additional Code 5: Not reported

Shipment Date: 20050901
Creation Date: 4/13/2006 18:45:56
Receipt Date: 20050901
Manifest ID: 24365158
Trans EPA ID: TXR000050930
Trans Name: SAFETY-KLEEN SYSTEMS INC
Trans 2 EPA ID: Not reported
Trans 2 Name: Not reported
TSDf EPA ID: NVR000066837
Trans Name: SAFETY-KLEEN SYSTEMS INC
TSDf Alt EPA ID: NVR000066837
TSDf Alt Name: Not reported
Waste Code Description: 221 - Waste oil and mixed oil
RCRA Code: Not reported
Meth Code: - Not reported
Quantity Tons: 2.698
Waste Quantity: 710
Quantity Unit: G
Additional Code 1: Not reported
Additional Code 2: Not reported
Additional Code 3: Not reported
Additional Code 4: Not reported
Additional Code 5: Not reported

Shipment Date: 20050721
Creation Date: 10/11/2005 18:31:29
Receipt Date: 20050721
Manifest ID: 23020164
Trans EPA ID: TXR000050930
Trans Name: SAFETY-KLEEN SYSTEMS INC
Trans 2 EPA ID: Not reported
Trans 2 Name: Not reported
TSDf EPA ID: NVR000066837

Map ID
Direction
Distance
Elevation

MAP FINDINGS

Site

Database(s)

EDR ID Number
EPA ID Number

ONSITE OIL (Continued)

S123621856

Trans Name: SAFETY-KLEEN SYSTEMS INC
TSDf Alt EPA ID: NVR000066837
TSDf Alt Name: Not reported
Waste Code Description: 221 - Waste oil and mixed oil
RCRA Code: Not reported
Meth Code: - Not reported
Quantity Tons: 2.85
Waste Quantity: 750
Quantity Unit: G
Additional Code 1: Not reported
Additional Code 2: Not reported
Additional Code 3: Not reported
Additional Code 4: Not reported
Additional Code 5: Not reported

Shipment Date: 20050608
Creation Date: 8/17/2005 18:32:04
Receipt Date: 20050608
Manifest ID: 23020101
Trans EPA ID: TXR000050930
Trans Name: SAFETY-KLEEN SYSTEMS INC
Trans 2 EPA ID: Not reported
Trans 2 Name: Not reported
TSDf EPA ID: NVR000066837
Trans Name: SAFETY-KLEEN SYSTEMS INC
TSDf Alt EPA ID: NVR000066837
TSDf Alt Name: Not reported
Waste Code Description: 221 - Waste oil and mixed oil
RCRA Code: Not reported
Meth Code: - Not reported
Quantity Tons: 2.945
Waste Quantity: 775
Quantity Unit: G
Additional Code 1: Not reported
Additional Code 2: Not reported
Additional Code 3: Not reported
Additional Code 4: Not reported
Additional Code 5: Not reported

Shipment Date: 20050427
Creation Date: 7/20/2005 18:30:55
Receipt Date: 20050427
Manifest ID: 23020287
Trans EPA ID: TXR000050930
Trans Name: SAFETY-KLEEN SYSTEMS INC
Trans 2 EPA ID: Not reported
Trans 2 Name: Not reported
TSDf EPA ID: NVR000066837
Trans Name: SAFETY-KLEEN SYSTEMS INC
TSDf Alt EPA ID: NVR000066837
TSDf Alt Name: Not reported
Waste Code Description: 221 - Waste oil and mixed oil
RCRA Code: Not reported
Meth Code: H01 - Transfer Station
Quantity Tons: 2.66
Waste Quantity: 700
Quantity Unit: G

Map ID
Direction
Distance
Elevation

MAP FINDINGS

Site

Database(s)

EDR ID Number
EPA ID Number

ONSITE OIL (Continued)

S123621856

Additional Code 1:	Not reported
Additional Code 2:	Not reported
Additional Code 3:	Not reported
Additional Code 4:	Not reported
Additional Code 5:	Not reported
Shipment Date:	20050315
Creation Date:	5/29/2005 18:30:53
Receipt Date:	20050315
Manifest ID:	23020366
Trans EPA ID:	TXR000050930
Trans Name:	SAFETY-KLEEN SYSTEMS INC
Trans 2 EPA ID:	Not reported
Trans 2 Name:	Not reported
TSDf EPA ID:	NVR000066837
Trans Name:	SAFETY-KLEEN SYSTEMS INC
TSDf Alt EPA ID:	CAT000613893
TSDf Alt Name:	Not reported
Waste Code Description:	221 - Waste oil and mixed oil
RCRA Code:	Not reported
Meth Code:	- Not reported
Quantity Tons:	2.888
Waste Quantity:	760
Quantity Unit:	G
Additional Code 1:	Not reported
Additional Code 2:	Not reported
Additional Code 3:	Not reported
Additional Code 4:	Not reported
Additional Code 5:	Not reported
Shipment Date:	20050202
Creation Date:	6/3/2005 18:31:06
Receipt Date:	20050202
Manifest ID:	23020091
Trans EPA ID:	TXR000050930
Trans Name:	SAFETY-KLEEN SYSTEMS INC
Trans 2 EPA ID:	Not reported
Trans 2 Name:	Not reported
TSDf EPA ID:	NVR000066837
Trans Name:	SAFETY-KLEEN SYSTEMS INC
TSDf Alt EPA ID:	708701
TSDf Alt Name:	Not reported
Waste Code Description:	221 - Waste oil and mixed oil
RCRA Code:	Not reported
Meth Code:	- Not reported
Quantity Tons:	2.204
Waste Quantity:	580
Quantity Unit:	G
Additional Code 1:	Not reported
Additional Code 2:	Not reported
Additional Code 3:	Not reported
Additional Code 4:	Not reported
Additional Code 5:	Not reported
Additional Info:	
Year:	2004
Gen EPA ID:	CAL000219620

Map ID
Direction
Distance
Elevation

MAP FINDINGS

Site

Database(s)

EDR ID Number
EPA ID Number

ONSITE OIL (Continued)

S123621856

Shipment Date: 20041027
Creation Date: 12/31/2004 18:30:54
Receipt Date: 20041027
Manifest ID: 22323514
Trans EPA ID: TXR000050930
Trans Name: SAFETY-KLEEN SYSTEMS INC
Trans 2 EPA ID: Not reported
Trans 2 Name: Not reported
TSDf EPA ID: NVR000066837
Trans Name: SAFETY-KLEEN SYSTEMS INC
TSDf Alt EPA ID: NVR000066837
TSDf Alt Name: Not reported
Waste Code Description: 221 - Waste oil and mixed oil
RCRA Code: Not reported
Meth Code: - Not reported
Quantity Tons: 2.546
Waste Quantity: 670
Quantity Unit: G
Additional Code 1: Not reported
Additional Code 2: Not reported
Additional Code 3: Not reported
Additional Code 4: Not reported
Additional Code 5: Not reported

Shipment Date: 20041027
Creation Date: 12/31/2004 18:30:54
Receipt Date: 20041027
Manifest ID: 22323514
Trans EPA ID: TXR000050930
Trans Name: SAFETY-KLEEN SYSTEMS INC
Trans 2 EPA ID: Not reported
Trans 2 Name: Not reported
TSDf EPA ID: NVR000066837
Trans Name: SAFETY-KLEEN SYSTEMS INC
TSDf Alt EPA ID: NVR000066837
TSDf Alt Name: Not reported
Waste Code Description: - Not reported
RCRA Code: Not reported
Meth Code: H01 - Transfer Station
Quantity Tons: Not reported
Waste Quantity: Not reported
Quantity Unit: Not reported
Additional Code 1: Not reported
Additional Code 2: Not reported
Additional Code 3: Not reported
Additional Code 4: Not reported
Additional Code 5: Not reported

Shipment Date: 20040915
Creation Date: 12/28/2004 14:47:40
Receipt Date: 20040915
Manifest ID: 22323436
Trans EPA ID: TXR000050930
Trans Name: SAFETY-KLEEN SYSTEMS INC
Trans 2 EPA ID: Not reported
Trans 2 Name: Not reported
TSDf EPA ID: NVR000066837

Map ID
Direction
Distance
Elevation

MAP FINDINGS

Site

Database(s)

EDR ID Number
EPA ID Number

ONSITE OIL (Continued)

S123621856

Trans Name: SAFETY-KLEEN SYSTEMS INC
TSDf Alt EPA ID: NVR000066837
TSDf Alt Name: Not reported
Waste Code Description: 221 - Waste oil and mixed oil
RCRA Code: Not reported
Meth Code: H01 - Transfer Station
Quantity Tons: 2.565
Waste Quantity: 675
Quantity Unit: G
Additional Code 1: Not reported
Additional Code 2: Not reported
Additional Code 3: Not reported
Additional Code 4: Not reported
Additional Code 5: Not reported

Shipment Date: 20040804
Creation Date: 11/5/2004 18:30:59
Receipt Date: 20040804
Manifest ID: 23516459
Trans EPA ID: TXR000050930
Trans Name: SAFETY-KLEEN SYSTEMS INC
Trans 2 EPA ID: Not reported
Trans 2 Name: Not reported
TSDf EPA ID: NVR000066837
Trans Name: SAFETY-KLEEN SYSTEMS INC
TSDf Alt EPA ID: Not reported
TSDf Alt Name: Not reported
Waste Code Description: 221 - Waste oil and mixed oil
RCRA Code: Not reported
Meth Code: - Not reported
Quantity Tons: 2.432
Waste Quantity: 640
Quantity Unit: G
Additional Code 1: Not reported
Additional Code 2: Not reported
Additional Code 3: Not reported
Additional Code 4: Not reported
Additional Code 5: Not reported

Shipment Date: 20040623
Creation Date: 10/29/2004 7:58:42
Receipt Date: 20040623
Manifest ID: 23508446
Trans EPA ID: TXR000050930
Trans Name: SAFETY-KLEEN SYSTEMS INC
Trans 2 EPA ID: Not reported
Trans 2 Name: Not reported
TSDf EPA ID: NVR000066837
Trans Name: SAFETY-KLEEN SYSTEMS INC
TSDf Alt EPA ID: Not reported
TSDf Alt Name: Not reported
Waste Code Description: 221 - Waste oil and mixed oil
RCRA Code: Not reported
Meth Code: - Not reported
Quantity Tons: 2.546
Waste Quantity: 670
Quantity Unit: G

Map ID
Direction
Distance
Elevation

MAP FINDINGS

Site

Database(s)

EDR ID Number
EPA ID Number

ONSITE OIL (Continued)

S123621856

Additional Code 1:	Not reported
Additional Code 2:	Not reported
Additional Code 3:	Not reported
Additional Code 4:	Not reported
Additional Code 5:	Not reported
Shipment Date:	20040512
Creation Date:	10/14/2004 15:19:37
Receipt Date:	20040512
Manifest ID:	22581939
Trans EPA ID:	TXR000050930
Trans Name:	SAFETY-KLEEN SYSTEMS INC
Trans 2 EPA ID:	Not reported
Trans 2 Name:	Not reported
TSDf EPA ID:	NVR000066837
Trans Name:	SAFETY-KLEEN SYSTEMS INC
TSDf Alt EPA ID:	Not reported
TSDf Alt Name:	Not reported
Waste Code Description:	221 - Waste oil and mixed oil
RCRA Code:	Not reported
Meth Code:	- Not reported
Quantity Tons:	2.508
Waste Quantity:	660
Quantity Unit:	G
Additional Code 1:	Not reported
Additional Code 2:	Not reported
Additional Code 3:	Not reported
Additional Code 4:	Not reported
Additional Code 5:	Not reported
Shipment Date:	20040330
Creation Date:	8/23/2004 8:48:57
Receipt Date:	20040330
Manifest ID:	23459894
Trans EPA ID:	TXR000050930
Trans Name:	SAFETY-KLEEN SYSTEMS INC
Trans 2 EPA ID:	Not reported
Trans 2 Name:	Not reported
TSDf EPA ID:	NVR000066837
Trans Name:	SAFETY-KLEEN SYSTEMS INC
TSDf Alt EPA ID:	Not reported
TSDf Alt Name:	Not reported
Waste Code Description:	221 - Waste oil and mixed oil
RCRA Code:	Not reported
Meth Code:	- Not reported
Quantity Tons:	2.28
Waste Quantity:	600
Quantity Unit:	G
Additional Code 1:	Not reported
Additional Code 2:	Not reported
Additional Code 3:	Not reported
Additional Code 4:	Not reported
Additional Code 5:	Not reported
Shipment Date:	20040218
Creation Date:	11/18/2004 8:25:56
Receipt Date:	20040218

Map ID
Direction
Distance
Elevation

MAP FINDINGS

Site

Database(s)

EDR ID Number
EPA ID Number

ONSITE OIL (Continued)

S123621856

Manifest ID: 22588692
Trans EPA ID: TXR000050930
Trans Name: SAFETY-KLEEN SYSTEMS INC
Trans 2 EPA ID: Not reported
Trans 2 Name: Not reported
TSDf EPA ID: NVR000066837
Trans Name: SAFETY-KLEEN SYSTEMS INC
TSDf Alt EPA ID: Not reported
TSDf Alt Name: Not reported
Waste Code Description: 221 - Waste oil and mixed oil
RCRA Code: Not reported
Meth Code: - Not reported
Quantity Tons: 2.679
Waste Quantity: 705
Quantity Unit: G
Additional Code 1: Not reported
Additional Code 2: Not reported
Additional Code 3: Not reported
Additional Code 4: Not reported
Additional Code 5: Not reported

Additional Info:

Year: 2006
Gen EPA ID: CAL000219620

Shipment Date: 20060214
Creation Date: 5/6/2006 18:31:14
Receipt Date: 20060214
Manifest ID: 23020244
Trans EPA ID: TXR000050930
Trans Name: SAFETY-KLEEN SYSTEMS INC
Trans 2 EPA ID: Not reported
Trans 2 Name: Not reported
TSDf EPA ID: NVR000066837
Trans Name: SAFETY-KLEEN SYSTEMS INC
TSDf Alt EPA ID: Not reported
TSDf Alt Name: Not reported
Waste Code Description: 221 - Waste oil and mixed oil
RCRA Code: Not reported
Meth Code: - Not reported
Quantity Tons: 2.755
Waste Quantity: 725
Quantity Unit: G
Additional Code 1: Not reported
Additional Code 2: Not reported
Additional Code 3: Not reported
Additional Code 4: Not reported
Additional Code 5: Not reported

Shipment Date: 20060105
Creation Date: 3/22/2006 18:30:36
Receipt Date: 20060105
Manifest ID: 24364888
Trans EPA ID: TXR000050930
Trans Name: SAFETY-KLEEN SYSTEMS INC
Trans 2 EPA ID: Not reported
Trans 2 Name: Not reported

Map ID
Direction
Distance
Elevation

MAP FINDINGS

Site

Database(s)

EDR ID Number
EPA ID Number

ONSITE OIL (Continued)

S123621856

TSDF EPA ID: NVR000066837
Trans Name: SAFETY-KLEEN SYSTEMS INC
TSDF Alt EPA ID: NVR000066837
TSDF Alt Name: Not reported
Waste Code Description: 221 - Waste oil and mixed oil
RCRA Code: Not reported
Meth Code: - Not reported
Quantity Tons: 0.874
Waste Quantity: 230
Quantity Unit: G
Additional Code 1: Not reported
Additional Code 2: Not reported
Additional Code 3: Not reported
Additional Code 4: Not reported
Additional Code 5: Not reported

Additional Info:

Year: 2002
Gen EPA ID: CAL000219620

Shipment Date: 20021226
Creation Date: 4/2/2003 18:31:15
Receipt Date: 20021226
Manifest ID: 22197707
Trans EPA ID: SCR000075150
Trans Name: Not reported
Trans 2 EPA ID: Not reported
Trans 2 Name: Not reported
TSDF EPA ID: NVR000066837
Trans Name: Not reported
TSDF Alt EPA ID: Not reported
TSDF Alt Name: Not reported
Waste Code Description: 221 - Waste oil and mixed oil
RCRA Code: Not reported
Meth Code: - Not reported
Quantity Tons: 2.394
Waste Quantity: 630
Quantity Unit: G
Additional Code 1: Not reported
Additional Code 2: Not reported
Additional Code 3: Not reported
Additional Code 4: Not reported
Additional Code 5: Not reported

Shipment Date: 20021121
Creation Date: 2/13/2003 18:31:35
Receipt Date: 20021122
Manifest ID: 99058036
Trans EPA ID: SCR000075150
Trans Name: Not reported
Trans 2 EPA ID: Not reported
Trans 2 Name: Not reported
TSDF EPA ID: NVR000066837
Trans Name: Not reported
TSDF Alt EPA ID: Not reported
TSDF Alt Name: Not reported
Waste Code Description: 221 - Waste oil and mixed oil

Map ID
Direction
Distance
Elevation

MAP FINDINGS

Site

Database(s)

EDR ID Number
EPA ID Number

ONSITE OIL (Continued)

S123621856

RCRA Code:	Not reported
Meth Code:	- Not reported
Quantity Tons:	1.976
Waste Quantity:	520
Quantity Unit:	G
Additional Code 1:	Not reported
Additional Code 2:	Not reported
Additional Code 3:	Not reported
Additional Code 4:	Not reported
Additional Code 5:	Not reported
Shipment Date:	20021017
Creation Date:	2/18/2003 18:31:24
Receipt Date:	20021017
Manifest ID:	99058094
Trans EPA ID:	SCR000075150
Trans Name:	Not reported
Trans 2 EPA ID:	Not reported
Trans 2 Name:	Not reported
TSDf EPA ID:	NVR000066837
Trans Name:	Not reported
TSDf Alt EPA ID:	Not reported
TSDf Alt Name:	Not reported
Waste Code Description:	221 - Waste oil and mixed oil
RCRA Code:	Not reported
Meth Code:	H01 - Transfer Station
Quantity Tons:	4.2598
Waste Quantity:	1121
Quantity Unit:	G
Additional Code 1:	Not reported
Additional Code 2:	Not reported
Additional Code 3:	Not reported
Additional Code 4:	Not reported
Additional Code 5:	Not reported
Shipment Date:	20020121
Creation Date:	3/7/2002 0:00:00
Receipt Date:	20020123
Manifest ID:	20826112
Trans EPA ID:	CAD980696041
Trans Name:	Not reported
Trans 2 EPA ID:	Not reported
Trans 2 Name:	Not reported
TSDf EPA ID:	CAD099452708
Trans Name:	Not reported
TSDf Alt EPA ID:	Not reported
TSDf Alt Name:	Not reported
Waste Code Description:	221 - Waste oil and mixed oil
RCRA Code:	Not reported
Meth Code:	R01 - Recycler
Quantity Tons:	2.8614
Waste Quantity:	753
Quantity Unit:	G
Additional Code 1:	Not reported
Additional Code 2:	Not reported
Additional Code 3:	Not reported
Additional Code 4:	Not reported

Map ID
Direction
Distance
Elevation

MAP FINDINGS

Site

Database(s)

EDR ID Number
EPA ID Number

ONSITE OIL (Continued)

S123621856

Additional Code 5: Not reported

HWTS:

Name: ONSITE OIL
Address: 1801 CORONADO ST
Address 2: Not reported
City,State,Zip: NEEDLES, CA 92363
EPA ID: CAL000219620
Inactive Date: 06/30/2003
Create Date: 05/11/2000
Last Act Date: Not reported
Mailing Name: Not reported
Mailing Address: 1714 W BROADWAY ST
Mailing Address 2: Not reported
Mailing City,State,Zip: NEEDLES, CA 923632504
Owner Name: KEN KLATT
Owner Address: 1801 CORONADO ST
Owner Address 2: Not reported
Owner City,State,Zip: NEEDLES, CA 923633124
Contact Name: KEN KLATT/OWNER
Contact Address: 1801 CORONADO ST
Contact Address 2: Not reported
City,State,Zip: NEEDLES, CA 923633124
Facility Status: Inactive
Facility Type: PERMANENT
Category: STATE
Latitude: 34.82953
Longitude: -114.62255

NAICS:

EPA ID: CAL000219620
Create Date: 2002-03-14 16:36:29.000
NAICS Code: 3362
NAICS Description: Motor Vehicle Body and Trailer Manufacturing
Issued EPA ID Date: 2000-05-11 00:00:00
Inactive Date: 2003-06-30 00:00:00
Facility Name: ONSITE OIL
Facility Address: 1801 CORONADO ST
Facility Address 2: Not reported
Facility City: NEEDLES
Facility County: Not reported
Facility State: CA
Facility Zip: 923633124

**CV692 C R HANCOCK JR
Target 717 E BROADWAY
Property NEEDLES, CA 92363**

**SWEEPS UST U001575242
HIST UST N/A
San Bern. Co. Permit**

Site 1 of 2 in cluster CV

Actual: 524 ft.
Focus Map: 11
SWEEPS UST:
Name: C R HANCOCK JR
Address: 717 E BROADWAY
City: NEEDLES
Status: Active
Comp Number: 41010
Number: 2

Map ID
Direction
Distance
Elevation

MAP FINDINGS

Site

Database(s)

EDR ID Number
EPA ID Number

C R HANCOCK JR (Continued)

U001575242

Board Of Equalization: Not reported
Referral Date: 07-28-92
Action Date: 07-28-92
Created Date: 02-29-88
Owner Tank Id: Not reported
SWRCB Tank Id: Not reported
Tank Status: Not reported
Capacity: Not reported
Active Date: Not reported
Tank Use: Not reported
STG: Not reported
Content: Not reported
Number Of Tanks: Not reported

Name: C R HANCOCK JR
Address: 717 E BROADWAY
City: NEEDLES
Status: Not reported
Comp Number: 41010
Number: Not reported
Board Of Equalization: Not reported
Referral Date: Not reported
Action Date: Not reported
Created Date: Not reported
Owner Tank Id: Not reported
SWRCB Tank Id: 36-000-041010-000001
Tank Status: Not reported
Capacity: 4000
Active Date: Not reported
Tank Use: M.V. FUEL
STG: PRODUCT
Content: LEADED
Number Of Tanks: 3

Name: C R HANCOCK JR
Address: 717 E BROADWAY
City: NEEDLES
Status: Not reported
Comp Number: 41010
Number: Not reported
Board Of Equalization: Not reported
Referral Date: Not reported
Action Date: Not reported
Created Date: Not reported
Owner Tank Id: Not reported
SWRCB Tank Id: 36-000-041010-000002
Tank Status: Not reported
Capacity: 4000
Active Date: Not reported
Tank Use: M.V. FUEL
STG: PRODUCT
Content: REG UNLEADED
Number Of Tanks: Not reported

Name: C R HANCOCK JR
Address: 717 E BROADWAY
City: NEEDLES

Map ID
Direction
Distance
Elevation

MAP FINDINGS

Site

Database(s)

EDR ID Number
EPA ID Number

C R HANCOCK JR (Continued)

U001575242

Status: Not reported
Comp Number: 41010
Number: Not reported
Board Of Equalization: Not reported
Referral Date: Not reported
Action Date: Not reported
Created Date: Not reported
Owner Tank Id: Not reported
SWRCB Tank Id: 36-000-041010-000003
Tank Status: Not reported
Capacity: 1000
Active Date: Not reported
Tank Use: OIL
STG: WASTE
Content: WASTE OIL
Number Of Tanks: Not reported

HIST UST:

Name: CLIFFS UNION
Address: 717 E BROADWAY
City,State,Zip: NEEDLES, CA 92363
File Number: 00029A96
URL: <http://geotracker.waterboards.ca.gov/ustpdfs/pdf/00029A96.pdf>
Region: STATE
Facility ID: 00000041010
Facility Type: Gas Station
Other Type: Not reported
Contact Name: CLIFF JOHNSON
Telephone: 6193264465
Owner Name: C.R. HANCOCK, JR
Owner Address: BOX 157
Owner City,St,Zip: NEEDLES, CA 92363
Total Tanks: 0003

Tank Num: 001
Container Num: 1
Year Installed: 1960
Tank Capacity: 00004000
Tank Used for: PRODUCT
Type of Fuel: UNLEADED
Container Construction Thickness: Not reported
Leak Detection: Stock Inventor

Tank Num: 002
Container Num: 2
Year Installed: 1960
Tank Capacity: 00004000
Tank Used for: PRODUCT
Type of Fuel: PREMIUM
Container Construction Thickness: Not reported
Leak Detection: Stock Inventor

Tank Num: 003
Container Num: 3
Year Installed: 1960
Tank Capacity: 00001000
Tank Used for: WASTE

Map ID
Direction
Distance
Elevation

MAP FINDINGS

Site

Database(s)

EDR ID Number
EPA ID Number

C R HANCOCK JR (Continued)

U001575242

Type of Fuel: WASTE OIL
Container Construction Thickness: Not reported
Leak Detection: None

[Click here for Geo Tracker PDF:](#)

San Bern. Co. Permit:

Name: NEEDLES RADIATOR & MUFFLER
Address: 717 E BROADWAY ST
City,State,Zip: NEEDLES, CA 92363
Region: SAN BERNARDINO
Facility ID: FA0008531
Owner: BLAIR, MELTON ALBERT. SR.
Permit Number: PT0014820
Permit Category: SPECIAL GENERATOR
Facility Status: INACTIVE
Expiration Date: 11/30/2001

Name: NEEDLES RADIATOR & MUFFLER
Address: 717 E BROADWAY ST
City,State,Zip: NEEDLES, CA 92363
Region: SAN BERNARDINO
Facility ID: FA0008531
Owner: BLAIR, MELTON ALBERT. SR.
Permit Number: PT0014819
Permit Category: SPECIAL HANDLER
Facility Status: INACTIVE
Expiration Date: 11/30/2001

CV693 1X HANCOCK, CLARENCE, K. JR
Target 717 EAST BROADWAY
Property NEEDLES, CA 92363

HAZNET S123723167
HWTS N/A

Site 2 of 2 in cluster CV

Actual:
524 ft.

Focus Map:
11

HAZNET:
Name: 1X HANCOCK, CLARENCE, K. JR
Address: 717 EAST BROADWAY
Address 2: Not reported
City,State,Zip: NEEDLES, CA 923630000
Contact: HANCOCK, CLARENCE, K JR
Telephone: 6193262582
Mailing Name: Not reported
Mailing Address: --

Year: 1990
Gepaid: CAC000238649
TSD EPA ID: CAT080013352
CA Waste Code: 223 - Unspecified oil-containing waste
Disposal Method: R01 - Recycler
Tons: 3.753

HWTS:

Name: 1X HANCOCK, CLARENCE, K. JR
Address: 717 EAST BROADWAY
Address 2: Not reported

Map ID
Direction
Distance
Elevation

MAP FINDINGS

Site

Database(s)

EDR ID Number
EPA ID Number

1X HANCOCK, CLARENCE, K. JR (Continued)

S123723167

City,State,Zip: NEEDLES, CA 92363
EPA ID: CAC000238649
Inactive Date: 10/25/2000
Create Date: 01/10/1990
Last Act Date: Not reported
Mailing Name: Not reported
Mailing Address: Not reported
Mailing Address 2: Not reported
Mailing City,State,Zip: NEEDLES, CA 923630000
Owner Name: CLARENCE K HANCOCK, JR
Owner Address: Not reported
Owner Address 2: Not reported
Owner City,State,Zip: Not reported
Contact Name: HANCOCK, CLARENCE, K JR
Contact Address: Not reported
Contact Address 2: Not reported
City,State,Zip: Not reported
Facility Status: Inactive
Facility Type: TEMPORARY
Category: STATE
Latitude: 34.826506
Longitude: -114.595903

694
Target
Property

KRISTINE BURTON
111 ALISO ST
NEEDLES, CA 92363

HWTS **S124630299**
N/A

Actual:
526 ft.
Focus Map:
11

HWTS:
Name: KRISTINE BURTON
Address: 111 ALISO ST
Address 2: Not reported
City,State,Zip: NEEDLES, CA 92363
EPA ID: CAC002790981
Inactive Date: 01/23/2015
Create Date: 10/24/2014
Last Act Date: Not reported
Mailing Name: Not reported
Mailing Address: 111 ALISO ST
Mailing Address 2: Not reported
Mailing City,State,Zip: NEEDLES, CA 923633801
Owner Name: KRISTINE BURTON
Owner Address: 111 ALISO ST
Owner Address 2: Not reported
Owner City,State,Zip: NEEDLES, CA 923633801
Contact Name: KRISTINE BURTON
Contact Address: 111 ALISO ST
Contact Address 2: Not reported
City,State,Zip: NEEDLES, CA 923633801
Facility Status: Inactive
Facility Type: TEMPORARY
Category: STATE
Latitude: 34.828528
Longitude: -114.597302

Map ID
 Direction
 Distance
 Elevation

MAP FINDINGS

Site

Database(s)

EDR ID Number
 EPA ID Number

CW695 **HARRIS MOTORS**
Target **110 GOODWILL STREET**
Property **NEEDLES, CA 92363**

RCRA NonGen / NLR **1025865915**
CAL000121969

Site 1 of 4 in cluster CW

Actual: 523 ft.	RCRA NonGen / NLR:		20210706
Focus Map: 11	Date Form Received by Agency:		
	Handler Name:	HARRIS MOTORS	
	Handler Address:		110 GOODWILL STREET
	Handler City,State,Zip:		NEEDLES, CA 92363-0000
	EPA ID:		CAL000121969
	Contact Name:		DENNIS HARRIS
	Contact Address:		110 GOODWILL STREET
	Contact City,State,Zip:		NEEDLES, CA 92363-0000
	Contact Telephone:		760-326-3096
	Contact Fax:		760-326-2488
	Contact Email:		HARRISMOTORS66@GMAIL.COM
	Contact Title:		Not reported
	EPA Region:		09
	Land Type:		Not reported
	Federal Waste Generator Description:		Not a generator, verified
	Non-Notifier:		Not reported
	Biennial Report Cycle:		Not reported
	Accessibility:		Not reported
	Active Site Indicator:		Not reported
	State District Owner:		Not reported
	State District:		Not reported
	Mailing Address:		110 GOODWILL STREET
	Mailing City,State,Zip:		NEEDLES, CA 92363-0000
	Owner Name:	Not reported	
	Owner Type:		Not reported
	Operator Name:	DENNIS HARRIS	
	Operator Type:		Other
	Short-Term Generator Activity:		No
Importer Activity:		No	
Mixed Waste Generator:		No	
Transporter Activity:		No	
Transfer Facility Activity:		No	
Recycler Activity with Storage:		No	
Small Quantity On-Site Burner Exemption:		No	
Smelting Melting and Refining Furnace Exemption:		No	
Underground Injection Control:		No	
Off-Site Waste Receipt:		No	
Universal Waste Indicator:		No	
Universal Waste Destination Facility:		No	
Federal Universal Waste:		No	
Active Site Fed-Reg Treatment Storage and Disposal Facility:		Not reported	
Active Site Converter Treatment storage and Disposal Facility:		Not reported	
Active Site State-Reg Treatment Storage and Disposal Facility:		Not reported	
Active Site State-Reg Handler:		---	
Federal Facility Indicator:		Not reported	
Hazardous Secondary Material Indicator:		N	
Sub-Part K Indicator:		Not reported	
Commercial TSD Indicator:		No	
Treatment Storage and Disposal Type:		Not reported	
2018 GPRA Permit Baseline:		Not on the Baseline	
2018 GPRA Renewals Baseline:		Not on the Baseline	
Permit Renewals Workload Universe:		Not reported	

Map ID
 Direction
 Distance
 Elevation

MAP FINDINGS

Site

Database(s)

EDR ID Number
 EPA ID Number

HARRIS MOTORS (Continued)

1025865915

Permit Workload Universe:	Not reported
Permit Progress Universe:	Not reported
Post-Closure Workload Universe:	Not reported
Closure Workload Universe:	Not reported
202 GPRA Corrective Action Baseline:	No
Corrective Action Workload Universe:	No
Subject to Corrective Action Universe:	No
Non-TSDFs Where RCRA CA has Been Imposed Universe:	No
TSDFs Potentially Subject to CA Under 3004 (u)/(v) Universe:	No
TSDFs Only Subject to CA under Discretionary Auth Universe:	No
Corrective Action Priority Ranking:	No NCAPS ranking
Environmental Control Indicator:	No
Institutional Control Indicator:	No
Human Exposure Controls Indicator:	N/A
Groundwater Controls Indicator:	N/A
Operating TSDF Universe:	Not reported
Full Enforcement Universe:	Not reported
Significant Non-Complier Universe:	No
Unaddressed Significant Non-Complier Universe:	No
Addressed Significant Non-Complier Universe:	No
Significant Non-Complier With a Compliance Schedule Universe:	No
Financial Assurance Required:	Not reported
Handler Date of Last Change:	20210708
Recognized Trader-Importer:	No
Recognized Trader-Exporter:	No
Importer of Spent Lead Acid Batteries:	No
Exporter of Spent Lead Acid Batteries:	No
Recycler Activity Without Storage:	No
Manifest Broker:	No
Sub-Part P Indicator:	No

Handler - Owner Operator:

Owner/Operator Indicator:	Operator
Owner/Operator Name: DENNIS HARRIS	
Legal Status:	Other
Date Became Current:	Not reported
Date Ended Current:	Not reported
Owner/Operator Address:	110 GOODWILL ST
Owner/Operator City,State,Zip:	NEEDLES, CA 92363
Owner/Operator Telephone:	760-326-3096
Owner/Operator Telephone Ext:	Not reported
Owner/Operator Fax:	Not reported
Owner/Operator Email:	Not reported

Owner/Operator Indicator:	Operator
Owner/Operator Name: RONALD/DENNIS HARRIS	
Legal Status:	Other
Date Became Current:	Not reported
Date Ended Current:	Not reported
Owner/Operator Address:	110 GOODWILL ST
Owner/Operator City,State,Zip:	NEEDLES, CA 92363
Owner/Operator Telephone:	760-326-3096
Owner/Operator Telephone Ext:	Not reported
Owner/Operator Fax:	Not reported
Owner/Operator Email:	Not reported

Map ID
Direction
Distance
Elevation

MAP FINDINGS

Site

Database(s)

EDR ID Number
EPA ID Number

HARRIS MOTORS (Continued)

1025865915

Owner/Operator Indicator: Owner
Owner/Operator Name: RONALD/DENNIS HARRIS
Legal Status: Other
Date Became Current: Not reported
Date Ended Current: Not reported
Owner/Operator Address: 110 GOODWILL ST
Owner/Operator City,State,Zip: NEEDLES, CA 92363-3899
Owner/Operator Telephone: 760-326-3096
Owner/Operator Telephone Ext: Not reported
Owner/Operator Fax: Not reported
Owner/Operator Email: Not reported

Historic Generators:

Receive Date: 19940425
Handler Name: HARRIS MOTORS
Federal Waste Generator Description: Not a generator, verified
State District Owner: Not reported
Large Quantity Handler of Universal Waste: No
Recognized Trader Importer: Not reported
Recognized Trader Exporter: Not reported
Spent Lead Acid Battery Importer: Not reported
Spent Lead Acid Battery Exporter: Not reported
Current Record: No
Non Storage Recycler Activity: Not reported
Electronic Manifest Broker: Not reported

Receive Date: 20210706
Handler Name: HARRIS MOTORS
Federal Waste Generator Description: Not a generator, verified
State District Owner: Not reported
Large Quantity Handler of Universal Waste: No
Recognized Trader Importer: No
Recognized Trader Exporter: No
Spent Lead Acid Battery Importer: No
Spent Lead Acid Battery Exporter: No
Current Record: Yes
Non Storage Recycler Activity: No
Electronic Manifest Broker: No

List of NAICS Codes and Descriptions:

NAICS Code: 811111
NAICS Description: GENERAL AUTOMOTIVE REPAIR

Facility Has Received Notices of Violations:

Violations: No Violations Found

Evaluation Action Summary:

Evaluations: No Evaluations Found

Map ID
Direction
Distance
Elevation

MAP FINDINGS

Site

Database(s)

EDR ID Number
EPA ID Number

CW696 **HARRIS MOTORS**
Target **110 GOODWILL ST**
Property **NEEDLES, CA 92363**

HAZNET **S113068567**
HWTS **N/A**

Site 2 of 4 in cluster CW

Actual:
523 ft.
Focus Map:
11

HAZNET:
Name: HARRIS MOTORS
Address: 110 GOODWILL STREET
Address 2: Not reported
City,State,Zip: NEEDLES, CA 923630000
Contact: RONALD/DENNIS HARRIS
Telephone: 7603263096
Mailing Name: Not reported
Mailing Address: PO BOX 368

Year: 2019
Gepaid: CAL000121969
TSD EPA ID: CAT000613976
CA Waste Code: 213 - Hydrocarbon solvents (benzene, hexane, Stoddard, Etc.)
Disposal Method: H141 - Storage, Bulking, And/Or Transfer Off Site--No Treatment/Reovery (H010-H129) Or (H131-H135)
Tons: 0.25020

Year: 2018
Gepaid: CAL000121969
TSD EPA ID: CAT000613976
CA Waste Code: 213 - Hydrocarbon solvents (benzene, hexane, Stoddard, Etc.)
Disposal Method: H141 - Storage, Bulking, And/Or Transfer Off Site--No Treatment/Reovery (H010-H129) Or (H131-H135)
Tons: 0.33360

Year: 2017
Gepaid: CAL000121969
TSD EPA ID: CAT000613976
CA Waste Code: 213 - Hydrocarbon solvents (benzene, hexane, Stoddard, Etc.)
Disposal Method: H141 - Storage, Bulking, And/Or Transfer Off Site--No Treatment/Reovery (H010-H129) Or (H131-H135)
Tons: 0.10425

Year: 2016
Gepaid: CAL000121969
TSD EPA ID: CAT000613976
CA Waste Code: 213 - Hydrocarbon solvents (benzene, hexane, Stoddard, Etc.)
Disposal Method: H141 - Storage, Bulking, And/Or Transfer Off Site--No Treatment/Reovery (H010-H129) Or (H131-H135)
Tons: 0.14595

Year: 2015
Gepaid: CAL000121969
TSD EPA ID: CAT000613976
CA Waste Code: 213 - Hydrocarbon solvents (benzene, hexane, Stoddard, Etc.)
Disposal Method: H141 - Storage, Bulking, And/Or Transfer Off Site--No Treatment/Reovery (H010-H129) Or (H131-H135)
Tons: 0.22518

Year: 2014
Gepaid: CAL000121969
TSD EPA ID: CAT000613976

Map ID
Direction
Distance
Elevation

MAP FINDINGS

Site

Database(s)

EDR ID Number
EPA ID Number

HARRIS MOTORS (Continued)

S113068567

CA Waste Code:	213 - Hydrocarbon solvents (benzene, hexane, Stoddard, Etc.)
Disposal Method:	H141 - Storage, Bulking, And/Or Transfer Off Site--No Treatment/Reovery (H010-H129) Or (H131-H135)
Tons:	0.0417
Year:	2014
Gepaid:	CAL000121969
TSD EPA ID:	CAD044429835
CA Waste Code:	213 - Hydrocarbon solvents (benzene, hexane, Stoddard, Etc.)
Disposal Method:	H141 - Storage, Bulking, And/Or Transfer Off Site--No Treatment/Reovery (H010-H129) Or (H131-H135)
Tons:	0.1251
Year:	2013
Gepaid:	CAL000121969
TSD EPA ID:	CAD044429835
CA Waste Code:	331 - Off-specification, aged or surplus organics
Disposal Method:	H141 - Storage, Bulking, And/Or Transfer Off Site--No Treatment/Reovery (H010-H129) Or (H131-H135)
Tons:	0.1815
Year:	2013
Gepaid:	CAL000121969
TSD EPA ID:	CAT000613893
CA Waste Code:	213 - Hydrocarbon solvents (benzene, hexane, Stoddard, Etc.)
Disposal Method:	H141 - Storage, Bulking, And/Or Transfer Off Site--No Treatment/Reovery (H010-H129) Or (H131-H135)
Tons:	0.18765
Year:	2012
Gepaid:	CAL000121969
TSD EPA ID:	CAT000613893
CA Waste Code:	213 - Hydrocarbon solvents (benzene, hexane, Stoddard, Etc.)
Disposal Method:	H141 - Storage, Bulking, And/Or Transfer Off Site--No Treatment/Reovery (H010-H129) Or (H131-H135)
Tons:	0.15429

[Click this hyperlink](#) while viewing on your computer to access 27 additional CA HAZNET: record(s) in the EDR Site Report.

Additional Info:

Year:	1997
Gen EPA ID:	CAL000121969
Shipment Date:	19970815
Creation Date:	3/18/1998 0:00:00
Receipt Date:	19970819
Manifest ID:	92869534
Trans EPA ID:	CAD980696041
Trans Name:	Not reported
Trans 2 EPA ID:	Not reported
Trans 2 Name:	Not reported
TSD EPA ID:	CAT080025711
Trans Name:	Not reported
TSD EPA Alt ID:	Not reported
TSD EPA Alt Name:	Not reported

Map ID
Direction
Distance
Elevation

MAP FINDINGS

Site

Database(s)

EDR ID Number
EPA ID Number

HARRIS MOTORS (Continued)

S113068567

Waste Code Description: 134 - Aqueous solution with <10% total organic residues
RCRA Code: Not reported
Meth Code: R01 - Recycler
Quantity Tons: 0.336
Waste Quantity: 80
Quantity Unit: G
Additional Code 1: Not reported
Additional Code 2: Not reported
Additional Code 3: Not reported
Additional Code 4: Not reported
Additional Code 5: Not reported

Additional Info:

Year: 2017
Gen EPA ID: CAL000121969

Shipment Date: 20171109
Creation Date: 12/5/2018 18:30:10
Receipt Date: 20171114
Manifest ID: 006296374SKS
Trans EPA ID: TXR000081205
Trans Name: SAFETY-KLEEN SYSTEMS INC
Trans 2 EPA ID: MAD039322250
Trans 2 Name: CLEAN HARBORS ENVIRONMENTAL SVC INC
TSDf EPA ID: CAT000613976
Trans Name: SAFETY-KLEEN SYSTEMS INC
TSDf Alt EPA ID: Not reported
TSDf Alt Name: Not reported
Waste Code Description: 213 - Hydrocarbon solvents (benzene, hexane, Stoddard, etc.
RCRA Code: D039
Meth Code: H141 - Storage, Bulking, And/Or Transfer Off Site--No
Treatment/Reovery (H010-H129) Or (H131-H135)
Quantity Tons: 0.0834
Waste Quantity: 20
Quantity Unit: G
Additional Code 1: Not reported
Additional Code 2: Not reported
Additional Code 3: Not reported
Additional Code 4: Not reported
Additional Code 5: Not reported

Shipment Date: 20170829
Creation Date: 8/2/2018 18:30:29
Receipt Date: 20170906
Manifest ID: 006041419SKS
Trans EPA ID: TXR000081205
Trans Name: SAFETY-KLEEN SYSTEMS INC
Trans 2 EPA ID: Not reported
Trans 2 Name: Not reported
TSDf EPA ID: CAT000613976
Trans Name: SAFETY-KLEEN SYSTEMS INC
TSDf Alt EPA ID: Not reported
TSDf Alt Name: Not reported
Waste Code Description: 213 - Hydrocarbon solvents (benzene, hexane, Stoddard, etc.
RCRA Code: D039
Meth Code: H141 - Storage, Bulking, And/Or Transfer Off Site--No
Treatment/Reovery (H010-H129) Or (H131-H135)

Map ID
Direction
Distance
Elevation

MAP FINDINGS

Site

Database(s)

EDR ID Number
EPA ID Number

HARRIS MOTORS (Continued)

S113068567

Quantity Tons: 0.0417
Waste Quantity: 10
Quantity Unit: G
Additional Code 1: Not reported
Additional Code 2: Not reported
Additional Code 3: Not reported
Additional Code 4: Not reported
Additional Code 5: Not reported

Shipment Date: 20170517
Creation Date: 7/12/2018 18:30:13
Receipt Date: 20170526
Manifest ID: 005764014SKS
Trans EPA ID: TXR000081205
Trans Name: SAFETY-KLEEN SYSTEMS INC
Trans 2 EPA ID: MAD039322250
Trans 2 Name: CLEAN HARBORS
TSDf EPA ID: CAT000613976
Trans Name: SAFETY-KLEEN SYSTEMS INC
TSDf Alt EPA ID: Not reported
TSDf Alt Name: Not reported
Waste Code Description: 213 - Hydrocarbon solvents (benzene, hexane, Stoddard, etc.
RCRA Code: D039
Meth Code: H141 - Storage, Bulking, And/Or Transfer Off Site--No Treatment/Reovery (H010-H129) Or (H131-H135)

Quantity Tons: 0.06255
Waste Quantity: 15
Quantity Unit: G
Additional Code 1: Not reported
Additional Code 2: Not reported
Additional Code 3: Not reported
Additional Code 4: Not reported
Additional Code 5: Not reported

Additional Info:

Year: 2004
Gen EPA ID: CAL000121969

Shipment Date: 20041229
Creation Date: 3/13/2007 18:30:13
Receipt Date: 20041229
Manifest ID: 23657479
Trans EPA ID: TXR000050930
Trans Name: SAFETY-KLEEN SYSTEMS INC
Trans 2 EPA ID: Not reported
Trans 2 Name: Not reported
TSDf EPA ID: NVR000066837
Trans Name: SAFETY-KLEEN SYSTEMS INC
TSDf Alt EPA ID: Not reported
TSDf Alt Name: Not reported
Waste Code Description: 741 - Liquids with halogenated organic compounds > 1000 mg/l
RCRA Code: D001
Meth Code: H01 - Transfer Station
Quantity Tons: 0.05838
Waste Quantity: 14
Quantity Unit: G
Additional Code 1: Not reported

Map ID
Direction
Distance
Elevation

MAP FINDINGS

Site

Database(s)

EDR ID Number
EPA ID Number

HARRIS MOTORS (Continued)

S113068567

Additional Code 2:	Not reported
Additional Code 3:	Not reported
Additional Code 4:	Not reported
Additional Code 5:	Not reported
Shipment Date:	20041117
Creation Date:	1/14/2005 10:18:48
Receipt Date:	20041117
Manifest ID:	23725728
Trans EPA ID:	TXR000050930
Trans Name:	SAFETY-KLEEN SYSTEMS INC
Trans 2 EPA ID:	Not reported
Trans 2 Name:	Not reported
TSDf EPA ID:	NVR000066837
Trans Name:	SAFETY-KLEEN SYSTEMS INC
TSDf Alt EPA ID:	Not reported
TSDf Alt Name:	Not reported
Waste Code Description:	741 - Liquids with halogenated organic compounds > 1000 mg/l
RCRA Code:	D001
Meth Code:	H01 - Transfer Station
Quantity Tons:	0.05421
Waste Quantity:	13
Quantity Unit:	G
Additional Code 1:	Not reported
Additional Code 2:	Not reported
Additional Code 3:	Not reported
Additional Code 4:	Not reported
Additional Code 5:	Not reported
Shipment Date:	20041013
Creation Date:	12/21/2004 18:30:50
Receipt Date:	20041013
Manifest ID:	22323533
Trans EPA ID:	TXR000050930
Trans Name:	SAFETY-KLEEN SYSTEMS INC
Trans 2 EPA ID:	Not reported
Trans 2 Name:	Not reported
TSDf EPA ID:	NVR000066837
Trans Name:	SAFETY-KLEEN SYSTEMS INC
TSDf Alt EPA ID:	NVR000066837
TSDf Alt Name:	Not reported
Waste Code Description:	221 - Waste oil and mixed oil
RCRA Code:	Not reported
Meth Code:	- Not reported
Quantity Tons:	0.684
Waste Quantity:	180
Quantity Unit:	G
Additional Code 1:	Not reported
Additional Code 2:	Not reported
Additional Code 3:	Not reported
Additional Code 4:	Not reported
Additional Code 5:	Not reported
Shipment Date:	20040826
Creation Date:	1/4/2005 18:33:27
Receipt Date:	20040826
Manifest ID:	23708764

Map ID
Direction
Distance
Elevation

MAP FINDINGS

Site

Database(s)

EDR ID Number
EPA ID Number

HARRIS MOTORS (Continued)

S113068567

Trans EPA ID:	TXR000050930
Trans Name:	SAFETY-KLEEN SYSTEMS INC
Trans 2 EPA ID:	Not reported
Trans 2 Name:	Not reported
TSDf EPA ID:	NVR000066837
Trans Name:	SAFETY-KLEEN SYSTEMS INC
TSDf Alt EPA ID:	Not reported
TSDf Alt Name:	Not reported
Waste Code Description:	741 - Liquids with halogenated organic compounds > 1000 mg/l
RCRA Code:	D001
Meth Code:	H01 - Transfer Station
Quantity Tons:	0.06672
Waste Quantity:	16
Quantity Unit:	G
Additional Code 1:	Not reported
Additional Code 2:	Not reported
Additional Code 3:	Not reported
Additional Code 4:	Not reported
Additional Code 5:	Not reported
Shipment Date:	20040721
Creation Date:	11/1/2004 12:36:11
Receipt Date:	20040721
Manifest ID:	23508933
Trans EPA ID:	TXR000050930
Trans Name:	SAFETY-KLEEN SYSTEMS INC
Trans 2 EPA ID:	Not reported
Trans 2 Name:	Not reported
TSDf EPA ID:	NVR000066837
Trans Name:	SAFETY-KLEEN SYSTEMS INC
TSDf Alt EPA ID:	Not reported
TSDf Alt Name:	Not reported
Waste Code Description:	221 - Waste oil and mixed oil
RCRA Code:	Not reported
Meth Code:	- Not reported
Quantity Tons:	0.95
Waste Quantity:	250
Quantity Unit:	G
Additional Code 1:	Not reported
Additional Code 2:	Not reported
Additional Code 3:	Not reported
Additional Code 4:	Not reported
Additional Code 5:	Not reported
Shipment Date:	20040715
Creation Date:	11/1/2004 12:36:11
Receipt Date:	20040715
Manifest ID:	23508946
Trans EPA ID:	TXR000050930
Trans Name:	SAFETY-KLEEN SYSTEMS INC
Trans 2 EPA ID:	Not reported
Trans 2 Name:	Not reported
TSDf EPA ID:	NVR000066837
Trans Name:	SAFETY-KLEEN SYSTEMS INC
TSDf Alt EPA ID:	Not reported
TSDf Alt Name:	Not reported
Waste Code Description:	741 - Liquids with halogenated organic compounds > 1000 mg/l

Map ID
Direction
Distance
Elevation

MAP FINDINGS

Site

Database(s)

EDR ID Number
EPA ID Number

HARRIS MOTORS (Continued)

S113068567

RCRA Code:	D001
Meth Code:	H01 - Transfer Station
Quantity Tons:	0.07089
Waste Quantity:	17
Quantity Unit:	G
Additional Code 1:	Not reported
Additional Code 2:	Not reported
Additional Code 3:	Not reported
Additional Code 4:	Not reported
Additional Code 5:	Not reported
Shipment Date:	20040611
Creation Date:	10/29/2004 7:40:51
Receipt Date:	20040611
Manifest ID:	23501893
Trans EPA ID:	TXR000050930
Trans Name:	SAFETY-KLEEN SYSTEMS INC
Trans 2 EPA ID:	Not reported
Trans 2 Name:	Not reported
TSDf EPA ID:	NVR000066837
Trans Name:	SAFETY-KLEEN SYSTEMS INC
TSDf Alt EPA ID:	Not reported
TSDf Alt Name:	Not reported
Waste Code Description:	741 - Liquids with halogenated organic compounds > 1000 mg/l
RCRA Code:	D001
Meth Code:	H01 - Transfer Station
Quantity Tons:	0.05421
Waste Quantity:	13
Quantity Unit:	G
Additional Code 1:	Not reported
Additional Code 2:	Not reported
Additional Code 3:	Not reported
Additional Code 4:	Not reported
Additional Code 5:	Not reported
Shipment Date:	20040429
Creation Date:	10/14/2004 7:49:48
Receipt Date:	20040429
Manifest ID:	23476787
Trans EPA ID:	TXR000050930
Trans Name:	SAFETY-KLEEN SYSTEMS INC
Trans 2 EPA ID:	Not reported
Trans 2 Name:	Not reported
TSDf EPA ID:	NVR000066837
Trans Name:	SAFETY-KLEEN SYSTEMS INC
TSDf Alt EPA ID:	Not reported
TSDf Alt Name:	Not reported
Waste Code Description:	741 - Liquids with halogenated organic compounds > 1000 mg/l
RCRA Code:	D001
Meth Code:	H01 - Transfer Station
Quantity Tons:	0.06672
Waste Quantity:	16
Quantity Unit:	G
Additional Code 1:	Not reported
Additional Code 2:	Not reported
Additional Code 3:	Not reported
Additional Code 4:	Not reported

Map ID
Direction
Distance
Elevation

MAP FINDINGS

Site

Database(s)

EDR ID Number
EPA ID Number

HARRIS MOTORS (Continued)

S113068567

Additional Code 5:	Not reported
Shipment Date:	20040428
Creation Date:	10/14/2004 7:49:48
Receipt Date:	20040428
Manifest ID:	23476776
Trans EPA ID:	TXR000050930
Trans Name:	SAFETY-KLEEN SYSTEMS INC
Trans 2 EPA ID:	Not reported
Trans 2 Name:	Not reported
TSDf EPA ID:	NVR000066837
Trans Name:	SAFETY-KLEEN SYSTEMS INC
TSDf Alt EPA ID:	Not reported
TSDf Alt Name:	Not reported
Waste Code Description:	221 - Waste oil and mixed oil
RCRA Code:	Not reported
Meth Code:	- Not reported
Quantity Tons:	0.912
Waste Quantity:	240
Quantity Unit:	G
Additional Code 1:	Not reported
Additional Code 2:	Not reported
Additional Code 3:	Not reported
Additional Code 4:	Not reported
Additional Code 5:	Not reported
Shipment Date:	20040317
Creation Date:	8/23/2004 8:16:48
Receipt Date:	20040317
Manifest ID:	23467012
Trans EPA ID:	TXR000050930
Trans Name:	SAFETY-KLEEN SYSTEMS INC
Trans 2 EPA ID:	Not reported
Trans 2 Name:	Not reported
TSDf EPA ID:	NVR000066837
Trans Name:	SAFETY-KLEEN SYSTEMS INC
TSDf Alt EPA ID:	Not reported
TSDf Alt Name:	Not reported
Waste Code Description:	741 - Liquids with halogenated organic compounds > 1000 mg/l
RCRA Code:	D001
Meth Code:	H01 - Transfer Station
Quantity Tons:	0.06672
Waste Quantity:	16
Quantity Unit:	G
Additional Code 1:	Not reported
Additional Code 2:	Not reported
Additional Code 3:	Not reported
Additional Code 4:	Not reported
Additional Code 5:	Not reported
Additional Info:	
Year:	2013
Gen EPA ID:	CAL000121969
Shipment Date:	20131028
Creation Date:	2/16/2014 22:15:06
Receipt Date:	20131118

Map ID
Direction
Distance
Elevation

MAP FINDINGS

Site

Database(s)

EDR ID Number
EPA ID Number

HARRIS MOTORS (Continued)

S113068567

Manifest ID: 000565528JJK
Trans EPA ID: CAL000348567
Trans Name: MELFRED INDUSTRIAL SERVICES INC
Trans 2 EPA ID: CAR000172463
Trans 2 Name: ENVIRONMENTAL LOGISTICS INC
TSDf EPA ID: CAD044429835
Trans Name: CLEAN HARBORS WILMINGTON LLC
TSDf Alt EPA ID: Not reported
TSDf Alt Name: Not reported
Waste Code Description: 331 - Off-specification, aged, or surplus organics
RCRA Code: D018
Meth Code: H141 - Storage, Bulking, And/Or Transfer Off Site--No Treatment/Reovery (H010-H129) Or (H131-H135)
Quantity Tons: 0.1815
Waste Quantity: 55
Quantity Unit: G
Additional Code 1: D001
Additional Code 2: Not reported
Additional Code 3: Not reported
Additional Code 4: Not reported
Additional Code 5: Not reported

Shipment Date: 20130920
Creation Date: 1/18/2014 22:15:06
Receipt Date: 20130926
Manifest ID: 003717839SKS
Trans EPA ID: TXR000081205
Trans Name: SAFETY-KLEEN SYSTEMS INC
Trans 2 EPA ID: Not reported
Trans 2 Name: Not reported
TSDf EPA ID: CAT000613893
Trans Name: SAFETY-KLEEN SYSTEMS INC
TSDf Alt EPA ID: Not reported
TSDf Alt Name: Not reported
Waste Code Description: 213 - Hydrocarbon solvents (benzene, hexane, Stoddard, etc.
RCRA Code: D039
Meth Code: H141 - Storage, Bulking, And/Or Transfer Off Site--No Treatment/Reovery (H010-H129) Or (H131-H135)
Quantity Tons: 0.06255
Waste Quantity: 15
Quantity Unit: G
Additional Code 1: Not reported
Additional Code 2: Not reported
Additional Code 3: Not reported
Additional Code 4: Not reported
Additional Code 5: Not reported

Shipment Date: 20130619
Creation Date: 11/16/2013 22:15:24
Receipt Date: 20130708
Manifest ID: 003105349SKS
Trans EPA ID: TXR000081205
Trans Name: SAFETY-KLEEN SYSTEMS INC
Trans 2 EPA ID: Not reported
Trans 2 Name: Not reported
TSDf EPA ID: CAT000613893
Trans Name: SAFETY-KLEEN SYSTEMS INC

Map ID
Direction
Distance
Elevation

MAP FINDINGS

Site

Database(s)

EDR ID Number
EPA ID Number

HARRIS MOTORS (Continued)

S113068567

TSDF Alt EPA ID: Not reported
TSDF Alt Name: Not reported
Waste Code Description: 213 - Hydrocarbon solvents (benzene, hexane, Stoddard, etc.
RCRA Code: D039
Meth Code: H141 - Storage, Bulking, And/Or Transfer Off Site--No
Treatment/Reovery (H010-H129) Or (H131-H135)
Quantity Tons: 0.06255
Waste Quantity: 15
Quantity Unit: G
Additional Code 1: Not reported
Additional Code 2: Not reported
Additional Code 3: Not reported
Additional Code 4: Not reported
Additional Code 5: Not reported

Shipment Date: 20130103
Creation Date: 5/8/2013 22:15:17
Receipt Date: 20130108
Manifest ID: 003081438SKS
Trans EPA ID: TXR000081205
Trans Name: SAFETY-KLEEN SYSTEMS INC
Trans 2 EPA ID: Not reported
Trans 2 Name: Not reported
TSDF EPA ID: CAT000613893
Trans Name: SAFETY-KLEEN SYSTEMS INC
TSDF Alt EPA ID: Not reported
TSDF Alt Name: Not reported
Waste Code Description: 213 - Hydrocarbon solvents (benzene, hexane, Stoddard, etc.
RCRA Code: D039
Meth Code: H141 - Storage, Bulking, And/Or Transfer Off Site--No
Treatment/Reovery (H010-H129) Or (H131-H135)
Quantity Tons: 0.06255
Waste Quantity: 15
Quantity Unit: G
Additional Code 1: Not reported
Additional Code 2: Not reported
Additional Code 3: Not reported
Additional Code 4: Not reported
Additional Code 5: Not reported

Additional Info:

Year: 2007
Gen EPA ID: CAL000121969

Shipment Date: 20070905
Creation Date: 3/5/2008 18:30:06
Receipt Date: 20070905
Manifest ID: 000615078SKS
Trans EPA ID: TXR000050930
Trans Name: SAFETY-KLEEN SYSTEMS INC
Trans 2 EPA ID: Not reported
Trans 2 Name: Not reported
TSDF EPA ID: NVR000066837
Trans Name: SAFETY-KLEEN SYSTEMS INC
TSDF Alt EPA ID: Not reported
TSDF Alt Name: Not reported
Waste Code Description: 741 - Liquids with halogenated organic compounds > 1000 mg/l

Map ID
Direction
Distance
Elevation

MAP FINDINGS

Site

Database(s)

EDR ID Number
EPA ID Number

HARRIS MOTORS (Continued)

S113068567

RCRA Code: D040
Meth Code: H141 - Storage, Bulking, And/Or Transfer Off Site--No Treatment/Reovery (H010-H129) Or (H131-H135)

Quantity Tons: 0.05004
Waste Quantity: 12
Quantity Unit: G
Additional Code 1: D039
Additional Code 2: D018
Additional Code 3: D001
Additional Code 4: Not reported
Additional Code 5: Not reported

Shipment Date: 20070613
Creation Date: 2/4/2008 18:30:39
Receipt Date: 20070613
Manifest ID: 000334002SKS
Trans EPA ID: TXR000050930
Trans Name: SAFETY-KLEEN SYSTEMS INC
Trans 2 EPA ID: Not reported
Trans 2 Name: Not reported
TSDf EPA ID: NVR000066837
Trans Name: SAFETY-KLEEN SYSTEMS INC
TSDf Alt EPA ID: Not reported
TSDf Alt Name: Not reported
Waste Code Description: 741 - Liquids with halogenated organic compounds > 1000 mg/l
RCRA Code: D040
Meth Code: H141 - Storage, Bulking, And/Or Transfer Off Site--No Treatment/Reovery (H010-H129) Or (H131-H135)

Quantity Tons: 0.05004
Waste Quantity: 12
Quantity Unit: G
Additional Code 1: D039
Additional Code 2: D018
Additional Code 3: D001
Additional Code 4: Not reported
Additional Code 5: Not reported

Additional Info:

Year: 2016
Gen EPA ID: CAL000121969

Shipment Date: 20151104
Creation Date: 5/23/2016 18:30:23
Receipt Date: 20151110
Manifest ID: 005153413SKS
Trans EPA ID: TXR000081205
Trans Name: SAFETY-KLEEN SYSTEMS INC
Trans 2 EPA ID: Not reported
Trans 2 Name: Not reported
TSDf EPA ID: CAT000613976
Trans Name: SAFETY-KLEEN SYSTEMS INC
TSDf Alt EPA ID: Not reported
TSDf Alt Name: Not reported
Waste Code Description: 213 - Hydrocarbon solvents (benzene, hexane, Stoddard, etc.)
RCRA Code: D039
Meth Code: H141 - Storage, Bulking, And/Or Transfer Off Site--No Treatment/Reovery (H010-H129) Or (H131-H135)

Map ID
Direction
Distance
Elevation

MAP FINDINGS

Site

Database(s)

EDR ID Number
EPA ID Number

HARRIS MOTORS (Continued)

S113068567

Quantity Tons:	0.0834
Waste Quantity:	20
Quantity Unit:	G
Additional Code 1:	Not reported
Additional Code 2:	Not reported
Additional Code 3:	Not reported
Additional Code 4:	Not reported
Additional Code 5:	Not reported
Shipment Date:	20150812
Creation Date:	2/4/2016 22:16:03
Receipt Date:	20150818
Manifest ID:	004925457SKS
Trans EPA ID:	TXR000081205
Trans Name:	SAFETY-KLEEN SYSTEMS INC
Trans 2 EPA ID:	Not reported
Trans 2 Name:	Not reported
TSDF EPA ID:	CAT000613976
Trans Name:	SAFETY-KLEEN SYSTEMS INC
TSDF Alt EPA ID:	Not reported
TSDF Alt Name:	Not reported
Waste Code Description:	213 - Hydrocarbon solvents (benzene, hexane, Stoddard, etc.
RCRA Code:	D039
Meth Code:	H141 - Storage, Bulking, And/Or Transfer Off Site--No Treatment/Reovery (H010-H129) Or (H131-H135)
Quantity Tons:	0.0834
Waste Quantity:	20
Quantity Unit:	G
Additional Code 1:	Not reported
Additional Code 2:	Not reported
Additional Code 3:	Not reported
Additional Code 4:	Not reported
Additional Code 5:	Not reported
Shipment Date:	20150305
Creation Date:	8/5/2015 22:15:33
Receipt Date:	20150313
Manifest ID:	004637341SKS
Trans EPA ID:	TXR000081205
Trans Name:	SAFETY-KLEEN SYSTEMS INC
Trans 2 EPA ID:	Not reported
Trans 2 Name:	Not reported
TSDF EPA ID:	CAT000613976
Trans Name:	SAFETY-KLEEN SYSTEMS INC
TSDF Alt EPA ID:	Not reported
TSDF Alt Name:	Not reported
Waste Code Description:	213 - Hydrocarbon solvents (benzene, hexane, Stoddard, etc.
RCRA Code:	D039
Meth Code:	H141 - Storage, Bulking, And/Or Transfer Off Site--No Treatment/Reovery (H010-H129) Or (H131-H135)
Quantity Tons:	0.05838
Waste Quantity:	14
Quantity Unit:	G
Additional Code 1:	Not reported
Additional Code 2:	Not reported
Additional Code 3:	Not reported
Additional Code 4:	Not reported

Map ID
Direction
Distance
Elevation

MAP FINDINGS

Site

Database(s)

EDR ID Number
EPA ID Number

HARRIS MOTORS (Continued)

S113068567

Additional Code 5:	Not reported
Additional Info:	
Year:	2008
Gen EPA ID:	CAL000121969
Shipment Date: 20081125	
Creation Date: 4/16/2009 18:30:10	
Receipt Date: 20081125	
Manifest ID: 001423310SKS	
Trans EPA ID: TXR000050930	
Trans Name: SAFETY-KLEEN SYSTEMS INC	
Trans 2 EPA ID: Not reported	
Trans 2 Name: Not reported	
TSDF EPA ID: NVR000066837	
Trans Name: SAFETY-KLEEN SYSTEMS INC	
TSDF Alt EPA ID: Not reported	
TSDF Alt Name: Not reported	
Waste Code Description: 741 - Liquids with halogenated organic compounds > 1000 mg/l	
RCRA Code: D040	
Meth Code: H141 - Storage, Bulking, And/Or Transfer Off Site--No Treatment/Reovery (H010-H129) Or (H131-H135)	
Quantity Tons:	0.06255
Waste Quantity:	15
Quantity Unit:	G
Additional Code 1:	D039
Additional Code 2:	D018
Additional Code 3:	D001
Additional Code 4:	Not reported
Additional Code 5:	Not reported
Shipment Date: 20080305	
Creation Date: 10/30/2008 18:30:39	
Receipt Date: 20080305	
Manifest ID: 000919903SKS	
Trans EPA ID: TXR000050930	
Trans Name: SAFETY-KLEEN SYSTEMS INC	
Trans 2 EPA ID: Not reported	
Trans 2 Name: Not reported	
TSDF EPA ID: NVR000066837	
Trans Name: SAFETY-KLEEN SYSTEMS INC	
TSDF Alt EPA ID: Not reported	
TSDF Alt Name: Not reported	
Waste Code Description: 741 - Liquids with halogenated organic compounds > 1000 mg/l	
RCRA Code: D040	
Meth Code: H141 - Storage, Bulking, And/Or Transfer Off Site--No Treatment/Reovery (H010-H129) Or (H131-H135)	
Quantity Tons:	0.02085
Waste Quantity:	5
Quantity Unit:	G
Additional Code 1:	D039
Additional Code 2:	D018
Additional Code 3:	D001
Additional Code 4:	Not reported
Additional Code 5:	Not reported

Map ID
Direction
Distance
Elevation

MAP FINDINGS

Site

Database(s)

EDR ID Number
EPA ID Number

HARRIS MOTORS (Continued)

S113068567

Additional Info:

Year:	2011
Gen EPA ID:	CAL000121969
Shipment Date:	20111109
Creation Date:	4/12/2012 20:30:13
Receipt Date:	20111115
Manifest ID:	002714290SKS
Trans EPA ID:	TXR000050930
Trans Name:	SAFETY-KLEEN SYSTEMS INC
Trans 2 EPA ID:	Not reported
Trans 2 Name:	Not reported
TSDf EPA ID:	CAT000613893
Trans Name:	SAFETY-KLEEN SYSTEMS INC
TSDf Alt EPA ID:	Not reported
TSDf Alt Name:	Not reported
Waste Code Description:	213 - Hydrocarbon solvents (benzene, hexane, Stoddard, etc.
RCRA Code:	D039
Meth Code:	H141 - Storage, Bulking, And/Or Transfer Off Site--No Treatment/Reovery (H010-H129) Or (H131-H135)
Quantity Tons:	0.05004
Waste Quantity:	12
Quantity Unit:	G
Additional Code 1:	Not reported
Additional Code 2:	Not reported
Additional Code 3:	Not reported
Additional Code 4:	Not reported
Additional Code 5:	Not reported
Shipment Date:	20110818
Creation Date:	2/7/2012 20:30:12
Receipt Date:	20110823
Manifest ID:	004268801FLE
Trans EPA ID:	TXR000050930
Trans Name:	SAFETY-KLEEN SYSTEMS INC
Trans 2 EPA ID:	Not reported
Trans 2 Name:	Not reported
TSDf EPA ID:	CAT000613893
Trans Name:	SAFETY-KLEEN SYSTEMS INC
TSDf Alt EPA ID:	Not reported
TSDf Alt Name:	Not reported
Waste Code Description:	213 - Hydrocarbon solvents (benzene, hexane, Stoddard, etc.
RCRA Code:	D039
Meth Code:	H141 - Storage, Bulking, And/Or Transfer Off Site--No Treatment/Reovery (H010-H129) Or (H131-H135)
Quantity Tons:	0.06255
Waste Quantity:	15
Quantity Unit:	G
Additional Code 1:	Not reported
Additional Code 2:	Not reported
Additional Code 3:	Not reported
Additional Code 4:	Not reported
Additional Code 5:	Not reported
Shipment Date:	20110526
Creation Date:	10/22/2011 18:30:13
Receipt Date:	20110606

Map ID
Direction
Distance
Elevation

MAP FINDINGS

Site

Database(s)

EDR ID Number
EPA ID Number

HARRIS MOTORS (Continued)

S113068567

Manifest ID: 003612982FLE
Trans EPA ID: TXR000050930
Trans Name: SAFETY-KLEEN SYSTEMS INC
Trans 2 EPA ID: Not reported
Trans 2 Name: Not reported
TSDf EPA ID: CAT000613976
Trans Name: SAFETY-KLEEN SYSTEMS INC
TSDf Alt EPA ID: Not reported
TSDf Alt Name: Not reported
Waste Code Description: 213 - Hydrocarbon solvents (benzene, hexane, Stoddard, etc.
RCRA Code: D039
Meth Code: H141 - Storage, Bulking, And/Or Transfer Off Site--No
Treatment/Reovery (H010-H129) Or (H131-H135)
Quantity Tons: 0.05838
Waste Quantity: 14
Quantity Unit: G
Additional Code 1: Not reported
Additional Code 2: Not reported
Additional Code 3: Not reported
Additional Code 4: Not reported
Additional Code 5: Not reported

Shipment Date: 20110303
Creation Date: 7/14/2011 18:30:40
Receipt Date: 20110310
Manifest ID: 003591971FLE
Trans EPA ID: TXR000050930
Trans Name: SAFETY-KLEEN SYSTEMS INC
Trans 2 EPA ID: Not reported
Trans 2 Name: Not reported
TSDf EPA ID: CAT000613976
Trans Name: SAFETY-KLEEN SYSTEMS INC
TSDf Alt EPA ID: Not reported
TSDf Alt Name: Not reported
Waste Code Description: 213 - Hydrocarbon solvents (benzene, hexane, Stoddard, etc.
RCRA Code: D039
Meth Code: - Not reported
Quantity Tons: 0.05838
Waste Quantity: 14
Quantity Unit: G
Additional Code 1: Not reported
Additional Code 2: Not reported
Additional Code 3: Not reported
Additional Code 4: Not reported
Additional Code 5: Not reported

Additional Info:

Year: 2010
Gen EPA ID: CAL000121969

Shipment Date: 20101208
Creation Date: 5/24/2011 18:30:12
Receipt Date: 20101215
Manifest ID: 003674801FLE
Trans EPA ID: TXR000050930
Trans Name: SAFETY-KLEEN SYSTEMS INC
Trans 2 EPA ID: Not reported

Map ID
Direction
Distance
Elevation

MAP FINDINGS

Site

Database(s)

EDR ID Number
EPA ID Number

HARRIS MOTORS (Continued)

S113068567

Trans 2 Name:	Not reported
TSDF EPA ID:	CAT000613976
Trans Name:	SAFETY-KLEEN SYSTEMS INC
TSDF Alt EPA ID:	Not reported
TSDF Alt Name:	Not reported
Waste Code Description:	213 - Hydrocarbon solvents (benzene, hexane, Stoddard, etc.
RCRA Code:	D039
Meth Code:	H141 - Storage, Bulking, And/Or Transfer Off Site--No Treatment/Reovery (H010-H129) Or (H131-H135)
Quantity Tons:	0.0417
Waste Quantity:	10
Quantity Unit:	G
Additional Code 1:	Not reported
Additional Code 2:	Not reported
Additional Code 3:	Not reported
Additional Code 4:	Not reported
Additional Code 5:	Not reported
Shipment Date:	20100914
Creation Date:	2/8/2011 18:30:09
Receipt Date:	20100922
Manifest ID:	003684861FLE
Trans EPA ID:	TXR000050930
Trans Name:	SAFETY-KLEEN SYSTEMS INC
Trans 2 EPA ID:	Not reported
Trans 2 Name:	Not reported
TSDF EPA ID:	CAT000613976
Trans Name:	SAFETY-KLEEN SYSTEMS INC
TSDF Alt EPA ID:	Not reported
TSDF Alt Name:	Not reported
Waste Code Description:	213 - Hydrocarbon solvents (benzene, hexane, Stoddard, etc.
RCRA Code:	D039
Meth Code:	- Not reported
Quantity Tons:	0.06255
Waste Quantity:	15
Quantity Unit:	G
Additional Code 1:	Not reported
Additional Code 2:	Not reported
Additional Code 3:	Not reported
Additional Code 4:	Not reported
Additional Code 5:	Not reported
Shipment Date:	20100701
Creation Date:	1/24/2011 18:30:30
Receipt Date:	20100709
Manifest ID:	003347358FLE
Trans EPA ID:	TXR000050930
Trans Name:	SAFETY-KLEEN SYSTEMS INC
Trans 2 EPA ID:	Not reported
Trans 2 Name:	Not reported
TSDF EPA ID:	CAT000613976
Trans Name:	SAFETY-KLEEN SYSTEMS INC
TSDF Alt EPA ID:	Not reported
TSDF Alt Name:	Not reported
Waste Code Description:	213 - Hydrocarbon solvents (benzene, hexane, Stoddard, etc.
RCRA Code:	D039
Meth Code:	- Not reported

Map ID
Direction
Distance
Elevation

MAP FINDINGS

Site

Database(s)

EDR ID Number
EPA ID Number

HARRIS MOTORS (Continued)

S113068567

Quantity Tons: 0.06255
Waste Quantity: 15
Quantity Unit: G
Additional Code 1: Not reported
Additional Code 2: Not reported
Additional Code 3: Not reported
Additional Code 4: Not reported
Additional Code 5: Not reported

Shipment Date: 20100406
Creation Date: 12/16/2010 18:30:46
Receipt Date: 20100406
Manifest ID: 002412075SKS
Trans EPA ID: TXR000050930
Trans Name: SAFETY-KLEEN SYSTEMS INC
Trans 2 EPA ID: Not reported
Trans 2 Name: Not reported
TSDf EPA ID: NVR000066837
Trans Name: SAFETY-KLEEN SYSTEMS INC
TSDf Alt EPA ID: Not reported
TSDf Alt Name: Not reported
Waste Code Description: - Not reported
RCRA Code: Not reported
Meth Code: - Not reported
Quantity Tons: 0.06255
Waste Quantity: 15
Quantity Unit: G
Additional Code 1: Not reported
Additional Code 2: Not reported
Additional Code 3: Not reported
Additional Code 4: Not reported
Additional Code 5: Not reported

Shipment Date: 20100114
Creation Date: 8/3/2010 18:30:20
Receipt Date: 20100114
Manifest ID: 002064340SKS
Trans EPA ID: TXR000050930
Trans Name: SAFETY-KLEEN SYSTEMS INC
Trans 2 EPA ID: Not reported
Trans 2 Name: Not reported
TSDf EPA ID: NVR000066837
Trans Name: SAFETY-KLEEN SYSTEMS INC
TSDf Alt EPA ID: Not reported
TSDf Alt Name: Not reported
Waste Code Description: 741 - Liquids with halogenated organic compounds > 1000 mg/l
RCRA Code: D040
Meth Code: H141 - Storage, Bulking, And/Or Transfer Off Site--No Treatment/Reovery (H010-H129) Or (H131-H135)

Quantity Tons: 0.06255
Waste Quantity: 15
Quantity Unit: G
Additional Code 1: D039
Additional Code 2: D018
Additional Code 3: D001
Additional Code 4: Not reported
Additional Code 5: Not reported

Map ID
Direction
Distance
Elevation

MAP FINDINGS

Site

Database(s)

EDR ID Number
EPA ID Number

HARRIS MOTORS (Continued)

S113068567

Additional Info:

Year:	2009
Gen EPA ID:	CAL000121969
Shipment Date:	20090804
Creation Date:	1/11/2010 18:30:07
Receipt Date:	20090804
Manifest ID:	002088711SKS
Trans EPA ID:	TXR000050930
Trans Name:	SAFETY-KLEEN SYSTEMS INC
Trans 2 EPA ID:	Not reported
Trans 2 Name:	Not reported
TSDf EPA ID:	NVR000066837
Trans Name:	SAFETY-KLEEN SYSTEMS INC
TSDf Alt EPA ID:	Not reported
TSDf Alt Name:	Not reported
Waste Code Description:	741 - Liquids with halogenated organic compounds > 1000 mg/l
RCRA Code:	D040
Meth Code:	H141 - Storage, Bulking, And/Or Transfer Off Site--No Treatment/Reovery (H010-H129) Or (H131-H135)
Quantity Tons:	0.03336
Waste Quantity:	8
Quantity Unit:	G
Additional Code 1:	D039
Additional Code 2:	D018
Additional Code 3:	D001
Additional Code 4:	Not reported
Additional Code 5:	Not reported
Shipment Date:	20090514
Creation Date:	9/23/2009 18:30:08
Receipt Date:	20090514
Manifest ID:	001916567SKS
Trans EPA ID:	TXR000050930
Trans Name:	SAFETY-KLEEN SYSTEMS INC
Trans 2 EPA ID:	Not reported
Trans 2 Name:	Not reported
TSDf EPA ID:	NVR000066837
Trans Name:	SAFETY-KLEEN SYSTEMS INC
TSDf Alt EPA ID:	Not reported
TSDf Alt Name:	Not reported
Waste Code Description:	741 - Liquids with halogenated organic compounds > 1000 mg/l
RCRA Code:	D040
Meth Code:	H141 - Storage, Bulking, And/Or Transfer Off Site--No Treatment/Reovery (H010-H129) Or (H131-H135)
Quantity Tons:	0.06255
Waste Quantity:	15
Quantity Unit:	G
Additional Code 1:	D039
Additional Code 2:	D018
Additional Code 3:	D001
Additional Code 4:	Not reported
Additional Code 5:	Not reported
Shipment Date:	20090225
Creation Date:	7/14/2009 18:30:08
Receipt Date:	20090225

Map ID
Direction
Distance
Elevation

MAP FINDINGS

Site

Database(s)

EDR ID Number
EPA ID Number

HARRIS MOTORS (Continued)

S113068567

Manifest ID: 001619017SKS
Trans EPA ID: TXR000050930
Trans Name: SAFETY-KLEEN SYSTEMS INC
Trans 2 EPA ID: Not reported
Trans 2 Name: Not reported
TSDf EPA ID: NVR000066837
Trans Name: SAFETY-KLEEN SYSTEMS INC
TSDf Alt EPA ID: Not reported
TSDf Alt Name: Not reported
Waste Code Description: 741 - Liquids with halogenated organic compounds > 1000 mg/l
RCRA Code: D040
Meth Code: H141 - Storage, Bulking, And/Or Transfer Off Site--No Treatment/Reovery (H010-H129) Or (H131-H135)

Quantity Tons: 0.06255
Waste Quantity: 15
Quantity Unit: G
Additional Code 1: D039
Additional Code 2: D018
Additional Code 3: D001
Additional Code 4: Not reported
Additional Code 5: Not reported

Additional Info:

Year: 2015
Gen EPA ID: CAL000121969

Shipment Date: 20151104
Creation Date: 5/23/2016 18:30:23
Receipt Date: 20151110
Manifest ID: 005153413SKS
Trans EPA ID: TXR000081205
Trans Name: SAFETY-KLEEN SYSTEMS INC
Trans 2 EPA ID: Not reported
Trans 2 Name: Not reported
TSDf EPA ID: CAT000613976
Trans Name: SAFETY-KLEEN SYSTEMS INC
TSDf Alt EPA ID: Not reported
TSDf Alt Name: Not reported
Waste Code Description: 213 - Hydrocarbon solvents (benzene, hexane, Stoddard, etc.)
RCRA Code: D039
Meth Code: H141 - Storage, Bulking, And/Or Transfer Off Site--No Treatment/Reovery (H010-H129) Or (H131-H135)

Quantity Tons: 0.0834
Waste Quantity: 20
Quantity Unit: G
Additional Code 1: Not reported
Additional Code 2: Not reported
Additional Code 3: Not reported
Additional Code 4: Not reported
Additional Code 5: Not reported

Shipment Date: 20150812
Creation Date: 2/4/2016 22:16:03
Receipt Date: 20150818
Manifest ID: 004925457SKS
Trans EPA ID: TXR000081205
Trans Name: SAFETY-KLEEN SYSTEMS INC

Map ID
Direction
Distance
Elevation

MAP FINDINGS

Site

Database(s)

EDR ID Number
EPA ID Number

HARRIS MOTORS (Continued)

S113068567

Trans 2 EPA ID: Not reported
Trans 2 Name: Not reported
TSDf EPA ID: CAT000613976
Trans Name: SAFETY-KLEEN SYSTEMS INC
TSDf Alt EPA ID: Not reported
TSDf Alt Name: Not reported
Waste Code Description: 213 - Hydrocarbon solvents (benzene, hexane, Stoddard, etc.
RCRA Code: D039
Meth Code: H141 - Storage, Bulking, And/Or Transfer Off Site--No
Treatment/Reovery (H010-H129) Or (H131-H135)

Quantity Tons: 0.0834
Waste Quantity: 20
Quantity Unit: G
Additional Code 1: Not reported
Additional Code 2: Not reported
Additional Code 3: Not reported
Additional Code 4: Not reported
Additional Code 5: Not reported

Shipment Date: 20150305
Creation Date: 8/5/2015 22:15:33
Receipt Date: 20150313
Manifest ID: 004637341SKS
Trans EPA ID: TXR000081205
Trans Name: SAFETY-KLEEN SYSTEMS INC
Trans 2 EPA ID: Not reported
Trans 2 Name: Not reported
TSDf EPA ID: CAT000613976
Trans Name: SAFETY-KLEEN SYSTEMS INC
TSDf Alt EPA ID: Not reported
TSDf Alt Name: Not reported
Waste Code Description: 213 - Hydrocarbon solvents (benzene, hexane, Stoddard, etc.
RCRA Code: D039
Meth Code: H141 - Storage, Bulking, And/Or Transfer Off Site--No
Treatment/Reovery (H010-H129) Or (H131-H135)

Quantity Tons: 0.05838
Waste Quantity: 14
Quantity Unit: G
Additional Code 1: Not reported
Additional Code 2: Not reported
Additional Code 3: Not reported
Additional Code 4: Not reported
Additional Code 5: Not reported

Additional Info:

Year: 2014
Gen EPA ID: CAL000121969

Shipment Date: 20141204
Creation Date: 3/5/2015 22:15:15
Receipt Date: 20141216
Manifest ID: 004666866SKS
Trans EPA ID: TXR000081205
Trans Name: SAFETY-KLEEN SYSTEMS INC
Trans 2 EPA ID: Not reported
Trans 2 Name: Not reported
TSDf EPA ID: CAT000613976

Map ID
Direction
Distance
Elevation

MAP FINDINGS

Site

Database(s)

EDR ID Number
EPA ID Number

HARRIS MOTORS (Continued)

S113068567

Trans Name:	SAFETY-KLEEN SYSTEMS INC
TSDF Alt EPA ID:	Not reported
TSDF Alt Name:	Not reported
Waste Code Description:	213 - Hydrocarbon solvents (benzene, hexane, Stoddard, etc.
RCRA Code:	D039
Meth Code:	H141 - Storage, Bulking, And/Or Transfer Off Site--No Treatment/Reovery (H010-H129) Or (H131-H135)
Quantity Tons:	0.0417
Waste Quantity:	10
Quantity Unit:	G
Additional Code 1:	Not reported
Additional Code 2:	Not reported
Additional Code 3:	Not reported
Additional Code 4:	Not reported
Additional Code 5:	Not reported
Shipment Date:	20140904
Creation Date:	11/22/2014 22:15:14
Receipt Date:	20140919
Manifest ID:	004314065SKS
Trans EPA ID:	TXR000081205
Trans Name:	SAFETY-KLEEN SYSTEMS INC
Trans 2 EPA ID:	Not reported
Trans 2 Name:	Not reported
TSDF EPA ID:	CAD044429835
Trans Name:	CLEAN HARBORS WILMINGTON LLC
TSDF Alt EPA ID:	Not reported
TSDF Alt Name:	Not reported
Waste Code Description:	213 - Hydrocarbon solvents (benzene, hexane, Stoddard, etc.
RCRA Code:	D039
Meth Code:	H141 - Storage, Bulking, And/Or Transfer Off Site--No Treatment/Reovery (H010-H129) Or (H131-H135)
Quantity Tons:	0.0417
Waste Quantity:	10
Quantity Unit:	G
Additional Code 1:	Not reported
Additional Code 2:	Not reported
Additional Code 3:	Not reported
Additional Code 4:	Not reported
Additional Code 5:	Not reported
Shipment Date:	20140521
Creation Date:	8/17/2014 22:15:06
Receipt Date:	20140609
Manifest ID:	004341176SKS
Trans EPA ID:	TXR000081205
Trans Name:	SAFETY-KLEEN SYSTEMS INC
Trans 2 EPA ID:	Not reported
Trans 2 Name:	Not reported
TSDF EPA ID:	CAD044429835
Trans Name:	CLEAN HARBORS WILMINGTON LLC
TSDF Alt EPA ID:	Not reported
TSDF Alt Name:	Not reported
Waste Code Description:	213 - Hydrocarbon solvents (benzene, hexane, Stoddard, etc.
RCRA Code:	D039
Meth Code:	H141 - Storage, Bulking, And/Or Transfer Off Site--No Treatment/Reovery (H010-H129) Or (H131-H135)

Map ID
Direction
Distance
Elevation

MAP FINDINGS

Site

Database(s)

EDR ID Number
EPA ID Number

HARRIS MOTORS (Continued)

S113068567

Quantity Tons: 0.0417
Waste Quantity: 10
Quantity Unit: G
Additional Code 1: Not reported
Additional Code 2: Not reported
Additional Code 3: Not reported
Additional Code 4: Not reported
Additional Code 5: Not reported

Shipment Date: 20140213
Creation Date: 4/5/2014 22:15:21
Receipt Date: 20140224
Manifest ID: 004066622SKS
Trans EPA ID: TXR000081205
Trans Name: SAFETY-KLEEN SYSTEMS INC
Trans 2 EPA ID: Not reported
Trans 2 Name: Not reported
TSDf EPA ID: CAD044429835
Trans Name: CLEAN HARBORS WILMINGTON LLC
TSDf Alt EPA ID: Not reported
TSDf Alt Name: Not reported
Waste Code Description: 213 - Hydrocarbon solvents (benzene, hexane, Stoddard, etc.
RCRA Code: D039
Meth Code: H141 - Storage, Bulking, And/Or Transfer Off Site--No Treatment/Reovery (H010-H129) Or (H131-H135)

Quantity Tons: 0.0417
Waste Quantity: 10
Quantity Unit: G
Additional Code 1: Not reported
Additional Code 2: Not reported
Additional Code 3: Not reported
Additional Code 4: Not reported
Additional Code 5: Not reported

Additional Info:

Year: 2003
Gen EPA ID: CAL000121969

Shipment Date: 20031217
Creation Date: 8/24/2004 10:00:04
Receipt Date: 20031217
Manifest ID: 23308288
Trans EPA ID: TXR000050930
Trans Name: SAFETY-KLEEN SYSTEMS INC
Trans 2 EPA ID: Not reported
Trans 2 Name: Not reported
TSDf EPA ID: NVR000066837
Trans Name: SAFETY-KLEEN SYSTEMS INC
TSDf Alt EPA ID: Not reported
TSDf Alt Name: Not reported
Waste Code Description: 741 - Liquids with halogenated organic compounds > 1000 mg/l
RCRA Code: D001
Meth Code: H01 - Transfer Station
Quantity Tons: 0.06255
Waste Quantity: 15
Quantity Unit: G
Additional Code 1: Not reported

Map ID
Direction
Distance
Elevation

MAP FINDINGS

Site

Database(s)

EDR ID Number
EPA ID Number

HARRIS MOTORS (Continued)

S113068567

Additional Code 2:	Not reported
Additional Code 3:	Not reported
Additional Code 4:	Not reported
Additional Code 5:	Not reported
Shipment Date:	20031113
Creation Date:	8/5/2004 10:07:02
Receipt Date:	20031113
Manifest ID:	23304046
Trans EPA ID:	TXR000050930
Trans Name:	SAFETY-KLEEN SYSTEMS INC
Trans 2 EPA ID:	Not reported
Trans 2 Name:	Not reported
TSDf EPA ID:	NVR000066837
Trans Name:	SAFETY-KLEEN SYSTEMS INC
TSDf Alt EPA ID:	Not reported
TSDf Alt Name:	Not reported
Waste Code Description:	741 - Liquids with halogenated organic compounds > 1000 mg/l
RCRA Code:	D001
Meth Code:	H01 - Transfer Station
Quantity Tons:	0.05004
Waste Quantity:	12
Quantity Unit:	G
Additional Code 1:	Not reported
Additional Code 2:	Not reported
Additional Code 3:	Not reported
Additional Code 4:	Not reported
Additional Code 5:	Not reported
Shipment Date:	20031015
Creation Date:	8/3/2004 15:00:31
Receipt Date:	20031015
Manifest ID:	22519434
Trans EPA ID:	TXR000050930
Trans Name:	SAFETY-KLEEN SYSTEMS INC
Trans 2 EPA ID:	Not reported
Trans 2 Name:	Not reported
TSDf EPA ID:	NVR000066837
Trans Name:	SAFETY-KLEEN SYSTEMS INC
TSDf Alt EPA ID:	Not reported
TSDf Alt Name:	Not reported
Waste Code Description:	741 - Liquids with halogenated organic compounds > 1000 mg/l
RCRA Code:	D001
Meth Code:	H01 - Transfer Station
Quantity Tons:	0.05004
Waste Quantity:	12
Quantity Unit:	G
Additional Code 1:	Not reported
Additional Code 2:	Not reported
Additional Code 3:	Not reported
Additional Code 4:	Not reported
Additional Code 5:	Not reported
Shipment Date:	20030819
Creation Date:	7/28/2004 10:47:10
Receipt Date:	20030819
Manifest ID:	22881643

Map ID
Direction
Distance
Elevation

MAP FINDINGS

Site

Database(s)

EDR ID Number
EPA ID Number

HARRIS MOTORS (Continued)

S113068567

Trans EPA ID: TXR000050930
Trans Name: Not reported
Trans 2 EPA ID: Not reported
Trans 2 Name: Not reported
TSDf EPA ID: NVR000066837
Trans Name: Not reported
TSDf Alt EPA ID: Not reported
TSDf Alt Name: Not reported
Waste Code Description: 741 - Liquids with halogenated organic compounds > 1000 mg/l
RCRA Code: D001
Meth Code: H01 - Transfer Station
Quantity Tons: 0.06255
Waste Quantity: 15
Quantity Unit: G
Additional Code 1: Not reported
Additional Code 2: Not reported
Additional Code 3: Not reported
Additional Code 4: Not reported
Additional Code 5: Not reported

Shipment Date: 20030806
Creation Date: 7/26/2004 18:30:41
Receipt Date: 20030806
Manifest ID: 20329167
Trans EPA ID: TXR000050930
Trans Name: Not reported
Trans 2 EPA ID: Not reported
Trans 2 Name: Not reported
TSDf EPA ID: NVR000066837
Trans Name: Not reported
TSDf Alt EPA ID: NVR000066837
TSDf Alt Name: Not reported
Waste Code Description: 221 - Waste oil and mixed oil
RCRA Code: Not reported
Meth Code: H01 - Transfer Station
Quantity Tons: 0.874
Waste Quantity: 230
Quantity Unit: G
Additional Code 1: Not reported
Additional Code 2: Not reported
Additional Code 3: Not reported
Additional Code 4: Not reported
Additional Code 5: Not reported

Shipment Date: 20030701
Creation Date: 7/22/2004 7:51:02
Receipt Date: 20030701
Manifest ID: 22878197
Trans EPA ID: TXR000050930
Trans Name: Not reported
Trans 2 EPA ID: Not reported
Trans 2 Name: Not reported
TSDf EPA ID: NVR000066837
Trans Name: Not reported
TSDf Alt EPA ID: Not reported
TSDf Alt Name: Not reported
Waste Code Description: 741 - Liquids with halogenated organic compounds > 1000 mg/l

Map ID
Direction
Distance
Elevation

MAP FINDINGS

Site

Database(s)

EDR ID Number
EPA ID Number

HARRIS MOTORS (Continued)

S113068567

RCRA Code:	D001
Meth Code:	H01 - Transfer Station
Quantity Tons:	0.06255
Waste Quantity:	15
Quantity Unit:	G
Additional Code 1:	Not reported
Additional Code 2:	Not reported
Additional Code 3:	Not reported
Additional Code 4:	Not reported
Additional Code 5:	Not reported
Shipment Date:	20030522
Creation Date:	9/2/2003 18:31:45
Receipt Date:	20030522
Manifest ID:	22382131
Trans EPA ID:	TXR000050930
Trans Name:	Not reported
Trans 2 EPA ID:	Not reported
Trans 2 Name:	Not reported
TSDf EPA ID:	NVR000066837
Trans Name:	Not reported
TSDf Alt EPA ID:	Not reported
TSDf Alt Name:	Not reported
Waste Code Description:	741 - Liquids with halogenated organic compounds > 1000 mg/l
RCRA Code:	D001
Meth Code:	H01 - Transfer Station
Quantity Tons:	0.06255
Waste Quantity:	15
Quantity Unit:	G
Additional Code 1:	Not reported
Additional Code 2:	Not reported
Additional Code 3:	Not reported
Additional Code 4:	Not reported
Additional Code 5:	Not reported
Shipment Date:	20030514
Creation Date:	8/29/2003 18:31:02
Receipt Date:	20030514
Manifest ID:	22382945
Trans EPA ID:	TXR000050930
Trans Name:	Not reported
Trans 2 EPA ID:	Not reported
Trans 2 Name:	Not reported
TSDf EPA ID:	NVR000066837
Trans Name:	Not reported
TSDf Alt EPA ID:	Not reported
TSDf Alt Name:	Not reported
Waste Code Description:	221 - Waste oil and mixed oil
RCRA Code:	Not reported
Meth Code:	H01 - Transfer Station
Quantity Tons:	0.836
Waste Quantity:	220
Quantity Unit:	G
Additional Code 1:	Not reported
Additional Code 2:	Not reported
Additional Code 3:	Not reported
Additional Code 4:	Not reported

Map ID
Direction
Distance
Elevation

MAP FINDINGS

Site

Database(s)

EDR ID Number
EPA ID Number

HARRIS MOTORS (Continued)

S113068567

Additional Code 5: Not reported

Shipment Date: 20030408
Creation Date: 7/12/2003 18:31:23
Receipt Date: 20030408
Manifest ID: 22439212
Trans EPA ID: TXR000050930
Trans Name: Not reported
Trans 2 EPA ID: Not reported
Trans 2 Name: Not reported
TSDf EPA ID: NVR000066837
Trans Name: Not reported
TSDf Alt EPA ID: Not reported
TSDf Alt Name: Not reported
Waste Code Description: 741 - Liquids with halogenated organic compounds > 1000 mg/l
RCRA Code: D001
Meth Code: H01 - Transfer Station
Quantity Tons: 0.06255
Waste Quantity: 15
Quantity Unit: G
Additional Code 1: Not reported
Additional Code 2: Not reported
Additional Code 3: Not reported
Additional Code 4: Not reported
Additional Code 5: Not reported

Shipment Date: 20030226
Creation Date: 5/19/2003 18:31:05
Receipt Date: 20030226
Manifest ID: 22433459
Trans EPA ID: TXR000050930
Trans Name: Not reported
Trans 2 EPA ID: Not reported
Trans 2 Name: Not reported
TSDf EPA ID: NVR000066837
Trans Name: Not reported
TSDf Alt EPA ID: Not reported
TSDf Alt Name: Not reported
Waste Code Description: 741 - Liquids with halogenated organic compounds > 1000 mg/l
RCRA Code: D001
Meth Code: H01 - Transfer Station
Quantity Tons: 0.07506
Waste Quantity: 18
Quantity Unit: G
Additional Code 1: Not reported
Additional Code 2: Not reported
Additional Code 3: Not reported
Additional Code 4: Not reported
Additional Code 5: Not reported

Additional Info:
Year: 2012
Gen EPA ID: CAL000121969

Shipment Date: 20121010
Creation Date: 8/18/2013 22:15:15
Receipt Date: 20121016

Map ID
Direction
Distance
Elevation

MAP FINDINGS

Site

Database(s)

EDR ID Number
EPA ID Number

HARRIS MOTORS (Continued)

S113068567

Manifest ID: 003426630SKS
Trans EPA ID: TXR000081205
Trans Name: SAFETY-KLEEN SYSTEMS INC
Trans 2 EPA ID: Not reported
Trans 2 Name: Not reported
TSDF EPA ID: CAT000613893
Trans Name: SAFETY-KLEEN SYSTEMS INC
TSDF Alt EPA ID: Not reported
TSDF Alt Name: Not reported
Waste Code Description: 213 - Hydrocarbon solvents (benzene, hexane, Stoddard, etc.
RCRA Code: D039
Meth Code: H141 - Storage, Bulking, And/Or Transfer Off Site--No
Treatment/Reovery (H010-H129) Or (H131-H135)
Quantity Tons: 0.06255
Waste Quantity: 15
Quantity Unit: G
Additional Code 1: Not reported
Additional Code 2: Not reported
Additional Code 3: Not reported
Additional Code 4: Not reported
Additional Code 5: Not reported

Shipment Date: 20120718
Creation Date: 5/30/2013 22:15:07
Receipt Date: 20120723
Manifest ID: 003372681SKS
Trans EPA ID: TXR000050930
Trans Name: SAFETY-KLEEN SYSTEMS INC
Trans 2 EPA ID: Not reported
Trans 2 Name: Not reported
TSDF EPA ID: CAT000613893
Trans Name: SAFETY-KLEEN SYSTEMS INC
TSDF Alt EPA ID: Not reported
TSDF Alt Name: Not reported
Waste Code Description: 213 - Hydrocarbon solvents (benzene, hexane, Stoddard, etc.
RCRA Code: D039
Meth Code: H141 - Storage, Bulking, And/Or Transfer Off Site--No
Treatment/Reovery (H010-H129) Or (H131-H135)
Quantity Tons: 0.0417
Waste Quantity: 10
Quantity Unit: G
Additional Code 1: Not reported
Additional Code 2: Not reported
Additional Code 3: Not reported
Additional Code 4: Not reported
Additional Code 5: Not reported

Shipment Date: 20120130
Creation Date: 6/27/2012 20:30:16
Receipt Date: 20120202
Manifest ID: 002778782SKS
Trans EPA ID: TXR000050930
Trans Name: SAFETY-KLEEN SYSTEMS INC
Trans 2 EPA ID: Not reported
Trans 2 Name: Not reported
TSDF EPA ID: CAT000613893
Trans Name: SAFETY-KLEEN SYSTEMS INC

Map ID
Direction
Distance
Elevation

MAP FINDINGS

Site

Database(s)

EDR ID Number
EPA ID Number

HARRIS MOTORS (Continued)

S113068567

TSDf Alt EPA ID:	Not reported
TSDf Alt Name:	Not reported
Waste Code Description:	213 - Hydrocarbon solvents (benzene, hexane, Stoddard, etc.
RCRA Code:	D039
Meth Code:	H141 - Storage, Bulking, And/Or Transfer Off Site--No Treatment/Reovery (H010-H129) Or (H131-H135)
Quantity Tons:	0.05004
Waste Quantity:	12
Quantity Unit:	G
Additional Code 1:	Not reported
Additional Code 2:	Not reported
Additional Code 3:	Not reported
Additional Code 4:	Not reported
Additional Code 5:	Not reported
Additional Info:	
Year:	2000
Gen EPA ID:	CAL000121969
Shipment Date: 20000620	
Creation Date: 8/14/2000 0:00:00	
Receipt Date: 20000623	
Manifest ID: 98305112	
Trans EPA ID: CAD980696041	
Trans Name: Not reported	
Trans 2 EPA ID: Not reported	
Trans 2 Name: Not reported	
TSDf EPA ID: CAD099452708	
Trans Name: Not reported	
TSDf Alt EPA ID: CAD099452708	
TSDf Alt Name: Not reported	
Waste Code Description: 134 - Aqueous solution with <10% total organic residues	
RCRA Code: Not reported	
Meth Code: R01 - Recycler	
Quantity Tons: 0.336	
Waste Quantity: 80	
Quantity Unit: G	
Additional Code 1: Not reported	
Additional Code 2: Not reported	
Additional Code 3: Not reported	
Additional Code 4: Not reported	
Additional Code 5: Not reported	
Additional Info:	
Year:	2006
Gen EPA ID:	CAL000121969
Shipment Date: 20061228	
Creation Date: 10/24/2007 18:30:14	
Receipt Date: 20061228	
Manifest ID: 000304598SKS	
Trans EPA ID: TXR000050930	
Trans Name: SAFETY-KLEEN SYSTEMS INC	
Trans 2 EPA ID: Not reported	
Trans 2 Name: Not reported	
TSDf EPA ID: NVR000066837	

Map ID
Direction
Distance
Elevation

MAP FINDINGS

Site

Database(s)

EDR ID Number
EPA ID Number

HARRIS MOTORS (Continued)

S113068567

Trans Name:	SAFETY-KLEEN SYSTEMS INC 708701
TSDF Alt EPA ID:	Not reported
TSDF Alt Name:	Not reported
Waste Code Description:	741 - Liquids with halogenated organic compounds > 1000 mg/l
RCRA Code:	D040
Meth Code:	H141 - Storage, Bulking, And/Or Transfer Off Site--No Treatment/Reovery (H010-H129) Or (H131-H135)
Quantity Tons:	0.05838
Waste Quantity:	14
Quantity Unit:	G
Additional Code 1:	D039
Additional Code 2:	D018
Additional Code 3:	D001
Additional Code 4:	Not reported
Additional Code 5:	Not reported
Shipment Date:	20061004
Creation Date:	3/30/2007 13:33:32
Receipt Date:	20061004
Manifest ID:	000827903JJK
Trans EPA ID:	TXR000050930
Trans Name:	SAFETY-KLEEN SYSTEMS INC
Trans 2 EPA ID:	Not reported
Trans 2 Name:	Not reported
TSDF EPA ID:	NVR000066837
Trans Name:	SAFETY-KLEEN SYSTEMS INC
TSDF Alt EPA ID:	Not reported
TSDF Alt Name:	Not reported
Waste Code Description:	741 - Liquids with halogenated organic compounds > 1000 mg/l
RCRA Code:	D040
Meth Code:	H141 - Storage, Bulking, And/Or Transfer Off Site--No Treatment/Reovery (H010-H129) Or (H131-H135)
Quantity Tons:	0.05838
Waste Quantity:	14
Quantity Unit:	G
Additional Code 1:	D039
Additional Code 2:	D018
Additional Code 3:	D001
Additional Code 4:	Not reported
Additional Code 5:	Not reported
Shipment Date:	20060711
Creation Date:	9/8/2006 18:32:18
Receipt Date:	20060711
Manifest ID:	24944143
Trans EPA ID:	TXR000050930
Trans Name:	SAFETY KLEEN SYSTEMS INC
Trans 2 EPA ID:	Not reported
Trans 2 Name:	Not reported
TSDF EPA ID:	NVR000066837
Trans Name:	SAFETY KLEEN SYSTEMS INC
TSDF Alt EPA ID:	Not reported
TSDF Alt Name:	Not reported
Waste Code Description:	741 - Liquids with halogenated organic compounds > 1000 mg/l
RCRA Code:	D001
Meth Code:	H01 - Transfer Station
Quantity Tons:	0.05838

Map ID
Direction
Distance
Elevation

MAP FINDINGS

Site

Database(s)

EDR ID Number
EPA ID Number

HARRIS MOTORS (Continued)

S113068567

Waste Quantity:	14
Quantity Unit:	G
Additional Code 1:	Not reported
Additional Code 2:	Not reported
Additional Code 3:	Not reported
Additional Code 4:	Not reported
Additional Code 5:	Not reported
Shipment Date:	20060419
Creation Date:	7/27/2006 18:37:42
Receipt Date:	20060419
Manifest ID:	24622968
Trans EPA ID:	TXR000050930
Trans Name:	SAFETY KLEEN SYSTEMS INC
Trans 2 EPA ID:	Not reported
Trans 2 Name:	Not reported
TSDf EPA ID:	NVR000066837
Trans Name:	SAFETY KLEEN SYSTEMS INC
TSDf Alt EPA ID:	Not reported
TSDf Alt Name:	Not reported
Waste Code Description:	741 - Liquids with halogenated organic compounds > 1000 mg/l
RCRA Code:	D001
Meth Code:	H01 - Transfer Station
Quantity Tons:	0.05838
Waste Quantity:	14
Quantity Unit:	G
Additional Code 1:	Not reported
Additional Code 2:	Not reported
Additional Code 3:	Not reported
Additional Code 4:	Not reported
Additional Code 5:	Not reported
Shipment Date:	20060123
Creation Date:	3/14/2007 18:30:33
Receipt Date:	20060123
Manifest ID:	24612581
Trans EPA ID:	TXR000050930
Trans Name:	SAFETY-KLEEN SYSTEMS INC
Trans 2 EPA ID:	Not reported
Trans 2 Name:	Not reported
TSDf EPA ID:	NVR000066837
Trans Name:	SAFETY-KLEEN SYSTEMS INC
TSDf Alt EPA ID:	Not reported
TSDf Alt Name:	Not reported
Waste Code Description:	741 - Liquids with halogenated organic compounds > 1000 mg/l
RCRA Code:	D001
Meth Code:	H01 - Transfer Station
Quantity Tons:	0.05838
Waste Quantity:	14
Quantity Unit:	G
Additional Code 1:	Not reported
Additional Code 2:	Not reported
Additional Code 3:	Not reported
Additional Code 4:	Not reported
Additional Code 5:	Not reported

Map ID
Direction
Distance
Elevation

MAP FINDINGS

Site

Database(s)

EDR ID Number
EPA ID Number

HARRIS MOTORS (Continued)

S113068567

Additional Info:

Year: 2005
Gen EPA ID: CAL000121969

Shipment Date: 20051207
Creation Date: 1/2/2007 18:30:32
Receipt Date: 20051207
Manifest ID: 24364959
Trans EPA ID: TXR000050930
Trans Name: SAFETY-KLEEN SYSTEMS INC
Trans 2 EPA ID: Not reported
Trans 2 Name: Not reported
TSDf EPA ID: NVR000066837
Trans Name: SAFETY-KLEEN SYSTEMS INC
TSDf Alt EPA ID: NVR000066837
TSDf Alt Name: Not reported
Waste Code Description: 221 - Waste oil and mixed oil
RCRA Code: Not reported
Meth Code: - Not reported
Quantity Tons: 0.76
Waste Quantity: 200
Quantity Unit: G
Additional Code 1: Not reported
Additional Code 2: Not reported
Additional Code 3: Not reported
Additional Code 4: Not reported
Additional Code 5: Not reported

Shipment Date: 20051102
Creation Date: 12/22/2006 18:30:28
Receipt Date: 20051102
Manifest ID: 24741767
Trans EPA ID: TXR000050930
Trans Name: SAFETY-KLEEN SYSTEMS INC
Trans 2 EPA ID: Not reported
Trans 2 Name: Not reported
TSDf EPA ID: NVR000066837
Trans Name: SAFETY-KLEEN SYSTEMS INC
TSDf Alt EPA ID: Not reported
TSDf Alt Name: Not reported
Waste Code Description: 741 - Liquids with halogenated organic compounds > 1000 mg/l
RCRA Code: D001
Meth Code: H01 - Transfer Station
Quantity Tons: 0.06672
Waste Quantity: 16
Quantity Unit: G
Additional Code 1: Not reported
Additional Code 2: Not reported
Additional Code 3: Not reported
Additional Code 4: Not reported
Additional Code 5: Not reported

Shipment Date: 20050914
Creation Date: 4/13/2006 18:47:49
Receipt Date: 20050914
Manifest ID: 24365180
Trans EPA ID: TXR000050930

Map ID
Direction
Distance
Elevation

MAP FINDINGS

Site

Database(s)

EDR ID Number
EPA ID Number

HARRIS MOTORS (Continued)

S113068567

Trans Name: SAFETY-KLEEN SYSTEMS INC
Trans 2 EPA ID: Not reported
Trans 2 Name: Not reported
TSDf EPA ID: NVR000066837
Trans Name: SAFETY-KLEEN SYSTEMS INC
TSDf Alt EPA ID: NVR000066837
TSDf Alt Name: Not reported
Waste Code Description: 221 - Waste oil and mixed oil
RCRA Code: Not reported
Meth Code: - Not reported
Quantity Tons: 0.798
Waste Quantity: 210
Quantity Unit: G
Additional Code 1: Not reported
Additional Code 2: Not reported
Additional Code 3: Not reported
Additional Code 4: Not reported
Additional Code 5: Not reported

Shipment Date: 20050901
Creation Date: 4/13/2006 18:45:56
Receipt Date: 20050901
Manifest ID: 24365161
Trans EPA ID: TXR000050930
Trans Name: SAFETY-KLEEN SYSTEMS INC
Trans 2 EPA ID: Not reported
Trans 2 Name: Not reported
TSDf EPA ID: NVR000066837
Trans Name: SAFETY-KLEEN SYSTEMS INC
TSDf Alt EPA ID: NVR000066837
TSDf Alt Name: Not reported
Waste Code Description: 221 - Waste oil and mixed oil
RCRA Code: Not reported
Meth Code: - Not reported
Quantity Tons: 1.178
Waste Quantity: 310
Quantity Unit: G
Additional Code 1: Not reported
Additional Code 2: Not reported
Additional Code 3: Not reported
Additional Code 4: Not reported
Additional Code 5: Not reported

Shipment Date: 20050810
Creation Date: 10/27/2005 10:10:50
Receipt Date: 20050810
Manifest ID: 24723210
Trans EPA ID: TXR000050930
Trans Name: SAFETY-KLEEN SYSTEMS INC
Trans 2 EPA ID: Not reported
Trans 2 Name: Not reported
TSDf EPA ID: NVR000066837
Trans Name: SAFETY-KLEEN SYSTEMS INC
TSDf Alt EPA ID: Not reported
TSDf Alt Name: Not reported
Waste Code Description: 741 - Liquids with halogenated organic compounds > 1000 mg/l
RCRA Code: D001

Map ID
Direction
Distance
Elevation

MAP FINDINGS

Site

Database(s)

EDR ID Number
EPA ID Number

HARRIS MOTORS (Continued)

S113068567

Meth Code:	H01 - Transfer Station
Quantity Tons:	0.06255
Waste Quantity:	15
Quantity Unit:	G
Additional Code 1:	Not reported
Additional Code 2:	Not reported
Additional Code 3:	Not reported
Additional Code 4:	Not reported
Additional Code 5:	Not reported
Shipment Date:	20050622
Creation Date:	8/17/2005 18:33:44
Receipt Date:	20050622
Manifest ID:	23020132
Trans EPA ID:	TXR000050930
Trans Name:	SAFETY-KLEEN SYSTEMS INC
Trans 2 EPA ID:	Not reported
Trans 2 Name:	Not reported
TSDf EPA ID:	NVR000066837
Trans Name:	SAFETY-KLEEN SYSTEMS INC
TSDf Alt EPA ID:	NVR000066837
TSDf Alt Name:	Not reported
Waste Code Description:	221 - Waste oil and mixed oil
RCRA Code:	Not reported
Meth Code:	- Not reported
Quantity Tons:	0.76
Waste Quantity:	200
Quantity Unit:	G
Additional Code 1:	Not reported
Additional Code 2:	Not reported
Additional Code 3:	Not reported
Additional Code 4:	Not reported
Additional Code 5:	Not reported
Shipment Date:	20050518
Creation Date:	8/24/2005 7:27:35
Receipt Date:	20050518
Manifest ID:	24496965
Trans EPA ID:	TXR000050930
Trans Name:	SAFETY-KLEEN SYSTEMS INC
Trans 2 EPA ID:	Not reported
Trans 2 Name:	Not reported
TSDf EPA ID:	NVR000066837
Trans Name:	SAFETY-KLEEN SYSTEMS INC
TSDf Alt EPA ID:	Not reported
TSDf Alt Name:	Not reported
Waste Code Description:	741 - Liquids with halogenated organic compounds > 1000 mg/l
RCRA Code:	D001
Meth Code:	H01 - Transfer Station
Quantity Tons:	0.06255
Waste Quantity:	15
Quantity Unit:	G
Additional Code 1:	Not reported
Additional Code 2:	Not reported
Additional Code 3:	Not reported
Additional Code 4:	Not reported
Additional Code 5:	Not reported

Map ID
Direction
Distance
Elevation

MAP FINDINGS

Site

Database(s)

EDR ID Number
EPA ID Number

HARRIS MOTORS (Continued)

S113068567

Shipment Date: 20050413
Creation Date: 7/21/2005 18:31:13
Receipt Date: 20050413
Manifest ID: 23020247
Trans EPA ID: TXR000050930
Trans Name: SAFETY-KLEEN SYSTEMS INC
Trans 2 EPA ID: Not reported
Trans 2 Name: Not reported
TSDf EPA ID: NVR000066837
Trans Name: SAFETY-KLEEN SYSTEMS INC
TSDf Alt EPA ID: Not reported
TSDf Alt Name: Not reported
Waste Code Description: 343 - Unspecified organic liquid mixture
RCRA Code: Not reported
Meth Code: - Not reported
Quantity Tons: 0.306
Waste Quantity: 90
Quantity Unit: G
Additional Code 1: Not reported
Additional Code 2: Not reported
Additional Code 3: Not reported
Additional Code 4: Not reported
Additional Code 5: Not reported

Shipment Date: 20050330
Creation Date: 6/1/2005 18:31:04
Receipt Date: 20050330
Manifest ID: 23020385
Trans EPA ID: TXR000050930
Trans Name: SAFETY-KLEEN SYSTEMS INC
Trans 2 EPA ID: Not reported
Trans 2 Name: Not reported
TSDf EPA ID: NVR000066837
Trans Name: SAFETY-KLEEN SYSTEMS INC
TSDf Alt EPA ID: NVR000066837
TSDf Alt Name: Not reported
Waste Code Description: 221 - Waste oil and mixed oil
RCRA Code: Not reported
Meth Code: - Not reported
Quantity Tons: 0.912
Waste Quantity: 240
Quantity Unit: G
Additional Code 1: Not reported
Additional Code 2: Not reported
Additional Code 3: Not reported
Additional Code 4: Not reported
Additional Code 5: Not reported

Shipment Date: 20050224
Creation Date: 4/3/2005 18:31:55
Receipt Date: 20050224
Manifest ID: 23020323
Trans EPA ID: TXR000050930
Trans Name: SAFETY-KLEEN SYSTEMS INC
Trans 2 EPA ID: Not reported
Trans 2 Name: Not reported
TSDf EPA ID: NVR000066837

Map ID
Direction
Distance
Elevation

MAP FINDINGS

Site

Database(s)

EDR ID Number
EPA ID Number

HARRIS MOTORS (Continued)

S113068567

Trans Name: SAFETY-KLEEN SYSTEMS INC
TSDf Alt EPA ID: Not reported
TSDf Alt Name: Not reported
Waste Code Description: 741 - Liquids with halogenated organic compounds > 1000 mg/l
RCRA Code: D001
Meth Code: H01 - Transfer Station
Quantity Tons: 0.0417
Waste Quantity: 10
Quantity Unit: G
Additional Code 1: Not reported
Additional Code 2: Not reported
Additional Code 3: Not reported
Additional Code 4: Not reported
Additional Code 5: Not reported

Additional Info:

Year: 2002
Gen EPA ID: CAL000121969

Shipment Date: 20021112
Creation Date: 2/21/2003 10:41:38
Receipt Date: 20021112
Manifest ID: 21470669
Trans EPA ID: SCR000075150
Trans Name: Not reported
Trans 2 EPA ID: Not reported
Trans 2 Name: Not reported
TSDf EPA ID: NVR000066837
Trans Name: Not reported
TSDf Alt EPA ID: Not reported
TSDf Alt Name: Not reported
Waste Code Description: - Not reported
RCRA Code: Not reported
Meth Code: H01 - Transfer Station
Quantity Tons: Not reported
Waste Quantity: Not reported
Quantity Unit: Not reported
Additional Code 1: Not reported
Additional Code 2: Not reported
Additional Code 3: Not reported
Additional Code 4: Not reported
Additional Code 5: Not reported

Shipment Date: 20021112
Creation Date: 2/21/2003 10:41:38
Receipt Date: 20021112
Manifest ID: 21470669
Trans EPA ID: SCR000075150
Trans Name: Not reported
Trans 2 EPA ID: Not reported
Trans 2 Name: Not reported
TSDf EPA ID: NVR000066837
Trans Name: Not reported
TSDf Alt EPA ID: Not reported
TSDf Alt Name: Not reported
Waste Code Description: 221 - Waste oil and mixed oil
RCRA Code: Not reported

Map ID
Direction
Distance
Elevation

MAP FINDINGS

Site

Database(s)

EDR ID Number
EPA ID Number

HARRIS MOTORS (Continued)

S113068567

Meth Code: - Not reported
Quantity Tons: 1.52
Waste Quantity: 400
Quantity Unit: G
Additional Code 1: Not reported
Additional Code 2: Not reported
Additional Code 3: Not reported
Additional Code 4: Not reported
Additional Code 5: Not reported

Shipment Date: 20021107
Creation Date: 2/7/2003 18:31:45
Receipt Date: 20021107
Manifest ID: 21470668
Trans EPA ID: SCR000075150
Trans Name: Not reported
Trans 2 EPA ID: Not reported
Trans 2 Name: Not reported
TSDf EPA ID: NVR000066837
Trans Name: Not reported
TSDf Alt EPA ID: Not reported
TSDf Alt Name: Not reported
Waste Code Description: 221 - Waste oil and mixed oil
RCRA Code: Not reported
Meth Code: H01 - Transfer Station
Quantity Tons: 0.494
Waste Quantity: 130
Quantity Unit: G
Additional Code 1: Not reported
Additional Code 2: Not reported
Additional Code 3: Not reported
Additional Code 4: Not reported
Additional Code 5: Not reported

HWTS:

Name: HARRIS MOTORS
Address: 110 GOODWILL ST
Address 2: Not reported
City,State,Zip: NEEDLES, CA 92363
EPA ID: CAL000121969
Inactive Date: 06/30/2021
Create Date: 04/25/1994
Last Act Date: Not reported
Mailing Name: Not reported
Mailing Address: 110 GOODWILL ST
Mailing Address 2: Not reported
Mailing City,State,Zip: NEEDLES, CA 923630000
Owner Name: DENNIS HARRIS
Owner Address: 110 GOODWILL ST
Owner Address 2: Not reported
Owner City,State,Zip: NEEDLES, CA 923633899
Contact Name: DENNIS HARRIS
Contact Address: 110 GOODWILL ST
Contact Address 2: Not reported
City,State,Zip: NEEDLES, CA 92363
Facility Status: Inactive
Facility Type: PERMANENT

Map ID
Direction
Distance
Elevation

MAP FINDINGS

Site

Database(s)

EDR ID Number
EPA ID Number

HARRIS MOTORS (Continued)

S113068567

Category: STATE
Latitude: 34.827655
Longitude: -114.595686
NAICS:
EPA ID: CAL000121969
Create Date: 2005-09-27 15:01:35.000
NAICS Code: 811111
NAICS Description: General Automotive Repair
Issued EPA ID Date: 1994-04-25 00:00:00
Inactive Date: 2020-06-30 00:00:00
Facility Name: HARRIS MOTORS
Facility Address: 110 GOODWILL STREET
Facility Address 2: Not reported
Facility City: NEEDLES
Facility County: Not reported
Facility State: CA
Facility Zip: 923630000

CW697 HARRIS MOTORS
Target 110 GOODWILL ST
Property NEEDLES, CA 92363

FINDS 1007679439
ECHO N/A

Site 3 of 4 in cluster CW

Actual: FINDS:
523 ft. Registry ID: 110017960358

Focus Map:
11 [Click Here for FRS Facility Detail Report:](#)

Environmental Interest/Information System:

RCRAInfo is a national information system that supports the Resource Conservation and Recovery Act (RCRA) program through the tracking of events and activities related to facilities that generate, transport, and treat, store, or dispose of hazardous waste. RCRAInfo allows RCRA program staff to track the notification, permit, compliance, and corrective action activities required under RCRA.

STATE MASTER

UORS (California - Used Oil Recycling System). California Integrated Waste Management Board (CIWMB) helps communities establish and promote convenient collection opportunities for used oil and used oil filters.

[Click this hyperlink](#) while viewing on your computer to access additional FINDS: detail in the EDR Site Report.

ECHO:
Envid: 1007679439
Registry ID: 110017960358
DFR URL: <http://echo.epa.gov/detailed-facility-report?fid=110017960358>
Name: HARRIS MOTORS
Address: 110 GOODWILL ST
City,State,Zip: NEEDLES, CA 92363

Map ID
Direction
Distance
Elevation

MAP FINDINGS

Site

Database(s)

EDR ID Number
EPA ID Number

CW698 **HARRIS MOTORS**
Target **110 GOODWILL ST**
Property **NEEDLES, CA 92363**

CERS HAZ WASTE
San Bern. Co. Permit
CERS

S104766836
N/A

Site 4 of 4 in cluster CW

Actual:
523 ft.

Focus Map:
11

CERS HAZ WASTE:
Name: HARRIS MOTORS
Address: 110 GOODWILL ST
City,State,Zip: NEEDLES, CA 92363
Site ID: 121728
CERS ID: 10040188
CERS Description: Hazardous Waste Generator

San Bern. Co. Permit:

Name: HARRIS MOTORS
Address: 110 GOODWILL ST
City,State,Zip: NEEDLES, CA 92363
Region: SAN BERNARDINO
Facility ID: FA0003707
Owner: HARRIS, RONALD & DENNIS
Permit Number: PT0003757
Permit Category: SMALL QUANTITY GENERATOR
Facility Status: ACTIVE
Expiration Date: 08/31/2022

Name: HARRIS MOTORS
Address: 110 GOODWILL ST
City,State,Zip: NEEDLES, CA 92363
Region: SAN BERNARDINO
Facility ID: FA0003707
Owner: HARRIS, RONALD & DENNIS
Permit Number: PT0003756
Permit Category: HAZARDOUS MATERIALS 4-10 CHEMICALS
Facility Status: ACTIVE
Expiration Date: 08/31/2022

CERS:

Name: HARRIS MOTORS
Address: 110 GOODWILL ST
City,State,Zip: NEEDLES, CA 92363
Site ID: 121728
CERS ID: 10040188
CERS Description: Chemical Storage Facilities

Violations:

Site ID: 121728
Site Name: HARRIS MOTORS
Violation Date: 08-13-2013
Citation: 22 CCR 16 66266.130 - California Code of Regulations, Title 22, Chapter 16, Section(s) 66266.130
Violation Description: Failure to properly handle, manage, label, and recycle used oil and fuel filters.
Violation Notes: Returned to compliance on 08/13/2013. corrected on site- operator properly labeled the drained used oil filter drum
Violation Division: San Bernardino County Fire Department
Violation Program: HW
Violation Source: CERS,

Map ID
Direction
Distance
Elevation

MAP FINDINGS

Site

Database(s)

EDR ID Number
EPA ID Number

HARRIS MOTORS (Continued)

S104766836

Site ID: 121728
Site Name: HARRIS MOTORS
Violation Date: 10-21-2016
Citation: HSC 6.95 25508(a)(1) - California Health and Safety Code, Chapter 6.95, Section(s) 25508(a)(1)
Violation Description: Failure to annually review and electronically certify that the business plan is complete and accurate on or before the annual due date.
Violation Notes: Returned to compliance on 11/19/2019. COMPLIANCE ACTIVITY (01/23/2017): MAILED 30-DAY OUTSTANDING NOTICE TO FACILITY OBSERVATION: CERS WAS LAST UPDATED 08/27/2013. COMPLIANCE REQUIREMENT: UPDATED/ RE-CERTIFY CERS SUBMITTED BUSINESS PLAN
Violation Division: San Bernardino County Fire Department
Violation Program: HMRRP
Violation Source: CERS,

Evaluation:

Eval General Type: Compliance Evaluation Inspection
Eval Date: 10-21-2016
Violations Found: No
Eval Type: Routine done by local agency
Eval Notes: HARRIS MOTORS- CUPA WASTE INSPECTION
Eval Division: San Bernardino County Fire Department
Eval Program: HW
Eval Source: CERS,

Eval General Type: Compliance Evaluation Inspection
Eval Date: 10-21-2016
Violations Found: Yes
Eval Type: Routine done by local agency
Eval Notes: HARRIS MOTORS- CUPA HANDLER INSPECTION
Eval Division: San Bernardino County Fire Department
Eval Program: HMRRP
Eval Source: CERS,

Eval General Type: Compliance Evaluation Inspection
Eval Date: 11-19-2019
Violations Found: No
Eval Type: Routine done by local agency
Eval Notes: Not reported
Eval Division: San Bernardino County Fire Department
Eval Program: HW
Eval Source: CERS,

Eval General Type: Compliance Evaluation Inspection
Eval Date: 08-13-2013
Violations Found: No
Eval Type: Routine done by local agency
Eval Notes: harris motors-insp
Eval Division: San Bernardino County Fire Department
Eval Program: HMRRP
Eval Source: CERS,

Eval General Type: Compliance Evaluation Inspection
Eval Date: 08-13-2013
Violations Found: Yes
Eval Type: Routine done by local agency

Map ID
Direction
Distance
Elevation

MAP FINDINGS

Site

Database(s)

EDR ID Number
EPA ID Number

HARRIS MOTORS (Continued)

S104766836

Eval Notes: harris motors-insp
Eval Division: San Bernardino County Fire Department
Eval Program: HW
Eval Source: CERS,

Eval General Type: Compliance Evaluation Inspection
Eval Date: 11-19-2019
Violations Found: No
Eval Type: Routine done by local agency
Eval Notes: Not reported
Eval Division: San Bernardino County Fire Department
Eval Program: HMRRP
Eval Source: CERS,

Enforcement Action:

Site ID: 121728
Site Name: HARRIS MOTORS
Site Address: 110 GOODWILL ST
Site City: NEEDLES
Site Zip: 92363
Enf Action Date: 08-13-2013
Enf Action Type: Notice of Violation (Unified Program)
Enf Action Description: Notice of Violation Issued by the Inspector at the Time of Inspection
Enf Action Notes: Not reported
Enf Action Division: San Bernardino County Fire Department
Enf Action Program: HW
Enf Action Source: CERS,

Site ID: 121728
Site Name: HARRIS MOTORS
Site Address: 110 GOODWILL ST
Site City: NEEDLES
Site Zip: 92363
Enf Action Date: 10-21-2016
Enf Action Type: Notice of Violation (Unified Program)
Enf Action Description: Notice of Violation Issued by the Inspector at the Time of Inspection
Enf Action Notes: Not reported
Enf Action Division: San Bernardino County Fire Department
Enf Action Program: HMRRP
Enf Action Source: CERS,

Coordinates:

Site ID: 121728
Facility Name: HARRIS MOTORS
Env Int Type Code: HWG
Program ID: 10040188
Coord Name: Not reported
Ref Point Type Desc: Unknown,
Latitude: 34.827854
Longitude: -114.597427

Affiliation:

Affiliation Type Desc: Facility Mailing Address
Entity Name: Mailing Address
Entity Title: Not reported
Affiliation Address: 110 GOODWILL ST

Map ID
Direction
Distance
Elevation

MAP FINDINGS

Site

Database(s)

EDR ID Number
EPA ID Number

HARRIS MOTORS (Continued)

S104766836

Affiliation City: NEEDLES
Affiliation State: CA
Affiliation Country: Not reported
Affiliation Zip: 92363
Affiliation Phone: ,

Affiliation Type Desc: Identification Signer
Entity Name: Dennis Harris
Entity Title: owner
Affiliation Address: Not reported
Affiliation City: Not reported
Affiliation State: Not reported
Affiliation Country: Not reported
Affiliation Zip: Not reported
Affiliation Phone: ,

Affiliation Type Desc: Environmental Contact
Entity Name: RON OR DENNIS HARRIS
Entity Title: Not reported
Affiliation Address: 2121 EL MONTE ST
Affiliation City: NEEDLES
Affiliation State: CA
Affiliation Country: Not reported
Affiliation Zip: 92363
Affiliation Phone: ,

Affiliation Type Desc: Parent Corporation
Entity Name: HARRIS MOTORS
Entity Title: Not reported
Affiliation Address: Not reported
Affiliation City: Not reported
Affiliation State: Not reported
Affiliation Country: Not reported
Affiliation Zip: Not reported
Affiliation Phone: ,

Affiliation Type Desc: Property Owner
Entity Name: Dennis Harris
Entity Title: Not reported
Affiliation Address: 110 Goodwill St
Affiliation City: Needles
Affiliation State: CA
Affiliation Country: United States
Affiliation Zip: 92363
Affiliation Phone: (760) 326-3096,

Affiliation Type Desc: CUPA District
Entity Name: San Bernardino County Fire
Entity Title: Not reported
Affiliation Address: 620 South E Street
Affiliation City: San Bernardino
Affiliation State: CA
Affiliation Country: Not reported
Affiliation Zip: 92415-0153
Affiliation Phone: (909) 386-8401,

Affiliation Type Desc: Document Preparer

Map ID
Direction
Distance
Elevation

MAP FINDINGS

Site

Database(s)

EDR ID Number
EPA ID Number

HARRIS MOTORS (Continued)

S104766836

Entity Name: Dennis Harris
Entity Title: Not reported
Affiliation Address: Not reported
Affiliation City: Not reported
Affiliation State: Not reported
Affiliation Country: Not reported
Affiliation Zip: Not reported
Affiliation Phone: ,

Affiliation Type Desc: Legal Owner
Entity Name: HARRIS, RONALD & DENNIS
Entity Title: Not reported
Affiliation Address: 1929 PERU ST
Affiliation City: NEEDLES
Affiliation State: CA
Affiliation Country: United States
Affiliation Zip: 92363
Affiliation Phone: (760) 326-3587,

Affiliation Type Desc: Operator
Entity Name: Dennis Harris
Entity Title: Not reported
Affiliation Address: Not reported
Affiliation City: Not reported
Affiliation State: Not reported
Affiliation Country: Not reported
Affiliation Zip: Not reported
Affiliation Phone: (760) 326-3096,

CX699 **CHUCKS UNION**
Target **HWY 66 & GOODWILL**
Property **NEEDLES, CA 92363**

EDR Hist Auto **1021636071**
 N/A

Site 1 of 28 in cluster CX

Actual: EDR Hist Auto
526 ft.

Focus Map:	Year:	Name:	Type:
11	1969	KERNAGHAN JOHN	Gasoline Service Stations
	1970	KERNAGHAN JOHN	Gasoline Service Stations
	1971	KERNAGHAN JOHN	Gasoline Service Stations
	1972	CHUCKS UNION	Gasoline Service Stations
	1973	CHUCKS UNION	Gasoline Service Stations
	1974	CHUCKS UNION	Gasoline Service Stations
	1975	CHUCKS UNION	Gasoline Service Stations
	1976	CHUCKS UNION	Gasoline Service Stations

Map ID
Direction
Distance
Elevation

MAP FINDINGS

Site

Database(s) EDR ID Number
EPA ID Number

CX700 **PHILLIPS EXCAVATING, INC.**
Target **805 E BROADWAY ST**
Property **NEEDLES, CA 92363**

HAZNET **S123622550**
HWTS **N/A**

Site 2 of 28 in cluster CX

Actual:
530 ft.
Focus Map:
11

HAZNET:
Name: PHILLIPS EXCAVATING, INC.
Address: 805 E BROADWAY ST
Address 2: Not reported
City,State,Zip: NEEDLES, CA 923633804
Contact: JOHN L. PHILLIPS PRES.
Telephone: 7603262527
Mailing Name: Not reported
Mailing Address: 805 E BROADWAY

Year: 2006
Gepaid: CAL000249994
TSD EPA ID: NVR000066837
CA Waste Code: 221 - Waste oil and mixed oil
Disposal Method: -
Tons: 0.418

Year: 2005
Gepaid: CAL000249994
TSD EPA ID: CAT000613893
CA Waste Code: 221 - Waste oil and mixed oil
Disposal Method: -
Tons: 0.684

Year: 2004
Gepaid: CAL000249994
TSD EPA ID: NVR000066837
CA Waste Code: 221 - Waste oil and mixed oil
Disposal Method: -
Tons: 0.342

Year: 2003
Gepaid: CAL000249994
TSD EPA ID: NVR000066837
CA Waste Code: 221 - Waste oil and mixed oil
Disposal Method: H01 - Transfer Station
Tons: 0.228

Additional Info:
Year: 2004
Gen EPA ID: CAL000249994

Shipment Date: 20040204
Creation Date: 11/18/2004 8:25:56
Receipt Date: 20040204
Manifest ID: 22586722
Trans EPA ID: TXR000050930
Trans Name: SAFETY-KLEEN SYSTEMS INC
Trans 2 EPA ID: Not reported
Trans 2 Name: Not reported
TSDF EPA ID: NVR000066837
Trans Name: SAFETY-KLEEN SYSTEMS INC

Map ID
Direction
Distance
Elevation

MAP FINDINGS

Site

Database(s)

EDR ID Number
EPA ID Number

PHILLIPS EXCAVATING, INC. (Continued)

S123622550

TSDf Alt EPA ID:	Not reported
TSDf Alt Name:	Not reported
Waste Code Description:	221 - Waste oil and mixed oil
RCRA Code:	Not reported
Meth Code:	- Not reported
Quantity Tons:	0.342
Waste Quantity:	90
Quantity Unit:	G
Additional Code 1:	Not reported
Additional Code 2:	Not reported
Additional Code 3:	Not reported
Additional Code 4:	Not reported
Additional Code 5:	Not reported
Additional Info:	
Year:	2005
Gen EPA ID:	CAL000249994
Shipment Date: 20050105	
Creation Date: 3/16/2005 18:31:03	
Receipt Date: 20050105	
Manifest ID: 23020020	
Trans EPA ID: TXR000050930	
Trans Name: SAFETY-KLEEN SYSTEMS INC	
Trans 2 EPA ID: Not reported	
Trans 2 Name: Not reported	
TSDf EPA ID: NVR000066837	
Trans Name: SAFETY-KLEEN SYSTEMS INC	
TSDf Alt EPA ID: CAT000613893	
TSDf Alt Name: Not reported	
Waste Code Description: 221 - Waste oil and mixed oil	
RCRA Code: Not reported	
Meth Code: - Not reported	
Quantity Tons: 0.684	
Waste Quantity: 180	
Quantity Unit: G	
Additional Code 1: Not reported	
Additional Code 2: Not reported	
Additional Code 3: Not reported	
Additional Code 4: Not reported	
Additional Code 5: Not reported	
Additional Info:	
Year:	2006
Gen EPA ID:	CAL000249994
Shipment Date: 20060105	
Creation Date: 3/22/2006 18:30:36	
Receipt Date: 20060105	
Manifest ID: 24364886	
Trans EPA ID: TXR000050930	
Trans Name: SAFETY-KLEEN SYSTEMS INC	
Trans 2 EPA ID: Not reported	
Trans 2 Name: Not reported	
TSDf EPA ID: NVR000066837	
Trans Name: SAFETY-KLEEN SYSTEMS INC	

Map ID
Direction
Distance
Elevation

MAP FINDINGS

Site

Database(s)

EDR ID Number
EPA ID Number

PHILLIPS EXCAVATING, INC. (Continued)

S123622550

TSDf Alt EPA ID: NVR000066837
TSDf Alt Name: Not reported
Waste Code Description: 221 - Waste oil and mixed oil
RCRA Code: Not reported
Meth Code: - Not reported
Quantity Tons: 0.418
Waste Quantity: 110
Quantity Unit: G
Additional Code 1: Not reported
Additional Code 2: Not reported
Additional Code 3: Not reported
Additional Code 4: Not reported
Additional Code 5: Not reported

Additional Info:

Year: 2003
Gen EPA ID: CAL000249994

Shipment Date: 20030115
Creation Date: 3/31/2003 18:31:15
Receipt Date: 20030115
Manifest ID: 21470671
Trans EPA ID: TXR000050930
Trans Name: Not reported
Trans 2 EPA ID: Not reported
Trans 2 Name: Not reported
TSDf EPA ID: NVR000066837
Trans Name: Not reported
TSDf Alt EPA ID: Not reported
TSDf Alt Name: Not reported
Waste Code Description: 221 - Waste oil and mixed oil
RCRA Code: Not reported
Meth Code: H01 - Transfer Station
Quantity Tons: 0.228
Waste Quantity: 60
Quantity Unit: G
Additional Code 1: Not reported
Additional Code 2: Not reported
Additional Code 3: Not reported
Additional Code 4: Not reported
Additional Code 5: Not reported

HWTS:

Name: PHILLIPS EXCAVATING, INC.
Address: 805 E BROADWAY ST
Address 2: Not reported
City,State,Zip: NEEDLES, CA 92363
EPA ID: CAL000249994
Inactive Date: Not reported
Create Date: 04/12/2002
Last Act Date: Not reported
Mailing Name: Not reported
Mailing Address: 805 E BROADWAY
Mailing Address 2: Not reported
Mailing City,State,Zip: NEEDLES, CA 923630000
Owner Name: JOHN L PHILLIPS.

Map ID
Direction
Distance
Elevation

MAP FINDINGS

Site

Database(s)

EDR ID Number
EPA ID Number

PHILLIPS EXCAVATING, INC. (Continued)

S123622550

Owner Address: 805 E BROADWAY
Owner Address 2: Not reported
Owner City,State,Zip: NEEDLES, CA 923630000
Contact Name: MELODY PHILLIPS
Contact Address: 805 E BROADWAY
Contact Address 2: Not reported
City,State,Zip: NEEDLES, CA 0
Facility Status: Active
Facility Type: PERMANENT
Category: STATE
Latitude: 34.827636
Longitude: -114.595406

NAICS:

EPA ID: CAL000249994
Create Date: 2002-04-12 13:51:41.327
NAICS Code: 23411
NAICS Description: Highway and Street Construction
Issued EPA ID Date: 2002-04-12 13:51:41.29300
Inactive Date: Not reported
Facility Name: PHILLIPS EXCAVATING, INC.
Facility Address: 805 E BROADWAY ST
Facility Address 2: Not reported
Facility City: NEEDLES
Facility County: Not reported
Facility State: CA
Facility Zip: 923633804

CX701
Target
Property

PHILLIPS CONSTRUCTION
805 E. BROADWAY
NEEDLES, CA

AST A100345989
N/A

Site 3 of 28 in cluster CX

Actual:
530 ft.

AST:

Focus Map:
11

Name: PHILLIPS CONSTRUCTION
Address: 805 E. BROADWAY
City/Zip: NEEDLES,
Certified Unified Program Agencies: San Bernardino
Owner: PHILLIPS, JOHN L & MELODY
Total Gallons: 8,370
CERSID: Not reported
Facility ID: Not reported
Business Name: Not reported
Phone: Not reported
Fax: Not reported
Mailing Address: Not reported
Mailing Address City: Not reported
Mailing Address State: Not reported
Mailing Address Zip Code: Not reported
Operator Name: Not reported
Operator Phone: Not reported
Owner Phone: Not reported
Owner Mail Address: Not reported
Owner State: Not reported
Owner Zip Code: Not reported
Owner Country: Not reported

Map ID
 Direction
 Distance
 Elevation

MAP FINDINGS

Site

Database(s)

EDR ID Number
 EPA ID Number

PHILLIPS CONSTRUCTION (Continued)

A100345989

Property Owner Name: Not reported
 Property Owner Phone: Not reported
 Property Owner Mailing Address: Not reported
 Property Owner City: Not reported
 Property Owner Stat : Not reported
 Property Owner Zip Code: Not reported
 Property Owner Country: Not reported
 EPAID: Not reported

CX702 PHILLIPS EXCAVATINGNA INC.
Target 805 E BROADWAY
Property NEEDLES, CA 92363

FINDS 1023246290
N/A

Site 4 of 28 in cluster CX

Actual: 530 ft. FINDS:
 Registry ID: 110065345825

Focus Map: 11 [Click Here for FRS Facility Detail Report:](#)

Environmental Interest/Information System:
 STATE MASTER

[Click this hyperlink](#) while viewing on your computer to access additional FINDS: detail in the EDR Site Report.

CX703 PHILLIPS EXCAVATING, INC.
Target 805 E BROADWAY ST
Property NEEDLES, CA 92363

RCRA NonGen / NLR 1024802929
CAL000249994

Site 5 of 28 in cluster CX

Actual: 530 ft. RCRA NonGen / NLR:
 Date Form Received by Agency: 20020412
Focus Map: 11 Handler Name: PHILLIPS EXCAVATING, INC.
 Handler Address: 805 E BROADWAY ST
 Handler City,State,Zip: NEEDLES, CA 92363-3804
 EPA ID: CAL000249994
 Contact Name: JOHN L PHILLIPS
 Contact Address: 805 E BROADWAY
 Contact City,State,Zip: NEEDLES, CA 00000
 Contact Telephone: 760-326-2527
 Contact Fax: 760-326-2952
 Contact Email: PHILLIPSEXCAVATINGINC@FRONTIERNET.NET
 Contact Title: Not reported
 EPA Region: 09
 Land Type: Not reported
 Federal Waste Generator Description: Not a generator, verified
 Non-Notifier: Not reported
 Biennial Report Cycle: Not reported
 Accessibility: Not reported
 Active Site Indicator: Handler Activities
 State District Owner: Not reported
 State District: Not reported
 Mailing Address: 805 E BROADWAY
 Mailing City,State,Zip: NEEDLES, CA 92363-0000
 Owner Name: JOHN L PHILLIPS.
 Owner Type: Other

Map ID
 Direction
 Distance
 Elevation

MAP FINDINGS

Site

Database(s)

EDR ID Number
 EPA ID Number

PHILLIPS EXCAVATING, INC. (Continued)

1024802929

Operator Name:	JOHN L PHILLIPS	Other
Operator Type:		No
Short-Term Generator Activity:		No
Importer Activity:		No
Mixed Waste Generator:		No
Transporter Activity:		No
Transfer Facility Activity:		No
Recycler Activity with Storage:		No
Small Quantity On-Site Burner Exemption:		No
Smelting Melting and Refining Furnace Exemption:		No
Underground Injection Control:		No
Off-Site Waste Receipt:		No
Universal Waste Indicator:		Yes
Universal Waste Destination Facility:		Yes
Federal Universal Waste:		No
Active Site Fed-Reg Treatment Storage and Disposal Facility:		Not reported
Active Site Converter Treatment storage and Disposal Facility:		Not reported
Active Site State-Reg Treatment Storage and Disposal Facility:		Not reported
Active Site State-Reg Handler:		---
Federal Facility Indicator:		Not reported
Hazardous Secondary Material Indicator:		N
Sub-Part K Indicator:		Not reported
Commercial TSD Indicator:		No
Treatment Storage and Disposal Type:		Not reported
2018 GPRC Permit Baseline:		Not on the Baseline
2018 GPRC Renewals Baseline:		Not on the Baseline
Permit Renewals Workload Universe:		Not reported
Permit Workload Universe:		Not reported
Permit Progress Universe:		Not reported
Post-Closure Workload Universe:		Not reported
Closure Workload Universe:		Not reported
202 GPRC Corrective Action Baseline:		No
Corrective Action Workload Universe:		No
Subject to Corrective Action Universe:		No
Non-TSDFs Where RCRA CA has Been Imposed Universe:		No
TSDFs Potentially Subject to CA Under 3004 (u)/(v) Universe:		No
TSDFs Only Subject to CA under Discretionary Auth Universe:		No
Corrective Action Priority Ranking:		No NCAPS ranking
Environmental Control Indicator:		No
Institutional Control Indicator:		No
Human Exposure Controls Indicator:		N/A
Groundwater Controls Indicator:		N/A
Operating TSDF Universe:		Not reported
Full Enforcement Universe:		Not reported
Significant Non-Complier Universe:		No
Unaddressed Significant Non-Complier Universe:		No
Addressed Significant Non-Complier Universe:		No
Significant Non-Complier With a Compliance Schedule Universe:		No
Financial Assurance Required:		Not reported
Handler Date of Last Change:		20180905
Recognized Trader-Importer:		No
Recognized Trader-Exporter:		No
Importer of Spent Lead Acid Batteries:		No
Exporter of Spent Lead Acid Batteries:		No
Recycler Activity Without Storage:		No
Manifest Broker:		No
Sub-Part P Indicator:		No

Map ID
Direction
Distance
Elevation

MAP FINDINGS

Site

Database(s)

EDR ID Number
EPA ID Number

PHILLIPS EXCAVATING, INC. (Continued)

1024802929

Handler - Owner Operator:

Owner/Operator Indicator:	Owner
Owner/Operator Name:	JOHN L PHILLIPS.
Legal Status:	Other
Date Became Current:	Not reported
Date Ended Current:	Not reported
Owner/Operator Address:	805 E BROADWAY
Owner/Operator City,State,Zip:	NEEDLES, CA 92363-0000
Owner/Operator Telephone:	760-326-2527
Owner/Operator Telephone Ext:	Not reported
Owner/Operator Fax:	Not reported
Owner/Operator Email:	Not reported

Owner/Operator Indicator:	Operator
Owner/Operator Name:	JOHN L PHILLIPS
Legal Status:	Other
Date Became Current:	Not reported
Date Ended Current:	Not reported
Owner/Operator Address:	805 E BROADWAY
Owner/Operator City,State,Zip:	NEEDLES, CA 00000
Owner/Operator Telephone:	760-326-2527
Owner/Operator Telephone Ext:	Not reported
Owner/Operator Fax:	Not reported
Owner/Operator Email:	Not reported

Historic Generators:

Receive Date:	20020412
Handler Name:	PHILLIPS EXCAVATING, INC.
Federal Waste Generator Description:	Not a generator, verified
State District Owner:	Not reported
Large Quantity Handler of Universal Waste:	No
Recognized Trader Importer:	No
Recognized Trader Exporter:	No
Spent Lead Acid Battery Importer:	No
Spent Lead Acid Battery Exporter:	No
Current Record:	Yes
Non Storage Recycler Activity:	Not reported
Electronic Manifest Broker:	Not reported

List of NAICS Codes and Descriptions:

NAICS Code:	23411
NAICS Description:	HIGHWAY AND STREET CONSTRUCTION

Facility Has Received Notices of Violations:

Violations:	No Violations Found
-------------	---------------------

Evaluation Action Summary:

Evaluations:	No Evaluations Found
--------------	----------------------

Map ID
Direction
Distance
Elevation

MAP FINDINGS

Site

Database(s)

EDR ID Number
EPA ID Number

CX704 **PHILLIPS EXCAVATING, INC.**
Target **805 E BROADWAY ST**
Property **NEEDLES, CA 92363**

FINDS **1024664220**
ECHO **N/A**

Site 6 of 28 in cluster CX

Actual: **FINDS:**
530 ft. Registry ID: 110070452614

Focus Map: Click Here for FRS Facility Detail Report:
11

Environmental Interest/Information System:

RCRAInfo is a national information system that supports the Resource Conservation and Recovery Act (RCRA) program through the tracking of events and activities related to facilities that generate, transport, and treat, store, or dispose of hazardous waste. RCRAInfo allows RCRA program staff to track the notification, permit, compliance, and corrective action activities required under RCRA.

[Click this hyperlink](#) while viewing on your computer to access additional FINDS: detail in the EDR Site Report.

ECHO:

Envid: 1024664220
Registry ID: 110070452614
DFR URL: <http://echo.epa.gov/detailed-facility-report?fid=110070452614>
Name: PHILLIPS EXCAVATING, INC.
Address: 805 E BROADWAY ST
City,State,Zip: NEEDLES, CA 92363

CX705 **1X PHILLIPS CONSTRUCTION**
Target **805 EAST BROADWAY**
Property **NEEDLES, CA 92363**

HAZNET **S123720932**
HWTS **N/A**

Site 7 of 28 in cluster CX

Actual: **HAZNET:**
530 ft. Name: 1X PHILLIPS CONSTRUCTION
Focus Map: Address: 805 EAST BROADWAY
11 Address 2: Not reported
City,State,Zip: NEEDLES, CA 923630000
Contact: JOHN PHILLIPS, OWNER
Telephone: 6193262527
Mailing Name: Not reported
Mailing Address: 805 EAST BROADWAY

Year: 1989
Gepaid: CAC000213281
TSD EPA ID: CAT008001335
CA Waste Code: 223 - Unspecified oil-containing waste
Disposal Method: 01 -
Tons: 3.4402

HWTS:

Name: 1X PHILLIPS CONSTRUCTION
Address: 805 EAST BROADWAY
Address 2: Not reported
City,State,Zip: NEEDLES, CA 92363
EPA ID: CAC000213281

Map ID
Direction
Distance
Elevation

MAP FINDINGS

Site

Database(s)

EDR ID Number
EPA ID Number

1X PHILLIPS CONSTRUCTION (Continued)

S123720932

Inactive Date: 10/25/2000
Create Date: 10/18/1989
Last Act Date: Not reported
Mailing Name: Not reported
Mailing Address: 805 EAST BROADWAY
Mailing Address 2: Not reported
Mailing City,State,Zip: NEEDLES, CA 923630000
Owner Name: JOHN PHILLIPS
Owner Address: Not reported
Owner Address 2: Not reported
Owner City,State,Zip: Not reported
Contact Name: JOHN PHILLIPS, OWNER
Contact Address: Not reported
Contact Address 2: Not reported
City,State,Zip: Not reported
Facility Status: Inactive
Facility Type: TEMPORARY
Category: STATE
Latitude: 34.82555
Longitude: -114.596267

CX706 PHILLIPS CONSTRUCTION
Target 805 E BROADWAY
Property NEEDLES, CA 92363

AST S103369082
CERS HAZ WASTE N/A
SWEEPS UST
CERS TANKS
San Bern. Co. Permit
CERS

Site 8 of 28 in cluster CX

Actual:
530 ft.

Focus Map:
11

AST:
Name: PHILLIPS EXCAVATING, INC.
Address: 805 E BROADWAY
City/Zip: NEEDLES,92363
Certified Unified Program Agencies: Not reported
Owner: PHILLIPS, JOHN L. & MELODY
Total Gallons: Not reported
CERSID: 10043098
Facility ID: FA0005309
Business Name: PHILLIPS EXCAVATING, INC.
Phone: (760) 326-2527
Fax: (760) 326-2952
Mailing Address: 805 EAST BROADWAY
Mailing Address City: NEEDLES
Mailing Address State: CA
Mailing Address Zip Code: 92363
Operator Name: PHILLIPS EXCAVATING, INC.
Operator Phone: 760-326-2527
Owner Phone: (760) 326-2527
Owner Mail Address: 805 EAST BROADWAY
Owner State: CA
Owner Zip Code: 92363
Owner Country: United States
Property Owner Name: JOHN L. PHILLIPS
Property Owner Phone: 760-326-2527
Property Owner Mailing Address: 805 E. BROADWAY
Property Owner City: NEEDLES
Property Owner Stat : CA
Property Owner Zip Code: 92363
Property Owner Country: United States

Map ID
Direction
Distance
Elevation

MAP FINDINGS

Site

Database(s)

EDR ID Number
EPA ID Number

PHILLIPS CONSTRUCTION (Continued)

S103369082

EPAID: CAL000249994

CERS HAZ WASTE:

Name: PHILLIPS EXCAVATING, INC.
Address: 805 E BROADWAY
City,State,Zip: NEEDLES, CA 92363
Site ID: 57437
CERS ID: 10043098
CERS Description: Hazardous Waste Generator

SWEEPS UST:

Name: PHILLIPS CONSTRUCTION
Address: 805 E BROADWAY
City: NEEDLES
Status: Active
Comp Number: 304
Number: 2
Board Of Equalization: 44-019749
Referral Date: 03-23-92
Action Date: 03-23-92
Created Date: 12-15-89
Owner Tank Id: Not reported
SWRCB Tank Id: 36-000-000304-000001
Tank Status: A
Capacity: 500
Active Date: 12-15-89
Tank Use: OIL
STG: W
Content: WASTE OIL
Number Of Tanks: 4

Name: PHILLIPS CONSTRUCTION
Address: 805 E BROADWAY
City: NEEDLES
Status: Active
Comp Number: 304
Number: 2
Board Of Equalization: 44-019749
Referral Date: 03-23-92
Action Date: 03-23-92
Created Date: 12-15-89
Owner Tank Id: Not reported
SWRCB Tank Id: 36-000-000304-000002
Tank Status: A
Capacity: 4000
Active Date: 12-15-89
Tank Use: M.V. FUEL
STG: P
Content: DIESEL
Number Of Tanks: Not reported

Name: PHILLIPS CONSTRUCTION
Address: 805 E BROADWAY
City: NEEDLES
Status: Active
Comp Number: 304

Map ID
Direction
Distance
Elevation

MAP FINDINGS

Site

Database(s)

EDR ID Number
EPA ID Number

PHILLIPS CONSTRUCTION (Continued)

S103369082

Number: 2
Board Of Equalization: 44-019749
Referral Date: 03-23-92
Action Date: 03-23-92
Created Date: 12-15-89
Owner Tank Id: Not reported
SWRCB Tank Id: 36-000-000304-000003
Tank Status: A
Capacity: 4000
Active Date: 12-15-89
Tank Use: M.V. FUEL
STG: P
Content: REG UNLEADED
Number Of Tanks: Not reported

Name: PHILLIPS CONSTRUCTION
Address: 805 E BROADWAY
City: NEEDLES
Status: Active
Comp Number: 304
Number: 2
Board Of Equalization: 44-019749
Referral Date: 03-23-92
Action Date: 03-23-92
Created Date: 12-15-89
Owner Tank Id: Not reported
SWRCB Tank Id: 36-000-000304-000004
Tank Status: A
Capacity: 8000
Active Date: 12-15-89
Tank Use: EMPTY
STG: P
Content: Not reported
Number Of Tanks: Not reported

CERS TANKS:

Name: PHILLIPS EXCAVATING, INC.
Address: 805 E BROADWAY
City,State,Zip: NEEDLES, CA 92363
Site ID: 57437
CERS ID: 10043098
CERS Description: Aboveground Petroleum Storage

San Bern. Co. Permit:

Name: PHILLIPS EXCAVATING, INC.
Address: 805 E BROADWAY
City,State,Zip: NEEDLES, CA 92363
Region: SAN BERNARDINO
Facility ID: FA0005309
Owner: PHILLIPS, JOHN L. & MELODY
Permit Number: PT0006039
Permit Category: HAZARDOUS MATERIALS 4-10 CHEMICALS
Facility Status: ACTIVE
Expiration Date: 08/31/2022

Name: PHILLIPS EXCAVATING, INC.

Map ID
Direction
Distance
Elevation

MAP FINDINGS

Site

Database(s)

EDR ID Number
EPA ID Number

PHILLIPS CONSTRUCTION (Continued)

S103369082

Address: 805 E BROADWAY
City,State,Zip: NEEDLES, CA 92363
Region: SAN BERNARDINO
Facility ID: FA0005309
Owner: PHILLIPS, JOHN L. & MELODY
Permit Number: PT0016424
Permit Category: APSA 1,320-10,000 GAL FAC CAPACITY
Facility Status: ACTIVE
Expiration Date: 08/31/2022

Name: PHILLIPS EXCAVATING, INC.
Address: 805 E BROADWAY
City,State,Zip: NEEDLES, CA 92363
Region: SAN BERNARDINO
Facility ID: FA0005309
Owner: PHILLIPS, JOHN L. & MELODY
Permit Number: PT0006040
Permit Category: SMALL QUANTITY GENERATOR
Facility Status: ACTIVE
Expiration Date: 08/31/2022

CERS:

Name: PHILLIPS EXCAVATING, INC.
Address: 805 E BROADWAY
City,State,Zip: NEEDLES, CA 92363
Site ID: 57437
CERS ID: 10043098
CERS Description: Chemical Storage Facilities

Violations:

Site ID: 57437
Site Name: PHILLIPS EXCAVATING, INC.
Violation Date: 01-14-2016
Citation: HSC 6.95 25508(d) - California Health and Safety Code, Chapter 6.95, Section(s) 25508(d)
Violation Description: Failure to complete and/or electronically submit a business plan when storing/handling a hazardous material at or above reportable quantities.
Violation Notes: Returned to compliance on 02/16/2016.
Violation Division: San Bernardino County Fire Department
Violation Program: HMRRP
Violation Source: CERS,

Site ID: 57437
Site Name: PHILLIPS EXCAVATING, INC.
Violation Date: 02-15-2019
Citation: HSC 6.5 25123.3(h)(1) - California Health and Safety Code, Chapter 6.5, Section(s) 25123.3(h)(1)
Violation Description: Failure to send hazardous waste offsite for treatment, storage, or disposal within 180 days (or 270 days if waste is transported over 200 miles) for a generator who generates less than 1000 kilogram per month if all of the following conditions are met: (1) The quantity of hazardous waste accumulated onsite never exceeds 6,000 kilograms. (2) The generator complies with the requirements of 40 Code of Federal Regulations section 262.34(d), (e) and (f). (3) The generator does not hold acutely hazardous waste or extremely hazardous waste in an amount greater than one kilogram for more than 90 days.

Map ID
Direction
Distance
Elevation

MAP FINDINGS

Site

Database(s)

EDR ID Number
EPA ID Number

PHILLIPS CONSTRUCTION (Continued)

S103369082

Violation Notes: Returned to compliance on 02/20/2019. Observed (1) 275 gallon container containing used lubricating oil to have content that has exceeded the accumulation time frame. CORRECTIVE ACTION: Sign the Certificate of Compliance in attestation that all hazardous waste has been transported off site by a licensed hazardous waste transporter.

Violation Division: San Bernardino County Fire Department
Violation Program: HW
Violation Source: CERS,

Site ID: 57437
Site Name: PHILLIPS EXCAVATING, INC.
Violation Date: 02-08-2022
Citation: HSC 6.5 25123.3(h)(1) - California Health and Safety Code, Chapter 6.5, Section(s) 25123.3(h)(1)

Violation Description: Failure to send hazardous waste offsite for treatment, storage, or disposal within 180 days (or 270 days if waste is transported over 200 miles) for a generator who generates less than 1000 kilogram per month if all of the following conditions are met: (1) The quantity of hazardous waste accumulated onsite never exceeds 6,000 kilograms. (2) The generator complies with the requirements of 40 Code of Federal Regulations section 262.34(d), (e) and (f). (3) The generator does not hold acutely hazardous waste or extremely hazardous waste in an amount greater than one kilogram for more than 90 days.

Violation Notes: Observed (1) 275 gallon container of used lubricating oil, that had content, to exceed the accumulation time frame for the facility. That last documented hazardous waste pick up occurred on 11/09/2020. CORRECTIVE ACTION: Sign the Certificate of Compliance indicating that all hazardous waste that has exceeded the facility's accumulation time frame, has been transported off site by a licensed hazardous waste transporter. Provide this section a copy of the associated disposal record.

Violation Division: San Bernardino County Fire Department
Violation Program: HW
Violation Source: CERS,

Site ID: 57437
Site Name: PHILLIPS EXCAVATING, INC.
Violation Date: 01-14-2016
Citation: HSC 6.67 25270.4.5(a) - California Health and Safety Code, Chapter 6.67, Section(s) 25270.4.5(a)

Violation Description: Failure to perform a five-year review of the SPCC plan.

Violation Notes: Returned to compliance on 07/05/2016.
Violation Division: San Bernardino County Fire Department
Violation Program: APSA
Violation Source: CERS,

Site ID: 57437
Site Name: PHILLIPS EXCAVATING, INC.
Violation Date: 01-14-2016
Citation: HSC 6.95 25508.2 - California Health and Safety Code, Chapter 6.95, Section(s) 25508.2

Violation Description: Failure to annually review and electronically certify that the business plan is complete, accurate, and up-to-date.

Violation Notes: Returned to compliance on 02/16/2016.
Violation Division: San Bernardino County Fire Department
Violation Program: HMRRP
Violation Source: CERS,

Map ID
Direction
Distance
Elevation

MAP FINDINGS

Site

Database(s)

EDR ID Number
EPA ID Number

PHILLIPS CONSTRUCTION (Continued)

S103369082

Site ID: 57437
Site Name: PHILLIPS EXCAVATING, INC.
Violation Date: 02-15-2019
Citation: 22 CCR 12 66262.34(f) - California Code of Regulations, Title 22, Chapter 12, Section(s) 66262.34(f)
Violation Description: Failure to properly label hazardous waste accumulation containers and portable tanks with the following requirements: "Hazardous Waste", name and address of the generator, physical and chemical characteristics of the Hazardous Waste, and starting accumulation date.
Violation Notes: Returned to compliance on 02/15/2019. Observed (1) 275 gallon container containing used lubricating oil to be missing the accumulation start date. Violation corrected on site at the time of the inspection.
Violation Division: San Bernardino County Fire Department
Violation Program: HW
Violation Source: CERS,

Evaluation:
Eval General Type: Compliance Evaluation Inspection
Eval Date: 02-08-2022
Violations Found: No
Eval Type: Routine done by local agency
Eval Notes: Not reported
Eval Division: San Bernardino County Fire Department
Eval Program: APSA
Eval Source: CERS,

Eval General Type: Compliance Evaluation Inspection
Eval Date: 02-15-2019
Violations Found: No
Eval Type: Routine done by local agency
Eval Notes: Not reported
Eval Division: San Bernardino County Fire Department
Eval Program: APSA
Eval Source: CERS,

Eval General Type: Compliance Evaluation Inspection
Eval Date: 02-08-2022
Violations Found: No
Eval Type: Routine done by local agency
Eval Notes: Not reported
Eval Division: San Bernardino County Fire Department
Eval Program: HMRRP
Eval Source: CERS,

Eval General Type: Compliance Evaluation Inspection
Eval Date: 02-15-2019
Violations Found: No
Eval Type: Routine done by local agency
Eval Notes: Not reported
Eval Division: San Bernardino County Fire Department
Eval Program: HMRRP
Eval Source: CERS,

Eval General Type: Compliance Evaluation Inspection
Eval Date: 01-14-2016

Map ID
Direction
Distance
Elevation

MAP FINDINGS

Site

Database(s)

EDR ID Number
EPA ID Number

PHILLIPS CONSTRUCTION (Continued)

S103369082

Violations Found: Yes
Eval Type: Routine done by local agency
Eval Notes: INSPECTION OF PHILLIPS EXCAVATING IN NEEDLES.
Eval Division: San Bernardino County Fire Department
Eval Program: HMRRP
Eval Source: CERS,

Eval General Type: Compliance Evaluation Inspection
Eval Date: 02-08-2022
Violations Found: Yes
Eval Type: Routine done by local agency
Eval Notes: Not reported
Eval Division: San Bernardino County Fire Department
Eval Program: HW
Eval Source: CERS,

Eval General Type: Compliance Evaluation Inspection
Eval Date: 02-15-2019
Violations Found: Yes
Eval Type: Routine done by local agency
Eval Notes: Not reported
Eval Division: San Bernardino County Fire Department
Eval Program: HW
Eval Source: CERS,

Eval General Type: Compliance Evaluation Inspection
Eval Date: 01-14-2016
Violations Found: No
Eval Type: Routine done by local agency
Eval Notes: INSPECTION OF PHILLIPS EXCAVATING IN NEEDLES.
Eval Division: San Bernardino County Fire Department
Eval Program: HW
Eval Source: CERS,

Eval General Type: Compliance Evaluation Inspection
Eval Date: 01-14-2016
Violations Found: Yes
Eval Type: Routine done by local agency
Eval Notes: INSPECTION OF PHILLIPS EXCAVATING IN NEEDLES.
Eval Division: San Bernardino County Fire Department
Eval Program: APSA
Eval Source: CERS,

Enforcement Action:
Site ID: 57437
Site Name: PHILLIPS EXCAVATING, INC.
Site Address: 805 E BROADWAY
Site City: NEEDLES
Site Zip: 92363
Enf Action Date: 01-14-2016
Enf Action Type: Notice of Violation (Unified Program)
Enf Action Description: Notice of Violation Issued by the Inspector at the Time of Inspection
Enf Action Notes: Not reported
Enf Action Division: San Bernardino County Fire Department
Enf Action Program: APSA
Enf Action Source: CERS,

Map ID
Direction
Distance
Elevation

MAP FINDINGS

Site

Database(s)

EDR ID Number
EPA ID Number

PHILLIPS CONSTRUCTION (Continued)

S103369082

Site ID: 57437
Site Name: PHILLIPS EXCAVATING, INC.
Site Address: 805 E BROADWAY
Site City: NEEDLES
Site Zip: 92363
Enf Action Date: 01-14-2016
Enf Action Type: Notice of Violation (Unified Program)
Enf Action Description: Notice of Violation Issued by the Inspector at the Time of Inspection
Enf Action Notes: Not reported
Enf Action Division: San Bernardino County Fire Department
Enf Action Program: HMRRP
Enf Action Source: CERS,

Affiliation:

Affiliation Type Desc: Identification Signer
Entity Name: MELODY PHILLIPS
Entity Title: PRESIDENT
Affiliation Address: Not reported
Affiliation City: Not reported
Affiliation State: Not reported
Affiliation Country: Not reported
Affiliation Zip: Not reported
Affiliation Phone: ,

Affiliation Type Desc: Property Owner
Entity Name: JOHN L. PHILLIPS
Entity Title: Not reported
Affiliation Address: 805 E. BROADWAY
Affiliation City: NEEDLES
Affiliation State: CA
Affiliation Country: United States
Affiliation Zip: 92363
Affiliation Phone: (760) 326-2527,

Affiliation Type Desc: CUPA District
Entity Name: San Bernardino County Fire
Entity Title: Not reported
Affiliation Address: 620 South E Street
Affiliation City: San Bernardino
Affiliation State: CA
Affiliation Country: Not reported
Affiliation Zip: 92415-0153
Affiliation Phone: (909) 386-8401,

Affiliation Type Desc: Environmental Contact
Entity Name: JOHN L PHILLIPS
Entity Title: Not reported
Affiliation Address: 805 E BROADWAY
Affiliation City: NEEDLES
Affiliation State: CA
Affiliation Country: Not reported
Affiliation Zip: 92363
Affiliation Phone: ,

Affiliation Type Desc: Document Preparer
Entity Name: MELODY PHILLIPS
Entity Title: Not reported

Map ID
Direction
Distance
Elevation

MAP FINDINGS

Site

Database(s)

EDR ID Number
EPA ID Number

PHILLIPS CONSTRUCTION (Continued)

S103369082

Affiliation Address:	Not reported
Affiliation City:	Not reported
Affiliation State:	Not reported
Affiliation Country:	Not reported
Affiliation Zip:	Not reported
Affiliation Phone:	,
Affiliation Type Desc:	Legal Owner
Entity Name:	PHILLIPS, JOHN L. & MELODY
Entity Title:	Not reported
Affiliation Address:	805 EAST BROADWAY
Affiliation City:	NEEDLES
Affiliation State:	CA
Affiliation Country:	United States
Affiliation Zip:	92363
Affiliation Phone:	(760) 326-2527,
Affiliation Type Desc:	Operator
Entity Name:	PHILLIPS EXCAVATING, INC.
Entity Title:	Not reported
Affiliation Address:	Not reported
Affiliation City:	Not reported
Affiliation State:	Not reported
Affiliation Country:	Not reported
Affiliation Zip:	Not reported
Affiliation Phone:	(760) 326-2527,
Affiliation Type Desc:	Parent Corporation
Entity Name:	PHILLIPS EXCAVATING, INC.
Entity Title:	Not reported
Affiliation Address:	Not reported
Affiliation City:	Not reported
Affiliation State:	Not reported
Affiliation Country:	Not reported
Affiliation Zip:	Not reported
Affiliation Phone:	,
Affiliation Type Desc:	Facility Mailing Address
Entity Name:	Mailing Address
Entity Title:	Not reported
Affiliation Address:	805 EAST BROADWAY
Affiliation City:	NEEDLES
Affiliation State:	CA
Affiliation Country:	Not reported
Affiliation Zip:	92363
Affiliation Phone:	,

Map ID
Direction
Distance
Elevation

MAP FINDINGS

Site

Database(s)

EDR ID Number
EPA ID Number

CX707 CHEVRON STA. #1140 / NEEDLES
Target 800 EAST BROADWAY
Property NEEDLES, CA

RGA LUST S114599233
N/A

Site 9 of 28 in cluster CX

Actual: 530 ft. **RGA LUST:**
Focus Map: 11
Name: CHEVRON STA. #1140 / NEEDLES
Address: 800 EAST BROADWAY
City: NEEDLES
State: NEEDLES
1992 CHEVRON STA. #1140 / NEEDLES 800 EAST BROADWAY

CX708 CHEVRON #1140
Target 800 EAST BROADWAY
Property NEEDLES, CA 92363

FINDS 1023342163
N/A

Site 10 of 28 in cluster CX

Actual: 530 ft. **FINDS:**
Focus Map: 11
Registry ID: 110066377931
Click Here for FRS Facility Detail Report:
Environmental Interest/Information System:
STATE MASTER

[Click this hyperlink](#) while viewing on your computer to access additional FINDS: detail in the EDR Site Report.

CX709 CHEVRON #1140
Target 800 EAST BROADWAY
Property NEEDLES, CA 92363

LUST S105025187
Cortese N/A
HIST CORTESE
CERS

Site 11 of 28 in cluster CX

Actual: 530 ft. **LUST REG 7:**
Focus Map: 11
Region: 7
Status: 9 - Case Closed
Case Num: 7T2363006
Substance: Waste oil/Used oil
ID: 599
Global ID: T0607101004
Lead Agency: Local Agency
Case Worker: KO

LUST:
Name: CHEVRON #1140
Address: 800 EAST BROADWAY
City,State,Zip: NEEDLES, CA 92363
Lead Agency: SAN BERNARDINO COUNTY
Case Type: LUST Cleanup Site
Geo Track: http://geotracker.waterboards.ca.gov/profile_report.asp?global_id=T0607101004
Global Id: T0607101004
Latitude: 34.8275737
Longitude: -114.5954403
Status: Completed - Case Closed
Status Date: 03/18/1988
Case Worker: Not reported

Map ID
Direction
Distance
Elevation

MAP FINDINGS

Site

Database(s)

EDR ID Number
EPA ID Number

CHEVRON #1140 (Continued)

S105025187

RB Case Number: 7T2363006
Local Agency: Not reported
File Location: Local Agency
Local Case Number: 90190
Potential Media Affect: Soil
Potential Contaminants of Concern: Waste Oil / Motor / Hydraulic / Lubricating
Site History: Not reported

LUST:

Global Id: T0607101004
Action Type: Other
Date: 08/31/1987
Action: Leak Reported

Global Id: T0607101004
Action Type: Other
Date: 08/13/1987
Action: Leak Discovery

LUST:

Global Id: T0607101004
Status: Open - Case Begin Date
Status Date: 08/13/1987

Global Id: T0607101004
Status: Completed - Case Closed
Status Date: 03/18/1988

CORTESE:

Name: CHEVRON #1140
Address: 800 EAST BROADWAY
City,State,Zip: NEEDLES, CA 92363
Region: CORTESE
Envirostor Id: Not reported
Global ID: T0607101004
Site/Facility Type: LUST CLEANUP SITE
Cleanup Status: COMPLETED - CASE CLOSED
Status Date: Not reported
Site Code: Not reported
Latitude: Not reported
Longitude: Not reported
Owner: Not reported
Enf Type: Not reported
Swat R: Not reported
Flag: active
Order No: Not reported
Waste Discharge System No: Not reported
Effective Date: Not reported
Region 2: Not reported
WID Id: Not reported
Solid Waste Id No: Not reported
Waste Management Uit Name: Not reported
File Name: Active Open

HIST CORTESE:

Map ID
Direction
Distance
Elevation

MAP FINDINGS

Site

Database(s)

EDR ID Number
EPA ID Number

CHEVRON #1140 (Continued)

S105025187

edr_fname: CHEVRON #1140
edr_fadd1: 800 BROADWAY
City,State,Zip: NEEDLES, CA 90632
Region: CORTESE
Facility County Code: 36
Reg By: LTNKA
Reg Id: 7T2363006

CERS:

Name: CHEVRON #1140
Address: 800 EAST BROADWAY
City,State,Zip: NEEDLES, CA 92363
Site ID: 205145
CERS ID: T0607101004
CERS Description: Leaking Underground Storage Tank Cleanup Site

CX710 91140
Target 800 E BROADWAY
Property NEEDLES, CA 92363

SWEEPS UST U001575234
HIST UST N/A

Site 12 of 28 in cluster CX

Actual:
530 ft.

SWEEPS UST:

Focus Map:
11

Name: CHEVRON STATION #1140
Address: 800 E BROADWAY
City: NEEDLES
Status: Active
Comp Number: 61992
Number: 9
Board Of Equalization: 44-021326
Referral Date: 07-28-92
Action Date: 07-28-92
Created Date: 02-29-88
Owner Tank Id: 1
SWRCB Tank Id: 36-000-061992-000001
Tank Status: A
Capacity: 10000
Active Date: 08-25-88
Tank Use: UNKNOWN
STG: P
Content: Not reported
Number Of Tanks: 4

Name: CHEVRON STATION #1140
Address: 800 E BROADWAY
City: NEEDLES
Status: Active
Comp Number: 61992
Number: 9
Board Of Equalization: 44-021326
Referral Date: 07-28-92
Action Date: 07-28-92
Created Date: 02-29-88
Owner Tank Id: 2
SWRCB Tank Id: 36-000-061992-000002
Tank Status: A
Capacity: 10000

Map ID
Direction
Distance
Elevation

MAP FINDINGS

Site

Database(s)

EDR ID Number
EPA ID Number

91140 (Continued)

U001575234

Active Date: 08-25-88
Tank Use: UNKNOWN
STG: P
Content: Not reported
Number Of Tanks: Not reported

Name: CHEVRON STATION #1140
Address: 800 E BROADWAY
City: NEEDLES
Status: Active
Comp Number: 61992
Number: 9
Board Of Equalization: 44-021326
Referral Date: 07-28-92
Action Date: 07-28-92
Created Date: 02-29-88
Owner Tank Id: 3
SWRCB Tank Id: 36-000-061992-000003
Tank Status: A
Capacity: 5000
Active Date: 08-25-88
Tank Use: UNKNOWN
STG: P
Content: Not reported
Number Of Tanks: Not reported

Name: CHEVRON STATION #1140
Address: 800 E BROADWAY
City: NEEDLES
Status: Active
Comp Number: 61992
Number: 9
Board Of Equalization: 44-021326
Referral Date: 07-28-92
Action Date: 07-28-92
Created Date: 02-29-88
Owner Tank Id: 4
SWRCB Tank Id: 36-000-061992-000004
Tank Status: A
Capacity: 1000
Active Date: 08-25-88
Tank Use: UNKNOWN
STG: W
Content: Not reported
Number Of Tanks: Not reported

HIST UST:

Name: 91140
Address: 800 E BROADWAY
City,State,Zip: NEEDLES, CA 92363
File Number: 00029B90
URL: <http://geotracker.waterboards.ca.gov/ustpdfs/pdf/00029B90.pdf>
Region: STATE
Facility ID: 00000061992
Facility Type: Gas Station
Other Type: Not reported
Contact Name: FLEMING,DOUGLAS

Map ID
Direction
Distance
Elevation

MAP FINDINGS

Site

Database(s)

EDR ID Number
EPA ID Number

91140 (Continued)

U001575234

Telephone: 6193262322
Owner Name: CHEVRON U.S.A. INC.
Owner Address: 575 MARKET
Owner City,St,Zip: SAN FRANCISCO, CA 94105
Total Tanks: 0004

Tank Num: 001
Container Num: 1
Year Installed: 1971
Tank Capacity: 00010000
Tank Used for: PRODUCT
Type of Fuel: Not reported
Container Construction Thickness: 0000250
Leak Detection: Stock Inventor

Tank Num: 002
Container Num: 2
Year Installed: 1971
Tank Capacity: 00010000
Tank Used for: PRODUCT
Type of Fuel: Not reported
Container Construction Thickness: 0000250
Leak Detection: Stock Inventor

Tank Num: 003
Container Num: 3
Year Installed: 1971
Tank Capacity: 00005000
Tank Used for: PRODUCT
Type of Fuel: Not reported
Container Construction Thickness: 0000250
Leak Detection: Stock Inventor

Tank Num: 004
Container Num: 4
Year Installed: 1971
Tank Capacity: 00001000
Tank Used for: WASTE
Type of Fuel: Not reported
Container Construction Thickness: 0000130
Leak Detection: Stock Inventor

[Click here for Geo Tracker PDF:](#)

CX711 CHEVRON #1140
Target 800 EAST BROADWAY
Property NEEDLES, CA

RGA LUST S114595264
N/A

Site 13 of 28 in cluster CX

Actual: 530 ft. RGA LUST:
Focus Map: 11 Name: CHEVRON #1140
Address: 800 EAST BROADWAY
City: NEEDLES
State: NEEDLES
2012 CHEVRON #1140 800 EAST BROADWAY
Name: CHEVRON #1140
Address: 800 EAST BROADWAY

Map ID
Direction
Distance
Elevation

MAP FINDINGS

Site

Database(s)

EDR ID Number
EPA ID Number

CHEVRON #1140 (Continued)

S114595264

City: NEEDLES
State: NEEDLES
2011 CHEVRON #1140 800 EAST BROADWAY
Name: CHEVRON #1140
Address: 800 EAST BROADWAY
City: NEEDLES
State: NEEDLES
2010 CHEVRON #1140 800 EAST BROADWAY
Name: CHEVRON #1140
Address: 800 EAST BROADWAY
City: NEEDLES
State: NEEDLES
2009 CHEVRON #1140 800 EAST BROADWAY
Name: CHEVRON #1140
Address: 800 EAST BROADWAY
City: NEEDLES
State: NEEDLES
2008 CHEVRON #1140 800 EAST BROADWAY
Name: CHEVRON #1140
Address: 800 EAST BROADWAY
City: NEEDLES
State: NEEDLES
2007 CHEVRON #1140 800 EAST BROADWAY
Name: CHEVRON #1140
Address: 800 EAST BROADWAY
City: NEEDLES
State: NEEDLES
2006 CHEVRON #1140 800 EAST BROADWAY
Name: CHEVRON #1140
Address: 800 EAST BROADWAY
City: NEEDLES
State: NEEDLES
2005 CHEVRON #1140 800 EAST BROADWAY
Name: CHEVRON #1140
Address: 800 EAST BROADWAY
City: NEEDLES
State: NEEDLES
2003 CHEVRON #1140 800 EAST BROADWAY
Name: CHEVRON #1140
Address: 800 EAST BROADWAY
City: NEEDLES
State: NEEDLES
2002 CHEVRON #1140 800 EAST BROADWAY
Name: CHEVRON #1140
Address: 800 EAST BROADWAY
City: NEEDLES
State: NEEDLES
2001 CHEVRON #1140 800 EAST BROADWAY
Name: CHEVRON #1140
Address: 800 EAST BROADWAY
City: NEEDLES
State: NEEDLES
2000 CHEVRON #1140 800 EAST BROADWAY
Name: CHEVRON #1140
Address: 800 EAST BROADWAY
City: NEEDLES
State: NEEDLES

Map ID
Direction
Distance
Elevation

MAP FINDINGS

Site

Database(s)

EDR ID Number
EPA ID Number

CHEVRON #1140 (Continued)

S114595264

1998 CHEVRON #1140 800 EAST BROADWAY
Name: CHEVRON #1140
Address: 800 EAST BROADWAY
City: NEEDLES
State: NEEDLES
1997 CHEVRON #1140 800 EAST BROADWAY
Name: CHEVRON #1140
Address: 800 EAST BROADWAY
City: NEEDLES
State: NEEDLES
1996 CHEVRON #1140 800 EAST BROADWAY
Name: CHEVRON #1140
Address: 800 EAST BROADWAY
City: NEEDLES
State: NEEDLES
1995 CHEVRON #1140 800 EAST BROADWAY
Name: CHEVRON #1140
Address: 800 EAST BROADWAY
City: NEEDLES
State: NEEDLES
1994 CHEVRON #1140 800 EAST BROADWAY

CX712 CHEVRON #1140
Target 800 E. BROADWAY
Property NEEDLES, CA

RGALUST S114595263
N/A

Site 14 of 28 in cluster CX

Actual: 530 ft. RGA LUST:
Name: CHEVRON #1140
Focus Map: 11 Address: 800 E. BROADWAY
City: NEEDLES
State: NEEDLES
1993 CHEVRON #1140 800 E. BROADWAY

CX713 FLEMING ENTERPRISE INC
Target 800 E BROADWAY
Property NEEDLES, CA 92363

EDR Hist Auto 1020709113
N/A

Site 15 of 28 in cluster CX

Actual: 530 ft. EDR Hist Auto
Focus Map: 11 Year: Name: Type:
1985 FLEMING ENTERPRISE INC Gasoline Service Stations
1986 FLEMING ENTERPRISE INC Gasoline Service Stations

Map ID
Direction
Distance
Elevation

MAP FINDINGS

Site

Database(s)

EDR ID Number
EPA ID Number

CX714 **1X CHEVRON#9-1140**
Target **800 E BROADWAY**
Property **NEEDLES, CA 90632**

HAZNET **S123703443**
HWTS **N/A**

Site 16 of 28 in cluster CX

Actual:
530 ft.

Focus Map:
11

HAZNET:
Name: 1X CHEVRON#9-1140
Address: 800 E BROADWAY
Address 2: Not reported
City,State,Zip: NEEDLES, CA 906320000
Contact: JIM HAYNES
Telephone: 2136947452
Mailing Name: Not reported
Mailing Address: PO BOX 2833

Year: 1988
Gepaid: CAC000030544
TSD EPA ID: CAD000633164
CA Waste Code: 611 - Contaminated soil from site clean-up
Disposal Method: D80 - Disposal, Land Fill
Tons: 45.5112

Year: 1987
Gepaid: CAC000030544
TSD EPA ID: CAD028409019
CA Waste Code: 512 - Other empty containers 30 gallons or more
Disposal Method: R01 - Recycler
Tons: 0.65

HWTS:

Name: 1X CHEVRON#9-1140
Address: 800 E BROADWAY
Address 2: Not reported
City,State,Zip: NEEDLES, CA 90632
EPA ID: CAC000030544
Inactive Date: 10/25/2000
Create Date: 08/21/1987
Last Act Date: Not reported
Mailing Name: Not reported
Mailing Address: PO BOX 2833
Mailing Address 2: Not reported
Mailing City,State,Zip: LA HABRA, CA 906322833
Owner Name: Not reported
Owner Address: Not reported
Owner Address 2: Not reported
Owner City,State,Zip: Not reported
Contact Name: JIM HAYNES
Contact Address: EXTEND NUMBER THROUGH
Contact Address 2: Not reported
City,State,Zip: CONTAM SOIL
Facility Status: Inactive
Facility Type: TEMPORARY
Category: STATE
Latitude: 34.82761
Longitude: -114.595349

Map ID
Direction
Distance
Elevation

MAP FINDINGS

Site

Database(s)

EDR ID Number
EPA ID Number

CX715 CALDERON MANUEL
Target 810 E BROADWAY
Property NEEDLES, CA 92363

EDR Hist Auto 1020733099
N/A

Site 17 of 28 in cluster CX

Actual: EDR Hist Auto
529 ft.

Focus Map:
11

Year:	Name:	Type:
1974	CALDERON MANUEL	Gasoline Service Stations
1975	CALDERON MANUEL	Gasoline Service Stations
1976	CALDERON MANUEL	Gasoline Service Stations
1977	CALDERON MANUEL	Gasoline Service Stations
1978	CALDERON MANUEL	Gasoline Service Stations
1979	CALDERON MANUEL	Gasoline Service Stations
1980	CALDERON MANUEL	Gasoline Service Stations
1980	MOBILE EAST	Gasoline Service Stations
1982	CALDERON MANUEL	Gasoline Service Stations
1982	MOBILE EAST	Gasoline Service Stations
1983	CALDERON MANUEL	Gasoline Service Stations
1983	MOBILE EAST	Gasoline Service Stations
1985	MOBILE EAST	Gasoline Service Stations
1986	MOBILE EAST	Gasoline Service Stations
1987	MOBILE EAST	Gasoline Service Stations
1992	NEEDLES TRI MART	Gasoline Service Stations
1993	NEEDLES TRI MART	Gasoline Service Stations
1994	NEEDLES TRI MART	Gasoline Service Stations
1995	NEEDLES TRI MART	Gasoline Service Stations
1996	NEEDLES TRI MART	Gasoline Service Stations
1997	NEEDLES TRI MART	Gasoline Service Stations
1998	NEEDLES TRI MART	Gasoline Service Stations
1999	NEEDLES TRI MART	Gasoline Service Stations
2000	NEEDLES TRI MART	Gasoline Service Stations
2001	NEEDLES TRI MART	Gasoline Service Stations
2002	NEEDLES TRI MART	Gasoline Service Stations
2003	NEEDLES TRI MART	Gasoline Service Stations
2004	NEEDLES TRI MART	Gasoline Service Stations
2005	NEEDLES TRI MART	Gasoline Service Stations, NEC
2006	NEEDLES TRI MART	Gasoline Service Stations, NEC
2007	NEEDLES TRI MART	Gasoline Service Stations, NEC
2008	NEEDLES TRI MART	Gasoline Service Stations, NEC
2009	NEEDLES TRI MART	Gasoline Service Stations, NEC
2010	NEEDLES TRI MART	Gasoline Service Stations, NEC
2011	NEEDLES TRI MART	Gasoline Service Stations, NEC
2012	NEEDLES TRI MART	Gasoline Service Stations, NEC

CX716 EASTSIDE CHEVRON
Target 810 E BROADWAY
Property NEEDLES, CA 92363

FINDS 1023310304
N/A

Site 18 of 28 in cluster CX

Actual: FINDS:
529 ft. Registry ID: 110066030823

Focus Map:
11

[Click Here for FRS Facility Detail Report:](#)

Environmental Interest/Information System:
AIR EMISSIONS CLASSIFICATION UNKNOWN
RCRAInfo is a national information system that supports the Resource

Map ID
 Direction
 Distance
 Elevation

MAP FINDINGS

Site

Database(s)

EDR ID Number
 EPA ID Number

EASTSIDE CHEVRON (Continued)

1023310304

Conservation and Recovery Act (RCRA) program through the tracking of events and activities related to facilities that generate, transport, and treat, store, or dispose of hazardous waste. RCRAInfo allows RCRA program staff to track the notification, permit, compliance, and corrective action activities required under RCRA.

STATE MASTER

[Click this hyperlink](#) while viewing on your computer to access additional FINDS: detail in the EDR Site Report.

CX717 EAST SIDE CHEVRON
Target 810 E BROADWAY
Property NEEDLES, CA 92363

ECHO 1026016139
N/A

Site 19 of 28 in cluster CX

Actual: 529 ft.	ECHO:	
	Envid:	1026016139
Focus Map: 11	Registry ID:	110066030823
	DFR URL:	http://echo.epa.gov/detailed-facility-report?fid=110066030823
	Name:	EAST SIDE CHEVRON
	Address:	810 E BROADWAY
	City,State,Zip:	NEEDLES, CA 92363

CX718 BURP SERVICE
Target 810 E BROADWAY ST
Property NEEDLES, CA 92363

HIST UST U001575236
N/A

Site 20 of 28 in cluster CX

Actual: 529 ft.	HIST UST:	
	Name:	BURP SERVICE
Focus Map: 11	Address:	810 E BROADWAY ST
	City,State,Zip:	NEEDLES, CA 92363
	File Number:	Not reported
	URL:	Not reported
	Region:	STATE
	Facility ID:	00000054418
	Facility Type:	Gas Station
	Other Type:	Not reported
	Contact Name:	TOM WIRICK
	Telephone:	6193264810
	Owner Name:	SNOBIRD, INC.
	Owner Address:	810 EAST CAMELBACK ROAD
	Owner City,St,Zip:	PHOENIX, AZ 85014
	Total Tanks:	0004
	Tank Num:	001
	Container Num:	1
	Year Installed:	1982
	Tank Capacity:	00010000
	Tank Used for:	PRODUCT
	Type of Fuel:	UNLEADED
	Container Construction Thickness:	Not reported
	Leak Detection:	Pressure Test
	Tank Num:	002

Map ID
Direction
Distance
Elevation

MAP FINDINGS

Site

Database(s)

EDR ID Number
EPA ID Number

BURP SERVICE (Continued)

U001575236

Container Num: 2
Year Installed: 1982
Tank Capacity: 00010000
Tank Used for: PRODUCT
Type of Fuel: REGULAR
Container Construction Thickness: Not reported
Leak Detection: Pressure Test

Tank Num: 003
Container Num: 3
Year Installed: 1982
Tank Capacity: 00010000
Tank Used for: PRODUCT
Type of Fuel: PREMIUM
Container Construction Thickness: Not reported
Leak Detection: Pressure Test

Tank Num: 004
Container Num: 4
Year Installed: 1982
Tank Capacity: 00010000
Tank Used for: PRODUCT
Type of Fuel: DIESEL
Container Construction Thickness: Not reported
Leak Detection: Pressure Test

CX719 **NEEDLES CHEVRON**
Target **810 E BROADWAY ST**
Property **NEEDLES, CA 92363**

UST **U004350543**
 N/A

Site 21 of 28 in cluster CX

Actual: **UST:**
529 ft. **Name:** **NEEDLES CHEVRON**
Focus Map: **Address:** **810 E BROADWAY ST**
11 **City,State,Zip:** **NEEDLES, CA 92363**
 Facility ID: **89018524**
 Permitting Agency: **SAN BERNARDINO COUNTY**
 CERSID: **Not reported**
 Latitude: **34.828958**
 Longitude: **-114.593609**

CX720 **JIM MCCLAIN**
Target **810 E BROADWAY**
Property **NEEDLES, CA 92363**

HAZNET **S112944076**
HWTS **N/A**

Site 22 of 28 in cluster CX

Actual: **HAZNET:**
529 ft. **Name:** **JIM MCCLAIN**
Focus Map: **Address:** **810 E BROADWAY**
11 **Address 2:** **Not reported**
 City,State,Zip: **NEEDLES, CA 92363**
 Contact: **JIM MCCLAIN**
 Telephone: **7603266735**
 Mailing Name: **Not reported**

Map ID
Direction
Distance
Elevation

MAP FINDINGS

Site

Database(s)

EDR ID Number
EPA ID Number

JIM MCCLAIN (Continued)

S112944076

Mailing Address: 810 E BROADWAY
Year: 2005
Gepaid: CAC002588038
TSD EPA ID: CAT080013352
CA Waste Code: 241 - Tank bottom waste
Disposal Method: R01 - Recycler
Tons: 1.251

Additional Info:

Year: 2005
Gen EPA ID: CAC002588038
Shipment Date: 20050321
Creation Date: 7/21/2005 18:31:13
Receipt Date: 20050322
Manifest ID: 23861910
Trans EPA ID: CAL922125668
Trans Name: ADAMS SERVICES INC
Trans 2 EPA ID: Not reported
Trans 2 Name: Not reported
TSD EPA ID: CAT080013352
Trans Name: DEMENNO/KERDOON
TSD EPA ID: CAT080013352
TSD Name: Not reported
Waste Code Description: 241 - Tank bottom waste 251 Still bottoms with halogenated organics
RCRA Code: NA
Meth Code: R01 - Recycler
Quantity Tons: 1.251
Waste Quantity: 300
Quantity Unit: G
Additional Code 1: Not reported
Additional Code 2: Not reported
Additional Code 3: Not reported
Additional Code 4: Not reported
Additional Code 5: Not reported

HWTS:

Name: JIM MCCLAIN
Address: 810 E BROADWAY
Address 2: Not reported
City,State,Zip: NEEDLES, CA 92363
EPA ID: CAC002588038
Inactive Date: 09/11/2005
Create Date: 03/14/2005
Last Act Date: Not reported
Mailing Name: Not reported
Mailing Address: 810 E BROADWAY
Mailing Address 2: Not reported
Mailing City,State,Zip: NEEDLES, CA 92363
Owner Name: JIM MCCLAIN
Owner Address: 810 E BROADWAY
Owner Address 2: Not reported
Owner City,State,Zip: NEEDLES, CA 92363
Contact Name: JIM MCCLAIN

Map ID
Direction
Distance
Elevation

MAP FINDINGS

Site

Database(s)

EDR ID Number
EPA ID Number

JIM MCCLAIN (Continued)

S112944076

Contact Address: 810 E BROADWAY
Contact Address 2: Not reported
City,State,Zip: NEEDLES, CA 92363
Facility Status: Inactive
Facility Type: TEMPORARY
Category: STATE
Latitude: 34.827576
Longitude: -114.59543

CX721 **NEEDLES TRI-MART**
Target **810 E BROADWAY**
Property **NEEDLES, CA 92363**

CERS HAZ WASTE **S104570144**
SWEEPS UST **N/A**
CERS TANKS
San Bern. Co. Permit
CERS
HWTS

Site 23 of 28 in cluster CX

Actual:
529 ft.

Focus Map:
11

CERS HAZ WASTE:
Name: EASTSIDE CHEVRON
Address: 810 E BROADWAY ST
City,State,Zip: NEEDLES, CA 92363
Site ID: 113462
CERS ID: 10042444
CERS Description: Hazardous Waste Generator

SWEEPS UST:

Name: NEEDLES TRI-MART
Address: 810 E BROADWAY
City: NEEDLES
Status: Active
Comp Number: 54418
Number: 1
Board Of Equalization: 44-021211
Referral Date: 07-28-92
Action Date: 07-28-92
Created Date: 02-29-88
Owner Tank Id: 1
SWRCB Tank Id: 36-000-054418-000001
Tank Status: A
Capacity: 10000
Active Date: 09-11-90
Tank Use: M.V. FUEL
STG: P
Content: REG UNLEADED
Number Of Tanks: 4

Name: NEEDLES TRI-MART
Address: 810 E BROADWAY
City: NEEDLES
Status: Active
Comp Number: 54418
Number: 1
Board Of Equalization: 44-021211
Referral Date: 07-28-92
Action Date: 07-28-92
Created Date: 02-29-88
Owner Tank Id: 2
SWRCB Tank Id: 36-000-054418-000002

Map ID
Direction
Distance
Elevation

MAP FINDINGS

Site

Database(s)

EDR ID Number
EPA ID Number

NEEDLES TRI-MART (Continued)

S104570144

Tank Status: A
Capacity: 10000
Active Date: 09-11-90
Tank Use: M.V. FUEL
STG: P
Content: LEADED
Number Of Tanks: Not reported

Name: NEEDLES TRI-MART
Address: 810 E BROADWAY
City: NEEDLES
Status: Active
Comp Number: 54418
Number: 1
Board Of Equalization: 44-021211
Referral Date: 07-28-92
Action Date: 07-28-92
Created Date: 02-29-88
Owner Tank Id: 3
SWRCB Tank Id: 36-000-054418-000003
Tank Status: A
Capacity: 10000
Active Date: 09-11-90
Tank Use: M.V. FUEL
STG: P
Content: REG UNLEADED
Number Of Tanks: Not reported

Name: NEEDLES TRI-MART
Address: 810 E BROADWAY
City: NEEDLES
Status: Active
Comp Number: 54418
Number: 1
Board Of Equalization: 44-021211
Referral Date: 07-28-92
Action Date: 07-28-92
Created Date: 02-29-88
Owner Tank Id: 4
SWRCB Tank Id: 36-000-054418-000004
Tank Status: A
Capacity: 10000
Active Date: 09-11-90
Tank Use: M.V. FUEL
STG: P
Content: DIESEL
Number Of Tanks: Not reported

CERS TANKS:

Name: EASTSIDE CHEVRON
Address: 810 E BROADWAY ST
City,State,Zip: NEEDLES, CA 92363
Site ID: 113462
CERS ID: 10042444
CERS Description: Underground Storage Tank

Map ID
Direction
Distance
Elevation

MAP FINDINGS

Site

Database(s)

EDR ID Number
EPA ID Number

NEEDLES TRI-MART (Continued)

S104570144

San Bern. Co. Permit:

Name: EASTSIDE CHEVRON
Address: 810 E BROADWAY ST
City,State,Zip: NEEDLES, CA 92363
Region: SAN BERNARDINO
Facility ID: FA0004956
Owner: Jason Boatner
Permit Number: PT0004328
Permit Category: HAZMAT HANDLER, UST ONLY - PER YEAR
Facility Status: ACTIVE
Expiration Date: 11/30/2022

Name: EASTSIDE CHEVRON
Address: 810 E BROADWAY ST
City,State,Zip: NEEDLES, CA 92363
Region: SAN BERNARDINO
Facility ID: FA0004956
Owner: Jason Boatner
Permit Number: PT0033062
Permit Category: WASTE INCIDENTAL UST OPERATION ONLY -PER YEAR
Facility Status: ACTIVE
Expiration Date: 11/30/2022

Name: EASTSIDE CHEVRON
Address: 810 E BROADWAY ST
City,State,Zip: NEEDLES, CA 92363
Region: SAN BERNARDINO
Facility ID: FA0004956
Owner: Jason Boatner
Permit Number: PT0010906
Permit Category: REGULAR UST ANNUAL INSPECTION (PER TANK)
Facility Status: ACTIVE
Expiration Date: 11/30/2022

Name: EASTSIDE CHEVRON
Address: 810 E BROADWAY ST
City,State,Zip: NEEDLES, CA 92363
Region: SAN BERNARDINO
Facility ID: FA0004956
Owner: Jason Boatner
Permit Number: PT0010907
Permit Category: REGULAR UST ANNUAL INSPECTION (PER TANK)
Facility Status: ACTIVE
Expiration Date: 11/30/2022

Name: EASTSIDE CHEVRON
Address: 810 E BROADWAY ST
City,State,Zip: NEEDLES, CA 92363
Region: SAN BERNARDINO
Facility ID: FA0004956
Owner: Jason Boatner
Permit Number: PT0010908
Permit Category: REGULAR UST ANNUAL INSPECTION (PER TANK)
Facility Status: ACTIVE
Expiration Date: 11/30/2022

Name: EASTSIDE CHEVRON

Map ID
Direction
Distance
Elevation

MAP FINDINGS

Site

Database(s)

EDR ID Number
EPA ID Number

NEEDLES TRI-MART (Continued)

S104570144

Address: 810 E BROADWAY ST
City,State,Zip: NEEDLES, CA 92363
Region: SAN BERNARDINO
Facility ID: FA0004956
Owner: Jason Boatner
Permit Number: PT0016373
Permit Category: REGULAR UST ANNUAL INSPECTION (PER TANK)
Facility Status: INACTIVE
Expiration Date: 11/30/2005

Name: EASTSIDE CHEVRON
Address: 810 E BROADWAY ST
City,State,Zip: NEEDLES, CA 92363
Region: SAN BERNARDINO
Facility ID: FA0004956
Owner: Jason Boatner
Permit Number: PT0016374
Permit Category: REGULAR UST ANNUAL INSPECTION (PER TANK)
Facility Status: INACTIVE
Expiration Date: 11/30/2005

CERS:

Name: EASTSIDE CHEVRON
Address: 810 E BROADWAY ST
City,State,Zip: NEEDLES, CA 92363
Site ID: 113462
CERS ID: 10042444
CERS Description: Chemical Storage Facilities

Violations:

Site ID: 113462
Site Name: EASTSIDE CHEVRON
Violation Date: 11-15-2017
Citation: 23 CCR 16 2712(i), 2632(d)(2), 2634(e), 2641(h) - California Code of Regulations, Title 23, Chapter 16, Section(s) 2712(i), 2632(d)(2), 2634(e), 2641(h)
Violation Description: Failure to submit a current UST Response Plan available on site.
Violation Notes: Returned to compliance on 11/27/2017. OBSERVATION: SUBMITTED MONITORING SITE PLAN IN CALIFORNIA ENVIRONMENTAL REPORTING SYSTEM (CERS) WAS NOT ACCURATE OR CURRENT. 1) TANKS WERE NOT LABELED CORRECTLY. (FROM NORTH TO SOUTH, THE TANK ORDER IS PREMIUM, REGULAR, AND DIESEL) 2) LINE LEAK DETECTORS FOR EACH TANKS WERE INACCURATE. (PREMIUM UNLEADED GASOLINE HAS RED JACKET FX1V MLLD; REGULAR UNLEADED GASOLINE HAS RED JACKET FX1V MLLD; DIESEL HAS VMI LD200 MLLD) 3) ESO LOCATION WAS NOT IDENTIFIED ON THE MONITORING SITE PLAN. COMPLIANCE REQUIREMENT: RESUBMIT UPDATED MONITORING SITE PLAN.
Violation Division: San Bernardino County Fire Department
Violation Program: UST
Violation Source: CERS,

Site ID: 113462
Site Name: EASTSIDE CHEVRON
Violation Date: 11-19-2014
Citation: Un-Specified
Violation Description: UST Program - Administration/Documentation - For use of Local Ordinance only
Violation Notes: Returned to compliance on 04/05/2015. Failure to submit a signed

Map ID
Direction
Distance
Elevation

MAP FINDINGS

Site

Database(s)

EDR ID Number
EPA ID Number

NEEDLES TRI-MART (Continued)

S104570144

Designated UST Operator Statement (23 CCR 2715(a)) OBSERVATION:
FACILITY HAS NOT SUBMITTED THE REQUIRED UST DOCUMENTATION TO THE
CALIFORNIA ENVIRONMENTAL REPORTING SYSTEM (CERS) COMPLIANCE
REQUIREMENT: SUBMIT UST DOCUMENTATION TO CERS WITHIN 30 DAYS. SIGN
DATE AND SUBMIT THE CERTIFICATE OF COMPLIANCE TO THIS DEPARTMENT
INDICATING THE DATE OF CERS SUBMITTAL

Violation Division: San Bernardino County Fire Department
Violation Program: UST
Violation Source: CERS,

Site ID: 113462
Site Name: EASTSIDE CHEVRON
Violation Date: 11-14-2018
Citation: HSC 6.7 25284, 25286 - California Health and Safety Code, Chapter 6.7,
Section(s) 25284, 25286
Violation Description: Failure to submit a complete and accurate application for a permit to
operate a UST, or for renewal of the permit.
Violation Notes: Returned to compliance on 11/15/2018. OBSERVATION: THE UST INSTALL
DATES IN CERS ARE NOT CORRECT. CHANGE TO CORRECT INSTALL DATE OF
01/07/1999. COMPLIANCE REQUIREMENT: UPDATE CERS INFORMATION WITH THE
CORRECT UST INSTALL DATE (01/07/1999).

Violation Division: San Bernardino County Fire Department
Violation Program: UST
Violation Source: CERS,

Site ID: 113462
Site Name: EASTSIDE CHEVRON
Violation Date: 11-19-2014
Citation: 23 CCR 16 2715 - California Code of Regulations, Title 23, Chapter 16,
Section(s) 2715
Violation Description: Failure to comply with one or more of the designated operator monthly
inspection requirements: failed to inspect the monthly alarm history
report; attach a copy of the alarm history; failed to inspect for the
presence of liquid or debris in the spill container/spill bucket and
under dispenser containment; failed to inspect the under dispenser
containment to ensure that monitoring equipment is placed in the
proper position; failure to inspect for liquid or debris in the
containment sump where an alarm occurred or for which there is no
record of a service visit; or failure to check that all testing and
maintenance has been completed and documented.
Violation Notes: Returned to compliance on 04/05/2015. OBSERVATION: DOCUMENTED DESIGNED
OPERATOR INSPECTION REPORTS FOR JULY 2014 ANF JUNE 2014 WERE NOT
AVAILABLE. COMPLIANCE REQUIREMENT: DOCUMENTED D.O. INSPECTION REPORTS
MUST BE RETAINED

Violation Division: San Bernardino County Fire Department
Violation Program: UST
Violation Source: CERS,

Site ID: 113462
Site Name: EASTSIDE CHEVRON
Violation Date: 11-16-2016
Citation: HSC 6.7 Multiple - California Health and Safety Code, Chapter 6.7,
Section(s) Multiple
Violation Description: UST Program - Administration/Documentation - General - Must include
violation description, proper statute and regulation citation in the
"comment" section.
Violation Notes: Returned to compliance on 11/21/2016. Failure to have a written

Map ID
Direction
Distance
Elevation

MAP FINDINGS

Site

Database(s)

EDR ID Number
EPA ID Number

NEEDLES TRI-MART (Continued)

S104570144

monitoring program with monitoring procedures and response plan (CHSC 25286(a)) OBSERVATIONS: ALL TANK PAGES LIST FLOAT AND CHAIN ASSEMBLIES FOR THE DISPENSER, WHEN THIS IS NOT CORRECT. THE UST SITE PLAN LISTS VR-208 SENSORS AS MONITORING THE DISPENSERS, BUT THIS IS INCORRECT. COMPLIANCE REQUIREMENT: UPDATE ALL TANK PAGES TO SHOW THAT THE DISPENSER ARE MONITORED BY VR-001 STAND-ALONE SENSORS AND THE MONITORING INFORMATION FOR DISPENSERS. UPDATE THE UST SITE PLAN TO SHOW THE CORRECT SENSORS MONITORING THE DISPENSERS.

Violation Division: San Bernardino County Fire Department
Violation Program: UST
Violation Source: CERS,

Site ID: 113462
Site Name: EASTSIDE CHEVRON
Violation Date: 11-14-2018
Citation: 23 CCR 16 2712(b)(1)(G) - California Code of Regulations, Title 23, Chapter 16, Section(s) 2712(b)(1)(G)

Violation Description: Failure to comply with one or more of the following overfill prevention equipment requirements: Alert the transfer operator when the tank is 90 percent full by restricting the flow into the tank or triggering an audible and visual alarm; or Restrict delivery of flow to the tank at least 30 minutes before the tank overfills, provided the restriction occurs when the tank is filled to no more than 95 percent of capacity; and activate an audible alarm at least five minutes before the tank overfills; or Provide positive shut-off of flow to the tank when the tank is filled to no more than 95 percent of capacity; or Provide positive shut-off of flow to the tank so that none of the fittings located on the top of the tank are exposed to product due to overfilling. Install/retrofit overfill prevention equipment that does not use flow restrictors on vent piping to meet overfill prevention equipment requirements when the overfill prevention equipment is installed, repaired, or replaced on and after October 1, 2018. For USTs installed before October 1, 2018, perform an inspection by October 13, 2018 and every 36 months thereafter. For USTs installed on and after October 1, 2018, perform an inspection at installation and every 36 months thereafter. Inspected within 30 days after a repair to the overfill prevention equipment. Inspected using an applicable manufacturer guidelines, industry codes, engineering standards, or a method approved by a professional engineer. Inspected by a certified UST service technician. Maintain records of overfill prevention equipment inspection for 36 months.

Violation Notes: Returned to compliance on 01/22/2019. OBSERVATION: TECHNICIAN WAS UNABLE TO PERFORM OVERFILL PROTECTION CERTIFICATION. COMPLIANCE REQUIREMENT: MAKE A 48 HOUR NOTIFICATION TO THIS OFFICE, BEFORE CERTIFYING OVERFILL PROTECTION EQUIPMENT.

Violation Division: San Bernardino County Fire Department
Violation Program: UST
Violation Source: CERS,

Site ID: 113462
Site Name: EASTSIDE CHEVRON
Violation Date: 11-19-2014
Citation: Un-Specified
Violation Description: UST Program - Administration/Documentation - For use of Local Ordinance only

Violation Notes: Returned to compliance on 04/05/2015. Failure to have a written monitoring program with monitoring procedures and response plan. (CCR

Map ID
Direction
Distance
Elevation

MAP FINDINGS

Site

Database(s)

EDR ID Number
EPA ID Number

NEEDLES TRI-MART (Continued)

S104570144

2632(d)) OBSERVATION: FACILITY HAS NOT SUBMITTED THE REQUIRED UST DOCUMENTATION TO THE CALIFORNIA ENVIRONMENTAL REPORTING SYSTEM (CERS) COMPLIANCE REQUIREMENT: SUBMIT UST DOCUMENTATION TO CERS WITHIN 30 DAYS. SIGN DATE AND SUBMIT THE CERTIFICATE OF COMPLIANCE TO THIS DEPARTMENT INDICATING THE DATE OF CERS SUBMITTAL

Violation Division: San Bernardino County Fire Department
Violation Program: UST
Violation Source: CERS,

Site ID: 113462
Site Name: EASTSIDE CHEVRON
Violation Date: 11-02-2021
Citation: 23 CCR 16 2641(j) - California Code of Regulations, Title 23, Chapter 16, Section(s) 2641(j)

Violation Description: Failure of the leak detection equipment to be installed, calibrated, operated, and/or maintained properly.

Violation Notes: OBSERVATION: The Veeder-Root standalone 001 sensor within UDC 1/2 was not functional when tested on-site. CORRECTIVE ACTION: Repair/replace the Veeder-Root standalone 001 in UDC 1/2 within 30 days. Submit a work order and passing test results to this agency within 30 days.

Violation Division: San Bernardino County Fire Department
Violation Program: UST
Violation Source: CERS,

Site ID: 113462
Site Name: EASTSIDE CHEVRON
Violation Date: 11-16-2016
Citation: HSC 6.95 25508(a)(1) - California Health and Safety Code, Chapter 6.95, Section(s) 25508(a)(1)

Violation Description: Failure to annually review and electronically certify that the business plan is complete and accurate on or before the annual due date.

Violation Notes: Returned to compliance on 11/21/2016. OBSERVATIONS: THE SITE MAP UPLOADED IN CERS IS NOT COMPLETE. THE LOCAL CUPA EMERGENCY RESPONSE NUMBER IS INCORRECTLY LISTED ON THE EMERGENCY RESPONSE PLAN. COMPLIANCE REQUIREMENT: INCLUDE THE FOLLOWING ITEMS, IF APPLICABLE, (1)NORTH ORIENTATION (2)LOADING AREAS (3)INTERNAL ROADS(4) ADJACENT STREETS (5) STORM AND SEWER DRAINS (6) ACCESS AND EXIT POINTS (7) EMERGENCY SHUTOFFS (GAS, ELECTRIC, WATER, PUMPS (8) EVACUATION STAGING AREAS (9) HAZARDOUS MATERIAL HANDLING AND STORAGE AREAS (10) EMERGENCY RESPONSE EQUIPMENT (FIRE EXTINGUISHER, FIRE HOSE, FIRE ALARM, SPILL KIT, EYEWASH STATION; AND SAFETY EQUIPMENT FOR PERSONNEL THAT MAY INCLUDE EYE PROTECTION, SAFETY VESTS, HARD HATS, GLOVES, PERSONAL PROTECTIVE SUITS, RESPIRATORS, ETC.). THE LOCAL CUPA EMERGENCY RESPONSE IS 909-386-8425. UPDATE THE EMERGENCY PLAN IN CERS WITH THE CORRECT NUMBER.

Violation Division: San Bernardino County Fire Department
Violation Program: HMRRP
Violation Source: CERS,

Site ID: 113462
Site Name: EASTSIDE CHEVRON
Violation Date: 11-19-2013
Citation: HSC 6.7 25284.2 - California Health and Safety Code, Chapter 6.7, Section(s) 25284.2

Violation Description: Failure to test the spill bucket annually.

Violation Notes: Returned to compliance on 11/19/2014. Diesel fill failed. Have diesel

Map ID
Direction
Distance
Elevation

MAP FINDINGS

Site

Database(s)

EDR ID Number
EPA ID Number

NEEDLES TRI-MART (Continued)

S104570144

spill bucket functioning within 30 days. Schedule reinspection.
Violation Division: San Bernardino County Fire Department
Violation Program: UST
Violation Source: CERS,

Site ID: 113462
Site Name: EASTSIDE CHEVRON
Violation Date: 11-16-2016
Citation: 23 CCR 6.7 25284, 25286 - California Code of Regulations, Title 23, Chapter 6.7, Section(s) 25284, 25286
Violation Description: Failure to submit a complete and accurate application for a permit to operate a UST, or for renewal of the permit.
Violation Notes: Returned to compliance on 11/21/2016. OBSERVATIONS: NONE OF THE TANKS LISTED THE INSTALLATION DATES. THE PREMIUM TANK IS MISSING THE VAPOR RECOVERY INFORMATION. FACILITY IS MARKED AS HAVING AUDIBLE/VISUAL ALARM FOR OVERFILL PROTECTION, BUT THEY DO NOT HAVE THIS COMPONENT. COMPLIANCE REQUIREMENT: IF THE EXACT INSTALLATION DATE IS UNKNOWN AND THE INSTALLATION YEAR IS KNOWN, THEN ENTER 1/1/INSTALLATION YEAR. ENTER VAPOR RECOVERY INFORMATION FOR THE PREMIUM TANK. MARK "NO" FOR AUDIBLE/VISUAL UNDER THE OVERFILL PROTECTION SECTION.

Violation Division: San Bernardino County Fire Department
Violation Program: UST
Violation Source: CERS,

Site ID: 113462
Site Name: EASTSIDE CHEVRON
Violation Date: 11-19-2014
Citation: HSC 6.75 25299.30-25299.34 - California Health and Safety Code, Chapter 6.75, Section(s) 25299.30-25299.34
Violation Description: Failure to submit and maintain complete and current Certification of Financial Responsibility or other mechanism of financial assurance.
Violation Notes: Returned to compliance on 04/05/2015. OBSERVATION: FACILITY HAS NOT SUBMITTED THE REQUIRED UST DOCUMENTATION TO THE CALIFORNIA ENVIRONMENTAL REPORTING SYSTEM (CERS) COMPLIANCE REQUIREMENT: SUBMIT UST DOCUMENTATION TO CERS WITHIN 30 DAYS. SIGN DATE AND SUBMIT THE CERTIFICATE OF COMPLIANCE TO THIS DEPARTMENT INDICATING THE DATE OF CERS SUBMITTAL

Violation Division: San Bernardino County Fire Department
Violation Program: UST
Violation Source: CERS,

Site ID: 113462
Site Name: EASTSIDE CHEVRON
Violation Date: 11-16-2016
Citation: HSC 6.5 Multiple - California Health and Safety Code, Chapter 6.5, Section(s) Multiple
Violation Description: Hazardous Waste Generator Program - Administration/Documentation - General
Violation Notes: Returned to compliance on 11/15/2017. Failure to obtain an EPA ID Number (CCR 66262.12(a)) OBSERVATIONS: THE EPA ID NUMBER LISTED AS CAL000403025 HAS NOT BEEN VALID SINCE 6/30/2015. THERE WERE NO OTHER ID NUMBERS FOUND TO BE ASSOCIATED WITH THIS FACILITY. COMPLIANCE REQUIREMENT: OBTAIN AN ACTIVE NUMBER AND REPORT IT IN CERS.

Violation Division: San Bernardino County Fire Department
Violation Program: HW
Violation Source: CERS,

Map ID
Direction
Distance
Elevation

MAP FINDINGS

Site

Database(s)

EDR ID Number
EPA ID Number

NEEDLES TRI-MART (Continued)

S104570144

Site ID: 113462
Site Name: EASTSIDE CHEVRON
Violation Date: 11-15-2017
Citation: HSC 6.7 Multiple - California Health and Safety Code, Chapter 6.7, Section(s) Multiple
Violation Description: UST Program -General - Must include violation description, proper statute and regulation citation in the "comment" section.
Violation Notes: Returned to compliance on 11/15/2017. Failure to install/maintain approved monitoring equipment for existing UST system(s) 23 CCR 2635(b)(1)(C)) OBSERVATION: THE FOLLOWING SENSORS WERE NOT PROGRAMMED FOR SENSOR OUT: L1 AND L7 (PREMIUM FILL AND ANNULAR); L3 AND L8 (REGULAR FILL AND ANNULAR); L5 AND L9 (DIESEL FILL AND ANNULAR). CORRECTED. THE FOLLOWING SENSORS WERE NOT PROGRAMMED FOR SHORT ALARM: L1 AND L7 (PREMIUM FILL AND ANNULAR); L3 AND L8 (REGULAR FILL AND ANNULAR); L5 AND L9 (DIESEL FILL AND ANNULAR). CORRECTED. NOTE: ALL SUBJECT SENSORS WERE PROGRAMMED BY TECHNICIAN. COMPLIANCE REQUIREMENT: ENSURE THAT ALL MONITORING EQUIPMENT ARE IN GOOD WORKING ORDER AND FUNCTIONAL AS PERMITTED AND DESIGNED TO MITIGATE RELEASE. CORRECTED.
Violation Division: San Bernardino County Fire Department
Violation Program: UST
Violation Source: CERS,

Site ID: 113462
Site Name: EASTSIDE CHEVRON
Violation Date: 11-15-2017
Citation: HSC 6.7 25284, 25286 - California Health and Safety Code, Chapter 6.7, Section(s) 25284, 25286
Violation Description: Failure to submit a complete and accurate application for a permit to operate a UST, or for renewal of the permit.
Violation Notes: Returned to compliance on 11/27/2017. OBSERVATION: SUBMITTED UNDERGROUND STORAGE TANK (UST) INFORMATION IN CERS WAS NOT ACCURATE, COMPLETE, OR CURRENT. UPDATE THE FOLLOWING: 1) INDICATE WHAT VAPOR RECOVERY PRIMARY AND SECONDARY CONTAINMENTS ARE TO PREMIUM UNLEADED GASOLINE. CURRENTLY NOT IDENTIFIED. 2) INDICATE THAT THE PREMIUM UNLEADED TANK HAS RED JACKET FX1V MECHANICAL LINE LEAK DETECTOR INSTEAD OF VMI LD2000. COMPLIANCE REQUIREMENT: RESUBMIT UPDATE UST INFORMATION IN CERS.
Violation Division: San Bernardino County Fire Department
Violation Program: UST
Violation Source: CERS,

Site ID: 113462
Site Name: EASTSIDE CHEVRON
Violation Date: 11-16-2016
Citation: HSC 6.7 Multiple - California Health and Safety Code, Chapter 6.7, Section(s) Multiple
Violation Description: UST Program - Administration/Documentation - General - Must include violation description, proper statute and regulation citation in the "comment" section.
Violation Notes: Returned to compliance on 11/21/2016. Failure to submit a signed Designated UST Operator Statement (23 CCR 2715(a)) OBSERVATIONS: THE DO STATEMENT UPLOADED SHOWS THE REPORTING AGENCY TO BE ORANGE COUNTY CUPA, WHICH IS INCORRECT. COMPLIANCE REQUIREMENT: REMOVE THIS INFORMATION AND UPLOAD A CURRENT STATEMENT IN CERS.
Violation Division: San Bernardino County Fire Department
Violation Program: UST
Violation Source: CERS,

Map ID
Direction
Distance
Elevation

MAP FINDINGS

Site

Database(s)

EDR ID Number
EPA ID Number

NEEDLES TRI-MART (Continued)

S104570144

Site ID: 113462
Site Name: EASTSIDE CHEVRON
Violation Date: 11-19-2014
Citation: HSC 6.5 Multiple - California Health and Safety Code, Chapter 6.5, Section(s) Multiple
Violation Description: Haz Waste Generator Program - Administration/Documentation - General
Violation Notes: Returned to compliance on 12/16/2014. Failure to obtain an EPA ID Number (CCR 66262.12(a)) OBSERVATION: FACILITY DOES NOT HAVE AN EPA ID NUMBER. COMPLIANCE REQUIREMENT: OBTAIN AN EPA ID NUMBER. EPA ID APPLICATION ENCLOSED WITH THE INSPECTION REPORT E-MAIL.
Violation Division: San Bernardino County Fire Department
Violation Program: HW
Violation Source: CERS,

Site ID: 113462
Site Name: EASTSIDE CHEVRON
Violation Date: 02-12-2021
Citation: HSC 6.7 25299(a)(9) - California Health and Safety Code, Chapter 6.7, Section(s) 25299(a)(9)
Violation Description: Leak detection equipment disabled or tampered with in a manner that would prevent the monitoring system from detecting and/or alerting the owner/operator of a leak.
Violation Notes: Returned to compliance on 03/05/2021. PER REVIEW OF UST MONITORING SYSTEM SET UP AND ALARM HISTORY THE FOLLOWING EVIDENCE THAT THE DIESEL ANNULAR SENSOR WAS REMOVED FROM PROGRAMMING: -L9 - SETUP DATA WARNING DECEMBER 1, 2020 10:53 AM -L9 FUEL ALARM FOLLOWED BY SETUP DATA WARNING DECEMBER 9, 2020 1:57 PM NO WORK ORDERS OR ANY DOCUMENTATION OF MAINTENANCE WAS AVAILABLE UPON REVIEW OF RECORDS ON SITE. L9 FUEL SENSOR IMMEDIATELY WENT INTO ALARM AS SOON AS THE UST TECHNICIAN PROGRAMMED THE SENSOR BACK AT THE MONITORING PANEL. IMMEDIATELY PROVIDE MAINTENANCE RECORDS/ACCOUNTS TO THIS DEPARTMENT ADDRESSING THE UNACCOUNTED CHANGE IN THE UST MONITORING SYSTEM NOTED ABOVE WITHIN 30 DAYS.
Violation Division: San Bernardino County Fire Department
Violation Program: UST
Violation Source: CERS,

Site ID: 113462
Site Name: EASTSIDE CHEVRON
Violation Date: 11-02-2021
Citation: 23 CCR 16 2636(f)(2) - California Code of Regulations, Title 23, Chapter 16, Section(s) 2636(f)(2)
Violation Description: Failure of the functional line leak detector (LLD) monitoring pressurized piping to meet one or more of the following requirements: Monitored at least hourly with the capability of detecting a release of 3.0 gallons per hour leak at 10 pounds per square inch and restrict or shut off the flow of product through the piping when a leak is detected.
Violation Notes: OBSERVATION: The Diesel mechanical line leak detector was not functional when tested on-site. CORRECTIVE ACTION: Repair/replace the Diesel mechanical line leak detector within 30 days. Submit a copy of the work order and passing test results to this agency within 30 days.
Violation Division: San Bernardino County Fire Department
Violation Program: UST
Violation Source: CERS,

Site ID: 113462

Map ID
Direction
Distance
Elevation

MAP FINDINGS

Site

Database(s)

EDR ID Number
EPA ID Number

NEEDLES TRI-MART (Continued)

S104570144

Site Name: EASTSIDE CHEVRON
Violation Date: 11-16-2016
Citation: 23 CCR 16 2715(c) - California Code of Regulations, Title 23, Chapter 16, Section(s) 2715(c)
Violation Description: Failure to comply with one or more of the following designated operator (DO) monthly inspection requirements: Be performed by an ICC certified DO. Inspect monthly alarm history report, check that alarms are documented and responded to appropriately, and attach a copy. Inspect for the presence of liquid/debris in spill containers. Inspect for the presence of liquid/debris in under dispenser containment (UDC) and ensure that the monitoring equipment is positioned correctly. Inspect for liquid or debris in containment sumps where an alarm occurred with no service visit. Check that all testing and maintenance has been completed and documented. Verify that all facility employees have been properly trained.
Violation Notes: Returned to compliance on 12/29/2016. OBSERVATIONS: THERE WERE NO DESIGNATED OPERATOR (DO) REPORTS FROM 2016 AVAILABLE FOR REVIEW. COMPLIANCE REQUIREMENT: THE SAME DO FROM LAST YEAR PROVIDES SERVICES TO THE NEW OWNER AND SHOULD BE ABLE TO PROVIDE COPIES OF THE MONTHLY REPORTS. IF THE REPORTS ARE NOT FOUND, THEN THE DO MUST SUBMIT A STATEMENT ACKNOWLEDGING FAILURE TO PROVIDE COPIES OF THE REPORTS TO THE OWNER AND MAINTAIN ONSITE FOR REVIEW. THE DO MUST EXPLAIN WHAT ACTIONS WILL BE TAKEN TO ENSURE THIS ISSUE IS NOT OBSERVED AGAIN. THE STATEMENT MUST BE SIGNED AND DATED THEN SENT VIS EMAIL TO EGRIMES@SBCFIRE.ORG. THIS ISSUE WAS NOTED DURING LAST YEARS INSPECTION AND THE PREVIOUS OWNER ISSUED A STATEMENT ASSURING OUR DEPARTMENT THAT THIS WOULD NOT OCCUR AGAIN. COMPLIANCE ACTIVITY 1/6/2017: THE OWNER, JASON BOATNER, SENT THE STATEMENT VIA EMAIL ON 12/29/2016. EGRIMES.
Violation Division: San Bernardino County Fire Department
Violation Program: UST
Violation Source: CERS,
Site ID: 113462
Site Name: EASTSIDE CHEVRON
Violation Date: 11-19-2013
Citation: HSC 6.7 25299 - California Health and Safety Code, Chapter 6.7, Section(s) 25299
Violation Description: Failure to comply with one or more of the operating permit conditions.
Violation Notes: Returned to compliance on 11/19/2014. Annular Sensors: 91, 87, diesel no positive shut down (409) Fill Sump Sensors: 91, 87, diesel no positive shut down (208) Piping Sump Sensors: Diesel 208 sensor not working. Fail Safe: not tested. Battery dead Sensor Out: not tested. Battery dead. ESO: Not tested. Battery dead. Have all sensors functioning normal and to give positive shutdown. Replace battery. Reschedule inspection to inspect the following within 30days: All fill sensors, annular sensors, fail safe, sensor out, and eso.
Violation Division: San Bernardino County Fire Department
Violation Program: UST
Violation Source: CERS,
Site ID: 113462
Site Name: EASTSIDE CHEVRON
Violation Date: 11-19-2013
Citation: HSC 6.7 Multiple Sections - California Health and Safety Code, Chapter 6.7, Section(s) Multiple Sections
Violation Description: UST Program - Administration/Documentation - General
Violation Notes: Returned to compliance on 11/19/2014. Failure to submit a signed

Map ID
Direction
Distance
Elevation

MAP FINDINGS

Site

Database(s)

EDR ID Number
EPA ID Number

NEEDLES TRI-MART (Continued)

S104570144

Designated UST Operator Statement (23 CCR 2715(a)) D.O Statement not established.
San Bernardino County Fire Department
Violation Division: UST
Violation Program: CERS,
Violation Source:

Site ID: 113462
Site Name: EASTSIDE CHEVRON
Violation Date: 11-18-2015
Citation: 23 CCR 16 2715 - California Code of Regulations, Title 23, Chapter 16, Section(s) 2715
Violation Description: Failure to comply with one or more of the designated operator monthly inspection requirements: failed to inspect the monthly alarm history report; attach a copy of the alarm history; failed to inspect for the presence of liquid or debris in the spill container/spill bucket and under dispenser containment; failed to inspect the under dispenser containment to ensure that monitoring equipment is placed in the proper position; failure to inspect for liquid or debris in the containment sump where an alarm occurred or for which there is no record of a service visit; or failure to check that all testing and maintenance has been completed and documented.
Violation Notes: Returned to compliance on 11/18/2015. OBSERVATION: D.O. documented inspections from January 2015 through August 2015 were missing. COMPLIANCE MET ON SITE: Operator submitted signed statement stating that all d.o. inspection logs will be retained on site, for one year.
Violation Division: San Bernardino County Fire Department
Violation Program: UST
Violation Source: CERS,

Evaluation:
Eval General Type: Compliance Evaluation Inspection
Eval Date: 11-02-2021
Violations Found: No
Eval Type: Routine done by local agency
Eval Notes: Not reported
Eval Division: San Bernardino County Fire Department
Eval Program: HMRRP
Eval Source: CERS,

Eval General Type: Compliance Evaluation Inspection
Eval Date: 11-02-2021
Violations Found: No
Eval Type: Routine done by local agency
Eval Notes: Not reported
Eval Division: San Bernardino County Fire Department
Eval Program: HW
Eval Source: CERS,

Eval General Type: Compliance Evaluation Inspection
Eval Date: 11-14-2018
Violations Found: No
Eval Type: Routine done by local agency
Eval Notes: EASTSIDE CHEVRON- UST WASTE INSPECTION
Eval Division: San Bernardino County Fire Department
Eval Program: HW
Eval Source: CERS,

Map ID
Direction
Distance
Elevation

MAP FINDINGS

Site

Database(s)

EDR ID Number
EPA ID Number

NEEDLES TRI-MART (Continued)

S104570144

Eval General Type:	Other/Unknown
Eval Date:	11-14-2018
Violations Found:	Yes
Eval Type:	Other, not routine, done by local agency
Eval Notes:	EASTSIDE CHEVRON- UST OVERFILL PROTECTION.
Eval Division:	San Bernardino County Fire Department
Eval Program:	UST
Eval Source:	CERS,
Eval General Type:	Compliance Evaluation Inspection
Eval Date:	11-18-2015
Violations Found:	Yes
Eval Type:	Routine done by local agency
Eval Notes:	EASTSIDE CHEVRON(NEEDLES)- UST MONITORING CERTIFICATION
Eval Division:	San Bernardino County Fire Department
Eval Program:	UST
Eval Source:	CERS,
Eval General Type:	Compliance Evaluation Inspection
Eval Date:	11-24-2020
Violations Found:	No
Eval Type:	Routine done by local agency
Eval Notes:	ANNUAL UST, HM, HW INSPECTION
Eval Division:	San Bernardino County Fire Department
Eval Program:	HW
Eval Source:	CERS,
Eval General Type:	Other/Unknown
Eval Date:	02-12-2021
Violations Found:	Yes
Eval Type:	Other, not routine, done by local agency
Eval Notes:	UST RE-INSPECTION IN CONJUNCTION WITH PERMIT MODIFICATION FINAL INSPECTION.
Eval Division:	San Bernardino County Fire Department
Eval Program:	UST
Eval Source:	CERS,
Eval General Type:	Compliance Evaluation Inspection
Eval Date:	11-14-2018
Violations Found:	No
Eval Type:	Routine done by local agency
Eval Notes:	East Side Chevron- UST inspection
Eval Division:	San Bernardino County Fire Department
Eval Program:	HMRRP
Eval Source:	CERS,
Eval General Type:	Compliance Evaluation Inspection
Eval Date:	11-14-2018
Violations Found:	Yes
Eval Type:	Routine done by local agency
Eval Notes:	eastside- overfill
Eval Division:	San Bernardino County Fire Department
Eval Program:	UST
Eval Source:	CERS,
Eval General Type:	Compliance Evaluation Inspection
Eval Date:	11-15-2017

Map ID
Direction
Distance
Elevation

MAP FINDINGS

Site

Database(s)

EDR ID Number
EPA ID Number

NEEDLES TRI-MART (Continued)

S104570144

Violations Found: No
Eval Type: Routine done by local agency
Eval Notes: Not reported
Eval Division: San Bernardino County Fire Department
Eval Program: HMRRP
Eval Source: CERS,

Eval General Type: Compliance Evaluation Inspection
Eval Date: 11-15-2017
Violations Found: No
Eval Type: Routine done by local agency
Eval Notes: ANNUAL UST INSPECTION REPORT WITH MONITORING CERTIFICATION
Eval Division: San Bernardino County Fire Department
Eval Program: HW
Eval Source: CERS,

Eval General Type: Compliance Evaluation Inspection
Eval Date: 11-16-2016
Violations Found: Yes
Eval Type: Routine done by local agency
Eval Notes: Not reported
Eval Division: San Bernardino County Fire Department
Eval Program: UST
Eval Source: CERS,

Eval General Type: Compliance Evaluation Inspection
Eval Date: 11-19-2014
Violations Found: Yes
Eval Type: Routine done by local agency
Eval Notes: EASTSIDE CHEVRON- UST INSPECTION
Eval Division: San Bernardino County Fire Department
Eval Program: HW
Eval Source: CERS,

Eval General Type: Compliance Evaluation Inspection
Eval Date: 11-24-2020
Violations Found: No
Eval Type: Routine done by local agency
Eval Notes: ANNUAL UST, HM, HW INSPECTION
Eval Division: San Bernardino County Fire Department
Eval Program: UST
Eval Source: CERS,

Eval General Type: Compliance Evaluation Inspection
Eval Date: 11-16-2016
Violations Found: Yes
Eval Type: Routine done by local agency
Eval Notes: Not reported
Eval Division: San Bernardino County Fire Department
Eval Program: HMRRP
Eval Source: CERS,

Eval General Type: Compliance Evaluation Inspection
Eval Date: 11-18-2015
Violations Found: No
Eval Type: Routine done by local agency
Eval Notes: EASTSIDE CHEVRON(NEEDLES)- UST WASTE INSPECTION

Map ID
Direction
Distance
Elevation

MAP FINDINGS

Site

Database(s)

EDR ID Number
EPA ID Number

NEEDLES TRI-MART (Continued)

S104570144

Eval Division: San Bernardino County Fire Department
Eval Program: HW
Eval Source: CERS,

Eval General Type: Compliance Evaluation Inspection
Eval Date: 11-18-2015
Violations Found: No
Eval Type: Routine done by local agency
Eval Notes: EASTSIDE CHEVRON(NEEDLES)-UST INSPECTION
Eval Division: San Bernardino County Fire Department
Eval Program: HMRRP
Eval Source: CERS,

Eval General Type: Compliance Evaluation Inspection
Eval Date: 11-19-2013
Violations Found: No
Eval Type: Routine done by local agency
Eval Notes: BP INSPECTION DURING MONT CERT.
Eval Division: San Bernardino County Fire Department
Eval Program: HMRRP
Eval Source: CERS,

Eval General Type: Compliance Evaluation Inspection
Eval Date: 11-19-2013
Violations Found: Yes
Eval Type: Routine done by local agency
Eval Notes: UST MONT CERT
Eval Division: San Bernardino County Fire Department
Eval Program: UST
Eval Source: CERS,

Eval General Type: Other/Unknown
Eval Date: 08-10-2021
Violations Found: No
Eval Type: Other, not routine, done by local agency
Eval Notes: UST OVERFILL CERT CHEVRON- NEEDLES
Eval Division: San Bernardino County Fire Department
Eval Program: UST
Eval Source: CERS,

Eval General Type: Compliance Evaluation Inspection
Eval Date: 11-02-2021
Violations Found: Yes
Eval Type: Routine done by local agency
Eval Notes: Not reported
Eval Division: San Bernardino County Fire Department
Eval Program: UST
Eval Source: CERS,

Eval General Type: Compliance Evaluation Inspection
Eval Date: 11-15-2017
Violations Found: Yes
Eval Type: Routine done by local agency
Eval Notes: ANNUAL UST INSPECTION REPORT WITH MONITORING CERTIFICATION
Eval Division: San Bernardino County Fire Department
Eval Program: UST
Eval Source: CERS,

Map ID
Direction
Distance
Elevation

MAP FINDINGS

Site

Database(s)

EDR ID Number
EPA ID Number

NEEDLES TRI-MART (Continued)

S104570144

Eval General Type: Compliance Evaluation Inspection
Eval Date: 11-16-2016
Violations Found: Yes
Eval Type: Routine done by local agency
Eval Notes: Not reported
Eval Division: San Bernardino County Fire Department
Eval Program: HW
Eval Source: CERS,

Eval General Type: Compliance Evaluation Inspection
Eval Date: 11-19-2014
Violations Found: No
Eval Type: Routine done by local agency
Eval Notes: EASTSIDE CHEVRON- UST INSPECTION
Eval Division: San Bernardino County Fire Department
Eval Program: HMRRP
Eval Source: CERS,

Eval General Type: Compliance Evaluation Inspection
Eval Date: 11-19-2014
Violations Found: Yes
Eval Type: Routine done by local agency
Eval Notes: EASTSIDE CHEVRON- UST INSPECTION
Eval Division: San Bernardino County Fire Department
Eval Program: UST
Eval Source: CERS,

Eval General Type: Compliance Evaluation Inspection
Eval Date: 11-21-2019
Violations Found: No
Eval Type: Routine done by local agency
Eval Notes: Not reported
Eval Division: San Bernardino County Fire Department
Eval Program: UST
Eval Source: CERS,

Eval General Type: Compliance Evaluation Inspection
Eval Date: 11-24-2020
Violations Found: No
Eval Type: Routine done by local agency
Eval Notes: ANNUAL UST, HM, HW INSPECTION
Eval Division: San Bernardino County Fire Department
Eval Program: HMRRP
Eval Source: CERS,

Enforcement Action:
Site ID: 113462
Site Name: EASTSIDE CHEVRON
Site Address: 810 E BROADWAY ST
Site City: NEEDLES
Site Zip: 92363
Enf Action Date: 11-16-2016
Enf Action Type: Notice of Violation (Unified Program)
Enf Action Description: Notice of Violation Issued by the Inspector at the Time of Inspection
Enf Action Notes: Not reported
Enf Action Division: San Bernardino County Fire Department
Enf Action Program: HMRRP

Map ID
Direction
Distance
Elevation

MAP FINDINGS

Site

Database(s)

EDR ID Number
EPA ID Number

NEEDLES TRI-MART (Continued)

S104570144

Enf Action Source: CERS,

Site ID: 113462
Site Name: EASTSIDE CHEVRON
Site Address: 810 E BROADWAY ST
Site City: NEEDLES
Site Zip: 92363
Enf Action Date: 11-16-2016
Enf Action Type: Notice of Violation (Unified Program)
Enf Action Description: Notice of Violation Issued by the Inspector at the Time of Inspection
Enf Action Notes: Not reported
Enf Action Division: San Bernardino County Fire Department
Enf Action Program: HW
Enf Action Source: CERS,

Site ID: 113462
Site Name: EASTSIDE CHEVRON
Site Address: 810 E BROADWAY ST
Site City: NEEDLES
Site Zip: 92363
Enf Action Date: 11-16-2016
Enf Action Type: Notice of Violation (Unified Program)
Enf Action Description: Notice of Violation Issued by the Inspector at the Time of Inspection
Enf Action Notes: Not reported
Enf Action Division: San Bernardino County Fire Department
Enf Action Program: UST
Enf Action Source: CERS,

Site ID: 113462
Site Name: EASTSIDE CHEVRON
Site Address: 810 E BROADWAY ST
Site City: NEEDLES
Site Zip: 92363
Enf Action Date: 11-18-2015
Enf Action Type: Notice of Violation (Unified Program)
Enf Action Description: Notice of Violation Issued by the Inspector at the Time of Inspection
Enf Action Notes: Not reported
Enf Action Division: San Bernardino County Fire Department
Enf Action Program: UST
Enf Action Source: CERS,

Site ID: 113462
Site Name: EASTSIDE CHEVRON
Site Address: 810 E BROADWAY ST
Site City: NEEDLES
Site Zip: 92363
Enf Action Date: 11-19-2013
Enf Action Type: Notice of Violation (Unified Program)
Enf Action Description: Notice of Violation Issued by the Inspector at the Time of Inspection
Enf Action Notes: Not reported
Enf Action Division: San Bernardino County Fire Department
Enf Action Program: UST
Enf Action Source: CERS,

Site ID: 113462
Site Name: EASTSIDE CHEVRON
Site Address: 810 E BROADWAY ST

Map ID
Direction
Distance
Elevation

MAP FINDINGS

Site

Database(s)

EDR ID Number
EPA ID Number

NEEDLES TRI-MART (Continued)

S104570144

Site City: NEEDLES
Site Zip: 92363
Enf Action Date: 11-19-2014
Enf Action Type: Notice of Violation (Unified Program)
Enf Action Description: Notice of Violation Issued by the Inspector at the Time of Inspection
Enf Action Notes: Not reported
Enf Action Division: San Bernardino County Fire Department
Enf Action Program: HW
Enf Action Source: CERS,

Site ID: 113462
Site Name: EASTSIDE CHEVRON
Site Address: 810 E BROADWAY ST
Site City: NEEDLES
Site Zip: 92363
Enf Action Date: 11-19-2014
Enf Action Type: Notice of Violation (Unified Program)
Enf Action Description: Notice of Violation Issued by the Inspector at the Time of Inspection
Enf Action Notes: Not reported
Enf Action Division: San Bernardino County Fire Department
Enf Action Program: UST
Enf Action Source: CERS,

Coordinates:

Site ID: 113462
Facility Name: EASTSIDE CHEVRON
Env Int Type Code: HMBP
Program ID: 10042444
Coord Name: Not reported
Ref Point Type Desc: Unknown,
Latitude: 34.827610
Longitude: -114.594955

Affiliation:

Affiliation Type Desc: CUPA District
Entity Name: San Bernardino County Fire
Entity Title: Not reported
Affiliation Address: 620 South E Street
Affiliation City: San Bernardino
Affiliation State: CA
Affiliation Country: Not reported
Affiliation Zip: 92415-0153
Affiliation Phone: (909) 386-8401,

Affiliation Type Desc: Document Preparer
Entity Name: Dawn Harkey
Entity Title: Not reported
Affiliation Address: Not reported
Affiliation City: Not reported
Affiliation State: Not reported
Affiliation Country: Not reported
Affiliation Zip: Not reported
Affiliation Phone: ,

Affiliation Type Desc: Legal Owner
Entity Name: JASON BOATNER

Map ID
Direction
Distance
Elevation

MAP FINDINGS

Site

Database(s)

EDR ID Number
EPA ID Number

NEEDLES TRI-MART (Continued)

S104570144

Entity Title: Not reported
Affiliation Address: 810 E BROADWAY ST
Affiliation City: NEEDLES
Affiliation State: CA
Affiliation Country: United States
Affiliation Zip: 92363
Affiliation Phone: (520) 991-7100,

Affiliation Type Desc: Parent Corporation
Entity Name: Eastside Stations Inc.
Entity Title: Not reported
Affiliation Address: Not reported
Affiliation City: Not reported
Affiliation State: Not reported
Affiliation Country: Not reported
Affiliation Zip: Not reported
Affiliation Phone: ,

Affiliation Type Desc: UST Permit Applicant
Entity Name: Jason Boatner
Entity Title: Owner
Affiliation Address: Not reported
Affiliation City: Not reported
Affiliation State: Not reported
Affiliation Country: Not reported
Affiliation Zip: Not reported
Affiliation Phone: (520) 991-7100,

Affiliation Type Desc: Environmental Contact
Entity Name: JASON BOATNER
Entity Title: Not reported
Affiliation Address: 810 E BROADWAY ST
Affiliation City: NEEDLES
Affiliation State: CA
Affiliation Country: Not reported
Affiliation Zip: 92363
Affiliation Phone: ,

Affiliation Type Desc: Property Owner
Entity Name: Jason Boatner
Entity Title: Not reported
Affiliation Address: 810 E BROADWAY ST
Affiliation City: NEEDLES
Affiliation State: CA
Affiliation Country: United States
Affiliation Zip: 92363
Affiliation Phone: (520) 991-7100,

Affiliation Type Desc: UST Tank Operator
Entity Name: JASON BOATNER
Entity Title: Not reported
Affiliation Address: 810 E BROADWAY ST
Affiliation City: NEEDLES
Affiliation State: CA
Affiliation Country: United States
Affiliation Zip: 92363
Affiliation Phone: (520) 991-7100,

Map ID
Direction
Distance
Elevation

MAP FINDINGS

Site

Database(s)

EDR ID Number
EPA ID Number

NEEDLES TRI-MART (Continued)

S104570144

Affiliation Type Desc: UST Tank Owner
Entity Name: JASON BOATNER
Entity Title: Not reported
Affiliation Address: 810 E BROADWAY ST
Affiliation City: NEEDLES
Affiliation State: CA
Affiliation Country: United States
Affiliation Zip: 92363
Affiliation Phone: (520) 991-7100,

Affiliation Type Desc: Facility Mailing Address
Entity Name: Mailing Address
Entity Title: Not reported
Affiliation Address: 810 EAST BROADWAY STREET
Affiliation City: NEEDLES
Affiliation State: CA
Affiliation Country: Not reported
Affiliation Zip: 92363
Affiliation Phone: ,

Affiliation Type Desc: Identification Signer
Entity Name: JASON BOATNER
Entity Title: OWNER
Affiliation Address: Not reported
Affiliation City: Not reported
Affiliation State: Not reported
Affiliation Country: Not reported
Affiliation Zip: Not reported
Affiliation Phone: ,

Affiliation Type Desc: Operator
Entity Name: JASON BOATNER
Entity Title: Not reported
Affiliation Address: Not reported
Affiliation City: Not reported
Affiliation State: Not reported
Affiliation Country: Not reported
Affiliation Zip: Not reported
Affiliation Phone: (520) 991-7100,

Affiliation Type Desc: UST Property Owner Name
Entity Name: Jason Boatner
Entity Title: Not reported
Affiliation Address: 810 E BROADWAY ST
Affiliation City: NEEDLES
Affiliation State: CA
Affiliation Country: United States
Affiliation Zip: 92363
Affiliation Phone: (520) 991-7100,

HWTS:

Name: EASTSIDE CHEVRON
Address: 810 E BROADWAY ST
Address 2: Not reported
City,State,Zip: NEEDLES, CA 92363
EPA ID: CAL000403025

Map ID
Direction
Distance
Elevation

MAP FINDINGS

Site

Database(s)

EDR ID Number
EPA ID Number

NEEDLES TRI-MART (Continued)

S104570144

Inactive Date: Not reported
Create Date: 12/16/2014
Last Act Date: Not reported
Mailing Name: Not reported
Mailing Address: 1005 E BROADWAY ST
Mailing Address 2: Not reported
Mailing City,State,Zip: NEEDLES, CA 92363
Owner Name: EASTSIDE STATIONS INC
Owner Address: 810 E BROADWAY ST
Owner Address 2: Not reported
Owner City,State,Zip: NEEDLES, CA 92363
Contact Name: JASON BOATNER
Contact Address: 916 E BROADWAY
Contact Address 2: Not reported
City,State,Zip: NEEDLES, CA 92303
Facility Status: Active
Facility Type: PERMANENT
Category: STATE
Latitude: 34.827615
Longitude: -114.5949615

NAICS:

EPA ID: CAL000403025
Create Date: 2014-12-16 08:46:39.053
NAICS Code: 44719
NAICS Description: Other Gasoline Stations
Issued EPA ID Date: 2014-12-16 08:46:39.05300
Inactive Date: Not reported
Facility Name: EASTSIDE CHEVRON
Facility Address: 810 E BROADWAY ST
Facility Address 2: Not reported
Facility City: NEEDLES
Facility County: Not reported
Facility State: CA
Facility Zip: 92363

CX722 EASTSIDE CHEVRON
Target 810 E BROADWAY ST
Property NEEDLES, CA 92363

RCRA NonGen / NLR 1024847830
CAL000403025

Site 24 of 28 in cluster CX

Actual: RCRA NonGen / NLR:
529 ft. Date Form Received by Agency: 20141216
Focus Map: Handler Name: EASTSIDE CHEVRON
11 Handler Address: 810 E BROADWAY ST
Handler City,State,Zip: NEEDLES, CA 92363
EPA ID: CAL000403025
Contact Name: JASON BOATNER
Contact Address: 916 E BROADWAY
Contact City,State,Zip: NEEDLES, CA 92303
Contact Telephone: 520-991-7100
Contact Fax: Not reported
Contact Email: JASONBOATNER@YAHOO.COM
Contact Title: Not reported
EPA Region: 09
Land Type: Not reported

Map ID
 Direction
 Distance
 Elevation

MAP FINDINGS

Site

Database(s)

EDR ID Number
 EPA ID Number

EASTSIDE CHEVRON (Continued)

1024847830

Federal Waste Generator Description:	Not a generator, verified
Non-Notifier:	Not reported
Biennial Report Cycle:	Not reported
Accessibility:	Not reported
Active Site Indicator:	Handler Activities
State District Owner:	Not reported
State District:	Not reported
Mailing Address:	1005 E BROADWAY ST
Mailing City, State, Zip:	NEEDLES, CA 92363
Owner Name:	EASTSIDE STATIONS INC
Owner Type:	Other
Operator Name:	JASON BOATNER
Operator Type:	Other
Short-Term Generator Activity:	No
Importer Activity:	No
Mixed Waste Generator:	No
Transporter Activity:	No
Transfer Facility Activity:	No
Recycler Activity with Storage:	No
Small Quantity On-Site Burner Exemption:	No
Smelting Melting and Refining Furnace Exemption:	No
Underground Injection Control:	No
Off-Site Waste Receipt:	No
Universal Waste Indicator:	Yes
Universal Waste Destination Facility:	Yes
Federal Universal Waste:	No
Active Site Fed-Reg Treatment Storage and Disposal Facility:	Not reported
Active Site Converter Treatment storage and Disposal Facility:	Not reported
Active Site State-Reg Treatment Storage and Disposal Facility:	Not reported
Active Site State-Reg Handler:	---
Federal Facility Indicator:	Not reported
Hazardous Secondary Material Indicator:	N
Sub-Part K Indicator:	Not reported
Commercial TSD Indicator:	No
Treatment Storage and Disposal Type:	Not reported
2018 GPRA Permit Baseline:	Not on the Baseline
2018 GPRA Renewals Baseline:	Not on the Baseline
Permit Renewals Workload Universe:	Not reported
Permit Workload Universe:	Not reported
Permit Progress Universe:	Not reported
Post-Closure Workload Universe:	Not reported
Closure Workload Universe:	Not reported
202 GPRA Corrective Action Baseline:	No
Corrective Action Workload Universe:	No
Subject to Corrective Action Universe:	No
Non-TSDFs Where RCRA CA has Been Imposed Universe:	No
TSDFs Potentially Subject to CA Under 3004 (u)/(v) Universe:	No
TSDFs Only Subject to CA under Discretionary Auth Universe:	No
Corrective Action Priority Ranking:	No NCAPS ranking
Environmental Control Indicator:	No
Institutional Control Indicator:	No
Human Exposure Controls Indicator:	N/A
Groundwater Controls Indicator:	N/A
Operating TSDF Universe:	Not reported
Full Enforcement Universe:	Not reported
Significant Non-Complier Universe:	No
Unaddressed Significant Non-Complier Universe:	No

Map ID
Direction
Distance
Elevation

MAP FINDINGS

Site

Database(s)

EDR ID Number
EPA ID Number

EASTSIDE CHEVRON (Continued)

1024847830

Addressed Significant Non-Complier Universe: No
Significant Non-Complier With a Compliance Schedule Universe: No
Financial Assurance Required: Not reported
Handler Date of Last Change: 20180906
Recognized Trader-Importer: No
Recognized Trader-Exporter: No
Importer of Spent Lead Acid Batteries: No
Exporter of Spent Lead Acid Batteries: No
Recycler Activity Without Storage: No
Manifest Broker: No
Sub-Part P Indicator: No

Handler - Owner Operator:

Owner/Operator Indicator: Operator
Owner/Operator Name: JASON BOATNER
Legal Status: Other
Date Became Current: Not reported
Date Ended Current: Not reported
Owner/Operator Address: 916 E BROADWAY
Owner/Operator City,State,Zip: NEEDLES, CA 92303
Owner/Operator Telephone: 520-991-7100
Owner/Operator Telephone Ext: Not reported
Owner/Operator Fax: Not reported
Owner/Operator Email: Not reported

Owner/Operator Indicator: Owner
Owner/Operator Name: EASTSIDE STATIONS INC
Legal Status: Other
Date Became Current: Not reported
Date Ended Current: Not reported
Owner/Operator Address: 810 E BROADWAY ST
Owner/Operator City,State,Zip: NEEDLES, CA 92363
Owner/Operator Telephone: 760-326-5950
Owner/Operator Telephone Ext: Not reported
Owner/Operator Fax: Not reported
Owner/Operator Email: Not reported

Historic Generators:

Receive Date: 20141216
Handler Name: EASTSIDE CHEVRON
Federal Waste Generator Description: Not a generator, verified
State District Owner: Not reported
Large Quantity Handler of Universal Waste: No
Recognized Trader Importer: No
Recognized Trader Exporter: No
Spent Lead Acid Battery Importer: No
Spent Lead Acid Battery Exporter: No
Current Record: Yes
Non Storage Recycler Activity: Not reported
Electronic Manifest Broker: Not reported

List of NAICS Codes and Descriptions:

NAICS Code: 44719
NAICS Description: OTHER GASOLINE STATIONS

Map ID
Direction
Distance
Elevation

MAP FINDINGS

Site

Database(s)

EDR ID Number
EPA ID Number

EASTSIDE CHEVRON (Continued)

1024847830

Facility Has Received Notices of Violations:
Violations: No Violations Found

Evaluation Action Summary:
Evaluations: No Evaluations Found

CX723 EAST SIDE CHEVRON
Target 810 E BROADWAY
Property NEEDLES, CA 92363

EMI S124454267
N/A

Site 25 of 28 in cluster CX

Actual:
529 ft.

Focus Map:
11

EMI:
Name: EAST SIDE CHEVRON
Address: 810 E BROADWAY
City,State,Zip: NEEDLES, CA 92363
Year: 2017
County Code: 36
Air Basin: MD
Facility ID: 229800872
Air District Name: MOJ
SIC Code: 5541
Air District Name: MOJAVE DESERT AQMD
Community Health Air Pollution Info System: Not reported
Consolidated Emission Reporting Rule: Not reported
Total Organic Hydrocarbon Gases Tons/Yr: 0.061689031
Reactive Organic Gases Tons/Yr: 0.061689031
Carbon Monoxide Emissions Tons/Yr: Not reported
NOX - Oxides of Nitrogen Tons/Yr: Not reported
SOX - Oxides of Sulphur Tons/Yr: Not reported
Particulate Matter Tons/Yr: Not reported
Part. Matter 10 Micrometers and Smlr Tons/Yr: Not reported

Name: EAST SIDE CHEVRON
Address: 810 E BROADWAY
City,State,Zip: NEEDLES, CA 92363
Year: 2018
County Code: 36
Air Basin: MD
Facility ID: 872
Air District Name: MOJ
SIC Code: 5541
Air District Name: MOJAVE DESERT AQMD
Community Health Air Pollution Info System: Not reported
Consolidated Emission Reporting Rule: Not reported
Total Organic Hydrocarbon Gases Tons/Yr: 0.059
Reactive Organic Gases Tons/Yr: 0.059
Carbon Monoxide Emissions Tons/Yr: Not reported
NOX - Oxides of Nitrogen Tons/Yr: Not reported
SOX - Oxides of Sulphur Tons/Yr: Not reported
Particulate Matter Tons/Yr: Not reported
Part. Matter 10 Micrometers and Smlr Tons/Yr: Not reported

Name: EAST SIDE CHEVRON
Address: 810 E BROADWAY
City,State,Zip: NEEDLES, CA 92363

Map ID
 Direction
 Distance
 Elevation

MAP FINDINGS

Site

Database(s)

EDR ID Number
 EPA ID Number

EAST SIDE CHEVRON (Continued)

S124454267

Year: 2019
 County Code: 36
 Air Basin: MD
 Facility ID: 872
 Air District Name: MOJ
 SIC Code: 5541
 Air District Name: MOJAVE DESERT AQMD
 Community Health Air Pollution Info System: Not reported
 Consolidated Emission Reporting Rule: Not reported
 Total Organic Hydrocarbon Gases Tons/Yr: 0.053
 Reactive Organic Gases Tons/Yr: 0.053
 Carbon Monoxide Emissions Tons/Yr: Not reported
 NOX - Oxides of Nitrogen Tons/Yr: Not reported
 SOX - Oxides of Sulphur Tons/Yr: Not reported
 Particulate Matter Tons/Yr: Not reported
 Part. Matter 10 Micrometers and Smlr Tons/Yr: Not reported

CX724
 Target
 Property

NEEDLES CHEVRON
810 E. BROADWAY
NEEDLES, CA

RGA LUST S114660204
N/A

Site 26 of 28 in cluster CX

Actual:
529 ft.

Focus Map:
11

RGALUST:
 Name: NEEDLES CHEVRON
 Address: 810 E. BROADWAY
 City: NEEDLES
 State: NEEDLES
 2007 NEEDLES CHEVRON 810 E. BROADWAY
 Name: NEEDLES CHEVRON
 Address: 810 E. BROADWAY
 City: NEEDLES
 State: NEEDLES
 2006 NEEDLES CHEVRON 810 E. BROADWAY
 Name: NEEDLES CHEVRON
 Address: 810 E. BROADWAY
 City: NEEDLES
 State: NEEDLES
 2005 NEEDLES CHEVRON 810 E. BROADWAY
 Name: NEEDLES CHEVRON
 Address: 810 E. BROADWAY
 City: NEEDLES
 State: NEEDLES
 2003 NEEDLES CHEVRON 810 E. BROADWAY

CX725
 Target
 Property

BURP SERVICE
810 EAST BROADWAY
NEEDLES, CA 92363

HIST UST S112899440
EMI N/A
HAZNET
HWTS

Site 27 of 28 in cluster CX

Actual:
529 ft.

Focus Map:
11

HIST UST:
 Name: BURP SERVICE
 Address: 810 EAST BROADWAY
 City,State,Zip: NEEDLES, CA 92363
 File Number: 0002A66F

Map ID
Direction
Distance
Elevation

MAP FINDINGS

Site

Database(s)

EDR ID Number
EPA ID Number

BURP SERVICE (Continued)

S112899440

URL: <http://geotracker.waterboards.ca.gov/ustpdfs/pdf/0002A66F.pdf>
Region: Not reported
Facility ID: Not reported
Facility Type: Not reported
Other Type: Not reported
Contact Name: Not reported
Telephone: Not reported
Owner Name: Not reported
Owner Address: Not reported
Owner City,St,Zip: Not reported
Total Tanks: Not reported

Tank Num: Not reported
Container Num: Not reported
Year Installed: Not reported
Tank Capacity: Not reported
Tank Used for: Not reported
Type of Fuel: Not reported
Container Construction Thickness: Not reported
Leak Detection: Not reported

[Click here for Geo Tracker PDF:](#)

EMI:

Name: EASTSIDE CHEVRON
Address: 810 E BROADWAY
City,State,Zip: NEEDLES, CA 92363
Year: 2014
County Code: 36
Air Basin: MD
Facility ID: 211300872
Air District Name: MOJ
SIC Code: 5541
Air District Name: MOJAVE DESERT AQMD
Community Health Air Pollution Info System: Not reported
Consolidated Emission Reporting Rule: Not reported
Total Organic Hydrocarbon Gases Tons/Yr: 0
Reactive Organic Gases Tons/Yr: 0
Carbon Monoxide Emissions Tons/Yr: 0
NOX - Oxides of Nitrogen Tons/Yr: 0
SOX - Oxides of Sulphur Tons/Yr: 0
Particulate Matter Tons/Yr: 0
Part. Matter 10 Micrometers and Smlr Tons/Yr:0

Name: EASTSIDE CHEVRON
Address: 810 E BROADWAY
City,State,Zip: NEEDLES, CA 92363
Year: 2015
County Code: 36
Air Basin: MD
Facility ID: 211300872
Air District Name: MOJ
SIC Code: 5541
Air District Name: MOJAVE DESERT AQMD
Community Health Air Pollution Info System: Not reported
Consolidated Emission Reporting Rule: Not reported
Total Organic Hydrocarbon Gases Tons/Yr: 0

Map ID
Direction
Distance
Elevation

MAP FINDINGS

Site

Database(s)

EDR ID Number
EPA ID Number

BURP SERVICE (Continued)

S112899440

Reactive Organic Gases Tons/Yr: 0
Carbon Monoxide Emissions Tons/Yr: 0
NOX - Oxides of Nitrogen Tons/Yr: 0
SOX - Oxides of Sulphur Tons/Yr: 0
Particulate Matter Tons/Yr: 0
Part. Matter 10 Micrometers and Smllr Tons/Yr:0

Name: EASTSIDE CHEVRON
Address: 810 E BROADWAY
City,State,Zip: NEEDLES, CA 92363
Year: 2016
County Code: 36
Air Basin: MD
Facility ID: 211300872
Air District Name: MOJ
SIC Code: 5541
Air District Name: MOJAVE DESERT AQMD
Community Health Air Pollution Info System: Not reported
Consolidated Emission Reporting Rule: Not reported
Total Organic Hydrocarbon Gases Tons/Yr: 0
Reactive Organic Gases Tons/Yr: 0
Carbon Monoxide Emissions Tons/Yr: Not reported
NOX - Oxides of Nitrogen Tons/Yr: Not reported
SOX - Oxides of Sulphur Tons/Yr: Not reported
Particulate Matter Tons/Yr: Not reported
Part. Matter 10 Micrometers and Smllr Tons/Yr:Not reported

HAZNET:

Name: TRI VALLEY AM-PM
Address: 810 E BROADWAY
Address 2: Not reported
City,State,Zip: NEEDLES, CA 923630000
Contact: JOHN CHATWIN\ MGR
Telephone: 7603265044
Mailing Name: Not reported
Mailing Address: 810 E BROADWAY

Year: 1999
Gepaid: CAC002130944
TSD EPA ID: CAT080013352
CA Waste Code: 135 - Unspecified aqueous solution
Disposal Method: R01 - Recycler
Tons: 4.2

Additional Info:

Year: 1999
Gen EPA ID: CAC002130944

Shipment Date: 19990113
Creation Date: 3/17/1999 0:00:00
Receipt Date: 19990114
Manifest ID: 98850130
Trans EPA ID: CAD982403198
Trans Name: Not reported
Trans 2 EPA ID: Not reported

Map ID
Direction
Distance
Elevation

MAP FINDINGS

Site

Database(s)

EDR ID Number
EPA ID Number

BURP SERVICE (Continued)

S112899440

Trans 2 Name: Not reported
TSDf EPA ID: CAT080013352
Trans Name: Not reported
TSDf Alt EPA ID: Not reported
TSDf Alt Name: Not reported
Waste Code Description: 135 - Unspecified aqueous solution
RCRA Code: D001
Meth Code: R01 - Recycler
Quantity Tons: 4.2
Waste Quantity: 1000
Quantity Unit: G
Additional Code 1: Not reported
Additional Code 2: Not reported
Additional Code 3: Not reported
Additional Code 4: Not reported
Additional Code 5: Not reported

HWTS:

Name: TRI VALLEY AM-PM
Address: 810 E BROADWAY
Address 2: Not reported
City,State,Zip: NEEDLES, CA 92363
EPA ID: CAC002130944
Inactive Date: 10/25/2000
Create Date: 01/12/1999
Last Act Date: Not reported
Mailing Name: Not reported
Mailing Address: 810 E BROADWAY
Mailing Address 2: Not reported
Mailing City,State,Zip: NEEDLES, CA 923630000
Owner Name: TRI VALLEY AM-PM
Owner Address: 810 E BROADWAY
Owner Address 2: Not reported
Owner City,State,Zip: NEEDLES, CA 923630000
Contact Name: JOHN CHATWIN\ MGR
Contact Address: 810 E BROADWAY
Contact Address 2: Not reported
City,State,Zip: NEEDLES, CA 923630000
Facility Status: Inactive
Facility Type: TEMPORARY
Category: STATE
Latitude: 34.825529
Longitude: -114.596274

CX726
Target
Property

EASTSIDE CHEVRON
810 E BROADWAY ST
NEEDLES, CA 92363

UST U004352850
N/A

Site 28 of 28 in cluster CX

Actual:
529 ft.
Focus Map:
11

UST:
Name: EASTSIDE CHEVRON
Address: 810 E BROADWAY ST
City,State,Zip: NEEDLES, CA 92363
Facility ID: FA0004956
Permitting Agency: San Bernardino County Fire Department
CERSID: 10042444

Map ID
Direction
Distance
Elevation

MAP FINDINGS

Site

Database(s)

EDR ID Number
EPA ID Number

EASTSIDE CHEVRON (Continued)

U004352850

Latitude: 34.827371
Longitude: -114.595338

727 **1X MORENO VALLEY SAND AND GRAVEL**
Target **15980 GILMAN SPRINGS RD**
Property **MORENO, CA 92360**

HAZNET **S123704226**
HWTS **N/A**

Actual: 540 ft.
Focus Map: 11

HAZNET:
Name: 1X MORENO VALLEY SAND AND GRAVEL
Address: 15980 GILMAN SPRINGS RD
Address 2: Not reported
City,State,Zip: MORENO, CA 923600000
Contact: SHELDON KOERNER
Telephone: 7146547361
Mailing Name: Not reported
Mailing Address: 15980 GILMAN SPRINGS RD

Year: 1987
Gepaid: CAC000041426
TSD EPA ID: Not reported
CA Waste Code: 213 - Hydrocarbon solvents (benzene, hexane, Stoddard, Etc.)
Disposal Method: 01 -
Tons: 9.641

HWTS:
Name: 1X MORENO VALLEY SAND AND GRAVEL
Address: 15980 GILMAN SPRINGS RD
Address 2: Not reported
City,State,Zip: MORENO, CA 92360
EPA ID: CAC000041426
Inactive Date: 10/25/2000
Create Date: 10/08/1987
Last Act Date: Not reported
Mailing Name: Not reported
Mailing Address: 15980 GILMAN SPRINGS RD
Mailing Address 2: Not reported
Mailing City,State,Zip: MORENO, CA 923600000
Owner Name: HAL JENSON
Owner Address: Not reported
Owner Address 2: Not reported
Owner City,State,Zip: Not reported
Contact Name: SHELDON KOERNER
Contact Address: Not reported
Contact Address 2: Not reported
City,State,Zip: Not reported
Facility Status: Inactive
Facility Type: TEMPORARY
Category: STATE
Latitude: 34.826825
Longitude: -114.597744

Map ID
Direction
Distance
Elevation

MAP FINDINGS

Site

Database(s) EDR ID Number
EPA ID Number

728 **PARK MOABI MARINA**
Target **PARK MOABI RD**
Property **NEEDLES, CA**

AST **S105048039**
N/A

Actual: AST:
744 ft. Name: PARK MOABI MARINA
Address: PARK MOABI RD
City/Zip: NEEDLES,
Focus Map: Certified Unified Program Agencies: San Bernardino
10 Owner: SAN BERNARDINO CO REGIONAL PARKS
Total Gallons: 6,000
CERSID: Not reported
Facility ID: Not reported
Business Name: Not reported
Phone: Not reported
Fax: Not reported
Mailing Address: Not reported
Mailing Address City: Not reported
Mailing Address State: Not reported
Mailing Address Zip Code: Not reported
Operator Name: Not reported
Operator Phone: Not reported
Owner Phone: Not reported
Owner Mail Address: Not reported
Owner State: Not reported
Owner Zip Code: Not reported
Owner Country: Not reported
Property Owner Name: Not reported
Property Owner Phone: Not reported
Property Owner Mailing Address: Not reported
Property Owner City: Not reported
Property Owner Stat : Not reported
Property Owner Zip Code: Not reported
Property Owner Country: Not reported
EPAID: Not reported

CY729 **CALIMESA OIL INC**
Target **901 EAST BROADWAY**
Property **NEEDLES, CA**

RGA LUST **S114590301**
N/A

Site 1 of 42 in cluster CY

Actual: RGA LUST:
538 ft. Name: CALIMESA OIL INC
Focus Map: Address: 901 EAST BROADWAY
11 City: NEEDLES
State: NEEDLES
2002 CALIMESA OIL INC 901 EAST BROADWAY
Name: CALIMESA OIL INC
Address: 901 EAST BROADWAY
City: NEEDLES
State: NEEDLES
2001 CALIMESA OIL INC 901 EAST BROADWAY
Name: CALIMESA OIL INC
Address: 901 EAST BROADWAY
City: NEEDLES
State: NEEDLES
2000 CALIMESA OIL INC 901 EAST BROADWAY

Map ID
Direction
Distance
Elevation

MAP FINDINGS

Site

Database(s) EDR ID Number
EPA ID Number

CY730 WHITING BROS
Target 901 EAST BROADWAY
Property NEEDLES, CA

LUST S106153021
N/A

Site 2 of 42 in cluster CY

Actual: LUST REG 7:
538 ft. Region: 7
Focus Map: Status: 5R - Remediation Plan
11 Case Num: 7T2363017
Substance: 8006619, MTB
ID: 1274
Global ID: T0607101015
Lead Agency: Local Agency
Case Worker: YO

CY731 WHITING BROS
Target 901 EAST BROADWAY
Property NEEDLES, CA

RGA LUST S114721986
N/A

Site 3 of 42 in cluster CY

Actual: RGA LUST:
538 ft. Name: WHITING BROS
Focus Map: Address: 901 EAST BROADWAY
11 City: NEEDLES
State: NEEDLES
2007 WHITING BROS 901 EAST BROADWAY
Name: WHITING BROS
Address: 901 EAST BROADWAY
City: NEEDLES
State: NEEDLES
2006 WHITING BROS 901 EAST BROADWAY
Name: WHITING BROS
Address: 901 EAST BROADWAY
City: NEEDLES
State: NEEDLES
2005 WHITING BROS 901 EAST BROADWAY
Name: WHITING BROS
Address: 901 EAST BROADWAY
City: NEEDLES
State: NEEDLES
2003 WHITING BROS 901 EAST BROADWAY

CY732 1X WHITING BROS STATION
Target 901 EAST BROADWAY
Property NEEDLES, CA 92363

HAZNET S123746253
HWTS N/A

Site 4 of 42 in cluster CY

Actual: HAZNET:
538 ft. Name: 1X WHITING BROS STATION
Focus Map: Address: 901 EAST BROADWAY
11 Address 2: Not reported
City,State,Zip: NEEDLES, CA 923630000
Contact: TONYA SHIRELLE
Telephone: 7146257259
Mailing Name: Not reported

Map ID
Direction
Distance
Elevation

MAP FINDINGS

Site

Database(s)

EDR ID Number
EPA ID Number

1X WHITING BROS STATION (Continued)

S123746253

Mailing Address: 1861 WEST MAIN ST
Year: 1992
Gepaid: CAC000749912
TSD EPA ID: CAD982484933
CA Waste Code: 512 - Other empty containers 30 gallons or more
Disposal Method: R01 - Recycler
Tons: 15
Year: 1992
Gepaid: CAC000749912
TSD EPA ID: CAD981458466
CA Waste Code: 241 - Tank bottom waste
Disposal Method: R01 - Recycler
Tons: 1.251

HWTS:

Name: 1X WHITING BROS STATION
Address: 901 EAST BROADWAY
Address 2: Not reported
City,State,Zip: NEEDLES, CA 92363
EPA ID: CAC000749912
Inactive Date: 10/25/2000
Create Date: 09/28/1992
Last Act Date: Not reported
Mailing Name: Not reported
Mailing Address: 1861 WEST MAIN ST
Mailing Address 2: Not reported
Mailing City,State,Zip: BARSTOW, CA 923110000
Owner Name: CALIMESA OIL COMPANY
Owner Address: Not reported
Owner Address 2: Not reported
Owner City,State,Zip: Not reported
Contact Name: TONYA SHIRELLE
Contact Address: Not reported
Contact Address 2: Not reported
City,State,Zip: Not reported
Facility Status: Inactive
Facility Type: TEMPORARY
Category: STATE
Latitude: 34.823017
Longitude: -114.59739

CY733 WHITING BROTHERS OIL CO*
Target 901 E BROADWAY
Property NEEDLES, CA 92363

EDR Hist Auto 1021038135
N/A

Site 5 of 42 in cluster CY

Actual: EDR Hist Auto
538 ft.

Focus Map: 11
Year: Name: Type:
1976 WHITING BROTHERS OIL CO* Gasoline Service Stations
1977 WHITING BROTHERS OIL CO* Gasoline Service Stations
1978 WHITING BROTHERS OIL CO* Gasoline Service Stations
1979 WHITING BROTHERS OIL CO* Gasoline Service Stations

Map ID
 Direction
 Distance
 Elevation

MAP FINDINGS

Site

Database(s)

EDR ID Number
 EPA ID Number

WHITING BROTHERS OIL CO* (Continued)

1021038135

1980	WHITING BROTHERS OIL CO*	Gasoline Service Stations
1982	WHITING BROTHERS OIL CO*	Gasoline Service Stations
1983	WHITING BROTHERS OIL CO*	Gasoline Service Stations
1985	WHITING BROTHERS OIL CO*	Gasoline Service Stations
1986	WHITING BROTHERS OIL CO*	Gasoline Service Stations
1987	WHITING BROTHERS OIL CO*	Gasoline Service Stations
1988	WHITING BROTHERS OIL CO	Gasoline Service Stations
1989	MESA RESOURCES CORP	Gasoline Service Stations
1990	MESA RESOURCES CORP	Gasoline Service Stations
1991	WHITING BROTHERS	Gasoline Service Stations
1992	WHITING BROTHERS	Gasoline Service Stations
1993	WHITING BROTHERS	Gasoline Service Stations

CY734 **CALIMESA OIL-EB**
Target **901 EAST BROADWAY**
Property **NEEDLES, CA**

RGA LUST **S114590303**
 N/A

Site 6 of 42 in cluster CY

Actual:
538 ft.

Focus Map:
11

RGA LUST:	
Name:	CALIMESA OIL-EB
Address:	901 EAST BROADWAY
City:	NEEDLES
State:	NEEDLES
	1998 CALIMESA OIL-EB 901 EAST BROADWAY
Name:	CALIMESA OIL-EB
Address:	901 EAST BROADWAY
City:	NEEDLES
State:	NEEDLES
	1997 CALIMESA OIL-EB 901 EAST BROADWAY
Name:	CALIMESA OIL-EB
Address:	901 EAST BROADWAY
City:	NEEDLES
State:	NEEDLES
	1996 CALIMESA OIL-EB 901 EAST BROADWAY
Name:	CALIMESA OIL-EB
Address:	901 EAST BROADWAY
City:	NEEDLES
State:	NEEDLES
	1995 CALIMESA OIL-EB 901 EAST BROADWAY
Name:	CALIMESA OIL-EB
Address:	901 EAST BROADWAY
City:	NEEDLES
State:	NEEDLES
	1994 CALIMESA OIL-EB 901 EAST BROADWAY
Name:	CALIMESA OIL-EB
Address:	901 EAST BROADWAY
City:	NEEDLES
State:	NEEDLES
	1993 CALIMESA OIL-EB 901 EAST BROADWAY

Map ID
 Direction
 Distance
 Elevation

MAP FINDINGS

Site

Database(s)

EDR ID Number
 EPA ID Number

CY735 **NEEDLES, CITY OF**
Target **903 E. BROADWAY**
Property **NEEDLES, CA**

RGA LUST **S114660211**
N/A

Site 7 of 42 in cluster CY

Actual: RGA LUST:
538 ft. Name: NEEDLES, CITY OF
Focus Map: Address: 903 E. BROADWAY
11 City: NEEDLES
 State: NEEDLES
 1993 NEEDLES, CITY OF 903 E. BROADWAY
 Name: NEEDLES, CITY OF
 Address: 903 E. BROADWAY
 City: NEEDLES
 State: NEEDLES
 1992 NEEDLES, CITY OF 903 E. BROADWAY

CY736 **NEEDLES, CITY OF**
Target **903 BROADWAY**
Property **NEEDLES, CA 92363**

LUST **S104749158**
HIST CORTESE **N/A**
CERS

Site 8 of 42 in cluster CY

Actual: LUST:
538 ft. Name: CALIFORNIA HOTEL
Focus Map: Address: 903 EAST BROADWAY
11 City,State,Zip: NEEDLES, CA 92363
 Lead Agency: SAN BERNARDINO COUNTY
 Case Type: LUST Cleanup Site
 Geo Track: http://geotracker.waterboards.ca.gov/profile_report.asp?global_id=T0607101011
 Global Id: T0607101011
 Latitude: 34.8264907
 Longitude: -114.5958354
 Status: Completed - Case Closed
 Status Date: 01/25/1996
 Case Worker: CB
 RB Case Number: 7T2363013
 Local Agency: SAN BERNARDINO COUNTY
 File Location: Local Agency
 Local Case Number: 90264
 Potential Media Affect: Soil
 Potential Contaminants of Concern: Gasoline
 Site History: Not reported

LUST:
 Global Id: T0607101011
 Contact Type: Local Agency Caseworker
 Contact Name: CURTIS BRUNDAGE
 Organization Name: SAN BERNARDINO COUNTY
 Address: 620 S. E STREET
 City: SAN BERNARDINO
 Email: cbrundage@sbcfire.org
 Phone Number: Not reported

LUST:
 Global Id: T0607101011
 Action Type: Other
 Date: 05/11/1987
 Action: Leak Reported

Map ID
Direction
Distance
Elevation

MAP FINDINGS

Site

Database(s)

EDR ID Number
EPA ID Number

NEEDLES, CITY OF (Continued)

S104749158

Global Id: T0607101011
Action Type: Other
Date: 05/11/1987
Action: Leak Discovery

LUST:

Global Id: T0607101011
Status: Open - Case Begin Date
Status Date: 05/11/1987

Global Id: T0607101011
Status: Open - Site Assessment
Status Date: 01/31/1989

Global Id: T0607101011
Status: Open - Site Assessment
Status Date: 07/01/1989

Global Id: T0607101011
Status: Open - Site Assessment
Status Date: 03/07/1994

Global Id: T0607101011
Status: Completed - Case Closed
Status Date: 01/25/1996

HIST CORTESE:

edr_fname: NEEDLES, CITY OF
edr_fadd1: 903 BROADWAY
City,State,Zip: NEEDLES, CA 92363
Region: CORTESE
Facility County Code: 36
Reg By: LTNKA
Reg Id: 7T2363013

CERS:

Name: CALIFORNIA HOTEL
Address: 903 EAST BROADWAY
City,State,Zip: NEEDLES, CA 92363
Site ID: 217032
CERS ID: T0607101011
CERS Description: Leaking Underground Storage Tank Cleanup Site

Affiliation:

Affiliation Type Desc: Local Agency Caseworker
Entity Name: CURTIS BRUNDAGE - SAN BERNARDINO COUNTY
Entity Title: Not reported
Affiliation Address: 620 S. E STREET
Affiliation City: SAN BERNARDINO
Affiliation State: CA
Affiliation Country: Not reported
Affiliation Zip: Not reported
Affiliation Phone: ,

Map ID
Direction
Distance
Elevation

MAP FINDINGS

Site

Database(s) EDR ID Number
EPA ID Number

CY737 CITY OF NEEDLES
Target 903 EAST BROADWAY
Property NEEDLES, CA

RGA LUST S114603016
N/A

Site 9 of 42 in cluster CY

Actual: RGA LUST:
538 ft. Name: CITY OF NEEDLES
Focus Map: Address: 903 EAST BROADWAY
11 City: NEEDLES
State: NEEDLES
2002 CITY OF NEEDLES 903 EAST BROADWAY
Name: CITY OF NEEDLES
Address: 903 EAST BROADWAY
City: NEEDLES
State: NEEDLES
2001 CITY OF NEEDLES 903 EAST BROADWAY

CY738 CALIFORNIA HOTEL
Target 903 EAST BROADWAY
Property NEEDLES, CA 92363

LUST S106152863
Cortese N/A

Site 10 of 42 in cluster CY

Actual: LUST REG 7:
538 ft. Region: 7
Focus Map: Status: 9 - Case Closed
11 Case Num: 7T2363013
Substance: Gasoline - Automotive
ID: 571
Global ID: T0607101011
Lead Agency: Local Agency
Case Worker: KO

CORTESE:
Name: CALIFORNIA HOTEL
Address: 903 EAST BROADWAY
City,State,Zip: NEEDLES, CA 92363
Region: CORTESE
Envirostor Id: Not reported
Global ID: T0607101011
Site/Facility Type: LUST CLEANUP SITE
Cleanup Status: COMPLETED - CASE CLOSED
Status Date: Not reported
Site Code: Not reported
Latitude: Not reported
Longitude: Not reported
Owner: Not reported
Enf Type: Not reported
Swat R: Not reported
Flag: active
Order No: Not reported
Waste Discharge System No: Not reported
Effective Date: Not reported
Region 2: Not reported
WID Id: Not reported
Solid Waste Id No: Not reported
Waste Management Uit Name: Not reported
File Name: Active Open

Map ID
Direction
Distance
Elevation

MAP FINDINGS

Site

Database(s)

EDR ID Number
EPA ID Number

CY739 CALIFORNIA HOTEL
Target 903 EAST BROADWAY
Property NEEDLES, CA 92363

FINDS 1023269019
N/A

Site 11 of 42 in cluster CY

Actual: FINDS:
538 ft. Registry ID: 110065587760

Focus Map:
11 [Click Here for FRS Facility Detail Report:](#)

Environmental Interest/Information System:
STATE MASTER

[Click this hyperlink](#) while viewing on your computer to access additional FINDS: detail in the EDR Site Report.

CY740 NEEDLES, CITY OF
Target 903 EAST BROADWAY
Property NEEDLES, CA

RGA LUST S114660212
N/A

Site 12 of 42 in cluster CY

Actual: RGA LUST:
538 ft. Name: NEEDLES, CITY OF
Focus Map: Address: 903 EAST BROADWAY
11 City: NEEDLES
State: NEEDLES
2000 NEEDLES, CITY OF 903 EAST BROADWAY
Name: NEEDLES, CITY OF
Address: 903 EAST BROADWAY
City: NEEDLES
State: NEEDLES
1998 NEEDLES, CITY OF 903 EAST BROADWAY
Name: NEEDLES, CITY OF
Address: 903 EAST BROADWAY
City: NEEDLES
State: NEEDLES
1997 NEEDLES, CITY OF 903 EAST BROADWAY
Name: NEEDLES, CITY OF
Address: 903 EAST BROADWAY
City: NEEDLES
State: NEEDLES
1996 NEEDLES, CITY OF 903 EAST BROADWAY
Name: NEEDLES, CITY OF
Address: 903 EAST BROADWAY
City: NEEDLES
State: NEEDLES
1995 NEEDLES, CITY OF 903 EAST BROADWAY
Name: NEEDLES, CITY OF
Address: 903 EAST BROADWAY
City: NEEDLES
State: NEEDLES
1994 NEEDLES, CITY OF 903 EAST BROADWAY

Map ID
Direction
Distance
Elevation

MAP FINDINGS

Site

Database(s) EDR ID Number
EPA ID Number

CY741 CALIFORNIA HOTEL
Target 903 EAST BROADWAY
Property NEEDLES, CA

RGA LUST S114590044
N/A

Site 13 of 42 in cluster CY

Actual:
538 ft.

Focus Map:
11

RGA LUST:
Name: CALIFORNIA HOTEL
Address: 903 EAST BROADWAY
City: NEEDLES
State: NEEDLES
2012 CALIFORNIA HOTEL 903 EAST BROADWAY
Name: CALIFORNIA HOTEL
Address: 903 EAST BROADWAY
City: NEEDLES
State: NEEDLES
2011 CALIFORNIA HOTEL 903 EAST BROADWAY
Name: CALIFORNIA HOTEL
Address: 903 EAST BROADWAY
City: NEEDLES
State: NEEDLES
2010 CALIFORNIA HOTEL 903 EAST BROADWAY
Name: CALIFORNIA HOTEL
Address: 903 EAST BROADWAY
City: NEEDLES
State: NEEDLES
2009 CALIFORNIA HOTEL 903 EAST BROADWAY
Name: CALIFORNIA HOTEL
Address: 903 EAST BROADWAY
City: NEEDLES
State: NEEDLES
2008 CALIFORNIA HOTEL 903 EAST BROADWAY
Name: CALIFORNIA HOTEL
Address: 903 EAST BROADWAY
City: NEEDLES
State: NEEDLES
2007 CALIFORNIA HOTEL 903 EAST BROADWAY
Name: CALIFORNIA HOTEL
Address: 903 EAST BROADWAY
City: NEEDLES
State: NEEDLES
2006 CALIFORNIA HOTEL 903 EAST BROADWAY
Name: CALIFORNIA HOTEL
Address: 903 EAST BROADWAY
City: NEEDLES
State: NEEDLES
2005 CALIFORNIA HOTEL 903 EAST BROADWAY
Name: CALIFORNIA HOTEL
Address: 903 EAST BROADWAY
City: NEEDLES
State: NEEDLES
2003 CALIFORNIA HOTEL 903 EAST BROADWAY

MAP FINDINGS

Map ID
 Direction
 Distance
 Elevation

Site

Database(s)

EDR ID Number
 EPA ID Number

CY742 **CLAYPOOL & CO TRUCK YARD**
Target **904 1/2 E BROADWAY**
Property **NEEDLES, CA 92363**

HWTS **S124940187**
 N/A

Site 14 of 42 in cluster CY

Actual: **HWTS:**
538 ft. Name: CLAYPOOL & CO TRUCK YARD
Focus Map: Address: 904 1/2 E BROADWAY
11 Address 2: Not reported
 City,State,Zip: NEEDLES, CA 92363
 EPA ID: CAL923183555
 Inactive Date: 06/30/1998
 Create Date: 11/13/1992
 Last Act Date: Not reported
 Mailing Name: Not reported
 Mailing Address: 725 BROADWAY
 Mailing Address 2: Not reported
 Mailing City,State,Zip: NEEDLES, CA 923630000
 Owner Name: CLAYPOOL & COMPANY
 Owner Address: 725 BROADWAY
 Owner Address 2: Not reported
 Owner City,State,Zip: NEEDLES, CA 923630000
 Contact Name: NITA CLAYPOOL
 Contact Address: INACTIVE PER VQ98 - BMI
 Contact Address 2: Not reported
 City,State,Zip: Not reported
 Facility Status: Inactive
 Facility Type: PERMANENT
 Category: STATE
 Latitude: 34.822977
 Longitude: -114.597425

CY743 **ROBINSON ELECTRIC CO INC**
Target **904 E BROADWAY**
Property **NEEDLES, CA 92363**

HAZNET **S112920767**
HWTS **N/A**

Site 15 of 42 in cluster CY

Actual: **HAZNET:**
538 ft. Name: ROBINSON ELECTRIC CO INC
Focus Map: Address: 904 E BROADWAY
11 Address 2: Not reported
 City,State,Zip: NEEDLES, CA 923630000
 Contact: ROBERT ROBINSON - PRES
 Telephone: 7603262807
 Mailing Name: Not reported
 Mailing Address: PO BOX 768

 Year: 2002
 Gepaid: CAC002529855
 TSD EPA ID: CAT080013352
 CA Waste Code: 221 - Waste oil and mixed oil
 Disposal Method: R01 - Recycler
 Tons: 0.152

Additional Info:
 Year: 2002

Map ID
Direction
Distance
Elevation

MAP FINDINGS

Site

Database(s)

EDR ID Number
EPA ID Number

ROBINSON ELECTRIC CO INC (Continued)

S112920767

Gen EPA ID: CAC002529855
Shipment Date: 20020226
Creation Date: 7/10/2002 18:30:49
Receipt Date: 20020308
Manifest ID: 21347102
Trans EPA ID: CAT080016116
Trans Name: Not reported
Trans 2 EPA ID: Not reported
Trans 2 Name: Not reported
TSDf EPA ID: CAT080013352
Trans Name: Not reported
TSDf Alt EPA ID: Not reported
TSDf Alt Name: Not reported
Waste Code Description: 221 - Waste oil and mixed oil
RCRA Code: Not reported
Meth Code: R01 - Recycler
Quantity Tons: 0.152
Waste Quantity: 40
Quantity Unit: G
Additional Code 1: Not reported
Additional Code 2: Not reported
Additional Code 3: Not reported
Additional Code 4: Not reported
Additional Code 5: Not reported

HWTS:

Name: ROBINSON ELECTRIC CO INC
Address: 904 E BROADWAY
Address 2: Not reported
City,State,Zip: NEEDLES, CA 92363
EPA ID: CAC002529855
Inactive Date: 09/10/2002
Create Date: 02/21/2002
Last Act Date: Not reported
Mailing Name: Not reported
Mailing Address: PO BOX 768
Mailing Address 2: Not reported
Mailing City,State,Zip: NEEDLES, CA 923630000
Owner Name: ROBINSON ELECTRIC CO INC
Owner Address: PO BOX 768
Owner Address 2: Not reported
Owner City,State,Zip: NEEDLES, CA 923630000
Contact Name: ROBERT ROBINSON - PRES
Contact Address: PO BOX 768
Contact Address 2: Not reported
City,State,Zip: NEEDLES, CA 923630000
Facility Status: Inactive
Facility Type: TEMPORARY
Category: STATE
Latitude: 34.822977
Longitude: -114.597425

MAP FINDINGS

Map ID
Direction
Distance
Elevation

Site

Database(s)

EDR ID Number
EPA ID Number

CY744 **LOCKE E J**
Target **910 E BROADWAY**
Property **NEEDLES, CA 92363**

EDR Hist Auto **1022204135**
N/A

Site 16 of 42 in cluster CY

Actual: EDR Hist Auto
538 ft.

Focus Map: 11	Year:	Name:	Type:
	1975	LOCKE E J	Gasoline Service Stations
	1976	LOCKE E J	Gasoline Service Stations

CY745 **MOJAVE OIL COMPANY**
Target **917 E. BROADWAY**
Property **NEEDLES, CA**

RGA LUST **S114656147**
N/A

Site 17 of 42 in cluster CY

Actual: 543 ft.	RGA LUST:		
	Name:	MOJAVE OIL COMPANY	
Focus Map: 11	Address:	917 E. BROADWAY	
	City:	NEEDLES	
	State:	NEEDLES	
		2008	MOJAVE OIL COMPANY 917 E. BROADWAY
	Name:	MOJAVE OIL COMPANY	
	Address:	917 E. BROADWAY	
	City:	NEEDLES	
	State:	NEEDLES	
		2007	MOJAVE OIL COMPANY 917 E. BROADWAY
	Name:	MOJAVE OIL COMPANY	
	Address:	917 E. BROADWAY	
	City:	NEEDLES	
	State:	NEEDLES	
		2006	MOJAVE OIL COMPANY 917 E. BROADWAY
	Name:	MOJAVE OIL COMPANY	
	Address:	917 E. BROADWAY	
	City:	NEEDLES	
	State:	NEEDLES	
		2005	MOJAVE OIL COMPANY 917 E. BROADWAY
	Name:	MOJAVE OIL COMPANY	
	Address:	917 E. BROADWAY	
	City:	NEEDLES	
	State:	NEEDLES	
		2003	MOJAVE OIL COMPANY 917 E. BROADWAY

CY746 **SHELL FOOD MART**
Target **917 E BROADWAY**
Property **NEEDLES, CA 92363**

LUST **U001575265**
SWEEPS UST **N/A**
HIST UST
Cortese
CERS

Site 18 of 42 in cluster CY

Actual: 543 ft.	LUST:		
	Name:	MOHAVE OIL COMPANY	
Focus Map: 11	Address:	917 E. BROADWAY	
	City,State,Zip:	NEEDLES, CA 92363	
	Lead Agency:	COLORADO RIVER BASIN RWQCB (REGION 7)	
	Case Type:	LUST Cleanup Site	
	Geo Track:	http://geotracker.waterboards.ca.gov/profile_report.asp?global_id=T0607192342	

Map ID
Direction
Distance
Elevation

MAP FINDINGS

Site

Database(s)

EDR ID Number
EPA ID Number

SHELL FOOD MART (Continued)

U001575265

Global Id: T0607192342
Latitude: 34.8262047514415
Longitude: -114.596377015114
Status: Completed - Case Closed
Status Date: 04/01/2014
Case Worker: RF
RB Case Number: 7T2363027
Local Agency: SAN BERNARDINO COUNTY
File Location: Regional Board
Local Case Number: 2000033
Potential Media Affect: Aquifer used for drinking water supply
Potential Contaminants of Concern: Gasoline
Site History: Inactive service station and mini-market The UST system was removed from the site in November 2000. Following UST system removal, site assessments and feasibility/remedial work have been conducted. A total of 15 soil borings (B1 through B9, AS-1, AS-2, and MW-1 through MW-4) have been advanced and sampled to assess the presence and distribution of the fuel related hydrocarbons and/or oxygenates in the subsurface beneath the site. The site was adequately assessed and remediated. The case was closed April 1 2014. For complete details see the "Case Closure Summary included in the document entitled" Low Threat Underground Storage Tank Closure Policy," dated 04/01/2014.

LUST:

Global Id: T0607192342
Contact Type: Local Agency Caseworker
Contact Name: JACKSON CRUTSINGER
Organization Name: SAN BERNARDINO COUNTY
Address: 620 SOUTH E STREET
City: SAN BERNARDINO
Email: jcrutsinger@sbcfire.org
Phone Number: Not reported

Global Id: T0607192342
Contact Type: Regional Board Caseworker
Contact Name: ROSALYN FLEMING
Organization Name: COLORADO RIVER BASIN RWQCB (REGION 7)
Address: 73-720 Fred Waring Drive
City: PALM DESERT
Email: rosaly.n.fleming@waterboards.ca.gov
Phone Number: 7607768948

LUST:

Global Id: T0607192342
Action Type: ENFORCEMENT
Date: 05/13/2003
Action: Technical Correspondence / Assistance / Other

Global Id: T0607192342
Action Type: ENFORCEMENT
Date: 01/05/2010
Action: Lien

Global Id: T0607192342
Action Type: ENFORCEMENT
Date: 10/19/2012
Action: Technical Correspondence / Assistance / Other

Map ID
Direction
Distance
Elevation

MAP FINDINGS

Site

Database(s)

EDR ID Number
EPA ID Number

SHELL FOOD MART (Continued)

U001575265

Global Id: T0607192342
Action Type: ENFORCEMENT
Date: 10/10/2012
Action: Technical Correspondence / Assistance / Other

Global Id: T0607192342
Action Type: ENFORCEMENT
Date: 10/01/2012
Action: Staff Letter

Global Id: T0607192342
Action Type: Other
Date: 11/27/2000
Action: Leak Reported

Global Id: T0607192342
Action Type: RESPONSE
Date: 07/08/2010
Action: Other Report / Document

Global Id: T0607192342
Action Type: ENFORCEMENT
Date: 03/14/2003
Action: Technical Correspondence / Assistance / Other

Global Id: T0607192342
Action Type: ENFORCEMENT
Date: 07/09/2009
Action: 13267 Monitoring Program

Global Id: T0607192342
Action Type: ENFORCEMENT
Date: 03/26/2009
Action: Staff Letter

Global Id: T0607192342
Action Type: ENFORCEMENT
Date: 05/04/2009
Action: Staff Letter

Global Id: T0607192342
Action Type: ENFORCEMENT
Date: 12/09/2009
Action: Staff Letter

Global Id: T0607192342
Action Type: ENFORCEMENT
Date: 10/01/2009
Action: 13267 Monitoring Program

Global Id: T0607192342
Action Type: ENFORCEMENT
Date: 12/14/2011
Action: Technical Correspondence / Assistance / Other

Global Id: T0607192342
Action Type: ENFORCEMENT

Map ID
Direction
Distance
Elevation

MAP FINDINGS

Site

Database(s)

EDR ID Number
EPA ID Number

SHELL FOOD MART (Continued)

U001575265

Date: 03/06/2012
Action: File review

Global Id: T0607192342
Action Type: ENFORCEMENT
Date: 03/14/2012
Action: Technical Correspondence / Assistance / Other

Global Id: T0607192342
Action Type: ENFORCEMENT
Date: 04/01/2014
Action: Closure/No Further Action Letter

Global Id: T0607192342
Action Type: RESPONSE
Date: 10/19/2012
Action: Correspondence

Global Id: T0607192342
Action Type: RESPONSE
Date: 05/03/2011
Action: Correspondence - Regulator Responded

Global Id: T0607192342
Action Type: RESPONSE
Date: 12/13/2013
Action: Request for Closure - Regulator Responded

Global Id: T0607192342
Action Type: ENFORCEMENT
Date: 04/04/2009
Action: Staff Letter

Global Id: T0607192342
Action Type: ENFORCEMENT
Date: 01/27/2011
Action: Technical Correspondence / Assistance / Other

Global Id: T0607192342
Action Type: ENFORCEMENT
Date: 02/28/2011
Action: Technical Correspondence / Assistance / Other

Global Id: T0607192342
Action Type: ENFORCEMENT
Date: 02/14/2011
Action: Technical Correspondence / Assistance / Other

Global Id: T0607192342
Action Type: ENFORCEMENT
Date: 01/11/2011
Action: Technical Correspondence / Assistance / Other

Global Id: T0607192342
Action Type: ENFORCEMENT
Date: 02/15/2011
Action: Technical Correspondence / Assistance / Other

Map ID
Direction
Distance
Elevation

MAP FINDINGS

Site

Database(s)

EDR ID Number
EPA ID Number

SHELL FOOD MART (Continued)

U001575265

Global Id: T0607192342
Action Type: ENFORCEMENT
Date: 02/11/2011
Action: Technical Correspondence / Assistance / Other

Global Id: T0607192342
Action Type: ENFORCEMENT
Date: 04/07/2011
Action: Technical Correspondence / Assistance / Other

Global Id: T0607192342
Action Type: ENFORCEMENT
Date: 12/12/2011
Action: Technical Correspondence / Assistance / Other

Global Id: T0607192342
Action Type: ENFORCEMENT
Date: 01/06/2014
Action: Staff Letter

Global Id: T0607192342
Action Type: ENFORCEMENT
Date: 04/01/2014
Action: Closure/No Further Action Letter

Global Id: T0607192342
Action Type: Other
Date: 11/01/2000
Action: Leak Stopped

Global Id: T0607192342
Action Type: RESPONSE
Date: 03/13/2012
Action: Correspondence

Global Id: T0607192342
Action Type: RESPONSE
Date: 06/15/2012
Action: Well Installation Report

Global Id: T0607192342
Action Type: ENFORCEMENT
Date: 01/11/2011
Action: Technical Correspondence / Assistance / Other

Global Id: T0607192342
Action Type: ENFORCEMENT
Date: 03/01/2011
Action: Technical Correspondence / Assistance / Other

Global Id: T0607192342
Action Type: ENFORCEMENT
Date: 03/01/2011
Action: Technical Correspondence / Assistance / Other

Global Id: T0607192342
Action Type: ENFORCEMENT

Map ID
Direction
Distance
Elevation

MAP FINDINGS

Site

Database(s)

EDR ID Number
EPA ID Number

SHELL FOOD MART (Continued)

U001575265

Date: 02/02/2011
Action: Technical Correspondence / Assistance / Other

Global Id: T0607192342
Action Type: ENFORCEMENT
Date: 02/10/2011
Action: Technical Correspondence / Assistance / Other

Global Id: T0607192342
Action Type: ENFORCEMENT
Date: 03/01/2011
Action: Technical Correspondence / Assistance / Other

Global Id: T0607192342
Action Type: ENFORCEMENT
Date: 02/11/2011
Action: Technical Correspondence / Assistance / Other

Global Id: T0607192342
Action Type: ENFORCEMENT
Date: 03/01/2011
Action: Technical Correspondence / Assistance / Other

Global Id: T0607192342
Action Type: ENFORCEMENT
Date: 03/01/2011
Action: Technical Correspondence / Assistance / Other

Global Id: T0607192342
Action Type: ENFORCEMENT
Date: 07/08/2010
Action: Referral to Regional Board

Global Id: T0607192342
Action Type: ENFORCEMENT
Date: 01/12/2011
Action: Technical Correspondence / Assistance / Other

Global Id: T0607192342
Action Type: ENFORCEMENT
Date: 02/28/2011
Action: Technical Correspondence / Assistance / Other

Global Id: T0607192342
Action Type: ENFORCEMENT
Date: 02/11/2011
Action: Technical Correspondence / Assistance / Other

Global Id: T0607192342
Action Type: ENFORCEMENT
Date: 10/02/2013
Action: Notification - Public Notice of Case Closure - #07-13-67

Global Id: T0607192342
Action Type: ENFORCEMENT
Date: 04/21/2010
Action: Clean Up Fund - Case Closure Review Summary Report (RSR)

Map ID
Direction
Distance
Elevation

MAP FINDINGS

Site

Database(s)

EDR ID Number
EPA ID Number

SHELL FOOD MART (Continued)

U001575265

Global Id:	T0607192342
Action Type:	RESPONSE
Date:	04/07/2011
Action:	Correspondence
Global Id:	T0607192342
Action Type:	RESPONSE
Date:	04/30/2011
Action:	Monitoring Report - Semi-Annually
Global Id:	T0607192342
Action Type:	RESPONSE
Date:	04/11/2011
Action:	Other Report / Document
Global Id:	T0607192342
Action Type:	RESPONSE
Date:	12/14/2011
Action:	Correspondence
Global Id:	T0607192342
Action Type:	RESPONSE
Date:	07/15/2012
Action:	Monitoring Report - Semi-Annually
Global Id:	T0607192342
Action Type:	RESPONSE
Date:	01/15/2012
Action:	Monitoring Report - Semi-Annually
Global Id:	T0607192342
Action Type:	RESPONSE
Date:	12/14/2011
Action:	Correspondence
Global Id:	T0607192342
Action Type:	ENFORCEMENT
Date:	07/08/2010
Action:	Referral to Regional Board
Global Id:	T0607192342
Action Type:	ENFORCEMENT
Date:	03/02/2011
Action:	Technical Correspondence / Assistance / Other
Global Id:	T0607192342
Action Type:	ENFORCEMENT
Date:	05/04/2011
Action:	Technical Correspondence / Assistance / Other
Global Id:	T0607192342
Action Type:	ENFORCEMENT
Date:	03/01/2011
Action:	Technical Correspondence / Assistance / Other
Global Id:	T0607192342
Action Type:	ENFORCEMENT

Map ID
Direction
Distance
Elevation

MAP FINDINGS

Site

Database(s)

EDR ID Number
EPA ID Number

SHELL FOOD MART (Continued)

U001575265

Date: 01/31/2011
Action: Technical Correspondence / Assistance / Other

Global Id: T0607192342
Action Type: ENFORCEMENT
Date: 01/20/2011
Action: Technical Correspondence / Assistance / Other

Global Id: T0607192342
Action Type: ENFORCEMENT
Date: 02/22/2011
Action: Technical Correspondence / Assistance / Other

Global Id: T0607192342
Action Type: ENFORCEMENT
Date: 03/02/2011
Action: Technical Correspondence / Assistance / Other

Global Id: T0607192342
Action Type: ENFORCEMENT
Date: 05/02/2011
Action: Verbal Enforcement

Global Id: T0607192342
Action Type: ENFORCEMENT
Date: 10/13/2011
Action: File review

Global Id: T0607192342
Action Type: ENFORCEMENT
Date: 05/10/2011
Action: File review

Global Id: T0607192342
Action Type: ENFORCEMENT
Date: 02/11/2011
Action: Technical Correspondence / Assistance / Other

Global Id: T0607192342
Action Type: ENFORCEMENT
Date: 09/05/2012
Action: File review

Global Id: T0607192342
Action Type: ENFORCEMENT
Date: 09/04/2012
Action: Technical Correspondence / Assistance / Other

Global Id: T0607192342
Action Type: Other
Date: 11/01/2000
Action: Leak Discovery

Global Id: T0607192342
Action Type: RESPONSE
Date: 03/01/2011
Action: Verbal Communication

Map ID
Direction
Distance
Elevation

MAP FINDINGS

Site

Database(s)

EDR ID Number
EPA ID Number

SHELL FOOD MART (Continued)

U001575265

Global Id: T0607192342
Action Type: RESPONSE
Date: 03/02/2011
Action: Correspondence

Global Id: T0607192342
Action Type: RESPONSE
Date: 02/14/2011
Action: Correspondence

Global Id: T0607192342
Action Type: RESPONSE
Date: 03/02/2011
Action: Verbal Communication

Global Id: T0607192342
Action Type: RESPONSE
Date: 03/15/2011
Action: Correspondence

Global Id: T0607192342
Action Type: RESPONSE
Date: 04/15/2011
Action: Monitoring Report - Quarterly

Global Id: T0607192342
Action Type: RESPONSE
Date: 04/30/2011
Action: Monitoring Report - Semi-Annually

Global Id: T0607192342
Action Type: RESPONSE
Date: 07/15/2011
Action: Monitoring Report - Semi-Annually

LUST:

Global Id: T0607192342
Status: Open - Case Begin Date
Status Date: 11/01/2000

Global Id: T0607192342
Status: Open - Site Assessment
Status Date: 11/27/2000

Global Id: T0607192342
Status: Open - Site Assessment
Status Date: 11/16/2006

Global Id: T0607192342
Status: Open - Site Assessment
Status Date: 04/05/2009

Global Id: T0607192342
Status: Open - Remediation
Status Date: 05/09/2012

Global Id: T0607192342

Map ID
Direction
Distance
Elevation

MAP FINDINGS

Site

Database(s)

EDR ID Number
EPA ID Number

SHELL FOOD MART (Continued)

U001575265

Status: Open - Remediation
Status Date: 05/09/2012

Global Id: T0607192342
Status: Open - Site Assessment
Status Date: 05/09/2012

Global Id: T0607192342
Status: Open - Site Assessment
Status Date: 05/09/2012

Global Id: T0607192342
Status: Open - Site Assessment
Status Date: 05/21/2012

Global Id: T0607192342
Status: Open - Eligible for Closure
Status Date: 06/05/2013

Global Id: T0607192342
Status: Open - Eligible for Closure
Status Date: 06/05/2013

Global Id: T0607192342
Status: Open - Eligible for Closure
Status Date: 08/01/2013

Global Id: T0607192342
Status: Open - Eligible for Closure
Status Date: 08/05/2013

Global Id: T0607192342
Status: Open - Eligible for Closure
Status Date: 08/05/2013

Global Id: T0607192342
Status: Open - Eligible for Closure
Status Date: 08/15/2013

Global Id: T0607192342
Status: Open - Verification Monitoring
Status Date: 08/15/2013

Global Id: T0607192342
Status: Completed - Case Closed
Status Date: 04/01/2014

SWEEPS UST:

Name: SHELL FOOD MART
Address: 917 E BROADWAY
City: NEEDLES
Status: Active
Comp Number: 60469
Number: 9
Board Of Equalization: 44-000074
Referral Date: 07-28-92

Map ID
Direction
Distance
Elevation

MAP FINDINGS

Site

Database(s)

EDR ID Number
EPA ID Number

SHELL FOOD MART (Continued)

U001575265

Action Date: 07-28-92
Created Date: 02-29-88
Owner Tank Id: 1
SWRCB Tank Id: 36-000-060469-000001
Tank Status: A
Capacity: 10000
Active Date: 08-25-88
Tank Use: M.V. FUEL
STG: P
Content: LEADED
Number Of Tanks: 3

Name: SHELL FOOD MART
Address: 917 E BROADWAY
City: NEEDLES
Status: Active
Comp Number: 60469
Number: 9
Board Of Equalization: 44-000074
Referral Date: 07-28-92
Action Date: 07-28-92
Created Date: 02-29-88
Owner Tank Id: 2
SWRCB Tank Id: 36-000-060469-000002
Tank Status: A
Capacity: 8000
Active Date: 08-25-88
Tank Use: M.V. FUEL
STG: P
Content: REG UNLEADED
Number Of Tanks: Not reported

Name: SHELL FOOD MART
Address: 917 E BROADWAY
City: NEEDLES
Status: Active
Comp Number: 60469
Number: 9
Board Of Equalization: 44-000074
Referral Date: 07-28-92
Action Date: 07-28-92
Created Date: 02-29-88
Owner Tank Id: 3
SWRCB Tank Id: 36-000-060469-000003
Tank Status: A
Capacity: 8000
Active Date: 08-25-88
Tank Use: M.V. FUEL
STG: P
Content: REG UNLEADED
Number Of Tanks: Not reported

HIST UST:

Name: SHELL FOOD MART
Address: 917 E BROADWAY ST
City,State,Zip: NEEDLES, CA 92363
File Number: Not reported

Map ID
Direction
Distance
Elevation

MAP FINDINGS

Site

Database(s)

EDR ID Number
EPA ID Number

SHELL FOOD MART (Continued)

U001575265

URL: Not reported
Region: STATE
Facility ID: 00000060469
Facility Type: Gas Station
Other Type: Not reported
Contact Name: KEITH JULLE
Telephone: 6027536328
Owner Name: MOHAVE OIL COMPANY
Owner Address: 1001 E. TOPEKA, P.O. BOX 3458
Owner City,St,Zip: KINGMAN, AZ 86402
Total Tanks: 0003

Tank Num: 001
Container Num: 1
Year Installed: 1968
Tank Capacity: 00010000
Tank Used for: PRODUCT
Type of Fuel: REGULAR
Container Construction Thickness: 1/4"
Leak Detection: Visual, Stock Inventor, Pressure Test

Tank Num: 002
Container Num: 2
Year Installed: 1968
Tank Capacity: 00008000
Tank Used for: PRODUCT
Type of Fuel: UNLEADED
Container Construction Thickness: 1/4
Leak Detection: Visual, Stock Inventor, Pressure Test

Tank Num: 003
Container Num: 3
Year Installed: 1968
Tank Capacity: 00008000
Tank Used for: PRODUCT
Type of Fuel: UNLEADED
Container Construction Thickness: 1/4
Leak Detection: Visual, Stock Inventor, Pressure Test

CORTESE:

Name: MOHAVE OIL COMPANY
Address: 917 E. BROADWAY
City,State,Zip: NEEDLES, CA 92363
Region: CORTESE
Envirostor Id: Not reported
Global ID: T0607192342
Site/Facility Type: LUST CLEANUP SITE
Cleanup Status: COMPLETED - CASE CLOSED
Status Date: Not reported
Site Code: Not reported
Latitude: Not reported
Longitude: Not reported
Owner: Not reported
Enf Type: Not reported
Swat R: Not reported
Flag: active
Order No: Not reported

Map ID
Direction
Distance
Elevation

MAP FINDINGS

Site

Database(s)

EDR ID Number
EPA ID Number

SHELL FOOD MART (Continued)

U001575265

Waste Discharge System No: Not reported
Effective Date: Not reported
Region 2: Not reported
WID Id: Not reported
Solid Waste Id No: Not reported
Waste Management Uit Name: Not reported
File Name: Active Open

CERS:

Name: MOHAVE OIL COMPANY
Address: 917 E. BROADWAY
City,State,Zip: NEEDLES, CA 92363
Site ID: 219062
CERS ID: T0607192342
CERS Description: Leaking Underground Storage Tank Cleanup Site

Affiliation:

Affiliation Type Desc: Local Agency Caseworker
Entity Name: JACKSON CRUTSINGER - SAN BERNARDINO COUNTY
Entity Title: Not reported
Affiliation Address: 620 SOUTH E STREET
Affiliation City: SAN BERNARDINO
Affiliation State: CA
Affiliation Country: Not reported
Affiliation Zip: Not reported
Affiliation Phone: ,

Affiliation Type Desc: Regional Board Caseworker
Entity Name: ROSALYN FLEMING - COLORADO RIVER BASIN RWQCB (REGION 7)
Entity Title: Not reported
Affiliation Address: 73-720 Fred Waring Drive
Affiliation City: PALM DESERT
Affiliation State: CA
Affiliation Country: Not reported
Affiliation Zip: Not reported
Affiliation Phone: 7607768948,

CY747 MO AVE OIL COMPANY
Target 917 E. BROADWAY
Property NEEDLES, CA

LUST S104533169
N/A

Site 19 of 42 in cluster CY

Actual: LUST REG 7:
543 ft. Region: 7
Focus Map: Status: 1 - Leak Confirmation
11 Case Num: 7T2363027
Substance: Gasoline - Automotive
ID: 969
Global ID: T0607192342
Lead Agency: Local Agency
Case Worker: YO

Map ID
 Direction
 Distance
 Elevation

MAP FINDINGS

Site

Database(s) EDR ID Number
 EPA ID Number

CY748 **MOHAVE OIL COMPANY**
Target **917 E. BROADWAY**
Property **NEEDLES, CA**

RGA LUST **S114656090**
N/A

Site 20 of 42 in cluster CY

Actual: RGA LUST:
543 ft. Name: MOHAVE OIL COMPANY
Focus Map: Address: 917 E. BROADWAY
11 City: NEEDLES
 State: NEEDLES
 2012 MOHAVE OIL COMPANY 917 E. BROADWAY
 Name: MOHAVE OIL COMPANY
 Address: 917 E. BROADWAY
 City: NEEDLES
 State: NEEDLES
 2011 MOHAVE OIL COMPANY 917 E. BROADWAY
 Name: MOHAVE OIL COMPANY
 Address: 917 E. BROADWAY
 City: NEEDLES
 State: NEEDLES
 2010 MOHAVE OIL COMPANY 917 E. BROADWAY
 Name: MOHAVE OIL COMPANY
 Address: 917 E. BROADWAY
 City: NEEDLES
 State: NEEDLES
 2009 MOHAVE OIL COMPANY 917 E. BROADWAY

CY749 **SHELL FOOD MART**
Target **917 EAST BROADWAY**
Property **NEEDLES, CA 92363**

HIST UST **S112904181**
HAZNET **N/A**
HWTS

Site 21 of 42 in cluster CY

Actual: HIST UST:
543 ft. Name: SHELL FOOD MART
Focus Map: Address: 917 EAST BROADWAY
11 City,State,Zip: NEEDLES, CA 92363
 File Number: 0002A2CE
 URL: <http://geotracker.waterboards.ca.gov/ustpdfs/pdf/0002A2CE.pdf>
 Region: Not reported
 Facility ID: Not reported
 Facility Type: Not reported
 Other Type: Not reported
 Contact Name: Not reported
 Telephone: Not reported
 Owner Name: Not reported
 Owner Address: Not reported
 Owner City,St,Zip: Not reported
 Total Tanks: Not reported

 Tank Num: Not reported
 Container Num: Not reported
 Year Installed: Not reported
 Tank Capacity: Not reported
 Tank Used for: Not reported
 Type of Fuel: Not reported
 Container Construction Thickness: Not reported
 Leak Detection: Not reported

Map ID
Direction
Distance
Elevation

MAP FINDINGS

Site

Database(s)

EDR ID Number
EPA ID Number

SHELL FOOD MART (Continued)

S112904181

[Click here for Geo Tracker PDF:](#)

HAZNET:

Name: MOJAVE OIL CO
Address: 917 E BROADWAY
Address 2: Not reported
City,State,Zip: NEEDLES, CA 923630000
Contact: KEVIN JULLE
Telephone: 5207536328
Mailing Name: Not reported
Mailing Address: PO BOX 3458

Year: 2000
Gepaid: CAC002211401
TSD EPA ID: CAD028409019
CA Waste Code: 241 - Tank bottom waste
Disposal Method: T01 - Treatment, Tank
Tons: 3.336

Additional Info:

Year: 2000
Gen EPA ID: CAC002211401

Shipment Date: 20001031
Creation Date: 1/9/2001 0:00:00
Receipt Date: 20001107
Manifest ID: 20494839
Trans EPA ID: CAR000009423
Trans Name: Not reported
Trans 2 EPA ID: Not reported
Trans 2 Name: Not reported
TSD EPA ID: CAD028409019
Trans Name: Not reported
TSD EPA ID: Not reported
TSD EPA Name: Not reported
Waste Code Description: 241 - Tank bottom waste 251 Still bottoms with halogenated organics
RCRA Code: Not reported
Meth Code: T01 - Treatment, Tank
Quantity Tons: 3.336
Waste Quantity: 800
Quantity Unit: G
Additional Code 1: Not reported
Additional Code 2: Not reported
Additional Code 3: Not reported
Additional Code 4: Not reported
Additional Code 5: Not reported

HWTS:

Name: MOJAVE OIL CO
Address: 917 E BROADWAY
Address 2: Not reported
City,State,Zip: NEEDLES, CA 92363
EPA ID: CAC002211401
Inactive Date: 06/11/2001
Create Date: 10/23/2000

Map ID
 Direction
 Distance
 Elevation

MAP FINDINGS

Site

Database(s)

EDR ID Number
 EPA ID Number

SHELL FOOD MART (Continued)

S112904181

Last Act Date:	Not reported
Mailing Name:	Not reported
Mailing Address:	PO BOX 3458
Mailing Address 2:	Not reported
Mailing City,State,Zip:	KINGMAN, AZ 864020000
Owner Name:	MOJAVE OIL CO
Owner Address:	PO BOX 3458
Owner Address 2:	Not reported
Owner City,State,Zip:	KINGMAN, AZ 864020000
Contact Name:	KEVIN JULLE
Contact Address:	PO BOX 3458
Contact Address 2:	Not reported
City,State,Zip:	KINGMAN, AZ 864020000
Facility Status:	Inactive
Facility Type:	TEMPORARY
Category:	STATE
Latitude:	34.822856
Longitude:	-114.597468

CY750 **MOHAVE OIL COMPANY**
Target **917 E. BROADWAY**
Property **NEEDLES, CA 92363**

FINDS **1023358247**
N/A

Site 22 of 42 in cluster CY

Actual: **FINDS:**
543 ft. Registry ID: 110066551984

Focus Map:
11 [Click Here for FRS Facility Detail Report:](#)

Environmental Interest/Information System:
 STATE MASTER

[Click this hyperlink](#) while viewing on your computer to access
 additional FINDS: detail in the EDR Site Report.

CY751 **MOHAVE OIL COMPANY**
Target **917 E BROADWAY ST**
Property **NEEDLES, CA 92363**

EDR Hist Auto **1022250646**
N/A

Site 23 of 42 in cluster CY

Actual: EDR Hist Auto
543 ft.

Focus Map:	Year:	Name:	Type:
11	1991	MOHAVE OIL COMPANY	Gasoline Service Stations, NEC
	1992	MOHAVE OIL COMPANY	Gasoline Service Stations, NEC
	1993	MOHAVE OIL COMPANY	Gasoline Service Stations, NEC
	1994	MOHAVE OIL COMPANY	Gasoline Service Stations, NEC
	1995	MOHAVE OIL COMPANY	Gasoline Service Stations, NEC
	1996	MOHAVE OIL COMPANY	Gasoline Service Stations, NEC
	1997	MOHAVE OIL COMPANY	Gasoline Service Stations, NEC
	1998	ANBARDAN SHELL STATION	Gasoline Service Stations

Map ID
Direction
Distance
Elevation

MAP FINDINGS

Site

Database(s) EDR ID Number
EPA ID Number

CY752 LD EXPRESS
Target 916 E BROADWAY
Property NEEDLES, CA 92363

UST U004263797
N/A

Site 24 of 42 in cluster CY

Actual: UST:
540 ft. Name: LD EXPRESS
Focus Map: Address: 916 E BROADWAY
11 City,State,Zip: NEEDLES, CA 92363
Facility ID: FA0003907
Permitting Agency: San Bernardino County Fire Department
CERSID: 10040536
Latitude: 34.826195
Longitude: -114.595642

CY753 I 40 TEXACO
Target 916 EAST BROADWAY
Property NEEDLES, CA

RGA LUST S114634622
N/A

Site 25 of 42 in cluster CY

Actual: RGA LUST:
540 ft. Name: I 40 TEXACO
Focus Map: Address: 916 EAST BROADWAY
11 City: NEEDLES
State: NEEDLES
2007 I 40 TEXACO 916 EAST BROADWAY
Name: I 40 TEXACO
Address: 916 EAST BROADWAY
City: NEEDLES
State: NEEDLES
2006 I 40 TEXACO 916 EAST BROADWAY
Name: I 40 TEXACO
Address: 916 EAST BROADWAY
City: NEEDLES
State: NEEDLES
2005 I 40 TEXACO 916 EAST BROADWAY
Name: I 40 TEXACO
Address: 916 EAST BROADWAY
City: NEEDLES
State: NEEDLES
2003 I 40 TEXACO 916 EAST BROADWAY
Name: I 40 TEXACO
Address: 916 EAST BROADWAY
City: NEEDLES
State: NEEDLES
2002 I 40 TEXACO 916 EAST BROADWAY
Name: I 40 TEXACO
Address: 916 EAST BROADWAY
City: NEEDLES
State: NEEDLES
2001 I 40 TEXACO 916 EAST BROADWAY

Map ID
Direction
Distance
Elevation

MAP FINDINGS

Site

Database(s) EDR ID Number
EPA ID Number

CY754 I-40 TEXACO
Target 916 EAST BROADWAY
Property NEEDLES, CA

RGA LUST S114634636
N/A

Site 26 of 42 in cluster CY

Actual: RGA LUST:
540 ft. Name: I-40 TEXACO
Focus Map: Address: 916 EAST BROADWAY
11 City: NEEDLES
State: NEEDLES
2012 I-40 TEXACO 916 EAST BROADWAY
Name: I-40 TEXACO
Address: 916 EAST BROADWAY
City: NEEDLES
State: NEEDLES
2011 I-40 TEXACO 916 EAST BROADWAY
Name: I-40 TEXACO
Address: 916 EAST BROADWAY
City: NEEDLES
State: NEEDLES
2010 I-40 TEXACO 916 EAST BROADWAY
Name: I-40 TEXACO
Address: 916 EAST BROADWAY
City: NEEDLES
State: NEEDLES
2009 I-40 TEXACO 916 EAST BROADWAY
Name: I-40 TEXACO
Address: 916 EAST BROADWAY
City: NEEDLES
State: NEEDLES
2008 I-40 TEXACO 916 EAST BROADWAY
Name: I-40 TEXACO
Address: 916 EAST BROADWAY
City: NEEDLES
State: NEEDLES
2000 I-40 TEXACO 916 EAST BROADWAY

CY755 EASTSIDE SHELL
Target 916 E BROADWAY
Property NEEDLES, CA 92363

EMI S113126579
HAZNET N/A
HWTS

Site 27 of 42 in cluster CY

Actual: EMI:
540 ft. Name: EASTSIDE SHELL
Focus Map: Address: 916 E BROADWAY
11 City,State,Zip: NEEDLES, CA 92365
Year: 2014
County Code: 36
Air Basin: MD
Facility ID: 105400831
Air District Name: MOJ
SIC Code: 5541
Air District Name: MOJAVE DESERT AQMD
Community Health Air Pollution Info System: Not reported
Consolidated Emission Reporting Rule: Not reported
Total Organic Hydrocarbon Gases Tons/Yr: 0.075004911
Reactive Organic Gases Tons/Yr: 0.075004911
Carbon Monoxide Emissions Tons/Yr: 0

Map ID
Direction
Distance
Elevation

MAP FINDINGS

Site

Database(s)

EDR ID Number
EPA ID Number

EASTSIDE SHELL (Continued)

S113126579

NOX - Oxides of Nitrogen Tons/Yr: 0
SOX - Oxides of Sulphur Tons/Yr: 0
Particulate Matter Tons/Yr: 0
Part. Matter 10 Micrometers and Smlr Tons/Yr:0

Name: EASTSIDE SHELL
Address: 916 E BROADWAY
City,State,Zip: NEEDLES, CA 92365
Year: 2015
County Code: 36
Air Basin: MD
Facility ID: 105400831
Air District Name: MOJ
SIC Code: 5541
Air District Name: MOJAVE DESERT AQMD
Community Health Air Pollution Info System: Not reported
Consolidated Emission Reporting Rule: Not reported
Total Organic Hydrocarbon Gases Tons/Yr: 0.070888596
Reactive Organic Gases Tons/Yr: 0.070888596
Carbon Monoxide Emissions Tons/Yr: 0
NOX - Oxides of Nitrogen Tons/Yr: 0
SOX - Oxides of Sulphur Tons/Yr: 0
Particulate Matter Tons/Yr: 0
Part. Matter 10 Micrometers and Smlr Tons/Yr:0

Name: EASTSIDE SHELL
Address: 916 E BROADWAY
City,State,Zip: NEEDLES, CA 92365
Year: 2016
County Code: 36
Air Basin: MD
Facility ID: 105400831
Air District Name: MOJ
SIC Code: 5541
Air District Name: MOJAVE DESERT AQMD
Community Health Air Pollution Info System: Not reported
Consolidated Emission Reporting Rule: Not reported
Total Organic Hydrocarbon Gases Tons/Yr: 0.070888596
Reactive Organic Gases Tons/Yr: 0.070888596
Carbon Monoxide Emissions Tons/Yr: Not reported
NOX - Oxides of Nitrogen Tons/Yr: Not reported
SOX - Oxides of Sulphur Tons/Yr: Not reported
Particulate Matter Tons/Yr: Not reported
Part. Matter 10 Micrometers and Smlr Tons/Yr:Not reported

Name: EASTSIDE SHELL
Address: 916 E BROADWAY
City,State,Zip: NEEDLES, CA 92365
Year: 2017
County Code: 36
Air Basin: MD
Facility ID: 229800831
Air District Name: MOJ
SIC Code: 5541
Air District Name: MOJAVE DESERT AQMD
Community Health Air Pollution Info System: Not reported
Consolidated Emission Reporting Rule: Not reported

Map ID
Direction
Distance
Elevation

MAP FINDINGS

Site

Database(s)

EDR ID Number
EPA ID Number

EASTSIDE SHELL (Continued)

S113126579

Total Organic Hydrocarbon Gases Tons/Yr: 0.086424916
Reactive Organic Gases Tons/Yr: 0.086424916
Carbon Monoxide Emissions Tons/Yr: Not reported
NOX - Oxides of Nitrogen Tons/Yr: Not reported
SOX - Oxides of Sulphur Tons/Yr: Not reported
Particulate Matter Tons/Yr: Not reported
Part. Matter 10 Micrometers and Smlr Tons/Yr: Not reported

Name: EASTSIDE SHELL
Address: 916 E BROADWAY
City,State,Zip: NEEDLES, CA 92365
Year: 2018
County Code: 36
Air Basin: MD
Facility ID: 831
Air District Name: MOJ
SIC Code: 5541
Air District Name: MOJAVE DESERT AQMD
Community Health Air Pollution Info System: Not reported
Consolidated Emission Reporting Rule: Not reported
Total Organic Hydrocarbon Gases Tons/Yr: 0.08
Reactive Organic Gases Tons/Yr: 0.08
Carbon Monoxide Emissions Tons/Yr: Not reported
NOX - Oxides of Nitrogen Tons/Yr: Not reported
SOX - Oxides of Sulphur Tons/Yr: Not reported
Particulate Matter Tons/Yr: Not reported
Part. Matter 10 Micrometers and Smlr Tons/Yr: Not reported

Name: EASTSIDE SHELL
Address: 916 E BROADWAY
City,State,Zip: NEEDLES, CA 92363
Year: 2019
County Code: 36
Air Basin: MD
Facility ID: 831
Air District Name: MOJ
SIC Code: 5541
Air District Name: MOJAVE DESERT AQMD
Community Health Air Pollution Info System: Not reported
Consolidated Emission Reporting Rule: Not reported
Total Organic Hydrocarbon Gases Tons/Yr: 0.068
Reactive Organic Gases Tons/Yr: 0.068
Carbon Monoxide Emissions Tons/Yr: Not reported
NOX - Oxides of Nitrogen Tons/Yr: Not reported
SOX - Oxides of Sulphur Tons/Yr: Not reported
Particulate Matter Tons/Yr: Not reported
Part. Matter 10 Micrometers and Smlr Tons/Yr: Not reported

HAZNET:

Name: TEXMO
Address: 916 E BROADWAY
Address 2: Not reported
City,State,Zip: NEEDLES, CA 864010000
Contact: DAVID HOWARD/ CONSLT /ASSOC GE
Telephone: 9287533363
Mailing Name: Not reported
Mailing Address: 2950 EAST ANDY DEVINE

Map ID
Direction
Distance
Elevation

MAP FINDINGS

Site

Database(s)

EDR ID Number
EPA ID Number

EASTSIDE SHELL (Continued)

S113126579

Year: 2018
Gepaid: CAL000270609
TSD EPA ID: CAD008252405
CA Waste Code: 133 - Aqueous solution with total organic residues 10 percent or more
Disposal Method: H061 - Fuel Blending Prior To Energy Recovery At Another Site
Tons: 0.12510

Year: 2003
Gepaid: CAL000270609
TSD EPA ID: CAD028409019
CA Waste Code: 241 - Tank bottom waste
Disposal Method: T01 - Treatment, Tank
Tons: 11.4675

Additional Info:

Year: 2003
Gen EPA ID: CAL000270609

Shipment Date: 20031013
Creation Date: 8/3/2004 15:00:31
Receipt Date: 20031014
Manifest ID: 21145681
Trans EPA ID: CAR000009423
Trans Name: ABLE ENVIRONMENTAL
Trans 2 EPA ID: Not reported
Trans 2 Name: Not reported
TSD EPA ID: CAD028409019
Trans Name: CROSBY AND OVERTON
TSD Alt EPA ID: CAD028409019
TSD Alt Name: Not reported
Waste Code Description: 241 - Tank bottom waste 251 Still bottoms with halogenated organics
RCRA Code: Not reported
Meth Code: T01 - Treatment, Tank
Quantity Tons: 11.4675
Waste Quantity: 2750
Quantity Unit: G
Additional Code 1: Not reported
Additional Code 2: Not reported
Additional Code 3: Not reported
Additional Code 4: Not reported
Additional Code 5: Not reported

HWTS:

Name: TEXMO
Address: 916 E BROADWAY
Address 2: Not reported
City,State,Zip: NEEDLES, CA 92363
EPA ID: CAL000270609
Inactive Date: 06/30/2004
Create Date: 05/20/2003
Last Act Date: Not reported
Mailing Name: Not reported
Mailing Address: 2950 EAST ANDY DEVINE
Mailing Address 2: Not reported
Mailing City,State,Zip: KINGMAN, AZ 864010000

Map ID
Direction
Distance
Elevation

MAP FINDINGS

Site

Database(s)

EDR ID Number
EPA ID Number

EASTSIDE SHELL (Continued)

S113126579

Owner Name: DON GORRA
Owner Address: 2950 EAST ANDY DEVINE
Owner Address 2: Not reported
Owner City,State,Zip: KINGMAN, AZ 864010000
Contact Name: DAVID HOWARD/ CONSLT /ASSOC GE
Contact Address: 2950 EAST ANDY DEVINE
Contact Address 2: Not reported
City,State,Zip: KINGMAN, AZ 864010000
Facility Status: Inactive
Facility Type: PERMANENT
Category: STATE
Latitude: 34.822856
Longitude: -114.597468

NAICS:

EPA ID: CAL000270609
Create Date: 2003-05-20 08:27:59.310
NAICS Code: 44719
NAICS Description: Other Gasoline Stations
Issued EPA ID Date: 2003-05-20 08:27:59.23300
Inactive Date: 2004-06-30 15:01:00
Facility Name: TEXMO
Facility Address: 916 E BROADWAY
Facility Address 2: Not reported
Facility City: NEEDLES
Facility County: Not reported
Facility State: CA
Facility Zip: 923630000

CY756 LD EXPRESS
Target 916 E BROADWAY
Property NEEDLES, CA 92363

CERS HAZ WASTE S102043701
CERS TANKS N/A
San Bern. Co. Permit
CERS

Site 28 of 42 in cluster CY

Actual: 540 ft. CERS HAZ WASTE:
Focus Map: 11 Name: LD EXPRESS
Address: 916 E BROADWAY
City,State,Zip: NEEDLES, CA 92363
Site ID: 396371
CERS ID: 10040536
CERS Description: Hazardous Waste Generator

CERS TANKS:
Name: LD EXPRESS
Address: 916 E BROADWAY
City,State,Zip: NEEDLES, CA 92363
Site ID: 396371
CERS ID: 10040536
CERS Description: Underground Storage Tank

San Bern. Co. Permit:
Name: LD EXPRESS
Address: 916 E BROADWAY
City,State,Zip: NEEDLES, CA 92363
Region: SAN BERNARDINO

Map ID
Direction
Distance
Elevation

MAP FINDINGS

Site

Database(s)

EDR ID Number
EPA ID Number

LD EXPRESS (Continued)

S102043701

Facility ID: FA0003907
Owner: Jason Boatner
Permit Number: PT0004406
Permit Category: HAZMAT HANDLER, UST ONLY - PER YEAR
Facility Status: ACTIVE
Expiration Date: 10/31/2022

Name: LD EXPRESS
Address: 916 E BROADWAY
City,State,Zip: NEEDLES, CA 92363
Region: SAN BERNARDINO
Facility ID: FA0003907
Owner: Jason Boatner
Permit Number: PT0014561
Permit Category: WASTE INCIDENTAL UST OPERATION ONLY -PER YEAR
Facility Status: ACTIVE
Expiration Date: 10/31/2022

Name: LD EXPRESS
Address: 916 E BROADWAY
City,State,Zip: NEEDLES, CA 92363
Region: SAN BERNARDINO
Facility ID: FA0003907
Owner: Jason Boatner
Permit Number: PT0010920
Permit Category: REGULAR UST ANNUAL INSPECTION (PER TANK)
Facility Status: ACTIVE
Expiration Date: 10/31/2022

Name: LD EXPRESS
Address: 916 E BROADWAY
City,State,Zip: NEEDLES, CA 92363
Region: SAN BERNARDINO
Facility ID: FA0003907
Owner: Jason Boatner
Permit Number: PT0010921
Permit Category: REGULAR UST ANNUAL INSPECTION (PER TANK)
Facility Status: ACTIVE
Expiration Date: 10/31/2022

Name: LD EXPRESS
Address: 916 E BROADWAY
City,State,Zip: NEEDLES, CA 92363
Region: SAN BERNARDINO
Facility ID: FA0003907
Owner: Jason Boatner
Permit Number: PT0010922
Permit Category: REGULAR UST ANNUAL INSPECTION (PER TANK)
Facility Status: ACTIVE
Expiration Date: 10/31/2022

CERS:

Name: LD EXPRESS
Address: 916 E BROADWAY
City,State,Zip: NEEDLES, CA 92363
Site ID: 396371
CERS ID: 10040536

Map ID
Direction
Distance
Elevation

MAP FINDINGS

Site

Database(s)

EDR ID Number
EPA ID Number

LD EXPRESS (Continued)

S102043701

CERS Description: Chemical Storage Facilities

Violations:

Site ID: 396371

Site Name: LD EXPRESS

Violation Date: 04-01-2015

Citation: HSC 6.75 25299.30-25299.34 - California Health and Safety Code, Chapter 6.75, Section(s) 25299.30-25299.34

Violation Description: Failure to submit and maintain complete and current Certification of Financial Responsibility or other mechanism of financial assurance.

Violation Notes: Returned to compliance on 06/16/2015. AS OF JANUARY 1, 2014 ALL UST FACILITIES MUST SUBMIT ALL UST DOCUMENTS ON LINE INTO THE CALIFORNIA ENVIRONMENTAL REPORTING SYSTEM (CERS) INCLUDING BUT NOT LIMITED TO UST MONITORING/RESPONSE PLAN, UST TANK APPLICATION WITH TANK FORMS, OWNER/OPERATOR AGREEMENT, UST D.O. STATEMENT, AND EVIDENCE OF FINANCIAL RESPONSIBILITY FOR UST SYSTEM. PREPARE AND SUBMIT UST EVIDENCE OF FINANCIAL RESPONSIBILITY TO THIS DEPARTMENT ON LINE THROUGH CERS WITHIN 30 DAYS. THIS IS A REPEATED VIOLATION NOTED ON THE PREVIOUS INSPECTION REPORT DATED 4/3/2014 AND IS NOW CLASS 2 VIOLATIONS.

Violation Division: San Bernardino County Fire Department

Violation Program: UST

Violation Source: CERS,

Site ID: 396371

Site Name: LD EXPRESS

Violation Date: 03-26-2019

Citation: 23 CCR 16 2715(a)(2) - California Code of Regulations, Title 23, Chapter 16, Section(s) 2715(a)(2)

Violation Description: Failure to submit the Underground Storage Tank Statement of Understanding and Compliance Form.

Violation Notes: Returned to compliance on 03/10/2020. OBSERVATION: Owner/operator failed to submit the Underground Storage Tank Statement of Understanding and Compliance Form via CERS. CORRECTIVE ACTION: Submit the Underground Storage Tank Statement of Understanding and Compliance Form via CERS and re-submit all UST documents within 30 days.

Violation Division: San Bernardino County Fire Department

Violation Program: UST

Violation Source: CERS,

Site ID: 396371

Site Name: LD EXPRESS

Violation Date: 03-26-2021

Citation: 23 CCR 16 2641(j) - California Code of Regulations, Title 23, Chapter 16, Section(s) 2641(j)

Violation Description: Failure of the leak detection equipment to be installed, calibrated, operated, and/or maintained properly.

Violation Notes: Returned to compliance on 10/22/2021. OBSERVATION: DURING THE INSPECTION, THE DIESEL ANNULAR SENSOR FAILED TO OPERATE. COMPLIANCE REQUIREMENT: SUBMIT A COPY OF THE WORK ORDER DOCUMENTING THE REPLACEMENT AND PROPER FUNCTIONALITY OF THE DIESEL ANNULAR SENSOR.

Violation Division: San Bernardino County Fire Department

Violation Program: UST

Violation Source: CERS,

Site ID: 396371

Site Name: LD EXPRESS

Violation Date: 04-03-2014

Map ID
Direction
Distance
Elevation

MAP FINDINGS

Site

Database(s)

EDR ID Number
EPA ID Number

LD EXPRESS (Continued)

S102043701

Citation: HSC 6.7 25286(a) - California Health and Safety Code, Chapter 6.7, Section(s) 25286(a)

Violation Description: Failure to prepare, maintain, and submit accurate CUPA UST Operating Permit Application for Facility information and/or Tank information.

Violation Notes: Returned to compliance on 06/16/2015. AS OF JANUARY 1, 2014 ALL UST FACILITIES MUST SUBMIT ALL UST DOCUMENTS ON LINE INTO THE CALIFORNIA ENVIRONMENTAL REPORTING SYSTEM (CERS) INCLUDING BUT NOT LIMITED TO UST MONITORING/RESPONSE PLAN, UST TANK APPLICATION WITH TANK FORMS, OWNER/OPERATOR AGREEMENT, UST D.O. STATEMENT, AND EVIDENCE OF FINANCIAL RESPONSIBILITY FOR UST SYSTEM. PREPARE AND SUBMIT UST PERMIT APPLICATION WITH TANK FORMS TO THIS DEPARTMENT ON LINE THROUGH CERS WITHIN 30 DAYS.

Violation Division: San Bernardino County Fire Department

Violation Program: UST

Violation Source: CERS,

Site ID: 396371

Site Name: LD EXPRESS

Violation Date: 03-26-2019

Citation: HSC 6.7 25284, 25286 - California Health and Safety Code, Chapter 6.7, Section(s) 25284, 25286

Violation Description: Failure to submit a complete and accurate application for a permit to operate a UST, or for renewal of the permit.

Violation Notes: Returned to compliance on 03/10/2020. OBSERVATION: The tank information submitted via CERS is not accurate. CORRECTIVE ACTION: Please update the tank installation dates for all your tanks to be 08/17/1999 and re-submit all UST documents via CERS within 30 days.

Violation Division: San Bernardino County Fire Department

Violation Program: UST

Violation Source: CERS,

Site ID: 396371

Site Name: LD EXPRESS

Violation Date: 04-01-2015

Citation: HSC 6.95 Multiple - California Health and Safety Code, Chapter 6.95, Section(s) Multiple

Violation Description: Business Plan Program - Administration/Documentation - General

Violation Notes: Returned to compliance on 06/16/2015. Failure to obtain a CUPA Hazardous Materials Handler permit (SBCC 23.0602(a)) COMPLETE FACILITY HAZARDOUS MATERIALS BUSINESS PLAN (HMBP) HAS NOT BEEN SUBMITTED ON LIINE IN CERS TO DATE. FACILITY HMBP ON LINE IN CERS WAS INCOMPLETE. COMPLETE FACILITY HMBP ON LINE IN CERS WITHIN 30 DAYS. THIS IS A REPEATED VIOLATION NOTED ON THE PREVIOUS INSPECTION REPORT DATED 4/3/2014 AND IS NOW CLASS 2 VIOLATIONS.

Violation Division: San Bernardino County Fire Department

Violation Program: HMRRP

Violation Source: CERS,

Site ID: 396371

Site Name: LD EXPRESS

Violation Date: 04-03-2014

Citation: 23 CCR 16 2712(i) - California Code of Regulations, Title 23, Chapter 16, Section(s) 2712(i)

Violation Description: Failure to submit, obtain approval, or maintain a complete/accurate response plan.

Violation Notes: Returned to compliance on 06/16/2015. AS OF JANUARY 1, 2014 ALL UST FACILITIES MUST SUBMIT ALL UST DOCUMENTS ON LINE INTO THE CALIFORNIA

Map ID
Direction
Distance
Elevation

MAP FINDINGS

Site

Database(s)

EDR ID Number
EPA ID Number

LD EXPRESS (Continued)

S102043701

ENVIRONMENTAL REPORTING SYSTEM (CERS) INCLUDING BUT NOT LIMITED TO UST MONITORING/RESPONSE PLAN, UST TANK APPLICATION WITH TANK FORMS, OWNER/OPERATOR AGREEMENT, UST D.O. STATEMENT, AND EVIDENCE OF FINANCIAL RESPONSIBILITY FOR UST SYSTEM. PREPARE AND SUBMIT UST MONITORING/RESPONSE PLANS TO THIS DEPARTMENT ON LINE THROUGH CERS WITHIN 30 DAYS.

Violation Division: San Bernardino County Fire Department
Violation Program: UST
Violation Source: CERS,

Site ID: 396371
Site Name: LD EXPRESS
Violation Date: 04-03-2014
Citation: HSC 6.7 Multiple Sections - California Health and Safety Code, Chapter 6.7, Section(s) Multiple Sections

Violation Description: UST Program - Administration/Documentation - General
Violation Notes: Returned to compliance on 06/16/2015. Failure to submit a signed Designated UST Operator Statement (23 CCR 2715(a)) AS OF JANUARY 1, 2014 ALL UST FACILITIES MUST SUBMIT ALL UST DOCUMENTS ON LINE INTO THE CALIFORNIA ENVIRONMENTAL REPORTING SYSTEM (CERS) INCLUDING BUT NOT LIMITED TO UST MONITORING/RESPONSE PLAN, UST TANK APPLICATION WITH TANK FORMS, OWNER/OPERATOR AGREEMENT, UST D.O. STATEMENT, AND EVIDENCE OF FINANCIAL RESPONSIBILITY FOR UST SYSTEM. PREPARE AND SUBMIT SIGNED UST DESIGNATED OPERATOR STATEMENT TO THIS DEPARTMENT ON LINE THROUGH CERS WITHIN 30 DAYS.

Violation Division: San Bernardino County Fire Department
Violation Program: UST
Violation Source: CERS,

Site ID: 396371
Site Name: LD EXPRESS
Violation Date: 04-01-2015
Citation: HSC 6.7 25286(a) - California Health and Safety Code, Chapter 6.7, Section(s) 25286(a)

Violation Description: Failure to submit an complete and accurate application for a permit to operate an underground storage tank, or for renewal of the permit.
Violation Notes: Returned to compliance on 06/16/2015. AS OF JANUARY 1, 2014 ALL UST FACILITIES MUST SUBMIT ALL UST DOCUMENTS ON LINE INTO THE CALIFORNIA ENVIRONMENTAL REPORTING SYSTEM (CERS) INCLUDING BUT NOT LIMITED TO UST MONITORING/RESPONSE PLAN, UST TANK APPLICATION WITH TANK FORMS, OWNER/OPERATOR AGREEMENT, UST D.O. STATEMENT, AND EVIDENCE OF FINANCIAL RESPONSIBILITY FOR UST SYSTEM. PREPARE AND SUBMIT UST PERMIT APPLICATION WITH TANK FORMS TO THIS DEPARTMENT ON LINE THROUGH CERS WITHIN 30 DAYS. THIS IS A REPEATED VIOLATION NOTED ON THE PREVIOUS INSPECTION REPORT DATED 4/3/2014 AND IS NOW CLASS 2 VIOLATIONS.

Violation Division: San Bernardino County Fire Department
Violation Program: UST
Violation Source: CERS,

Site ID: 396371
Site Name: LD EXPRESS
Violation Date: 04-03-2014
Citation: HSC 6.95 25505(a) - California Health and Safety Code, Chapter 6.95, Section(s) 25505(a)

Violation Description: Owner/Operator failed to complete and/or submit a Hazardous Materials Business Plan when storing hazardous materials at or above the thresholds quantities of 55 gallons/500 lbs/200 cubic feet.

Map ID
Direction
Distance
Elevation

MAP FINDINGS

Site

Database(s)

EDR ID Number
EPA ID Number

LD EXPRESS (Continued)

S102043701

Violation Notes: Returned to compliance on 06/16/2015. COMPLETE FACILITY HMBP HAS NOT BEEN SUBMITTED ON LIINE IN CERS TO DATE. FACILITY HMBP ON LINE IN CERS WAS INCOMPLETE. COMPLETE FACILITY HMBP ON LINE IN CERS WITHIN 30 DAYS.

Violation Division: San Bernardino County Fire Department
Violation Program: HMRRP
Violation Source: CERS,

Site ID: 396371
Site Name: LD EXPRESS
Violation Date: 04-01-2015
Citation: HSC 6.5 Multiple Sections - California Health and Safety Code, Chapter 6.5, Section(s) Multiple Sections

Violation Description: Haz Waste Generator Program - Operations/Maintenance - General
Violation Notes: Returned to compliance on 03/23/2017. Failure to keep hazardous waste containers closed when not in active use (CCR 66265.173(a)) WASTE OIL/WASTE COOLANT CONTAINERS MAINTAINED OPEN. MAINTAIN WASTE CONTAINERS CLOSED AT ALL TIMES BETWEEN ADDING AND REMOVING WASTE. 4/3/17 PAST VIOLATION WAS OBSERVED CORRECTED ON THIS DATE PSAAVEDRA

Violation Division: San Bernardino County Fire Department
Violation Program: HW
Violation Source: CERS,

Site ID: 396371
Site Name: LD EXPRESS
Violation Date: 04-01-2015
Citation: HSC 6.5 Multiple - California Health and Safety Code, Chapter 6.5, Section(s) Multiple

Violation Description: Haz Waste Generator Program - Administration/Documentation - General
Violation Notes: Returned to compliance on 04/08/2015. Failure to obtain an EPA ID Number (CCR 66262.12(a)) EPA ID#CAL000342271 WAS INACTIVE WHEN VERIFIED THROUGH THE DTSC WEBSITE. OBTAIN ACTIVE EPA ID# FOR FACILITY AND SUBMIT DOCUMENTATION TO THIS DEPARTMENT WITHIN 30 DAYS.

Violation Division: San Bernardino County Fire Department
Violation Program: HW
Violation Source: CERS,

Site ID: 396371
Site Name: LD EXPRESS
Violation Date: 04-01-2015
Citation: Un-Specified

Violation Description: UST Program - Administration/Documentation - For use of Local Ordinance only

Violation Notes: Returned to compliance on 06/16/2015. Failure to submit a signed Designated UST Operator Statement (23 CCR 2715(a)) AS OF JANUARY 1, 2014 ALL UST FACILITIES MUST SUBMIT ALL UST DOCUMENTS ON LINE INTO THE CALIFORNIA ENVIRONMENTAL REPORTING SYSTEM (CERS) INCLUDING BUT NOT LIMITED TO UST MONITORING/RESPONSE PLAN, UST TANK APPLICATION WITH TANK FORMS, OWNER/OPERATOR AGREEMENT, UST D.O. STATEMENT, AND EVIDENCE OF FINANCIAL RESPONSIBILITY FOR UST SYSTEM. PREPARE AND SUBMIT SIGNED UST DESIGNATED OPERATOR STATEMENT TO THIS DEPARTMENT ON LINE THROUGH CERS WITHIN 30 DAYS. THIS IS A REPEATED VIOLATION NOTED ON THE PREVIOUS INSPECTION REPORT DATED 4/3/2014 AND IS NOW CLASS 2 VIOLATIONS.

Violation Division: San Bernardino County Fire Department
Violation Program: UST
Violation Source: CERS,

Map ID
Direction
Distance
Elevation

MAP FINDINGS

Site

Database(s)

EDR ID Number
EPA ID Number

LD EXPRESS (Continued)

S102043701

Site ID: 396371
Site Name: LD EXPRESS
Violation Date: 03-31-2016
Citation: HSC 6.7 25286(a) - California Health and Safety Code, Chapter 6.7, Section(s) 25286(a)
Violation Description: Failure to submit an complete and accurate application for a permit to operate an underground storage tank, or for renewal of the permit.
Violation Notes: Returned to compliance on 04/05/2016. OBSERVATION:The information listed in CERS states that the 3 USTs were equipped with an external audio/ visual overfill alarm. However, no external overfill alarm was observed. COMPLIANCE REQUIREMENT: Update the CERS with correct UST information.
Violation Division: San Bernardino County Fire Department
Violation Program: UST
Violation Source: CERS,

Site ID: 396371
Site Name: LD EXPRESS
Violation Date: 03-23-2017
Citation: HSC 6.7 Multiple - California Health and Safety Code, Chapter 6.7, Section(s) Multiple
Violation Description: UST Program - Administration/Documentation - General - Must include violation description, proper statute and regulation citation in the "comment" section.
Violation Notes: Returned to compliance on 03/24/2017. Failure to have a written monitoring program with monitoring procedures and response plan (CHSC 25286(a)) OBSERVED UST INSTALLATION DATES NOT LISTED ON CERS SUBMITTAL. OBSERVED INCORRECT ANNULAR SENSOR IDENTIFIED FOR DIESEL UST. COMPLIANCE REQUIREMENT: UPDATE CERS TO REFLECT CORRECT UST INSTALLATION DATES AND DIESEL ANNULAR SENSOR. SUBMIT A SIGNED CERTIFICATE OF COMPLIANCE WITHIN 30 DAYS. 4/3/17 CERS UPDATED 3/24/17 VIOLATIONS CORRECTED PSAAVEDRA
Violation Division: San Bernardino County Fire Department
Violation Program: UST
Violation Source: CERS,

Site ID: 396371
Site Name: LD EXPRESS
Violation Date: 03-26-2021
Citation: HSC 6.7 25292(e) - California Health and Safety Code, Chapter 6.7, Section(s) 25292(e)
Violation Description: Failure to install a line leak detector (LLD).
Violation Notes: Returned to compliance on 10/22/2021. OBSERVATION- DURING THE INSPECTION, THE CONTRACTOR WAS UNABLE TO CONNECT THE LINE LEAK DETECTOR DEVICE TO THE 87, 91 & DIESEL SHEAR VALVE, DUE TO THE PLUGS BEING STRIPED. CONTRACTOR STATED HE WILL RETURN TO REMOVE. REPLACE DAMAGED PLUGS. COMPLIANCE REQUIREMENT: SUBMIT DOCUMENTATION TO THIS DEPARTMENT THAT THE 87, 91 & DIESEL LINE LEAK DETECTORS WERE TESTED. INFORM THIS DEPARTMENT OF ANY FAILURES. IF A MECHANICAL LINE LEAK DETECTOR(MLLD) REQUIRES REPLACEMENT, MAKE THE REPAIR AND RETEST. NO PERMIT REQUIRED IF A MLLD IS REPLACED.
Violation Division: San Bernardino County Fire Department
Violation Program: UST
Violation Source: CERS,

Site ID: 396371
Site Name: LD EXPRESS

Map ID
Direction
Distance
Elevation

MAP FINDINGS

Site

Database(s)

EDR ID Number
EPA ID Number

LD EXPRESS (Continued)

S102043701

Violation Date: 03-26-2019
Citation: 23 CCR 16 2636(f)(2) - California Code of Regulations, Title 23, Chapter 16, Section(s) 2636(f)(2)
Violation Description: Failure of the functional line leak detector (LLD) monitoring pressurized piping to meet one or more of the following requirements: Monitored at least hourly with the capability of detecting a release of 3.0 gallons per hour leak at 10 pounds per square inch and restrict or shut off the flow of product through the piping when a leak is detected.
Violation Notes: Returned to compliance on 03/10/2020. OBSERVATION: The mechanical line leak detector on the 91 UST was not functional when tested. CORRECTIVE ACTION: Repair or replace the mechanical line leak detector on the 91 UST system and submit a work order and test results to this agency within 30 days.
Violation Division: San Bernardino County Fire Department
Violation Program: UST
Violation Source: CERS,

Site ID: 396371
Site Name: LD EXPRESS
Violation Date: 04-01-2015
Citation: Un-Specified
Violation Description: UST Program - Administration/Documentation - For use of Local Ordinance only
Violation Notes: Returned to compliance on 06/16/2015. Failure to correct past UST violations within 30 days of receiving a UST inspection report (23CCR 2712(f)) VIOLATIONS #0303, #0315, 0307, AND #0312 ARE REPEATED VIOLATIONS NOTED ON THE PREVIOUS INSPECTION REPORT DATED 4/3/2014 AND ARE NOW CLASS 2 VIOLATIONS.
Violation Division: San Bernardino County Fire Department
Violation Program: UST
Violation Source: CERS,

Site ID: 396371
Site Name: LD EXPRESS
Violation Date: 04-01-2015
Citation: HSC 6.5 Multiple Sections - California Health and Safety Code, Chapter 6.5, Section(s) Multiple Sections
Violation Description: Haz Waste Generator Program - Operations/Maintenance - General
Violation Notes: Returned to compliance on 03/23/2017. Failure to store hazardous waste in sound containers (CCR 66265.171) WASTE OIL AND WASTE COOLANT CONTAINERS DAMAGED. PROVIDE SOUND CONTAINERS TO STORE WASTE OIL AND WASTE COOLANT. 4/3/17 PAST VIOLATION WAS OBSERVED CORRECTED DURING INSPECTION. PSAAVEDRA
Violation Division: San Bernardino County Fire Department
Violation Program: HW
Violation Source: CERS,

Site ID: 396371
Site Name: LD EXPRESS
Violation Date: 04-01-2015
Citation: 23 CCR 16 2712(i) - California Code of Regulations, Title 23, Chapter 16, Section(s) 2712(i)
Violation Description: Failure to submit, obtain approval, or maintain a complete/accurate response plan.
Violation Notes: Returned to compliance on 06/16/2015. AS OF JANUARY 1, 2014 ALL UST FACILITIES MUST SUBMIT ALL UST DOCUMENTS ON LINE INTO THE CALIFORNIA

Map ID
Direction
Distance
Elevation

MAP FINDINGS

Site

Database(s)

EDR ID Number
EPA ID Number

LD EXPRESS (Continued)

S102043701

ENVIRONMENTAL REPORTING SYSTEM (CERS) INCLUDING BUT NOT LIMITED TO UST MONITORING/RESPONSE PLAN, UST TANK APPLICATION WITH TANK FORMS, OWNER/OPERATOR AGREEMENT, UST D.O. STATEMENT, AND EVIDENCE OF FINANCIAL RESPONSIBILITY FOR UST SYSTEM. PREPARE AND SUBMIT UST MONITORING/RESPONSE PLANS TO THIS DEPARTMENT ON LINE THROUGH CERS WITHIN 30 DAYS. THIS IS A REPEATED VIOLATION NOTED ON THE PREVIOUS INSPECTION REPORT DATED 4/3/2014 AND IS NOW CLASS 2 VIOLATIONS.

Violation Division: San Bernardino County Fire Department
Violation Program: UST
Violation Source: CERS,

Site ID: 396371
Site Name: LD EXPRESS
Violation Date: 04-01-2015
Citation: HSC 6.5 Multiple Sections - California Health and Safety Code, Chapter 6.5, Section(s) Multiple Sections

Violation Description: Haz Waste Generator Program - Operations/Maintenance - General
Violation Notes: Returned to compliance on 03/23/2017. Failure to label hazardous waste containers (CCR 66262.34(f)(3)) WASTE OIL/WASTE COOLANT CONTAINERS HAZARDOUS WASTE LABELS DAMAGED AND ILLEGIBLE. MAINTAIN HAZARDOUS WASTE LABELS IN GOOD CONDITION AND LEGIBLE. 3/23/17 PAST VIOLATION WAS OBSERVED CORRECTED ON THIS DATE. PSAAVEDRA

Violation Division: San Bernardino County Fire Department
Violation Program: HW
Violation Source: CERS,

Site ID: 396371
Site Name: LD EXPRESS
Violation Date: 04-03-2014
Citation: HSC 6.75 25299.30-25299.34 - California Health and Safety Code, Chapter 6.75, Section(s) 25299.30-25299.34

Violation Description: Failure to submit and maintain complete and current Certification of Financial Responsibility or other mechanism of financial assurance.
Violation Notes: Returned to compliance on 06/16/2015. AS OF JANUARY 1, 2014 ALL UST FACILITIES MUST SUBMIT ALL UST DOCUMENTS ON LINE INTO THE CALIFORNIA ENVIRONMENTAL REPORTING SYSTEM (CERS) INCLUDING BUT NOT LIMITED TO UST MONITORING/RESPONSE PLAN, UST TANK APPLICATION WITH TANK FORMS, OWNER/OPERATOR AGREEMENT, UST D.O. STATEMENT, AND EVIDENCE OF FINANCIAL RESPONSIBILITY FOR UST SYSTEM. PREPARE AND SUBMIT UST EVIDENCE OF FINANCIAL RESPONSIBILITY TO THIS DEPARTMENT ON LINE THROUGH CERS WITHIN 30 DAYS.

Violation Division: San Bernardino County Fire Department
Violation Program: UST
Violation Source: CERS,

Evaluation:
Eval General Type: Compliance Evaluation Inspection
Eval Date: 03-09-2020
Violations Found: No
Eval Type: Routine done by local agency
Eval Notes: Not reported
Eval Division: San Bernardino County Fire Department
Eval Program: UST
Eval Source: CERS,

Eval General Type: Compliance Evaluation Inspection
Eval Date: 03-26-2019

Map ID
Direction
Distance
Elevation

MAP FINDINGS

Site

Database(s)

EDR ID Number
EPA ID Number

LD EXPRESS (Continued)

S102043701

Violations Found:	Yes
Eval Type:	Routine done by local agency
Eval Notes:	Not reported
Eval Division:	San Bernardino County Fire Department
Eval Program:	UST
Eval Source:	CERS,
Eval General Type:	Compliance Evaluation Inspection
Eval Date:	03-26-2021
Violations Found:	No
Eval Type:	Routine done by local agency
Eval Notes:	UST INSPECTION- SHELL NEEDLES
Eval Division:	San Bernardino County Fire Department
Eval Program:	HMRRP
Eval Source:	CERS,
Eval General Type:	Compliance Evaluation Inspection
Eval Date:	03-23-2017
Violations Found:	Yes
Eval Type:	Routine done by local agency
Eval Notes:	ANNUAL UST INSPECTION AND CERS REVIEW
Eval Division:	San Bernardino County Fire Department
Eval Program:	UST
Eval Source:	CERS,
Eval General Type:	Compliance Evaluation Inspection
Eval Date:	03-27-2018
Violations Found:	No
Eval Type:	Routine done by local agency
Eval Notes:	LD EXPRESS (SHELL(- UST INSPECTION AND UST MONITORING CERTIFICATION
Eval Division:	San Bernardino County Fire Department
Eval Program:	UST
Eval Source:	CERS,
Eval General Type:	Compliance Evaluation Inspection
Eval Date:	03-31-2016
Violations Found:	Yes
Eval Type:	Routine done by local agency
Eval Notes:	LD EXPRESS(SHELL)- UST MONITORING CERTIFICATION
Eval Division:	San Bernardino County Fire Department
Eval Program:	UST
Eval Source:	CERS,
Eval General Type:	Compliance Evaluation Inspection
Eval Date:	04-01-2015
Violations Found:	Yes
Eval Type:	Routine done by local agency
Eval Notes:	UST ANNUAL INSPECTION WITH MONITORING SYSTEM CERTIFICATION.
Eval Division:	San Bernardino County Fire Department
Eval Program:	UST
Eval Source:	CERS,
Eval General Type:	Compliance Evaluation Inspection
Eval Date:	04-01-2015
Violations Found:	Yes
Eval Type:	Routine done by local agency
Eval Notes:	UST HAZARDOUS MATERIALS INSPECTION IN CONJUNCTION WITH UST ANNUAL

Map ID
Direction
Distance
Elevation

MAP FINDINGS

Site

Database(s)

EDR ID Number
EPA ID Number

LD EXPRESS (Continued)

S102043701

INSPECTION.
Eval Division: San Bernardino County Fire Department
Eval Program: HMRRP
Eval Source: CERS,

Eval General Type: Other/Unknown
Eval Date: 08-10-2021
Violations Found: No
Eval Type: Other, not routine, done by local agency
Eval Notes: UST OVERFILL CERTIFICATION- LD EXPRESS- NEEDLES
Eval Division: San Bernardino County Fire Department
Eval Program: UST
Eval Source: CERS,

Eval General Type: Compliance Evaluation Inspection
Eval Date: 04-03-2014
Violations Found: Yes
Eval Type: Routine done by local agency
Eval Notes: HAZ MAT UST ONLY INSPECTION . FACILITY ALSO OPERATES A VEHICLE SERVICE CENTER WHICH WAS NOT TAKEN INTO ACCOUNT FOR THE PERMITS ISSUED.
Eval Division: San Bernardino County Fire Department
Eval Program: HMRRP
Eval Source: CERS,

Eval General Type: Compliance Evaluation Inspection
Eval Date: 04-03-2014
Violations Found: Yes
Eval Type: Routine done by local agency
Eval Notes: UST ANNUAL INSPECTION WITH MONITORING SYSTEM CERTIFICATION.
Eval Division: San Bernardino County Fire Department
Eval Program: UST
Eval Source: CERS,

Eval General Type: Compliance Evaluation Inspection
Eval Date: 03-26-2021
Violations Found: No
Eval Type: Routine done by local agency
Eval Notes: UST WASTE INSPECTION- SHELL NEEDLES
Eval Division: San Bernardino County Fire Department
Eval Program: HW
Eval Source: CERS,

Eval General Type: Compliance Evaluation Inspection
Eval Date: 03-26-2021
Violations Found: Yes
Eval Type: Routine done by local agency
Eval Notes: UST MONITORING CERTIFICATION- SHELL NEEDLES
Eval Division: San Bernardino County Fire Department
Eval Program: UST
Eval Source: CERS,

Eval General Type: Compliance Evaluation Inspection
Eval Date: 04-01-2015
Violations Found: Yes
Eval Type: Routine done by local agency
Eval Notes: HAZARDOUS WASTE INSPECTION - UST ONLY
Eval Division: San Bernardino County Fire Department

Map ID
Direction
Distance
Elevation

MAP FINDINGS

Site

Database(s)

EDR ID Number
EPA ID Number

LD EXPRESS (Continued)

S102043701

Eval Program: HW
Eval Source: CERS,

Eval General Type: Compliance Evaluation Inspection
Eval Date: 11-18-2019
Violations Found: No
Eval Type: Routine done by local agency
Eval Notes: Not reported
Eval Division: San Bernardino County Fire Department
Eval Program: HMRRP
Eval Source: CERS,

Eval General Type: Compliance Evaluation Inspection
Eval Date: 11-18-2019
Violations Found: No
Eval Type: Routine done by local agency
Eval Notes: Not reported
Eval Division: San Bernardino County Fire Department
Eval Program: HW
Eval Source: CERS,

Enforcement Action:

Site ID: 396371
Site Name: LD EXPRESS
Site Address: 916 E BROADWAY
Site City: NEEDLES
Site Zip: 92363
Enf Action Date: 03-23-2017
Enf Action Type: Notice of Violation (Unified Program)
Enf Action Description: Notice of Violation Issued by the Inspector at the Time of Inspection
Enf Action Notes: Not reported
Enf Action Division: San Bernardino County Fire Department
Enf Action Program: UST
Enf Action Source: CERS,

Site ID: 396371
Site Name: LD EXPRESS
Site Address: 916 E BROADWAY
Site City: NEEDLES
Site Zip: 92363
Enf Action Date: 03-31-2016
Enf Action Type: Notice of Violation (Unified Program)
Enf Action Description: Notice of Violation Issued by the Inspector at the Time of Inspection
Enf Action Notes: Not reported
Enf Action Division: San Bernardino County Fire Department
Enf Action Program: UST
Enf Action Source: CERS,

Site ID: 396371
Site Name: LD EXPRESS
Site Address: 916 E BROADWAY
Site City: NEEDLES
Site Zip: 92363
Enf Action Date: 04-01-2015
Enf Action Type: Notice of Violation (Unified Program)
Enf Action Description: Notice of Violation Issued by the Inspector at the Time of Inspection
Enf Action Notes: Not reported

Map ID
Direction
Distance
Elevation

MAP FINDINGS

Site

Database(s)

EDR ID Number
EPA ID Number

LD EXPRESS (Continued)

S102043701

Enf Action Division: San Bernardino County Fire Department
Enf Action Program: HMRRP
Enf Action Source: CERS,

Site ID: 396371
Site Name: LD EXPRESS
Site Address: 916 E BROADWAY
Site City: NEEDLES
Site Zip: 92363
Enf Action Date: 04-01-2015
Enf Action Type: Notice of Violation (Unified Program)
Enf Action Description: Notice of Violation Issued by the Inspector at the Time of Inspection
Enf Action Notes: Not reported
Enf Action Division: San Bernardino County Fire Department
Enf Action Program: HW
Enf Action Source: CERS,

Site ID: 396371
Site Name: LD EXPRESS
Site Address: 916 E BROADWAY
Site City: NEEDLES
Site Zip: 92363
Enf Action Date: 04-01-2015
Enf Action Type: Notice of Violation (Unified Program)
Enf Action Description: Notice of Violation Issued by the Inspector at the Time of Inspection
Enf Action Notes: Not reported
Enf Action Division: San Bernardino County Fire Department
Enf Action Program: UST
Enf Action Source: CERS,

Site ID: 396371
Site Name: LD EXPRESS
Site Address: 916 E BROADWAY
Site City: NEEDLES
Site Zip: 92363
Enf Action Date: 04-03-2014
Enf Action Type: Notice of Violation (Unified Program)
Enf Action Description: Notice of Violation Issued by the Inspector at the Time of Inspection
Enf Action Notes: Not reported
Enf Action Division: San Bernardino County Fire Department
Enf Action Program: HMRRP
Enf Action Source: CERS,

Site ID: 396371
Site Name: LD EXPRESS
Site Address: 916 E BROADWAY
Site City: NEEDLES
Site Zip: 92363
Enf Action Date: 04-03-2014
Enf Action Type: Notice of Violation (Unified Program)
Enf Action Description: Notice of Violation Issued by the Inspector at the Time of Inspection
Enf Action Notes: Not reported
Enf Action Division: San Bernardino County Fire Department
Enf Action Program: UST
Enf Action Source: CERS,

Map ID
Direction
Distance
Elevation

MAP FINDINGS

Site

Database(s)

EDR ID Number
EPA ID Number

LD EXPRESS (Continued)

S102043701

Affiliation:

Affiliation Type Desc: Legal Owner
Entity Name: BOATNER, JASON
Entity Title: Not reported
Affiliation Address: 916 E. Broadway
Affiliation City: Needles
Affiliation State: CA
Affiliation Country: United States
Affiliation Zip: 92363
Affiliation Phone: (760) 326-6735,

Affiliation Type Desc: UST Property Owner Name
Entity Name: Jason Boatner
Entity Title: Not reported
Affiliation Address: 916 E. Broadway
Affiliation City: Needles
Affiliation State: CA
Affiliation Country: United States
Affiliation Zip: 92363
Affiliation Phone: (760) 326-6735,

Affiliation Type Desc: Environmental Contact
Entity Name: JASON BOATNER
Entity Title: Not reported
Affiliation Address: 916 E BROADWAY
Affiliation City: NEEDLES
Affiliation State: CA
Affiliation Country: Not reported
Affiliation Zip: 92363
Affiliation Phone: ,

Affiliation Type Desc: Facility Mailing Address
Entity Name: Mailing Address
Entity Title: Not reported
Affiliation Address: 916 EAST BROADWAY
Affiliation City: NEEDLES
Affiliation State: CA
Affiliation Country: Not reported
Affiliation Zip: 92363
Affiliation Phone: ,

Affiliation Type Desc: Identification Signer
Entity Name: JASON BOATNER
Entity Title: OWNER
Affiliation Address: Not reported
Affiliation City: Not reported
Affiliation State: Not reported
Affiliation Country: Not reported
Affiliation Zip: Not reported
Affiliation Phone: ,

Affiliation Type Desc: Parent Corporation
Entity Name: LD EXPRESS
Entity Title: Not reported
Affiliation Address: Not reported
Affiliation City: Not reported
Affiliation State: Not reported

Map ID
Direction
Distance
Elevation

MAP FINDINGS

Site

Database(s)

EDR ID Number
EPA ID Number

LD EXPRESS (Continued)

S102043701

Affiliation Country: Not reported
Affiliation Zip: Not reported
Affiliation Phone: ,

Affiliation Type Desc: UST Tank Operator
Entity Name: JASON BOATNER
Entity Title: Not reported
Affiliation Address: 916 e broadway
Affiliation City: needles
Affiliation State: ca
Affiliation Country: United States
Affiliation Zip: 92363
Affiliation Phone: (760) 326-6735,

Affiliation Type Desc: CUPA District
Entity Name: San Bernardino County Fire
Entity Title: Not reported
Affiliation Address: 620 South E Street
Affiliation City: San Bernardino
Affiliation State: CA
Affiliation Country: Not reported
Affiliation Zip: 92415-0153
Affiliation Phone: (909) 386-8401,

Affiliation Type Desc: UST Tank Owner
Entity Name: JASON BOATNER
Entity Title: Not reported
Affiliation Address: 916 E. Broadway
Affiliation City: Needles
Affiliation State: CA
Affiliation Country: United States
Affiliation Zip: 92363
Affiliation Phone: (760) 326-6735,

Affiliation Type Desc: Operator
Entity Name: JASON BOATNER
Entity Title: Not reported
Affiliation Address: Not reported
Affiliation City: Not reported
Affiliation State: Not reported
Affiliation Country: Not reported
Affiliation Zip: Not reported
Affiliation Phone: (520) 991-7100,

Affiliation Type Desc: UST Permit Applicant
Entity Name: Jason Boatner
Entity Title: Owner
Affiliation Address: Not reported
Affiliation City: Not reported
Affiliation State: Not reported
Affiliation Country: Not reported
Affiliation Zip: Not reported
Affiliation Phone: (760) 326-6735,

MAP FINDINGS

Map ID
Direction
Distance
Elevation

Site

Database(s)

EDR ID Number
EPA ID Number

CY757 **I-40 TEXACO**
Target **916 BROADWAY**
Property **NEEDLES, CA 92363**

LUST **S105025188**
Cortese **N/A**
HIST CORTESE
CERS

Site 29 of 42 in cluster CY

Actual:
540 ft.
Focus Map:
11

LUST:
Name: I-40 TEXACO
Address: 916 EAST BROADWAY
City,State,Zip: NEEDLES, CA 92363
Lead Agency: COLORADO RIVER BASIN RWQCB (REGION 7)
Case Type: LUST Cleanup Site
Geo Track: http://geotracker.waterboards.ca.gov/profile_report.asp?global_id=T0607101022
Global Id: T0607101022
Latitude: 34.826290961
Longitude: -114.5957656
Status: Completed - Case Closed
Status Date: 06/26/2019
Case Worker: TI
RB Case Number: 7T2363025
Local Agency: SAN BERNARDINO COUNTY
File Location: Local Agency
Local Case Number: 99104
Potential Media Affect: Aquifer used for drinking water supply
Potential Contaminants of Concern: Gasoline, MTBE / TBA / Other Fuel Oxygenates
Site History: Offsite groundwater MTBE persists. Since it is localized near the wells, oxygen release compound has been injected in order to reduce contaminant mass.

LUST:
Global Id: T0607101022
Contact Type: Local Agency Caseworker
Contact Name: JACKSON CRUTSINGER
Organization Name: SAN BERNARDINO COUNTY
Address: 620 SOUTH E STREET
City: SAN BERNARDINO
Email: jcrutsinger@sbcfire.org
Phone Number: Not reported

Global Id: T0607101022
Contact Type: Regional Board Caseworker
Contact Name: THERESA ILLARE
Organization Name: COLORADO RIVER BASIN RWQCB (REGION 7)
Address: 73-720 FRED WARING DR. STE 100
City: PALM DESERT
Email: theresa.illare@waterboards.ca.gov
Phone Number: 7607768971

LUST:
Global Id: T0607101022
Action Type: ENFORCEMENT
Date: 10/03/2003
Action: Technical Correspondence / Assistance / Other

Global Id: T0607101022
Action Type: ENFORCEMENT
Date: 12/30/2002
Action: Technical Correspondence / Assistance / Other

Map ID
Direction
Distance
Elevation

MAP FINDINGS

Site

Database(s)

EDR ID Number
EPA ID Number

I-40 TEXACO (Continued)

S105025188

Global Id: T0607101022
Action Type: ENFORCEMENT
Date: 02/18/2004
Action: Technical Correspondence / Assistance / Other

Global Id: T0607101022
Action Type: ENFORCEMENT
Date: 05/13/2003
Action: Technical Correspondence / Assistance / Other

Global Id: T0607101022
Action Type: ENFORCEMENT
Date: 08/01/2005
Action: File review - #003-101-004

Global Id: T0607101022
Action Type: ENFORCEMENT
Date: 03/04/2003
Action: Technical Correspondence / Assistance / Other

Global Id: T0607101022
Action Type: ENFORCEMENT
Date: 04/27/2004
Action: File review

Global Id: T0607101022
Action Type: ENFORCEMENT
Date: 04/20/2011
Action: Technical Correspondence / Assistance / Other

Global Id: T0607101022
Action Type: ENFORCEMENT
Date: 01/11/2011
Action: Technical Correspondence / Assistance / Other

Global Id: T0607101022
Action Type: ENFORCEMENT
Date: 09/04/2012
Action: Technical Correspondence / Assistance / Other

Global Id: T0607101022
Action Type: ENFORCEMENT
Date: 11/12/2013
Action: Staff Letter

Global Id: T0607101022
Action Type: ENFORCEMENT
Date: 07/27/2018
Action: Deadline Extension

Global Id: T0607101022
Action Type: Other
Date: 08/13/1999
Action: Leak Reported

Global Id: T0607101022
Action Type: RESPONSE

Map ID
Direction
Distance
Elevation

MAP FINDINGS

Site

Database(s)

EDR ID Number
EPA ID Number

I-40 TEXACO (Continued)

S105025188

Date: 07/15/2012
Action: Unknown

Global Id: T0607101022
Action Type: REMEDIATION
Date: 04/19/2005
Action: In Situ Physical/Chemical Treatment (other than SVE)

Global Id: T0607101022
Action Type: REMEDIATION
Date: 04/19/2009
Action: Pump & Treat (P&T) Groundwater

Global Id: T0607101022
Action Type: REMEDIATION
Date: 04/19/2005
Action: Soil Vapor Extraction (SVE)

Global Id: T0607101022
Action Type: ENFORCEMENT
Date: 03/12/2008
Action: File review

Global Id: T0607101022
Action Type: ENFORCEMENT
Date: 12/08/2003
Action: Technical Correspondence / Assistance / Other

Global Id: T0607101022
Action Type: ENFORCEMENT
Date: 09/30/2009
Action: 13267 Monitoring Program

Global Id: T0607101022
Action Type: ENFORCEMENT
Date: 07/09/2009
Action: 13267 Monitoring Program

Global Id: T0607101022
Action Type: ENFORCEMENT
Date: 09/09/2013
Action: Letter - Notice - #7-13-66

Global Id: T0607101022
Action Type: ENFORCEMENT
Date: 12/12/2011
Action: File review

Global Id: T0607101022
Action Type: ENFORCEMENT
Date: 03/06/2012
Action: File review

Global Id: T0607101022
Action Type: ENFORCEMENT
Date: 08/22/2013
Action: Staff Letter

Map ID
Direction
Distance
Elevation

MAP FINDINGS

Site

Database(s)

EDR ID Number
EPA ID Number

I-40 TEXACO (Continued)

S105025188

Global Id: T0607101022
Action Type: ENFORCEMENT
Date: 02/09/2015
Action: Technical Correspondence / Assistance / Other

Global Id: T0607101022
Action Type: ENFORCEMENT
Date: 05/15/2014
Action: Technical Correspondence / Assistance / Other

Global Id: T0607101022
Action Type: ENFORCEMENT
Date: 11/18/2014
Action: Email Correspondence

Global Id: T0607101022
Action Type: ENFORCEMENT
Date: 06/26/2019
Action: Closure/No Further Action Letter

Global Id: T0607101022
Action Type: RESPONSE
Date: 03/01/2005
Action: Monitoring Report - Quarterly

Global Id: T0607101022
Action Type: ENFORCEMENT
Date: 04/04/2011
Action: File review

Global Id: T0607101022
Action Type: ENFORCEMENT
Date: 04/20/2011
Action: Technical Correspondence / Assistance / Other

Global Id: T0607101022
Action Type: ENFORCEMENT
Date: 04/19/2011
Action: Technical Correspondence / Assistance / Other

Global Id: T0607101022
Action Type: ENFORCEMENT
Date: 04/20/2011
Action: Technical Correspondence / Assistance / Other

Global Id: T0607101022
Action Type: ENFORCEMENT
Date: 04/01/2011
Action: File review

Global Id: T0607101022
Action Type: ENFORCEMENT
Date: 05/29/2018
Action: Staff Letter

Global Id: T0607101022
Action Type: ENFORCEMENT

Map ID
Direction
Distance
Elevation

MAP FINDINGS

Site

Database(s)

EDR ID Number
EPA ID Number

I-40 TEXACO (Continued)

S105025188

Date: 01/21/2014
Action: Technical Correspondence / Assistance / Other

Global Id: T0607101022
Action Type: ENFORCEMENT
Date: 05/15/2014
Action: Email Correspondence

Global Id: T0607101022
Action Type: ENFORCEMENT
Date: 07/09/2014
Action: Email Correspondence

Global Id: T0607101022
Action Type: Other
Date: 07/12/1999
Action: Leak Stopped

Global Id: T0607101022
Action Type: RESPONSE
Date: 10/15/2004
Action: Monitoring Report - Quarterly

Global Id: T0607101022
Action Type: RESPONSE
Date: 06/10/2010
Action: Other Report / Document

Global Id: T0607101022
Action Type: RESPONSE
Date: 04/15/2010
Action: Monitoring Report - Quarterly

Global Id: T0607101022
Action Type: RESPONSE
Date: 07/15/2012
Action: Monitoring Report - Annually

Global Id: T0607101022
Action Type: ENFORCEMENT
Date: 04/27/2005
Action: Staff Letter - #00-03-101003

Global Id: T0607101022
Action Type: ENFORCEMENT
Date: 05/19/2005
Action: Staff Letter

Global Id: T0607101022
Action Type: ENFORCEMENT
Date: 08/03/2005
Action: File review

Global Id: T0607101022
Action Type: ENFORCEMENT
Date: 02/09/2009
Action: Staff Letter

Map ID
Direction
Distance
Elevation

MAP FINDINGS

Site

Database(s)

EDR ID Number
EPA ID Number

I-40 TEXACO (Continued)

S105025188

Global Id: T0607101022
Action Type: ENFORCEMENT
Date: 04/20/2011
Action: Technical Correspondence / Assistance / Other

Global Id: T0607101022
Action Type: ENFORCEMENT
Date: 04/20/2011
Action: Verbal Enforcement

Global Id: T0607101022
Action Type: ENFORCEMENT
Date: 01/11/2011
Action: Technical Correspondence / Assistance / Other

Global Id: T0607101022
Action Type: ENFORCEMENT
Date: 06/28/2011
Action: Verbal Enforcement

Global Id: T0607101022
Action Type: ENFORCEMENT
Date: 04/21/2011
Action: File review

Global Id: T0607101022
Action Type: ENFORCEMENT
Date: 08/10/2010
Action: Staff Letter

Global Id: T0607101022
Action Type: ENFORCEMENT
Date: 02/16/2010
Action: Referral to Regional Board

Global Id: T0607101022
Action Type: ENFORCEMENT
Date: 04/18/2011
Action: File review

Global Id: T0607101022
Action Type: ENFORCEMENT
Date: 02/16/2010
Action: Referral to Regional Board

Global Id: T0607101022
Action Type: ENFORCEMENT
Date: 10/15/2013
Action: File review

Global Id: T0607101022
Action Type: ENFORCEMENT
Date: 11/30/2018
Action: Deadline Extension

Global Id: T0607101022
Action Type: ENFORCEMENT

Map ID
Direction
Distance
Elevation

MAP FINDINGS

Site

Database(s)

EDR ID Number
EPA ID Number

I-40 TEXACO (Continued)

S105025188

Date: 08/18/2010
Action: Clean Up Fund - Case Closure Review Summary Report (RSR)

Global Id: T0607101022
Action Type: RESPONSE
Date: 07/15/2004
Action: Monitoring Report - Quarterly

Global Id: T0607101022
Action Type: RESPONSE
Date: 04/15/2004
Action: Monitoring Report - Quarterly

Global Id: T0607101022
Action Type: RESPONSE
Date: 04/15/2005
Action: Monitoring Report - Quarterly

Global Id: T0607101022
Action Type: RESPONSE
Date: 01/15/2005
Action: Monitoring Report - Quarterly

Global Id: T0607101022
Action Type: RESPONSE
Date: 06/28/2011
Action: Verbal Communication

Global Id: T0607101022
Action Type: RESPONSE
Date: 06/29/2011
Action: Verbal Communication

Global Id: T0607101022
Action Type: RESPONSE
Date: 11/04/2011
Action: Monitoring Report - Semi-Annually

Global Id: T0607101022
Action Type: RESPONSE
Date: 11/17/2011
Action: Verbal Communication

Global Id: T0607101022
Action Type: RESPONSE
Date: 07/09/2014
Action: Email Correspondence

Global Id: T0607101022
Action Type: RESPONSE
Date: 07/09/2014
Action: Email Correspondence

Global Id: T0607101022
Action Type: RESPONSE
Date: 02/05/2015
Action: Other Report / Document

Map ID
Direction
Distance
Elevation

MAP FINDINGS

Site

Database(s)

EDR ID Number
EPA ID Number

I-40 TEXACO (Continued)

S105025188

Global Id:	T0607101022
Action Type:	ENFORCEMENT
Date:	04/07/2005
Action:	File review - #SITE # 99104
Global Id:	T0607101022
Action Type:	ENFORCEMENT
Date:	10/05/2004
Action:	File review
Global Id:	T0607101022
Action Type:	ENFORCEMENT
Date:	08/12/1999
Action:	Site Visit / Inspection / Sampling
Global Id:	T0607101022
Action Type:	ENFORCEMENT
Date:	04/04/2011
Action:	File review
Global Id:	T0607101022
Action Type:	ENFORCEMENT
Date:	04/01/2011
Action:	Technical Correspondence / Assistance / Other
Global Id:	T0607101022
Action Type:	ENFORCEMENT
Date:	01/12/2011
Action:	Technical Correspondence / Assistance / Other
Global Id:	T0607101022
Action Type:	ENFORCEMENT
Date:	06/24/2011
Action:	Technical Correspondence / Assistance / Other
Global Id:	T0607101022
Action Type:	ENFORCEMENT
Date:	04/26/2011
Action:	File review
Global Id:	T0607101022
Action Type:	ENFORCEMENT
Date:	04/19/2011
Action:	File review
Global Id:	T0607101022
Action Type:	ENFORCEMENT
Date:	04/20/2011
Action:	File review
Global Id:	T0607101022
Action Type:	ENFORCEMENT
Date:	08/13/2013
Action:	Verbal Enforcement
Global Id:	T0607101022
Action Type:	ENFORCEMENT

Map ID
Direction
Distance
Elevation

MAP FINDINGS

Site

Database(s)

EDR ID Number
EPA ID Number

I-40 TEXACO (Continued)

S105025188

Date: 07/08/2014
Action: Email Correspondence

Global Id: T0607101022
Action Type: ENFORCEMENT
Date: 07/09/2014
Action: Email Correspondence

Global Id: T0607101022
Action Type: ENFORCEMENT
Date: 10/01/2018
Action: Deadline Extension

Global Id: T0607101022
Action Type: ENFORCEMENT
Date: 02/20/2018
Action: File review

Global Id: T0607101022
Action Type: Other
Date: 07/12/1999
Action: Leak Discovery

Global Id: T0607101022
Action Type: RESPONSE
Date: 12/05/2008
Action: Other Report / Document

Global Id: T0607101022
Action Type: RESPONSE
Date: 03/12/2008
Action: Other Report / Document

Global Id: T0607101022
Action Type: RESPONSE
Date: 01/15/2008
Action: Monitoring Report - Quarterly

Global Id: T0607101022
Action Type: RESPONSE
Date: 03/29/2011
Action: Verbal Communication

Global Id: T0607101022
Action Type: RESPONSE
Date: 02/18/2011
Action: Request for Closure

Global Id: T0607101022
Action Type: RESPONSE
Date: 04/15/2011
Action: Verbal Communication

Global Id: T0607101022
Action Type: RESPONSE
Date: 07/15/2011
Action: Monitoring Report - Semi-Annually

Map ID
Direction
Distance
Elevation

MAP FINDINGS

Site

Database(s)

EDR ID Number
EPA ID Number

I-40 TEXACO (Continued)

S105025188

Global Id: T0607101022
Action Type: RESPONSE
Date: 08/14/2013
Action: Correspondence

Global Id: T0607101022
Action Type: RESPONSE
Date: 08/16/2013
Action: Monitoring Report - Semi-Annually

Global Id: T0607101022
Action Type: RESPONSE
Date: 09/03/2013
Action: Correspondence

LUST:

Global Id: T0607101022
Status: Open - Case Begin Date
Status Date: 07/12/1999

Global Id: T0607101022
Status: Open - Site Assessment
Status Date: 08/13/1999

Global Id: T0607101022
Status: Open - Site Assessment
Status Date: 10/11/1999

Global Id: T0607101022
Status: Open - Site Assessment
Status Date: 05/08/2000

Global Id: T0607101022
Status: Open - Site Assessment
Status Date: 04/02/2001

Global Id: T0607101022
Status: Open - Site Assessment
Status Date: 02/07/2003

Global Id: T0607101022
Status: Open - Remediation
Status Date: 05/01/2003

Global Id: T0607101022
Status: Open - Site Assessment
Status Date: 11/21/2003

Global Id: T0607101022
Status: Open - Remediation
Status Date: 04/19/2005

Global Id: T0607101022
Status: Open - Eligible for Closure
Status Date: 06/21/2013

Global Id: T0607101022

Map ID
Direction
Distance
Elevation

MAP FINDINGS

Site

Database(s)

EDR ID Number
EPA ID Number

I-40 TEXACO (Continued)

S105025188

Status: Open - Verification Monitoring
Status Date: 08/14/2013

Global Id: T0607101022
Status: Open - Eligible for Closure
Status Date: 09/09/2013

Global Id: T0607101022
Status: Open - Inactive
Status Date: 01/01/2018

Global Id: T0607101022
Status: Completed - Case Closed
Status Date: 06/26/2019

CORTESE:

Name: I-40 TEXACO
Address: 916 EAST BROADWAY
City,State,Zip: NEEDLES, CA 92363
Region: CORTESE
Envirostor Id: Not reported
Global ID: T0607101022
Site/Facility Type: LUST CLEANUP SITE
Cleanup Status: COMPLETED - CASE CLOSED
Status Date: Not reported
Site Code: Not reported
Latitude: Not reported
Longitude: Not reported
Owner: Not reported
Enf Type: Not reported
Swat R: Not reported
Flag: active
Order No: Not reported
Waste Discharge System No: Not reported
Effective Date: Not reported
Region 2: Not reported
WID Id: Not reported
Solid Waste Id No: Not reported
Waste Management Uit Name: Not reported
File Name: Active Open

HIST CORTESE:

edr_fname: I-40 TEXACO
edr_fadd1: 916 BROADWAY
City,State,Zip: NEEDLES, CA 92363
Region: CORTESE
Facility County Code: 36
Reg By: LTNKA
Reg Id: 7T2363025

CERS:

Name: I-40 TEXACO
Address: 916 EAST BROADWAY
City,State,Zip: NEEDLES, CA 92363
Site ID: 260084

Map ID
 Direction
 Distance
 Elevation

MAP FINDINGS

Site

Database(s)

EDR ID Number
 EPA ID Number

I-40 TEXACO (Continued)

S105025188

CERS ID: T0607101022
 CERS Description: Leaking Underground Storage Tank Cleanup Site

Affiliation:

Affiliation Type Desc: Local Agency Caseworker
 Entity Name: JACKSON CRUTSINGER - SAN BERNARDINO COUNTY
 Entity Title: Not reported
 Affiliation Address: 620 SOUTH E STREET
 Affiliation City: SAN BERNARDINO
 Affiliation State: CA
 Affiliation Country: Not reported
 Affiliation Zip: Not reported
 Affiliation Phone: ,

Affiliation Type Desc: Regional Board Caseworker
 Entity Name: THERESA ILLARE - COLORADO RIVER BASIN RWQCB (REGION 7)
 Entity Title: Not reported
 Affiliation Address: 73-720 FRED WARING DR. STE 100
 Affiliation City: PALM DESERT
 Affiliation State: CA
 Affiliation Country: Not reported
 Affiliation Zip: Not reported
 Affiliation Phone: 7607768971,

CY758 LD EXPRESS
Target 916 E BROADWAY
Property NEEDLES, CA 92363

FINDS 1023328422
N/A

Site 30 of 42 in cluster CY

Actual: 540 ft. FINDS:
 Registry ID: 110066228175

Focus Map: 11 [Click Here for FRS Facility Detail Report:](#)

Environmental Interest/Information System:
 STATE MASTER

[Click this hyperlink](#) while viewing on your computer to access additional FINDS: detail in the EDR Site Report.

CY759 LD EXPRESS
Target 916 E BROADWAY ST
Property NEEDLES, CA 92363

HAULERS S127792466
N/A

Site 31 of 42 in cluster CY

Actual: 540 ft. HAULERS:
 Name: LD EXPRESS
Focus Map: 11 Address: 916 E BROADWAY ST
 City,State,Zip: NEEDLES, CA 92363-3807
 Facility ID: 1643158
 Facility Phone: Not reported
 Business Email Address: Not reported
 Contact Person: Jason Boatner
 Mailing Address: 916 E Broadway St
 Mailing City: Needles

Map ID
 Direction
 Distance
 Elevation

MAP FINDINGS

Site

Database(s)

EDR ID Number
 EPA ID Number

LD EXPRESS (Continued)

S127792466

Mailing State: CA
 Mailing Zip: 92363
 Mailing County: San Bernardino
 Mailing Phone: Not reported
 Current Status: Active
 Current Hauler Status: Not reported
 Accepting Tires From Public: Not reported
 Regulatory Status Last Changed: Not reported
 Business Types: Not reported

CY760
Target
Property

EASTSIDE SHELL
916 E BROADWAY ST
NEEDLES, CA 92363

HAZNET
HWTS

S123624028
N/A

Site 32 of 42 in cluster CY

Actual:
540 ft.
Focus Map:
11

HAZNET:
 Name: EASTSIDE SHELL
 Address: 916 E BROADWAY ST
 Address 2: Not reported
 City,State,Zip: NEEDLES, CA 923633807
 Contact: BERNARD (MAC) MCGEE
 Telephone: 7603266735
 Mailing Name: Not reported
 Mailing Address: 916 E BROADWAY ST

Year: 2005
 Gepaid: CAL000286081
 TSD EPA ID: NVR000066837
 CA Waste Code: 343 - Unspecified organic liquid mixture
 Disposal Method: H01 - Transfer Station
 Tons: Not reported

Year: 2005
 Gepaid: CAL000286081
 TSD EPA ID: NVR000066837
 CA Waste Code: 221 - Waste oil and mixed oil
 Disposal Method: -
 Tons: 0.323

Additional Info:

Year: 2005
 Gen EPA ID: CAL000286081

Shipment Date: 20050216
 Creation Date: 4/2/2005 18:31:07
 Receipt Date: 20050216
 Manifest ID: 22323416
 Trans EPA ID: TXR000050930
 Trans Name: SAFETY-KLEEN SYSTEMS INC
 Trans 2 EPA ID: Not reported
 Trans 2 Name: Not reported
 TSD EPA ID: NVR000066837
 Trans Name: SAFETY-KLEEN SYSTEMS INC
 TSD EPA ID: Not reported
 TSD EPA Alt Name: Not reported

Map ID
Direction
Distance
Elevation

MAP FINDINGS

Site

Database(s)

EDR ID Number
EPA ID Number

EASTSIDE SHELL (Continued)

S123624028

Waste Code Description: 221 - Waste oil and mixed oil
RCRA Code: Not reported
Meth Code: - Not reported
Quantity Tons: 0.323
Waste Quantity: 85
Quantity Unit: G
Additional Code 1: Not reported
Additional Code 2: Not reported
Additional Code 3: Not reported
Additional Code 4: Not reported
Additional Code 5: Not reported

Shipment Date: 20050216
Creation Date: 4/2/2005 18:31:07
Receipt Date: 20050216
Manifest ID: 22323416
Trans EPA ID: TXR000050930
Trans Name: SAFETY-KLEEN SYSTEMS INC
Trans 2 EPA ID: Not reported
Trans 2 Name: Not reported
TSDf EPA ID: NVR000066837
Trans Name: SAFETY-KLEEN SYSTEMS INC
TSDf Alt EPA ID: Not reported
TSDf Alt Name: Not reported
Waste Code Description: 343 - Unspecified organic liquid mixture
RCRA Code: Not reported
Meth Code: H01 - Transfer Station
Quantity Tons: Not reported
Waste Quantity: Not reported
Quantity Unit: G
Additional Code 1: Not reported
Additional Code 2: Not reported
Additional Code 3: Not reported
Additional Code 4: Not reported
Additional Code 5: Not reported

HWTS:

Name: EASTSIDE SHELL
Address: 916 E BROADWAY ST
Address 2: Not reported
City,State,Zip: NEEDLES, CA 92363
EPA ID: CAL000286081
Inactive Date: 04/14/2009
Create Date: 08/30/2004
Last Act Date: Not reported
Mailing Name: Not reported
Mailing Address: 916 E BROADWAY ST
Mailing Address 2: Not reported
Mailing City,State,Zip: NEEDLES, CA 923633807
Owner Name: JIM MCCAIN
Owner Address: 2042 MAYA DR
Owner Address 2: Not reported
Owner City,State,Zip: KINGMAN, AZ 864016501
Contact Name: BERNARD (MAC) MCGEE
Contact Address: 916 E BROADWAY ST
Contact Address 2: Not reported
City,State,Zip: NEEDLES, CA 923633807

Map ID
 Direction
 Distance
 Elevation

MAP FINDINGS

Site

Database(s)

EDR ID Number
 EPA ID Number

EASTSIDE SHELL (Continued)

S123624028

Facility Status:	Inactive
Facility Type:	PERMANENT
Category:	STATE
Latitude:	34.826604
Longitude:	-114.5957
NAICS:	
EPA ID:	CAL000286081
Create Date:	2004-08-30 09:07:47.140
NAICS Code:	44719
NAICS Description:	Other Gasoline Stations
Issued EPA ID Date:	2004-08-30 09:07:47.09300
Inactive Date:	2009-04-14 00:00:00
Facility Name:	EASTSIDE SHELL
Facility Address:	916 E BROADWAY ST
Facility Address 2:	Not reported
Facility City:	NEEDLES
Facility County:	Not reported
Facility State:	CA
Facility Zip:	923633807

CY761
Target
Property

EASTSIDE SERVICE CENTER
916 E BROADWAY ST
NEEDLES, CA 92363

RCRA NonGen / NLR

1024822942
CAL000342271

Site 33 of 42 in cluster CY

Actual:
540 ft.

Focus Map:
11

RCRA NonGen / NLR:		20090415
Date Form Received by Agency:		20090415
Handler Name:	EASTSIDE SERVICE CENTER	
Handler Address:		916 E BROADWAY ST
Handler City,State,Zip:		NEEDLES, CA 92363-3807
EPA ID:		CAL000342271
Contact Name:		JASON BOATNER
Contact Address:		916 E BROADWAY ST
Contact City,State,Zip:		NEEDLES, CA 92363-3807
Contact Telephone:		760-326-6735
Contact Fax:		760-326-6736
Contact Email:		JASONBOATNER@YAHOO.COM
Contact Title:		Not reported
EPA Region:		09
Land Type:		Not reported
Federal Waste Generator Description:		Not a generator, verified
Non-Notifier:		Not reported
Biennial Report Cycle:		Not reported
Accessibility:		Not reported
Active Site Indicator:		Handler Activities
State District Owner:		Not reported
State District:		Not reported
Mailing Address:		916 E BROADWAY ST
Mailing City,State,Zip:		NEEDLES, CA 92363-3807
Owner Name:	EAST SIDE SERVICE CENTER	
Owner Type:		Other
Operator Name:	JASON BOATNER	
Operator Type:		Other
Short-Term Generator Activity:		No
Importer Activity:		No

Map ID
 Direction
 Distance
 Elevation

MAP FINDINGS

Site

Database(s)

EDR ID Number
 EPA ID Number

EASTSIDE SERVICE CENTER (Continued)

1024822942

Mixed Waste Generator:	No
Transporter Activity:	No
Transfer Facility Activity:	No
Recycler Activity with Storage:	No
Small Quantity On-Site Burner Exemption:	No
Smelting Melting and Refining Furnace Exemption:	No
Underground Injection Control:	No
Off-Site Waste Receipt:	No
Universal Waste Indicator:	Yes
Universal Waste Destination Facility:	Yes
Federal Universal Waste:	No
Active Site Fed-Reg Treatment Storage and Disposal Facility:	Not reported
Active Site Converter Treatment storage and Disposal Facility:	Not reported
Active Site State-Reg Treatment Storage and Disposal Facility:	Not reported
Active Site State-Reg Handler:	---
Federal Facility Indicator:	Not reported
Hazardous Secondary Material Indicator:	N
Sub-Part K Indicator:	Not reported
Commercial TSD Indicator:	No
Treatment Storage and Disposal Type:	Not reported
2018 GPRA Permit Baseline:	Not on the Baseline
2018 GPRA Renewals Baseline:	Not on the Baseline
Permit Renewals Workload Universe:	Not reported
Permit Workload Universe:	Not reported
Permit Progress Universe:	Not reported
Post-Closure Workload Universe:	Not reported
Closure Workload Universe:	Not reported
202 GPRA Corrective Action Baseline:	No
Corrective Action Workload Universe:	No
Subject to Corrective Action Universe:	No
Non-TSDFs Where RCRA CA has Been Imposed Universe:	No
TSDFs Potentially Subject to CA Under 3004 (u)/(v) Universe:	No
TSDFs Only Subject to CA under Discretionary Auth Universe:	No
Corrective Action Priority Ranking:	No NCAPS ranking
Environmental Control Indicator:	No
Institutional Control Indicator:	No
Human Exposure Controls Indicator:	N/A
Groundwater Controls Indicator:	N/A
Operating TSDF Universe:	Not reported
Full Enforcement Universe:	Not reported
Significant Non-Complier Universe:	No
Unaddressed Significant Non-Complier Universe:	No
Addressed Significant Non-Complier Universe:	No
Significant Non-Complier With a Compliance Schedule Universe:	No
Financial Assurance Required:	Not reported
Handler Date of Last Change:	20180905
Recognized Trader-Importer:	No
Recognized Trader-Exporter:	No
Importer of Spent Lead Acid Batteries:	No
Exporter of Spent Lead Acid Batteries:	No
Recycler Activity Without Storage:	No
Manifest Broker:	No
Sub-Part P Indicator:	No

Handler - Owner Operator:

Owner/Operator Indicator:

Operator

Map ID
Direction
Distance
Elevation

MAP FINDINGS

Site

Database(s)

EDR ID Number
EPA ID Number

EASTSIDE SERVICE CENTER (Continued)

1024822942

Owner/Operator Name: JASON BOATNER
Legal Status: Other
Date Became Current: Not reported
Date Ended Current: Not reported
Owner/Operator Address: 916 E BROADWAY ST
Owner/Operator City,State,Zip: NEEDLES, CA 92363-3807
Owner/Operator Telephone: 760-326-6735
Owner/Operator Telephone Ext: Not reported
Owner/Operator Fax: Not reported
Owner/Operator Email: Not reported

Owner/Operator Indicator: Owner
Owner/Operator Name: EAST SIDE SERVICE CENTER
Legal Status: Other
Date Became Current: Not reported
Date Ended Current: Not reported
Owner/Operator Address: 916 E BROADWAY ST
Owner/Operator City,State,Zip: NEEDLES, CA 92363-3807
Owner/Operator Telephone: 760-326-6735
Owner/Operator Telephone Ext: Not reported
Owner/Operator Fax: Not reported
Owner/Operator Email: Not reported

Historic Generators:

Receive Date: 20090415
Handler Name: EASTSIDE SERVICE CENTER
Federal Waste Generator Description: Not a generator, verified
State District Owner: Not reported
Large Quantity Handler of Universal Waste: No
Recognized Trader Importer: No
Recognized Trader Exporter: No
Spent Lead Acid Battery Importer: No
Spent Lead Acid Battery Exporter: No
Current Record: Yes
Non Storage Recycler Activity: Not reported
Electronic Manifest Broker: Not reported

List of NAICS Codes and Descriptions:

NAICS Code: 811111
NAICS Description: GENERAL AUTOMOTIVE REPAIR

Facility Has Received Notices of Violations:

Violations: No Violations Found

Evaluation Action Summary:

Evaluations: No Evaluations Found

MAP FINDINGS

Map ID
 Direction
 Distance
 Elevation

Site

Database(s)

EDR ID Number
 EPA ID Number

CY762 **DON GORRA**
Target **916 E BROADWAY**
Property **NEEDLES, CA 92363**

HAZNET **S112916401**
HWTS **N/A**

Site 34 of 42 in cluster CY

Actual:
540 ft.
Focus Map:
11

HAZNET:
 Name: DON GORRA
 Address: 916 E BROADWAY
 Address 2: Not reported
 City,State,Zip: NEEDLES, CA 923630000
 Contact: DAVID HOWARD/ CONSLT /ASSOC GE
 Telephone: 6025485544
 Mailing Name: Not reported
 Mailing Address: 2950 E ANDY DEVINE

 Year: 2001
 Gepaid: CAC002370471
 TSD EPA ID: CAD028409019
 CA Waste Code: 241 - Tank bottom waste
 Disposal Method: T01 - Treatment, Tank
 Tons: 3.5445

Additional Info:

Year: 2001
 Gen EPA ID: CAC002370471

 Shipment Date: 20010805
 Creation Date: 10/1/2001 0:00:00
 Receipt Date: 20010809
 Manifest ID: 21145679
 Trans EPA ID: CAR000009423
 Trans Name: Not reported
 Trans 2 EPA ID: Not reported
 Trans 2 Name: Not reported
 TSD EPA ID: CAD028409019
 Trans Name: Not reported
 TSD EPA ID: Not reported
 TSD EPA Name: Not reported
 Waste Code Description: 241 - Tank bottom waste 251 Still bottoms with halogenated organics
 RCRA Code: Not reported
 Meth Code: T01 - Treatment, Tank
 Quantity Tons: 3.5445
 Waste Quantity: 850
 Quantity Unit: G
 Additional Code 1: Not reported
 Additional Code 2: Not reported
 Additional Code 3: Not reported
 Additional Code 4: Not reported
 Additional Code 5: Not reported

HWTS:

Name: DON GORRA
 Address: 916 E BROADWAY
 Address 2: Not reported
 City,State,Zip: NEEDLES, CA 92363
 EPA ID: CAC002468431

Map ID
Direction
Distance
Elevation

MAP FINDINGS

Site

Database(s)

EDR ID Number
EPA ID Number

DON GORRA (Continued)

S112916401

Inactive Date: 09/10/2002
Create Date: 01/08/2002
Last Act Date: Not reported
Mailing Name: Not reported
Mailing Address: 2950 EAST ANDY DEVINE
Mailing Address 2: Not reported
Mailing City,State,Zip: KINGMAN, AZ 864010000
Owner Name: DON GORRA
Owner Address: 2950 EAST ANDY DEVINE
Owner Address 2: Not reported
Owner City,State,Zip: KINGMAN, AZ 864010000
Contact Name: DAVID HOWARD/ CONSLT /ASSOC GE
Contact Address: 2950 EAST ANDY DEVINE
Contact Address 2: Not reported
City,State,Zip: KINGMAN, AZ 864010000
Facility Status: Inactive
Facility Type: TEMPORARY
Category: STATE
Latitude: 34.822856
Longitude: -114.597468

Name: DON GORRA
Address: 916 E BROADWAY
Address 2: Not reported
City,State,Zip: NEEDLES, CA 92363
EPA ID: CAC002370471
Inactive Date: 09/10/2002
Create Date: 07/25/2001
Last Act Date: Not reported
Mailing Name: Not reported
Mailing Address: 2950 E ANDY DEVINE
Mailing Address 2: Not reported
Mailing City,State,Zip: KINGMAN, AZ 864010000
Owner Name: DON GORRA
Owner Address: 2950 EAST ANDY DEVINE
Owner Address 2: Not reported
Owner City,State,Zip: KINGMAN, AZ 864010000
Contact Name: DAVID HOWARD/ CONSLT /ASSOC GE
Contact Address: 16605 N 28TH AVE STE 100
Contact Address 2: Not reported
City,State,Zip: PHEONIX, AZ 850530000
Facility Status: Inactive
Facility Type: TEMPORARY
Category: STATE
Latitude: 34.822856
Longitude: -114.597468

CY763 EASTSIDE SERVICE CENTER
Target 916 E BROADWAY ST
Property NEEDLES, CA 92363

FINDS 1024685237
ECHO N/A

Site 35 of 42 in cluster CY

Actual: FINDS:
540 ft. Registry ID: 110070473631

Focus Map: 11 [Click Here for FRS Facility Detail Report:](#)

Map ID
 Direction
 Distance
 Elevation

MAP FINDINGS

Site

Database(s)

EDR ID Number
 EPA ID Number

EASTSIDE SERVICE CENTER (Continued)

1024685237

Environmental Interest/Information System:

RCRAInfo is a national information system that supports the Resource Conservation and Recovery Act (RCRA) program through the tracking of events and activities related to facilities that generate, transport, and treat, store, or dispose of hazardous waste. RCRAInfo allows RCRA program staff to track the notification, permit, compliance, and corrective action activities required under RCRA.

[Click this hyperlink](#) while viewing on your computer to access additional FINDS: detail in the EDR Site Report.

ECHO:

Envid: 1024685237
 Registry ID: 110070473631
 DFR URL: <http://echo.epa.gov/detailed-facility-report?fid=110070473631>
 Name: EASTSIDE SERVICE CENTER
 Address: 916 E BROADWAY ST
 City,State,Zip: NEEDLES, CA 92363

CY764 EASTSIDE SHELL
Target 916 E BROADWAY
Property NEEDLES, CA 92363

FINDS 1023650747
N/A

Site 36 of 42 in cluster CY

Actual: FINDS:
540 ft. Registry ID: 110070061253

Focus Map:
11 [Click Here for FRS Facility Detail Report:](#)

Environmental Interest/Information System:

AIR EMISSIONS CLASSIFICATION UNKNOWN

[Click this hyperlink](#) while viewing on your computer to access additional FINDS: detail in the EDR Site Report.

CY765 DON GORRA/TEXMO OIL CO
Target 916 E BROADWAY
Property NEEDLES, CA 92363

HAZNET S112922161
HWTS N/A

Site 37 of 42 in cluster CY

Actual: HAZNET:
540 ft. Name: DON GORRA/TEXMO OIL CO
Focus Map: Address: 916 E BROADWAY
11 Address 2: Not reported
 City,State,Zip: NEEDLES, CA 923630000
 Contact: DON GORRA
 Telephone: 9287533363
 Mailing Name: Not reported
 Mailing Address: 2950 EAST ANDY DEVINE
 Year: 2002
 Gepaid: CAC002552056
 TSD EPA ID: CAD028409019
 CA Waste Code: 241 - Tank bottom waste
 Disposal Method: T01 - Treatment, Tank
 Tons: 6.4218

Map ID
Direction
Distance
Elevation

MAP FINDINGS

Site

Database(s)

EDR ID Number
EPA ID Number

DON GORRA/TEXMO OIL CO (Continued)

S112922161

Additional Info:

Year: 2002
Gen EPA ID: CAC002552056

Shipment Date: 20020521
Creation Date: 8/29/2002 18:31:16
Receipt Date: 20020528
Manifest ID: 21866803
Trans EPA ID: CAR000009423
Trans Name: Not reported
Trans 2 EPA ID: Not reported
Trans 2 Name: Not reported
TSDf EPA ID: CAD028409019
Trans Name: Not reported
TSDf Alt EPA ID: Not reported
TSDf Alt Name: Not reported
Waste Code Description: 241 - Tank bottom waste 251 Still bottoms with halogenated organics
RCRA Code: Not reported
Meth Code: T01 - Treatment, Tank
Quantity Tons: 6.4218
Waste Quantity: 1540
Quantity Unit: G
Additional Code 1: Not reported
Additional Code 2: Not reported
Additional Code 3: Not reported
Additional Code 4: Not reported
Additional Code 5: Not reported

HWTS:

Name: DON GORRA/TEXMO OIL CO
Address: 916 E BROADWAY
Address 2: Not reported
City,State,Zip: NEEDLES, CA 92363
EPA ID: CAC002552056
Inactive Date: 03/18/2003
Create Date: 05/15/2002
Last Act Date: Not reported
Mailing Name: Not reported
Mailing Address: 2950 EAST ANDY DEVINE
Mailing Address 2: Not reported
Mailing City,State,Zip: KINGMAN, AZ 864010000
Owner Name: DON GORRA
Owner Address: 2950 EAST ANDY DEVINE
Owner Address 2: Not reported
Owner City,State,Zip: KINGMAN, AZ 864010000
Contact Name: DON GORRA
Contact Address: 2950 EAST ANDY DEVINE
Contact Address 2: Not reported
City,State,Zip: KINGMAN, AZ 864010000
Facility Status: Inactive
Facility Type: TEMPORARY
Category: STATE
Latitude: 34.822856
Longitude: -114.597468

Map ID
Direction
Distance
Elevation

MAP FINDINGS

Site

Database(s)

EDR ID Number
EPA ID Number

CY766 I-40 TEXACO
Target 916 E BROADWAY ST
Property NEEDLES, CA 92363

UST U003785143
N/A

Site 38 of 42 in cluster CY

Actual: UST:
540 ft. Name: I-40 TEXACO
Focus Map: Address: 916 E BROADWAY ST
11 City,State,Zip: NEEDLES, CA 92363
Facility ID: 89018745
Permitting Agency: SAN BERNARDINO COUNTY
CERSID: Not reported
Latitude: 34.827537
Longitude: -114.594279

CY767 HI-LO SERVICES INC ACC
Target 916 E BROADWAY ST
Property NEEDLES, CA 92363

EDR Hist Auto 1020361874
N/A

Site 39 of 42 in cluster CY

Actual: EDR Hist Auto
540 ft.

Focus Map:	Year:	Name:	Type:
11	1977	LOCKE E J	Gasoline Service Stations
	1978	LOCKE E J	Gasoline Service Stations
	1979	LOCKE E J	Gasoline Service Stations
	1980	BILLS TEXACO	Gasoline Service Stations
	1982	BILLS TEXACO	Gasoline Service Stations
	1983	BILLS TEXACO	Gasoline Service Stations
	1983	PARIDO & MC CONNELL TEXACO	Gasoline Service Stations
	1985	BILLS TEXACO	Gasoline Service Stations
	1985	PARIDO & MC CONNELL TEXACO	Gasoline Service Stations
	1986	BILLS TEXACO	Gasoline Service Stations
	1986	PARIDO & MC CONNELL TEXACO	Gasoline Service Stations
	1987	BILLS TEXACO	Gasoline Service Stations
	1987	PARIDO & MC CONNELL TEXACO	Gasoline Service Stations
	1988	BILLS TEXACO	Gasoline Service Stations
	1988	WILLIES TEXACO	Gasoline Service Stations
	1989	BILLS TEXACO	Gasoline Service Stations
	1989	WILLIES TEXACO	Gasoline Service Stations, NEC
	1990	I-40 TEXACO	Gasoline Service Stations, NEC
	1990	BILLS TEXACO	Gasoline Service Stations
	1991	BILLS TEXACO	Gasoline Service Stations
	1991	I-40 TEXACO	Gasoline Service Stations, NEC
	1992	I-40 TEXACO	Gasoline Service Stations, NEC
	1993	HI-LO SERVICES INC	Gasoline Service Stations, NEC
	1994	HI-LO SERVICES INC	Gasoline Service Stations, NEC
	1995	HI-LO SERVICES INC	Gasoline Service Stations, NEC
	1996	HI-LO SERVICES INC ACC	Gasoline Service Stations, NEC
	1997	HI-LO SERVICES INC ACC	Gasoline Service Stations, NEC
	1998	HI-LO SERVICES INC ACC	Gasoline Service Stations, NEC
	1999	HI-LO SERVICES INC ACC	Gasoline Service Stations, NEC
	2000	HI-LO SERVICES INC ACC	Gasoline Service Stations, NEC
	2001	HI-LO SERVICES INC ACC	Gasoline Service Stations, NEC
	2002	HI-LO SERVICES INC ACC	Gasoline Service Stations, NEC
	2003	HI-LO SERVICES INC ACC	Gasoline Service Stations, NEC
	2004	HI-LO SERVICES INC ACC	Gasoline Service Stations, NEC
	2005	HI-LO SERVICES INC ACC	Gasoline Service Stations, NEC

Map ID
 Direction
 Distance
 Elevation

MAP FINDINGS

Site

Database(s)

EDR ID Number
 EPA ID Number

HI-LO SERVICES INC ACC (Continued)

1020361874

2006	HI-LO SERVICES INC ACC	Gasoline Service Stations, NEC
2007	HI-LO SERVICES INC ACC	Gasoline Service Stations, NEC
2008	EAST SIDE SHELL	Gasoline Service Stations
2009	EAST SIDE SHELL	Gasoline Service Stations
2010	EAST SIDE SHELL	Gasoline Service Stations
2011	LD EXPRESS	Gasoline Service Stations
2012	LD EXPRESS	Gasoline Service Stations
2013	LD EXPRESS	Gasoline Service Stations
2014	LD EXPRESS	Gasoline Service Stations, NEC

CY768 **I 40 TEXACO**
Target **916 E BROADWAY**
Property **NEEDLES, CA 92363**

RCRA-SQG **1000819578**
LUST **CAD983655705**
FINDS
ECHO
HAZNET
HWTS

Site 40 of 42 in cluster CY

Actual:
540 ft.

Focus Map:
11

RCRA-SQG:
 Date Form Received by Agency: 19921218
 Handler Name: I 40 TEXACO
 Handler Address: 916 E BROADWAY
 Handler City,State,Zip: NEEDLES, CA 92363
 EPA ID: CAD983655705
 Contact Name: JOHNNY HARRELL
 Contact Address: 916 E BROADWAY
 Contact City,State,Zip: NEEDLES, CA 92363
 Contact Telephone: 619-326-3660
 Contact Fax: Not reported
 Contact Email: Not reported
 Contact Title: Not reported
 EPA Region: 09
 Land Type: Private
 Federal Waste Generator Description: Small Quantity Generator
 Non-Notifier: Not reported
 Biennial Report Cycle: Not reported
 Accessibility: Not reported
 Active Site Indicator: Handler Activities
 State District Owner: Not reported
 State District: Not reported
 Mailing Address: E BROADWAY
 Mailing City,State,Zip: NEEDLES, CA 92363
 Owner Name: JOHNNY HARRELL
 Owner Type: Private
 Operator Name: Not reported
 Operator Type: Not reported
 Short-Term Generator Activity: No
 Importer Activity: No
 Mixed Waste Generator: No
 Transporter Activity: No
 Transfer Facility Activity: No
 Recycler Activity with Storage: No
 Small Quantity On-Site Burner Exemption: No
 Smelting Melting and Refining Furnace Exemption: No
 Underground Injection Control: No
 Off-Site Waste Receipt: No
 Universal Waste Indicator: No
 Universal Waste Destination Facility: No
 Federal Universal Waste: No

Map ID
 Direction
 Distance
 Elevation

MAP FINDINGS

Site

Database(s)

EDR ID Number
 EPA ID Number

I 40 TEXACO (Continued)

1000819578

Active Site Fed-Reg Treatment Storage and Disposal Facility:	Not reported
Active Site Converter Treatment storage and Disposal Facility:	Not reported
Active Site State-Reg Treatment Storage and Disposal Facility:	Not reported
Active Site State-Reg Handler:	---
Federal Facility Indicator:	Not reported
Hazardous Secondary Material Indicator:	NN
Sub-Part K Indicator:	Not reported
Commercial TSD Indicator:	No
Treatment Storage and Disposal Type:	Not reported
2018 GPRC Permit Baseline:	Not on the Baseline
2018 GPRC Renewals Baseline:	Not on the Baseline
Permit Renewals Workload Universe:	Not reported
Permit Workload Universe:	Not reported
Permit Progress Universe:	Not reported
Post-Closure Workload Universe:	Not reported
Closure Workload Universe:	Not reported
202 GPRC Corrective Action Baseline:	No
Corrective Action Workload Universe:	No
Subject to Corrective Action Universe:	No
Non-TSDFs Where RCRA CA has Been Imposed Universe:	No
TSDFs Potentially Subject to CA Under 3004 (u)/(v) Universe:	No
TSDFs Only Subject to CA under Discretionary Auth Universe:	No
Corrective Action Priority Ranking:	No NCAPS ranking
Environmental Control Indicator:	No
Institutional Control Indicator:	No
Human Exposure Controls Indicator:	N/A
Groundwater Controls Indicator:	N/A
Operating TSDF Universe:	Not reported
Full Enforcement Universe:	Not reported
Significant Non-Complier Universe:	No
Unaddressed Significant Non-Complier Universe:	No
Addressed Significant Non-Complier Universe:	No
Significant Non-Complier With a Compliance Schedule Universe:	No
Financial Assurance Required:	Not reported
Handler Date of Last Change:	20000915
Recognized Trader-Importer:	No
Recognized Trader-Exporter:	No
Importer of Spent Lead Acid Batteries:	No
Exporter of Spent Lead Acid Batteries:	No
Recycler Activity Without Storage:	Not reported
Manifest Broker:	Not reported
Sub-Part P Indicator:	No

Handler - Owner Operator:

Owner/Operator Indicator:	Owner
Owner/Operator Name: JOHNNY HARRELL	
Legal Status:	Private
Date Became Current:	Not reported
Date Ended Current:	Not reported
Owner/Operator Address:	P O BOX 620
Owner/Operator City,State,Zip:	NEEDLES, CA 92363
Owner/Operator Telephone:	602-768-5157
Owner/Operator Telephone Ext:	Not reported
Owner/Operator Fax:	Not reported
Owner/Operator Email:	Not reported

Map ID
Direction
Distance
Elevation

MAP FINDINGS

Site

Database(s)

EDR ID Number
EPA ID Number

I 40 TEXACO (Continued)

1000819578

Historic Generators:

Receive Date:	19921218
Handler Name:	I 40 TEXACO
Federal Waste Generator Description:	Small Quantity Generator
State District Owner:	Not reported
Large Quantity Handler of Universal Waste:	No
Recognized Trader Importer:	No
Recognized Trader Exporter:	No
Spent Lead Acid Battery Importer:	No
Spent Lead Acid Battery Exporter:	No
Current Record:	Yes
Non Storage Recycler Activity:	Not reported
Electronic Manifest Broker:	Not reported

List of NAICS Codes and Descriptions:

NAICS Codes:	No NAICS Codes Found
--------------	----------------------

Facility Has Received Notices of Violations:

Violations:	No Violations Found
-------------	---------------------

Evaluation Action Summary:

Evaluations:	No Evaluations Found
--------------	----------------------

LUST REG 7:

Region:	7
Status:	5C - Pollution Characterization
Case Num:	7T2363025
Substance:	8006619, MTB
ID:	834
Global ID:	T0607101022
Lead Agency:	Local Agency
Case Worker:	YO

FINDS:

Registry ID:	110002889786
--------------	--------------

[Click Here for FRS Facility Detail Report:](#)

Environmental Interest/Information System:

California Hazardous Waste Tracking System - Datamart (HWTS-DATAMART) provides California with information on hazardous waste shipments for generators, transporters, and treatment, storage, and disposal facilities.

RCRAInfo is a national information system that supports the Resource Conservation and Recovery Act (RCRA) program through the tracking of events and activities related to facilities that generate, transport, and treat, store, or dispose of hazardous waste. RCRAInfo allows RCRA program staff to track the notification, permit, compliance, and corrective action activities required under RCRA.

STATE MASTER

[Click this hyperlink](#) while viewing on your computer to access additional FINDS: detail in the EDR Site Report.

Map ID
Direction
Distance
Elevation

MAP FINDINGS

Site

Database(s)

EDR ID Number
EPA ID Number

I 40 TEXACO (Continued)

1000819578

ECHO:

Envid: 1000819578
Registry ID: 110002889786
DFR URL: <http://echo.epa.gov/detailed-facility-report?fid=110002889786>
Name: I 40 TEXACO
Address: 916 E BROADWAY
City,State,Zip: NEEDLES, CA 92363

HAZNET:

Name: HILLTOP TEXACO
Address: 916 E BROADWAY
Address 2: Not reported
City,State,Zip: NEEDLES, CA 923630000
Contact: RANDY E EMBREY OWNER
Telephone: 7603265365
Mailing Name: Not reported
Mailing Address: 916 E BROADWAY ST

Year: 1999
Gepaid: CAD983655705
TSD EPA ID: CAT080013352
CA Waste Code: 221 - Waste oil and mixed oil
Disposal Method: R01 - Recycler
Tons: 1.52

Additional Info:

Year: 1999
Gen EPA ID: CAD983655705

Shipment Date: 19990712
Creation Date: 9/1/1999 0:00:00
Receipt Date: 19990715
Manifest ID: 99186642
Trans EPA ID: CAT080016116
Trans Name: Not reported
Trans 2 EPA ID: Not reported
Trans 2 Name: Not reported
TSD EPA ID: CAT080013352
Trans Name: Not reported
TSD Alt EPA ID: Not reported
TSD Alt Name: Not reported
Waste Code Description: 221 - Waste oil and mixed oil
RCRA Code: Not reported
Meth Code: R01 - Recycler
Quantity Tons: 1.52
Waste Quantity: 400
Quantity Unit: G
Additional Code 1: Not reported
Additional Code 2: Not reported
Additional Code 3: Not reported
Additional Code 4: Not reported
Additional Code 5: Not reported

HWTS:

Map ID
Direction
Distance
Elevation

MAP FINDINGS

Site

Database(s)

EDR ID Number
EPA ID Number

I 40 TEXACO (Continued)

1000819578

Name: HILLTOP TEXACO
Address: 916 E BROADWAY
Address 2: Not reported
City,State,Zip: NEEDLES, CA 92363
EPA ID: CAD983655705
Inactive Date: 06/30/2004
Create Date: 12/18/1992
Last Act Date: Not reported
Mailing Name: Not reported
Mailing Address: 916 E BROADWAY ST
Mailing Address 2: Not reported
Mailing City,State,Zip: NEEDLES, CA 923633807
Owner Name: HILLTOP TEXACO
Owner Address: 2150 CASA LINDA
Owner Address 2: Not reported
Owner City,State,Zip: NEEDLES, CA 923630000
Contact Name: RANDY E EMBREY OWNER
Contact Address: 2150 CASA LINDA
Contact Address 2: Not reported
City,State,Zip: NEEDLES, CA 92363
Facility Status: Inactive
Facility Type: PERMANENT
Category: FEDERAL
Latitude: 34.822856
Longitude: -114.597468

NAICS:

EPA ID: CAD983655705
Create Date: 2002-03-14 16:36:27.000
NAICS Code: 44719
NAICS Description: Other Gasoline Stations
Issued EPA ID Date: 1992-12-18 00:00:00
Inactive Date: 2004-06-30 15:01:00
Facility Name: HILLTOP TEXACO
Facility Address: 916 E BROADWAY
Facility Address 2: Not reported
Facility City: NEEDLES
Facility County: Not reported
Facility State: CA
Facility Zip: 923630000

CY769 DON GORRA
Target 916 E BROADWAY
Property NEEDLES, CA 92363

HAZNET S112912205
HWTS N/A

Site 41 of 42 in cluster CY

Actual: HAZNET:
540 ft. Name: DON GORRA
Focus Map: Address: 916 E BROADWAY
11 Address 2: Not reported
City,State,Zip: NEEDLES, CA 923630000
Contact: DAVID HOWARD/ CONSLT /ASSOC GE
Telephone: 6025485544
Mailing Name: Not reported
Mailing Address: 2950 EAST ANDY DEVINE

Map ID
Direction
Distance
Elevation

MAP FINDINGS

Site

Database(s)

EDR ID Number
EPA ID Number

DON GORRA (Continued)

S112912205

Year: 2001
Gepaid: CAC002322817
TSD EPA ID: CAD000633164
CA Waste Code: 352 - Other organic solids
Disposal Method: D80 - Disposal, Land Fill
Tons: 1.375

Additional Info:

Year: 2001
Gen EPA ID: CAC002322817

Shipment Date: 20010104
Creation Date: 3/6/2001 0:00:00
Receipt Date: 20010104
Manifest ID: 20860445
Trans EPA ID: SCR000074591
Trans Name: Not reported
Trans 2 EPA ID: Not reported
Trans 2 Name: Not reported
TSD EPA ID: CAD000633164
Trans Name: Not reported
TSD Alt EPA ID: CAD000633164
TSD Alt Name: Not reported
Waste Code Description: 352 - Other organic solids
RCRA Code: Not reported
Meth Code: D80 - Disposal, Land Fill
Quantity Tons: 1.375
Waste Quantity: 2750
Quantity Unit: P
Additional Code 1: Not reported
Additional Code 2: Not reported
Additional Code 3: Not reported
Additional Code 4: Not reported
Additional Code 5: Not reported

HWTS:

Name: DON GORRA
Address: 916 E BROADWAY
Address 2: Not reported
City,State,Zip: NEEDLES, CA 92363
EPA ID: CAC002322817
Inactive Date: 09/11/2001
Create Date: 11/29/2000
Last Act Date: Not reported
Mailing Name: Not reported
Mailing Address: 2950 EAST ANDY DEVINE
Mailing Address 2: Not reported
Mailing City,State,Zip: KINGMAN, AZ 864010000
Owner Name: DON GORRA
Owner Address: 2950 EAST ANDY DEVINE
Owner Address 2: Not reported
Owner City,State,Zip: KINGMAN, AZ 864010000
Contact Name: DAVID HOWARD/ CONSLT /ASSOC GE
Contact Address: 16605 N 28TH AVE STE 100
Contact Address 2: Not reported

Map ID
Direction
Distance
Elevation

MAP FINDINGS

Site

Database(s)

EDR ID Number
EPA ID Number

DON GORRA (Continued)

S112912205

City,State,Zip: PHEONIX, AZ 850530000
Facility Status: Inactive
Facility Type: TEMPORARY
Category: STATE
Latitude: 34.822856
Longitude: -114.597468

CY770 EASTSIDE SERVICE CENTER
Target 916 E BROADWAY ST
Property NEEDLES, CA 92363

HWTS S124876310
N/A

Site 42 of 42 in cluster CY

Actual:
540 ft.

Focus Map:
11

HWTS:
Name: EASTSIDE SERVICE CENTER
Address: 916 E BROADWAY ST
Address 2: Not reported
City,State,Zip: NEEDLES, CA 92363
EPA ID: CAL000342271
Inactive Date: Not reported
Create Date: 04/15/2009
Last Act Date: Not reported
Mailing Name: Not reported
Mailing Address: 916 E BROADWAY ST
Mailing Address 2: Not reported
Mailing City,State,Zip: NEEDLES, CA 923633807
Owner Name: EAST SIDE SERVICE CENTER
Owner Address: 916 E BROADWAY ST
Owner Address 2: Not reported
Owner City,State,Zip: NEEDLES, CA 923633807
Contact Name: JASON BOATNER
Contact Address: 916 E BROADWAY ST
Contact Address 2: Not reported
City,State,Zip: NEEDLES, CA 92363
Facility Status: Active
Facility Type: PERMANENT
Category: STATE
Latitude: 34.826604
Longitude: -114.5957

NAICS:

EPA ID: CAL000342271
Create Date: 2009-04-15 08:32:13.253
NAICS Code: 811111
NAICS Description: General Automotive Repair
Issued EPA ID Date: 2009-04-15 08:32:13.25300
Inactive Date: Not reported
Facility Name: EASTSIDE SERVICE CENTER
Facility Address: 916 E BROADWAY ST
Facility Address 2: Not reported
Facility City: NEEDLES
Facility County: Not reported
Facility State: CA
Facility Zip: 923633807

MAP FINDINGS

Map ID			EDR ID Number
Direction			EPA ID Number
Distance			
Elevation	Site	Database(s)	

CZ771	CO-NEEDLES AIRPORT		UST
Target	HIGHWAY 95		U004050773
Property	NEEDLES, CA 92363		N/A

Site 1 of 2 in cluster CZ

Actual:	UST:	
623 ft.	Name:	CO-NEEDLES AIRPORT
Focus Map:	Address:	HIGHWAY 95
11	City,State,Zip:	NEEDLES, CA 92363
	Facility ID:	88016633
	Permitting Agency:	SAN BERNARDINO COUNTY
	CERSID:	Not reported
	Latitude:	34.82618
	Longitude:	-114.60863

CZ772	AG-RUSSELL BROS RANCHES		UST
Target	RIVER RD,9MI N/O NEEDLES		U004050753
Property	NEEDLES, CA 92363		N/A

Site 2 of 2 in cluster CZ

Actual:	UST:	
623 ft.	Name:	AG-RUSSELL BROS RANCHES
Focus Map:	Address:	RIVER RD,9MI N/O NEEDLES
11	City,State,Zip:	NEEDLES, CA 92363
	Facility ID:	87014503
	Permitting Agency:	SAN BERNARDINO COUNTY
	CERSID:	Not reported
	Latitude:	34.82618
	Longitude:	-114.60863

773	HI-LO SERVICES INC ACC		EDR Hist Auto
Target	2150 CASA LINDA ST		1022073257
Property	NEEDLES, CA 92363		N/A

EDR Hist Auto

Actual:	Year:	Name:	Type:
642 ft.	2008	HI-LO SERVICES INC ACC	Gasoline Service Stations, NEC
Focus Map:			
11			

DA774	SOUTHERN CALIFORNIA GAS COMPANY: NEEDLES BASE		UST
Target	1100 ARIZONA STREET		U004263932
Property	NEEDLES, CA 92351		N/A

Site 1 of 10 in cluster DA

Actual:	UST:	
546 ft.	Name:	SOUTHERN CALIFORNIA GAS COMPANY: NEEDLES BASE
Focus Map:	Address:	1100 ARIZONA STREET
11	City,State,Zip:	NEEDLES, CA 92351
	Facility ID:	FA0006247

Map ID
Direction
Distance
Elevation

MAP FINDINGS

Site

Database(s)

EDR ID Number
EPA ID Number

SOUTHERN CALIFORNIA GAS COMPANY: NEEDLES BASE (Continued)

U004263932

Permitting Agency: San Bernardino County Fire Department
CERSID: 10151503
Latitude: 34.82396
Longitude: -114.59867

DA775 SO CAL GAS CO
Target 1100 ARIZONA AVE
Property NEEDLES, CA 92363

UST **U003784845**
N/A

Site 2 of 10 in cluster DA

Actual: 546 ft. **UST:**
Focus Map: 11
Name: SO CAL GAS CO
Address: 1100 ARIZONA AVE
City,State,Zip: NEEDLES, CA 92363
Facility ID: 86009661
Permitting Agency: SAN BERNARDINO COUNTY
CERSID: Not reported
Latitude: 34.8259
Longitude: -114.59912

DA776 SOUTHERN CALIF. GAS COMPANY
Target 1100 ARIZONA
Property NEEDLES, CA 92363

FINDS **1023368390**
N/A

Site 3 of 10 in cluster DA

Actual: 546 ft. **FINDS:**
Focus Map: 11
Registry ID: 110066660768
Click Here for FRS Facility Detail Report:
Environmental Interest/Information System:
STATE MASTER

[Click this hyperlink](#) while viewing on your computer to access additional FINDS: detail in the EDR Site Report.

DA777 SCG - NEEDLES OFFICE
Target 1100 ARIZONA STREET
Property NEEDLES, CA 92363

EMI **S124454880**
N/A

Site 4 of 10 in cluster DA

Actual: 546 ft. **EMI:**
Focus Map: 11
Name: SCG - NEEDLES OFFICE
Address: 1100 ARIZONA STREET
City,State,Zip: NEEDLES, CA 92363
Year: 2017
County Code: 36
Air Basin: MD
Facility ID: 3100942
Air District Name: MOJ
SIC Code: 4922
Air District Name: MOJAVE DESERT AQMD
Community Health Air Pollution Info System: Not reported

Map ID
Direction
Distance
Elevation

MAP FINDINGS

Site

Database(s)

EDR ID Number
EPA ID Number

SCG - NEEDLES OFFICE (Continued)

S124454880

Consolidated Emission Reporting Rule: Not reported
Total Organic Hydrocarbon Gases Tons/Yr: 0.016680387391
Reactive Organic Gases Tons/Yr: 0.015753031
Carbon Monoxide Emissions Tons/Yr: 0.001791953
NOX - Oxides of Nitrogen Tons/Yr: 0.002724926
SOX - Oxides of Sulphur Tons/Yr: 1.89e-006
Particulate Matter Tons/Yr: 6.24e-005
Part. Matter 10 Micrometers and Smllr Tons/Yr:6.24e-005

DA778 SOUTHERN CALIFORNIA GAS COMPANY: NEEDLES BASE
Target 1100 ARIZONA STREET
Property NEEDLES, CA 92351

FINDS 1023297693
N/A

Site 5 of 10 in cluster DA

Actual: FINDS:
546 ft. Registry ID: 110065895614

Focus Map: Click Here for FRS Facility Detail Report:
11

Environmental Interest/Information System:
STATE MASTER

[Click this hyperlink](#) while viewing on your computer to access additional FINDS: detail in the EDR Site Report.

DA779 SCG NORTH & SOUTH NEEDLES
Target 1100 ARIZONA
Property NEEDLES, CA

RGA LUST S114683599
N/A

Site 6 of 10 in cluster DA

Actual: RGA LUST:
546 ft. Name: SCG NORTH & SOUTH NEEDLES
Focus Map: Address: 1100 ARIZONA
11 City: NEEDLES
State: NEEDLES
2002 SCG NORTH & SOUTH NEEDLES 1100 ARIZONA
Name: SCG NORTH & SOUTH NEEDLES
Address: 1100 ARIZONA
City: NEEDLES
State: NEEDLES
2001 SCG NORTH & SOUTH NEEDLES 1100 ARIZONA

DA780 SOUTHERN CALIF. GAS COMPANY
Target 1100 ARIZONA
Property NEEDLES, CA

RGA LUST S114693589
N/A

Site 7 of 10 in cluster DA

Actual: RGA LUST:
546 ft. Name: SOUTHERN CALIF. GAS COMPANY
Focus Map: Address: 1100 ARIZONA
11 City: NEEDLES
State: NEEDLES
2012 SOUTHERN CALIF. GAS COMPANY 1100 ARIZONA

Map ID
 Direction
 Distance
 Elevation

MAP FINDINGS

Site

Database(s)

EDR ID Number
 EPA ID Number

SOUTHERN CALIF. GAS COMPANY (Continued)

S114693589

Name:	SOUTHERN CALIF. GAS COMPANY	
Address:	1100 ARIZONA	
City:	NEEDLES	
State:	NEEDLES	
	2011 SOUTHERN CALIF. GAS COMPANY	1100 ARIZONA
Name:	SOUTHERN CALIF. GAS COMPANY	
Address:	1100 ARIZONA	
City:	NEEDLES	
State:	NEEDLES	
	2010 SOUTHERN CALIF. GAS COMPANY	1100 ARIZONA
Name:	SOUTHERN CALIF. GAS COMPANY	
Address:	1100 ARIZONA	
City:	NEEDLES	
State:	NEEDLES	
	2009 SOUTHERN CALIF. GAS COMPANY	1100 ARIZONA
Name:	SOUTHERN CALIF. GAS COMPANY	
Address:	1100 ARIZONA	
City:	NEEDLES	
State:	NEEDLES	
	2008 SOUTHERN CALIF. GAS COMPANY	1100 ARIZONA
Name:	SOUTHERN CALIF. GAS COMPANY	
Address:	1100 ARIZONA	
City:	NEEDLES	
State:	NEEDLES	
	2007 SOUTHERN CALIF. GAS COMPANY	1100 ARIZONA
Name:	SOUTHERN CALIF. GAS COMPANY	
Address:	1100 ARIZONA	
City:	NEEDLES	
State:	NEEDLES	
	2006 SOUTHERN CALIF. GAS COMPANY	1100 ARIZONA
Name:	SOUTHERN CALIF. GAS COMPANY	
Address:	1100 ARIZONA	
City:	NEEDLES	
State:	NEEDLES	
	2005 SOUTHERN CALIF. GAS COMPANY	1100 ARIZONA
Name:	SOUTHERN CALIF. GAS COMPANY	
Address:	1100 ARIZONA	
City:	NEEDLES	
State:	NEEDLES	
	2003 SOUTHERN CALIF. GAS COMPANY	1100 ARIZONA

DA781 SCG - NORTH & SOUTH NEEDL
Target 1100 ARIZONA
Property NEEDLES, CA 92363

LUST S102436560
HIST CORTESE N/A
CERS

Site 8 of 10 in cluster DA

Actual:	LUST:	
546 ft.	Name:	SOUTHERN CALIF. GAS COMPANY
Focus Map:	Address:	1100 ARIZONA
11	City,State,Zip:	NEEDLES, CA 92363
	Lead Agency:	SAN BERNARDINO COUNTY
	Case Type:	LUST Cleanup Site
	Geo Track:	http://geotracker.waterboards.ca.gov/profile_report.asp?global_id=T0607101010
	Global Id:	T0607101010
	Latitude:	34.8242146
	Longitude:	-114.5986473
	Status:	Completed - Case Closed

Map ID
Direction
Distance
Elevation

MAP FINDINGS

Site

Database(s)

EDR ID Number
EPA ID Number

SCG - NORTH & SOUTH NEEDL (Continued)

S102436560

Status Date: 06/04/1992
Case Worker: Not reported
RB Case Number: 7T2363012
Local Agency: Not reported
File Location: Local Agency
Local Case Number: 91006
Potential Media Affect: Under Investigation
Potential Contaminants of Concern: Gasoline
Site History: Not reported

LUST:

Global Id: T0607101010
Action Type: Other
Date: 05/23/1991
Action: Leak Reported

Global Id: T0607101010
Action Type: ENFORCEMENT
Date: 05/21/1991
Action: Unauthorized Release Form

Global Id: T0607101010
Action Type: Other
Date: 05/21/1991
Action: Leak Stopped

Global Id: T0607101010
Action Type: Other
Date: 05/15/1991
Action: Leak Discovery

LUST:

Global Id: T0607101010
Status: Open - Case Begin Date
Status Date: 05/15/1991

Global Id: T0607101010
Status: Open - Site Assessment
Status Date: 05/23/1991

Global Id: T0607101010
Status: Open - Site Assessment
Status Date: 06/19/1991

Global Id: T0607101010
Status: Open - Site Assessment
Status Date: 04/07/1992

Global Id: T0607101010
Status: Completed - Case Closed
Status Date: 06/04/1992

HIST CORTESE:

edr_fname: SCG - NORTH & SOUTH NEEDL
edr_fadd1: 1100 ARIZONA
City,State,Zip: NEEDLES, CA 92363

Map ID
Direction
Distance
Elevation

MAP FINDINGS

Site

Database(s)

EDR ID Number
EPA ID Number

SCG - NORTH & SOUTH NEEDL (Continued)

S102436560

Region: CORTESE
Facility County Code: 36
Reg By: LTNKA
Reg Id: 7T12363012

CERS:

Name: SOUTHERN CALIF. GAS COMPANY
Address: 1100 ARIZONA
City,State,Zip: NEEDLES, CA 92363
Site ID: 187947
CERS ID: T0607101010
CERS Description: Leaking Underground Storage Tank Cleanup Site

DA782 SCG - NORTH & SOUTH NEEDLES
Target 1100 ARIZONA
Property NEEDLES, CA

RGA LUST S114683592
N/A

Site 9 of 10 in cluster DA

Actual: RGA LUST:
546 ft. Name: SCG - NORTH & SOUTH NEEDLES
Focus Map: Address: 1100 ARIZONA
11 City: NEEDLES
State: NEEDLES
2000 SCG - NORTH & SOUTH NEEDLES 1100 ARIZONA

DA783 SOUTHERN CALIFORNIA GAS COMPANY: NEEDLES BASE
Target 1100 ARIZONA ST
Property NEEDLES, CA 92351

LUST S106152987
CERS HAZ WASTE N/A
CERS TANKS
Cortese
San Bern. Co. Permit
CERS

Site 10 of 10 in cluster DA

Actual:
546 ft.
Focus Map:
11
LUST REG 7:
Region: 7
Status: 9 - Case Closed
Case Num: 7T2363012
Substance: Gasoline - Automotive
ID: 1156
Global ID: T0607101010
Lead Agency: Local Agency
Case Worker: KO

CERS HAZ WASTE:

Name: SOUTHERN CALIFORNIA GAS COMPANY: NEEDLES BASE
Address: 1100 ARIZONA STREET
City,State,Zip: NEEDLES, CA 92351
Site ID: 155483
CERS ID: 10151503
CERS Description: Hazardous Waste Generator

CERS TANKS:

Name: SOUTHERN CALIFORNIA GAS COMPANY: NEEDLES BASE
Address: 1100 ARIZONA STREET
City,State,Zip: NEEDLES, CA 92351

Map ID
Direction
Distance
Elevation

MAP FINDINGS

Site

Database(s)

EDR ID Number
EPA ID Number

SOUTHERN CALIFORNIA GAS COMPANY: NEEDLES BASE (Continued)

S106152987

Site ID: 155483
CERS ID: 10151503
CERS Description: Underground Storage Tank

CORTESE:

Name: SOUTHERN CALIF. GAS COMPANY
Address: 1100 ARIZONA
City,State,Zip: NEEDLES, CA 92363
Region: CORTESE
Envirostor Id: Not reported
Global ID: T0607101010
Site/Facility Type: LUST CLEANUP SITE
Cleanup Status: COMPLETED - CASE CLOSED
Status Date: Not reported
Site Code: Not reported
Latitude: Not reported
Longitude: Not reported
Owner: Not reported
Enf Type: Not reported
Swat R: Not reported
Flag: active
Order No: Not reported
Waste Discharge System No: Not reported
Effective Date: Not reported
Region 2: Not reported
WID Id: Not reported
Solid Waste Id No: Not reported
Waste Management Uit Name: Not reported
File Name: Active Open

San Bern. Co. Permit:

Name: SOUTHERN CALIFORNIA GAS COMPANY: NEEDLES BASE
Address: 1100 ARIZONA ST
City,State,Zip: NEEDLES, CA 92351
Region: SAN BERNARDINO
Facility ID: FA0006247
Owner: SOUTHERN CALIFORNIA GAS COMPANY
Permit Number: PT0011532
Permit Category: REGULAR UST ANNUAL INSPECTION (PER TANK)
Facility Status: ACTIVE
Expiration Date: 10/31/2022

Name: SOUTHERN CALIFORNIA GAS COMPANY: NEEDLES BASE
Address: 1100 ARIZONA ST
City,State,Zip: NEEDLES, CA 92351
Region: SAN BERNARDINO
Facility ID: FA0006247
Owner: SOUTHERN CALIFORNIA GAS COMPANY
Permit Number: PT0002630
Permit Category: HAZARDOUS MATERIALS 4-10 CHEMICALS
Facility Status: ACTIVE
Expiration Date: 10/31/2022

Name: SOUTHERN CALIFORNIA GAS COMPANY: NEEDLES BASE
Address: 1100 ARIZONA ST
City,State,Zip: NEEDLES, CA 92351

Map ID
Direction
Distance
Elevation

MAP FINDINGS

Site

Database(s)

EDR ID Number
EPA ID Number

SOUTHERN CALIFORNIA GAS COMPANY: NEEDLES BASE (Continued)

S106152987

Region: SAN BERNARDINO
Facility ID: FA0006247
Owner: SOUTHERN CALIFORNIA GAS COMPANY
Permit Number: PT0002629
Permit Category: CONDITIONALLY EXEMPT SM QTY GENERATOR
Facility Status: ACTIVE
Expiration Date: 10/31/2019

Name: SOUTHERN CALIFORNIA GAS COMPANY: NEEDLES BASE
Address: 1100 ARIZONA ST
City,State,Zip: NEEDLES, CA 92351
Region: SAN BERNARDINO
Facility ID: FA0006247
Owner: SOUTHERN CALIFORNIA GAS COMPANY
Permit Number: PT0038133
Permit Category: HAZARDOUS WASTE CONSOLIDATION (NB)
Facility Status: FEE EXEMPT
Expiration Date: 10/31/2018

Name: SOUTHERN CALIFORNIA GAS COMPANY: NEEDLES BASE
Address: 1100 ARIZONA ST
City,State,Zip: NEEDLES, CA 92351
Region: SAN BERNARDINO
Facility ID: FA0006247
Owner: SOUTHERN CALIFORNIA GAS COMPANY
Permit Number: PT0038132
Permit Category: RCRA LQG GENERAL ACTIVITY(NB)
Facility Status: INACTIVE
Expiration Date: 10/31/2018

Name: SOUTHERN CALIFORNIA GAS COMPANY: NEEDLES BASE
Address: 1100 ARIZONA ST
City,State,Zip: NEEDLES, CA 92351
Region: SAN BERNARDINO
Facility ID: FA0006247
Owner: SOUTHERN CALIFORNIA GAS COMPANY
Permit Number: PT0024932
Permit Category: EPCRA FACILITY
Facility Status: INACTIVE
Expiration Date: 10/31/2013

CERS:

Name: SOUTHERN CALIFORNIA GAS COMPANY: NEEDLES BASE
Address: 1100 ARIZONA STREET
City,State,Zip: NEEDLES, CA 92351
Site ID: 155483
CERS ID: 10151503
CERS Description: Chemical Storage Facilities

Evaluation:

Eval General Type: Compliance Evaluation Inspection
Eval Date: 08-08-2013
Violations Found: No
Eval Type: Routine done by local agency
Eval Notes: So GasCo-insp
Eval Division: San Bernardino County Fire Department
Eval Program: HMRRP

Map ID
Direction
Distance
Elevation

MAP FINDINGS

Site

Database(s)

EDR ID Number
EPA ID Number

SOUTHERN CALIFORNIA GAS COMPANY: NEEDLES BASE (Continued)

S106152987

Eval Source: CERS,

Eval General Type: Compliance Evaluation Inspection
Eval Date: 11-03-2021
Violations Found: No
Eval Type: Routine done by local agency
Eval Notes: Not reported
Eval Division: San Bernardino County Fire Department
Eval Program: HWLQG
Eval Source: CERS,

Eval General Type: Compliance Evaluation Inspection
Eval Date: 11-13-2018
Violations Found: No
Eval Type: Routine done by local agency
Eval Notes: SO CAL GAS- HANDLER INSPECTION
Eval Division: San Bernardino County Fire Department
Eval Program: HMRRP
Eval Source: CERS,

Eval General Type: Compliance Evaluation Inspection
Eval Date: 11-14-2017
Violations Found: No
Eval Type: Routine done by local agency
Eval Notes: ANNUAL UST INSPECTION WITH MONITORING CERTIFICATION
Eval Division: San Bernardino County Fire Department
Eval Program: UST
Eval Source: CERS,

Eval General Type: Compliance Evaluation Inspection
Eval Date: 11-16-2020
Violations Found: No
Eval Type: Routine done by local agency
Eval Notes: HAZARDOUS MATERIALS INSPECTION.
Eval Division: San Bernardino County Fire Department
Eval Program: HMRRP
Eval Source: CERS,

Eval General Type: Compliance Evaluation Inspection
Eval Date: 11-16-2020
Violations Found: No
Eval Type: Routine done by local agency
Eval Notes: UST ANNUAL INSPECTION WITH MONITORING SYSTEM CERTIFICATION.
Eval Division: San Bernardino County Fire Department
Eval Program: UST
Eval Source: CERS,

Eval General Type: Compliance Evaluation Inspection
Eval Date: 11-17-2015
Violations Found: No
Eval Type: Routine done by local agency
Eval Notes: SO CAL GAS(CUPA INSPECTION)- HAZARDOUS MATERIALS & HAZARDOUS WASTE INSP.
Eval Division: San Bernardino County Fire Department
Eval Program: HMRRP
Eval Source: CERS,

Map ID
Direction
Distance
Elevation

MAP FINDINGS

Site

Database(s)

EDR ID Number
EPA ID Number

SOUTHERN CALIFORNIA GAS COMPANY: NEEDLES BASE (Continued)

S106152987

Eval General Type:	Compliance Evaluation Inspection
Eval Date:	11-17-2015
Violations Found:	No
Eval Type:	Routine done by local agency
Eval Notes:	SO CAL GAS- (CUPA INSPECTION)-HAZARDOUS MATERIALS & HAZARDOUS WASTE INSP.
Eval Division:	San Bernardino County Fire Department
Eval Program:	HW
Eval Source:	CERS,
Eval General Type:	Compliance Evaluation Inspection
Eval Date:	11-03-2021
Violations Found:	No
Eval Type:	Routine done by local agency
Eval Notes:	Not reported
Eval Division:	San Bernardino County Fire Department
Eval Program:	UST
Eval Source:	CERS,
Eval General Type:	Compliance Evaluation Inspection
Eval Date:	11-13-2018
Violations Found:	No
Eval Type:	Routine done by local agency
Eval Notes:	SO CAL GAS- WASTE INSPECTION
Eval Division:	San Bernardino County Fire Department
Eval Program:	HW
Eval Source:	CERS,
Eval General Type:	Compliance Evaluation Inspection
Eval Date:	11-03-2021
Violations Found:	No
Eval Type:	Routine done by local agency
Eval Notes:	Not reported
Eval Division:	San Bernardino County Fire Department
Eval Program:	HMRRP
Eval Source:	CERS,
Eval General Type:	Compliance Evaluation Inspection
Eval Date:	11-13-2018
Violations Found:	No
Eval Type:	Routine done by local agency
Eval Notes:	SO CAL GAS- UST INSPECTION AND UST MONITORING CERTIFICATION.
Eval Division:	San Bernardino County Fire Department
Eval Program:	UST
Eval Source:	CERS,
Eval General Type:	Compliance Evaluation Inspection
Eval Date:	11-17-2014
Violations Found:	No
Eval Type:	Routine done by local agency
Eval Notes:	SO CAL GAS- UST MONITORING CERTIFICATION
Eval Division:	San Bernardino County Fire Department
Eval Program:	UST
Eval Source:	CERS,
Eval General Type:	Compliance Evaluation Inspection
Eval Date:	11-18-2019

Map ID
Direction
Distance
Elevation

MAP FINDINGS

Site

Database(s)

EDR ID Number
EPA ID Number

SOUTHERN CALIFORNIA GAS COMPANY: NEEDLES BASE (Continued)

S106152987

Violations Found:	No
Eval Type:	Routine done by local agency
Eval Notes:	Not reported
Eval Division:	San Bernardino County Fire Department
Eval Program:	UST
Eval Source:	CERS,
Eval General Type:	Compliance Evaluation Inspection
Eval Date:	05-09-2019
Violations Found:	No
Eval Type:	Routine done by local agency
Eval Notes:	GAS CO- UST INSPECTION & UST MONITORING CERT
Eval Division:	San Bernardino County Fire Department
Eval Program:	UST
Eval Source:	CERS,
Eval General Type:	Compliance Evaluation Inspection
Eval Date:	08-08-2013
Violations Found:	No
Eval Type:	Routine done by local agency
Eval Notes:	so gas co-insp
Eval Division:	San Bernardino County Fire Department
Eval Program:	HW
Eval Source:	CERS,
Eval General Type:	Compliance Evaluation Inspection
Eval Date:	11-03-2021
Violations Found:	No
Eval Type:	Routine done by local agency
Eval Notes:	Not reported
Eval Division:	San Bernardino County Fire Department
Eval Program:	HW
Eval Source:	CERS,
Eval General Type:	Compliance Evaluation Inspection
Eval Date:	11-15-2016
Violations Found:	No
Eval Type:	Routine done by local agency
Eval Notes:	Not reported
Eval Division:	San Bernardino County Fire Department
Eval Program:	UST
Eval Source:	CERS,
Eval General Type:	Compliance Evaluation Inspection
Eval Date:	11-17-2015
Violations Found:	No
Eval Type:	Routine done by local agency
Eval Notes:	SO CAL GAS- UST INSPECTION & UST MONITORING CERTIFICATION
Eval Division:	San Bernardino County Fire Department
Eval Program:	UST
Eval Source:	CERS,
Eval General Type:	Compliance Evaluation Inspection
Eval Date:	11-20-2013
Violations Found:	No
Eval Type:	Routine done by local agency
Eval Notes:	BP INSPECTION DURING MONT CERT

Map ID
Direction
Distance
Elevation

MAP FINDINGS

Site

Database(s)

EDR ID Number
EPA ID Number

SOUTHERN CALIFORNIA GAS COMPANY: NEEDLES BASE (Continued)

S106152987

Eval Division: San Bernardino County Fire Department
Eval Program: HMRRP
Eval Source: CERS,

Eval General Type: Compliance Evaluation Inspection
Eval Date: 11-20-2013
Violations Found: No
Eval Type: Routine done by local agency
Eval Notes: UST MONT CERT
Eval Division: San Bernardino County Fire Department
Eval Program: UST
Eval Source: CERS,

Affiliation:

Affiliation Type Desc: Environmental Contact
Entity Name: Annie Ho
Entity Title: Not reported
Affiliation Address: P O Box 2300, M/L SC9314
Affiliation City: Chatsworth
Affiliation State: CA
Affiliation Country: Not reported
Affiliation Zip: 91313
Affiliation Phone: ,

Affiliation Type Desc: Legal Owner
Entity Name: Southern California Gas Company
Entity Title: Not reported
Affiliation Address: P O Box 2300, M/L SC9314
Affiliation City: Chatsworth
Affiliation State: CA
Affiliation Country: United States
Affiliation Zip: 91313
Affiliation Phone: (818) 701-4539,

Affiliation Type Desc: Operator
Entity Name: Southern California Gas Company
Entity Title: Not reported
Affiliation Address: Not reported
Affiliation City: Not reported
Affiliation State: Not reported
Affiliation Country: Not reported
Affiliation Zip: Not reported
Affiliation Phone: (760) 243-6540,

Affiliation Type Desc: Facility Mailing Address
Entity Name: Mailing Address
Entity Title: Not reported
Affiliation Address: P O Box 2300, M/L SC9314
Affiliation City: Chatsworth
Affiliation State: CA
Affiliation Country: Not reported
Affiliation Zip: 91313
Affiliation Phone: ,

Affiliation Type Desc: Parent Corporation
Entity Name: Southern California Gas Company
Entity Title: Not reported

Map ID
Direction
Distance
Elevation

MAP FINDINGS

Site

Database(s)

EDR ID Number
EPA ID Number

SOUTHERN CALIFORNIA GAS COMPANY: NEEDLES BASE (Continued)

S106152987

Affiliation Address: Not reported
Affiliation City: Not reported
Affiliation State: Not reported
Affiliation Country: Not reported
Affiliation Zip: Not reported
Affiliation Phone: ,

Affiliation Type Desc: Identification Signer
Entity Name: Henri Zelada
Entity Title: District Operations Manager
Affiliation Address: Not reported
Affiliation City: Not reported
Affiliation State: Not reported
Affiliation Country: Not reported
Affiliation Zip: Not reported
Affiliation Phone: ,

Affiliation Type Desc: UST Permit Applicant
Entity Name: Valerie Montgomery
Entity Title: Technical Advisor
Affiliation Address: Not reported
Affiliation City: Not reported
Affiliation State: Not reported
Affiliation Country: Not reported
Affiliation Zip: Not reported
Affiliation Phone: (760) 243-6572,

Affiliation Type Desc: UST Property Owner Name
Entity Name: Southern California Gas Company - Needles
Entity Title: Not reported
Affiliation Address: 1100 Arizona St
Affiliation City: Needles
Affiliation State: CA
Affiliation Country: United States
Affiliation Zip: 92363
Affiliation Phone: (760) 243-6572,

Affiliation Type Desc: UST Tank Operator
Entity Name: Southern California Gas Company
Entity Title: Not reported
Affiliation Address: 1100 Arizona St.
Affiliation City: Needles
Affiliation State: CA
Affiliation Country: United States
Affiliation Zip: 92363
Affiliation Phone: (760) 243-6572,

Affiliation Type Desc: CUPA District
Entity Name: San Bernardino County Fire
Entity Title: Not reported
Affiliation Address: 620 South E Street
Affiliation City: San Bernardino
Affiliation State: CA
Affiliation Country: Not reported
Affiliation Zip: 92415-0153
Affiliation Phone: (909) 386-8401,

Map ID
Direction
Distance
Elevation

MAP FINDINGS

Site

Database(s)

EDR ID Number
EPA ID Number

SOUTHERN CALIFORNIA GAS COMPANY: NEEDLES BASE (Continued)

S106152987

Affiliation Type Desc: Document Preparer
Entity Name: Mariza Arnot
Entity Title: Not reported
Affiliation Address: Not reported
Affiliation City: Not reported
Affiliation State: Not reported
Affiliation Country: Not reported
Affiliation Zip: Not reported
Affiliation Phone: ,

Affiliation Type Desc: UST Tank Owner
Entity Name: Southern California Gas Company
Entity Title: Not reported
Affiliation Address: 1100 Arizona St.
Affiliation City: Needles
Affiliation State: CA
Affiliation Country: United States
Affiliation Zip: 92363
Affiliation Phone: (760) 243-6572,

DB784 **OLDCASTLE APG WEST/DBA SUPERLITE BLOCK**
Target **NO. 1 ICE PLANT RD**
Property **NEEDLES, CA 92363**

FINDS **1016788357**
N/A

Site 1 of 4 in cluster DB

Actual: FINDS:
543 ft. Registry ID: 110058314818

Focus Map: Click Here for FRS Facility Detail Report:
11

Environmental Interest/Information System:
AIR EMISSIONS CLASSIFICATION UNKNOWN

[Click this hyperlink](#) while viewing on your computer to access additional FINDS: detail in the EDR Site Report.

DB785 **OLDCASTLE APG WEST/DBA SUPERLITE BLOCK**
Target **NO. 1 ICE PLANT RD**
Property **NEEDLES, CA 92363**

EMI **S113751065**
CERS **N/A**

Site 2 of 4 in cluster DB

Actual: EMI:
543 ft. Name: OLDCASTLE APG WEST/DBA SUPERLITE BLOCK
Focus Map: Address: NO. 1 ICE PLANT RD
11 City,State,Zip: NEEDLES, CA 92363
Year: 2010
County Code: 36
Air Basin: MD
Facility ID: 60000189
Air District Name: MOJ
SIC Code: 3273
Air District Name: MOJAVE DESERT AQMD
Community Health Air Pollution Info System: Not reported
Consolidated Emission Reporting Rule: Not reported
Total Organic Hydrocarbon Gases Tons/Yr: 3.3105000000000001E-3

Map ID
 Direction
 Distance
 Elevation

MAP FINDINGS

Site

Database(s)

EDR ID Number
 EPA ID Number

OLDCASTLE APG WEST/DBA SUPERLITE BLOCK (Continued)

S113751065

Reactive Organic Gases Tons/Yr: 2.1852610500000002E-3
 Carbon Monoxide Emissions Tons/Yr: 1.7656000000000002E-2
 NOX - Oxides of Nitrogen Tons/Yr: 0.1048325
 SOX - Oxides of Sulphur Tons/Yr: 9.9320000000000005E-5
 Particulate Matter Tons/Yr: 0.15766050000000001
 Part. Matter 10 Micrometers and Smllr Tons/Yr:7.6198000000000002E-2

Name: OLDCASTLE APG WEST/DBA SUPERLITE BLOCK
 Address: NO. 1 ICE PLANT RD
 City,State,Zip: NEEDLES, CA 92363
 Year: 2011
 County Code: 36
 Air Basin: MD
 Facility ID: 60000189
 Air District Name: MOJ
 SIC Code: 3273
 Air District Name: MOJAVE DESERT AQMD
 Community Health Air Pollution Info System: Not reported
 Consolidated Emission Reporting Rule: Not reported
 Total Organic Hydrocarbon Gases Tons/Yr: 0.0033105
 Reactive Organic Gases Tons/Yr: 0.00218526105
 Carbon Monoxide Emissions Tons/Yr: 0.017656
 NOX - Oxides of Nitrogen Tons/Yr: 0.1048325
 SOX - Oxides of Sulphur Tons/Yr: 9.932e-005
 Particulate Matter Tons/Yr: 0.1576605
 Part. Matter 10 Micrometers and Smllr Tons/Yr:0.076198

CERS:
 Name: OLDCASTLE APG WEST/DBA SUPERLITE BLOCK
 Address: NO. 1 ICE PLANT RD
 City,State,Zip: NEEDLES, CA 92363
 Site ID: 484229
 CERS ID: 110058314818
 CERS Description: US EPA Air Emission Inventory System (EIS)

DB786 **LOCKE E J**
Target **E HWY 66 & SN CRLOS**
Property **NEEDLES, CA 92363**

EDR Hist Auto **1020735155**
N/A

Site 3 of 4 in cluster DB

Actual: EDR Hist Auto
544 ft.

Focus Map: 11	Year: Name: Type: 1969 LOCKE E J Gasoline Service Stations 1970 LOCKE E J Gasoline Service Stations 1971 LOCKE E J Gasoline Service Stations 1972 LOCKE E J Gasoline Service Stations 1973 LOCKE E J Gasoline Service Stations
--------------------------------	---

MAP FINDINGS

Map ID
Direction
Distance
Elevation

Site

Database(s)

EDR ID Number
EPA ID Number

DB787 **16261 SAN BERNARDINO COUNTY FIRE DEPARTMENT**
Target **1005 BROADWAY E**
Property **NEEDLES, CA 92363**

FINDS **1014670461**
 N/A

Site 4 of 4 in cluster DB

Actual: **FINDS:**
544 ft. Registry ID: 110043351342

Focus Map:
11 [Click Here for FRS Facility Detail Report:](#)

Environmental Interest/Information System:
 LEAKING UNDERGROUND STORAGE TANK - ARRA

[Click this hyperlink](#) while viewing on your computer to access
 additional FINDS: detail in the EDR Site Report.

DC788 **EASTSIDE MOBIL**
Target **1005 E BROADWAY ST**
Property **NEEDLES, CA 92363**

UST **U004351902**
 N/A

Site 1 of 34 in cluster DC

Actual: **UST:**
548 ft. Name: EASTSIDE MOBIL
Focus Map: Address: 1005 E BROADWAY ST
11 City,State,Zip: NEEDLES, CA 92363
 Facility ID: FA0001093
 Permitting Agency: San Bernardino County Fire Department
 CERSID: 10035652
 Latitude: 34.82563
 Longitude: -114.596725

DC789 **TRI-VALLEY CHEVRON**
Target **1005 E BROADWAY**
Property **NEEDLES, CA 92278**

HAZNET **S112895279**
HWTS **N/A**

Site 2 of 34 in cluster DC

Actual: **HAZNET:**
548 ft. Name: TRI-VALLEY CHEVRON
Focus Map: Address: 1005 E BROADWAY
11 Address 2: Not reported
 City,State,Zip: NEEDLES, CA 922780000
 Contact: GREG PARKER/VICE PRESIDENT
 Telephone: 9093569025
 Mailing Name: Not reported
 Mailing Address: 1005 E BROADWAY

 Year: 1998
 Gepaid: CAC001488360
 TSD EPA ID: CAT080013352
 CA Waste Code: 133 - Aqueous solution with total organic residues 10 percent or more
 Disposal Method: R01 - Recycler
 Tons: 5.004

Additional Info:
 Year: 1998

Map ID
Direction
Distance
Elevation

MAP FINDINGS

Site

Database(s)

EDR ID Number
EPA ID Number

TRI-VALLEY CHEVRON (Continued)

S112895279

Gen EPA ID: CAC001488360
Shipment Date: 19981209
Creation Date: 2/8/1999 0:00:00
Receipt Date: 19981210
Manifest ID: 98510792
Trans EPA ID: CAD982403198
Trans Name: Not reported
Trans 2 EPA ID: Not reported
Trans 2 Name: Not reported
TSD EPA ID: CAT080013352
Trans Name: Not reported
TSD Alt EPA ID: Not reported
TSD Alt Name: Not reported
Waste Code Description: 133 - Aqueous solution with 10% or more total organic residues
RCRA Code: D001
Meth Code: R01 - Recycler
Quantity Tons: 5.004
Waste Quantity: 1200
Quantity Unit: G
Additional Code 1: Not reported
Additional Code 2: Not reported
Additional Code 3: Not reported
Additional Code 4: Not reported
Additional Code 5: Not reported

HWTS:

Name: TRI-VALLEY CHEVRON
Address: 1005 E BROADWAY
Address 2: Not reported
City,State,Zip: NEEDLES, CA 92278
EPA ID: CAC001488360
Inactive Date: 10/25/2000
Create Date: 12/07/1998
Last Act Date: Not reported
Mailing Name: Not reported
Mailing Address: 1005 E BROADWAY
Mailing Address 2: Not reported
Mailing City,State,Zip: NEEDLES, CA 922780000
Owner Name: JOHN CHATWIN
Owner Address: 1005 E BROADWAY
Owner Address 2: Not reported
Owner City,State,Zip: NEEDLES, CA 922780000
Contact Name: GREG PARKER/VICE PRESIDENT
Contact Address: 1005 E BROADWAY
Contact Address 2: Not reported
City,State,Zip: NEEDLES, CA 922780000
Facility Status: Inactive
Facility Type: TEMPORARY
Category: STATE
Latitude: 34.134814
Longitude: -116.014601

MAP FINDINGS

Map ID			EDR ID Number
Direction			EPA ID Number
Distance			
Elevation	Site	Database(s)	

DC790	EASTSIDE MOBIL	FINDS	1023204022
Target	1005 E BROADWAY		N/A
Property	NEEDLES, CA 92363		

Site 3 of 34 in cluster DC

Actual: FINDS:
548 ft. Registry ID: 110064890346

Focus Map:
11 [Click Here for FRS Facility Detail Report:](#)

Environmental Interest/Information System:
 AIR EMISSIONS CLASSIFICATION UNKNOWN
 RCRAInfo is a national information system that supports the Resource Conservation and Recovery Act (RCRA) program through the tracking of events and activities related to facilities that generate, transport, and treat, store, or dispose of hazardous waste. RCRAInfo allows RCRA program staff to track the notification, permit, compliance, and corrective action activities required under RCRA.
 STATE MASTER

[Click this hyperlink](#) while viewing on your computer to access additional FINDS: detail in the EDR Site Report.

DC791	ARCO NEEDLES	RGA LUST	S114575419
Target	1005 EAST BROADWAY		N/A
Property	NEEDLES, CA		

Site 4 of 34 in cluster DC

Actual: RGA LUST:
548 ft. Name: ARCO NEEDLES
Focus Map: Address: 1005 EAST BROADWAY
11 City: NEEDLES
 State: NEEDLES
 2002 ARCO NEEDLES 1005 EAST BROADWAY
 Name: ARCO NEEDLES
 Address: 1005 EAST BROADWAY
 City: NEEDLES
 State: NEEDLES
 2001 ARCO NEEDLES 1005 EAST BROADWAY
 Name: ARCO NEEDLES
 Address: 1005 EAST BROADWAY
 City: NEEDLES
 State: NEEDLES
 2000 ARCO NEEDLES 1005 EAST BROADWAY

DC792	EASTSIDE MOBIL	RCRA NonGen / NLR	1024847829
Target	1005 E BROADWAY ST		CAL000403023
Property	NEEDLES, CA 92363		

Site 5 of 34 in cluster DC

Actual: RCRA NonGen / NLR:
548 ft. Date Form Received by Agency: 20141216
Focus Map: Handler Name: EASTSIDE MOBIL
11 Handler Address: 1005 E BROADWAY ST
 Handler City,State,Zip: NEEDLES, CA 92363
 EPA ID: CAL000403023
 Contact Name: JASON BOATNER

Map ID
 Direction
 Distance
 Elevation

MAP FINDINGS

Site

Database(s)

EDR ID Number
 EPA ID Number

EASTSIDE MOBIL (Continued)

1024847829

Contact Address:	916 E BROADWAY
Contact City,State,Zip:	NEEDLES, CA 92303
Contact Telephone:	520-991-7100
Contact Fax:	Not reported
Contact Email:	JASONBOATNER@YAHOO.COM
Contact Title:	Not reported
EPA Region:	09
Land Type:	Not reported
Federal Waste Generator Description:	Not a generator, verified
Non-Notifier:	Not reported
Biennial Report Cycle:	Not reported
Accessibility:	Not reported
Active Site Indicator:	Handler Activities
State District Owner:	Not reported
State District:	Not reported
Mailing Address:	1005 E BROADWAY ST
Mailing City,State,Zip:	NEEDLES, CA 92363
Owner Name:	EASTSIDE STATIONS INC
Owner Type:	Other
Operator Name:	JASON BOATNER
Operator Type:	Other
Short-Term Generator Activity:	No
Importer Activity:	No
Mixed Waste Generator:	No
Transporter Activity:	No
Transfer Facility Activity:	No
Recycler Activity with Storage:	No
Small Quantity On-Site Burner Exemption:	No
Smelting Melting and Refining Furnace Exemption:	No
Underground Injection Control:	No
Off-Site Waste Receipt:	No
Universal Waste Indicator:	Yes
Universal Waste Destination Facility:	Yes
Federal Universal Waste:	No
Active Site Fed-Reg Treatment Storage and Disposal Facility:	Not reported
Active Site Converter Treatment storage and Disposal Facility:	Not reported
Active Site State-Reg Treatment Storage and Disposal Facility:	Not reported
Active Site State-Reg Handler:	---
Federal Facility Indicator:	Not reported
Hazardous Secondary Material Indicator:	N
Sub-Part K Indicator:	Not reported
Commercial TSD Indicator:	No
Treatment Storage and Disposal Type:	Not reported
2018 GPRC Permit Baseline:	Not on the Baseline
2018 GPRC Renewals Baseline:	Not on the Baseline
Permit Renewals Workload Universe:	Not reported
Permit Workload Universe:	Not reported
Permit Progress Universe:	Not reported
Post-Closure Workload Universe:	Not reported
Closure Workload Universe:	Not reported
202 GPRC Corrective Action Baseline:	No
Corrective Action Workload Universe:	No
Subject to Corrective Action Universe:	No
Non-TSDs Where RCRA CA has Been Imposed Universe:	No
TSDs Potentially Subject to CA Under 3004 (u)/(v) Universe:	No
TSDs Only Subject to CA under Discretionary Auth Universe:	No
Corrective Action Priority Ranking:	No NCAPS ranking

Map ID
Direction
Distance
Elevation

MAP FINDINGS

Site

Database(s)

EDR ID Number
EPA ID Number

EASTSIDE MOBIL (Continued)

1024847829

Environmental Control Indicator:	No
Institutional Control Indicator:	No
Human Exposure Controls Indicator:	N/A
Groundwater Controls Indicator:	N/A
Operating TSDU Universe:	Not reported
Full Enforcement Universe:	Not reported
Significant Non-Complier Universe:	No
Unaddressed Significant Non-Complier Universe:	No
Addressed Significant Non-Complier Universe:	No
Significant Non-Complier With a Compliance Schedule Universe:	No
Financial Assurance Required:	Not reported
Handler Date of Last Change:	20180906
Recognized Trader-Importer:	No
Recognized Trader-Exporter:	No
Importer of Spent Lead Acid Batteries:	No
Exporter of Spent Lead Acid Batteries:	No
Recycler Activity Without Storage:	No
Manifest Broker:	No
Sub-Part P Indicator:	No
Handler - Owner Operator:	
Owner/Operator Indicator:	Owner
Owner/Operator Name:	EASTSIDE STATIONS INC
Legal Status:	Other
Date Became Current:	Not reported
Date Ended Current:	Not reported
Owner/Operator Address:	810 E BROADWAY ST
Owner/Operator City,State,Zip:	NEEDLES, CA 92363
Owner/Operator Telephone:	760-326-5950
Owner/Operator Telephone Ext:	Not reported
Owner/Operator Fax:	Not reported
Owner/Operator Email:	Not reported
Owner/Operator Indicator:	Operator
Owner/Operator Name:	JASON BOATNER
Legal Status:	Other
Date Became Current:	Not reported
Date Ended Current:	Not reported
Owner/Operator Address:	916 E BROADWAY
Owner/Operator City,State,Zip:	NEEDLES, CA 92303
Owner/Operator Telephone:	520-991-7100
Owner/Operator Telephone Ext:	Not reported
Owner/Operator Fax:	Not reported
Owner/Operator Email:	Not reported
Historic Generators:	
Receive Date:	20141216
Handler Name:	EASTSIDE MOBIL
Federal Waste Generator Description:	Not a generator, verified
State District Owner:	Not reported
Large Quantity Handler of Universal Waste:	No
Recognized Trader Importer:	No
Recognized Trader Exporter:	No
Spent Lead Acid Battery Importer:	No
Spent Lead Acid Battery Exporter:	No

Map ID
 Direction
 Distance
 Elevation

MAP FINDINGS

Site

Database(s)

EDR ID Number
 EPA ID Number

EASTSIDE MOBIL (Continued)

1024847829

Current Record: Yes
 Non Storage Recycler Activity: Not reported
 Electronic Manifest Broker: Not reported

List of NAICS Codes and Descriptions:

NAICS Code: 44719
 NAICS Description: OTHER GASOLINE STATIONS

Facility Has Received Notices of Violations:

Violations: No Violations Found

Evaluation Action Summary:

Evaluations: No Evaluations Found

DC793
Target
Property

ARCO STATION
1005 EAST BROADWAY
NEEDLES, CA

RGA LUST

S114576399
N/A

Site 6 of 34 in cluster DC

Actual:
548 ft.

RGA LUST:

Focus Map:
11

Name:	ARCO STATION	
Address:	1005 EAST BROADWAY	
City:	NEEDLES	
State:	NEEDLES	
	2012 ARCO STATION	1005 EAST BROADWAY
Name:	ARCO STATION	
Address:	1005 EAST BROADWAY	
City:	NEEDLES	
State:	NEEDLES	
	2011 ARCO STATION	1005 EAST BROADWAY
Name:	ARCO STATION	
Address:	1005 EAST BROADWAY	
City:	NEEDLES	
State:	NEEDLES	
	2010 ARCO STATION	1005 EAST BROADWAY
Name:	ARCO STATION	
Address:	1005 EAST BROADWAY	
City:	NEEDLES	
State:	NEEDLES	
	2009 ARCO STATION	1005 EAST BROADWAY
Name:	ARCO STATION	
Address:	1005 EAST BROADWAY	
City:	NEEDLES	
State:	NEEDLES	
	2008 ARCO STATION	1005 EAST BROADWAY
Name:	ARCO STATION	
Address:	1005 EAST BROADWAY	
City:	NEEDLES	
State:	NEEDLES	
	2007 ARCO STATION	1005 EAST BROADWAY
Name:	ARCO STATION	
Address:	1005 EAST BROADWAY	
City:	NEEDLES	
State:	NEEDLES	

Map ID
Direction
Distance
Elevation

MAP FINDINGS

Site

Database(s)

EDR ID Number
EPA ID Number

ARCO STATION (Continued)

S114576399

2006 ARCO STATION 1005 EAST BROADWAY
Name: ARCO STATION
Address: 1005 EAST BROADWAY
City: NEEDLES
State: NEEDLES
2005 ARCO STATION 1005 EAST BROADWAY
Name: ARCO STATION
Address: 1005 EAST BROADWAY
City: NEEDLES
State: NEEDLES
2003 ARCO STATION 1005 EAST BROADWAY

DC794 EAST SIDE MOBIL
Target 1005 E BROADWAY
Property NEEDLES, CA 92363

EMI S124454268
N/A

Site 7 of 34 in cluster DC

Actual:
548 ft.

Focus Map:
11

EMI:
Name: EAST SIDE MOBIL
Address: 1005 E BROADWAY
City,State,Zip: NEEDLES, CA 92363
Year: 2017
County Code: 36
Air Basin: MD
Facility ID: 229800873
Air District Name: MOJ
SIC Code: 5541
Air District Name: MOJAVE DESERT AQMD
Community Health Air Pollution Info System: Not reported
Consolidated Emission Reporting Rule: Not reported
Total Organic Hydrocarbon Gases Tons/Yr: 0.042256763
Reactive Organic Gases Tons/Yr: 0.042256763
Carbon Monoxide Emissions Tons/Yr: Not reported
NOX - Oxides of Nitrogen Tons/Yr: Not reported
SOX - Oxides of Sulphur Tons/Yr: Not reported
Particulate Matter Tons/Yr: Not reported
Part. Matter 10 Micrometers and Smlr Tons/Yr: Not reported
Name: EAST SIDE MOBIL
Address: 1005 E BROADWAY
City,State,Zip: NEEDLES, CA 92363
Year: 2018
County Code: 36
Air Basin: MD
Facility ID: 873
Air District Name: MOJ
SIC Code: 5541
Air District Name: MOJAVE DESERT AQMD
Community Health Air Pollution Info System: Not reported
Consolidated Emission Reporting Rule: Not reported
Total Organic Hydrocarbon Gases Tons/Yr: 0.03
Reactive Organic Gases Tons/Yr: 0.03
Carbon Monoxide Emissions Tons/Yr: Not reported
NOX - Oxides of Nitrogen Tons/Yr: Not reported
SOX - Oxides of Sulphur Tons/Yr: Not reported
Particulate Matter Tons/Yr: Not reported
Part. Matter 10 Micrometers and Smlr Tons/Yr: Not reported

Map ID
Direction
Distance
Elevation

MAP FINDINGS

Site

Database(s)

EDR ID Number
EPA ID Number

EAST SIDE MOBIL (Continued)

S124454268

Name: EAST SIDE MOBIL
Address: 1005 E BROADWAY
City,State,Zip: NEEDLES, CA 92363
Year: 2019
County Code: 36
Air Basin: MD
Facility ID: 873
Air District Name: MOJ
SIC Code: 5541
Air District Name: MOJAVE DESERT AQMD
Community Health Air Pollution Info System: Not reported
Consolidated Emission Reporting Rule: Not reported
Total Organic Hydrocarbon Gases Tons/Yr: 0.029
Reactive Organic Gases Tons/Yr: 0.029
Carbon Monoxide Emissions Tons/Yr: Not reported
NOX - Oxides of Nitrogen Tons/Yr: Not reported
SOX - Oxides of Sulphur Tons/Yr: Not reported
Particulate Matter Tons/Yr: Not reported
Part. Matter 10 Micrometers and Smlr Tons/Yr: Not reported

DC795 EXXON SERVICE STATION
Target 1005 E BROADWAY
Property NEEDLES, CA 92363

CERS HAZ WASTE S103992629
SWEEPS UST N/A
CERS TANKS
San Bern. Co. Permit
CERS
HWTS

Site 8 of 34 in cluster DC

Actual:
548 ft.

Focus Map:
11

CERS HAZ WASTE:
Name: EASTSIDE MOBIL
Address: 1005 E BROADWAY ST
City,State,Zip: NEEDLES, CA 92363
Site ID: 27257
CERS ID: 10035652
CERS Description: Hazardous Waste Generator

SWEEPS UST:
Name: EXXON SERVICE STATION
Address: 1005 E BROADWAY
City: NEEDLES
Status: Active
Comp Number: 23892
Number: 9
Board Of Equalization: 44-000285
Referral Date: 07-28-92
Action Date: 07-28-92
Created Date: 02-29-88
Owner Tank Id: 1
SWRCB Tank Id: 36-000-023892-000001
Tank Status: A
Capacity: 8000
Active Date: 08-25-88
Tank Use: M.V. FUEL
STG: P
Content: REG UNLEADED
Number Of Tanks: 3

Name: EXXON SERVICE STATION

Map ID
Direction
Distance
Elevation

MAP FINDINGS

Site

Database(s)

EDR ID Number
EPA ID Number

EXXON SERVICE STATION (Continued)

S103992629

Address: 1005 E BROADWAY
City: NEEDLES
Status: Active
Comp Number: 23892
Number: 9
Board Of Equalization: 44-000285
Referral Date: 07-28-92
Action Date: 07-28-92
Created Date: 02-29-88
Owner Tank Id: 2
SWRCB Tank Id: 36-000-023892-000002
Tank Status: A
Capacity: 8000
Active Date: 08-25-88
Tank Use: M.V. FUEL
STG: P
Content: LEADED
Number Of Tanks: Not reported

Name: EXXON SERVICE STATION
Address: 1005 E BROADWAY
City: NEEDLES
Status: Active
Comp Number: 23892
Number: 9
Board Of Equalization: 44-000285
Referral Date: 07-28-92
Action Date: 07-28-92
Created Date: 02-29-88
Owner Tank Id: 3
SWRCB Tank Id: 36-000-023892-000003
Tank Status: A
Capacity: 8000
Active Date: 08-25-88
Tank Use: M.V. FUEL
STG: P
Content: REG UNLEADED
Number Of Tanks: Not reported

CERS TANKS:

Name: EASTSIDE MOBIL
Address: 1005 E BROADWAY ST
City,State,Zip: NEEDLES, CA 92363
Site ID: 27257
CERS ID: 10035652
CERS Description: Underground Storage Tank

San Bern. Co. Permit:

Name: EASTSIDE MOBIL
Address: 1005 E BROADWAY ST
City,State,Zip: NEEDLES, CA 92363
Region: SAN BERNARDINO
Facility ID: FA0001093
Owner: Jason Boatner
Permit Number: PT0002639
Permit Category: HAZMAT HANDLER, UST ONLY - PER YEAR

Map ID
Direction
Distance
Elevation

MAP FINDINGS

Site

Database(s)

EDR ID Number
EPA ID Number

EXXON SERVICE STATION (Continued)

S103992629

Facility Status: ACTIVE
Expiration Date: 11/30/2022

Name: EASTSIDE MOBIL
Address: 1005 E BROADWAY ST
City,State,Zip: NEEDLES, CA 92363
Region: SAN BERNARDINO
Facility ID: FA0001093
Owner: Jason Boatner
Permit Number: PT0033026
Permit Category: WASTE INCIDENTAL UST OPERATION ONLY -PER YEAR
Facility Status: ACTIVE
Expiration Date: 11/30/2022

Name: EASTSIDE MOBIL
Address: 1005 E BROADWAY ST
City,State,Zip: NEEDLES, CA 92363
Region: SAN BERNARDINO
Facility ID: FA0001093
Owner: Jason Boatner
Permit Number: PT0011533
Permit Category: REGULAR UST ANNUAL INSPECTION (PER TANK)
Facility Status: ACTIVE
Expiration Date: 11/30/2022

Name: EASTSIDE MOBIL
Address: 1005 E BROADWAY ST
City,State,Zip: NEEDLES, CA 92363
Region: SAN BERNARDINO
Facility ID: FA0001093
Owner: Jason Boatner
Permit Number: PT0011534
Permit Category: REGULAR UST ANNUAL INSPECTION (PER TANK)
Facility Status: ACTIVE
Expiration Date: 11/30/2022

CERS:

Name: EASTSIDE MOBIL
Address: 1005 E BROADWAY ST
City,State,Zip: NEEDLES, CA 92363
Site ID: 27257
CERS ID: 10035652
CERS Description: Chemical Storage Facilities

Violations:

Site ID: 27257
Site Name: EASTSIDE MOBIL
Violation Date: 11-19-2014
Citation: Un-Specified
Violation Description: UST Program - Administration/Documentation - For use of Local Ordinance only
Violation Notes: Returned to compliance on 04/08/2015. Failure to have a written monitoring program with monitoring procedures and response plan. (CCR 2632(d)) OBSERVATION: FACILITY HAS NOT SUBMITTED THE REQUIRED UST DOCUMENTATION TO THE CALIFORNIA ENVIRONMENTAL REPORTING SYSTEM (CERS) COMPLIANCE REQUIREMENT: SUBMIT UST DOCUMENTATION TO CERS WITHIN 30 DAYS. SIGN DATE AND SUBMIT THE CERTIFICATE OF COMPLIANCE TO THIS

Map ID
Direction
Distance
Elevation

MAP FINDINGS

Site

Database(s)

EDR ID Number
EPA ID Number

EXXON SERVICE STATION (Continued)

S103992629

DEPARTMENT INDICATING THE DATE OF CERS SUBMITTAL.
Violation Division: San Bernardino County Fire Department
Violation Program: UST
Violation Source: CERS,

Site ID: 27257
Site Name: EASTSIDE MOBIL
Violation Date: 11-15-2017
Citation: 23 CCR 16 2636(f)(1) - California Code of Regulations, Title 23, Chapter 16, Section(s) 2636(f)(1)
Violation Description: Failure of the leak detection equipment to have an audible and visual alarm as required.
Violation Notes: Returned to compliance on 11/28/2017. OBSERVATION: MONITORING PANEL FAILED TO DISPLAY AUDIBLE ALARM WHEN MONITORING EQUIPMENT WAS INITIALLY TESTED. TECHNICIAN OPENED THE MONITORING PANEL AND OBSERVED THAT THE ANNUNCIATOR WITHIN WAS TAPED. WHEN TAPED WAS REMOVED, ANNUNCIATOR FAILED TO DISPLAY AN AUDIBLE ALARM. WHEN ANNUNCIATOR WAS MOVED, THE ALARM WENT OFF AND TRIGGER AN AUDIBLE ALARM. SAME SENSOR WAS RE-TESTED AND CAUSED AN AUDIBLE ALARM. TECHNICIAN DETERMINED THAT THE CONNECTION IS NOT IN GOOD REPAIR AND WILL NEED REPAIR/REPLACEMENT. COMPLIANCE REQUIREMENT: IMMEDIATELY REPAIR/REPLACE TLS 350 TO ENSURE PROPER FUNCTIONALITY AND SUBMIT DOCUMENTATION OF COMPLIANCE TO THIS DEPARTMENT WITHIN 7 DAYS. CONTACT THIS DEPARTMENT FOR APPROVAL PRIOR TO CONDUCTING ANY REPAIRS REQUIRING PERMITS.

Violation Division: San Bernardino County Fire Department
Violation Program: UST
Violation Source: CERS,

Site ID: 27257
Site Name: EASTSIDE MOBIL
Violation Date: 11-14-2018
Citation: 23 CCR 16 2636(f)(2) - California Code of Regulations, Title 23, Chapter 16, Section(s) 2636(f)(2)
Violation Description: Failure of the functional line leak detector (LLD) monitoring pressurized piping to meet one or more of the following requirements: Monitored at least hourly with the capability of detecting a release of 3.0 gallons per hour leak at 10 pounds per square inch and restrict or shut off the flow of product through the piping when a leak is detected.
Violation Notes: Returned to compliance on 11/25/2018. OBSERVATION: THE 87- MECHANICAL LINE LEAK DETECTOR FAILED WHEN TESTED. COMPLIANCE REQUIREMENT: SUBMIT A COPY OF THE WORK ORDER DOCUMENTING THE REPLACEMENT AND FUNCTIONALITY OF THE LINE LEAK DDETECTOR.

Violation Division: San Bernardino County Fire Department
Violation Program: UST
Violation Source: CERS,

Site ID: 27257
Site Name: EASTSIDE MOBIL
Violation Date: 11-19-2014
Citation: 23 CCR 16 2632, 2634, 2636, 2666 - California Code of Regulations, Title 23, Chapter 16, Section(s) 2632, 2634, 2636, 2666
Violation Description: Failure of the leak detection equipment to have an audible and visual alarm as required.
Violation Notes: Returned to compliance on 03/30/2015. OBSERVATION: THE VISUAL LIGHTS ON THE VEEDER ROOT PANEL FAILED TO OPERATED, WHEN THE SYSTEM WAS IN ALARM. COMPLIANCE REQUIREMENT: SUBMIT A COPY OF THE WORK ORDER,

Map ID
Direction
Distance
Elevation

MAP FINDINGS

Site

Database(s)

EDR ID Number
EPA ID Number

EXXON SERVICE STATION (Continued)

S103992629

SHOWING THE REPAIR/ REPLACEMENT OF THE LIGHT BULBS IN THE VEEDER ROOT PANEL. ALSO NOTE IN THE WORK ORDER THAT ALL LIGHTS IN THE MONITORING PANEL ARE WORKING PROPERLY.

Violation Division: San Bernardino County Fire Department
Violation Program: UST
Violation Source: CERS,

Site ID: 27257
Site Name: EASTSIDE MOBIL
Violation Date: 11-16-2016
Citation: HSC 6.5 Multiple - California Health and Safety Code, Chapter 6.5, Section(s) Multiple
Violation Description: Hazardous Waste Generator Program - Administration/Documentation - General
Violation Notes: Returned to compliance on 11/15/2017. Failure to obtain an EPA ID Number (CCR 66262.12(a)) OBSERVATIONS: THE EPA ID NUMBER LISTED IN CERS AS CAL000403023 HAS BEEN INACTIVE SINCE 6/30/2015. BASED ON THE DTSC SITE, THERE WERE NO OTHER NUMBERS ASSOCIATED WITH THIS FACILITY. COMPLIANCE REQUIREMENT: OBTAIN AN ACTIVE EPA ID NUMBER AND UPDATE CERS.

Violation Division: San Bernardino County Fire Department
Violation Program: HW
Violation Source: CERS,

Site ID: 27257
Site Name: EASTSIDE MOBIL
Violation Date: 11-19-2014
Citation: HSC 6.5 Multiple - California Health and Safety Code, Chapter 6.5, Section(s) Multiple
Violation Description: Haz Waste Generator Program - Administration/Documentation - General
Violation Notes: Returned to compliance on 12/16/2014. Failure to obtain an EPA ID Number (CCR 66262.12(a)) OBSERVATION: FACILITY DOES NOT HAVE AN EPA ID NUMBER. COMPLIANCE REQUIREMENT: OBTAINED AN EPA ID NUMBER. EPA APPLICATION E-MAIL WITH THIS REPORT

Violation Division: San Bernardino County Fire Department
Violation Program: HW
Violation Source: CERS,

Site ID: 27257
Site Name: EASTSIDE MOBIL
Violation Date: 11-16-2020
Citation: HSC 6.5 25123.3(h)(1) - California Health and Safety Code, Chapter 6.5, Section(s) 25123.3(h)(1)
Violation Description: Failure to send hazardous waste offsite for treatment, storage, or disposal within 180 days (or 270 days if waste is transported over 200 miles) for a generator who generates less than 1000 kilogram per month if all of the following conditions are met: (1) The quantity of hazardous waste accumulated onsite never exceeds 6,000 kilograms. (2) The generator complies with the requirements of 40 Code of Federal Regulations section 262.34(d), (e) and (f). (3) The generator does not hold acutely hazardous waste or extremely hazardous waste in an amount greater than one kilogram for more than 90 days.
Violation Notes: Returned to compliance on 11/04/2021. OBSERVATION: Hazardous waste storage drum was over half full and label wasn't legible. CORRECTIVE ACTION: Operator shall dispose of hazardous waste generated onsite within 180 days. Submit proof of disposal/Manifest to this department within 30 days. A list of approved hazardous waste hauler is emailed

Map ID
Direction
Distance
Elevation

MAP FINDINGS

Site

Database(s)

EDR ID Number
EPA ID Number

EXXON SERVICE STATION (Continued)

S103992629

to the operator with the inspection report.
Violation Division: San Bernardino County Fire Department
Violation Program: HW
Violation Source: CERS,

Site ID: 27257
Site Name: EASTSIDE MOBIL
Violation Date: 11-19-2014
Citation: HSC 6.75 25299.30-25299.34 - California Health and Safety Code, Chapter 6.75, Section(s) 25299.30-25299.34
Violation Description: Failure to submit and maintain complete and current Certification of Financial Responsibility or other mechanism of financial assurance.
Violation Notes: Returned to compliance on 04/08/2015. OBSERVATION: FACILITY HAS NOT SUBMITTED THE REQUIRED UST DOCUMENTATION TO THE CALIFORNIA ENVIRONMENTAL REPORTING SYSTEM (CERS) COMPLIANCE REQUIREMENT: SUBMIT UST DOCUMENTATION TO CERS WITHIN 30 DAYS. SIGN DATE AND SUBMIT THE CERTIFICATE OF COMPLIANCE TO THIS DEPARTMENT INDICATING THE DATE OF CERS SUBMITTAL.

Violation Division: San Bernardino County Fire Department
Violation Program: UST
Violation Source: CERS,

Site ID: 27257
Site Name: EASTSIDE MOBIL
Violation Date: 11-19-2013
Citation: HSC 6.7 25299 - California Health and Safety Code, Chapter 6.7, Section(s) 25299
Violation Description: Failure to comply with one or more of the operating permit conditions.
Violation Notes: Returned to compliance on 11/19/2014. 91 FILL 208 SENSOR NO POSITIVE SHUT DOWN. 87 FILL BAD 208 SENSOR. 87 AND 91 ANNULAR 407 SENSORS NO POSITIVE SHUT DOWN. ESO, FAILSAFE AND SENSOR OUT NOT TESTED DUE TO DEAD BATTERY. 1. HAVE ALL SENSORS WORKING AND TO HAVE POSITIVE SHUT DOWN. RESHULE INSPECTION WITHIN 30 DAYS. 2. REPLACE VEEDER ROOT BATTERY AND SCHEDULE INSPECTION TO TEST FAILSAFE, SENSOR OUT, AND ESO WITHIN 30 DAYS.

Violation Division: San Bernardino County Fire Department
Violation Program: UST
Violation Source: CERS,

Site ID: 27257
Site Name: EASTSIDE MOBIL
Violation Date: 11-19-2013
Citation: HSC 6.7 Multiple Sections - California Health and Safety Code, Chapter 6.7, Section(s) Multiple Sections
Violation Description: UST Program - Administration/Documentation - General
Violation Notes: Returned to compliance on 04/08/2015. Failure to submit a signed Designated UST Operator Statement (23 CCR 2715(a)) NO DO STATEMENT ON SITE.

Violation Division: San Bernardino County Fire Department
Violation Program: UST
Violation Source: CERS,

Site ID: 27257
Site Name: EASTSIDE MOBIL
Violation Date: 11-16-2016
Citation: HSC 6.7 Multiple - California Health and Safety Code, Chapter 6.7, Section(s) Multiple

Map ID
Direction
Distance
Elevation

MAP FINDINGS

Site

Database(s)

EDR ID Number
EPA ID Number

EXXON SERVICE STATION (Continued)

S103992629

Violation Description: UST Program - Administration/Documentation - General - Must include violation description, proper statute and regulation citation in the "comment" section.

Violation Notes: Returned to compliance on 11/23/2016. Failure to have a written monitoring program with monitoring procedures and response plan (CHSC 25286(a)) OBSERVATIONS: (1) THE DISPENSER SENSORS ARE LISTED AS BEING VR-208, WHEN THEY ARE ALL VR-001. (2) THE UST SITE PLAN LISTS THE INCORRECT SENSORS FOR THE DISPENSERS. (3) THE UST RESPONSE PLAN IS NOT COMPLETE UNDER SECTION V MONITORING INDICATORS COMPLIANCE REQUIREMENT: (1) UPDATE THE TANK PAGES WITH THE CURRENT DISPENSER SENSORS. (2) UPDATE THE UST SITE PLAN WITH CORRECT SENSORS. (3) COMPLETE SECTION V OF THE UST RESPONSE PLAN.

Violation Division: San Bernardino County Fire Department
Violation Program: UST
Violation Source: CERS,

Site ID: 27257
Site Name: EASTSIDE MOBIL
Violation Date: 11-19-2014
Citation: 23 CCR 16 2637 - California Code of Regulations, Title 23, Chapter 16, Section(s) 2637

Violation Description: Failure to comply with one or more of the following: conduct secondary containment testing, within six months of installation and every 36 months thereafter, conducted in accordance with proper practices, protocols, or test methods.

Violation Notes: Returned to compliance on 04/01/2015. OBSERVATION: FACILITY DID NOT PERFORM A SB989 TEST. SB989 TEST ARE CONDUCTED EVERY 3 YEARS. THE LAST DOCUMENTED SB989 TEST WAS DATED 12/06/2010. COMPLIANCE REQUIREMENT. WITHIN 30 DAYS, PERFORM A SB989 CERTIFICATION TEST. INFORM THIS OFFICE BEFORE THE TEST BEGINS.

Violation Division: San Bernardino County Fire Department
Violation Program: UST
Violation Source: CERS,

Site ID: 27257
Site Name: EASTSIDE MOBIL
Violation Date: 11-15-2017
Citation: 23 CCR 16 2712(i), 2632(d)(2), 2634(e), 2641(h) - California Code of Regulations, Title 23, Chapter 16, Section(s) 2712(i), 2632(d)(2), 2634(e), 2641(h)

Violation Description: Failure to submit a current UST Response Plan available on site.

Violation Notes: Returned to compliance on 11/28/2017. OBSERVATION: SUBMITTED MONITORING SITE PLAN IN CALIFORNIA ENVIRONMENTAL REPORTING SYSTEM (CERS) WAS NOT ACCURATE OR CURRENT. CORRECT THE FOLLOWING: 1) INDICATE THAT 91 STP SUMP HAS A VR 205 SENSOR INSTEAD OF VR 208. 2) INDICATE THAT 87 AND 91 ANNULARS HAVE VR 409 SENSORS INSTEAD OF VR 420 COMPLIANCE REQUIREMENT: RESUBMIT UPDATED MONITORING SITE PLAN IN CERS.

Violation Division: San Bernardino County Fire Department
Violation Program: UST
Violation Source: CERS,

Site ID: 27257
Site Name: EASTSIDE MOBIL
Violation Date: 11-19-2014
Citation: Un-Specified
Violation Description: UST Program - Administration/Documentation - For use of Local Ordinance only

Map ID
Direction
Distance
Elevation

MAP FINDINGS

Site

Database(s)

EDR ID Number
EPA ID Number

EXXON SERVICE STATION (Continued)

S103992629

Violation Notes: Returned to compliance on 04/08/2015. Failure to submit a signed Designated UST Operator Statement (23 CCR 2715(a)) OBSERVATION: FACILITY HAS NOT SUBMITTED THE REQUIRED UST DOCUMENTATION TO THE CALIFORNIA ENVIRONMENTAL REPORTING SYSTEM (CERS) COMPLIANCE REQUIREMENT: SUBMIT UST DOCUMENTATION TO CERS WITHIN 30 DAYS. SIGN DATE AND SUBMIT THE CERTIFICATE OF COMPLIANCE TO THIS DEPARTMENT INDICATING THE DATE OF CERS SUBMITTAL.

Violation Division: San Bernardino County Fire Department
Violation Program: UST
Violation Source: CERS,

Site ID: 27257
Site Name: EASTSIDE MOBIL
Violation Date: 11-16-2016
Citation: 23 CCR 6.7 25284, 25286 - California Code of Regulations, Title 23, Chapter 6.7, Section(s) 25284, 25286
Violation Description: Failure to submit a complete and accurate application for a permit to operate a UST, or for renewal of the permit.

Violation Notes: Returned to compliance on 11/23/2016. OBSERVATIONS: (1) BOTH TANK INFORMATION PAGES LIST AUDIBLE/VISUAL ALARMS AS A FORM OF OVERFILL PROTECTION, WHEN THESE ARE NOT INSTALLED. (2) THERE IS NO VAPOR RECOVERY INFORMATION PROVIDED FOR THE PREMIUM TANK. (3) THE TANK HOLDING THE PREMIUM CONTENTS HAS A TANK ID"89". COMPLIANCE REQUIREMENTS:(1) UPDATE THE TANK INFORMATION PAGE WITH THE CORRECT INFORMATION. (2) ENTER VAPOR RECOVERY INFORMATION FOR PREMIUM TANK. (3) PLEASE CONTACT OUR CERS HELPLINE ON HOW TO HANDLE THIS MATTER AT 909-386-8464. DO NOT CHANGE THE TANK ID NUMBER UNLESS INSTRUCTED TO DO SO.

Violation Division: San Bernardino County Fire Department
Violation Program: UST
Violation Source: CERS,

Site ID: 27257
Site Name: EASTSIDE MOBIL
Violation Date: 11-16-2016
Citation: HSC 6.7 Multiple - California Health and Safety Code, Chapter 6.7, Section(s) Multiple
Violation Description: UST Program - Administration/Documentation - General - Must include violation description, proper statute and regulation citation in the "comment" section.

Violation Notes: Returned to compliance on 11/23/2016. Failure to submit a signed Designated UST Operator Statement (23 CCR 2715(a)) OBSERVATIONS: THE STATEMENT UPLOADED LISTS THE CURRENT DESIGNATED OPERATOR, BUT LISTS OC CUPA AS THE DEPARTMENT TO REPORT TO, WHICH IS INCORRECT. COMPLIANCE REQUIREMENT: UPDATE A CURRENT STATEMENT WITHOUT THE OC CUPA INFORMATION.

Violation Division: San Bernardino County Fire Department
Violation Program: UST
Violation Source: CERS,

Site ID: 27257
Site Name: EASTSIDE MOBIL
Violation Date: 11-19-2015
Citation: 23 CCR 16 2715 - California Code of Regulations, Title 23, Chapter 16, Section(s) 2715
Violation Description: Failure to comply with one or more of the designated operator monthly inspection requirements: failed to inspect the monthly alarm history

Map ID
Direction
Distance
Elevation

MAP FINDINGS

Site

Database(s)

EDR ID Number
EPA ID Number

EXXON SERVICE STATION (Continued)

S103992629

report; attach a copy of the alarm history; failed to inspect for the presence of liquid or debris in the spill container/spill bucket and under dispenser containment; failed to inspect the under dispenser containment to ensure that monitoring equipment is placed in the proper position; failure to inspect for liquid or debris in the containment sump where an alarm occurred or for which there is no record of a service visit; or failure to check that all testing and maintenance has been completed and documented.

Violation Notes: Returned to compliance on 11/19/2015. OBSERVATION: D.O. reports from January 2015 through June 2015 were missing. COMPLIANCE MET ON SITE: OPERATOR SUBMITTED A STATEMENT STATING THAT 1 YEAR OF D.O. INSPECTIONS WILL BE RETAINED ON SITE.

Violation Division: San Bernardino County Fire Department
Violation Program: UST
Violation Source: CERS,

Site ID: 27257
Site Name: EASTSIDE MOBIL
Violation Date: 11-15-2017
Citation: 23 CCR 16 2641(a) - California Code of Regulations, Title 23, Chapter 16, Section(s) 2641(a)

Violation Description: Failure of leak detection equipment to be located such that equipment is capable of detecting a leak at the earliest possible opportunity.

Violation Notes: Returned to compliance on 11/15/2017. OBSERVATION: 1) OBSERVED 87 AND 91 STP SENSORS WERE NOT PLACED AT THE LOWEST POINT FOR LEAK DETECTION. OBSERVED SENSORS WERE POSITIONED IN THE MIDDLE OF THE SUMPS. CORRECTED. SENSORS WERE RE-POSITIONED CLOSE TO THE SUMP WALLS OF THE SUMPS AT THE LOWEST AND EARLIEST POSSIBLE OPPORTUNITY. 2) OBSERVED TEST BOOTHS WITHIN STP SUMPS ATTACHED AND WERE NOT PULLED BACK. PORTS WERE BETWEEN 11 AND 1 O'CLOCK. CORRECTED. BOOTHS WERE PULLED BACK. COMPLIANCE REQUIREMENT: -ENSURE ALL SENSORS ARE PROPERLY POSITIONED TO DETECT LEAK AT THE EARLIEST POSSIBLE OPPORTUNITY. CORRECTED. -ENSURE THAT BOOTHS ARE PULLED BACK TO ALLOW FOR LEAK DETECTION AT THE EARLIEST POSSIBLE OPPORTUNITY. CORRECTED.

Violation Division: San Bernardino County Fire Department
Violation Program: UST
Violation Source: CERS,

Site ID: 27257
Site Name: EASTSIDE MOBIL
Violation Date: 11-16-2016
Citation: HSC 6.95 25508(a)(1) - California Health and Safety Code, Chapter 6.95, Section(s) 25508(a)(1)

Violation Description: Failure to annually review and electronically certify that the business plan is complete and accurate on or before the annual due date.

Violation Notes: Returned to compliance on 11/23/2016. OBSERVATIONS: THE DRUM REQUIRED TO STORE LIQUID HAZARDOUS WASTE WAS NOT LISTED IN THE INVENTORY SECTION. THE SITE MAP DOES NOT SHOW THE EVACUATION STAGING AREA. THE EMERGENCY/CONTINGENCY PLAN LISTS THE INCORRECT CUPA NUMBER FOR EMERGENCY RESPONSE. COMPLIANCE REQUIREMENTS: UPDATE THE INVENTORY AND THE SITE MAP IN CERS. THE LOCAL CUPA NUMBER FOR EMERGENCY RESPONSE IS 909-386-8425, UPDATE THIS IN CERS UNDER THE PLAN ELEMENT.

Violation Division: San Bernardino County Fire Department
Violation Program: HMRRP
Violation Source: CERS,

Map ID
Direction
Distance
Elevation

MAP FINDINGS

Site

Database(s)

EDR ID Number
EPA ID Number

EXXON SERVICE STATION (Continued)

S103992629

Site ID: 27257
Site Name: EASTSIDE MOBIL
Violation Date: 11-16-2020
Citation: 23 CCR 16 2641(j) - California Code of Regulations, Title 23, Chapter 16, Section(s) 2641(j)
Violation Description: Failure of the leak detection equipment to be installed, calibrated, operated, and/or maintained properly.
Violation Notes: Returned to compliance on 11/03/2021. OBSERVATION: 91 tank annular sensor (VR409), 91 STP sump liquid sensor (VR208), and 87 Fill sump liquid sensor (VR208) were unable to shutdown turbines or trigger alarm on the monitoring panel. CORRECTIVE ACTION: Repair or replace 91 tank annular sensor (VR409), 91 STP sump liquid sensor (VR208), and 87 Fill sump liquid sensor (VR208) within 7 days. Submit work orders to this department with monitoring panel tape showing 91 tank annular sensor (VR409), 91 STP sump liquid sensor (VR208), and 87 Fill sump liquid sensor (VR208) were able to trigger alarm at the Veeder Root panel.
Violation Division: San Bernardino County Fire Department
Violation Program: UST
Violation Source: CERS,

Site ID: 27257
Site Name: EASTSIDE MOBIL
Violation Date: 11-16-2020
Citation: 23 CCR 16 2665(b) - California Code of Regulations, Title 23, Chapter 16, Section(s) 2665(b)
Violation Description: "Failure to submit a copy of the overfill prevention equipment inspection results on the Overfill Prevention Equipment Inspection Report Form to the UPA within 30 days after the inspection. "
Violation Notes: Returned to compliance on 11/03/2021. OBSERVATION: Overfill Prevention Equipment (OPE) test report was not available for review. Technician states OPE test was conducted in 2019. CORRECTIVE ACTION: Submit Overfill Prevention Equipment test report to this department within 30 days or conduct a witnessed Overfill Prevention Equipment test within 30 days.
Violation Division: San Bernardino County Fire Department
Violation Program: UST
Violation Source: CERS,

Site ID: 27257
Site Name: EASTSIDE MOBIL
Violation Date: 11-16-2020
Citation: 23 CCR 16 2641(j) - California Code of Regulations, Title 23, Chapter 16, Section(s) 2641(j)
Violation Description: Failure of the leak detection equipment to be installed, calibrated, operated, and/or maintained properly.
Violation Notes: Returned to compliance on 11/03/2021. OBSERVATION: 87 fill sump liquid sensor (VR208) and 91 STP sump liquid sensor wires were spliced and joined in a resin filled pouch before the electrical junction box. Place the resin pouch inside the junction box or replace the sensor. CORRECTIVE ACTION: Sensor wires shall not be spliced or joined outside an approved electrical junction box. Replace liquid sensor in 91 STP sump within 30 days and submit work order and Veeder root Panel tape showing L3 is in Fuel Alarm Mode. Technician replaced 87 fill liquid sensor while onsite.
Violation Division: San Bernardino County Fire Department
Violation Program: UST

Map ID
Direction
Distance
Elevation

MAP FINDINGS

Site

Database(s)

EDR ID Number
EPA ID Number

EXXON SERVICE STATION (Continued)

S103992629

Violation Source: CERS,

Site ID: 27257
Site Name: EASTSIDE MOBIL
Violation Date: 11-19-2013
Citation: 23 CCR 16 2715 - California Code of Regulations, Title 23, Chapter 16, Section(s) 2715
Violation Description: Failure to comply with one or more of the designated operator monthly inspection requirements: failed to inspect the monthly alarm history report; attach a copy of the alarm history; failed to inspect for the presence of liquid or debris in the spill container/spill bucket and under dispenser containment; failed to inspect the under dispenser containment to ensure that monitoring equipment is placed in the proper position; failure to inspect for liquid or debris in the containment sump where an alarm occurred or for which there is no record of a service visit; or failure to check that all testing and maintenance has been completed and documented.
Violation Notes: Returned to compliance on 11/19/2013. NO MONTHLY INSPECTION CONDUCTED. NEW OWNER AS OF SEPTEMBER 2013. FROM THIS DAY FORWARD, HAVE A D.O CONDUCT MONTHLY UST INSPECTIONS.
Violation Division: San Bernardino County Fire Department
Violation Program: UST
Violation Source: CERS,

Site ID: 27257
Site Name: EASTSIDE MOBIL
Violation Date: 11-15-2017
Citation: HSC 6.7 25284, 25286 - California Health and Safety Code, Chapter 6.7, Section(s) 25284, 25286
Violation Description: Failure to submit a complete and accurate application for a permit to operate a UST, or for renewal of the permit.
Violation Notes: Returned to compliance on 11/28/2017. OBSERVATION: SUBMITTED UNDERGROUND STORAGE TANK (UST) INFORMATION IN CALIFORNIA ENVIRONMENTAL REPORTING SYSTEM (CERS) WAS NOT ACCURATE, COMPLETE, OR CURRENT. UPDATE THE FOLLOWING: 1) INDICATE WHAT THE VAPOR RECOVERY PRIMARY CONTAINMENT IS FOR THE PREMIUM UNLEADED. CURRENTLY NOT IDENTIFIED. 2) INDICATE THAT 91 STP SUMP HAS A VR 205 SENSOR INSTEAD OF VR 208. 3) INDICATE THAT 87 AND 91 ANNULARS HAVE VR 409 SENSORS INSTEAD OF VR 420 4) UPDATE TANK MANUFACTURER TO XERXES (TANKS HAVE WRAP AROUND SENSORS). 5) UPDATE TANK CONSTRUCTION TO DOUBLE-WALLED FIBERGLASS TANKS (TANKS HAVE WRAP-AROUND SENSORS). COMPLIANCE REQUIREMENT: RESUBMIT UPDATED UST INFORMATION IN CERS.
Violation Division: San Bernardino County Fire Department
Violation Program: UST
Violation Source: CERS,

Site ID: 27257
Site Name: EASTSIDE MOBIL
Violation Date: 11-16-2016
Citation: 23 CCR 16 2715(c) - California Code of Regulations, Title 23, Chapter 16, Section(s) 2715(c)
Violation Description: Failure to comply with one or more of the following designated operator (DO) monthly inspection requirements: Be performed by an ICC certified DO. Inspect monthly alarm history report, check that alarms are documented and responded to appropriately, and attach a copy. Inspect for the presence of liquid/debris in spill containers. Inspect for the presence of liquid/debris in under dispenser containment (UDC)

Map ID
Direction
Distance
Elevation

MAP FINDINGS

Site

Database(s)

EDR ID Number
EPA ID Number

EXXON SERVICE STATION (Continued)

S103992629

and ensure that the monitoring equipment is positioned correctly. Inspect for liquid or debris in containment sumps where an alarm occurred with no service visit. Check that all testing and maintenance has been completed and documented. Verify that all facility employees have been properly trained.

Violation Notes: Returned to compliance on 12/29/2016. OBSERVATIONS: ONLY TWO MONTHLY REPORTS FROM 2016 WERE AVAILABLE FOR REVIEW. COMPLIANCE REQUIREMENT: THE DESIGNATED OPERATOR, RICK GILMAN, MUST PROVIDE A STATEMENT ADDRESSING THE FAILURE TO PROVIDE MONTHLY REPORTS AND SERVICES TO THIS FACILITY AND WHY THIS OCCURRED. HE MUST ALSO STATE WHAT HE WILL DO TO ENSURE THIS ISSUE DOES NOT OCCUR AGAIN. STATEMENT MUST BE SIGNED AND DATED THEN SENT TO OUR DEPARTMENT AT EGRIMES@SBCFIRE.ORG. COMPLIANCE ACTIVITY 1/6/2017: THE OWNER, JASON BOATNER, SENT THE STATEMENT VIA EMAIL ON 12/29/2016. EGRIMES.

Violation Division: San Bernardino County Fire Department
Violation Program: UST
Violation Source: CERS,

Evaluation:
Eval General Type: Other/Unknown
Eval Date: 04-01-2015
Violations Found: No
Eval Type: Other, not routine, done by local agency
Eval Notes: COMPLIANCE INSPECTION. REMOVED RED TAGS.
Eval Division: San Bernardino County Fire Department
Eval Program: UST
Eval Source: CERS,

Eval General Type: Compliance Evaluation Inspection
Eval Date: 11-03-2021
Violations Found: No
Eval Type: Routine done by local agency
Eval Notes: Not reported
Eval Division: San Bernardino County Fire Department
Eval Program: HMRRP
Eval Source: CERS,

Eval General Type: Other/Unknown
Eval Date: 11-14-2018
Violations Found: No
Eval Type: Other, not routine, done by local agency
Eval Notes: EASTSIDE MOBILE- UST OVERFILL PROTECTION
Eval Division: San Bernardino County Fire Department
Eval Program: UST
Eval Source: CERS,

Eval General Type: Compliance Evaluation Inspection
Eval Date: 11-14-2018
Violations Found: Yes
Eval Type: Routine done by local agency
Eval Notes: EASTSIDE MOBILE- UST MONITORING CERTIFICATION
Eval Division: San Bernardino County Fire Department
Eval Program: UST
Eval Source: CERS,

Eval General Type: Compliance Evaluation Inspection
Eval Date: 11-16-2016

Map ID
Direction
Distance
Elevation

MAP FINDINGS

Site

Database(s)

EDR ID Number
EPA ID Number

EXXON SERVICE STATION (Continued)

S103992629

Violations Found:	Yes
Eval Type:	Routine done by local agency
Eval Notes:	Not reported
Eval Division:	San Bernardino County Fire Department
Eval Program:	HW
Eval Source:	CERS,
Eval General Type:	Compliance Evaluation Inspection
Eval Date:	11-16-2020
Violations Found:	Yes
Eval Type:	Routine done by local agency
Eval Notes:	See CO1 for inspection narrative.
Eval Division:	San Bernardino County Fire Department
Eval Program:	HW
Eval Source:	CERS,
Eval General Type:	Compliance Evaluation Inspection
Eval Date:	11-19-2013
Violations Found:	Yes
Eval Type:	Routine done by local agency
Eval Notes:	UST MONT CFERT
Eval Division:	San Bernardino County Fire Department
Eval Program:	UST
Eval Source:	CERS,
Eval General Type:	Compliance Evaluation Inspection
Eval Date:	11-19-2015
Violations Found:	No
Eval Type:	Routine done by local agency
Eval Notes:	EASTSIDE MOBILE(NEEDLES)-UST INSPECTIONS
Eval Division:	San Bernardino County Fire Department
Eval Program:	HMRRP
Eval Source:	CERS,
Eval General Type:	Compliance Evaluation Inspection
Eval Date:	11-03-2021
Violations Found:	No
Eval Type:	Routine done by local agency
Eval Notes:	Not reported
Eval Division:	San Bernardino County Fire Department
Eval Program:	UST
Eval Source:	CERS,
Eval General Type:	Compliance Evaluation Inspection
Eval Date:	11-15-2017
Violations Found:	No
Eval Type:	Routine done by local agency
Eval Notes:	Not reported
Eval Division:	San Bernardino County Fire Department
Eval Program:	HW
Eval Source:	CERS,
Eval General Type:	Compliance Evaluation Inspection
Eval Date:	11-16-2016
Violations Found:	Yes
Eval Type:	Routine done by local agency
Eval Notes:	Not reported

Map ID
Direction
Distance
Elevation

MAP FINDINGS

Site

Database(s)

EDR ID Number
EPA ID Number

EXXON SERVICE STATION (Continued)

S103992629

Eval Division: San Bernardino County Fire Department
Eval Program: UST
Eval Source: CERS,

Eval General Type: Compliance Evaluation Inspection
Eval Date: 11-19-2013
Violations Found: No
Eval Type: Routine done by local agency
Eval Notes: BP INSPECTION DURING MONT CERT.
Eval Division: San Bernardino County Fire Department
Eval Program: HMRRP
Eval Source: CERS,

Eval General Type: Compliance Evaluation Inspection
Eval Date: 11-19-2014
Violations Found: No
Eval Type: Routine done by local agency
Eval Notes: EASTSIDE MOBIL- UST INSPECTION
Eval Division: San Bernardino County Fire Department
Eval Program: HMRRP
Eval Source: CERS,

Eval General Type: Compliance Evaluation Inspection
Eval Date: 11-19-2014
Violations Found: Yes
Eval Type: Routine done by local agency
Eval Notes: EASTSIDE MOBIL- UST INSPECTION
Eval Division: San Bernardino County Fire Department
Eval Program: HW
Eval Source: CERS,

Eval General Type: Compliance Evaluation Inspection
Eval Date: 11-21-2019
Violations Found: No
Eval Type: Routine done by local agency
Eval Notes: Not reported
Eval Division: San Bernardino County Fire Department
Eval Program: UST
Eval Source: CERS,

Eval General Type: Other/Unknown
Eval Date: 03-30-2015
Violations Found: No
Eval Type: Other, not routine, done by local agency
Eval Notes: FACILITY RED TAG FOR NON COMPLIANCE OF RECALCITRANT VIOLATIONS.
Eval Division: San Bernardino County Fire Department
Eval Program: UST
Eval Source: CERS,

Eval General Type: Compliance Evaluation Inspection
Eval Date: 11-15-2017
Violations Found: No
Eval Type: Routine done by local agency
Eval Notes: Not reported
Eval Division: San Bernardino County Fire Department
Eval Program: HMRRP
Eval Source: CERS,

Map ID
Direction
Distance
Elevation

MAP FINDINGS

Site

Database(s)

EDR ID Number
EPA ID Number

EXXON SERVICE STATION (Continued)

S103992629

Eval General Type: Compliance Evaluation Inspection
Eval Date: 11-15-2017
Violations Found: Yes
Eval Type: Routine done by local agency
Eval Notes: ANNUAL UST INSPECTION WITH MONITORING CERTIFICATION
Eval Division: San Bernardino County Fire Department
Eval Program: UST
Eval Source: CERS,

Eval General Type: Other/Unknown
Eval Date: 11-15-2018
Violations Found: No
Eval Type: Other, not routine, done by local agency
Eval Notes: EASTSIDE MOBIL- RE-TESTING OF MLLD
Eval Division: San Bernardino County Fire Department
Eval Program: UST
Eval Source: CERS,

Eval General Type: Compliance Evaluation Inspection
Eval Date: 11-16-2016
Violations Found: Yes
Eval Type: Routine done by local agency
Eval Notes: Not reported
Eval Division: San Bernardino County Fire Department
Eval Program: HMRRP
Eval Source: CERS,

Eval General Type: Compliance Evaluation Inspection
Eval Date: 11-19-2014
Violations Found: Yes
Eval Type: Routine done by local agency
Eval Notes: EASTSIDE MOBIL- UST MONITORING CERTIFICATION
Eval Division: San Bernardino County Fire Department
Eval Program: UST
Eval Source: CERS,

Eval General Type: Compliance Evaluation Inspection
Eval Date: 11-19-2015
Violations Found: Yes
Eval Type: Routine done by local agency
Eval Notes: EASTSIDE MOBIL(NEEDLES)- UST MONITORING CERTIFICATION
Eval Division: San Bernardino County Fire Department
Eval Program: UST
Eval Source: CERS,

Eval General Type: Compliance Evaluation Inspection
Eval Date: 11-03-2021
Violations Found: No
Eval Type: Routine done by local agency
Eval Notes: Not reported
Eval Division: San Bernardino County Fire Department
Eval Program: HW
Eval Source: CERS,

Eval General Type: Compliance Evaluation Inspection
Eval Date: 11-14-2018
Violations Found: No

Map ID
Direction
Distance
Elevation

MAP FINDINGS

Site

Database(s)

EDR ID Number
EPA ID Number

EXXON SERVICE STATION (Continued)

S103992629

Eval Type: Routine done by local agency
Eval Notes: EASTSIDE MOBILE- UST INSPECTION
Eval Division: San Bernardino County Fire Department
Eval Program: HMRRP
Eval Source: CERS,

Eval General Type: Compliance Evaluation Inspection
Eval Date: 11-14-2018
Violations Found: No
Eval Type: Routine done by local agency
Eval Notes: EASTSIDE MOBILE- UST WASTE INSPECTION
Eval Division: San Bernardino County Fire Department
Eval Program: HW
Eval Source: CERS,

Eval General Type: Compliance Evaluation Inspection
Eval Date: 11-16-2020
Violations Found: No
Eval Type: Routine done by local agency
Eval Notes: See CO1 for inspection narrative.
Eval Division: San Bernardino County Fire Department
Eval Program: HMRRP
Eval Source: CERS,

Eval General Type: Compliance Evaluation Inspection
Eval Date: 11-16-2020
Violations Found: Yes
Eval Type: Routine done by local agency
Eval Notes: Annual UST inspection with monitoring certification.
Eval Division: San Bernardino County Fire Department
Eval Program: UST
Eval Source: CERS,

Eval General Type: Compliance Evaluation Inspection
Eval Date: 11-19-2015
Violations Found: No
Eval Type: Routine done by local agency
Eval Notes: EASTSIDE MOBIL(NEEDLES)- UST WASTE INSPECTION
Eval Division: San Bernardino County Fire Department
Eval Program: HW
Eval Source: CERS,

Enforcement Action:
Site ID: 27257
Site Name: EASTSIDE MOBIL
Site Address: 1005 E BROADWAY ST
Site City: NEEDLES
Site Zip: 92363
Enf Action Date: 03-20-2015
Enf Action Type: Referral to Other
Enf Action Description: Referral to Other
Enf Action Notes: Red Tag Enforcement activity was due to facility failing correct passed/recalcitrant violations noted on previous inspection report/NOV dated 11/19/14 and 2/17/15. To date, facility has not come into compliance. Type: This Red Tag was issued following previous notices. Red Tag Enforcement Reference: California Health and Safety Code Section 25292.3, California Code of Regulations Title 23, Division 3,

Map ID
Direction
Distance
Elevation

MAP FINDINGS

Site

Database(s)

EDR ID Number
EPA ID Number

EXXON SERVICE STATION (Continued)

S103992629

Chapter 16, Section 2717. Local Fire Agency included in this message.
(San Bernardino County Fire - Needles Station 31) .

Enf Action Division: San Bernardino County Fire Department
Enf Action Program: HW
Enf Action Source: CERS,

Site ID: 27257
Site Name: EASTSIDE MOBIL
Site Address: 1005 E BROADWAY ST
Site City: NEEDLES
Site Zip: 92363
Enf Action Date: 03-20-2015
Enf Action Type: Referral to Other
Enf Action Description: Referral to Other
Enf Action Notes: Red Tag Enforcement activity was due to facility failing correct passed/recalcitrant violations noted on previous inspection report/NOV dated 11/19/14 and 2/17/15. To date, facility has not come into compliance. Type: This Red Tag was issued following previous notices. Red Tag Enforcement Reference: California Health and Safety Code Section 25292.3, California Code of Regulations Title 23, Division 3, Chapter 16, Section 2717. Local Fire Agency included in this message. (San Bernardino County Fire - Needles Station 31) .

Enf Action Division: San Bernardino County Fire Department
Enf Action Program: UST
Enf Action Source: CERS,

Site ID: 27257
Site Name: EASTSIDE MOBIL
Site Address: 1005 E BROADWAY ST
Site City: NEEDLES
Site Zip: 92363
Enf Action Date: 03-30-2015
Enf Action Type: Referral to Other
Enf Action Description: Referral to Other
Enf Action Notes: Not reported
Enf Action Division: San Bernardino County Fire Department
Enf Action Program: UST
Enf Action Source: CERS,

Site ID: 27257
Site Name: EASTSIDE MOBIL
Site Address: 1005 E BROADWAY ST
Site City: NEEDLES
Site Zip: 92363
Enf Action Date: 03-30-2015
Enf Action Type: Referral to Other
Enf Action Description: Referral to Other
Enf Action Notes: Red Tag Enforcement activity was due to facility failing correct passed/recalcitrant violations noted on previous inspection report/NOV dated 11/19/14 and 2/17/15. To date, facility has not come into compliance. Type: This Red Tag was issued following previous notices. Red Tag Enforcement Reference: California Health and Safety Code Section 25292.3, California Code of Regulations Title 23, Division 3, Chapter 16, Section 2717. Local Fire Agency included in this message. (San Bernardino County Fire - Needles Station 31) .

Enf Action Division: San Bernardino County Fire Department
Enf Action Program: UST

Map ID
Direction
Distance
Elevation

MAP FINDINGS

Site

Database(s)

EDR ID Number
EPA ID Number

EXXON SERVICE STATION (Continued)

S103992629

Enf Action Source: CERS,

Site ID: 27257
Site Name: EASTSIDE MOBIL
Site Address: 1005 E BROADWAY ST
Site City: NEEDLES
Site Zip: 92363
Enf Action Date: 11-16-2016
Enf Action Type: Notice of Violation (Unified Program)
Enf Action Description: Notice of Violation Issued by the Inspector at the Time of Inspection
Enf Action Notes: Not reported
Enf Action Division: San Bernardino County Fire Department
Enf Action Program: HMRRP
Enf Action Source: CERS,

Site ID: 27257
Site Name: EASTSIDE MOBIL
Site Address: 1005 E BROADWAY ST
Site City: NEEDLES
Site Zip: 92363
Enf Action Date: 11-16-2016
Enf Action Type: Notice of Violation (Unified Program)
Enf Action Description: Notice of Violation Issued by the Inspector at the Time of Inspection
Enf Action Notes: Not reported
Enf Action Division: San Bernardino County Fire Department
Enf Action Program: HW
Enf Action Source: CERS,

Site ID: 27257
Site Name: EASTSIDE MOBIL
Site Address: 1005 E BROADWAY ST
Site City: NEEDLES
Site Zip: 92363
Enf Action Date: 11-16-2016
Enf Action Type: Notice of Violation (Unified Program)
Enf Action Description: Notice of Violation Issued by the Inspector at the Time of Inspection
Enf Action Notes: Not reported
Enf Action Division: San Bernardino County Fire Department
Enf Action Program: UST
Enf Action Source: CERS,

Site ID: 27257
Site Name: EASTSIDE MOBIL
Site Address: 1005 E BROADWAY ST
Site City: NEEDLES
Site Zip: 92363
Enf Action Date: 11-19-2013
Enf Action Type: Notice of Violation (Unified Program)
Enf Action Description: Notice of Violation Issued by the Inspector at the Time of Inspection
Enf Action Notes: Not reported
Enf Action Division: San Bernardino County Fire Department
Enf Action Program: UST
Enf Action Source: CERS,

Site ID: 27257
Site Name: EASTSIDE MOBIL
Site Address: 1005 E BROADWAY ST

Map ID
Direction
Distance
Elevation

MAP FINDINGS

Site

Database(s)

EDR ID Number
EPA ID Number

EXXON SERVICE STATION (Continued)

S103992629

Site City: NEEDLES
Site Zip: 92363
Enf Action Date: 11-19-2014
Enf Action Type: Notice of Violation (Unified Program)
Enf Action Description: Notice of Violation Issued by the Inspector at the Time of Inspection
Enf Action Notes: Not reported
Enf Action Division: San Bernardino County Fire Department
Enf Action Program: HW
Enf Action Source: CERS,

Site ID: 27257
Site Name: EASTSIDE MOBIL
Site Address: 1005 E BROADWAY ST
Site City: NEEDLES
Site Zip: 92363
Enf Action Date: 11-19-2014
Enf Action Type: Notice of Violation (Unified Program)
Enf Action Description: Notice of Violation Issued by the Inspector at the Time of Inspection
Enf Action Notes: Not reported
Enf Action Division: San Bernardino County Fire Department
Enf Action Program: UST
Enf Action Source: CERS,

Site ID: 27257
Site Name: EASTSIDE MOBIL
Site Address: 1005 E BROADWAY ST
Site City: NEEDLES
Site Zip: 92363
Enf Action Date: 11-19-2015
Enf Action Type: Notice of Violation (Unified Program)
Enf Action Description: Notice of Violation Issued by the Inspector at the Time of Inspection
Enf Action Notes: Not reported
Enf Action Division: San Bernardino County Fire Department
Enf Action Program: UST
Enf Action Source: CERS,

Coordinates:

Site ID: 27257
Facility Name: EASTSIDE MOBIL
Env Int Type Code: HMBP
Program ID: 10035652
Coord Name: Not reported
Ref Point Type Desc: Unknown,
Latitude: 34.825626
Longitude: -114.596710

Affiliation:

Affiliation Type Desc: Document Preparer
Entity Name: Dawn Harkey
Entity Title: Not reported
Affiliation Address: Not reported
Affiliation City: Not reported
Affiliation State: Not reported
Affiliation Country: Not reported
Affiliation Zip: Not reported
Affiliation Phone: ,

Map ID
Direction
Distance
Elevation

MAP FINDINGS

Site

Database(s)

EDR ID Number
EPA ID Number

EXXON SERVICE STATION (Continued)

S103992629

Affiliation Type Desc: Identification Signer
Entity Name: JASON BOATNER
Entity Title: OWNER
Affiliation Address: Not reported
Affiliation City: Not reported
Affiliation State: Not reported
Affiliation Country: Not reported
Affiliation Zip: Not reported
Affiliation Phone: ,

Affiliation Type Desc: Parent Corporation
Entity Name: Eastside Stations Inc.
Entity Title: Not reported
Affiliation Address: Not reported
Affiliation City: Not reported
Affiliation State: Not reported
Affiliation Country: Not reported
Affiliation Zip: Not reported
Affiliation Phone: ,

Affiliation Type Desc: UST Tank Operator
Entity Name: JASON BOATNER
Entity Title: Not reported
Affiliation Address: 1005 East Broadway st
Affiliation City: Needles
Affiliation State: CA
Affiliation Country: United States
Affiliation Zip: 92363
Affiliation Phone: (502) 991-7100,

Affiliation Type Desc: Environmental Contact
Entity Name: JASON BOATNER
Entity Title: Not reported
Affiliation Address: 1005 e broadway st
Affiliation City: NEEDLES
Affiliation State: CA
Affiliation Country: Not reported
Affiliation Zip: 92363
Affiliation Phone: ,

Affiliation Type Desc: UST Property Owner Name
Entity Name: Jason Boatner
Entity Title: Not reported
Affiliation Address: 1005 E Broadway St
Affiliation City: Needles
Affiliation State: CA
Affiliation Country: United States
Affiliation Zip: 92363
Affiliation Phone: (520) 991-7100,

Affiliation Type Desc: Facility Mailing Address
Entity Name: Mailing Address
Entity Title: Not reported
Affiliation Address: 1005 EAST BROADWAY STREET
Affiliation City: NEEDLES
Affiliation State: CA
Affiliation Country: Not reported

Map ID
Direction
Distance
Elevation

MAP FINDINGS

Site

Database(s)

EDR ID Number
EPA ID Number

EXXON SERVICE STATION (Continued)

S103992629

Affiliation Zip: 92363
Affiliation Phone: ,

Affiliation Type Desc: Operator
Entity Name: JASON BOATNER
Entity Title: Not reported
Affiliation Address: Not reported
Affiliation City: Not reported
Affiliation State: Not reported
Affiliation Country: Not reported
Affiliation Zip: Not reported
Affiliation Phone: (520) 991-7100,

Affiliation Type Desc: UST Tank Owner
Entity Name: JASON BOATNER
Entity Title: Not reported
Affiliation Address: 1005 E Broadway St
Affiliation City: Needles
Affiliation State: CA
Affiliation Country: United States
Affiliation Zip: 92363
Affiliation Phone: (520) 991-7100,

Affiliation Type Desc: CUPA District
Entity Name: San Bernardino County Fire
Entity Title: Not reported
Affiliation Address: 620 South E Street
Affiliation City: San Bernardino
Affiliation State: CA
Affiliation Country: Not reported
Affiliation Zip: 92415-0153
Affiliation Phone: (909) 386-8401,

Affiliation Type Desc: Legal Owner
Entity Name: JASON BOATNER
Entity Title: Not reported
Affiliation Address: 1005 East Broadway St
Affiliation City: Needles
Affiliation State: CA
Affiliation Country: United States
Affiliation Zip: 92363
Affiliation Phone: (520) 991-7100,

Affiliation Type Desc: UST Permit Applicant
Entity Name: Jason Boatner
Entity Title: Owner
Affiliation Address: Not reported
Affiliation City: Not reported
Affiliation State: Not reported
Affiliation Country: Not reported
Affiliation Zip: Not reported
Affiliation Phone: (520) 991-7100,

HWTS:

Name: EASTSIDE MOBIL
Address: 1005 E BROADWAY ST

Map ID
Direction
Distance
Elevation

MAP FINDINGS

Site

Database(s)

EDR ID Number
EPA ID Number

EXXON SERVICE STATION (Continued)

S103992629

Address 2: Not reported
City,State,Zip: NEEDLES, CA 92363
EPA ID: CAL000403023
Inactive Date: Not reported
Create Date: 12/16/2014
Last Act Date: Not reported
Mailing Name: Not reported
Mailing Address: 1005 E BROADWAY ST
Mailing Address 2: Not reported
Mailing City,State,Zip: NEEDLES, CA 92363
Owner Name: EASTSIDE STATIONS INC
Owner Address: 810 E BROADWAY ST
Owner Address 2: Not reported
Owner City,State,Zip: NEEDLES, CA 92363
Contact Name: JASON BOATNER
Contact Address: 916 E BROADWAY
Contact Address 2: Not reported
City,State,Zip: NEEDLES, CA 92303
Facility Status: Active
Facility Type: PERMANENT
Category: STATE
Latitude: 34.825518
Longitude: -114.596757

NAICS:

EPA ID: CAL000403023
Create Date: 2014-12-16 08:29:19.013
NAICS Code: 44719
NAICS Description: Other Gasoline Stations
Issued EPA ID Date: 2014-12-16 08:29:19.00300
Inactive Date: Not reported
Facility Name: EASTSIDE MOBIL
Facility Address: 1005 E BROADWAY ST
Facility Address 2: Not reported
Facility City: NEEDLES
Facility County: Not reported
Facility State: CA
Facility Zip: 92363

DC796 ARCO NEEDLES
Target 1005 BROADWAY
Property NEEDLES, CA 92363

LUST S104750359
HIST CORTESE N/A
CERS

Site 9 of 34 in cluster DC

Actual:
548 ft.

Focus Map:
11

LUST:
Name: ARCO STATION
Address: 1005 EAST BROADWAY
City,State,Zip: NEEDLES, CA 92363
Lead Agency: SAN BERNARDINO COUNTY
Case Type: LUST Cleanup Site
Geo Track: http://geotracker.waterboards.ca.gov/profile_report.asp?global_id=T0607101021
Global Id: T0607101021
Latitude: 34.825756251
Longitude: -114.5968366
Status: Completed - Case Closed
Status Date: 06/24/2010

Map ID
Direction
Distance
Elevation

MAP FINDINGS

Site

Database(s)

EDR ID Number
EPA ID Number

ARCO NEEDLES (Continued)

S104750359

Case Worker: JC
RB Case Number: 7T2363024
Local Agency: SAN BERNARDINO COUNTY
File Location: Local Agency
Local Case Number: 99063
Potential Media Affect: Aquifer used for drinking water supply
Potential Contaminants of Concern: Gasoline
Site History: Not reported

LUST:

Global Id: T0607101021
Contact Type: Local Agency Caseworker
Contact Name: JACKSON CRUTSINGER
Organization Name: SAN BERNARDINO COUNTY
Address: 620 SOUTH E STREET
City: SAN BERNARDINO
Email: jcrutsinger@sbcfire.org
Phone Number: Not reported

Global Id: T0607101021
Contact Type: Regional Board Caseworker
Contact Name: KAI DUNN
Organization Name: COLORADO RIVER BASIN RWQCB (REGION 7)
Address: 73-720 FRED WARING DR. STE 100
City: PALM DESERT
Email: kai.dunn@waterboards.ca.gov
Phone Number: Not reported

LUST:

Global Id: T0607101021
Action Type: ENFORCEMENT
Date: 12/31/2002
Action: Technical Correspondence / Assistance / Other

Global Id: T0607101021
Action Type: ENFORCEMENT
Date: 10/17/2003
Action: Technical Correspondence / Assistance / Other

Global Id: T0607101021
Action Type: ENFORCEMENT
Date: 11/25/2003
Action: Technical Correspondence / Assistance / Other

Global Id: T0607101021
Action Type: ENFORCEMENT
Date: 10/09/2003
Action: Technical Correspondence / Assistance / Other

Global Id: T0607101021
Action Type: ENFORCEMENT
Date: 05/13/2003
Action: Technical Correspondence / Assistance / Other

Global Id: T0607101021
Action Type: ENFORCEMENT
Date: 01/05/2006

Map ID
Direction
Distance
Elevation

MAP FINDINGS

Site

Database(s)

EDR ID Number
EPA ID Number

ARCO NEEDLES (Continued)

S104750359

Action: Technical Correspondence / Assistance / Other

Global Id: T0607101021
Action Type: Other
Date: 01/22/1999
Action: Leak Reported

Global Id: T0607101021
Action Type: REMEDIATION
Date: 03/01/2004
Action: In Situ Physical/Chemical Treatment (other than SVE)

Global Id: T0607101021
Action Type: REMEDIATION
Date: 03/01/2004
Action: Soil Vapor Extraction (SVE)

Global Id: T0607101021
Action Type: ENFORCEMENT
Date: 07/22/2005
Action: Technical Correspondence / Assistance / Other - #LOP #99063

Global Id: T0607101021
Action Type: ENFORCEMENT
Date: 09/11/2003
Action: Technical Correspondence / Assistance / Other

Global Id: T0607101021
Action Type: RESPONSE
Date: 04/30/2004
Action: Other Report / Document

Global Id: T0607101021
Action Type: ENFORCEMENT
Date: 01/11/2011
Action: File review

Global Id: T0607101021
Action Type: Other
Date: 01/22/1999
Action: Leak Stopped

Global Id: T0607101021
Action Type: RESPONSE
Date: 10/15/2004
Action: Other Report / Document

Global Id: T0607101021
Action Type: ENFORCEMENT
Date: 04/07/2005
Action: File review - #43258340213

Global Id: T0607101021
Action Type: ENFORCEMENT
Date: 04/21/2010
Action: Clean Up Fund - Case Closure Review Summary Report (RSR)

Map ID
Direction
Distance
Elevation

MAP FINDINGS

Site

Database(s)

EDR ID Number
EPA ID Number

ARCO NEEDLES (Continued)

S104750359

Global Id: T0607101021
Action Type: RESPONSE
Date: 03/26/2009
Action: Other Report / Document

Global Id: T0607101021
Action Type: RESPONSE
Date: 05/25/2005
Action: Other Workplan

Global Id: T0607101021
Action Type: RESPONSE
Date: 10/15/2004
Action: Other Report / Document

Global Id: T0607101021
Action Type: ENFORCEMENT
Date: 06/07/2004
Action: File review

Global Id: T0607101021
Action Type: ENFORCEMENT
Date: 10/21/2004
Action: Technical Correspondence / Assistance / Other

Global Id: T0607101021
Action Type: ENFORCEMENT
Date: 04/21/2004
Action: File review

Global Id: T0607101021
Action Type: ENFORCEMENT
Date: 06/24/2010
Action: Closure/No Further Action Letter

Global Id: T0607101021
Action Type: ENFORCEMENT
Date: 08/10/2009
Action: Clean Up Fund - Case Closure Review Summary Report (RSR)

Global Id: T0607101021
Action Type: ENFORCEMENT
Date: 08/10/2009
Action: Clean Up Fund - Case Closure Review Summary Report (RSR)

Global Id: T0607101021
Action Type: ENFORCEMENT
Date: 08/10/2009
Action: Clean Up Fund - Case Closure Review Summary Report (RSR)

Global Id: T0607101021
Action Type: Other
Date: 01/22/1999
Action: Leak Discovery

LUST:
Global Id: T0607101021

Map ID
Direction
Distance
Elevation

MAP FINDINGS

Site

Database(s)

EDR ID Number
EPA ID Number

ARCO NEEDLES (Continued)

S104750359

Status: Open - Case Begin Date
Status Date: 01/22/1999

Global Id: T0607101021
Status: Open - Site Assessment
Status Date: 01/22/1999

Global Id: T0607101021
Status: Open - Site Assessment
Status Date: 03/03/1999

Global Id: T0607101021
Status: Open - Remediation
Status Date: 06/05/2003

Global Id: T0607101021
Status: Open - Remediation
Status Date: 03/18/2004

Global Id: T0607101021
Status: Completed - Case Closed
Status Date: 06/24/2010

HIST CORTESE:

edr_fname: ARCO NEEDLES
edr_fadd1: 1005 BROADWAY
City,State,Zip: NEEDLES, CA 92363
Region: CORTESE
Facility County Code: 36
Reg By: LTNKA
Reg Id: 7T2363024

CERS:

Name: ARCO STATION
Address: 1005 EAST BROADWAY
City,State,Zip: NEEDLES, CA 92363
Site ID: 191744
CERS ID: T0607101021
CERS Description: Leaking Underground Storage Tank Cleanup Site

Affiliation:

Affiliation Type Desc: Local Agency Caseworker
Entity Name: JACKSON CRUTSINGER - SAN BERNARDINO COUNTY
Entity Title: Not reported
Affiliation Address: 620 SOUTH E STREET
Affiliation City: SAN BERNARDINO
Affiliation State: CA
Affiliation Country: Not reported
Affiliation Zip: Not reported
Affiliation Phone: ,

Affiliation Type Desc: Regional Board Caseworker
Entity Name: KAI DUNN - COLORADO RIVER BASIN RWQCB (REGION 7)
Entity Title: Not reported
Affiliation Address: 73-720 FRED WARING DR. STE 100
Affiliation City: PALM DESERT

Map ID
Direction
Distance
Elevation

MAP FINDINGS

Site

Database(s)

EDR ID Number
EPA ID Number

ARCO NEEDLES (Continued)

S104750359

Affiliation State: CA
Affiliation Country: Not reported
Affiliation Zip: Not reported
Affiliation Phone: ,

DC797 SNOWBIRD AM/PM MINI MARKET
Target 1005 E BROADWAY ST
Property NEEDLES, CA 92363

EDR Hist Auto 1021125581
N/A

Site 10 of 34 in cluster DC

Actual: EDR Hist Auto
548 ft.

Focus Map:	Year:	Name:	Type:
11	1993	SNOWBIRD AM PM	Gasoline Service Stations
	1994	SNOWBIRD AM PM	Gasoline Service Stations
	1995	SNOWBIRD AM PM	Gasoline Service Stations
	1996	SNOWBIRD AM PM	Gasoline Service Stations
	1997	SNOWBIRD AM PM	Gasoline Service Stations
	1998	SNOWBIRD AM PM	Gasoline Service Stations
	1999	SNOWBIRD AM PM	Gasoline Service Stations
	2000	SNOWBIRD AM/PM MINI MARKET	Gasoline Service Stations
	2001	NEEDLES EXXON	Gasoline Service Stations
	2001	SNOWBIRD AM/PM MINI MARKET	Gasoline Service Stations
	2002	SNOWBIRD AM/PM MINI MARKET	Gasoline Service Stations
	2002	NEEDLES EXXON	Gasoline Service Stations
	2003	SNOWBIRD AM/PM MINI MARKET	Gasoline Service Stations
	2003	NEEDLES EXXON	Gasoline Service Stations
	2004	SNOWBIRD AM/PM MINI MARKET	Gasoline Service Stations
	2004	NEEDLES EXXON	Gasoline Service Stations
	2005	SNOWBIRD AM/PM MINI MARKET	Gasoline Service Stations
	2006	SNOWBIRD AM/PM MINI MARKET	Gasoline Service Stations
	2007	SNOWBIRD AM/PM MINI MARKET	Gasoline Service Stations
	2008	SNOWBIRD AM/PM MINI MARKET	Gasoline Service Stations
	2009	SNOWBIRD AM/PM MINI MARKET	Gasoline Service Stations
	2010	SNOWBIRD AM/PM MINI MARKET	Gasoline Service Stations
	2011	SNOWBIRD AM PM MINI MARKET	Gasoline Service Stations

DC798 EAST SIDE MOBIL
Target 1005 E BROADWAY
Property NEEDLES, CA 92363

ECHO 1026014336
N/A

Site 11 of 34 in cluster DC

Actual: ECHO:
548 ft. Envid: 1026014336
Focus Map: Registry ID: 110064890346
11 DFR URL: <http://echo.epa.gov/detailed-facility-report?fid=110064890346>
Name: EAST SIDE MOBIL
Address: 1005 E BROADWAY
City,State,Zip: NEEDLES, CA 92363

Map ID
Direction
Distance
Elevation

MAP FINDINGS

Site

Database(s)

EDR ID Number
EPA ID Number

DC799 ARCO STATION
Target 1005 EAST BROADWAY
Property NEEDLES, CA 92363

FINDS 1023376429
N/A

Site 12 of 34 in cluster DC

Actual: FINDS:
548 ft. Registry ID: 110066745963

Focus Map: Click Here for FRS Facility Detail Report:
11

Environmental Interest/Information System:
STATE MASTER

[Click this hyperlink](#) while viewing on your computer to access additional FINDS: detail in the EDR Site Report.

DC800 ARCO STATION
Target 1005 EAST BROADWAY
Property NEEDLES, CA 92363

LUST U003778510
Cortese N/A

Site 13 of 34 in cluster DC

Actual: LUST REG 7:
548 ft. Region: 7
Focus Map: Status: 5R - Remediation Plan
11 Case Num: 7T2363024
Substance: Gasoline - Automotive
ID: 421
Global ID: T0607101021
Lead Agency: Local Agency
Case Worker: YO

CORTESE:

Name: ARCO STATION
Address: 1005 EAST BROADWAY
City,State,Zip: NEEDLES, CA 92363
Region: CORTESE
Envirostor Id: Not reported
Global ID: T0607101021
Site/Facility Type: LUST CLEANUP SITE
Cleanup Status: COMPLETED - CASE CLOSED
Status Date: Not reported
Site Code: Not reported
Latitude: Not reported
Longitude: Not reported
Owner: Not reported
Enf Type: Not reported
Swat R: Not reported
Flag: active
Order No: Not reported
Waste Discharge System No: Not reported
Effective Date: Not reported
Region 2: Not reported
WID Id: Not reported
Solid Waste Id No: Not reported
Waste Management Uit Name: Not reported
File Name: Active Open

Map ID
Direction
Distance
Elevation

MAP FINDINGS

Site

Database(s)

EDR ID Number
EPA ID Number

DC801 **EXXON SERVICE STATION**
Target **1005 E BROADWAY**
Property **NEEDLES, CA 92363**

HIST UST **U001575247**
EMI **N/A**
HWTS

Site 14 of 34 in cluster DC

Actual:
548 ft.

Focus Map:
11

HIST UST:
Name: EXXON SERVICE STATION
Address: 1005 E BROADWAY
City,State,Zip: NEEDLES, CA 92363
File Number: 00029E45
URL: <http://geotracker.waterboards.ca.gov/ustpdfs/pdf/00029E45.pdf>
Region: STATE
Facility ID: 00000023892
Facility Type: Gas Station
Other Type: Not reported
Contact Name: LINDA WIRICK
Telephone: 6193264812
Owner Name: EXXON COMPANY U.S.A.
Owner Address: 16945 NORTHCHASE BLVD.
Owner City,St,Zip: HOUSTON, TX 77210
Total Tanks: 0003

Tank Num: 001
Container Num: 1
Year Installed: 1968
Tank Capacity: 00008000
Tank Used for: PRODUCT
Type of Fuel: UNLEADED
Container Construction Thickness: Not reported
Leak Detection: Stock Inventor

Tank Num: 002
Container Num: 2
Year Installed: 1968
Tank Capacity: 00008000
Tank Used for: PRODUCT
Type of Fuel: REGULAR
Container Construction Thickness: Not reported
Leak Detection: Stock Inventor

Tank Num: 003
Container Num: 3
Year Installed: 1968
Tank Capacity: 00008000
Tank Used for: PRODUCT
Type of Fuel: PREMIUM
Container Construction Thickness: Not reported
Leak Detection: Stock Inventor

[Click here for Geo Tracker PDF:](#)

EMI:

Name: EASTSIDE MOBIL
Address: 1005 E BROADWAY
City,State,Zip: NEEDLES, CA 92363
Year: 2014
County Code: 36
Air Basin: MD

Map ID
Direction
Distance
Elevation

MAP FINDINGS

Site

Database(s)

EDR ID Number
EPA ID Number

EXXON SERVICE STATION (Continued)

U001575247

Facility ID: 211300873
Air District Name: MOJ
SIC Code: 5541
Air District Name: MOJAVE DESERT AQMD
Community Health Air Pollution Info System: Not reported
Consolidated Emission Reporting Rule: Not reported
Total Organic Hydrocarbon Gases Tons/Yr: 0
Reactive Organic Gases Tons/Yr: 0
Carbon Monoxide Emissions Tons/Yr: 0
NOX - Oxides of Nitrogen Tons/Yr: 0
SOX - Oxides of Sulphur Tons/Yr: 0
Particulate Matter Tons/Yr: 0
Part. Matter 10 Micrometers and Smlr Tons/Yr:0

Name: EASTSIDE MOBIL
Address: 1005 E BROADWAY
City,State,Zip: NEEDLES, CA 92363
Year: 2015
County Code: 36
Air Basin: MD
Facility ID: 211300873
Air District Name: MOJ
SIC Code: 5541
Air District Name: MOJAVE DESERT AQMD
Community Health Air Pollution Info System: Not reported
Consolidated Emission Reporting Rule: Not reported
Total Organic Hydrocarbon Gases Tons/Yr: 0
Reactive Organic Gases Tons/Yr: 0
Carbon Monoxide Emissions Tons/Yr: 0
NOX - Oxides of Nitrogen Tons/Yr: 0
SOX - Oxides of Sulphur Tons/Yr: 0
Particulate Matter Tons/Yr: 0
Part. Matter 10 Micrometers and Smlr Tons/Yr:0

Name: EASTSIDE MOBIL
Address: 1005 E BROADWAY
City,State,Zip: NEEDLES, CA 92363
Year: 2016
County Code: 36
Air Basin: MD
Facility ID: 211300873
Air District Name: MOJ
SIC Code: 5541
Air District Name: MOJAVE DESERT AQMD
Community Health Air Pollution Info System: Not reported
Consolidated Emission Reporting Rule: Not reported
Total Organic Hydrocarbon Gases Tons/Yr: 0
Reactive Organic Gases Tons/Yr: 0
Carbon Monoxide Emissions Tons/Yr: Not reported
NOX - Oxides of Nitrogen Tons/Yr: Not reported
SOX - Oxides of Sulphur Tons/Yr: Not reported
Particulate Matter Tons/Yr: Not reported
Part. Matter 10 Micrometers and Smlr Tons/Yr:Not reported

HWTS:

Name: EASTSIDE MOBIL
Address: 1005 E BROADWAY

Map ID
Direction
Distance
Elevation

MAP FINDINGS

Site

Database(s)

EDR ID Number
EPA ID Number

EXXON SERVICE STATION (Continued)

U001575247

Address 2: Not reported
City,State,Zip: NEEDLES, CA 92363
EPA ID: CAL000425386
Inactive Date: 06/30/2017
Create Date: 03/06/2017
Last Act Date: Not reported
Mailing Name: Not reported
Mailing Address: 916 E BROADWAY
Mailing Address 2: Not reported
Mailing City,State,Zip: NEEDLES, CA 92363
Owner Name: JASON BOATNER
Owner Address: 916 E BROADWAY
Owner Address 2: Not reported
Owner City,State,Zip: NEEDLES, CA 92363
Contact Name: JASON BOATNER
Contact Address: 916 E BROADWAY
Contact Address 2: Not reported
City,State,Zip: NEEDLES, CA 92363
Facility Status: Inactive
Facility Type: PERMANENT
Category: STATE
Latitude: 34.825518
Longitude: -114.596757

NAICS:

EPA ID: CAL000425386
Create Date: 2017-03-06 10:48:53.150
NAICS Code: 99999
NAICS Description: Not Otherwise Specified
Issued EPA ID Date: 2017-03-06 10:48:53.08000
Inactive Date: 2017-06-30 00:00:00
Facility Name: EASTSIDE MOBIL
Facility Address: 1005 E BROADWAY
Facility Address 2: Not reported
Facility City: NEEDLES
Facility County: Not reported
Facility State: CA
Facility Zip: 92363

DC802 **ARCO SERVICE STATION**
Target **1005 E BROADWAY ST**
Property **NEEDLES, CA 92363**

UST **U004350438**
 N/A

Site 15 of 34 in cluster DC

Actual: **UST:**
548 ft. Name: ARCO SERVICE STATION
Focus Map: Address: 1005 E BROADWAY ST
11 City,State,Zip: NEEDLES, CA 92363
 Facility ID: 86009725
 Permitting Agency: SAN BERNARDINO COUNTY
 CERSID: Not reported
 Latitude: 34.82578
 Longitude: -114.59619

Map ID
Direction
Distance
Elevation

MAP FINDINGS

Site

Database(s)

EDR ID Number
EPA ID Number

DC803 RITE AID NO 5699
Target 1020 E BROADWAY ST
Property NEEDLES, CA 92363

HAZNET S123638804
HWTS N/A

Site 16 of 34 in cluster DC

Actual:
548 ft.
Focus Map:
11

HAZNET:
Name: RITE AID NO 5699
Address: 1020 E BROADWAY ST
Address 2: Not reported
City,State,Zip: NEEDLES, CA 17011
Contact: JOSEPH A. CHEST
Telephone: 7179758643
Mailing Name: Not reported
Mailing Address: 30 HUNTER LN

Year: 2019
Gepaid: CAR000248179
TSD EPA ID: NVT330010000
CA Waste Code: 214 - Unspecified solvent mixture
Disposal Method: H141 - Storage, Bulking, And/Or Transfer Off Site--No Treatment/Reovery (H010-H129) Or (H131-H135)
Tons: 0.02150

Year: 2019
Gepaid: CAR000248179
TSD EPA ID: NVT330010000
CA Waste Code: 141 - Off-specification, aged or surplus inorganics
Disposal Method: H039 - Other Recovery Of Reclamation For Reuse Including Acid Regeneration, Organics Recovery Ect
Tons: 0.00750

Year: 2019
Gepaid: CAR000248179
TSD EPA ID: NVT330010000
CA Waste Code: 232 - Pesticides and other waste associated with pesticide production
Disposal Method: H141 - Storage, Bulking, And/Or Transfer Off Site--No Treatment/Reovery (H010-H129) Or (H131-H135)
Tons: 0.00050

Year: 2019
Gepaid: CAR000248179
TSD EPA ID: NVT330010000
CA Waste Code: 181 - Other inorganic solid waste
Disposal Method: H132 - Landfill Or Surface Impoundment That Will Be Closed As Landfill(To Include On-Site Treatment And/Or Stabilization)
Tons: 0.00050

Year: 2019
Gepaid: CAR000248179
TSD EPA ID: NVT330010000
CA Waste Code: 331 - Off-specification, aged or surplus organics
Disposal Method: H132 - Landfill Or Surface Impoundment That Will Be Closed As Landfill(To Include On-Site Treatment And/Or Stabilization)
Tons: 0.14300

Year: 2019
Gepaid: CAR000248179
TSD EPA ID: NVT330010000

Map ID
Direction
Distance
Elevation

MAP FINDINGS

Site

Database(s)

EDR ID Number
EPA ID Number

RITE AID NO 5699 (Continued)

S123638804

CA Waste Code:	141 - Off-specification, aged or surplus inorganics
Disposal Method:	H132 - Landfill Or Surface Impoundment That Will Be Closed As Landfill(To Include On-Site Treatment And/Or Stabilization)
Tons:	0.00200
Year:	2019
Gepaid:	CAR000248179
TSD EPA ID:	NVT330010000
CA Waste Code:	311 - Pharmaceutical waste
Disposal Method:	H141 - Storage, Bulking, And/Or Transfer Off Site--No Treatment/Reovery (H010-H129) Or (H131-H135)
Tons:	0.01000
Year:	2019
Gepaid:	CAR000248179
TSD EPA ID:	NVT330010000
CA Waste Code:	791 - Liquids with pH <= 2
Disposal Method:	H039 - Other Recovery Of Reclamation For Reuse Including Acid Regeneration, Organics Recovery Ect
Tons:	0.00050
Year:	2019
Gepaid:	CAR000248179
TSD EPA ID:	NVT330010000
CA Waste Code:	331 - Off-specification, aged or surplus organics
Disposal Method:	H039 - Other Recovery Of Reclamation For Reuse Including Acid Regeneration, Organics Recovery Ect
Tons:	0.42900
Year:	2018
Gepaid:	CAR000248179
TSD EPA ID:	NVT330010000
CA Waste Code:	141 - Off-specification, aged or surplus inorganics
Disposal Method:	H132 - Landfill Or Surface Impoundment That Will Be Closed As Landfill(To Include On-Site Treatment And/Or Stabilization)
Tons:	0.00250

[Click this hyperlink](#) while viewing on your computer to access 25 additional CA HAZNET: record(s) in the EDR Site Report.

Additional Info:

Year:	2017
Gen EPA ID:	CAR000248179
Shipment Date:	20171211
Creation Date:	10/16/2018 18:31:15
Receipt Date:	20171220
Manifest ID:	010215276FLE
Trans EPA ID:	MNS000110924
Trans Name:	STERICYCLE SPECIALTY WASTE SOLUTIONS INC
Trans 2 EPA ID:	Not reported
Trans 2 Name:	Not reported
TSDf EPA ID:	NVD980895338
Trans Name:	21ST CENTURY EMN LLC
TSDf Alt EPA ID:	Not reported
TSDf Alt Name:	Not reported

Map ID
Direction
Distance
Elevation

MAP FINDINGS

Site

Database(s)

EDR ID Number
EPA ID Number

RITE AID NO 5699 (Continued)

S123638804

Waste Code Description:	311 - Pharmaceutical waste
RCRA Code:	D010
Meth Code:	H141 - Storage, Bulking, And/Or Transfer Off Site--No Treatment/Reovery (H010-H129) Or (H131-H135)
Quantity Tons:	0.0005
Waste Quantity:	1
Quantity Unit:	P
Additional Code 1:	D007
Additional Code 2:	Not reported
Additional Code 3:	Not reported
Additional Code 4:	Not reported
Additional Code 5:	Not reported
Shipment Date:	20171211
Creation Date:	10/16/2018 18:31:15
Receipt Date:	20171220
Manifest ID:	010215276FLE
Trans EPA ID:	MNS000110924
Trans Name:	STERICYCLE SPECIALTY WASTE SOLUTIONS INC
Trans 2 EPA ID:	Not reported
Trans 2 Name:	Not reported
TSDf EPA ID:	NVD980895338
Trans Name:	21ST CENTURY EMN LLC
TSDf Alt EPA ID:	Not reported
TSDf Alt Name:	Not reported
Waste Code Description:	311 - Pharmaceutical waste
RCRA Code:	P001
Meth Code:	H141 - Storage, Bulking, And/Or Transfer Off Site--No Treatment/Reovery (H010-H129) Or (H131-H135)
Quantity Tons:	0.0005
Waste Quantity:	1
Quantity Unit:	P
Additional Code 1:	Not reported
Additional Code 2:	Not reported
Additional Code 3:	Not reported
Additional Code 4:	Not reported
Additional Code 5:	Not reported
Shipment Date:	20170410
Creation Date:	Not reported
Receipt Date:	Not reported
Manifest ID:	009360765FLE
Trans EPA ID:	MNS000110924
Trans Name:	STERICYCLE SPECIALTY WASTE SOLUTIONS INC
Trans 2 EPA ID:	NVR000087544
Trans 2 Name:	DOUBLE BARREL ENVIRONMENTAL SERVICES
TSDf EPA ID:	NVD980895338
Trans Name:	21ST CENTURY EMN LLC
TSDf Alt EPA ID:	Not reported
TSDf Alt Name:	Not reported
Waste Code Description:	122 - Alkaline solution without metals (pH > 12.5)
RCRA Code:	D002
Meth Code:	H121 - Neutralization Only
Quantity Tons:	0.001
Waste Quantity:	2
Quantity Unit:	P
Additional Code 1:	Not reported

Map ID
Direction
Distance
Elevation

MAP FINDINGS

Site

Database(s)

EDR ID Number
EPA ID Number

RITE AID NO 5699 (Continued)

S123638804

Additional Code 2:	Not reported
Additional Code 3:	Not reported
Additional Code 4:	Not reported
Additional Code 5:	Not reported
Shipment Date:	20170410
Creation Date:	5/11/2018 18:34:02
Receipt Date:	20170414
Manifest ID:	009360765FLE
Trans EPA ID:	MNS000110924
Trans Name:	STERICYCLE SPECIALTY WASTE SOLUTIONS INC
Trans 2 EPA ID:	NVR000087544
Trans 2 Name:	DOUBLE BARREL ENVIRONMENTAL SERVICES
TSDf EPA ID:	NVD980895338
Trans Name:	21ST CENTURY EMN LLC
TSDf Alt EPA ID:	Not reported
TSDf Alt Name:	Not reported
Waste Code Description:	343 - Unspecified organic liquid mixture
RCRA Code:	D001
Meth Code:	H141 - Storage, Bulking, And/Or Transfer Off Site--No Treatment/Reovery (H010-H129) Or (H131-H135)
Quantity Tons:	0.005
Waste Quantity:	10
Quantity Unit:	P
Additional Code 1:	Not reported
Additional Code 2:	Not reported
Additional Code 3:	Not reported
Additional Code 4:	Not reported
Additional Code 5:	Not reported
Shipment Date:	20170410
Creation Date:	5/11/2018 18:34:02
Receipt Date:	20170414
Manifest ID:	009360765FLE
Trans EPA ID:	MNS000110924
Trans Name:	STERICYCLE SPECIALTY WASTE SOLUTIONS INC
Trans 2 EPA ID:	NVR000087544
Trans 2 Name:	DOUBLE BARREL ENVIRONMENTAL SERVICES
TSDf EPA ID:	NVD980895338
Trans Name:	21ST CENTURY EMN LLC
TSDf Alt EPA ID:	Not reported
TSDf Alt Name:	Not reported
Waste Code Description:	214 - Unspecified solvent mixture
RCRA Code:	D001
Meth Code:	H141 - Storage, Bulking, And/Or Transfer Off Site--No Treatment/Reovery (H010-H129) Or (H131-H135)
Quantity Tons:	0.005
Waste Quantity:	10
Quantity Unit:	P
Additional Code 1:	Not reported
Additional Code 2:	Not reported
Additional Code 3:	Not reported
Additional Code 4:	Not reported
Additional Code 5:	Not reported
Shipment Date:	20170410
Creation Date:	Not reported

Map ID
Direction
Distance
Elevation

MAP FINDINGS

Site

Database(s)

EDR ID Number
EPA ID Number

RITE AID NO 5699 (Continued)

S123638804

Receipt Date:	Not reported
Manifest ID:	009360765FLE
Trans EPA ID:	MNS000110924
Trans Name:	STERICYCLE SPECIALTY WASTE SOLUTIONS INC
Trans 2 EPA ID:	NVR000087544
Trans 2 Name:	DOUBLE BARREL ENVIRONMENTAL SERVICES
TSDf EPA ID:	NVD980895338
Trans Name:	21ST CENTURY EMN LLC
TSDf Alt EPA ID:	Not reported
TSDf Alt Name:	Not reported
Waste Code Description:	181 - Other inorganic solid waste Organics
RCRA Code:	Not reported
Meth Code:	H141 - Storage, Bulking, And/Or Transfer Off Site--No Treatment/Reovery (H010-H129) Or (H131-H135)
Quantity Tons:	0.0225
Waste Quantity:	45
Quantity Unit:	P
Additional Code 1:	Not reported
Additional Code 2:	Not reported
Additional Code 3:	Not reported
Additional Code 4:	Not reported
Additional Code 5:	Not reported
Shipment Date:	20170410
Creation Date:	Not reported
Receipt Date:	Not reported
Manifest ID:	009360765FLE
Trans EPA ID:	MNS000110924
Trans Name:	STERICYCLE SPECIALTY WASTE SOLUTIONS INC
Trans 2 EPA ID:	NVR000087544
Trans 2 Name:	DOUBLE BARREL ENVIRONMENTAL SERVICES
TSDf EPA ID:	NVD980895338
Trans Name:	21ST CENTURY EMN LLC
TSDf Alt EPA ID:	Not reported
TSDf Alt Name:	Not reported
Waste Code Description:	331 - Off-specification, aged, or surplus organics
RCRA Code:	Not reported
Meth Code:	H141 - Storage, Bulking, And/Or Transfer Off Site--No Treatment/Reovery (H010-H129) Or (H131-H135)
Quantity Tons:	0.0545
Waste Quantity:	109
Quantity Unit:	P
Additional Code 1:	Not reported
Additional Code 2:	Not reported
Additional Code 3:	Not reported
Additional Code 4:	Not reported
Additional Code 5:	Not reported
Shipment Date:	20170410
Creation Date:	5/11/2018 18:34:02
Receipt Date:	20170414
Manifest ID:	009360765FLE
Trans EPA ID:	MNS000110924
Trans Name:	STERICYCLE SPECIALTY WASTE SOLUTIONS INC
Trans 2 EPA ID:	NVR000087544
Trans 2 Name:	DOUBLE BARREL ENVIRONMENTAL SERVICES
TSDf EPA ID:	NVD980895338

Map ID
Direction
Distance
Elevation

MAP FINDINGS

Site

Database(s)

EDR ID Number
EPA ID Number

RITE AID NO 5699 (Continued)

S123638804

Trans Name:	21ST CENTURY EMN LLC
TSDF Alt EPA ID:	Not reported
TSDF Alt Name:	Not reported
Waste Code Description:	311 - Pharmaceutical waste
RCRA Code:	D010
Meth Code:	H141 - Storage, Bulking, And/Or Transfer Off Site--No Treatment/Reovery (H010-H129) Or (H131-H135)
Quantity Tons:	0.0005
Waste Quantity:	1
Quantity Unit:	P
Additional Code 1:	D007
Additional Code 2:	Not reported
Additional Code 3:	Not reported
Additional Code 4:	Not reported
Additional Code 5:	Not reported
Shipment Date:	20170410
Creation Date:	Not reported
Receipt Date:	Not reported
Manifest ID:	009360765FLE
Trans EPA ID:	MNS000110924
Trans Name:	STERICYCLE SPECIALTY WASTE SOLUTIONS INC
Trans 2 EPA ID:	NVR000087544
Trans 2 Name:	DOUBLE BARREL ENVIRONMENTAL SERVICES
TSDF EPA ID:	NVD980895338
Trans Name:	21ST CENTURY EMN LLC
TSDF Alt EPA ID:	Not reported
TSDF Alt Name:	Not reported
Waste Code Description:	311 - Pharmaceutical waste
RCRA Code:	P001
Meth Code:	H141 - Storage, Bulking, And/Or Transfer Off Site--No Treatment/Reovery (H010-H129) Or (H131-H135)
Quantity Tons:	0.0005
Waste Quantity:	1
Quantity Unit:	P
Additional Code 1:	Not reported
Additional Code 2:	Not reported
Additional Code 3:	Not reported
Additional Code 4:	Not reported
Additional Code 5:	Not reported
Shipment Date:	20170410
Creation Date:	5/11/2018 18:34:02
Receipt Date:	20170414
Manifest ID:	009360765FLE
Trans EPA ID:	MNS000110924
Trans Name:	STERICYCLE SPECIALTY WASTE SOLUTIONS INC
Trans 2 EPA ID:	NVR000087544
Trans 2 Name:	DOUBLE BARREL ENVIRONMENTAL SERVICES
TSDF EPA ID:	NVD980895338
Trans Name:	21ST CENTURY EMN LLC
TSDF Alt EPA ID:	Not reported
TSDF Alt Name:	Not reported
Waste Code Description:	331 - Off-specification, aged, or surplus organics
RCRA Code:	D011
Meth Code:	H141 - Storage, Bulking, And/Or Transfer Off Site--No Treatment/Reovery (H010-H129) Or (H131-H135)

Map ID
Direction
Distance
Elevation

MAP FINDINGS

Site

Database(s)

EDR ID Number
EPA ID Number

RITE AID NO 5699 (Continued)

S123638804

Quantity Tons: 0.0035
Waste Quantity: 7
Quantity Unit: P
Additional Code 1: D010
Additional Code 2: D007
Additional Code 3: Not reported
Additional Code 4: Not reported
Additional Code 5: Not reported

Additional Info:

Year: 2015
Gen EPA ID: CAR000248179

Shipment Date: 20150709
Creation Date: 5/24/2016 16:37:46
Receipt Date: Not reported
Manifest ID: 007376090FLE
Trans EPA ID: MNS000110924
Trans Name: STERICYCLE SPECIALTY WASTE SOLUTIONS INC
Trans 2 EPA ID: OKD981588791
Trans 2 Name: TRIAD TRANSPORT INC
TSDf EPA ID: TXD046844700
Trans Name: CHEMICAL RECLAMATION SERVICES LLC
TSDf Alt EPA ID: Not reported
TSDf Alt Name: Not reported
Waste Code Description: 214 - Unspecified solvent mixture
RCRA Code: D001
Meth Code: - Not reported
Quantity Tons: 0.003
Waste Quantity: 6
Quantity Unit: P
Additional Code 1: Not reported
Additional Code 2: Not reported
Additional Code 3: Not reported
Additional Code 4: Not reported
Additional Code 5: Not reported

Shipment Date: 20150709
Creation Date: 5/24/2016 16:37:46
Receipt Date: Not reported
Manifest ID: 007376090FLE
Trans EPA ID: MNS000110924
Trans Name: STERICYCLE SPECIALTY WASTE SOLUTIONS INC
Trans 2 EPA ID: OKD981588791
Trans 2 Name: TRIAD TRANSPORT INC
TSDf EPA ID: TXD046844700
Trans Name: CHEMICAL RECLAMATION SERVICES LLC
TSDf Alt EPA ID: Not reported
TSDf Alt Name: Not reported
Waste Code Description: 331 - Off-specification, aged, or surplus organics
RCRA Code: D010
Meth Code: - Not reported
Quantity Tons: 0.0055
Waste Quantity: 11
Quantity Unit: P
Additional Code 1: D007
Additional Code 2: Not reported

Map ID
Direction
Distance
Elevation

MAP FINDINGS

Site

Database(s)

EDR ID Number
EPA ID Number

RITE AID NO 5699 (Continued)

S123638804

Additional Code 3:	Not reported
Additional Code 4:	Not reported
Additional Code 5:	Not reported
Shipment Date:	20150709
Creation Date:	5/24/2016 16:37:46
Receipt Date:	Not reported
Manifest ID:	007376090FLE
Trans EPA ID:	MNS000110924
Trans Name:	STERICYCLE SPECIALTY WASTE SOLUTIONS INC
Trans 2 EPA ID:	OKD981588791
Trans 2 Name:	TRIAD TRANSPORT INC
TSDF EPA ID:	TXD046844700
Trans Name:	CHEMICAL RECLAMATION SERVICES LLC
TSDF Alt EPA ID:	Not reported
TSDF Alt Name:	Not reported
Waste Code Description:	331 - Off-specification, aged, or surplus organics
RCRA Code:	D010
Meth Code:	- Not reported
Quantity Tons:	0.0535
Waste Quantity:	107
Quantity Unit:	P
Additional Code 1:	D007
Additional Code 2:	Not reported
Additional Code 3:	Not reported
Additional Code 4:	Not reported
Additional Code 5:	Not reported
Shipment Date:	20150709
Creation Date:	5/24/2016 16:37:46
Receipt Date:	Not reported
Manifest ID:	007376090FLE
Trans EPA ID:	MNS000110924
Trans Name:	STERICYCLE SPECIALTY WASTE SOLUTIONS INC
Trans 2 EPA ID:	OKD981588791
Trans 2 Name:	TRIAD TRANSPORT INC
TSDF EPA ID:	TXD046844700
Trans Name:	CHEMICAL RECLAMATION SERVICES LLC
TSDF Alt EPA ID:	Not reported
TSDF Alt Name:	Not reported
Waste Code Description:	214 - Unspecified solvent mixture
RCRA Code:	D001
Meth Code:	- Not reported
Quantity Tons:	0.0025
Waste Quantity:	5
Quantity Unit:	P
Additional Code 1:	Not reported
Additional Code 2:	Not reported
Additional Code 3:	Not reported
Additional Code 4:	Not reported
Additional Code 5:	Not reported
Shipment Date:	20150420
Creation Date:	Not reported
Receipt Date:	Not reported
Manifest ID:	007345665FLE
Trans EPA ID:	MNS000110924

Map ID
Direction
Distance
Elevation

MAP FINDINGS

Site

Database(s)

EDR ID Number
EPA ID Number

RITE AID NO 5699 (Continued)

S123638804

Trans Name:	STERICYCLE SPECIALTY WASTE SOLUTIONS INC
Trans 2 EPA ID:	OKD981588791
Trans 2 Name:	TRIAD TRANSPORT INC
TSDf EPA ID:	TXD046844700
Trans Name:	CHEMICAL RECLAMATION SERVICES LLC
TSDf Alt EPA ID:	NVD980895338
TSDf Alt Name:	21ST CENTURY ENVIRONMENTAL MANAGEMENT OF NEVADA LLC
Waste Code Description:	561 - Not reported
RCRA Code:	Not reported
Meth Code:	H141 - Storage, Bulking, And/Or Transfer Off Site--No Treatment/Reovery (H010-H129) Or (H131-H135)
Quantity Tons:	0.045
Waste Quantity:	90
Quantity Unit:	P
Additional Code 1:	Not reported
Additional Code 2:	Not reported
Additional Code 3:	Not reported
Additional Code 4:	Not reported
Additional Code 5:	Not reported
Shipment Date:	20150420
Creation Date:	Not reported
Receipt Date:	Not reported
Manifest ID:	007345665FLE
Trans EPA ID:	MNS000110924
Trans Name:	STERICYCLE SPECIALTY WASTE SOLUTIONS INC
Trans 2 EPA ID:	OKD981588791
Trans 2 Name:	TRIAD TRANSPORT INC
TSDf EPA ID:	TXD046844700
Trans Name:	CHEMICAL RECLAMATION SERVICES LLC
TSDf Alt EPA ID:	NVD980895338
TSDf Alt Name:	21ST CENTURY ENVIRONMENTAL MANAGEMENT OF NEVADA LLC
Waste Code Description:	561 - Not reported
RCRA Code:	Not reported
Meth Code:	H141 - Storage, Bulking, And/Or Transfer Off Site--No Treatment/Reovery (H010-H129) Or (H131-H135)
Quantity Tons:	0.048
Waste Quantity:	96
Quantity Unit:	P
Additional Code 1:	Not reported
Additional Code 2:	Not reported
Additional Code 3:	Not reported
Additional Code 4:	Not reported
Additional Code 5:	Not reported
Shipment Date:	20150420
Creation Date:	9/10/2015 22:15:09
Receipt Date:	20150429
Manifest ID:	007345665FLE
Trans EPA ID:	MNS000110924
Trans Name:	STERICYCLE SPECIALTY WASTE SOLUTIONS INC
Trans 2 EPA ID:	OKD981588791
Trans 2 Name:	TRIAD TRANSPORT INC
TSDf EPA ID:	TXD046844700
Trans Name:	CHEMICAL RECLAMATION SERVICES LLC
TSDf Alt EPA ID:	NVD980895338
TSDf Alt Name:	21ST CENTURY ENVIRONMENTAL MANAGEMENT OF NEVADA LLC

Map ID
Direction
Distance
Elevation

MAP FINDINGS

Site

Database(s)

EDR ID Number
EPA ID Number

RITE AID NO 5699 (Continued)

S123638804

Waste Code Description:	214 - Unspecified solvent mixture
RCRA Code:	D001
Meth Code:	H141 - Storage, Bulking, And/Or Transfer Off Site--No Treatment/Reovery (H010-H129) Or (H131-H135)
Quantity Tons:	0.0015
Waste Quantity:	3
Quantity Unit:	P
Additional Code 1:	Not reported
Additional Code 2:	Not reported
Additional Code 3:	Not reported
Additional Code 4:	Not reported
Additional Code 5:	Not reported
Shipment Date:	20150420
Creation Date:	9/10/2015 22:15:09
Receipt Date:	20150429
Manifest ID:	007345665FLE
Trans EPA ID:	MNS000110924
Trans Name:	STERICYCLE SPECIALTY WASTE SOLUTIONS INC
Trans 2 EPA ID:	OKD981588791
Trans 2 Name:	TRIAD TRANSPORT INC
TSDf EPA ID:	TXD046844700
Trans Name:	CHEMICAL RECLAMATION SERVICES LLC
TSDf Alt EPA ID:	NVD980895338
TSDf Alt Name:	21ST CENTURY ENVIRONMENTAL MANAGEMENT OF NEVADA LLC
Waste Code Description:	214 - Unspecified solvent mixture
RCRA Code:	D001
Meth Code:	H141 - Storage, Bulking, And/Or Transfer Off Site--No Treatment/Reovery (H010-H129) Or (H131-H135)
Quantity Tons:	0.005
Waste Quantity:	10
Quantity Unit:	P
Additional Code 1:	Not reported
Additional Code 2:	Not reported
Additional Code 3:	Not reported
Additional Code 4:	Not reported
Additional Code 5:	Not reported
Shipment Date:	20150420
Creation Date:	9/10/2015 22:15:09
Receipt Date:	20150429
Manifest ID:	007345665FLE
Trans EPA ID:	MNS000110924
Trans Name:	STERICYCLE SPECIALTY WASTE SOLUTIONS INC
Trans 2 EPA ID:	OKD981588791
Trans 2 Name:	TRIAD TRANSPORT INC
TSDf EPA ID:	TXD046844700
Trans Name:	CHEMICAL RECLAMATION SERVICES LLC
TSDf Alt EPA ID:	NVD980895338
TSDf Alt Name:	21ST CENTURY ENVIRONMENTAL MANAGEMENT OF NEVADA LLC
Waste Code Description:	311 - Pharmaceutical waste
RCRA Code:	P001
Meth Code:	H141 - Storage, Bulking, And/Or Transfer Off Site--No Treatment/Reovery (H010-H129) Or (H131-H135)
Quantity Tons:	0.0005
Waste Quantity:	1
Quantity Unit:	P

Map ID
Direction
Distance
Elevation

MAP FINDINGS

Site

Database(s)

EDR ID Number
EPA ID Number

RITE AID NO 5699 (Continued)

S123638804

Additional Code 1: Not reported
Additional Code 2: Not reported
Additional Code 3: Not reported
Additional Code 4: Not reported
Additional Code 5: Not reported

Shipment Date: 20150420
Creation Date: Not reported
Receipt Date: Not reported
Manifest ID: 007345665FLE
Trans EPA ID: MNS000110924
Trans Name: STERICYCLE SPECIALTY WASTE SOLUTIONS INC
Trans 2 EPA ID: OKD981588791
Trans 2 Name: TRIAD TRANSPORT INC
TSDf EPA ID: TXD046844700
Trans Name: CHEMICAL RECLAMATION SERVICES LLC
TSDf Alt EPA ID: NVD980895338
TSDf Alt Name: 21ST CENTURY ENVIRONMENTAL MANAGEMENT OF NEVADA LLC
Waste Code Description: - Not reported
RCRA Code: Not reported
Meth Code: H141 - Storage, Bulking, And/Or Transfer Off Site--No Treatment/Reovery (H010-H129) Or (H131-H135)

Quantity Tons: 0.0005
Waste Quantity: 1
Quantity Unit: P
Additional Code 1: Not reported
Additional Code 2: Not reported
Additional Code 3: Not reported
Additional Code 4: Not reported
Additional Code 5: Not reported

Additional Info:

Year: 2016
Gen EPA ID: CAR000248179

Shipment Date: 20150709
Creation Date: 5/24/2016 16:37:46
Receipt Date: Not reported
Manifest ID: 007376090FLE
Trans EPA ID: MNS000110924
Trans Name: STERICYCLE SPECIALTY WASTE SOLUTIONS INC
Trans 2 EPA ID: OKD981588791
Trans 2 Name: TRIAD TRANSPORT INC
TSDf EPA ID: TXD046844700
Trans Name: CHEMICAL RECLAMATION SERVICES LLC
TSDf Alt EPA ID: Not reported
TSDf Alt Name: Not reported
Waste Code Description: 331 - Off-specification, aged, or surplus organics
RCRA Code: D010
Meth Code: - Not reported
Quantity Tons: 0.0535
Waste Quantity: 107
Quantity Unit: P
Additional Code 1: D007
Additional Code 2: Not reported
Additional Code 3: Not reported
Additional Code 4: Not reported

Map ID
Direction
Distance
Elevation

MAP FINDINGS

Site

Database(s)

EDR ID Number
EPA ID Number

RITE AID NO 5699 (Continued)

S123638804

Additional Code 5:	Not reported
Shipment Date:	20150709
Creation Date:	5/24/2016 16:37:46
Receipt Date:	Not reported
Manifest ID:	007376090FLE
Trans EPA ID:	MNS000110924
Trans Name:	STERICYCLE SPECIALTY WASTE SOLUTIONS INC
Trans 2 EPA ID:	OKD981588791
Trans 2 Name:	TRIAD TRANSPORT INC
TSDf EPA ID:	TXD046844700
Trans Name:	CHEMICAL RECLAMATION SERVICES LLC
TSDf Alt EPA ID:	Not reported
TSDf Alt Name:	Not reported
Waste Code Description:	214 - Unspecified solvent mixture
RCRA Code:	D001
Meth Code:	- Not reported
Quantity Tons:	0.0025
Waste Quantity:	5
Quantity Unit:	P
Additional Code 1:	Not reported
Additional Code 2:	Not reported
Additional Code 3:	Not reported
Additional Code 4:	Not reported
Additional Code 5:	Not reported
Shipment Date:	20150709
Creation Date:	5/24/2016 16:37:46
Receipt Date:	Not reported
Manifest ID:	007376090FLE
Trans EPA ID:	MNS000110924
Trans Name:	STERICYCLE SPECIALTY WASTE SOLUTIONS INC
Trans 2 EPA ID:	OKD981588791
Trans 2 Name:	TRIAD TRANSPORT INC
TSDf EPA ID:	TXD046844700
Trans Name:	CHEMICAL RECLAMATION SERVICES LLC
TSDf Alt EPA ID:	Not reported
TSDf Alt Name:	Not reported
Waste Code Description:	214 - Unspecified solvent mixture
RCRA Code:	D001
Meth Code:	- Not reported
Quantity Tons:	0.003
Waste Quantity:	6
Quantity Unit:	P
Additional Code 1:	Not reported
Additional Code 2:	Not reported
Additional Code 3:	Not reported
Additional Code 4:	Not reported
Additional Code 5:	Not reported
Shipment Date:	20150709
Creation Date:	5/24/2016 16:37:46
Receipt Date:	Not reported
Manifest ID:	007376090FLE
Trans EPA ID:	MNS000110924
Trans Name:	STERICYCLE SPECIALTY WASTE SOLUTIONS INC
Trans 2 EPA ID:	OKD981588791

Map ID
Direction
Distance
Elevation

MAP FINDINGS

Site

Database(s)

EDR ID Number
EPA ID Number

RITE AID NO 5699 (Continued)

S123638804

Trans 2 Name:	TRIAD TRANSPORT INC
TSDf EPA ID:	TXD046844700
Trans Name:	CHEMICAL RECLAMATION SERVICES LLC
TSDf Alt EPA ID:	Not reported
TSDf Alt Name:	Not reported
Waste Code Description:	331 - Off-specification, aged, or surplus organics
RCRA Code:	D010
Meth Code:	- Not reported
Quantity Tons:	0.0055
Waste Quantity:	11
Quantity Unit:	P
Additional Code 1:	D007
Additional Code 2:	Not reported
Additional Code 3:	Not reported
Additional Code 4:	Not reported
Additional Code 5:	Not reported
Shipment Date:	20150420
Creation Date:	Not reported
Receipt Date:	Not reported
Manifest ID:	007345665FLE
Trans EPA ID:	MNS000110924
Trans Name:	STERICYCLE SPECIALTY WASTE SOLUTIONS INC
Trans 2 EPA ID:	OKD981588791
Trans 2 Name:	TRIAD TRANSPORT INC
TSDf EPA ID:	TXD046844700
Trans Name:	CHEMICAL RECLAMATION SERVICES LLC
TSDf Alt EPA ID:	NVD980895338
TSDf Alt Name:	21ST CENTURY ENVIRONMENTAL MANAGEMENT OF NEVADA LLC
Waste Code Description:	311 - Pharmaceutical waste
RCRA Code:	D011
Meth Code:	H141 - Storage, Bulking, And/Or Transfer Off Site--No Treatment/Reovery (H010-H129) Or (H131-H135)
Quantity Tons:	0.0025
Waste Quantity:	5
Quantity Unit:	P
Additional Code 1:	D010
Additional Code 2:	D007
Additional Code 3:	Not reported
Additional Code 4:	Not reported
Additional Code 5:	Not reported
Shipment Date:	20150420
Creation Date:	Not reported
Receipt Date:	Not reported
Manifest ID:	007345665FLE
Trans EPA ID:	MNS000110924
Trans Name:	STERICYCLE SPECIALTY WASTE SOLUTIONS INC
Trans 2 EPA ID:	OKD981588791
Trans 2 Name:	TRIAD TRANSPORT INC
TSDf EPA ID:	TXD046844700
Trans Name:	CHEMICAL RECLAMATION SERVICES LLC
TSDf Alt EPA ID:	NVD980895338
TSDf Alt Name:	21ST CENTURY ENVIRONMENTAL MANAGEMENT OF NEVADA LLC
Waste Code Description:	122 - Alkaline solution without metals (pH > 12.5)
RCRA Code:	D002
Meth Code:	H121 - Neutralization Only

Map ID
Direction
Distance
Elevation

MAP FINDINGS

Site

Database(s)

EDR ID Number
EPA ID Number

RITE AID NO 5699 (Continued)

S123638804

Quantity Tons: 0.0005
Waste Quantity: 1
Quantity Unit: P
Additional Code 1: Not reported
Additional Code 2: Not reported
Additional Code 3: Not reported
Additional Code 4: Not reported
Additional Code 5: Not reported

Shipment Date: 20150420
Creation Date: Not reported
Receipt Date: Not reported
Manifest ID: 007345665FLE
Trans EPA ID: MNS000110924
Trans Name: STERICYCLE SPECIALTY WASTE SOLUTIONS INC
Trans 2 EPA ID: OKD981588791
Trans 2 Name: TRIAD TRANSPORT INC
TSDf EPA ID: TXD046844700
Trans Name: CHEMICAL RECLAMATION SERVICES LLC
TSDf Alt EPA ID: NVD980895338
TSDf Alt Name: 21ST CENTURY ENVIRONMENTAL MANAGEMENT OF NEVADA LLC
Waste Code Description: - Not reported
RCRA Code: Not reported
Meth Code: H141 - Storage, Bulking, And/Or Transfer Off Site--No Treatment/Reovery (H010-H129) Or (H131-H135)

Quantity Tons: 0.0005
Waste Quantity: 1
Quantity Unit: P
Additional Code 1: Not reported
Additional Code 2: Not reported
Additional Code 3: Not reported
Additional Code 4: Not reported
Additional Code 5: Not reported

Shipment Date: 20150420
Creation Date: Not reported
Receipt Date: Not reported
Manifest ID: 007345665FLE
Trans EPA ID: MNS000110924
Trans Name: STERICYCLE SPECIALTY WASTE SOLUTIONS INC
Trans 2 EPA ID: OKD981588791
Trans 2 Name: TRIAD TRANSPORT INC
TSDf EPA ID: TXD046844700
Trans Name: CHEMICAL RECLAMATION SERVICES LLC
TSDf Alt EPA ID: NVD980895338
TSDf Alt Name: 21ST CENTURY ENVIRONMENTAL MANAGEMENT OF NEVADA LLC
Waste Code Description: 561 - Not reported
RCRA Code: Not reported
Meth Code: H141 - Storage, Bulking, And/Or Transfer Off Site--No Treatment/Reovery (H010-H129) Or (H131-H135)

Quantity Tons: 0.045
Waste Quantity: 90
Quantity Unit: P
Additional Code 1: Not reported
Additional Code 2: Not reported
Additional Code 3: Not reported
Additional Code 4: Not reported

Map ID
Direction
Distance
Elevation

MAP FINDINGS

Site

Database(s)

EDR ID Number
EPA ID Number

RITE AID NO 5699 (Continued)

S123638804

Additional Code 5:	Not reported
Shipment Date:	20150420
Creation Date:	Not reported
Receipt Date:	Not reported
Manifest ID:	007345665FLE
Trans EPA ID:	MNS000110924
Trans Name:	STERICYCLE SPECIALTY WASTE SOLUTIONS INC
Trans 2 EPA ID:	OKD981588791
Trans 2 Name:	TRIAD TRANSPORT INC
TSDf EPA ID:	TXD046844700
Trans Name:	CHEMICAL RECLAMATION SERVICES LLC
TSDf Alt EPA ID:	NVD980895338
TSDf Alt Name:	21ST CENTURY ENVIRONMENTAL MANAGEMENT OF NEVADA LLC
Waste Code Description:	561 - Not reported
RCRA Code:	Not reported
Meth Code:	H141 - Storage, Bulking, And/Or Transfer Off Site--No Treatment/Reovery (H010-H129) Or (H131-H135)
Quantity Tons:	0.048
Waste Quantity:	96
Quantity Unit:	P
Additional Code 1:	Not reported
Additional Code 2:	Not reported
Additional Code 3:	Not reported
Additional Code 4:	Not reported
Additional Code 5:	Not reported
Shipment Date:	20150420
Creation Date:	9/10/2015 22:15:09
Receipt Date:	20150429
Manifest ID:	007345665FLE
Trans EPA ID:	MNS000110924
Trans Name:	STERICYCLE SPECIALTY WASTE SOLUTIONS INC
Trans 2 EPA ID:	OKD981588791
Trans 2 Name:	TRIAD TRANSPORT INC
TSDf EPA ID:	TXD046844700
Trans Name:	CHEMICAL RECLAMATION SERVICES LLC
TSDf Alt EPA ID:	NVD980895338
TSDf Alt Name:	21ST CENTURY ENVIRONMENTAL MANAGEMENT OF NEVADA LLC
Waste Code Description:	311 - Pharmaceutical waste
RCRA Code:	P075
Meth Code:	H141 - Storage, Bulking, And/Or Transfer Off Site--No Treatment/Reovery (H010-H129) Or (H131-H135)
Quantity Tons:	0.0005
Waste Quantity:	1
Quantity Unit:	P
Additional Code 1:	Not reported
Additional Code 2:	Not reported
Additional Code 3:	Not reported
Additional Code 4:	Not reported
Additional Code 5:	Not reported

HWTS:

Name:	RITE AID NO 5699
Address:	1020 E BROADWAY ST
Address 2:	Not reported
City,State,Zip:	NEEDLES, CA 92363

Map ID
 Direction
 Distance
 Elevation

MAP FINDINGS

Site

Database(s)

EDR ID Number
 EPA ID Number

RITE AID NO 5699 (Continued)

S123638804

EPA ID: CAR000248179
 Inactive Date: Not reported
 Create Date: 08/27/2014
 Last Act Date: Not reported
 Mailing Name: Not reported
 Mailing Address: 30 HUNTER LN
 Mailing Address 2: Not reported
 Mailing City,State,Zip: CAMP HILL, PA 17011
 Owner Name: THRIFTY PAYLESS INC
 Owner Address: 30 HUNTER LN
 Owner Address 2: Not reported
 Owner City,State,Zip: CAMP HILL, PA 17011
 Contact Name: JOSEPH A CHEST
 Contact Address: 30 HUNTER LN
 Contact Address 2: Not reported
 City,State,Zip: CAMP HILL, PA 17011
 Facility Status: Active
 Facility Type: PERMANENT
 Category: FEDERAL
 Latitude: 34.82510959
 Longitude: -114.596402

DC804 **AUTOZONE #3699**
Target **1008 EAST BROADWAY STREET**
Property **NEEDLES, CA 92363**

RCRA NonGen / NLR **1024860367**
CAL000428748

Site 17 of 34 in cluster DC

Actual: 548 ft.	RCRA NonGen / NLR:		
	Date Form Received by Agency:		20170627
Focus Map: 11	Handler Name:	AUTOZONE #3699	
	Handler Address:		1008 EAST BROADWAY STREET
	Handler City,State,Zip:		NEEDLES, CA 92363
	EPA ID:		CAL000428748
	Contact Name:		BRYAN BLAIR
	Contact Address:		123 S FRONT ST DEPT 8190
	Contact City,State,Zip:		MEMPHIS, TN 38103
	Contact Telephone:		901-495-7217
	Contact Fax:		901-495-8399
	Contact Email:		BRYAN.BLAIR@AUTOZONE.COM
	Contact Title:		Not reported
	EPA Region:		09
	Land Type:		Not reported
	Federal Waste Generator Description:		Not a generator, verified
	Non-Notifier:		Not reported
	Biennial Report Cycle:		Not reported
	Accessibility:		Not reported
	Active Site Indicator:		Handler Activities
	State District Owner:		Not reported
	State District:		Not reported
	Mailing Address:		123 S FRONT ST DEPT 8190
	Mailing City,State,Zip:		MEMPHIS, TN 38103-3607
	Owner Name:	AUTOZONE INC	
	Owner Type:		Other
	Operator Name:	BRYAN BLAIR	
	Operator Type:		Other
	Short-Term Generator Activity:		No
	Importer Activity:		No

Map ID
 Direction
 Distance
 Elevation

MAP FINDINGS

Site

Database(s)

EDR ID Number
 EPA ID Number

AUTOZONE #3699 (Continued)

1024860367

Mixed Waste Generator:	No
Transporter Activity:	No
Transfer Facility Activity:	No
Recycler Activity with Storage:	No
Small Quantity On-Site Burner Exemption:	No
Smelting Melting and Refining Furnace Exemption:	No
Underground Injection Control:	No
Off-Site Waste Receipt:	No
Universal Waste Indicator:	Yes
Universal Waste Destination Facility:	Yes
Federal Universal Waste:	No
Active Site Fed-Reg Treatment Storage and Disposal Facility:	Not reported
Active Site Converter Treatment storage and Disposal Facility:	Not reported
Active Site State-Reg Treatment Storage and Disposal Facility:	Not reported
Active Site State-Reg Handler:	---
Federal Facility Indicator:	Not reported
Hazardous Secondary Material Indicator:	N
Sub-Part K Indicator:	Not reported
Commercial TSD Indicator:	No
Treatment Storage and Disposal Type:	Not reported
2018 GPRA Permit Baseline:	Not on the Baseline
2018 GPRA Renewals Baseline:	Not on the Baseline
Permit Renewals Workload Universe:	Not reported
Permit Workload Universe:	Not reported
Permit Progress Universe:	Not reported
Post-Closure Workload Universe:	Not reported
Closure Workload Universe:	Not reported
202 GPRA Corrective Action Baseline:	No
Corrective Action Workload Universe:	No
Subject to Corrective Action Universe:	No
Non-TSDFs Where RCRA CA has Been Imposed Universe:	No
TSDFs Potentially Subject to CA Under 3004 (u)/(v) Universe:	No
TSDFs Only Subject to CA under Discretionary Auth Universe:	No
Corrective Action Priority Ranking:	No NCAPS ranking
Environmental Control Indicator:	No
Institutional Control Indicator:	No
Human Exposure Controls Indicator:	N/A
Groundwater Controls Indicator:	N/A
Operating TSDF Universe:	Not reported
Full Enforcement Universe:	Not reported
Significant Non-Complier Universe:	No
Unaddressed Significant Non-Complier Universe:	No
Addressed Significant Non-Complier Universe:	No
Significant Non-Complier With a Compliance Schedule Universe:	No
Financial Assurance Required:	Not reported
Handler Date of Last Change:	20180907
Recognized Trader-Importer:	No
Recognized Trader-Exporter:	No
Importer of Spent Lead Acid Batteries:	No
Exporter of Spent Lead Acid Batteries:	No
Recycler Activity Without Storage:	No
Manifest Broker:	No
Sub-Part P Indicator:	No

Handler - Owner Operator:

Owner/Operator Indicator: Owner

Map ID
Direction
Distance
Elevation

MAP FINDINGS

Site

Database(s)

EDR ID Number
EPA ID Number

AUTOZONE #3699 (Continued)

1024860367

Owner/Operator Name: AUTOZONE INC
Legal Status: Other
Date Became Current: Not reported
Date Ended Current: Not reported
Owner/Operator Address: 123 S FRONT ST DEPT 8190
Owner/Operator City,State,Zip: MEMPHIS, TN 38103-3607
Owner/Operator Telephone: 901-495-7217
Owner/Operator Telephone Ext: Not reported
Owner/Operator Fax: Not reported
Owner/Operator Email: Not reported

Owner/Operator Indicator: Operator
Owner/Operator Name: BRYAN BLAIR
Legal Status: Other
Date Became Current: Not reported
Date Ended Current: Not reported
Owner/Operator Address: 123 S FRONT ST DEPT 8190
Owner/Operator City,State,Zip: MEMPHIS, TN 38103
Owner/Operator Telephone: 901-495-7217
Owner/Operator Telephone Ext: Not reported
Owner/Operator Fax: Not reported
Owner/Operator Email: Not reported

Historic Generators:

Receive Date: 20170627
Handler Name: AUTOZONE #3699
Federal Waste Generator Description: Not a generator, verified
State District Owner: Not reported
Large Quantity Handler of Universal Waste: No
Recognized Trader Importer: No
Recognized Trader Exporter: No
Spent Lead Acid Battery Importer: No
Spent Lead Acid Battery Exporter: No
Current Record: Yes
Non Storage Recycler Activity: Not reported
Electronic Manifest Broker: Not reported

List of NAICS Codes and Descriptions:

NAICS Code: 56299
NAICS Description: ALL OTHER WASTE MANAGEMENT SERVICES

Facility Has Received Notices of Violations:

Violations: No Violations Found

Evaluation Action Summary:

Evaluations: No Evaluations Found

Map ID
 Direction
 Distance
 Elevation

MAP FINDINGS

Site

Database(s)

EDR ID Number
 EPA ID Number

DC805 **99 CENTS ONLY STORES LLC**
Target **1010 E BROADWAY ST**
Property **NEEDLES, CA 92363**

RCRA NonGen / NLR **1024847378**
CAL000402171

Site 18 of 34 in cluster DC

Actual:
548 ft.

RCRA NonGen / NLR:
 Date Form Received by Agency: 20141110
 Handler Name: 99 CENTS ONLY STORES LLC
 Handler Address: 1010 E BROADWAY ST
 Handler City,State,Zip: NEEDLES, CA 92363
 EPA ID: CAL000402171
 Contact Name: EDGAR FLORES
 Contact Address: 4000 UNION PACIFIC AVE
 Contact City,State,Zip: COMMERCE, CA 90023
 Contact Telephone: 323-919-3290
 Contact Fax: 323-729-3455
 Contact Email: EDGAR.FLORES@99ONLY.COM
 Contact Title: Not reported
 EPA Region: 09
 Land Type: Not reported
 Federal Waste Generator Description: Not a generator, verified
 Non-Notifier: Not reported
 Biennial Report Cycle: Not reported
 Accessibility: Not reported
 Active Site Indicator: Handler Activities
 State District Owner: Not reported
 State District: Not reported
 Mailing Address: 4000 UNION PACIFIC AVENUE
 Mailing City,State,Zip: COMMERCE, CA 90023
 Owner Name: 99 CENTS ONLY STORES
 Owner Type: Other
 Operator Name: EDGAR FLORES
 Operator Type: Other
 Short-Term Generator Activity: No
 Importer Activity: No
 Mixed Waste Generator: No
 Transporter Activity: No
 Transfer Facility Activity: No
 Recycler Activity with Storage: No
 Small Quantity On-Site Burner Exemption: No
 Smelting Melting and Refining Furnace Exemption: No
 Underground Injection Control: No
 Off-Site Waste Receipt: No
 Universal Waste Indicator: Yes
 Universal Waste Destination Facility: Yes
 Federal Universal Waste: No
 Active Site Fed-Reg Treatment Storage and Disposal Facility: Not reported
 Active Site Converter Treatment storage and Disposal Facility: Not reported
 Active Site State-Reg Treatment Storage and Disposal Facility: Not reported
 Active Site State-Reg Handler: ---
 Federal Facility Indicator: Not reported
 Hazardous Secondary Material Indicator: N
 Sub-Part K Indicator: Not reported
 Commercial TSD Indicator: No
 Treatment Storage and Disposal Type: Not reported
 2018 GPRAs Permit Baseline: Not on the Baseline
 2018 GPRAs Renewals Baseline: Not on the Baseline
 Permit Renewals Workload Universe: Not reported

Focus Map:
11

Map ID
 Direction
 Distance
 Elevation

MAP FINDINGS

Site

Database(s)

EDR ID Number
 EPA ID Number

99 CENTS ONLY STORES LLC (Continued)

1024847378

Permit Workload Universe:	Not reported
Permit Progress Universe:	Not reported
Post-Closure Workload Universe:	Not reported
Closure Workload Universe:	Not reported
202 GPRA Corrective Action Baseline:	No
Corrective Action Workload Universe:	No
Subject to Corrective Action Universe:	No
Non-TSDFs Where RCRA CA has Been Imposed Universe:	No
TSDFs Potentially Subject to CA Under 3004 (u)/(v) Universe:	No
TSDFs Only Subject to CA under Discretionary Auth Universe:	No
Corrective Action Priority Ranking:	No NCAPS ranking
Environmental Control Indicator:	No
Institutional Control Indicator:	No
Human Exposure Controls Indicator:	N/A
Groundwater Controls Indicator:	N/A
Operating TSDF Universe:	Not reported
Full Enforcement Universe:	Not reported
Significant Non-Complier Universe:	No
Unaddressed Significant Non-Complier Universe:	No
Addressed Significant Non-Complier Universe:	No
Significant Non-Complier With a Compliance Schedule Universe:	No
Financial Assurance Required:	Not reported
Handler Date of Last Change:	20180906
Recognized Trader-Importer:	No
Recognized Trader-Exporter:	No
Importer of Spent Lead Acid Batteries:	No
Exporter of Spent Lead Acid Batteries:	No
Recycler Activity Without Storage:	No
Manifest Broker:	No
Sub-Part P Indicator:	No

Handler - Owner Operator:

Owner/Operator Indicator:	Operator
Owner/Operator Name: EDGAR FLORES	
Legal Status:	Other
Date Became Current:	Not reported
Date Ended Current:	Not reported
Owner/Operator Address:	4000 UNION PACIFIC AVE
Owner/Operator City,State,Zip:	COMMERCE, CA 90023
Owner/Operator Telephone:	323-919-3290
Owner/Operator Telephone Ext:	Not reported
Owner/Operator Fax:	Not reported
Owner/Operator Email:	Not reported

Owner/Operator Indicator:	Owner
Owner/Operator Name: 99 CENTS ONLY STORES	
Legal Status:	Other
Date Became Current:	Not reported
Date Ended Current:	Not reported
Owner/Operator Address:	4000 UNION PACIFIC AVENUE
Owner/Operator City,State,Zip:	COMMERCE, CA 90023
Owner/Operator Telephone:	323-980-8145
Owner/Operator Telephone Ext:	Not reported
Owner/Operator Fax:	Not reported
Owner/Operator Email:	Not reported

Map ID
Direction
Distance
Elevation

MAP FINDINGS

Site

Database(s)

EDR ID Number
EPA ID Number

99 CENTS ONLY STORES LLC (Continued)

1024847378

Historic Generators:

Receive Date: 20141110
Handler Name: 99 CENTS ONLY STORES LLC
Federal Waste Generator Description: Not a generator, verified
State District Owner: Not reported
Large Quantity Handler of Universal Waste: No
Recognized Trader Importer: No
Recognized Trader Exporter: No
Spent Lead Acid Battery Importer: No
Spent Lead Acid Battery Exporter: No
Current Record: Yes
Non Storage Recycler Activity: Not reported
Electronic Manifest Broker: Not reported

List of NAICS Codes and Descriptions:

NAICS Code: 45299
NAICS Description: ALL OTHER GENERAL MERCHANDISE STORES

Facility Has Received Notices of Violations:

Violations: No Violations Found

Evaluation Action Summary:

Evaluations: No Evaluations Found

DC806 AUTOZONE #3699
Target 1008 EAST BROADWAY STREET
Property NEEDLES, CA 38103

HAZNET S124916893
HWTS N/A

Site 19 of 34 in cluster DC

Actual:
548 ft.

Focus Map:
11

HAZNET:

Name: AUTOZONE #3699
Address: 1008 EAST BROADWAY STREET
Address 2: Not reported
City,State,Zip: NEEDLES, CA 381033607
Contact: BRYAN BLAIR
Telephone: 9014957217
Mailing Name: Not reported
Mailing Address: DEPT 8190 123 S FRONT ST

Year: 2019
Gepaid: CAL000428748
TSD EPA ID: CAD044429835
CA Waste Code: 352 - Other organic solids
Disposal Method: H141 - Storage, Bulking, And/Or Transfer Off Site--No Treatment/Reovery (H010-H129) Or (H131-H135)
Tons: 0.05000

Year: 2018
Gepaid: CAL000428748
TSD EPA ID: UTD991301748
CA Waste Code: 352 - Other organic solids
Disposal Method: H132 - Landfill Or Surface Impoundment That Will Be Closed As Landfill(To Include On-Site Treatment And/Or Stabilization)
Tons: 0.02500

Map ID
Direction
Distance
Elevation

MAP FINDINGS

Site

Database(s)

EDR ID Number
EPA ID Number

AUTOZONE #3699 (Continued)

S124916893

Year: 2018
Gepaid: CAL000428748
TSD EPA ID: CAD044429835
CA Waste Code: 352 - Other organic solids
Disposal Method: H141 - Storage, Bulking, And/Or Transfer Off Site--No Treatment/Reovery (H010-H129) Or (H131-H135)
Tons: 0.05000

Year: 2018
Gepaid: CAL000428748
TSD EPA ID: NED981723513
CA Waste Code: 223 - Unspecified oil-containing waste
Disposal Method: H040 - Incineration--Thermal Destruction Other Than Use As A Fuel
Tons: 0.02500

Year: 2018
Gepaid: CAL000428748
TSD EPA ID: NED981723513
CA Waste Code: 223 - Unspecified oil-containing waste
Disposal Method: -
Tons: 0.02500

Year: 2018
Gepaid: CAL000428748
TSD EPA ID: NVD980895338
CA Waste Code: 331 - Off-specification, aged or surplus organics
Disposal Method: H141 - Storage, Bulking, And/Or Transfer Off Site--No Treatment/Reovery (H010-H129) Or (H131-H135)
Tons: 0.01100

Year: 2018
Gepaid: CAL000428748
TSD EPA ID: NVD980895338
CA Waste Code: 181 - Other inorganic solid waste
Disposal Method: H141 - Storage, Bulking, And/Or Transfer Off Site--No Treatment/Reovery (H010-H129) Or (H131-H135)
Tons: 0.00550

Year: 2018
Gepaid: CAL000428748
TSD EPA ID: NVD980895338
CA Waste Code: 214 - Unspecified solvent mixture
Disposal Method: H141 - Storage, Bulking, And/Or Transfer Off Site--No Treatment/Reovery (H010-H129) Or (H131-H135)
Tons: 0.00650

HWTS:

Name: AUTOZONE #3699
Address: 1008 EAST BROADWAY STREET
Address 2: Not reported
City,State,Zip: NEEDLES, CA 92363
EPA ID: CAL000428748
Inactive Date: Not reported
Create Date: 06/27/2017
Last Act Date: Not reported
Mailing Name: Not reported

Map ID
Direction
Distance
Elevation

MAP FINDINGS

Site

Database(s)

EDR ID Number
EPA ID Number

AUTOZONE #3699 (Continued)

S124916893

Mailing Address: DEPT 8190, 123 SOUTH FRONT STREET
Mailing Address 2: Not reported
Mailing City,State,Zip: MEMPHIS, TN 38103
Owner Name: AUTOZONE INC
Owner Address: 123 SOUTH FRONT ST
Owner Address 2: Not reported
Owner City,State,Zip: MEMPHIS, TN 381033607
Contact Name: BRYAN BLAIR
Contact Address: DEPT 8190, 123 SOUTH FRONT STREET
Contact Address 2: Not reported
City,State,Zip: MEMPHIS, TN 38103
Facility Status: Active
Facility Type: PERMANENT
Category: STATE
Latitude: 34.824798
Longitude: -114.5961045

NAICS:

EPA ID: CAL000428748
Create Date: 2017-06-27 08:58:55.690
NAICS Code: 45299
NAICS Description: All Other General Merchandise Stores
Issued EPA ID Date: 2017-06-27 08:58:55.69000
Inactive Date: Not reported
Facility Name: AUTOZONE #3699
Facility Address: 1008 EAST BROADWAY STREET
Facility Address 2: Not reported
Facility City: NEEDLES
Facility County: Not reported
Facility State: CA
Facility Zip: 92363

DC807 99 CENTS ONLY STORES LLC
Target 1010 E BROADWAY ST
Property NEEDLES, CA 92363

CHMIRS S110417628
HAZNET N/A
San Bern. Co. Permit
HWTS

Site 20 of 34 in cluster DC

Actual:
548 ft.

Focus Map:
11

CHMIRS:
Name: Not reported
Address: 1010 E. BROADWAY STREET
City,State,Zip: NEEDLES, CA 92363
OES Incident Number: 08-2030
OES notification: 03/13/2008
OES Date: Not reported
OES Time: Not reported
Date Completed: Not reported
Property Use: Not reported
Agency Id Number: Not reported
Agency Incident Number: Not reported
Time Notified: Not reported
Time Completed: Not reported
Surrounding Area: Not reported
Estimated Temperature: Not reported
Property Management: Not reported
More Than Two Substances Involved?: Not reported
Resp Agency Personnel # Of Decontaminated: Not reported

Map ID
Direction
Distance
Elevation

MAP FINDINGS

Site

Database(s)

EDR ID Number
EPA ID Number

99 CENTS ONLY STORES LLC (Continued)

S110417628

Responding Agency Personel # Of Injuries: Not reported
Responding Agency Personel # Of Fatalities: Not reported
Others Number Of Decontaminated: Not reported
Others Number Of Injuries: Not reported
Others Number Of Fatalities: Not reported
Vehicle Make/year: Not reported
Vehicle License Number: Not reported
Vehicle State: Not reported
Vehicle Id Number: Not reported
CA DOT PUC/ICC Number: Not reported
Company Name: Not reported
Reporting Officer Name/ID: Not reported
Report Date: Not reported
Facility Telephone: Not reported
Waterway Involved: No
Waterway: Not reported
Spill Site: Merchant/Business
Cleanup By: Reporting Party
Containment: Not reported
What Happened: Not reported
Type: Not reported
Measure: Gal(s)
Other: Not reported
Date/Time: 1330
Year: 2008
Agency: City Needles
Incident Date: 3/13/2008
Admin Agency: San Bernardino County Health Department
Amount: Not reported
Contained: Yes
Site Type: Not reported
E Date: Not reported
Substance: sewage
Quantity Released: 200
Unknown: Not reported
Substance #2: Not reported
Substance #3: Not reported
Evacuations: 0
Number of Injuries: 0
Number of Fatalities: 0
#1 Pipeline: Not reported
#2 Pipeline: Not reported
#3 Pipeline: Not reported
#1 Vessel >= 300 Tons: Not reported
#2 Vessel >= 300 Tons: Not reported
#3 Vessel >= 300 Tons: Not reported
Evacs: Not reported
Injuries: Not reported
Fataals: Not reported
Comments: Not reported
Description: RP States: Grease and paper towels blocked a line. The release came out a manhole.

HAZNET:

Name: 99 CENTS ONLY STORES LLC
Address: 1010 E BROADWAY ST
Address 2: Not reported

Map ID
Direction
Distance
Elevation

MAP FINDINGS

Site

Database(s)

EDR ID Number
EPA ID Number

99 CENTS ONLY STORES LLC (Continued)

S110417628

City,State,Zip:	NEEDLES, CA 90023
Contact:	EDGAR FLORES
Telephone:	3239193290
Mailing Name:	Not reported
Mailing Address:	4000 UNION PACIFIC AVENUE
Year:	2018
Gepaid:	CAL000402171
TSD EPA ID:	NVD980895338
CA Waste Code:	214 - Unspecified solvent mixture
Disposal Method:	H141 - Storage, Bulking, And/Or Transfer Off Site--No Treatment/Reovery (H010-H129) Or (H131-H135)
Tons:	0.00600
Year:	2017
Gepaid:	CAL000402171
TSD EPA ID:	NVD980895338
CA Waste Code:	214 - Unspecified solvent mixture
Disposal Method:	H141 - Storage, Bulking, And/Or Transfer Off Site--No Treatment/Reovery (H010-H129) Or (H131-H135)
Tons:	0.0325
Year:	2017
Gepaid:	CAL000402171
TSD EPA ID:	NVD980895338
CA Waste Code:	331 - Off-specification, aged or surplus organics
Disposal Method:	H141 - Storage, Bulking, And/Or Transfer Off Site--No Treatment/Reovery (H010-H129) Or (H131-H135)
Tons:	0.0515
Year:	2016
Gepaid:	CAL000402171
TSD EPA ID:	TXD046844700
CA Waste Code:	791 - Liquids with pH <= 2
Disposal Method:	H141 - Storage, Bulking, And/Or Transfer Off Site--No Treatment/Reovery (H010-H129) Or (H131-H135)
Tons:	0.0045
Year:	2016
Gepaid:	CAL000402171
TSD EPA ID:	TXD046844700
CA Waste Code:	214 - Unspecified solvent mixture
Disposal Method:	H141 - Storage, Bulking, And/Or Transfer Off Site--No Treatment/Reovery (H010-H129) Or (H131-H135)
Tons:	0.0015
Year:	2016
Gepaid:	CAL000402171
TSD EPA ID:	TXD046844700
CA Waste Code:	214 - Unspecified solvent mixture
Disposal Method:	-
Tons:	0.023
Year:	2016
Gepaid:	CAL000402171
TSD EPA ID:	TXD046844700
CA Waste Code:	331 - Off-specification, aged or surplus organics

Map ID
Direction
Distance
Elevation

MAP FINDINGS

Site

Database(s)

EDR ID Number
EPA ID Number

99 CENTS ONLY STORES LLC (Continued)

S110417628

Disposal Method:	H141 - Storage, Bulking, And/Or Transfer Off Site--No Treatment/Reovery (H010-H129) Or (H131-H135)
Tons:	0.0325
Year:	2016
Gepaid:	CAL000402171
TSD EPA ID:	TXD046844700
CA Waste Code:	331 - Off-specification, aged or surplus organics
Disposal Method:	-
Tons:	0.2715
Year:	2016
Gepaid:	CAL000402171
TSD EPA ID:	TXD046844700
CA Waste Code:	122 - Alkaline solution without metals pH >= 12.5
Disposal Method:	H141 - Storage, Bulking, And/Or Transfer Off Site--No Treatment/Reovery (H010-H129) Or (H131-H135)
Tons:	0.001
Year:	2015
Gepaid:	CAL000402171
TSD EPA ID:	TXD046844700
CA Waste Code:	-
Disposal Method:	H141 - Storage, Bulking, And/Or Transfer Off Site--No Treatment/Reovery (H010-H129) Or (H131-H135)
Tons:	0.0045

[Click this hyperlink](#) while viewing on your computer to access 1 additional CA HAZNET: record(s) in the EDR Site Report.

Additional Info:

Year:	2015
Gen EPA ID:	CAL000402171
Shipment Date:	20150618
Creation Date:	1/20/2016 22:15:50
Receipt Date:	20150708
Manifest ID:	005972297FLE
Trans EPA ID:	MNS000110924
Trans Name:	STERICYCLE SPECIALTY WASTE SOLUTIONS INC
Trans 2 EPA ID:	OKD981588791
Trans 2 Name:	TRIAD TRANSPORT INC
TSD EPA ID:	TXD046844700
Trans Name:	CHEMICAL RECLAMATION SERVICES LLC
TSD EPA ID:	Not reported
TSD EPA Alt Name:	Not reported
Waste Code Description:	331 - Off-specification, aged, or surplus organics
RCRA Code:	D001
Meth Code:	H141 - Storage, Bulking, And/Or Transfer Off Site--No Treatment/Reovery (H010-H129) Or (H131-H135)
Quantity Tons:	0.002
Waste Quantity:	4
Quantity Unit:	P
Additional Code 1:	Not reported
Additional Code 2:	Not reported
Additional Code 3:	Not reported

Map ID
Direction
Distance
Elevation

MAP FINDINGS

Site

Database(s)

EDR ID Number
EPA ID Number

99 CENTS ONLY STORES LLC (Continued)

S110417628

Additional Code 4:	Not reported
Additional Code 5:	Not reported
Shipment Date:	20150618
Creation Date:	1/20/2016 22:15:50
Receipt Date:	20150708
Manifest ID:	005972297FLE
Trans EPA ID:	MNS000110924
Trans Name:	STERICYCLE SPECIALTY WASTE SOLUTIONS INC
Trans 2 EPA ID:	OKD981588791
Trans 2 Name:	TRIAD TRANSPORT INC
TSDf EPA ID:	TXD046844700
Trans Name:	CHEMICAL RECLAMATION SERVICES LLC
TSDf Alt EPA ID:	Not reported
TSDf Alt Name:	Not reported
Waste Code Description:	331 - Off-specification, aged, or surplus organics
RCRA Code:	Not reported
Meth Code:	H141 - Storage, Bulking, And/Or Transfer Off Site--No Treatment/Reovery (H010-H129) Or (H131-H135)
Quantity Tons:	0.0385
Waste Quantity:	77
Quantity Unit:	P
Additional Code 1:	Not reported
Additional Code 2:	Not reported
Additional Code 3:	Not reported
Additional Code 4:	Not reported
Additional Code 5:	Not reported
Shipment Date:	20150618
Creation Date:	1/20/2016 22:15:50
Receipt Date:	20150708
Manifest ID:	005972297FLE
Trans EPA ID:	MNS000110924
Trans Name:	STERICYCLE SPECIALTY WASTE SOLUTIONS INC
Trans 2 EPA ID:	OKD981588791
Trans 2 Name:	TRIAD TRANSPORT INC
TSDf EPA ID:	TXD046844700
Trans Name:	CHEMICAL RECLAMATION SERVICES LLC
TSDf Alt EPA ID:	Not reported
TSDf Alt Name:	Not reported
Waste Code Description:	- Not reported
RCRA Code:	Not reported
Meth Code:	H141 - Storage, Bulking, And/Or Transfer Off Site--No Treatment/Reovery (H010-H129) Or (H131-H135)
Quantity Tons:	0.0045
Waste Quantity:	9
Quantity Unit:	P
Additional Code 1:	Not reported
Additional Code 2:	Not reported
Additional Code 3:	Not reported
Additional Code 4:	Not reported
Additional Code 5:	Not reported
Additional Info:	
Year:	2017
Gen EPA ID:	CAL000402171

Map ID
Direction
Distance
Elevation

MAP FINDINGS

Site

Database(s)

EDR ID Number
EPA ID Number

99 CENTS ONLY STORES LLC (Continued)

S110417628

Shipment Date: 20171127
Creation Date: 7/20/2018 18:30:15
Receipt Date: 20171206
Manifest ID: 010215175FLE
Trans EPA ID: MNS000110924
Trans Name: STERICYCLE SPECIALTY WASTE SOLUTIONS INC
Trans 2 EPA ID: Not reported
Trans 2 Name: Not reported
TSDf EPA ID: NVD980895338
Trans Name: 21ST CENTURY EMN LLC
TSDf Alt EPA ID: Not reported
TSDf Alt Name: Not reported
Waste Code Description: 214 - Unspecified solvent mixture
RCRA Code: D001
Meth Code: H141 - Storage, Bulking, And/Or Transfer Off Site--No Treatment/Reovery (H010-H129) Or (H131-H135)

Quantity Tons: 0.0325
Waste Quantity: 65
Quantity Unit: P
Additional Code 1: Not reported
Additional Code 2: Not reported
Additional Code 3: Not reported
Additional Code 4: Not reported
Additional Code 5: Not reported

Shipment Date: 20171127
Creation Date: 7/20/2018 18:30:15
Receipt Date: 20171206
Manifest ID: 010215175FLE
Trans EPA ID: MNS000110924
Trans Name: STERICYCLE SPECIALTY WASTE SOLUTIONS INC
Trans 2 EPA ID: Not reported
Trans 2 Name: Not reported
TSDf EPA ID: NVD980895338
Trans Name: 21ST CENTURY EMN LLC
TSDf Alt EPA ID: Not reported
TSDf Alt Name: Not reported
Waste Code Description: 331 - Off-specification, aged, or surplus organics
RCRA Code: Not reported
Meth Code: H141 - Storage, Bulking, And/Or Transfer Off Site--No Treatment/Reovery (H010-H129) Or (H131-H135)

Quantity Tons: 0.0475
Waste Quantity: 95
Quantity Unit: P
Additional Code 1: Not reported
Additional Code 2: Not reported
Additional Code 3: Not reported
Additional Code 4: Not reported
Additional Code 5: Not reported

Shipment Date: 20171127
Creation Date: 7/20/2018 18:30:15
Receipt Date: 20171206
Manifest ID: 010215175FLE
Trans EPA ID: MNS000110924
Trans Name: STERICYCLE SPECIALTY WASTE SOLUTIONS INC
Trans 2 EPA ID: Not reported

Map ID
Direction
Distance
Elevation

MAP FINDINGS

Site

Database(s)

EDR ID Number
EPA ID Number

99 CENTS ONLY STORES LLC (Continued)

S110417628

Trans 2 Name: Not reported
TSDf EPA ID: NVD980895338
Trans Name: 21ST CENTURY EMN LLC
TSDf Alt EPA ID: Not reported
TSDf Alt Name: Not reported
Waste Code Description: 331 - Off-specification, aged, or surplus organics
RCRA Code: D001
Meth Code: H141 - Storage, Bulking, And/Or Transfer Off Site--No Treatment/Reovery (H010-H129) Or (H131-H135)

Quantity Tons: 0.004
Waste Quantity: 8
Quantity Unit: P
Additional Code 1: Not reported
Additional Code 2: Not reported
Additional Code 3: Not reported
Additional Code 4: Not reported
Additional Code 5: Not reported

Additional Info:

Year: 2016
Gen EPA ID: CAL000402171

Shipment Date: 20150618
Creation Date: 1/20/2016 22:15:50
Receipt Date: 20150708
Manifest ID: 005972297FLE
Trans EPA ID: MNS000110924
Trans Name: STERICYCLE SPECIALTY WASTE SOLUTIONS INC
Trans 2 EPA ID: OKD981588791
Trans 2 Name: TRIAD TRANSPORT INC
TSDf EPA ID: TXD046844700
Trans Name: CHEMICAL RECLAMATION SERVICES LLC
TSDf Alt EPA ID: Not reported
TSDf Alt Name: Not reported
Waste Code Description: 331 - Off-specification, aged, or surplus organics
RCRA Code: D001
Meth Code: H141 - Storage, Bulking, And/Or Transfer Off Site--No Treatment/Reovery (H010-H129) Or (H131-H135)

Quantity Tons: 0.002
Waste Quantity: 4
Quantity Unit: P
Additional Code 1: Not reported
Additional Code 2: Not reported
Additional Code 3: Not reported
Additional Code 4: Not reported
Additional Code 5: Not reported

Shipment Date: 20150618
Creation Date: 1/20/2016 22:15:50
Receipt Date: 20150708
Manifest ID: 005972297FLE
Trans EPA ID: MNS000110924
Trans Name: STERICYCLE SPECIALTY WASTE SOLUTIONS INC
Trans 2 EPA ID: OKD981588791
Trans 2 Name: TRIAD TRANSPORT INC
TSDf EPA ID: TXD046844700
Trans Name: CHEMICAL RECLAMATION SERVICES LLC

Map ID
Direction
Distance
Elevation

MAP FINDINGS

Site

Database(s)

EDR ID Number
EPA ID Number

99 CENTS ONLY STORES LLC (Continued)

S110417628

TSDf Alt EPA ID: Not reported
TSDf Alt Name: Not reported
Waste Code Description: 331 - Off-specification, aged, or surplus organics
RCRA Code: Not reported
Meth Code: H141 - Storage, Bulking, And/Or Transfer Off Site--No Treatment/Reovery (H010-H129) Or (H131-H135)
Quantity Tons: 0.0385
Waste Quantity: 77
Quantity Unit: P
Additional Code 1: Not reported
Additional Code 2: Not reported
Additional Code 3: Not reported
Additional Code 4: Not reported
Additional Code 5: Not reported

Shipment Date: 20150618
Creation Date: 1/20/2016 22:15:50
Receipt Date: 20150708
Manifest ID: 005972297FLE
Trans EPA ID: MNS000110924
Trans Name: STERICYCLE SPECIALTY WASTE SOLUTIONS INC
Trans 2 EPA ID: OKD981588791
Trans 2 Name: TRIAD TRANSPORT INC
TSDf EPA ID: TXD046844700
Trans Name: CHEMICAL RECLAMATION SERVICES LLC
TSDf Alt EPA ID: Not reported
TSDf Alt Name: Not reported
Waste Code Description: - Not reported
RCRA Code: Not reported
Meth Code: H141 - Storage, Bulking, And/Or Transfer Off Site--No Treatment/Reovery (H010-H129) Or (H131-H135)
Quantity Tons: 0.0045
Waste Quantity: 9
Quantity Unit: P
Additional Code 1: Not reported
Additional Code 2: Not reported
Additional Code 3: Not reported
Additional Code 4: Not reported
Additional Code 5: Not reported

San Bern. Co. Permit:

Name: 99 CENTS ONLY STORES #411
Address: 1010 E BROADWAY ST
City,State,Zip: NEEDLES, CA 92363
Region: SAN BERNARDINO
Facility ID: FA0015942
Owner: 99 Cents Only Stores LLC
Permit Number: PT0034588
Permit Category: CONDITIONALLY EXEMPT SM QTY GENERATOR SPECIAL
Facility Status: INACTIVE
Expiration Date: 05/31/2019

Name: 99 CENTS ONLY STORES #411
Address: 1010 E BROADWAY ST
City,State,Zip: NEEDLES, CA 92363
Region: SAN BERNARDINO
Facility ID: FA0015942

Map ID
Direction
Distance
Elevation

MAP FINDINGS

Site

Database(s)

EDR ID Number
EPA ID Number

99 CENTS ONLY STORES LLC (Continued)

S110417628

Owner: 99 Cents Only Stores LLC
Permit Number: PT0037159
Permit Category: HAZMAT HANDLER GENERAL ACT.(NB)
Facility Status: INACTIVE
Expiration Date: 05/31/2018

HWTS:

Name: 99 CENTS ONLY STORES LLC
Address: 1010 E BROADWAY ST
Address 2: Not reported
City,State,Zip: NEEDLES, CA 92363
EPA ID: CAL000402171
Inactive Date: 06/30/2020
Create Date: 11/10/2014
Last Act Date: Not reported
Mailing Name: Not reported
Mailing Address: 4000 UNION PACIFIC AVENUE
Mailing Address 2: Not reported
Mailing City,State,Zip: COMMERCE, CA 90023
Owner Name: 99 CENTS ONLY STORES
Owner Address: 4000 UNION PACIFIC AVENUE
Owner Address 2: Not reported
Owner City,State,Zip: COMMERCE, CA 90023
Contact Name: EDGAR FLORES
Contact Address: 4000 UNION PACIFIC AVE
Contact Address 2: Not reported
City,State,Zip: COMMERCE, CA 90023
Facility Status: Inactive
Facility Type: PERMANENT
Category: STATE
Latitude: 34.82512264
Longitude: -114.59639639

NAICS:

EPA ID: CAL000402171
Create Date: 2014-11-10 10:27:01.767
NAICS Code: 45299
NAICS Description: All Other General Merchandise Stores
Issued EPA ID Date: 2014-11-10 10:27:01.76300
Inactive Date: 2020-06-30 00:00:00
Facility Name: 99 CENTS ONLY STORES LLC
Facility Address: 1010 E BROADWAY ST
Facility Address 2: Not reported
Facility City: NEEDLES
Facility County: Not reported
Facility State: CA
Facility Zip: 92363

Map ID
Direction
Distance
Elevation

MAP FINDINGS

Site

Database(s)

EDR ID Number
EPA ID Number

DC808 RITE AID #5699
Target 1020 E BROADWAY ST
Property NEEDLES, CA 92363

San Bern. Co. Permit S109934513
N/A

Site 21 of 34 in cluster DC

Actual:
548 ft.

San Bern. Co. Permit:

Focus Map:
11

Name: RITE AID #5699
Address: 1020 E BROADWAY ST
City,State,Zip: NEEDLES, CA 92363
Region: SAN BERNARDINO
Facility ID: FA0011976
Owner: Thrifty Payless, Inc.
Permit Number: PT0023320
Permit Category: RCRA LARGE QUANTITY GENERATOR MINIMAL
Facility Status: ACTIVE
Expiration Date: 12/31/2021

Name: RITE AID #5699
Address: 1020 E BROADWAY ST
City,State,Zip: NEEDLES, CA 92363
Region: SAN BERNARDINO
Facility ID: FA0011976
Owner: Thrifty Payless, Inc.
Permit Number: PT0023319
Permit Category: HAZMAT HANDLER GENERAL ACT.(NB)
Facility Status: INACTIVE
Expiration Date: 12/31/2011

DC809 99 CENTS ONLY STORES LLC
Target 1010 E BROADWAY ST
Property NEEDLES, CA 92363

FINDS 1024627562
ECHO N/A

Site 22 of 34 in cluster DC

Actual:
548 ft.

FINDS:
Registry ID: 110070415949

Focus Map:
11

Click Here for FRS Facility Detail Report:

Environmental Interest/Information System:

RCRAInfo is a national information system that supports the Resource Conservation and Recovery Act (RCRA) program through the tracking of events and activities related to facilities that generate, transport, and treat, store, or dispose of hazardous waste. RCRAInfo allows RCRA program staff to track the notification, permit, compliance, and corrective action activities required under RCRA.
STATE MASTER

[Click this hyperlink](#) while viewing on your computer to access additional FINDS: detail in the EDR Site Report.

ECHO:

Envid: 1024627562
Registry ID: 110070415949
DFR URL: <http://echo.epa.gov/detailed-facility-report?fid=110070415949>
Name: 99 CENTS ONLY STORES LLC
Address: 1010 E BROADWAY ST
City,State,Zip: NEEDLES, CA 92363

Map ID
Direction
Distance
Elevation

MAP FINDINGS

Site

Database(s)

EDR ID Number
EPA ID Number

DC810 **JIMS EXXON**
Target **1000 E BROADWAY**
Property **NEEDLES, CA 92363**

EDR Hist Auto **1020428047**
 N/A

Site 23 of 34 in cluster DC

Actual: EDR Hist Auto
548 ft.

Focus Map:
11

Year:	Name:
1978	JIMS EXXON
1979	JIMS EXXON
1980	JIMS EXXON
1982	JIMS EXXON
1983	JIMS EXXON
1985	JIMS EXXON
1986	JIMS EXXON
1987	JIMS EXXON
1988	JIMS EXXON
1989	JIMS EXXON
1990	JIMS EXXON
1991	JIMS EXXON
1992	JIMS EXXON
1993	JIMS EXXON
1994	JIMS EXXON

Type:
Gasoline Service Stations
Gasoline Service Stations
Gasoline Service Stations
Gasoline Service Stations
Gasoline Service Stations
Gasoline Service Stations
Gasoline Service Stations
Gasoline Service Stations
Gasoline Service Stations
Gasoline Service Stations
Gasoline Service Stations
Gasoline Service Stations
Gasoline Service Stations
Gasoline Service Stations
Gasoline Service Stations

DC811 **CALTRANS**
Target **1006 E BROADWAY**
Property **NEEDLES, CA 92363**

SWEEPS UST **U001575238**
HIST UST **N/A**

Site 24 of 34 in cluster DC

Actual: SWEEPS UST:
548 ft.

Focus Map:
11

Name:	CALTRANS-NEEDLES
Address:	1006 E BROADWAY
City:	NEEDLES
Status:	Active
Comp Number:	44941
Number:	9
Board Of Equalization:	44-021065
Referral Date:	09-04-91
Action Date:	09-04-91
Created Date:	02-29-88
Owner Tank Id:	NK
SWRCB Tank Id:	36-000-044941-000001
Tank Status:	A
Capacity:	10000
Active Date:	08-25-88
Tank Use:	M.V. FUEL
STG:	P
Content:	REG UNLEADED
Number Of Tanks:	2
Name:	CALTRANS-NEEDLES
Address:	1006 E BROADWAY
City:	NEEDLES
Status:	Active
Comp Number:	44941
Number:	9
Board Of Equalization:	44-021065
Referral Date:	09-04-91

Map ID
Direction
Distance
Elevation

MAP FINDINGS

Site

Database(s)

EDR ID Number
EPA ID Number

CALTRANS (Continued)

U001575238

Action Date: 09-04-91
Created Date: 02-29-88
Owner Tank Id: NJ
SWRCB Tank Id: 36-000-044941-000002
Tank Status: A
Capacity: 1050
Active Date: 07-01-85
Tank Use: M.V. FUEL
STG: P
Content: DIESEL
Number Of Tanks: Not reported

HIST UST:

Name: CALTRANS
Address: 1006 E BROADWAY
City,State,Zip: NEEDLES, CA 92363
File Number: 00029B02
URL: <http://geotracker.waterboards.ca.gov/ustpdfs/pdf/00029B02.pdf>
Region: STATE
Facility ID: 00000044941
Facility Type: Other
Other Type: MAINTENANCE YARD
Contact Name: D.F. CARAWAY
Telephone: 6193264639
Owner Name: CALIFORNIA DEPARTMENT OF TRANS
Owner Address: 247 W. THIRD ST.
Owner City,St,Zip: SAN BERNARDINO, CA 92403
Total Tanks: 0002

Tank Num: 001
Container Num: NK
Year Installed: 1982
Tank Capacity: 00010000
Tank Used for: PRODUCT
Type of Fuel: UNLEADED
Container Construction Thickness: Not reported
Leak Detection: Stock Inventor

Tank Num: 002
Container Num: NJ
Year Installed: 1952
Tank Capacity: 00001050
Tank Used for: PRODUCT
Type of Fuel: DIESEL
Container Construction Thickness: Not reported
Leak Detection: Stock Inventor

[Click here for Geo Tracker PDF:](#)

Map ID
Direction
Distance
Elevation

MAP FINDINGS

Site

Database(s)

EDR ID Number
EPA ID Number

DC812 AUTOZONE #3699
Target 1008 EAST BROADWAY STREET
Property NEEDLES, CA 92363

FINDS 1024637346
ECHO N/A

Site 25 of 34 in cluster DC

Actual: FINDS:
548 ft. Registry ID: 110070425733

Focus Map:
11 [Click Here for FRS Facility Detail Report:](#)

Environmental Interest/Information System:

RCRAInfo is a national information system that supports the Resource Conservation and Recovery Act (RCRA) program through the tracking of events and activities related to facilities that generate, transport, and treat, store, or dispose of hazardous waste. RCRAInfo allows RCRA program staff to track the notification, permit, compliance, and corrective action activities required under RCRA.

[Click this hyperlink](#) while viewing on your computer to access additional FINDS: detail in the EDR Site Report.

ECHO:

Envid: 1024637346
Registry ID: 110070425733
DFR URL: <http://echo.epa.gov/detailed-facility-report?fid=110070425733>
Name: AUTOZONE #3699
Address: 1008 EAST BROADWAY STREET
City,State,Zip: NEEDLES, CA 92363

DC813 RITE AID #5699
Target 1020 E BROADWAY ST
Property NEEDLES, CA 92363

HAZNET S123629228
N/A

Site 26 of 34 in cluster DC

Actual: HAZNET:
548 ft. Name: RITE AID #5699
Focus Map: Address: 1020 E BROADWAY ST
11 Address 2: Not reported
City,State,Zip: NEEDLES, CA 92363
Contact: STEPHANIE A. CAIATI
Telephone: 7177308225
Mailing Name: Not reported
Mailing Address: 30 HUNTER LN

Year: 2014
Gepaid: CAL000379971
TSD EPA ID: INR000110197
CA Waste Code: 311 - Pharmaceutical waste
Disposal Method: H141 - Storage, Bulking, And/Or Transfer Off Site--No Treatment/Reovery (H010-H129) Or (H131-H135)
Tons: 0.001

Year: 2014
Gepaid: CAL000379971
TSD EPA ID: TXD074196338
CA Waste Code: 214 - Unspecified solvent mixture
Disposal Method: H141 - Storage, Bulking, And/Or Transfer Off Site--No Treatment/Reovery (H010-H129) Or (H131-H135)
Tons: 0.011

Map ID
Direction
Distance
Elevation

MAP FINDINGS

Site

Database(s)

EDR ID Number
EPA ID Number

RITE AID #5699 (Continued)

S123629228

Year:	2014
Gepaid:	CAL000379971
TSD EPA ID:	INR000110197
CA Waste Code:	-
Disposal Method:	-
Tons:	0.0005
Year:	2014
Gepaid:	CAL000379971
TSD EPA ID:	INR000110197
CA Waste Code:	214 - Unspecified solvent mixture
Disposal Method:	H141 - Storage, Bulking, And/Or Transfer Off Site--No Treatment/Reovery (H010-H129) Or (H131-H135)
Tons:	0.009
Year:	2014
Gepaid:	CAL000379971
TSD EPA ID:	TXD074196338
CA Waste Code:	311 - Pharmaceutical waste
Disposal Method:	H141 - Storage, Bulking, And/Or Transfer Off Site--No Treatment/Reovery (H010-H129) Or (H131-H135)
Tons:	0.001
Year:	2013
Gepaid:	CAL000379971
TSD EPA ID:	INR000110197
CA Waste Code:	311 - Pharmaceutical waste
Disposal Method:	H141 - Storage, Bulking, And/Or Transfer Off Site--No Treatment/Reovery (H010-H129) Or (H131-H135)
Tons:	0.0025
Year:	2013
Gepaid:	CAL000379971
TSD EPA ID:	INR000110197
CA Waste Code:	122 - Alkaline solution without metals pH >= 12.5
Disposal Method:	H141 - Storage, Bulking, And/Or Transfer Off Site--No Treatment/Reovery (H010-H129) Or (H131-H135)
Tons:	0.006
Year:	2013
Gepaid:	CAL000379971
TSD EPA ID:	INR000110197
CA Waste Code:	232 - Pesticides and other waste associated with pesticide production
Disposal Method:	H141 - Storage, Bulking, And/Or Transfer Off Site--No Treatment/Reovery (H010-H129) Or (H131-H135)
Tons:	0.0015
Year:	2013
Gepaid:	CAL000379971
TSD EPA ID:	INR000110197
CA Waste Code:	214 - Unspecified solvent mixture
Disposal Method:	H141 - Storage, Bulking, And/Or Transfer Off Site--No Treatment/Reovery (H010-H129) Or (H131-H135)
Tons:	0.009

Map ID
Direction
Distance
Elevation

MAP FINDINGS

Site

Database(s)

EDR ID Number
EPA ID Number

RITE AID #5699 (Continued)

S123629228

Additional Info:

Year: 2013
Gen EPA ID: CAL000379971

Shipment Date: 20131210
Creation Date: Not reported
Receipt Date: Not reported
Manifest ID: 006343631FLE
Trans EPA ID: MNS000110924
Trans Name: STERICYCLE SPECIALTY WASTE SOLUTIONS INC
Trans 2 EPA ID: NED986382133
Trans 2 Name: SMITH SYSTEMS TRANS
TSDf EPA ID: INR000110197
Trans Name: STERICYCLE INC
TSDf Alt EPA ID: Not reported
TSDf Alt Name: Not reported
Waste Code Description: - Not reported
RCRA Code: Not reported
Meth Code: - Not reported
Quantity Tons: 0.003
Waste Quantity: 6
Quantity Unit: P
Additional Code 1: Not reported
Additional Code 2: Not reported
Additional Code 3: Not reported
Additional Code 4: Not reported
Additional Code 5: Not reported

Shipment Date: 20131210
Creation Date: Not reported
Receipt Date: Not reported
Manifest ID: 006343631FLE
Trans EPA ID: MNS000110924
Trans Name: STERICYCLE SPECIALTY WASTE SOLUTIONS INC
Trans 2 EPA ID: NED986382133
Trans 2 Name: SMITH SYSTEMS TRANS
TSDf EPA ID: INR000110197
Trans Name: STERICYCLE INC
TSDf Alt EPA ID: Not reported
TSDf Alt Name: Not reported
Waste Code Description: 311 - Pharmaceutical waste
RCRA Code: Not reported
Meth Code: - Not reported
Quantity Tons: 0.0675
Waste Quantity: 135
Quantity Unit: P
Additional Code 1: Not reported
Additional Code 2: Not reported
Additional Code 3: Not reported
Additional Code 4: Not reported
Additional Code 5: Not reported

Shipment Date: 20131210
Creation Date: 5/20/2014 22:14:51
Receipt Date: 20131230
Manifest ID: 006343631FLE
Trans EPA ID: MNS000110924

Map ID
Direction
Distance
Elevation

MAP FINDINGS

Site

Database(s)

EDR ID Number
EPA ID Number

RITE AID #5699 (Continued)

S123629228

Trans Name:	STERICYCLE SPECIALTY WASTE SOLUTIONS INC
Trans 2 EPA ID:	NED986382133
Trans 2 Name:	SMITH SYSTEMS TRANS
TSDf EPA ID:	INR000110197
Trans Name:	STERICYCLE INC
TSDf Alt EPA ID:	Not reported
TSDf Alt Name:	Not reported
Waste Code Description:	311 - Pharmaceutical waste
RCRA Code:	P001
Meth Code:	H141 - Storage, Bulking, And/Or Transfer Off Site--No Treatment/Reovery (H010-H129) Or (H131-H135)
Quantity Tons:	0.0005
Waste Quantity:	1
Quantity Unit:	P
Additional Code 1:	Not reported
Additional Code 2:	Not reported
Additional Code 3:	Not reported
Additional Code 4:	Not reported
Additional Code 5:	Not reported
Shipment Date:	20131210
Creation Date:	5/20/2014 22:14:51
Receipt Date:	20131230
Manifest ID:	006343631FLE
Trans EPA ID:	MNS000110924
Trans Name:	STERICYCLE SPECIALTY WASTE SOLUTIONS INC
Trans 2 EPA ID:	NED986382133
Trans 2 Name:	SMITH SYSTEMS TRANS
TSDf EPA ID:	INR000110197
Trans Name:	STERICYCLE INC
TSDf Alt EPA ID:	Not reported
TSDf Alt Name:	Not reported
Waste Code Description:	232 - Pesticides and other waste associated with pesticide production
RCRA Code:	Not reported
Meth Code:	H141 - Storage, Bulking, And/Or Transfer Off Site--No Treatment/Reovery (H010-H129) Or (H131-H135)
Quantity Tons:	0.0015
Waste Quantity:	3
Quantity Unit:	P
Additional Code 1:	Not reported
Additional Code 2:	Not reported
Additional Code 3:	Not reported
Additional Code 4:	Not reported
Additional Code 5:	Not reported
Shipment Date:	20131210
Creation Date:	5/20/2014 22:14:51
Receipt Date:	20131230
Manifest ID:	006343631FLE
Trans EPA ID:	MNS000110924
Trans Name:	STERICYCLE SPECIALTY WASTE SOLUTIONS INC
Trans 2 EPA ID:	NED986382133
Trans 2 Name:	SMITH SYSTEMS TRANS
TSDf EPA ID:	INR000110197
Trans Name:	STERICYCLE INC
TSDf Alt EPA ID:	Not reported
TSDf Alt Name:	Not reported

Map ID
Direction
Distance
Elevation

MAP FINDINGS

Site

Database(s)

EDR ID Number
EPA ID Number

RITE AID #5699 (Continued)

S123629228

Waste Code Description:	214 - Unspecified solvent mixture
RCRA Code:	D001
Meth Code:	H141 - Storage, Bulking, And/Or Transfer Off Site--No Treatment/Reovery (H010-H129) Or (H131-H135)
Quantity Tons:	0.002
Waste Quantity:	4
Quantity Unit:	P
Additional Code 1:	Not reported
Additional Code 2:	Not reported
Additional Code 3:	Not reported
Additional Code 4:	Not reported
Additional Code 5:	Not reported
Shipment Date:	20131210
Creation Date:	Not reported
Receipt Date:	Not reported
Manifest ID:	006343631FLE
Trans EPA ID:	MNS000110924
Trans Name:	STERICYCLE SPECIALTY WASTE SOLUTIONS INC
Trans 2 EPA ID:	NED986382133
Trans 2 Name:	SMITH SYSTEMS TRANS
TSDf EPA ID:	INR000110197
Trans Name:	STERICYCLE INC
TSDf Alt EPA ID:	Not reported
TSDf Alt Name:	Not reported
Waste Code Description:	311 - Pharmaceutical waste
RCRA Code:	Not reported
Meth Code:	- Not reported
Quantity Tons:	0.0005
Waste Quantity:	1
Quantity Unit:	P
Additional Code 1:	Not reported
Additional Code 2:	Not reported
Additional Code 3:	Not reported
Additional Code 4:	Not reported
Additional Code 5:	Not reported
Shipment Date:	20131210
Creation Date:	5/20/2014 22:14:51
Receipt Date:	20131230
Manifest ID:	006343631FLE
Trans EPA ID:	MNS000110924
Trans Name:	STERICYCLE SPECIALTY WASTE SOLUTIONS INC
Trans 2 EPA ID:	NED986382133
Trans 2 Name:	SMITH SYSTEMS TRANS
TSDf EPA ID:	INR000110197
Trans Name:	STERICYCLE INC
TSDf Alt EPA ID:	Not reported
TSDf Alt Name:	Not reported
Waste Code Description:	214 - Unspecified solvent mixture
RCRA Code:	D001
Meth Code:	H141 - Storage, Bulking, And/Or Transfer Off Site--No Treatment/Reovery (H010-H129) Or (H131-H135)
Quantity Tons:	0.002
Waste Quantity:	4
Quantity Unit:	P
Additional Code 1:	Not reported

Map ID
Direction
Distance
Elevation

MAP FINDINGS

Site

Database(s)

EDR ID Number
EPA ID Number

RITE AID #5699 (Continued)

S123629228

Additional Code 2:	Not reported
Additional Code 3:	Not reported
Additional Code 4:	Not reported
Additional Code 5:	Not reported
Shipment Date:	20130912
Creation Date:	1/28/2014 22:15:31
Receipt Date:	20131002
Manifest ID:	006202243FLE
Trans EPA ID:	MNS000110924
Trans Name:	STERICYCLE SPECIALTY WASTE SOLUTIONS INC
Trans 2 EPA ID:	OKD981588791
Trans 2 Name:	TRIAD TRANSPORT INC
TSDf EPA ID:	INR000110197
Trans Name:	STERICYCLE INC
TSDf Alt EPA ID:	Not reported
TSDf Alt Name:	Not reported
Waste Code Description:	214 - Unspecified solvent mixture
RCRA Code:	D001
Meth Code:	H141 - Storage, Bulking, And/Or Transfer Off Site--No Treatment/Reovery (H010-H129) Or (H131-H135)
Quantity Tons:	0.0025
Waste Quantity:	5
Quantity Unit:	P
Additional Code 1:	Not reported
Additional Code 2:	Not reported
Additional Code 3:	Not reported
Additional Code 4:	Not reported
Additional Code 5:	Not reported
Shipment Date:	20130912
Creation Date:	1/28/2014 22:15:31
Receipt Date:	20131002
Manifest ID:	006202243FLE
Trans EPA ID:	MNS000110924
Trans Name:	STERICYCLE SPECIALTY WASTE SOLUTIONS INC
Trans 2 EPA ID:	OKD981588791
Trans 2 Name:	TRIAD TRANSPORT INC
TSDf EPA ID:	INR000110197
Trans Name:	STERICYCLE INC
TSDf Alt EPA ID:	Not reported
TSDf Alt Name:	Not reported
Waste Code Description:	122 - Alkaline solution without metals (pH > 12.5)
RCRA Code:	D002
Meth Code:	H141 - Storage, Bulking, And/Or Transfer Off Site--No Treatment/Reovery (H010-H129) Or (H131-H135)
Quantity Tons:	0.0025
Waste Quantity:	5
Quantity Unit:	P
Additional Code 1:	Not reported
Additional Code 2:	Not reported
Additional Code 3:	Not reported
Additional Code 4:	Not reported
Additional Code 5:	Not reported
Shipment Date:	20130912
Creation Date:	1/28/2014 22:15:31

Map ID
Direction
Distance
Elevation

MAP FINDINGS

Site

Database(s)

EDR ID Number
EPA ID Number

RITE AID #5699 (Continued)

S123629228

Receipt Date: 20131002
Manifest ID: 006202243FLE
Trans EPA ID: MNS000110924
Trans Name: STERICYCLE SPECIALTY WASTE SOLUTIONS INC
Trans 2 EPA ID: OKD981588791
Trans 2 Name: TRIAD TRANSPORT INC
TSDf EPA ID: INR000110197
Trans Name: STERICYCLE INC
TSDf Alt EPA ID: Not reported
TSDf Alt Name: Not reported
Waste Code Description: 311 - Pharmaceutical waste
RCRA Code: P075
Meth Code: H141 - Storage, Bulking, And/Or Transfer Off Site--No Treatment/Reovery (H010-H129) Or (H131-H135)

Quantity Tons: 0.0005
Waste Quantity: 1
Quantity Unit: P
Additional Code 1: Not reported
Additional Code 2: Not reported
Additional Code 3: Not reported
Additional Code 4: Not reported
Additional Code 5: Not reported

Additional Info:

Year: 2014
Gen EPA ID: CAL000379971

Shipment Date: 20141107
Creation Date: 1/21/2016 22:15:11
Receipt Date: Not reported
Manifest ID: 006414552FLE
Trans EPA ID: MNS000110924
Trans Name: STERICYCLE SPECIALTY WASTE SOLUTIONS INC
Trans 2 EPA ID: OKD981588791
Trans 2 Name: TRIAD TRANSPORT INC
TSDf EPA ID: TXD046844700
Trans Name: CHEMICAL RECLAMATION SERVICES LLC
TSDf Alt EPA ID: Not reported
TSDf Alt Name: Not reported
Waste Code Description: 311 - Pharmaceutical waste
RCRA Code: D010
Meth Code: - Not reported
Quantity Tons: 0.001
Waste Quantity: 2
Quantity Unit: P
Additional Code 1: D007
Additional Code 2: Not reported
Additional Code 3: Not reported
Additional Code 4: Not reported
Additional Code 5: Not reported

Shipment Date: 20141107
Creation Date: 1/21/2016 22:15:11
Receipt Date: Not reported
Manifest ID: 006414552FLE
Trans EPA ID: MNS000110924
Trans Name: STERICYCLE SPECIALTY WASTE SOLUTIONS INC

Map ID
Direction
Distance
Elevation

MAP FINDINGS

Site

Database(s)

EDR ID Number
EPA ID Number

RITE AID #5699 (Continued)

S123629228

Trans 2 EPA ID:	OKD981588791
Trans 2 Name:	TRIAD TRANSPORT INC
TSDf EPA ID:	TXD046844700
Trans Name:	CHEMICAL RECLAMATION SERVICES LLC
TSDf Alt EPA ID:	Not reported
TSDf Alt Name:	Not reported
Waste Code Description:	311 - Pharmaceutical waste
RCRA Code:	P001
Meth Code:	- Not reported
Quantity Tons:	0.0005
Waste Quantity:	1
Quantity Unit:	P
Additional Code 1:	Not reported
Additional Code 2:	Not reported
Additional Code 3:	Not reported
Additional Code 4:	Not reported
Additional Code 5:	Not reported
Shipment Date:	20141107
Creation Date:	1/21/2016 22:15:11
Receipt Date:	Not reported
Manifest ID:	006414552FLE
Trans EPA ID:	MNS000110924
Trans Name:	STERICYCLE SPECIALTY WASTE SOLUTIONS INC
Trans 2 EPA ID:	OKD981588791
Trans 2 Name:	TRIAD TRANSPORT INC
TSDf EPA ID:	TXD046844700
Trans Name:	CHEMICAL RECLAMATION SERVICES LLC
TSDf Alt EPA ID:	Not reported
TSDf Alt Name:	Not reported
Waste Code Description:	214 - Unspecified solvent mixture
RCRA Code:	D001
Meth Code:	- Not reported
Quantity Tons:	0.0165
Waste Quantity:	33
Quantity Unit:	P
Additional Code 1:	Not reported
Additional Code 2:	Not reported
Additional Code 3:	Not reported
Additional Code 4:	Not reported
Additional Code 5:	Not reported
Shipment Date:	20141107
Creation Date:	1/21/2016 22:15:11
Receipt Date:	Not reported
Manifest ID:	006414552FLE
Trans EPA ID:	MNS000110924
Trans Name:	STERICYCLE SPECIALTY WASTE SOLUTIONS INC
Trans 2 EPA ID:	OKD981588791
Trans 2 Name:	TRIAD TRANSPORT INC
TSDf EPA ID:	TXD046844700
Trans Name:	CHEMICAL RECLAMATION SERVICES LLC
TSDf Alt EPA ID:	Not reported
TSDf Alt Name:	Not reported
Waste Code Description:	214 - Unspecified solvent mixture
RCRA Code:	D001
Meth Code:	- Not reported

Map ID
Direction
Distance
Elevation

MAP FINDINGS

Site

Database(s)

EDR ID Number
EPA ID Number

RITE AID #5699 (Continued)

S123629228

Quantity Tons:	0.0015
Waste Quantity:	3
Quantity Unit:	P
Additional Code 1:	Not reported
Additional Code 2:	Not reported
Additional Code 3:	Not reported
Additional Code 4:	Not reported
Additional Code 5:	Not reported
Shipment Date:	20140819
Creation Date:	Not reported
Receipt Date:	Not reported
Manifest ID:	006414396FLE
Trans EPA ID:	MNS000110924
Trans Name:	STERICYCLE SPECIALTY WASTE SOLUTIONS INC
Trans 2 EPA ID:	OKD981588791
Trans 2 Name:	TRIAD TRANSPORT INC
TSDf EPA ID:	TXD074196338
Trans Name:	PHILIP RECLAMATION SERVICES HOUSTON LLC
TSDf Alt EPA ID:	Not reported
TSDf Alt Name:	Not reported
Waste Code Description:	- Not reported
RCRA Code:	Not reported
Meth Code:	H141 - Storage, Bulking, And/Or Transfer Off Site--No Treatment/Reovery (H010-H129) Or (H131-H135)
Quantity Tons:	0.0045
Waste Quantity:	9
Quantity Unit:	P
Additional Code 1:	Not reported
Additional Code 2:	Not reported
Additional Code 3:	Not reported
Additional Code 4:	Not reported
Additional Code 5:	Not reported
Shipment Date:	20140819
Creation Date:	Not reported
Receipt Date:	Not reported
Manifest ID:	006414396FLE
Trans EPA ID:	MNS000110924
Trans Name:	STERICYCLE SPECIALTY WASTE SOLUTIONS INC
Trans 2 EPA ID:	OKD981588791
Trans 2 Name:	TRIAD TRANSPORT INC
TSDf EPA ID:	TXD074196338
Trans Name:	PHILIP RECLAMATION SERVICES HOUSTON LLC
TSDf Alt EPA ID:	Not reported
TSDf Alt Name:	Not reported
Waste Code Description:	561 - Not reported
RCRA Code:	Not reported
Meth Code:	H141 - Storage, Bulking, And/Or Transfer Off Site--No Treatment/Reovery (H010-H129) Or (H131-H135)
Quantity Tons:	0.065
Waste Quantity:	130
Quantity Unit:	P
Additional Code 1:	Not reported
Additional Code 2:	Not reported
Additional Code 3:	Not reported
Additional Code 4:	Not reported

Map ID
Direction
Distance
Elevation

MAP FINDINGS

Site

Database(s)

EDR ID Number
EPA ID Number

RITE AID #5699 (Continued)

S123629228

Additional Code 5:	Not reported
Shipment Date:	20140819
Creation Date:	Not reported
Receipt Date:	Not reported
Manifest ID:	006414396FLE
Trans EPA ID:	MNS000110924
Trans Name:	STERICYCLE SPECIALTY WASTE SOLUTIONS INC
Trans 2 EPA ID:	OKD981588791
Trans 2 Name:	TRIAD TRANSPORT INC
TSDf EPA ID:	TXD074196338
Trans Name:	PHILIP RECLAMATION SERVICES HOUSTON LLC
TSDf Alt EPA ID:	Not reported
TSDf Alt Name:	Not reported
Waste Code Description:	311 - Pharmaceutical waste
RCRA Code:	Not reported
Meth Code:	H141 - Storage, Bulking, And/Or Transfer Off Site--No Treatment/Reovery (H010-H129) Or (H131-H135)
Quantity Tons:	0.071
Waste Quantity:	142
Quantity Unit:	P
Additional Code 1:	Not reported
Additional Code 2:	Not reported
Additional Code 3:	Not reported
Additional Code 4:	Not reported
Additional Code 5:	Not reported
Shipment Date:	20140819
Creation Date:	2/7/2015 22:15:11
Receipt Date:	20140829
Manifest ID:	006414396FLE
Trans EPA ID:	MNS000110924
Trans Name:	STERICYCLE SPECIALTY WASTE SOLUTIONS INC
Trans 2 EPA ID:	OKD981588791
Trans 2 Name:	TRIAD TRANSPORT INC
TSDf EPA ID:	TXD074196338
Trans Name:	PHILIP RECLAMATION SERVICES HOUSTON LLC
TSDf Alt EPA ID:	Not reported
TSDf Alt Name:	Not reported
Waste Code Description:	311 - Pharmaceutical waste
RCRA Code:	P001
Meth Code:	H141 - Storage, Bulking, And/Or Transfer Off Site--No Treatment/Reovery (H010-H129) Or (H131-H135)
Quantity Tons:	0.0005
Waste Quantity:	1
Quantity Unit:	P
Additional Code 1:	Not reported
Additional Code 2:	Not reported
Additional Code 3:	Not reported
Additional Code 4:	Not reported
Additional Code 5:	Not reported
Shipment Date:	20140819
Creation Date:	2/7/2015 22:15:11
Receipt Date:	20140829
Manifest ID:	006414396FLE
Trans EPA ID:	MNS000110924

Map ID
 Direction
 Distance
 Elevation

MAP FINDINGS

Site

Database(s)

EDR ID Number
 EPA ID Number

RITE AID #5699 (Continued)

S123629228

Trans Name:	STERICYCLE SPECIALTY WASTE SOLUTIONS INC
Trans 2 EPA ID:	OKD981588791
Trans 2 Name:	TRIAD TRANSPORT INC
TSDf EPA ID:	TXD074196338
Trans Name:	PHILIP RECLAMATION SERVICES HOUSTON LLC
TSDf Alt EPA ID:	Not reported
TSDf Alt Name:	Not reported
Waste Code Description:	311 - Pharmaceutical waste
RCRA Code:	D010
Meth Code:	H141 - Storage, Bulking, And/Or Transfer Off Site--No Treatment/Reovery (H010-H129) Or (H131-H135)
Quantity Tons:	0.0005
Waste Quantity:	1
Quantity Unit:	P
Additional Code 1:	D007
Additional Code 2:	Not reported
Additional Code 3:	Not reported
Additional Code 4:	Not reported
Additional Code 5:	Not reported
Shipment Date:	20140819
Creation Date:	2/7/2015 22:15:11
Receipt Date:	20140829
Manifest ID:	006414396FLE
Trans EPA ID:	MNS000110924
Trans Name:	STERICYCLE SPECIALTY WASTE SOLUTIONS INC
Trans 2 EPA ID:	OKD981588791
Trans 2 Name:	TRIAD TRANSPORT INC
TSDf EPA ID:	TXD074196338
Trans Name:	PHILIP RECLAMATION SERVICES HOUSTON LLC
TSDf Alt EPA ID:	Not reported
TSDf Alt Name:	Not reported
Waste Code Description:	214 - Unspecified solvent mixture
RCRA Code:	D001
Meth Code:	H141 - Storage, Bulking, And/Or Transfer Off Site--No Treatment/Reovery (H010-H129) Or (H131-H135)
Quantity Tons:	0.01
Waste Quantity:	20
Quantity Unit:	P
Additional Code 1:	Not reported
Additional Code 2:	Not reported
Additional Code 3:	Not reported
Additional Code 4:	Not reported
Additional Code 5:	Not reported

**DC814
 Target
 Property**

**RITE AID #5699
 1020 E BROADWAY ST
 NEEDLES, CA 92363**

**CERS HAZ WASTE
 HAZNET
 CERS
 HWTS**

**S113145992
 N/A**

Site 27 of 34 in cluster DC

**Actual:
 548 ft.
 Focus Map:
 11**

CERS HAZ WASTE:
 Name: RITE AID #5699
 Address: 1020 E BROADWAY ST
 City,State,Zip: NEEDLES, CA 92363
 Site ID: 148075
 CERS ID: 10310929
 CERS Description: Hazardous Waste Generator

Map ID
Direction
Distance
Elevation

MAP FINDINGS

Site

Database(s)

EDR ID Number
EPA ID Number

RITE AID #5699 (Continued)

S113145992

Name: RITE AID #5699
Address: 1020 E BROADWAY ST
City,State,Zip: NEEDLES, CA 92363
Site ID: 148075
CERS ID: 10310929
CERS Description: RCRA LQ HW Generator

HAZNET:

Name: RITE AID #5699
Address: 1020 E BROADWAY ST
Address 2: Not reported
City,State,Zip: NEEDLES, CA 92363
Contact: STEPHANIE A. CAIATI
Telephone: 7177308225
Mailing Name: Not reported
Mailing Address: 30 HUNTER LN

Year: 2012
Gepaid: CAL000315590
TSD EPA ID: INR000110197
CA Waste Code: 311 - Pharmaceutical waste
Disposal Method: H141 - Storage, Bulking, And/Or Transfer Off Site--No Treatment/Reovery (H010-H129) Or (H131-H135)
Tons: 0.0025

Year: 2012
Gepaid: CAL000315590
TSD EPA ID: INR000110197
CA Waste Code: 131 - Aqueous solution (2 < pH < 12.5) containing reactive anions ...
Disposal Method: H141 - Storage, Bulking, And/Or Transfer Off Site--No Treatment/Reovery (H010-H129) Or (H131-H135)
Tons: 0.0005

Year: 2012
Gepaid: CAL000315590
TSD EPA ID: INR000110197
CA Waste Code: 214 - Unspecified solvent mixture
Disposal Method: H141 - Storage, Bulking, And/Or Transfer Off Site--No Treatment/Reovery (H010-H129) Or (H131-H135)
Tons: 0.0015

Year: 2010
Gepaid: CAL000315590
TSD EPA ID: CAD008364432
CA Waste Code: 214 - Unspecified solvent mixture
Disposal Method: H061 - Fuel Blending Prior To Energy Recovery At Another Site
Tons: 0.006

Year: 2008
Gepaid: CAL000315590
TSD EPA ID: CAD008364432
CA Waste Code: 122 - Alkaline solution without metals pH >= 12.5
Disposal Method: H141 - Storage, Bulking, And/Or Transfer Off Site--No Treatment/Reovery (H010-H129) Or (H131-H135)
Tons: 0.0455

Map ID
Direction
Distance
Elevation

MAP FINDINGS

Site

Database(s)

EDR ID Number
EPA ID Number

RITE AID #5699 (Continued)

S113145992

Additional Info:

Year:	2010
Gen EPA ID:	CAL000315590
Shipment Date:	20100806
Creation Date:	10/8/2010 18:30:26
Receipt Date:	20100811
Manifest ID:	000030794MWI
Trans EPA ID:	CAD008364432
Trans Name:	RHO CHEM LLC
Trans 2 EPA ID:	CAD980584510
Trans 2 Name:	PHILIP WEST INDUSTRIAL SERVICES
TSDF EPA ID:	CAD008364432
Trans Name:	RHO CHEM LLC
TSDF Alt EPA ID:	Not reported
TSDF Alt Name:	Not reported
Waste Code Description:	214 - Unspecified solvent mixture
RCRA Code:	D035
Meth Code:	H061 - Fuel Blending Prior To Energy Recovery At Another Site
Quantity Tons:	0.006
Waste Quantity:	12
Quantity Unit:	P
Additional Code 1:	D001
Additional Code 2:	Not reported
Additional Code 3:	Not reported
Additional Code 4:	Not reported
Additional Code 5:	Not reported
Shipment Date:	20100806
Creation Date:	Not reported
Receipt Date:	Not reported
Manifest ID:	000030794MWI
Trans EPA ID:	CAD008364432
Trans Name:	RHO CHEM LLC
Trans 2 EPA ID:	CAD980584510
Trans 2 Name:	PHILIP WEST INDUSTRIAL SERVICES
TSDF EPA ID:	CAD008364432
Trans Name:	RHO CHEM LLC
TSDF Alt EPA ID:	Not reported
TSDF Alt Name:	Not reported
Waste Code Description:	122 - Alkaline solution without metals (pH > 12.5)
RCRA Code:	D002
Meth Code:	H141 - Storage, Bulking, And/Or Transfer Off Site--No Treatment/Reovery (H010-H129) Or (H131-H135)
Quantity Tons:	0.024
Waste Quantity:	48
Quantity Unit:	P
Additional Code 1:	Not reported
Additional Code 2:	Not reported
Additional Code 3:	Not reported
Additional Code 4:	Not reported
Additional Code 5:	Not reported
Shipment Date:	20100806
Creation Date:	Not reported
Receipt Date:	Not reported
Manifest ID:	000030794MWI

Map ID
Direction
Distance
Elevation

MAP FINDINGS

Site

Database(s)

EDR ID Number
EPA ID Number

RITE AID #5699 (Continued)

S113145992

Trans EPA ID: CAD008364432
Trans Name: RHO CHEM LLC
Trans 2 EPA ID: CAD980584510
Trans 2 Name: PHILIP WEST INDUSTRIAL SERVICES
TSDf EPA ID: CAD008364432
Trans Name: RHO CHEM LLC
TSDf Alt EPA ID: Not reported
TSDf Alt Name: Not reported
Waste Code Description: 122 - Alkaline solution without metals (pH > 12.5)
RCRA Code: D002
Meth Code: H141 - Storage, Bulking, And/Or Transfer Off Site--No Treatment/Reovery (H010-H129) Or (H131-H135)

Quantity Tons: 0.014
Waste Quantity: 28
Quantity Unit: P
Additional Code 1: Not reported
Additional Code 2: Not reported
Additional Code 3: Not reported
Additional Code 4: Not reported
Additional Code 5: Not reported

Additional Info:

Year: 2012
Gen EPA ID: CAL000315590

Shipment Date: 20120924
Creation Date: 8/18/2013 22:15:07
Receipt Date: 20121011
Manifest ID: 005817670FLE
Trans EPA ID: MNS000110924
Trans Name: STERICYCLE SPECIALTY WASTE SOLUTIONS INC
Trans 2 EPA ID: NED986382133
Trans 2 Name: SMITH SYSTEMS TRANS
TSDf EPA ID: INR000110197
Trans Name: STERICYCLE INC
TSDf Alt EPA ID: Not reported
TSDf Alt Name: Not reported
Waste Code Description: 131 - Aqueous solution (2 < pH < 12.5) containing reactive anions (azide, bromate, chlorate, cyanide, fluoride, hypochlorite, nitrite, perchlorate, and sulfide anions)

RCRA Code: D001
Meth Code: H141 - Storage, Bulking, And/Or Transfer Off Site--No Treatment/Reovery (H010-H129) Or (H131-H135)

Quantity Tons: 0.0005
Waste Quantity: 1
Quantity Unit: P
Additional Code 1: Not reported
Additional Code 2: Not reported
Additional Code 3: Not reported
Additional Code 4: Not reported
Additional Code 5: Not reported

Shipment Date: 20120924
Creation Date: 8/18/2013 22:15:07
Receipt Date: 20121011
Manifest ID: 005817670FLE
Trans EPA ID: MNS000110924

Map ID
Direction
Distance
Elevation

MAP FINDINGS

Site

Database(s)

EDR ID Number
EPA ID Number

RITE AID #5699 (Continued)

S113145992

Trans Name:	STERICYCLE SPECIALTY WASTE SOLUTIONS INC
Trans 2 EPA ID:	NED986382133
Trans 2 Name:	SMITH SYSTEMS TRANS
TSDf EPA ID:	INR000110197
Trans Name:	STERICYCLE INC
TSDf Alt EPA ID:	Not reported
TSDf Alt Name:	Not reported
Waste Code Description:	311 - Pharmaceutical waste
RCRA Code:	P075
Meth Code:	H141 - Storage, Bulking, And/Or Transfer Off Site--No Treatment/Reovery (H010-H129) Or (H131-H135)
Quantity Tons:	0.0005
Waste Quantity:	1
Quantity Unit:	P
Additional Code 1:	P001
Additional Code 2:	Not reported
Additional Code 3:	Not reported
Additional Code 4:	Not reported
Additional Code 5:	Not reported
Shipment Date:	20120924
Creation Date:	8/18/2013 22:15:07
Receipt Date:	20121011
Manifest ID:	005817670FLE
Trans EPA ID:	MNS000110924
Trans Name:	STERICYCLE SPECIALTY WASTE SOLUTIONS INC
Trans 2 EPA ID:	NED986382133
Trans 2 Name:	SMITH SYSTEMS TRANS
TSDf EPA ID:	INR000110197
Trans Name:	STERICYCLE INC
TSDf Alt EPA ID:	Not reported
TSDf Alt Name:	Not reported
Waste Code Description:	214 - Unspecified solvent mixture
RCRA Code:	D001
Meth Code:	H141 - Storage, Bulking, And/Or Transfer Off Site--No Treatment/Reovery (H010-H129) Or (H131-H135)
Quantity Tons:	0.0005
Waste Quantity:	1
Quantity Unit:	P
Additional Code 1:	Not reported
Additional Code 2:	Not reported
Additional Code 3:	Not reported
Additional Code 4:	Not reported
Additional Code 5:	Not reported
Shipment Date:	20120705
Creation Date:	5/24/2013 22:15:17
Receipt Date:	20120717
Manifest ID:	005481881FLE
Trans EPA ID:	MNS000110924
Trans Name:	STERICYCLE SPECIALTY WASTE SOLUTIONS INC
Trans 2 EPA ID:	OKD981588791
Trans 2 Name:	TRIAD TRANSPORT INC
TSDf EPA ID:	INR000110197
Trans Name:	STERICYCLE INC
TSDf Alt EPA ID:	Not reported
TSDf Alt Name:	Not reported

Map ID
Direction
Distance
Elevation

MAP FINDINGS

Site

Database(s)

EDR ID Number
EPA ID Number

RITE AID #5699 (Continued)

S113145992

Waste Code Description:	214 - Unspecified solvent mixture
RCRA Code:	D001
Meth Code:	H141 - Storage, Bulking, And/Or Transfer Off Site--No Treatment/Reovery (H010-H129) Or (H131-H135)
Quantity Tons:	0.001
Waste Quantity:	2
Quantity Unit:	P
Additional Code 1:	Not reported
Additional Code 2:	Not reported
Additional Code 3:	Not reported
Additional Code 4:	Not reported
Additional Code 5:	Not reported
Shipment Date:	20120705
Creation Date:	5/24/2013 22:15:17
Receipt Date:	20120717
Manifest ID:	005481881FLE
Trans EPA ID:	MNS000110924
Trans Name:	STERICYCLE SPECIALTY WASTE SOLUTIONS INC
Trans 2 EPA ID:	OKD981588791
Trans 2 Name:	TRIAD TRANSPORT INC
TSDf EPA ID:	INR000110197
Trans Name:	STERICYCLE INC
TSDf Alt EPA ID:	Not reported
TSDf Alt Name:	Not reported
Waste Code Description:	311 - Pharmaceutical waste
RCRA Code:	P075
Meth Code:	H141 - Storage, Bulking, And/Or Transfer Off Site--No Treatment/Reovery (H010-H129) Or (H131-H135)
Quantity Tons:	0.0005
Waste Quantity:	1
Quantity Unit:	P
Additional Code 1:	P001
Additional Code 2:	Not reported
Additional Code 3:	Not reported
Additional Code 4:	Not reported
Additional Code 5:	Not reported
Shipment Date:	20120412
Creation Date:	5/24/2013 22:15:07
Receipt Date:	20120501
Manifest ID:	005438427FLE
Trans EPA ID:	MNS000110924
Trans Name:	STERICYCLE SPECIALTY WASTE SOLUTIONS INC
Trans 2 EPA ID:	OKD981588791
Trans 2 Name:	TRIAD TRANSPORT INC
TSDf EPA ID:	INR000110197
Trans Name:	STERICYCLE INC
TSDf Alt EPA ID:	Not reported
TSDf Alt Name:	Not reported
Waste Code Description:	311 - Pharmaceutical waste
RCRA Code:	P075
Meth Code:	H141 - Storage, Bulking, And/Or Transfer Off Site--No Treatment/Reovery (H010-H129) Or (H131-H135)
Quantity Tons:	0.0015
Waste Quantity:	3
Quantity Unit:	P

Map ID
Direction
Distance
Elevation

MAP FINDINGS

Site

Database(s)

EDR ID Number
EPA ID Number

RITE AID #5699 (Continued)

S113145992

Additional Code 1: P001
Additional Code 2: Not reported
Additional Code 3: Not reported
Additional Code 4: Not reported
Additional Code 5: Not reported

Additional Info:

Year: 2008
Gen EPA ID: CAL000315590

Shipment Date: 20080729
Creation Date: 12/30/2008 18:30:07
Receipt Date: 20080801
Manifest ID: 002936398JJK
Trans EPA ID: CAD008364432
Trans Name: RHO CHEM LLC
Trans 2 EPA ID: Not reported
Trans 2 Name: Not reported
TSDf EPA ID: CAD008364432
Trans Name: RHO CHEM LLC
TSDf Alt EPA ID: Not reported
TSDf Alt Name: Not reported
Waste Code Description: 122 - Alkaline solution without metals (pH > 12.5)
RCRA Code: D002
Meth Code: H141 - Storage, Bulking, And/Or Transfer Off Site--No Treatment/Recovery (H010-H129) Or (H131-H135)
Quantity Tons: 0.0455
Waste Quantity: 91
Quantity Unit: P
Additional Code 1: Not reported
Additional Code 2: Not reported
Additional Code 3: Not reported
Additional Code 4: Not reported
Additional Code 5: Not reported

CERS:

Name: RITE AID #5699
Address: 1020 E BROADWAY ST
City,State,Zip: NEEDLES, CA 92363
Site ID: 148075
CERS ID: 10310929
CERS Description: Chemical Storage Facilities

Evaluation:

Eval General Type: Compliance Evaluation Inspection
Eval Date: 11-28-2017
Violations Found: No
Eval Type: Routine done by local agency
Eval Notes: Not reported
Eval Division: San Bernardino County Fire Department
Eval Program: HW
Eval Source: CERS,

Eval General Type: Compliance Evaluation Inspection
Eval Date: 03-10-2020
Violations Found: No
Eval Type: Routine done by local agency

Map ID
Direction
Distance
Elevation

MAP FINDINGS

Site

Database(s)

EDR ID Number
EPA ID Number

RITE AID #5699 (Continued)

S113145992

Eval Notes: Not reported
Eval Division: San Bernardino County Fire Department
Eval Program: HWLQG
Eval Source: CERS,

Eval General Type: Compliance Evaluation Inspection
Eval Date: 11-24-2014
Violations Found: No
Eval Type: Routine done by local agency
Eval Notes: INSPECTION - HW
Eval Division: San Bernardino County Fire Department
Eval Program: HW
Eval Source: CERS,

Eval General Type: Compliance Evaluation Inspection
Eval Date: 03-10-2020
Violations Found: No
Eval Type: Routine done by local agency
Eval Notes: Not reported
Eval Division: San Bernardino County Fire Department
Eval Program: HMRRP
Eval Source: CERS,

Coordinates:
Site ID: 148075
Facility Name: RITE AID #5699
Env Int Type Code: HWG
Program ID: 10310929
Coord Name: Not reported
Ref Point Type Desc: Center of a facility or station.,
Latitude: 34.825130
Longitude: -114.596400

Affiliation:
Affiliation Type Desc: Environmental Contact
Entity Name: Joseph A. Chest
Entity Title: Not reported
Affiliation Address: 30 HUNTER LANE
Affiliation City: CAMP HILL
Affiliation State: PA
Affiliation Country: Not reported
Affiliation Zip: 17011
Affiliation Phone: ,

Affiliation Type Desc: Property Owner
Entity Name: Foothill Cedar Holdings Inc.
Entity Title: Not reported
Affiliation Address: 12125 Day St., Ste. V207
Affiliation City: Moreno Valley
Affiliation State: CA
Affiliation Country: United States
Affiliation Zip: 92557
Affiliation Phone: (951) 369-5297,

Affiliation Type Desc: Facility Mailing Address
Entity Name: Mailing Address

Map ID
Direction
Distance
Elevation

MAP FINDINGS

Site

Database(s)

EDR ID Number
EPA ID Number

RITE AID #5699 (Continued)

S113145992

Entity Title: Not reported
Affiliation Address: 30 Hunter Lane, Attn EHS
Affiliation City: Camp Hill
Affiliation State: PA
Affiliation Country: Not reported
Affiliation Zip: 17011
Affiliation Phone: ,

Affiliation Type Desc: CUPA District
Entity Name: San Bernardino County Fire
Entity Title: Not reported
Affiliation Address: 620 South E Street
Affiliation City: San Bernardino
Affiliation State: CA
Affiliation Country: Not reported
Affiliation Zip: 92415-0153
Affiliation Phone: (909) 386-8401,

Affiliation Type Desc: Identification Signer
Entity Name: Joseph A. Chest
Entity Title: Manager, EHS
Affiliation Address: Not reported
Affiliation City: Not reported
Affiliation State: Not reported
Affiliation Country: Not reported
Affiliation Zip: Not reported
Affiliation Phone: ,

Affiliation Type Desc: Parent Corporation
Entity Name: RITE AID CORPORATION
Entity Title: Not reported
Affiliation Address: Not reported
Affiliation City: Not reported
Affiliation State: Not reported
Affiliation Country: Not reported
Affiliation Zip: Not reported
Affiliation Phone: ,

Affiliation Type Desc: Document Preparer
Entity Name: Jordan Anderson
Entity Title: Not reported
Affiliation Address: Not reported
Affiliation City: Not reported
Affiliation State: Not reported
Affiliation Country: Not reported
Affiliation Zip: Not reported
Affiliation Phone: ,

Affiliation Type Desc: Legal Owner
Entity Name: THRIFTY PAYLESS INC
Entity Title: Not reported
Affiliation Address: 30 HUNTER LN
Affiliation City: CAMP HILL
Affiliation State: PA
Affiliation Country: United States
Affiliation Zip: 17011-2400
Affiliation Phone: (717) 761-2633,

Map ID
Direction
Distance
Elevation

MAP FINDINGS

Site

Database(s)

EDR ID Number
EPA ID Number

RITE AID #5699 (Continued)

S113145992

Affiliation Type Desc: Operator
Entity Name: Rite Aid #5699
Entity Title: Not reported
Affiliation Address: Not reported
Affiliation City: Not reported
Affiliation State: Not reported
Affiliation Country: Not reported
Affiliation Zip: Not reported
Affiliation Phone: (760) 326-2944,

HWTS:

Name: RITE AID #5699
Address: 1020 E BROADWAY ST
Address 2: Not reported
City,State,Zip: NEEDLES, CA 92363
EPA ID: CAL000379971
Inactive Date: 06/23/2015
Create Date: 11/13/2012
Last Act Date: Not reported
Mailing Name: Not reported
Mailing Address: 30 HUNTER LN
Mailing Address 2: Not reported
Mailing City,State,Zip: CAMP HILL, PA 17011
Owner Name: THRIFTY PAYLESS INC
Owner Address: 30 HUNTER LN
Owner Address 2: Not reported
Owner City,State,Zip: CAMP HILL, PA 17011
Contact Name: DAVID CROZIER
Contact Address: 30 HUNTER LANE
Contact Address 2: Not reported
City,State,Zip: CAMP HILL, PA 17011
Facility Status: Inactive
Facility Type: PERMANENT
Category: STATE
Latitude: 34.825116
Longitude: -114.596388

NAICS:

EPA ID: CAL000379971
Create Date: 2012-11-13 16:21:30.297
NAICS Code: 44611
NAICS Description: Pharmacies and Drug Stores
Issued EPA ID Date: 2012-11-13 16:21:30.29000
Inactive Date: 2015-06-23 00:00:00
Facility Name: RITE AID #5699
Facility Address: 1020 E BROADWAY ST
Facility Address 2: Not reported
Facility City: NEEDLES
Facility County: Not reported
Facility State: CA
Facility Zip: 92363

Name: RITE AID #5699
Address: 1020 E BROADWAY ST
Address 2: Not reported

Map ID
 Direction
 Distance
 Elevation

MAP FINDINGS

Site

Database(s)

EDR ID Number
 EPA ID Number

RITE AID #5699 (Continued)

S113145992

City,State,Zip: NEEDLES, CA 92363
 EPA ID: CAL000315590
 Inactive Date: 11/13/2012
 Create Date: 01/22/2007
 Last Act Date: Not reported
 Mailing Name: Not reported
 Mailing Address: 30 HUNTER LN
 Mailing Address 2: Not reported
 Mailing City,State,Zip: CAMP HILL, PA 170112400
 Owner Name: THRIFTY PAYLESS INC
 Owner Address: 30 HUNTER LN
 Owner Address 2: Not reported
 Owner City,State,Zip: CAMP HILL, PA 170112400
 Contact Name: STEPHANIE A. CAIATI
 Contact Address: 30 HUNTER LANE
 Contact Address 2: Not reported
 City,State,Zip: CAMP HILL, PA 170110000
 Facility Status: Inactive
 Facility Type: PERMANENT
 Category: STATE
 Latitude: 34.825707
 Longitude: -114.596202

NAICS:

EPA ID: CAL000315590
 Create Date: 2007-01-22 14:08:11.563
 NAICS Code: 44611
 NAICS Description: Pharmacies and Drug Stores
 Issued EPA ID Date: 2007-01-22 14:08:11.50300
 Inactive Date: 2012-11-13 00:00:00
 Facility Name: RITE AID #5699
 Facility Address: 1020 E BROADWAY ST
 Facility Address 2: Not reported
 Facility City: NEEDLES
 Facility County: Not reported
 Facility State: CA
 Facility Zip: 92363

DC815 AUTOZONE #3699
Target 1008 E BROADWAY ST
Property NEEDLES, CA 92363

CERS HAZ WASTE S121310030
 San Bern. Co. Permit N/A
 CERS

Site 28 of 34 in cluster DC

Actual: CERS HAZ WASTE:
548 ft. Name: AUTOZONE #3699
Focus Map: Address: 1008 E BROADWAY ST
11 City,State,Zip: NEEDLES, CA 92363
 Site ID: 426463
 CERS ID: 10744666
 CERS Description: Hazardous Waste Generator

San Bern. Co. Permit:
 Name: AUTOZONE #3699
 Address: 1008 E BROADWAY ST
 City,State,Zip: NEEDLES, CA 92363
 Region: SAN BERNARDINO

Map ID
Direction
Distance
Elevation

MAP FINDINGS

Site

Database(s)

EDR ID Number
EPA ID Number

AUTOZONE #3699 (Continued)

S121310030

Facility ID: FA0017627
Owner: AutoZone Stores Inc
Permit Number: PT0037935
Permit Category: CONDITIONALLY EXEMPT SM QTY GENERATOR
Facility Status: ACTIVE
Expiration Date: 03/31/2022

Name: AUTOZONE #3699
Address: 1008 E BROADWAY ST
City,State,Zip: NEEDLES, CA 92363
Region: SAN BERNARDINO
Facility ID: FA0017627
Owner: AutoZone Stores Inc
Permit Number: PT0037921
Permit Category: HAZARDOUS MATERIALS 1-3 CHEMICALS
Facility Status: ACTIVE
Expiration Date: 03/31/2022

CERS:

Name: AUTOZONE #3699
Address: 1008 E BROADWAY ST
City,State,Zip: NEEDLES, CA 92363
Site ID: 426463
CERS ID: 10744666
CERS Description: Chemical Storage Facilities

Evaluation:

Eval General Type: Compliance Evaluation Inspection
Eval Date: 02-08-2022
Violations Found: No
Eval Type: Routine done by local agency
Eval Notes: Not reported
Eval Division: San Bernardino County Fire Department
Eval Program: HW
Eval Source: CERS,

Eval General Type: Compliance Evaluation Inspection
Eval Date: 02-08-2022
Violations Found: No
Eval Type: Routine done by local agency
Eval Notes: Not reported
Eval Division: San Bernardino County Fire Department
Eval Program: HMRRP
Eval Source: CERS,

Eval General Type: Compliance Evaluation Inspection
Eval Date: 02-15-2019
Violations Found: No
Eval Type: Routine done by local agency
Eval Notes: Not reported
Eval Division: San Bernardino County Fire Department
Eval Program: HMRRP
Eval Source: CERS,

Eval General Type: Compliance Evaluation Inspection
Eval Date: 02-15-2019
Violations Found: No

Map ID
Direction
Distance
Elevation

MAP FINDINGS

Site

Database(s)

EDR ID Number
EPA ID Number

AUTOZONE #3699 (Continued)

S121310030

Eval Type: Routine done by local agency
Eval Notes: Not reported
Eval Division: San Bernardino County Fire Department
Eval Program: HW
Eval Source: CERS,

Coordinates:
Site ID: 426463
Facility Name: AutoZone #3699
Env Int Type Code: HMBP
Program ID: 10744666
Coord Name: Not reported
Ref Point Type Desc: Center of a facility or station.,
Latitude: 34.825170
Longitude: -114.596380

Affiliation:
Affiliation Type Desc: Environmental Contact
Entity Name: Andrew Beaven
Entity Title: Not reported
Affiliation Address: 123 South Front Street, Dept. 8190
Affiliation City: Memphis
Affiliation State: TN
Affiliation Country: Not reported
Affiliation Zip: 38103
Affiliation Phone: ,

Affiliation Type Desc: Legal Owner
Entity Name: AutoZone Stores Inc
Entity Title: Not reported
Affiliation Address: 123 South Front Street
Affiliation City: Memphis
Affiliation State: TN
Affiliation Country: United States
Affiliation Zip: 38103
Affiliation Phone: (901) 495-6500,

Affiliation Type Desc: CUPA District
Entity Name: San Bernardino County Fire
Entity Title: Not reported
Affiliation Address: 620 South E Street
Affiliation City: San Bernardino
Affiliation State: CA
Affiliation Country: Not reported
Affiliation Zip: 92415-0153
Affiliation Phone: (909) 386-8401,

Affiliation Type Desc: Document Preparer
Entity Name: Deborah Williams
Entity Title: Not reported
Affiliation Address: Not reported
Affiliation City: Not reported
Affiliation State: Not reported
Affiliation Country: Not reported
Affiliation Zip: Not reported
Affiliation Phone: ,

Map ID
Direction
Distance
Elevation

MAP FINDINGS

Site

Database(s)

EDR ID Number
EPA ID Number

AUTOZONE #3699 (Continued)

S121310030

Affiliation Type Desc: Facility Mailing Address
Entity Name: Mailing Address
Entity Title: Not reported
Affiliation Address: 123 South Front Street, Dept. 8190
Affiliation City: Memphis
Affiliation State: TN
Affiliation Country: Not reported
Affiliation Zip: 38103
Affiliation Phone: ,

Affiliation Type Desc: Operator
Entity Name: Autozone
Entity Title: Not reported
Affiliation Address: Not reported
Affiliation City: Not reported
Affiliation State: Not reported
Affiliation Country: Not reported
Affiliation Zip: Not reported
Affiliation Phone: (901) 495-6500,

Affiliation Type Desc: Property Owner
Entity Name: AUTOZONE INC
Entity Title: Not reported
Affiliation Address: 123 South Front Street
Affiliation City: Memphis
Affiliation State: TN
Affiliation Country: United States
Affiliation Zip: 38103
Affiliation Phone: (901) 495-6500,

Affiliation Type Desc: Parent Corporation
Entity Name: Auto Zone
Entity Title: Not reported
Affiliation Address: Not reported
Affiliation City: Not reported
Affiliation State: Not reported
Affiliation Country: Not reported
Affiliation Zip: Not reported
Affiliation Phone: ,

Affiliation Type Desc: Identification Signer
Entity Name: Deborah Williams
Entity Title: Environmental Coordinator
Affiliation Address: Not reported
Affiliation City: Not reported
Affiliation State: Not reported
Affiliation Country: Not reported
Affiliation Zip: Not reported
Affiliation Phone: ,

Map ID
Direction
Distance
Elevation

MAP FINDINGS

Site

Database(s)

EDR ID Number
EPA ID Number

DC816 1046 E BROADWAY
Target 1046 E BROADWAY ST
Property NEEDLES, CA 92363

CIWQS S121612730
N/A

Site 29 of 34 in cluster DC

Actual: 548 ft.
Focus Map: 11

CIWQS:
Name: 1046 E BROADWAY
Address: 1046 E BROADWAY ST
City,State,Zip: NEEDLES, CA 92363
Agency: Ca Dept of Transportation District 9 R6
Agency Address: 247 W 3rd St, San Bernardino, CA 92401
Place/Project Type: Construction - Transportation
SIC/NAICS: Not reported
Region: 7
Program: CONSTW
Regulatory Measure Status: Terminated
Regulatory Measure Type: Storm water construction
Order Number: 99-08DW
WDID: 7 36C306651
NPDES Number: CAS000002
Adoption Date: Not reported
Effective Date: 12/05/1996
Termination Date: 09/19/2000
Expiration/Review Date: Not reported
Design Flow: Not reported
Major/Minor: Not reported
Complexity: Not reported
TTWQ: Not reported
Enforcement Actions within 5 years: 0
Violations within 5 years: 0
Latitude: Not reported
Longitude: Not reported

DC817 RITE AID #5699
Target 1020 E BROADWAY ST
Property NEEDLES, CA 92363

FINDS 1017373148
ECHO N/A

Site 30 of 34 in cluster DC

Actual: 548 ft.
Focus Map: 11

FINDS:
Registry ID: 110061055361

Click Here for FRS Facility Detail Report:

Environmental Interest/Information System:

RCRAInfo is a national information system that supports the Resource Conservation and Recovery Act (RCRA) program through the tracking of events and activities related to facilities that generate, transport, and treat, store, or dispose of hazardous waste. RCRAInfo allows RCRA program staff to track the notification, permit, compliance, and corrective action activities required under RCRA.
HAZARDOUS WASTE BIENNIAL REPORTER
STATE MASTER

[Click this hyperlink](#) while viewing on your computer to access additional FINDS: detail in the EDR Site Report.

ECHO:
Envid: 1017373148
Registry ID: 110061055361

Map ID
Direction
Distance
Elevation

MAP FINDINGS

Site

Database(s)

EDR ID Number
EPA ID Number

RITE AID #5699 (Continued)

1017373148

DFR URL: <http://echo.epa.gov/detailed-facility-report?fid=110061055361>
Name: RITE AID #5699
Address: 1020 E BROADWAY ST
City,State,Zip: NEEDLES, CA 92363

DC818 **OR142 RTE 40 NEEDLES REGRADE MEDIAN**
Target **1060 EAST BROADWAY STREET**
Property **NEEDLES, CA 92401**

NPDES **S127474401**
CIWQS **N/A**
CERS

Site 31 of 34 in cluster DC

Actual: NPDES:
548 ft. Name: OR142 RTE 40 NEEDLES REGRADE MEDIAN
Focus Map: Address: 1060 EAST BROADWAY STREET
11 City,State,Zip: NEEDLES, CA 92401
 Facility Status: Active
 NPDES Number: Not reported
 Region: 7
 Agency Number: 0
 Regulatory Measure ID: 533711
 Place ID: Not reported
 Order Number: Not reported
 WDID: 7 36C393540
 Regulatory Measure Type: Enrollee
 Program Type: Caltrans Construction
 Adoption Date Of Regulatory Measure: Not reported
 Effective Date Of Regulatory Measure: 04/16/2021
 Termination Date Of Regulatory Measure: Not reported
 Expiration Date Of Regulatory Measure: Not reported
 Discharge Address: 464 West Fourth Street
 Discharge Name: Caltrans District 8
 Discharge City: San Bernardino
 Discharge State: California
 Discharge Zip: 92401
 Status: Not reported
 Status Date: Not reported
 Operator Name: Not reported
 Operator Address: Not reported
 Operator City: Not reported
 Operator State: Not reported
 Operator Zip: Not reported

 Name: OR142 RTE 40 NEEDLES REGRADE MEDIAN
 Address: 1060 EAST BROADWAY STREET
 City,State,Zip: NEEDLES, CA 92401
 Facility Status: Not reported
 NPDES Number: Not reported
 Region: Not reported
 Agency Number: Not reported
 Regulatory Measure ID: Not reported
 Place ID: Not reported
 Order Number: Not reported
 WDID: 7 36C393540
 Regulatory Measure Type: Caltrans Construction
 Program Type: Not reported
 Adoption Date Of Regulatory Measure: Not reported
 Effective Date Of Regulatory Measure: Not reported
 Termination Date Of Regulatory Measure: Not reported

Map ID
Direction
Distance
Elevation

MAP FINDINGS

Site

Database(s)

EDR ID Number
EPA ID Number

OR142 RTE 40 NEEDLES REGRADE MEDIAN (Continued)

S127474401

Expiration Date Of Regulatory Measure: Not reported
Discharge Address: Not reported
Discharge Name: Not reported
Discharge City: Not reported
Discharge State: Not reported
Discharge Zip: Not reported
Status: Active
Status Date: 04/16/2021
Operator Name: Caltrans District 8
Operator Address: 464 West Fourth Street
Operator City: San Bernardino
Operator State: California
Operator Zip: 92401

CIWQS:

Name: OR142 RTE 40 NEEDLES REGRADE MEDIAN
Address: 1060 EAST BROADWAY STREET
City,State,Zip: NEEDLES, CA 92401
Agency: Caltrans District 8
Agency Address: 464 West Fourth Street, San Bernardino, CA 92401
Place/Project Type: Construction - Transportation
SIC/NAICS: Not reported
Region: 7
Program: CONSTW
Regulatory Measure Status: Terminated
Regulatory Measure Type: Caltrans Construction
Order Number: 2009-009-DWQ
WDID: 7 36C393540
NPDES Number: CAS000002
Adoption Date: Not reported
Effective Date: 04/16/2021
Termination Date: 07/12/2022
Expiration/Review Date: Not reported
Design Flow: Not reported
Major/Minor: Not reported
Complexity: Not reported
TTWQ: Not reported
Enforcement Actions within 5 years: 0
Violations within 5 years: 0
Latitude: 34.8385
Longitude: -114.6045

CERS:

Name: OR142 RTE 40 NEEDLES REGRADE MEDIAN
Address: 1060 EAST BROADWAY STREET
City,State,Zip: NEEDLES, CA 92401
Site ID: 577461
CERS ID: 892041
CERS Description: Construction Storm Water

Affiliation:

Affiliation Type Desc: Owner/Operator
Entity Name: Caltrans District 8
Entity Title: Operator
Affiliation Address: 464 West Fourth Street
Affiliation City: San Bernardino
Affiliation State: CA

Map ID
 Direction
 Distance
 Elevation

MAP FINDINGS

Site

Database(s)

EDR ID Number
 EPA ID Number

OR142 RTE 40 NEEDLES REGRADE MEDIAN (Continued)

S127474401

Affiliation Country: Not reported
 Affiliation Zip: 92401
 Affiliation Phone: ,

**DC819
 Target
 Property**

**RITE AID #5699
 1020 E BROADWAY ST
 NEEDLES, CA 92363**

RCRA-LQG

**1016954765
 CAL000379971**

Site 32 of 34 in cluster DC

**Actual:
 548 ft.**

**Focus Map:
 11**

RCRA-LQG:		
Date Form Received by Agency:		20140301
Handler Name:	RITE AID #5699	
Handler Address:		1020 E BROADWAY ST
Handler City,State,Zip:		NEEDLES, CA 92363
EPA ID:		CAL000379971
Contact Name:		STEPHANIE A CAIATI
Contact Address:		HUNTER LN
Contact City,State,Zip:		CAMP HILL, PA 17011
Contact Telephone:		717-730-8225
Contact Fax:		717-972-3989
Contact Email:		SSCAIATI@RITEAID.COM
Contact Title:		DIRECTOR, EH&S
EPA Region:		09
Land Type:		Private
Federal Waste Generator Description:		Large Quantity Generator
Non-Notifier:		Not reported
Biennial Report Cycle:		2013
Accessibility:		Not reported
Active Site Indicator:		Handler Activities
State District Owner:		Not reported
State District:		Not reported
Mailing Address:		HUNTER LN
Mailing City,State,Zip:		CAMP HILL, PA 17011
Owner Name:	THRIFTY PAYLESS	
Owner Type:		Private
Operator Name:	RITE AID CORP	
Operator Type:		Private
Short-Term Generator Activity:		No
Importer Activity:		No
Mixed Waste Generator:		No
Transporter Activity:		No
Transfer Facility Activity:		No
Recycler Activity with Storage:		No
Small Quantity On-Site Burner Exemption:		No
Smelting Melting and Refining Furnace Exemption:		No
Underground Injection Control:		No
Off-Site Waste Receipt:		No
Universal Waste Indicator:		No
Universal Waste Destination Facility:		No
Federal Universal Waste:		No
Active Site Fed-Reg Treatment Storage and Disposal Facility:		Not reported
Active Site Converter Treatment storage and Disposal Facility:		Not reported
Active Site State-Reg Treatment Storage and Disposal Facility:		Not reported
Active Site State-Reg Handler:		---
Federal Facility Indicator:		Not reported
Hazardous Secondary Material Indicator:		NN

Map ID
 Direction
 Distance
 Elevation

MAP FINDINGS

Site

Database(s)

EDR ID Number
 EPA ID Number

RITE AID #5699 (Continued)

1016954765

Sub-Part K Indicator:	Not reported
Commercial TSD Indicator:	No
Treatment Storage and Disposal Type:	Not reported
2018 GPRA Permit Baseline:	Not on the Baseline
2018 GPRA Renewals Baseline:	Not on the Baseline
Permit Renewals Workload Universe:	Not reported
Permit Workload Universe:	Not reported
Permit Progress Universe:	Not reported
Post-Closure Workload Universe:	Not reported
Closure Workload Universe:	Not reported
202 GPRA Corrective Action Baseline:	No
Corrective Action Workload Universe:	No
Subject to Corrective Action Universe:	No
Non-TSDFs Where RCRA CA has Been Imposed Universe:	No
TSDFs Potentially Subject to CA Under 3004 (u)/(v) Universe:	No
TSDFs Only Subject to CA under Discretionary Auth Universe:	No
Corrective Action Priority Ranking:	No NCAPS ranking
Environmental Control Indicator:	No
Institutional Control Indicator:	No
Human Exposure Controls Indicator:	N/A
Groundwater Controls Indicator:	N/A
Operating TSDF Universe:	Not reported
Full Enforcement Universe:	Not reported
Significant Non-Complier Universe:	No
Unaddressed Significant Non-Complier Universe:	No
Addressed Significant Non-Complier Universe:	No
Significant Non-Complier With a Compliance Schedule Universe:	No
Financial Assurance Required:	Not reported
Handler Date of Last Change:	20141120
Recognized Trader-Importer:	No
Recognized Trader-Exporter:	No
Importer of Spent Lead Acid Batteries:	No
Exporter of Spent Lead Acid Batteries:	No
Recycler Activity Without Storage:	Not reported
Manifest Broker:	Not reported
Sub-Part P Indicator:	No

Biennial: List of Years

Year: 2013

[Click Here for Biennial Reporting System Data:](#)

Hazardous Waste Summary:

Waste Code:	D001
Waste Description:	IGNITABLE WASTE
Waste Code:	D002
Waste Description:	CORROSIVE WASTE
Waste Code:	D007
Waste Description:	CHROMIUM
Waste Code:	D009
Waste Description:	MERCURY
Waste Code:	D010

Map ID
 Direction
 Distance
 Elevation

MAP FINDINGS

Site

Database(s)

EDR ID Number
 EPA ID Number

RITE AID #5699 (Continued)

1016954765

Waste Description:	SELENIUM
Waste Code:	D011
Waste Description:	SILVER
Waste Code:	D024
Waste Description:	M-CRESOL
Waste Code:	D026
Waste Description:	CRESOL
Waste Code:	P001
Waste Description:	2H-1-BENZOPYRAN-2-ONE, 4-HYDROXY-3-(3-OXO-1-PHENYLBUTYL)-, & SALTS, WHEN PRESENT AT CONCENTRATIONS GREATER THAN 0.3% (OR) WARFARIN, & SALTS, WHEN PRESENT AT CONCENTRATIONS GREATER THAN 0.3%
Waste Code:	P075
Waste Description:	NICOTINE, & SALTS (OR) PYRIDINE, 3-(1-METHYL-2-PYRROLIDINYL)-,(S)-, & SALTS

Handler - Owner Operator:

Owner/Operator Indicator:	Operator
Owner/Operator Name: RITE AID CORP	
Legal Status:	Private
Date Became Current:	19970505
Date Ended Current:	Not reported
Owner/Operator Address:	Not reported
Owner/Operator City,State,Zip:	Not reported
Owner/Operator Telephone:	Not reported
Owner/Operator Telephone Ext:	Not reported
Owner/Operator Fax:	Not reported
Owner/Operator Email:	Not reported

Owner/Operator Indicator:	Owner
Owner/Operator Name: THRIFTY PAYLESS	
Legal Status:	Private
Date Became Current:	19970505
Date Ended Current:	Not reported
Owner/Operator Address:	30 HUNTER LN
Owner/Operator City,State,Zip:	CAMP HILL, PA 17011
Owner/Operator Telephone:	717-972-3989
Owner/Operator Telephone Ext:	Not reported
Owner/Operator Fax:	Not reported
Owner/Operator Email:	Not reported

Historic Generators:

Receive Date:	20140301
Handler Name: RITE AID #5699	
Federal Waste Generator Description:	Large Quantity Generator
State District Owner:	Not reported
Large Quantity Handler of Universal Waste:	No
Recognized Trader Importer:	No
Recognized Trader Exporter:	No
Spent Lead Acid Battery Importer:	No
Spent Lead Acid Battery Exporter:	No
Current Record:	Yes

Map ID
 Direction
 Distance
 Elevation

MAP FINDINGS

Site

Database(s)

EDR ID Number
 EPA ID Number

RITE AID #5699 (Continued)

1016954765

Non Storage Recycler Activity: Not reported
 Electronic Manifest Broker: Not reported

List of NAICS Codes and Descriptions:
 NAICS Code: 44611
 NAICS Description: PHARMACIES AND DRUG STORES

Facility Has Received Notices of Violations:
 Violations: No Violations Found

Evaluation Action Summary:
 Evaluations: No Evaluations Found

**DC820
 Target
 Property**

**RITE AID NO 5699
 1020 E BROADWAY ST
 NEEDLES, CA 92363**

RCRA-SQG

**1016955101
 CAR000248179**

Site 33 of 34 in cluster DC

**Actual:
 548 ft.
 Focus Map:
 11**

RCRA-SQG:
 Date Form Received by Agency: 20220316
 Handler Name: RITE AID NO 5699
 Handler Address: 1020 E BROADWAY ST
 Handler City,State,Zip: NEEDLES, CA 92363
 EPA ID: CAR000248179
 Contact Name: JOSEPH A CHEST
 Contact Address: HUNTER LN
 Contact City,State,Zip: CAMP HILL, PA 17011
 Contact Telephone: 717-975-8643
 Contact Fax: 717-972-3989
 Contact Email: EHS@RITEAID.COM
 Contact Title: MANAGER, ENVIRONMENTAL HEALTH & SAFETY
 EPA Region: 09
 Land Type: Private
 Federal Waste Generator Description: Small Quantity Generator
 Non-Notifier: Not reported
 Biennial Report Cycle: Not reported
 Accessibility: Not reported
 Active Site Indicator: Handler Activities
 State District Owner: Not reported
 State District: Not reported
 Mailing Address: HUNTER LN
 Mailing City,State,Zip: CAMP HILL, PA 17011
 Owner Name: ROYAL OAK LP
 Owner Type: Private
 Operator Name: THRIFTY PAYLESS INC
 Operator Type: Private
 Short-Term Generator Activity: No
 Importer Activity: No
 Mixed Waste Generator: No
 Transporter Activity: No
 Transfer Facility Activity: No
 Recycler Activity with Storage: No
 Small Quantity On-Site Burner Exemption: No
 Smelting Melting and Refining Furnace Exemption: No

Map ID
Direction
Distance
Elevation

MAP FINDINGS

Site

Database(s)

EDR ID Number
EPA ID Number

RITE AID NO 5699 (Continued)

1016955101

Underground Injection Control:	No
Off-Site Waste Receipt:	No
Universal Waste Indicator:	No
Universal Waste Destination Facility:	No
Federal Universal Waste:	No
Active Site Fed-Reg Treatment Storage and Disposal Facility:	Not reported
Active Site Converter Treatment storage and Disposal Facility:	Not reported
Active Site State-Reg Treatment Storage and Disposal Facility:	Not reported
Active Site State-Reg Handler:	---
Federal Facility Indicator:	Not reported
Hazardous Secondary Material Indicator:	N
Sub-Part K Indicator:	Not reported
Commercial TSD Indicator:	No
Treatment Storage and Disposal Type:	Not reported
2018 GPRA Permit Baseline:	Not on the Baseline
2018 GPRA Renewals Baseline:	Not on the Baseline
Permit Renewals Workload Universe:	Not reported
Permit Workload Universe:	Not reported
Permit Progress Universe:	Not reported
Post-Closure Workload Universe:	Not reported
Closure Workload Universe:	Not reported
202 GPRA Corrective Action Baseline:	No
Corrective Action Workload Universe:	No
Subject to Corrective Action Universe:	No
Non-TSDs Where RCRA CA has Been Imposed Universe:	No
TSDs Potentially Subject to CA Under 3004 (u)/(v) Universe:	No
TSDs Only Subject to CA under Discretionary Auth Universe:	No
Corrective Action Priority Ranking:	No NCAPS ranking
Environmental Control Indicator:	No
Institutional Control Indicator:	No
Human Exposure Controls Indicator:	N/A
Groundwater Controls Indicator:	N/A
Operating TSDF Universe:	Not reported
Full Enforcement Universe:	Not reported
Significant Non-Complier Universe:	No
Unaddressed Significant Non-Complier Universe:	No
Addressed Significant Non-Complier Universe:	No
Significant Non-Complier With a Compliance Schedule Universe:	No
Financial Assurance Required:	Not reported
Handler Date of Last Change:	20220316
Recognized Trader-Importer:	No
Recognized Trader-Exporter:	No
Importer of Spent Lead Acid Batteries:	No
Exporter of Spent Lead Acid Batteries:	No
Recycler Activity Without Storage:	No
Manifest Broker:	No
Sub-Part P Indicator:	No

Biennial: List of Years

Year: 2019

[Click Here for Biennial Reporting System Data:](#)

Year: 2015

[Click Here for Biennial Reporting System Data:](#)

Map ID
Direction
Distance
Elevation

MAP FINDINGS

Site

Database(s)

EDR ID Number
EPA ID Number

RITE AID NO 5699 (Continued)

1016955101

Hazardous Waste Summary:

Waste Code:	D001
Waste Description:	IGNITABLE WASTE
Waste Code:	D002
Waste Description:	CORROSIVE WASTE
Waste Code:	D007
Waste Description:	CHROMIUM
Waste Code:	D009
Waste Description:	MERCURY
Waste Code:	D010
Waste Description:	SELENIUM
Waste Code:	D011
Waste Description:	SILVER
Waste Code:	D024
Waste Description:	M-CRESOL
Waste Code:	D026
Waste Description:	CRESOL
Waste Code:	P001
Waste Description:	2H-1-BENZOPYRAN-2-ONE, 4-HYDROXY-3-(3-OXO-1-PHENYLBUTYL)-, & SALTS, WHEN PRESENT AT CONCENTRATIONS GREATER THAN 0.3% (OR) WARFARIN, & SALTS, WHEN PRESENT AT CONCENTRATIONS GREATER THAN 0.3%
Waste Code:	P075
Waste Description:	NICOTINE, & SALTS (OR) PYRIDINE, 3-(1-METHYL-2-PYRROLIDINYL)-,(S)-, & SALTS
Waste Code:	U165
Waste Description:	NAPHTHALENE
Waste Code:	U188
Waste Description:	PHENOL
Waste Code:	U279
Waste Description:	U279

Handler - Owner Operator:

Owner/Operator Indicator:	Operator
Owner/Operator Name:	THRIFTY PAYLESS INC
Legal Status:	Private
Date Became Current:	19970505
Date Ended Current:	Not reported
Owner/Operator Address:	Not reported
Owner/Operator City,State,Zip:	Not reported
Owner/Operator Telephone:	Not reported
Owner/Operator Telephone Ext:	Not reported
Owner/Operator Fax:	Not reported
Owner/Operator Email:	Not reported

Map ID
Direction
Distance
Elevation

MAP FINDINGS

Site

Database(s)

EDR ID Number
EPA ID Number

RITE AID NO 5699 (Continued)

1016955101

Owner/Operator Indicator:	Operator
Owner/Operator Name: THRIFTY PAYLESS INC	
Legal Status:	Private
Date Became Current:	19970505
Date Ended Current:	Not reported
Owner/Operator Address:	30 HUNTER LANE
Owner/Operator City,State,Zip:	CAMP HILL, PA 17011
Owner/Operator Telephone:	Not reported
Owner/Operator Telephone Ext:	Not reported
Owner/Operator Fax:	Not reported
Owner/Operator Email:	Not reported
Owner/Operator Indicator:	Operator
Owner/Operator Name: THRIFTY PAYLESS INC	
Legal Status:	Private
Date Became Current:	19970505
Date Ended Current:	Not reported
Owner/Operator Address:	30 HUNTER LANE
Owner/Operator City,State,Zip:	CAMP HILL, PA 17011
Owner/Operator Telephone:	717-761-2633
Owner/Operator Telephone Ext:	Not reported
Owner/Operator Fax:	Not reported
Owner/Operator Email:	EHS@RITEAID.COM
Owner/Operator Indicator:	Owner
Owner/Operator Name: ROYAL OAK LP	
Legal Status:	Private
Date Became Current:	19880518
Date Ended Current:	Not reported
Owner/Operator Address:	6399 WILSHIRE BLVD STE 604
Owner/Operator City,State,Zip:	LOS ANGELES, CA 90048
Owner/Operator Telephone:	323-653-3777
Owner/Operator Telephone Ext:	Not reported
Owner/Operator Fax:	Not reported
Owner/Operator Email:	Not reported
Owner/Operator Indicator:	Owner
Owner/Operator Name: ROYAL OAK L P	
Legal Status:	Private
Date Became Current:	19880518
Date Ended Current:	Not reported
Owner/Operator Address:	6399 WILSHIRE BLVD
Owner/Operator City,State,Zip:	LOS ANGELES, CA 90048-5709
Owner/Operator Telephone:	323-653-3777
Owner/Operator Telephone Ext:	Not reported
Owner/Operator Fax:	Not reported
Owner/Operator Email:	Not reported
Owner/Operator Indicator:	Owner
Owner/Operator Name: ROYAL OAK LP	
Legal Status:	Private
Date Became Current:	19880518
Date Ended Current:	Not reported
Owner/Operator Address:	6399 WILSHIRE BLVD STE 604
Owner/Operator City,State,Zip:	LOS ANGELES, CA 90048
Owner/Operator Telephone:	323-653-3777
Owner/Operator Telephone Ext:	Not reported

Map ID
Direction
Distance
Elevation

MAP FINDINGS

Site

Database(s)

EDR ID Number
EPA ID Number

RITE AID NO 5699 (Continued)

1016955101

Owner/Operator Fax:	Not reported
Owner/Operator Email:	Not reported
Owner/Operator Indicator:	Owner
Owner/Operator Name: ROYAL OAK LP	
Legal Status:	Private
Date Became Current:	19880518
Date Ended Current:	Not reported
Owner/Operator Address:	6399 WILSHIRE BLVD STE 604
Owner/Operator City,State,Zip:	LOS ANGELES, CA 90048
Owner/Operator Telephone:	323-653-3777
Owner/Operator Telephone Ext:	Not reported
Owner/Operator Fax:	Not reported
Owner/Operator Email:	Not reported
Owner/Operator Indicator:	Operator
Owner/Operator Name: THRIFTY PAYLESS INC	
Legal Status:	Private
Date Became Current:	19970505
Date Ended Current:	Not reported
Owner/Operator Address:	Not reported
Owner/Operator City,State,Zip:	Not reported
Owner/Operator Telephone:	Not reported
Owner/Operator Telephone Ext:	Not reported
Owner/Operator Fax:	Not reported
Owner/Operator Email:	Not reported
Owner/Operator Indicator:	Owner
Owner/Operator Name: ROYAL OAK LP	
Legal Status:	Private
Date Became Current:	19880518
Date Ended Current:	Not reported
Owner/Operator Address:	6399 WILSHIRE BLVD STE 604
Owner/Operator City,State,Zip:	LOS ANGELES, CA 90048
Owner/Operator Telephone:	323-653-3777
Owner/Operator Telephone Ext:	Not reported
Owner/Operator Fax:	Not reported
Owner/Operator Email:	EHS@RITEAID.COM
Owner/Operator Indicator:	Operator
Owner/Operator Name: THRIFTY PAYLESS INC	
Legal Status:	Private
Date Became Current:	19970505
Date Ended Current:	Not reported
Owner/Operator Address:	Not reported
Owner/Operator City,State,Zip:	Not reported
Owner/Operator Telephone:	Not reported
Owner/Operator Telephone Ext:	Not reported
Owner/Operator Fax:	Not reported
Owner/Operator Email:	Not reported
Historic Generators:	
Receive Date:	20170414
Handler Name:	RITE AID NO 5699
Federal Waste Generator Description:	Conditionally Exempt Small Quantity Generator
State District Owner:	Not reported
Large Quantity Handler of Universal Waste:	No

Map ID
Direction
Distance
Elevation

MAP FINDINGS

Site

Database(s)

EDR ID Number
EPA ID Number

RITE AID NO 5699 (Continued)

1016955101

Recognized Trader Importer: No
Recognized Trader Exporter: No
Spent Lead Acid Battery Importer: No
Spent Lead Acid Battery Exporter: No
Current Record: No
Non Storage Recycler Activity: Not reported
Electronic Manifest Broker: Not reported

Receive Date: 20200218
Handler Name: RITE AID NO 5699
Federal Waste Generator Description: Large Quantity Generator
State District Owner: Not reported
Large Quantity Handler of Universal Waste: No
Recognized Trader Importer: No
Recognized Trader Exporter: No
Spent Lead Acid Battery Importer: No
Spent Lead Acid Battery Exporter: No
Current Record: No
Non Storage Recycler Activity: No
Electronic Manifest Broker: No

Receive Date: 20140730
Handler Name: RITE AID NO 5699
Federal Waste Generator Description: Large Quantity Generator
State District Owner: Not reported
Large Quantity Handler of Universal Waste: No
Recognized Trader Importer: No
Recognized Trader Exporter: No
Spent Lead Acid Battery Importer: No
Spent Lead Acid Battery Exporter: No
Current Record: No
Non Storage Recycler Activity: Not reported
Electronic Manifest Broker: Not reported

Receive Date: 20190429
Handler Name: RITE AID NO 5699
Federal Waste Generator Description: Small Quantity Generator
State District Owner: Not reported
Large Quantity Handler of Universal Waste: No
Recognized Trader Importer: No
Recognized Trader Exporter: No
Spent Lead Acid Battery Importer: No
Spent Lead Acid Battery Exporter: No
Current Record: No
Non Storage Recycler Activity: No
Electronic Manifest Broker: No

Receive Date: 20220316
Handler Name: RITE AID NO 5699
Federal Waste Generator Description: Small Quantity Generator
State District Owner: Not reported
Large Quantity Handler of Universal Waste: No
Recognized Trader Importer: No
Recognized Trader Exporter: No
Spent Lead Acid Battery Importer: No
Spent Lead Acid Battery Exporter: No
Current Record: Yes

Map ID
Direction
Distance
Elevation

MAP FINDINGS

Site

Database(s)

EDR ID Number
EPA ID Number

RITE AID NO 5699 (Continued)

1016955101

Non Storage Recycler Activity: No
Electronic Manifest Broker: No

List of NAICS Codes and Descriptions:

NAICS Code: 44611
NAICS Description: PHARMACIES AND DRUG STORES

Facility Has Received Notices of Violations:

Violations: No Violations Found

Evaluation Action Summary:

Evaluations: No Evaluations Found

DC821 1X AMERICAN SAVINGS BANK
Target 1019 BROADWAYN STREET
Property NEEDLES, CA 92363

HWTS S124533345
N/A

Site 34 of 34 in cluster DC

Actual:
550 ft.

Focus Map:
11

HWTS:
Name: 1X AMERICAN SAVINGS BANK
Address: 1019 BROADWAYN STREET
Address 2: Not reported
City,State,Zip: NEEDLES, CA 92363
EPA ID: CAC000559816
Inactive Date: 10/25/2000
Create Date: 01/25/1991
Last Act Date: Not reported
Mailing Name: Not reported
Mailing Address: Not reported
Mailing Address 2: Not reported
Mailing City,State,Zip: STOCKTON, CA 952900076
Owner Name: AMERICAN SAVINGS BANK
Owner Address: Not reported
Owner Address 2: Not reported
Owner City,State,Zip: Not reported
Contact Name: IRENE ANGOLETTA, CLERK
Contact Address: Not reported
Contact Address 2: Not reported
City,State,Zip: Not reported
Facility Status: Inactive
Facility Type: TEMPORARY
Category: STATE
Latitude: 34.825168
Longitude: -114.596505

Map ID
Direction
Distance
Elevation

MAP FINDINGS

Site

Database(s)

EDR ID Number
EPA ID Number

822 C603 L300B MP 19.96 RECOAT SPAN 394 (PG&E SPND PRO
Target 13 MI S OF I40, 11 MI W OF HWY 95
Property NEEDLES, CA 92363

HAZNET S121020795
HWTS N/A

Actual:
554 ft.
Focus Map:
11

HAZNET:

Name: C603 L300B MP 19.96 RECOAT SPAN 394 (PG&E SPND PROJECT)
Address: 13 MI S OF I40, 11 MI W OF HWY 95
Address 2: Not reported
City,State,Zip: NEEDLES, CA 92363
Contact: NATHAN CHRISTMAN
Telephone: 9253285119
Mailing Name: Not reported
Mailing Address: PO BOX 7640

Year: 2016
Gepaid: CAP000257279
TSD EPA ID: CAD980884183
CA Waste Code: 181 - Other inorganic solid waste
Disposal Method: H141 - Storage, Bulking, And/Or Transfer Off Site--No
Treatment/Reovery (H010-H129) Or (H131-H135)
Tons: 0.7

HWTS:

Name: C603 L300B MP 19.96 RECOAT SPAN 394 (PG&E SPND PROJECT)
Address: 13 MI S OF I40, 11 MI W OF HWY 95
Address 2: Not reported
City,State,Zip: NEEDLES, CA 92363
EPA ID: CAP000257279
Inactive Date: 05/16/2016
Create Date: 01/15/2016
Last Act Date: Not reported
Mailing Name: Not reported
Mailing Address: PO BOX 7640
Mailing Address 2: Not reported
Mailing City,State,Zip: SAN FRANCISCO, CA 94120
Owner Name: PACIFIC GAS AND ELECTRIC
Owner Address: 77 BEALE ST
Owner Address 2: Not reported
Owner City,State,Zip: SAN FRANCISCO, CA 94105
Contact Name: NATHAN CHRISTMAN
Contact Address: 6111 BOLLINGER CANYON RD STE 3130F
Contact Address 2: Not reported
City,State,Zip: SAN RAMON, CA 945835186
Facility Status: Inactive
Facility Type: TEMPORARY
Category: FEDERAL
Latitude: 34.82472318
Longitude: -114.59655549

MAP FINDINGS

Map ID
 Direction
 Distance
 Elevation

Site

Database(s)

EDR ID Number
 EPA ID Number

DD823 **SUPERLITE BLOCK**
Target **9 ICE PLANT RD.**
Property **NEEDLES, CA 92363**

FINDS **1007131097**
ECHO **N/A**

Site 1 of 5 in cluster DD

Actual:
536 ft.

FINDS:
 Registry ID: 110015779335

Focus Map:
11

Click Here for FRS Facility Detail Report:

Environmental Interest/Information System:

AIR EMISSIONS CLASSIFICATION UNKNOWN
 US EPA TRIS (Toxics Release Inventory System) contains information from facilities on the amounts of over 300 listed toxic chemicals that these facilities release directly to air, water, land, or that are transported off-site.
 STATE MASTER

Click this hyperlink while viewing on your computer to access additional FINDS: detail in the EDR Site Report.

ECHO:

Envid: 1007131097
 Registry ID: 110015779335
 DFR URL: <http://echo.epa.gov/detailed-facility-report?fid=110015779335>
 Name: SUPERLITE BLOCK
 Address: 9 ICE PLANT RD.
 City,State,Zip: NEEDLES, CA 92363

DD824 **SUPERLITE BLOCK**
Target **9 ICE PLANT RD.**
Property **NEEDLES, CA 92363**

CERS **S123529593**
N/A

Site 2 of 5 in cluster DD

Actual:
536 ft.

CERS:
 Name: SUPERLITE BLOCK
 Address: 9 ICE PLANT RD.
 City,State,Zip: NEEDLES, CA 92363
 Site ID: 497195
 CERS ID: 110015779335
 CERS Description: US EPA Air Emission Inventory System (EIS)

Focus Map:
11

Affiliation:

Affiliation Type Desc: Environmental Contact
 Entity Name: GLENN MORTENSEN
 Entity Title: Not reported
 Affiliation Address: 4150 W TURNEY
 Affiliation City: PHOENIX
 Affiliation State: Not reported
 Affiliation Country: Not reported
 Affiliation Zip: Not reported
 Affiliation Phone: ,

Affiliation Type Desc: Environmental Contact
 Entity Name: Jay Frederickson
 Entity Title: COO
 Affiliation Address: 4150 W TURNEY
 Affiliation City: PHOENIX
 Affiliation State: Not reported

Map ID
 Direction
 Distance
 Elevation

MAP FINDINGS

Site

Database(s)

EDR ID Number
 EPA ID Number

SUPERLITE BLOCK (Continued)

S123529593

Affiliation Country:	Not reported
Affiliation Zip:	Not reported
Affiliation Phone:	,
Affiliation Type Desc:	Public Contact
Entity Name:	CHRIS NEWHOUSE
Entity Title:	Not reported
Affiliation Address:	4150 W TURNEY
Affiliation City:	PHOENIX
Affiliation State:	Not reported
Affiliation Country:	Not reported
Affiliation Zip:	Not reported
Affiliation Phone:	,

DD825 OLDCASTLE APG WEST INC DBA SUPERLITE BLOCK
Target 1 ICE PLANT RD
Property NEEDLES, CA 92363

HAZNET S113156741
HWTS N/A

Site 3 of 5 in cluster DD

Actual: 539 ft.	HAZNET: Name: OLDCASTLE APG WEST INC DBA SUPERLITE BLOCK
Focus Map: 11	Address: 1 ICE PLANT RD
	Address 2: Not reported
	City,State,Zip: NEEDLES, CA 92363
	Contact: FABIAN CAMPA
	Telephone: 5206092346
	Mailing Name: Not reported
	Mailing Address: 4150 W TURNEY AVE
	Year: 2016
	Gepaid: CAL000345318
	TSD EPA ID: NVT330010000
	CA Waste Code: 331 - Off-specification, aged or surplus organics
	Disposal Method: H039 - Other Recovery Of Reclamation For Reuse Including Acid Regeneration, Organics Recovery Ect
	Tons: 0.0225
	Year: 2012
	Gepaid: CAL000345318
	TSD EPA ID: NVT330010000
	CA Waste Code: -
	Disposal Method: H132 - Landfill Or Surface Impoundment That Will Be Closed As Landfill(To Include On-Site Treatment And/Or Stabilization)
	Tons: Not reported
	Year: 2012
	Gepaid: CAL000345318
	TSD EPA ID: NVT330010000
	CA Waste Code: 352 - Other organic solids
	Disposal Method: -
	Tons: 0.05
	Year: 2012
	Gepaid: CAL000345318
	TSD EPA ID: CAT000613893
	CA Waste Code: 213 - Hydrocarbon solvents (benzene, hexane, Stoddard, Etc.)

Map ID
Direction
Distance
Elevation

MAP FINDINGS

Site

Database(s)

EDR ID Number
EPA ID Number

OLDCASTLE APG WEST INC DBA SUPERLITE BLOCK (Continued)

S113156741

Disposal Method:	H141 - Storage, Bulking, And/Or Transfer Off Site--No Treatment/Reovery (H010-H129) Or (H131-H135)
Tons:	0.05004
Year:	2011
Gepaid:	CAL000345318
TSD EPA ID:	NVT330010000
CA Waste Code:	352 - Other organic solids
Disposal Method:	H132 - Landfill Or Surface Impoundment That Will Be Closed As Landfill(To Include On-Site Treatment And/Or Stabilization)
Tons:	0.125
Year:	2011
Gepaid:	CAL000345318
TSD EPA ID:	CAT000613976
CA Waste Code:	213 - Hydrocarbon solvents (benzene, hexane, Stoddard, Etc.)
Disposal Method:	H141 - Storage, Bulking, And/Or Transfer Off Site--No Treatment/Reovery (H010-H129) Or (H131-H135)
Tons:	0.05838
Year:	2011
Gepaid:	CAL000345318
TSD EPA ID:	CAT000613893
CA Waste Code:	213 - Hydrocarbon solvents (benzene, hexane, Stoddard, Etc.)
Disposal Method:	H141 - Storage, Bulking, And/Or Transfer Off Site--No Treatment/Reovery (H010-H129) Or (H131-H135)
Tons:	0.11259
Year:	2010
Gepaid:	CAL000345318
TSD EPA ID:	CAT000613976
CA Waste Code:	213 - Hydrocarbon solvents (benzene, hexane, Stoddard, Etc.)
Disposal Method:	H141 - Storage, Bulking, And/Or Transfer Off Site--No Treatment/Reovery (H010-H129) Or (H131-H135)
Tons:	0.06255
Year:	2010
Gepaid:	CAL000345318
TSD EPA ID:	NVR000066837
CA Waste Code:	-
Disposal Method:	-
Tons:	0.06255
Year:	2009
Gepaid:	CAL000345318
TSD EPA ID:	CAD044429835
CA Waste Code:	141 - Off-specification, aged or surplus inorganics
Disposal Method:	H141 - Storage, Bulking, And/Or Transfer Off Site--No Treatment/Reovery (H010-H129) Or (H131-H135)
Tons:	0.025

[Click this hyperlink](#) while viewing on your computer to access 11 additional CA HAZNET: record(s) in the EDR Site Report.

Additional Info:

Year: 2011

Map ID
Direction
Distance
Elevation

MAP FINDINGS

Site

Database(s)

EDR ID Number
EPA ID Number

OLDCASTLE APG WEST INC DBA SUPERLITE BLOCK (Continued)

S113156741

Gen EPA ID:	CAL000345318
Shipment Date:	20111109
Creation Date:	4/12/2013 9:17:59
Receipt Date:	20111115
Manifest ID:	002714291SKS
Trans EPA ID:	TXR000050930
Trans Name:	SAFETY-KLEEN SYSTEMS INC
Trans 2 EPA ID:	Not reported
Trans 2 Name:	Not reported
TSDf EPA ID:	CAT000613893
Trans Name:	SAFETY-KLEEN SYSTEMS INC
TSDf Alt EPA ID:	Not reported
TSDf Alt Name:	Not reported
Waste Code Description:	213 - Hydrocarbon solvents (benzene, hexane, Stoddard, etc.
RCRA Code:	D039
Meth Code:	H141 - Storage, Bulking, And/Or Transfer Off Site--No Treatment/Reovery (H010-H129) Or (H131-H135)
Quantity Tons:	0.05004
Waste Quantity:	12
Quantity Unit:	G
Additional Code 1:	Not reported
Additional Code 2:	Not reported
Additional Code 3:	Not reported
Additional Code 4:	Not reported
Additional Code 5:	Not reported
Shipment Date:	20110818
Creation Date:	4/12/2013 9:17:44
Receipt Date:	20110823
Manifest ID:	004268804FLE
Trans EPA ID:	TXR000050930
Trans Name:	SAFETY-KLEEN SYSTEMS INC
Trans 2 EPA ID:	Not reported
Trans 2 Name:	Not reported
TSDf EPA ID:	CAT000613893
Trans Name:	SAFETY-KLEEN SYSTEMS INC
TSDf Alt EPA ID:	Not reported
TSDf Alt Name:	Not reported
Waste Code Description:	213 - Hydrocarbon solvents (benzene, hexane, Stoddard, etc.
RCRA Code:	D039
Meth Code:	H141 - Storage, Bulking, And/Or Transfer Off Site--No Treatment/Reovery (H010-H129) Or (H131-H135)
Quantity Tons:	0.06255
Waste Quantity:	15
Quantity Unit:	G
Additional Code 1:	Not reported
Additional Code 2:	Not reported
Additional Code 3:	Not reported
Additional Code 4:	Not reported
Additional Code 5:	Not reported
Shipment Date:	20110526
Creation Date:	4/12/2013 9:17:24
Receipt Date:	20110606
Manifest ID:	003612986FLE
Trans EPA ID:	TXR000050930

Map ID
Direction
Distance
Elevation

MAP FINDINGS

Site

Database(s)

EDR ID Number
EPA ID Number

OLDCASTLE APG WEST INC DBA SUPERLITE BLOCK (Continued)

S113156741

Trans Name: SAFETY-KLEEN SYSTEMS INC
Trans 2 EPA ID: Not reported
Trans 2 Name: Not reported
TSDf EPA ID: CAT000613976
Trans Name: SAFETY-KLEEN SYSTEMS INC
TSDf Alt EPA ID: Not reported
TSDf Alt Name: Not reported
Waste Code Description: 213 - Hydrocarbon solvents (benzene, hexane, Stoddard, etc.
RCRA Code: D039
Meth Code: H141 - Storage, Bulking, And/Or Transfer Off Site--No
Treatment/Reovery (H010-H129) Or (H131-H135)

Quantity Tons: 0.05838
Waste Quantity: 14
Quantity Unit: G
Additional Code 1: Not reported
Additional Code 2: Not reported
Additional Code 3: Not reported
Additional Code 4: Not reported
Additional Code 5: Not reported

Shipment Date: 20110303
Creation Date: 4/12/2013 9:17:10
Receipt Date: 20110316
Manifest ID: 002667739SKS
Trans EPA ID: TXR000050930
Trans Name: SAFETY-KLEEN SYSTEMS INC
Trans 2 EPA ID: OKD981588791
Trans 2 Name: TRIAD TRANSPORT
TSDf EPA ID: NVT330010000
Trans Name: US ECOLOGY NEVADA
TSDf Alt EPA ID: Not reported
TSDf Alt Name: Not reported
Waste Code Description: 352 - Other organic solids
RCRA Code: Not reported
Meth Code: H132 - Landfill Or Surface Impoundment That Will Be Closed As
Landfill(To Include On-Site Treatment And/Or Stabilization)

Quantity Tons: 0.125
Waste Quantity: 250
Quantity Unit: P
Additional Code 1: Not reported
Additional Code 2: Not reported
Additional Code 3: Not reported
Additional Code 4: Not reported
Additional Code 5: Not reported

Additional Info:

Year: 2008
Gen EPA ID: CAL000345318

Shipment Date: 20081113
Creation Date: 4/12/2013 9:24:51
Receipt Date: 20081126
Manifest ID: 000030607SKS
Trans EPA ID: TXR000050930
Trans Name: SAFETY-KLEEN SYSTEMS INC
Trans 2 EPA ID: OKD981588791
Trans 2 Name: TRIAD

Map ID
Direction
Distance
Elevation

MAP FINDINGS

Site

Database(s)

EDR ID Number
EPA ID Number

OLDCASTLE APG WEST INC DBA SUPERLITE BLOCK (Continued)

S113156741

TSDF EPA ID: NVT330010000
Trans Name: US ECOLOGY NEVADA
TSDF Alt EPA ID: Not reported
TSDF Alt Name: Not reported
Waste Code Description: 352 - Other organic solids
RCRA Code: Not reported
Meth Code: H132 - Landfill Or Surface Impoundment That Will Be Closed As Landfill(To Include On-Site Treatment And/Or Stabilization)

Quantity Tons: 0.075
Waste Quantity: 150
Quantity Unit: P
Additional Code 1: Not reported
Additional Code 2: Not reported
Additional Code 3: Not reported
Additional Code 4: Not reported
Additional Code 5: Not reported

Shipment Date: 20080515
Creation Date: 4/12/2013 9:24:25
Receipt Date: 20080530
Manifest ID: 001208356SKS
Trans EPA ID: TXR000050930
Trans Name: SAFETY-KLEEN SYSTEMS INC
Trans 2 EPA ID: OKD981588791
Trans 2 Name: TRIAD
TSDF EPA ID: NVT330010000
Trans Name: US ECOLOGY NEVADA
TSDF Alt EPA ID: Not reported
TSDF Alt Name: Not reported
Waste Code Description: 352 - Other organic solids
RCRA Code: Not reported
Meth Code: H132 - Landfill Or Surface Impoundment That Will Be Closed As Landfill(To Include On-Site Treatment And/Or Stabilization)

Quantity Tons: 0.125
Waste Quantity: 250
Quantity Unit: P
Additional Code 1: Not reported
Additional Code 2: Not reported
Additional Code 3: Not reported
Additional Code 4: Not reported
Additional Code 5: Not reported

Shipment Date: 20080122
Creation Date: 10/18/2013 9:44:03
Receipt Date: 20080122
Manifest ID: 000515863SKS
Trans EPA ID: TXR000050930
Trans Name: SAFETY-KLEEN SYSTEMS INC
Trans 2 EPA ID: Not reported
Trans 2 Name: Not reported
TSDF EPA ID: NVR000066837
Trans Name: SAFETY-KLEEN SYSTEMS INC
TSDF Alt EPA ID: Not reported
TSDF Alt Name: Not reported
Waste Code Description: 213 - Hydrocarbon solvents (benzene, hexane, Stoddard, etc.
RCRA Code: D039
Meth Code: H141 - Storage, Bulking, And/Or Transfer Off Site--No

Map ID
Direction
Distance
Elevation

MAP FINDINGS

Site

Database(s)

EDR ID Number
EPA ID Number

OLDCASTLE APG WEST INC DBA SUPERLITE BLOCK (Continued)

S113156741

Treatment/Reovery (H010-H129) Or (H131-H135)
Quantity Tons: 0.05838
Waste Quantity: 14
Quantity Unit: G
Additional Code 1: Not reported
Additional Code 2: Not reported
Additional Code 3: Not reported
Additional Code 4: Not reported
Additional Code 5: Not reported

Additional Info:

Year: 2009
Gen EPA ID: CAL000345318

Shipment Date: 20091110
Creation Date: 4/12/2013 9:15:09
Receipt Date: 20091201
Manifest ID: 002180651SKS
Trans EPA ID: TXR000050930
Trans Name: SAFETY-KLEEN SYSTEMS INC
Trans 2 EPA ID: OKD981588791
Trans 2 Name: TRIAD
TSDf EPA ID: NVT330010000
Trans Name: US ECOLOGY NEVADA
TSDf Alt EPA ID: Not reported
TSDf Alt Name: Not reported
Waste Code Description: 352 - Other organic solids
RCRA Code: Not reported
Meth Code: H132 - Landfill Or Surface Impoundment That Will Be Closed As
Landfill(To Include On-Site Treatment And/Or Stabilization)

Quantity Tons: 0.075
Waste Quantity: 150
Quantity Unit: P
Additional Code 1: Not reported
Additional Code 2: Not reported
Additional Code 3: Not reported
Additional Code 4: Not reported
Additional Code 5: Not reported

Shipment Date: 20090916
Creation Date: 2/3/2010 18:30:35
Receipt Date: 20090925
Manifest ID: 005933121JJK
Trans EPA ID: CAR000188201
Trans Name: ENVIRONMENTAL RECOVERY SERVICES INC
Trans 2 EPA ID: MAD039322250
Trans 2 Name: CLEAN HARBORS ENV SVCS
TSDf EPA ID: CAD044429835
Trans Name: CLEAN HARBORS WILMINGTON LLC
TSDf Alt EPA ID: Not reported
TSDf Alt Name: Not reported
Waste Code Description: 331 - Off-specification, aged, or surplus organics
RCRA Code: D001
Meth Code: H141 - Storage, Bulking, And/Or Transfer Off Site--No
Treatment/Reovery (H010-H129) Or (H131-H135)

Quantity Tons: 0.0375
Waste Quantity: 75

Map ID
Direction
Distance
Elevation

MAP FINDINGS

Site

Database(s)

EDR ID Number
EPA ID Number

OLDCASTLE APG WEST INC DBA SUPERLITE BLOCK (Continued)

S113156741

Quantity Unit:	P
Additional Code 1:	Not reported
Additional Code 2:	Not reported
Additional Code 3:	Not reported
Additional Code 4:	Not reported
Additional Code 5:	Not reported
Shipment Date:	20090916
Creation Date:	Not reported
Receipt Date:	Not reported
Manifest ID:	005933121JJK
Trans EPA ID:	CAR000188201
Trans Name:	ENVIRONMENTAL RECOVERY SERVICES INC
Trans 2 EPA ID:	MAD039322250
Trans 2 Name:	CLEAN HARBORS ENV SVCS
TSDf EPA ID:	CAD044429835
Trans Name:	CLEAN HARBORS WILMINGTON LLC
TSDf Alt EPA ID:	Not reported
TSDf Alt Name:	Not reported
Waste Code Description:	331 - Off-specification, aged, or surplus organics
RCRA Code:	Not reported
Meth Code:	H141 - Storage, Bulking, And/Or Transfer Off Site--No Treatment/Reovery (H010-H129) Or (H131-H135)
Quantity Tons:	0.0375
Waste Quantity:	75
Quantity Unit:	P
Additional Code 1:	Not reported
Additional Code 2:	Not reported
Additional Code 3:	Not reported
Additional Code 4:	Not reported
Additional Code 5:	Not reported
Shipment Date:	20090916
Creation Date:	2/3/2010 18:30:35
Receipt Date:	20090925
Manifest ID:	005933121JJK
Trans EPA ID:	CAR000188201
Trans Name:	ENVIRONMENTAL RECOVERY SERVICES INC
Trans 2 EPA ID:	MAD039322250
Trans 2 Name:	CLEAN HARBORS ENV SVCS
TSDf EPA ID:	CAD044429835
Trans Name:	CLEAN HARBORS WILMINGTON LLC
TSDf Alt EPA ID:	Not reported
TSDf Alt Name:	Not reported
Waste Code Description:	141 - Off-specification, aged, or surplus inorganics
RCRA Code:	D002
Meth Code:	H141 - Storage, Bulking, And/Or Transfer Off Site--No Treatment/Reovery (H010-H129) Or (H131-H135)
Quantity Tons:	0.025
Waste Quantity:	50
Quantity Unit:	P
Additional Code 1:	Not reported
Additional Code 2:	Not reported
Additional Code 3:	Not reported
Additional Code 4:	Not reported
Additional Code 5:	Not reported

Map ID
Direction
Distance
Elevation

MAP FINDINGS

Site

Database(s)

EDR ID Number
EPA ID Number

OLDCASTLE APG WEST INC DBA SUPERLITE BLOCK (Continued)

S113156741

Shipment Date:	20090916
Creation Date:	2/3/2010 18:30:35
Receipt Date:	20090925
Manifest ID:	005933121JJK
Trans EPA ID:	CAR000188201
Trans Name:	ENVIRONMENTAL RECOVERY SERVICES INC
Trans 2 EPA ID:	MAD039322250
Trans 2 Name:	CLEAN HARBORS ENV SVCS
TSDf EPA ID:	CAD044429835
Trans Name:	CLEAN HARBORS WILMINGTON LLC
TSDf Alt EPA ID:	Not reported
TSDf Alt Name:	Not reported
Waste Code Description:	181 - Other inorganic solid waste Organics
RCRA Code:	D001
Meth Code:	H141 - Storage, Bulking, And/Or Transfer Off Site--No Treatment/Reovery (H010-H129) Or (H131-H135)
Quantity Tons:	0.0075
Waste Quantity:	15
Quantity Unit:	P
Additional Code 1:	Not reported
Additional Code 2:	Not reported
Additional Code 3:	Not reported
Additional Code 4:	Not reported
Additional Code 5:	Not reported
Shipment Date:	20090916
Creation Date:	2/3/2010 18:30:35
Receipt Date:	20090925
Manifest ID:	005933121JJK
Trans EPA ID:	CAR000188201
Trans Name:	ENVIRONMENTAL RECOVERY SERVICES INC
Trans 2 EPA ID:	MAD039322250
Trans 2 Name:	CLEAN HARBORS ENV SVCS
TSDf EPA ID:	CAD044429835
Trans Name:	CLEAN HARBORS WILMINGTON LLC
TSDf Alt EPA ID:	Not reported
TSDf Alt Name:	Not reported
Waste Code Description:	232 - Pesticides and other waste associated with pesticide production
RCRA Code:	Not reported
Meth Code:	H141 - Storage, Bulking, And/Or Transfer Off Site--No Treatment/Reovery (H010-H129) Or (H131-H135)
Quantity Tons:	0.025
Waste Quantity:	50
Quantity Unit:	P
Additional Code 1:	Not reported
Additional Code 2:	Not reported
Additional Code 3:	Not reported
Additional Code 4:	Not reported
Additional Code 5:	Not reported
Shipment Date:	20090514
Creation Date:	4/12/2013 9:25:22
Receipt Date:	20090528
Manifest ID:	001769103SKS
Trans EPA ID:	TXR000050930
Trans Name:	SAFETY-KLEEN SYSTEMS INC
Trans 2 EPA ID:	OKD981588791

Map ID
Direction
Distance
Elevation

MAP FINDINGS

Site

Database(s)

EDR ID Number
EPA ID Number

OLDCASTLE APG WEST INC DBA SUPERLITE BLOCK (Continued)

S113156741

Trans 2 Name: TRIAD TRANSPORT
TSDf EPA ID: NVT330010000
Trans Name: US ECOLOGY NEVADA
TSDf Alt EPA ID: Not reported
TSDf Alt Name: Not reported
Waste Code Description: 352 - Other organic solids
RCRA Code: Not reported
Meth Code: H132 - Landfill Or Surface Impoundment That Will Be Closed As
Landfill(To Include On-Site Treatment And/Or Stabilization)

Quantity Tons: 0.075
Waste Quantity: 150
Quantity Unit: P
Additional Code 1: Not reported
Additional Code 2: Not reported
Additional Code 3: Not reported
Additional Code 4: Not reported
Additional Code 5: Not reported

Additional Info:

Year: 2010
Gen EPA ID: CAL000345318

Shipment Date: 20101208
Creation Date: 4/12/2013 9:16:52
Receipt Date: 20101215
Manifest ID: 003828413FLE
Trans EPA ID: TXR000050930
Trans Name: SAFETY-KLEEN SYSTEMS INC
Trans 2 EPA ID: Not reported
Trans 2 Name: Not reported
TSDf EPA ID: CAT000613976
Trans Name: SAFETY-KLEEN SYSTEMS INC
TSDf Alt EPA ID: Not reported
TSDf Alt Name: Not reported
Waste Code Description: 213 - Hydrocarbon solvents (benzene, hexane, Stoddard, etc.
RCRA Code: D039
Meth Code: H141 - Storage, Bulking, And/Or Transfer Off Site--No
Treatment/Reovery (H010-H129) Or (H131-H135)

Quantity Tons: 0.06255
Waste Quantity: 15
Quantity Unit: G
Additional Code 1: Not reported
Additional Code 2: Not reported
Additional Code 3: Not reported
Additional Code 4: Not reported
Additional Code 5: Not reported

Shipment Date: 20100504
Creation Date: 4/12/2013 9:16:18
Receipt Date: 20100504
Manifest ID: 003293551FLE
Trans EPA ID: TXR000050930
Trans Name: SAFETY-KLEEN SYSTEMS INC
Trans 2 EPA ID: Not reported
Trans 2 Name: Not reported
TSDf EPA ID: NVR000066837
Trans Name: SAFETY-KLEEN SYSTEMS INC

Map ID
Direction
Distance
Elevation

MAP FINDINGS

Site

Database(s)

EDR ID Number
EPA ID Number

OLDCASTLE APG WEST INC DBA SUPERLITE BLOCK (Continued)

S113156741

TSDf Alt EPA ID: Not reported
TSDf Alt Name: Not reported
Waste Code Description: - Not reported
RCRA Code: Not reported
Meth Code: - Not reported
Quantity Tons: 0.06255
Waste Quantity: 15
Quantity Unit: G
Additional Code 1: Not reported
Additional Code 2: Not reported
Additional Code 3: Not reported
Additional Code 4: Not reported
Additional Code 5: Not reported

Additional Info:

Year: 2012
Gen EPA ID: CAL000345318

Shipment Date: 20120328
Creation Date: 10/18/2013 11:29:38
Receipt Date: 20120403
Manifest ID: 003120980SKS
Trans EPA ID: TXR000050930
Trans Name: SAFETY-KLEEN SYSTEMS INC
Trans 2 EPA ID: Not reported
Trans 2 Name: Not reported
TSDf EPA ID: CAT000613893
Trans Name: SAFETY-KLEEN SYSTEMS INC
TSDf Alt EPA ID: Not reported
TSDf Alt Name: Not reported
Waste Code Description: 213 - Hydrocarbon solvents (benzene, hexane, Stoddard, etc.
RCRA Code: D039
Meth Code: H141 - Storage, Bulking, And/Or Transfer Off Site--No
Treatment/Reovery (H010-H129) Or (H131-H135)
Quantity Tons: 0.05004
Waste Quantity: 12
Quantity Unit: G
Additional Code 1: Not reported
Additional Code 2: Not reported
Additional Code 3: Not reported
Additional Code 4: Not reported
Additional Code 5: Not reported

Shipment Date: 20120328
Creation Date: 10/18/2013 13:33:46
Receipt Date: 20120411
Manifest ID: 003197073SKS
Trans EPA ID: TXR000050930
Trans Name: SAFETY-KLEEN SYSTEMS INC
Trans 2 EPA ID: OKD981588791
Trans 2 Name: TRIAD TRANSPORT
TSDf EPA ID: NVT330010000
Trans Name: US ECOLOGY NEVADA
TSDf Alt EPA ID: Not reported
TSDf Alt Name: Not reported
Waste Code Description: - Not reported
RCRA Code: Not reported

Map ID
Direction
Distance
Elevation

MAP FINDINGS

Site

Database(s)

EDR ID Number
EPA ID Number

OLDCASTLE APG WEST INC DBA SUPERLITE BLOCK (Continued)

S113156741

Meth Code: H132 - Landfill Or Surface Impoundment That Will Be Closed As
Landfill(To Include On-Site Treatment And/Or Stabilization)
Quantity Tons: Not reported
Waste Quantity: 0
Quantity Unit: 0
Additional Code 1: Not reported
Additional Code 2: Not reported
Additional Code 3: Not reported
Additional Code 4: Not reported
Additional Code 5: Not reported

Shipment Date: 20120328
Creation Date: 10/18/2013 13:33:46
Receipt Date: 20120411
Manifest ID: 003197073SKS
Trans EPA ID: TXR000050930
Trans Name: SAFETY-KLEEN SYSTEMS INC
Trans 2 EPA ID: OKD981588791
Trans 2 Name: TRIAD TRANSPORT
TSDf EPA ID: NVT330010000
Trans Name: US ECOLOGY NEVADA
TSDf Alt EPA ID: Not reported
TSDf Alt Name: Not reported
Waste Code Description: 352 - Other organic solids
RCRA Code: Not reported
Meth Code: - Not reported
Quantity Tons: 0.05
Waste Quantity: 100
Quantity Unit: P
Additional Code 1: Not reported
Additional Code 2: Not reported
Additional Code 3: Not reported
Additional Code 4: Not reported
Additional Code 5: Not reported

Additional Info:
Year: 2007
Gen EPA ID: CAL000345318

Shipment Date: 20070919
Creation Date: 10/18/2013 9:44:57
Receipt Date: 20071004
Manifest ID: 000615425SKS
Trans EPA ID: TXR000050930
Trans Name: SAFETY-KLEEN SYSTEMS INC
Trans 2 EPA ID: OKD981588791
Trans 2 Name: TRIAD
TSDf EPA ID: NVT330010000
Trans Name: US ECOLOGY NEVADA
TSDf Alt EPA ID: Not reported
TSDf Alt Name: Not reported
Waste Code Description: 352 - Other organic solids
RCRA Code: Not reported
Meth Code: H132 - Landfill Or Surface Impoundment That Will Be Closed As
Landfill(To Include On-Site Treatment And/Or Stabilization)
Quantity Tons: 0.45
Waste Quantity: 900

Map ID
Direction
Distance
Elevation

MAP FINDINGS

Site

Database(s)

EDR ID Number
EPA ID Number

OLDCASTLE APG WEST INC DBA SUPERLITE BLOCK (Continued)

S113156741

Quantity Unit: P
Additional Code 1: Not reported
Additional Code 2: Not reported
Additional Code 3: Not reported
Additional Code 4: Not reported
Additional Code 5: Not reported

Additional Info:

Year: 2002
Gen EPA ID: CAL000345318

Shipment Date: 20020207
Creation Date: 10/18/2013 13:38:06
Receipt Date: 20020207
Manifest ID: 21470672
Trans EPA ID: SCR000075150
Trans Name: Not reported
Trans 2 EPA ID: Not reported
Trans 2 Name: Not reported
TSDf EPA ID: NVT330010208
Trans Name: Not reported
TSDf Alt EPA ID: Not reported
TSDf Alt Name: Not reported
Waste Code Description: 221 - Waste oil and mixed oil
RCRA Code: Not reported
Meth Code: H01 - Transfer Station
Quantity Tons: 0.646
Waste Quantity: 170
Quantity Unit: G
Additional Code 1: Not reported
Additional Code 2: Not reported
Additional Code 3: Not reported
Additional Code 4: Not reported
Additional Code 5: Not reported

Additional Info:

Year: 2004
Gen EPA ID: CAL000345318

Shipment Date: 20040915
Creation Date: 10/18/2013 13:40:49
Receipt Date: 20040915
Manifest ID: 22323457
Trans EPA ID: TXR000050930
Trans Name: SAFETY-KLEEN SYSTEMS INC
Trans 2 EPA ID: Not reported
Trans 2 Name: Not reported
TSDf EPA ID: NVR000066837
Trans Name: SAFETY-KLEEN SYSTEMS INC
TSDf Alt EPA ID: NVR000066837
TSDf Alt Name: Not reported
Waste Code Description: 221 - Waste oil and mixed oil
RCRA Code: Not reported
Meth Code: - Not reported
Quantity Tons: 0.19
Waste Quantity: 50

Map ID
Direction
Distance
Elevation

MAP FINDINGS

Site

Database(s)

EDR ID Number
EPA ID Number

OLDCASTLE APG WEST INC DBA SUPERLITE BLOCK (Continued)

S113156741

Quantity Unit: G
Additional Code 1: Not reported
Additional Code 2: Not reported
Additional Code 3: Not reported
Additional Code 4: Not reported
Additional Code 5: Not reported

Shipment Date: 20040218
Creation Date: 10/21/2013 13:27:10
Receipt Date: 20040218
Manifest ID: 22588690
Trans EPA ID: TXR000050930
Trans Name: SAFETY-KLEEN SYSTEMS INC
Trans 2 EPA ID: Not reported
Trans 2 Name: Not reported
TSDf EPA ID: NVR000066837
Trans Name: SAFETY-KLEEN SYSTEMS INC
TSDf Alt EPA ID: Not reported
TSDf Alt Name: Not reported
Waste Code Description: 221 - Waste oil and mixed oil
RCRA Code: Not reported
Meth Code: - Not reported
Quantity Tons: 0.76
Waste Quantity: 200
Quantity Unit: G
Additional Code 1: Not reported
Additional Code 2: Not reported
Additional Code 3: Not reported
Additional Code 4: Not reported
Additional Code 5: Not reported

Additional Info:

Year: 2001
Gen EPA ID: CAL000345318

Shipment Date: 20011031
Creation Date: 10/18/2013 13:36:04
Receipt Date: 20011031
Manifest ID: 21386459
Trans EPA ID: SCR000075150
Trans Name: Not reported
Trans 2 EPA ID: Not reported
Trans 2 Name: Not reported
TSDf EPA ID: NVT330010208
Trans Name: Not reported
TSDf Alt EPA ID: Not reported
TSDf Alt Name: Not reported
Waste Code Description: 221 - Waste oil and mixed oil
RCRA Code: Not reported
Meth Code: - Not reported
Quantity Tons: 0.627
Waste Quantity: 165
Quantity Unit: G
Additional Code 1: Not reported
Additional Code 2: Not reported
Additional Code 3: Not reported
Additional Code 4: Not reported

Map ID
Direction
Distance
Elevation

MAP FINDINGS

Site

Database(s)

EDR ID Number
EPA ID Number

OLDCASTLE APG WEST INC DBA SUPERLITE BLOCK (Continued)

S113156741

Additional Code 5: Not reported

Shipment Date: 20010613
Creation Date: 10/18/2013 13:35:14
Receipt Date: 20010613
Manifest ID: 21130666
Trans EPA ID: SCR000075150
Trans Name: Not reported
Trans 2 EPA ID: Not reported
Trans 2 Name: Not reported
TSDf EPA ID: NVT330010208
Trans Name: Not reported
TSDf Alt EPA ID: Not reported
TSDf Alt Name: Not reported
Waste Code Description: 221 - Waste oil and mixed oil
RCRA Code: Not reported
Meth Code: H01 - Transfer Station
Quantity Tons: 0.95
Waste Quantity: 250
Quantity Unit: G
Additional Code 1: Not reported
Additional Code 2: Not reported
Additional Code 3: Not reported
Additional Code 4: Not reported
Additional Code 5: Not reported

HWTS:

Name: OLDCASTLE APG WEST INC DBA SUPERLITE BLOCK
Address: 1 ICE PLANT RD
Address 2: Not reported
City,State,Zip: NEEDLES, CA 92363
EPA ID: CAL000345318
Inactive Date: 06/30/2012
Create Date: 07/31/2009
Last Act Date: Not reported
Mailing Name: Not reported
Mailing Address: 4150 W TURNEY AVE
Mailing Address 2: Not reported
Mailing City,State,Zip: PHOENIX, AZ 850193327
Owner Name: OLDCASTLE APG WEST INC
Owner Address: 4150 W TURNEY AVE
Owner Address 2: Not reported
Owner City,State,Zip: PHOENIX, AZ 850193327
Contact Name: FABIAN CAMPA
Contact Address: 4150 W TURNEY AVE
Contact Address 2: Not reported
City,State,Zip: PHOENIX, AZ 850193327
Facility Status: Inactive
Facility Type: PERMANENT
Category: STATE
Latitude: 34.824465
Longitude: -114.592858

NAICS:

EPA ID: CAL000345318
Create Date: 2009-07-31 11:40:50.550
NAICS Code: 327331

Map ID
Direction
Distance
Elevation

MAP FINDINGS

Site

Database(s)

EDR ID Number
EPA ID Number

OLDCASTLE APG WEST INC DBA SUPERLITE BLOCK (Continued)

S113156741

NAICS Description: Concrete Block and Brick Manufacturing
Issued EPA ID Date: 2009-07-31 11:40:50.51700
Inactive Date: 2012-06-30 00:00:00
Facility Name: OLDCASTLE APG WEST INC DBA SUPERLITE BLOCK
Facility Address: 1 ICE PLANT RD
Facility Address 2: Not reported
Facility City: NEEDLES
Facility County: Not reported
Facility State: CA
Facility Zip: 92363

DD826 **SUPERLITE BLOCK**
Target **1 ICE PLANT RD**
Property **NEEDLES, CA 92363**

San Bern. Co. Permit **S106230022**
CERS **N/A**

Site 4 of 5 in cluster DD

Actual: San Bern. Co. Permit:
539 ft.
Focus Map: Name: SUPERLITE BLOCK
11 Address: 1 ICE PLANT RD
City,State,Zip: NEEDLES, CA 92363
Region: SAN BERNARDINO
Facility ID: FA0000075
Owner: OLDCASTLE APG WEST, INC.
Permit Number: PT0007490
Permit Category: HAZMAT HANDLER 0-10 EMPLOYEES
Facility Status: INACTIVE
Expiration Date: 09/30/2012

Name: SUPERLITE BLOCK
Address: 1 ICE PLANT RD
City,State,Zip: NEEDLES, CA 92363
Region: SAN BERNARDINO
Facility ID: FA0000075
Owner: OLDCASTLE APG WEST, INC.
Permit Number: PT0007489
Permit Category: SPECIAL GENERATOR
Facility Status: INACTIVE
Expiration Date: 09/30/2012

Name: SUPERLITE BLOCK
Address: 1 ICE PLANT RD
City,State,Zip: NEEDLES, CA 92363
Region: SAN BERNARDINO
Facility ID: FA0000075
Owner: OLDCASTLE APG WEST, INC.
Permit Number: PT0014453
Permit Category: EPCRA FACILITY
Facility Status: INACTIVE
Expiration Date: 09/30/2012

Name: SUPERLITE BLOCK
Address: 1 ICE PLANT RD
City,State,Zip: NEEDLES, CA 92363
Region: SAN BERNARDINO
Facility ID: FA0000075
Owner: OLDCASTLE APG WEST, INC.

Map ID
Direction
Distance
Elevation

MAP FINDINGS

Site

Database(s)

EDR ID Number
EPA ID Number

SUPERLITE BLOCK (Continued)

S106230022

Permit Number: PT0009990
Permit Category: APSA 10,001-100,000 GAL FAC CAPACITY
Facility Status: INACTIVE
Expiration Date: 09/30/2012

Name: SUPERLITE BLOCK
Address: 1 ICE PLANT RD
City,State,Zip: NEEDLES, CA 92363
Region: SAN BERNARDINO
Facility ID: FA0000075
Owner: OLDCASTLE APG WEST, INC.
Permit Number: PT0009989
Permit Category: AST OPERATING PERMIT
Facility Status: INACTIVE
Expiration Date: 09/30/2005

CERS:

Name: SUPERLITE BLOCK INC.
Address: 1 ICE PLANT RD
City,State,Zip: NEEDLES, CA 92363
Site ID: 158360
CERS ID: 92363SPRLT9ICEP
CERS Description: Toxic Release Inventory

Affiliation:

Affiliation Type Desc: Company Official
Entity Name: Jay Frederickson
Entity Title: COO
Affiliation Address: 4150 W TURNEY
Affiliation City: PHOENIX
Affiliation State: AZ
Affiliation Country: Not reported
Affiliation Zip: 92363
Affiliation Phone: ,

Affiliation Type Desc: Parent Company
Entity Name: OLDCASTLE INC
Entity Title: Not reported
Affiliation Address: 4150 W TURNEY
Affiliation City: PHOENIX
Affiliation State: AZ
Affiliation Country: Not reported
Affiliation Zip: 92363
Affiliation Phone: ,

Affiliation Type Desc: Public Contact
Entity Name: CHRIS NEWHOUSE
Entity Title: Not reported
Affiliation Address: 4150 W TURNEY
Affiliation City: PHOENIX
Affiliation State: AZ
Affiliation Country: Not reported
Affiliation Zip: 92363
Affiliation Phone: 6023029600,

Affiliation Type Desc: Technical Contact
Entity Name: GLENN MORTENSEN

Map ID
 Direction
 Distance
 Elevation

MAP FINDINGS

Site

Database(s)

EDR ID Number
 EPA ID Number

SUPERLITE BLOCK (Continued)

S106230022

Entity Title: Not reported
 Affiliation Address: 4150 W TURNEY
 Affiliation City: PHOENIX
 Affiliation State: AZ
 Affiliation Country: Not reported
 Affiliation Zip: 92363
 Affiliation Phone: 6023391167,

DD827
Target
Property

SUPERLITE BLOCK
1 ICE PLANT RD
NEEDLES, CA

AST 1009397881
N/A

Site 5 of 5 in cluster DD

Actual:
539 ft.

Focus Map:
11

AST:
 Name: SUPERLITE BLOCK
 Address: 1 ICE PLANT RD
 City/Zip: NEEDLES,
 Certified Unified Program Agencies: San Bernardino
 Owner: OLDCASTLE APG WEST, INC.
 Total Gallons: 11,805
 CERSID: Not reported
 Facility ID: Not reported
 Business Name: Not reported
 Phone: Not reported
 Fax: Not reported
 Mailing Address: Not reported
 Mailing Address City: Not reported
 Mailing Address State: Not reported
 Mailing Address Zip Code: Not reported
 Operator Name: Not reported
 Operator Phone: Not reported
 Owner Phone: Not reported
 Owner Mail Address: Not reported
 Owner State: Not reported
 Owner Zip Code: Not reported
 Owner Country: Not reported
 Property Owner Name: Not reported
 Property Owner Phone: Not reported
 Property Owner Mailing Address: Not reported
 Property Owner City: Not reported
 Property Owner Stat : Not reported
 Property Owner Zip Code: Not reported
 Property Owner Country: Not reported
 EPAID: Not reported

MAP FINDINGS

Map ID
 Direction
 Distance
 Elevation

Site

Database(s)

EDR ID Number
 EPA ID Number

DE828 **CALTRANS-NEEDLES**
Target **800 SAN CLEMENTE ST**
Property **NEEDLES, CA 92363**

AST **A100418360**
 N/A

Site 1 of 6 in cluster DE

Actual: **AST:**
584 ft. Name: CALTRANS-NEEDLES
Focus Map: Address: 800 SAN CLEMENTE ST
11 City/Zip: NEEDLES,92363
 Certified Unified Program Agencies: Not reported
 Owner: State of California
 Total Gallons: Not reported
 CERSID: 10001698
 Facility ID: FA0006383
 Business Name: Caltrans District 8
 Phone: 760-326-4639
 Fax: 760-326-4571
 Mailing Address: 464 W. 4th St. 6th Floor MS 9
 Mailing Address City: San Bernardino
 Mailing Address State: CA
 Mailing Address Zip Code: 92401
 Operator Name: California Department of Transportation
 Operator Phone: 760-252-2314
 Owner Phone: 760-252-2314
 Owner Mail Address: 464 W. 4th St. 6th Floor MS 9
 Owner State: CA
 Owner Zip Code: 92401
 Owner Country: United States
 Property Owner Name: State of California
 Property Owner Phone: 760-252-2314
 Property Owner Mailing Address: 464 W. 4th St. 6th Floor MS 9
 Property Owner City: San Bernardino
 Property Owner Stat : CA
 Property Owner Zip Code: 92401
 Property Owner Country: United States
 EPAID: CAD982417644

DE829 **CALTRANS DISTRICT 8 NEEDLES**
Target **800 SAN CLEMENTE**
Property **NEEDLES, CA 92363**

ECHO **1025891257**
 N/A

Site 2 of 6 in cluster DE

Actual: **ECHO:**
584 ft. Envid: 1025891257
Focus Map: Registry ID: 110002809382
11 DFR URL: <http://echo.epa.gov/detailed-facility-report?fid=110002809382>
 Name: CALTRANS DISTRICT 8 NEEDLES
 Address: 800 SAN CLEMENTE
 City,State,Zip: NEEDLES, CA 92363

Map ID
 Direction
 Distance
 Elevation

MAP FINDINGS

Site

Database(s)

EDR ID Number
 EPA ID Number

DE830 **CALTRANS DISTRICT 8 NEEDLES**
Target **800 SAN CLEMENTE**
Property **NEEDLES, CA 92363**

RCRA-LQG **1000419423**
SWF/LF **CAD982417644**
AST
FINDS
CERS

Site 3 of 6 in cluster DE

Actual:
584 ft.

RCRA-LQG:

Focus Map:
11

Date Form Received by Agency:	19880108
Handler Name:	CALTRANS DISTRICT 8 NEEDLES
Handler Address:	800 SAN CLEMENTE
Handler City,State,Zip:	NEEDLES, CA 92363
EPA ID:	CAD982417644
Contact Name:	ENVIRONMENTAL MANAGER
Contact Address:	800 SAN CLEMENTE
Contact City,State,Zip:	NEEDLES, CA 92363
Contact Telephone:	619-249-6266
Contact Fax:	Not reported
Contact Email:	Not reported
Contact Title:	Not reported
EPA Region:	09
Land Type:	Federal
Federal Waste Generator Description:	Large Quantity Generator
Non-Notifier:	Not reported
Biennial Report Cycle:	Not reported
Accessibility:	Not reported
Active Site Indicator:	Handler Activities
State District Owner:	CA
State District:	4
Mailing Address:	P O BOX 231
Mailing City,State,Zip:	SAN BERNARDINO, CA 92401
Owner Name:	CALIF DEPT OF TRANSPORTATION
Owner Type:	Federal
Operator Name:	Not reported
Operator Type:	Not reported
Short-Term Generator Activity:	No
Importer Activity:	No
Mixed Waste Generator:	No
Transporter Activity:	No
Transfer Facility Activity:	No
Recycler Activity with Storage:	No
Small Quantity On-Site Burner Exemption:	No
Smelting Melting and Refining Furnace Exemption:	No
Underground Injection Control:	No
Off-Site Waste Receipt:	No
Universal Waste Indicator:	No
Universal Waste Destination Facility:	No
Federal Universal Waste:	No
Active Site Fed-Reg Treatment Storage and Disposal Facility:	Not reported
Active Site Converter Treatment storage and Disposal Facility:	Not reported
Active Site State-Reg Treatment Storage and Disposal Facility:	Not reported
Active Site State-Reg Handler:	---
Federal Facility Indicator:	The land is federally-owned, The site is federally-owned
Hazardous Secondary Material Indicator:	N
Sub-Part K Indicator:	Not reported
Commercial TSD Indicator:	No
Treatment Storage and Disposal Type:	Not reported
2018 GPRA Permit Baseline:	Not on the Baseline
2018 GPRA Renewals Baseline:	Not on the Baseline
Permit Renewals Workload Universe:	Not reported

Map ID
 Direction
 Distance
 Elevation

MAP FINDINGS

Site

Database(s)

EDR ID Number
 EPA ID Number

CALTRANS DISTRICT 8 NEEDLES (Continued)

1000419423

Permit Workload Universe:	Not reported
Permit Progress Universe:	Not reported
Post-Closure Workload Universe:	Not reported
Closure Workload Universe:	Not reported
202 GPRA Corrective Action Baseline:	No
Corrective Action Workload Universe:	No
Subject to Corrective Action Universe:	No
Non-TSDFs Where RCRA CA has Been Imposed Universe:	No
TSDFs Potentially Subject to CA Under 3004 (u)/(v) Universe:	No
TSDFs Only Subject to CA under Discretionary Auth Universe:	No
Corrective Action Priority Ranking:	No NCAPS ranking
Environmental Control Indicator:	No
Institutional Control Indicator:	No
Human Exposure Controls Indicator:	N/A
Groundwater Controls Indicator:	N/A
Operating TSDF Universe:	Not reported
Full Enforcement Universe:	Not reported
Significant Non-Complier Universe:	No
Unaddressed Significant Non-Complier Universe:	No
Addressed Significant Non-Complier Universe:	No
Significant Non-Complier With a Compliance Schedule Universe:	No
Financial Assurance Required:	Not reported
Handler Date of Last Change:	20020627
Recognized Trader-Importer:	No
Recognized Trader-Exporter:	No
Importer of Spent Lead Acid Batteries:	No
Exporter of Spent Lead Acid Batteries:	No
Recycler Activity Without Storage:	No
Manifest Broker:	No
Sub-Part P Indicator:	No

Handler - Owner Operator:

Owner/Operator Indicator:	Owner
Owner/Operator Name:	CALIF DEPT OF TRANSPORTATION
Legal Status:	Federal
Date Became Current:	Not reported
Date Ended Current:	Not reported
Owner/Operator Address:	NOT REQUIRED
Owner/Operator City,State,Zip:	NOT REQUIRED, ME 99999
Owner/Operator Telephone:	415-555-1212
Owner/Operator Telephone Ext:	Not reported
Owner/Operator Fax:	Not reported
Owner/Operator Email:	Not reported

Historic Generators:

Receive Date:	19880108
Handler Name:	CALTRANS DISTRICT 8 NEEDLES
Federal Waste Generator Description:	Large Quantity Generator
State District Owner:	CA
Large Quantity Handler of Universal Waste:	No
Recognized Trader Importer:	No
Recognized Trader Exporter:	No
Spent Lead Acid Battery Importer:	No
Spent Lead Acid Battery Exporter:	No
Current Record:	Yes

Map ID
 Direction
 Distance
 Elevation

MAP FINDINGS

Site

Database(s)

EDR ID Number
 EPA ID Number

CALTRANS DISTRICT 8 NEEDLES (Continued)

1000419423

Non Storage Recycler Activity:	Not reported
Electronic Manifest Broker:	Not reported
List of NAICS Codes and Descriptions:	
NAICS Codes:	No NAICS Codes Found
Facility Has Received Notices of Violations:	
Violations:	No Violations Found
Evaluation Action Summary:	
Evaluations:	No Evaluations Found

SWF/LF (SWIS):

Name:	CALTRANS NEEDLES MAINTENANCE STATION
Address:	800 SAN CLEMENTE ST.
City,State,Zip:	NEEDLES, CA 92363
Region:	STATE
Facility ID:	36-AA-0461
SWIS Number:	36-AA-0461
Point of Contact:	Megan Emslander
Is Archived:	No
Is Closed Illegal Abandoned:	No
Is Site Inert Debris Engineered Fill:	No
Is Financial Assurances Responsible:	No
Absorbed On:	Not reported
Operational Status:	Active
Absorbed By:	Not reported
Closed Illegal Abandoned Category:	Not reported
EPA Federal Registry ID:	Not reported
ARB District:	Mojave Desert
SWRCB Region:	Colorado River
Local Government:	Needles
Reporting Agency Legal Name:	County of San Bernardino
Reporting Agency Department:	Div. of Environmental Health Services
Enforcing Agency Legal Name:	County of San Bernardino
Enforcing Agency Department:	Div. of Environmental Health Services
Regulation Status:	Notification

Activity:

SWIS Number:	36-AA-0461
Site Name:	Caltrans Needles Maintenance Station
Activity:	Limited Volume Transfer Operation
Activity Is Archived:	No
Category:	Transfer/Processing
Activity Classification:	Solid Waste Operation
WDR Number:	Not reported
WDR Landfill Class:	Not reported
Cease Operation:	Not reported
Cease Operation Type:	Not reported
Inspection Frequency:	Quarterly
Throughput:	60
Throughput Units:	Cubic Yards per Day
Remaining Capacity:	Not reported
Remaining Capacity Date:	Not reported
Capacity:	15600

Map ID
Direction
Distance
Elevation

MAP FINDINGS

Site

Database(s)

EDR ID Number
EPA ID Number

CALTRANS DISTRICT 8 NEEDLES (Continued)

1000419423

Capacity Units: Cubic Yards per year
Total Acreage: 2.3
Disposal Acreage: Not reported
Permitted Elevation: Not reported
Permitted Elevation Type: Not reported
Permitted Depth: Not reported
Permitted Depth Type: Not reported
Point of Contact: Megan Emslander
Site Operational Status: Active
Site Regulatory Status: Notification
Site Is Archived: No
Is Closed Illegal Abandoned: No
Is Site Inert Debris Engineered Fill: No
Is Financial Assurances Responsible: No
Absorbed On: Not reported
Absorbed By: Not reported
Closed Illegal Abandoned Category: Not reported
EPA Federal Registry ID: Not reported
County: San Bernardino
ARB District: Mojave Desert
SWRCB Region: Colorado River
Local Government: Needles
Street Address: 800 San Clemente St.
City: Needles
State: CA
ZIP Code: 92363
Reporting Agency Legal Name: County of San Bernardino
Reporting Agency Department: Div. of Environmental Health Services
Enforcing Agency Legal Name: County of San Bernardino
Enforcing Agency Department: Div. of Environmental Health Services

Operator:

SWIS Number: 36-AA-0461
Site Name: Caltrans Needles Maintenance Station
Site Operational Status: Active
Site Type: Non-Disposal Only
Site Regulatory Status: Notification
Latitude: 34.82481
Longitude: -114.60397
Is Archived: No
Operator: Needles Maintenance Crew 08-634
Started On: Not reported
Contact Name: Not reported
Contact Title: Not reported
Contact Email: Not reported
Contact Phone: (760) 326-4639
Street Address: 800 San Clemente St
Operator City: Needles
Operator State: CA
Operator Zip: 92363

Owner:

SWIS Number: 36-AA-0461
Owner: Caltrans North District 8
Owner Address: 175 W. Cluster St.
Owner City: San Bernardino

Map ID
Direction
Distance
Elevation

MAP FINDINGS

Site

Database(s)

EDR ID Number
EPA ID Number

CALTRANS DISTRICT 8 NEEDLES (Continued)

1000419423

Owner State: CA
Owner Zip: 92408
Site Name: Caltrans Needles Maintenance Station
Site Operational Status: Active
Site Type: Non-Disposal Only
Site Regulatory Status: Notification
Latitude: 34.82481
Longitude: -114.60397
Is Archived: No
Started On: Not reported
Contact Name: Not reported
Contact Title: Not reported
Contact Email: Not reported
Contact Phone: (909) 383-4268

Waste:

SWIS Number: 36-AA-0461
Site Name: Caltrans Needles Maintenance Station
Activity: Limited Volume Transfer Operation
Waste Type: Mixed municipal
Site Is Archived: No
Site Operational Status: Active
Site Regulatory Status: Notification
Site Type: Non-Disposal Only
Point of Contact: Megan Emslander
Activity Is Archived: No
Activity Operational Status: Active
Activity Regulatory Status: Notification
Activity Category: Transfer/Processing
Activity Classification: Solid Waste Operation

AST:

Name: CALTRANS NEEDLES YARD
Address: 800 SAN CLEMENTE
City/Zip: NEEDLES,
Certified Unified Program Agencies: San Bernardino
Owner: CALTRANS
Total Gallons: 2,690
CERSID: Not reported
Facility ID: Not reported
Business Name: Not reported
Phone: Not reported
Fax: Not reported
Mailing Address: Not reported
Mailing Address City: Not reported
Mailing Address State: Not reported
Mailing Address Zip Code: Not reported
Operator Name: Not reported
Operator Phone: Not reported
Owner Phone: Not reported
Owner Mail Address: Not reported
Owner State: Not reported
Owner Zip Code: Not reported
Owner Country: Not reported
Property Owner Name: Not reported

Map ID
Direction
Distance
Elevation

MAP FINDINGS

Site

Database(s)

EDR ID Number
EPA ID Number

CALTRANS DISTRICT 8 NEEDLES (Continued)

1000419423

Property Owner Phone: Not reported
Property Owner Mailing Address: Not reported
Property Owner City: Not reported
Property Owner Stat : Not reported
Property Owner Zip Code: Not reported
Property Owner Country: Not reported
EPAID: Not reported

FINDS:

Registry ID: 110002809382

[Click Here for FRS Facility Detail Report:](#)

Environmental Interest/Information System:

California Hazardous Waste Tracking System - Datamart (HWTS-DATAMART) provides California with information on hazardous waste shipments for generators, transporters, and treatment, storage, and disposal facilities.

RCRAInfo is a national information system that supports the Resource Conservation and Recovery Act (RCRA) program through the tracking of events and activities related to facilities that generate, transport, and treat, store, or dispose of hazardous waste. RCRAInfo allows RCRA program staff to track the notification, permit, compliance, and corrective action activities required under RCRA.

STATE MASTER

[Click this hyperlink](#) while viewing on your computer to access additional FINDS: detail in the EDR Site Report.

CERS:

Name: CALTRANS NEEDLES MAINTENANCE STATION
Address: 800 SAN CLEMENTE ST.
City,State,Zip: NEEDLES, CA
Site ID: 507430
CERS ID: 36-AA-0461
CERS Description: Solid Waste and Recycle Sites

Affiliation:

Affiliation Type Desc: Legal Operator
Entity Name: Needles Maintenance Crew 08-634
Entity Title: Not reported
Affiliation Address: Not reported
Affiliation City: Needles
Affiliation State: CA
Affiliation Country: Not reported
Affiliation Zip: 92363
Affiliation Phone: 7603264639,

Affiliation Type Desc: Legal Owner
Entity Name: Caltrans North District 8
Entity Title: Not reported
Affiliation Address: Not reported
Affiliation City: San Bernardino
Affiliation State: CA
Affiliation Country: Not reported
Affiliation Zip: 92408
Affiliation Phone: 9093834268,

Map ID
Direction
Distance
Elevation

MAP FINDINGS

Site

Database(s)

EDR ID Number
EPA ID Number

DE831 CALTRANS NEEDLES MAINTENANCE STATION
Target 800 SAN CLEMENTE ST.
Property NEEDLES, CA

RGA LF S114725907
N/A

Site 4 of 6 in cluster DE

Actual: RGA LF:
584 ft. Name: CALTRANS NEEDLES MAINTENANCE STATION
Focus Map: Address: 800 SAN CLEMENTE ST.
11 City: NEEDLES
State: NEEDLES
2012 CALTRANS NEEDLES MAINTENANCE STATION 800 SAN CLEMENTE ST.
Name: CALTRANS NEEDLES MAINTENANCE STATION
Address: 800 SAN CLEMENTE ST.
City: NEEDLES
State: NEEDLES
2011 CALTRANS NEEDLES MAINTENANCE STATION 800 SAN CLEMENTE ST.

DE832 NEEDLES MTCE
Target 800 SAN CLEMENTE ST
Property NEEDLES, CA 92363

HAULERS S127783306
N/A

Site 5 of 6 in cluster DE

Actual: HAULERS:
584 ft. Name: NEEDLES MTCE
Focus Map: Address: 800 SAN CLEMENTE ST
11 City,State,Zip: NEEDLES, CA 92363-3615
Facility ID: 1271437
Facility Phone: (760) 326-4639
Business Email Address: jeff.buck@dot.ca.gov
Contact Person: Jeff Buck
Mailing Address: 800 San Clemente St
Mailing City: Needles
Mailing State: CA
Mailing Zip: 92363
Mailing County: San Bernardino
Mailing Phone: Not reported
Current Status: Active
Current Hauler Status: Not reported
Accepting Tires From Public: Not reported
Regulatory Status Last Changed: Not reported
Business Types: Not reported

DE833 CALTRANS D8 MAINTENANCE NEEDLES MS
Target 800 SAN CLEMENTE ST
Property NEEDLES, CA 92363

CERS HAZ WASTE S113015959
CERS TANKS N/A
HAZNET
San Bern. Co. Permit
CERS
HWTS

Site 6 of 6 in cluster DE

Actual:
584 ft. CERS HAZ WASTE:
Focus Map: Name: CALTRANS-NEEDLES
11 Address: 800 SAN CLEMENTE ST
City,State,Zip: NEEDLES, CA 92363
Site ID: 102491
CERS ID: 10001698
CERS Description: Hazardous Waste Generator

Map ID
Direction
Distance
Elevation

MAP FINDINGS

Site

Database(s)

EDR ID Number
EPA ID Number

CALTRANS D8 MAINTENANCE NEEDLES MS (Continued)

S113015959

CERS TANKS:

Name: CALTRANS-NEEDLES
Address: 800 SAN CLEMENTE ST
City,State,Zip: NEEDLES, CA 92363
Site ID: 102491
CERS ID: 10001698
CERS Description: Aboveground Petroleum Storage

HAZNET:

Name: CALTRANS D8 MAINTENANCE NEEDLES MS
Address: 800 SAN CLEMENTE ST
Address 2: Not reported
City,State,Zip: NEEDLES, CA 92401
Contact: FRED MCSKIMMING
Telephone: 9092235653
Mailing Name: Not reported
Mailing Address: 464 W 4TH ST 6TH FLR

Year: 2019
Gepaid: CAD982417644
TSD EPA ID: CAT000613976
CA Waste Code: 134 - Aqueous solution with total organic residues less than 10 percent
Disposal Method: H141 - Storage, Bulking, And/Or Transfer Off Site--No Treatment/Reovery (H010-H129) Or (H131-H135)
Tons: 0.16800

Year: 2018
Gepaid: CAD982417644
TSD EPA ID: CAT000613976
CA Waste Code: 134 - Aqueous solution with total organic residues less than 10 percent
Disposal Method: H141 - Storage, Bulking, And/Or Transfer Off Site--No Treatment/Reovery (H010-H129) Or (H131-H135)
Tons: 0.16800

Year: 2017
Gepaid: CAD982417644
TSD EPA ID: CAT000613927
CA Waste Code: 134 - Aqueous solution with total organic residues less than 10 percent
Disposal Method: H141 - Storage, Bulking, And/Or Transfer Off Site--No Treatment/Reovery (H010-H129) Or (H131-H135)
Tons: 0.105

Year: 2017
Gepaid: CAD982417644
TSD EPA ID: AZR000003681
CA Waste Code: 223 - Unspecified oil-containing waste
Disposal Method: H039 - Other Recovery Of Reclamation For Reuse Including Acid Regeneration, Organics Recovery Ect
Tons: 0.0175

Year: 2016
Gepaid: CAD982417644
TSD EPA ID: CAT000613927

Map ID
Direction
Distance
Elevation

MAP FINDINGS

Site

Database(s)

EDR ID Number
EPA ID Number

CALTRANS D8 MAINTENANCE NEEDLES MS (Continued)

S113015959

CA Waste Code:	134 - Aqueous solution with total organic residues less than 10 percent
Disposal Method:	H141 - Storage, Bulking, And/Or Transfer Off Site--No Treatment/Reovery (H010-H129) Or (H131-H135)
Tons:	0.105
Year:	2015
Gepaid:	CAD982417644
TSD EPA ID:	CAD008364432
CA Waste Code:	135 - Unspecified aqueous solution
Disposal Method:	H141 - Storage, Bulking, And/Or Transfer Off Site--No Treatment/Reovery (H010-H129) Or (H131-H135)
Tons:	0.75
Year:	2015
Gepaid:	CAD982417644
TSD EPA ID:	CAT000613927
CA Waste Code:	134 - Aqueous solution with total organic residues less than 10 percent
Disposal Method:	H141 - Storage, Bulking, And/Or Transfer Off Site--No Treatment/Reovery (H010-H129) Or (H131-H135)
Tons:	0.21
Year:	2014
Gepaid:	CAD982417644
TSD EPA ID:	CAT000613927
CA Waste Code:	134 - Aqueous solution with total organic residues less than 10 percent
Disposal Method:	H141 - Storage, Bulking, And/Or Transfer Off Site--No Treatment/Reovery (H010-H129) Or (H131-H135)
Tons:	0.084
Year:	2014
Gepaid:	CAD982417644
TSD EPA ID:	CAT000613927
CA Waste Code:	134 - Aqueous solution with total organic residues less than 10 percent
Disposal Method:	-
Tons:	0.063
Year:	2012
Gepaid:	CAD982417644
TSD EPA ID:	CAD008364432
CA Waste Code:	331 - Off-specification, aged or surplus organics
Disposal Method:	H141 - Storage, Bulking, And/Or Transfer Off Site--No Treatment/Reovery (H010-H129) Or (H131-H135)
Tons:	0.045

[Click this hyperlink](#) while viewing on your computer to access 65 additional CA HAZNET: record(s) in the EDR Site Report.

Additional Info:

Year:	1993
Gen EPA ID:	CAD982417644
Shipment Date:	19930702

Map ID
Direction
Distance
Elevation

MAP FINDINGS

Site

Database(s)

EDR ID Number
EPA ID Number

CALTRANS D8 MAINTENANCE NEEDLES MS (Continued)

S113015959

Creation Date:	9/8/1995 0:00:00
Receipt Date:	Not reported
Manifest ID:	87300765
Trans EPA ID:	CAD980696041
Trans Name:	Not reported
Trans 2 EPA ID:	Not reported
Trans 2 Name:	Not reported
TSDf EPA ID:	CAT080025711
Trans Name:	Not reported
TSDf Alt EPA ID:	Not reported
TSDf Alt Name:	Not reported
Waste Code Description:	- Not reported
RCRA Code:	Not reported
Meth Code:	- Not reported
Quantity Tons:	0.6255
Waste Quantity:	150
Quantity Unit:	G
Additional Code 1:	Not reported
Additional Code 2:	Not reported
Additional Code 3:	Not reported
Additional Code 4:	Not reported
Additional Code 5:	Not reported
Shipment Date:	19930609
Creation Date:	9/9/1995 0:00:00
Receipt Date:	19930610
Manifest ID:	92521277
Trans EPA ID:	CAT080034184
Trans Name:	Not reported
Trans 2 EPA ID:	Not reported
Trans 2 Name:	Not reported
TSDf EPA ID:	CAT080013352
Trans Name:	Not reported
TSDf Alt EPA ID:	CAT080013352
TSDf Alt Name:	Not reported
Waste Code Description:	221 - Waste oil and mixed oil
RCRA Code:	Not reported
Meth Code:	R01 - Recycler
Quantity Tons:	5.7
Waste Quantity:	1500
Quantity Unit:	G
Additional Code 1:	Not reported
Additional Code 2:	Not reported
Additional Code 3:	Not reported
Additional Code 4:	Not reported
Additional Code 5:	Not reported
Shipment Date:	19930114
Creation Date:	9/6/1995 0:00:00
Receipt Date:	19930119
Manifest ID:	89591048
Trans EPA ID:	CAD980696041
Trans Name:	Not reported
Trans 2 EPA ID:	Not reported
Trans 2 Name:	Not reported
TSDf EPA ID:	CAT080025711
Trans Name:	Not reported

Map ID
Direction
Distance
Elevation

MAP FINDINGS

Site

Database(s)

EDR ID Number
EPA ID Number

CALTRANS D8 MAINTENANCE NEEDLES MS (Continued)

S113015959

TSDF Alt EPA ID: Not reported
TSDF Alt Name: Not reported
Waste Code Description: 221 - Waste oil and mixed oil
RCRA Code: Not reported
Meth Code: R01 - Recycler
Quantity Tons: 0.285
Waste Quantity: 75
Quantity Unit: G
Additional Code 1: Not reported
Additional Code 2: Not reported
Additional Code 3: Not reported
Additional Code 4: Not reported
Additional Code 5: Not reported

Additional Info:

Year: 2006
Gen EPA ID: CAD982417644

Shipment Date: 20061213
Creation Date: 8/3/2007 18:30:13
Receipt Date: 20061219
Manifest ID: 000609377FLE
Trans EPA ID: MAD039322250
Trans Name: CLEAN HARBORS ENV SERVICES INC
Trans 2 EPA ID: Not reported
Trans 2 Name: Not reported
TSDF EPA ID: CAD044429835
Trans Name: CLEAN HARBORS WILMINGTON LLC
TSDF Alt EPA ID: Not reported
TSDF Alt Name: Not reported
Waste Code Description: 331 - Off-specification, aged, or surplus organics
RCRA Code: D001
Meth Code: H141 - Storage, Bulking, And/Or Transfer Off Site--No Treatment/Reovery (H010-H129) Or (H131-H135)
Quantity Tons: 0.45
Waste Quantity: 900
Quantity Unit: P
Additional Code 1: Not reported
Additional Code 2: Not reported
Additional Code 3: Not reported
Additional Code 4: Not reported
Additional Code 5: Not reported

Shipment Date: 20061213
Creation Date: 8/3/2007 18:30:13
Receipt Date: 20061219
Manifest ID: 000609377FLE
Trans EPA ID: MAD039322250
Trans Name: CLEAN HARBORS ENV SERVICES INC
Trans 2 EPA ID: Not reported
Trans 2 Name: Not reported
TSDF EPA ID: CAD044429835
Trans Name: CLEAN HARBORS WILMINGTON LLC
TSDF Alt EPA ID: Not reported
TSDF Alt Name: Not reported
Waste Code Description: 571 - Fly ash, bottom ash, and retort ash
RCRA Code: Not reported

Map ID
Direction
Distance
Elevation

MAP FINDINGS

Site

Database(s)

EDR ID Number
EPA ID Number

CALTRANS D8 MAINTENANCE NEEDLES MS (Continued)

S113015959

Meth Code: H141 - Storage, Bulking, And/Or Transfer Off Site--No Treatment/Reovery (H010-H129) Or (H131-H135)
Quantity Tons: 0.3
Waste Quantity: 600
Quantity Unit: P
Additional Code 1: Not reported
Additional Code 2: Not reported
Additional Code 3: Not reported
Additional Code 4: Not reported
Additional Code 5: Not reported

Shipment Date: 20061213
Creation Date: 8/3/2007 18:30:13
Receipt Date: 20061219
Manifest ID: 000609377FLE
Trans EPA ID: MAD039322250
Trans Name: CLEAN HARBORS ENV SERVICES INC
Trans 2 EPA ID: Not reported
Trans 2 Name: Not reported
TSDf EPA ID: CAD044429835
Trans Name: CLEAN HARBORS WILMINGTON LLC
TSDf Alt EPA ID: Not reported
TSDf Alt Name: Not reported
Waste Code Description: 331 - Off-specification, aged, or surplus organics
RCRA Code: D001
Meth Code: H141 - Storage, Bulking, And/Or Transfer Off Site--No Treatment/Reovery (H010-H129) Or (H131-H135)

Quantity Tons: 0.125
Waste Quantity: 250
Quantity Unit: P
Additional Code 1: Not reported
Additional Code 2: Not reported
Additional Code 3: Not reported
Additional Code 4: Not reported
Additional Code 5: Not reported

Shipment Date: 20061031
Creation Date: 3/30/2007 13:33:02
Receipt Date: 20061031
Manifest ID: 000826090JJK
Trans EPA ID: TXR000050930
Trans Name: SAFETY-KLEEN SYSTEMS INC
Trans 2 EPA ID: Not reported
Trans 2 Name: Not reported
TSDf EPA ID: NVR000066837
Trans Name: SAFETY-KLEEN SYSTEMS INC 708701
TSDf Alt EPA ID: Not reported
TSDf Alt Name: Not reported
Waste Code Description: 134 - Aqueous solution with <10% total organic residues
RCRA Code: Not reported
Meth Code: H141 - Storage, Bulking, And/Or Transfer Off Site--No Treatment/Reovery (H010-H129) Or (H131-H135)

Quantity Tons: 0.084
Waste Quantity: 20
Quantity Unit: G
Additional Code 1: Not reported
Additional Code 2: Not reported

Map ID
Direction
Distance
Elevation

MAP FINDINGS

Site

Database(s)

EDR ID Number
EPA ID Number

CALTRANS D8 MAINTENANCE NEEDLES MS (Continued)

S113015959

Additional Code 3:	Not reported
Additional Code 4:	Not reported
Additional Code 5:	Not reported
Shipment Date:	20061031
Creation Date:	3/30/2007 13:33:02
Receipt Date:	20061031
Manifest ID:	000826090JJK
Trans EPA ID:	TXR000050930
Trans Name:	SAFETY-KLEEN SYSTEMS INC
Trans 2 EPA ID:	Not reported
Trans 2 Name:	Not reported
TSDf EPA ID:	NVR000066837
Trans Name:	SAFETY-KLEEN SYSTEMS INC 708701
TSDf Alt EPA ID:	Not reported
TSDf Alt Name:	Not reported
Waste Code Description:	134 - Aqueous solution with <10% total organic residues
RCRA Code:	D039
Meth Code:	H141 - Storage, Bulking, And/Or Transfer Off Site--No Treatment/Reovery (H010-H129) Or (H131-H135)
Quantity Tons:	0.021
Waste Quantity:	5
Quantity Unit:	G
Additional Code 1:	Not reported
Additional Code 2:	Not reported
Additional Code 3:	Not reported
Additional Code 4:	Not reported
Additional Code 5:	Not reported
Shipment Date:	20060908
Creation Date:	7/13/2007 18:30:12
Receipt Date:	20060908
Manifest ID:	001038336JJK
Trans EPA ID:	TXR000050930
Trans Name:	SAFETY-KLEEN SYSTEMS INC
Trans 2 EPA ID:	Not reported
Trans 2 Name:	Not reported
TSDf EPA ID:	NVR000066837
Trans Name:	SAFETY-KLEEN SYSTEMS INC
TSDf Alt EPA ID:	Not reported
TSDf Alt Name:	Not reported
Waste Code Description:	134 - Aqueous solution with <10% total organic residues
RCRA Code:	D039
Meth Code:	H141 - Storage, Bulking, And/Or Transfer Off Site--No Treatment/Reovery (H010-H129) Or (H131-H135)
Quantity Tons:	0.0168
Waste Quantity:	4
Quantity Unit:	G
Additional Code 1:	Not reported
Additional Code 2:	Not reported
Additional Code 3:	Not reported
Additional Code 4:	Not reported
Additional Code 5:	Not reported
Shipment Date:	20060908
Creation Date:	7/13/2007 18:30:12
Receipt Date:	20060908

Map ID
Direction
Distance
Elevation

MAP FINDINGS

Site

Database(s)

EDR ID Number
EPA ID Number

CALTRANS D8 MAINTENANCE NEEDLES MS (Continued)

S113015959

Manifest ID:	001038336JJK
Trans EPA ID:	TXR000050930
Trans Name:	SAFETY-KLEEN SYSTEMS INC
Trans 2 EPA ID:	Not reported
Trans 2 Name:	Not reported
TSDf EPA ID:	NVR000066837
Trans Name:	SAFETY-KLEEN SYSTEMS INC
TSDf Alt EPA ID:	Not reported
TSDf Alt Name:	Not reported
Waste Code Description:	134 - Aqueous solution with <10% total organic residues
RCRA Code:	Not reported
Meth Code:	H141 - Storage, Bulking, And/Or Transfer Off Site--No Treatment/Reovery (H010-H129) Or (H131-H135)
Quantity Tons:	0.0924
Waste Quantity:	22
Quantity Unit:	G
Additional Code 1:	Not reported
Additional Code 2:	Not reported
Additional Code 3:	Not reported
Additional Code 4:	Not reported
Additional Code 5:	Not reported
Shipment Date:	20060711
Creation Date:	9/8/2006 18:32:18
Receipt Date:	20060711
Manifest ID:	24944142
Trans EPA ID:	TXR000050930
Trans Name:	SAFETY KLEEN SYSTEMS INC
Trans 2 EPA ID:	Not reported
Trans 2 Name:	Not reported
TSDf EPA ID:	NVR000066837
Trans Name:	SAFETY KLEEN SYSTEMS INC
TSDf Alt EPA ID:	Not reported
TSDf Alt Name:	Not reported
Waste Code Description:	134 - Aqueous solution with <10% total organic residues
RCRA Code:	D039
Meth Code:	H01 - Transfer Station
Quantity Tons:	0.0168
Waste Quantity:	4
Quantity Unit:	G
Additional Code 1:	Not reported
Additional Code 2:	Not reported
Additional Code 3:	Not reported
Additional Code 4:	Not reported
Additional Code 5:	Not reported
Shipment Date:	20060711
Creation Date:	9/8/2006 18:32:18
Receipt Date:	20060711
Manifest ID:	24944142
Trans EPA ID:	TXR000050930
Trans Name:	SAFETY KLEEN SYSTEMS INC
Trans 2 EPA ID:	Not reported
Trans 2 Name:	Not reported
TSDf EPA ID:	NVR000066837
Trans Name:	SAFETY KLEEN SYSTEMS INC
TSDf Alt EPA ID:	Not reported

Map ID
Direction
Distance
Elevation

MAP FINDINGS

Site

Database(s)

EDR ID Number
EPA ID Number

CALTRANS D8 MAINTENANCE NEEDLES MS (Continued)

S113015959

TSDF Alt Name: Not reported
Waste Code Description: 134 - Aqueous solution with <10% total organic residues
RCRA Code: Not reported
Meth Code: H01 - Transfer Station
Quantity Tons: 0.063
Waste Quantity: 15
Quantity Unit: G
Additional Code 1: Not reported
Additional Code 2: Not reported
Additional Code 3: Not reported
Additional Code 4: Not reported
Additional Code 5: Not reported

Shipment Date: 20060517
Creation Date: 8/10/2006 18:36:07
Receipt Date: 20060517
Manifest ID: 23680577
Trans EPA ID: TXR000050930
Trans Name: SAFETY KLEEN SYSTEMS INC
Trans 2 EPA ID: Not reported
Trans 2 Name: Not reported
TSDF EPA ID: NVR000066837
Trans Name: SAFETY KLEEN SYSTEMS INC
TSDF Alt EPA ID: Not reported
TSDF Alt Name: Not reported
Waste Code Description: 134 - Aqueous solution with <10% total organic residues
RCRA Code: Not reported
Meth Code: H01 - Transfer Station
Quantity Tons: 0.0924
Waste Quantity: 22
Quantity Unit: G
Additional Code 1: Not reported
Additional Code 2: Not reported
Additional Code 3: Not reported
Additional Code 4: Not reported
Additional Code 5: Not reported

Additional Info:

Year: 2007
Gen EPA ID: CAD982417644

Shipment Date: 20071108
Creation Date: 3/4/2008 18:30:21
Receipt Date: 20071112
Manifest ID: 001821527FLE
Trans EPA ID: MAD039322250
Trans Name: CLEAN HARBORS ENV SERVICES INC
Trans 2 EPA ID: Not reported
Trans 2 Name: Not reported
TSDF EPA ID: CAD044429835
Trans Name: CLEAN HARBORS WILMINGTON LLC
TSDF Alt EPA ID: Not reported
TSDF Alt Name: Not reported
Waste Code Description: 221 - Waste oil and mixed oil
RCRA Code: Not reported
Meth Code: H141 - Storage, Bulking, And/Or Transfer Off Site--No Treatment/Reovery (H010-H129) Or (H131-H135)

Map ID
Direction
Distance
Elevation

MAP FINDINGS

Site

Database(s)

EDR ID Number
EPA ID Number

CALTRANS D8 MAINTENANCE NEEDLES MS (Continued)

S113015959

Quantity Tons: 0.0125
Waste Quantity: 25
Quantity Unit: P
Additional Code 1: Not reported
Additional Code 2: Not reported
Additional Code 3: Not reported
Additional Code 4: Not reported
Additional Code 5: Not reported

Shipment Date: 20071108
Creation Date: 3/4/2008 18:30:21
Receipt Date: 20071112
Manifest ID: 001821527FLE
Trans EPA ID: MAD039322250
Trans Name: CLEAN HARBORS ENV SERVICES INC
Trans 2 EPA ID: Not reported
Trans 2 Name: Not reported
TSDf EPA ID: CAD044429835
Trans Name: CLEAN HARBORS WILMINGTON LLC
TSDf Alt EPA ID: Not reported
TSDf Alt Name: Not reported
Waste Code Description: 331 - Off-specification, aged, or surplus organics
RCRA Code: D001
Meth Code: H141 - Storage, Bulking, And/Or Transfer Off Site--No Treatment/Reovery (H010-H129) Or (H131-H135)

Quantity Tons: 0.02
Waste Quantity: 40
Quantity Unit: P
Additional Code 1: Not reported
Additional Code 2: Not reported
Additional Code 3: Not reported
Additional Code 4: Not reported
Additional Code 5: Not reported

Shipment Date: 20071108
Creation Date: 4/22/2008 18:30:17
Receipt Date: 20071120
Manifest ID: 001821526FLE
Trans EPA ID: MAD039322250
Trans Name: CLEAN HARBORS ENV SERVICES INC
Trans 2 EPA ID: MAD039322250
Trans 2 Name: CLEAN HARBORS
TSDf EPA ID: UTD981552177
Trans Name: CLEAN HARBORS ARAGONITE LLC
TSDf Alt EPA ID: Not reported
TSDf Alt Name: Not reported
Waste Code Description: 322 - Biological waste other than sewage sludge
RCRA Code: Not reported
Meth Code: H040 - Incineration--Thermal Destruction Other Than Use As A Fuel
Quantity Tons: 0.075
Waste Quantity: 150
Quantity Unit: P
Additional Code 1: Not reported
Additional Code 2: Not reported
Additional Code 3: Not reported
Additional Code 4: Not reported
Additional Code 5: Not reported

Map ID
Direction
Distance
Elevation

MAP FINDINGS

Site

Database(s)

EDR ID Number
EPA ID Number

CALTRANS D8 MAINTENANCE NEEDLES MS (Continued)

S113015959

Shipment Date:	20071108
Creation Date:	4/22/2008 18:30:17
Receipt Date:	20071120
Manifest ID:	001821526FLE
Trans EPA ID:	MAD039322250
Trans Name:	CLEAN HARBORS ENV SERVICES INC
Trans 2 EPA ID:	MAD039322250
Trans 2 Name:	CLEAN HARBORS
TSDf EPA ID:	UTD981552177
Trans Name:	CLEAN HARBORS ARAGONITE LLC
TSDf Alt EPA ID:	Not reported
TSDf Alt Name:	Not reported
Waste Code Description:	322 - Biological waste other than sewage sludge
RCRA Code:	Not reported
Meth Code:	H040 - Incineration--Thermal Destruction Other Than Use As A Fuel
Quantity Tons:	0.475
Waste Quantity:	950
Quantity Unit:	P
Additional Code 1:	Not reported
Additional Code 2:	Not reported
Additional Code 3:	Not reported
Additional Code 4:	Not reported
Additional Code 5:	Not reported
Shipment Date:	20071108
Creation Date:	1/8/2008 18:31:12
Receipt Date:	20071109
Manifest ID:	001821625FLE
Trans EPA ID:	MAD039322250
Trans Name:	CLEAN HARBORS ENV SERVICES INC
Trans 2 EPA ID:	Not reported
Trans 2 Name:	Not reported
TSDf EPA ID:	CAD028409019
Trans Name:	CROSBY AND OVERTON LLC
TSDf Alt EPA ID:	Not reported
TSDf Alt Name:	Not reported
Waste Code Description:	343 - Unspecified organic liquid mixture
RCRA Code:	Not reported
Meth Code:	H135 - Discharge To Sewer/Potw Or Npdes(With Prior Storage--With Or Without Treatment)
Quantity Tons:	3.4
Waste Quantity:	1000
Quantity Unit:	G
Additional Code 1:	Not reported
Additional Code 2:	Not reported
Additional Code 3:	Not reported
Additional Code 4:	Not reported
Additional Code 5:	Not reported
Shipment Date:	20071108
Creation Date:	3/4/2008 18:30:21
Receipt Date:	20071112
Manifest ID:	001821527FLE
Trans EPA ID:	MAD039322250
Trans Name:	CLEAN HARBORS ENV SERVICES INC
Trans 2 EPA ID:	Not reported
Trans 2 Name:	Not reported

Map ID
Direction
Distance
Elevation

MAP FINDINGS

Site

Database(s)

EDR ID Number
EPA ID Number

CALTRANS D8 MAINTENANCE NEEDLES MS (Continued)

S113015959

TSDF EPA ID: CAD044429835
Trans Name: CLEAN HARBORS WILMINGTON LLC
TSDF Alt EPA ID: Not reported
TSDF Alt Name: Not reported
Waste Code Description: 352 - Other organic solids
RCRA Code: Not reported
Meth Code: H141 - Storage, Bulking, And/Or Transfer Off Site--No Treatment/Reovery (H010-H129) Or (H131-H135)

Quantity Tons: 0.035
Waste Quantity: 70
Quantity Unit: P
Additional Code 1: Not reported
Additional Code 2: Not reported
Additional Code 3: Not reported
Additional Code 4: Not reported
Additional Code 5: Not reported

Shipment Date: 20071031
Creation Date: 3/18/2008 18:30:19
Receipt Date: 20071031
Manifest ID: 000765906SKS
Trans EPA ID: TXR000050930
Trans Name: SAFETY-KLEEN SYSTEMS INC
Trans 2 EPA ID: Not reported
Trans 2 Name: Not reported
TSDF EPA ID: NVR000066837
Trans Name: SAFETY-KLEEN SYSTEMS INC
TSDF Alt EPA ID: Not reported
TSDF Alt Name: Not reported
Waste Code Description: 134 - Aqueous solution with <10% total organic residues
RCRA Code: D039
Meth Code: H141 - Storage, Bulking, And/Or Transfer Off Site--No Treatment/Reovery (H010-H129) Or (H131-H135)

Quantity Tons: 0.0126
Waste Quantity: 3
Quantity Unit: G
Additional Code 1: Not reported
Additional Code 2: Not reported
Additional Code 3: Not reported
Additional Code 4: Not reported
Additional Code 5: Not reported

Shipment Date: 20071031
Creation Date: 3/18/2008 18:30:19
Receipt Date: 20071031
Manifest ID: 000765906SKS
Trans EPA ID: TXR000050930
Trans Name: SAFETY-KLEEN SYSTEMS INC
Trans 2 EPA ID: Not reported
Trans 2 Name: Not reported
TSDF EPA ID: NVR000066837
Trans Name: SAFETY-KLEEN SYSTEMS INC
TSDF Alt EPA ID: Not reported
TSDF Alt Name: Not reported
Waste Code Description: 134 - Aqueous solution with <10% total organic residues
RCRA Code: Not reported
Meth Code: H141 - Storage, Bulking, And/Or Transfer Off Site--No

Map ID
Direction
Distance
Elevation

MAP FINDINGS

Site

Database(s)

EDR ID Number
EPA ID Number

CALTRANS D8 MAINTENANCE NEEDLES MS (Continued)

S113015959

Quantity Tons:	Treatment/Reovery (H010-H129) Or (H131-H135) 0.0756
Waste Quantity:	18
Quantity Unit:	G
Additional Code 1:	Not reported
Additional Code 2:	Not reported
Additional Code 3:	Not reported
Additional Code 4:	Not reported
Additional Code 5:	Not reported
Shipment Date:	20070905
Creation Date:	3/5/2008 18:30:06
Receipt Date:	20070905
Manifest ID:	000615077SKS
Trans EPA ID:	TXR000050930
Trans Name:	SAFETY-KLEEN SYSTEMS INC
Trans 2 EPA ID:	Not reported
Trans 2 Name:	Not reported
TSDf EPA ID:	NVR000066837
Trans Name:	SAFETY-KLEEN SYSTEMS INC
TSDf Alt EPA ID:	Not reported
TSDf Alt Name:	Not reported
Waste Code Description:	134 - Aqueous solution with <10% total organic residues
RCRA Code:	Not reported
Meth Code:	H141 - Storage, Bulking, And/Or Transfer Off Site--No Treatment/Reovery (H010-H129) Or (H131-H135)
Quantity Tons:	0.0504
Waste Quantity:	12
Quantity Unit:	G
Additional Code 1:	Not reported
Additional Code 2:	Not reported
Additional Code 3:	Not reported
Additional Code 4:	Not reported
Additional Code 5:	Not reported
Shipment Date:	20070905
Creation Date:	3/5/2008 18:30:06
Receipt Date:	20070905
Manifest ID:	000615077SKS
Trans EPA ID:	TXR000050930
Trans Name:	SAFETY-KLEEN SYSTEMS INC
Trans 2 EPA ID:	Not reported
Trans 2 Name:	Not reported
TSDf EPA ID:	NVR000066837
Trans Name:	SAFETY-KLEEN SYSTEMS INC
TSDf Alt EPA ID:	Not reported
TSDf Alt Name:	Not reported
Waste Code Description:	134 - Aqueous solution with <10% total organic residues
RCRA Code:	D039
Meth Code:	H141 - Storage, Bulking, And/Or Transfer Off Site--No Treatment/Reovery (H010-H129) Or (H131-H135)
Quantity Tons:	0.0168
Waste Quantity:	4
Quantity Unit:	G
Additional Code 1:	Not reported
Additional Code 2:	Not reported
Additional Code 3:	Not reported

Map ID
Direction
Distance
Elevation

MAP FINDINGS

Site

Database(s)

EDR ID Number
EPA ID Number

CALTRANS D8 MAINTENANCE NEEDLES MS (Continued)

S113015959

Additional Code 4: Not reported
Additional Code 5: Not reported

Additional Info:

Year: 2002
Gen EPA ID: CAD982417644

Shipment Date: 20021205
Creation Date: 2/25/2003 18:31:38
Receipt Date: 20021205
Manifest ID: 22142667
Trans EPA ID: SCR000075150
Trans Name: Not reported
Trans 2 EPA ID: Not reported
Trans 2 Name: Not reported
TSDf EPA ID: NVR000066837
Trans Name: Not reported
TSDf Alt EPA ID: Not reported
TSDf Alt Name: Not reported
Waste Code Description: 221 - Waste oil and mixed oil
RCRA Code: Not reported
Meth Code: - Not reported
Quantity Tons: 0.152
Waste Quantity: 40
Quantity Unit: G
Additional Code 1: Not reported
Additional Code 2: Not reported
Additional Code 3: Not reported
Additional Code 4: Not reported
Additional Code 5: Not reported

Shipment Date: 20021119
Creation Date: 2/13/2003 18:31:35
Receipt Date: 20021119
Manifest ID: 22139260
Trans EPA ID: SCR000075150
Trans Name: Not reported
Trans 2 EPA ID: Not reported
Trans 2 Name: Not reported
TSDf EPA ID: NVR000066837
Trans Name: Not reported
TSDf Alt EPA ID: Not reported
TSDf Alt Name: Not reported
Waste Code Description: 134 - Aqueous solution with <10% total organic residues
RCRA Code: Not reported
Meth Code: H01 - Transfer Station
Quantity Tons: 0.0588
Waste Quantity: 14
Quantity Unit: G
Additional Code 1: Not reported
Additional Code 2: Not reported
Additional Code 3: Not reported
Additional Code 4: Not reported
Additional Code 5: Not reported

Shipment Date: 20021119
Creation Date: 2/13/2003 18:31:35

Map ID
Direction
Distance
Elevation

MAP FINDINGS

Site

Database(s)

EDR ID Number
EPA ID Number

CALTRANS D8 MAINTENANCE NEEDLES MS (Continued)

S113015959

Receipt Date:	20021119
Manifest ID:	22139260
Trans EPA ID:	SCR000075150
Trans Name:	Not reported
Trans 2 EPA ID:	Not reported
Trans 2 Name:	Not reported
TSDF EPA ID:	NVR000066837
Trans Name:	Not reported
TSDF Alt EPA ID:	Not reported
TSDF Alt Name:	Not reported
Waste Code Description:	- Not reported
RCRA Code:	Not reported
Meth Code:	H01 - Transfer Station
Quantity Tons:	Not reported
Waste Quantity:	Not reported
Quantity Unit:	Not reported
Additional Code 1:	Not reported
Additional Code 2:	Not reported
Additional Code 3:	Not reported
Additional Code 4:	Not reported
Additional Code 5:	Not reported
Shipment Date:	20021119
Creation Date:	2/13/2003 18:31:35
Receipt Date:	20021119
Manifest ID:	22139260
Trans EPA ID:	SCR000075150
Trans Name:	Not reported
Trans 2 EPA ID:	Not reported
Trans 2 Name:	Not reported
TSDF EPA ID:	NVR000066837
Trans Name:	Not reported
TSDF Alt EPA ID:	Not reported
TSDF Alt Name:	Not reported
Waste Code Description:	134 - Aqueous solution with <10% total organic residues
RCRA Code:	D039
Meth Code:	H01 - Transfer Station
Quantity Tons:	0.0168
Waste Quantity:	4
Quantity Unit:	G
Additional Code 1:	Not reported
Additional Code 2:	Not reported
Additional Code 3:	Not reported
Additional Code 4:	Not reported
Additional Code 5:	Not reported
Shipment Date:	20020926
Creation Date:	1/28/2003 18:31:46
Receipt Date:	20020926
Manifest ID:	21906968
Trans EPA ID:	SCR000075150
Trans Name:	Not reported
Trans 2 EPA ID:	Not reported
Trans 2 Name:	Not reported
TSDF EPA ID:	NVT330010208
Trans Name:	Not reported
TSDF Alt EPA ID:	Not reported

Map ID
Direction
Distance
Elevation

MAP FINDINGS

Site

Database(s)

EDR ID Number
EPA ID Number

CALTRANS D8 MAINTENANCE NEEDLES MS (Continued)

S113015959

TSDF Alt Name: Not reported
Waste Code Description: 134 - Aqueous solution with <10% total organic residues
RCRA Code: Not reported
Meth Code: H01 - Transfer Station
Quantity Tons: 0.063
Waste Quantity: 15
Quantity Unit: G
Additional Code 1: Not reported
Additional Code 2: Not reported
Additional Code 3: Not reported
Additional Code 4: Not reported
Additional Code 5: Not reported

Shipment Date: 20020926
Creation Date: 1/28/2003 18:31:46
Receipt Date: 20020926
Manifest ID: 21906968
Trans EPA ID: SCR000075150
Trans Name: Not reported
Trans 2 EPA ID: Not reported
Trans 2 Name: Not reported
TSDF EPA ID: NVT330010208
Trans Name: Not reported
TSDF Alt EPA ID: Not reported
TSDF Alt Name: Not reported
Waste Code Description: 134 - Aqueous solution with <10% total organic residues
RCRA Code: D039
Meth Code: H01 - Transfer Station
Quantity Tons: 0.0168
Waste Quantity: 4
Quantity Unit: G
Additional Code 1: Not reported
Additional Code 2: Not reported
Additional Code 3: Not reported
Additional Code 4: Not reported
Additional Code 5: Not reported

Shipment Date: 20020912
Creation Date: 1/28/2003 18:30:41
Receipt Date: 20020912
Manifest ID: 21902379
Trans EPA ID: SCR000075150
Trans Name: Not reported
Trans 2 EPA ID: Not reported
Trans 2 Name: Not reported
TSDF EPA ID: NVT330010208
Trans Name: Not reported
TSDF Alt EPA ID: Not reported
TSDF Alt Name: Not reported
Waste Code Description: 221 - Waste oil and mixed oil
RCRA Code: Not reported
Meth Code: - Not reported
Quantity Tons: 0.19
Waste Quantity: 50
Quantity Unit: G
Additional Code 1: Not reported
Additional Code 2: Not reported

Map ID
Direction
Distance
Elevation

MAP FINDINGS

Site

Database(s)

EDR ID Number
EPA ID Number

CALTRANS D8 MAINTENANCE NEEDLES MS (Continued)

S113015959

Additional Code 3:	Not reported
Additional Code 4:	Not reported
Additional Code 5:	Not reported
Shipment Date:	20020808
Creation Date:	3/13/2003 18:31:17
Receipt Date:	20020808
Manifest ID:	21745816
Trans EPA ID:	SCR000075150
Trans Name:	Not reported
Trans 2 EPA ID:	Not reported
Trans 2 Name:	Not reported
TSDf EPA ID:	NVT330010208
Trans Name:	Not reported
TSDf Alt EPA ID:	Not reported
TSDf Alt Name:	Not reported
Waste Code Description:	134 - Aqueous solution with <10% total organic residues
RCRA Code:	Not reported
Meth Code:	H01 - Transfer Station
Quantity Tons:	0.0588
Waste Quantity:	14
Quantity Unit:	G
Additional Code 1:	Not reported
Additional Code 2:	Not reported
Additional Code 3:	Not reported
Additional Code 4:	Not reported
Additional Code 5:	Not reported
Shipment Date:	20020808
Creation Date:	3/13/2003 18:31:17
Receipt Date:	20020808
Manifest ID:	21745816
Trans EPA ID:	SCR000075150
Trans Name:	Not reported
Trans 2 EPA ID:	Not reported
Trans 2 Name:	Not reported
TSDf EPA ID:	NVT330010208
Trans Name:	Not reported
TSDf Alt EPA ID:	Not reported
TSDf Alt Name:	Not reported
Waste Code Description:	134 - Aqueous solution with <10% total organic residues
RCRA Code:	D039
Meth Code:	H01 - Transfer Station
Quantity Tons:	0.0168
Waste Quantity:	4
Quantity Unit:	G
Additional Code 1:	Not reported
Additional Code 2:	Not reported
Additional Code 3:	Not reported
Additional Code 4:	Not reported
Additional Code 5:	Not reported
Shipment Date:	20020620
Creation Date:	8/29/2002 18:31:16
Receipt Date:	20020620
Manifest ID:	21733416
Trans EPA ID:	SCR000075150

Map ID
Direction
Distance
Elevation

MAP FINDINGS

Site

Database(s)

EDR ID Number
EPA ID Number

CALTRANS D8 MAINTENANCE NEEDLES MS (Continued)

S113015959

Trans Name: Not reported
Trans 2 EPA ID: Not reported
Trans 2 Name: Not reported
TSDf EPA ID: NVT330010208
Trans Name: Not reported
TSDf Alt EPA ID: Not reported
TSDf Alt Name: Not reported
Waste Code Description: 221 - Waste oil and mixed oil
RCRA Code: Not reported
Meth Code: - Not reported
Quantity Tons: 0.133
Waste Quantity: 35
Quantity Unit: G
Additional Code 1: Not reported
Additional Code 2: Not reported
Additional Code 3: Not reported
Additional Code 4: Not reported
Additional Code 5: Not reported

Additional Info:

Year: 1995
Gen EPA ID: CAD982417644

Shipment Date: 19950320
Creation Date: 10/23/1995 0:00:00
Receipt Date: 19950324
Manifest ID: 95180880
Trans EPA ID: CAD983649880
Trans Name: Not reported
Trans 2 EPA ID: Not reported
Trans 2 Name: Not reported
TSDf EPA ID: CAT080010101
Trans Name: Not reported
TSDf Alt EPA ID: Not reported
TSDf Alt Name: Not reported
Waste Code Description: 331 - Off-specification, aged, or surplus organics
RCRA Code: Not reported
Meth Code: H01 - Transfer Station
Quantity Tons: 0.297
Waste Quantity: 90
Quantity Unit: G
Additional Code 1: Not reported
Additional Code 2: Not reported
Additional Code 3: Not reported
Additional Code 4: Not reported
Additional Code 5: Not reported

Shipment Date: 19950215
Creation Date: 3/29/1996 0:00:00
Receipt Date: 19950216
Manifest ID: 95107014
Trans EPA ID: CAD983649880
Trans Name: Not reported
Trans 2 EPA ID: Not reported
Trans 2 Name: Not reported
TSDf EPA ID: CAT080013352
Trans Name: Not reported

Map ID
Direction
Distance
Elevation

MAP FINDINGS

Site

Database(s)

EDR ID Number
EPA ID Number

CALTRANS D8 MAINTENANCE NEEDLES MS (Continued)

S113015959

TSDf Alt EPA ID: CAT080013352
TSDf Alt Name: Not reported
Waste Code Description: 223 - Unspecified oil-containing waste
RCRA Code: Not reported
Meth Code: R01 - Recycler
Quantity Tons: 6.255
Waste Quantity: 1500
Quantity Unit: G
Additional Code 1: Not reported
Additional Code 2: Not reported
Additional Code 3: Not reported
Additional Code 4: Not reported
Additional Code 5: Not reported

Additional Info:

Year: 1997
Gen EPA ID: CAD982417644

Shipment Date: 19970515
Creation Date: 7/17/1997 0:00:00
Receipt Date: 19970516
Manifest ID: 96059212
Trans EPA ID: CAD983649880
Trans Name: Not reported
Trans 2 EPA ID: Not reported
Trans 2 Name: Not reported
TSDf EPA ID: CAD028409019
Trans Name: Not reported
TSDf Alt EPA ID: Not reported
TSDf Alt Name: Not reported
Waste Code Description: 223 - Unspecified oil-containing waste
RCRA Code: Not reported
Meth Code: T01 - Treatment, Tank
Quantity Tons: 5.421
Waste Quantity: 1300
Quantity Unit: G
Additional Code 1: Not reported
Additional Code 2: Not reported
Additional Code 3: Not reported
Additional Code 4: Not reported
Additional Code 5: Not reported

Additional Info:

Year: 1998
Gen EPA ID: CAD982417644

Shipment Date: 19980702
Creation Date: 9/3/1998 0:00:00
Receipt Date: 19980702
Manifest ID: 97467657
Trans EPA ID: ILD984908202
Trans Name: Not reported
Trans 2 EPA ID: Not reported
Trans 2 Name: Not reported
TSDf EPA ID: NVT330010208
Trans Name: Not reported

Map ID
Direction
Distance
Elevation

MAP FINDINGS

Site

Database(s)

EDR ID Number
EPA ID Number

CALTRANS D8 MAINTENANCE NEEDLES MS (Continued)

S113015959

TSDf Alt EPA ID: Not reported
TSDf Alt Name: Not reported
Waste Code Description: 741 - Liquids with halogenated organic compounds > 1000 mg/l
RCRA Code: D001
Meth Code: - Not reported
Quantity Tons: 0.0166
Waste Quantity: 4
Quantity Unit: G
Additional Code 1: Not reported
Additional Code 2: Not reported
Additional Code 3: Not reported
Additional Code 4: Not reported
Additional Code 5: Not reported

Shipment Date: 19980702
Creation Date: 9/3/1998 0:00:00
Receipt Date: 19980702
Manifest ID: 97467657
Trans EPA ID: ILD984908202
Trans Name: Not reported
Trans 2 EPA ID: Not reported
Trans 2 Name: Not reported
TSDf EPA ID: NVT330010208
Trans Name: Not reported
TSDf Alt EPA ID: Not reported
TSDf Alt Name: Not reported
Waste Code Description: 741 - Liquids with halogenated organic compounds > 1000 mg/l
RCRA Code: D001
Meth Code: - Not reported
Quantity Tons: 0.0291
Waste Quantity: 7
Quantity Unit: G
Additional Code 1: Not reported
Additional Code 2: Not reported
Additional Code 3: Not reported
Additional Code 4: Not reported
Additional Code 5: Not reported

Shipment Date: 19980528
Creation Date: 9/3/1998 0:00:00
Receipt Date: 19980604
Manifest ID: 97416632
Trans EPA ID: CAD983649880
Trans Name: Not reported
Trans 2 EPA ID: Not reported
Trans 2 Name: Not reported
TSDf EPA ID: CAD028409019
Trans Name: Not reported
TSDf Alt EPA ID: CAD028409019
TSDf Alt Name: Not reported
Waste Code Description: 331 - Off-specification, aged, or surplus organics
RCRA Code: Not reported
Meth Code: H01 - Transfer Station
Quantity Tons: 0.165
Waste Quantity: 50
Quantity Unit: G
Additional Code 1: Not reported

Map ID
Direction
Distance
Elevation

MAP FINDINGS

Site

Database(s)

EDR ID Number
EPA ID Number

CALTRANS D8 MAINTENANCE NEEDLES MS (Continued)

S113015959

Additional Code 2:	Not reported
Additional Code 3:	Not reported
Additional Code 4:	Not reported
Additional Code 5:	Not reported
Shipment Date:	19980225
Creation Date:	4/16/1998 0:00:00
Receipt Date:	19980225
Manifest ID:	96659202
Trans EPA ID:	ILD984908202
Trans Name:	Not reported
Trans 2 EPA ID:	Not reported
Trans 2 Name:	Not reported
TSDf EPA ID:	NVT330010208
Trans Name:	Not reported
TSDf Alt EPA ID:	Not reported
TSDf Alt Name:	Not reported
Waste Code Description:	741 - Liquids with halogenated organic compounds > 1000 mg/l
RCRA Code:	D001
Meth Code:	- Not reported
Quantity Tons:	0.0291
Waste Quantity:	7
Quantity Unit:	G
Additional Code 1:	Not reported
Additional Code 2:	Not reported
Additional Code 3:	Not reported
Additional Code 4:	Not reported
Additional Code 5:	Not reported
Shipment Date:	19980225
Creation Date:	4/16/1998 0:00:00
Receipt Date:	19980225
Manifest ID:	96659202
Trans EPA ID:	ILD984908202
Trans Name:	Not reported
Trans 2 EPA ID:	Not reported
Trans 2 Name:	Not reported
TSDf EPA ID:	NVT330010208
Trans Name:	Not reported
TSDf Alt EPA ID:	Not reported
TSDf Alt Name:	Not reported
Waste Code Description:	741 - Liquids with halogenated organic compounds > 1000 mg/l
RCRA Code:	D001
Meth Code:	- Not reported
Quantity Tons:	0.0166
Waste Quantity:	4
Quantity Unit:	G
Additional Code 1:	Not reported
Additional Code 2:	Not reported
Additional Code 3:	Not reported
Additional Code 4:	Not reported
Additional Code 5:	Not reported
Additional Info:	
Year:	2015
Gen EPA ID:	CAD982417644

Map ID
Direction
Distance
Elevation

MAP FINDINGS

Site

Database(s)

EDR ID Number
EPA ID Number

CALTRANS D8 MAINTENANCE NEEDLES MS (Continued)

S113015959

Shipment Date:	20151104
Creation Date:	5/4/2016 22:15:42
Receipt Date:	20151104
Manifest ID:	005104217SKS
Trans EPA ID:	TXR000081205
Trans Name:	SAFETY-KLEEN SYSTEMS INC
Trans 2 EPA ID:	Not reported
Trans 2 Name:	Not reported
TSDf EPA ID:	CAT000613927
Trans Name:	SAFETY-KLEEN SYSTEMS INC
TSDf Alt EPA ID:	Not reported
TSDf Alt Name:	Not reported
Waste Code Description:	134 - Aqueous solution with <10% total organic residues
RCRA Code:	Not reported
Meth Code:	H141 - Storage, Bulking, And/Or Transfer Off Site--No Treatment/Reovery (H010-H129) Or (H131-H135)
Quantity Tons:	0.021
Waste Quantity:	5
Quantity Unit:	G
Additional Code 1:	Not reported
Additional Code 2:	Not reported
Additional Code 3:	Not reported
Additional Code 4:	Not reported
Additional Code 5:	Not reported
Shipment Date:	20151104
Creation Date:	5/4/2016 22:15:42
Receipt Date:	20151104
Manifest ID:	005104217SKS
Trans EPA ID:	TXR000081205
Trans Name:	SAFETY-KLEEN SYSTEMS INC
Trans 2 EPA ID:	Not reported
Trans 2 Name:	Not reported
TSDf EPA ID:	CAT000613927
Trans Name:	SAFETY-KLEEN SYSTEMS INC
TSDf Alt EPA ID:	Not reported
TSDf Alt Name:	Not reported
Waste Code Description:	134 - Aqueous solution with <10% total organic residues
RCRA Code:	Not reported
Meth Code:	H141 - Storage, Bulking, And/Or Transfer Off Site--No Treatment/Reovery (H010-H129) Or (H131-H135)
Quantity Tons:	0.084
Waste Quantity:	20
Quantity Unit:	G
Additional Code 1:	Not reported
Additional Code 2:	Not reported
Additional Code 3:	Not reported
Additional Code 4:	Not reported
Additional Code 5:	Not reported
Shipment Date:	20150924
Creation Date:	11/17/2015 22:15:24
Receipt Date:	20150930
Manifest ID:	014893055JJK
Trans EPA ID:	CAT080032253
Trans Name:	OC VACUUM INC
Trans 2 EPA ID:	CAD983649880

Map ID
Direction
Distance
Elevation

MAP FINDINGS

Site

Database(s)

EDR ID Number
EPA ID Number

CALTRANS D8 MAINTENANCE NEEDLES MS (Continued)

S113015959

Trans 2 Name:	PSC ENVIRONMENTAL SERVICES OF POMONA LP
TSDf EPA ID:	CAD008364432
Trans Name:	RHO-CHEM LLC (PSC)
TSDf Alt EPA ID:	Not reported
TSDf Alt Name:	Not reported
Waste Code Description:	135 - Unspecified aqueous solution
RCRA Code:	Not reported
Meth Code:	H141 - Storage, Bulking, And/Or Transfer Off Site--No Treatment/Reovery (H010-H129) Or (H131-H135)
Quantity Tons:	0.75
Waste Quantity:	1500
Quantity Unit:	P
Additional Code 1:	Not reported
Additional Code 2:	Not reported
Additional Code 3:	Not reported
Additional Code 4:	Not reported
Additional Code 5:	Not reported
Shipment Date:	20150812
Creation Date:	2/5/2016 22:15:10
Receipt Date:	20150811
Manifest ID:	004925454SKS
Trans EPA ID:	TXR000081205
Trans Name:	SAFETY-KLEEN SYSTEMS INC
Trans 2 EPA ID:	Not reported
Trans 2 Name:	Not reported
TSDf EPA ID:	CAT000613927
Trans Name:	SAFETY-KLEEN SYSTEMS INC
TSDf Alt EPA ID:	Not reported
TSDf Alt Name:	Not reported
Waste Code Description:	134 - Aqueous solution with <10% total organic residues
RCRA Code:	Not reported
Meth Code:	H141 - Storage, Bulking, And/Or Transfer Off Site--No Treatment/Reovery (H010-H129) Or (H131-H135)
Quantity Tons:	0.084
Waste Quantity:	20
Quantity Unit:	G
Additional Code 1:	Not reported
Additional Code 2:	Not reported
Additional Code 3:	Not reported
Additional Code 4:	Not reported
Additional Code 5:	Not reported
Shipment Date:	20150812
Creation Date:	2/5/2016 22:15:10
Receipt Date:	20150811
Manifest ID:	004650972SKS
Trans EPA ID:	TXR000081205
Trans Name:	SAFETY-KLEEN SYSTEMS INC
Trans 2 EPA ID:	Not reported
Trans 2 Name:	Not reported
TSDf EPA ID:	CAT000613927
Trans Name:	SAFETY-KLEEN SYSTEMS INC
TSDf Alt EPA ID:	Not reported
TSDf Alt Name:	Not reported
Waste Code Description:	134 - Aqueous solution with <10% total organic residues
RCRA Code:	Not reported

Map ID
Direction
Distance
Elevation

MAP FINDINGS

Site

Database(s)

EDR ID Number
EPA ID Number

CALTRANS D8 MAINTENANCE NEEDLES MS (Continued)

S113015959

Meth Code: H141 - Storage, Bulking, And/Or Transfer Off Site--No Treatment/Reovery (H010-H129) Or (H131-H135)
Quantity Tons: 0.021
Waste Quantity: 5
Quantity Unit: G
Additional Code 1: Not reported
Additional Code 2: Not reported
Additional Code 3: Not reported
Additional Code 4: Not reported
Additional Code 5: Not reported

Additional Info:

Year: 2009
Gen EPA ID: CAD982417644

Shipment Date: 20091110
Creation Date: 5/20/2010 18:30:47
Receipt Date: 20091110
Manifest ID: 000330341CEX
Trans EPA ID: TXR000050930
Trans Name: SAFETY-KLEEN SYSTEMS INC
Trans 2 EPA ID: Not reported
Trans 2 Name: Not reported
TSDf EPA ID: NVR000066837
Trans Name: SAFETY-KLEEN SYSTEMS INC
TSDf Alt EPA ID: Not reported
TSDf Alt Name: Not reported
Waste Code Description: 134 - Aqueous solution with <10% total organic residues
RCRA Code: D039
Meth Code: H141 - Storage, Bulking, And/Or Transfer Off Site--No Treatment/Reovery (H010-H129) Or (H131-H135)

Quantity Tons: 0.0168
Waste Quantity: 4
Quantity Unit: G
Additional Code 1: Not reported
Additional Code 2: Not reported
Additional Code 3: Not reported
Additional Code 4: Not reported
Additional Code 5: Not reported

Shipment Date: 20091110
Creation Date: 5/20/2010 18:30:47
Receipt Date: 20091110
Manifest ID: 000330341CEX
Trans EPA ID: TXR000050930
Trans Name: SAFETY-KLEEN SYSTEMS INC
Trans 2 EPA ID: Not reported
Trans 2 Name: Not reported
TSDf EPA ID: NVR000066837
Trans Name: SAFETY-KLEEN SYSTEMS INC
TSDf Alt EPA ID: Not reported
TSDf Alt Name: Not reported
Waste Code Description: 134 - Aqueous solution with <10% total organic residues
RCRA Code: Not reported
Meth Code: H141 - Storage, Bulking, And/Or Transfer Off Site--No Treatment/Reovery (H010-H129) Or (H131-H135)
Quantity Tons: 0.084

Map ID
Direction
Distance
Elevation

MAP FINDINGS

Site

Database(s)

EDR ID Number
EPA ID Number

CALTRANS D8 MAINTENANCE NEEDLES MS (Continued)

S113015959

Waste Quantity:	20
Quantity Unit:	G
Additional Code 1:	Not reported
Additional Code 2:	Not reported
Additional Code 3:	Not reported
Additional Code 4:	Not reported
Additional Code 5:	Not reported
Shipment Date:	20090922
Creation Date:	4/12/2010 18:30:24
Receipt Date:	20091005
Manifest ID:	003013420FLE
Trans EPA ID:	MAD039322250
Trans Name:	CLEAN HARBORS ENVIRONMENTAL SERVICES INC
Trans 2 EPA ID:	UTR000007708
Trans 2 Name:	SLT EXPRESSWAY
TSDf EPA ID:	TXD055141378
Trans Name:	CLEAN HARBORS DEER PARK LP
TSDf Alt EPA ID:	Not reported
TSDf Alt Name:	Not reported
Waste Code Description:	- Not reported
RCRA Code:	Not reported
Meth Code:	H040 - Incineration--Thermal Destruction Other Than Use As A Fuel
Quantity Tons:	Not reported
Waste Quantity:	Not reported
Quantity Unit:	Not reported
Additional Code 1:	Not reported
Additional Code 2:	Not reported
Additional Code 3:	Not reported
Additional Code 4:	Not reported
Additional Code 5:	Not reported
Shipment Date:	20090922
Creation Date:	4/12/2010 18:30:24
Receipt Date:	20091005
Manifest ID:	003013420FLE
Trans EPA ID:	MAD039322250
Trans Name:	CLEAN HARBORS ENVIRONMENTAL SERVICES INC
Trans 2 EPA ID:	UTR000007708
Trans 2 Name:	SLT EXPRESSWAY
TSDf EPA ID:	TXD055141378
Trans Name:	CLEAN HARBORS DEER PARK LP
TSDf Alt EPA ID:	Not reported
TSDf Alt Name:	Not reported
Waste Code Description:	611 - Contaminated soil from site clean-ups
RCRA Code:	Not reported
Meth Code:	H040 - Incineration--Thermal Destruction Other Than Use As A Fuel
Quantity Tons:	0.0375
Waste Quantity:	75
Quantity Unit:	P
Additional Code 1:	Not reported
Additional Code 2:	Not reported
Additional Code 3:	Not reported
Additional Code 4:	Not reported
Additional Code 5:	Not reported
Shipment Date:	20090709

Map ID
Direction
Distance
Elevation

MAP FINDINGS

Site

Database(s)

EDR ID Number
EPA ID Number

CALTRANS D8 MAINTENANCE NEEDLES MS (Continued)

S113015959

Creation Date: 8/25/2009 18:30:31
Receipt Date: 20090709
Manifest ID: 006020578JJK
Trans EPA ID: CAD982413262
Trans Name: EVERGREEN ENVIRONMENTAL SERVICES
Trans 2 EPA ID: Not reported
Trans 2 Name: Not reported
TSDf EPA ID: CAD981696420
Trans Name: EVERGREEN ENVIRONMENTAL SVCS
TSDf Alt EPA ID: Not reported
TSDf Alt Name: Not reported
Waste Code Description: 221 - Waste oil and mixed oil
RCRA Code: Not reported
Meth Code: H141 - Storage, Bulking, And/Or Transfer Off Site--No Treatment/Reovery (H010-H129) Or (H131-H135)

Quantity Tons: 0.532
Waste Quantity: 140
Quantity Unit: G
Additional Code 1: Not reported
Additional Code 2: Not reported
Additional Code 3: Not reported
Additional Code 4: Not reported
Additional Code 5: Not reported

Shipment Date: 20090528
Creation Date: 10/29/2009 18:30:26
Receipt Date: 20090628
Manifest ID: 001837003SKS
Trans EPA ID: TXR000050930
Trans Name: SAFETY-KLEEN SYSTEMS INC
Trans 2 EPA ID: Not reported
Trans 2 Name: Not reported
TSDf EPA ID: NVR000066837
Trans Name: SAFETY-KLEEN SYSTEMS INC
TSDf Alt EPA ID: Not reported
TSDf Alt Name: Not reported
Waste Code Description: 134 - Aqueous solution with <10% total organic residues
RCRA Code: Not reported
Meth Code: H141 - Storage, Bulking, And/Or Transfer Off Site--No Treatment/Reovery (H010-H129) Or (H131-H135)

Quantity Tons: 0.084
Waste Quantity: 20
Quantity Unit: G
Additional Code 1: Not reported
Additional Code 2: Not reported
Additional Code 3: Not reported
Additional Code 4: Not reported
Additional Code 5: Not reported

Shipment Date: 20090528
Creation Date: 10/29/2009 18:30:26
Receipt Date: 20090628
Manifest ID: 001837003SKS
Trans EPA ID: TXR000050930
Trans Name: SAFETY-KLEEN SYSTEMS INC
Trans 2 EPA ID: Not reported
Trans 2 Name: Not reported

Map ID
Direction
Distance
Elevation

MAP FINDINGS

Site

Database(s)

EDR ID Number
EPA ID Number

CALTRANS D8 MAINTENANCE NEEDLES MS (Continued)

S113015959

TSDF EPA ID: NVR000066837
Trans Name: SAFETY-KLEEN SYSTEMS INC
TSDF Alt EPA ID: Not reported
TSDF Alt Name: Not reported
Waste Code Description: 134 - Aqueous solution with <10% total organic residues
RCRA Code: D039
Meth Code: H141 - Storage, Bulking, And/Or Transfer Off Site--No Treatment/Reovery (H010-H129) Or (H131-H135)

Quantity Tons: 0.0168
Waste Quantity: 4
Quantity Unit: G
Additional Code 1: Not reported
Additional Code 2: Not reported
Additional Code 3: Not reported
Additional Code 4: Not reported
Additional Code 5: Not reported

Shipment Date: 20090402
Creation Date: 8/17/2009 18:30:22
Receipt Date: 20090403
Manifest ID: 001660614SKS
Trans EPA ID: TXR000050930
Trans Name: SAFETY-KLEEN SYSTEMS INC
Trans 2 EPA ID: Not reported
Trans 2 Name: Not reported
TSDF EPA ID: NVR000066837
Trans Name: SAFETY-KLEEN SYSTEMS INC
TSDF Alt EPA ID: Not reported
TSDF Alt Name: Not reported
Waste Code Description: 134 - Aqueous solution with <10% total organic residues
RCRA Code: Not reported
Meth Code: H141 - Storage, Bulking, And/Or Transfer Off Site--No Treatment/Reovery (H010-H129) Or (H131-H135)

Quantity Tons: 0.084
Waste Quantity: 20
Quantity Unit: G
Additional Code 1: Not reported
Additional Code 2: Not reported
Additional Code 3: Not reported
Additional Code 4: Not reported
Additional Code 5: Not reported

Shipment Date: 20090206
Creation Date: 6/3/2009 18:30:08
Receipt Date: 20090206
Manifest ID: 001605273SKS
Trans EPA ID: TXR000050930
Trans Name: SAFETY-KLEEN SYSTEMS INC
Trans 2 EPA ID: Not reported
Trans 2 Name: Not reported
TSDF EPA ID: NVR000066837
Trans Name: SAFETY-KLEEN SYSTEMS INC
TSDF Alt EPA ID: Not reported
TSDF Alt Name: Not reported
Waste Code Description: 134 - Aqueous solution with <10% total organic residues
RCRA Code: Not reported
Meth Code: H141 - Storage, Bulking, And/Or Transfer Off Site--No

Map ID
Direction
Distance
Elevation

MAP FINDINGS

Site

Database(s)

EDR ID Number
EPA ID Number

CALTRANS D8 MAINTENANCE NEEDLES MS (Continued)

S113015959

Treatment/Reovery (H010-H129) Or (H131-H135)
Quantity Tons: 0.084
Waste Quantity: 20
Quantity Unit: G
Additional Code 1: Not reported
Additional Code 2: Not reported
Additional Code 3: Not reported
Additional Code 4: Not reported
Additional Code 5: Not reported

Additional Info:

Year: 2001
Gen EPA ID: CAD982417644

Shipment Date: 20011227
Creation Date: 2/13/2002 0:00:00
Receipt Date: 20011227
Manifest ID: 21327034
Trans EPA ID: SCR000075150
Trans Name: Not reported
Trans 2 EPA ID: Not reported
Trans 2 Name: Not reported
TSDf EPA ID: NVT330010208
Trans Name: Not reported
TSDf Alt EPA ID: Not reported
TSDf Alt Name: Not reported
Waste Code Description: 134 - Aqueous solution with <10% total organic residues
RCRA Code: Not reported
Meth Code: H01 - Transfer Station
Quantity Tons: 0.0588
Waste Quantity: 14
Quantity Unit: G
Additional Code 1: Not reported
Additional Code 2: Not reported
Additional Code 3: Not reported
Additional Code 4: Not reported
Additional Code 5: Not reported

Shipment Date: 20011227
Creation Date: 2/13/2002 0:00:00
Receipt Date: 20011227
Manifest ID: 21327034
Trans EPA ID: SCR000075150
Trans Name: Not reported
Trans 2 EPA ID: Not reported
Trans 2 Name: Not reported
TSDf EPA ID: NVT330010208
Trans Name: Not reported
TSDf Alt EPA ID: Not reported
TSDf Alt Name: Not reported
Waste Code Description: 134 - Aqueous solution with <10% total organic residues
RCRA Code: D039
Meth Code: H01 - Transfer Station
Quantity Tons: 0.0168
Waste Quantity: 4
Quantity Unit: G
Additional Code 1: Not reported

Map ID
Direction
Distance
Elevation

MAP FINDINGS

Site

Database(s)

EDR ID Number
EPA ID Number

CALTRANS D8 MAINTENANCE NEEDLES MS (Continued)

S113015959

Additional Code 2: Not reported
Additional Code 3: Not reported
Additional Code 4: Not reported
Additional Code 5: Not reported

Shipment Date: 20011031
Creation Date: 1/16/2002 0:00:00
Receipt Date: 20011031
Manifest ID: 21375335
Trans EPA ID: SCR000075150
Trans Name: Not reported
Trans 2 EPA ID: Not reported
Trans 2 Name: Not reported
TSDf EPA ID: NVT330010208
Trans Name: Not reported
TSDf Alt EPA ID: Not reported
TSDf Alt Name: Not reported
Waste Code Description: 134 - Aqueous solution with <10% total organic residues
RCRA Code: D039
Meth Code: H01 - Transfer Station
Quantity Tons: 0.063
Waste Quantity: 15
Quantity Unit: G
Additional Code 1: Not reported
Additional Code 2: Not reported
Additional Code 3: Not reported
Additional Code 4: Not reported
Additional Code 5: Not reported

Shipment Date: 20011031
Creation Date: 1/16/2002 0:00:00
Receipt Date: 20011031
Manifest ID: 21375335
Trans EPA ID: SCR000075150
Trans Name: Not reported
Trans 2 EPA ID: Not reported
Trans 2 Name: Not reported
TSDf EPA ID: NVT330010208
Trans Name: Not reported
TSDf Alt EPA ID: Not reported
TSDf Alt Name: Not reported
Waste Code Description: 134 - Aqueous solution with <10% total organic residues
RCRA Code: D039
Meth Code: H01 - Transfer Station
Quantity Tons: 0.0168
Waste Quantity: 4
Quantity Unit: G
Additional Code 1: Not reported
Additional Code 2: Not reported
Additional Code 3: Not reported
Additional Code 4: Not reported
Additional Code 5: Not reported

Shipment Date: 20010912
Creation Date: 11/1/2001 0:00:00
Receipt Date: 20010912
Manifest ID: 21398584

Map ID
Direction
Distance
Elevation

MAP FINDINGS

Site

Database(s)

EDR ID Number
EPA ID Number

CALTRANS D8 MAINTENANCE NEEDLES MS (Continued)

S113015959

Trans EPA ID: SCR000075150
Trans Name: Not reported
Trans 2 EPA ID: Not reported
Trans 2 Name: Not reported
TSDf EPA ID: NVT330010208
Trans Name: Not reported
TSDf Alt EPA ID: Not reported
TSDf Alt Name: Not reported
Waste Code Description: 134 - Aqueous solution with <10% total organic residues
RCRA Code: D039
Meth Code: H01 - Transfer Station
Quantity Tons: 0.0168
Waste Quantity: 4
Quantity Unit: G
Additional Code 1: Not reported
Additional Code 2: Not reported
Additional Code 3: Not reported
Additional Code 4: Not reported
Additional Code 5: Not reported

Shipment Date: 20010912
Creation Date: 11/1/2001 0:00:00
Receipt Date: 20010912
Manifest ID: 21398584
Trans EPA ID: SCR000075150
Trans Name: Not reported
Trans 2 EPA ID: Not reported
Trans 2 Name: Not reported
TSDf EPA ID: NVT330010208
Trans Name: Not reported
TSDf Alt EPA ID: Not reported
TSDf Alt Name: Not reported
Waste Code Description: 134 - Aqueous solution with <10% total organic residues
RCRA Code: D039
Meth Code: H01 - Transfer Station
Quantity Tons: 0.063
Waste Quantity: 15
Quantity Unit: G
Additional Code 1: Not reported
Additional Code 2: Not reported
Additional Code 3: Not reported
Additional Code 4: Not reported
Additional Code 5: Not reported

Shipment Date: 20010906
Creation Date: 10/23/2001 0:00:00
Receipt Date: 20010906
Manifest ID: 99655338
Trans EPA ID: SCR000075150
Trans Name: Not reported
Trans 2 EPA ID: Not reported
Trans 2 Name: Not reported
TSDf EPA ID: NVT330010208
Trans Name: Not reported
TSDf Alt EPA ID: HAHQ03602084
TSDf Alt Name: Not reported
Waste Code Description: 221 - Waste oil and mixed oil

Map ID
Direction
Distance
Elevation

MAP FINDINGS

Site

Database(s)

EDR ID Number
EPA ID Number

CALTRANS D8 MAINTENANCE NEEDLES MS (Continued)

S113015959

RCRA Code:	Not reported
Meth Code:	H01 - Transfer Station
Quantity Tons:	0.76
Waste Quantity:	200
Quantity Unit:	G
Additional Code 1:	Not reported
Additional Code 2:	Not reported
Additional Code 3:	Not reported
Additional Code 4:	Not reported
Additional Code 5:	Not reported
Shipment Date:	20010821
Creation Date:	2/20/2002 0:00:00
Receipt Date:	20010830
Manifest ID:	20897693
Trans EPA ID:	CAT080012800
Trans Name:	Not reported
Trans 2 EPA ID:	Not reported
Trans 2 Name:	Not reported
TSDf EPA ID:	AZD980892731
Trans Name:	Not reported
TSDf Alt EPA ID:	Not reported
TSDf Alt Name:	Not reported
Waste Code Description:	611 - Contaminated soil from site clean-ups
RCRA Code:	Not reported
Meth Code:	- Not reported
Quantity Tons:	1.25
Waste Quantity:	2500
Quantity Unit:	P
Additional Code 1:	Not reported
Additional Code 2:	Not reported
Additional Code 3:	Not reported
Additional Code 4:	Not reported
Additional Code 5:	Not reported
Shipment Date:	20010719
Creation Date:	10/1/2001 0:00:00
Receipt Date:	20010719
Manifest ID:	21132033
Trans EPA ID:	SCR000075150
Trans Name:	Not reported
Trans 2 EPA ID:	Not reported
Trans 2 Name:	Not reported
TSDf EPA ID:	NVT330010208
Trans Name:	Not reported
TSDf Alt EPA ID:	Not reported
TSDf Alt Name:	Not reported
Waste Code Description:	134 - Aqueous solution with <10% total organic residues
RCRA Code:	D039
Meth Code:	H01 - Transfer Station
Quantity Tons:	0.0168
Waste Quantity:	4
Quantity Unit:	G
Additional Code 1:	Not reported
Additional Code 2:	Not reported
Additional Code 3:	Not reported
Additional Code 4:	Not reported

Map ID
Direction
Distance
Elevation

MAP FINDINGS

Site

Database(s)

EDR ID Number
EPA ID Number

CALTRANS D8 MAINTENANCE NEEDLES MS (Continued)

S113015959

Additional Code 5:	Not reported
Shipment Date:	20010719
Creation Date:	10/1/2001 0:00:00
Receipt Date:	20010719
Manifest ID:	21132033
Trans EPA ID:	SCR000075150
Trans Name:	Not reported
Trans 2 EPA ID:	Not reported
Trans 2 Name:	Not reported
TSDf EPA ID:	NVT330010208
Trans Name:	Not reported
TSDf Alt EPA ID:	Not reported
TSDf Alt Name:	Not reported
Waste Code Description:	134 - Aqueous solution with <10% total organic residues
RCRA Code:	D039
Meth Code:	H01 - Transfer Station
Quantity Tons:	0.063
Waste Quantity:	15
Quantity Unit:	G
Additional Code 1:	Not reported
Additional Code 2:	Not reported
Additional Code 3:	Not reported
Additional Code 4:	Not reported
Additional Code 5:	Not reported
Additional Info:	
Year:	2011
Gen EPA ID:	CAD982417644
Shipment Date:	20110303
Creation Date:	9/13/2011 18:30:11
Receipt Date:	20110303
Manifest ID:	003591965FLE
Trans EPA ID:	TXR000050930
Trans Name:	SAFETY-KLEEN SYSTEMS INC
Trans 2 EPA ID:	Not reported
Trans 2 Name:	Not reported
TSDf EPA ID:	CAT000613927
Trans Name:	SAFETY-KLEEN SYSTEMS INC
TSDf Alt EPA ID:	Not reported
TSDf Alt Name:	Not reported
Waste Code Description:	134 - Aqueous solution with <10% total organic residues
RCRA Code:	Not reported
Meth Code:	H141 - Storage, Bulking, And/Or Transfer Off Site--No Treatment/Reovery (H010-H129) Or (H131-H135)
Quantity Tons:	0.084
Waste Quantity:	20
Quantity Unit:	G
Additional Code 1:	Not reported
Additional Code 2:	Not reported
Additional Code 3:	Not reported
Additional Code 4:	Not reported
Additional Code 5:	Not reported
Shipment Date:	20110303
Creation Date:	9/13/2011 18:30:11

Map ID
Direction
Distance
Elevation

MAP FINDINGS

Site

Database(s)

EDR ID Number
EPA ID Number

CALTRANS D8 MAINTENANCE NEEDLES MS (Continued)

S113015959

Receipt Date: 20110303
Manifest ID: 003591965FLE
Trans EPA ID: TXR000050930
Trans Name: SAFETY-KLEEN SYSTEMS INC
Trans 2 EPA ID: Not reported
Trans 2 Name: Not reported
TSDf EPA ID: CAT000613927
Trans Name: SAFETY-KLEEN SYSTEMS INC
TSDf Alt EPA ID: Not reported
TSDf Alt Name: Not reported
Waste Code Description: 134 - Aqueous solution with <10% total organic residues
RCRA Code: D039
Meth Code: H141 - Storage, Bulking, And/Or Transfer Off Site--No Treatment/Reovery (H010-H129) Or (H131-H135)

Quantity Tons: 0.0168
Waste Quantity: 4
Quantity Unit: G
Additional Code 1: Not reported
Additional Code 2: Not reported
Additional Code 3: Not reported
Additional Code 4: Not reported
Additional Code 5: Not reported

Additional Info:

Year: 2003
Gen EPA ID: CAD982417644

Shipment Date: 20031120
Creation Date: 8/5/2004 10:07:02
Receipt Date: 20031120
Manifest ID: 22526315
Trans EPA ID: TXR000050930
Trans Name: SAFETY-KLEEN SYSTEMS INC
Trans 2 EPA ID: Not reported
Trans 2 Name: Not reported
TSDf EPA ID: NVR000066837
Trans Name: SAFETY-KLEEN SYSTEMS INC
TSDf Alt EPA ID: Not reported
TSDf Alt Name: Not reported
Waste Code Description: 221 - Waste oil and mixed oil
RCRA Code: Not reported
Meth Code: - Not reported
Quantity Tons: 0.228
Waste Quantity: 60
Quantity Unit: G
Additional Code 1: Not reported
Additional Code 2: Not reported
Additional Code 3: Not reported
Additional Code 4: Not reported
Additional Code 5: Not reported

Shipment Date: 20031024
Creation Date: 8/3/2004 15:01:39
Receipt Date: 20031024
Manifest ID: 22525592
Trans EPA ID: TXR000050930
Trans Name: SAFETY-KLEEN SYSTEMS INC

Map ID
Direction
Distance
Elevation

MAP FINDINGS

Site

Database(s)

EDR ID Number
EPA ID Number

CALTRANS D8 MAINTENANCE NEEDLES MS (Continued)

S113015959

Trans 2 EPA ID: Not reported
Trans 2 Name: Not reported
TSDf EPA ID: NVR000066837
Trans Name: SAFETY-KLEEN SYSTEMS INC
TSDf Alt EPA ID: Not reported
TSDf Alt Name: Not reported
Waste Code Description: 134 - Aqueous solution with <10% total organic residues
RCRA Code: D039
Meth Code: H01 - Transfer Station
Quantity Tons: 0.0168
Waste Quantity: 4
Quantity Unit: G
Additional Code 1: Not reported
Additional Code 2: Not reported
Additional Code 3: Not reported
Additional Code 4: Not reported
Additional Code 5: Not reported

Shipment Date: 20031024
Creation Date: 8/3/2004 15:01:39
Receipt Date: 20031024
Manifest ID: 22525592
Trans EPA ID: TXR000050930
Trans Name: SAFETY-KLEEN SYSTEMS INC
Trans 2 EPA ID: Not reported
Trans 2 Name: Not reported
TSDf EPA ID: NVR000066837
Trans Name: SAFETY-KLEEN SYSTEMS INC
TSDf Alt EPA ID: Not reported
TSDf Alt Name: Not reported
Waste Code Description: 134 - Aqueous solution with <10% total organic residues
RCRA Code: Not reported
Meth Code: H01 - Transfer Station
Quantity Tons: 0.063
Waste Quantity: 15
Quantity Unit: G
Additional Code 1: Not reported
Additional Code 2: Not reported
Additional Code 3: Not reported
Additional Code 4: Not reported
Additional Code 5: Not reported

Shipment Date: 20030827
Creation Date: 7/29/2004 7:43:17
Receipt Date: 20030827
Manifest ID: 22512300
Trans EPA ID: TXR000050930
Trans Name: Not reported
Trans 2 EPA ID: Not reported
Trans 2 Name: Not reported
TSDf EPA ID: NVR000066837
Trans Name: Not reported
TSDf Alt EPA ID: Not reported
TSDf Alt Name: Not reported
Waste Code Description: - Not reported
RCRA Code: Not reported
Meth Code: H01 - Transfer Station

Map ID
Direction
Distance
Elevation

MAP FINDINGS

Site

Database(s)

EDR ID Number
EPA ID Number

CALTRANS D8 MAINTENANCE NEEDLES MS (Continued)

S113015959

Quantity Tons: 0.04587
Waste Quantity: 11
Quantity Unit: G
Additional Code 1: Not reported
Additional Code 2: Not reported
Additional Code 3: Not reported
Additional Code 4: Not reported
Additional Code 5: Not reported

Shipment Date: 20030827
Creation Date: 7/29/2004 7:43:17
Receipt Date: 20030827
Manifest ID: 22512300
Trans EPA ID: TXR000050930
Trans Name: Not reported
Trans 2 EPA ID: Not reported
Trans 2 Name: Not reported
TSDf EPA ID: NVR000066837
Trans Name: Not reported
TSDf Alt EPA ID: Not reported
TSDf Alt Name: Not reported
Waste Code Description: 134 - Aqueous solution with <10% total organic residues
RCRA Code: D039
Meth Code: H01 - Transfer Station
Quantity Tons: 0.0168
Waste Quantity: 4
Quantity Unit: G
Additional Code 1: Not reported
Additional Code 2: Not reported
Additional Code 3: Not reported
Additional Code 4: Not reported
Additional Code 5: Not reported

Shipment Date: 20030701
Creation Date: 7/22/2004 7:51:02
Receipt Date: 20030701
Manifest ID: 22878196
Trans EPA ID: TXR000050930
Trans Name: Not reported
Trans 2 EPA ID: Not reported
Trans 2 Name: Not reported
TSDf EPA ID: NVR000066837
Trans Name: Not reported
TSDf Alt EPA ID: Not reported
TSDf Alt Name: Not reported
Waste Code Description: 134 - Aqueous solution with <10% total organic residues
RCRA Code: Not reported
Meth Code: H01 - Transfer Station
Quantity Tons: 0.063
Waste Quantity: 15
Quantity Unit: G
Additional Code 1: Not reported
Additional Code 2: Not reported
Additional Code 3: Not reported
Additional Code 4: Not reported
Additional Code 5: Not reported

Map ID
Direction
Distance
Elevation

MAP FINDINGS

Site

Database(s)

EDR ID Number
EPA ID Number

CALTRANS D8 MAINTENANCE NEEDLES MS (Continued)

S113015959

Shipment Date: 20030701
Creation Date: 7/22/2004 7:51:02
Receipt Date: 20030701
Manifest ID: 22878196
Trans EPA ID: TXR000050930
Trans Name: Not reported
Trans 2 EPA ID: Not reported
Trans 2 Name: Not reported
TSDf EPA ID: NVR000066837
Trans Name: Not reported
TSDf Alt EPA ID: Not reported
TSDf Alt Name: Not reported
Waste Code Description: 134 - Aqueous solution with <10% total organic residues
RCRA Code: D039
Meth Code: H01 - Transfer Station
Quantity Tons: 0.0168
Waste Quantity: 4
Quantity Unit: G
Additional Code 1: Not reported
Additional Code 2: Not reported
Additional Code 3: Not reported
Additional Code 4: Not reported
Additional Code 5: Not reported

Shipment Date: 20030529
Creation Date: 6/23/2004 9:59:25
Receipt Date: 20030529
Manifest ID: 22382117
Trans EPA ID: TXR000050930
Trans Name: Not reported
Trans 2 EPA ID: Not reported
Trans 2 Name: Not reported
TSDf EPA ID: NVR000066837
Trans Name: Not reported
TSDf Alt EPA ID: Not reported
TSDf Alt Name: Not reported
Waste Code Description: 221 - Waste oil and mixed oil
RCRA Code: Not reported
Meth Code: H01 - Transfer Station
Quantity Tons: 0.266
Waste Quantity: 70
Quantity Unit: G
Additional Code 1: Not reported
Additional Code 2: Not reported
Additional Code 3: Not reported
Additional Code 4: Not reported
Additional Code 5: Not reported

Shipment Date: 20030506
Creation Date: 8/5/2003 18:31:37
Receipt Date: 20030506
Manifest ID: 22381661
Trans EPA ID: TXR000050930
Trans Name: Not reported
Trans 2 EPA ID: Not reported
Trans 2 Name: Not reported
TSDf EPA ID: NVR000066837

Map ID
Direction
Distance
Elevation

MAP FINDINGS

Site

Database(s)

EDR ID Number
EPA ID Number

CALTRANS D8 MAINTENANCE NEEDLES MS (Continued)

S113015959

Trans Name: Not reported
TSDF Alt EPA ID: Not reported
TSDF Alt Name: Not reported
Waste Code Description: - Not reported
RCRA Code: Not reported
Meth Code: H01 - Transfer Station
Quantity Tons: Not reported
Waste Quantity: Not reported
Quantity Unit: Not reported
Additional Code 1: Not reported
Additional Code 2: Not reported
Additional Code 3: Not reported
Additional Code 4: Not reported
Additional Code 5: Not reported

Shipment Date: 20030506
Creation Date: 8/5/2003 18:31:37
Receipt Date: 20030506
Manifest ID: 22381661
Trans EPA ID: TXR000050930
Trans Name: Not reported
Trans 2 EPA ID: Not reported
Trans 2 Name: Not reported
TSDF EPA ID: NVR000066837
Trans Name: Not reported
TSDF Alt EPA ID: Not reported
TSDF Alt Name: Not reported
Waste Code Description: 134 - Aqueous solution with <10% total organic residues
RCRA Code: D039
Meth Code: H01 - Transfer Station
Quantity Tons: 0.0168
Waste Quantity: 4
Quantity Unit: G
Additional Code 1: Not reported
Additional Code 2: Not reported
Additional Code 3: Not reported
Additional Code 4: Not reported
Additional Code 5: Not reported

Additional Info:

Year: 2016
Gen EPA ID: CAD982417644

Shipment Date: 20151104
Creation Date: 5/4/2016 22:15:42
Receipt Date: 20151104
Manifest ID: 005104217SKS
Trans EPA ID: TXR000081205
Trans Name: SAFETY-KLEEN SYSTEMS INC
Trans 2 EPA ID: Not reported
Trans 2 Name: Not reported
TSDF EPA ID: CAT000613927
Trans Name: SAFETY-KLEEN SYSTEMS INC
TSDF Alt EPA ID: Not reported
TSDF Alt Name: Not reported
Waste Code Description: 134 - Aqueous solution with <10% total organic residues
RCRA Code: Not reported

Map ID
Direction
Distance
Elevation

MAP FINDINGS

Site

Database(s)

EDR ID Number
EPA ID Number

CALTRANS D8 MAINTENANCE NEEDLES MS (Continued)

S113015959

Meth Code: H141 - Storage, Bulking, And/Or Transfer Off Site--No Treatment/Reovery (H010-H129) Or (H131-H135)
Quantity Tons: 0.021
Waste Quantity: 5
Quantity Unit: G
Additional Code 1: Not reported
Additional Code 2: Not reported
Additional Code 3: Not reported
Additional Code 4: Not reported
Additional Code 5: Not reported

Shipment Date: 20151104
Creation Date: 5/4/2016 22:15:42
Receipt Date: 20151104
Manifest ID: 005104217SKS
Trans EPA ID: TXR000081205
Trans Name: SAFETY-KLEEN SYSTEMS INC
Trans 2 EPA ID: Not reported
Trans 2 Name: Not reported
TSDf EPA ID: CAT000613927
Trans Name: SAFETY-KLEEN SYSTEMS INC
TSDf Alt EPA ID: Not reported
TSDf Alt Name: Not reported
Waste Code Description: 134 - Aqueous solution with <10% total organic residues
RCRA Code: Not reported
Meth Code: H141 - Storage, Bulking, And/Or Transfer Off Site--No Treatment/Reovery (H010-H129) Or (H131-H135)
Quantity Tons: 0.084
Waste Quantity: 20
Quantity Unit: G
Additional Code 1: Not reported
Additional Code 2: Not reported
Additional Code 3: Not reported
Additional Code 4: Not reported
Additional Code 5: Not reported

Shipment Date: 20150924
Creation Date: 11/17/2015 22:15:24
Receipt Date: 20150930
Manifest ID: 014893055JJK
Trans EPA ID: CAT080032253
Trans Name: OC VACUUM INC
Trans 2 EPA ID: CAD983649880
Trans 2 Name: PSC ENVIRONMENTAL SERVICES OF POMONA LP
TSDf EPA ID: CAD008364432
Trans Name: RHO-CHEM LLC (PSC)
TSDf Alt EPA ID: Not reported
TSDf Alt Name: Not reported
Waste Code Description: 135 - Unspecified aqueous solution
RCRA Code: Not reported
Meth Code: H141 - Storage, Bulking, And/Or Transfer Off Site--No Treatment/Reovery (H010-H129) Or (H131-H135)
Quantity Tons: 0.75
Waste Quantity: 1500
Quantity Unit: P
Additional Code 1: Not reported
Additional Code 2: Not reported

Map ID
Direction
Distance
Elevation

MAP FINDINGS

Site

Database(s)

EDR ID Number
EPA ID Number

CALTRANS D8 MAINTENANCE NEEDLES MS (Continued)

S113015959

Additional Code 3:	Not reported
Additional Code 4:	Not reported
Additional Code 5:	Not reported
Shipment Date:	20150812
Creation Date:	2/5/2016 22:15:10
Receipt Date:	20150811
Manifest ID:	004925454SKS
Trans EPA ID:	TXR000081205
Trans Name:	SAFETY-KLEEN SYSTEMS INC
Trans 2 EPA ID:	Not reported
Trans 2 Name:	Not reported
TSDf EPA ID:	CAT000613927
Trans Name:	SAFETY-KLEEN SYSTEMS INC
TSDf Alt EPA ID:	Not reported
TSDf Alt Name:	Not reported
Waste Code Description:	134 - Aqueous solution with <10% total organic residues
RCRA Code:	Not reported
Meth Code:	H141 - Storage, Bulking, And/Or Transfer Off Site--No Treatment/Reovery (H010-H129) Or (H131-H135)
Quantity Tons:	0.084
Waste Quantity:	20
Quantity Unit:	G
Additional Code 1:	Not reported
Additional Code 2:	Not reported
Additional Code 3:	Not reported
Additional Code 4:	Not reported
Additional Code 5:	Not reported
Shipment Date:	20150812
Creation Date:	2/5/2016 22:15:10
Receipt Date:	20150811
Manifest ID:	004650972SKS
Trans EPA ID:	TXR000081205
Trans Name:	SAFETY-KLEEN SYSTEMS INC
Trans 2 EPA ID:	Not reported
Trans 2 Name:	Not reported
TSDf EPA ID:	CAT000613927
Trans Name:	SAFETY-KLEEN SYSTEMS INC
TSDf Alt EPA ID:	Not reported
TSDf Alt Name:	Not reported
Waste Code Description:	134 - Aqueous solution with <10% total organic residues
RCRA Code:	Not reported
Meth Code:	H141 - Storage, Bulking, And/Or Transfer Off Site--No Treatment/Reovery (H010-H129) Or (H131-H135)
Quantity Tons:	0.021
Waste Quantity:	5
Quantity Unit:	G
Additional Code 1:	Not reported
Additional Code 2:	Not reported
Additional Code 3:	Not reported
Additional Code 4:	Not reported
Additional Code 5:	Not reported
Additional Info:	
Year:	2004
Gen EPA ID:	CAD982417644

Map ID
Direction
Distance
Elevation

MAP FINDINGS

Site

Database(s)

EDR ID Number
EPA ID Number

CALTRANS D8 MAINTENANCE NEEDLES MS (Continued)

S113015959

Shipment Date: 20041117
Creation Date: 1/14/2005 10:18:48
Receipt Date: 20041117
Manifest ID: 23726784
Trans EPA ID: TXR000050930
Trans Name: SAFETY-KLEEN SYSTEMS INC
Trans 2 EPA ID: Not reported
Trans 2 Name: Not reported
TSDf EPA ID: NVR000066837
Trans Name: SAFETY-KLEEN SYSTEMS INC
TSDf Alt EPA ID: Not reported
TSDf Alt Name: Not reported
Waste Code Description: 134 - Aqueous solution with <10% total organic residues
RCRA Code: Not reported
Meth Code: H01 - Transfer Station
Quantity Tons: 0.063
Waste Quantity: 15
Quantity Unit: G
Additional Code 1: Not reported
Additional Code 2: Not reported
Additional Code 3: Not reported
Additional Code 4: Not reported
Additional Code 5: Not reported

Shipment Date: 20041117
Creation Date: 1/14/2005 10:18:48
Receipt Date: 20041117
Manifest ID: 23726784
Trans EPA ID: TXR000050930
Trans Name: SAFETY-KLEEN SYSTEMS INC
Trans 2 EPA ID: Not reported
Trans 2 Name: Not reported
TSDf EPA ID: NVR000066837
Trans Name: SAFETY-KLEEN SYSTEMS INC
TSDf Alt EPA ID: Not reported
TSDf Alt Name: Not reported
Waste Code Description: - Not reported
RCRA Code: Not reported
Meth Code: H01 - Transfer Station
Quantity Tons: Not reported
Waste Quantity: Not reported
Quantity Unit: Not reported
Additional Code 1: Not reported
Additional Code 2: Not reported
Additional Code 3: Not reported
Additional Code 4: Not reported
Additional Code 5: Not reported

Shipment Date: 20041013
Creation Date: 12/21/2004 18:30:50
Receipt Date: 20041013
Manifest ID: 22323479
Trans EPA ID: TXR000050930
Trans Name: SAFETY-KLEEN SYSTEMS INC
Trans 2 EPA ID: Not reported
Trans 2 Name: Not reported
TSDf EPA ID: NVR000066837

Map ID
Direction
Distance
Elevation

MAP FINDINGS

Site

Database(s)

EDR ID Number
EPA ID Number

CALTRANS D8 MAINTENANCE NEEDLES MS (Continued)

S113015959

Trans Name: SAFETY-KLEEN SYSTEMS INC
TSDf Alt EPA ID: NVR000066837
TSDf Alt Name: Not reported
Waste Code Description: 221 - Waste oil and mixed oil
RCRA Code: Not reported
Meth Code: - Not reported
Quantity Tons: 0.19
Waste Quantity: 50
Quantity Unit: G
Additional Code 1: Not reported
Additional Code 2: Not reported
Additional Code 3: Not reported
Additional Code 4: Not reported
Additional Code 5: Not reported

Shipment Date: 20040909
Creation Date: 12/28/2004 14:46:39
Receipt Date: 20040909
Manifest ID: 23711486
Trans EPA ID: TXR000050930
Trans Name: SAFETY-KLEEN SYSTEMS INC
Trans 2 EPA ID: Not reported
Trans 2 Name: Not reported
TSDf EPA ID: NVR000066837
Trans Name: SAFETY-KLEEN SYSTEMS INC
TSDf Alt EPA ID: Not reported
TSDf Alt Name: Not reported
Waste Code Description: - Not reported
RCRA Code: Not reported
Meth Code: H01 - Transfer Station
Quantity Tons: Not reported
Waste Quantity: Not reported
Quantity Unit: Not reported
Additional Code 1: Not reported
Additional Code 2: Not reported
Additional Code 3: Not reported
Additional Code 4: Not reported
Additional Code 5: Not reported

Shipment Date: 20040909
Creation Date: 12/28/2004 14:46:39
Receipt Date: 20040909
Manifest ID: 23711486
Trans EPA ID: TXR000050930
Trans Name: SAFETY-KLEEN SYSTEMS INC
Trans 2 EPA ID: Not reported
Trans 2 Name: Not reported
TSDf EPA ID: NVR000066837
Trans Name: SAFETY-KLEEN SYSTEMS INC
TSDf Alt EPA ID: Not reported
TSDf Alt Name: Not reported
Waste Code Description: 134 - Aqueous solution with <10% total organic residues
RCRA Code: Not reported
Meth Code: H01 - Transfer Station
Quantity Tons: 0.063
Waste Quantity: 15
Quantity Unit: G

Map ID
Direction
Distance
Elevation

MAP FINDINGS

Site

Database(s)

EDR ID Number
EPA ID Number

CALTRANS D8 MAINTENANCE NEEDLES MS (Continued)

S113015959

Additional Code 1: Not reported
Additional Code 2: Not reported
Additional Code 3: Not reported
Additional Code 4: Not reported
Additional Code 5: Not reported

Shipment Date: 20040721
Creation Date: 11/1/2004 12:36:11
Receipt Date: 20040721
Manifest ID: 23516050
Trans EPA ID: TXR000050930
Trans Name: SAFETY-KLEEN SYSTEMS INC
Trans 2 EPA ID: Not reported
Trans 2 Name: Not reported
TSDf EPA ID: NVR000066837
Trans Name: SAFETY-KLEEN SYSTEMS INC
TSDf Alt EPA ID: Not reported
TSDf Alt Name: Not reported
Waste Code Description: 221 - Waste oil and mixed oil
RCRA Code: Not reported
Meth Code: - Not reported
Quantity Tons: 0.228
Waste Quantity: 60
Quantity Unit: G
Additional Code 1: Not reported
Additional Code 2: Not reported
Additional Code 3: Not reported
Additional Code 4: Not reported
Additional Code 5: Not reported

Shipment Date: 20040715
Creation Date: 11/1/2004 12:36:11
Receipt Date: 20040715
Manifest ID: 23508945
Trans EPA ID: TXR000050930
Trans Name: SAFETY-KLEEN SYSTEMS INC
Trans 2 EPA ID: Not reported
Trans 2 Name: Not reported
TSDf EPA ID: NVR000066837
Trans Name: SAFETY-KLEEN SYSTEMS INC
TSDf Alt EPA ID: Not reported
TSDf Alt Name: Not reported
Waste Code Description: 134 - Aqueous solution with <10% total organic residues
RCRA Code: Not reported
Meth Code: H01 - Transfer Station
Quantity Tons: 0.0504
Waste Quantity: 12
Quantity Unit: G
Additional Code 1: Not reported
Additional Code 2: Not reported
Additional Code 3: Not reported
Additional Code 4: Not reported
Additional Code 5: Not reported

Shipment Date: 20040715
Creation Date: 11/1/2004 12:36:11
Receipt Date: 20040715

Map ID
Direction
Distance
Elevation

MAP FINDINGS

Site

Database(s)

EDR ID Number
EPA ID Number

CALTRANS D8 MAINTENANCE NEEDLES MS (Continued)

S113015959

Manifest ID: 23508945
Trans EPA ID: TXR000050930
Trans Name: SAFETY-KLEEN SYSTEMS INC
Trans 2 EPA ID: Not reported
Trans 2 Name: Not reported
TSDf EPA ID: NVR000066837
Trans Name: SAFETY-KLEEN SYSTEMS INC
TSDf Alt EPA ID: Not reported
TSDf Alt Name: Not reported
Waste Code Description: 134 - Aqueous solution with <10% total organic residues
RCRA Code: D039
Meth Code: H01 - Transfer Station
Quantity Tons: 0.0168
Waste Quantity: 4
Quantity Unit: G
Additional Code 1: Not reported
Additional Code 2: Not reported
Additional Code 3: Not reported
Additional Code 4: Not reported
Additional Code 5: Not reported

Shipment Date: 20040520
Creation Date: 10/15/2004 8:41:08
Receipt Date: 20040520
Manifest ID: 23507090
Trans EPA ID: TXR000050930
Trans Name: SAFETY-KLEEN SYSTEMS INC
Trans 2 EPA ID: Not reported
Trans 2 Name: Not reported
TSDf EPA ID: NVR000066837
Trans Name: SAFETY-KLEEN SYSTEMS INC
TSDf Alt EPA ID: Not reported
TSDf Alt Name: Not reported
Waste Code Description: 134 - Aqueous solution with <10% total organic residues
RCRA Code: D039
Meth Code: H01 - Transfer Station
Quantity Tons: 0.0168
Waste Quantity: 4
Quantity Unit: G
Additional Code 1: Not reported
Additional Code 2: Not reported
Additional Code 3: Not reported
Additional Code 4: Not reported
Additional Code 5: Not reported

Shipment Date: 20040520
Creation Date: 10/15/2004 8:41:08
Receipt Date: 20040520
Manifest ID: 23507090
Trans EPA ID: TXR000050930
Trans Name: SAFETY-KLEEN SYSTEMS INC
Trans 2 EPA ID: Not reported
Trans 2 Name: Not reported
TSDf EPA ID: NVR000066837
Trans Name: SAFETY-KLEEN SYSTEMS INC
TSDf Alt EPA ID: Not reported
TSDf Alt Name: Not reported

Map ID
Direction
Distance
Elevation

MAP FINDINGS

Site

Database(s)

EDR ID Number
EPA ID Number

CALTRANS D8 MAINTENANCE NEEDLES MS (Continued)

S113015959

Waste Code Description: 134 - Aqueous solution with <10% total organic residues
RCRA Code: Not reported
Meth Code: H01 - Transfer Station
Quantity Tons: 0.042
Waste Quantity: 10
Quantity Unit: G
Additional Code 1: Not reported
Additional Code 2: Not reported
Additional Code 3: Not reported
Additional Code 4: Not reported
Additional Code 5: Not reported

Additional Info:

Year: 2014
Gen EPA ID: CAD982417644

Shipment Date: 20140904
Creation Date: 2/9/2015 22:15:16
Receipt Date: 20140904
Manifest ID: 004312340SKS
Trans EPA ID: TXR000081205
Trans Name: SAFETY-KLEEN SYSTEMS INC
Trans 2 EPA ID: Not reported
Trans 2 Name: Not reported
TSDf EPA ID: CAT000613927
Trans Name: SAFETY-KLEEN SYSTEMS INC
TSDf Alt EPA ID: Not reported
TSDf Alt Name: Not reported
Waste Code Description: 134 - Aqueous solution with <10% total organic residues
RCRA Code: Not reported
Meth Code: H141 - Storage, Bulking, And/Or Transfer Off Site--No Treatment/Reovery (H010-H129) Or (H131-H135)
Quantity Tons: 0.084
Waste Quantity: 20
Quantity Unit: G
Additional Code 1: Not reported
Additional Code 2: Not reported
Additional Code 3: Not reported
Additional Code 4: Not reported
Additional Code 5: Not reported

Shipment Date: 20140213
Creation Date: 7/3/2014 22:15:07
Receipt Date: 20140213
Manifest ID: 004031568SKS
Trans EPA ID: TXR000081205
Trans Name: SAFETY-KLEEN SYSTEMS INC
Trans 2 EPA ID: Not reported
Trans 2 Name: Not reported
TSDf EPA ID: CAT000613927
Trans Name: SAFETY-KLEEN SYSTEMS INC
TSDf Alt EPA ID: Not reported
TSDf Alt Name: Not reported
Waste Code Description: 134 - Aqueous solution with <10% total organic residues
RCRA Code: Not reported
Meth Code: - Not reported
Quantity Tons: 0.063

Map ID
Direction
Distance
Elevation

MAP FINDINGS

Site

Database(s)

EDR ID Number
EPA ID Number

CALTRANS D8 MAINTENANCE NEEDLES MS (Continued)

S113015959

Waste Quantity: 15
Quantity Unit: G
Additional Code 1: Not reported
Additional Code 2: Not reported
Additional Code 3: Not reported
Additional Code 4: Not reported
Additional Code 5: Not reported

Additional Info:

Year: 2017
Gen EPA ID: CAD982417644

Shipment Date: 20170517
Creation Date: 7/25/2018 18:30:29
Receipt Date: 20170517
Manifest ID: 005727820SKS
Trans EPA ID: TXR000081205
Trans Name: SAFETY-KLEEN SYSTEMS INC
Trans 2 EPA ID: Not reported
Trans 2 Name: Not reported
TSDf EPA ID: CAT000613927
Trans Name: SAFETY-KLEEN SYSTEMS INC
TSDf Alt EPA ID: Not reported
TSDf Alt Name: Not reported
Waste Code Description: 134 - Aqueous solution with <10% total organic residues
RCRA Code: Not reported
Meth Code: H141 - Storage, Bulking, And/Or Transfer Off Site--No Treatment/Reovery (H010-H129) Or (H131-H135)

Quantity Tons: 0.021
Waste Quantity: 5
Quantity Unit: G
Additional Code 1: Not reported
Additional Code 2: Not reported
Additional Code 3: Not reported
Additional Code 4: Not reported
Additional Code 5: Not reported

Shipment Date: 20170517
Creation Date: 7/12/2018 18:30:34
Receipt Date: 20170525
Manifest ID: 005767830SKS
Trans EPA ID: TXR000081205
Trans Name: SAFETY-KLEEN SYSTEMS INC
Trans 2 EPA ID: MAD039322250
Trans 2 Name: CLEAN HARBOR'S
TSDf EPA ID: AZR000003681
Trans Name: THERMO FLUIDS INC
TSDf Alt EPA ID: Not reported
TSDf Alt Name: Not reported
Waste Code Description: 223 - Unspecified oil-containing waste
RCRA Code: Not reported
Meth Code: H039 - Other Recovery Of Reclamation For Reuse Including Acid Regeneration, Organics Recovery Ect

Quantity Tons: 0.0175
Waste Quantity: 35
Quantity Unit: P
Additional Code 1: Not reported

Map ID
Direction
Distance
Elevation

MAP FINDINGS

Site

Database(s)

EDR ID Number
EPA ID Number

CALTRANS D8 MAINTENANCE NEEDLES MS (Continued)

S113015959

Additional Code 2: Not reported
Additional Code 3: Not reported
Additional Code 4: Not reported
Additional Code 5: Not reported

Shipment Date: 20170517
Creation Date: 7/25/2018 18:30:29
Receipt Date: 20170517
Manifest ID: 005727820SKS
Trans EPA ID: TXR000081205
Trans Name: SAFETY-KLEEN SYSTEMS INC
Trans 2 EPA ID: Not reported
Trans 2 Name: Not reported
TSDf EPA ID: CAT000613927
Trans Name: SAFETY-KLEEN SYSTEMS INC
TSDf Alt EPA ID: Not reported
TSDf Alt Name: Not reported
Waste Code Description: 134 - Aqueous solution with <10% total organic residues
RCRA Code: Not reported
Meth Code: H141 - Storage, Bulking, And/Or Transfer Off Site--No Treatment/Reovery (H010-H129) Or (H131-H135)

Quantity Tons: 0.084
Waste Quantity: 20
Quantity Unit: G
Additional Code 1: Not reported
Additional Code 2: Not reported
Additional Code 3: Not reported
Additional Code 4: Not reported
Additional Code 5: Not reported

Additional Info:

Year: 2005
Gen EPA ID: CAD982417644

Shipment Date: 20051207
Creation Date: 1/2/2007 18:30:32
Receipt Date: 20051207
Manifest ID: 24364958
Trans EPA ID: TXR000050930
Trans Name: SAFETY-KLEEN SYSTEMS INC
Trans 2 EPA ID: Not reported
Trans 2 Name: Not reported
TSDf EPA ID: NVR000066837
Trans Name: SAFETY-KLEEN SYSTEMS INC
TSDf Alt EPA ID: NVR000066837
TSDf Alt Name: Not reported
Waste Code Description: 221 - Waste oil and mixed oil
RCRA Code: Not reported
Meth Code: - Not reported
Quantity Tons: 0.095
Waste Quantity: 25
Quantity Unit: G
Additional Code 1: Not reported
Additional Code 2: Not reported
Additional Code 3: Not reported
Additional Code 4: Not reported
Additional Code 5: Not reported

Map ID
Direction
Distance
Elevation

MAP FINDINGS

Site

Database(s)

EDR ID Number
EPA ID Number

CALTRANS D8 MAINTENANCE NEEDLES MS (Continued)

S113015959

Shipment Date: 20051005
Creation Date: 3/12/2006 18:30:40
Receipt Date: 20051005
Manifest ID: 24743720
Trans EPA ID: TXR000050930
Trans Name: SAFETY-KLEEN SYSTEMS INC
Trans 2 EPA ID: Not reported
Trans 2 Name: Not reported
TSDf EPA ID: NVR000066837
Trans Name: SAFETY-KLEEN SYSTEMS INC
TSDf Alt EPA ID: Not reported
TSDf Alt Name: Not reported
Waste Code Description: 134 - Aqueous solution with <10% total organic residues
RCRA Code: D039
Meth Code: H01 - Transfer Station
Quantity Tons: 0.0168
Waste Quantity: 4
Quantity Unit: G
Additional Code 1: Not reported
Additional Code 2: Not reported
Additional Code 3: Not reported
Additional Code 4: Not reported
Additional Code 5: Not reported

Shipment Date: 20051005
Creation Date: 3/12/2006 18:30:40
Receipt Date: 20051005
Manifest ID: 24743720
Trans EPA ID: TXR000050930
Trans Name: SAFETY-KLEEN SYSTEMS INC
Trans 2 EPA ID: Not reported
Trans 2 Name: Not reported
TSDf EPA ID: NVR000066837
Trans Name: SAFETY-KLEEN SYSTEMS INC
TSDf Alt EPA ID: Not reported
TSDf Alt Name: Not reported
Waste Code Description: 134 - Aqueous solution with <10% total organic residues
RCRA Code: Not reported
Meth Code: H01 - Transfer Station
Quantity Tons: 0.0672
Waste Quantity: 16
Quantity Unit: G
Additional Code 1: Not reported
Additional Code 2: Not reported
Additional Code 3: Not reported
Additional Code 4: Not reported
Additional Code 5: Not reported

Shipment Date: 20050914
Creation Date: 4/13/2006 18:47:49
Receipt Date: 20050914
Manifest ID: 24365181
Trans EPA ID: TXR000050930
Trans Name: SAFETY-KLEEN SYSTEMS INC
Trans 2 EPA ID: Not reported
Trans 2 Name: Not reported
TSDf EPA ID: NVR000066837

Map ID
Direction
Distance
Elevation

MAP FINDINGS

Site

Database(s)

EDR ID Number
EPA ID Number

CALTRANS D8 MAINTENANCE NEEDLES MS (Continued)

S113015959

Trans Name: SAFETY-KLEEN SYSTEMS INC
TSDf Alt EPA ID: NVR000066837
TSDf Alt Name: Not reported
Waste Code Description: 221 - Waste oil and mixed oil
RCRA Code: Not reported
Meth Code: - Not reported
Quantity Tons: 0.304
Waste Quantity: 80
Quantity Unit: G
Additional Code 1: Not reported
Additional Code 2: Not reported
Additional Code 3: Not reported
Additional Code 4: Not reported
Additional Code 5: Not reported

Shipment Date: 20050810
Creation Date: 10/27/2005 10:10:50
Receipt Date: 20050810
Manifest ID: 24723209
Trans EPA ID: TXR000050930
Trans Name: SAFETY-KLEEN SYSTEMS INC
Trans 2 EPA ID: Not reported
Trans 2 Name: Not reported
TSDf EPA ID: NVR000066837
Trans Name: SAFETY-KLEEN SYSTEMS INC
TSDf Alt EPA ID: Not reported
TSDf Alt Name: Not reported
Waste Code Description: 134 - Aqueous solution with <10% total organic residues
RCRA Code: D039
Meth Code: H01 - Transfer Station
Quantity Tons: 0.0168
Waste Quantity: 4
Quantity Unit: G
Additional Code 1: Not reported
Additional Code 2: Not reported
Additional Code 3: Not reported
Additional Code 4: Not reported
Additional Code 5: Not reported

Shipment Date: 20050810
Creation Date: 10/27/2005 10:10:50
Receipt Date: 20050810
Manifest ID: 24723209
Trans EPA ID: TXR000050930
Trans Name: SAFETY-KLEEN SYSTEMS INC
Trans 2 EPA ID: Not reported
Trans 2 Name: Not reported
TSDf EPA ID: NVR000066837
Trans Name: SAFETY-KLEEN SYSTEMS INC
TSDf Alt EPA ID: Not reported
TSDf Alt Name: Not reported
Waste Code Description: 134 - Aqueous solution with <10% total organic residues
RCRA Code: Not reported
Meth Code: H01 - Transfer Station
Quantity Tons: 0.084
Waste Quantity: 20
Quantity Unit: G

Map ID
Direction
Distance
Elevation

MAP FINDINGS

Site

Database(s)

EDR ID Number
EPA ID Number

CALTRANS D8 MAINTENANCE NEEDLES MS (Continued)

S113015959

Additional Code 1: Not reported
Additional Code 2: Not reported
Additional Code 3: Not reported
Additional Code 4: Not reported
Additional Code 5: Not reported

Shipment Date: 20050622
Creation Date: 8/17/2005 18:33:44
Receipt Date: 20050622
Manifest ID: 23020133
Trans EPA ID: TXR000050930
Trans Name: SAFETY-KLEEN SYSTEMS INC
Trans 2 EPA ID: Not reported
Trans 2 Name: Not reported
TSDf EPA ID: NVR000066837
Trans Name: SAFETY-KLEEN SYSTEMS INC
TSDf Alt EPA ID: NVR000066837
TSDf Alt Name: Not reported
Waste Code Description: 221 - Waste oil and mixed oil
RCRA Code: Not reported
Meth Code: - Not reported
Quantity Tons: 0.266
Waste Quantity: 70
Quantity Unit: G
Additional Code 1: Not reported
Additional Code 2: Not reported
Additional Code 3: Not reported
Additional Code 4: Not reported
Additional Code 5: Not reported

Shipment Date: 20050615
Creation Date: 8/17/2005 18:33:44
Receipt Date: 20050615
Manifest ID: 24500788
Trans EPA ID: TXR000050930
Trans Name: SAFETY-KLEEN SYSTEMS INC
Trans 2 EPA ID: Not reported
Trans 2 Name: Not reported
TSDf EPA ID: NVR000066837
Trans Name: SAFETY-KLEEN SYSTEMS INC
TSDf Alt EPA ID: Not reported
TSDf Alt Name: Not reported
Waste Code Description: 134 - Aqueous solution with <10% total organic residues
RCRA Code: Not reported
Meth Code: H01 - Transfer Station
Quantity Tons: 0.0672
Waste Quantity: 16
Quantity Unit: G
Additional Code 1: Not reported
Additional Code 2: Not reported
Additional Code 3: Not reported
Additional Code 4: Not reported
Additional Code 5: Not reported

Shipment Date: 20050503
Creation Date: 7/21/2005 18:32:26
Receipt Date: 20050503

Map ID
Direction
Distance
Elevation

MAP FINDINGS

Site

Database(s)

EDR ID Number
EPA ID Number

CALTRANS D8 MAINTENANCE NEEDLES MS (Continued)

S113015959

Manifest ID: 24492584
Trans EPA ID: TXR000050930
Trans Name: SAFETY-KLEEN SYSTEMS INC
Trans 2 EPA ID: Not reported
Trans 2 Name: Not reported
TSDf EPA ID: NVR000066837
Trans Name: SAFETY-KLEEN SYSTEMS INC
TSDf Alt EPA ID: Not reported
TSDf Alt Name: Not reported
Waste Code Description: 134 - Aqueous solution with <10% total organic residues
RCRA Code: Not reported
Meth Code: H01 - Transfer Station
Quantity Tons: 0.063
Waste Quantity: 15
Quantity Unit: G
Additional Code 1: Not reported
Additional Code 2: Not reported
Additional Code 3: Not reported
Additional Code 4: Not reported
Additional Code 5: Not reported

Shipment Date: 20050330
Creation Date: 6/1/2005 18:31:04
Receipt Date: 20050330
Manifest ID: 23020212
Trans EPA ID: TXR000050930
Trans Name: SAFETY-KLEEN SYSTEMS INC
Trans 2 EPA ID: Not reported
Trans 2 Name: Not reported
TSDf EPA ID: NVR000066837
Trans Name: SAFETY-KLEEN SYSTEMS INC
TSDf Alt EPA ID: CAT000613893
TSDf Alt Name: Not reported
Waste Code Description: 221 - Waste oil and mixed oil
RCRA Code: Not reported
Meth Code: - Not reported
Quantity Tons: 0.171
Waste Quantity: 45
Quantity Unit: G
Additional Code 1: Not reported
Additional Code 2: Not reported
Additional Code 3: Not reported
Additional Code 4: Not reported
Additional Code 5: Not reported

Additional Info:
Year: 2008
Gen EPA ID: CAD982417644

Shipment Date: 20081020
Creation Date: 3/9/2009 18:30:21
Receipt Date: 20081020
Manifest ID: 001427023SKS
Trans EPA ID: TXR000050930
Trans Name: SAFETY-KLEEN SYSTEMS INC
Trans 2 EPA ID: Not reported
Trans 2 Name: Not reported

Map ID
Direction
Distance
Elevation

MAP FINDINGS

Site

Database(s)

EDR ID Number
EPA ID Number

CALTRANS D8 MAINTENANCE NEEDLES MS (Continued)

S113015959

TSDF EPA ID: NVR000066837
Trans Name: SAFETY-KLEEN SYSTEMS INC
TSDF Alt EPA ID: Not reported
TSDF Alt Name: Not reported
Waste Code Description: 134 - Aqueous solution with <10% total organic residues
RCRA Code: D039
Meth Code: H141 - Storage, Bulking, And/Or Transfer Off Site--No Treatment/Reovery (H010-H129) Or (H131-H135)

Quantity Tons: 0.0168
Waste Quantity: 4
Quantity Unit: G
Additional Code 1: Not reported
Additional Code 2: Not reported
Additional Code 3: Not reported
Additional Code 4: Not reported
Additional Code 5: Not reported

Shipment Date: 20081020
Creation Date: 3/9/2009 18:30:21
Receipt Date: 20081020
Manifest ID: 001427023SKS
Trans EPA ID: TXR000050930
Trans Name: SAFETY-KLEEN SYSTEMS INC
Trans 2 EPA ID: Not reported
Trans 2 Name: Not reported
TSDF EPA ID: NVR000066837
Trans Name: SAFETY-KLEEN SYSTEMS INC
TSDF Alt EPA ID: Not reported
TSDF Alt Name: Not reported
Waste Code Description: 134 - Aqueous solution with <10% total organic residues
RCRA Code: Not reported
Meth Code: H141 - Storage, Bulking, And/Or Transfer Off Site--No Treatment/Reovery (H010-H129) Or (H131-H135)

Quantity Tons: 0.084
Waste Quantity: 20
Quantity Unit: G
Additional Code 1: Not reported
Additional Code 2: Not reported
Additional Code 3: Not reported
Additional Code 4: Not reported
Additional Code 5: Not reported

Shipment Date: 20080820
Creation Date: 1/28/2009 18:30:25
Receipt Date: 20080820
Manifest ID: 001413771SKS
Trans EPA ID: TXR000050930
Trans Name: SAFETY-KLEEN SYSTEMS INC
Trans 2 EPA ID: Not reported
Trans 2 Name: Not reported
TSDF EPA ID: NVR000066837
Trans Name: SAFETY-KLEEN SYSTEMS INC
TSDF Alt EPA ID: Not reported
TSDF Alt Name: Not reported
Waste Code Description: 134 - Aqueous solution with <10% total organic residues
RCRA Code: Not reported
Meth Code: H141 - Storage, Bulking, And/Or Transfer Off Site--No

Map ID
Direction
Distance
Elevation

MAP FINDINGS

Site

Database(s)

EDR ID Number
EPA ID Number

CALTRANS D8 MAINTENANCE NEEDLES MS (Continued)

S113015959

	Treatment/Reovery (H010-H129) Or (H131-H135)
Quantity Tons:	0.084
Waste Quantity:	20
Quantity Unit:	G
Additional Code 1:	Not reported
Additional Code 2:	Not reported
Additional Code 3:	Not reported
Additional Code 4:	Not reported
Additional Code 5:	Not reported
Shipment Date:	20080820
Creation Date:	1/28/2009 18:30:25
Receipt Date:	20080820
Manifest ID:	001413771SKS
Trans EPA ID:	TXR000050930
Trans Name:	SAFETY-KLEEN SYSTEMS INC
Trans 2 EPA ID:	Not reported
Trans 2 Name:	Not reported
TSDf EPA ID:	NVR000066837
Trans Name:	SAFETY-KLEEN SYSTEMS INC
TSDf Alt EPA ID:	Not reported
TSDf Alt Name:	Not reported
Waste Code Description:	134 - Aqueous solution with <10% total organic residues
RCRA Code:	D039
Meth Code:	H141 - Storage, Bulking, And/Or Transfer Off Site--No Treatment/Reovery (H010-H129) Or (H131-H135)
Quantity Tons:	0.021
Waste Quantity:	5
Quantity Unit:	G
Additional Code 1:	Not reported
Additional Code 2:	Not reported
Additional Code 3:	Not reported
Additional Code 4:	Not reported
Additional Code 5:	Not reported
Shipment Date:	20080626
Creation Date:	11/12/2008 18:30:09
Receipt Date:	20080626
Manifest ID:	000931050SKS
Trans EPA ID:	TXR000050930
Trans Name:	SAFETY-KLEEN SYSTEMS INC
Trans 2 EPA ID:	Not reported
Trans 2 Name:	Not reported
TSDf EPA ID:	NVR000066837
Trans Name:	SAFETY-KLEEN SYSTEMS INC
TSDf Alt EPA ID:	Not reported
TSDf Alt Name:	Not reported
Waste Code Description:	134 - Aqueous solution with <10% total organic residues
RCRA Code:	D039
Meth Code:	H141 - Storage, Bulking, And/Or Transfer Off Site--No Treatment/Reovery (H010-H129) Or (H131-H135)
Quantity Tons:	0.021
Waste Quantity:	5
Quantity Unit:	G
Additional Code 1:	Not reported
Additional Code 2:	Not reported
Additional Code 3:	Not reported

Map ID
Direction
Distance
Elevation

MAP FINDINGS

Site

Database(s)

EDR ID Number
EPA ID Number

CALTRANS D8 MAINTENANCE NEEDLES MS (Continued)

S113015959

Additional Code 4:	Not reported
Additional Code 5:	Not reported
Shipment Date:	20080626
Creation Date:	11/12/2008 18:30:09
Receipt Date:	20080626
Manifest ID:	000931050SKS
Trans EPA ID:	TXR000050930
Trans Name:	SAFETY-KLEEN SYSTEMS INC
Trans 2 EPA ID:	Not reported
Trans 2 Name:	Not reported
TSDf EPA ID:	NVR000066837
Trans Name:	SAFETY-KLEEN SYSTEMS INC
TSDf Alt EPA ID:	Not reported
TSDf Alt Name:	Not reported
Waste Code Description:	134 - Aqueous solution with <10% total organic residues
RCRA Code:	Not reported
Meth Code:	H141 - Storage, Bulking, And/Or Transfer Off Site--No Treatment/Reovery (H010-H129) Or (H131-H135)
Quantity Tons:	0.0588
Waste Quantity:	14
Quantity Unit:	G
Additional Code 1:	Not reported
Additional Code 2:	Not reported
Additional Code 3:	Not reported
Additional Code 4:	Not reported
Additional Code 5:	Not reported
Shipment Date:	20080429
Creation Date:	9/4/2008 18:30:17
Receipt Date:	20080429
Manifest ID:	001191381SKS
Trans EPA ID:	TXR000050930
Trans Name:	SAFETY-KLEEN SYSTEMS INC
Trans 2 EPA ID:	Not reported
Trans 2 Name:	Not reported
TSDf EPA ID:	NVR000066837
Trans Name:	SAFETY-KLEEN SYSTEMS INC
TSDf Alt EPA ID:	Not reported
TSDf Alt Name:	Not reported
Waste Code Description:	134 - Aqueous solution with <10% total organic residues
RCRA Code:	D039
Meth Code:	H141 - Storage, Bulking, And/Or Transfer Off Site--No Treatment/Reovery (H010-H129) Or (H131-H135)
Quantity Tons:	0.021
Waste Quantity:	5
Quantity Unit:	G
Additional Code 1:	Not reported
Additional Code 2:	Not reported
Additional Code 3:	Not reported
Additional Code 4:	Not reported
Additional Code 5:	Not reported
Shipment Date:	20080429
Creation Date:	9/4/2008 18:30:17
Receipt Date:	20080429
Manifest ID:	001191381SKS

Map ID
Direction
Distance
Elevation

MAP FINDINGS

Site

Database(s)

EDR ID Number
EPA ID Number

CALTRANS D8 MAINTENANCE NEEDLES MS (Continued)

S113015959

Trans EPA ID:	TXR000050930
Trans Name:	SAFETY-KLEEN SYSTEMS INC
Trans 2 EPA ID:	Not reported
Trans 2 Name:	Not reported
TSDf EPA ID:	NVR000066837
Trans Name:	SAFETY-KLEEN SYSTEMS INC
TSDf Alt EPA ID:	Not reported
TSDf Alt Name:	Not reported
Waste Code Description:	134 - Aqueous solution with <10% total organic residues
RCRA Code:	Not reported
Meth Code:	H141 - Storage, Bulking, And/Or Transfer Off Site--No Treatment/Reovery (H010-H129) Or (H131-H135)
Quantity Tons:	0.0882
Waste Quantity:	21
Quantity Unit:	G
Additional Code 1:	Not reported
Additional Code 2:	Not reported
Additional Code 3:	Not reported
Additional Code 4:	Not reported
Additional Code 5:	Not reported
Shipment Date:	20080305
Creation Date:	10/30/2008 18:30:39
Receipt Date:	20080305
Manifest ID:	000919902SKS
Trans EPA ID:	TXR000050930
Trans Name:	SAFETY-KLEEN SYSTEMS INC
Trans 2 EPA ID:	Not reported
Trans 2 Name:	Not reported
TSDf EPA ID:	NVR000066837
Trans Name:	SAFETY-KLEEN SYSTEMS INC
TSDf Alt EPA ID:	Not reported
TSDf Alt Name:	Not reported
Waste Code Description:	134 - Aqueous solution with <10% total organic residues
RCRA Code:	D039
Meth Code:	H141 - Storage, Bulking, And/Or Transfer Off Site--No Treatment/Reovery (H010-H129) Or (H131-H135)
Quantity Tons:	0.021
Waste Quantity:	5
Quantity Unit:	G
Additional Code 1:	Not reported
Additional Code 2:	Not reported
Additional Code 3:	Not reported
Additional Code 4:	Not reported
Additional Code 5:	Not reported
Shipment Date:	20080305
Creation Date:	10/30/2008 18:30:39
Receipt Date:	20080305
Manifest ID:	000919902SKS
Trans EPA ID:	TXR000050930
Trans Name:	SAFETY-KLEEN SYSTEMS INC
Trans 2 EPA ID:	Not reported
Trans 2 Name:	Not reported
TSDf EPA ID:	NVR000066837
Trans Name:	SAFETY-KLEEN SYSTEMS INC
TSDf Alt EPA ID:	Not reported

Map ID
Direction
Distance
Elevation

MAP FINDINGS

Site

Database(s)

EDR ID Number
EPA ID Number

CALTRANS D8 MAINTENANCE NEEDLES MS (Continued)

S113015959

TSDf Alt Name:	Not reported
Waste Code Description:	134 - Aqueous solution with <10% total organic residues
RCRA Code:	Not reported
Meth Code:	H141 - Storage, Bulking, And/Or Transfer Off Site--No Treatment/Reovery (H010-H129) Or (H131-H135)
Quantity Tons:	0.0882
Waste Quantity:	21
Quantity Unit:	G
Additional Code 1:	Not reported
Additional Code 2:	Not reported
Additional Code 3:	Not reported
Additional Code 4:	Not reported
Additional Code 5:	Not reported
Additional Info:	
Year:	1996
Gen EPA ID:	CAD982417644
Shipment Date:	19960802
Creation Date:	5/30/1997 0:00:00
Receipt Date:	19960802
Manifest ID:	96059467
Trans EPA ID:	CAD983649880
Trans Name:	Not reported
Trans 2 EPA ID:	Not reported
Trans 2 Name:	Not reported
TSDf EPA ID:	CAT080013352
Trans Name:	Not reported
TSDf Alt EPA ID:	Not reported
TSDf Alt Name:	Not reported
Waste Code Description:	343 - Unspecified organic liquid mixture
RCRA Code:	Not reported
Meth Code:	R01 - Recycler
Quantity Tons:	5.1
Waste Quantity:	1500
Quantity Unit:	G
Additional Code 1:	Not reported
Additional Code 2:	Not reported
Additional Code 3:	Not reported
Additional Code 4:	Not reported
Additional Code 5:	Not reported
Shipment Date:	19960131
Creation Date:	10/10/1996 0:00:00
Receipt Date:	19960202
Manifest ID:	95793569
Trans EPA ID:	CAD983649880
Trans Name:	Not reported
Trans 2 EPA ID:	Not reported
Trans 2 Name:	Not reported
TSDf EPA ID:	CAT080022148
Trans Name:	Not reported
TSDf Alt EPA ID:	Not reported
TSDf Alt Name:	Not reported
Waste Code Description:	331 - Off-specification, aged, or surplus organics
RCRA Code:	Not reported
Meth Code:	H01 - Transfer Station

Map ID
Direction
Distance
Elevation

MAP FINDINGS

Site

Database(s)

EDR ID Number
EPA ID Number

CALTRANS D8 MAINTENANCE NEEDLES MS (Continued)

S113015959

Quantity Tons: 0.165
Waste Quantity: 50
Quantity Unit: G
Additional Code 1: Not reported
Additional Code 2: Not reported
Additional Code 3: Not reported
Additional Code 4: Not reported
Additional Code 5: Not reported

Shipment Date: 19960103
Creation Date: 9/18/1996 0:00:00
Receipt Date: 19960105
Manifest ID: 93755370
Trans EPA ID: CAD980696041
Trans Name: Not reported
Trans 2 EPA ID: Not reported
Trans 2 Name: Not reported
TSDf EPA ID: CAT080025711
Trans Name: Not reported
TSDf Alt EPA ID: Not reported
TSDf Alt Name: Not reported
Waste Code Description: 221 - Waste oil and mixed oil
RCRA Code: Not reported
Meth Code: R01 - Recycler
Quantity Tons: 0.456
Waste Quantity: 120
Quantity Unit: G
Additional Code 1: Not reported
Additional Code 2: Not reported
Additional Code 3: Not reported
Additional Code 4: Not reported
Additional Code 5: Not reported

Additional Info:

Year: 1994
Gen EPA ID: CAD982417644

Shipment Date: 19940925
Creation Date: 10/17/1995 0:00:00
Receipt Date: 19940930
Manifest ID: 87300766
Trans EPA ID: CAD980696041
Trans Name: Not reported
Trans 2 EPA ID: Not reported
Trans 2 Name: Not reported
TSDf EPA ID: CAT080011059
Trans Name: Not reported
TSDf Alt EPA ID: Not reported
TSDf Alt Name: Not reported
Waste Code Description: 221 - Waste oil and mixed oil
RCRA Code: Not reported
Meth Code: R01 - Recycler
Quantity Tons: 0.912
Waste Quantity: 240
Quantity Unit: G
Additional Code 1: Not reported
Additional Code 2: Not reported

Map ID
Direction
Distance
Elevation

MAP FINDINGS

Site

Database(s)

EDR ID Number
EPA ID Number

CALTRANS D8 MAINTENANCE NEEDLES MS (Continued)

S113015959

Additional Code 3:	Not reported
Additional Code 4:	Not reported
Additional Code 5:	Not reported
Shipment Date:	19940131
Creation Date:	9/15/1995 0:00:00
Receipt Date:	19940202
Manifest ID:	87300764
Trans EPA ID:	CAD980696041
Trans Name:	Not reported
Trans 2 EPA ID:	Not reported
Trans 2 Name:	Not reported
TSDf EPA ID:	CAT080025711
Trans Name:	Not reported
TSDf Alt EPA ID:	CAT080025711
TSDf Alt Name:	Not reported
Waste Code Description:	221 - Waste oil and mixed oil
RCRA Code:	Not reported
Meth Code:	R01 - Recycler
Quantity Tons:	0.931
Waste Quantity:	245
Quantity Unit:	G
Additional Code 1:	Not reported
Additional Code 2:	Not reported
Additional Code 3:	Not reported
Additional Code 4:	Not reported
Additional Code 5:	Not reported
Shipment Date:	19940119
Creation Date:	9/15/1995 0:00:00
Receipt Date:	19940120
Manifest ID:	93103712
Trans EPA ID:	CAT080034184
Trans Name:	Not reported
Trans 2 EPA ID:	Not reported
Trans 2 Name:	Not reported
TSDf EPA ID:	CAT080013352
Trans Name:	Not reported
TSDf Alt EPA ID:	CAT080013352
TSDf Alt Name:	Not reported
Waste Code Description:	221 - Waste oil and mixed oil
RCRA Code:	Not reported
Meth Code:	R01 - Recycler
Quantity Tons:	7.6
Waste Quantity:	2000
Quantity Unit:	G
Additional Code 1:	Not reported
Additional Code 2:	Not reported
Additional Code 3:	Not reported
Additional Code 4:	Not reported
Additional Code 5:	Not reported

Additional Info:

Year:	2010
Gen EPA ID:	CAD982417644

Shipment Date:	20101208
----------------	----------

Map ID
Direction
Distance
Elevation

MAP FINDINGS

Site

Database(s)

EDR ID Number
EPA ID Number

CALTRANS D8 MAINTENANCE NEEDLES MS (Continued)

S113015959

Creation Date: 5/24/2011 18:30:12
Receipt Date: 20101208
Manifest ID: 003674797FLE
Trans EPA ID: TXR000050930
Trans Name: SAFETY-KLEEN SYSTEMS INC
Trans 2 EPA ID: Not reported
Trans 2 Name: Not reported
TSDf EPA ID: CAT000613927
Trans Name: SAFETY-KLEEN SYSTEMS INC
TSDf Alt EPA ID: Not reported
TSDf Alt Name: Not reported
Waste Code Description: 134 - Aqueous solution with <10% total organic residues
RCRA Code: Not reported
Meth Code: H141 - Storage, Bulking, And/Or Transfer Off Site--No Treatment/Reovery (H010-H129) Or (H131-H135)

Quantity Tons: 0.084
Waste Quantity: 20
Quantity Unit: G
Additional Code 1: Not reported
Additional Code 2: Not reported
Additional Code 3: Not reported
Additional Code 4: Not reported
Additional Code 5: Not reported

Shipment Date: 20101208
Creation Date: 5/24/2011 18:30:12
Receipt Date: 20101208
Manifest ID: 003674797FLE
Trans EPA ID: TXR000050930
Trans Name: SAFETY-KLEEN SYSTEMS INC
Trans 2 EPA ID: Not reported
Trans 2 Name: Not reported
TSDf EPA ID: CAT000613927
Trans Name: SAFETY-KLEEN SYSTEMS INC
TSDf Alt EPA ID: Not reported
TSDf Alt Name: Not reported
Waste Code Description: 134 - Aqueous solution with <10% total organic residues
RCRA Code: D039
Meth Code: H141 - Storage, Bulking, And/Or Transfer Off Site--No Treatment/Reovery (H010-H129) Or (H131-H135)

Quantity Tons: 0.021
Waste Quantity: 5
Quantity Unit: G
Additional Code 1: Not reported
Additional Code 2: Not reported
Additional Code 3: Not reported
Additional Code 4: Not reported
Additional Code 5: Not reported

Shipment Date: 20100914
Creation Date: 2/1/2011 18:30:18
Receipt Date: 20100914
Manifest ID: 003684858FLE
Trans EPA ID: TXR000050930
Trans Name: SAFETY-KLEEN SYSTEMS INC
Trans 2 EPA ID: Not reported
Trans 2 Name: Not reported

Map ID
Direction
Distance
Elevation

MAP FINDINGS

Site

Database(s)

EDR ID Number
EPA ID Number

CALTRANS D8 MAINTENANCE NEEDLES MS (Continued)

S113015959

TSDF EPA ID:	CAT000613927
Trans Name:	SAFETY-KLEEN SYSTEMS INC
TSDF Alt EPA ID:	Not reported
TSDF Alt Name:	Not reported
Waste Code Description:	134 - Aqueous solution with <10% total organic residues
RCRA Code:	Not reported
Meth Code:	H141 - Storage, Bulking, And/Or Transfer Off Site--No Treatment/Reovery (H010-H129) Or (H131-H135)
Quantity Tons:	0.084
Waste Quantity:	20
Quantity Unit:	G
Additional Code 1:	Not reported
Additional Code 2:	Not reported
Additional Code 3:	Not reported
Additional Code 4:	Not reported
Additional Code 5:	Not reported
Shipment Date:	20100701
Creation Date:	1/24/2011 18:30:30
Receipt Date:	20100701
Manifest ID:	003347355FLE
Trans EPA ID:	TXR000050930
Trans Name:	SAFETY-KLEEN SYSTEMS INC
Trans 2 EPA ID:	Not reported
Trans 2 Name:	Not reported
TSDF EPA ID:	CAT000613927
Trans Name:	SAFETY-KLEEN SYSTEMS INC
TSDF Alt EPA ID:	Not reported
TSDF Alt Name:	Not reported
Waste Code Description:	134 - Aqueous solution with <10% total organic residues
RCRA Code:	D039
Meth Code:	H141 - Storage, Bulking, And/Or Transfer Off Site--No Treatment/Reovery (H010-H129) Or (H131-H135)
Quantity Tons:	0.0168
Waste Quantity:	4
Quantity Unit:	G
Additional Code 1:	Not reported
Additional Code 2:	Not reported
Additional Code 3:	Not reported
Additional Code 4:	Not reported
Additional Code 5:	Not reported
Shipment Date:	20100701
Creation Date:	1/24/2011 18:30:30
Receipt Date:	20100701
Manifest ID:	003347355FLE
Trans EPA ID:	TXR000050930
Trans Name:	SAFETY-KLEEN SYSTEMS INC
Trans 2 EPA ID:	Not reported
Trans 2 Name:	Not reported
TSDF EPA ID:	CAT000613927
Trans Name:	SAFETY-KLEEN SYSTEMS INC
TSDF Alt EPA ID:	Not reported
TSDF Alt Name:	Not reported
Waste Code Description:	134 - Aqueous solution with <10% total organic residues
RCRA Code:	Not reported
Meth Code:	H141 - Storage, Bulking, And/Or Transfer Off Site--No

Map ID
Direction
Distance
Elevation

MAP FINDINGS

Site

Database(s)

EDR ID Number
EPA ID Number

CALTRANS D8 MAINTENANCE NEEDLES MS (Continued)

S113015959

	Treatment/Reovery (H010-H129) Or (H131-H135)
Quantity Tons:	0.063
Waste Quantity:	15
Quantity Unit:	G
Additional Code 1:	Not reported
Additional Code 2:	Not reported
Additional Code 3:	Not reported
Additional Code 4:	Not reported
Additional Code 5:	Not reported
Shipment Date:	20100505
Creation Date:	9/30/2010 18:30:56
Receipt Date:	20100506
Manifest ID:	003092234FLE
Trans EPA ID:	MAD039322250
Trans Name:	CLEAN HARBORS ENVIRONMENTAL SERVICES INC
Trans 2 EPA ID:	Not reported
Trans 2 Name:	Not reported
TSDf EPA ID:	CAD044429835
Trans Name:	CLEAN HARBORS WILMINGTON LLC
TSDf Alt EPA ID:	Not reported
TSDf Alt Name:	Not reported
Waste Code Description:	611 - Contaminated soil from site clean-ups
RCRA Code:	Not reported
Meth Code:	H141 - Storage, Bulking, And/Or Transfer Off Site--No Treatment/Reovery (H010-H129) Or (H131-H135)
Quantity Tons:	0.125
Waste Quantity:	250
Quantity Unit:	P
Additional Code 1:	Not reported
Additional Code 2:	Not reported
Additional Code 3:	Not reported
Additional Code 4:	Not reported
Additional Code 5:	Not reported
Shipment Date:	20100505
Creation Date:	9/30/2010 18:30:56
Receipt Date:	20100506
Manifest ID:	003092234FLE
Trans EPA ID:	MAD039322250
Trans Name:	CLEAN HARBORS ENVIRONMENTAL SERVICES INC
Trans 2 EPA ID:	Not reported
Trans 2 Name:	Not reported
TSDf EPA ID:	CAD044429835
Trans Name:	CLEAN HARBORS WILMINGTON LLC
TSDf Alt EPA ID:	Not reported
TSDf Alt Name:	Not reported
Waste Code Description:	611 - Contaminated soil from site clean-ups
RCRA Code:	Not reported
Meth Code:	H141 - Storage, Bulking, And/Or Transfer Off Site--No Treatment/Reovery (H010-H129) Or (H131-H135)
Quantity Tons:	0.4
Waste Quantity:	800
Quantity Unit:	P
Additional Code 1:	Not reported
Additional Code 2:	Not reported
Additional Code 3:	Not reported

Map ID
Direction
Distance
Elevation

MAP FINDINGS

Site

Database(s)

EDR ID Number
EPA ID Number

CALTRANS D8 MAINTENANCE NEEDLES MS (Continued)

S113015959

Additional Code 4:	Not reported
Additional Code 5:	Not reported
Shipment Date:	20100505
Creation Date:	9/30/2010 18:30:56
Receipt Date:	20100506
Manifest ID:	003092234FLE
Trans EPA ID:	MAD039322250
Trans Name:	CLEAN HARBORS ENVIRONMENTAL SERVICES INC
Trans 2 EPA ID:	Not reported
Trans 2 Name:	Not reported
TSDF EPA ID:	CAD044429835
Trans Name:	CLEAN HARBORS WILMINGTON LLC
TSDF Alt EPA ID:	Not reported
TSDF Alt Name:	Not reported
Waste Code Description:	611 - Contaminated soil from site clean-ups
RCRA Code:	Not reported
Meth Code:	H141 - Storage, Bulking, And/Or Transfer Off Site--No Treatment/Reovery (H010-H129) Or (H131-H135)
Quantity Tons:	0.75
Waste Quantity:	1500
Quantity Unit:	P
Additional Code 1:	Not reported
Additional Code 2:	Not reported
Additional Code 3:	Not reported
Additional Code 4:	Not reported
Additional Code 5:	Not reported
Shipment Date:	20100422
Creation Date:	12/16/2010 18:30:46
Receipt Date:	20100422
Manifest ID:	002402466SKS
Trans EPA ID:	TXR000050930
Trans Name:	SAFETY-KLEEN SYSTEMS INC
Trans 2 EPA ID:	Not reported
Trans 2 Name:	Not reported
TSDF EPA ID:	NVR000066837
Trans Name:	SAFETY-KLEEN SYSTEMS INC
TSDF Alt EPA ID:	Not reported
TSDF Alt Name:	Not reported
Waste Code Description:	134 - Aqueous solution with <10% total organic residues
RCRA Code:	D039
Meth Code:	H141 - Storage, Bulking, And/Or Transfer Off Site--No Treatment/Reovery (H010-H129) Or (H131-H135)
Quantity Tons:	0.0168
Waste Quantity:	4
Quantity Unit:	G
Additional Code 1:	Not reported
Additional Code 2:	Not reported
Additional Code 3:	Not reported
Additional Code 4:	Not reported
Additional Code 5:	Not reported
Shipment Date:	20100422
Creation Date:	12/16/2010 18:30:46
Receipt Date:	20100422
Manifest ID:	002402466SKS

Map ID
Direction
Distance
Elevation

MAP FINDINGS

Site

Database(s)

EDR ID Number
EPA ID Number

CALTRANS D8 MAINTENANCE NEEDLES MS (Continued)

S113015959

Trans EPA ID: TXR000050930
Trans Name: SAFETY-KLEEN SYSTEMS INC
Trans 2 EPA ID: Not reported
Trans 2 Name: Not reported
TSDf EPA ID: NVR000066837
Trans Name: SAFETY-KLEEN SYSTEMS INC
TSDf Alt EPA ID: Not reported
TSDf Alt Name: Not reported
Waste Code Description: 134 - Aqueous solution with <10% total organic residues
RCRA Code: Not reported
Meth Code: H141 - Storage, Bulking, And/Or Transfer Off Site--No Treatment/Reovery (H010-H129) Or (H131-H135)

Quantity Tons: 0.084
Waste Quantity: 20
Quantity Unit: G
Additional Code 1: Not reported
Additional Code 2: Not reported
Additional Code 3: Not reported
Additional Code 4: Not reported
Additional Code 5: Not reported

Additional Info:

Year: 2012
Gen EPA ID: CAD982417644

Shipment Date: 20121227
Creation Date: 3/4/2013 22:15:14
Receipt Date: 20130111
Manifest ID: 000136702MWI
Trans EPA ID: CAD983649880
Trans Name: PSC ENVIRONMENTAL SERVICES OF POMONA LP
Trans 2 EPA ID: Not reported
Trans 2 Name: Not reported
TSDf EPA ID: CAD008364432
Trans Name: RHO CHEM LLC
TSDf Alt EPA ID: Not reported
TSDf Alt Name: Not reported
Waste Code Description: 331 - Off-specification, aged, or surplus organics
RCRA Code: Not reported
Meth Code: H141 - Storage, Bulking, And/Or Transfer Off Site--No Treatment/Reovery (H010-H129) Or (H131-H135)

Quantity Tons: 0.045
Waste Quantity: 90
Quantity Unit: P
Additional Code 1: Not reported
Additional Code 2: Not reported
Additional Code 3: Not reported
Additional Code 4: Not reported
Additional Code 5: Not reported

Shipment Date: 20121010
Creation Date: 3/21/2013 22:15:13
Receipt Date: 20121010
Manifest ID: 003426628SKS
Trans EPA ID: TXR000081205
Trans Name: SAFETY-KLEEN SYSTEMS INC
Trans 2 EPA ID: Not reported

Map ID
Direction
Distance
Elevation

MAP FINDINGS

Site

Database(s)

EDR ID Number
EPA ID Number

CALTRANS D8 MAINTENANCE NEEDLES MS (Continued)

S113015959

Trans 2 Name:	Not reported
TSDf EPA ID:	CAT000613927
Trans Name:	SAFETY-KLEEN SYSTEMS INC
TSDf Alt EPA ID:	Not reported
TSDf Alt Name:	Not reported
Waste Code Description:	134 - Aqueous solution with <10% total organic residues
RCRA Code:	Not reported
Meth Code:	H141 - Storage, Bulking, And/Or Transfer Off Site--No Treatment/Reovery (H010-H129) Or (H131-H135)
Quantity Tons:	0.084
Waste Quantity:	20
Quantity Unit:	G
Additional Code 1:	Not reported
Additional Code 2:	Not reported
Additional Code 3:	Not reported
Additional Code 4:	Not reported
Additional Code 5:	Not reported
Shipment Date:	20120718
Creation Date:	6/1/2013 22:15:05
Receipt Date:	20120718
Manifest ID:	003372677SKS
Trans EPA ID:	TXR000050930
Trans Name:	SAFETY-KLEEN SYSTEMS INC
Trans 2 EPA ID:	Not reported
Trans 2 Name:	Not reported
TSDf EPA ID:	CAT000613927
Trans Name:	SAFETY-KLEEN SYSTEMS INC
TSDf Alt EPA ID:	Not reported
TSDf Alt Name:	Not reported
Waste Code Description:	134 - Aqueous solution with <10% total organic residues
RCRA Code:	Not reported
Meth Code:	H141 - Storage, Bulking, And/Or Transfer Off Site--No Treatment/Reovery (H010-H129) Or (H131-H135)
Quantity Tons:	0.126
Waste Quantity:	30
Quantity Unit:	G
Additional Code 1:	Not reported
Additional Code 2:	Not reported
Additional Code 3:	Not reported
Additional Code 4:	Not reported
Additional Code 5:	Not reported
Shipment Date:	20120130
Creation Date:	7/18/2012 20:30:07
Receipt Date:	20120130
Manifest ID:	002778778SKS
Trans EPA ID:	TXR000050930
Trans Name:	SAFETY-KLEEN SYSTEMS INC
Trans 2 EPA ID:	Not reported
Trans 2 Name:	Not reported
TSDf EPA ID:	CAT000613927
Trans Name:	SAFETY-KLEEN SYSTEMS INC
TSDf Alt EPA ID:	Not reported
TSDf Alt Name:	Not reported
Waste Code Description:	134 - Aqueous solution with <10% total organic residues
RCRA Code:	Not reported

Map ID
Direction
Distance
Elevation

MAP FINDINGS

Site

Database(s)

EDR ID Number
EPA ID Number

CALTRANS D8 MAINTENANCE NEEDLES MS (Continued)

S113015959

Meth Code: H141 - Storage, Bulking, And/Or Transfer Off Site--No Treatment/Reovery (H010-H129) Or (H131-H135)
Quantity Tons: 0.084
Waste Quantity: 20
Quantity Unit: G
Additional Code 1: Not reported
Additional Code 2: Not reported
Additional Code 3: Not reported
Additional Code 4: Not reported
Additional Code 5: Not reported

Shipment Date: 20120130
Creation Date: 7/18/2012 20:30:07
Receipt Date: 20120130
Manifest ID: 002778778SKS
Trans EPA ID: TXR000050930
Trans Name: SAFETY-KLEEN SYSTEMS INC
Trans 2 EPA ID: Not reported
Trans 2 Name: Not reported
TSDf EPA ID: CAT000613927
Trans Name: SAFETY-KLEEN SYSTEMS INC
TSDf Alt EPA ID: Not reported
TSDf Alt Name: Not reported
Waste Code Description: 134 - Aqueous solution with <10% total organic residues
RCRA Code: Not reported
Meth Code: H141 - Storage, Bulking, And/Or Transfer Off Site--No Treatment/Reovery (H010-H129) Or (H131-H135)

Quantity Tons: 0.021
Waste Quantity: 5
Quantity Unit: G
Additional Code 1: Not reported
Additional Code 2: Not reported
Additional Code 3: Not reported
Additional Code 4: Not reported
Additional Code 5: Not reported

San Bern. Co. Permit:

Name: CALTRANS-NEEDLES
Address: 800 SAN CLEMENTE ST
City,State,Zip: NEEDLES, CA 92363
Region: SAN BERNARDINO
Facility ID: FA0006383
Owner: California Department of Transportation
Permit Number: PT0016441
Permit Category: APSA 1,320-10,000 GAL FAC CAPACITY
Facility Status: ACTIVE
Expiration Date: 12/31/2021

Name: CALTRANS-NEEDLES
Address: 800 SAN CLEMENTE ST
City,State,Zip: NEEDLES, CA 92363
Region: SAN BERNARDINO
Facility ID: FA0006383
Owner: California Department of Transportation
Permit Number: PT0004381
Permit Category: HAZARDOUS MATERIALS 4-10 CHEMICALS
Facility Status: ACTIVE

Map ID
Direction
Distance
Elevation

MAP FINDINGS

Site

Database(s)

EDR ID Number
EPA ID Number

CALTRANS D8 MAINTENANCE NEEDLES MS (Continued)

S113015959

Expiration Date: 12/31/2021

Name: CALTRANS-NEEDLES
Address: 800 SAN CLEMENTE ST
City,State,Zip: NEEDLES, CA 92363
Region: SAN BERNARDINO
Facility ID: FA0006383
Owner: California Department of Transportation
Permit Number: PT0004382
Permit Category: SMALL QUANTITY GENERATOR
Facility Status: ACTIVE
Expiration Date: 12/31/2021

CERS:

Name: CALTRANS-NEEDLES
Address: 800 SAN CLEMENTE ST
City,State,Zip: NEEDLES, CA 92363
Site ID: 102491
CERS ID: 10001698
CERS Description: Chemical Storage Facilities

Violations:

Site ID: 102491
Site Name: Caltrans-Needles
Violation Date: 03-11-2020
Citation: HSC 6.95 25508.1(a)-(f) - California Health and Safety Code, Chapter 6.95, Section(s) 25508.1(a)-(f)
Violation Description: Failure to electronically update business plan within 30 days of any one of the following events: A 100 percent or more increase in the quantity of a previously disclosed material. Any handling of a previously undisclosed hazardous materials at or above reportable quantities. A change of business address, business ownership, or business name. A substantial change in the handler's operations that requires modification to any portion of the business plan.

Violation Notes: OBSERVATION: The hazardous materials inventory submitted via CERS is not accurate based upon what was observed on-site. CORRECTIVE ACTION: Update the chemical inventory via CERS to match what was observed on-site and re-submit all CERS documents within 30 days.

Violation Division: San Bernardino County Fire Department
Violation Program: HMRRP
Violation Source: CERS,

Site ID: 102491
Site Name: Caltrans-Needles
Violation Date: 03-11-2020
Citation: HSC 6.67 25270.4.5 (a) - California Health and Safety Code, Chapter 6.67, Section(s) 25270.4.5 (a)

Violation Description: Failure to complete a review and evaluation of the SPCC Plan at least once every five years, document the completion of the review, and sign a statement as to whether the SPCC Plan will be amended.
Violation Notes: OBSERVATION: The SPCC plan was last reviewed/written on 11/22/2013, which is over 5 years ago. CORRECTIVE ACTION: Submit a signed statement indicating that the 5-year review has been performed, documented and SPCC plan amended if necessary.

Violation Division: San Bernardino County Fire Department
Violation Program: APSA
Violation Source: CERS,

Map ID
Direction
Distance
Elevation

MAP FINDINGS

Site

Database(s)

EDR ID Number
EPA ID Number

CALTRANS D8 MAINTENANCE NEEDLES MS (Continued)

S113015959

Site ID: 102491
Site Name: Caltrans-Needles
Violation Date: 11-28-2017
Citation: HSC 6.95 25508.1(a)-(f) - California Health and Safety Code, Chapter 6.95, Section(s) 25508.1(a)-(f)
Violation Description: Failure to electronically update business plan within 30 days of any one of the following events: A 100 percent or more increase in the quantity of a previously disclosed material. Any handling of a previously undisclosed hazardous materials at or above reportable quantities. A change of business address, business ownership, or business name. A substantial change in the handler's operations that requires modification to any portion of the business plan.
Violation Notes: Returned to compliance on 12/15/2017. Observed (1) 55 gallon drum of Orang-Solv Plus on site at the time of the inspection. This material was not listed in the hazardous materials inventory submitted via CERS. Update the maximum daily amount of used motor oil disclosed in the hazardous materials inventory to 250 gallons; per the container size observed on site at the time of the inspection. Change the response to "does this facility generate hazardous waste" to "yes" in the CERS business activities. Compliance Requirement: Sign the Certificate of Compliance in attestation that the hazardous materials inventory has been updated to disclose all hazardous materials stored on site above reportable thresholds, and all hazardous waste; and that, the business activities has been updated to disclose that this facility generates hazardous waste.
Violation Division: San Bernardino County Fire Department
Violation Program: HMRRP
Violation Source: CERS,

Site ID: 102491
Site Name: Caltrans-Needles
Violation Date: 03-11-2020
Citation: HSC 6.95 25508(a)(1) - California Health and Safety Code, Chapter 6.95, Section(s) 25508(a)(1)
Violation Description: Failure to complete and electronically submit a site map with all required content.
Violation Notes: OBSERVATION: The evacuation staging location and hazardous waste locations are not on the current facility site map. CORRECTIVE ACTION: Please update the facility site map to include the evacuation staging location and all hazardous materials storage locations and re-submit all CERS documents within 30 days.
Violation Division: San Bernardino County Fire Department
Violation Program: HMRRP
Violation Source: CERS,

Evaluation:
Eval General Type: Compliance Evaluation Inspection
Eval Date: 03-11-2020
Violations Found: Yes
Eval Type: Routine done by local agency
Eval Notes: Not reported
Eval Division: San Bernardino County Fire Department
Eval Program: APSA
Eval Source: CERS,

Eval General Type: Compliance Evaluation Inspection
Eval Date: 09-04-2013

Map ID
Direction
Distance
Elevation

MAP FINDINGS

Site

Database(s)

EDR ID Number
EPA ID Number

CALTRANS D8 MAINTENANCE NEEDLES MS (Continued)

S113015959

Violations Found: No
Eval Type: Routine done by local agency
Eval Notes: cal trans-needles- insp
Eval Division: San Bernardino County Fire Department
Eval Program: HMRRP
Eval Source: CERS,

Eval General Type: Compliance Evaluation Inspection
Eval Date: 11-28-2017
Violations Found: No
Eval Type: Routine done by local agency
Eval Notes: Not reported
Eval Division: San Bernardino County Fire Department
Eval Program: HW
Eval Source: CERS,

Eval General Type: Compliance Evaluation Inspection
Eval Date: 03-11-2020
Violations Found: Yes
Eval Type: Routine done by local agency
Eval Notes: Not reported
Eval Division: San Bernardino County Fire Department
Eval Program: HMRRP
Eval Source: CERS,

Eval General Type: Compliance Evaluation Inspection
Eval Date: 09-04-2013
Violations Found: No
Eval Type: Routine done by local agency
Eval Notes: cal trans-needles- insp
Eval Division: San Bernardino County Fire Department
Eval Program: APSA
Eval Source: CERS,

Eval General Type: Compliance Evaluation Inspection
Eval Date: 11-28-2017
Violations Found: Yes
Eval Type: Routine done by local agency
Eval Notes: Not reported
Eval Division: San Bernardino County Fire Department
Eval Program: HMRRP
Eval Source: CERS,

Eval General Type: Compliance Evaluation Inspection
Eval Date: 03-11-2020
Violations Found: No
Eval Type: Routine done by local agency
Eval Notes: Not reported
Eval Division: San Bernardino County Fire Department
Eval Program: HW
Eval Source: CERS,

Eval General Type: Compliance Evaluation Inspection
Eval Date: 09-04-2013
Violations Found: No
Eval Type: Routine done by local agency
Eval Notes: cal trans-needles- insp

Map ID
Direction
Distance
Elevation

MAP FINDINGS

Site

Database(s)

EDR ID Number
EPA ID Number

CALTRANS D8 MAINTENANCE NEEDLES MS (Continued)

S113015959

Eval Division: San Bernardino County Fire Department
Eval Program: HW
Eval Source: CERS,

Eval General Type: Compliance Evaluation Inspection
Eval Date: 11-28-2017
Violations Found: No
Eval Type: Routine done by local agency
Eval Notes: Not reported
Eval Division: San Bernardino County Fire Department
Eval Program: APSA
Eval Source: CERS,

Coordinates:

Site ID: 102491
Facility Name: Caltrans-Needles
Env Int Type Code: APSA
Program ID: 10001698
Coord Name: Not reported
Ref Point Type Desc: Unknown,
Latitude: 34.824810
Longitude: -114.603973

Affiliation:

Affiliation Type Desc: Document Preparer
Entity Name: Todd Bennett
Entity Title: Not reported
Affiliation Address: Not reported
Affiliation City: Not reported
Affiliation State: Not reported
Affiliation Country: Not reported
Affiliation Zip: Not reported
Affiliation Phone: ,

Affiliation Type Desc: Operator
Entity Name: California Department of Transportation
Entity Title: Not reported
Affiliation Address: Not reported
Affiliation City: Not reported
Affiliation State: Not reported
Affiliation Country: Not reported
Affiliation Zip: Not reported
Affiliation Phone: (760) 252-2314,

Affiliation Type Desc: Property Owner
Entity Name: California Department of Transportation
Entity Title: Not reported
Affiliation Address: 464 W. 4th St. 6th Floor MS 12
Affiliation City: San Bernardino
Affiliation State: CA
Affiliation Country: United States
Affiliation Zip: 92401
Affiliation Phone: (760) 252-2314,

Affiliation Type Desc: CUPA District
Entity Name: San Bernardino County Fire

Map ID
Direction
Distance
Elevation

MAP FINDINGS

Site

Database(s)

EDR ID Number
EPA ID Number

CALTRANS D8 MAINTENANCE NEEDLES MS (Continued)

S113015959

Entity Title: Not reported
Affiliation Address: 620 South E Street
Affiliation City: San Bernardino
Affiliation State: CA
Affiliation Country: Not reported
Affiliation Zip: 92415-0153
Affiliation Phone: (909) 386-8401,

Affiliation Type Desc: Environmental Contact
Entity Name: Todd Bennett
Entity Title: Not reported
Affiliation Address: 464 W. 4th St. 6th Floor MS 12
Affiliation City: San Bernardino
Affiliation State: CA
Affiliation Country: Not reported
Affiliation Zip: 92401
Affiliation Phone: ,

Affiliation Type Desc: Identification Signer
Entity Name: Todd Bennett for Caltrans
Entity Title: CMAS-Hazardous Materials Manager
Affiliation Address: Not reported
Affiliation City: Not reported
Affiliation State: Not reported
Affiliation Country: Not reported
Affiliation Zip: Not reported
Affiliation Phone: ,

Affiliation Type Desc: Legal Owner
Entity Name: California Department of Transportation
Entity Title: Not reported
Affiliation Address: 464 W. 4th St. 6th Floor MS 12
Affiliation City: San Bernardino
Affiliation State: CA
Affiliation Country: United States
Affiliation Zip: 92401
Affiliation Phone: (760) 252-2314,

Affiliation Type Desc: Parent Corporation
Entity Name: CalTrans District 8
Entity Title: Not reported
Affiliation Address: Not reported
Affiliation City: Not reported
Affiliation State: Not reported
Affiliation Country: Not reported
Affiliation Zip: Not reported
Affiliation Phone: ,

Affiliation Type Desc: Facility Mailing Address
Entity Name: Mailing Address
Entity Title: Not reported
Affiliation Address: 464 W. 4th St. 6th Floor MS 12
Affiliation City: San Bernardino
Affiliation State: CA
Affiliation Country: Not reported
Affiliation Zip: 92401
Affiliation Phone: ,

Map ID
Direction
Distance
Elevation

MAP FINDINGS

Site

Database(s)

EDR ID Number
EPA ID Number

CALTRANS D8 MAINTENANCE NEEDLES MS (Continued)

S113015959

HWTS:

Name: CALTRANS D8 MAINTENANCE NEEDLES MS
Address: 800 SAN CLEMENTE ST PO BOX 130
Address 2: Not reported
City,State,Zip: NEEDLES, CA 92363
EPA ID: CAD982417644
Inactive Date: Not reported
Create Date: 06/17/1988
Last Act Date: Not reported
Mailing Name: Not reported
Mailing Address: 464 W 4TH ST 6TH FLR
Mailing Address 2: Not reported
Mailing City,State,Zip: SAN BERNARDINO, CA 92401
Owner Name: CALTRANS
Owner Address: 1120 N ST STE 31
Owner Address 2: Not reported
Owner City,State,Zip: SACRAMENTO, CA 958145680
Contact Name: TODD BENNETT
Contact Address: 464 W. FOURTH ST. MS 9
Contact Address 2: Not reported
City,State,Zip: SAN BERNARDINO, CA 92401
Facility Status: Active
Facility Type: PERMANENT
Category: FEDERAL
Latitude: 34.82481
Longitude: -114.60397

NAICS:

EPA ID: CAD982417644
Create Date: 2008-03-20 15:51:28.017
NAICS Code: 92612
NAICS Description: Regulation and Administration of Transportation Programs
Issued EPA ID Date: 1988-06-17 00:00:00
Inactive Date: Not reported
Facility Name: CALTRANS D8 MAINTENANCE NEEDLES MS
Facility Address: 800 SAN CLEMENTE ST
Facility Address 2: PO BOX 130
Facility City: NEEDLES
Facility County: Not reported
Facility State: CA
Facility Zip: 923633615

DF834 A&G TOWING & STORAGE, INC.
Target 600 SAN CLEMENTE ST
Property NEEDLES, CA 92363

RCRA-VSQQ 1027219389
CAR000337139

Site 1 of 2 in cluster DF

Actual:
579 ft.

RCRA-VSQQ:

Date Form Received by Agency: 20220412
Handler Name: A&G TOWING & STORAGE, INC.
Handler Address: 600 SAN CLEMENTE ST
Handler City,State,Zip: NEEDLES, CA 92363
EPA ID: CAR000337139
Contact Name: KEVIN MALARO
Contact Address: SAN CLEMENTE ST
Contact City,State,Zip: NEEDLES, CA 92363

Focus Map:
11

Map ID
Direction
Distance
Elevation

MAP FINDINGS

Site

Database(s)

EDR ID Number
EPA ID Number

A&G TOWING & STORAGE, INC. (Continued)

1027219389

Contact Telephone:	928-763-0023
Contact Fax:	928-763-4842
Contact Email:	KEVIN@AGTOWINGINC.COM
Contact Title:	MANAGER
EPA Region:	09
Land Type:	Private
Federal Waste Generator Description:	Conditionally Exempt Small Quantity Generator
Non-Notifier:	Not reported
Biennial Report Cycle:	Not reported
Accessibility:	Not reported
Active Site Indicator:	Handler Activities
State District Owner:	Not reported
State District:	Not reported
Mailing Address:	INTERSTATE PL
Mailing City,State,Zip:	BULLHEAD CITY, AZ 86442
Owner Name:	A&G TOWING & STORAGE, INC.
Owner Type:	Private
Operator Name:	A&G TOWING & STORAGE, INC.
Operator Type:	Private
Short-Term Generator Activity:	No
Importer Activity:	No
Mixed Waste Generator:	No
Transporter Activity:	No
Transfer Facility Activity:	No
Recycler Activity with Storage:	No
Small Quantity On-Site Burner Exemption:	No
Smelting Melting and Refining Furnace Exemption:	No
Underground Injection Control:	No
Off-Site Waste Receipt:	No
Universal Waste Indicator:	No
Universal Waste Destination Facility:	No
Federal Universal Waste:	No
Active Site Fed-Reg Treatment Storage and Disposal Facility:	Not reported
Active Site Converter Treatment storage and Disposal Facility:	Not reported
Active Site State-Reg Treatment Storage and Disposal Facility:	Not reported
Active Site State-Reg Handler:	---
Federal Facility Indicator:	Not reported
Hazardous Secondary Material Indicator:	N
Sub-Part K Indicator:	Not reported
Commercial TSD Indicator:	No
Treatment Storage and Disposal Type:	Not reported
2018 GPRA Permit Baseline:	Not on the Baseline
2018 GPRA Renewals Baseline:	Not on the Baseline
Permit Renewals Workload Universe:	Not reported
Permit Workload Universe:	Not reported
Permit Progress Universe:	Not reported
Post-Closure Workload Universe:	Not reported
Closure Workload Universe:	Not reported
202 GPRA Corrective Action Baseline:	No
Corrective Action Workload Universe:	No
Subject to Corrective Action Universe:	No
Non-TSDFs Where RCRA CA has Been Imposed Universe:	No
TSDFs Potentially Subject to CA Under 3004 (u)/(v) Universe:	No
TSDFs Only Subject to CA under Discretionary Auth Universe:	No
Corrective Action Priority Ranking:	No NCAPS ranking
Environmental Control Indicator:	No
Institutional Control Indicator:	No

Map ID
Direction
Distance
Elevation

MAP FINDINGS

Site

Database(s)

EDR ID Number
EPA ID Number

A&G TOWING & STORAGE, INC. (Continued)

1027219389

Human Exposure Controls Indicator:	N/A
Groundwater Controls Indicator:	N/A
Operating TSD Universe:	Not reported
Full Enforcement Universe:	Not reported
Significant Non-Complier Universe:	No
Unaddressed Significant Non-Complier Universe:	No
Addressed Significant Non-Complier Universe:	No
Significant Non-Complier With a Compliance Schedule Universe:	No
Financial Assurance Required:	Not reported
Handler Date of Last Change:	20220413
Recognized Trader-Importer:	No
Recognized Trader-Exporter:	No
Importer of Spent Lead Acid Batteries:	No
Exporter of Spent Lead Acid Batteries:	No
Recycler Activity Without Storage:	No
Manifest Broker:	No
Sub-Part P Indicator:	No

Hazardous Waste Summary:

Waste Code:	F039
Waste Description:	LEACHATE RESULTING FROM THE TREATMENT, STORAGE, OR DISPOSAL OF WASTES CLASSIFIED BY MORE THAN ONE WASTE CODE UNDER SUBPART D, OR FROM A MIXTURE OF WASTES CLASSIFIED UNDER SUBPARTS C AND D OF THIS PART. (LEACHATE RESULTING FROM THE MANAGEMENT OF ONE OR MORE OF THE FOLLOWING EPA HAZARDOUS WASTES AND NO OTHER HAZARDOUS WASTES RETAINS ITS HAZARDOUS WASTE CODE(S): F020, F021, F022, F023, F026, F027, AND/OR F028.)

Handler - Owner Operator:

Owner/Operator Indicator:	Owner
Owner/Operator Name:	A&G TOWING & STORAGE, INC.
Legal Status:	Private
Date Became Current:	20150101
Date Ended Current:	Not reported
Owner/Operator Address:	600 SAN CLEMENTE ST
Owner/Operator City,State,Zip:	NEEDLES, CA 92363
Owner/Operator Telephone:	928-763-0023
Owner/Operator Telephone Ext:	Not reported
Owner/Operator Fax:	Not reported
Owner/Operator Email:	AGTOWINGINC@GMAIL.COM

Owner/Operator Indicator:	Operator
Owner/Operator Name:	A&G TOWING & STORAGE, INC.
Legal Status:	Private
Date Became Current:	20220408
Date Ended Current:	Not reported
Owner/Operator Address:	600 SAN CLEMENTE ST
Owner/Operator City,State,Zip:	NEEDLES, CA 92363
Owner/Operator Telephone:	928-763-0023
Owner/Operator Telephone Ext:	Not reported
Owner/Operator Fax:	Not reported
Owner/Operator Email:	AGTOWINGINC@GMAIL.COM

Historic Generators:

Receive Date:	20220412
---------------	----------

Map ID
Direction
Distance
Elevation

MAP FINDINGS

Site

Database(s)

EDR ID Number
EPA ID Number

A&G TOWING & STORAGE, INC. (Continued)

1027219389

Handler Name: A&G TOWING & STORAGE, INC.
Federal Waste Generator Description: Conditionally Exempt Small Quantity Generator
State District Owner: Not reported
Large Quantity Handler of Universal Waste: No
Recognized Trader Importer: No
Recognized Trader Exporter: No
Spent Lead Acid Battery Importer: No
Spent Lead Acid Battery Exporter: No
Current Record: Yes
Non Storage Recycler Activity: No
Electronic Manifest Broker: No

List of NAICS Codes and Descriptions:

NAICS Code: 48841
NAICS Description: MOTOR VEHICLE TOWING

NAICS Code: 488410
NAICS Description: MOTOR VEHICLE TOWING

Facility Has Received Notices of Violations:

Violations: No Violations Found

Evaluation Action Summary:

Evaluations: No Evaluations Found

DF835 A&G TOWING & STORAGE INC
Target 600 SAN CLEMENTE ST
Property NEEDLES, CA 92363

HWTS S128387061
N/A

Site 2 of 2 in cluster DF

Actual: HWTS:
579 ft. Name: A&G TOWING & STORAGE INC
Focus Map: Address: 600 SAN CLEMENTE ST
11 Address 2: Not reported
City,State,Zip: NEEDLES, CA 92363
EPA ID: CAR000337139
Inactive Date: Not reported
Create Date: 04/13/2022
Last Act Date: Not reported
Mailing Name: Not reported
Mailing Address: 1126 INTERSTATE PL
Mailing Address 2: Not reported
Mailing City,State,Zip: BULLHEAD, AZ 96442
Owner Name: A&G TOWING & STORAGE INC
Owner Address: 600 SAN CLEMENTE ST
Owner Address 2: Not reported
Owner City,State,Zip: NEEDLES, CA 92363
Contact Name: KEVIN MALARO
Contact Address: 600 SAN CLEMENTE ST
Contact Address 2: Not reported
City,State,Zip: NEEDLES, CA 92363
Facility Status: Active
Facility Type: PERMANENT
Category: FEDERAL

Map ID
Direction
Distance
Elevation

MAP FINDINGS

Site

Database(s)

EDR ID Number
EPA ID Number

A&G TOWING & STORAGE INC (Continued)

S128387061

Latitude: 34.82467701
Longitude: -114.602678

DG836 **SCG - NEEDLES OFFICE**
Target **ARIZONA ST & SAN CLEMENTE**
Property **NEEDLES, CA 92363**

FINDS **1006249046**
N/A

Site 1 of 4 in cluster DG

Actual: FINDS:
561 ft. Registry ID: 110010470702

Focus Map: Click Here for FRS Facility Detail Report:
11

Environmental Interest/Information System:
HAZARDOUS AIR POLLUTANT MAJOR

[Click this hyperlink](#) while viewing on your computer to access additional FINDS: detail in the EDR Site Report.

DG837 **SO CALIF GAS CO**
Target **ARIZONA/SAN CLEMENTE AVE**
Property **NEEDLES, CA 92363**

SWEEPS UST **S106932321**
N/A

Site 2 of 4 in cluster DG

Actual: SWEEPS UST:
561 ft. Name: SO CALIF GAS CO
Focus Map: Address: ARIZONA/SAN CLEMENTE AVE
11 City: NEEDLES
Status: Active
Comp Number: 9661
Number: 1
Board Of Equalization: 44-007401
Referral Date: 03-24-92
Action Date: 03-24-92
Created Date: 09-13-88
Owner Tank Id: Not reported
SWRCB Tank Id: 36-000-009661-000001
Tank Status: A
Capacity: 1
Active Date: 09-13-88
Tank Use: UNKNOWN
STG: P
Content: UNKNOWN
Number Of Tanks: 1

Map ID
Direction
Distance
Elevation

MAP FINDINGS

Site

Database(s)

EDR ID Number
EPA ID Number

DG838 **SOUTHERN CALIFORNIA GAS CO**
Target **ARIZONA AND SAN CLEMENTE ST**
Property **NEEDLES, CA 92353**

HAZNET **S113005880**
HWTS **N/A**

Site 3 of 4 in cluster DG

Actual:
563 ft.
Focus Map:
11

HAZNET:	
Name:	SOUTHERN CALIFORNIA GAS CO
Address:	ARIZONA AND SAN CLEMENTE ST
Address 2:	Not reported
City,State,Zip:	NEEDLES, CA 90660
Contact:	NANCY LEE
Telephone:	5628064419
Mailing Name:	Not reported
Mailing Address:	8101 S. ROSEMEAD BLVD.
Year:	2019
Gepaid:	CAD981422256
TSD EPA ID:	CAT000625137
CA Waste Code:	352 - Other organic solids
Disposal Method:	H141 - Storage, Bulking, And/Or Transfer Off Site--No Treatment/Reovery (H010-H129) Or (H131-H135)
Tons:	0.15000
Year:	2019
Gepaid:	CAD981422256
TSD EPA ID:	CAT000625137
CA Waste Code:	181 - Other inorganic solid waste
Disposal Method:	H141 - Storage, Bulking, And/Or Transfer Off Site--No Treatment/Reovery (H010-H129) Or (H131-H135)
Tons:	0.01250
Year:	2019
Gepaid:	CAD981422256
TSD EPA ID:	CAT000625137
CA Waste Code:	331 - Off-specification, aged or surplus organics
Disposal Method:	H141 - Storage, Bulking, And/Or Transfer Off Site--No Treatment/Reovery (H010-H129) Or (H131-H135)
Tons:	0.06600
Year:	2019
Gepaid:	CAD981422256
TSD EPA ID:	CAT000625137
CA Waste Code:	134 - Aqueous solution with total organic residues less than 10 percent
Disposal Method:	H141 - Storage, Bulking, And/Or Transfer Off Site--No Treatment/Reovery (H010-H129) Or (H131-H135)
Tons:	0.18900
Year:	2019
Gepaid:	CAD981422256
TSD EPA ID:	CAT000625137
CA Waste Code:	611 - Contaminated soil from site clean-up
Disposal Method:	H141 - Storage, Bulking, And/Or Transfer Off Site--No Treatment/Reovery (H010-H129) Or (H131-H135)
Tons:	0.12500
Year:	2019
Gepaid:	CAD981422256

Map ID
Direction
Distance
Elevation

MAP FINDINGS

Site

Database(s)

EDR ID Number
EPA ID Number

SOUTHERN CALIFORNIA GAS CO (Continued)

S113005880

TSD EPA ID: CAT000625137
CA Waste Code: 221 - Waste oil and mixed oil
Disposal Method: H141 - Storage, Bulking, And/Or Transfer Off Site--No Treatment/Reovery (H010-H129) Or (H131-H135)
Tons: 0.00000

Year: 2018
Gepaid: CAD981422256
TSD EPA ID: CAT000625137
CA Waste Code: 151 - Asbestos containing waste
Disposal Method: H141 - Storage, Bulking, And/Or Transfer Off Site--No Treatment/Reovery (H010-H129) Or (H131-H135)
Tons: 0.00500

Year: 2018
Gepaid: CAD981422256
TSD EPA ID: CAT000625137
CA Waste Code: 611 - Contaminated soil from site clean-up
Disposal Method: H141 - Storage, Bulking, And/Or Transfer Off Site--No Treatment/Reovery (H010-H129) Or (H131-H135)
Tons: 0.90000

Year: 2018
Gepaid: CAD981422256
TSD EPA ID: CAT000625137
CA Waste Code: 352 - Other organic solids
Disposal Method: H141 - Storage, Bulking, And/Or Transfer Off Site--No Treatment/Reovery (H010-H129) Or (H131-H135)
Tons: 0.00250

Year: 2018
Gepaid: CAD981422256
TSD EPA ID: CAT000625137
CA Waste Code: 221 - Waste oil and mixed oil
Disposal Method: H141 - Storage, Bulking, And/Or Transfer Off Site--No Treatment/Reovery (H010-H129) Or (H131-H135)
Tons: 0.00000

[Click this hyperlink](#) while viewing on your computer to access 63 additional CA HAZNET: record(s) in the EDR Site Report.

Additional Info:

Year: 2003
Gen EPA ID: CAD981422256

Shipment Date: 20030505
Creation Date: 8/5/2003 18:30:51
Receipt Date: 20030506
Manifest ID: 22412002
Trans EPA ID: CAT000625137
Trans Name: Not reported
Trans 2 EPA ID: Not reported
Trans 2 Name: Not reported
TSD EPA ID: CAT000625137
Trans Name: Not reported
TSD EPA Alt EPA ID: CAT000625137

Map ID
Direction
Distance
Elevation

MAP FINDINGS

Site

Database(s)

EDR ID Number
EPA ID Number

SOUTHERN CALIFORNIA GAS CO (Continued)

S113005880

TSDF Alt Name: Not reported
Waste Code Description: 221 - Waste oil and mixed oil
RCRA Code: Not reported
Meth Code: D99 - Disposal, Other
Quantity Tons: 0.209
Waste Quantity: 55
Quantity Unit: G
Additional Code 1: Not reported
Additional Code 2: Not reported
Additional Code 3: Not reported
Additional Code 4: Not reported
Additional Code 5: Not reported

Additional Info:

Year: 2001
Gen EPA ID: CAD981422256

Shipment Date: 20011227
Creation Date: 2/20/2002 0:00:00
Receipt Date: 20011228
Manifest ID: 96386981
Trans EPA ID: CAT000625137
Trans Name: Not reported
Trans 2 EPA ID: Not reported
Trans 2 Name: Not reported
TSDF EPA ID: CAT000625137
Trans Name: Not reported
TSDF Alt EPA ID: CAT000625137
TSDF Alt Name: Not reported
Waste Code Description: 352 - Other organic solids
RCRA Code: D001
Meth Code: D99 - Disposal, Other
Quantity Tons: 0.0275
Waste Quantity: 55
Quantity Unit: P
Additional Code 1: Not reported
Additional Code 2: Not reported
Additional Code 3: Not reported
Additional Code 4: Not reported
Additional Code 5: Not reported

Additional Info:

Year: 2011
Gen EPA ID: CAD981422256

Shipment Date: 20111019
Creation Date: 12/13/2011 18:30:13
Receipt Date: 20111019
Manifest ID: 001963327JJK
Trans EPA ID: CAD982030173
Trans Name: ECOLOGY CONTROL INDUSTRIES
Trans 2 EPA ID: Not reported
Trans 2 Name: Not reported
TSDF EPA ID: CAT000625137
Trans Name: SOUTHERN CALIFORNIA GAS COMPANY - PICO RIVERA
TSDF Alt EPA ID: Not reported

Map ID
Direction
Distance
Elevation

MAP FINDINGS

Site

Database(s)

EDR ID Number
EPA ID Number

SOUTHERN CALIFORNIA GAS CO (Continued)

S113005880

TSDF Alt Name: Not reported
Waste Code Description: 352 - Other organic solids
RCRA Code: D008
Meth Code: H141 - Storage, Bulking, And/Or Transfer Off Site--No Treatment/Reovery (H010-H129) Or (H131-H135)
Quantity Tons: 0.05
Waste Quantity: 100
Quantity Unit: P
Additional Code 1: D007
Additional Code 2: Not reported
Additional Code 3: Not reported
Additional Code 4: Not reported
Additional Code 5: Not reported

Shipment Date: 20110908
Creation Date: 10/22/2011 18:30:35
Receipt Date: 20110909
Manifest ID: 000329431JJK
Trans EPA ID: CAT000625137
Trans Name: SOUTHERN CALIFORNIA GAS COMPANY
Trans 2 EPA ID: Not reported
Trans 2 Name: Not reported
TSDF EPA ID: CAT000625137
Trans Name: SOUTHERN CALIFORNIA GAS COMPANY - PICO RIVERA
TSDF Alt EPA ID: Not reported
TSDF Alt Name: Not reported
Waste Code Description: 181 - Other inorganic solid waste Organics
RCRA Code: D008
Meth Code: H141 - Storage, Bulking, And/Or Transfer Off Site--No Treatment/Reovery (H010-H129) Or (H131-H135)
Quantity Tons: 0.0375
Waste Quantity: 75
Quantity Unit: P
Additional Code 1: Not reported
Additional Code 2: Not reported
Additional Code 3: Not reported
Additional Code 4: Not reported
Additional Code 5: Not reported

Shipment Date: 20110908
Creation Date: 10/22/2011 18:30:35
Receipt Date: 20110909
Manifest ID: 000329438JJK
Trans EPA ID: CAT000625137
Trans Name: SOUTHERN CALIFORNIA GAS COMPANY
Trans 2 EPA ID: Not reported
Trans 2 Name: Not reported
TSDF EPA ID: CAT000625137
Trans Name: SOUTHERN CALIFORNIA GAS COMPANY - PICO RIVERA
TSDF Alt EPA ID: Not reported
TSDF Alt Name: Not reported
Waste Code Description: 221 - Waste oil and mixed oil
RCRA Code: Not reported
Meth Code: H141 - Storage, Bulking, And/Or Transfer Off Site--No Treatment/Reovery (H010-H129) Or (H131-H135)
Quantity Tons: 0.1026
Waste Quantity: 27

Map ID
Direction
Distance
Elevation

MAP FINDINGS

Site

Database(s)

EDR ID Number
EPA ID Number

SOUTHERN CALIFORNIA GAS CO (Continued)

S113005880

Quantity Unit:	G
Additional Code 1:	Not reported
Additional Code 2:	Not reported
Additional Code 3:	Not reported
Additional Code 4:	Not reported
Additional Code 5:	Not reported
Shipment Date:	20110908
Creation Date:	10/22/2011 18:30:35
Receipt Date:	20110909
Manifest ID:	000329438JJK
Trans EPA ID:	CAT000625137
Trans Name:	SOUTHERN CALIFORNIA GAS COMPANY
Trans 2 EPA ID:	Not reported
Trans 2 Name:	Not reported
TSDf EPA ID:	CAT000625137
Trans Name:	SOUTHERN CALIFORNIA GAS COMPANY - PICO RIVERA
TSDf Alt EPA ID:	Not reported
TSDf Alt Name:	Not reported
Waste Code Description:	134 - Aqueous solution with <10% total organic residues
RCRA Code:	Not reported
Meth Code:	H141 - Storage, Bulking, And/Or Transfer Off Site--No Treatment/Reovery (H010-H129) Or (H131-H135)
Quantity Tons:	0.021
Waste Quantity:	5
Quantity Unit:	G
Additional Code 1:	Not reported
Additional Code 2:	Not reported
Additional Code 3:	Not reported
Additional Code 4:	Not reported
Additional Code 5:	Not reported
Shipment Date:	20110908
Creation Date:	10/22/2011 18:30:35
Receipt Date:	20110909
Manifest ID:	000329431JJK
Trans EPA ID:	CAT000625137
Trans Name:	SOUTHERN CALIFORNIA GAS COMPANY
Trans 2 EPA ID:	Not reported
Trans 2 Name:	Not reported
TSDf EPA ID:	CAT000625137
Trans Name:	SOUTHERN CALIFORNIA GAS COMPANY - PICO RIVERA
TSDf Alt EPA ID:	Not reported
TSDf Alt Name:	Not reported
Waste Code Description:	611 - Contaminated soil from site clean-ups
RCRA Code:	Not reported
Meth Code:	H141 - Storage, Bulking, And/Or Transfer Off Site--No Treatment/Reovery (H010-H129) Or (H131-H135)
Quantity Tons:	0.375
Waste Quantity:	750
Quantity Unit:	P
Additional Code 1:	Not reported
Additional Code 2:	Not reported
Additional Code 3:	Not reported
Additional Code 4:	Not reported
Additional Code 5:	Not reported

Map ID
Direction
Distance
Elevation

MAP FINDINGS

Site

Database(s)

EDR ID Number
EPA ID Number

SOUTHERN CALIFORNIA GAS CO (Continued)

S113005880

Shipment Date: 20110521
Creation Date: 6/28/2011 18:30:21
Receipt Date: 20110524
Manifest ID: 008009625JJK
Trans EPA ID: CAT000625137
Trans Name: SOUTHERN CALIFORNIA GAS COMPANY
Trans 2 EPA ID: Not reported
Trans 2 Name: Not reported
TSDf EPA ID: CAT000625137
Trans Name: SOUTHERN CALIFORNIA GAS COMPANY - PICO RIVERA
TSDf Alt EPA ID: Not reported
TSDf Alt Name: Not reported
Waste Code Description: - Not reported
RCRA Code: Not reported
Meth Code: H141 - Storage, Bulking, And/Or Transfer Off Site--No Treatment/Reovery (H010-H129) Or (H131-H135)

Quantity Tons: Not reported
Waste Quantity: Not reported
Quantity Unit: Not reported
Additional Code 1: Not reported
Additional Code 2: Not reported
Additional Code 3: Not reported
Additional Code 4: Not reported
Additional Code 5: Not reported

Shipment Date: 20110521
Creation Date: 6/28/2011 18:30:21
Receipt Date: 20110524
Manifest ID: 008009625JJK
Trans EPA ID: CAT000625137
Trans Name: SOUTHERN CALIFORNIA GAS COMPANY
Trans 2 EPA ID: Not reported
Trans 2 Name: Not reported
TSDf EPA ID: CAT000625137
Trans Name: SOUTHERN CALIFORNIA GAS COMPANY - PICO RIVERA
TSDf Alt EPA ID: Not reported
TSDf Alt Name: Not reported
Waste Code Description: 221 - Waste oil and mixed oil
RCRA Code: Not reported
Meth Code: - Not reported
Quantity Tons: 0.133
Waste Quantity: 35
Quantity Unit: G
Additional Code 1: Not reported
Additional Code 2: Not reported
Additional Code 3: Not reported
Additional Code 4: Not reported
Additional Code 5: Not reported

Additional Info:

Year: 2000
Gen EPA ID: CAD981422256

Shipment Date: 20000928
Creation Date: 12/8/2000 0:00:00
Receipt Date: 20001006
Manifest ID: 99484008

Map ID
Direction
Distance
Elevation

MAP FINDINGS

Site

Database(s)

EDR ID Number
EPA ID Number

SOUTHERN CALIFORNIA GAS CO (Continued)

S113005880

Trans EPA ID: CAD983620402
Trans Name: Not reported
Trans 2 EPA ID: Not reported
Trans 2 Name: Not reported
TSDf EPA ID: CAT000646117
Trans Name: Not reported
TSDf Alt EPA ID: CAT000646117
TSDf Alt Name: Not reported
Waste Code Description: 223 - Unspecified oil-containing waste
RCRA Code: Not reported
Meth Code: D80 - Disposal, Land Fill
Quantity Tons: 3.3712
Waste Quantity: 4
Quantity Unit: Y
Additional Code 1: Not reported
Additional Code 2: Not reported
Additional Code 3: Not reported
Additional Code 4: Not reported
Additional Code 5: Not reported

Additional Info:

Year: 2015
Gen EPA ID: CAD981422256

Shipment Date: 20150610
Creation Date: 9/3/2015 22:15:34
Receipt Date: 20150611
Manifest ID: 010167319JJK
Trans EPA ID: CAT000625137
Trans Name: SOUTHERN CALIFORNIA GAS COMPANY
Trans 2 EPA ID: Not reported
Trans 2 Name: Not reported
TSDf EPA ID: CAT000625137
Trans Name: SOUTHERN CALIFORNIA GAS COMPANY - PICO RIVERA
TSDf Alt EPA ID: Not reported
TSDf Alt Name: Not reported
Waste Code Description: 221 - Waste oil and mixed oil
RCRA Code: Not reported
Meth Code: H141 - Storage, Bulking, And/Or Transfer Off Site--No Treatment/Reovery (H010-H129) Or (H131-H135)
Quantity Tons: 0.19
Waste Quantity: 50
Quantity Unit: G
Additional Code 1: Not reported
Additional Code 2: Not reported
Additional Code 3: Not reported
Additional Code 4: Not reported
Additional Code 5: Not reported

Shipment Date: 20150610
Creation Date: 9/3/2015 22:15:34
Receipt Date: 20150611
Manifest ID: 010167330JJK
Trans EPA ID: CAT000625137
Trans Name: SOUTHERN CALIFORNIA GAS COMPANY
Trans 2 EPA ID: Not reported
Trans 2 Name: Not reported

Map ID
Direction
Distance
Elevation

MAP FINDINGS

Site

Database(s)

EDR ID Number
EPA ID Number

SOUTHERN CALIFORNIA GAS CO (Continued)

S113005880

TSDF EPA ID: CAT000625137
Trans Name: SOUTHERN CALIFORNIA GAS COMPANY - PICO RIVERA
TSDF Alt EPA ID: Not reported
TSDF Alt Name: Not reported
Waste Code Description: 611 - Contaminated soil from site clean-ups
RCRA Code: Not reported
Meth Code: H141 - Storage, Bulking, And/Or Transfer Off Site--No Treatment/Reovery (H010-H129) Or (H131-H135)

Quantity Tons: 0.0375
Waste Quantity: 75
Quantity Unit: P
Additional Code 1: Not reported
Additional Code 2: Not reported
Additional Code 3: Not reported
Additional Code 4: Not reported
Additional Code 5: Not reported

Shipment Date: 20150217
Creation Date: 5/5/2015 22:15:14
Receipt Date: 20150218
Manifest ID: 010166936JJK
Trans EPA ID: CAT000625137
Trans Name: SOUTHERN CALIFORNIA GAS COMPANY
Trans 2 EPA ID: Not reported
Trans 2 Name: Not reported
TSDF EPA ID: CAT000625137
Trans Name: SOUTHERN CALIFORNIA GAS COMPANY - PICO RIVERA
TSDF Alt EPA ID: Not reported
TSDF Alt Name: Not reported
Waste Code Description: 221 - Waste oil and mixed oil
RCRA Code: Not reported
Meth Code: H141 - Storage, Bulking, And/Or Transfer Off Site--No Treatment/Reovery (H010-H129) Or (H131-H135)

Quantity Tons: 0.19
Waste Quantity: 50
Quantity Unit: G
Additional Code 1: Not reported
Additional Code 2: Not reported
Additional Code 3: Not reported
Additional Code 4: Not reported
Additional Code 5: Not reported

Additional Info:

Year: 2006
Gen EPA ID: CAD981422256

Shipment Date: 20061106
Creation Date: 3/30/2007 13:32:20
Receipt Date: 20061110
Manifest ID: 000453689JJK
Trans EPA ID: CAT000625137
Trans Name: SOUTHERN CALIFORNIA GAS CO
Trans 2 EPA ID: Not reported
Trans 2 Name: Not reported
TSDF EPA ID: CAT000625137
Trans Name: SCG - PICO RIVERA
TSDF Alt EPA ID: Not reported

Map ID
Direction
Distance
Elevation

MAP FINDINGS

Site

Database(s)

EDR ID Number
EPA ID Number

SOUTHERN CALIFORNIA GAS CO (Continued)

S113005880

TSDf Alt Name:	Not reported
Waste Code Description:	221 - Waste oil and mixed oil
RCRA Code:	Not reported
Meth Code:	H141 - Storage, Bulking, And/Or Transfer Off Site--No Treatment/Reovery (H010-H129) Or (H131-H135)
Quantity Tons:	0.209
Waste Quantity:	55
Quantity Unit:	G
Additional Code 1:	Not reported
Additional Code 2:	Not reported
Additional Code 3:	Not reported
Additional Code 4:	Not reported
Additional Code 5:	Not reported
Shipment Date:	20060619
Creation Date:	9/14/2006 18:36:07
Receipt Date:	20060620
Manifest ID:	24175089
Trans EPA ID:	CAT000625137
Trans Name:	SOUTHERN CALIFORNIA GAS CO
Trans 2 EPA ID:	Not reported
Trans 2 Name:	Not reported
TSDf EPA ID:	CAT000625137
Trans Name:	SCG PICO RIVERA
TSDf Alt EPA ID:	HYHQ36007166
TSDf Alt Name:	Not reported
Waste Code Description:	221 - Waste oil and mixed oil
RCRA Code:	Not reported
Meth Code:	D99 - Disposal, Other
Quantity Tons:	0.209
Waste Quantity:	55
Quantity Unit:	G
Additional Code 1:	Not reported
Additional Code 2:	Not reported
Additional Code 3:	Not reported
Additional Code 4:	Not reported
Additional Code 5:	Not reported
Additional Info:	
Year:	2016
Gen EPA ID:	CAD981422256
Shipment Date:	20150610
Creation Date:	9/3/2015 22:15:34
Receipt Date:	20150611
Manifest ID:	010167319JJK
Trans EPA ID:	CAT000625137
Trans Name:	SOUTHERN CALIFORNIA GAS COMPANY
Trans 2 EPA ID:	Not reported
Trans 2 Name:	Not reported
TSDf EPA ID:	CAT000625137
Trans Name:	SOUTHERN CALIFORNIA GAS COMPANY - PICO RIVERA
TSDf Alt EPA ID:	Not reported
TSDf Alt Name:	Not reported
Waste Code Description:	221 - Waste oil and mixed oil
RCRA Code:	Not reported
Meth Code:	H141 - Storage, Bulking, And/Or Transfer Off Site--No

Map ID
Direction
Distance
Elevation

MAP FINDINGS

Site

Database(s)

EDR ID Number
EPA ID Number

SOUTHERN CALIFORNIA GAS CO (Continued)

S113005880

	Treatment/Reovery (H010-H129) Or (H131-H135)
Quantity Tons:	0.19
Waste Quantity:	50
Quantity Unit:	G
Additional Code 1:	Not reported
Additional Code 2:	Not reported
Additional Code 3:	Not reported
Additional Code 4:	Not reported
Additional Code 5:	Not reported
Shipment Date:	20150610
Creation Date:	9/3/2015 22:15:34
Receipt Date:	20150611
Manifest ID:	010167330JJK
Trans EPA ID:	CAT000625137
Trans Name:	SOUTHERN CALIFORNIA GAS COMPANY
Trans 2 EPA ID:	Not reported
Trans 2 Name:	Not reported
TSDf EPA ID:	CAT000625137
Trans Name:	SOUTHERN CALIFORNIA GAS COMPANY - PICO RIVERA
TSDf Alt EPA ID:	Not reported
TSDf Alt Name:	Not reported
Waste Code Description:	611 - Contaminated soil from site clean-ups
RCRA Code:	Not reported
Meth Code:	H141 - Storage, Bulking, And/Or Transfer Off Site--No Treatment/Reovery (H010-H129) Or (H131-H135)
Quantity Tons:	0.0375
Waste Quantity:	75
Quantity Unit:	P
Additional Code 1:	Not reported
Additional Code 2:	Not reported
Additional Code 3:	Not reported
Additional Code 4:	Not reported
Additional Code 5:	Not reported
Shipment Date:	20150217
Creation Date:	5/5/2015 22:15:14
Receipt Date:	20150218
Manifest ID:	010166936JJK
Trans EPA ID:	CAT000625137
Trans Name:	SOUTHERN CALIFORNIA GAS COMPANY
Trans 2 EPA ID:	Not reported
Trans 2 Name:	Not reported
TSDf EPA ID:	CAT000625137
Trans Name:	SOUTHERN CALIFORNIA GAS COMPANY - PICO RIVERA
TSDf Alt EPA ID:	Not reported
TSDf Alt Name:	Not reported
Waste Code Description:	221 - Waste oil and mixed oil
RCRA Code:	Not reported
Meth Code:	H141 - Storage, Bulking, And/Or Transfer Off Site--No Treatment/Reovery (H010-H129) Or (H131-H135)
Quantity Tons:	0.19
Waste Quantity:	50
Quantity Unit:	G
Additional Code 1:	Not reported
Additional Code 2:	Not reported
Additional Code 3:	Not reported

Map ID
Direction
Distance
Elevation

MAP FINDINGS

Site

Database(s)

EDR ID Number
EPA ID Number

SOUTHERN CALIFORNIA GAS CO (Continued)

S113005880

Additional Code 4:	Not reported
Additional Code 5:	Not reported
Additional Info:	
Year:	2005
Gen EPA ID:	CAD981422256
Shipment Date: 20050216	
Creation Date: 4/3/2005 18:31:55	
Receipt Date: 20050217	
Manifest ID: 24071222	
Trans EPA ID: CAT000625137	
Trans Name: SOUTHERN CALIFORNIA GAS COMPANY	
Trans 2 EPA ID: Not reported	
Trans 2 Name: Not reported	
TSDF EPA ID: CAT000625137	
Trans Name: SOUTHERN CALIFORNIA GAS COMPANY - PICO	
TSDF Alt EPA ID: CAT000625137	
TSDF Alt Name: Not reported	
Waste Code Description: 221 - Waste oil and mixed oil	
RCRA Code: NONE	
Meth Code: D99 - Disposal, Other	
Quantity Tons: 0.2014	
Waste Quantity: 53	
Quantity Unit: G	
Additional Code 1: Not reported	
Additional Code 2: Not reported	
Additional Code 3: Not reported	
Additional Code 4: Not reported	
Additional Code 5: Not reported	
Additional Info:	
Year:	2012
Gen EPA ID:	CAD981422256
Shipment Date: 20120725	
Creation Date: 10/19/2012 22:15:36	
Receipt Date: 20120727	
Manifest ID: 008983426JJK	
Trans EPA ID: CAT000625137	
Trans Name: SOUTHERN CALIFORNIA GAS COMPANY	
Trans 2 EPA ID: Not reported	
Trans 2 Name: Not reported	
TSDF EPA ID: CAT000625137	
Trans Name: SOUTHERN CALIFORNIA GAS COMPANY - PICO RIVERA	
TSDF Alt EPA ID: Not reported	
TSDF Alt Name: Not reported	
Waste Code Description: 221 - Waste oil and mixed oil	
RCRA Code: Not reported	
Meth Code: H141 - Storage, Bulking, And/Or Transfer Off Site--No Treatment/Reovery (H010-H129) Or (H131-H135)	
Quantity Tons: 0.171	
Waste Quantity: 45	
Quantity Unit: G	
Additional Code 1: Not reported	
Additional Code 2: Not reported	

Map ID
Direction
Distance
Elevation

MAP FINDINGS

Site

Database(s)

EDR ID Number
EPA ID Number

SOUTHERN CALIFORNIA GAS CO (Continued)

S113005880

Additional Code 3:	Not reported
Additional Code 4:	Not reported
Additional Code 5:	Not reported
Shipment Date:	20120410
Creation Date:	5/29/2012 20:30:08
Receipt Date:	20120410
Manifest ID:	008983173JJK
Trans EPA ID:	CAD982030173
Trans Name:	ECOLOGY CONTROL INDUSTRIES
Trans 2 EPA ID:	Not reported
Trans 2 Name:	Not reported
TSDf EPA ID:	CAT000625137
Trans Name:	SOUTHERN CALIFORNIA GAS COMPANY - PICO RIVERA
TSDf Alt EPA ID:	Not reported
TSDf Alt Name:	Not reported
Waste Code Description:	611 - Contaminated soil from site clean-ups
RCRA Code:	Not reported
Meth Code:	H141 - Storage, Bulking, And/Or Transfer Off Site--No Treatment/Reovery (H010-H129) Or (H131-H135)
Quantity Tons:	0.3
Waste Quantity:	600
Quantity Unit:	P
Additional Code 1:	Not reported
Additional Code 2:	Not reported
Additional Code 3:	Not reported
Additional Code 4:	Not reported
Additional Code 5:	Not reported
Shipment Date:	20120126
Creation Date:	3/17/2012 20:30:22
Receipt Date:	20120127
Manifest ID:	008983172JJK
Trans EPA ID:	CAT000625137
Trans Name:	SOUTHERN CALIFORNIA GAS COMPANY
Trans 2 EPA ID:	Not reported
Trans 2 Name:	Not reported
TSDf EPA ID:	CAT000625137
Trans Name:	SOUTHERN CALIFORNIA GAS COMPANY - PICO RIVERA
TSDf Alt EPA ID:	Not reported
TSDf Alt Name:	Not reported
Waste Code Description:	611 - Contaminated soil from site clean-ups
RCRA Code:	Not reported
Meth Code:	H141 - Storage, Bulking, And/Or Transfer Off Site--No Treatment/Reovery (H010-H129) Or (H131-H135)
Quantity Tons:	0.01
Waste Quantity:	20
Quantity Unit:	P
Additional Code 1:	Not reported
Additional Code 2:	Not reported
Additional Code 3:	Not reported
Additional Code 4:	Not reported
Additional Code 5:	Not reported
Additional Info:	
Year:	1997
Gen EPA ID:	CAD981422256

Map ID
Direction
Distance
Elevation

MAP FINDINGS

Site

Database(s)

EDR ID Number
EPA ID Number

SOUTHERN CALIFORNIA GAS CO (Continued)

S113005880

Shipment Date: 19971105
Creation Date: 7/23/1998 0:00:00
Receipt Date: 19971107
Manifest ID: 96707303
Trans EPA ID: CAT000625137
Trans Name: Not reported
Trans 2 EPA ID: Not reported
Trans 2 Name: Not reported
TSDf EPA ID: CAD981422017
Trans Name: Not reported
TSDf Alt EPA ID: CAD981422017
TSDf Alt Name: Not reported
Waste Code Description: 343 - Unspecified organic liquid mixture
RCRA Code: D001
Meth Code: D99 - Disposal, Other
Quantity Tons: 2.04
Waste Quantity: 600
Quantity Unit: G
Additional Code 1: Not reported
Additional Code 2: Not reported
Additional Code 3: Not reported
Additional Code 4: Not reported
Additional Code 5: Not reported

Additional Info:

Year: 2004
Gen EPA ID: CAD981422256

Shipment Date: 20040331
Creation Date: 8/23/2004 8:48:57
Receipt Date: 20040331
Manifest ID: 22780768
Trans EPA ID: CAT000625137
Trans Name: SOUTHERN CALIFORNIA GAS COMPANY
Trans 2 EPA ID: Not reported
Trans 2 Name: Not reported
TSDf EPA ID: CAT000625137
Trans Name: SOUTHERN CALIFORNIA GAS COMPANY - PICO
TSDf Alt EPA ID: CAT000625137
TSDf Alt Name: Not reported
Waste Code Description: 221 - Waste oil and mixed oil
RCRA Code: Not reported
Meth Code: D99 - Disposal, Other
Quantity Tons: 0.209
Waste Quantity: 55
Quantity Unit: G
Additional Code 1: Not reported
Additional Code 2: Not reported
Additional Code 3: Not reported
Additional Code 4: Not reported
Additional Code 5: Not reported

Additional Info:

Year: 2014
Gen EPA ID: CAD981422256

Map ID
Direction
Distance
Elevation

MAP FINDINGS

Site

Database(s)

EDR ID Number
EPA ID Number

SOUTHERN CALIFORNIA GAS CO (Continued)

S113005880

Shipment Date:	20140710
Creation Date:	9/9/2014 22:15:18
Receipt Date:	20140711
Manifest ID:	010166523JJK
Trans EPA ID:	CAT000625137
Trans Name:	SOUTHERN CALIFORNIA GAS COMPANY
Trans 2 EPA ID:	Not reported
Trans 2 Name:	Not reported
TSDf EPA ID:	CAT000625137
Trans Name:	SOUTHERN CALIFORNIA GAS COMPANY - PICO RIVERA
TSDf Alt EPA ID:	Not reported
TSDf Alt Name:	Not reported
Waste Code Description:	181 - Other inorganic solid waste Organics
RCRA Code:	Not reported
Meth Code:	H141 - Storage, Bulking, And/Or Transfer Off Site--No Treatment/Reovery (H010-H129) Or (H131-H135)
Quantity Tons:	0.0125
Waste Quantity:	25
Quantity Unit:	P
Additional Code 1:	Not reported
Additional Code 2:	Not reported
Additional Code 3:	Not reported
Additional Code 4:	Not reported
Additional Code 5:	Not reported
Shipment Date:	20140710
Creation Date:	9/9/2014 22:15:18
Receipt Date:	20140711
Manifest ID:	010166523JJK
Trans EPA ID:	CAT000625137
Trans Name:	SOUTHERN CALIFORNIA GAS COMPANY
Trans 2 EPA ID:	Not reported
Trans 2 Name:	Not reported
TSDf EPA ID:	CAT000625137
Trans Name:	SOUTHERN CALIFORNIA GAS COMPANY - PICO RIVERA
TSDf Alt EPA ID:	Not reported
TSDf Alt Name:	Not reported
Waste Code Description:	352 - Other organic solids
RCRA Code:	Not reported
Meth Code:	H141 - Storage, Bulking, And/Or Transfer Off Site--No Treatment/Reovery (H010-H129) Or (H131-H135)
Quantity Tons:	0.6
Waste Quantity:	1200
Quantity Unit:	P
Additional Code 1:	Not reported
Additional Code 2:	Not reported
Additional Code 3:	Not reported
Additional Code 4:	Not reported
Additional Code 5:	Not reported
Shipment Date:	20140710
Creation Date:	9/9/2014 22:15:18
Receipt Date:	20140711
Manifest ID:	010097486JJK
Trans EPA ID:	CAT000625137
Trans Name:	SOUTHERN CALIFORNIA GAS COMPANY
Trans 2 EPA ID:	Not reported

Map ID
Direction
Distance
Elevation

MAP FINDINGS

Site

Database(s)

EDR ID Number
EPA ID Number

SOUTHERN CALIFORNIA GAS CO (Continued)

S113005880

Trans 2 Name: Not reported
TSDf EPA ID: CAT000625137
Trans Name: SOUTHERN CALIFORNIA GAS COMPANY - PICO RIVERA
TSDf Alt EPA ID: Not reported
TSDf Alt Name: Not reported
Waste Code Description: 134 - Aqueous solution with <10% total organic residues
RCRA Code: Not reported
Meth Code: H141 - Storage, Bulking, And/Or Transfer Off Site--No Treatment/Reovery (H010-H129) Or (H131-H135)

Quantity Tons: 0.0126
Waste Quantity: 3
Quantity Unit: G
Additional Code 1: Not reported
Additional Code 2: Not reported
Additional Code 3: Not reported
Additional Code 4: Not reported
Additional Code 5: Not reported

Shipment Date: 20140710
Creation Date: 9/9/2014 22:15:18
Receipt Date: 20140711
Manifest ID: 010166527JJK
Trans EPA ID: CAT000625137
Trans Name: SOUTHERN CALIFORNIA GAS COMPANY
Trans 2 EPA ID: Not reported
Trans 2 Name: Not reported
TSDf EPA ID: CAT000625137
Trans Name: SOUTHERN CALIFORNIA GAS COMPANY - PICO RIVERA
TSDf Alt EPA ID: Not reported
TSDf Alt Name: Not reported
Waste Code Description: 181 - Other inorganic solid waste Organics
RCRA Code: D008
Meth Code: H141 - Storage, Bulking, And/Or Transfer Off Site--No Treatment/Reovery (H010-H129) Or (H131-H135)

Quantity Tons: 0.9
Waste Quantity: 1800
Quantity Unit: P
Additional Code 1: Not reported
Additional Code 2: Not reported
Additional Code 3: Not reported
Additional Code 4: Not reported
Additional Code 5: Not reported

Shipment Date: 20140710
Creation Date: 9/9/2014 22:15:18
Receipt Date: 20140711
Manifest ID: 010097457JJK
Trans EPA ID: CAT000625137
Trans Name: SOUTHERN CALIFORNIA GAS COMPANY
Trans 2 EPA ID: Not reported
Trans 2 Name: Not reported
TSDf EPA ID: CAT000625137
Trans Name: SOUTHERN CALIFORNIA GAS COMPANY - PICO RIVERA
TSDf Alt EPA ID: Not reported
TSDf Alt Name: Not reported
Waste Code Description: 221 - Waste oil and mixed oil
RCRA Code: Not reported

Map ID
Direction
Distance
Elevation

MAP FINDINGS

Site

Database(s)

EDR ID Number
EPA ID Number

SOUTHERN CALIFORNIA GAS CO (Continued)

S113005880

Meth Code: H141 - Storage, Bulking, And/Or Transfer Off Site--No Treatment/Reovery (H010-H129) Or (H131-H135)
Quantity Tons: 0.152
Waste Quantity: 40
Quantity Unit: G
Additional Code 1: Not reported
Additional Code 2: Not reported
Additional Code 3: Not reported
Additional Code 4: Not reported
Additional Code 5: Not reported

Shipment Date: 20140409
Creation Date: 5/30/2014 22:15:06
Receipt Date: 20140410
Manifest ID: 010097398JJK
Trans EPA ID: CAT000625137
Trans Name: SOUTHERN CALIFORNIA GAS COMPANY
Trans 2 EPA ID: Not reported
Trans 2 Name: Not reported
TSDf EPA ID: CAT000625137
Trans Name: SOUTHERN CALIFORNIA GAS COMPANY - PICO RIVERA
TSDf Alt EPA ID: Not reported
TSDf Alt Name: Not reported
Waste Code Description: 611 - Contaminated soil from site clean-ups
RCRA Code: Not reported
Meth Code: H141 - Storage, Bulking, And/Or Transfer Off Site--No Treatment/Reovery (H010-H129) Or (H131-H135)
Quantity Tons: 1.05
Waste Quantity: 2100
Quantity Unit: P
Additional Code 1: Not reported
Additional Code 2: Not reported
Additional Code 3: Not reported
Additional Code 4: Not reported
Additional Code 5: Not reported

Additional Info:
Year: 1999
Gen EPA ID: CAD981422256

Shipment Date: 19990602
Creation Date: 7/13/1999 0:00:00
Receipt Date: 19990603
Manifest ID: 98206397
Trans EPA ID: CAT000625137
Trans Name: Not reported
Trans 2 EPA ID: Not reported
Trans 2 Name: Not reported
TSDf EPA ID: CAT000625137
Trans Name: Not reported
TSDf Alt EPA ID: CAT000625137
TSDf Alt Name: Not reported
Waste Code Description: 221 - Waste oil and mixed oil
RCRA Code: Not reported
Meth Code: D99 - Disposal, Other
Quantity Tons: 0.1216
Waste Quantity: 32

Map ID
Direction
Distance
Elevation

MAP FINDINGS

Site

Database(s)

EDR ID Number
EPA ID Number

SOUTHERN CALIFORNIA GAS CO (Continued)

S113005880

Quantity Unit: G
Additional Code 1: Not reported
Additional Code 2: Not reported
Additional Code 3: Not reported
Additional Code 4: Not reported
Additional Code 5: Not reported

Shipment Date: 19990219
Creation Date: 4/5/1999 0:00:00
Receipt Date: 19990222
Manifest ID: 98206391
Trans EPA ID: CAT000625137
Trans Name: Not reported
Trans 2 EPA ID: Not reported
Trans 2 Name: Not reported
TSDf EPA ID: CAT000625137
Trans Name: Not reported
TSDf Alt EPA ID: CAT000625137
TSDf Alt Name: Not reported
Waste Code Description: 221 - Waste oil and mixed oil
RCRA Code: Not reported
Meth Code: D99 - Disposal, Other
Quantity Tons: 0.152
Waste Quantity: 40
Quantity Unit: G
Additional Code 1: Not reported
Additional Code 2: Not reported
Additional Code 3: Not reported
Additional Code 4: Not reported
Additional Code 5: Not reported

Shipment Date: 19990219
Creation Date: 4/5/1999 0:00:00
Receipt Date: 19990222
Manifest ID: 98206391
Trans EPA ID: CAT000625137
Trans Name: Not reported
Trans 2 EPA ID: Not reported
Trans 2 Name: Not reported
TSDf EPA ID: CAT000625137
Trans Name: Not reported
TSDf Alt EPA ID: CAT000625137
TSDf Alt Name: Not reported
Waste Code Description: 352 - Other organic solids
RCRA Code: D001
Meth Code: D99 - Disposal, Other
Quantity Tons: 0.05
Waste Quantity: 100
Quantity Unit: P
Additional Code 1: Not reported
Additional Code 2: Not reported
Additional Code 3: Not reported
Additional Code 4: Not reported
Additional Code 5: Not reported

Additional Info:
Year: 2010

Map ID
Direction
Distance
Elevation

MAP FINDINGS

Site

Database(s)

EDR ID Number
EPA ID Number

SOUTHERN CALIFORNIA GAS CO (Continued)

S113005880

Gen EPA ID: CAD981422256

Shipment Date: 20101011
Creation Date: 12/30/2010 18:30:17
Receipt Date: 20101012
Manifest ID: 001963260JJK
Trans EPA ID: CAT000625137
Trans Name: S CAL GAS CO - PICO RIVERA
Trans 2 EPA ID: Not reported
Trans 2 Name: Not reported
TSDf EPA ID: CAT000625137
Trans Name: SOUTHERN CALIFORNIA GAS COMPANY - PICO RIVERA
TSDf Alt EPA ID: Not reported
TSDf Alt Name: Not reported
Waste Code Description: 611 - Contaminated soil from site clean-ups
RCRA Code: Not reported
Meth Code: H141 - Storage, Bulking, And/Or Transfer Off Site--No Treatment/Reovery (H010-H129) Or (H131-H135)

Quantity Tons: 0.15
Waste Quantity: 300
Quantity Unit: P
Additional Code 1: Not reported
Additional Code 2: Not reported
Additional Code 3: Not reported
Additional Code 4: Not reported
Additional Code 5: Not reported

Shipment Date: 20101011
Creation Date: 12/16/2010 18:30:33
Receipt Date: 20101012
Manifest ID: 000454334JJK
Trans EPA ID: CAT000625137
Trans Name: SOUTHERN CALIFORNIA GAS COMPANY
Trans 2 EPA ID: Not reported
Trans 2 Name: Not reported
TSDf EPA ID: CAT000625137
Trans Name: SOUTHERN CALIFORNIA GAS COMPANY - PICO RIVERA
TSDf Alt EPA ID: Not reported
TSDf Alt Name: Not reported
Waste Code Description: 181 - Other inorganic solid waste Organics
RCRA Code: D008
Meth Code: H141 - Storage, Bulking, And/Or Transfer Off Site--No Treatment/Reovery (H010-H129) Or (H131-H135)

Quantity Tons: 0.0015
Waste Quantity: 3
Quantity Unit: P
Additional Code 1: Not reported
Additional Code 2: Not reported
Additional Code 3: Not reported
Additional Code 4: Not reported
Additional Code 5: Not reported

Shipment Date: 20100730
Creation Date: 9/30/2010 18:30:18
Receipt Date: 20100802
Manifest ID: 001963248JJK
Trans EPA ID: CAT000625137

Map ID
Direction
Distance
Elevation

MAP FINDINGS

Site

Database(s)

EDR ID Number
EPA ID Number

SOUTHERN CALIFORNIA GAS CO (Continued)

S113005880

Trans Name: S CAL GAS CO - PICO RIVERA
Trans 2 EPA ID: Not reported
Trans 2 Name: Not reported
TSDf EPA ID: CAT000625137
Trans Name: SOUTHERN CALIFORNIA GAS COMPANY - PICO RIVERA
TSDf Alt EPA ID: Not reported
TSDf Alt Name: Not reported
Waste Code Description: 181 - Other inorganic solid waste Organics
RCRA Code: D008
Meth Code: H141 - Storage, Bulking, And/Or Transfer Off Site--No Treatment/Reovery (H010-H129) Or (H131-H135)

Quantity Tons: 0.04
Waste Quantity: 80
Quantity Unit: P
Additional Code 1: Not reported
Additional Code 2: Not reported
Additional Code 3: Not reported
Additional Code 4: Not reported
Additional Code 5: Not reported

Shipment Date: 20100730
Creation Date: 9/30/2010 18:30:18
Receipt Date: 20100802
Manifest ID: 004857842JJK
Trans EPA ID: CAT000625137
Trans Name: SOUTHERN CALIFORNIA GAS COMPANY
Trans 2 EPA ID: Not reported
Trans 2 Name: Not reported
TSDf EPA ID: CAT000625137
Trans Name: SOUTHERN CALIFORNIA GAS COMPANY - PICO RIVERA
TSDf Alt EPA ID: Not reported
TSDf Alt Name: Not reported
Waste Code Description: 221 - Waste oil and mixed oil
RCRA Code: Not reported
Meth Code: H141 - Storage, Bulking, And/Or Transfer Off Site--No Treatment/Reovery (H010-H129) Or (H131-H135)

Quantity Tons: 0.114
Waste Quantity: 30
Quantity Unit: G
Additional Code 1: Not reported
Additional Code 2: Not reported
Additional Code 3: Not reported
Additional Code 4: Not reported
Additional Code 5: Not reported

Shipment Date: 20100730
Creation Date: 9/30/2010 18:30:18
Receipt Date: 20100802
Manifest ID: 004857841JJK
Trans EPA ID: CAT000625137
Trans Name: SOUTHERN CALIFORNIA GAS COMPANY
Trans 2 EPA ID: Not reported
Trans 2 Name: Not reported
TSDf EPA ID: CAT000625137
Trans Name: SOUTHERN CALIFORNIA GAS COMPANY - PICO RIVERA
TSDf Alt EPA ID: Not reported
TSDf Alt Name: Not reported

Map ID
Direction
Distance
Elevation

MAP FINDINGS

Site

Database(s)

EDR ID Number
EPA ID Number

SOUTHERN CALIFORNIA GAS CO (Continued)

S113005880

Waste Code Description:	352 - Other organic solids
RCRA Code:	Not reported
Meth Code:	H141 - Storage, Bulking, And/Or Transfer Off Site--No Treatment/Reovery (H010-H129) Or (H131-H135)
Quantity Tons:	3.2
Waste Quantity:	6400
Quantity Unit:	P
Additional Code 1:	Not reported
Additional Code 2:	Not reported
Additional Code 3:	Not reported
Additional Code 4:	Not reported
Additional Code 5:	Not reported
Shipment Date:	20100304
Creation Date:	5/27/2010 18:30:25
Receipt Date:	20100304
Manifest ID:	004827801JJK
Trans EPA ID:	CAT000625137
Trans Name:	SOUTHERN CALIFORNIA GAS COMPANY
Trans 2 EPA ID:	Not reported
Trans 2 Name:	Not reported
TSDf EPA ID:	CAT000625137
Trans Name:	SOUTHERN CALIFORNIA GAS COMPANY - PICO RIVERA
TSDf Alt EPA ID:	Not reported
TSDf Alt Name:	Not reported
Waste Code Description:	352 - Other organic solids
RCRA Code:	D018
Meth Code:	H141 - Storage, Bulking, And/Or Transfer Off Site--No Treatment/Reovery (H010-H129) Or (H131-H135)
Quantity Tons:	0.05
Waste Quantity:	100
Quantity Unit:	P
Additional Code 1:	Not reported
Additional Code 2:	Not reported
Additional Code 3:	Not reported
Additional Code 4:	Not reported
Additional Code 5:	Not reported
Shipment Date:	20100304
Creation Date:	5/27/2010 18:30:25
Receipt Date:	20100304
Manifest ID:	000113072GBF
Trans EPA ID:	CAT000625137
Trans Name:	SOUTHERN CALIFORNIA GAS COMPANY
Trans 2 EPA ID:	Not reported
Trans 2 Name:	Not reported
TSDf EPA ID:	CAT000625137
Trans Name:	SOUTHERN CALIFORNIA GAS COMPANY - PICO RIVERA
TSDf Alt EPA ID:	Not reported
TSDf Alt Name:	Not reported
Waste Code Description:	181 - Other inorganic solid waste Organics
RCRA Code:	D008
Meth Code:	H141 - Storage, Bulking, And/Or Transfer Off Site--No Treatment/Reovery (H010-H129) Or (H131-H135)
Quantity Tons:	0.005
Waste Quantity:	10
Quantity Unit:	P

Map ID
Direction
Distance
Elevation

MAP FINDINGS

Site

Database(s)

EDR ID Number
EPA ID Number

SOUTHERN CALIFORNIA GAS CO (Continued)

S113005880

Additional Code 1: Not reported
Additional Code 2: Not reported
Additional Code 3: Not reported
Additional Code 4: Not reported
Additional Code 5: Not reported

Additional Info:

Year: 2013
Gen EPA ID: CAD981422256

Shipment Date: 20131009
Creation Date: 11/4/2013 22:15:04
Receipt Date: 20131010
Manifest ID: 010212406JJK
Trans EPA ID: CAT000625137
Trans Name: SOUTHERN CALIFORNIA GAS COMPANY
Trans 2 EPA ID: Not reported
Trans 2 Name: Not reported
TSDf EPA ID: CAT000625137
Trans Name: SOUTHERN CALIFORNIA GAS COMPANY - PICO RIVERA
TSDf Alt EPA ID: Not reported
TSDf Alt Name: Not reported
Waste Code Description: 221 - Waste oil and mixed oil
RCRA Code: Not reported
Meth Code: H141 - Storage, Bulking, And/Or Transfer Off Site--No Treatment/Reovery (H010-H129) Or (H131-H135)
Quantity Tons: 0.152
Waste Quantity: 40
Quantity Unit: G
Additional Code 1: Not reported
Additional Code 2: Not reported
Additional Code 3: Not reported
Additional Code 4: Not reported
Additional Code 5: Not reported

Shipment Date: 20130419
Creation Date: 6/7/2013 22:15:20
Receipt Date: 20130419
Manifest ID: 010212146JJK
Trans EPA ID: CAT000625137
Trans Name: SOUTHERN CALIFORNIA GAS COMPANY
Trans 2 EPA ID: Not reported
Trans 2 Name: Not reported
TSDf EPA ID: CAT000625137
Trans Name: SOUTHERN CALIFORNIA GAS COMPANY - PICO RIVERA
TSDf Alt EPA ID: Not reported
TSDf Alt Name: Not reported
Waste Code Description: 611 - Contaminated soil from site clean-ups
RCRA Code: Not reported
Meth Code: H141 - Storage, Bulking, And/Or Transfer Off Site--No Treatment/Reovery (H010-H129) Or (H131-H135)
Quantity Tons: 0.14
Waste Quantity: 280
Quantity Unit: P
Additional Code 1: Not reported
Additional Code 2: Not reported
Additional Code 3: Not reported

Map ID
Direction
Distance
Elevation

MAP FINDINGS

Site

Database(s)

EDR ID Number
EPA ID Number

SOUTHERN CALIFORNIA GAS CO (Continued)

S113005880

Additional Code 4:	Not reported
Additional Code 5:	Not reported
Shipment Date:	20130419
Creation Date:	6/7/2013 22:15:20
Receipt Date:	20130419
Manifest ID:	010212146JJK
Trans EPA ID:	CAT000625137
Trans Name:	SOUTHERN CALIFORNIA GAS COMPANY
Trans 2 EPA ID:	Not reported
Trans 2 Name:	Not reported
TSDf EPA ID:	CAT000625137
Trans Name:	SOUTHERN CALIFORNIA GAS COMPANY - PICO RIVERA
TSDf Alt EPA ID:	Not reported
TSDf Alt Name:	Not reported
Waste Code Description:	221 - Waste oil and mixed oil
RCRA Code:	Not reported
Meth Code:	H141 - Storage, Bulking, And/Or Transfer Off Site--No Treatment/Reovery (H010-H129) Or (H131-H135)
Quantity Tons:	0.171
Waste Quantity:	45
Quantity Unit:	G
Additional Code 1:	Not reported
Additional Code 2:	Not reported
Additional Code 3:	Not reported
Additional Code 4:	Not reported
Additional Code 5:	Not reported
Shipment Date:	20130206
Creation Date:	3/9/2013 22:15:19
Receipt Date:	20130207
Manifest ID:	008985446JJK
Trans EPA ID:	CAT000625137
Trans Name:	SOUTHERN CALIFORNIA GAS COMPANY
Trans 2 EPA ID:	Not reported
Trans 2 Name:	Not reported
TSDf EPA ID:	CAT000625137
Trans Name:	SOUTHERN CALIFORNIA GAS COMPANY - PICO RIVERA
TSDf Alt EPA ID:	Not reported
TSDf Alt Name:	Not reported
Waste Code Description:	134 - Aqueous solution with <10% total organic residues
RCRA Code:	Not reported
Meth Code:	H141 - Storage, Bulking, And/Or Transfer Off Site--No Treatment/Reovery (H010-H129) Or (H131-H135)
Quantity Tons:	0.0126
Waste Quantity:	3
Quantity Unit:	G
Additional Code 1:	Not reported
Additional Code 2:	Not reported
Additional Code 3:	Not reported
Additional Code 4:	Not reported
Additional Code 5:	Not reported
Shipment Date:	20130206
Creation Date:	3/9/2013 22:15:19
Receipt Date:	20130207
Manifest ID:	008985446JJK

Map ID
Direction
Distance
Elevation

MAP FINDINGS

Site

Database(s)

EDR ID Number
EPA ID Number

SOUTHERN CALIFORNIA GAS CO (Continued)

S113005880

Trans EPA ID: CAT000625137
Trans Name: SOUTHERN CALIFORNIA GAS COMPANY
Trans 2 EPA ID: Not reported
Trans 2 Name: Not reported
TSDf EPA ID: CAT000625137
Trans Name: SOUTHERN CALIFORNIA GAS COMPANY - PICO RIVERA
TSDf Alt EPA ID: Not reported
TSDf Alt Name: Not reported
Waste Code Description: 352 - Other organic solids
RCRA Code: D018
Meth Code: H141 - Storage, Bulking, And/Or Transfer Off Site--No Treatment/Reovery (H010-H129) Or (H131-H135)

Quantity Tons: 0.001
Waste Quantity: 2
Quantity Unit: P
Additional Code 1: Not reported
Additional Code 2: Not reported
Additional Code 3: Not reported
Additional Code 4: Not reported
Additional Code 5: Not reported

Shipment Date: 20130206
Creation Date: 3/9/2013 22:15:19
Receipt Date: 20130207
Manifest ID: 008985446JJK
Trans EPA ID: CAT000625137
Trans Name: SOUTHERN CALIFORNIA GAS COMPANY
Trans 2 EPA ID: Not reported
Trans 2 Name: Not reported
TSDf EPA ID: CAT000625137
Trans Name: SOUTHERN CALIFORNIA GAS COMPANY - PICO RIVERA
TSDf Alt EPA ID: Not reported
TSDf Alt Name: Not reported
Waste Code Description: 134 - Aqueous solution with <10% total organic residues
RCRA Code: Not reported
Meth Code: H141 - Storage, Bulking, And/Or Transfer Off Site--No Treatment/Reovery (H010-H129) Or (H131-H135)

Quantity Tons: 0.147
Waste Quantity: 35
Quantity Unit: G
Additional Code 1: Not reported
Additional Code 2: Not reported
Additional Code 3: Not reported
Additional Code 4: Not reported
Additional Code 5: Not reported

Additional Info:

Year: 2009
Gen EPA ID: CAD981422256

Shipment Date: 20091105
Creation Date: 10/8/2010 18:31:19
Receipt Date: 20091106
Manifest ID: 004829364JJK
Trans EPA ID: CAT000625137
Trans Name: SOUTHERN CALIFORNIA GAS COMPANY
Trans 2 EPA ID: Not reported

Map ID
Direction
Distance
Elevation

MAP FINDINGS

Site

Database(s)

EDR ID Number
EPA ID Number

SOUTHERN CALIFORNIA GAS CO (Continued)

S113005880

Trans 2 Name:	Not reported
TSDf EPA ID:	CAT000625137
Trans Name:	SOUTHERN CALIFORNIA GAS COMPANY - PICO RIVERA
TSDf Alt EPA ID:	Not reported
TSDf Alt Name:	Not reported
Waste Code Description:	221 - Waste oil and mixed oil
RCRA Code:	Not reported
Meth Code:	H141 - Storage, Bulking, And/Or Transfer Off Site--No Treatment/Reovery (H010-H129) Or (H131-H135)
Quantity Tons:	0.1064
Waste Quantity:	28
Quantity Unit:	G
Additional Code 1:	Not reported
Additional Code 2:	Not reported
Additional Code 3:	Not reported
Additional Code 4:	Not reported
Additional Code 5:	Not reported
Shipment Date:	20090716
Creation Date:	8/17/2009 18:30:31
Receipt Date:	20090717
Manifest ID:	004829239JJK
Trans EPA ID:	CAT000625137
Trans Name:	SOUTHERN CALIFORNIA GAS COMPANY
Trans 2 EPA ID:	Not reported
Trans 2 Name:	Not reported
TSDf EPA ID:	CAT000625137
Trans Name:	SOUTHERN CALIFORNIA GAS COMPANY - PICO RIVERA
TSDf Alt EPA ID:	Not reported
TSDf Alt Name:	Not reported
Waste Code Description:	331 - Off-specification, aged, or surplus organics
RCRA Code:	Not reported
Meth Code:	H141 - Storage, Bulking, And/Or Transfer Off Site--No Treatment/Reovery (H010-H129) Or (H131-H135)
Quantity Tons:	0.0825
Waste Quantity:	25
Quantity Unit:	G
Additional Code 1:	Not reported
Additional Code 2:	Not reported
Additional Code 3:	Not reported
Additional Code 4:	Not reported
Additional Code 5:	Not reported
Shipment Date:	20090715
Creation Date:	8/17/2009 18:30:31
Receipt Date:	20090717
Manifest ID:	004829053JJK
Trans EPA ID:	CAT000625137
Trans Name:	SOUTHERN CALIFORNIA GAS COMPANY
Trans 2 EPA ID:	Not reported
Trans 2 Name:	Not reported
TSDf EPA ID:	CAT000625137
Trans Name:	SOUTHERN CALIFORNIA GAS COMPANY - PICO RIVERA
TSDf Alt EPA ID:	Not reported
TSDf Alt Name:	Not reported
Waste Code Description:	352 - Other organic solids
RCRA Code:	Not reported

Map ID
Direction
Distance
Elevation

MAP FINDINGS

Site

Database(s)

EDR ID Number
EPA ID Number

SOUTHERN CALIFORNIA GAS CO (Continued)

S113005880

Meth Code:	H141 - Storage, Bulking, And/Or Transfer Off Site--No Treatment/Reovery (H010-H129) Or (H131-H135)
Quantity Tons:	0.04
Waste Quantity:	80
Quantity Unit:	P
Additional Code 1:	Not reported
Additional Code 2:	Not reported
Additional Code 3:	Not reported
Additional Code 4:	Not reported
Additional Code 5:	Not reported
Shipment Date:	20090213
Creation Date:	4/8/2009 18:30:08
Receipt Date:	20090217
Manifest ID:	004827583JJK
Trans EPA ID:	CAT000625137
Trans Name:	SOUTHERN CALIFORNIA GAS COMPANY
Trans 2 EPA ID:	Not reported
Trans 2 Name:	Not reported
TSDf EPA ID:	CAT000625137
Trans Name:	SOUTHERN CALIFORNIA GAS COMPANY - PICO RIVERA
TSDf Alt EPA ID:	Not reported
TSDf Alt Name:	Not reported
Waste Code Description:	181 - Other inorganic solid waste Organics
RCRA Code:	D008
Meth Code:	H141 - Storage, Bulking, And/Or Transfer Off Site--No Treatment/Reovery (H010-H129) Or (H131-H135)
Quantity Tons:	0.075
Waste Quantity:	150
Quantity Unit:	P
Additional Code 1:	Not reported
Additional Code 2:	Not reported
Additional Code 3:	Not reported
Additional Code 4:	Not reported
Additional Code 5:	Not reported
Shipment Date:	20090213
Creation Date:	4/8/2009 18:30:08
Receipt Date:	20090217
Manifest ID:	004827583JJK
Trans EPA ID:	CAT000625137
Trans Name:	SOUTHERN CALIFORNIA GAS COMPANY
Trans 2 EPA ID:	Not reported
Trans 2 Name:	Not reported
TSDf EPA ID:	CAT000625137
Trans Name:	SOUTHERN CALIFORNIA GAS COMPANY - PICO RIVERA
TSDf Alt EPA ID:	Not reported
TSDf Alt Name:	Not reported
Waste Code Description:	221 - Waste oil and mixed oil
RCRA Code:	Not reported
Meth Code:	H141 - Storage, Bulking, And/Or Transfer Off Site--No Treatment/Reovery (H010-H129) Or (H131-H135)
Quantity Tons:	0.19
Waste Quantity:	50
Quantity Unit:	G
Additional Code 1:	Not reported
Additional Code 2:	Not reported

Map ID
Direction
Distance
Elevation

MAP FINDINGS

Site

Database(s)

EDR ID Number
EPA ID Number

SOUTHERN CALIFORNIA GAS CO (Continued)

S113005880

Additional Code 3: Not reported
Additional Code 4: Not reported
Additional Code 5: Not reported

Additional Info:

Year: 2007
Gen EPA ID: CAD981422256

Shipment Date: 20071207
Creation Date: 3/5/2008 18:30:20
Receipt Date: 20071210
Manifest ID: 000447962JJK
Trans EPA ID: CAT000625137
Trans Name: SOUTHERN CALIFORNIA GAS CO
Trans 2 EPA ID: Not reported
Trans 2 Name: Not reported
TSDf EPA ID: CAT000625137
Trans Name: SCG - PICO RIVERA
TSDf Alt EPA ID: Not reported
TSDf Alt Name: Not reported
Waste Code Description: 134 - Aqueous solution with <10% total organic residues
RCRA Code: Not reported
Meth Code: H141 - Storage, Bulking, And/Or Transfer Off Site--No Treatment/Reovery (H010-H129) Or (H131-H135)

Quantity Tons: 0.126
Waste Quantity: 30
Quantity Unit: G
Additional Code 1: Not reported
Additional Code 2: Not reported
Additional Code 3: Not reported
Additional Code 4: Not reported
Additional Code 5: Not reported

Shipment Date: 20071207
Creation Date: 3/5/2008 18:30:20
Receipt Date: 20071210
Manifest ID: 000447608JJK
Trans EPA ID: CAT000625137
Trans Name: SOUTHERN CALIFORNIA GAS CO
Trans 2 EPA ID: Not reported
Trans 2 Name: Not reported
TSDf EPA ID: CAT000625137
Trans Name: SCG - PICO RIVERA
TSDf Alt EPA ID: Not reported
TSDf Alt Name: Not reported
Waste Code Description: 343 - Unspecified organic liquid mixture
RCRA Code: Not reported
Meth Code: H141 - Storage, Bulking, And/Or Transfer Off Site--No Treatment/Reovery (H010-H129) Or (H131-H135)

Quantity Tons: 0.0612
Waste Quantity: 18
Quantity Unit: G
Additional Code 1: Not reported
Additional Code 2: Not reported
Additional Code 3: Not reported
Additional Code 4: Not reported
Additional Code 5: Not reported

Map ID
Direction
Distance
Elevation

MAP FINDINGS

Site

Database(s)

EDR ID Number
EPA ID Number

SOUTHERN CALIFORNIA GAS CO (Continued)

S113005880

Shipment Date: 20070705
Creation Date: 11/3/2007 18:30:36
Receipt Date: 20070706
Manifest ID: 000451751JJK
Trans EPA ID: CAD983620402
Trans Name: ADVANCE CLEANUP TECHNOLOGIES INC
Trans 2 EPA ID: Not reported
Trans 2 Name: Not reported
TSDf EPA ID: CAT000625137
Trans Name: SCG - PICO RIVERA
TSDf Alt EPA ID: Not reported
TSDf Alt Name: Not reported
Waste Code Description: 221 - Waste oil and mixed oil
RCRA Code: Not reported
Meth Code: H141 - Storage, Bulking, And/Or Transfer Off Site--No Treatment/Reovery (H010-H129) Or (H131-H135)

Quantity Tons: 0.095
Waste Quantity: 25
Quantity Unit: G
Additional Code 1: Not reported
Additional Code 2: Not reported
Additional Code 3: Not reported
Additional Code 4: Not reported
Additional Code 5: Not reported

Additional Info:

Year: 1998
Gen EPA ID: CAD981422256

Shipment Date: 19981124
Creation Date: 1/13/1999 0:00:00
Receipt Date: 19981203
Manifest ID: 96707347
Trans EPA ID: CAT000625137
Trans Name: Not reported
Trans 2 EPA ID: Not reported
Trans 2 Name: Not reported
TSDf EPA ID: CAT000625137
Trans Name: Not reported
TSDf Alt EPA ID: CAT000625137
TSDf Alt Name: Not reported
Waste Code Description: 221 - Waste oil and mixed oil
RCRA Code: Not reported
Meth Code: D99 - Disposal, Other
Quantity Tons: 0.209
Waste Quantity: 55
Quantity Unit: G
Additional Code 1: Not reported
Additional Code 2: Not reported
Additional Code 3: Not reported
Additional Code 4: Not reported
Additional Code 5: Not reported

Shipment Date: 19980722
Creation Date: 9/15/1998 0:00:00
Receipt Date: Not reported
Manifest ID: 96707317

Map ID
Direction
Distance
Elevation

MAP FINDINGS

Site

Database(s)

EDR ID Number
EPA ID Number

SOUTHERN CALIFORNIA GAS CO (Continued)

S113005880

Trans EPA ID: ILD984908202
Trans Name: Not reported
Trans 2 EPA ID: Not reported
Trans 2 Name: Not reported
TSDf EPA ID: NVT330010200
Trans Name: Not reported
TSDf Alt EPA ID: Not reported
TSDf Alt Name: Not reported
Waste Code Description: 213 - Hydrocarbon solvents (benzene, hexane, Stoddard, etc.)
RCRA Code: D039
Meth Code: - Not reported
Quantity Tons: 0.0458
Waste Quantity: 11
Quantity Unit: G
Additional Code 1: Not reported
Additional Code 2: Not reported
Additional Code 3: Not reported
Additional Code 4: Not reported
Additional Code 5: Not reported

Additional Info:

Year: 2002
Gen EPA ID: CAD981422256

Shipment Date: 20020426
Creation Date: 1/8/2003 18:31:12
Receipt Date: 20020429
Manifest ID: 99074301
Trans EPA ID: CAT000625137
Trans Name: Not reported
Trans 2 EPA ID: Not reported
Trans 2 Name: Not reported
TSDf EPA ID: CAT000625137
Trans Name: Not reported
TSDf Alt EPA ID: Not reported
TSDf Alt Name: Not reported
Waste Code Description: 343 - Unspecified organic liquid mixture
RCRA Code: Not reported
Meth Code: D99 - Disposal, Other
Quantity Tons: 0.017
Waste Quantity: 5
Quantity Unit: G
Additional Code 1: Not reported
Additional Code 2: Not reported
Additional Code 3: Not reported
Additional Code 4: Not reported
Additional Code 5: Not reported

Shipment Date: 20020426
Creation Date: 1/8/2003 18:31:12
Receipt Date: 20020429
Manifest ID: 99074301
Trans EPA ID: CAT000625137
Trans Name: Not reported
Trans 2 EPA ID: Not reported
Trans 2 Name: Not reported
TSDf EPA ID: CAT000625137

Map ID
Direction
Distance
Elevation

MAP FINDINGS

Site

Database(s)

EDR ID Number
EPA ID Number

SOUTHERN CALIFORNIA GAS CO (Continued)

S113005880

Trans Name: Not reported
TSDf Alt EPA ID: Not reported
TSDf Alt Name: Not reported
Waste Code Description: 221 - Waste oil and mixed oil
RCRA Code: Not reported
Meth Code: D99 - Disposal, Other
Quantity Tons: 0.171
Waste Quantity: 45
Quantity Unit: G
Additional Code 1: Not reported
Additional Code 2: Not reported
Additional Code 3: Not reported
Additional Code 4: Not reported
Additional Code 5: Not reported

Additional Info:

Year: 2017
Gen EPA ID: CAD981422256

Shipment Date: 20170914
Creation Date: 5/30/2018 18:33:30
Receipt Date: 20170918
Manifest ID: 016660064JJK
Trans EPA ID: CAD982030173
Trans Name: ECOLOGY CONTROL INDUSTRIES
Trans 2 EPA ID: Not reported
Trans 2 Name: Not reported
TSDf EPA ID: CAT000625137
Trans Name: SOUTHERN CALIFORNIA GAS COMPANY - PICO RIVERA
TSDf Alt EPA ID: Not reported
TSDf Alt Name: Not reported
Waste Code Description: 151 - Asbestos-containing waste
RCRA Code: Not reported
Meth Code: H141 - Storage, Bulking, And/Or Transfer Off Site--No Treatment/Reovery (H010-H129) Or (H131-H135)
Quantity Tons: 0.06
Waste Quantity: 120
Quantity Unit: P
Additional Code 1: Not reported
Additional Code 2: Not reported
Additional Code 3: Not reported
Additional Code 4: Not reported
Additional Code 5: Not reported

Shipment Date: 20170815
Creation Date: 7/19/2018 18:30:16
Receipt Date: 20170816
Manifest ID: 008985162JJK
Trans EPA ID: CAD982030173
Trans Name: ECOLOGY CONTROL INDUSTRIES
Trans 2 EPA ID: Not reported
Trans 2 Name: Not reported
TSDf EPA ID: CAT000625137
Trans Name: SOUTHERN CALIFORNIA GAS CO - PICO RIVERA
TSDf Alt EPA ID: Not reported
TSDf Alt Name: Not reported
Waste Code Description: 181 - Other inorganic solid waste Organics

Map ID
Direction
Distance
Elevation

MAP FINDINGS

Site

Database(s)

EDR ID Number
EPA ID Number

SOUTHERN CALIFORNIA GAS CO (Continued)

S113005880

RCRA Code: D008
Meth Code: H141 - Storage, Bulking, And/Or Transfer Off Site--No Treatment/Reovery (H010-H129) Or (H131-H135)

Quantity Tons: 0.0375
Waste Quantity: 75
Quantity Unit: P
Additional Code 1: Not reported
Additional Code 2: Not reported
Additional Code 3: Not reported
Additional Code 4: Not reported
Additional Code 5: Not reported

Shipment Date: 20170728
Creation Date: 7/19/2018 18:30:16
Receipt Date: 20170731
Manifest ID: 016661944JJK
Trans EPA ID: CAD982030173
Trans Name: ECOLOGY CONTROL INDUSTRIES
Trans 2 EPA ID: Not reported
Trans 2 Name: Not reported
TSDf EPA ID: CAT000625137
Trans Name: SOUTHERN CALIFORNIA GAS COMPANY - PICO RIVERA
TSDf Alt EPA ID: Not reported
TSDf Alt Name: Not reported
Waste Code Description: 181 - Other inorganic solid waste Organics
RCRA Code: D008
Meth Code: H141 - Storage, Bulking, And/Or Transfer Off Site--No Treatment/Reovery (H010-H129) Or (H131-H135)

Quantity Tons: 0.075
Waste Quantity: 150
Quantity Unit: P
Additional Code 1: Not reported
Additional Code 2: Not reported
Additional Code 3: Not reported
Additional Code 4: Not reported
Additional Code 5: Not reported

Shipment Date: 20170720
Creation Date: 6/20/2018 18:31:19
Receipt Date: 20170725
Manifest ID: 016661949JJK
Trans EPA ID: CAD982030173
Trans Name: ECOLOGY CONTROL INDUSTRIES
Trans 2 EPA ID: Not reported
Trans 2 Name: Not reported
TSDf EPA ID: CAD980675276
Trans Name: CLEAN HARBORS - BUTTONWILLOW
TSDf Alt EPA ID: Not reported
TSDf Alt Name: Not reported
Waste Code Description: 151 - Asbestos-containing waste
RCRA Code: Not reported
Meth Code: H132 - Landfill Or Surface Impoundment That Will Be Closed As Landfill(To Include On-Site Treatment And/Or Stabilization)

Quantity Tons: 3.68
Waste Quantity: 16
Quantity Unit: Y
Additional Code 1: Not reported

Map ID
Direction
Distance
Elevation

MAP FINDINGS

Site

Database(s)

EDR ID Number
EPA ID Number

SOUTHERN CALIFORNIA GAS CO (Continued)

S113005880

Additional Code 2:	Not reported
Additional Code 3:	Not reported
Additional Code 4:	Not reported
Additional Code 5:	Not reported
Shipment Date:	20170720
Creation Date:	6/13/2018 18:31:10
Receipt Date:	20170725
Manifest ID:	016661951JJK
Trans EPA ID:	CAD982030173
Trans Name:	ECOLOGY CONTROL INDUSTRIES
Trans 2 EPA ID:	Not reported
Trans 2 Name:	Not reported
TSDf EPA ID:	CAD980675276
Trans Name:	CLEAN HARBORS - BUTTONWILLOW
TSDf Alt EPA ID:	Not reported
TSDf Alt Name:	Not reported
Waste Code Description:	181 - Other inorganic solid waste Organics
RCRA Code:	Not reported
Meth Code:	H132 - Landfill Or Surface Impoundment That Will Be Closed As Landfill(To Include On-Site Treatment And/Or Stabilization)
Quantity Tons:	171.9312
Waste Quantity:	204
Quantity Unit:	Y
Additional Code 1:	Not reported
Additional Code 2:	Not reported
Additional Code 3:	Not reported
Additional Code 4:	Not reported
Additional Code 5:	Not reported
Shipment Date:	20170524
Creation Date:	5/31/2018 18:30:42
Receipt Date:	20170526
Manifest ID:	016661730JJK
Trans EPA ID:	CAT000625137
Trans Name:	SOUTHERN CALIFORNIA GAS COMPANY
Trans 2 EPA ID:	Not reported
Trans 2 Name:	Not reported
TSDf EPA ID:	CAT000625137
Trans Name:	SOUTHERN CALIFORNIA GAS COMPANY - PICO RIVERA
TSDf Alt EPA ID:	Not reported
TSDf Alt Name:	Not reported
Waste Code Description:	221 - Waste oil and mixed oil
RCRA Code:	Not reported
Meth Code:	H141 - Storage, Bulking, And/Or Transfer Off Site--No Treatment/Reovery (H010-H129) Or (H131-H135)
Quantity Tons:	0.19
Waste Quantity:	50
Quantity Unit:	G
Additional Code 1:	Not reported
Additional Code 2:	Not reported
Additional Code 3:	Not reported
Additional Code 4:	Not reported
Additional Code 5:	Not reported
Shipment Date:	20170223
Creation Date:	5/22/2017 18:30:49

Map ID
Direction
Distance
Elevation

MAP FINDINGS

Site

Database(s)

EDR ID Number
EPA ID Number

SOUTHERN CALIFORNIA GAS CO (Continued)

S113005880

Receipt Date: 20170223
Manifest ID: 015280700JJK
Trans EPA ID: CAT000625137
Trans Name: SOUTHERN CALIFORNIA GAS COMPANY
Trans 2 EPA ID: Not reported
Trans 2 Name: Not reported
TSDf EPA ID: CAT000625137
Trans Name: SOUTHERN CALIFORNIA GAS COMPANY - PICO RIVERA
TSDf Alt EPA ID: Not reported
TSDf Alt Name: Not reported
Waste Code Description: 352 - Other organic solids
RCRA Code: D018
Meth Code: H141 - Storage, Bulking, And/Or Transfer Off Site--No Treatment/Reovery (H010-H129) Or (H131-H135)

Quantity Tons: 0.03
Waste Quantity: 60
Quantity Unit: P
Additional Code 1: Not reported
Additional Code 2: Not reported
Additional Code 3: Not reported
Additional Code 4: Not reported
Additional Code 5: Not reported

Shipment Date: 20170223
Creation Date: 5/22/2017 18:30:49
Receipt Date: 20170223
Manifest ID: 016661521JJK
Trans EPA ID: CAT000625137
Trans Name: SOUTHERN CALIFORNIA GAS COMPANY
Trans 2 EPA ID: Not reported
Trans 2 Name: Not reported
TSDf EPA ID: CAT000625137
Trans Name: SOUTHERN CALIFORNIA GAS COMPANY - PICO RIVERA
TSDf Alt EPA ID: Not reported
TSDf Alt Name: Not reported
Waste Code Description: 181 - Other inorganic solid waste Organics
RCRA Code: D008
Meth Code: H141 - Storage, Bulking, And/Or Transfer Off Site--No Treatment/Reovery (H010-H129) Or (H131-H135)

Quantity Tons: 0.07
Waste Quantity: 140
Quantity Unit: P
Additional Code 1: Not reported
Additional Code 2: Not reported
Additional Code 3: Not reported
Additional Code 4: Not reported
Additional Code 5: Not reported

Additional Info:
Year: 2008
Gen EPA ID: CAD981422256

Shipment Date: 20080728
Creation Date: 9/10/2008 18:30:39
Receipt Date: 20080731
Manifest ID: 000451329JJK
Trans EPA ID: CAT000625137

Map ID
Direction
Distance
Elevation

MAP FINDINGS

Site

Database(s)

EDR ID Number
EPA ID Number

SOUTHERN CALIFORNIA GAS CO (Continued)

S113005880

Trans Name: SOUTHERN CALIFORNIA GAS CO
Trans 2 EPA ID: Not reported
Trans 2 Name: Not reported
TSDf EPA ID: CAT000625137
Trans Name: SCG - PICO RIVERA
TSDf Alt EPA ID: Not reported
TSDf Alt Name: Not reported
Waste Code Description: 181 - Other inorganic solid waste Organics
RCRA Code: D008
Meth Code: H141 - Storage, Bulking, And/Or Transfer Off Site--No Treatment/Reovery (H010-H129) Or (H131-H135)

Quantity Tons: 0.0025
Waste Quantity: 5
Quantity Unit: P
Additional Code 1: Not reported
Additional Code 2: Not reported
Additional Code 3: Not reported
Additional Code 4: Not reported
Additional Code 5: Not reported

Shipment Date: 20080509
Creation Date: 8/4/2008 18:30:07
Receipt Date: 20080514
Manifest ID: 000456483JJK
Trans EPA ID: CAT000625137
Trans Name: SOUTHERN CALIFORNIA GAS CO
Trans 2 EPA ID: Not reported
Trans 2 Name: Not reported
TSDf EPA ID: CAT000625137
Trans Name: SCG - PICO RIVERA
TSDf Alt EPA ID: Not reported
TSDf Alt Name: Not reported
Waste Code Description: 221 - Waste oil and mixed oil
RCRA Code: Not reported
Meth Code: H141 - Storage, Bulking, And/Or Transfer Off Site--No Treatment/Reovery (H010-H129) Or (H131-H135)

Quantity Tons: 0.171
Waste Quantity: 45
Quantity Unit: G
Additional Code 1: Not reported
Additional Code 2: Not reported
Additional Code 3: Not reported
Additional Code 4: Not reported
Additional Code 5: Not reported

HWTS:

Name: SOUTHERN CALIFORNIA GAS CO
Address: ARIZONA AND SAN CLEMENTE ST
Address 2: Not reported
City,State,Zip: NEEDLES, CA 92353
EPA ID: CAD981422256
Inactive Date: Not reported
Create Date: 06/17/1988
Last Act Date: Not reported
Mailing Name: Not reported
Mailing Address: 8101 S. ROSEMEAD BLVD.
Mailing Address 2: Not reported

Map ID
 Direction
 Distance
 Elevation

MAP FINDINGS

Site

Database(s)

EDR ID Number
 EPA ID Number

SOUTHERN CALIFORNIA GAS CO (Continued)

S113005880

Mailing City,State,Zip: PICO RIVERA, CA 906605100
 Owner Name: SOUTHERN CALIFORNIA GAS COMPANY
 Owner Address: 8101 S. ROSEMEAD BLVD.
 Owner Address 2: Not reported
 Owner City,State,Zip: PICO RIVERA, CA 906605100
 Contact Name: NANCY LEE
 Contact Address: 8101 S. ROSEMEAD BLVD
 Contact Address 2: Not reported
 City,State,Zip: PICO RIVERA, CA 90660
 Facility Status: Active
 Facility Type: PERMANENT
 Category: STATE
 Latitude: 34.824231
 Longitude: -114.599178

NAICS:

EPA ID: CAD981422256
 Create Date: 2005-09-27 15:01:35.000
 NAICS Code: 22121
 NAICS Description: Natural Gas Distribution
 Issued EPA ID Date: 1988-06-17 00:00:00
 Inactive Date: Not reported
 Facility Name: SOUTHERN CALIFORNIA GAS CO
 Facility Address: ARIZONA AND SAN CLEMENTE ST
 Facility Address 2: Not reported
 Facility City: NEEDLES
 Facility County: Not reported
 Facility State: CA
 Facility Zip: 923530000

DG839 SCG - NEEDLES OFFICE
Target ARIZONA ST & SAN CLEMENTE
Property NEEDLES, CA 92363

EMI S126140695
CERS N/A

Site 4 of 4 in cluster DG

Actual: EMI:
563 ft. Name: SCG - NEEDLES OFFICE
Focus Map: Address: ARIZONA ST & SAN CLEMENTE
11 City,State,Zip: NEEDLES, CA 92363
 Year: 2018
 County Code: 36
 Air Basin: MD
 Facility ID: 942
 Air District Name: MOJ
 SIC Code: 4922
 Air District Name: MOJAVE DESERT AQMD
 Community Health Air Pollution Info System: Not reported
 Consolidated Emission Reporting Rule: Not reported
 Total Organic Hydrocarbon Gases Tons/Yr: 0.016955832
 Reactive Organic Gases Tons/Yr: 0.015778674893
 Carbon Monoxide Emissions Tons/Yr: 0.002019515
 NOX - Oxides of Nitrogen Tons/Yr: 0.003070968
 SOX - Oxides of Sulphur Tons/Yr: 2.13e-006
 Particulate Matter Tons/Yr: 7.03e-005
 Part. Matter 10 Micrometers and Smlr Tons/Yr:7.03e-005

Map ID
Direction
Distance
Elevation

MAP FINDINGS

Site

Database(s)

EDR ID Number
EPA ID Number

SCG - NEEDLES OFFICE (Continued)

S126140695

Name: SCG - NEEDLES OFFICE
Address: ARIZONA ST & SAN CLEMENTE
City,State,Zip: NEEDLES, CA 92363
Year: 2019
County Code: 36
Air Basin: MD
Facility ID: 942
Air District Name: MOJ
SIC Code: 4922
Air District Name: MOJAVE DESERT AQMD
Community Health Air Pollution Info System: Not reported
Consolidated Emission Reporting Rule: Not reported
Total Organic Hydrocarbon Gases Tons/Yr: 0.016192733883
Reactive Organic Gases Tons/Yr: 0.015603395
Carbon Monoxide Emissions Tons/Yr: 0.007169702
NOX - Oxides of Nitrogen Tons/Yr: 0.004636816
SOX - Oxides of Sulphur Tons/Yr: 1.2e-006
Particulate Matter Tons/Yr: 3.96e-005
Part. Matter 10 Micrometers and Smlr Tons/Yr:3.96e-005

CERS:

Name: SCG - NEEDLES OFFICE
Address: ARIZONA ST & SAN CLEMENTE
City,State,Zip: NEEDLES, CA 92363
Site ID: 495336
CERS ID: 110010470702
CERS Description: US EPA Air Emission Inventory System (EIS)

DH840
Target
Property

SCE CAMINO SUBSTATION
23 MI. W/O NEEDLES ON I-40 (WATER RD. EXIT)
NEEDLES, CA 92363

CERS S126976524
N/A

Site 1 of 3 in cluster DH

Actual:
560 ft.

Focus Map:
11

CERS:

Name: SCE CAMINO SUBSTATION
Address: 23 MI. W/O NEEDLES ON I-40 (WATER RD. EXIT)
City,State,Zip: NEEDLES, CA 92363
Site ID: 65664
CERS ID: 10048684
CERS Description: Chemical Storage Facilities

Evaluation:

Eval General Type: Compliance Evaluation Inspection
Eval Date: 08-24-2021
Violations Found: No
Eval Type: Routine done by local agency
Eval Notes: Not reported
Eval Division: San Bernardino County Fire Department
Eval Program: APSA
Eval Source: CERS,

Eval General Type: Compliance Evaluation Inspection
Eval Date: 08-29-2018
Violations Found: No
Eval Type: Routine done by local agency
Eval Notes: Not reported
Eval Division: San Bernardino County Fire Department

Map ID
Direction
Distance
Elevation

MAP FINDINGS

Site

Database(s)

EDR ID Number
EPA ID Number

SCE CAMINO SUBSTATION (Continued)

S126976524

Eval Program: HMRRP
Eval Source: CERS,

Eval General Type: Compliance Evaluation Inspection
Eval Date: 10-01-2015
Violations Found: No
Eval Type: Routine done by local agency
Eval Notes: INSPECTION - BP
Eval Division: San Bernardino County Fire Department
Eval Program: HMRRP
Eval Source: CERS,

Eval General Type: Compliance Evaluation Inspection
Eval Date: 10-01-2015
Violations Found: No
Eval Type: Routine done by local agency
Eval Notes: INSPECTION - APSA EXEMPT
Eval Division: San Bernardino County Fire Department
Eval Program: APSA
Eval Source: CERS,

Eval General Type: Compliance Evaluation Inspection
Eval Date: 08-24-2021
Violations Found: No
Eval Type: Routine done by local agency
Eval Notes: Not reported
Eval Division: San Bernardino County Fire Department
Eval Program: HMRRP
Eval Source: CERS,

Affiliation:
Affiliation Type Desc: Parent Corporation
Entity Name: Southern California Edison, Transmission and Distribution Organization (TD)
Entity Title: Not reported
Affiliation Address: Not reported
Affiliation City: Not reported
Affiliation State: Not reported
Affiliation Country: Not reported
Affiliation Zip: Not reported
Affiliation Phone: ,

Affiliation Type Desc: Facility Mailing Address
Entity Name: Mailing Address
Entity Title: Not reported
Affiliation Address: P.O. Box 5085 (Attn: ESD, Programs & Governance)
Affiliation City: Rosemead
Affiliation State: CA
Affiliation Country: Not reported
Affiliation Zip: 91770
Affiliation Phone: ,

Affiliation Type Desc: Legal Owner
Entity Name: Southern California Edison
Entity Title: Not reported
Affiliation Address: P.O. Box 5085 (Attn: ESD, Programs & Governance)
Affiliation City: Rosemead

Map ID
Direction
Distance
Elevation

MAP FINDINGS

Site

Database(s)

EDR ID Number
EPA ID Number

SCE CAMINO SUBSTATION (Continued)

S126976524

Affiliation State: CA
Affiliation Country: United States
Affiliation Zip: 91770
Affiliation Phone: (626) 302-1212,

Affiliation Type Desc: Identification Signer
Entity Name: Mark Landin
Entity Title: Senior Advisor
Affiliation Address: Not reported
Affiliation City: Not reported
Affiliation State: Not reported
Affiliation Country: Not reported
Affiliation Zip: Not reported
Affiliation Phone: ,

Affiliation Type Desc: Operator
Entity Name: Southern California Edison
Entity Title: Not reported
Affiliation Address: Not reported
Affiliation City: Not reported
Affiliation State: Not reported
Affiliation Country: Not reported
Affiliation Zip: Not reported
Affiliation Phone: (626) 302-1212,

Affiliation Type Desc: CUPA District
Entity Name: San Bernardino County Fire
Entity Title: Not reported
Affiliation Address: 620 South E Street
Affiliation City: San Bernardino
Affiliation State: CA
Affiliation Country: Not reported
Affiliation Zip: 92415-0153
Affiliation Phone: (909) 386-8401,

Affiliation Type Desc: Document Preparer
Entity Name: Mark Landin
Entity Title: Not reported
Affiliation Address: Not reported
Affiliation City: Not reported
Affiliation State: Not reported
Affiliation Country: Not reported
Affiliation Zip: Not reported
Affiliation Phone: ,

Affiliation Type Desc: Environmental Contact
Entity Name: Environmental Notification Center
Entity Title: Not reported
Affiliation Address: P.O. Box 5085 (Attn: ESD, Programs & Governance)
Affiliation City: Rosemead
Affiliation State: CA
Affiliation Country: Not reported
Affiliation Zip: 91770
Affiliation Phone: ,

Affiliation Type Desc: Property Owner
Entity Name: BLM Needles Field Office

Map ID
Direction
Distance
Elevation

MAP FINDINGS

Site

Database(s)

EDR ID Number
EPA ID Number

SCE CAMINO SUBSTATION (Continued)

S126976524

Entity Title: Not reported
Affiliation Address: 1303 S. Highway 95
Affiliation City: Needles
Affiliation State: CA
Affiliation Country: United States
Affiliation Zip: 92363
Affiliation Phone: (760) 326-7000,

DH841 **AT&T MOBILITY - WEST FLATTOP (USID50866)**
Target **I-40 & HIGHWAY 95 N**
Property **NEEDLES, CA 92363**

San Bern. Co. Permit **S121309793**
CERS **N/A**

Site 2 of 3 in cluster DH

Actual:
560 ft.

Focus Map:
11

San Bern. Co. Permit:
Name: AT&T MOBILITY - WEST FLATTOP (USID50866)
Address: I-40 & HIGHWAY 95 N
City,State,Zip: NEEDLES, CA 92363
Region: SAN BERNARDINO
Facility ID: FA0011546
Owner: New Cingular Wireless PCS, LLC dba AT&T Mobility
Permit Number: PT0022794
Permit Category: HAZARDOUS MATERIALS 1-3 CHEMICALS SPECIAL
Facility Status: ACTIVE
Expiration Date: 04/30/2022

CERS:
Name: AT&T MOBILITY - WEST FLATTOP (USID50866)
Address: I-40 & HIGHWAY 95 N
City,State,Zip: NEEDLES, CA 92363
Site ID: 95746
CERS ID: 10118947
CERS Description: Chemical Storage Facilities

Violations:
Site ID: 95746
Site Name: AT&T MOBILITY - WEST FLATTOP (USID50866)
Violation Date: 10-29-2014
Citation: HSC 6.95 25508.2 - California Health and Safety Code, Chapter 6.95, Section(s) 25508.2
Violation Description: Failure to annually review and electronically certify that the business plan is complete, accurate, and up-to-date.
Violation Notes: Returned to compliance on 11/19/2014. THE LAST BUSINESS PLAN SUBMITTAL IN CERS WAS DATED 6/30/13.
Violation Division: San Bernardino County Fire Department
Violation Program: HMRRP
Violation Source: CERS,

Evaluation:
Eval General Type: Compliance Evaluation Inspection
Eval Date: 02-07-2018
Violations Found: No
Eval Type: Routine done by local agency
Eval Notes: Not reported
Eval Division: San Bernardino County Fire Department
Eval Program: HMRRP

Map ID
Direction
Distance
Elevation

MAP FINDINGS

Site

Database(s)

EDR ID Number
EPA ID Number

AT&T MOBILITY - WEST FLATTOP (USID50866) (Continued)

S121309793

Eval Source: CERS,

Eval General Type: Compliance Evaluation Inspection
Eval Date: 10-29-2014
Violations Found: Yes
Eval Type: Routine done by local agency
Eval Notes: INSPECTION - BP
Eval Division: San Bernardino County Fire Department
Eval Program: HMRRP
Eval Source: CERS,

Eval General Type: Compliance Evaluation Inspection
Eval Date: 05-27-2021
Violations Found: No
Eval Type: Routine done by local agency
Eval Notes: Not reported
Eval Division: San Bernardino County Fire Department
Eval Program: HMRRP
Eval Source: CERS,

Enforcement Action:

Site ID: 95746
Site Name: AT&T MOBILITY - WEST FLATTOP (USID50866)
Site Address: I-40 & HIGHWAY 95 N
Site City: NEEDLES
Site Zip: 92363
Enf Action Date: 10-29-2014
Enf Action Type: Notice of Violation (Unified Program)
Enf Action Description: Notice of Violation Issued by the Inspector at the Time of Inspection
Enf Action Notes: Not reported
Enf Action Division: San Bernardino County Fire Department
Enf Action Program: HMRRP
Enf Action Source: CERS,

Affiliation:

Affiliation Type Desc: Environmental Contact
Entity Name: AT&T EH&S Hotline - Option #1
Entity Title: Not reported
Affiliation Address: 308 S. Akard Street, 17th Floor
Affiliation City: Dallas
Affiliation State: TX
Affiliation Country: Not reported
Affiliation Zip: 75202
Affiliation Phone: ,

Affiliation Type Desc: Facility Mailing Address
Entity Name: Mailing Address
Entity Title: Not reported
Affiliation Address: 308 S. Akard Street, 17th Floor
Affiliation City: Dallas
Affiliation State: TX
Affiliation Country: Not reported
Affiliation Zip: 75202
Affiliation Phone: ,

Affiliation Type Desc: Identification Signer

Map ID
Direction
Distance
Elevation

MAP FINDINGS

Site

Database(s)

EDR ID Number
EPA ID Number

AT&T MOBILITY - WEST FLATTOP (USID50866) (Continued)

S121309793

Entity Name: Jeremy McGrue
Entity Title: National EPCRA Manager
Affiliation Address: Not reported
Affiliation City: Not reported
Affiliation State: Not reported
Affiliation Country: Not reported
Affiliation Zip: Not reported
Affiliation Phone: ,

Affiliation Type Desc: Operator
Entity Name: AT&T Mobility
Entity Title: Not reported
Affiliation Address: Not reported
Affiliation City: Not reported
Affiliation State: Not reported
Affiliation Country: Not reported
Affiliation Zip: Not reported
Affiliation Phone: (800) 566-9347,

Affiliation Type Desc: CUPA District
Entity Name: San Bernardino County Fire
Entity Title: Not reported
Affiliation Address: 620 South E Street
Affiliation City: San Bernardino
Affiliation State: CA
Affiliation Country: Not reported
Affiliation Zip: 92415-0153
Affiliation Phone: (909) 386-8401,

Affiliation Type Desc: Parent Corporation
Entity Name: AT&T Mobility
Entity Title: Not reported
Affiliation Address: Not reported
Affiliation City: Not reported
Affiliation State: Not reported
Affiliation Country: Not reported
Affiliation Zip: Not reported
Affiliation Phone: ,

Affiliation Type Desc: Document Preparer
Entity Name: Peter Burnell, Sigma Consultants, Inc.
Entity Title: Not reported
Affiliation Address: Not reported
Affiliation City: Not reported
Affiliation State: Not reported
Affiliation Country: Not reported
Affiliation Zip: Not reported
Affiliation Phone: ,

Affiliation Type Desc: Legal Owner
Entity Name: New Cingular Wireless PCS, LLC dba AT&T Mobility
Entity Title: Not reported
Affiliation Address: 308 S. Akard Street, 17th Floor
Affiliation City: Dallas
Affiliation State: TX
Affiliation Country: United States
Affiliation Zip: 75202

Map ID
Direction
Distance
Elevation

MAP FINDINGS

Site

Database(s)

EDR ID Number
EPA ID Number

AT&T MOBILITY - WEST FLATTOP (USID50866) (Continued)

S121309793

Affiliation Phone: (214) 464-1712,

DH842
Target
Property

**I-40 E/B AT EAST BROADWAY
NEDDLES, CA 92363**

**CHMIRS S100278197
N/A**

Site 3 of 3 in cluster DH

Actual:
559 ft.

Focus Map:
11

CHMIRS:
Name: Not reported
Address: I-40 E/B AT EAST BROADWAY
City,State,Zip: NEDDLES, CA 92363
OES Incident Number: 119257
OES notification: Not reported
OES Date: Not reported
OES Time: Not reported
Date Completed: 17-SEP-91
Property Use: 961
Agency Id Number: 66
Agency Incident Number: 91184
Time Notified: 2159
Time Completed: 2330
Surrounding Area: 931
Estimated Temperature: 90
Property Management: S
More Than Two Substances Involved?: N
Resp Agncy Personel # Of Decontaminated: 0
Responding Agency Personel # Of Injuries: 0
Responding Agency Personel # Of Fatalities: 0
Others Number Of Decontaminated: 0
Others Number Of Injuries: 0
Others Number Of Fatalities: 0
Vehicle Make/year: 1989 PETERBUILT
Vehicle License Number: LN4441
Vehicle State: IN
Vehicle Id Number: Not reported
CA DOT PUC/ICC Number: 278592
Company Name: ZIPP EXPRESS INC.
Reporting Officer Name/ID: M.J. CALLAHAN STO 11923
Report Date: 17-SEP-91
Facility Telephone: 916 327-3310
Waterway Involved: Not reported
Waterway: Not reported
Spill Site: Not reported
Cleanup By: Not reported
Containment: Not reported
What Happened: Not reported
Type: Not reported
Measure: Not reported
Other: Not reported
Date/Time: Not reported
Year: 88-92
Agency: Not reported
Incident Date: 17-SEP-91
Admin Agency: Not reported
Amount: Not reported
Contained: Not reported

Map ID
 Direction
 Distance
 Elevation

MAP FINDINGS

Site

Database(s)

EDR ID Number
 EPA ID Number

(Continued)

S100278197

Site Type:	Not reported
E Date:	03-AUG-92
Substance:	Not reported
Unknown:	Not reported
Substance #2:	Not reported
Substance #3:	Not reported
Evacuations:	Not reported
Number of Injuries:	Not reported
Number of Fatalities:	Not reported
#1 Pipeline:	Not reported
#2 Pipeline:	Not reported
#3 Pipeline:	Not reported
#1 Vessel >= 300 Tons:	Not reported
#2 Vessel >= 300 Tons:	Not reported
#3 Vessel >= 300 Tons:	Not reported
Evacs:	Not reported
Injuries:	Not reported
Fatals:	Not reported
Comments:	Y
Description:	Not reported

843 NEEDLES SAND AND GRAVEL DEPOSIT

MINES MRDS 1025775239

Target

N/A

Property NEEDLES, CA 92363

MINES MRDS:

Actual:
505 ft.

Focus Map:
11

Name:	NEEDLES SAND AND GRAVEL DEPOSIT
Address:	Not reported
Deposit identification Number:	10304866
City,State,Zip:	NEEDLES, CALIFORNIA 92363
URL:	https://mrdata.usgs.gov/mrds/show-mrds.php?dep_id=10304866
MRDS Identification Number:	Not reported
MAS/MILS Identification Number:	0060713433
Region:	NA
Country:	United States
Primary Commodities:	Sand and Gravel, Construction
Secondary Commodities:	Not reported
Tertiary Commodities:	Not reported
Operation Type:	Surface
Deposit Type:	Not reported
Production Size:	Not reported
Development Status:	Producer
Ore Minerals or Materials:	Not reported
Gangue Minerals or Materials:	Not reported
Other Minerals or Materials:	Not reported
Ore Body Form:	Not reported
Workings Type:	Not reported
Mineral Deposit Model:	Not reported
Alteration Processes:	Not reported
Concentration Processes:	Not reported
Previous Names:	Not reported
Ore Controls:	Not reported
Reporter:	Neumann, Terry R.
Host Rock Unit Name:	Not reported
Host Rock Type:	Not reported
Associated Rock Unit Name:	Not reported
Associated Rock Type Code:	Not reported
Structural Characteristics:	Not reported

Map ID
 Direction
 Distance
 Elevation

MAP FINDINGS

Site

Database(s)

EDR ID Number
 EPA ID Number

NEEDLES SAND AND GRAVEL DEPOSIT (Continued)

1025775239

Tectonic Setting:	Not reported
References:	Not reported
First Production Year:	Not reported
Began Before/After FPY:	Not reported
Last Production Year:	Not reported
Ended Before/After LPY:	Not reported
Year Discovered:	Not reported
Found Before/After YD:	Not reported
Production History:	Not reported
Discovery Information:	Not reported
Latitude:	34.82363
Longitude:	-114.58891

DI844 **NEEDLES FIRE STATION 31**
Target **1113 EAST BROADWAY ST**
Property **NEEDLES, CA 92363**

NPDES **S118119421**
CIWQS **N/A**

Site 1 of 4 in cluster DI

Actual: 565 ft.	NPDES:	
Focus Map: 11	Name:	NEEDLES FIRE STATION 31
	Address:	1113 EAST BROADWAY ST
	City,State,Zip:	NEEDLES, CA 92363
	Facility Status:	Not reported
	NPDES Number:	Not reported
	Region:	Not reported
	Agency Number:	Not reported
	Regulatory Measure ID:	Not reported
	Place ID:	Not reported
	Order Number:	Not reported
	WDID:	7 36C373610
	Regulatory Measure Type:	Construction
	Program Type:	Not reported
	Adoption Date Of Regulatory Measure:	Not reported
	Effective Date Of Regulatory Measure:	Not reported
	Termination Date Of Regulatory Measure:	Not reported
	Expiration Date Of Regulatory Measure:	Not reported
	Discharge Address:	Not reported
	Discharge Name:	Not reported
	Discharge City:	Not reported
	Discharge State:	Not reported
	Discharge Zip:	Not reported
	Status:	Terminated
	Status Date:	12/02/2020
	Operator Name:	San Bernardino County Architecture and Engineering Department
	Operator Address:	385 North Arrowhead Avenue Third Floor
	Operator City:	San Bernardino
	Operator State:	California
	Operator Zip:	92415
	NPDES as of 03/2018:	
	NPDES Number:	CAS000002
	Status:	Active
	Agency Number:	0
	Region:	7
	Regulatory Measure ID:	458210
	Order Number:	2009-0009-DWQ
	Regulatory Measure Type:	Enrollee

Map ID
Direction
Distance
Elevation

MAP FINDINGS

Site

Database(s)

EDR ID Number
EPA ID Number

NEEDLES FIRE STATION 31 (Continued)

S118119421

Place ID:	Not reported
WDID:	7 36C373610
Program Type:	Construction
Adoption Date Of Regulatory Measure:	Not reported
Effective Date Of Regulatory Measure:	08/03/2015
Expiration Date Of Regulatory Measure:	Not reported
Termination Date Of Regulatory Measure:	Not reported
Discharge Name:	San Bernardino County Architecture and Engineering Department
Discharge Address:	385 North Arrowhead Avenue Third Floor
Discharge City:	San Bernardino
Discharge State:	California
Discharge Zip:	92415
Received Date:	Not reported
Processed Date:	Not reported
Status:	Not reported
Status Date:	Not reported
Place Size:	Not reported
Place Size Unit:	Not reported
Contact:	Not reported
Contact Title:	Not reported
Contact Phone:	Not reported
Contact Phone Ext:	Not reported
Contact Email:	Not reported
Operator Name:	Not reported
Operator Address:	Not reported
Operator City:	Not reported
Operator State:	Not reported
Operator Zip:	Not reported
Operator Contact:	Not reported
Operator Contact Title:	Not reported
Operator Contact Phone:	Not reported
Operator Contact Phone Ext:	Not reported
Operator Contact Email:	Not reported
Operator Type:	Not reported
Developer:	Not reported
Developer Address:	Not reported
Developer City:	Not reported
Developer State:	Not reported
Developer Zip:	Not reported
Developer Contact:	Not reported
Developer Contact Title:	Not reported
Constype Linear Utility Ind:	Not reported
Emergency Phone:	Not reported
Emergency Phone Ext:	Not reported
Constype Above Ground Ind:	Not reported
Constype Below Ground Ind:	Not reported
Constype Cable Line Ind:	Not reported
Constype Comm Line Ind:	Not reported
Constype Commercial Ind:	Not reported
Constype Electrical Line Ind:	Not reported
Constype Gas Line Ind:	Not reported
Constype Industrial Ind:	Not reported
Constype Other Description:	Not reported
Constype Other Ind:	Not reported
Constype Recons Ind:	Not reported
Constype Residential Ind:	Not reported
Constype Transport Ind:	Not reported

Map ID
Direction
Distance
Elevation

MAP FINDINGS

Site

Database(s)

EDR ID Number
EPA ID Number

NEEDLES FIRE STATION 31 (Continued)

S118119421

Constype Utility Description:	Not reported
Constype Utility Ind:	Not reported
Constype Water Sewer Ind:	Not reported
Dir Discharge Uswater Ind:	Not reported
Receiving Water Name:	Not reported
Certifier:	Not reported
Certifier Title:	Not reported
Certification Date:	Not reported
Primary Sic:	Not reported
Secondary Sic:	Not reported
Tertiary Sic:	Not reported
NPDES Number:	Not reported
Status:	Not reported
Agency Number:	Not reported
Region:	7
Regulatory Measure ID:	458210
Order Number:	Not reported
Regulatory Measure Type:	Construction
Place ID:	Not reported
WDID:	7 36C373610
Program Type:	Not reported
Adoption Date Of Regulatory Measure:	Not reported
Effective Date Of Regulatory Measure:	Not reported
Expiration Date Of Regulatory Measure:	Not reported
Termination Date Of Regulatory Measure:	Not reported
Discharge Name:	Not reported
Discharge Address:	Not reported
Discharge City:	Not reported
Discharge State:	Not reported
Discharge Zip:	Not reported
Received Date:	07/09/2015
Processed Date:	08/03/2015
Status:	Active
Status Date:	08/03/2015
Place Size:	3.23
Place Size Unit:	Acres
Contact:	Louis Tickemyer
Contact Title:	Project Manager
Contact Phone:	909-838-0155
Contact Phone Ext:	Not reported
Contact Email:	Louis.Tickemyer@ae.sbcounty.gov
Operator Name:	San Bernardino County Architecture and Engineering Department
Operator Address:	385 North Arrowhead Avenue Third Floor
Operator City:	San Bernardino
Operator State:	California
Operator Zip:	92415
Operator Contact:	Darlynn Wissert
Operator Contact Title:	Not reported
Operator Contact Phone:	909-387-5227
Operator Contact Phone Ext:	Not reported
Operator Contact Email:	dwissert@ae.sbcounty.gov
Operator Type:	County Agency
Developer:	San Bernardino County Architecture and Engineering Department
Developer Address:	385 North Arrowhead Avenue Third Floor
Developer City:	San Bernardino
Developer State:	California

Map ID
Direction
Distance
Elevation

MAP FINDINGS

Site

Database(s)

EDR ID Number
EPA ID Number

NEEDLES FIRE STATION 31 (Continued)

S118119421

Developer Zip:	92415
Developer Contact:	Darlynn Wissert
Developer Contact Title:	Not reported
Constype Linear Utility Ind:	N
Emergency Phone:	909-381-5000
Emergency Phone Ext:	Not reported
Constype Above Ground Ind:	N
Constype Below Ground Ind:	N
Constype Cable Line Ind:	N
Constype Comm Line Ind:	N
Constype Commercial Ind:	N
Constype Electrical Line Ind:	N
Constype Gas Line Ind:	N
Constype Industrial Ind:	Y
Constype Other Description:	Not reported
Constype Other Ind:	N
Constype Recons Ind:	N
Constype Residential Ind:	N
Constype Transport Ind:	N
Constype Utility Description:	Not reported
Constype Utility Ind:	N
Constype Water Sewer Ind:	N
Dir Discharge Uswater Ind:	N
Receiving Water Name:	Not reported
Certifier:	Darlynn Wissert
Certifier Title:	Supervising Project Manager
Certification Date:	09-JUL-15
Primary Sic:	Not reported
Secondary Sic:	Not reported
Tertiary Sic:	Not reported
Name:	NEEDLES FIRE STATION 31
Address:	1113 EAST BROADWAY ST
City,State,Zip:	NEEDLES, CA 92363
Facility Status:	Terminated
NPDES Number:	CAS000002
Region:	7
Agency Number:	0
Regulatory Measure ID:	458210
Place ID:	Not reported
Order Number:	2009-0009-DWQ
WDID:	7 36C373610
Regulatory Measure Type:	Enrollee
Program Type:	Construction
Adoption Date Of Regulatory Measure:	Not reported
Effective Date Of Regulatory Measure:	08/03/2015
Termination Date Of Regulatory Measure:	11/17/2020
Expiration Date Of Regulatory Measure:	Not reported
Discharge Address:	385 North Arrowhead Avenue Third Floor
Discharge Name:	San Bernardino County Architecture and Engineering Department
Discharge City:	San Bernardino
Discharge State:	California
Discharge Zip:	92415
Status:	Not reported
Status Date:	Not reported
Operator Name:	Not reported

Map ID
Direction
Distance
Elevation

MAP FINDINGS

Site

Database(s)

EDR ID Number
EPA ID Number

NEEDLES FIRE STATION 31 (Continued)

S118119421

Operator Address:	Not reported
Operator City:	Not reported
Operator State:	Not reported
Operator Zip:	Not reported
NPDES as of 03/2018:	
NPDES Number:	CAS000002
Status:	Active
Agency Number:	0
Region:	7
Regulatory Measure ID:	458210
Order Number:	2009-0009-DWQ
Regulatory Measure Type:	Enrollee
Place ID:	Not reported
WDID:	7 36C373610
Program Type:	Construction
Adoption Date Of Regulatory Measure:	Not reported
Effective Date Of Regulatory Measure:	08/03/2015
Expiration Date Of Regulatory Measure:	Not reported
Termination Date Of Regulatory Measure:	Not reported
Discharge Name:	San Bernardino County Architecture and Engineering Department
Discharge Address:	385 North Arrowhead Avenue Third Floor
Discharge City:	San Bernardino
Discharge State:	California
Discharge Zip:	92415
Received Date:	Not reported
Processed Date:	Not reported
Status:	Not reported
Status Date:	Not reported
Place Size:	Not reported
Place Size Unit:	Not reported
Contact:	Not reported
Contact Title:	Not reported
Contact Phone:	Not reported
Contact Phone Ext:	Not reported
Contact Email:	Not reported
Operator Name:	Not reported
Operator Address:	Not reported
Operator City:	Not reported
Operator State:	Not reported
Operator Zip:	Not reported
Operator Contact:	Not reported
Operator Contact Title:	Not reported
Operator Contact Phone:	Not reported
Operator Contact Phone Ext:	Not reported
Operator Contact Email:	Not reported
Operator Type:	Not reported
Developer:	Not reported
Developer Address:	Not reported
Developer City:	Not reported
Developer State:	Not reported
Developer Zip:	Not reported
Developer Contact:	Not reported
Developer Contact Title:	Not reported
Constype Linear Utility Ind:	Not reported
Emergency Phone:	Not reported
Emergency Phone Ext:	Not reported
Constype Above Ground Ind:	Not reported

Map ID
Direction
Distance
Elevation

MAP FINDINGS

Site

Database(s)

EDR ID Number
EPA ID Number

NEEDLES FIRE STATION 31 (Continued)

S118119421

Constype Below Ground Ind:	Not reported
Constype Cable Line Ind:	Not reported
Constype Comm Line Ind:	Not reported
Constype Commercial Ind:	Not reported
Constype Electrical Line Ind:	Not reported
Constype Gas Line Ind:	Not reported
Constype Industrial Ind:	Not reported
Constype Other Description:	Not reported
Constype Other Ind:	Not reported
Constype Recons Ind:	Not reported
Constype Residential Ind:	Not reported
Constype Transport Ind:	Not reported
Constype Utility Description:	Not reported
Constype Utility Ind:	Not reported
Constype Water Sewer Ind:	Not reported
Dir Discharge Uswater Ind:	Not reported
Receiving Water Name:	Not reported
Certifier:	Not reported
Certifier Title:	Not reported
Certification Date:	Not reported
Primary Sic:	Not reported
Secondary Sic:	Not reported
Tertiary Sic:	Not reported
NPDES Number:	Not reported
Status:	Not reported
Agency Number:	Not reported
Region:	7
Regulatory Measure ID:	458210
Order Number:	Not reported
Regulatory Measure Type:	Construction
Place ID:	Not reported
WDID:	7 36C373610
Program Type:	Not reported
Adoption Date Of Regulatory Measure:	Not reported
Effective Date Of Regulatory Measure:	Not reported
Expiration Date Of Regulatory Measure:	Not reported
Termination Date Of Regulatory Measure:	Not reported
Discharge Name:	Not reported
Discharge Address:	Not reported
Discharge City:	Not reported
Discharge State:	Not reported
Discharge Zip:	Not reported
Received Date:	07/09/2015
Processed Date:	08/03/2015
Status:	Active
Status Date:	08/03/2015
Place Size:	3.23
Place Size Unit:	Acres
Contact:	Louis Tickemyer
Contact Title:	Project Manager
Contact Phone:	909-838-0155
Contact Phone Ext:	Not reported
Contact Email:	Louis.Tickemyer@ae.sbcounty.gov
Operator Name:	San Bernardino County Architecture and Engineering Department
Operator Address:	385 North Arrowhead Avenue Third Floor
Operator City:	San Bernardino

Map ID
Direction
Distance
Elevation

MAP FINDINGS

Site

Database(s)

EDR ID Number
EPA ID Number

NEEDLES FIRE STATION 31 (Continued)

S118119421

Operator State: California
Operator Zip: 92415
Operator Contact: Darlynn Wissert
Operator Contact Title: Not reported
Operator Contact Phone: 909-387-5227
Operator Contact Phone Ext: Not reported
Operator Contact Email: dwissert@ae.sbcounty.gov
Operator Type: County Agency
Developer: San Bernardino County Architecture and Engineering Department
Developer Address: 385 North Arrowhead Avenue Third Floor
Developer City: San Bernardino
Developer State: California
Developer Zip: 92415
Developer Contact: Darlynn Wissert
Developer Contact Title: Not reported
Constype Linear Utility Ind: N
Emergency Phone: 909-381-5000
Emergency Phone Ext: Not reported
Constype Above Ground Ind: N
Constype Below Ground Ind: N
Constype Cable Line Ind: N
Constype Comm Line Ind: N
Constype Commercial Ind: N
Constype Electrical Line Ind: N
Constype Gas Line Ind: N
Constype Industrial Ind: Y
Constype Other Description: Not reported
Constype Other Ind: N
Constype Recons Ind: N
Constype Residential Ind: N
Constype Transport Ind: N
Constype Utility Description: Not reported
Constype Utility Ind: N
Constype Water Sewer Ind: N
Dir Discharge Uswater Ind: N
Receiving Water Name: Not reported
Certifier: Darlynn Wissert
Certifier Title: Supervising Project Manager
Certification Date: 09-JUL-15
Primary Sic: Not reported
Secondary Sic: Not reported
Tertiary Sic: Not reported

CIWQS:

Name: NEEDLES FIRE STATION 31
Address: 1113 EAST BROADWAY ST
City,State,Zip: NEEDLES, CA 92363
Agency: San Bernardino County Architecture and Engineering Department
Agency Address: 385 North Arrowhead Avenue Third Floor, San Bernardino , CA 92415
Place/Project Type: Construction - Industrial
SIC/NAICS: Not reported
Region: 7
Program: CONSTW
Regulatory Measure Status: Terminated
Regulatory Measure Type: Storm water construction
Order Number: 2009-0009-DWQ

Map ID
Direction
Distance
Elevation

MAP FINDINGS

Site

Database(s)

EDR ID Number
EPA ID Number

NEEDLES FIRE STATION 31 (Continued)

S118119421

WDID: 7 36C373610
NPDES Number: CAS000002
Adoption Date: Not reported
Effective Date: 08/03/2015
Termination Date: 11/17/2020
Expiration/Review Date: Not reported
Design Flow: Not reported
Major/Minor: Not reported
Complexity: Not reported
TTWQ: Not reported
Enforcement Actions within 5 years: 1
Violations within 5 years: 1
Latitude: 34.82282
Longitude: -114.59761

DI845 DOLLAR TREE #03648
Target 1100 E BROADWAY ST
Property NEEDLES, CA 92363

San Bern. Co. Permit S117896850
N/A

Site 2 of 4 in cluster DI

Actual: San Bern. Co. Permit:
564 ft. Name: DOLLAR TREE #03648
Focus Map: Address: 1100 E BROADWAY ST
11 City,State,Zip: NEEDLES, CA 92363
Region: SAN BERNARDINO
Facility ID: FA0015891
Owner: DOLLAR TREE STORES, INC.
Permit Number: PT0034631
Permit Category: CONDITIONALLY EXEMPT SM QTY GENERATOR SPECIAL
Facility Status: INACTIVE
Expiration Date: 05/31/2016

DI846 DOLLAR TREE #03648
Target 1100 E BROADWAY ST
Property NEEDLES, CA 92363

FINDS 1023279140
N/A

Site 3 of 4 in cluster DI

Actual: FINDS:
564 ft. Registry ID: 110065696740
Focus Map: Click Here for FRS Facility Detail Report:
11 Environmental Interest/Information System:
STATE MASTER

[Click this hyperlink](#) while viewing on your computer to access additional FINDS: detail in the EDR Site Report.

Map ID
 Direction
 Distance
 Elevation

MAP FINDINGS

Site

Database(s)

EDR ID Number
 EPA ID Number

DI847 **DOLLAR TREE #03648**
Target **1100 E BROADWAY ST**
Property **NEEDLES, CA 92363**

HAZNET **S118234345**
HWTS **N/A**

Site 4 of 4 in cluster DI

Actual:
564 ft.
Focus Map:
11

HAZNET:	
Name:	DOLLAR TREE #03648
Address:	1100 E BROADWAY ST
Address 2:	Not reported
City,State,Zip:	NEEDLES, CA 923634201
Contact:	ANGELA JONES
Telephone:	7573215761
Mailing Name:	Not reported
Mailing Address:	500 VOLVO PKWY
Year:	2016
Gepaid:	CAL000391001
TSD EPA ID:	NVD980895338
CA Waste Code:	141 - Off-specification, aged or surplus inorganics
Disposal Method:	H141 - Storage, Bulking, And/Or Transfer Off Site--No Treatment/Reovery (H010-H129) Or (H131-H135)
Tons:	0.066
Year:	2016
Gepaid:	CAL000391001
TSD EPA ID:	NVD980895338
CA Waste Code:	214 - Unspecified solvent mixture
Disposal Method:	H141 - Storage, Bulking, And/Or Transfer Off Site--No Treatment/Reovery (H010-H129) Or (H131-H135)
Tons:	0.004
Year:	2016
Gepaid:	CAL000391001
TSD EPA ID:	TXD046844700
CA Waste Code:	214 - Unspecified solvent mixture
Disposal Method:	-
Tons:	0.005
Year:	2016
Gepaid:	CAL000391001
TSD EPA ID:	TXD046844700
CA Waste Code:	331 - Off-specification, aged or surplus organics
Disposal Method:	-
Tons:	0.123
Year:	2016
Gepaid:	CAL000391001
TSD EPA ID:	NVD980895338
CA Waste Code:	-
Disposal Method:	H141 - Storage, Bulking, And/Or Transfer Off Site--No Treatment/Reovery (H010-H129) Or (H131-H135)
Tons:	0.0025
Year:	2015
Gepaid:	CAL000391001
TSD EPA ID:	TXD046844700
CA Waste Code:	214 - Unspecified solvent mixture
Disposal Method:	-

Map ID
Direction
Distance
Elevation

MAP FINDINGS

Site

Database(s)

EDR ID Number
EPA ID Number

DOLLAR TREE #03648 (Continued)

S118234345

Tons: 0.0135

Year: 2015
Gepaid: CAL000391001
TSD EPA ID: NVD980895338
CA Waste Code: -
Disposal Method: H141 - Storage, Bulking, And/Or Transfer Off Site--No Treatment/Reovery (H010-H129) Or (H131-H135)

Tons: 0.002

Year: 2015
Gepaid: CAL000391001
TSD EPA ID: TXD046844700
CA Waste Code: 141 - Off-specification, aged or surplus inorganics
Disposal Method: -

Tons: 0.0595

Year: 2015
Gepaid: CAL000391001
TSD EPA ID: TXD046844700
CA Waste Code: 122 - Alkaline solution without metals pH >= 12.5
Disposal Method: -

Tons: 0.004

Year: 2015
Gepaid: CAL000391001
TSD EPA ID: NVD980895338
CA Waste Code: 122 - Alkaline solution without metals pH >= 12.5
Disposal Method: H141 - Storage, Bulking, And/Or Transfer Off Site--No Treatment/Reovery (H010-H129) Or (H131-H135)

Tons: 0.0025

[Click this hyperlink](#) while viewing on your computer to access 6 additional CA HAZNET: record(s) in the EDR Site Report.

Additional Info:

Year: 2014
Gen EPA ID: CAL000391001

Shipment Date: 20140924
Creation Date: 3/27/2015 22:15:17
Receipt Date: 20141022
Manifest ID: 007183713FLE
Trans EPA ID: MNS000110924
Trans Name: STERICYCLE SPECIALTY WASTE SOLUTIONS INC
Trans 2 EPA ID: OKD981588
Trans 2 Name: TRIAD TRANSPORT INC
TSD EPA ID: INR000110197
Trans Name: STERICYCLE INC
TSD EPA Alt EPA ID: Not reported
TSD EPA Alt Name: Not reported
Waste Code Description: - Not reported
RCRA Code: Not reported
Meth Code: - Not reported
Quantity Tons: 0.0005
Waste Quantity: 1

Map ID
Direction
Distance
Elevation

MAP FINDINGS

Site

Database(s)

EDR ID Number
EPA ID Number

DOLLAR TREE #03648 (Continued)

S118234345

Quantity Unit:	P
Additional Code 1:	Not reported
Additional Code 2:	Not reported
Additional Code 3:	Not reported
Additional Code 4:	Not reported
Additional Code 5:	Not reported
Shipment Date:	20140924
Creation Date:	3/5/2015 22:15:15
Receipt Date:	20141008
Manifest ID:	007183714FLE
Trans EPA ID:	MNS000110924
Trans Name:	STERICYCLE SPECIALTY WASTE SOLUTIONS INC
Trans 2 EPA ID:	Not reported
Trans 2 Name:	TRIAD TRANSPORT INC
TSDf EPA ID:	NVD980895338
Trans Name:	21ST CENTURY EMN LLC
TSDf Alt EPA ID:	Not reported
TSDf Alt Name:	Not reported
Waste Code Description:	214 - Unspecified solvent mixture
RCRA Code:	D001
Meth Code:	H141 - Storage, Bulking, And/Or Transfer Off Site--No Treatment/Reovery (H010-H129) Or (H131-H135)
Quantity Tons:	0.0035
Waste Quantity:	7
Quantity Unit:	P
Additional Code 1:	Not reported
Additional Code 2:	Not reported
Additional Code 3:	Not reported
Additional Code 4:	Not reported
Additional Code 5:	Not reported
Shipment Date:	20140924
Creation Date:	3/5/2015 22:15:15
Receipt Date:	20141008
Manifest ID:	007183714FLE
Trans EPA ID:	MNS000110924
Trans Name:	STERICYCLE SPECIALTY WASTE SOLUTIONS INC
Trans 2 EPA ID:	Not reported
Trans 2 Name:	TRIAD TRANSPORT INC
TSDf EPA ID:	NVD980895338
Trans Name:	21ST CENTURY EMN LLC
TSDf Alt EPA ID:	Not reported
TSDf Alt Name:	Not reported
Waste Code Description:	141 - Off-specification, aged, or surplus inorganics
RCRA Code:	Not reported
Meth Code:	H141 - Storage, Bulking, And/Or Transfer Off Site--No Treatment/Reovery (H010-H129) Or (H131-H135)
Quantity Tons:	0.071
Waste Quantity:	142
Quantity Unit:	P
Additional Code 1:	Not reported
Additional Code 2:	Not reported
Additional Code 3:	Not reported
Additional Code 4:	Not reported
Additional Code 5:	Not reported

Map ID
Direction
Distance
Elevation

MAP FINDINGS

Site

Database(s)

EDR ID Number
EPA ID Number

DOLLAR TREE #03648 (Continued)

S118234345

Shipment Date: 20140924
Creation Date: 3/5/2015 22:15:15
Receipt Date: 20141008
Manifest ID: 007183714FLE
Trans EPA ID: MNS000110924
Trans Name: STERICYCLE SPECIALTY WASTE SOLUTIONS INC
Trans 2 EPA ID: Not reported
Trans 2 Name: TRIAD TRANSPORT INC
TSDf EPA ID: NVD980895338
Trans Name: 21ST CENTURY EMN LLC
TSDf Alt EPA ID: Not reported
TSDf Alt Name: Not reported
Waste Code Description: 122 - Alkaline solution without metals (pH > 12.5)
RCRA Code: D002
Meth Code: H121 - Neutralization Only
Quantity Tons: 0.024
Waste Quantity: 48
Quantity Unit: P
Additional Code 1: Not reported
Additional Code 2: Not reported
Additional Code 3: Not reported
Additional Code 4: Not reported
Additional Code 5: Not reported

Shipment Date: 20140924
Creation Date: 3/5/2015 22:15:15
Receipt Date: 20141008
Manifest ID: 007183714FLE
Trans EPA ID: MNS000110924
Trans Name: STERICYCLE SPECIALTY WASTE SOLUTIONS INC
Trans 2 EPA ID: Not reported
Trans 2 Name: TRIAD TRANSPORT INC
TSDf EPA ID: NVD980895338
Trans Name: 21ST CENTURY EMN LLC
TSDf Alt EPA ID: Not reported
TSDf Alt Name: Not reported
Waste Code Description: 214 - Unspecified solvent mixture
RCRA Code: D035
Meth Code: H141 - Storage, Bulking, And/Or Transfer Off Site--No Treatment/Reovery (H010-H129) Or (H131-H135)
Quantity Tons: 0.0015
Waste Quantity: 3
Quantity Unit: P
Additional Code 1: D001
Additional Code 2: Not reported
Additional Code 3: Not reported
Additional Code 4: Not reported
Additional Code 5: Not reported

Additional Info:
Year: 2016
Gen EPA ID: CAL000391001

Shipment Date: 20151029
Creation Date: 12/18/2015 22:15:09
Receipt Date: 20151103
Manifest ID: 008577164FLE

Map ID
Direction
Distance
Elevation

MAP FINDINGS

Site

Database(s)

EDR ID Number
EPA ID Number

DOLLAR TREE #03648 (Continued)

S118234345

Trans EPA ID: MNS000110924
Trans Name: STERICYCLE SPECIALTY WASTE SOLUTIONS INC
Trans 2 EPA ID: NVR000087544
Trans 2 Name: DOUBLE BARREL ENVIRONMENTAL SERVICES
TSDf EPA ID: NVD980895338
Trans Name: 21ST CENTURY EMN LLC
TSDf Alt EPA ID: CAD008364432
TSDf Alt Name: RHO-CHEM
Waste Code Description: 214 - Unspecified solvent mixture
RCRA Code: D035
Meth Code: H141 - Storage, Bulking, And/Or Transfer Off Site--No Treatment/Reovery (H010-H129) Or (H131-H135)

Quantity Tons: 0.0005
Waste Quantity: 1
Quantity Unit: P
Additional Code 1: D001
Additional Code 2: Not reported
Additional Code 3: Not reported
Additional Code 4: Not reported
Additional Code 5: Not reported

Shipment Date: 20151029
Creation Date: 12/18/2015 22:15:09
Receipt Date: 20151103
Manifest ID: 008577164FLE
Trans EPA ID: MNS000110924
Trans Name: STERICYCLE SPECIALTY WASTE SOLUTIONS INC
Trans 2 EPA ID: NVR000087544
Trans 2 Name: DOUBLE BARREL ENVIRONMENTAL SERVICES
TSDf EPA ID: NVD980895338
Trans Name: 21ST CENTURY EMN LLC
TSDf Alt EPA ID: CAD008364432
TSDf Alt Name: RHO-CHEM
Waste Code Description: 214 - Unspecified solvent mixture
RCRA Code: D001
Meth Code: H141 - Storage, Bulking, And/Or Transfer Off Site--No Treatment/Reovery (H010-H129) Or (H131-H135)

Quantity Tons: 0.0015
Waste Quantity: 3
Quantity Unit: P
Additional Code 1: Not reported
Additional Code 2: Not reported
Additional Code 3: Not reported
Additional Code 4: Not reported
Additional Code 5: Not reported

Shipment Date: 20151029
Creation Date: 12/18/2015 22:15:09
Receipt Date: 20151103
Manifest ID: 008577164FLE
Trans EPA ID: MNS000110924
Trans Name: STERICYCLE SPECIALTY WASTE SOLUTIONS INC
Trans 2 EPA ID: NVR000087544
Trans 2 Name: DOUBLE BARREL ENVIRONMENTAL SERVICES
TSDf EPA ID: NVD980895338
Trans Name: 21ST CENTURY EMN LLC
TSDf Alt EPA ID: CAD008364432

Map ID
Direction
Distance
Elevation

MAP FINDINGS

Site

Database(s)

EDR ID Number
EPA ID Number

DOLLAR TREE #03648 (Continued)

S118234345

TSDf Alt Name:	RHO-CHEM
Waste Code Description:	122 - Alkaline solution without metals (pH > 12.5
RCRA Code:	D002
Meth Code:	H141 - Storage, Bulking, And/Or Transfer Off Site--No Treatment/Reovery (H010-H129) Or (H131-H135)
Quantity Tons:	0.0025
Waste Quantity:	5
Quantity Unit:	P
Additional Code 1:	Not reported
Additional Code 2:	Not reported
Additional Code 3:	Not reported
Additional Code 4:	Not reported
Additional Code 5:	Not reported
Shipment Date:	20151029
Creation Date:	Not reported
Receipt Date:	Not reported
Manifest ID:	008577164FLE
Trans EPA ID:	MNS000110924
Trans Name:	STERICYCLE SPECIALTY WASTE SOLUTIONS INC
Trans 2 EPA ID:	NVR000087544
Trans 2 Name:	DOUBLE BARREL ENVIRONMENTAL SERVICES
TSDf EPA ID:	NVD980895338
Trans Name:	21ST CENTURY EMN LLC
TSDf Alt EPA ID:	CAD008364432
TSDf Alt Name:	RHO-CHEM
Waste Code Description:	141 - Off-specification, aged, or surplus inorganics
RCRA Code:	Not reported
Meth Code:	H141 - Storage, Bulking, And/Or Transfer Off Site--No Treatment/Reovery (H010-H129) Or (H131-H135)
Quantity Tons:	0.0665
Waste Quantity:	133
Quantity Unit:	P
Additional Code 1:	Not reported
Additional Code 2:	Not reported
Additional Code 3:	Not reported
Additional Code 4:	Not reported
Additional Code 5:	Not reported
Shipment Date:	20151029
Creation Date:	12/18/2015 22:15:09
Receipt Date:	20151103
Manifest ID:	008577164FLE
Trans EPA ID:	MNS000110924
Trans Name:	STERICYCLE SPECIALTY WASTE SOLUTIONS INC
Trans 2 EPA ID:	NVR000087544
Trans 2 Name:	DOUBLE BARREL ENVIRONMENTAL SERVICES
TSDf EPA ID:	NVD980895338
Trans Name:	21ST CENTURY EMN LLC
TSDf Alt EPA ID:	CAD008364432
TSDf Alt Name:	RHO-CHEM
Waste Code Description:	- Not reported
RCRA Code:	Not reported
Meth Code:	H141 - Storage, Bulking, And/Or Transfer Off Site--No Treatment/Reovery (H010-H129) Or (H131-H135)
Quantity Tons:	0.002
Waste Quantity:	4

Map ID
Direction
Distance
Elevation

MAP FINDINGS

Site

Database(s)

EDR ID Number
EPA ID Number

DOLLAR TREE #03648 (Continued)

S118234345

Quantity Unit:	P
Additional Code 1:	Not reported
Additional Code 2:	Not reported
Additional Code 3:	Not reported
Additional Code 4:	Not reported
Additional Code 5:	Not reported
Shipment Date:	20150331
Creation Date:	1/27/2016 22:15:12
Receipt Date:	Not reported
Manifest ID:	006413460FLE
Trans EPA ID:	MNS000110924
Trans Name:	STERICYCLE SPECIALTY WASTE SOLUTIONS INC
Trans 2 EPA ID:	OKD981588791
Trans 2 Name:	TRIAD TRANSPORT INC
TSDF EPA ID:	TXD046844700
Trans Name:	CHEMICAL RECLAMATION SERVICES LLC
TSDF Alt EPA ID:	Not reported
TSDF Alt Name:	Not reported
Waste Code Description:	214 - Unspecified solvent mixture
RCRA Code:	D035
Meth Code:	- Not reported
Quantity Tons:	0.0135
Waste Quantity:	27
Quantity Unit:	P
Additional Code 1:	D001
Additional Code 2:	Not reported
Additional Code 3:	Not reported
Additional Code 4:	Not reported
Additional Code 5:	Not reported
Shipment Date:	20150331
Creation Date:	1/27/2016 22:15:12
Receipt Date:	Not reported
Manifest ID:	006413460FLE
Trans EPA ID:	MNS000110924
Trans Name:	STERICYCLE SPECIALTY WASTE SOLUTIONS INC
Trans 2 EPA ID:	OKD981588791
Trans 2 Name:	TRIAD TRANSPORT INC
TSDF EPA ID:	TXD046844700
Trans Name:	CHEMICAL RECLAMATION SERVICES LLC
TSDF Alt EPA ID:	Not reported
TSDF Alt Name:	Not reported
Waste Code Description:	141 - Off-specification, aged, or surplus inorganics
RCRA Code:	Not reported
Meth Code:	- Not reported
Quantity Tons:	0.0595
Waste Quantity:	119
Quantity Unit:	P
Additional Code 1:	Not reported
Additional Code 2:	Not reported
Additional Code 3:	Not reported
Additional Code 4:	Not reported
Additional Code 5:	Not reported
Shipment Date:	20150331
Creation Date:	1/27/2016 22:15:12

Map ID
Direction
Distance
Elevation

MAP FINDINGS

Site

Database(s)

EDR ID Number
EPA ID Number

DOLLAR TREE #03648 (Continued)

S118234345

Receipt Date: Not reported
Manifest ID: 006413460FLE
Trans EPA ID: MNS000110924
Trans Name: STERICYCLE SPECIALTY WASTE SOLUTIONS INC
Trans 2 EPA ID: OKD981588791
Trans 2 Name: TRIAD TRANSPORT INC
TSDf EPA ID: TXD046844700
Trans Name: CHEMICAL RECLAMATION SERVICES LLC
TSDf Alt EPA ID: Not reported
TSDf Alt Name: Not reported
Waste Code Description: - Not reported
RCRA Code: Not reported
Meth Code: - Not reported
Quantity Tons: 0.001
Waste Quantity: 2
Quantity Unit: P
Additional Code 1: Not reported
Additional Code 2: Not reported
Additional Code 3: Not reported
Additional Code 4: Not reported
Additional Code 5: Not reported

Shipment Date: 20150331
Creation Date: 1/27/2016 22:15:12
Receipt Date: Not reported
Manifest ID: 006413460FLE
Trans EPA ID: MNS000110924
Trans Name: STERICYCLE SPECIALTY WASTE SOLUTIONS INC
Trans 2 EPA ID: OKD981588791
Trans 2 Name: TRIAD TRANSPORT INC
TSDf EPA ID: TXD046844700
Trans Name: CHEMICAL RECLAMATION SERVICES LLC
TSDf Alt EPA ID: Not reported
TSDf Alt Name: Not reported
Waste Code Description: 122 - Alkaline solution without metals (pH > 12.5)
RCRA Code: D002
Meth Code: - Not reported
Quantity Tons: 0.004
Waste Quantity: 8
Quantity Unit: P
Additional Code 1: Not reported
Additional Code 2: Not reported
Additional Code 3: Not reported
Additional Code 4: Not reported
Additional Code 5: Not reported

Additional Info:

Year: 2015
Gen EPA ID: CAL000391001

Shipment Date: 20151029
Creation Date: 12/18/2015 22:15:09
Receipt Date: 20151103
Manifest ID: 008577164FLE
Trans EPA ID: MNS000110924
Trans Name: STERICYCLE SPECIALTY WASTE SOLUTIONS INC
Trans 2 EPA ID: NVR000087544

Map ID
Direction
Distance
Elevation

MAP FINDINGS

Site

Database(s)

EDR ID Number
EPA ID Number

DOLLAR TREE #03648 (Continued)

S118234345

Trans 2 Name:	DOUBLE BARREL ENVIRONMENTAL SERVICES
TSDF EPA ID:	NVD980895338
Trans Name:	21ST CENTURY EMN LLC
TSDF Alt EPA ID:	CAD008364432
TSDF Alt Name:	RHO-CHEM
Waste Code Description:	122 - Alkaline solution without metals (pH > 12.5
RCRA Code:	D002
Meth Code:	H141 - Storage, Bulking, And/Or Transfer Off Site--No Treatment/Reovery (H010-H129) Or (H131-H135)
Quantity Tons:	0.0025
Waste Quantity:	5
Quantity Unit:	P
Additional Code 1:	Not reported
Additional Code 2:	Not reported
Additional Code 3:	Not reported
Additional Code 4:	Not reported
Additional Code 5:	Not reported
Shipment Date:	20151029
Creation Date:	12/18/2015 22:15:09
Receipt Date:	20151103
Manifest ID:	008577164FLE
Trans EPA ID:	MNS000110924
Trans Name:	STERICYCLE SPECIALTY WASTE SOLUTIONS INC
Trans 2 EPA ID:	NVR000087544
Trans 2 Name:	DOUBLE BARREL ENVIRONMENTAL SERVICES
TSDF EPA ID:	NVD980895338
Trans Name:	21ST CENTURY EMN LLC
TSDF Alt EPA ID:	CAD008364432
TSDF Alt Name:	RHO-CHEM
Waste Code Description:	214 - Unspecified solvent mixture
RCRA Code:	D001
Meth Code:	H141 - Storage, Bulking, And/Or Transfer Off Site--No Treatment/Reovery (H010-H129) Or (H131-H135)
Quantity Tons:	0.0015
Waste Quantity:	3
Quantity Unit:	P
Additional Code 1:	Not reported
Additional Code 2:	Not reported
Additional Code 3:	Not reported
Additional Code 4:	Not reported
Additional Code 5:	Not reported
Shipment Date:	20151029
Creation Date:	12/18/2015 22:15:09
Receipt Date:	20151103
Manifest ID:	008577164FLE
Trans EPA ID:	MNS000110924
Trans Name:	STERICYCLE SPECIALTY WASTE SOLUTIONS INC
Trans 2 EPA ID:	NVR000087544
Trans 2 Name:	DOUBLE BARREL ENVIRONMENTAL SERVICES
TSDF EPA ID:	NVD980895338
Trans Name:	21ST CENTURY EMN LLC
TSDF Alt EPA ID:	CAD008364432
TSDF Alt Name:	RHO-CHEM
Waste Code Description:	214 - Unspecified solvent mixture
RCRA Code:	D035

Map ID
Direction
Distance
Elevation

MAP FINDINGS

Site

Database(s)

EDR ID Number
EPA ID Number

DOLLAR TREE #03648 (Continued)

S118234345

Meth Code: H141 - Storage, Bulking, And/Or Transfer Off Site--No Treatment/Reovery (H010-H129) Or (H131-H135)
Quantity Tons: 0.0005
Waste Quantity: 1
Quantity Unit: P
Additional Code 1: D001
Additional Code 2: Not reported
Additional Code 3: Not reported
Additional Code 4: Not reported
Additional Code 5: Not reported

Shipment Date: 20151029
Creation Date: 12/18/2015 22:15:09
Receipt Date: 20151103
Manifest ID: 008577164FLE
Trans EPA ID: MNS000110924
Trans Name: STERICYCLE SPECIALTY WASTE SOLUTIONS INC
Trans 2 EPA ID: NVR000087544
Trans 2 Name: DOUBLE BARREL ENVIRONMENTAL SERVICES
TSDf EPA ID: NVD980895338
Trans Name: 21ST CENTURY EMN LLC
TSDf Alt EPA ID: CAD008364432
TSDf Alt Name: RHO-CHEM
Waste Code Description: - Not reported
RCRA Code: Not reported
Meth Code: H141 - Storage, Bulking, And/Or Transfer Off Site--No Treatment/Reovery (H010-H129) Or (H131-H135)

Quantity Tons: 0.002
Waste Quantity: 4
Quantity Unit: P
Additional Code 1: Not reported
Additional Code 2: Not reported
Additional Code 3: Not reported
Additional Code 4: Not reported
Additional Code 5: Not reported

Shipment Date: 20151029
Creation Date: Not reported
Receipt Date: Not reported
Manifest ID: 008577164FLE
Trans EPA ID: MNS000110924
Trans Name: STERICYCLE SPECIALTY WASTE SOLUTIONS INC
Trans 2 EPA ID: NVR000087544
Trans 2 Name: DOUBLE BARREL ENVIRONMENTAL SERVICES
TSDf EPA ID: NVD980895338
Trans Name: 21ST CENTURY EMN LLC
TSDf Alt EPA ID: CAD008364432
TSDf Alt Name: RHO-CHEM
Waste Code Description: 141 - Off-specification, aged, or surplus inorganics
RCRA Code: Not reported
Meth Code: H141 - Storage, Bulking, And/Or Transfer Off Site--No Treatment/Reovery (H010-H129) Or (H131-H135)

Quantity Tons: 0.0665
Waste Quantity: 133
Quantity Unit: P
Additional Code 1: Not reported
Additional Code 2: Not reported

Map ID
Direction
Distance
Elevation

MAP FINDINGS

Site

Database(s)

EDR ID Number
EPA ID Number

DOLLAR TREE #03648 (Continued)

S118234345

Additional Code 3:	Not reported
Additional Code 4:	Not reported
Additional Code 5:	Not reported
Shipment Date:	20150331
Creation Date:	1/27/2016 22:15:12
Receipt Date:	Not reported
Manifest ID:	006413460FLE
Trans EPA ID:	MNS000110924
Trans Name:	STERICYCLE SPECIALTY WASTE SOLUTIONS INC
Trans 2 EPA ID:	OKD981588791
Trans 2 Name:	TRIAD TRANSPORT INC
TSDf EPA ID:	TXD046844700
Trans Name:	CHEMICAL RECLAMATION SERVICES LLC
TSDf Alt EPA ID:	Not reported
TSDf Alt Name:	Not reported
Waste Code Description:	- Not reported
RCRA Code:	Not reported
Meth Code:	- Not reported
Quantity Tons:	0.001
Waste Quantity:	2
Quantity Unit:	P
Additional Code 1:	Not reported
Additional Code 2:	Not reported
Additional Code 3:	Not reported
Additional Code 4:	Not reported
Additional Code 5:	Not reported
Shipment Date:	20150331
Creation Date:	1/27/2016 22:15:12
Receipt Date:	Not reported
Manifest ID:	006413460FLE
Trans EPA ID:	MNS000110924
Trans Name:	STERICYCLE SPECIALTY WASTE SOLUTIONS INC
Trans 2 EPA ID:	OKD981588791
Trans 2 Name:	TRIAD TRANSPORT INC
TSDf EPA ID:	TXD046844700
Trans Name:	CHEMICAL RECLAMATION SERVICES LLC
TSDf Alt EPA ID:	Not reported
TSDf Alt Name:	Not reported
Waste Code Description:	141 - Off-specification, aged, or surplus inorganics
RCRA Code:	Not reported
Meth Code:	- Not reported
Quantity Tons:	0.0595
Waste Quantity:	119
Quantity Unit:	P
Additional Code 1:	Not reported
Additional Code 2:	Not reported
Additional Code 3:	Not reported
Additional Code 4:	Not reported
Additional Code 5:	Not reported
Shipment Date:	20150331
Creation Date:	1/27/2016 22:15:12
Receipt Date:	Not reported
Manifest ID:	006413460FLE
Trans EPA ID:	MNS000110924

Map ID
Direction
Distance
Elevation

MAP FINDINGS

Site

Database(s)

EDR ID Number
EPA ID Number

DOLLAR TREE #03648 (Continued)

S118234345

Trans Name: STERICYCLE SPECIALTY WASTE SOLUTIONS INC
Trans 2 EPA ID: OKD981588791
Trans 2 Name: TRIAD TRANSPORT INC
TSDf EPA ID: TXD046844700
Trans Name: CHEMICAL RECLAMATION SERVICES LLC
TSDf Alt EPA ID: Not reported
TSDf Alt Name: Not reported
Waste Code Description: 214 - Unspecified solvent mixture
RCRA Code: D035
Meth Code: - Not reported
Quantity Tons: 0.0135
Waste Quantity: 27
Quantity Unit: P
Additional Code 1: D001
Additional Code 2: Not reported
Additional Code 3: Not reported
Additional Code 4: Not reported
Additional Code 5: Not reported

Shipment Date: 20150331
Creation Date: 1/27/2016 22:15:12
Receipt Date: Not reported
Manifest ID: 006413460FLE
Trans EPA ID: MNS000110924
Trans Name: STERICYCLE SPECIALTY WASTE SOLUTIONS INC
Trans 2 EPA ID: OKD981588791
Trans 2 Name: TRIAD TRANSPORT INC
TSDf EPA ID: TXD046844700
Trans Name: CHEMICAL RECLAMATION SERVICES LLC
TSDf Alt EPA ID: Not reported
TSDf Alt Name: Not reported
Waste Code Description: 122 - Alkaline solution without metals (pH > 12.5)
RCRA Code: D002
Meth Code: - Not reported
Quantity Tons: 0.004
Waste Quantity: 8
Quantity Unit: P
Additional Code 1: Not reported
Additional Code 2: Not reported
Additional Code 3: Not reported
Additional Code 4: Not reported
Additional Code 5: Not reported

HWTS:

Name: DOLLAR TREE #03648
Address: 1100 E BROADWAY ST
Address 2: Not reported
City,State,Zip: NEEDLES, CA 92363
EPA ID: CAL000391001
Inactive Date: 08/05/2016
Create Date: 11/06/2013
Last Act Date: Not reported
Mailing Name: Not reported
Mailing Address: 500 VOLVO PKWY
Mailing Address 2: Not reported
Mailing City,State,Zip: CHESAPEAKE, VA 233201604
Owner Name: DOLLAR TREE STORES, INC.

Map ID
Direction
Distance
Elevation

MAP FINDINGS

Site

Database(s)

EDR ID Number
EPA ID Number

DOLLAR TREE #03648 (Continued)

S118234345

Owner Address: 500 VOLVO PKWY
Owner Address 2: Not reported
Owner City,State,Zip: CHESAPEAKE, VA 233201604
Contact Name: ANGELA JONES
Contact Address: 500 VOLVO PKWY
Contact Address 2: Not reported
City,State,Zip: CHESAPEAKE, VA 233201604
Facility Status: Inactive
Facility Type: PERMANENT
Category: STATE
Latitude: 34.822647
Longitude: -114.5973105

NAICS:
EPA ID: CAL000391001
Create Date: 2013-11-06 13:34:53.917
NAICS Code: 45299
NAICS Description: All Other General Merchandise Stores
Issued EPA ID Date: 2013-11-06 13:34:53.91300
Inactive Date: 2016-08-05 00:00:00
Facility Name: DOLLAR TREE #03648
Facility Address: 1100 E BROADWAY ST
Facility Address 2: Not reported
Facility City: NEEDLES
Facility County: Not reported
Facility State: CA
Facility Zip: 923634201

848 **FIRE STATION 32**
Target **100 SAFARI DR**
Property **NEEDLES, CA 92363**

San Bern. Co. Permit **S120765510**
CERS **N/A**

Actual:
583 ft.
Focus Map:
11

San Bern. Co. Permit:
Name: FIRE STATION 32
Address: 100 SAFARI DR
City,State,Zip: NEEDLES, CA 92363
Region: SAN BERNARDINO
Facility ID: FA0017355
Owner: Fleet Management Dept
Permit Number: PT0037015
Permit Category: HAZARDOUS MATERIALS 1-3 CHEMICALS SPECIAL
Facility Status: ACTIVE
Expiration Date: 02/28/2022

CERS:
Name: FIRE STATION 32
Address: 100 SAFARI DR
City,State,Zip: NEEDLES, CA 92363
Site ID: 413331
CERS ID: 10717747
CERS Description: Chemical Storage Facilities

Evaluation:
Eval General Type: Compliance Evaluation Inspection
Eval Date: 09-19-2019
Violations Found: No
Eval Type: Routine done by local agency

Map ID
Direction
Distance
Elevation

MAP FINDINGS

Site

Database(s)

EDR ID Number
EPA ID Number

FIRE STATION 32 (Continued)

S120765510

Eval Notes: ROUTINE HANDLER INSPECTION-FIRE STATION 32
Eval Division: San Bernardino County Fire Department
Eval Program: HMRRP
Eval Source: CERS,

Coordinates:
Site ID: 413331
Facility Name: FIRE STATION 32
Env Int Type Code: HMBP
Program ID: 10717747
Coord Name: Not reported
Ref Point Type Desc: Center of a facility or station.,
Latitude: 34.821090
Longitude: -114.598930

Affiliation:
Affiliation Type Desc: CUPA District
Entity Name: San Bernardino County Fire
Entity Title: Not reported
Affiliation Address: 620 South E Street
Affiliation City: San Bernardino
Affiliation State: CA
Affiliation Country: Not reported
Affiliation Zip: 92415-0153
Affiliation Phone: (909) 386-8401,

Affiliation Type Desc: Document Preparer
Entity Name: Lauren Doucette
Entity Title: Not reported
Affiliation Address: Not reported
Affiliation City: Not reported
Affiliation State: Not reported
Affiliation Country: Not reported
Affiliation Zip: Not reported
Affiliation Phone: ,

Affiliation Type Desc: Facility Mailing Address
Entity Name: Mailing Address
Entity Title: Not reported
Affiliation Address: 210 N LENA ROAD
Affiliation City: San Bernardino
Affiliation State: CA
Affiliation Country: Not reported
Affiliation Zip: 92415-0842
Affiliation Phone: ,

Affiliation Type Desc: Environmental Contact
Entity Name: Lauren Doucette
Entity Title: Not reported
Affiliation Address: 210 N. Lena Road
Affiliation City: San Bernardino
Affiliation State: CA
Affiliation Country: Not reported
Affiliation Zip: 92415-0842
Affiliation Phone: ,

Map ID
Direction
Distance
Elevation

MAP FINDINGS

Site

Database(s)

EDR ID Number
EPA ID Number

FIRE STATION 32 (Continued)

S120765510

Affiliation Type Desc: Operator
Entity Name: San Bernardino County / Fleet Management Dept
Entity Title: Not reported
Affiliation Address: Not reported
Affiliation City: Not reported
Affiliation State: Not reported
Affiliation Country: Not reported
Affiliation Zip: Not reported
Affiliation Phone: (909) 831-8879,

Affiliation Type Desc: Identification Signer
Entity Name: Lauren Doucette
Entity Title: Regulatory Environmental Specialist
Affiliation Address: Not reported
Affiliation City: Not reported
Affiliation State: Not reported
Affiliation Country: Not reported
Affiliation Zip: Not reported
Affiliation Phone: ,

Affiliation Type Desc: Legal Owner
Entity Name: Fleet Management Dept
Entity Title: Not reported
Affiliation Address: 210 N LENA RD
Affiliation City: San Bernardino
Affiliation State: CA
Affiliation Country: United States
Affiliation Zip: 92415-0842
Affiliation Phone: (909) 387-7855,

Affiliation Type Desc: Parent Corporation
Entity Name: SBCO FIRE DIVISION 4
Entity Title: Not reported
Affiliation Address: Not reported
Affiliation City: Not reported
Affiliation State: Not reported
Affiliation Country: Not reported
Affiliation Zip: Not reported
Affiliation Phone: ,

DJ849 **QUALITY BOAT YARD**
Target **1200 E BROADWAY ST**
Property **NEEDLES, CA 92363**

RCRA NonGen / NLR **1026826710**
CAL000461658

Site 1 of 5 in cluster DJ

Actual: RCRA NonGen / NLR:
576 ft. Date Form Received by Agency: 20210407
Focus Map: Handler Name: QUALITY BOAT YARD
11 Handler Address: 1200 E BROADWAY ST
 Handler City,State,Zip: NEEDLES, CA 92363
 EPA ID: CAL000461658
 Contact Name: MICHAEL BLAKELEY
 Contact Address: 1200 E BROADWAY ST
 Contact City,State,Zip: NEEDLES, CA 92363
 Contact Telephone: 951-751-8688
 Contact Fax: Not reported

Map ID
 Direction
 Distance
 Elevation

MAP FINDINGS

Site

Database(s)

EDR ID Number
 EPA ID Number

QUALITY BOAT YARD (Continued)

1026826710

Contact Email:		QUALITYBOATYARD@GMAIL.COM
Contact Title:		Not reported
EPA Region:		09
Land Type:		Not reported
Federal Waste Generator Description:		Not a generator, verified
Non-Notifier:		Not reported
Biennial Report Cycle:		Not reported
Accessibility:		Not reported
Active Site Indicator:		Not reported
State District Owner:		Not reported
State District:		Not reported
Mailing Address:		1200 E BROADWAY ST
Mailing City, State, Zip:		NEEDLES, CA 92363
Owner Name:	MICHAEL BLAKELEY	
Owner Type:		Other
Operator Name:	MICHAEL BLAKELEY	
Operator Type:		Other
Short-Term Generator Activity:		No
Importer Activity:		No
Mixed Waste Generator:		No
Transporter Activity:		No
Transfer Facility Activity:		No
Recycler Activity with Storage:		No
Small Quantity On-Site Burner Exemption:		No
Smelting Melting and Refining Furnace Exemption:		No
Underground Injection Control:		No
Off-Site Waste Receipt:		No
Universal Waste Indicator:		No
Universal Waste Destination Facility:		No
Federal Universal Waste:		No
Active Site Fed-Reg Treatment Storage and Disposal Facility:		Not reported
Active Site Converter Treatment storage and Disposal Facility:		Not reported
Active Site State-Reg Treatment Storage and Disposal Facility:		Not reported
Active Site State-Reg Handler:		---
Federal Facility Indicator:		Not reported
Hazardous Secondary Material Indicator:		N
Sub-Part K Indicator:		Not reported
Commercial TSD Indicator:		No
Treatment Storage and Disposal Type:		Not reported
2018 GPRA Permit Baseline:		Not on the Baseline
2018 GPRA Renewals Baseline:		Not on the Baseline
Permit Renewals Workload Universe:		Not reported
Permit Workload Universe:		Not reported
Permit Progress Universe:		Not reported
Post-Closure Workload Universe:		Not reported
Closure Workload Universe:		Not reported
202 GPRA Corrective Action Baseline:		No
Corrective Action Workload Universe:		No
Subject to Corrective Action Universe:		No
Non-TSDs Where RCRA CA has Been Imposed Universe:		No
TSDs Potentially Subject to CA Under 3004 (u)/(v) Universe:		No
TSDs Only Subject to CA under Discretionary Auth Universe:		No
Corrective Action Priority Ranking:		No NCAPS ranking
Environmental Control Indicator:		No
Institutional Control Indicator:		No
Human Exposure Controls Indicator:		N/A
Groundwater Controls Indicator:		N/A

Map ID
Direction
Distance
Elevation

MAP FINDINGS

Site

Database(s)

EDR ID Number
EPA ID Number

QUALITY BOAT YARD (Continued)

1026826710

Operating TSDF Universe:	Not reported
Full Enforcement Universe:	Not reported
Significant Non-Complier Universe:	No
Unaddressed Significant Non-Complier Universe:	No
Addressed Significant Non-Complier Universe:	No
Significant Non-Complier With a Compliance Schedule Universe:	No
Financial Assurance Required:	Not reported
Handler Date of Last Change:	20210415
Recognized Trader-Importer:	No
Recognized Trader-Exporter:	No
Importer of Spent Lead Acid Batteries:	No
Exporter of Spent Lead Acid Batteries:	No
Recycler Activity Without Storage:	No
Manifest Broker:	No
Sub-Part P Indicator:	No

Handler - Owner Operator:

Owner/Operator Indicator:	Owner
Owner/Operator Name:	MICHAEL BLAKELEY
Legal Status:	Other
Date Became Current:	Not reported
Date Ended Current:	Not reported
Owner/Operator Address:	2254 CASA REAL ST
Owner/Operator City,State,Zip:	NEEDLES, CA 92363
Owner/Operator Telephone:	951-751-8688
Owner/Operator Telephone Ext:	Not reported
Owner/Operator Fax:	Not reported
Owner/Operator Email:	Not reported

Owner/Operator Indicator:	Operator
Owner/Operator Name:	MICHAEL BLAKELEY
Legal Status:	Other
Date Became Current:	Not reported
Date Ended Current:	Not reported
Owner/Operator Address:	1200 E BROADWAY ST
Owner/Operator City,State,Zip:	NEEDLES, CA 92363
Owner/Operator Telephone:	951-751-8688
Owner/Operator Telephone Ext:	Not reported
Owner/Operator Fax:	Not reported
Owner/Operator Email:	Not reported

Historic Generators:

Receive Date:	20210407
Handler Name:	QUALITY BOAT YARD
Federal Waste Generator Description:	Not a generator, verified
State District Owner:	Not reported
Large Quantity Handler of Universal Waste:	No
Recognized Trader Importer:	No
Recognized Trader Exporter:	No
Spent Lead Acid Battery Importer:	No
Spent Lead Acid Battery Exporter:	No
Current Record:	Yes
Non Storage Recycler Activity:	No
Electronic Manifest Broker:	No

Map ID
 Direction
 Distance
 Elevation

MAP FINDINGS

Site

Database(s)

EDR ID Number
 EPA ID Number

QUALITY BOAT YARD (Continued)

1026826710

List of NAICS Codes and Descriptions:

NAICS Code: 811490
 NAICS Description: OTHER PERSONAL AND HOUSEHOLD GOODS REPAIR AND MAINTENANCE

Facility Has Received Notices of Violations:

Violations: No Violations Found

Evaluation Action Summary:

Evaluations: No Evaluations Found

DJ850 QUALITY BOAT YARD
Target 1200 E BROADWAY ST
Property NEEDLES, CA 92363

HWTS S127126928
N/A

Site 2 of 5 in cluster DJ

Actual:
576 ft.

Focus Map:
11

HWTS:
 Name: QUALITY BOAT YARD
 Address: 1200 E BROADWAY ST
 Address 2: Not reported
 City,State,Zip: NEEDLES, CA 92363
 EPA ID: CAL000461658
 Inactive Date: Not reported
 Create Date: 04/07/2021
 Last Act Date: Not reported
 Mailing Name: Not reported
 Mailing Address: 1200 E BROADWAY ST
 Mailing Address 2: Not reported
 Mailing City,State,Zip: NEEDLES, CA 92363
 Owner Name: MICHAEL BLAKELEY
 Owner Address: 2254 CASA REAL ST
 Owner Address 2: Not reported
 Owner City,State,Zip: NEEDLES, CA 92363
 Contact Name: MIKE BLAKELEY
 Contact Address: 1200 EAST BROADWAY STREET
 Contact Address 2: Not reported
 City,State,Zip: NEEDLES, CA 92363
 Facility Status: Active
 Facility Type: PERMANENT
 Category: STATE
 Latitude: 34.82088399
 Longitude: -114.597096

NAICS:

EPA ID: CAL000461658
 Create Date: 2021-04-07 09:10:28.070
 NAICS Code: 811490
 NAICS Description: Other Personal and Household Goods Repair and Maintenance
 Issued EPA ID Date: 2021-04-07 09:10:28.06300
 Inactive Date: Not reported
 Facility Name: QUALITY BOAT YARD
 Facility Address: 1200 E BROADWAY ST
 Facility Address 2: Not reported
 Facility City: NEEDLES
 Facility County: Not reported
 Facility State: CA

Map ID
Direction
Distance
Elevation

MAP FINDINGS

Site

Database(s)

EDR ID Number
EPA ID Number

QUALITY BOAT YARD (Continued)

S127126928

Facility Zip: 92363

DJ851 **QUALITY BOAT YARD**
Target **1200 E BROADWAY ST**
Property **NEEDLES, CA 92363**

ECHO **1026865183**
N/A

Site 3 of 5 in cluster DJ

Actual: **576 ft.** **ECHO:**
Envid: 1026865183
Focus Map: **11** Registry ID: 110071134230
DFR URL: <http://echo.epa.gov/detailed-facility-report?fid=110071134230>
Name: QUALITY BOAT YARD
Address: 1200 E BROADWAY ST
City,State,Zip: NEEDLES, CA 92363

DJ852 **COLORADO RIVER DISTRIBUTORS**
Target **1200 E BROADWAY ST**
Property **NEEDLES, CA 92363**

San Bern. Co. Permit **S103367930**
N/A

Site 4 of 5 in cluster DJ

Actual: **576 ft.** **San Bern. Co. Permit:**
Name: COLORADO RIVER DISTRIBUTORS
Focus Map: **11** Address: 1200 E BROADWAY ST
City,State,Zip: NEEDLES, CA 92363
Region: SAN BERNARDINO
Facility ID: FA0002423
Owner: LOPEZ, JIM
Permit Number: PT0009222
Permit Category: HAZARDOUS MATERIALS 1-3 CHEMICALS SPECIAL
Facility Status: INACTIVE
Expiration Date: 10/31/2014

DJ853 **QUALITY BOAT YARD**
Target **1200 E BROADWAY ST**
Property **NEEDLES, CA 92363**

FINDS **1023219072**
N/A

Site 5 of 5 in cluster DJ

Actual: **576 ft.** **FINDS:**
Registry ID: 110065051437
Focus Map: **11** [Click Here for FRS Facility Detail Report:](#)
Environmental Interest/Information System:
STATE MASTER
Registry ID: 110071134230
[Click Here for FRS Facility Detail Report:](#)
Environmental Interest/Information System:
RCRAInfo is a national information system that supports the Resource Conservation and Recovery Act (RCRA) program through the tracking of events and activities related to facilities that generate, transport,

Map ID
Direction
Distance
Elevation

MAP FINDINGS

Site

Database(s)

EDR ID Number
EPA ID Number

QUALITY BOAT YARD (Continued)

1023219072

and treat, store, or dispose of hazardous waste. RCRAInfo allows RCRA program staff to track the notification, permit, compliance, and corrective action activities required under RCRA.

[Click this hyperlink](#) while viewing on your computer to access additional FINDS: detail in the EDR Site Report.

DK854 **1X JOES TIRE SERVICE**
Target **1203 EAST BROADWAY**
Property **NEEDLES, CA 92363**

HWTS **S124540303**
N/A

Site 1 of 3 in cluster DK

Actual: 583 ft. **HWTS:**
Focus Map: 11
Name: 1X JOES TIRE SERVICE
Address: 1203 EAST BROADWAY
Address 2: Not reported
City,State,Zip: NEEDLES, CA 92363
EPA ID: CAC000779832
Inactive Date: 10/25/2000
Create Date: 11/04/1992
Last Act Date: Not reported
Mailing Name: Not reported
Mailing Address: 1203 EAST BROADWAY
Mailing Address 2: Not reported
Mailing City,State,Zip: NEEDLES, CA 923630000
Owner Name: JOE BRADFORD
Owner Address: Not reported
Owner Address 2: Not reported
Owner City,State,Zip: Not reported
Contact Name: JOE BRADFORD
Contact Address: Not reported
Contact Address 2: Not reported
City,State,Zip: Not reported
Facility Status: Inactive
Facility Type: TEMPORARY
Category: STATE
Latitude: 34.81966
Longitude: -114.599637

DK855 **N.C.C. NEEDLES CULTIVATION COOPERATIVE**
Target **1203 E BROADWAY**
Property **NEEDLES, CA 92363**

San Bern. Co. Permit **S122218711**
N/A

Site 2 of 3 in cluster DK

Actual: 583 ft. **San Bern. Co. Permit:**
Focus Map: 11
Name: N.C.C. NEEDLES CULTIVATION COOPERATIVE
Address: 1203 E BROADWAY
City,State,Zip: NEEDLES, CA 92363
Region: SAN BERNARDINO
Facility ID: FA0017821
Owner: Tri state property 3
Permit Number: PT0038542
Permit Category: HAZARDOUS MATERIALS 1-3 CHEMICALS SPECIAL
Facility Status: INACTIVE
Expiration Date: 05/31/2020

Map ID
Direction
Distance
Elevation

MAP FINDINGS

Site

Database(s)

EDR ID Number
EPA ID Number

DK856 **PIKES COLLISION & TOWING**
Target **1203 E BROADWAY ST**
Property **NEEDLES, CA 92363**

EDR Hist Auto **1021297203**
N/A

Site 3 of 3 in cluster DK

Actual: EDR Hist Auto
583 ft.

Focus Map: Year: Name: Type:
11 1998 TRANSMISSION TRANSTEC Automotive Transmission Repair Shops

DL857
Target **1224 RIVERVIEW LANE**
Property **NEEDLES, CA**

CHMIRS **S109035860**
N/A

Site 1 of 2 in cluster DL

Actual: CHMIRS:
595 ft. Name: Not reported
Focus Map: Address: 1224 RIVERVIEW LANE
11 City,State,Zip: NEEDLES, CA
OES Incident Number: 6-2672
OES notification: 05/03/2006
OES Date: Not reported
OES Time: Not reported
Date Completed: **Not reported**
Property Use: Not reported
Agency Id Number: Not reported
Agency Incident Number: Not reported
Time Notified: Not reported
Time Completed: Not reported
Surrounding Area: Not reported
Estimated Temperature: Not reported
Property Management: Not reported
More Than Two Substances Involved?: Not reported
Resp Agncy Personel # Of Decontaminated: Not reported
Responding Agency Personel # Of Injuries: Not reported
Responding Agency Personel # Of Fatalities: Not reported
Others Number Of Decontaminated: Not reported
Others Number Of Injuries: Not reported
Others Number Of Fatalities: Not reported
Vehicle Make/year: Not reported
Vehicle License Number: Not reported
Vehicle State: Not reported
Vehicle Id Number: Not reported
CA DOT PUC/ICC Number: Not reported
Company Name: Not reported
Reporting Officer Name/ID: Not reported
Report Date: Not reported
Facility Telephone: Not reported
Waterway Involved: Not reported
Waterway: Not reported
Spill Site: Not reported
Cleanup By: Unknown
Containment: Not reported
What Happened: Not reported
Type: Not reported
Measure: Not reported
Other: Not reported
Date/Time: Not reported

Map ID
Direction
Distance
Elevation

MAP FINDINGS

Site

Database(s)

EDR ID Number
EPA ID Number

(Continued)

S109035860

Year: 2006
Agency: NRC
Incident Date: 4/5/2006 12:00:00 AM
Admin Agency: San Bernardino County Health Department
Amount: Not reported
Contained: Unknown
Site Type: Residence
E Date: Not reported
Substance: Hydraulic Oil
Gallons: 0.000000
Unknown: 0
Substance #2: Not reported
Substance #3: Not reported
Evacuations: 0
Number of Injuries: 0
Number of Fatalities: 0
#1 Pipeline: Not reported
#2 Pipeline: Not reported
#3 Pipeline: Not reported
#1 Vessel >= 300 Tons: Not reported
#2 Vessel >= 300 Tons: Not reported
#3 Vessel >= 300 Tons: Not reported
Evacs: Not reported
Injuries: Not reported
Fataals: Not reported
Comments: Not reported
Description: Caller reported that hydraulic oil discharged from a ruptured hydraulic hose on a garbage truck. The material sprayed onto the yard and driveway killing plants and grass in the affected area. The spill occurred three weeks ago and the responsible pparty applied kitty litter to the oil in the street and driveway, but oil is still seeping up from the cement.

DL858
Target
Property

1224 RIVERVIEW LANE
NEEDLES, CA 92363

ERNS 2006796013
N/A

Site 2 of 2 in cluster DL

Actual:
595 ft.

[Click this hyperlink](#) while viewing on your computer to access additional ERNS detail in the EDR Site Report.

Focus Map:
11

Map ID
Direction
Distance
Elevation

MAP FINDINGS

Site

Database(s)

EDR ID Number
EPA ID Number

859 **SUPERLITE BLOCK- (RECLAIMED)**
Target **4150 W. TURNEY AVE**
Property **, CA**

MINES **S117662747**
N/A

Actual:
525 ft.
Focus Map:
11

MINES:
Name: SUPERLITE BLOCK- (RECLAIMED)
Address: 4150 W. TURNEY AVE
City,State,Zip: CA
Latitude: 34.820556
Longitude: -114.590278
Lead Agency identification code: 36.25
Lead Agency name: City of Needles
Year of the operator supplied annual report: 2012
Type of report submitted by operator: 2
Number of acres disturbed by the mine: 0
Status of mining operation: RECLAIMED
Status of mine reclamation: RECLAMATION IN PROGRESS
Mine operator: SUPERLITE BLOCK
Operator Address: #1 ICE PLANT ROAD
Operator City, State, Zip: NEEDLES, CA 92363
Operator County: Not reported
Mine owner: STAKER PARSON COMPANIES
Owner Address: PO BOX 3429
Owner City, State, Zip: OGDEN, UT 84409
Owner County: Not reported
Reclamation plan identification number: Not reported
Primary product produced by the mine: Sand and Gravel
Other products produced by the mine: Not reported
Conditional use permit identification number: 91-36-0100
Number of acres permitted for mining disturbance: 26
Total amount of funds posted by the mine for reclamation: Not reported
Financial Assurance Cost Estimate for reclamation: 0
X Coordinates: -12756131.397
Y Coordinates: 4139522.0811

860 **PARADISE WELLNESS CENTER**
Target **1 ICE HOUSE ROAD ROAD**
Property **NEEDLES, CA 92363**

ENF **S128040322**
N/A

Actual:
522 ft.
Focus Map:
11

ENF:
Name: PARADISE WELLNESS CENTER
Address: 1 ICE HOUSE ROAD ROAD
City,State,Zip: NEEDLES, CA 92363
Region: Not reported
Facility Id: 846317
Agency Name: Paradise Wellness Center
Place Type: Irrigated Land
Place Subtype: Cannabis Site
Facility Type: Agricultural
Agency Type: Privately-Owned Business
Of Agencies: 1
Place Latitude: 34.8203
Place Longitude: -114.5915
SIC Code 1: Not reported
SIC Desc 1: Not reported
SIC Code 2: Not reported
SIC Desc 2: Not reported
SIC Code 3: Not reported
SIC Desc 3: Not reported
NAICS Code 1: Not reported

Map ID
Direction
Distance
Elevation

MAP FINDINGS

Site

Database(s)

EDR ID Number
EPA ID Number

PARADISE WELLNESS CENTER (Continued)

S128040322

NAICS Desc 1:	Not reported
NAICS Code 2:	Not reported
NAICS Desc 2:	Not reported
NAICS Code 3:	Not reported
NAICS Desc 3:	Not reported
# Of Places:	1
Source Of Facility:	Reg Meas
Design Flow:	Not reported
Threat To Water Quality:	Not reported
Complexity:	Not reported
Pretreatment:	Not reported
Facility Waste Type:	Not reported
Facility Waste Type 2:	Not reported
Facility Waste Type 3:	Not reported
Facility Waste Type 4:	Not reported
Program:	IRRICANNABIS
Program Category1:	IRRI
Program Category2:	Not reported
# Of Programs:	1
WDID:	7_36CC401592
Reg Measure Id:	420718
Reg Measure Type:	Enrollee - Waiver
Region:	Not reported
Order #:	2019-0001-DWQ
Npdes# CA#:	Not reported
Major-Minor:	Not reported
Npdes Type:	Not reported
Reclamation:	Not reported
Dredge Fill Fee:	Not reported
301H:	Not reported
Application Fee Amt Received:	600
Status:	Active
Status Date:	2019-10-01 00:00:00
Effective Date:	05/08/2018
Expiration/Review Date:	2024-04-15 00:00:00
Termination Date:	Not reported
WDR Review - Amend:	Not reported
WDR Review - Revise/Renew:	Not reported
WDR Review - Rescind:	Not reported
WDR Review - No Action Required:	Not reported
WDR Review - Pending:	Not reported
WDR Review - Planned:	Not reported
Status Enrollee:	N
Individual/General:	I
Fee Code:	125 - Cannabis Cultivation (Statewide)
Direction/Voice:	Passive
Enforcement Id(EID):	433746
Region:	Not reported
Order / Resolution Number:	Not reported
Enforcement Action Type:	Staff Enforcement Letter
Effective Date:	2019-06-25
Adoption/Issuance Date:	06/25/2019
Achieve Date:	Not reported
Termination Date:	2019-10-01 00:00:00
ACL Issuance Date:	Not reported
EPL Issuance Date:	Not reported
Status:	Historical

Map ID
Direction
Distance
Elevation

MAP FINDINGS

Site

Database(s)

EDR ID Number
EPA ID Number

PARADISE WELLNESS CENTER (Continued)

S128040322

Title: SEL 06/25/2019 for Paradise Wellness Center
Description: Not reported
Program: Not reported
Latest Milestone Completion Date: Not reported
Of Programs1: Not reported
Total Assessment Amount: Not reported
Initial Assessed Amount: Not reported
Liability \$ Amount: Not reported
Project \$ Amount: Not reported
Liability \$ Paid: Not reported
Project \$ Completed: Not reported
Total \$ Paid/Completed Amount: Not reported

Name: PARADISE WELLNESS CENTER
Address: 1 ICE HOUSE ROAD ROAD
City,State,Zip: NEEDLES, CA 92363
Region: Not reported
Facility Id: 846317
Agency Name: Paradise Wellness Center
Place Type: Irrigated Land
Place Subtype: Cannabis Site
Facility Type: Agricultural
Agency Type: Privately-Owned Business
Of Agencies: 1
Place Latitude: 34.8203
Place Longitude: -114.5915
SIC Code 1: Not reported
SIC Desc 1: Not reported
SIC Code 2: Not reported
SIC Desc 2: Not reported
SIC Code 3: Not reported
SIC Desc 3: Not reported
NAICS Code 1: Not reported
NAICS Desc 1: Not reported
NAICS Code 2: Not reported
NAICS Desc 2: Not reported
NAICS Code 3: Not reported
NAICS Desc 3: Not reported
Of Places: 1
Source Of Facility: Reg Meas
Design Flow: Not reported
Threat To Water Quality: Not reported
Complexity: Not reported
Pretreatment: Not reported
Facility Waste Type: Not reported
Facility Waste Type 2: Not reported
Facility Waste Type 3: Not reported
Facility Waste Type 4: Not reported
Program: IRRICANNABIS
Program Category1: IRRI
Program Category2: Not reported
Of Programs: 1
WDID: 7_36CC401592
Reg Measure Id: 420718
Reg Measure Type: Enrollee - Waiver
Region: Not reported
Order #: 2019-0001-DWQ

Map ID
Direction
Distance
Elevation

MAP FINDINGS

Site

Database(s)

EDR ID Number
EPA ID Number

PARADISE WELLNESS CENTER (Continued)

S128040322

Npdes# CA#:	Not reported
Major-Minor:	Not reported
Npdes Type:	Not reported
Reclamation:	Not reported
Dredge Fill Fee:	Not reported
301H:	Not reported
Application Fee Amt Received:	600
Status:	Active
Status Date:	2019-10-01 00:00:00
Effective Date:	05/08/2018
Expiration/Review Date:	2024-04-15 00:00:00
Termination Date:	Not reported
WDR Review - Amend:	Not reported
WDR Review - Revise/Renew:	Not reported
WDR Review - Rescind:	Not reported
WDR Review - No Action Required:	Not reported
WDR Review - Pending:	Not reported
WDR Review - Planned:	Not reported
Status Enrollee:	N
Individual/General:	I
Fee Code:	125 - Cannabis Cultivation (Statewide)
Direction/Voice:	Passive
Enforcement Id(EID):	434380
Region:	Not reported
Order / Resolution Number:	Not reported
Enforcement Action Type:	Notice of Violation
Effective Date:	2019-09-19
Adoption/Issuance Date:	09/19/2019
Achieve Date:	Not reported
Termination Date:	2019-10-01 00:00:00
ACL Issuance Date:	Not reported
EPL Issuance Date:	Not reported
Status:	Historical
Title:	NOV for Paradise Wellness Center
Description:	Not reported
Program:	Not reported
Latest Milestone Completion Date:	Not reported
# Of Programs1:	Not reported
Total Assessment Amount:	Not reported
Initial Assessed Amount:	Not reported
Liability \$ Amount:	Not reported
Project \$ Amount:	Not reported
Liability \$ Paid:	Not reported
Project \$ Completed:	Not reported
Total \$ Paid/Completed Amount:	Not reported
Name:	PARADISE WELLNESS CENTER
Address:	1 ICE HOUSE ROAD ROAD
City,State,Zip:	NEEDLES, CA 92363
Region:	7
Facility Id:	846317
Agency Name:	Paradise Wellness Center
Place Type:	Irrigated Land
Place Subtype:	Cannabis Site
Facility Type:	Agricultural
Agency Type:	Privately-Owned Business
# Of Agencies:	1

Map ID
Direction
Distance
Elevation

MAP FINDINGS

Site

Database(s)

EDR ID Number
EPA ID Number

PARADISE WELLNESS CENTER (Continued)

S128040322

Place Latitude:	34.8203
Place Longitude:	-114.5915
SIC Code 1:	Not reported
SIC Desc 1:	Not reported
SIC Code 2:	Not reported
SIC Desc 2:	Not reported
SIC Code 3:	Not reported
SIC Desc 3:	Not reported
NAICS Code 1:	Not reported
NAICS Desc 1:	Not reported
NAICS Code 2:	Not reported
NAICS Desc 2:	Not reported
NAICS Code 3:	Not reported
NAICS Desc 3:	Not reported
# Of Places:	1
Source Of Facility:	Reg Meas
Design Flow:	Not reported
Threat To Water Quality:	Not reported
Complexity:	Not reported
Pretreatment:	Not reported
Facility Waste Type:	Not reported
Facility Waste Type 2:	Not reported
Facility Waste Type 3:	Not reported
Facility Waste Type 4:	Not reported
Program:	IRRICANNABIS
Program Category1:	IRRI
Program Category2:	Not reported
# Of Programs:	1
WDID:	7_36CC401592
Reg Measure Id:	420718
Reg Measure Type:	Enrollee - Waiver
Region:	Not reported
Order #:	2019-0001-DWQ
Npdes# CA#:	Not reported
Major-Minor:	Not reported
Npdes Type:	Not reported
Reclamation:	Not reported
Dredge Fill Fee:	Not reported
301H:	Not reported
Application Fee Amt Received:	600
Status:	Active
Status Date:	2019-10-01 00:00:00
Effective Date:	05/08/2018
Expiration/Review Date:	2024-04-15 00:00:00
Termination Date:	Not reported
WDR Review - Amend:	Not reported
WDR Review - Revise/Renew:	Not reported
WDR Review - Rescind:	Not reported
WDR Review - No Action Required:	Not reported
WDR Review - Pending:	Not reported
WDR Review - Planned:	Not reported
Status Enrollee:	N
Individual/General:	I
Fee Code:	125 - Cannabis Cultivation (Statewide)
Direction/Voice:	Passive
Enforcement Id(EID):	438936
Region:	Not reported

Map ID
 Direction
 Distance
 Elevation

MAP FINDINGS

Site

Database(s)

EDR ID Number
 EPA ID Number

PARADISE WELLNESS CENTER (Continued)

S128040322

Order / Resolution Number: R7-2020-0023
 Enforcement Action Type: Admin Civil Liability
 Effective Date: 2021-05-11
 Adoption/Issuance Date: 05/11/2021
 Achieve Date: Not reported
 Termination Date: Not reported
 ACL Issuance Date: 06/05/2020
 EPL Issuance Date: Not reported
 Status: Active
 Title: ACL R7-2020-0023 for Paradise Wellness Center
 Description: 420718
 Program: Not reported
 Latest Milestone Completion Date: 2021-06-11 00:00:00
 # Of Programs1: Not reported
 Total Assessment Amount: 18885.4399
 Initial Assessed Amount: 50385.4400
 Liability \$ Amount: 18885.4399
 Project \$ Amount: Not reported
 Liability \$ Paid: 18885.4399
 Project \$ Completed: Not reported
 Total \$ Paid/Completed Amount: 18885.4399

861 SUPERLETE BLOCK
Target 1 ICE HOUSE RD
Property NEEDLES, CA 92363

CIWQS S109460076
N/A

Actual:
511 ft.
Focus Map:
11

CIWQS:
 Name: SUPERLETE BLOCK
 Address: 1 ICE HOUSE RD
 City,State,Zip: NEEDLES, CA 92363
 Agency: Superlite
 Agency Address: 4150 W Turney Ave, Phoenix, AZ 85019
 Place/Project Type: Industrial - Concrete Block and Brick
 SIC/NAICS: 3271(+)
 Region: 7
 Program: INDSTW
 Regulatory Measure Status: Terminated
 Regulatory Measure Type: Storm water industrial
 Order Number: 2014-0057-DWQ
 WDID: 7 36I009505
 NPDES Number: CAS000001
 Adoption Date: Not reported
 Effective Date: 11/25/1992
 Termination Date: 11/14/2012
 Expiration/Review Date: Not reported
 Design Flow: Not reported
 Major/Minor: Not reported
 Complexity: Not reported
 TTWQ: Not reported
 Enforcement Actions within 5 years: 0
 Violations within 5 years: 0
 Latitude: Not reported
 Longitude: Not reported

Map ID
Direction
Distance
Elevation

MAP FINDINGS

Site

Database(s)

EDR ID Number
EPA ID Number

DM862 PG&E - TOPOCK FINAL REMEDY MW-20 BENCH
Target LATITUDE: 34 43'9.48" N / LONGITUDE: 114 29'27.98" W
Property NEEDLES, CA 92363

CERS S128200660
N/A

Site 1 of 3 in cluster DM

Actual:
618 ft.

Focus Map:
11

CERS:
Name: PG&E - TOPOCK FINAL REMEDY MW-20 BENCH
Address: LATITUDE: 34 43'9.48" N / LONGITUDE: 114 29'27.98" W
City,State,Zip: NEEDLES, CA 92363
Site ID: 598175
CERS ID: 10884985
CERS Description: Chemical Storage Facilities

Affiliation:
Affiliation Type Desc: Environmental Contact
Entity Name: Valeri Hirst
Entity Title: Not reported
Affiliation Address: 35863 Fairview Road
Affiliation City: Hinkley
Affiliation State: CA
Affiliation Country: Not reported
Affiliation Zip: 92347
Affiliation Phone: ,

Affiliation Type Desc: CUPA District
Entity Name: San Bernardino County Fire
Entity Title: Not reported
Affiliation Address: 620 South E Street
Affiliation City: San Bernardino
Affiliation State: CA
Affiliation Country: Not reported
Affiliation Zip: 92415-0153
Affiliation Phone: (909) 386-8401,

Affiliation Type Desc: Document Preparer
Entity Name: Valeri Hirst, PG&E
Entity Title: Not reported
Affiliation Address: Not reported
Affiliation City: Not reported
Affiliation State: Not reported
Affiliation Country: Not reported
Affiliation Zip: Not reported
Affiliation Phone: ,

Affiliation Type Desc: Facility Mailing Address
Entity Name: Mailing Address
Entity Title: Not reported
Affiliation Address: PO Box 7640
Affiliation City: San Francisco
Affiliation State: CA
Affiliation Country: Not reported
Affiliation Zip: 94120
Affiliation Phone: ,

Affiliation Type Desc: Identification Signer
Entity Name: Larry Jeffris
Entity Title: Senior Manager, Environmental Management
Affiliation Address: Not reported
Affiliation City: Not reported

Map ID
Direction
Distance
Elevation

MAP FINDINGS

Site

Database(s)

EDR ID Number
EPA ID Number

PG&E - TOPOCK FINAL REMEDY MW-20 BENCH (Continued)

S128200660

Affiliation State: Not reported
Affiliation Country: Not reported
Affiliation Zip: Not reported
Affiliation Phone: ,

Affiliation Type Desc: Operator
Entity Name: Pacific Gas & Electric Company
Entity Title: Not reported
Affiliation Address: Not reported
Affiliation City: Not reported
Affiliation State: Not reported
Affiliation Country: Not reported
Affiliation Zip: Not reported
Affiliation Phone: (760) 903-3013,

Affiliation Type Desc: Parent Corporation
Entity Name: PG&E
Entity Title: Not reported
Affiliation Address: Not reported
Affiliation City: Not reported
Affiliation State: Not reported
Affiliation Country: Not reported
Affiliation Zip: Not reported
Affiliation Phone: ,

Affiliation Type Desc: Property Owner
Entity Name: Manager, Water and Lands Contracts Group Bureau of Reclamation (Yuma Area Office
Entity Title: Not reported
Affiliation Address: 7301 Calle Agua Salada
Affiliation City: Yuma
Affiliation State: AZ
Affiliation Country: United States
Affiliation Zip: 85364
Affiliation Phone: (928) 343-8261,

Affiliation Type Desc: Legal Owner
Entity Name: Pacific Gas & Electric Company
Entity Title: Not reported
Affiliation Address: c/o Environmental Services, 3401 Crow Canyon Road
Affiliation City: San Ramon
Affiliation State: CA
Affiliation Country: United States
Affiliation Zip: 94583
Affiliation Phone: (415) 973-7000,

DM863 SECTION 26 CONSERVATION AREA
Target 34.759641 114.548067
Property NEEDLES, CA 92363

San Bern. Co. Permit S128001787
CERS N/A

Site 2 of 3 in cluster DM

Actual: San Bern. Co. Permit:
618 ft. Name: SECTION 26 CONSERVATION AREA
Focus Map: Address: 34.759641 114.548067
11 City,State,Zip: NEEDLES, CA 92363
Region: SAN BERNARDINO

Map ID
Direction
Distance
Elevation

MAP FINDINGS

Site

Database(s)

EDR ID Number
EPA ID Number

SECTION 26 CONSERVATION AREA (Continued)

S128001787

Facility ID: FA0019011
Owner: BUREAU OF RECLAMATION
Permit Number: PT0040991
Permit Category: HAZARDOUS MATERIALS 1-3 CHEMICALS SPECIAL
Facility Status: ACTIVE
Expiration Date: 09/30/2022

Name: SECTION 26 CONSERVATION AREA
Address: 34.759641 114.548067
City,State,Zip: NEEDLES, CA 92363
Region: SAN BERNARDINO
Facility ID: FA0019011
Owner: BUREAU OF RECLAMATION
Permit Number: PT0040992
Permit Category: APSA 1,320-10,000 GAL FAC CAPACITY
Facility Status: ACTIVE
Expiration Date: 09/30/2022

CERS:

Name: SECTION 26 CONSERVATION AREA
Address: 34.759641 114.548067
City,State,Zip: NEEDLES, CA 92363
Site ID: 596118
CERS ID: 10882837
CERS Description: Chemical Storage Facilities

Affiliation:

Affiliation Type Desc: Identification Signer
Entity Name: Bryon Green
Entity Title: Environmental Protection Specialist
Affiliation Address: Not reported
Affiliation City: Not reported
Affiliation State: Not reported
Affiliation Country: Not reported
Affiliation Zip: Not reported
Affiliation Phone: ,

Affiliation Type Desc: Legal Owner
Entity Name: Bureau of Reclamation
Entity Title: Not reported
Affiliation Address: 7301 Calle Agua Salada
Affiliation City: Yuma
Affiliation State: AZ
Affiliation Country: United States
Affiliation Zip: 85364
Affiliation Phone: (928) 343-8100,

Affiliation Type Desc: Operator
Entity Name: LCR Multi-Species Conservation Program
Entity Title: Not reported
Affiliation Address: Not reported
Affiliation City: Not reported
Affiliation State: Not reported
Affiliation Country: Not reported
Affiliation Zip: Not reported
Affiliation Phone: (702) 293-8140,

Map ID
Direction
Distance
Elevation

MAP FINDINGS

Site

Database(s)

EDR ID Number
EPA ID Number

SECTION 26 CONSERVATION AREA (Continued)

S128001787

Affiliation Type Desc: Parent Corporation
Entity Name: Bureau of Reclamation/Yuma Area Office
Entity Title: Not reported
Affiliation Address: Not reported
Affiliation City: Not reported
Affiliation State: Not reported
Affiliation Country: Not reported
Affiliation Zip: Not reported
Affiliation Phone: ,

Affiliation Type Desc: CUPA District
Entity Name: San Bernardino County Fire
Entity Title: Not reported
Affiliation Address: 620 South E Street
Affiliation City: San Bernardino
Affiliation State: CA
Affiliation Country: Not reported
Affiliation Zip: 92415-0153
Affiliation Phone: (909) 386-8401,

Affiliation Type Desc: Document Preparer
Entity Name: Bryon Green
Entity Title: Not reported
Affiliation Address: Not reported
Affiliation City: Not reported
Affiliation State: Not reported
Affiliation Country: Not reported
Affiliation Zip: Not reported
Affiliation Phone: ,

Affiliation Type Desc: Environmental Contact
Entity Name: Bryon Green
Entity Title: Not reported
Affiliation Address: 7301 Calle Agua Salada
Affiliation City: Yuma
Affiliation State: AZ
Affiliation Country: Not reported
Affiliation Zip: 85364
Affiliation Phone: ,

Affiliation Type Desc: Facility Mailing Address
Entity Name: Mailing Address
Entity Title: Not reported
Affiliation Address: P. O. Box 61470, LC-8000
Affiliation City: Boulder City
Affiliation State: NV
Affiliation Country: Not reported
Affiliation Zip: 89006
Affiliation Phone: ,

Map ID
Direction
Distance
Elevation

MAP FINDINGS

Site

Database(s)
EDR ID Number
EPA ID Number

DM864 AT&T MOBILITY - CSL04047 - USID145890
Target 40 HIGHWAY 3 MILES WEST OF ESSEX RD
Property NEEDLES, CA 92363

CERS S127999583
N/A

Site 3 of 3 in cluster DM

Actual:
618 ft.

Focus Map:
11

CERS:
Name: AT&T MOBILITY - CSL04047 - USID145890
Address: 40 HIGHWAY 3 MILES WEST OF ESSEX RD
City,State,Zip: NEEDLES, CA 92363
Site ID: 577214
CERS ID: 10877587
CERS Description: Chemical Storage Facilities

Affiliation:

Affiliation Type Desc: Document Preparer
Entity Name: Peter Burnell, Sigma Consultants, Inc.
Entity Title: Not reported
Affiliation Address: Not reported
Affiliation City: Not reported
Affiliation State: Not reported
Affiliation Country: Not reported
Affiliation Zip: Not reported
Affiliation Phone: ,

Affiliation Type Desc: Identification Signer
Entity Name: Jeremy McGrue
Entity Title: National EPCRA Manager
Affiliation Address: Not reported
Affiliation City: Not reported
Affiliation State: Not reported
Affiliation Country: Not reported
Affiliation Zip: Not reported
Affiliation Phone: ,

Affiliation Type Desc: Legal Owner
Entity Name: New Cingular Wireless PCS, LLC dba AT&T Mobility
Entity Title: Not reported
Affiliation Address: 308 S. Akard Street, 17th Floor
Affiliation City: Dallas
Affiliation State: TX
Affiliation Country: United States
Affiliation Zip: 75202
Affiliation Phone: (214) 464-1712,

Affiliation Type Desc: Operator
Entity Name: AT&T Mobility
Entity Title: Not reported
Affiliation Address: Not reported
Affiliation City: Not reported
Affiliation State: Not reported
Affiliation Country: Not reported
Affiliation Zip: Not reported
Affiliation Phone: (800) 566-9347,

Affiliation Type Desc: CUPA District
Entity Name: San Bernardino County Fire
Entity Title: Not reported
Affiliation Address: 620 South E Street
Affiliation City: San Bernardino

Map ID
Direction
Distance
Elevation

MAP FINDINGS

Site

Database(s)

EDR ID Number
EPA ID Number

AT&T MOBILITY - CSL04047 - USID145890 (Continued)

S127999583

Affiliation State: CA
Affiliation Country: Not reported
Affiliation Zip: 92415-0153
Affiliation Phone: (909) 386-8401,

Affiliation Type Desc: Parent Corporation
Entity Name: AT&T Mobility
Entity Title: Not reported
Affiliation Address: Not reported
Affiliation City: Not reported
Affiliation State: Not reported
Affiliation Country: Not reported
Affiliation Zip: Not reported
Affiliation Phone: ,

Affiliation Type Desc: Environmental Contact
Entity Name: AT&T EH&S Hotline - Option #1
Entity Title: Not reported
Affiliation Address: 308 S. Akard Street, 17th Floor
Affiliation City: Dallas
Affiliation State: TX
Affiliation Country: Not reported
Affiliation Zip: 75202
Affiliation Phone: ,

Affiliation Type Desc: Facility Mailing Address
Entity Name: Mailing Address
Entity Title: Not reported
Affiliation Address: 308 S. Akard Street, 17th Floor
Affiliation City: Dallas
Affiliation State: TX
Affiliation Country: Not reported
Affiliation Zip: 75202
Affiliation Phone: ,

DN865 CAROL BROWN
Target 153 VICTORY DRIVE
Property NEEDLES, CA 92363

FINDS 1026545932
ECHO N/A

Site 1 of 3 in cluster DN

Actual: FINDS:
613 ft. Registry ID: 110070845292

Focus Map:
11 [Click Here for FRS Facility Detail Report:](#)

Environmental Interest/Information System:

RCRAInfo is a national information system that supports the Resource Conservation and Recovery Act (RCRA) program through the tracking of events and activities related to facilities that generate, transport, and treat, store, or dispose of hazardous waste. RCRAInfo allows RCRA program staff to track the notification, permit, compliance, and corrective action activities required under RCRA.

[Click this hyperlink](#) while viewing on your computer to access additional FINDS: detail in the EDR Site Report.

Map ID
Direction
Distance
Elevation

MAP FINDINGS

Site

Database(s)

EDR ID Number
EPA ID Number

CAROL BROWN (Continued)

1026545932

ECHO:

Envid: 1026545932
Registry ID: 110070845292
DFR URL: <http://echo.epa.gov/detailed-facility-report?fid=110070845292>
Name: CAROL BROWN
Address: 153 VICTORY DRIVE
City,State,Zip: NEEDLES, CA 92363

DN866 **CAROL BROWN**
Target **153 VICTORY DRIVE**
Property **NEEDLES, CA 92363**

RCRA NonGen / NLR **1026477507**
CAC003083352

Site 2 of 3 in cluster DN

Actual:
613 ft.

RCRA NonGen / NLR:

Focus Map:
11

Date Form Received by Agency: 20200911
Handler Name: CAROL BROWN
Handler Address: 153 VICTORY DRIVE
Handler City,State,Zip: NEEDLES, CA 92363
EPA ID: CAC003083352
Contact Name: CAROL BROWN
Contact Address: 153 VICTORY DRIVE
Contact City,State,Zip: NEEDLES, CA 92363
Contact Telephone: 760-326-3359
Contact Fax: Not reported
Contact Email: CAROL_882@MSN.COM
Contact Title: Not reported
EPA Region: 09
Land Type: Not reported
Federal Waste Generator Description: Not a generator, verified
Non-Notifier: Not reported
Biennial Report Cycle: Not reported
Accessibility: Not reported
Active Site Indicator: Not reported
State District Owner: Not reported
State District: Not reported
Mailing Address: P.O. BOX 1069
Mailing City,State,Zip: NEEDLES, CA 92363
Owner Name: CAROL BROWN
Owner Type: Other
Operator Name: CAROL BROWN
Operator Type: Other
Short-Term Generator Activity: No
Importer Activity: No
Mixed Waste Generator: No
Transporter Activity: No
Transfer Facility Activity: No
Recycler Activity with Storage: No
Small Quantity On-Site Burner Exemption: No
Smelting Melting and Refining Furnace Exemption: No
Underground Injection Control: No
Off-Site Waste Receipt: No
Universal Waste Indicator: No
Universal Waste Destination Facility: No
Federal Universal Waste: No
Active Site Fed-Reg Treatment Storage and Disposal Facility: Not reported
Active Site Converter Treatment storage and Disposal Facility: Not reported

Map ID
 Direction
 Distance
 Elevation

MAP FINDINGS

Site

Database(s)

EDR ID Number
 EPA ID Number

CAROL BROWN (Continued)

1026477507

Active Site State-Reg Treatment Storage and Disposal Facility:	Not reported
Active Site State-Reg Handler:	---
Federal Facility Indicator:	Not reported
Hazardous Secondary Material Indicator:	N
Sub-Part K Indicator:	Not reported
Commercial TSD Indicator:	No
Treatment Storage and Disposal Type:	Not reported
2018 GPRA Permit Baseline:	Not on the Baseline
2018 GPRA Renewals Baseline:	Not on the Baseline
Permit Renewals Workload Universe:	Not reported
Permit Workload Universe:	Not reported
Permit Progress Universe:	Not reported
Post-Closure Workload Universe:	Not reported
Closure Workload Universe:	Not reported
202 GPRA Corrective Action Baseline:	No
Corrective Action Workload Universe:	No
Subject to Corrective Action Universe:	No
Non-TSDs Where RCRA CA has Been Imposed Universe:	No
TSDs Potentially Subject to CA Under 3004 (u)/(v) Universe:	No
TSDs Only Subject to CA under Discretionary Auth Universe:	No
Corrective Action Priority Ranking:	No NCAPS ranking
Environmental Control Indicator:	No
Institutional Control Indicator:	No
Human Exposure Controls Indicator:	N/A
Groundwater Controls Indicator:	N/A
Operating TSDF Universe:	Not reported
Full Enforcement Universe:	Not reported
Significant Non-Complier Universe:	No
Unaddressed Significant Non-Complier Universe:	No
Addressed Significant Non-Complier Universe:	No
Significant Non-Complier With a Compliance Schedule Universe:	No
Financial Assurance Required:	Not reported
Handler Date of Last Change:	20200920
Recognized Trader-Importer:	No
Recognized Trader-Exporter:	No
Importer of Spent Lead Acid Batteries:	No
Exporter of Spent Lead Acid Batteries:	No
Recycler Activity Without Storage:	No
Manifest Broker:	No
Sub-Part P Indicator:	No

Handler - Owner Operator:

Owner/Operator Indicator:	Owner
Owner/Operator Name: CAROL BROWN	
Legal Status:	Other
Date Became Current:	Not reported
Date Ended Current:	Not reported
Owner/Operator Address:	153 VICTORY DRIVE
Owner/Operator City,State,Zip:	NEEDLES, CA 92363
Owner/Operator Telephone:	760-326-3359
Owner/Operator Telephone Ext:	Not reported
Owner/Operator Fax:	Not reported
Owner/Operator Email:	Not reported

Owner/Operator Indicator:	Operator
Owner/Operator Name: CAROL BROWN	

Map ID
Direction
Distance
Elevation

MAP FINDINGS

Site

Database(s)

EDR ID Number
EPA ID Number

CAROL BROWN (Continued)

1026477507

Legal Status: Other
Date Became Current: Not reported
Date Ended Current: Not reported
Owner/Operator Address: 153 VICTORY DRIVE
Owner/Operator City,State,Zip: NEEDLES, CA 92363
Owner/Operator Telephone: 760-326-3359
Owner/Operator Telephone Ext: Not reported
Owner/Operator Fax: Not reported
Owner/Operator Email: Not reported

Historic Generators:

Receive Date: 20200911
Handler Name: CAROL BROWN
Federal Waste Generator Description: Not a generator, verified
State District Owner: Not reported
Large Quantity Handler of Universal Waste: No
Recognized Trader Importer: No
Recognized Trader Exporter: No
Spent Lead Acid Battery Importer: No
Spent Lead Acid Battery Exporter: No
Current Record: Yes
Non Storage Recycler Activity: Not reported
Electronic Manifest Broker: Not reported

List of NAICS Codes and Descriptions:

NAICS Code: 56299
NAICS Description: ALL OTHER WASTE MANAGEMENT SERVICES

Facility Has Received Notices of Violations:

Violations: No Violations Found

Evaluation Action Summary:

Evaluations: No Evaluations Found

DN867 CAROL BROWN
Target 153 VICTORY DRIVE
Property NEEDLES, CA 92363

HWTS S126391835
N/A

Site 3 of 3 in cluster DN

Actual: HWTS:
613 ft. Name: CAROL BROWN
Focus Map: Address: 153 VICTORY DRIVE
11 Address 2: Not reported
City,State,Zip: NEEDLES, CA 92363
EPA ID: CAC003083352
Inactive Date: 12/11/2020
Create Date: 09/11/2020
Last Act Date: Not reported
Mailing Name: Not reported
Mailing Address: P.O. BOX 1069
Mailing Address 2: Not reported
Mailing City,State,Zip: NEEDLES, CA 92363
Owner Name: CAROL BROWN
Owner Address: 153 VICTORY DRIVE

Map ID
Direction
Distance
Elevation

MAP FINDINGS

Site

Database(s)

EDR ID Number
EPA ID Number

CAROL BROWN (Continued)

S126391835

Owner Address 2: Not reported
Owner City,State,Zip: NEEDLES, CA 92363
Contact Name: CAROL BROWN
Contact Address: 153 VICTORY DRIVE
Contact Address 2: Not reported
City,State,Zip: NEEDLES, CA 92363
Facility Status: Inactive
Facility Type: TEMPORARY
Category: STATE
Latitude: 34.81883202
Longitude: -114.60304202

868
Target
Property

NEEDLES PIT
NEEDLES, CA 92363

MINES MRDS 1025602041
N/A

Actual:
540 ft.
Focus Map:
11

MINES MRDS:

Name: NEEDLES PIT
Address: Not reported
Deposit identification Number: 10116849
City,State,Zip: NEEDLES, CALIFORNIA 92363
URL: https://mrdata.usgs.gov/mrds/show-mrds.php?dep_id=10116849
MRDS Identification Number: Not reported
MAS/MILS Identification Number: 0060713468
Region: NA
Country: United States
Primary Commodities: Sand and Gravel, Construction
Secondary Commodities: Not reported
Tertiary Commodities: Not reported
Operation Type: Surface
Deposit Type: Not reported
Production Size: Not reported
Development Status: Producer
Ore Minerals or Materials: Not reported
Gangue Minerals or Materials: Not reported
Other Minerals or Materials: Not reported
Ore Body Form: Not reported
Workings Type: Not reported
Mineral Deposit Model: Not reported
Alteration Processes: Not reported
Concentration Processes: Not reported
Previous Names: Not reported
Ore Controls: Not reported
Reporter: Silva
Host Rock Unit Name: Not reported
Host Rock Type: Not reported
Associated Rock Unit Name: Not reported
Associated Rock Type Code: Not reported
Structural Characteristics: Not reported
Tectonic Setting: Not reported
References: Not reported
First Production Year: Not reported
Began Before/After FPY: Not reported
Last Production Year: Not reported
Ended Before/After LPY: Not reported
Year Discovered: Not reported
Found Before/After YD: Not reported
Production History: Not reported

Map ID
 Direction
 Distance
 Elevation

MAP FINDINGS

Site

Database(s)

EDR ID Number
 EPA ID Number

NEEDLES PIT (Continued)

1025602041

Discovery Information: Not reported
 Latitude: 34.81893
 Longitude: -114.58971

DO869 100 VICTORY DRIVE
Target 100 VICTORY DRIVE
Property NEEDLES, CA 92363

NPDES S127776610
CIWQS N/A
CERS

Site 1 of 3 in cluster DO

Actual: NPDES:
597 ft. Name: 100 VICTORY DRIVE
Focus Map: Address: 100 VICTORY DRIVE
11 City,State,Zip: NEEDLES, CA 92363
 Facility Status: Active
 NPDES Number: CAS000002
 Region: 7
 Agency Number: 0
 Regulatory Measure ID: 545136
 Place ID: Not reported
 Order Number: 2009-0009-DWQ
 WDID: 7 36C396094
 Regulatory Measure Type: Enrollee
 Program Type: Construction
 Adoption Date Of Regulatory Measure: Not reported
 Effective Date Of Regulatory Measure: 01/07/2022
 Termination Date Of Regulatory Measure: Not reported
 Expiration Date Of Regulatory Measure: Not reported
 Discharge Address: 1519 E Chapman #56
 Discharge Name: SCTH
 Discharge City: Fullerton
 Discharge State: California
 Discharge Zip: 92831
 Status: Not reported
 Status Date: Not reported
 Operator Name: Not reported
 Operator Address: Not reported
 Operator City: Not reported
 Operator State: Not reported
 Operator Zip: Not reported

Name: 100 VICTORY DRIVE
 Address: 100 VICTORY DRIVE
 City,State,Zip: NEEDLES, CA 92363
 Facility Status: Not reported
 NPDES Number: Not reported
 Region: Not reported
 Agency Number: Not reported
 Regulatory Measure ID: Not reported
 Place ID: Not reported
 Order Number: Not reported
 WDID: 7 36W005189
 Regulatory Measure Type: Construction
 Program Type: Not reported
 Adoption Date Of Regulatory Measure: Not reported
 Effective Date Of Regulatory Measure: Not reported
 Termination Date Of Regulatory Measure: Not reported
 Expiration Date Of Regulatory Measure: Not reported

Map ID
Direction
Distance
Elevation

MAP FINDINGS

Site

Database(s)

EDR ID Number
EPA ID Number

100 VICTORY DRIVE (Continued)

S12776610

Discharge Address: Not reported
Discharge Name: Not reported
Discharge City: Not reported
Discharge State: Not reported
Discharge Zip: Not reported
Status: Expired
Status Date: 12/31/2021
Operator Name: SCTH
Operator Address: 1519 E Chapman #56
Operator City: Fullerton
Operator State: California
Operator Zip: 92831

Name: 100 VICTORY DRIVE
Address: 100 VICTORY DRIVE
City,State,Zip: NEEDLES, CA 92363
Facility Status: Not reported
NPDES Number: Not reported
Region: Not reported
Agency Number: Not reported
Regulatory Measure ID: Not reported
Place ID: Not reported
Order Number: Not reported
WDID: 7 36C396094
Regulatory Measure Type: Construction
Program Type: Not reported
Adoption Date Of Regulatory Measure: Not reported
Effective Date Of Regulatory Measure: Not reported
Termination Date Of Regulatory Measure: Not reported
Expiration Date Of Regulatory Measure: Not reported
Discharge Address: Not reported
Discharge Name: Not reported
Discharge City: Not reported
Discharge State: Not reported
Discharge Zip: Not reported
Status: Active
Status Date: 01/07/2022
Operator Name: SCTH
Operator Address: 1519 E Chapman #56
Operator City: Fullerton
Operator State: California
Operator Zip: 92831

CIWQS:

Name: 100 VICTORY DRIVE
Address: 100 VICTORY DRIVE
City,State,Zip: NEEDLES, CA 92363
Agency: SCTH
Agency Address: 1519 E Chapman #56, Fullerton, CA 92831
Place/Project Type: Construction - Commercial
SIC/NAICS: Not reported
Region: 7
Program: CONSTW
Regulatory Measure Status: Active
Regulatory Measure Type: Storm water construction
Order Number: 2009-0009-DWQ
WDID: 7 36C396094

Map ID
Direction
Distance
Elevation

MAP FINDINGS

Site

Database(s)

EDR ID Number
EPA ID Number

100 VICTORY DRIVE (Continued)

S127776610

NPDES Number: CAS000002
Adoption Date: Not reported
Effective Date: 01/07/2022
Termination Date: Not reported
Expiration/Review Date: Not reported
Design Flow: Not reported
Major/Minor: Not reported
Complexity: Not reported
TTWQ: Not reported
Enforcement Actions within 5 years: 0
Violations within 5 years: 0
Latitude: 34.819381
Longitude: -114.600742

CERS:

Name: 100 VICTORY DRIVE
Address: 100 VICTORY DRIVE
City,State,Zip: NEEDLES, CA 92363
Site ID: 599601
CERS ID: 900969
CERS Description: Construction Storm Water

Affiliation:

Affiliation Type Desc: Owner/Operator
Entity Name: SCTH
Entity Title: Operator
Affiliation Address: 1519 E Chapman #56
Affiliation City: Fullerton
Affiliation State: CA
Affiliation Country: Not reported
Affiliation Zip: 92831
Affiliation Phone: ,

DO870 ASTON MARTIN SERVICES
Target 111 VICTORY DR
Property NEEDLES, CA 92363

HWTS S124567013
N/A

Site 2 of 3 in cluster DO

Actual:
603 ft.

Focus Map:
11

HWTS:
Name: ASTON MARTIN SERVICES
Address: 111 VICTORY DR
Address 2: Not reported
City,State,Zip: NEEDLES, CA 92363
EPA ID: CAC002332969
Inactive Date: 09/11/2001
Create Date: 11/01/2000
Last Act Date: Not reported
Mailing Name: Not reported
Mailing Address: 111 VICTORY DR
Mailing Address 2: Not reported
Mailing City,State,Zip: NEEDLES, CA 923630000
Owner Name: GREG BOYD
Owner Address: 111 VICTORY DR
Owner Address 2: Not reported
Owner City,State,Zip: NEEDLES, CA 923630000
Contact Name: KENNETH BOYD/MECHANIC

Map ID
Direction
Distance
Elevation

MAP FINDINGS

Site

Database(s)

EDR ID Number
EPA ID Number

ASTON MARTIN SERVICES (Continued)

S124567013

Contact Address: 111 VICTORY DR
Contact Address 2: Not reported
City,State,Zip: NEEDLES, CA 923630000
Facility Status: Inactive
Facility Type: TEMPORARY
Category: STATE
Latitude: 34.818663
Longitude: -114.60071

DO871 **ASTON MARTIN SERVICE**
Target **111 VICTORY DR**
Property **NEEDLES, CA 92363**

San Bern. Co. Permit **S104763953**
N/A

Site 3 of 3 in cluster DO

Actual:
603 ft.

Focus Map:
11

San Bern. Co. Permit:
Name: ASTON MARTIN SERVICE
Address: 111 VICTORY DR
City,State,Zip: NEEDLES, CA 92363
Region: SAN BERNARDINO
Facility ID: FA0001154
Owner: BOYD, KENNETH & GREGORY
Permit Number: PT0006427
Permit Category: HAZMAT HANDLER 0-10 EMPLOYEES (W/GEN PRMT)
Facility Status: INACTIVE
Expiration Date: 12/31/2008

Name: ASTON MARTIN SERVICE
Address: 111 VICTORY DR
City,State,Zip: NEEDLES, CA 92363
Region: SAN BERNARDINO
Facility ID: FA0001154
Owner: BOYD, KENNETH & GREGORY
Permit Number: PT0006429
Permit Category: CONDITIONALLY EXEMPT SMALL QUANTITY GENERATOR
Facility Status: INACTIVE
Expiration Date: 12/31/2008

872 **NEEDLES FIELD OFFICE**
Target **DIKE ROAD**
Property **NEEDLES, CA 93451**

SEMS **1010417454**
DOCKET HWC **CAN000908508**

Actual:
606 ft.

Focus Map:
11

SEMS:
Site ID: 0908508
EPA ID: CAN000908508
Name: NEEDLES FIELD OFFICE
Address: DIKE ROAD
Address 2: Not reported
City,State,Zip: NEEDLES, CA 93451
Cong District: Not reported
FIPS Code: 06071
Latitude: Not reported
Longitude: Not reported
FF: Y
NPL: Not on the NPL
Non NPL Status: NFRAP-Site does not qualify for the NPL based on existing information

Map ID
Direction
Distance
Elevation

MAP FINDINGS

Site

Database(s)

EDR ID Number
EPA ID Number

NEEDLES FIELD OFFICE (Continued)

1010417454

SEMS Detail:

Region: 09
Site ID: 0908508
EPA ID: CAN000908508
Site Name: NEEDLES FIELD OFFICE
NPL: N
FF: Y
OU: 00
Action Code: DS
Action Name: DISCVRY
SEQ: 1
Start Date: 1991-09-27 04:00:00
Finish Date: 1991-09-27 04:00:00
Qual: Not reported
Current Action Lead: EPA Perf

Region: 09
Site ID: 0908508
EPA ID: CAN000908508
Site Name: NEEDLES FIELD OFFICE
NPL: N
FF: Y
OU: 00
Action Code: RX
Action Name: FF PA
SEQ: 1
Start Date: 2022-03-28 04:00:00
Finish Date: 2022-03-30 04:00:00
Qual: N
Current Action Lead: EPA Perf

DOCKET HWC:

Agency: INTERIOR
Facility ID: CAN000908508
Name: NEEDLES FIELD OFFICE
Address: DIKE ROAD
City,State,Zip: NEEDLES, CA 92363
Reporting Mechanism: RCRA 3016
Status: On MDL
Added Date: 9/27/1991

DP873 **NEEDLES MUNICIPAL AIRPORT**
Target
Property **NEEDLES, CA**

FUDS **1024903599**
N/A

Site 1 of 2 in cluster DP

Actual: **FUDS:**
599 ft. EPA Region: 9
Focus Map: Installation ID: CA99799F553100
11 Congressional District Number: 8
Name: NEEDLES MUNICIPAL AIRPORT
FUDS Number: J09CA0506
City: NEEDLES
State: CA
County: SAN BERNARDINO

Map ID
Direction
Distance
Elevation

MAP FINDINGS

Site

Database(s)

EDR ID Number
EPA ID Number

NEEDLES MUNICIPAL AIRPORT (Continued)

1024903599

Object ID: 697
USACE Division: SPD
USACE District: Los Angeles District (SPL)
Status: Properties without projects
Current Owner: Not reported
EMS Map Link: <https://fudsportal.usace.army.mil/ems/inventory/map?id=61133>
Eligibility: Eligible
Has Projects: No
NPL Status: Not on the NPL
Property History: Not reported

Project Required: No
Feature Description: Not reported
Latitude: 34.81694444
Longitude: -114.60027778

DP874
Target
Property

NEEDLES MUNICIPAL AIRPORT
NEEDLES, CA

ENVIROSTOR **S107736868**
N/A

Site 2 of 2 in cluster DP

Actual:
598 ft.

Focus Map:
11

ENVIROSTOR:
Name: NEEDLES MUNICIPAL AIRPORT
Address: Not reported
City,State,Zip: NEEDLES, CA
Facility ID: 80000329
Status: Inactive - Needs Evaluation
Status Date: 07/01/2005
Site Code: Not reported
Site Type: Military Evaluation
Site Type Detailed: FUDS
Acres: Not reported
NPL: NO
Regulatory Agencies: SMBRP
Lead Agency: SMBRP
Program Manager: Not reported
Supervisor: Douglas Bautista
Division Branch: Cleanup Cypress
Assembly: 33
Senate: 16
Special Program: Not reported
Restricted Use: NO
Site Mgmt Req: NONE SPECIFIED
Funding: DERA
Latitude: 34.81694
Longitude: -114.6002
APN: NONE SPECIFIED
Past Use: NONE SPECIFIED
Potential COC: NONE SPECIFIED
Confirmed COC: NONE SPECIFIED
Potential Description: NONE SPECIFIED
Alias Name: CA99799F553100
Alias Type: Federal Facility ID
Alias Name: J09CA0506
Alias Type: INPR
Alias Name: 80000329
Alias Type: Envirostor ID Number

Map ID
Direction
Distance
Elevation

MAP FINDINGS

Site

Database(s)

EDR ID Number
EPA ID Number

NEEDLES MUNICIPAL AIRPORT (Continued)

S107736868

Completed Info:

Completed Area Name: Not reported
Completed Sub Area Name: Not reported
Completed Document Type: Not reported
Completed Date: Not reported
Comments: Not reported

Future Area Name: Not reported
Future Sub Area Name: Not reported
Future Document Type: Not reported
Future Due Date: Not reported
Schedule Area Name: Not reported
Schedule Sub Area Name: Not reported
Schedule Document Type: Not reported
Schedule Due Date: Not reported
Schedule Revised Date: Not reported

875 **1X JAMES LAMBERT**
Target **1703 W. BROADWAY**
Property **NEEDLES, CA 92363**

HWTS **S124529474**
 N/A

HWTS:

Actual:
607 ft.
Focus Map:
11

Name: 1X JAMES LAMBERT
Address: 1703 W. BROADWAY
Address 2: Not reported
City,State,Zip: NEEDLES, CA 92363
EPA ID: CAC000246137
Inactive Date: 10/25/2000
Create Date: 02/02/1990
Last Act Date: Not reported
Mailing Name: Not reported
Mailing Address: Not reported
Mailing Address 2: Not reported
Mailing City,State,Zip: NEEDLES, CA 923630000
Owner Name: JAMES LAMBERT
Owner Address: Not reported
Owner Address 2: Not reported
Owner City,State,Zip: Not reported
Contact Name: DON BROWN, CONSTR. SUP.
Contact Address: Not reported
Contact Address 2: Not reported
City,State,Zip: Not reported
Facility Status: Inactive
Facility Type: TEMPORARY
Category: STATE
Latitude: 34.816888
Longitude: -114.601453

Map ID
Direction
Distance
Elevation

MAP FINDINGS

Site

Database(s) EDR ID Number
EPA ID Number

876

Target 213 SCHULZ RD
Property NEEDLES, CA 92363

CHMIRS S126114517
N/A

Actual:
659 ft.

Focus Map:
11

CHMIRS:

Name:	Not reported
Address:	213 SCHULZ RD
City,State,Zip:	NEEDLES, CA 92363
OES Incident Number:	20-1775
OES notification:	03/30/2020
OES Date:	Not reported
OES Time:	Not reported
Date Completed:	Not reported
Property Use:	Not reported
Agency Id Number:	Not reported
Agency Incident Number:	Not reported
Time Notified:	Not reported
Time Completed:	Not reported
Surrounding Area:	Not reported
Estimated Temperature:	Not reported
Property Management:	Not reported
More Than Two Substances Involved?:	Not reported
Resp Agncy Personel # Of Decontaminated:	Not reported
Responding Agency Personel # Of Injuries:	Not reported
Responding Agency Personel # Of Fatalities:	Not reported
Others Number Of Decontaminated:	Not reported
Others Number Of Injuries:	Not reported
Others Number Of Fatalities:	Not reported
Vehicle Make/year:	Not reported
Vehicle License Number:	Not reported
Vehicle State:	Not reported
Vehicle Id Number:	Not reported
CA DOT PUC/ICC Number:	Not reported
Company Name:	Not reported
Reporting Officer Name/ID:	Not reported
Report Date:	Not reported
Facility Telephone:	Not reported
Waterway Involved:	No
Waterway:	Not reported
Spill Site:	Residence
Cleanup By:	N/A
Containment:	Not reported
What Happened:	Not reported
Type:	Not reported
Measure:	Not reported
Other:	Not reported
Type:	VAPOR
Measure:	Lbs.
Other:	Not reported
Date/Time:	1031
Year:	2020
Agency:	SW Gas Corp
Incident Date:	03/30/2020
Admin Agency:	San Bernardino County Fire Department
Amount:	Not reported
Contained:	Stopped,Contained
Site Type:	Not reported
E Date:	Not reported
Substance:	Fuel - Natural Gas Type

Map ID
 Direction
 Distance
 Elevation

MAP FINDINGS

Site

Database(s)

EDR ID Number
 EPA ID Number

(Continued)

S126114517

Quantity Released:	Unk
Unknown:	Not reported
Substance #2:	Not reported
Substance #3:	Not reported
Evacuations:	Not reported
Number of Injuries:	Not reported
Number of Fatalities:	Not reported
#1 Pipeline:	No
#2 Pipeline:	No
#3 Pipeline:	No
#1 Vessel >= 300 Tons:	No
#2 Vessel >= 300 Tons:	No
#3 Vessel >= 300 Tons:	No
Evacs:	No
Injuries:	No
Fatals:	No
Comments:	Not reported
Description:	Residential service line was possibly damaged during a tree removal which caused an underground leak, material vented through soil into the atmosphere, RP handled the containment, no clean up required.

877
 Target
 Property

GRAVEL GERTIE
 , CA

MINES S117661655
 N/A

Actual:
 626 ft.
 Focus Map:
 11

MINES:

Name:	GRAVEL GERTIE
Address:	Not reported
City,State,Zip:	CA
Latitude:	34.812778
Longitude:	-114.602778
Lead Agency identification code:	36.25
Lead Agency name:	City of Needles
Year of the operator supplied annual report:	2002
Type of report submitted by operator:	2
Number of acres disturbed by the mine:	1
Status of mining operation:	ABANDONED
Status of mine reclamation:	RECLAMATION NOT STARTED
Mine operator:	TRI-STATE HIGHWAY 95 SOUTH, ROCK, SAND
Operator Address:	PO BOX 947
Operator City, State, Zip:	NEEDLES, CA 92363
Operator County:	Not reported
Mine owner:	TRI-STATE HIGHWAY 95 SOUTH, ROCK, SAND
Owner Address:	PO BOX 947
Owner City, State, Zip:	NEEDLES, CA 92363
Owner County:	Not reported
Reclamation plan identification number:	Not reported
Primary product produced by the mine:	Sand and Gravel
Other products produced by the mine:	Not reported
Conditional use permit identification number:	1-2-90-7
Number of acres permitted for mining disturbance:	74
Total amount of funds posted by the mine for reclamation:	5000
Financial Assurance Cost Estimate for reclamation:	Not reported
X Coordinates:	-12757522.891
Y Coordinates:	4138467.4394

Map ID
 Direction
 Distance
 Elevation

MAP FINDINGS

Site

Database(s)

EDR ID Number
 EPA ID Number

878 **GRAVEL GIRTY PIT**
Target
Property **NEEDLES, CA 92363**

MINES MRDS **1025646446**
N/A

Actual:
654 ft.
Focus Map:
11

MINES MRDS:

Name:	GRAVEL GIRTY PIT
Address:	Not reported
Deposit identification Number:	10164976
City, State, Zip:	NEEDLES, CALIFORNIA 92363
URL:	https://mrdata.usgs.gov/mrds/show-mrds.php?dep_id=10164976
MRDS Identification Number:	Not reported
MAS/MILS Identification Number:	0060713055
Region:	NA
Country:	United States
Primary Commodities:	Sand and Gravel, Construction
Secondary Commodities:	Not reported
Tertiary Commodities:	Not reported
Operation Type:	Surface
Deposit Type:	Not reported
Production Size:	Not reported
Development Status:	Producer
Ore Minerals or Materials:	Not reported
Gangue Minerals or Materials:	Not reported
Other Minerals or Materials:	Not reported
Ore Body Form:	Not reported
Workings Type:	Not reported
Mineral Deposit Model:	Not reported
Alteration Processes:	Not reported
Concentration Processes:	Not reported
Previous Names:	Hammer Pit
Ore Controls:	Not reported
Reporter:	Ridenour, James
Host Rock Unit Name:	Not reported
Host Rock Type:	Not reported
Associated Rock Unit Name:	Not reported
Associated Rock Type Code:	Not reported
Structural Characteristics:	Not reported
Tectonic Setting:	Not reported
References:	Not reported
First Production Year:	Not reported
Began Before/After FPY:	Not reported
Last Production Year:	Not reported
Ended Before/After LPY:	Not reported
Year Discovered:	Not reported
Found Before/After YD:	Not reported
Production History:	Not reported
Discovery Information:	Not reported
Latitude:	34.81003
Longitude:	-114.60581

Map ID
Direction
Distance
Elevation

MAP FINDINGS

Site

Database(s) EDR ID Number
EPA ID Number

879

Target 37 ZOE LN
Property NEEDLES, CA 92363

CHMIRS S126113809
N/A

Actual:
646 ft.

Focus Map:
15

CHMIRS:

Name:	Not reported
Address:	37 ZOE LN
City,State,Zip:	NEEDLES, CA 92363
OES Incident Number:	20-0813
OES notification:	02/10/2020
OES Date:	Not reported
OES Time:	Not reported
Date Completed:	Not reported
Property Use:	Not reported
Agency Id Number:	Not reported
Agency Incident Number:	Not reported
Time Notified:	Not reported
Time Completed:	Not reported
Surrounding Area:	Not reported
Estimated Temperature:	Not reported
Property Management:	Not reported
More Than Two Substances Involved?:	Not reported
Resp Agncy Personel # Of Decontaminated:	Not reported
Responding Agency Personel # Of Injuries:	Not reported
Responding Agency Personel # Of Fatalities:	Not reported
Others Number Of Decontaminated:	Not reported
Others Number Of Injuries:	Not reported
Others Number Of Fatalities:	Not reported
Vehicle Make/year:	Not reported
Vehicle License Number:	Not reported
Vehicle State:	Not reported
Vehicle Id Number:	Not reported
CA DOT PUC/ICC Number:	Not reported
Company Name:	Not reported
Reporting Officer Name/ID:	Not reported
Report Date:	Not reported
Facility Telephone:	Not reported
Waterway Involved:	No
Waterway:	Not reported
Spill Site:	Residence
Cleanup By:	N/A
Containment:	Not reported
What Happened:	Not reported
Type:	Not reported
Measure:	Not reported
Other:	Not reported
Type:	VAPOR
Measure:	Lbs.
Other:	Not reported
Date/Time:	1000
Year:	2020
Agency:	SW Gas Corp
Incident Date:	02/10/2020
Admin Agency:	San Bernardino County Fire Department
Amount:	Not reported
Contained:	Stopped,Contained
Site Type:	Not reported
E Date:	Not reported
Substance:	Fuel - Natural Gas Type

Map ID
 Direction
 Distance
 Elevation

MAP FINDINGS

Site

Database(s)

EDR ID Number
 EPA ID Number

(Continued)

S126113809

Quantity Released:	Unk
Unknown:	Not reported
Substance #2:	Not reported
Substance #3:	Not reported
Evacuations:	Not reported
Number of Injuries:	Not reported
Number of Fatalities:	Not reported
#1 Pipeline:	No
#2 Pipeline:	No
#3 Pipeline:	No
#1 Vessel >= 300 Tons:	No
#2 Vessel >= 300 Tons:	No
#3 Vessel >= 300 Tons:	Yes
Evacs:	No
Injuries:	No
Fatals:	No
Comments:	Not reported
Description:	Contractor excavating struck a 1" residential service line causing the release, material vented directly into the atmosphere, RP handled the containment and no clean up required.

DQ880 BNSF BRIDGE 574.5 REPLACEMENT
Target
Property **NEEDLES, CA 92363**

CERS S123521605
N/A

Site 1 of 2 in cluster DQ

Actual: 488 ft.	CERS:	
	Name:	BNSF BRIDGE 574.5 REPLACEMENT
Focus Map: 15	Address:	Not reported
	City,State,Zip:	NEEDLES, CA 92363
	Site ID:	439539
	CERS ID:	844513
	CERS Description:	Wetlands - Fill and Dredge Material

DQ881 BNSF BRIDGE 574.5 REPLACEMENT
Target
Property **NEEDLES, CA 92363**

CIWQS S122349611
N/A

Site 2 of 2 in cluster DQ

Actual: 488 ft.	CIWQS:	
	Name:	BNSF BRIDGE 574.5 REPLACEMENT
Focus Map: 15	Address:	Not reported
	City,State,Zip:	NEEDLES, CA 92363
	Agency:	BNSF Railway Company San Bernardino
	Agency Address:	740 East Carnegie Drive, San Bernardino, CA 92408
	Place/Project Type:	Dredge/Fill Site
	SIC/NAICS:	Not reported
	Region:	7
	Program:	CERFILLEXC
	Regulatory Measure Status:	Historical
	Regulatory Measure Type:	401 Certification
	Order Number:	Not reported
	WDID:	7B363040001

Map ID
Direction
Distance
Elevation

MAP FINDINGS

Site

Database(s)

EDR ID Number
EPA ID Number

BNSF BRIDGE 574.5 REPLACEMENT (Continued)

S122349611

NPDES Number: Not reported
Adoption Date: Not reported
Effective Date: 04/02/2018
Termination Date: 01/23/2019
Expiration/Review Date: 04/02/2023
Design Flow: Not reported
Major/Minor: Not reported
Complexity: Not reported
TTWQ: Not reported
Enforcement Actions within 5 years: 0
Violations within 5 years: 0
Latitude: 34.799616
Longitude: -114.575592

882 **NEEDLES WMF 03-046**
Target **SOUTH HWY 95**
Property **NEEDLES, CA**

PFAS **S127520762**
N/A

Actual: PFAS:
740 ft. Name: NEEDLES WMF 03-046
Focus Map: Address: SOUTH HWY 95
15 City,State,Zip: NEEDLES, CA
Envirostor ID: Not reported
Program Type: Not reported
Status: Not reported
Status Date: Not reported
Enviroscreen Score: Not reported
Site Code: Not reported
Global ID: L10003086281
Facility Region: COLORADO RIVER BASIN RWQCB (REGION 7)
Lead Agency: Not reported
Case worker: Not reported
Local Agency: Not reported
Location Case Number: Not reported
File Location: Not reported
Potential Contaminants of Concern: Not reported
Potential Media Affected: Not reported
Site History: Not reported

Begin Date: Not reported
RB Case Number: Not reported
source_type: All PFAS Chemicals
Location ID: N-2A
Matrix: Liquid
Chemical: PFHPA
Qualifier: ND
Value: 0
Reporting Limit: 1.9
Detection Limit: 0.23
Lab Notes: Not reported
Quarterly Running Annual Average: 0
Units: NG/L
Date: 12/16/2019
Field Pt Class: MW
Site Use: MSW Landfill
Site Type: Land Disposal Site
Latitude: 34.795419792
Longitude: -114.61029477

Map ID
Direction
Distance
Elevation

MAP FINDINGS

Site

Database(s)

EDR ID Number
EPA ID Number

NEEDLES WMF 03-046 (Continued)

S127520762

Geo Tracker URL: http://geotracker.waterboards.ca.gov/profile_report.asp?global_id=L10003086281

Name: NEEDLES WMF 03-046
Address: SOUTH HWY 95
City,State,Zip: NEEDLES, CA
Envirostor ID: Not reported
Program Type: Not reported
Status: Not reported
Status Date: Not reported
Enviroscreen Score: Not reported
Site Code: Not reported
Global ID: L10003086281
Facility Region: COLORADO RIVER BASIN RWQCB (REGION 7)
Lead Agency: Not reported
Case worker: Not reported
Local Agency: Not reported
Location Case Number: Not reported
File Location: Not reported
Potential Contaminants of Concern: Not reported
Potential Media Affected: Not reported
Site History: Not reported

Begin Date: Not reported
RB Case Number: Not reported
source_type: All PFAS Chemicals
Location ID: N-2A
Matrix: Liquid
Chemical: PFHA
Qualifier: ND
Value: 0
Reporting Limit: 1.9
Detection Limit: 0.54
Lab Notes: Not reported
Quarterly Running Annual Average: 0
Units: NG/L
Date: 12/16/2019
Field Pt Class: MW
Site Use: MSW Landfill
Site Type: Land Disposal Site
Latitude: 34.795419792
Longitude: -114.61029477
Geo Tracker URL: http://geotracker.waterboards.ca.gov/profile_report.asp?global_id=L10003086281

Name: NEEDLES WMF 03-046
Address: SOUTH HWY 95
City,State,Zip: NEEDLES, CA
Envirostor ID: Not reported
Program Type: Not reported
Status: Not reported
Status Date: Not reported
Enviroscreen Score: Not reported
Site Code: Not reported
Global ID: L10003086281
Facility Region: COLORADO RIVER BASIN RWQCB (REGION 7)
Lead Agency: Not reported
Case worker: Not reported
Local Agency: Not reported

Map ID
Direction
Distance
Elevation

MAP FINDINGS

Site

Database(s)

EDR ID Number
EPA ID Number

NEEDLES WMF 03-046 (Continued)

S127520762

Location Case Number:	Not reported
File Location:	Not reported
Potential Contaminants of Concern:	Not reported
Potential Media Affected:	Not reported
Site History:	Not reported
Begin Date:	Not reported
RB Case Number:	Not reported
source_type:	All PFAS Chemicals
Location ID:	N-2A
Matrix:	Liquid
Chemical:	NMEFOSAA
Qualifier:	ND
Value:	0
Reporting Limit:	19
Detection Limit:	2.9
Lab Notes:	Not reported
Quarterly Running Annual Average:	0
Units:	NG/L
Date:	12/16/2019
Field Pt Class:	MW
Site Use:	MSW Landfill
Site Type:	Land Disposal Site
Latitude:	34.795419792
Longitude:	-114.61029477
Geo Tracker URL:	http://geotracker.waterboards.ca.gov/profile_report.asp?global_id=L10003086281
Name:	NEEDLES WMF 03-046
Address:	SOUTH HWY 95
City,State,Zip:	NEEDLES, CA
Envirostor ID:	Not reported
Program Type:	Not reported
Status:	Not reported
Status Date:	Not reported
Enviroscreen Score:	Not reported
Site Code:	Not reported
Global ID:	L10003086281
Facility Region:	COLORADO RIVER BASIN RWQCB (REGION 7)
Lead Agency:	Not reported
Case worker:	Not reported
Local Agency:	Not reported
Location Case Number:	Not reported
File Location:	Not reported
Potential Contaminants of Concern:	Not reported
Potential Media Affected:	Not reported
Site History:	Not reported
Begin Date:	Not reported
RB Case Number:	Not reported
source_type:	All PFAS Chemicals
Location ID:	N-2A
Matrix:	Liquid
Chemical:	PFUNDCA
Qualifier:	ND
Value:	0
Reporting Limit:	1.9
Detection Limit:	1

Map ID
Direction
Distance
Elevation

MAP FINDINGS

Site

Database(s)

EDR ID Number
EPA ID Number

NEEDLES WMF 03-046 (Continued)

S127520762

Lab Notes: Not reported
Quarterly Running Annual Average: 0
Units: NG/L
Date: 12/16/2019
Field Pt Class: MW
Site Use: MSW Landfill
Site Type: Land Disposal Site
Latitude: 34.795419792
Longitude: -114.61029477
Geo Tracker URL: http://geotracker.waterboards.ca.gov/profile_report.asp?global_id=L10003086281

Name: NEEDLES WMF 03-046
Address: SOUTH HWY 95
City,State,Zip: NEEDLES, CA
Envirostor ID: Not reported
Program Type: Not reported
Status: Not reported
Status Date: Not reported
Enviroscreen Score: Not reported
Site Code: Not reported
Global ID: L10003086281
Facility Region: COLORADO RIVER BASIN RWQCB (REGION 7)
Lead Agency: Not reported
Case worker: Not reported
Local Agency: Not reported
Location Case Number: Not reported
File Location: Not reported
Potential Contaminants of Concern: Not reported
Potential Media Affected: Not reported
Site History: Not reported

Begin Date: Not reported
RB Case Number: Not reported
source_type: All PFAS Chemicals
Location ID: N-2A
Matrix: Liquid
Chemical: PFNA
Qualifier: ND
Value: 0
Reporting Limit: 1.9
Detection Limit: 0.25
Lab Notes: Not reported
Quarterly Running Annual Average: 0
Units: NG/L
Date: 12/16/2019
Field Pt Class: MW
Site Use: MSW Landfill
Site Type: Land Disposal Site
Latitude: 34.795419792
Longitude: -114.61029477
Geo Tracker URL: http://geotracker.waterboards.ca.gov/profile_report.asp?global_id=L10003086281

Name: NEEDLES WMF 03-046
Address: SOUTH HWY 95
City,State,Zip: NEEDLES, CA
Envirostor ID: Not reported
Program Type: Not reported

Map ID
Direction
Distance
Elevation

MAP FINDINGS

Site

Database(s)

EDR ID Number
EPA ID Number

NEEDLES WMF 03-046 (Continued)

S127520762

Status:	Not reported
Status Date:	Not reported
Enviroscreen Score:	Not reported
Site Code:	Not reported
Global ID:	L10003086281
Facility Region:	COLORADO RIVER BASIN RWQCB (REGION 7)
Lead Agency:	Not reported
Case worker:	Not reported
Local Agency:	Not reported
Location Case Number:	Not reported
File Location:	Not reported
Potential Contaminants of Concern:	Not reported
Potential Media Affected:	Not reported
Site History:	Not reported
Begin Date:	Not reported
RB Case Number:	Not reported
source_type:	All PFAS Chemicals
Location ID:	N-2A
Matrix:	Liquid
Chemical:	PFOSA
Qualifier:	ND
Value:	0
Reporting Limit:	1.9
Detection Limit:	0.33
Lab Notes:	Not reported
Quarterly Running Annual Average:	0
Units:	NG/L
Date:	12/16/2019
Field Pt Class:	MW
Site Use:	MSW Landfill
Site Type:	Land Disposal Site
Latitude:	34.795419792
Longitude:	-114.61029477
Geo Tracker URL:	http://geotracker.waterboards.ca.gov/profile_report.asp?global_id=L10003086281
Name:	NEEDLES WMF 03-046
Address:	SOUTH HWY 95
City,State,Zip:	NEEDLES, CA
Envirostor ID:	Not reported
Program Type:	Not reported
Status:	Not reported
Status Date:	Not reported
Enviroscreen Score:	Not reported
Site Code:	Not reported
Global ID:	L10003086281
Facility Region:	COLORADO RIVER BASIN RWQCB (REGION 7)
Lead Agency:	Not reported
Case worker:	Not reported
Local Agency:	Not reported
Location Case Number:	Not reported
File Location:	Not reported
Potential Contaminants of Concern:	Not reported
Potential Media Affected:	Not reported
Site History:	Not reported
Begin Date:	Not reported

Map ID
Direction
Distance
Elevation

MAP FINDINGS

Site

Database(s)

EDR ID Number
EPA ID Number

NEEDLES WMF 03-046 (Continued)

S127520762

RB Case Number: Not reported
source_type: All PFAS Chemicals
Location ID: N-2A
Matrix: Liquid
Chemical: 4:2FTS
Qualifier: ND
Value: 0
Reporting Limit: 19
Detection Limit: 4.8
Lab Notes: Not reported
Quarterly Running Annual Average: 0
Units: NG/L
Date: 12/16/2019
Field Pt Class: MW
Site Use: MSW Landfill
Site Type: Land Disposal Site
Latitude: 34.795419792
Longitude: -114.61029477
Geo Tracker URL: http://geotracker.waterboards.ca.gov/profile_report.asp?global_id=L10003086281

Name: NEEDLES WMF 03-046
Address: SOUTH HWY 95
City,State,Zip: NEEDLES, CA
Envirostor ID: Not reported
Program Type: Not reported
Status: Not reported
Status Date: Not reported
Enviroscreen Score: Not reported
Site Code: Not reported
Global ID: L10003086281
Facility Region: COLORADO RIVER BASIN RWQCB (REGION 7)
Lead Agency: Not reported
Case worker: Not reported
Local Agency: Not reported
Location Case Number: Not reported
File Location: Not reported
Potential Contaminants of Concern: Not reported
Potential Media Affected: Not reported
Site History: Not reported

Begin Date: Not reported
RB Case Number: Not reported
source_type: All PFAS Chemicals
Location ID: N-2A
Matrix: Liquid
Chemical: 6:2FTS
Qualifier: ND
Value: 0
Reporting Limit: 19
Detection Limit: 1.9
Lab Notes: Not reported
Quarterly Running Annual Average: 0
Units: NG/L
Date: 12/16/2019
Field Pt Class: MW
Site Use: MSW Landfill
Site Type: Land Disposal Site

Map ID
Direction
Distance
Elevation

MAP FINDINGS

Site

Database(s)

EDR ID Number
EPA ID Number

NEEDLES WMF 03-046 (Continued)

S127520762

Latitude: 34.795419792
Longitude: -114.61029477
Geo Tracker URL: http://geotracker.waterboards.ca.gov/profile_report.asp?global_id=L10003086281

Name: NEEDLES WMF 03-046
Address: SOUTH HWY 95
City,State,Zip: NEEDLES, CA
Envirostor ID: Not reported
Program Type: Not reported
Status: Not reported
Status Date: Not reported
Enviroscreen Score: Not reported
Site Code: Not reported
Global ID: L10003086281
Facility Region: COLORADO RIVER BASIN RWQCB (REGION 7)
Lead Agency: Not reported
Case worker: Not reported
Local Agency: Not reported
Location Case Number: Not reported
File Location: Not reported
Potential Contaminants of Concern: Not reported
Potential Media Affected: Not reported
Site History: Not reported

Begin Date: Not reported
RB Case Number: Not reported
source_type: All PFAS Chemicals
Location ID: N-2A
Matrix: Liquid
Chemical: NETFOSAA
Qualifier: ND
Value: 0
Reporting Limit: 19
Detection Limit: 1.8
Lab Notes: Not reported
Quarterly Running Annual Average: 0
Units: NG/L
Date: 12/16/2019
Field Pt Class: MW
Site Use: MSW Landfill
Site Type: Land Disposal Site
Latitude: 34.795419792
Longitude: -114.61029477
Geo Tracker URL: http://geotracker.waterboards.ca.gov/profile_report.asp?global_id=L10003086281

Name: NEEDLES WMF 03-046
Address: SOUTH HWY 95
City,State,Zip: NEEDLES, CA
Envirostor ID: Not reported
Program Type: Not reported
Status: Not reported
Status Date: Not reported
Enviroscreen Score: Not reported
Site Code: Not reported
Global ID: L10003086281
Facility Region: COLORADO RIVER BASIN RWQCB (REGION 7)
Lead Agency: Not reported

Map ID
Direction
Distance
Elevation

MAP FINDINGS

Site

Database(s)

EDR ID Number
EPA ID Number

NEEDLES WMF 03-046 (Continued)

S127520762

Case worker:	Not reported
Local Agency:	Not reported
Location Case Number:	Not reported
File Location:	Not reported
Potential Contaminants of Concern:	Not reported
Potential Media Affected:	Not reported
Site History:	Not reported
Begin Date:	Not reported
RB Case Number:	Not reported
source_type:	All PFAS Chemicals
Location ID:	N-2A
Matrix:	Liquid
Chemical:	PFDSA
Qualifier:	ND
Value:	0
Reporting Limit:	1.9
Detection Limit:	0.3
Lab Notes:	Not reported
Quarterly Running Annual Average:	0
Units:	NG/L
Date:	12/16/2019
Field Pt Class:	MW
Site Use:	MSW Landfill
Site Type:	Land Disposal Site
Latitude:	34.795419792
Longitude:	-114.61029477
Geo Tracker URL:	http://geotracker.waterboards.ca.gov/profile_report.asp?global_id=L10003086281
Name:	NEEDLES WMF 03-046
Address:	SOUTH HWY 95
City,State,Zip:	NEEDLES, CA
Envirostor ID:	Not reported
Program Type:	Not reported
Status:	Not reported
Status Date:	Not reported
Enviroscreen Score:	Not reported
Site Code:	Not reported
Global ID:	L10003086281
Facility Region:	COLORADO RIVER BASIN RWQCB (REGION 7)
Lead Agency:	Not reported
Case worker:	Not reported
Local Agency:	Not reported
Location Case Number:	Not reported
File Location:	Not reported
Potential Contaminants of Concern:	Not reported
Potential Media Affected:	Not reported
Site History:	Not reported
Begin Date:	Not reported
RB Case Number:	Not reported
source_type:	All PFAS Chemicals
Location ID:	N-2A
Matrix:	Liquid
Chemical:	PFNS
Qualifier:	ND
Value:	0

Map ID
Direction
Distance
Elevation

MAP FINDINGS

Site

Database(s)

EDR ID Number
EPA ID Number

NEEDLES WMF 03-046 (Continued)

S127520762

Reporting Limit: 1.9
Detection Limit: 0.15
Lab Notes: Not reported
Quarterly Running Annual Average: 0
Units: NG/L
Date: 12/16/2019
Field Pt Class: MW
Site Use: MSW Landfill
Site Type: Land Disposal Site
Latitude: 34.795419792
Longitude: -114.61029477
Geo Tracker URL: http://geotracker.waterboards.ca.gov/profile_report.asp?global_id=L10003086281

[Click this hyperlink](#) while viewing on your computer to access 14 additional CA PFAS: record(s) in the EDR Site Report.

883 **NEEDLES DSPL SITE**
Target **US HWY 95**
Property **NEEDLES, CA 92363**

SEMS-ARCHIVE **1002850180**
CA8141190100

Actual:
785 ft.
Focus Map:
14

SEMS Archive:
Site ID: 0902789
EPA ID: CA8141190100
Name: NEEDLES DSPL SITE
Address: US HWY 95
Address 2: Not reported
City,State,Zip: NEEDLES, CA 92363
Cong District: 35
FIPS Code: 06071
FF: Y
NPL: Not on the NPL
Non NPL Status: NFRAP-Site does not qualify for the NPL based on existing information

SEMS Archive Detail:
Region: 09
Site ID: 0902789
EPA ID: CA8141190100
Site Name: NEEDLES DSPL SITE
NPL: N
FF: Y
OU: 00
Action Code: VS
Action Name: ARCH SITE
SEQ: 1
Start Date: Not reported
Finish Date: 2001-04-17 04:00:00
Qual: Not reported
Current Action Lead: EPA Perf In-Hse

Region: 09
Site ID: 0902789
EPA ID: CA8141190100
Site Name: NEEDLES DSPL SITE
NPL: N
FF: Y
OU: 00
Action Code: TY
Action Name: FF SI REV

Map ID
Direction
Distance
Elevation

MAP FINDINGS

Site

Database(s)

EDR ID Number
EPA ID Number

NEEDLES DSPL SITE (Continued)

1002850180

SEQ: 1
Start Date: Not reported
Finish Date: 2000-09-28 04:00:00
Qual: N
Current Action Lead: EPA Perf

Region: 09
Site ID: 0902789
EPA ID: CA8141190100
Site Name: NEEDLES DSPL SITE
NPL: N
FF: Y
OU: 00
Action Code: PA
Action Name: PA
SEQ: 1
Start Date: Not reported
Finish Date: 1993-09-16 04:00:00
Qual: L
Current Action Lead: Fed Fac

Region: 09
Site ID: 0902789
EPA ID: CA8141190100
Site Name: NEEDLES DSPL SITE
NPL: N
FF: Y
OU: 00
Action Code: PA
Action Name: PA
SEQ: 2
Start Date: 1985-04-01 06:00:00
Finish Date: 1985-08-01 05:00:00
Qual: L
Current Action Lead: Fed Fac

Region: 09
Site ID: 0902789
EPA ID: CA8141190100
Site Name: NEEDLES DSPL SITE
NPL: N
FF: Y
OU: 00
Action Code: DS
Action Name: DISCVRY
SEQ: 1
Start Date: 1985-04-01 06:00:00
Finish Date: 1985-04-01 06:00:00
Qual: Not reported
Current Action Lead: St Perf

Map ID
Direction
Distance
Elevation

MAP FINDINGS

Site

Database(s)

EDR ID Number
EPA ID Number

884
Target
Property

NEEDLES WMF 03-046
SOUTH HWY 95
NEEDLES, CA

LDS
CIWQS
CERS

S109517540
N/A

Actual:
770 ft.

Focus Map:
14

LDS:

Name: NEEDLES WMF 03-046
Address: SOUTH HWY 95
City,State,Zip: NEEDLES, CA
Global Id: L10003086281
Latitude: 34.79390
Longitude: -114.6135
Case Type: Land Disposal Site
Status: Open - Closed/with Monitoring
Status Date: 05/28/1999
Lead Agency: COLORADO RIVER BASIN RWQCB (REGION 7)
Caseworker: SS
Local Agency: Not reported
RB Case Number: 7B360304171
LOC Case Number: Not reported
File Location: Not reported
Potential Media Affect: Not reported
EDR Link ID: L10003086281
Potential Contaminants of Concern: Not reported
Site History: Not reported

[Click here to access the California GeoTracker records for this facility:](#)

CIWQS:

Name: NEEDLES WMF 03-046
Address: SOUTH HWY 95
City,State,Zip: NEEDLES, CA
Agency: San Bernardino Cnty Waste
Agency Address: 222 West Hospitality Lane 2nd Floor, San Bernardino, CA 92415-0017
Place/Project Type: Land fill
SIC/NAICS: 4953
Region: 7
Program: LFNONOPER, LNDISP, SLIC
Regulatory Measure Status: Active
Regulatory Measure Type: WDR
Order Number: R7-2021-0012
WDID: 7B360304171
NPDES Number: Not reported
Adoption Date: 06/15/2021
Effective Date: 06/15/2021
Termination Date: Not reported
Expiration/Review Date: 06/15/2031
Design Flow: Not reported
Major/Minor: Not reported
Complexity: B
TTWQ: 2
Enforcement Actions within 5 years: 0
Violations within 5 years: 0
Latitude: Not reported
Longitude: Not reported

CERS:

Map ID
 Direction
 Distance
 Elevation

MAP FINDINGS

Site

Database(s)

EDR ID Number
 EPA ID Number

NEEDLES WMF 03-046 (Continued)

S109517540

Name: NEEDLES WMF 03-046
 Address: SOUTH HWY 95
 City,State,Zip: NEEDLES, CA
 Site ID: 258357
 CERS ID: L10003086281
 CERS Description: Land Disposal Site

Affiliation:
 Affiliation Type Desc: Regional Board Caseworker
 Entity Name: SCOT STORMO - COLORADO RIVER BASIN RWQCB (REGION 7)
 Entity Title: Not reported
 Affiliation Address: 73720 Fred Waring Dr., Ste 100
 Affiliation City: PALM DESERT
 Affiliation State: CA
 Affiliation Country: Not reported
 Affiliation Zip: Not reported
 Affiliation Phone: 7607768964,

885 **NEEDLES SOLID WASTE DISPOSAL SITE**
Target **13930 NEEDLES LANDFILL ROAD**
Property **NEEDLES, CA 92363**

SWF/LF **S105075678**
Financial Assurance **N/A**
CERS

Actual: SWF/LF (SWIS):
793 ft. Name: NEEDLES SOLID WASTE DISPOSAL SITE
Focus Map: Address: 13930 NEEDLES LANDFILL ROAD
14 City,State,Zip: NEEDLES, CA 92363
 Region: STATE
 Facility ID: 36-AA-0059
 SWIS Number: 36-AA-0059
 Point of Contact: Frank Davies, Jr.
 Is Archived: No
 Is Closed Illegal Abandoned: Yes
 Is Site Inert Debris Engineered Fill: No
 Is Financial Assurances Responsible: Yes
 Absorbed On: Not reported
 Operational Status: Closed
 Absorbed By: Not reported
 Closed Illegal Abandoned Category: C3
 EPA Federal Registry ID: Not reported
 ARB District: Mojave Desert
 SWRCB Region: Colorado River
 Local Government: Needles
 Reporting Agency Legal Name: County of San Bernardino
 Reporting Agency Department: Div. of Environmental Health Services
 Enforcing Agency Legal Name: County of San Bernardino
 Enforcing Agency Department: Div. of Environmental Health Services
 Regulation Status: Permitted

Activity:
 SWIS Number: 36-AA-0059
 Site Name: Needles Solid Waste Disposal Site
 Activity: Solid Waste Landfill
 Activity Is Archived: No
 Category: Disposal
 Activity Classification: Solid Waste Facility
 WDR Number: Not reported
 WDR Landfill Class: III
 Cease Operation: 6/17/1999

Map ID
Direction
Distance
Elevation

MAP FINDINGS

Site

Database(s)

EDR ID Number
EPA ID Number

NEEDLES SOLID WASTE DISPOSAL SITE (Continued)

S105075678

Cease Operation Type: Actual
Inspection Frequency: Quarterly
Throughput: Not reported
Throughput Units: Not reported
Remaining Capacity: Not reported
Remaining Capacity Date: Not reported
Capacity: Not reported
Capacity Units: Not reported
Total Acreage: Not reported
Disposal Acreage: Not reported
Permitted Elevation: Not reported
Permitted Elevation Type: Not reported
Permitted Depth: Not reported
Permitted Depth Type: Not reported
Point of Contact: Frank Davies, Jr.
Site Operational Status: Closed
Site Regulatory Status: Permitted
Site Is Archived: No
Is Closed Illegal Abandoned: Yes
Is Site Inert Debris Engineered Fill: No
Is Financial Assurances Responsible: Yes
Absorbed On: Not reported
Absorbed By: Not reported
Closed Illegal Abandoned Category: C3
EPA Federal Registry ID: Not reported
County: San Bernardino
ARB District: Mojave Desert
SWRCB Region: Colorado River
Local Government: Needles
Street Address: 13930 Needles Landfill Road
City: Needles
State: CA
ZIP Code: 92363
Reporting Agency Legal Name: County of San Bernardino
Reporting Agency Department: Div. of Environmental Health Services
Enforcing Agency Legal Name: County of San Bernardino
Enforcing Agency Department: Div. of Environmental Health Services

Operator:
SWIS Number: 36-AA-0059
Site Name: Needles Solid Waste Disposal Site
Site Operational Status: Closed
Site Type: Disposal Only
Site Regulatory Status: Permitted
Latitude: 34.79377
Longitude: -114.61599
Is Archived: No
Operator: County of San Bernardino S.W. Mgt Div
Started On: Not reported
Contact Name: Marc Rodabaugh
Contact Title: Contract Administrator
Contact Email: SolidWaste@dpw.sbcounty.gov
Contact Phone: (800) 722-8004
Street Address: 222 W Hospitality Ln Fl 2
Operator City: San Bernardino
Operator State: CA
Operator Zip: 92415

Map ID
Direction
Distance
Elevation

MAP FINDINGS

Site

Database(s)

EDR ID Number
EPA ID Number

NEEDLES SOLID WASTE DISPOSAL SITE (Continued)

S105075678

Owner:

SWIS Number: 36-AA-0059
Owner: County of San Bernardino S.W. Mgt Div
Owner Address: 222 W Hospitality Ln Fl 2
Owner City: San Bernardino
Owner State: CA
Owner Zip: 92415
Site Name: Needles Solid Waste Disposal Site
Site Operational Status: Closed
Site Type: Disposal Only
Site Regulatory Status: Permitted
Latitude: 34.79377
Longitude: -114.61599
Is Archived: No
Started On: Not reported
Contact Name: Marc Rodabaugh
Contact Title: Contract Administrator
Contact Email: SolidWaste@dpw.sbcounty.gov
Contact Phone: (800) 722-8004

CA Financial Assurance 2:

Name: NEEDLES SOLID WASTE DISPOSAL SITE
Address: 13930 NEEDLES LANDFILL ROAD
City,State,Zip: NEEDLES, CA 92363
Region: 2
SWIS_NO: 36-AA-0059
Closure Approved: Yes
Closure Inf Coverage Date: Not reported
Closure Plan Coverage: 0
Closure Plan Date: 06/01/2019
PostClose Approved: Yes
PostClose Adequacy Date: 06/01/2019
PostClose Inf Coverage: 1560974
PostClose Inf Coverage Date: 06/01/2007
CorActCoverage: 15291121
CorActApproved: Yes
CorAct Mec Adequacy Date: Not reported
CorAct Inf Coverage: 15291121
CorActPlanCoverage: 303263
CorAct Plan Date: 03/01/2009
Lia Coverage: 0
Lia Approved: Yes
Review: 05/16/2002
Closure Mechanism A: Not reported
Closure Mechanism B: Not reported
Closure Coverage: 0
Closure Adequacy: Not reported
Closure Inflation Estimate: 0
Post Closure Mechanism A: PLEDGE OF REVENUE
Post Closure Established A: 05/21/1997
Post Closure Mechanism B: Not reported
Post Closure Coverate: 1560974
Post Closure Adequacy: Not reported
Corrective Action Established A: Not reported
Corrective Action Coverage: 15291121

Map ID
Direction
Distance
Elevation

MAP FINDINGS

Site

Database(s)

EDR ID Number
EPA ID Number

NEEDLES SOLID WASTE DISPOSAL SITE (Continued)

S105075678

Corrective Action Approved: Yes
Corrective Action Inflation Estimate: 15291121
Corrective Action Inflation date: 06/03/2014
Corrective Action Plan Estimate: 303263
Liability Mechanism A: Not reported
Liability Established A: Not reported
Liability Mechanism B: Not reported
Cost Anniversary: 07/03/2001
Closure Established A: Not reported
Closure Established B: Not reported
Closure Disbursement: 0
Post Closure Established B: Not reported
Post Closure Disbursement: 0
Corrective Action Mechanism A: PLEDGE OF REVENUE
Corrective Action Mechanism B: Not reported
Corrective Action Established B: Not reported
Corrective Action Disbursement: 0
Liability Established B: Not reported
Liability Adequacy: Not reported
Responsible Party: Not reported
Provider: Not reported
Contact: Not reported

CERS:

Name: NEEDLES SOLID WASTE DISPOSAL SITE
Address: 13930 NEEDLES LANDFILL ROAD
City, State, Zip: NEEDLES, CA
Site ID: 510411
CERS ID: 36-AA-0059
CERS Description: Solid Waste and Recycle Sites

Affiliation:

Affiliation Type Desc: Legal Owner
Entity Name: County of San Bernardino S.W. Mgt Div
Entity Title: Not reported
Affiliation Address: Not reported
Affiliation City: San Bernardino
Affiliation State: CA
Affiliation Country: Not reported
Affiliation Zip: 92415
Affiliation Phone: 8007228004,

Affiliation Type Desc: Legal Operator
Entity Name: County of San Bernardino S.W. Mgt Div
Entity Title: Not reported
Affiliation Address: Not reported
Affiliation City: San Bernardino
Affiliation State: CA
Affiliation Country: Not reported
Affiliation Zip: 92415
Affiliation Phone: 8007228004,

Map ID
Direction
Distance
Elevation

MAP FINDINGS

Site

Database(s)
EDR ID Number
EPA ID Number

886 **NEEDLES WMF 03-046**
Target **SOUTH HWY 95**
Property **NEEDLES, CA**

PFAS **S127520761**
 N/A

Actual:
759 ft.
Focus Map:
15

PFAS:
Name: NEEDLES WMF 03-046
Address: SOUTH HWY 95
City,State,Zip: NEEDLES, CA
Envirostor ID: Not reported
Program Type: Not reported
Status: Not reported
Status Date: Not reported
Enviroscreen Score: Not reported
Site Code: Not reported
Global ID: L10003086281
Facility Region: COLORADO RIVER BASIN RWQCB (REGION 7)
Lead Agency: Not reported
Case worker: Not reported
Local Agency: Not reported
Location Case Number: Not reported
File Location: Not reported
Potential Contaminants of Concern: Not reported
Potential Media Affected: Not reported
Site History: Not reported

Begin Date: Not reported
RB Case Number: Not reported
source_type: All PFAS Chemicals
Location ID: N-5
Matrix: Liquid
Chemical: PFHPA
Qualifier: ND
Value: 0
Reporting Limit: 1.9
Detection Limit: 0.23
Lab Notes: Not reported
Quarterly Running Annual Average: 0
Units: NG/L
Date: 12/16/2019
Field Pt Class: MW
Site Use: MSW Landfill
Site Type: Land Disposal Site
Latitude: 34.793483656
Longitude: -114.61033519
Geo Tracker URL: http://geotracker.waterboards.ca.gov/profile_report.asp?global_id=L10003086281

Name: NEEDLES WMF 03-046
Address: SOUTH HWY 95
City,State,Zip: NEEDLES, CA
Envirostor ID: Not reported
Program Type: Not reported
Status: Not reported
Status Date: Not reported
Enviroscreen Score: Not reported
Site Code: Not reported
Global ID: L10003086281
Facility Region: COLORADO RIVER BASIN RWQCB (REGION 7)
Lead Agency: Not reported
Case worker: Not reported

Map ID
Direction
Distance
Elevation

MAP FINDINGS

Site

Database(s)

EDR ID Number
EPA ID Number

NEEDLES WMF 03-046 (Continued)

S127520761

Local Agency:	Not reported
Location Case Number:	Not reported
File Location:	Not reported
Potential Contaminants of Concern:	Not reported
Potential Media Affected:	Not reported
Site History:	Not reported
Begin Date:	Not reported
RB Case Number:	Not reported
source_type:	All PFAS Chemicals
Location ID:	N-5
Matrix:	Liquid
Chemical:	PFHA
Qualifier:	ND
Value:	0
Reporting Limit:	1.9
Detection Limit:	0.54
Lab Notes:	Not reported
Quarterly Running Annual Average:	0
Units:	NG/L
Date:	12/16/2019
Field Pt Class:	MW
Site Use:	MSW Landfill
Site Type:	Land Disposal Site
Latitude:	34.793483656
Longitude:	-114.61033519
Geo Tracker URL:	http://geotracker.waterboards.ca.gov/profile_report.asp?global_id=L10003086281
Name:	NEEDLES WMF 03-046
Address:	SOUTH HWY 95
City,State,Zip:	NEEDLES, CA
Envirostor ID:	Not reported
Program Type:	Not reported
Status:	Not reported
Status Date:	Not reported
Enviroscreen Score:	Not reported
Site Code:	Not reported
Global ID:	L10003086281
Facility Region:	COLORADO RIVER BASIN RWQCB (REGION 7)
Lead Agency:	Not reported
Case worker:	Not reported
Local Agency:	Not reported
Location Case Number:	Not reported
File Location:	Not reported
Potential Contaminants of Concern:	Not reported
Potential Media Affected:	Not reported
Site History:	Not reported
Begin Date:	Not reported
RB Case Number:	Not reported
source_type:	All PFAS Chemicals
Location ID:	N-5
Matrix:	Liquid
Chemical:	NMEFOSAA
Qualifier:	ND
Value:	0
Reporting Limit:	19

Map ID
Direction
Distance
Elevation

MAP FINDINGS

Site

Database(s)

EDR ID Number
EPA ID Number

NEEDLES WMF 03-046 (Continued)

S127520761

Detection Limit: 2.9
Lab Notes: Not reported
Quarterly Running Annual Average: 0
Units: NG/L
Date: 12/16/2019
Field Pt Class: MW
Site Use: MSW Landfill
Site Type: Land Disposal Site
Latitude: 34.793483656
Longitude: -114.61033519
Geo Tracker URL: http://geotracker.waterboards.ca.gov/profile_report.asp?global_id=L10003086281

Name: NEEDLES WMF 03-046
Address: SOUTH HWY 95
City,State,Zip: NEEDLES, CA
Envirostor ID: Not reported
Program Type: Not reported
Status: Not reported
Status Date: Not reported
Enviroscreen Score: Not reported
Site Code: Not reported
Global ID: L10003086281
Facility Region: COLORADO RIVER BASIN RWQCB (REGION 7)
Lead Agency: Not reported
Case worker: Not reported
Local Agency: Not reported
Location Case Number: Not reported
File Location: Not reported
Potential Contaminants of Concern: Not reported
Potential Media Affected: Not reported
Site History: Not reported

Begin Date: Not reported
RB Case Number: Not reported
source_type: All PFAS Chemicals
Location ID: N-5
Matrix: Liquid
Chemical: PFNA
Qualifier: ND
Value: 0
Reporting Limit: 1.9
Detection Limit: 0.25
Lab Notes: Not reported
Quarterly Running Annual Average: 0
Units: NG/L
Date: 12/16/2019
Field Pt Class: MW
Site Use: MSW Landfill
Site Type: Land Disposal Site
Latitude: 34.793483656
Longitude: -114.61033519
Geo Tracker URL: http://geotracker.waterboards.ca.gov/profile_report.asp?global_id=L10003086281

Name: NEEDLES WMF 03-046
Address: SOUTH HWY 95
City,State,Zip: NEEDLES, CA
Envirostor ID: Not reported

Map ID
Direction
Distance
Elevation

MAP FINDINGS

Site

Database(s)

EDR ID Number
EPA ID Number

NEEDLES WMF 03-046 (Continued)

S127520761

Program Type:	Not reported
Status:	Not reported
Status Date:	Not reported
Enviroscreen Score:	Not reported
Site Code:	Not reported
Global ID:	L10003086281
Facility Region:	COLORADO RIVER BASIN RWQCB (REGION 7)
Lead Agency:	Not reported
Case worker:	Not reported
Local Agency:	Not reported
Location Case Number:	Not reported
File Location:	Not reported
Potential Contaminants of Concern:	Not reported
Potential Media Affected:	Not reported
Site History:	Not reported
Begin Date:	Not reported
RB Case Number:	Not reported
source_type:	All PFAS Chemicals
Location ID:	N-5
Matrix:	Liquid
Chemical:	PFUNDCA
Qualifier:	ND
Value:	0
Reporting Limit:	1.9
Detection Limit:	1
Lab Notes:	Not reported
Quarterly Running Annual Average:	0
Units:	NG/L
Date:	12/16/2019
Field Pt Class:	MW
Site Use:	MSW Landfill
Site Type:	Land Disposal Site
Latitude:	34.793483656
Longitude:	-114.61033519
Geo Tracker URL:	http://geotracker.waterboards.ca.gov/profile_report.asp?global_id=L10003086281
Name:	NEEDLES WMF 03-046
Address:	SOUTH HWY 95
City,State,Zip:	NEEDLES, CA
Envirostor ID:	Not reported
Program Type:	Not reported
Status:	Not reported
Status Date:	Not reported
Enviroscreen Score:	Not reported
Site Code:	Not reported
Global ID:	L10003086281
Facility Region:	COLORADO RIVER BASIN RWQCB (REGION 7)
Lead Agency:	Not reported
Case worker:	Not reported
Local Agency:	Not reported
Location Case Number:	Not reported
File Location:	Not reported
Potential Contaminants of Concern:	Not reported
Potential Media Affected:	Not reported
Site History:	Not reported

Map ID
Direction
Distance
Elevation

MAP FINDINGS

Site

Database(s)

EDR ID Number
EPA ID Number

NEEDLES WMF 03-046 (Continued)

S127520761

Begin Date: Not reported
RB Case Number: Not reported
source_type: All PFAS Chemicals
Location ID: N-5
Matrix: Liquid
Chemical: PFOSA
Qualifier: ND
Value: 0
Reporting Limit: 1.9
Detection Limit: 0.32
Lab Notes: Not reported
Quarterly Running Annual Average: 0
Units: NG/L
Date: 12/16/2019
Field Pt Class: MW
Site Use: MSW Landfill
Site Type: Land Disposal Site
Latitude: 34.793483656
Longitude: -114.61033519
Geo Tracker URL: http://geotracker.waterboards.ca.gov/profile_report.asp?global_id=L10003086281

Name: NEEDLES WMF 03-046
Address: SOUTH HWY 95
City,State,Zip: NEEDLES, CA
Envirostor ID: Not reported
Program Type: Not reported
Status: Not reported
Status Date: Not reported
Enviroscreen Score: Not reported
Site Code: Not reported
Global ID: L10003086281
Facility Region: COLORADO RIVER BASIN RWQCB (REGION 7)
Lead Agency: Not reported
Case worker: Not reported
Local Agency: Not reported
Location Case Number: Not reported
File Location: Not reported
Potential Contaminants of Concern: Not reported
Potential Media Affected: Not reported
Site History: Not reported

Begin Date: Not reported
RB Case Number: Not reported
source_type: All PFAS Chemicals
Location ID: N-5
Matrix: Liquid
Chemical: 4:2FTS
Qualifier: ND
Value: 0
Reporting Limit: 19
Detection Limit: 4.8
Lab Notes: Not reported
Quarterly Running Annual Average: 0
Units: NG/L
Date: 12/16/2019
Field Pt Class: MW
Site Use: MSW Landfill

Map ID
Direction
Distance
Elevation

MAP FINDINGS

Site

Database(s)

EDR ID Number
EPA ID Number

NEEDLES WMF 03-046 (Continued)

S127520761

Site Type: Land Disposal Site
Latitude: 34.793483656
Longitude: -114.61033519
Geo Tracker URL: http://geotracker.waterboards.ca.gov/profile_report.asp?global_id=L10003086281

Name: NEEDLES WMF 03-046
Address: SOUTH HWY 95
City,State,Zip: NEEDLES, CA
Envirostor ID: Not reported
Program Type: Not reported
Status: Not reported
Status Date: Not reported
Enviroscreen Score: Not reported
Site Code: Not reported
Global ID: L10003086281
Facility Region: COLORADO RIVER BASIN RWQCB (REGION 7)
Lead Agency: Not reported
Case worker: Not reported
Local Agency: Not reported
Location Case Number: Not reported
File Location: Not reported
Potential Contaminants of Concern: Not reported
Potential Media Affected: Not reported
Site History: Not reported

Begin Date: Not reported
RB Case Number: Not reported
source_type: All PFAS Chemicals
Location ID: N-5
Matrix: Liquid
Chemical: 6:2FTS
Qualifier: ND
Value: 0
Reporting Limit: 19
Detection Limit: 1.9
Lab Notes: Not reported
Quarterly Running Annual Average: 0
Units: NG/L
Date: 12/16/2019
Field Pt Class: MW
Site Use: MSW Landfill
Site Type: Land Disposal Site
Latitude: 34.793483656
Longitude: -114.61033519
Geo Tracker URL: http://geotracker.waterboards.ca.gov/profile_report.asp?global_id=L10003086281

Name: NEEDLES WMF 03-046
Address: SOUTH HWY 95
City,State,Zip: NEEDLES, CA
Envirostor ID: Not reported
Program Type: Not reported
Status: Not reported
Status Date: Not reported
Enviroscreen Score: Not reported
Site Code: Not reported
Global ID: L10003086281
Facility Region: COLORADO RIVER BASIN RWQCB (REGION 7)

Map ID
Direction
Distance
Elevation

MAP FINDINGS

Site

Database(s)

EDR ID Number
EPA ID Number

NEEDLES WMF 03-046 (Continued)

S127520761

Lead Agency:	Not reported
Case worker:	Not reported
Local Agency:	Not reported
Location Case Number:	Not reported
File Location:	Not reported
Potential Contaminants of Concern:	Not reported
Potential Media Affected:	Not reported
Site History:	Not reported
Begin Date:	Not reported
RB Case Number:	Not reported
source_type:	All PFAS Chemicals
Location ID:	N-5
Matrix:	Liquid
Chemical:	NETFOSAA
Qualifier:	ND
Value:	0
Reporting Limit:	19
Detection Limit:	1.8
Lab Notes:	Not reported
Quarterly Running Annual Average:	0
Units:	NG/L
Date:	12/16/2019
Field Pt Class:	MW
Site Use:	MSW Landfill
Site Type:	Land Disposal Site
Latitude:	34.793483656
Longitude:	-114.61033519
Geo Tracker URL:	http://geotracker.waterboards.ca.gov/profile_report.asp?global_id=L10003086281
Name:	NEEDLES WMF 03-046
Address:	SOUTH HWY 95
City,State,Zip:	NEEDLES, CA
Envirostor ID:	Not reported
Program Type:	Not reported
Status:	Not reported
Status Date:	Not reported
Enviroscreen Score:	Not reported
Site Code:	Not reported
Global ID:	L10003086281
Facility Region:	COLORADO RIVER BASIN RWQCB (REGION 7)
Lead Agency:	Not reported
Case worker:	Not reported
Local Agency:	Not reported
Location Case Number:	Not reported
File Location:	Not reported
Potential Contaminants of Concern:	Not reported
Potential Media Affected:	Not reported
Site History:	Not reported
Begin Date:	Not reported
RB Case Number:	Not reported
source_type:	All PFAS Chemicals
Location ID:	N-5
Matrix:	Liquid
Chemical:	PFDSA
Qualifier:	ND

Map ID
Direction
Distance
Elevation

MAP FINDINGS

Site

Database(s)

EDR ID Number
EPA ID Number

NEEDLES WMF 03-046 (Continued)

S127520761

Value: 0
Reporting Limit: 1.9
Detection Limit: 0.3
Lab Notes: Not reported
Quarterly Running Annual Average: 0
Units: NG/L
Date: 12/16/2019
Field Pt Class: MW
Site Use: MSW Landfill
Site Type: Land Disposal Site
Latitude: 34.793483656
Longitude: -114.61033519
Geo Tracker URL: http://geotracker.waterboards.ca.gov/profile_report.asp?global_id=L10003086281

Name: NEEDLES WMF 03-046
Address: SOUTH HWY 95
City,State,Zip: NEEDLES, CA
Envirostor ID: Not reported
Program Type: Not reported
Status: Not reported
Status Date: Not reported
Enviroscreen Score: Not reported
Site Code: Not reported
Global ID: L10003086281
Facility Region: COLORADO RIVER BASIN RWQCB (REGION 7)
Lead Agency: Not reported
Case worker: Not reported
Local Agency: Not reported
Location Case Number: Not reported
File Location: Not reported
Potential Contaminants of Concern: Not reported
Potential Media Affected: Not reported
Site History: Not reported

Begin Date: Not reported
RB Case Number: Not reported
source_type: All PFAS Chemicals
Location ID: N-5
Matrix: Liquid
Chemical: PFNS
Qualifier: ND
Value: 0
Reporting Limit: 1.9
Detection Limit: 0.15
Lab Notes: Not reported
Quarterly Running Annual Average: 0
Units: NG/L
Date: 12/16/2019
Field Pt Class: MW
Site Use: MSW Landfill
Site Type: Land Disposal Site
Latitude: 34.793483656
Longitude: -114.61033519
Geo Tracker URL: http://geotracker.waterboards.ca.gov/profile_report.asp?global_id=L10003086281

Map ID
Direction
Distance
Elevation

MAP FINDINGS

Site

Database(s)

EDR ID Number
EPA ID Number

NEEDLES WMF 03-046 (Continued)

S127520761

[Click this hyperlink](#) while viewing on your computer to access 14 additional CA PFAS: record(s) in the EDR Site Report.

887
Target
Property

NEEDLES WMF 03-046
SOUTH HWY 95
NEEDLES, CA

PFAS S127520759
N/A

Actual:
833 ft.

Focus Map:
14

PFAS:

Name: NEEDLES WMF 03-046
Address: SOUTH HWY 95
City,State,Zip: NEEDLES, CA
Envirostor ID: Not reported
Program Type: Not reported
Status: Not reported
Status Date: Not reported
Enviroscreen Score: Not reported
Site Code: Not reported
Global ID: L10003086281
Facility Region: COLORADO RIVER BASIN RWQCB (REGION 7)
Lead Agency: Not reported
Case worker: Not reported
Local Agency: Not reported
Location Case Number: Not reported
File Location: Not reported
Potential Contaminants of Concern: Not reported
Potential Media Affected: Not reported
Site History: Not reported

Begin Date: Not reported
RB Case Number: Not reported
source_type: All PFAS Chemicals
Location ID: N-1
Matrix: Liquid
Chemical: PFHPA
Qualifier: ND
Value: 0
Reporting Limit: 1.8
Detection Limit: 0.23
Lab Notes: Not reported
Quarterly Running Annual Average: 0
Units: NG/L
Date: 12/16/2019
Field Pt Class: MW
Site Use: MSW Landfill
Site Type: Land Disposal Site
Latitude: 34.791598227
Longitude: -114.62259151
Geo Tracker URL: http://geotracker.waterboards.ca.gov/profile_report.asp?global_id=L10003086281

Name: NEEDLES WMF 03-046
Address: SOUTH HWY 95
City,State,Zip: NEEDLES, CA
Envirostor ID: Not reported
Program Type: Not reported
Status: Not reported
Status Date: Not reported
Enviroscreen Score: Not reported
Site Code: Not reported

Map ID
Direction
Distance
Elevation

MAP FINDINGS

Site

Database(s)

EDR ID Number
EPA ID Number

NEEDLES WMF 03-046 (Continued)

S127520759

Global ID:	L10003086281
Facility Region:	COLORADO RIVER BASIN RWQCB (REGION 7)
Lead Agency:	Not reported
Case worker:	Not reported
Local Agency:	Not reported
Location Case Number:	Not reported
File Location:	Not reported
Potential Contaminants of Concern:	Not reported
Potential Media Affected:	Not reported
Site History:	Not reported
Begin Date:	Not reported
RB Case Number:	Not reported
source_type:	All PFAS Chemicals
Location ID:	N-1
Matrix:	Liquid
Chemical:	PFHA
Qualifier:	ND
Value:	0
Reporting Limit:	1.8
Detection Limit:	0.53
Lab Notes:	Not reported
Quarterly Running Annual Average:	0
Units:	NG/L
Date:	12/16/2019
Field Pt Class:	MW
Site Use:	MSW Landfill
Site Type:	Land Disposal Site
Latitude:	34.791598227
Longitude:	-114.62259151
Geo Tracker URL:	http://geotracker.waterboards.ca.gov/profile_report.asp?global_id=L10003086281
Name:	NEEDLES WMF 03-046
Address:	SOUTH HWY 95
City,State,Zip:	NEEDLES, CA
Envirostor ID:	Not reported
Program Type:	Not reported
Status:	Not reported
Status Date:	Not reported
Enviroscreen Score:	Not reported
Site Code:	Not reported
Global ID:	L10003086281
Facility Region:	COLORADO RIVER BASIN RWQCB (REGION 7)
Lead Agency:	Not reported
Case worker:	Not reported
Local Agency:	Not reported
Location Case Number:	Not reported
File Location:	Not reported
Potential Contaminants of Concern:	Not reported
Potential Media Affected:	Not reported
Site History:	Not reported
Begin Date:	Not reported
RB Case Number:	Not reported
source_type:	All PFAS Chemicals
Location ID:	N-1
Matrix:	Liquid

Map ID
Direction
Distance
Elevation

MAP FINDINGS

Site

Database(s)

EDR ID Number
EPA ID Number

NEEDLES WMF 03-046 (Continued)

S127520759

Chemical: NMEFOSAA
Qualifier: ND
Value: 0
Reporting Limit: 18
Detection Limit: 2.8
Lab Notes: Not reported
Quarterly Running Annual Average: 0
Units: NG/L
Date: 12/16/2019
Field Pt Class: MW
Site Use: MSW Landfill
Site Type: Land Disposal Site
Latitude: 34.791598227
Longitude: -114.62259151
Geo Tracker URL: http://geotracker.waterboards.ca.gov/profile_report.asp?global_id=L10003086281

Name: NEEDLES WMF 03-046
Address: SOUTH HWY 95
City,State,Zip: NEEDLES, CA
Envirostor ID: Not reported
Program Type: Not reported
Status: Not reported
Status Date: Not reported
Enviroscreen Score: Not reported
Site Code: Not reported
Global ID: L10003086281
Facility Region: COLORADO RIVER BASIN RWQCB (REGION 7)
Lead Agency: Not reported
Case worker: Not reported
Local Agency: Not reported
Location Case Number: Not reported
File Location: Not reported
Potential Contaminants of Concern: Not reported
Potential Media Affected: Not reported
Site History: Not reported

Begin Date: Not reported
RB Case Number: Not reported
source_type: All PFAS Chemicals
Location ID: N-1
Matrix: Liquid
Chemical: PFNA
Qualifier: ND
Value: 0
Reporting Limit: 1.8
Detection Limit: 0.25
Lab Notes: Not reported
Quarterly Running Annual Average: 0
Units: NG/L
Date: 12/16/2019
Field Pt Class: MW
Site Use: MSW Landfill
Site Type: Land Disposal Site
Latitude: 34.791598227
Longitude: -114.62259151
Geo Tracker URL: http://geotracker.waterboards.ca.gov/profile_report.asp?global_id=L10003086281

Map ID
Direction
Distance
Elevation

MAP FINDINGS

Site

Database(s)

EDR ID Number
EPA ID Number

NEEDLES WMF 03-046 (Continued)

S127520759

Name:	NEEDLES WMF 03-046
Address:	SOUTH HWY 95
City,State,Zip:	NEEDLES, CA
Envirostor ID:	Not reported
Program Type:	Not reported
Status:	Not reported
Status Date:	Not reported
Enviroscreen Score:	Not reported
Site Code:	Not reported
Global ID:	L10003086281
Facility Region:	COLORADO RIVER BASIN RWQCB (REGION 7)
Lead Agency:	Not reported
Case worker:	Not reported
Local Agency:	Not reported
Location Case Number:	Not reported
File Location:	Not reported
Potential Contaminants of Concern:	Not reported
Potential Media Affected:	Not reported
Site History:	Not reported
Begin Date:	Not reported
RB Case Number:	Not reported
source_type:	All PFAS Chemicals
Location ID:	N-1
Matrix:	Liquid
Chemical:	PFUNDCA
Qualifier:	ND
Value:	0
Reporting Limit:	1.8
Detection Limit:	1
Lab Notes:	Not reported
Quarterly Running Annual Average:	0
Units:	NG/L
Date:	12/16/2019
Field Pt Class:	MW
Site Use:	MSW Landfill
Site Type:	Land Disposal Site
Latitude:	34.791598227
Longitude:	-114.62259151
Geo Tracker URL:	http://geotracker.waterboards.ca.gov/profile_report.asp?global_id=L10003086281
Name:	NEEDLES WMF 03-046
Address:	SOUTH HWY 95
City,State,Zip:	NEEDLES, CA
Envirostor ID:	Not reported
Program Type:	Not reported
Status:	Not reported
Status Date:	Not reported
Enviroscreen Score:	Not reported
Site Code:	Not reported
Global ID:	L10003086281
Facility Region:	COLORADO RIVER BASIN RWQCB (REGION 7)
Lead Agency:	Not reported
Case worker:	Not reported
Local Agency:	Not reported
Location Case Number:	Not reported
File Location:	Not reported

Map ID
Direction
Distance
Elevation

MAP FINDINGS

Site

Database(s)

EDR ID Number
EPA ID Number

NEEDLES WMF 03-046 (Continued)

S127520759

Potential Contaminants of Concern:	Not reported
Potential Media Affected:	Not reported
Site History:	Not reported
Begin Date:	Not reported
RB Case Number:	Not reported
source_type:	All PFAS Chemicals
Location ID:	N-1
Matrix:	Liquid
Chemical:	PFOSA
Qualifier:	=
Value:	0.32
Reporting Limit:	1.8
Detection Limit:	0.32
Lab Notes:	J,DX
Quarterly Running Annual Average:	0
Units:	NG/L
Date:	12/16/2019
Field Pt Class:	MW
Site Use:	MSW Landfill
Site Type:	Land Disposal Site
Latitude:	34.791598227
Longitude:	-114.62259151
Geo Tracker URL:	http://geotracker.waterboards.ca.gov/profile_report.asp?global_id=L10003086281
Name:	NEEDLES WMF 03-046
Address:	SOUTH HWY 95
City,State,Zip:	NEEDLES, CA
Envirostor ID:	Not reported
Program Type:	Not reported
Status:	Not reported
Status Date:	Not reported
Enviroscreen Score:	Not reported
Site Code:	Not reported
Global ID:	L10003086281
Facility Region:	COLORADO RIVER BASIN RWQCB (REGION 7)
Lead Agency:	Not reported
Case worker:	Not reported
Local Agency:	Not reported
Location Case Number:	Not reported
File Location:	Not reported
Potential Contaminants of Concern:	Not reported
Potential Media Affected:	Not reported
Site History:	Not reported
Begin Date:	Not reported
RB Case Number:	Not reported
source_type:	All PFAS Chemicals
Location ID:	N-1
Matrix:	Liquid
Chemical:	4:2FTS
Qualifier:	ND
Value:	0
Reporting Limit:	18
Detection Limit:	4.7
Lab Notes:	Not reported
Quarterly Running Annual Average:	0

Map ID
Direction
Distance
Elevation

MAP FINDINGS

Site

Database(s)

EDR ID Number
EPA ID Number

NEEDLES WMF 03-046 (Continued)

S127520759

Units: NG/L
Date: 12/16/2019
Field Pt Class: MW
Site Use: MSW Landfill
Site Type: Land Disposal Site
Latitude: 34.791598227
Longitude: -114.62259151
Geo Tracker URL: http://geotracker.waterboards.ca.gov/profile_report.asp?global_id=L10003086281

Name: NEEDLES WMF 03-046
Address: SOUTH HWY 95
City,State,Zip: NEEDLES, CA
Envirostor ID: Not reported
Program Type: Not reported
Status: Not reported
Status Date: Not reported
Enviroscreen Score: Not reported
Site Code: Not reported
Global ID: L10003086281
Facility Region: COLORADO RIVER BASIN RWQCB (REGION 7)
Lead Agency: Not reported
Case worker: Not reported
Local Agency: Not reported
Location Case Number: Not reported
File Location: Not reported
Potential Contaminants of Concern: Not reported
Potential Media Affected: Not reported
Site History: Not reported

Begin Date: Not reported
RB Case Number: Not reported
source_type: All PFAS Chemicals
Location ID: N-1
Matrix: Liquid
Chemical: 6:2FTS
Qualifier: ND
Value: 0
Reporting Limit: 18
Detection Limit: 1.8
Lab Notes: Not reported
Quarterly Running Annual Average: 0
Units: NG/L
Date: 12/16/2019
Field Pt Class: MW
Site Use: MSW Landfill
Site Type: Land Disposal Site
Latitude: 34.791598227
Longitude: -114.62259151
Geo Tracker URL: http://geotracker.waterboards.ca.gov/profile_report.asp?global_id=L10003086281

Name: NEEDLES WMF 03-046
Address: SOUTH HWY 95
City,State,Zip: NEEDLES, CA
Envirostor ID: Not reported
Program Type: Not reported
Status: Not reported
Status Date: Not reported

Map ID
Direction
Distance
Elevation

MAP FINDINGS

Site

Database(s)

EDR ID Number
EPA ID Number

NEEDLES WMF 03-046 (Continued)

S127520759

Enviroscreen Score:	Not reported
Site Code:	Not reported
Global ID:	L10003086281
Facility Region:	COLORADO RIVER BASIN RWQCB (REGION 7)
Lead Agency:	Not reported
Case worker:	Not reported
Local Agency:	Not reported
Location Case Number:	Not reported
File Location:	Not reported
Potential Contaminants of Concern:	Not reported
Potential Media Affected:	Not reported
Site History:	Not reported
Begin Date:	Not reported
RB Case Number:	Not reported
source_type:	All PFAS Chemicals
Location ID:	N-1
Matrix:	Liquid
Chemical:	NETFOSAA
Qualifier:	ND
Value:	0
Reporting Limit:	18
Detection Limit:	1.7
Lab Notes:	Not reported
Quarterly Running Annual Average:	0
Units:	NG/L
Date:	12/16/2019
Field Pt Class:	MW
Site Use:	MSW Landfill
Site Type:	Land Disposal Site
Latitude:	34.791598227
Longitude:	-114.62259151
Geo Tracker URL:	http://geotracker.waterboards.ca.gov/profile_report.asp?global_id=L10003086281
Name:	NEEDLES WMF 03-046
Address:	SOUTH HWY 95
City,State,Zip:	NEEDLES, CA
Envirostor ID:	Not reported
Program Type:	Not reported
Status:	Not reported
Status Date:	Not reported
Enviroscreen Score:	Not reported
Site Code:	Not reported
Global ID:	L10003086281
Facility Region:	COLORADO RIVER BASIN RWQCB (REGION 7)
Lead Agency:	Not reported
Case worker:	Not reported
Local Agency:	Not reported
Location Case Number:	Not reported
File Location:	Not reported
Potential Contaminants of Concern:	Not reported
Potential Media Affected:	Not reported
Site History:	Not reported
Begin Date:	Not reported
RB Case Number:	Not reported
source_type:	All PFAS Chemicals

Map ID
Direction
Distance
Elevation

MAP FINDINGS

Site

Database(s)

EDR ID Number
EPA ID Number

NEEDLES WMF 03-046 (Continued)

S127520759

Location ID: N-1
Matrix: Liquid
Chemical: PFDSA
Qualifier: ND
Value: 0
Reporting Limit: 1.8
Detection Limit: 0.29
Lab Notes: Not reported
Quarterly Running Annual Average: 0
Units: NG/L
Date: 12/16/2019
Field Pt Class: MW
Site Use: MSW Landfill
Site Type: Land Disposal Site
Latitude: 34.791598227
Longitude: -114.62259151
Geo Tracker URL: http://geotracker.waterboards.ca.gov/profile_report.asp?global_id=L10003086281

Name: NEEDLES WMF 03-046
Address: SOUTH HWY 95
City,State,Zip: NEEDLES, CA
Envirostor ID: Not reported
Program Type: Not reported
Status: Not reported
Status Date: Not reported
Enviroscreen Score: Not reported
Site Code: Not reported
Global ID: L10003086281
Facility Region: COLORADO RIVER BASIN RWQCB (REGION 7)
Lead Agency: Not reported
Case worker: Not reported
Local Agency: Not reported
Location Case Number: Not reported
File Location: Not reported
Potential Contaminants of Concern: Not reported
Potential Media Affected: Not reported
Site History: Not reported

Begin Date: Not reported
RB Case Number: Not reported
source_type: All PFAS Chemicals
Location ID: N-1
Matrix: Liquid
Chemical: PFNS
Qualifier: ND
Value: 0
Reporting Limit: 1.8
Detection Limit: 0.15
Lab Notes: Not reported
Quarterly Running Annual Average: 0
Units: NG/L
Date: 12/16/2019
Field Pt Class: MW
Site Use: MSW Landfill
Site Type: Land Disposal Site
Latitude: 34.791598227
Longitude: -114.62259151

Map ID
 Direction
 Distance
 Elevation

MAP FINDINGS

Site

Database(s)

EDR ID Number
 EPA ID Number

NEEDLES WMF 03-046 (Continued)

S127520759

Geo Tracker URL: http://geotracker.waterboards.ca.gov/profile_report.asp?global_id=L10003086281

[Click this hyperlink](#) while viewing on your computer to access
 14 additional CA PFAS: record(s) in the EDR Site Report.

888
Target
Property

NEEDLES AIRPORT (NORTH)
 , CA

MINES **S117662178**
N/A

Actual:
821 ft.
Focus Map:
14

MINES:

Name:	NEEDLES AIRPORT (NORTH)
Address:	Not reported
City, State, Zip:	CA
Latitude:	34.783056
Longitude:	-114.616667
Lead Agency identification code:	36
Lead Agency name:	County of San Bernardino
Year of the operator supplied annual report:	1997
Type of report submitted by operator:	2
Number of acres disturbed by the mine:	0
Status of mining operation:	EXEMPT
Status of mine reclamation:	Not reported
Mine operator:	CALTRANS
Operator Address:	732 CARNEGIE DRIVE, SUITE 100
Operator City, State, Zip:	SAN BERNARDINO, CA 92408
Operator County:	Not reported
Mine owner:	CALTRANS
Owner Address:	PO BOX 231
Owner City, State, Zip:	SAN BERNARDINO, CA 92402
Owner County:	Not reported
Reclamation plan identification number:	Not reported
Primary product produced by the mine:	Sand and Gravel
Other products produced by the mine:	Not reported
Conditional use permit identification number:	160/CA060-
Number of acres permitted for mining disturbance:	0
Total amount of funds posted by the mine for reclamation:	Not reported
Financial Assurance Cost Estimate for reclamation:	Not reported
X Coordinates:	-12759069.007
Y Coordinates:	4134438.2638

DR889
Target
Property

FLEET MANAGEMENT NEEDLES SERVICE CENTER
5 AIRPORT RD
NEEDLES, CA 92363

HAZNET **S113137925**
HWTS **N/A**

Site 1 of 4 in cluster DR

Actual:
736 ft.
Focus Map:
15

HAZNET:	
Name:	FLEET MANAGEMENT NEEDLES SERVICE CENTER
Address:	5 AIRPORT RD
Address 2:	Not reported
City, State, Zip:	NEEDLES, CA 92363
Contact:	DAVID RODEN
Telephone:	9098318933
Mailing Name:	Not reported
Mailing Address:	210 NORTH LENA ROAD

Map ID
Direction
Distance
Elevation

MAP FINDINGS

Site

Database(s)

EDR ID Number
EPA ID Number

FLEET MANAGEMENT NEEDLES SERVICE CENTER (Continued)

S113137925

Year: 2016
Gepaid: CAL000295798
TSD EPA ID: CAT080013352
CA Waste Code: 343 - Unspecified organic liquid mixture
Disposal Method: H039 - Other Recovery Of Reclamation For Reuse Including Acid
Regeneration, Organics Recovery Ect
Tons: 0.255

Year: 2010
Gepaid: CAL000295798
TSD EPA ID: UTD982589459
CA Waste Code: 133 - Aqueous solution with total organic residues 10 percent or more
Disposal Method: H039 - Other Recovery Of Reclamation For Reuse Including Acid
Regeneration, Organics Recovery Ect
Tons: 0.0834

Year: 2009
Gepaid: CAL000295798
TSD EPA ID: NVR000066837
CA Waste Code: 213 - Hydrocarbon solvents (benzene, hexane, Stoddard, Etc.)
Disposal Method: H141 - Storage, Bulking, And/Or Transfer Off Site--No
Treatment/Reovery (H010-H129) Or (H131-H135)
Tons: 0.03753

Additional Info:

Year: 2009
Gen EPA ID: CAL000295798

Shipment Date: 20090402
Creation Date: 8/17/2009 18:30:22
Receipt Date: 20090403
Manifest ID: 001660617SKS
Trans EPA ID: TXR000050930
Trans Name: SAFETY-KLEEN SYSTEMS INC
Trans 2 EPA ID: Not reported
Trans 2 Name: Not reported
TSD EPA ID: NVR000066837
Trans Name: SAFETY-KLEEN SYSTEMS INC
TSD EPA ID: Not reported
TSD EPA Name: Not reported
Waste Code Description: 213 - Hydrocarbon solvents (benzene, hexane, Stoddard, etc.)
RCRA Code: D039
Meth Code: H141 - Storage, Bulking, And/Or Transfer Off Site--No
Treatment/Reovery (H010-H129) Or (H131-H135)
Quantity Tons: 0.03753
Waste Quantity: 9
Quantity Unit: G
Additional Code 1: Not reported
Additional Code 2: Not reported
Additional Code 3: Not reported
Additional Code 4: Not reported
Additional Code 5: Not reported

Additional Info:

Year: 2010

Map ID
Direction
Distance
Elevation

MAP FINDINGS

Site

Database(s)

EDR ID Number
EPA ID Number

FLEET MANAGEMENT NEEDLES SERVICE CENTER (Continued)

S113137925

Gen EPA ID: CAL000295798
Shipment Date: 20100504
Creation Date: 1/14/2011 18:30:08
Receipt Date: 20100511
Manifest ID: 002574412JJK
Trans EPA ID: CAR000202077
Trans Name: LEO'S ENVIRONMENTAL SERVICES
Trans 2 EPA ID: ORD980975692
Trans 2 Name: ORRCO
TSDf EPA ID: UTD982589459
Trans Name: NUSET
TSDf Alt EPA ID: Not reported
TSDf Alt Name: Not reported
Waste Code Description: 133 - Aqueous solution with 10% or more total organic residues
RCRA Code: Not reported
Meth Code: H039 - Other Recovery Of Reclamation For Reuse Including Acid
Regeneration, Organics Recovery Ect
Quantity Tons: 0.0834
Waste Quantity: 20
Quantity Unit: G
Additional Code 1: Not reported
Additional Code 2: Not reported
Additional Code 3: Not reported
Additional Code 4: Not reported
Additional Code 5: Not reported

HWTS:

Name: FLEET MANAGEMENT NEEDLES SERVICE CENTER
Address: 5 AIRPORT RD
Address 2: Not reported
City,State,Zip: NEEDLES, CA 92363
EPA ID: CAL000295798
Inactive Date: Not reported
Create Date: 06/29/2005
Last Act Date: Not reported
Mailing Name: Not reported
Mailing Address: 210 NORTH LENA ROAD
Mailing Address 2: Not reported
Mailing City,State,Zip: SAN BERNARDINO, CA 924150842
Owner Name: COUNTY OF SAN BERNARDINO FLEET MGMT
Owner Address: 210 S LENA RD
Owner Address 2: Not reported
Owner City,State,Zip: SAN BERNARDINO, CA 924150842
Contact Name: LAUREN FINWALL
Contact Address: 210 N. LENA RD.
Contact Address 2: Not reported
City,State,Zip: SAN BERNARDINO, CA 924150842
Facility Status: Active
Facility Type: PERMANENT
Category: STATE
Latitude: 34.775685
Longitude: -114.59902

NAICS:

EPA ID: CAL000295798
Create Date: 2005-06-29 08:57:58.433

Map ID
Direction
Distance
Elevation

MAP FINDINGS

Site

Database(s)

EDR ID Number
EPA ID Number

FLEET MANAGEMENT NEEDLES SERVICE CENTER (Continued)

S113137925

NAICS Code: 92119
NAICS Description: Other General Government Support
Issued EPA ID Date: 2005-06-29 08:57:58.38700
Inactive Date: Not reported
Facility Name: FLEET MANAGEMENT NEEDLES SERVICE CENTER
Facility Address: 5 AIRPORT RD
Facility Address 2: Not reported
Facility City: NEEDLES
Facility County: Not reported
Facility State: CA
Facility Zip: 92363

DR890 **SBCO - NEEDLES MAINTENANCE YARD**
Target **AIRPORT ROAD & HWY 95**
Property **NEEDLES, CA 92363**

FINDS **1027125603**
N/A

Site 2 of 4 in cluster DR

Actual: FINDS:
736 ft. Registry ID: 110071175632

Focus Map:
15 [Click Here for FRS Facility Detail Report:](#)

Environmental Interest/Information System:
AIR EMISSIONS CLASSIFICATION UNKNOWN

[Click this hyperlink](#) while viewing on your computer to access additional FINDS: detail in the EDR Site Report.

DR891 **SBCO - NEEDLES MAINTENANCE YARD**
Target **AIRPORT ROAD & HWY 95**
Property **NEEDLES, CA 92363**

EMI **S127523047**
N/A

Site 3 of 4 in cluster DR

Actual: EMI:
736 ft. Name: SBCO - NEEDLES MAINTENANCE YARD
Focus Map: Address: AIRPORT ROAD & HWY 95
15 City,State,Zip: NEEDLES, CA 92363
Year: 2019
County Code: 36
Air Basin: MD
Facility ID: 855
Air District Name: MOJ
SIC Code: 9199
Air District Name: MOJAVE DESERT AQMD
Community Health Air Pollution Info System: Not reported
Consolidated Emission Reporting Rule: Not reported
Total Organic Hydrocarbon Gases Tons/Yr: 0.051
Reactive Organic Gases Tons/Yr: 0.051
Carbon Monoxide Emissions Tons/Yr: Not reported
NOX - Oxides of Nitrogen Tons/Yr: Not reported
SOX - Oxides of Sulphur Tons/Yr: Not reported
Particulate Matter Tons/Yr: Not reported
Part. Matter 10 Micrometers and Smllr Tons/Yr: Not reported

MAP FINDINGS

Map ID
Direction
Distance
Elevation

Site

Database(s)

EDR ID Number
EPA ID Number

DR892 **DESERT AVIATION DBA WOLFE LEASING INC**
Target **200 AIRPORT RD**
Property **NEEDLES, CA 92363**

HWTS **S124904646**
N/A

Site 4 of 4 in cluster DR

Actual: **HWTS:**
736 ft. Name: DESERT AVIATION DBA WOLFE LEASING INC
Focus Map: Address: 200 AIRPORT RD
15 Address 2: Not reported
 City,State,Zip: NEEDLES, CA 92363
 EPA ID: CAL000405544
 Inactive Date: 06/30/2015
 Create Date: 03/27/2015
 Last Act Date: Not reported
 Mailing Name: Not reported
 Mailing Address: PO BOX 887
 Mailing Address 2: Not reported
 Mailing City,State,Zip: NEEDLES, CA 92363
 Owner Name: PAT WOLFE
 Owner Address: 701 E WISCONSIN ST
 Owner Address 2: Not reported
 Owner City,State,Zip: BLYTHE, CA 922251760
 Contact Name: DAVID RICKWALT
 Contact Address: PO BOX 887
 Contact Address 2: Not reported
 City,State,Zip: NEEDLES, CA 92363
 Facility Status: Inactive
 Facility Type: PERMANENT
 Category: STATE
 Latitude: 34.77552347
 Longitude: -114.59898608

NAICS:
 EPA ID: CAL000405544
 Create Date: 2015-03-27 08:11:27.537
 NAICS Code: 99999
 NAICS Description: Not Otherwise Specified
 Issued EPA ID Date: 2015-03-27 08:11:27.52300
 Inactive Date: 2015-06-30 00:00:00
 Facility Name: DESERT AVIATION DBA WOLFE LEASING INC
 Facility Address: 200 AIRPORT RD
 Facility Address 2: Not reported
 Facility City: NEEDLES
 Facility County: Not reported
 Facility State: CA
 Facility Zip: 92363

893 **UNNAMED QUARRY**
Target **NEEDLES, CA 92363**
Property

MINES MRDS **1025602214**
N/A

Actual: **MINES MRDS:**
963 ft. Name: UNNAMED QUARRY
Focus Map: Address: Not reported
14 Deposit identification Number: 10117023
 City,State,Zip: NEEDLES, CALIFORNIA 92363
 URL: https://mrdata.usgs.gov/mrds/show-mrds.php?dep_id=10117023
 MRDS Identification Number: Not reported

Map ID
 Direction
 Distance
 Elevation

MAP FINDINGS

Site

Database(s)

EDR ID Number
 EPA ID Number

UNNAMED QUARRY (Continued)

1025602214

MAS/MILS Identification Number: 0060712010
 Region: NA
 Country: United States
 Primary Commodities: Sand and Gravel, Construction
 Secondary Commodities: Not reported
 Tertiary Commodities: Not reported
 Operation Type: Surface
 Deposit Type: Not reported
 Production Size: Not reported
 Development Status: Past Producer
 Ore Minerals or Materials: Not reported
 Gangue Minerals or Materials: Not reported
 Other Minerals or Materials: Not reported
 Ore Body Form: Not reported
 Workings Type: Not reported
 Mineral Deposit Model: Not reported
 Alteration Processes: Not reported
 Concentration Processes: Not reported
 Previous Names: Not reported
 Ore Controls: Not reported
 Reporter: Ridenour, James
 Host Rock Unit Name: Not reported
 Host Rock Type: Not reported
 Associated Rock Unit Name: Not reported
 Associated Rock Type Code: Not reported
 Structural Characteristics: Not reported
 Tectonic Setting: Not reported
 References: Not reported
 First Production Year: Not reported
 Began Before/After FPY: Not reported
 Last Production Year: Not reported
 Ended Before/After LPY: Not reported
 Year Discovered: Not reported
 Found Before/After YD: Not reported
 Production History: Not reported
 Discovery Information: Not reported
 Latitude: 34.77503
 Longitude: -114.63941

894 **UNION CARBIDE LINDE DIV**
Target **507 AIRPORT DR**
Property **ONTARIO, CA 92335**

SWEEPS UST **S101591491**
CA FID UST **N/A**

SWEEPS UST:

Actual: Name: UNION CARBIDE LINDE DIV
761 ft. Address: 507 AIRPORT DR
Focus Map: City: ONTARIO
15 Status: Not reported
 Comp Number: 207
 Number: Not reported
 Board Of Equalization: Not reported
 Referral Date: Not reported
 Action Date: Not reported
 Created Date: Not reported
 Owner Tank Id: Not reported
 SWRCB Tank Id: 36-000-000207-000001
 Tank Status: Not reported
 Capacity: 10000

Map ID
Direction
Distance
Elevation

MAP FINDINGS

Site

Database(s)

EDR ID Number
EPA ID Number

UNION CARBIDE LINDE DIV (Continued)

S101591491

Active Date: Not reported
Tank Use: M.V. FUEL
STG: PRODUCT
Content: DIESEL
Number Of Tanks: 2

Name: UNION CARBIDE LINDE DIV
Address: 507 AIRPORT DR
City: ONTARIO
Status: Not reported
Comp Number: 207
Number: Not reported
Board Of Equalization: Not reported
Referral Date: Not reported
Action Date: Not reported
Created Date: Not reported
Owner Tank Id: Not reported
SWRCB Tank Id: 36-000-000207-000002
Tank Status: Not reported
Capacity: 1000
Active Date: Not reported
Tank Use: OIL
STG: WASTE
Content: WASTE OIL
Number Of Tanks: Not reported

Name: UNION CARBIDE LINDE DIV
Address: 507 AIRPORT DR
City: ONTARIO
Status: Active
Comp Number: 207
Number: 1
Board Of Equalization: Not reported
Referral Date: 09-04-91
Action Date: 09-04-91
Created Date: 12-05-89
Owner Tank Id: Not reported
SWRCB Tank Id: Not reported
Tank Status: Not reported
Capacity: Not reported
Active Date: Not reported
Tank Use: Not reported
STG: Not reported
Content: Not reported
Number Of Tanks: Not reported

CA FID UST:

Facility ID: 36008253
Regulated By: UTNKA
Regulated ID: Not reported
Cortese Code: Not reported
SIC Code: Not reported
Facility Phone: 7148294000
Mail To: Not reported
Mailing Address: 507 AIRPORT DR
Mailing Address 2: Not reported
Mailing City,St,Zip: ONTARIO 92335

Map ID
Direction
Distance
Elevation

MAP FINDINGS

Site

Database(s)

EDR ID Number
EPA ID Number

UNION CARBIDE LINDE DIV (Continued)

S101591491

Contact: Not reported
Contact Phone: Not reported
DUNs Number: Not reported
NPDES Number: Not reported
EPA ID: Not reported
Comments: Not reported
Status: Active

895 SARANJIT SAINI
Target HWY 95 SOUTH @ 5 MILE RD
Property NEEDLES, CA 92363

HAZNET S112916309
HWTS N/A

Actual: 739 ft.
Focus Map: 15

HAZNET:

Name: SARANJIT SAINI
Address: HWY 95 SOUTH @ 5 MILE RD
Address 2: Not reported
City,State,Zip: NEEDLES, CA 923630000
Contact: SARANJIT SAINI
Telephone: 6029785233
Mailing Name: Not reported
Mailing Address: 1461 W CARIBEAN LN

Year: 2001
Gepaid: CAC002369415
TSD EPA ID: CAT080013352
CA Waste Code: 241 - Tank bottom waste
Disposal Method: R01 - Recycler
Tons: 1.0425

Additional Info:

Year: 2001
Gen EPA ID: CAC002369415

Shipment Date: 20010703
Creation Date: 10/1/2001 0:00:00
Receipt Date: 20010711
Manifest ID: 20830972
Trans EPA ID: CAL922125668
Trans Name: Not reported
Trans 2 EPA ID: Not reported
Trans 2 Name: Not reported
TSD EPA ID: CAT080013352
Trans Name: Not reported
TSD Alt EPA ID: Not reported
TSD Alt Name: Not reported
Waste Code Description: 241 - Tank bottom waste 251 Still bottoms with halogenated organics
RCRA Code: Not reported
Meth Code: R01 - Recycler
Quantity Tons: 1.0425
Waste Quantity: 250
Quantity Unit: G
Additional Code 1: Not reported
Additional Code 2: Not reported
Additional Code 3: Not reported
Additional Code 4: Not reported
Additional Code 5: Not reported

Map ID
Direction
Distance
Elevation

MAP FINDINGS

Site

Database(s)

EDR ID Number
EPA ID Number

SARANJIT SAINI (Continued)

S112916309

HWTS:

Name: SARANJIT SAINI
Address: HWY 95 SOUTH @ 5 MILE RD
Address 2: Not reported
City,State,Zip: NEEDLES, CA 92363
EPA ID: CAC002369415
Inactive Date: 01/11/2002
Create Date: 06/28/2001
Last Act Date: Not reported
Mailing Name: Not reported
Mailing Address: 1461 W CARIBEAN LN
Mailing Address 2: Not reported
Mailing City,State,Zip: PHOENIX, AZ 850230000
Owner Name: SARANJIT SAINI
Owner Address: 1461 W CARIBEAN LN
Owner Address 2: Not reported
Owner City,State,Zip: PHOENIX, AZ 850230000
Contact Name: SARANJIT SAINI
Contact Address: 1461 W CARIBEAN LN
Contact Address 2: Not reported
City,State,Zip: PHOENIX, AZ 850230000
Facility Status: Inactive
Facility Type: TEMPORARY
Category: STATE
Latitude: 34.770339
Longitude: -114.596028

DS896
Target
Property

SBCO NEEDLES ROAD YARD
5 AIRPORT RD
NEEDLES, CA

RGA LUST **S114683392**
N/A

Site 1 of 8 in cluster DS

Actual:
831 ft.
Focus Map:
15

RGA LUST:
Name: SBCO NEEDLES ROAD YARD
Address: 5 AIRPORT RD
City: NEEDLES
State: NEEDLES
2002 SBCO NEEDLES ROAD YARD 5 AIRPORT RD
Name: SBCO NEEDLES ROAD YARD
Address: 5 AIRPORT RD
City: NEEDLES
State: NEEDLES
2001 SBCO NEEDLES ROAD YARD 5 AIRPORT RD

DS897
Target
Property

COUNTY-NEEDLES ROAD YARD
5 AIRPORT RD
NEEDLES, CA

RGA LUST **S114607425**
N/A

Site 2 of 8 in cluster DS

Actual:
831 ft.
Focus Map:
15

RGA LUST:
Name: COUNTY-NEEDLES ROAD YARD
Address: 5 AIRPORT RD
City: NEEDLES
State: NEEDLES

Map ID
Direction
Distance
Elevation

MAP FINDINGS

Site

Database(s)

EDR ID Number
EPA ID Number

COUNTY-NEEDLES ROAD YARD (Continued)

S114607425

Name: 2012 COUNTY-NEEDLES ROAD YARD 5 AIRPORT RD
Address: COUNTY-NEEDLES ROAD YARD
City: 5 AIRPORT RD
State: NEEDLES
NEEDLES

Name: 2011 COUNTY-NEEDLES ROAD YARD 5 AIRPORT RD
Address: COUNTY-NEEDLES ROAD YARD
City: 5 AIRPORT RD
State: NEEDLES
NEEDLES

Name: 2010 COUNTY-NEEDLES ROAD YARD 5 AIRPORT RD
Address: COUNTY-NEEDLES ROAD YARD
City: 5 AIRPORT RD
State: NEEDLES
NEEDLES

Name: 2009 COUNTY-NEEDLES ROAD YARD 5 AIRPORT RD
Address: COUNTY-NEEDLES ROAD YARD
City: 5 AIRPORT RD
State: NEEDLES
NEEDLES

Name: 2008 COUNTY-NEEDLES ROAD YARD 5 AIRPORT RD
Address: COUNTY-NEEDLES ROAD YARD
City: 5 AIRPORT RD
State: NEEDLES
NEEDLES

Name: 2007 COUNTY-NEEDLES ROAD YARD 5 AIRPORT RD
Address: COUNTY-NEEDLES ROAD YARD
City: 5 AIRPORT RD
State: NEEDLES
NEEDLES

Name: 2006 COUNTY-NEEDLES ROAD YARD 5 AIRPORT RD
Address: COUNTY-NEEDLES ROAD YARD
City: 5 AIRPORT RD
State: NEEDLES
NEEDLES

Name: 2005 COUNTY-NEEDLES ROAD YARD 5 AIRPORT RD
Address: COUNTY-NEEDLES ROAD YARD
City: 5 AIRPORT RD
State: NEEDLES
NEEDLES

2003 COUNTY-NEEDLES ROAD YARD 5 AIRPORT RD

DS898 FLEET MANAGEMENT NEEDLES SERVICE CENTER
Target 5 AIRPORT RD
Property NEEDLES, CA 92363

FINDS 1024667211
ECHO N/A

Site 3 of 8 in cluster DS

Actual: FINDS:
831 ft. Registry ID: 110070455605

Focus Map: 15
Click Here for FRS Facility Detail Report:

Environmental Interest/Information System:

RCRAInfo is a national information system that supports the Resource Conservation and Recovery Act (RCRA) program through the tracking of events and activities related to facilities that generate, transport, and treat, store, or dispose of hazardous waste. RCRAInfo allows RCRA

Map ID
 Direction
 Distance
 Elevation

MAP FINDINGS

Site

Database(s)

EDR ID Number
 EPA ID Number

FLEET MANAGEMENT NEEDLES SERVICE CENTER (Continued)

1024667211

program staff to track the notification, permit, compliance, and corrective action activities required under RCRA.

Click this hyperlink while viewing on your computer to access additional FINDS: detail in the EDR Site Report.

ECHO:

Envid: 1024667211
 Registry ID: 110070455605
 DFR URL: <http://echo.epa.gov/detailed-facility-report?fid=110070455605>
 Name: FLEET MANAGEMENT NEEDLES SERVICE CENTER
 Address: 5 AIRPORT RD
 City,State,Zip: NEEDLES, CA 92363

DS899
Target
Property

FLEET MANAGEMENT NEEDLES SERVICE CENTER
5 AIRPORT RD
NEEDLES, CA 92363

RCRA NonGen / NLR

1024811596
CAL000295798

Site 4 of 8 in cluster DS

Actual:
831 ft.
Focus Map:
15

RCRA NonGen / NLR:
 Date Form Received by Agency: 20050629
 Handler Name: FLEET MANAGEMENT NEEDLES SERVICE CENTER
 Handler Address: 5 AIRPORT RD
 Handler City,State,Zip: NEEDLES, CA 92363
 EPA ID: CAL000295798
 Contact Name: DAVID RODEN
 Contact Address: 210 N LENA RD
 Contact City,State,Zip: SAN BERNARDINO, CA 92415-0842
 Contact Telephone: 909-831-8933
 Contact Fax: 909-387-8001
 Contact Email: DRODEN@FLTM.SBCOUNTY.GOV
 Contact Title: Not reported
 EPA Region: 09
 Land Type: Not reported
 Federal Waste Generator Description: Not a generator, verified
 Non-Notifier: Not reported
 Biennial Report Cycle: Not reported
 Accessibility: Not reported
 Active Site Indicator: Handler Activities
 State District Owner: Not reported
 State District: Not reported
 Mailing Address: 210 NORTH LENA ROAD
 Mailing City,State,Zip: SAN BERNARDINO, CA 92415-0842
 Owner Name: COUNTY OF SAN BERNARDINO FLEET MGMT
 Owner Type: Other
 Operator Name: DAVID RODEN
 Operator Type: Other
 Short-Term Generator Activity: No
 Importer Activity: No
 Mixed Waste Generator: No
 Transporter Activity: No
 Transfer Facility Activity: No
 Recycler Activity with Storage: No
 Small Quantity On-Site Burner Exemption: No
 Smelting Melting and Refining Furnace Exemption: No
 Underground Injection Control: No
 Off-Site Waste Receipt: No

Map ID
 Direction
 Distance
 Elevation

MAP FINDINGS

Site

Database(s)

EDR ID Number
 EPA ID Number

FLEET MANAGEMENT NEEDLES SERVICE CENTER (Continued)

1024811596

Universal Waste Indicator:	Yes
Universal Waste Destination Facility:	Yes
Federal Universal Waste:	No
Active Site Fed-Reg Treatment Storage and Disposal Facility:	Not reported
Active Site Converter Treatment storage and Disposal Facility:	Not reported
Active Site State-Reg Treatment Storage and Disposal Facility:	Not reported
Active Site State-Reg Handler:	---
Federal Facility Indicator:	Not reported
Hazardous Secondary Material Indicator:	N
Sub-Part K Indicator:	Not reported
Commercial TSD Indicator:	No
Treatment Storage and Disposal Type:	Not reported
2018 GPRA Permit Baseline:	Not on the Baseline
2018 GPRA Renewals Baseline:	Not on the Baseline
Permit Renewals Workload Universe:	Not reported
Permit Workload Universe:	Not reported
Permit Progress Universe:	Not reported
Post-Closure Workload Universe:	Not reported
Closure Workload Universe:	Not reported
202 GPRA Corrective Action Baseline:	No
Corrective Action Workload Universe:	No
Subject to Corrective Action Universe:	No
Non-TSDFs Where RCRA CA has Been Imposed Universe:	No
TSDFs Potentially Subject to CA Under 3004 (u)/(v) Universe:	No
TSDFs Only Subject to CA under Discretionary Auth Universe:	No
Corrective Action Priority Ranking:	No NCAPS ranking
Environmental Control Indicator:	No
Institutional Control Indicator:	No
Human Exposure Controls Indicator:	N/A
Groundwater Controls Indicator:	N/A
Operating TSDF Universe:	Not reported
Full Enforcement Universe:	Not reported
Significant Non-Complier Universe:	No
Unaddressed Significant Non-Complier Universe:	No
Addressed Significant Non-Complier Universe:	No
Significant Non-Complier With a Compliance Schedule Universe:	No
Financial Assurance Required:	Not reported
Handler Date of Last Change:	20180905
Recognized Trader-Importer:	No
Recognized Trader-Exporter:	No
Importer of Spent Lead Acid Batteries:	No
Exporter of Spent Lead Acid Batteries:	No
Recycler Activity Without Storage:	No
Manifest Broker:	No
Sub-Part P Indicator:	No

Handler - Owner Operator:

Owner/Operator Indicator:	Owner
Owner/Operator Name:	COUNTY OF SAN BERNARDINO FLEET MGMT
Legal Status:	Other
Date Became Current:	Not reported
Date Ended Current:	Not reported
Owner/Operator Address:	210 S LENA RD
Owner/Operator City,State,Zip:	SAN BERNARDINO, CA 92415-0842
Owner/Operator Telephone:	909-387-7950
Owner/Operator Telephone Ext:	Not reported

Map ID
Direction
Distance
Elevation

MAP FINDINGS

Site

Database(s)

EDR ID Number
EPA ID Number

FLEET MANAGEMENT NEEDLES SERVICE CENTER (Continued)

1024811596

Owner/Operator Fax: Not reported
Owner/Operator Email: Not reported

Owner/Operator Indicator: Operator
Owner/Operator Name: DAVID RODEN
Legal Status: Other
Date Became Current: Not reported
Date Ended Current: Not reported
Owner/Operator Address: 210 N LENA RD
Owner/Operator City,State,Zip: SAN BERNARDINO, CA 92415-0842
Owner/Operator Telephone: 909-831-8933
Owner/Operator Telephone Ext: Not reported
Owner/Operator Fax: Not reported
Owner/Operator Email: Not reported

Historic Generators:

Receive Date: 20050629
Handler Name: FLEET MANAGEMENT NEEDLES SERVICE CENTER
Federal Waste Generator Description: Not a generator, verified
State District Owner: Not reported
Large Quantity Handler of Universal Waste: No
Recognized Trader Importer: No
Recognized Trader Exporter: No
Spent Lead Acid Battery Importer: No
Spent Lead Acid Battery Exporter: No
Current Record: Yes
Non Storage Recycler Activity: Not reported
Electronic Manifest Broker: Not reported

List of NAICS Codes and Descriptions:

NAICS Code: 92119
NAICS Description: OTHER GENERAL GOVERNMENT SUPPORT

Facility Has Received Notices of Violations:

Violations: No Violations Found

Evaluation Action Summary:

Evaluations: No Evaluations Found

DS900
Target
Property

FLEET MGMT NEEDLES YARD
#5 AIRPORT RD
NEEDLES, CA 92363

FINDS 1023215958
N/A

Site 5 of 8 in cluster DS

Actual:
831 ft.

FINDS:
Registry ID: 110065017528

Focus Map:
15

Click Here for FRS Facility Detail Report:

Environmental Interest/Information System:
STATE MASTER

Click this hyperlink while viewing on your computer to access additional FINDS: detail in the EDR Site Report.

Map ID
Direction
Distance
Elevation

MAP FINDINGS

Site

Database(s)

EDR ID Number
EPA ID Number

DS901 COUNTY-NEEDLES ROAD YARD
Target 5 AIRPORT RD
Property NEEDLES, CA 92363

FINDS 1023291794
N/A

Site 6 of 8 in cluster DS

Actual: FINDS:
831 ft. Registry ID: 110065833227

Focus Map: Click Here for FRS Facility Detail Report:
15

Environmental Interest/Information System:
STATE MASTER

[Click this hyperlink](#) while viewing on your computer to access additional FINDS: detail in the EDR Site Report.

DS902 FLEET MGMT NEEDLES YARD
Target #5 AIRPORT RD
Property NEEDLES, CA 92363

AST A100345748
N/A

Site 7 of 8 in cluster DS

Actual: AST:
831 ft. Name: FLEET MGMT NEEDLES YARD
Focus Map: Address: #5 AIRPORT RD
15 City/Zip: NEEDLES,92363
Certified Unified Program Agencies: Not reported
Owner: SAN BERNARDINO COUNTY FLEET MANAGEMENT
Total Gallons: Not reported
CERSID: 10037923
Facility ID: FA0002337
Business Name: FLEET MGMT NEEDLES YARD
Phone: (760) 326-4117
Fax: (760) 326-4118
Mailing Address: #5 AIRPORT RD
Mailing Address City: NEEDLES
Mailing Address State: CA
Mailing Address Zip Code: 92363
Operator Name: Needles Service Center San Bernardino County Fleet Management
Operator Phone: (760) 326-4117
Owner Phone: (909) 387-7855
Owner Mail Address: 210 N LENA RD
Owner State: CA
Owner Zip Code: Not reported
Owner Country: United States
Property Owner Name: Not reported
Property Owner Phone: Not reported
Property Owner Mailing Address: Not reported
Property Owner City: Not reported
Property Owner Stat : Not reported
Property Owner Zip Code: Not reported
Property Owner Country: Not reported
EPAID: CAL192843364

Name: FLEET MGMT NEEDLES YARD
Address: 5 AIRPORT RD
City/Zip: NEEDLES,
Certified Unified Program Agencies: San Bernardino
Owner: SB COUNTY FLEET MANAGEMENT
Total Gallons: 20,000

Map ID
 Direction
 Distance
 Elevation

MAP FINDINGS

Site

Database(s)

EDR ID Number
 EPA ID Number

FLEET MGMT NEEDLES YARD (Continued)

A100345748

CERSID: Not reported
 Facility ID: Not reported
 Business Name: Not reported
 Phone: Not reported
 Fax: Not reported
 Mailing Address: Not reported
 Mailing Address City: Not reported
 Mailing Address State: Not reported
 Mailing Address Zip Code: Not reported
 Operator Name: Not reported
 Operator Phone: Not reported
 Owner Phone: Not reported
 Owner Mail Address: Not reported
 Owner State: Not reported
 Owner Zip Code: Not reported
 Owner Country: Not reported
 Property Owner Name: Not reported
 Property Owner Phone: Not reported
 Property Owner Mailing Address: Not reported
 Property Owner City: Not reported
 Property Owner Stat : Not reported
 Property Owner Zip Code: Not reported
 Property Owner Country: Not reported
 EPAID: Not reported

DS903 FLEET MGMT NEEDLES YARD
Target #5 AIRPORT RD
Property NEEDLES, CA 92363

LUST S106152889
CERS HAZ WASTE N/A
CERS TANKS
Cortese
San Bern. Co. Permit
CERS

Site 8 of 8 in cluster DS

Actual:
831 ft.

Focus Map:
15

LUST REG 7:
 Region: 7
 Status: 9 - Case Closed
 Case Num: 7T2363021
 Substance: Gasoline - Automotive
 ID: 676
 Global ID: T0607101018
 Lead Agency: Local Agency
 Case Worker: YO

LUST:
 Name: COUNTY-NEEDLES ROAD YARD
 Address: 5 AIRPORT RD
 City,State,Zip: NEEDLES, CA 92363
 Lead Agency: SAN BERNARDINO COUNTY
 Case Type: LUST Cleanup Site
 Geo Track: http://geotracker.waterboards.ca.gov/profile_report.asp?global_id=T0607101018
 Global Id: T0607101018
 Latitude: 34.7706954
 Longitude: -114.6097088
 Status: Completed - Case Closed
 Status Date: 11/30/2000
 Case Worker: CB
 RB Case Number: 7T2363021
 Local Agency: SAN BERNARDINO COUNTY

Map ID
Direction
Distance
Elevation

MAP FINDINGS

Site

Database(s)

EDR ID Number
EPA ID Number

FLEET MGMT NEEDLES YARD (Continued)

S106152889

File Location: Local Agency
Local Case Number: 97063
Potential Media Affect: Soil
Potential Contaminants of Concern: Gasoline
Site History: Not reported

LUST:

Global Id: T0607101018
Contact Type: Local Agency Caseworker
Contact Name: CURTIS BRUNDAGE
Organization Name: SAN BERNARDINO COUNTY
Address: 620 S. E STREET
City: SAN BERNARDINO
Email: cbrundage@sbcfire.org
Phone Number: Not reported

LUST:

Global Id: T0607101018
Action Type: Other
Date: 09/02/1997
Action: Leak Reported

Global Id: T0607101018
Action Type: Other
Date: 07/23/1997
Action: Leak Discovery

LUST:

Global Id: T0607101018
Status: Open - Case Begin Date
Status Date: 07/23/1997

Global Id: T0607101018
Status: Open - Site Assessment
Status Date: 09/20/1997

Global Id: T0607101018
Status: Open - Site Assessment
Status Date: 08/05/1999

Global Id: T0607101018
Status: Completed - Case Closed
Status Date: 11/30/2000

CERS HAZ WASTE:

Name: FLEET MGMT NEEDLES YARD
Address: #5 AIRPORT RD
City,State,Zip: NEEDLES, CA 92363
Site ID: 116847
CERS ID: 10037923
CERS Description: Hazardous Waste Generator

CERS TANKS:

Name: FLEET MGMT NEEDLES YARD
Address: #5 AIRPORT RD

Map ID
Direction
Distance
Elevation

MAP FINDINGS

Site

Database(s)

EDR ID Number
EPA ID Number

FLEET MGMT NEEDLES YARD (Continued)

S106152889

City,State,Zip: NEEDLES, CA 92363
Site ID: 116847
CERS ID: 10037923
CERS Description: Aboveground Petroleum Storage

CORTESE:

Name: COUNTY-NEEDLES ROAD YARD
Address: 5 AIRPORT RD
City,State,Zip: NEEDLES, CA 92363
Region: CORTESE
Envirostor Id: Not reported
Global ID: T0607101018
Site/Facility Type: LUST CLEANUP SITE
Cleanup Status: COMPLETED - CASE CLOSED
Status Date: Not reported
Site Code: Not reported
Latitude: Not reported
Longitude: Not reported
Owner: Not reported
Enf Type: Not reported
Swat R: Not reported
Flag: active
Order No: Not reported
Waste Discharge System No: Not reported
Effective Date: Not reported
Region 2: Not reported
WID Id: Not reported
Solid Waste Id No: Not reported
Waste Management Uit Name: Not reported
File Name: Active Open

San Bern. Co. Permit:

Name: FLEET MGMT NEEDLES YARD
Address: #5 AIRPORT RD
City,State,Zip: NEEDLES, CA 92363
Region: SAN BERNARDINO
Facility ID: FA0002337
Owner: SB Co FLEET MANAGEMENT DEPT
Permit Number: PT0004398
Permit Category: HAZARDOUS MATERIALS 4-10 CHEMICALS
Facility Status: ACTIVE
Expiration Date: 09/30/2022

Name: FLEET MGMT NEEDLES YARD
Address: #5 AIRPORT RD
City,State,Zip: NEEDLES, CA 92363
Region: SAN BERNARDINO
Facility ID: FA0002337
Owner: SB Co FLEET MANAGEMENT DEPT
Permit Number: PT0004400
Permit Category: APSA 10,001-100,000 GAL FAC CAPACITY
Facility Status: ACTIVE
Expiration Date: 09/30/2022

Name: FLEET MGMT NEEDLES YARD
Address: #5 AIRPORT RD

Map ID
Direction
Distance
Elevation

MAP FINDINGS

Site

Database(s)

EDR ID Number
EPA ID Number

FLEET MGMT NEEDLES YARD (Continued)

S106152889

City,State,Zip: NEEDLES, CA 92363
Region: SAN BERNARDINO
Facility ID: FA0002337
Owner: SB Co FLEET MANAGEMENT DEPT
Permit Number: PT0004399
Permit Category: SMALL QUANTITY GENERATOR
Facility Status: ACTIVE
Expiration Date: 09/30/2022

Name: FLEET MGMT NEEDLES YARD
Address: #5 AIRPORT RD
City,State,Zip: NEEDLES, CA 92363
Region: SAN BERNARDINO
Facility ID: FA0002337
Owner: SB Co FLEET MANAGEMENT DEPT
Permit Number: PT0004397
Permit Category: AST OPERATING PERMIT
Facility Status: INACTIVE
Expiration Date: 09/30/2005

CERS:

Name: FLEET MGMT NEEDLES YARD
Address: #5 AIRPORT RD
City,State,Zip: NEEDLES, CA 92363
Site ID: 116847
CERS ID: 10037923
CERS Description: Chemical Storage Facilities

Violations:

Site ID: 116847
Site Name: FLEET MGMT NEEDLES YARD
Violation Date: 01-29-2016
Citation: HSC 6.67 25270.4.5(a) - California Health and Safety Code, Chapter 6.67, Section(s) 25270.4.5(a)
Violation Description: Failure to adequately describe the physical layout of the facility, or no description of the physical layout of the facility included within the SPCC plan.
Violation Notes: Returned to compliance on 04/05/2016.
Violation Division: San Bernardino County Fire Department
Violation Program: APSA
Violation Source: CERS,

Site ID: 116847
Site Name: FLEET MGMT NEEDLES YARD
Violation Date: 09-29-2021
Citation: HSC 6.67 25270.4.5(a) - California Health and Safety Code, Chapter 6.67, Section(s) 25270.4.5(a)
Violation Description: Failure to test or inspect each aboveground container for integrity based on industry standards as discussed in the SPCC Plan: 1. On a regular schedule. 2. After making material repairs. 3. Use non-destructive testing. 4. Inspect each container's supports, foundations, and outside for signs of deterioration, discharges, or accumulation of oil inside diked areas.
Violation Notes: OBSERVATION: Monthly and annual integrity inspections of the used oil and generator tanks are not being conducted as described in the SPCC plan. CORRECTIVE ACTION: Submit copies of completed monthly and annual tank inspection checklists.

Map ID
Direction
Distance
Elevation

MAP FINDINGS

Site

Database(s)

EDR ID Number
EPA ID Number

FLEET MGMT NEEDLES YARD (Continued)

S106152889

Violation Division: San Bernardino County Fire Department
Violation Program: APSA
Violation Source: CERS,

Site ID: 116847
Site Name: FLEET MGMT NEEDLES YARD
Violation Date: 01-29-2016
Citation: HSC 6.67 Multiple - California Health and Safety Code, Chapter 6.67, Section(s) Multiple

Violation Description: APSA Program - Administration/Documentation - General
Violation Notes: Returned to compliance on 04/05/2016.
Violation Division: San Bernardino County Fire Department
Violation Program: APSA
Violation Source: CERS,

Site ID: 116847
Site Name: FLEET MGMT NEEDLES YARD
Violation Date: 07-24-2013
Citation: HSC 6.95 25505(a) - California Health and Safety Code, Chapter 6.95, Section(s) 25505(a)

Violation Description: Owner/Operator failed to complete and/or submit a Hazardous Materials Business Plan when storing hazardous materials at or above the thresholds quantities of 55 gallons/500 lbs/200 cubic feet.

Violation Notes: Returned to compliance on 10/09/2013.
Violation Division: San Bernardino County Fire Department
Violation Program: HMRRP
Violation Source: CERS,

Site ID: 116847
Site Name: FLEET MGMT NEEDLES YARD
Violation Date: 01-23-2019
Citation: HSC 6.67 25270.4.5(a) - California Health and Safety Code, Chapter 6.67, Section(s) 25270.4.5(a)

Violation Description: Failure to include in the SPCC Plan a prediction of the direction, rate of flow, and total quantity of oil that could be discharged for each type of major equipment failure where experience indicates a reasonable potential for equipment failure. The rate of flow is not required on a Tier I qualified facility SPCC Plan.

Violation Notes: Returned to compliance on 03/11/2020. OBSERVATION: OBSERVED NO RATE OF FLOW, PREDICTION OF DIRECTION AND TOTAL QUANTITY DISCHARGED FOR EACH TYPE OF MAJOR EQUIPMENT FAILURE IDENTIFIED IN SPILL SCENARIOS IDENTIFIED IN YOUR SPCC PLAN. CORRECTIVE ACTION: UPDATE PLAN TO INCLUDE, RATE OF FLOW, PREDICTION OF DIRECTION AND TOTAL QUANTITY DISCHARGED FOR EACH TYPE OF MAJOR EQUIPMENT FAILURE LISTED IN SPCC PLAN. SUBMIT STATEMENT INDICATING SPCC PLAN IS UPDATED WITH REQUIRED INFORMATION ALONG WITH SIGNED CERTIFICATE OF COMPLIANCE WITHIN 30 DAYS. 6/24/20 UPDATED SPCC plan recieved on 3/11/19. Discharge prediction was found in Section 3.9 Spill scenarios. Violation corrected PS

Violation Division: San Bernardino County Fire Department
Violation Program: APSA
Violation Source: CERS,

Site ID: 116847
Site Name: FLEET MGMT NEEDLES YARD
Violation Date: 01-23-2019
Citation: HSC 6.67 25270.4.5(a) - California Health and Safety Code, Chapter

Map ID
Direction
Distance
Elevation

MAP FINDINGS

Site

Database(s)

EDR ID Number
EPA ID Number

FLEET MGMT NEEDLES YARD (Continued)

S106152889

Violation Description: 6.67, Section(s) 25270.4.5(a)
Failure to include in the SPCC Plan: 1. A contact list and phone numbers for the facility response coordinator, National Response Center, cleanup contractors with an agreement for response, and all Federal, State, and local agencies who must be contacted in case of a discharge 2. Information and procedures that would enable a person reporting an oil discharge to relate all information as described in 40 CFR 112.7(a)(4), unless facility submitted a Facility Response Plan.

Violation Notes: Returned to compliance on 03/11/2019. OBSERVATION: OBSERVED CONTACT LIST MISSING CUPA EMERGENCY CONTACT NUMBER. CORRECTIVE ACTION: ADD CUPA EMERGENCY CONTACT NUMBER, (909)386-8425 OR (800) 33-TOXIC TO CONTACT LIST ON SPCC PLAN. SUBMIT A SIGNED CERTIFICATE OF COMPLIANCE WITH STATEMENT INDICATING CUPA EMERGENCY CONTACT NUMBER IS ADDED TO CONTACT LIST WITHIN 30 DAYS. 3/11/19- CERS plan updated with required information. PS Violation corrected.

Violation Division: San Bernardino County Fire Department
Violation Program: APSA
Violation Source: CERS,

Site ID: 116847
Site Name: FLEET MGMT NEEDLES YARD
Violation Date: 01-23-2019
Citation: HSC 6.67 25270.4.5(a) - California Health and Safety Code, Chapter 6.67, Section(s) 25270.4.5(a)

Violation Description: "Failure to prepare an SPCC Plan which fulfills all basic requirements that include: 1. The SPCC Plan must be prepared in accordance with good engineering practices. 2. Have full approval of management at a level of authority to commit the necessary resources to fully implement the SPCC Plan. 3. Prepare the SPCC Plan in writing. 4. Follow the sequence of the SPCC rule or include a cross-reference. 5. If the SPCC Plan calls for additional procedures, methods, or equipment not yet fully operational, discuss the items in separate paragraphs."

Violation Notes: Returned to compliance on 03/11/2019. OBSERVATION: SPCC PLAN DID NOT HAVE REQUIRED MANAGEMENT APPROVAL STATEMENT. SPCC PLAN DID NOT FOLLOW THE SEQUENCE OF THE SPCC RULE OR HAVE A CROSS REFERENCE. CORRECTIVE ACTION: SUBMIT A SIGNED STATEMENT INDICATING YOUR SPCC PLAN HAS BEEN UPDATED TO MEET ALL BASIC REQUIREMENTS ALONG WITH SIGNED CERTIFICATE OF COMPLIANCE WITHIN 30 DAYS. 6/24/20 updated SPCC plan recieved on 3/11/19. Management approval stmt and reference section available. Violation corrected PS.

Violation Division: San Bernardino County Fire Department
Violation Program: APSA
Violation Source: CERS,

Site ID: 116847
Site Name: FLEET MGMT NEEDLES YARD
Violation Date: 01-23-2019
Citation: HSC 6.67 25270.4.5(a) - California Health and Safety Code, Chapter 6.67, Section(s) 25270.4.5(a)

Violation Description: Failure to complete and maintain at the facility the Substantial Harm Criteria certification form when owner or operator determines that the facility could not be reasonably expected to cause substantial harm to the environment.

Violation Notes: Returned to compliance on 03/11/2019. OBSERVATION: SUBSTANTIAL HARM CRITERIA FORM WAS MISSING FROM SPCC PLAN. CORRECTIVE ACTION: UPDATE

Map ID
Direction
Distance
Elevation

MAP FINDINGS

Site

Database(s)

EDR ID Number
EPA ID Number

FLEET MGMT NEEDLES YARD (Continued)

S106152889

SPCC PLAN TO INCLUDE COMPLETE SUBSTANTIAL HARM CRITERIA WITHIN 30 DAYS. SUBMIT A SIGNED CERTIFICATE OF COMPLIANCE WITHIN 30 DAYS. 6/24/20- updated SPCC plan submitted on 3/11/19, plan included required documents. violation corrected PS.

Violation Division: San Bernardino County Fire Department
Violation Program: APSA
Violation Source: CERS,

Evaluation:

Eval General Type: Compliance Evaluation Inspection
Eval Date: 01-23-2019
Violations Found: Yes
Eval Type: Routine done by local agency
Eval Notes: HAZMAT, HAZWASTE AND APSA INSPECTIONS
Eval Division: San Bernardino County Fire Department
Eval Program: APSA
Eval Source: CERS,

Eval General Type: Compliance Evaluation Inspection
Eval Date: 01-29-2016
Violations Found: No
Eval Type: Routine done by local agency
Eval Notes: ROUTINE INSPECTION, FUEL VEHICLE
Eval Division: San Bernardino County Fire Department
Eval Program: HMRRP
Eval Source: CERS,

Eval General Type: Compliance Evaluation Inspection
Eval Date: 07-24-2013
Violations Found: No
Eval Type: Routine done by local agency
Eval Notes: INSPECT
Eval Division: San Bernardino County Fire Department
Eval Program: HW
Eval Source: CERS,

Eval General Type: Compliance Evaluation Inspection
Eval Date: 01-23-2019
Violations Found: No
Eval Type: Routine done by local agency
Eval Notes: HAZ MAT, HAZ WASTE AND APSA INSPECTION
Eval Division: San Bernardino County Fire Department
Eval Program: HW
Eval Source: CERS,

Eval General Type: Compliance Evaluation Inspection
Eval Date: 01-29-2016
Violations Found: No
Eval Type: Routine done by local agency
Eval Notes: ROUTINE INSPECTION
Eval Division: San Bernardino County Fire Department
Eval Program: HW
Eval Source: CERS,

Eval General Type: Compliance Evaluation Inspection
Eval Date: 01-29-2016
Violations Found: Yes

Map ID
Direction
Distance
Elevation

MAP FINDINGS

Site

Database(s)

EDR ID Number
EPA ID Number

FLEET MGMT NEEDLES YARD (Continued)

S106152889

Eval Type: Routine done by local agency
Eval Notes: ROUTINES INSPECTION
Eval Division: San Bernardino County Fire Department
Eval Program: APSA
Eval Source: CERS,

Eval General Type: Compliance Evaluation Inspection
Eval Date: 07-24-2013
Violations Found: Yes
Eval Type: Routine done by local agency
Eval Notes: INSPECT
Eval Division: San Bernardino County Fire Department
Eval Program: HMRRP
Eval Source: CERS,

Eval General Type: Compliance Evaluation Inspection
Eval Date: 01-23-2019
Violations Found: No
Eval Type: Routine done by local agency
Eval Notes: HAZMAT, HAZ WASTE AND APSA INSPECTION
Eval Division: San Bernardino County Fire Department
Eval Program: HMRRP
Eval Source: CERS,

Eval General Type: Compliance Evaluation Inspection
Eval Date: 09-29-2021
Violations Found: No
Eval Type: Routine done by local agency
Eval Notes: Not reported
Eval Division: San Bernardino County Fire Department
Eval Program: HMRRP
Eval Source: CERS,

Eval General Type: Compliance Evaluation Inspection
Eval Date: 09-29-2021
Violations Found: No
Eval Type: Routine done by local agency
Eval Notes: Not reported
Eval Division: San Bernardino County Fire Department
Eval Program: HW
Eval Source: CERS,

Eval General Type: Compliance Evaluation Inspection
Eval Date: 09-29-2021
Violations Found: Yes
Eval Type: Routine done by local agency
Eval Notes: Not reported
Eval Division: San Bernardino County Fire Department
Eval Program: APSA
Eval Source: CERS,

Enforcement Action:
Site ID: 116847
Site Name: FLEET MGMT NEEDLES YARD
Site Address: #5 AIRPORT RD
Site City: NEEDLES
Site Zip: 92363

Map ID
Direction
Distance
Elevation

MAP FINDINGS

Site

Database(s)

EDR ID Number
EPA ID Number

FLEET MGMT NEEDLES YARD (Continued)

S106152889

Enf Action Date: 01-29-2016
Enf Action Type: Notice of Violation (Unified Program)
Enf Action Description: Notice of Violation Issued by the Inspector at the Time of Inspection
Enf Action Notes: Not reported
Enf Action Division: San Bernardino County Fire Department
Enf Action Program: APSA
Enf Action Source: CERS,

Site ID: 116847
Site Name: FLEET MGMT NEEDLES YARD
Site Address: #5 AIRPORT RD
Site City: NEEDLES
Site Zip: 92363
Enf Action Date: 07-24-2013
Enf Action Type: Notice of Violation (Unified Program)
Enf Action Description: Notice of Violation Issued by the Inspector at the Time of Inspection
Enf Action Notes: Not reported
Enf Action Division: San Bernardino County Fire Department
Enf Action Program: HMRRP
Enf Action Source: CERS,

Affiliation:

Affiliation Type Desc: Document Preparer
Entity Name: Lauren Doucette
Entity Title: Not reported
Affiliation Address: Not reported
Affiliation City: Not reported
Affiliation State: Not reported
Affiliation Country: Not reported
Affiliation Zip: Not reported
Affiliation Phone: ,

Affiliation Type Desc: Operator
Entity Name: Needles Service Center San Bernardino County Fleet Management
Entity Title: Not reported
Affiliation Address: Not reported
Affiliation City: Not reported
Affiliation State: Not reported
Affiliation Country: Not reported
Affiliation Zip: Not reported
Affiliation Phone: (760) 326-4117,

Affiliation Type Desc: CUPA District
Entity Name: San Bernardino County Fire
Entity Title: Not reported
Affiliation Address: 620 South E Street
Affiliation City: San Bernardino
Affiliation State: CA
Affiliation Country: Not reported
Affiliation Zip: 92415-0153
Affiliation Phone: (909) 386-8401,

Affiliation Type Desc: Environmental Contact
Entity Name: Lauren Doucette
Entity Title: Not reported
Affiliation Address: 210 N LENA RD
Affiliation City: SAN BERNARDINO

Map ID
Direction
Distance
Elevation

MAP FINDINGS

Site

Database(s)

EDR ID Number
EPA ID Number

FLEET MGMT NEEDLES YARD (Continued)

S106152889

Affiliation State: CA
Affiliation Country: Not reported
Affiliation Zip: 92415-0842
Affiliation Phone: ,

Affiliation Type Desc: Facility Mailing Address
Entity Name: Mailing Address
Entity Title: Not reported
Affiliation Address: #5 AIRPORT RD
Affiliation City: NEEDLES
Affiliation State: CA
Affiliation Country: Not reported
Affiliation Zip: 92363
Affiliation Phone: ,

Affiliation Type Desc: Legal Owner
Entity Name: SAN BERNARDINO COUNTY FLEET MANAGEMENT
Entity Title: Not reported
Affiliation Address: 210 N LENA RD
Affiliation City: SAN BERNARDINO
Affiliation State: CA
Affiliation Country: United States
Affiliation Zip: 92415-0842
Affiliation Phone: (909) 387-7855,

Affiliation Type Desc: Parent Corporation
Entity Name: FLEET SERVICE CENTERS
Entity Title: Not reported
Affiliation Address: Not reported
Affiliation City: Not reported
Affiliation State: Not reported
Affiliation Country: Not reported
Affiliation Zip: Not reported
Affiliation Phone: ,

Affiliation Type Desc: Identification Signer
Entity Name: Lauren Doucette
Entity Title: Regulatory Environmental Specialist
Affiliation Address: Not reported
Affiliation City: Not reported
Affiliation State: Not reported
Affiliation Country: Not reported
Affiliation Zip: Not reported
Affiliation Phone: ,

Name: COUNTY-NEEDLES ROAD YARD
Address: 5 AIRPORT RD
City,State,Zip: NEEDLES, CA 92363
Site ID: 259054
CERS ID: T0607101018
CERS Description: Leaking Underground Storage Tank Cleanup Site

Affiliation:
Affiliation Type Desc: Local Agency Caseworker
Entity Name: CURTIS BRUNDAGE - SAN BERNARDINO COUNTY
Entity Title: Not reported
Affiliation Address: 620 S. E STREET

Map ID
Direction
Distance
Elevation

MAP FINDINGS

Site

Database(s)

EDR ID Number
EPA ID Number

FLEET MGMT NEEDLES YARD (Continued)

S106152889

Affiliation City: SAN BERNARDINO
Affiliation State: CA
Affiliation Country: Not reported
Affiliation Zip: Not reported
Affiliation Phone: ,

904 **NEEDLES AIRPORT**
Target **HIGHWAY 95**
Property **NEEDLES, CA 92363**

SWEEPS UST **U001575252**
HIST UST **N/A**

Actual:
882 ft.
Focus Map:
14

SWEEPS UST:

Name: NEEDLES AIRPORT
Address: HIGHWAY 95
City: NEEDLES
Status: Active
Comp Number: 2621
Number: 9
Board Of Equalization: 44-019855
Referral Date: 03-23-92
Action Date: 03-23-92
Created Date: 02-29-88
Owner Tank Id: 1
SWRCB Tank Id: 36-000-002621-000001
Tank Status: A
Capacity: 10000
Active Date: 07-01-85
Tank Use: M.V. FUEL
STG: P
Content: AVIA. GAS
Number Of Tanks: 2

Name: NEEDLES AIRPORT
Address: HIGHWAY 95
City: NEEDLES
Status: Active
Comp Number: 2621
Number: 9
Board Of Equalization: 44-019855
Referral Date: 03-23-92
Action Date: 03-23-92
Created Date: 02-29-88
Owner Tank Id: 2
SWRCB Tank Id: 36-000-002621-000002
Tank Status: A
Capacity: 10000
Active Date: 07-01-85
Tank Use: M.V. FUEL
STG: P
Content: AVIA. GAS
Number Of Tanks: Not reported

HIST UST:

Name: NEEDLES AIRPORT
Address: HIGHWAY 95
City,State,Zip: NEEDLES, CA 92363
File Number: 00029CFC

Map ID
 Direction
 Distance
 Elevation

MAP FINDINGS

Site

Database(s)

EDR ID Number
 EPA ID Number

NEEDLES AIRPORT (Continued)

U001575252

URL: <http://geotracker.waterboards.ca.gov/ustpdfs/pdf/00029CFC.pdf>
 Region: STATE
 Facility ID: 00000002621
 Facility Type: Other
 Other Type: AIRCRAFT FUELING
 Contact Name: EDDIE LOERA
 Telephone: 6192542422
 Owner Name: COUNTY OF SAN BERNARDINO
 Owner Address: STAR ROUTE, BOX 3
 Owner City,St,Zip: DAGGETT, CA 92327
 Total Tanks: 0002

Tank Num: 001
 Container Num: 1
 Year Installed: 1978
 Tank Capacity: 00010000
 Tank Used for: PRODUCT
 Type of Fuel: 06
 Container Construction Thickness: Not reported
 Leak Detection: Stock Inventor

Tank Num: 002
 Container Num: 2
 Year Installed: 1978
 Tank Capacity: 00010000
 Tank Used for: PRODUCT
 Type of Fuel: 06
 Container Construction Thickness: Not reported
 Leak Detection: Stock Inventor

[Click here for Geo Tracker PDF:](#)

DT905 CALIZONA RV PARK 97-500159
Target 1902 FIVE MILE ROAD
Property NEEDLES, CA 92363

ENF S106571460
WDS N/A
CIWQS

Site 1 of 5 in cluster DT

Actual: ENF:
715 ft. Name: CALIZONA RV PARK 97-500159
Focus Map: Address: 1902 FIVE MILE ROAD
15 City,State,Zip: NEEDLES, CA 92363
 Region: 7
 Facility Id: 212751
 Agency Name: Breault, Earl & Georgia
 Place Type: Recreational
 Place Subtype: Campground
 Facility Type: Municipal/Domestic
 Agency Type: Privately-Individual
 # Of Agencies: 1
 Place Latitude: Not reported
 Place Longitude: Not reported
 SIC Code 1: 7033
 SIC Desc 1: Recreational Vehicle Parks and Campsites
 SIC Code 2: 4952
 SIC Desc 2: Sewerage Systems
 SIC Code 3: Not reported
 SIC Desc 3: Not reported

Map ID
Direction
Distance
Elevation

MAP FINDINGS

Site

Database(s)

EDR ID Number
EPA ID Number

CALIZONA RV PARK 97-500159 (Continued)

S106571460

NAICS Code 1:	Not reported
NAICS Desc 1:	Not reported
NAICS Code 2:	Not reported
NAICS Desc 2:	Not reported
NAICS Code 3:	Not reported
NAICS Desc 3:	Not reported
# Of Places:	1
Source Of Facility:	Reg Meas
Design Flow:	0.01
Threat To Water Quality:	3
Complexity:	C
Pretreatment:	X - Facility is not a POTW
Facility Waste Type:	Domestic wastewater
Facility Waste Type 2:	Not reported
Facility Waste Type 3:	Not reported
Facility Waste Type 4:	Not reported
Program:	WDRMUNIWTS
Program Category1:	WDR
Program Category2:	WDR
# Of Programs:	1
WDID:	7B361011001
Reg Measure Id:	205871
Reg Measure Type:	Enrollee
Region:	7
Order #:	97-500
Npdes# CA#:	Not reported
Major-Minor:	Not reported
Npdes Type:	Not reported
Reclamation:	N - No
Dredge Fill Fee:	Not reported
301H:	Not reported
Application Fee Amt Received:	436.5
Status:	Active
Status Date:	02/18/2014
Effective Date:	07/19/2004
Expiration/Review Date:	07/18/2014
Termination Date:	Not reported
WDR Review - Amend:	Not reported
WDR Review - Revise/Renew:	Not reported
WDR Review - Rescind:	Not reported
WDR Review - No Action Required:	Not reported
WDR Review - Pending:	Not reported
WDR Review - Planned:	Not reported
Status Enrollee:	Y
Individual/General:	I
Fee Code:	58 - Non15 Based on (TTWQ)/CPLX
Direction/Voice:	Passive
Enforcement Id(EID):	372151
Region:	7
Order / Resolution Number:	Not reported
Enforcement Action Type:	Staff Enforcement Letter
Effective Date:	05/29/2009
Adoption/Issuance Date:	05/29/2009
Achieve Date:	Not reported
Termination Date:	05/29/2009
ACL Issuance Date:	Not reported
EPL Issuance Date:	Not reported

Map ID
Direction
Distance
Elevation

MAP FINDINGS

Site

Database(s)

EDR ID Number
EPA ID Number

CALIZONA RV PARK 97-500159 (Continued)

S106571460

Status: Historical
Title: SEL 05/29/2009 for Breault, Earl & Georgia
Description: 05/29/2009 Notice of Noncompliance letter issued for incomplete Annual 2008 M&R
Program: WDRMUNIOTH
Latest Milestone Completion Date: Not reported
Of Programs1: 1
Total Assessment Amount: 0
Initial Assessed Amount: 0
Liability \$ Amount: 0
Project \$ Amount: 0
Liability \$ Paid: 0
Project \$ Completed: 0
Total \$ Paid/Completed Amount: 0

Name: CALIZONA RV PARK 97-500159
Address: 1902 FIVE MILE ROAD
City,State,Zip: NEEDLES, CA 92363
Region: 7
Facility Id: 212751
Agency Name: Breault, Earl & Georgia
Place Type: Recreational
Place Subtype: Campground
Facility Type: Municipal/Domestic
Agency Type: Privately-Individual
Of Agencies: 1
Place Latitude: Not reported
Place Longitude: Not reported
SIC Code 1: 7033
SIC Desc 1: Recreational Vehicle Parks and Campsites
SIC Code 2: 4952
SIC Desc 2: Sewerage Systems
SIC Code 3: Not reported
SIC Desc 3: Not reported
NAICS Code 1: Not reported
NAICS Desc 1: Not reported
NAICS Code 2: Not reported
NAICS Desc 2: Not reported
NAICS Code 3: Not reported
NAICS Desc 3: Not reported
Of Places: 1
Source Of Facility: Reg Meas
Design Flow: 0.01
Threat To Water Quality: 3
Complexity: C
Pretreatment: X - Facility is not a POTW
Facility Waste Type: Domestic wastewater
Facility Waste Type 2: Not reported
Facility Waste Type 3: Not reported
Facility Waste Type 4: Not reported
Program: WDRMUNIOWTS
Program Category1: WDR
Program Category2: WDR
Of Programs: 1
WDID: 7B361011001
Reg Measure Id: 205871
Reg Measure Type: Enrollee

Map ID
Direction
Distance
Elevation

MAP FINDINGS

Site

Database(s)

EDR ID Number
EPA ID Number

CALIZONA RV PARK 97-500159 (Continued)

S106571460

Region: 7
Order #: 97-500
Npdes# CA#: Not reported
Major-Minor: Not reported
Npdes Type: Not reported
Reclamation: N - No
Dredge Fill Fee: Not reported
301H: Not reported
Application Fee Amt Received: 436.5
Status: Active
Status Date: 02/18/2014
Effective Date: 07/19/2004
Expiration/Review Date: 07/18/2014
Termination Date: Not reported
WDR Review - Amend: Not reported
WDR Review - Revise/Renew: Not reported
WDR Review - Rescind: Not reported
WDR Review - No Action Required: Not reported
WDR Review - Pending: Not reported
WDR Review - Planned: Not reported
Status Enrollee: Y
Individual/General: I
Fee Code: 58 - Non15 Based on (TTWQ)/CPLX
Direction/Voice: Active
Enforcement Id(EID): 345969
Region: 7
Order / Resolution Number: Not reported
Enforcement Action Type: Staff Enforcement Letter
Effective Date: 04/18/2008
Adoption/Issuance Date: Not reported
Achieve Date: Not reported
Termination Date: Not reported
ACL Issuance Date: Not reported
EPL Issuance Date: Not reported
Status: Active
Title: SEL 04/18/08 for Breault, Earl & Georgia
Description: 04/18/2008 Notice of Noncompliance letter issued for incomplete 2007 Annual M&R
Program: WDR
Latest Milestone Completion Date: Not reported
Of Programs1: 1
Total Assessment Amount: 0
Initial Assessed Amount: 0
Liability \$ Amount: 0
Project \$ Amount: 0
Liability \$ Paid: 0
Project \$ Completed: 0
Total \$ Paid/Completed Amount: 0
Name: CALIZONA RV PARK 97-500159
Address: 1902 FIVE MILE ROAD
City,State,Zip: NEEDLES, CA 92363
Region: 7
Facility Id: 212751
Agency Name: Breault, Earl & Georgia
Place Type: Recreational
Place Subtype: Campground

Map ID
Direction
Distance
Elevation

MAP FINDINGS

Site

Database(s)

EDR ID Number
EPA ID Number

CALIZONA RV PARK 97-500159 (Continued)

S106571460

Facility Type:	Municipal/Domestic
Agency Type:	Privately-Individual
# Of Agencies:	1
Place Latitude:	Not reported
Place Longitude:	Not reported
SIC Code 1:	7033
SIC Desc 1:	Recreational Vehicle Parks and Campsites
SIC Code 2:	4952
SIC Desc 2:	Sewerage Systems
SIC Code 3:	Not reported
SIC Desc 3:	Not reported
NAICS Code 1:	Not reported
NAICS Desc 1:	Not reported
NAICS Code 2:	Not reported
NAICS Desc 2:	Not reported
NAICS Code 3:	Not reported
NAICS Desc 3:	Not reported
# Of Places:	1
Source Of Facility:	Reg Meas
Design Flow:	0.01
Threat To Water Quality:	3
Complexity:	C
Pretreatment:	X - Facility is not a POTW
Facility Waste Type:	Domestic wastewater
Facility Waste Type 2:	Not reported
Facility Waste Type 3:	Not reported
Facility Waste Type 4:	Not reported
Program:	WDRMUNIWOTS
Program Category1:	WDR
Program Category2:	WDR
# Of Programs:	1
WDID:	7B361011001
Reg Measure Id:	205871
Reg Measure Type:	Enrollee
Region:	7
Order #:	97-500
Npdes# CA#:	Not reported
Major-Minor:	Not reported
Npdes Type:	Not reported
Reclamation:	N - No
Dredge Fill Fee:	Not reported
301H:	Not reported
Application Fee Amt Received:	436.5
Status:	Active
Status Date:	02/18/2014
Effective Date:	07/19/2004
Expiration/Review Date:	07/18/2014
Termination Date:	Not reported
WDR Review - Amend:	Not reported
WDR Review - Revise/Renew:	Not reported
WDR Review - Rescind:	Not reported
WDR Review - No Action Required:	Not reported
WDR Review - Pending:	Not reported
WDR Review - Planned:	Not reported
Status Enrollee:	Y
Individual/General:	I
Fee Code:	58 - Non15 Based on (TTWQ)/CPLX

Map ID
Direction
Distance
Elevation

MAP FINDINGS

Site

Database(s)

EDR ID Number
EPA ID Number

CALIZONA RV PARK 97-500159 (Continued)

S106571460

Direction/Voice: Passive
Enforcement Id(EID): 296634
Region: 7
Order / Resolution Number: Not reported
Enforcement Action Type: Notice to Comply
Effective Date: 12/30/2005
Adoption/Issuance Date: Not reported
Achieve Date: Not reported
Termination Date: Not reported
ACL Issuance Date: Not reported
EPL Issuance Date: Not reported
Status: Historical
Title: Enforcement - 7B361011001
Description: 12/30/2005 Notice of Noncompliance letter issued for 2005
Annual excess TKN
Program: WDRMUNIOTH
Latest Milestone Completion Date: 2/14/2006
Of Programs1: 1
Total Assessment Amount: 0
Initial Assessed Amount: 0
Liability \$ Amount: 0
Project \$ Amount: 0
Liability \$ Paid: 0
Project \$ Completed: 0
Total \$ Paid/Completed Amount: 0

Name: CALIZONA RV PARK 97-500159
Address: 1902 FIVE MILE ROAD
City,State,Zip: NEEDLES, CA 92363
Region: 7
Facility Id: 212751
Agency Name: Breault, Earl & Georgia
Place Type: Recreational
Place Subtype: Campground
Facility Type: Municipal/Domestic
Agency Type: Privately-Individual
Of Agencies: 1
Place Latitude: Not reported
Place Longitude: Not reported
SIC Code 1: 7033
SIC Desc 1: Recreational Vehicle Parks and Campsites
SIC Code 2: 4952
SIC Desc 2: Sewerage Systems
SIC Code 3: Not reported
SIC Desc 3: Not reported
NAICS Code 1: Not reported
NAICS Desc 1: Not reported
NAICS Code 2: Not reported
NAICS Desc 2: Not reported
NAICS Code 3: Not reported
NAICS Desc 3: Not reported
Of Places: 1
Source Of Facility: Reg Meas
Design Flow: 0.01
Threat To Water Quality: 3
Complexity: C
Pretreatment: X - Facility is not a POTW

Map ID
Direction
Distance
Elevation

MAP FINDINGS

Site

Database(s)

EDR ID Number
EPA ID Number

CALIZONA RV PARK 97-500159 (Continued)

S106571460

Facility Waste Type:	Domestic wastewater
Facility Waste Type 2:	Not reported
Facility Waste Type 3:	Not reported
Facility Waste Type 4:	Not reported
Program:	WDRMUNIOWTS
Program Category1:	WDR
Program Category2:	WDR
# Of Programs:	1
WDID:	7B361011001
Reg Measure Id:	205871
Reg Measure Type:	Enrollee
Region:	7
Order #:	97-500
Npdes# CA#:	Not reported
Major-Minor:	Not reported
Npdes Type:	Not reported
Reclamation:	N - No
Dredge Fill Fee:	Not reported
301H:	Not reported
Application Fee Amt Received:	436.5
Status:	Active
Status Date:	02/18/2014
Effective Date:	07/19/2004
Expiration/Review Date:	07/18/2014
Termination Date:	Not reported
WDR Review - Amend:	Not reported
WDR Review - Revise/Renew:	Not reported
WDR Review - Rescind:	Not reported
WDR Review - No Action Required:	Not reported
WDR Review - Pending:	Not reported
WDR Review - Planned:	Not reported
Status Enrollee:	Y
Individual/General:	I
Fee Code:	58 - Non15 Based on (TTWQ)/CPLX
Direction/Voice:	Passive
Enforcement Id(EID):	252357
Region:	7
Order / Resolution Number:	UNKNOWN
Enforcement Action Type:	Staff Enforcement Letter
Effective Date:	08/04/2004
Adoption/Issuance Date:	Not reported
Achieve Date:	Not reported
Termination Date:	Not reported
ACL Issuance Date:	Not reported
EPL Issuance Date:	Not reported
Status:	Historical
Title:	Enforcement - 7B361011001
Description:	08/04/2004 Notice of Noncompliance letter issued for leach field failure. Request for a plan for the new leach field to be submitted with the Work Plan due by 08/12/2004. 09/14/04 Site inspection notes compliance. Compliance letter sent 09/17/2004.
Program:	WDRMUNIOTH
Latest Milestone Completion Date:	Not reported
# Of Programs1:	1
Total Assessment Amount:	0
Initial Assessed Amount:	0

Map ID
Direction
Distance
Elevation

MAP FINDINGS

Site

Database(s)

EDR ID Number
EPA ID Number

CALIZONA RV PARK 97-500159 (Continued)

S106571460

Liability \$ Amount: 0
Project \$ Amount: 0
Liability \$ Paid: 0
Project \$ Completed: 0
Total \$ Paid/Completed Amount: 0

Name: CALIZONA RV PARK 97-500159
Address: 1902 FIVE MILE ROAD
City,State,Zip: NEEDLES, CA 92363
Region: 7
Facility Id: 212751
Agency Name: Breault, Earl & Georgia
Place Type: Recreational
Place Subtype: Campground
Facility Type: Municipal/Domestic
Agency Type: Privately-Individual
Of Agencies: 1
Place Latitude: Not reported
Place Longitude: Not reported
SIC Code 1: 7033
SIC Desc 1: Recreational Vehicle Parks and Campsites
SIC Code 2: 4952
SIC Desc 2: Sewerage Systems
SIC Code 3: Not reported
SIC Desc 3: Not reported
NAICS Code 1: Not reported
NAICS Desc 1: Not reported
NAICS Code 2: Not reported
NAICS Desc 2: Not reported
NAICS Code 3: Not reported
NAICS Desc 3: Not reported
Of Places: 1
Source Of Facility: Reg Meas
Design Flow: 0.01
Threat To Water Quality: 3
Complexity: C
Pretreatment: X - Facility is not a POTW
Facility Waste Type: Domestic wastewater
Facility Waste Type 2: Not reported
Facility Waste Type 3: Not reported
Facility Waste Type 4: Not reported
Program: WDRMUNIWTS
Program Category1: WDR
Program Category2: WDR
Of Programs: 1
WDID: 7B361011001
Reg Measure Id: 205871
Reg Measure Type: Enrollee
Region: 7
Order #: 97-500
Npdes# CA#: Not reported
Major-Minor: Not reported
Npdes Type: Not reported
Reclamation: N - No
Dredge Fill Fee: Not reported
301H: Not reported
Application Fee Amt Received: 436.5

Map ID
Direction
Distance
Elevation

MAP FINDINGS

Site

Database(s)

EDR ID Number
EPA ID Number

CALIZONA RV PARK 97-500159 (Continued)

S106571460

Status: Active
Status Date: 02/18/2014
Effective Date: 07/19/2004
Expiration/Review Date: 07/18/2014
Termination Date: Not reported
WDR Review - Amend: Not reported
WDR Review - Revise/Renew: Not reported
WDR Review - Rescind: Not reported
WDR Review - No Action Required: Not reported
WDR Review - Pending: Not reported
WDR Review - Planned: Not reported
Status Enrollee: Y
Individual/General: I
Fee Code: 58 - Non15 Based on (TTWQ)/CPLX
Direction/Voice: Passive
Enforcement Id(EID): 252200
Region: 7
Order / Resolution Number: UNKNOWN
Enforcement Action Type: Staff Enforcement Letter
Effective Date: 07/22/2004
Adoption/Issuance Date: Not reported
Achieve Date: Not reported
Termination Date: Not reported
ACL Issuance Date: Not reported
EPL Issuance Date: Not reported
Status: Historical
Title: Enforcement - 7B361011001
Description: 07/22/2004 Notice of Noncompliance letter issued for inaccessible septic tank lids noted at pre-requirement inspection. Achieve compliance by 10/28/2004. 09/17/2004 Compliance letter sent - one tank of two was accessible. 2nd tank compliance due by Nov 1
Program: WDRMUNIOTH
Latest Milestone Completion Date: Not reported
Of Programs1: 1
Total Assessment Amount: 0
Initial Assessed Amount: 0
Liability \$ Amount: 0
Project \$ Amount: 0
Liability \$ Paid: 0
Project \$ Completed: 0
Total \$ Paid/Completed Amount: 0

WDS:

Name: CALIZONA RV PARK 97-500159
Address: 1902 FIVE MILE ROAD
City: NEEDLES
Facility ID: East Colorado River 361011001
Facility Type: Municipal/Domestic - Facility that treats sewage or a mixture of predominantly sewage and other waste from districts, municipalities, communities, hospitals, schools, and publicly or privately owned systems (excluding individual subsurface leaching systems disposing of less than 1,000 gallons per day).
Facility Status: Active - Any facility with a continuous or seasonal discharge that is under Waste Discharge Requirements.
NPDES Number: Not reported
Subregion: 7

Map ID
Direction
Distance
Elevation

MAP FINDINGS

Site

Database(s)

EDR ID Number
EPA ID Number

CALIZONA RV PARK 97-500159 (Continued)

S106571460

Facility Telephone: 7603265679
Facility Contact: EARL BREault
Agency Name: BREault EARL & GEORGIA
Agency Address: 7071 MOUNTAIN VIEW ROAD
Agency City,St,Zip: MOHAVE VALLEY 86440
Agency Contact: EARL & GEORGIA BREault
Agency Telephone: 9287883905
Agency Type: Private
SIC Code: 7033
SIC Code 2: 4952
Primary Waste Type: Designated/Influent or Solid Wastes that pose a significant threat to water quality because of their high concentrations (E.G., BOD, Hardness, TRF, Chloride). 'Manageable' hazardous wastes (E.G., inorganic salts and heavy metals) are included in this category.
Primary Waste: DOMEST
Waste Type2: Not reported
Waste2: Domestic Sewage
Primary Waste Type: Designated/Influent or Solid Wastes that pose a significant threat to water quality because of their high concentrations (E.G., BOD, Hardness, TRF, Chloride). 'Manageable' hazardous wastes (E.G., inorganic salts and heavy metals) are included in this category.
Secondary Waste: Not reported
Secondary Waste Type: Not reported
Design Flow: 0
Baseline Flow: 0
Reclamation: No reclamation requirements associated with this facility.
POTW: The facility is not a POTW.
Treat To Water: Minor Threat to Water Quality. A violation of a regional board order should cause a relatively minor impairment of beneficial uses compared to a major or minor threat. Not: All nurds without a TTWQ will be considered a minor threat to water quality unless coded at a higher Level. A Zero (0) may be used to code those NURDS that are found to represent no threat to water quality.
Complexity: Category C - Facilities having no waste treatment systems, such as cooling water dischargers or those who must comply through best management practices, facilities with passive waste treatment and disposal systems, such as septic systems with subsurface disposal, or dischargers having waste storage systems with land disposal such as dairy waste ponds.

CIWQS:

Name: CALIZONA RV PARK 97-500159
Address: 1902 FIVE MILE ROAD
City,State,Zip: NEEDLES, CA 92363
Agency: Breault, Earl & Georgia
Agency Address: 7071 Mountain View Road, Mohave Valley, CA 86440
Place/Project Type: Campground
SIC/NAICS: 7033(+)
Region: 7
Program: WDRMUNIOWTS
Regulatory Measure Status: Active
Regulatory Measure Type: Enrollee
Order Number: 97-500
WDID: 7B361011001
NPDES Number: Not reported
Adoption Date: Not reported
Effective Date: 07/19/2004

Map ID
Direction
Distance
Elevation

MAP FINDINGS

Site

Database(s)

EDR ID Number
EPA ID Number

CALIZONA RV PARK 97-500159 (Continued)

S106571460

Termination Date: Not reported
Expiration/Review Date: 07/18/2014
Design Flow: 0.01
Major/Minor: Not reported
Complexity: C
TTWQ: 3
Enforcement Actions within 5 years: 0
Violations within 5 years: 0
Latitude: Not reported
Longitude: Not reported

DT906 AT&T MOBILITY - MOUNTAIN UNION (USID48378)
Target 1902 FIVE MILE RD
Property NEEDLES, CA 92363

San Bern. Co. Permit S110168943
CERS N/A

Site 2 of 5 in cluster DT

**Actual:
715 ft.**

San Bern. Co. Permit:

**Focus Map:
15**

Name: AT&T MOBILITY - MOUNTAIN UNION (USID48378)
Address: 1902 FIVE MILE RD
City,State,Zip: NEEDLES, CA 92363
Region: SAN BERNARDINO
Facility ID: FA0011570
Owner: New Cingular Wireless PCS, LLC dba AT&T Mobility
Permit Number: PT0022793
Permit Category: HAZARDOUS MATERIALS 1-3 CHEMICALS SPECIAL
Facility Status: ACTIVE
Expiration Date: 04/30/2022

Name: VERIZON WIRELESS: MOABI
Address: 1902 FIVE MILE RD
City,State,Zip: NEEDLES, CA 92363
Region: SAN BERNARDINO
Facility ID: FA0017131
Owner: Verizon Wireless
Permit Number: PT0036494
Permit Category: HAZARDOUS MATERIALS 1-3 CHEMICALS SPECIAL
Facility Status: ACTIVE
Expiration Date: 12/31/2021

Name: AT&T MOBILITY - MOUNTAIN UNION (USID48378)
Address: 1902 FIVE MILE RD
City,State,Zip: NEEDLES, CA 92363
Region: SAN BERNARDINO
Facility ID: FA0011570
Owner: New Cingular Wireless PCS, LLC dba AT&T Mobility
Permit Number: PT0039475
Permit Category: CONDITIONALLY EXEMPT SM QTY GENERATOR
Facility Status: INACTIVE
Expiration Date: 04/30/2022

CERS:

Name: VERIZON WIRELESS: MOABI
Address: 1902 FIVE MILE RD
City,State,Zip: NEEDLES, CA 92363
Site ID: 168353
CERS ID: 10163571

Map ID
Direction
Distance
Elevation

MAP FINDINGS

Site

Database(s)

EDR ID Number
EPA ID Number

AT&T MOBILITY - MOUNTAIN UNION (USID48378) (Continued)

S110168943

CERS Description: Chemical Storage Facilities

Evaluation:

Eval General Type: Compliance Evaluation Inspection
Eval Date: 05-03-2018
Violations Found: No
Eval Type: Routine done by local agency
Eval Notes: Not reported
Eval Division: San Bernardino County Fire Department
Eval Program: HMRRP
Eval Source: CERS,

Eval General Type: Compliance Evaluation Inspection
Eval Date: 02-16-2021
Violations Found: No
Eval Type: Routine done by local agency
Eval Notes: Not reported
Eval Division: San Bernardino County Fire Department
Eval Program: HMRRP
Eval Source: CERS,

Affiliation:

Affiliation Type Desc: Environmental Contact
Entity Name: Environmental Compliance
Entity Title: Not reported
Affiliation Address: 15505 Sand Canyon Avenue, MS D-104
Affiliation City: Irvine
Affiliation State: CA
Affiliation Country: Not reported
Affiliation Zip: 92618
Affiliation Phone: ,

Affiliation Type Desc: Facility Mailing Address
Entity Name: Mailing Address
Entity Title: Not reported
Affiliation Address: 15505 Sand Canyon Avenue, MS D-104
Affiliation City: Irvine
Affiliation State: CA
Affiliation Country: Not reported
Affiliation Zip: 92618
Affiliation Phone: ,

Affiliation Type Desc: Operator
Entity Name: Verizon Wireless
Entity Title: Not reported
Affiliation Address: Not reported
Affiliation City: Not reported
Affiliation State: Not reported
Affiliation Country: Not reported
Affiliation Zip: Not reported
Affiliation Phone: (949) 286-7000,

Affiliation Type Desc: Parent Corporation
Entity Name: Verizon Wireless [Southern California]
Entity Title: Not reported
Affiliation Address: Not reported
Affiliation City: Not reported

Map ID
Direction
Distance
Elevation

MAP FINDINGS

Site

Database(s)

EDR ID Number
EPA ID Number

AT&T MOBILITY - MOUNTAIN UNION (USID48378) (Continued)

S110168943

Affiliation State: Not reported
Affiliation Country: Not reported
Affiliation Zip: Not reported
Affiliation Phone: ,

Affiliation Type Desc: Document Preparer
Entity Name: Steve Skanderson, Stantec
Entity Title: Not reported
Affiliation Address: Not reported
Affiliation City: Not reported
Affiliation State: Not reported
Affiliation Country: Not reported
Affiliation Zip: Not reported
Affiliation Phone: ,

Affiliation Type Desc: CUPA District
Entity Name: San Bernardino County Fire
Entity Title: Not reported
Affiliation Address: 620 South E Street
Affiliation City: San Bernardino
Affiliation State: CA
Affiliation Country: Not reported
Affiliation Zip: 92415-0153
Affiliation Phone: (909) 386-8401,

Affiliation Type Desc: Identification Signer
Entity Name: Wilson Rodriguez
Entity Title: Engr III Spec-RE/Regulatory
Affiliation Address: Not reported
Affiliation City: Not reported
Affiliation State: Not reported
Affiliation Country: Not reported
Affiliation Zip: Not reported
Affiliation Phone: ,

Affiliation Type Desc: Legal Owner
Entity Name: Verizon Wireless
Entity Title: Not reported
Affiliation Address: 15505 Sand Canyon Avenue, MS D-104
Affiliation City: Irvine
Affiliation State: CA
Affiliation Country: United States
Affiliation Zip: 92618
Affiliation Phone: (949) 286-7000,

Name: AT&T MOBILITY - MOUNTAIN UNION (USID48378)
Address: 1902 FIVE MILE RD
City,State,Zip: NEEDLES, CA 92363
Site ID: 362634
CERS ID: 10623367
CERS Description: Chemical Storage Facilities

Evaluation:
Eval General Type: Compliance Evaluation Inspection
Eval Date: 02-07-2018
Violations Found: No
Eval Type: Routine done by local agency

Map ID
Direction
Distance
Elevation

MAP FINDINGS

Site

Database(s)

EDR ID Number
EPA ID Number

AT&T MOBILITY - MOUNTAIN UNION (USID48378) (Continued)

S110168943

Eval Notes: Not reported
Eval Division: San Bernardino County Fire Department
Eval Program: HMRRP
Eval Source: CERS,

Eval General Type: Compliance Evaluation Inspection
Eval Date: 10-24-2019
Violations Found: No
Eval Type: Routine done by local agency
Eval Notes: Not reported
Eval Division: San Bernardino County Fire Department
Eval Program: HW
Eval Source: CERS,

Eval General Type: Compliance Evaluation Inspection
Eval Date: 10-24-2019
Violations Found: No
Eval Type: Routine done by local agency
Eval Notes: Not reported
Eval Division: San Bernardino County Fire Department
Eval Program: HMRRP
Eval Source: CERS,

Eval General Type: Compliance Evaluation Inspection
Eval Date: 10-26-2016
Violations Found: No
Eval Type: Routine done by local agency
Eval Notes: INSPECTION - BP
Eval Division: San Bernardino County Fire Department
Eval Program: HMRRP
Eval Source: CERS,

Coordinates:
Site ID: 362634
Facility Name: AT&T Mobility - MOUNTAIN UNION (USID48378)
Env Int Type Code: HMBP
Program ID: 10623367
Coord Name: Not reported
Ref Point Type Desc: Center of a facility or station.,
Latitude: 34.769760
Longitude: -114.593220

Affiliation:
Affiliation Type Desc: Environmental Contact
Entity Name: AT&T EH&S Hotline - Option #1
Entity Title: Not reported
Affiliation Address: 308 S. Akard Street, 17th Floor
Affiliation City: Dallas
Affiliation State: TX
Affiliation Country: Not reported
Affiliation Zip: 75202
Affiliation Phone: ,

Affiliation Type Desc: Legal Owner
Entity Name: New Cingular Wireless PCS, LLC dba AT&T Mobility
Entity Title: Not reported

Map ID
Direction
Distance
Elevation

MAP FINDINGS

Site

Database(s)

EDR ID Number
EPA ID Number

AT&T MOBILITY - MOUNTAIN UNION (USID48378) (Continued)

S110168943

Affiliation Address: 308 S. Akard Street, 17th Floor
Affiliation City: Dallas
Affiliation State: TX
Affiliation Country: United States
Affiliation Zip: 75202
Affiliation Phone: (214) 464-1712,

Affiliation Type Desc: CUPA District
Entity Name: San Bernardino County Fire
Entity Title: Not reported
Affiliation Address: 620 South E Street
Affiliation City: San Bernardino
Affiliation State: CA
Affiliation Country: Not reported
Affiliation Zip: 92415-0153
Affiliation Phone: (909) 386-8401,

Affiliation Type Desc: Facility Mailing Address
Entity Name: Mailing Address
Entity Title: Not reported
Affiliation Address: 308 S. Akard Street, 17th Floor
Affiliation City: Dallas
Affiliation State: TX
Affiliation Country: Not reported
Affiliation Zip: 75202
Affiliation Phone: ,

Affiliation Type Desc: Identification Signer
Entity Name: Jeremy McGrupe
Entity Title: National EPCRA Manager
Affiliation Address: Not reported
Affiliation City: Not reported
Affiliation State: Not reported
Affiliation Country: Not reported
Affiliation Zip: Not reported
Affiliation Phone: ,

Affiliation Type Desc: Operator
Entity Name: AT&T Mobility
Entity Title: Not reported
Affiliation Address: Not reported
Affiliation City: Not reported
Affiliation State: Not reported
Affiliation Country: Not reported
Affiliation Zip: Not reported
Affiliation Phone: (800) 566-9347,

Affiliation Type Desc: Parent Corporation
Entity Name: AT&T Mobility
Entity Title: Not reported
Affiliation Address: Not reported
Affiliation City: Not reported
Affiliation State: Not reported
Affiliation Country: Not reported
Affiliation Zip: Not reported
Affiliation Phone: ,

Map ID
Direction
Distance
Elevation

MAP FINDINGS

Site

Database(s)

EDR ID Number
EPA ID Number

AT&T MOBILITY - MOUNTAIN UNION (USID48378) (Continued)

S110168943

Affiliation Type Desc: Document Preparer
Entity Name: Peter Burnell, Sigma Consultants, Inc.
Entity Title: Not reported
Affiliation Address: Not reported
Affiliation City: Not reported
Affiliation State: Not reported
Affiliation Country: Not reported
Affiliation Zip: Not reported
Affiliation Phone: ,

DT907 CALIZONA RV PARK 97-500159
Target 1902 FIVE MILE
Property NEEDLES, CA 92363

CERS S123498492
N/A

Site 3 of 5 in cluster DT

Actual:
715 ft.

Focus Map:
15

CERS:
Name: CALIZONA RV PARK 97-500159
Address: 1902 FIVE MILE
City,State,Zip: NEEDLES, CA 92363
Site ID: 102305
CERS ID: 212751
CERS Description: Waste Discharge Requirements

Violations:
Site ID: 102305
Site Name: Calizona RV Park 97-500159
Violation Date: 08-03-2004
Citation: California Water Code
Violation Description: Not reported
Violation Notes: 08/03/2004 Site inspection notes failure of leach field.
Violation Division: Water Boards
Violation Program: WDR
Violation Source: CIWQS,

Site ID: 102305
Site Name: Calizona RV Park 97-500159
Violation Date: 05-29-2009
Citation: California Water Code
Violation Description: Not reported
Violation Notes: Incomplete Annual 2008 M&R (Missing M&R forms)
Violation Division: Water Boards
Violation Program: WDRMUNIOTH
Violation Source: CIWQS,

Site ID: 102305
Site Name: Calizona RV Park 97-500159
Violation Date: 12-30-2005
Citation: California Water Code
Violation Description: Not reported
Violation Notes: 2005 Annual excess TKN
Violation Division: Water Boards
Violation Program: WDRMUNIOTH
Violation Source: CIWQS,

Site ID: 102305
Site Name: Calizona RV Park 97-500159

Map ID
Direction
Distance
Elevation

MAP FINDINGS

Site

Database(s)

EDR ID Number
EPA ID Number

CALIZONA RV PARK 97-500159 (Continued)

S123498492

Violation Date: 07-13-2004
Citation: California Water Code
Violation Description: Not reported
Violation Notes: 07/13/04 Pre-requirement inspection revealed noncompliance due to inaccessible septic tank lids for both systems in the park.
Violation Division: Water Boards
Violation Program: WDR
Violation Source: CIWQS,

Site ID: 102305
Site Name: Calizona RV Park 97-500159
Violation Date: 05-06-2008
Citation: California Water Code
Violation Description: Not reported
Violation Notes: Incomplete 2007 Annual M&R (Missing M&R form)
Violation Division: Water Boards
Violation Program: WDRMUNIOTH
Violation Source: CIWQS,

Evaluation:
Eval General Type: Compliance Followup Inspection
Eval Date: 08-03-2004
Violations Found: No
Eval Type: Follow-up Inspection (noncompliance)
Eval Notes: Not reported
Eval Division: Water Boards
Eval Program: WDRMUNIOWT
Eval Source: CIWQS,

Eval General Type: Compliance Followup Inspection
Eval Date: 09-14-2004
Violations Found: No
Eval Type: Follow-up Inspection (noncompliance)
Eval Notes: Not reported
Eval Division: Water Boards
Eval Program: WDRMUNIOWT
Eval Source: CIWQS,

Eval General Type: Initial Site Inspection
Eval Date: 07-13-2004
Violations Found: No
Eval Type: Prerequisite inspection
Eval Notes: Not reported
Eval Division: Water Boards
Eval Program: WDRMUNIOWT
Eval Source: CIWQS,

Enforcement Action:
Site ID: 102305
Site Name: Calizona RV Park 97-500159
Site Address: 1902 FIVE MILE
Site City: NEEDLES
Site Zip: 92363
Enf Action Date: 04-18-2008
Enf Action Type: Staff Enforcement Letter (Informal)
Enf Action Description: Staff Enforcement Letter (Informal)

Map ID
Direction
Distance
Elevation

MAP FINDINGS

Site

Database(s)

EDR ID Number
EPA ID Number

CALIZONA RV PARK 97-500159 (Continued)

S123498492

Enf Action Notes: Not reported
Enf Action Division: Water Boards
Enf Action Program: WDRMUNIOWT
Enf Action Source: CIWQS,

Site ID: 102305
Site Name: Calizona RV Park 97-500159
Site Address: 1902 FIVE MILE
Site City: NEEDLES
Site Zip: 92363
Enf Action Date: 05-29-2009
Enf Action Type: Staff Enforcement Letter (Informal)
Enf Action Description: Staff Enforcement Letter (Informal)
Enf Action Notes: Not reported
Enf Action Division: Water Boards
Enf Action Program: WDRMUNIOWT
Enf Action Source: CIWQS,

Site ID: 102305
Site Name: Calizona RV Park 97-500159
Site Address: 1902 FIVE MILE
Site City: NEEDLES
Site Zip: 92363
Enf Action Date: 07-22-2004
Enf Action Type: Staff Enforcement Letter (Informal)
Enf Action Description: Staff Enforcement Letter (Informal)
Enf Action Notes: Not reported
Enf Action Division: Water Boards
Enf Action Program: WDRMUNIOWT
Enf Action Source: CIWQS,

Site ID: 102305
Site Name: Calizona RV Park 97-500159
Site Address: 1902 FIVE MILE
Site City: NEEDLES
Site Zip: 92363
Enf Action Date: 08-04-2004
Enf Action Type: Staff Enforcement Letter (Informal)
Enf Action Description: Staff Enforcement Letter (Informal)
Enf Action Notes: Not reported
Enf Action Division: Water Boards
Enf Action Program: WDRMUNIOWT
Enf Action Source: CIWQS,

Site ID: 102305
Site Name: Calizona RV Park 97-500159
Site Address: 1902 FIVE MILE
Site City: NEEDLES
Site Zip: 92363
Enf Action Date: 12-30-2005
Enf Action Type: Notice to Comply (Minor Violations)
Enf Action Description: Notice to Comply for Minor Violations
Enf Action Notes: Not reported
Enf Action Division: Water Boards
Enf Action Program: WDRMUNIOWT
Enf Action Source: CIWQS,

MAP FINDINGS

Map ID
Direction
Distance
Elevation

Site

Database(s)

EDR ID Number
EPA ID Number

DT908 **CALIZONA RV PARK 97-500159**
Target **1902 FIVE MILE**
Property **NEEDLES, CA 92363**

FINDS **1023303782**
 N/A

Site 4 of 5 in cluster DT

Actual: **FINDS:**
715 ft. Registry ID: 110065961123

Focus Map: Click Here for FRS Facility Detail Report:
15

Environmental Interest/Information System:
 STATE MASTER

[Click this hyperlink](#) while viewing on your computer to access
 additional FINDS: detail in the EDR Site Report.

DT909 **VERIZON WIRELESS: MOABI**
Target **1902 FIVE MILE ROAD**
Property **NEEDLES, CA 92363**

FINDS **1023273439**
 N/A

Site 5 of 5 in cluster DT

Actual: **FINDS:**
716 ft. Registry ID: 110065635628

Focus Map: Click Here for FRS Facility Detail Report:
15

Environmental Interest/Information System:
 STATE MASTER

Registry ID: 110070521925

Click Here for FRS Facility Detail Report:

Environmental Interest/Information System:
 AIR EMISSIONS CLASSIFICATION UNKNOWN

[Click this hyperlink](#) while viewing on your computer to access
 additional FINDS: detail in the EDR Site Report.

910 **AT & T MOBILITY**
Target **1902 FIVE MILE RD**
Property **NEEDLES, CA 92363**

HWTS **S124913925**
 N/A

HWTS:

Actual:	Name:	AT & T MOBILITY
720 ft.	Address:	1902 FIVE MILE RD
Focus Map:	Address 2:	Not reported
15	City,State,Zip:	NEEDLES, CA 92363
	EPA ID:	CAL000423668
	Inactive Date:	Not reported
	Create Date:	12/29/2016
	Last Act Date:	Not reported
	Mailing Name:	Not reported
	Mailing Address:	308 S. AKARD ST.
	Mailing Address 2:	Not reported
	Mailing City,State,Zip:	DALLAS, TX 752020000
	Owner Name:	NEW CINGULAR WIRELESS PCS, LLC
	Owner Address:	308 S. AKARD ST.
	Owner Address 2:	Not reported
	Owner City,State,Zip:	DALLAS, TX 75202
	Contact Name:	EH&S WASTE MANAGER/TEAM

Map ID
 Direction
 Distance
 Elevation

MAP FINDINGS

Site

Database(s)

EDR ID Number
 EPA ID Number

AT & T MOBILITY (Continued)

S124913925

Contact Address: 308 S. AKARD ST.
 Contact Address 2: Not reported
 City,State,Zip: DALLAS, TX 75202
 Facility Status: Active
 Facility Type: PERMANENT
 Category: STATE
 Latitude: 34.769214
 Longitude: -114.593625

NAICS:

EPA ID: CAL000423668
 Create Date: 2016-12-29 15:37:45.033
 NAICS Code: 51334
 NAICS Description: Satellite Telecommunications
 Issued EPA ID Date: 2016-12-29 15:37:45.03300
 Inactive Date: Not reported
 Facility Name: AT & T MOBILITY
 Facility Address: 1902 FIVE MILE RD
 Facility Address 2: Not reported
 Facility City: NEEDLES
 Facility County: Not reported
 Facility State: CA
 Facility Zip: 92363

911 AT&T MOBILITY - HAVASU (USID13757)
Target 16433 POLE LINE RD
Property NEEDLES, CA 92363

CHMIRS S106718384
San Bern. Co. Permit N/A
CERS

Actual:
885 ft.
Focus Map:
18

CHMIRS:

Name: Not reported
 Address: 16433 POLE LINE ROAD
 City,State,Zip: NEEDLES, CA 92363
 OES Incident Number: 12-0649
 OES notification: 02/01/2012
 OES Date: Not reported
 OES Time: Not reported
Date Completed: Not reported
 Property Use: Not reported
 Agency Id Number: Not reported
 Agency Incident Number: Not reported
 Time Notified: Not reported
 Time Completed: Not reported
 Surrounding Area: Not reported
 Estimated Temperature: Not reported
 Property Management: Not reported
 More Than Two Substances Involved?: Not reported
 Resp Agncy Personel # Of Decontaminated: Not reported
 Responding Agency Personel # Of Injuries: Not reported
 Responding Agency Personel # Of Fatalities: Not reported
 Others Number Of Decontaminated: Not reported
 Others Number Of Injuries: Not reported
 Others Number Of Fatalities: Not reported
 Vehicle Make/year: Not reported
 Vehicle License Number: Not reported
 Vehicle State: Not reported
 Vehicle Id Number: Not reported
 CA DOT PUC/ICC Number: Not reported

Map ID
Direction
Distance
Elevation

MAP FINDINGS

Site

Database(s)

EDR ID Number
EPA ID Number

AT&T MOBILITY - HAVASU (USID13757) (Continued)

S106718384

Company Name: Not reported
Reporting Officer Name/ID: Not reported
Report Date: Not reported
Facility Telephone: Not reported
Waterway Involved: No
Waterway: Not reported
Spill Site: Other
Cleanup By: Contractor
Containment: Not reported
What Happened: Not reported
Type: Not reported
Measure: Unknown
Other: Not reported
Date/Time: 1200
Year: 2012
Agency: AT&T
Incident Date: 12/15/2011
Admin Agency: San Bernardino County Health Department
Amount: Not reported
Contained: Yes
Site Type: Not reported
E Date: Not reported
Substance: Potential Diesel
Quantity Released: Unknown
Unknown: Not reported
Substance #2: Not reported
Substance #3: Not reported
Evacuations: Not reported
Number of Injuries: Not reported
Number of Fatalities: Not reported
#1 Pipeline: Not reported
#2 Pipeline: Not reported
#3 Pipeline: Not reported
#1 Vessel >= 300 Tons: Not reported
#2 Vessel >= 300 Tons: Not reported
#3 Vessel >= 300 Tons: Not reported
Evacs: Not reported
Injuries: Not reported
Fataals: Not reported
Comments: Not reported
Description: ***Historical*** RP states that a ground stain and odor was reported at a site. Investigation is underway. No waterways were impacted.

San Bern. Co. Permit:

Name: AT&T MOBILITY - HAVASU (USID13757)
Address: 16433 POLE LINE RD
City,State,Zip: NEEDLES, CA 92363
Region: SAN BERNARDINO
Facility ID: FA0009056
Owner: New Cingular Wireless PCS, LLC dba AT&T Mobility
Permit Number: PT0015921
Permit Category: HAZARDOUS MATERIALS 1-3 CHEMICALS SPECIAL
Facility Status: ACTIVE
Expiration Date: 08/31/2022

Name: AT&T MOBILITY - HAVASU (USID13757)

Map ID
Direction
Distance
Elevation

MAP FINDINGS

Site

Database(s)

EDR ID Number
EPA ID Number

AT&T MOBILITY - HAVASU (USID13757) (Continued)

S106718384

Address: 16433 POLE LINE RD
City,State,Zip: NEEDLES, CA 92363
Region: SAN BERNARDINO
Facility ID: FA0009056
Owner: New Cingular Wireless PCS, LLC dba AT&T Mobility
Permit Number: PT0038061
Permit Category: CONDITIONALLY EXEMPT SM QTY GENERATOR
Facility Status: INACTIVE
Expiration Date: 08/31/2022

Name: AT&T MOBILITY - HAVASU (USID13757)
Address: 16433 POLE LINE RD
City,State,Zip: NEEDLES, CA 92363
Region: SAN BERNARDINO
Facility ID: FA0009056
Owner: New Cingular Wireless PCS, LLC dba AT&T Mobility
Permit Number: PT0020796
Permit Category: EPCRA FACILITY
Facility Status: INACTIVE
Expiration Date: 08/31/2013

CERS:

Name: AT&T MOBILITY - HAVASU (USID13757)
Address: 16433 POLE LINE RD
City,State,Zip: NEEDLES, CA 92363
Site ID: 93782
CERS ID: 10049551
CERS Description: Chemical Storage Facilities

Evaluation:

Eval General Type: Compliance Evaluation Inspection
Eval Date: 02-08-2018
Violations Found: No
Eval Type: Routine done by local agency
Eval Notes: Not reported
Eval Division: San Bernardino County Fire Department
Eval Program: HMRRP
Eval Source: CERS,

Eval General Type: Compliance Evaluation Inspection
Eval Date: 05-25-2021
Violations Found: No
Eval Type: Routine done by local agency
Eval Notes: Not reported
Eval Division: San Bernardino County Fire Department
Eval Program: HW
Eval Source: CERS,

Eval General Type: Compliance Evaluation Inspection
Eval Date: 05-25-2021
Violations Found: No
Eval Type: Routine done by local agency
Eval Notes: Not reported
Eval Division: San Bernardino County Fire Department
Eval Program: HMRRP
Eval Source: CERS,

Map ID
Direction
Distance
Elevation

MAP FINDINGS

Site

Database(s)

EDR ID Number
EPA ID Number

AT&T MOBILITY - HAVASU (USID13757) (Continued)

S106718384

Eval General Type: Compliance Evaluation Inspection
Eval Date: 10-29-2014
Violations Found: No
Eval Type: Routine done by local agency
Eval Notes: INSPECTION - BP
Eval Division: San Bernardino County Fire Department
Eval Program: HMRRP
Eval Source: CERS,

Affiliation:

Affiliation Type Desc: Document Preparer
Entity Name: Peter Burnell, Sigma Consultants, Inc.
Entity Title: Not reported
Affiliation Address: Not reported
Affiliation City: Not reported
Affiliation State: Not reported
Affiliation Country: Not reported
Affiliation Zip: Not reported
Affiliation Phone: ,

Affiliation Type Desc: CUPA District
Entity Name: San Bernardino County Fire
Entity Title: Not reported
Affiliation Address: 620 South E Street
Affiliation City: San Bernardino
Affiliation State: CA
Affiliation Country: Not reported
Affiliation Zip: 92415-0153
Affiliation Phone: (909) 386-8401,

Affiliation Type Desc: Facility Mailing Address
Entity Name: Mailing Address
Entity Title: Not reported
Affiliation Address: 308 S. Akard Street, 17th Floor
Affiliation City: Dallas
Affiliation State: TX
Affiliation Country: Not reported
Affiliation Zip: 75202
Affiliation Phone: ,

Affiliation Type Desc: Identification Signer
Entity Name: Jeremy McGrue
Entity Title: National EPCRA Manager
Affiliation Address: Not reported
Affiliation City: Not reported
Affiliation State: Not reported
Affiliation Country: Not reported
Affiliation Zip: Not reported
Affiliation Phone: ,

Affiliation Type Desc: Operator
Entity Name: AT&T Mobility
Entity Title: Not reported
Affiliation Address: Not reported
Affiliation City: Not reported
Affiliation State: Not reported
Affiliation Country: Not reported

Map ID
 Direction
 Distance
 Elevation

MAP FINDINGS

Site

Database(s)

EDR ID Number
 EPA ID Number

AT&T MOBILITY - HAVASU (USID13757) (Continued)

S106718384

Affiliation Zip: Not reported
 Affiliation Phone: (800) 566-9347,

Affiliation Type Desc: Parent Corporation
 Entity Name: AT&T Mobility
 Entity Title: Not reported
 Affiliation Address: Not reported
 Affiliation City: Not reported
 Affiliation State: Not reported
 Affiliation Country: Not reported
 Affiliation Zip: Not reported
 Affiliation Phone: ,

Affiliation Type Desc: Environmental Contact
 Entity Name: AT&T EH&S Hotline - Option #1
 Entity Title: Not reported
 Affiliation Address: 308 S. Akard Street, 17th Floor
 Affiliation City: Dallas
 Affiliation State: TX
 Affiliation Country: Not reported
 Affiliation Zip: 75202
 Affiliation Phone: ,

Affiliation Type Desc: Legal Owner
 Entity Name: New Cingular Wireless PCS, LLC dba AT&T Mobility
 Entity Title: Not reported
 Affiliation Address: 308 S. Akard Street, 17th Floor
 Affiliation City: Dallas
 Affiliation State: TX
 Affiliation Country: United States
 Affiliation Zip: 75202
 Affiliation Phone: (214) 464-1712,

912 CVUSD TRANSPORTATION DEPT
Target 83800 AIRPORT BLVD
Property COACHELLA, CA 92236

HAZNET S113048755
HWTS N/A

Actual: 902 ft.
Focus Map: 18

HAZNET:
 Name: CVUSD TRANSPORTATION DEPT
 Address: 83800 AIRPORT BLVD
 Address 2: Not reported
 City, State, Zip: COACHELLA, CA 922360000
 Contact: RAUL LOPEZ - DIR TRANS
 Telephone: 6193995127
 Mailing Name: Not reported
 Mailing Address: PO BOX 847

Year: 2011
 Gepaid: CAL000070710
 TSD EPA ID: CAT000613927
 CA Waste Code: 134 - Aqueous solution with total organic residues less than 10 percent
 Disposal Method: H141 - Storage, Bulking, And/Or Transfer Off Site--No Treatment/Reovery (H010-H129) Or (H131-H135)
 Tons: 0.1848
 Year: 2005

Map ID
Direction
Distance
Elevation

MAP FINDINGS

Site

Database(s)

EDR ID Number
EPA ID Number

CVUSD TRANSPORTATION DEPT (Continued)

S113048755

Gepaid:	CAL000070710
TSD EPA ID:	CAT080033681
CA Waste Code:	491 - Unspecified sludge waste
Disposal Method:	R01 - Recycler
Tons:	2.5
Year:	2004
Gepaid:	CAL000070710
TSD EPA ID:	CAT000613927
CA Waste Code:	-
Disposal Method:	H01 - Transfer Station
Tons:	0.05004
Year:	2004
Gepaid:	CAL000070710
TSD EPA ID:	CAT000613927
CA Waste Code:	134 - Aqueous solution with total organic residues less than 10 percent
Disposal Method:	H01 - Transfer Station
Tons:	0.084
Year:	2003
Gepaid:	CAL000070710
TSD EPA ID:	CAT000613927
CA Waste Code:	134 - Aqueous solution with total organic residues less than 10 percent
Disposal Method:	H01 - Transfer Station
Tons:	0.1932
Year:	2002
Gepaid:	CAL000070710
TSD EPA ID:	CAT080013352
CA Waste Code:	222 - Oil/water separation sludge
Disposal Method:	R01 - Recycler
Tons:	0.834
Year:	2002
Gepaid:	CAL000070710
TSD EPA ID:	CAT000613927
CA Waste Code:	134 - Aqueous solution with total organic residues less than 10 percent
Disposal Method:	H01 - Transfer Station
Tons:	0.0588
Year:	2001
Gepaid:	CAL000070710
TSD EPA ID:	CAT000613927
CA Waste Code:	134 - Aqueous solution with total organic residues less than 10 percent
Disposal Method:	H01 - Transfer Station
Tons:	0.4158
Year:	2001
Gepaid:	CAL000070710
TSD EPA ID:	CAT080033681
CA Waste Code:	352 - Other organic solids
Disposal Method:	D80 - Disposal, Land Fill

Map ID
Direction
Distance
Elevation

MAP FINDINGS

Site

Database(s)

EDR ID Number
EPA ID Number

CVUSD TRANSPORTATION DEPT (Continued)

S113048755

Tons: 4
Year: 2001
Gepaid: CAL000070710
TSD EPA ID: CAT080033681
CA Waste Code: 491 - Unspecified sludge waste
Disposal Method: D80 - Disposal, Land Fill
Tons: 1.8

[Click this hyperlink](#) while viewing on your computer to access 7 additional CA HAZNET: record(s) in the EDR Site Report.

Additional Info:

Year: 2001
Gen EPA ID: CAL000070710
Shipment Date: 20011219
Creation Date: 2/26/2002 0:00:00
Receipt Date: 20011228
Manifest ID: 21367337
Trans EPA ID: CAD028277036
Trans Name: Not reported
Trans 2 EPA ID: Not reported
Trans 2 Name: Not reported
TSD EPA ID: CAT080033681
Trans Name: Not reported
TSD EPA ID: Not reported
TSD EPA Name: Not reported
Waste Code Description: 352 - Other organic solids
RCRA Code: Not reported
Meth Code: D80 - Disposal, Land Fill
Quantity Tons: 4
Waste Quantity: 8000
Quantity Unit: P
Additional Code 1: Not reported
Additional Code 2: Not reported
Additional Code 3: Not reported
Additional Code 4: Not reported
Additional Code 5: Not reported
Shipment Date: 20011219
Creation Date: 2/26/2002 0:00:00
Receipt Date: 20011228
Manifest ID: 21367337
Trans EPA ID: CAD028277036
Trans Name: Not reported
Trans 2 EPA ID: Not reported
Trans 2 Name: Not reported
TSD EPA ID: CAT080033681
Trans Name: Not reported
TSD EPA ID: Not reported
TSD EPA Name: Not reported
Waste Code Description: 491 - Unspecified sludge waste
RCRA Code: Not reported
Meth Code: D80 - Disposal, Land Fill
Quantity Tons: 1.8

Map ID
Direction
Distance
Elevation

MAP FINDINGS

Site

Database(s)

EDR ID Number
EPA ID Number

CVUSD TRANSPORTATION DEPT (Continued)

S113048755

Waste Quantity: 3600
Quantity Unit: P
Additional Code 1: Not reported
Additional Code 2: Not reported
Additional Code 3: Not reported
Additional Code 4: Not reported
Additional Code 5: Not reported

Shipment Date: 20010625
Creation Date: 8/29/2001 0:00:00
Receipt Date: 20010626
Manifest ID: 21132422
Trans EPA ID: SCR000075150
Trans Name: Not reported
Trans 2 EPA ID: Not reported
Trans 2 Name: Not reported
TSDf EPA ID: CAT000613927
Trans Name: Not reported
TSDf Alt EPA ID: Not reported
TSDf Alt Name: Not reported
Waste Code Description: 134 - Aqueous solution with <10% total organic residues
RCRA Code: D039
Meth Code: H01 - Transfer Station
Quantity Tons: 0.084
Waste Quantity: 20
Quantity Unit: G
Additional Code 1: Not reported
Additional Code 2: Not reported
Additional Code 3: Not reported
Additional Code 4: Not reported
Additional Code 5: Not reported

Shipment Date: 20010601
Creation Date: 7/20/2001 0:00:00
Receipt Date: 20010604
Manifest ID: 20652073
Trans EPA ID: SCR000075150
Trans Name: Not reported
Trans 2 EPA ID: Not reported
Trans 2 Name: Not reported
TSDf EPA ID: CAT000613927
Trans Name: Not reported
TSDf Alt EPA ID: Not reported
TSDf Alt Name: Not reported
Waste Code Description: 134 - Aqueous solution with <10% total organic residues
RCRA Code: D039
Meth Code: H01 - Transfer Station
Quantity Tons: 0.0462
Waste Quantity: 11
Quantity Unit: G
Additional Code 1: Not reported
Additional Code 2: Not reported
Additional Code 3: Not reported
Additional Code 4: Not reported
Additional Code 5: Not reported

Shipment Date: 20010427

Map ID
Direction
Distance
Elevation

MAP FINDINGS

Site

Database(s)

EDR ID Number
EPA ID Number

CVUSD TRANSPORTATION DEPT (Continued)

S113048755

Creation Date: 6/20/2001 0:00:00
Receipt Date: 20010430
Manifest ID: 20632413
Trans EPA ID: SCR000075150
Trans Name: Not reported
Trans 2 EPA ID: Not reported
Trans 2 Name: Not reported
TSDf EPA ID: CAT000613927
Trans Name: Not reported
TSDf Alt EPA ID: Not reported
TSDf Alt Name: Not reported
Waste Code Description: 134 - Aqueous solution with <10% total organic residues
RCRA Code: D039
Meth Code: H01 - Transfer Station
Quantity Tons: 0.084
Waste Quantity: 20
Quantity Unit: G
Additional Code 1: Not reported
Additional Code 2: Not reported
Additional Code 3: Not reported
Additional Code 4: Not reported
Additional Code 5: Not reported

Shipment Date: 20010404
Creation Date: 5/31/2001 0:00:00
Receipt Date: 20010405
Manifest ID: 20618604
Trans EPA ID: SCR000075150
Trans Name: Not reported
Trans 2 EPA ID: Not reported
Trans 2 Name: Not reported
TSDf EPA ID: CAT000613927
Trans Name: Not reported
TSDf Alt EPA ID: Not reported
TSDf Alt Name: Not reported
Waste Code Description: 134 - Aqueous solution with <10% total organic residues
RCRA Code: D039
Meth Code: H01 - Transfer Station
Quantity Tons: 0.042
Waste Quantity: 10
Quantity Unit: G
Additional Code 1: Not reported
Additional Code 2: Not reported
Additional Code 3: Not reported
Additional Code 4: Not reported
Additional Code 5: Not reported

Shipment Date: 20010308
Creation Date: 4/30/2001 0:00:00
Receipt Date: 20010309
Manifest ID: 20367401
Trans EPA ID: SCR000075150
Trans Name: Not reported
Trans 2 EPA ID: Not reported
Trans 2 Name: Not reported
TSDf EPA ID: CAT000613927
Trans Name: Not reported

Map ID
Direction
Distance
Elevation

MAP FINDINGS

Site

Database(s)

EDR ID Number
EPA ID Number

CVUSD TRANSPORTATION DEPT (Continued)

S113048755

TSDF Alt EPA ID: Not reported
TSDF Alt Name: Not reported
Waste Code Description: 134 - Aqueous solution with <10% total organic residues
RCRA Code: D039
Meth Code: H01 - Transfer Station
Quantity Tons: 0.084
Waste Quantity: 20
Quantity Unit: G
Additional Code 1: Not reported
Additional Code 2: Not reported
Additional Code 3: Not reported
Additional Code 4: Not reported
Additional Code 5: Not reported

Shipment Date: 20010108
Creation Date: 3/6/2001 0:00:00
Receipt Date: 20010108
Manifest ID: 20388185
Trans EPA ID: SCR000075150
Trans Name: Not reported
Trans 2 EPA ID: Not reported
Trans 2 Name: Not reported
TSDF EPA ID: CAT000613927
Trans Name: Not reported
TSDF Alt EPA ID: Not reported
TSDF Alt Name: Not reported
Waste Code Description: 134 - Aqueous solution with <10% total organic residues
RCRA Code: D039
Meth Code: H01 - Transfer Station
Quantity Tons: 0.0756
Waste Quantity: 18
Quantity Unit: G
Additional Code 1: Not reported
Additional Code 2: Not reported
Additional Code 3: Not reported
Additional Code 4: Not reported
Additional Code 5: Not reported

Additional Info:
Year: 2004
Gen EPA ID: CAL000070710

Shipment Date: 20040503
Creation Date: 10/14/2004 15:19:37
Receipt Date: 20040504
Manifest ID: 23464413
Trans EPA ID: TXR000050930
Trans Name: SAFETY-KLEEN SYSTEMS INC
Trans 2 EPA ID: Not reported
Trans 2 Name: Not reported
TSDF EPA ID: CAT000613927
Trans Name: SAFETY-KLEEN SYSTEMS INC
TSDF Alt EPA ID: CAT000613927
TSDF Alt Name: Not reported
Waste Code Description: 134 - Aqueous solution with <10% total organic residues
RCRA Code: Not reported
Meth Code: H01 - Transfer Station

Map ID
Direction
Distance
Elevation

MAP FINDINGS

Site

Database(s)

EDR ID Number
EPA ID Number

CVUSD TRANSPORTATION DEPT (Continued)

S113048755

Quantity Tons:	0.0504
Waste Quantity:	12
Quantity Unit:	G
Additional Code 1:	Not reported
Additional Code 2:	Not reported
Additional Code 3:	Not reported
Additional Code 4:	Not reported
Additional Code 5:	Not reported
Shipment Date:	20040503
Creation Date:	10/14/2004 15:19:37
Receipt Date:	20040504
Manifest ID:	23464413
Trans EPA ID:	TXR000050930
Trans Name:	SAFETY-KLEEN SYSTEMS INC
Trans 2 EPA ID:	Not reported
Trans 2 Name:	Not reported
TSDf EPA ID:	CAT000613927
Trans Name:	SAFETY-KLEEN SYSTEMS INC
TSDf Alt EPA ID:	CAT000613927
TSDf Alt Name:	Not reported
Waste Code Description:	134 - Aqueous solution with <10% total organic residues
RCRA Code:	D039
Meth Code:	H01 - Transfer Station
Quantity Tons:	0.0168
Waste Quantity:	4
Quantity Unit:	G
Additional Code 1:	Not reported
Additional Code 2:	Not reported
Additional Code 3:	Not reported
Additional Code 4:	Not reported
Additional Code 5:	Not reported
Shipment Date:	20040213
Creation Date:	8/20/2004 9:31:41
Receipt Date:	20040213
Manifest ID:	22578678
Trans EPA ID:	TXR000050930
Trans Name:	SAFETY-KLEEN SYSTEMS INC
Trans 2 EPA ID:	Not reported
Trans 2 Name:	Not reported
TSDf EPA ID:	CAT000613927
Trans Name:	SAFETY-KLEEN SYSTEMS INC
TSDf Alt EPA ID:	CAT000613927
TSDf Alt Name:	Not reported
Waste Code Description:	- Not reported
RCRA Code:	Not reported
Meth Code:	H01 - Transfer Station
Quantity Tons:	0.05004
Waste Quantity:	12
Quantity Unit:	G
Additional Code 1:	Not reported
Additional Code 2:	Not reported
Additional Code 3:	Not reported
Additional Code 4:	Not reported
Additional Code 5:	Not reported

Map ID
Direction
Distance
Elevation

MAP FINDINGS

Site

Database(s)

EDR ID Number
EPA ID Number

CVUSD TRANSPORTATION DEPT (Continued)

S113048755

Shipment Date: 20040213
Creation Date: 8/20/2004 9:31:41
Receipt Date: 20040213
Manifest ID: 22578678
Trans EPA ID: TXR000050930
Trans Name: SAFETY-KLEEN SYSTEMS INC
Trans 2 EPA ID: Not reported
Trans 2 Name: Not reported
TSDf EPA ID: CAT000613927
Trans Name: SAFETY-KLEEN SYSTEMS INC
TSDf Alt EPA ID: CAT000613927
TSDf Alt Name: Not reported
Waste Code Description: 134 - Aqueous solution with <10% total organic residues
RCRA Code: D039
Meth Code: H01 - Transfer Station
Quantity Tons: 0.0168
Waste Quantity: 4
Quantity Unit: G
Additional Code 1: Not reported
Additional Code 2: Not reported
Additional Code 3: Not reported
Additional Code 4: Not reported
Additional Code 5: Not reported

Additional Info:

Year: 2011
Gen EPA ID: CAL000070710

Shipment Date: 20111020
Creation Date: 4/11/2012 20:30:30
Receipt Date: 20111020
Manifest ID: 002973571SKS
Trans EPA ID: TXR000050930
Trans Name: SAFETY-KLEEN SYSTEMS INC
Trans 2 EPA ID: Not reported
Trans 2 Name: Not reported
TSDf EPA ID: CAT000613927
Trans Name: SAFETY-KLEEN SYSTEMS INC
TSDf Alt EPA ID: Not reported
TSDf Alt Name: Not reported
Waste Code Description: 134 - Aqueous solution with <10% total organic residues
RCRA Code: Not reported
Meth Code: H141 - Storage, Bulking, And/Or Transfer Off Site--No Treatment/Reovery (H010-H129) Or (H131-H135)
Quantity Tons: 0.168
Waste Quantity: 40
Quantity Unit: G
Additional Code 1: Not reported
Additional Code 2: Not reported
Additional Code 3: Not reported
Additional Code 4: Not reported
Additional Code 5: Not reported

Shipment Date: 20111020
Creation Date: 4/11/2012 20:30:30
Receipt Date: 20111020
Manifest ID: 002973571SKS

Map ID
Direction
Distance
Elevation

MAP FINDINGS

Site

Database(s)

EDR ID Number
EPA ID Number

CVUSD TRANSPORTATION DEPT (Continued)

S113048755

Trans EPA ID: TXR000050930
Trans Name: SAFETY-KLEEN SYSTEMS INC
Trans 2 EPA ID: Not reported
Trans 2 Name: Not reported
TSDf EPA ID: CAT000613927
Trans Name: SAFETY-KLEEN SYSTEMS INC
TSDf Alt EPA ID: Not reported
TSDf Alt Name: Not reported
Waste Code Description: 134 - Aqueous solution with <10% total organic residues
RCRA Code: D039
Meth Code: H141 - Storage, Bulking, And/Or Transfer Off Site--No Treatment/Reovery (H010-H129) Or (H131-H135)

Quantity Tons: 0.0168
Waste Quantity: 4
Quantity Unit: G
Additional Code 1: Not reported
Additional Code 2: Not reported
Additional Code 3: Not reported
Additional Code 4: Not reported
Additional Code 5: Not reported

Additional Info:

Year: 1997
Gen EPA ID: CAL000070710

Shipment Date: 19971208
Creation Date: 7/23/1998 0:00:00
Receipt Date: 19971210
Manifest ID: 96697812
Trans EPA ID: CAR000016436
Trans Name: Not reported
Trans 2 EPA ID: Not reported
Trans 2 Name: Not reported
TSDf EPA ID: AZR000005454
Trans Name: Not reported
TSDf Alt EPA ID: Not reported
TSDf Alt Name: Not reported
Waste Code Description: 261 - Not reported
RCRA Code: Not reported
Meth Code: R01 - Recycler
Quantity Tons: 0.25
Waste Quantity: 500
Quantity Unit: P
Additional Code 1: Not reported
Additional Code 2: Not reported
Additional Code 3: Not reported
Additional Code 4: Not reported
Additional Code 5: Not reported

Shipment Date: 19971125
Creation Date: 7/23/1998 0:00:00
Receipt Date: 19971201
Manifest ID: 96697808
Trans EPA ID: CAR000016436
Trans Name: Not reported
Trans 2 EPA ID: Not reported
Trans 2 Name: Not reported

Map ID
Direction
Distance
Elevation

MAP FINDINGS

Site

Database(s)

EDR ID Number
EPA ID Number

CVUSD TRANSPORTATION DEPT (Continued)

S113048755

TSDF EPA ID: AZR000005454
Trans Name: Not reported
TSDF Alt EPA ID: Not reported
TSDF Alt Name: Not reported
Waste Code Description: 261 - Not reported
RCRA Code: Not reported
Meth Code: R01 - Recycler
Quantity Tons: 0.9918
Waste Quantity: 900
Quantity Unit: K
Additional Code 1: Not reported
Additional Code 2: Not reported
Additional Code 3: Not reported
Additional Code 4: Not reported
Additional Code 5: Not reported

Shipment Date: 19971105
Creation Date: 7/23/1998 0:00:00
Receipt Date: 19971110
Manifest ID: 96697767
Trans EPA ID: CAR000016436
Trans Name: Not reported
Trans 2 EPA ID: Not reported
Trans 2 Name: Not reported
TSDF EPA ID: AZR000005454
Trans Name: Not reported
TSDF Alt EPA ID: Not reported
TSDF Alt Name: Not reported
Waste Code Description: 261 - Not reported
RCRA Code: Not reported
Meth Code: R01 - Recycler
Quantity Tons: 1.653
Waste Quantity: 1500
Quantity Unit: K
Additional Code 1: Not reported
Additional Code 2: Not reported
Additional Code 3: Not reported
Additional Code 4: Not reported
Additional Code 5: Not reported

Additional Info:

Year: 2000
Gen EPA ID: CAL000070710

Shipment Date: 20000919
Creation Date: 12/8/2000 0:00:00
Receipt Date: 20000919
Manifest ID: 20023395
Trans EPA ID: SCR000075150
Trans Name: Not reported
Trans 2 EPA ID: Not reported
Trans 2 Name: Not reported
TSDF EPA ID: CAT000613927
Trans Name: Not reported
TSDF Alt EPA ID: Not reported
TSDF Alt Name: Not reported
Waste Code Description: 134 - Aqueous solution with <10% total organic residues

Map ID
Direction
Distance
Elevation

MAP FINDINGS

Site

Database(s)

EDR ID Number
EPA ID Number

CVUSD TRANSPORTATION DEPT (Continued)

S113048755

RCRA Code: D039
Meth Code: H01 - Transfer Station
Quantity Tons: 0.168
Waste Quantity: 40
Quantity Unit: G
Additional Code 1: Not reported
Additional Code 2: Not reported
Additional Code 3: Not reported
Additional Code 4: Not reported
Additional Code 5: Not reported

Shipment Date: 20000225
Creation Date: 5/3/2000 0:00:00
Receipt Date: 20000228
Manifest ID: 99772916
Trans EPA ID: CAD028277036
Trans Name: Not reported
Trans 2 EPA ID: Not reported
Trans 2 Name: Not reported
TSDf EPA ID: CAT080025711
Trans Name: Not reported
TSDf Alt EPA ID: CAT080025711
TSDf Alt Name: Not reported
Waste Code Description: 134 - Aqueous solution with <10% total organic residues
RCRA Code: Not reported
Meth Code: R01 - Recycler
Quantity Tons: 0.672
Waste Quantity: 160
Quantity Unit: G
Additional Code 1: Not reported
Additional Code 2: Not reported
Additional Code 3: Not reported
Additional Code 4: Not reported
Additional Code 5: Not reported

Additional Info:
Year: 2005
Gen EPA ID: CAL000070710

Shipment Date: 20050406
Creation Date: 7/28/2005 18:30:54
Receipt Date: 20050412
Manifest ID: 24600258
Trans EPA ID: CAD028277036
Trans Name: ASBURY ENVIRONMENTAL SERVICES
Trans 2 EPA ID: Not reported
Trans 2 Name: Not reported
TSDf EPA ID: CAT080033681
Trans Name: D / K - ENVIRONMENTAL
TSDf Alt EPA ID: CAT080033681
TSDf Alt Name: Not reported
Waste Code Description: 491 - Unspecified sludge waste
RCRA Code: NONE
Meth Code: R01 - Recycler
Quantity Tons: 2.5
Waste Quantity: 5000
Quantity Unit: P

Map ID
Direction
Distance
Elevation

MAP FINDINGS

Site

Database(s)

EDR ID Number
EPA ID Number

CVUSD TRANSPORTATION DEPT (Continued)

S113048755

Additional Code 1: Not reported
Additional Code 2: Not reported
Additional Code 3: Not reported
Additional Code 4: Not reported
Additional Code 5: Not reported

Additional Info:

Year: 1999
Gen EPA ID: CAL000070710

Shipment Date: 19990701
Creation Date: 8/19/1999 0:00:00
Receipt Date: 19990709
Manifest ID: 99187692
Trans EPA ID: CAR000049064
Trans Name: Not reported
Trans 2 EPA ID: Not reported
Trans 2 Name: Not reported
TSDf EPA ID: CAD009007626
Trans Name: Not reported
TSDf Alt EPA ID: CAD009007626
TSDf Alt Name: Not reported
Waste Code Description: 151 - Asbestos-containing waste
RCRA Code: Not reported
Meth Code: D80 - Disposal, Land Fill
Quantity Tons: 0.0842
Waste Quantity: 0.1
Quantity Unit: Y
Additional Code 1: Not reported
Additional Code 2: Not reported
Additional Code 3: Not reported
Additional Code 4: Not reported
Additional Code 5: Not reported

Additional Info:

Year: 2003
Gen EPA ID: CAL000070710

Shipment Date: 20030905
Creation Date: 7/13/2004 10:48:19
Receipt Date: 20030905
Manifest ID: 22887689
Trans EPA ID: TXR000050930
Trans Name: SAFETY-KLEEN SYSTEMS INC
Trans 2 EPA ID: Not reported
Trans 2 Name: Not reported
TSDf EPA ID: CAT000613927
Trans Name: SAFETY-KLEEN SYSTEMS INC
TSDf Alt EPA ID: CAT000613927
TSDf Alt Name: Not reported
Waste Code Description: 134 - Aqueous solution with <10% total organic residues
RCRA Code: D039
Meth Code: H01 - Transfer Station
Quantity Tons: 0.0168
Waste Quantity: 4
Quantity Unit: G

Map ID
Direction
Distance
Elevation

MAP FINDINGS

Site

Database(s)

EDR ID Number
EPA ID Number

CVUSD TRANSPORTATION DEPT (Continued)

S113048755

Additional Code 1:	Not reported
Additional Code 2:	Not reported
Additional Code 3:	Not reported
Additional Code 4:	Not reported
Additional Code 5:	Not reported
Shipment Date:	20030905
Creation Date:	7/13/2004 10:48:19
Receipt Date:	20030905
Manifest ID:	22887689
Trans EPA ID:	TXR000050930
Trans Name:	SAFETY-KLEEN SYSTEMS INC
Trans 2 EPA ID:	Not reported
Trans 2 Name:	Not reported
TSDf EPA ID:	CAT000613927
Trans Name:	SAFETY-KLEEN SYSTEMS INC
TSDf Alt EPA ID:	CAT000613927
TSDf Alt Name:	Not reported
Waste Code Description:	134 - Aqueous solution with <10% total organic residues
RCRA Code:	Not reported
Meth Code:	H01 - Transfer Station
Quantity Tons:	0.0504
Waste Quantity:	12
Quantity Unit:	G
Additional Code 1:	Not reported
Additional Code 2:	Not reported
Additional Code 3:	Not reported
Additional Code 4:	Not reported
Additional Code 5:	Not reported
Shipment Date:	20030327
Creation Date:	5/9/2007 18:30:14
Receipt Date:	20030327
Manifest ID:	22444996
Trans EPA ID:	TXR000050930
Trans Name:	Not reported
Trans 2 EPA ID:	Not reported
Trans 2 Name:	Not reported
TSDf EPA ID:	CAT000613927
Trans Name:	Not reported
TSDf Alt EPA ID:	CAT000613927
TSDf Alt Name:	Not reported
Waste Code Description:	134 - Aqueous solution with <10% total organic residues
RCRA Code:	Not reported
Meth Code:	H01 - Transfer Station
Quantity Tons:	0.0504
Waste Quantity:	12
Quantity Unit:	G
Additional Code 1:	Not reported
Additional Code 2:	Not reported
Additional Code 3:	Not reported
Additional Code 4:	Not reported
Additional Code 5:	Not reported
Shipment Date:	20030327
Creation Date:	5/9/2007 18:30:14
Receipt Date:	20030327

Map ID
Direction
Distance
Elevation

MAP FINDINGS

Site

Database(s)

EDR ID Number
EPA ID Number

CVUSD TRANSPORTATION DEPT (Continued)

S113048755

Manifest ID: 22444996
Trans EPA ID: TXR000050930
Trans Name: Not reported
Trans 2 EPA ID: Not reported
Trans 2 Name: Not reported
TSDf EPA ID: CAT000613927
Trans Name: Not reported
TSDf Alt EPA ID: CAT000613927
TSDf Alt Name: Not reported
Waste Code Description: 134 - Aqueous solution with <10% total organic residues
RCRA Code: D039
Meth Code: H01 - Transfer Station
Quantity Tons: 0.0168
Waste Quantity: 4
Quantity Unit: G
Additional Code 1: Not reported
Additional Code 2: Not reported
Additional Code 3: Not reported
Additional Code 4: Not reported
Additional Code 5: Not reported

Shipment Date: 20030109
Creation Date: 3/30/2003 18:31:13
Receipt Date: 20030109
Manifest ID: 22280806
Trans EPA ID: TXR000050930
Trans Name: Not reported
Trans 2 EPA ID: Not reported
Trans 2 Name: Not reported
TSDf EPA ID: CAT000613927
Trans Name: Not reported
TSDf Alt EPA ID: Not reported
TSDf Alt Name: Not reported
Waste Code Description: 134 - Aqueous solution with <10% total organic residues
RCRA Code: Not reported
Meth Code: H01 - Transfer Station
Quantity Tons: 0.042
Waste Quantity: 10
Quantity Unit: G
Additional Code 1: Not reported
Additional Code 2: Not reported
Additional Code 3: Not reported
Additional Code 4: Not reported
Additional Code 5: Not reported

Shipment Date: 20030109
Creation Date: 3/30/2003 18:31:13
Receipt Date: 20030109
Manifest ID: 22280806
Trans EPA ID: TXR000050930
Trans Name: Not reported
Trans 2 EPA ID: Not reported
Trans 2 Name: Not reported
TSDf EPA ID: CAT000613927
Trans Name: Not reported
TSDf Alt EPA ID: Not reported
TSDf Alt Name: Not reported

Map ID
Direction
Distance
Elevation

MAP FINDINGS

Site

Database(s)

EDR ID Number
EPA ID Number

CVUSD TRANSPORTATION DEPT (Continued)

S113048755

Waste Code Description: 134 - Aqueous solution with <10% total organic residues
RCRA Code: D039
Meth Code: H01 - Transfer Station
Quantity Tons: 0.0168
Waste Quantity: 4
Quantity Unit: G
Additional Code 1: Not reported
Additional Code 2: Not reported
Additional Code 3: Not reported
Additional Code 4: Not reported
Additional Code 5: Not reported

Additional Info:

Year: 1996
Gen EPA ID: CAL000070710

Shipment Date: 19961008
Creation Date: 5/20/1997 0:00:00
Receipt Date: 19961011
Manifest ID: 96146835
Trans EPA ID: CAD983608258
Trans Name: Not reported
Trans 2 EPA ID: Not reported
Trans 2 Name: Not reported
TSDf EPA ID: CAD028409019
Trans Name: Not reported
TSDf Alt EPA ID: Not reported
TSDf Alt Name: Not reported
Waste Code Description: 241 - Tank bottom waste 251 Still bottoms with halogenated organics
RCRA Code: Not reported
Meth Code: T01 - Treatment, Tank
Quantity Tons: 0.4587
Waste Quantity: 110
Quantity Unit: G
Additional Code 1: Not reported
Additional Code 2: Not reported
Additional Code 3: Not reported
Additional Code 4: Not reported
Additional Code 5: Not reported

Shipment Date: 19961008
Creation Date: 5/20/1997 0:00:00
Receipt Date: 19961011
Manifest ID: 96146834
Trans EPA ID: CAD983608258
Trans Name: Not reported
Trans 2 EPA ID: Not reported
Trans 2 Name: Not reported
TSDf EPA ID: CAD028409019
Trans Name: Not reported
TSDf Alt EPA ID: Not reported
TSDf Alt Name: Not reported
Waste Code Description: 134 - Aqueous solution with <10% total organic residues
RCRA Code: D001
Meth Code: T01 - Treatment, Tank
Quantity Tons: 0.357
Waste Quantity: 85

Map ID
Direction
Distance
Elevation

MAP FINDINGS

Site

Database(s)

EDR ID Number
EPA ID Number

CVUSD TRANSPORTATION DEPT (Continued)

S113048755

Quantity Unit: G
Additional Code 1: Not reported
Additional Code 2: Not reported
Additional Code 3: Not reported
Additional Code 4: Not reported
Additional Code 5: Not reported

Additional Info:

Year: 2002
Gen EPA ID: CAL000070710

Shipment Date: 20021015
Creation Date: 2/6/2003 18:31:16
Receipt Date: 20021015
Manifest ID: 21908814
Trans EPA ID: SCR000075150
Trans Name: Not reported
Trans 2 EPA ID: Not reported
Trans 2 Name: Not reported
TSDf EPA ID: CAT000613927
Trans Name: Not reported
TSDf Alt EPA ID: Not reported
TSDf Alt Name: Not reported
Waste Code Description: 134 - Aqueous solution with <10% total organic residues
RCRA Code: D039
Meth Code: H01 - Transfer Station
Quantity Tons: 0.0168
Waste Quantity: 4
Quantity Unit: G
Additional Code 1: Not reported
Additional Code 2: Not reported
Additional Code 3: Not reported
Additional Code 4: Not reported
Additional Code 5: Not reported

Shipment Date: 20021015
Creation Date: 2/6/2003 18:31:16
Receipt Date: 20021015
Manifest ID: 21908814
Trans EPA ID: SCR000075150
Trans Name: Not reported
Trans 2 EPA ID: Not reported
Trans 2 Name: Not reported
TSDf EPA ID: CAT000613927
Trans Name: Not reported
TSDf Alt EPA ID: Not reported
TSDf Alt Name: Not reported
Waste Code Description: 134 - Aqueous solution with <10% total organic residues
RCRA Code: Not reported
Meth Code: H01 - Transfer Station
Quantity Tons: 0.042
Waste Quantity: 10
Quantity Unit: G
Additional Code 1: Not reported
Additional Code 2: Not reported
Additional Code 3: Not reported
Additional Code 4: Not reported

Map ID
Direction
Distance
Elevation

MAP FINDINGS

Site

Database(s)

EDR ID Number
EPA ID Number

CVUSD TRANSPORTATION DEPT (Continued)

S113048755

Additional Code 5:	Not reported
Shipment Date:	20020202
Creation Date:	3/7/2002 0:00:00
Receipt Date:	20020111
Manifest ID:	20097512
Trans EPA ID:	CAD028277036
Trans Name:	Not reported
Trans 2 EPA ID:	Not reported
Trans 2 Name:	Not reported
TSDf EPA ID:	CAT080013352
Trans Name:	Not reported
TSDf Alt EPA ID:	Not reported
TSDf Alt Name:	Not reported
Waste Code Description:	222 - Oil/water separation sludge
RCRA Code:	Not reported
Meth Code:	R01 - Recycler
Quantity Tons:	0.834
Waste Quantity:	200
Quantity Unit:	G
Additional Code 1:	Not reported
Additional Code 2:	Not reported
Additional Code 3:	Not reported
Additional Code 4:	Not reported
Additional Code 5:	Not reported
Additional Info:	
Year:	1998
Gen EPA ID:	CAL000070710
Shipment Date:	19980504
Creation Date:	6/26/1998 0:00:00
Receipt Date:	19980507
Manifest ID:	96697917
Trans EPA ID:	CAR000016436
Trans Name:	Not reported
Trans 2 EPA ID:	Not reported
Trans 2 Name:	Not reported
TSDf EPA ID:	AZR000005454
Trans Name:	Not reported
TSDf Alt EPA ID:	Not reported
TSDf Alt Name:	Not reported
Waste Code Description:	261 - Not reported
RCRA Code:	Not reported
Meth Code:	R01 - Recycler
Quantity Tons:	2.6448
Waste Quantity:	2400
Quantity Unit:	K
Additional Code 1:	Not reported
Additional Code 2:	Not reported
Additional Code 3:	Not reported
Additional Code 4:	Not reported
Additional Code 5:	Not reported
Shipment Date:	19980219
Creation Date:	4/16/1998 0:00:00
Receipt Date:	19980225

Map ID
Direction
Distance
Elevation

MAP FINDINGS

Site

Database(s)

EDR ID Number
EPA ID Number

CVUSD TRANSPORTATION DEPT (Continued)

S113048755

Manifest ID: 96697865
Trans EPA ID: CAR000016436
Trans Name: Not reported
Trans 2 EPA ID: Not reported
Trans 2 Name: Not reported
TSDf EPA ID: AZR000005454
Trans Name: Not reported
TSDf Alt EPA ID: Not reported
TSDf Alt Name: Not reported
Waste Code Description: 261 - Not reported
RCRA Code: Not reported
Meth Code: R01 - Recycler
Quantity Tons: 1.3224
Waste Quantity: 1200
Quantity Unit: K
Additional Code 1: Not reported
Additional Code 2: Not reported
Additional Code 3: Not reported
Additional Code 4: Not reported
Additional Code 5: Not reported

Shipment Date: 19980213
Creation Date: 4/16/1998 0:00:00
Receipt Date: 19980220
Manifest ID: 96697864
Trans EPA ID: CAR000016436
Trans Name: Not reported
Trans 2 EPA ID: Not reported
Trans 2 Name: Not reported
TSDf EPA ID: AZR000005454
Trans Name: Not reported
TSDf Alt EPA ID: Not reported
TSDf Alt Name: Not reported
Waste Code Description: 261 - Not reported
RCRA Code: Not reported
Meth Code: R01 - Recycler
Quantity Tons: 0.2677
Waste Quantity: 243
Quantity Unit: K
Additional Code 1: Not reported
Additional Code 2: Not reported
Additional Code 3: Not reported
Additional Code 4: Not reported
Additional Code 5: Not reported

Shipment Date: 19980211
Creation Date: 4/16/1998 0:00:00
Receipt Date: 19980220
Manifest ID: 96697862
Trans EPA ID: CAR000016436
Trans Name: Not reported
Trans 2 EPA ID: Not reported
Trans 2 Name: Not reported
TSDf EPA ID: AZR000005454
Trans Name: Not reported
TSDf Alt EPA ID: Not reported
TSDf Alt Name: Not reported

Map ID
Direction
Distance
Elevation

MAP FINDINGS

Site

Database(s)

EDR ID Number
EPA ID Number

CVUSD TRANSPORTATION DEPT (Continued)

S113048755

Waste Code Description: 261 - Not reported
RCRA Code: Not reported
Meth Code: R01 - Recycler
Quantity Tons: 0.3857
Waste Quantity: 350
Quantity Unit: K
Additional Code 1: Not reported
Additional Code 2: Not reported
Additional Code 3: Not reported
Additional Code 4: Not reported
Additional Code 5: Not reported

Shipment Date: 19980202
Creation Date: 3/31/1998 0:00:00
Receipt Date: 19980202
Manifest ID: 96697858
Trans EPA ID: CAR000016436
Trans Name: Not reported
Trans 2 EPA ID: Not reported
Trans 2 Name: Not reported
TSDf EPA ID: AZR000005454
Trans Name: Not reported
TSDf Alt EPA ID: Not reported
TSDf Alt Name: Not reported
Waste Code Description: 261 - Not reported
RCRA Code: Not reported
Meth Code: R01 - Recycler
Quantity Tons: 0.2204
Waste Quantity: 200
Quantity Unit: K
Additional Code 1: Not reported
Additional Code 2: Not reported
Additional Code 3: Not reported
Additional Code 4: Not reported
Additional Code 5: Not reported

Shipment Date: 19980126
Creation Date: 3/31/1998 0:00:00
Receipt Date: 19980202
Manifest ID: 96697850
Trans EPA ID: CAR000016436
Trans Name: Not reported
Trans 2 EPA ID: Not reported
Trans 2 Name: Not reported
TSDf EPA ID: AZR000005454
Trans Name: Not reported
TSDf Alt EPA ID: Not reported
TSDf Alt Name: Not reported
Waste Code Description: 261 - Not reported
RCRA Code: Not reported
Meth Code: R01 - Recycler
Quantity Tons: 0.7163
Waste Quantity: 650
Quantity Unit: K
Additional Code 1: Not reported
Additional Code 2: Not reported
Additional Code 3: Not reported

Map ID
Direction
Distance
Elevation

MAP FINDINGS

Site

Database(s)

EDR ID Number
EPA ID Number

CVUSD TRANSPORTATION DEPT (Continued)

S113048755

Additional Code 4: Not reported
Additional Code 5: Not reported

HWTS:
Name: CVUSD TRANSPORTATION DEPT
Address: 83800 AIRPORT BLVD
Address 2: Not reported
City,State,Zip: COACHELLA, CA 92236
EPA ID: CAL000070710
Inactive Date: 06/30/2002
Create Date: 07/28/1993
Last Act Date: Not reported
Mailing Name: Not reported
Mailing Address: PO BOX 847
Mailing Address 2: Not reported
Mailing City,State,Zip: THERMAL, CA 922740000
Owner Name: COACHELLA VALLLEY USD
Owner Address: 55-557 CAMPUS RD
Owner Address 2: Not reported
Owner City,State,Zip: THERMAL, CA 922740000
Contact Name: RAUL LOPEZ - DIR TRANS
Contact Address: 55-557 CAMPUS RD
Contact Address 2: Not reported
City,State,Zip: THERMAL, CA 922740000
Facility Status: Inactive
Facility Type: PERMANENT
Category: STATE
Latitude: 34.765175
Longitude: -114.619265

NAICS:
EPA ID: CAL000070710
Create Date: 2002-03-14 16:36:27.000
NAICS Code: 48541
NAICS Description: School and Employee Bus Transportation
Issued EPA ID Date: 1993-07-28 00:00:00
Inactive Date: 2002-06-30 00:00:00
Facility Name: CVUSD TRANSPORTATION DEPT
Facility Address: 83800 AIRPORT BLVD
Facility Address 2: Not reported
Facility City: COACHELLA
Facility County: Not reported
Facility State: CA
Facility Zip: 922360000

DU913 COUNTY OF SAN BERNARDINO NEEDLES AIRPORT
Target 711 AIRPORT RD
Property NEEDLES, CA 92363

EMI S113126850
HAZNET N/A
HWTS

Site 1 of 13 in cluster DU

Actual: 905 ft.
Focus Map: 18
EMI:
Name: SBCO - NEEDLES AIRPORT
Address: 711 AIRPORT ROAD
City,State,Zip: NEEDLES, CA 92363
Year: 2014
County Code: 36

Map ID
Direction
Distance
Elevation

MAP FINDINGS

Site

Database(s)

EDR ID Number
EPA ID Number

COUNTY OF SAN BERNARDINO NEEDLES AIRPORT (Continued)

S113126850

Air Basin: MD
Facility ID: 99200854
Air District Name: MOJ
SIC Code: 5541
Air District Name: MOJAVE DESERT AQMD
Community Health Air Pollution Info System: Not reported
Consolidated Emission Reporting Rule: Not reported
Total Organic Hydrocarbon Gases Tons/Yr: 0
Reactive Organic Gases Tons/Yr: 0
Carbon Monoxide Emissions Tons/Yr: 0
NOX - Oxides of Nitrogen Tons/Yr: 0
SOX - Oxides of Sulphur Tons/Yr: 0
Particulate Matter Tons/Yr: 0
Part. Matter 10 Micrometers and Smlr Tons/Yr:0

Name: SBCO - NEEDLES AIRPORT
Address: 711 AIRPORT ROAD
City,State,Zip: NEEDLES, CA 92363
Year: 2015
County Code: 36
Air Basin: MD
Facility ID: 99200854
Air District Name: MOJ
SIC Code: 5541
Air District Name: MOJAVE DESERT AQMD
Community Health Air Pollution Info System: Not reported
Consolidated Emission Reporting Rule: Not reported
Total Organic Hydrocarbon Gases Tons/Yr: 0
Reactive Organic Gases Tons/Yr: 0
Carbon Monoxide Emissions Tons/Yr: 0
NOX - Oxides of Nitrogen Tons/Yr: 0
SOX - Oxides of Sulphur Tons/Yr: 0
Particulate Matter Tons/Yr: 0
Part. Matter 10 Micrometers and Smlr Tons/Yr:0

Name: SBCO - NEEDLES AIRPORT
Address: 711 AIRPORT ROAD
City,State,Zip: NEEDLES, CA 92363
Year: 2016
County Code: 36
Air Basin: MD
Facility ID: 99200854
Air District Name: MOJ
SIC Code: 5541
Air District Name: MOJAVE DESERT AQMD
Community Health Air Pollution Info System: Not reported
Consolidated Emission Reporting Rule: Not reported
Total Organic Hydrocarbon Gases Tons/Yr: 0
Reactive Organic Gases Tons/Yr: 0
Carbon Monoxide Emissions Tons/Yr: Not reported
NOX - Oxides of Nitrogen Tons/Yr: Not reported
SOX - Oxides of Sulphur Tons/Yr: Not reported
Particulate Matter Tons/Yr: Not reported
Part. Matter 10 Micrometers and Smlr Tons/Yr:Not reported

Name: SBCO - NEEDLES AIRPORT
Address: 711 AIRPORT ROAD

Map ID
Direction
Distance
Elevation

MAP FINDINGS

Site

Database(s)

EDR ID Number
EPA ID Number

COUNTY OF SAN BERNARDINO NEEDLES AIRPORT (Continued)

S113126850

City,State,Zip: NEEDLES, CA 92363
Year: 2017
County Code: 36
Air Basin: MD
Facility ID: 99200854
Air District Name: MOJ
SIC Code: 5541
Air District Name: MOJAVE DESERT AQMD
Community Health Air Pollution Info System: Not reported
Consolidated Emission Reporting Rule: Not reported
Total Organic Hydrocarbon Gases Tons/Yr: 0.001758881
Reactive Organic Gases Tons/Yr: 0.001758881
Carbon Monoxide Emissions Tons/Yr: Not reported
NOX - Oxides of Nitrogen Tons/Yr: Not reported
SOX - Oxides of Sulphur Tons/Yr: Not reported
Particulate Matter Tons/Yr: Not reported
Part. Matter 10 Micrometers and Smllr Tons/Yr:Not reported

Name: SBCO - NEEDLES AIRPORT
Address: 711 AIRPORT ROAD
City,State,Zip: NEEDLES, CA 92363
Year: 2018
County Code: 36
Air Basin: MD
Facility ID: 854
Air District Name: MOJ
SIC Code: 5541
Air District Name: MOJAVE DESERT AQMD
Community Health Air Pollution Info System: Not reported
Consolidated Emission Reporting Rule: Not reported
Total Organic Hydrocarbon Gases Tons/Yr: 0
Reactive Organic Gases Tons/Yr: 0
Carbon Monoxide Emissions Tons/Yr: Not reported
NOX - Oxides of Nitrogen Tons/Yr: Not reported
SOX - Oxides of Sulphur Tons/Yr: Not reported
Particulate Matter Tons/Yr: Not reported
Part. Matter 10 Micrometers and Smllr Tons/Yr:Not reported

Name: SBCO - NEEDLES AIRPORT
Address: 711 AIRPORT ROAD
City,State,Zip: NEEDLES, CA 92363
Year: 2019
County Code: 36
Air Basin: MD
Facility ID: 854
Air District Name: MOJ
SIC Code: 5541
Air District Name: MOJAVE DESERT AQMD
Community Health Air Pollution Info System: Not reported
Consolidated Emission Reporting Rule: Not reported
Total Organic Hydrocarbon Gases Tons/Yr: 0.033
Reactive Organic Gases Tons/Yr: 0.033
Carbon Monoxide Emissions Tons/Yr: Not reported
NOX - Oxides of Nitrogen Tons/Yr: Not reported
SOX - Oxides of Sulphur Tons/Yr: Not reported
Particulate Matter Tons/Yr: Not reported
Part. Matter 10 Micrometers and Smllr Tons/Yr:Not reported

Map ID
Direction
Distance
Elevation

MAP FINDINGS

Site

Database(s)

EDR ID Number
EPA ID Number

COUNTY OF SAN BERNARDINO NEEDLES AIRPORT (Continued)

S113126850

HAZNET:

Name: COUNTY OF SAN BERNARDINO NEEDLES AIRPORT
Address: 711 AIRPORT RD
Address 2: Not reported
City,State,Zip: NEEDLES, CA 923630000
Contact: TERRY STOVER ASSISTANT DIR
Telephone: 7602472371
Mailing Name: Not reported
Mailing Address: 21600 CORWIN RD STE 13

Year: 2011
Gepaid: CAL000271286
TSD EPA ID: TXD077603371
CA Waste Code: 221 - Waste oil and mixed oil
Disposal Method: H061 - Fuel Blending Prior To Energy Recovery At Another Site
Tons: 0.347

Additional Info:

Year: 2011
Gen EPA ID: CAL000271286

Shipment Date: 20110107
Creation Date: 5/27/2011 18:30:13
Receipt Date: 20110117
Manifest ID: 002617189SKS
Trans EPA ID: TXR000050930
Trans Name: SAFETY-KLEEN SYSTEMS INC
Trans 2 EPA ID: OKD981588791
Trans 2 Name: TRIAD TRANSPORT
TSD EPA ID: TXD077603371
Trans Name: SAFETY-KLEEN SYSTEMS INC
TSD EPA ID: Not reported
TSD Name: Not reported
Waste Code Description: 221 - Waste oil and mixed oil
RCRA Code: Not reported
Meth Code: H061 - Fuel Blending Prior To Energy Recovery At Another Site
Quantity Tons: 0.347
Waste Quantity: 694
Quantity Unit: P
Additional Code 1: Not reported
Additional Code 2: Not reported
Additional Code 3: Not reported
Additional Code 4: Not reported
Additional Code 5: Not reported

HWTS:

Name: COUNTY OF SAN BERNARDINO NEEDLES AIRPORT
Address: 711 AIRPORT RD
Address 2: Not reported
City,State,Zip: NEEDLES, CA 92363
EPA ID: CAL000271286
Inactive Date: Not reported
Create Date: 06/05/2003
Last Act Date: Not reported
Mailing Name: Not reported

Map ID
Direction
Distance
Elevation

MAP FINDINGS

Site

Database(s)

EDR ID Number
EPA ID Number

COUNTY OF SAN BERNARDINO NEEDLES AIRPORT (Continued)

S113126850

Mailing Address: 777 EAST RIALTO AVE
Mailing Address 2: Not reported
Mailing City,State,Zip: SAN BERNARDINO, CA 924150831
Owner Name: COUNTY OF SAN BERNARDINO
Owner Address: 777 EAST RIALTO AVENUE
Owner Address 2: Not reported
Owner City,State,Zip: SAN BERNARDINO, CA 924150831
Contact Name: JAMES E. JENKINS
Contact Address: 777 EAST RIALTO AVENUE
Contact Address 2: Not reported
City,State,Zip: SAN BERNARDINO, CA 924150831
Facility Status: Active
Facility Type: PERMANENT
Category: STATE
Latitude: 34.772636
Longitude: -114.605007

NAICS:
EPA ID: CAL000271286
Create Date: 2003-06-05 13:41:44.450
NAICS Code: 488119
NAICS Description: Other Airport Operations
Issued EPA ID Date: 2003-06-05 13:41:44.43700
Inactive Date: Not reported
Facility Name: COUNTY OF SAN BERNARDINO NEEDLES AIRPORT
Facility Address: 711 AIRPORT RD
Facility Address 2: Not reported
Facility City: NEEDLES
Facility County: Not reported
Facility State: CA
Facility Zip: 923630000

DU914 CNTY SAN BERNARDINO AIRPORTS DEPT
Target 711 AIRPORT RD
Property NEEDLES, CA 92363

HAZNET S112899468
HWTS N/A

Site 2 of 13 in cluster DU

Actual: 905 ft.
Focus Map: 18

HAZNET:
Name: CNTY SAN BERNARDINO AIRPORTS DEPT
Address: 711 AIRPORT RD
Address 2: Not reported
City,State,Zip: NEEDLES, CA 923630000
Contact: DIANE HOMER/EXTEND 4/15/99
Telephone: 7602472371
Mailing Name: Not reported
Mailing Address: 21600 CORWIN RD

Year: 1999
Gepaid: CAC002131209
TSD EPA ID: CAT080013352
CA Waste Code: 241 - Tank bottom waste
Disposal Method: R01 - Recycler
Tons: 1.251

Map ID
Direction
Distance
Elevation

MAP FINDINGS

Site

Database(s)

EDR ID Number
EPA ID Number

CNTY SAN BERNARDINO AIRPORTS DEPT (Continued)

S112899468

Additional Info:

Year: 1999
Gen EPA ID: CAC002131209

Shipment Date: 19990305
Creation Date: 5/17/1999 0:00:00
Receipt Date: 19990310
Manifest ID: 98430321
Trans EPA ID: CAL922125668
Trans Name: Not reported
Trans 2 EPA ID: Not reported
Trans 2 Name: Not reported
TSDf EPA ID: CAT080013352
Trans Name: Not reported
TSDf Alt EPA ID: CAT080013352
TSDf Alt Name: Not reported
Waste Code Description: 241 - Tank bottom waste 251 Still bottoms with halogenated organics
RCRA Code: Not reported
Meth Code: R01 - Recycler
Quantity Tons: 1.251
Waste Quantity: 300
Quantity Unit: G
Additional Code 1: Not reported
Additional Code 2: Not reported
Additional Code 3: Not reported
Additional Code 4: Not reported
Additional Code 5: Not reported

HWTS:

Name: CNTY SAN BERNARDINO AIRPORTS DEPT
Address: 711 AIRPORT RD
Address 2: Not reported
City,State,Zip: NEEDLES, CA 92363
EPA ID: CAC002131209
Inactive Date: 10/25/2000
Create Date: 10/15/1998
Last Act Date: Not reported
Mailing Name: Not reported
Mailing Address: 21600 CORWIN RD
Mailing Address 2: Not reported
Mailing City,State,Zip: APPLE VALLEY, CA 923070000
Owner Name: COUNTY OF SAN BERNARDINO
Owner Address: 21600 CORWIN RD
Owner Address 2: Not reported
Owner City,State,Zip: APPLE VALLEY, CA 923070000
Contact Name: DIANE HOMER/EXTEND 4/15/99
Contact Address: 21600 CORWIN RD
Contact Address 2: Not reported
City,State,Zip: APPLE VALLEY, CA 923070000
Facility Status: Inactive
Facility Type: TEMPORARY
Category: STATE
Latitude: 34.775433
Longitude: -114.599147

MAP FINDINGS

Map ID
 Direction
 Distance
 Elevation

Site

Database(s)

EDR ID Number
 EPA ID Number

DU915 **CNTY SAN BERNARDINO/AIRPORTS DEPARTMENT**
Target **711 AIRPORT RD**
Property **NEEDLES, CA 92363**

HWTS **S124557657**
 N/A

Site 3 of 13 in cluster DU

Actual: **HWTS:**
905 ft. Name: CNTY SAN BERNARDINO/AIRPORTS DEPARTMENT
Focus Map: Address: 711 AIRPORT RD
18 Address 2: Not reported
 City,State,Zip: NEEDLES, CA 92363
 EPA ID: CAC001390736
 Inactive Date: 12/31/1899
 Create Date: 02/18/1998
 Last Act Date: Not reported
 Mailing Name: Not reported
 Mailing Address: 21600 CORWIN RD
 Mailing Address 2: Not reported
 Mailing City,State,Zip: APPLE VALLEY, CA 923070000
 Owner Name: COUNTY SAN BERNARDINO
 Owner Address: 21600 CORWIN RD
 Owner Address 2: Not reported
 Owner City,State,Zip: APPLE VALLEY, CA 923070000
 Contact Name: DIANE HOMER-FISCAL CLERK
 Contact Address: 21600 CORWIN RD/EXT TIL 8-6-98,MB
 Contact Address 2: Not reported
 City,State,Zip: APPLE VALLEY, CA 923070000
 Facility Status: Inactive
 Facility Type: TEMPORARY
 Category: STATE
 Latitude: 34.775433
 Longitude: -114.599147

DU916 **NEEDLES AIRPORT**
Target **711 AIRPORT RD**
Property **NEEDLES, CA 92363**

UST **U004263666**
 N/A

Site 4 of 13 in cluster DU

Actual: **UST:**
905 ft. Name: NEEDLES AIRPORT
Focus Map: Address: 711 AIRPORT RD
18 City,State,Zip: NEEDLES, CA 92363
 Facility ID: FA0002334
 Permitting Agency: San Bernardino County Fire Department
 CERSID: 10037920
 Latitude: 34.773566
 Longitude: -114.603048

Map ID
Direction
Distance
Elevation

MAP FINDINGS

Site

Database(s) EDR ID Number
EPA ID Number

DU917 COUNTY OF SAN BERNARDINO
Target 711 AIRPORT RD
Property NEEDLES, CA 92363

HWTS S124539184
N/A

Site 5 of 13 in cluster DU

Actual: 905 ft. **HWTS:**
Focus Map: 18
Name: COUNTY OF SAN BERNARDINO
Address: 711 AIRPORT RD
Address 2: Not reported
City,State,Zip: NEEDLES, CA 92363
EPA ID: CAC000742128
Inactive Date: 10/25/2000
Create Date: 06/10/1997
Last Act Date: Not reported
Mailing Name: Not reported
Mailing Address: 21600 CORWIN RD
Mailing Address 2: Not reported
Mailing City,State,Zip: APPLE VALLEY, CA 923070000
Owner Name: CTY OF SB
Owner Address: 21600 CORWIN RD
Owner Address 2: Not reported
Owner City,State,Zip: APPLE VALLEY, CA 923070000
Contact Name: DIANE HOMER/EXTND TO 2-13-98
Contact Address: 21600 CORWIN RD
Contact Address 2: Not reported
City,State,Zip: APPLE VALLEY, CA 923070000
Facility Status: Inactive
Facility Type: TEMPORARY
Category: STATE
Latitude: 34.775433
Longitude: -114.599147

DU918 COUNTY OF SAN BERNARDINO
Target 711 AIRPORT RD
Property NEEDLES, CA 92363

HWTS S124553690
N/A

Site 6 of 13 in cluster DU

Actual: 905 ft. **HWTS:**
Focus Map: 18
Name: COUNTY OF SAN BERNARDINO
Address: 711 AIRPORT RD
Address 2: Not reported
City,State,Zip: NEEDLES, CA 92363
EPA ID: CAC001258408
Inactive Date: 10/25/2000
Create Date: 12/19/1996
Last Act Date: Not reported
Mailing Name: Not reported
Mailing Address: 21600 CORWIN RD
Mailing Address 2: Not reported
Mailing City,State,Zip: APPLE VALLEY, CA 923070000
Owner Name: CTY OF SB
Owner Address: 21600 CORWIN RD
Owner Address 2: Not reported
Owner City,State,Zip: APPLE VALLEY, CA 923070000
Contact Name: EXTENDED TO JUNE 19, 1997
Contact Address: 21600 CORWIN RD
Contact Address 2: Not reported
City,State,Zip: APPLE VALLEY, CA 923070000

Map ID
Direction
Distance
Elevation

MAP FINDINGS

Site

Database(s)

EDR ID Number
EPA ID Number

COUNTY OF SAN BERNARDINO (Continued)

S124553690

Facility Status: Inactive
Facility Type: TEMPORARY
Category: STATE
Latitude: 34.775433
Longitude: -114.599147

DU919 COUNTY OF SAN BERNARDINO NEEDLES AIRPORT
Target 711 AIRPORT RD
Property NEEDLES, CA 92363

FINDS 1024669817
ECHO N/A

Site 7 of 13 in cluster DU

Actual: FINDS:
905 ft. Registry ID: 110070458211

Focus Map: Click Here for FRS Facility Detail Report:
18

Environmental Interest/Information System:

RCRAInfo is a national information system that supports the Resource Conservation and Recovery Act (RCRA) program through the tracking of events and activities related to facilities that generate, transport, and treat, store, or dispose of hazardous waste. RCRAInfo allows RCRA program staff to track the notification, permit, compliance, and corrective action activities required under RCRA.

Click this hyperlink while viewing on your computer to access additional FINDS: detail in the EDR Site Report.

ECHO:

Envid: 1024669817
Registry ID: 110070458211
DFR URL: <http://echo.epa.gov/detailed-facility-report?fid=110070458211>
Name: COUNTY OF SAN BERNARDINO NEEDLES AIRPORT
Address: 711 AIRPORT RD
City,State,Zip: NEEDLES, CA 92363

DU920 COUNTY OF SAN BERNARDINO NEEDLES AIRPORT
Target 711 AIRPORT RD
Property NEEDLES, CA 92363

RCRA NonGen / NLR 1024806822
CAL000271286

Site 8 of 13 in cluster DU

Actual: RCRA NonGen / NLR:
905 ft. Date Form Received by Agency: 20030605
Focus Map: Handler Name: COUNTY OF SAN BERNARDINO NEEDLES AIRPORT
18 Handler Address: 711 AIRPORT RD
Handler City,State,Zip: NEEDLES, CA 92363-0000
EPA ID: CAL000271286
Contact Name: JAMES E. JENKINS
Contact Address: 777 EAST RIALTO AVENUE
Contact City,State,Zip: SAN BERNARDINO, CA 92415-0831
Contact Telephone: 909-387-8810
Contact Fax: 909-387-8815
Contact Email: JJENKINS@AIRPORTS.SBCOUNTY.GOV
Contact Title: Not reported
EPA Region: 09
Land Type: Not reported

Map ID
 Direction
 Distance
 Elevation

MAP FINDINGS

Site

Database(s)

EDR ID Number
 EPA ID Number

COUNTY OF SAN BERNARDINO NEEDLES AIRPORT (Continued)

1024806822

Federal Waste Generator Description:	Not a generator, verified
Non-Notifier:	Not reported
Biennial Report Cycle:	Not reported
Accessibility:	Not reported
Active Site Indicator:	Handler Activities
State District Owner:	Not reported
State District:	Not reported
Mailing Address:	7000 MERRILL AVENUE BOX 1
Mailing City, State, Zip:	CHINO, CA 91710-9091
Owner Name:	COUNTY OF SAN BERNARDINO
Owner Type:	Other
Operator Name:	JAMES E. JENKINS
Operator Type:	Other
Short-Term Generator Activity:	No
Importer Activity:	No
Mixed Waste Generator:	No
Transporter Activity:	No
Transfer Facility Activity:	No
Recycler Activity with Storage:	No
Small Quantity On-Site Burner Exemption:	No
Smelting Melting and Refining Furnace Exemption:	No
Underground Injection Control:	No
Off-Site Waste Receipt:	No
Universal Waste Indicator:	Yes
Universal Waste Destination Facility:	Yes
Federal Universal Waste:	No
Active Site Fed-Reg Treatment Storage and Disposal Facility:	Not reported
Active Site Converter Treatment storage and Disposal Facility:	Not reported
Active Site State-Reg Treatment Storage and Disposal Facility:	Not reported
Active Site State-Reg Handler:	---
Federal Facility Indicator:	Not reported
Hazardous Secondary Material Indicator:	N
Sub-Part K Indicator:	Not reported
Commercial TSD Indicator:	No
Treatment Storage and Disposal Type:	Not reported
2018 GPRA Permit Baseline:	Not on the Baseline
2018 GPRA Renewals Baseline:	Not on the Baseline
Permit Renewals Workload Universe:	Not reported
Permit Workload Universe:	Not reported
Permit Progress Universe:	Not reported
Post-Closure Workload Universe:	Not reported
Closure Workload Universe:	Not reported
202 GPRA Corrective Action Baseline:	No
Corrective Action Workload Universe:	No
Subject to Corrective Action Universe:	No
Non-TSDFs Where RCRA CA has Been Imposed Universe:	No
TSDFs Potentially Subject to CA Under 3004 (u)/(v) Universe:	No
TSDFs Only Subject to CA under Discretionary Auth Universe:	No
Corrective Action Priority Ranking:	No NCAPS ranking
Environmental Control Indicator:	No
Institutional Control Indicator:	No
Human Exposure Controls Indicator:	N/A
Groundwater Controls Indicator:	N/A
Operating TSDF Universe:	Not reported
Full Enforcement Universe:	Not reported
Significant Non-Complier Universe:	No
Unaddressed Significant Non-Complier Universe:	No

Map ID
Direction
Distance
Elevation

MAP FINDINGS

Site

Database(s)

EDR ID Number
EPA ID Number

COUNTY OF SAN BERNARDINO NEEDLES AIRPORT (Continued)

1024806822

Addressed Significant Non-Complier Universe: No
Significant Non-Complier With a Compliance Schedule Universe: No
Financial Assurance Required: Not reported
Handler Date of Last Change: 20180905
Recognized Trader-Importer: No
Recognized Trader-Exporter: No
Importer of Spent Lead Acid Batteries: No
Exporter of Spent Lead Acid Batteries: No
Recycler Activity Without Storage: No
Manifest Broker: No
Sub-Part P Indicator: No

Handler - Owner Operator:

Owner/Operator Indicator: Operator
Owner/Operator Name: JAMES E. JENKINS
Legal Status: Other
Date Became Current: Not reported
Date Ended Current: Not reported
Owner/Operator Address: 777 EAST RIALTO AVENUE
Owner/Operator City,State,Zip: SAN BERNARDINO, CA 92415-0831
Owner/Operator Telephone: 909-387-8810
Owner/Operator Telephone Ext: Not reported
Owner/Operator Fax: Not reported
Owner/Operator Email: Not reported

Owner/Operator Indicator: Owner
Owner/Operator Name: COUNTY OF SAN BERNARDINO
Legal Status: Other
Date Became Current: Not reported
Date Ended Current: Not reported
Owner/Operator Address: 777 EAST RIALTO AVENUE
Owner/Operator City,State,Zip: SAN BERNARDINO, CA 92415-0831
Owner/Operator Telephone: 909-387-8810
Owner/Operator Telephone Ext: Not reported
Owner/Operator Fax: Not reported
Owner/Operator Email: Not reported

Historic Generators:

Receive Date: 20030605
Handler Name: COUNTY OF SAN BERNARDINO NEEDLES AIRPORT
Federal Waste Generator Description: Not a generator, verified
State District Owner: Not reported
Large Quantity Handler of Universal Waste: No
Recognized Trader Importer: No
Recognized Trader Exporter: No
Spent Lead Acid Battery Importer: No
Spent Lead Acid Battery Exporter: No
Current Record: Yes
Non Storage Recycler Activity: Not reported
Electronic Manifest Broker: Not reported

List of NAICS Codes and Descriptions:

NAICS Code: 488119
NAICS Description: OTHER AIRPORT OPERATIONS

Map ID
Direction
Distance
Elevation

MAP FINDINGS

Site

Database(s)

EDR ID Number
EPA ID Number

COUNTY OF SAN BERNARDINO NEEDLES AIRPORT (Continued)

1024806822

Facility Has Received Notices of Violations:

Violations: No Violations Found

Evaluation Action Summary:

Evaluations: No Evaluations Found

DU921 PARADICE AVIATION
Target 711 AIRPORT RD
Property NEEDLES, CA 92363

EDR Hist Auto 1021971393
N/A

Site 9 of 13 in cluster DU

Actual: 905 ft.
Focus Map: 18

EDR Hist Auto

Year:	Name:	Type:
1994	PARADICE AVIATION	Aircraft Maintenance And Repair Services
1995	PARADICE AVIATION	Aircraft Maintenance And Repair Services
1996	PARADICE AVIATION	Aircraft Maintenance And Repair Services
1997	PARADICE AVIATION	Aircraft Maintenance And Repair Services
1998	PARADICE AVIATION	Aircraft Maintenance And Repair Services
1999	PARADICE AVIATION	Aircraft Maintenance And Repair Services
2000	PARADICE AVIATION	Aircraft Maintenance And Repair Services
2001	PARADICE AVIATION	Aircraft Maintenance And Repair Services
2002	PARADICE AVIATION	Aircraft Maintenance And Repair Services
2003	PARADICE AVIATION	Aircraft Maintenance And Repair Services
2004	PARADICE AVIATION	Aircraft Maintenance And Repair Services
2005	PARADICE AVIATION	Aircraft Maintenance And Repair Services
2006	PARADICE AVIATION	Aircraft Maintenance And Repair Services
2007	PARADICE AVIATION	Aircraft Maintenance And Repair Services
2008	PARADICE AVIATION	Aircraft Maintenance And Repair Services
2009	PARADICE AVIATION	Aircraft Maintenance And Repair Services
2010	PARADICE AVIATION	Aircraft Maintenance And Repair Services
2011	PARADICE AVIATION	Aircraft Maintenance And Repair Services

DU922 NEEDLES AIRPORT
Target 711 AIRPORT RD
Property NEEDLES, CA 92363

FINDS 1023368552
ECHO N/A

Site 10 of 13 in cluster DU

Actual: 905 ft.
Focus Map: 18

FINDS:
Registry ID: 110066662506

Click Here for FRS Facility Detail Report:

Environmental Interest/Information System:

US National Pollutant Discharge Elimination System (NPDES) module of the Compliance Information System (ICIS) tracks surface water permits issued under the Clean Water Act. Under NPDES, all facilities that discharge pollutants from any point source into waters of the United States are required to obtain a permit. The permit will likely contain limits on what can be discharged, impose monitoring and reporting requirements, and include other provisions to ensure that the discharge does not adversely affect water quality.
STATE MASTER

Map ID
 Direction
 Distance
 Elevation

MAP FINDINGS

Site

Database(s)

EDR ID Number
 EPA ID Number

NEEDLES AIRPORT (Continued)

1023368552

[Click this hyperlink](#) while viewing on your computer to access additional FINDS: detail in the EDR Site Report.

ECHO:
 Envid: 1023368552
 Registry ID: 110066662506
 DFR URL: <http://echo.epa.gov/detailed-facility-report?fid=110066662506>
 Name: NEEDLES AIRPORT
 Address: 711 AIRPORT RD
 City,State,Zip: NEEDLES, CA 92363

DU923 **NEEDLES AIRPORT**
Target **711 AIRPORT RD**
Property **NEEDLES, CA 92363**

WDS **S102039789**
N/A

Site 11 of 13 in cluster DU

<p>Actual: 905 ft.</p> <p>Focus Map: 18</p>	<p>WDS: Name: NEEDLES AIRPORT Address: 711 AIRPORT RD City: NEEDLES Facility ID: 7 36I005141 Facility Type: Industrial - Facility that treats and/or disposes of liquid or semisolid wastes from any servicing, producing, manufacturing or processing operation of whatever nature, including mining, gravel washing, geothermal operations, air conditioning, ship building and repairing, oil production, storage and disposal operations, water pumping.</p> <p>Facility Status: Active - Any facility with a continuous or seasonal discharge that is under Waste Discharge Requirements.</p> <p>NPDES Number: CAS000001 The 1st 2 characters designate the state. The remaining 7 are assigned by the Regional Board</p> <p>Subregion: 7</p> <p>Facility Telephone: 7602542422</p> <p>Facility Contact: CONNIE VOJKUFKA</p> <p>Agency Name: SAN BERNARDINO DEPT AP CO</p> <p>Agency Address: 825 E 3rd St Rm 203</p> <p>Agency City,St,Zip: San Bernardino 924151000</p> <p>Agency Contact: ROBERT P OLISLAGERS</p> <p>Agency Telephone: 9093872877</p> <p>Agency Type: County</p> <p>SIC Code: 0</p> <p>SIC Code 2: Not reported</p> <p>Primary Waste Type: Not reported</p> <p>Primary Waste: Not reported</p> <p>Waste Type2: Not reported</p> <p>Waste2: Not reported</p> <p>Primary Waste Type: Not reported</p> <p>Secondary Waste: Not reported</p> <p>Secondary Waste Type: Not reported</p> <p>Design Flow: 0</p> <p>Baseline Flow: 0</p> <p>Reclamation: Not reported</p> <p>POTW: Not reported</p> <p>Treat To Water: Minor Threat to Water Quality. A violation of a regional board order should cause a relatively minor impairment of beneficial uses compared to a major or minor threat. Not: All nurds without a TTWQ will be</p>
---	---

Map ID
 Direction
 Distance
 Elevation

MAP FINDINGS

Site

Database(s)

EDR ID Number
 EPA ID Number

NEEDLES AIRPORT (Continued)

S102039789

Complexity: considered a minor threat to water quality unless coded at a higher Level. A Zero (0) may be used to code those NURDS that are found to represent no threat to water quality.
 Category C - Facilities having no waste treatment systems, such as cooling water dischargers or those who must comply through best management practices, facilities with passive waste treatment and disposal systems, such as septic systems with subsurface disposal, or dischargers having waste storage systems with land disposal such as dairy waste ponds.

DU924 **NEEDLES AIRPORT**
Target **711 AIRPORT RD**
Property **NEEDLES, CA 92363**

CERS HAZ WASTE
CERS TANKS
NPDES
San Bern. Co. Permit
CIWQS
CERS
HWTS

S104570151
N/A

Site 12 of 13 in cluster DU

Actual:
905 ft.

Focus Map:
18

CERS HAZ WASTE:
 Name: NEEDLES AIRPORT
 Address: 711 AIRPORT RD
 City,State,Zip: NEEDLES, CA 92363
 Site ID: 137621
 CERS ID: 10037920
 CERS Description: Hazardous Waste Generator

CERS TANKS:
 Name: NEEDLES AIRPORT
 Address: 711 AIRPORT RD
 City,State,Zip: NEEDLES, CA 92363
 Site ID: 137621
 CERS ID: 10037920
 CERS Description: Underground Storage Tank

NPDES:
 Name: NEEDLES AIRPORT
 Address: 711 AIRPORT RD
 City,State,Zip: NEEDLES, CA 92363
 Facility Status: Not reported
 NPDES Number: Not reported
 Region: Not reported
 Agency Number: Not reported
 Regulatory Measure ID: Not reported
 Place ID: Not reported
 Order Number: Not reported
 WDID: 7 36I005141
 Regulatory Measure Type: Industrial
 Program Type: Not reported
 Adoption Date Of Regulatory Measure: Not reported
 Effective Date Of Regulatory Measure: Not reported
 Termination Date Of Regulatory Measure: Not reported
 Expiration Date Of Regulatory Measure: Not reported
 Discharge Address: Not reported
 Discharge Name: Not reported
 Discharge City: Not reported
 Discharge State: Not reported
 Discharge Zip: Not reported

Map ID
Direction
Distance
Elevation

MAP FINDINGS

Site

Database(s)

EDR ID Number
EPA ID Number

NEEDLES AIRPORT (Continued)

S104570151

Status: Active
Status Date: 11/25/1992
Operator Name: San Bernardino Cnty Airports
Operator Address: 777 East Rialto Ave
Operator City: San Bernardino
Operator State: California
Operator Zip: 92415

NPDES as of 03/2018:
NPDES Number: CAS000001
Status: Active
Agency Number: 0
Region: 7
Regulatory Measure ID: 205551
Order Number: 97-03-DWQ
Regulatory Measure Type: Enrollee
Place ID: Not reported
WDID: 7 36I005141
Program Type: Industrial
Adoption Date Of Regulatory Measure: Not reported
Effective Date Of Regulatory Measure: 11/25/1992
Expiration Date Of Regulatory Measure: Not reported
Termination Date Of Regulatory Measure: Not reported
Discharge Name: San Bernardino Cnty Airports
Discharge Address: 777 East Rialto Ave
Discharge City: San Bernardino
Discharge State: California
Discharge Zip: 92415
Received Date: Not reported
Processed Date: Not reported
Status: Not reported
Status Date: Not reported
Place Size: Not reported
Place Size Unit: Not reported
Contact: Not reported
Contact Title: Not reported
Contact Phone: Not reported
Contact Phone Ext: Not reported
Contact Email: Not reported
Operator Name: Not reported
Operator Address: Not reported
Operator City: Not reported
Operator State: Not reported
Operator Zip: Not reported
Operator Contact: Not reported
Operator Contact Title: Not reported
Operator Contact Phone: Not reported
Operator Contact Phone Ext: Not reported
Operator Contact Email: Not reported
Operator Type: Not reported
Developer: Not reported
Developer Address: Not reported
Developer City: Not reported
Developer State: Not reported
Developer Zip: Not reported
Developer Contact: Not reported
Developer Contact Title: Not reported
Constype Linear Utility Ind: Not reported

Map ID
Direction
Distance
Elevation

MAP FINDINGS

Site

Database(s)

EDR ID Number
EPA ID Number

NEEDLES AIRPORT (Continued)

S104570151

Emergency Phone:	Not reported
Emergency Phone Ext:	Not reported
Constype Above Ground Ind:	Not reported
Constype Below Ground Ind:	Not reported
Constype Cable Line Ind:	Not reported
Constype Comm Line Ind:	Not reported
Constype Commercial Ind:	Not reported
Constype Electrical Line Ind:	Not reported
Constype Gas Line Ind:	Not reported
Constype Industrial Ind:	Not reported
Constype Other Description:	Not reported
Constype Other Ind:	Not reported
Constype Recons Ind:	Not reported
Constype Residential Ind:	Not reported
Constype Transport Ind:	Not reported
Constype Utility Description:	Not reported
Constype Utility Ind:	Not reported
Constype Water Sewer Ind:	Not reported
Dir Discharge Uswater Ind:	Not reported
Receiving Water Name:	Not reported
Certifier:	Not reported
Certifier Title:	Not reported
Certification Date:	Not reported
Primary Sic:	Not reported
Secondary Sic:	Not reported
Tertiary Sic:	Not reported
NPDES Number:	Not reported
Status:	Not reported
Agency Number:	Not reported
Region:	7
Regulatory Measure ID:	205551
Order Number:	Not reported
Regulatory Measure Type:	Industrial
Place ID:	Not reported
WDID:	7 361005141
Program Type:	Not reported
Adoption Date Of Regulatory Measure:	Not reported
Effective Date Of Regulatory Measure:	Not reported
Expiration Date Of Regulatory Measure:	Not reported
Termination Date Of Regulatory Measure:	Not reported
Discharge Name:	Not reported
Discharge Address:	Not reported
Discharge City:	Not reported
Discharge State:	Not reported
Discharge Zip:	Not reported
Received Date:	05/09/2008
Processed Date:	11/25/1992
Status:	Active
Status Date:	11/25/1992
Place Size:	790
Place Size Unit:	Acres
Contact:	Vince Corona
Contact Title:	Airport Maintenance Supervisor
Contact Phone:	760-247-2371
Contact Phone Ext:	Not reported
Contact Email:	vcorona@airports.sbcounty.gov

Map ID
Direction
Distance
Elevation

MAP FINDINGS

Site

Database(s)

EDR ID Number
EPA ID Number

NEEDLES AIRPORT (Continued)

S104570151

Operator Name: San Bernardino Cnty Airports
Operator Address: 777 East Rialto Ave
Operator City: San Bernardino
Operator State: California
Operator Zip: 92415
Operator Contact: James E Jenkins
Operator Contact Title: Director of Airports
Operator Contact Phone: 909-387-8810
Operator Contact Phone Ext: Not reported
Operator Contact Email: jjenkins@airports.sbcounty.gov
Operator Type: County Agency
Developer: Not reported
Developer Address: Not reported
Developer City: Not reported
Developer State: California
Developer Zip: Not reported
Developer Contact: Not reported
Developer Contact Title: Not reported
Constype Linear Utility Ind: Not reported
Emergency Phone: 760-780-2756
Emergency Phone Ext: Not reported
Constype Above Ground Ind: Not reported
Constype Below Ground Ind: Not reported
Constype Cable Line Ind: Not reported
Constype Comm Line Ind: Not reported
Constype Commercial Ind: Not reported
Constype Electrical Line Ind: Not reported
Constype Gas Line Ind: Not reported
Constype Industrial Ind: Not reported
Constype Other Description: Not reported
Constype Other Ind: Not reported
Constype Recons Ind: Not reported
Constype Residential Ind: Not reported
Constype Transport Ind: Not reported
Constype Utility Description: Not reported
Constype Utility Ind: Not reported
Constype Water Sewer Ind: Not reported
Dir Discharge Uswater Ind: N
Receiving Water Name: Colorado River
Certifier: James Jenkins
Certifier Title: Director of Airports
Certification Date: 02-JUL-15
Primary Sic: 4581-Airports, Flying Fields, and Airport Terminal Services
Secondary Sic: Not reported
Tertiary Sic: Not reported

Name: NEEDLES AIRPORT
Address: 711 AIRPORT RD
City,State,Zip: NEEDLES, CA 92363
Facility Status: Active
NPDES Number: CAS000001
Region: 7
Agency Number: 0
Regulatory Measure ID: 205551
Place ID: Not reported
Order Number: 97-03-DWQ

Map ID
Direction
Distance
Elevation

MAP FINDINGS

Site

Database(s)

EDR ID Number
EPA ID Number

NEEDLES AIRPORT (Continued)

S104570151

WDID: 7 36I005141
Regulatory Measure Type: Enrollee
Program Type: Industrial
Adoption Date Of Regulatory Measure: Not reported
Effective Date Of Regulatory Measure: 11/25/1992
Termination Date Of Regulatory Measure: Not reported
Expiration Date Of Regulatory Measure: Not reported
Discharge Address: 777 East Rialto Ave
Discharge Name: San Bernardino Cnty Airports
Discharge City: San Bernardino
Discharge State: California
Discharge Zip: 92415
Status: Not reported
Status Date: Not reported
Operator Name: Not reported
Operator Address: Not reported
Operator City: Not reported
Operator State: Not reported
Operator Zip: Not reported

NPDES as of 03/2018:

NPDES Number: CAS000001
Status: Active
Agency Number: 0
Region: 7
Regulatory Measure ID: 205551
Order Number: 97-03-DWQ
Regulatory Measure Type: Enrollee
Place ID: Not reported
WDID: 7 36I005141
Program Type: Industrial
Adoption Date Of Regulatory Measure: Not reported
Effective Date Of Regulatory Measure: 11/25/1992
Expiration Date Of Regulatory Measure: Not reported
Termination Date Of Regulatory Measure: Not reported
Discharge Name: San Bernardino Cnty Airports
Discharge Address: 777 East Rialto Ave
Discharge City: San Bernardino
Discharge State: California
Discharge Zip: 92415
Received Date: Not reported
Processed Date: Not reported
Status: Not reported
Status Date: Not reported
Place Size: Not reported
Place Size Unit: Not reported
Contact: Not reported
Contact Title: Not reported
Contact Phone: Not reported
Contact Phone Ext: Not reported
Contact Email: Not reported
Operator Name: Not reported
Operator Address: Not reported
Operator City: Not reported
Operator State: Not reported
Operator Zip: Not reported
Operator Contact: Not reported
Operator Contact Title: Not reported

Map ID
Direction
Distance
Elevation

MAP FINDINGS

Site

Database(s)

EDR ID Number
EPA ID Number

NEEDLES AIRPORT (Continued)

S104570151

Operator Contact Phone:	Not reported
Operator Contact Phone Ext:	Not reported
Operator Contact Email:	Not reported
Operator Type:	Not reported
Developer:	Not reported
Developer Address:	Not reported
Developer City:	Not reported
Developer State:	Not reported
Developer Zip:	Not reported
Developer Contact:	Not reported
Developer Contact Title:	Not reported
Constype Linear Utility Ind:	Not reported
Emergency Phone:	Not reported
Emergency Phone Ext:	Not reported
Constype Above Ground Ind:	Not reported
Constype Below Ground Ind:	Not reported
Constype Cable Line Ind:	Not reported
Constype Comm Line Ind:	Not reported
Constype Commercial Ind:	Not reported
Constype Electrical Line Ind:	Not reported
Constype Gas Line Ind:	Not reported
Constype Industrial Ind:	Not reported
Constype Other Description:	Not reported
Constype Other Ind:	Not reported
Constype Recons Ind:	Not reported
Constype Residential Ind:	Not reported
Constype Transport Ind:	Not reported
Constype Utility Description:	Not reported
Constype Utility Ind:	Not reported
Constype Water Sewer Ind:	Not reported
Dir Discharge Uswater Ind:	Not reported
Receiving Water Name:	Not reported
Certifier:	Not reported
Certifier Title:	Not reported
Certification Date:	Not reported
Primary Sic:	Not reported
Secondary Sic:	Not reported
Tertiary Sic:	Not reported
NPDES Number:	Not reported
Status:	Not reported
Agency Number:	Not reported
Region:	7
Regulatory Measure ID:	205551
Order Number:	Not reported
Regulatory Measure Type:	Industrial
Place ID:	Not reported
WDID:	7 361005141
Program Type:	Not reported
Adoption Date Of Regulatory Measure:	Not reported
Effective Date Of Regulatory Measure:	Not reported
Expiration Date Of Regulatory Measure:	Not reported
Termination Date Of Regulatory Measure:	Not reported
Discharge Name:	Not reported
Discharge Address:	Not reported
Discharge City:	Not reported
Discharge State:	Not reported

Map ID
Direction
Distance
Elevation

MAP FINDINGS

Site

Database(s)

EDR ID Number
EPA ID Number

NEEDLES AIRPORT (Continued)

S104570151

Discharge Zip:	Not reported
Received Date:	05/09/2008
Processed Date:	11/25/1992
Status:	Active
Status Date:	11/25/1992
Place Size:	790
Place Size Unit:	Acres
Contact:	Vince Corona
Contact Title:	Airport Maintenance Supervisor
Contact Phone:	760-247-2371
Contact Phone Ext:	Not reported
Contact Email:	vcorona@airports.sbcounty.gov
Operator Name:	San Bernardino Cnty Airports
Operator Address:	777 East Rialto Ave
Operator City:	San Bernardino
Operator State:	California
Operator Zip:	92415
Operator Contact:	James E Jenkins
Operator Contact Title:	Director of Airports
Operator Contact Phone:	909-387-8810
Operator Contact Phone Ext:	Not reported
Operator Contact Email:	jjenkins@airports.sbcounty.gov
Operator Type:	County Agency
Developer:	Not reported
Developer Address:	Not reported
Developer City:	Not reported
Developer State:	California
Developer Zip:	Not reported
Developer Contact:	Not reported
Developer Contact Title:	Not reported
Constype Linear Utility Ind:	Not reported
Emergency Phone:	760-780-2756
Emergency Phone Ext:	Not reported
Constype Above Ground Ind:	Not reported
Constype Below Ground Ind:	Not reported
Constype Cable Line Ind:	Not reported
Constype Comm Line Ind:	Not reported
Constype Commercial Ind:	Not reported
Constype Electrical Line Ind:	Not reported
Constype Gas Line Ind:	Not reported
Constype Industrial Ind:	Not reported
Constype Other Description:	Not reported
Constype Other Ind:	Not reported
Constype Recons Ind:	Not reported
Constype Residential Ind:	Not reported
Constype Transport Ind:	Not reported
Constype Utility Description:	Not reported
Constype Utility Ind:	Not reported
Constype Water Sewer Ind:	Not reported
Dir Discharge Uswater Ind:	N
Receiving Water Name:	Colorado River
Certifier:	James Jenkins
Certifier Title:	Director of Airports
Certification Date:	02-JUL-15
Primary Sic:	4581-Airports, Flying Fields, and Airport Terminal Services
Secondary Sic:	Not reported
Tertiary Sic:	Not reported

Map ID
Direction
Distance
Elevation

MAP FINDINGS

Site

Database(s)

EDR ID Number
EPA ID Number

NEEDLES AIRPORT (Continued)

S104570151

San Bern. Co. Permit:

Name: NEEDLES AIRPORT
Address: 711 AIRPORT RD
City,State,Zip: NEEDLES, CA 92363
Region: SAN BERNARDINO
Facility ID: FA0002334
Owner: SB COUNTY DEPT OF AIRPORTS
Permit Number: PT0003984
Permit Category: HAZARDOUS MATERIALS 1-3 CHEMICALS
Facility Status: ACTIVE
Expiration Date: 10/31/2022

Name: NEEDLES AIRPORT
Address: 711 AIRPORT RD
City,State,Zip: NEEDLES, CA 92363
Region: SAN BERNARDINO
Facility ID: FA0002334
Owner: SB COUNTY DEPT OF AIRPORTS
Permit Number: PT0029481
Permit Category: WASTE INCIDENTAL UST OPERATION ONLY -PER YEAR
Facility Status: ACTIVE
Expiration Date: 10/31/2022

Name: NEEDLES AIRPORT
Address: 711 AIRPORT RD
City,State,Zip: NEEDLES, CA 92363
Region: SAN BERNARDINO
Facility ID: FA0002334
Owner: SB COUNTY DEPT OF AIRPORTS
Permit Number: PT0010949
Permit Category: REGULAR UST ANNUAL INSPECTION (PER TANK)
Facility Status: ACTIVE
Expiration Date: 10/31/2022

Name: NEEDLES AIRPORT
Address: 711 AIRPORT RD
City,State,Zip: NEEDLES, CA 92363
Region: SAN BERNARDINO
Facility ID: FA0002334
Owner: SB COUNTY DEPT OF AIRPORTS
Permit Number: PT0010950
Permit Category: REGULAR UST ANNUAL INSPECTION (PER TANK)
Facility Status: ACTIVE
Expiration Date: 10/31/2022

Name: PARADICE AVIATION
Address: 711 AIRPORT RD
City,State,Zip: NEEDLES, CA 92363
Region: SAN BERNARDINO
Facility ID: FA0005221
Owner: PARADICE AVIATION
Permit Number: PT0004047
Permit Category: CONDITIONALLY EXEMPT SMALL QUANTITY GENERATOR
Facility Status: INACTIVE
Expiration Date: 11/30/2011

Map ID
Direction
Distance
Elevation

MAP FINDINGS

Site

Database(s)

EDR ID Number
EPA ID Number

NEEDLES AIRPORT (Continued)

S104570151

CIWQS:

Name: NEEDLES AIRPORT
Address: 711 AIRPORT RD
City,State,Zip: NEEDLES, CA 92363
Agency: San Bernardino Cnty Airports
Agency Address: 777 East Rialto Ave, San Bernardino, CA 92415
Place/Project Type: Industrial - Airports, Flying Fields, and Airport Terminal Services
SIC/NAICS: 4581
Region: 7
Program: INDSTW
Regulatory Measure Status: Active
Regulatory Measure Type: Storm water industrial
Order Number: 2014-0057-DWQ
WDID: 7 36I005141
NPDES Number: CAS000001
Adoption Date: Not reported
Effective Date: 11/25/1992
Termination Date: Not reported
Expiration/Review Date: Not reported
Design Flow: Not reported
Major/Minor: Not reported
Complexity: Not reported
TTWQ: Not reported
Enforcement Actions within 5 years: 0
Violations within 5 years: 0
Latitude: 34.77246
Longitude: -114.60545

CERS:

Name: NEEDLES AIRPORT
Address: 711 AIRPORT RD
City,State,Zip: NEEDLES, CA 92363
Site ID: 137621
CERS ID: 10037920
CERS Description: Chemical Storage Facilities

Violations:

Site ID: 137621
Site Name: NEEDLES AIRPORT
Violation Date: 11-17-2020
Citation: HSC 6.75 25299.30-25299.34 - California Health and Safety Code, Chapter 6.75, Section(s) 25299.30-25299.34
Violation Description: Failure to submit and maintain complete and current Certification of Financial Responsibility or other mechanism of financial assurance.
Violation Notes: Returned to compliance on 03/08/2021. DEFICIENCIES REGARDING CHIEF FINANCIAL OFFICER (CFO) AS PART OF THE EVIDENCE OF FINANCIAL RESPONSIBILITY NOT CURRENT IN THE CALIFORNIA ENVIRONMENTAL REPORTING SYSTEM (CERS) DATED 3/11/2020 WERE NOTED BY INSPECTOR NESBIT ON 3/12/2020 AND NOT CORRECTED TO DATE. IMMEDIATELY CORRECT DEFICIENCIES NOTED BY INSPECTOR NESBIT ON 3/12/2020 ON CERS AND SUBMIT DOCUMENTATION OF COMPLIANCE TO THIS DEPARTMENT WITHIN 30 DAYS.
Violation Division: San Bernardino County Fire Department
Violation Program: UST
Violation Source: CERS,
Site ID: 137621
Site Name: NEEDLES AIRPORT

Map ID
Direction
Distance
Elevation

MAP FINDINGS

Site

Database(s)

EDR ID Number
EPA ID Number

NEEDLES AIRPORT (Continued)

S104570151

Violation Date: 11-18-2014
Citation: 23 CCR 16 2715 - California Code of Regulations, Title 23, Chapter 16, Section(s) 2715
Violation Description: Failure to comply with one or more of the designated operator monthly inspection requirements: failed to inspect the monthly alarm history report; attach a copy of the alarm history; failed to inspect for the presence of liquid or debris in the spill container/spill bucket and under dispenser containment; failed to inspect the under dispenser containment to ensure that monitoring equipment is placed in the proper position; failure to inspect for liquid or debris in the containment sump where an alarm occurred or for which there is no record of a service visit; or failure to check that all testing and maintenance has been completed and documented.
Violation Notes: Returned to compliance on 04/07/2015.
Violation Division: San Bernardino County Fire Department
Violation Program: UST
Violation Source: CERS,

Site ID: 137621
Site Name: NEEDLES AIRPORT
Violation Date: 11-17-2020
Citation: HSC 6.95 25508(a)(3) - California Health and Safety Code, Chapter 6.95, Section(s) 25508(a)(3)
Violation Description: Failure to complete and electronically submit hazardous material inventory information for all reportable hazardous materials on site at or above reportable quantities.
Violation Notes: Returned to compliance on 11/20/2020. DEFICIENCIES REGARDING HAZARDOUS MATERIALS INVENTORY REPORTING IN THE CALIFORNIA ENVIRONMENTAL REPORTING SYSTEM (CERS) DATED 3/11/2020 WERE NOTED BY INSPECTOR NESBIT ON 3/12/2020 AND NOT CORRECTED TO DATE. IMMEDIATELY CORRECT DEFICIENCIES NOTED BY INSPECTOR NESBIT ON 3/12/2020 ON CERS AND SUBMIT DOCUMENTATION OF COMPLIANCE TO THIS DEPARTMENT WITHIN 30 DAYS.
Violation Division: San Bernardino County Fire Department
Violation Program: HMRRP
Violation Source: CERS,

Site ID: 137621
Site Name: NEEDLES AIRPORT
Violation Date: 11-19-2019
Citation: 23 CCR 16 2711(a)(8) - California Code of Regulations, Title 23, Chapter 16, Section(s) 2711(a)(8)
Violation Description: Failure to submit or maintain a current facility plot plan.
Violation Notes: Returned to compliance on 03/12/2020. OBSERVATION: The UST plot plan has not been submitted via CERS since 12/22/2017, the UST CERS information is to be submitted annually by March 1st of every year. CORRECTIVE ACTION: Certify, verify, and submit all UST documents via CERS within 30 days.
Violation Division: San Bernardino County Fire Department
Violation Program: UST
Violation Source: CERS,

Site ID: 137621
Site Name: NEEDLES AIRPORT
Violation Date: 11-18-2014
Citation: 23 CCR 16 2638 - California Code of Regulations, Title 23, Chapter 16, Section(s) 2638
Violation Description: Failure to test leak detection equipment as required every 12 months

Map ID
Direction
Distance
Elevation

MAP FINDINGS

Site

Database(s)

EDR ID Number
EPA ID Number

NEEDLES AIRPORT (Continued)

S104570151

Violation Notes: (VPH, sensor, LLD, ATG, etc.) and/or submit monitoring system certification to the CUPA within 30 days of completion of the test
Returned to compliance on 03/13/2015. OBSERVATION: FACILITY HAS NOT SUBMITTED THE REQUIRED UST DOCUMENTATION TO THE CALIFORNIA ENVIRONMENTAL REPORTING SYSTEM (CERS) COMPLIANCE REQUIREMENT: SUBMIT UST DOCUMENTATION TO CERS WITHIN 30 DAYS. SIGN DATE AND SUBMIT THE CERTIFICATE OF COMPLIANCE TO THIS DEPARTMENT INDICATING THE DATE OF CERS SUBMITTAL. INSPECTION ISSUED DUE TO INCOMPLETE MONITORING CERTIFICATION. LINE LEAK DETECTORS WERE NOT TESTED DUE TO LOW FUEL LEVEL. CONTRACTOR TESTED LINE LEAK DETECTORS ON 3/13/2015 AND SUBMITTED CERTIFICATION VIA EMAIL ON 4/3/15. JMAY

Violation Division: San Bernardino County Fire Department
Violation Program: UST
Violation Source: CERS,

Site ID: 137621
Site Name: NEEDLES AIRPORT
Violation Date: 11-19-2019
Citation: 23 CCR 16 2641(h) - California Code of Regulations, Title 23, Chapter 16, Section(s) 2641(h)

Violation Description: Failure to have an approved UST Monitoring Plan.
Violation Notes: Returned to compliance on 03/12/2020. OBSERVATION: The UST monitoring plan information has not been submitted via CERS since 12/22/2017, the UST CERS information is to be submitted annually by March 1st of every year. CORRECTIVE ACTION: Certify, verify, and submit all UST documents via CERS within 30 days.

Violation Division: San Bernardino County Fire Department
Violation Program: UST
Violation Source: CERS,

Site ID: 137621
Site Name: NEEDLES AIRPORT
Violation Date: 11-14-2016
Citation: HSC 6.75 25299.30-25299.34 - California Health and Safety Code, Chapter 6.75, Section(s) 25299.30-25299.34

Violation Description: Failure to submit and maintain complete and current Certification of Financial Responsibility or other mechanism of financial assurance.
Violation Notes: Returned to compliance on 11/29/2016. OBSERVATIONS: CERTIFICATE UPLOADED IS NOT CURRENT AND THE CHIEF FINANCIAL OFFICER LETTER IS NOT CURRENT. BOTH DOCUMENTS WERE LAST SIGNED AND DATED ON 4/7/2015. COMPLIANCE REQUIREMENT: UPLOAD CURRENT CERTIFICATE AND CHIEF FINANCIAL OFFICER LETTER IN CERS.

Violation Division: San Bernardino County Fire Department
Violation Program: UST
Violation Source: CERS,

Site ID: 137621
Site Name: NEEDLES AIRPORT
Violation Date: 11-13-2017
Citation: HSC 6.7 25284, 25286 - California Health and Safety Code, Chapter 6.7, Section(s) 25284, 25286

Violation Description: Failure to submit a complete and accurate application for a permit to operate a UST, or for renewal of the permit.
Violation Notes: Returned to compliance on 12/22/2017. OBSERVATION: SUBMITTED UNDERGROUND STORAGE TANK (UST) INFORMATION IN CALIFORNIA ENVIRONMENTAL REPORTING SYSTEM (CERS) WAS NOT ACCURATE, COMPLETE, OR CURRENT. CORRECT THE FOLLOWING: 1) INDICATE THAT AUDIBLE / VISUAL ALARMS ARE

Map ID
Direction
Distance
Elevation

MAP FINDINGS

Site

Database(s)

EDR ID Number
EPA ID Number

NEEDLES AIRPORT (Continued)

S104570151

ALSO USED AS A FORM OF OVERFILL PROTECTION IN ADDITION TO FILL TUBE SHUT-OFF VALVE TO EACH TANK. 2) INDICATE TYPE OF CORROSION PROTECTION ARE PROVIDED TO TANK SYSTEM. (NOTE: ISOLATION IS THE TYPE OF CORROSION PROTECTION IDENTIFIED DURING INSPECTION). 3) IDENTIFY AND INDICATE THE TYPE OF CONSTRUCTION RISER PIPE SECONDARY CONTAINMENT HAS FOR EACH TANK. COMPLIANCE REQUIREMENT: RESUBMIT UPDATED UST INFORMATION IN CERS.

Violation Division: San Bernardino County Fire Department
Violation Program: UST
Violation Source: CERS,

Site ID: 137621
Site Name: NEEDLES AIRPORT
Violation Date: 11-18-2014
Citation: 23 CCR 16 2715 - California Code of Regulations, Title 23, Chapter 16, Section(s) 2715

Violation Description: Failure to comply with one or more of the designated operator monthly inspection requirements: failed to inspect the monthly alarm history report; attach a copy of the alarm history; failed to inspect for the presence of liquid or debris in the spill container/spill bucket and under dispenser containment; failed to inspect the under dispenser containment to ensure that monitoring equipment is placed in the proper position; failure to inspect for liquid or debris in the containment sump where an alarm occurred or for which there is no record of a service visit; or failure to check that all testing and maintenance has been completed and documented.

Violation Notes: Returned to compliance on 04/07/2015. OBSERVATION: MONTHLY DO DOCUMENTED INSPECTION WERE NOT AVAILABLE. COMPLIANCE REQUIREMENT: HAVE THE DOCUMENTED DO INSPECTIONS AVAILABLE DURING THE RE-TEST OF THE LINE LEAK DETECTORS.

Violation Division: San Bernardino County Fire Department
Violation Program: UST
Violation Source: CERS,

Site ID: 137621
Site Name: NEEDLES AIRPORT
Violation Date: 11-18-2014
Citation: HSC 6.95 25508(d) - California Health and Safety Code, Chapter 6.95, Section(s) 25508(d)

Violation Description: Failure to complete and/or electronically submit a business plan when storing/handling a hazardous material at or above reportable quantities.

Violation Notes: Returned to compliance on 04/07/2015. OBSERVATION: FACILITY HAS NOT SUBMITTED THE REQUIRED BUSINESS PLAN DOCUMENTATION TO THE CALIFORNIA ENVIRONMENTAL REPORTING SYSTEM (CERS) COMPLIANCE REQUIREMENT: SUBMIT THE REQUIRED BUSINESS PLAN DOCUMENTATION TO CERS WITHIN 30 DAYS. SIGN DATE AND SUBMIT THE CERTIFICATE OF COMPLIANCE TO THIS DEPARTMENT INDICATING THE DATE OF CERS SUBMITTAL.

Violation Division: San Bernardino County Fire Department
Violation Program: HMRRP
Violation Source: CERS,

Site ID: 137621
Site Name: NEEDLES AIRPORT
Violation Date: 11-14-2016
Citation: HSC 6.7 Multiple - California Health and Safety Code, Chapter 6.7, Section(s) Multiple

Map ID
Direction
Distance
Elevation

MAP FINDINGS

Site

Database(s)

EDR ID Number
EPA ID Number

NEEDLES AIRPORT (Continued)

S104570151

Violation Description: UST Program - Administration/Documentation - General - Must include violation description, proper statute and regulation citation in the "comment" section.

Violation Notes: Returned to compliance on 01/03/2017. Failure to have a written monitoring program with monitoring procedures and response plan (CHSC 25286(a)) OBSERVATIONS: THE UST MONITORING SITE PLAN IS MISSING THE GENERAL PIPING LAYOUT OF THE SYSTEM. THE INCORRECT MECHANICAL LINE LEAK DETECTOR (MLLD) INFORMATION IS LISTED UNDER EACH TANK. COMPLIANCE REQUIREMENTS: INCLUDE THE UST SYSTEM PIPING LAYOUT ON THE SITE PLAN UNDER THE UNDERGROUND STORAGE TANK SYSTEM. THE JET FUEL HAS A RED JACKET FXIV MLLD AND THE AV GAS HAS A VMI LD2000 MLLD. UPDATE THE TANK INFORMATION IN CERS.

Violation Division: San Bernardino County Fire Department
Violation Program: UST
Violation Source: CERS,

Site ID: 137621
Site Name: NEEDLES AIRPORT
Violation Date: 11-18-2014
Citation: Un-Specified
Violation Description: UST Program - Administration/Documentation - For use of Local Ordinance only
Violation Notes: Returned to compliance on 04/07/2015. Failure to submit a signed Designated UST Operator Statement (23 CCR 2715(a)) OBSERVATION: FACILITY HAS NOT SUBMITTED THE REQUIRED UST DOCUMENTATION TO THE CALIFORNIA ENVIRONMENTAL REPORTING SYSTEM (CERS). COMPLIANCE REQUIREMENT: SUBMIT UST DOCUMENTATION TO CERS WITHIN 30 DAYS. SIGN DATE AND SUBMIT THE CERTIFICATE OF COMPLIANCE TO THIS DEPARTMENT (2)INDICATING THE DATE OF CERS SUBMITTAL.

Violation Division: San Bernardino County Fire Department
Violation Program: UST
Violation Source: CERS,

Site ID: 137621
Site Name: NEEDLES AIRPORT
Violation Date: 11-18-2014
Citation: 23 CCR 16 2638 - California Code of Regulations, Title 23, Chapter 16, Section(s) 2638
Violation Description: Failure to test leak detection equipment as required every 12 months (VPH, sensor, LLD, ATG, etc.) and/or submit monitoring system certification to the CUPA within 30 days of completion of the test
Violation Notes: Returned to compliance on 04/07/2015. OBSERVATION: TECHNICIAN WAS UNABLE TO TEST THE TWO LINE LEAK DETECTORS. THE FUEL IN THE TANKS WERE LOW, WHICH PREVENTED THE TEST FROM BEING OPERATED. COMPLIANCE REQUIREMENT: WITHIN 30 DAYS, TEST THE TWO LINE LEAK DETECTORS. TEST OF THE TWO LINE LEAK DETECTORS MUST BE WITNESSED BY THIS DEPARTMENT

Violation Division: San Bernardino County Fire Department
Violation Program: UST
Violation Source: CERS,

Site ID: 137621
Site Name: NEEDLES AIRPORT
Violation Date: 11-19-2019
Citation: 23 CCR 16 2715(a)(1)(B) - California Code of Regulations, Title 23, Chapter 16, Section(s) 2715(a)(1)(B)
Violation Description: Failure to submit the Designated Underground Storage Tank Operator Identification Form within 30 days of installing a UST system or

Map ID
Direction
Distance
Elevation

MAP FINDINGS

Site

Database(s)

EDR ID Number
EPA ID Number

NEEDLES AIRPORT (Continued)

S104570151

Violation Notes: within 30 days of a change in DO.
Returned to compliance on 03/12/2020. OBSERVATION: The UST Designated Operator (DO) Identification form has expired information on it.
CORRECTIVE ACTION: Submit an Updated DO identification form via CERS within 30 days.

Violation Division: San Bernardino County Fire Department
Violation Program: UST
Violation Source: CERS,

Site ID: 137621
Site Name: NEEDLES AIRPORT
Violation Date: 11-13-2017
Citation: HSC 6.7 Multiple - California Health and Safety Code, Chapter 6.7, Section(s) Multiple

Violation Description: UST Program -General - Must include violation description, proper statute and regulation citation in the "comment" section.

Violation Notes: Returned to compliance on 11/27/2017. Failure to submit a signed Designated UST Operator Statement (23 CCR 2715(a)) 12/06/17:
CORRECTION HAVE BEEN TO 11/27/17 CERS SUBMITTAL, CLOSE OUT VIOLATIONS TO G BEACH-PREYES OBSERVATION: DESIGNATED UST OPERATOR STATEMENT IN CERS IS NO LONGER CURRENT. CERTIFICATIONS OF DESIGNATED OPERATOR HAS EXPIRED. COMPLIANCE REQUIREMENT: RESUBMIT CURRENT/UPDATED UST OPERATOR STATEMENT IN CERS.

Violation Division: San Bernardino County Fire Department
Violation Program: UST
Violation Source: CERS,

Site ID: 137621
Site Name: NEEDLES AIRPORT
Violation Date: 11-19-2019
Citation: HSC 6.75 25299.30-25299.34 - California Health and Safety Code, Chapter 6.75, Section(s) 25299.30-25299.34

Violation Description: Failure to submit and maintain complete and current Certification of Financial Responsibility or other mechanism of financial assurance.

Violation Notes: Returned to compliance on 03/08/2021. OBSERVATION: The UST Certificate of Financial Responsibility and financial information has not been submitted via CERS since 12/22/2017, the UST CERS information is to be submitted annually by March 1st of every year. CORRECTIVE ACTION: Certify, verify, and submit all UST documents via CERS within 30 days.

Violation Division: San Bernardino County Fire Department
Violation Program: UST
Violation Source: CERS,

Site ID: 137621
Site Name: NEEDLES AIRPORT
Violation Date: 11-19-2019
Citation: 23 CCR 16 2715(a)(2) - California Code of Regulations, Title 23, Chapter 16, Section(s) 2715(a)(2)

Violation Description: Failure to submit the Underground Storage Tank Statement of Understanding and Compliance Form.

Violation Notes: Returned to compliance on 03/12/2020. OBSERVATION: Owner/operator failed to submit the Underground Storage Tank Statement of Understanding and Compliance Form via CERS. CORRECTIVE ACTION: Submit the Underground Storage Tank Statement of Understanding and Compliance Form via CERS and re-submit all UST documents within 30 days.

Violation Division: San Bernardino County Fire Department
Violation Program: UST

Map ID
Direction
Distance
Elevation

MAP FINDINGS

Site

Database(s)

EDR ID Number
EPA ID Number

NEEDLES AIRPORT (Continued)

S104570151

Violation Source: CERS,

Site ID: 137621
Site Name: NEEDLES AIRPORT
Violation Date: 11-19-2019
Citation: HSC 6.7 25284, 25286 - California Health and Safety Code, Chapter 6.7, Section(s) 25284, 25286
Violation Description: Failure to submit a complete and accurate application for a permit to operate a UST, or for renewal of the permit.
Violation Notes: Returned to compliance on 03/12/2020. OBSERVATION: The UST tank page information has not been submitted via CERS since 12/22/2017, the UST CERS information is to be submitted annually by March 1st of every year. CORRECTIVE ACTION: Certify, verify, and submit all UST documents via CERS within 30 days.

Violation Division: San Bernardino County Fire Department
Violation Program: UST
Violation Source: CERS,

Site ID: 137621
Site Name: NEEDLES AIRPORT
Violation Date: 11-18-2014
Citation: 23 CCR 16 2638 - California Code of Regulations, Title 23, Chapter 16, Section(s) 2638
Violation Description: Failure to test leak detection equipment as required every 12 months (VPH, sensor, LLD, ATG, etc.) and/or submit monitoring system certification to the CUPA within 30 days of completion of the test
Violation Notes: Returned to compliance on 03/13/2015. INSPECTION ISSUED DUE TO INCOMPLETE MONITORING CERTIFICATION. LINE LEAK DETECTORS WERE NOT TESTED DUE TO LOW FUEL LEVEL. CONTRACTOR TESTED LINE LEAK DETECTORS ON 3/13/2015 AND SUBMITTED CERTIFICATION VIA EMAIL ON 4/3/15. JMAY

Violation Division: San Bernardino County Fire Department
Violation Program: UST
Violation Source: CERS,

Site ID: 137621
Site Name: NEEDLES AIRPORT
Violation Date: 11-18-2014
Citation: Un-Specified
Violation Description: UST Program - Administration/Documentation - For use of Local Ordinance only
Violation Notes: Returned to compliance on 05/27/2015. Failure to have a written monitoring program with monitoring procedures and response plan. (CCR 2632(d)) OBSERVATION: FACILITY HAS NOT SUBMITTED THE REQUIRED UST DOCUMENTATION TO THE CALIFORNIA ENVIRONMENTAL REPORTING SYSTEM (CERS) COMPLIANCE REQUIREMENT: SUBMIT UST DOCUMENTATION TO CERS WITHIN 30 DAYS. SIGN DATE AND SUBMIT THE CERTIFICATE OF COMPLIANCE TO THIS DEPARTMENT INDICATING THE DATE OF CERS SUBMITTAL.

Violation Division: San Bernardino County Fire Department
Violation Program: UST
Violation Source: CERS,

Evaluation:
Eval General Type: Compliance Evaluation Inspection
Eval Date: 11-16-2015
Violations Found: No
Eval Type: Routine done by local agency
Eval Notes: NEEDLES AIRPORT- UST INSPECTION & HAZARDOUS MATERIALS INSPECTION

Map ID
Direction
Distance
Elevation

MAP FINDINGS

Site

Database(s)

EDR ID Number
EPA ID Number

NEEDLES AIRPORT (Continued)

S104570151

Eval Division: San Bernardino County Fire Department
Eval Program: HMRRP
Eval Source: CERS,

Eval General Type: Compliance Evaluation Inspection
Eval Date: 11-16-2015
Violations Found: No
Eval Type: Routine done by local agency
Eval Notes: NEEDLES AIRPORT- UST MONITORING CERTIFICATION
Eval Division: San Bernardino County Fire Department
Eval Program: UST
Eval Source: CERS,

Eval General Type: Compliance Evaluation Inspection
Eval Date: 11-16-2015
Violations Found: No
Eval Type: Routine done by local agency
Eval Notes: NEEDLES AIRPORT- UST WASTE INSPECTION
Eval Division: San Bernardino County Fire Department
Eval Program: HW
Eval Source: CERS,

Eval General Type: Compliance Evaluation Inspection
Eval Date: 11-21-2013
Violations Found: No
Eval Type: Routine done by local agency
Eval Notes: UST INSPECTION MONT CERT
Eval Division: San Bernardino County Fire Department
Eval Program: UST
Eval Source: CERS,

Eval General Type: Compliance Evaluation Inspection
Eval Date: 11-03-2021
Violations Found: No
Eval Type: Routine done by local agency
Eval Notes: Not reported
Eval Division: San Bernardino County Fire Department
Eval Program: HW
Eval Source: CERS,

Eval General Type: Compliance Evaluation Inspection
Eval Date: 11-03-2021
Violations Found: No
Eval Type: Routine done by local agency
Eval Notes: Not reported
Eval Division: San Bernardino County Fire Department
Eval Program: UST
Eval Source: CERS,

Eval General Type: Compliance Evaluation Inspection
Eval Date: 11-13-2018
Violations Found: No
Eval Type: Routine done by local agency
Eval Notes: NEEDLES AIR PORT- UST/ MATERIAL INSTPECTION
Eval Division: San Bernardino County Fire Department
Eval Program: HMRRP
Eval Source: CERS,

Map ID
Direction
Distance
Elevation

MAP FINDINGS

Site

Database(s)

EDR ID Number
EPA ID Number

NEEDLES AIRPORT (Continued)

S104570151

Eval General Type: Other/Unknown
Eval Date: 11-13-2018
Violations Found: No
Eval Type: Other, not routine, done by local agency
Eval Notes: NEEDLES AIRPORT- UST OVERFILL INSPECTION.
Eval Division: San Bernardino County Fire Department
Eval Program: UST
Eval Source: CERS,

Eval General Type: Compliance Evaluation Inspection
Eval Date: 11-17-2020
Violations Found: Yes
Eval Type: Routine done by local agency
Eval Notes: UST ANNUAL INSPECTION WITH MONITORING SYSTEM CERTIFICATION.
Eval Division: San Bernardino County Fire Department
Eval Program: UST
Eval Source: CERS,

Eval General Type: Compliance Evaluation Inspection
Eval Date: 11-19-2019
Violations Found: Yes
Eval Type: Routine done by local agency
Eval Notes: Not reported
Eval Division: San Bernardino County Fire Department
Eval Program: UST
Eval Source: CERS,

Eval General Type: Compliance Evaluation Inspection
Eval Date: 11-13-2018
Violations Found: No
Eval Type: Routine done by local agency
Eval Notes: NEEDLES AIRPORT- UST MONITORING CERTIFICATION.
Eval Division: San Bernardino County Fire Department
Eval Program: UST
Eval Source: CERS,

Eval General Type: Other/Unknown
Eval Date: 11-17-2020
Violations Found: No
Eval Type: Other, not routine, done by local agency
Eval Notes: OVERFILL PREVENTION INSPECTION.
Eval Division: San Bernardino County Fire Department
Eval Program: UST
Eval Source: CERS,

Eval General Type: Compliance Evaluation Inspection
Eval Date: 11-21-2013
Violations Found: No
Eval Type: Routine done by local agency
Eval Notes: BP INSPECTION DURING MONT CERT
Eval Division: San Bernardino County Fire Department
Eval Program: HMRRP
Eval Source: CERS,

Eval General Type: Compliance Evaluation Inspection
Eval Date: 11-13-2018
Violations Found: No

Map ID
Direction
Distance
Elevation

MAP FINDINGS

Site

Database(s)

EDR ID Number
EPA ID Number

NEEDLES AIRPORT (Continued)

S104570151

Eval Type:	Routine done by local agency
Eval Notes:	NEEDLES AIRPORT- UST WASTE INSPECTION
Eval Division:	San Bernardino County Fire Department
Eval Program:	HW
Eval Source:	CERS,
Eval General Type:	Compliance Evaluation Inspection
Eval Date:	11-17-2020
Violations Found:	No
Eval Type:	Routine done by local agency
Eval Notes:	HAZARDOUS WASTE INSPECTION.
Eval Division:	San Bernardino County Fire Department
Eval Program:	HW
Eval Source:	CERS,
Eval General Type:	Compliance Evaluation Inspection
Eval Date:	11-17-2020
Violations Found:	Yes
Eval Type:	Routine done by local agency
Eval Notes:	HAZARDOUS MATERIALS INSPECTION.
Eval Division:	San Bernardino County Fire Department
Eval Program:	HMRRP
Eval Source:	CERS,
Eval General Type:	Compliance Evaluation Inspection
Eval Date:	11-18-2014
Violations Found:	Yes
Eval Type:	Routine done by local agency
Eval Notes:	NEEDLES AIRPORT- UST MONITORING CERTIFICATION.
Eval Division:	San Bernardino County Fire Department
Eval Program:	UST
Eval Source:	CERS,
Eval General Type:	Compliance Evaluation Inspection
Eval Date:	11-18-2014
Violations Found:	Yes
Eval Type:	Routine done by local agency
Eval Notes:	UST- NEEDLES AIRPORT- UST MONITORING CERTIFICATION
Eval Division:	San Bernardino County Fire Department
Eval Program:	HMRRP
Eval Source:	CERS,
Eval General Type:	Compliance Evaluation Inspection
Eval Date:	11-03-2021
Violations Found:	No
Eval Type:	Routine done by local agency
Eval Notes:	Not reported
Eval Division:	San Bernardino County Fire Department
Eval Program:	HMRRP
Eval Source:	CERS,
Eval General Type:	Compliance Evaluation Inspection
Eval Date:	11-13-2017
Violations Found:	Yes
Eval Type:	Routine done by local agency
Eval Notes:	ANNUAL UST INSPECTION WITH MONITORING CERTIFICATION
Eval Division:	San Bernardino County Fire Department

Map ID
Direction
Distance
Elevation

MAP FINDINGS

Site

Database(s)

EDR ID Number
EPA ID Number

NEEDLES AIRPORT (Continued)

S104570151

Eval Program: UST
Eval Source: CERS,

Eval General Type: Compliance Evaluation Inspection
Eval Date: 11-14-2016
Violations Found: Yes
Eval Type: Routine done by local agency
Eval Notes: Not reported
Eval Division: San Bernardino County Fire Department
Eval Program: UST
Eval Source: CERS,

Enforcement Action:
Site ID: 137621
Site Name: NEEDLES AIRPORT
Site Address: 711 AIRPORT RD
Site City: NEEDLES
Site Zip: 92363
Enf Action Date: 11-14-2016
Enf Action Type: Notice of Violation (Unified Program)
Enf Action Description: Notice of Violation Issued by the Inspector at the Time of Inspection
Enf Action Notes: Not reported
Enf Action Division: San Bernardino County Fire Department
Enf Action Program: UST
Enf Action Source: CERS,

Site ID: 137621
Site Name: NEEDLES AIRPORT
Site Address: 711 AIRPORT RD
Site City: NEEDLES
Site Zip: 92363
Enf Action Date: 11-18-2014
Enf Action Type: Notice of Violation (Unified Program)
Enf Action Description: Notice of Violation Issued by the Inspector at the Time of Inspection
Enf Action Notes: Not reported
Enf Action Division: San Bernardino County Fire Department
Enf Action Program: HMRRP
Enf Action Source: CERS,

Site ID: 137621
Site Name: NEEDLES AIRPORT
Site Address: 711 AIRPORT RD
Site City: NEEDLES
Site Zip: 92363
Enf Action Date: 11-18-2014
Enf Action Type: Notice of Violation (Unified Program)
Enf Action Description: Notice of Violation Issued by the Inspector at the Time of Inspection
Enf Action Notes: Not reported
Enf Action Division: San Bernardino County Fire Department
Enf Action Program: UST
Enf Action Source: CERS,

Coordinates:
Site ID: 137621
Facility Name: NEEDLES AIRPORT
Env Int Type Code: SMSWIND

Map ID
Direction
Distance
Elevation

MAP FINDINGS

Site

Database(s)

EDR ID Number
EPA ID Number

NEEDLES AIRPORT (Continued)

S104570151

Program ID: 244075
Coord Name: Not reported
Ref Point Type Desc: Unknown,
Latitude: 34.772460
Longitude: -114.605450

Affiliation:

Affiliation Type Desc: Facility Mailing Address
Entity Name: Mailing Address
Entity Title: Not reported
Affiliation Address: 711 AIRPORT RD
Affiliation City: NEEDLES
Affiliation State: CA
Affiliation Country: Not reported
Affiliation Zip: 92363
Affiliation Phone: ,

Affiliation Type Desc: Operator
Entity Name: Alfonso Romo
Entity Title: Not reported
Affiliation Address: Not reported
Affiliation City: Not reported
Affiliation State: Not reported
Affiliation Country: Not reported
Affiliation Zip: Not reported
Affiliation Phone: (760) 265-0686,

Affiliation Type Desc: Parent Corporation
Entity Name: NEEDLES AIRPORT
Entity Title: Not reported
Affiliation Address: Not reported
Affiliation City: Not reported
Affiliation State: Not reported
Affiliation Country: Not reported
Affiliation Zip: Not reported
Affiliation Phone: ,

Affiliation Type Desc: UST Permit Applicant
Entity Name: James E. Jenkins
Entity Title: Director of Airports
Affiliation Address: Not reported
Affiliation City: Not reported
Affiliation State: Not reported
Affiliation Country: Not reported
Affiliation Zip: Not reported
Affiliation Phone: (909) 387-8810,

Affiliation Type Desc: UST Tank Operator
Entity Name: County of San Bernardino - Airports
Entity Title: Not reported
Affiliation Address: 777 East Rialto Avenue
Affiliation City: San Bernardino
Affiliation State: CA
Affiliation Country: United States
Affiliation Zip: 92415
Affiliation Phone: (909) 387-8810,

Map ID
Direction
Distance
Elevation

MAP FINDINGS

Site

Database(s)

EDR ID Number
EPA ID Number

NEEDLES AIRPORT (Continued)

S104570151

Affiliation Type Desc: Document Preparer
Entity Name: ADRIANNA ORTIZ
Entity Title: Not reported
Affiliation Address: Not reported
Affiliation City: Not reported
Affiliation State: Not reported
Affiliation Country: Not reported
Affiliation Zip: Not reported
Affiliation Phone: ,

Affiliation Type Desc: UST Property Owner Name
Entity Name: County of San Bernardino - Airports
Entity Title: Not reported
Affiliation Address: 777 East Rialto Avenue
Affiliation City: San Bernardino
Affiliation State: CA
Affiliation Country: United States
Affiliation Zip: 92415
Affiliation Phone: (909) 387-8810,

Affiliation Type Desc: Environmental Contact
Entity Name: ADRIANNA ORTIZ
Entity Title: Not reported
Affiliation Address: 777 E RIALTO AVE
Affiliation City: SAN BERNARDINO
Affiliation State: CA
Affiliation Country: Not reported
Affiliation Zip: 92415
Affiliation Phone: ,

Affiliation Type Desc: Identification Signer
Entity Name: ADRIANNA ORTIZ
Entity Title: Airport Planner
Affiliation Address: Not reported
Affiliation City: Not reported
Affiliation State: Not reported
Affiliation Country: Not reported
Affiliation Zip: Not reported
Affiliation Phone: ,

Affiliation Type Desc: Legal Owner
Entity Name: SB COUNTY DEPT OF AIRPORTS
Entity Title: Not reported
Affiliation Address: 777 East RIALTO AVENUE
Affiliation City: SAN BERNARDINO
Affiliation State: CA
Affiliation Country: United States
Affiliation Zip: 92415-0831
Affiliation Phone: (909) 387-8810,

Affiliation Type Desc: UST Tank Owner
Entity Name: County of San Bernardino - Airports
Entity Title: Not reported
Affiliation Address: 777 East Rialto Avenue
Affiliation City: San Bernardino
Affiliation State: CA
Affiliation Country: United States

Map ID
Direction
Distance
Elevation

MAP FINDINGS

Site

Database(s)

EDR ID Number
EPA ID Number

NEEDLES AIRPORT (Continued)

S104570151

Affiliation Zip: 92415
Affiliation Phone: (909) 387-8810,

Affiliation Type Desc: CUPA District
Entity Name: San Bernardino County Fire
Entity Title: Not reported
Affiliation Address: 620 South E Street
Affiliation City: San Bernardino
Affiliation State: CA
Affiliation Country: Not reported
Affiliation Zip: 92415-0153
Affiliation Phone: (909) 386-8401,

Affiliation Type Desc: Owner/Operator
Entity Name: San Bernardino Cnty Airports
Entity Title: Operator
Affiliation Address: 777 East Rialto Ave
Affiliation City: San Bernardino
Affiliation State: CA
Affiliation Country: Not reported
Affiliation Zip: 92415
Affiliation Phone: ,

Affiliation Type Desc: Property Owner
Entity Name: COUNTY OF SAN BERNARDINO
Entity Title: Not reported
Affiliation Address: 777 E RIALTO AVE
Affiliation City: SAN BERNARDINO
Affiliation State: CA
Affiliation Country: United States
Affiliation Zip: 92415
Affiliation Phone: (909) 387-8810,

Name: NEEDLES AIRPORT
Address: 711 AIRPORT RD
City,State,Zip: NEEDLES, CA 92363
Site ID: 137621
CERS ID: 244075
CERS Description: Industrial Facility Storm Water

Violations:

Site ID: 137621
Site Name: NEEDLES AIRPORT
Violation Date: 11-17-2020
Citation: HSC 6.75 25299.30-25299.34 - California Health and Safety Code, Chapter 6.75, Section(s) 25299.30-25299.34
Violation Description: Failure to submit and maintain complete and current Certification of Financial Responsibility or other mechanism of financial assurance.
Violation Notes: Returned to compliance on 03/08/2021. DEFICIENCIES REGARDING CHIEF FINANCIAL OFFICER (CFO) AS PART OF THE EVIDENCE OF FINANCIAL RESPONSIBILITY NOT CURRENT IN THE CALIFORNIA ENVIRONMENTAL REPORTING SYSTEM (CERS) DATED 3/11/2020 WERE NOTED BY INSPECTOR NESBIT ON 3/12/2020 AND NOT CORRECTED TO DATE. IMMEDIATELY CORRECT DEFICIENCIES NOTED BY INSPECTOR NESBIT ON 3/12/2020 ON CERS AND SUBMIT DOCUMENTATION OF COMPLIANCE TO THIS DEPARTMENT WITHIN 30 DAYS.
Violation Division: San Bernardino County Fire Department
Violation Program: UST

Map ID
Direction
Distance
Elevation

MAP FINDINGS

Site

Database(s)

EDR ID Number
EPA ID Number

NEEDLES AIRPORT (Continued)

S104570151

Violation Source: CERS,

Site ID: 137621
Site Name: NEEDLES AIRPORT
Violation Date: 11-18-2014
Citation: 23 CCR 16 2715 - California Code of Regulations, Title 23, Chapter 16, Section(s) 2715
Violation Description: Failure to comply with one or more of the designated operator monthly inspection requirements: failed to inspect the monthly alarm history report; attach a copy of the alarm history; failed to inspect for the presence of liquid or debris in the spill container/spill bucket and under dispenser containment; failed to inspect the under dispenser containment to ensure that monitoring equipment is placed in the proper position; failure to inspect for liquid or debris in the containment sump where an alarm occurred or for which there is no record of a service visit; or failure to check that all testing and maintenance has been completed and documented.

Violation Notes: Returned to compliance on 04/07/2015.
Violation Division: San Bernardino County Fire Department
Violation Program: UST
Violation Source: CERS,

Site ID: 137621
Site Name: NEEDLES AIRPORT
Violation Date: 11-17-2020
Citation: HSC 6.95 25508(a)(3) - California Health and Safety Code, Chapter 6.95, Section(s) 25508(a)(3)
Violation Description: Failure to complete and electronically submit hazardous material inventory information for all reportable hazardous materials on site at or above reportable quantities.

Violation Notes: Returned to compliance on 11/20/2020. DEFICIENCIES REGARDING HAZARDOUS MATERIALS INVENTORY REPORTING IN THE CALIFORNIA ENVIRONMENTAL REPORTING SYSTEM (CERS) DATED 3/11/2020 WERE NOTED BY INSPECTOR NESBIT ON 3/12/2020 AND NOT CORRECTED TO DATE. IMMEDIATELY CORRECT DEFICIENCIES NOTED BY INSPECTOR NESBIT ON 3/12/2020 ON CERS AND SUBMIT DOCUMENTATION OF COMPLIANCE TO THIS DEPARTMENT WITHIN 30 DAYS.

Violation Division: San Bernardino County Fire Department
Violation Program: HMRRP
Violation Source: CERS,

Site ID: 137621
Site Name: NEEDLES AIRPORT
Violation Date: 11-19-2019
Citation: 23 CCR 16 2711(a)(8) - California Code of Regulations, Title 23, Chapter 16, Section(s) 2711(a)(8)
Violation Description: Failure to submit or maintain a current facility plot plan.

Violation Notes: Returned to compliance on 03/12/2020. OBSERVATION: The UST plot plan has not been submitted via CERS since 12/22/2017, the UST CERS information is to be submitted annually by March 1st of every year. CORRECTIVE ACTION: Certify, verify, and submit all UST documents via CERS within 30 days.

Violation Division: San Bernardino County Fire Department
Violation Program: UST
Violation Source: CERS,

Site ID: 137621
Site Name: NEEDLES AIRPORT

Map ID
Direction
Distance
Elevation

MAP FINDINGS

Site

Database(s)

EDR ID Number
EPA ID Number

NEEDLES AIRPORT (Continued)

S104570151

Violation Date: 11-18-2014
Citation: 23 CCR 16 2638 - California Code of Regulations, Title 23, Chapter 16, Section(s) 2638
Violation Description: Failure to test leak detection equipment as required every 12 months (VPH, sensor, LLD, ATG, etc.) and/or submit monitoring system certification to the CUPA within 30 days of completion of the test
Violation Notes: Returned to compliance on 03/13/2015. OBSERVATION: FACILITY HAS NOT SUBMITTED THE REQUIRED UST DOCUMENTATION TO THE CALIFORNIA ENVIRONMENTAL REPORTING SYSTEM (CERS) COMPLIANCE REQUIREMENT: SUBMIT UST DOCUMENTATION TO CERS WITHIN 30 DAYS. SIGN DATE AND SUBMIT THE CERTIFICATE OF COMPLIANCE TO THIS DEPARTMENT INDICATING THE DATE OF CERS SUBMITTAL. INSPECTION ISSUED DUE TO INCOMPLETE MONITORING CERTIFICATION. LINE LEAK DETECTORS WERE NOT TESTED DUE TO LOW FUEL LEVEL. CONTRACTOR TESTED LINE LEAK DETECTORS ON 3/13/2015 AND SUBMITTED CERTIFICATION VIA EMAIL ON 4/3/15. JMAY
Violation Division: San Bernardino County Fire Department
Violation Program: UST
Violation Source: CERS,

Site ID: 137621
Site Name: NEEDLES AIRPORT
Violation Date: 11-19-2019
Citation: 23 CCR 16 2641(h) - California Code of Regulations, Title 23, Chapter 16, Section(s) 2641(h)
Violation Description: Failure to have an approved UST Monitoring Plan.
Violation Notes: Returned to compliance on 03/12/2020. OBSERVATION: The UST monitoring plan information has not been submitted via CERS since 12/22/2017, the UST CERS information is to be submitted annually by March 1st of every year. CORRECTIVE ACTION: Certify, verify, and submit all UST documents via CERS within 30 days.
Violation Division: San Bernardino County Fire Department
Violation Program: UST
Violation Source: CERS,

Site ID: 137621
Site Name: NEEDLES AIRPORT
Violation Date: 11-14-2016
Citation: HSC 6.75 25299.30-25299.34 - California Health and Safety Code, Chapter 6.75, Section(s) 25299.30-25299.34
Violation Description: Failure to submit and maintain complete and current Certification of Financial Responsibility or other mechanism of financial assurance.
Violation Notes: Returned to compliance on 11/29/2016. OBSERVATIONS: CERTIFICATE UPLOADED IS NOT CURRENT AND THE CHIEF FINANCIAL OFFICER LETTER IS NOT CURRENT. BOTH DOCUMENTS WERE LAST SIGNED AND DATED ON 4/7/2015. COMPLIANCE REQUIREMENT: UPLOAD CURRENT CERTIFICATE AND CHIEF FINANCIAL OFFICER LETTER IN CERS.
Violation Division: San Bernardino County Fire Department
Violation Program: UST
Violation Source: CERS,

Site ID: 137621
Site Name: NEEDLES AIRPORT
Violation Date: 11-13-2017
Citation: HSC 6.7 25284, 25286 - California Health and Safety Code, Chapter 6.7, Section(s) 25284, 25286
Violation Description: Failure to submit a complete and accurate application for a permit to operate a UST, or for renewal of the permit.

Map ID
Direction
Distance
Elevation

MAP FINDINGS

Site

Database(s)

EDR ID Number
EPA ID Number

NEEDLES AIRPORT (Continued)

S104570151

Violation Notes: Returned to compliance on 12/22/2017. OBSERVATION: SUBMITTED UNDERGROUND STORAGE TANK (UST) INFORMATION IN CALIFORNIA ENVIRONMENTAL REPORTING SYSTEM (CERS) WAS NOT ACCURATE, COMPLETE, OR CURRENT. CORRECT THE FOLLOWING: 1) INDICATE THAT AUDIBLE / VISUAL ALARMS ARE ALSO USED AS A FORM OF OVERFILL PROTECTION IN ADDITION TO FILL TUBE SHUT-OFF VALVE TO EACH TANK. 2) INDICATE TYPE OF CORROSION PROTECTION ARE PROVIDED TO TANK SYSTEM. (NOTE: ISOLATION IS THE TYPE OF CORROSION PROTECTION IDENTIFIED DURING INSPECTION). 3) IDENTIFY AND INDICATE THE TYPE OF CONSTRUCTION RISER PIPE SECONDARY CONTAINMENT HAS FOR EACH TANK. COMPLIANCE REQUIREMENT: RESUBMIT UPDATED UST INFORMATION IN CERS.

Violation Division: San Bernardino County Fire Department
Violation Program: UST
Violation Source: CERS,

Site ID: 137621
Site Name: NEEDLES AIRPORT
Violation Date: 11-18-2014
Citation: 23 CCR 16 2715 - California Code of Regulations, Title 23, Chapter 16, Section(s) 2715

Violation Description: Failure to comply with one or more of the designated operator monthly inspection requirements: failed to inspect the monthly alarm history report; attach a copy of the alarm history; failed to inspect for the presence of liquid or debris in the spill container/spill bucket and under dispenser containment; failed to inspect the under dispenser containment to ensure that monitoring equipment is placed in the proper position; failure to inspect for liquid or debris in the containment sump where an alarm occurred or for which there is no record of a service visit; or failure to check that all testing and maintenance has been completed and documented.

Violation Notes: Returned to compliance on 04/07/2015. OBSERVATION: MONTHLY DO DOCUMENTED INSPECTION WERE NOT AVAILABLE. COMPLIANCE REQUIREMENT: HAVE THE DOCUMENTED DO INSPECTIONS AVAILABLE DURING THE RE-TEST OF THE LINE LEAK DETECTORS.

Violation Division: San Bernardino County Fire Department
Violation Program: UST
Violation Source: CERS,

Site ID: 137621
Site Name: NEEDLES AIRPORT
Violation Date: 11-18-2014
Citation: HSC 6.95 25508(d) - California Health and Safety Code, Chapter 6.95, Section(s) 25508(d)

Violation Description: Failure to complete and/or electronically submit a business plan when storing/handling a hazardous material at or above reportable quantities.

Violation Notes: Returned to compliance on 04/07/2015. OBSERVATION: FACILITY HAS NOT SUBMITTED THE REQUIRED BUSINESS PLAN DOCUMENTATION TO THE CALIFORNIA ENVIRONMENTAL REPORTING SYSTEM (CERS) COMPLIANCE REQUIREMENT: SUBMIT THE REQUIRED BUSINESS PLAN DOCUMENTATION TO CERS WITHIN 30 DAYS. SIGN DATE AND SUBMIT THE CERTIFICATE OF COMPLIANCE TO THIS DEPARTMENT INDICATING THE DATE OF CERS SUBMITTAL.

Violation Division: San Bernardino County Fire Department
Violation Program: HMRRP
Violation Source: CERS,

Site ID: 137621

Map ID
Direction
Distance
Elevation

MAP FINDINGS

Site

Database(s)

EDR ID Number
EPA ID Number

NEEDLES AIRPORT (Continued)

S104570151

Site Name: NEEDLES AIRPORT
Violation Date: 11-14-2016
Citation: HSC 6.7 Multiple - California Health and Safety Code, Chapter 6.7, Section(s) Multiple
Violation Description: UST Program - Administration/Documentation - General - Must include violation description, proper statute and regulation citation in the "comment" section.
Violation Notes: Returned to compliance on 01/03/2017. Failure to have a written monitoring program with monitoring procedures and response plan (CHSC 25286(a)) OBSERVATIONS: THE UST MONITORING SITE PLAN IS MISSING THE GENERAL PIPING LAYOUT OF THE SYSTEM. THE INCORRECT MECHANICAL LINE LEAK DETECTOR (MLLD) INFORMATION IS LISTED UNDER EACH TANK. COMPLIANCE REQUIREMENTS: INCLUDE THE UST SYSTEM PIPING LAYOUT ON THE SITE PLAN UNDER THE UNDERGROUND STORAGE TANK SYSTEM. THE JET FUEL HAS A RED JACKET FXIV MLLD AND THE AV GAS HAS A VMI LD2000 MLLD. UPDATE THE TANK INFORMATION IN CERS.
Violation Division: San Bernardino County Fire Department
Violation Program: UST
Violation Source: CERS,

Site ID: 137621
Site Name: NEEDLES AIRPORT
Violation Date: 11-18-2014
Citation: Un-Specified
Violation Description: UST Program - Administration/Documentation - For use of Local Ordinance only
Violation Notes: Returned to compliance on 04/07/2015. Failure to submit a signed Designated UST Operator Statement (23 CCR 2715(a)) OBSERVATION: FACILITY HAS NOT SUBMITTED THE REQUIRED UST DOCUMENTATION TO THE CALIFORNIA ENVIRONMENTAL REPORTING SYSTEM (CERS). COMPLIANCE REQUIREMENT: SUBMIT UST DOCUMENTATION TO CERS WITHIN 30 DAYS. SIGN DATE AND SUBMIT THE CERTIFICATE OF COMPLIANCE TO THIS DEPARTMENT (2)INDICATING THE DATE OF CERS SUBMITTAL.
Violation Division: San Bernardino County Fire Department
Violation Program: UST
Violation Source: CERS,

Site ID: 137621
Site Name: NEEDLES AIRPORT
Violation Date: 11-18-2014
Citation: 23 CCR 16 2638 - California Code of Regulations, Title 23, Chapter 16, Section(s) 2638
Violation Description: Failure to test leak detection equipment as required every 12 months (VPH, sensor, LLD, ATG, etc.) and/or submit monitoring system certification to the CUPA within 30 days of completion of the test
Violation Notes: Returned to compliance on 04/07/2015. OBSERVATION: TECHNICIAN WAS UNABLE TO TEST THE TWO LINE LEAK DETECTORS. THE FUEL IN THE TANKS WERE LOW, WHICH PREVENTED THE TEST FROM BEING OPERATED. COMPLIANCE REQUIREMENT: WITHIN 30 DAYS, TEST THE TWO LINE LEAK DETECTORS. TEST OF THE TWO LINE LEAK DETECTORS MUST BE WITNESSED BY THIS DEPARTMENT
Violation Division: San Bernardino County Fire Department
Violation Program: UST
Violation Source: CERS,

Site ID: 137621
Site Name: NEEDLES AIRPORT
Violation Date: 11-19-2019

Map ID
Direction
Distance
Elevation

MAP FINDINGS

Site

Database(s)

EDR ID Number
EPA ID Number

NEEDLES AIRPORT (Continued)

S104570151

Citation: 23 CCR 16 2715(a)(1)(B) - California Code of Regulations, Title 23, Chapter 16, Section(s) 2715(a)(1)(B)

Violation Description: Failure to submit the Designated Underground Storage Tank Operator Identification Form within 30 days of installing a UST system or within 30 days of a change in DO.

Violation Notes: Returned to compliance on 03/12/2020. OBSERVATION: The UST Designated Operator (DO) Identification form has expired information on it. CORRECTIVE ACTION: Submit an Updated DO identification form via CERS within 30 days.

Violation Division: San Bernardino County Fire Department

Violation Program: UST

Violation Source: CERS,

Site ID: 137621

Site Name: NEEDLES AIRPORT

Violation Date: 11-13-2017

Citation: HSC 6.7 Multiple - California Health and Safety Code, Chapter 6.7, Section(s) Multiple

Violation Description: UST Program -General - Must include violation description, proper statute and regulation citation in the "comment" section.

Violation Notes: Returned to compliance on 11/27/2017. Failure to submit a signed Designated UST Operator Statement (23 CCR 2715(a)) 12/06/17: CORRECTION HAVE BEEN TO 11/27/17 CERS SUBMITTAL, CLOSE OUT VIOLATIONS TO G BEACH-PREYES OBSERVATION: DESIGNATED UST OPERATOR STATEMENT IN CERS IS NO LONGER CURRENT. CERTIFICATIONS OF DESIGNATED OPERATOR HAS EXPIRED. COMPLIANCE REQUIREMENT: RESUBMIT CURRENT/UPDATED UST OPERATOR STATEMENT IN CERS.

Violation Division: San Bernardino County Fire Department

Violation Program: UST

Violation Source: CERS,

Site ID: 137621

Site Name: NEEDLES AIRPORT

Violation Date: 11-19-2019

Citation: HSC 6.75 25299.30-25299.34 - California Health and Safety Code, Chapter 6.75, Section(s) 25299.30-25299.34

Violation Description: Failure to submit and maintain complete and current Certification of Financial Responsibility or other mechanism of financial assurance.

Violation Notes: Returned to compliance on 03/08/2021. OBSERVATION: The UST Certificate of Financial Responsibility and financial information has not been submitted via CERS since 12/22/2017, the UST CERS information is to be submitted annually by March 1st of every year. CORRECTIVE ACTION: Certify, verify, and submit all UST documents via CERS within 30 days.

Violation Division: San Bernardino County Fire Department

Violation Program: UST

Violation Source: CERS,

Site ID: 137621

Site Name: NEEDLES AIRPORT

Violation Date: 11-19-2019

Citation: 23 CCR 16 2715(a)(2) - California Code of Regulations, Title 23, Chapter 16, Section(s) 2715(a)(2)

Violation Description: Failure to submit the Underground Storage Tank Statement of Understanding and Compliance Form.

Violation Notes: Returned to compliance on 03/12/2020. OBSERVATION: Owner/operator failed to submit the Underground Storage Tank Statement of Understanding and Compliance Form via CERS. CORRECTIVE ACTION: Submit

Map ID
Direction
Distance
Elevation

MAP FINDINGS

Site

Database(s)

EDR ID Number
EPA ID Number

NEEDLES AIRPORT (Continued)

S104570151

the Underground Storage Tank Statement of Understanding and Compliance Form via CERS and re-submit all UST documents within 30 days.
San Bernardino County Fire Department

Violation Division: San Bernardino County Fire Department
Violation Program: UST
Violation Source: CERS,

Site ID: 137621
Site Name: NEEDLES AIRPORT
Violation Date: 11-19-2019
Citation: HSC 6.7 25284, 25286 - California Health and Safety Code, Chapter 6.7, Section(s) 25284, 25286
Violation Description: Failure to submit a complete and accurate application for a permit to operate a UST, or for renewal of the permit.
Violation Notes: Returned to compliance on 03/12/2020. OBSERVATION: The UST tank page information has not been submitted via CERS since 12/22/2017, the UST CERS information is to be submitted annually by March 1st of every year. CORRECTIVE ACTION: Certify, verify, and submit all UST documents via CERS within 30 days.

Violation Division: San Bernardino County Fire Department
Violation Program: UST
Violation Source: CERS,

Site ID: 137621
Site Name: NEEDLES AIRPORT
Violation Date: 11-18-2014
Citation: 23 CCR 16 2638 - California Code of Regulations, Title 23, Chapter 16, Section(s) 2638
Violation Description: Failure to test leak detection equipment as required every 12 months (VPH, sensor, LLD, ATG, etc.) and/or submit monitoring system certification to the CUPA within 30 days of completion of the test
Violation Notes: Returned to compliance on 03/13/2015. INSPECTION ISSUED DUE TO INCOMPLETE MONITORING CERTIFICATION. LINE LEAK DETECTORS WERE NOT TESTED DUE TO LOW FUEL LEVEL. CONTRACTOR TESTED LINE LEAK DETECTORS ON 3/13/2015 AND SUBMITTED CERTIFICATION VIA EMAIL ON 4/3/15. J MAY

Violation Division: San Bernardino County Fire Department
Violation Program: UST
Violation Source: CERS,

Site ID: 137621
Site Name: NEEDLES AIRPORT
Violation Date: 11-18-2014
Citation: Un-Specified
Violation Description: UST Program - Administration/Documentation - For use of Local Ordinance only
Violation Notes: Returned to compliance on 05/27/2015. Failure to have a written monitoring program with monitoring procedures and response plan. (CCR 2632(d)) OBSERVATION: FACILITY HAS NOT SUBMITTED THE REQUIRED UST DOCUMENTATION TO THE CALIFORNIA ENVIRONMENTAL REPORTING SYSTEM (CERS) COMPLIANCE REQUIREMENT: SUBMIT UST DOCUMENTATION TO CERS WITHIN 30 DAYS. SIGN DATE AND SUBMIT THE CERTIFICATE OF COMPLIANCE TO THIS DEPARTMENT INDICATING THE DATE OF CERS SUBMITTAL.

Violation Division: San Bernardino County Fire Department
Violation Program: UST
Violation Source: CERS,

Evaluation:
Eval General Type: Compliance Evaluation Inspection

Map ID
Direction
Distance
Elevation

MAP FINDINGS

Site

Database(s)

EDR ID Number
EPA ID Number

NEEDLES AIRPORT (Continued)

S104570151

Eval Date: 11-16-2015
Violations Found: No
Eval Type: Routine done by local agency
Eval Notes: NEEDLES AIRPORT- UST INSPECTION & HAZARDOUS MATERIALS INSPECTION
Eval Division: San Bernardino County Fire Department
Eval Program: HMRRP
Eval Source: CERS,

Eval General Type: Compliance Evaluation Inspection
Eval Date: 11-16-2015
Violations Found: No
Eval Type: Routine done by local agency
Eval Notes: NEEDLES AIRPORT- UST MONITORING CERTIFICATION
Eval Division: San Bernardino County Fire Department
Eval Program: UST
Eval Source: CERS,

Eval General Type: Compliance Evaluation Inspection
Eval Date: 11-16-2015
Violations Found: No
Eval Type: Routine done by local agency
Eval Notes: NEEDLES AIRPORT- UST WASTE INSPECTION
Eval Division: San Bernardino County Fire Department
Eval Program: HW
Eval Source: CERS,

Eval General Type: Compliance Evaluation Inspection
Eval Date: 11-21-2013
Violations Found: No
Eval Type: Routine done by local agency
Eval Notes: UST INSPECTION MONT CERT
Eval Division: San Bernardino County Fire Department
Eval Program: UST
Eval Source: CERS,

Eval General Type: Compliance Evaluation Inspection
Eval Date: 11-03-2021
Violations Found: No
Eval Type: Routine done by local agency
Eval Notes: Not reported
Eval Division: San Bernardino County Fire Department
Eval Program: HW
Eval Source: CERS,

Eval General Type: Compliance Evaluation Inspection
Eval Date: 11-03-2021
Violations Found: No
Eval Type: Routine done by local agency
Eval Notes: Not reported
Eval Division: San Bernardino County Fire Department
Eval Program: UST
Eval Source: CERS,

Eval General Type: Compliance Evaluation Inspection
Eval Date: 11-13-2018
Violations Found: No
Eval Type: Routine done by local agency

Map ID
Direction
Distance
Elevation

MAP FINDINGS

Site

Database(s)

EDR ID Number
EPA ID Number

NEEDLES AIRPORT (Continued)

S104570151

Eval Notes:	NEEDLES AIR PORT- UST/ MATERIAL INSTPECTION
Eval Division:	San Bernardino County Fire Department
Eval Program:	HMRRP
Eval Source:	CERS,
Eval General Type:	Other/Unknown
Eval Date:	11-13-2018
Violations Found:	No
Eval Type:	Other, not routine, done by local agency
Eval Notes:	NEEDLES AIRPORT- UST OVERFILL INSPECTION.
Eval Division:	San Bernardino County Fire Department
Eval Program:	UST
Eval Source:	CERS,
Eval General Type:	Compliance Evaluation Inspection
Eval Date:	11-17-2020
Violations Found:	Yes
Eval Type:	Routine done by local agency
Eval Notes:	UST ANNUAL INSPECTION WITH MONITORING SYSTEM CERTIFICATION.
Eval Division:	San Bernardino County Fire Department
Eval Program:	UST
Eval Source:	CERS,
Eval General Type:	Compliance Evaluation Inspection
Eval Date:	11-19-2019
Violations Found:	Yes
Eval Type:	Routine done by local agency
Eval Notes:	Not reported
Eval Division:	San Bernardino County Fire Department
Eval Program:	UST
Eval Source:	CERS,
Eval General Type:	Compliance Evaluation Inspection
Eval Date:	11-13-2018
Violations Found:	No
Eval Type:	Routine done by local agency
Eval Notes:	NEEDLES AIRPORT- UST MONITORING CERTIFICATION.
Eval Division:	San Bernardino County Fire Department
Eval Program:	UST
Eval Source:	CERS,
Eval General Type:	Other/Unknown
Eval Date:	11-17-2020
Violations Found:	No
Eval Type:	Other, not routine, done by local agency
Eval Notes:	OVERFILL PREVENTION INSPECTION.
Eval Division:	San Bernardino County Fire Department
Eval Program:	UST
Eval Source:	CERS,
Eval General Type:	Compliance Evaluation Inspection
Eval Date:	11-21-2013
Violations Found:	No
Eval Type:	Routine done by local agency
Eval Notes:	BP INSPECTION DURING MONT CERT
Eval Division:	San Bernardino County Fire Department
Eval Program:	HMRRP

Map ID
Direction
Distance
Elevation

MAP FINDINGS

Site

Database(s)

EDR ID Number
EPA ID Number

NEEDLES AIRPORT (Continued)

S104570151

Eval Source: CERS,

Eval General Type: Compliance Evaluation Inspection
Eval Date: 11-13-2018
Violations Found: No
Eval Type: Routine done by local agency
Eval Notes: NEEDLES AIRPORT- UST WASTE INSPECTION
Eval Division: San Bernardino County Fire Department
Eval Program: HW
Eval Source: CERS,

Eval General Type: Compliance Evaluation Inspection
Eval Date: 11-17-2020
Violations Found: No
Eval Type: Routine done by local agency
Eval Notes: HAZARDOUS WASTE INSPECTION.
Eval Division: San Bernardino County Fire Department
Eval Program: HW
Eval Source: CERS,

Eval General Type: Compliance Evaluation Inspection
Eval Date: 11-17-2020
Violations Found: Yes
Eval Type: Routine done by local agency
Eval Notes: HAZARDOUS MATERIALS INSPECTION.
Eval Division: San Bernardino County Fire Department
Eval Program: HMRRP
Eval Source: CERS,

Eval General Type: Compliance Evaluation Inspection
Eval Date: 11-18-2014
Violations Found: Yes
Eval Type: Routine done by local agency
Eval Notes: NEEDLES AIRPORT- UST MONITORING CERTIFICATION.
Eval Division: San Bernardino County Fire Department
Eval Program: UST
Eval Source: CERS,

Eval General Type: Compliance Evaluation Inspection
Eval Date: 11-18-2014
Violations Found: Yes
Eval Type: Routine done by local agency
Eval Notes: UST- NEEDLES AIRPORT- UST MONITORING CERTIFICATION
Eval Division: San Bernardino County Fire Department
Eval Program: HMRRP
Eval Source: CERS,

Eval General Type: Compliance Evaluation Inspection
Eval Date: 11-03-2021
Violations Found: No
Eval Type: Routine done by local agency
Eval Notes: Not reported
Eval Division: San Bernardino County Fire Department
Eval Program: HMRRP
Eval Source: CERS,

Eval General Type: Compliance Evaluation Inspection

Map ID
Direction
Distance
Elevation

MAP FINDINGS

Site

Database(s)

EDR ID Number
EPA ID Number

NEEDLES AIRPORT (Continued)

S104570151

Eval Date: 11-13-2017
Violations Found: Yes
Eval Type: Routine done by local agency
Eval Notes: ANNUAL UST INSPECTION WITH MONITORING CERTIFICATION
Eval Division: San Bernardino County Fire Department
Eval Program: UST
Eval Source: CERS,

Eval General Type: Compliance Evaluation Inspection
Eval Date: 11-14-2016
Violations Found: Yes
Eval Type: Routine done by local agency
Eval Notes: Not reported
Eval Division: San Bernardino County Fire Department
Eval Program: UST
Eval Source: CERS,

Enforcement Action:

Site ID: 137621
Site Name: NEEDLES AIRPORT
Site Address: 711 AIRPORT RD
Site City: NEEDLES
Site Zip: 92363
Enf Action Date: 11-14-2016
Enf Action Type: Notice of Violation (Unified Program)
Enf Action Description: Notice of Violation Issued by the Inspector at the Time of Inspection
Enf Action Notes: Not reported
Enf Action Division: San Bernardino County Fire Department
Enf Action Program: UST
Enf Action Source: CERS,

Site ID: 137621
Site Name: NEEDLES AIRPORT
Site Address: 711 AIRPORT RD
Site City: NEEDLES
Site Zip: 92363
Enf Action Date: 11-18-2014
Enf Action Type: Notice of Violation (Unified Program)
Enf Action Description: Notice of Violation Issued by the Inspector at the Time of Inspection
Enf Action Notes: Not reported
Enf Action Division: San Bernardino County Fire Department
Enf Action Program: HMRRP
Enf Action Source: CERS,

Site ID: 137621
Site Name: NEEDLES AIRPORT
Site Address: 711 AIRPORT RD
Site City: NEEDLES
Site Zip: 92363
Enf Action Date: 11-18-2014
Enf Action Type: Notice of Violation (Unified Program)
Enf Action Description: Notice of Violation Issued by the Inspector at the Time of Inspection
Enf Action Notes: Not reported
Enf Action Division: San Bernardino County Fire Department
Enf Action Program: UST
Enf Action Source: CERS,

Map ID
Direction
Distance
Elevation

MAP FINDINGS

Site

Database(s)

EDR ID Number
EPA ID Number

NEEDLES AIRPORT (Continued)

S104570151

Coordinates:

Site ID: 137621
Facility Name: NEEDLES AIRPORT
Env Int Type Code: SMSWIND
Program ID: 244075
Coord Name: Not reported
Ref Point Type Desc: Unknown,
Latitude: 34.772460
Longitude: -114.605450

Affiliation:

Affiliation Type Desc: Facility Mailing Address
Entity Name: Mailing Address
Entity Title: Not reported
Affiliation Address: 711 AIRPORT RD
Affiliation City: NEEDLES
Affiliation State: CA
Affiliation Country: Not reported
Affiliation Zip: 92363
Affiliation Phone: ,

Affiliation Type Desc: Operator
Entity Name: Alfonso Romo
Entity Title: Not reported
Affiliation Address: Not reported
Affiliation City: Not reported
Affiliation State: Not reported
Affiliation Country: Not reported
Affiliation Zip: Not reported
Affiliation Phone: (760) 265-0686,

Affiliation Type Desc: Parent Corporation
Entity Name: NEEDLES AIRPORT
Entity Title: Not reported
Affiliation Address: Not reported
Affiliation City: Not reported
Affiliation State: Not reported
Affiliation Country: Not reported
Affiliation Zip: Not reported
Affiliation Phone: ,

Affiliation Type Desc: UST Permit Applicant
Entity Name: James E. Jenkins
Entity Title: Director of Airports
Affiliation Address: Not reported
Affiliation City: Not reported
Affiliation State: Not reported
Affiliation Country: Not reported
Affiliation Zip: Not reported
Affiliation Phone: (909) 387-8810,

Affiliation Type Desc: UST Tank Operator
Entity Name: County of San Bernardino - Airports
Entity Title: Not reported
Affiliation Address: 777 East Rialto Avenue
Affiliation City: San Bernardino

Map ID
Direction
Distance
Elevation

MAP FINDINGS

Site

Database(s)

EDR ID Number
EPA ID Number

NEEDLES AIRPORT (Continued)

S104570151

Affiliation State: CA
Affiliation Country: United States
Affiliation Zip: 92415
Affiliation Phone: (909) 387-8810,

Affiliation Type Desc: Document Preparer
Entity Name: ADRIANNA ORTIZ
Entity Title: Not reported
Affiliation Address: Not reported
Affiliation City: Not reported
Affiliation State: Not reported
Affiliation Country: Not reported
Affiliation Zip: Not reported
Affiliation Phone: ,

Affiliation Type Desc: UST Property Owner Name
Entity Name: County of San Bernardino - Airports
Entity Title: Not reported
Affiliation Address: 777 East Rialto Avenue
Affiliation City: San Bernardino
Affiliation State: CA
Affiliation Country: United States
Affiliation Zip: 92415
Affiliation Phone: (909) 387-8810,

Affiliation Type Desc: Environmental Contact
Entity Name: ADRIANNA ORTIZ
Entity Title: Not reported
Affiliation Address: 777 E RIALTO AVE
Affiliation City: SAN BERNARDINO
Affiliation State: CA
Affiliation Country: Not reported
Affiliation Zip: 92415
Affiliation Phone: ,

Affiliation Type Desc: Identification Signer
Entity Name: ADRIANNA ORTIZ
Entity Title: Airport Planner
Affiliation Address: Not reported
Affiliation City: Not reported
Affiliation State: Not reported
Affiliation Country: Not reported
Affiliation Zip: Not reported
Affiliation Phone: ,

Affiliation Type Desc: Legal Owner
Entity Name: SB COUNTY DEPT OF AIRPORTS
Entity Title: Not reported
Affiliation Address: 777 East RIALTO AVENUE
Affiliation City: SAN BERNARDINO
Affiliation State: CA
Affiliation Country: United States
Affiliation Zip: 92415-0831
Affiliation Phone: (909) 387-8810,

Affiliation Type Desc: UST Tank Owner
Entity Name: County of San Bernardino - Airports

Map ID
Direction
Distance
Elevation

MAP FINDINGS

Site

Database(s)

EDR ID Number
EPA ID Number

NEEDLES AIRPORT (Continued)

S104570151

Entity Title: Not reported
Affiliation Address: 777 East Rialto Avenue
Affiliation City: San Bernardino
Affiliation State: CA
Affiliation Country: United States
Affiliation Zip: 92415
Affiliation Phone: (909) 387-8810,

Affiliation Type Desc: CUPA District
Entity Name: San Bernardino County Fire
Entity Title: Not reported
Affiliation Address: 620 South E Street
Affiliation City: San Bernardino
Affiliation State: CA
Affiliation Country: Not reported
Affiliation Zip: 92415-0153
Affiliation Phone: (909) 386-8401,

Affiliation Type Desc: Owner/Operator
Entity Name: San Bernardino Cnty Airports
Entity Title: Operator
Affiliation Address: 777 East Rialto Ave
Affiliation City: San Bernardino
Affiliation State: CA
Affiliation Country: Not reported
Affiliation Zip: 92415
Affiliation Phone: ,

Affiliation Type Desc: Property Owner
Entity Name: COUNTY OF SAN BERNARDINO
Entity Title: Not reported
Affiliation Address: 777 E RIALTO AVE
Affiliation City: SAN BERNARDINO
Affiliation State: CA
Affiliation Country: United States
Affiliation Zip: 92415
Affiliation Phone: (909) 387-8810,

HWTS:

Name: PARADICE AVIATION
Address: 711 AIRPORT RD
Address 2: Not reported
City,State,Zip: NEEDLES, CA 92363
EPA ID: CAL000359669
Inactive Date: 06/30/2012
Create Date: 12/22/2010
Last Act Date: Not reported
Mailing Name: Not reported
Mailing Address: PO BOX 888
Mailing Address 2: Not reported
Mailing City,State,Zip: NEEDLES, CA 92363
Owner Name: GLENN SIMS
Owner Address: 711 AIRPORT RD
Owner Address 2: Not reported
Owner City,State,Zip: NEEDLES, CA 92363
Contact Name: GLENN SIMS

Map ID
 Direction
 Distance
 Elevation

MAP FINDINGS

Site

Database(s)

EDR ID Number
 EPA ID Number

NEEDLES AIRPORT (Continued)

S104570151

Contact Address: 711 AIRPORT RD
 Contact Address 2: Not reported
 City,State,Zip: NEEDLES, CA 92363
 Facility Status: Inactive
 Facility Type: PERMANENT
 Category: STATE
 Latitude: 34.77242
 Longitude: -114.60547

NAICS:
 EPA ID: CAL000359669
 Create Date: 2010-12-22 16:02:35.283
 NAICS Code: 99999
 NAICS Description: Not Otherwise Specified
 Issued EPA ID Date: 2010-12-22 16:02:35.17300
 Inactive Date: 2012-06-30 00:00:00
 Facility Name: PARADICE AVIATION
 Facility Address: 711 AIRPORT RD
 Facility Address 2: Not reported
 Facility City: NEEDLES
 Facility County: Not reported
 Facility State: CA
 Facility Zip: 92363

DU925 SBCO - NEEDLES AIRPORT
Target 711 AIRPORT ROAD
Property NEEDLES, CA 92363

FINDS 1025451083
N/A

Site 13 of 13 in cluster DU

Actual: 905 ft. FINDS:
 Registry ID: 110070521799

Focus Map: 18 [Click Here for FRS Facility Detail Report:](#)

Environmental Interest/Information System:
 AIR EMISSIONS CLASSIFICATION UNKNOWN

[Click this hyperlink](#) while viewing on your computer to access additional FINDS: detail in the EDR Site Report.

926 LACKEY CONCRETE
Target NEEDLES, CA 92363
Property NEEDLES, CA 92363

MINES MRDS 1025736589
N/A

MINES MRDS:
 Name: LACKEY CONCRETE
 Address: Not reported
 Deposit identification Number: 10262699
 City,State,Zip: NEEDLES, CALIFORNIA 92363
 URL: https://mrdata.usgs.gov/mrds/show-mrds.php?dep_id=10262699
 MRDS Identification Number: Not reported
 MAS/MILS Identification Number: 0060711422
 Region: NA
 Country: United States
 Primary Commodities: Sand and Gravel, Construction
 Secondary Commodities: Not reported

Actual: 802 ft.
Focus Map: 19

Map ID
 Direction
 Distance
 Elevation

MAP FINDINGS

Site

Database(s)

EDR ID Number
 EPA ID Number

LACKEY CONCRETE (Continued)

1025736589

Tertiary Commodities:	Not reported
Operation Type:	Surface
Deposit Type:	Not reported
Production Size:	Not reported
Development Status:	Producer
Ore Minerals or Materials:	Not reported
Gangue Minerals or Materials:	Not reported
Other Minerals or Materials:	Not reported
Ore Body Form:	Not reported
Workings Type:	Not reported
Mineral Deposit Model:	Not reported
Alteration Processes:	Not reported
Concentration Processes:	Not reported
Previous Names:	Not reported
Ore Controls:	Not reported
Reporter:	Western Field Operations Center (WFOC)
Host Rock Unit Name:	Not reported
Host Rock Type:	Not reported
Associated Rock Unit Name:	Not reported
Associated Rock Type Code:	Not reported
Structural Characteristics:	Not reported
Tectonic Setting:	Not reported
References:	Not reported
First Production Year:	Not reported
Began Before/After FPY:	Not reported
Last Production Year:	Not reported
Ended Before/After LPY:	Not reported
Year Discovered:	Not reported
Found Before/After YD:	Not reported
Production History:	Not reported
Discovery Information:	Not reported
Latitude:	34.75083
Longitude:	-114.59301

DV927 **NEEDLES-LAND MGMT AREA**
Target
Property **NEEDLES, CA**

FUDS **1024903386**
N/A

Site 1 of 2 in cluster DV

Actual:	FUDS:	
978 ft.	EPA Region:	9
Focus Map:	Installation ID:	CA99799F527800
18	Congressional District Number:	8
	Name:	NEEDLES-LAND MGMT AREA
	FUDS Number:	J09CA0071
	City:	NEEDLES
	State:	CA
	County:	SAN BERNARDINO
	Object ID:	8743
	USACE Division:	SPD
	USACE District:	Los Angeles District (SPL)
	Status:	Properties without projects
	Current Owner:	Not reported
	EMS Map Link:	https://fudsportal.usace.army.mil/ems/inventory/map?id=57930
	Eligibility:	Eligible
	Has Projects:	No
	NPL Status:	Not on the NPL

Map ID
Direction
Distance
Elevation

MAP FINDINGS

Site

Database(s)

EDR ID Number
EPA ID Number

NEEDLES-LAND MGMT AREA (Continued)

1024903386

Property History: THE NEEDLES MUNICIPAL AIRPORT WAS USED AS AN AUXILIARY FIELD FOR MARCH FIELD AND PRIMARILY FOR THE TRANSPORT OF USA OFFICERS.

Project Required: No
Feature Description: Not reported
Latitude: 34.75
Longitude: -114.62138889

DV928
Target
Property

NEEDLES-LAND MGMT AREA
NEEDLES, CA

ENVIROSTOR **S107736870**
N/A

Site 2 of 2 in cluster DV

Actual: ENVIROSTOR:
977 ft. Name: NEEDLES-LAND MGMT AREA
Focus Map: Address: Not reported
18 City,State,Zip: NEEDLES, CA
Facility ID: 80000049
Status: Inactive - Needs Evaluation
Status Date: 07/01/2005
Site Code: Not reported
Site Type: Military Evaluation
Site Type Detailed: FUDS
Acres: Not reported
NPL: NO
Regulatory Agencies: SMBRP
Lead Agency: SMBRP
Program Manager: Not reported
Supervisor: Douglas Bautista
Division Branch: Cleanup Cypress
Assembly: 33
Senate: 16
Special Program: Not reported
Restricted Use: NO
Site Mgmt Req: NONE SPECIFIED
Funding: DERA
Latitude: 34.75
Longitude: -114.6213
APN: NONE SPECIFIED
Past Use: NONE SPECIFIED
Potential COC: Explosives (UXO, MEC)
Confirmed COC: NONE SPECIFIED
Potential Description: NONE SPECIFIED
Alias Name: CA99799F527800
Alias Type: Federal Facility ID
Alias Name: J09CA0071
Alias Type: INPR
Alias Name: 80000049
Alias Type: Envirostor ID Number

Completed Info:
Completed Area Name: PROJECT WIDE
Completed Sub Area Name: Not reported
Completed Document Type: Inventory Project Report (INPR)
Completed Date: 09/13/1994
Comments: Not reported

Map ID
Direction
Distance
Elevation

MAP FINDINGS

Site

Database(s)

EDR ID Number
EPA ID Number

NEEDLES-LAND MGMT AREA (Continued)

S107736870

Future Area Name: Not reported
Future Sub Area Name: Not reported
Future Document Type: Not reported
Future Due Date: Not reported
Schedule Area Name: Not reported
Schedule Sub Area Name: Not reported
Schedule Document Type: Not reported
Schedule Due Date: Not reported
Schedule Revised Date: Not reported

ORPHAN SUMMARY

City	EDR ID	Site Name	Site Address	Zip	Database(s)
DANBY	S124450673		MILE POST 634.8 NEEDLES SUBDIVISION	92363	CHMIRS
GOFFS	S118190781		MP 598.5 OF THE NEEDLES SUBDIVISION	92363	CHMIRS
HAVASU LAKE	S106394510		CHEMEHUEVI INDIAN MARINA DIESEL PUMP, ON HAVASU LAKE IN THE HAVASU LANDING AREA		CHMIRS
HAVASU LAKE	S126978041		34 24' 00" N 114 16' 12" W		CHMIRS
HAVASU LAKE	1010701033	CHEMEHUEVI HOMESITE #1	P.O. BOX 1976	92363	FINDS
HAVASU LAKE	1011906083	HAVASU LANDING RESORT STORE -UST CHEM004	P.O. BOX 1975	92363	FINDS
HAVASU LAKE	S122249627	TOPOCK 16KV	THUNDERHEAD MOBILE HOME PARK	92363	NPDES
MOHAVE VALLEY	1025802725	FORT MOJAVE BATTERIES	EAST OF 8494 MOHAVE VALLEY HWY	86440	SEMS
MOHAVE VALLEY	1026229207	BLACK MOUNTAIN FARMS PIT	2999 E. KING ST.	86440	US MINES
MOHAVE VALLEY	1008037072	WILLOW VALLEY WATER CO-HO FORT MOHAVE	WILLOW VALLEY WATER	86440	FINDS, ECHO
MOHAVE VALLEY	1025992044	FORT MOJAVE BATTERIES	EAST OF 8494 MOHAVE VALLEY HWY	86440	FINDS
MOHAVE VALLEY	1008036848	LAGOON ESTATES WATER CO	MOHAVE VALLEY	86440	FINDS, ECHO
MOHAVE VALLEY	1008054664	WILLOW VALLEY WTR CO-KING	WILLOW VALLEY WATER	86440	FINDS, ECHO
MOHAVE VALLEY	1012160810	COLORADO RIVER CREMATION & BURIAL	1427 E CORONA RD	86440	FINDS
MOHAVE VALLEY	1004438018	CHRISTIAN ACADEMY MOHAVE VALLEY	P O BOX 6076	86440	FINDS
MOHAVE VALLEY	S105025016	MULLER, FRANCIS F. & NELL	P.O. BOX 6047	86440	HIST CORTESE
NEEDLES	2006789081		INTRERSTATE 40 AND PARK MOABI ROAD	92363	ERNS
NEEDLES	S124525272	1X NEEDLES UNIF SCHOOL DIST	VISTA COLORADO ELEMENTARY	92363	HWTS
NEEDLES	S124563217	GREAT WEST	I 40 E/B AT MM 140	92363	HWTS
NEEDLES	S125537966	U.S. EXPRESS INC	142150 N SIDE OF INTERSTATE 40 I-40 E, MILE MARKER 120	92363	HWTS
NEEDLES	S124722853	BHA TRANSPORT	W/B I-40 MILEMARKER 151.8	92363	HWTS
NEEDLES	S124719255	GOLDEN MILE ENTERPRISES, INC.	I-40, MILE MARKER 136.1	92363	HWTS
NEEDLES	S124541981	1X P G & E MEASURING STATION/NEEDLES	15 MILES E OF I-40 EAST ON	0	HWTS
NEEDLES	S124771563	PARK MOABL MARINA	1-40 AND PARK MOABL ROAD	0	HWTS
NEEDLES	S124563221	MEHAR TRANSPORT	WEST I 40 POST MILE 85 40 MI WEST OF NEEDLES	92363	HWTS
NEEDLES	S110071586	A TO Z COLLISION CENTER	117 K ST	92363	San Bern. Co. Permit
NEEDLES	S127328551	VERIZON WIRELESS: HAVASU PASS	N/A UNADDRESSED PARCEL	92363	San Bern. Co. Permit
NEEDLES	S128082013	PG&E - TOPOCK FINAL REMEDY MW-20 BENCH	LATITUDE: 34 43'9.48" N / LONGITUDE: 114 29'27.98" W	92363	San Bern. Co. Permit
NEEDLES	S126349527	PG&E - TOPOCK GROUNDWATER EXTRACTION SITE	I-40 & PARK MOABI RD	92363	San Bern. Co. Permit
NEEDLES	S122218514	PG&E - TOPOCK COMPRESSOR STATION	I40 & PARK MOABI RD	92363	San Bern. Co. Permit
NEEDLES	S114401454	SAN BERNARDINO COUNTY FIRE STATION #34	PARK MOABI MAINT YARD	92363	San Bern. Co. Permit
NEEDLES	S108536401	ATC SITE #8392	NATIONAL TRAILS HIGHWAY	92363	San Bern. Co. Permit
NEEDLES	U003785028	RUSSELL BROS RANCHES	RIVER RD,9MI N/O NEEDLES	92363	San Bern. Co. Permit
NEEDLES	S125495537	PG&E - TOPOCK REMEDIAL ACTION	I-40 & PARK MOABI RD(WEST OF PARK MOABI RD ON NATIONAL TRAILS HWY)	92363	San Bern. Co. Permit
NEEDLES	S127328544	SCE CAMINO SUBSTATION	23 MI. W/O NEEDLES ON I40WATER RD EXIT	92363	San Bern. Co. Permit
NEEDLES	S127328541	PG & E MEASURING STATION	34.714956 / 114.49084915 MI E OF NEEDLES	92363	San Bern. Co. Permit
NEEDLES	1014387071	HARTER FARMS LLC	15001 RIVER RD	92363	RCRA-SQG
NEEDLES	2016163959		I 40 EAST BOUND		ERNS
NEEDLES	2021321880		PG&E POWER PLANT		ERNS
NEEDLES	98442800		NEAR K STREET		ERNS
NEEDLES	8851837		SEC 28 T 15N R 14E MORNINGSTAR MINE		ERNS

ORPHAN SUMMARY

City	EDR ID	Site Name	Site Address	Zip	Database(s)
NEEDLES	94252150		I-40 AND EAST BROADWAY		ERNS
NEEDLES	92108308		PARK MOABI		ERNS
NEEDLES	2018227432		I-40 SB		ERNS
NEEDLES	8722587		"T"ST, 1/4 MI. S I-40		ERNS
NEEDLES	98446706		NEAR I-40 OVERPASS		ERNS
NEEDLES	92107602		22 MILES WEST OF NEEDLES		ERNS
NEEDLES	2016164038		145453 NATIONAL TRAILS HWY (APROXIMATE)		ERNS
NEEDLES	2011997983		COLORADO RIVER		ERNS
NEEDLES	2011977515		14543 NATIONAL TRAILS HW		ERNS
NEEDLES	S105672461	PG&E TOPOCK COMPRESSOR STATION	12 MILES EAST OF NEEDLES ON I-40	92363	ENVIROSTOR, CHMIRS
NEEDLES	S126984079	NEEDLES COMMUNITY COLLECTION CENTER	3 MILES SOUTH OF I-40(WEST SIDE OF HWY95	92363	SWF/LF
NEEDLES	S106153006	UNOCAL STATION	1705 FRONT STREET	92363	LUST, Cortese
NEEDLES	U004271320	G&M OIL #26	2321 BROADWAY ST W.	92363	UST
NEEDLES	U004263956	PG&E - TOPOCK COMPRESSOR STATION	I 40 & PARK MOABI ROAD	92363	UST
NEEDLES	A100423312	PG&E - TOPOCK COMPRESSOR STATION	I 40 & PARK MOABI ROAD	92363	AST
NEEDLES	A100345988	PG & E TOPOCK COMPRESSOR STATION	I-40 & PARK MOABI RD	92363	AST
NEEDLES	S106446641	SCE-CAMINO SUBSTATION	20 MI W/O NEEDLES ON I-40	92363	AST
NEEDLES	A100424724	SOUTHERN CALIFORNIA GAS COMPANY - NORTH NEEDLES	4500 OLD RIVER ROAD	92363	AST
NEEDLES	1009393132	RUSSELL BROS. RANCHES INC.	P.O. BOS 580	92363	INDIAN UST
NEEDLES	S127783849	SAN BERNARDINO COUNTY ROADS	5 AIRPORT ROAD (AT NEEDLES AIRPORT)	92363	HAULERS
NEEDLES	S105481903	CAMA DESERT SITES	MOJAVE DESERT-VARIOUS SITES	92363	HIST Cal-Sites
NEEDLES	S106924613	CITY OF NDLS/MUNI GOLF COURSE	997 BRIDGE RD	92363	SWEEPS UST
NEEDLES	S106929484	MOBIL OIL	I-40 & RIVER RD	92363	SWEEPS UST
NEEDLES	S106928313	L BROS RANCHES	9M N OF NEEDLES ON R RD	92363	SWEEPS UST
NEEDLES	U001575251	NEEDLES	ARIZONA AVE. & SAN CLEMENTE ST	92363	HIST UST
NEEDLES	S118413299	NEEDLES	ARIZONA AVEAND SAN CLEMENTE ST	92363	HIST UST
NEEDLES	U001575264	RUSSEL	9M N OF NEEDLES ON RIVER ROAD	92363	HIST UST
NEEDLES	U001575245	DOUGLAS FLEMING	I-40 & RIVER ROAD	92363	HIST UST
NEEDLES	U001575259	NORTH NEEDLES COMP. STA.	NORTH NEEDLES COMP. STA.	92363	HIST UST
NEEDLES	S118409460	DOUGLAS FLEMING	I-40 AND RIVER ROAD	92363	HIST UST
NEEDLES	2021001160	N/A	N/A	92363	HMIRS
NEEDLES	2002082299		I-40 W/B, 211 BALBOA ST BROADW		HMIRS
NEEDLES	91010173		I-40		HMIRS
NEEDLES	2000120690		I-40		HMIRS
NEEDLES	97120030		RR AT COLORADO RIVER BRIDGE		HMIRS
NEEDLES	S113472169		1004 ICE PLANT ROAD	92363	CHMIRS
NEEDLES	S106399919		BAZOOBUTH LIFT STATION, BAZOOBUTH AND CORBARRA	92363	CHMIRS
NEEDLES	S114001376		3660 RIVERVIEW TERRACE DRIVE		CHMIRS
NEEDLES	S126114138		FLORA VISTA X RIO VISTA	92363	CHMIRS
NEEDLES	S105635303		WEST BOUND I 40 MILE POST 92		CHMIRS
NEEDLES	S105631512		EASTBOUND I 40 MILESP0ST 90+91		CHMIRS
NEEDLES	S111757002		E/B 40 AT MPM 148		CHMIRS
NEEDLES	S113472090		S/B 95 AT MPM 67.9		CHMIRS
NEEDLES	S125739013		I-95 AT MM 48		CHMIRS
NEEDLES	S128202116		PG&E POWER PLANT		CHMIRS
NEEDLES	S116362287		700 FT EAST OF BAILEY RD, 700 FT SOUTH OF J ST	92363	CHMIRS

ORPHAN SUMMARY

City	EDR ID	Site Name	Site Address	Zip	Database(s)
NEEDLES	S117454300		T AND RACE STREETS - INTERSECTION	92363	CHMIRS
NEEDLES	S114002049		CORNER OF SMITH RD AND BROADWAY	92363	CHMIRS
NEEDLES	S106389690		EAST BROADWAY STREET AND INTERSTATE 40 TEXACO TRUCK STOP	92363	CHMIRS
NEEDLES	S105885260		500 BLOCK OF EAST BROADWAY	92363	CHMIRS
NEEDLES	S105674970		OPPOSITE OF 516 E. BROADWAY.	92363	CHMIRS
NEEDLES	S105637136		GREAT WESTERN TRUCK STOP 211 BALBOA		CHMIRS
NEEDLES	S127597137		11 N 685923 3857546; ON WATER RD. (DIRT ROAD)		CHMIRS
NEEDLES	S106400026		WB 40 ON THE WEST BROADWAY OFF RAMP		CHMIRS
NEEDLES	S126114246		EB 40 JWO EAST BROADWAY @ MM: 43		CHMIRS
NEEDLES	S110980695		EASTBOUND INTERSTATE 40, 1 MILE WEST OF WEST BROADWAY		CHMIRS
NEEDLES	S112828914		BROADWAY AND BAZOOBUTH STREET AT THE BAZOOBUTH LIFT STATION		CHMIRS
NEEDLES	S112828007		WESTBOUND INTERSTATE 40 AT W. BROADWAY		CHMIRS
NEEDLES	S127393598		NORTH U.S. ROUTE 95, MILE MARKER 80		CHMIRS
NEEDLES	S122214750		PARK MOABI RV SPACE NUMBER 97	92363	CHMIRS
NEEDLES	S125740780		WESTBOUND I-40 AT MILE POST #123	92363	CHMIRS
NEEDLES	S117332198		I40 AT PARK MOABE RD (PGE INTERMEASURE 3)	92363	CHMIRS
NEEDLES	S128631889		INTERSTATE 40 & PARK MOABI ROAD	92363	CHMIRS
NEEDLES	S114000408		I-40, 1/4 MILE FROM THE AG STATION, NEAREST EXITS 5 MILE ROAD AND PARK MOABI, MM 148.	92363	CHMIRS
NEEDLES	S127596649		I-40 W MILE MARKER 125.2	92363	CHMIRS
NEEDLES	S110980386		INTERSECTION OF INTERSTATE 40 AND PARK MOABI ROAD, TOPOCK COMPRESSOR STATION	92363	CHMIRS
NEEDLES	S119783184		PG&E COMPRESSOR STATION, 145453 NATIONAL OLD TRAILS HIGHWAY	92363	CHMIRS
NEEDLES	S120833359		WB I-40 MM 133	92363	CHMIRS
NEEDLES	S120833761		S BRIDGE RD, JACK SMITH REGIONAL PARK	92363	CHMIRS
NEEDLES	S105633320		EASTBOUND I-40 ON THE 95 SOUTHBOUND ON RAMP		CHMIRS
NEEDLES	S105647153		EB I-40 JWO KEL BAKER RD		CHMIRS
NEEDLES	S105651636		EASTBOUND 40 WEST OF PARK MOABI ROAD		CHMIRS
NEEDLES	S105638185		AM/PM TRUCK STOP EAST BROADWAY EXIT ON I-40		CHMIRS
NEEDLES	S126114217		EASTBOUND I-40 MM 112.5		CHMIRS
NEEDLES	S117331905		WB I-40, MP 113		CHMIRS
NEEDLES	S117330609		WB I-40, WEST OF WATER RD		CHMIRS
NEEDLES	S117976460		I-40 WB FROM THE STATE OF ARIZONA TO THE AGRICULTURAL INSPECTION STATION AT MILE MARKET 149		CHMIRS
NEEDLES	S109041874		I-40 AT PARK MOABI RD		CHMIRS
NEEDLES	S113998928		EB I-40 AT MP 124		CHMIRS
NEEDLES	S117455139		I-40, MP 99		CHMIRS
NEEDLES	S126978277		WEST BOUND I-40 AT POST MILE 84		CHMIRS
NEEDLES	S111756130		EB I-40 NEAR SR 95 NORTH		CHMIRS
NEEDLES	S123297483		EB I-40 AT MILE MARKER 115		CHMIRS
NEEDLES	S125740547		EAST BOUND I-40 AT MM 139		CHMIRS
NEEDLES	S108403627		MALABY REGIONAL PARK		CHMIRS
NEEDLES	S110421902		EB I-40 AT THE 145 MM		CHMIRS
NEEDLES	S110977249		I-40 EASTBOUND AT THE EAST BROADWAY OFFRAMP.		CHMIRS
NEEDLES	S112829275		W/B I-40 MILEMARKER 98		CHMIRS

ORPHAN SUMMARY

City	EDR ID	Site Name	Site Address	Zip	Database(s)
NEEDLES	S112826868		TOPOCK COMPRESSOR STATION - I40 X PARK MOABI		CHMIRS
NEEDLES	S112831280		WB I-40 AT EXIT 115, MOUNTAIN SPRINGS ROAD		CHMIRS
NEEDLES	S118189434		SR 95 & I-40		CHMIRS
NEEDLES	S128202790		WESTBOUND I-40 MILE MARKER 130		CHMIRS
NEEDLES	S116362101		1024 NEEDLES HIGHWAY	92363	CHMIRS
NEEDLES	S121503799		EB I40 EO RIVER ROAD CUTOFF, PM 126.3	92363	CHMIRS
NEEDLES	S127597164		NEEDLES YARD, 850 BNSF RD	92363	CHMIRS
NEEDLES	S110978628		145453 NATIONAL TRAILS HIGHWAY	92363	CHMIRS
NEEDLES	S100275627		I-40, 2 MILES WEST OF NEEDLES	92363	CHMIRS
NEEDLES	S110981196		TOPOCK COMPRESSOR STATION, 145453 NATIONAL TRAILS HIGHWAY	92363	CHMIRS
NEEDLES	S111756061		TOPOCK COMPRESSOR STATION @ 145453 NATIONAL TRAILS HWY.	92363	CHMIRS
NEEDLES	S111756175		TOPOCK COMPRESSOR STATION AT 145453 NATIONAL TRAILS HWY.	92363	CHMIRS
NEEDLES	S118738991		NEEDLES TRAIN YARD - 834 FRONT ST.	92363	CHMIRS
NEEDLES	S112829933		MP 578.4 NEEDLES SUB, NEEDLES YARD	92363	CHMIRS
NEEDLES	S124447128		3520 NEEDLES HWY, RAINBOW BEACH MOBILE +HOME PARK, SPACE #48	92363	CHMIRS
NEEDLES	S119783236		EB INTERSTATE 40 AT RIVER ROAD CUTOFF	92363	CHMIRS
NEEDLES	S105670293		TRIBAL COMMUNITY, FORT MOJAVE, IN NEEDLES		CHMIRS
NEEDLES	S105636165		WB I-40 AT NEEDLES INSPECTION STATION		CHMIRS
NEEDLES	S105630658		EASTBOUND I 40 2 MILES WEST OF NEEDLES		CHMIRS
NEEDLES	S105655254		NEEDLES INSPECTION STATION W/B I-40		CHMIRS
NEEDLES	S123297506		MILEPOST 593.6, SUBDIVISION: NEEDLES, 15.2 MILES EAST OF NEEDLES		CHMIRS
NEEDLES	S117332136		NEEDLES YARD AT MPM 578.4 ON THE NEEDLES DIV		CHMIRS
NEEDLES	S109037116		200-300 FEET AWAY FROM THE TRACKS, NEEDLES SEWAGE TREATMENT PLANT		CHMIRS
NEEDLES	S109044769		EB I-40 JUST EAST OF RIVER RD		CHMIRS
NEEDLES	S123297839		MILE POST 596.4 OF THE NEEDLES SUB. / HWY 95		CHMIRS
NEEDLES	S116777569		THE ENTIRE TOWN OF NEEDLES		CHMIRS
NEEDLES	S117454923		MP 578.4 OF THE NEEDLES SUB		CHMIRS
NEEDLES	S127597011		MP: 595, NEEDLES SUBDIVISION.		CHMIRS
NEEDLES	S106391507		TOPOCK COMPRESSOR STATION I-40, 16 MI. SE OF NEEDLES ON I-40		CHMIRS
NEEDLES	S111758532		COLORADO RIVER		CHMIRS
NEEDLES	S111753081		US 95 SOUTH 25 MILES SOUTH OF NEEDLES		CHMIRS
NEEDLES	S111755338		14543 NATIONAL TRAILS HW		CHMIRS
NEEDLES	S108401586		MPM 578.13 NEEDLES SUB		CHMIRS
NEEDLES	S110977373		WB HWY 40, MM 103, 35 MILES WEST OF NEEDLES		CHMIRS
NEEDLES	S124448956		MP 578.3, NEEDLES SUB DIVISION		CHMIRS
NEEDLES	S124447074		MP 578 OF THE SELIGMAN SUB, NEEDLES YARD		CHMIRS
NEEDLES	S120833252		MP: 578 NEEDLES SUB		CHMIRS
NEEDLES	S120834492		NEEDLES SUB, MP:590.1, BNSF SERVICE ROAD NEAR HWY 95		CHMIRS
NEEDLES	S109287634	WARD VALLEY LLRW DISP FACILITY	WARD VALLEY		LDS
NEEDLES	1024858015	AT & T MOBILITY	1902 FIVE MILE RD	92363	RCRA NonGen / NLR
NEEDLES	1024875530	SAN BERNARDINO COUNTY TRANSPORTATION	AT AIRPORT	92363	RCRA NonGen / NLR
NEEDLES	1024858288	DOLLAR GENERAL STORE #16860	1500 HOSPITALITY LN	92363	RCRA NonGen / NLR
NEEDLES	1026723980	THE FILTER CHANGE	1714 W. BROADWAY	92363	RCRA NonGen / NLR

ORPHAN SUMMARY

City	EDR ID	Site Name	Site Address	Zip	Database(s)
NEEDLES	1024840551	DESERT RIVER LUBE & LATTE	1714 W BROADWAY ST	92363	RCRA NonGen / NLR
NEEDLES	1025852022	U.S. EXPRESS INC	142150 N SIDE OF INTERSTATE 40	92363	RCRA NonGen / NLR
NEEDLES	1024781489	GOLDEN MILE ENTERPRISES, INC.	I-40, MILE MARKER 136.1	92363	RCRA NonGen / NLR
NEEDLES	1027088544	CALTRANS DISTRICT 8 EA 08-0R1424	I-40	92363	RCRA NonGen / NLR
NEEDLES	1024857728	AT&T MOBILITY	13625 RIVER RD	92363	RCRA NonGen / NLR
NEEDLES	1015737629	SO CAL GAS - NO. NEEDLES	34 54' 30"N 114 38' 36"W	92363	US AIRS
NEEDLES	1015737663	SO CAL GAS - SO. NEEDLES	34 41' 37"N 114 36'47"W	92363	US AIRS
NEEDLES	1015738241	PG&E- TOPOCK	34 42'50"N 114 29' 34"W	92363	US AIRS
NEEDLES	1024641383	AT & T MOBILITY	1902 FIVE MILE RD	92363	FINDS, ECHO
NEEDLES	1024700767	SAN BERNARDINO COUNTY TRANSPORTATION	AT AIRPORT	92363	FINDS, ECHO
NEEDLES	1023251985	WARD VALLEY LLRW DISP FACILITY	WARD VALLEY	92363	FINDS
NEEDLES	1025451180	NEW CINGULAR WIRELESS PCS - NEEDLES	2450 PARKWAY DRIVE	92363	FINDS
NEEDLES	1023316904	T-MOBILE WEST CORPORATION (SITE ID #IE04340A)	9999 NOT A RECORDED STREET	92363	FINDS
NEEDLES	1023233265	CP NATIONAL	1705 FRONT STREET	92363	FINDS
NEEDLES	1023262894	NEEDLES-STANDBY BASINS (H)	FRONT ST AT BUREAU RD	92363	FINDS
NEEDLES	1023227592	UNOCAL STATION	1705 FRONT STREET	92363	FINDS
NEEDLES	1024639132	DOLLAR GENERAL STORE #16860	1500 HOSPITALITY LN	92363	FINDS, ECHO
NEEDLES	1024625331	DESERT RIVER LUBE & LATTE	1714 W BROADWAY ST	92363	FINDS, ECHO
NEEDLES	1026083274	U.S. EXPRESS INC	142150 N SIDE OF INTERSTATE 40	92363	FINDS
NEEDLES	1023251619	UNDERGROUND INJECTION	I-40 & MOABI PARK ROAD	92363	FINDS
NEEDLES	1023692853	PGE TOPOCK INTERIM MEASURE NO 3	I 40 AND PARK MOABI RD	92363	FINDS, ECHO
NEEDLES	1023649224	SBCO - MOABI REGIONAL PARK	PARK MOABI ROAD & I-40	92363	FINDS
NEEDLES	1026422199	TOPOCK GROUNDWATER EXTRACTION SITE	HWY I 40 AND PARK MOABI RD	92363	FINDS
NEEDLES	1014674801	TOPOCK GROUNDWATER EXTRACTION SITE	HWY I-40 AND PARK MOABI RD, 25	92363	FINDS, ECHO
NEEDLES	1027058273	DEER PARK DEVELOPMENT INC	366 ROUTE 66 PLACE	92363	FINDS
NEEDLES	1023301385	SAN BERNARDINO COUNTY FIRE STATION #34	PARK MOABI MAINT YARD	92363	FINDS
NEEDLES	1023317967	SB CO PARK MOABI MARINA	PARK MOABI ROAD	92363	FINDS
NEEDLES	1023350493	PARK MOABI WWTF 94-089	PARK MOABI	92363	FINDS
NEEDLES	1025446420	PG&E - IM3 REMEDIATION SITE	I-40 AND PARK MOABI RD/5 MILES E OF	92363	FINDS
NEEDLES	1025458957	GOLDEN MILE ENTERPRISES, INC.	I-40, MILE MARKER 136.1	92363	FINDS
NEEDLES	1023224802	TOPOCK COMPRESSOR STATION	I-40 & PARK MOABI ROAD	92363	FINDS, ECHO
NEEDLES	1023219583	AT&T MOBILITY-WEST FLATTOP #50866	I-40 & HIGHWAY 95 N	92363	FINDS
NEEDLES	1023256517	SCE-CAMINO SUBSTATION	20 MI W/O NEEDLES ON I-40	92363	FINDS
NEEDLES	1023279930	SOUTHERN CALIFORNIA GAS COMPANY: NEEDLES COMP STA. NORTH	4500 OLD RIVER ROAD	92363	FINDS
NEEDLES	1023247979	AT&T MOBILITY-NEEDLES #16503	13625 RIVER RD	92363	FINDS
NEEDLES	1016265397	P G AND E BAT CAVE WASH PROJECT	HWY 40 14 MI E NEEDLES CA	92363	FINDS, ECHO
NEEDLES	1023693388	BIG RIVER ELEMENTARY SCHOOL	BLM LAND NW BIG RIVER INDIAN RESERVATION	92363	FINDS, ECHO
NEEDLES	1025820903	SCG - SOUTH NEEDLES COMPRESSOR STATION	11 MILES SOUTH OF NEEDLES ON HIGHWAY 95	92363	FINDS
NEEDLES	1025812236	SOUTHERN CALIFORNIA GAS CO., N. NEEDLES COMPRESSOR	4500 NEEDLES HIGHWAY	92363	FINDS
NEEDLES	1023334576	NEEDLES AUTO WRECKING	138990 NATIONAL TRAILS HWY	92363	FINDS
NEEDLES	1023333597	PG & E MEASURING STATION	15 MI E OF NEEDLES	92363	FINDS
NEEDLES	1024637587	AT&T MOBILITY	13625 RIVER RD	92363	FINDS, ECHO
NEEDLES	1026562352	PG&E TOPOCK COMPRESSOR STATION	145453 NATIONAL TRAILS HWY	92363	FINDS, ECHO
NEEDLES	1024042882	PG&E TOPOCK COMPRESSOR STATION	5 MILES EAST OF NEEDLES ON I40	92363	FINDS

ORPHAN SUMMARY

City	EDR ID	Site Name	Site Address	Zip	Database(s)
NEEDLES	1027125605	NEW CINGULAR WIRELESS - NEEDLES	13625 RIVER ROAD	92363	FINDS
NEEDLES	1008152465	TRANSWESTERN PIPELINE COMPANY PG&E MEASUREMENT STATION	15 MILES OF NEEDLES OFF I40	92363	FINDS
NEEDLES	1025954449	U.S. EXPRESS INC	142150 N SIDE OF INTERSTATE 40	92363	ECHO
NEEDLES	1026763061	THE FILTER CHANGE	1714 W. BROADWAY	92363	ECHO
NEEDLES	1026874596	SO CAL GAS - SO. NEEDLES	34 41' 37 N 114 36'47 W	92363	ECHO
NEEDLES	1024735686	GOLDEN MILE ENTERPRISES, INC.	I-40, MILE MARKER 136.1	92363	ECHO
NEEDLES	1025893924	PACIFIC GAS AND ELECTRIC MEASURE STATION	15 MILES OF NEEDLES OFF I40	92363	ECHO
NEEDLES	S111023571	SAN BERNARDINO CO - PARK MOABI	PARK MOABI RD	92363	Cortese, ENF
NEEDLES	S124453552	NEW CINGULAR WIRELESS - NEEDLES - FIVE MILE RD.	1902 FIVE MILE ROAD	92363	EMI
NEEDLES	S124453549	NEW CINGULAR WIRELESS PCS - NEEDLES	2450 PARKWAY DRIVE	92363	EMI
NEEDLES	S124453453	PG&E - IM3 REMEDIATION SITE	I-40 AND PARK MOABI RD/5 MILES E OF	92363	EMI
NEEDLES	S106827751	CALIF DEPT. OF FOOD & AGRICUL.	I-40, 6 MILES EAST	92363	EMI
NEEDLES	S116288656	SOUTHERN CALIFORNIA GAS CO	RIVER ROAD(NORTH NEEDLES)	92363	EMI
NEEDLES	S124453451	PG&E - TOPOCK COMPRESSOR STATION	145453 NATIONAL TRAILS HIGHWAY	92363	EMI
NEEDLES	S124454878	SCG-NORTH NEEDLES COMPRESSOR STATION	4500 NEEDLES HWY (NORTH NEEDLES)	92363	EMI
NEEDLES	S126265919	PG&E - TOPOCK COMPRESSOR STATION	5 MILES EAST OF NEEDLES ON I40	92363	EMI
NEEDLES	S126266055	SCG - NO NEEDLES COMPRESSOR STATION	4500 NEEDLES HWY (NORTH NEEDLES)	92363	EMI
NEEDLES	S111213082	PARK MOABI WWTF	PARK MOABI ROAD	92363	ENF, CIWQS
NEEDLES	S111212965	NEEDLES GOLF COURSE	RIVER RD	92363	ENF
NEEDLES	S123736214	1X L D S CHURCH	INTERSECTIN OF EL MONTE AND	92363	HAZNET, HWTS
NEEDLES	S112971586	PILOT TRAVEL CENTER LLC	I 40 E BOUND AT MILE MARKER 145	92363	HAZNET, HWTS
NEEDLES	S113461855	G & SONS	I 40 E/B AT MM 140	92363	HAZNET, HWTS
NEEDLES	S123056344	BNSF RAILWAY CO	RR M.P. 590.1	92363	HAZNET, HWTS
NEEDLES	S112958783	ROADWAY TRUCKING INC	EB I 40 PM 138 1 MILE PASS BROADWAY EXIT	92363	HAZNET, HWTS
NEEDLES	S123758132	HARKEN MARKETING CO OF CA	2103 BROADWAY	92363	HAZNET, HWTS
NEEDLES	S113030719	ARCO PRODUCTS COMPANY	2410 BROADWAY	92363	HAZNET, HWTS
NEEDLES	S113777381	CALTRANS D-8/EA08-OP1804	ROUTE I-40 PM 120/154.4	92363	HAZNET, HWTS
NEEDLES	S121010181	SWIFT TRANSPORTATION	I-40 EASTBOUND, MILE MARKER 143	92363	HAZNET, HWTS
NEEDLES	S121015270	PENSKE	I-40 EASTBOUND, MILE MARKER 138.8	92363	HAZNET, HWTS
NEEDLES	S113779262	TRANSEX LLC	I-40 POST MARK 141-1	92363	HAZNET, HWTS
NEEDLES	S112928929	CALTRANS DIST 8/CONSTR	HWY I-40 PM 148.5-149	92363	HAZNET, HWTS
NEEDLES	S112941635	CRST INTERNATIONAL INC	EASTBOUND I-40, MILEMKR 111 26 MLS WEST OF NEEDLES	92363	HAZNET, HWTS
NEEDLES	S113005908	SOUTHERN CALIFORNIA GAS CO	HWY 95 11 MILES S OF NEEDLES	92363	HAZNET, HWTS
NEEDLES	S112837192	1X NEEDLES UNIFIED SCHOOL DIST	NEEDLES JR HIGH	92363	HAZNET, HWTS
NEEDLES	S123816155	SOUTHERN CALIFORNIA GAS CO	OLD RIVER RD	92363	HAZNET
NEEDLES	S105025180	SBCO NEEDLES ROAD YARD	AIRPORT RD	92363	HIST CORTESE
NEEDLES	S105025184	MOBIL STATION #18-LKT	2511 BROADWAY	92363	HIST CORTESE
NEEDLES	S105025189	NEEDLES DISPOSAL SITE	HWY 95 3 MI S. OF NEEDLES	92363	HIST CORTESE
NEEDLES	S105025190	CAL TRAN ESSEX MAINTENANC	NATIONAL TRAILS HWY 1/2 M		HIST CORTESE
NEEDLES	S109437494	BIG RIVER ELEMENTARY SCHOOL	BLM LAND NW BIG RIVER INDIAN RESERVATION	92363	NPDES
NEEDLES	S117707728	PG&E GROUNDWATER EXTRACTION & TREATMENT SYS I M NO 3	I 40 AND MOABI PARK RD 15 MILES E OF NEEDLES CA	92363	NPDES, CIWQS
NEEDLES	S117712325	TARMAC NEEDLES	12 MILES N OF NEEDLES VIA PEW	92363	NPDES, CIWQS
NEEDLES	S106800803	UNDERGROUND INJECTION	I-40 & MOABI PARK ROAD	92363	WDS, CIWQS
NEEDLES	S106800802	GROUNDWATER REMEDIATION FAC.	I-40 & MOABI PARK ROAD	92363	WDS

ORPHAN SUMMARY

City	EDR ID	Site Name	Site Address	Zip	Database(s)
NEEDLES	S121658352	NEEDLES-STANDBY BASINS (H)	FRONT ST AT BUREAU RD	92363	CIWQS
NEEDLES	S128692869	PACIFIC GAS ELECTRIC CO	I 40 AND PARK MOABI RD PO BOX 337	92363	CIWQS
NEEDLES	S121668350	RIO VISTANCIA TRACT 16958	NW OF 40 FWY BTWN RIVER RD	92363	CIWQS
NEEDLES	S121661773	PACIFIC GAS & ELECTRIC GROUNDWATER REMEDIATION FACILITY	14543 NATIONAL TRAILS HIGHWAY	92363	CIWQS
NEEDLES	S120026267	BIG RIVER ELEMENTARY SCHOOL	BLM LAND NW BIG RIVER INDIAN RESERVATION KLAMATH TRAIL	92363	CIWQS
SACRAMENTO SPRINGS	S126984062	SACRAMENTO SPRINGS ILLEGAL DUMPSITE	1 1/2 M N OF I40 ON US95	92363	SWF/LF
SAN BERNARDINO	S107538899		I40 AT J STREET EXIT	92363	CDL
SAN BERNARDINO COUN	97388894		I-15 NORTHBOUND		ERNS
SAN BERNARDINO COUN	8869919		I-15		ERNS
SAN BERNARDINO COUN	8862563		SILVERWOOD LAKE MARINA		ERNS
SAN BERNARDINO COUN	8864882		BRIDGE AT MILEPOST 149.5 BETWEEN PARKER AND CADIZ CA AREA IS		ERNS
SAN BERNARDINO COUN	8712263		HWY-18 E OF VICTORVILLE		ERNS
SAN BERNARDINO COUN	2020286376		RIVERSIDE CROSSING BRIDGE		ERNS
SAN BERNARDINO COUN	2016149789		HWY 138 AND I-15 FREEWAY		ERNS
SAN BERNARDINO COUN	8873333		JOSHUA RD-1/4M.N.BEAR RD. * 87		ERNS
SAN BERNARDINO COUN	2006787642		4210 E. HIGHLAND AVE.		ERNS
SAN BERNARDINO COUN	S107538579		GLEN HELEN PARKWAY, 1 MI E OF I-15		CDL
SAN BERNARDINO COUN	S107538905		IN 9100 BLOCK OF DESOTO, APPROXIMATELY 7-8 MILES NW OF ADELANTO		CDL
SAN BERNARDINO COUN	S107540506		ROAD IN09, 3/2 MI E OF HWY 330		CDL
SAN BERNARDINO COUN	S107532438		3 1/2 MI E OF BEAR VALLEY & HWY 18..		CDL
SAN BERNARDINO COUN	S107537516		ALONG SIDE GRAY ST NEAR 3RD ST BEND		CDL
SAN BERNARDINO COUN	S107537822		BELL ROAD, I-15		CDL
SAN BERNARDINO COUN	S107538721		HIGHWAY 138 E OF HIGHWAY 2		CDL
SAN BERNARDINO COUN	S107540201		PALM MEADOWS DR (X-E OF TIPPICANOE)		CDL
SAN BERNARDINO COUN	S107539471		N I-215, SOUTH OF PALM EXIT		CDL
SAN BERNARDINO COUN	S105631675		RIALTO AIRPORT		CHMIRS
SAN BERNARDINO COUN	S106389051		GREEN VALLEY RD NEAR FIRE HOUSE AT GREEN VALLEY LAKE.		CHMIRS
SAN BERNARDINO COUN	S105629417		NORTHBOUND I 15 SOUTH OF BLUECUT		CHMIRS
SAN BERNARDINO COUN	S105631350		S/B 2-15 E/B SR - 30		CHMIRS
SAN BERNARDINO COUN	S105631630		WB I 40, 9 MI EAST LUDLOW		CHMIRS
SAN BERNARDINO COUN	S105637422		S. BOUND I-15 AT ARGICULTURE STATION		CHMIRS
SAN BERNARDINO COUN	S105631821		SB I-15 AT HALLAGER OFF RAMP NORTH OF BEKER.		CHMIRS
SAN BERNARDINO COUN	S105631990		FLIGHT LINE PARKING AREA D-1 NORTON AFB		CHMIRS
SAN BERNARDINO COUN	S105641593		NB I 15 , NORTH OF BASELINE		CHMIRS
SAN BERNARDINO COUN	S105630274		NORTHBOUND I 15 AT TEJON WEIGH SCALES		CHMIRS
SAN BERNARDINO COUN	S105634532		SR 138 AT I 15		CHMIRS
SAN BERNARDINO COUN	S105634543		W/B I-10, EAST OF MILLS AVE		CHMIRS
SAN BERNARDINO COUN	S105631011		S/B I - 15 AT HALLORAN SPRING		CHMIRS
SAN BERNARDINO COUN	S106389055		S/B I-15 CENTER DIVIDER 1 MILE NORTH OF WILDWASH RD.		CHMIRS
SAN BERNARDINO COUN	S105637126		T-2N N/W CORNER OF S-7 R-12E BRISTOLL LAKE S/W		CHMIRS
SAN BERNARDINO COUN	S105633317		N/B 15, JUST SOUTH OF BEAR VALLEY TURNOFF		CHMIRS
SAN BERNARDINO COUN	S105629840		I 15 AT BAILEY ROAD NEAR "MOUNTAIN PASS"		CHMIRS
SAN BERNARDINO COUN	S105639639		EXIT 15 TO BAILEY ROAD 5 MILES TO WINDMILL PASS		CHMIRS
SAN BERNARDINO COUN	S105641888		MILL SITE 6775 BAILEY ROAD		CHMIRS

ORPHAN SUMMARY

City	EDR ID	Site Name	Site Address	Zip	Database(s)
SAN BERNARDINO COUN	S105634706		N/B I-15 AT CLYDE KING REST STOP		CHMIRS
SAN BERNARDINO COUN	S106391740		I-15 N. BOUND, NEAR GLEN HELEN PARKWAY, NEAR DEVORE UNICORPORATED AREA		CHMIRS
SAN BERNARDINO COUN	S106389015		S/R 395 1/2 MILE WEST OF I-15 WITHIN CITY LIMITS OF HESPERIA		CHMIRS
SAN BERNARDINO COUN	S106389107		N.B 395 3 MILE N. OF I-15 SOUTH OF MAIN STREET HESPERIA		CHMIRS
SAN BERNARDINO COUN	S106389145		COOL WATER GENERATING STATION EAST SANTA FE ST PAGGET		CHMIRS
SAN BERNARDINO COUN	S106390212		R/R TRACKS NEAR COLTON NEAREST INTERSECTION IS MERIDIAN		CHMIRS
SAN BERNARDINO COUN	S106389350		QUAIL HOLLOW S 16 T 2N R 27E (SAN BERNARDINO MERIDIAN)		CHMIRS
SAN BERNARDINO COUN	S105635194		W/B I-40, EAST OF MP 149 AG INSPECTION STATION		CHMIRS
SAN BERNARDINO COUN	S105631537		NORTH BOUND I - 15 1 MI. S. OF PALM DAB.		CHMIRS
SAN BERNARDINO COUN	S105630684		CAMP WILSON ON 29 PALMS		CHMIRS
SAN BERNARDINO COUN	S105630895		I-40 EASTBOUND OF FT CADY APPROX . M.P 22		CHMIRS
SAN BERNARDINO COUN	S105631539		INSPECTION STN. AT NEEDLES		CHMIRS
SAN BERNARDINO COUN	S106389343		LOWER ALISO CANYON CREEK NEAR FIRE RAOD FROM RANGER STATION TO SANTA ANA RIVER		CHMIRS
SAN BERNARDINO COUN	M300000964	MITSUBISHI CEMENT CO	LUCERNE VALLEY (CUSHENBURY PLANT)		US MINES
SAN BERNARDINO COUN	M300003171	HI-GRADE MATERIALS CO.	LUCERNE VALLEY PIT & PLANT		US MINES
SAN BERNARDINO COUN	M300003163	CEMEX, INC.	REDLANDS PLANT		US MINES
SAN BERNARDINO COUN	M300003175	ROBERTSONS READY MIX, INC.	REDLANDS EXCAVATION		US MINES
SAN BERNARDINO COUN	M300006191	CALTALC INC	K-1 PIT		US MINES
SAN BERNARDINO COUN	M300003176	A-1 GRIT CO.	A-1 GRIT		US MINES
SAN BERNARDINO COUN	M300006407	OMYA CALIFORNIA, INC.	OMYA CALIFORNIA QUARRY		US MINES
SAN BERNARDINO COUN	1007468581	SOUTHERN CALIF. EDISON CO.	UPPER JOHNSON VALLEY		FINDS
SAN BERNARDINO COUN	S125955234	TRONA-ARGUS TRANSFER STATION	1 MILE N OF TRONA AND ARGUS		WDR
SAN BERNARDINO COUN	S121667913	RESTAURANT & TRUCK WASH, FONTAN	10238 CHERRY		CIWQS
SAN BERNARDINO COUN	S121640637	GENE WASH LANDING STRIP EXT.	T 11 N/R 18 W/ S 31		CIWQS
TOPOCK	2018214899		14999 HISTORIC ROUTE 66	86436	ERNS
TOPOCK	1024089396	EL PASO NATURAL GAS CO - ARCH BRIDGE	SOUTH OF I-40 & COLORADO	86436	RCRA NonGen / NLR
TOPOCK	1024085681	EL PASO NATURAL GAS CO - ARCH BRIDGE	SOUTH OF I-40 & COLORADO	86436	FINDS, ECHO
TOPOCK	S127308834	T0021/SACRAMENTO WASH CROSSING	EXIT 1 OFF I-40 NORTH TOWARD GOLDEN SHORES. PROJECT BEGINS AT MP 0.5 TO MP 0.77 ON COUNTY ROUTE 68	86436	SPDES
TOPOCK	S127309308	T0021/SACRAMENTO WASH CROSSING	EXIT 1 OFF I-40 NORTH TOWARD GOLDEN SHORES. PROJECT BEGINS AT MP 0.5 TO MP 0.77 ON COUNTY ROUTE 68	86436	SPDES
UNINC	S100215512		W/B FENNER REST AREA; I-40	92363	CHMIRS
UNINCORPORATED COUN	S109042277		TOPOC COMPRESSOR STATION / NEAR INT. OF I40 AND PARK MOABI RD.	92363	CHMIRS
UNINCORPORATED COUN	S106395160		NORTH EAST OF THE TREATMENT PLANT AND FLOOD CONTROL AREA, NEAREST TOWN IS NEEDLES	92363	CHMIRS
UNINCORPORATED COUN	S108404680		TOPOCK COMPRESSOR STATION 14 MILES E OF NEEDLES CALIF ON PARK MOABI RD.	92363	CHMIRS
UNINCORPORATED COUN	S118190471		EASTBOUND HIGHWAY 40 AT MPM 154, RIGHT NEXT TO ARIZONA STATE LINE, CLOSEST CITY IS NEEDLES	92363	CHMIRS
WARD VALLEY	S106803228	QUESTAR - CAMINO CPU	WARD VALLEY APM 223	92363	San Bern. Co. Permit

GOVERNMENT RECORDS SEARCHED / DATA CURRENCY TRACKING

To maintain currency of the following federal and state databases, EDR contacts the appropriate governmental agency on a monthly or quarterly basis, as required.

Number of Days to Update: Provides confirmation that EDR is reporting records that have been updated within 90 days from the date the government agency made the information available to the public.

STANDARD ENVIRONMENTAL RECORDS

Lists of Federal NPL (Superfund) sites

NPL: National Priority List

National Priorities List (Superfund). The NPL is a subset of CERCLIS and identifies over 1,200 sites for priority cleanup under the Superfund Program. NPL sites may encompass relatively large areas. As such, EDR provides polygon coverage for over 1,000 NPL site boundaries produced by EPA's Environmental Photographic Interpretation Center (EPIC) and regional EPA offices.

Date of Government Version: 07/26/2022	Source: EPA
Date Data Arrived at EDR: 08/02/2022	Telephone: N/A
Date Made Active in Reports: 08/22/2022	Last EDR Contact: 08/02/2022
Number of Days to Update: 20	Next Scheduled EDR Contact: 10/10/2022
	Data Release Frequency: Quarterly

NPL Site Boundaries

Sources:

EPA's Environmental Photographic Interpretation Center (EPIC)
Telephone: 202-564-7333

EPA Region 1
Telephone 617-918-1143

EPA Region 6
Telephone: 214-655-6659

EPA Region 3
Telephone 215-814-5418

EPA Region 7
Telephone: 913-551-7247

EPA Region 4
Telephone 404-562-8033

EPA Region 8
Telephone: 303-312-6774

EPA Region 5
Telephone 312-886-6686

EPA Region 9
Telephone: 415-947-4246

EPA Region 10
Telephone 206-553-8665

Proposed NPL: Proposed National Priority List Sites

A site that has been proposed for listing on the National Priorities List through the issuance of a proposed rule in the Federal Register. EPA then accepts public comments on the site, responds to the comments, and places on the NPL those sites that continue to meet the requirements for listing.

Date of Government Version: 07/26/2022	Source: EPA
Date Data Arrived at EDR: 08/02/2022	Telephone: N/A
Date Made Active in Reports: 08/22/2022	Last EDR Contact: 08/02/2022
Number of Days to Update: 20	Next Scheduled EDR Contact: 10/10/2022
	Data Release Frequency: Quarterly

NPL LIENS: Federal Superfund Liens

Federal Superfund Liens. Under the authority granted the USEPA by CERCLA of 1980, the USEPA has the authority to file liens against real property in order to recover remedial action expenditures or when the property owner received notification of potential liability. USEPA compiles a listing of filed notices of Superfund Liens.

GOVERNMENT RECORDS SEARCHED / DATA CURRENCY TRACKING

Date of Government Version: 10/15/1991
Date Data Arrived at EDR: 02/02/1994
Date Made Active in Reports: 03/30/1994
Number of Days to Update: 56

Source: EPA
Telephone: 202-564-4267
Last EDR Contact: 08/15/2011
Next Scheduled EDR Contact: 11/28/2011
Data Release Frequency: No Update Planned

Lists of Federal Delisted NPL sites

Delisted NPL: National Priority List Deletions

The National Oil and Hazardous Substances Pollution Contingency Plan (NCP) establishes the criteria that the EPA uses to delete sites from the NPL. In accordance with 40 CFR 300.425.(e), sites may be deleted from the NPL where no further response is appropriate.

Date of Government Version: 07/26/2022
Date Data Arrived at EDR: 08/02/2022
Date Made Active in Reports: 08/22/2022
Number of Days to Update: 20

Source: EPA
Telephone: N/A
Last EDR Contact: 08/02/2022
Next Scheduled EDR Contact: 10/10/2022
Data Release Frequency: Quarterly

Lists of Federal sites subject to CERCLA removals and CERCLA orders

FEDERAL FACILITY: Federal Facility Site Information listing

A listing of National Priority List (NPL) and Base Realignment and Closure (BRAC) sites found in the Comprehensive Environmental Response, Compensation and Liability Information System (CERCLIS) Database where EPA Federal Facilities Restoration and Reuse Office is involved in cleanup activities.

Date of Government Version: 05/25/2021
Date Data Arrived at EDR: 06/24/2021
Date Made Active in Reports: 09/20/2021
Number of Days to Update: 88

Source: Environmental Protection Agency
Telephone: 703-603-8704
Last EDR Contact: 06/27/2022
Next Scheduled EDR Contact: 10/10/2022
Data Release Frequency: Varies

SEMS: Superfund Enterprise Management System

SEMS (Superfund Enterprise Management System) tracks hazardous waste sites, potentially hazardous waste sites, and remedial activities performed in support of EPA's Superfund Program across the United States. The list was formerly known as CERCLIS, renamed to SEMs by the EPA in 2015. The list contains data on potentially hazardous waste sites that have been reported to the USEPA by states, municipalities, private companies and private persons, pursuant to Section 103 of the Comprehensive Environmental Response, Compensation, and Liability Act (CERCLA). This dataset also contains sites which are either proposed to or on the National Priorities List (NPL) and the sites which are in the screening and assessment phase for possible inclusion on the NPL.

Date of Government Version: 07/26/2022
Date Data Arrived at EDR: 08/02/2022
Date Made Active in Reports: 08/22/2022
Number of Days to Update: 20

Source: EPA
Telephone: 800-424-9346
Last EDR Contact: 08/02/2022
Next Scheduled EDR Contact: 10/24/2022
Data Release Frequency: Quarterly

Lists of Federal CERCLA sites with NFRAP

SEMS-ARCHIVE: Superfund Enterprise Management System Archive

GOVERNMENT RECORDS SEARCHED / DATA CURRENCY TRACKING

SEMS-ARCHIVE (Superfund Enterprise Management System Archive) tracks sites that have no further interest under the Federal Superfund Program based on available information. The list was formerly known as the CERCLIS-NFRAP, renamed to SEMS ARCHIVE by the EPA in 2015. EPA may perform a minimal level of assessment work at a site while it is archived if site conditions change and/or new information becomes available. Archived sites have been removed and archived from the inventory of SEMS sites. Archived status indicates that, to the best of EPA's knowledge, assessment at a site has been completed and that EPA has determined no further steps will be taken to list the site on the National Priorities List (NPL), unless information indicates this decision was not appropriate or other considerations require a recommendation for listing at a later time. The decision does not necessarily mean that there is no hazard associated with a given site; it only means that, based upon available information, the location is not judged to be potential NPL site.

Date of Government Version: 07/26/2022	Source: EPA
Date Data Arrived at EDR: 08/02/2022	Telephone: 800-424-9346
Date Made Active in Reports: 08/22/2022	Last EDR Contact: 08/02/2022
Number of Days to Update: 20	Next Scheduled EDR Contact: 10/24/2022
	Data Release Frequency: Quarterly

Lists of Federal RCRA facilities undergoing Corrective Action

CORRACTS: Corrective Action Report

CORRACTS identifies hazardous waste handlers with RCRA corrective action activity.

Date of Government Version: 06/20/2022	Source: EPA
Date Data Arrived at EDR: 06/21/2022	Telephone: 800-424-9346
Date Made Active in Reports: 06/28/2022	Last EDR Contact: 06/21/2022
Number of Days to Update: 7	Next Scheduled EDR Contact: 10/03/2022
	Data Release Frequency: Quarterly

Lists of Federal RCRA TSD facilities

RCRA-TSDF: RCRA - Treatment, Storage and Disposal

RCRAInfo is EPA's comprehensive information system, providing access to data supporting the Resource Conservation and Recovery Act (RCRA) of 1976 and the Hazardous and Solid Waste Amendments (HSWA) of 1984. The database includes selective information on sites which generate, transport, store, treat and/or dispose of hazardous waste as defined by the Resource Conservation and Recovery Act (RCRA). Transporters are individuals or entities that move hazardous waste from the generator offsite to a facility that can recycle, treat, store, or dispose of the waste. TSDFs treat, store, or dispose of the waste.

Date of Government Version: 06/20/2022	Source: Environmental Protection Agency
Date Data Arrived at EDR: 06/21/2022	Telephone: (415) 495-8895
Date Made Active in Reports: 06/28/2022	Last EDR Contact: 06/21/2022
Number of Days to Update: 7	Next Scheduled EDR Contact: 10/03/2022
	Data Release Frequency: Quarterly

Lists of Federal RCRA generators

RCRA-LQG: RCRA - Large Quantity Generators

RCRAInfo is EPA's comprehensive information system, providing access to data supporting the Resource Conservation and Recovery Act (RCRA) of 1976 and the Hazardous and Solid Waste Amendments (HSWA) of 1984. The database includes selective information on sites which generate, transport, store, treat and/or dispose of hazardous waste as defined by the Resource Conservation and Recovery Act (RCRA). Large quantity generators (LQGs) generate over 1,000 kilograms (kg) of hazardous waste, or over 1 kg of acutely hazardous waste per month.

Date of Government Version: 06/20/2022	Source: Environmental Protection Agency
Date Data Arrived at EDR: 06/21/2022	Telephone: (415) 495-8895
Date Made Active in Reports: 06/28/2022	Last EDR Contact: 06/21/2022
Number of Days to Update: 7	Next Scheduled EDR Contact: 10/03/2022
	Data Release Frequency: Quarterly

GOVERNMENT RECORDS SEARCHED / DATA CURRENCY TRACKING

RCRA-SQG: RCRA - Small Quantity Generators

RCRAInfo is EPA's comprehensive information system, providing access to data supporting the Resource Conservation and Recovery Act (RCRA) of 1976 and the Hazardous and Solid Waste Amendments (HSWA) of 1984. The database includes selective information on sites which generate, transport, store, treat and/or dispose of hazardous waste as defined by the Resource Conservation and Recovery Act (RCRA). Small quantity generators (SQGs) generate between 100 kg and 1,000 kg of hazardous waste per month.

Date of Government Version: 06/20/2022	Source: Environmental Protection Agency
Date Data Arrived at EDR: 06/21/2022	Telephone: (415) 495-8895
Date Made Active in Reports: 06/28/2022	Last EDR Contact: 06/21/2022
Number of Days to Update: 7	Next Scheduled EDR Contact: 10/03/2022
	Data Release Frequency: Quarterly

RCRA-VSQG: RCRA - Very Small Quantity Generators (Formerly Conditionally Exempt Small Quantity Generators)

RCRAInfo is EPA's comprehensive information system, providing access to data supporting the Resource Conservation and Recovery Act (RCRA) of 1976 and the Hazardous and Solid Waste Amendments (HSWA) of 1984. The database includes selective information on sites which generate, transport, store, treat and/or dispose of hazardous waste as defined by the Resource Conservation and Recovery Act (RCRA). Very small quantity generators (VSQGs) generate less than 100 kg of hazardous waste, or less than 1 kg of acutely hazardous waste per month.

Date of Government Version: 06/20/2022	Source: Environmental Protection Agency
Date Data Arrived at EDR: 06/21/2022	Telephone: (415) 495-8895
Date Made Active in Reports: 06/28/2022	Last EDR Contact: 06/21/2022
Number of Days to Update: 7	Next Scheduled EDR Contact: 10/03/2022
	Data Release Frequency: Quarterly

Federal institutional controls / engineering controls registries

LUCIS: Land Use Control Information System

LUCIS contains records of land use control information pertaining to the former Navy Base Realignment and Closure properties.

Date of Government Version: 05/16/2022	Source: Department of the Navy
Date Data Arrived at EDR: 05/19/2022	Telephone: 843-820-7326
Date Made Active in Reports: 07/29/2022	Last EDR Contact: 08/03/2022
Number of Days to Update: 71	Next Scheduled EDR Contact: 11/21/2022
	Data Release Frequency: Varies

US ENG CONTROLS: Engineering Controls Sites List

A listing of sites with engineering controls in place. Engineering controls include various forms of caps, building foundations, liners, and treatment methods to create pathway elimination for regulated substances to enter environmental media or effect human health.

Date of Government Version: 05/16/2022	Source: Environmental Protection Agency
Date Data Arrived at EDR: 05/24/2022	Telephone: 703-603-0695
Date Made Active in Reports: 07/29/2022	Last EDR Contact: 08/17/2022
Number of Days to Update: 66	Next Scheduled EDR Contact: 12/05/2022
	Data Release Frequency: Varies

US INST CONTROLS: Institutional Controls Sites List

A listing of sites with institutional controls in place. Institutional controls include administrative measures, such as groundwater use restrictions, construction restrictions, property use restrictions, and post remediation care requirements intended to prevent exposure to contaminants remaining on site. Deed restrictions are generally required as part of the institutional controls.

Date of Government Version: 05/16/2022	Source: Environmental Protection Agency
Date Data Arrived at EDR: 05/24/2022	Telephone: 703-603-0695
Date Made Active in Reports: 07/29/2022	Last EDR Contact: 08/17/2022
Number of Days to Update: 66	Next Scheduled EDR Contact: 12/05/2022
	Data Release Frequency: Varies

GOVERNMENT RECORDS SEARCHED / DATA CURRENCY TRACKING

Federal ERNS list

ERNS: Emergency Response Notification System

Emergency Response Notification System. ERNS records and stores information on reported releases of oil and hazardous substances.

Date of Government Version: 06/14/2022

Source: National Response Center, United States Coast Guard

Date Data Arrived at EDR: 06/15/2022

Telephone: 202-267-2180

Date Made Active in Reports: 06/21/2022

Last EDR Contact: 06/15/2022

Number of Days to Update: 6

Next Scheduled EDR Contact: 10/03/2022

Data Release Frequency: Quarterly

Lists of state- and tribal (Superfund) equivalent sites

RESPONSE: State Response Sites

Identifies confirmed release sites where DTSC is involved in remediation, either in a lead or oversight capacity. These confirmed release sites are generally high-priority and high potential risk.

Date of Government Version: 04/25/2022

Source: Department of Toxic Substances Control

Date Data Arrived at EDR: 04/26/2022

Telephone: 916-323-3400

Date Made Active in Reports: 07/15/2022

Last EDR Contact: 07/25/2022

Number of Days to Update: 80

Next Scheduled EDR Contact: 11/07/2022

Data Release Frequency: Quarterly

Lists of state- and tribal hazardous waste facilities

ENVIROSTOR: EnviroStor Database

The Department of Toxic Substances Control's (DTSC's) Site Mitigation and Brownfields Reuse Program's (SMBRP's) EnviroStor database identifies sites that have known contamination or sites for which there may be reasons to investigate further. The database includes the following site types: Federal Superfund sites (National Priorities List (NPL)); State Response, including Military Facilities and State Superfund; Voluntary Cleanup; and School sites. EnviroStor provides similar information to the information that was available in CalSites, and provides additional site information, including, but not limited to, identification of formerly-contaminated properties that have been released for reuse, properties where environmental deed restrictions have been recorded to prevent inappropriate land uses, and risk characterization information that is used to assess potential impacts to public health and the environment at contaminated sites.

Date of Government Version: 04/25/2022

Source: Department of Toxic Substances Control

Date Data Arrived at EDR: 04/26/2022

Telephone: 916-323-3400

Date Made Active in Reports: 07/15/2022

Last EDR Contact: 07/25/2022

Number of Days to Update: 80

Next Scheduled EDR Contact: 11/07/2022

Data Release Frequency: Quarterly

Lists of state and tribal landfills and solid waste disposal facilities

SWF/LF (SWIS): Solid Waste Information System

Active, Closed and Inactive Landfills. SWF/LF records typically contain an inventory of solid waste disposal facilities or landfills. These may be active or inactive facilities or open dumps that failed to meet RCRA Section 4004 criteria for solid waste landfills or disposal sites.

Date of Government Version: 05/09/2022

Source: Department of Resources Recycling and Recovery

Date Data Arrived at EDR: 05/09/2022

Telephone: 916-341-6320

Date Made Active in Reports: 07/29/2022

Last EDR Contact: 08/08/2022

Number of Days to Update: 81

Next Scheduled EDR Contact: 11/21/2022

Data Release Frequency: Quarterly

Lists of state and tribal leaking storage tanks

GOVERNMENT RECORDS SEARCHED / DATA CURRENCY TRACKING

LUST REG 2: Fuel Leak List

Leaking Underground Storage Tank locations. Alameda, Contra Costa, Marin, Napa, San Francisco, San Mateo, Santa Clara, Solano, Sonoma counties.

Date of Government Version: 09/30/2004
Date Data Arrived at EDR: 10/20/2004
Date Made Active in Reports: 11/19/2004
Number of Days to Update: 30

Source: California Regional Water Quality Control Board San Francisco Bay Region (2)
Telephone: 510-622-2433
Last EDR Contact: 09/19/2011
Next Scheduled EDR Contact: 01/02/2012
Data Release Frequency: No Update Planned

LUST REG 3: Leaking Underground Storage Tank Database

Leaking Underground Storage Tank locations. Monterey, San Benito, San Luis Obispo, Santa Barbara, Santa Cruz counties.

Date of Government Version: 05/19/2003
Date Data Arrived at EDR: 05/19/2003
Date Made Active in Reports: 06/02/2003
Number of Days to Update: 14

Source: California Regional Water Quality Control Board Central Coast Region (3)
Telephone: 805-542-4786
Last EDR Contact: 07/18/2011
Next Scheduled EDR Contact: 10/31/2011
Data Release Frequency: No Update Planned

LUST: Leaking Underground Fuel Tank Report (GEOTRACKER)

Leaking Underground Storage Tank (LUST) Sites included in GeoTracker. GeoTracker is the Water Boards data management system for sites that impact, or have the potential to impact, water quality in California, with emphasis on groundwater.

Date of Government Version: 05/23/2022
Date Data Arrived at EDR: 05/23/2022
Date Made Active in Reports: 05/24/2022
Number of Days to Update: 1

Source: State Water Resources Control Board
Telephone: see region list
Last EDR Contact: 05/23/2022
Next Scheduled EDR Contact: 09/19/2022
Data Release Frequency: Quarterly

LUST REG 6V: Leaking Underground Storage Tank Case Listing

Leaking Underground Storage Tank locations. Inyo, Kern, Los Angeles, Mono, San Bernardino counties.

Date of Government Version: 06/07/2005
Date Data Arrived at EDR: 06/07/2005
Date Made Active in Reports: 06/29/2005
Number of Days to Update: 22

Source: California Regional Water Quality Control Board Victorville Branch Office (6)
Telephone: 760-241-7365
Last EDR Contact: 09/12/2011
Next Scheduled EDR Contact: 12/26/2011
Data Release Frequency: No Update Planned

LUST REG 1: Active Toxic Site Investigation

Del Norte, Humboldt, Lake, Mendocino, Modoc, Siskiyou, Sonoma, Trinity counties. For more current information, please refer to the State Water Resources Control Board's LUST database.

Date of Government Version: 02/01/2001
Date Data Arrived at EDR: 02/28/2001
Date Made Active in Reports: 03/29/2001
Number of Days to Update: 29

Source: California Regional Water Quality Control Board North Coast (1)
Telephone: 707-570-3769
Last EDR Contact: 08/01/2011
Next Scheduled EDR Contact: 11/14/2011
Data Release Frequency: No Update Planned

LUST REG 6L: Leaking Underground Storage Tank Case Listing

For more current information, please refer to the State Water Resources Control Board's LUST database.

Date of Government Version: 09/09/2003
Date Data Arrived at EDR: 09/10/2003
Date Made Active in Reports: 10/07/2003
Number of Days to Update: 27

Source: California Regional Water Quality Control Board Lahontan Region (6)
Telephone: 530-542-5572
Last EDR Contact: 09/12/2011
Next Scheduled EDR Contact: 12/26/2011
Data Release Frequency: No Update Planned

LUST REG 9: Leaking Underground Storage Tank Report

Orange, Riverside, San Diego counties. For more current information, please refer to the State Water Resources Control Board's LUST database.

GOVERNMENT RECORDS SEARCHED / DATA CURRENCY TRACKING

Date of Government Version: 03/01/2001
Date Data Arrived at EDR: 04/23/2001
Date Made Active in Reports: 05/21/2001
Number of Days to Update: 28

Source: California Regional Water Quality Control Board San Diego Region (9)
Telephone: 858-637-5595
Last EDR Contact: 09/26/2011
Next Scheduled EDR Contact: 01/09/2012
Data Release Frequency: No Update Planned

LUST REG 8: Leaking Underground Storage Tanks

California Regional Water Quality Control Board Santa Ana Region (8). For more current information, please refer to the State Water Resources Control Board's LUST database.

Date of Government Version: 02/14/2005
Date Data Arrived at EDR: 02/15/2005
Date Made Active in Reports: 03/28/2005
Number of Days to Update: 41

Source: California Regional Water Quality Control Board Santa Ana Region (8)
Telephone: 909-782-4496
Last EDR Contact: 08/15/2011
Next Scheduled EDR Contact: 11/28/2011
Data Release Frequency: No Update Planned

LUST REG 7: Leaking Underground Storage Tank Case Listing

Leaking Underground Storage Tank locations. Imperial, Riverside, San Diego, Santa Barbara counties.

Date of Government Version: 02/26/2004
Date Data Arrived at EDR: 02/26/2004
Date Made Active in Reports: 03/24/2004
Number of Days to Update: 27

Source: California Regional Water Quality Control Board Colorado River Basin Region (7)
Telephone: 760-776-8943
Last EDR Contact: 08/01/2011
Next Scheduled EDR Contact: 11/14/2011
Data Release Frequency: No Update Planned

LUST REG 5: Leaking Underground Storage Tank Database

Leaking Underground Storage Tank locations. Alameda, Alpine, Amador, Butte, Colusa, Contra Costa, Calveras, El Dorado, Fresno, Glenn, Kern, Kings, Lake, Lassen, Madera, Mariposa, Merced, Modoc, Napa, Nevada, Placer, Plumas, Sacramento, San Joaquin, Shasta, Solano, Stanislaus, Sutter, Tehama, Tulare, Tuolumne, Yolo, Yuba counties.

Date of Government Version: 07/01/2008
Date Data Arrived at EDR: 07/22/2008
Date Made Active in Reports: 07/31/2008
Number of Days to Update: 9

Source: California Regional Water Quality Control Board Central Valley Region (5)
Telephone: 916-464-4834
Last EDR Contact: 07/01/2011
Next Scheduled EDR Contact: 10/17/2011
Data Release Frequency: No Update Planned

LUST REG 4: Underground Storage Tank Leak List

Los Angeles, Ventura counties. For more current information, please refer to the State Water Resources Control Board's LUST database.

Date of Government Version: 09/07/2004
Date Data Arrived at EDR: 09/07/2004
Date Made Active in Reports: 10/12/2004
Number of Days to Update: 35

Source: California Regional Water Quality Control Board Los Angeles Region (4)
Telephone: 213-576-6710
Last EDR Contact: 09/06/2011
Next Scheduled EDR Contact: 12/19/2011
Data Release Frequency: No Update Planned

INDIAN LUST R7: Leaking Underground Storage Tanks on Indian Land

LUSTs on Indian land in Iowa, Kansas, and Nebraska

Date of Government Version: 04/14/2022
Date Data Arrived at EDR: 06/13/2022
Date Made Active in Reports: 08/16/2022
Number of Days to Update: 64

Source: EPA Region 7
Telephone: 913-551-7003
Last EDR Contact: 06/13/2022
Next Scheduled EDR Contact: 10/31/2022
Data Release Frequency: Varies

INDIAN LUST R6: Leaking Underground Storage Tanks on Indian Land

LUSTs on Indian land in New Mexico and Oklahoma.

Date of Government Version: 04/28/2022
Date Data Arrived at EDR: 06/13/2022
Date Made Active in Reports: 08/16/2022
Number of Days to Update: 64

Source: EPA Region 6
Telephone: 214-665-6597
Last EDR Contact: 06/13/2022
Next Scheduled EDR Contact: 10/31/2022
Data Release Frequency: Varies

GOVERNMENT RECORDS SEARCHED / DATA CURRENCY TRACKING

INDIAN LUST R5: Leaking Underground Storage Tanks on Indian Land

Leaking underground storage tanks located on Indian Land in Michigan, Minnesota and Wisconsin.

Date of Government Version: 04/11/2022	Source: EPA, Region 5
Date Data Arrived at EDR: 06/13/2022	Telephone: 312-886-7439
Date Made Active in Reports: 08/16/2022	Last EDR Contact: 06/13/2022
Number of Days to Update: 64	Next Scheduled EDR Contact: 10/31/2022
	Data Release Frequency: Varies

INDIAN LUST R8: Leaking Underground Storage Tanks on Indian Land

LUSTs on Indian land in Colorado, Montana, North Dakota, South Dakota, Utah and Wyoming.

Date of Government Version: 04/20/2022	Source: EPA Region 8
Date Data Arrived at EDR: 06/13/2022	Telephone: 303-312-6271
Date Made Active in Reports: 08/16/2022	Last EDR Contact: 06/13/2022
Number of Days to Update: 64	Next Scheduled EDR Contact: 10/31/2022
	Data Release Frequency: Varies

INDIAN LUST R4: Leaking Underground Storage Tanks on Indian Land

LUSTs on Indian land in Florida, Mississippi and North Carolina.

Date of Government Version: 05/28/2021	Source: EPA Region 4
Date Data Arrived at EDR: 06/22/2021	Telephone: 404-562-8677
Date Made Active in Reports: 09/20/2021	Last EDR Contact: 06/13/2022
Number of Days to Update: 90	Next Scheduled EDR Contact: 10/31/2022
	Data Release Frequency: Varies

INDIAN LUST R9: Leaking Underground Storage Tanks on Indian Land

LUSTs on Indian land in Arizona, California, New Mexico and Nevada

Date of Government Version: 04/08/2022	Source: Environmental Protection Agency
Date Data Arrived at EDR: 06/13/2022	Telephone: 415-972-3372
Date Made Active in Reports: 08/16/2022	Last EDR Contact: 06/13/2022
Number of Days to Update: 64	Next Scheduled EDR Contact: 10/31/2022
	Data Release Frequency: Varies

INDIAN LUST R1: Leaking Underground Storage Tanks on Indian Land

A listing of leaking underground storage tank locations on Indian Land.

Date of Government Version: 04/28/2021	Source: EPA Region 1
Date Data Arrived at EDR: 06/11/2021	Telephone: 617-918-1313
Date Made Active in Reports: 09/07/2021	Last EDR Contact: 06/13/2022
Number of Days to Update: 88	Next Scheduled EDR Contact: 10/31/2022
	Data Release Frequency: Varies

INDIAN LUST R10: Leaking Underground Storage Tanks on Indian Land

LUSTs on Indian land in Alaska, Idaho, Oregon and Washington.

Date of Government Version: 04/20/2022	Source: EPA Region 10
Date Data Arrived at EDR: 06/13/2022	Telephone: 206-553-2857
Date Made Active in Reports: 08/16/2022	Last EDR Contact: 06/13/2022
Number of Days to Update: 64	Next Scheduled EDR Contact: 10/31/2022
	Data Release Frequency: Varies

CPS-SLIC: Statewide SLIC Cases (GEOTRACKER)

Cleanup Program Sites (CPS; also known as Site Cleanups [SC] and formerly known as Spills, Leaks, Investigations, and Cleanups [SLIC] sites) included in GeoTracker. GeoTracker is the Water Boards data management system for sites that impact, or have the potential to impact, water quality in California, with emphasis on groundwater.

Date of Government Version: 05/23/2022	Source: State Water Resources Control Board
Date Data Arrived at EDR: 05/23/2022	Telephone: 866-480-1028
Date Made Active in Reports: 05/24/2022	Last EDR Contact: 05/23/2022
Number of Days to Update: 1	Next Scheduled EDR Contact: 09/19/2022
	Data Release Frequency: Varies

GOVERNMENT RECORDS SEARCHED / DATA CURRENCY TRACKING

SLIC REG 1: Active Toxic Site Investigations

The SLIC (Spills, Leaks, Investigations and Cleanup) program is designed to protect and restore water quality from spills, leaks, and similar discharges.

Date of Government Version: 04/03/2003
Date Data Arrived at EDR: 04/07/2003
Date Made Active in Reports: 04/25/2003
Number of Days to Update: 18

Source: California Regional Water Quality Control Board, North Coast Region (1)
Telephone: 707-576-2220
Last EDR Contact: 08/01/2011
Next Scheduled EDR Contact: 11/14/2011
Data Release Frequency: No Update Planned

SLIC REG 2: Spills, Leaks, Investigation & Cleanup Cost Recovery Listing

The SLIC (Spills, Leaks, Investigations and Cleanup) program is designed to protect and restore water quality from spills, leaks, and similar discharges.

Date of Government Version: 09/30/2004
Date Data Arrived at EDR: 10/20/2004
Date Made Active in Reports: 11/19/2004
Number of Days to Update: 30

Source: Regional Water Quality Control Board San Francisco Bay Region (2)
Telephone: 510-286-0457
Last EDR Contact: 09/19/2011
Next Scheduled EDR Contact: 01/02/2012
Data Release Frequency: No Update Planned

SLIC REG 3: Spills, Leaks, Investigation & Cleanup Cost Recovery Listing

The SLIC (Spills, Leaks, Investigations and Cleanup) program is designed to protect and restore water quality from spills, leaks, and similar discharges.

Date of Government Version: 05/18/2006
Date Data Arrived at EDR: 05/18/2006
Date Made Active in Reports: 06/15/2006
Number of Days to Update: 28

Source: California Regional Water Quality Control Board Central Coast Region (3)
Telephone: 805-549-3147
Last EDR Contact: 07/18/2011
Next Scheduled EDR Contact: 10/31/2011
Data Release Frequency: No Update Planned

SLIC REG 4: Spills, Leaks, Investigation & Cleanup Cost Recovery Listing

The SLIC (Spills, Leaks, Investigations and Cleanup) program is designed to protect and restore water quality from spills, leaks, and similar discharges.

Date of Government Version: 11/17/2004
Date Data Arrived at EDR: 11/18/2004
Date Made Active in Reports: 01/04/2005
Number of Days to Update: 47

Source: Region Water Quality Control Board Los Angeles Region (4)
Telephone: 213-576-6600
Last EDR Contact: 07/01/2011
Next Scheduled EDR Contact: 10/17/2011
Data Release Frequency: No Update Planned

SLIC REG 5: Spills, Leaks, Investigation & Cleanup Cost Recovery Listing

The SLIC (Spills, Leaks, Investigations and Cleanup) program is designed to protect and restore water quality from spills, leaks, and similar discharges.

Date of Government Version: 04/01/2005
Date Data Arrived at EDR: 04/05/2005
Date Made Active in Reports: 04/21/2005
Number of Days to Update: 16

Source: Regional Water Quality Control Board Central Valley Region (5)
Telephone: 916-464-3291
Last EDR Contact: 09/12/2011
Next Scheduled EDR Contact: 12/26/2011
Data Release Frequency: No Update Planned

SLIC REG 6V: Spills, Leaks, Investigation & Cleanup Cost Recovery Listing

The SLIC (Spills, Leaks, Investigations and Cleanup) program is designed to protect and restore water quality from spills, leaks, and similar discharges.

Date of Government Version: 05/24/2005
Date Data Arrived at EDR: 05/25/2005
Date Made Active in Reports: 06/16/2005
Number of Days to Update: 22

Source: Regional Water Quality Control Board, Victorville Branch
Telephone: 619-241-6583
Last EDR Contact: 08/15/2011
Next Scheduled EDR Contact: 11/28/2011
Data Release Frequency: No Update Planned

GOVERNMENT RECORDS SEARCHED / DATA CURRENCY TRACKING

SLIC REG 6L: SLIC Sites

The SLIC (Spills, Leaks, Investigations and Cleanup) program is designed to protect and restore water quality from spills, leaks, and similar discharges.

Date of Government Version: 09/07/2004
Date Data Arrived at EDR: 09/07/2004
Date Made Active in Reports: 10/12/2004
Number of Days to Update: 35

Source: California Regional Water Quality Control Board, Lahontan Region
Telephone: 530-542-5574
Last EDR Contact: 08/15/2011
Next Scheduled EDR Contact: 11/28/2011
Data Release Frequency: No Update Planned

SLIC REG 7: SLIC List

The SLIC (Spills, Leaks, Investigations and Cleanup) program is designed to protect and restore water quality from spills, leaks, and similar discharges.

Date of Government Version: 11/24/2004
Date Data Arrived at EDR: 11/29/2004
Date Made Active in Reports: 01/04/2005
Number of Days to Update: 36

Source: California Regional Quality Control Board, Colorado River Basin Region
Telephone: 760-346-7491
Last EDR Contact: 08/01/2011
Next Scheduled EDR Contact: 11/14/2011
Data Release Frequency: No Update Planned

SLIC REG 8: Spills, Leaks, Investigation & Cleanup Cost Recovery Listing

The SLIC (Spills, Leaks, Investigations and Cleanup) program is designed to protect and restore water quality from spills, leaks, and similar discharges.

Date of Government Version: 04/03/2008
Date Data Arrived at EDR: 04/03/2008
Date Made Active in Reports: 04/14/2008
Number of Days to Update: 11

Source: California Region Water Quality Control Board Santa Ana Region (8)
Telephone: 951-782-3298
Last EDR Contact: 09/12/2011
Next Scheduled EDR Contact: 12/26/2011
Data Release Frequency: No Update Planned

SLIC REG 9: Spills, Leaks, Investigation & Cleanup Cost Recovery Listing

The SLIC (Spills, Leaks, Investigations and Cleanup) program is designed to protect and restore water quality from spills, leaks, and similar discharges.

Date of Government Version: 09/10/2007
Date Data Arrived at EDR: 09/11/2007
Date Made Active in Reports: 09/28/2007
Number of Days to Update: 17

Source: California Regional Water Quality Control Board San Diego Region (9)
Telephone: 858-467-2980
Last EDR Contact: 08/08/2011
Next Scheduled EDR Contact: 11/21/2011
Data Release Frequency: No Update Planned

Lists of state and tribal registered storage tanks

FEMA UST: Underground Storage Tank Listing

A listing of all FEMA owned underground storage tanks.

Date of Government Version: 10/14/2021
Date Data Arrived at EDR: 11/05/2021
Date Made Active in Reports: 02/01/2022
Number of Days to Update: 88

Source: FEMA
Telephone: 202-646-5797
Last EDR Contact: 06/29/2022
Next Scheduled EDR Contact: 10/17/2022
Data Release Frequency: Varies

MILITARY UST SITES: Military UST Sites (GEOTRACKER)

Military ust sites

Date of Government Version: 05/23/2022
Date Data Arrived at EDR: 05/23/2022
Date Made Active in Reports: 06/02/2022
Number of Days to Update: 10

Source: State Water Resources Control Board
Telephone: 866-480-1028
Last EDR Contact: 05/23/2022
Next Scheduled EDR Contact: 09/19/2022
Data Release Frequency: Varies

GOVERNMENT RECORDS SEARCHED / DATA CURRENCY TRACKING

UST: Active UST Facilities

Active UST facilities gathered from the local regulatory agencies

Date of Government Version: 03/07/2022	Source: SWRCB
Date Data Arrived at EDR: 03/08/2022	Telephone: 916-341-5851
Date Made Active in Reports: 06/02/2022	Last EDR Contact: 06/07/2022
Number of Days to Update: 86	Next Scheduled EDR Contact: 09/19/2022
	Data Release Frequency: Semi-Annually

UST CLOSURE: Proposed Closure of Underground Storage Tank (UST) Cases

UST cases that are being considered for closure by either the State Water Resources Control Board or the Executive Director have been posted for a 60-day public comment period. UST Case Closures being proposed for consideration by the State Water Resources Control Board. These are primarily UST cases that meet closure criteria under the decisional framework in State Water Board Resolution No. 92-49 and other Board orders. UST Case Closures proposed for consideration by the Executive Director pursuant to State Water Board Resolution No. 2012-0061. These are cases that meet the criteria of the Low-Threat UST Case Closure Policy. UST Case Closure Review Denials and Approved Orders.

Date of Government Version: 03/07/2022	Source: State Water Resources Control Board
Date Data Arrived at EDR: 03/08/2022	Telephone: 916-327-7844
Date Made Active in Reports: 06/03/2022	Last EDR Contact: 06/09/2022
Number of Days to Update: 87	Next Scheduled EDR Contact: 09/19/2022
	Data Release Frequency: Varies

AST: Aboveground Petroleum Storage Tank Facilities

A listing of aboveground storage tank petroleum storage tank locations.

Date of Government Version: 07/06/2016	Source: California Environmental Protection Agency
Date Data Arrived at EDR: 07/12/2016	Telephone: 916-327-5092
Date Made Active in Reports: 09/19/2016	Last EDR Contact: 06/09/2022
Number of Days to Update: 69	Next Scheduled EDR Contact: 09/26/2022
	Data Release Frequency: Varies

INDIAN UST R4: Underground Storage Tanks on Indian Land

The Indian Underground Storage Tank (UST) database provides information about underground storage tanks on Indian land in EPA Region 4 (Alabama, Florida, Georgia, Kentucky, Mississippi, North Carolina, South Carolina, Tennessee and Tribal Nations)

Date of Government Version: 05/28/2021	Source: EPA Region 4
Date Data Arrived at EDR: 06/22/2021	Telephone: 404-562-9424
Date Made Active in Reports: 09/20/2021	Last EDR Contact: 06/13/2022
Number of Days to Update: 90	Next Scheduled EDR Contact: 10/31/2022
	Data Release Frequency: Varies

INDIAN UST R1: Underground Storage Tanks on Indian Land

The Indian Underground Storage Tank (UST) database provides information about underground storage tanks on Indian land in EPA Region 1 (Connecticut, Maine, Massachusetts, New Hampshire, Rhode Island, Vermont and ten Tribal Nations).

Date of Government Version: 04/07/2022	Source: EPA, Region 1
Date Data Arrived at EDR: 06/13/2022	Telephone: 617-918-1313
Date Made Active in Reports: 08/16/2022	Last EDR Contact: 06/13/2022
Number of Days to Update: 64	Next Scheduled EDR Contact: 10/31/2022
	Data Release Frequency: Varies

INDIAN UST R10: Underground Storage Tanks on Indian Land

The Indian Underground Storage Tank (UST) database provides information about underground storage tanks on Indian land in EPA Region 10 (Alaska, Idaho, Oregon, Washington, and Tribal Nations).

GOVERNMENT RECORDS SEARCHED / DATA CURRENCY TRACKING

Date of Government Version: 04/20/2022	Source: EPA Region 10
Date Data Arrived at EDR: 06/13/2022	Telephone: 206-553-2857
Date Made Active in Reports: 08/16/2022	Last EDR Contact: 06/13/2022
Number of Days to Update: 64	Next Scheduled EDR Contact: 10/31/2022
	Data Release Frequency: Varies

INDIAN UST R7: Underground Storage Tanks on Indian Land

The Indian Underground Storage Tank (UST) database provides information about underground storage tanks on Indian land in EPA Region 7 (Iowa, Kansas, Missouri, Nebraska, and 9 Tribal Nations).

Date of Government Version: 04/14/2022	Source: EPA Region 7
Date Data Arrived at EDR: 06/13/2022	Telephone: 913-551-7003
Date Made Active in Reports: 08/16/2022	Last EDR Contact: 06/13/2022
Number of Days to Update: 64	Next Scheduled EDR Contact: 10/31/2022
	Data Release Frequency: Varies

INDIAN UST R8: Underground Storage Tanks on Indian Land

The Indian Underground Storage Tank (UST) database provides information about underground storage tanks on Indian land in EPA Region 8 (Colorado, Montana, North Dakota, South Dakota, Utah, Wyoming and 27 Tribal Nations).

Date of Government Version: 04/20/2022	Source: EPA Region 8
Date Data Arrived at EDR: 06/13/2022	Telephone: 303-312-6137
Date Made Active in Reports: 08/16/2022	Last EDR Contact: 06/13/2022
Number of Days to Update: 64	Next Scheduled EDR Contact: 10/31/2022
	Data Release Frequency: Varies

INDIAN UST R9: Underground Storage Tanks on Indian Land

The Indian Underground Storage Tank (UST) database provides information about underground storage tanks on Indian land in EPA Region 9 (Arizona, California, Hawaii, Nevada, the Pacific Islands, and Tribal Nations).

Date of Government Version: 04/08/2022	Source: EPA Region 9
Date Data Arrived at EDR: 06/13/2022	Telephone: 415-972-3368
Date Made Active in Reports: 08/16/2022	Last EDR Contact: 06/13/2022
Number of Days to Update: 64	Next Scheduled EDR Contact: 10/31/2022
	Data Release Frequency: Varies

INDIAN UST R6: Underground Storage Tanks on Indian Land

The Indian Underground Storage Tank (UST) database provides information about underground storage tanks on Indian land in EPA Region 6 (Louisiana, Arkansas, Oklahoma, New Mexico, Texas and 65 Tribes).

Date of Government Version: 04/28/2022	Source: EPA Region 6
Date Data Arrived at EDR: 06/13/2022	Telephone: 214-665-7591
Date Made Active in Reports: 08/16/2022	Last EDR Contact: 06/13/2022
Number of Days to Update: 64	Next Scheduled EDR Contact: 10/31/2022
	Data Release Frequency: Varies

INDIAN UST R5: Underground Storage Tanks on Indian Land

The Indian Underground Storage Tank (UST) database provides information about underground storage tanks on Indian land in EPA Region 5 (Michigan, Minnesota and Wisconsin and Tribal Nations).

Date of Government Version: 04/11/2022	Source: EPA Region 5
Date Data Arrived at EDR: 06/13/2022	Telephone: 312-886-6136
Date Made Active in Reports: 08/16/2022	Last EDR Contact: 06/13/2022
Number of Days to Update: 64	Next Scheduled EDR Contact: 10/31/2022
	Data Release Frequency: Varies

Lists of state and tribal voluntary cleanup sites

INDIAN VCP R7: Voluntary Cleanup Priority Listing

A listing of voluntary cleanup priority sites located on Indian Land located in Region 7.

GOVERNMENT RECORDS SEARCHED / DATA CURRENCY TRACKING

Date of Government Version: 03/20/2008
Date Data Arrived at EDR: 04/22/2008
Date Made Active in Reports: 05/19/2008
Number of Days to Update: 27

Source: EPA, Region 7
Telephone: 913-551-7365
Last EDR Contact: 07/08/2021
Next Scheduled EDR Contact: 07/20/2009
Data Release Frequency: Varies

VCP: Voluntary Cleanup Program Properties

Contains low threat level properties with either confirmed or unconfirmed releases and the project proponents have request that DTSC oversee investigation and/or cleanup activities and have agreed to provide coverage for DTSC's costs.

Date of Government Version: 04/25/2022
Date Data Arrived at EDR: 04/26/2022
Date Made Active in Reports: 07/15/2022
Number of Days to Update: 80

Source: Department of Toxic Substances Control
Telephone: 916-323-3400
Last EDR Contact: 07/25/2022
Next Scheduled EDR Contact: 11/07/2022
Data Release Frequency: Quarterly

INDIAN VCP R1: Voluntary Cleanup Priority Listing

A listing of voluntary cleanup priority sites located on Indian Land located in Region 1.

Date of Government Version: 07/27/2015
Date Data Arrived at EDR: 09/29/2015
Date Made Active in Reports: 02/18/2016
Number of Days to Update: 142

Source: EPA, Region 1
Telephone: 617-918-1102
Last EDR Contact: 06/15/2022
Next Scheduled EDR Contact: 10/03/2022
Data Release Frequency: Varies

Lists of state and tribal brownfield sites

BROWNFIELDS: Considered Brownfields Sites Listing

A listing of sites the SWRCB considers to be Brownfields since these are sites have come to them through the MOA Process.

Date of Government Version: 03/21/2022
Date Data Arrived at EDR: 03/21/2022
Date Made Active in Reports: 06/14/2022
Number of Days to Update: 85

Source: State Water Resources Control Board
Telephone: 916-323-7905
Last EDR Contact: 06/21/2022
Next Scheduled EDR Contact: 10/03/2022
Data Release Frequency: Quarterly

ADDITIONAL ENVIRONMENTAL RECORDS

Local Brownfield lists

US BROWNFIELDS: A Listing of Brownfields Sites

Brownfields are real property, the expansion, redevelopment, or reuse of which may be complicated by the presence or potential presence of a hazardous substance, pollutant, or contaminant. Cleaning up and reinvesting in these properties takes development pressures off of undeveloped, open land, and both improves and protects the environment. Assessment, Cleanup and Redevelopment Exchange System (ACRES) stores information reported by EPA Brownfields grant recipients on brownfields properties assessed or cleaned up with grant funding as well as information on Targeted Brownfields Assessments performed by EPA Regions. A listing of ACRES Brownfield sites is obtained from Cleanups in My Community. Cleanups in My Community provides information on Brownfields properties for which information is reported back to EPA, as well as areas served by Brownfields grant programs.

Date of Government Version: 02/23/2022
Date Data Arrived at EDR: 03/10/2022
Date Made Active in Reports: 03/10/2022
Number of Days to Update: 0

Source: Environmental Protection Agency
Telephone: 202-566-2777
Last EDR Contact: 08/08/2022
Next Scheduled EDR Contact: 09/26/2022
Data Release Frequency: Semi-Annually

Local Lists of Landfill / Solid Waste Disposal Sites

GOVERNMENT RECORDS SEARCHED / DATA CURRENCY TRACKING

WMUDS/SWAT: Waste Management Unit Database

Waste Management Unit Database System. WMUDS is used by the State Water Resources Control Board staff and the Regional Water Quality Control Boards for program tracking and inventory of waste management units. WMUDS is composed of the following databases: Facility Information, Scheduled Inspections Information, Waste Management Unit Information, SWAT Program Information, SWAT Report Summary Information, SWAT Report Summary Data, Chapter 15 (formerly Subchapter 15) Information, Chapter 15 Monitoring Parameters, TPCA Program Information, RCRA Program Information, Closure Information, and Interested Parties Information.

Date of Government Version: 04/01/2000	Source: State Water Resources Control Board
Date Data Arrived at EDR: 04/10/2000	Telephone: 916-227-4448
Date Made Active in Reports: 05/10/2000	Last EDR Contact: 07/19/2022
Number of Days to Update: 30	Next Scheduled EDR Contact: 11/07/2022
	Data Release Frequency: No Update Planned

SWRCY: Recycler Database

A listing of recycling facilities in California.

Date of Government Version: 06/06/2022	Source: Department of Conservation
Date Data Arrived at EDR: 06/07/2022	Telephone: 916-323-3836
Date Made Active in Reports: 08/23/2022	Last EDR Contact: 06/07/2022
Number of Days to Update: 77	Next Scheduled EDR Contact: 09/19/2022
	Data Release Frequency: Quarterly

HAULERS: Registered Waste Tire Haulers Listing

A listing of registered waste tire haulers.

Date of Government Version: 02/15/2022	Source: Integrated Waste Management Board
Date Data Arrived at EDR: 02/24/2022	Telephone: 916-341-6422
Date Made Active in Reports: 05/25/2022	Last EDR Contact: 08/16/2022
Number of Days to Update: 90	Next Scheduled EDR Contact: 11/21/2022
	Data Release Frequency: Varies

INDIAN ODI: Report on the Status of Open Dumps on Indian Lands

Location of open dumps on Indian land.

Date of Government Version: 12/31/1998	Source: Environmental Protection Agency
Date Data Arrived at EDR: 12/03/2007	Telephone: 703-308-8245
Date Made Active in Reports: 01/24/2008	Last EDR Contact: 07/21/2022
Number of Days to Update: 52	Next Scheduled EDR Contact: 11/07/2022
	Data Release Frequency: Varies

ODI: Open Dump Inventory

An open dump is defined as a disposal facility that does not comply with one or more of the Part 257 or Part 258 Subtitle D Criteria.

Date of Government Version: 06/30/1985	Source: Environmental Protection Agency
Date Data Arrived at EDR: 08/09/2004	Telephone: 800-424-9346
Date Made Active in Reports: 09/17/2004	Last EDR Contact: 06/09/2004
Number of Days to Update: 39	Next Scheduled EDR Contact: N/A
	Data Release Frequency: No Update Planned

DEBRIS REGION 9: Torres Martinez Reservation Illegal Dump Site Locations

A listing of illegal dump sites location on the Torres Martinez Indian Reservation located in eastern Riverside County and northern Imperial County, California.

Date of Government Version: 01/12/2009	Source: EPA, Region 9
Date Data Arrived at EDR: 05/07/2009	Telephone: 415-947-4219
Date Made Active in Reports: 09/21/2009	Last EDR Contact: 07/12/2022
Number of Days to Update: 137	Next Scheduled EDR Contact: 10/31/2022
	Data Release Frequency: No Update Planned

GOVERNMENT RECORDS SEARCHED / DATA CURRENCY TRACKING

IHS OPEN DUMPS: Open Dumps on Indian Land

A listing of all open dumps located on Indian Land in the United States.

Date of Government Version: 04/01/2014
Date Data Arrived at EDR: 08/06/2014
Date Made Active in Reports: 01/29/2015
Number of Days to Update: 176

Source: Department of Health & Human Services, Indian Health Service
Telephone: 301-443-1452
Last EDR Contact: 07/21/2022
Next Scheduled EDR Contact: 11/07/2022
Data Release Frequency: Varies

Local Lists of Hazardous waste / Contaminated Sites

US HIST CDL: National Clandestine Laboratory Register

A listing of clandestine drug lab locations that have been removed from the DEAs National Clandestine Laboratory Register.

Date of Government Version: 04/30/2022
Date Data Arrived at EDR: 05/24/2022
Date Made Active in Reports: 07/29/2022
Number of Days to Update: 66

Source: Drug Enforcement Administration
Telephone: 202-307-1000
Last EDR Contact: 08/18/2022
Next Scheduled EDR Contact: 12/05/2022
Data Release Frequency: No Update Planned

HIST CAL-SITES: Calsites Database

The Calsites database contains potential or confirmed hazardous substance release properties. In 1996, California EPA reevaluated and significantly reduced the number of sites in the Calsites database. No longer updated by the state agency. It has been replaced by ENVIROSTOR.

Date of Government Version: 08/08/2005
Date Data Arrived at EDR: 08/03/2006
Date Made Active in Reports: 08/24/2006
Number of Days to Update: 21

Source: Department of Toxic Substance Control
Telephone: 916-323-3400
Last EDR Contact: 02/23/2009
Next Scheduled EDR Contact: 05/25/2009
Data Release Frequency: No Update Planned

SCH: School Property Evaluation Program

This category contains proposed and existing school sites that are being evaluated by DTSC for possible hazardous materials contamination. In some cases, these properties may be listed in the CalSites category depending on the level of threat to public health and safety or the environment they pose.

Date of Government Version: 04/25/2022
Date Data Arrived at EDR: 04/26/2022
Date Made Active in Reports: 07/15/2022
Number of Days to Update: 80

Source: Department of Toxic Substances Control
Telephone: 916-323-3400
Last EDR Contact: 07/25/2022
Next Scheduled EDR Contact: 11/07/2022
Data Release Frequency: Quarterly

CDL: Clandestine Drug Labs

A listing of drug lab locations. Listing of a location in this database does not indicate that any illegal drug lab materials were or were not present there, and does not constitute a determination that the location either requires or does not require additional cleanup work.

Date of Government Version: 12/31/2019
Date Data Arrived at EDR: 01/20/2021
Date Made Active in Reports: 04/08/2021
Number of Days to Update: 78

Source: Department of Toxic Substances Control
Telephone: 916-255-6504
Last EDR Contact: 08/23/2022
Next Scheduled EDR Contact: 10/17/2022
Data Release Frequency: Varies

CERS HAZ WASTE: CERS HAZ WASTE

List of sites in the California Environmental Protection Agency (CalEPA) Regulated Site Portal which fall under the Hazardous Chemical Management, Hazardous Waste Onsite Treatment, Household Hazardous Waste Collection, Hazardous Waste Generator, and RCRA LQ HW Generator programs.

GOVERNMENT RECORDS SEARCHED / DATA CURRENCY TRACKING

Date of Government Version: 04/18/2022
Date Data Arrived at EDR: 04/19/2022
Date Made Active in Reports: 07/12/2022
Number of Days to Update: 84

Source: CalEPA
Telephone: 916-323-2514
Last EDR Contact: 07/18/2022
Next Scheduled EDR Contact: 10/31/2022
Data Release Frequency: Quarterly

TOXIC PITS: Toxic Pits Cleanup Act Sites

Toxic PITS Cleanup Act Sites. TOXIC PITS identifies sites suspected of containing hazardous substances where cleanup has not yet been completed.

Date of Government Version: 07/01/1995
Date Data Arrived at EDR: 08/30/1995
Date Made Active in Reports: 09/26/1995
Number of Days to Update: 27

Source: State Water Resources Control Board
Telephone: 916-227-4364
Last EDR Contact: 01/26/2009
Next Scheduled EDR Contact: 04/27/2009
Data Release Frequency: No Update Planned

US CDL: Clandestine Drug Labs

A listing of clandestine drug lab locations. The U.S. Department of Justice ("the Department") provides this web site as a public service. It contains addresses of some locations where law enforcement agencies reported they found chemicals or other items that indicated the presence of either clandestine drug laboratories or dumpsites. In most cases, the source of the entries is not the Department, and the Department has not verified the entry and does not guarantee its accuracy. Members of the public must verify the accuracy of all entries by, for example, contacting local law enforcement and local health departments.

Date of Government Version: 04/30/2022
Date Data Arrived at EDR: 05/24/2022
Date Made Active in Reports: 07/29/2022
Number of Days to Update: 66

Source: Drug Enforcement Administration
Telephone: 202-307-1000
Last EDR Contact: 08/18/2022
Next Scheduled EDR Contact: 12/05/2022
Data Release Frequency: Quarterly

AQUEOUS FOAM: Former Fire Training Facility Assessments Listing

Airports shown on this list are those believed to use Aqueous Film Forming Foam (AFFF), and certified by the Federal Aviation Administration (FAA) under Title 14, Code of Federal Regulations (CFR), Part 139 (14 CFR Part 139). This list was created by SWRCB using information available from the FAA. Location points shown are from the latitude and longitude listed on the FAA airport master record.

Date of Government Version: 02/20/2020
Date Data Arrived at EDR: 12/10/2021
Date Made Active in Reports: 02/25/2022
Number of Days to Update: 77

Source: State Water Resources Control Board
Telephone: 916-341-5455
Last EDR Contact: 06/10/2022
Next Scheduled EDR Contact: 09/19/2022
Data Release Frequency: Varies

PFAS: PFAS Contamination Site Location Listing

A listing of PFAS contaminated sites included in the GeoTracker database.

Date of Government Version: 03/07/2022
Date Data Arrived at EDR: 03/08/2022
Date Made Active in Reports: 06/02/2022
Number of Days to Update: 86

Source: State Water Resources Control Board
Telephone: 866-480-1028
Last EDR Contact: 06/07/2022
Next Scheduled EDR Contact: 09/19/2022
Data Release Frequency: Varies

Local Lists of Registered Storage Tanks

SWEEPS UST: SWEEPS UST Listing

Statewide Environmental Evaluation and Planning System. This underground storage tank listing was updated and maintained by a company contacted by the SWRCB in the early 1990's. The listing is no longer updated or maintained. The local agency is the contact for more information on a site on the SWEEPS list.

Date of Government Version: 06/01/1994
Date Data Arrived at EDR: 07/07/2005
Date Made Active in Reports: 08/11/2005
Number of Days to Update: 35

Source: State Water Resources Control Board
Telephone: N/A
Last EDR Contact: 06/03/2005
Next Scheduled EDR Contact: N/A
Data Release Frequency: No Update Planned

GOVERNMENT RECORDS SEARCHED / DATA CURRENCY TRACKING

HIST UST: Hazardous Substance Storage Container Database

The Hazardous Substance Storage Container Database is a historical listing of UST sites. Refer to local/county source for current data.

Date of Government Version: 10/15/1990	Source: State Water Resources Control Board
Date Data Arrived at EDR: 01/25/1991	Telephone: 916-341-5851
Date Made Active in Reports: 02/12/1991	Last EDR Contact: 07/26/2001
Number of Days to Update: 18	Next Scheduled EDR Contact: N/A
	Data Release Frequency: No Update Planned

SAN FRANCISCO AST: Aboveground Storage Tank Site Listing

Aboveground storage tank sites

Date of Government Version: 05/05/2022	Source: San Francisco County Department of Public Health
Date Data Arrived at EDR: 05/06/2022	Telephone: 415-252-3896
Date Made Active in Reports: 07/21/2022	Last EDR Contact: 07/26/2022
Number of Days to Update: 76	Next Scheduled EDR Contact: 11/14/2022
	Data Release Frequency: Varies

CA FID UST: Facility Inventory Database

The Facility Inventory Database (FID) contains a historical listing of active and inactive underground storage tank locations from the State Water Resource Control Board. Refer to local/county source for current data.

Date of Government Version: 10/31/1994	Source: California Environmental Protection Agency
Date Data Arrived at EDR: 09/05/1995	Telephone: 916-341-5851
Date Made Active in Reports: 09/29/1995	Last EDR Contact: 12/28/1998
Number of Days to Update: 24	Next Scheduled EDR Contact: N/A
	Data Release Frequency: No Update Planned

CERS TANKS: California Environmental Reporting System (CERS) Tanks

List of sites in the California Environmental Protection Agency (CalEPA) Regulated Site Portal which fall under the Aboveground Petroleum Storage and Underground Storage Tank regulatory programs.

Date of Government Version: 04/18/2022	Source: California Environmental Protection Agency
Date Data Arrived at EDR: 04/19/2022	Telephone: 916-323-2514
Date Made Active in Reports: 07/12/2022	Last EDR Contact: 07/18/2022
Number of Days to Update: 84	Next Scheduled EDR Contact: 10/31/2022
	Data Release Frequency: Quarterly

Local Land Records

LIENS: Environmental Liens Listing

A listing of property locations with environmental liens for California where DTSC is a lien holder.

Date of Government Version: 05/25/2022	Source: Department of Toxic Substances Control
Date Data Arrived at EDR: 05/26/2022	Telephone: 916-323-3400
Date Made Active in Reports: 08/11/2022	Last EDR Contact: 08/23/2022
Number of Days to Update: 77	Next Scheduled EDR Contact: 12/12/2022
	Data Release Frequency: Varies

LIENS 2: CERCLA Lien Information

A Federal CERCLA ('Superfund') lien can exist by operation of law at any site or property at which EPA has spent Superfund monies. These monies are spent to investigate and address releases and threatened releases of contamination. CERCLIS provides information as to the identity of these sites and properties.

Date of Government Version: 07/26/2022	Source: Environmental Protection Agency
Date Data Arrived at EDR: 08/02/2022	Telephone: 202-564-6023
Date Made Active in Reports: 08/22/2022	Last EDR Contact: 08/02/2022
Number of Days to Update: 20	Next Scheduled EDR Contact: 10/10/2022
	Data Release Frequency: Semi-Annually

GOVERNMENT RECORDS SEARCHED / DATA CURRENCY TRACKING

DEED: Deed Restriction Listing

Site Mitigation and Brownfields Reuse Program Facility Sites with Deed Restrictions & Hazardous Waste Management Program Facility Sites with Deed / Land Use Restriction. The DTSC Site Mitigation and Brownfields Reuse Program (SMBRP) list includes sites cleaned up under the program's oversight and generally does not include current or former hazardous waste facilities that required a hazardous waste facility permit. The list represents deed restrictions that are active. Some sites have multiple deed restrictions. The DTSC Hazardous Waste Management Program (HWMP) has developed a list of current or former hazardous waste facilities that have a recorded land use restriction at the local county recorder's office. The land use restrictions on this list were required by the DTSC HWMP as a result of the presence of hazardous substances that remain on site after the facility (or part of the facility) has been closed or cleaned up. The types of land use restriction include deed notice, deed restriction, or a land use restriction that binds current and future owners.

Date of Government Version: 05/31/2022	Source: DTSC and SWRCB
Date Data Arrived at EDR: 05/31/2022	Telephone: 916-323-3400
Date Made Active in Reports: 08/18/2022	Last EDR Contact: 05/31/2022
Number of Days to Update: 79	Next Scheduled EDR Contact: 09/12/2022
	Data Release Frequency: Semi-Annually

Records of Emergency Release Reports

HMIRS: Hazardous Materials Information Reporting System

Hazardous Materials Incident Report System. HMIRS contains hazardous material spill incidents reported to DOT.

Date of Government Version: 03/21/2022	Source: U.S. Department of Transportation
Date Data Arrived at EDR: 03/21/2022	Telephone: 202-366-4555
Date Made Active in Reports: 06/14/2022	Last EDR Contact: 06/21/2022
Number of Days to Update: 85	Next Scheduled EDR Contact: 10/03/2022
	Data Release Frequency: Quarterly

CHMIRS: California Hazardous Material Incident Report System

California Hazardous Material Incident Reporting System. CHMIRS contains information on reported hazardous material incidents (accidental releases or spills).

Date of Government Version: 04/03/2022	Source: Office of Emergency Services
Date Data Arrived at EDR: 04/19/2022	Telephone: 916-845-8400
Date Made Active in Reports: 07/12/2022	Last EDR Contact: 07/18/2022
Number of Days to Update: 84	Next Scheduled EDR Contact: 10/31/2022
	Data Release Frequency: Semi-Annually

LDS: Land Disposal Sites Listing (GEOTRACKER)

Land Disposal sites (Landfills) included in GeoTracker. GeoTracker is the Water Boards data management system for sites that impact, or have the potential to impact, water quality in California, with emphasis on groundwater.

Date of Government Version: 05/23/2022	Source: State Water Quality Control Board
Date Data Arrived at EDR: 05/23/2022	Telephone: 866-480-1028
Date Made Active in Reports: 05/24/2022	Last EDR Contact: 05/23/2022
Number of Days to Update: 1	Next Scheduled EDR Contact: 09/19/2022
	Data Release Frequency: Quarterly

MCS: Military Cleanup Sites Listing (GEOTRACKER)

Military sites (consisting of: Military UST sites; Military Privatized sites; and Military Cleanup sites [formerly known as DoD non UST]) included in GeoTracker. GeoTracker is the Water Boards data management system for sites that impact, or have the potential to impact, water quality in California, with emphasis on groundwater.

Date of Government Version: 05/23/2022	Source: State Water Resources Control Board
Date Data Arrived at EDR: 05/23/2022	Telephone: 866-480-1028
Date Made Active in Reports: 05/24/2022	Last EDR Contact: 05/23/2022
Number of Days to Update: 1	Next Scheduled EDR Contact: 09/19/2022
	Data Release Frequency: Quarterly

GOVERNMENT RECORDS SEARCHED / DATA CURRENCY TRACKING

SPILLS 90: SPILLS90 data from FirstSearch

Spills 90 includes those spill and release records available exclusively from FirstSearch databases. Typically, they may include chemical, oil and/or hazardous substance spills recorded after 1990. Duplicate records that are already included in EDR incident and release records are not included in Spills 90.

Date of Government Version: 06/06/2012	Source: FirstSearch
Date Data Arrived at EDR: 01/03/2013	Telephone: N/A
Date Made Active in Reports: 02/22/2013	Last EDR Contact: 01/03/2013
Number of Days to Update: 50	Next Scheduled EDR Contact: N/A
	Data Release Frequency: No Update Planned

Other Ascertainable Records

RCRA NonGen / NLR: RCRA - Non Generators / No Longer Regulated

RCRAInfo is EPA's comprehensive information system, providing access to data supporting the Resource Conservation and Recovery Act (RCRA) of 1976 and the Hazardous and Solid Waste Amendments (HSWA) of 1984. The database includes selective information on sites which generate, transport, store, treat and/or dispose of hazardous waste as defined by the Resource Conservation and Recovery Act (RCRA). Non-Generators do not presently generate hazardous waste.

Date of Government Version: 06/20/2022	Source: Environmental Protection Agency
Date Data Arrived at EDR: 06/21/2022	Telephone: (415) 495-8895
Date Made Active in Reports: 06/28/2022	Last EDR Contact: 06/21/2022
Number of Days to Update: 7	Next Scheduled EDR Contact: 10/03/2022
	Data Release Frequency: Quarterly

FUDS: Formerly Used Defense Sites

The listing includes locations of Formerly Used Defense Sites properties where the US Army Corps of Engineers is actively working or will take necessary cleanup actions.

Date of Government Version: 05/11/2022	Source: U.S. Army Corps of Engineers
Date Data Arrived at EDR: 05/17/2022	Telephone: 202-528-4285
Date Made Active in Reports: 07/29/2022	Last EDR Contact: 08/11/2022
Number of Days to Update: 73	Next Scheduled EDR Contact: 11/28/2022
	Data Release Frequency: Varies

DOD: Department of Defense Sites

This data set consists of federally owned or administered lands, administered by the Department of Defense, that have any area equal to or greater than 640 acres of the United States, Puerto Rico, and the U.S. Virgin Islands.

Date of Government Version: 06/07/2021	Source: USGS
Date Data Arrived at EDR: 07/13/2021	Telephone: 888-275-8747
Date Made Active in Reports: 03/09/2022	Last EDR Contact: 07/13/2022
Number of Days to Update: 239	Next Scheduled EDR Contact: 10/24/2022
	Data Release Frequency: Varies

FEDLAND: Federal and Indian Lands

Federally and Indian administrated lands of the United States. Lands included are administrated by: Army Corps of Engineers, Bureau of Reclamation, National Wild and Scenic River, National Wildlife Refuge, Public Domain Land, Wilderness, Wilderness Study Area, Wildlife Management Area, Bureau of Indian Affairs, Bureau of Land Management, Department of Justice, Forest Service, Fish and Wildlife Service, National Park Service.

Date of Government Version: 04/02/2018	Source: U.S. Geological Survey
Date Data Arrived at EDR: 04/11/2018	Telephone: 888-275-8747
Date Made Active in Reports: 11/06/2019	Last EDR Contact: 07/08/2022
Number of Days to Update: 574	Next Scheduled EDR Contact: 10/17/2022
	Data Release Frequency: N/A

SCRD DRYCLEANERS: State Coalition for Remediation of Drycleaners Listing

The State Coalition for Remediation of Drycleaners was established in 1998, with support from the U.S. EPA Office of Superfund Remediation and Technology Innovation. It is comprised of representatives of states with established drycleaner remediation programs. Currently the member states are Alabama, Connecticut, Florida, Illinois, Kansas, Minnesota, Missouri, North Carolina, Oregon, South Carolina, Tennessee, Texas, and Wisconsin.

GOVERNMENT RECORDS SEARCHED / DATA CURRENCY TRACKING

Date of Government Version: 01/01/2017
Date Data Arrived at EDR: 02/03/2017
Date Made Active in Reports: 04/07/2017
Number of Days to Update: 63

Source: Environmental Protection Agency
Telephone: 615-532-8599
Last EDR Contact: 08/03/2022
Next Scheduled EDR Contact: 11/21/2022
Data Release Frequency: Varies

US FIN ASSUR: Financial Assurance Information

All owners and operators of facilities that treat, store, or dispose of hazardous waste are required to provide proof that they will have sufficient funds to pay for the clean up, closure, and post-closure care of their facilities.

Date of Government Version: 03/21/2022
Date Data Arrived at EDR: 03/21/2022
Date Made Active in Reports: 06/14/2022
Number of Days to Update: 85

Source: Environmental Protection Agency
Telephone: 202-566-1917
Last EDR Contact: 06/21/2022
Next Scheduled EDR Contact: 10/03/2022
Data Release Frequency: Quarterly

EPA WATCH LIST: EPA WATCH LIST

EPA maintains a "Watch List" to facilitate dialogue between EPA, state and local environmental agencies on enforcement matters relating to facilities with alleged violations identified as either significant or high priority. Being on the Watch List does not mean that the facility has actually violated the law only that an investigation by EPA or a state or local environmental agency has led those organizations to allege that an unproven violation has in fact occurred. Being on the Watch List does not represent a higher level of concern regarding the alleged violations that were detected, but instead indicates cases requiring additional dialogue between EPA, state and local agencies - primarily because of the length of time the alleged violation has gone unaddressed or unresolved.

Date of Government Version: 08/30/2013
Date Data Arrived at EDR: 03/21/2014
Date Made Active in Reports: 06/17/2014
Number of Days to Update: 88

Source: Environmental Protection Agency
Telephone: 617-520-3000
Last EDR Contact: 07/29/2022
Next Scheduled EDR Contact: 11/14/2022
Data Release Frequency: Quarterly

2020 COR ACTION: 2020 Corrective Action Program List

The EPA has set ambitious goals for the RCRA Corrective Action program by creating the 2020 Corrective Action Universe. This RCRA cleanup baseline includes facilities expected to need corrective action. The 2020 universe contains a wide variety of sites. Some properties are heavily contaminated while others were contaminated but have since been cleaned up. Still others have not been fully investigated yet, and may require little or no remediation. Inclusion in the 2020 Universe does not necessarily imply failure on the part of a facility to meet its RCRA obligations.

Date of Government Version: 09/30/2017
Date Data Arrived at EDR: 05/08/2018
Date Made Active in Reports: 07/20/2018
Number of Days to Update: 73

Source: Environmental Protection Agency
Telephone: 703-308-4044
Last EDR Contact: 08/04/2022
Next Scheduled EDR Contact: 11/14/2022
Data Release Frequency: Varies

TSCA: Toxic Substances Control Act

Toxic Substances Control Act. TSCA identifies manufacturers and importers of chemical substances included on the TSCA Chemical Substance Inventory list. It includes data on the production volume of these substances by plant site.

Date of Government Version: 12/31/2016
Date Data Arrived at EDR: 06/17/2020
Date Made Active in Reports: 09/10/2020
Number of Days to Update: 85

Source: EPA
Telephone: 202-260-5521
Last EDR Contact: 06/14/2022
Next Scheduled EDR Contact: 09/26/2022
Data Release Frequency: Every 4 Years

TRIS: Toxic Chemical Release Inventory System

Toxic Release Inventory System. TRIS identifies facilities which release toxic chemicals to the air, water and land in reportable quantities under SARA Title III Section 313.

GOVERNMENT RECORDS SEARCHED / DATA CURRENCY TRACKING

Date of Government Version: 12/31/2018
Date Data Arrived at EDR: 08/14/2020
Date Made Active in Reports: 11/04/2020
Number of Days to Update: 82

Source: EPA
Telephone: 202-566-0250
Last EDR Contact: 08/11/2022
Next Scheduled EDR Contact: 11/28/2022
Data Release Frequency: Annually

SSTS: Section 7 Tracking Systems

Section 7 of the Federal Insecticide, Fungicide and Rodenticide Act, as amended (92 Stat. 829) requires all registered pesticide-producing establishments to submit a report to the Environmental Protection Agency by March 1st each year. Each establishment must report the types and amounts of pesticides, active ingredients and devices being produced, and those having been produced and sold or distributed in the past year.

Date of Government Version: 07/18/2022
Date Data Arrived at EDR: 07/18/2022
Date Made Active in Reports: 07/29/2022
Number of Days to Update: 11

Source: EPA
Telephone: 202-564-4203
Last EDR Contact: 07/18/2022
Next Scheduled EDR Contact: 10/31/2022
Data Release Frequency: Annually

ROD: Records Of Decision

Record of Decision. ROD documents mandate a permanent remedy at an NPL (Superfund) site containing technical and health information to aid in the cleanup.

Date of Government Version: 07/26/2022
Date Data Arrived at EDR: 08/02/2022
Date Made Active in Reports: 08/22/2022
Number of Days to Update: 20

Source: EPA
Telephone: 703-416-0223
Last EDR Contact: 08/02/2022
Next Scheduled EDR Contact: 09/12/2022
Data Release Frequency: Annually

RMP: Risk Management Plans

When Congress passed the Clean Air Act Amendments of 1990, it required EPA to publish regulations and guidance for chemical accident prevention at facilities using extremely hazardous substances. The Risk Management Program Rule (RMP Rule) was written to implement Section 112(r) of these amendments. The rule, which built upon existing industry codes and standards, requires companies of all sizes that use certain flammable and toxic substances to develop a Risk Management Program, which includes a(n): Hazard assessment that details the potential effects of an accidental release, an accident history of the last five years, and an evaluation of worst-case and alternative accidental releases; Prevention program that includes safety precautions and maintenance, monitoring, and employee training measures; and Emergency response program that spells out emergency health care, employee training measures and procedures for informing the public and response agencies (e.g the fire department) should an accident occur.

Date of Government Version: 04/27/2022
Date Data Arrived at EDR: 05/04/2022
Date Made Active in Reports: 05/10/2022
Number of Days to Update: 6

Source: Environmental Protection Agency
Telephone: 202-564-8600
Last EDR Contact: 07/14/2022
Next Scheduled EDR Contact: 10/31/2022
Data Release Frequency: Varies

RAATS: RCRA Administrative Action Tracking System

RCRA Administration Action Tracking System. RAATS contains records based on enforcement actions issued under RCRA pertaining to major violators and includes administrative and civil actions brought by the EPA. For administration actions after September 30, 1995, data entry in the RAATS database was discontinued. EPA will retain a copy of the database for historical records. It was necessary to terminate RAATS because a decrease in agency resources made it impossible to continue to update the information contained in the database.

Date of Government Version: 04/17/1995
Date Data Arrived at EDR: 07/03/1995
Date Made Active in Reports: 08/07/1995
Number of Days to Update: 35

Source: EPA
Telephone: 202-564-4104
Last EDR Contact: 06/02/2008
Next Scheduled EDR Contact: 09/01/2008
Data Release Frequency: No Update Planned

GOVERNMENT RECORDS SEARCHED / DATA CURRENCY TRACKING

PRP: Potentially Responsible Parties

A listing of verified Potentially Responsible Parties

Date of Government Version: 01/25/2022	Source: EPA
Date Data Arrived at EDR: 02/03/2022	Telephone: 202-564-6023
Date Made Active in Reports: 02/25/2022	Last EDR Contact: 08/02/2022
Number of Days to Update: 22	Next Scheduled EDR Contact: 11/14/2022
	Data Release Frequency: Quarterly

PADS: PCB Activity Database System

PCB Activity Database. PADS Identifies generators, transporters, commercial storers and/or brokers and disposers of PCB's who are required to notify the EPA of such activities.

Date of Government Version: 01/20/2022	Source: EPA
Date Data Arrived at EDR: 01/20/2022	Telephone: 202-566-0500
Date Made Active in Reports: 03/25/2022	Last EDR Contact: 07/08/2022
Number of Days to Update: 64	Next Scheduled EDR Contact: 10/17/2022
	Data Release Frequency: Annually

ICIS: Integrated Compliance Information System

The Integrated Compliance Information System (ICIS) supports the information needs of the national enforcement and compliance program as well as the unique needs of the National Pollutant Discharge Elimination System (NPDES) program.

Date of Government Version: 11/18/2016	Source: Environmental Protection Agency
Date Data Arrived at EDR: 11/23/2016	Telephone: 202-564-2501
Date Made Active in Reports: 02/10/2017	Last EDR Contact: 06/28/2022
Number of Days to Update: 79	Next Scheduled EDR Contact: 10/17/2022
	Data Release Frequency: Quarterly

FTTS: FIFRA/ TSCA Tracking System - FIFRA (Federal Insecticide, Fungicide, & Rodenticide Act)/TSCA (Toxic Substances Control Act)

FTTS tracks administrative cases and pesticide enforcement actions and compliance activities related to FIFRA, TSCA and EPCRA (Emergency Planning and Community Right-to-Know Act). To maintain currency, EDR contacts the Agency on a quarterly basis.

Date of Government Version: 04/09/2009	Source: EPA/Office of Prevention, Pesticides and Toxic Substances
Date Data Arrived at EDR: 04/16/2009	Telephone: 202-566-1667
Date Made Active in Reports: 05/11/2009	Last EDR Contact: 08/18/2017
Number of Days to Update: 25	Next Scheduled EDR Contact: 12/04/2017
	Data Release Frequency: No Update Planned

FTTS INSP: FIFRA/ TSCA Tracking System - FIFRA (Federal Insecticide, Fungicide, & Rodenticide Act)/TSCA (Toxic Substances Control Act)

A listing of FIFRA/TSCA Tracking System (FTTS) inspections and enforcements.

Date of Government Version: 04/09/2009	Source: EPA
Date Data Arrived at EDR: 04/16/2009	Telephone: 202-566-1667
Date Made Active in Reports: 05/11/2009	Last EDR Contact: 08/18/2017
Number of Days to Update: 25	Next Scheduled EDR Contact: 12/04/2017
	Data Release Frequency: No Update Planned

MLTS: Material Licensing Tracking System

MLTS is maintained by the Nuclear Regulatory Commission and contains a list of approximately 8,100 sites which possess or use radioactive materials and which are subject to NRC licensing requirements. To maintain currency, EDR contacts the Agency on a quarterly basis.

Date of Government Version: 06/10/2022	Source: Nuclear Regulatory Commission
Date Data Arrived at EDR: 06/14/2022	Telephone: 301-415-7169
Date Made Active in Reports: 08/22/2022	Last EDR Contact: 07/13/2022
Number of Days to Update: 69	Next Scheduled EDR Contact: 10/31/2022
	Data Release Frequency: Quarterly

GOVERNMENT RECORDS SEARCHED / DATA CURRENCY TRACKING

COAL ASH DOE: Steam-Electric Plant Operation Data

A listing of power plants that store ash in surface ponds.

Date of Government Version: 12/31/2020	Source: Department of Energy
Date Data Arrived at EDR: 11/30/2021	Telephone: 202-586-8719
Date Made Active in Reports: 02/22/2022	Last EDR Contact: 06/02/2022
Number of Days to Update: 84	Next Scheduled EDR Contact: 09/12/2022
	Data Release Frequency: Varies

COAL ASH EPA: Coal Combustion Residues Surface Impoundments List

A listing of coal combustion residues surface impoundments with high hazard potential ratings.

Date of Government Version: 01/12/2017	Source: Environmental Protection Agency
Date Data Arrived at EDR: 03/05/2019	Telephone: N/A
Date Made Active in Reports: 11/11/2019	Last EDR Contact: 05/25/2022
Number of Days to Update: 251	Next Scheduled EDR Contact: 09/12/2022
	Data Release Frequency: Varies

PCB TRANSFORMER: PCB Transformer Registration Database

The database of PCB transformer registrations that includes all PCB registration submittals.

Date of Government Version: 09/13/2019	Source: Environmental Protection Agency
Date Data Arrived at EDR: 11/06/2019	Telephone: 202-566-0517
Date Made Active in Reports: 02/10/2020	Last EDR Contact: 08/04/2022
Number of Days to Update: 96	Next Scheduled EDR Contact: 11/14/2022
	Data Release Frequency: Varies

RADINFO: Radiation Information Database

The Radiation Information Database (RADINFO) contains information about facilities that are regulated by U.S. Environmental Protection Agency (EPA) regulations for radiation and radioactivity.

Date of Government Version: 07/01/2019	Source: Environmental Protection Agency
Date Data Arrived at EDR: 07/01/2019	Telephone: 202-343-9775
Date Made Active in Reports: 09/23/2019	Last EDR Contact: 06/23/2022
Number of Days to Update: 84	Next Scheduled EDR Contact: 10/10/2022
	Data Release Frequency: Quarterly

HIST FTTS: FIFRA/TSCA Tracking System Administrative Case Listing

A complete administrative case listing from the FIFRA/TSCA Tracking System (FTTS) for all ten EPA regions. The information was obtained from the National Compliance Database (NCDB). NCDB supports the implementation of FIFRA (Federal Insecticide, Fungicide, and Rodenticide Act) and TSCA (Toxic Substances Control Act). Some EPA regions are now closing out records. Because of that, and the fact that some EPA regions are not providing EPA Headquarters with updated records, it was decided to create a HIST FTTS database. It included records that may not be included in the newer FTTS database updates. This database is no longer updated.

Date of Government Version: 10/19/2006	Source: Environmental Protection Agency
Date Data Arrived at EDR: 03/01/2007	Telephone: 202-564-2501
Date Made Active in Reports: 04/10/2007	Last EDR Contact: 12/17/2007
Number of Days to Update: 40	Next Scheduled EDR Contact: 03/17/2008
	Data Release Frequency: No Update Planned

HIST FTTS INSP: FIFRA/TSCA Tracking System Inspection & Enforcement Case Listing

A complete inspection and enforcement case listing from the FIFRA/TSCA Tracking System (FTTS) for all ten EPA regions. The information was obtained from the National Compliance Database (NCDB). NCDB supports the implementation of FIFRA (Federal Insecticide, Fungicide, and Rodenticide Act) and TSCA (Toxic Substances Control Act). Some EPA regions are now closing out records. Because of that, and the fact that some EPA regions are not providing EPA Headquarters with updated records, it was decided to create a HIST FTTS database. It included records that may not be included in the newer FTTS database updates. This database is no longer updated.

GOVERNMENT RECORDS SEARCHED / DATA CURRENCY TRACKING

Date of Government Version: 10/19/2006
Date Data Arrived at EDR: 03/01/2007
Date Made Active in Reports: 04/10/2007
Number of Days to Update: 40

Source: Environmental Protection Agency
Telephone: 202-564-2501
Last EDR Contact: 12/17/2008
Next Scheduled EDR Contact: 03/17/2008
Data Release Frequency: No Update Planned

DOT OPS: Incident and Accident Data

Department of Transportation, Office of Pipeline Safety Incident and Accident data.

Date of Government Version: 01/02/2020
Date Data Arrived at EDR: 01/28/2020
Date Made Active in Reports: 04/17/2020
Number of Days to Update: 80

Source: Department of Transportation, Office of Pipeline Safety
Telephone: 202-366-4595
Last EDR Contact: 07/21/2022
Next Scheduled EDR Contact: 11/07/2022
Data Release Frequency: Quarterly

CONSENT: Superfund (CERCLA) Consent Decrees

Major legal settlements that establish responsibility and standards for cleanup at NPL (Superfund) sites. Released periodically by United States District Courts after settlement by parties to litigation matters.

Date of Government Version: 03/31/2022
Date Data Arrived at EDR: 04/14/2022
Date Made Active in Reports: 07/12/2022
Number of Days to Update: 89

Source: Department of Justice, Consent Decree Library
Telephone: Varies
Last EDR Contact: 06/29/2022
Next Scheduled EDR Contact: 10/17/2022
Data Release Frequency: Varies

BRS: Biennial Reporting System

The Biennial Reporting System is a national system administered by the EPA that collects data on the generation and management of hazardous waste. BRS captures detailed data from two groups: Large Quantity Generators (LQG) and Treatment, Storage, and Disposal Facilities.

Date of Government Version: 12/31/2019
Date Data Arrived at EDR: 03/02/2022
Date Made Active in Reports: 03/25/2022
Number of Days to Update: 23

Source: EPA/NTIS
Telephone: 800-424-9346
Last EDR Contact: 06/21/2022
Next Scheduled EDR Contact: 10/03/2022
Data Release Frequency: Biennially

INDIAN RESERV: Indian Reservations

This map layer portrays Indian administered lands of the United States that have any area equal to or greater than 640 acres.

Date of Government Version: 12/31/2014
Date Data Arrived at EDR: 07/14/2015
Date Made Active in Reports: 01/10/2017
Number of Days to Update: 546

Source: USGS
Telephone: 202-208-3710
Last EDR Contact: 07/08/2022
Next Scheduled EDR Contact: 10/17/2022
Data Release Frequency: Semi-Annually

FUSRAP: Formerly Utilized Sites Remedial Action Program

DOE established the Formerly Utilized Sites Remedial Action Program (FUSRAP) in 1974 to remediate sites where radioactive contamination remained from Manhattan Project and early U.S. Atomic Energy Commission (AEC) operations.

Date of Government Version: 07/26/2021
Date Data Arrived at EDR: 07/27/2021
Date Made Active in Reports: 10/22/2021
Number of Days to Update: 87

Source: Department of Energy
Telephone: 202-586-3559
Last EDR Contact: 07/26/2022
Next Scheduled EDR Contact: 11/14/2022
Data Release Frequency: Varies

UMTRA: Uranium Mill Tailings Sites

Uranium ore was mined by private companies for federal government use in national defense programs. When the mills shut down, large piles of the sand-like material (mill tailings) remain after uranium has been extracted from the ore. Levels of human exposure to radioactive materials from the piles are low; however, in some cases tailings were used as construction materials before the potential health hazards of the tailings were recognized.

GOVERNMENT RECORDS SEARCHED / DATA CURRENCY TRACKING

Date of Government Version: 08/30/2019
Date Data Arrived at EDR: 11/15/2019
Date Made Active in Reports: 01/28/2020
Number of Days to Update: 74

Source: Department of Energy
Telephone: 505-845-0011
Last EDR Contact: 08/10/2022
Next Scheduled EDR Contact: 11/28/2022
Data Release Frequency: Varies

LEAD SMELTER 1: Lead Smelter Sites

A listing of former lead smelter site locations.

Date of Government Version: 07/26/2022
Date Data Arrived at EDR: 08/02/2022
Date Made Active in Reports: 08/22/2022
Number of Days to Update: 20

Source: Environmental Protection Agency
Telephone: 703-603-8787
Last EDR Contact: 08/01/2022
Next Scheduled EDR Contact: 10/10/2022
Data Release Frequency: Varies

LEAD SMELTER 2: Lead Smelter Sites

A list of several hundred sites in the U.S. where secondary lead smelting was done from 1931 and 1964. These sites may pose a threat to public health through ingestion or inhalation of contaminated soil or dust

Date of Government Version: 04/05/2001
Date Data Arrived at EDR: 10/27/2010
Date Made Active in Reports: 12/02/2010
Number of Days to Update: 36

Source: American Journal of Public Health
Telephone: 703-305-6451
Last EDR Contact: 12/02/2009
Next Scheduled EDR Contact: N/A
Data Release Frequency: No Update Planned

US AIRS (AFS): Aerometric Information Retrieval System Facility Subsystem (AFS)

The database is a sub-system of Aerometric Information Retrieval System (AIRS). AFS contains compliance data on air pollution point sources regulated by the U.S. EPA and/or state and local air regulatory agencies. This information comes from source reports by various stationary sources of air pollution, such as electric power plants, steel mills, factories, and universities, and provides information about the air pollutants they produce. Action, air program, air program pollutant, and general level plant data. It is used to track emissions and compliance data from industrial plants.

Date of Government Version: 10/12/2016
Date Data Arrived at EDR: 10/26/2016
Date Made Active in Reports: 02/03/2017
Number of Days to Update: 100

Source: EPA
Telephone: 202-564-2496
Last EDR Contact: 09/26/2017
Next Scheduled EDR Contact: 01/08/2018
Data Release Frequency: Annually

US AIRS MINOR: Air Facility System Data

A listing of minor source facilities.

Date of Government Version: 10/12/2016
Date Data Arrived at EDR: 10/26/2016
Date Made Active in Reports: 02/03/2017
Number of Days to Update: 100

Source: EPA
Telephone: 202-564-2496
Last EDR Contact: 09/26/2017
Next Scheduled EDR Contact: 01/08/2018
Data Release Frequency: Annually

MINES VIOLATIONS: MSHA Violation Assessment Data

Mines violation and assessment information. Department of Labor, Mine Safety & Health Administration.

Date of Government Version: 03/21/2022
Date Data Arrived at EDR: 03/22/2022
Date Made Active in Reports: 03/25/2022
Number of Days to Update: 3

Source: DOL, Mine Safety & Health Administration
Telephone: 202-693-9424
Last EDR Contact: 08/02/2022
Next Scheduled EDR Contact: 12/12/2022
Data Release Frequency: Quarterly

US MINES: Mines Master Index File

Contains all mine identification numbers issued for mines active or opened since 1971. The data also includes violation information.

GOVERNMENT RECORDS SEARCHED / DATA CURRENCY TRACKING

Date of Government Version: 05/02/2022
Date Data Arrived at EDR: 05/25/2022
Date Made Active in Reports: 07/29/2022
Number of Days to Update: 65

Source: Department of Labor, Mine Safety and Health Administration
Telephone: 303-231-5959
Last EDR Contact: 08/17/2022
Next Scheduled EDR Contact: 12/05/2022
Data Release Frequency: Semi-Annually

US MINES 2: Ferrous and Nonferrous Metal Mines Database Listing

This map layer includes ferrous (ferrous metal mines are facilities that extract ferrous metals, such as iron ore or molybdenum) and nonferrous (Nonferrous metal mines are facilities that extract nonferrous metals, such as gold, silver, copper, zinc, and lead) metal mines in the United States.

Date of Government Version: 05/06/2020
Date Data Arrived at EDR: 05/27/2020
Date Made Active in Reports: 08/13/2020
Number of Days to Update: 78

Source: USGS
Telephone: 703-648-7709
Last EDR Contact: 08/17/2022
Next Scheduled EDR Contact: 12/05/2022
Data Release Frequency: Varies

US MINES 3: Active Mines & Mineral Plants Database Listing

Active Mines and Mineral Processing Plant operations for commodities monitored by the Minerals Information Team of the USGS.

Date of Government Version: 04/14/2011
Date Data Arrived at EDR: 06/08/2011
Date Made Active in Reports: 09/13/2011
Number of Days to Update: 97

Source: USGS
Telephone: 703-648-7709
Last EDR Contact: 08/17/2022
Next Scheduled EDR Contact: 12/05/2022
Data Release Frequency: Varies

ABANDONED MINES: Abandoned Mines

An inventory of land and water impacted by past mining (primarily coal mining) is maintained by OSMRE to provide information needed to implement the Surface Mining Control and Reclamation Act of 1977 (SMCRA). The inventory contains information on the location, type, and extent of AML impacts, as well as, information on the cost associated with the reclamation of those problems. The inventory is based upon field surveys by State, Tribal, and OSMRE program officials. It is dynamic to the extent that it is modified as new problems are identified and existing problems are reclaimed.

Date of Government Version: 06/14/2022
Date Data Arrived at EDR: 06/15/2022
Date Made Active in Reports: 08/22/2022
Number of Days to Update: 68

Source: Department of Interior
Telephone: 202-208-2609
Last EDR Contact: 06/14/2022
Next Scheduled EDR Contact: 09/19/2022
Data Release Frequency: Quarterly

FINDS: Facility Index System/Facility Registry System

Facility Index System. FINDS contains both facility information and 'pointers' to other sources that contain more detail. EDR includes the following FINDS databases in this report: PCS (Permit Compliance System), AIRS (Aerometric Information Retrieval System), DOCKET (Enforcement Docket used to manage and track information on civil judicial enforcement cases for all environmental statutes), FURS (Federal Underground Injection Control), C-DOCKET (Criminal Docket System used to track criminal enforcement actions for all environmental statutes), FFIS (Federal Facilities Information System), STATE (State Environmental Laws and Statutes), and PADS (PCB Activity Data System).

Date of Government Version: 05/13/2022
Date Data Arrived at EDR: 05/18/2022
Date Made Active in Reports: 05/31/2022
Number of Days to Update: 13

Source: EPA
Telephone: (415) 947-8000
Last EDR Contact: 05/18/2022
Next Scheduled EDR Contact: 09/12/2022
Data Release Frequency: Quarterly

UXO: Unexploded Ordnance Sites

A listing of unexploded ordnance site locations

Date of Government Version: 12/31/2020
Date Data Arrived at EDR: 01/11/2022
Date Made Active in Reports: 02/14/2022
Number of Days to Update: 34

Source: Department of Defense
Telephone: 703-704-1564
Last EDR Contact: 07/07/2022
Next Scheduled EDR Contact: 10/24/2022
Data Release Frequency: Varies

GOVERNMENT RECORDS SEARCHED / DATA CURRENCY TRACKING

DOCKET HWC: Hazardous Waste Compliance Docket Listing

A complete list of the Federal Agency Hazardous Waste Compliance Docket Facilities.

Date of Government Version: 05/06/2021	Source: Environmental Protection Agency
Date Data Arrived at EDR: 05/21/2021	Telephone: 202-564-0527
Date Made Active in Reports: 08/11/2021	Last EDR Contact: 08/22/2022
Number of Days to Update: 82	Next Scheduled EDR Contact: 12/05/2022
	Data Release Frequency: Varies

ECHO: Enforcement & Compliance History Information

ECHO provides integrated compliance and enforcement information for about 800,000 regulated facilities nationwide.

Date of Government Version: 04/02/2022	Source: Environmental Protection Agency
Date Data Arrived at EDR: 04/05/2022	Telephone: 202-564-2280
Date Made Active in Reports: 06/28/2022	Last EDR Contact: 07/01/2022
Number of Days to Update: 84	Next Scheduled EDR Contact: 10/17/2022
	Data Release Frequency: Quarterly

FUELS PROGRAM: EPA Fuels Program Registered Listing

This listing includes facilities that are registered under the Part 80 (Code of Federal Regulations) EPA Fuels Programs. All companies now are required to submit new and updated registrations.

Date of Government Version: 05/16/2022	Source: EPA
Date Data Arrived at EDR: 05/17/2022	Telephone: 800-385-6164
Date Made Active in Reports: 07/29/2022	Last EDR Contact: 08/11/2022
Number of Days to Update: 73	Next Scheduled EDR Contact: 11/28/2022
	Data Release Frequency: Quarterly

CA BOND EXP. PLAN: Bond Expenditure Plan

Department of Health Services developed a site-specific expenditure plan as the basis for an appropriation of Hazardous Substance Cleanup Bond Act funds. It is not updated.

Date of Government Version: 01/01/1989	Source: Department of Health Services
Date Data Arrived at EDR: 07/27/1994	Telephone: 916-255-2118
Date Made Active in Reports: 08/02/1994	Last EDR Contact: 05/31/1994
Number of Days to Update: 6	Next Scheduled EDR Contact: N/A
	Data Release Frequency: No Update Planned

CORTESE: "Cortese" Hazardous Waste & Substances Sites List

The sites for the list are designated by the State Water Resource Control Board (LUST), the Integrated Waste Board (SWF/LS), and the Department of Toxic Substances Control (Cal-Sites).

Date of Government Version: 03/21/2022	Source: CAL EPA/Office of Emergency Information
Date Data Arrived at EDR: 03/21/2022	Telephone: 916-323-3400
Date Made Active in Reports: 06/14/2022	Last EDR Contact: 06/21/2022
Number of Days to Update: 85	Next Scheduled EDR Contact: 10/03/2022
	Data Release Frequency: Quarterly

CUPA LIVERMORE-PLEASANTON: CUPA Facility Listing

list of facilities associated with the various CUPA programs in Livermore-Pleasanton

Date of Government Version: 12/07/2021	Source: Livermore-Pleasanton Fire Department
Date Data Arrived at EDR: 05/09/2022	Telephone: 925-454-2361
Date Made Active in Reports: 05/17/2022	Last EDR Contact: 08/11/2022
Number of Days to Update: 8	Next Scheduled EDR Contact: 11/21/2022
	Data Release Frequency: Varies

DRYCLEAN SOUTH COAST: South Coast Air Quality Management District Drycleaner Listing

A listing of dry cleaners in the South Coast Air Quality Management District

GOVERNMENT RECORDS SEARCHED / DATA CURRENCY TRACKING

Date of Government Version: 05/20/2022
Date Data Arrived at EDR: 05/20/2022
Date Made Active in Reports: 08/09/2022
Number of Days to Update: 81

Source: South Coast Air Quality Management District
Telephone: 909-396-3211
Last EDR Contact: 08/16/2022
Next Scheduled EDR Contact: 12/05/2022
Data Release Frequency: Varies

DRYCLEANERS: Cleaner Facilities

A list of drycleaner related facilities that have EPA ID numbers. These are facilities with certain SIC codes: power laundries, family and commercial; garment pressing and cleaner's agents; linen supply; coin-operated laundries and cleaning; drycleaning plants, except rugs; carpet and upholster cleaning; industrial launderers; laundry and garment services.

Date of Government Version: 08/27/2021
Date Data Arrived at EDR: 09/01/2021
Date Made Active in Reports: 11/19/2021
Number of Days to Update: 79

Source: Department of Toxic Substance Control
Telephone: 916-327-4498
Last EDR Contact: 08/23/2022
Next Scheduled EDR Contact: 12/12/2022
Data Release Frequency: Annually

DRYCLEAN AVAQMD: Antelope Valley Air Quality Management District Drycleaner Listing

A listing of dry cleaners in the Antelope Valley Air Quality Management District.

Date of Government Version: 05/25/2022
Date Data Arrived at EDR: 05/26/2022
Date Made Active in Reports: 08/11/2022
Number of Days to Update: 77

Source: Antelope Valley Air Quality Management District
Telephone: 661-723-8070
Last EDR Contact: 08/23/2022
Next Scheduled EDR Contact: 12/12/2022
Data Release Frequency: Varies

EMI: Emissions Inventory Data

Toxics and criteria pollutant emissions data collected by the ARB and local air pollution agencies.

Date of Government Version: 12/31/2019
Date Data Arrived at EDR: 06/10/2021
Date Made Active in Reports: 08/27/2021
Number of Days to Update: 78

Source: California Air Resources Board
Telephone: 916-322-2990
Last EDR Contact: 06/13/2022
Next Scheduled EDR Contact: 09/26/2022
Data Release Frequency: Varies

ENF: Enforcement Action Listing

A listing of Water Board Enforcement Actions. Formal is everything except Oral/Verbal Communication, Notice of Violation, Expedited Payment Letter, and Staff Enforcement Letter.

Date of Government Version: 04/12/2022
Date Data Arrived at EDR: 04/19/2022
Date Made Active in Reports: 05/31/2022
Number of Days to Update: 42

Source: State Water Resources Control Board
Telephone: 916-445-9379
Last EDR Contact: 07/18/2022
Next Scheduled EDR Contact: 10/31/2022
Data Release Frequency: Varies

Financial Assurance 1: Financial Assurance Information Listing

Financial Assurance information

Date of Government Version: 04/19/2022
Date Data Arrived at EDR: 04/29/2022
Date Made Active in Reports: 07/15/2022
Number of Days to Update: 77

Source: Department of Toxic Substances Control
Telephone: 916-255-3628
Last EDR Contact: 07/21/2022
Next Scheduled EDR Contact: 10/31/2022
Data Release Frequency: Varies

Financial Assurance 2: Financial Assurance Information Listing

A listing of financial assurance information for solid waste facilities. Financial assurance is intended to ensure that resources are available to pay for the cost of closure, post-closure care, and corrective measures if the owner or operator of a regulated facility is unable or unwilling to pay.

GOVERNMENT RECORDS SEARCHED / DATA CURRENCY TRACKING

Date of Government Version: 02/23/2022
Date Data Arrived at EDR: 02/24/2022
Date Made Active in Reports: 05/18/2022
Number of Days to Update: 83

Source: California Integrated Waste Management Board
Telephone: 916-341-6066
Last EDR Contact: 08/02/2022
Next Scheduled EDR Contact: 11/21/2022
Data Release Frequency: Varies

HAZNET: Facility and Manifest Data

Facility and Manifest Data. The data is extracted from the copies of hazardous waste manifests received each year by the DTSC. The annual volume of manifests is typically 700,000 - 1,000,000 annually, representing approximately 350,000 - 500,000 shipments. Data are from the manifests submitted without correction, and therefore many contain some invalid values for data elements such as generator ID, TSD ID, waste category, and disposal method. This database begins with calendar year 1993.

Date of Government Version: 12/31/2019
Date Data Arrived at EDR: 04/15/2020
Date Made Active in Reports: 07/02/2020
Number of Days to Update: 78

Source: California Environmental Protection Agency
Telephone: 916-255-1136
Last EDR Contact: 07/05/2022
Next Scheduled EDR Contact: 10/17/2022
Data Release Frequency: Annually

ICE: ICE

Contains data pertaining to the Permitted Facilities with Inspections / Enforcements sites tracked in Envirostor.

Date of Government Version: 05/16/2022
Date Data Arrived at EDR: 05/17/2022
Date Made Active in Reports: 08/03/2022
Number of Days to Update: 78

Source: Department of Toxic Substances Control
Telephone: 877-786-9427
Last EDR Contact: 08/11/2022
Next Scheduled EDR Contact: 11/28/2022
Data Release Frequency: Quarterly

HIST CORTESE: Hazardous Waste & Substance Site List

The sites for the list are designated by the State Water Resource Control Board [LUST], the Integrated Waste Board [SWF/LS], and the Department of Toxic Substances Control [CALSITES]. This listing is no longer updated by the state agency.

Date of Government Version: 04/01/2001
Date Data Arrived at EDR: 01/22/2009
Date Made Active in Reports: 04/08/2009
Number of Days to Update: 76

Source: Department of Toxic Substances Control
Telephone: 916-323-3400
Last EDR Contact: 01/22/2009
Next Scheduled EDR Contact: N/A
Data Release Frequency: No Update Planned

HWP: EnviroStor Permitted Facilities Listing

Detailed information on permitted hazardous waste facilities and corrective action ("cleanups") tracked in EnviroStor.

Date of Government Version: 05/16/2022
Date Data Arrived at EDR: 05/17/2022
Date Made Active in Reports: 08/03/2022
Number of Days to Update: 78

Source: Department of Toxic Substances Control
Telephone: 916-323-3400
Last EDR Contact: 08/11/2022
Next Scheduled EDR Contact: 11/28/2022
Data Release Frequency: Quarterly

HWT: Registered Hazardous Waste Transporter Database

A listing of hazardous waste transporters. In California, unless specifically exempted, it is unlawful for any person to transport hazardous wastes unless the person holds a valid registration issued by DTSC. A hazardous waste transporter registration is valid for one year and is assigned a unique registration number.

Date of Government Version: 04/05/2022
Date Data Arrived at EDR: 04/05/2022
Date Made Active in Reports: 06/27/2022
Number of Days to Update: 83

Source: Department of Toxic Substances Control
Telephone: 916-440-7145
Last EDR Contact: 07/05/2022
Next Scheduled EDR Contact: 10/17/2022
Data Release Frequency: Quarterly

GOVERNMENT RECORDS SEARCHED / DATA CURRENCY TRACKING

MINES: Mines Site Location Listing

A listing of mine site locations from the Office of Mine Reclamation.

Date of Government Version: 06/06/2022	Source: Department of Conservation
Date Data Arrived at EDR: 06/07/2022	Telephone: 916-322-1080
Date Made Active in Reports: 08/23/2022	Last EDR Contact: 06/07/2022
Number of Days to Update: 77	Next Scheduled EDR Contact: 09/19/2022
	Data Release Frequency: Quarterly

MWMP: Medical Waste Management Program Listing

The Medical Waste Management Program (MWMP) ensures the proper handling and disposal of medical waste by permitting and inspecting medical waste Offsite Treatment Facilities (PDF) and Transfer Stations (PDF) throughout the state. MWMP also oversees all Medical Waste Transporters.

Date of Government Version: 05/06/2022	Source: Department of Public Health
Date Data Arrived at EDR: 05/31/2022	Telephone: 916-558-1784
Date Made Active in Reports: 08/18/2022	Last EDR Contact: 05/31/2022
Number of Days to Update: 79	Next Scheduled EDR Contact: 09/12/2022
	Data Release Frequency: Varies

NPDES: NPDES Permits Listing

A listing of NPDES permits, including stormwater.

Date of Government Version: 05/09/2022	Source: State Water Resources Control Board
Date Data Arrived at EDR: 05/09/2022	Telephone: 916-445-9379
Date Made Active in Reports: 07/29/2022	Last EDR Contact: 08/08/2022
Number of Days to Update: 81	Next Scheduled EDR Contact: 11/21/2022
	Data Release Frequency: Quarterly

PEST LIC: Pesticide Regulation Licenses Listing

A listing of licenses and certificates issued by the Department of Pesticide Regulation. The DPR issues licenses and/or certificates to: Persons and businesses that apply or sell pesticides; Pest control dealers and brokers; Persons who advise on agricultural pesticide applications.

Date of Government Version: 05/31/2022	Source: Department of Pesticide Regulation
Date Data Arrived at EDR: 05/31/2022	Telephone: 916-445-4038
Date Made Active in Reports: 08/18/2022	Last EDR Contact: 05/31/2022
Number of Days to Update: 79	Next Scheduled EDR Contact: 09/12/2022
	Data Release Frequency: Quarterly

PROC: Certified Processors Database

A listing of certified processors.

Date of Government Version: 06/06/2022	Source: Department of Conservation
Date Data Arrived at EDR: 06/07/2022	Telephone: 916-323-3836
Date Made Active in Reports: 08/23/2022	Last EDR Contact: 06/07/2022
Number of Days to Update: 77	Next Scheduled EDR Contact: 09/19/2022
	Data Release Frequency: Quarterly

NOTIFY 65: Proposition 65 Records

Listings of all Proposition 65 incidents reported to counties by the State Water Resources Control Board and the Regional Water Quality Control Board. This database is no longer updated by the reporting agency.

Date of Government Version: 03/11/2022	Source: State Water Resources Control Board
Date Data Arrived at EDR: 03/15/2022	Telephone: 916-445-3846
Date Made Active in Reports: 06/08/2022	Last EDR Contact: 06/09/2022
Number of Days to Update: 85	Next Scheduled EDR Contact: 09/26/2022
	Data Release Frequency: No Update Planned

GOVERNMENT RECORDS SEARCHED / DATA CURRENCY TRACKING

UIC: UIC Listing

A listing of wells identified as underground injection wells, in the California Oil and Gas Wells database.

Date of Government Version: 06/06/2022	Source: Department of Conservation
Date Data Arrived at EDR: 06/07/2022	Telephone: 916-445-2408
Date Made Active in Reports: 08/23/2022	Last EDR Contact: 06/07/2022
Number of Days to Update: 77	Next Scheduled EDR Contact: 09/19/2022
	Data Release Frequency: Varies

UIC GEO: Underground Injection Control Sites (GEOTRACKER)

Underground control injection sites

Date of Government Version: 05/23/2022	Source: State Water Resource Control Board
Date Data Arrived at EDR: 05/23/2022	Telephone: 866-480-1028
Date Made Active in Reports: 06/02/2022	Last EDR Contact: 05/23/2022
Number of Days to Update: 10	Next Scheduled EDR Contact: 09/19/2022
	Data Release Frequency: Varies

WASTEWATER PITS: Oil Wastewater Pits Listing

Water officials discovered that oil producers have been dumping chemical-laden wastewater into hundreds of unlined pits that are operating without proper permits. Inspections completed by the Central Valley Regional Water Quality Control Board revealed the existence of previously unidentified waste sites. The water boards review found that more than one-third of the region's active disposal pits are operating without permission.

Date of Government Version: 02/11/2021	Source: RWQCB, Central Valley Region
Date Data Arrived at EDR: 07/01/2021	Telephone: 559-445-5577
Date Made Active in Reports: 09/29/2021	Last EDR Contact: 07/08/2022
Number of Days to Update: 90	Next Scheduled EDR Contact: 10/17/2022
	Data Release Frequency: Varies

WDS: Waste Discharge System

Sites which have been issued waste discharge requirements.

Date of Government Version: 06/19/2007	Source: State Water Resources Control Board
Date Data Arrived at EDR: 06/20/2007	Telephone: 916-341-5227
Date Made Active in Reports: 06/29/2007	Last EDR Contact: 08/09/2022
Number of Days to Update: 9	Next Scheduled EDR Contact: 11/28/2022
	Data Release Frequency: No Update Planned

WIP: Well Investigation Program Case List

Well Investigation Program case in the San Gabriel and San Fernando Valley area.

Date of Government Version: 07/03/2009	Source: Los Angeles Water Quality Control Board
Date Data Arrived at EDR: 07/21/2009	Telephone: 213-576-6726
Date Made Active in Reports: 08/03/2009	Last EDR Contact: 06/14/2022
Number of Days to Update: 13	Next Scheduled EDR Contact: 10/03/2022
	Data Release Frequency: No Update Planned

MILITARY PRIV SITES: Military Privatized Sites (GEOTRACKER)

Military privatized sites

Date of Government Version: 05/23/2022	Source: State Water Resources Control Board
Date Data Arrived at EDR: 05/23/2022	Telephone: 866-480-1028
Date Made Active in Reports: 06/02/2022	Last EDR Contact: 05/23/2022
Number of Days to Update: 10	Next Scheduled EDR Contact: 09/19/2022
	Data Release Frequency: Varies

PROJECT: Project Sites (GEOTRACKER)

Projects sites

GOVERNMENT RECORDS SEARCHED / DATA CURRENCY TRACKING

Date of Government Version: 05/23/2022
Date Data Arrived at EDR: 05/23/2022
Date Made Active in Reports: 06/02/2022
Number of Days to Update: 10

Source: State Water Resources Control Board
Telephone: 866-480-1028
Last EDR Contact: 05/23/2022
Next Scheduled EDR Contact: 09/19/2022
Data Release Frequency: Varies

WDR: Waste Discharge Requirements Listing

In general, the Waste Discharge Requirements (WDRs) Program (sometimes also referred to as the "Non Chapter 15 (Non 15) Program") regulates point discharges that are exempt pursuant to Subsection 20090 of Title 27 and not subject to the Federal Water Pollution Control Act. Exemptions from Title 27 may be granted for nine categories of discharges (e.g., sewage, wastewater, etc.) that meet, and continue to meet, the preconditions listed for each specific exemption. The scope of the WDRs Program also includes the discharge of wastes classified as inert, pursuant to section 20230 of Title 27.

Date of Government Version: 03/07/2022
Date Data Arrived at EDR: 03/08/2022
Date Made Active in Reports: 06/03/2022
Number of Days to Update: 87

Source: State Water Resources Control Board
Telephone: 916-341-5810
Last EDR Contact: 06/07/2022
Next Scheduled EDR Contact: 09/19/2022
Data Release Frequency: Quarterly

CIWQS: California Integrated Water Quality System

The California Integrated Water Quality System (CIWQS) is a computer system used by the State and Regional Water Quality Control Boards to track information about places of environmental interest, manage permits and other orders, track inspections, and manage violations and enforcement activities.

Date of Government Version: 08/16/2022
Date Data Arrived at EDR: 08/17/2022
Date Made Active in Reports: 08/18/2022
Number of Days to Update: 1

Source: State Water Resources Control Board
Telephone: 866-794-4977
Last EDR Contact: 08/17/2022
Next Scheduled EDR Contact: 12/12/2022
Data Release Frequency: Varies

CERS: CalEPA Regulated Site Portal Data

The CalEPA Regulated Site Portal database combines data about environmentally regulated sites and facilities in California into a single database. It combines data from a variety of state and federal databases, and provides an overview of regulated activities across the spectrum of environmental programs for any given location in California. These activities include hazardous materials and waste, state and federal cleanups, impacted ground and surface waters, and toxic materials

Date of Government Version: 04/18/2022
Date Data Arrived at EDR: 04/19/2022
Date Made Active in Reports: 07/12/2022
Number of Days to Update: 84

Source: California Environmental Protection Agency
Telephone: 916-323-2514
Last EDR Contact: 07/18/2022
Next Scheduled EDR Contact: 10/31/2022
Data Release Frequency: Varies

NON-CASE INFO: Non-Case Information Sites (GEOTRACKER)

Non-Case Information sites

Date of Government Version: 05/23/2022
Date Data Arrived at EDR: 05/23/2022
Date Made Active in Reports: 06/02/2022
Number of Days to Update: 10

Source: State Water Resources Control Board
Telephone: 866-480-1028
Last EDR Contact: 05/23/2022
Next Scheduled EDR Contact: 09/19/2022
Data Release Frequency: Varies

OTHER OIL GAS: Other Oil & Gas Projects Sites (GEOTRACKER)

Other Oil & Gas Projects sites

Date of Government Version: 05/23/2022
Date Data Arrived at EDR: 05/23/2022
Date Made Active in Reports: 06/02/2022
Number of Days to Update: 10

Source: State Water Resources Control Board
Telephone: 866-480-1028
Last EDR Contact: 05/23/2022
Next Scheduled EDR Contact: 09/19/2022
Data Release Frequency: Varies

GOVERNMENT RECORDS SEARCHED / DATA CURRENCY TRACKING

PROD WATER PONDS: Produced Water Ponds Sites (GEOTRACKER)

Produced water ponds sites

Date of Government Version: 05/23/2022
Date Data Arrived at EDR: 05/23/2022
Date Made Active in Reports: 06/02/2022
Number of Days to Update: 10

Source: State Water Resources Control Board
Telephone: 866-480-1028
Last EDR Contact: 05/23/2022
Next Scheduled EDR Contact: 09/19/2022
Data Release Frequency: Varies

SAMPLING POINT: Sampling Point ? Public Sites (GEOTRACKER)

Sampling point - public sites

Date of Government Version: 05/23/2022
Date Data Arrived at EDR: 05/23/2022
Date Made Active in Reports: 06/02/2022
Number of Days to Update: 10

Source: State Water Resources Control Board
Telephone: 866-480-1028
Last EDR Contact: 05/23/2022
Next Scheduled EDR Contact: 09/19/2022
Data Release Frequency: Varies

WELL STIM PROJ: Well Stimulation Project (GEOTRACKER)

Includes areas of groundwater monitoring plans, a depiction of the monitoring network, and the facilities, boundaries, and subsurface characteristics of the oilfield and the features (oil and gas wells, produced water ponds, UIC wells, water supply wells, etc?) being monitored

Date of Government Version: 05/23/2022
Date Data Arrived at EDR: 05/23/2022
Date Made Active in Reports: 06/02/2022
Number of Days to Update: 10

Source: State Water Resources Control Board
Telephone: 866-480-1028
Last EDR Contact: 05/23/2022
Next Scheduled EDR Contact: 09/19/2022
Data Release Frequency: Varies

HWTS: Hazardous Waste Tracking System

DTSC maintains the Hazardous Waste Tracking System that stores ID number information since the early 1980s and manifest data since 1993. The system collects both manifest copies from the generator and destination facility.

Date of Government Version: 04/05/2022
Date Data Arrived at EDR: 04/05/2022
Date Made Active in Reports: 04/26/2022
Number of Days to Update: 21

Source: Department of Toxic Substances Control
Telephone: 916-324-2444
Last EDR Contact: 07/06/2022
Next Scheduled EDR Contact: 10/17/2022
Data Release Frequency: Varies

PCS ENF: Enforcement data

No description is available for this data

Date of Government Version: 12/31/2014
Date Data Arrived at EDR: 02/05/2015
Date Made Active in Reports: 03/06/2015
Number of Days to Update: 29

Source: EPA
Telephone: 202-564-2497
Last EDR Contact: 06/28/2022
Next Scheduled EDR Contact: 10/17/2022
Data Release Frequency: Varies

PCS: Permit Compliance System

PCS is a computerized management information system that contains data on National Pollutant Discharge Elimination System (NPDES) permit holding facilities. PCS tracks the permit, compliance, and enforcement status of NPDES facilities.

Date of Government Version: 07/14/2011
Date Data Arrived at EDR: 08/05/2011
Date Made Active in Reports: 09/29/2011
Number of Days to Update: 55

Source: EPA, Office of Water
Telephone: 202-564-2496
Last EDR Contact: 06/28/2022
Next Scheduled EDR Contact: 10/17/2022
Data Release Frequency: Semi-Annually

GOVERNMENT RECORDS SEARCHED / DATA CURRENCY TRACKING

PCS INACTIVE: Listing of Inactive PCS Permits

An inactive permit is a facility that has shut down or is no longer discharging.

Date of Government Version: 11/05/2014	Source: EPA
Date Data Arrived at EDR: 01/06/2015	Telephone: 202-564-2496
Date Made Active in Reports: 05/06/2015	Last EDR Contact: 06/28/2022
Number of Days to Update: 120	Next Scheduled EDR Contact: 10/17/2022
	Data Release Frequency: Semi-Annually

MINES MRDS: Mineral Resources Data System Mineral Resources Data System

Date of Government Version: 04/06/2018	Source: USGS
Date Data Arrived at EDR: 10/21/2019	Telephone: 703-648-6533
Date Made Active in Reports: 10/24/2019	Last EDR Contact: 08/17/2022
Number of Days to Update: 3	Next Scheduled EDR Contact: 12/05/2022
	Data Release Frequency: Varies

EDR HIGH RISK HISTORICAL RECORDS

EDR Exclusive Records

EDR MGP: EDR Proprietary Manufactured Gas Plants

The EDR Proprietary Manufactured Gas Plant Database includes records of coal gas plants (manufactured gas plants) compiled by EDR's researchers. Manufactured gas sites were used in the United States from the 1800's to 1950's to produce a gas that could be distributed and used as fuel. These plants used whale oil, rosin, coal, or a mixture of coal, oil, and water that also produced a significant amount of waste. Many of the byproducts of the gas production, such as coal tar (oily waste containing volatile and non-volatile chemicals), sludges, oils and other compounds are potentially hazardous to human health and the environment. The byproduct from this process was frequently disposed of directly at the plant site and can remain or spread slowly, serving as a continuous source of soil and groundwater contamination.

Date of Government Version: N/A	Source: EDR, Inc.
Date Data Arrived at EDR: N/A	Telephone: N/A
Date Made Active in Reports: N/A	Last EDR Contact: N/A
Number of Days to Update: N/A	Next Scheduled EDR Contact: N/A
	Data Release Frequency: No Update Planned

EDR Hist Auto: EDR Exclusive Historical Auto Stations

EDR has searched selected national collections of business directories and has collected listings of potential gas station/filling station/service station sites that were available to EDR researchers. EDR's review was limited to those categories of sources that might, in EDR's opinion, include gas station/filling station/service station establishments. The categories reviewed included, but were not limited to gas, gas station, gasoline station, filling station, auto, automobile repair, auto service station, service station, etc. This database falls within a category of information EDR classifies as "High Risk Historical Records", or HRHR. EDR's HRHR effort presents unique and sometimes proprietary data about past sites and operations that typically create environmental concerns, but may not show up in current government records searches.

Date of Government Version: N/A	Source: EDR, Inc.
Date Data Arrived at EDR: N/A	Telephone: N/A
Date Made Active in Reports: N/A	Last EDR Contact: N/A
Number of Days to Update: N/A	Next Scheduled EDR Contact: N/A
	Data Release Frequency: Varies

EDR Hist Cleaner: EDR Exclusive Historical Cleaners

EDR has searched selected national collections of business directories and has collected listings of potential dry cleaner sites that were available to EDR researchers. EDR's review was limited to those categories of sources that might, in EDR's opinion, include dry cleaning establishments. The categories reviewed included, but were not limited to dry cleaners, cleaners, laundry, laundromat, cleaning/laundry, wash & dry etc. This database falls within a category of information EDR classifies as "High Risk Historical Records", or HRHR. EDR's HRHR effort presents unique and sometimes proprietary data about past sites and operations that typically create environmental concerns, but may not show up in current government records searches.

GOVERNMENT RECORDS SEARCHED / DATA CURRENCY TRACKING

Date of Government Version: N/A
Date Data Arrived at EDR: N/A
Date Made Active in Reports: N/A
Number of Days to Update: N/A

Source: EDR, Inc.
Telephone: N/A
Last EDR Contact: N/A
Next Scheduled EDR Contact: N/A
Data Release Frequency: Varies

EDR RECOVERED GOVERNMENT ARCHIVES

Exclusive Recovered Govt. Archives

RGA LF: Recovered Government Archive Solid Waste Facilities List

The EDR Recovered Government Archive Landfill database provides a list of landfills derived from historical databases and includes many records that no longer appear in current government lists. Compiled from Records formerly available from the Department of Resources Recycling and Recovery in California.

Date of Government Version: N/A
Date Data Arrived at EDR: 07/01/2013
Date Made Active in Reports: 01/13/2014
Number of Days to Update: 196

Source: Department of Resources Recycling and Recovery
Telephone: N/A
Last EDR Contact: 06/01/2012
Next Scheduled EDR Contact: N/A
Data Release Frequency: Varies

RGA LUST: Recovered Government Archive Leaking Underground Storage Tank

The EDR Recovered Government Archive Leaking Underground Storage Tank database provides a list of LUST incidents derived from historical databases and includes many records that no longer appear in current government lists. Compiled from Records formerly available from the State Water Resources Control Board in California.

Date of Government Version: N/A
Date Data Arrived at EDR: 07/01/2013
Date Made Active in Reports: 12/30/2013
Number of Days to Update: 182

Source: State Water Resources Control Board
Telephone: N/A
Last EDR Contact: 06/01/2012
Next Scheduled EDR Contact: N/A
Data Release Frequency: Varies

COUNTY RECORDS

ALAMEDA COUNTY:

CS ALAMEDA: Contaminated Sites

A listing of contaminated sites overseen by the Toxic Release Program (oil and groundwater contamination from chemical releases and spills) and the Leaking Underground Storage Tank Program (soil and ground water contamination from leaking petroleum USTs).

Date of Government Version: 01/09/2019
Date Data Arrived at EDR: 01/11/2019
Date Made Active in Reports: 03/05/2019
Number of Days to Update: 53

Source: Alameda County Environmental Health Services
Telephone: 510-567-6700
Last EDR Contact: 06/28/2022
Next Scheduled EDR Contact: 10/17/2022
Data Release Frequency: Semi-Annually

UST ALAMEDA: Underground Tanks

Underground storage tank sites located in Alameda county.

Date of Government Version: 06/29/2022
Date Data Arrived at EDR: 06/29/2022
Date Made Active in Reports: 07/21/2022
Number of Days to Update: 22

Source: Alameda County Environmental Health Services
Telephone: 510-567-6700
Last EDR Contact: 06/29/2022
Next Scheduled EDR Contact: 10/17/2022
Data Release Frequency: Semi-Annually

AMADOR COUNTY:

GOVERNMENT RECORDS SEARCHED / DATA CURRENCY TRACKING

CUPA AMADOR: CUPA Facility List Cupa Facility List

Date of Government Version: 07/22/2022
Date Data Arrived at EDR: 07/27/2022
Date Made Active in Reports: 08/01/2022
Number of Days to Update: 5

Source: Amador County Environmental Health
Telephone: 209-223-6439
Last EDR Contact: 07/26/2022
Next Scheduled EDR Contact: 11/14/2022
Data Release Frequency: Varies

BUTTE COUNTY:

CUPA BUTTE: CUPA Facility Listing Cupa facility list.

Date of Government Version: 04/21/2017
Date Data Arrived at EDR: 04/25/2017
Date Made Active in Reports: 08/09/2017
Number of Days to Update: 106

Source: Public Health Department
Telephone: 530-538-7149
Last EDR Contact: 06/28/2022
Next Scheduled EDR Contact: 10/17/2022
Data Release Frequency: No Update Planned

CALVERAS COUNTY:

CUPA CALVERAS: CUPA Facility Listing Cupa Facility Listing

Date of Government Version: 03/17/2022
Date Data Arrived at EDR: 03/18/2022
Date Made Active in Reports: 06/08/2022
Number of Days to Update: 82

Source: Calveras County Environmental Health
Telephone: 209-754-6399
Last EDR Contact: 06/14/2022
Next Scheduled EDR Contact: 10/03/2022
Data Release Frequency: Quarterly

COLUSA COUNTY:

CUPA COLUSA: CUPA Facility List Cupa facility list.

Date of Government Version: 04/06/2020
Date Data Arrived at EDR: 04/23/2020
Date Made Active in Reports: 07/10/2020
Number of Days to Update: 78

Source: Health & Human Services
Telephone: 530-458-0396
Last EDR Contact: 07/26/2022
Next Scheduled EDR Contact: 11/14/2022
Data Release Frequency: Semi-Annually

CONTRA COSTA COUNTY:

SL CONTRA COSTA: Site List

List includes sites from the underground tank, hazardous waste generator and business plan/2185 programs.

Date of Government Version: 04/21/2022
Date Data Arrived at EDR: 04/22/2022
Date Made Active in Reports: 07/12/2022
Number of Days to Update: 81

Source: Contra Costa Health Services Department
Telephone: 925-646-2286
Last EDR Contact: 07/19/2022
Next Scheduled EDR Contact: 11/07/2022
Data Release Frequency: Semi-Annually

DEL NORTE COUNTY:

GOVERNMENT RECORDS SEARCHED / DATA CURRENCY TRACKING

CUPA DEL NORTE: CUPA Facility List Cupa Facility list

Date of Government Version: 05/04/2022
Date Data Arrived at EDR: 05/06/2022
Date Made Active in Reports: 07/28/2022
Number of Days to Update: 83

Source: Del Norte County Environmental Health Division
Telephone: 707-465-0426
Last EDR Contact: 07/19/2022
Next Scheduled EDR Contact: 11/07/2022
Data Release Frequency: Varies

EL DORADO COUNTY:

CUPA EL DORADO: CUPA Facility List CUPA facility list.

Date of Government Version: 02/16/2022
Date Data Arrived at EDR: 02/17/2022
Date Made Active in Reports: 05/10/2022
Number of Days to Update: 82

Source: El Dorado County Environmental Management Department
Telephone: 530-621-6623
Last EDR Contact: 07/20/2022
Next Scheduled EDR Contact: 11/07/2022
Data Release Frequency: Varies

FRESNO COUNTY:

CUPA FRESNO: CUPA Resources List

Certified Unified Program Agency. CUPA's are responsible for implementing a unified hazardous materials and hazardous waste management regulatory program. The agency provides oversight of businesses that deal with hazardous materials, operate underground storage tanks or aboveground storage tanks.

Date of Government Version: 06/28/2021
Date Data Arrived at EDR: 12/21/2021
Date Made Active in Reports: 03/03/2022
Number of Days to Update: 72

Source: Dept. of Community Health
Telephone: 559-445-3271
Last EDR Contact: 07/01/2022
Next Scheduled EDR Contact: 10/10/2022
Data Release Frequency: Semi-Annually

GLENN COUNTY:

CUPA GLENN: CUPA Facility List Cupa facility list

Date of Government Version: 01/22/2018
Date Data Arrived at EDR: 01/24/2018
Date Made Active in Reports: 03/14/2018
Number of Days to Update: 49

Source: Glenn County Air Pollution Control District
Telephone: 830-934-6500
Last EDR Contact: 07/12/2022
Next Scheduled EDR Contact: 10/31/2022
Data Release Frequency: No Update Planned

HUMBOLDT COUNTY:

CUPA HUMBOLDT: CUPA Facility List CUPA facility list.

Date of Government Version: 08/12/2021
Date Data Arrived at EDR: 08/12/2021
Date Made Active in Reports: 11/08/2021
Number of Days to Update: 88

Source: Humboldt County Environmental Health
Telephone: N/A
Last EDR Contact: 08/09/2022
Next Scheduled EDR Contact: 11/28/2022
Data Release Frequency: Semi-Annually

IMPERIAL COUNTY:

GOVERNMENT RECORDS SEARCHED / DATA CURRENCY TRACKING

CUPA IMPERIAL: CUPA Facility List Cupa facility list.

Date of Government Version: 04/18/2022
Date Data Arrived at EDR: 04/19/2022
Date Made Active in Reports: 07/12/2022
Number of Days to Update: 84

Source: San Diego Border Field Office
Telephone: 760-339-2777
Last EDR Contact: 07/13/2022
Next Scheduled EDR Contact: 10/31/2022
Data Release Frequency: Varies

INYO COUNTY:

CUPA INYO: CUPA Facility List Cupa facility list.

Date of Government Version: 04/02/2018
Date Data Arrived at EDR: 04/03/2018
Date Made Active in Reports: 06/14/2018
Number of Days to Update: 72

Source: Inyo County Environmental Health Services
Telephone: 760-878-0238
Last EDR Contact: 08/09/2022
Next Scheduled EDR Contact: 11/28/2022
Data Release Frequency: Varies

KERN COUNTY:

CUPA KERN: CUPA Facility List

A listing of sites included in the Kern County Hazardous Material Business Plan.

Date of Government Version: 05/06/2022
Date Data Arrived at EDR: 05/12/2022
Date Made Active in Reports: 08/01/2022
Number of Days to Update: 81

Source: Kern County Public Health
Telephone: 661-321-3000
Last EDR Contact: 08/23/2022
Next Scheduled EDR Contact: 11/14/2022
Data Release Frequency: Varies

UST KERN: Underground Storage Tank Sites & Tank Listing Kern County Sites and Tanks Listing.

Date of Government Version: 05/06/2022
Date Data Arrived at EDR: 05/12/2022
Date Made Active in Reports: 08/01/2022
Number of Days to Update: 81

Source: Kern County Environment Health Services Department
Telephone: 661-862-8700
Last EDR Contact: 08/23/2022
Next Scheduled EDR Contact: 11/14/2022
Data Release Frequency: Quarterly

KINGS COUNTY:

CUPA KINGS: CUPA Facility List

A listing of sites included in the county's Certified Unified Program Agency database. California's Secretary for Environmental Protection established the unified hazardous materials and hazardous waste regulatory program as required by chapter 6.11 of the California Health and Safety Code. The Unified Program consolidates the administration, permits, inspections, and enforcement activities.

Date of Government Version: 12/03/2020
Date Data Arrived at EDR: 01/26/2021
Date Made Active in Reports: 04/14/2021
Number of Days to Update: 78

Source: Kings County Department of Public Health
Telephone: 559-584-1411
Last EDR Contact: 08/09/2022
Next Scheduled EDR Contact: 11/28/2022
Data Release Frequency: Varies

LAKE COUNTY:

GOVERNMENT RECORDS SEARCHED / DATA CURRENCY TRACKING

CUPA LAKE: CUPA Facility List Cupa facility list

Date of Government Version: 02/10/2022
Date Data Arrived at EDR: 02/11/2022
Date Made Active in Reports: 05/04/2022
Number of Days to Update: 82

Source: Lake County Environmental Health
Telephone: 707-263-1164
Last EDR Contact: 07/07/2022
Next Scheduled EDR Contact: 10/24/2022
Data Release Frequency: Varies

LASSEN COUNTY:

CUPA LASSEN: CUPA Facility List Cupa facility list

Date of Government Version: 07/31/2020
Date Data Arrived at EDR: 08/21/2020
Date Made Active in Reports: 11/09/2020
Number of Days to Update: 80

Source: Lassen County Environmental Health
Telephone: 530-251-8528
Last EDR Contact: 07/12/2022
Next Scheduled EDR Contact: 10/31/2022
Data Release Frequency: Varies

LOS ANGELES COUNTY:

AOCONCERN: Key Areas of Concerns in Los Angeles County

San Gabriel Valley areas where VOC contamination is at or above the MCL as designated by region 9 EPA office. Date of Government Version: 3/30/2009 Exide Site area is a cleanup plan of lead-impacted soil surrounding the former Exide Facility as designated by the DTSC. Date of Government Version: 7/17/2017

Date of Government Version: 03/30/2009
Date Data Arrived at EDR: 03/31/2009
Date Made Active in Reports: 10/23/2009
Number of Days to Update: 206

Source: N/A
Telephone: N/A
Last EDR Contact: 06/09/2022
Next Scheduled EDR Contact: 09/26/2022
Data Release Frequency: No Update Planned

HMS LOS ANGELES: HMS: Street Number List

Industrial Waste and Underground Storage Tank Sites.

Date of Government Version: 04/04/2022
Date Data Arrived at EDR: 04/05/2022
Date Made Active in Reports: 04/13/2022
Number of Days to Update: 8

Source: Department of Public Works
Telephone: 626-458-3517
Last EDR Contact: 06/29/2022
Next Scheduled EDR Contact: 10/17/2022
Data Release Frequency: Semi-Annually

LF LOS ANGELES: List of Solid Waste Facilities

Solid Waste Facilities in Los Angeles County.

Date of Government Version: 04/11/2022
Date Data Arrived at EDR: 04/12/2022
Date Made Active in Reports: 07/05/2022
Number of Days to Update: 84

Source: La County Department of Public Works
Telephone: 818-458-5185
Last EDR Contact: 07/11/2022
Next Scheduled EDR Contact: 10/24/2022
Data Release Frequency: Varies

LF LOS ANGELES CITY: City of Los Angeles Landfills

Landfills owned and maintained by the City of Los Angeles.

Date of Government Version: 01/01/2022
Date Data Arrived at EDR: 01/21/2022
Date Made Active in Reports: 04/11/2022
Number of Days to Update: 80

Source: Engineering & Construction Division
Telephone: 213-473-7869
Last EDR Contact: 07/06/2022
Next Scheduled EDR Contact: 10/24/2022
Data Release Frequency: Varies

GOVERNMENT RECORDS SEARCHED / DATA CURRENCY TRACKING

LOS ANGELES AST: Active & Inactive AST Inventory

A listing of active & inactive above ground petroleum storage tank site locations, located in the City of Los Angeles.

Date of Government Version: 06/01/2019	Source: Los Angeles Fire Department
Date Data Arrived at EDR: 06/25/2019	Telephone: 213-978-3800
Date Made Active in Reports: 08/22/2019	Last EDR Contact: 06/14/2022
Number of Days to Update: 58	Next Scheduled EDR Contact: 10/03/2022
	Data Release Frequency: Varies

LOS ANGELES CO LF METHANE: Methane Producing Landfills

This data was created on April 30, 2012 to represent known disposal sites in Los Angeles County that may produce and emanate methane gas. The shapefile contains disposal sites within Los Angeles County that once accepted degradable refuse material. Information used to create this data was extracted from a landfill survey performed by County Engineers (Major Waste System Map, 1973) as well as historical records from CalRecycle, Regional Water Quality Control Board, and Los Angeles County Department of Public Health

Date of Government Version: 01/10/2022	Source: Los Angeles County Department of Public Works
Date Data Arrived at EDR: 01/12/2022	Telephone: 626-458-6973
Date Made Active in Reports: 04/04/2022	Last EDR Contact: 07/06/2022
Number of Days to Update: 82	Next Scheduled EDR Contact: 10/24/2022
	Data Release Frequency: No Update Planned

LOS ANGELES HM: Active & Inactive Hazardous Materials Inventory

A listing of active & inactive hazardous materials facility locations, located in the City of Los Angeles.

Date of Government Version: 01/13/2022	Source: Los Angeles Fire Department
Date Data Arrived at EDR: 03/21/2022	Telephone: 213-978-3800
Date Made Active in Reports: 06/15/2022	Last EDR Contact: 06/24/2022
Number of Days to Update: 86	Next Scheduled EDR Contact: 10/03/2022
	Data Release Frequency: Varies

LOS ANGELES UST: Active & Inactive UST Inventory

A listing of active & inactive underground storage tank site locations and underground storage tank historical sites, located in the City of Los Angeles.

Date of Government Version: 01/13/2022	Source: Los Angeles Fire Department
Date Data Arrived at EDR: 03/21/2022	Telephone: 213-978-3800
Date Made Active in Reports: 06/15/2022	Last EDR Contact: 06/24/2022
Number of Days to Update: 86	Next Scheduled EDR Contact: 10/03/2022
	Data Release Frequency: Varies

SITE MIT LOS ANGELES: Site Mitigation List

Industrial sites that have had some sort of spill or complaint.

Date of Government Version: 05/26/2021	Source: Community Health Services
Date Data Arrived at EDR: 07/09/2021	Telephone: 323-890-7806
Date Made Active in Reports: 09/29/2021	Last EDR Contact: 07/14/2022
Number of Days to Update: 82	Next Scheduled EDR Contact: 10/24/2022
	Data Release Frequency: Annually

UST EL SEGUNDO: City of El Segundo Underground Storage Tank

Underground storage tank sites located in El Segundo city.

Date of Government Version: 01/21/2017	Source: City of El Segundo Fire Department
Date Data Arrived at EDR: 04/19/2017	Telephone: 310-524-2236
Date Made Active in Reports: 05/10/2017	Last EDR Contact: 07/06/2022
Number of Days to Update: 21	Next Scheduled EDR Contact: 10/24/2022
	Data Release Frequency: No Update Planned

GOVERNMENT RECORDS SEARCHED / DATA CURRENCY TRACKING

UST LONG BEACH: City of Long Beach Underground Storage Tank
Underground storage tank sites located in the city of Long Beach.

Date of Government Version: 04/22/2019	Source: City of Long Beach Fire Department
Date Data Arrived at EDR: 04/23/2019	Telephone: 562-570-2563
Date Made Active in Reports: 06/27/2019	Last EDR Contact: 07/12/2022
Number of Days to Update: 65	Next Scheduled EDR Contact: 10/31/2022
	Data Release Frequency: Varies

UST TORRANCE: City of Torrance Underground Storage Tank
Underground storage tank sites located in the city of Torrance.

Date of Government Version: 04/20/2022	Source: City of Torrance Fire Department
Date Data Arrived at EDR: 04/21/2022	Telephone: 310-618-2973
Date Made Active in Reports: 07/12/2022	Last EDR Contact: 07/13/2022
Number of Days to Update: 82	Next Scheduled EDR Contact: 10/31/2022
	Data Release Frequency: Semi-Annually

MADERA COUNTY:

CUPA MADERA: CUPA Facility List

A listing of sites included in the county's Certified Unified Program Agency database. California's Secretary for Environmental Protection established the unified hazardous materials and hazardous waste regulatory program as required by chapter 6.11 of the California Health and Safety Code. The Unified Program consolidates the administration, permits, inspections, and enforcement activities.

Date of Government Version: 08/10/2020	Source: Madera County Environmental Health
Date Data Arrived at EDR: 08/12/2020	Telephone: 559-675-7823
Date Made Active in Reports: 10/23/2020	Last EDR Contact: 08/09/2022
Number of Days to Update: 72	Next Scheduled EDR Contact: 11/28/2022
	Data Release Frequency: Varies

MARIN COUNTY:

UST MARIN: Underground Storage Tank Sites
Currently permitted USTs in Marin County.

Date of Government Version: 09/26/2018	Source: Public Works Department Waste Management
Date Data Arrived at EDR: 10/04/2018	Telephone: 415-473-6647
Date Made Active in Reports: 11/02/2018	Last EDR Contact: 06/22/2022
Number of Days to Update: 29	Next Scheduled EDR Contact: 10/10/2022
	Data Release Frequency: Semi-Annually

MENDOCINO COUNTY:

UST MENDOCINO: Mendocino County UST Database
A listing of underground storage tank locations in Mendocino County.

Date of Government Version: 09/22/2021	Source: Department of Public Health
Date Data Arrived at EDR: 11/18/2021	Telephone: 707-463-4466
Date Made Active in Reports: 11/22/2021	Last EDR Contact: 08/16/2022
Number of Days to Update: 4	Next Scheduled EDR Contact: 12/05/2022
	Data Release Frequency: Annually

MERCED COUNTY:

GOVERNMENT RECORDS SEARCHED / DATA CURRENCY TRACKING

CUPA MERCED: CUPA Facility List CUPA facility list.

Date of Government Version: 02/15/2022
Date Data Arrived at EDR: 02/17/2022
Date Made Active in Reports: 05/11/2022
Number of Days to Update: 83

Source: Merced County Environmental Health
Telephone: 209-381-1094
Last EDR Contact: 08/09/2022
Next Scheduled EDR Contact: 11/28/2022
Data Release Frequency: Varies

MONO COUNTY:

CUPA MONO: CUPA Facility List CUPA Facility List

Date of Government Version: 02/22/2021
Date Data Arrived at EDR: 03/02/2021
Date Made Active in Reports: 05/19/2021
Number of Days to Update: 78

Source: Mono County Health Department
Telephone: 760-932-5580
Last EDR Contact: 08/15/2022
Next Scheduled EDR Contact: 12/05/2022
Data Release Frequency: Varies

MONTEREY COUNTY:

CUPA MONTEREY: CUPA Facility Listing CUPA Program listing from the Environmental Health Division.

Date of Government Version: 10/04/2021
Date Data Arrived at EDR: 10/06/2021
Date Made Active in Reports: 12/29/2021
Number of Days to Update: 84

Source: Monterey County Health Department
Telephone: 831-796-1297
Last EDR Contact: 08/16/2022
Next Scheduled EDR Contact: 10/10/2022
Data Release Frequency: Varies

NAPA COUNTY:

LUST NAPA: Sites With Reported Contamination A listing of leaking underground storage tank sites located in Napa county.

Date of Government Version: 01/09/2017
Date Data Arrived at EDR: 01/11/2017
Date Made Active in Reports: 03/02/2017
Number of Days to Update: 50

Source: Napa County Department of Environmental Management
Telephone: 707-253-4269
Last EDR Contact: 08/15/2022
Next Scheduled EDR Contact: 12/05/2022
Data Release Frequency: No Update Planned

UST NAPA: Closed and Operating Underground Storage Tank Sites Underground storage tank sites located in Napa county.

Date of Government Version: 09/05/2019
Date Data Arrived at EDR: 09/09/2019
Date Made Active in Reports: 10/31/2019
Number of Days to Update: 52

Source: Napa County Department of Environmental Management
Telephone: 707-253-4269
Last EDR Contact: 08/15/2022
Next Scheduled EDR Contact: 12/05/2022
Data Release Frequency: No Update Planned

NEVADA COUNTY:

CUPA NEVADA: CUPA Facility List CUPA facility list.

GOVERNMENT RECORDS SEARCHED / DATA CURRENCY TRACKING

Date of Government Version: 07/21/2022
Date Data Arrived at EDR: 07/25/2022
Date Made Active in Reports: 07/28/2022
Number of Days to Update: 3

Source: Community Development Agency
Telephone: 530-265-1467
Last EDR Contact: 07/19/2022
Next Scheduled EDR Contact: 11/07/2022
Data Release Frequency: Varies

ORANGE COUNTY:

IND_SITE ORANGE: List of Industrial Site Cleanups
Petroleum and non-petroleum spills.

Date of Government Version: 04/08/2022
Date Data Arrived at EDR: 05/09/2022
Date Made Active in Reports: 07/28/2022
Number of Days to Update: 80

Source: Health Care Agency
Telephone: 714-834-3446
Last EDR Contact: 07/29/2022
Next Scheduled EDR Contact: 11/14/2022
Data Release Frequency: Annually

LUST ORANGE: List of Underground Storage Tank Cleanups
Orange County Underground Storage Tank Cleanups (LUST).

Date of Government Version: 04/08/2022
Date Data Arrived at EDR: 05/18/2022
Date Made Active in Reports: 08/03/2022
Number of Days to Update: 77

Source: Health Care Agency
Telephone: 714-834-3446
Last EDR Contact: 07/29/2022
Next Scheduled EDR Contact: 11/14/2022
Data Release Frequency: Quarterly

UST ORANGE: List of Underground Storage Tank Facilities
Orange County Underground Storage Tank Facilities (UST).

Date of Government Version: 04/08/2022
Date Data Arrived at EDR: 05/03/2022
Date Made Active in Reports: 07/20/2022
Number of Days to Update: 78

Source: Health Care Agency
Telephone: 714-834-3446
Last EDR Contact: 08/01/2022
Next Scheduled EDR Contact: 11/14/2022
Data Release Frequency: Quarterly

PLACER COUNTY:

MS PLACER: Master List of Facilities
List includes aboveground tanks, underground tanks and cleanup sites.

Date of Government Version: 05/25/2022
Date Data Arrived at EDR: 05/26/2022
Date Made Active in Reports: 06/01/2022
Number of Days to Update: 6

Source: Placer County Health and Human Services
Telephone: 530-745-2363
Last EDR Contact: 08/23/2022
Next Scheduled EDR Contact: 12/12/2022
Data Release Frequency: Semi-Annually

PLUMAS COUNTY:

CUPA PLUMAS: CUPA Facility List
Plumas County CUPA Program facilities.

Date of Government Version: 03/31/2019
Date Data Arrived at EDR: 04/23/2019
Date Made Active in Reports: 06/26/2019
Number of Days to Update: 64

Source: Plumas County Environmental Health
Telephone: 530-283-6355
Last EDR Contact: 07/12/2022
Next Scheduled EDR Contact: 10/31/2022
Data Release Frequency: Varies

RIVERSIDE COUNTY:

GOVERNMENT RECORDS SEARCHED / DATA CURRENCY TRACKING

LUST RIVERSIDE: Listing of Underground Tank Cleanup Sites

Riverside County Underground Storage Tank Cleanup Sites (LUST).

Date of Government Version: 03/31/2022
Date Data Arrived at EDR: 03/31/2022
Date Made Active in Reports: 04/08/2022
Number of Days to Update: 8

Source: Department of Environmental Health
Telephone: 951-358-5055
Last EDR Contact: 06/09/2022
Next Scheduled EDR Contact: 09/26/2022
Data Release Frequency: Quarterly

UST RIVERSIDE: Underground Storage Tank Tank List

Underground storage tank sites located in Riverside county.

Date of Government Version: 03/31/2022
Date Data Arrived at EDR: 03/31/2022
Date Made Active in Reports: 04/08/2022
Number of Days to Update: 8

Source: Department of Environmental Health
Telephone: 951-358-5055
Last EDR Contact: 06/09/2022
Next Scheduled EDR Contact: 09/26/2022
Data Release Frequency: Quarterly

SACRAMENTO COUNTY:

CS SACRAMENTO: Toxic Site Clean-Up List

List of sites where unauthorized releases of potentially hazardous materials have occurred.

Date of Government Version: 06/18/2021
Date Data Arrived at EDR: 09/28/2021
Date Made Active in Reports: 12/14/2021
Number of Days to Update: 77

Source: Sacramento County Environmental Management
Telephone: 916-875-8406
Last EDR Contact: 06/30/2022
Next Scheduled EDR Contact: 10/10/2022
Data Release Frequency: Quarterly

ML SACRAMENTO: Master Hazardous Materials Facility List

Any business that has hazardous materials on site - hazardous material storage sites, underground storage tanks, waste generators.

Date of Government Version: 05/04/2022
Date Data Arrived at EDR: 06/30/2022
Date Made Active in Reports: 07/05/2022
Number of Days to Update: 5

Source: Sacramento County Environmental Management
Telephone: 916-875-8406
Last EDR Contact: 06/30/2022
Next Scheduled EDR Contact: 10/10/2022
Data Release Frequency: Quarterly

SAN BENITO COUNTY:

CUPA SAN BENITO: CUPA Facility List

Cupa facility list

Date of Government Version: 04/29/2022
Date Data Arrived at EDR: 04/29/2022
Date Made Active in Reports: 05/05/2022
Number of Days to Update: 6

Source: San Benito County Environmental Health
Telephone: N/A
Last EDR Contact: 07/26/2022
Next Scheduled EDR Contact: 11/14/2022
Data Release Frequency: Varies

SAN BERNARDINO COUNTY:

PERMITS SAN BERNARDINO: Hazardous Material Permits

This listing includes underground storage tanks, medical waste handlers/generators, hazardous materials handlers, hazardous waste generators, and waste oil generators/handlers.

GOVERNMENT RECORDS SEARCHED / DATA CURRENCY TRACKING

Date of Government Version: 05/12/2022
Date Data Arrived at EDR: 05/12/2022
Date Made Active in Reports: 05/18/2022
Number of Days to Update: 6

Source: San Bernardino County Fire Department Hazardous Materials Division
Telephone: 909-387-3041
Last EDR Contact: 07/26/2022
Next Scheduled EDR Contact: 11/14/2022
Data Release Frequency: Quarterly

SAN DIEGO COUNTY:

HMMD SAN DIEGO: Hazardous Materials Management Division Database

The database includes: HE58 - This report contains the business name, site address, business phone number, establishment 'H' permit number, type of permit, and the business status. HE17 - In addition to providing the same information provided in the HE58 listing, HE17 provides inspection dates, violations received by the establishment, hazardous waste generated, the quantity, method of storage, treatment/disposal of waste and the hauler, and information on underground storage tanks. Unauthorized Release List - Includes a summary of environmental contamination cases in San Diego County (underground tank cases, non-tank cases, groundwater contamination, and soil contamination are included.)

Date of Government Version: 05/31/2022
Date Data Arrived at EDR: 05/31/2022
Date Made Active in Reports: 08/18/2022
Number of Days to Update: 79

Source: Hazardous Materials Management Division
Telephone: 619-338-2268
Last EDR Contact: 05/31/2022
Next Scheduled EDR Contact: 09/12/2022
Data Release Frequency: Quarterly

LF SAN DIEGO: Solid Waste Facilities

San Diego County Solid Waste Facilities.

Date of Government Version: 10/27/2021
Date Data Arrived at EDR: 03/04/2022
Date Made Active in Reports: 05/31/2022
Number of Days to Update: 88

Source: Department of Health Services
Telephone: 619-338-2209
Last EDR Contact: 07/12/2022
Next Scheduled EDR Contact: 10/31/2022
Data Release Frequency: Varies

SAN DIEGO CO LOP: Local Oversight Program Listing

A listing of all LOP release sites that are or were under the County of San Diego's jurisdiction. Included are closed or transferred cases, open cases, and cases that did not have a case type indicated. The cases without a case type are mostly complaints; however, some of them could be LOP cases.

Date of Government Version: 07/22/2021
Date Data Arrived at EDR: 10/19/2021
Date Made Active in Reports: 01/13/2022
Number of Days to Update: 86

Source: Department of Environmental Health
Telephone: 858-505-6874
Last EDR Contact: 07/13/2022
Next Scheduled EDR Contact: 10/31/2022
Data Release Frequency: Varies

SAN DIEGO CO SAM: Environmental Case Listing

The listing contains all underground tank release cases and projects pertaining to properties contaminated with hazardous substances that are actively under review by the Site Assessment and Mitigation Program.

Date of Government Version: 03/23/2010
Date Data Arrived at EDR: 06/15/2010
Date Made Active in Reports: 07/09/2010
Number of Days to Update: 24

Source: San Diego County Department of Environmental Health
Telephone: 619-338-2371
Last EDR Contact: 08/23/2022
Next Scheduled EDR Contact: 12/12/2022
Data Release Frequency: No Update Planned

SAN FRANCISCO COUNTY:

CUPA SAN FRANCISCO CO: CUPA Facility Listing

Cupa facilities

GOVERNMENT RECORDS SEARCHED / DATA CURRENCY TRACKING

Date of Government Version: 05/05/2022
Date Data Arrived at EDR: 05/06/2022
Date Made Active in Reports: 07/28/2022
Number of Days to Update: 83

Source: San Francisco County Department of Environmental Health
Telephone: 415-252-3896
Last EDR Contact: 07/26/2022
Next Scheduled EDR Contact: 11/14/2022
Data Release Frequency: Varies

LUST SAN FRANCISCO: Local Oversight Facilities

A listing of leaking underground storage tank sites located in San Francisco county.

Date of Government Version: 09/19/2008
Date Data Arrived at EDR: 09/19/2008
Date Made Active in Reports: 09/29/2008
Number of Days to Update: 10

Source: Department Of Public Health San Francisco County
Telephone: 415-252-3920
Last EDR Contact: 07/26/2022
Next Scheduled EDR Contact: 11/14/2022
Data Release Frequency: No Update Planned

UST SAN FRANCISCO: Underground Storage Tank Information

Underground storage tank sites located in San Francisco county.

Date of Government Version: 05/05/2022
Date Data Arrived at EDR: 05/06/2022
Date Made Active in Reports: 07/20/2022
Number of Days to Update: 75

Source: Department of Public Health
Telephone: 415-252-3920
Last EDR Contact: 07/26/2022
Next Scheduled EDR Contact: 11/14/2022
Data Release Frequency: Quarterly

SAN FRANCISCO COUNTY:

SAN FRANCISCO MAHER: Maher Ordinance Property Listing

a listing of properties that fall within a Maher Ordinance, for all of San Francisco

Date of Government Version: 01/18/2022
Date Data Arrived at EDR: 01/20/2022
Date Made Active in Reports: 04/27/2022
Number of Days to Update: 97

Source: San Francisco Planning
Telephone: 628-652-7483
Last EDR Contact: 07/05/2022
Next Scheduled EDR Contact: 10/31/2022
Data Release Frequency: Varies

SAN JOAQUIN COUNTY:

UST SAN JOAQUIN: San Joaquin Co. UST

A listing of underground storage tank locations in San Joaquin county.

Date of Government Version: 06/22/2018
Date Data Arrived at EDR: 06/26/2018
Date Made Active in Reports: 07/11/2018
Number of Days to Update: 15

Source: Environmental Health Department
Telephone: N/A
Last EDR Contact: 06/09/2022
Next Scheduled EDR Contact: 09/26/2022
Data Release Frequency: Semi-Annually

SAN LUIS OBISPO COUNTY:

CUPA SAN LUIS OBISPO: CUPA Facility List Cupa Facility List.

Date of Government Version: 05/16/2022
Date Data Arrived at EDR: 05/18/2022
Date Made Active in Reports: 08/04/2022
Number of Days to Update: 78

Source: San Luis Obispo County Public Health Department
Telephone: 805-781-5596
Last EDR Contact: 08/09/2022
Next Scheduled EDR Contact: 11/28/2022
Data Release Frequency: Varies

SAN MATEO COUNTY:

GOVERNMENT RECORDS SEARCHED / DATA CURRENCY TRACKING

BI SAN MATEO: Business Inventory

List includes Hazardous Materials Business Plan, hazardous waste generators, and underground storage tanks.

Date of Government Version: 02/20/2020
Date Data Arrived at EDR: 02/20/2020
Date Made Active in Reports: 04/24/2020
Number of Days to Update: 64

Source: San Mateo County Environmental Health Services Division
Telephone: 650-363-1921
Last EDR Contact: 06/10/2022
Next Scheduled EDR Contact: 09/19/2022
Data Release Frequency: Annually

LUST SAN MATEO: Fuel Leak List

A listing of leaking underground storage tank sites located in San Mateo county.

Date of Government Version: 03/29/2019
Date Data Arrived at EDR: 03/29/2019
Date Made Active in Reports: 05/29/2019
Number of Days to Update: 61

Source: San Mateo County Environmental Health Services Division
Telephone: 650-363-1921
Last EDR Contact: 06/02/2022
Next Scheduled EDR Contact: 09/19/2022
Data Release Frequency: Semi-Annually

SANTA BARBARA COUNTY:

CUPA SANTA BARBARA: CUPA Facility Listing

CUPA Program Listing from the Environmental Health Services division.

Date of Government Version: 09/08/2011
Date Data Arrived at EDR: 09/09/2011
Date Made Active in Reports: 10/07/2011
Number of Days to Update: 28

Source: Santa Barbara County Public Health Department
Telephone: 805-686-8167
Last EDR Contact: 08/09/2022
Next Scheduled EDR Contact: 11/28/2022
Data Release Frequency: No Update Planned

SANTA CLARA COUNTY:

CUPA SANTA CLARA: Cupa Facility List

Cupa facility list

Date of Government Version: 05/16/2022
Date Data Arrived at EDR: 05/18/2022
Date Made Active in Reports: 08/04/2022
Number of Days to Update: 78

Source: Department of Environmental Health
Telephone: 408-918-1973
Last EDR Contact: 08/09/2022
Next Scheduled EDR Contact: 11/28/2022
Data Release Frequency: Varies

HIST LUST SANTA CLARA: HIST LUST - Fuel Leak Site Activity Report

A listing of open and closed leaking underground storage tanks. This listing is no longer updated by the county. Leaking underground storage tanks are now handled by the Department of Environmental Health.

Date of Government Version: 03/29/2005
Date Data Arrived at EDR: 03/30/2005
Date Made Active in Reports: 04/21/2005
Number of Days to Update: 22

Source: Santa Clara Valley Water District
Telephone: 408-265-2600
Last EDR Contact: 03/23/2009
Next Scheduled EDR Contact: 06/22/2009
Data Release Frequency: No Update Planned

LUST SANTA CLARA: LOP Listing

A listing of leaking underground storage tanks located in Santa Clara county.

Date of Government Version: 03/03/2014
Date Data Arrived at EDR: 03/05/2014
Date Made Active in Reports: 03/18/2014
Number of Days to Update: 13

Source: Department of Environmental Health
Telephone: 408-918-3417
Last EDR Contact: 08/15/2022
Next Scheduled EDR Contact: 12/05/2022
Data Release Frequency: No Update Planned

GOVERNMENT RECORDS SEARCHED / DATA CURRENCY TRACKING

SAN JOSE HAZMAT: Hazardous Material Facilities

Hazardous material facilities, including underground storage tank sites.

Date of Government Version: 11/03/2020
Date Data Arrived at EDR: 11/05/2020
Date Made Active in Reports: 01/26/2021
Number of Days to Update: 82

Source: City of San Jose Fire Department
Telephone: 408-535-7694
Last EDR Contact: 07/26/2022
Next Scheduled EDR Contact: 11/14/2022
Data Release Frequency: Annually

SANTA CRUZ COUNTY:

CUPA SANTA CRUZ: CUPA Facility List CUPA facility listing.

Date of Government Version: 01/21/2017
Date Data Arrived at EDR: 02/22/2017
Date Made Active in Reports: 05/23/2017
Number of Days to Update: 90

Source: Santa Cruz County Environmental Health
Telephone: 831-464-2761
Last EDR Contact: 08/09/2022
Next Scheduled EDR Contact: 11/28/2022
Data Release Frequency: Varies

SHASTA COUNTY:

CUPA SHASTA: CUPA Facility List Cupa Facility List.

Date of Government Version: 06/15/2017
Date Data Arrived at EDR: 06/19/2017
Date Made Active in Reports: 08/09/2017
Number of Days to Update: 51

Source: Shasta County Department of Resource Management
Telephone: 530-225-5789
Last EDR Contact: 08/09/2022
Next Scheduled EDR Contact: 11/28/2022
Data Release Frequency: Varies

SOLANO COUNTY:

LUST SOLANO: Leaking Underground Storage Tanks

A listing of leaking underground storage tank sites located in Solano county.

Date of Government Version: 06/04/2019
Date Data Arrived at EDR: 06/06/2019
Date Made Active in Reports: 08/13/2019
Number of Days to Update: 68

Source: Solano County Department of Environmental Management
Telephone: 707-784-6770
Last EDR Contact: 08/23/2022
Next Scheduled EDR Contact: 12/12/2022
Data Release Frequency: Quarterly

UST SOLANO: Underground Storage Tanks

Underground storage tank sites located in Solano county.

Date of Government Version: 09/15/2021
Date Data Arrived at EDR: 09/16/2021
Date Made Active in Reports: 12/09/2021
Number of Days to Update: 84

Source: Solano County Department of Environmental Management
Telephone: 707-784-6770
Last EDR Contact: 08/23/2022
Next Scheduled EDR Contact: 12/12/2022
Data Release Frequency: Quarterly

SONOMA COUNTY:

CUPA SONOMA: Cupa Facility List Cupa Facility list

GOVERNMENT RECORDS SEARCHED / DATA CURRENCY TRACKING

Date of Government Version: 07/02/2021
Date Data Arrived at EDR: 07/06/2021
Date Made Active in Reports: 07/14/2021
Number of Days to Update: 8

Source: County of Sonoma Fire & Emergency Services Department
Telephone: 707-565-1174
Last EDR Contact: 06/14/2022
Next Scheduled EDR Contact: 10/03/2022
Data Release Frequency: Varies

LUST SONOMA: Leaking Underground Storage Tank Sites

A listing of leaking underground storage tank sites located in Sonoma county.

Date of Government Version: 06/30/2021
Date Data Arrived at EDR: 06/30/2021
Date Made Active in Reports: 09/24/2021
Number of Days to Update: 86

Source: Department of Health Services
Telephone: 707-565-6565
Last EDR Contact: 06/14/2022
Next Scheduled EDR Contact: 10/04/2021
Data Release Frequency: Quarterly

STANISLAUS COUNTY:

CUPA STANISLAUS: CUPA Facility List

Cupa facility list

Date of Government Version: 02/08/2022
Date Data Arrived at EDR: 02/10/2022
Date Made Active in Reports: 05/04/2022
Number of Days to Update: 83

Source: Stanislaus County Department of Environmental Protection
Telephone: 209-525-6751
Last EDR Contact: 07/11/2022
Next Scheduled EDR Contact: 10/24/2022
Data Release Frequency: Varies

SUTTER COUNTY:

UST SUTTER: Underground Storage Tanks

Underground storage tank sites located in Sutter county.

Date of Government Version: 05/03/2022
Date Data Arrived at EDR: 05/27/2022
Date Made Active in Reports: 08/11/2022
Number of Days to Update: 76

Source: Sutter County Environmental Health Services
Telephone: 530-822-7500
Last EDR Contact: 08/23/2022
Next Scheduled EDR Contact: 12/12/2022
Data Release Frequency: Semi-Annually

TEHAMA COUNTY:

CUPA TEHAMA: CUPA Facility List

Cupa facilities

Date of Government Version: 01/13/2021
Date Data Arrived at EDR: 01/14/2021
Date Made Active in Reports: 04/06/2021
Number of Days to Update: 82

Source: Tehama County Department of Environmental Health
Telephone: 530-527-8020
Last EDR Contact: 07/26/2022
Next Scheduled EDR Contact: 11/14/2022
Data Release Frequency: Varies

TRINITY COUNTY:

CUPA TRINITY: CUPA Facility List

Cupa facility list

Date of Government Version: 04/18/2022
Date Data Arrived at EDR: 04/19/2022
Date Made Active in Reports: 07/12/2022
Number of Days to Update: 84

Source: Department of Toxic Substances Control
Telephone: 760-352-0381
Last EDR Contact: 07/13/2022
Next Scheduled EDR Contact: 10/31/2022
Data Release Frequency: Varies

TULARE COUNTY:

GOVERNMENT RECORDS SEARCHED / DATA CURRENCY TRACKING

CUPA TULARE: CUPA Facility List Cupa program facilities

Date of Government Version: 04/26/2021
Date Data Arrived at EDR: 04/28/2021
Date Made Active in Reports: 07/13/2021
Number of Days to Update: 76

Source: Tulare County Environmental Health Services Division
Telephone: 559-624-7400
Last EDR Contact: 07/12/2022
Next Scheduled EDR Contact: 11/14/2022
Data Release Frequency: Varies

TUOLUMNE COUNTY:

CUPA TUOLUMNE: CUPA Facility List Cupa facility list

Date of Government Version: 04/23/2018
Date Data Arrived at EDR: 04/25/2018
Date Made Active in Reports: 06/25/2018
Number of Days to Update: 61

Source: Divison of Environmental Health
Telephone: 209-533-5633
Last EDR Contact: 07/12/2022
Next Scheduled EDR Contact: 10/31/2022
Data Release Frequency: Varies

VENTURA COUNTY:

BWT VENTURA: Business Plan, Hazardous Waste Producers, and Operating Underground Tanks The BWT list indicates by site address whether the Environmental Health Division has Business Plan (B), Waste Producer (W), and/or Underground Tank (T) information.

Date of Government Version: 03/28/2022
Date Data Arrived at EDR: 04/28/2022
Date Made Active in Reports: 07/15/2022
Number of Days to Update: 78

Source: Ventura County Environmental Health Division
Telephone: 805-654-2813
Last EDR Contact: 07/18/2022
Next Scheduled EDR Contact: 10/31/2022
Data Release Frequency: Quarterly

LF VENTURA: Inventory of Illegal Abandoned and Inactive Sites Ventura County Inventory of Closed, Illegal Abandoned, and Inactive Sites.

Date of Government Version: 12/01/2011
Date Data Arrived at EDR: 12/01/2011
Date Made Active in Reports: 01/19/2012
Number of Days to Update: 49

Source: Environmental Health Division
Telephone: 805-654-2813
Last EDR Contact: 06/22/2022
Next Scheduled EDR Contact: 10/10/2022
Data Release Frequency: No Update Planned

LUST VENTURA: Listing of Underground Tank Cleanup Sites Ventura County Underground Storage Tank Cleanup Sites (LUST).

Date of Government Version: 05/29/2008
Date Data Arrived at EDR: 06/24/2008
Date Made Active in Reports: 07/31/2008
Number of Days to Update: 37

Source: Environmental Health Division
Telephone: 805-654-2813
Last EDR Contact: 08/02/2022
Next Scheduled EDR Contact: 11/21/2022
Data Release Frequency: No Update Planned

MED WASTE VENTURA: Medical Waste Program List To protect public health and safety and the environment from potential exposure to disease causing agents, the Environmental Health Division Medical Waste Program regulates the generation, handling, storage, treatment and disposal of medical waste throughout the County.

Date of Government Version: 03/28/2022
Date Data Arrived at EDR: 04/28/2022
Date Made Active in Reports: 07/15/2022
Number of Days to Update: 78

Source: Ventura County Resource Management Agency
Telephone: 805-654-2813
Last EDR Contact: 07/18/2022
Next Scheduled EDR Contact: 10/31/2022
Data Release Frequency: Quarterly

GOVERNMENT RECORDS SEARCHED / DATA CURRENCY TRACKING

UST VENTURA: Underground Tank Closed Sites List

Ventura County Operating Underground Storage Tank Sites (UST)/Underground Tank Closed Sites List.

Date of Government Version: 02/28/2022	Source: Environmental Health Division
Date Data Arrived at EDR: 03/08/2022	Telephone: 805-654-2813
Date Made Active in Reports: 06/02/2022	Last EDR Contact: 06/07/2022
Number of Days to Update: 86	Next Scheduled EDR Contact: 09/19/2022
	Data Release Frequency: Quarterly

YOLO COUNTY:

UST YOLO: Underground Storage Tank Comprehensive Facility Report

Underground storage tank sites located in Yolo county.

Date of Government Version: 03/24/2022	Source: Yolo County Department of Health
Date Data Arrived at EDR: 03/31/2022	Telephone: 530-666-8646
Date Made Active in Reports: 06/27/2022	Last EDR Contact: 06/22/2022
Number of Days to Update: 88	Next Scheduled EDR Contact: 10/10/2022
	Data Release Frequency: Annually

YUBA COUNTY:

CUPA YUBA: CUPA Facility List

CUPA facility listing for Yuba County.

Date of Government Version: 05/03/2022	Source: Yuba County Environmental Health Department
Date Data Arrived at EDR: 05/05/2022	Telephone: 530-749-7523
Date Made Active in Reports: 07/28/2022	Last EDR Contact: 08/02/2022
Number of Days to Update: 84	Next Scheduled EDR Contact: 11/07/2022
	Data Release Frequency: Varies

OTHER DATABASE(S)

Depending on the geographic area covered by this report, the data provided in these specialty databases may or may not be complete. For example, the existence of wetlands information data in a specific report does not mean that all wetlands in the area covered by the report are included. Moreover, the absence of any reported wetlands information does not necessarily mean that wetlands do not exist in the area covered by the report.

CT MANIFEST: Hazardous Waste Manifest Data

Facility and manifest data. Manifest is a document that lists and tracks hazardous waste from the generator through transporters to a tsd facility.

Date of Government Version: 05/08/2022	Source: Department of Energy & Environmental Protection
Date Data Arrived at EDR: 05/09/2022	Telephone: 860-424-3375
Date Made Active in Reports: 07/28/2022	Last EDR Contact: 08/08/2022
Number of Days to Update: 80	Next Scheduled EDR Contact: 11/21/2022
	Data Release Frequency: No Update Planned

NJ MANIFEST: Manifest Information

Hazardous waste manifest information.

Date of Government Version: 12/31/2018	Source: Department of Environmental Protection
Date Data Arrived at EDR: 04/10/2019	Telephone: N/A
Date Made Active in Reports: 05/16/2019	Last EDR Contact: 06/28/2022
Number of Days to Update: 36	Next Scheduled EDR Contact: 10/17/2022
	Data Release Frequency: Annually

GOVERNMENT RECORDS SEARCHED / DATA CURRENCY TRACKING

NY MANIFEST: Facility and Manifest Data

Manifest is a document that lists and tracks hazardous waste from the generator through transporters to a TSD facility.

Date of Government Version: 01/01/2019
Date Data Arrived at EDR: 10/29/2021
Date Made Active in Reports: 01/19/2022
Number of Days to Update: 82

Source: Department of Environmental Conservation
Telephone: 518-402-8651
Last EDR Contact: 07/29/2022
Next Scheduled EDR Contact: 11/07/2022
Data Release Frequency: Quarterly

PA MANIFEST: Manifest Information

Hazardous waste manifest information.

Date of Government Version: 06/30/2018
Date Data Arrived at EDR: 07/19/2019
Date Made Active in Reports: 09/10/2019
Number of Days to Update: 53

Source: Department of Environmental Protection
Telephone: 717-783-8990
Last EDR Contact: 07/06/2022
Next Scheduled EDR Contact: 10/24/2022
Data Release Frequency: Annually

RI MANIFEST: Manifest information

Hazardous waste manifest information

Date of Government Version: 12/31/2018
Date Data Arrived at EDR: 11/30/2021
Date Made Active in Reports: 02/18/2022
Number of Days to Update: 80

Source: Department of Environmental Management
Telephone: 401-222-2797
Last EDR Contact: 08/10/2022
Next Scheduled EDR Contact: 11/28/2022
Data Release Frequency: Annually

WI MANIFEST: Manifest Information

Hazardous waste manifest information.

Date of Government Version: 05/31/2018
Date Data Arrived at EDR: 06/19/2019
Date Made Active in Reports: 09/03/2019
Number of Days to Update: 76

Source: Department of Natural Resources
Telephone: N/A
Last EDR Contact: 06/03/2022
Next Scheduled EDR Contact: 09/19/2022
Data Release Frequency: Annually

Oil/Gas Pipelines

Source: Endeavor Business Media

Petroleum Bundle (Crude Oil, Refined Products, Petrochemicals, Gas Liquids (LPG/NGL), and Specialty Gases (Miscellaneous)) N = Natural Gas Bundle (Natural Gas, Gas Liquids (LPG/NGL), and Specialty Gases (Miscellaneous)). This map includes information copyrighted by Endeavor Business Media. This information is provided on a best effort basis and Endeavor Business Media does not guarantee its accuracy nor warrant its fitness for any particular purpose. Such information has been reprinted with the permission of Endeavor Business Media.

Electric Power Transmission Line Data

Source: Endeavor Business Media

This map includes information copyrighted by Endeavor Business Media. This information is provided on a best effort basis and Endeavor Business Media does not guarantee its accuracy nor warrant its fitness for any particular purpose. Such information has been reprinted with the permission of Endeavor Business Media.

Sensitive Receptors: There are individuals deemed sensitive receptors due to their fragile immune systems and special sensitivity to environmental discharges. These sensitive receptors typically include the elderly, the sick, and children. While the location of all sensitive receptors cannot be determined, EDR indicates those buildings and facilities - schools, daycares, hospitals, medical centers, and nursing homes - where individuals who are sensitive receptors are likely to be located.

AHA Hospitals:

Source: American Hospital Association, Inc.
Telephone: 312-280-5991

The database includes a listing of hospitals based on the American Hospital Association's annual survey of hospitals.

Medical Centers: Provider of Services Listing

Source: Centers for Medicare & Medicaid Services
Telephone: 410-786-3000

A listing of hospitals with Medicare provider number, produced by Centers of Medicare & Medicaid Services, a federal agency within the U.S. Department of Health and Human Services.

GOVERNMENT RECORDS SEARCHED / DATA CURRENCY TRACKING

Nursing Homes

Source: National Institutes of Health

Telephone: 301-594-6248

Information on Medicare and Medicaid certified nursing homes in the United States.

Public Schools

Source: National Center for Education Statistics

Telephone: 202-502-7300

The National Center for Education Statistics' primary database on elementary and secondary public education in the United States. It is a comprehensive, annual, national statistical database of all public elementary and secondary schools and school districts, which contains data that are comparable across all states.

Private Schools

Source: National Center for Education Statistics

Telephone: 202-502-7300

The National Center for Education Statistics' primary database on private school locations in the United States.

Daycare Centers: Licensed Facilities

Source: Department of Social Services

Telephone: 916-657-4041

Flood Zone Data: This data was obtained from the Federal Emergency Management Agency (FEMA). It depicts 100-year and 500-year flood zones as defined by FEMA. It includes the National Flood Hazard Layer (NFHL) which incorporates Flood Insurance Rate Map (FIRM) data and Q3 data from FEMA in areas not covered by NFHL.

Source: FEMA

Telephone: 877-336-2627

Date of Government Version: 2003, 2015

NWI: National Wetlands Inventory. This data, available in select counties across the country, was obtained by EDR in 2002, 2005 and 2010 from the U.S. Fish and Wildlife Service.

State Wetlands Data: Wetland Inventory

Source: Department of Fish and Wildlife

Telephone: 916-445-0411

STREET AND ADDRESS INFORMATION

© 2015 TomTom North America, Inc. All rights reserved. This material is proprietary and the subject of copyright protection and other intellectual property rights owned by or licensed to Tele Atlas North America, Inc. The use of this material is subject to the terms of a license agreement. You will be held liable for any unauthorized copying or disclosure of this material.

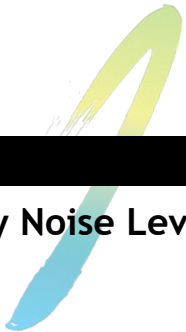


APPENDIX E

Noise Levels



Needles General Plan Update Roadway Noise Levels



Needles General Plan Update Roadway Noise Levels

Off-Site Roadway Traffic Noise Impacts—Future Plus Project

Intersection	Roadway Segment	Time Period	Existing	Future Plus Project	Land Use	Noise Standard (dBA)	Exceeds Standard?
			(dBA)	(dBA)			
Needles Highway							
1	North of Budweiser Road	AM	62.0	64.8	Vacant	N/A	N/A
		PM	62.8	63.3			N/A
	South of Budweiser Road	AM	62.2	64.9	Industrial	75	No
		PM	62.8	63.4			No
2	North of Park Road	AM	62.5	63.3	Vacant	N/A	N/A
		PM	63.3	63.7			N/A
	South of Park Road	AM	59.1	60.1	Vacant	N/A	N/A
		PM	60.2	60.2			N/A
3	North of WB I-40 Ramps/Balboa Place	AM	60.4	61.3	Commercial	70	No
		PM	61.8	61.8			No
	South of WB I-40 Ramps/Balboa Place	AM	58.4	59.0	Commercial	70	No
		PM	58.6	58.6			No
4	North of EB I-40 Ramps/Pashard Street	AM	57.1	57.2	Commercial	70	No
		PM	58.9	59.0			No
	South of EB I-40 Ramps/Pashard Street	AM	54.5	54.6	Commercial	70	No
		PM	51.5	51.8			No
7	East of North K Street	AM	52.3	53.1	Residential	65	No
		PM	52.9	53.9			No
	West of North K Street	AM	64.0	64.2	Commercial	70	No
		PM	64.7	64.9			No
Budweiser Road							
1	East of Needles Highway	AM	41.5	41.5	Industrial	75	No
		PM	42.2	41.5			No
	West of Needles Highway	AM	N/A	N/A	Vacant	N/A	N/A
		PM	N/A	N/A			N/A
Park Road							
2	East of Needles Highway	AM	36.7	36.7	Residential	65	No
		PM	36.7	36.7			No
	West of Needles Highway	AM	59.4	60.0	Vacant	N/A	N/A
		PM	60.0	60.7			N/A
WB I-40 Ramps/Balboa Place							
3	East of Needles Highway	AM	38.9	38.9	Commercial	70	No
		PM	46.7	46.7			No
	West of Needles Highway	AM	60.2	60.4	Commercial	70	No
		PM	60.4	60.5			No
EB I-40 Ramps/Pashard Street							
4	East of Needles Highway	AM	64.4	64.5	Commercial	70	No
		PM	65.0	65.1			No
	West of Needles Highway	AM	62.6	62.6	Commercial	70	No
		PM	62.2	62.3			No
North K Street at River Road							
5	North of Smokestack Avenue	AM	65.2	65.4	Commercial	70	No
		PM	66.1	66.2			No
	South of Smokestack Avenue	AM	65.1	65.1	Commercial	70	No
		PM	65.9	66.0			No
Smokestack Avenue							

Intersection	Roadway Segment	Time Period	Existing	Future Plus Project	Land Use	Noise Standard (dBA)	Exceeds Standard?
			(dBA)	(dBA)			
5	East of North K Street at River Road	AM	50.6	51.6	Commercial	70	No
		PM	51.5	52.8			No
	West of North K Street at River Road	AM	44.3	44.3	Commercial	70	No
		PM	45.3	46.1			No
North Broadway Avenue							
6	North of N Street at Needles Highway	AM	44.9	44.9	Residential	65	No
		PM	46.5	46.5			No
	South of N Street at Needles Highway	AM	61.9	62.0	Commercial	70	No
		PM	62.2	62.4			No
N Street at Needles Highway							
6	East of N Street at Needles Highway	AM	64.1	64.5	Residential/ Commercial	65	No
		PM	64.9	65.0			No
	West of N Street at Needles Highway	AM	62.4	63.0	Residential/ Commercial	65	No
		PM	63.5	63.8			No
North K Street							
7	North of Needles Highway	AM	64.8	64.9	Commercial	70	No
		PM	65.6	65.7			No
	South of Needles Highway	AM	50.1	51.0	Residential/ Commercial	65	No
		PM	53.4	53.7			No
J Street							
8	North of West Broadway Street	AM	43.7	44.8	Residential	65	No
		PM	41.3	45.7			No
	South of West Broadway Street	AM	61.6	61.6	Commercial	70	No
		PM	62.7	62.7			No
9	North of WB I-40 Ramps	AM	62.9	49.8	Commercial	70	No
		PM	63.9	50.7			No
	South of WB I-40 Ramps	AM	61.9	N/A	Commercial	70	No
		PM	62.9	N/A			No
10	North of EB I-40 Ramps	AM	61.9	50.0	Commercial	70	No
		PM	63.0	49.6			No
	South of EB I-40 Ramps	AM	60.1	47.8	Commercial	70	No
		PM	61.9	50.1			No
12	East of Bailey Avenue	AM	57.2	57.5	Commercial	70	No
		PM	58.7	58.9			No
	West of Bailey Avenue	AM	56.7	56.7	Residential/ Commercial	65	No
		PM	58.3	58.5			No
West Broadway Street							
8	East of J Street	AM	61.3	61.6	Residential/ Commercial	65	No
		PM	60.2	60.8			No
	West of J Street	AM	N/A	N/A	Residential/ Commercial	65	No
		PM	N/A	N/A			No
19	East of Palm Way	AM	60.8	61.1	Residential	65	No
		PM	61.3	61.7			No
	West of Palm Way	AM	60.9	61.1	Residential	65	No
		PM	61.5	61.9			No
WB I-40 Ramps							
9	East of J Street	AM	58.9	62.3	Commercial	70	No
		PM	60.8	63.4			No
	West of J Street	AM	53.4	61.9	Commercial	70	No
		PM	53.7	63.0			No
EB I-40 Ramps							

Intersection	Roadway Segment	Time Period	Existing	Future Plus Project	Land Use	Noise Standard (dBA)	Exceeds Standard?
			(dBA)	(dBA)			
10	East of J Street	AM	59.4	60.5	Commercial	70	No
		PM	60.0	61.1			No
	West of J Street	AM	52.8	60.5	Commercial	70	No
		PM	60.0	61.1			No
Bailey Avenue							
11	North of Washington Street	AM	N/A	N/A	School	65	N/A
		PM	N/A	N/A			N/A
	South of Washington Street	AM	50.0	50.5	Residential	65	No
		PM	51.0	52.0			No
12	North of J Street	AM	49.0	49.6	Commercial	70	No
		PM	51.1	51.9			No
	South of J Street	AM	58.7	59.3	Residential/ Commercial	65	No
		PM	60.2	60.7			No
13	North of Lillyhill Drive	AM	57.9	58.7	Commercial	70	No
		PM	59.0	59.9			No
	South of Lillyhill Drive	AM	N/A	N/A	Vacant	N/A	N/A
		PM	36.3	36.3			N/A
Washington Street							
11	East of Bailey Avenue	AM	46.2	46.8	Residential	65	No
		PM	47.3	48.2			No
	West of Bailey Avenue	AM	N/A	N/A	School	65	N/A
		PM	N/A	N/A			N/A
Lillyhill Drive							
13	East of Bailey Avenue	AM	55.2	56.0	Commercial	70	No
		PM	56.9	57.6			No
	West of Bailey Avenue	AM	48.7	48.9	Vacant	N/A	N/A
		PM	50.1	50.1			N/A
San Clemente Street							
14	East of Casa Linda Street	AM	N/A	N/A	Residential	65	No
		PM	49.3	50.2			No
	West of Casa Linda Street	AM	44.9	45.8	Residential	65	No
		PM	47.3	48.3			No
Casa Linda Street							
14	North of San Clemente Street	AM	48.2	48.8	Residential	65	No
		PM	45.5	46.5			No
	South of San Clemente Street	AM	46.9	48.2	Vacant	N/A	N/A
		PM	N/A	N/A			N/A
East Broadway Street							
15	North of I-40 EB Ramps	AM	61.1	52.7	Residential	65	No
		PM	62.6	53.2			No
	South of I-40 EB Ramps	AM	62.1	46.7	Commercial	70	No
		PM	63.6	47.4			No
16	North of I-40 WB Ramps	AM	62.0	62.3	Commercial	70	No
		PM	63.6	64.0			No
	South of I-40 WB Ramps	AM	62.7	63.3	Commercial	70	No
		PM	63.9	64.8			No
17	North of Goodwill Street	AM	60.9	61.3	Commercial	70	No
		PM	62.1	62.6			No
	South of Goodwill Street	AM	60.9	61.3	Commercial	70	No
		PM	62.2	62.7			No
20	North of Victory Drive	AM	60.8	62.0	Vacant	N/A	N/A
		PM	62.7	63.7			N/A

Intersection	Roadway Segment	Time Period	Existing	Future Plus Project	Land Use	Noise Standard (dBA)	Exceeds Standard?
			(dBA)	(dBA)			
	South of Victory Drive	AM	60.5	61.6	Commercial	70	No
		PM	62.6	63.4			No
I-40 EB Ramps							
15	East of East Broadway Street	AM	50.5	60.3	Commercial	70	No
		PM	52.9	61.9			No
	West of East Broadway Street	AM	58.5	59.7	Commercial	70	No
		PM	59.9	61.4			No
I-40 WB Ramps							
16	East of East Broadway Street	AM	53.4	53.4	Commercial	70	No
		PM	53.8	54.0			No
	West of East Broadway Street	AM	58.0	58.9	Commercial	70	No
		PM	60.5	61.5			No
Goodwill Street							
17	East of East Broadway Street	AM	33.7	33.7	Commercial	70	No
		PM	33.7	33.7			No
	West of East Broadway Street	AM	45.2	45.2	Commercial	70	No
		PM	42.8	42.8			No
D Street							
18	North of Third Street	AM	53.1	53.6	Commercial	70	No
		PM	52.8	53.5			No
	South of Third Street	AM	53.5	53.8	Residential/ Commercial	65	No
		PM	54.5	55.0			No
Third Street							
18	East of D Street	AM	51.0	52.0	Residential/ Commercial	65	No
		PM	50.3	51.3			No
	West of D Street	AM	53.7	54.1	Residential/ Commercial	65	No
		PM	53.6	53.9			No
Palm Way							
19	East of West Broadway Street	AM	60.8	61.1	Residential	65	No
		PM	61.3	61.7			No
	West of West Broadway Street	AM	60.9	61.1	Residential	65	No
		PM	61.5	61.9			No
Victory Drive							
20	East of East Broadway Street	AM	N/A	N/A	Vacant	N/A	N/A
		PM	N/A	N/A			N/A
	West of East Broadway Street	AM	42.8	46.7	Commercial	70	No
		PM	43.3	47.9			No

Source: KOA, City of Needles, Transportation Element Update Level of Service and Vehicle Miles Traveled Analysis, October 2022.



Needles General Plan Turning Count Conversion



Project Name: Needles General Plan Update				
	Intersection:	1		
	Needles Highway at Budweiser Road			
Budweiser Road	Eastbound			
		<u>left</u>	<u>through</u>	<u>right</u>
	Existing (Year 2021) AM	0	0	0
	Existing (Year 2021) PM	0	0	0
	Future (Year 2040) AM	0	0	0
	Future (Year 2040) PM	0	0	0

				rev. (Date)												
Needles Highway																
Southbound																
	<u>right</u>	<u>through</u>	<u>left</u>													
Existing (Year 2021) AM	0	87	0													
Existing (Year 2021) PM	0	51	0													
Future (Year 2040) AM	0	123	0													
Future (Year 2040) PM	0	87	0													
<table border="0" style="margin: auto;"> <tr> <td></td> <td></td> <td style="text-align: center;">N</td> <td></td> </tr> <tr> <td></td> <td style="text-align: center;">W</td> <td></td> <td style="text-align: center;">E</td> </tr> <tr> <td></td> <td></td> <td style="text-align: center;">S</td> <td></td> </tr> </table>							N			W		E			S	
		N														
	W		E													
		S														
Northbound																
	<u>left</u>	<u>through</u>	<u>right</u>													
Existing (Year 2021) AM	0	72	2	S												
Existing (Year 2021) PM	0	134	2													
Future (Year 2040) AM	0	180	2													
Future (Year 2040) PM	0	241	2													

Westbound			
	<u>right</u>	<u>through</u>	<u>left</u>
Existing (Year 2021) AM	0	0	4
Existing (Year 2021) PM	4	1	3
Future (Year 2040) AM	0	0	4
Future (Year 2040) PM	1	0	3

If Peak Hour = 6% of ADT, Scaling Factor = 16.667
If Peak Hour = 7% of ADT, Scaling Factor = 14.286
If Peak Hour = 8% of ADT, Scaling Factor = 12.5
If Peak Hour = 9% of ADT, Scaling Factor = 11.111
If Peak Hour = 10% of ADT, Scaling Factor = 10

	ADT			
Road	Needles Highway		Budweiser Road	
Leg	North of	South of	East of	West of
Cross Street	Budweiser Road		Needles Highway	
Existing (Year 2021) AM	1,590.0	1,650.0	60.0	0.0
Existing (Year 2021) PM	1,890.0	1,900.0	100.0	10.0
Future (Year 2040) AM	3,030.0	3,090.0	60.0	0.0
Future (Year 2040) PM	3,290.0	3,330.0	60.0	0.0

NOISE LEVEL CONTOURS - Off-Site ADT Volumes

ROADWAY NAME Segment	Land Use	Lanes	Median Width	ADT Volume	Design Speed (mph)	Dist. from Center to Receptor (ft)	Alpha Factor (1)	Barrier Attn. dB(A)	Vehicle Mix		dB(A) CNEL	Traffic Volumes										Ref. Energy Level: Dist															
									Medium Trucks	Heavy Trucks		Day	Even	Night	MTd	HTd	MTe	HTe	MTn	HTn	A	MT	HT	Adj	A	MT	HT	Total A	MT	HT	Total A	MT	HT	Total A			
Needles Highway n/o Budweiser																																					
Existing (Year 2021) AM		2	0	1,590	50	25	0	0	1.8%	0.7%	62.0	####	202	153	25	10	1	0	2	1	71.1	78.8	83.0	3.1	61.9	52.8	53.0	62.9	58.9	45.2	42.8	59.2	45.7	43.3	43.7	49.2	
Existing (Year 2021) PM		2	0	1,890	50	25	0	0	1.8%	0.7%	62.8	####	240	181	30	12	2	0	3	1	71.1	78.8	83.0	3.1	62.6	53.5	53.7	63.6	59.7	45.9	43.5	59.9	46.5	44.0	44.5	49.9	
Future (Year 2040) AM		2	0	3,030	50	25	0	0	1.8%	0.7%	64.8	####	385	291	48	19	3	1	4	2	71.1	78.8	83.0	3.1	64.7	55.6	55.8	65.7	61.7	48.0	45.6	62.0	48.5	46.1	46.5	52.0	
Future (Year 2040) PM		2	0	3,290	50	25	0	0	1.8%	0.7%	65.2	####	418	316	52	21	3	1	4	2	71.1	78.8	83.0	3.1	65.0	55.9	56.1	66.0	62.1	48.3	46.0	62.3	48.9	46.5	46.9	52.3	
Needles Highway s/o Budweiser																																					
Existing (Year 2021) AM		2	0	1,650	50	25	0	0	1.8%	0.7%	62.2	####	210	158	26	10	1	0	2	1	71.1	78.8	83.0	3.1	62.1	52.9	53.1	63.0	59.1	45.3	43.0	59.4	45.9	43.5	43.9	49.3	
Existing (Year 2021) PM		2	0	1,900	50	25	0	0	1.8%	0.7%	62.8	####	241	182	30	12	2	0	3	1	71.1	78.8	83.0	3.1	62.7	53.5	53.7	63.6	59.7	45.9	43.6	60.0	46.5	44.1	44.5	49.9	
Future (Year 2040) AM		2	0	3,090	50	25	0	0	1.8%	0.7%	64.9	####	392	297	49	19	3	1	4	2	71.1	78.8	83.0	3.1	64.8	55.6	55.8	65.7	61.8	48.1	45.7	62.1	48.6	46.2	46.6	52.0	
Future (Year 2040) PM		2	0	3,330	50	25	0	0	1.8%	0.7%	65.3	####	423	320	52	21	3	1	5	2	71.1	78.8	83.0	3.1	65.1	56.0	56.2	66.1	62.1	48.4	46.0	62.4	48.9	46.5	46.9	52.4	
Budweiser Road e/o Needles																																					
Existing (Year 2021) AM		2	0	60	25	25	0	0	1.8%	0.7%	41.5	47	8	6	1	0	0	0	0	0	59.4	71.1	78.7	3.1	39.0	33.8	37.5	42.0	36.0	26.2	27.3	36.9	22.8	24.4	28.2	30.5	
Existing (Year 2021) PM		2	0	100	25	25	0	0	1.8%	0.7%	43.7	78	13	10	2	1	0	0	0	0	59.4	71.1	78.7	3.1	41.2	36.0	39.7	44.2	38.2	28.5	29.5	39.2	25.0	26.6	30.4	32.7	
Future (Year 2040) AM		2	0	60	25	25	0	0	1.8%	0.7%	41.5	47	8	6	1	0	0	0	0	0	59.4	71.1	78.7	3.1	39.0	33.8	37.5	42.0	36.0	26.2	27.3	36.9	22.8	24.4	28.2	30.5	
Future (Year 2040) PM		2	0	60	25	25	0	0	1.8%	0.7%	41.5	47	8	6	1	0	0	0	0	0	59.4	71.1	78.7	3.1	39.0	33.8	37.5	42.0	36.0	26.2	27.3	36.9	22.8	24.4	28.2	30.5	
Budweiser Road w/o Needles																																					
Existing (Year 2021) AM		2	0	0	25	25	0	0	1.8%	0.7%	#NUM!	0	0	0	0	0	0	0	0	0	59.4	71.1	78.7	3.1	####	####	####	####	####	####	####	####	####	####	####	####	####
Existing (Year 2021) PM		2	0	10	25	25	0	0	1.8%	0.7%	33.7	8	1	1	0	0	0	0	0	0	59.4	71.1	78.7	3.1	31.2	26.0	29.7	34.2	28.2	18.5	19.5	29.2	15.0	16.6	20.4	22.7	
Future (Year 2040) AM		2	0	0	25	25	0	0	1.8%	0.7%	#NUM!	0	0	0	0	0	0	0	0	0	59.4	71.1	78.7	3.1	####	####	####	####	####	####	####	####	####	####	####	####	####
Future (Year 2040) PM		2	0	0	25	25	0	0	1.8%	0.7%	#NUM!	0	0	0	0	0	0	0	0	0	59.4	71.1	78.7	3.1	####	####	####	####	####	####	####	####	####	####	####	####	####

(1) Alpha Factor: Coefficient of absorption relating to the effects of the ground surface. An alpha factor of 0 indicates that the site is an acoustically "hard" site such as asphalt. An alpha factor of 0.5 indicates that the site is an acoustically "soft" site such as vegetative ground cover.

Assumed 24-Hour Traffic Distribution:	Day	Evening	Night
Total ADT Volumes	77.70%	12.70%	9.60%
Medium-Duty Trucks	87.43%	5.05%	7.52%
Heavy-Duty Trucks	89.10%	2.84%	8.06%

Project Name: Needles General Plan Update				
	Intersection:	2		
	Needles Highway at Park Road			
Park Road	Eastbound			
		<u>left</u>	<u>through</u>	<u>right</u>
	Existing (Year 2021) AM	57	1	4
	Existing (Year 2021) PM	100	0	6
	Future (Year 2040) AM	68	1	4
	Future (Year 2040) PM	113	0	6

Westbound				
	<u>right</u>	<u>through</u>	<u>left</u>	
Existing (Year 2021) AM	0	0	0	
Existing (Year 2021) PM	0	0	1	
Future (Year 2040) AM	0	0	0	
Future (Year 2040) PM	0	0	1	

If Peak Hour = 6% of ADT, Scaling Factor = 16.667				
If Peak Hour = 7% of ADT, Scaling Factor = 14.286				
If Peak Hour = 8% of ADT, Scaling Factor = 12.5				
If Peak Hour = 9% of ADT, Scaling Factor = 11.111				
If Peak Hour = 10% of ADT, Scaling Factor = 10				
			ADT	
Road	Needles Highway		Park Road	
Leg	North of	South of	East of	West of
Cross Street	Park Road		Needles Highway	
Existing (Year 2021) AM	1,770.0	800.0	20.0	1,130.0
Existing (Year 2021) PM	2,120.0	1,030.0	20.0	1,290.0
Future (Year 2040) AM	2,100.0	1,020.0	20.0	1,280.0
Future (Year 2040) PM	2,330.0	1,030.0	20.0	1,500.0

NOISE LEVEL CONTOURS - Off-Site ADT Volumes

ROADWAY NAME Segment	Land Use	Lanes	Median Width	ADT Volume	Design Speed (mph)	Dist. from Center to Receptor	Barrier Factor (1)	Vehicle Mix dB(A)	Medium Trucks	Heavy Trucks	dB(A) CNEL	Traffic Volumes								Ref. Energy Level: Dist																
												Day	Eve	Night	MTd	HTd	MTe	HTe	MTn	HTn	A	MT	HT	Adj	A	MT	HT	Total A	MT	HT	Total A	MT	HT	Total		
Needles Highway n/o Park Road																																				
Existing (Year 2021) AM		2	0	1,770	50	25	0	0	1.8%	0.7%	62.5	####	225	170	28	11	2	0	2	1	71.1	78.8	83.0	3.1	62.4	53.2	53.4	63.3	59.4	45.6	43.3	59.7	46.2	43.8	44.2	49.6
Existing (Year 2021) PM		2	0	2,120	50	25	0	0	1.8%	0.7%	63.3	####	269	204	33	13	2	0	3	1	71.1	78.8	83.0	3.1	63.1	54.0	54.2	64.1	60.2	46.4	44.0	60.4	47.0	44.5	45.0	50.4
Future (Year 2040) AM		2	0	2,100	50	25	0	0	1.8%	0.7%	63.3	####	267	202	33	13	2	0	3	1	71.1	78.8	83.0	3.1	63.1	54.0	54.2	64.1	60.1	46.4	44.0	60.4	46.9	44.5	44.9	50.4
Future (Year 2040) PM		2	0	2,330	50	25	0	0	1.8%	0.7%	63.7	####	296	224	37	15	2	0	3	1	71.1	78.8	83.0	3.1	63.5	54.4	54.6	64.5	60.6	46.8	44.5	60.9	47.4	45.0	45.4	50.8
Needles Highway s/o Park Road																																				
Existing (Year 2021) AM		2	0	800	50	25	0	0	1.8%	0.7%	59.1	622	102	77	13	5	1	0	1	0	71.1	78.8	83.0	3.1	58.9	49.8	50.0	59.9	55.9	42.2	39.8	56.2	42.7	40.3	40.7	46.2
Existing (Year 2021) PM		2	0	1,030	50	25	0	0	1.8%	0.7%	60.2	800	131	99	16	6	1	0	1	1	71.1	78.8	83.0	3.1	60.0	50.9	51.1	61.0	57.0	43.3	40.9	57.3	43.8	41.4	41.8	47.3
Future (Year 2040) AM		2	0	1,020	50	25	0	0	1.8%	0.7%	60.1	793	130	98	16	6	1	0	1	1	71.1	78.8	83.0	3.1	60.0	50.8	51.0	60.9	57.0	43.2	40.9	57.3	43.8	41.4	41.8	47.2
Future (Year 2040) PM		2	0	1,030	50	25	0	0	1.8%	0.7%	60.2	800	131	99	16	6	1	0	1	1	71.1	78.8	83.0	3.1	60.0	50.9	51.1	61.0	57.0	43.3	40.9	57.3	43.8	41.4	41.8	47.3
Park Road e/o Needles Highway																																				
Existing (Year 2021) AM		2	0	20	25	25	0	0	1.8%	0.7%	36.7	16	3	2	0	0	0	0	0	0	59.4	71.1	78.7	3.1	34.2	29.1	32.7	37.2	31.2	21.5	22.5	32.2	18.0	19.6	23.5	25.8
Existing (Year 2021) PM		2	0	20	25	25	0	0	1.8%	0.7%	36.7	16	3	2	0	0	0	0	0	0	59.4	71.1	78.7	3.1	34.2	29.1	32.7	37.2	31.2	21.5	22.5	32.2	18.0	19.6	23.5	25.8
Future (Year 2040) AM		2	0	20	25	25	0	0	1.8%	0.7%	36.7	16	3	2	0	0	0	0	0	0	59.4	71.1	78.7	3.1	34.2	29.1	32.7	37.2	31.2	21.5	22.5	32.2	18.0	19.6	23.5	25.8
Future (Year 2040) PM		2	0	20	25	25	0	0	1.8%	0.7%	36.7	16	3	2	0	0	0	0	0	0	59.4	71.1	78.7	3.1	34.2	29.1	32.7	37.2	31.2	21.5	22.5	32.2	18.0	19.6	23.5	25.8
Park Road w/o Needles Highway																																				
Existing (Year 2021) AM		2	0	1,130	45	25	0	0	1.8%	0.7%	59.4	878	144	108	18	7	1	0	2	1	69.3	77.6	82.1	3.1	59.1	50.6	51.1	60.2	56.1	43.0	40.9	56.4	42.9	41.1	41.8	46.8
Existing (Year 2021) PM		2	0	1,290	45	25	0	0	1.8%	0.7%	60.0	####	164	124	20	8	1	0	2	1	69.3	77.6	82.1	3.1	59.7	51.1	51.6	60.8	56.7	43.5	41.5	57.0	43.5	41.7	42.4	47.4
Future (Year 2040) AM		2	0	1,280	45	25	0	0	1.8%	0.7%	60.0	995	163	123	20	8	1	0	2	1	69.3	77.6	82.1	3.1	59.6	51.1	51.6	60.8	56.7	43.5	41.4	57.0	43.5	41.6	42.4	47.3
Future (Year 2040) PM		2	0	1,500	45	25	0	0	1.8%	0.7%	60.7	####	191	144	24	9	1	0	2	1	69.3	77.6	82.1	3.1	60.3	51.8	52.3	61.4	57.3	44.2	42.1	57.7	44.1	42.3	43.1	48.0

(1) Alpha Factor: Coefficient of absorption relating to the effects of the ground surface. An alpha factor of 0 indicates that the site is an acoustically "hard" site such as asphalt. An alpha factor of 0.5 indicates that the site is an acoustically "soft" site such as vegetative ground cover.

Assumed 24-Hour Traffic Distribution:	Day	Evening	Night
Total ADT Volumes	77.70%	12.70%	9.60%
Medium-Duty Trucks	87.43%	5.05%	7.52%
Heavy-Duty Trucks	89.10%	2.84%	8.06%

Project Name: Needles General Plan Update				
	Intersection:	3		
	Needles Highway at WB I-40 Ramps/Balboa Place			
WB I-40 Ramps/Balboa Place	Eastbound			
		<u>left</u>	<u>through</u>	<u>right</u>
	Existing (Year 2021) AM	13	0	18
	Existing (Year 2021) PM	27	1	23
	Future (Year 2040) AM	13	0	18
	Future (Year 2040) PM	27	1	23

		rev. (Date)		
Needles Highway				
Southbound				
	<u>right</u>	<u>through</u>	<u>left</u>	
Existing (Year 2021) AM	7	53	0	
Existing (Year 2021) PM	11	61	0	
Future (Year 2040) AM	7	53	0	
Future (Year 2040) PM	11	61	0	
N				
S				
Northbound				
	<u>left</u>	<u>through</u>	<u>right</u>	
Existing (Year 2021) AM	98	37	0	
Existing (Year 2021) PM	79	50	1	
Future (Year 2040) AM	102	60	0	
Future (Year 2040) PM	80	50	1	

Westbound			
	<u>right</u>	<u>through</u>	<u>left</u>
Existing (Year 2021) AM	0	0	1
Existing (Year 2021) PM	1	1	2
Future (Year 2040) AM	0	0	1
Future (Year 2040) PM	1	1	2

If Peak Hour = 6% of ADT, Scaling Factor = 16.667				
If Peak Hour = 7% of ADT, Scaling Factor = 14.286				
If Peak Hour = 8% of ADT, Scaling Factor = 12.5				
If Peak Hour = 9% of ADT, Scaling Factor = 11.111				
If Peak Hour = 10% of ADT, Scaling Factor = 10				
			ADT	
Road	Needles Highway		WB I-40 Ramps/Balboa Place	
Leg	North of	South of	East of	West of
Cross Street	WB I-40 Ramps/Balboa Place		Needles Highway	
Existing (Year 2021) AM	1,100.0	2,070.0	10.0	1,360.0
Existing (Year 2021) PM	1,500.0	2,160.0	60.0	1,420.0
Future (Year 2040) AM	1,330.0	2,340.0	10.0	1,400.0
Future (Year 2040) PM	1,500.0	2,170.0	60.0	1,430.0

NOISE LEVEL CONTOURS - Off-Site ADT Volumes

ROADWAY NAME Segment	Land Use	Median Lanes	Median Width	ADT Volume	Design Speed (mph)	Dist. from Center to Receptor (ft)	Alpha factor (1)	Barrier Attn. dB(A)	Vehicle Mix		dB(A) CNEL	Traffic Volumes								Ref. Energy Level: Dist Ld Le Ln																
									Medium Trucks	Heavy Trucks		Day	Eve	Night	MTd	HTd	MTe	HTe	MTn	HTn	A	MT	HT	Adj	A	MT	HT	Total A	MT	HT	Total A	MT	HT			
Needles Highway n/o WB I-40																																				
Existing (Year 2021) AM		2	0	1,100	50	25	0	0	1.8%	0.7%	60.4	855	140	106	17	7	1	0	1	1	71.1	78.8	83.0	3.1	60.3	51.2	51.4	61.3	57.3	43.6	41.2	57.6	44.1	41.7	42.1	
Existing (Year 2021) PM		2	0	1,500	50	25	0	0	1.8%	0.7%	61.8	####	191	144	24	9	1	0	2	1	71.1	78.8	83.0	3.1	61.6	52.5	52.7	62.6	58.7	44.9	42.5	58.9	45.5	43.0	43.5	
Future (Year 2040) AM		2	0	1,330	50	25	0	0	1.8%	0.7%	61.3	####	169	128	21	8	1	0	2	1	71.1	78.8	83.0	3.1	61.1	52.0	52.2	62.1	58.1	44.4	42.0	58.4	44.9	42.5	42.9	
Future (Year 2040) PM		2	0	1,500	50	25	0	0	1.8%	0.7%	61.8	####	191	144	24	9	1	0	2	1	71.1	78.8	83.0	3.1	61.6	52.5	52.7	62.6	58.7	44.9	42.5	58.9	45.5	43.0	43.5	
Needles Highway s/o WB I-40																																				
Existing (Year 2021) AM		2	0	2,070	30	25	0	0	1.8%	0.7%	58.4	####	263	199	33	13	2	0	3	1	62.5	73.1	80.3	3.1	56.6	50.4	53.6	59.0	53.7	42.9	43.4	54.4	40.5	41.0	44.3	
Existing (Year 2021) PM		2	0	2,160	30	25	0	0	1.8%	0.7%	58.6	####	274	207	34	13	2	0	3	1	62.5	73.1	80.3	3.1	56.8	50.6	53.7	59.2	53.9	43.0	43.6	54.6	40.7	41.2	44.5	
Future (Year 2040) AM		2	0	2,340	30	25	0	0	1.8%	0.7%	59.0	####	297	225	37	15	2	0	3	1	62.5	73.1	80.3	3.1	57.2	51.0	54.1	59.6	54.2	43.4	43.9	54.9	41.0	41.5	44.9	
Future (Year 2040) PM		2	0	2,170	30	25	0	0	1.8%	0.7%	58.6	####	276	208	34	14	2	0	3	1	62.5	73.1	80.3	3.1	56.9	50.6	53.8	59.2	53.9	43.1	43.6	54.6	40.7	41.2	44.5	
WB I-40 Ramps/Balboa Place e/o																																				
Existing (Year 2021) AM		2	0	10	45	25	0	0	1.8%	0.7%	38.9	8	1	1	0	0	0	0	0	0	69.3	77.6	82.1	3.1	38.6	30.0	30.5	39.7	35.6	22.4	20.4	35.9	22.4	20.6	21.3	
Existing (Year 2021) PM		2	0	60	45	25	0	0	1.8%	0.7%	46.7	47	8	6	1	0	0	0	0	0	69.3	77.6	82.1	3.1	46.3	37.8	38.3	47.5	43.4	30.2	28.1	43.7	30.2	28.4	29.1	
Future (Year 2040) AM		2	0	10	45	25	0	0	1.8%	0.7%	38.9	8	1	1	0	0	0	0	0	0	69.3	77.6	82.1	3.1	38.6	30.0	30.5	39.7	35.6	22.4	20.4	35.9	22.4	20.6	21.3	
Future (Year 2040) PM		2	0	60	45	25	0	0	1.8%	0.7%	46.7	47	8	6	1	0	0	0	0	0	69.3	77.6	82.1	3.1	46.3	37.8	38.3	47.5	43.4	30.2	28.1	43.7	30.2	28.4	29.1	
WB I-40 Ramps/Balboa Place w/o																																				
Existing (Year 2021) AM		2	0	1,360	45	25	0	0	1.8%	0.7%	60.2	####	173	131	21	8	1	0	2	1	69.3	77.6	82.1	3.1	59.9	51.4	51.9	61.0	56.9	43.8	41.7	57.2	43.7	41.9	42.6	
Existing (Year 2021) PM		2	0	1,420	45	25	0	0	1.8%	0.7%	60.4	####	180	136	22	9	1	0	2	1	69.3	77.6	82.1	3.1	60.1	51.5	52.0	61.2	57.1	44.0	41.9	57.4	43.9	42.1	42.8	
Future (Year 2040) AM		2	0	1,400	45	25	0	0	1.8%	0.7%	60.4	####	178	134	22	9	1	0	2	1	69.3	77.6	82.1	3.1	60.0	51.5	52.0	61.2	57.0	43.9	41.8	57.4	43.8	42.0	42.8	
Future (Year 2040) PM		2	0	1,430	45	25	0	0	1.8%	0.7%	60.5	####	182	137	23	9	1	0	2	1	69.3	77.6	82.1	3.1	60.1	51.6	52.1	61.2	57.1	44.0	41.9	57.5	43.9	42.1	42.8	

(1) Alpha Factor: Coefficient of absorption relating to the effects of the ground surface. An alpha factor of 0 indicates that the site is an acoustically "hard" site such as asphalt. An alpha factor of 0.5 indicates that the site is an acoustically "soft" site such as vegetative ground cover.

Assumed 24-Hour Traffic Distribution:	Day	Evening	Night
Total ADT Volumes	77.70%	12.70%	9.60%
Medium-Duty Trucks	87.43%	5.05%	7.52%
Heavy-Duty Trucks	89.10%	2.84%	8.06%

Project Name: Needles General Plan Update				
	Intersection:	4		
	Needles Highway at EB I-40 Ramps/Pashard Street			
EB I-40 Ramps/Pashard Street	Eastbound			
		<u>left</u>	<u>through</u>	<u>right</u>
	Existing (Year 2021) AM	19	50	7
	Existing (Year 2021) PM	20	61	4
	Future (Year 2040) AM	19	50	7
	Future (Year 2040) PM	20	66	4

		rev. (Date)		
Needles Highway				
Southbound				
	<u>right</u>	<u>through</u>	<u>left</u>	
Existing (Year 2021) AM	1	18	56	
Existing (Year 2021) PM	4	8	147	
Future (Year 2040) AM	1	15	63	
Future (Year 2040) PM	4	8	153	
N				
S				
Northbound				
	<u>left</u>	<u>through</u>	<u>right</u>	
Existing (Year 2021) AM	1	14	16	
Existing (Year 2021) PM	3	2	13	
Future (Year 2040) AM	1	14	19	
Future (Year 2040) PM	3	2	14	

Westbound			
	<u>right</u>	<u>through</u>	<u>left</u>
Existing (Year 2021) AM	45	157	27
Existing (Year 2021) PM	51	121	12
Future (Year 2040) AM	45	154	30
Future (Year 2040) PM	51	121	14

If Peak Hour = 6% of ADT, Scaling Factor = 16.667				
If Peak Hour = 7% of ADT, Scaling Factor = 14.286				
If Peak Hour = 8% of ADT, Scaling Factor = 12.5				
If Peak Hour = 9% of ADT, Scaling Factor = 11.111				
If Peak Hour = 10% of ADT, Scaling Factor = 10				
			ADT	
Road	Needles Highway		EB I-40 Ramps/Pashard Street	
Leg	North of	South of	East of	West of
Cross Street	EB I-40 Ramps/Pashard Street		Needles Highway	
Existing (Year 2021) AM	1,530.0	830.0	3,510.0	2,350.0
Existing (Year 2021) PM	2,320.0	420.0	4,050.0	2,130.0
Future (Year 2040) AM	1,570.0	860.0	3,610.0	2,320.0
Future (Year 2040) PM	2,380.0	450.0	4,190.0	2,180.0

NOISE LEVEL CONTOURS - Off-Site ADT Volumes

ROADWAY NAME Segment	Land Use	Lanes	Median Width	ADT Volume	Design Speed (mph)	Dist. from Center to Receptor (ft)	Alpha Factor (1)	Barrier Attn. dB(A)	Vehicle Mix		dB(A) CNEL	Traffic Volumes								Ref. Energy Level: Dist Ld				Le				Ln									
									Medium Trucks	Heavy Trucks		Day	Evening	Night	MTd	HTd	MTe	HTe	MTn	HTn	A	MT	HT	Adj	A	MT	HT	Total A	MT	HT	Total A	MT	HT	Total A	MT	HT	Total
Needles Highway n/o I-40																																					
Existing (Year 2021) AM		2	0	1,530	30	25	0	0	1.8%	0.7%	57.1	####	194	147	24	10	1	0	2	1	62.5	73.1	80.3	3.1	55.3	49.1	52.3	57.7	52.4	41.5	42.1	53.1	39.2	39.7	43.0	45.7	
Existing (Year 2021) PM		2	0	2,320	30	25	0	0	1.8%	0.7%	58.9	####	295	223	37	14	2	0	3	1	62.5	73.1	80.3	3.1	57.1	50.9	54.1	59.5	54.2	43.3	43.9	54.9	41.0	41.5	44.8	47.6	
Future (Year 2040) AM		2	0	1,570	30	25	0	0	1.8%	0.7%	57.2	####	199	151	25	10	1	0	2	1	62.5	73.1	80.3	3.1	55.4	49.2	52.4	57.8	52.5	41.7	42.2	53.2	39.3	39.8	43.1	45.9	
Future (Year 2040) PM		2	0	2,380	30	25	0	0	1.8%	0.7%	59.0	####	302	228	37	15	2	0	3	1	62.5	73.1	80.3	3.1	57.3	51.0	54.2	59.6	54.3	43.5	44.0	55.0	41.1	41.6	44.9	47.7	
Needles Highway s/o I-40																																					
Existing (Year 2021) AM		2	0	830	30	25	0	0	1.8%	0.7%	54.5	####	645	105	80	13	5	1	0	1	0	62.5	73.1	80.3	3.1	52.7	46.5	49.6	55.1	49.7	38.9	39.4	50.4	36.5	37.0	40.4	43.1
Existing (Year 2021) PM		2	0	420	30	25	0	0	1.8%	0.7%	51.5	####	326	53	40	7	3	0	0	1	0	62.5	73.1	80.3	3.1	49.7	43.5	46.6	52.1	46.7	35.9	36.5	47.4	33.5	34.1	37.4	40.1
Future (Year 2040) AM		2	0	860	30	25	0	0	1.8%	0.7%	54.6	####	668	109	83	14	5	1	0	1	0	62.5	73.1	80.3	3.1	52.8	46.6	49.7	55.2	49.9	39.0	39.6	50.6	36.7	37.2	40.5	43.2
Future (Year 2040) PM		2	0	450	30	25	0	0	1.8%	0.7%	51.8	####	350	57	43	7	3	0	0	1	0	62.5	73.1	80.3	3.1	50.0	43.8	46.9	52.4	47.0	36.2	36.8	47.7	33.8	34.4	37.7	40.4
I-40 Ramps/Pashard Street e/o																																					
Existing (Year 2021) AM		2	0	3,510	45	25	0	0	1.8%	0.7%	64.4	####	446	337	55	22	3	1	5	2	69.3	77.6	82.1	3.1	64.0	55.5	56.0	65.1	61.0	47.9	45.8	61.4	47.8	46.0	46.7	51.7	
Existing (Year 2021) PM		2	0	4,050	45	25	0	0	1.8%	0.7%	65.0	####	514	389	64	25	4	1	5	2	69.3	77.6	82.1	3.1	64.6	56.1	56.6	65.8	61.7	48.5	46.4	62.0	48.5	46.6	47.4	52.3	
Future (Year 2040) AM		2	0	3,610	45	25	0	0	1.8%	0.7%	64.5	####	458	347	57	23	3	1	5	2	69.3	77.6	82.1	3.1	64.1	55.6	56.1	65.3	61.2	48.0	45.9	61.5	48.0	46.1	46.9	51.8	
Future (Year 2040) PM		2	0	4,190	45	25	0	0	1.8%	0.7%	65.1	####	532	402	66	26	4	1	6	2	69.3	77.6	82.1	3.1	64.8	56.2	56.7	65.9	61.8	48.7	46.6	62.1	48.6	46.8	47.5	52.5	
I-40 Ramps/Pashard Street w/o																																					
Existing (Year 2021) AM		2	0	2,350	45	25	0	0	1.8%	0.7%	62.6	####	298	226	37	15	2	0	3	1	69.3	77.6	82.1	3.1	62.3	53.7	54.2	63.4	59.3	46.2	44.1	59.6	46.1	44.3	45.0	50.0	
Existing (Year 2021) PM		2	0	2,130	45	25	0	0	1.8%	0.7%	62.2	####	271	204	34	13	2	0	3	1	69.3	77.6	82.1	3.1	61.8	53.3	53.8	63.0	58.9	45.7	43.6	59.2	45.7	43.9	44.6	49.5	
Future (Year 2040) AM		2	0	2,320	45	25	0	0	1.8%	0.7%	62.6	####	295	223	37	14	2	0	3	1	69.3	77.6	82.1	3.1	62.2	53.7	54.2	63.3	59.2	46.1	44.0	59.6	46.0	44.2	44.9	49.9	
Future (Year 2040) PM		2	0	2,180	45	25	0	0	1.8%	0.7%	62.3	####	277	209	34	14	2	0	3	1	69.3	77.6	82.1	3.1	61.9	53.4	53.9	63.1	59.0	45.8	43.7	59.3	45.8	44.0	44.7	49.6	

(1) Alpha Factor: Coefficient of absorption relating to the effects of the ground surface. An alpha factor of 0 indicates that the site is an acoustically "hard" site such as asphalt. An alpha factor of 0.5 indicates that the site is an acoustically "soft" site such as vegetative ground cover.

Assumed 24-Hour Traffic Distribution:	Day	Evening	Night
Total ADT Volumes	77.70%	12.70%	9.60%
Medium-Duty Trucks	87.43%	5.05%	7.52%
Heavy-Duty Trucks	89.10%	2.84%	8.06%

Project Name: Needles General Plan Update				
	Intersection:	5		
	North K Street at River Road/Smokestack Avenue			
River Road/Smokestack Avenue	Eastbound			
		<u>left</u>	<u>through</u>	<u>right</u>
	Existing (Year 2021) AM	3	0	1
	Existing (Year 2021) PM	5	1	1
	Future (Year 2040) AM	3	0	1
	Future (Year 2040) PM	5	2	2

rev. (Date)

North K Street

Southbound

	<u>right</u>	<u>through</u>	<u>left</u>
Existing (Year 2021) AM	1	408	16
Existing (Year 2021) PM	1	429	17
Future (Year 2040) AM	1	408	23
Future (Year 2040) PM	1	437	17

N
S

Northbound

	<u>left</u>	<u>through</u>	<u>right</u>
Existing (Year 2021) AM	2	332	1
Existing (Year 2021) PM	2	475	3
Future (Year 2040) AM	2	346	3
Future (Year 2040) PM	2	475	6

Westbound			
	<u>right</u>	<u>through</u>	<u>left</u>
Existing (Year 2021) AM	16	1	0
Existing (Year 2021) PM	19	0	2
Future (Year 2040) AM	16	1	0
Future (Year 2040) PM	26	0	5

If Peak Hour = 6% of ADT, Scaling Factor = 16.667				
If Peak Hour = 7% of ADT, Scaling Factor = 14.286				
If Peak Hour = 8% of ADT, Scaling Factor = 12.5				
If Peak Hour = 9% of ADT, Scaling Factor = 11.111				
If Peak Hour = 10% of ADT, Scaling Factor = 10				
			ADT	
Road	North K Street		River Road/Smokestack Avenue	
Leg	North of	South of	East of	West of
Cross Street	River Road/Smokestack Avenue		North K Street	
Existing (Year 2021) AM	7,760.0	7,440.0	340.0	80.0
Existing (Year 2021) PM	9,460.0	9,120.0	420.0	100.0
Future (Year 2040) AM	7,970.0	7,600.0	430.0	80.0
Future (Year 2040) PM	9,610.0	9,270.0	560.0	120.0

NOISE LEVEL CONTOURS - Off-Site ADT Volumes

ROADWAY NAME Segment	Land Use	Lanes	Median Width	ADT Volume	Design Speed (mph)	Dist. from Center to Receptor (ft)	Alpha Factor (1)	Barrier Attn. dB(A)	Vehicle Mix		dB(A) CNEL	Traffic Volumes								Ref. Energy Level: Dist Ld				Le				Ln								
									Medium Trucks	Heavy Trucks		Day	Eve	Night	MTd	HTd	MTe	HTe	MTn	HTn	A	MT	HT	Adj	A	MT	HT	Total A	MT	HT	Total A	MT	HT	Total A	MT	HT
North K Street n/o River																																				
Existing (Year 2021) AM		2	0	7,760	35	25	0	0	1.8%	0.7%	65.2	####	986	745	122	48	7	2	11	4	65.1	74.8	80.0	3.1	64.3	57.2	58.4	65.9	61.3	49.6	48.3	61.8	48.1	47.8	49.2	53.2
Existing (Year 2021) PM		2	0	9,460	35	25	0	0	1.8%	0.7%	66.1	####	####	908	149	59	9	2	13	5	65.1	74.8	80.0	3.1	65.2	58.1	59.3	66.8	62.2	50.5	49.1	62.7	49.0	48.6	50.0	54.0
Future (Year 2040) AM		2	0	7,970	35	25	0	0	1.8%	0.7%	65.4	####	####	765	125	50	7	2	11	4	65.1	74.8	80.0	3.1	64.4	57.3	58.5	66.1	61.4	49.8	48.4	61.9	48.3	47.9	49.3	53.3
Future (Year 2040) PM		2	0	9,610	35	25	0	0	1.8%	0.7%	66.2	####	####	923	151	60	9	2	13	5	65.1	74.8	80.0	3.1	65.2	58.1	59.3	66.9	62.3	50.6	49.2	62.7	49.1	48.7	50.1	54.1
North K Street s/o River																																				
Existing (Year 2021) AM		2	0	7,440	35	25	0	0	1.8%	0.7%	65.1	####	945	714	117	46	7	1	10	4	65.1	74.8	80.0	3.1	64.1	57.0	58.2	65.8	61.2	49.5	48.1	61.6	48.0	47.6	49.0	53.0
Existing (Year 2021) PM		2	0	9,120	35	25	0	0	1.8%	0.7%	65.9	####	####	876	144	57	8	2	12	5	65.1	74.8	80.0	3.1	65.0	57.9	59.1	66.6	62.0	50.3	49.0	62.5	48.8	48.5	49.9	53.9
Future (Year 2040) AM		2	0	7,600	35	25	0	0	1.8%	0.7%	65.1	####	965	730	120	47	7	2	10	4	65.1	74.8	80.0	3.1	64.2	57.1	58.3	65.8	61.2	49.5	48.2	61.7	48.0	47.7	49.1	53.1
Future (Year 2040) PM		2	0	9,270	35	25	0	0	1.8%	0.7%	66.0	####	####	890	146	58	8	2	13	5	65.1	74.8	80.0	3.1	65.1	58.0	59.2	66.7	62.1	50.4	49.0	62.6	48.9	48.5	50.0	53.9
River Road/Smokestack Avenue e/o																																				
Existing (Year 2021) AM		2	0	340	30	25	0	0	1.8%	0.7%	50.6	264	43	33	5	2	0	0	0	0	62.5	73.1	80.3	3.1	48.8	42.6	45.7	51.2	45.8	35.0	35.6	46.5	32.6	33.1	36.5	39.2
Existing (Year 2021) PM		2	0	420	30	25	0	0	1.8%	0.7%	51.5	326	53	40	7	3	0	0	1	0	62.5	73.1	80.3	3.1	49.7	43.5	46.6	52.1	46.7	35.9	36.5	47.4	33.5	34.1	37.4	40.1
Future (Year 2040) AM		2	0	430	30	25	0	0	1.8%	0.7%	51.6	334	55	41	7	3	0	0	1	0	62.5	73.1	80.3	3.1	49.8	43.6	46.7	52.2	46.8	36.0	36.6	47.5	33.6	34.2	37.5	40.2
Future (Year 2040) PM		2	0	560	30	25	0	0	1.8%	0.7%	52.8	435	71	54	9	3	1	0	1	0	62.5	73.1	80.3	3.1	51.0	44.8	47.9	53.4	48.0	37.2	37.7	48.7	34.8	35.3	38.7	41.4
River Road/Smokestack Avenue w/o																																				
Existing (Year 2021) AM		2	0	80	30	25	0	0	1.8%	0.7%	44.3	62	10	8	1	0	0	0	0	0	62.5	73.1	80.3	3.1	42.5	36.3	39.4	44.9	39.5	28.7	29.3	40.2	26.3	26.9	30.2	32.9
Existing (Year 2021) PM		2	0	100	30	25	0	0	1.8%	0.7%	45.3	78	13	10	2	1	0	0	0	0	62.5	73.1	80.3	3.1	43.5	37.3	40.4	45.9	40.5	29.7	30.2	41.2	27.3	27.8	31.2	33.9
Future (Year 2040) AM		2	0	80	30	25	0	0	1.8%	0.7%	44.3	62	10	8	1	0	0	0	0	0	62.5	73.1	80.3	3.1	42.5	36.3	39.4	44.9	39.5	28.7	29.3	40.2	26.3	26.9	30.2	32.9
Future (Year 2040) PM		2	0	120	30	25	0	0	1.8%	0.7%	46.1	93	15	12	2	1	0	0	0	0	62.5	73.1	80.3	3.1	44.3	38.1	41.2	46.7	41.3	30.5	31.0	42.0	28.1	28.6	32.0	34.7

(1) Alpha Factor: Coefficient of absorption relating to the effects of the ground surface. An alpha factor of 0 indicates that the site is an acoustically "hard" site such as asphalt. An alpha factor of 0.5 indicates that the site is an acoustically "soft" site such as vegetative ground cover.

Assumed 24-Hour Traffic Distribution:	Day	Evening	Night
Total ADT Volumes	77.70%	12.70%	9.60%
Medium-Duty Trucks	87.43%	5.05%	7.52%
Heavy-Duty Trucks	89.10%	2.84%	8.06%

Project Name: Needles General Plan Update				
	Intersection:	6		
	N Street at Needles Highway			
	Eastbound			
Needles Highway		<u>left</u>	<u>through</u>	<u>right</u>
	Existing (Year 2021) AM	0	86	63
	Existing (Year 2021) PM	2	195	68
	Future (Year 2040) AM	0	105	63
	Future (Year 2040) PM	2	203	82

		rev. (Date)		
North Broadway Avenue				
Southbound				
	<u>right</u>	<u>through</u>	<u>left</u>	
Existing (Year 2021) AM	1	3	2	
Existing (Year 2021) PM	0	1	3	
Future (Year 2040) AM	1	3	2	
Future (Year 2040) PM	0	1	3	
N				
S				
Northbound				
	<u>left</u>	<u>through</u>	<u>right</u>	
Existing (Year 2021) AM	59	5	259	
Existing (Year 2021) PM	66	5	289	
Future (Year 2040) AM	66	5	268	
Future (Year 2040) PM	69	5	289	

Westbound			
	<u>right</u>	<u>through</u>	<u>left</u>
Existing (Year 2021) AM	2	160	261
Existing (Year 2021) PM	8	144	268
Future (Year 2040) AM	2	191	261
Future (Year 2040) PM	8	146	294

If Peak Hour = 6% of ADT, Scaling Factor = 16.667				
If Peak Hour = 7% of ADT, Scaling Factor = 14.286				
If Peak Hour = 8% of ADT, Scaling Factor = 12.5				
If Peak Hour = 9% of ADT, Scaling Factor = 11.111				
If Peak Hour = 10% of ADT, Scaling Factor = 10				
		ADT		
Road	North Broadway Avenue		Needles Highway	
Leg	North of	South of	East of	West of
Cross Street	Needles Highway		North Broadway Avenue	
Existing (Year 2021) AM	130.0	6,500.0	7,700.0	3,690.0
Existing (Year 2021) PM	190.0	6,970.0	9,070.0	4,750.0
Future (Year 2040) AM	130.0	6,660.0	8,290.0	4,260.0
Future (Year 2040) PM	190.0	7,400.0	9,430.0	5,020.0

NOISE LEVEL CONTOURS - Off-Site ADT Volumes

ROADWAY NAME Segment	Land Use	Lanes	Median Width	ADT Volume	Design Speed (mph)	Dist. from Center to Receptor (ft)	Barrier Alpha Factor (1)	Vehicle Mix				dB(A) CNEL	Traffic Volumes								Ref. Energy Level: Dist															
								Medium Trucks	Heavy Trucks	dB(A) Day	dB(A) Eve		dB(A) Night	MTd	HTd	MTe	HTe	MTn	HTn	A	MT	HT	Adj	A	MT	HT	Total A	MT	HT	Total A	MT	HT	Total			
North Broadway Avenue n/o																																				
Existing (Year 2021) AM		2	0	130	25	25	0	0	1.8%	0.7%	44.9	101	17	12	2	1	0	0	0	0	59.4	71.1	78.7	3.1	42.3	37.2	40.8	45.4	39.4	29.6	30.7	40.3	26.2	27.7	31.6	33.9
Existing (Year 2021) PM		2	0	190	25	25	0	0	1.8%	0.7%	46.5	148	24	18	3	1	0	0	0	0	59.4	71.1	78.7	3.1	44.0	38.8	42.5	47.0	41.0	31.2	32.3	41.9	27.8	29.4	33.2	35.5
Future (Year 2040) AM		2	0	130	25	25	0	0	1.8%	0.7%	44.9	101	17	12	2	1	0	0	0	0	59.4	71.1	78.7	3.1	42.3	37.2	40.8	45.4	39.4	29.6	30.7	40.3	26.2	27.7	31.6	33.9
Future (Year 2040) PM		2	0	190	25	25	0	0	1.8%	0.7%	46.5	148	24	18	3	1	0	0	0	0	59.4	71.1	78.7	3.1	44.0	38.8	42.5	47.0	41.0	31.2	32.3	41.9	27.8	29.4	33.2	35.5
North Broadway Avenue s/o																																				
Existing (Year 2021) AM		2	0	6,500	25	25	0	0	1.8%	0.7%	61.9	####	826	624	102	41	6	1	9	4	59.4	71.1	78.7	3.1	59.3	54.2	57.8	62.4	56.4	46.6	47.6	57.3	43.2	44.7	48.6	50.9
Existing (Year 2021) PM		2	0	6,970	25	25	0	0	1.8%	0.7%	62.2	####	885	669	110	43	6	1	9	4	59.4	71.1	78.7	3.1	59.6	54.5	58.1	62.7	56.7	46.9	47.9	57.6	43.5	45.0	48.9	51.2
Future (Year 2040) AM		2	0	6,660	25	25	0	0	1.8%	0.7%	62.0	####	846	639	105	42	6	1	9	4	59.4	71.1	78.7	3.1	59.4	54.3	57.9	62.5	56.5	46.7	47.7	57.4	43.3	44.8	48.7	51.0
Future (Year 2040) PM		2	0	7,400	25	25	0	0	1.8%	0.7%	62.4	####	940	710	116	46	7	1	10	4	59.4	71.1	78.7	3.1	59.9	54.7	58.4	62.9	56.9	47.2	48.2	57.9	43.7	45.3	49.1	51.4
Needles Highway e/o North																																				
Existing (Year 2021) AM		2	0	7,700	30	25	0	0	1.8%	0.7%	64.1	####	978	739	121	48	7	2	10	4	62.5	73.1	80.3	3.1	62.4	56.1	59.3	64.7	59.4	48.6	49.1	60.1	46.2	46.7	50.0	52.8
Existing (Year 2021) PM		2	0	9,070	30	25	0	0	1.8%	0.7%	64.9	####	####	871	143	57	8	2	12	5	62.5	73.1	80.3	3.1	63.1	56.9	60.0	65.4	60.1	49.3	49.8	60.8	46.9	47.4	50.7	53.5
Future (Year 2040) AM		2	0	8,290	30	25	0	0	1.8%	0.7%	64.5	####	####	796	130	52	8	2	11	5	62.5	73.1	80.3	3.1	62.7	56.5	59.6	65.1	59.7	48.9	49.4	60.4	46.5	47.0	50.4	53.1
Future (Year 2040) PM		2	0	9,430	30	25	0	0	1.8%	0.7%	65.0	####	####	905	148	59	9	2	13	5	62.5	73.1	80.3	3.1	63.2	57.0	60.2	65.6	60.3	49.4	50.0	61.0	47.1	47.6	50.9	53.6
Needles Highway w/o North																																				
Existing (Year 2021) AM		4	0	3,690	30	25	0	0	1.8%	0.7%	62.4	####	469	354	58	23	3	1	5	2	62.5	73.1	80.3	4.5	60.6	54.4	57.5	63.0	57.6	46.8	47.4	58.3	44.4	45.0	48.3	51.0
Existing (Year 2021) PM		4	0	4,750	30	25	0	0	1.8%	0.7%	63.5	####	603	456	75	30	4	1	6	3	62.5	73.1	80.3	4.5	61.7	55.5	58.6	64.1	58.7	47.9	48.5	59.4	45.5	46.1	49.4	52.1
Future (Year 2040) AM		4	0	4,260	30	25	0	0	1.8%	0.7%	63.0	####	541	409	67	27	4	1	6	2	62.5	73.1	80.3	4.5	61.2	55.0	58.2	63.6	58.3	47.4	48.0	59.0	45.1	45.6	48.9	51.7
Future (Year 2040) PM		4	0	5,020	30	25	0	0	1.8%	0.7%	63.8	####	638	482	79	31	5	1	7	3	62.5	73.1	80.3	4.5	62.0	55.7	58.9	64.3	59.0	48.2	48.7	59.7	45.8	46.3	49.6	52.4

(1) Alpha Factor: Coefficient of absorption relating to the effects of the ground surface. An alpha factor of 0 indicates that the site is an acoustically "hard" site such as asphalt. An alpha factor of 0.5 indicates that the site is an acoustically "soft" site such as vegetative ground cover.

Assumed 24-Hour Traffic Distribution:	Day	Evening	Night
Total ADT Volumes	77.70%	12.70%	9.60%
Medium-Duty Trucks	87.43%	5.05%	7.52%
Heavy-Duty Trucks	89.10%	2.84%	8.06%

Project Name: Needles General Plan Update				
	Intersection:	7		
	North K Street at Needles Highway			
Needles Highway	Eastbound			
		<u>left</u>	<u>through</u>	<u>right</u>
	Existing (Year 2021) AM	313	23	3
	Existing (Year 2021) PM	424	31	6
	Future (Year 2040) AM	331	32	5
	Future (Year 2040) PM	424	34	6

				rev. (Date)
North K Street				
Southbound				
	<u>right</u>	<u>through</u>	<u>left</u>	
Existing (Year 2021) AM	377	8	1	
Existing (Year 2021) PM	393	15	2	
Future (Year 2040) AM	377	9	1	
Future (Year 2040) PM	411	15	2	
N				
S				
Northbound				
	<u>left</u>	<u>through</u>	<u>right</u>	
Existing (Year 2021) AM	3	8	1	
Existing (Year 2021) PM	9	17	2	
Future (Year 2040) AM	4	8	1	
Future (Year 2040) PM	10	17	2	

Westbound				
	<u>right</u>	<u>through</u>	<u>left</u>	
Existing (Year 2021) AM	0	24	1	
Existing (Year 2021) PM	1	20	2	
Future (Year 2040) AM	0	24	2	
Future (Year 2040) PM	1	29	4	

If Peak Hour = 6% of ADT, Scaling Factor = 16.667				
If Peak Hour = 7% of ADT, Scaling Factor = 14.286				
If Peak Hour = 8% of ADT, Scaling Factor = 12.5				
If Peak Hour = 9% of ADT, Scaling Factor = 11.111				
If Peak Hour = 10% of ADT, Scaling Factor = 10				
		ADT		
Road	North K Street		Needles Highway	
Leg	North of	South of	East of	West of
Cross Street	Needles Highway		North K Street	
Existing (Year 2021) AM	7,070.0	240.0	500.0	7,430.0
Existing (Year 2021) PM	8,520.0	510.0	580.0	8,830.0
Future (Year 2040) AM	7,260.0	290.0	600.0	7,730.0
Future (Year 2040) PM	8,700.0	540.0	720.0	9,140.0

NOISE LEVEL CONTOURS - Off-Site ADT Volumes

ROADWAY NAME Segment	Land Use	Lanes	Median Width	ADT Volume	Design Dist. from		Barrier Attn. dB(A)	Vehicle Mix		dB(A) CNEL	Traffic Volumes								Ref. Energy Level: Dist				Ld			Le			Ln							
					Speed (mph)	Center to Receptor		Alpha Factor (1)	Medium Trucks		Heavy Trucks	Day	Eve	Night	MTd	HTd	MTe	HTe	MTn	HTn	A	MT	HT	Adj	A	MT	HT	Total	A	MT	HT	Total	A	MT	HT	Total
					(mph)																															
North K Street n/o Needles																																				
Existing (Year 2021) AM		2	0	7,070	35	25	0	0	1.8%	0.7%	64.8	####	898	679	111	44	6	1	10	4	65.1	74.8	80.0	3.1	63.9	56.8	58.0	65.5	60.9	49.2	47.8	61.4	47.7	47.4	48.8	52.8
Existing (Year 2021) PM		2	0	8,520	35	25	0	0	1.8%	0.7%	65.6	####	####	818	134	53	8	2	12	5	65.1	74.8	80.0	3.1	64.7	57.6	58.8	66.3	61.7	50.0	48.7	62.2	48.5	48.2	49.6	53.6
Future (Year 2040) AM		2	0	7,260	35	25	0	0	1.8%	0.7%	64.9	####	922	697	114	45	7	1	10	4	65.1	74.8	80.0	3.1	64.0	56.9	58.1	65.6	61.0	49.3	48.0	61.5	47.8	47.5	48.9	52.9
Future (Year 2040) PM		2	0	8,700	35	25	0	0	1.8%	0.7%	65.7	####	####	835	137	54	8	2	12	5	65.1	74.8	80.0	3.1	64.8	57.7	58.9	66.4	61.8	50.1	48.8	62.3	48.6	48.3	49.7	53.7
North K Street s/o Needles																																				
Existing (Year 2021) AM		2	0	240	35	25	0	0	1.8%	0.7%	50.1	186	30	23	4	1	0	0	0	0	65.1	74.8	80.0	3.1	49.2	42.1	43.3	50.8	46.2	34.5	33.2	46.7	33.0	32.7	34.1	38.1
Existing (Year 2021) PM		2	0	510	35	25	0	0	1.8%	0.7%	53.4	396	65	49	8	3	0	0	1	0	65.1	74.8	80.0	3.1	52.5	45.4	46.6	54.1	49.5	37.8	36.4	50.0	36.3	35.9	37.4	41.4
Future (Year 2040) AM		2	0	290	35	25	0	0	1.8%	0.7%	51.0	225	37	28	5	2	0	0	0	0	65.1	74.8	80.0	3.1	50.0	42.9	44.1	51.7	47.1	35.4	34.0	47.5	33.9	33.5	34.9	38.9
Future (Year 2040) PM		2	0	540	35	25	0	0	1.8%	0.7%	53.7	420	69	52	8	3	0	0	1	0	65.1	74.8	80.0	3.1	52.7	45.6	46.8	54.4	49.8	38.1	36.7	50.2	36.6	36.2	37.6	41.6
Needles Highway e/o North K																																				
Existing (Year 2021) AM		2	0	500	30	25	0	0	1.8%	0.7%	52.3	389	64	48	8	3	0	0	1	0	62.5	73.1	80.3	3.1	50.5	44.3	47.4	52.9	47.5	36.7	37.2	48.2	34.3	34.8	38.2	40.9
Existing (Year 2021) PM		2	0	580	30	25	0	0	1.8%	0.7%	52.9	451	74	56	9	4	1	0	1	0	62.5	73.1	80.3	3.1	51.1	44.9	48.0	53.5	48.1	37.3	37.9	48.8	34.9	35.5	38.8	41.5
Future (Year 2040) AM		2	0	600	30	25	0	0	1.8%	0.7%	53.1	466	76	58	9	4	1	0	1	0	62.5	73.1	80.3	3.1	51.3	45.1	48.2	53.7	48.3	37.5	38.0	49.0	35.1	35.6	39.0	41.7
Future (Year 2040) PM		2	0	720	30	25	0	0	1.8%	0.7%	53.9	559	91	69	11	4	1	0	1	0	62.5	73.1	80.3	3.1	52.1	45.9	49.0	54.4	49.1	38.3	38.8	49.8	35.9	36.4	39.7	42.5
Needles Highway w/o North K																																				
Existing (Year 2021) AM		2	0	7,430	30	25	0	0	1.8%	0.7%	64.0	####	944	713	117	46	7	1	10	4	62.5	73.1	80.3	3.1	62.2	56.0	59.1	64.6	59.2	48.4	48.9	59.9	46.0	46.5	49.9	52.6
Existing (Year 2021) PM		2	0	8,830	30	25	0	0	1.8%	0.7%	64.7	####	####	848	139	55	8	2	12	5	62.5	73.1	80.3	3.1	62.9	56.7	59.9	65.3	60.0	49.2	49.7	60.7	46.8	47.3	50.6	53.4
Future (Year 2040) AM		2	0	7,730	30	25	0	0	1.8%	0.7%	64.2	####	982	742	122	48	7	2	10	4	62.5	73.1	80.3	3.1	62.4	56.2	59.3	64.8	59.4	48.6	49.1	60.1	46.2	46.7	50.1	52.8
Future (Year 2040) PM		2	0	9,140	30	25	0	0	1.8%	0.7%	64.9	####	####	877	144	57	8	2	12	5	62.5	73.1	80.3	3.1	63.1	56.9	60.0	65.5	60.1	49.3	49.8	60.8	46.9	47.4	50.8	53.5

(1) Alpha Factor: Coefficient of absorption relating to the effects of the ground surface. An alpha factor of 0 indicates that the site is an acoustically "hard" site such as asphalt. An alpha factor of 0.5 indicates that the site is an acoustically "soft" site such as vegetative ground cover.

Assumed 24-Hour Traffic Distribution:	Day	Evening	Night
Total ADT Volumes	77.70%	12.70%	9.60%
Medium-Duty Trucks	87.43%	5.05%	7.52%
Heavy-Duty Trucks	89.10%	2.84%	8.06%

Project Name: Needles General Plan Update				
	Intersection:	8		
	J Street at West Broadway Street			
West Broadway Street	Eastbound			
		<u>left</u>	<u>through</u>	<u>right</u>
	Existing (Year 2021) AM	1	139	192
	Existing (Year 2021) PM	0	78	244
	Future (Year 2040) AM	1	139	192
	Future (Year 2040) PM	0	95	246

				rev. (Date)	
J Street					
Southbound					
	<u>right</u>	<u>through</u>	<u>left</u>		
Existing (Year 2021) AM	0	1	2		
Existing (Year 2021) PM	0	1	1		
Future (Year 2040) AM	0	1	2		
Future (Year 2040) PM	0	4	4		
N S					
Northbound					
	<u>left</u>	<u>through</u>	<u>right</u>		
Existing (Year 2021) AM	193	2	22		
Existing (Year 2021) PM	265	1	18		
Future (Year 2040) AM	196	3	23		
Future (Year 2040) PM	265	1	18		

Westbound				
	<u>right</u>	<u>through</u>	<u>left</u>	
Existing (Year 2021) AM	1	106	16	
Existing (Year 2021) PM	1	106	20	
Future (Year 2040) AM	2	125	16	
Future (Year 2040) PM	2	113	20	

If Peak Hour = 6% of ADT, Scaling Factor = 16.667				
If Peak Hour = 7% of ADT, Scaling Factor = 14.286				
If Peak Hour = 8% of ADT, Scaling Factor = 12.5				
If Peak Hour = 9% of ADT, Scaling Factor = 11.111				
If Peak Hour = 10% of ADT, Scaling Factor = 10				
			ADT	
Road	J Street		West Broadway Street	
Leg	North of	South of	East of	West of
Cross Street	West Broadway Street		J Street	
Existing (Year 2021) AM	70.0	4,260.0	2,860.0	6,310.0
Existing (Year 2021) PM	40.0	5,490.0	2,240.0	6,930.0
Future (Year 2040) AM	90.0	4,310.0	3,070.0	6,530.0
Future (Year 2040) PM	110.0	5,540.0	2,520.0	7,190.0

NOISE LEVEL CONTOURS - Off-Site ADT Volumes

ROADWAY NAME Segment	Land Use	Lanes	Median Width	ADT Volume	Design Speed (mph)	Dist. from Center to Receptor (ft)	Barrier Alpha Factor	Vehicle Mix				dB(A) CNEL	Traffic Volumes								Ref. Energy Level: Dist				Ld			Le			Ln						
								Medium Trucks	Heavy Trucks	MTd	HTd		MTe	HTe	MTn	HTn	A	MT	HT	Adj	A	MT	HT	Total A	MT	HT	Total A	MT	HT	Total							
								1	2	3	4		5	6	7	8	9	10	11	12	13	14	15	16	17	18	19	20	21	22	23	24					
J Street n/o West Broadway Street																																					
Existing (Year 2021) AM		2	0	70	30	25	0	1.8%	0.7%	43.7	54	9	7	1	0	0	0	0	0	62.5	73.1	80.3	3.1	41.9	35.7	38.9	44.3	39.0	28.1	28.7	39.7	25.8	26.3	29.6	32.3		
Existing (Year 2021) PM		2	0	40	30	25	0	1.8%	0.7%	41.3	31	5	4	1	0	0	0	0	0	62.5	73.1	80.3	3.1	39.5	33.3	36.4	41.9	36.5	25.7	26.3	37.2	23.3	23.8	27.2	29.9		
Future (Year 2040) AM		2	0	90	30	25	0	1.8%	0.7%	44.8	70	11	9	1	1	0	0	0	0	62.5	73.1	80.3	3.1	43.0	36.8	39.9	45.4	40.0	29.2	29.8	40.8	26.9	27.4	30.7	33.4		
Future (Year 2040) PM		2	0	110	30	25	0	1.8%	0.7%	45.7	85	14	11	2	1	0	0	0	0	62.5	73.1	80.3	3.1	43.9	37.7	40.8	46.3	40.9	30.1	30.7	41.6	27.7	28.2	31.6	34.3		
J Street s/o West Broadway Street																																					
Existing (Year 2021) AM		2	0	4,260	30	25	0	1.8%	0.7%	61.6	####	541	409	67	27	4	1	6	2	62.5	73.1	80.3	3.1	59.8	53.6	56.7	62.2	56.8	46.0	46.5	57.5	43.6	44.1	47.5	50.2		
Existing (Year 2021) PM		2	0	5,490	30	25	0	1.8%	0.7%	62.7	####	697	527	86	34	5	1	7	3	62.5	73.1	80.3	3.1	60.9	54.7	57.8	63.3	57.9	47.1	47.6	58.6	44.7	45.2	48.6	51.3		
Future (Year 2040) AM		2	0	4,310	30	25	0	1.8%	0.7%	61.6	####	547	414	68	27	4	1	6	2	62.5	73.1	80.3	3.1	59.8	53.6	56.7	62.2	56.9	46.0	46.6	57.6	43.7	44.2	47.5	50.2		
Future (Year 2040) PM		2	0	5,540	30	25	0	1.8%	0.7%	62.7	####	704	532	87	35	5	1	7	3	62.5	73.1	80.3	3.1	60.9	54.7	57.8	63.3	57.9	47.1	47.7	58.6	44.7	45.3	48.6	51.3		
West Broadway Street e/o J Street																																					
Existing (Year 2021) AM		4	0	2,860	30	25	0	1.8%	0.7%	61.3	####	363	275	45	18	3	1	4	2	62.5	73.1	80.3	4.5	59.5	53.3	56.4	61.9	56.5	45.7	46.3	57.2	43.3	43.8	47.2	49.9		
Existing (Year 2021) PM		4	0	2,240	30	25	0	1.8%	0.7%	60.2	####	284	215	35	14	2	0	3	1	62.5	73.1	80.3	4.5	58.4	52.2	55.4	60.8	55.5	44.7	45.2	56.2	42.3	42.8	46.1	48.9		
Future (Year 2040) AM		4	0	3,070	30	25	0	1.8%	0.7%	61.6	####	390	295	48	19	3	1	4	2	62.5	73.1	80.3	4.5	59.8	53.6	56.7	62.2	56.8	46.0	46.6	57.5	43.6	44.2	47.5	50.2		
Future (Year 2040) PM		4	0	2,520	30	25	0	1.8%	0.7%	60.8	####	320	242	40	16	2	1	3	1	62.5	73.1	80.3	4.5	59.0	52.8	55.9	61.3	56.0	45.2	45.7	56.7	42.8	43.3	46.6	49.4		
West Broadway Street w/o J Street																																					
Existing (Year 2021) AM		4	14	6,310	30	25	0	1.8%	0.7%	#NUM!	####	801	606	99	39	6	1	9	4	62.5	73.1	80.3	####	####	####	####	####	####	####	####	####	####	####	####	####	####	####
Existing (Year 2021) PM		4	14	6,930	30	25	0	1.8%	0.7%	#NUM!	####	880	665	109	43	6	1	9	4	62.5	73.1	80.3	####	####	####	####	####	####	####	####	####	####	####	####	####	####	####
Future (Year 2040) AM		4	14	6,530	30	25	0	1.8%	0.7%	#NUM!	####	829	627	103	41	6	1	9	4	62.5	73.1	80.3	####	####	####	####	####	####	####	####	####	####	####	####	####	####	####
Future (Year 2040) PM		4	14	7,190	30	25	0	1.8%	0.7%	#NUM!	####	913	690	113	45	7	1	10	4	62.5	73.1	80.3	####	####	####	####	####	####	####	####	####	####	####	####	####	####	####

(1) Alpha Factor: Coefficient of absorption relating to the effects of the ground surface. An alpha factor of 0 indicates that the site is an acoustically "hard" site such as asphalt. An alpha factor of 0.5 indicates that the site is an acoustically "soft" site such as vegetative ground cover.

Assumed 24-Hour Traffic Distribution:	Day	Evening	Night
Total ADT Volumes	77.70%	12.70%	9.60%
Medium-Duty Trucks	87.43%	5.05%	7.52%
Heavy-Duty Trucks	89.10%	2.84%	8.06%

Project Name: Needles General Plan Update				
Intersection:		9		
J Street at WB I-40 Ramps				
WB I-40 Ramps	Eastbound			
		<u>left</u>	<u>through</u>	<u>right</u>
	Existing (Year 2021) AM	0	0	0
	Existing (Year 2021) PM	0	0	0
	Future (Year 2040) AM	0	0	0
	Future (Year 2040) PM	0	0	0

		rev. (Date)		
J Street				
Southbound				
	<u>right</u>	<u>through</u>	<u>left</u>	
Existing (Year 2021) AM	21	204	0	
Existing (Year 2021) PM	21	265	0	
Future (Year 2040) AM	0	0	0	
Future (Year 2040) PM	0	0	0	
N				
S				
Northbound				
	<u>left</u>	<u>through</u>	<u>right</u>	
Existing (Year 2021) AM	8	139	0	
Existing (Year 2021) PM	10	156	0	
Future (Year 2040) AM	0	0	0	
Future (Year 2040) PM	0	0	0	

Westbound			
	<u>right</u>	<u>through</u>	<u>left</u>
Existing (Year 2021) AM	93	0	10
Existing (Year 2021) PM	131	0	27
Future (Year 2040) AM	22	204	0
Future (Year 2040) PM	27	265	0

If Peak Hour = 6% of ADT, Scaling Factor = 16.667				
If Peak Hour = 7% of ADT, Scaling Factor = 14.286				
If Peak Hour = 8% of ADT, Scaling Factor = 12.5				
If Peak Hour = 9% of ADT, Scaling Factor = 11.111				
If Peak Hour = 10% of ADT, Scaling Factor = 10				
			ADT	
Road	J Street		WB I-40 Ramps	
Leg	North of	South of	East of	West of
Cross Street	WB I-40 Ramps		J Street	
Existing (Year 2021) AM	4,570.0	3,610.0	1,030.0	290.0
Existing (Year 2021) PM	5,730.0	4,580.0	1,580.0	310.0
Future (Year 2040) AM	220.0	0.0	2,260.0	2,040.0
Future (Year 2040) PM	270.0	0.0	2,920.0	2,650.0

NOISE LEVEL CONTOURS - Off-Site ADT Volumes

ROADWAY NAME Segment	Land Use	Lanes	Median Width	ADT Volume	Design Dist. from		Barrier Attn. dB(A)	Vehicle Mix		dB(A) CNEL	Traffic Volumes								Ref. Energy Level: Dist Ld				Le				Ln											
					Speed (mph)	Center to Receptor		Alpha Factor (1)	Medium Trucks		Heavy Trucks	Day	Eve	Night	MTd	HTd	MTe	HTe	MTn	HTn	A	MT	HT	Adj	A	MT	HT	Total A	MT	HT	Total A	MT	HT	Total A	MT	HT	Total A	
J Street n/o WB I-40 Ramps																																						
Existing (Year 2021) AM		2	0	4,570	35	25	0	0	1.8%	0.7%	62.9	####	580	439	72	29	4	1	6	3	65.1	74.8	80.0	3.1	62.0	54.9	56.1	63.6	59.0	47.3	46.0	59.5	45.8	45.5	46.9	50.9		
Existing (Year 2021) PM		2	0	5,730	35	25	0	0	1.8%	0.7%	63.9	####	728	550	90	36	5	1	8	3	65.1	74.8	80.0	3.1	63.0	55.9	57.1	64.6	60.0	48.3	46.9	60.5	46.8	46.4	47.9	51.9		
Future (Year 2040) AM		2	0	220	35	25	0	0	1.8%	0.7%	49.8	171	28	21	3	1	0	0	0	0	65.1	74.8	80.0	3.1	48.8	41.7	42.9	50.5	45.9	34.2	32.8	46.3	32.7	32.3	33.7	37.7		
Future (Year 2040) PM		2	0	270	35	25	0	0	1.8%	0.7%	50.7	210	34	26	4	2	0	0	0	0	65.1	74.8	80.0	3.1	49.7	42.6	43.8	51.4	46.7	35.1	33.7	47.2	33.6	33.2	34.6	38.6		
J Street s/o WB I-40 Ramps																																						
Existing (Year 2021) AM		2	0	3,610	35	25	0	0	1.8%	0.7%	61.9	####	458	347	57	23	3	1	5	2	65.1	74.8	80.0	3.1	61.0	53.9	55.1	62.6	58.0	46.3	44.9	58.5	44.8	44.4	45.9	49.9		
Existing (Year 2021) PM		2	0	4,580	35	25	0	0	1.8%	0.7%	62.9	####	582	440	72	29	4	1	6	3	65.1	74.8	80.0	3.1	62.0	54.9	56.1	63.6	59.0	47.3	46.0	59.5	45.8	45.5	46.9	50.9		
Future (Year 2040) AM		2	0	0	35	25	0	0	1.8%	0.7%	#NUM!	0	0	0	0	0	0	0	0	0	65.1	74.8	80.0	3.1	####	####	####	####	####	####	####	####	####	####	####	####	####	####
Future (Year 2040) PM		2	0	0	35	25	0	0	1.8%	0.7%	#NUM!	0	0	0	0	0	0	0	0	0	65.1	74.8	80.0	3.1	####	####	####	####	####	####	####	####	####	####	####	####	####	####
WB I-40 Ramps e/o J Street																																						
Existing (Year 2021) AM		1	0	1,030	45	25	0	0	1.8%	0.7%	58.9	800	131	99	16	6	1	0	1	1	69.3	77.6	82.1	2.9	58.6	50.0	50.5	59.7	55.6	42.4	40.4	55.9	42.4	40.6	41.3	46.2		
Existing (Year 2021) PM		1	0	1,580	45	25	0	0	1.8%	0.7%	60.8	####	201	152	25	10	1	0	2	1	69.3	77.6	82.1	2.9	60.4	51.9	52.4	61.5	57.4	44.3	42.2	57.8	44.2	42.4	43.1	48.1		
Future (Year 2040) AM		1	0	2,260	45	25	0	0	1.8%	0.7%	62.3	####	287	217	36	14	2	0	3	1	69.3	77.6	82.1	2.9	62.0	53.4	53.9	63.1	59.0	45.9	43.8	59.3	45.8	44.0	44.7	49.7		
Future (Year 2040) PM		1	0	2,920	45	25	0	0	1.8%	0.7%	63.4	####	371	280	46	18	3	1	4	2	69.3	77.6	82.1	2.9	63.1	54.5	55.0	64.2	60.1	47.0	44.9	60.4	46.9	45.1	45.8	50.8		
WB I-40 Ramps w/o J Street																																						
Existing (Year 2021) AM		1	0	290	45	25	0	0	1.8%	0.7%	53.4	225	37	28	5	2	0	0	0	0	69.3	77.6	82.1	2.9	53.1	44.5	45.0	54.2	50.1	36.9	34.9	50.4	36.9	35.1	35.8	40.7		
Existing (Year 2021) PM		1	0	310	45	25	0	0	1.8%	0.7%	53.7	241	39	30	5	2	0	0	0	0	69.3	77.6	82.1	2.9	53.3	44.8	45.3	54.5	50.4	37.2	35.1	50.7	37.2	35.4	36.1	41.0		
Future (Year 2040) AM		1	0	2,040	45	25	0	0	1.8%	0.7%	61.9	####	259	196	32	13	2	0	3	1	69.3	77.6	82.1	2.9	61.5	53.0	53.5	62.7	58.5	45.4	43.3	58.9	45.4	43.5	44.3	49.2		
Future (Year 2040) PM		1	0	2,650	45	25	0	0	1.8%	0.7%	63.0	####	337	254	42	17	2	1	4	1	69.3	77.6	82.1	2.9	62.7	54.1	54.6	63.8	59.7	46.5	44.5	60.0	46.5	44.7	45.4	50.4		

(1) Alpha Factor: Coefficient of absorption relating to the effects of the ground surface. An alpha factor of 0 indicates that the site is an acoustically "hard" site such as asphalt. An alpha factor of 0.5 indicates that the site is an acoustically "soft" site such as vegetative ground cover.

Assumed 24-Hour Traffic Distribution:	Day	Evening	Night
Total ADT Volumes	77.70%	12.70%	9.60%
Medium-Duty Trucks	87.43%	5.05%	7.52%
Heavy-Duty Trucks	89.10%	2.84%	8.06%

Project Name: Needles General Plan Update				
Intersection:		10		
J Street at EB I-40 Ramps				
Eastbound				
EB I-40 Ramps		<u>left</u>	<u>through</u>	<u>right</u>
	Existing (Year 2021) AM	21	1	3
	Existing (Year 2021) PM	21	0	9
	Future (Year 2040) AM	0	126	12
	Future (Year 2040) PM	0	151	24

		rev. (Date)		
J Street				
Southbound				
	<u>right</u>	<u>through</u>	<u>left</u>	
Existing (Year 2021) AM	0	105	109	
Existing (Year 2021) PM	0	178	113	
Future (Year 2040) AM	0	2	21	
Future (Year 2040) PM	0	0	21	
N				
S				
Northbound				
	<u>left</u>	<u>through</u>	<u>right</u>	
Existing (Year 2021) AM	0	126	6	
Existing (Year 2021) PM	0	148	21	
Future (Year 2040) AM	0	0	0	
Future (Year 2040) PM	0	0	0	

Westbound			
	<u>right</u>	<u>through</u>	<u>left</u>
Existing (Year 2021) AM	0	0	0
Existing (Year 2021) PM	0	0	0
Future (Year 2040) AM	0	0	0
Future (Year 2040) PM	0	0	0

If Peak Hour = 6% of ADT, Scaling Factor = 16.667				
If Peak Hour = 7% of ADT, Scaling Factor = 14.286				
If Peak Hour = 8% of ADT, Scaling Factor = 12.5				
If Peak Hour = 9% of ADT, Scaling Factor = 11.111				
If Peak Hour = 10% of ADT, Scaling Factor = 10				
				ADT
Road	J Street		EB I-40 Ramps	
Leg	North of	South of	East of	West of
Cross Street	EB I-40 Ramps		J Street	
Existing (Year 2021) AM	3,610.0	2,400.0	1,160.0	250.0
Existing (Year 2021) PM	4,600.0	3,560.0	1,340.0	300.0
Future (Year 2040) AM	230.0	140.0	1,470.0	1,380.0
Future (Year 2040) PM	210.0	240.0	1,720.0	1,750.0

NOISE LEVEL CONTOURS - Off-Site ADT Volumes

ROADWAY NAME Segment	Land Use	Lanes	Median Width	ADT Volume	Design Speed (mph)	Dist. from Center to Receptor (ft)	Alpha Factor (1)	Barrier Attn. dB(A)	Vehicle Mix		dB(A) CNEL	Traffic Volumes										Ref. Energy Level: Dist																	
									Medium Trucks	Heavy Trucks		Day	Eve	Night	MTd	HTd	MTe	HTe	MTn	HTn	A	MT	HT	Adj	A	MT	HT	Total A	MT	HT	Total A	MT	HT	Total					
J Street n/o EB I-40 Ramps																																							
Existing (Year 2021) AM		2	0	3,610	35	25	0	0	1.8%	0.7%	61.9	####	458	347	57	23	3	1	5	2	65.1	74.8	80.0	3.1	61.0	53.9	55.1	62.6	58.0	46.3	44.9	58.5	44.8	44.4	45.9	49.9			
Existing (Year 2021) PM		2	0	4,600	35	25	0	0	1.8%	0.7%	63.0	####	584	442	72	29	4	1	6	3	65.1	74.8	80.0	3.1	62.0	55.0	56.1	63.7	59.1	47.4	46.0	59.5	45.9	45.5	46.9	50.9			
Future (Year 2040) AM		2	0	230	35	25	0	0	1.8%	0.7%	50.0	179	29	22	4	1	0	0	0	0	65.1	74.8	80.0	3.1	49.0	41.9	43.1	50.7	46.1	34.4	33.0	46.5	32.9	32.5	33.9	37.9			
Future (Year 2040) PM		2	0	210	35	25	0	0	1.8%	0.7%	49.6	163	27	20	3	1	0	0	0	0	65.1	74.8	80.0	3.1	48.6	41.5	42.7	50.3	45.7	34.0	32.6	46.1	32.5	32.1	33.5	37.5			
J Street s/o EB I-40 Ramps																																							
Existing (Year 2021) AM		2	0	2,400	35	25	0	0	1.8%	0.7%	60.1	####	305	230	38	15	2	0	3	1	65.1	74.8	80.0	3.1	59.2	52.1	53.3	60.8	56.2	44.5	43.2	56.7	43.0	42.7	44.1	48.1			
Existing (Year 2021) PM		2	0	3,560	35	25	0	0	1.8%	0.7%	61.9	####	452	342	56	22	3	1	5	2	65.1	74.8	80.0	3.1	60.9	53.8	55.0	62.6	57.9	46.3	44.9	58.4	44.8	44.4	45.8	49.8			
Future (Year 2040) AM		2	0	140	35	25	0	0	1.8%	0.7%	47.8	109	18	13	2	1	0	0	0	0	65.1	74.8	80.0	3.1	46.9	39.8	41.0	48.5	43.9	32.2	30.8	44.4	30.7	30.3	31.7	35.7			
Future (Year 2040) PM		2	0	240	35	25	0	0	1.8%	0.7%	50.1	186	30	23	4	1	0	0	0	0	65.1	74.8	80.0	3.1	49.2	42.1	43.3	50.8	46.2	34.5	33.2	46.7	33.0	32.7	34.1	38.1			
EB I-40 Ramps e/o J Street																																							
Existing (Year 2021) AM		1	0	1,160	45	25	0	0	1.8%	0.7%	59.4	901	147	111	18	7	1	0	2	1	69.3	77.6	82.1	2.9	59.1	50.5	51.0	60.2	56.1	43.0	40.9	56.4	42.9	41.1	41.8	46.8			
Existing (Year 2021) PM		1	0	1,340	45	25	0	0	1.8%	0.7%	60.0	####	170	129	21	8	1	0	2	1	69.3	77.6	82.1	2.9	59.7	51.2	51.7	60.8	56.7	43.6	41.5	57.0	43.5	41.7	42.4	47.4			
Future (Year 2040) AM		1	0	1,470	45	25	0	0	1.8%	0.7%	60.5	####	187	141	23	9	1	0	2	1	69.3	77.6	82.1	2.9	60.1	51.6	52.1	61.2	57.1	44.0	41.9	57.5	43.9	42.1	42.8	47.8			
Future (Year 2040) PM		1	0	1,720	45	25	0	0	1.8%	0.7%	61.1	####	218	165	27	11	2	0	2	1	69.3	77.6	82.1	2.9	60.8	52.3	52.8	61.9	57.8	44.7	42.6	58.1	44.6	42.8	43.5	48.5			
EB I-40 Ramps w/o J Street																																							
Existing (Year 2021) AM		1	0	250	45	25	0	0	1.8%	0.7%	52.8	194	32	24	4	2	0	0	0	0	69.3	77.6	82.1	2.9	52.4	43.9	44.4	53.5	49.4	36.3	34.2	49.8	36.2	34.4	35.1	40.1			
Existing (Year 2021) PM		1	0	300	45	25	0	0	1.8%	0.7%	53.5	233	38	29	5	2	0	0	0	0	69.3	77.6	82.1	2.9	53.2	44.7	45.2	54.3	50.2	37.1	35.0	50.5	37.0	35.2	35.9	40.9			
Future (Year 2040) AM		1	0	1,380	45	25	0	0	1.8%	0.7%	60.2	####	175	132	22	9	1	0	2	1	69.3	77.6	82.1	2.9	59.8	51.3	51.8	61.0	56.8	43.7	41.6	57.2	43.7	41.8	42.6	47.5			
Future (Year 2040) PM		1	0	1,750	45	25	0	0	1.8%	0.7%	61.2	####	222	168	28	11	2	0	2	1	69.3	77.6	82.1	2.9	60.9	52.3	52.8	62.0	57.9	44.7	42.7	58.2	44.7	42.9	43.6	48.6			

(1) Alpha Factor: Coefficient of absorption relating to the effects of the ground surface. An alpha factor of 0 indicates that the site is an acoustically "hard" site such as asphalt. An alpha factor of 0.5 indicates that the site is an acoustically "soft" site such as vegetative ground cover.

Assumed 24-Hour Traffic Distribution:	Day	Evening	Night
Total ADT Volumes	77.70%	12.70%	9.60%
Medium-Duty Trucks	87.43%	5.05%	7.52%
Heavy-Duty Trucks	89.10%	2.84%	8.06%

Project Name: Needles General Plan Update				
	Intersection:	11		
	Bailey Avenue at Washington Street			
Washington Street	Eastbound			
		<u>left</u>	<u>through</u>	<u>right</u>
	Existing (Year 2021) AM	0	0	0
	Existing (Year 2021) PM	0	0	0
	Future (Year 2040) AM	0	0	0
	Future (Year 2040) PM	0	0	0

				rev. (Date)										
Bailey Avenue														
Southbound														
	<u>right</u>	<u>through</u>	<u>left</u>											
Existing (Year 2021) AM	0	0	0											
Existing (Year 2021) PM	0	0	0											
Future (Year 2040) AM	0	0	0											
Future (Year 2040) PM	0	0	0											
<table border="0" style="width: 100%;"> <tr> <td></td> <td style="text-align: center;">W</td> <td style="text-align: center;">N</td> <td style="text-align: center;">E</td> <td></td> </tr> <tr> <td></td> <td></td> <td style="text-align: center;">S</td> <td></td> <td></td> </tr> </table>						W	N	E				S		
	W	N	E											
		S												
Northbound														
	<u>left</u>	<u>through</u>	<u>right</u>											
Existing (Year 2021) AM	0	0	23											
Existing (Year 2021) PM	0	0	25											
Future (Year 2040) AM	0	0	29											
Future (Year 2040) PM	0	0	29											

Westbound			
	<u>right</u>	<u>through</u>	<u>left</u>
Existing (Year 2021) AM	0	0	19
Existing (Year 2021) PM	0	0	29
Future (Year 2040) AM	0	0	19
Future (Year 2040) PM	0	0	38

If Peak Hour = 6% of ADT, Scaling Factor = 16.667				
If Peak Hour = 7% of ADT, Scaling Factor = 14.286				
If Peak Hour = 8% of ADT, Scaling Factor = 12.5				
If Peak Hour = 9% of ADT, Scaling Factor = 11.111				
If Peak Hour = 10% of ADT, Scaling Factor = 10				
		ADT		
Road	Bailey Avenue		Washington Street	
Leg	North of	South of	East of	West of
Cross Street	Washington Street		Bailey Avenue	
Existing (Year 2021) AM	0.0	420.0	420.0	0.0
Existing (Year 2021) PM	0.0	540.0	540.0	0.0
Future (Year 2040) AM	0.0	480.0	480.0	0.0
Future (Year 2040) PM	0.0	670.0	670.0	0.0

NOISE LEVEL CONTOURS - Off-Site ADT Volumes

ROADWAY NAME Segment	Land Use	Lanes	Median Width	ADT Volume	Design Speed (mph)	Dist. from Center to Receptor	Alpha Factor (1)	Barrier Attn. dB(A)	Vehicle Mix		dB(A) CNEL	Traffic Volumes								Ref. Energy Level: Dist				Ld				Le				Ln																
									Medium Trucks	Heavy Trucks		Day	Eve	Night	MTd	HTd	MTe	HTe	MTn	HTn	A	MT	HT	Adj	A	MT	HT	Total	A	MT	HT	Total	A	MT	HT	Total												
Bailey Avenue n/o Washington																																																
Existing (Year 2021) AM		2	0	0	25	25	0	0	1.8%	0.7%	#NUM!	0	0	0	0	0	0	0	0	0	0	0	59.4	71.1	78.7	3.1	####	####	####	####	####	####	####	####	####	####	####	####	####	####	####	####	####					
Existing (Year 2021) PM		2	0	0	25	25	0	0	1.8%	0.7%	#NUM!	0	0	0	0	0	0	0	0	0	0	0	59.4	71.1	78.7	3.1	####	####	####	####	####	####	####	####	####	####	####	####	####	####	####	####	####	####	####	####		
Future (Year 2040) AM		2	0	0	25	25	0	0	1.8%	0.7%	#NUM!	0	0	0	0	0	0	0	0	0	0	0	59.4	71.1	78.7	3.1	####	####	####	####	####	####	####	####	####	####	####	####	####	####	####	####	####	####	####	####	####	
Future (Year 2040) PM		2	0	0	25	25	0	0	1.8%	0.7%	#NUM!	0	0	0	0	0	0	0	0	0	0	0	59.4	71.1	78.7	3.1	####	####	####	####	####	####	####	####	####	####	####	####	####	####	####	####	####	####	####	####	####	
Bailey Avenue s/o Washington																																																
Existing (Year 2021) AM		2	0	420	25	25	0	0	1.8%	0.7%	50.0	326	53	40	7	3	0	0	1	0	0	59.4	71.1	78.7	3.1	47.4	42.3	45.9	50.5	44.5	34.7	35.7	45.4	31.3	32.8	36.7	39.0											
Existing (Year 2021) PM		2	0	540	25	25	0	0	1.8%	0.7%	51.0	420	69	52	8	3	0	0	1	0	0	59.4	71.1	78.7	3.1	48.5	43.4	47.0	51.6	45.6	35.8	36.8	46.5	32.4	33.9	37.8	40.1											
Future (Year 2040) AM		2	0	480	25	25	0	0	1.8%	0.7%	50.5	373	61	46	8	3	0	0	1	0	0	59.4	71.1	78.7	3.1	48.0	42.9	46.5	51.0	45.0	35.3	36.3	46.0	31.8	33.4	37.3	39.6											
Future (Year 2040) PM		2	0	670	25	25	0	0	1.8%	0.7%	52.0	521	85	64	11	4	1	0	1	0	0	59.4	71.1	78.7	3.1	49.5	44.3	47.9	52.5	46.5	36.7	37.8	47.4	33.3	34.8	38.7	41.0											
Washington Street e/o Bailey																																																
Existing (Year 2021) AM		2	0	420	15	25	0	0	1.8%	0.7%	46.2	326	53	40	7	3	0	0	1	0	0	50.8	65.4	74.5	3.1	41.0	38.8	43.9	46.5	38.1	31.2	33.7	40.0	24.9	29.4	34.6	36.1											
Existing (Year 2021) PM		2	0	540	15	25	0	0	1.8%	0.7%	47.3	420	69	52	8	3	0	0	1	0	0	50.8	65.4	74.5	3.1	42.1	39.9	45.0	47.6	39.2	32.3	34.8	41.1	26.0	30.5	35.7	37.2											
Future (Year 2040) AM		2	0	480	15	25	0	0	1.8%	0.7%	46.8	373	61	46	8	3	0	0	1	0	0	50.8	65.4	74.5	3.1	41.6	39.4	44.4	47.1	38.6	31.8	34.3	40.6	25.5	29.9	35.2	36.7											
Future (Year 2040) PM		2	0	670	15	25	0	0	1.8%	0.7%	48.2	521	85	64	11	4	1	0	1	0	0	50.8	65.4	74.5	3.1	43.1	40.8	45.9	48.5	40.1	33.3	35.7	42.1	26.9	31.4	36.7	38.1											
Washington Street w/o Bailey																																																
Existing (Year 2021) AM		2	0	0	15	25	0	0	1.8%	0.7%	#NUM!	0	0	0	0	0	0	0	0	0	0	50.8	65.4	74.5	3.1	####	####	####	####	####	####	####	####	####	####	####	####	####	####	####	####	####	####	####	####	####	####	
Existing (Year 2021) PM		2	0	0	15	25	0	0	1.8%	0.7%	#NUM!	0	0	0	0	0	0	0	0	0	0	50.8	65.4	74.5	3.1	####	####	####	####	####	####	####	####	####	####	####	####	####	####	####	####	####	####	####	####	####	####	####
Future (Year 2040) AM		2	0	0	15	25	0	0	1.8%	0.7%	#NUM!	0	0	0	0	0	0	0	0	0	0	50.8	65.4	74.5	3.1	####	####	####	####	####	####	####	####	####	####	####	####	####	####	####	####	####	####	####	####	####	####	
Future (Year 2040) PM		2	0	0	15	25	0	0	1.8%	0.7%	#NUM!	0	0	0	0	0	0	0	0	0	0	50.8	65.4	74.5	3.1	####	####	####	####	####	####	####	####	####	####	####	####	####	####	####	####	####	####	####	####	####	####	####

(1) Alpha Factor: Coefficient of absorption relating to the effects of the ground surface. An alpha factor of 0 indicates that the site is an acoustically "hard" site such as asphalt. An alpha factor of 0.5 indicates that the site is an acoustically "soft" site such as vegetative ground cover.

Assumed 24-Hour Traffic Distribution:	Day	Evening	Night
Total ADT Volumes	77.70%	12.70%	9.60%
Medium-Duty Trucks	87.43%	5.05%	7.52%
Heavy-Duty Trucks	89.10%	2.84%	8.06%

Project Name: Needles General Plan Update

Intersection:
Bailey Avenue at J Street

12

J Street

Eastbound

	<u>left</u>	<u>through</u>	<u>right</u>
Existing (Year 2021) AM	3	69	6
Existing (Year 2021) PM	7	58	6
Future (Year 2040) AM	3	69	6
Future (Year 2040) PM	7	58	8

	rev. (Date)		
Bailey Avenue			
Southbound			
	<u>right</u>	<u>through</u>	<u>left</u>
Existing (Year 2021) AM	2	3	13
Existing (Year 2021) PM	5	5	14
Future (Year 2040) AM	2	3	13
Future (Year 2040) PM	7	9	16
N S			
Northbound			
	<u>left</u>	<u>through</u>	<u>right</u>
Existing (Year 2021) AM	3	6	54
Existing (Year 2021) PM	6	8	76
Future (Year 2040) AM	3	9	64
Future (Year 2040) PM	8	10	85

Westbound			
	<u>right</u>	<u>through</u>	<u>left</u>
Existing (Year 2021) AM	7	26	52
Existing (Year 2021) PM	16	76	73
Future (Year 2040) AM	9	26	56
Future (Year 2040) PM	16	76	77

If Peak Hour = 6% of ADT, Scaling Factor = 16.667				
If Peak Hour = 7% of ADT, Scaling Factor = 14.286				
If Peak Hour = 8% of ADT, Scaling Factor = 12.5				
If Peak Hour = 9% of ADT, Scaling Factor = 11.111				
If Peak Hour = 10% of ADT, Scaling Factor = 10				
			ADT	
Road	Bailey Avenue		J Street	
Leg	North of	South of	East of	West of
Cross Street	J Street		Bailey Avenue	
Existing (Year 2021) AM	340.0	1,240.0	2,210.0	1,090.0
Existing (Year 2021) PM	550.0	1,740.0	3,130.0	1,580.0
Future (Year 2040) AM	390.0	1,410.0	2,370.0	1,090.0
Future (Year 2040) PM	650.0	1,970.0	3,280.0	1,640.0

NOISE LEVEL CONTOURS - Off-Site ADT Volumes

ROADWAY NAME Segment	Land Use	Lanes	Median Width	ADT Volume	Design Dist. from		Barrier Attn. dB(A)	Vehicle Mix		dB(A) CNEL	Traffic Volumes										Ref. Energy Level: Dist				Ld			Le			Ln						
					Speed (mph)	Center to Receptor		Alpha Factor (1)	Medium Trucks		Heavy Trucks	Day	Even	Night	MTd	HTd	MTe	HTe	MTn	HTn	A	MT	HT	Adj	A	MT	HT	Total A	MT	HT	Total A	MT	HT	Total A	MT	HT	Total
Bailey Avenue n/o J Street																																					
Existing (Year 2021) AM		2	0	340	25	25	0	0	1.8%	0.7%	49.0	264	43	33	5	2	0	0	0	0	59.4	71.1	78.7	3.1	46.5	41.4	45.0	49.5	43.5	33.8	34.8	44.5	30.3	31.9	35.8	38.1	
Existing (Year 2021) PM		2	0	550	25	25	0	0	1.8%	0.7%	51.1	427	70	53	9	3	0	0	1	0	59.4	71.1	78.7	3.1	48.6	43.4	47.1	51.6	45.6	35.9	36.9	46.6	32.4	34.0	37.8	40.1	
Future (Year 2040) AM		2	0	390	25	25	0	0	1.8%	0.7%	49.6	303	50	37	6	2	0	0	1	0	59.4	71.1	78.7	3.1	47.1	42.0	45.6	50.1	44.1	34.4	35.4	45.1	30.9	32.5	36.4	38.7	
Future (Year 2040) PM		2	0	650	25	25	0	0	1.8%	0.7%	51.9	505	83	62	10	4	1	0	1	0	59.4	71.1	78.7	3.1	49.3	44.2	47.8	52.4	46.4	36.6	37.6	47.3	33.2	34.7	38.6	40.9	
Bailey Avenue s/o J Street																																					
Existing (Year 2021) AM		4	0	1,240	35	25	0	0	1.8%	0.7%	58.7	963	157	119	20	8	1	0	2	1	65.1	74.8	80.0	4.5	57.8	50.7	51.9	59.4	54.8	43.1	41.8	55.3	41.6	41.3	42.7	46.7	
Existing (Year 2021) PM		4	0	1,740	35	25	0	0	1.8%	0.7%	60.2	####	221	167	27	11	2	0	2	1	65.1	74.8	80.0	4.5	59.3	52.2	53.4	60.9	56.3	44.6	43.2	56.8	43.1	42.7	44.2	48.1	
Future (Year 2040) AM		4	0	1,410	35	25	0	0	1.8%	0.7%	59.3	####	179	135	22	9	1	0	2	1	65.1	74.8	80.0	4.5	58.4	51.3	52.5	60.0	55.4	43.7	42.3	55.9	42.2	41.8	43.2	47.2	
Future (Year 2040) PM		4	0	1,970	35	25	0	0	1.8%	0.7%	60.7	####	250	189	31	12	2	0	3	1	65.1	74.8	80.0	4.5	59.8	52.7	53.9	61.4	56.8	45.1	43.8	57.3	43.6	43.3	44.7	48.7	
J Street e/o Bailey Avenue																																					
Existing (Year 2021) AM		2	0	2,210	25	25	0	0	1.8%	0.7%	57.2	####	281	212	35	14	2	0	3	1	59.4	71.1	78.7	3.1	54.6	49.5	53.1	57.7	51.7	41.9	43.0	52.6	38.5	40.0	43.9	46.2	
Existing (Year 2021) PM		2	0	3,130	25	25	0	0	1.8%	0.7%	58.7	####	398	300	49	20	3	1	4	2	59.4	71.1	78.7	3.1	56.2	51.0	54.6	59.2	53.2	43.4	44.5	54.1	40.0	41.5	45.4	47.7	
Future (Year 2040) AM		2	0	2,370	25	25	0	0	1.8%	0.7%	57.5	####	301	228	37	15	2	0	3	1	59.4	71.1	78.7	3.1	55.0	49.8	53.4	58.0	52.0	42.2	43.3	52.9	38.8	40.3	44.2	46.5	
Future (Year 2040) PM		2	0	3,280	25	25	0	0	1.8%	0.7%	58.9	####	417	315	52	20	3	1	4	2	59.4	71.1	78.7	3.1	56.4	51.2	54.8	59.4	53.4	43.6	44.7	54.3	40.2	41.7	45.6	47.9	
J Street w/o Bailey Avenue																																					
Existing (Year 2021) AM		2	0	1,090	35	25	0	0	1.8%	0.7%	56.7	847	138	105	17	7	1	0	1	1	65.1	74.8	80.0	3.1	55.8	48.7	49.9	57.4	52.8	41.1	39.7	53.3	39.6	39.2	40.7	44.7	
Existing (Year 2021) PM		2	0	1,580	35	25	0	0	1.8%	0.7%	58.3	####	201	152	25	10	1	0	2	1	65.1	74.8	80.0	3.1	57.4	50.3	51.5	59.0	54.4	42.7	41.3	54.9	41.2	40.9	42.3	46.3	
Future (Year 2040) AM		2	0	1,090	35	25	0	0	1.8%	0.7%	56.7	847	138	105	17	7	1	0	1	1	65.1	74.8	80.0	3.1	55.8	48.7	49.9	57.4	52.8	41.1	39.7	53.3	39.6	39.2	40.7	44.7	
Future (Year 2040) PM		2	0	1,640	35	25	0	0	1.8%	0.7%	58.5	####	208	157	26	10	1	0	2	1	65.1	74.8	80.0	3.1	57.6	50.5	51.7	59.2	54.6	42.9	41.5	55.1	41.4	41.0	42.4	46.4	

(1) Alpha Factor: Coefficient of absorption relating to the effects of the ground surface. An alpha factor of 0 indicates that the site is an acoustically "hard" site such as asphalt. An alpha factor of 0.5 indicates that the site is an acoustically "soft" site such as vegetative ground cover.

Assumed 24-Hour Traffic Distribution:	Day	Evening	Night
Total ADT Volumes	77.70%	12.70%	9.60%
Medium-Duty Trucks	87.43%	5.05%	7.52%
Heavy-Duty Trucks	89.10%	2.84%	8.06%

Project Name: Needles General Plan Update				
Intersection:		13		
Bailey Avenue at Lillyhill Drive				
Lillyhill Drive	Eastbound			
		<u>left</u>	<u>through</u>	<u>right</u>
	Existing (Year 2021) AM	8	7	0
	Existing (Year 2021) PM	2	7	1
	Future (Year 2040) AM	8	7	0
	Future (Year 2040) PM	2	7	1

rev. (Date)

Bailey Avenue

Southbound

	<u>right</u>	<u>through</u>	<u>left</u>
Existing (Year 2021) AM	5	0	31
Existing (Year 2021) PM	7	0	64
Future (Year 2040) AM	6	0	31
Future (Year 2040) PM	7	0	79

N
S

Northbound

	<u>left</u>	<u>through</u>	<u>right</u>
Existing (Year 2021) AM	0	0	0
Existing (Year 2021) PM	0	0	0
Future (Year 2040) AM	0	0	0
Future (Year 2040) PM	0	0	0

Westbound			
	<u>right</u>	<u>through</u>	<u>left</u>
Existing (Year 2021) AM	58	2	0
Existing (Year 2021) PM	60	13	0
Future (Year 2040) AM	77	2	0
Future (Year 2040) PM	73	13	0

If Peak Hour = 6% of ADT, Scaling Factor = 16.667				
If Peak Hour = 7% of ADT, Scaling Factor = 14.286				
If Peak Hour = 8% of ADT, Scaling Factor = 12.5				
If Peak Hour = 9% of ADT, Scaling Factor = 11.111				
If Peak Hour = 10% of ADT, Scaling Factor = 10				
				ADT
Road	Bailey Avenue		Lillyhill Drive	
Leg	North of	South of	East of	West of
Cross Street	Lillyhill Drive		Bailey Avenue	
Existing (Year 2021) AM	1,020.0	0.0	980.0	220.0
Existing (Year 2021) PM	1,330.0	10.0	1,440.0	300.0
Future (Year 2040) AM	1,220.0	0.0	1,170.0	230.0
Future (Year 2040) PM	1,610.0	10.0	1,720.0	300.0

NOISE LEVEL CONTOURS - Off-Site ADT Volumes

ROADWAY NAME Segment	Land Use	Lanes	Median Width	ADT Volume	Design Speed (mph)	Dist. from Center to Receptor	Alpha Factor (1)	Barrier Attn. dB(A)	Vehicle Mix		dB(A) CNEL	Traffic Volumes								Ref. Energy Level: Dist																		
									Medium Trucks	Heavy Trucks		Day	Eve	Night	MTd	HTd	MTe	HTe	MTn	HTn	A	MT	HT	Adj	A	MT	HT	Total A	MT	HT	Total A	MT	HT	Total				
Bailey Avenue n/o Lillyhill Drive																																						
Existing (Year 2021) AM		4	0	1,020	35	25	0	0	1.8%	0.7%	57.9	793	130	98	16	6	1	0	1	1	65.1	74.8	80.0	4.5	57.0	49.9	51.1	58.6	54.0	42.3	40.9	54.5	40.8	40.4	41.8	45.8		
Existing (Year 2021) PM		4	0	1,330	35	25	0	0	1.8%	0.7%	59.0	####	169	128	21	8	1	0	2	1	65.1	74.8	80.0	4.5	58.1	51.0	52.2	59.7	55.1	43.4	42.1	55.6	41.9	41.6	43.0	47.0		
Future (Year 2040) AM		4	0	1,220	35	25	0	0	1.8%	0.7%	58.7	948	155	117	19	8	1	0	2	1	65.1	74.8	80.0	4.5	57.7	50.6	51.8	59.4	54.8	43.1	41.7	55.2	41.6	41.2	42.6	46.6		
Future (Year 2040) PM		4	0	1,610	35	25	0	0	1.8%	0.7%	59.9	####	204	155	25	10	1	0	2	1	65.1	74.8	80.0	4.5	58.9	51.9	53.0	60.6	56.0	44.3	42.9	56.4	42.8	42.4	43.8	47.8		
Bailey Avenue s/o Lillyhill Drive																																						
Existing (Year 2021) AM		0	0	0	35	25	0	0	1.8%	0.7%	#NUM!	0	0	0	0	0	0	0	0	0	65.1	74.8	80.0	3.1	####	####	####	####	####	####	####	####	####	####	####	####	####	####
Existing (Year 2021) PM		0	0	10	35	25	0	0	1.8%	0.7%	36.3	8	1	1	0	0	0	0	0	0	65.1	74.8	80.0	3.1	35.4	28.3	29.5	37.0	32.4	20.7	19.4	32.9	19.2	18.9	20.3	24.3		
Future (Year 2040) AM		0	0	0	35	25	0	0	1.8%	0.7%	#NUM!	0	0	0	0	0	0	0	0	0	65.1	74.8	80.0	3.1	####	####	####	####	####	####	####	####	####	####	####	####	####	####
Future (Year 2040) PM		0	0	10	35	25	0	0	1.8%	0.7%	36.3	8	1	1	0	0	0	0	0	0	65.1	74.8	80.0	3.1	35.4	28.3	29.5	37.0	32.4	20.7	19.4	32.9	19.2	18.9	20.3	24.3		
Lillyhill Drive e/o Bailey Avenue																																						
Existing (Year 2021) AM		2	0	980	30	25	0	0	1.8%	0.7%	55.2	761	124	94	15	6	1	0	1	1	62.5	73.1	80.3	3.1	53.4	47.2	50.3	55.8	50.4	39.6	40.2	51.1	37.2	37.7	41.1	43.8		
Existing (Year 2021) PM		2	0	1,440	30	25	0	0	1.8%	0.7%	56.9	####	183	138	23	9	1	0	2	1	62.5	73.1	80.3	3.1	55.1	48.9	52.0	57.5	52.1	41.3	41.8	52.8	38.9	39.4	42.8	45.5		
Future (Year 2040) AM		2	0	1,170	30	25	0	0	1.8%	0.7%	56.0	909	149	112	18	7	1	0	2	1	62.5	73.1	80.3	3.1	54.2	48.0	51.1	56.6	51.2	40.4	40.9	51.9	38.0	38.5	41.9	44.6		
Future (Year 2040) PM		2	0	1,720	30	25	0	0	1.8%	0.7%	57.6	####	218	165	27	11	2	0	2	1	62.5	73.1	80.3	3.1	55.8	49.6	52.8	58.2	52.9	42.0	42.6	53.6	39.7	40.2	43.5	46.3		
Lillyhill Drive w/o Bailey Avenue																																						
Existing (Year 2021) AM		2	0	220	30	25	0	0	1.8%	0.7%	48.7	171	28	21	3	1	0	0	0	0	62.5	73.1	80.3	3.1	46.9	40.7	43.8	49.3	43.9	33.1	33.7	44.6	30.7	31.2	34.6	37.3		
Existing (Year 2021) PM		2	0	300	30	25	0	0	1.8%	0.7%	50.1	233	38	29	5	2	0	0	0	0	62.5	73.1	80.3	3.1	48.3	42.0	45.2	50.6	45.3	34.5	35.0	46.0	32.1	32.6	35.9	38.7		
Future (Year 2040) AM		2	0	230	30	25	0	0	1.8%	0.7%	48.9	179	29	22	4	1	0	0	0	0	62.5	73.1	80.3	3.1	47.1	40.9	44.0	49.5	44.1	33.3	33.9	44.8	30.9	31.4	34.8	37.5		
Future (Year 2040) PM		2	0	300	30	25	0	0	1.8%	0.7%	50.1	233	38	29	5	2	0	0	0	0	62.5	73.1	80.3	3.1	48.3	42.0	45.2	50.6	45.3	34.5	35.0	46.0	32.1	32.6	35.9	38.7		

(1) Alpha Factor: Coefficient of absorption relating to the effects of the ground surface. An alpha factor of 0 indicates that the site is an acoustically "hard" site such as asphalt. An alpha factor of 0.5 indicates that the site is an acoustically "soft" site such as vegetative ground cover.

Assumed 24-Hour Traffic Distribution:	Day	Evening	Night
Total ADT Volumes	77.70%	12.70%	9.60%
Medium-Duty Trucks	87.43%	5.05%	7.52%
Heavy-Duty Trucks	89.10%	2.84%	8.06%

Project Name: Needles General Plan Update				
Intersection: 14				
San Clemente Street at Casa Linda Street				
San Clemente Street	Eastbound			
		<u>left</u>	<u>through</u>	<u>right</u>
	Existing (Year 2021) AM	5	0	1
	Existing (Year 2021) PM	0	8	0
	Future (Year 2040) AM	5	0	4
	Future (Year 2040) PM	0	8	0

		rev. (Date)		
Casa Linda Street				
Southbound				
	<u>right</u>	<u>through</u>	<u>left</u>	
Existing (Year 2021) AM	5	11	0	
Existing (Year 2021) PM	1	0	8	
Future (Year 2040) AM	5	11	0	
Future (Year 2040) PM	2	0	11	
		N		
		S		
Northbound				
	<u>left</u>	<u>through</u>	<u>right</u>	
Existing (Year 2021) AM	2	7	0	
Existing (Year 2021) PM	0	0	0	
Future (Year 2040) AM	2	11	0	
Future (Year 2040) PM	0	0	0	

Westbound				
	<u>right</u>	<u>through</u>	<u>left</u>	
Existing (Year 2021) AM	0	0	0	
Existing (Year 2021) PM	6	14	0	
Future (Year 2040) AM	0	0	0	
Future (Year 2040) PM	6	19	0	

If Peak Hour = 6% of ADT, Scaling Factor = 16.667				
If Peak Hour = 7% of ADT, Scaling Factor = 14.286				
If Peak Hour = 8% of ADT, Scaling Factor = 12.5				
If Peak Hour = 9% of ADT, Scaling Factor = 11.111				
If Peak Hour = 10% of ADT, Scaling Factor = 10				
			ADT	
Road	Casa Linda Street		San Clemente Street	
Leg	North of	South of	East of	West of
Cross Street	San Clemente Street		Casa Linda Street	
Existing (Year 2021) AM	280.0	210.0	0.0	130.0
Existing (Year 2021) PM	150.0	0.0	360.0	230.0
Future (Year 2040) AM	320.0	280.0	0.0	160.0
Future (Year 2040) PM	190.0	0.0	440.0	290.0

NOISE LEVEL CONTOURS - Off-Site ADT Volumes

												Traffic Volumes								Ref. Energy Level: Dist				Ld				Le				Ln						
ROADWAY NAME	Land Use	Lanes	Median Width	ADT Volume	Design Speed (mph)	Dist. from Center to Receptor (ft)	Alpha Factor (1)	Barrier Attn. dB(A)	Vehicle Mix		dB(A) CNEL	Day	Evening	Night	MTd	HTd	MTe	HTe	MTn	HTn	A	MT	HT	Adj	A	MT	HT	Total A	MT	HT	Total A	MT	HT	Total A	MT	HT	Total	
Casa Linda Street n/o San Clemente																																						
Existing (Year 2021) AM		2	0	280	25	25	0	0	1.8%	0.7%	48.2	218	36	27	4	2	0	0	0	0	59.4	71.1	78.7	3.1	45.7	40.5	44.1	48.7	42.7	32.9	34.0	43.6	29.5	31.1	34.9	37.2		
Existing (Year 2021) PM		2	0	150	25	25	0	0	1.8%	0.7%	45.5	117	19	14	2	1	0	0	0	0	59.4	71.1	78.7	3.1	43.0	37.8	41.4	46.0	40.0	30.2	31.3	40.9	26.8	28.3	32.2	34.5		
Future (Year 2040) AM		2	0	320	25	25	0	0	1.8%	0.7%	48.8	249	41	31	5	2	0	0	0	0	59.4	71.1	78.7	3.1	46.3	41.1	44.7	49.3	43.3	33.5	34.6	44.2	30.1	31.6	35.5	37.8		
Future (Year 2040) PM		2	0	190	25	25	0	0	1.8%	0.7%	46.5	148	24	18	3	1	0	0	0	0	59.4	71.1	78.7	3.1	44.0	38.8	42.5	47.0	41.0	31.2	32.3	41.9	27.8	29.4	33.2	35.5		
Casa Linda Street s/o San Clemente																																						
Existing (Year 2021) AM		0	0	210	25	25	0	0	1.8%	0.7%	46.9	163	27	20	3	1	0	0	0	0	59.4	71.1	78.7	3.1	44.4	39.3	42.9	47.5	41.4	31.7	32.7	42.4	28.3	29.8	33.7	36.0		
Existing (Year 2021) PM		0	0	0	25	25	0	0	1.8%	0.7%	#NUM!	0	0	0	0	0	0	0	0	0	59.4	71.1	78.7	3.1	####	####	####	####	####	####	####	####	####	####	####	####	####	####
Future (Year 2040) AM		0	0	280	25	25	0	0	1.8%	0.7%	48.2	218	36	27	4	2	0	0	0	0	59.4	71.1	78.7	3.1	45.7	40.5	44.1	48.7	42.7	32.9	34.0	43.6	29.5	31.1	34.9	37.2		
Future (Year 2040) PM		0	0	0	25	25	0	0	1.8%	0.7%	#NUM!	0	0	0	0	0	0	0	0	0	59.4	71.1	78.7	3.1	####	####	####	####	####	####	####	####	####	####	####	####	####	
San Clemente Street e/o Casa Linda																																						
Existing (Year 2021) AM		2	0	0	25	25	0	0	1.8%	0.7%	#NUM!	0	0	0	0	0	0	0	0	0	59.4	71.1	78.7	3.1	####	####	####	####	####	####	####	####	####	####	####	####	####	
Existing (Year 2021) PM		2	0	360	25	25	0	0	1.8%	0.7%	49.3	280	46	35	6	2	0	0	0	0	59.4	71.1	78.7	3.1	46.8	41.6	45.2	49.8	43.8	34.0	35.1	44.7	30.6	32.2	36.0	38.3		
Future (Year 2040) AM		2	0	0	25	25	0	0	1.8%	0.7%	#NUM!	0	0	0	0	0	0	0	0	0	59.4	71.1	78.7	3.1	####	####	####	####	####	####	####	####	####	####	####	####	####	
Future (Year 2040) PM		2	0	440	25	25	0	0	1.8%	0.7%	50.2	342	56	42	7	3	0	0	1	0	59.4	71.1	78.7	3.1	47.6	42.5	46.1	50.7	44.7	34.9	35.9	45.6	31.5	33.0	36.9	39.2		
San Clemente Street w/o Casa																																						
Existing (Year 2021) AM		2	0	130	25	25	0	0	1.8%	0.7%	44.9	101	17	12	2	1	0	0	0	0	59.4	71.1	78.7	3.1	42.3	37.2	40.8	45.4	39.4	29.6	30.7	40.3	26.2	27.7	31.6	33.9		
Existing (Year 2021) PM		2	0	230	25	25	0	0	1.8%	0.7%	47.3	179	29	22	4	1	0	0	0	0	59.4	71.1	78.7	3.1	44.8	39.7	43.3	47.9	41.8	32.1	33.1	42.8	28.6	30.2	34.1	36.4		
Future (Year 2040) AM		2	0	160	25	25	0	0	1.8%	0.7%	45.8	124	20	15	3	1	0	0	0	0	59.4	71.1	78.7	3.1	43.2	38.1	41.7	46.3	40.3	30.5	31.6	41.2	27.1	28.6	32.5	34.8		
Future (Year 2040) PM		2	0	290	25	25	0	0	1.8%	0.7%	48.3	225	37	28	5	2	0	0	0	0	59.4	71.1	78.7	3.1	45.8	40.7	44.3	48.9	42.9	33.1	34.1	43.8	29.7	31.2	35.1	37.4		

(1) Alpha Factor: Coefficient of absorption relating to the effects of the ground surface. An alpha factor of 0 indicates that the site is an acoustically "hard" site such as asphalt. An alpha factor of 0.5 indicates that the site is an acoustically "soft" site such as vegetative ground cover.

Assumed 24-Hour Traffic Distribution:	Day	Evening	Night
Total ADT Volumes	77.70%	12.70%	9.60%
Medium-Duty Trucks	87.43%	5.05%	7.52%
Heavy-Duty Trucks	89.10%	2.84%	8.06%

Project Name: Needles General Plan Update				
Intersection:		15		
East Broadway Street at I-40 EB Ramps				
I-40 EB Ramps	Eastbound			
		<u>left</u>	<u>through</u>	<u>right</u>
	Existing (Year 2021) AM	22	0	72
	Existing (Year 2021) PM	24	1	104
	Future (Year 2040) AM	0	118	6
Future (Year 2040) PM	0	178	6	

		rev. (Date)		
East Broadway Street				
Southbound				
	<u>right</u>	<u>through</u>	<u>left</u>	
Existing (Year 2021) AM	0	39	11	
Existing (Year 2021) PM	0	49	20	
Future (Year 2040) AM	0	0	24	
Future (Year 2040) PM	0	1	26	
N				
S				
Northbound				
	<u>left</u>	<u>through</u>	<u>right</u>	
Existing (Year 2021) AM	0	94	4	
Existing (Year 2021) PM	0	139	5	
Future (Year 2040) AM	0	0	0	
Future (Year 2040) PM	0	0	0	

Westbound				
	<u>right</u>	<u>through</u>	<u>left</u>	
Existing (Year 2021) AM	0	0	0	
Existing (Year 2021) PM	0	0	0	
Future (Year 2040) AM	0	0	0	
Future (Year 2040) PM	0	0	0	

If Peak Hour = 6% of ADT, Scaling Factor = 16.667				
If Peak Hour = 7% of ADT, Scaling Factor = 14.286				
If Peak Hour = 8% of ADT, Scaling Factor = 12.5				
If Peak Hour = 9% of ADT, Scaling Factor = 11.111				
If Peak Hour = 10% of ADT, Scaling Factor = 10				
		ADT		
Road	East Broadway Street		I-40 EB Ramps	
Leg	North of	South of	East of	West of
Cross Street	I-40 EB Ramps		East Broadway Street	
Existing (Year 2021) AM	1,660.0	2,090.0	150.0	940.0
Existing (Year 2021) PM	2,320.0	2,970.0	260.0	1,290.0
Future (Year 2040) AM	240.0	60.0	1,420.0	1,240.0
Future (Year 2040) PM	270.0	70.0	2,040.0	1,840.0

NOISE LEVEL CONTOURS - Off-Site ADT Volumes

ROADWAY NAME Segment	Land Use	Lanes	Median Width	ADT Volume	Design Speed (mph)	Dist. from Center to Receptor (ft)	Alpha Factor (1)	Barrier Attn. dB(A)	Vehicle Mix		dB(A) CNEL	Traffic Volumes								Ref. Energy Level: Dist																	
									Medium Trucks	Heavy Trucks		Day	Eve	Night	MTd	HTd	MTe	HTe	MTn	HTn	A	MT	HT	Adj	A	MT	HT	Total A	MT	HT	Total A	MT	HT	Total			
East Broadway Street n/o I-40 EB																																					
Existing (Year 2021) AM		2	0	1,660	45	25	0	0	1.8%	0.7%	61.1	####	211	159	26	10	2	0	2	1	69.3	77.6	82.1	3.1	60.8	52.2	52.7	61.9	57.8	44.6	42.6	58.1	44.6	42.8	43.5	48.5	
Existing (Year 2021) PM		2	0	2,320	45	25	0	0	1.8%	0.7%	62.6	####	295	223	37	14	2	0	3	1	69.3	77.6	82.1	3.1	62.2	53.7	54.2	63.3	59.2	46.1	44.0	59.6	46.0	44.2	44.9	49.9	
Future (Year 2040) AM		2	0	240	45	25	0	0	1.8%	0.7%	52.7	####	186	30	23	4	1	0	0	0	69.3	77.6	82.1	3.1	52.4	43.8	44.3	53.5	49.4	36.2	34.2	49.7	36.2	34.4	35.1	40.1	
Future (Year 2040) PM		2	0	270	45	25	0	0	1.8%	0.7%	53.2	####	210	34	26	4	2	0	0	0	69.3	77.6	82.1	3.1	52.9	44.3	44.8	54.0	49.9	36.8	34.7	50.2	36.7	34.9	35.6	40.6	
East Broadway Street s/o I-40 EB																																					
Existing (Year 2021) AM		2	0	2,090	45	25	0	0	1.8%	0.7%	62.1	####	265	201	33	13	2	0	3	1	69.3	77.6	82.1	3.1	61.8	53.2	53.7	62.9	58.8	45.6	43.6	59.1	45.6	43.8	44.5	49.5	
Existing (Year 2021) PM		2	0	2,970	45	25	0	0	1.8%	0.7%	63.6	####	377	285	47	19	3	1	4	2	69.3	77.6	82.1	3.1	63.3	54.8	55.3	64.4	60.3	47.2	45.1	60.6	47.1	45.3	46.0	51.0	
Future (Year 2040) AM		2	0	60	45	25	0	0	1.8%	0.7%	46.7	####	47	8	6	1	0	0	0	0	69.3	77.6	82.1	3.1	46.3	37.8	38.3	47.5	43.4	30.2	28.1	43.7	30.2	28.4	29.1	34.0	
Future (Year 2040) PM		2	0	70	45	25	0	0	1.8%	0.7%	47.4	####	54	9	7	1	0	0	0	0	69.3	77.6	82.1	3.1	47.0	38.5	39.0	48.1	44.0	30.9	28.8	44.4	30.8	29.0	29.7	34.7	
I-40 EB Ramps e/o East Broadway																																					
Existing (Year 2021) AM		1	0	150	45	25	0	0	1.8%	0.7%	50.5	####	117	19	14	2	1	0	0	0	69.3	77.6	82.1	2.9	50.2	41.7	42.2	51.3	47.2	34.1	32.0	47.5	34.0	32.2	32.9	37.9	
Existing (Year 2021) PM		1	0	260	45	25	0	0	1.8%	0.7%	52.9	####	202	33	25	4	2	0	0	0	69.3	77.6	82.1	2.9	52.6	44.0	44.5	53.7	49.6	36.5	34.4	49.9	36.4	34.6	35.3	40.3	
Future (Year 2040) AM		1	0	1,420	45	25	0	0	1.8%	0.7%	60.3	####	180	136	22	9	1	0	2	1	69.3	77.6	82.1	2.9	60.0	51.4	51.9	61.1	57.0	43.8	41.8	57.3	43.8	42.0	42.7	47.6	
Future (Year 2040) PM		1	0	2,040	45	25	0	0	1.8%	0.7%	61.9	####	259	196	32	13	2	0	3	1	69.3	77.6	82.1	2.9	61.5	53.0	53.5	62.7	58.5	45.4	43.3	58.9	45.4	43.5	44.3	49.2	
I-40 EB Ramps w/o East Broadway																																					
Existing (Year 2021) AM		1	0	940	45	25	0	0	1.8%	0.7%	58.5	####	730	119	90	15	6	1	0	1	69.3	77.6	82.1	2.9	58.2	49.6	50.1	59.3	55.2	42.0	40.0	55.5	42.0	40.2	40.9	45.9	
Existing (Year 2021) PM		1	0	1,290	45	25	0	0	1.8%	0.7%	59.9	####	164	124	20	8	1	0	2	1	69.3	77.6	82.1	2.9	59.5	51.0	51.5	60.7	56.6	43.4	41.3	56.9	43.4	41.5	42.3	47.2	
Future (Year 2040) AM		1	0	1,240	45	25	0	0	1.8%	0.7%	59.7	####	963	157	119	20	8	1	0	2	1	69.3	77.6	82.1	2.9	59.4	50.8	51.3	60.5	56.4	43.2	41.2	56.7	43.2	41.4	42.1	47.1
Future (Year 2040) PM		1	0	1,840	45	25	0	0	1.8%	0.7%	61.4	####	234	177	29	11	2	0	2	1	69.3	77.6	82.1	2.9	61.1	52.5	53.0	62.2	58.1	45.0	42.9	58.4	44.9	43.1	43.8	48.8	

(1) Alpha Factor: Coefficient of absorption relating to the effects of the ground surface. An alpha factor of 0 indicates that the site is an acoustically "hard" site such as asphalt. An alpha factor of 0.5 indicates that the site is an acoustically "soft" site such as vegetative ground cover.

Assumed 24-Hour Traffic Distribution:	Day	Evening	Night
Total ADT Volumes	77.70%	12.70%	9.60%
Medium-Duty Trucks	87.43%	5.05%	7.52%
Heavy-Duty Trucks	89.10%	2.84%	8.06%

Project Name: Needles General Plan Update				
Intersection:		16		
East Broadway Street at I-40 WB Ramps				
Eastbound				
I-40 WB Ramps		<u>left</u>	<u>through</u>	<u>right</u>
	Existing (Year 2021) AM	0	0	0
	Existing (Year 2021) PM	0	0	0
	Future (Year 2040) AM	0	0	0
	Future (Year 2040) PM	0	0	0

		rev. (Date)		
East Broadway Street				
Southbound				
	<u>right</u>	<u>through</u>	<u>left</u>	
Existing (Year 2021) AM	22	47	0	
Existing (Year 2021) PM	55	67	0	
Future (Year 2040) AM	24	47	0	
Future (Year 2040) PM	58	76	0	
N				
S				
Northbound				
	<u>left</u>	<u>through</u>	<u>right</u>	
Existing (Year 2021) AM	62	54	0	
Existing (Year 2021) PM	94	61	0	
Future (Year 2040) AM	78	64	0	
Future (Year 2040) PM	128	68	0	

Westbound			
	<u>right</u>	<u>through</u>	<u>left</u>
Existing (Year 2021) AM	22	0	7
Existing (Year 2021) PM	29	0	3
Future (Year 2040) AM	22	0	7
Future (Year 2040) PM	29	0	4

If Peak Hour = 6% of ADT, Scaling Factor = 16.667				
If Peak Hour = 7% of ADT, Scaling Factor = 14.286				
If Peak Hour = 8% of ADT, Scaling Factor = 12.5				
If Peak Hour = 9% of ADT, Scaling Factor = 11.111				
If Peak Hour = 10% of ADT, Scaling Factor = 10				
			ADT	
Road	East Broadway Street		I-40 WB Ramps	
Leg	North of	South of	East of	West of
Cross Street	I-40 WB Ramps		East Broadway Street	
Existing (Year 2021) AM	1,450.0	1,700.0	290.0	840.0
Existing (Year 2021) PM	2,120.0	2,250.0	320.0	1,490.0
Future (Year 2040) AM	1,570.0	1,960.0	290.0	1,020.0
Future (Year 2040) PM	2,310.0	2,760.0	330.0	1,860.0

2

NOISE LEVEL CONTOURS - Off-Site ADT Volumes

ROADWAY NAME Segment	Land Use	Lanes	Median Width	ADT Volume	Design Speed (mph)	Dist. from Center to Receptor (ft)	Alpha Factor	Barrier Attn. (dB(A))	Vehicle Mix		dB(A) CNEL	Traffic Volumes										Ref. Energy Level: Dist														
									Medium Trucks	Heavy Trucks		Day	Evening	Night	MTd	HTd	MTe	HTe	MTn	HTn	A	MT	HT	Adj	A	MT	HT	Total A	MT	HT	Total A	MT	HT	Total		
East Broadway Street n/o I-40 WB																																				
Existing (Year 2021) AM		4	0	1,450	45	25	0	0	1.8%	0.7%	62.0	#####	184	139	23	9	1	0	2	1	69.3	77.6	82.1	4.5	61.6	53.1	53.6	62.8	58.7	45.5	43.4	59.0	45.5	43.6	44.4	49.3
Existing (Year 2021) PM		4	0	2,120	45	25	0	0	1.8%	0.7%	63.6	#####	269	204	33	13	2	0	3	1	69.3	77.6	82.1	4.5	63.3	54.7	55.2	64.4	60.3	47.2	45.1	60.6	47.1	45.3	46.0	51.0
Future (Year 2040) AM		4	0	1,570	45	25	0	0	1.8%	0.7%	62.3	#####	199	151	25	10	1	0	2	1	69.3	77.6	82.1	4.5	62.0	53.4	53.9	63.1	59.0	45.9	43.8	59.3	45.8	44.0	44.7	49.7
Future (Year 2040) PM		4	0	2,310	45	25	0	0	1.8%	0.7%	64.0	#####	293	222	36	14	2	0	3	1	69.3	77.6	82.1	4.5	63.7	55.1	55.6	64.8	60.7	47.5	45.5	61.0	47.5	45.7	46.4	51.3
East Broadway Street s/o I-40 WB																																				
Existing (Year 2021) AM		4	0	1,700	45	25	0	0	1.8%	0.7%	62.7	#####	216	163	27	11	2	0	2	1	69.3	77.6	82.1	4.5	62.3	53.8	54.3	63.5	59.3	46.2	44.1	59.7	46.1	44.3	45.1	50.0
Existing (Year 2021) PM		4	0	2,250	45	25	0	0	1.8%	0.7%	63.9	#####	286	216	35	14	2	0	3	1	69.3	77.6	82.1	4.5	63.5	55.0	55.5	64.7	60.6	47.4	45.3	60.9	47.4	45.6	46.3	51.2
Future (Year 2040) AM		4	0	1,960	45	25	0	0	1.8%	0.7%	63.3	#####	249	188	31	12	2	0	3	1	69.3	77.6	82.1	4.5	62.9	54.4	54.9	64.1	60.0	46.8	44.7	60.3	46.8	45.0	45.7	50.6
Future (Year 2040) PM		4	0	2,760	45	25	0	0	1.8%	0.7%	64.8	#####	351	265	43	17	3	1	4	2	69.3	77.6	82.1	4.5	64.4	55.9	56.4	65.6	61.4	48.3	46.2	61.8	48.3	46.4	47.2	52.1
I-40 WB Ramps e/o East Broadway																																				
Existing (Year 2021) AM		1	0	290	45	25	0	0	1.8%	0.7%	53.4	#####	225	37	28	5	2	0	0	0	69.3	77.6	82.1	2.9	53.1	44.5	45.0	54.2	50.1	36.9	34.9	50.4	36.9	35.1	35.8	40.7
Existing (Year 2021) PM		1	0	320	45	25	0	0	1.8%	0.7%	53.8	#####	249	41	31	5	2	0	0	0	69.3	77.6	82.1	2.9	53.5	44.9	45.4	54.6	50.5	37.4	35.3	50.8	37.3	35.5	36.2	41.2
Future (Year 2040) AM		1	0	290	45	25	0	0	1.8%	0.7%	53.4	#####	225	37	28	5	2	0	0	0	69.3	77.6	82.1	2.9	53.1	44.5	45.0	54.2	50.1	36.9	34.9	50.4	36.9	35.1	35.8	40.7
Future (Year 2040) PM		1	0	330	45	25	0	0	1.8%	0.7%	54.0	#####	256	42	32	5	2	0	0	0	69.3	77.6	82.1	2.9	53.6	45.1	45.6	54.7	50.6	37.5	35.4	51.0	37.4	35.6	36.3	41.3
I-40 WB Ramps w/o East																																				
Existing (Year 2021) AM		1	0	840	45	25	0	0	1.8%	0.7%	58.0	#####	653	107	81	13	5	1	0	1	69.3	77.6	82.1	2.9	57.7	49.1	49.6	58.8	54.7	41.6	39.5	55.0	41.5	39.7	40.4	45.4
Existing (Year 2021) PM		1	0	1,490	45	25	0	0	1.8%	0.7%	60.5	#####	189	143	23	9	1	0	2	1	69.3	77.6	82.1	2.9	60.2	51.6	52.1	61.3	57.2	44.0	42.0	57.5	44.0	42.2	42.9	47.9
Future (Year 2040) AM		1	0	1,020	45	25	0	0	1.8%	0.7%	58.9	#####	793	130	98	16	6	1	0	1	69.3	77.6	82.1	2.9	58.5	50.0	50.5	59.6	55.5	42.4	40.3	55.9	42.3	40.5	41.2	46.2
Future (Year 2040) PM		1	0	1,860	45	25	0	0	1.8%	0.7%	61.5	#####	236	179	29	12	2	0	3	1	69.3	77.6	82.1	2.9	61.1	52.6	53.1	62.3	58.1	45.0	42.9	58.5	44.9	43.1	43.9	48.8

(1) Alpha Factor: Coefficient of absorption relating to the effects of the ground surface. An alpha factor of 0 indicates that the site is an acoustically "hard" site such as asphalt. An alpha factor of 0.5 indicates that the site is an acoustically "soft" site such as vegetative ground cover.

Assumed 24-Hour Traffic Distribution:	Day	Evening	Night
Total ADT Volumes	77.70%	12.70%	9.60%
Medium-Duty Trucks	87.43%	5.05%	7.52%
Heavy-Duty Trucks	89.10%	2.84%	8.06%

Project Name: Needles General Plan Update				
Intersection:		17		
East Broadway Street at Goodwill Street				
Goodwill Street	Eastbound			
		<u>left</u>	<u>through</u>	<u>right</u>
	Existing (Year 2021) AM	5	0	2
	Existing (Year 2021) PM	0	0	3
	Future (Year 2040) AM	5	0	2
Future (Year 2040) PM	0	0	3	

		rev. (Date)		
East Broadway Street				
Southbound				
	<u>right</u>	<u>through</u>	<u>left</u>	
Existing (Year 2021) AM	3	48	0	
Existing (Year 2021) PM	2	63	0	
Future (Year 2040) AM	3	51	0	
Future (Year 2040) PM	2	73	0	
N				
S				
Northbound				
	<u>left</u>	<u>through</u>	<u>right</u>	
Existing (Year 2021) AM	4	58	0	
Existing (Year 2021) PM	3	83	1	
Future (Year 2040) AM	4	66	0	
Future (Year 2040) PM	3	91	1	

Westbound			
	<u>right</u>	<u>through</u>	<u>left</u>
Existing (Year 2021) AM	0	0	1
Existing (Year 2021) PM	0	0	0
Future (Year 2040) AM	0	0	1
Future (Year 2040) PM	0	0	0

If Peak Hour = 6% of ADT, Scaling Factor = 16.667				
If Peak Hour = 7% of ADT, Scaling Factor = 14.286				
If Peak Hour = 8% of ADT, Scaling Factor = 12.5				
If Peak Hour = 9% of ADT, Scaling Factor = 11.111				
If Peak Hour = 10% of ADT, Scaling Factor = 10				
		ADT		
Road	East Broadway Street		Goodwill Street	
Leg	North of	South of	East of	West of
Cross Street	Goodwill Street		East Broadway Street	
Existing (Year 2021) AM	1,140.0	1,130.0	10.0	140.0
Existing (Year 2021) PM	1,480.0	1,530.0	10.0	80.0
Future (Year 2040) AM	1,250.0	1,240.0	10.0	140.0
Future (Year 2040) PM	1,660.0	1,710.0	10.0	80.0

NOISE LEVEL CONTOURS - Off-Site ADT Volumes

ROADWAY NAME Segment	Land Use	Lanes	Median Width	ADT Volume	Design Speed (mph)	Dist. from		Barrier Attn. (dB(A))	Vehicle Mix		dB(A) CNEL	Traffic Volumes								Ref. Energy Levels: Dist																	
						Center to Receptor	Alpha Factor (1)		Medium Trucks	Heavy Trucks		Day	Eve	Night	MTd	HTd	MTe	HTe	MTn	HTn	A	MT	HT	Adj	A	MT	HT	Total A	MT	HT	Total A	MT	HT	Total			
East Broadway Street n/o Goodwill																																					
Existing (Year 2021) AM		4	0	1,140	45	25	0	0	1.8%	0.7%	60.9	886	145	109	18	7	1	0	2	1	69.3	77.6	82.1	4.5	60.6	52.1	52.6	61.7	57.6	44.5	42.4	57.9	44.4	42.6	43.3	48.3	
Existing (Year 2021) PM		4	0	1,480	45	25	0	0	1.8%	0.7%	62.1	1,150	188	142	23	9	1	0	2	1	69.3	77.6	82.1	4.5	61.7	53.2	53.7	62.9	58.7	45.6	43.5	59.1	45.5	43.7	44.5	49.4	
Future (Year 2040) AM		4	0	1,250	45	25	0	0	1.8%	0.7%	61.3	971	159	120	20	8	1	0	2	1	69.3	77.6	82.1	4.5	61.0	52.5	53.0	62.1	58.0	44.9	42.8	58.3	44.8	43.0	43.7	48.7	
Future (Year 2040) PM		4	0	1,660	45	25	0	0	1.8%	0.7%	62.6	1,290	211	159	26	10	2	0	2	1	69.3	77.6	82.1	4.5	62.2	53.7	54.2	63.4	59.2	46.1	44.0	59.6	46.0	44.2	45.0	49.9	
East Broadway Street s/o Goodwill																																					
Existing (Year 2021) AM		4	0	1,130	45	25	0	0	1.8%	0.7%	60.9	878	144	108	18	7	1	0	2	1	69.3	77.6	82.1	4.5	60.5	52.0	52.5	61.7	57.6	44.4	42.4	57.9	44.4	42.6	43.3	48.2	
Existing (Year 2021) PM		4	0	1,530	45	25	0	0	1.8%	0.7%	62.2	1,189	194	147	24	10	1	0	2	1	69.3	77.6	82.1	4.5	61.9	53.3	53.8	63.0	58.9	45.7	43.7	59.2	45.7	43.9	44.6	49.6	
Future (Year 2040) AM		4	0	1,240	45	25	0	0	1.8%	0.7%	61.3	963	157	119	20	8	1	0	2	1	69.3	77.6	82.1	4.5	61.0	52.4	52.9	62.1	58.0	44.8	42.8	58.3	44.8	43.0	43.7	48.6	
Future (Year 2040) PM		4	0	1,710	45	25	0	0	1.8%	0.7%	62.7	1,329	217	164	27	11	2	0	2	1	69.3	77.6	82.1	4.5	62.3	53.8	54.3	63.5	59.4	46.2	44.2	59.7	46.2	44.4	45.1	50.0	
Goodwill Street e/o East Broadway																																					
Existing (Year 2021) AM		2	0	10	25	25	0	0	1.8%	0.7%	33.7	8	1	1	0	0	0	0	0	0	59.4	71.1	78.7	3.1	31.2	26.0	29.7	34.2	28.2	18.5	19.5	29.2	15.0	16.6	20.4	22.7	
Existing (Year 2021) PM		2	0	10	25	25	0	0	1.8%	0.7%	33.7	8	1	1	0	0	0	0	0	0	59.4	71.1	78.7	3.1	31.2	26.0	29.7	34.2	28.2	18.5	19.5	29.2	15.0	16.6	20.4	22.7	
Future (Year 2040) AM		2	0	10	25	25	0	0	1.8%	0.7%	33.7	8	1	1	0	0	0	0	0	0	59.4	71.1	78.7	3.1	31.2	26.0	29.7	34.2	28.2	18.5	19.5	29.2	15.0	16.6	20.4	22.7	
Future (Year 2040) PM		2	0	10	25	25	0	0	1.8%	0.7%	33.7	8	1	1	0	0	0	0	0	0	59.4	71.1	78.7	3.1	31.2	26.0	29.7	34.2	28.2	18.5	19.5	29.2	15.0	16.6	20.4	22.7	
Goodwill Street w/o East																																					
Existing (Year 2021) AM		0	0	140	25	25	0	0	1.8%	0.7%	45.2	109	18	13	2	1	0	0	0	0	59.4	71.1	78.7	3.1	42.7	37.5	41.1	45.7	39.7	29.9	31.0	40.6	26.5	28.0	31.9	34.2	
Existing (Year 2021) PM		0	0	80	25	25	0	0	1.8%	0.7%	42.8	62	10	8	1	0	0	0	0	0	59.4	71.1	78.7	3.1	40.2	35.1	38.7	43.3	37.3	27.5	28.5	38.2	24.1	25.6	29.5	31.8	
Future (Year 2040) AM		0	0	140	25	25	0	0	1.8%	0.7%	45.2	109	18	13	2	1	0	0	0	0	59.4	71.1	78.7	3.1	42.7	37.5	41.1	45.7	39.7	29.9	31.0	40.6	26.5	28.0	31.9	34.2	
Future (Year 2040) PM		0	0	80	25	25	0	0	1.8%	0.7%	42.8	62	10	8	1	0	0	0	0	0	59.4	71.1	78.7	3.1	40.2	35.1	38.7	43.3	37.3	27.5	28.5	38.2	24.1	25.6	29.5	31.8	

(1) Alpha Factor: Coefficient of absorption relating to the effects of the ground surface. An alpha factor of 0 indicates that the site is an acoustically "hard" site such as asphalt. An alpha factor of 0.5 indicates that the site is an acoustically "soft" site such as vegetative ground cover.

Assumed 24-Hour Traffic Distribution:	Day	Evening	Night
Total ADT Volumes	77.70%	12.70%	9.60%
Medium-Duty Trucks	87.43%	5.05%	7.52%
Heavy-Duty Trucks	89.10%	2.84%	8.06%

Project Name: Needles General Plan Update							
Intersection: D Street at Third Street				18			
Eastbound							
Third Street				<u>left</u>	<u>through</u>	<u>right</u>	
	Existing (Year 2021) AM			7	9	8	
	Existing (Year 2021) PM			4	10	16	
	Future (Year 2040) AM			7	9	9	
	Future (Year 2040) PM			4	13	16	

		rev. (Date)		
D Street				
Southbound				
	<u>right</u>	<u>through</u>	<u>left</u>	
Existing (Year 2021) AM	4	11	5	
Existing (Year 2021) PM	2	21	4	
Future (Year 2040) AM	4	14	5	
Future (Year 2040) PM	2	23	6	
N				
S				
Northbound				
	<u>left</u>	<u>through</u>	<u>right</u>	
Existing (Year 2021) AM	16	16	1	
Existing (Year 2021) PM	15	11	1	
Future (Year 2040) AM	16	16	1	
Future (Year 2040) PM	16	15	2	

Westbound			
	<u>right</u>	<u>through</u>	<u>left</u>
Existing (Year 2021) AM	4	10	0
Existing (Year 2021) PM	2	6	2
Future (Year 2040) AM	7	15	0
Future (Year 2040) PM	2	6	2

If Peak Hour = 6% of ADT, Scaling Factor = 16.667				
If Peak Hour = 7% of ADT, Scaling Factor = 14.286				
If Peak Hour = 8% of ADT, Scaling Factor = 12.5				
If Peak Hour = 9% of ADT, Scaling Factor = 11.111				
If Peak Hour = 10% of ADT, Scaling Factor = 10				
			ADT	
Road	D Street		Third Street	
Leg	North of	South of	East of	West of
Cross Street	Third Street		D Street	
Existing (Year 2021) AM	470.0	520.0	290.0	540.0
Existing (Year 2021) PM	440.0	660.0	250.0	530.0
Future (Year 2040) AM	530.0	560.0	370.0	600.0
Future (Year 2040) PM	520.0	740.0	310.0	570.0

NOISE LEVEL CONTOURS - Off-Site ADT Volumes

ROADWAY NAME Segment	Land Use	Lanes	Median Width	ADT Volume	Design Dist. from		Barrier Attn. dB(A)	Vehicle Mix		dB(A) CNEL	Traffic Volumes								Ref. Energy Level: Dist				Ld			Le			Ln							
					Speed (mph)	Center to Receptor		Alpha Factor (1)	Medium Trucks		Heavy Trucks	Day	Eve	Night	MTd	HTd	MTe	HTe	MTn	HTn	A	MT	HT	Adj	A	MT	HT	Total	A	MT	HT	Total	A	MT	HT	Total
D Street n/o Third Street																																				
Existing (Year 2021) AM		2	0	470	35	25	0	0	1.8%	0.7%	53.1	365	60	45	7	3	0	0	1	0	65.1	74.8	80.0	3.1	52.1	45.0	46.2	53.8	49.2	37.5	36.1	49.6	36.0	35.6	37.0	41.0
Existing (Year 2021) PM		2	0	440	35	25	0	0	1.8%	0.7%	52.8	342	56	42	7	3	0	0	1	0	65.1	74.8	80.0	3.1	51.8	44.8	46.0	53.5	48.9	37.2	35.8	49.3	35.7	35.3	36.7	40.7
Future (Year 2040) AM		2	0	530	35	25	0	0	1.8%	0.7%	53.6	412	67	51	8	3	0	0	1	0	65.1	74.8	80.0	3.1	52.7	45.6	46.8	54.3	49.7	38.0	36.6	50.2	36.5	36.1	37.5	41.5
Future (Year 2040) PM		2	0	520	35	25	0	0	1.8%	0.7%	53.5	404	66	50	8	3	0	0	1	0	65.1	74.8	80.0	3.1	52.6	45.5	46.7	54.2	49.6	37.9	36.5	50.1	36.4	36.0	37.4	41.4
D Street s/o Third Street																																				
Existing (Year 2021) AM		2	0	520	35	25	0	0	1.8%	0.7%	53.5	404	66	50	8	3	0	0	1	0	65.1	74.8	80.0	3.1	52.6	45.5	46.7	54.2	49.6	37.9	36.5	50.1	36.4	36.0	37.4	41.4
Existing (Year 2021) PM		2	0	660	35	25	0	0	1.8%	0.7%	54.5	513	84	63	10	4	1	0	1	0	65.1	74.8	80.0	3.1	53.6	46.5	47.7	55.2	50.6	38.9	37.6	51.1	37.4	37.1	38.5	42.5
Future (Year 2040) AM		2	0	560	35	25	0	0	1.8%	0.7%	53.8	435	71	54	9	3	1	0	1	0	65.1	74.8	80.0	3.1	52.9	45.8	47.0	54.5	49.9	38.2	36.8	50.4	36.7	36.3	37.8	41.8
Future (Year 2040) PM		2	0	740	35	25	0	0	1.8%	0.7%	55.0	575	94	71	12	5	1	0	1	0	65.1	74.8	80.0	3.1	54.1	47.0	48.2	55.7	51.1	39.4	38.0	51.6	37.9	37.6	39.0	43.0
Third Street e/o D Street																																				
Existing (Year 2021) AM		2	0	290	35	25	0	0	1.8%	0.7%	51.0	225	37	28	5	2	0	0	0	0	65.1	74.8	80.0	3.1	50.0	42.9	44.1	51.7	47.1	35.4	34.0	47.5	33.9	33.5	34.9	38.9
Existing (Year 2021) PM		2	0	250	35	25	0	0	1.8%	0.7%	50.3	194	32	24	4	2	0	0	0	0	65.1	74.8	80.0	3.1	49.4	42.3	43.5	51.0	46.4	34.7	33.3	46.9	33.2	32.8	34.3	38.3
Future (Year 2040) AM		2	0	370	35	25	0	0	1.8%	0.7%	52.0	287	47	36	6	2	0	0	1	0	65.1	74.8	80.0	3.1	51.1	44.0	45.2	52.7	48.1	36.4	35.0	48.6	34.9	34.6	36.0	40.0
Future (Year 2040) PM		2	0	310	35	25	0	0	1.8%	0.7%	51.3	241	39	30	5	2	0	0	0	0	65.1	74.8	80.0	3.1	50.3	43.2	44.4	52.0	47.3	35.7	34.3	47.8	34.2	33.8	35.2	39.2
Third Street w/o D Street																																				
Existing (Year 2021) AM		2	0	540	35	25	0	0	1.8%	0.7%	53.7	420	69	52	8	3	0	0	1	0	65.1	74.8	80.0	3.1	52.7	45.6	46.8	54.4	49.8	38.1	36.7	50.2	36.6	36.2	37.6	41.6
Existing (Year 2021) PM		2	0	530	35	25	0	0	1.8%	0.7%	53.6	412	67	51	8	3	0	0	1	0	65.1	74.8	80.0	3.1	52.7	45.6	46.8	54.3	49.7	38.0	36.6	50.2	36.5	36.1	37.5	41.5
Future (Year 2040) AM		2	0	600	35	25	0	0	1.8%	0.7%	54.1	466	76	58	9	4	1	0	1	0	65.1	74.8	80.0	3.1	53.2	46.1	47.3	54.8	50.2	38.5	37.1	50.7	37.0	36.6	38.1	42.1
Future (Year 2040) PM		2	0	570	35	25	0	0	1.8%	0.7%	53.9	443	72	55	9	4	1	0	1	0	65.1	74.8	80.0	3.1	53.0	45.9	47.1	54.6	50.0	38.3	36.9	50.5	36.8	36.4	37.8	41.8

(1) Alpha Factor: Coefficient of absorption relating to the effects of the ground surface. An alpha factor of 0 indicates that the site is an acoustically "hard" site such as asphalt. An alpha factor of 0.5 indicates that the site is an acoustically "soft" site such as vegetative ground cover.

Assumed 24-Hour Traffic Distribution:	Day	Evening	Night
Total ADT Volumes	77.70%	12.70%	9.60%
Medium-Duty Trucks	87.43%	5.05%	7.52%
Heavy-Duty Trucks	89.10%	2.84%	8.06%

Project Name: Needles General Plan Update				
Intersection:		19		
Palm Way at West Broadway Street				
West Broadway Street	Eastbound			
		<u>left</u>	<u>through</u>	<u>right</u>
	Existing (Year 2021) AM	0	54	3
	Existing (Year 2021) PM	0	55	3
	Future (Year 2040) AM	0	54	3
	Future (Year 2040) PM	0	63	3

		rev. (Date)		
Palm Way				
Southbound				
		<u>right</u>	<u>through</u>	<u>left</u>
Existing (Year 2021) AM		0	0	1
Existing (Year 2021) PM		1	0	3
Future (Year 2040) AM		0	0	1
Future (Year 2040) PM		1	0	3
N				
S				
Northbound				
		<u>left</u>	<u>through</u>	<u>right</u>
Existing (Year 2021) AM		1	0	1
Existing (Year 2021) PM		5	0	0
Future (Year 2040) AM		1	0	1
Future (Year 2040) PM		5	0	0

Westbound			
	<u>right</u>	<u>through</u>	<u>left</u>
Existing (Year 2021) AM	0	54	0
Existing (Year 2021) PM	0	66	0
Future (Year 2040) AM	0	61	0
Future (Year 2040) PM	0	70	0

If Peak Hour = 6% of ADT, Scaling Factor = 16.667				
If Peak Hour = 7% of ADT, Scaling Factor = 14.286				
If Peak Hour = 8% of ADT, Scaling Factor = 12.5				
If Peak Hour = 9% of ADT, Scaling Factor = 11.111				
If Peak Hour = 10% of ADT, Scaling Factor = 10				
			ADT	
Road	Palm Way		West Broadway Street	
Leg	North of	South of	East of	West of
Cross Street	West Broadway Street		Palm Way	
Existing (Year 2021) AM	10.0	50.0	1,100.0	1,120.0
Existing (Year 2021) PM	40.0	80.0	1,240.0	1,300.0
Future (Year 2040) AM	10.0	50.0	1,170.0	1,190.0
Future (Year 2040) PM	40.0	80.0	1,360.0	1,420.0

NOISE LEVEL CONTOURS - Off-Site ADT Volumes

ROADWAY NAME Segment	Land Use	Lanes	Median Width	ADT Volume	Design Speed (mph)	Dist. from Center to Receptor	Alpha Factor (1)	Barrier Attn. dB(A)	Vehicle Mix		dB(A) CNEL	Traffic Volumes								Ref. Energy Level: Dist Ld				Le				Ln								
									Medium Trucks	Heavy Trucks		Day	Evening	Night	MTd	HTd	MTe	HTe	MTn	HTn	A	MT	HT	Adj	A	MT	HT	Total A	MT	HT	Total A	MT	HT	Total A	MT	HT
Palm Way n/o West Broadway																																				
Existing (Year 2021) AM		2	0	10	25	25	0	0	1.8%	0.7%	33.7	8	1	1	0	0	0	0	0	0	59.4	71.1	78.7	3.1	31.2	26.0	29.7	34.2	28.2	18.5	19.5	29.2	15.0	16.6	20.4	22.7
Existing (Year 2021) PM		2	0	40	25	25	0	0	1.8%	0.7%	39.7	31	5	4	1	0	0	0	0	0	59.4	71.1	78.7	3.1	37.2	32.1	35.7	40.3	34.2	24.5	25.5	35.2	21.1	22.6	26.5	28.8
Future (Year 2040) AM		2	0	10	25	25	0	0	1.8%	0.7%	33.7	8	1	1	0	0	0	0	0	0	59.4	71.1	78.7	3.1	31.2	26.0	29.7	34.2	28.2	18.5	19.5	29.2	15.0	16.6	20.4	22.7
Future (Year 2040) PM		2	0	40	25	25	0	0	1.8%	0.7%	39.7	31	5	4	1	0	0	0	0	0	59.4	71.1	78.7	3.1	37.2	32.1	35.7	40.3	34.2	24.5	25.5	35.2	21.1	22.6	26.5	28.8
Palm Way s/o West Broadway																																				
Existing (Year 2021) AM		2	0	50	25	25	0	0	1.8%	0.7%	40.7	39	6	5	1	0	0	0	0	0	59.4	71.1	78.7	3.1	38.2	33.0	36.7	41.2	35.2	25.4	26.5	36.2	22.0	23.6	27.4	29.7
Existing (Year 2021) PM		2	0	80	25	25	0	0	1.8%	0.7%	42.8	62	10	8	1	0	0	0	0	0	59.4	71.1	78.7	3.1	40.2	35.1	38.7	43.3	37.3	27.5	28.5	38.2	24.1	25.6	29.5	31.8
Future (Year 2040) AM		2	0	50	25	25	0	0	1.8%	0.7%	40.7	39	6	5	1	0	0	0	0	0	59.4	71.1	78.7	3.1	38.2	33.0	36.7	41.2	35.2	25.4	26.5	36.2	22.0	23.6	27.4	29.7
Future (Year 2040) PM		2	0	80	25	25	0	0	1.8%	0.7%	42.8	62	10	8	1	0	0	0	0	0	59.4	71.1	78.7	3.1	40.2	35.1	38.7	43.3	37.3	27.5	28.5	38.2	24.1	25.6	29.5	31.8
West Broadway Street e/o Palm																																				
Existing (Year 2021) AM		4	0	1,100	45	25	0	0	1.8%	0.7%	60.8	855	140	106	17	7	1	0	1	1	69.3	77.6	82.1	4.5	60.4	51.9	52.4	61.6	57.5	44.3	42.2	57.8	44.3	42.4	43.2	48.1
Existing (Year 2021) PM		4	0	1,240	45	25	0	0	1.8%	0.7%	61.3	963	157	119	20	8	1	0	2	1	69.3	77.6	82.1	4.5	61.0	52.4	52.9	62.1	58.0	44.8	42.8	58.3	44.8	43.0	43.7	48.6
Future (Year 2040) AM		4	0	1,170	45	25	0	0	1.8%	0.7%	61.1	909	149	112	18	7	1	0	2	1	69.3	77.6	82.1	4.5	60.7	52.2	52.7	61.8	57.7	44.6	42.5	58.0	44.5	42.7	43.4	48.4
Future (Year 2040) PM		4	0	1,360	45	25	0	0	1.8%	0.7%	61.7	####	173	131	21	8	1	0	2	1	69.3	77.6	82.1	4.5	61.4	52.8	53.3	62.5	58.4	45.2	43.2	58.7	45.2	43.4	44.1	49.0
West Broadway Street w/o Palm																																				
Existing (Year 2021) AM		4	0	1,120	45	25	0	0	1.8%	0.7%	60.9	870	142	108	18	7	1	0	2	1	69.3	77.6	82.1	4.5	60.5	52.0	52.5	61.6	57.5	44.4	42.3	57.9	44.3	42.5	43.2	48.2
Existing (Year 2021) PM		4	0	1,300	45	25	0	0	1.8%	0.7%	61.5	####	165	125	20	8	1	0	2	1	69.3	77.6	82.1	4.5	61.2	52.6	53.1	62.3	58.2	45.0	43.0	58.5	45.0	43.2	43.9	48.9
Future (Year 2040) AM		4	0	1,190	45	25	0	0	1.8%	0.7%	61.1	925	151	114	19	7	1	0	2	1	69.3	77.6	82.1	4.5	60.8	52.2	52.7	61.9	57.8	44.7	42.6	58.1	44.6	42.8	43.5	48.5
Future (Year 2040) PM		4	0	1,420	45	25	0	0	1.8%	0.7%	61.9	####	180	136	22	9	1	0	2	1	69.3	77.6	82.1	4.5	61.5	53.0	53.5	62.7	58.6	45.4	43.3	58.9	45.4	43.6	44.3	49.2

(1) Alpha Factor: Coefficient of absorption relating to the effects of the ground surface. An alpha factor of 0 indicates that the site is an acoustically "hard" site such as asphalt. An alpha factor of 0.5 indicates that the site is an acoustically "soft" site such as vegetative ground cover.

Assumed 24-Hour Traffic Distribution:	Day	Evening	Night
Total ADT Volumes	77.70%	12.70%	9.60%
Medium-Duty Trucks	87.43%	5.05%	7.52%
Heavy-Duty Trucks	89.10%	2.84%	8.06%

Project Name: Needles General Plan Update				
Intersection:		20		
East Broadway Street at Victory Drive				
Eastbound				
Victory Drive		<u>left</u>	<u>through</u>	<u>right</u>
	Existing (Year 2021) AM	4	0	0
	Existing (Year 2021) PM	5	0	1
	Future (Year 2040) AM	16	0	0
	Future (Year 2040) PM	11	0	1

		rev. (Date)		
East Broadway Street				
Southbound				
	<u>right</u>	<u>through</u>	<u>left</u>	
Existing (Year 2021) AM	4	75	0	
Existing (Year 2021) PM	3	114	0	
Future (Year 2040) AM	4	111	0	
Future (Year 2040) PM	14	130	0	
N				
S				
Northbound				
	<u>left</u>	<u>through</u>	<u>right</u>	
Existing (Year 2021) AM	0	70	0	
Existing (Year 2021) PM	0	118	0	
Future (Year 2040) AM	0	74	0	
Future (Year 2040) PM	0	149	0	

Westbound			
	<u>right</u>	<u>through</u>	<u>left</u>
Existing (Year 2021) AM	0	0	0
Existing (Year 2021) PM	0	0	0
Future (Year 2040) AM	0	0	0
Future (Year 2040) PM	0	0	0

If Peak Hour = 6% of ADT, Scaling Factor = 16.667				
If Peak Hour = 7% of ADT, Scaling Factor = 14.286				
If Peak Hour = 8% of ADT, Scaling Factor = 12.5				
If Peak Hour = 9% of ADT, Scaling Factor = 11.111				
If Peak Hour = 10% of ADT, Scaling Factor = 10				
		ADT		
Road	East Broadway Street		Victory Drive	
Leg	North of	South of	East of	West of
Cross Street	Victory Drive		East Broadway Street	
Existing (Year 2022)	1,530.0	1,450.0	0.0	80.0
Existing with Project	2,400.0	2,330.0	0.0	90.0
Future (Year 2025)	2,050.0	1,850.0	0.0	200.0
Future with Project	3,040.0	2,800.0	0.0	260.0

NOISE LEVEL CONTOURS - Off-Site ADT Volumes

ROADWAY NAME Segment	Land Use	Lanes	Median Width	ADT Volume	Design Speed (mph)	Dist. from Center to Receptor	Alpha Factor (1)	Barrier Attn. dB(A)	Vehicle Mix		dB(A) CNEL	Traffic Volumes								Ref. Energy Level: Dist				Ld				Le				Ln							
									Medium Trucks	Heavy Trucks		Day	Eve	Night	MTd	HTd	MTe	HTe	MTn	HTn	A	MT	HT	Adj	A	MT	HT	Total A	MT	HT	Total A	MT	HT	Total A	MT	HT	Total		
East Broadway Street n/o Victory																																							
Existing (Year 2021) AM		2	0	1,530	45	25	0	0	1.8%	0.7%	60.8	####	194	147	24	10	1	0	2	1	69.3	77.6	82.1	3.1	60.4	51.9	52.4	61.5	57.4	44.3	42.2	57.8	44.2	42.4	43.1	48.1			
Existing (Year 2021) PM		2	0	2,400	45	25	0	0	1.8%	0.7%	62.7	####	305	230	38	15	2	0	3	1	69.3	77.6	82.1	3.1	62.4	53.8	54.3	63.5	59.4	46.2	44.2	59.7	46.2	44.4	45.1	50.1			
Future (Year 2040) AM		2	0	2,050	45	25	0	0	1.8%	0.7%	62.0	####	260	197	32	13	2	0	3	1	69.3	77.6	82.1	3.1	61.7	53.1	53.6	62.8	58.7	45.6	43.5	59.0	45.5	43.7	44.4	49.4			
Future (Year 2040) PM		2	0	3,040	45	25	0	0	1.8%	0.7%	63.7	####	386	292	48	19	3	1	4	2	69.3	77.6	82.1	3.1	63.4	54.9	55.4	64.5	60.4	47.3	45.2	60.7	47.2	45.4	46.1	51.1			
East Broadway Street s/o Victory																																							
Existing (Year 2021) AM		2	0	1,450	45	25	0	0	1.8%	0.7%	60.5	####	184	139	23	9	1	0	2	1	69.3	77.6	82.1	3.1	60.2	51.6	52.1	61.3	57.2	44.1	42.0	57.5	44.0	42.2	42.9	47.9			
Existing (Year 2021) PM		2	0	2,330	45	25	0	0	1.8%	0.7%	62.6	####	296	224	37	15	2	0	3	1	69.3	77.6	82.1	3.1	62.2	53.7	54.2	63.4	59.3	46.1	44.0	59.6	46.1	44.2	45.0	49.9			
Future (Year 2040) AM		2	0	1,850	45	25	0	0	1.8%	0.7%	61.6	####	235	178	29	12	2	0	3	1	69.3	77.6	82.1	3.1	61.2	52.7	53.2	62.4	58.2	45.1	43.0	58.6	45.1	43.2	44.0	48.9			
Future (Year 2040) PM		2	0	2,800	45	25	0	0	1.8%	0.7%	63.4	####	356	269	44	17	3	1	4	2	69.3	77.6	82.1	3.1	63.0	54.5	55.0	64.2	60.0	46.9	44.8	60.4	46.9	45.0	45.8	50.7			
Victory Drive e/o East Broadway																																							
Existing (Year 2021) AM		2	0	0	25	25	0	0	1.8%	0.7%	#NUM!	0	0	0	0	0	0	0	0	0	59.4	71.1	78.7	3.1	####	####	####	####	####	####	####	####	####	####	####	####	####	####	
Existing (Year 2021) PM		2	0	0	25	25	0	0	1.8%	0.7%	#NUM!	0	0	0	0	0	0	0	0	0	59.4	71.1	78.7	3.1	####	####	####	####	####	####	####	####	####	####	####	####	####	####	
Future (Year 2040) AM		2	0	0	25	25	0	0	1.8%	0.7%	#NUM!	0	0	0	0	0	0	0	0	0	59.4	71.1	78.7	3.1	####	####	####	####	####	####	####	####	####	####	####	####	####	####	####
Future (Year 2040) PM		2	0	0	25	25	0	0	1.8%	0.7%	#NUM!	0	0	0	0	0	0	0	0	0	59.4	71.1	78.7	3.1	####	####	####	####	####	####	####	####	####	####	####	####	####	####	####
Victory Drive w/o East Broadway																																							
Existing (Year 2021) AM		2	0	80	25	25	0	0	1.8%	0.7%	42.8	62	10	8	1	0	0	0	0	0	59.4	71.1	78.7	3.1	40.2	35.1	38.7	43.3	37.3	27.5	28.5	38.2	24.1	25.6	29.5	31.8			
Existing (Year 2021) PM		2	0	90	25	25	0	0	1.8%	0.7%	43.3	70	11	9	1	1	0	0	0	0	59.4	71.1	78.7	3.1	40.7	35.6	39.2	43.8	37.8	28.0	29.1	38.7	24.6	26.1	30.0	32.3			
Future (Year 2040) AM		2	0	200	25	25	0	0	1.8%	0.7%	46.7	155	25	19	3	1	0	0	0	0	59.4	71.1	78.7	3.1	44.2	39.1	42.7	47.2	41.2	31.5	32.5	42.2	28.0	29.6	33.5	35.8			
Future (Year 2040) PM		2	0	260	25	25	0	0	1.8%	0.7%	47.9	202	33	25	4	2	0	0	0	0	59.4	71.1	78.7	3.1	45.4	40.2	43.8	48.4	42.4	32.6	33.7	43.3	29.2	30.7	34.6	36.9			

(1) Alpha Factor: Coefficient of absorption relating to the effects of the ground surface. An alpha factor of 0 indicates that the site is an acoustically "hard" site such as asphalt. An alpha factor of 0.5 indicates that the site is an acoustically "soft" site such as vegetative ground cover.

Assumed 24-Hour Traffic Distribution:	Day	Evening	Night
Total ADT Volumes	77.70%	12.70%	9.60%
Medium-Duty Trucks	87.43%	5.05%	7.52%
Heavy-Duty Trucks	89.10%	2.84%	8.06%



APPENDIX F
Traffic Report

CITY OF NEEDLES

TRANSPORTATION ELEMENT UPDATE LEVEL OF SERVICE AND VEHICLE MILES TRAVELED ANALYSIS

OCTOBER 2022

Prepared for:

PlaceWorks

3 MacArthur Place, Suite 1100
Santa Ana, CA 92707

Prepared By:



300 Corporate Point, Suite 470
Culver City, CA 90230

T: 310.473.6508 | www.koacorp.com

JC18021



October 4, 2022

Mr. Colin Drukker

Placeworks

3 MacArthur Place, Suite 1100

Santa Ana, CA 92707

Subject: Needles Transportation Element – Level of Service (LOS) and Vehicle Miles Traveled (VMT)
 Analysis

Dear Mr. Drukker:

KOA Corporation presents this level of service (LOS) and vehicle miles traveled (VMT) analysis report for the Transportation Element Update for the City of Needles General Plan. This report documents the potential transportation impacts associated with the project per the California Environmental Quality Act (CEQA). The analysis methodology, assumptions, and results of the LOS and VMT analysis are presented herein.

The analysis has been prepared for your review and submittal to the City of Needles. Please contact our office if you have any questions or comments about the report, or if you need additional information. If there are any comments that require response or revisions, please notify our office as soon as possible for prompt revision.

Sincerely,

Joel Falter
Principal

TABLE OF CONTENTS

- 1.0 INTRODUCTION..... 1**
 - Background..... 1
 - City of Needles Setting 1
 - Transportation Element Traffic Analysis Study Locations 2
- 2.0 EXISTING TRANSPORTATION FACILITIES 7**
 - Existing Roadway System..... 7
 - Existing Transit Services 10
 - Existing Bicycle And Pedestrian Facilities..... 10
- 3.0 LOS ANALYSIS METHODOLOGY, IMPACT CRITERIA, AND ANALYSIS SCENARIOS 12**
 - Analysis Methodology..... 12
 - Significant Impact Thresholds 13
 - Analysis Scenarios..... 13
- 4.0 VMT ANALYSIS METHODOLOGY, IMPACT THRESHOLDS, AND ANALYSIS SCENARIOS 14**
 - Analysis Methodology..... 14
 - Significant Impact Thresholds 15
 - Analysis Scenarios 15
- 5.0 EXISTING (2021) CONDITIONS 17**
 - Existing (2021) Traffic Volumes..... 17
 - Existing (2021) Intersection Level Of Service..... 17
 - Existing (2021) Roadway Segment Level Of Service..... 22
 - Existing (2021) Year Model Forecasting 22
 - Project-Generated VMT 23
- 6.0 FUTURE (2040) CONDITIONS 25**
 - Future Volume Forecasting Methodology 25
 - Future (2040) Conditions Intersection Geometries..... 27
 - Future (2040) With Project Intersection Level Of Service..... 30
 - Future (2040) With Project Roadway Segment Level Of Service..... 33
 - Future (2040) With Project - Project-Generated VMT 35
 - Future (2040) With Project With Lane Reduction Scenario 37
- 7.0 CONCLUSIONS AND RECOMMENDATIONS 39**
 - TDM Strategies..... 40

LIST OF FIGURES

- Figure 1.1: Project Vicinity Map4
- Figure 1.1A: Project Vicinity Inset Map A.....5
- Figure 1.1B: Project Vicinity Inset Map B.....6
- Figure 2.1: Existing Intersection Geometries9
- Figure 2.2: Existing Transit Service..... 11
- Figure 4.1: City of Needles TAZ Map..... 16
- Figure 5.1: Existing Year (2021) Weekday AM/PM Peak Hour Traffic Volumes..... 20
- Figure 5.2: Existing Year (2021) Weekend MD Peak Hour Traffic Volumes..... 21
- Figure 6.1: Future Year (2040) With Project Weekday AM/PM Peak Hour Traffic Volumes..... 28
- Figure 6.2: Future Year (2040) With Project Weekend MD Peak Hour Traffic Volumes..... 29
- Figure 6.3: Future (2040) With Lane Reduction Intersection Geometries..... 38

LIST OF TABLES

- Table 3.1: Level of Service Descriptions..... 12
- Table 3.2: Roadway Segment Daily Capacity Threshold Assumptions..... 13
- Table 5.1: Existing Year (2021) Traffic Conditions, Study Intersections..... 17
- Table 5.1: Existing Year (2021) Traffic Conditions, Study Intersections (cont.) 18
- Table 5.1: Existing Year (2021) Traffic Conditions, Study Intersections (cont.) 19
- Table 5.2: Existing Year (2021) Traffic Conditions, Study Roadways..... 22
- Table 5.3: City of Needles Sphere of Influence Existing (2021) SED Assumptions 23
- Table 5.4: Total VMT per Service Population Results, Existing Conditions..... 24
- Table 6.1: City of Needles Sphere of Influence Future (2040) With Project SED Assumptions 26
- Table 6.2: Future Year (2040) Traffic Conditions, Study Intersections 31
- Table 6.2: Future Year (2040) Traffic Conditions, Study Intersections (cont.)..... 32
- Table 6.3: Future Year (2040) Traffic Conditions, Study Roadways 34
- Table 6.4: Total VMT per Service Population Results, Future (2040) With Project Conditions..... 36
- Table 6.5: City of Needles, Significant VMT Impact Determination 36
- Table 6.6: Future Year (2040) With Lane Reduction Traffic Conditions, Study Intersections 37
- Table 6.7: Future Year (2040) With Lane Reduction Traffic Conditions, Study Roadways..... 37
- Table 7.1: TDM Strategies 40

APPENDIX

- Appendix A – Traffic Counts
- Appendix B – Existing Year (2021) Conditions Analysis Worksheets
- Appendix C – SBTAM Base Year SED Assumption Adjustments
- Appendix D – SBTAM Future Year SED Assumption Adjustments
- Appendix E - Future Year (2040) Peak Hour Link Volume Calculation Worksheets
- Appendix F – NCHRP Report 765 Iterative Turning Movement Calculation Worksheets
- Appendix G – Future Year (2040) Daily Link Volume Calculation Worksheets
- Appendix H – Future Year (2040) With Project Conditions Analysis Worksheets

1.0 INTRODUCTION

BACKGROUND

On September 27, 2013, Governor Jerry Brown signed into law Senate Bill 743 (SB 743), which updated the transportation impact metrics evaluated under the California Environmental Quality Act (CEQA). Following the passage of SB 743, the State of California Governor's Office of Planning and Research (OPR) was tasked with developing new guidelines for evaluating transportation impacts under CEQA. These guidelines are intended to promote the reduction of greenhouse gas emissions and develop a multimodal and diverse transportation network by shifting the transportation performance metric from automobile delay and Level of Service (LOS) to Vehicle Miles Traveled (VMT). As a result, OPR determined that under the proposed update to the CEQA guidelines, VMT would be established as the primary metric for evaluating environmental and transportation impacts. In December 2018, OPR published the revised CEQA Guidelines incorporating the transition to VMT, along with the *Technical Advisory on Evaluating Transportation Impacts in CEQA* (December 2018) [the "Technical Advisory"], to assist local municipalities with the implementation of the revised CEQA Guidelines. As of July 1, 2020, all environmental documents presented for public review must use VMT for determining transportation impacts. As such, the VMT analysis presented herein has been prepared for the City of Needles Transportation Element update.

Within the Technical Advisory, the OPR provides local jurisdictions the flexibility to establish and implement guidelines for the evaluation of VMT that align with the character and nature of the local environment. Thus, in order to conform with the changes to the CEQA Guidelines, cities and governing bodies have developed and adopted transportation impact analysis guidelines that establish the methodology and thresholds to apply for VMT analyses. The City of Needles (the "City") has not yet established thresholds for the evaluation of VMT impacts within the City. Thus, guidance from the OPR Technical Advisory was followed in order to evaluate the VMT impacts associated with the planned land use changes. The methodology, assumptions, and results of this analysis are presented herein.

In addition, as discussed in the Technical Advisory, local jurisdictions are still allowed to require the evaluation of other transportation metrics in order to maintain compliance with the local and regional general/transportation plans. Per the Circulation, Transportation, and Scenic Highways Element of the City's General Plan, one of the City's transportation-related goals is to "provide a complete and efficient circulation system which takes into account convenience of access and safety while minimizing disruptive unnecessary traffic within residential neighborhoods." Thus, the use of LOS to evaluate intersection and roadway operations has been maintained to ensure consistency with the City's General Plan. An analysis of LOS conditions has also been prepared and is presented within this report for the proposed land use changes associated with the update to the Transportation Element (the "Project").

CITY OF NEEDLES SETTING

The City is located at the far eastern edge of San Bernardino County in the Mojave Desert, as shown in Figure 1. To the east, the City borders the Colorado River and State of Arizona, which includes the adjacent unincorporated communities of Mohave Valley and Fort Mohave. The Fort Mohave Indian Reservation is also located along the Colorado River and encompasses areas within Needles and the nearby Tri-State area of Arizona, California, and Nevada. To the west and south of the City are vast expanses of unpopulated desert. Other nearby communities include Laughlin, which is located approximately 26 miles north of Needles in the State of Nevada, and Bullhead City, which is located approximately 23 miles northeast of

Needles in the State of Arizona. There is considerable distance between the City and other major population centers, with the closest being the City of Las Vegas at 111 miles northwest of Needles. The Cities of Blythe and Barstow are located approximately 85 miles south and 135 miles west of Needles, respectively.

Several physical and geographic features significantly affect vehicle, pedestrian, and bicycle connectivity within Needles and between the City and its adjacent jurisdictions. On the eastern edge of Needles, the Colorado River is a significant physical feature affecting transportation connections. Access between Needles and communities east of the Colorado River is limited to North K Street, which becomes the Mohave Valley Highway (State Route 95) in Arizona. The nearest roadway connections to cross the Colorado River are located approximately 12 miles upriver (north) and 12 miles downriver (south) of the North Bridge crossing in Needles. To the north, Aztec Road crosses the river adjacent to the Avi Resort & Casino in the Fort Mohave Reservation, while Interstate 40 provides a crossing to the unincorporated community of Topock to the southeast.

Interstate 40 and the adjacent BNSF railroad tracks are key transportation infrastructure components in the City, but they also limit access points to destinations within the City, including the Colorado River. Connections across Interstate 40 within the City of Needles are limited to Needles Highway, California Avenue (pedestrian only), L Street, J Street, D Street/Lillyhill Drive and Broadway Street. Crossings across the BNSF railroad tracks are currently limited to West Broadway Street and K Street (pedestrian only).

TRANSPORTATION ELEMENT TRAFFIC ANALYSIS STUDY LOCATIONS

Study intersections were identified as those that may potentially be impacted by the project. The intersection analysis of potential project traffic impacts examined weekday conditions during the morning (AM) and afternoon (PM) peak hours and weekend conditions during the midday (MD) peak hour.

The study area includes the following study intersections:

- | | |
|--|--|
| 1. Needles Highway at Budweiser Road | 9. J Street at WB I-40 Ramps |
| 2. Needles Highway at Park Road | 10. J Street at EB I-40 Ramps |
| 3. Needles Highway at WB I-40 Ramps/Balboa Place | 11. Bailey Avenue at Washington Street |
| 4. Needles Highway at EB I-40 Ramps/Pashard Street | 12. Bailey Avenue at J Street |
| 5. North K Street at River Road/Smokestack Avenue | 13. Bailey Avenue at Lillyhill Drive |
| 6. North Broadway Avenue/N Street at Needles Highway | 14. San Clemente Street at Casa Linda Street |
| 7. North K Street at Needles Highway | 15. East Broadway Street at I-40 EB Ramps |
| 8. J Street at West Broadway Street | 16. East Broadway Street at I-40 WB Ramps |
| | 17. East Broadway Street at Goodwill Street |
| | 18. D Street at Third Street |
| | 19. Palm Way at West Broadway Street |
| | 20. East Broadway Street at Victory Drive |

Additionally, the following roadway segments were evaluated for existing traffic operations within the study area:

- | | |
|---|--|
| 1. Needles Highway between Budweiser Road and Northern City Limits | 3. Needles Highway between Park Road and National Trails Highway |
| 2. Park Road between I-40 Ramps/National Trails Highway and Needles Highway | 4. Needles Highway North of I-40 WB Ramps/Balboa Place |

5. Needles Highway between I-40 Ramps and North Broadway Avenue
6. Needles Highway between North Broadway Avenue and North K Street
7. North K Street between Needles Highway and River Road
8. River Road between Needles Highway and Marina Drive
9. J Street between Bailey Avenue and I-40 Ramps
10. J Street between I-40 Ramps and Broadway Avenue
11. North Broadway Avenue/West Broadway Street between Needles Highway and J Street
12. West Broadway Street between J Street and G Street
13. 3rd Street between F Street and D Street
14. D Street between 3rd Street and Valley Avenue/Cibola Street
15. Bailey Avenue between Washington Street and J Street
16. Bailey Avenue between J Street and Lillyhill Drive
17. Lillyhill Drive between Bailey Avenue and Clay Drive
18. San Clemente Street between Clay Drive and I-40 Ramps
19. East Broadway Street between I-40 Ramps and Goodwill Street
20. East Broadway Street between Victory Drive and Spikes Road

Figures 1.1. 1.1A, and 1.1B show the project vicinity map, study intersections, and study roadway segments.

FIGURE 1.1: PROJECT VICINITY MAP

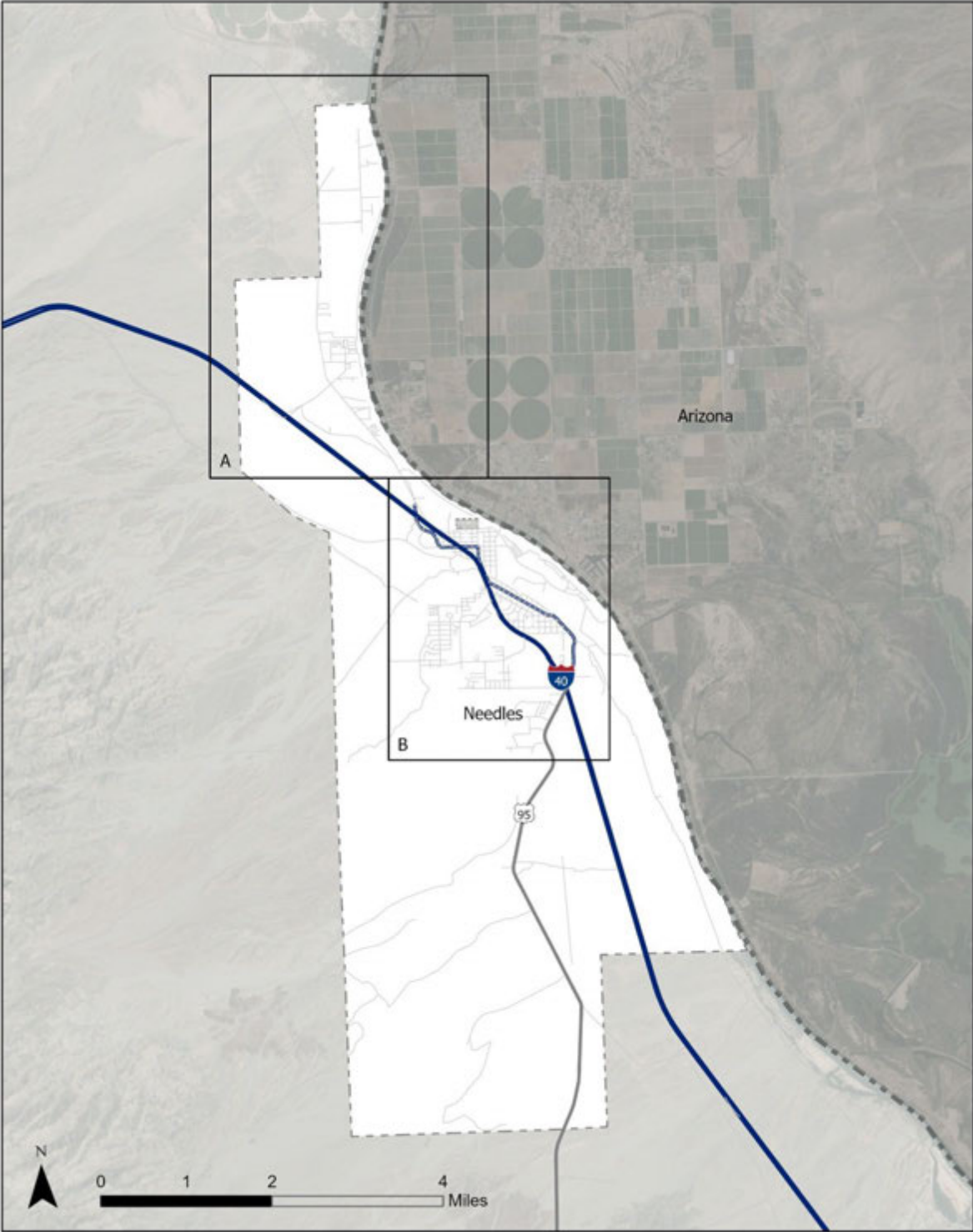


FIGURE 1.1A: PROJECT VICINITY INSET MAP A

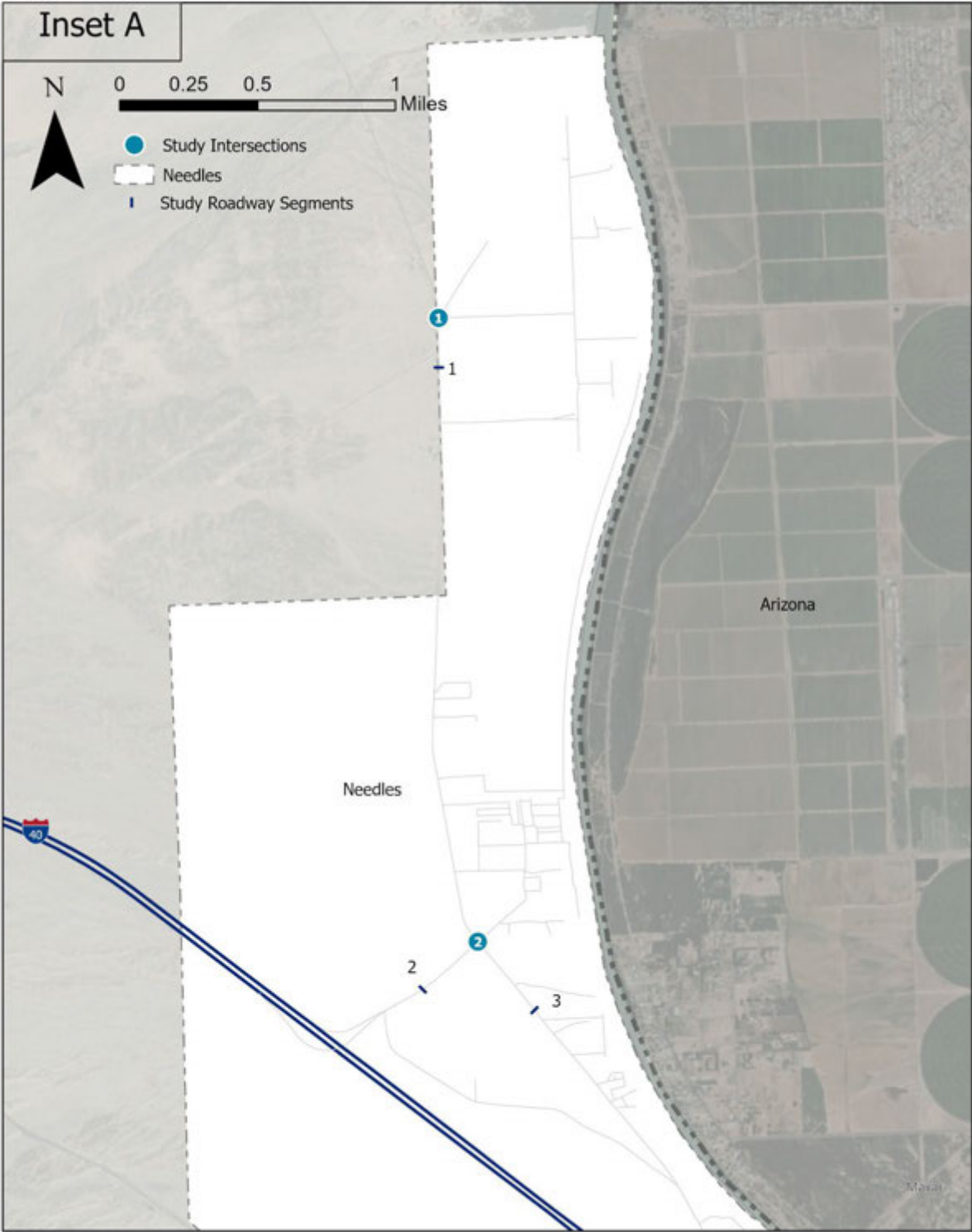
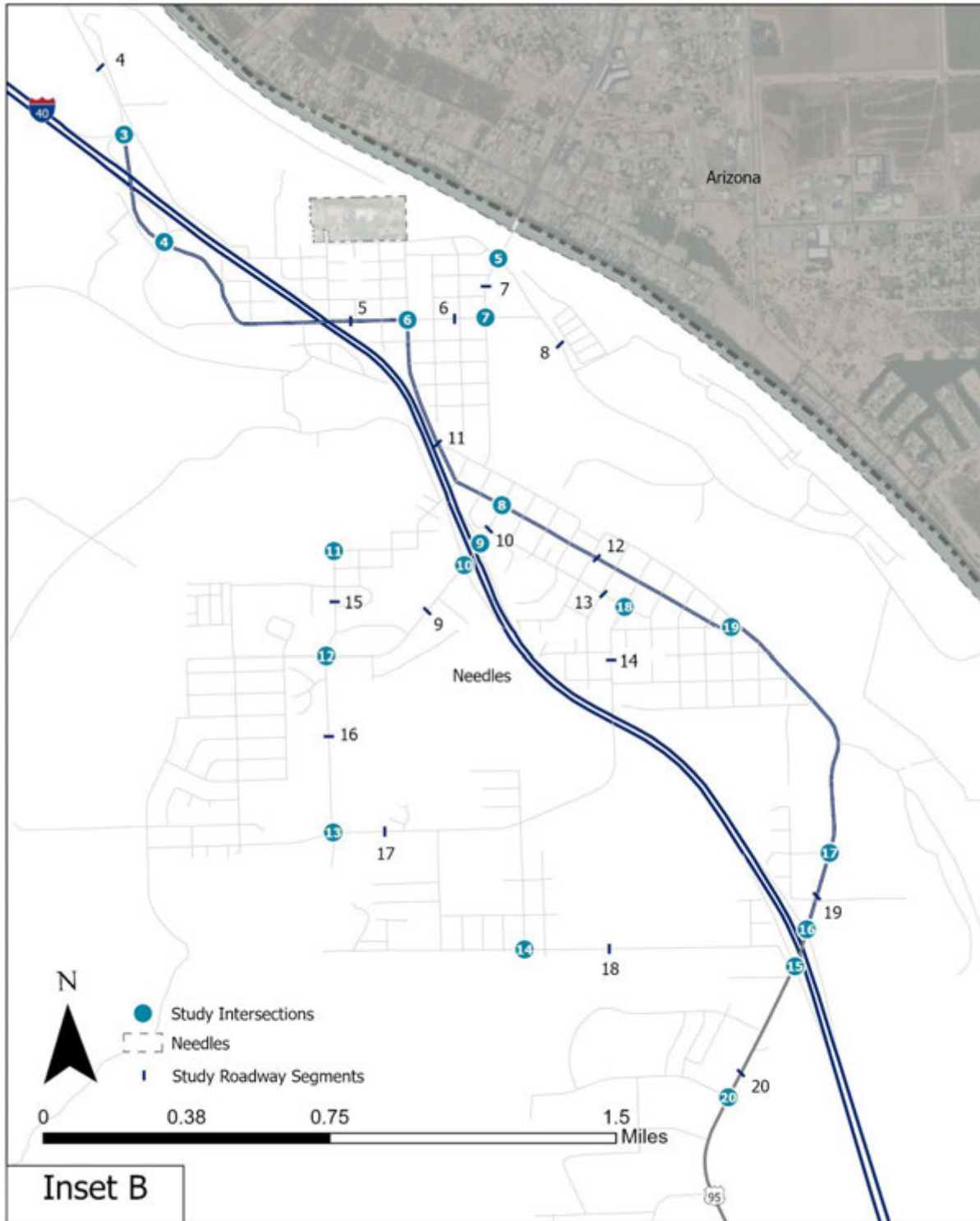


FIGURE 1.1B: PROJECT VICINITY INSET MAP B



2.0 EXISTING TRANSPORTATION FACILITIES

EXISTING ROADWAY SYSTEM

The key roadways within the study area are described below. The discussion presented here is limited to specific roadways that traverse and serve the study area. Figure 2.1 illustrates the existing traffic controls and approach lane geometries at the study intersections. These lane configurations and traffic controls represent the conditions at the study locations during the count collection period, and thus were implemented for the evaluation of Existing (2021) intersection operations.

Interstate Highway 40 (I-40): Classified as a Major Highway, I-40 runs through the southern portion of the United States between Barstow, California and Wilmington, North Carolina. I-40 is an east/west aligned freeway, however, runs north/south as it cuts through the City. I-40 provides regional access to the Mojave National Preserve and serves as a connection across the Colorado River, approximately 12 miles southeast of the City. I-40 connects Needles to Barstow and U.S. Route 95 (US 95). Within the vicinity of the City, this freeway provides two travel lanes in each direction. Freeway on- and/or off-ramps are provided on Needles Highway, J Street, and E Broadway Street. South of the interchange with J Street within the City, this facility exhibits annual average daily traffic (AADT) of approximately 18,000 vehicles.

Needles Highway: Classified as a Secondary Highway, Needles Highway is primarily a north/south aligned roadway which runs parallel to the Colorado River. This roadway runs from the Laughlin Highway (Nevada State Route 168) in the City of Laughlin, Nevada to River Road in the City. North of I-40, Needles Highway provides one lane in each direction with a solid double yellow median for majority of the study corridor. Within the City, this roadway provides two travel lanes in each direction between the I-40 eastbound ramps and Broadway Avenue. Within the City, land uses along Needles Highway are primarily commercial with intermittent residential uses located east of the roadway along the northern portion of the segment. The posted speed limit ranges from 30 miles per hour (mph) in developed areas of the City to between 50 and 55 mph along the northern stretches of the roadway. On-street parking is prohibited along the study corridor except westbound between W Broadway Street and N K Street.

Broadway Avenue/Street: Classified as a Secondary Highway, Broadway Avenue/Street travels primarily north-south between Needles Highway and the southern City limits. North of L Street, the roadway provides one lane in each direction. Between L Street and the I-40 ramps, the roadway provides two travel lanes in each direction. South of the I-40 freeway, the roadway continues with one lane in each direction as US Route 95. Broadway Avenue/Street runs through the City, connecting Needles Highway with Downtown Needles and South Needles and provides direct access to a variety of commercial uses. Parking is not permitted along all segments of Broadway Avenue/Street. The posted speed limit along this roadway ranges from between 25 and 30 mph in Downtown Needles between Needles Highway and Cibola Street. Between Cibola Street and I-40, the speed limit increases to between 40 and 45 mph. Along Broadway Street/US Route 95, the roadway's speed limit increases to 55 mph.

3rd Street: Classified as a Collector Street, 3rd Street is a northwest-southeast roadway traversing between J Street and C Street in Downtown Needles. The roadway provides access to a variety of commercial, municipal, and residential uses. 3rd Street provides one travel lane in each direction, with parking generally permitted along its extent.

Bailey Avenue: Classified as a Local Street north of J Street and a Collector Street between J Street and Lillyhill Drive, Bailey Avenue is a north-south aligned roadway. North of J Street, the roadway provides access to residential and educational uses, while institutional and residential uses are located along the roadway south of J Street. The roadway provides one travel lane in each direction with a center two-way left-turn lane (TWLTL) south of J Street. Parking is generally permitted along Bailey Avenue and has a posted speed limit of between 25 and 35 mph.

D Street: Classified as a Collector Street, D Street travels north-south between Front Street and I-40, where the roadway continues south as Lillyhill Drive. This roadway provides one travel lane in each direction, with parking generally permitted along all segments. The posted speed limit along D Street is 25 mph.

J Street: Classified as a Collector Street from Coronado Street to Broadway Street and a Local Street along all other segments, J Street is an east/west aligned roadway. J Street provides one travel lane in each direction with a solid double yellow median along the whole study corridor. The posted speed limit ranges from 25 mph to 35 mph. On-street parking is permitted along the study corridor except between I-40 to W Broadway Street. On- and off-ramp connections are provided with the I-40 freeway along J Street.

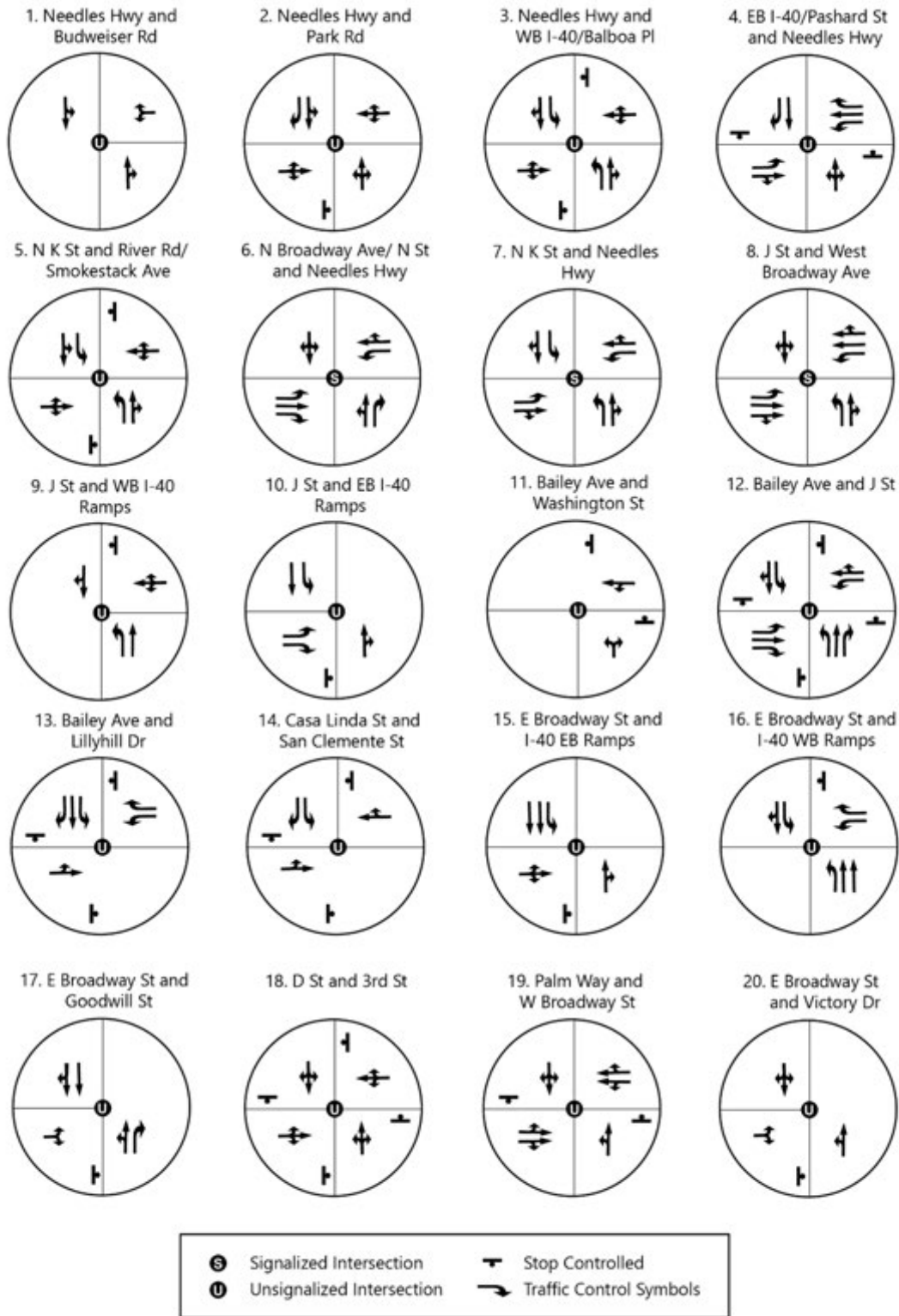
K Street: Classified as a Secondary Highway north of Needles Highway and a Collector Street south of Needles Highway, K Street serves as a major thoroughfare for traffic traveling between the City and the State of Arizona. Along this segment, K Street crosses the Colorado River where it continues northward as the Mohave Valley Highway (Arizona State Route 95). Along its extent, this roadway provides one travel lane in each direction with on-street parking generally permitted south of Needles Highway. The posted speed limit along K Street is 30 mph.

Lillyhill Drive: Classified as a Collector Street, Lillyhill Drive is primarily an east/west aligned roadway traveling between Parkway Street and I-40, where the roadway continues northward as D Street. Lillyhill Drive consists of one lane in each direction with a solid double yellow median along the whole study corridor. The posted speed limit ranges from 25 mph to 30 mph. On-street parking is generally permitted along the entire study corridor.

River Road: Classified as a Local Street, River Road is an east-west roadway extending from K Street and provides access to a variety of residential and recreational uses along the Colorado River. The roadway features one travel lane in each direction and does not permit on-street parking. The posted speed limit along River Road is 30 mph.

San Clemente Street: Classified as a Collector Street, San Clemente Street is an east-west roadway located west of the I-40 freeway. The roadway runs between Clary Drive and Broadway Street, providing access to residential and industrial uses. The roadway provides one travel lane in each direction, separated by a solid double yellow median. The posted speed limit along San Clemente Street is 25 mph.

FIGURE 2.1: EXISTING INTERSECTION GEOMETRIES



EXISTING TRANSIT SERVICES

Local Transit Service

The City is served by one Needles Area Transit (NAT) route. All NAT buses are equipped with wheelchair lifts and operate once an hour from 7:00 AM to 6:55 PM, Monday through Friday, and from 10:00 AM to 4:55 PM on Saturday. The bus route stops directly next to a majority of the City's activity generators, including Downtown Needles, the commercial corridors along Needles Highway and East Broadway Street, the Sheriff's Department, Library, Colorado River Medical Center, Regional Senior Center, and Elks Lodge. While the nearest Needles transit stop is a 3- to 5-minute walk from Vista Colorado Elementary School/Needles Middle School and a 7-minute walk from Needles High School, Needles Unified School District (NUSD) provides bus services to its schools, with free transportation provided to students in Kindergarten through 3rd grade. There are currently no transit options available to recreational facilities east of the train tracks, which include Ed Parry Park, Jack Smith Park & Launching Facility, Needles Golf Course, Needles Marina, and other areas of public access to the Colorado River. The NAT bus route is displayed graphically in Figure 2.2.

Regional Transit Service

Amtrak train service is available in Needles via the Southwest Chief train, with the train station located directly adjacent to the El Garces building in Downtown. Daily service departs at 12:31 AM westbound to Los Angeles Union Station, with stops in Barstow, Victorville, San Bernardino, Riverside, and Fullerton. The eastbound train departs daily at 12:18 AM, with service to Chicago. Stops directly to the east of Needles include Kingman, Flagstaff, and Winslow in Arizona.

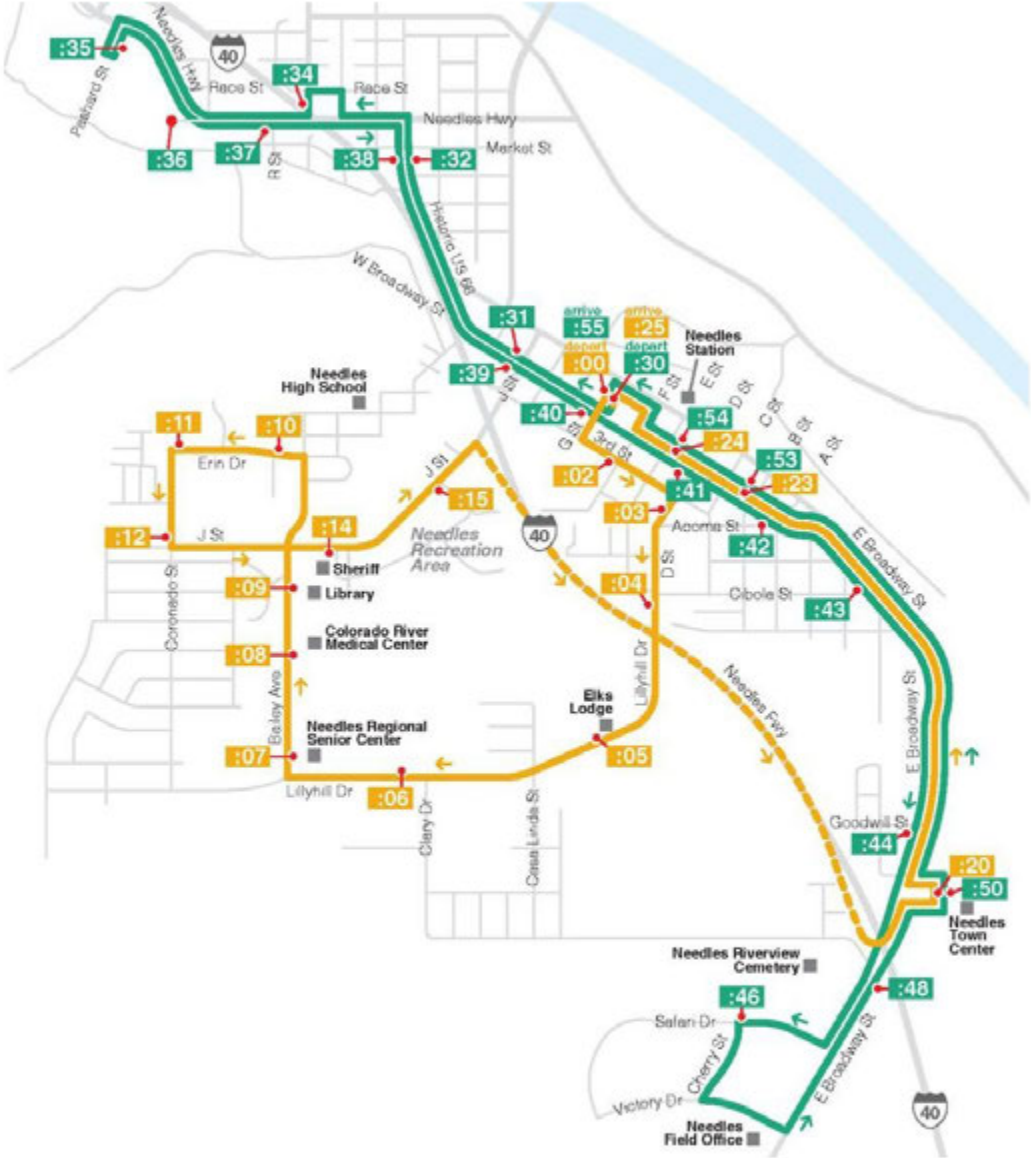
The Victor Valley Transportation Authority operated a bus route on Fridays adjacent to the Amtrak train station in Downtown Needles that provides transit service to the Barstow library, Victorville Court House, and Victorville Civic Center. However, this transit service was suspended in August 2020 due to ongoing impacts of COVID-19 and the service has yet to be restored. When the service was operational, westbound service departed Needles at 6:15 AM to arrive in Barstow at 9:30 AM and Victorville at 10:15 AM. Eastbound service departed Victorville at 2:30 PM to arrive in Needles at 7:15 PM.

EXISTING BICYCLE AND PEDESTRIAN FACILITIES

Although there are no designated bikeways or multi-use trails in the City of Needles, bicycle-parking facilities are provided at Vista Colorado Elementary School, Needles Middle School, and Needles High School. Additionally, bicycle-parking facilities are also available at the Needles Recreation Center and Needles Branch Library.

While there are sidewalks located along the majority of roadways in urbanized sections of Needles, notable gaps in the sidewalk network are present in the more rural, northern portion of Needles between Needles Highway and the Colorado River, as well as in the Gates residential neighborhood in south Needles. However, noticeable gaps in sidewalks exist in the urbanized section of Needles, with the largest gaps occurring along River Road, River Street, and Marina Way just east of Downtown Needles. This area contains a majority of the City's publicly accessible waterfront and recreational facilities, including Ed Parry Park, Manny Morris Park, Jack Smith Park & Launching Facility, and the Needles Golf Course. Additional areas with occasional gaps in sidewalk facilities include residential streets north of Needles Highway, east of Interstate 40, and west of K Street, as well as along Lillyhill Drive and Bailey Avenue south of J Street.

FIGURE 2.2: EXISTING TRANSIT SERVICE



Source: City of Needles

3.0 LOS ANALYSIS METHODOLOGY, IMPACT CRITERIA, AND ANALYSIS SCENARIOS

ANALYSIS METHODOLOGY

Transportation analyses performed for projects within San Bernardino County frequently utilize the Highway Capacity Manual (HCM) methodology to analyze signalized and unsignalized intersections. This methodology is based on procedures outlined in the *Highway Capacity Manual, Sixth Edition: A Guide for Multimodal Mobility Analysis*. The HCM methodology determines intersection LOS based on operational delay. For signalized intersections and all-way stop-controlled intersections, the operational delay corresponds to the overall delay for all movements at the intersection, whereas for two-way stop-controlled intersections, the operational delay corresponds to the delay for the stop-controlled movements. This method uses a “gap acceptance” technique to predict driver delay. The analysis at the study intersections was undertaken using Trafficware’s Synchro Studio, which includes both Synchro and SimTraffic software that were used to model the traffic operations at the study intersections.

The term LOS describes the quality of traffic flow. LOS values A through C indicate excellent-to-decent traffic flow conditions. LOS D corresponds with fair conditions that may experience substantial delays during portions of the peak hours, but without excessive backups. LOS E represents poor conditions, with volumes at or near the capacity of the intersection and long lines of vehicles may have to wait through several cycles. LOS F is characteristic of failure (i.e., the intersection is overloaded, vehicular movements may be restricted or prevented, and delays and queue lengths become increasingly longer). The LOS ranges from the HCM methodology are shown in Table 3.1 for signalized and unsignalized intersections.

Table 3.1: Level of Service Descriptions

Level of Service	Definition	Signalized: Average Control Delay (seconds/vehicle)	Unsignalized (All-Way Stop-Control): Average Control Delay (seconds/vehicle)	Unsignalized (Two-Way Stop-Control): Minor Street Delay (seconds/vehicle)
A	Excellent Operation. Free-flow Speeds prevail. Vehicles are almost unimpeded in their ability to maneuver within the traffic stream.	≤10	≤10	≤10
B	Very good operation. Reasonably free-flow speeds are maintained. The ability to maneuver within traffic is only slightly restricted.	>10 to 20	>10 to 15	>10 to 15
C	Good operation. Flow with speeds at or near free-flow speed of the roadway. Freedom to maneuver within the traffic stream is noticeably restricted and lane changes require more care and vigilance on the part of the driver.	>20 to 35	>15 to 25	>15 to 25
D	Fair operation. Speeds begin to decline slightly with increasing flows. In this range, density begins to increase somewhat more quickly with increasing flow. Freedom to maneuver within the traffic stream is noticeably limited.	>35 to 55	>25 to 35	>25 to 35
E	Poor operation. Operation at capacity with no usable gaps in the traffic stream. Any disruption to the traffic stream has little or no room to dissipate.	>55 to 80	>35 to 50	>35 to 50
F	Forced Flow. Represents jammed conditions. Backups from locations downstream or on the cross street may restrict or prevent movements of vehicles out of the intersection approach lanes: Therefore, volumes carried are not predictable. Potential for stop-and-go type traffic flow.	> 80	> 50	> 50

Source: Highway Capacity Manual, Special Report 209, Transportation Research Board, Washington D.C., 2000 and Interim Manuals on Highway Capacity, NCHRP Circular 2012, 1982.

Roadway segment LOS was calculated using the volume-to-capacity (V/C) ratio for each roadway segment. The capacity of each segment was determined based on the Average Daily Traffic (ADT) carrying capacities defined in the HCM for urban street segments and two-lane highways and are summarized in Table 3.2. The carrying capacity for each segment was defined as the operating capacity at LOS E, as facilities operating at this LOS generally represent operating conditions at or near the capacity level.

Table 3.2: Roadway Segment Daily Capacity Threshold Assumptions

Street Type	Daily Capacity
	LOS E
Two-Lane Highway	16,400
Urban Street Segment (4-lane)	26,900
Urban Street Segment (2-lane)	13,400

Source: Highway Capacity Manual, 6th Edition

SIGNIFICANT IMPACT THRESHOLDS

The City has not adopted formal Transportation Impact Analysis guidelines that guide transportation analysis for projects proposed within the City. As such, standards have not been established to determine the minimum acceptable LOS at which intersections and roadway segments within the City should operate. Per the *San Bernardino County Congestion Management Program* (June 2016), LOS E is established as the minimum acceptable LOS for intersection and roadway segment operations. However, due to the rural nature of the City, it was determined that more conservative standards should be applied to maintain the character of the City and its roadway network. Therefore, for this study, LOS D was selected as the minimum acceptable LOS for the operation of facilities within the City of Needles.

Thus, based on this minimum acceptable LOS standard, intersections or roadway segments operating or projected to operate at LOS E or F were considered to result in an adverse conditions. For locations operating at deficient LOS, the project is required to identify feasible measures which can be installed in order to bring roadway operations to the acceptable LOS.

These impact thresholds were applied to the study intersections and roadway segments analyzed for the Transportation Element update and were used to determine whether the project is anticipated to result in adverse conditions at the study locations.

ANALYSIS SCENARIOS

The existing condition analysis year was selected in accordance with the collection of study location count data which occurred in July 2021. Additionally, in order to align with the analysis window presented within the San Bernardino Transportation Analysis Model (SBTAM), a future buildout year of 2040 was selected for evaluation. Due to its rural nature, limited development is anticipated for the City and the surrounding area absent land use changes proposed as part of the General Plan/Transportation Element update. Therefore, operating conditions for the Future Without Project implementation scenario are expected to closely resemble operating conditions under the Existing scenario. Therefore, to be conservative, Future With Project conditions were compared to Existing conditions. Based on these assumptions the following analysis scenarios were evaluated to determine whether the project would result in deficient conditions along the City's roadway network:

- Existing (2021) conditions
- Future (2040) With Project conditions

4.0 VMT ANALYSIS METHODOLOGY, IMPACT THRESHOLDS, AND ANALYSIS SCENARIOS

ANALYSIS METHODOLOGY

As of July 1, 2020, all land use projects within the State of California are required to prepare a VMT analysis. Since the City has yet to adopt formal VMT analysis requirements, the analysis criteria and methodology outlined in the OPR Technical Advisory were used to evaluate potential VMT impacts for the project. Per the Technical Advisory, VMT metrics are often presented on a per capita (resident) or per employee basis, based on the proposed land use. Since the Project is a land use plan comprised of both residential and employment-based uses, the total VMT per service population metric was used to evaluate the changes in VMT associated with the land use changes proposed for the City. Total VMT accounts for all trip types and the service population corresponds to the total number of residents and employees within a defined area. This approach aligns with OPR's *Technical Advisory*, which suggests that VMT be presented on an efficiency (per capita) basis, which allows the impact thresholds to apply more broadly across a wide range of project sizes and types. This metric is also well suited for the evaluation of the project, since the City is comprised of different uses (including both commercial and residential uses). Analyzing total VMT allows all trip types to be considered in the VMT analysis, which would encompass the trips associated with the various uses currently located in and proposed for the City.

This metric was calculated under both existing and future conditions to establish a baseline and determine the project impacts for the land use generated VMT. The SBTAM was used to estimate the VMT metrics associated with the City.

To determine the VMT associated with trips originating in or destined for locations within the City (land use generated VMT), the average vehicle trip lengths between Transportation Analysis Zones (TAZs) in the SBTAM were multiplied by the number of vehicle trips between zones. This was achieved by utilizing the Origin-Destination (OD) methodology.

The OD methodology was used to calculate the total VMT as this methodology incorporates VMT associated with internal to external [IX] and external to internal [XI] trips. Since this methodology cannot differentiate VMT associated with individual trip types, this methodology is typically not applicable to land use projects for which the VMT for individual land use types are to be reported separately. However, as total VMT was selected for use as the evaluation metric for the identification of impacts associated with project-generated VMT, this calculation methodology was selected for conducting the analysis. In this methodology, the Highway Skim (Length) matrices were multiplied by the OD vehicle trip matrices for the corresponding assignment time periods to determine the VMT traveling to and from each TAZ. The VMT matrices for the different assignment time periods were summed to determine the daily VMT.

To determine the VMT on a per service population basis, the inbound and outbound VMT for the City TAZs was then extracted from the VMT matrices. The summed inbound and outbound VMT was then divided by the appropriate population or employment groupings. For the total VMT metric, the appropriate population grouping is the service population, which includes both residents and employees. Estimates of residents and employees within each TAZ were taken from the SBTAM socioeconomic data assumptions (with adjustments to align with the City's existing and proposed uses). To find the overall VMT per service population for the City or the City's sphere of influence, the VMT for all TAZs in the

corresponding area was summed and divided by the total number of residents and/or workers in those TAZs.

The evaluation of VMT metrics was evaluated over three geographic areas: (1) the City of Needles TAZs, (2) the Needles Sphere of Influence TAZs, and (3) San Bernardino County. The evaluation of VMT metrics over these three areas allows for comparison of VMT generation across different areas. The City of Needles TAZs include those TAZs that contain the majority of the land uses within the City. While the area covered by these TAZs includes a majority of the area covered by the City (in addition to undeveloped areas outside of the City's jurisdiction), this area excludes parts of the southern, undeveloped portions of the City. The Needles Sphere of Influence TAZs include all TAZs which contain a portion of the City. While the area covered by these TAZs encompasses all land within the City's jurisdiction, it also includes large areas outside of the City boundary. This includes distant communities such as Havasu Lake and Big River, approximately 25 and 50 miles south of the City, respectively, which generate VMT at much different rates than the City. For this reason, the City of Needles TAZs area was analyzed to provide a focused evaluation of the VMT impacts associated with the City's uses. The overlap between the City of Needles TAZ area and Needles Sphere of Influence TAZ area are shown in Figure 4.1. Finally, the San Bernardino area includes all TAZs within the County, including those within the more developed, southwestern portion of the County. The evaluation of this geography allows the City's VMT metrics to be compared with the County overall.

SIGNIFICANT IMPACT THRESHOLDS

The Technical Advisory recommends that proposed projects generate a VMT per capita or per employee that is fifteen percent below that of the existing development in order to not result in a significant impact. However, the Technical Advisory also notes the difficulties rural communities face in order to reduce VMT. Therefore, significant thresholds for these areas can be determined on a case-by-case basis. Therefore, in order to comply with the State's goal of reducing VMT, for the purposes of this analysis, the following threshold was established for the identification of significant impacts:

- The Citywide VMT per service population under future with General Plan Buildout conditions exceeds the Citywide VMT per service population under existing conditions.

This impact threshold was applied based on the VMT metrics calculated for the project and were used to determine whether the project is anticipated to result in a significant VMT impact.

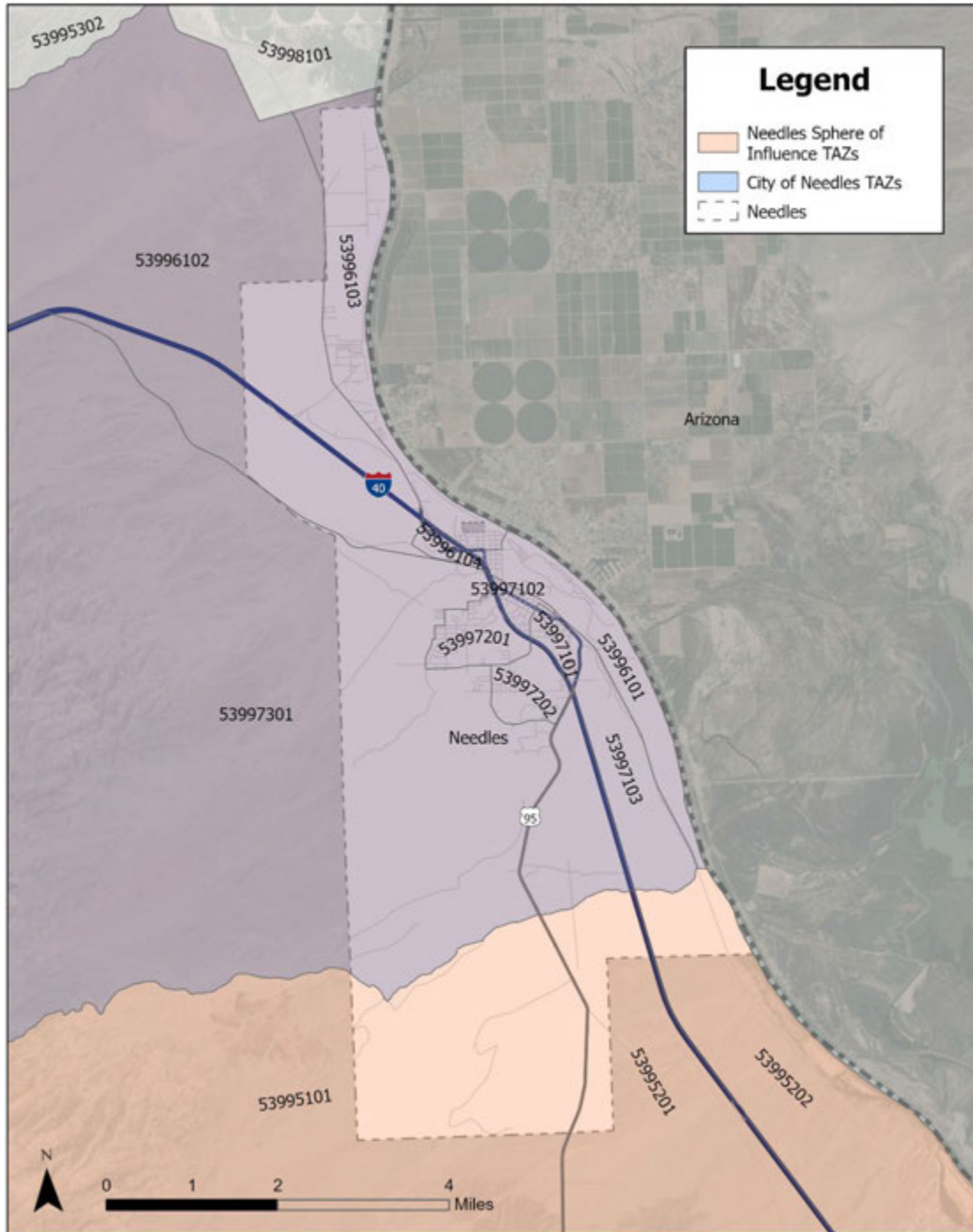
ANALYSIS SCENARIOS

The same two analysis scenarios selected for analysis for the LOS analysis were also used for the VMT analysis to determine whether the project would result in a significant VMT impact:

- Existing (2021) conditions
- Future (2040) With Project conditions

The VMT metrics under existing conditions were calculated based on model output files for the SBTAM baseline (2016) conditions, with adjustments made for the TAZs within the City in order to accurately represent the existing active land uses. VMT results for the Future With Project conditions were determined by running the SBTAM with appropriate socioeconomic data (SED) inputs to account for the land use changes resulting from the General Plan update. The changes to the SED assumptions are detailed in the following sections.

FIGURE 4.1: CITY OF NEEDLES TAZ MAP



5.0 EXISTING (2021) CONDITIONS

EXISTING (2021) TRAFFIC VOLUMES

Traffic volumes at these study locations were obtained from automatic and manual traffic counts conducted in July 2021. Average daily traffic (ADT) volumes were collected over three consecutive days, encompassing a “typical” weekday (Thursday), and two weekend days (Friday and Saturday). These counts were collected July 15-17, 2021 using pneumatic tube counters. Intersection turning movement counts were collected on both a “typical” weekday and a weekend day to capture changes in traffic patterns that occur within the City that result from differing levels of business and recreational activities in the study area. The turning movement counts were collected on Thursday, July 15, 2021 and Saturday July 17, 2021. Weekday counts were collected during the morning (7:00 – 9:00 AM) and afternoon (4:00 – 6:00 PM) peak commute periods, while the Saturday counts were collected during the midday (12:00 PM- 2:00 PM) peak period. The intersection turning movement counts included the classification of vehicles such as passenger vehicles, trucks, and buses, as well as documentation of pedestrian and bicycle activity at the study intersections. Traffic data sheets are included in Appendix A. Figures 5.1 and 5.2 illustrate the existing peak hour volumes at the study intersections during a typical weekday and a typical weekend day, respectively. The intersection and roadway segment counts formed the basis of the existing operating conditions at the study locations.

EXISTING (2021) INTERSECTION LEVEL OF SERVICE

Table 5.1 summarizes the results of the HCM analysis for the Existing Year (2021) conditions. As shown on Table 5.1, all of the study intersections are currently operating at acceptable level of service (LOS D or better) during the weekday AM and PM peak hours and the weekend midday peak hour. Except for two intersections, all intersections operate with an overall LOS A during the weekday and weekend peak hours. The intersections of North K Street & Needles Highway and North Broadway Avenue/N Street & Needles Highway are the intersections operating at an overall LOS B during the peak hours, with delays ranging between 10.6 and 13.9 seconds. Appendix B contains the Existing Conditions analysis worksheets.

Table 5.1: Existing Year (2021) Traffic Conditions, Study Intersections

Study Intersections		Approach	Existing (2021) Conditions					
			Typical Weekday				Weekend Day	
			AM Peak Hour		PM Peak Hour		Peak Hour	
			Delay (s)	LOS	Delay (s)	LOS	Delay (s)	LOS
1	Needles Highway & Budweiser Road¹	Overall	0.3	-	0.3	-	0.3	-
		NB	0.0	-	0.0	-	0.0	-
		SB	0.0	-	0.0	-	0.0	-
		WB	9.9	A	9.5	A	9.6	A
2	Needles Highway & Park Road¹	Overall	4.2	-	4.6	-	3.7	-
		NB	1.3	-	0.9	-	0.3	-
		SB	0.2	-	0.3	-	0.0	-
		EB	9.9	A	10.2	B	10.3	B
		WB	0.0	A	9.6	A	9.3	A

¹ Two-way stop-controlled intersection. Per the Highway Capacity manual, Sixth Edition: A Guide for Multimodal Mobility Analysis, at two-way stop-controlled intersections, LOS is not defined for the intersection or for the major-street approaches.

² Signalized intersection.

³ All-way stop-controlled intersection.

Table 5.1: Existing Year (2021) Traffic Conditions, Study Intersections (cont.)

Study Intersections		Approach	Existing (2021) Conditions					
			Typical Weekday				Weekend Day	
			AM Peak Hour		PM Peak Hour		Peak Hour	
		Delay (s)	LOS	Delay (s)	LOS	Delay (s)	LOS	
3	Needles Highway & WB I-40 Ramps/Balboa Place¹	Overall	5.0	-	5.1	-	4.9	-
		NB	5.7	-	4.6	-	4.1	-
		SB	0.0	-	0.0	-	0.0	-
		EB	10.4	B	11.5	B	11.1	B
		WB	11.4	B	10.8	B	12.0	B
4	Needles Highway & EB I-40 Ramps/Pashard Street¹	Overall	4.7	-	6.2	-	7.1	-
		NB	11.0	B	9.7	A	11.0	B
		SB	13.7	B	14.5	B	16.3	C
		EB	1.9	-	1.7	-	2.5	-
		WB	1.1	-	0.5	-	0.9	-
5	North K Street & River Road/Smokestack Avenue¹	Overall	0.8	-	1.1	-	2.1	-
		NB	0.1	-	0.1	-	0.1	-
		SB	0.4	-	0.7	-	1.8	-
		EB	15.2	C	23.6	C	21.4	C
		WB	11.7	B	14.3	B	13.7	B
6	North Broadway Avenue/N Street & Needles Highway²	Overall	12.7	B	13.1	B	12.9	B
7	North K Street & Needles Highway²	Overall	10.6	B	13.9	B	10.6	B
8	J Street & West Broadway Avenue²	Overall	6.7	A	7.5	A	6.5	A
9	J Street & WB I-40 Ramps¹	Overall	2.5	-	3.5	-	2.7	-
		NB	10.2	B	11.5	B	10.5	B
		EB	0.5	-	1.0	-	0.5	-
		WB	0.0	-	0.0	-	0.0	-
10	J Street & EB I-40 Ramps¹	Overall	3.2	-	2.9	-	3.9	-
		SB	14.1	B	12.8	B	12.9	B
		EB	0.0	-	0.0	-	0.0	-
		WB	3.7	-	3.3	-	4.3	-
11	Bailey Avenue & Washington Street³	Overall	6.9	A	7.0	A	6.9	A
12	Bailey Avenue & J Street³	Overall	8.5	A	8.7	A	8.1	A
13	Bailey Avenue & Lillyhill Drive³	Overall	7.5	A	8.0	A	7.6	A
14	San Clemente Street & Casa Linda Street³	Overall	7.0	A	7.0	A	7.1	A
15	East Broadway Street & EB I-40 Ramps¹	Overall	4.2	-	4.2	-	4.0	-
		SB	9.8	A	10.3	B	10.4	B
		EB	0.0	-	0.0	-	0.0	-
		WB	1.8	-	2.7	-	2.2	-
16	East Broadway Street & WB I-40 Ramps¹	Overall	3.4	-	3.9	-	3.8	-
		NB	4.3	-	5.3	-	4.0	-
		SB	0.0	-	0.0	-	0.0	-
		WB	9.3	A	9.3	A	9.6	A

¹ Two-way stop-controlled intersection. Per the Highway Capacity manual, Sixth Edition: A Guide for Multimodal Mobility Analysis, at two-way stop-controlled intersections, LOS is not defined for the intersection or for the major-street approaches.

² Signalized intersection.

³ All-way stop-controlled intersection.

Table 5.1: Existing Year (2021) Traffic Conditions, Study Intersections (cont.)

Study Intersections		Approach	Existing (2021) Conditions					
			Typical Weekday				Weekend Day	
			AM Peak Hour		PM Peak Hour		Peak Hour	
		Delay (s)	LOS	Delay (s)	LOS	Delay (s)	LOS	
17	East Broadway Street & Goodwill Street¹	Overall	1.6	-	0.4	-	1.6	-
		NB	1.0	-	0.3	-	0.2	-
		SB	0.0	-	0.0	-	0.3	-
		EB	9.3	A	8.5	A	8.9	A
		WB	10.3	B	0.0	A	10.0	A
18	D Street & Third Street³	Overall	7.3	A	7.3	A	7.3	A
19	Palm Way & West Broadway Street¹	Overall	0.7	-	1.1	-	0.9	-
		NB	9.2	A	9.2	A	9.8	A
		SB	9.1	A	9.0	A	10.1	B
		EB	0.0	-	0.0	-	0.4	-
		WB	0.0	-	0.0	-	0.3	-
20	East Broadway Street & Victory Drive¹	Overall	0.4	-	0.4	-	0.5	-
		NB	0.0	-	0.0	-	0.2	-
		SB	0.0	-	0.0	-	0.0	-
		EB	9.5	A	9.8	A	10.4	B

¹ Two-way stop-controlled intersection. Per the Highway Capacity manual, Sixth Edition: A Guide for Multimodal Mobility Analysis, at two-way stop-controlled intersections, LOS is not defined for the intersection or for the major-street approaches.

² Signalized intersection.

³ All-way stop-controlled intersection.

FIGURE 5.1: EXISTING YEAR (2021) WEEKDAY AM/PM PEAK HOUR TRAFFIC VOLUMES

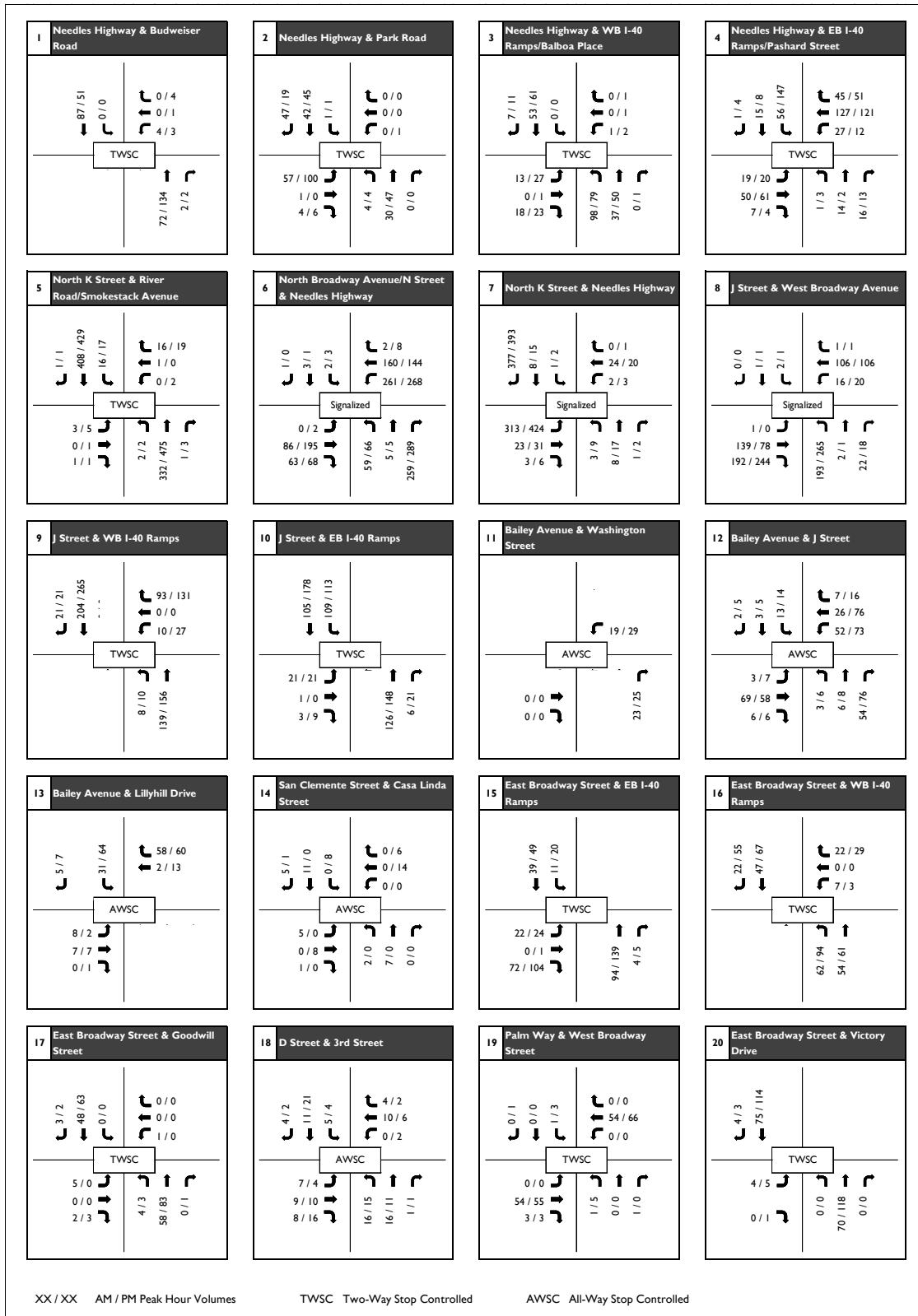
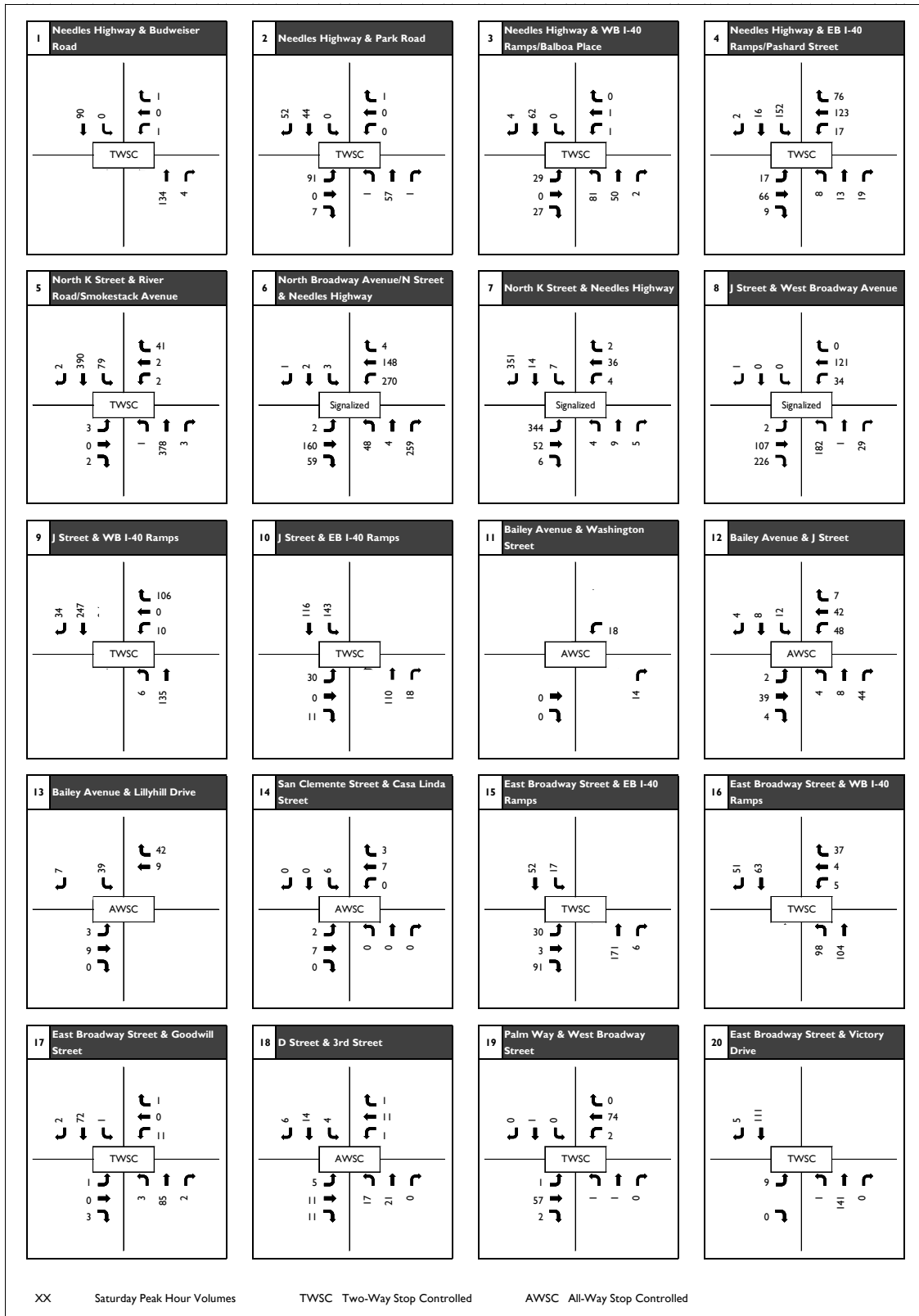


FIGURE 5.2: EXISTING YEAR (2021) WEEKEND MD PEAK HOUR TRAFFIC VOLUMES



EXISTING (2021) ROADWAY SEGMENT LEVEL OF SERVICE

Table 5.2 summarizes the results of the roadway analysis for the Existing Year (2021) conditions. As shown on Table 5.2, all 20 study roadway segments operate at an acceptable LOS under existing conditions. The most congested segments within the City are Needles Highway between N Broadway Avenue and North K Street; North K Street between Needles Highway and River Road; and Broadway Avenue between Needles Highway and J Street. These segments operate at LOS D on a typical weekday and LOS C during a typical weekend day. The only other roadway segment that operates below LOS A on either a weekday or a weekend day is the segment of J Street between the I-40 Ramps and Broadway Avenue, which operates at LOS B on a typical weekday.

Table 5.2: Existing Year (2021) Traffic Conditions, Study Roadways

ID	Segment	Location	# of Lanes	Capacity	Existing (2021) Conditions					
					Typical Weekday			Weekend Day		
					Daily Volume	V/C Ratio	LOS	Daily Volume	V/C Ratio	LOS
1	Needles Highway	n/o Budweiser Road	2	16,400	3,425	0.209	A	2,950	0.180	A
2	Park Road	I-40 Ramps to Needles Hwy	2	16,400	2,470	0.151	A	1,970	0.120	A
3	Needles Highway	Park Rd to National Trails Hwy	2	16,400	1,651	0.101	A	1,671	0.102	A
4	Needles Highway	n/o I-40 WB Ramps/Balboa Pl	2	16,400	2,178	0.133	A	2,211	0.135	A
5	Needles Highway	I-40 Ramps to N Broadway	4	26,900	6,357	0.236	A	5,760	0.214	A
6	Needles Highway	N Broadway to North K Street	2	16,400	14,191	0.865	D	12,029	0.733	C
7	North K Street	Needles Hwy to River Rd	2	16,400	14,160	0.863	D	11,566	0.705	C
8	River Road	Needles Hwy to Marina Dr	2	13,400	1,845	0.138	A	3,242	0.242	A
9	J Street	Bailey Ave to I-40 Ramps	2	13,400	4,111	0.307	A	3,183	0.238	A
10	J Street	I-40 Ramps to Broadway Ave	2	13,400	9,272	0.692	B	7,458	0.557	A
11	Broadway Avenue	Needles Hwy to J Street	2 ^[1]	13,400	12,007	0.896	D	9,772	0.729	C
12	Broadway Avenue	J Street to G Street	4	26,900	3,131	0.116	A	2,342	0.087	A
13	3rd Street	F Street to D Street	2	13,400	995	0.074	A	769	0.057	A
14	D Street	3rd St to Valley Ave/Cibola St	2	13,400	898	0.067	A	773	0.058	A
15	Bailey Avenue	Washington Street to J Street	2	13,400	702	0.052	A	509	0.038	A
16	Bailey Avenue	J Street to Lillyhill Drive	4	26,900	2,396	0.089	A	1,693	0.063	A
17	Lillyhill Drive	Bailey Avenue to Clary Drive	2	13,400	1,730	0.129	A	1,373	0.102	A
18	San Clemente Street	Clary Drive to I-40 Ramps	2	13,400	485	0.036	A	437	0.033	A
19	East Broadway Street	I-40 Ramps to Goodwill Street	4	26,900	2,880	0.107	A	2,300	0.086	A
20	East Broadway Street	Victory Drive to Spikes Road	2	16,400	5,962	0.364	A	4,227	0.258	A

Notes:

^[1] Between Needles Highway and J Street, Broadway Avenue provides two travel lanes in each direction for a majority of the route, aside from the segment crossing the railroad tracks between Walnut Street and L Street (which provides one lane in each direction). To be conservative, this segment was analyzed as a two-lane facility.

Note: ADT = Average Daily Traffic; V/C = volume-to-capacity (V/C) ratio; LOS = Level of Service

EXISTING (2021) YEAR MODEL FORECASTING

In order to establish the baseline VMT conditions for the City under existing (2021) conditions, the SBTAM was used to estimate trips generated by the City's land uses, as well as the associated trip lengths. In order to accurately model the existing active land uses with the City, the SED assumptions for the SBTAM model base year were reviewed and compared to existing household and population data collected for the City. A summary of the existing year SED assumptions for the TAZs within the City of Needles Sphere

of Influence are presented in Table 5.3. The detailed SED assumption for the SBTAM base year are presented in Appendix C. These SED assumptions were used as inputs in the SBTAM to forecast the number and length of trips that would serve as the foundation for the VMT analysis under existing (2021) conditions. As these SED assumptions were adjusted to represent existing conditions within the City, the resulting model output files were assumed to represent conditions for existing year 2021. These output files from the adjusted SBTAM base year model were used to calculate the existing (2021) VMT metrics for the City

Table 5.3: City of Needles Sphere of Influence Existing (2021) SED Assumptions

TAZ #	Households	Population	Employment Population
53995101	1	3	2
53995201	523	1321	226
53995202	0	0	0
53996101	297	769	112
53996102	50	130	39
53996103	377	976	122
53996104	27	70	61
53997101	219	567	139
53997102	139	360	361
53997103	1	3	24
53997201	410	1062	269
53997202	199	515	44
53997301	281	728	129

PROJECT-GENERATED VMT

As discussed previously, the baseline VMT generated by uses in City and was calculated under existing conditions using data from the SBTAM for the model base year with adjustments to account for the existing uses within City for existing year 2021. The total VMT associated with all trip types was calculated for all trips originating in or destined for the TAZs within the City of Needles area, the Needles Sphere of Influence area, and the San Bernardino County. Table 5.4 summaries the total VMT per service population for these three geographies. As shown, the area covered by the TAZs containing the land uses within the City generates approximately 40.72 total VMT per service population. When this area is expanded to cover all TAZs touching the bound of the City (including large areas of land outside of the City), the area generates approximately 67.23 VMT per service population. The County of San Bernardino overall generates 32.52 total VMT per service population. Therefore, while the City generates VMT at a higher rate than the County average, the developed areas of the City generate VMT at a lower rate than the surrounding region.

Table 5.4: Total VMT per Service Population Results, Existing Conditions

EXISTING (2021) CONDITIONS									
Area	Passenger Vehicle VMT	Light-Duty Truck VMT	Medium-Duty Truck VMT	Heavy-Duty Truck VMT	Total VMT	Residents	Employees	Service Population	Total VMT/SP
City of Needles TAZs	224,566	27,618	877	10,774	263,835	5,180	1,300	6,480	40.72
Needles Sphere of Influence TAZs	483,484	38,882	1,499	16,120	539,985	6,504	1,528	8,032	67.23
San Bernardino County	89,036,110	1,157,934	916,636	4,175,057	95,285,738	2,140,655	789,812	2,930,467	32.52

6.0 FUTURE (2040) CONDITIONS

FUTURE VOLUME FORECASTING METHODOLOGY

Intersection Turning Movement Volumes

The SBTAM was used to forecast future traffic growth at the study intersections for the future (2040) analysis year. As only the Future (2040) With Project conditions were analyzed, the SBTAM model was run with appropriate SED inputs to account for the land use changes resulting from the General Plan land use changes under the future scenario. In order to ensure that the SBTAM accounts for proposed levels of development in the project area, the SED input data for the model base and future years were reviewed. As discussed previously, the SED assumptions for the City's TAZs under the base model year scenario were updated to align with the City's existing population, housing and employment data (as presented in Table 5.3 and Appendix C). Adjustments were also made to the SED assumptions for the model future year account for household, resident, and employment growth associated with the proposed land use changes. The adjustments to the SED assumptions are detailed below.

The SED assumptions for the SBTAM future year (2040) were adjusted to account for residential, household, and employment growth assumptions within the City. For the future year (2040) With Project conditions, the SED adjustments assumed to be added by the proposed General Plan uses were added to the existing baseline SED assumptions, shown previously in Table 5.3. Together, the existing and proposed population, household, and employment estimates for the City's uses comprised the SED assumptions for the SBTAM future year (2040) model run. Additionally, resident, household, and employment estimates added to the Project TAZ were also proportionately removed from surrounding non-Project TAZs to maintain a constant level of regional growth for the SBTAM future year. Maintaining a constant level of employment growth in the region ensures consistency with the Regional Transportation Plan/Sustainable Communities Strategy (RTP/SCS). Therefore, SED assumptions for TAZs within the region surrounding the City were reviewed to identify the appropriate TAZs to which adjustments were made. A summary of the future model year SED assumptions for the TAZs within the City of Needles Sphere of Influence are presented in Table 6.1. The detailed SED assumptions for the SBTAM future year are presented in Appendix D for the TAZs within the City and the surrounding region.

The outputs from the future year model run were used to estimate traffic volume growth at the study intersections and along study roadway segments. In order to develop the future volumes at the study locations, roadway link volumes were gathered from the SBTAM runs. Link volumes were collected from the final trip assignment for the weekday daily and AM and PM peak periods for the various roadways connecting to or represented by the 20-study intersection and 20 study roadway segment locations. It should be noted that due to the structure of the SBTAM network and TAZs, additional post-processing of model volumes had to be conducted in order to estimate growth along the study segments and at the study intersections. This post-processing of model data was conducted for the model base and future year outputs.

Table 6.1: City of Needles Sphere of Influence Future (2040) With Project SED Assumptions

TAZ #	Households	Population	Employment Population
53995101	1	3	2
53995201	652	1,650	453
53995202	0	0	0
53996101	418	1,082	353
53996102	50	130	171
53996103	423	1,095	186
53996104	27	70	123
53997101	332	860	169
53997102	317	821	501
53997103	1	3	73
53997201	599	1,552	373
53997202	447	1,157	159
53997301	384	995	285

To establish the future volume growth for the Future (2040) With Project conditions, link volumes were extracted from both the base (2021)¹ and future (2040) year model runs. The bidirectional link volumes along these segments for the model base year and future year were used to establish the baseline and projected traffic volumes entering and exiting each intersection leg for 2021 and 2040, respectively. A comparison of these link volumes was used to determine the traffic volume growth expected between the model's baseline and future years (2021 and 2040). The total traffic volume growth along each link represents the total peak period traffic growth between the existing count year (2021) and the buildout analysis year (2040). The peak-period link volumes were converted to peak-hour link volumes by applying peak-period factors to the AM and PM peak-period volumes. Peak-period factors of 0.38 and 0.28 were selected for the AM and PM peak periods, respectively, as these are the peak period factors for the SBTAM. As the SBTAM does not forecast weekend traffic growth, a weekend midday to weekday PM peak hour factor was determined from the existing counts and applied to the weekday PM peak hour volume growth to estimate weekend midday peak hour volume growth. The hourly link volume calculations for the study intersections under Future Year (2040) With Project conditions are shown in Appendix E.

Once the Future (2040) With Project peak hour link volumes were determined for the roadway segments adjoining the study intersections, the link volumes were converted to turning and through movements using the Directional Method iterative procedure for refining model outputs described in Chapter 6 of the *National Cooperative Highway Research Project (NCHRP) Report 765: Analytical Travel Forecasting Approaches for Project-Level Planning and Design* (Transportation Research Board, 2014). This method uses existing turning movement counts to convert projected link volumes to turning movement estimates. In this method, the existing turning movement counts were input into a turning movement matrix and the

¹ Typically, the SBTAM base year coincides with data from 2016. However, as mentioned previously, the base year population, housing, and employment assumptions were adjusted for the base year model run to align with the City's existing demographic data for 2021. Therefore, it was assumed that the conditions represented by the output files for the adjusted SBTAM base year model run align with the existing year (2021).

approach (inbound) and departure (outbound) movement flows were alternatively balanced until the forecast inbound and outbound link volumes were met to an acceptable level of accuracy. A maximum of 20 iterations were conducted to allow the adjusted turning movements to converge. The calculation worksheets using the NCHRP Report 765 Directional Method iterative procedure for the Future (2040) With Project conditions are presented in Appendix F. Figures 6.1 and 6.2 illustrate the weekday and weekend peak hour volumes at the study intersections, respectively, under the Future (2040) With Project conditions.

The LOS calculation methodologies described in Section 3.0 were then used in conjunction with the Future (2040) With Project peak hour intersection turning movement volumes to determine the future operating conditions of the study locations.

Roadway Segment ADT Volumes

As for the intersection turning movement volumes, outputs from the SBTAM future year model run were used to develop the future year roadway segment ADT volumes at the 20 study segment locations. The daily link volumes were compared between the SBTAM model runs from the base (2021) and future years (2040) to determine the daily growth expected along each study segment. This growth was then added to the 2021 ADT count volumes to determine the 2040 future ADT volumes. As with the turning movement counts, a weekend-to-weekday factor was determined using the collected ADT counts, which was then applied to the weekday growth to estimate the weekend growth in ADT volumes. Future year roadway segment volume development is presented in Appendix G.

FUTURE (2040) CONDITIONS INTERSECTION GEOMETRIES

In order to properly analyze future traffic conditions, an investigation was conducted to determine whether transportation improvements to the roadway system infrastructure have been implemented since the count collection period or are planned for implementation prior to the future year (2040) at the study locations. No projects increasing roadway or intersection capacity are currently proposed within the City. Thus, the traffic controls and approach lane geometrics shown previously in Figure 2.1 were assumed to prevail under future conditions.

FIGURE 6.1: FUTURE YEAR (2040) WITH PROJECT WEEKDAY AM/PM PEAK HOUR TRAFFIC VOLUMES

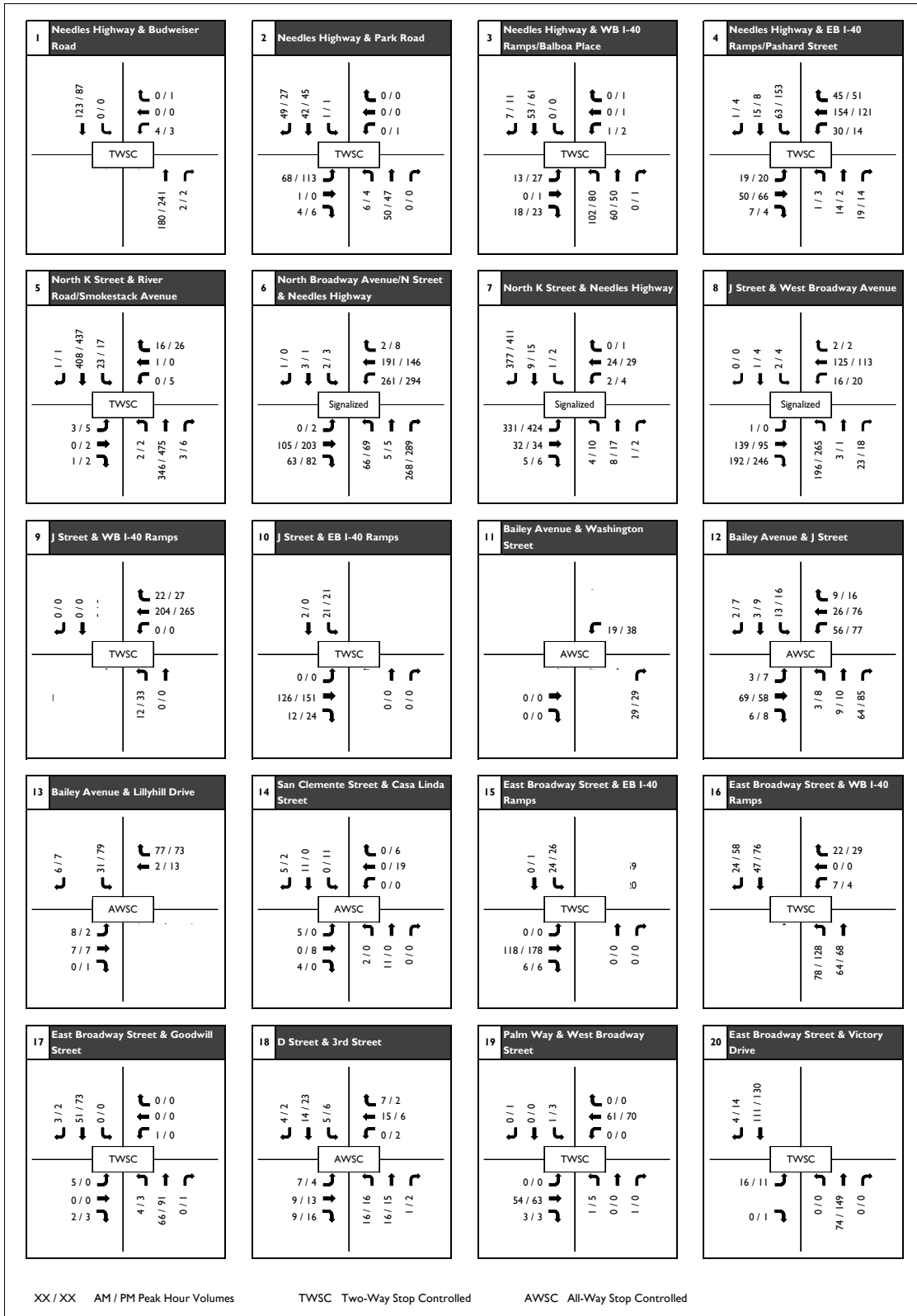
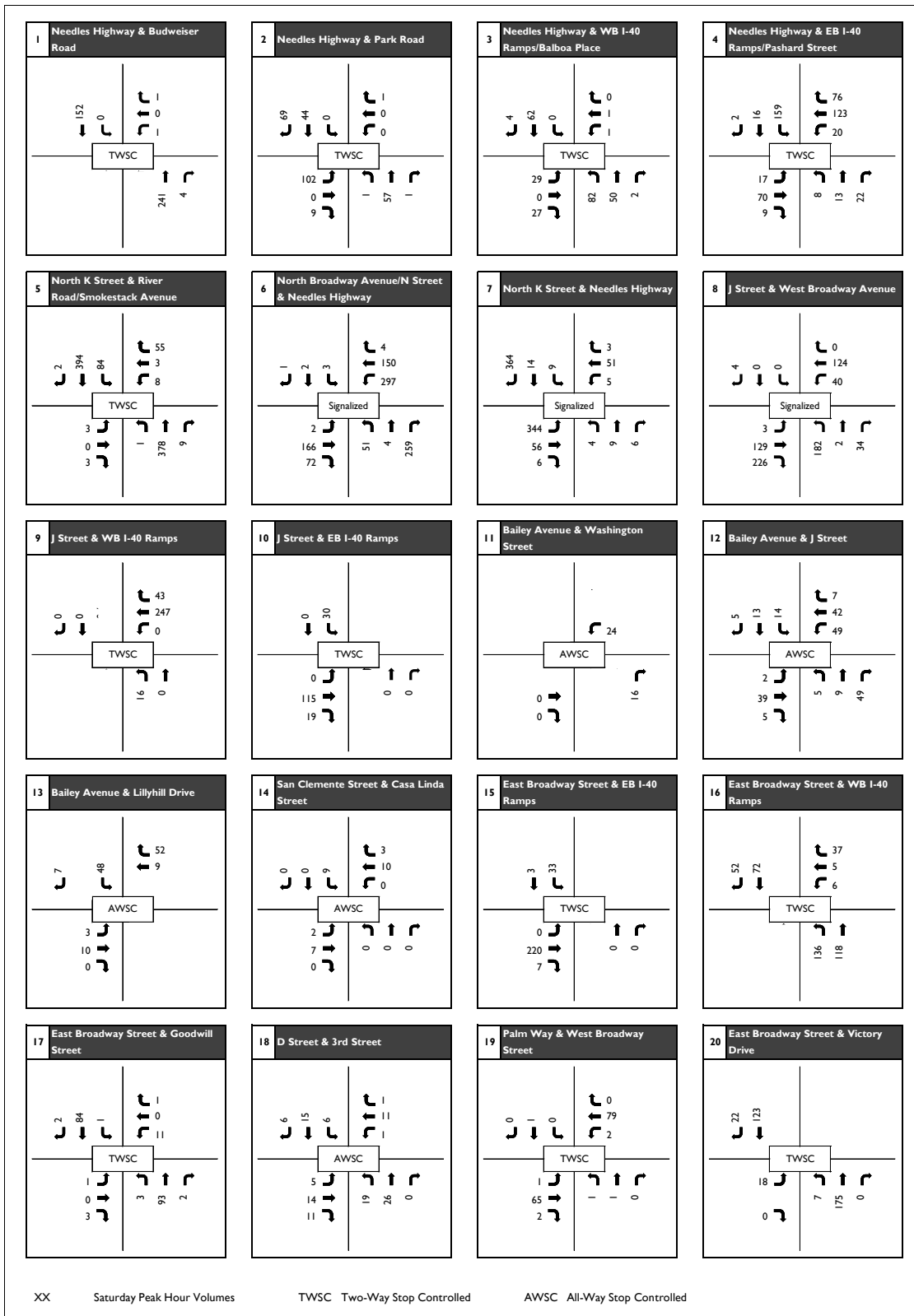


FIGURE 6.2: FUTURE YEAR (2040) WITH PROJECT WEEKEND MD PEAK HOUR TRAFFIC VOLUMES



FUTURE (2040) WITH PROJECT INTERSECTION LEVEL OF SERVICE

Table 6.2 summarizes the results of the HCM analysis for the Existing (2021) and Future Year (2040) With Project conditions. As shown on Table 6.2, all 20 study intersections are expected to operate at acceptable level of service during the weekday AM and PM peak hours and the weekend midday peak hour under Future (2040) With Project conditions. Similar to Existing (2021) conditions, 18 of the 20 study intersections are expected to operate at LOS A during the weekday and weekend peak hours. The intersections of North K Street & Needles Highway and North Broadway Avenue/N Street & Needles Highway are expected to continue to operate at LOS B during all three peak hours.

When compared with Existing conditions, the overall intersection LOS at the three signalized and five all-way stop-controlled study intersections will remain the same under the Future (2040) With Project scenario. In addition, the LOS along most stop-controlled approaches of the 12 two-way stop-controlled intersections would remain the same between existing (2021) and future (2040) conditions. The following intersection approaches would degrade in LOS during one or more peak hours between existing (2021) and future (2040) conditions:

- Westbound Budweiser Road at Needles Highway (Weekday AM & PM Peak, Weekend MD Peak)
- Eastbound Park Road at Needles Highway (Weekday AM Peak)
- Westbound River Road at North K Street (Weekday PM Peak, Weekend MD Peak)
- Eastbound I-40 Off-Ramp at East Broadway Street (Weekday AM Peak)
- Westbound I-40 Off-Ramp at East Broadway Street (Weekend MD Peak)
- Eastbound Victory Drive at East Broadway Street (Weekday PM Peak)

While these intersection approaches would degrade in LOS, they would all continue to operate at LOS C or better during the weekday and weekend peak hours.

Increases in overall intersection and approach delay at the study intersections between existing (2021) and future (2040) conditions, following implementation of the General Plan land use changes, are expected to be minor, ranging between 0.1 and 4.2 seconds, with the majority of delay increases being under one second. The following intersections and intersection approaches are those expected to have increases in delay of more than one second:

- Needles Highway & Budweiser Road – Westbound Approach: Weekday AM Peak (1.4 seconds), Weekday PM Peak (1.0 second), Weekend MD Peak (1.2 seconds)
- Needles Highway & EB I-40 Ramps/Pashard Street – Southbound Approach: Weekday AM Peak (1.1 seconds)
- North K Street & River Road/Smokestack Avenue – Westbound Approach: Weekday PM Peak (2.1 seconds), Weekend MD Peak (4.2 seconds)
- North K Street & Needles Highway: Weekday PM Peak (1.3 seconds)
- East Broadway Street & Victory Drive – Eastbound Approach: Weekend MD Peak (1.3 seconds)

Despite the increases in delay expected at some intersections throughout the City, these increases in delay will not degrade intersection operations following the increased development resulting from the General Plan land use changes. Appendix H contains the Future With Project Conditions analysis worksheets.

Table 6.2: Future Year (2040) Traffic Conditions, Study Intersections

Study Intersections	Approach	Existing (2021) Conditions						Future (2040) Conditions								
		Typical Weekday			Weekend Day			Typical Weekday			Weekend Day					
		AM Peak Hour Delay (s)	LOS	PM Peak Hour Delay (s)	LOS	Peak Hour Delay (s)	LOS	AM Peak Hour Delay (s)	LOS	Diff	PM Peak Hour Delay (s)	LOS	Diff	Peak Hour Delay (s)	LOS	Diff
1 Needles Highway & Budweiser Road ¹	Overall	0.3	-	0.3	-	0.3	-	0.2	-	-0.1	0.2	-	-0.1	0.2	-	-0.1
	NB	0.0	-	0.0	-	0.0	-	0.0	-	0.0	-	0.0	-	0.0	-	0.0
	SB	0.0	-	0.0	-	0.0	-	0.0	-	0.0	-	0.0	-	0.0	-	0.0
	WB	9.9	A	9.5	A	9.6	A	11.3	B	1.4	10.5	B	1.0	10.8	B	1.2
2 Needles Highway & Park Road ¹	Overall	4.2	-	4.6	-	3.7	-	4.4	-	0.2	4.6	-	0.0	3.8	-	0.1
	NB	1.3	-	0.9	-	0.3	-	1.2	-	-0.1	0.9	-	0.0	0.3	-	0.0
	SB	0.2	-	0.3	-	0.0	-	0.2	-	0.0	0.2	-	-0.1	0.0	-	0.0
	EB	9.9	A	10.2	B	10.3	B	10.3	B	0.4	10.3	B	0.1	10.4	B	0.1
3 Needles Highway & WB I-40 Ramps/Balboa Place ¹	Overall	5.0	-	5.1	-	4.9	-	4.7	-	-0.3	5.1	-	0.0	4.9	-	0.0
	NB	5.7	-	4.6	-	4.1	-	5.0	-	-0.7	4.6	-	0.0	4.2	-	0.1
	SB	0.0	-	0.0	-	0.0	-	0.0	-	0.0	0.0	-	0.0	0.0	-	0.0
	EB	10.4	B	11.5	B	11.1	B	10.6	B	0.2	11.6	B	0.1	11.1	B	0.0
4 Needles Highway & EB I-40 Ramps/Pashard Street ¹	Overall	4.7	-	6.2	-	7.1	-	4.9	-	0.2	6.5	-	0.3	7.5	-	0.4
	NB	11.0	B	9.7	A	11.0	B	11.1	B	0.1	9.8	A	0.1	11.0	B	0.0
	SB	13.7	B	14.5	B	16.3	C	14.8	B	1.1	15.1	C	0.6	17.2	C	0.9
	EB	1.9	-	1.7	-	2.5	-	2.0	-	0.1	1.6	-	-0.1	2.4	-	-0.1
5 North K Street & River Road/Smokestack Avenue ¹	Overall	0.8	-	1.1	-	2.1	-	0.9	-	0.1	1.5	-	0.4	2.8	-	0.7
	NB	0.1	-	0.1	-	0.1	-	0.1	-	0.0	0.1	-	0.0	0.1	-	0.0
	SB	0.4	-	0.7	-	1.8	-	0.6	-	0.2	0.7	-	0.0	1.9	-	0.1
	EB	15.2	C	23.6	C	21.4	C	15.8	C	0.6	22.8	C	-0.8	20.8	C	-0.6
6 North Broadway Avenue/N Street & Needles Highway ²	Overall	12.7	B	13.1	B	12.9	B	13.0	B	0.3	13.6	B	0.5	13.4	B	0.5
	NB	11.7	B	14.3	B	13.7	B	11.9	B	0.2	16.4	C	2.1	17.9	C	4.2
	SB	0.4	-	0.7	-	1.8	-	0.6	-	0.2	0.7	-	0.0	1.9	-	0.1
	EB	15.2	C	23.6	C	21.4	C	15.8	C	0.6	22.8	C	-0.8	20.8	C	-0.6
7 North K Street & Needles Highway ²	Overall	10.6	B	13.9	B	10.6	B	10.8	B	0.2	15.2	B	1.3	11.0	B	0.4
	NB	11.7	B	14.3	B	13.7	B	11.9	B	0.2	16.4	C	2.1	17.9	C	4.2
	SB	0.4	-	0.7	-	1.8	-	0.6	-	0.2	0.7	-	0.0	1.9	-	0.1
	EB	15.2	C	23.6	C	21.4	C	15.8	C	0.6	22.8	C	-0.8	20.8	C	-0.6
8 J Street & West Broadway Avenue ²	Overall	6.7	A	7.5	A	6.5	A	6.7	A	0.0	7.5	A	0.0	6.6	A	0.1
	NB	11.7	B	14.3	B	13.7	B	11.9	B	0.2	16.4	C	2.1	17.9	C	4.2
	SB	0.4	-	0.7	-	1.8	-	0.6	-	0.2	0.7	-	0.0	1.9	-	0.1
	EB	15.2	C	23.6	C	21.4	C	15.8	C	0.6	22.8	C	-0.8	20.8	C	-0.6
9 J Street & WB I-40 Ramps ¹	Overall	2.5	-	3.5	-	2.7	-	2.6	-	0.1	3.8	-	0.3	3.0	-	0.3
	NB	10.2	B	11.5	B	10.5	B	10.3	B	0.1	12.0	B	0.5	10.9	B	0.4
	SB	0.5	-	1.0	-	0.5	-	0.6	-	0.1	1.6	-	0.6	1.1	-	0.6
	WB	0.0	-	0.0	-	0.0	-	0.0	-	0.0	0.0	-	0.0	0.0	-	0.0

¹ Two-way stop-controlled intersection. Per the Highway Capacity manual, Sixth Edition: A Guide for Multimodal Mobility Analysis, at two-way stop-controlled intersections, LOS is not defined for the intersection or for the major-street approaches.

² Signalized intersection.

³ All-way stop-controlled intersection.

Table 6.2: Future Year (2040) Traffic Conditions, Study Intersections (cont.)

Study Intersections	Approach	Existing (2021) Conditions						Future (2040) Conditions								
		Typical Weekday				Weekend Day		Typical Weekday						Weekend Day		
		AM Peak Hour		PM Peak Hour		Peak Hour		AM Peak Hour			PM Peak Hour			Peak Hour		
		Delay (s)	LOS	Delay (s)	LOS	Delay (s)	LOS	Delay (s)	LOS	Diff	Delay (s)	LOS	Diff	Delay (s)	LOS	Diff
10 J Street & EB I-40 Ramps ¹	Overall	3.2	-	2.9	-	3.9	-	3.3	-	0.1	2.9	-	0.0	3.8	-	-0.1
	SB	14.1	B	12.8	B	12.9	B	13.5	B	-0.6	12.8	B	0.0	13.0	B	0.1
	EB	0.0	-	0.0	-	0.0	-	0.0	-	0.0	0.0	-	0.0	0.0	-	0.0
	WB	3.7	-	3.3	-	4.3	-	3.7	-	0.0	3.3	-	0.0	4.3	-	0.0
11 Bailey Avenue & Washington Street ³	Overall	6.9	A	7.0	A	6.9	A	6.9	A	0.0	7.0	A	0.0	6.9	A	0.0
12 Bailey Avenue & J Street ³	Overall	8.5	A	8.7	A	8.1	A	8.6	A	0.1	8.8	A	0.1	8.1	A	0.0
13 Bailey Avenue & Lillyhill Drive ³	Overall	7.5	A	8.0	A	7.6	A	7.6	A	0.1	8.2	A	0.2	7.7	A	0.1
14 San Clemente Street & Casa Linda Street ³	Overall	7.0	A	7.0	A	7.1	A	6.9	A	-0.1	7.1	A	0.1	7.1	A	0.0
15 East Broadway Street & EB I-40 Ramps ¹	Overall	4.2	-	4.2	-	4.0	-	4.7	-	0.5	4.1	-	-0.1	4.0	-	0.0
	SB	9.8	A	10.3	B	10.4	B	10.1	B	0.3	10.6	B	0.3	10.9	B	0.5
	EB	0.0	-	0.0	-	0.0	-	0.0	-	0.0	0.0	-	0.0	0.0	-	0.0
	WB	1.8	-	2.7	-	2.2	-	1.8	-	0.0	2.4	-	-0.3	2.0	-	-0.2
16 East Broadway Street & WB I-40 Ramps ¹	Overall	3.4	-	3.9	-	3.8	-	3.5	-	0.1	4.3	-	0.4	4.1	-	0.3
	NB	4.3	-	5.3	-	4.0	-	4.5	-	0.2	5.8	-	0.5	4.6	-	0.6
	SB	0.0	-	0.0	-	0.0	-	0.0	-	0.0	0.0	-	0.0	0.0	-	0.0
	WB	9.3	A	9.3	A	9.6	A	9.4	A	0.1	9.9	A	0.6	10.2	B	0.6
17 East Broadway Street & Goodwill Street ¹	Overall	1.6	-	0.4	-	1.6	-	1.5	-	-0.1	0.3	-	-0.1	1.5	-	-0.1
	NB	1.0	-	0.3	-	0.2	-	0.9	-	-0.1	0.3	-	0.0	0.2	-	0.0
	SB	0.0	-	0.0	-	0.3	-	0.0	-	0.0	0.0	-	0.0	0.3	-	0.0
	EB	9.3	A	8.5	A	8.9	A	9.4	A	0.1	8.5	A	0.0	9.0	A	0.1
	WB	10.3	B	0.0	A	10.0	A	10.4	B	0.1	0.0	A	0.0	10.2	B	0.2
18 D Street & Third Street ³	Overall	7.3	A	7.3	A	7.3	A	7.4	A	0.1	7.4	A	0.1	7.4	A	0.1
19 Palm Way & West Broadway Street ¹	Overall	0.7	-	1.1	-	0.9	-	0.7	-	0.0	1.1	-	0.0	0.9	-	0.0
	NB	9.2	A	9.2	A	9.8	A	9.2	A	0.0	9.2	A	0.0	9.9	A	0.1
	SB	9.1	A	9.0	A	10.1	B	9.2	A	0.1	9.0	A	0.0	10.2	B	0.1
	EB	0.0	-	0.0	-	0.4	-	0.0	-	0.0	0.0	-	0.0	0.3	-	-0.1
	WB	0.0	-	0.0	-	0.3	-	0.0	-	0.0	0.0	-	0.0	0.3	-	0.0
20 East Broadway Street & Victory Drive ¹	Overall	0.4	-	0.4	-	0.5	-	1.2	-	0.8	0.5	-	0.1	1.1	-	0.6
	NB	0.0	-	0.0	-	0.2	-	0.0	-	0.0	0.0	-	0.0	0.9	-	0.7
	SB	0.0	-	0.0	-	0.0	-	0.0	-	0.0	0.0	-	0.0	0.0	-	0.0
	EB	9.5	A	9.8	A	10.4	B	10.0	A	0.5	10.6	B	0.8	11.7	B	1.3

¹ Two-way stop-controlled intersection. Per the Highway Capacity manual, Sixth Edition: A Guide for Multimodal Mobility Analysis, at two-way stop-controlled intersections, LOS is not defined for the intersection or for the major-street approaches.

² Signalized intersection.

³ All-way stop-controlled intersection.

FUTURE (2040) WITH PROJECT ROADWAY SEGMENT LEVEL OF SERVICE

Table 6.3 summarizes the results of the roadway analysis for the Existing (2021) and Future Year (2040) With Project conditions. As shown on Table 6.3, all 20-study roadway segments would continue to operate at acceptable LOS conditions under Future (2040) With Project conditions. All roadway segments are expected to operate at the same LOS under Future (2040) With Project conditions as under Existing (2021) conditions. Thus, the following segments are those that are expected to operate below LOS A on either a weekday or a weekend day:

- Needles Highway between North Broadway Avenue and North K Street: Weekday (LOS D), Weekend (LOS C)
- North K Street between Needles Highway and River Road: Weekday (LOS D), Weekend (LOS C)
- Broadway Avenue between Needles Highway and J Street: Weekday (LOS D), Weekend (LOS C)
- J Street between I-40 Ramps and Broadway Avenue: Weekday (LOS B)

Despite the increases in daily volumes along these roadway segments, they are expected to continue to operate at an acceptable LOS and will be able to accommodate the additional traffic demand resulting from the changes in land use associated with the update to General Plan. However, should additional development be proposed within the City outside of the currently proposed land use changes, especially near the intersection of Needles Highway & North K Street, potential roadway capacity enhancements may need to be explored in order to accommodate the additional vehicular demands along these roadways.

Table 6.3: Future Year (2040) Traffic Conditions, Study Roadways

ID	Segment	Location	# of Lanes	Capacity	Existing (2021) Conditions						Future (2040) Conditions									
					Typical Weekday			Weekend Day			Typical Weekday				Weekend Day					
					Daily Volume	V/C Ratio	LOS	Daily Volume	V/C Ratio	LOS	Daily Volume	V/C Ratio	LOS	Diff	Daily Volume	V/C Ratio	LOS	Diff	LOS	Diff
1	Needles Highway	n/o Budweiser Road	2	16,400	3,425	0.209	A	2,950	0.180	A	6,182	0.377	A	0.168	5,304	0.323	A	0.144	A	-0.036
2	Park Road	I-40 Ramps to Needles Hwy	2	16,400	2,470	0.151	A	1,970	0.120	A	2,821	0.172	A	0.021	2,253	0.137	A	0.017	A	-0.103
3	Needles Highway	Park Rd to National Trails Hwy	2	16,400	1,651	0.101	A	1,671	0.102	A	1,575	0.096	A	-0.005	1,599	0.098	A	-0.004	A	-0.106
4	Needles Highway	n/o I-40 WB Ramps/Balboa Pl	2	16,400	2,178	0.133	A	2,211	0.135	A	2,102	0.128	A	-0.005	2,139	0.130	A	-0.004	A	-0.139
5	Needles Highway	I-40 Ramps to N Broadway	4	26,900	6,357	0.236	A	5,760	0.214	A	6,849	0.255	A	0.018	6,206	0.231	A	0.017	A	-0.198
6	Needles Highway	N Broadway to North K Street	2	16,400	14,191	0.865	D	12,029	0.733	C	14,618	0.891	D	0.026	12,392	0.756	C	0.022	A	-0.711
7	North K Street	Needles Hwy to River Rd	2	16,400	14,160	0.863	D	11,566	0.705	C	14,368	0.876	D	0.013	11,736	0.716	C	0.010	A	-0.695
8	River Road	Needles Hwy to Marina Dr	2	13,400	1,845	0.138	A	3,242	0.242	A	2,215	0.165	A	0.028	3,893	0.291	A	0.049	A	-0.193
9	J Street	Bailey Ave to I-40 Ramps	2	13,400	4,111	0.307	A	3,183	0.238	A	4,224	0.315	A	0.008	3,271	0.244	A	0.007	A	-0.231
10	J Street	I-40 Ramps to Broadway Ave	2	13,400	9,272	0.692	B	7,458	0.557	A	8,958	0.669	B	-0.023	7,209	0.538	A	-0.019	A	-0.575
11	Broadway Avenue	Needles Hwy to J Street	2 ^[1]	13,400	12,007	0.896	D	9,772	0.729	C	11,908	0.889	D	-0.007	9,691	0.723	C	-0.006	A	-0.735
12	Broadway Avenue	J Street to G Street	4	26,900	3,131	0.116	A	2,342	0.087	A	3,468	0.129	A	0.013	2,594	0.096	A	0.009	A	-0.078
13	3rd Street	F Street to D Street	2	13,400	995	0.074	A	769	0.057	A	977	0.073	A	-0.001	755	0.056	A	-0.001	A	-0.058
14	D Street	3rd St to Valley Ave/Cibola St	2	13,400	898	0.067	A	773	0.058	A	978	0.073	A	0.006	842	0.063	A	0.005	A	-0.053
15	Bailey Avenue	Washington Street to J Street	2	13,400	702	0.052	A	509	0.038	A	700	0.052	A	0.000	507	0.038	A	0.000	A	-0.038
16	Bailey Avenue	J Street to Lillyhill Drive	4	26,900	2,396	0.089	A	1,693	0.063	A	3,063	0.114	A	0.025	2,170	0.081	A	0.018	A	-0.045
17	Lillyhill Drive	Bailey Avenue to Clary Drive	2	13,400	1,730	0.129	A	1,373	0.102	A	2,075	0.155	A	0.026	1,644	0.123	A	0.020	A	-0.082
18	San Clemente Street	Clary Drive to I-40 Ramps	2	13,400	485	0.036	A	437	0.033	A	525	0.039	A	0.003	474	0.035	A	0.003	A	-0.030
19	East Broadway Street	I-40 Ramps to Goodwill Street	4	26,900	2,880	0.107	A	2,300	0.086	A	3,113	0.116	A	0.009	2,486	0.092	A	0.007	A	-0.079
20	East Broadway Street	Victory Drive to Spikes Road	2	16,400	5,962	0.364	A	4,227	0.258	A	6,974	0.425	A	0.062	4,945	0.302	A	0.044	A	-0.214

Notes:

^[1] Between Needles Highway and J Street, Broadway Avenue provides two travel lanes in each direction for a majority of the route, aside from the segment crossing the railroad tracks between Walnut Street and L Street (which provides one lane in each direction). To be conservative, this segment was analyzed as a two-lane facility.

Note: ADT = Average Daily Traffic; V/C = volume-to-capacity (V/C) ratio; LOS = Level of Service

FUTURE (2040) WITH PROJECT - PROJECT-GENERATED VMT

The VMT generated by uses in the City was also calculated for the Future (2040) With Project conditions. The total VMT associated with all trip types was calculated for all trips originating in or destined for the land uses with the TAZs within the City of Needles area, the Needles Sphere of Influence area, and the San Bernardino County, assuming the General Plan land use changes are implemented. Table 6.4 summarizes the projected total VMT per service population for these three geographies. As shown, the area covered by the TAZs containing the land uses within the City is expected to generate approximately 39.17 total VMT per service population. When this area is expanded to cover all TAZs touching the boundary of the City (including large areas of land outside of the City), the area is expected to generate approximately 91.58 VMT per service population. The County of San Bernardino overall will generate on average 33.40 total VMT per service population. Therefore, while the City is still expected to generate VMT at a higher rate than the County average, the developed areas of the City will continue to generate VMT at a lower rate than the surrounding region.

In order to determine whether the General Plan land use changes will result in a significant VMT impact, the Future (2040) With Project VMT metrics for the City must be compared with the Existing (2021) VMT metrics. The City of Needles TAZs was determined to be the appropriate area to use in order to evaluate the impact of the City's Transportation Element update. This area encompasses the vast majority of the uses within the City of Needles (including all proposed land uses as part of the General Plan). In addition, this area excludes the distant communities which generate VMT at a much different rate than the City itself. Table 6.5 below compares the VMT for the City of Needles TAZs between the existing (2021) and future (2040) conditions. As shown, the addition of the General Plan land use changes would result in an approximately 3.8 percent decrease in the total VMT per service population generated by the City's land uses. Therefore, the Transportation Element update is not expected to result in a significant VMT impact.

Table 6.4: Total VMT per Service Population Results, Future (2040) With Project Conditions

FUTURE (2040) WITH PROJECT CONDITIONS									
Area	Passenger Vehicle VMT	Light-Duty Truck VMT	Medium-Duty Truck VMT	Heavy-Duty Truck VMT	Total VMT	Residents	Employees	Service Population	Total VMT/SP
City of Needles TAZs	295,585	74,382	2,303	25,600	397,870	7,765	2,393	10,158	39.17
Needles Sphere of Influence TAZs	991,945	91,820	3,498	36,052	1,123,316	9,418	2,848	12,266	91.58
San Bernardino County	115,500,382	1,792,078	1,460,214	7,203,470	125,956,144	2,743,634	1,027,801	3,771,435	33.40

Table 6.5: City of Needles, Significant VMT Impact Determination

Area	Total VMT/Service Population			
	Existing (2021)	Future (2040) With Project	% Difference	Sig. Impact?
City of Needles TAZs	40.72	39.17	-3.8%	No

FUTURE (2040) WITH PROJECT WITH LANE REDUCTION SCENARIO

As part of the General Plan, the City is exploring the potential of a “Main Street” concept within Downtown Needles along Broadway Avenue. For this concept, potential lane reductions are being considered to create a more vibrant commercial district. The existing four-lane facility between L Street and A Street would be reduced to provide one travel lane in each direction with on-street angled parking.

In order to evaluate traffic impacts associated with this lane reduction, future condition roadway configurations have been adjusted to analyze Future (2040) conditions. The lane reduction would only affect the lane geometries at one study intersection: J Street & Broadway Avenue. The traffic controls and approach lane geometrics shown in Figure 6.3 were assumed to prevail under Future (2040) With Project With Lane Reduction conditions at the study intersections. In addition, the lane reduction would only affect the number of travel lanes for the segment of Broadway Avenue between J Street and G Street. The LOS conditions at these two locations were reevaluated for the Future (2040) With Project With Lane Reduction scenario as discussed below.

The reduction of the number of travel lanes may result in the trip diversions away from the roadway being treated to nearby parallel roadways. However, based on the traffic volumes and LOS conditions along Broadway Avenue, trip diversions are expected to be negligible as this roadway currently exhibits substantial excess capacity with minimal vehicular delays. Even with the reduction in travel lanes, the traffic volumes experienced by this roadway are expected to be well below capacity. Thus, no further adjustments to the traffic volumes were deemed necessary to account for the lane reduction along Broadway Avenue. As no trip diversions are anticipated in association with the lane reduction, the City’s VMT metrics would be the same under future (2040) conditions with or without the lane reduction. Thus, while LOS conditions were evaluated for the two affected study locations, no additional VMT analysis was conducted for the Future (2040) With Project With Lane Reduction scenario.

Table 6.6 summarizes the results of the HCM analysis for the Future Year (2040) With Project and With Project With Lane Reduction conditions at J Street & Broadway Avenue. As shown on Table 6.6, this study intersection is expected to operate at LOS A during the weekday AM and PM peak hours and the weekend midday peak hour under both future scenarios.

Table 6.6: Future Year (2040) With Lane Reduction Traffic Conditions, Study Intersections

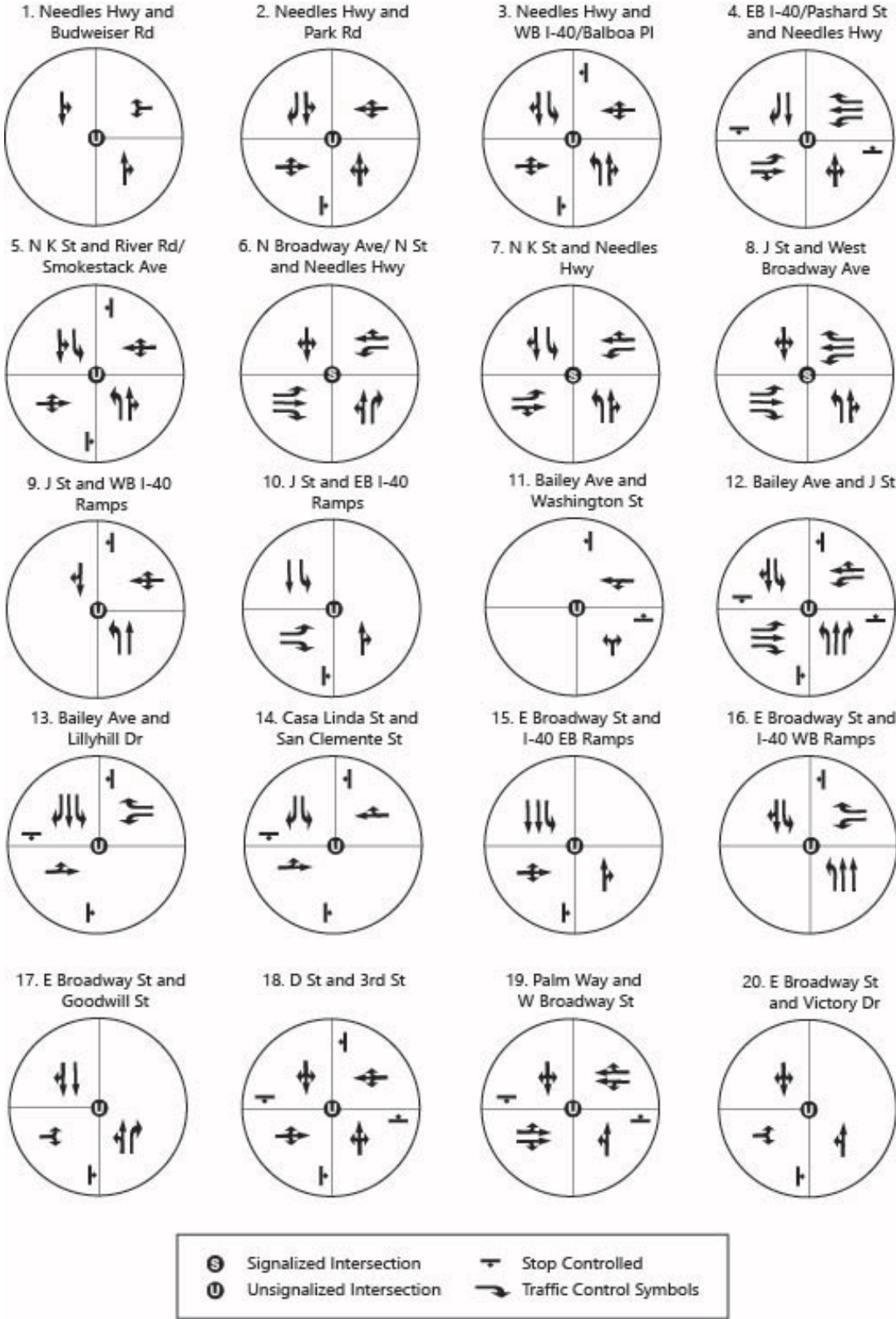
Study Intersections	Approach	Future (2040) With Project Conditions						Future (2040) With Project With Lane Reduction Conditions								
		Typical Weekday			Weekend Day			Typical Weekday			Weekend Day					
		AM Peak Hour		PM Peak Hour	Peak Hour		Diff	AM Peak Hour		PM Peak Hour		Peak Hour				
		Delay (s)	LOS	Delay (s)	LOS	Delay (s)		LOS	Delay (s)	LOS	Diff	Delay (s)	LOS	Diff		
8 J Street & West Broadway Avenue ¹	Overall	6.7	A	7.5	A	6.6	A	6.8	A	0.1	7.6	A	0.1	6.7	A	0.1

Table 6.7 summarizes the results of the roadway analysis for the Future Year (2040) With Project and With Project With Lane Reduction conditions along Broadway Avenue between J Street and G Street. As shown on Table 6.7, this roadway segment would continue to operate at LOS A on weekdays and weekend days under both future scenarios.

Table 6.7: Future Year (2040) With Lane Reduction Traffic Conditions, Study Roadways

ID	Segment	Location	# of Lanes	Capacity	Future (2040) Conditions						Future (2040) With Lane Reduction Conditions									
					Typical Weekday			Weekend Day			# of Lanes	Capacity	Typical Weekday				Weekend Day			
					Daily Volume	V/C Ratio	LOS	Daily Volume	V/C Ratio	LOS			V/C Ratio	LOS	Diff	V/C Ratio	LOS	Diff		
12	Broadway Avenue	J Street to G Street	4	26,900	3,468	0.129	A	2,594	0.096	A	2	13,400	0.259	A	0.130	0.194	A	0.097		

FIGURE 6.3: FUTURE (2040) WITH LANE REDUCTION INTERSECTION GEOMETRIES



7.0 CONCLUSIONS AND RECOMMENDATIONS

This report was prepared to evaluate the potential VMT impacts associated with the City's Transportation Element update, as well as operational conditions of intersections and roadway segments within the City of Needles to ensure compliance with the City's General Plan. The introduction of the land uses proposed as part of the update to the General Plan are expected to result in an approximate four percent reduction in VMT generated by the uses within the City. As the project will reduce the per capita VMT for the City, the land use changes are not expected to result in a significant VMT and would not require the implementation of mitigation measures under CEQA.

As LOS and delay are no longer the metrics used for evaluating transportation impacts under CEQA, the results of the LOS analysis presented herein cannot be used to identify significant CEQA impacts. However, the results can be used to determine whether the project would result in non-CEQA adverse conditions to the surrounding roadway network that would require corrective actions or improvements. The LOS standards established as part of this analysis were used to determine whether the Transportation Element update would result in any adverse conditions in order to ensure that the local roadway network continues to operate efficiently. As presented in the previous section, the project is not expected to result in adverse conditions at any of the 20 study intersections or 20 roadway segments. Thus, the project is not required to implement corrective actions at the study locations to maintain compliance with the City's General Plan.

While no mitigation measures or corrective actions are required, reducing the number and length of vehicle trips are common objectives established by local jurisdictions in order to align with the goals of reducing VMT and congestion. As such, a listing of potential voluntary measures that can be implemented by the City and private developers have been provided should the future development require the need to implement trip reduction measures. The California Air Pollution Control Officers Association (CAPCOA) published the *Handbook for Analyzing Greenhouse Gas Emission Reductions, Assessing Climate Vulnerabilities, and Advancing Health and Equity* in December 2021, which provides local governments, communities, and project developers with guidance regarding methods and tools for reducing impacts to the environment, combatting climate change, and promoting the development of healthy communities. This document has compiled research regarding the VMT reduction potential of various Transportation Demand Management (TDM) measures and provides equations quantifying the relationship between TDM measure implementation and VMT reduction based on either preferred or alternative literature sources. This document have been used to select the TDM measures appropriate for potential application within the City. The potential TDM measures and corresponding VMT reduction potential are summarized in Table 7.1 and are described in further detail in this section. It should be noted that the VMT ranges presented in the table below have been quantified for urban and suburban communities, and therefore may have a lesser VMT reduction potential within the City.

Table 7.1: TDM Strategies

TDM Measure	Maximum VMT Reduction
Neighborhood/Site Enhancement Measures	
Establish a Carshare Program	0.18%
Implement a Bikeshare/Scootershare Program	0.07%
Construct/Improve Bicycle Facility ¹	0.8%
Trip Reduction Program Measures ²	
Provide Ridesharing Program	8%
Provide End-of-Trip Bicycle Facilities	4.4%

¹ VMT reduction percentage for the construction of a bicycle facility applies to VMT along the parallel roadway.

² VMT reduction for trip reduction programs only applies to commute trip VMT.

TDM STRATEGIES

Neighborhood/Site Enhancement Measures

Establish a Carshare Program

This TDM measure would establish a carsharing program that would allow residents, employees, and visitors with access to short-term rentals of a private automobile. This program offers convenient access to a vehicle for infrequent personal or commute trips and, thus, supports the use of alternative travel modes for most trips and reduces the need for automobile ownership. This program can consist of a conventional program in which traditional, combustion engine vehicles are deployed or a program which implements the use of electric vehicles, further reducing greenhouse gas emissions.

Implement a Bikeshare/Scootershare Program

Bikeshare and scootershare programs provide users with access to short-term rentals of bike and scooters without having to contend with the up-front costs of purchasing one of these mobility devices. These programs encourage a shift to alternative mode travel for short trips that traditionally would have been taken via private automobile. This TDM measure accounts for the reduction of VMT that accompanies the implementation of one of these programs. To qualify for the VMT reduction benefits of these programs, projects would be required to contribute to the establishment of a Citywide bikeshare or scootershare program.

Construct/Improve Bicycle Facility

Construction or improvement of a bicycle lean facility (not inclusive of Class III facilities) would provide local residents and employees with transportation facilities that support the use of alternative mode travel. These dedicated facilities provide dedicated roadway space for bicycle travel, which promotes safety for these vulnerable roadway users.

Trip Reduction Program Measures

Provide Ridesharing Program

This program would establish a ridesharing program, at either a place of employment or a multifamily housing development, which would match employees and residents with other commuters who live/work

in a similar location. This measure would seek to reduce the number of single-occupancy vehicle commute trips, which tend to account for the largest share of daily VMT for residents within the City. The ridesharing program should include site features that promote the program, including designated rideshare parking spaces, passenger loading area, and message board for coordinating rides.

Provide End-of-Trip Bicycle Facilities

When employment locations provide bicycle facilities at the end of commute trips, employees are more likely to use alternative modes to arrive at and depart from work. These end-of-trip facilities can include bike lockers, showers, and personal lockers. Provision of such features, which can be relied upon consistently, will support employees transitioning to bicycling for their primary commute mode.

Appendix A – Traffic Counts

County of San Bernardino
 N/S: Needles Highway
 E/W: Budweiser Road
 Weather: Clear

File Name : 01_CSB_Needles_Bud AM
 Site Code : 16621325
 Start Date : 7/15/2021
 Page No : 1

Groups Printed- Passenger Vehicles - Trucks - Buses

Start Time	Needles Highway Southbound			Budweiser Road Westbound			Needles Highway Northbound			Int. Total
	Left	Thru	App. Total	Left	Right	App. Total	Thru	Right	App. Total	
07:00 AM	0	10	10	0	0	0	2	0	2	12
07:15 AM	0	13	13	1	0	1	12	1	13	27
07:30 AM	0	16	16	1	0	1	13	2	15	32
07:45 AM	0	13	13	1	4	5	11	1	12	30
Total	0	52	52	3	4	7	38	4	42	101
08:00 AM	0	21	21	1	0	1	11	0	11	33
08:15 AM	0	19	19	2	0	2	24	2	26	47
08:30 AM	0	18	18	1	0	1	22	0	22	41
08:45 AM	0	29	29	0	0	0	15	0	15	44
Total	0	87	87	4	0	4	72	2	74	165
Grand Total	0	139	139	7	4	11	110	6	116	266
Apprch %	0	100		63.6	36.4		94.8	5.2		
Total %	0	52.3	52.3	2.6	1.5	4.1	41.4	2.3	43.6	
Passenger Vehicles	0	133	133	6	4	10	101	6	107	250
% Passenger Vehicles	0	95.7	95.7	85.7	100	90.9	91.8	100	92.2	94
Trucks	0	6	6	1	0	1	9	0	9	16
% Trucks	0	4.3	4.3	14.3	0	9.1	8.2	0	7.8	6
Buses	0	0	0	0	0	0	0	0	0	0
% Buses	0	0	0	0	0	0	0	0	0	0

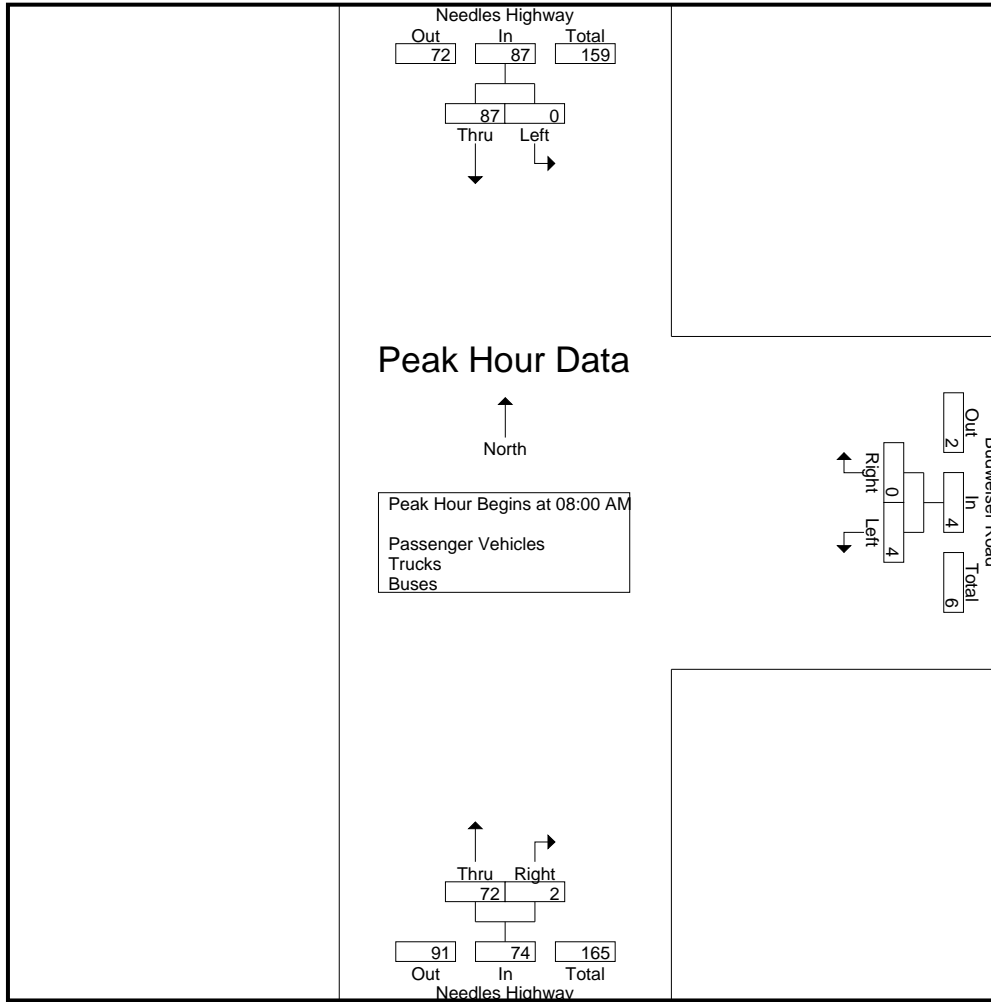
Start Time	Needles Highway Southbound			Budweiser Road Westbound			Needles Highway Northbound			Int. Total
	Left	Thru	App. Total	Left	Right	App. Total	Thru	Right	App. Total	
08:00 AM	0	21	21	1	0	1	11	0	11	33
08:15 AM	0	19	19	2	0	2	24	2	26	47
08:30 AM	0	18	18	1	0	1	22	0	22	41
08:45 AM	0	29	29	0	0	0	15	0	15	44
Total Volume	0	87	87	4	0	4	72	2	74	165
% App. Total	0	100		100	0		97.3	2.7		
PHF	.000	.750	.750	.500	.000	.500	.750	.250	.712	.878

Peak Hour Analysis From 07:00 AM to 08:45 AM - Peak 1 of 1

Peak Hour for Entire Intersection Begins at 08:00 AM

County of San Bernardino
 N/S: Needles Highway
 E/W: Budweiser Road
 Weather: Clear

File Name : 01_CSB_Needles_Bud AM
 Site Code : 16621325
 Start Date : 7/15/2021
 Page No : 2



Peak Hour Analysis From 07:00 AM to 08:45 AM - Peak 1 of 1
 Peak Hour for Each Approach Begins at:

	08:00 AM			07:30 AM			08:00 AM		
+0 mins.	0	21	21	1	0	1	11	0	11
+15 mins.	0	19	19	1	4	5	24	2	26
+30 mins.	0	18	18	1	0	1	22	0	22
+45 mins.	0	29	29	2	0	2	15	0	15
Total Volume	0	87	87	5	4	9	72	2	74
% App. Total	0	100		55.6	44.4		97.3	2.7	
PHF	.000	.750	.750	.625	.250	.450	.750	.250	.712

County of San Bernardino
 N/S: Needles Highway
 E/W: Budweiser Road
 Weather: Clear

File Name : 01_CSB_Needles_Bud AM
 Site Code : 16621325
 Start Date : 7/15/2021
 Page No : 1

Groups Printed- Passenger Vehicles

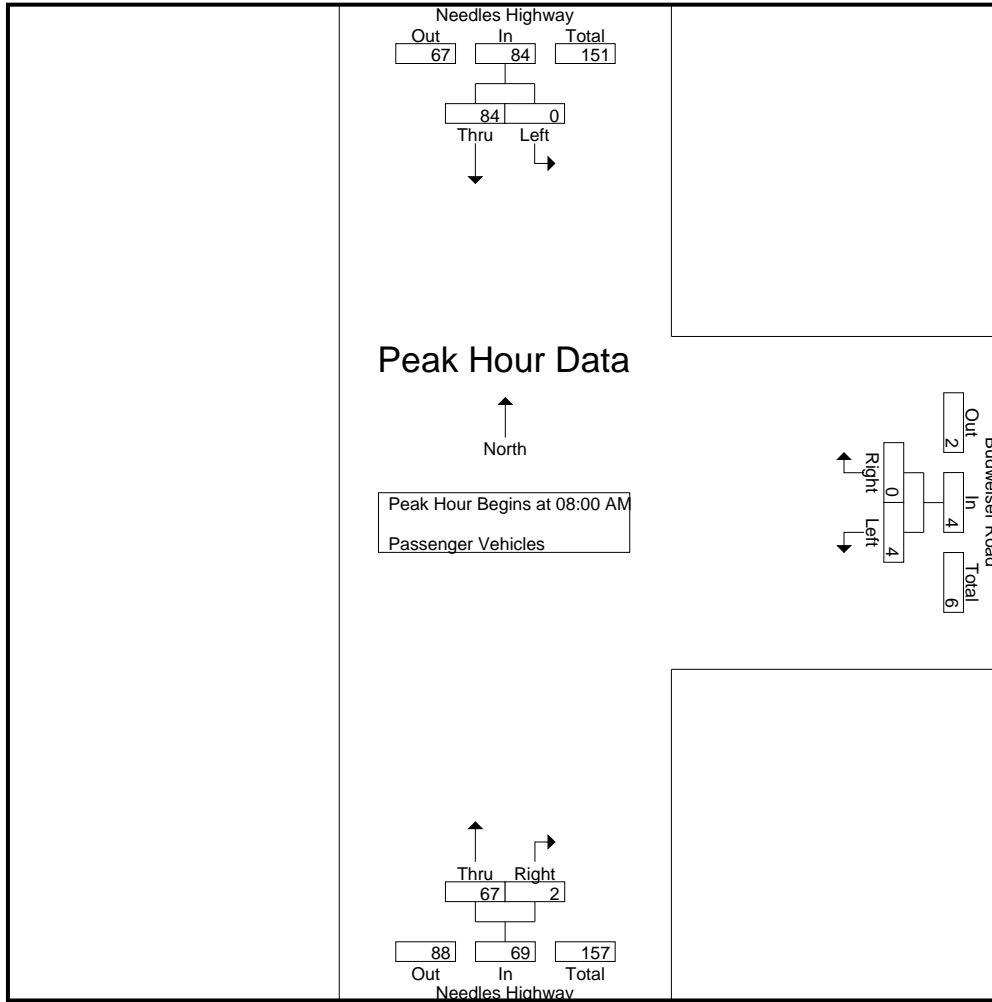
Start Time	Needles Highway Southbound			Budweiser Road Westbound			Needles Highway Northbound			Int. Total
	Left	Thru	App. Total	Left	Right	App. Total	Thru	Right	App. Total	
07:00 AM	0	10	10	0	0	0	2	0	2	12
07:15 AM	0	12	12	0	0	0	10	1	11	23
07:30 AM	0	16	16	1	0	1	12	2	14	31
07:45 AM	0	11	11	1	4	5	10	1	11	27
Total	0	49	49	2	4	6	34	4	38	93
08:00 AM	0	21	21	1	0	1	9	0	9	31
08:15 AM	0	19	19	2	0	2	22	2	24	45
08:30 AM	0	18	18	1	0	1	21	0	21	40
08:45 AM	0	26	26	0	0	0	15	0	15	41
Total	0	84	84	4	0	4	67	2	69	157
Grand Total	0	133	133	6	4	10	101	6	107	250
Apprch %	0	100		60	40		94.4	5.6		
Total %	0	53.2	53.2	2.4	1.6	4	40.4	2.4	42.8	

Start Time	Needles Highway Southbound			Budweiser Road Westbound			Needles Highway Northbound			Int. Total
	Left	Thru	App. Total	Left	Right	App. Total	Thru	Right	App. Total	
08:00 AM	0	21	21	1	0	1	9	0	9	31
08:15 AM	0	19	19	2	0	2	22	2	24	45
08:30 AM	0	18	18	1	0	1	21	0	21	40
08:45 AM	0	26	26	0	0	0	15	0	15	41
Total Volume	0	84	84	4	0	4	67	2	69	157
% App. Total	0	100		100	0		97.1	2.9		
PHF	.000	.808	.808	.500	.000	.500	.761	.250	.719	.872

Peak Hour Analysis From 08:00 AM to 08:45 AM - Peak 1 of 1
 Peak Hour for Entire Intersection Begins at 08:00 AM

County of San Bernardino
 N/S: Needles Highway
 E/W: Budweiser Road
 Weather: Clear

File Name : 01_CSB_Needles_Bud AM
 Site Code : 16621325
 Start Date : 7/15/2021
 Page No : 2



Peak Hour Analysis From 08:00 AM to 08:45 AM - Peak 1 of 1
 Peak Hour for Each Approach Begins at:

	08:00 AM			08:00 AM			08:00 AM		
+0 mins.	0	21	21	1	0	1	9	0	9
+15 mins.	0	19	19	2	0	2	22	2	24
+30 mins.	0	18	18	1	0	1	21	0	21
+45 mins.	0	26	26	0	0	0	15	0	15
Total Volume	0	84	84	4	0	4	67	2	69
% App. Total	0	100		100	0		97.1	2.9	
PHF	.000	.808	.808	.500	.000	.500	.761	.250	.719

County of San Bernardino
 N/S: Needles Highway
 E/W: Budweiser Road
 Weather: Clear

File Name : 01_CSB_Needles_Bud AM
 Site Code : 16621325
 Start Date : 7/15/2021
 Page No : 1

Groups Printed- Trucks

Start Time	Needles Highway Southbound			Budweiser Road Westbound			Needles Highway Northbound			Int. Total
	Left	Thru	App. Total	Left	Right	App. Total	Thru	Right	App. Total	
07:00 AM	0	0	0	0	0	0	0	0	0	0
07:15 AM	0	1	1	1	0	1	2	0	2	4
07:30 AM	0	0	0	0	0	0	1	0	1	1
07:45 AM	0	2	2	0	0	0	1	0	1	3
Total	0	3	3	1	0	1	4	0	4	8
08:00 AM	0	0	0	0	0	0	2	0	2	2
08:15 AM	0	0	0	0	0	0	2	0	2	2
08:30 AM	0	0	0	0	0	0	1	0	1	1
08:45 AM	0	3	3	0	0	0	0	0	0	3
Total	0	3	3	0	0	0	5	0	5	8
Grand Total	0	6	6	1	0	1	9	0	9	16
Apprch %	0	100		100	0		100	0		
Total %	0	37.5	37.5	6.2	0	6.2	56.2	0	56.2	

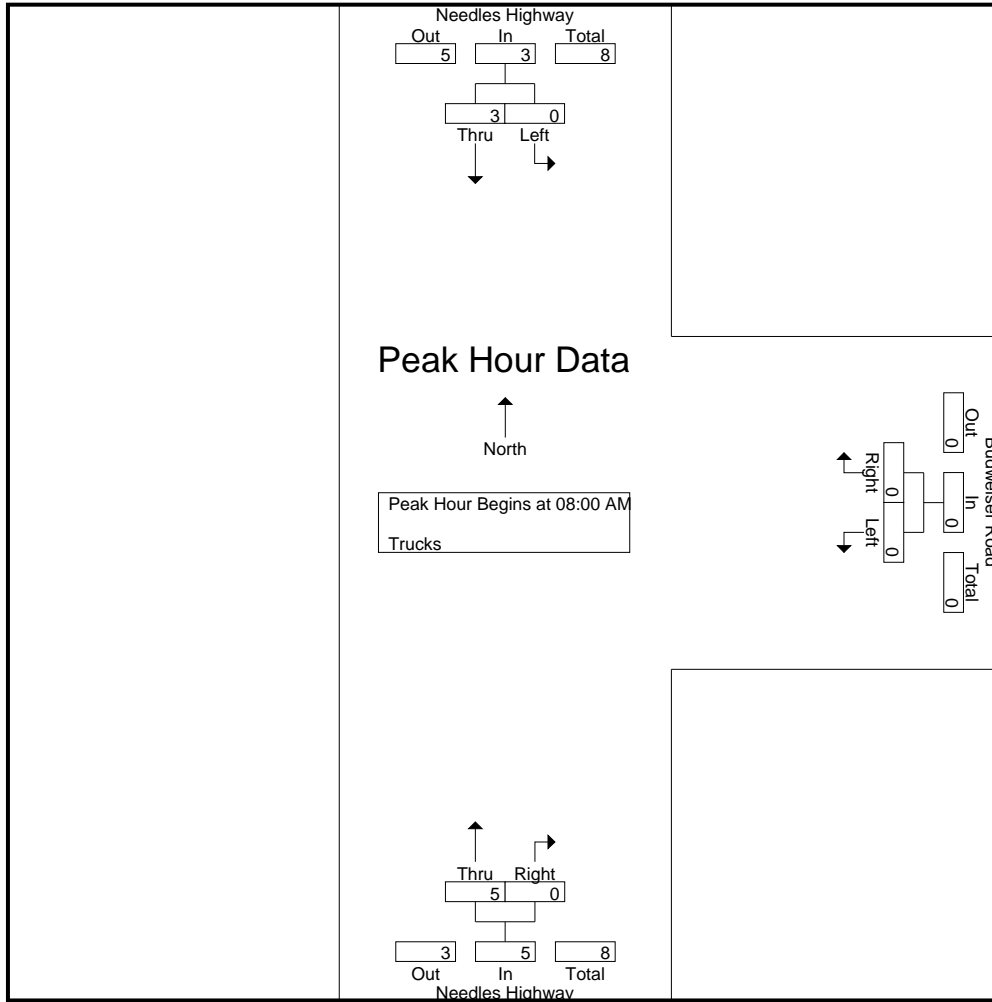
Start Time	Needles Highway Southbound			Budweiser Road Westbound			Needles Highway Northbound			Int. Total
	Left	Thru	App. Total	Left	Right	App. Total	Thru	Right	App. Total	
08:00 AM	0	0	0	0	0	0	2	0	2	2
08:15 AM	0	0	0	0	0	0	2	0	2	2
08:30 AM	0	0	0	0	0	0	1	0	1	1
08:45 AM	0	3	3	0	0	0	0	0	0	3
Total Volume	0	3	3	0	0	0	5	0	5	8
% App. Total	0	100		0	0		100	0		
PHF	.000	.250	.250	.000	.000	.000	.625	.000	.625	.667

Peak Hour Analysis From 08:00 AM to 08:45 AM - Peak 1 of 1

Peak Hour for Entire Intersection Begins at 08:00 AM

County of San Bernardino
 N/S: Needles Highway
 E/W: Budweiser Road
 Weather: Clear

File Name : 01_CSB_Needles_Bud AM
 Site Code : 16621325
 Start Date : 7/15/2021
 Page No : 2



Peak Hour Analysis From 08:00 AM to 08:45 AM - Peak 1 of 1
 Peak Hour for Each Approach Begins at:

	08:00 AM			08:00 AM			08:00 AM		
+0 mins.	0	0	0	0	0	0	2	0	2
+15 mins.	0	0	0	0	0	0	2	0	2
+30 mins.	0	0	0	0	0	0	1	0	1
+45 mins.	0	3	3	0	0	0	0	0	0
Total Volume	0	3	3	0	0	0	5	0	5
% App. Total	0	100		0	0		100	0	
PHF	.000	.250	.250	.000	.000	.000	.625	.000	.625

County of San Bernardino
 N/S: Needles Highway
 E/W: Budweiser Road
 Weather: Clear

File Name : 01_CSB_Needles_Bud AM
 Site Code : 16621325
 Start Date : 7/15/2021
 Page No : 1

Groups Printed- Buses

Start Time	Needles Highway Southbound			Budweiser Road Westbound			Needles Highway Northbound			Int. Total
	Left	Thru	App. Total	Left	Right	App. Total	Thru	Right	App. Total	
07:00 AM	0	0	0	0	0	0	0	0	0	0
07:15 AM	0	0	0	0	0	0	0	0	0	0
07:30 AM	0	0	0	0	0	0	0	0	0	0
07:45 AM	0	0	0	0	0	0	0	0	0	0
Total	0	0	0	0	0	0	0	0	0	0
08:00 AM	0	0	0	0	0	0	0	0	0	0
08:15 AM	0	0	0	0	0	0	0	0	0	0
08:30 AM	0	0	0	0	0	0	0	0	0	0
08:45 AM	0	0	0	0	0	0	0	0	0	0
Total	0	0	0	0	0	0	0	0	0	0
Grand Total	0	0	0	0	0	0	0	0	0	0
Apprch %	0	0		0	0		0	0		
Total %										

Start Time	Needles Highway Southbound			Budweiser Road Westbound			Needles Highway Northbound			Int. Total
	Left	Thru	App. Total	Left	Right	App. Total	Thru	Right	App. Total	
08:00 AM	0	0	0	0	0	0	0	0	0	0
08:15 AM	0	0	0	0	0	0	0	0	0	0
08:30 AM	0	0	0	0	0	0	0	0	0	0
08:45 AM	0	0	0	0	0	0	0	0	0	0
Total Volume	0	0	0	0	0	0	0	0	0	0
% App. Total	0	0		0	0		0	0		
PHF	.000	.000	.000	.000	.000	.000	.000	.000	.000	.000

Peak Hour Analysis From 08:00 AM to 08:45 AM - Peak 1 of 1
 Peak Hour for Entire Intersection Begins at 08:00 AM

County of San Bernardino
 N/S: Needles Highway
 E/W: Budweiser Road
 Weather: Clear

File Name : 01_CSB_Needles_Bud PM
 Site Code : 16621325
 Start Date : 7/15/2021
 Page No : 1

Groups Printed- Passenger Vehicles - Trucks - Buses

Start Time	Needles Highway Southbound			Budweiser Road Westbound			Needles Highway Northbound			Int. Total
	Left	Thru	App. Total	Left	Right	App. Total	Thru	Right	App. Total	
04:00 PM	0	13	13	0	0	0	31	0	31	44
04:15 PM	0	9	9	1	0	1	38	0	38	48
04:30 PM	0	13	13	1	1	2	30	0	30	45
04:45 PM	0	14	14	1	0	1	34	1	35	50
Total	0	49	49	3	1	4	133	1	134	187
05:00 PM	0	15	15	0	0	0	32	1	33	48
05:15 PM	0	6	6	1	0	1	38	0	38	45
05:30 PM	1	8	9	1	1	2	23	0	23	34
05:45 PM	2	10	12	1	0	1	28	2	30	43
Total	3	39	42	3	1	4	121	3	124	170
Grand Total	3	88	91	6	2	8	254	4	258	357
Apprch %	3.3	96.7		75	25		98.4	1.6		
Total %	0.8	24.6	25.5	1.7	0.6	2.2	71.1	1.1	72.3	
Passenger Vehicles	3	83	86	5	2	7	245	4	249	342
% Passenger Vehicles	100	94.3	94.5	83.3	100	87.5	96.5	100	96.5	95.8
Trucks	0	5	5	1	0	1	9	0	9	15
% Trucks	0	5.7	5.5	16.7	0	12.5	3.5	0	3.5	4.2
Buses	0	0	0	0	0	0	0	0	0	0
% Buses	0	0	0	0	0	0	0	0	0	0

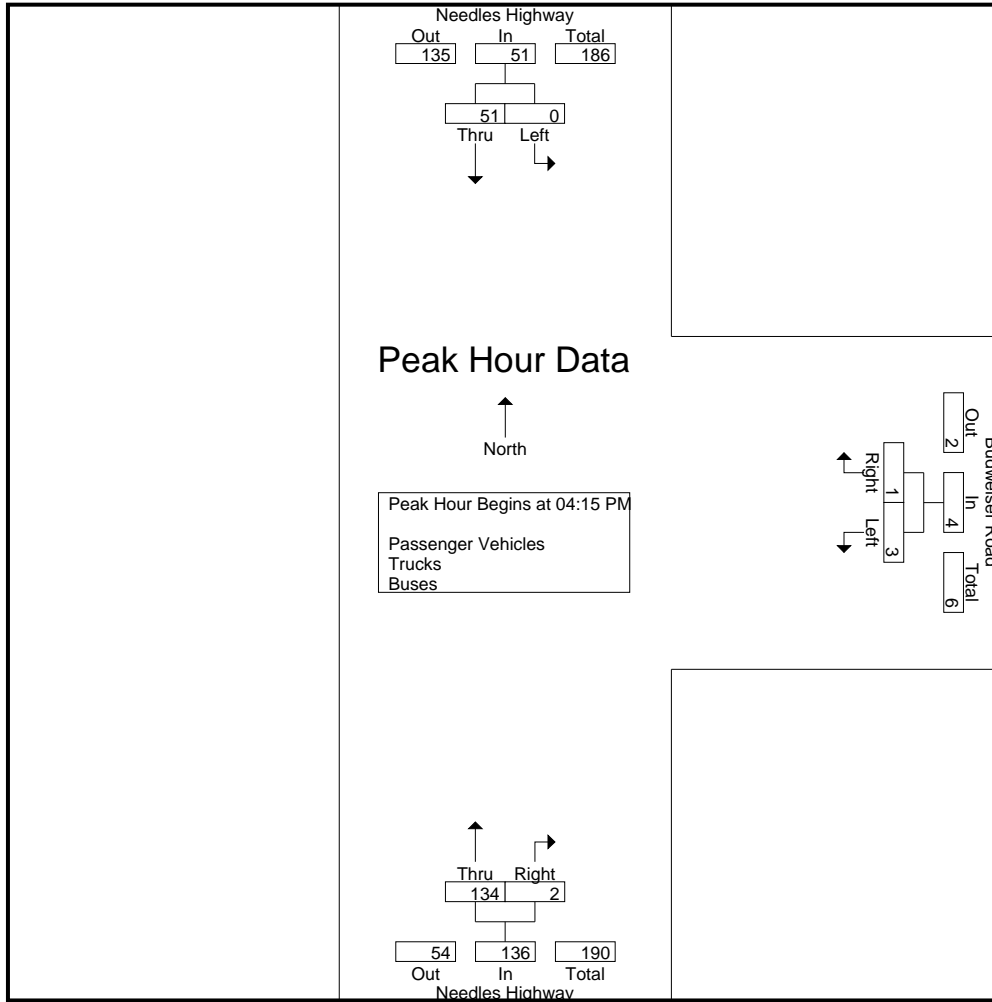
Start Time	Needles Highway Southbound			Budweiser Road Westbound			Needles Highway Northbound			Int. Total
	Left	Thru	App. Total	Left	Right	App. Total	Thru	Right	App. Total	
04:15 PM	0	9	9	1	0	1	38	0	38	48
04:30 PM	0	13	13	1	1	2	30	0	30	45
04:45 PM	0	14	14	1	0	1	34	1	35	50
05:00 PM	0	15	15	0	0	0	32	1	33	48
Total Volume	0	51	51	3	1	4	134	2	136	191
% App. Total	0	100		75	25		98.5	1.5		
PHF	.000	.850	.850	.750	.250	.500	.882	.500	.895	.955

Peak Hour Analysis From 04:00 PM to 05:45 PM - Peak 1 of 1

Peak Hour for Entire Intersection Begins at 04:15 PM

County of San Bernardino
 N/S: Needles Highway
 E/W: Budweiser Road
 Weather: Clear

File Name : 01_CSB_Needles_Bud PM
 Site Code : 16621325
 Start Date : 7/15/2021
 Page No : 2



Peak Hour Analysis From 04:00 PM to 05:45 PM - Peak 1 of 1
 Peak Hour for Each Approach Begins at:

	04:15 PM			04:00 PM			04:15 PM		
+0 mins.	0	9	9	0	0	0	38	0	38
+15 mins.	0	13	13	1	0	1	30	0	30
+30 mins.	0	14	14	1	1	2	34	1	35
+45 mins.	0	15	15	1	0	1	32	1	33
Total Volume	0	51	51	3	1	4	134	2	136
% App. Total	0	100		75	25		98.5	1.5	
PHF	.000	.850	.850	.750	.250	.500	.882	.500	.895

County of San Bernardino
 N/S: Needles Highway
 E/W: Budweiser Road
 Weather: Clear

File Name : 01_CSB_Needles_Bud PM
 Site Code : 16621325
 Start Date : 7/15/2021
 Page No : 1

Groups Printed- Passenger Vehicles

Start Time	Needles Highway Southbound			Budweiser Road Westbound			Needles Highway Northbound			Int. Total
	Left	Thru	App. Total	Left	Right	App. Total	Thru	Right	App. Total	
04:00 PM	0	11	11	0	0	0	31	0	31	42
04:15 PM	0	8	8	0	0	0	38	0	38	46
04:30 PM	0	12	12	1	1	2	28	0	28	42
04:45 PM	0	13	13	1	0	1	34	1	35	49
Total	0	44	44	2	1	3	131	1	132	179
05:00 PM	0	15	15	0	0	0	29	1	30	45
05:15 PM	0	6	6	1	0	1	37	0	37	44
05:30 PM	1	8	9	1	1	2	22	0	22	33
05:45 PM	2	10	12	1	0	1	26	2	28	41
Total	3	39	42	3	1	4	114	3	117	163
Grand Total	3	83	86	5	2	7	245	4	249	342
Apprch %	3.5	96.5		71.4	28.6		98.4	1.6		
Total %	0.9	24.3	25.1	1.5	0.6	2	71.6	1.2	72.8	

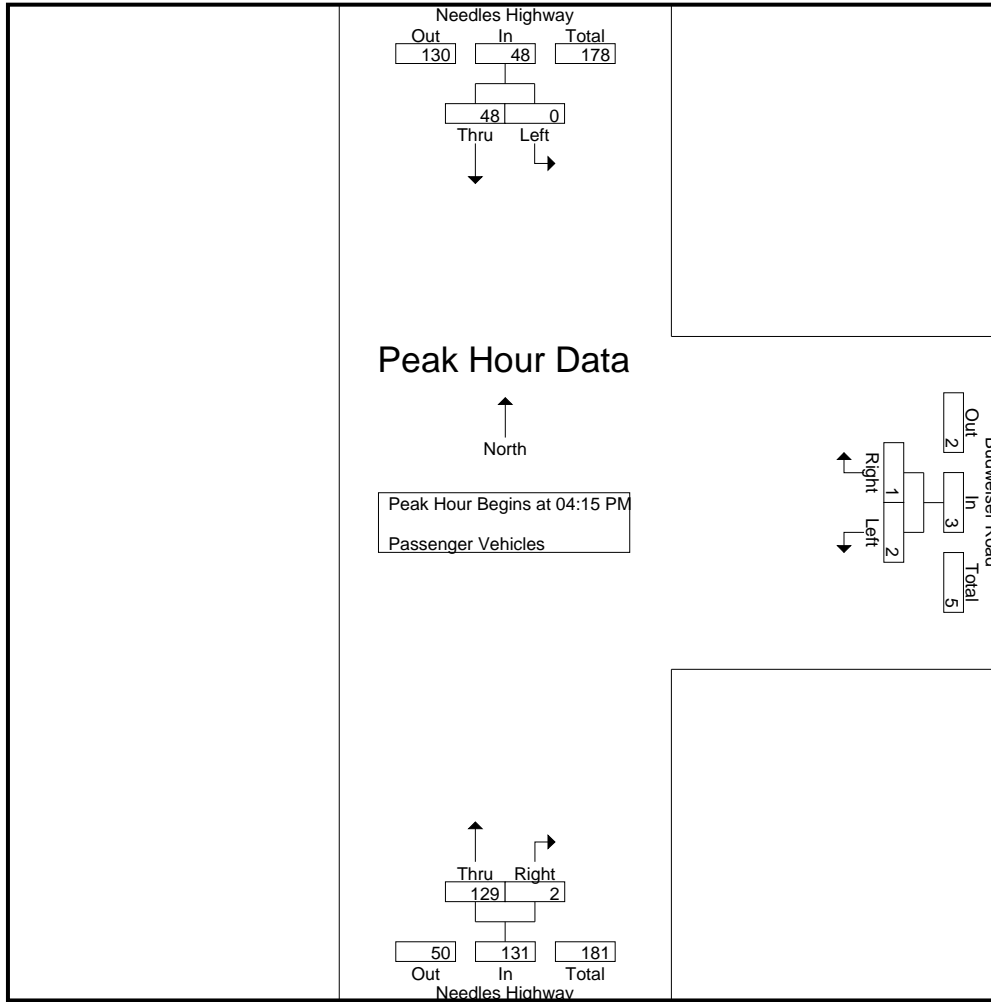
Start Time	Needles Highway Southbound			Budweiser Road Westbound			Needles Highway Northbound			Int. Total
	Left	Thru	App. Total	Left	Right	App. Total	Thru	Right	App. Total	
04:15 PM	0	8	8	0	0	0	38	0	38	46
04:30 PM	0	12	12	1	1	2	28	0	28	42
04:45 PM	0	13	13	1	0	1	34	1	35	49
05:00 PM	0	15	15	0	0	0	29	1	30	45
Total Volume	0	48	48	2	1	3	129	2	131	182
% App. Total	0	100		66.7	33.3		98.5	1.5		
PHF	.000	.800	.800	.500	.250	.375	.849	.500	.862	.929

Peak Hour Analysis From 04:15 PM to 05:00 PM - Peak 1 of 1

Peak Hour for Entire Intersection Begins at 04:15 PM

County of San Bernardino
 N/S: Needles Highway
 E/W: Budweiser Road
 Weather: Clear

File Name : 01_CSB_Needles_Bud PM
 Site Code : 16621325
 Start Date : 7/15/2021
 Page No : 2



Peak Hour Analysis From 04:15 PM to 05:00 PM - Peak 1 of 1
 Peak Hour for Each Approach Begins at:

	04:15 PM			04:15 PM			04:15 PM		
+0 mins.	0	8	8	0	0	0	38	0	38
+15 mins.	0	12	12	1	1	2	28	0	28
+30 mins.	0	13	13	1	0	1	34	1	35
+45 mins.	0	15	15	0	0	0	29	1	30
Total Volume	0	48	48	2	1	3	129	2	131
% App. Total	0	100		66.7	33.3		98.5	1.5	
PHF	.000	.800	.800	.500	.250	.375	.849	.500	.862

County of San Bernardino
 N/S: Needles Highway
 E/W: Budweiser Road
 Weather: Clear

File Name : 01_CSB_Needles_Bud PM
 Site Code : 16621325
 Start Date : 7/15/2021
 Page No : 1

Groups Printed- Trucks

Start Time	Needles Highway Southbound			Budweiser Road Westbound			Needles Highway Northbound			Int. Total
	Left	Thru	App. Total	Left	Right	App. Total	Thru	Right	App. Total	
04:00 PM	0	2	2	0	0	0	0	0	0	2
04:15 PM	0	1	1	1	0	1	0	0	0	2
04:30 PM	0	1	1	0	0	0	2	0	2	3
04:45 PM	0	1	1	0	0	0	0	0	0	1
Total	0	5	5	1	0	1	2	0	2	8
05:00 PM	0	0	0	0	0	0	3	0	3	3
05:15 PM	0	0	0	0	0	0	1	0	1	1
05:30 PM	0	0	0	0	0	0	1	0	1	1
05:45 PM	0	0	0	0	0	0	2	0	2	2
Total	0	0	0	0	0	0	7	0	7	7
Grand Total	0	5	5	1	0	1	9	0	9	15
Apprch %	0	100		100	0		100	0		
Total %	0	33.3	33.3	6.7	0	6.7	60	0	60	

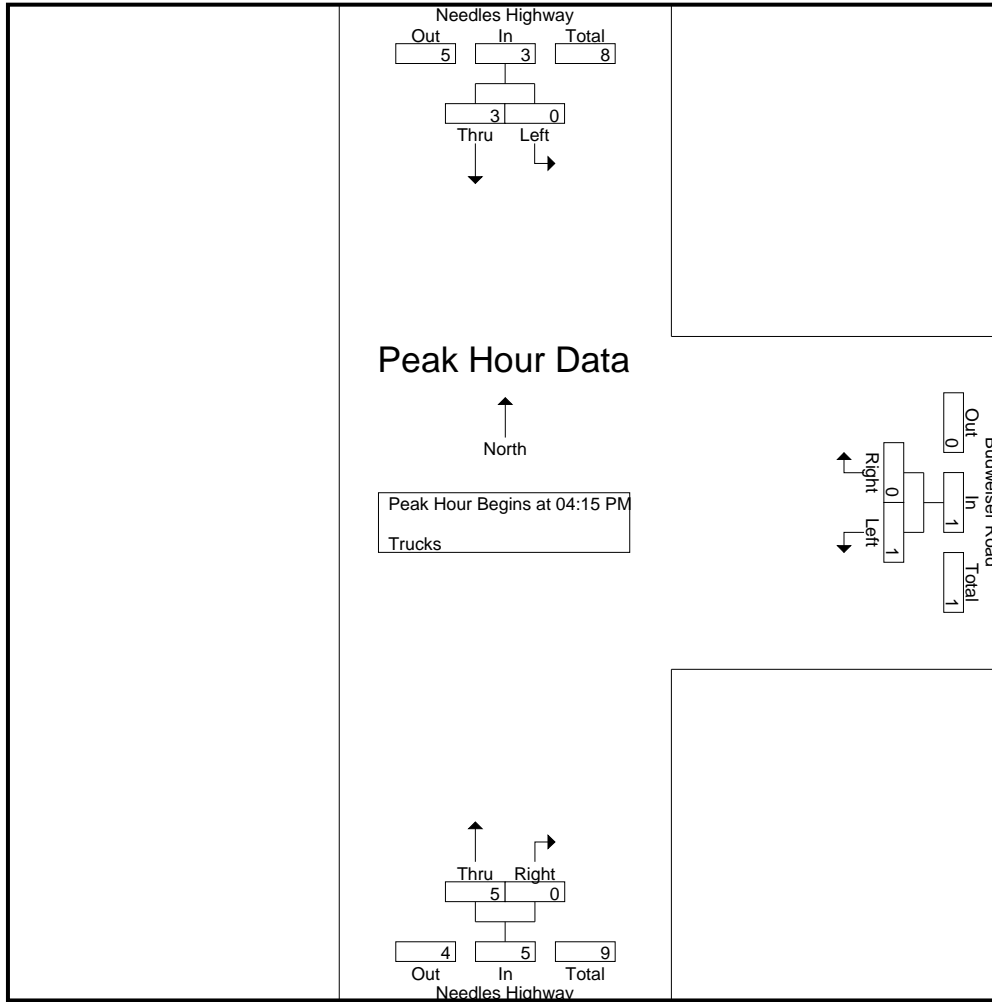
Start Time	Needles Highway Southbound			Budweiser Road Westbound			Needles Highway Northbound			Int. Total
	Left	Thru	App. Total	Left	Right	App. Total	Thru	Right	App. Total	
04:15 PM	0	1	1	1	0	1	0	0	0	2
04:30 PM	0	1	1	0	0	0	2	0	2	3
04:45 PM	0	1	1	0	0	0	0	0	0	1
05:00 PM	0	0	0	0	0	0	3	0	3	3
Total Volume	0	3	3	1	0	1	5	0	5	9
% App. Total	0	100		100	0		100	0		
PHF	.000	.750	.750	.250	.000	.250	.417	.000	.417	.750

Peak Hour Analysis From 04:15 PM to 05:00 PM - Peak 1 of 1

Peak Hour for Entire Intersection Begins at 04:15 PM

County of San Bernardino
 N/S: Needles Highway
 E/W: Budweiser Road
 Weather: Clear

File Name : 01_CSB_Needles_Bud PM
 Site Code : 16621325
 Start Date : 7/15/2021
 Page No : 2



Peak Hour Analysis From 04:15 PM to 05:00 PM - Peak 1 of 1
 Peak Hour for Each Approach Begins at:

	04:15 PM			04:15 PM			04:15 PM		
+0 mins.	0	1	1	1	0	1	0	0	0
+15 mins.	0	1	1	0	0	0	2	0	2
+30 mins.	0	1	1	0	0	0	0	0	0
+45 mins.	0	0	0	0	0	0	3	0	3
Total Volume	0	3	3	1	0	1	5	0	5
% App. Total	0	100		100	0		100	0	
PHF	.000	.750	.750	.250	.000	.250	.417	.000	.417

County of San Bernardino
 N/S: Needles Highway
 E/W: Budweiser Road
 Weather: Clear

File Name : 01_CSB_Needles_Bud PM
 Site Code : 16621325
 Start Date : 7/15/2021
 Page No : 1

Groups Printed- Buses

Start Time	Needles Highway Southbound			Budweiser Road Westbound			Needles Highway Northbound			Int. Total
	Left	Thru	App. Total	Left	Right	App. Total	Thru	Right	App. Total	
04:00 PM	0	0	0	0	0	0	0	0	0	0
04:15 PM	0	0	0	0	0	0	0	0	0	0
04:30 PM	0	0	0	0	0	0	0	0	0	0
04:45 PM	0	0	0	0	0	0	0	0	0	0
Total	0	0	0	0	0	0	0	0	0	0
05:00 PM	0	0	0	0	0	0	0	0	0	0
05:15 PM	0	0	0	0	0	0	0	0	0	0
05:30 PM	0	0	0	0	0	0	0	0	0	0
05:45 PM	0	0	0	0	0	0	0	0	0	0
Total	0	0	0	0	0	0	0	0	0	0
Grand Total	0	0	0	0	0	0	0	0	0	0
Apprch %	0	0		0	0		0	0		
Total %										

Start Time	Needles Highway Southbound			Budweiser Road Westbound			Needles Highway Northbound			Int. Total
	Left	Thru	App. Total	Left	Right	App. Total	Thru	Right	App. Total	
04:15 PM	0	0	0	0	0	0	0	0	0	0
04:30 PM	0	0	0	0	0	0	0	0	0	0
04:45 PM	0	0	0	0	0	0	0	0	0	0
05:00 PM	0	0	0	0	0	0	0	0	0	0
Total Volume	0	0	0	0	0	0	0	0	0	0
% App. Total	0	0		0	0		0	0		
PHF	.000	.000	.000	.000	.000	.000	.000	.000	.000	.000

Peak Hour Analysis From 04:15 PM to 05:00 PM - Peak 1 of 1
 Peak Hour for Entire Intersection Begins at 04:15 PM

County of San Bernardino
 N/S: Needles Highway
 E/W: Budweiser Road
 Weather: Clear

File Name : 01_CSB_Needles_Bud SAT
 Site Code : 16621325
 Start Date : 7/17/2021
 Page No : 1

Groups Printed- Passenger Vehicles - Trucks - Buses

Start Time	Needles Highway Southbound			Budweiser Road Westbound			Needles Highway Northbound			Int. Total
	Left	Thru	App. Total	Left	Right	App. Total	Thru	Right	App. Total	
12:00 PM	1	15	16	0	0	0	31	2	33	49
12:15 PM	0	21	21	0	0	0	40	0	40	61
12:30 PM	0	28	28	0	0	0	33	0	33	61
12:45 PM	0	18	18	1	0	1	30	1	31	50
Total	1	82	83	1	0	1	134	3	137	221
01:00 PM	0	23	23	0	1	1	31	3	34	58
01:15 PM	0	13	13	0	0	0	29	1	30	43
01:30 PM	0	20	20	0	0	0	30	0	30	50
01:45 PM	0	9	9	2	1	3	30	0	30	42
Total	0	65	65	2	2	4	120	4	124	193
Grand Total	1	147	148	3	2	5	254	7	261	414
Apprch %	0.7	99.3		60	40		97.3	2.7		
Total %	0.2	35.5	35.7	0.7	0.5	1.2	61.4	1.7	63	
Passenger Vehicles	1	143	144	3	2	5	247	6	253	402
% Passenger Vehicles	100	97.3	97.3	100	100	100	97.2	85.7	96.9	97.1
Trucks	0	4	4	0	0	0	7	1	8	12
% Trucks	0	2.7	2.7	0	0	0	2.8	14.3	3.1	2.9
Buses	0	0	0	0	0	0	0	0	0	0
% Buses	0	0	0	0	0	0	0	0	0	0

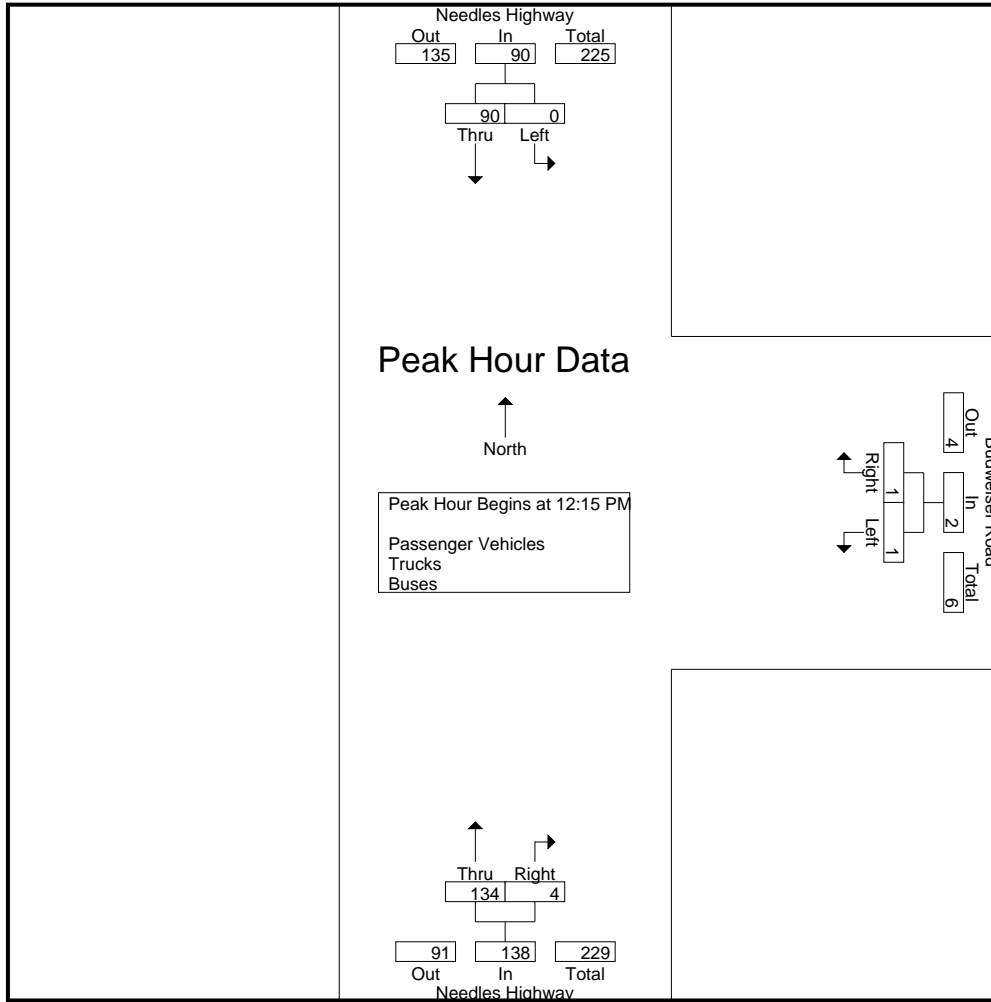
Start Time	Needles Highway Southbound			Budweiser Road Westbound			Needles Highway Northbound			Int. Total
	Left	Thru	App. Total	Left	Right	App. Total	Thru	Right	App. Total	
12:15 PM	0	21	21	0	0	0	40	0	40	61
12:30 PM	0	28	28	0	0	0	33	0	33	61
12:45 PM	0	18	18	1	0	1	30	1	31	50
01:00 PM	0	23	23	0	1	1	31	3	34	58
Total Volume	0	90	90	1	1	2	134	4	138	230
% App. Total	0	100		50	50		97.1	2.9		
PHF	.000	.804	.804	.250	.250	.500	.838	.333	.863	.943

Peak Hour Analysis From 12:00 PM to 01:45 PM - Peak 1 of 1

Peak Hour for Entire Intersection Begins at 12:15 PM

County of San Bernardino
 N/S: Needles Highway
 E/W: Budweiser Road
 Weather: Clear

File Name : 01_CSB_Needles_Bud SAT
 Site Code : 16621325
 Start Date : 7/17/2021
 Page No : 2



Peak Hour Analysis From 12:00 PM to 01:45 PM - Peak 1 of 1
 Peak Hour for Each Approach Begins at:

	12:15 PM			01:00 PM			12:15 PM		
+0 mins.	0	21	21	0	1	1	40	0	40
+15 mins.	0	28	28	0	0	0	33	0	33
+30 mins.	0	18	18	0	0	0	30	1	31
+45 mins.	0	23	23	2	1	3	31	3	34
Total Volume	0	90	90	2	2	4	134	4	138
% App. Total	0	100		50	50		97.1	2.9	
PHF	.000	.804	.804	.250	.500	.333	.838	.333	.863

County of San Bernardino
 N/S: Needles Highway
 E/W: Budweiser Road
 Weather: Clear

File Name : 01_CSB_Needles_Bud SAT
 Site Code : 16621325
 Start Date : 7/17/2021
 Page No : 1

Groups Printed- Passenger Vehicles

Start Time	Needles Highway Southbound			Budweiser Road Westbound			Needles Highway Northbound			Int. Total
	Left	Thru	App. Total	Left	Right	App. Total	Thru	Right	App. Total	
12:00 PM	1	15	16	0	0	0	28	2	30	46
12:15 PM	0	19	19	0	0	0	40	0	40	59
12:30 PM	0	28	28	0	0	0	33	0	33	61
12:45 PM	0	18	18	1	0	1	29	1	30	49
Total	1	80	81	1	0	1	130	3	133	215
01:00 PM	0	22	22	0	1	1	31	2	33	56
01:15 PM	0	13	13	0	0	0	27	1	28	41
01:30 PM	0	19	19	0	0	0	29	0	29	48
01:45 PM	0	9	9	2	1	3	30	0	30	42
Total	0	63	63	2	2	4	117	3	120	187
Grand Total	1	143	144	3	2	5	247	6	253	402
Apprch %	0.7	99.3		60	40		97.6	2.4		
Total %	0.2	35.6	35.8	0.7	0.5	1.2	61.4	1.5	62.9	

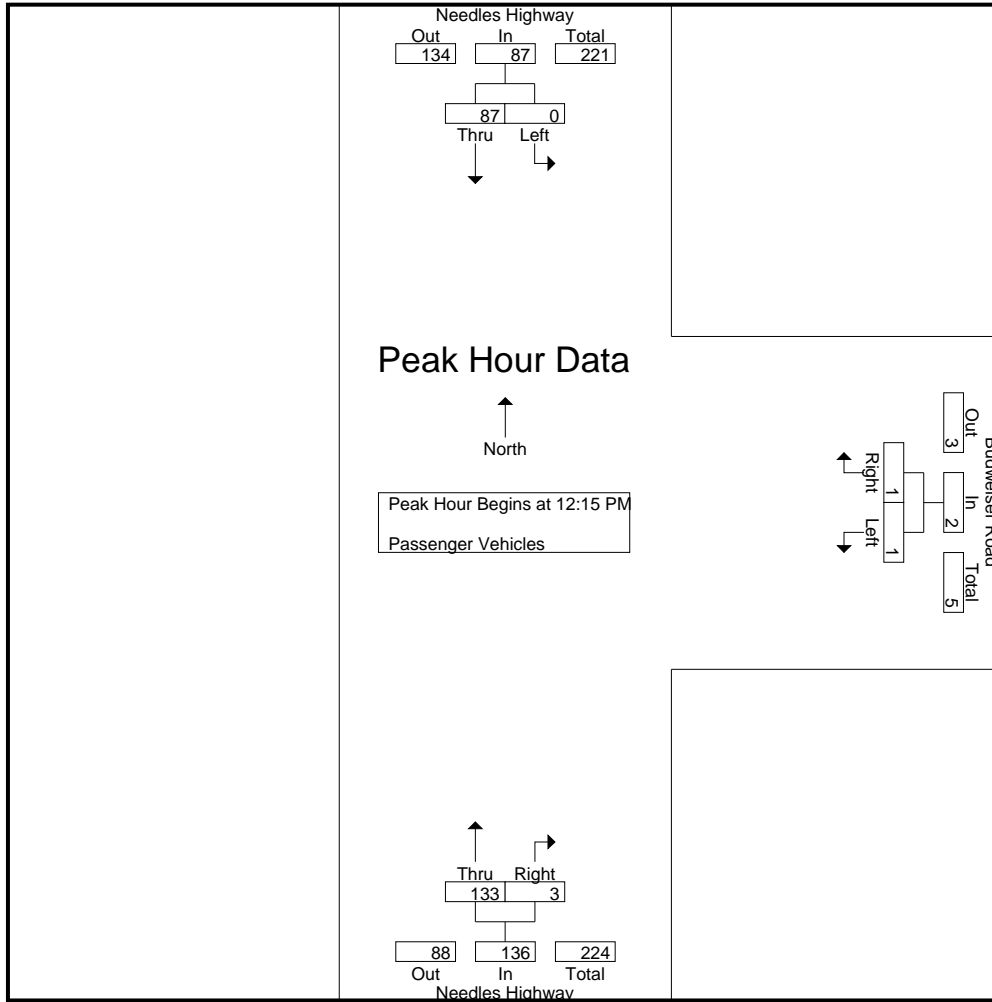
Start Time	Needles Highway Southbound			Budweiser Road Westbound			Needles Highway Northbound			Int. Total
	Left	Thru	App. Total	Left	Right	App. Total	Thru	Right	App. Total	
12:15 PM	0	19	19	0	0	0	40	0	40	59
12:30 PM	0	28	28	0	0	0	33	0	33	61
12:45 PM	0	18	18	1	0	1	29	1	30	49
01:00 PM	0	22	22	0	1	1	31	2	33	56
Total Volume	0	87	87	1	1	2	133	3	136	225
% App. Total	0	100		50	50		97.8	2.2		
PHF	.000	.777	.777	.250	.250	.500	.831	.375	.850	.922

Peak Hour Analysis From 12:15 PM to 01:00 PM - Peak 1 of 1

Peak Hour for Entire Intersection Begins at 12:15 PM

County of San Bernardino
 N/S: Needles Highway
 E/W: Budweiser Road
 Weather: Clear

File Name : 01_CSB_Needles_Bud SAT
 Site Code : 16621325
 Start Date : 7/17/2021
 Page No : 2



Peak Hour Analysis From 12:15 PM to 01:00 PM - Peak 1 of 1
 Peak Hour for Each Approach Begins at:

	12:15 PM			12:15 PM			12:15 PM		
+0 mins.	0	19	19	0	0	0	40	0	40
+15 mins.	0	28	28	0	0	0	33	0	33
+30 mins.	0	18	18	1	0	1	29	1	30
+45 mins.	0	22	22	0	1	1	31	2	33
Total Volume	0	87	87	1	1	2	133	3	136
% App. Total	0	100		50	50		97.8	2.2	
PHF	.000	.777	.777	.250	.250	.500	.831	.375	.850

County of San Bernardino
 N/S: Needles Highway
 E/W: Budweiser Road
 Weather: Clear

File Name : 01_CSB_Needles_Bud SAT
 Site Code : 16621325
 Start Date : 7/17/2021
 Page No : 1

Groups Printed- Trucks

Start Time	Needles Highway Southbound			Budweiser Road Westbound			Needles Highway Northbound			Int. Total
	Left	Thru	App. Total	Left	Right	App. Total	Thru	Right	App. Total	
12:00 PM	0	0	0	0	0	0	3	0	3	3
12:15 PM	0	2	2	0	0	0	0	0	0	2
12:30 PM	0	0	0	0	0	0	0	0	0	0
12:45 PM	0	0	0	0	0	0	1	0	1	1
Total	0	2	2	0	0	0	4	0	4	6
01:00 PM	0	1	1	0	0	0	0	1	1	2
01:15 PM	0	0	0	0	0	0	2	0	2	2
01:30 PM	0	1	1	0	0	0	1	0	1	2
01:45 PM	0	0	0	0	0	0	0	0	0	0
Total	0	2	2	0	0	0	3	1	4	6
Grand Total	0	4	4	0	0	0	7	1	8	12
Apprch %	0	100		0	0		87.5	12.5		
Total %	0	33.3	33.3	0	0	0	58.3	8.3	66.7	

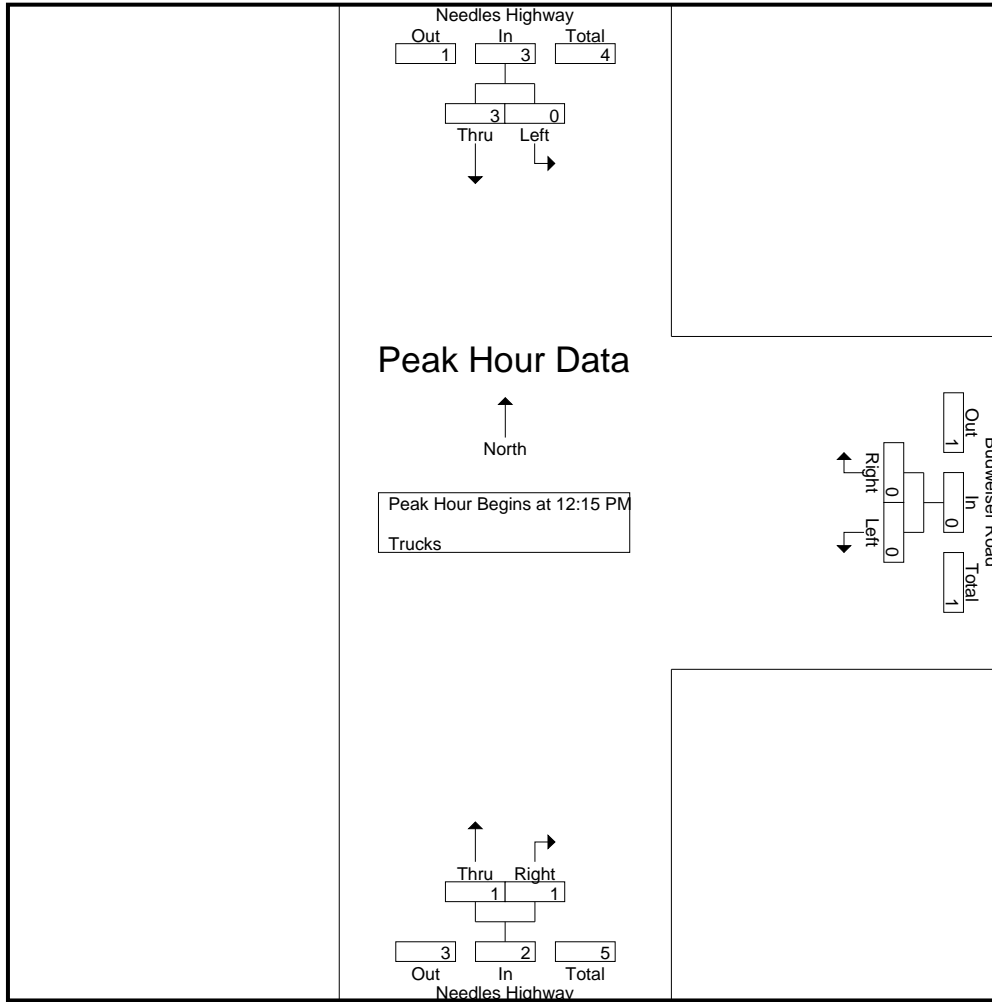
Start Time	Needles Highway Southbound			Budweiser Road Westbound			Needles Highway Northbound			Int. Total
	Left	Thru	App. Total	Left	Right	App. Total	Thru	Right	App. Total	
12:15 PM	0	2	2	0	0	0	0	0	0	2
12:30 PM	0	0	0	0	0	0	0	0	0	0
12:45 PM	0	0	0	0	0	0	1	0	1	1
01:00 PM	0	1	1	0	0	0	0	1	1	2
Total Volume	0	3	3	0	0	0	1	1	2	5
% App. Total	0	100		0	0		50	50		
PHF	.000	.375	.375	.000	.000	.000	.250	.250	.500	.625

Peak Hour Analysis From 12:15 PM to 01:00 PM - Peak 1 of 1

Peak Hour for Entire Intersection Begins at 12:15 PM

County of San Bernardino
 N/S: Needles Highway
 E/W: Budweiser Road
 Weather: Clear

File Name : 01_CSB_Needles_Bud SAT
 Site Code : 16621325
 Start Date : 7/17/2021
 Page No : 2



Peak Hour Analysis From 12:15 PM to 01:00 PM - Peak 1 of 1
 Peak Hour for Each Approach Begins at:

	12:15 PM			12:15 PM			12:15 PM		
+0 mins.	0	2	2	0	0	0	0	0	0
+15 mins.	0	0	0	0	0	0	0	0	0
+30 mins.	0	0	0	0	0	0	1	0	1
+45 mins.	0	1	1	0	0	0	0	1	1
Total Volume	0	3	3	0	0	0	1	1	2
% App. Total	0	100		0	0		50	50	
PHF	.000	.375	.375	.000	.000	.000	.250	.250	.500

County of San Bernardino
 N/S: Needles Highway
 E/W: Budweiser Road
 Weather: Clear

File Name : 01_CSB_Needles_Bud SAT
 Site Code : 16621325
 Start Date : 7/17/2021
 Page No : 1

Groups Printed- Buses

Start Time	Needles Highway Southbound			Budweiser Road Westbound			Needles Highway Northbound			Int. Total
	Left	Thru	App. Total	Left	Right	App. Total	Thru	Right	App. Total	
12:00 PM	0	0	0	0	0	0	0	0	0	0
12:15 PM	0	0	0	0	0	0	0	0	0	0
12:30 PM	0	0	0	0	0	0	0	0	0	0
12:45 PM	0	0	0	0	0	0	0	0	0	0
Total	0	0	0	0	0	0	0	0	0	0
01:00 PM	0	0	0	0	0	0	0	0	0	0
01:15 PM	0	0	0	0	0	0	0	0	0	0
01:30 PM	0	0	0	0	0	0	0	0	0	0
01:45 PM	0	0	0	0	0	0	0	0	0	0
Total	0	0	0	0	0	0	0	0	0	0
Grand Total	0	0	0	0	0	0	0	0	0	0
Apprch %	0	0		0	0		0	0		
Total %										

Start Time	Needles Highway Southbound			Budweiser Road Westbound			Needles Highway Northbound			Int. Total
	Left	Thru	App. Total	Left	Right	App. Total	Thru	Right	App. Total	
12:15 PM	0	0	0	0	0	0	0	0	0	0
12:30 PM	0	0	0	0	0	0	0	0	0	0
12:45 PM	0	0	0	0	0	0	0	0	0	0
01:00 PM	0	0	0	0	0	0	0	0	0	0
Total Volume	0	0	0	0	0	0	0	0	0	0
% App. Total	0	0		0	0		0	0		
PHF	.000	.000	.000	.000	.000	.000	.000	.000	.000	.000

Peak Hour Analysis From 12:15 PM to 01:00 PM - Peak 1 of 1
 Peak Hour for Entire Intersection Begins at 12:15 PM

Location: County of San Bernardino
 N/S: Needles Highway
 E/W: Budweiser Road



PEDESTRIANS

Date: 7/15/2021
 Day: Thursday

	North Leg Needles Highway Pedestrians	East Leg Budweiser Road Pedestrians	South Leg Needles Highway Pedestrians	West Leg Budweiser Road Pedestrians	
7:00 AM	0	0	0	0	0
7:15 AM	0	0	0	0	0
7:30 AM	0	0	0	0	0
7:45 AM	0	0	0	0	0
8:00 AM	0	0	0	0	0
8:15 AM	0	0	0	0	0
8:30 AM	0	0	0	0	0
8:45 AM	0	0	0	0	0
TOTAL VOLUMES:	0	0	0	0	0

Date: 7/15/2021
 Day: Thursday

	North Leg Needles Highway Pedestrians	East Leg Budweiser Road Pedestrians	South Leg Needles Highway Pedestrians	West Leg Budweiser Road Pedestrians	
4:00 PM	0	0	0	0	0
4:15 PM	0	0	0	0	0
4:30 PM	0	0	0	0	0
4:45 PM	0	0	0	0	0
5:00 PM	0	0	0	0	0
5:15 PM	0	1	1	0	2
5:30 PM	0	0	0	0	0
5:45 PM	0	0	0	0	0
TOTAL VOLUMES:	0	1	1	0	2

Date: 7/17/2021
 Day: Saturday

	North Leg Needles Highway Pedestrians	East Leg Budweiser Road Pedestrians	South Leg Needles Highway Pedestrians	West Leg Budweiser Road Pedestrians	
12:00 PM	0	0	0	0	0
12:15 PM	0	0	0	0	0
12:30 PM	0	0	0	0	0
12:45 PM	0	0	0	0	0
1:00 PM	0	0	0	0	0
1:15 PM	0	0	0	0	0
1:30 PM	0	0	0	0	0
1:45 PM	0	0	0	0	0
TOTAL VOLUMES:	0	0	0	0	0

Location: County of San Bernardino
 N/S: Needles Highway
 E/W: Budweiser Road



BICYCLES

Date: 7/15/2021
 Day: Thursday

	Southbound Needles Highway			Westbound Budweiser Road			Northbound Needles Highway			Eastbound Budweiser Road			
	Left	Thru	Right	Left	Thru	Right	Left	Thru	Right	Left	Thru	Right	
7:00 AM	0	0	0	0	0	0	0	0	0	0	0	0	0
7:15 AM	0	0	0	0	0	0	0	0	0	0	0	0	0
7:30 AM	0	0	0	0	0	0	0	0	0	0	0	0	0
7:45 AM	0	2	0	0	0	0	0	0	0	0	0	0	2
8:00 AM	0	0	0	0	0	0	0	0	0	0	0	0	0
8:15 AM	0	0	0	0	0	0	0	0	0	0	0	0	0
8:30 AM	0	0	0	0	0	0	0	0	0	0	0	0	0
8:45 AM	0	0	0	0	0	0	0	0	0	0	0	0	0
TOTAL VOLUMES:	0	2	0	0	0	0	0	0	0	0	0	0	2

Date: 7/15/2021
 Day: Thursday

	Southbound Needles Highway			Westbound Budweiser Road			Northbound Needles Highway			Eastbound Budweiser Road			
	Left	Thru	Right	Left	Thru	Right	Left	Thru	Right	Left	Thru	Right	
4:00 PM	0	0	0	0	0	0	0	0	0	0	0	0	0
4:15 PM	0	0	0	0	0	0	0	0	0	0	0	0	0
4:30 PM	0	0	0	0	0	0	0	0	0	0	0	0	0
4:45 PM	0	0	0	0	0	0	0	0	0	0	0	0	0
5:00 PM	0	0	0	0	0	0	0	0	0	0	0	0	0
5:15 PM	0	0	0	0	0	0	0	0	0	0	0	0	0
5:30 PM	0	0	0	0	0	0	0	0	0	0	0	0	0
5:45 PM	0	0	0	0	0	0	0	0	0	0	0	0	0
TOTAL VOLUMES:	0	0	0	0	0	0	0	0	0	0	0	0	0

Date: 7/17/2021
 Day: Saturday

	Southbound Needles Highway			Westbound Budweiser Road			Northbound Needles Highway			Eastbound Budweiser Road			
	Left	Thru	Right	Left	Thru	Right	Left	Thru	Right	Left	Thru	Right	
12:00 PM	0	0	0	0	0	0	0	0	0	0	0	0	0
12:15 PM	0	0	0	0	0	0	0	0	0	0	0	0	0
12:30 PM	0	0	0	0	0	0	0	0	0	0	0	0	0
12:45 PM	0	0	0	0	0	0	0	0	0	0	0	0	0
1:00 PM	0	0	0	0	0	0	0	0	0	0	0	0	0
1:15 PM	0	0	0	0	0	0	0	0	0	0	0	0	0
1:30 PM	0	0	0	0	0	0	0	0	0	0	0	0	0
1:45 PM	0	0	0	0	0	0	0	0	0	0	0	0	0
TOTAL VOLUMES:	0	0	0	0	0	0	0	0	0	0	0	0	0

City of Needles
 N/S: Needles Highway
 E/W: Park Road
 Weather: Clear

File Name : 02_NDL_Needles_Park AM
 Site Code : 16621325
 Start Date : 7/15/2021
 Page No : 1

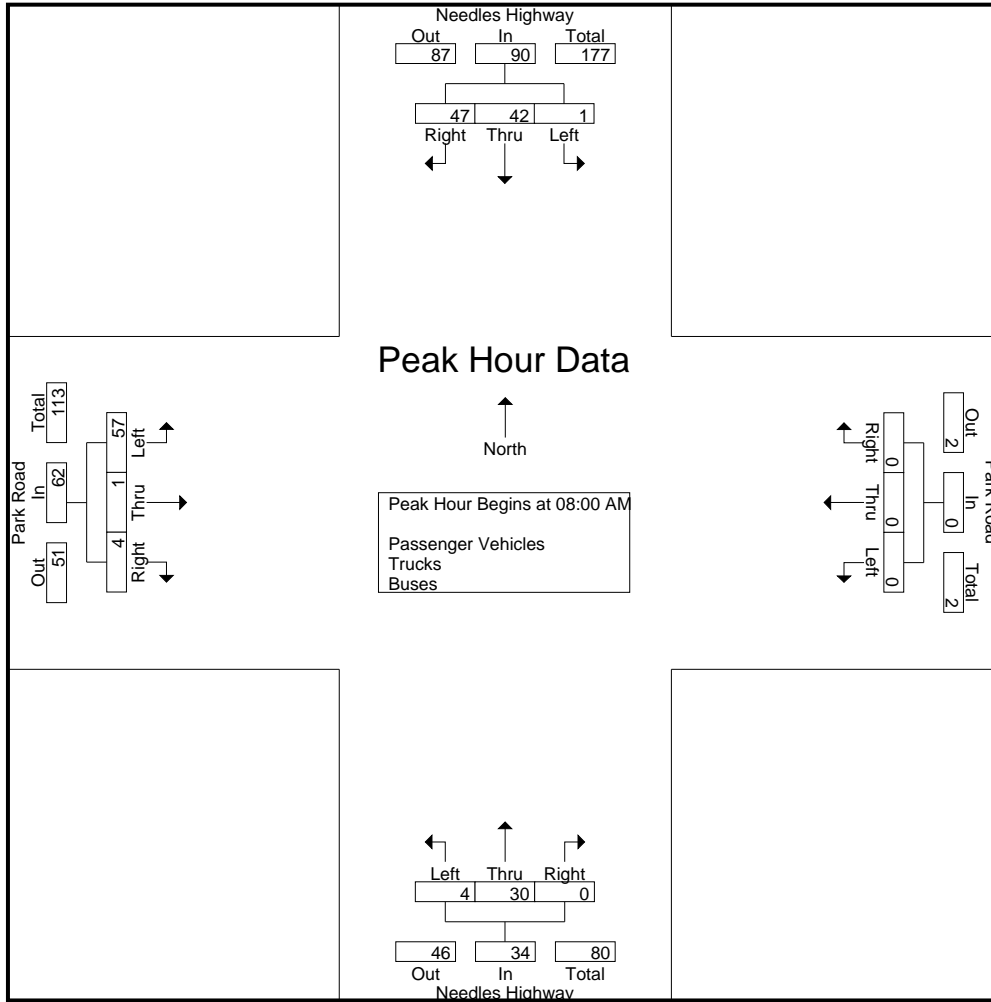
Groups Printed- Passenger Vehicles - Trucks - Buses

Start Time	Needles Highway Southbound				Park Road Westbound				Needles Highway Northbound				Park Road Eastbound				Int. Total
	Left	Thru	Right	App. Total	Left	Thru	Right	App. Total	Left	Thru	Right	App. Total	Left	Thru	Right	App. Total	
07:00 AM	0	6	6	12	0	0	0	0	0	4	0	4	0	0	0	0	16
07:15 AM	0	7	8	15	0	0	0	0	0	10	0	10	8	0	1	9	34
07:30 AM	0	13	9	22	0	0	0	0	2	6	0	8	2	0	0	2	32
07:45 AM	0	9	9	18	0	0	0	0	0	13	0	13	5	0	0	5	36
Total	0	35	32	67	0	0	0	0	2	33	0	35	15	0	1	16	118
08:00 AM	1	10	13	24	0	0	0	0	0	8	0	8	4	1	2	7	39
08:15 AM	0	14	9	23	0	0	0	0	2	9	0	11	25	0	0	25	59
08:30 AM	0	12	9	21	0	0	0	0	1	5	0	6	15	0	0	15	42
08:45 AM	0	6	16	22	0	0	0	0	1	8	0	9	13	0	2	15	46
Total	1	42	47	90	0	0	0	0	4	30	0	34	57	1	4	62	186
Grand Total	1	77	79	157	0	0	0	0	6	63	0	69	72	1	5	78	304
Apprch %	0.6	49	50.3		0	0	0		8.7	91.3	0		92.3	1.3	6.4		
Total %	0.3	25.3	26	51.6	0	0	0	0	2	20.7	0	22.7	23.7	0.3	1.6	25.7	
Passenger Vehicles	1	75	77	153	0	0	0	0	6	61	0	67	68	1	5	74	294
% Passenger Vehicles	100	97.4	97.5	97.5	0	0	0	0	100	96.8	0	97.1	94.4	100	100	94.9	96.7
Trucks	0	2	1	3	0	0	0	0	0	2	0	2	4	0	0	4	9
% Trucks	0	2.6	1.3	1.9	0	0	0	0	0	3.2	0	2.9	5.6	0	0	5.1	3
Buses	0	0	1	1	0	0	0	0	0	0	0	0	0	0	0	0	1
% Buses	0	0	1.3	0.6	0	0	0	0	0	0	0	0	0	0	0	0	0.3

Start Time	Needles Highway Southbound				Park Road Westbound				Needles Highway Northbound				Park Road Eastbound				Int. Total
	Left	Thru	Right	App. Total	Left	Thru	Right	App. Total	Left	Thru	Right	App. Total	Left	Thru	Right	App. Total	
Peak Hour Analysis From 07:00 AM to 08:45 AM - Peak 1 of 1																	
Peak Hour for Entire Intersection Begins at 08:00 AM																	
08:00 AM	1	10	13	24	0	0	0	0	0	8	0	8	4	1	2	7	39
08:15 AM	0	14	9	23	0	0	0	0	2	9	0	11	25	0	0	25	59
08:30 AM	0	12	9	21	0	0	0	0	1	5	0	6	15	0	0	15	42
08:45 AM	0	6	16	22	0	0	0	0	1	8	0	9	13	0	2	15	46
Total Volume	1	42	47	90	0	0	0	0	4	30	0	34	57	1	4	62	186
% App. Total	1.1	46.7	52.2		0	0	0		11.8	88.2	0		91.9	1.6	6.5		
PHF	.250	.750	.734	.938	.000	.000	.000	.000	.500	.833	.000	.773	.570	.250	.500	.620	.788

City of Needles
 N/S: Needles Highway
 E/W: Park Road
 Weather: Clear

File Name : 02_NDL_Needles_Park AM
 Site Code : 16621325
 Start Date : 7/15/2021
 Page No : 2



Peak Hour Analysis From 07:00 AM to 08:45 AM - Peak 1 of 1
 Peak Hour for Each Approach Begins at:

	08:00 AM				07:00 AM				07:30 AM				08:00 AM			
+0 mins.	1	10	13	24	0	0	0	0	2	6	0	8	4	1	2	7
+15 mins.	0	14	9	23	0	0	0	0	0	13	0	13	25	0	0	25
+30 mins.	0	12	9	21	0	0	0	0	0	8	0	8	15	0	0	15
+45 mins.	0	6	16	22	0	0	0	0	2	9	0	11	13	0	2	15
Total Volume	1	42	47	90	0	0	0	0	4	36	0	40	57	1	4	62
% App. Total	1.1	46.7	52.2		0	0	0		10	90	0		91.9	1.6	6.5	
PHF	.250	.750	.734	.938	.000	.000	.000	.000	.500	.692	.000	.769	.570	.250	.500	.620

City of Needles
 N/S: Needles Highway
 E/W: Park Road
 Weather: Clear

File Name : 02_NDL_Needles_Park AM
 Site Code : 16621325
 Start Date : 7/15/2021
 Page No : 1

Groups Printed- Passenger Vehicles

Start Time	Needles Highway Southbound				Park Road Westbound				Needles Highway Northbound				Park Road Eastbound				Int. Total
	Left	Thru	Right	App. Total	Left	Thru	Right	App. Total	Left	Thru	Right	App. Total	Left	Thru	Right	App. Total	
07:00 AM	0	6	6	12	0	0	0	0	0	4	0	4	0	0	0	0	16
07:15 AM	0	7	7	14	0	0	0	0	0	9	0	9	6	0	1	7	30
07:30 AM	0	12	9	21	0	0	0	0	2	5	0	7	2	0	0	2	30
07:45 AM	0	8	9	17	0	0	0	0	0	13	0	13	5	0	0	5	35
Total	0	33	31	64	0	0	0	0	2	31	0	33	13	0	1	14	111
08:00 AM	1	10	13	24	0	0	0	0	0	8	0	8	3	1	2	6	38
08:15 AM	0	14	9	23	0	0	0	0	2	9	0	11	25	0	0	25	59
08:30 AM	0	12	9	21	0	0	0	0	1	5	0	6	14	0	0	14	41
08:45 AM	0	6	15	21	0	0	0	0	1	8	0	9	13	0	2	15	45
Total	1	42	46	89	0	0	0	0	4	30	0	34	55	1	4	60	183
Grand Total	1	75	77	153	0	0	0	0	6	61	0	67	68	1	5	74	294
Apprch %	0.7	49	50.3		0	0	0		9	91	0		91.9	1.4	6.8		
Total %	0.3	25.5	26.2	52	0	0	0	0	2	20.7	0	22.8	23.1	0.3	1.7	25.2	

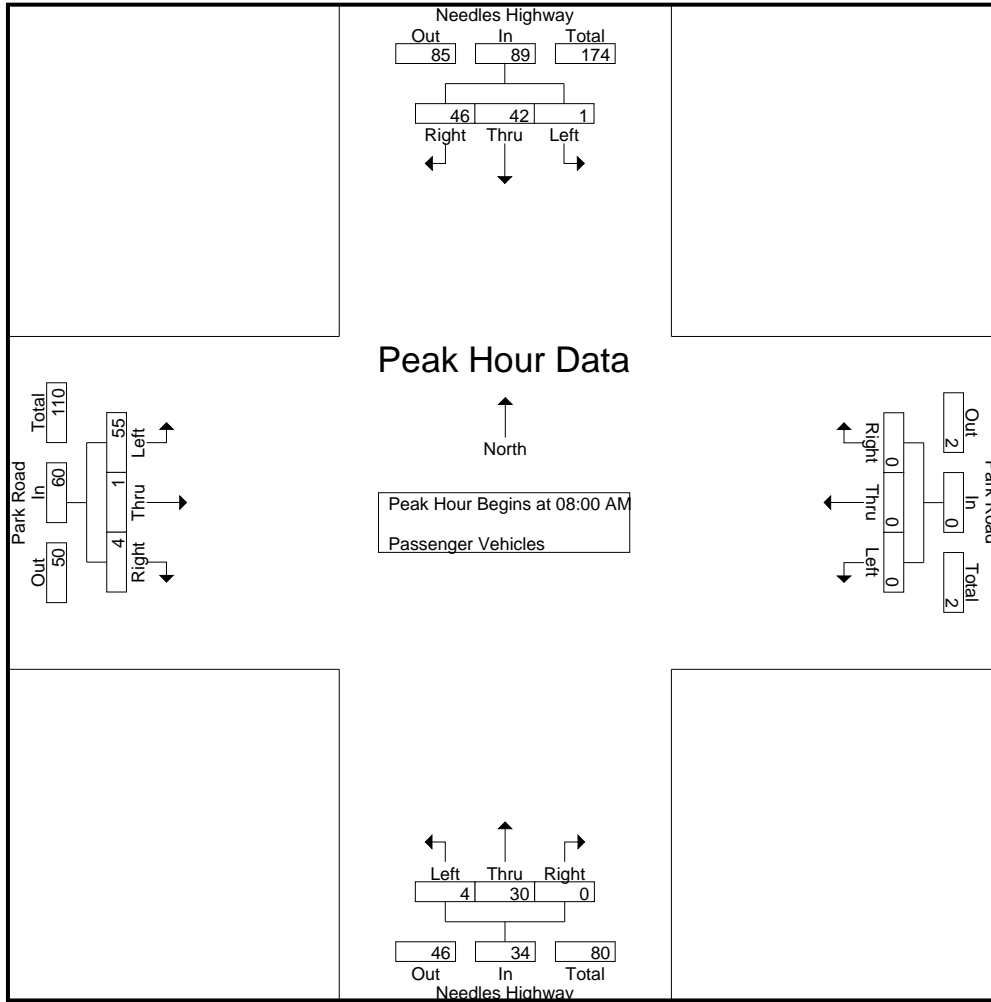
Start Time	Needles Highway Southbound				Park Road Westbound				Needles Highway Northbound				Park Road Eastbound				Int. Total
	Left	Thru	Right	App. Total	Left	Thru	Right	App. Total	Left	Thru	Right	App. Total	Left	Thru	Right	App. Total	
08:00 AM	1	10	13	24	0	0	0	0	0	8	0	8	3	1	2	6	38
08:15 AM	0	14	9	23	0	0	0	0	2	9	0	11	25	0	0	25	59
08:30 AM	0	12	9	21	0	0	0	0	1	5	0	6	14	0	0	14	41
08:45 AM	0	6	15	21	0	0	0	0	1	8	0	9	13	0	2	15	45
Total Volume	1	42	46	89	0	0	0	0	4	30	0	34	55	1	4	60	183
% App. Total	1.1	47.2	51.7		0	0	0		11.8	88.2	0		91.7	1.7	6.7		
PHF	.250	.750	.767	.927	.000	.000	.000	.000	.500	.833	.000	.773	.550	.250	.500	.600	.775

Peak Hour Analysis From 08:00 AM to 08:45 AM - Peak 1 of 1

Peak Hour for Entire Intersection Begins at 08:00 AM

City of Needles
 N/S: Needles Highway
 E/W: Park Road
 Weather: Clear

File Name : 02_NDL_Needles_Park AM
 Site Code : 16621325
 Start Date : 7/15/2021
 Page No : 2



Peak Hour Analysis From 08:00 AM to 08:45 AM - Peak 1 of 1
 Peak Hour for Each Approach Begins at:

	08:00 AM				08:00 AM				08:00 AM				08:00 AM			
+0 mins.	1	10	13	24	0	0	0	0	0	8	0	8	3	1	2	6
+15 mins.	0	14	9	23	0	0	0	0	2	9	0	11	25	0	0	25
+30 mins.	0	12	9	21	0	0	0	0	1	5	0	6	14	0	0	14
+45 mins.	0	6	15	21	0	0	0	0	1	8	0	9	13	0	2	15
Total Volume	1	42	46	89	0	0	0	0	4	30	0	34	55	1	4	60
% App. Total	1.1	47.2	51.7		0	0	0		11.8	88.2	0		91.7	1.7	6.7	
PHF	.250	.750	.767	.927	.000	.000	.000	.000	.500	.833	.000	.773	.550	.250	.500	.600

City of Needles
 N/S: Needles Highway
 E/W: Park Road
 Weather: Clear

File Name : 02_NDL_Needles_Park AM
 Site Code : 16621325
 Start Date : 7/15/2021
 Page No : 1

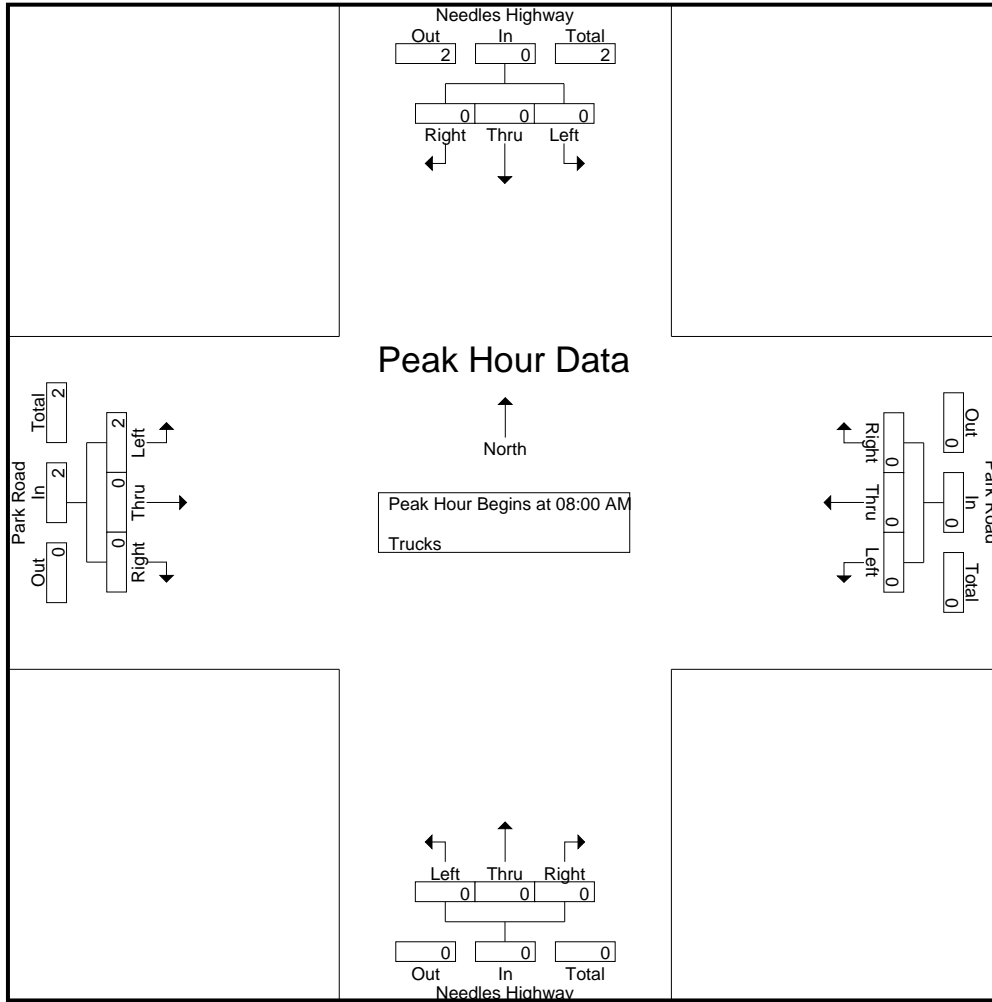
Groups Printed- Trucks

Start Time	Needles Highway Southbound				Park Road Westbound				Needles Highway Northbound				Park Road Eastbound				Int. Total	
	Left	Thru	Right	App. Total	Left	Thru	Right	App. Total	Left	Thru	Right	App. Total	Left	Thru	Right	App. Total		
07:00 AM	0	0	0	0	0	0	0	0	0	0	0	0	0	0	0	0	0	0
07:15 AM	0	0	1	1	0	0	0	0	0	0	1	0	1	2	0	0	2	4
07:30 AM	0	1	0	1	0	0	0	0	0	0	1	0	1	0	0	0	0	2
07:45 AM	0	1	0	1	0	0	0	0	0	0	0	0	0	0	0	0	0	1
Total	0	2	1	3	0	0	0	0	0	0	2	0	2	2	0	0	2	7
08:00 AM	0	0	0	0	0	0	0	0	0	0	0	0	0	1	0	0	1	1
08:15 AM	0	0	0	0	0	0	0	0	0	0	0	0	0	0	0	0	0	0
08:30 AM	0	0	0	0	0	0	0	0	0	0	0	0	0	1	0	0	1	1
08:45 AM	0	0	0	0	0	0	0	0	0	0	0	0	0	0	0	0	0	0
Total	0	0	0	0	0	0	0	0	0	0	0	0	0	2	0	0	2	2
Grand Total	0	2	1	3	0	0	0	0	0	2	0	2	4	0	0	4	9	
Apprch %	0	66.7	33.3		0	0	0		0	100	0		100	0	0			
Total %	0	22.2	11.1	33.3	0	0	0	0	0	22.2	0	22.2	44.4	0	0	44.4		

Start Time	Needles Highway Southbound				Park Road Westbound				Needles Highway Northbound				Park Road Eastbound				Int. Total	
	Left	Thru	Right	App. Total	Left	Thru	Right	App. Total	Left	Thru	Right	App. Total	Left	Thru	Right	App. Total		
Peak Hour Analysis From 08:00 AM to 08:45 AM - Peak 1 of 1																		
Peak Hour for Entire Intersection Begins at 08:00 AM																		
08:00 AM	0	0	0	0	0	0	0	0	0	0	0	0	0	1	0	0	1	1
08:15 AM	0	0	0	0	0	0	0	0	0	0	0	0	0	0	0	0	0	0
08:30 AM	0	0	0	0	0	0	0	0	0	0	0	0	0	1	0	0	1	1
08:45 AM	0	0	0	0	0	0	0	0	0	0	0	0	0	0	0	0	0	0
Total Volume	0	0	0	0	0	0	0	0	0	0	0	0	0	2	0	0	2	2
% App. Total	0	0	0		0	0	0		0	0	0		100	0	0			
PHF	.000	.000	.000	.000	.000	.000	.000	.000	.000	.000	.000	.000	.000	.500	.000	.000	.500	.500

City of Needles
 N/S: Needles Highway
 E/W: Park Road
 Weather: Clear

File Name : 02_NDL_Needles_Park AM
 Site Code : 16621325
 Start Date : 7/15/2021
 Page No : 2



Peak Hour Analysis From 08:00 AM to 08:45 AM - Peak 1 of 1
 Peak Hour for Each Approach Begins at:

	08:00 AM				08:00 AM				08:00 AM				08:00 AM				
+0 mins.	0	0	0	0	0	0	0	0	0	0	0	0	1	0	0	0	1
+15 mins.	0	0	0	0	0	0	0	0	0	0	0	0	0	0	0	0	0
+30 mins.	0	0	0	0	0	0	0	0	0	0	0	0	1	0	0	0	1
+45 mins.	0	0	0	0	0	0	0	0	0	0	0	0	0	0	0	0	0
Total Volume	0	0	0	0	0	0	0	0	0	0	0	0	2	0	0	0	2
% App. Total	0	0	0	0	0	0	0	0	0	0	0	0	100	0	0	0	
PHF	.000	.000	.000	.000	.000	.000	.000	.000	.000	.000	.000	.000	.500	.000	.000	.500	

City of Needles
 N/S: Needles Highway
 E/W: Park Road
 Weather: Clear

File Name : 02_NDL_Needles_Park AM
 Site Code : 16621325
 Start Date : 7/15/2021
 Page No : 1

Groups Printed- Buses

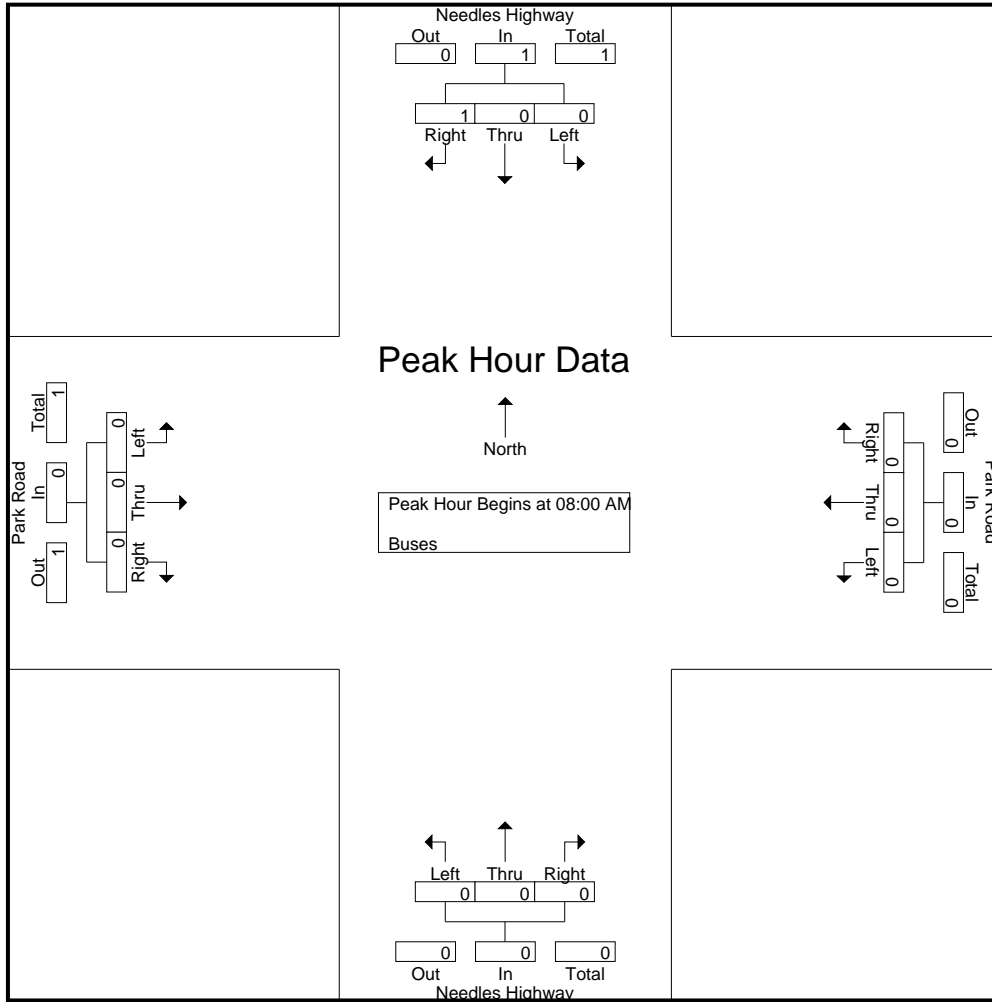
Start Time	Needles Highway Southbound				Park Road Westbound				Needles Highway Northbound				Park Road Eastbound				Int. Total
	Left	Thru	Right	App. Total	Left	Thru	Right	App. Total	Left	Thru	Right	App. Total	Left	Thru	Right	App. Total	
07:00 AM	0	0	0	0	0	0	0	0	0	0	0	0	0	0	0	0	0
07:15 AM	0	0	0	0	0	0	0	0	0	0	0	0	0	0	0	0	0
07:30 AM	0	0	0	0	0	0	0	0	0	0	0	0	0	0	0	0	0
07:45 AM	0	0	0	0	0	0	0	0	0	0	0	0	0	0	0	0	0
Total	0	0	0	0	0	0	0	0	0	0	0	0	0	0	0	0	0
08:00 AM	0	0	0	0	0	0	0	0	0	0	0	0	0	0	0	0	0
08:15 AM	0	0	0	0	0	0	0	0	0	0	0	0	0	0	0	0	0
08:30 AM	0	0	0	0	0	0	0	0	0	0	0	0	0	0	0	0	0
08:45 AM	0	0	1	1	0	0	0	0	0	0	0	0	0	0	0	0	1
Total	0	0	1	1	0	0	0	0	0	0	0	0	0	0	0	0	1
Grand Total	0	0	1	1	0	0	0	0	0	0	0	0	0	0	0	0	1
Apprch %	0	0	100		0	0	0		0	0	0		0	0	0		
Total %	0	0	100	100	0	0	0	0	0	0	0	0	0	0	0	0	

Start Time	Needles Highway Southbound				Park Road Westbound				Needles Highway Northbound				Park Road Eastbound				Int. Total
	Left	Thru	Right	App. Total	Left	Thru	Right	App. Total	Left	Thru	Right	App. Total	Left	Thru	Right	App. Total	
08:00 AM	0	0	0	0	0	0	0	0	0	0	0	0	0	0	0	0	0
08:15 AM	0	0	0	0	0	0	0	0	0	0	0	0	0	0	0	0	0
08:30 AM	0	0	0	0	0	0	0	0	0	0	0	0	0	0	0	0	0
08:45 AM	0	0	1	1	0	0	0	0	0	0	0	0	0	0	0	0	1
Total Volume	0	0	1	1	0	0	0	0	0	0	0	0	0	0	0	0	1
% App. Total	0	0	100		0	0	0		0	0	0		0	0	0		
PHF	.000	.000	.250	.250	.000	.000	.000	.000	.000	.000	.000	.000	.000	.000	.000	.000	.250

Peak Hour Analysis From 08:00 AM to 08:45 AM - Peak 1 of 1
 Peak Hour for Entire Intersection Begins at 08:00 AM

City of Needles
 N/S: Needles Highway
 E/W: Park Road
 Weather: Clear

File Name : 02_NDL_Needles_Park AM
 Site Code : 16621325
 Start Date : 7/15/2021
 Page No : 2



Peak Hour Analysis From 08:00 AM to 08:45 AM - Peak 1 of 1
 Peak Hour for Each Approach Begins at:

	08:00 AM				08:00 AM				08:00 AM				08:00 AM			
+0 mins.	0	0	0	0	0	0	0	0	0	0	0	0	0	0	0	0
+15 mins.	0	0	0	0	0	0	0	0	0	0	0	0	0	0	0	0
+30 mins.	0	0	0	0	0	0	0	0	0	0	0	0	0	0	0	0
+45 mins.	0	0	1	1	0	0	0	0	0	0	0	0	0	0	0	0
Total Volume	0	0	1	1	0	0	0	0	0	0	0	0	0	0	0	0
% App. Total	0	0	100		0	0	0		0	0	0		0	0	0	
PHF	.000	.000	.250	.250	.000	.000	.000	.000	.000	.000	.000	.000	.000	.000	.000	.000

City of Needles
 N/S: Needles Highway
 E/W: Park Road
 Weather: Clear

File Name : 02_NDL_Needles_Park PM
 Site Code : 16621325
 Start Date : 7/15/2021
 Page No : 1

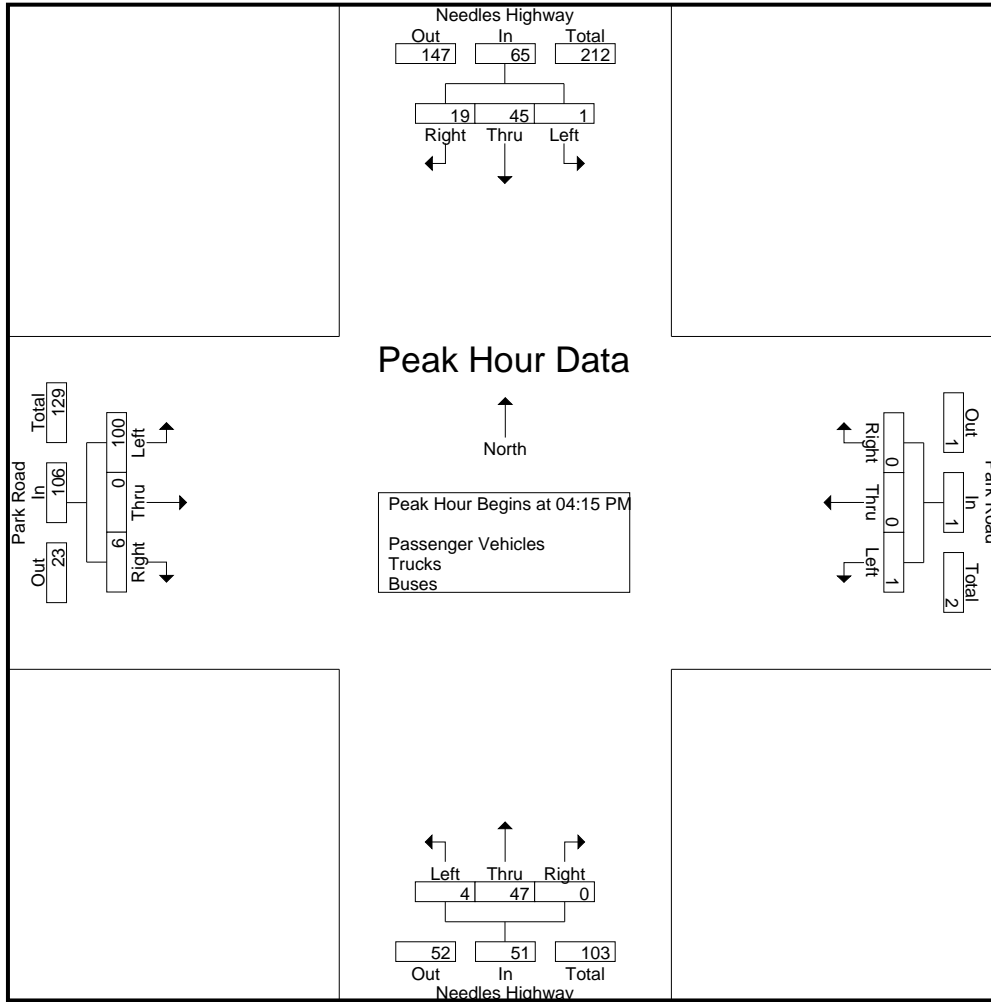
Groups Printed- Passenger Vehicles - Trucks - Buses

Start Time	Needles Highway Southbound				Park Road Westbound				Needles Highway Northbound				Park Road Eastbound				Int. Total
	Left	Thru	Right	App. Total	Left	Thru	Right	App. Total	Left	Thru	Right	App. Total	Left	Thru	Right	App. Total	
04:00 PM	0	5	4	9	0	0	0	0	0	8	1	9	26	0	0	26	44
04:15 PM	0	11	3	14	0	0	0	0	2	16	0	18	28	0	1	29	61
04:30 PM	1	11	3	15	0	0	0	0	0	8	0	8	24	0	1	25	48
04:45 PM	0	15	3	18	1	0	0	1	2	11	0	13	29	0	2	31	63
Total	1	42	13	56	1	0	0	1	4	43	1	48	107	0	4	111	216
05:00 PM	0	8	10	18	0	0	0	0	0	12	0	12	19	0	2	21	51
05:15 PM	0	8	1	9	0	0	0	0	0	14	0	14	25	1	0	26	49
05:30 PM	0	9	6	15	0	0	1	1	0	13	0	13	21	1	1	23	52
05:45 PM	0	12	5	17	0	0	0	0	0	15	0	15	16	4	0	20	52
Total	0	37	22	59	0	0	1	1	0	54	0	54	81	6	3	90	204
Grand Total	1	79	35	115	1	0	1	2	4	97	1	102	188	6	7	201	420
Apprch %	0.9	68.7	30.4		50	0	50		3.9	95.1	1		93.5	3	3.5		
Total %	0.2	18.8	8.3	27.4	0.2	0	0.2	0.5	1	23.1	0.2	24.3	44.8	1.4	1.7	47.9	
Passenger Vehicles	1	74	31	106	1	0	1	2	2	95	1	98	181	6	6	193	399
% Passenger Vehicles	100	93.7	88.6	92.2	100	0	100	100	50	97.9	100	96.1	96.3	100	85.7	96	95
Trucks	0	5	4	9	0	0	0	0	2	2	0	4	7	0	1	8	21
% Trucks	0	6.3	11.4	7.8	0	0	0	0	50	2.1	0	3.9	3.7	0	14.3	4	5
Buses	0	0	0	0	0	0	0	0	0	0	0	0	0	0	0	0	0
% Buses	0	0	0	0	0	0	0	0	0	0	0	0	0	0	0	0	0

Start Time	Needles Highway Southbound				Park Road Westbound				Needles Highway Northbound				Park Road Eastbound				Int. Total
	Left	Thru	Right	App. Total	Left	Thru	Right	App. Total	Left	Thru	Right	App. Total	Left	Thru	Right	App. Total	
Peak Hour Analysis From 04:00 PM to 05:45 PM - Peak 1 of 1																	
Peak Hour for Entire Intersection Begins at 04:15 PM																	
04:15 PM	0	11	3	14	0	0	0	0	2	16	0	18	28	0	1	29	61
04:30 PM	1	11	3	15	0	0	0	0	0	8	0	8	24	0	1	25	48
04:45 PM	0	15	3	18	1	0	0	1	2	11	0	13	29	0	2	31	63
05:00 PM	0	8	10	18	0	0	0	0	0	12	0	12	19	0	2	21	51
Total Volume	1	45	19	65	1	0	0	1	4	47	0	51	100	0	6	106	223
% App. Total	1.5	69.2	29.2		100	0	0		7.8	92.2	0		94.3	0	5.7		
PHF	.250	.750	.475	.903	.250	.000	.000	.250	.500	.734	.000	.708	.862	.000	.750	.855	.885

City of Needles
 N/S: Needles Highway
 E/W: Park Road
 Weather: Clear

File Name : 02_NDL_Needles_Park PM
 Site Code : 16621325
 Start Date : 7/15/2021
 Page No : 2



Peak Hour Analysis From 04:00 PM to 05:45 PM - Peak 1 of 1
 Peak Hour for Each Approach Begins at:

	04:15 PM				04:45 PM				05:00 PM				04:00 PM			
+0 mins.	0	11	3	14	1	0	0	1	0	12	0	12	26	0	0	26
+15 mins.	1	11	3	15	0	0	0	0	0	14	0	14	28	0	1	29
+30 mins.	0	15	3	18	0	0	0	0	0	13	0	13	24	0	1	25
+45 mins.	0	8	10	18	0	0	1	1	0	15	0	15	29	0	2	31
Total Volume	1	45	19	65	1	0	1	2	0	54	0	54	107	0	4	111
% App. Total	1.5	69.2	29.2		50	0	50		0	100	0		96.4	0	3.6	
PHF	.250	.750	.475	.903	.250	.000	.250	.500	.000	.900	.000	.900	.922	.000	.500	.895

City of Needles
 N/S: Needles Highway
 E/W: Park Road
 Weather: Clear

File Name : 02_NDL_Needles_Park PM
 Site Code : 16621325
 Start Date : 7/15/2021
 Page No : 1

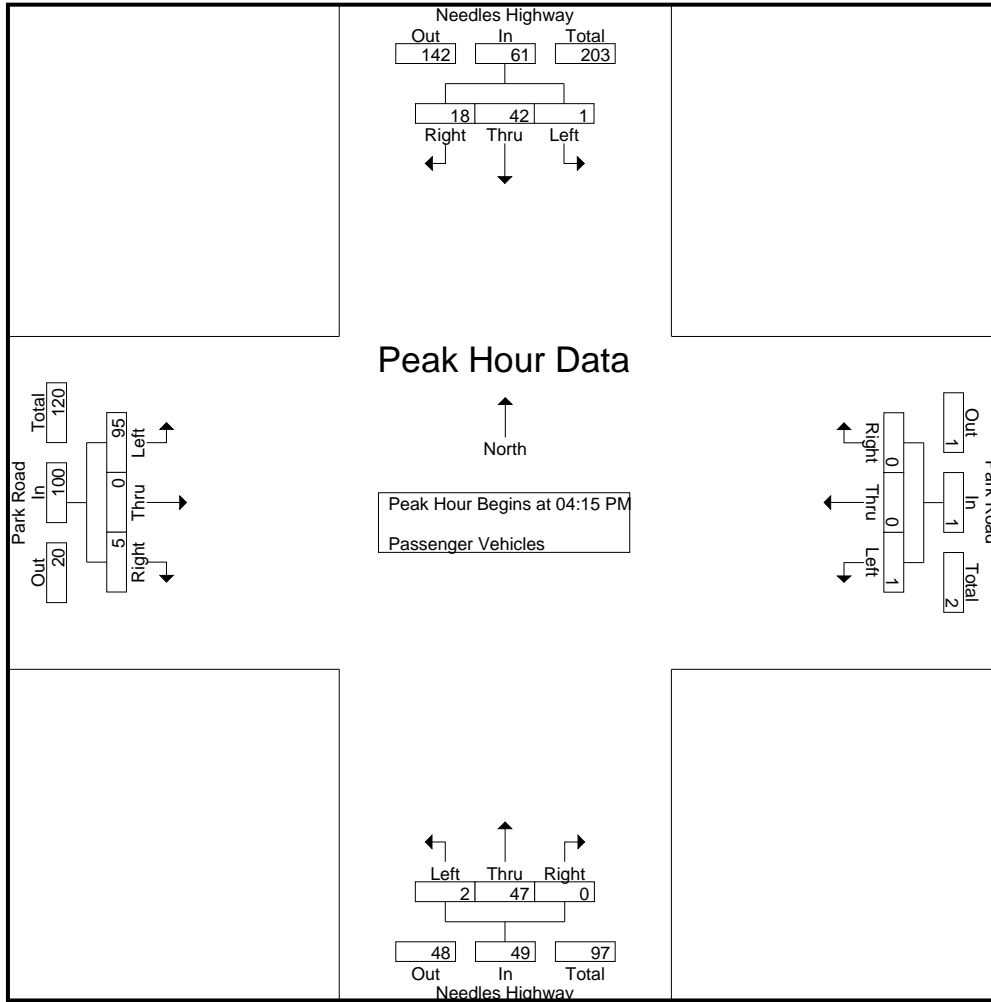
Groups Printed- Passenger Vehicles

Start Time	Needles Highway Southbound				Park Road Westbound				Needles Highway Northbound				Park Road Eastbound				Int. Total
	Left	Thru	Right	App. Total	Left	Thru	Right	App. Total	Left	Thru	Right	App. Total	Left	Thru	Right	App. Total	
04:00 PM	0	5	1	6	0	0	0	0	0	8	1	9	26	0	0	26	41
04:15 PM	0	9	3	12	0	0	0	0	1	16	0	17	27	0	1	28	57
04:30 PM	1	11	3	15	0	0	0	0	0	8	0	8	23	0	1	24	47
04:45 PM	0	14	3	17	1	0	0	1	1	11	0	12	29	0	2	31	61
Total	1	39	10	50	1	0	0	1	2	43	1	46	105	0	4	109	206
05:00 PM	0	8	9	17	0	0	0	0	0	12	0	12	16	0	1	17	46
05:15 PM	0	7	1	8	0	0	0	0	0	14	0	14	24	1	0	25	47
05:30 PM	0	8	6	14	0	0	1	1	0	13	0	13	20	1	1	22	50
05:45 PM	0	12	5	17	0	0	0	0	0	13	0	13	16	4	0	20	50
Total	0	35	21	56	0	0	1	1	0	52	0	52	76	6	2	84	193
Grand Total	1	74	31	106	1	0	1	2	2	95	1	98	181	6	6	193	399
Apprch %	0.9	69.8	29.2		50	0	50		2	96.9	1		93.8	3.1	3.1		
Total %	0.3	18.5	7.8	26.6	0.3	0	0.3	0.5	0.5	23.8	0.3	24.6	45.4	1.5	1.5	48.4	

Start Time	Needles Highway Southbound				Park Road Westbound				Needles Highway Northbound				Park Road Eastbound				Int. Total
	Left	Thru	Right	App. Total	Left	Thru	Right	App. Total	Left	Thru	Right	App. Total	Left	Thru	Right	App. Total	
Peak Hour Analysis From 04:15 PM to 05:00 PM - Peak 1 of 1																	
Peak Hour for Entire Intersection Begins at 04:15 PM																	
04:15 PM	0	9	3	12	0	0	0	0	1	16	0	17	27	0	1	28	57
04:30 PM	1	11	3	15	0	0	0	0	0	8	0	8	23	0	1	24	47
04:45 PM	0	14	3	17	1	0	0	1	1	11	0	12	29	0	2	31	61
05:00 PM	0	8	9	17	0	0	0	0	0	12	0	12	16	0	1	17	46
Total Volume	1	42	18	61	1	0	0	1	2	47	0	49	95	0	5	100	211
% App. Total	1.6	68.9	29.5		100	0	0		4.1	95.9	0		95	0	5		
PHF	.250	.750	.500	.897	.250	.000	.000	.250	.500	.734	.000	.721	.819	.000	.625	.806	.865

City of Needles
 N/S: Needles Highway
 E/W: Park Road
 Weather: Clear

File Name : 02_NDL_Needles_Park PM
 Site Code : 16621325
 Start Date : 7/15/2021
 Page No : 2



Peak Hour Analysis From 04:15 PM to 05:00 PM - Peak 1 of 1
 Peak Hour for Each Approach Begins at:

	04:15 PM				04:15 PM				04:15 PM				04:15 PM			
+0 mins.	0	9	3	12	0	0	0	0	1	16	0	17	27	0	1	28
+15 mins.	1	11	3	15	0	0	0	0	0	8	0	8	23	0	1	24
+30 mins.	0	14	3	17	1	0	0	1	1	11	0	12	29	0	2	31
+45 mins.	0	8	9	17	0	0	0	0	0	12	0	12	16	0	1	17
Total Volume	1	42	18	61	1	0	0	1	2	47	0	49	95	0	5	100
% App. Total	1.6	68.9	29.5		100	0	0		4.1	95.9	0		95	0	5	
PHF	.250	.750	.500	.897	.250	.000	.000	.250	.500	.734	.000	.721	.819	.000	.625	.806

City of Needles
 N/S: Needles Highway
 E/W: Park Road
 Weather: Clear

File Name : 02_NDL_Needles_Park PM
 Site Code : 16621325
 Start Date : 7/15/2021
 Page No : 1

Groups Printed- Trucks

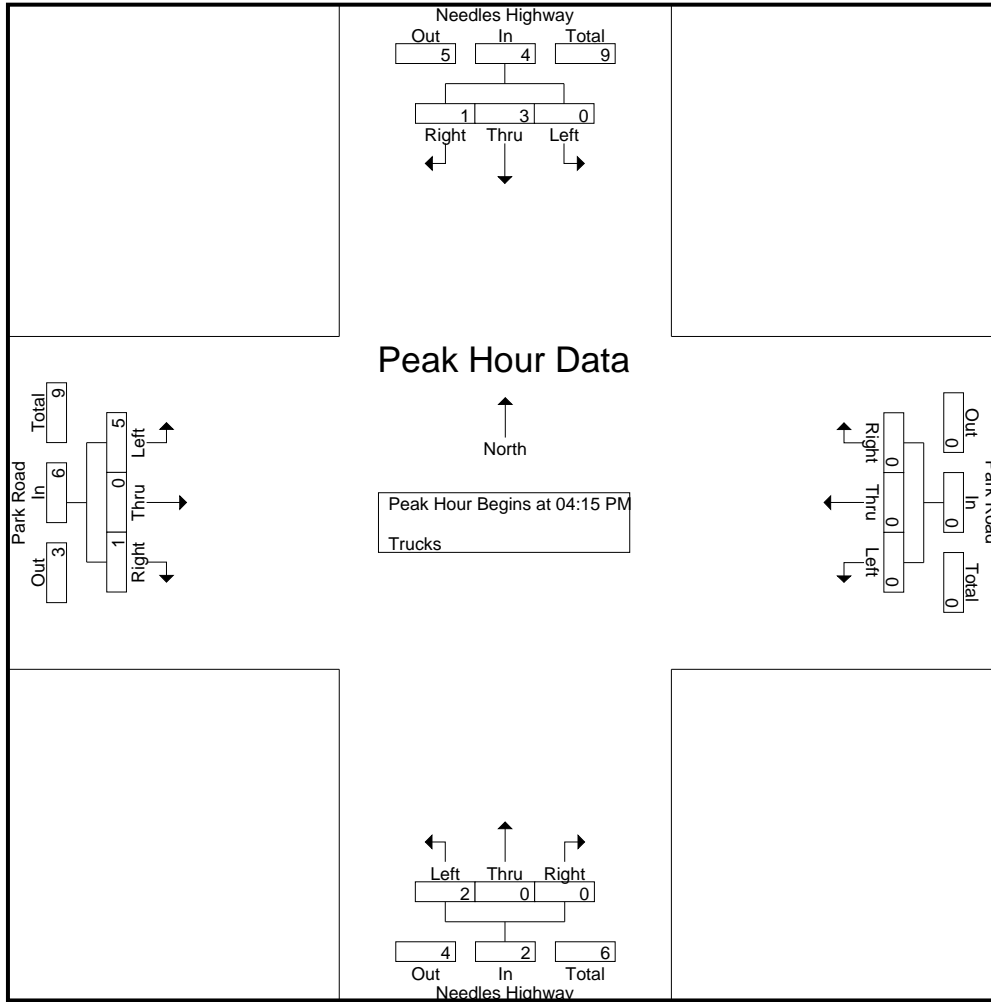
Start Time	Needles Highway Southbound				Park Road Westbound				Needles Highway Northbound				Park Road Eastbound				Int. Total	
	Left	Thru	Right	App. Total	Left	Thru	Right	App. Total	Left	Thru	Right	App. Total	Left	Thru	Right	App. Total		
04:00 PM	0	0	3	3	0	0	0	0	0	0	0	0	0	0	0	0	0	3
04:15 PM	0	2	0	2	0	0	0	0	1	0	0	1	1	0	0	1	1	4
04:30 PM	0	0	0	0	0	0	0	0	0	0	0	0	1	0	0	1	1	1
04:45 PM	0	1	0	1	0	0	0	0	1	0	0	1	0	0	0	0	0	2
Total	0	3	3	6	0	0	0	0	2	0	0	2	2	0	0	2	2	10
05:00 PM	0	0	1	1	0	0	0	0	0	0	0	0	3	0	1	4	4	5
05:15 PM	0	1	0	1	0	0	0	0	0	0	0	0	1	0	0	1	1	2
05:30 PM	0	1	0	1	0	0	0	0	0	0	0	0	1	0	0	1	1	2
05:45 PM	0	0	0	0	0	0	0	0	0	2	0	2	0	0	0	0	0	2
Total	0	2	1	3	0	0	0	0	0	2	0	2	5	0	1	6	6	11
Grand Total	0	5	4	9	0	0	0	0	2	2	0	4	7	0	1	8	8	21
Apprch %	0	55.6	44.4		0	0	0		50	50	0		87.5	0	12.5			
Total %	0	23.8	19	42.9	0	0	0	0	9.5	9.5	0	19	33.3	0	4.8	38.1		

Start Time	Needles Highway Southbound				Park Road Westbound				Needles Highway Northbound				Park Road Eastbound				Int. Total	
	Left	Thru	Right	App. Total	Left	Thru	Right	App. Total	Left	Thru	Right	App. Total	Left	Thru	Right	App. Total		
04:15 PM	0	2	0	2	0	0	0	0	1	0	0	1	1	0	0	1	1	4
04:30 PM	0	0	0	0	0	0	0	0	0	0	0	0	1	0	0	1	1	1
04:45 PM	0	1	0	1	0	0	0	0	1	0	0	1	0	0	0	0	0	2
05:00 PM	0	0	1	1	0	0	0	0	0	0	0	0	3	0	1	4	4	5
Total Volume	0	3	1	4	0	0	0	0	2	0	0	2	5	0	1	6	6	12
% App. Total	0	75	25		0	0	0		100	0	0		83.3	0	16.7			
PHF	.000	.375	.250	.500	.000	.000	.000	.000	.500	.000	.000	.500	.417	.000	.250	.375	.600	

Peak Hour Analysis From 04:15 PM to 05:00 PM - Peak 1 of 1
 Peak Hour for Entire Intersection Begins at 04:15 PM

City of Needles
 N/S: Needles Highway
 E/W: Park Road
 Weather: Clear

File Name : 02_NDL_Needles_Park PM
 Site Code : 16621325
 Start Date : 7/15/2021
 Page No : 2



Peak Hour Analysis From 04:15 PM to 05:00 PM - Peak 1 of 1
 Peak Hour for Each Approach Begins at:

	04:15 PM				04:15 PM				04:15 PM				04:15 PM			
+0 mins.	0	2	0	2	0	0	0	0	1	0	0	1	1	0	0	1
+15 mins.	0	0	0	0	0	0	0	0	0	0	0	0	1	0	0	1
+30 mins.	0	1	0	1	0	0	0	0	1	0	0	1	0	0	0	0
+45 mins.	0	0	1	1	0	0	0	0	0	0	0	0	3	0	1	4
Total Volume	0	3	1	4	0	0	0	0	2	0	0	2	5	0	1	6
% App. Total	0	75	25		0	0	0		100	0	0		83.3	0	16.7	
PHF	.000	.375	.250	.500	.000	.000	.000	.000	.500	.000	.000	.500	.417	.000	.250	.375

City of Needles
 N/S: Needles Highway
 E/W: Park Road
 Weather: Clear

File Name : 02_NDL_Needles_Park PM
 Site Code : 16621325
 Start Date : 7/15/2021
 Page No : 1

Groups Printed- Buses

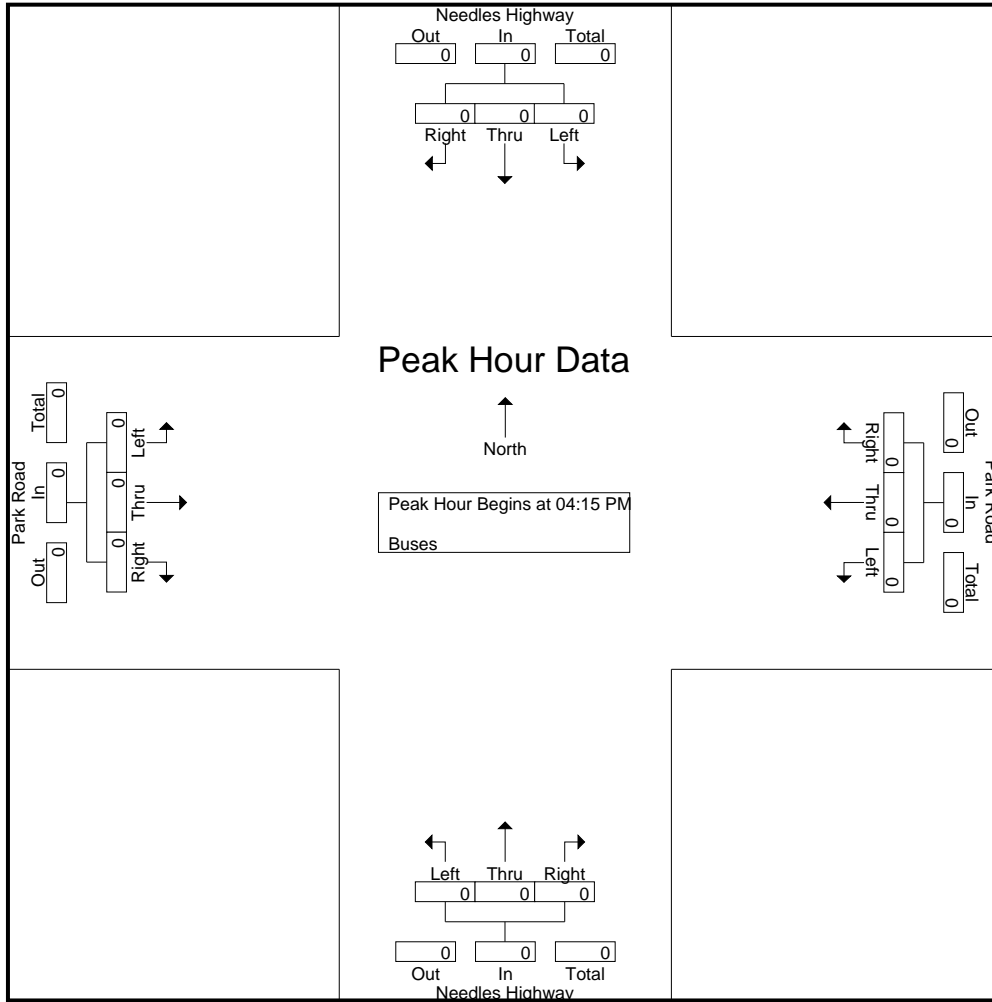
Start Time	Needles Highway Southbound				Park Road Westbound				Needles Highway Northbound				Park Road Eastbound				Int. Total
	Left	Thru	Right	App. Total	Left	Thru	Right	App. Total	Left	Thru	Right	App. Total	Left	Thru	Right	App. Total	
04:00 PM	0	0	0	0	0	0	0	0	0	0	0	0	0	0	0	0	0
04:15 PM	0	0	0	0	0	0	0	0	0	0	0	0	0	0	0	0	0
04:30 PM	0	0	0	0	0	0	0	0	0	0	0	0	0	0	0	0	0
04:45 PM	0	0	0	0	0	0	0	0	0	0	0	0	0	0	0	0	0
Total	0	0	0	0	0	0	0	0	0	0	0	0	0	0	0	0	0
05:00 PM	0	0	0	0	0	0	0	0	0	0	0	0	0	0	0	0	0
05:15 PM	0	0	0	0	0	0	0	0	0	0	0	0	0	0	0	0	0
05:30 PM	0	0	0	0	0	0	0	0	0	0	0	0	0	0	0	0	0
05:45 PM	0	0	0	0	0	0	0	0	0	0	0	0	0	0	0	0	0
Total	0	0	0	0	0	0	0	0	0	0	0	0	0	0	0	0	0
Grand Total	0	0	0	0	0	0	0	0	0	0	0	0	0	0	0	0	0
Apprch %	0	0	0		0	0	0		0	0	0		0	0	0		
Total %																	

Start Time	Needles Highway Southbound				Park Road Westbound				Needles Highway Northbound				Park Road Eastbound				Int. Total
	Left	Thru	Right	App. Total	Left	Thru	Right	App. Total	Left	Thru	Right	App. Total	Left	Thru	Right	App. Total	
04:15 PM	0	0	0	0	0	0	0	0	0	0	0	0	0	0	0	0	0
04:30 PM	0	0	0	0	0	0	0	0	0	0	0	0	0	0	0	0	0
04:45 PM	0	0	0	0	0	0	0	0	0	0	0	0	0	0	0	0	0
05:00 PM	0	0	0	0	0	0	0	0	0	0	0	0	0	0	0	0	0
Total Volume	0	0	0	0	0	0	0	0	0	0	0	0	0	0	0	0	0
% App. Total	0	0	0		0	0	0		0	0	0		0	0	0		
PHF	.000	.000	.000	.000	.000	.000	.000	.000	.000	.000	.000	.000	.000	.000	.000	.000	.000

Peak Hour Analysis From 04:15 PM to 05:00 PM - Peak 1 of 1
 Peak Hour for Entire Intersection Begins at 04:15 PM

City of Needles
 N/S: Needles Highway
 E/W: Park Road
 Weather: Clear

File Name : 02_NDL_Needles_Park PM
 Site Code : 16621325
 Start Date : 7/15/2021
 Page No : 2



Peak Hour Analysis From 04:15 PM to 05:00 PM - Peak 1 of 1
 Peak Hour for Each Approach Begins at:

	04:15 PM				04:15 PM				04:15 PM				04:15 PM			
+0 mins.	0	0	0	0	0	0	0	0	0	0	0	0	0	0	0	0
+15 mins.	0	0	0	0	0	0	0	0	0	0	0	0	0	0	0	0
+30 mins.	0	0	0	0	0	0	0	0	0	0	0	0	0	0	0	0
+45 mins.	0	0	0	0	0	0	0	0	0	0	0	0	0	0	0	0
Total Volume	0	0	0	0	0	0	0	0	0	0	0	0	0	0	0	0
% App. Total	0	0	0	0	0	0	0	0	0	0	0	0	0	0	0	0
PHF	.000	.000	.000	.000	.000	.000	.000	.000	.000	.000	.000	.000	.000	.000	.000	.000

City of Needles
 N/S: Needles Highway
 E/W: Park Road
 Weather: Clear

File Name : 02_NDL_Needles_Park SAT
 Site Code : 16621325
 Start Date : 7/17/2021
 Page No : 1

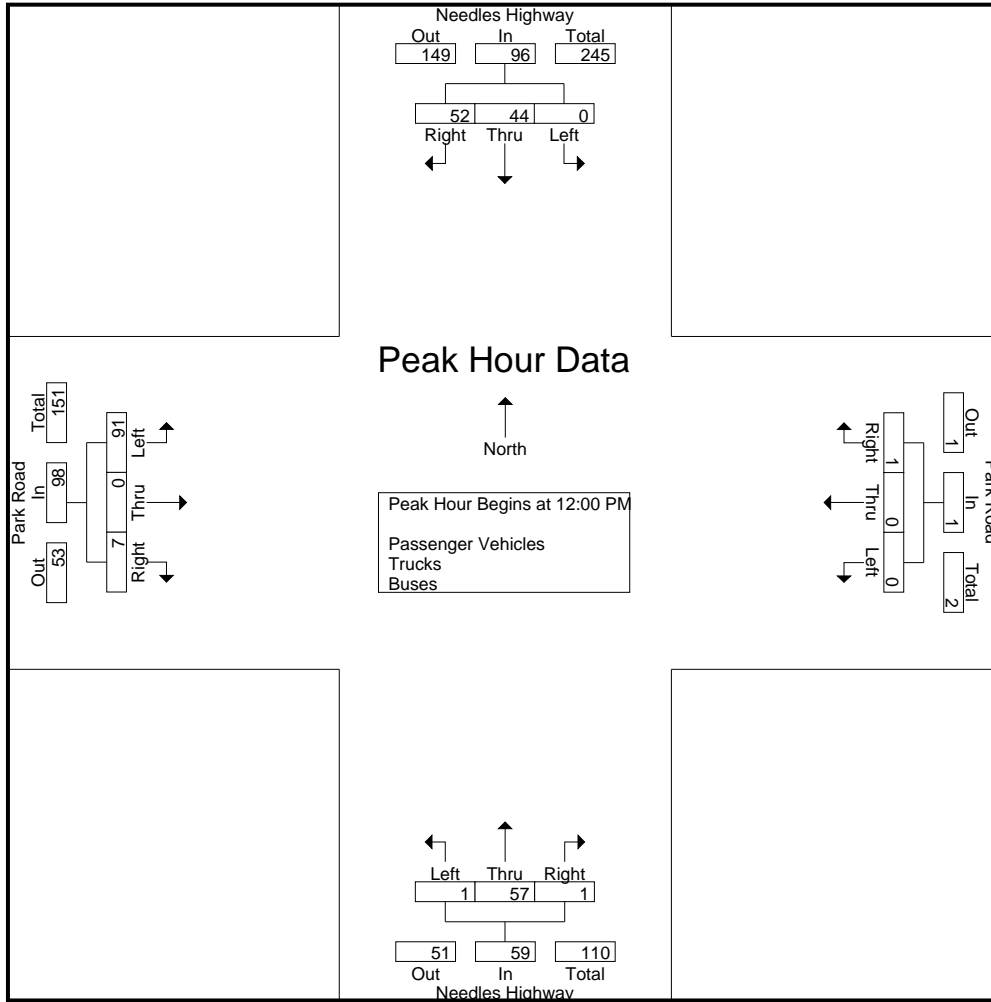
Groups Printed- Passenger Vehicles - Trucks - Buses

Start Time	Needles Highway Southbound				Park Road Westbound				Needles Highway Northbound				Park Road Eastbound				Int. Total
	Left	Thru	Right	App. Total	Left	Thru	Right	App. Total	Left	Thru	Right	App. Total	Left	Thru	Right	App. Total	
12:00 PM	0	10	12	22	0	0	1	1	0	23	0	23	20	0	3	23	69
12:15 PM	0	6	9	15	0	0	0	0	0	5	0	5	26	0	2	28	48
12:30 PM	0	15	19	34	0	0	0	0	0	13	0	13	28	0	0	28	75
12:45 PM	0	13	12	25	0	0	0	0	1	16	1	18	17	0	2	19	62
Total	0	44	52	96	0	0	1	1	1	57	1	59	91	0	7	98	254
01:00 PM	0	10	14	24	0	0	1	1	0	11	0	11	17	0	0	17	53
01:15 PM	0	6	7	13	0	0	0	0	0	13	0	13	17	0	0	17	43
01:30 PM	0	6	6	12	0	0	0	0	1	12	0	13	17	0	1	18	43
01:45 PM	0	10	11	21	0	0	0	0	1	20	0	21	16	0	0	16	58
Total	0	32	38	70	0	0	1	1	2	56	0	58	67	0	1	68	197
Grand Total	0	76	90	166	0	0	2	2	3	113	1	117	158	0	8	166	451
Apprch %	0	45.8	54.2		0	0	100		2.6	96.6	0.9		95.2	0	4.8		
Total %	0	16.9	20	36.8	0	0	0.4	0.4	0.7	25.1	0.2	25.9	35	0	1.8	36.8	
Passenger Vehicles	0	76	86	162	0	0	1	1	3	110	1	114	153	0	7	160	437
% Passenger Vehicles	0	100	95.6	97.6	0	0	50	50	100	97.3	100	97.4	96.8	0	87.5	96.4	96.9
Trucks	0	0	4	4	0	0	1	1	0	3	0	3	5	0	1	6	14
% Trucks	0	0	4.4	2.4	0	0	50	50	0	2.7	0	2.6	3.2	0	12.5	3.6	3.1
Buses	0	0	0	0	0	0	0	0	0	0	0	0	0	0	0	0	0
% Buses	0	0	0	0	0	0	0	0	0	0	0	0	0	0	0	0	0

Start Time	Needles Highway Southbound				Park Road Westbound				Needles Highway Northbound				Park Road Eastbound				Int. Total
	Left	Thru	Right	App. Total	Left	Thru	Right	App. Total	Left	Thru	Right	App. Total	Left	Thru	Right	App. Total	
Peak Hour Analysis From 12:00 PM to 01:45 PM - Peak 1 of 1																	
Peak Hour for Entire Intersection Begins at 12:00 PM																	
12:00 PM	0	10	12	22	0	0	1	1	0	23	0	23	20	0	3	23	69
12:15 PM	0	6	9	15	0	0	0	0	0	5	0	5	26	0	2	28	48
12:30 PM	0	15	19	34	0	0	0	0	0	13	0	13	28	0	0	28	75
12:45 PM	0	13	12	25	0	0	0	0	1	16	1	18	17	0	2	19	62
Total Volume	0	44	52	96	0	0	1	1	1	57	1	59	91	0	7	98	254
% App. Total	0	45.8	54.2		0	0	100		1.7	96.6	1.7		92.9	0	7.1		
PHF	.000	.733	.684	.706	.000	.000	.250	.250	.250	.620	.250	.641	.813	.000	.583	.875	.847

City of Needles
 N/S: Needles Highway
 E/W: Park Road
 Weather: Clear

File Name : 02_NDL_Needles_Park SAT
 Site Code : 16621325
 Start Date : 7/17/2021
 Page No : 2



Peak Hour Analysis From 12:00 PM to 01:45 PM - Peak 1 of 1
 Peak Hour for Each Approach Begins at:

	12:15 PM				12:00 PM				12:00 PM				12:00 PM			
+0 mins.	0	6	9	15	0	0	1	1	0	23	0	23	20	0	3	23
+15 mins.	0	15	19	34	0	0	0	0	0	5	0	5	26	0	2	28
+30 mins.	0	13	12	25	0	0	0	0	0	13	0	13	28	0	0	28
+45 mins.	0	10	14	24	0	0	0	0	1	16	1	18	17	0	2	19
Total Volume	0	44	54	98	0	0	1	1	1	57	1	59	91	0	7	98
% App. Total	0	44.9	55.1		0	0	100		1.7	96.6	1.7		92.9	0	7.1	
PHF	.000	.733	.711	.721	.000	.000	.250	.250	.250	.620	.250	.641	.813	.000	.583	.875

City of Needles
 N/S: Needles Highway
 E/W: Park Road
 Weather: Clear

File Name : 02_NDL_Needles_Park SAT
 Site Code : 16621325
 Start Date : 7/17/2021
 Page No : 1

Groups Printed- Passenger Vehicles

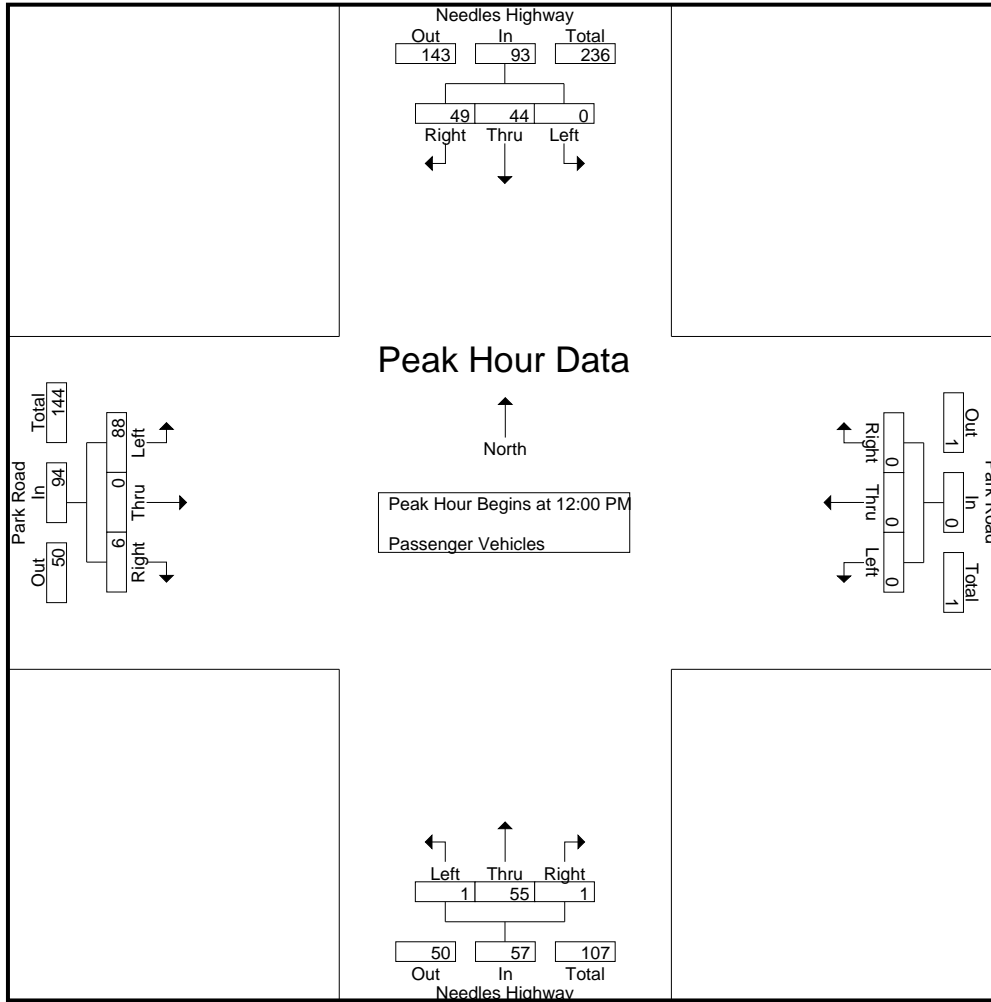
Start Time	Needles Highway Southbound				Park Road Westbound				Needles Highway Northbound				Park Road Eastbound				Int. Total
	Left	Thru	Right	App. Total	Left	Thru	Right	App. Total	Left	Thru	Right	App. Total	Left	Thru	Right	App. Total	
12:00 PM	0	10	12	22	0	0	0	0	0	22	0	22	18	0	3	21	65
12:15 PM	0	6	7	13	0	0	0	0	0	5	0	5	26	0	2	28	46
12:30 PM	0	15	19	34	0	0	0	0	0	13	0	13	28	0	0	28	75
12:45 PM	0	13	11	24	0	0	0	0	1	15	1	17	16	0	1	17	58
Total	0	44	49	93	0	0	0	0	1	55	1	57	88	0	6	94	244
01:00 PM	0	10	14	24	0	0	1	1	0	11	0	11	16	0	0	16	52
01:15 PM	0	6	6	12	0	0	0	0	0	12	0	12	17	0	0	17	41
01:30 PM	0	6	6	12	0	0	0	0	1	12	0	13	16	0	1	17	42
01:45 PM	0	10	11	21	0	0	0	0	1	20	0	21	16	0	0	16	58
Total	0	32	37	69	0	0	1	1	2	55	0	57	65	0	1	66	193
Grand Total	0	76	86	162	0	0	1	1	3	110	1	114	153	0	7	160	437
Apprch %	0	46.9	53.1		0	0	100		2.6	96.5	0.9		95.6	0	4.4		
Total %	0	17.4	19.7	37.1	0	0	0.2	0.2	0.7	25.2	0.2	26.1	35	0	1.6	36.6	

Start Time	Needles Highway Southbound				Park Road Westbound				Needles Highway Northbound				Park Road Eastbound				Int. Total
	Left	Thru	Right	App. Total	Left	Thru	Right	App. Total	Left	Thru	Right	App. Total	Left	Thru	Right	App. Total	
12:00 PM	0	10	12	22	0	0	0	0	0	22	0	22	18	0	3	21	65
12:15 PM	0	6	7	13	0	0	0	0	0	5	0	5	26	0	2	28	46
12:30 PM	0	15	19	34	0	0	0	0	0	13	0	13	28	0	0	28	75
12:45 PM	0	13	11	24	0	0	0	0	1	15	1	17	16	0	1	17	58
Total Volume	0	44	49	93	0	0	0	0	1	55	1	57	88	0	6	94	244
% App. Total	0	47.3	52.7		0	0	0		1.8	96.5	1.8		93.6	0	6.4		
PHF	.000	.733	.645	.684	.000	.000	.000	.000	.250	.625	.250	.648	.786	.000	.500	.839	.813

Peak Hour Analysis From 12:00 PM to 12:45 PM - Peak 1 of 1
 Peak Hour for Entire Intersection Begins at 12:00 PM

City of Needles
 N/S: Needles Highway
 E/W: Park Road
 Weather: Clear

File Name : 02_NDL_Needles_Park SAT
 Site Code : 16621325
 Start Date : 7/17/2021
 Page No : 2



Peak Hour Analysis From 12:00 PM to 12:45 PM - Peak 1 of 1
 Peak Hour for Each Approach Begins at:

	12:00 PM				12:00 PM				12:00 PM				12:00 PM			
+0 mins.	0	10	12	22	0	0	0	0	0	22	0	22	18	0	3	21
+15 mins.	0	6	7	13	0	0	0	0	0	5	0	5	26	0	2	28
+30 mins.	0	15	19	34	0	0	0	0	0	13	0	13	28	0	0	28
+45 mins.	0	13	11	24	0	0	0	0	1	15	1	17	16	0	1	17
Total Volume	0	44	49	93	0	0	0	0	1	55	1	57	88	0	6	94
% App. Total	0	47.3	52.7		0	0	0		1.8	96.5	1.8		93.6	0	6.4	
PHF	.000	.733	.645	.684	.000	.000	.000	.000	.250	.625	.250	.648	.786	.000	.500	.839

City of Needles
 N/S: Needles Highway
 E/W: Park Road
 Weather: Clear

File Name : 02_NDL_Needles_Park SAT
 Site Code : 16621325
 Start Date : 7/17/2021
 Page No : 1

Groups Printed- Trucks

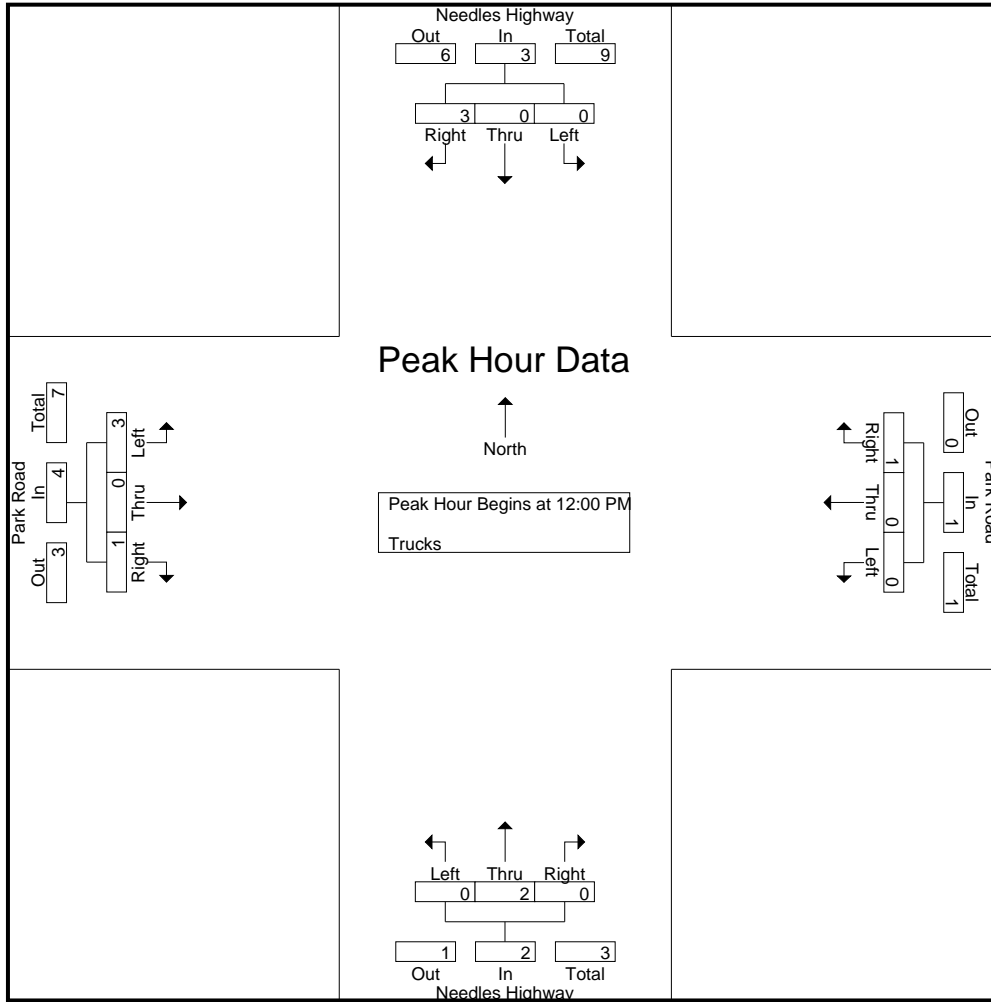
Start Time	Needles Highway Southbound				Park Road Westbound				Needles Highway Northbound				Park Road Eastbound				Int. Total
	Left	Thru	Right	App. Total	Left	Thru	Right	App. Total	Left	Thru	Right	App. Total	Left	Thru	Right	App. Total	
12:00 PM	0	0	0	0	0	0	1	1	0	1	0	1	2	0	0	2	4
12:15 PM	0	0	2	2	0	0	0	0	0	0	0	0	0	0	0	0	2
12:30 PM	0	0	0	0	0	0	0	0	0	0	0	0	0	0	0	0	0
12:45 PM	0	0	1	1	0	0	0	0	0	1	0	1	1	0	1	2	4
Total	0	0	3	3	0	0	1	1	0	2	0	2	3	0	1	4	10
01:00 PM	0	0	0	0	0	0	0	0	0	0	0	0	1	0	0	1	1
01:15 PM	0	0	1	1	0	0	0	0	0	1	0	1	0	0	0	0	2
01:30 PM	0	0	0	0	0	0	0	0	0	0	0	0	1	0	0	1	1
01:45 PM	0	0	0	0	0	0	0	0	0	0	0	0	0	0	0	0	0
Total	0	0	1	1	0	0	0	0	0	1	0	1	2	0	0	2	4
Grand Total	0	0	4	4	0	0	1	1	0	3	0	3	5	0	1	6	14
Apprch %	0	0	100		0	0	100		0	100	0		83.3	0	16.7		
Total %	0	0	28.6	28.6	0	0	7.1	7.1	0	21.4	0	21.4	35.7	0	7.1	42.9	

Start Time	Needles Highway Southbound				Park Road Westbound				Needles Highway Northbound				Park Road Eastbound				Int. Total
	Left	Thru	Right	App. Total	Left	Thru	Right	App. Total	Left	Thru	Right	App. Total	Left	Thru	Right	App. Total	
12:00 PM	0	0	0	0	0	0	1	1	0	1	0	1	2	0	0	2	4
12:15 PM	0	0	2	2	0	0	0	0	0	0	0	0	0	0	0	0	2
12:30 PM	0	0	0	0	0	0	0	0	0	0	0	0	0	0	0	0	0
12:45 PM	0	0	1	1	0	0	0	0	0	1	0	1	1	0	1	2	4
Total Volume	0	0	3	3	0	0	1	1	0	2	0	2	3	0	1	4	10
% App. Total	0	0	100		0	0	100		0	100	0		75	0	25		
PHF	.000	.000	.375	.375	.000	.000	.250	.250	.000	.500	.000	.500	.375	.000	.250	.500	.625

Peak Hour Analysis From 12:00 PM to 12:45 PM - Peak 1 of 1
 Peak Hour for Entire Intersection Begins at 12:00 PM

City of Needles
 N/S: Needles Highway
 E/W: Park Road
 Weather: Clear

File Name : 02_NDL_Needles_Park SAT
 Site Code : 16621325
 Start Date : 7/17/2021
 Page No : 2



Peak Hour Analysis From 12:00 PM to 12:45 PM - Peak 1 of 1
 Peak Hour for Each Approach Begins at:

	12:00 PM				12:00 PM				12:00 PM				12:00 PM			
+0 mins.	0	0	0	0	0	0	1	1	0	1	0	1	2	0	0	2
+15 mins.	0	0	2	2	0	0	0	0	0	0	0	0	0	0	0	0
+30 mins.	0	0	0	0	0	0	0	0	0	0	0	0	0	0	0	0
+45 mins.	0	0	1	1	0	0	0	0	0	1	0	1	1	0	1	2
Total Volume	0	0	3	3	0	0	1	1	0	2	0	2	3	0	1	4
% App. Total	0	0	100		0	0	100		0	100	0		75	0	25	
PHF	.000	.000	.375	.375	.000	.000	.250	.250	.000	.500	.000	.500	.375	.000	.250	.500

City of Needles
 N/S: Needles Highway
 E/W: Park Road
 Weather: Clear

File Name : 02_NDL_Needles_Park SAT
 Site Code : 16621325
 Start Date : 7/17/2021
 Page No : 1

Groups Printed- Buses

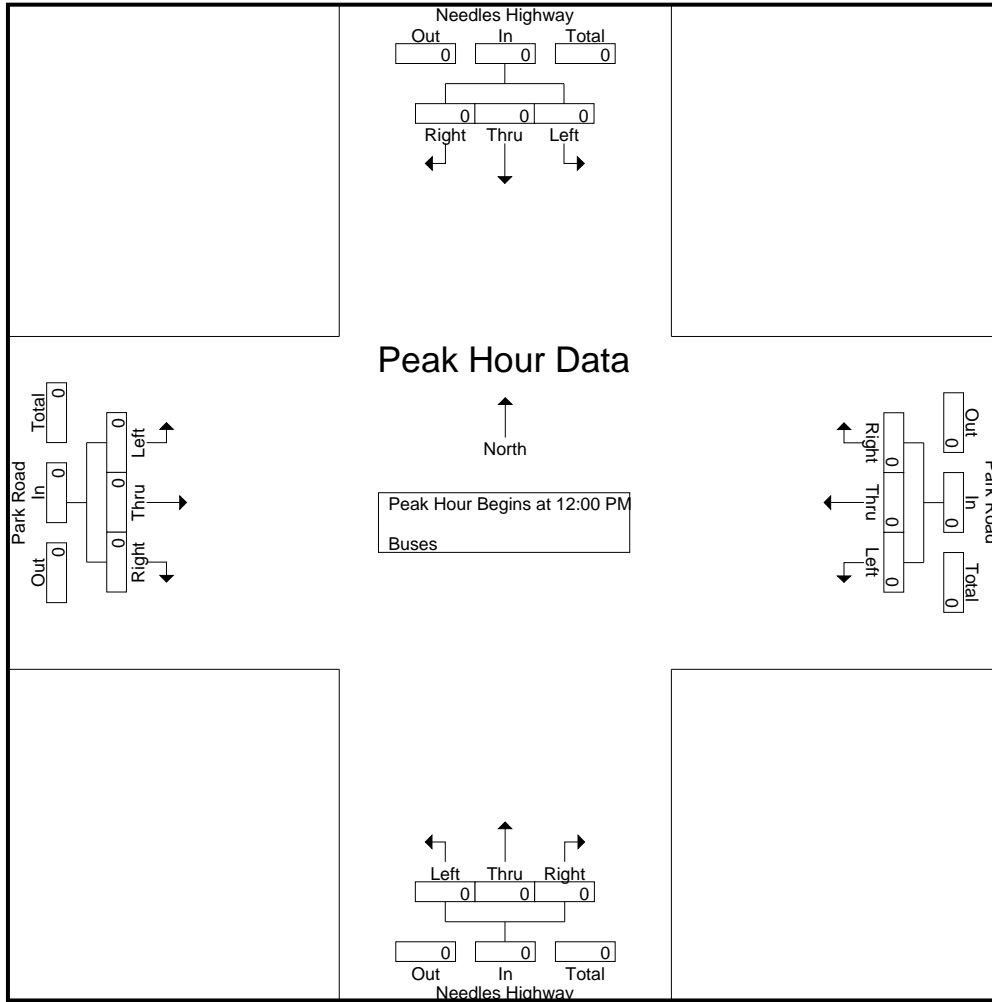
Start Time	Needles Highway Southbound				Park Road Westbound				Needles Highway Northbound				Park Road Eastbound				Int. Total
	Left	Thru	Right	App. Total	Left	Thru	Right	App. Total	Left	Thru	Right	App. Total	Left	Thru	Right	App. Total	
12:00 PM	0	0	0	0	0	0	0	0	0	0	0	0	0	0	0	0	0
12:15 PM	0	0	0	0	0	0	0	0	0	0	0	0	0	0	0	0	0
12:30 PM	0	0	0	0	0	0	0	0	0	0	0	0	0	0	0	0	0
12:45 PM	0	0	0	0	0	0	0	0	0	0	0	0	0	0	0	0	0
Total	0	0	0	0	0	0	0	0	0	0	0	0	0	0	0	0	0
01:00 PM	0	0	0	0	0	0	0	0	0	0	0	0	0	0	0	0	0
01:15 PM	0	0	0	0	0	0	0	0	0	0	0	0	0	0	0	0	0
01:30 PM	0	0	0	0	0	0	0	0	0	0	0	0	0	0	0	0	0
01:45 PM	0	0	0	0	0	0	0	0	0	0	0	0	0	0	0	0	0
Total	0	0	0	0	0	0	0	0	0	0	0	0	0	0	0	0	0
Grand Total	0	0	0	0	0	0	0	0	0	0	0	0	0	0	0	0	0
Apprch %	0	0	0		0	0	0		0	0	0		0	0	0		
Total %																	

Start Time	Needles Highway Southbound				Park Road Westbound				Needles Highway Northbound				Park Road Eastbound				Int. Total
	Left	Thru	Right	App. Total	Left	Thru	Right	App. Total	Left	Thru	Right	App. Total	Left	Thru	Right	App. Total	
12:00 PM	0	0	0	0	0	0	0	0	0	0	0	0	0	0	0	0	0
12:15 PM	0	0	0	0	0	0	0	0	0	0	0	0	0	0	0	0	0
12:30 PM	0	0	0	0	0	0	0	0	0	0	0	0	0	0	0	0	0
12:45 PM	0	0	0	0	0	0	0	0	0	0	0	0	0	0	0	0	0
Total Volume	0	0	0	0	0	0	0	0	0	0	0	0	0	0	0	0	0
% App. Total	0	0	0		0	0	0		0	0	0		0	0	0		
PHF	.000	.000	.000	.000	.000	.000	.000	.000	.000	.000	.000	.000	.000	.000	.000	.000	.000

Peak Hour Analysis From 12:00 PM to 12:45 PM - Peak 1 of 1
 Peak Hour for Entire Intersection Begins at 12:00 PM

City of Needles
 N/S: Needles Highway
 E/W: Park Road
 Weather: Clear

File Name : 02_NDL_Needles_Park SAT
 Site Code : 16621325
 Start Date : 7/17/2021
 Page No : 2



Peak Hour Analysis From 12:00 PM to 12:45 PM - Peak 1 of 1
 Peak Hour for Each Approach Begins at:

	12:00 PM				12:00 PM				12:00 PM				12:00 PM			
+0 mins.	0	0	0	0	0	0	0	0	0	0	0	0	0	0	0	0
+15 mins.	0	0	0	0	0	0	0	0	0	0	0	0	0	0	0	0
+30 mins.	0	0	0	0	0	0	0	0	0	0	0	0	0	0	0	0
+45 mins.	0	0	0	0	0	0	0	0	0	0	0	0	0	0	0	0
Total Volume	0	0	0	0	0	0	0	0	0	0	0	0	0	0	0	0
% App. Total	0	0	0	0	0	0	0	0	0	0	0	0	0	0	0	0
PHF	.000	.000	.000	.000	.000	.000	.000	.000	.000	.000	.000	.000	.000	.000	.000	.000

Location: Needles
 N/S: Needles Highway
 E/W: Park Road



PEDESTRIANS

Date: 7/15/2021
 Day: Thursday

	North Leg Needles Highway	East Leg Park Road	South Leg Needles Highway	West Leg Park Road	
	Pedestrians	Pedestrians	Pedestrians	Pedestrians	
7:00 AM	0	0	0	0	0
7:15 AM	0	0	0	0	0
7:30 AM	0	0	0	0	0
7:45 AM	0	0	0	0	0
8:00 AM	0	0	0	0	0
8:15 AM	0	0	0	0	0
8:30 AM	0	0	0	0	0
8:45 AM	0	0	0	0	0
TOTAL VOLUMES:	0	0	0	0	0

Date: 7/15/2021
 Day: Thursday

	North Leg Needles Highway	East Leg Park Road	South Leg Needles Highway	West Leg Park Road	
	Pedestrians	Pedestrians	Pedestrians	Pedestrians	
4:00 PM	0	0	0	0	0
4:15 PM	0	0	0	0	0
4:30 PM	0	0	0	0	0
4:45 PM	0	0	0	0	0
5:00 PM	0	0	0	0	0
5:15 PM	0	0	0	0	0
5:30 PM	0	0	0	0	0
5:45 PM	0	0	0	0	0
TOTAL VOLUMES:	0	0	0	0	0

Date: 7/17/2021
 Day: Saturday

	North Leg Needles Highway	East Leg Park Road	South Leg Needles Highway	West Leg Park Road	
	Pedestrians	Pedestrians	Pedestrians	Pedestrians	
12:00 PM	0	0	0	0	0
12:15 PM	0	0	0	0	0
12:30 PM	0	0	0	0	0
12:45 PM	0	0	0	0	0
1:00 PM	0	0	0	0	0
1:15 PM	0	0	0	0	0
1:30 PM	0	0	0	0	0
1:45 PM	0	0	0	0	0
TOTAL VOLUMES:	0	0	0	0	0

Location: Needles
 N/S: Needles Highway
 E/W: Park Road



BICYCLES

Date: 7/15/2021
 Day: Thursday

	Southbound Needles Highway			Westbound Park Road			Northbound Needles Highway			Eastbound Park Road			
	Left	Thru	Right	Left	Thru	Right	Left	Thru	Right	Left	Thru	Right	
7:00 AM	0	0	0	0	0	0	0	0	0	0	0	0	0
7:15 AM	0	0	0	0	0	0	0	0	0	0	0	0	0
7:30 AM	0	0	0	0	0	0	0	0	0	0	0	0	0
7:45 AM	0	0	0	0	0	0	0	0	0	0	0	0	0
8:00 AM	0	0	0	0	0	0	0	0	0	0	0	0	0
8:15 AM	0	0	0	0	0	0	0	0	0	0	0	0	0
8:30 AM	0	0	0	0	0	0	0	0	0	0	0	0	0
8:45 AM	0	0	0	0	0	0	0	0	0	0	0	0	0
TOTAL VOLUMES:	0	0	0	0	0	0	0	0	0	0	0	0	0

Date: 7/15/2021
 Day: Thursday

	Southbound Needles Highway			Westbound Park Road			Northbound Needles Highway			Eastbound Park Road			
	Left	Thru	Right	Left	Thru	Right	Left	Thru	Right	Left	Thru	Right	
4:00 PM	0	0	0	0	0	0	0	0	0	0	0	0	0
4:15 PM	0	0	0	0	0	0	0	0	0	0	0	0	0
4:30 PM	0	0	0	0	0	0	0	0	0	0	0	0	0
4:45 PM	0	0	0	0	0	0	0	0	0	0	0	0	0
5:00 PM	0	0	0	0	0	0	0	0	0	0	0	0	0
5:15 PM	0	0	0	0	0	0	0	0	0	0	0	0	0
5:30 PM	0	0	0	0	0	0	0	0	0	0	0	0	0
5:45 PM	0	0	0	0	0	0	0	0	0	0	0	0	0
TOTAL VOLUMES:	0	0	0	0	0	0	0	0	0	0	0	0	0

Date: 7/17/2021
 Day: Saturday

	Southbound Needles Highway			Westbound Park Road			Northbound Needles Highway			Eastbound Park Road			
	Left	Thru	Right	Left	Thru	Right	Left	Thru	Right	Left	Thru	Right	
12:00 PM	0	0	0	0	0	0	0	0	0	0	0	0	0
12:15 PM	0	0	0	0	0	0	0	0	0	0	0	0	0
12:30 PM	0	0	0	0	0	0	0	0	0	0	0	0	0
12:45 PM	0	0	0	0	0	0	0	0	0	0	0	0	0
1:00 PM	0	0	0	0	0	0	0	0	0	0	0	0	0
1:15 PM	0	0	0	0	0	0	0	0	0	0	0	1	1
1:30 PM	0	0	0	0	0	0	0	0	0	0	0	0	0
1:45 PM	0	0	0	0	0	0	0	0	0	0	0	0	0
TOTAL VOLUMES:	0	0	0	0	0	0	0	0	0	0	0	1	1

City of Needles
 N/S: Needles Highway
 E/W: I-40 WB Ramps/Balboa Place
 Weather: Clear

File Name : 03_NDL_Needles_40W AM
 Site Code : 16621325
 Start Date : 7/15/2021
 Page No : 1

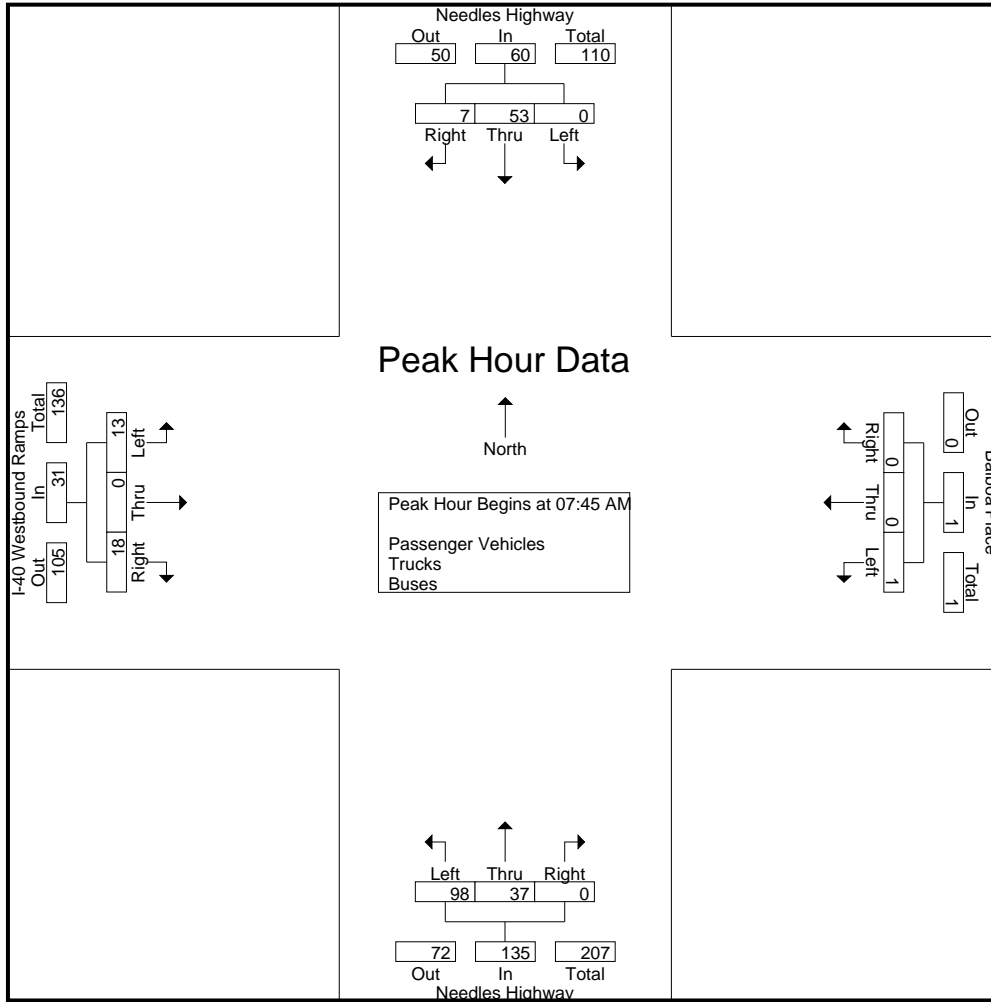
Groups Printed- Passenger Vehicles - Trucks - Buses

Start Time	Needles Highway Southbound				Balboa Place Westbound				Needles Highway Northbound				I-40 Westbound Ramps Eastbound				Int. Total
	Left	Thru	Right	App. Total	Left	Thru	Right	App. Total	Left	Thru	Right	App. Total	Left	Thru	Right	App. Total	
07:00 AM	0	10	3	13	0	0	0	0	13	6	0	19	2	0	3	5	37
07:15 AM	0	11	0	11	0	0	0	0	15	7	0	22	6	0	7	13	46
07:30 AM	0	17	0	17	1	0	0	1	9	5	0	14	5	0	4	9	41
07:45 AM	0	12	0	12	0	0	0	0	25	10	0	35	6	0	3	9	56
Total	0	50	3	53	1	0	0	1	62	28	0	90	19	0	17	36	180
08:00 AM	0	15	4	19	0	0	0	0	28	10	0	38	3	0	6	9	66
08:15 AM	0	13	1	14	1	0	0	1	22	9	0	31	2	0	4	6	52
08:30 AM	0	13	2	15	0	0	0	0	23	8	0	31	2	0	5	7	53
08:45 AM	0	17	1	18	0	0	0	0	17	13	1	31	1	1	4	6	55
Total	0	58	8	66	1	0	0	1	90	40	1	131	8	1	19	28	226
Grand Total	0	108	11	119	2	0	0	2	152	68	1	221	27	1	36	64	406
Apprch %	0	90.8	9.2		100	0	0		68.8	30.8	0.5		42.2	1.6	56.2		
Total %	0	26.6	2.7	29.3	0.5	0	0	0.5	37.4	16.7	0.2	54.4	6.7	0.2	8.9	15.8	
Passenger Vehicles	0	107	11	118	2	0	0	2	123	66	1	190	27	1	24	52	362
% Passenger Vehicles	0	99.1	100	99.2	100	0	0	100	80.9	97.1	100	86	100	100	66.7	81.2	89.2
Trucks	0	1	0	1	0	0	0	0	29	2	0	31	0	0	12	12	44
% Trucks	0	0.9	0	0.8	0	0	0	0	19.1	2.9	0	14	0	0	33.3	18.8	10.8
Buses	0	0	0	0	0	0	0	0	0	0	0	0	0	0	0	0	0
% Buses	0	0	0	0	0	0	0	0	0	0	0	0	0	0	0	0	0

Start Time	Needles Highway Southbound				Balboa Place Westbound				Needles Highway Northbound				I-40 Westbound Ramps Eastbound				Int. Total
	Left	Thru	Right	App. Total	Left	Thru	Right	App. Total	Left	Thru	Right	App. Total	Left	Thru	Right	App. Total	
Peak Hour Analysis From 07:00 AM to 08:45 AM - Peak 1 of 1																	
Peak Hour for Entire Intersection Begins at 07:45 AM																	
07:45 AM	0	12	0	12	0	0	0	0	25	10	0	35	6	0	3	9	56
08:00 AM	0	15	4	19	0	0	0	0	28	10	0	38	3	0	6	9	66
08:15 AM	0	13	1	14	1	0	0	1	22	9	0	31	2	0	4	6	52
08:30 AM	0	13	2	15	0	0	0	0	23	8	0	31	2	0	5	7	53
Total Volume	0	53	7	60	1	0	0	1	98	37	0	135	13	0	18	31	227
% App. Total	0	88.3	11.7		100	0	0		72.6	27.4	0		41.9	0	58.1		
PHF	.000	.883	.438	.789	.250	.000	.000	.250	.875	.925	.000	.888	.542	.000	.750	.861	.860

City of Needles
 N/S: Needles Highway
 E/W: I-40 WB Ramps/Balboa Place
 Weather: Clear

File Name : 03_NDL_Needles_40W AM
 Site Code : 16621325
 Start Date : 7/15/2021
 Page No : 2



Peak Hour Analysis From 07:00 AM to 08:45 AM - Peak 1 of 1
 Peak Hour for Each Approach Begins at:

	08:00 AM				07:30 AM				07:45 AM				07:15 AM			
+0 mins.	0	15	4	19	1	0	0	1	25	10	0	35	6	0	7	13
+15 mins.	0	13	1	14	0	0	0	0	28	10	0	38	5	0	4	9
+30 mins.	0	13	2	15	0	0	0	0	22	9	0	31	6	0	3	9
+45 mins.	0	17	1	18	1	0	0	1	23	8	0	31	3	0	6	9
Total Volume	0	58	8	66	2	0	0	2	98	37	0	135	20	0	20	40
% App. Total	0	87.9	12.1		100	0	0		72.6	27.4	0		50	0	50	
PHF	.000	.853	.500	.868	.500	.000	.000	.500	.875	.925	.000	.888	.833	.000	.714	.769

City of Needles
 N/S: Needles Highway
 E/W: I-40 WB Ramps/Balboa Place
 Weather: Clear

File Name : 03_NDL_Needles_40W AM
 Site Code : 16621325
 Start Date : 7/15/2021
 Page No : 1

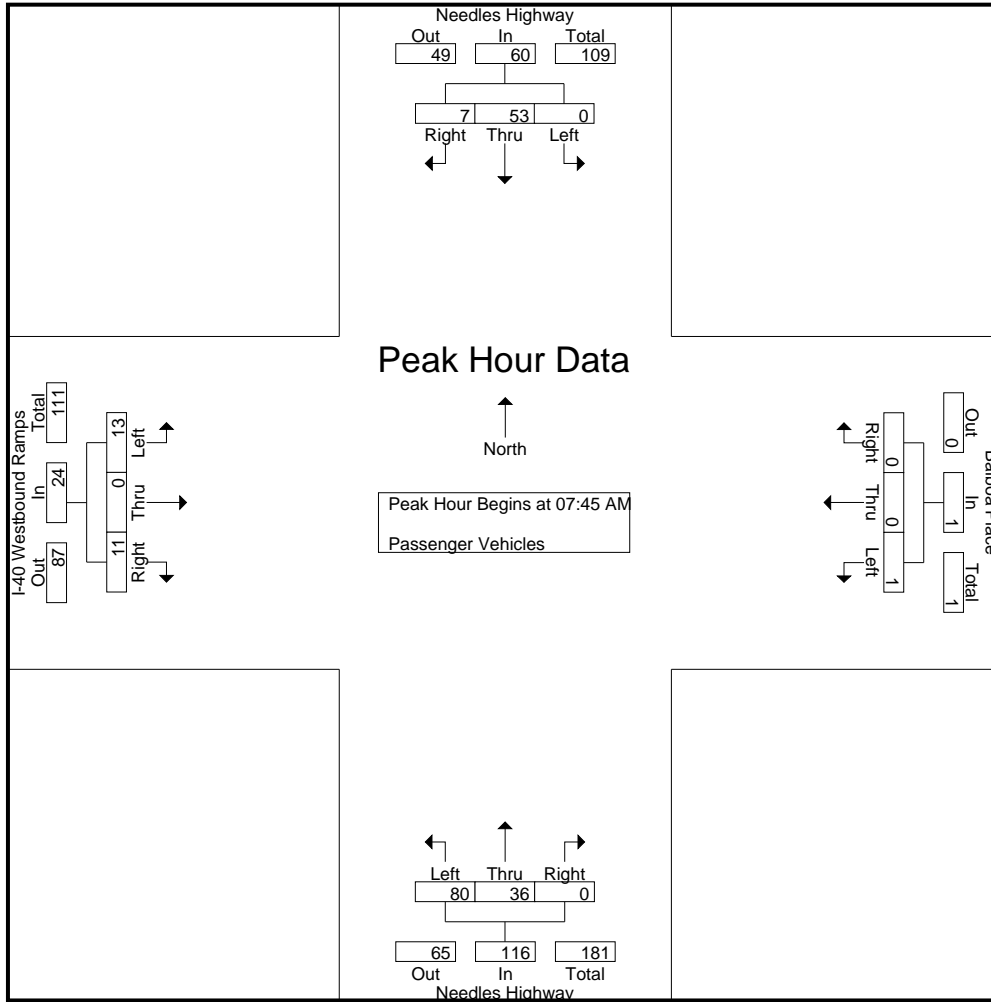
Groups Printed- Passenger Vehicles

Start Time	Needles Highway Southbound				Balboa Place Westbound				Needles Highway Northbound				I-40 Westbound Ramps Eastbound				Int. Total
	Left	Thru	Right	App. Total	Left	Thru	Right	App. Total	Left	Thru	Right	App. Total	Left	Thru	Right	App. Total	
07:00 AM	0	10	3	13	0	0	0	0	10	6	0	16	2	0	3	5	34
07:15 AM	0	11	0	11	0	0	0	0	11	7	0	18	6	0	4	10	39
07:30 AM	0	17	0	17	1	0	0	1	8	4	0	12	5	0	3	8	38
07:45 AM	0	12	0	12	0	0	0	0	18	10	0	28	6	0	1	7	47
Total	0	50	3	53	1	0	0	1	47	27	0	74	19	0	11	30	158
08:00 AM	0	15	4	19	0	0	0	0	26	10	0	36	3	0	4	7	62
08:15 AM	0	13	1	14	1	0	0	1	17	8	0	25	2	0	3	5	45
08:30 AM	0	13	2	15	0	0	0	0	19	8	0	27	2	0	3	5	47
08:45 AM	0	16	1	17	0	0	0	0	14	13	1	28	1	1	3	5	50
Total	0	57	8	65	1	0	0	1	76	39	1	116	8	1	13	22	204
Grand Total	0	107	11	118	2	0	0	2	123	66	1	190	27	1	24	52	362
Apprch %	0	90.7	9.3		100	0	0		64.7	34.7	0.5		51.9	1.9	46.2		
Total %	0	29.6	3	32.6	0.6	0	0	0.6	34	18.2	0.3	52.5	7.5	0.3	6.6	14.4	

Start Time	Needles Highway Southbound				Balboa Place Westbound				Needles Highway Northbound				I-40 Westbound Ramps Eastbound				Int. Total
	Left	Thru	Right	App. Total	Left	Thru	Right	App. Total	Left	Thru	Right	App. Total	Left	Thru	Right	App. Total	
Peak Hour Analysis From 07:45 AM to 08:30 AM - Peak 1 of 1																	
Peak Hour for Entire Intersection Begins at 07:45 AM																	
07:45 AM	0	12	0	12	0	0	0	0	18	10	0	28	6	0	1	7	47
08:00 AM	0	15	4	19	0	0	0	0	26	10	0	36	3	0	4	7	62
08:15 AM	0	13	1	14	1	0	0	1	17	8	0	25	2	0	3	5	45
08:30 AM	0	13	2	15	0	0	0	0	19	8	0	27	2	0	3	5	47
Total Volume	0	53	7	60	1	0	0	1	80	36	0	116	13	0	11	24	201
% App. Total	0	88.3	11.7		100	0	0		69	31	0		54.2	0	45.8		
PHF	.000	.883	.438	.789	.250	.000	.000	.250	.769	.900	.000	.806	.542	.000	.688	.857	.810

City of Needles
 N/S: Needles Highway
 E/W: I-40 WB Ramps/Balboa Place
 Weather: Clear

File Name : 03_NDL_Needles_40W AM
 Site Code : 16621325
 Start Date : 7/15/2021
 Page No : 2



Peak Hour Analysis From 07:45 AM to 08:30 AM - Peak 1 of 1
 Peak Hour for Each Approach Begins at:

	07:45 AM				07:45 AM				07:45 AM				07:45 AM			
+0 mins.	0	12	0	12	0	0	0	0	18	10	0	28	6	0	1	7
+15 mins.	0	15	4	19	0	0	0	0	26	10	0	36	3	0	4	7
+30 mins.	0	13	1	14	1	0	0	1	17	8	0	25	2	0	3	5
+45 mins.	0	13	2	15	0	0	0	0	19	8	0	27	2	0	3	5
Total Volume	0	53	7	60	1	0	0	1	80	36	0	116	13	0	11	24
% App. Total	0	88.3	11.7		100	0	0		69	31	0		54.2	0	45.8	
PHF	.000	.883	.438	.789	.250	.000	.000	.250	.769	.900	.000	.806	.542	.000	.688	.857

City of Needles
 N/S: Needles Highway
 E/W: I-40 WB Ramps/Balboa Place
 Weather: Clear

File Name : 03_NDL_Needles_40W AM
 Site Code : 16621325
 Start Date : 7/15/2021
 Page No : 1

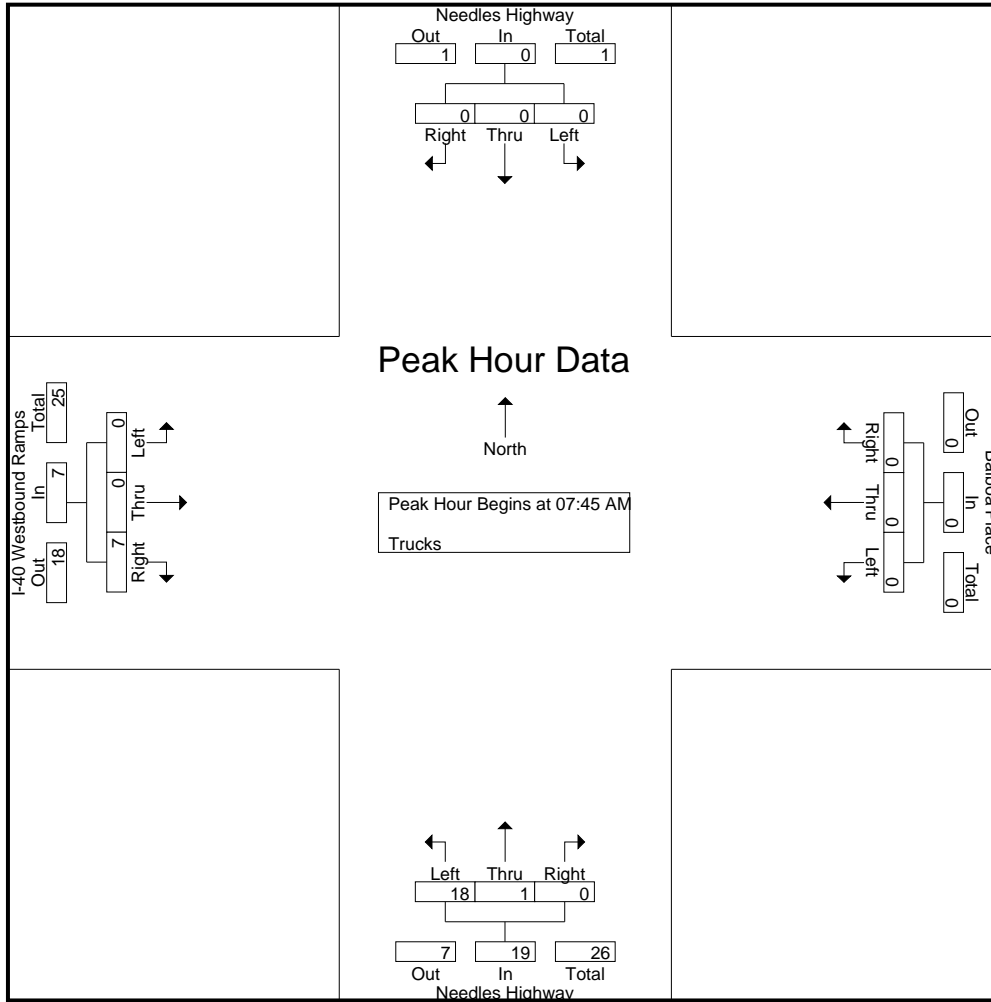
Groups Printed- Trucks

Start Time	Needles Highway Southbound				Balboa Place Westbound				Needles Highway Northbound				I-40 Westbound Ramps Eastbound				Int. Total	
	Left	Thru	Right	App. Total	Left	Thru	Right	App. Total	Left	Thru	Right	App. Total	Left	Thru	Right	App. Total		
07:00 AM	0	0	0	0	0	0	0	0	0	3	0	0	3	0	0	0	0	3
07:15 AM	0	0	0	0	0	0	0	0	0	4	0	0	4	0	0	3	3	7
07:30 AM	0	0	0	0	0	0	0	0	0	1	1	0	2	0	0	1	1	3
07:45 AM	0	0	0	0	0	0	0	0	0	7	0	0	7	0	0	2	2	9
Total	0	0	0	0	0	0	0	0	0	15	1	0	16	0	0	6	6	22
08:00 AM	0	0	0	0	0	0	0	0	0	2	0	0	2	0	0	2	2	4
08:15 AM	0	0	0	0	0	0	0	0	0	5	1	0	6	0	0	1	1	7
08:30 AM	0	0	0	0	0	0	0	0	0	4	0	0	4	0	0	2	2	6
08:45 AM	0	1	0	1	0	0	0	0	0	3	0	0	3	0	0	1	1	5
Total	0	1	0	1	0	0	0	0	0	14	1	0	15	0	0	6	6	22
Grand Total	0	1	0	1	0	0	0	0	0	29	2	0	31	0	0	12	12	44
Apprch %	0	100	0		0	0	0			93.5	6.5	0		0	0	100		
Total %	0	2.3	0	2.3	0	0	0	0	0	65.9	4.5	0	70.5	0	0	27.3	27.3	

Start Time	Needles Highway Southbound				Balboa Place Westbound				Needles Highway Northbound				I-40 Westbound Ramps Eastbound				Int. Total	
	Left	Thru	Right	App. Total	Left	Thru	Right	App. Total	Left	Thru	Right	App. Total	Left	Thru	Right	App. Total		
Peak Hour Analysis From 07:45 AM to 08:30 AM - Peak 1 of 1																		
Peak Hour for Entire Intersection Begins at 07:45 AM																		
07:45 AM	0	0	0	0	0	0	0	0	0	7	0	0	7	0	0	2	2	9
08:00 AM	0	0	0	0	0	0	0	0	0	2	0	0	2	0	0	2	2	4
08:15 AM	0	0	0	0	0	0	0	0	0	5	1	0	6	0	0	1	1	7
08:30 AM	0	0	0	0	0	0	0	0	0	4	0	0	4	0	0	2	2	6
Total Volume	0	0	0	0	0	0	0	0	0	18	1	0	19	0	0	7	7	26
% App. Total	0	0	0		0	0	0			94.7	5.3	0		0	0	100		
PHF	.000	.000	.000	.000	.000	.000	.000	.000	.000	.643	.250	.000	.679	.000	.000	.875	.875	.722

City of Needles
 N/S: Needles Highway
 E/W: I-40 WB Ramps/Balboa Place
 Weather: Clear

File Name : 03_NDL_Needles_40W AM
 Site Code : 16621325
 Start Date : 7/15/2021
 Page No : 2



Peak Hour Analysis From 07:45 AM to 08:30 AM - Peak 1 of 1
 Peak Hour for Each Approach Begins at:

	07:45 AM				07:45 AM				07:45 AM				07:45 AM			
+0 mins.	0	0	0	0	0	0	0	0	7	0	0	7	0	0	2	2
+15 mins.	0	0	0	0	0	0	0	0	2	0	0	2	0	0	2	2
+30 mins.	0	0	0	0	0	0	0	0	5	1	0	6	0	0	1	1
+45 mins.	0	0	0	0	0	0	0	0	4	0	0	4	0	0	2	2
Total Volume	0	0	0	0	0	0	0	0	18	1	0	19	0	0	7	7
% App. Total	0	0	0	0	0	0	0	0	94.7	5.3	0		0	0	100	
PHF	.000	.000	.000	.000	.000	.000	.000	.000	.643	.250	.000	.679	.000	.000	.875	.875

City of Needles
 N/S: Needles Highway
 E/W: I-40 WB Ramps/Balboa Place
 Weather: Clear

File Name : 03_NDL_Needles_40W AM
 Site Code : 16621325
 Start Date : 7/15/2021
 Page No : 1

Groups Printed- Buses

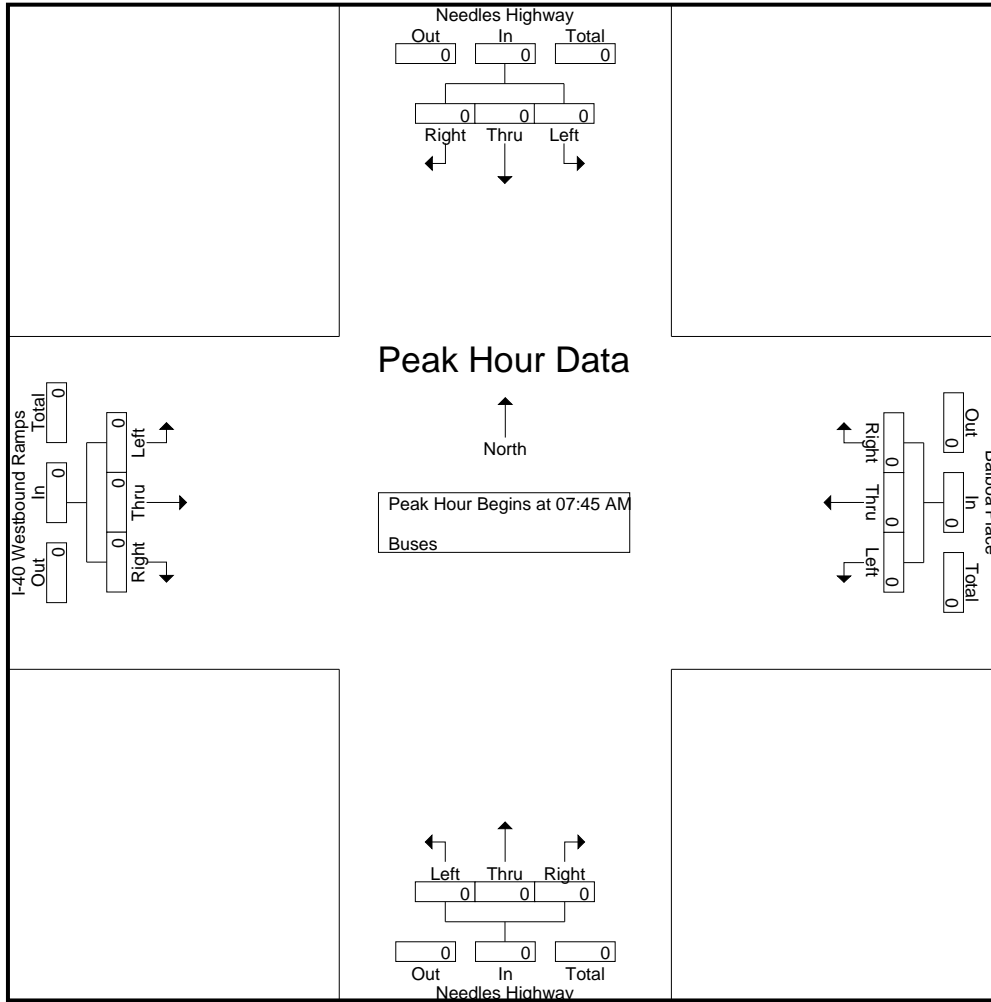
Start Time	Needles Highway Southbound				Balboa Place Westbound				Needles Highway Northbound				I-40 Westbound Ramps Eastbound				Int. Total
	Left	Thru	Right	App. Total	Left	Thru	Right	App. Total	Left	Thru	Right	App. Total	Left	Thru	Right	App. Total	
07:00 AM	0	0	0	0	0	0	0	0	0	0	0	0	0	0	0	0	0
07:15 AM	0	0	0	0	0	0	0	0	0	0	0	0	0	0	0	0	0
07:30 AM	0	0	0	0	0	0	0	0	0	0	0	0	0	0	0	0	0
07:45 AM	0	0	0	0	0	0	0	0	0	0	0	0	0	0	0	0	0
Total	0	0	0	0	0	0	0	0	0	0	0	0	0	0	0	0	0
08:00 AM	0	0	0	0	0	0	0	0	0	0	0	0	0	0	0	0	0
08:15 AM	0	0	0	0	0	0	0	0	0	0	0	0	0	0	0	0	0
08:30 AM	0	0	0	0	0	0	0	0	0	0	0	0	0	0	0	0	0
08:45 AM	0	0	0	0	0	0	0	0	0	0	0	0	0	0	0	0	0
Total	0	0	0	0	0	0	0	0	0	0	0	0	0	0	0	0	0
Grand Total	0	0	0	0	0	0	0	0	0	0	0	0	0	0	0	0	0
Apprch %	0	0	0		0	0	0		0	0	0		0	0	0		
Total %																	

Start Time	Needles Highway Southbound				Balboa Place Westbound				Needles Highway Northbound				I-40 Westbound Ramps Eastbound				Int. Total
	Left	Thru	Right	App. Total	Left	Thru	Right	App. Total	Left	Thru	Right	App. Total	Left	Thru	Right	App. Total	
07:45 AM	0	0	0	0	0	0	0	0	0	0	0	0	0	0	0	0	0
08:00 AM	0	0	0	0	0	0	0	0	0	0	0	0	0	0	0	0	0
08:15 AM	0	0	0	0	0	0	0	0	0	0	0	0	0	0	0	0	0
08:30 AM	0	0	0	0	0	0	0	0	0	0	0	0	0	0	0	0	0
Total Volume	0	0	0	0	0	0	0	0	0	0	0	0	0	0	0	0	0
% App. Total	0	0	0		0	0	0		0	0	0		0	0	0		
PHF	.000	.000	.000	.000	.000	.000	.000	.000	.000	.000	.000	.000	.000	.000	.000	.000	.000

Peak Hour Analysis From 07:45 AM to 08:30 AM - Peak 1 of 1
 Peak Hour for Entire Intersection Begins at 07:45 AM

City of Needles
 N/S: Needles Highway
 E/W: I-40 WB Ramps/Balboa Place
 Weather: Clear

File Name : 03_NDL_Needles_40W AM
 Site Code : 16621325
 Start Date : 7/15/2021
 Page No : 2



Peak Hour Analysis From 07:45 AM to 08:30 AM - Peak 1 of 1
 Peak Hour for Each Approach Begins at:

	07:45 AM				07:45 AM				07:45 AM				07:45 AM			
+0 mins.	0	0	0	0	0	0	0	0	0	0	0	0	0	0	0	0
+15 mins.	0	0	0	0	0	0	0	0	0	0	0	0	0	0	0	0
+30 mins.	0	0	0	0	0	0	0	0	0	0	0	0	0	0	0	0
+45 mins.	0	0	0	0	0	0	0	0	0	0	0	0	0	0	0	0
Total Volume	0	0	0	0	0	0	0	0	0	0	0	0	0	0	0	0
% App. Total	0	0	0	0	0	0	0	0	0	0	0	0	0	0	0	0
PHF	.000	.000	.000	.000	.000	.000	.000	.000	.000	.000	.000	.000	.000	.000	.000	.000

City of Needles
 N/S: Needles Highway
 E/W: I-40 WB Ramps/Balboa Place
 Weather: Clear

File Name : 03_NDL_Needles_40W PM
 Site Code : 16621325
 Start Date : 7/15/2021
 Page No : 1

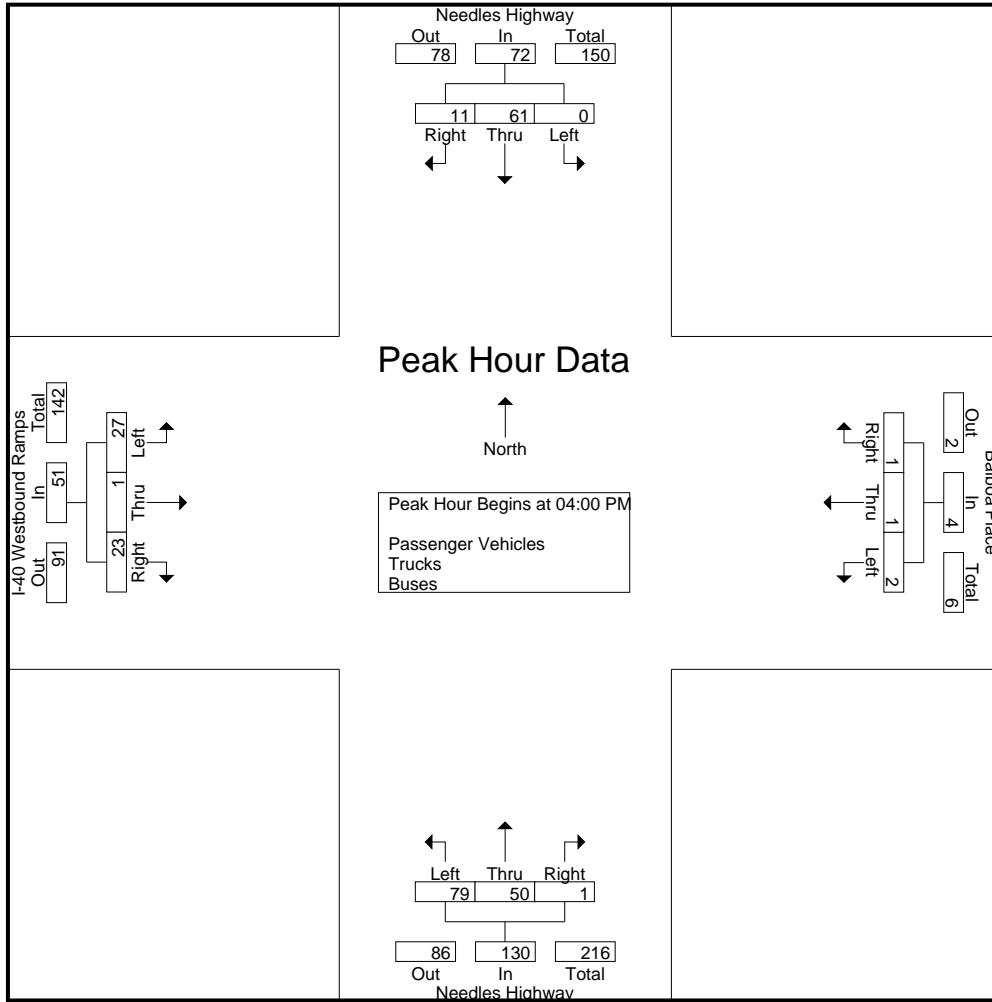
Groups Printed- Passenger Vehicles - Trucks - Buses

Start Time	Needles Highway Southbound				Balboa Place Westbound				Needles Highway Northbound				I-40 Westbound Ramps Eastbound				Int. Total
	Left	Thru	Right	App. Total	Left	Thru	Right	App. Total	Left	Thru	Right	App. Total	Left	Thru	Right	App. Total	
04:00 PM	0	18	3	21	1	0	1	2	22	12	1	35	6	0	6	12	70
04:15 PM	0	11	6	17	0	1	0	1	25	16	0	41	6	1	6	13	72
04:30 PM	0	16	2	18	0	0	0	0	18	5	0	23	13	0	5	18	59
04:45 PM	0	16	0	16	1	0	0	1	14	17	0	31	2	0	6	8	56
Total	0	61	11	72	2	1	1	4	79	50	1	130	27	1	23	51	257
05:00 PM	0	17	0	17	0	0	0	0	15	17	1	33	8	1	7	16	66
05:15 PM	0	13	0	13	0	0	0	0	13	13	0	26	10	0	7	17	56
05:30 PM	0	15	0	15	0	0	0	0	12	6	0	18	12	0	4	16	49
05:45 PM	0	15	1	16	0	0	0	0	11	11	0	22	3	0	4	7	45
Total	0	60	1	61	0	0	0	0	51	47	1	99	33	1	22	56	216
Grand Total	0	121	12	133	2	1	1	4	130	97	2	229	60	2	45	107	473
Apprch %	0	91	9		50	25	25		56.8	42.4	0.9		56.1	1.9	42.1		
Total %	0	25.6	2.5	28.1	0.4	0.2	0.2	0.8	27.5	20.5	0.4	48.4	12.7	0.4	9.5	22.6	
Passenger Vehicles	0	115	12	127	2	1	1	4	93	97	1	191	58	2	34	94	416
% Passenger Vehicles	0	95	100	95.5	100	100	100	100	71.5	100	50	83.4	96.7	100	75.6	87.9	87.9
Trucks	0	6	0	6	0	0	0	0	37	0	1	38	2	0	11	13	57
% Trucks	0	5	0	4.5	0	0	0	0	28.5	0	50	16.6	3.3	0	24.4	12.1	12.1
Buses	0	0	0	0	0	0	0	0	0	0	0	0	0	0	0	0	0
% Buses	0	0	0	0	0	0	0	0	0	0	0	0	0	0	0	0	0

Start Time	Needles Highway Southbound				Balboa Place Westbound				Needles Highway Northbound				I-40 Westbound Ramps Eastbound				Int. Total
	Left	Thru	Right	App. Total	Left	Thru	Right	App. Total	Left	Thru	Right	App. Total	Left	Thru	Right	App. Total	
Peak Hour Analysis From 04:00 PM to 05:45 PM - Peak 1 of 1																	
Peak Hour for Entire Intersection Begins at 04:00 PM																	
04:00 PM	0	18	3	21	1	0	1	2	22	12	1	35	6	0	6	12	70
04:15 PM	0	11	6	17	0	1	0	1	25	16	0	41	6	1	6	13	72
04:30 PM	0	16	2	18	0	0	0	0	18	5	0	23	13	0	5	18	59
04:45 PM	0	16	0	16	1	0	0	1	14	17	0	31	2	0	6	8	56
Total Volume	0	61	11	72	2	1	1	4	79	50	1	130	27	1	23	51	257
% App. Total	0	84.7	15.3		50	25	25		60.8	38.5	0.8		52.9	2	45.1		
PHF	.000	.847	.458	.857	.500	.250	.250	.500	.790	.735	.250	.793	.519	.250	.958	.708	.892

City of Needles
 N/S: Needles Highway
 E/W: I-40 WB Ramps/Balboa Place
 Weather: Clear

File Name : 03_NDL_Needles_40W PM
 Site Code : 16621325
 Start Date : 7/15/2021
 Page No : 2



Peak Hour Analysis From 04:00 PM to 05:45 PM - Peak 1 of 1
 Peak Hour for Each Approach Begins at:

	04:00 PM				04:00 PM				04:00 PM				04:30 PM			
+0 mins.	0	18	3	21	1	0	1	2	22	12	1	35	13	0	5	18
+15 mins.	0	11	6	17	0	1	0	1	25	16	0	41	2	0	6	8
+30 mins.	0	16	2	18	0	0	0	0	18	5	0	23	8	1	7	16
+45 mins.	0	16	0	16	1	0	0	1	14	17	0	31	10	0	7	17
Total Volume	0	61	11	72	2	1	1	4	79	50	1	130	33	1	25	59
% App. Total	0	84.7	15.3		50	25	25		60.8	38.5	0.8		55.9	1.7	42.4	
PHF	.000	.847	.458	.857	.500	.250	.250	.500	.790	.735	.250	.793	.635	.250	.893	.819

City of Needles
 N/S: Needles Highway
 E/W: I-40 WB Ramps/Balboa Place
 Weather: Clear

File Name : 03_NDL_Needles_40W PM
 Site Code : 16621325
 Start Date : 7/15/2021
 Page No : 1

Groups Printed- Passenger Vehicles

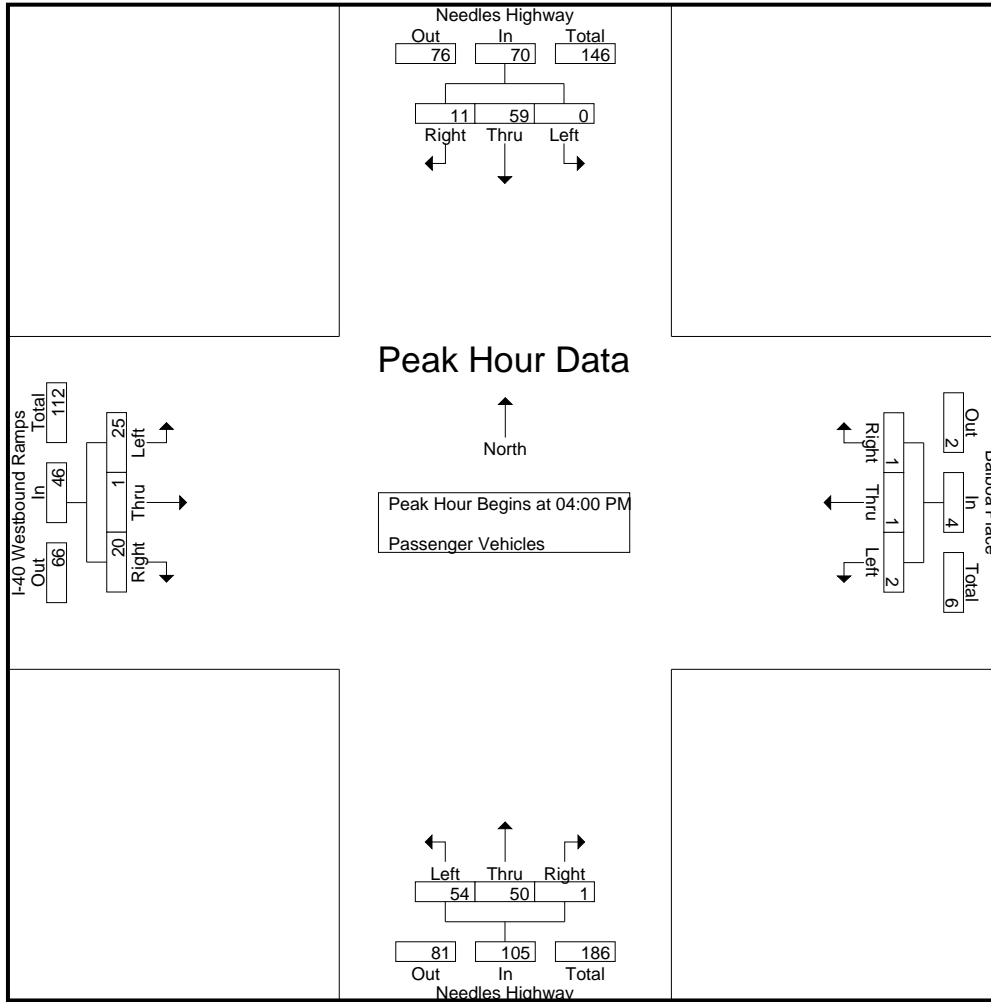
Start Time	Needles Highway Southbound				Balboa Place Westbound				Needles Highway Northbound				I-40 Westbound Ramps Eastbound				Int. Total
	Left	Thru	Right	App. Total	Left	Thru	Right	App. Total	Left	Thru	Right	App. Total	Left	Thru	Right	App. Total	
04:00 PM	0	17	3	20	1	0	1	2	13	12	1	26	6	0	5	11	59
04:15 PM	0	11	6	17	0	1	0	1	15	16	0	31	5	1	6	12	61
04:30 PM	0	16	2	18	0	0	0	0	15	5	0	20	12	0	4	16	54
04:45 PM	0	15	0	15	1	0	0	1	11	17	0	28	2	0	5	7	51
Total	0	59	11	70	2	1	1	4	54	50	1	105	25	1	20	46	225
05:00 PM	0	16	0	16	0	0	0	0	9	17	0	26	8	1	4	13	55
05:15 PM	0	11	0	11	0	0	0	0	11	13	0	24	10	0	4	14	49
05:30 PM	0	14	0	14	0	0	0	0	11	6	0	17	12	0	4	16	47
05:45 PM	0	15	1	16	0	0	0	0	8	11	0	19	3	0	2	5	40
Total	0	56	1	57	0	0	0	0	39	47	0	86	33	1	14	48	191
Grand Total	0	115	12	127	2	1	1	4	93	97	1	191	58	2	34	94	416
Apprch %	0	90.6	9.4		50	25	25		48.7	50.8	0.5		61.7	2.1	36.2		
Total %	0	27.6	2.9	30.5	0.5	0.2	0.2	1	22.4	23.3	0.2	45.9	13.9	0.5	8.2	22.6	

Start Time	Needles Highway Southbound				Balboa Place Westbound				Needles Highway Northbound				I-40 Westbound Ramps Eastbound				Int. Total
	Left	Thru	Right	App. Total	Left	Thru	Right	App. Total	Left	Thru	Right	App. Total	Left	Thru	Right	App. Total	
04:00 PM	0	17	3	20	1	0	1	2	13	12	1	26	6	0	5	11	59
04:15 PM	0	11	6	17	0	1	0	1	15	16	0	31	5	1	6	12	61
04:30 PM	0	16	2	18	0	0	0	0	15	5	0	20	12	0	4	16	54
04:45 PM	0	15	0	15	1	0	0	1	11	17	0	28	2	0	5	7	51
Total Volume	0	59	11	70	2	1	1	4	54	50	1	105	25	1	20	46	225
% App. Total	0	84.3	15.7		50	25	25		51.4	47.6	1		54.3	2.2	43.5		
PHF	.000	.868	.458	.875	.500	.250	.250	.500	.900	.735	.250	.847	.521	.250	.833	.719	.922

Peak Hour Analysis From 04:00 PM to 04:45 PM - Peak 1 of 1
 Peak Hour for Entire Intersection Begins at 04:00 PM

City of Needles
 N/S: Needles Highway
 E/W: I-40 WB Ramps/Balboa Place
 Weather: Clear

File Name : 03_NDL_Needles_40W PM
 Site Code : 16621325
 Start Date : 7/15/2021
 Page No : 2



Peak Hour Analysis From 04:00 PM to 04:45 PM - Peak 1 of 1
 Peak Hour for Each Approach Begins at:

	04:00 PM				04:00 PM				04:00 PM				04:00 PM			
+0 mins.	0	17	3	20	1	0	1	2	13	12	1	26	6	0	5	11
+15 mins.	0	11	6	17	0	1	0	1	15	16	0	31	5	1	6	12
+30 mins.	0	16	2	18	0	0	0	0	15	5	0	20	12	0	4	16
+45 mins.	0	15	0	15	1	0	0	1	11	17	0	28	2	0	5	7
Total Volume	0	59	11	70	2	1	1	4	54	50	1	105	25	1	20	46
% App. Total	0	84.3	15.7		50	25	25		51.4	47.6	1		54.3	2.2	43.5	
PHF	.000	.868	.458	.875	.500	.250	.250	.500	.900	.735	.250	.847	.521	.250	.833	.719

City of Needles
 N/S: Needles Highway
 E/W: I-40 WB Ramps/Balboa Place
 Weather: Clear

File Name : 03_NDL_Needles_40W PM
 Site Code : 16621325
 Start Date : 7/15/2021
 Page No : 1

Groups Printed- Trucks

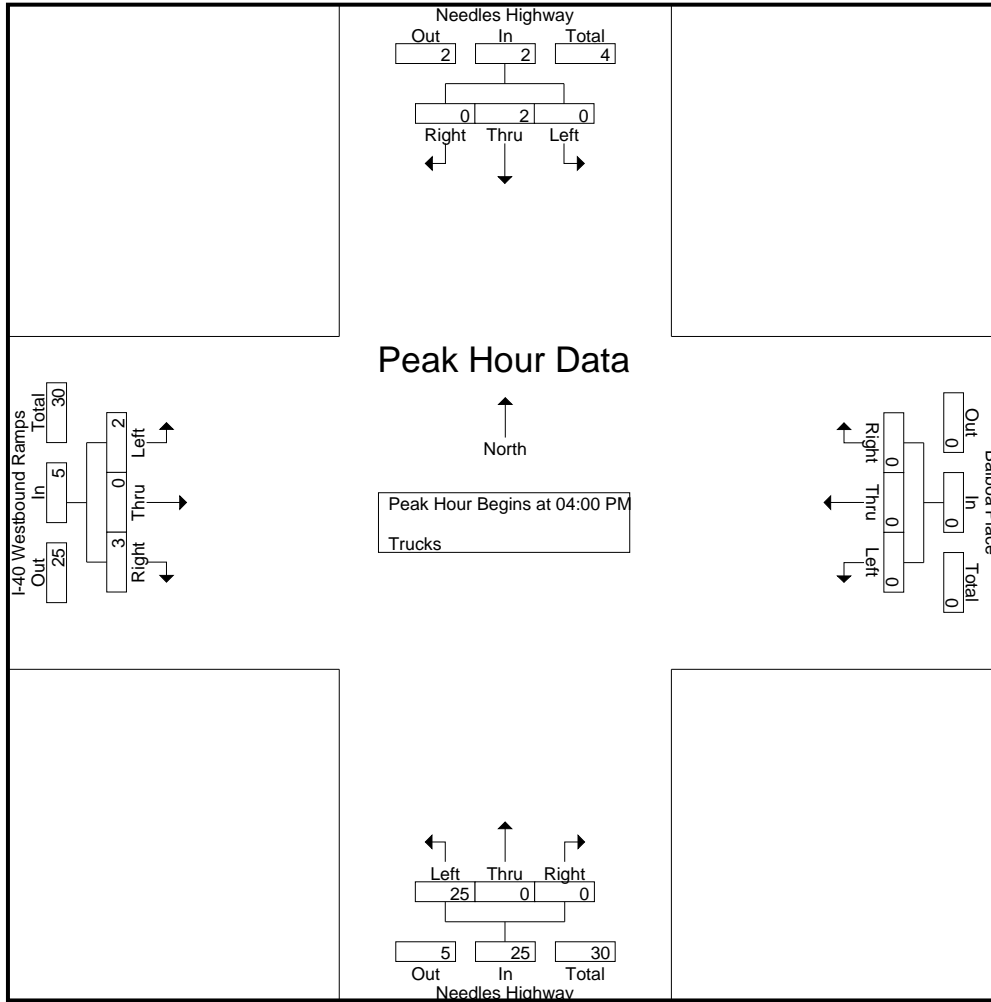
Start Time	Needles Highway Southbound				Balboa Place Westbound				Needles Highway Northbound				I-40 Westbound Ramps Eastbound				Int. Total
	Left	Thru	Right	App. Total	Left	Thru	Right	App. Total	Left	Thru	Right	App. Total	Left	Thru	Right	App. Total	
04:00 PM	0	1	0	1	0	0	0	0	9	0	0	9	0	0	1	1	11
04:15 PM	0	0	0	0	0	0	0	0	10	0	0	10	1	0	0	1	11
04:30 PM	0	0	0	0	0	0	0	0	3	0	0	3	1	0	1	2	5
04:45 PM	0	1	0	1	0	0	0	0	3	0	0	3	0	0	1	1	5
Total	0	2	0	2	0	0	0	0	25	0	0	25	2	0	3	5	32
05:00 PM	0	1	0	1	0	0	0	0	6	0	1	7	0	0	3	3	11
05:15 PM	0	2	0	2	0	0	0	0	2	0	0	2	0	0	3	3	7
05:30 PM	0	1	0	1	0	0	0	0	1	0	0	1	0	0	0	0	2
05:45 PM	0	0	0	0	0	0	0	0	3	0	0	3	0	0	2	2	5
Total	0	4	0	4	0	0	0	0	12	0	1	13	0	0	8	8	25
Grand Total	0	6	0	6	0	0	0	0	37	0	1	38	2	0	11	13	57
Apprch %	0	100	0		0	0	0		97.4	0	2.6		15.4	0	84.6		
Total %	0	10.5	0	10.5	0	0	0	0	64.9	0	1.8	66.7	3.5	0	19.3	22.8	

Start Time	Needles Highway Southbound				Balboa Place Westbound				Needles Highway Northbound				I-40 Westbound Ramps Eastbound				Int. Total
	Left	Thru	Right	App. Total	Left	Thru	Right	App. Total	Left	Thru	Right	App. Total	Left	Thru	Right	App. Total	
04:00 PM	0	1	0	1	0	0	0	0	9	0	0	9	0	0	1	1	11
04:15 PM	0	0	0	0	0	0	0	0	10	0	0	10	1	0	0	1	11
04:30 PM	0	0	0	0	0	0	0	0	3	0	0	3	1	0	1	2	5
04:45 PM	0	1	0	1	0	0	0	0	3	0	0	3	0	0	1	1	5
Total Volume	0	2	0	2	0	0	0	0	25	0	0	25	2	0	3	5	32
% App. Total	0	100	0		0	0	0		100	0	0		40	0	60		
PHF	.000	.500	.000	.500	.000	.000	.000	.000	.625	.000	.000	.625	.500	.000	.750	.625	.727

Peak Hour Analysis From 04:00 PM to 04:45 PM - Peak 1 of 1
 Peak Hour for Entire Intersection Begins at 04:00 PM

City of Needles
 N/S: Needles Highway
 E/W: I-40 WB Ramps/Balboa Place
 Weather: Clear

File Name : 03_NDL_Needles_40W PM
 Site Code : 16621325
 Start Date : 7/15/2021
 Page No : 2



Peak Hour Analysis From 04:00 PM to 04:45 PM - Peak 1 of 1
 Peak Hour for Each Approach Begins at:

	04:00 PM				04:00 PM				04:00 PM				04:00 PM			
+0 mins.	0	1	0	1	0	0	0	0	9	0	0	9	0	0	1	1
+15 mins.	0	0	0	0	0	0	0	0	10	0	0	10	1	0	0	1
+30 mins.	0	0	0	0	0	0	0	0	3	0	0	3	1	0	1	2
+45 mins.	0	1	0	1	0	0	0	0	3	0	0	3	0	0	1	1
Total Volume	0	2	0	2	0	0	0	0	25	0	0	25	2	0	3	5
% App. Total	0	100	0	0	0	0	0	0	100	0	0	100	40	0	60	100
PHF	.000	.500	.000	.500	.000	.000	.000	.000	.625	.000	.000	.625	.500	.000	.750	.625

City of Needles
 N/S: Needles Highway
 E/W: I-40 WB Ramps/Balboa Place
 Weather: Clear

File Name : 03_NDL_Needles_40W PM
 Site Code : 16621325
 Start Date : 7/15/2021
 Page No : 1

Groups Printed- Buses

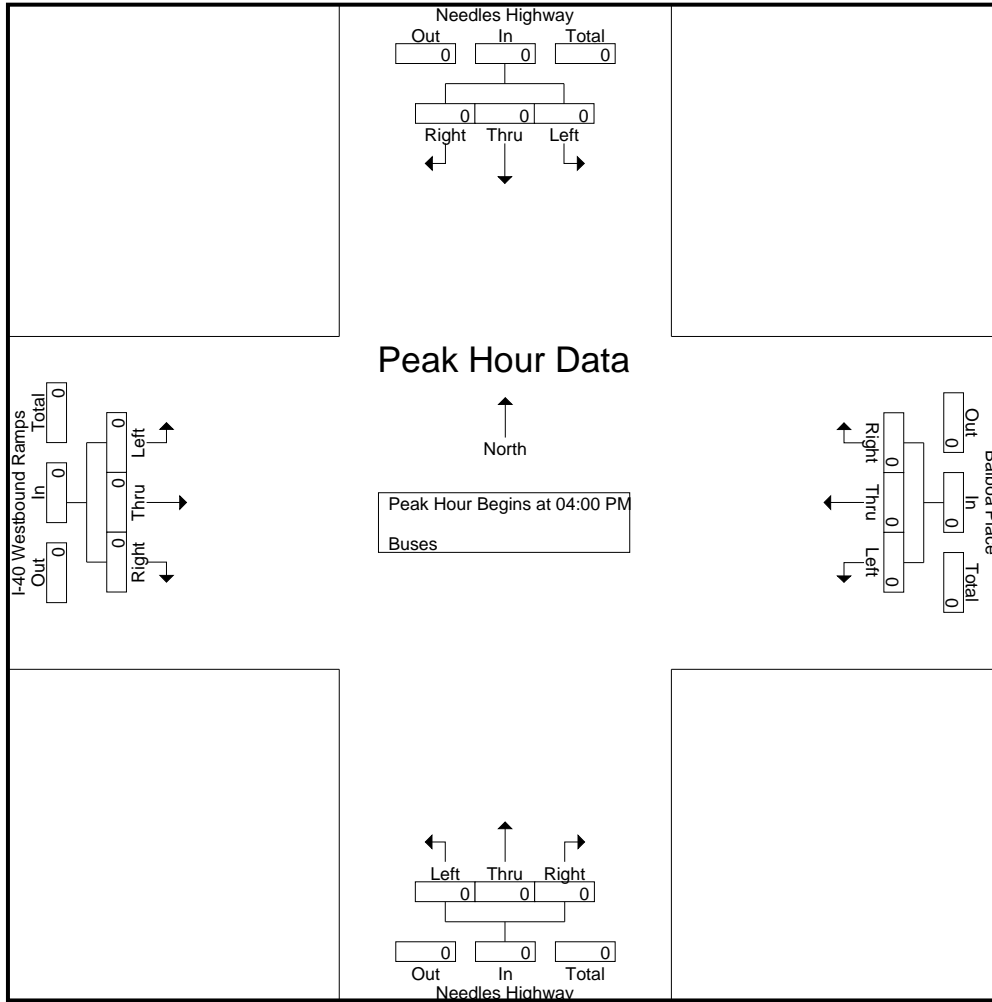
Start Time	Needles Highway Southbound				Balboa Place Westbound				Needles Highway Northbound				I-40 Westbound Ramps Eastbound				Int. Total
	Left	Thru	Right	App. Total	Left	Thru	Right	App. Total	Left	Thru	Right	App. Total	Left	Thru	Right	App. Total	
04:00 PM	0	0	0	0	0	0	0	0	0	0	0	0	0	0	0	0	0
04:15 PM	0	0	0	0	0	0	0	0	0	0	0	0	0	0	0	0	0
04:30 PM	0	0	0	0	0	0	0	0	0	0	0	0	0	0	0	0	0
04:45 PM	0	0	0	0	0	0	0	0	0	0	0	0	0	0	0	0	0
Total	0	0	0	0	0	0	0	0	0	0	0	0	0	0	0	0	0
05:00 PM	0	0	0	0	0	0	0	0	0	0	0	0	0	0	0	0	0
05:15 PM	0	0	0	0	0	0	0	0	0	0	0	0	0	0	0	0	0
05:30 PM	0	0	0	0	0	0	0	0	0	0	0	0	0	0	0	0	0
05:45 PM	0	0	0	0	0	0	0	0	0	0	0	0	0	0	0	0	0
Total	0	0	0	0	0	0	0	0	0	0	0	0	0	0	0	0	0
Grand Total	0	0	0	0	0	0	0	0	0	0	0	0	0	0	0	0	0
Apprch %	0	0	0		0	0	0		0	0	0		0	0	0		
Total %																	

Start Time	Needles Highway Southbound				Balboa Place Westbound				Needles Highway Northbound				I-40 Westbound Ramps Eastbound				Int. Total
	Left	Thru	Right	App. Total	Left	Thru	Right	App. Total	Left	Thru	Right	App. Total	Left	Thru	Right	App. Total	
04:00 PM	0	0	0	0	0	0	0	0	0	0	0	0	0	0	0	0	0
04:15 PM	0	0	0	0	0	0	0	0	0	0	0	0	0	0	0	0	0
04:30 PM	0	0	0	0	0	0	0	0	0	0	0	0	0	0	0	0	0
04:45 PM	0	0	0	0	0	0	0	0	0	0	0	0	0	0	0	0	0
Total Volume	0	0	0	0	0	0	0	0	0	0	0	0	0	0	0	0	0
% App. Total	0	0	0		0	0	0		0	0	0		0	0	0		
PHF	.000	.000	.000	.000	.000	.000	.000	.000	.000	.000	.000	.000	.000	.000	.000	.000	.000

Peak Hour Analysis From 04:00 PM to 04:45 PM - Peak 1 of 1
 Peak Hour for Entire Intersection Begins at 04:00 PM

City of Needles
 N/S: Needles Highway
 E/W: I-40 WB Ramps/Balboa Place
 Weather: Clear

File Name : 03_NDL_Needles_40W PM
 Site Code : 16621325
 Start Date : 7/15/2021
 Page No : 2



Peak Hour Analysis From 04:00 PM to 04:45 PM - Peak 1 of 1
 Peak Hour for Each Approach Begins at:

	04:00 PM				04:00 PM				04:00 PM				04:00 PM			
+0 mins.	0	0	0	0	0	0	0	0	0	0	0	0	0	0	0	0
+15 mins.	0	0	0	0	0	0	0	0	0	0	0	0	0	0	0	0
+30 mins.	0	0	0	0	0	0	0	0	0	0	0	0	0	0	0	0
+45 mins.	0	0	0	0	0	0	0	0	0	0	0	0	0	0	0	0
Total Volume	0	0	0	0	0	0	0	0	0	0	0	0	0	0	0	0
% App. Total	0	0	0	0	0	0	0	0	0	0	0	0	0	0	0	0
PHF	.000	.000	.000	.000	.000	.000	.000	.000	.000	.000	.000	.000	.000	.000	.000	.000

City of Needles
 N/S: Needles Highway
 E/W: I-40 WB Ramps/Balboa Place
 Weather: Clear

File Name : 03_NDL_Needles_40W SAT
 Site Code : 16621325
 Start Date : 7/17/2021
 Page No : 1

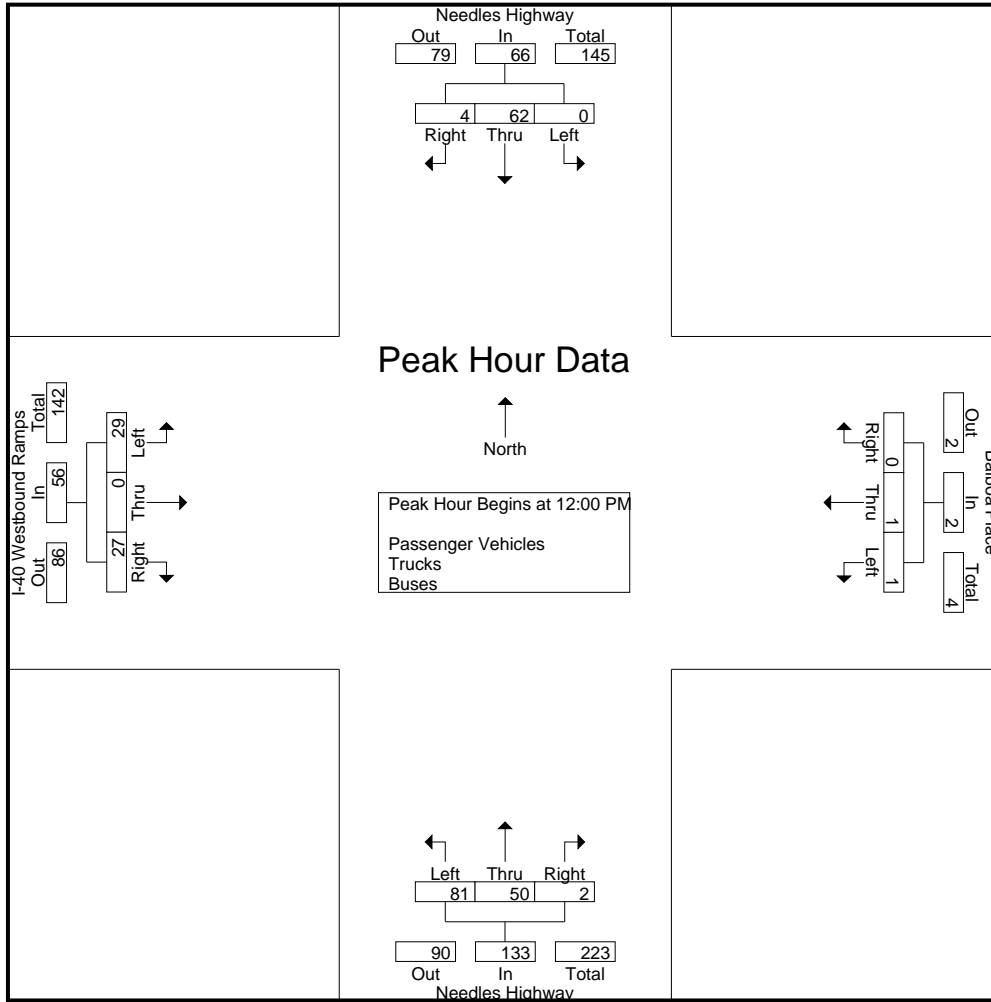
Groups Printed- Passenger Vehicles - Trucks - Buses

Start Time	Needles Highway Southbound				Balboa Place Westbound				Needles Highway Northbound				I-40 Westbound Ramps Eastbound				Int. Total
	Left	Thru	Right	App. Total	Left	Thru	Right	App. Total	Left	Thru	Right	App. Total	Left	Thru	Right	App. Total	
12:00 PM	0	10	1	11	0	0	0	0	18	19	0	37	9	0	10	19	67
12:15 PM	0	13	1	14	0	0	0	0	24	5	0	29	3	0	4	7	50
12:30 PM	0	22	2	24	1	0	0	1	19	13	0	32	5	0	6	11	68
12:45 PM	0	17	0	17	0	1	0	1	20	13	2	35	12	0	7	19	72
Total	0	62	4	66	1	1	0	2	81	50	2	133	29	0	27	56	257
01:00 PM	0	12	0	12	0	0	0	0	23	8	0	31	14	0	5	19	62
01:15 PM	0	6	1	7	0	0	0	0	25	8	0	33	6	0	6	12	52
01:30 PM	0	16	0	16	0	0	0	0	10	10	0	20	11	1	5	17	53
01:45 PM	0	12	0	12	0	0	0	0	12	17	0	29	7	0	11	18	59
Total	0	46	1	47	0	0	0	0	70	43	0	113	38	1	27	66	226
Grand Total	0	108	5	113	1	1	0	2	151	93	2	246	67	1	54	122	483
Apprch %	0	95.6	4.4		50	50	0		61.4	37.8	0.8		54.9	0.8	44.3		
Total %	0	22.4	1	23.4	0.2	0.2	0	0.4	31.3	19.3	0.4	50.9	13.9	0.2	11.2	25.3	
Passenger Vehicles	0	106	5	111	1	1	0	2	127	91	2	220	67	1	42	110	443
% Passenger Vehicles	0	98.1	100	98.2	100	100	0	100	84.1	97.8	100	89.4	100	100	77.8	90.2	91.7
Trucks	0	2	0	2	0	0	0	0	24	2	0	26	0	0	12	12	40
% Trucks	0	1.9	0	1.8	0	0	0	0	15.9	2.2	0	10.6	0	0	22.2	9.8	8.3
Buses	0	0	0	0	0	0	0	0	0	0	0	0	0	0	0	0	0
% Buses	0	0	0	0	0	0	0	0	0	0	0	0	0	0	0	0	0

Start Time	Needles Highway Southbound				Balboa Place Westbound				Needles Highway Northbound				I-40 Westbound Ramps Eastbound				Int. Total
	Left	Thru	Right	App. Total	Left	Thru	Right	App. Total	Left	Thru	Right	App. Total	Left	Thru	Right	App. Total	
Peak Hour Analysis From 12:00 PM to 01:45 PM - Peak 1 of 1																	
Peak Hour for Entire Intersection Begins at 12:00 PM																	
12:00 PM	0	10	1	11	0	0	0	0	18	19	0	37	9	0	10	19	67
12:15 PM	0	13	1	14	0	0	0	0	24	5	0	29	3	0	4	7	50
12:30 PM	0	22	2	24	1	0	0	1	19	13	0	32	5	0	6	11	68
12:45 PM	0	17	0	17	0	1	0	1	20	13	2	35	12	0	7	19	72
Total Volume	0	62	4	66	1	1	0	2	81	50	2	133	29	0	27	56	257
% App. Total	0	93.9	6.1		50	50	0		60.9	37.6	1.5		51.8	0	48.2		
PHF	.000	.705	.500	.688	.250	.250	.000	.500	.844	.658	.250	.899	.604	.000	.675	.737	.892

City of Needles
 N/S: Needles Highway
 E/W: I-40 WB Ramps/Balboa Place
 Weather: Clear

File Name : 03_NDL_Needles_40W SAT
 Site Code : 16621325
 Start Date : 7/17/2021
 Page No : 2



Peak Hour Analysis From 12:00 PM to 01:45 PM - Peak 1 of 1
 Peak Hour for Each Approach Begins at:

	12:15 PM				12:00 PM				12:00 PM				12:45 PM			
+0 mins.	0	13	1	14	0	0	0	0	18	19	0	37	12	0	7	19
+15 mins.	0	22	2	24	0	0	0	0	24	5	0	29	14	0	5	19
+30 mins.	0	17	0	17	1	0	0	1	19	13	0	32	6	0	6	12
+45 mins.	0	12	0	12	0	1	0	1	20	13	2	35	11	1	5	17
Total Volume	0	64	3	67	1	1	0	2	81	50	2	133	43	1	23	67
% App. Total	0	95.5	4.5		50	50	0		60.9	37.6	1.5		64.2	1.5	34.3	
PHF	.000	.727	.375	.698	.250	.250	.000	.500	.844	.658	.250	.899	.768	.250	.821	.882

City of Needles
 N/S: Needles Highway
 E/W: I-40 WB Ramps/Balboa Place
 Weather: Clear

File Name : 03_NDL_Needles_40W SAT
 Site Code : 16621325
 Start Date : 7/17/2021
 Page No : 1

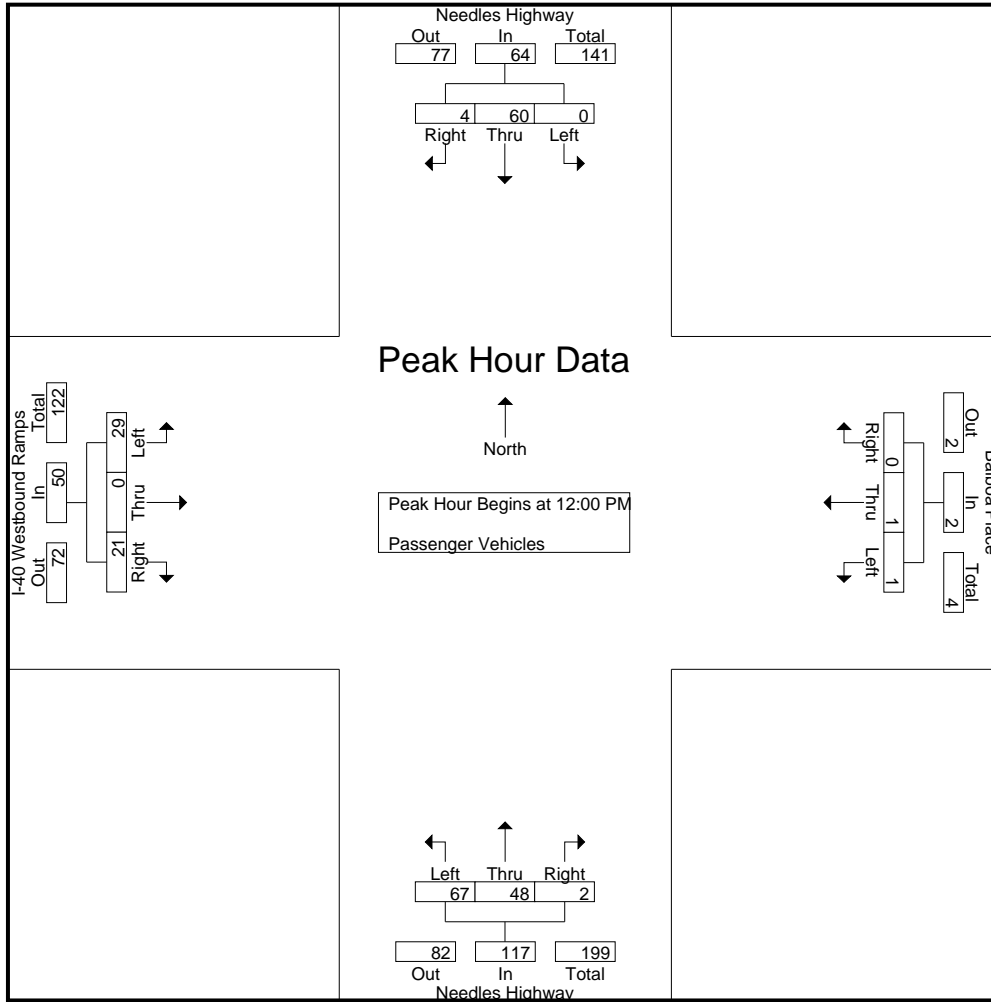
Groups Printed- Passenger Vehicles

Start Time	Needles Highway Southbound				Balboa Place Westbound				Needles Highway Northbound				I-40 Westbound Ramps Eastbound				Int. Total
	Left	Thru	Right	App. Total	Left	Thru	Right	App. Total	Left	Thru	Right	App. Total	Left	Thru	Right	App. Total	
12:00 PM	0	10	1	11	0	0	0	0	13	18	0	31	9	0	9	18	60
12:15 PM	0	12	1	13	0	0	0	0	23	5	0	28	3	0	4	7	48
12:30 PM	0	22	2	24	1	0	0	1	14	13	0	27	5	0	4	9	61
12:45 PM	0	16	0	16	0	1	0	1	17	12	2	31	12	0	4	16	64
Total	0	60	4	64	1	1	0	2	67	48	2	117	29	0	21	50	233
01:00 PM	0	12	0	12	0	0	0	0	22	8	0	30	14	0	3	17	59
01:15 PM	0	6	1	7	0	0	0	0	18	8	0	26	6	0	4	10	43
01:30 PM	0	16	0	16	0	0	0	0	9	10	0	19	11	1	4	16	51
01:45 PM	0	12	0	12	0	0	0	0	11	17	0	28	7	0	10	17	57
Total	0	46	1	47	0	0	0	0	60	43	0	103	38	1	21	60	210
Grand Total	0	106	5	111	1	1	0	2	127	91	2	220	67	1	42	110	443
Apprch %	0	95.5	4.5		50	50	0		57.7	41.4	0.9		60.9	0.9	38.2		
Total %	0	23.9	1.1	25.1	0.2	0.2	0	0.5	28.7	20.5	0.5	49.7	15.1	0.2	9.5	24.8	

Start Time	Needles Highway Southbound				Balboa Place Westbound				Needles Highway Northbound				I-40 Westbound Ramps Eastbound				Int. Total
	Left	Thru	Right	App. Total	Left	Thru	Right	App. Total	Left	Thru	Right	App. Total	Left	Thru	Right	App. Total	
Peak Hour Analysis From 12:00 PM to 12:45 PM - Peak 1 of 1																	
Peak Hour for Entire Intersection Begins at 12:00 PM																	
12:00 PM	0	10	1	11	0	0	0	0	13	18	0	31	9	0	9	18	60
12:15 PM	0	12	1	13	0	0	0	0	23	5	0	28	3	0	4	7	48
12:30 PM	0	22	2	24	1	0	0	1	14	13	0	27	5	0	4	9	61
12:45 PM	0	16	0	16	0	1	0	1	17	12	2	31	12	0	4	16	64
Total Volume	0	60	4	64	1	1	0	2	67	48	2	117	29	0	21	50	233
% App. Total	0	93.8	6.2		50	50	0		57.3	41	1.7		58	0	42		
PHF	.000	.682	.500	.667	.250	.250	.000	.500	.728	.667	.250	.944	.604	.000	.583	.694	.910

City of Needles
 N/S: Needles Highway
 E/W: I-40 WB Ramps/Balboa Place
 Weather: Clear

File Name : 03_NDL_Needles_40W SAT
 Site Code : 16621325
 Start Date : 7/17/2021
 Page No : 2



Peak Hour Analysis From 12:00 PM to 12:45 PM - Peak 1 of 1
 Peak Hour for Each Approach Begins at:

	12:00 PM				12:00 PM				12:00 PM				12:00 PM				
+0 mins.	0	10	1	11	0	0	0	0	13	18	0	31	9	0	0	9	18
+15 mins.	0	12	1	13	0	0	0	0	23	5	0	28	3	0	0	4	7
+30 mins.	0	22	2	24	1	0	0	1	14	13	0	27	5	0	0	4	9
+45 mins.	0	16	0	16	0	1	0	1	17	12	2	31	12	0	0	4	16
Total Volume	0	60	4	64	1	1	0	2	67	48	2	117	29	0	0	21	50
% App. Total	0	93.8	6.2		50	50	0		57.3	41	1.7		58	0	0	42	
PHF	.000	.682	.500	.667	.250	.250	.000	.500	.728	.667	.250	.944	.604	.000	.583	.694	

City of Needles
 N/S: Needles Highway
 E/W: I-40 WB Ramps/Balboa Place
 Weather: Clear

File Name : 03_NDL_Needles_40W SAT
 Site Code : 16621325
 Start Date : 7/17/2021
 Page No : 1

Groups Printed- Trucks

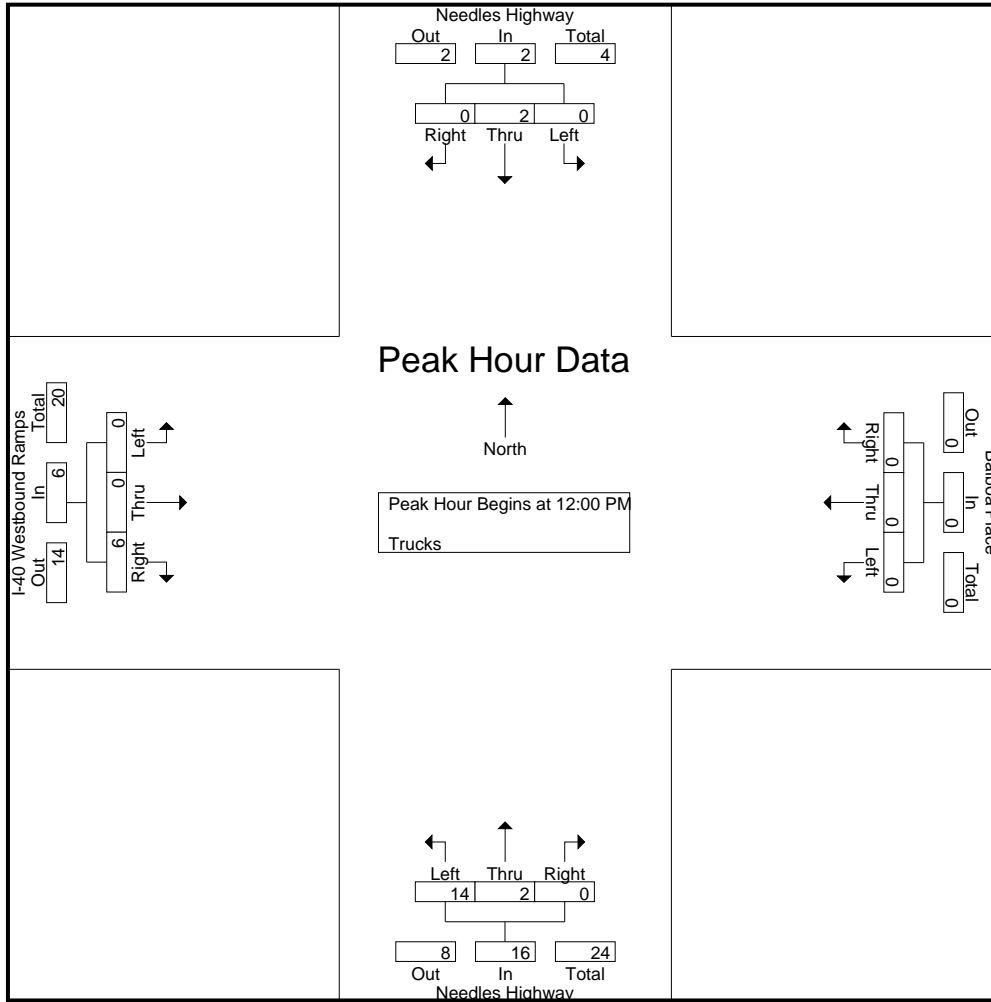
Start Time	Needles Highway Southbound				Balboa Place Westbound				Needles Highway Northbound				I-40 Westbound Ramps Eastbound				Int. Total
	Left	Thru	Right	App. Total	Left	Thru	Right	App. Total	Left	Thru	Right	App. Total	Left	Thru	Right	App. Total	
12:00 PM	0	0	0	0	0	0	0	0	5	1	0	6	0	0	1	1	7
12:15 PM	0	1	0	1	0	0	0	0	1	0	0	1	0	0	0	0	2
12:30 PM	0	0	0	0	0	0	0	0	5	0	0	5	0	0	2	2	7
12:45 PM	0	1	0	1	0	0	0	0	3	1	0	4	0	0	3	3	8
Total	0	2	0	2	0	0	0	0	14	2	0	16	0	0	6	6	24
01:00 PM	0	0	0	0	0	0	0	0	1	0	0	1	0	0	2	2	3
01:15 PM	0	0	0	0	0	0	0	0	7	0	0	7	0	0	2	2	9
01:30 PM	0	0	0	0	0	0	0	0	1	0	0	1	0	0	1	1	2
01:45 PM	0	0	0	0	0	0	0	0	1	0	0	1	0	0	1	1	2
Total	0	0	0	0	0	0	0	0	10	0	0	10	0	0	6	6	16
Grand Total	0	2	0	2	0	0	0	0	24	2	0	26	0	0	12	12	40
Apprch %	0	100	0		0	0	0		92.3	7.7	0		0	0	100		
Total %	0	5	0	5	0	0	0	0	60	5	0	65	0	0	30	30	

Start Time	Needles Highway Southbound				Balboa Place Westbound				Needles Highway Northbound				I-40 Westbound Ramps Eastbound				Int. Total
	Left	Thru	Right	App. Total	Left	Thru	Right	App. Total	Left	Thru	Right	App. Total	Left	Thru	Right	App. Total	
12:00 PM	0	0	0	0	0	0	0	0	5	1	0	6	0	0	1	1	7
12:15 PM	0	1	0	1	0	0	0	0	1	0	0	1	0	0	0	0	2
12:30 PM	0	0	0	0	0	0	0	0	5	0	0	5	0	0	2	2	7
12:45 PM	0	1	0	1	0	0	0	0	3	1	0	4	0	0	3	3	8
Total Volume	0	2	0	2	0	0	0	0	14	2	0	16	0	0	6	6	24
% App. Total	0	100	0		0	0	0		87.5	12.5	0		0	0	100		
PHF	.000	.500	.000	.500	.000	.000	.000	.000	.700	.500	.000	.667	.000	.000	.500	.500	.750

Peak Hour Analysis From 12:00 PM to 12:45 PM - Peak 1 of 1
 Peak Hour for Entire Intersection Begins at 12:00 PM

City of Needles
 N/S: Needles Highway
 E/W: I-40 WB Ramps/Balboa Place
 Weather: Clear

File Name : 03_NDL_Needles_40W SAT
 Site Code : 16621325
 Start Date : 7/17/2021
 Page No : 2



Peak Hour Analysis From 12:00 PM to 12:45 PM - Peak 1 of 1
 Peak Hour for Each Approach Begins at:

	12:00 PM				12:00 PM				12:00 PM				12:00 PM					
+0 mins.	0	0	0	0	0	0	0	0	5	1	0	6	0	0	0	1	0	1
+15 mins.	0	1	0	1	0	0	0	0	1	0	0	1	0	0	0	0	0	0
+30 mins.	0	0	0	0	0	0	0	0	5	0	0	5	0	0	0	2	0	2
+45 mins.	0	1	0	1	0	0	0	0	3	1	0	4	0	0	3	3	0	3
Total Volume	0	2	0	2	0	0	0	0	14	2	0	16	0	0	6	6	0	6
% App. Total	0	100	0	0	0	0	0	0	87.5	12.5	0	0	0	0	100	0	0	100
PHF	.000	.500	.000	.500	.000	.000	.000	.000	.700	.500	.000	.667	.000	.000	.500	.500	.000	.500

City of Needles
 N/S: Needles Highway
 E/W: I-40 WB Ramps/Balboa Place
 Weather: Clear

File Name : 03_NDL_Needles_40W SAT
 Site Code : 16621325
 Start Date : 7/17/2021
 Page No : 1

Groups Printed- Buses

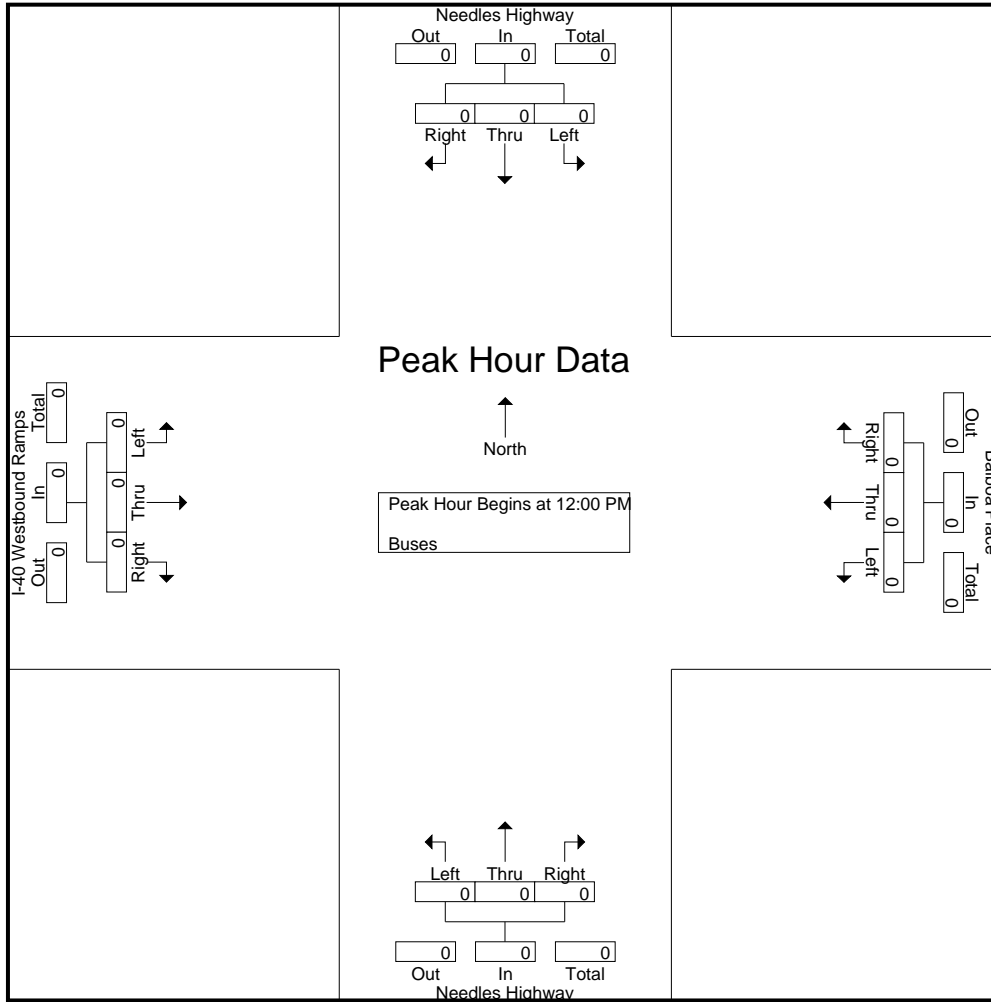
Start Time	Needles Highway Southbound				Balboa Place Westbound				Needles Highway Northbound				I-40 Westbound Ramps Eastbound				Int. Total
	Left	Thru	Right	App. Total	Left	Thru	Right	App. Total	Left	Thru	Right	App. Total	Left	Thru	Right	App. Total	
12:00 PM	0	0	0	0	0	0	0	0	0	0	0	0	0	0	0	0	0
12:15 PM	0	0	0	0	0	0	0	0	0	0	0	0	0	0	0	0	0
12:30 PM	0	0	0	0	0	0	0	0	0	0	0	0	0	0	0	0	0
12:45 PM	0	0	0	0	0	0	0	0	0	0	0	0	0	0	0	0	0
Total	0	0	0	0	0	0	0	0	0	0	0	0	0	0	0	0	0
01:00 PM	0	0	0	0	0	0	0	0	0	0	0	0	0	0	0	0	0
01:15 PM	0	0	0	0	0	0	0	0	0	0	0	0	0	0	0	0	0
01:30 PM	0	0	0	0	0	0	0	0	0	0	0	0	0	0	0	0	0
01:45 PM	0	0	0	0	0	0	0	0	0	0	0	0	0	0	0	0	0
Total	0	0	0	0	0	0	0	0	0	0	0	0	0	0	0	0	0
Grand Total	0	0	0	0	0	0	0	0	0	0	0	0	0	0	0	0	0
Apprch %	0	0	0		0	0	0		0	0	0		0	0	0		
Total %																	

Start Time	Needles Highway Southbound				Balboa Place Westbound				Needles Highway Northbound				I-40 Westbound Ramps Eastbound				Int. Total
	Left	Thru	Right	App. Total	Left	Thru	Right	App. Total	Left	Thru	Right	App. Total	Left	Thru	Right	App. Total	
12:00 PM	0	0	0	0	0	0	0	0	0	0	0	0	0	0	0	0	0
12:15 PM	0	0	0	0	0	0	0	0	0	0	0	0	0	0	0	0	0
12:30 PM	0	0	0	0	0	0	0	0	0	0	0	0	0	0	0	0	0
12:45 PM	0	0	0	0	0	0	0	0	0	0	0	0	0	0	0	0	0
Total Volume	0	0	0	0	0	0	0	0	0	0	0	0	0	0	0	0	0
% App. Total	0	0	0		0	0	0		0	0	0		0	0	0		
PHF	.000	.000	.000	.000	.000	.000	.000	.000	.000	.000	.000	.000	.000	.000	.000	.000	.000

Peak Hour Analysis From 12:00 PM to 12:45 PM - Peak 1 of 1
 Peak Hour for Entire Intersection Begins at 12:00 PM

City of Needles
 N/S: Needles Highway
 E/W: I-40 WB Ramps/Balboa Place
 Weather: Clear

File Name : 03_NDL_Needles_40W SAT
 Site Code : 16621325
 Start Date : 7/17/2021
 Page No : 2



Peak Hour Analysis From 12:00 PM to 12:45 PM - Peak 1 of 1
 Peak Hour for Each Approach Begins at:

	12:00 PM				12:00 PM				12:00 PM				12:00 PM			
+0 mins.	0	0	0	0	0	0	0	0	0	0	0	0	0	0	0	0
+15 mins.	0	0	0	0	0	0	0	0	0	0	0	0	0	0	0	0
+30 mins.	0	0	0	0	0	0	0	0	0	0	0	0	0	0	0	0
+45 mins.	0	0	0	0	0	0	0	0	0	0	0	0	0	0	0	0
Total Volume	0	0	0	0	0	0	0	0	0	0	0	0	0	0	0	0
% App. Total	0	0	0	0	0	0	0	0	0	0	0	0	0	0	0	0
PHF	.000	.000	.000	.000	.000	.000	.000	.000	.000	.000	.000	.000	.000	.000	.000	.000

Location: Needles
 N/S: Needles Highway
 E/W: I-40 WB Ramps/Balboa Place



PEDESTRIANS

Date: 7/15/2021
 Day: Thursday

	North Leg Needles Highway Pedestrians	East Leg Balboa Place Pedestrians	South Leg Needles Highway Pedestrians	West Leg I-40 WB Ramps Pedestrians	
7:00 AM	0	0	0	0	0
7:15 AM	0	0	0	0	0
7:30 AM	0	0	0	0	0
7:45 AM	0	0	0	0	0
8:00 AM	0	0	0	0	0
8:15 AM	0	0	0	0	0
8:30 AM	0	0	0	0	0
8:45 AM	0	0	0	0	0
TOTAL VOLUMES:	0	0	0	0	0

Date: 7/15/2021
 Day: Thursday

	North Leg Needles Highway Pedestrians	East Leg Balboa Place Pedestrians	South Leg Needles Highway Pedestrians	West Leg I-40 WB Ramps Pedestrians	
4:00 PM	0	0	0	0	0
4:15 PM	0	0	0	0	0
4:30 PM	0	0	0	0	0
4:45 PM	0	0	0	0	0
5:00 PM	0	0	0	0	0
5:15 PM	0	0	0	0	0
5:30 PM	0	0	0	0	0
5:45 PM	0	0	0	0	0
TOTAL VOLUMES:	0	0	0	0	0

Date: 7/17/2021
 Day: Saturday

	North Leg Needles Highway Pedestrians	East Leg Balboa Place Pedestrians	South Leg Needles Highway Pedestrians	West Leg I-40 WB Ramps Pedestrians	
12:00 PM	0	0	0	0	0
12:15 PM	0	0	0	0	0
12:30 PM	0	0	0	0	0
12:45 PM	0	0	0	0	0
1:00 PM	0	0	0	0	0
1:15 PM	0	0	0	0	0
1:30 PM	0	0	0	0	0
1:45 PM	0	0	0	0	0
TOTAL VOLUMES:	0	0	0	0	0

Location: Needles
 N/S: Needles Highway
 E/W: I-40 WB Ramps/Balboa Place



BICYCLES

Date: 7/15/2021
 Day: Thursday

	Southbound Needles Highway			Westbound Balboa Place			Northbound Needles Highway			Eastbound I-40 WB Ramps			
	Left	Thru	Right	Left	Thru	Right	Left	Thru	Right	Left	Thru	Right	
7:00 AM	0	0	0	0	0	0	0	0	0	0	0	0	0
7:15 AM	0	0	0	0	0	0	0	0	0	0	0	0	0
7:30 AM	0	0	0	0	0	0	0	0	0	0	0	0	0
7:45 AM	0	0	0	0	0	0	0	0	0	0	0	0	0
8:00 AM	0	0	0	0	0	0	0	0	0	0	0	0	0
8:15 AM	0	0	0	0	0	0	0	0	0	0	0	0	0
8:30 AM	0	0	0	0	0	0	0	0	0	0	0	0	0
8:45 AM	0	0	0	0	0	0	0	0	0	0	0	0	0
TOTAL VOLUMES:	0	0	0	0	0	0	0	0	0	0	0	0	0

Date: 7/15/2021
 Day: Thursday

	Southbound Needles Highway			Westbound Balboa Place			Northbound Needles Highway			Eastbound I-40 WB Ramps			
	Left	Thru	Right	Left	Thru	Right	Left	Thru	Right	Left	Thru	Right	
4:00 PM	0	0	0	0	0	0	0	0	0	0	0	0	0
4:15 PM	0	0	0	0	0	0	0	0	0	0	0	0	0
4:30 PM	0	0	0	0	0	0	0	0	0	0	0	0	0
4:45 PM	0	0	0	0	0	0	0	0	0	0	0	0	0
5:00 PM	0	0	0	0	0	0	0	0	0	0	0	0	0
5:15 PM	0	0	0	0	0	0	0	0	0	0	0	0	0
5:30 PM	0	0	0	0	0	0	0	0	0	0	0	0	0
5:45 PM	0	0	0	0	0	0	0	0	0	0	0	0	0
TOTAL VOLUMES:	0	0	0	0	0	0	0	0	0	0	0	0	0

Date: 7/17/2021
 Day: Saturday

	Southbound Needles Highway			Westbound Balboa Place			Northbound Needles Highway			Eastbound I-40 WB Ramps			
	Left	Thru	Right	Left	Thru	Right	Left	Thru	Right	Left	Thru	Right	
12:00 PM	0	0	0	0	0	0	0	0	0	0	0	0	0
12:15 PM	0	0	0	0	0	0	0	0	0	0	0	0	0
12:30 PM	0	0	0	0	0	0	0	0	0	0	0	0	0
12:45 PM	0	0	0	0	0	0	0	0	0	0	0	0	0
1:00 PM	0	0	0	0	0	0	0	0	0	0	0	0	0
1:15 PM	0	0	0	0	0	0	0	0	0	0	0	0	0
1:30 PM	0	0	0	0	0	0	0	0	0	0	0	0	0
1:45 PM	0	0	0	0	0	0	0	0	0	0	0	0	0
TOTAL VOLUMES:	0	0	0	0	0	0	0	0	0	0	0	0	0

City of Needles
 N/S: I-40 EB Ramps/Pashard Street
 E/W: Needles Highway
 Weather: Clear

File Name : 04_NDL_40E_Needles AM
 Site Code : 16621325
 Start Date : 7/15/2021
 Page No : 1

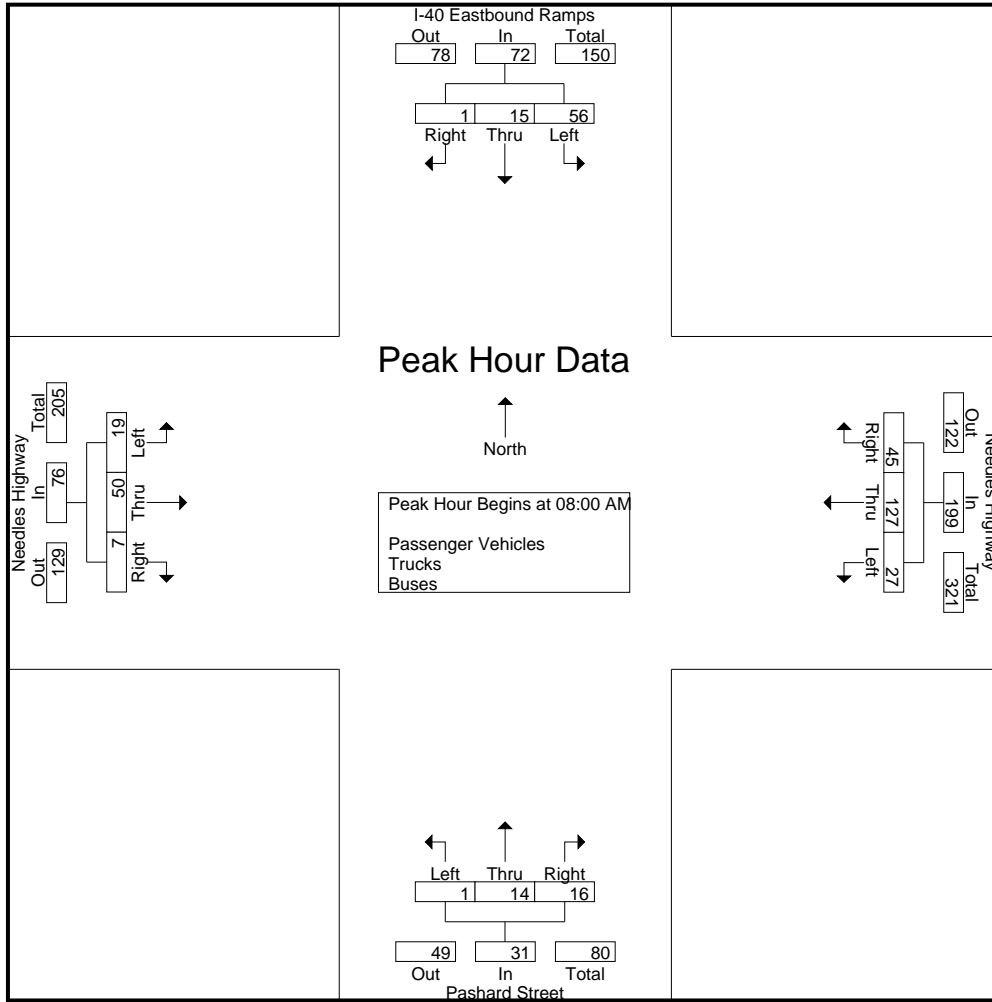
Groups Printed- Passenger Vehicles - Trucks - Buses

Start Time	I-40 Eastbound Ramps Southbound				Needles Highway Westbound				Pashard Street Northbound				Needles Highway Eastbound				Int. Total
	Left	Thru	Right	App. Total	Left	Thru	Right	App. Total	Left	Thru	Right	App. Total	Left	Thru	Right	App. Total	
07:00 AM	8	2	0	10	3	15	13	31	2	4	4	10	3	7	4	14	65
07:15 AM	13	3	0	16	2	21	9	32	1	1	7	9	3	11	2	16	73
07:30 AM	14	2	0	16	3	14	11	28	1	0	5	6	7	15	1	23	73
07:45 AM	15	0	3	18	4	31	9	44	1	3	7	11	5	10	0	15	88
Total	50	7	3	60	12	81	42	135	5	8	23	36	18	43	7	68	299
08:00 AM	7	3	0	10	6	37	8	51	0	2	1	3	5	15	0	20	84
08:15 AM	18	1	0	19	5	31	8	44	0	5	6	11	7	11	1	19	93
08:30 AM	13	4	0	17	10	32	11	53	0	3	4	7	1	11	6	18	95
08:45 AM	18	7	1	26	6	27	18	51	1	4	5	10	6	13	0	19	106
Total	56	15	1	72	27	127	45	199	1	14	16	31	19	50	7	76	378
Grand Total	106	22	4	132	39	208	87	334	6	22	39	67	37	93	14	144	677
Apprch %	80.3	16.7	3		11.7	62.3	26		9	32.8	58.2		25.7	64.6	9.7		
Total %	15.7	3.2	0.6	19.5	5.8	30.7	12.9	49.3	0.9	3.2	5.8	9.9	5.5	13.7	2.1	21.3	
Passenger Vehicles	86	18	2	106	36	181	59	276	4	20	35	59	33	84	13	130	571
% Passenger Vehicles	81.1	81.8	50	80.3	92.3	87	67.8	82.6	66.7	90.9	89.7	88.1	89.2	90.3	92.9	90.3	84.3
Trucks	20	4	2	26	1	27	28	56	2	2	2	6	4	9	1	14	102
% Trucks	18.9	18.2	50	19.7	2.6	13	32.2	16.8	33.3	9.1	5.1	9	10.8	9.7	7.1	9.7	15.1
Buses	0	0	0	0	2	0	0	2	0	0	2	2	0	0	0	0	4
% Buses	0	0	0	0	5.1	0	0	0.6	0	0	5.1	3	0	0	0	0	0.6

Start Time	I-40 Eastbound Ramps Southbound				Needles Highway Westbound				Pashard Street Northbound				Needles Highway Eastbound				Int. Total
	Left	Thru	Right	App. Total	Left	Thru	Right	App. Total	Left	Thru	Right	App. Total	Left	Thru	Right	App. Total	
Peak Hour Analysis From 07:00 AM to 08:45 AM - Peak 1 of 1																	
Peak Hour for Entire Intersection Begins at 08:00 AM																	
08:00 AM	7	3	0	10	6	37	8	51	0	2	1	3	5	15	0	20	84
08:15 AM	18	1	0	19	5	31	8	44	0	5	6	11	7	11	1	19	93
08:30 AM	13	4	0	17	10	32	11	53	0	3	4	7	1	11	6	18	95
08:45 AM	18	7	1	26	6	27	18	51	1	4	5	10	6	13	0	19	106
Total Volume	56	15	1	72	27	127	45	199	1	14	16	31	19	50	7	76	378
% App. Total	77.8	20.8	1.4		13.6	63.8	22.6		3.2	45.2	51.6		25	65.8	9.2		
PHF	.778	.536	.250	.692	.675	.858	.625	.939	.250	.700	.667	.705	.679	.833	.292	.950	.892

City of Needles
 N/S: I-40 EB Ramps/Pashard Street
 E/W: Needles Highway
 Weather: Clear

File Name : 04_NDL_40E_Needles AM
 Site Code : 16621325
 Start Date : 7/15/2021
 Page No : 2



Peak Hour Analysis From 07:00 AM to 08:45 AM - Peak 1 of 1
 Peak Hour for Each Approach Begins at:

	08:00 AM				08:00 AM				07:00 AM				07:30 AM			
+0 mins.	7	3	0	10	6	37	8	51	2	4	4	10	7	15	1	23
+15 mins.	18	1	0	19	5	31	8	44	1	1	7	9	5	10	0	15
+30 mins.	13	4	0	17	10	32	11	53	1	0	5	6	5	15	0	20
+45 mins.	18	7	1	26	6	27	18	51	1	3	7	11	7	11	1	19
Total Volume	56	15	1	72	27	127	45	199	5	8	23	36	24	51	2	77
% App. Total	77.8	20.8	1.4		13.6	63.8	22.6		13.9	22.2	63.9		31.2	66.2	2.6	
PHF	.778	.536	.250	.692	.675	.858	.625	.939	.625	.500	.821	.818	.857	.850	.500	.837

City of Needles
 N/S: I-40 EB Ramps/Pashard Street
 E/W: Needles Highway
 Weather: Clear

File Name : 04_NDL_40E_Needles AM
 Site Code : 16621325
 Start Date : 7/15/2021
 Page No : 1

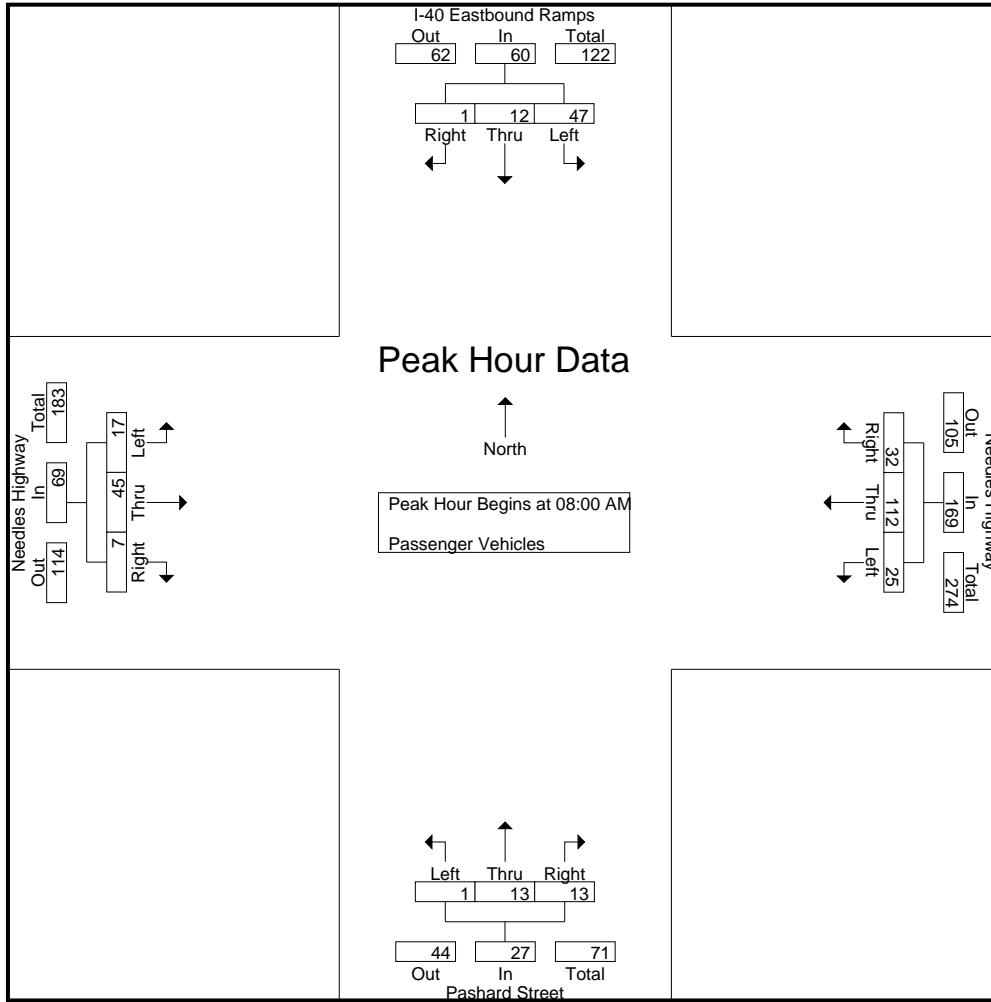
Groups Printed- Passenger Vehicles

Start Time	I-40 Eastbound Ramps Southbound				Needles Highway Westbound				Pashard Street Northbound				Needles Highway Eastbound				Int. Total
	Left	Thru	Right	App. Total	Left	Thru	Right	App. Total	Left	Thru	Right	App. Total	Left	Thru	Right	App. Total	
07:00 AM	3	2	0	5	3	13	9	25	1	4	4	9	3	7	3	13	52
07:15 AM	9	3	0	12	2	18	3	23	0	1	7	8	3	9	2	14	57
07:30 AM	13	1	0	14	2	12	8	22	1	0	4	5	6	14	1	21	62
07:45 AM	14	0	1	15	4	26	7	37	1	2	7	10	4	9	0	13	75
Total	39	6	1	46	11	69	27	107	3	7	22	32	16	39	6	61	246
08:00 AM	6	3	0	9	6	35	5	46	0	1	1	2	5	13	0	18	75
08:15 AM	16	0	0	16	5	25	6	36	0	5	5	10	6	11	1	18	80
08:30 AM	10	4	0	14	8	28	6	42	0	3	3	6	1	9	6	16	78
08:45 AM	15	5	1	21	6	24	15	45	1	4	4	9	5	12	0	17	92
Total	47	12	1	60	25	112	32	169	1	13	13	27	17	45	7	69	325
Grand Total	86	18	2	106	36	181	59	276	4	20	35	59	33	84	13	130	571
Apprch %	81.1	17	1.9		13	65.6	21.4		6.8	33.9	59.3		25.4	64.6	10		
Total %	15.1	3.2	0.4	18.6	6.3	31.7	10.3	48.3	0.7	3.5	6.1	10.3	5.8	14.7	2.3	22.8	

Start Time	I-40 Eastbound Ramps Southbound				Needles Highway Westbound				Pashard Street Northbound				Needles Highway Eastbound				Int. Total
	Left	Thru	Right	App. Total	Left	Thru	Right	App. Total	Left	Thru	Right	App. Total	Left	Thru	Right	App. Total	
Peak Hour Analysis From 08:00 AM to 08:45 AM - Peak 1 of 1																	
Peak Hour for Entire Intersection Begins at 08:00 AM																	
08:00 AM	6	3	0	9	6	35	5	46	0	1	1	2	5	13	0	18	75
08:15 AM	16	0	0	16	5	25	6	36	0	5	5	10	6	11	1	18	80
08:30 AM	10	4	0	14	8	28	6	42	0	3	3	6	1	9	6	16	78
08:45 AM	15	5	1	21	6	24	15	45	1	4	4	9	5	12	0	17	92
Total Volume	47	12	1	60	25	112	32	169	1	13	13	27	17	45	7	69	325
% App. Total	78.3	20	1.7		14.8	66.3	18.9		3.7	48.1	48.1		24.6	65.2	10.1		
PHF	.734	.600	.250	.714	.781	.800	.533	.918	.250	.650	.650	.675	.708	.865	.292	.958	.883

City of Needles
 N/S: I-40 EB Ramps/Pashard Street
 E/W: Needles Highway
 Weather: Clear

File Name : 04_NDL_40E_Needles AM
 Site Code : 16621325
 Start Date : 7/15/2021
 Page No : 2



Peak Hour Analysis From 08:00 AM to 08:45 AM - Peak 1 of 1
 Peak Hour for Each Approach Begins at:

	08:00 AM				08:00 AM				08:00 AM				08:00 AM			
+0 mins.	6	3	0	9	6	35	5	46	0	1	1	2	5	13	0	18
+15 mins.	16	0	0	16	5	25	6	36	0	5	5	10	6	11	1	18
+30 mins.	10	4	0	14	8	28	6	42	0	3	3	6	1	9	6	16
+45 mins.	15	5	1	21	6	24	15	45	1	4	4	9	5	12	0	17
Total Volume	47	12	1	60	25	112	32	169	1	13	13	27	17	45	7	69
% App. Total	78.3	20	1.7		14.8	66.3	18.9		3.7	48.1	48.1		24.6	65.2	10.1	
PHF	.734	.600	.250	.714	.781	.800	.533	.918	.250	.650	.650	.675	.708	.865	.292	.958

City of Needles
 N/S: I-40 EB Ramps/Pashard Street
 E/W: Needles Highway
 Weather: Clear

File Name : 04_NDL_40E_Needles AM
 Site Code : 16621325
 Start Date : 7/15/2021
 Page No : 1

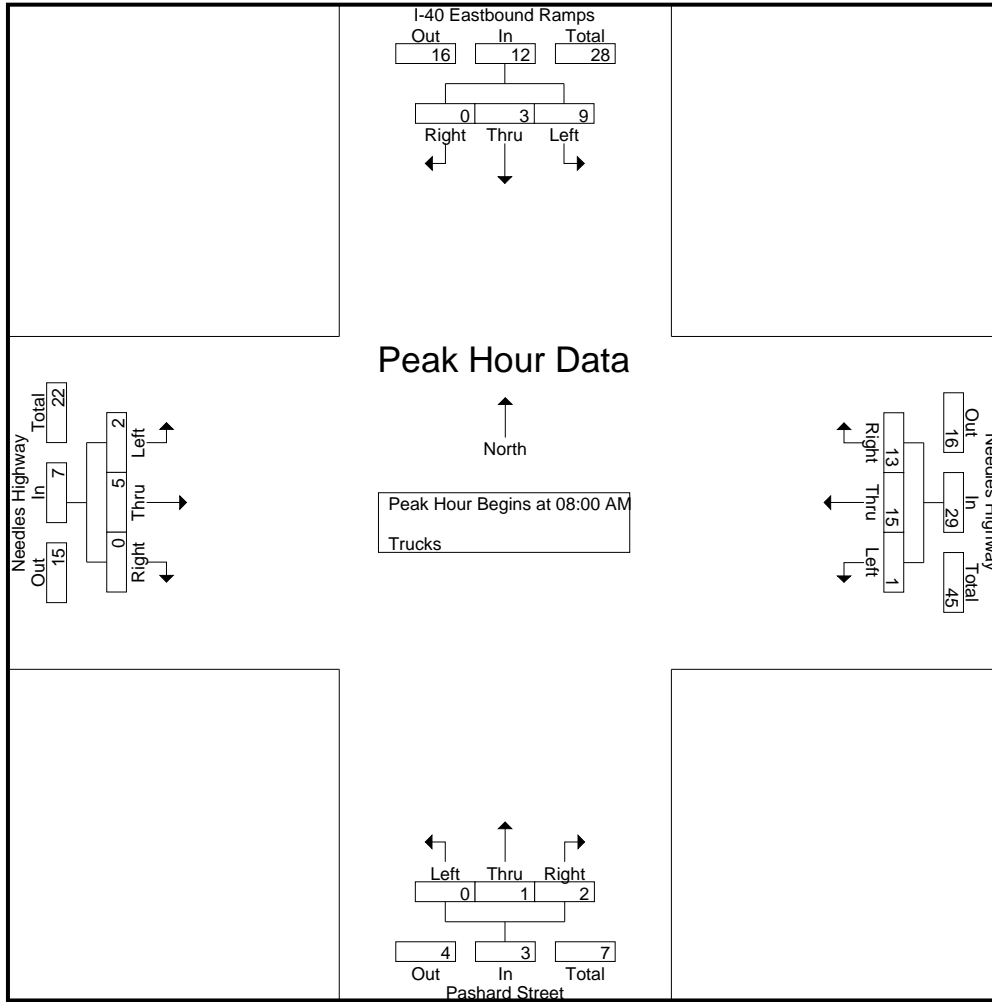
Groups Printed- Trucks

Start Time	I-40 Eastbound Ramps Southbound				Needles Highway Westbound				Pashard Street Northbound				Needles Highway Eastbound				Int. Total
	Left	Thru	Right	App. Total	Left	Thru	Right	App. Total	Left	Thru	Right	App. Total	Left	Thru	Right	App. Total	
07:00 AM	5	0	0	5	0	2	4	6	1	0	0	1	0	0	1	1	13
07:15 AM	4	0	0	4	0	3	6	9	1	0	0	1	0	2	0	2	16
07:30 AM	1	1	0	2	0	2	3	5	0	0	0	0	1	1	0	2	9
07:45 AM	1	0	2	3	0	5	2	7	0	1	0	1	1	1	0	2	13
Total	11	1	2	14	0	12	15	27	2	1	0	3	2	4	1	7	51
08:00 AM	1	0	0	1	0	2	3	5	0	1	0	1	0	2	0	2	9
08:15 AM	2	1	0	3	0	6	2	8	0	0	1	1	1	0	0	1	13
08:30 AM	3	0	0	3	1	4	5	10	0	0	0	0	0	2	0	2	15
08:45 AM	3	2	0	5	0	3	3	6	0	0	1	1	1	1	0	2	14
Total	9	3	0	12	1	15	13	29	0	1	2	3	2	5	0	7	51
Grand Total	20	4	2	26	1	27	28	56	2	2	2	6	4	9	1	14	102
Apprch %	76.9	15.4	7.7		1.8	48.2	50		33.3	33.3	33.3		28.6	64.3	7.1		
Total %	19.6	3.9	2	25.5	1	26.5	27.5	54.9	2	2	2	5.9	3.9	8.8	1	13.7	

Start Time	I-40 Eastbound Ramps Southbound				Needles Highway Westbound				Pashard Street Northbound				Needles Highway Eastbound				Int. Total
	Left	Thru	Right	App. Total	Left	Thru	Right	App. Total	Left	Thru	Right	App. Total	Left	Thru	Right	App. Total	
Peak Hour Analysis From 08:00 AM to 08:45 AM - Peak 1 of 1																	
Peak Hour for Entire Intersection Begins at 08:00 AM																	
08:00 AM	1	0	0	1	0	2	3	5	0	1	0	1	0	2	0	2	9
08:15 AM	2	1	0	3	0	6	2	8	0	0	1	1	1	0	0	1	13
08:30 AM	3	0	0	3	1	4	5	10	0	0	0	0	0	2	0	2	15
08:45 AM	3	2	0	5	0	3	3	6	0	0	1	1	1	1	0	2	14
Total Volume	9	3	0	12	1	15	13	29	0	1	2	3	2	5	0	7	51
% App. Total	75	25	0		3.4	51.7	44.8		0	33.3	66.7		28.6	71.4	0		
PHF	.750	.375	.000	.600	.250	.625	.650	.725	.000	.250	.500	.750	.500	.625	.000	.875	.850

City of Needles
 N/S: I-40 EB Ramps/Pashard Street
 E/W: Needles Highway
 Weather: Clear

File Name : 04_NDL_40E_Needles AM
 Site Code : 16621325
 Start Date : 7/15/2021
 Page No : 2



Peak Hour Analysis From 08:00 AM to 08:45 AM - Peak 1 of 1
 Peak Hour for Each Approach Begins at:

	08:00 AM				08:00 AM				08:00 AM				08:00 AM			
+0 mins.	1	0	0	1	0	2	3	5	0	1	0	1	0	2	0	2
+15 mins.	2	1	0	3	0	6	2	8	0	0	1	1	1	0	0	1
+30 mins.	3	0	0	3	1	4	5	10	0	0	0	0	0	2	0	2
+45 mins.	3	2	0	5	0	3	3	6	0	0	1	1	1	1	0	2
Total Volume	9	3	0	12	1	15	13	29	0	1	2	3	2	5	0	7
% App. Total	75	25	0		3.4	51.7	44.8		0	33.3	66.7		28.6	71.4	0	
PHF	.750	.375	.000	.600	.250	.625	.650	.725	.000	.250	.500	.750	.500	.625	.000	.875

City of Needles
 N/S: I-40 EB Ramps/Pashard Street
 E/W: Needles Highway
 Weather: Clear

File Name : 04_NDL_40E_Needles AM
 Site Code : 16621325
 Start Date : 7/15/2021
 Page No : 1

Groups Printed- Buses

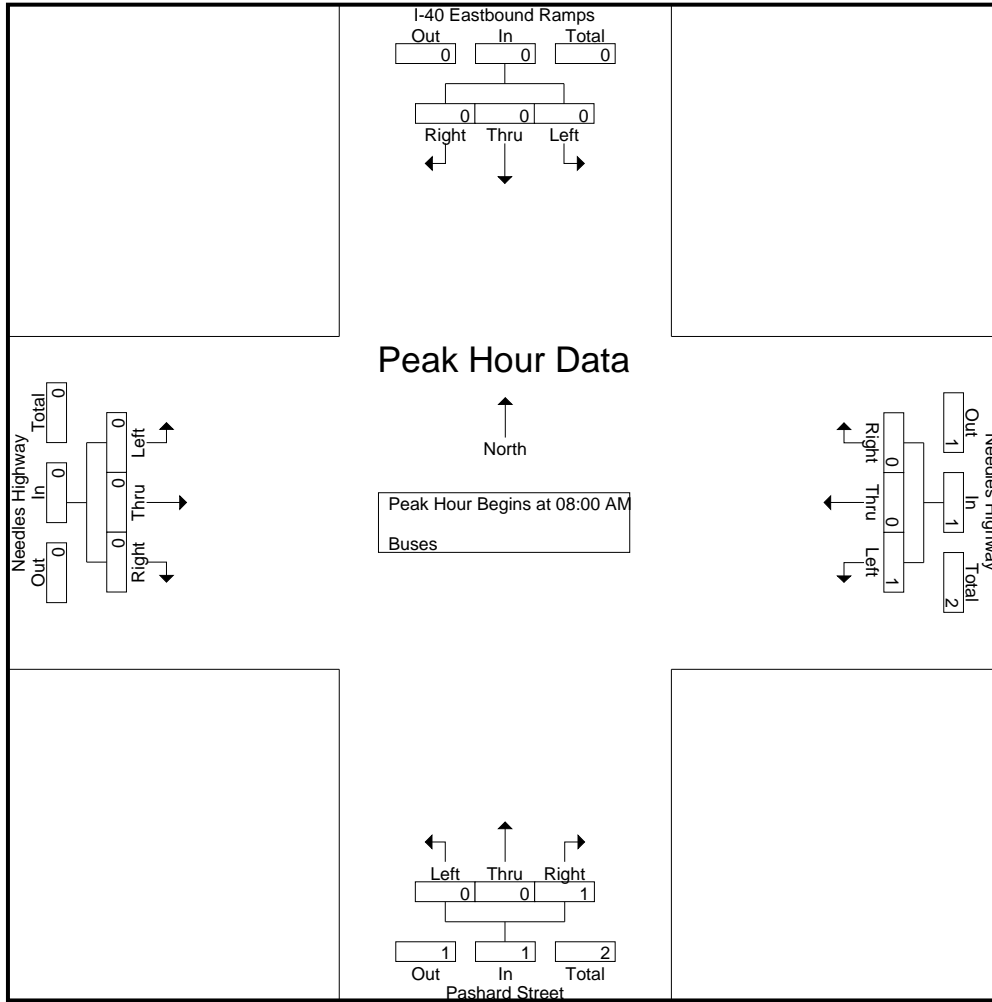
Start Time	I-40 Eastbound Ramps Southbound				Needles Highway Westbound				Pashard Street Northbound				Needles Highway Eastbound				Int. Total
	Left	Thru	Right	App. Total	Left	Thru	Right	App. Total	Left	Thru	Right	App. Total	Left	Thru	Right	App. Total	
07:00 AM	0	0	0	0	0	0	0	0	0	0	0	0	0	0	0	0	0
07:15 AM	0	0	0	0	0	0	0	0	0	0	0	0	0	0	0	0	0
07:30 AM	0	0	0	0	1	0	0	1	0	0	1	1	0	0	0	0	2
07:45 AM	0	0	0	0	0	0	0	0	0	0	0	0	0	0	0	0	0
Total	0	0	0	0	1	0	0	1	0	0	1	1	0	0	0	0	2
08:00 AM	0	0	0	0	0	0	0	0	0	0	0	0	0	0	0	0	0
08:15 AM	0	0	0	0	0	0	0	0	0	0	0	0	0	0	0	0	0
08:30 AM	0	0	0	0	1	0	0	1	0	0	1	1	0	0	0	0	2
08:45 AM	0	0	0	0	0	0	0	0	0	0	0	0	0	0	0	0	0
Total	0	0	0	0	1	0	0	1	0	0	1	1	0	0	0	0	2
Grand Total	0	0	0	0	2	0	0	2	0	0	2	2	0	0	0	0	4
Apprch %	0	0	0		100	0	0		0	0	100		0	0	0		
Total %	0	0	0	0	50	0	0	50	0	0	50	50	0	0	0	0	

Start Time	I-40 Eastbound Ramps Southbound				Needles Highway Westbound				Pashard Street Northbound				Needles Highway Eastbound				Int. Total
	Left	Thru	Right	App. Total	Left	Thru	Right	App. Total	Left	Thru	Right	App. Total	Left	Thru	Right	App. Total	
08:00 AM	0	0	0	0	0	0	0	0	0	0	0	0	0	0	0	0	0
08:15 AM	0	0	0	0	0	0	0	0	0	0	0	0	0	0	0	0	0
08:30 AM	0	0	0	0	1	0	0	1	0	0	1	1	0	0	0	0	2
08:45 AM	0	0	0	0	0	0	0	0	0	0	0	0	0	0	0	0	0
Total Volume	0	0	0	0	1	0	0	1	0	0	1	1	0	0	0	0	2
% App. Total	0	0	0		100	0	0		0	0	100		0	0	0		
PHF	.000	.000	.000	.000	.250	.000	.000	.250	.000	.000	.250	.250	.000	.000	.000	.000	.250

Peak Hour Analysis From 08:00 AM to 08:45 AM - Peak 1 of 1
 Peak Hour for Entire Intersection Begins at 08:00 AM

City of Needles
 N/S: I-40 EB Ramps/Pashard Street
 E/W: Needles Highway
 Weather: Clear

File Name : 04_NDL_40E_Needles AM
 Site Code : 16621325
 Start Date : 7/15/2021
 Page No : 2



Peak Hour Analysis From 08:00 AM to 08:45 AM - Peak 1 of 1
 Peak Hour for Each Approach Begins at:

	08:00 AM				08:00 AM				08:00 AM				08:00 AM			
+0 mins.	0	0	0	0	0	0	0	0	0	0	0	0	0	0	0	0
+15 mins.	0	0	0	0	0	0	0	0	0	0	0	0	0	0	0	0
+30 mins.	0	0	0	0	1	0	0	1	0	0	1	1	0	0	0	0
+45 mins.	0	0	0	0	0	0	0	0	0	0	0	0	0	0	0	0
Total Volume	0	0	0	0	1	0	0	1	0	0	1	1	0	0	0	0
% App. Total	0	0	0	0	100	0	0	0	0	0	100	0	0	0	0	0
PHF	.000	.000	.000	.000	.250	.000	.000	.250	.000	.000	.250	.250	.000	.000	.000	.000

City of Needles
 N/S: I-40 EB Ramps/Pashard Street
 E/W: Needles Highway
 Weather: Clear

File Name : 04_NDL_40E_Needles PM
 Site Code : 16621325
 Start Date : 7/15/2021
 Page No : 1

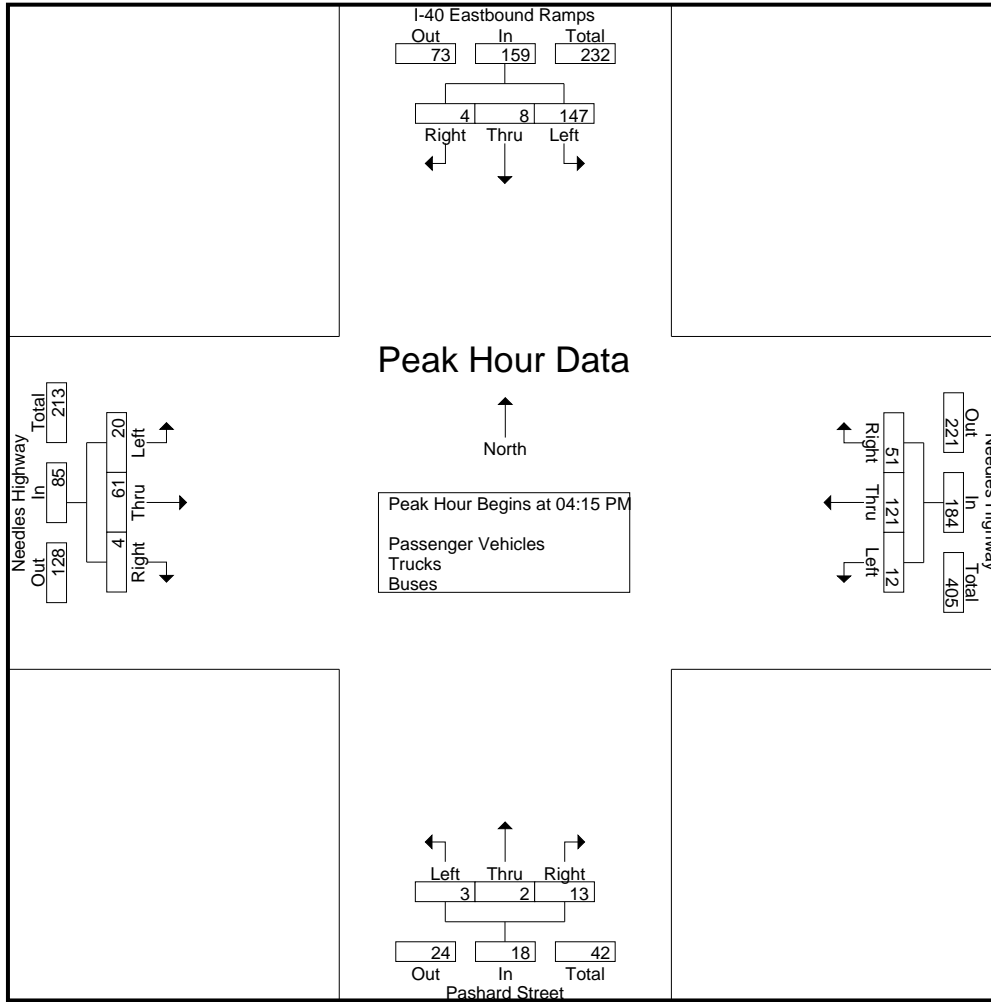
Groups Printed- Passenger Vehicles - Trucks - Buses

Start Time	I-40 Eastbound Ramps Southbound				Needles Highway Westbound				Pashard Street Northbound				Needles Highway Eastbound				Int. Total
	Left	Thru	Right	App. Total	Left	Thru	Right	App. Total	Left	Thru	Right	App. Total	Left	Thru	Right	App. Total	
04:00 PM	28	1	3	32	3	31	13	47	0	3	4	7	6	17	1	24	110
04:15 PM	31	2	0	33	3	39	13	55	2	0	3	5	3	10	3	16	109
04:30 PM	31	2	2	35	2	18	15	35	1	1	2	4	5	17	0	22	96
04:45 PM	46	3	0	49	4	31	8	43	0	0	1	1	6	15	0	21	114
Total	136	8	5	149	12	119	49	180	3	4	10	17	20	59	4	83	429
05:00 PM	39	1	2	42	3	33	15	51	0	1	7	8	6	19	1	26	127
05:15 PM	29	3	3	35	5	19	12	36	2	1	9	12	4	10	2	16	99
05:30 PM	27	0	0	27	4	16	9	29	3	1	2	6	5	16	2	23	85
05:45 PM	33	2	1	36	4	20	11	35	1	2	7	10	3	15	0	18	99
Total	128	6	6	140	16	88	47	151	6	5	25	36	18	60	5	83	410
Grand Total	264	14	11	289	28	207	96	331	9	9	35	53	38	119	9	166	839
Apprch %	91.3	4.8	3.8		8.5	62.5	29		17	17	66		22.9	71.7	5.4		
Total %	31.5	1.7	1.3	34.4	3.3	24.7	11.4	39.5	1.1	1.1	4.2	6.3	4.5	14.2	1.1	19.8	
Passenger Vehicles	228	14	11	253	25	170	74	269	9	9	32	50	36	102	9	147	719
% Passenger Vehicles	86.4	100	100	87.5	89.3	82.1	77.1	81.3	100	100	91.4	94.3	94.7	85.7	100	88.6	85.7
Trucks	36	0	0	36	1	37	22	60	0	0	1	1	2	17	0	19	116
% Trucks	13.6	0	0	12.5	3.6	17.9	22.9	18.1	0	0	2.9	1.9	5.3	14.3	0	11.4	13.8
Buses	0	0	0	0	2	0	0	2	0	0	2	2	0	0	0	0	4
% Buses	0	0	0	0	7.1	0	0	0.6	0	0	5.7	3.8	0	0	0	0	0.5

Start Time	I-40 Eastbound Ramps Southbound				Needles Highway Westbound				Pashard Street Northbound				Needles Highway Eastbound				Int. Total
	Left	Thru	Right	App. Total	Left	Thru	Right	App. Total	Left	Thru	Right	App. Total	Left	Thru	Right	App. Total	
Peak Hour Analysis From 04:00 PM to 05:45 PM - Peak 1 of 1																	
Peak Hour for Entire Intersection Begins at 04:15 PM																	
04:15 PM	31	2	0	33	3	39	13	55	2	0	3	5	3	10	3	16	109
04:30 PM	31	2	2	35	2	18	15	35	1	1	2	4	5	17	0	22	96
04:45 PM	46	3	0	49	4	31	8	43	0	0	1	1	6	15	0	21	114
05:00 PM	39	1	2	42	3	33	15	51	0	1	7	8	6	19	1	26	127
Total Volume	147	8	4	159	12	121	51	184	3	2	13	18	20	61	4	85	446
% App. Total	92.5	5	2.5		6.5	65.8	27.7		16.7	11.1	72.2		23.5	71.8	4.7		
PHF	.799	.667	.500	.811	.750	.776	.850	.836	.375	.500	.464	.563	.833	.803	.333	.817	.878

City of Needles
 N/S: I-40 EB Ramps/Pashard Street
 E/W: Needles Highway
 Weather: Clear

File Name : 04_NDL_40E_Needles PM
 Site Code : 16621325
 Start Date : 7/15/2021
 Page No : 2



Peak Hour Analysis From 04:00 PM to 05:45 PM - Peak 1 of 1
 Peak Hour for Each Approach Begins at:

	04:30 PM				04:15 PM				05:00 PM				04:45 PM			
+0 mins.	31	2	2	35	3	39	13	55	0	1	7	8	6	15	0	21
+15 mins.	46	3	0	49	2	18	15	35	2	1	9	12	6	19	1	26
+30 mins.	39	1	2	42	4	31	8	43	3	1	2	6	4	10	2	16
+45 mins.	29	3	3	35	3	33	15	51	1	2	7	10	5	16	2	23
Total Volume	145	9	7	161	12	121	51	184	6	5	25	36	21	60	5	86
% App. Total	90.1	5.6	4.3		6.5	65.8	27.7		16.7	13.9	69.4		24.4	69.8	5.8	
PHF	.788	.750	.583	.821	.750	.776	.850	.836	.500	.625	.694	.750	.875	.789	.625	.827

City of Needles
 N/S: I-40 EB Ramps/Pashard Street
 E/W: Needles Highway
 Weather: Clear

File Name : 04_NDL_40E_Needles PM
 Site Code : 16621325
 Start Date : 7/15/2021
 Page No : 1

Groups Printed- Passenger Vehicles

Start Time	I-40 Eastbound Ramps Southbound				Needles Highway Westbound				Pashard Street Northbound				Needles Highway Eastbound				Int. Total
	Left	Thru	Right	App. Total	Left	Thru	Right	App. Total	Left	Thru	Right	App. Total	Left	Thru	Right	App. Total	
04:00 PM	26	1	3	30	3	23	9	35	0	3	4	7	5	15	1	21	93
04:15 PM	28	2	0	30	3	29	9	41	2	0	3	5	3	10	3	16	92
04:30 PM	24	2	2	28	1	15	12	28	1	1	1	3	5	16	0	21	80
04:45 PM	42	3	0	45	4	28	6	38	0	0	1	1	6	13	0	19	103
Total	120	8	5	133	11	95	36	142	3	4	9	16	19	54	4	77	368
05:00 PM	36	1	2	39	3	26	12	41	0	1	7	8	6	15	1	22	110
05:15 PM	24	3	3	30	4	17	9	30	2	1	8	11	3	8	2	13	84
05:30 PM	24	0	0	24	3	15	7	25	3	1	1	5	5	12	2	19	73
05:45 PM	24	2	1	27	4	17	10	31	1	2	7	10	3	13	0	16	84
Total	108	6	6	120	14	75	38	127	6	5	23	34	17	48	5	70	351
Grand Total	228	14	11	253	25	170	74	269	9	9	32	50	36	102	9	147	719
Apprch %	90.1	5.5	4.3		9.3	63.2	27.5		18	18	64		24.5	69.4	6.1		
Total %	31.7	1.9	1.5	35.2	3.5	23.6	10.3	37.4	1.3	1.3	4.5	7	5	14.2	1.3	20.4	

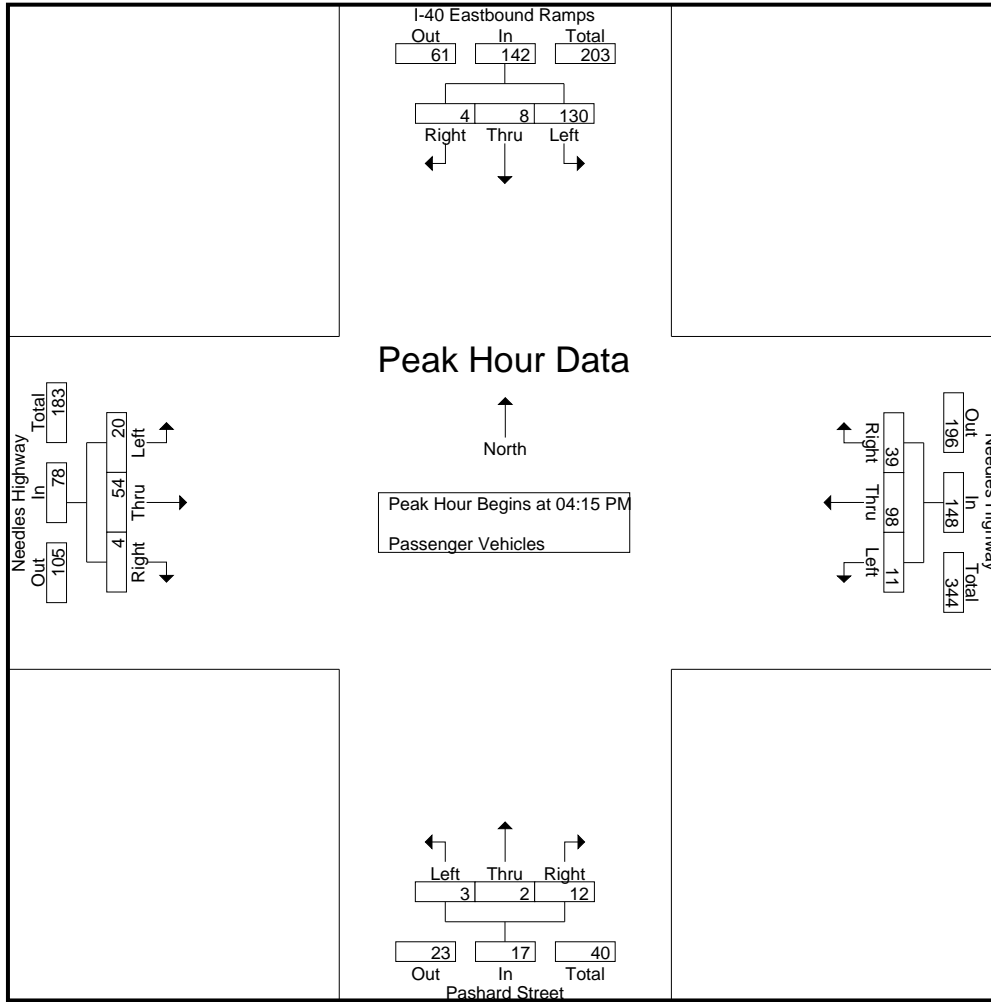
Start Time	I-40 Eastbound Ramps Southbound				Needles Highway Westbound				Pashard Street Northbound				Needles Highway Eastbound				Int. Total
	Left	Thru	Right	App. Total	Left	Thru	Right	App. Total	Left	Thru	Right	App. Total	Left	Thru	Right	App. Total	
04:15 PM	28	2	0	30	3	29	9	41	2	0	3	5	3	10	3	16	92
04:30 PM	24	2	2	28	1	15	12	28	1	1	1	3	5	16	0	21	80
04:45 PM	42	3	0	45	4	28	6	38	0	0	1	1	6	13	0	19	103
05:00 PM	36	1	2	39	3	26	12	41	0	1	7	8	6	15	1	22	110
Total Volume	130	8	4	142	11	98	39	148	3	2	12	17	20	54	4	78	385
% App. Total	91.5	5.6	2.8		7.4	66.2	26.4		17.6	11.8	70.6		25.6	69.2	5.1		
PHF	.774	.667	.500	.789	.688	.845	.813	.902	.375	.500	.429	.531	.833	.844	.333	.886	.875

Peak Hour Analysis From 04:15 PM to 05:00 PM - Peak 1 of 1

Peak Hour for Entire Intersection Begins at 04:15 PM

City of Needles
 N/S: I-40 EB Ramps/Pashard Street
 E/W: Needles Highway
 Weather: Clear

File Name : 04_NDL_40E_Needles PM
 Site Code : 16621325
 Start Date : 7/15/2021
 Page No : 2



Peak Hour Analysis From 04:15 PM to 05:00 PM - Peak 1 of 1
 Peak Hour for Each Approach Begins at:

	04:15 PM				04:15 PM				04:15 PM				04:15 PM			
+0 mins.	28	2	0	30	3	29	9	41	2	0	3	5	3	10	3	16
+15 mins.	24	2	2	28	1	15	12	28	1	1	1	3	5	16	0	21
+30 mins.	42	3	0	45	4	28	6	38	0	0	1	1	6	13	0	19
+45 mins.	36	1	2	39	3	26	12	41	0	1	7	8	6	15	1	22
Total Volume	130	8	4	142	11	98	39	148	3	2	12	17	20	54	4	78
% App. Total	91.5	5.6	2.8		7.4	66.2	26.4		17.6	11.8	70.6		25.6	69.2	5.1	
PHF	.774	.667	.500	.789	.688	.845	.813	.902	.375	.500	.429	.531	.833	.844	.333	.886

City of Needles
 N/S: I-40 EB Ramps/Pashard Street
 E/W: Needles Highway
 Weather: Clear

File Name : 04_NDL_40E_Needles PM
 Site Code : 16621325
 Start Date : 7/15/2021
 Page No : 1

Groups Printed- Trucks

Start Time	I-40 Eastbound Ramps Southbound				Needles Highway Westbound				Pashard Street Northbound				Needles Highway Eastbound				Int. Total
	Left	Thru	Right	App. Total	Left	Thru	Right	App. Total	Left	Thru	Right	App. Total	Left	Thru	Right	App. Total	
04:00 PM	2	0	0	2	0	8	4	12	0	0	0	0	1	2	0	3	17
04:15 PM	3	0	0	3	0	10	4	14	0	0	0	0	0	0	0	0	17
04:30 PM	7	0	0	7	0	3	3	6	0	0	0	0	0	1	0	1	14
04:45 PM	4	0	0	4	0	3	2	5	0	0	0	0	0	2	0	2	11
Total	16	0	0	16	0	24	13	37	0	0	0	0	1	5	0	6	59
05:00 PM	3	0	0	3	0	7	3	10	0	0	0	0	0	4	0	4	17
05:15 PM	5	0	0	5	1	2	3	6	0	0	1	1	1	2	0	3	15
05:30 PM	3	0	0	3	0	1	2	3	0	0	0	0	0	4	0	4	10
05:45 PM	9	0	0	9	0	3	1	4	0	0	0	0	0	2	0	2	15
Total	20	0	0	20	1	13	9	23	0	0	1	1	1	12	0	13	57
Grand Total	36	0	0	36	1	37	22	60	0	0	1	1	2	17	0	19	116
Apprch %	100	0	0		1.7	61.7	36.7		0	0	100		10.5	89.5	0		
Total %	31	0	0	31	0.9	31.9	19	51.7	0	0	0.9	0.9	1.7	14.7	0	16.4	

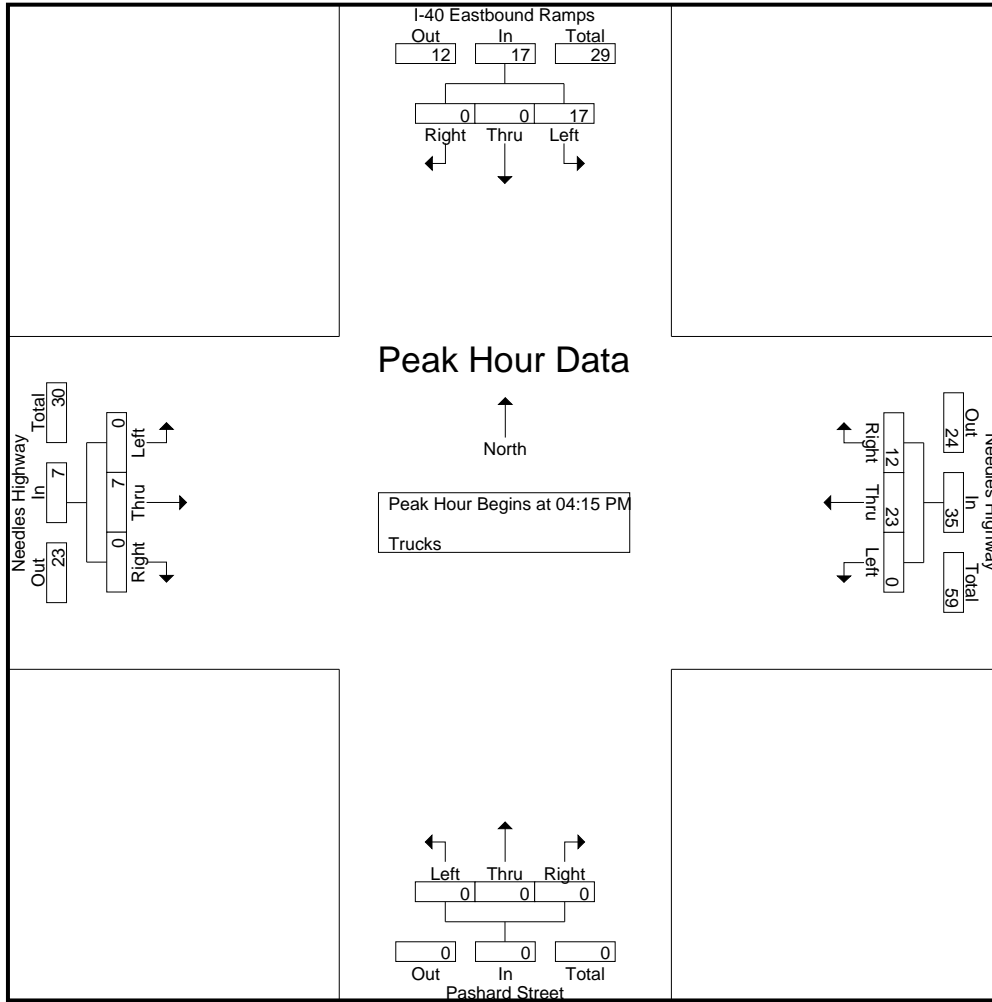
Start Time	I-40 Eastbound Ramps Southbound				Needles Highway Westbound				Pashard Street Northbound				Needles Highway Eastbound				Int. Total
	Left	Thru	Right	App. Total	Left	Thru	Right	App. Total	Left	Thru	Right	App. Total	Left	Thru	Right	App. Total	
04:15 PM	3	0	0	3	0	10	4	14	0	0	0	0	0	0	0	0	17
04:30 PM	7	0	0	7	0	3	3	6	0	0	0	0	0	1	0	1	14
04:45 PM	4	0	0	4	0	3	2	5	0	0	0	0	0	2	0	2	11
05:00 PM	3	0	0	3	0	7	3	10	0	0	0	0	0	4	0	4	17
Total Volume	17	0	0	17	0	23	12	35	0	0	0	0	0	7	0	7	59
% App. Total	100	0	0		0	65.7	34.3		0	0	0		0	100	0		
PHF	.607	.000	.000	.607	.000	.575	.750	.625	.000	.000	.000	.000	.000	.438	.000	.438	.868

Peak Hour Analysis From 04:15 PM to 05:00 PM - Peak 1 of 1

Peak Hour for Entire Intersection Begins at 04:15 PM

City of Needles
 N/S: I-40 EB Ramps/Pashard Street
 E/W: Needles Highway
 Weather: Clear

File Name : 04_NDL_40E_Needles PM
 Site Code : 16621325
 Start Date : 7/15/2021
 Page No : 2



Peak Hour Analysis From 04:15 PM to 05:00 PM - Peak 1 of 1
 Peak Hour for Each Approach Begins at:

	04:15 PM				04:15 PM				04:15 PM				04:15 PM			
+0 mins.	3	0	0	3	0	10	4	14	0	0	0	0	0	0	0	0
+15 mins.	7	0	0	7	0	3	3	6	0	0	0	0	0	1	0	1
+30 mins.	4	0	0	4	0	3	2	5	0	0	0	0	0	2	0	2
+45 mins.	3	0	0	3	0	7	3	10	0	0	0	0	0	4	0	4
Total Volume	17	0	0	17	0	23	12	35	0	0	0	0	0	7	0	7
% App. Total	100	0	0		0	65.7	34.3		0	0	0		0	100	0	
PHF	.607	.000	.000	.607	.000	.575	.750	.625	.000	.000	.000	.000	.000	.438	.000	.438

City of Needles
 N/S: I-40 EB Ramps/Pashard Street
 E/W: Needles Highway
 Weather: Clear

File Name : 04_NDL_40E_Needles PM
 Site Code : 16621325
 Start Date : 7/15/2021
 Page No : 1

Groups Printed- Buses

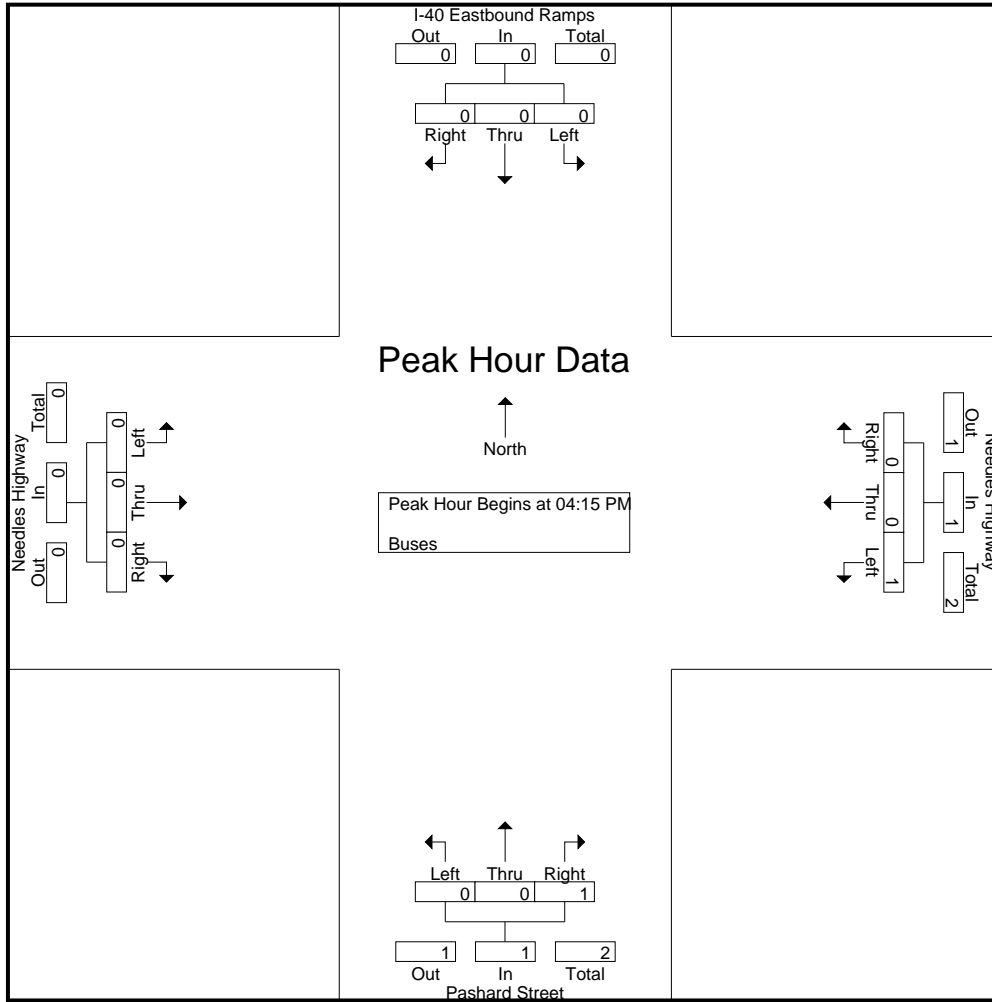
Start Time	I-40 Eastbound Ramps Southbound				Needles Highway Westbound				Pashard Street Northbound				Needles Highway Eastbound				Int. Total
	Left	Thru	Right	App. Total	Left	Thru	Right	App. Total	Left	Thru	Right	App. Total	Left	Thru	Right	App. Total	
04:00 PM	0	0	0	0	0	0	0	0	0	0	0	0	0	0	0	0	0
04:15 PM	0	0	0	0	0	0	0	0	0	0	0	0	0	0	0	0	0
04:30 PM	0	0	0	0	1	0	0	1	0	0	1	1	0	0	0	0	2
04:45 PM	0	0	0	0	0	0	0	0	0	0	0	0	0	0	0	0	0
Total	0	0	0	0	1	0	0	1	0	0	1	1	0	0	0	0	2
05:00 PM	0	0	0	0	0	0	0	0	0	0	0	0	0	0	0	0	0
05:15 PM	0	0	0	0	0	0	0	0	0	0	0	0	0	0	0	0	0
05:30 PM	0	0	0	0	1	0	0	1	0	0	1	1	0	0	0	0	2
05:45 PM	0	0	0	0	0	0	0	0	0	0	0	0	0	0	0	0	0
Total	0	0	0	0	1	0	0	1	0	0	1	1	0	0	0	0	2
Grand Total	0	0	0	0	2	0	0	2	0	0	2	2	0	0	0	0	4
Apprch %	0	0	0		100	0	0		0	0	100		0	0	0		
Total %	0	0	0	0	50	0	0	50	0	0	50	50	0	0	0	0	

Start Time	I-40 Eastbound Ramps Southbound				Needles Highway Westbound				Pashard Street Northbound				Needles Highway Eastbound				Int. Total
	Left	Thru	Right	App. Total	Left	Thru	Right	App. Total	Left	Thru	Right	App. Total	Left	Thru	Right	App. Total	
04:15 PM	0	0	0	0	0	0	0	0	0	0	0	0	0	0	0	0	0
04:30 PM	0	0	0	0	1	0	0	1	0	0	1	1	0	0	0	0	2
04:45 PM	0	0	0	0	0	0	0	0	0	0	0	0	0	0	0	0	0
05:00 PM	0	0	0	0	0	0	0	0	0	0	0	0	0	0	0	0	0
Total Volume	0	0	0	0	1	0	0	1	0	0	1	1	0	0	0	0	2
% App. Total	0	0	0		100	0	0		0	0	100		0	0	0		
PHF	.000	.000	.000	.000	.250	.000	.000	.250	.000	.000	.250	.250	.000	.000	.000	.000	.250

Peak Hour Analysis From 04:15 PM to 05:00 PM - Peak 1 of 1
 Peak Hour for Entire Intersection Begins at 04:15 PM

City of Needles
 N/S: I-40 EB Ramps/Pashard Street
 E/W: Needles Highway
 Weather: Clear

File Name : 04_NDL_40E_Needles PM
 Site Code : 16621325
 Start Date : 7/15/2021
 Page No : 2



Peak Hour Analysis From 04:15 PM to 05:00 PM - Peak 1 of 1
 Peak Hour for Each Approach Begins at:

	04:15 PM				04:15 PM				04:15 PM				04:15 PM			
+0 mins.	0	0	0	0	0	0	0	0	0	0	0	0	0	0	0	0
+15 mins.	0	0	0	0	1	0	0	1	0	0	1	1	0	0	0	0
+30 mins.	0	0	0	0	0	0	0	0	0	0	0	0	0	0	0	0
+45 mins.	0	0	0	0	0	0	0	0	0	0	0	0	0	0	0	0
Total Volume	0	0	0	0	1	0	0	1	0	0	1	1	0	0	0	0
% App. Total	0	0	0	0	100	0	0	0	0	0	100	0	0	0	0	0
PHF	.000	.000	.000	.000	.250	.000	.000	.250	.000	.000	.250	.250	.000	.000	.000	.000

City of Needles
 N/S: I-40 EB Ramps/Pashard Street
 E/W: Needles Highway
 Weather: Clear

File Name : 04_NDL_40E_Needles SAT
 Site Code : 16621325
 Start Date : 7/17/2021
 Page No : 1

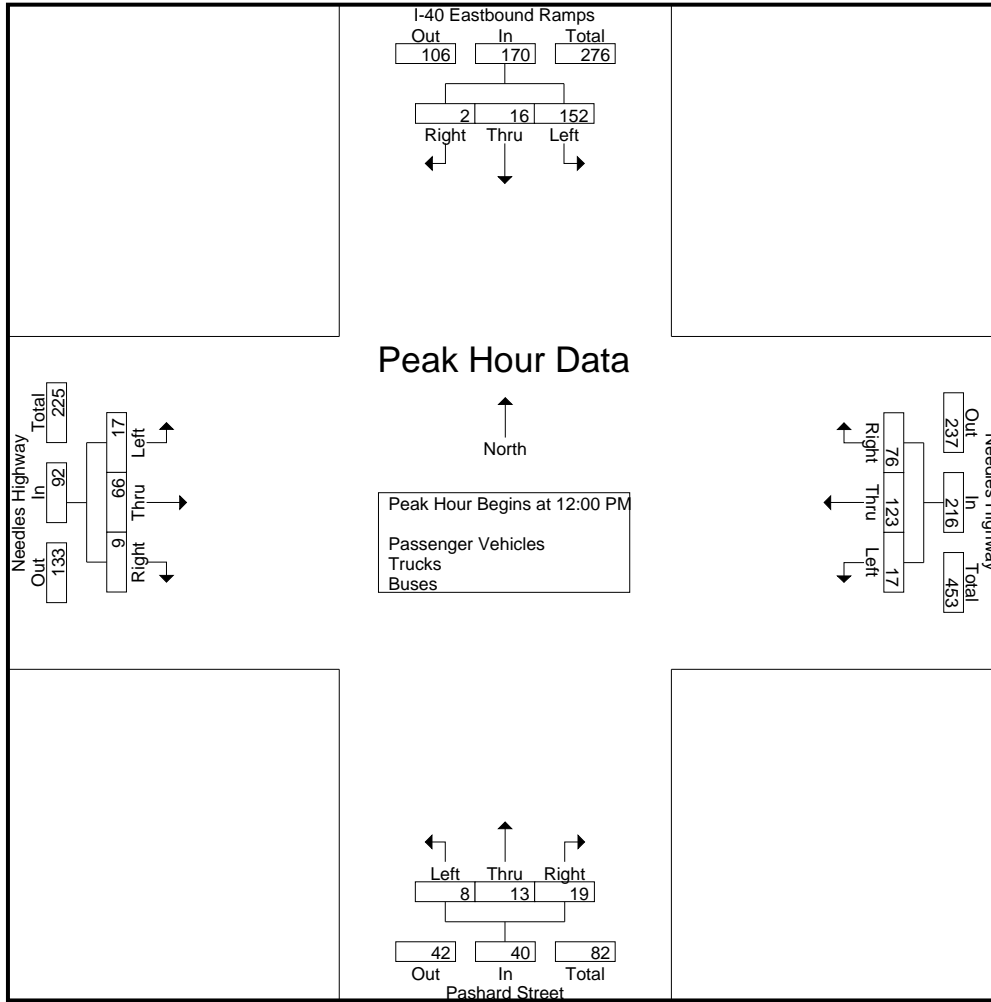
Groups Printed- Passenger Vehicles - Trucks - Buses

Start Time	I-40 Eastbound Ramps Southbound				Needles Highway Westbound				Pashard Street Northbound				Needles Highway Eastbound				Int. Total
	Left	Thru	Right	App. Total	Left	Thru	Right	App. Total	Left	Thru	Right	App. Total	Left	Thru	Right	App. Total	
12:00 PM	43	2	2	47	1	32	20	53	3	3	3	9	2	17	3	22	131
12:15 PM	43	6	0	49	7	28	18	53	2	3	8	13	1	16	1	18	133
12:30 PM	34	3	0	37	3	31	18	52	1	4	4	9	11	14	1	26	124
12:45 PM	32	5	0	37	6	32	20	58	2	3	4	9	3	19	4	26	130
Total	152	16	2	170	17	123	76	216	8	13	19	40	17	66	9	92	518
01:00 PM	22	5	0	27	4	26	13	43	5	5	14	24	4	10	3	17	111
01:15 PM	28	2	1	31	4	26	16	46	3	0	5	8	0	9	2	11	96
01:30 PM	39	4	1	44	8	23	12	43	0	5	5	10	4	13	2	19	116
01:45 PM	23	1	0	24	12	29	23	64	0	3	11	14	3	16	6	25	127
Total	112	12	2	126	28	104	64	196	8	13	35	56	11	48	13	72	450
Grand Total	264	28	4	296	45	227	140	412	16	26	54	96	28	114	22	164	968
Apprch %	89.2	9.5	1.4		10.9	55.1	34		16.7	27.1	56.2		17.1	69.5	13.4		
Total %	27.3	2.9	0.4	30.6	4.6	23.5	14.5	42.6	1.7	2.7	5.6	9.9	2.9	11.8	2.3	16.9	
Passenger Vehicles	227	25	4	256	42	202	116	360	14	25	50	89	28	102	21	151	856
% Passenger Vehicles	86	89.3	100	86.5	93.3	89	82.9	87.4	87.5	96.2	92.6	92.7	100	89.5	95.5	92.1	88.4
Trucks	37	3	0	40	1	25	24	50	2	1	2	5	0	12	1	13	108
% Trucks	14	10.7	0	13.5	2.2	11	17.1	12.1	12.5	3.8	3.7	5.2	0	10.5	4.5	7.9	11.2
Buses	0	0	0	0	2	0	0	2	0	0	2	2	0	0	0	0	4
% Buses	0	0	0	0	4.4	0	0	0.5	0	0	3.7	2.1	0	0	0	0	0.4

Start Time	I-40 Eastbound Ramps Southbound				Needles Highway Westbound				Pashard Street Northbound				Needles Highway Eastbound				Int. Total
	Left	Thru	Right	App. Total	Left	Thru	Right	App. Total	Left	Thru	Right	App. Total	Left	Thru	Right	App. Total	
Peak Hour Analysis From 12:00 PM to 01:45 PM - Peak 1 of 1																	
Peak Hour for Entire Intersection Begins at 12:00 PM																	
12:00 PM	43	2	2	47	1	32	20	53	3	3	3	9	2	17	3	22	131
12:15 PM	43	6	0	49	7	28	18	53	2	3	8	13	1	16	1	18	133
12:30 PM	34	3	0	37	3	31	18	52	1	4	4	9	11	14	1	26	124
12:45 PM	32	5	0	37	6	32	20	58	2	3	4	9	3	19	4	26	130
Total Volume	152	16	2	170	17	123	76	216	8	13	19	40	17	66	9	92	518
% App. Total	89.4	9.4	1.2		7.9	56.9	35.2		20	32.5	47.5		18.5	71.7	9.8		
PHF	.884	.667	.250	.867	.607	.961	.950	.931	.667	.813	.594	.769	.386	.868	.563	.885	.974

City of Needles
 N/S: I-40 EB Ramps/Pashard Street
 E/W: Needles Highway
 Weather: Clear

File Name : 04_NDL_40E_Needles SAT
 Site Code : 16621325
 Start Date : 7/17/2021
 Page No : 2



Peak Hour Analysis From 12:00 PM to 01:45 PM - Peak 1 of 1
 Peak Hour for Each Approach Begins at:

	12:00 PM				12:00 PM				01:00 PM				12:00 PM			
+0 mins.	43	2	2	47	1	32	20	53	5	5	14	24	2	17	3	22
+15 mins.	43	6	0	49	7	28	18	53	3	0	5	8	1	16	1	18
+30 mins.	34	3	0	37	3	31	18	52	0	5	5	10	11	14	1	26
+45 mins.	32	5	0	37	6	32	20	58	0	3	11	14	3	19	4	26
Total Volume	152	16	2	170	17	123	76	216	8	13	35	56	17	66	9	92
% App. Total	89.4	9.4	1.2		7.9	56.9	35.2		14.3	23.2	62.5		18.5	71.7	9.8	
PHF	.884	.667	.250	.867	.607	.961	.950	.931	.400	.650	.625	.583	.386	.868	.563	.885

City of Needles
 N/S: I-40 EB Ramps/Pashard Street
 E/W: Needles Highway
 Weather: Clear

File Name : 04_NDL_40E_Needles SAT
 Site Code : 16621325
 Start Date : 7/17/2021
 Page No : 1

Groups Printed- Passenger Vehicles

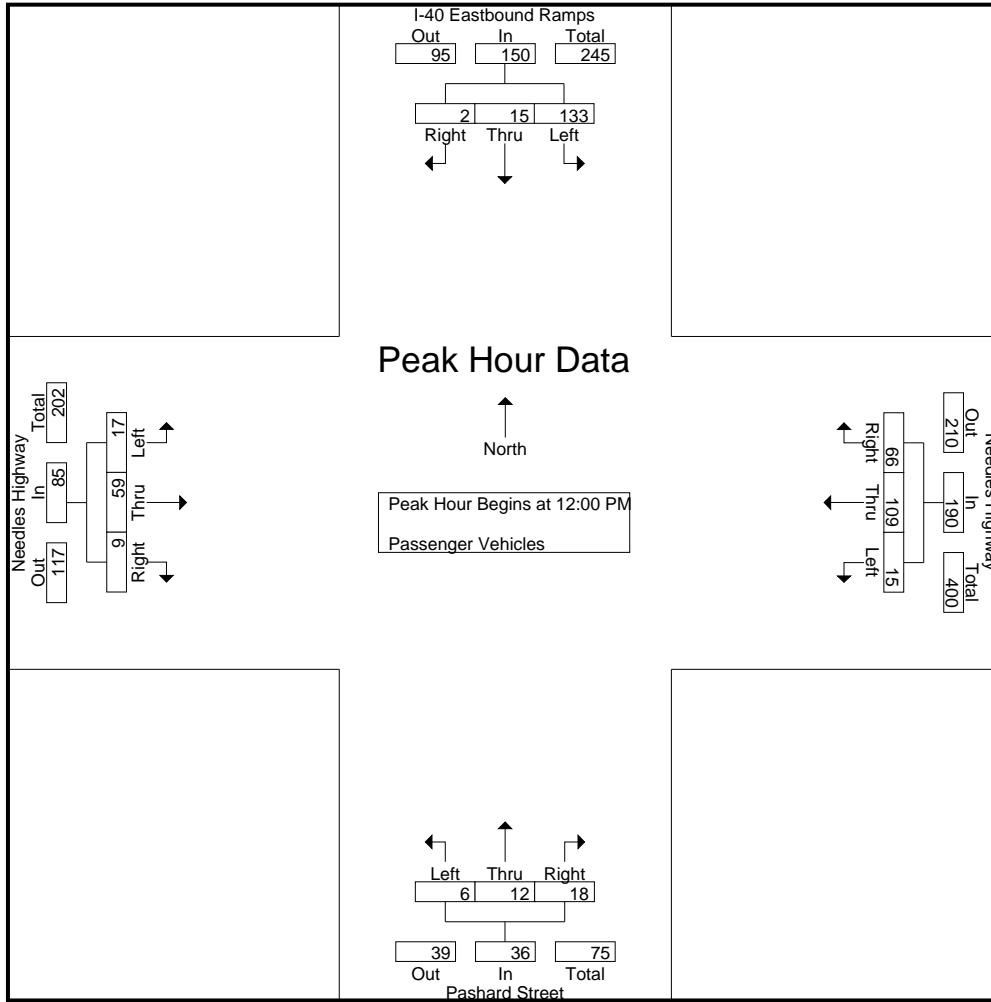
Start Time	I-40 Eastbound Ramps Southbound				Needles Highway Westbound				Pashard Street Northbound				Needles Highway Eastbound				Int. Total
	Left	Thru	Right	App. Total	Left	Thru	Right	App. Total	Left	Thru	Right	App. Total	Left	Thru	Right	App. Total	
12:00 PM	36	2	2	40	1	27	17	45	2	3	3	8	2	16	3	21	114
12:15 PM	36	5	0	41	6	27	15	48	2	2	8	12	1	16	1	18	119
12:30 PM	32	3	0	35	2	27	17	46	0	4	3	7	11	12	1	24	112
12:45 PM	29	5	0	34	6	28	17	51	2	3	4	9	3	15	4	22	116
Total	133	15	2	150	15	109	66	190	6	12	18	36	17	59	9	85	461
01:00 PM	18	5	0	23	4	25	10	39	5	5	14	24	4	9	3	16	102
01:15 PM	22	2	1	25	4	19	12	35	3	0	5	8	0	8	1	9	77
01:30 PM	35	3	1	39	7	21	11	39	0	5	3	8	4	11	2	17	103
01:45 PM	19	0	0	19	12	28	17	57	0	3	10	13	3	15	6	24	113
Total	94	10	2	106	27	93	50	170	8	13	32	53	11	43	12	66	395
Grand Total	227	25	4	256	42	202	116	360	14	25	50	89	28	102	21	151	856
Apprch %	88.7	9.8	1.6		11.7	56.1	32.2		15.7	28.1	56.2		18.5	67.5	13.9		
Total %	26.5	2.9	0.5	29.9	4.9	23.6	13.6	42.1	1.6	2.9	5.8	10.4	3.3	11.9	2.5	17.6	

Start Time	I-40 Eastbound Ramps Southbound				Needles Highway Westbound				Pashard Street Northbound				Needles Highway Eastbound				Int. Total
	Left	Thru	Right	App. Total	Left	Thru	Right	App. Total	Left	Thru	Right	App. Total	Left	Thru	Right	App. Total	
12:00 PM	36	2	2	40	1	27	17	45	2	3	3	8	2	16	3	21	114
12:15 PM	36	5	0	41	6	27	15	48	2	2	8	12	1	16	1	18	119
12:30 PM	32	3	0	35	2	27	17	46	0	4	3	7	11	12	1	24	112
12:45 PM	29	5	0	34	6	28	17	51	2	3	4	9	3	15	4	22	116
Total Volume	133	15	2	150	15	109	66	190	6	12	18	36	17	59	9	85	461
% App. Total	88.7	10	1.3		7.9	57.4	34.7		16.7	33.3	50		20	69.4	10.6		
PHF	.924	.750	.250	.915	.625	.973	.971	.931	.750	.750	.563	.750	.386	.922	.563	.885	.968

Peak Hour Analysis From 12:00 PM to 12:45 PM - Peak 1 of 1
 Peak Hour for Entire Intersection Begins at 12:00 PM

City of Needles
 N/S: I-40 EB Ramps/Pashard Street
 E/W: Needles Highway
 Weather: Clear

File Name : 04_NDL_40E_Needles SAT
 Site Code : 16621325
 Start Date : 7/17/2021
 Page No : 2



Peak Hour Analysis From 12:00 PM to 12:45 PM - Peak 1 of 1
 Peak Hour for Each Approach Begins at:

	12:00 PM				12:00 PM				12:00 PM				12:00 PM			
+0 mins.	36	2	2	40	1	27	17	45	2	3	3	8	2	16	3	21
+15 mins.	36	5	0	41	6	27	15	48	2	2	8	12	1	16	1	18
+30 mins.	32	3	0	35	2	27	17	46	0	4	3	7	11	12	1	24
+45 mins.	29	5	0	34	6	28	17	51	2	3	4	9	3	15	4	22
Total Volume	133	15	2	150	15	109	66	190	6	12	18	36	17	59	9	85
% App. Total	88.7	10	1.3		7.9	57.4	34.7		16.7	33.3	50		20	69.4	10.6	
PHF	.924	.750	.250	.915	.625	.973	.971	.931	.750	.750	.563	.750	.386	.922	.563	.885

City of Needles
 N/S: I-40 EB Ramps/Pashard Street
 E/W: Needles Highway
 Weather: Clear

File Name : 04_NDL_40E_Needles SAT
 Site Code : 16621325
 Start Date : 7/17/2021
 Page No : 1

Groups Printed- Trucks

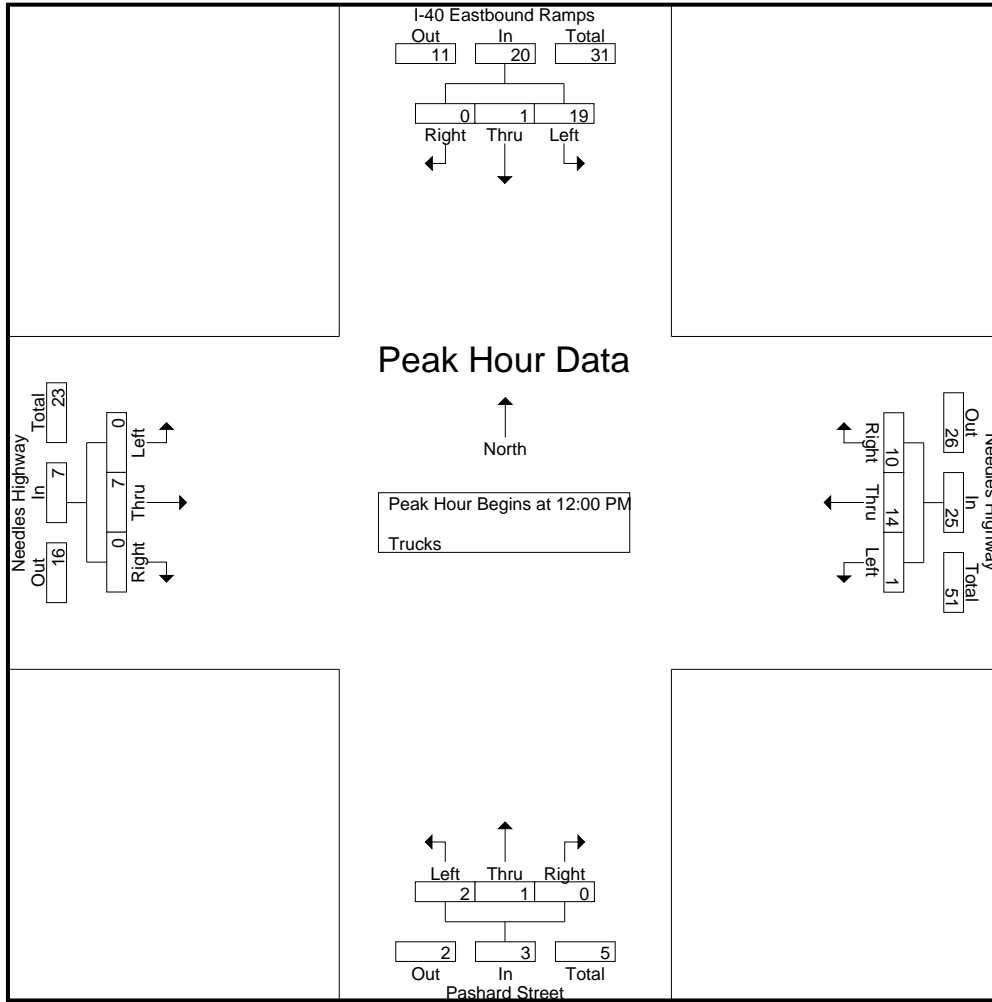
Start Time	I-40 Eastbound Ramps Southbound				Needles Highway Westbound				Pashard Street Northbound				Needles Highway Eastbound				Int. Total
	Left	Thru	Right	App. Total	Left	Thru	Right	App. Total	Left	Thru	Right	App. Total	Left	Thru	Right	App. Total	
12:00 PM	7	0	0	7	0	5	3	8	1	0	0	1	0	1	0	1	17
12:15 PM	7	1	0	8	1	1	3	5	0	1	0	1	0	0	0	0	14
12:30 PM	2	0	0	2	0	4	1	5	1	0	0	1	0	2	0	2	10
12:45 PM	3	0	0	3	0	4	3	7	0	0	0	0	0	4	0	4	14
Total	19	1	0	20	1	14	10	25	2	1	0	3	0	7	0	7	55
01:00 PM	4	0	0	4	0	1	3	4	0	0	0	0	0	1	0	1	9
01:15 PM	6	0	0	6	0	7	4	11	0	0	0	0	0	1	1	2	19
01:30 PM	4	1	0	5	0	2	1	3	0	0	1	1	0	2	0	2	11
01:45 PM	4	1	0	5	0	1	6	7	0	0	1	1	0	1	0	1	14
Total	18	2	0	20	0	11	14	25	0	0	2	2	0	5	1	6	53
Grand Total	37	3	0	40	1	25	24	50	2	1	2	5	0	12	1	13	108
Apprch %	92.5	7.5	0		2	50	48		40	20	40		0	92.3	7.7		
Total %	34.3	2.8	0	37	0.9	23.1	22.2	46.3	1.9	0.9	1.9	4.6	0	11.1	0.9	12	

Start Time	I-40 Eastbound Ramps Southbound				Needles Highway Westbound				Pashard Street Northbound				Needles Highway Eastbound				Int. Total
	Left	Thru	Right	App. Total	Left	Thru	Right	App. Total	Left	Thru	Right	App. Total	Left	Thru	Right	App. Total	
12:00 PM	7	0	0	7	0	5	3	8	1	0	0	1	0	1	0	1	17
12:15 PM	7	1	0	8	1	1	3	5	0	1	0	1	0	0	0	0	14
12:30 PM	2	0	0	2	0	4	1	5	1	0	0	1	0	2	0	2	10
12:45 PM	3	0	0	3	0	4	3	7	0	0	0	0	0	4	0	4	14
Total Volume	19	1	0	20	1	14	10	25	2	1	0	3	0	7	0	7	55
% App. Total	95	5	0		4	56	40		66.7	33.3	0		0	100	0		
PHF	.679	.250	.000	.625	.250	.700	.833	.781	.500	.250	.000	.750	.000	.438	.000	.438	.809

Peak Hour Analysis From 12:00 PM to 12:45 PM - Peak 1 of 1
 Peak Hour for Entire Intersection Begins at 12:00 PM

City of Needles
 N/S: I-40 EB Ramps/Pashard Street
 E/W: Needles Highway
 Weather: Clear

File Name : 04_NDL_40E_Needles SAT
 Site Code : 16621325
 Start Date : 7/17/2021
 Page No : 2



Peak Hour Analysis From 12:00 PM to 12:45 PM - Peak 1 of 1
 Peak Hour for Each Approach Begins at:

	12:00 PM				12:00 PM				12:00 PM				12:00 PM			
+0 mins.	7	0	0	7	0	5	3	8	1	0	0	1	0	1	0	1
+15 mins.	7	1	0	8	1	1	3	5	0	1	0	1	0	0	0	0
+30 mins.	2	0	0	2	0	4	1	5	1	0	0	1	0	2	0	2
+45 mins.	3	0	0	3	0	4	3	7	0	0	0	0	0	4	0	4
Total Volume	19	1	0	20	1	14	10	25	2	1	0	3	0	7	0	7
% App. Total	95	5	0		4	56	40		66.7	33.3	0		0	100	0	
PHF	.679	.250	.000	.625	.250	.700	.833	.781	.500	.250	.000	.750	.000	.438	.000	.438

City of Needles
 N/S: I-40 EB Ramps/Pashard Street
 E/W: Needles Highway
 Weather: Clear

File Name : 04_NDL_40E_Needles SAT
 Site Code : 16621325
 Start Date : 7/17/2021
 Page No : 1

Groups Printed- Buses

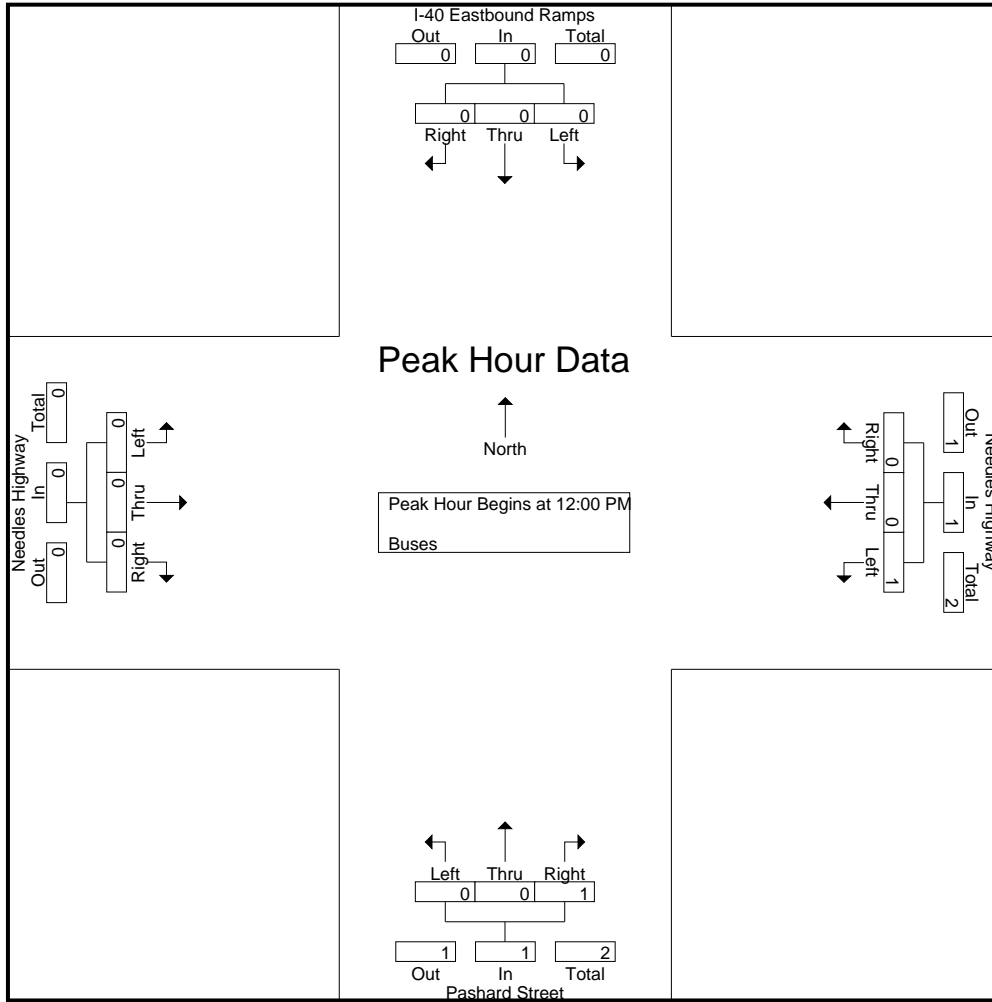
Start Time	I-40 Eastbound Ramps Southbound				Needles Highway Westbound				Pashard Street Northbound				Needles Highway Eastbound				Int. Total
	Left	Thru	Right	App. Total	Left	Thru	Right	App. Total	Left	Thru	Right	App. Total	Left	Thru	Right	App. Total	
12:00 PM	0	0	0	0	0	0	0	0	0	0	0	0	0	0	0	0	0
12:15 PM	0	0	0	0	0	0	0	0	0	0	0	0	0	0	0	0	0
12:30 PM	0	0	0	0	1	0	0	1	0	0	1	1	0	0	0	0	2
12:45 PM	0	0	0	0	0	0	0	0	0	0	0	0	0	0	0	0	0
Total	0	0	0	0	1	0	0	1	0	0	1	1	0	0	0	0	2
01:00 PM	0	0	0	0	0	0	0	0	0	0	0	0	0	0	0	0	0
01:15 PM	0	0	0	0	0	0	0	0	0	0	0	0	0	0	0	0	0
01:30 PM	0	0	0	0	1	0	0	1	0	0	1	1	0	0	0	0	2
01:45 PM	0	0	0	0	0	0	0	0	0	0	0	0	0	0	0	0	0
Total	0	0	0	0	1	0	0	1	0	0	1	1	0	0	0	0	2
Grand Total	0	0	0	0	2	0	0	2	0	0	2	2	0	0	0	0	4
Apprch %	0	0	0		100	0	0		0	0	100		0	0	0		
Total %	0	0	0	0	50	0	0	50	0	0	50	50	0	0	0	0	

Start Time	I-40 Eastbound Ramps Southbound				Needles Highway Westbound				Pashard Street Northbound				Needles Highway Eastbound				Int. Total
	Left	Thru	Right	App. Total	Left	Thru	Right	App. Total	Left	Thru	Right	App. Total	Left	Thru	Right	App. Total	
12:00 PM	0	0	0	0	0	0	0	0	0	0	0	0	0	0	0	0	0
12:15 PM	0	0	0	0	0	0	0	0	0	0	0	0	0	0	0	0	0
12:30 PM	0	0	0	0	1	0	0	1	0	0	1	1	0	0	0	0	2
12:45 PM	0	0	0	0	0	0	0	0	0	0	0	0	0	0	0	0	0
Total Volume	0	0	0	0	1	0	0	1	0	0	1	1	0	0	0	0	2
% App. Total	0	0	0		100	0	0		0	0	100		0	0	0		
PHF	.000	.000	.000	.000	.250	.000	.000	.250	.000	.000	.250	.250	.000	.000	.000	.000	.250

Peak Hour Analysis From 12:00 PM to 12:45 PM - Peak 1 of 1
 Peak Hour for Entire Intersection Begins at 12:00 PM

City of Needles
 N/S: I-40 EB Ramps/Pashard Street
 E/W: Needles Highway
 Weather: Clear

File Name : 04_NDL_40E_Needles SAT
 Site Code : 16621325
 Start Date : 7/17/2021
 Page No : 2



Peak Hour Analysis From 12:00 PM to 12:45 PM - Peak 1 of 1
 Peak Hour for Each Approach Begins at:

	12:00 PM				12:00 PM				12:00 PM				12:00 PM			
+0 mins.	0	0	0	0	0	0	0	0	0	0	0	0	0	0	0	0
+15 mins.	0	0	0	0	0	0	0	0	0	0	0	0	0	0	0	0
+30 mins.	0	0	0	0	1	0	0	1	0	0	1	1	0	0	0	0
+45 mins.	0	0	0	0	0	0	0	0	0	0	0	0	0	0	0	0
Total Volume	0	0	0	0	1	0	0	1	0	0	1	1	0	0	0	0
% App. Total	0	0	0	0	100	0	0	0	0	0	100	0	0	0	0	0
PHF	.000	.000	.000	.000	.250	.000	.000	.250	.000	.000	.250	.250	.000	.000	.000	.000

Location: Needles
 N/S: I-40 EB Ramps/Pashard Street
 E/W: Needles Highway



PEDESTRIANS

Date: 7/15/2021
 Day: Thursday

	North Leg I-40 EB Ramps	East Leg Needles Highway	South Leg Pashard Street	West Leg Needles Highway	
	Pedestrians	Pedestrians	Pedestrians	Pedestrians	
7:00 AM	0	0	0	0	0
7:15 AM	0	0	0	0	0
7:30 AM	0	0	0	0	0
7:45 AM	0	0	0	0	0
8:00 AM	0	0	0	0	0
8:15 AM	0	0	0	0	0
8:30 AM	0	0	1	0	1
8:45 AM	0	0	0	0	0
TOTAL VOLUMES:	0	0	1	0	1

Date: 7/15/2021
 Day: Thursday

	North Leg I-40 EB Ramps	East Leg Needles Highway	South Leg Pashard Street	West Leg Needles Highway	
	Pedestrians	Pedestrians	Pedestrians	Pedestrians	
4:00 PM	0	0	0	0	0
4:15 PM	0	0	0	0	0
4:30 PM	0	0	0	0	0
4:45 PM	0	0	0	0	0
5:00 PM	0	0	0	0	0
5:15 PM	0	0	0	0	0
5:30 PM	0	0	0	0	0
5:45 PM	0	0	0	0	0
TOTAL VOLUMES:	0	0	0	0	0

Date: 7/17/2021
 Day: Saturday

	North Leg I-40 EB Ramps	East Leg Needles Highway	South Leg Pashard Street	West Leg Needles Highway	
	Pedestrians	Pedestrians	Pedestrians	Pedestrians	
12:00 PM	0	0	0	0	0
12:15 PM	0	0	0	0	0
12:30 PM	0	0	0	0	0
12:45 PM	0	0	0	0	0
1:00 PM	0	0	0	0	0
1:15 PM	0	0	0	0	0
1:30 PM	0	0	0	0	0
1:45 PM	0	0	0	0	0
TOTAL VOLUMES:	0	0	0	0	0

Location: Needles
 N/S: I-40 EB Ramps/Pashard Street
 E/W: Needles Highway



BICYCLES

Date: 7/15/2021
 Day: Thursday

	Southbound I-40 EB Ramps			Westbound Needles Highway			Northbound Pashard Street			Eastbound Needles Highway			
	Left	Thru	Right	Left	Thru	Right	Left	Thru	Right	Left	Thru	Right	
7:00 AM	0	0	0	0	0	0	0	0	0	0	0	0	0
7:15 AM	0	0	0	0	0	0	0	0	0	0	0	0	0
7:30 AM	0	0	0	0	0	0	0	0	0	0	0	0	0
7:45 AM	0	0	0	0	0	0	0	0	0	0	0	0	0
8:00 AM	0	0	0	0	0	0	0	0	0	0	0	0	0
8:15 AM	0	0	0	0	0	0	0	0	0	0	0	0	0
8:30 AM	0	0	0	0	0	0	0	0	1	0	0	0	1
8:45 AM	0	0	0	0	0	0	0	0	0	0	0	0	0
TOTAL VOLUMES:	0	0	0	0	0	0	0	0	1	0	0	0	1

Date: 7/15/2021
 Day: Thursday

	Southbound I-40 EB Ramps			Westbound Needles Highway			Northbound Pashard Street			Eastbound Needles Highway			
	Left	Thru	Right	Left	Thru	Right	Left	Thru	Right	Left	Thru	Right	
4:00 PM	0	0	0	0	0	0	0	0	0	0	0	0	0
4:15 PM	0	0	0	0	0	0	0	0	0	0	0	0	0
4:30 PM	0	0	0	0	0	0	0	0	0	0	0	0	0
4:45 PM	0	0	0	0	0	0	0	0	0	0	0	0	0
5:00 PM	0	0	0	0	0	0	0	0	0	0	0	0	0
5:15 PM	0	0	0	0	0	0	0	0	0	0	0	0	0
5:30 PM	0	0	0	0	0	0	0	0	0	0	0	0	0
5:45 PM	0	0	0	0	0	0	0	0	0	0	0	0	0
TOTAL VOLUMES:	0	0	0	0	0	0	0	0	0	0	0	0	0

Date: 7/17/2021
 Day: Saturday

	Southbound I-40 EB Ramps			Westbound Needles Highway			Northbound Pashard Street			Eastbound Needles Highway			
	Left	Thru	Right	Left	Thru	Right	Left	Thru	Right	Left	Thru	Right	
12:00 PM	0	0	0	0	0	0	0	0	0	0	0	0	0
12:15 PM	0	0	0	0	0	0	0	0	0	0	0	0	0
12:30 PM	0	0	0	0	0	0	0	0	0	0	0	0	0
12:45 PM	0	0	0	0	0	0	0	0	0	0	0	0	0
1:00 PM	0	0	0	0	0	0	0	0	0	0	0	0	0
1:15 PM	0	0	0	0	0	0	0	0	0	0	0	0	0
1:30 PM	0	0	0	0	0	0	0	0	0	0	0	0	0
1:45 PM	0	0	0	1	0	0	0	0	1	0	0	0	2
TOTAL VOLUMES:	0	0	0	1	0	0	0	0	1	0	0	0	2

City of Needles
 N/S: K Street
 E/W: Smokestack Avenue/River Road
 Weather: Clear

File Name : 05_NDL_K St_River AM
 Site Code : 16621325
 Start Date : 7/15/2021
 Page No : 1

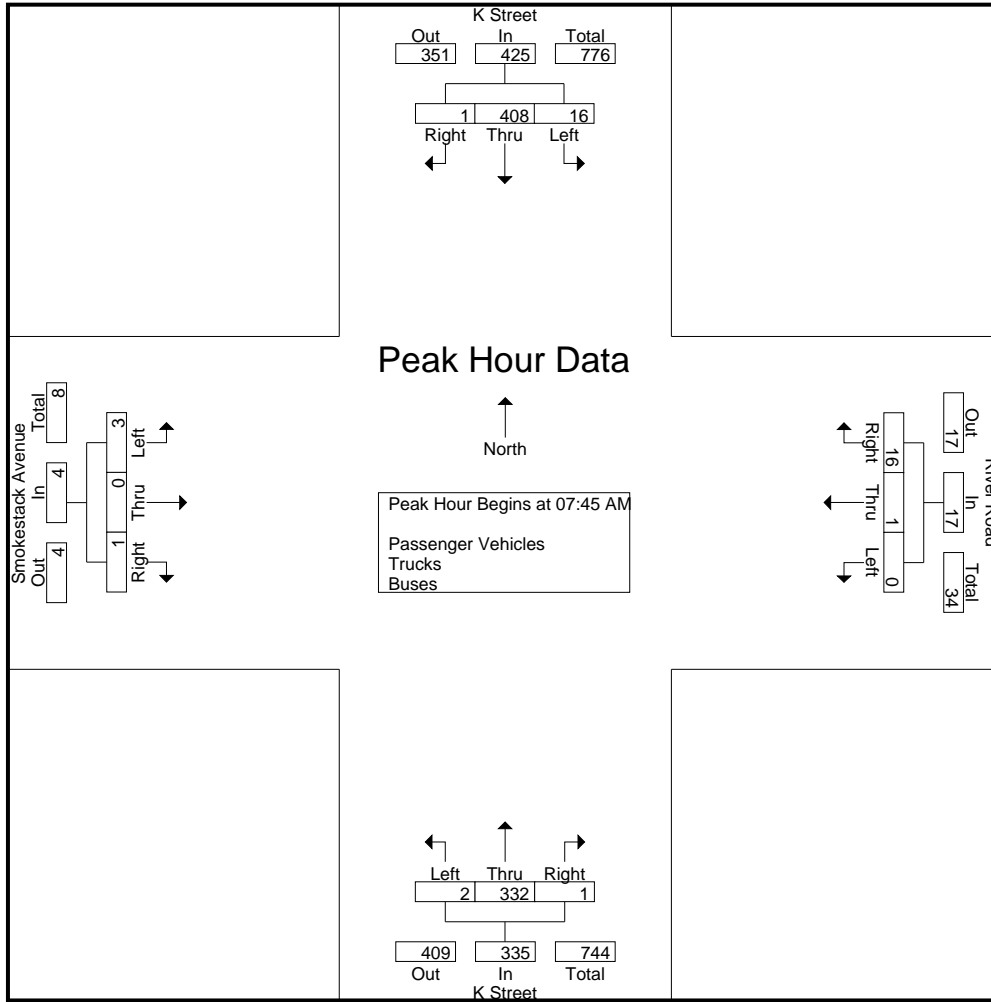
Groups Printed- Passenger Vehicles - Trucks - Buses

Start Time	K Street Southbound				River Road Westbound				K Street Northbound				Smokestack Avenue Eastbound				Int. Total
	Left	Thru	Right	App. Total	Left	Thru	Right	App. Total	Left	Thru	Right	App. Total	Left	Thru	Right	App. Total	
07:00 AM	2	81	0	83	0	0	2	2	0	71	0	71	0	0	0	0	156
07:15 AM	2	66	0	68	0	0	2	2	0	67	0	67	0	0	0	0	137
07:30 AM	5	83	0	88	1	0	3	4	0	91	0	91	0	0	0	0	183
07:45 AM	6	111	1	118	0	1	2	3	1	89	0	90	0	0	0	0	211
Total	15	341	1	357	1	1	9	11	1	318	0	319	0	0	0	0	687
08:00 AM	1	100	0	101	0	0	6	6	0	73	0	73	1	0	0	1	181
08:15 AM	4	110	0	114	0	0	5	5	1	81	0	82	1	0	1	2	203
08:30 AM	5	87	0	92	0	0	3	3	0	89	1	90	1	0	0	1	186
08:45 AM	7	86	1	94	0	0	7	7	0	75	0	75	0	0	0	0	176
Total	17	383	1	401	0	0	21	21	1	318	1	320	3	0	1	4	746
Grand Total	32	724	2	758	1	1	30	32	2	636	1	639	3	0	1	4	1433
Apprch %	4.2	95.5	0.3		3.1	3.1	93.8		0.3	99.5	0.2		75	0	25		
Total %	2.2	50.5	0.1	52.9	0.1	0.1	2.1	2.2	0.1	44.4	0.1	44.6	0.2	0	0.1	0.3	
Passenger Vehicles	30	688	2	720	1	1	29	31	2	605	1	608	3	0	1	4	1363
% Passenger Vehicles	93.8	95	100	95	100	100	96.7	96.9	100	95.1	100	95.1	100	0	100	100	95.1
Trucks	2	36	0	38	0	0	1	1	0	30	0	30	0	0	0	0	69
% Trucks	6.2	5	0	5	0	0	3.3	3.1	0	4.7	0	4.7	0	0	0	0	4.8
Buses	0	0	0	0	0	0	0	0	0	1	0	1	0	0	0	0	1
% Buses	0	0	0	0	0	0	0	0	0	0.2	0	0.2	0	0	0	0	0.1

Start Time	K Street Southbound				River Road Westbound				K Street Northbound				Smokestack Avenue Eastbound				Int. Total
	Left	Thru	Right	App. Total	Left	Thru	Right	App. Total	Left	Thru	Right	App. Total	Left	Thru	Right	App. Total	
Peak Hour Analysis From 07:00 AM to 08:45 AM - Peak 1 of 1																	
Peak Hour for Entire Intersection Begins at 07:45 AM																	
07:45 AM	6	111	1	118	0	1	2	3	1	89	0	90	0	0	0	0	211
08:00 AM	1	100	0	101	0	0	6	6	0	73	0	73	1	0	0	1	181
08:15 AM	4	110	0	114	0	0	5	5	1	81	0	82	1	0	1	2	203
08:30 AM	5	87	0	92	0	0	3	3	0	89	1	90	1	0	0	1	186
Total Volume	16	408	1	425	0	1	16	17	2	332	1	335	3	0	1	4	781
% App. Total	3.8	96	0.2		0	5.9	94.1		0.6	99.1	0.3		75	0	25		
PHF	.667	.919	.250	.900	.000	.250	.667	.708	.500	.933	.250	.931	.750	.000	.250	.500	.925

City of Needles
 N/S: K Street
 E/W: Smokestack Avenue/River Road
 Weather: Clear

File Name : 05_NDL_K St_River AM
 Site Code : 16621325
 Start Date : 7/15/2021
 Page No : 2



Peak Hour Analysis From 07:00 AM to 08:45 AM - Peak 1 of 1
 Peak Hour for Each Approach Begins at:

	07:45 AM				08:00 AM				07:30 AM				07:45 AM			
+0 mins.	6	111	1	118	0	0	6	6	0	91	0	91	0	0	0	0
+15 mins.	1	100	0	101	0	0	5	5	1	89	0	90	1	0	0	1
+30 mins.	4	110	0	114	0	0	3	3	0	73	0	73	1	0	1	2
+45 mins.	5	87	0	92	0	0	7	7	1	81	0	82	1	0	0	1
Total Volume	16	408	1	425	0	0	21	21	2	334	0	336	3	0	1	4
% App. Total	3.8	96	0.2		0	0	100		0.6	99.4	0		75	0	25	
PHF	.667	.919	.250	.900	.000	.000	.750	.750	.500	.918	.000	.923	.750	.000	.250	.500

City of Needles
 N/S: K Street
 E/W: Smokestack Avenue/River Road
 Weather: Clear

File Name : 05_NDL_K St_River AM
 Site Code : 16621325
 Start Date : 7/15/2021
 Page No : 1

Groups Printed- Passenger Vehicles

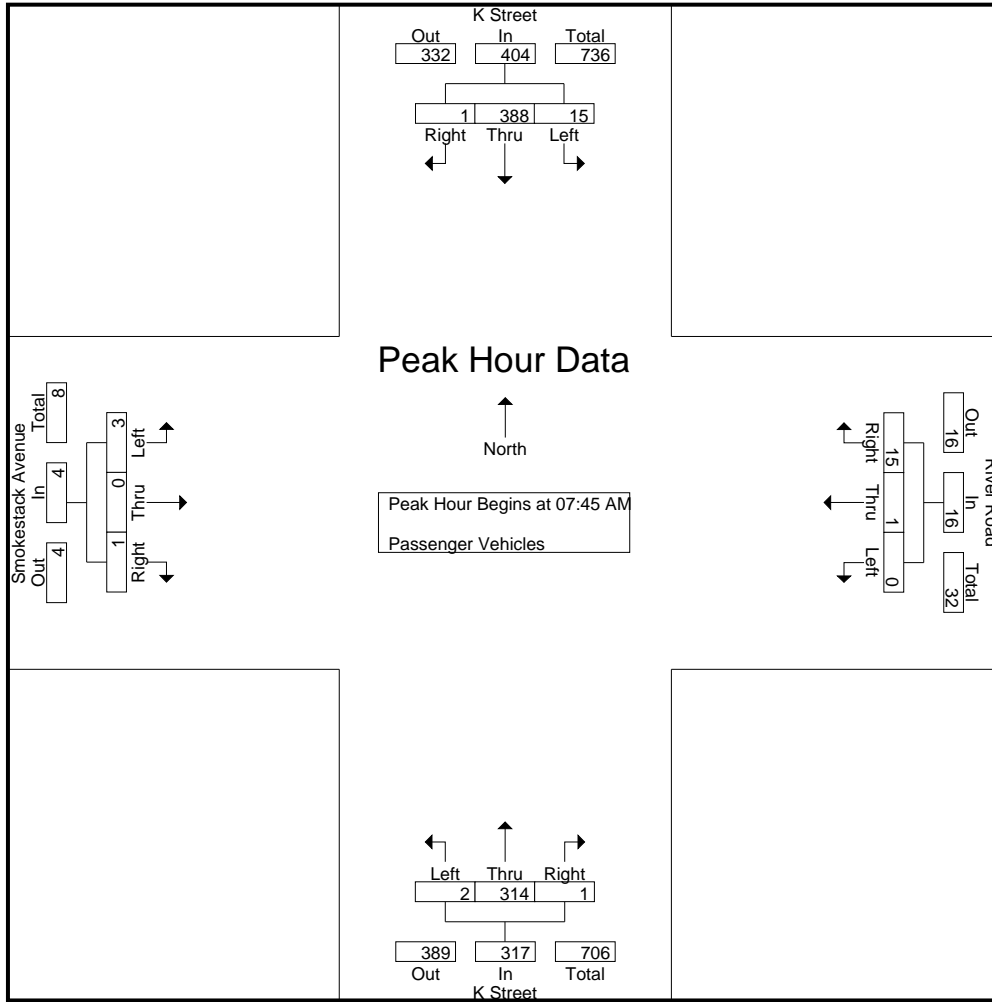
Start Time	K Street Southbound				River Road Westbound				K Street Northbound				Smokestack Avenue Eastbound				Int. Total
	Left	Thru	Right	App. Total	Left	Thru	Right	App. Total	Left	Thru	Right	App. Total	Left	Thru	Right	App. Total	
07:00 AM	2	77	0	79	0	0	2	2	0	69	0	69	0	0	0	0	150
07:15 AM	2	64	0	66	0	0	2	2	0	63	0	63	0	0	0	0	131
07:30 AM	5	78	0	83	1	0	3	4	0	86	0	86	0	0	0	0	173
07:45 AM	6	104	1	111	0	1	2	3	1	87	0	88	0	0	0	0	202
Total	15	323	1	339	1	1	9	11	1	305	0	306	0	0	0	0	656
08:00 AM	1	97	0	98	0	0	5	5	0	72	0	72	1	0	0	1	176
08:15 AM	4	104	0	108	0	0	5	5	1	73	0	74	1	0	1	2	189
08:30 AM	4	83	0	87	0	0	3	3	0	82	1	83	1	0	0	1	174
08:45 AM	6	81	1	88	0	0	7	7	0	73	0	73	0	0	0	0	168
Total	15	365	1	381	0	0	20	20	1	300	1	302	3	0	1	4	707
Grand Total	30	688	2	720	1	1	29	31	2	605	1	608	3	0	1	4	1363
Apprch %	4.2	95.6	0.3		3.2	3.2	93.5		0.3	99.5	0.2		75	0	25		
Total %	2.2	50.5	0.1	52.8	0.1	0.1	2.1	2.3	0.1	44.4	0.1	44.6	0.2	0	0.1	0.3	

Start Time	K Street Southbound				River Road Westbound				K Street Northbound				Smokestack Avenue Eastbound				Int. Total
	Left	Thru	Right	App. Total	Left	Thru	Right	App. Total	Left	Thru	Right	App. Total	Left	Thru	Right	App. Total	
07:45 AM	6	104	1	111	0	1	2	3	1	87	0	88	0	0	0	0	202
08:00 AM	1	97	0	98	0	0	5	5	0	72	0	72	1	0	0	1	176
08:15 AM	4	104	0	108	0	0	5	5	1	73	0	74	1	0	1	2	189
08:30 AM	4	83	0	87	0	0	3	3	0	82	1	83	1	0	0	1	174
Total Volume	15	388	1	404	0	1	15	16	2	314	1	317	3	0	1	4	741
% App. Total	3.7	96	0.2		0	6.2	93.8		0.6	99.1	0.3		75	0	25		
PHF	.625	.933	.250	.910	.000	.250	.750	.800	.500	.902	.250	.901	.750	.000	.250	.500	.917

Peak Hour Analysis From 07:45 AM to 08:30 AM - Peak 1 of 1
 Peak Hour for Entire Intersection Begins at 07:45 AM

City of Needles
 N/S: K Street
 E/W: Smokestack Avenue/River Road
 Weather: Clear

File Name : 05_NDL_K St_River AM
 Site Code : 16621325
 Start Date : 7/15/2021
 Page No : 2



Peak Hour Analysis From 07:45 AM to 08:30 AM - Peak 1 of 1
 Peak Hour for Each Approach Begins at:

	07:45 AM				07:45 AM				07:45 AM				07:45 AM			
+0 mins.	6	104	1	111	0	1	2	3	1	87	0	88	0	0	0	0
+15 mins.	1	97	0	98	0	0	5	5	0	72	0	72	1	0	0	1
+30 mins.	4	104	0	108	0	0	5	5	1	73	0	74	1	0	1	2
+45 mins.	4	83	0	87	0	0	3	3	0	82	1	83	1	0	0	1
Total Volume	15	388	1	404	0	1	15	16	2	314	1	317	3	0	1	4
% App. Total	3.7	96	0.2		0	6.2	93.8		0.6	99.1	0.3		75	0	25	
PHF	.625	.933	.250	.910	.000	.250	.750	.800	.500	.902	.250	.901	.750	.000	.250	.500

City of Needles
 N/S: K Street
 E/W: Smokestack Avenue/River Road
 Weather: Clear

File Name : 05_NDL_K St_River AM
 Site Code : 16621325
 Start Date : 7/15/2021
 Page No : 1

Groups Printed- Trucks

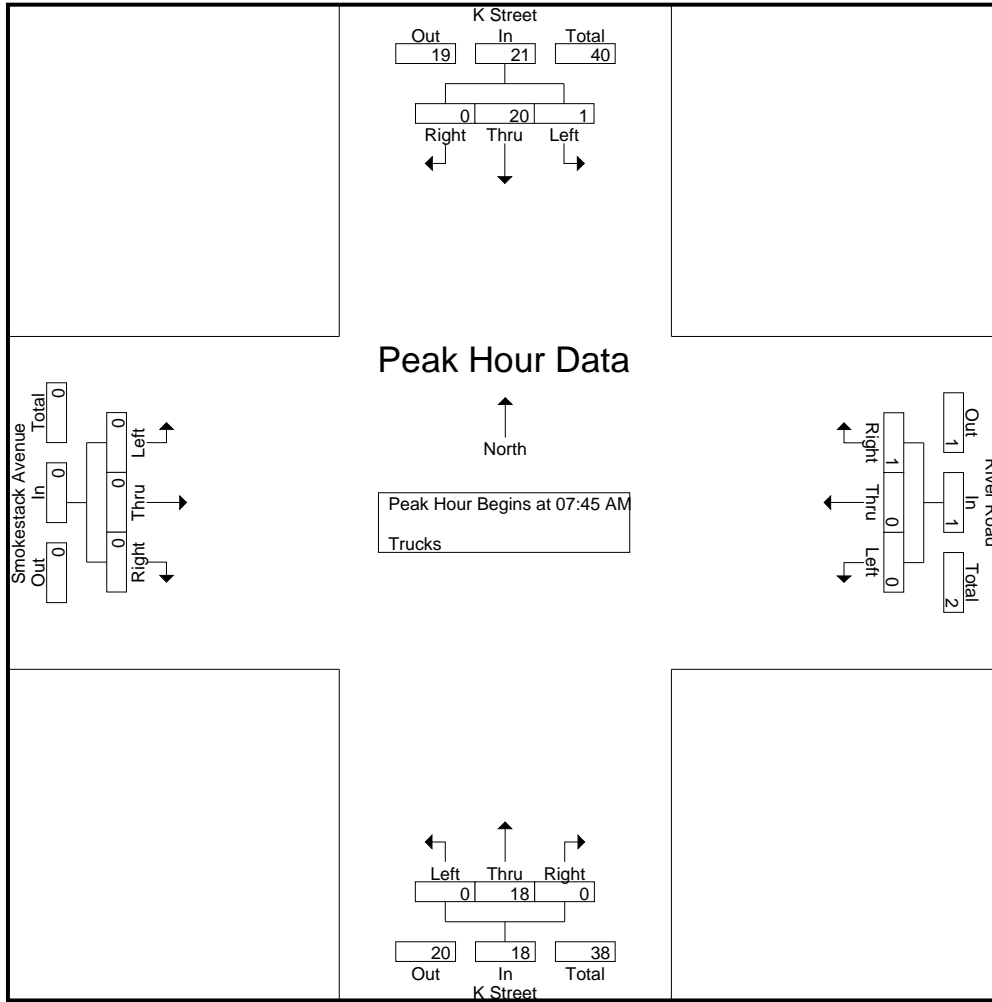
Start Time	K Street Southbound				River Road Westbound				K Street Northbound				Smokestack Avenue Eastbound				Int. Total
	Left	Thru	Right	App. Total	Left	Thru	Right	App. Total	Left	Thru	Right	App. Total	Left	Thru	Right	App. Total	
07:00 AM	0	4	0	4	0	0	0	0	0	2	0	2	0	0	0	0	6
07:15 AM	0	2	0	2	0	0	0	0	0	3	0	3	0	0	0	0	5
07:30 AM	0	5	0	5	0	0	0	0	0	5	0	5	0	0	0	0	10
07:45 AM	0	7	0	7	0	0	0	0	0	2	0	2	0	0	0	0	9
Total	0	18	0	18	0	0	0	0	0	12	0	12	0	0	0	0	30
08:00 AM	0	3	0	3	0	0	1	1	0	1	0	1	0	0	0	0	5
08:15 AM	0	6	0	6	0	0	0	0	0	8	0	8	0	0	0	0	14
08:30 AM	1	4	0	5	0	0	0	0	0	7	0	7	0	0	0	0	12
08:45 AM	1	5	0	6	0	0	0	0	0	2	0	2	0	0	0	0	8
Total	2	18	0	20	0	0	1	1	0	18	0	18	0	0	0	0	39
Grand Total	2	36	0	38	0	0	1	1	0	30	0	30	0	0	0	0	69
Apprch %	5.3	94.7	0		0	0	100		0	100	0		0	0	0		
Total %	2.9	52.2	0	55.1	0	0	1.4	1.4	0	43.5	0	43.5	0	0	0	0	

Start Time	K Street Southbound				River Road Westbound				K Street Northbound				Smokestack Avenue Eastbound				Int. Total
	Left	Thru	Right	App. Total	Left	Thru	Right	App. Total	Left	Thru	Right	App. Total	Left	Thru	Right	App. Total	
07:45 AM	0	7	0	7	0	0	0	0	0	2	0	2	0	0	0	0	9
08:00 AM	0	3	0	3	0	0	1	1	0	1	0	1	0	0	0	0	5
08:15 AM	0	6	0	6	0	0	0	0	0	8	0	8	0	0	0	0	14
08:30 AM	1	4	0	5	0	0	0	0	0	7	0	7	0	0	0	0	12
Total Volume	1	20	0	21	0	0	1	1	0	18	0	18	0	0	0	0	40
% App. Total	4.8	95.2	0		0	0	100		0	100	0		0	0	0		
PHF	.250	.714	.000	.750	.000	.000	.250	.250	.000	.563	.000	.563	.000	.000	.000	.000	.714

Peak Hour Analysis From 07:45 AM to 08:30 AM - Peak 1 of 1
 Peak Hour for Entire Intersection Begins at 07:45 AM

City of Needles
 N/S: K Street
 E/W: Smokestack Avenue/River Road
 Weather: Clear

File Name : 05_NDL_K St_River AM
 Site Code : 16621325
 Start Date : 7/15/2021
 Page No : 2



Peak Hour Analysis From 07:45 AM to 08:30 AM - Peak 1 of 1
 Peak Hour for Each Approach Begins at:

	07:45 AM				07:45 AM				07:45 AM				07:45 AM			
+0 mins.	0	7	0	7	0	0	0	0	0	2	0	2	0	0	0	0
+15 mins.	0	3	0	3	0	0	1	1	0	1	0	1	0	0	0	0
+30 mins.	0	6	0	6	0	0	0	0	0	8	0	8	0	0	0	0
+45 mins.	1	4	0	5	0	0	0	0	0	7	0	7	0	0	0	0
Total Volume	1	20	0	21	0	0	1	1	0	18	0	18	0	0	0	0
% App. Total	4.8	95.2	0		0	0	100		0	100	0		0	0	0	
PHF	.250	.714	.000	.750	.000	.000	.250	.250	.000	.563	.000	.563	.000	.000	.000	.000

City of Needles
 N/S: K Street
 E/W: Smokestack Avenue/River Road
 Weather: Clear

File Name : 05_NDL_K St_River AM
 Site Code : 16621325
 Start Date : 7/15/2021
 Page No : 1

Groups Printed- Buses

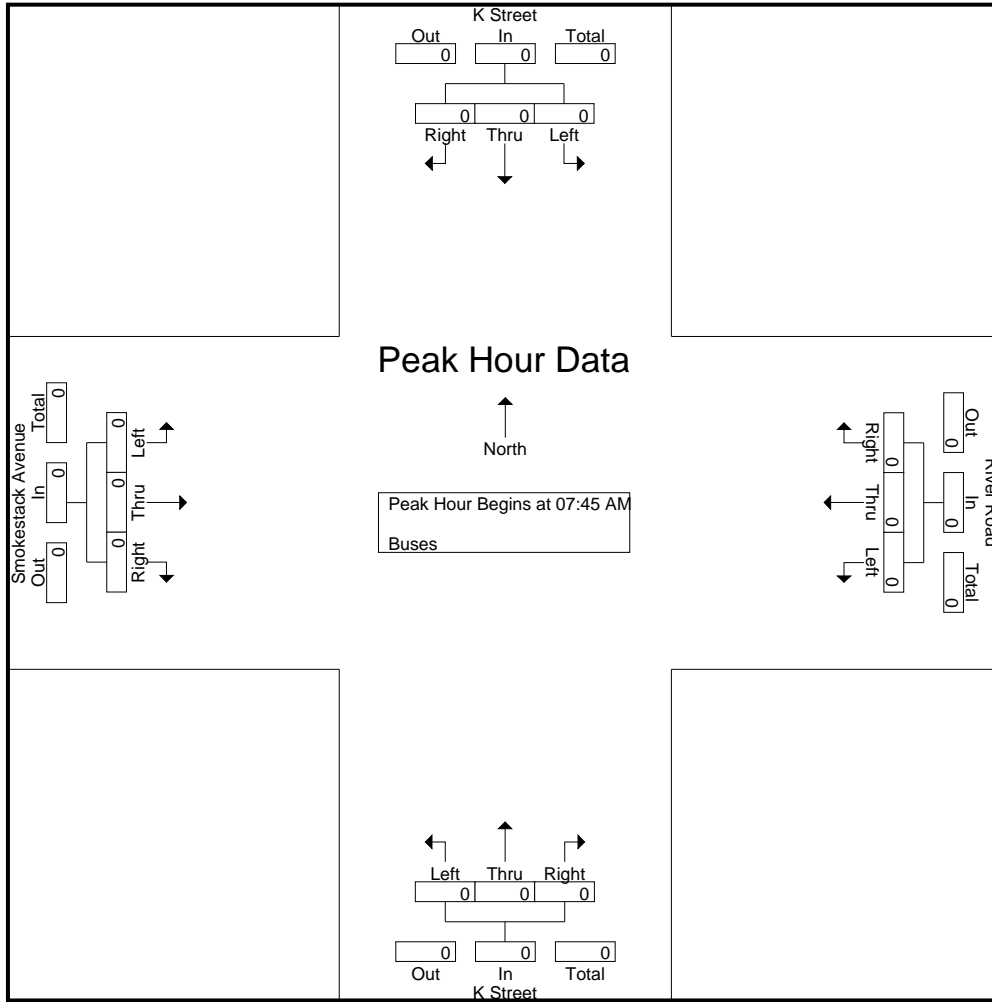
Start Time	K Street Southbound				River Road Westbound				K Street Northbound				Smokestack Avenue Eastbound				Int. Total
	Left	Thru	Right	App. Total	Left	Thru	Right	App. Total	Left	Thru	Right	App. Total	Left	Thru	Right	App. Total	
07:00 AM	0	0	0	0	0	0	0	0	0	0	0	0	0	0	0	0	0
07:15 AM	0	0	0	0	0	0	0	0	0	1	0	1	0	0	0	0	1
07:30 AM	0	0	0	0	0	0	0	0	0	0	0	0	0	0	0	0	0
07:45 AM	0	0	0	0	0	0	0	0	0	0	0	0	0	0	0	0	0
Total	0	0	0	0	0	0	0	0	0	1	0	1	0	0	0	0	1
08:00 AM	0	0	0	0	0	0	0	0	0	0	0	0	0	0	0	0	0
08:15 AM	0	0	0	0	0	0	0	0	0	0	0	0	0	0	0	0	0
08:30 AM	0	0	0	0	0	0	0	0	0	0	0	0	0	0	0	0	0
08:45 AM	0	0	0	0	0	0	0	0	0	0	0	0	0	0	0	0	0
Total	0	0	0	0	0	0	0	0	0	0	0	0	0	0	0	0	0
Grand Total	0	0	0	0	0	0	0	0	0	1	0	1	0	0	0	0	1
Apprch %	0	0	0		0	0	0		0	100	0		0	0	0		
Total %	0	0	0		0	0	0		0	100	0	100	0	0	0		

Start Time	K Street Southbound				River Road Westbound				K Street Northbound				Smokestack Avenue Eastbound				Int. Total
	Left	Thru	Right	App. Total	Left	Thru	Right	App. Total	Left	Thru	Right	App. Total	Left	Thru	Right	App. Total	
07:45 AM	0	0	0	0	0	0	0	0	0	0	0	0	0	0	0	0	0
08:00 AM	0	0	0	0	0	0	0	0	0	0	0	0	0	0	0	0	0
08:15 AM	0	0	0	0	0	0	0	0	0	0	0	0	0	0	0	0	0
08:30 AM	0	0	0	0	0	0	0	0	0	0	0	0	0	0	0	0	0
Total Volume	0	0	0	0	0	0	0	0	0	0	0	0	0	0	0	0	0
% App. Total	0	0	0		0	0	0		0	0	0		0	0	0		
PHF	.000	.000	.000	.000	.000	.000	.000	.000	.000	.000	.000	.000	.000	.000	.000	.000	.000

Peak Hour Analysis From 07:45 AM to 08:30 AM - Peak 1 of 1
 Peak Hour for Entire Intersection Begins at 07:45 AM

City of Needles
 N/S: K Street
 E/W: Smokestack Avenue/River Road
 Weather: Clear

File Name : 05_NDL_K St_River AM
 Site Code : 16621325
 Start Date : 7/15/2021
 Page No : 2



Peak Hour Analysis From 07:45 AM to 08:30 AM - Peak 1 of 1
 Peak Hour for Each Approach Begins at:

	07:45 AM				07:45 AM				07:45 AM				07:45 AM			
+0 mins.	0	0	0	0	0	0	0	0	0	0	0	0	0	0	0	0
+15 mins.	0	0	0	0	0	0	0	0	0	0	0	0	0	0	0	0
+30 mins.	0	0	0	0	0	0	0	0	0	0	0	0	0	0	0	0
+45 mins.	0	0	0	0	0	0	0	0	0	0	0	0	0	0	0	0
Total Volume	0	0	0	0	0	0	0	0	0	0	0	0	0	0	0	0
% App. Total	0	0	0	0	0	0	0	0	0	0	0	0	0	0	0	0
PHF	.000	.000	.000	.000	.000	.000	.000	.000	.000	.000	.000	.000	.000	.000	.000	.000

City of Needles
 N/S: K Street
 E/W: Smokestack Avenue/River Road
 Weather: Clear

File Name : 05_NDL_K St_River PM
 Site Code : 16621325
 Start Date : 7/15/2021
 Page No : 1

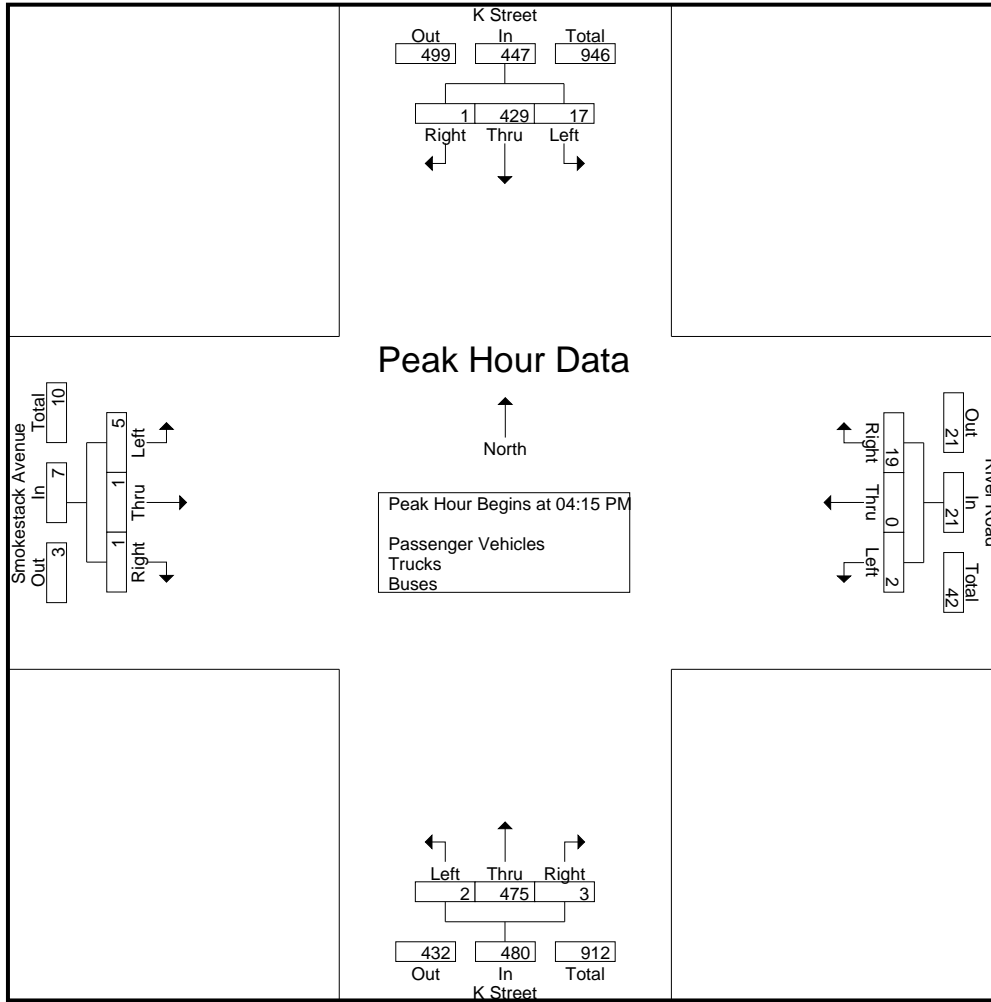
Groups Printed- Passenger Vehicles - Trucks - Buses

Start Time	K Street Southbound				River Road Westbound				K Street Northbound				Smokestack Avenue Eastbound				Int. Total
	Left	Thru	Right	App. Total	Left	Thru	Right	App. Total	Left	Thru	Right	App. Total	Left	Thru	Right	App. Total	
04:00 PM	5	110	0	115	0	0	6	6	0	97	1	98	1	0	1	2	221
04:15 PM	10	111	1	122	1	0	4	5	1	139	1	141	1	0	0	1	269
04:30 PM	2	104	0	106	0	0	5	5	1	124	1	126	1	1	1	3	240
04:45 PM	5	95	0	100	0	0	7	7	0	96	1	97	2	0	0	2	206
Total	22	420	1	443	1	0	22	23	2	456	4	462	5	1	2	8	936
05:00 PM	0	119	0	119	1	0	3	4	0	116	0	116	1	0	0	1	240
05:15 PM	2	103	2	107	0	0	5	5	0	104	0	104	2	1	0	3	219
05:30 PM	0	103	1	104	0	0	7	7	0	119	1	120	1	0	0	1	232
05:45 PM	4	104	0	108	0	1	11	12	0	112	1	113	0	0	0	0	233
Total	6	429	3	438	1	1	26	28	0	451	2	453	4	1	0	5	924
Grand Total	28	849	4	881	2	1	48	51	2	907	6	915	9	2	2	13	1860
Apprch %	3.2	96.4	0.5		3.9	2	94.1		0.2	99.1	0.7		69.2	15.4	15.4		
Total %	1.5	45.6	0.2	47.4	0.1	0.1	2.6	2.7	0.1	48.8	0.3	49.2	0.5	0.1	0.1	0.7	
Passenger Vehicles	28	803	4	835	2	1	48	51	2	878	6	886	9	2	2	13	1785
% Passenger Vehicles	100	94.6	100	94.8	100	100	100	100	100	96.8	100	96.8	100	100	100	100	96
Trucks	0	46	0	46	0	0	0	0	0	29	0	29	0	0	0	0	75
% Trucks	0	5.4	0	5.2	0	0	0	0	0	3.2	0	3.2	0	0	0	0	4
Buses	0	0	0	0	0	0	0	0	0	0	0	0	0	0	0	0	0
% Buses	0	0	0	0	0	0	0	0	0	0	0	0	0	0	0	0	0

Start Time	K Street Southbound				River Road Westbound				K Street Northbound				Smokestack Avenue Eastbound				Int. Total
	Left	Thru	Right	App. Total	Left	Thru	Right	App. Total	Left	Thru	Right	App. Total	Left	Thru	Right	App. Total	
Peak Hour Analysis From 04:00 PM to 05:45 PM - Peak 1 of 1																	
Peak Hour for Entire Intersection Begins at 04:15 PM																	
04:15 PM	10	111	1	122	1	0	4	5	1	139	1	141	1	0	0	1	269
04:30 PM	2	104	0	106	0	0	5	5	1	124	1	126	1	1	1	3	240
04:45 PM	5	95	0	100	0	0	7	7	0	96	1	97	2	0	0	2	206
05:00 PM	0	119	0	119	1	0	3	4	0	116	0	116	1	0	0	1	240
Total Volume	17	429	1	447	2	0	19	21	2	475	3	480	5	1	1	7	955
% App. Total	3.8	96	0.2		9.5	0	90.5		0.4	99	0.6		71.4	14.3	14.3		
PHF	.425	.901	.250	.916	.500	.000	.679	.750	.500	.854	.750	.851	.625	.250	.250	.583	.888

City of Needles
 N/S: K Street
 E/W: Smokestack Avenue/River Road
 Weather: Clear

File Name : 05_NDL_K St_River PM
 Site Code : 16621325
 Start Date : 7/15/2021
 Page No : 2



Peak Hour Analysis From 04:00 PM to 05:45 PM - Peak 1 of 1
 Peak Hour for Each Approach Begins at:

	04:15 PM				05:00 PM				04:15 PM				04:30 PM			
+0 mins.	10	111	1	122	1	0	3	4	1	139	1	141	1	1	1	3
+15 mins.	2	104	0	106	0	0	5	5	1	124	1	126	2	0	0	2
+30 mins.	5	95	0	100	0	0	7	7	0	96	1	97	1	0	0	1
+45 mins.	0	119	0	119	0	1	11	12	0	116	0	116	2	1	0	3
Total Volume	17	429	1	447	1	1	26	28	2	475	3	480	6	2	1	9
% App. Total	3.8	96	0.2		3.6	3.6	92.9		0.4	99	0.6		66.7	22.2	11.1	
PHF	.425	.901	.250	.916	.250	.250	.591	.583	.500	.854	.750	.851	.750	.500	.250	.750

City of Needles
 N/S: K Street
 E/W: Smokestack Avenue/River Road
 Weather: Clear

File Name : 05_NDL_K St_River PM
 Site Code : 16621325
 Start Date : 7/15/2021
 Page No : 1

Groups Printed- Passenger Vehicles

Start Time	K Street Southbound				River Road Westbound				K Street Northbound				Smokestack Avenue Eastbound				Int. Total
	Left	Thru	Right	App. Total	Left	Thru	Right	App. Total	Left	Thru	Right	App. Total	Left	Thru	Right	App. Total	
04:00 PM	5	98	0	103	0	0	6	6	0	95	1	96	1	0	1	2	207
04:15 PM	10	99	1	110	1	0	4	5	1	136	1	138	1	0	0	1	254
04:30 PM	2	97	0	99	0	0	5	5	1	119	1	121	1	1	1	3	228
04:45 PM	5	91	0	96	0	0	7	7	0	93	1	94	2	0	0	2	199
Total	22	385	1	408	1	0	22	23	2	443	4	449	5	1	2	8	888
05:00 PM	0	114	0	114	1	0	3	4	0	116	0	116	1	0	0	1	235
05:15 PM	2	102	2	106	0	0	5	5	0	98	0	98	2	1	0	3	212
05:30 PM	0	102	1	103	0	0	7	7	0	114	1	115	1	0	0	1	226
05:45 PM	4	100	0	104	0	1	11	12	0	107	1	108	0	0	0	0	224
Total	6	418	3	427	1	1	26	28	0	435	2	437	4	1	0	5	897
Grand Total	28	803	4	835	2	1	48	51	2	878	6	886	9	2	2	13	1785
Apprch %	3.4	96.2	0.5		3.9	2	94.1		0.2	99.1	0.7		69.2	15.4	15.4		
Total %	1.6	45	0.2	46.8	0.1	0.1	2.7	2.9	0.1	49.2	0.3	49.6	0.5	0.1	0.1	0.7	

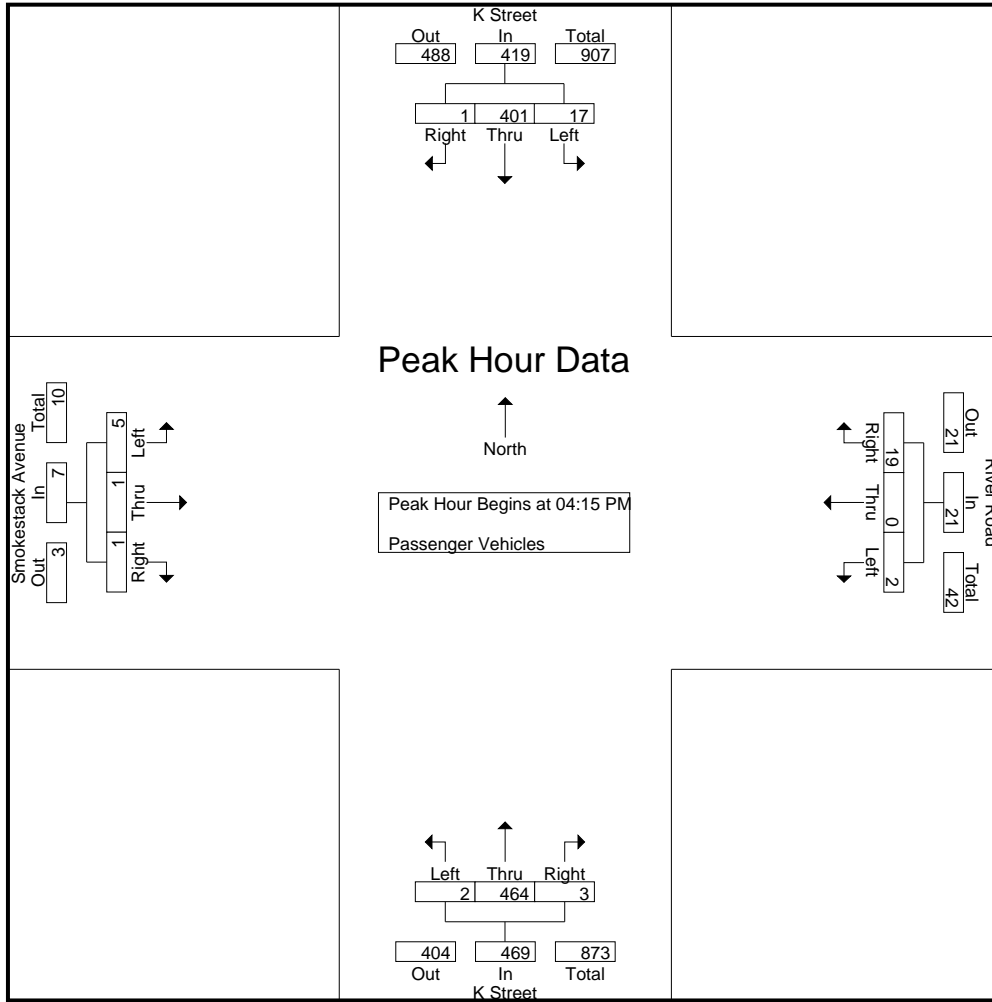
Start Time	K Street Southbound				River Road Westbound				K Street Northbound				Smokestack Avenue Eastbound				Int. Total
	Left	Thru	Right	App. Total	Left	Thru	Right	App. Total	Left	Thru	Right	App. Total	Left	Thru	Right	App. Total	
04:15 PM	10	99	1	110	1	0	4	5	1	136	1	138	1	0	0	1	254
04:30 PM	2	97	0	99	0	0	5	5	1	119	1	121	1	1	1	3	228
04:45 PM	5	91	0	96	0	0	7	7	0	93	1	94	2	0	0	2	199
05:00 PM	0	114	0	114	1	0	3	4	0	116	0	116	1	0	0	1	235
Total Volume	17	401	1	419	2	0	19	21	2	464	3	469	5	1	1	7	916
% App. Total	4.1	95.7	0.2		9.5	0	90.5		0.4	98.9	0.6		71.4	14.3	14.3		
PHF	.425	.879	.250	.919	.500	.000	.679	.750	.500	.853	.750	.850	.625	.250	.250	.583	.902

Peak Hour Analysis From 04:15 PM to 05:00 PM - Peak 1 of 1

Peak Hour for Entire Intersection Begins at 04:15 PM

City of Needles
 N/S: K Street
 E/W: Smokestack Avenue/River Road
 Weather: Clear

File Name : 05_NDL_K St_River PM
 Site Code : 16621325
 Start Date : 7/15/2021
 Page No : 2



Peak Hour Analysis From 04:15 PM to 05:00 PM - Peak 1 of 1
 Peak Hour for Each Approach Begins at:

	04:15 PM				04:15 PM				04:15 PM				04:15 PM			
+0 mins.	10	99	1	110	1	0	4	5	1	136	1	138	1	0	0	1
+15 mins.	2	97	0	99	0	0	5	5	1	119	1	121	1	1	1	3
+30 mins.	5	91	0	96	0	0	7	7	0	93	1	94	2	0	0	2
+45 mins.	0	114	0	114	1	0	3	4	0	116	0	116	1	0	0	1
Total Volume	17	401	1	419	2	0	19	21	2	464	3	469	5	1	1	7
% App. Total	4.1	95.7	0.2		9.5	0	90.5		0.4	98.9	0.6		71.4	14.3	14.3	
PHF	.425	.879	.250	.919	.500	.000	.679	.750	.500	.853	.750	.850	.625	.250	.250	.583

City of Needles
 N/S: K Street
 E/W: Smokestack Avenue/River Road
 Weather: Clear

File Name : 05_NDL_K St_River PM
 Site Code : 16621325
 Start Date : 7/15/2021
 Page No : 1

Groups Printed- Trucks

Start Time	K Street Southbound				River Road Westbound				K Street Northbound				Smokestack Avenue Eastbound				Int. Total
	Left	Thru	Right	App. Total	Left	Thru	Right	App. Total	Left	Thru	Right	App. Total	Left	Thru	Right	App. Total	
04:00 PM	0	12	0	12	0	0	0	0	0	2	0	2	0	0	0	0	14
04:15 PM	0	12	0	12	0	0	0	0	0	3	0	3	0	0	0	0	15
04:30 PM	0	7	0	7	0	0	0	0	0	5	0	5	0	0	0	0	12
04:45 PM	0	4	0	4	0	0	0	0	0	3	0	3	0	0	0	0	7
Total	0	35	0	35	0	0	0	0	0	13	0	13	0	0	0	0	48
05:00 PM	0	5	0	5	0	0	0	0	0	0	0	0	0	0	0	0	5
05:15 PM	0	1	0	1	0	0	0	0	0	6	0	6	0	0	0	0	7
05:30 PM	0	1	0	1	0	0	0	0	0	5	0	5	0	0	0	0	6
05:45 PM	0	4	0	4	0	0	0	0	0	5	0	5	0	0	0	0	9
Total	0	11	0	11	0	0	0	0	0	16	0	16	0	0	0	0	27
Grand Total	0	46	0	46	0	0	0	0	0	29	0	29	0	0	0	0	75
Apprch %	0	100	0		0	0	0		0	100	0		0	0	0		
Total %	0	61.3	0	61.3	0	0	0	0	0	38.7	0	38.7	0	0	0	0	

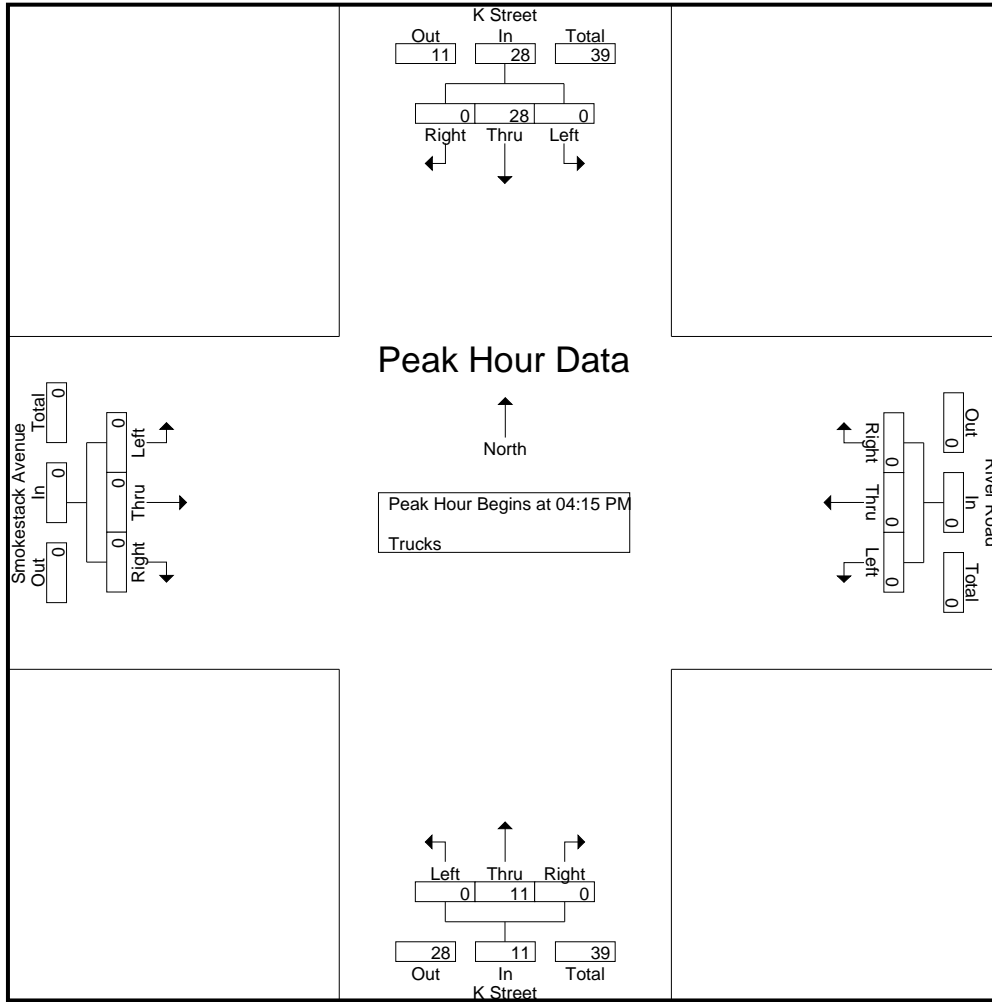
Start Time	K Street Southbound				River Road Westbound				K Street Northbound				Smokestack Avenue Eastbound				Int. Total
	Left	Thru	Right	App. Total	Left	Thru	Right	App. Total	Left	Thru	Right	App. Total	Left	Thru	Right	App. Total	
04:15 PM	0	12	0	12	0	0	0	0	0	3	0	3	0	0	0	0	15
04:30 PM	0	7	0	7	0	0	0	0	0	5	0	5	0	0	0	0	12
04:45 PM	0	4	0	4	0	0	0	0	0	3	0	3	0	0	0	0	7
05:00 PM	0	5	0	5	0	0	0	0	0	0	0	0	0	0	0	0	5
Total Volume	0	28	0	28	0	0	0	0	0	11	0	11	0	0	0	0	39
% App. Total	0	100	0		0	0	0		0	100	0		0	0	0		
PHF	.000	.583	.000	.583	.000	.000	.000	.000	.000	.550	.000	.550	.000	.000	.000	.000	.650

Peak Hour Analysis From 04:15 PM to 05:00 PM - Peak 1 of 1

Peak Hour for Entire Intersection Begins at 04:15 PM

City of Needles
 N/S: K Street
 E/W: Smokestack Avenue/River Road
 Weather: Clear

File Name : 05_NDL_K St_River PM
 Site Code : 16621325
 Start Date : 7/15/2021
 Page No : 2



Peak Hour Analysis From 04:15 PM to 05:00 PM - Peak 1 of 1
 Peak Hour for Each Approach Begins at:

	04:15 PM				04:15 PM				04:15 PM				04:15 PM			
+0 mins.	0	12	0	12	0	0	0	0	0	3	0	3	0	0	0	0
+15 mins.	0	7	0	7	0	0	0	0	0	5	0	5	0	0	0	0
+30 mins.	0	4	0	4	0	0	0	0	0	3	0	3	0	0	0	0
+45 mins.	0	5	0	5	0	0	0	0	0	0	0	0	0	0	0	0
Total Volume	0	28	0	28	0	0	0	0	0	11	0	11	0	0	0	0
% App. Total	0	100	0		0	0	0		0	100	0		0	0	0	
PHF	.000	.583	.000	.583	.000	.000	.000	.000	.000	.550	.000	.550	.000	.000	.000	.000

City of Needles
 N/S: K Street
 E/W: Smokestack Avenue/River Road
 Weather: Clear

File Name : 05_NDL_K St_River PM
 Site Code : 16621325
 Start Date : 7/15/2021
 Page No : 1

Groups Printed- Buses

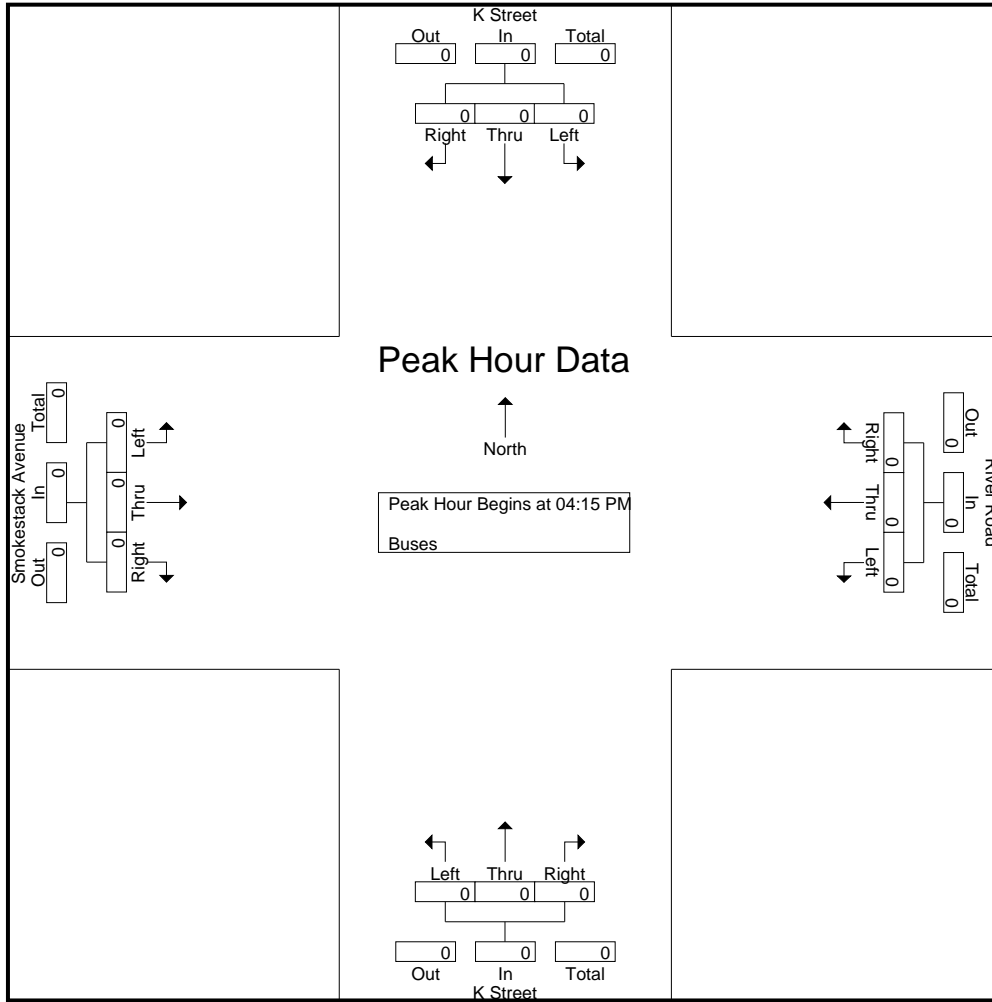
Start Time	K Street Southbound				River Road Westbound				K Street Northbound				Smokestack Avenue Eastbound				Int. Total
	Left	Thru	Right	App. Total	Left	Thru	Right	App. Total	Left	Thru	Right	App. Total	Left	Thru	Right	App. Total	
04:00 PM	0	0	0	0	0	0	0	0	0	0	0	0	0	0	0	0	0
04:15 PM	0	0	0	0	0	0	0	0	0	0	0	0	0	0	0	0	0
04:30 PM	0	0	0	0	0	0	0	0	0	0	0	0	0	0	0	0	0
04:45 PM	0	0	0	0	0	0	0	0	0	0	0	0	0	0	0	0	0
Total	0	0	0	0	0	0	0	0	0	0	0	0	0	0	0	0	0
05:00 PM	0	0	0	0	0	0	0	0	0	0	0	0	0	0	0	0	0
05:15 PM	0	0	0	0	0	0	0	0	0	0	0	0	0	0	0	0	0
05:30 PM	0	0	0	0	0	0	0	0	0	0	0	0	0	0	0	0	0
05:45 PM	0	0	0	0	0	0	0	0	0	0	0	0	0	0	0	0	0
Total	0	0	0	0	0	0	0	0	0	0	0	0	0	0	0	0	0
Grand Total	0	0	0	0	0	0	0	0	0	0	0	0	0	0	0	0	0
Apprch %	0	0	0		0	0	0		0	0	0		0	0	0		
Total %																	

Start Time	K Street Southbound				River Road Westbound				K Street Northbound				Smokestack Avenue Eastbound				Int. Total
	Left	Thru	Right	App. Total	Left	Thru	Right	App. Total	Left	Thru	Right	App. Total	Left	Thru	Right	App. Total	
04:15 PM	0	0	0	0	0	0	0	0	0	0	0	0	0	0	0	0	0
04:30 PM	0	0	0	0	0	0	0	0	0	0	0	0	0	0	0	0	0
04:45 PM	0	0	0	0	0	0	0	0	0	0	0	0	0	0	0	0	0
05:00 PM	0	0	0	0	0	0	0	0	0	0	0	0	0	0	0	0	0
Total Volume	0	0	0	0	0	0	0	0	0	0	0	0	0	0	0	0	0
% App. Total	0	0	0		0	0	0		0	0	0		0	0	0		
PHF	.000	.000	.000	.000	.000	.000	.000	.000	.000	.000	.000	.000	.000	.000	.000	.000	.000

Peak Hour Analysis From 04:15 PM to 05:00 PM - Peak 1 of 1
 Peak Hour for Entire Intersection Begins at 04:15 PM

City of Needles
 N/S: K Street
 E/W: Smokestack Avenue/River Road
 Weather: Clear

File Name : 05_NDL_K St_River PM
 Site Code : 16621325
 Start Date : 7/15/2021
 Page No : 2



Peak Hour Analysis From 04:15 PM to 05:00 PM - Peak 1 of 1
 Peak Hour for Each Approach Begins at:

	04:15 PM				04:15 PM				04:15 PM				04:15 PM			
+0 mins.	0	0	0	0	0	0	0	0	0	0	0	0	0	0	0	0
+15 mins.	0	0	0	0	0	0	0	0	0	0	0	0	0	0	0	0
+30 mins.	0	0	0	0	0	0	0	0	0	0	0	0	0	0	0	0
+45 mins.	0	0	0	0	0	0	0	0	0	0	0	0	0	0	0	0
Total Volume	0	0	0	0	0	0	0	0	0	0	0	0	0	0	0	0
% App. Total	0	0	0	0	0	0	0	0	0	0	0	0	0	0	0	0
PHF	.000	.000	.000	.000	.000	.000	.000	.000	.000	.000	.000	.000	.000	.000	.000	.000

City of Needles
 N/S: K Street
 E/W: Smokestack Avenue/River Road
 Weather: Clear

File Name : 05_NDL_K St_River SAT
 Site Code : 16621325
 Start Date : 7/17/2021
 Page No : 1

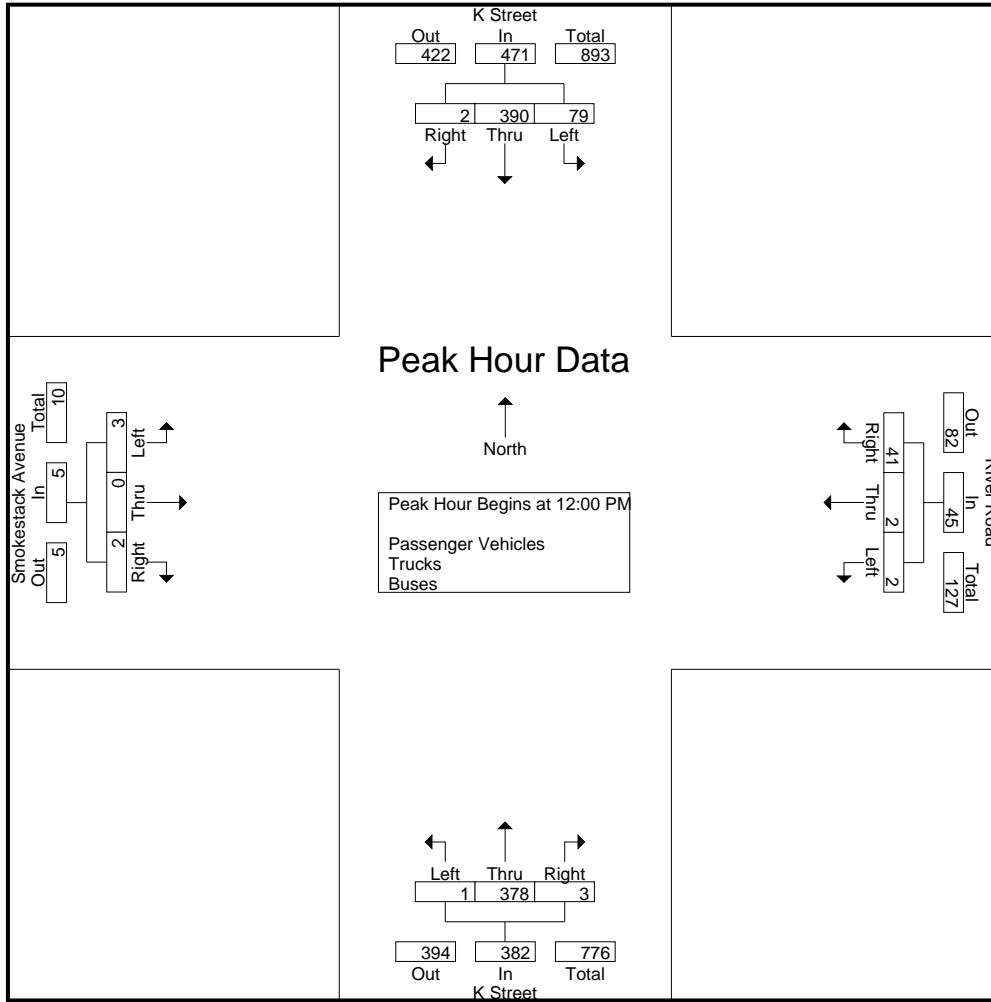
Groups Printed- Passenger Vehicles - Trucks - Buses

Start Time	K Street Southbound				River Road Westbound				K Street Northbound				Smokestack Avenue Eastbound				Int. Total
	Left	Thru	Right	App. Total	Left	Thru	Right	App. Total	Left	Thru	Right	App. Total	Left	Thru	Right	App. Total	
12:00 PM	19	113	0	132	1	1	11	13	1	95	1	97	0	0	0	0	242
12:15 PM	22	86	0	108	0	1	13	14	0	101	2	103	2	0	2	4	229
12:30 PM	32	102	0	134	1	0	13	14	0	98	0	98	1	0	0	1	247
12:45 PM	6	89	2	97	0	0	4	4	0	84	0	84	0	0	0	0	185
Total	79	390	2	471	2	2	41	45	1	378	3	382	3	0	2	5	903
01:00 PM	11	90	0	101	0	0	5	5	3	84	0	87	1	0	0	1	194
01:15 PM	13	95	1	109	0	0	6	6	0	72	0	72	0	1	1	2	189
01:30 PM	7	81	0	88	1	0	8	9	0	86	0	86	0	0	1	1	184
01:45 PM	13	85	0	98	1	0	12	13	0	77	0	77	0	0	0	0	188
Total	44	351	1	396	2	0	31	33	3	319	0	322	1	1	2	4	755
Grand Total	123	741	3	867	4	2	72	78	4	697	3	704	4	1	4	9	1658
Apprch %	14.2	85.5	0.3		5.1	2.6	92.3		0.6	99	0.4		44.4	11.1	44.4		
Total %	7.4	44.7	0.2	52.3	0.2	0.1	4.3	4.7	0.2	42	0.2	42.5	0.2	0.1	0.2	0.5	
Passenger Vehicles	123	716	3	842	4	2	71	77	4	672	2	678	4	1	4	9	1606
% Passenger Vehicles	100	96.6	100	97.1	100	100	98.6	98.7	100	96.4	66.7	96.3	100	100	100	100	96.9
Trucks	0	25	0	25	0	0	1	1	0	25	1	26	0	0	0	0	52
% Trucks	0	3.4	0	2.9	0	0	1.4	1.3	0	3.6	33.3	3.7	0	0	0	0	3.1
Buses	0	0	0	0	0	0	0	0	0	0	0	0	0	0	0	0	0
% Buses	0	0	0	0	0	0	0	0	0	0	0	0	0	0	0	0	0

Start Time	K Street Southbound				River Road Westbound				K Street Northbound				Smokestack Avenue Eastbound				Int. Total
	Left	Thru	Right	App. Total	Left	Thru	Right	App. Total	Left	Thru	Right	App. Total	Left	Thru	Right	App. Total	
Peak Hour Analysis From 12:00 PM to 01:45 PM - Peak 1 of 1																	
Peak Hour for Entire Intersection Begins at 12:00 PM																	
12:00 PM	19	113	0	132	1	1	11	13	1	95	1	97	0	0	0	0	242
12:15 PM	22	86	0	108	0	1	13	14	0	101	2	103	2	0	2	4	229
12:30 PM	32	102	0	134	1	0	13	14	0	98	0	98	1	0	0	1	247
12:45 PM	6	89	2	97	0	0	4	4	0	84	0	84	0	0	0	0	185
Total Volume	79	390	2	471	2	2	41	45	1	378	3	382	3	0	2	5	903
% App. Total	16.8	82.8	0.4		4.4	4.4	91.1		0.3	99	0.8		60	0	40		
PHF	.617	.863	.250	.879	.500	.500	.788	.804	.250	.936	.375	.927	.375	.000	.250	.313	.914

City of Needles
 N/S: K Street
 E/W: Smokestack Avenue/River Road
 Weather: Clear

File Name : 05_NDL_K St_River SAT
 Site Code : 16621325
 Start Date : 7/17/2021
 Page No : 2



Peak Hour Analysis From 12:00 PM to 01:45 PM - Peak 1 of 1
 Peak Hour for Each Approach Begins at:

	12:00 PM				12:00 PM				12:00 PM				12:15 PM			
+0 mins.	19	113	0	132	1	1	11	13	1	95	1	97	2	0	2	4
+15 mins.	22	86	0	108	0	1	13	14	0	101	2	103	1	0	0	1
+30 mins.	32	102	0	134	1	0	13	14	0	98	0	98	0	0	0	0
+45 mins.	6	89	2	97	0	0	4	4	0	84	0	84	1	0	0	1
Total Volume	79	390	2	471	2	2	41	45	1	378	3	382	4	0	2	6
% App. Total	16.8	82.8	0.4		4.4	4.4	91.1		0.3	99	0.8		66.7	0	33.3	
PHF	.617	.863	.250	.879	.500	.500	.788	.804	.250	.936	.375	.927	.500	.000	.250	.375

City of Needles
 N/S: K Street
 E/W: Smokestack Avenue/River Road
 Weather: Clear

File Name : 05_NDL_K St_River SAT
 Site Code : 16621325
 Start Date : 7/17/2021
 Page No : 1

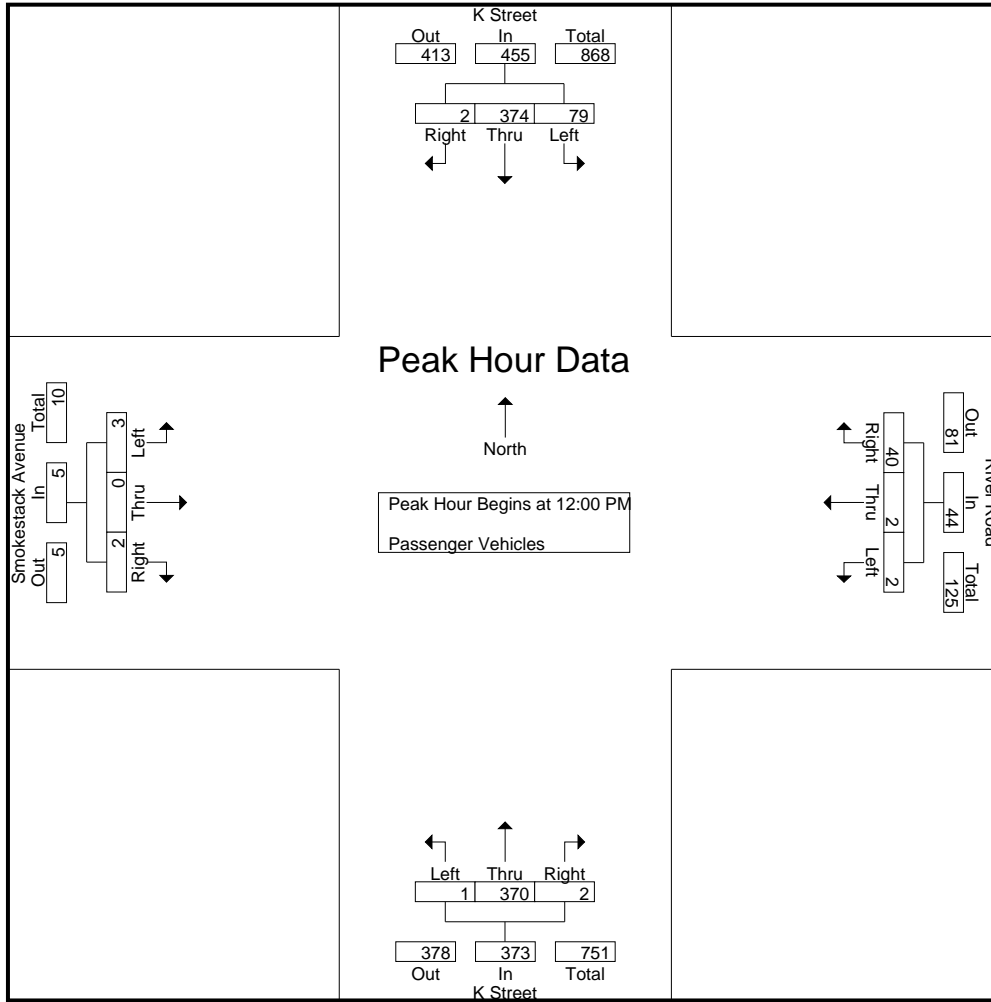
Groups Printed- Passenger Vehicles

Start Time	K Street Southbound				River Road Westbound				K Street Northbound				Smokestack Avenue Eastbound				Int. Total
	Left	Thru	Right	App. Total	Left	Thru	Right	App. Total	Left	Thru	Right	App. Total	Left	Thru	Right	App. Total	
12:00 PM	19	107	0	126	1	1	11	13	1	91	1	93	0	0	0	0	232
12:15 PM	22	86	0	108	0	1	13	14	0	99	1	100	2	0	2	4	226
12:30 PM	32	95	0	127	1	0	12	13	0	97	0	97	1	0	0	1	238
12:45 PM	6	86	2	94	0	0	4	4	0	83	0	83	0	0	0	0	181
Total	79	374	2	455	2	2	40	44	1	370	2	373	3	0	2	5	877
01:00 PM	11	87	0	98	0	0	5	5	3	80	0	83	1	0	0	1	187
01:15 PM	13	92	1	106	0	0	6	6	0	66	0	66	0	1	1	2	180
01:30 PM	7	79	0	86	1	0	8	9	0	83	0	83	0	0	1	1	179
01:45 PM	13	84	0	97	1	0	12	13	0	73	0	73	0	0	0	0	183
Total	44	342	1	387	2	0	31	33	3	302	0	305	1	1	2	4	729
Grand Total	123	716	3	842	4	2	71	77	4	672	2	678	4	1	4	9	1606
Apprch %	14.6	85	0.4		5.2	2.6	92.2		0.6	99.1	0.3		44.4	11.1	44.4		
Total %	7.7	44.6	0.2	52.4	0.2	0.1	4.4	4.8	0.2	41.8	0.1	42.2	0.2	0.1	0.2	0.6	

Start Time	K Street Southbound				River Road Westbound				K Street Northbound				Smokestack Avenue Eastbound				Int. Total
	Left	Thru	Right	App. Total	Left	Thru	Right	App. Total	Left	Thru	Right	App. Total	Left	Thru	Right	App. Total	
Peak Hour Analysis From 12:00 PM to 12:45 PM - Peak 1 of 1																	
Peak Hour for Entire Intersection Begins at 12:00 PM																	
12:00 PM	19	107	0	126	1	1	11	13	1	91	1	93	0	0	0	0	232
12:15 PM	22	86	0	108	0	1	13	14	0	99	1	100	2	0	2	4	226
12:30 PM	32	95	0	127	1	0	12	13	0	97	0	97	1	0	0	1	238
12:45 PM	6	86	2	94	0	0	4	4	0	83	0	83	0	0	0	0	181
Total Volume	79	374	2	455	2	2	40	44	1	370	2	373	3	0	2	5	877
% App. Total	17.4	82.2	0.4		4.5	4.5	90.9		0.3	99.2	0.5		60	0	40		
PHF	.617	.874	.250	.896	.500	.500	.769	.786	.250	.934	.500	.933	.375	.000	.250	.313	.921

City of Needles
 N/S: K Street
 E/W: Smokestack Avenue/River Road
 Weather: Clear

File Name : 05_NDL_K St_River SAT
 Site Code : 16621325
 Start Date : 7/17/2021
 Page No : 2



Peak Hour Analysis From 12:00 PM to 12:45 PM - Peak 1 of 1
 Peak Hour for Each Approach Begins at:

	12:00 PM				12:00 PM				12:00 PM				12:00 PM			
+0 mins.	19	107	0	126	1	1	11	13	1	91	1	93	0	0	0	0
+15 mins.	22	86	0	108	0	1	13	14	0	99	1	100	2	0	2	4
+30 mins.	32	95	0	127	1	0	12	13	0	97	0	97	1	0	0	1
+45 mins.	6	86	2	94	0	0	4	4	0	83	0	83	0	0	0	0
Total Volume	79	374	2	455	2	2	40	44	1	370	2	373	3	0	2	5
% App. Total	17.4	82.2	0.4		4.5	4.5	90.9		0.3	99.2	0.5		60	0	40	
PHF	.617	.874	.250	.896	.500	.500	.769	.786	.250	.934	.500	.933	.375	.000	.250	.313

City of Needles
 N/S: K Street
 E/W: Smokestack Avenue/River Road
 Weather: Clear

File Name : 05_NDL_K St_River SAT
 Site Code : 16621325
 Start Date : 7/17/2021
 Page No : 1

Groups Printed- Trucks

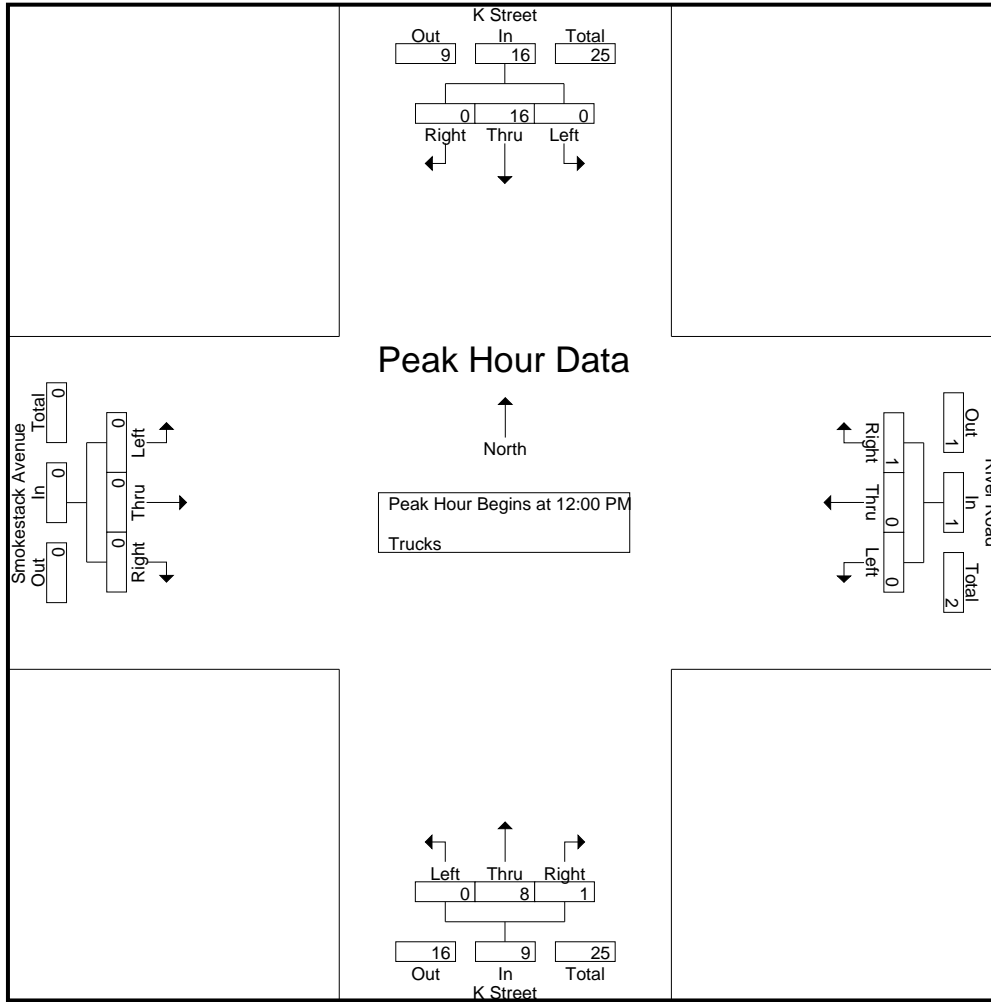
Start Time	K Street Southbound				River Road Westbound				K Street Northbound				Smokestack Avenue Eastbound				Int. Total
	Left	Thru	Right	App. Total	Left	Thru	Right	App. Total	Left	Thru	Right	App. Total	Left	Thru	Right	App. Total	
12:00 PM	0	6	0	6	0	0	0	0	0	4	0	4	0	0	0	0	10
12:15 PM	0	0	0	0	0	0	0	0	0	2	1	3	0	0	0	0	3
12:30 PM	0	7	0	7	0	0	1	1	0	1	0	1	0	0	0	0	9
12:45 PM	0	3	0	3	0	0	0	0	0	1	0	1	0	0	0	0	4
Total	0	16	0	16	0	0	1	1	0	8	1	9	0	0	0	0	26
01:00 PM	0	3	0	3	0	0	0	0	0	4	0	4	0	0	0	0	7
01:15 PM	0	3	0	3	0	0	0	0	0	6	0	6	0	0	0	0	9
01:30 PM	0	2	0	2	0	0	0	0	0	3	0	3	0	0	0	0	5
01:45 PM	0	1	0	1	0	0	0	0	0	4	0	4	0	0	0	0	5
Total	0	9	0	9	0	0	0	0	0	17	0	17	0	0	0	0	26
Grand Total	0	25	0	25	0	0	1	1	0	25	1	26	0	0	0	0	52
Apprch %	0	100	0		0	0	100		0	96.2	3.8		0	0	0		
Total %	0	48.1	0	48.1	0	0	1.9	1.9	0	48.1	1.9	50	0	0	0	0	

Start Time	K Street Southbound				River Road Westbound				K Street Northbound				Smokestack Avenue Eastbound				Int. Total
	Left	Thru	Right	App. Total	Left	Thru	Right	App. Total	Left	Thru	Right	App. Total	Left	Thru	Right	App. Total	
12:00 PM	0	6	0	6	0	0	0	0	0	4	0	4	0	0	0	0	10
12:15 PM	0	0	0	0	0	0	0	0	0	2	1	3	0	0	0	0	3
12:30 PM	0	7	0	7	0	0	1	1	0	1	0	1	0	0	0	0	9
12:45 PM	0	3	0	3	0	0	0	0	0	1	0	1	0	0	0	0	4
Total Volume	0	16	0	16	0	0	1	1	0	8	1	9	0	0	0	0	26
% App. Total	0	100	0		0	0	100		0	88.9	11.1		0	0	0		
PHF	.000	.571	.000	.571	.000	.000	.250	.250	.000	.500	.250	.563	.000	.000	.000	.000	.650

Peak Hour Analysis From 12:00 PM to 12:45 PM - Peak 1 of 1
 Peak Hour for Entire Intersection Begins at 12:00 PM

City of Needles
 N/S: K Street
 E/W: Smokestack Avenue/River Road
 Weather: Clear

File Name : 05_NDL_K St_River SAT
 Site Code : 16621325
 Start Date : 7/17/2021
 Page No : 2



Peak Hour Analysis From 12:00 PM to 12:45 PM - Peak 1 of 1
 Peak Hour for Each Approach Begins at:

	12:00 PM				12:00 PM				12:00 PM				12:00 PM			
+0 mins.	0	6	0	6	0	0	0	0	0	4	0	4	0	0	0	0
+15 mins.	0	0	0	0	0	0	0	0	0	2	1	3	0	0	0	0
+30 mins.	0	7	0	7	0	0	1	1	0	1	0	1	0	0	0	0
+45 mins.	0	3	0	3	0	0	0	0	0	1	0	1	0	0	0	0
Total Volume	0	16	0	16	0	0	1	1	0	8	1	9	0	0	0	0
% App. Total	0	100	0	100	0	0	100	100	0	88.9	11.1	100	0	0	0	0
PHF	.000	.571	.000	.571	.000	.000	.250	.250	.000	.500	.250	.563	.000	.000	.000	.000

City of Needles
 N/S: K Street
 E/W: Smokestack Avenue/River Road
 Weather: Clear

File Name : 05_NDL_K St_River SAT
 Site Code : 16621325
 Start Date : 7/17/2021
 Page No : 1

Groups Printed- Buses

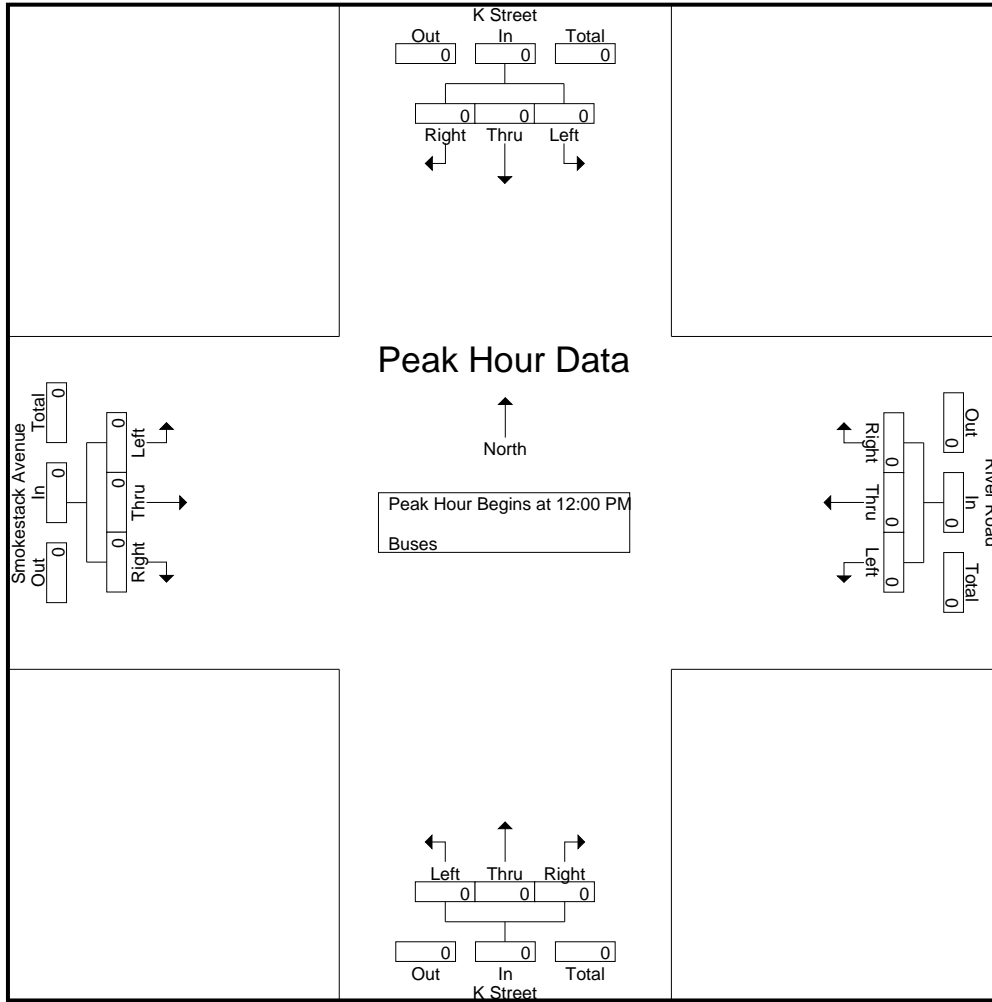
Start Time	K Street Southbound				River Road Westbound				K Street Northbound				Smokestack Avenue Eastbound				Int. Total
	Left	Thru	Right	App. Total	Left	Thru	Right	App. Total	Left	Thru	Right	App. Total	Left	Thru	Right	App. Total	
12:00 PM	0	0	0	0	0	0	0	0	0	0	0	0	0	0	0	0	0
12:15 PM	0	0	0	0	0	0	0	0	0	0	0	0	0	0	0	0	0
12:30 PM	0	0	0	0	0	0	0	0	0	0	0	0	0	0	0	0	0
12:45 PM	0	0	0	0	0	0	0	0	0	0	0	0	0	0	0	0	0
Total	0	0	0	0	0	0	0	0	0	0	0	0	0	0	0	0	0
01:00 PM	0	0	0	0	0	0	0	0	0	0	0	0	0	0	0	0	0
01:15 PM	0	0	0	0	0	0	0	0	0	0	0	0	0	0	0	0	0
01:30 PM	0	0	0	0	0	0	0	0	0	0	0	0	0	0	0	0	0
01:45 PM	0	0	0	0	0	0	0	0	0	0	0	0	0	0	0	0	0
Total	0	0	0	0	0	0	0	0	0	0	0	0	0	0	0	0	0
Grand Total	0	0	0	0	0	0	0	0	0	0	0	0	0	0	0	0	0
Apprch %	0	0	0		0	0	0		0	0	0		0	0	0		
Total %																	

Start Time	K Street Southbound				River Road Westbound				K Street Northbound				Smokestack Avenue Eastbound				Int. Total
	Left	Thru	Right	App. Total	Left	Thru	Right	App. Total	Left	Thru	Right	App. Total	Left	Thru	Right	App. Total	
12:00 PM	0	0	0	0	0	0	0	0	0	0	0	0	0	0	0	0	0
12:15 PM	0	0	0	0	0	0	0	0	0	0	0	0	0	0	0	0	0
12:30 PM	0	0	0	0	0	0	0	0	0	0	0	0	0	0	0	0	0
12:45 PM	0	0	0	0	0	0	0	0	0	0	0	0	0	0	0	0	0
Total Volume	0	0	0	0	0	0	0	0	0	0	0	0	0	0	0	0	0
% App. Total	0	0	0		0	0	0		0	0	0		0	0	0		
PHF	.000	.000	.000	.000	.000	.000	.000	.000	.000	.000	.000	.000	.000	.000	.000	.000	.000

Peak Hour Analysis From 12:00 PM to 12:45 PM - Peak 1 of 1
 Peak Hour for Entire Intersection Begins at 12:00 PM

City of Needles
 N/S: K Street
 E/W: Smokestack Avenue/River Road
 Weather: Clear

File Name : 05_NDL_K St_River SAT
 Site Code : 16621325
 Start Date : 7/17/2021
 Page No : 2



Peak Hour Analysis From 12:00 PM to 12:45 PM - Peak 1 of 1
 Peak Hour for Each Approach Begins at:

	12:00 PM				12:00 PM				12:00 PM				12:00 PM			
+0 mins.	0	0	0	0	0	0	0	0	0	0	0	0	0	0	0	0
+15 mins.	0	0	0	0	0	0	0	0	0	0	0	0	0	0	0	0
+30 mins.	0	0	0	0	0	0	0	0	0	0	0	0	0	0	0	0
+45 mins.	0	0	0	0	0	0	0	0	0	0	0	0	0	0	0	0
Total Volume	0	0	0	0	0	0	0	0	0	0	0	0	0	0	0	0
% App. Total	0	0	0	0	0	0	0	0	0	0	0	0	0	0	0	0
PHF	.000	.000	.000	.000	.000	.000	.000	.000	.000	.000	.000	.000	.000	.000	.000	.000

Location: Needles
 N/S: K Street
 E/W: Smokestack Ave/River Rd



PEDESTRIANS

Date: 7/15/2021
 Day: Thursday

	North Leg K Street	East Leg River Road	South Leg K Street	West Leg Smokestack Avenue	
	Pedestrians	Pedestrians	Pedestrians	Pedestrians	
7:00 AM	0	0	0	1	1
7:15 AM	1	1	0	0	2
7:30 AM	0	0	0	0	0
7:45 AM	0	0	0	0	0
8:00 AM	0	0	0	0	0
8:15 AM	0	0	0	0	0
8:30 AM	0	0	0	0	0
8:45 AM	0	0	0	0	0
TOTAL VOLUMES:	1	1	0	1	3

Date: 7/15/2021
 Day: Thursday

	North Leg K Street	East Leg River Road	South Leg K Street	West Leg Smokestack Avenue	
	Pedestrians	Pedestrians	Pedestrians	Pedestrians	
4:00 PM	0	0	0	1	1
4:15 PM	0	0	0	0	0
4:30 PM	0	0	0	1	1
4:45 PM	0	0	0	0	0
5:00 PM	0	0	0	0	0
5:15 PM	0	0	0	0	0
5:30 PM	0	0	0	0	0
5:45 PM	0	0	0	0	0
TOTAL VOLUMES:	0	0	0	2	2

Date: 7/17/2021
 Day: Saturday

	North Leg K Street	East Leg River Road	South Leg K Street	West Leg Smokestack Avenue	
	Pedestrians	Pedestrians	Pedestrians	Pedestrians	
12:00 PM	0	0	0	0	0
12:15 PM	0	0	0	0	0
12:30 PM	0	0	0	0	0
12:45 PM	0	0	0	0	0
1:00 PM	0	0	0	1	1
1:15 PM	0	0	0	0	0
1:30 PM	0	0	0	0	0
1:45 PM	0	0	0	0	0
TOTAL VOLUMES:	0	0	0	1	1

Location: Needles
 N/S: K Street
 E/W: Smokestack Ave/River Rd



BICYCLES

Date: 7/15/2021
 Day: Thursday

	Southbound K Street			Westbound River Road			Northbound K Street			Eastbound Smokestack Avenue			
	Left	Thru	Right	Left	Thru	Right	Left	Thru	Right	Left	Thru	Right	
7:00 AM	0	0	0	0	0	0	0	0	0	0	0	0	0
7:15 AM	0	0	0	0	0	0	0	0	0	0	0	0	0
7:30 AM	0	1	0	0	0	0	0	0	0	0	0	0	1
7:45 AM	0	0	0	0	0	0	0	0	0	0	0	0	0
8:00 AM	0	0	0	0	0	0	0	0	0	0	0	0	0
8:15 AM	0	0	0	0	0	0	0	0	0	0	0	0	0
8:30 AM	0	0	0	0	0	0	0	0	0	0	0	0	0
8:45 AM	0	0	0	0	0	0	0	0	0	0	0	0	0
TOTAL VOLUMES:	0	1	0	0	0	0	0	0	0	0	0	0	1

Date: 7/15/2021
 Day: Thursday

	Southbound K Street			Westbound River Road			Northbound K Street			Eastbound Smokestack Avenue			
	Left	Thru	Right	Left	Thru	Right	Left	Thru	Right	Left	Thru	Right	
4:00 PM	0	0	0	0	0	0	0	0	0	0	0	0	0
4:15 PM	0	0	0	0	0	0	0	0	0	0	0	0	0
4:30 PM	0	0	0	0	0	0	0	0	0	0	0	0	0
4:45 PM	0	0	0	0	0	0	0	0	0	0	0	0	0
5:00 PM	0	0	0	0	0	0	0	0	0	0	0	0	0
5:15 PM	0	0	0	0	0	0	0	0	0	0	0	0	0
5:30 PM	0	0	0	0	0	0	0	0	0	0	0	0	0
5:45 PM	0	0	0	0	0	0	0	0	0	0	0	0	0
TOTAL VOLUMES:	0	0	0	0	0	0	0	0	0	0	0	0	0

Date: 7/17/2021
 Day: Saturday

	Southbound K Street			Westbound River Road			Northbound K Street			Eastbound Smokestack Avenue			
	Left	Thru	Right	Left	Thru	Right	Left	Thru	Right	Left	Thru	Right	
12:00 PM	0	0	0	0	0	0	0	0	0	0	0	0	0
12:15 PM	0	0	0	0	0	0	0	0	0	0	0	0	0
12:30 PM	0	0	0	0	0	0	0	0	0	0	0	0	0
12:45 PM	0	0	0	0	0	0	0	0	0	0	0	0	0
1:00 PM	0	0	0	0	0	0	0	0	0	0	0	0	0
1:15 PM	0	0	0	0	0	0	0	0	0	0	0	0	0
1:30 PM	0	0	0	0	0	0	0	0	0	0	0	0	0
1:45 PM	0	0	0	0	0	0	0	0	0	0	0	0	0
TOTAL VOLUMES:	0	0	0	0	0	0	0	0	0	0	0	0	0

City of Needles
 N/S: N Street/Broadway Avenue
 E/W: Needles Highway
 Weather: Clear

File Name : 06_NDL_Broadway_Needles AM
 Site Code : 16621325
 Start Date : 7/15/2021
 Page No : 1

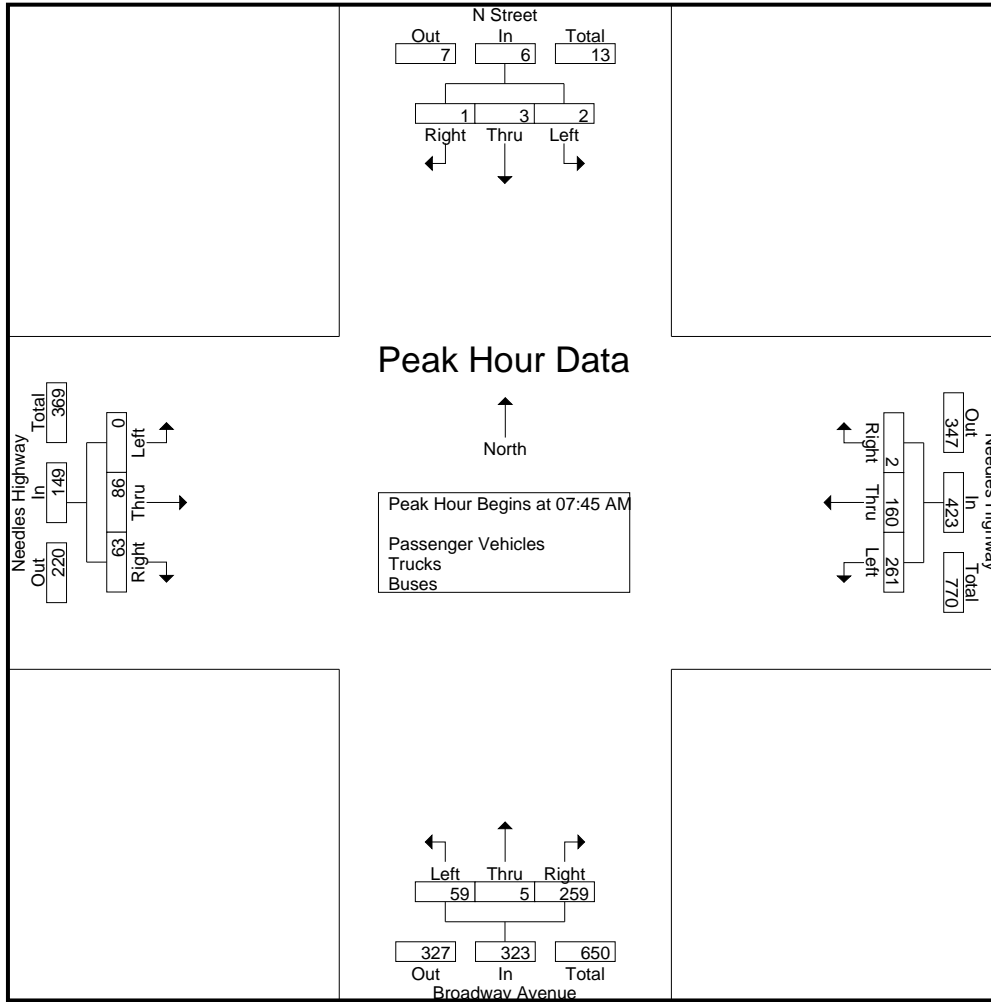
Groups Printed- Passenger Vehicles - Trucks - Buses

Start Time	N Street Southbound				Needles Highway Westbound				Broadway Avenue Northbound				Needles Highway Eastbound				Int. Total
	Left	Thru	Right	App. Total	Left	Thru	Right	App. Total	Left	Thru	Right	App. Total	Left	Thru	Right	App. Total	
07:00 AM	0	3	0	3	58	27	0	85	10	3	61	74	1	11	9	21	183
07:15 AM	2	0	0	2	51	18	0	69	11	0	51	62	0	16	14	30	163
07:30 AM	2	0	0	2	63	11	2	76	12	0	49	61	0	29	13	42	181
07:45 AM	1	0	0	1	73	43	0	116	21	0	70	91	0	29	20	49	257
Total	5	3	0	8	245	99	2	346	54	3	231	288	1	85	56	142	784
08:00 AM	0	2	0	2	67	43	2	112	11	2	64	77	0	12	18	30	221
08:15 AM	1	1	1	3	63	39	0	102	11	0	61	72	0	25	11	36	213
08:30 AM	0	0	0	0	58	35	0	93	16	3	64	83	0	20	14	34	210
08:45 AM	1	0	0	1	43	36	1	80	19	0	63	82	0	16	11	27	190
Total	2	3	1	6	231	153	3	387	57	5	252	314	0	73	54	127	834
Grand Total	7	6	1	14	476	252	5	733	111	8	483	602	1	158	110	269	1618
Apprch %	50	42.9	7.1		64.9	34.4	0.7		18.4	1.3	80.2		0.4	58.7	40.9		
Total %	0.4	0.4	0.1	0.9	29.4	15.6	0.3	45.3	6.9	0.5	29.9	37.2	0.1	9.8	6.8	16.6	
Passenger Vehicles	6	6	1	13	464	228	5	697	104	7	458	569	1	152	105	258	1537
% Passenger Vehicles	85.7	100	100	92.9	97.5	90.5	100	95.1	93.7	87.5	94.8	94.5	100	96.2	95.5	95.9	95
Trucks	0	0	0	0	12	24	0	36	5	0	25	30	0	6	3	9	75
% Trucks	0	0	0	0	2.5	9.5	0	4.9	4.5	0	5.2	5	0	3.8	2.7	3.3	4.6
Buses	1	0	0	1	0	0	0	0	2	1	0	3	0	0	2	2	6
% Buses	14.3	0	0	7.1	0	0	0	0	1.8	12.5	0	0.5	0	0	1.8	0.7	0.4

Start Time	N Street Southbound				Needles Highway Westbound				Broadway Avenue Northbound				Needles Highway Eastbound				Int. Total
	Left	Thru	Right	App. Total	Left	Thru	Right	App. Total	Left	Thru	Right	App. Total	Left	Thru	Right	App. Total	
Peak Hour Analysis From 07:00 AM to 08:45 AM - Peak 1 of 1																	
Peak Hour for Entire Intersection Begins at 07:45 AM																	
07:45 AM	1	0	0	1	73	43	0	116	21	0	70	91	0	29	20	49	257
08:00 AM	0	2	0	2	67	43	2	112	11	2	64	77	0	12	18	30	221
08:15 AM	1	1	1	3	63	39	0	102	11	0	61	72	0	25	11	36	213
08:30 AM	0	0	0	0	58	35	0	93	16	3	64	83	0	20	14	34	210
Total Volume	2	3	1	6	261	160	2	423	59	5	259	323	0	86	63	149	901
% App. Total	33.3	50	16.7		61.7	37.8	0.5		18.3	1.5	80.2		0	57.7	42.3		
PHF	.500	.375	.250	.500	.894	.930	.250	.912	.702	.417	.925	.887	.000	.741	.788	.760	.876

City of Needles
 N/S: N Street/Broadway Avenue
 E/W: Needles Highway
 Weather: Clear

File Name : 06_NDL_Broadway_Needles AM
 Site Code : 16621325
 Start Date : 7/15/2021
 Page No : 2



Peak Hour Analysis From 07:00 AM to 08:45 AM - Peak 1 of 1
 Peak Hour for Each Approach Begins at:

	07:00 AM				07:45 AM				07:45 AM				07:30 AM			
+0 mins.	0	3	0	3	73	43	0	116	21	0	70	91	0	29	13	42
+15 mins.	2	0	0	2	67	43	2	112	11	2	64	77	0	29	20	49
+30 mins.	2	0	0	2	63	39	0	102	11	0	61	72	0	12	18	30
+45 mins.	1	0	0	1	58	35	0	93	16	3	64	83	0	25	11	36
Total Volume	5	3	0	8	261	160	2	423	59	5	259	323	0	95	62	157
% App. Total	62.5	37.5	0		61.7	37.8	0.5		18.3	1.5	80.2		0	60.5	39.5	
PHF	.625	.250	.000	.667	.894	.930	.250	.912	.702	.417	.925	.887	.000	.819	.775	.801

City of Needles
 N/S: N Street/Broadway Avenue
 E/W: Needles Highway
 Weather: Clear

File Name : 06_NDL_Broadway_Needles AM
 Site Code : 16621325
 Start Date : 7/15/2021
 Page No : 1

Groups Printed- Passenger Vehicles

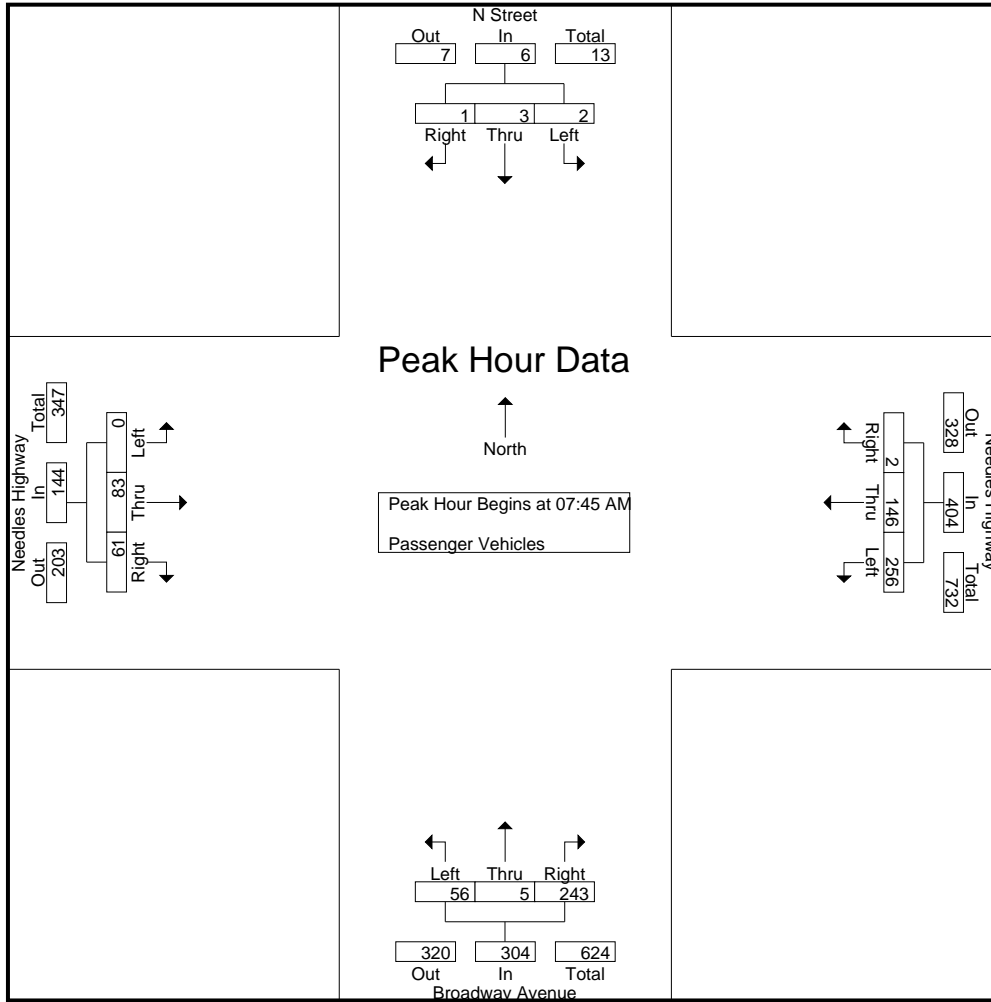
Start Time	N Street Southbound				Needles Highway Westbound				Broadway Avenue Northbound				Needles Highway Eastbound				Int. Total
	Left	Thru	Right	App. Total	Left	Thru	Right	App. Total	Left	Thru	Right	App. Total	Left	Thru	Right	App. Total	
07:00 AM	0	3	0	3	56	24	0	80	9	2	59	70	1	11	8	20	173
07:15 AM	1	0	0	1	51	17	0	68	11	0	48	59	0	14	14	28	156
07:30 AM	2	0	0	2	60	8	2	70	10	0	46	56	0	29	11	40	168
07:45 AM	1	0	0	1	72	39	0	111	21	0	67	88	0	28	20	48	248
Total	4	3	0	7	239	88	2	329	51	2	220	273	1	82	53	136	745
08:00 AM	0	2	0	2	66	39	2	107	11	2	62	75	0	11	18	29	213
08:15 AM	1	1	1	3	63	35	0	98	11	0	57	68	0	24	10	34	203
08:30 AM	0	0	0	0	55	33	0	88	13	3	57	73	0	20	13	33	194
08:45 AM	1	0	0	1	41	33	1	75	18	0	62	80	0	15	11	26	182
Total	2	3	1	6	225	140	3	368	53	5	238	296	0	70	52	122	792
Grand Total	6	6	1	13	464	228	5	697	104	7	458	569	1	152	105	258	1537
Apprch %	46.2	46.2	7.7		66.6	32.7	0.7		18.3	1.2	80.5		0.4	58.9	40.7		
Total %	0.4	0.4	0.1	0.8	30.2	14.8	0.3	45.3	6.8	0.5	29.8	37	0.1	9.9	6.8	16.8	

Start Time	N Street Southbound				Needles Highway Westbound				Broadway Avenue Northbound				Needles Highway Eastbound				Int. Total
	Left	Thru	Right	App. Total	Left	Thru	Right	App. Total	Left	Thru	Right	App. Total	Left	Thru	Right	App. Total	
07:45 AM	1	0	0	1	72	39	0	111	21	0	67	88	0	28	20	48	248
08:00 AM	0	2	0	2	66	39	2	107	11	2	62	75	0	11	18	29	213
08:15 AM	1	1	1	3	63	35	0	98	11	0	57	68	0	24	10	34	203
08:30 AM	0	0	0	0	55	33	0	88	13	3	57	73	0	20	13	33	194
Total Volume	2	3	1	6	256	146	2	404	56	5	243	304	0	83	61	144	858
% App. Total	33.3	50	16.7		63.4	36.1	0.5		18.4	1.6	79.9		0	57.6	42.4		
PHF	.500	.375	.250	.500	.889	.936	.250	.910	.667	.417	.907	.864	.000	.741	.763	.750	.865

Peak Hour Analysis From 07:45 AM to 08:30 AM - Peak 1 of 1
 Peak Hour for Entire Intersection Begins at 07:45 AM

City of Needles
 N/S: N Street/Broadway Avenue
 E/W: Needles Highway
 Weather: Clear

File Name : 06_NDL_Broadway_Needles AM
 Site Code : 16621325
 Start Date : 7/15/2021
 Page No : 2



Peak Hour Analysis From 07:45 AM to 08:30 AM - Peak 1 of 1
 Peak Hour for Each Approach Begins at:

	07:45 AM				07:45 AM				07:45 AM				07:45 AM			
+0 mins.	1	0	0	1	72	39	0	111	21	0	67	88	0	28	20	48
+15 mins.	0	2	0	2	66	39	2	107	11	2	62	75	0	11	18	29
+30 mins.	1	1	1	3	63	35	0	98	11	0	57	68	0	24	10	34
+45 mins.	0	0	0	0	55	33	0	88	13	3	57	73	0	20	13	33
Total Volume	2	3	1	6	256	146	2	404	56	5	243	304	0	83	61	144
% App. Total	33.3	50	16.7	6	63.4	36.1	0.5	18.4	1.6	79.9	304	0	57.6	42.4	144	0
PHF	.500	.375	.250	.500	.889	.936	.250	.910	.667	.417	.907	.864	.000	.741	.763	.750

City of Needles
 N/S: N Street/Broadway Avenue
 E/W: Needles Highway
 Weather: Clear

File Name : 06_NDL_Broadway_Needles AM
 Site Code : 16621325
 Start Date : 7/15/2021
 Page No : 1

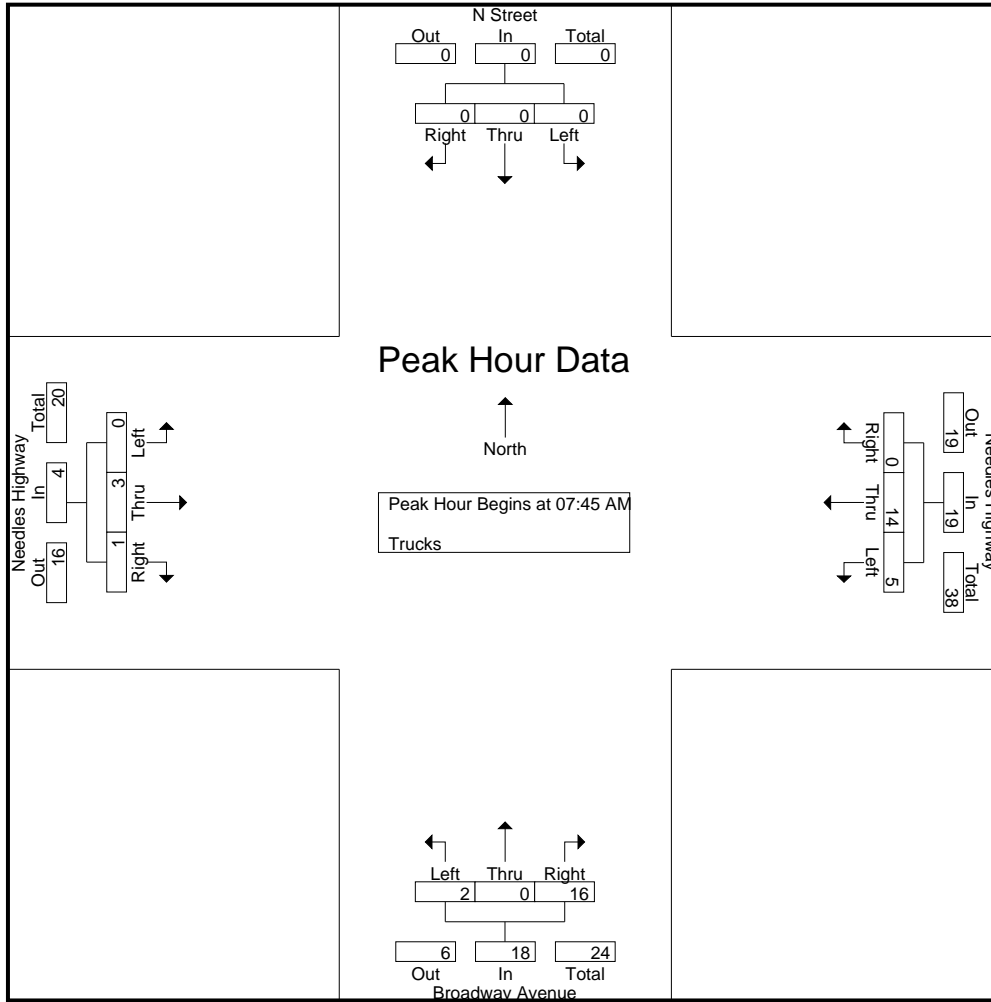
Groups Printed- Trucks

Start Time	N Street Southbound				Needles Highway Westbound				Broadway Avenue Northbound				Needles Highway Eastbound				Int. Total
	Left	Thru	Right	App. Total	Left	Thru	Right	App. Total	Left	Thru	Right	App. Total	Left	Thru	Right	App. Total	
07:00 AM	0	0	0	0	2	3	0	5	1	0	2	3	0	0	1	1	9
07:15 AM	0	0	0	0	0	1	0	1	0	0	3	3	0	2	0	2	6
07:30 AM	0	0	0	0	3	3	0	6	1	0	3	4	0	0	1	1	11
07:45 AM	0	0	0	0	1	4	0	5	0	0	3	3	0	1	0	1	9
Total	0	0	0	0	6	11	0	17	2	0	11	13	0	3	2	5	35
08:00 AM	0	0	0	0	1	4	0	5	0	0	2	2	0	1	0	1	8
08:15 AM	0	0	0	0	0	4	0	4	0	0	4	4	0	1	1	2	10
08:30 AM	0	0	0	0	3	2	0	5	2	0	7	9	0	0	0	0	14
08:45 AM	0	0	0	0	2	3	0	5	1	0	1	2	0	1	0	1	8
Total	0	0	0	0	6	13	0	19	3	0	14	17	0	3	1	4	40
Grand Total	0	0	0	0	12	24	0	36	5	0	25	30	0	6	3	9	75
Apprch %	0	0	0		33.3	66.7	0		16.7	0	83.3		0	66.7	33.3		
Total %	0	0	0		16	32	0	48	6.7	0	33.3	40	0	8	4	12	

Start Time	N Street Southbound				Needles Highway Westbound				Broadway Avenue Northbound				Needles Highway Eastbound				Int. Total
	Left	Thru	Right	App. Total	Left	Thru	Right	App. Total	Left	Thru	Right	App. Total	Left	Thru	Right	App. Total	
Peak Hour Analysis From 07:45 AM to 08:30 AM - Peak 1 of 1																	
Peak Hour for Entire Intersection Begins at 07:45 AM																	
07:45 AM	0	0	0	0	1	4	0	5	0	0	3	3	0	1	0	1	9
08:00 AM	0	0	0	0	1	4	0	5	0	0	2	2	0	1	0	1	8
08:15 AM	0	0	0	0	0	4	0	4	0	0	4	4	0	1	1	2	10
08:30 AM	0	0	0	0	3	2	0	5	2	0	7	9	0	0	0	0	14
Total Volume	0	0	0	0	5	14	0	19	2	0	16	18	0	3	1	4	41
% App. Total	0	0	0		26.3	73.7	0		11.1	0	88.9		0	75	25		
PHF	.000	.000	.000	.000	.417	.875	.000	.950	.250	.000	.571	.500	.000	.750	.250	.500	.732

City of Needles
 N/S: N Street/Broadway Avenue
 E/W: Needles Highway
 Weather: Clear

File Name : 06_NDL_Broadway_Needles AM
 Site Code : 16621325
 Start Date : 7/15/2021
 Page No : 2



Peak Hour Analysis From 07:45 AM to 08:30 AM - Peak 1 of 1
 Peak Hour for Each Approach Begins at:

	07:45 AM				07:45 AM				07:45 AM				07:45 AM			
+0 mins.	0	0	0	0	1	4	0	5	0	0	3	3	0	1	0	1
+15 mins.	0	0	0	0	1	4	0	5	0	0	2	2	0	1	0	1
+30 mins.	0	0	0	0	0	4	0	4	0	0	4	4	0	1	1	2
+45 mins.	0	0	0	0	3	2	0	5	2	0	7	9	0	0	0	0
Total Volume	0	0	0	0	5	14	0	19	2	0	16	18	0	3	1	4
% App. Total	0	0	0	0	26.3	73.7	0	0	11.1	0	88.9	0	0	75	25	0
PHF	.000	.000	.000	.000	.417	.875	.000	.950	.250	.000	.571	.500	.000	.750	.250	.500

City of Needles
 N/S: N Street/Broadway Avenue
 E/W: Needles Highway
 Weather: Clear

File Name : 06_NDL_Broadway_Needles AM
 Site Code : 16621325
 Start Date : 7/15/2021
 Page No : 1

Groups Printed- Buses

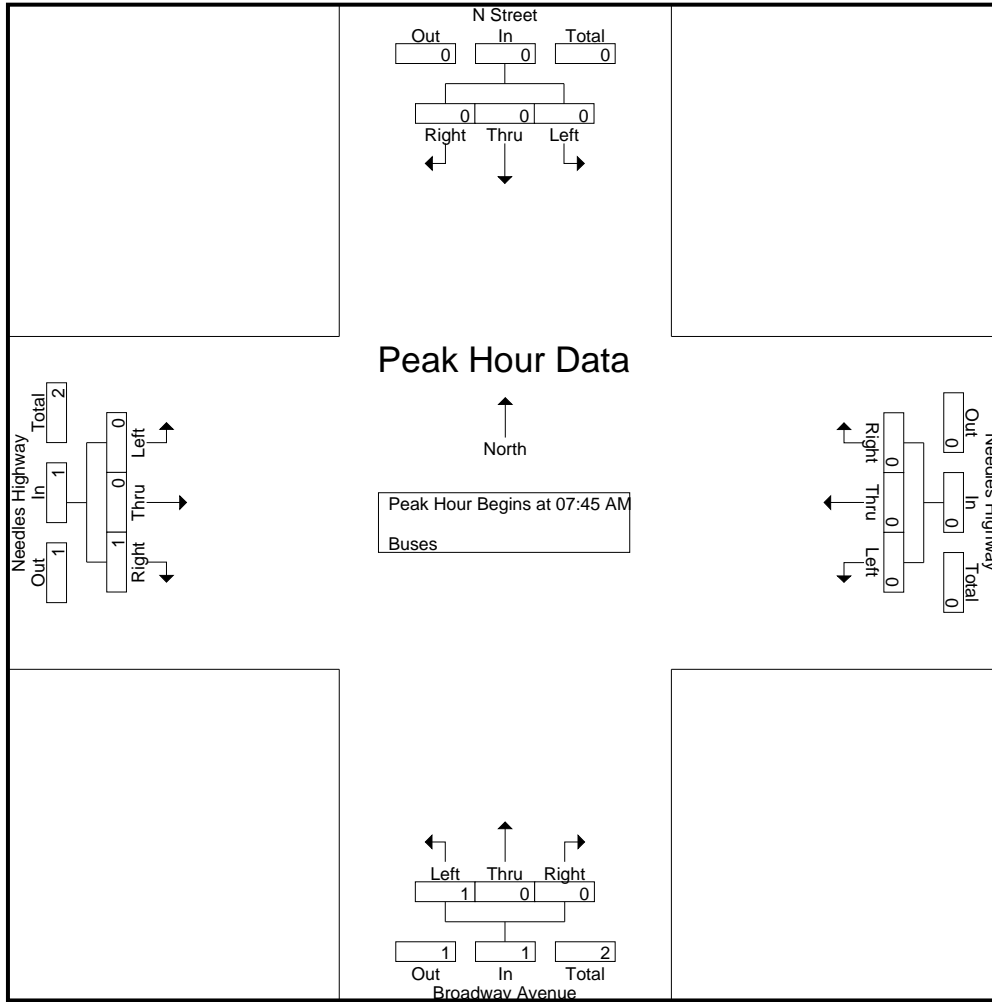
Start Time	N Street Southbound				Needles Highway Westbound				Broadway Avenue Northbound				Needles Highway Eastbound				Int. Total	
	Left	Thru	Right	App. Total	Left	Thru	Right	App. Total	Left	Thru	Right	App. Total	Left	Thru	Right	App. Total		
07:00 AM	0	0	0	0	0	0	0	0	0	0	1	0	1	0	0	0	0	1
07:15 AM	1	0	0	1	0	0	0	0	0	0	0	0	0	0	0	0	0	1
07:30 AM	0	0	0	0	0	0	0	0	0	1	0	0	1	0	0	1	1	2
07:45 AM	0	0	0	0	0	0	0	0	0	0	0	0	0	0	0	0	0	0
Total	1	0	0	1	0	0	0	0	0	1	1	0	2	0	0	1	1	4
08:00 AM	0	0	0	0	0	0	0	0	0	0	0	0	0	0	0	0	0	0
08:15 AM	0	0	0	0	0	0	0	0	0	0	0	0	0	0	0	0	0	0
08:30 AM	0	0	0	0	0	0	0	0	0	1	0	0	1	0	0	1	1	2
08:45 AM	0	0	0	0	0	0	0	0	0	0	0	0	0	0	0	0	0	0
Total	0	0	0	0	0	0	0	0	0	1	0	0	1	0	0	1	1	2
Grand Total	1	0	0	1	0	0	0	0	0	2	1	0	3	0	0	2	2	6
Apprch %	100	0	0		0	0	0			66.7	33.3	0		0	0	100		
Total %	16.7	0	0	16.7	0	0	0	0	0	33.3	16.7	0	50	0	0	33.3	33.3	

Start Time	N Street Southbound				Needles Highway Westbound				Broadway Avenue Northbound				Needles Highway Eastbound				Int. Total	
	Left	Thru	Right	App. Total	Left	Thru	Right	App. Total	Left	Thru	Right	App. Total	Left	Thru	Right	App. Total		
07:45 AM	0	0	0	0	0	0	0	0	0	0	0	0	0	0	0	0	0	0
08:00 AM	0	0	0	0	0	0	0	0	0	0	0	0	0	0	0	0	0	0
08:15 AM	0	0	0	0	0	0	0	0	0	0	0	0	0	0	0	0	0	0
08:30 AM	0	0	0	0	0	0	0	0	0	1	0	0	1	0	0	1	1	2
Total Volume	0	0	0	0	0	0	0	0	0	1	0	0	1	0	0	1	1	2
% App. Total	0	0	0		0	0	0			100	0	0		0	0	100		
PHF	.000	.000	.000	.000	.000	.000	.000	.000	.000	.250	.000	.000	.250	.000	.000	.250	.250	.250

Peak Hour Analysis From 07:45 AM to 08:30 AM - Peak 1 of 1
 Peak Hour for Entire Intersection Begins at 07:45 AM

City of Needles
 N/S: N Street/Broadway Avenue
 E/W: Needles Highway
 Weather: Clear

File Name : 06_NDL_Broadway_Needles AM
 Site Code : 16621325
 Start Date : 7/15/2021
 Page No : 2



Peak Hour Analysis From 07:45 AM to 08:30 AM - Peak 1 of 1
 Peak Hour for Each Approach Begins at:

	07:45 AM				07:45 AM				07:45 AM				07:45 AM			
+0 mins.	0	0	0	0	0	0	0	0	0	0	0	0	0	0	0	0
+15 mins.	0	0	0	0	0	0	0	0	0	0	0	0	0	0	0	0
+30 mins.	0	0	0	0	0	0	0	0	0	0	0	0	0	0	0	0
+45 mins.	0	0	0	0	0	0	0	0	1	0	0	1	0	0	1	1
Total Volume	0	0	0	0	0	0	0	0	1	0	0	1	0	0	1	1
% App. Total	0	0	0	0	0	0	0	0	100	0	0	100	0	0	100	100
PHF	.000	.000	.000	.000	.000	.000	.000	.000	.250	.000	.000	.250	.000	.000	.250	.250

City of Needles
 N/S: N Street/Broadway Avenue
 E/W: Needles Highway
 Weather: Clear

File Name : 06_NDL_Broadway_Needles PM
 Site Code : 16621325
 Start Date : 7/15/2021
 Page No : 1

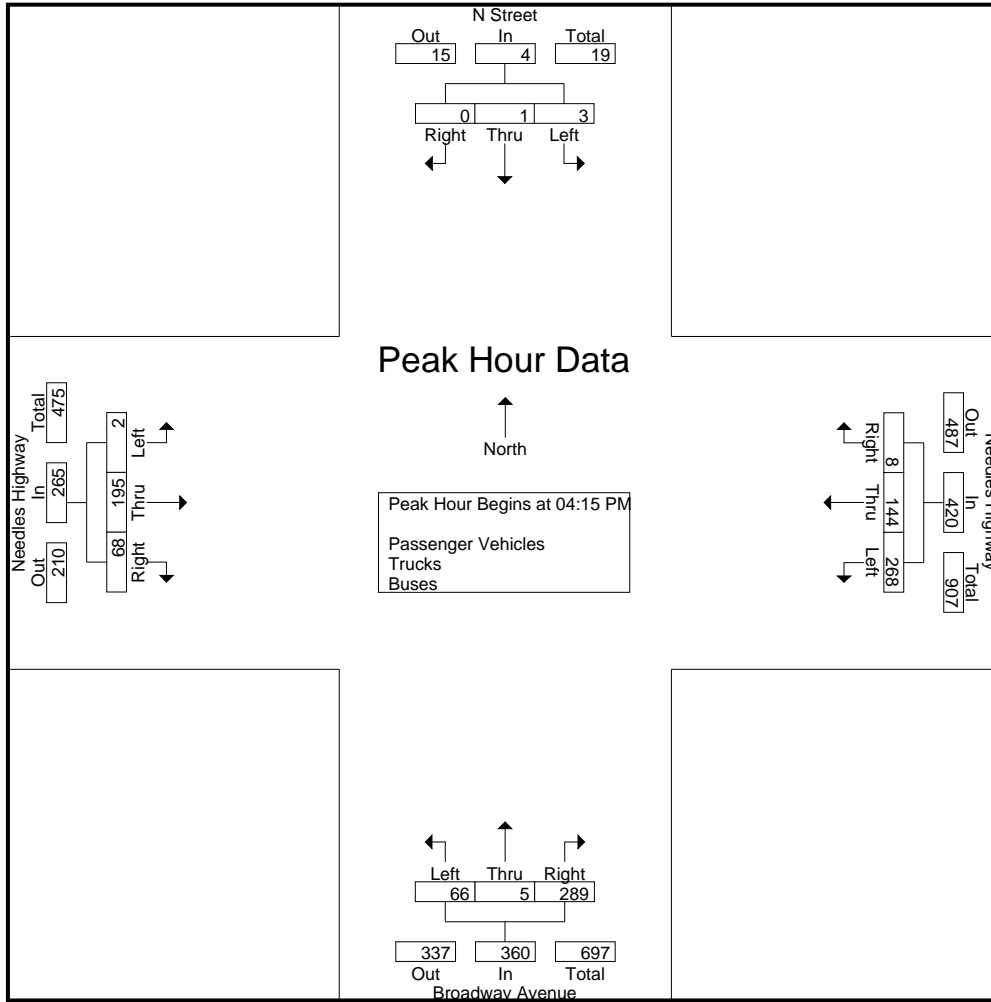
Groups Printed- Passenger Vehicles - Trucks - Buses

Start Time	N Street Southbound				Needles Highway Westbound				Broadway Avenue Northbound				Needles Highway Eastbound				Int. Total
	Left	Thru	Right	App. Total	Left	Thru	Right	App. Total	Left	Thru	Right	App. Total	Left	Thru	Right	App. Total	
04:00 PM	2	0	0	2	68	42	1	111	9	0	61	70	0	35	21	56	239
04:15 PM	0	0	0	0	67	38	1	106	13	2	78	93	0	53	13	66	265
04:30 PM	1	0	0	1	70	28	1	99	18	1	81	100	0	36	24	60	260
04:45 PM	1	1	0	2	62	37	3	102	21	1	58	80	0	58	13	71	255
Total	4	1	0	5	267	145	6	418	61	4	278	343	0	182	71	253	1019
05:00 PM	1	0	0	1	69	41	3	113	14	1	72	87	2	48	18	68	269
05:15 PM	0	2	0	2	79	23	1	103	12	2	57	71	1	43	12	56	232
05:30 PM	2	1	0	3	76	27	1	104	12	0	72	84	0	37	19	56	247
05:45 PM	0	2	0	2	77	27	1	105	6	1	64	71	0	43	20	63	241
Total	3	5	0	8	301	118	6	425	44	4	265	313	3	171	69	243	989
Grand Total	7	6	0	13	568	263	12	843	105	8	543	656	3	353	140	496	2008
Apprch %	53.8	46.2	0		67.4	31.2	1.4		16	1.2	82.8		0.6	71.2	28.2		
Total %	0.3	0.3	0	0.6	28.3	13.1	0.6	42	5.2	0.4	27	32.7	0.1	17.6	7	24.7	
Passenger Vehicles	7	6	0	13	554	228	12	794	102	8	533	643	3	333	137	473	1923
% Passenger Vehicles	100	100	0	100	97.5	86.7	100	94.2	97.1	100	98.2	98	100	94.3	97.9	95.4	95.8
Trucks	0	0	0	0	14	35	0	49	1	0	10	11	0	20	1	21	81
% Trucks	0	0	0	0	2.5	13.3	0	5.8	1	0	1.8	1.7	0	5.7	0.7	4.2	4
Buses	0	0	0	0	0	0	0	0	2	0	0	2	0	0	2	2	4
% Buses	0	0	0	0	0	0	0	0	1.9	0	0	0.3	0	0	1.4	0.4	0.2

Start Time	N Street Southbound				Needles Highway Westbound				Broadway Avenue Northbound				Needles Highway Eastbound				Int. Total
	Left	Thru	Right	App. Total	Left	Thru	Right	App. Total	Left	Thru	Right	App. Total	Left	Thru	Right	App. Total	
Peak Hour Analysis From 04:00 PM to 05:45 PM - Peak 1 of 1																	
Peak Hour for Entire Intersection Begins at 04:15 PM																	
04:15 PM	0	0	0	0	67	38	1	106	13	2	78	93	0	53	13	66	265
04:30 PM	1	0	0	1	70	28	1	99	18	1	81	100	0	36	24	60	260
04:45 PM	1	1	0	2	62	37	3	102	21	1	58	80	0	58	13	71	255
05:00 PM	1	0	0	1	69	41	3	113	14	1	72	87	2	48	18	68	269
Total Volume	3	1	0	4	268	144	8	420	66	5	289	360	2	195	68	265	1049
% App. Total	75	25	0		63.8	34.3	1.9		18.3	1.4	80.3		0.8	73.6	25.7		
PHF	.750	.250	.000	.500	.957	.878	.667	.929	.786	.625	.892	.900	.250	.841	.708	.933	.975

City of Needles
 N/S: N Street/Broadway Avenue
 E/W: Needles Highway
 Weather: Clear

File Name : 06_NDL_Broadway_Needles PM
 Site Code : 16621325
 Start Date : 7/15/2021
 Page No : 2



Peak Hour Analysis From 04:00 PM to 05:45 PM - Peak 1 of 1
 Peak Hour for Each Approach Begins at:

	04:45 PM				05:00 PM				04:15 PM				04:15 PM			
+0 mins.	1	1	0	2	69	41	3	113	13	2	78	93	0	53	13	66
+15 mins.	1	0	0	1	79	23	1	103	18	1	81	100	0	36	24	60
+30 mins.	0	2	0	2	76	27	1	104	21	1	58	80	0	58	13	71
+45 mins.	2	1	0	3	77	27	1	105	14	1	72	87	2	48	18	68
Total Volume	4	4	0	8	301	118	6	425	66	5	289	360	2	195	68	265
% App. Total	50	50	0		70.8	27.8	1.4		18.3	1.4	80.3		0.8	73.6	25.7	
PHF	.500	.500	.000	.667	.953	.720	.500	.940	.786	.625	.892	.900	.250	.841	.708	.933

City of Needles
 N/S: N Street/Broadway Avenue
 E/W: Needles Highway
 Weather: Clear

File Name : 06_NDL_Broadway_Needles PM
 Site Code : 16621325
 Start Date : 7/15/2021
 Page No : 1

Groups Printed- Passenger Vehicles

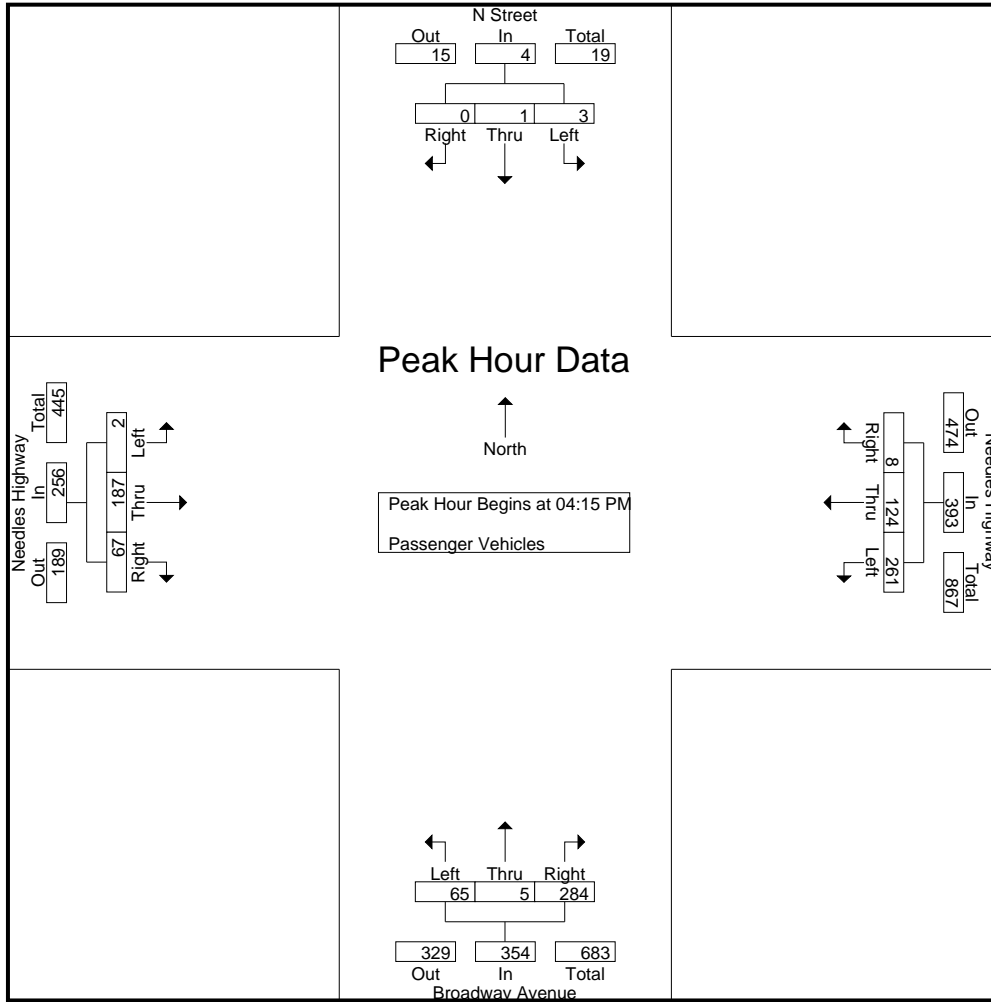
Start Time	N Street Southbound				Needles Highway Westbound				Broadway Avenue Northbound				Needles Highway Eastbound				Int. Total
	Left	Thru	Right	App. Total	Left	Thru	Right	App. Total	Left	Thru	Right	App. Total	Left	Thru	Right	App. Total	
04:00 PM	2	0	0	2	63	33	1	97	9	0	61	70	0	34	20	54	223
04:15 PM	0	0	0	0	64	30	1	95	13	2	76	91	0	51	13	64	250
04:30 PM	1	0	0	1	67	24	1	92	17	1	78	96	0	34	23	57	246
04:45 PM	1	1	0	2	61	33	3	97	21	1	58	80	0	55	13	68	247
Total	4	1	0	5	255	120	6	381	60	4	273	337	0	174	69	243	966
05:00 PM	1	0	0	1	69	37	3	109	14	1	72	87	2	47	18	67	264
05:15 PM	0	2	0	2	78	22	1	101	12	2	56	70	1	38	12	51	224
05:30 PM	2	1	0	3	76	26	1	103	11	0	69	80	0	35	18	53	239
05:45 PM	0	2	0	2	76	23	1	100	5	1	63	69	0	39	20	59	230
Total	3	5	0	8	299	108	6	413	42	4	260	306	3	159	68	230	957
Grand Total	7	6	0	13	554	228	12	794	102	8	533	643	3	333	137	473	1923
Apprch %	53.8	46.2	0		69.8	28.7	1.5		15.9	1.2	82.9		0.6	70.4	29		
Total %	0.4	0.3	0	0.7	28.8	11.9	0.6	41.3	5.3	0.4	27.7	33.4	0.2	17.3	7.1	24.6	

Start Time	N Street Southbound				Needles Highway Westbound				Broadway Avenue Northbound				Needles Highway Eastbound				Int. Total
	Left	Thru	Right	App. Total	Left	Thru	Right	App. Total	Left	Thru	Right	App. Total	Left	Thru	Right	App. Total	
04:15 PM	0	0	0	0	64	30	1	95	13	2	76	91	0	51	13	64	250
04:30 PM	1	0	0	1	67	24	1	92	17	1	78	96	0	34	23	57	246
04:45 PM	1	1	0	2	61	33	3	97	21	1	58	80	0	55	13	68	247
05:00 PM	1	0	0	1	69	37	3	109	14	1	72	87	2	47	18	67	264
Total Volume	3	1	0	4	261	124	8	393	65	5	284	354	2	187	67	256	1007
% App. Total	75	25	0		66.4	31.6	2		18.4	1.4	80.2		0.8	73	26.2		
PHF	.750	.250	.000	.500	.946	.838	.667	.901	.774	.625	.910	.922	.250	.850	.728	.941	.954

Peak Hour Analysis From 04:15 PM to 05:00 PM - Peak 1 of 1
 Peak Hour for Entire Intersection Begins at 04:15 PM

City of Needles
 N/S: N Street/Broadway Avenue
 E/W: Needles Highway
 Weather: Clear

File Name : 06_NDL_Broadway_Needles PM
 Site Code : 16621325
 Start Date : 7/15/2021
 Page No : 2



Peak Hour Analysis From 04:15 PM to 05:00 PM - Peak 1 of 1
 Peak Hour for Each Approach Begins at:

	04:15 PM				04:15 PM				04:15 PM				04:15 PM			
+0 mins.	0	0	0	0	64	30	1	95	13	2	76	91	0	51	13	64
+15 mins.	1	0	0	1	67	24	1	92	17	1	78	96	0	34	23	57
+30 mins.	1	1	0	2	61	33	3	97	21	1	58	80	0	55	13	68
+45 mins.	1	0	0	1	69	37	3	109	14	1	72	87	2	47	18	67
Total Volume	3	1	0	4	261	124	8	393	65	5	284	354	2	187	67	256
% App. Total	75	25	0		66.4	31.6	2		18.4	1.4	80.2		0.8	73	26.2	
PHF	.750	.250	.000	.500	.946	.838	.667	.901	.774	.625	.910	.922	.250	.850	.728	.941

City of Needles
 N/S: N Street/Broadway Avenue
 E/W: Needles Highway
 Weather: Clear

File Name : 06_NDL_Broadway_Needles PM
 Site Code : 16621325
 Start Date : 7/15/2021
 Page No : 1

Groups Printed- Trucks

Start Time	N Street Southbound				Needles Highway Westbound				Broadway Avenue Northbound				Needles Highway Eastbound				Int. Total
	Left	Thru	Right	App. Total	Left	Thru	Right	App. Total	Left	Thru	Right	App. Total	Left	Thru	Right	App. Total	
04:00 PM	0	0	0	0	5	9	0	14	0	0	0	0	0	1	1	2	16
04:15 PM	0	0	0	0	3	8	0	11	0	0	2	2	0	2	0	2	15
04:30 PM	0	0	0	0	3	4	0	7	0	0	3	3	0	2	0	2	12
04:45 PM	0	0	0	0	1	4	0	5	0	0	0	0	0	3	0	3	8
Total	0	0	0	0	12	25	0	37	0	0	5	5	0	8	1	9	51
05:00 PM	0	0	0	0	0	4	0	4	0	0	0	0	0	1	0	1	5
05:15 PM	0	0	0	0	1	1	0	2	0	0	1	1	0	5	0	5	8
05:30 PM	0	0	0	0	0	1	0	1	0	0	3	3	0	2	0	2	6
05:45 PM	0	0	0	0	1	4	0	5	1	0	1	2	0	4	0	4	11
Total	0	0	0	0	2	10	0	12	1	0	5	6	0	12	0	12	30
Grand Total	0	0	0	0	14	35	0	49	1	0	10	11	0	20	1	21	81
Apprch %	0	0	0		28.6	71.4	0		9.1	0	90.9		0	95.2	4.8		
Total %	0	0	0		17.3	43.2	0	60.5	1.2	0	12.3	13.6	0	24.7	1.2	25.9	

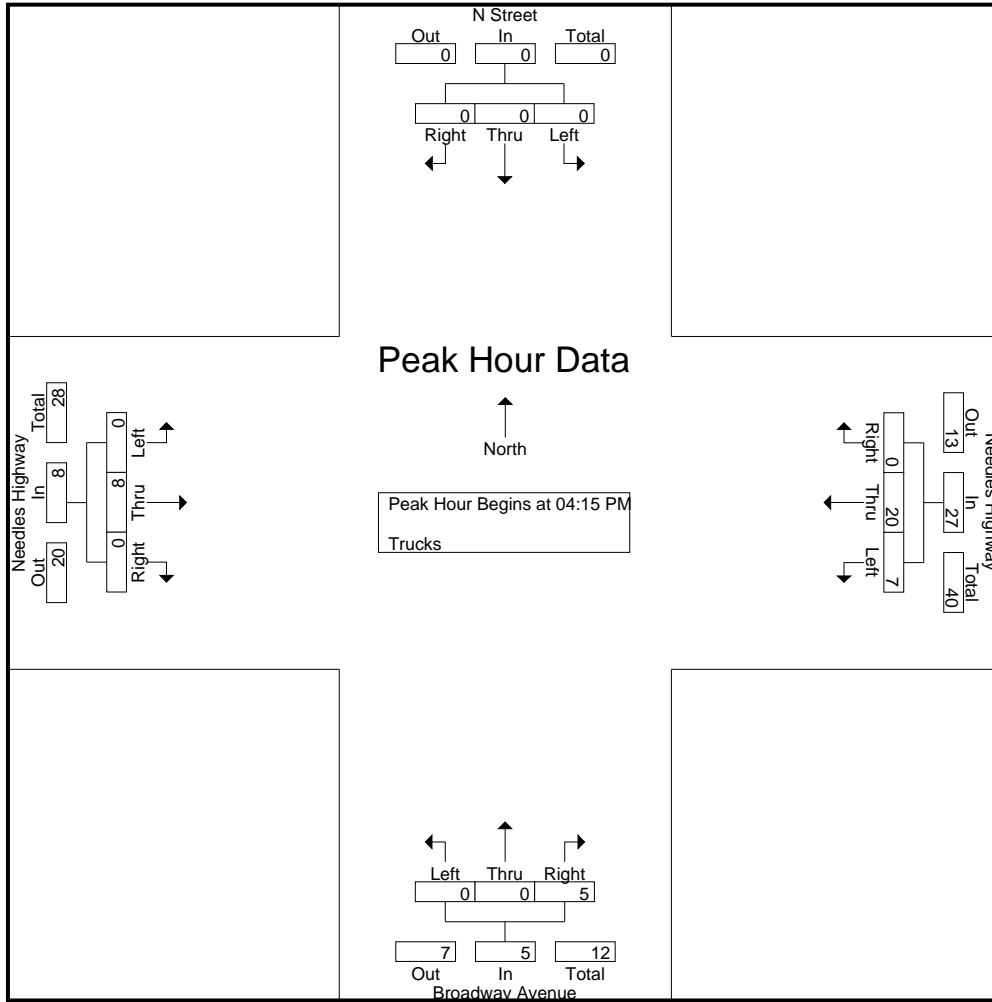
Start Time	N Street Southbound				Needles Highway Westbound				Broadway Avenue Northbound				Needles Highway Eastbound				Int. Total
	Left	Thru	Right	App. Total	Left	Thru	Right	App. Total	Left	Thru	Right	App. Total	Left	Thru	Right	App. Total	
04:15 PM	0	0	0	0	3	8	0	11	0	0	2	2	0	2	0	2	15
04:30 PM	0	0	0	0	3	4	0	7	0	0	3	3	0	2	0	2	12
04:45 PM	0	0	0	0	1	4	0	5	0	0	0	0	0	3	0	3	8
05:00 PM	0	0	0	0	0	4	0	4	0	0	0	0	0	1	0	1	5
Total Volume	0	0	0	0	7	20	0	27	0	0	5	5	0	8	0	8	40
% App. Total	0	0	0		25.9	74.1	0		0	0	100		0	100	0		
PHF	.000	.000	.000	.000	.583	.625	.000	.614	.000	.000	.417	.417	.000	.667	.000	.667	.667

Peak Hour Analysis From 04:15 PM to 05:00 PM - Peak 1 of 1

Peak Hour for Entire Intersection Begins at 04:15 PM

City of Needles
 N/S: N Street/Broadway Avenue
 E/W: Needles Highway
 Weather: Clear

File Name : 06_NDL_Broadway_Needles PM
 Site Code : 16621325
 Start Date : 7/15/2021
 Page No : 2



Peak Hour Analysis From 04:15 PM to 05:00 PM - Peak 1 of 1
 Peak Hour for Each Approach Begins at:

	04:15 PM				04:15 PM				04:15 PM							
+0 mins.	0	0	0	0	3	8	0	11	0	0	2	2	0	2	0	2
+15 mins.	0	0	0	0	3	4	0	7	0	0	3	3	0	2	0	2
+30 mins.	0	0	0	0	1	4	0	5	0	0	0	0	0	3	0	3
+45 mins.	0	0	0	0	0	4	0	4	0	0	0	0	0	1	0	1
Total Volume	0	0	0	0	7	20	0	27	0	0	5	5	0	8	0	8
% App. Total	0	0	0	0	25.9	74.1	0	100	0	0	100		0	100	0	
PHF	.000	.000	.000	.000	.583	.625	.000	.614	.000	.000	.417	.417	.000	.667	.000	.667

City of Needles
 N/S: N Street/Broadway Avenue
 E/W: Needles Highway
 Weather: Clear

File Name : 06_NDL_Broadway_Needles PM
 Site Code : 16621325
 Start Date : 7/15/2021
 Page No : 1

Groups Printed- Buses

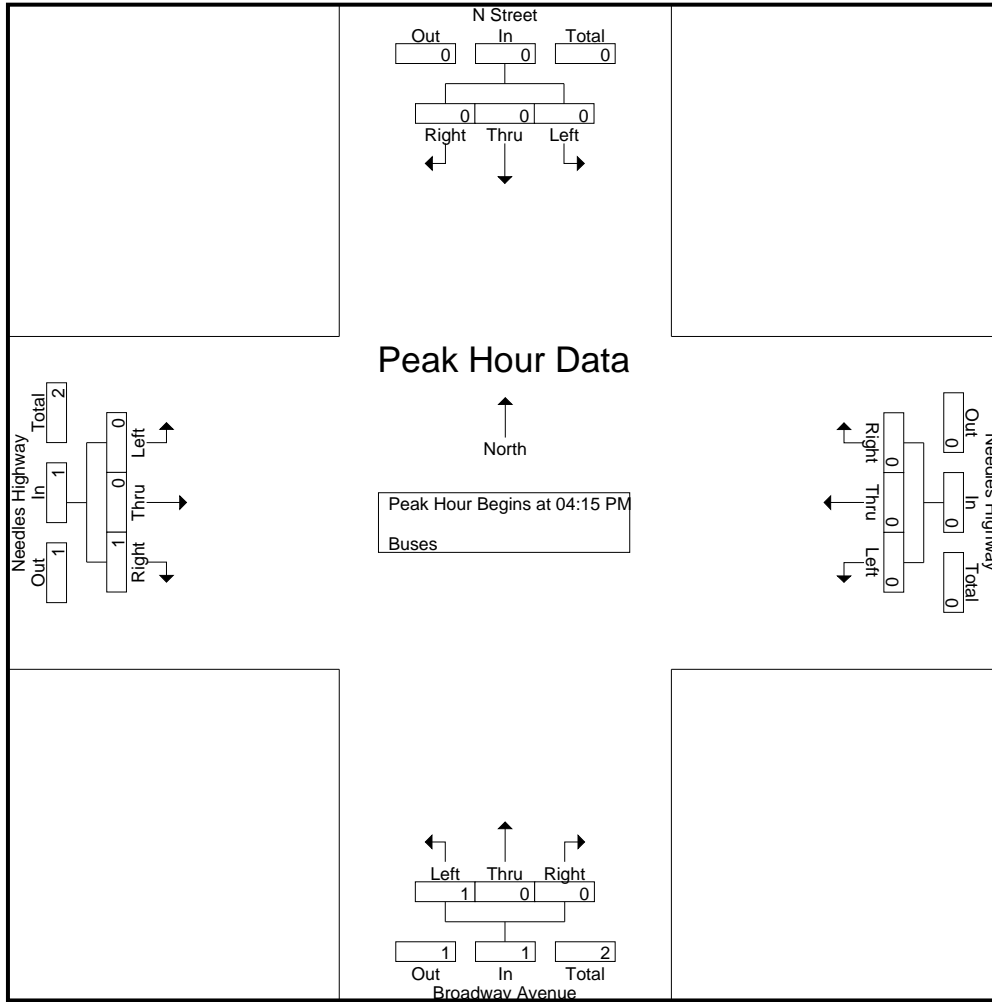
Start Time	N Street Southbound				Needles Highway Westbound				Broadway Avenue Northbound				Needles Highway Eastbound				Int. Total
	Left	Thru	Right	App. Total	Left	Thru	Right	App. Total	Left	Thru	Right	App. Total	Left	Thru	Right	App. Total	
04:00 PM	0	0	0	0	0	0	0	0	0	0	0	0	0	0	0	0	0
04:15 PM	0	0	0	0	0	0	0	0	0	0	0	0	0	0	0	0	0
04:30 PM	0	0	0	0	0	0	0	0	1	0	0	1	0	0	1	1	2
04:45 PM	0	0	0	0	0	0	0	0	0	0	0	0	0	0	0	0	0
Total	0	0	0	0	0	0	0	0	1	0	0	1	0	0	1	1	2
05:00 PM	0	0	0	0	0	0	0	0	0	0	0	0	0	0	0	0	0
05:15 PM	0	0	0	0	0	0	0	0	0	0	0	0	0	0	0	0	0
05:30 PM	0	0	0	0	0	0	0	0	1	0	0	1	0	0	1	1	2
05:45 PM	0	0	0	0	0	0	0	0	0	0	0	0	0	0	0	0	0
Total	0	0	0	0	0	0	0	0	1	0	0	1	0	0	1	1	2
Grand Total	0	0	0	0	0	0	0	0	2	0	0	2	0	0	2	2	4
Apprch %	0	0	0		0	0	0		100	0	0		0	0	100		
Total %	0	0	0		0	0	0		50	0	0	50	0	0	50	50	

Start Time	N Street Southbound				Needles Highway Westbound				Broadway Avenue Northbound				Needles Highway Eastbound				Int. Total
	Left	Thru	Right	App. Total	Left	Thru	Right	App. Total	Left	Thru	Right	App. Total	Left	Thru	Right	App. Total	
04:15 PM	0	0	0	0	0	0	0	0	0	0	0	0	0	0	0	0	0
04:30 PM	0	0	0	0	0	0	0	0	1	0	0	1	0	0	1	1	2
04:45 PM	0	0	0	0	0	0	0	0	0	0	0	0	0	0	0	0	0
05:00 PM	0	0	0	0	0	0	0	0	0	0	0	0	0	0	0	0	0
Total Volume	0	0	0	0	0	0	0	0	1	0	0	1	0	0	1	1	2
% App. Total	0	0	0		0	0	0		100	0	0		0	0	100		
PHF	.000	.000	.000	.000	.000	.000	.000	.000	.250	.000	.000	.250	.000	.000	.250	.250	.250

Peak Hour Analysis From 04:15 PM to 05:00 PM - Peak 1 of 1
 Peak Hour for Entire Intersection Begins at 04:15 PM

City of Needles
 N/S: N Street/Broadway Avenue
 E/W: Needles Highway
 Weather: Clear

File Name : 06_NDL_Broadway_Needles PM
 Site Code : 16621325
 Start Date : 7/15/2021
 Page No : 2



Peak Hour Analysis From 04:15 PM to 05:00 PM - Peak 1 of 1
 Peak Hour for Each Approach Begins at:

	04:15 PM				04:15 PM				04:15 PM				04:15 PM			
+0 mins.	0	0	0	0	0	0	0	0	0	0	0	0	0	0	0	0
+15 mins.	0	0	0	0	0	0	0	0	1	0	0	1	0	0	0	1
+30 mins.	0	0	0	0	0	0	0	0	0	0	0	0	0	0	0	0
+45 mins.	0	0	0	0	0	0	0	0	0	0	0	0	0	0	0	0
Total Volume	0	0	0	0	0	0	0	0	1	0	0	1	0	0	1	1
% App. Total	0	0	0	0	0	0	0	0	100	0	0	100	0	0	100	100
PHF	.000	.000	.000	.000	.000	.000	.000	.000	.250	.000	.000	.250	.000	.000	.250	.250

City of Needles
 N/S: N Street/Broadway Avenue
 E/W: Needles Highway
 Weather: Clear

File Name : 06_NDL_Broadway_Needles SAT
 Site Code : 16621325
 Start Date : 7/17/2021
 Page No : 1

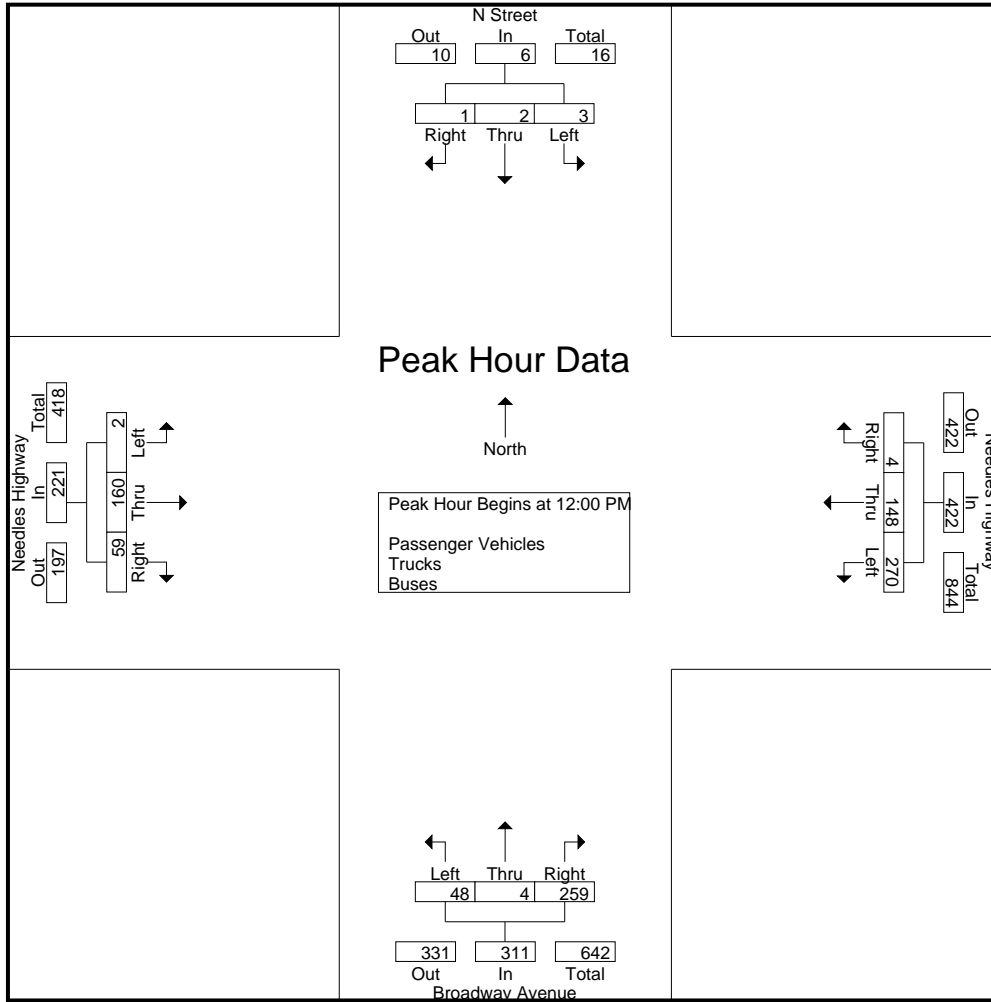
Groups Printed- Passenger Vehicles - Trucks - Buses

Start Time	N Street Southbound				Needles Highway Westbound				Broadway Avenue Northbound				Needles Highway Eastbound				Int. Total
	Left	Thru	Right	App. Total	Left	Thru	Right	App. Total	Left	Thru	Right	App. Total	Left	Thru	Right	App. Total	
12:00 PM	0	0	0	0	73	43	1	117	12	1	60	73	0	48	11	59	249
12:15 PM	2	0	1	3	54	33	3	90	12	1	75	88	2	31	11	44	225
12:30 PM	1	2	0	3	70	32	0	102	13	2	54	69	0	43	24	67	241
12:45 PM	0	0	0	0	73	40	0	113	11	0	70	81	0	38	13	51	245
Total	3	2	1	6	270	148	4	422	48	4	259	311	2	160	59	221	960
01:00 PM	1	1	0	2	59	28	0	87	13	0	54	67	2	30	16	48	204
01:15 PM	0	1	0	1	64	31	1	96	10	2	47	59	1	28	13	42	198
01:30 PM	0	1	1	2	53	22	0	75	15	3	58	76	0	31	14	45	198
01:45 PM	1	0	0	1	53	36	0	89	20	0	55	75	0	19	26	45	210
Total	2	3	1	6	229	117	1	347	58	5	214	277	3	108	69	180	810
Grand Total	5	5	2	12	499	265	5	769	106	9	473	588	5	268	128	401	1770
Apprch %	41.7	41.7	16.7		64.9	34.5	0.7		18	1.5	80.4		1.2	66.8	31.9		
Total %	0.3	0.3	0.1	0.7	28.2	15	0.3	43.4	6	0.5	26.7	33.2	0.3	15.1	7.2	22.7	
Passenger Vehicles	5	5	2	12	489	247	5	741	99	9	463	571	5	250	122	377	1701
% Passenger Vehicles	100	100	100	100	98	93.2	100	96.4	93.4	100	97.9	97.1	100	93.3	95.3	94	96.1
Trucks	0	0	0	0	10	18	0	28	5	0	10	15	0	18	4	22	65
% Trucks	0	0	0	0	2	6.8	0	3.6	4.7	0	2.1	2.6	0	6.7	3.1	5.5	3.7
Buses	0	0	0	0	0	0	0	0	2	0	0	2	0	0	2	2	4
% Buses	0	0	0	0	0	0	0	0	1.9	0	0	0.3	0	0	1.6	0.5	0.2

Start Time	N Street Southbound				Needles Highway Westbound				Broadway Avenue Northbound				Needles Highway Eastbound				Int. Total
	Left	Thru	Right	App. Total	Left	Thru	Right	App. Total	Left	Thru	Right	App. Total	Left	Thru	Right	App. Total	
Peak Hour Analysis From 12:00 PM to 01:45 PM - Peak 1 of 1																	
Peak Hour for Entire Intersection Begins at 12:00 PM																	
12:00 PM	0	0	0	0	73	43	1	117	12	1	60	73	0	48	11	59	249
12:15 PM	2	0	1	3	54	33	3	90	12	1	75	88	2	31	11	44	225
12:30 PM	1	2	0	3	70	32	0	102	13	2	54	69	0	43	24	67	241
12:45 PM	0	0	0	0	73	40	0	113	11	0	70	81	0	38	13	51	245
Total Volume	3	2	1	6	270	148	4	422	48	4	259	311	2	160	59	221	960
% App. Total	50	33.3	16.7		64	35.1	0.9		15.4	1.3	83.3		0.9	72.4	26.7		
PHF	.375	.250	.250	.500	.925	.860	.333	.902	.923	.500	.863	.884	.250	.833	.615	.825	.964

City of Needles
 N/S: N Street/Broadway Avenue
 E/W: Needles Highway
 Weather: Clear

File Name : 06_NDL_Broadway_Needles SAT
 Site Code : 16621325
 Start Date : 7/17/2021
 Page No : 2



Peak Hour Analysis From 12:00 PM to 01:45 PM - Peak 1 of 1
 Peak Hour for Each Approach Begins at:

	12:15 PM				12:00 PM				12:00 PM				12:00 PM			
+0 mins.	2	0	1	3	73	43	1	117	12	1	60	73	0	48	11	59
+15 mins.	1	2	0	3	54	33	3	90	12	1	75	88	2	31	11	44
+30 mins.	0	0	0	0	70	32	0	102	13	2	54	69	0	43	24	67
+45 mins.	1	1	0	2	73	40	0	113	11	0	70	81	0	38	13	51
Total Volume	4	3	1	8	270	148	4	422	48	4	259	311	2	160	59	221
% App. Total	50	37.5	12.5		64	35.1	0.9		15.4	1.3	83.3		0.9	72.4	26.7	
PHF	.500	.375	.250	.667	.925	.860	.333	.902	.923	.500	.863	.884	.250	.833	.615	.825

City of Needles
 N/S: N Street/Broadway Avenue
 E/W: Needles Highway
 Weather: Clear

File Name : 06_NDL_Broadway_Needles SAT
 Site Code : 16621325
 Start Date : 7/17/2021
 Page No : 1

Groups Printed- Passenger Vehicles

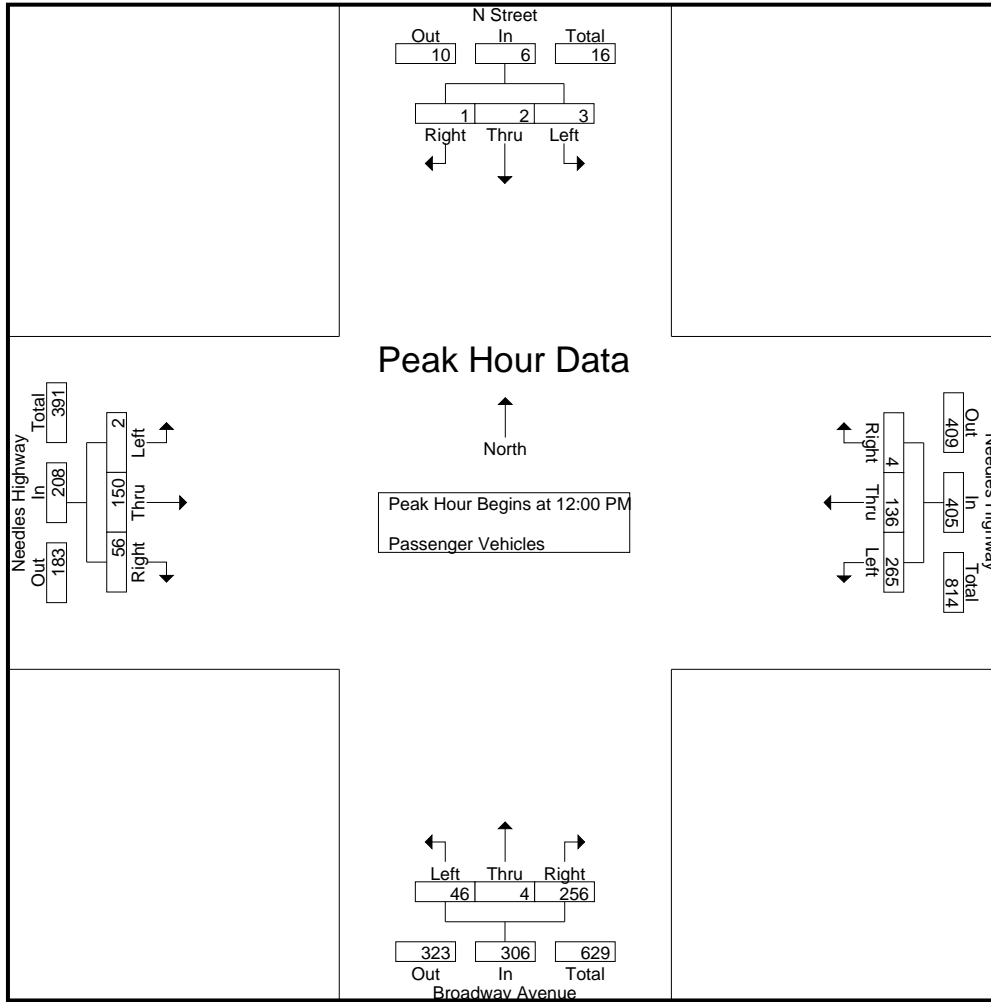
Start Time	N Street Southbound				Needles Highway Westbound				Broadway Avenue Northbound				Needles Highway Eastbound				Int. Total
	Left	Thru	Right	App. Total	Left	Thru	Right	App. Total	Left	Thru	Right	App. Total	Left	Thru	Right	App. Total	
12:00 PM	0	0	0	0	71	38	1	110	11	1	58	70	0	45	11	56	236
12:15 PM	2	0	1	3	54	33	3	90	12	1	74	87	2	29	10	41	221
12:30 PM	1	2	0	3	70	27	0	97	12	2	54	68	0	42	22	64	232
12:45 PM	0	0	0	0	70	38	0	108	11	0	70	81	0	34	13	47	236
Total	3	2	1	6	265	136	4	405	46	4	256	306	2	150	56	208	925
01:00 PM	1	1	0	2	58	26	0	84	12	0	53	65	2	29	16	47	198
01:15 PM	0	1	0	1	62	28	1	91	9	2	44	55	1	25	13	39	186
01:30 PM	0	1	1	2	52	21	0	73	14	3	56	73	0	29	11	40	188
01:45 PM	1	0	0	1	52	36	0	88	18	0	54	72	0	17	26	43	204
Total	2	3	1	6	224	111	1	336	53	5	207	265	3	100	66	169	776
Grand Total	5	5	2	12	489	247	5	741	99	9	463	571	5	250	122	377	1701
Apprch %	41.7	41.7	16.7		66	33.3	0.7		17.3	1.6	81.1		1.3	66.3	32.4		
Total %	0.3	0.3	0.1	0.7	28.7	14.5	0.3	43.6	5.8	0.5	27.2	33.6	0.3	14.7	7.2	22.2	

Start Time	N Street Southbound				Needles Highway Westbound				Broadway Avenue Northbound				Needles Highway Eastbound				Int. Total
	Left	Thru	Right	App. Total	Left	Thru	Right	App. Total	Left	Thru	Right	App. Total	Left	Thru	Right	App. Total	
12:00 PM	0	0	0	0	71	38	1	110	11	1	58	70	0	45	11	56	236
12:15 PM	2	0	1	3	54	33	3	90	12	1	74	87	2	29	10	41	221
12:30 PM	1	2	0	3	70	27	0	97	12	2	54	68	0	42	22	64	232
12:45 PM	0	0	0	0	70	38	0	108	11	0	70	81	0	34	13	47	236
Total Volume	3	2	1	6	265	136	4	405	46	4	256	306	2	150	56	208	925
% App. Total	50	33.3	16.7		65.4	33.6	1		15	1.3	83.7		1	72.1	26.9		
PHF	.375	.250	.250	.500	.933	.895	.333	.920	.958	.500	.865	.879	.250	.833	.636	.813	.980

Peak Hour Analysis From 12:00 PM to 12:45 PM - Peak 1 of 1
 Peak Hour for Entire Intersection Begins at 12:00 PM

City of Needles
 N/S: N Street/Broadway Avenue
 E/W: Needles Highway
 Weather: Clear

File Name : 06_NDL_Broadway_Needles SAT
 Site Code : 16621325
 Start Date : 7/17/2021
 Page No : 2



Peak Hour Analysis From 12:00 PM to 12:45 PM - Peak 1 of 1
 Peak Hour for Each Approach Begins at:

	12:00 PM				12:00 PM				12:00 PM				12:00 PM			
+0 mins.	0	0	0	0	71	38	1	110	11	1	58	70	0	45	11	56
+15 mins.	2	0	1	3	54	33	3	90	12	1	74	87	2	29	10	41
+30 mins.	1	2	0	3	70	27	0	97	12	2	54	68	0	42	22	64
+45 mins.	0	0	0	0	70	38	0	108	11	0	70	81	0	34	13	47
Total Volume	3	2	1	6	265	136	4	405	46	4	256	306	2	150	56	208
% App. Total	50	33.3	16.7		65.4	33.6	1		15	1.3	83.7		1	72.1	26.9	
PHF	.375	.250	.250	.500	.933	.895	.333	.920	.958	.500	.865	.879	.250	.833	.636	.813

City of Needles
 N/S: N Street/Broadway Avenue
 E/W: Needles Highway
 Weather: Clear

File Name : 06_NDL_Broadway_Needles SAT
 Site Code : 16621325
 Start Date : 7/17/2021
 Page No : 1

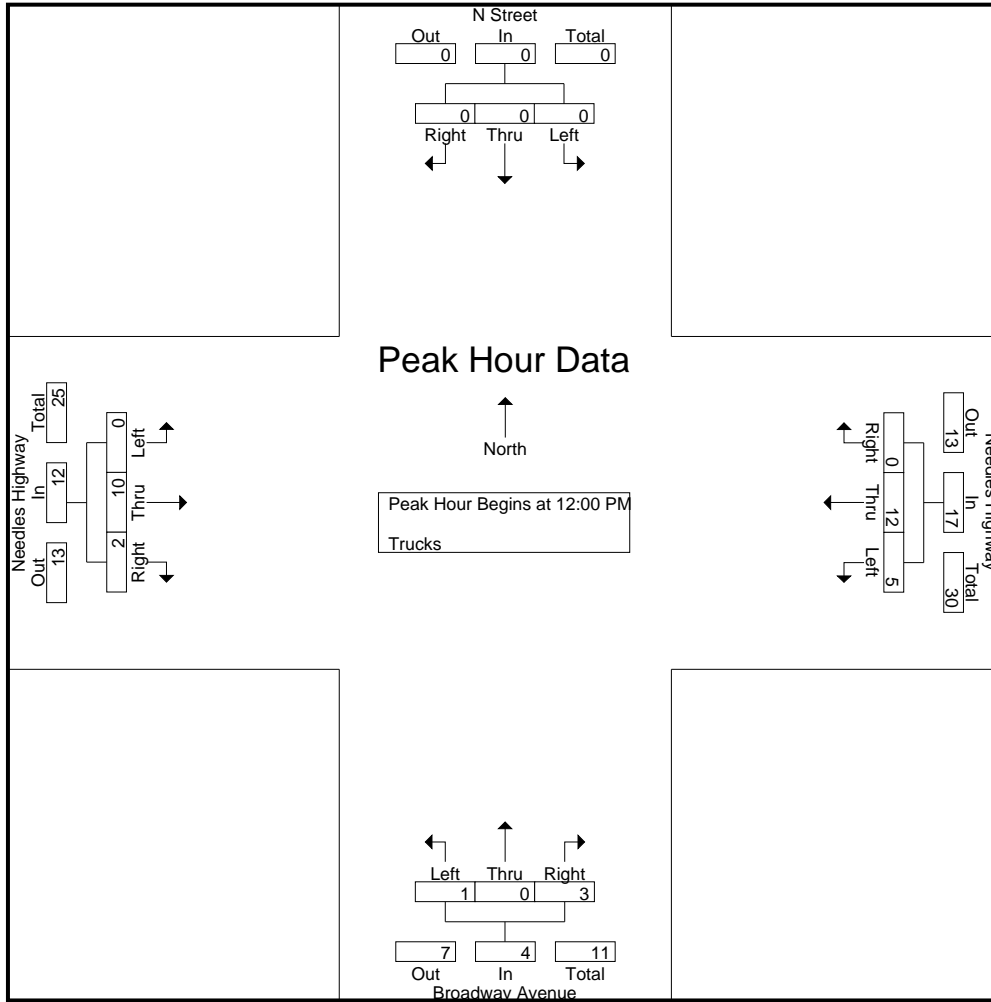
Groups Printed- Trucks

Start Time	N Street Southbound				Needles Highway Westbound				Broadway Avenue Northbound				Needles Highway Eastbound				Int. Total
	Left	Thru	Right	App. Total	Left	Thru	Right	App. Total	Left	Thru	Right	App. Total	Left	Thru	Right	App. Total	
12:00 PM	0	0	0	0	2	5	0	7	1	0	2	3	0	3	0	3	13
12:15 PM	0	0	0	0	0	0	0	0	0	0	1	1	0	2	1	3	4
12:30 PM	0	0	0	0	0	5	0	5	0	0	0	0	0	1	1	2	7
12:45 PM	0	0	0	0	3	2	0	5	0	0	0	0	0	4	0	4	9
Total	0	0	0	0	5	12	0	17	1	0	3	4	0	10	2	12	33
01:00 PM	0	0	0	0	1	2	0	3	1	0	1	2	0	1	0	1	6
01:15 PM	0	0	0	0	2	3	0	5	1	0	3	4	0	3	0	3	12
01:30 PM	0	0	0	0	1	1	0	2	0	0	2	2	0	2	2	4	8
01:45 PM	0	0	0	0	1	0	0	1	2	0	1	3	0	2	0	2	6
Total	0	0	0	0	5	6	0	11	4	0	7	11	0	8	2	10	32
Grand Total	0	0	0	0	10	18	0	28	5	0	10	15	0	18	4	22	65
Apprch %	0	0	0		35.7	64.3	0		33.3	0	66.7		0	81.8	18.2		
Total %	0	0	0		15.4	27.7	0	43.1	7.7	0	15.4	23.1	0	27.7	6.2	33.8	

Start Time	N Street Southbound				Needles Highway Westbound				Broadway Avenue Northbound				Needles Highway Eastbound				Int. Total
	Left	Thru	Right	App. Total	Left	Thru	Right	App. Total	Left	Thru	Right	App. Total	Left	Thru	Right	App. Total	
Peak Hour Analysis From 12:00 PM to 12:45 PM - Peak 1 of 1																	
Peak Hour for Entire Intersection Begins at 12:00 PM																	
12:00 PM	0	0	0	0	2	5	0	7	1	0	2	3	0	3	0	3	13
12:15 PM	0	0	0	0	0	0	0	0	0	0	1	1	0	2	1	3	4
12:30 PM	0	0	0	0	0	5	0	5	0	0	0	0	0	1	1	2	7
12:45 PM	0	0	0	0	3	2	0	5	0	0	0	0	0	4	0	4	9
Total Volume	0	0	0	0	5	12	0	17	1	0	3	4	0	10	2	12	33
% App. Total	0	0	0		29.4	70.6	0		25	0	75		0	83.3	16.7		
PHF	.000	.000	.000	.000	.417	.600	.000	.607	.250	.000	.375	.333	.000	.625	.500	.750	.635

City of Needles
 N/S: N Street/Broadway Avenue
 E/W: Needles Highway
 Weather: Clear

File Name : 06_NDL_Broadway_Needles SAT
 Site Code : 16621325
 Start Date : 7/17/2021
 Page No : 2



Peak Hour Analysis From 12:00 PM to 12:45 PM - Peak 1 of 1
 Peak Hour for Each Approach Begins at:

	12:00 PM				12:00 PM				12:00 PM							
+0 mins.	0	0	0	0	2	5	0	7	1	0	2	3	0	3	0	3
+15 mins.	0	0	0	0	0	0	0	0	0	0	1	1	0	2	1	3
+30 mins.	0	0	0	0	0	5	0	5	0	0	0	0	0	1	1	2
+45 mins.	0	0	0	0	3	2	0	5	0	0	0	0	0	4	0	4
Total Volume	0	0	0	0	5	12	0	17	1	0	3	4	0	10	2	12
% App. Total	0	0	0	0	29.4	70.6	0	0	25	0	75	0	0	83.3	16.7	0
PHF	.000	.000	.000	.000	.417	.600	.000	.607	.250	.000	.375	.333	.000	.625	.500	.750

City of Needles
 N/S: N Street/Broadway Avenue
 E/W: Needles Highway
 Weather: Clear

File Name : 06_NDL_Broadway_Needles SAT
 Site Code : 16621325
 Start Date : 7/17/2021
 Page No : 1

Groups Printed- Buses

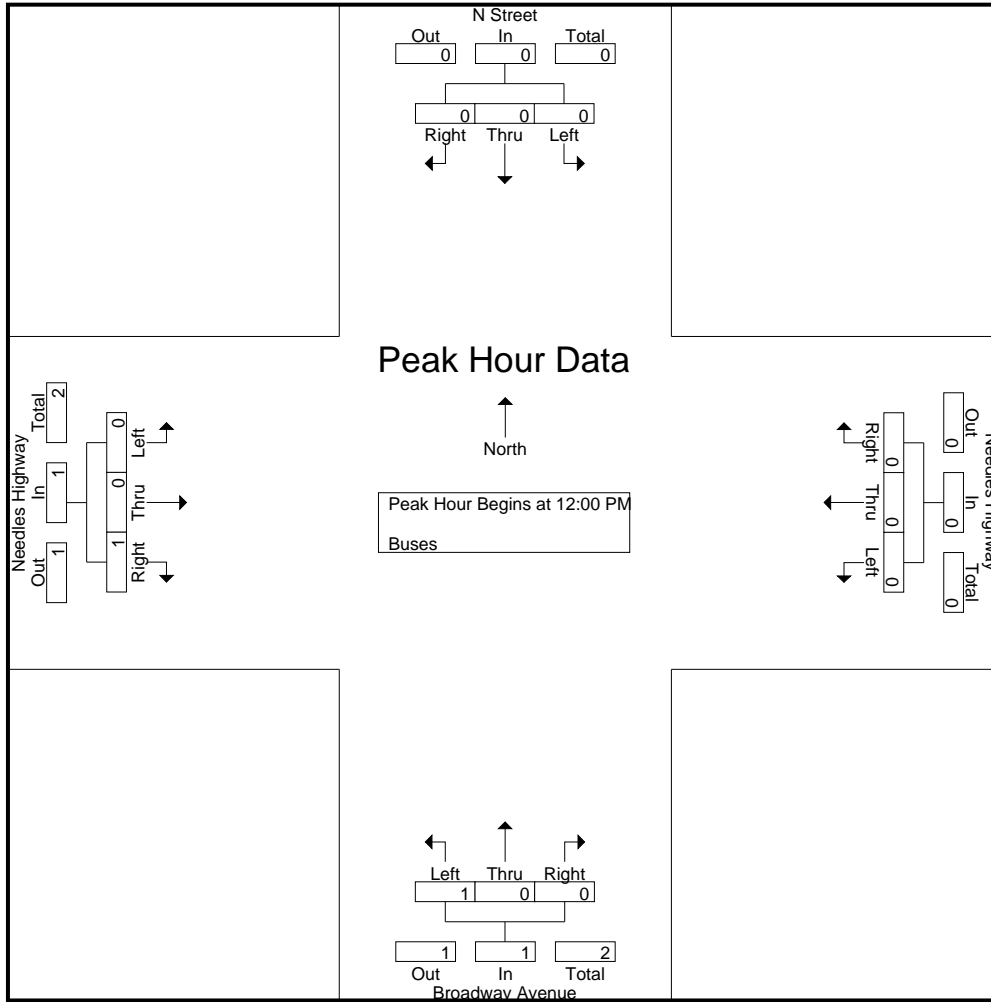
Start Time	N Street Southbound				Needles Highway Westbound				Broadway Avenue Northbound				Needles Highway Eastbound				Int. Total
	Left	Thru	Right	App. Total	Left	Thru	Right	App. Total	Left	Thru	Right	App. Total	Left	Thru	Right	App. Total	
12:00 PM	0	0	0	0	0	0	0	0	0	0	0	0	0	0	0	0	0
12:15 PM	0	0	0	0	0	0	0	0	0	0	0	0	0	0	0	0	0
12:30 PM	0	0	0	0	0	0	0	0	1	0	0	1	0	0	1	1	2
12:45 PM	0	0	0	0	0	0	0	0	0	0	0	0	0	0	0	0	0
Total	0	0	0	0	0	0	0	0	1	0	0	1	0	0	1	1	2
01:00 PM	0	0	0	0	0	0	0	0	0	0	0	0	0	0	0	0	0
01:15 PM	0	0	0	0	0	0	0	0	0	0	0	0	0	0	0	0	0
01:30 PM	0	0	0	0	0	0	0	0	1	0	0	1	0	0	1	1	2
01:45 PM	0	0	0	0	0	0	0	0	0	0	0	0	0	0	0	0	0
Total	0	0	0	0	0	0	0	0	1	0	0	1	0	0	1	1	2
Grand Total	0	0	0	0	0	0	0	0	2	0	0	2	0	0	2	2	4
Apprch %	0	0	0		0	0	0		100	0	0		0	0	100		
Total %	0	0	0	0	0	0	0	0	50	0	0	50	0	0	50	50	

Start Time	N Street Southbound				Needles Highway Westbound				Broadway Avenue Northbound				Needles Highway Eastbound				Int. Total
	Left	Thru	Right	App. Total	Left	Thru	Right	App. Total	Left	Thru	Right	App. Total	Left	Thru	Right	App. Total	
12:00 PM	0	0	0	0	0	0	0	0	0	0	0	0	0	0	0	0	0
12:15 PM	0	0	0	0	0	0	0	0	0	0	0	0	0	0	0	0	0
12:30 PM	0	0	0	0	0	0	0	0	1	0	0	1	0	0	1	1	2
12:45 PM	0	0	0	0	0	0	0	0	0	0	0	0	0	0	0	0	0
Total Volume	0	0	0	0	0	0	0	0	1	0	0	1	0	0	1	1	2
% App. Total	0	0	0		0	0	0		100	0	0		0	0	100		
PHF	.000	.000	.000	.000	.000	.000	.000	.000	.250	.000	.000	.250	.000	.000	.250	.250	.250

Peak Hour Analysis From 12:00 PM to 12:45 PM - Peak 1 of 1
 Peak Hour for Entire Intersection Begins at 12:00 PM

City of Needles
 N/S: N Street/Broadway Avenue
 E/W: Needles Highway
 Weather: Clear

File Name : 06_NDL_Broadway_Needles SAT
 Site Code : 16621325
 Start Date : 7/17/2021
 Page No : 2



Peak Hour Analysis From 12:00 PM to 12:45 PM - Peak 1 of 1
 Peak Hour for Each Approach Begins at:

	12:00 PM				12:00 PM				12:00 PM				12:00 PM			
+0 mins.	0	0	0	0	0	0	0	0	0	0	0	0	0	0	0	0
+15 mins.	0	0	0	0	0	0	0	0	0	0	0	0	0	0	0	0
+30 mins.	0	0	0	0	0	0	0	0	1	0	0	1	0	0	1	1
+45 mins.	0	0	0	0	0	0	0	0	0	0	0	0	0	0	0	0
Total Volume	0	0	0	0	0	0	0	0	1	0	0	1	0	0	1	1
% App. Total	0	0	0	0	0	0	0	0	100	0	0	100	0	0	100	100
PHF	.000	.000	.000	.000	.000	.000	.000	.000	.250	.000	.000	.250	.000	.000	.250	.250

Location: Needles
 N/S: N Street/Broadway Avenue
 E/W: Needles Highway



PEDESTRIANS

Date: 7/15/2021
 Day: Thursday

	North Leg N Street	East Leg Needles Highway	South Leg Broadway Avenue	West Leg Needles Highway	
	Pedestrians	Pedestrians	Pedestrians	Pedestrians	
7:00 AM	1	0	0	0	1
7:15 AM	0	0	0	0	0
7:30 AM	0	0	0	0	0
7:45 AM	0	0	0	0	0
8:00 AM	0	0	0	0	0
8:15 AM	0	0	0	0	0
8:30 AM	0	0	0	0	0
8:45 AM	1	0	0	1	2
TOTAL VOLUMES:	2	0	0	1	3

Date: 7/15/2021
 Day: Thursday

	North Leg N Street	East Leg Needles Highway	South Leg Broadway Avenue	West Leg Needles Highway	
	Pedestrians	Pedestrians	Pedestrians	Pedestrians	
4:00 PM	0	0	1	0	1
4:15 PM	0	0	0	0	0
4:30 PM	2	0	0	0	2
4:45 PM	0	0	0	0	0
5:00 PM	0	0	0	0	0
5:15 PM	0	0	0	0	0
5:30 PM	2	0	0	0	2
5:45 PM	0	0	1	0	1
TOTAL VOLUMES:	4	0	2	0	6

Date: 7/17/2021
 Day: Saturday

	North Leg N Street	East Leg Needles Highway	South Leg Broadway Avenue	West Leg Needles Highway	
	Pedestrians	Pedestrians	Pedestrians	Pedestrians	
12:00 PM	0	0	0	0	0
12:15 PM	0	0	0	0	0
12:30 PM	0	0	0	0	0
12:45 PM	0	0	0	0	0
1:00 PM	0	0	0	0	0
1:15 PM	0	0	0	1	1
1:30 PM	0	0	0	0	0
1:45 PM	1	0	0	0	1
TOTAL VOLUMES:	1	0	0	1	2

Location: Needles
 N/S: N Street/Broadway Avenue
 E/W: Needles Highway



BICYCLES

Date: 7/15/2021
 Day: Thursday

	Southbound N Street			Westbound Needles Highway			Northbound Broadway Avenue			Eastbound Needles Highway			
	Left	Thru	Right	Left	Thru	Right	Left	Thru	Right	Left	Thru	Right	
7:00 AM	0	0	0	0	0	0	0	0	0	0	0	0	0
7:15 AM	0	0	0	0	0	0	0	0	0	0	0	0	0
7:30 AM	0	0	0	0	0	0	0	0	0	0	0	0	0
7:45 AM	0	0	0	0	0	0	0	0	0	0	0	0	0
8:00 AM	0	0	0	0	0	0	0	0	0	0	0	0	0
8:15 AM	0	0	0	0	0	0	0	0	0	0	0	0	0
8:30 AM	0	0	0	0	0	0	0	0	0	0	0	0	0
8:45 AM	0	0	0	0	0	0	0	0	0	0	0	0	0
TOTAL VOLUMES:	0	0	0	0	0	0	0	0	0	0	0	0	0

Date: 7/15/2021
 Day: Thursday

	Southbound N Street			Westbound Needles Highway			Northbound Broadway Avenue			Eastbound Needles Highway			
	Left	Thru	Right	Left	Thru	Right	Left	Thru	Right	Left	Thru	Right	
4:00 PM	0	0	0	0	0	0	0	0	0	0	0	0	0
4:15 PM	0	0	0	0	0	0	0	0	0	0	0	0	0
4:30 PM	0	0	0	0	0	0	0	0	0	0	0	0	0
4:45 PM	0	0	0	0	0	0	0	0	0	0	0	0	0
5:00 PM	0	0	0	0	0	0	0	0	0	0	0	0	0
5:15 PM	0	0	0	0	0	0	0	0	0	0	0	0	0
5:30 PM	0	0	0	0	0	0	0	0	0	0	0	0	0
5:45 PM	0	0	0	0	0	0	0	0	0	0	0	0	0
TOTAL VOLUMES:	0	0	0	0	0	0	0	0	0	0	0	0	0

Date: 7/17/2021
 Day: Saturday

	Southbound N Street			Westbound Needles Highway			Northbound Broadway Avenue			Eastbound Needles Highway			
	Left	Thru	Right	Left	Thru	Right	Left	Thru	Right	Left	Thru	Right	
12:00 PM	0	0	0	0	0	0	0	0	0	0	0	0	0
12:15 PM	0	0	0	0	0	0	0	0	0	0	0	0	0
12:30 PM	0	0	0	0	0	0	0	0	0	0	0	0	0
12:45 PM	0	0	0	0	0	0	0	0	0	0	0	0	0
1:00 PM	0	0	0	0	0	0	0	0	0	0	0	0	0
1:15 PM	0	0	0	0	0	0	0	0	0	0	0	0	0
1:30 PM	0	0	0	0	0	0	0	0	0	0	0	0	0
1:45 PM	0	0	0	0	0	1	1	0	0	0	0	0	2
TOTAL VOLUMES:	0	0	0	0	0	1	1	0	0	0	0	0	2

City of Needles
 N/S: K Street
 E/W: Needles Highway
 Weather: Clear

File Name : 07_NDL_K St_Needles AM
 Site Code : 16621325
 Start Date : 7/15/2021
 Page No : 1

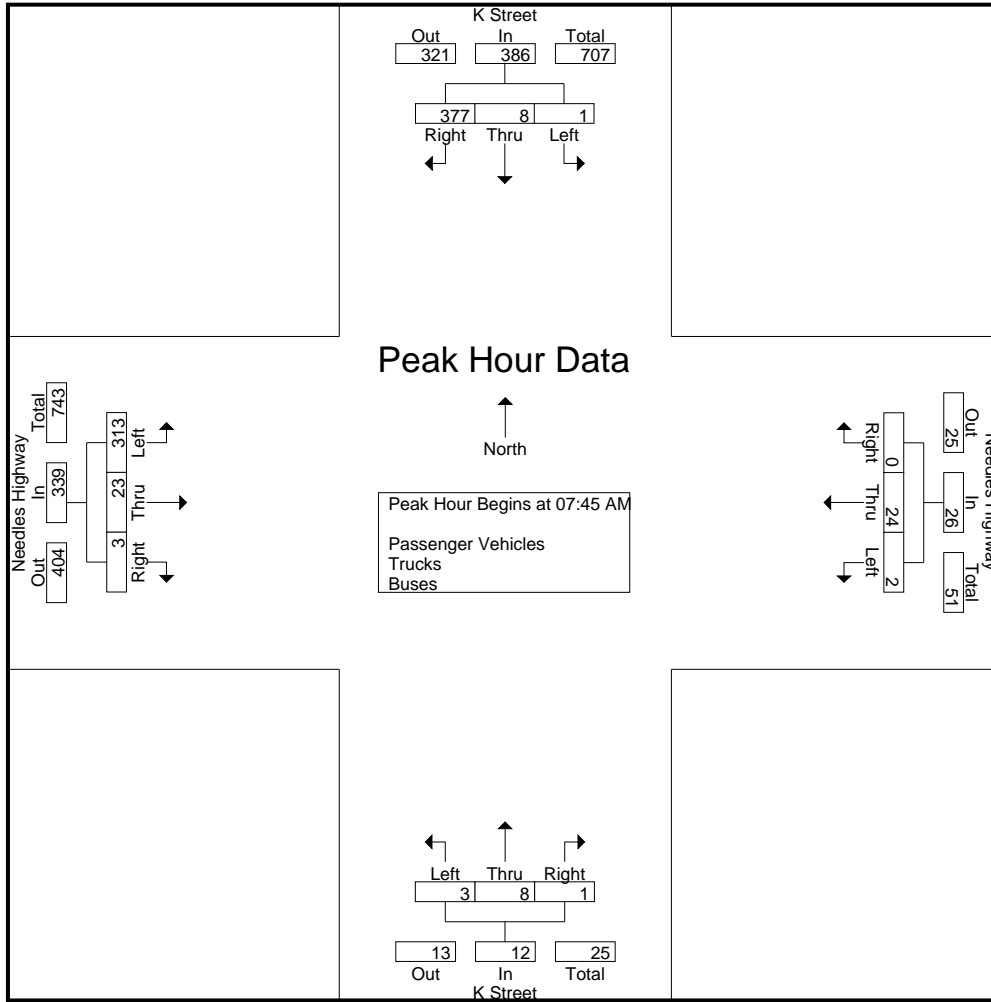
Groups Printed- Passenger Vehicles - Trucks - Buses

Start Time	K Street Southbound				Needles Highway Westbound				K Street Northbound				Needles Highway Eastbound				Int. Total
	Left	Thru	Right	App. Total	Left	Thru	Right	App. Total	Left	Thru	Right	App. Total	Left	Thru	Right	App. Total	
07:00 AM	0	2	69	71	0	8	0	8	2	2	0	4	64	7	0	71	154
07:15 AM	0	1	67	68	0	6	0	6	0	2	1	3	60	4	0	64	141
07:30 AM	0	1	70	71	0	1	0	1	1	3	0	4	88	5	0	93	169
07:45 AM	0	0	108	108	0	8	0	8	0	3	0	3	82	8	2	92	211
Total	0	4	314	318	0	23	0	23	3	10	1	14	294	24	2	320	675
08:00 AM	0	3	94	97	2	4	0	6	1	3	0	4	71	4	0	75	182
08:15 AM	1	3	98	102	0	3	0	3	2	2	1	5	76	9	1	86	196
08:30 AM	0	2	77	79	0	9	0	9	0	0	0	0	84	2	0	86	174
08:45 AM	1	1	79	81	0	5	1	6	0	3	0	3	69	7	0	76	166
Total	2	9	348	359	2	21	1	24	3	8	1	12	300	22	1	323	718
Grand Total	2	13	662	677	2	44	1	47	6	18	2	26	594	46	3	643	1393
Apprch %	0.3	1.9	97.8		4.3	93.6	2.1		23.1	69.2	7.7		92.4	7.2	0.5		
Total %	0.1	0.9	47.5	48.6	0.1	3.2	0.1	3.4	0.4	1.3	0.1	1.9	42.6	3.3	0.2	46.2	
Passenger Vehicles	2	13	626	641	2	44	1	47	6	18	2	26	564	44	3	611	1325
% Passenger Vehicles	100	100	94.6	94.7	100	100	100	100	100	100	100	100	94.9	95.7	100	95	95.1
Trucks	0	0	36	36	0	0	0	0	0	0	0	0	29	2	0	31	67
% Trucks	0	0	5.4	5.3	0	0	0	0	0	0	0	0	4.9	4.3	0	4.8	4.8
Buses	0	0	0	0	0	0	0	0	0	0	0	0	1	0	0	1	1
% Buses	0	0	0	0	0	0	0	0	0	0	0	0	0.2	0	0	0.2	0.1

Start Time	K Street Southbound				Needles Highway Westbound				K Street Northbound				Needles Highway Eastbound				Int. Total
	Left	Thru	Right	App. Total	Left	Thru	Right	App. Total	Left	Thru	Right	App. Total	Left	Thru	Right	App. Total	
Peak Hour Analysis From 07:00 AM to 08:45 AM - Peak 1 of 1																	
Peak Hour for Entire Intersection Begins at 07:45 AM																	
07:45 AM	0	0	108	108	0	8	0	8	0	3	0	3	82	8	2	92	211
08:00 AM	0	3	94	97	2	4	0	6	1	3	0	4	71	4	0	75	182
08:15 AM	1	3	98	102	0	3	0	3	2	2	1	5	76	9	1	86	196
08:30 AM	0	2	77	79	0	9	0	9	0	0	0	0	84	2	0	86	174
Total Volume	1	8	377	386	2	24	0	26	3	8	1	12	313	23	3	339	763
% App. Total	0.3	2.1	97.7		7.7	92.3	0		25	66.7	8.3		92.3	6.8	0.9		
PHF	.250	.667	.873	.894	.250	.667	.000	.722	.375	.667	.250	.600	.932	.639	.375	.921	.904

City of Needles
 N/S: K Street
 E/W: Needles Highway
 Weather: Clear

File Name : 07_NDL_K St_Needles AM
 Site Code : 16621325
 Start Date : 7/15/2021
 Page No : 2



Peak Hour Analysis From 07:00 AM to 08:45 AM - Peak 1 of 1
 Peak Hour for Each Approach Begins at:

	07:45 AM				07:45 AM				07:30 AM				07:30 AM			
+0 mins.	0	0	108	108	0	8	0	8	1	3	0	4	88	5	0	93
+15 mins.	0	3	94	97	2	4	0	6	0	3	0	3	82	8	2	92
+30 mins.	1	3	98	102	0	3	0	3	1	3	0	4	71	4	0	75
+45 mins.	0	2	77	79	0	9	0	9	2	2	1	5	76	9	1	86
Total Volume	1	8	377	386	2	24	0	26	4	11	1	16	317	26	3	346
% App. Total	0.3	2.1	97.7		7.7	92.3	0		25	68.8	6.2		91.6	7.5	0.9	
PHF	.250	.667	.873	.894	.250	.667	.000	.722	.500	.917	.250	.800	.901	.722	.375	.930

City of Needles
 N/S: K Street
 E/W: Needles Highway
 Weather: Clear

File Name : 07_NDL_K St_Needles AM
 Site Code : 16621325
 Start Date : 7/15/2021
 Page No : 1

Groups Printed- Passenger Vehicles

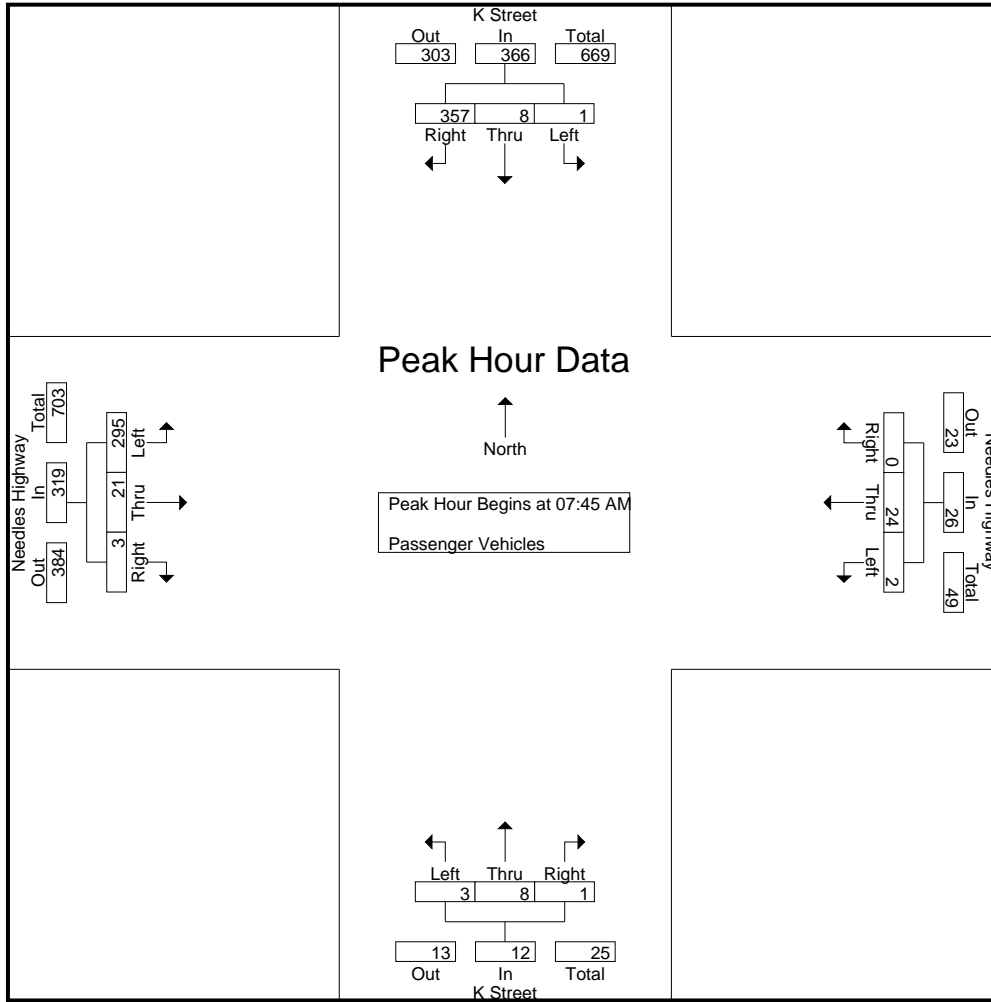
Start Time	K Street Southbound				Needles Highway Westbound				K Street Northbound				Needles Highway Eastbound				Int. Total
	Left	Thru	Right	App. Total	Left	Thru	Right	App. Total	Left	Thru	Right	App. Total	Left	Thru	Right	App. Total	
07:00 AM	0	2	65	67	0	8	0	8	2	2	0	4	62	7	0	69	148
07:15 AM	0	1	65	66	0	6	0	6	0	2	1	3	56	4	0	60	135
07:30 AM	0	1	65	66	0	1	0	1	1	3	0	4	83	5	0	88	159
07:45 AM	0	0	100	100	0	8	0	8	0	3	0	3	79	6	2	87	198
Total	0	4	295	299	0	23	0	23	3	10	1	14	280	22	2	304	640
08:00 AM	0	3	91	94	2	4	0	6	1	3	0	4	69	4	0	73	177
08:15 AM	1	3	93	97	0	3	0	3	2	2	1	5	70	9	1	80	185
08:30 AM	0	2	73	75	0	9	0	9	0	0	0	0	77	2	0	79	163
08:45 AM	1	1	74	76	0	5	1	6	0	3	0	3	68	7	0	75	160
Total	2	9	331	342	2	21	1	24	3	8	1	12	284	22	1	307	685
Grand Total	2	13	626	641	2	44	1	47	6	18	2	26	564	44	3	611	1325
Apprch %	0.3	2	97.7		4.3	93.6	2.1		23.1	69.2	7.7		92.3	7.2	0.5		
Total %	0.2	1	47.2	48.4	0.2	3.3	0.1	3.5	0.5	1.4	0.2	2	42.6	3.3	0.2	46.1	

Start Time	K Street Southbound				Needles Highway Westbound				K Street Northbound				Needles Highway Eastbound				Int. Total
	Left	Thru	Right	App. Total	Left	Thru	Right	App. Total	Left	Thru	Right	App. Total	Left	Thru	Right	App. Total	
07:45 AM	0	0	100	100	0	8	0	8	0	3	0	3	79	6	2	87	198
08:00 AM	0	3	91	94	2	4	0	6	1	3	0	4	69	4	0	73	177
08:15 AM	1	3	93	97	0	3	0	3	2	2	1	5	70	9	1	80	185
08:30 AM	0	2	73	75	0	9	0	9	0	0	0	0	77	2	0	79	163
Total Volume	1	8	357	366	2	24	0	26	3	8	1	12	295	21	3	319	723
% App. Total	0.3	2.2	97.5		7.7	92.3	0		25	66.7	8.3		92.5	6.6	0.9		
PHF	.250	.667	.893	.915	.250	.667	.000	.722	.375	.667	.250	.600	.934	.583	.375	.917	.913

Peak Hour Analysis From 07:45 AM to 08:30 AM - Peak 1 of 1
 Peak Hour for Entire Intersection Begins at 07:45 AM

City of Needles
 N/S: K Street
 E/W: Needles Highway
 Weather: Clear

File Name : 07_NDL_K St_Needles AM
 Site Code : 16621325
 Start Date : 7/15/2021
 Page No : 2



Peak Hour Analysis From 07:45 AM to 08:30 AM - Peak 1 of 1
 Peak Hour for Each Approach Begins at:

	07:45 AM				07:45 AM				07:45 AM				07:45 AM			
+0 mins.	0	0	100	100	0	8	0	8	0	3	0	3	79	6	2	87
+15 mins.	0	3	91	94	2	4	0	6	1	3	0	4	69	4	0	73
+30 mins.	1	3	93	97	0	3	0	3	2	2	1	5	70	9	1	80
+45 mins.	0	2	73	75	0	9	0	9	0	0	0	0	77	2	0	79
Total Volume	1	8	357	366	2	24	0	26	3	8	1	12	295	21	3	319
% App. Total	0.3	2.2	97.5		7.7	92.3	0		25	66.7	8.3		92.5	6.6	0.9	
PHF	.250	.667	.893	.915	.250	.667	.000	.722	.375	.667	.250	.600	.934	.583	.375	.917

City of Needles
 N/S: K Street
 E/W: Needles Highway
 Weather: Clear

File Name : 07_NDL_K St_Needles AM
 Site Code : 16621325
 Start Date : 7/15/2021
 Page No : 1

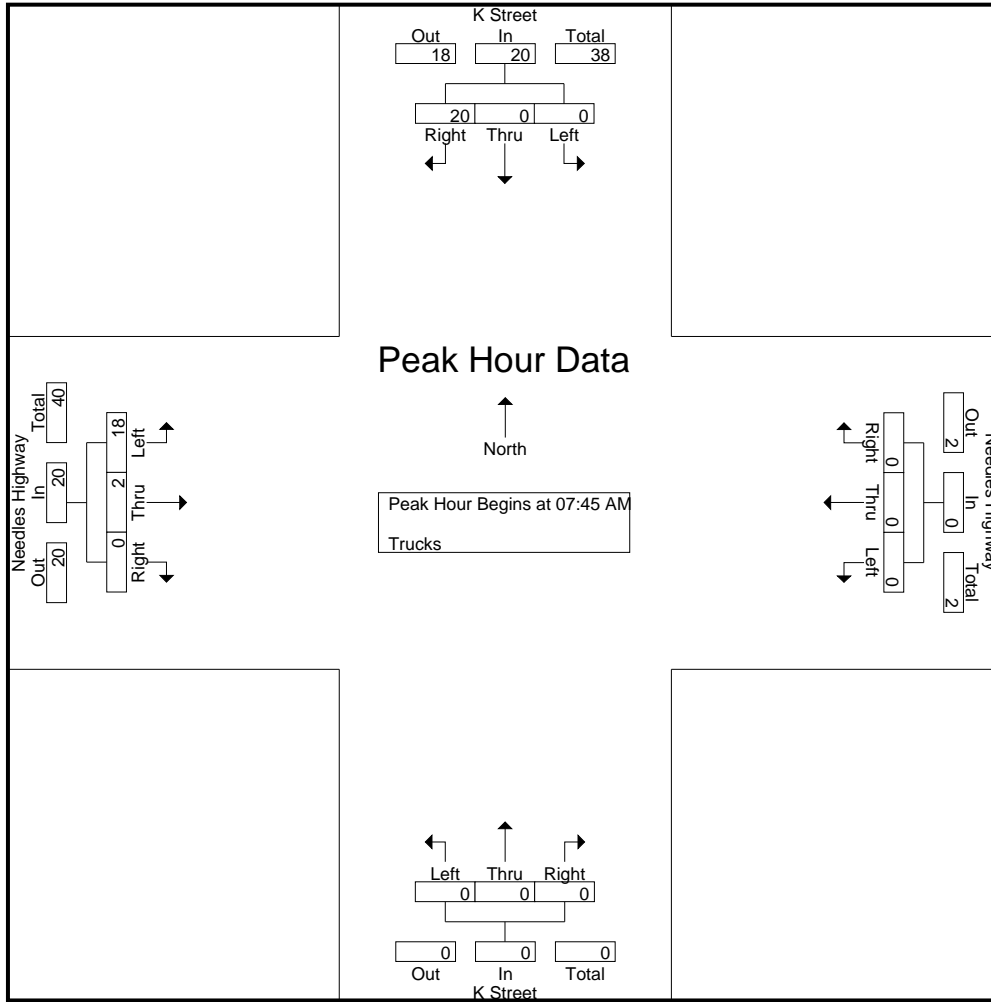
Groups Printed- Trucks

Start Time	K Street Southbound				Needles Highway Westbound				K Street Northbound				Needles Highway Eastbound				Int. Total
	Left	Thru	Right	App. Total	Left	Thru	Right	App. Total	Left	Thru	Right	App. Total	Left	Thru	Right	App. Total	
07:00 AM	0	0	4	4	0	0	0	0	0	0	0	0	2	0	0	2	6
07:15 AM	0	0	2	2	0	0	0	0	0	0	0	0	3	0	0	3	5
07:30 AM	0	0	5	5	0	0	0	0	0	0	0	0	5	0	0	5	10
07:45 AM	0	0	8	8	0	0	0	0	0	0	0	0	3	2	0	5	13
Total	0	0	19	19	0	0	0	0	0	0	0	0	13	2	0	15	34
08:00 AM	0	0	3	3	0	0	0	0	0	0	0	0	2	0	0	2	5
08:15 AM	0	0	5	5	0	0	0	0	0	0	0	0	6	0	0	6	11
08:30 AM	0	0	4	4	0	0	0	0	0	0	0	0	7	0	0	7	11
08:45 AM	0	0	5	5	0	0	0	0	0	0	0	0	1	0	0	1	6
Total	0	0	17	17	0	0	0	0	0	0	0	0	16	0	0	16	33
Grand Total	0	0	36	36	0	0	0	0	0	0	0	0	29	2	0	31	67
Apprch %	0	0	100		0	0	0		0	0	0		93.5	6.5	0		
Total %	0	0	53.7	53.7	0	0	0	0	0	0	0	0	43.3	3	0	46.3	

Start Time	K Street Southbound				Needles Highway Westbound				K Street Northbound				Needles Highway Eastbound				Int. Total
	Left	Thru	Right	App. Total	Left	Thru	Right	App. Total	Left	Thru	Right	App. Total	Left	Thru	Right	App. Total	
Peak Hour Analysis From 07:45 AM to 08:30 AM - Peak 1 of 1																	
Peak Hour for Entire Intersection Begins at 07:45 AM																	
07:45 AM	0	0	8	8	0	0	0	0	0	0	0	0	3	2	0	5	13
08:00 AM	0	0	3	3	0	0	0	0	0	0	0	0	2	0	0	2	5
08:15 AM	0	0	5	5	0	0	0	0	0	0	0	0	6	0	0	6	11
08:30 AM	0	0	4	4	0	0	0	0	0	0	0	0	7	0	0	7	11
Total Volume	0	0	20	20	0	0	0	0	0	0	0	0	18	2	0	20	40
% App. Total	0	0	100		0	0	0		0	0	0		90	10	0		
PHF	.000	.000	.625	.625	.000	.000	.000	.000	.000	.000	.000	.000	.643	.250	.000	.714	.769

City of Needles
 N/S: K Street
 E/W: Needles Highway
 Weather: Clear

File Name : 07_NDL_K St_Needles AM
 Site Code : 16621325
 Start Date : 7/15/2021
 Page No : 2



Peak Hour Analysis From 07:45 AM to 08:30 AM - Peak 1 of 1
 Peak Hour for Each Approach Begins at:

	07:45 AM				07:45 AM				07:45 AM				07:45 AM			
+0 mins.	0	0	8	8	0	0	0	0	0	0	0	0	3	2	0	5
+15 mins.	0	0	3	3	0	0	0	0	0	0	0	0	2	0	0	2
+30 mins.	0	0	5	5	0	0	0	0	0	0	0	0	6	0	0	6
+45 mins.	0	0	4	4	0	0	0	0	0	0	0	0	7	0	0	7
Total Volume	0	0	20	20	0	0	0	0	0	0	0	0	18	2	0	20
% App. Total	0	0	100		0	0	0		0	0	0		90	10	0	
PHF	.000	.000	.625	.625	.000	.000	.000	.000	.000	.000	.000	.000	.643	.250	.000	.714

City of Needles
 N/S: K Street
 E/W: Needles Highway
 Weather: Clear

File Name : 07_NDL_K St_Needles AM
 Site Code : 16621325
 Start Date : 7/15/2021
 Page No : 1

Groups Printed- Buses

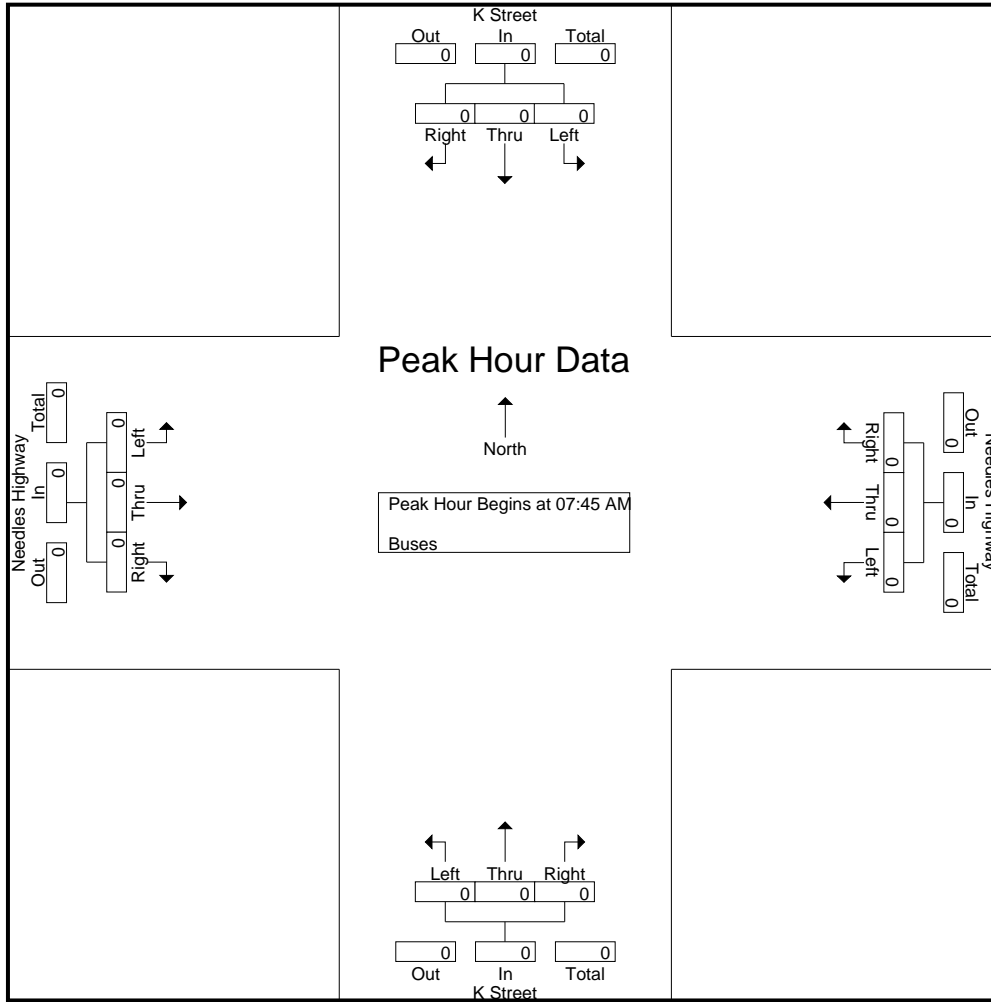
Start Time	K Street Southbound				Needles Highway Westbound				K Street Northbound				Needles Highway Eastbound				Int. Total
	Left	Thru	Right	App. Total	Left	Thru	Right	App. Total	Left	Thru	Right	App. Total	Left	Thru	Right	App. Total	
07:00 AM	0	0	0	0	0	0	0	0	0	0	0	0	0	0	0	0	0
07:15 AM	0	0	0	0	0	0	0	0	0	0	0	0	1	0	0	1	1
07:30 AM	0	0	0	0	0	0	0	0	0	0	0	0	0	0	0	0	0
07:45 AM	0	0	0	0	0	0	0	0	0	0	0	0	0	0	0	0	0
Total	0	0	0	0	0	0	0	0	0	0	0	0	1	0	0	1	1
08:00 AM	0	0	0	0	0	0	0	0	0	0	0	0	0	0	0	0	0
08:15 AM	0	0	0	0	0	0	0	0	0	0	0	0	0	0	0	0	0
08:30 AM	0	0	0	0	0	0	0	0	0	0	0	0	0	0	0	0	0
08:45 AM	0	0	0	0	0	0	0	0	0	0	0	0	0	0	0	0	0
Total	0	0	0	0	0	0	0	0	0	0	0	0	0	0	0	0	0
Grand Total	0	0	0	0	0	0	0	0	0	0	0	0	1	0	0	1	1
Apprch %	0	0	0		0	0	0		0	0	0		100	0	0		
Total %	0	0	0		0	0	0		0	0	0		100	0	0	100	

Start Time	K Street Southbound				Needles Highway Westbound				K Street Northbound				Needles Highway Eastbound				Int. Total
	Left	Thru	Right	App. Total	Left	Thru	Right	App. Total	Left	Thru	Right	App. Total	Left	Thru	Right	App. Total	
07:45 AM	0	0	0	0	0	0	0	0	0	0	0	0	0	0	0	0	0
08:00 AM	0	0	0	0	0	0	0	0	0	0	0	0	0	0	0	0	0
08:15 AM	0	0	0	0	0	0	0	0	0	0	0	0	0	0	0	0	0
08:30 AM	0	0	0	0	0	0	0	0	0	0	0	0	0	0	0	0	0
Total Volume	0	0	0	0	0	0	0	0	0	0	0	0	0	0	0	0	0
% App. Total	0	0	0		0	0	0		0	0	0		0	0	0		
PHF	.000	.000	.000	.000	.000	.000	.000	.000	.000	.000	.000	.000	.000	.000	.000	.000	.000

Peak Hour Analysis From 07:45 AM to 08:30 AM - Peak 1 of 1
 Peak Hour for Entire Intersection Begins at 07:45 AM

City of Needles
 N/S: K Street
 E/W: Needles Highway
 Weather: Clear

File Name : 07_NDL_K St_Needles AM
 Site Code : 16621325
 Start Date : 7/15/2021
 Page No : 2



Peak Hour Analysis From 07:45 AM to 08:30 AM - Peak 1 of 1
 Peak Hour for Each Approach Begins at:

	07:45 AM				07:45 AM				07:45 AM				07:45 AM			
+0 mins.	0	0	0	0	0	0	0	0	0	0	0	0	0	0	0	0
+15 mins.	0	0	0	0	0	0	0	0	0	0	0	0	0	0	0	0
+30 mins.	0	0	0	0	0	0	0	0	0	0	0	0	0	0	0	0
+45 mins.	0	0	0	0	0	0	0	0	0	0	0	0	0	0	0	0
Total Volume	0	0	0	0	0	0	0	0	0	0	0	0	0	0	0	0
% App. Total	0	0	0	0	0	0	0	0	0	0	0	0	0	0	0	0
PHF	.000	.000	.000	.000	.000	.000	.000	.000	.000	.000	.000	.000	.000	.000	.000	.000

City of Needles
 N/S: K Street
 E/W: Needles Highway
 Weather: Clear

File Name : 07_NDL_K St_Needles PM
 Site Code : 16621325
 Start Date : 7/15/2021
 Page No : 1

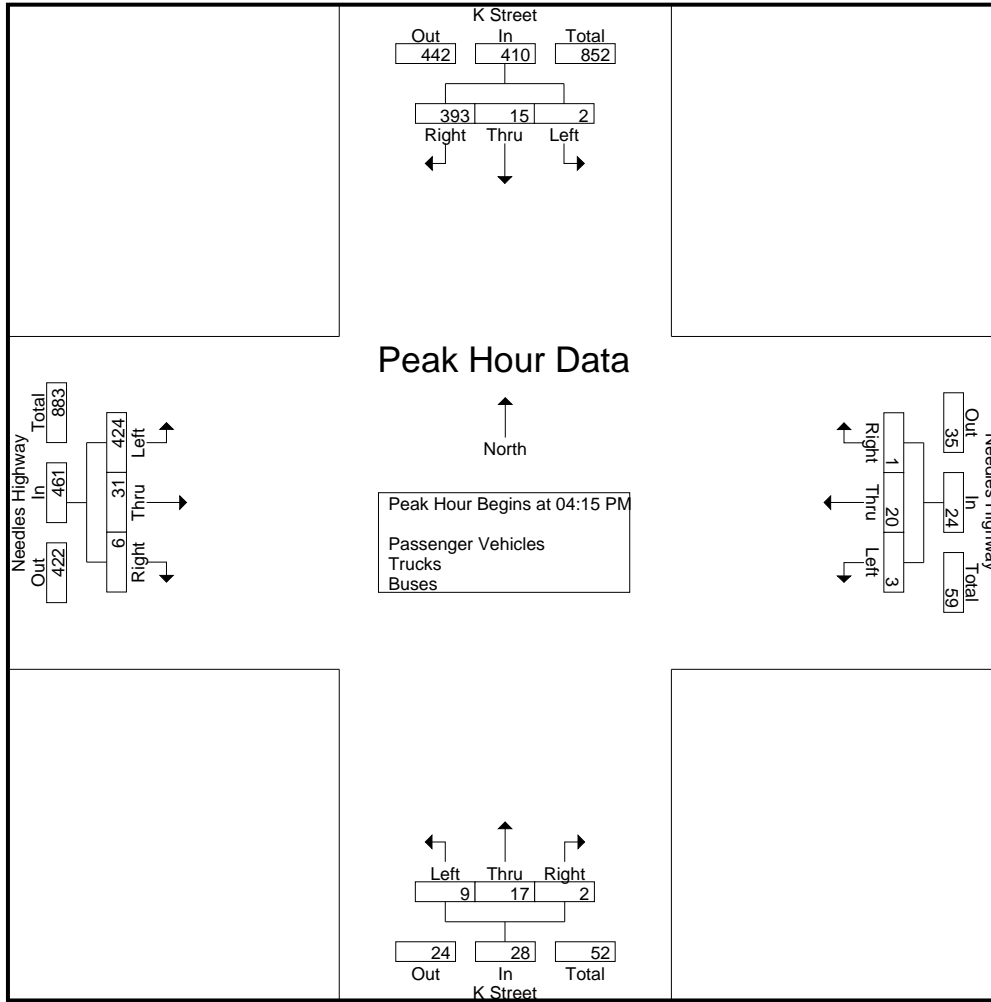
Groups Printed- Passenger Vehicles - Trucks - Buses

Start Time	K Street Southbound				Needles Highway Westbound				K Street Northbound				Needles Highway Eastbound				Int. Total
	Left	Thru	Right	App. Total	Left	Thru	Right	App. Total	Left	Thru	Right	App. Total	Left	Thru	Right	App. Total	
04:00 PM	0	8	92	100	0	5	1	6	2	4	0	6	90	5	0	95	207
04:15 PM	1	5	102	108	1	4	0	5	3	3	0	6	119	10	0	129	248
04:30 PM	1	3	92	96	0	2	1	3	3	4	0	7	114	3	0	117	223
04:45 PM	0	5	90	95	2	5	0	7	1	4	1	6	89	9	2	100	208
Total	2	21	376	399	3	16	2	21	9	15	1	25	412	27	2	441	886
05:00 PM	0	2	109	111	0	9	0	9	2	6	1	9	102	9	4	115	244
05:15 PM	2	6	89	97	1	6	1	8	0	5	1	6	87	7	3	97	208
05:30 PM	0	1	97	98	1	4	0	5	2	4	0	6	107	4	0	111	220
05:45 PM	0	4	94	98	0	6	0	6	2	4	0	6	99	7	1	107	217
Total	2	13	389	404	2	25	1	28	6	19	2	27	395	27	8	430	889
Grand Total	4	34	765	803	5	41	3	49	15	34	3	52	807	54	10	871	1775
Apprch %	0.5	4.2	95.3		10.2	83.7	6.1		28.8	65.4	5.8		92.7	6.2	1.1		
Total %	0.2	1.9	43.1	45.2	0.3	2.3	0.2	2.8	0.8	1.9	0.2	2.9	45.5	3	0.6	49.1	
Passenger Vehicles	4	33	721	758	5	40	3	48	14	34	3	51	778	53	10	841	1698
% Passenger Vehicles	100	97.1	94.2	94.4	100	97.6	100	98	93.3	100	100	98.1	96.4	98.1	100	96.6	95.7
Trucks	0	1	44	45	0	1	0	1	1	0	0	1	29	1	0	30	77
% Trucks	0	2.9	5.8	5.6	0	2.4	0	2	6.7	0	0	1.9	3.6	1.9	0	3.4	4.3
Buses	0	0	0	0	0	0	0	0	0	0	0	0	0	0	0	0	0
% Buses	0	0	0	0	0	0	0	0	0	0	0	0	0	0	0	0	0

Start Time	K Street Southbound				Needles Highway Westbound				K Street Northbound				Needles Highway Eastbound				Int. Total
	Left	Thru	Right	App. Total	Left	Thru	Right	App. Total	Left	Thru	Right	App. Total	Left	Thru	Right	App. Total	
Peak Hour Analysis From 04:00 PM to 05:45 PM - Peak 1 of 1																	
Peak Hour for Entire Intersection Begins at 04:15 PM																	
04:15 PM	1	5	102	108	1	4	0	5	3	3	0	6	119	10	0	129	248
04:30 PM	1	3	92	96	0	2	1	3	3	4	0	7	114	3	0	117	223
04:45 PM	0	5	90	95	2	5	0	7	1	4	1	6	89	9	2	100	208
05:00 PM	0	2	109	111	0	9	0	9	2	6	1	9	102	9	4	115	244
Total Volume	2	15	393	410	3	20	1	24	9	17	2	28	424	31	6	461	923
% App. Total	0.5	3.7	95.9		12.5	83.3	4.2		32.1	60.7	7.1		92	6.7	1.3		
PHF	.500	.750	.901	.923	.375	.556	.250	.667	.750	.708	.500	.778	.891	.775	.375	.893	.930

City of Needles
 N/S: K Street
 E/W: Needles Highway
 Weather: Clear

File Name : 07_NDL_K St_Needles PM
 Site Code : 16621325
 Start Date : 7/15/2021
 Page No : 2



Peak Hour Analysis From 04:00 PM to 05:45 PM - Peak 1 of 1
 Peak Hour for Each Approach Begins at:

	04:15 PM				04:45 PM				04:15 PM				04:15 PM			
+0 mins.	1	5	102	108	2	5	0	7	3	3	0	6	119	10	0	129
+15 mins.	1	3	92	96	0	9	0	9	3	4	0	7	114	3	0	117
+30 mins.	0	5	90	95	1	6	1	8	1	4	1	6	89	9	2	100
+45 mins.	0	2	109	111	1	4	0	5	2	6	1	9	102	9	4	115
Total Volume	2	15	393	410	4	24	1	29	9	17	2	28	424	31	6	461
% App. Total	0.5	3.7	95.9		13.8	82.8	3.4		32.1	60.7	7.1		92	6.7	1.3	
PHF	.500	.750	.901	.923	.500	.667	.250	.806	.750	.708	.500	.778	.891	.775	.375	.893

City of Needles
 N/S: K Street
 E/W: Needles Highway
 Weather: Clear

File Name : 07_NDL_K St_Needles PM
 Site Code : 16621325
 Start Date : 7/15/2021
 Page No : 1

Groups Printed- Passenger Vehicles

Start Time	K Street Southbound				Needles Highway Westbound				K Street Northbound				Needles Highway Eastbound				Int. Total
	Left	Thru	Right	App. Total	Left	Thru	Right	App. Total	Left	Thru	Right	App. Total	Left	Thru	Right	App. Total	
04:00 PM	0	8	81	89	0	4	1	5	2	4	0	6	88	5	0	93	193
04:15 PM	1	5	91	97	1	4	0	5	3	3	0	6	116	10	0	126	234
04:30 PM	1	2	86	89	0	2	1	3	2	4	0	6	109	3	0	112	210
04:45 PM	0	5	87	92	2	5	0	7	1	4	1	6	86	9	2	97	202
Total	2	20	345	367	3	15	2	20	8	15	1	24	399	27	2	428	839
05:00 PM	0	2	103	105	0	9	0	9	2	6	1	9	102	9	4	115	238
05:15 PM	2	6	88	96	1	6	1	8	0	5	1	6	81	6	3	90	200
05:30 PM	0	1	95	96	1	4	0	5	2	4	0	6	102	4	0	106	213
05:45 PM	0	4	90	94	0	6	0	6	2	4	0	6	94	7	1	102	208
Total	2	13	376	391	2	25	1	28	6	19	2	27	379	26	8	413	859
Grand Total	4	33	721	758	5	40	3	48	14	34	3	51	778	53	10	841	1698
Apprch %	0.5	4.4	95.1		10.4	83.3	6.2		27.5	66.7	5.9		92.5	6.3	1.2		
Total %	0.2	1.9	42.5	44.6	0.3	2.4	0.2	2.8	0.8	2	0.2	3	45.8	3.1	0.6	49.5	

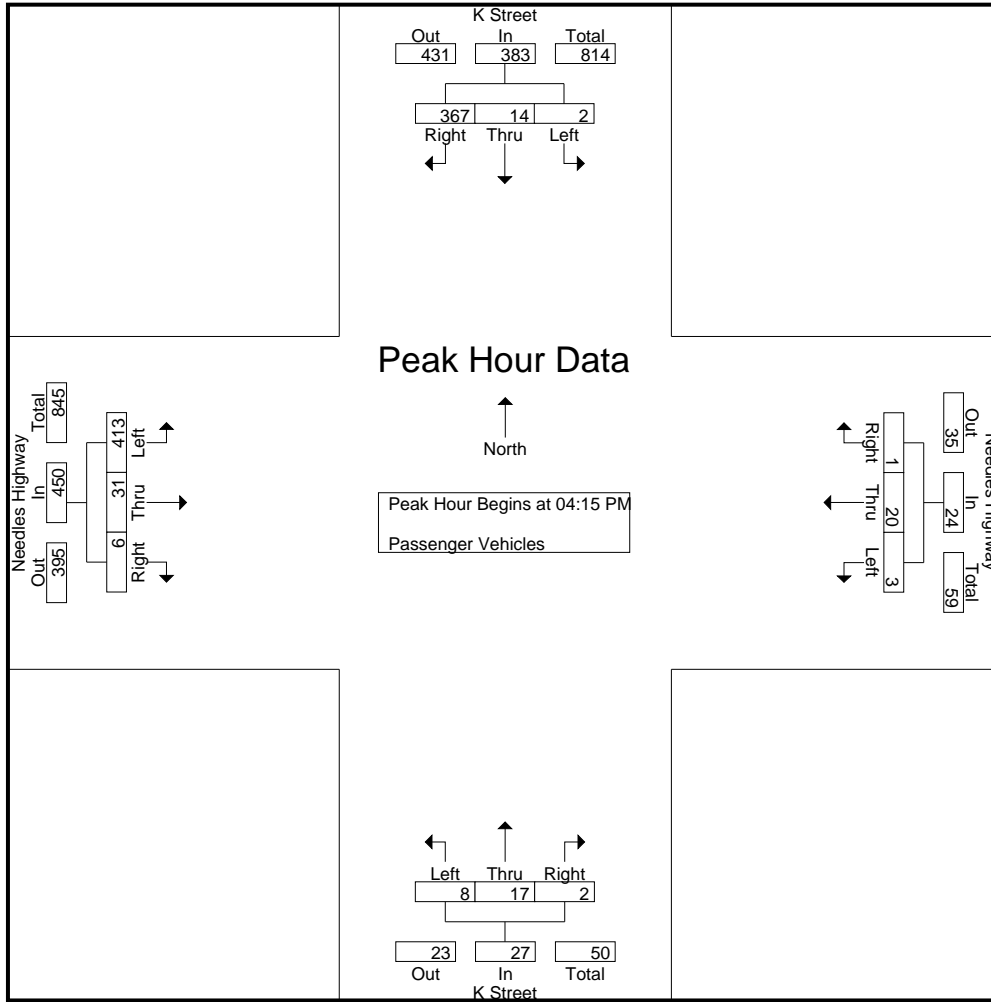
Start Time	K Street Southbound				Needles Highway Westbound				K Street Northbound				Needles Highway Eastbound				Int. Total
	Left	Thru	Right	App. Total	Left	Thru	Right	App. Total	Left	Thru	Right	App. Total	Left	Thru	Right	App. Total	
04:15 PM	1	5	91	97	1	4	0	5	3	3	0	6	116	10	0	126	234
04:30 PM	1	2	86	89	0	2	1	3	2	4	0	6	109	3	0	112	210
04:45 PM	0	5	87	92	2	5	0	7	1	4	1	6	86	9	2	97	202
05:00 PM	0	2	103	105	0	9	0	9	2	6	1	9	102	9	4	115	238
Total Volume	2	14	367	383	3	20	1	24	8	17	2	27	413	31	6	450	884
% App. Total	0.5	3.7	95.8		12.5	83.3	4.2		29.6	63	7.4		91.8	6.9	1.3		
PHF	.500	.700	.891	.912	.375	.556	.250	.667	.667	.708	.500	.750	.890	.775	.375	.893	.929

Peak Hour Analysis From 04:15 PM to 05:00 PM - Peak 1 of 1

Peak Hour for Entire Intersection Begins at 04:15 PM

City of Needles
 N/S: K Street
 E/W: Needles Highway
 Weather: Clear

File Name : 07_NDL_K St_Needles PM
 Site Code : 16621325
 Start Date : 7/15/2021
 Page No : 2



Peak Hour Analysis From 04:15 PM to 05:00 PM - Peak 1 of 1
 Peak Hour for Each Approach Begins at:

	04:15 PM				04:15 PM				04:15 PM				04:15 PM			
+0 mins.	1	5	91	97	1	4	0	5	3	3	0	6	116	10	0	126
+15 mins.	1	2	86	89	0	2	1	3	2	4	0	6	109	3	0	112
+30 mins.	0	5	87	92	2	5	0	7	1	4	1	6	86	9	2	97
+45 mins.	0	2	103	105	0	9	0	9	2	6	1	9	102	9	4	115
Total Volume	2	14	367	383	3	20	1	24	8	17	2	27	413	31	6	450
% App. Total	0.5	3.7	95.8		12.5	83.3	4.2		29.6	63	7.4		91.8	6.9	1.3	
PHF	.500	.700	.891	.912	.375	.556	.250	.667	.667	.708	.500	.750	.890	.775	.375	.893

City of Needles
 N/S: K Street
 E/W: Needles Highway
 Weather: Clear

File Name : 07_NDL_K St_Needles PM
 Site Code : 16621325
 Start Date : 7/15/2021
 Page No : 1

Groups Printed- Trucks

Start Time	K Street Southbound				Needles Highway Westbound				K Street Northbound				Needles Highway Eastbound				Int. Total
	Left	Thru	Right	App. Total	Left	Thru	Right	App. Total	Left	Thru	Right	App. Total	Left	Thru	Right	App. Total	
04:00 PM	0	0	11	11	0	1	0	1	0	0	0	0	2	0	0	2	14
04:15 PM	0	0	11	11	0	0	0	0	0	0	0	0	3	0	0	3	14
04:30 PM	0	1	6	7	0	0	0	0	1	0	0	1	5	0	0	5	13
04:45 PM	0	0	3	3	0	0	0	0	0	0	0	0	3	0	0	3	6
Total	0	1	31	32	0	1	0	1	1	0	0	1	13	0	0	13	47
05:00 PM	0	0	6	6	0	0	0	0	0	0	0	0	0	0	0	0	6
05:15 PM	0	0	1	1	0	0	0	0	0	0	0	0	6	1	0	7	8
05:30 PM	0	0	2	2	0	0	0	0	0	0	0	0	5	0	0	5	7
05:45 PM	0	0	4	4	0	0	0	0	0	0	0	0	5	0	0	5	9
Total	0	0	13	13	0	0	0	0	0	0	0	0	16	1	0	17	30
Grand Total	0	1	44	45	0	1	0	1	1	0	0	1	29	1	0	30	77
Apprch %	0	2.2	97.8		0	100	0		100	0	0		96.7	3.3	0		
Total %	0	1.3	57.1	58.4	0	1.3	0	1.3	1.3	0	0	1.3	37.7	1.3	0	39	

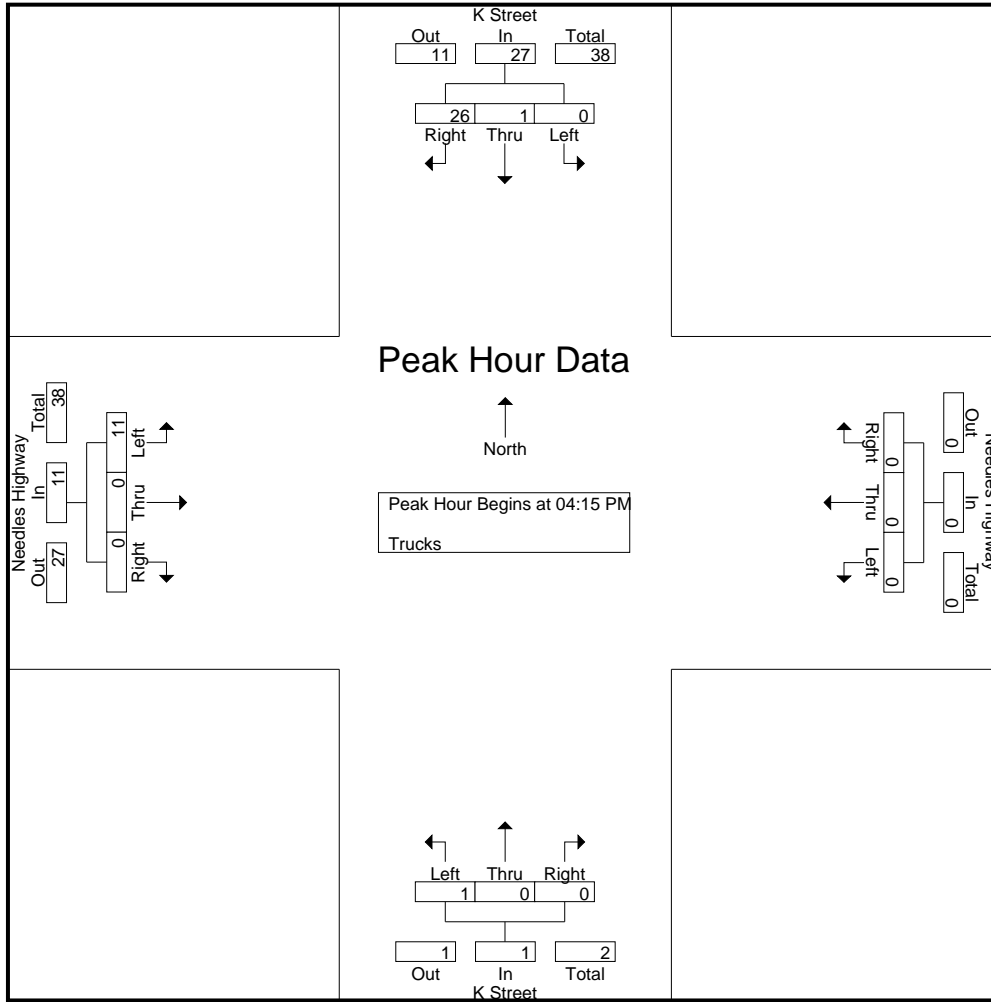
Start Time	K Street Southbound				Needles Highway Westbound				K Street Northbound				Needles Highway Eastbound				Int. Total
	Left	Thru	Right	App. Total	Left	Thru	Right	App. Total	Left	Thru	Right	App. Total	Left	Thru	Right	App. Total	
04:15 PM	0	0	11	11	0	0	0	0	0	0	0	0	3	0	0	3	14
04:30 PM	0	1	6	7	0	0	0	0	1	0	0	1	5	0	0	5	13
04:45 PM	0	0	3	3	0	0	0	0	0	0	0	0	3	0	0	3	6
05:00 PM	0	0	6	6	0	0	0	0	0	0	0	0	0	0	0	0	6
Total Volume	0	1	26	27	0	0	0	0	1	0	0	1	11	0	0	11	39
% App. Total	0	3.7	96.3		0	0	0		100	0	0		100	0	0		
PHF	.000	.250	.591	.614	.000	.000	.000	.000	.250	.000	.000	.250	.550	.000	.000	.550	.696

Peak Hour Analysis From 04:15 PM to 05:00 PM - Peak 1 of 1

Peak Hour for Entire Intersection Begins at 04:15 PM

City of Needles
 N/S: K Street
 E/W: Needles Highway
 Weather: Clear

File Name : 07_NDL_K St_Needles PM
 Site Code : 16621325
 Start Date : 7/15/2021
 Page No : 2



Peak Hour Analysis From 04:15 PM to 05:00 PM - Peak 1 of 1
 Peak Hour for Each Approach Begins at:

	04:15 PM				04:15 PM				04:15 PM				04:15 PM			
+0 mins.	0	0	11	11	0	0	0	0	0	0	0	0	3	0	0	3
+15 mins.	0	1	6	7	0	0	0	0	1	0	0	1	5	0	0	5
+30 mins.	0	0	3	3	0	0	0	0	0	0	0	0	3	0	0	3
+45 mins.	0	0	6	6	0	0	0	0	0	0	0	0	0	0	0	0
Total Volume	0	1	26	27	0	0	0	0	1	0	0	1	11	0	0	11
% App. Total	0	3.7	96.3		0	0	0		100	0	0		100	0	0	
PHF	.000	.250	.591	.614	.000	.000	.000	.000	.250	.000	.000	.250	.550	.000	.000	.550

City of Needles
 N/S: K Street
 E/W: Needles Highway
 Weather: Clear

File Name : 07_NDL_K St_Needles PM
 Site Code : 16621325
 Start Date : 7/15/2021
 Page No : 1

Groups Printed- Buses

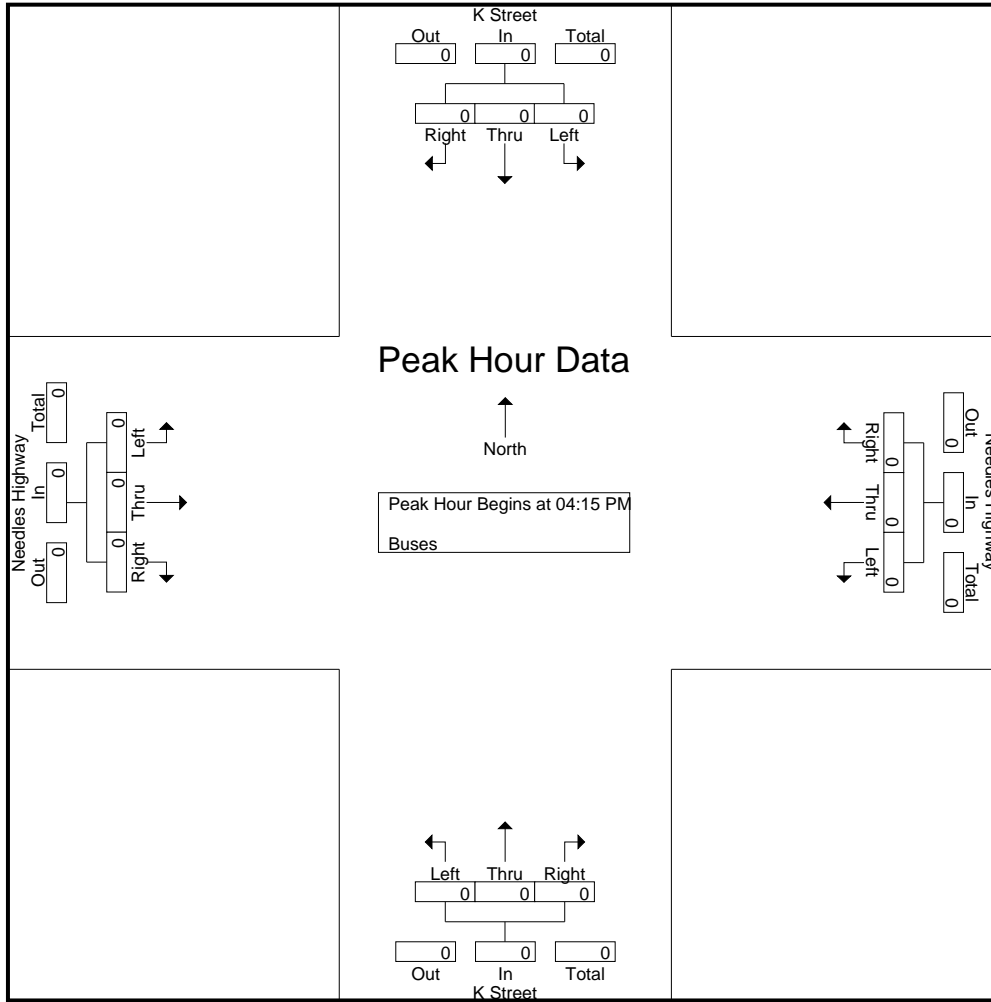
Start Time	K Street Southbound				Needles Highway Westbound				K Street Northbound				Needles Highway Eastbound				Int. Total
	Left	Thru	Right	App. Total	Left	Thru	Right	App. Total	Left	Thru	Right	App. Total	Left	Thru	Right	App. Total	
04:00 PM	0	0	0	0	0	0	0	0	0	0	0	0	0	0	0	0	0
04:15 PM	0	0	0	0	0	0	0	0	0	0	0	0	0	0	0	0	0
04:30 PM	0	0	0	0	0	0	0	0	0	0	0	0	0	0	0	0	0
04:45 PM	0	0	0	0	0	0	0	0	0	0	0	0	0	0	0	0	0
Total	0	0	0	0	0	0	0	0	0	0	0	0	0	0	0	0	0
05:00 PM	0	0	0	0	0	0	0	0	0	0	0	0	0	0	0	0	0
05:15 PM	0	0	0	0	0	0	0	0	0	0	0	0	0	0	0	0	0
05:30 PM	0	0	0	0	0	0	0	0	0	0	0	0	0	0	0	0	0
05:45 PM	0	0	0	0	0	0	0	0	0	0	0	0	0	0	0	0	0
Total	0	0	0	0	0	0	0	0	0	0	0	0	0	0	0	0	0
Grand Total	0	0	0	0	0	0	0	0	0	0	0	0	0	0	0	0	0
Apprch %	0	0	0		0	0	0		0	0	0		0	0	0		
Total %																	

Start Time	K Street Southbound				Needles Highway Westbound				K Street Northbound				Needles Highway Eastbound				Int. Total
	Left	Thru	Right	App. Total	Left	Thru	Right	App. Total	Left	Thru	Right	App. Total	Left	Thru	Right	App. Total	
04:15 PM	0	0	0	0	0	0	0	0	0	0	0	0	0	0	0	0	0
04:30 PM	0	0	0	0	0	0	0	0	0	0	0	0	0	0	0	0	0
04:45 PM	0	0	0	0	0	0	0	0	0	0	0	0	0	0	0	0	0
05:00 PM	0	0	0	0	0	0	0	0	0	0	0	0	0	0	0	0	0
Total Volume	0	0	0	0	0	0	0	0	0	0	0	0	0	0	0	0	0
% App. Total	0	0	0		0	0	0		0	0	0		0	0	0		
PHF	.000	.000	.000	.000	.000	.000	.000	.000	.000	.000	.000	.000	.000	.000	.000	.000	.000

Peak Hour Analysis From 04:15 PM to 05:00 PM - Peak 1 of 1
 Peak Hour for Entire Intersection Begins at 04:15 PM

City of Needles
 N/S: K Street
 E/W: Needles Highway
 Weather: Clear

File Name : 07_NDL_K St_Needles PM
 Site Code : 16621325
 Start Date : 7/15/2021
 Page No : 2



Peak Hour Analysis From 04:15 PM to 05:00 PM - Peak 1 of 1
 Peak Hour for Each Approach Begins at:

	04:15 PM				04:15 PM				04:15 PM				04:15 PM			
+0 mins.	0	0	0	0	0	0	0	0	0	0	0	0	0	0	0	0
+15 mins.	0	0	0	0	0	0	0	0	0	0	0	0	0	0	0	0
+30 mins.	0	0	0	0	0	0	0	0	0	0	0	0	0	0	0	0
+45 mins.	0	0	0	0	0	0	0	0	0	0	0	0	0	0	0	0
Total Volume	0	0	0	0	0	0	0	0	0	0	0	0	0	0	0	0
% App. Total	0	0	0	0	0	0	0	0	0	0	0	0	0	0	0	0
PHF	.000	.000	.000	.000	.000	.000	.000	.000	.000	.000	.000	.000	.000	.000	.000	.000

City of Needles
 N/S: K Street
 E/W: Needles Highway
 Weather: Clear

File Name : 07_NDL_K St_Needles SAT
 Site Code : 16621325
 Start Date : 7/17/2021
 Page No : 1

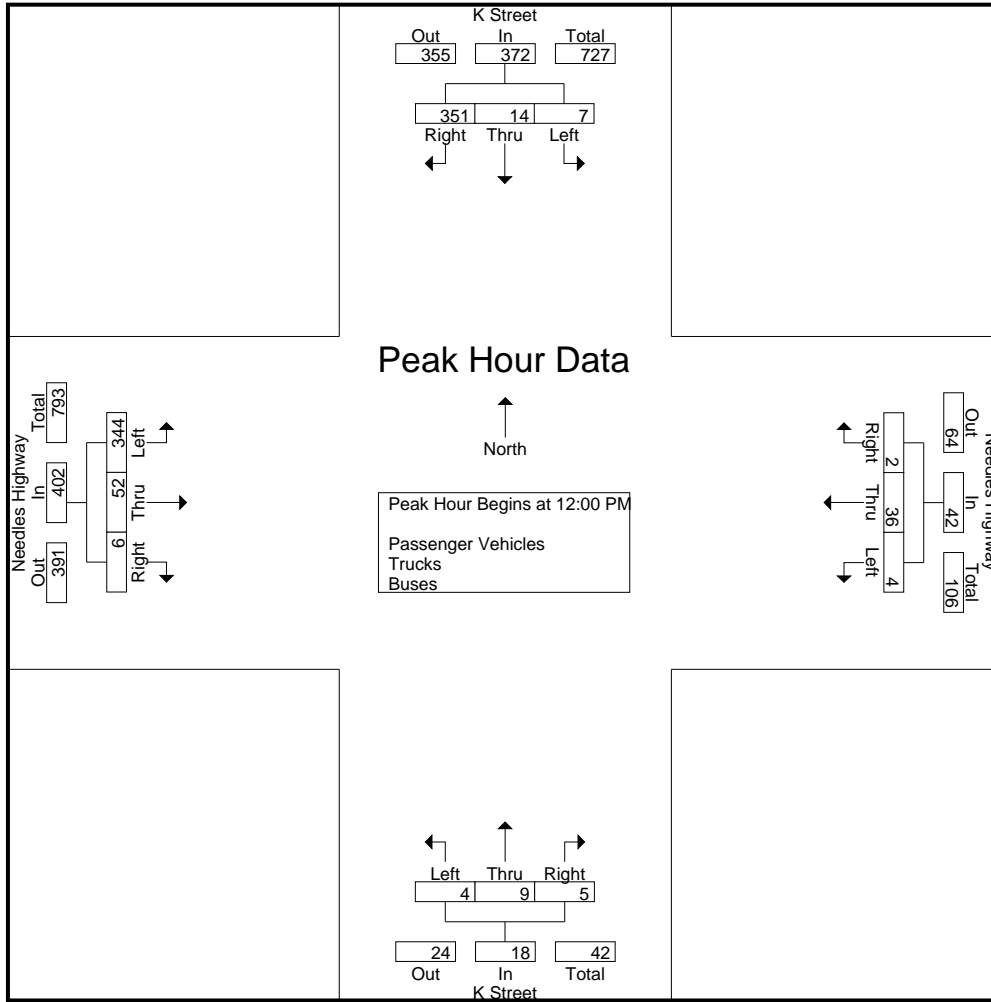
Groups Printed- Passenger Vehicles - Trucks - Buses

Start Time	K Street Southbound				Needles Highway Westbound				K Street Northbound				Needles Highway Eastbound				Int. Total
	Left	Thru	Right	App. Total	Left	Thru	Right	App. Total	Left	Thru	Right	App. Total	Left	Thru	Right	App. Total	
12:00 PM	2	3	100	105	1	5	0	6	2	4	0	6	86	14	2	102	219
12:15 PM	3	1	77	81	0	7	0	7	1	4	0	5	90	14	1	105	198
12:30 PM	1	7	84	92	3	11	0	14	1	1	2	4	84	10	2	96	206
12:45 PM	1	3	90	94	0	13	2	15	0	0	3	3	84	14	1	99	211
Total	7	14	351	372	4	36	2	42	4	9	5	18	344	52	6	402	834
01:00 PM	1	8	79	88	0	5	1	6	1	4	0	5	73	7	2	82	181
01:15 PM	3	4	84	91	0	8	0	8	1	1	4	6	65	8	1	74	179
01:30 PM	0	11	65	76	3	6	1	10	2	5	0	7	79	10	0	89	182
01:45 PM	1	5	72	78	0	10	0	10	1	1	2	4	62	7	1	70	162
Total	5	28	300	333	3	29	2	34	5	11	6	22	279	32	4	315	704
Grand Total	12	42	651	705	7	65	4	76	9	20	11	40	623	84	10	717	1538
Apprch %	1.7	6	92.3		9.2	85.5	5.3		22.5	50	27.5		86.9	11.7	1.4		
Total %	0.8	2.7	42.3	45.8	0.5	4.2	0.3	4.9	0.6	1.3	0.7	2.6	40.5	5.5	0.7	46.6	
Passenger Vehicles	12	42	626	680	7	62	4	73	9	20	11	40	597	83	10	690	1483
% Passenger Vehicles	100	100	96.2	96.5	100	95.4	100	96.1	100	100	100	100	95.8	98.8	100	96.2	96.4
Trucks	0	0	25	25	0	3	0	3	0	0	0	0	26	1	0	27	55
% Trucks	0	0	3.8	3.5	0	4.6	0	3.9	0	0	0	0	4.2	1.2	0	3.8	3.6
Buses	0	0	0	0	0	0	0	0	0	0	0	0	0	0	0	0	0
% Buses	0	0	0	0	0	0	0	0	0	0	0	0	0	0	0	0	0

Start Time	K Street Southbound				Needles Highway Westbound				K Street Northbound				Needles Highway Eastbound				Int. Total
	Left	Thru	Right	App. Total	Left	Thru	Right	App. Total	Left	Thru	Right	App. Total	Left	Thru	Right	App. Total	
Peak Hour Analysis From 12:00 PM to 01:45 PM - Peak 1 of 1																	
Peak Hour for Entire Intersection Begins at 12:00 PM																	
12:00 PM	2	3	100	105	1	5	0	6	2	4	0	6	86	14	2	102	219
12:15 PM	3	1	77	81	0	7	0	7	1	4	0	5	90	14	1	105	198
12:30 PM	1	7	84	92	3	11	0	14	1	1	2	4	84	10	2	96	206
12:45 PM	1	3	90	94	0	13	2	15	0	0	3	3	84	14	1	99	211
Total Volume	7	14	351	372	4	36	2	42	4	9	5	18	344	52	6	402	834
% App. Total	1.9	3.8	94.4		9.5	85.7	4.8		22.2	50	27.8		85.6	12.9	1.5		
PHF	.583	.500	.878	.886	.333	.692	.250	.700	.500	.563	.417	.750	.956	.929	.750	.957	.952

City of Needles
 N/S: K Street
 E/W: Needles Highway
 Weather: Clear

File Name : 07_NDL_K St_Needles SAT
 Site Code : 16621325
 Start Date : 7/17/2021
 Page No : 2



Peak Hour Analysis From 12:00 PM to 01:45 PM - Peak 1 of 1
 Peak Hour for Each Approach Begins at:

	12:00 PM				12:30 PM				01:00 PM				12:00 PM			
+0 mins.	2	3	100	105	3	11	0	14	1	4	0	5	86	14	2	102
+15 mins.	3	1	77	81	0	13	2	15	1	1	4	6	90	14	1	105
+30 mins.	1	7	84	92	0	5	1	6	2	5	0	7	84	10	2	96
+45 mins.	1	3	90	94	0	8	0	8	1	1	2	4	84	14	1	99
Total Volume	7	14	351	372	3	37	3	43	5	11	6	22	344	52	6	402
% App. Total	1.9	3.8	94.4		7	86	7		22.7	50	27.3		85.6	12.9	1.5	
PHF	.583	.500	.878	.886	.250	.712	.375	.717	.625	.550	.375	.786	.956	.929	.750	.957

City of Needles
 N/S: K Street
 E/W: Needles Highway
 Weather: Clear

File Name : 07_NDL_K St_Needles SAT
 Site Code : 16621325
 Start Date : 7/17/2021
 Page No : 1

Groups Printed- Passenger Vehicles

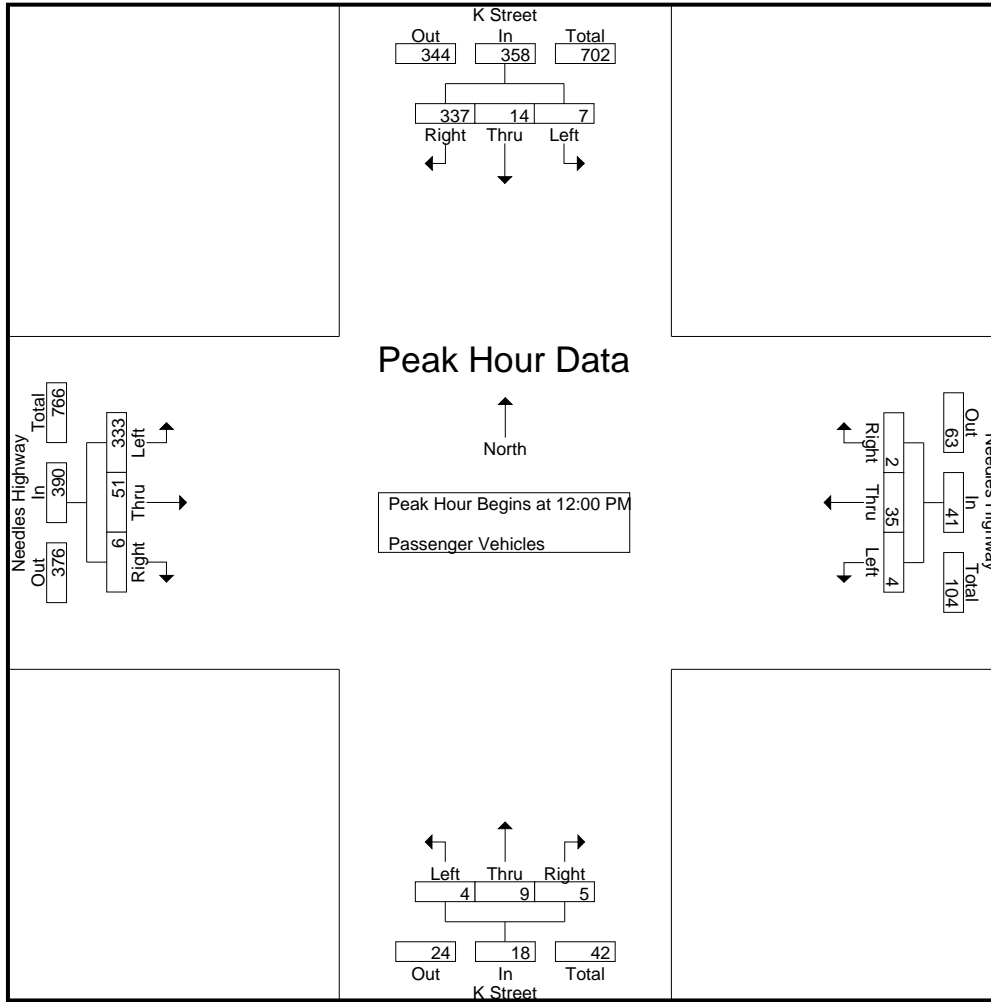
Start Time	K Street Southbound				Needles Highway Westbound				K Street Northbound				Needles Highway Eastbound				Int. Total
	Left	Thru	Right	App. Total	Left	Thru	Right	App. Total	Left	Thru	Right	App. Total	Left	Thru	Right	App. Total	
12:00 PM	2	3	94	99	1	4	0	5	2	4	0	6	82	14	2	98	208
12:15 PM	3	1	77	81	0	7	0	7	1	4	0	5	87	14	1	102	195
12:30 PM	1	7	77	85	3	11	0	14	1	1	2	4	83	10	2	95	198
12:45 PM	1	3	89	93	0	13	2	15	0	0	3	3	81	13	1	95	206
Total	7	14	337	358	4	35	2	41	4	9	5	18	333	51	6	390	807
01:00 PM	1	8	74	83	0	4	1	5	1	4	0	5	71	7	2	80	173
01:15 PM	3	4	81	88	0	7	0	7	1	1	4	6	59	8	1	68	169
01:30 PM	0	11	63	74	3	6	1	10	2	5	0	7	75	10	0	85	176
01:45 PM	1	5	71	77	0	10	0	10	1	1	2	4	59	7	1	67	158
Total	5	28	289	322	3	27	2	32	5	11	6	22	264	32	4	300	676
Grand Total	12	42	626	680	7	62	4	73	9	20	11	40	597	83	10	690	1483
Apprch %	1.8	6.2	92.1		9.6	84.9	5.5		22.5	50	27.5		86.5	12	1.4		
Total %	0.8	2.8	42.2	45.9	0.5	4.2	0.3	4.9	0.6	1.3	0.7	2.7	40.3	5.6	0.7	46.5	

Start Time	K Street Southbound				Needles Highway Westbound				K Street Northbound				Needles Highway Eastbound				Int. Total
	Left	Thru	Right	App. Total	Left	Thru	Right	App. Total	Left	Thru	Right	App. Total	Left	Thru	Right	App. Total	
12:00 PM	2	3	94	99	1	4	0	5	2	4	0	6	82	14	2	98	208
12:15 PM	3	1	77	81	0	7	0	7	1	4	0	5	87	14	1	102	195
12:30 PM	1	7	77	85	3	11	0	14	1	1	2	4	83	10	2	95	198
12:45 PM	1	3	89	93	0	13	2	15	0	0	3	3	81	13	1	95	206
Total Volume	7	14	337	358	4	35	2	41	4	9	5	18	333	51	6	390	807
% App. Total	2	3.9	94.1		9.8	85.4	4.9		22.2	50	27.8		85.4	13.1	1.5		
PHF	.583	.500	.896	.904	.333	.673	.250	.683	.500	.563	.417	.750	.957	.911	.750	.956	.970

Peak Hour Analysis From 12:00 PM to 12:45 PM - Peak 1 of 1
 Peak Hour for Entire Intersection Begins at 12:00 PM

City of Needles
 N/S: K Street
 E/W: Needles Highway
 Weather: Clear

File Name : 07_NDL_K St_Needles SAT
 Site Code : 16621325
 Start Date : 7/17/2021
 Page No : 2



Peak Hour Analysis From 12:00 PM to 12:45 PM - Peak 1 of 1
 Peak Hour for Each Approach Begins at:

	12:00 PM				12:00 PM				12:00 PM				12:00 PM			
+0 mins.	2	3	94	99	1	4	0	5	2	4	0	6	82	14	2	98
+15 mins.	3	1	77	81	0	7	0	7	1	4	0	5	87	14	1	102
+30 mins.	1	7	77	85	3	11	0	14	1	1	2	4	83	10	2	95
+45 mins.	1	3	89	93	0	13	2	15	0	0	3	3	81	13	1	95
Total Volume	7	14	337	358	4	35	2	41	4	9	5	18	333	51	6	390
% App. Total	2	3.9	94.1		9.8	85.4	4.9		22.2	50	27.8		85.4	13.1	1.5	
PHF	.583	.500	.896	.904	.333	.673	.250	.683	.500	.563	.417	.750	.957	.911	.750	.956

City of Needles
 N/S: K Street
 E/W: Needles Highway
 Weather: Clear

File Name : 07_NDL_K St_Needles SAT
 Site Code : 16621325
 Start Date : 7/17/2021
 Page No : 1

Groups Printed- Trucks

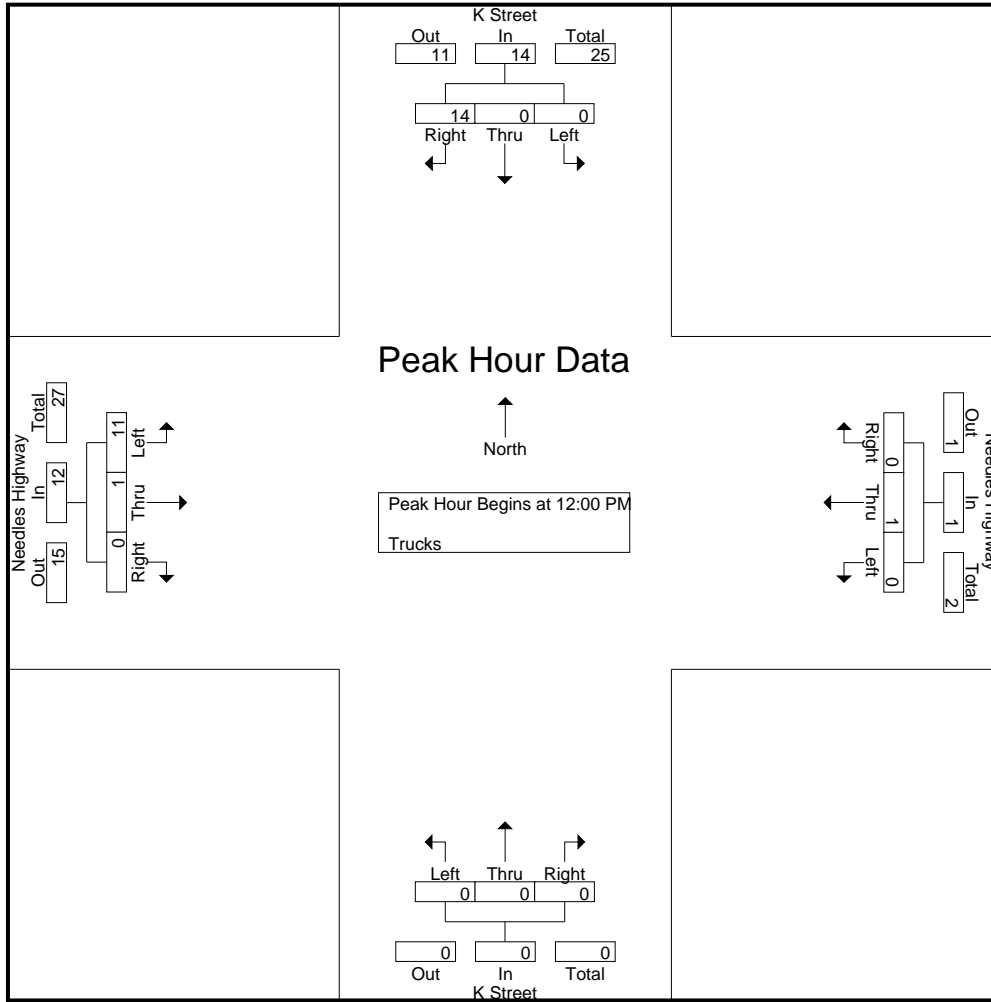
Start Time	K Street Southbound				Needles Highway Westbound				K Street Northbound				Needles Highway Eastbound				Int. Total
	Left	Thru	Right	App. Total	Left	Thru	Right	App. Total	Left	Thru	Right	App. Total	Left	Thru	Right	App. Total	
12:00 PM	0	0	6	6	0	1	0	1	0	0	0	0	4	0	0	4	11
12:15 PM	0	0	0	0	0	0	0	0	0	0	0	0	3	0	0	3	3
12:30 PM	0	0	7	7	0	0	0	0	0	0	0	0	1	0	0	1	8
12:45 PM	0	0	1	1	0	0	0	0	0	0	0	0	3	1	0	4	5
Total	0	0	14	14	0	1	0	1	0	0	0	0	11	1	0	12	27
01:00 PM	0	0	5	5	0	1	0	1	0	0	0	0	2	0	0	2	8
01:15 PM	0	0	3	3	0	1	0	1	0	0	0	0	6	0	0	6	10
01:30 PM	0	0	2	2	0	0	0	0	0	0	0	0	4	0	0	4	6
01:45 PM	0	0	1	1	0	0	0	0	0	0	0	0	3	0	0	3	4
Total	0	0	11	11	0	2	0	2	0	0	0	0	15	0	0	15	28
Grand Total	0	0	25	25	0	3	0	3	0	0	0	0	26	1	0	27	55
Apprch %	0	0	100		0	100	0		0	0	0		96.3	3.7	0		
Total %	0	0	45.5	45.5	0	5.5	0	5.5	0	0	0	0	47.3	1.8	0	49.1	

Start Time	K Street Southbound				Needles Highway Westbound				K Street Northbound				Needles Highway Eastbound				Int. Total
	Left	Thru	Right	App. Total	Left	Thru	Right	App. Total	Left	Thru	Right	App. Total	Left	Thru	Right	App. Total	
12:00 PM	0	0	6	6	0	1	0	1	0	0	0	0	4	0	0	4	11
12:15 PM	0	0	0	0	0	0	0	0	0	0	0	0	3	0	0	3	3
12:30 PM	0	0	7	7	0	0	0	0	0	0	0	0	1	0	0	1	8
12:45 PM	0	0	1	1	0	0	0	0	0	0	0	0	3	1	0	4	5
Total Volume	0	0	14	14	0	1	0	1	0	0	0	0	11	1	0	12	27
% App. Total	0	0	100		0	100	0		0	0	0		91.7	8.3	0		
PHF	.000	.000	.500	.500	.000	.250	.000	.250	.000	.000	.000	.000	.688	.250	.000	.750	.614

Peak Hour Analysis From 12:00 PM to 12:45 PM - Peak 1 of 1
 Peak Hour for Entire Intersection Begins at 12:00 PM

City of Needles
 N/S: K Street
 E/W: Needles Highway
 Weather: Clear

File Name : 07_NDL_K St_Needles SAT
 Site Code : 16621325
 Start Date : 7/17/2021
 Page No : 2



Peak Hour Analysis From 12:00 PM to 12:45 PM - Peak 1 of 1
 Peak Hour for Each Approach Begins at:

	12:00 PM				12:00 PM				12:00 PM				12:00 PM			
+0 mins.	0	0	6	6	0	1	0	1	0	0	0	0	4	0	0	4
+15 mins.	0	0	0	0	0	0	0	0	0	0	0	0	3	0	0	3
+30 mins.	0	0	7	7	0	0	0	0	0	0	0	0	1	0	0	1
+45 mins.	0	0	1	1	0	0	0	0	0	0	0	0	3	1	0	4
Total Volume	0	0	14	14	0	1	0	1	0	0	0	0	11	1	0	12
% App. Total	0	0	100		0	100	0		0	0	0		91.7	8.3	0	
PHF	.000	.000	.500	.500	.000	.250	.000	.250	.000	.000	.000	.000	.688	.250	.000	.750

City of Needles
 N/S: K Street
 E/W: Needles Highway
 Weather: Clear

File Name : 07_NDL_K St_Needles SAT
 Site Code : 16621325
 Start Date : 7/17/2021
 Page No : 1

Groups Printed- Buses

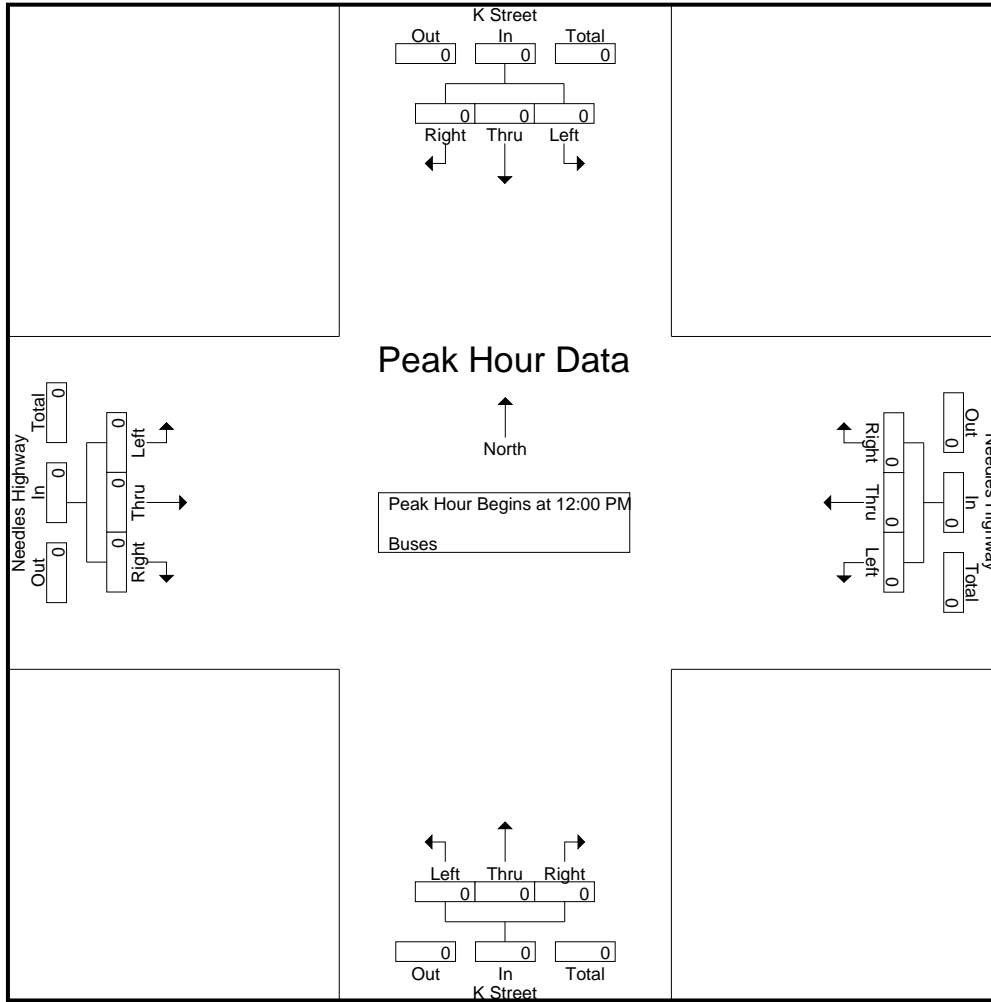
Start Time	K Street Southbound				Needles Highway Westbound				K Street Northbound				Needles Highway Eastbound				Int. Total
	Left	Thru	Right	App. Total	Left	Thru	Right	App. Total	Left	Thru	Right	App. Total	Left	Thru	Right	App. Total	
12:00 PM	0	0	0	0	0	0	0	0	0	0	0	0	0	0	0	0	0
12:15 PM	0	0	0	0	0	0	0	0	0	0	0	0	0	0	0	0	0
12:30 PM	0	0	0	0	0	0	0	0	0	0	0	0	0	0	0	0	0
12:45 PM	0	0	0	0	0	0	0	0	0	0	0	0	0	0	0	0	0
Total	0	0	0	0	0	0	0	0	0	0	0	0	0	0	0	0	0
01:00 PM	0	0	0	0	0	0	0	0	0	0	0	0	0	0	0	0	0
01:15 PM	0	0	0	0	0	0	0	0	0	0	0	0	0	0	0	0	0
01:30 PM	0	0	0	0	0	0	0	0	0	0	0	0	0	0	0	0	0
01:45 PM	0	0	0	0	0	0	0	0	0	0	0	0	0	0	0	0	0
Total	0	0	0	0	0	0	0	0	0	0	0	0	0	0	0	0	0
Grand Total	0	0	0	0	0	0	0	0	0	0	0	0	0	0	0	0	0
Apprch %	0	0	0		0	0	0		0	0	0		0	0	0		
Total %																	

Start Time	K Street Southbound				Needles Highway Westbound				K Street Northbound				Needles Highway Eastbound				Int. Total
	Left	Thru	Right	App. Total	Left	Thru	Right	App. Total	Left	Thru	Right	App. Total	Left	Thru	Right	App. Total	
12:00 PM	0	0	0	0	0	0	0	0	0	0	0	0	0	0	0	0	0
12:15 PM	0	0	0	0	0	0	0	0	0	0	0	0	0	0	0	0	0
12:30 PM	0	0	0	0	0	0	0	0	0	0	0	0	0	0	0	0	0
12:45 PM	0	0	0	0	0	0	0	0	0	0	0	0	0	0	0	0	0
Total Volume	0	0	0	0	0	0	0	0	0	0	0	0	0	0	0	0	0
% App. Total	0	0	0		0	0	0		0	0	0		0	0	0		
PHF	.000	.000	.000	.000	.000	.000	.000	.000	.000	.000	.000	.000	.000	.000	.000	.000	.000

Peak Hour Analysis From 12:00 PM to 12:45 PM - Peak 1 of 1
 Peak Hour for Entire Intersection Begins at 12:00 PM

City of Needles
 N/S: K Street
 E/W: Needles Highway
 Weather: Clear

File Name : 07_NDL_K St_Needles SAT
 Site Code : 16621325
 Start Date : 7/17/2021
 Page No : 2



Peak Hour Analysis From 12:00 PM to 12:45 PM - Peak 1 of 1
 Peak Hour for Each Approach Begins at:

	12:00 PM				12:00 PM				12:00 PM				12:00 PM			
+0 mins.	0	0	0	0	0	0	0	0	0	0	0	0	0	0	0	0
+15 mins.	0	0	0	0	0	0	0	0	0	0	0	0	0	0	0	0
+30 mins.	0	0	0	0	0	0	0	0	0	0	0	0	0	0	0	0
+45 mins.	0	0	0	0	0	0	0	0	0	0	0	0	0	0	0	0
Total Volume	0	0	0	0	0	0	0	0	0	0	0	0	0	0	0	0
% App. Total	0	0	0	0	0	0	0	0	0	0	0	0	0	0	0	0
PHF	.000	.000	.000	.000	.000	.000	.000	.000	.000	.000	.000	.000	.000	.000	.000	.000

Location: Needles
 N/S: K Street
 E/W: Needles Highway



PEDESTRIANS

Date: 7/15/2021
 Day: Thursday

	North Leg K Street	East Leg Needles Highway	South Leg K Street	West Leg Needles Highway	
	Pedestrians	Pedestrians	Pedestrians	Pedestrians	
7:00 AM	0	0	0	0	0
7:15 AM	0	2	0	0	2
7:30 AM	0	0	0	0	0
7:45 AM	0	0	0	0	0
8:00 AM	0	0	0	0	0
8:15 AM	0	0	0	1	1
8:30 AM	0	0	0	0	0
8:45 AM	2	0	0	1	3
TOTAL VOLUMES:	2	2	0	2	6

Date: 7/15/2021
 Day: Thursday

	North Leg K Street	East Leg Needles Highway	South Leg K Street	West Leg Needles Highway	
	Pedestrians	Pedestrians	Pedestrians	Pedestrians	
4:00 PM	0	0	0	0	0
4:15 PM	0	0	0	1	1
4:30 PM	0	0	0	1	1
4:45 PM	0	0	0	0	0
5:00 PM	0	0	0	0	0
5:15 PM	0	0	0	0	0
5:30 PM	0	0	0	2	2
5:45 PM	0	0	0	0	0
TOTAL VOLUMES:	0	0	0	4	4

Date: 7/17/2021
 Day: Saturday

	North Leg K Street	East Leg Needles Highway	South Leg K Street	West Leg Needles Highway	
	Pedestrians	Pedestrians	Pedestrians	Pedestrians	
12:00 PM	0	0	0	0	0
12:15 PM	0	0	0	0	0
12:30 PM	0	0	0	0	0
12:45 PM	0	0	0	0	0
1:00 PM	0	0	0	0	0
1:15 PM	0	0	0	0	0
1:30 PM	0	0	0	4	4
1:45 PM	2	0	0	0	2
TOTAL VOLUMES:	2	0	0	4	6

Location: Needles
 N/S: K Street
 E/W: Needles Highway



BICYCLES

Date: 7/15/2021
 Day: Thursday

	Southbound K Street			Westbound Needles Highway			Northbound K Street			Eastbound Needles Highway			
	Left	Thru	Right	Left	Thru	Right	Left	Thru	Right	Left	Thru	Right	
7:00 AM	0	0	0	0	0	0	0	0	0	0	0	0	0
7:15 AM	0	0	0	0	0	0	0	0	0	0	0	0	0
7:30 AM	0	1	0	0	0	0	0	0	0	0	0	0	1
7:45 AM	0	0	0	0	0	0	0	0	0	0	0	0	0
8:00 AM	0	0	0	0	0	0	0	0	0	0	0	0	0
8:15 AM	0	0	0	0	0	0	0	0	0	0	0	0	0
8:30 AM	0	0	0	0	0	0	0	0	0	0	0	0	0
8:45 AM	0	0	0	0	0	0	0	0	0	0	0	0	0
TOTAL VOLUMES:	0	1	0	0	0	0	0	0	0	0	0	0	1

Date: 7/15/2021
 Day: Thursday

	Southbound K Street			Westbound Needles Highway			Northbound K Street			Eastbound Needles Highway			
	Left	Thru	Right	Left	Thru	Right	Left	Thru	Right	Left	Thru	Right	
4:00 PM	0	0	0	0	0	0	0	0	0	0	0	0	0
4:15 PM	0	0	0	0	0	0	0	0	0	0	0	0	0
4:30 PM	0	0	0	0	0	0	0	0	0	0	0	0	0
4:45 PM	0	0	0	0	0	0	0	0	0	0	0	0	0
5:00 PM	2	0	0	0	0	0	0	0	0	0	0	0	2
5:15 PM	0	0	0	0	0	0	0	0	0	0	0	0	0
5:30 PM	0	0	0	0	0	0	0	0	0	0	0	0	0
5:45 PM	0	0	0	0	0	0	0	0	0	0	0	0	0
TOTAL VOLUMES:	2	0	0	0	0	0	0	0	0	0	0	0	2

Date: 7/17/2021
 Day: Saturday

	Southbound K Street			Westbound Needles Highway			Northbound K Street			Eastbound Needles Highway			
	Left	Thru	Right	Left	Thru	Right	Left	Thru	Right	Left	Thru	Right	
12:00 PM	0	0	0	0	0	0	0	0	0	0	0	0	0
12:15 PM	0	0	0	0	0	0	0	0	0	0	0	0	0
12:30 PM	0	0	0	0	0	0	0	0	0	0	0	0	0
12:45 PM	0	0	0	0	0	0	0	0	0	0	0	0	0
1:00 PM	0	0	0	0	0	0	0	0	0	0	0	0	0
1:15 PM	0	0	0	0	0	0	0	0	0	0	0	0	0
1:30 PM	0	0	0	0	0	0	0	0	0	0	0	0	0
1:45 PM	0	0	0	0	0	0	1	0	0	0	0	0	1
TOTAL VOLUMES:	0	0	0	0	0	0	1	0	0	0	0	0	1

City of Needles
 N/S: J Street
 E/W: Broadway Avenue
 Weather: Clear

File Name : 08_NDL_J St_Broadway AM
 Site Code : 16621325
 Start Date : 7/15/2021
 Page No : 1

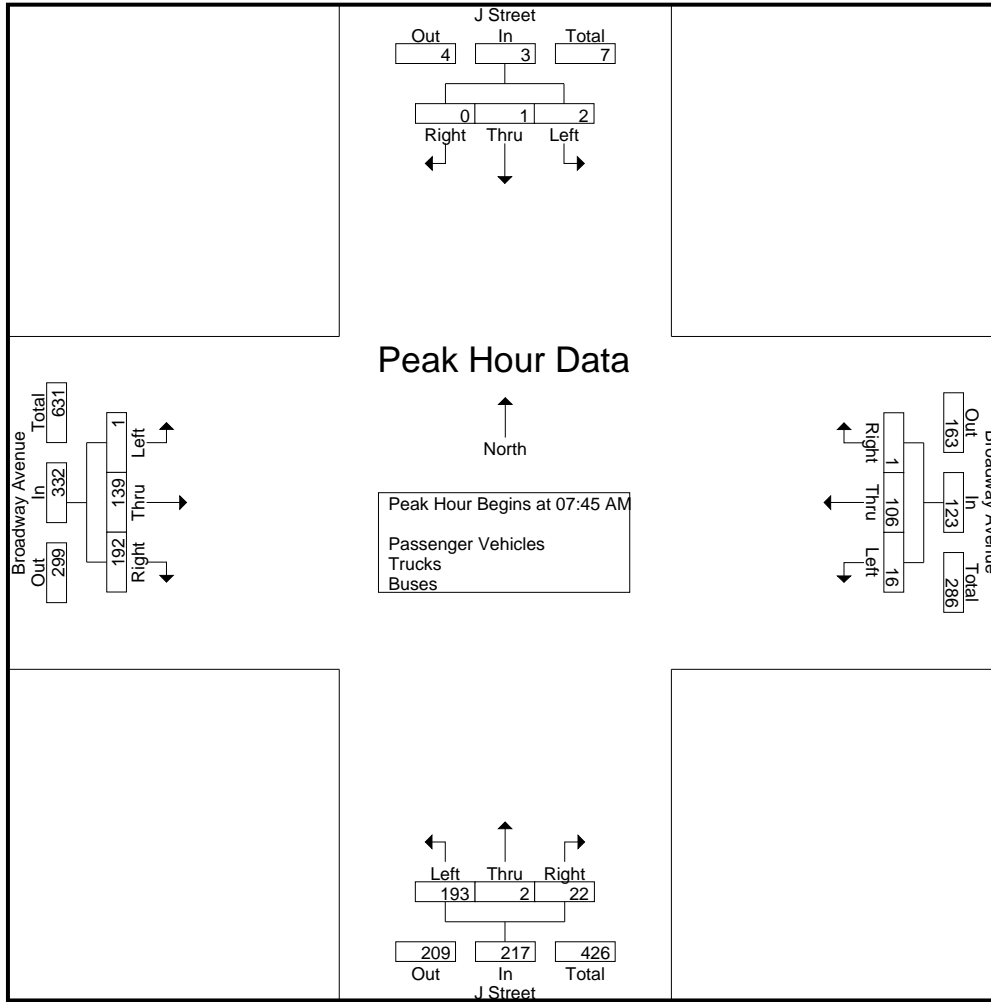
Groups Printed- Passenger Vehicles - Trucks - Buses

Start Time	J Street Southbound				Broadway Avenue Westbound				J Street Northbound				Broadway Avenue Eastbound				Int. Total
	Left	Thru	Right	App. Total	Left	Thru	Right	App. Total	Left	Thru	Right	App. Total	Left	Thru	Right	App. Total	
07:00 AM	0	0	0	0	3	19	0	22	51	0	2	53	0	19	50	69	144
07:15 AM	0	0	0	0	1	13	0	14	49	0	3	52	1	23	40	64	130
07:30 AM	0	0	0	0	6	15	0	21	52	0	4	56	1	21	45	67	144
07:45 AM	1	0	0	1	3	24	0	27	58	1	6	65	0	43	51	94	187
Total	1	0	0	1	13	71	0	84	210	1	15	226	2	106	186	294	605
08:00 AM	1	1	0	2	1	24	1	26	41	0	1	42	0	36	48	84	154
08:15 AM	0	0	0	0	7	27	0	34	45	1	4	50	1	28	44	73	157
08:30 AM	0	0	0	0	5	31	0	36	49	0	11	60	0	32	49	81	177
08:45 AM	0	0	0	0	5	25	0	30	48	0	9	57	0	16	37	53	140
Total	1	1	0	2	18	107	1	126	183	1	25	209	1	112	178	291	628
Grand Total	2	1	0	3	31	178	1	210	393	2	40	435	3	218	364	585	1233
Apprch %	66.7	33.3	0		14.8	84.8	0.5		90.3	0.5	9.2		0.5	37.3	62.2		
Total %	0.2	0.1	0	0.2	2.5	14.4	0.1	17	31.9	0.2	3.2	35.3	0.2	17.7	29.5	47.4	
Passenger Vehicles	2	1	0	3	30	166	1	197	371	2	37	410	3	212	353	568	1178
% Passenger Vehicles	100	100	0	100	96.8	93.3	100	93.8	94.4	100	92.5	94.3	100	97.2	97	97.1	95.5
Trucks	0	0	0	0	1	10	0	11	21	0	3	24	0	4	11	15	50
% Trucks	0	0	0	0	3.2	5.6	0	5.2	5.3	0	7.5	5.5	0	1.8	3	2.6	4.1
Buses	0	0	0	0	0	2	0	2	1	0	0	1	0	2	0	2	5
% Buses	0	0	0	0	0	1.1	0	1	0.3	0	0	0.2	0	0.9	0	0.3	0.4

Start Time	J Street Southbound				Broadway Avenue Westbound				J Street Northbound				Broadway Avenue Eastbound				Int. Total
	Left	Thru	Right	App. Total	Left	Thru	Right	App. Total	Left	Thru	Right	App. Total	Left	Thru	Right	App. Total	
Peak Hour Analysis From 07:00 AM to 08:45 AM - Peak 1 of 1																	
Peak Hour for Entire Intersection Begins at 07:45 AM																	
07:45 AM	1	0	0	1	3	24	0	27	58	1	6	65	0	43	51	94	187
08:00 AM	1	1	0	2	1	24	1	26	41	0	1	42	0	36	48	84	154
08:15 AM	0	0	0	0	7	27	0	34	45	1	4	50	1	28	44	73	157
08:30 AM	0	0	0	0	5	31	0	36	49	0	11	60	0	32	49	81	177
Total Volume	2	1	0	3	16	106	1	123	193	2	22	217	1	139	192	332	675
% App. Total	66.7	33.3	0		13	86.2	0.8		88.9	0.9	10.1		0.3	41.9	57.8		
PHF	.500	.250	.000	.375	.571	.855	.250	.854	.832	.500	.500	.835	.250	.808	.941	.883	.902

City of Needles
 N/S: J Street
 E/W: Broadway Avenue
 Weather: Clear

File Name : 08_NDL_J St_Broadway AM
 Site Code : 16621325
 Start Date : 7/15/2021
 Page No : 2



Peak Hour Analysis From 07:00 AM to 08:45 AM - Peak 1 of 1
 Peak Hour for Each Approach Begins at:

	07:15 AM				08:00 AM				07:00 AM				07:45 AM			
+0 mins.	0	0	0	0	1	24	1	26	51	0	2	53	0	43	51	94
+15 mins.	0	0	0	0	7	27	0	34	49	0	3	52	0	36	48	84
+30 mins.	1	0	0	1	5	31	0	36	52	0	4	56	1	28	44	73
+45 mins.	1	1	0	2	5	25	0	30	58	1	6	65	0	32	49	81
Total Volume	2	1	0	3	18	107	1	126	210	1	15	226	1	139	192	332
% App. Total	66.7	33.3	0		14.3	84.9	0.8		92.9	0.4	6.6		0.3	41.9	57.8	
PHF	.500	.250	.000	.375	.643	.863	.250	.875	.905	.250	.625	.869	.250	.808	.941	.883

City of Needles
 N/S: J Street
 E/W: Broadway Avenue
 Weather: Clear

File Name : 08_NDL_J St_Broadway AM
 Site Code : 16621325
 Start Date : 7/15/2021
 Page No : 1

Groups Printed- Passenger Vehicles

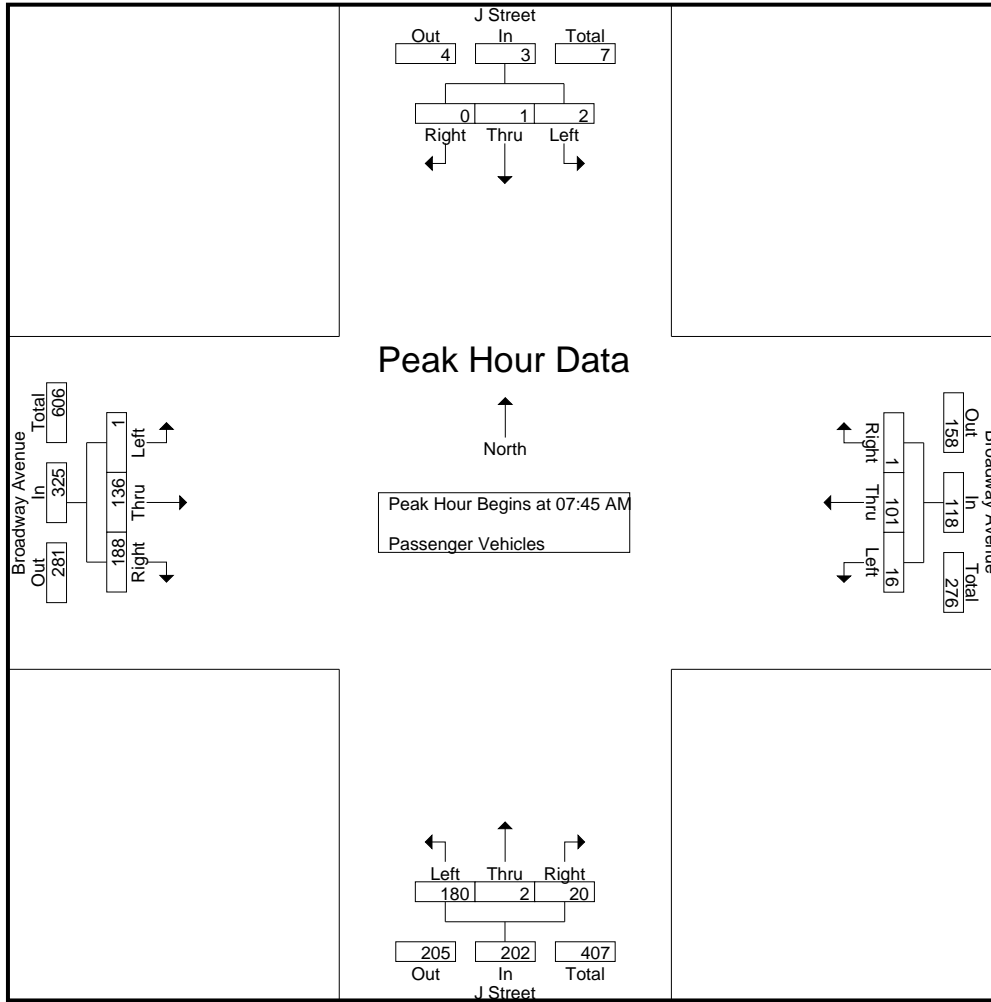
Start Time	J Street Southbound				Broadway Avenue Westbound				J Street Northbound				Broadway Avenue Eastbound				Int. Total
	Left	Thru	Right	App. Total	Left	Thru	Right	App. Total	Left	Thru	Right	App. Total	Left	Thru	Right	App. Total	
07:00 AM	0	0	0	0	3	18	0	21	48	0	2	50	0	18	48	66	137
07:15 AM	0	0	0	0	1	11	0	12	48	0	3	51	1	23	40	64	127
07:30 AM	0	0	0	0	5	13	0	18	49	0	4	53	1	19	42	62	133
07:45 AM	1	0	0	1	3	24	0	27	55	1	5	61	0	43	51	94	183
Total	1	0	0	1	12	66	0	78	200	1	14	215	2	103	181	286	580
08:00 AM	1	1	0	2	1	22	1	24	41	0	1	42	0	35	47	82	150
08:15 AM	0	0	0	0	7	26	0	33	42	1	3	46	1	28	43	72	151
08:30 AM	0	0	0	0	5	29	0	34	42	0	11	53	0	30	47	77	164
08:45 AM	0	0	0	0	5	23	0	28	46	0	8	54	0	16	35	51	133
Total	1	1	0	2	18	100	1	119	171	1	23	195	1	109	172	282	598
Grand Total	2	1	0	3	30	166	1	197	371	2	37	410	3	212	353	568	1178
Apprch %	66.7	33.3	0		15.2	84.3	0.5		90.5	0.5	9		0.5	37.3	62.1		
Total %	0.2	0.1	0	0.3	2.5	14.1	0.1	16.7	31.5	0.2	3.1	34.8	0.3	18	30	48.2	

Start Time	J Street Southbound				Broadway Avenue Westbound				J Street Northbound				Broadway Avenue Eastbound				Int. Total
	Left	Thru	Right	App. Total	Left	Thru	Right	App. Total	Left	Thru	Right	App. Total	Left	Thru	Right	App. Total	
07:45 AM	1	0	0	1	3	24	0	27	55	1	5	61	0	43	51	94	183
08:00 AM	1	1	0	2	1	22	1	24	41	0	1	42	0	35	47	82	150
08:15 AM	0	0	0	0	7	26	0	33	42	1	3	46	1	28	43	72	151
08:30 AM	0	0	0	0	5	29	0	34	42	0	11	53	0	30	47	77	164
Total Volume	2	1	0	3	16	101	1	118	180	2	20	202	1	136	188	325	648
% App. Total	66.7	33.3	0		13.6	85.6	0.8		89.1	1	9.9		0.3	41.8	57.8		
PHF	.500	.250	.000	.375	.571	.871	.250	.868	.818	.500	.455	.828	.250	.791	.922	.864	.885

Peak Hour Analysis From 07:45 AM to 08:30 AM - Peak 1 of 1
 Peak Hour for Entire Intersection Begins at 07:45 AM

City of Needles
 N/S: J Street
 E/W: Broadway Avenue
 Weather: Clear

File Name : 08_NDL_J St_Broadway AM
 Site Code : 16621325
 Start Date : 7/15/2021
 Page No : 2



Peak Hour Analysis From 07:45 AM to 08:30 AM - Peak 1 of 1
 Peak Hour for Each Approach Begins at:

	07:45 AM				07:45 AM				07:45 AM				07:45 AM			
+0 mins.	1	0	0	1	3	24	0	27	55	1	5	61	0	43	51	94
+15 mins.	1	1	0	2	1	22	1	24	41	0	1	42	0	35	47	82
+30 mins.	0	0	0	0	7	26	0	33	42	1	3	46	1	28	43	72
+45 mins.	0	0	0	0	5	29	0	34	42	0	11	53	0	30	47	77
Total Volume	2	1	0	3	16	101	1	118	180	2	20	202	1	136	188	325
% App. Total	66.7	33.3	0		13.6	85.6	0.8		89.1	1	9.9		0.3	41.8	57.8	
PHF	.500	.250	.000	.375	.571	.871	.250	.868	.818	.500	.455	.828	.250	.791	.922	.864

City of Needles
 N/S: J Street
 E/W: Broadway Avenue
 Weather: Clear

File Name : 08_NDL_J St_Broadway AM
 Site Code : 16621325
 Start Date : 7/15/2021
 Page No : 1

Groups Printed- Trucks

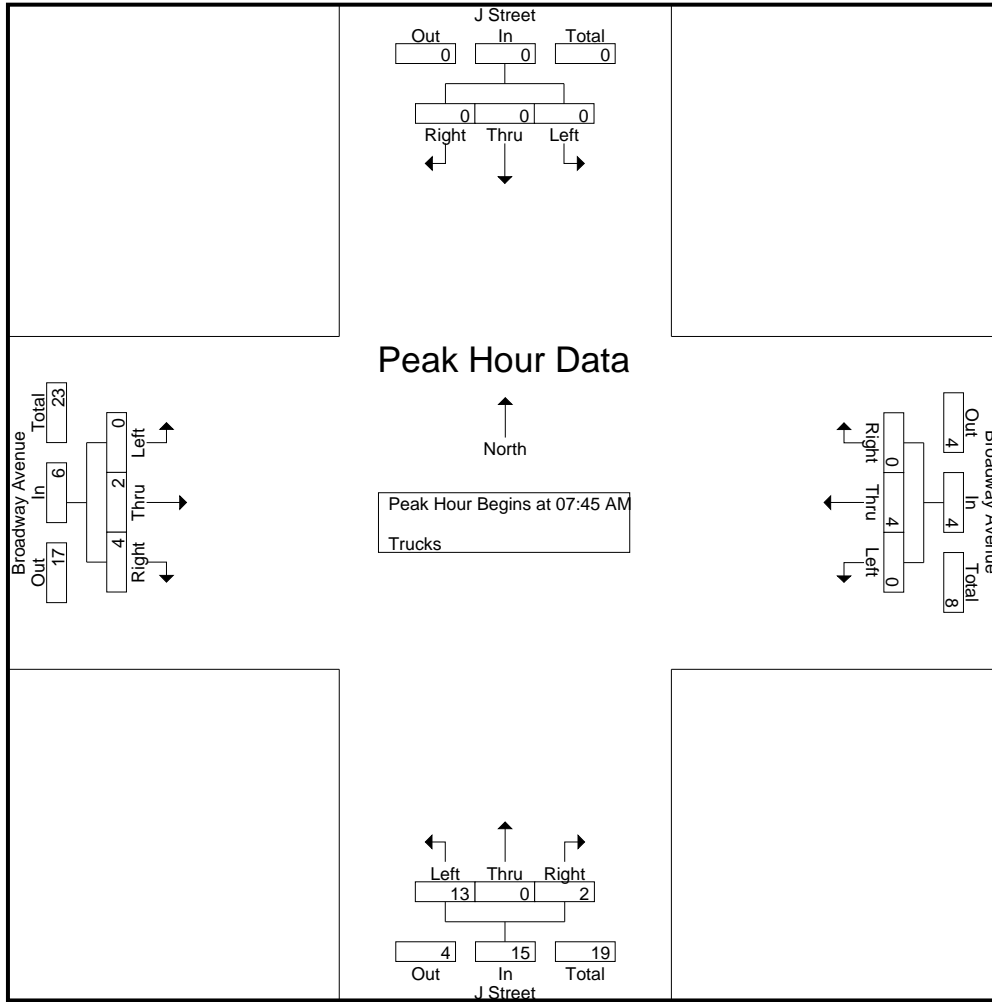
Start Time	J Street Southbound				Broadway Avenue Westbound				J Street Northbound				Broadway Avenue Eastbound				Int. Total
	Left	Thru	Right	App. Total	Left	Thru	Right	App. Total	Left	Thru	Right	App. Total	Left	Thru	Right	App. Total	
07:00 AM	0	0	0	0	0	1	0	1	2	0	0	2	0	1	2	3	6
07:15 AM	0	0	0	0	0	2	0	2	1	0	0	1	0	0	0	0	3
07:30 AM	0	0	0	0	1	1	0	2	3	0	0	3	0	1	3	4	9
07:45 AM	0	0	0	0	0	0	0	0	3	0	1	4	0	0	0	0	4
Total	0	0	0	0	1	4	0	5	9	0	1	10	0	2	5	7	22
08:00 AM	0	0	0	0	0	2	0	2	0	0	0	0	0	1	1	2	4
08:15 AM	0	0	0	0	0	1	0	1	3	0	1	4	0	0	1	1	6
08:30 AM	0	0	0	0	0	1	0	1	7	0	0	7	0	1	2	3	11
08:45 AM	0	0	0	0	0	2	0	2	2	0	1	3	0	0	2	2	7
Total	0	0	0	0	0	6	0	6	12	0	2	14	0	2	6	8	28
Grand Total	0	0	0	0	1	10	0	11	21	0	3	24	0	4	11	15	50
Apprch %	0	0	0		9.1	90.9	0		87.5	0	12.5		0	26.7	73.3		
Total %	0	0	0	0	2	20	0	22	42	0	6	48	0	8	22	30	

Start Time	J Street Southbound				Broadway Avenue Westbound				J Street Northbound				Broadway Avenue Eastbound				Int. Total
	Left	Thru	Right	App. Total	Left	Thru	Right	App. Total	Left	Thru	Right	App. Total	Left	Thru	Right	App. Total	
07:45 AM	0	0	0	0	0	0	0	0	3	0	1	4	0	0	0	0	4
08:00 AM	0	0	0	0	0	2	0	2	0	0	0	0	0	1	1	2	4
08:15 AM	0	0	0	0	0	1	0	1	3	0	1	4	0	0	1	1	6
08:30 AM	0	0	0	0	0	1	0	1	7	0	0	7	0	1	2	3	11
Total Volume	0	0	0	0	0	4	0	4	13	0	2	15	0	2	4	6	25
% App. Total	0	0	0		0	100	0		86.7	0	13.3		0	33.3	66.7		
PHF	.000	.000	.000	.000	.000	.500	.000	.500	.464	.000	.500	.536	.000	.500	.500	.500	.568

Peak Hour Analysis From 07:45 AM to 08:30 AM - Peak 1 of 1
 Peak Hour for Entire Intersection Begins at 07:45 AM

City of Needles
 N/S: J Street
 E/W: Broadway Avenue
 Weather: Clear

File Name : 08_NDL_J St_Broadway AM
 Site Code : 16621325
 Start Date : 7/15/2021
 Page No : 2



Peak Hour Analysis From 07:45 AM to 08:30 AM - Peak 1 of 1
 Peak Hour for Each Approach Begins at:

	07:45 AM				07:45 AM				07:45 AM				07:45 AM			
+0 mins.	0	0	0	0	0	0	0	0	3	0	1	4	0	0	0	0
+15 mins.	0	0	0	0	0	2	0	2	0	0	0	0	0	1	1	2
+30 mins.	0	0	0	0	0	1	0	1	3	0	1	4	0	0	1	1
+45 mins.	0	0	0	0	0	1	0	1	7	0	0	7	0	1	2	3
Total Volume	0	0	0	0	0	4	0	4	13	0	2	15	0	2	4	6
% App. Total	0	0	0	0	0	100	0	0	86.7	0	13.3	100	0	33.3	66.7	100
PHF	.000	.000	.000	.000	.000	.500	.000	.500	.464	.000	.500	.536	.000	.500	.500	.500

City of Needles
 N/S: J Street
 E/W: Broadway Avenue
 Weather: Clear

File Name : 08_NDL_J St_Broadway AM
 Site Code : 16621325
 Start Date : 7/15/2021
 Page No : 1

Groups Printed- Buses

Start Time	J Street Southbound				Broadway Avenue Westbound				J Street Northbound				Broadway Avenue Eastbound				Int. Total
	Left	Thru	Right	App. Total	Left	Thru	Right	App. Total	Left	Thru	Right	App. Total	Left	Thru	Right	App. Total	
07:00 AM	0	0	0	0	0	0	0	0	1	0	0	1	0	0	0	0	1
07:15 AM	0	0	0	0	0	0	0	0	0	0	0	0	0	0	0	0	0
07:30 AM	0	0	0	0	0	1	0	1	0	0	0	0	0	1	0	1	2
07:45 AM	0	0	0	0	0	0	0	0	0	0	0	0	0	0	0	0	0
Total	0	0	0	0	0	1	0	1	1	0	0	1	0	1	0	1	3
08:00 AM	0	0	0	0	0	0	0	0	0	0	0	0	0	0	0	0	0
08:15 AM	0	0	0	0	0	0	0	0	0	0	0	0	0	0	0	0	0
08:30 AM	0	0	0	0	0	1	0	1	0	0	0	0	0	1	0	1	2
08:45 AM	0	0	0	0	0	0	0	0	0	0	0	0	0	0	0	0	0
Total	0	0	0	0	0	1	0	1	0	0	0	0	0	1	0	1	2
Grand Total	0	0	0	0	0	2	0	2	1	0	0	1	0	2	0	2	5
Apprch %	0	0	0		0	100	0		100	0	0		0	100	0		
Total %	0	0	0		0	40	0	40	20	0	0	20	0	40	0	40	

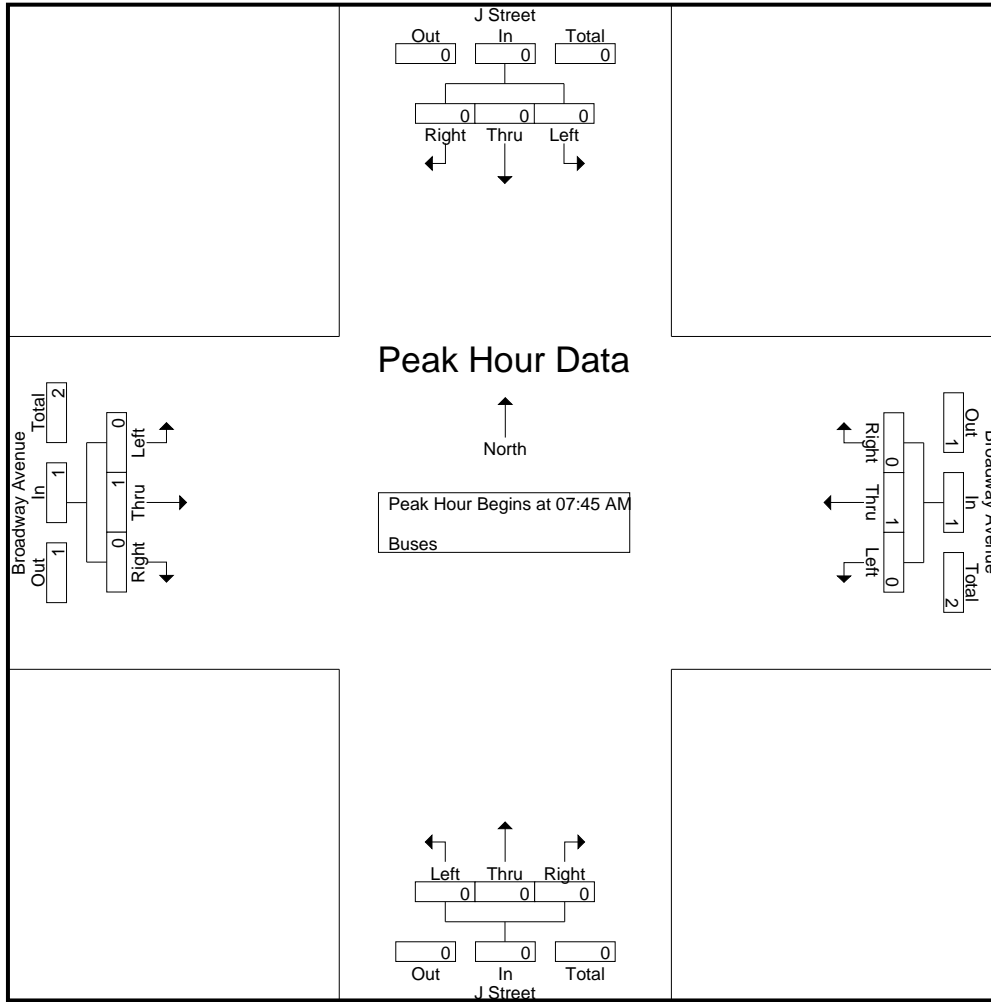
Start Time	J Street Southbound				Broadway Avenue Westbound				J Street Northbound				Broadway Avenue Eastbound				Int. Total
	Left	Thru	Right	App. Total	Left	Thru	Right	App. Total	Left	Thru	Right	App. Total	Left	Thru	Right	App. Total	
07:45 AM	0	0	0	0	0	0	0	0	0	0	0	0	0	0	0	0	0
08:00 AM	0	0	0	0	0	0	0	0	0	0	0	0	0	0	0	0	0
08:15 AM	0	0	0	0	0	0	0	0	0	0	0	0	0	0	0	0	0
08:30 AM	0	0	0	0	0	1	0	1	0	0	0	0	0	1	0	1	2
Total Volume	0	0	0	0	0	1	0	1	0	0	0	0	0	1	0	1	2
% App. Total	0	0	0		0	100	0		0	0	0		0	100	0		
PHF	.000	.000	.000	.000	.000	.250	.000	.250	.000	.000	.000	.000	.000	.250	.000	.250	.250

Peak Hour Analysis From 07:45 AM to 08:30 AM - Peak 1 of 1

Peak Hour for Entire Intersection Begins at 07:45 AM

City of Needles
 N/S: J Street
 E/W: Broadway Avenue
 Weather: Clear

File Name : 08_NDL_J St_Broadway AM
 Site Code : 16621325
 Start Date : 7/15/2021
 Page No : 2



Peak Hour Analysis From 07:45 AM to 08:30 AM - Peak 1 of 1
 Peak Hour for Each Approach Begins at:

	07:45 AM				07:45 AM				07:45 AM				07:45 AM			
+0 mins.	0	0	0	0	0	0	0	0	0	0	0	0	0	0	0	0
+15 mins.	0	0	0	0	0	0	0	0	0	0	0	0	0	0	0	0
+30 mins.	0	0	0	0	0	0	0	0	0	0	0	0	0	0	0	0
+45 mins.	0	0	0	0	0	1	0	1	0	0	0	0	0	1	0	1
Total Volume	0	0	0	0	0	1	0	1	0	0	0	0	0	1	0	1
% App. Total	0	0	0	0	0	100	0	0	0	0	0	0	0	100	0	0
PHF	.000	.000	.000	.000	.000	.250	.000	.250	.000	.000	.000	.000	.000	.250	.000	.250

City of Needles
 N/S: J Street
 E/W: Broadway Avenue
 Weather: Clear

File Name : 08_NDL_J St_Broadway PM
 Site Code : 16621325
 Start Date : 7/15/2021
 Page No : 1

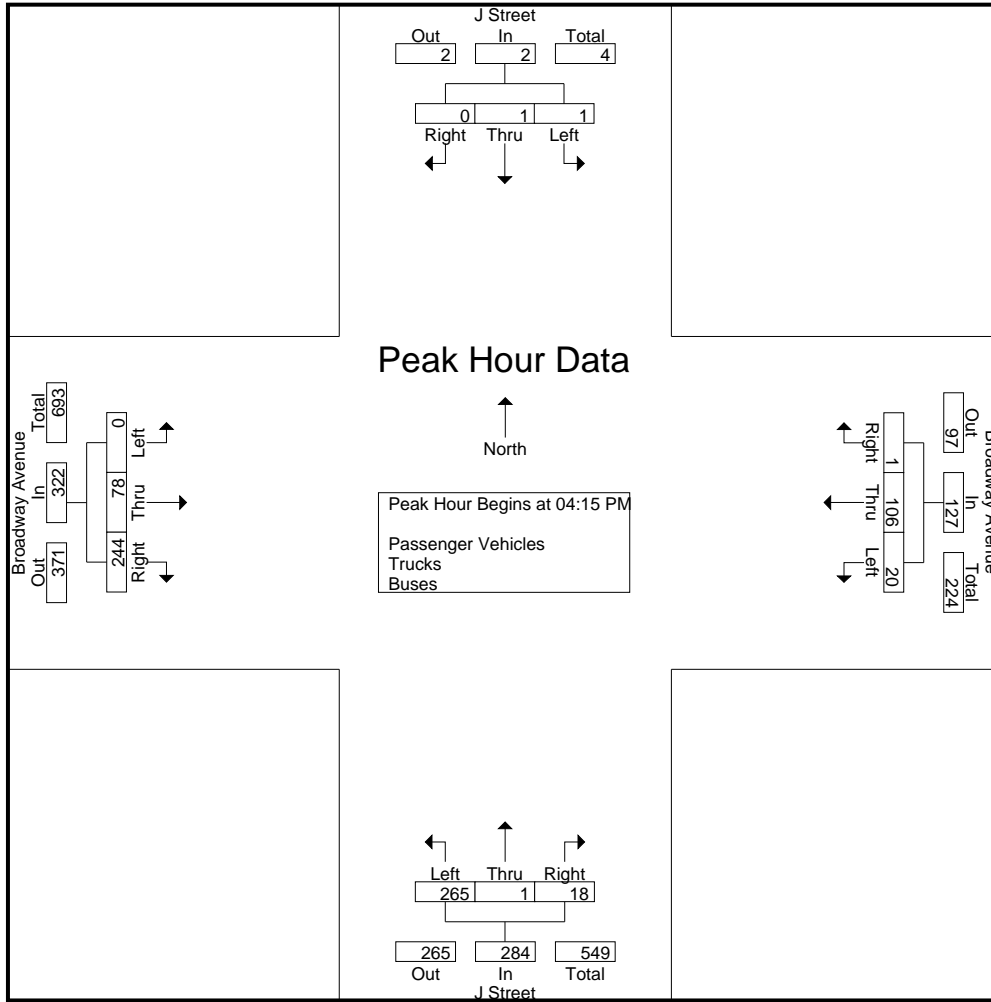
Groups Printed- Passenger Vehicles - Trucks - Buses

Start Time	J Street Southbound				Broadway Avenue Westbound				J Street Northbound				Broadway Avenue Eastbound				Int. Total
	Left	Thru	Right	App. Total	Left	Thru	Right	App. Total	Left	Thru	Right	App. Total	Left	Thru	Right	App. Total	
04:00 PM	0	2	0	2	4	27	0	31	52	0	4	56	1	12	72	85	174
04:15 PM	0	0	0	0	7	19	0	26	70	0	4	74	0	20	59	79	179
04:30 PM	1	0	0	1	2	27	0	29	76	0	5	81	0	20	62	82	193
04:45 PM	0	1	0	1	3	21	0	24	64	1	6	71	0	20	57	77	173
Total	1	3	0	4	16	94	0	110	262	1	19	282	1	72	250	323	719
05:00 PM	0	0	0	0	8	39	1	48	55	0	3	58	0	18	66	84	190
05:15 PM	0	0	0	0	4	21	0	25	46	0	6	52	0	24	57	81	158
05:30 PM	0	0	1	1	4	20	0	24	57	1	4	62	0	23	72	95	182
05:45 PM	0	0	0	0	3	20	0	23	60	0	2	62	0	26	67	93	178
Total	0	0	1	1	19	100	1	120	218	1	15	234	0	91	262	353	708
Grand Total	1	3	1	5	35	194	1	230	480	2	34	516	1	163	512	676	1427
Apprch %	20	60	20		15.2	84.3	0.4		93	0.4	6.6		0.1	24.1	75.7		
Total %	0.1	0.2	0.1	0.4	2.5	13.6	0.1	16.1	33.6	0.1	2.4	36.2	0.1	11.4	35.9	47.4	
Passenger Vehicles	1	3	1	5	33	190	1	224	470	2	33	505	1	159	501	661	1395
% Passenger Vehicles	100	100	100	100	94.3	97.9	100	97.4	97.9	100	97.1	97.9	100	97.5	97.9	97.8	97.8
Trucks	0	0	0	0	2	2	0	4	10	0	1	11	0	2	11	13	28
% Trucks	0	0	0	0	5.7	1	0	1.7	2.1	0	2.9	2.1	0	1.2	2.1	1.9	2
Buses	0	0	0	0	0	2	0	2	0	0	0	0	0	2	0	2	4
% Buses	0	0	0	0	0	1	0	0.9	0	0	0	0	0	1.2	0	0.3	0.3

Start Time	J Street Southbound				Broadway Avenue Westbound				J Street Northbound				Broadway Avenue Eastbound				Int. Total
	Left	Thru	Right	App. Total	Left	Thru	Right	App. Total	Left	Thru	Right	App. Total	Left	Thru	Right	App. Total	
Peak Hour Analysis From 04:00 PM to 05:45 PM - Peak 1 of 1																	
Peak Hour for Entire Intersection Begins at 04:15 PM																	
04:15 PM	0	0	0	0	7	19	0	26	70	0	4	74	0	20	59	79	179
04:30 PM	1	0	0	1	2	27	0	29	76	0	5	81	0	20	62	82	193
04:45 PM	0	1	0	1	3	21	0	24	64	1	6	71	0	20	57	77	173
05:00 PM	0	0	0	0	8	39	1	48	55	0	3	58	0	18	66	84	190
Total Volume	1	1	0	2	20	106	1	127	265	1	18	284	0	78	244	322	735
% App. Total	50	50	0		15.7	83.5	0.8		93.3	0.4	6.3		0	24.2	75.8		
PHF	.250	.250	.000	.500	.625	.679	.250	.661	.872	.250	.750	.877	.000	.975	.924	.958	.952

City of Needles
 N/S: J Street
 E/W: Broadway Avenue
 Weather: Clear

File Name : 08_NDL_J St_Broadway PM
 Site Code : 16621325
 Start Date : 7/15/2021
 Page No : 2



Peak Hour Analysis From 04:00 PM to 05:45 PM - Peak 1 of 1
 Peak Hour for Each Approach Begins at:

	04:00 PM				04:15 PM				04:15 PM				05:00 PM			
+0 mins.	0	2	0	2	7	19	0	26	70	0	4	74	0	18	66	84
+15 mins.	0	0	0	0	2	27	0	29	76	0	5	81	0	24	57	81
+30 mins.	1	0	0	1	3	21	0	24	64	1	6	71	0	23	72	95
+45 mins.	0	1	0	1	8	39	1	48	55	0	3	58	0	26	67	93
Total Volume	1	3	0	4	20	106	1	127	265	1	18	284	0	91	262	353
% App. Total	25	75	0		15.7	83.5	0.8		93.3	0.4	6.3		0	25.8	74.2	
PHF	.250	.375	.000	.500	.625	.679	.250	.661	.872	.250	.750	.877	.000	.875	.910	.929

City of Needles
 N/S: J Street
 E/W: Broadway Avenue
 Weather: Clear

File Name : 08_NDL_J St_Broadway PM
 Site Code : 16621325
 Start Date : 7/15/2021
 Page No : 1

Groups Printed- Passenger Vehicles

Start Time	J Street Southbound				Broadway Avenue Westbound				J Street Northbound				Broadway Avenue Eastbound				Int. Total
	Left	Thru	Right	App. Total	Left	Thru	Right	App. Total	Left	Thru	Right	App. Total	Left	Thru	Right	App. Total	
04:00 PM	0	2	0	2	4	27	0	31	52	0	3	55	1	12	67	80	168
04:15 PM	0	0	0	0	6	19	0	25	68	0	4	72	0	19	56	75	172
04:30 PM	1	0	0	1	2	24	0	26	75	0	5	80	0	19	61	80	187
04:45 PM	0	1	0	1	3	21	0	24	64	1	6	71	0	20	55	75	171
Total	1	3	0	4	15	91	0	106	259	1	18	278	1	70	239	310	698
05:00 PM	0	0	0	0	8	39	1	48	55	0	3	58	0	18	66	84	190
05:15 PM	0	0	0	0	3	21	0	24	44	0	6	50	0	23	57	80	154
05:30 PM	0	0	1	1	4	19	0	23	54	1	4	59	0	22	72	94	177
05:45 PM	0	0	0	0	3	20	0	23	58	0	2	60	0	26	67	93	176
Total	0	0	1	1	18	99	1	118	211	1	15	227	0	89	262	351	697
Grand Total	1	3	1	5	33	190	1	224	470	2	33	505	1	159	501	661	1395
Apprch %	20	60	20		14.7	84.8	0.4		93.1	0.4	6.5		0.2	24.1	75.8		
Total %	0.1	0.2	0.1	0.4	2.4	13.6	0.1	16.1	33.7	0.1	2.4	36.2	0.1	11.4	35.9	47.4	

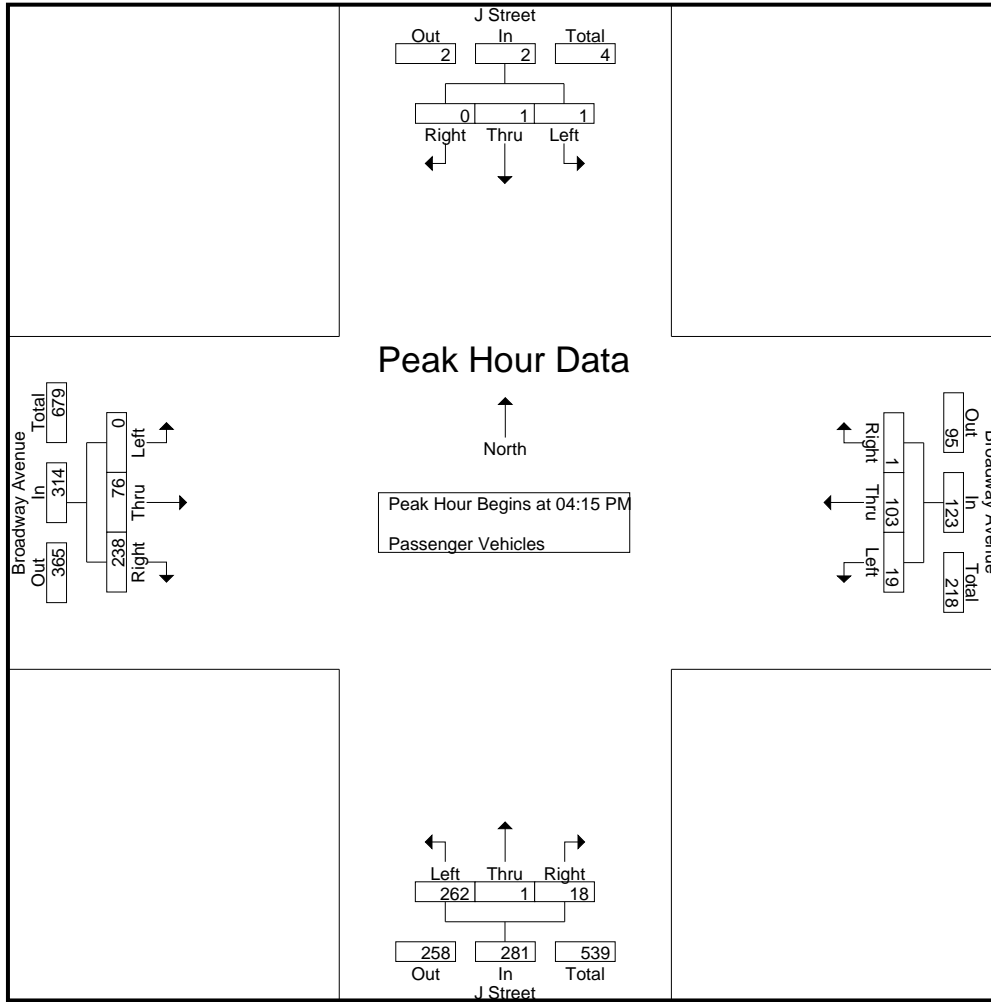
Start Time	J Street Southbound				Broadway Avenue Westbound				J Street Northbound				Broadway Avenue Eastbound				Int. Total
	Left	Thru	Right	App. Total	Left	Thru	Right	App. Total	Left	Thru	Right	App. Total	Left	Thru	Right	App. Total	
04:15 PM	0	0	0	0	6	19	0	25	68	0	4	72	0	19	56	75	172
04:30 PM	1	0	0	1	2	24	0	26	75	0	5	80	0	19	61	80	187
04:45 PM	0	1	0	1	3	21	0	24	64	1	6	71	0	20	55	75	171
05:00 PM	0	0	0	0	8	39	1	48	55	0	3	58	0	18	66	84	190
Total Volume	1	1	0	2	19	103	1	123	262	1	18	281	0	76	238	314	720
% App. Total	50	50	0		15.4	83.7	0.8		93.2	0.4	6.4		0	24.2	75.8		
PHF	.250	.250	.000	.500	.594	.660	.250	.641	.873	.250	.750	.878	.000	.950	.902	.935	.947

Peak Hour Analysis From 04:15 PM to 05:00 PM - Peak 1 of 1

Peak Hour for Entire Intersection Begins at 04:15 PM

City of Needles
 N/S: J Street
 E/W: Broadway Avenue
 Weather: Clear

File Name : 08_NDL_J St_Broadway PM
 Site Code : 16621325
 Start Date : 7/15/2021
 Page No : 2



Peak Hour Analysis From 04:15 PM to 05:00 PM - Peak 1 of 1
 Peak Hour for Each Approach Begins at:

	04:15 PM				04:15 PM				04:15 PM				04:15 PM			
+0 mins.	0	0	0	0	6	19	0	25	68	0	4	72	0	19	56	75
+15 mins.	1	0	0	1	2	24	0	26	75	0	5	80	0	19	61	80
+30 mins.	0	1	0	1	3	21	0	24	64	1	6	71	0	20	55	75
+45 mins.	0	0	0	0	8	39	1	48	55	0	3	58	0	18	66	84
Total Volume	1	1	0	2	19	103	1	123	262	1	18	281	0	76	238	314
% App. Total	50	50	0		15.4	83.7	0.8		93.2	0.4	6.4		0	24.2	75.8	
PHF	.250	.250	.000	.500	.594	.660	.250	.641	.873	.250	.750	.878	.000	.950	.902	.935

City of Needles
 N/S: J Street
 E/W: Broadway Avenue
 Weather: Clear

File Name : 08_NDL_J St_Broadway PM
 Site Code : 16621325
 Start Date : 7/15/2021
 Page No : 1

Groups Printed- Trucks

Start Time	J Street Southbound				Broadway Avenue Westbound				J Street Northbound				Broadway Avenue Eastbound				Int. Total
	Left	Thru	Right	App. Total	Left	Thru	Right	App. Total	Left	Thru	Right	App. Total	Left	Thru	Right	App. Total	
04:00 PM	0	0	0	0	0	0	0	0	0	0	1	1	0	0	5	5	6
04:15 PM	0	0	0	0	1	0	0	1	2	0	0	2	0	1	3	4	7
04:30 PM	0	0	0	0	0	2	0	2	1	0	0	1	0	0	1	1	4
04:45 PM	0	0	0	0	0	0	0	0	0	0	0	0	0	0	2	2	2
Total	0	0	0	0	1	2	0	3	3	0	1	4	0	1	11	12	19
05:00 PM	0	0	0	0	0	0	0	0	0	0	0	0	0	0	0	0	0
05:15 PM	0	0	0	0	1	0	0	1	2	0	0	2	0	1	0	1	4
05:30 PM	0	0	0	0	0	0	0	0	3	0	0	3	0	0	0	0	3
05:45 PM	0	0	0	0	0	0	0	0	2	0	0	2	0	0	0	0	2
Total	0	0	0	0	1	0	0	1	7	0	0	7	0	1	0	1	9
Grand Total	0	0	0	0	2	2	0	4	10	0	1	11	0	2	11	13	28
Apprch %	0	0	0	0	50	50	0		90.9	0	9.1		0	15.4	84.6		
Total %	0	0	0	0	7.1	7.1	0	14.3	35.7	0	3.6	39.3	0	7.1	39.3	46.4	

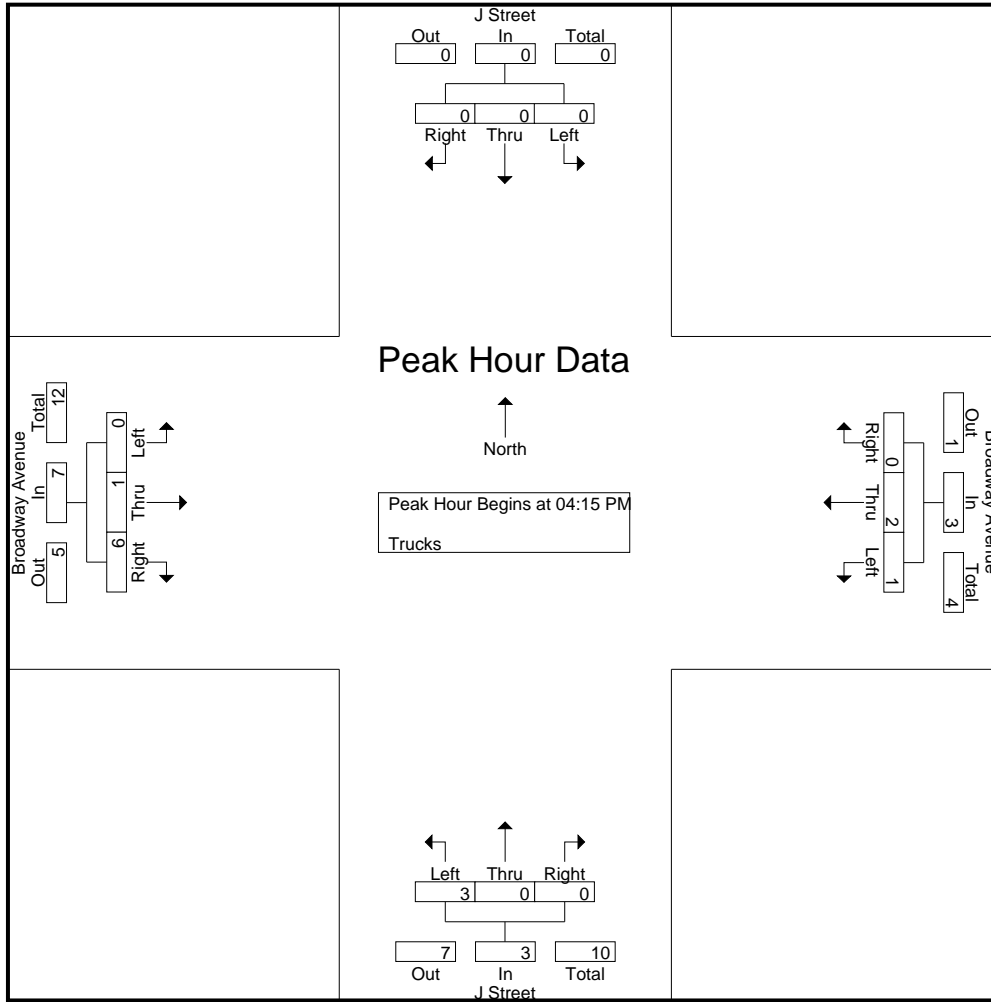
Start Time	J Street Southbound				Broadway Avenue Westbound				J Street Northbound				Broadway Avenue Eastbound				Int. Total
	Left	Thru	Right	App. Total	Left	Thru	Right	App. Total	Left	Thru	Right	App. Total	Left	Thru	Right	App. Total	
04:15 PM	0	0	0	0	1	0	0	1	2	0	0	2	0	1	3	4	7
04:30 PM	0	0	0	0	0	2	0	2	1	0	0	1	0	0	1	1	4
04:45 PM	0	0	0	0	0	0	0	0	0	0	0	0	0	0	2	2	2
05:00 PM	0	0	0	0	0	0	0	0	0	0	0	0	0	0	0	0	0
Total Volume	0	0	0	0	1	2	0	3	3	0	0	3	0	1	6	7	13
% App. Total	0	0	0	0	33.3	66.7	0		100	0	0		0	14.3	85.7		
PHF	.000	.000	.000	.000	.250	.250	.000	.375	.375	.000	.000	.375	.000	.250	.500	.438	.464

Peak Hour Analysis From 04:15 PM to 05:00 PM - Peak 1 of 1

Peak Hour for Entire Intersection Begins at 04:15 PM

City of Needles
 N/S: J Street
 E/W: Broadway Avenue
 Weather: Clear

File Name : 08_NDL_J St_Broadway PM
 Site Code : 16621325
 Start Date : 7/15/2021
 Page No : 2



Peak Hour Analysis From 04:15 PM to 05:00 PM - Peak 1 of 1
 Peak Hour for Each Approach Begins at:

	04:15 PM				04:15 PM				04:15 PM				04:15 PM			
+0 mins.	0	0	0	0	1	0	0	1	2	0	0	2	0	1	3	4
+15 mins.	0	0	0	0	0	2	0	2	1	0	0	1	0	0	1	1
+30 mins.	0	0	0	0	0	0	0	0	0	0	0	0	0	0	2	2
+45 mins.	0	0	0	0	0	0	0	0	0	0	0	0	0	0	0	0
Total Volume	0	0	0	0	1	2	0	3	3	0	0	3	0	1	6	7
% App. Total	0	0	0	0	33.3	66.7	0	0	100	0	0	0	0	14.3	85.7	0
PHF	.000	.000	.000	.000	.250	.250	.000	.375	.375	.000	.000	.375	.000	.250	.500	.438

City of Needles
 N/S: J Street
 E/W: Broadway Avenue
 Weather: Clear

File Name : 08_NDL_J St_Broadway PM
 Site Code : 16621325
 Start Date : 7/15/2021
 Page No : 1

Groups Printed- Buses

Start Time	J Street Southbound				Broadway Avenue Westbound				J Street Northbound				Broadway Avenue Eastbound				Int. Total
	Left	Thru	Right	App. Total	Left	Thru	Right	App. Total	Left	Thru	Right	App. Total	Left	Thru	Right	App. Total	
04:00 PM	0	0	0	0	0	0	0	0	0	0	0	0	0	0	0	0	0
04:15 PM	0	0	0	0	0	0	0	0	0	0	0	0	0	0	0	0	0
04:30 PM	0	0	0	0	0	1	0	1	0	0	0	0	0	1	0	1	2
04:45 PM	0	0	0	0	0	0	0	0	0	0	0	0	0	0	0	0	0
Total	0	0	0	0	0	1	0	1	0	0	0	0	0	1	0	1	2
05:00 PM	0	0	0	0	0	0	0	0	0	0	0	0	0	0	0	0	0
05:15 PM	0	0	0	0	0	0	0	0	0	0	0	0	0	0	0	0	0
05:30 PM	0	0	0	0	0	1	0	1	0	0	0	0	0	1	0	1	2
05:45 PM	0	0	0	0	0	0	0	0	0	0	0	0	0	0	0	0	0
Total	0	0	0	0	0	1	0	1	0	0	0	0	0	1	0	1	2
Grand Total	0	0	0	0	0	2	0	2	0	0	0	0	0	2	0	2	4
Apprch %	0	0	0		0	100	0		0	0	0		0	100	0		
Total %	0	0	0		0	50	0	50	0	0	0		0	50	0	50	

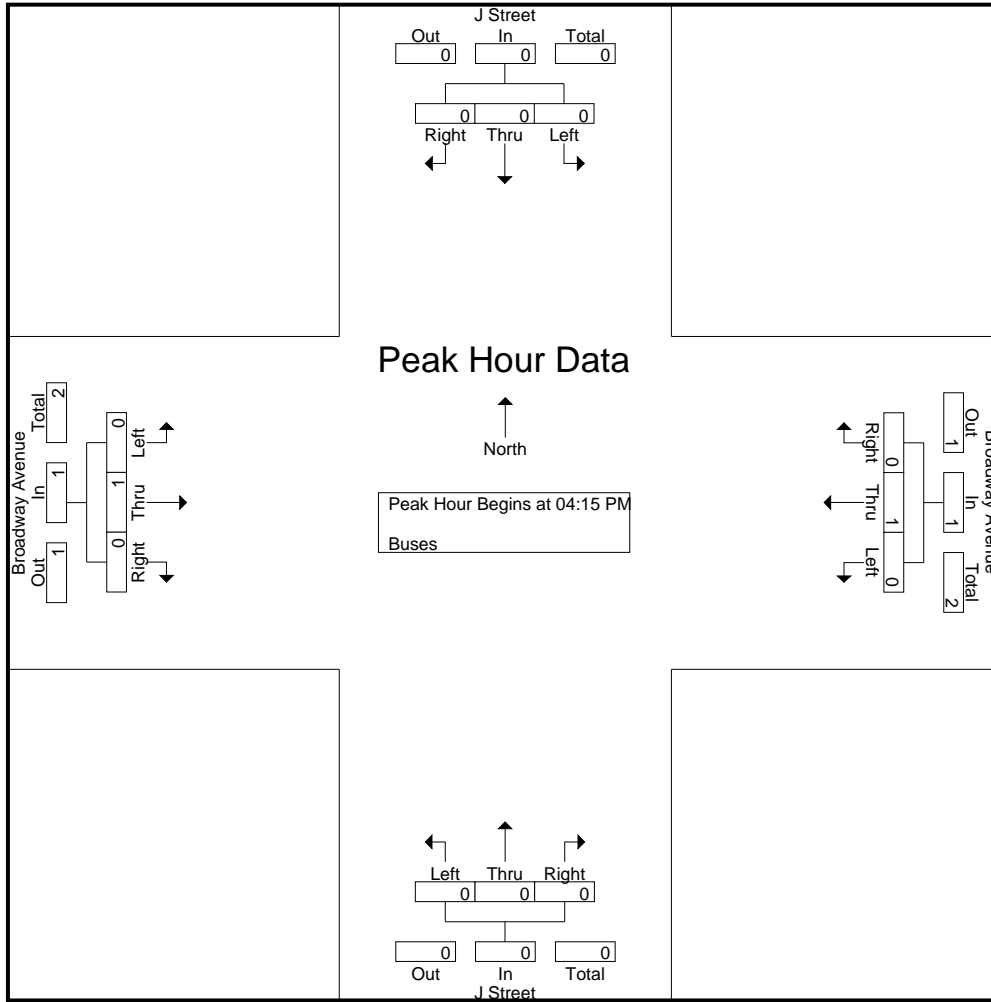
Start Time	J Street Southbound				Broadway Avenue Westbound				J Street Northbound				Broadway Avenue Eastbound				Int. Total
	Left	Thru	Right	App. Total	Left	Thru	Right	App. Total	Left	Thru	Right	App. Total	Left	Thru	Right	App. Total	
04:15 PM	0	0	0	0	0	0	0	0	0	0	0	0	0	0	0	0	0
04:30 PM	0	0	0	0	0	1	0	1	0	0	0	0	0	1	0	1	2
04:45 PM	0	0	0	0	0	0	0	0	0	0	0	0	0	0	0	0	0
05:00 PM	0	0	0	0	0	0	0	0	0	0	0	0	0	0	0	0	0
Total Volume	0	0	0	0	0	1	0	1	0	0	0	0	0	1	0	1	2
% App. Total	0	0	0		0	100	0		0	0	0		0	100	0		
PHF	.000	.000	.000	.000	.000	.250	.000	.250	.000	.000	.000	.000	.000	.250	.000	.250	.250

Peak Hour Analysis From 04:15 PM to 05:00 PM - Peak 1 of 1

Peak Hour for Entire Intersection Begins at 04:15 PM

City of Needles
 N/S: J Street
 E/W: Broadway Avenue
 Weather: Clear

File Name : 08_NDL_J St_Broadway PM
 Site Code : 16621325
 Start Date : 7/15/2021
 Page No : 2



Peak Hour Analysis From 04:15 PM to 05:00 PM - Peak 1 of 1
 Peak Hour for Each Approach Begins at:

	04:15 PM				04:15 PM				04:15 PM				04:15 PM			
+0 mins.	0	0	0	0	0	0	0	0	0	0	0	0	0	0	0	0
+15 mins.	0	0	0	0	0	1	0	1	0	0	0	0	0	1	0	1
+30 mins.	0	0	0	0	0	0	0	0	0	0	0	0	0	0	0	0
+45 mins.	0	0	0	0	0	0	0	0	0	0	0	0	0	0	0	0
Total Volume	0	0	0	0	0	1	0	1	0	0	0	0	0	1	0	1
% App. Total	0	0	0	0	0	100	0	0	0	0	0	0	0	100	0	0
PHF	.000	.000	.000	.000	.000	.250	.000	.250	.000	.000	.000	.000	.000	.250	.000	.250

City of Needles
 N/S: J Street
 E/W: Broadway Avenue
 Weather: Clear

File Name : 08_NDL_J St_Broadway SAT
 Site Code : 16621325
 Start Date : 7/17/2021
 Page No : 1

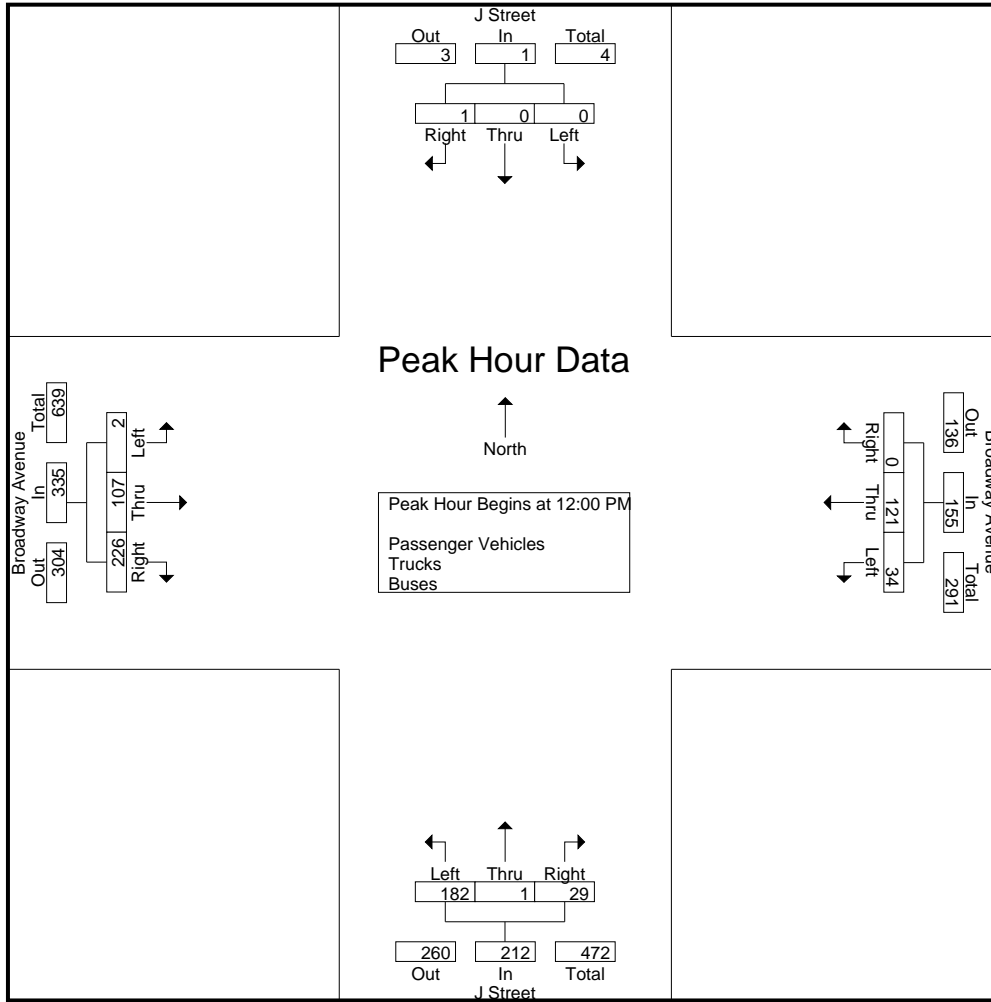
Groups Printed- Passenger Vehicles - Trucks - Buses

Start Time	J Street Southbound				Broadway Avenue Westbound				J Street Northbound				Broadway Avenue Eastbound				Int. Total
	Left	Thru	Right	App. Total	Left	Thru	Right	App. Total	Left	Thru	Right	App. Total	Left	Thru	Right	App. Total	
12:00 PM	0	0	0	0	12	36	0	48	44	0	6	50	0	29	63	92	190
12:15 PM	0	0	0	0	5	31	0	36	47	0	6	53	0	20	43	63	152
12:30 PM	0	0	1	1	7	25	0	32	48	1	7	56	2	37	63	102	191
12:45 PM	0	0	0	0	10	29	0	39	43	0	10	53	0	21	57	78	170
Total	0	0	1	1	34	121	0	155	182	1	29	212	2	107	226	335	703
01:00 PM	0	0	2	2	6	28	0	34	38	0	5	43	0	25	56	81	160
01:15 PM	0	0	0	0	10	23	0	33	34	0	3	37	1	19	50	70	140
01:30 PM	0	1	0	1	7	30	0	37	44	0	2	46	0	28	47	75	159
01:45 PM	0	0	0	0	6	22	0	28	45	0	6	51	0	27	51	78	157
Total	0	1	2	3	29	103	0	132	161	0	16	177	1	99	204	304	616
Grand Total	0	1	3	4	63	224	0	287	343	1	45	389	3	206	430	639	1319
Apprch %	0	25	75		22	78	0		88.2	0.3	11.6		0.5	32.2	67.3		
Total %	0	0.1	0.2	0.3	4.8	17	0	21.8	26	0.1	3.4	29.5	0.2	15.6	32.6	48.4	
Passenger Vehicles	0	1	3	4	62	215	0	277	338	1	44	383	2	198	423	623	1287
% Passenger Vehicles	0	100	100	100	98.4	96	0	96.5	98.5	100	97.8	98.5	66.7	96.1	98.4	97.5	97.6
Trucks	0	0	0	0	1	7	0	8	5	0	1	6	1	7	6	14	28
% Trucks	0	0	0	0	1.6	3.1	0	2.8	1.5	0	2.2	1.5	33.3	3.4	1.4	2.2	2.1
Buses	0	0	0	0	0	2	0	2	0	0	0	0	0	1	1	2	4
% Buses	0	0	0	0	0	0.9	0	0.7	0	0	0	0	0	0.5	0.2	0.3	0.3

Start Time	J Street Southbound				Broadway Avenue Westbound				J Street Northbound				Broadway Avenue Eastbound				Int. Total
	Left	Thru	Right	App. Total	Left	Thru	Right	App. Total	Left	Thru	Right	App. Total	Left	Thru	Right	App. Total	
Peak Hour Analysis From 12:00 PM to 01:45 PM - Peak 1 of 1																	
Peak Hour for Entire Intersection Begins at 12:00 PM																	
12:00 PM	0	0	0	0	12	36	0	48	44	0	6	50	0	29	63	92	190
12:15 PM	0	0	0	0	5	31	0	36	47	0	6	53	0	20	43	63	152
12:30 PM	0	0	1	1	7	25	0	32	48	1	7	56	2	37	63	102	191
12:45 PM	0	0	0	0	10	29	0	39	43	0	10	53	0	21	57	78	170
Total Volume	0	0	1	1	34	121	0	155	182	1	29	212	2	107	226	335	703
% App. Total	0	0	100		21.9	78.1	0		85.8	0.5	13.7		0.6	31.9	67.5		
PHF	.000	.000	.250	.250	.708	.840	.000	.807	.948	.250	.725	.946	.250	.723	.897	.821	.920

City of Needles
 N/S: J Street
 E/W: Broadway Avenue
 Weather: Clear

File Name : 08_NDL_J St_Broadway SAT
 Site Code : 16621325
 Start Date : 7/17/2021
 Page No : 2



Peak Hour Analysis From 12:00 PM to 01:45 PM - Peak 1 of 1
 Peak Hour for Each Approach Begins at:

	12:15 PM				12:00 PM				12:00 PM				12:00 PM			
+0 mins.	0	0	0	0	12	36	0	48	44	0	6	50	0	29	63	92
+15 mins.	0	0	1	1	5	31	0	36	47	0	6	53	0	20	43	63
+30 mins.	0	0	0	0	7	25	0	32	48	1	7	56	2	37	63	102
+45 mins.	0	0	2	2	10	29	0	39	43	0	10	53	0	21	57	78
Total Volume	0	0	3	3	34	121	0	155	182	1	29	212	2	107	226	335
% App. Total	0	0	100		21.9	78.1	0		85.8	0.5	13.7		0.6	31.9	67.5	
PHF	.000	.000	.375	.375	.708	.840	.000	.807	.948	.250	.725	.946	.250	.723	.897	.821

City of Needles
 N/S: J Street
 E/W: Broadway Avenue
 Weather: Clear

File Name : 08_NDL_J St_Broadway SAT
 Site Code : 16621325
 Start Date : 7/17/2021
 Page No : 1

Groups Printed- Passenger Vehicles

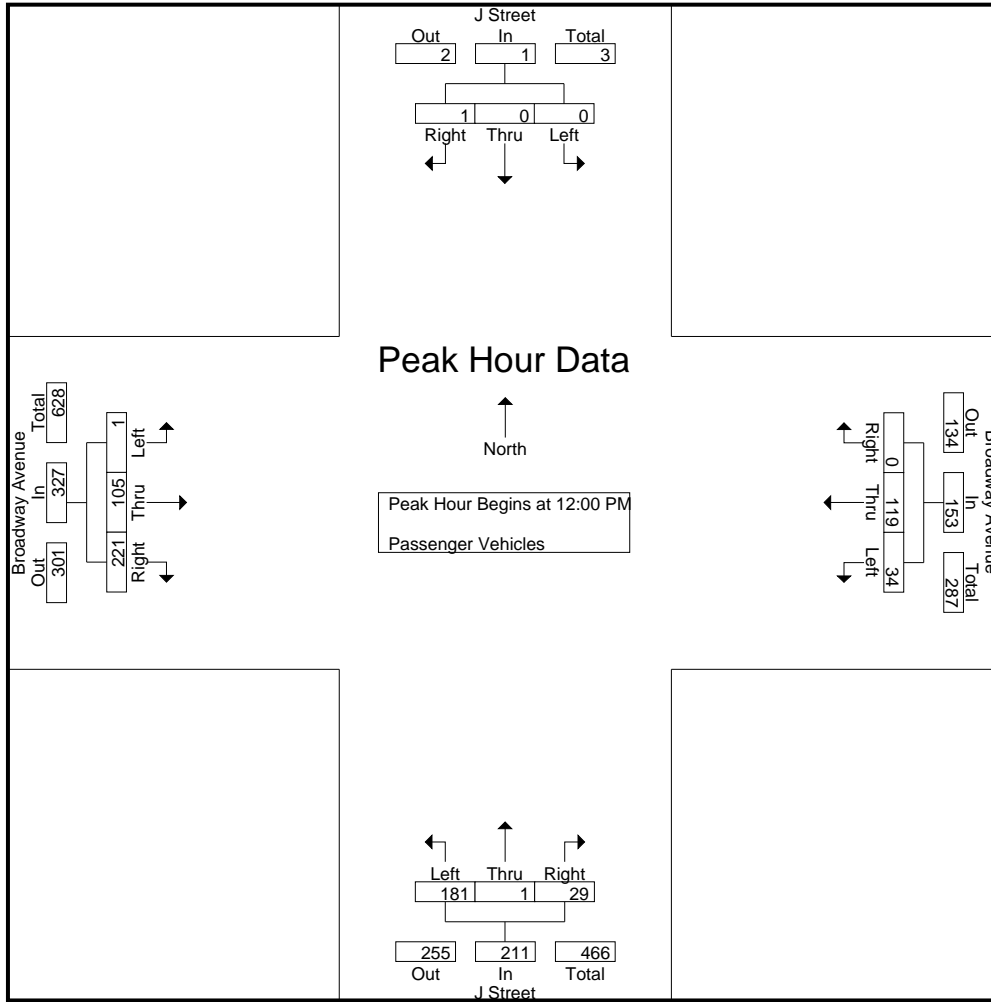
Start Time	J Street Southbound				Broadway Avenue Westbound				J Street Northbound				Broadway Avenue Eastbound				Int. Total
	Left	Thru	Right	App. Total	Left	Thru	Right	App. Total	Left	Thru	Right	App. Total	Left	Thru	Right	App. Total	
12:00 PM	0	0	0	0	12	35	0	47	44	0	6	50	0	29	62	91	188
12:15 PM	0	0	0	0	5	31	0	36	46	0	6	52	0	19	42	61	149
12:30 PM	0	0	1	1	7	24	0	31	48	1	7	56	1	36	62	99	187
12:45 PM	0	0	0	0	10	29	0	39	43	0	10	53	0	21	55	76	168
Total	0	0	1	1	34	119	0	153	181	1	29	211	1	105	221	327	692
01:00 PM	0	0	2	2	6	26	0	32	37	0	5	42	0	25	55	80	156
01:15 PM	0	0	0	0	10	22	0	32	33	0	3	36	1	18	49	68	136
01:30 PM	0	1	0	1	7	27	0	34	43	0	2	45	0	24	47	71	151
01:45 PM	0	0	0	0	5	21	0	26	44	0	5	49	0	26	51	77	152
Total	0	1	2	3	28	96	0	124	157	0	15	172	1	93	202	296	595
Grand Total	0	1	3	4	62	215	0	277	338	1	44	383	2	198	423	623	1287
Apprch %	0	25	75		22.4	77.6	0		88.3	0.3	11.5		0.3	31.8	67.9		
Total %	0	0.1	0.2	0.3	4.8	16.7	0	21.5	26.3	0.1	3.4	29.8	0.2	15.4	32.9	48.4	

Start Time	J Street Southbound				Broadway Avenue Westbound				J Street Northbound				Broadway Avenue Eastbound				Int. Total
	Left	Thru	Right	App. Total	Left	Thru	Right	App. Total	Left	Thru	Right	App. Total	Left	Thru	Right	App. Total	
12:00 PM	0	0	0	0	12	35	0	47	44	0	6	50	0	29	62	91	188
12:15 PM	0	0	0	0	5	31	0	36	46	0	6	52	0	19	42	61	149
12:30 PM	0	0	1	1	7	24	0	31	48	1	7	56	1	36	62	99	187
12:45 PM	0	0	0	0	10	29	0	39	43	0	10	53	0	21	55	76	168
Total Volume	0	0	1	1	34	119	0	153	181	1	29	211	1	105	221	327	692
% App. Total	0	0	100		22.2	77.8	0		85.8	0.5	13.7		0.3	32.1	67.6		
PHF	.000	.000	.250	.250	.708	.850	.000	.814	.943	.250	.725	.942	.250	.729	.891	.826	.920

Peak Hour Analysis From 12:00 PM to 12:45 PM - Peak 1 of 1
 Peak Hour for Entire Intersection Begins at 12:00 PM

City of Needles
 N/S: J Street
 E/W: Broadway Avenue
 Weather: Clear

File Name : 08_NDL_J St_Broadway SAT
 Site Code : 16621325
 Start Date : 7/17/2021
 Page No : 2



Peak Hour Analysis From 12:00 PM to 12:45 PM - Peak 1 of 1
 Peak Hour for Each Approach Begins at:

	12:00 PM				12:00 PM				12:00 PM				12:00 PM			
+0 mins.	0	0	0	0	12	35	0	47	44	0	6	50	0	29	62	91
+15 mins.	0	0	0	0	5	31	0	36	46	0	6	52	0	19	42	61
+30 mins.	0	0	1	1	7	24	0	31	48	1	7	56	1	36	62	99
+45 mins.	0	0	0	0	10	29	0	39	43	0	10	53	0	21	55	76
Total Volume	0	0	1	1	34	119	0	153	181	1	29	211	1	105	221	327
% App. Total	0	0	100		22.2	77.8	0		85.8	0.5	13.7		0.3	32.1	67.6	
PHF	.000	.000	.250	.250	.708	.850	.000	.814	.943	.250	.725	.942	.250	.729	.891	.826

City of Needles
 N/S: J Street
 E/W: Broadway Avenue
 Weather: Clear

File Name : 08_NDL_J St_Broadway SAT
 Site Code : 16621325
 Start Date : 7/17/2021
 Page No : 1

Groups Printed- Trucks

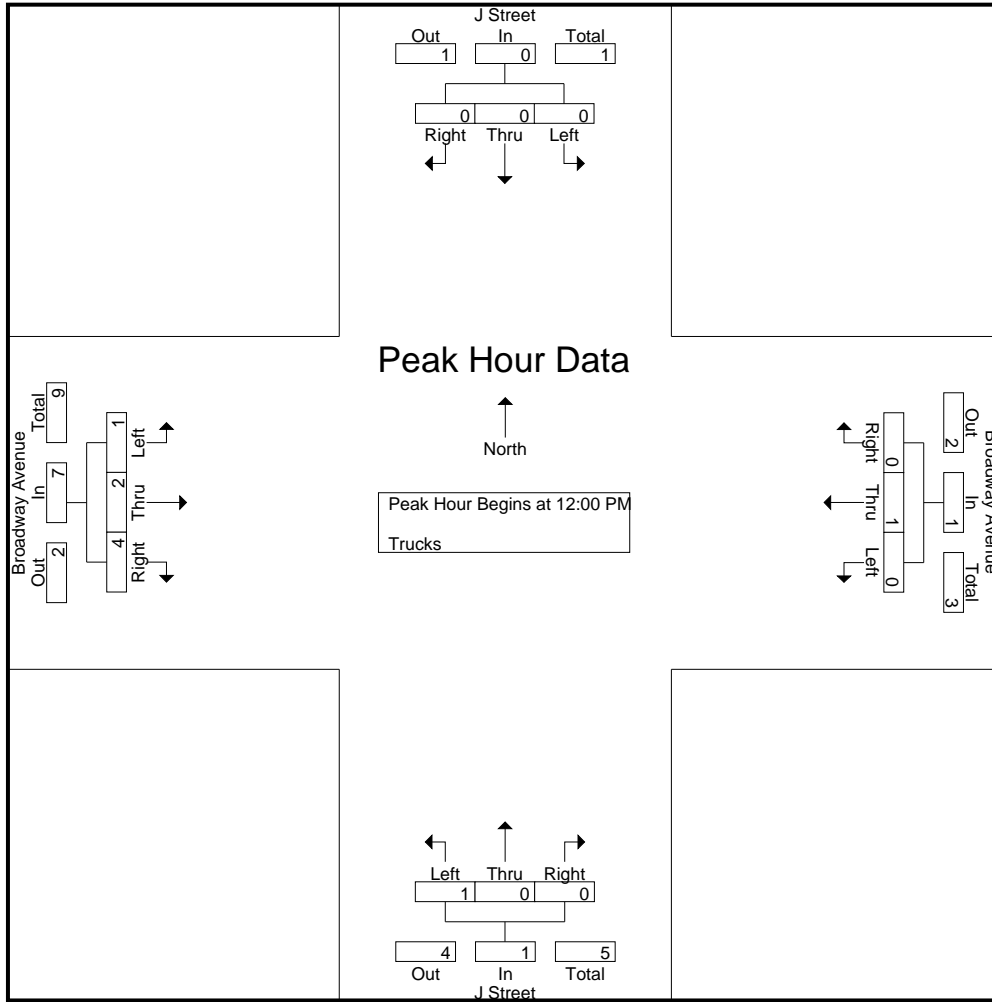
Start Time	J Street Southbound				Broadway Avenue Westbound				J Street Northbound				Broadway Avenue Eastbound				Int. Total
	Left	Thru	Right	App. Total	Left	Thru	Right	App. Total	Left	Thru	Right	App. Total	Left	Thru	Right	App. Total	
12:00 PM	0	0	0	0	0	1	0	1	0	0	0	0	0	0	1	1	2
12:15 PM	0	0	0	0	0	0	0	0	1	0	0	1	0	1	1	2	3
12:30 PM	0	0	0	0	0	0	0	0	0	0	0	0	1	1	0	2	2
12:45 PM	0	0	0	0	0	0	0	0	0	0	0	0	0	0	2	2	2
Total	0	0	0	0	0	1	0	1	1	0	0	1	1	2	4	7	9
01:00 PM	0	0	0	0	0	2	0	2	1	0	0	1	0	0	1	1	4
01:15 PM	0	0	0	0	0	1	0	1	1	0	0	1	0	1	1	2	4
01:30 PM	0	0	0	0	0	2	0	2	1	0	0	1	0	3	0	3	6
01:45 PM	0	0	0	0	1	1	0	2	1	0	1	2	0	1	0	1	5
Total	0	0	0	0	1	6	0	7	4	0	1	5	0	5	2	7	19
Grand Total	0	0	0	0	1	7	0	8	5	0	1	6	1	7	6	14	28
Apprch %	0	0	0		12.5	87.5	0		83.3	0	16.7		7.1	50	42.9		
Total %	0	0	0		3.6	25	0	28.6	17.9	0	3.6	21.4	3.6	25	21.4	50	

Start Time	J Street Southbound				Broadway Avenue Westbound				J Street Northbound				Broadway Avenue Eastbound				Int. Total
	Left	Thru	Right	App. Total	Left	Thru	Right	App. Total	Left	Thru	Right	App. Total	Left	Thru	Right	App. Total	
12:00 PM	0	0	0	0	0	1	0	1	0	0	0	0	0	0	1	1	2
12:15 PM	0	0	0	0	0	0	0	0	1	0	0	1	0	1	1	2	3
12:30 PM	0	0	0	0	0	0	0	0	0	0	0	0	1	1	0	2	2
12:45 PM	0	0	0	0	0	0	0	0	0	0	0	0	0	0	2	2	2
Total Volume	0	0	0	0	0	1	0	1	1	0	0	1	1	2	4	7	9
% App. Total	0	0	0		0	100	0		100	0	0		14.3	28.6	57.1		
PHF	.000	.000	.000	.000	.000	.250	.000	.250	.250	.000	.000	.250	.250	.500	.500	.875	.750

Peak Hour Analysis From 12:00 PM to 12:45 PM - Peak 1 of 1
 Peak Hour for Entire Intersection Begins at 12:00 PM

City of Needles
 N/S: J Street
 E/W: Broadway Avenue
 Weather: Clear

File Name : 08_NDL_J St_Broadway SAT
 Site Code : 16621325
 Start Date : 7/17/2021
 Page No : 2



Peak Hour Analysis From 12:00 PM to 12:45 PM - Peak 1 of 1
 Peak Hour for Each Approach Begins at:

	12:00 PM				12:00 PM				12:00 PM				12:00 PM			
+0 mins.	0	0	0	0	0	1	0	1	0	0	0	0	0	0	1	1
+15 mins.	0	0	0	0	0	0	0	0	1	0	0	1	0	1	1	2
+30 mins.	0	0	0	0	0	0	0	0	0	0	0	0	1	1	0	2
+45 mins.	0	0	0	0	0	0	0	0	0	0	0	0	0	0	2	2
Total Volume	0	0	0	0	0	1	0	1	1	0	0	1	1	2	4	7
% App. Total	0	0	0	0	0	100	0	100	100	0	0	100	14.3	28.6	57.1	7
PHF	.000	.000	.000	.000	.000	.250	.000	.250	.250	.000	.000	.250	.250	.500	.500	.875

City of Needles
 N/S: J Street
 E/W: Broadway Avenue
 Weather: Clear

File Name : 08_NDL_J St_Broadway SAT
 Site Code : 16621325
 Start Date : 7/17/2021
 Page No : 1

Groups Printed- Buses

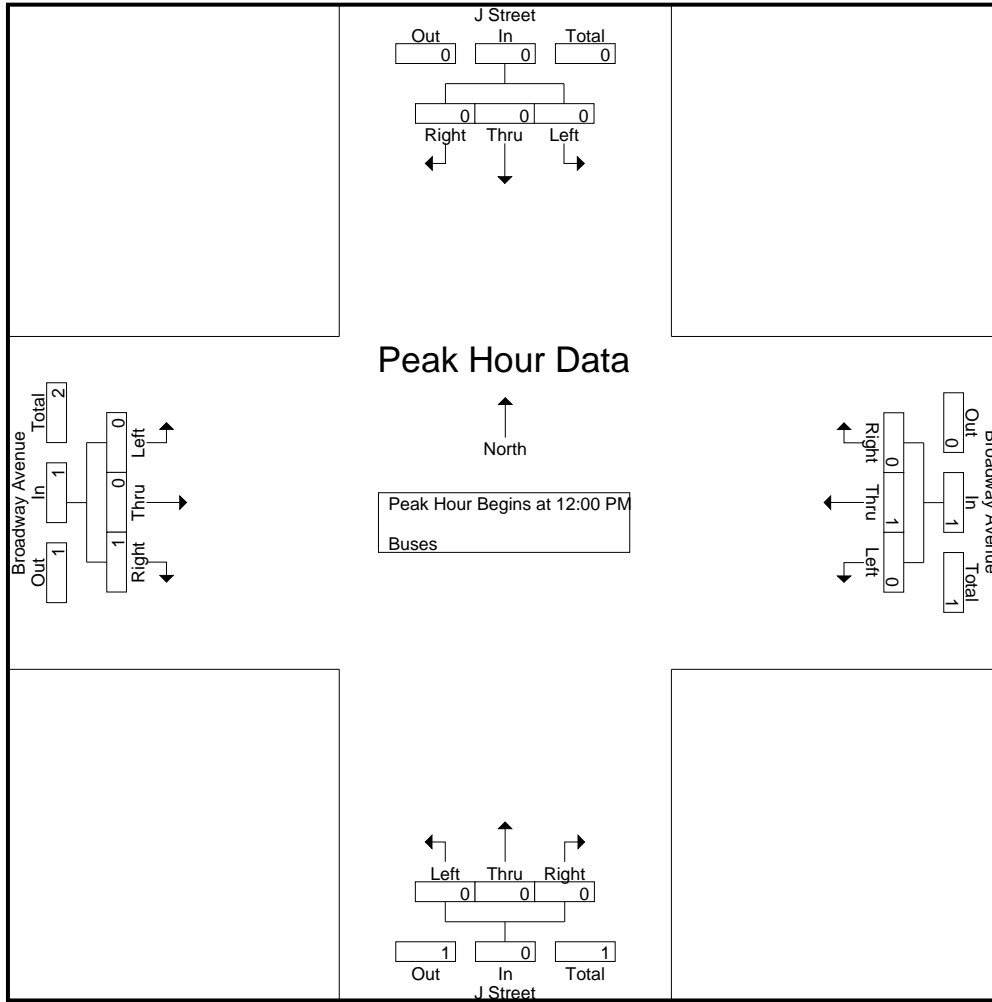
Start Time	J Street Southbound				Broadway Avenue Westbound				J Street Northbound				Broadway Avenue Eastbound				Int. Total
	Left	Thru	Right	App. Total	Left	Thru	Right	App. Total	Left	Thru	Right	App. Total	Left	Thru	Right	App. Total	
12:00 PM	0	0	0	0	0	0	0	0	0	0	0	0	0	0	0	0	0
12:15 PM	0	0	0	0	0	0	0	0	0	0	0	0	0	0	0	0	0
12:30 PM	0	0	0	0	0	1	0	1	0	0	0	0	0	0	1	1	2
12:45 PM	0	0	0	0	0	0	0	0	0	0	0	0	0	0	0	0	0
Total	0	0	0	0	0	1	0	1	0	0	0	0	0	0	1	1	2
01:00 PM	0	0	0	0	0	0	0	0	0	0	0	0	0	0	0	0	0
01:15 PM	0	0	0	0	0	0	0	0	0	0	0	0	0	0	0	0	0
01:30 PM	0	0	0	0	0	1	0	1	0	0	0	0	0	1	0	1	2
01:45 PM	0	0	0	0	0	0	0	0	0	0	0	0	0	0	0	0	0
Total	0	0	0	0	0	1	0	1	0	0	0	0	0	1	0	1	2
Grand Total	0	0	0	0	0	2	0	2	0	0	0	0	0	1	1	2	4
Apprch %	0	0	0		0	100	0		0	0	0		0	50	50		
Total %	0	0	0		0	50	0	50	0	0	0		0	25	25	50	

Start Time	J Street Southbound				Broadway Avenue Westbound				J Street Northbound				Broadway Avenue Eastbound				Int. Total
	Left	Thru	Right	App. Total	Left	Thru	Right	App. Total	Left	Thru	Right	App. Total	Left	Thru	Right	App. Total	
12:00 PM	0	0	0	0	0	0	0	0	0	0	0	0	0	0	0	0	0
12:15 PM	0	0	0	0	0	0	0	0	0	0	0	0	0	0	0	0	0
12:30 PM	0	0	0	0	0	1	0	1	0	0	0	0	0	0	1	1	2
12:45 PM	0	0	0	0	0	0	0	0	0	0	0	0	0	0	0	0	0
Total Volume	0	0	0	0	0	1	0	1	0	0	0	0	0	0	1	1	2
% App. Total	0	0	0		0	100	0		0	0	0		0	0	100		
PHF	.000	.000	.000	.000	.000	.250	.000	.250	.000	.000	.000	.000	.000	.000	.250	.250	.250

Peak Hour Analysis From 12:00 PM to 12:45 PM - Peak 1 of 1
 Peak Hour for Entire Intersection Begins at 12:00 PM

City of Needles
 N/S: J Street
 E/W: Broadway Avenue
 Weather: Clear

File Name : 08_NDL_J St_Broadway SAT
 Site Code : 16621325
 Start Date : 7/17/2021
 Page No : 2



Peak Hour Analysis From 12:00 PM to 12:45 PM - Peak 1 of 1
 Peak Hour for Each Approach Begins at:

	12:00 PM				12:00 PM				12:00 PM				12:00 PM			
+0 mins.	0	0	0	0	0	0	0	0	0	0	0	0	0	0	0	0
+15 mins.	0	0	0	0	0	0	0	0	0	0	0	0	0	0	0	0
+30 mins.	0	0	0	0	0	1	0	1	0	0	0	0	0	0	1	1
+45 mins.	0	0	0	0	0	0	0	0	0	0	0	0	0	0	0	0
Total Volume	0	0	0	0	0	1	0	1	0	0	0	0	0	0	1	1
% App. Total	0	0	0	0	0	100	0	0	0	0	0	0	0	0	100	0
PHF	.000	.000	.000	.000	.000	.250	.000	.250	.000	.000	.000	.000	.000	.000	.250	.250

Location: Needles
 N/S: J Street
 E/W: Broadway Avenue



PEDESTRIANS

Date: 7/15/2021
 Day: Thursday

	North Leg J Street	East Leg Broadway Avenue	South Leg J Street	West Leg Broadway Avenue	
	Pedestrians	Pedestrians	Pedestrians	Pedestrians	
7:00 AM	0	0	0	0	0
7:15 AM	0	0	0	0	0
7:30 AM	2	1	1	0	4
7:45 AM	0	0	0	0	0
8:00 AM	1	0	0	0	1
8:15 AM	0	0	0	0	0
8:30 AM	0	0	0	0	0
8:45 AM	0	0	1	0	1
TOTAL VOLUMES:	3	1	2	0	6

Date: 7/15/2021
 Day: Thursday

	North Leg J Street	East Leg Broadway Avenue	South Leg J Street	West Leg Broadway Avenue	
	Pedestrians	Pedestrians	Pedestrians	Pedestrians	
4:00 PM	0	0	0	0	0
4:15 PM	0	0	0	0	0
4:30 PM	1	0	0	0	1
4:45 PM	0	0	0	0	0
5:00 PM	0	1	0	0	1
5:15 PM	0	1	0	0	1
5:30 PM	0	0	0	0	0
5:45 PM	1	1	0	0	2
TOTAL VOLUMES:	2	3	0	0	5

Date: 7/17/2021
 Day: Saturday

	North Leg J Street	East Leg Broadway Avenue	South Leg J Street	West Leg Broadway Avenue	
	Pedestrians	Pedestrians	Pedestrians	Pedestrians	
12:00 PM	0	0	1	0	1
12:15 PM	0	0	0	0	0
12:30 PM	0	0	3	3	6
12:45 PM	0	0	2	0	2
1:00 PM	0	0	0	0	0
1:15 PM	0	0	0	0	0
1:30 PM	0	1	0	0	1
1:45 PM	0	0	0	0	0
TOTAL VOLUMES:	0	1	6	3	10

Location: Needles
 N/S: J Street
 E/W: Broadway Avenue



BICYCLES

Date: 7/15/2021
 Day: Thursday

	Southbound J Street			Westbound Broadway Avenue			Northbound J Street			Eastbound Broadway Avenue			
	Left	Thru	Right	Left	Thru	Right	Left	Thru	Right	Left	Thru	Right	
7:00 AM	0	0	0	0	0	0	0	0	0	0	0	0	0
7:15 AM	0	0	0	0	0	0	0	0	0	0	0	0	0
7:30 AM	0	0	0	0	0	0	0	0	0	0	0	0	0
7:45 AM	0	0	0	0	0	0	0	0	0	0	0	0	0
8:00 AM	0	0	0	0	0	0	0	0	0	0	0	0	0
8:15 AM	0	0	0	0	0	0	0	0	0	0	0	0	0
8:30 AM	0	0	0	0	0	0	0	0	0	0	0	0	0
8:45 AM	0	1	0	0	0	0	0	0	0	0	0	0	1
TOTAL VOLUMES:	0	1	0	0	0	0	0	0	0	0	0	0	1

Date: 7/15/2021
 Day: Thursday

	Southbound J Street			Westbound Broadway Avenue			Northbound J Street			Eastbound Broadway Avenue			
	Left	Thru	Right	Left	Thru	Right	Left	Thru	Right	Left	Thru	Right	
4:00 PM	0	0	0	0	0	0	0	0	0	0	0	0	0
4:15 PM	0	0	0	0	0	0	0	0	0	0	0	0	0
4:30 PM	0	0	0	0	0	0	0	0	0	0	0	0	0
4:45 PM	0	0	0	1	0	0	0	0	0	0	0	0	1
5:00 PM	0	0	0	0	0	0	0	0	0	0	0	0	0
5:15 PM	0	0	0	0	0	0	0	0	0	0	0	0	0
5:30 PM	0	0	0	0	0	0	0	0	0	0	0	0	0
5:45 PM	0	0	0	0	0	0	0	0	0	0	0	0	0
TOTAL VOLUMES:	0	0	0	1	0	0	0	0	0	0	0	0	1

Date: 7/17/2021
 Day: Saturday

	Southbound J Street			Westbound Broadway Avenue			Northbound J Street			Eastbound Broadway Avenue			
	Left	Thru	Right	Left	Thru	Right	Left	Thru	Right	Left	Thru	Right	
12:00 PM	0	0	0	0	0	0	0	0	0	0	0	0	0
12:15 PM	0	0	0	0	0	0	0	0	0	0	0	0	0
12:30 PM	0	0	0	0	0	0	0	0	0	0	0	0	0
12:45 PM	0	0	0	0	0	0	0	0	0	0	0	0	0
1:00 PM	0	0	0	0	0	0	0	0	0	0	0	0	0
1:15 PM	0	0	0	0	0	0	0	0	0	0	0	0	0
1:30 PM	0	0	0	0	1	0	0	0	0	0	0	0	1
1:45 PM	0	0	0	0	0	0	0	0	0	0	0	0	0
TOTAL VOLUMES:	0	0	0	0	1	0	0	0	0	0	0	0	1

City of Needles
 N/S: J Street
 E/W: I-40 Westbound Ramps
 Weather: Clear

File Name : 09_NDL_J St_40W AM
 Site Code : 16621325
 Start Date : 7/15/2021
 Page No : 1

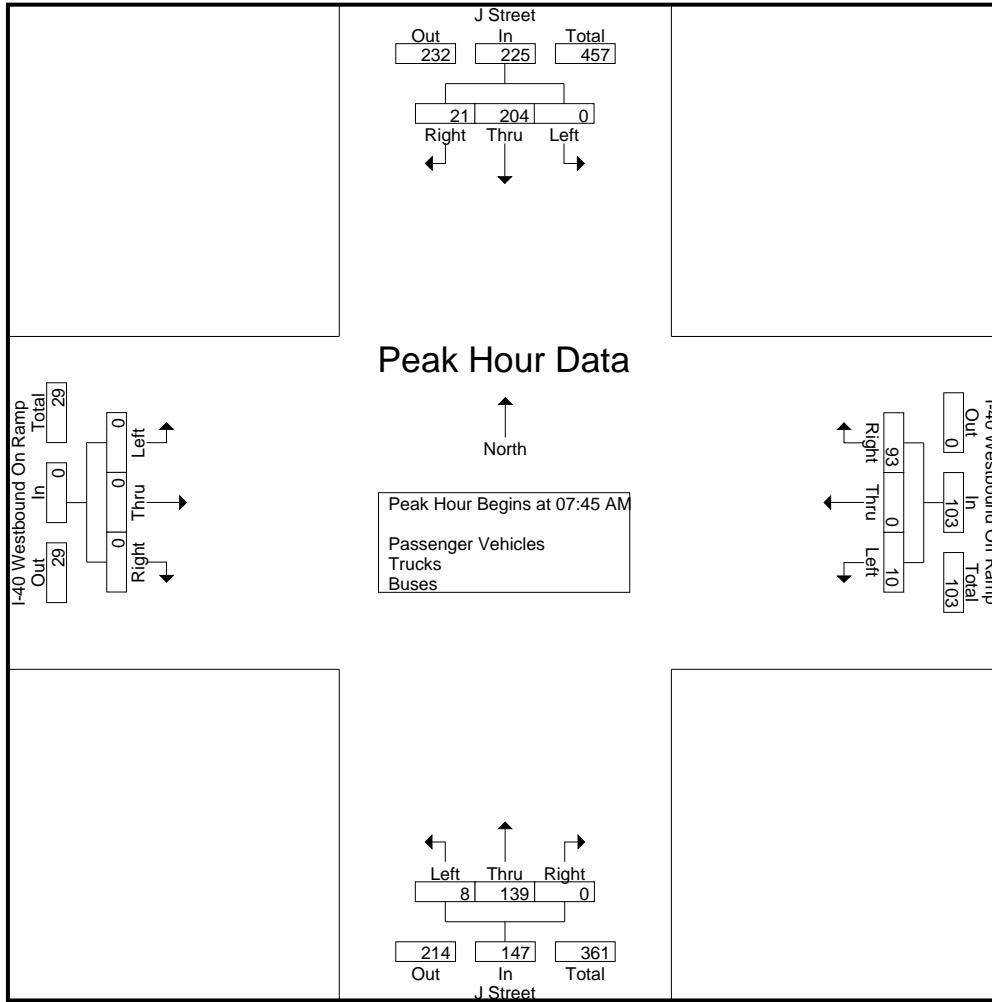
Groups Printed- Passenger Vehicles - Trucks - Buses

Start Time	J Street Southbound				I-40 Westbound Off Ramp Westbound				J Street Northbound				I-40 Westbound On Ramp Eastbound				Int. Total
	Left	Thru	Right	App. Total	Left	Thru	Right	App. Total	Left	Thru	Right	App. Total	Left	Thru	Right	App. Total	
07:00 AM	0	41	4	45	0	0	27	27	0	28	0	28	0	0	0	0	100
07:15 AM	0	36	7	43	5	0	28	33	5	33	0	38	0	0	0	0	114
07:30 AM	0	43	10	53	3	0	22	25	2	29	0	31	0	0	0	0	109
07:45 AM	0	57	7	64	3	0	30	33	3	43	0	46	0	0	0	0	143
Total	0	177	28	205	11	0	107	118	10	133	0	143	0	0	0	0	466
08:00 AM	0	45	4	49	3	0	20	23	1	23	0	24	0	0	0	0	96
08:15 AM	0	46	7	53	3	0	18	21	1	33	0	34	0	0	0	0	108
08:30 AM	0	56	3	59	1	0	25	26	3	40	0	43	0	0	0	0	128
08:45 AM	0	47	7	54	2	2	17	21	4	37	0	41	0	0	0	0	116
Total	0	194	21	215	9	2	80	91	9	133	0	142	0	0	0	0	448
Grand Total	0	371	49	420	20	2	187	209	19	266	0	285	0	0	0	0	914
Apprch %	0	88.3	11.7		9.6	1	89.5		6.7	93.3	0		0	0	0		
Total %	0	40.6	5.4	46	2.2	0.2	20.5	22.9	2.1	29.1	0	31.2	0	0	0	0	
Passenger Vehicles	0	360	46	406	20	0	170	190	17	255	0	272	0	0	0	0	868
% Passenger Vehicles	0	97	93.9	96.7	100	0	90.9	90.9	89.5	95.9	0	95.4	0	0	0	0	95
Trucks	0	11	3	14	0	2	17	19	2	10	0	12	0	0	0	0	45
% Trucks	0	3	6.1	3.3	0	100	9.1	9.1	10.5	3.8	0	4.2	0	0	0	0	4.9
Buses	0	0	0	0	0	0	0	0	0	1	0	1	0	0	0	0	1
% Buses	0	0	0	0	0	0	0	0	0	0.4	0	0.4	0	0	0	0	0.1

Start Time	J Street Southbound				I-40 Westbound Off Ramp Westbound				J Street Northbound				I-40 Westbound On Ramp Eastbound				Int. Total
	Left	Thru	Right	App. Total	Left	Thru	Right	App. Total	Left	Thru	Right	App. Total	Left	Thru	Right	App. Total	
Peak Hour Analysis From 07:00 AM to 08:45 AM - Peak 1 of 1																	
Peak Hour for Entire Intersection Begins at 07:45 AM																	
07:45 AM	0	57	7	64	3	0	30	33	3	43	0	46	0	0	0	0	143
08:00 AM	0	45	4	49	3	0	20	23	1	23	0	24	0	0	0	0	96
08:15 AM	0	46	7	53	3	0	18	21	1	33	0	34	0	0	0	0	108
08:30 AM	0	56	3	59	1	0	25	26	3	40	0	43	0	0	0	0	128
Total Volume	0	204	21	225	10	0	93	103	8	139	0	147	0	0	0	0	475
% App. Total	0	90.7	9.3		9.7	0	90.3		5.4	94.6	0		0	0	0		
PHF	.000	.895	.750	.879	.833	.000	.775	.780	.667	.808	.000	.799	.000	.000	.000	.000	.830

City of Needles
 N/S: J Street
 E/W: I-40 Westbound Ramps
 Weather: Clear

File Name : 09_NDL_J St_40W AM
 Site Code : 16621325
 Start Date : 7/15/2021
 Page No : 2



Peak Hour Analysis From 07:00 AM to 08:45 AM - Peak 1 of 1
 Peak Hour for Each Approach Begins at:

	07:45 AM				07:00 AM				07:45 AM				07:00 AM			
+0 mins.	0	57	7	64	0	0	27	27	3	43	0	46	0	0	0	0
+15 mins.	0	45	4	49	5	0	28	33	1	23	0	24	0	0	0	0
+30 mins.	0	46	7	53	3	0	22	25	1	33	0	34	0	0	0	0
+45 mins.	0	56	3	59	3	0	30	33	3	40	0	43	0	0	0	0
Total Volume	0	204	21	225	11	0	107	118	8	139	0	147	0	0	0	0
% App. Total	0	90.7	9.3		9.3	0	90.7		5.4	94.6	0		0	0	0	
PHF	.000	.895	.750	.879	.550	.000	.892	.894	.667	.808	.000	.799	.000	.000	.000	.000

City of Needles
 N/S: J Street
 E/W: I-40 Westbound Ramps
 Weather: Clear

File Name : 09_NDL_J St_40W AM
 Site Code : 16621325
 Start Date : 7/15/2021
 Page No : 1

Groups Printed- Passenger Vehicles

Start Time	J Street Southbound				I-40 Westbound Off Ramp Westbound				J Street Northbound				I-40 Westbound On Ramp Eastbound				Int. Total
	Left	Thru	Right	App. Total	Left	Thru	Right	App. Total	Left	Thru	Right	App. Total	Left	Thru	Right	App. Total	
07:00 AM	0	39	4	43	0	0	25	25	0	26	0	26	0	0	0	0	94
07:15 AM	0	36	7	43	5	0	25	30	5	33	0	38	0	0	0	0	111
07:30 AM	0	40	8	48	3	0	20	23	2	28	0	30	0	0	0	0	101
07:45 AM	0	56	7	63	3	0	29	32	2	40	0	42	0	0	0	0	137
Total	0	171	26	197	11	0	99	110	9	127	0	136	0	0	0	0	443
08:00 AM	0	44	3	47	3	0	20	23	0	23	0	23	0	0	0	0	93
08:15 AM	0	45	7	52	3	0	16	19	1	31	0	32	0	0	0	0	103
08:30 AM	0	54	3	57	1	0	19	20	3	39	0	42	0	0	0	0	119
08:45 AM	0	46	7	53	2	0	16	18	4	35	0	39	0	0	0	0	110
Total	0	189	20	209	9	0	71	80	8	128	0	136	0	0	0	0	425
Grand Total	0	360	46	406	20	0	170	190	17	255	0	272	0	0	0	0	868
Apprch %	0	88.7	11.3		10.5	0	89.5		6.2	93.8	0		0	0	0		
Total %	0	41.5	5.3	46.8	2.3	0	19.6	21.9	2	29.4	0	31.3	0	0	0	0	

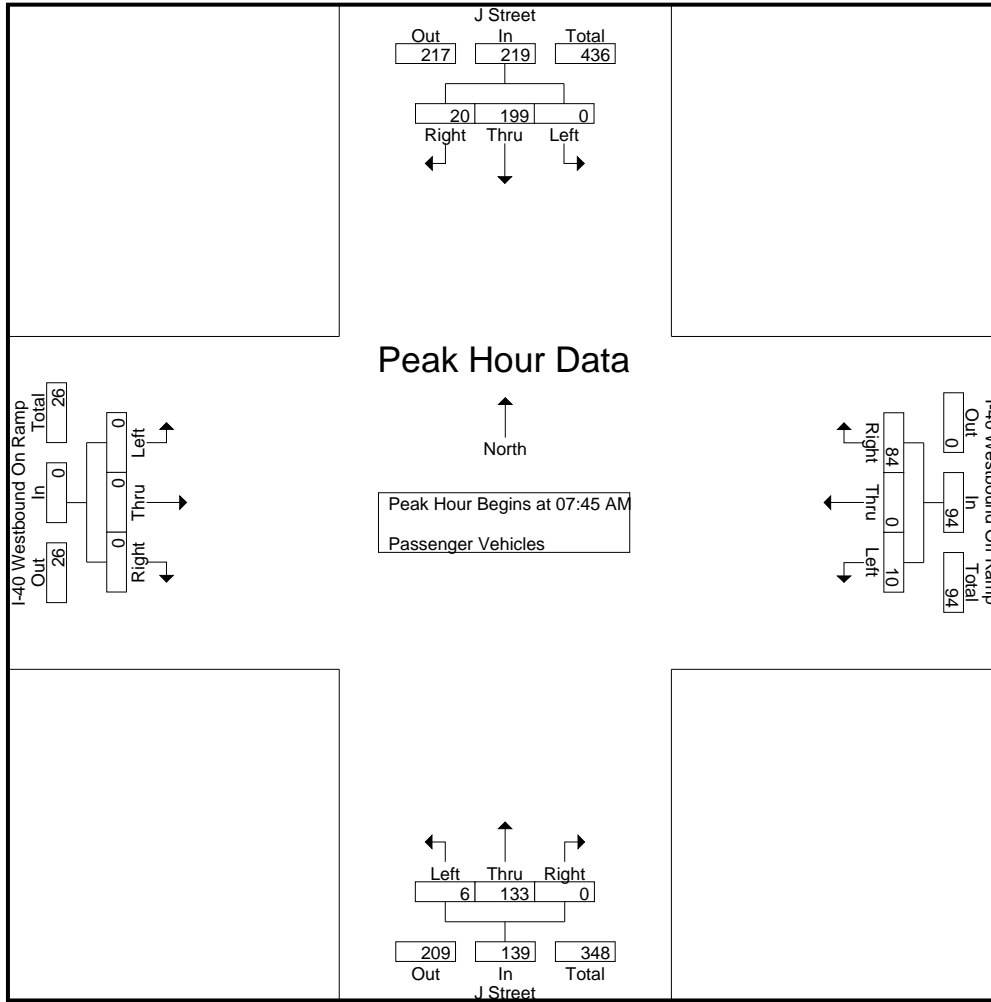
Start Time	J Street Southbound				I-40 Westbound Off Ramp Westbound				J Street Northbound				I-40 Westbound On Ramp Eastbound				Int. Total
	Left	Thru	Right	App. Total	Left	Thru	Right	App. Total	Left	Thru	Right	App. Total	Left	Thru	Right	App. Total	
07:45 AM	0	56	7	63	3	0	29	32	2	40	0	42	0	0	0	0	137
08:00 AM	0	44	3	47	3	0	20	23	0	23	0	23	0	0	0	0	93
08:15 AM	0	45	7	52	3	0	16	19	1	31	0	32	0	0	0	0	103
08:30 AM	0	54	3	57	1	0	19	20	3	39	0	42	0	0	0	0	119
Total Volume	0	199	20	219	10	0	84	94	6	133	0	139	0	0	0	0	452
% App. Total	0	90.9	9.1		10.6	0	89.4		4.3	95.7	0		0	0	0		
PHF	.000	.888	.714	.869	.833	.000	.724	.734	.500	.831	.000	.827	.000	.000	.000	.000	.825

Peak Hour Analysis From 07:45 AM to 08:30 AM - Peak 1 of 1

Peak Hour for Entire Intersection Begins at 07:45 AM

City of Needles
 N/S: J Street
 E/W: I-40 Westbound Ramps
 Weather: Clear

File Name : 09_NDL_J St_40W AM
 Site Code : 16621325
 Start Date : 7/15/2021
 Page No : 2



Peak Hour Analysis From 07:45 AM to 08:30 AM - Peak 1 of 1
 Peak Hour for Each Approach Begins at:

	07:45 AM				07:45 AM				07:45 AM				07:45 AM			
+0 mins.	0	56	7	63	3	0	29	32	2	40	0	42	0	0	0	0
+15 mins.	0	44	3	47	3	0	20	23	0	23	0	23	0	0	0	0
+30 mins.	0	45	7	52	3	0	16	19	1	31	0	32	0	0	0	0
+45 mins.	0	54	3	57	1	0	19	20	3	39	0	42	0	0	0	0
Total Volume	0	199	20	219	10	0	84	94	6	133	0	139	0	0	0	0
% App. Total	0	90.9	9.1		10.6	0	89.4		4.3	95.7	0		0	0	0	
PHF	.000	.888	.714	.869	.833	.000	.724	.734	.500	.831	.000	.827	.000	.000	.000	.000

City of Needles
 N/S: J Street
 E/W: I-40 Westbound Ramps
 Weather: Clear

File Name : 09_NDL_J St_40W AM
 Site Code : 16621325
 Start Date : 7/15/2021
 Page No : 1

Groups Printed- Trucks

Start Time	J Street Southbound				I-40 Westbound Off Ramp Westbound				J Street Northbound				I-40 Westbound On Ramp Eastbound				Int. Total
	Left	Thru	Right	App. Total	Left	Thru	Right	App. Total	Left	Thru	Right	App. Total	Left	Thru	Right	App. Total	
07:00 AM	0	2	0	2	0	0	2	2	0	1	0	1	0	0	0	0	5
07:15 AM	0	0	0	0	0	0	3	3	0	0	0	0	0	0	0	0	3
07:30 AM	0	3	2	5	0	0	2	2	0	1	0	1	0	0	0	0	8
07:45 AM	0	1	0	1	0	0	1	1	1	3	0	4	0	0	0	0	6
Total	0	6	2	8	0	0	8	8	1	5	0	6	0	0	0	0	22
08:00 AM	0	1	1	2	0	0	0	0	1	0	0	1	0	0	0	0	3
08:15 AM	0	1	0	1	0	0	2	2	0	2	0	2	0	0	0	0	5
08:30 AM	0	2	0	2	0	0	6	6	0	1	0	1	0	0	0	0	9
08:45 AM	0	1	0	1	0	2	1	3	0	2	0	2	0	0	0	0	6
Total	0	5	1	6	0	2	9	11	1	5	0	6	0	0	0	0	23
Grand Total	0	11	3	14	0	2	17	19	2	10	0	12	0	0	0	0	45
Apprch %	0	78.6	21.4		0	10.5	89.5		16.7	83.3	0		0	0	0		
Total %	0	24.4	6.7	31.1	0	4.4	37.8	42.2	4.4	22.2	0	26.7	0	0	0	0	

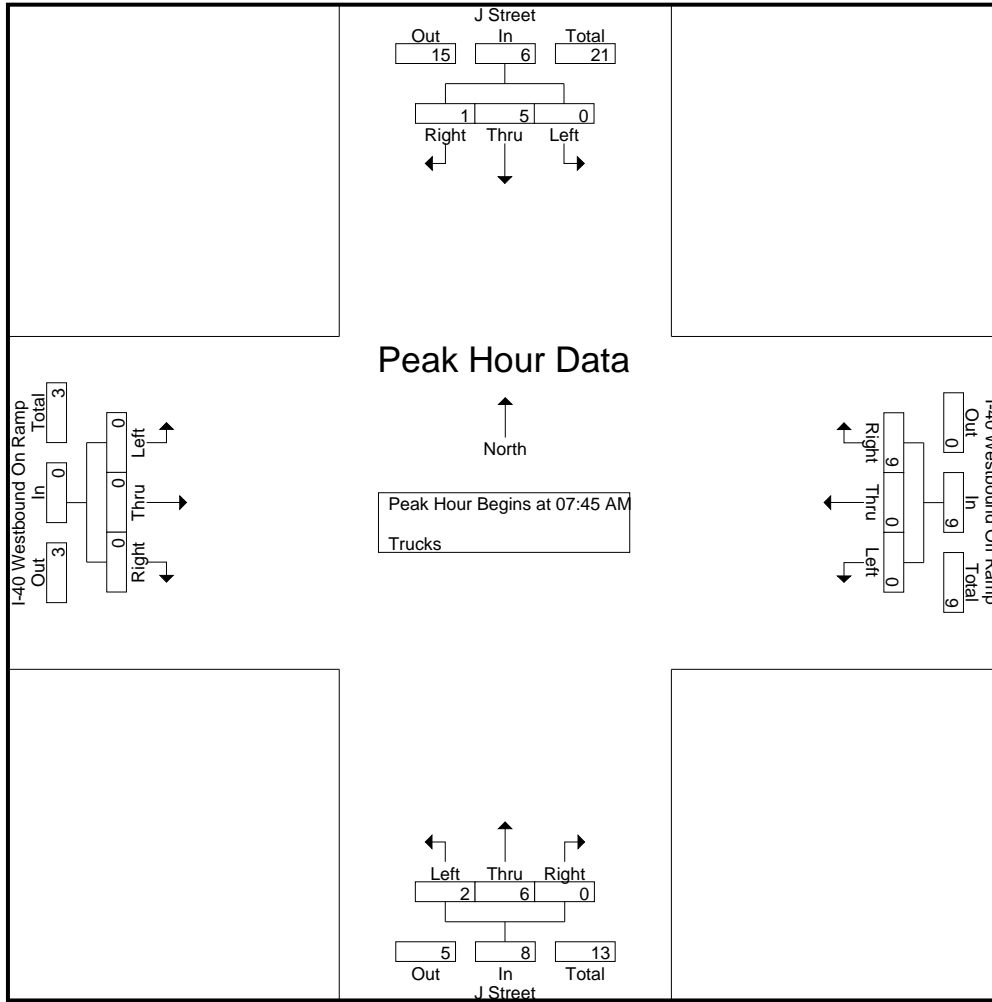
Start Time	J Street Southbound				I-40 Westbound Off Ramp Westbound				J Street Northbound				I-40 Westbound On Ramp Eastbound				Int. Total
	Left	Thru	Right	App. Total	Left	Thru	Right	App. Total	Left	Thru	Right	App. Total	Left	Thru	Right	App. Total	
07:45 AM	0	1	0	1	0	0	1	1	1	3	0	4	0	0	0	0	6
08:00 AM	0	1	1	2	0	0	0	0	1	0	0	1	0	0	0	0	3
08:15 AM	0	1	0	1	0	0	2	2	0	2	0	2	0	0	0	0	5
08:30 AM	0	2	0	2	0	0	6	6	0	1	0	1	0	0	0	0	9
Total Volume	0	5	1	6	0	0	9	9	2	6	0	8	0	0	0	0	23
% App. Total	0	83.3	16.7		0	0	100		25	75	0		0	0	0		
PHF	.000	.625	.250	.750	.000	.000	.375	.375	.500	.500	.000	.500	.000	.000	.000	.000	.639

Peak Hour Analysis From 07:45 AM to 08:30 AM - Peak 1 of 1

Peak Hour for Entire Intersection Begins at 07:45 AM

City of Needles
 N/S: J Street
 E/W: I-40 Westbound Ramps
 Weather: Clear

File Name : 09_NDL_J St_40W AM
 Site Code : 16621325
 Start Date : 7/15/2021
 Page No : 2



Peak Hour Analysis From 07:45 AM to 08:30 AM - Peak 1 of 1
 Peak Hour for Each Approach Begins at:

	07:45 AM				07:45 AM				07:45 AM				07:45 AM			
+0 mins.	0	1	0	1	0	0	1	1	1	3	0	4	0	0	0	0
+15 mins.	0	1	1	2	0	0	0	0	1	0	0	1	0	0	0	0
+30 mins.	0	1	0	1	0	0	2	2	0	2	0	2	0	0	0	0
+45 mins.	0	2	0	2	0	0	6	6	0	1	0	1	0	0	0	0
Total Volume	0	5	1	6	0	0	9	9	2	6	0	8	0	0	0	0
% App. Total	0	83.3	16.7		0	0	100		25	75	0		0	0	0	
PHF	.000	.625	.250	.750	.000	.000	.375	.375	.500	.500	.000	.500	.000	.000	.000	.000

City of Needles
 N/S: J Street
 E/W: I-40 Westbound Ramps
 Weather: Clear

File Name : 09_NDL_J St_40W AM
 Site Code : 16621325
 Start Date : 7/15/2021
 Page No : 1

Groups Printed- Buses

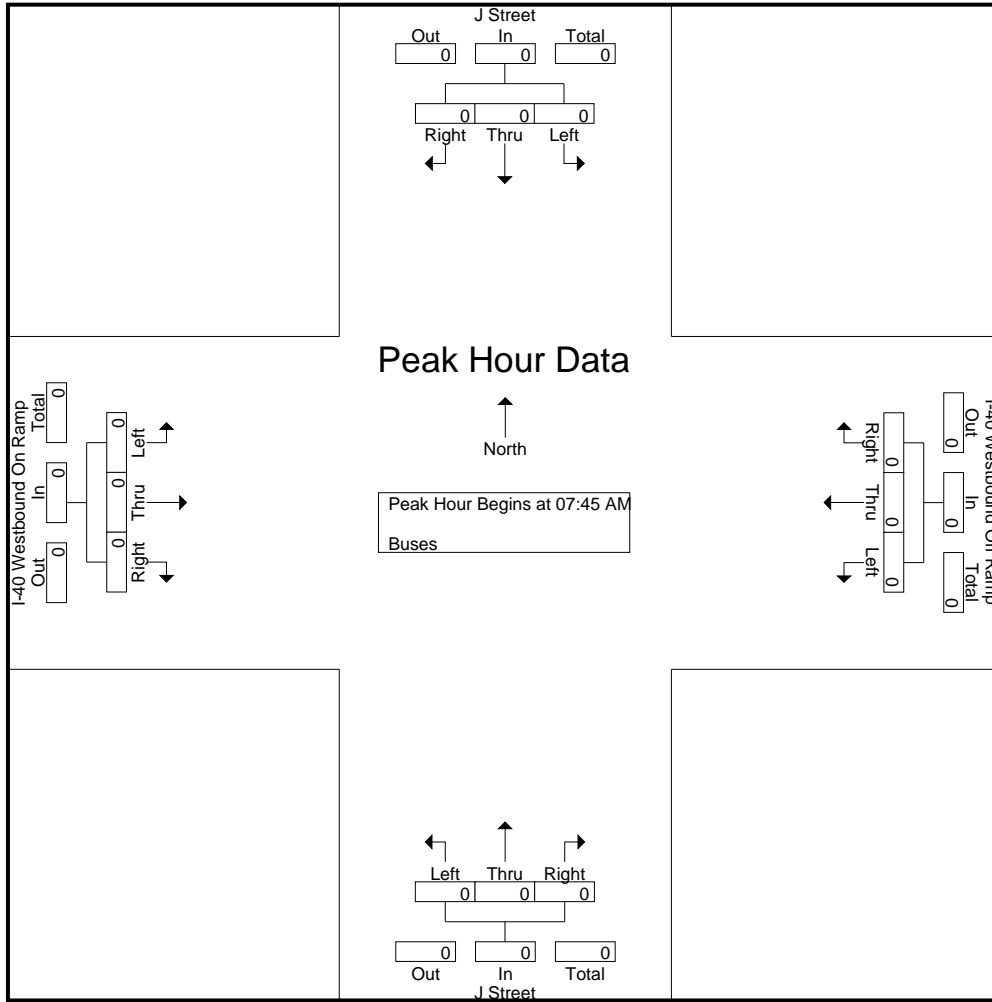
Start Time	J Street Southbound				I-40 Westbound Off Ramp Westbound				J Street Northbound				I-40 Westbound On Ramp Eastbound				Int. Total	
	Left	Thru	Right	App. Total	Left	Thru	Right	App. Total	Left	Thru	Right	App. Total	Left	Thru	Right	App. Total		
07:00 AM	0	0	0	0	0	0	0	0	0	0	1	0	1	0	0	0	0	1
07:15 AM	0	0	0	0	0	0	0	0	0	0	0	0	0	0	0	0	0	0
07:30 AM	0	0	0	0	0	0	0	0	0	0	0	0	0	0	0	0	0	0
07:45 AM	0	0	0	0	0	0	0	0	0	0	0	0	0	0	0	0	0	0
Total	0	0	0	0	0	0	0	0	0	0	1	0	1	0	0	0	0	1
08:00 AM	0	0	0	0	0	0	0	0	0	0	0	0	0	0	0	0	0	0
08:15 AM	0	0	0	0	0	0	0	0	0	0	0	0	0	0	0	0	0	0
08:30 AM	0	0	0	0	0	0	0	0	0	0	0	0	0	0	0	0	0	0
08:45 AM	0	0	0	0	0	0	0	0	0	0	0	0	0	0	0	0	0	0
Total	0	0	0	0	0	0	0	0	0	0	0	0	0	0	0	0	0	0
Grand Total	0	0	0	0	0	0	0	0	0	0	1	0	1	0	0	0	0	1
Apprch %	0	0	0		0	0	0		0	100	0		0	0	0			
Total %	0	0	0		0	0	0		0	100	0	100	0	0	0			

Start Time	J Street Southbound				I-40 Westbound Off Ramp Westbound				J Street Northbound				I-40 Westbound On Ramp Eastbound				Int. Total	
	Left	Thru	Right	App. Total	Left	Thru	Right	App. Total	Left	Thru	Right	App. Total	Left	Thru	Right	App. Total		
07:45 AM	0	0	0	0	0	0	0	0	0	0	0	0	0	0	0	0	0	0
08:00 AM	0	0	0	0	0	0	0	0	0	0	0	0	0	0	0	0	0	0
08:15 AM	0	0	0	0	0	0	0	0	0	0	0	0	0	0	0	0	0	0
08:30 AM	0	0	0	0	0	0	0	0	0	0	0	0	0	0	0	0	0	0
Total Volume	0	0	0	0	0	0	0	0	0	0	0	0	0	0	0	0	0	0
% App. Total	0	0	0		0	0	0		0	0	0		0	0	0			
PHF	.000	.000	.000	.000	.000	.000	.000	.000	.000	.000	.000	.000	.000	.000	.000	.000	.000	.000

Peak Hour Analysis From 07:45 AM to 08:30 AM - Peak 1 of 1
 Peak Hour for Entire Intersection Begins at 07:45 AM

City of Needles
 N/S: J Street
 E/W: I-40 Westbound Ramps
 Weather: Clear

File Name : 09_NDL_J St_40W AM
 Site Code : 16621325
 Start Date : 7/15/2021
 Page No : 2



Peak Hour Analysis From 07:45 AM to 08:30 AM - Peak 1 of 1
 Peak Hour for Each Approach Begins at:

	07:45 AM				07:45 AM				07:45 AM				07:45 AM			
+0 mins.	0	0	0	0	0	0	0	0	0	0	0	0	0	0	0	0
+15 mins.	0	0	0	0	0	0	0	0	0	0	0	0	0	0	0	0
+30 mins.	0	0	0	0	0	0	0	0	0	0	0	0	0	0	0	0
+45 mins.	0	0	0	0	0	0	0	0	0	0	0	0	0	0	0	0
Total Volume	0	0	0	0	0	0	0	0	0	0	0	0	0	0	0	0
% App. Total	0	0	0	0	0	0	0	0	0	0	0	0	0	0	0	0
PHF	.000	.000	.000	.000	.000	.000	.000	.000	.000	.000	.000	.000	.000	.000	.000	.000

City of Needles
 N/S: J Street
 E/W: I-40 Westbound Ramps
 Weather: Clear

File Name : 09_NDL_J St_40W PM
 Site Code : 16621325
 Start Date : 7/15/2021
 Page No : 1

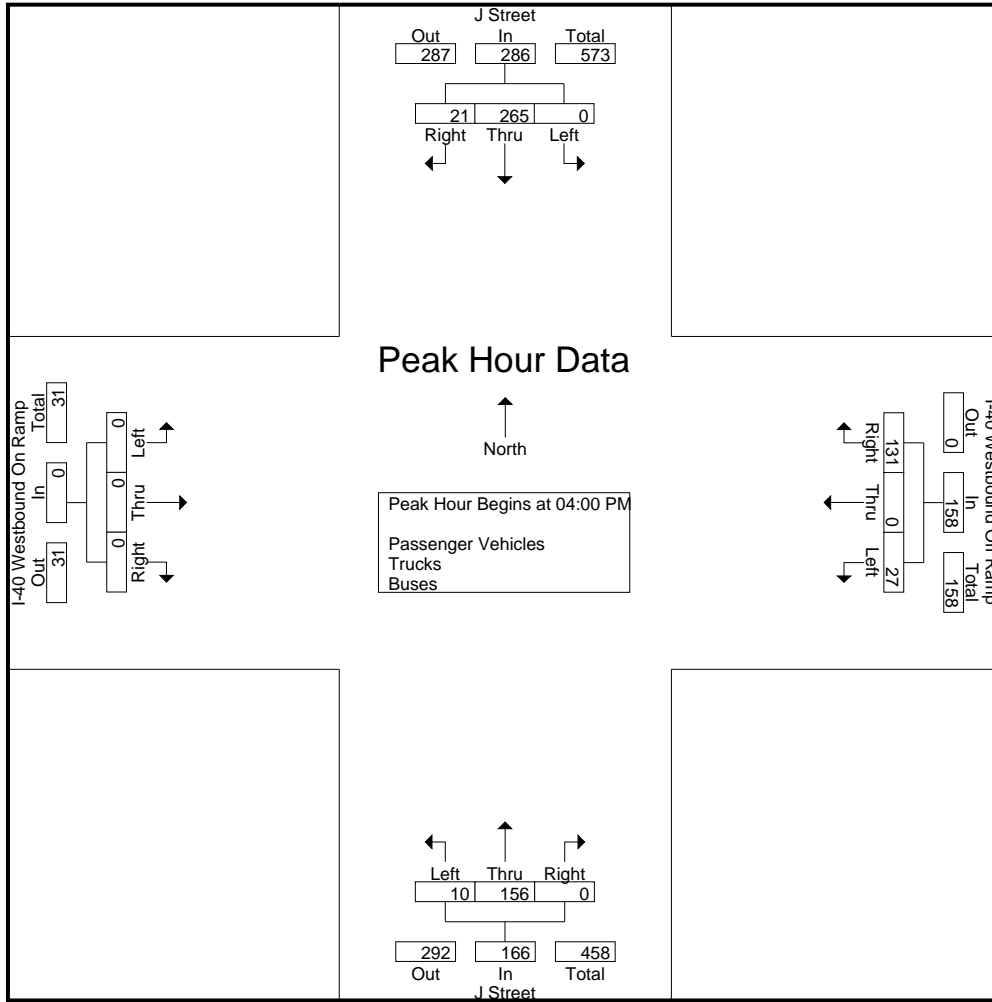
Groups Printed- Passenger Vehicles - Trucks - Buses

Start Time	J Street Southbound				I-40 Westbound Off Ramp Westbound				J Street Northbound				I-40 Westbound On Ramp Eastbound				Int. Total
	Left	Thru	Right	App. Total	Left	Thru	Right	App. Total	Left	Thru	Right	App. Total	Left	Thru	Right	App. Total	
04:00 PM	0	73	7	80	7	0	24	31	4	33	0	37	0	0	0	0	148
04:15 PM	0	77	5	82	4	0	38	42	0	43	0	43	0	0	0	0	167
04:30 PM	0	62	3	65	9	0	43	52	6	39	0	45	0	0	0	0	162
04:45 PM	0	53	6	59	7	0	26	33	0	41	0	41	0	0	0	0	133
Total	0	265	21	286	27	0	131	158	10	156	0	166	0	0	0	0	610
05:00 PM	0	76	6	82	2	0	21	23	1	38	0	39	0	0	0	0	144
05:15 PM	0	67	8	75	6	0	26	32	2	35	0	37	0	0	0	0	144
05:30 PM	0	60	3	63	6	0	33	39	2	31	0	33	0	0	0	0	135
05:45 PM	0	76	3	79	6	0	31	37	0	32	0	32	0	0	0	0	148
Total	0	279	20	299	20	0	111	131	5	136	0	141	0	0	0	0	571
Grand Total	0	544	41	585	47	0	242	289	15	292	0	307	0	0	0	0	1181
Apprch %	0	93	7		16.3	0	83.7		4.9	95.1	0		0	0	0		
Total %	0	46.1	3.5	49.5	4	0	20.5	24.5	1.3	24.7	0	26	0	0	0	0	
Passenger Vehicles	0	528	38	566	45	0	228	273	12	287	0	299	0	0	0	0	1138
% Passenger Vehicles	0	97.1	92.7	96.8	95.7	0	94.2	94.5	80	98.3	0	97.4	0	0	0	0	96.4
Trucks	0	16	3	19	2	0	14	16	3	5	0	8	0	0	0	0	43
% Trucks	0	2.9	7.3	3.2	4.3	0	5.8	5.5	20	1.7	0	2.6	0	0	0	0	3.6
Buses	0	0	0	0	0	0	0	0	0	0	0	0	0	0	0	0	0
% Buses	0	0	0	0	0	0	0	0	0	0	0	0	0	0	0	0	0

Start Time	J Street Southbound				I-40 Westbound Off Ramp Westbound				J Street Northbound				I-40 Westbound On Ramp Eastbound				Int. Total
	Left	Thru	Right	App. Total	Left	Thru	Right	App. Total	Left	Thru	Right	App. Total	Left	Thru	Right	App. Total	
Peak Hour Analysis From 04:00 PM to 05:45 PM - Peak 1 of 1																	
Peak Hour for Entire Intersection Begins at 04:00 PM																	
04:00 PM	0	73	7	80	7	0	24	31	4	33	0	37	0	0	0	0	148
04:15 PM	0	77	5	82	4	0	38	42	0	43	0	43	0	0	0	0	167
04:30 PM	0	62	3	65	9	0	43	52	6	39	0	45	0	0	0	0	162
04:45 PM	0	53	6	59	7	0	26	33	0	41	0	41	0	0	0	0	133
Total Volume	0	265	21	286	27	0	131	158	10	156	0	166	0	0	0	0	610
% App. Total	0	92.7	7.3		17.1	0	82.9		6	94	0		0	0	0		
PHF	.000	.860	.750	.872	.750	.000	.762	.760	.417	.907	.000	.922	.000	.000	.000	.000	.913

City of Needles
 N/S: J Street
 E/W: I-40 Westbound Ramps
 Weather: Clear

File Name : 09_NDL_J St_40W PM
 Site Code : 16621325
 Start Date : 7/15/2021
 Page No : 2



Peak Hour Analysis From 04:00 PM to 05:45 PM - Peak 1 of 1
 Peak Hour for Each Approach Begins at:

	05:00 PM				04:00 PM				04:15 PM				04:00 PM			
+0 mins.	0	76	6	82	7	0	24	31	0	43	0	43	0	0	0	0
+15 mins.	0	67	8	75	4	0	38	42	6	39	0	45	0	0	0	0
+30 mins.	0	60	3	63	9	0	43	52	0	41	0	41	0	0	0	0
+45 mins.	0	76	3	79	7	0	26	33	1	38	0	39	0	0	0	0
Total Volume	0	279	20	299	27	0	131	158	7	161	0	168	0	0	0	0
% App. Total	0	93.3	6.7		17.1	0	82.9		4.2	95.8	0		0	0	0	
PHF	.000	.918	.625	.912	.750	.000	.762	.760	.292	.936	.000	.933	.000	.000	.000	.000

City of Needles
 N/S: J Street
 E/W: I-40 Westbound Ramps
 Weather: Clear

File Name : 09_NDL_J St_40W PM
 Site Code : 16621325
 Start Date : 7/15/2021
 Page No : 1

Groups Printed- Passenger Vehicles

Start Time	J Street Southbound				I-40 Westbound Off Ramp Westbound				J Street Northbound				I-40 Westbound On Ramp Eastbound				Int. Total
	Left	Thru	Right	App. Total	Left	Thru	Right	App. Total	Left	Thru	Right	App. Total	Left	Thru	Right	App. Total	
04:00 PM	0	68	7	75	5	0	22	27	3	33	0	36	0	0	0	0	138
04:15 PM	0	72	5	77	4	0	35	39	0	43	0	43	0	0	0	0	159
04:30 PM	0	60	3	63	9	0	41	50	4	38	0	42	0	0	0	0	155
04:45 PM	0	51	6	57	7	0	26	33	0	41	0	41	0	0	0	0	131
Total	0	251	21	272	25	0	124	149	7	155	0	162	0	0	0	0	583
05:00 PM	0	76	6	82	2	0	20	22	1	37	0	38	0	0	0	0	142
05:15 PM	0	66	5	71	6	0	24	30	2	34	0	36	0	0	0	0	137
05:30 PM	0	60	3	63	6	0	31	37	2	29	0	31	0	0	0	0	131
05:45 PM	0	75	3	78	6	0	29	35	0	32	0	32	0	0	0	0	145
Total	0	277	17	294	20	0	104	124	5	132	0	137	0	0	0	0	555
Grand Total	0	528	38	566	45	0	228	273	12	287	0	299	0	0	0	0	1138
Apprch %	0	93.3	6.7		16.5	0	83.5		4	96	0		0	0	0		
Total %	0	46.4	3.3	49.7	4	0	20	24	1.1	25.2	0	26.3	0	0	0	0	

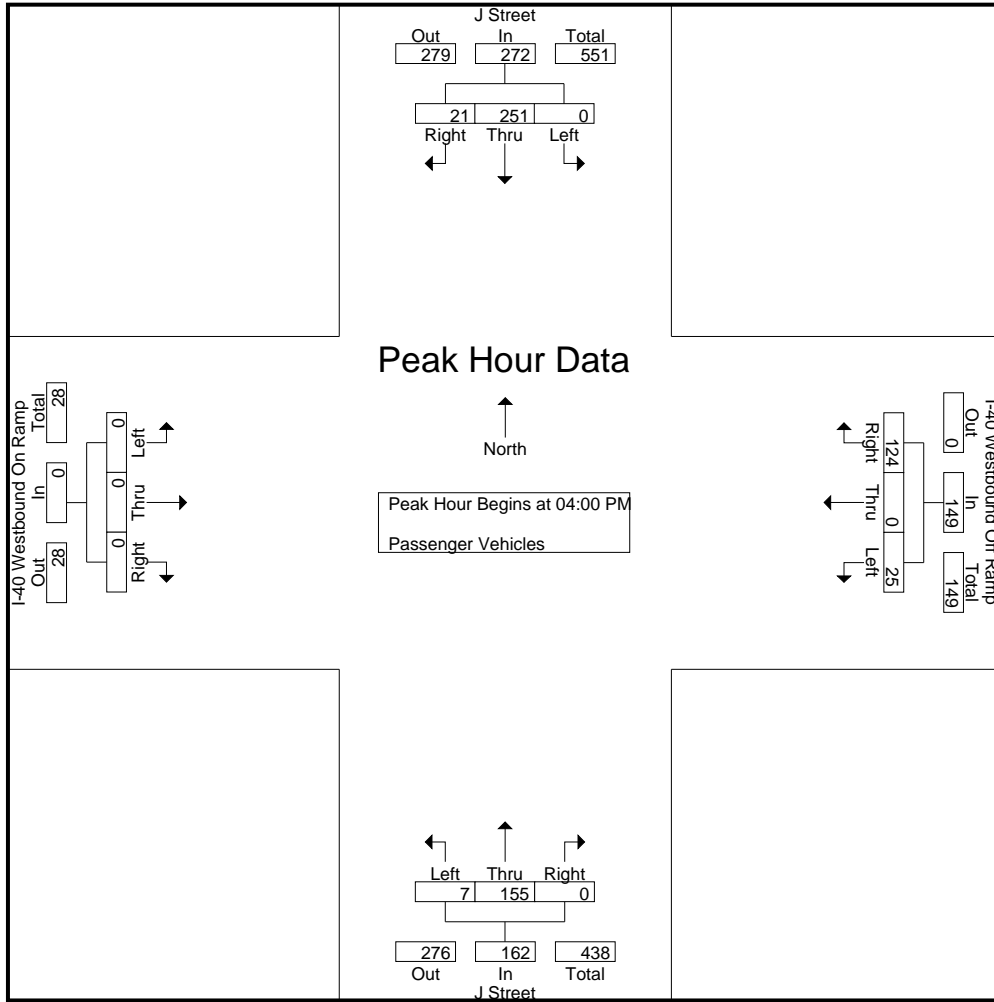
Start Time	J Street Southbound				I-40 Westbound Off Ramp Westbound				J Street Northbound				I-40 Westbound On Ramp Eastbound				Int. Total
	Left	Thru	Right	App. Total	Left	Thru	Right	App. Total	Left	Thru	Right	App. Total	Left	Thru	Right	App. Total	
04:00 PM	0	68	7	75	5	0	22	27	3	33	0	36	0	0	0	0	138
04:15 PM	0	72	5	77	4	0	35	39	0	43	0	43	0	0	0	0	159
04:30 PM	0	60	3	63	9	0	41	50	4	38	0	42	0	0	0	0	155
04:45 PM	0	51	6	57	7	0	26	33	0	41	0	41	0	0	0	0	131
Total Volume	0	251	21	272	25	0	124	149	7	155	0	162	0	0	0	0	583
% App. Total	0	92.3	7.7		16.8	0	83.2		4.3	95.7	0		0	0	0		
PHF	.000	.872	.750	.883	.694	.000	.756	.745	.438	.901	.000	.942	.000	.000	.000	.000	.917

Peak Hour Analysis From 04:00 PM to 04:45 PM - Peak 1 of 1

Peak Hour for Entire Intersection Begins at 04:00 PM

City of Needles
 N/S: J Street
 E/W: I-40 Westbound Ramps
 Weather: Clear

File Name : 09_NDL_J St_40W PM
 Site Code : 16621325
 Start Date : 7/15/2021
 Page No : 2



Peak Hour Analysis From 04:00 PM to 04:45 PM - Peak 1 of 1
 Peak Hour for Each Approach Begins at:

	04:00 PM				04:00 PM				04:00 PM				04:00 PM			
+0 mins.	0	68	7	75	5	0	22	27	3	33	0	36	0	0	0	0
+15 mins.	0	72	5	77	4	0	35	39	0	43	0	43	0	0	0	0
+30 mins.	0	60	3	63	9	0	41	50	4	38	0	42	0	0	0	0
+45 mins.	0	51	6	57	7	0	26	33	0	41	0	41	0	0	0	0
Total Volume	0	251	21	272	25	0	124	149	7	155	0	162	0	0	0	0
% App. Total	0	92.3	7.7		16.8	0	83.2		4.3	95.7	0		0	0	0	
PHF	.000	.872	.750	.883	.694	.000	.756	.745	.438	.901	.000	.942	.000	.000	.000	.000

City of Needles
 N/S: J Street
 E/W: I-40 Westbound Ramps
 Weather: Clear

File Name : 09_NDL_J St_40W PM
 Site Code : 16621325
 Start Date : 7/15/2021
 Page No : 1

Groups Printed- Trucks

Start Time	J Street Southbound				I-40 Westbound Off Ramp Westbound				J Street Northbound				I-40 Westbound On Ramp Eastbound				Int. Total
	Left	Thru	Right	App. Total	Left	Thru	Right	App. Total	Left	Thru	Right	App. Total	Left	Thru	Right	App. Total	
04:00 PM	0	5	0	5	2	0	2	4	1	0	0	1	0	0	0	0	10
04:15 PM	0	5	0	5	0	0	3	3	0	0	0	0	0	0	0	0	8
04:30 PM	0	2	0	2	0	0	2	2	2	1	0	3	0	0	0	0	7
04:45 PM	0	2	0	2	0	0	0	0	0	0	0	0	0	0	0	0	2
Total	0	14	0	14	2	0	7	9	3	1	0	4	0	0	0	0	27
05:00 PM	0	0	0	0	0	0	1	1	0	1	0	1	0	0	0	0	2
05:15 PM	0	1	3	4	0	0	2	2	0	1	0	1	0	0	0	0	7
05:30 PM	0	0	0	0	0	0	2	2	0	2	0	2	0	0	0	0	4
05:45 PM	0	1	0	1	0	0	2	2	0	0	0	0	0	0	0	0	3
Total	0	2	3	5	0	0	7	7	0	4	0	4	0	0	0	0	16
Grand Total	0	16	3	19	2	0	14	16	3	5	0	8	0	0	0	0	43
Apprch %	0	84.2	15.8		12.5	0	87.5		37.5	62.5	0		0	0	0		
Total %	0	37.2	7	44.2	4.7	0	32.6	37.2	7	11.6	0	18.6	0	0	0	0	

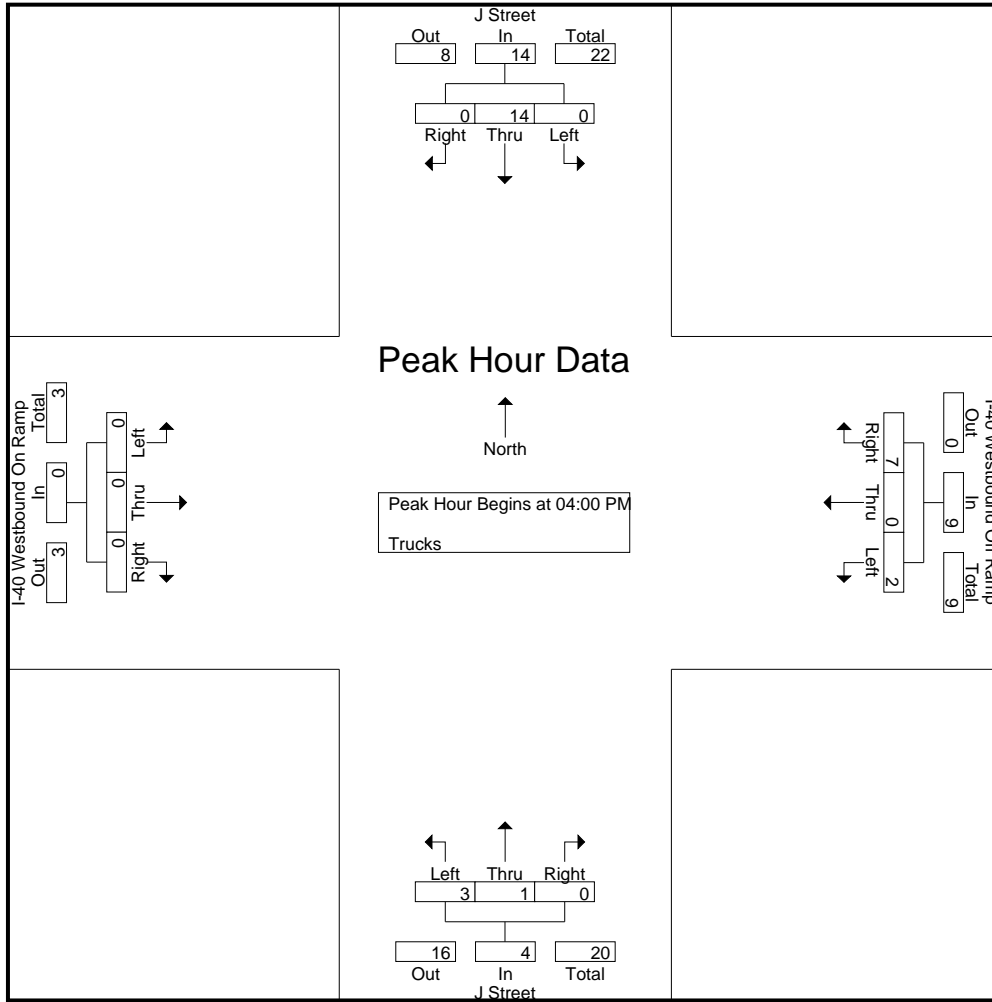
Start Time	J Street Southbound				I-40 Westbound Off Ramp Westbound				J Street Northbound				I-40 Westbound On Ramp Eastbound				Int. Total
	Left	Thru	Right	App. Total	Left	Thru	Right	App. Total	Left	Thru	Right	App. Total	Left	Thru	Right	App. Total	
04:00 PM	0	5	0	5	2	0	2	4	1	0	0	1	0	0	0	0	10
04:15 PM	0	5	0	5	0	0	3	3	0	0	0	0	0	0	0	0	8
04:30 PM	0	2	0	2	0	0	2	2	2	1	0	3	0	0	0	0	7
04:45 PM	0	2	0	2	0	0	0	0	0	0	0	0	0	0	0	0	2
Total Volume	0	14	0	14	2	0	7	9	3	1	0	4	0	0	0	0	27
% App. Total	0	100	0		22.2	0	77.8		75	25	0		0	0	0		
PHF	.000	.700	.000	.700	.250	.000	.583	.563	.375	.250	.000	.333	.000	.000	.000	.000	.675

Peak Hour Analysis From 04:00 PM to 04:45 PM - Peak 1 of 1

Peak Hour for Entire Intersection Begins at 04:00 PM

City of Needles
 N/S: J Street
 E/W: I-40 Westbound Ramps
 Weather: Clear

File Name : 09_NDL_J St_40W PM
 Site Code : 16621325
 Start Date : 7/15/2021
 Page No : 2



Peak Hour Analysis From 04:00 PM to 04:45 PM - Peak 1 of 1
 Peak Hour for Each Approach Begins at:

	04:00 PM				04:00 PM				04:00 PM				04:00 PM			
+0 mins.	0	5	0	5	2	0	2	4	1	0	0	1	0	0	0	0
+15 mins.	0	5	0	5	0	0	3	3	0	0	0	0	0	0	0	0
+30 mins.	0	2	0	2	0	0	2	2	2	1	0	3	0	0	0	0
+45 mins.	0	2	0	2	0	0	0	0	0	0	0	0	0	0	0	0
Total Volume	0	14	0	14	2	0	7	9	3	1	0	4	0	0	0	0
% App. Total	0	100	0		22.2	0	77.8		75	25	0		0	0	0	
PHF	.000	.700	.000	.700	.250	.000	.583	.563	.375	.250	.000	.333	.000	.000	.000	.000

City of Needles
 N/S: J Street
 E/W: I-40 Westbound Ramps
 Weather: Clear

File Name : 09_NDL_J St_40W PM
 Site Code : 16621325
 Start Date : 7/15/2021
 Page No : 1

Groups Printed- Buses

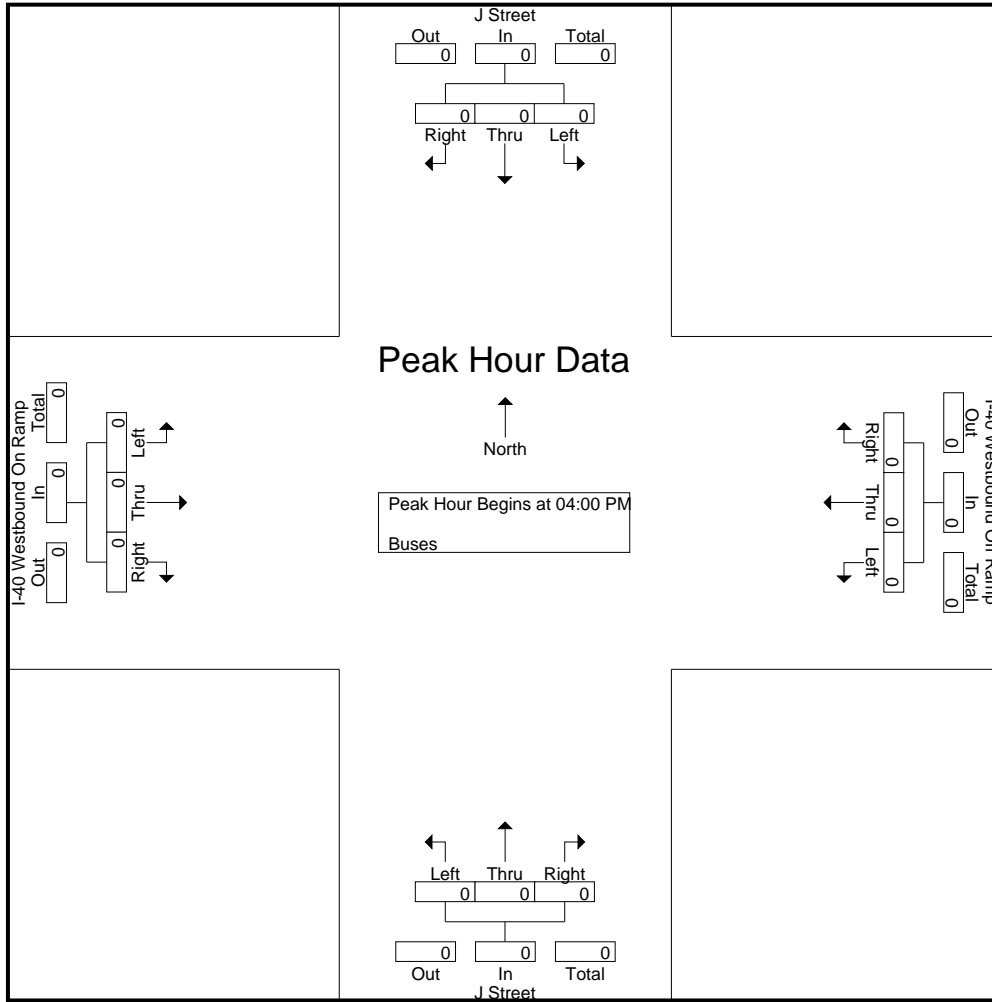
Start Time	J Street Southbound				I-40 Westbound Off Ramp Westbound				J Street Northbound				I-40 Westbound On Ramp Eastbound				Int. Total
	Left	Thru	Right	App. Total	Left	Thru	Right	App. Total	Left	Thru	Right	App. Total	Left	Thru	Right	App. Total	
04:00 PM	0	0	0	0	0	0	0	0	0	0	0	0	0	0	0	0	0
04:15 PM	0	0	0	0	0	0	0	0	0	0	0	0	0	0	0	0	0
04:30 PM	0	0	0	0	0	0	0	0	0	0	0	0	0	0	0	0	0
04:45 PM	0	0	0	0	0	0	0	0	0	0	0	0	0	0	0	0	0
Total	0	0	0	0	0	0	0	0	0	0	0	0	0	0	0	0	0
05:00 PM	0	0	0	0	0	0	0	0	0	0	0	0	0	0	0	0	0
05:15 PM	0	0	0	0	0	0	0	0	0	0	0	0	0	0	0	0	0
05:30 PM	0	0	0	0	0	0	0	0	0	0	0	0	0	0	0	0	0
05:45 PM	0	0	0	0	0	0	0	0	0	0	0	0	0	0	0	0	0
Total	0	0	0	0	0	0	0	0	0	0	0	0	0	0	0	0	0
Grand Total	0	0	0	0	0	0	0	0	0	0	0	0	0	0	0	0	0
Apprch %	0	0	0		0	0	0		0	0	0		0	0	0		
Total %																	

Start Time	J Street Southbound				I-40 Westbound Off Ramp Westbound				J Street Northbound				I-40 Westbound On Ramp Eastbound				Int. Total
	Left	Thru	Right	App. Total	Left	Thru	Right	App. Total	Left	Thru	Right	App. Total	Left	Thru	Right	App. Total	
04:00 PM	0	0	0	0	0	0	0	0	0	0	0	0	0	0	0	0	0
04:15 PM	0	0	0	0	0	0	0	0	0	0	0	0	0	0	0	0	0
04:30 PM	0	0	0	0	0	0	0	0	0	0	0	0	0	0	0	0	0
04:45 PM	0	0	0	0	0	0	0	0	0	0	0	0	0	0	0	0	0
Total Volume	0	0	0	0	0	0	0	0	0	0	0	0	0	0	0	0	0
% App. Total	0	0	0		0	0	0		0	0	0		0	0	0		
PHF	.000	.000	.000	.000	.000	.000	.000	.000	.000	.000	.000	.000	.000	.000	.000	.000	.000

Peak Hour Analysis From 04:00 PM to 04:45 PM - Peak 1 of 1
 Peak Hour for Entire Intersection Begins at 04:00 PM

City of Needles
 N/S: J Street
 E/W: I-40 Westbound Ramps
 Weather: Clear

File Name : 09_NDL_J St_40W PM
 Site Code : 16621325
 Start Date : 7/15/2021
 Page No : 2



Peak Hour Analysis From 04:00 PM to 04:45 PM - Peak 1 of 1
 Peak Hour for Each Approach Begins at:

	04:00 PM				04:00 PM				04:00 PM				04:00 PM			
+0 mins.	0	0	0	0	0	0	0	0	0	0	0	0	0	0	0	0
+15 mins.	0	0	0	0	0	0	0	0	0	0	0	0	0	0	0	0
+30 mins.	0	0	0	0	0	0	0	0	0	0	0	0	0	0	0	0
+45 mins.	0	0	0	0	0	0	0	0	0	0	0	0	0	0	0	0
Total Volume	0	0	0	0	0	0	0	0	0	0	0	0	0	0	0	0
% App. Total	0	0	0	0	0	0	0	0	0	0	0	0	0	0	0	0
PHF	.000	.000	.000	.000	.000	.000	.000	.000	.000	.000	.000	.000	.000	.000	.000	.000

City of Needles
 N/S: J Street
 E/W: I-40 Westbound Ramps
 Weather: Clear

File Name : 09_NDL_J St_40W SAT
 Site Code : 16621325
 Start Date : 7/17/2021
 Page No : 1

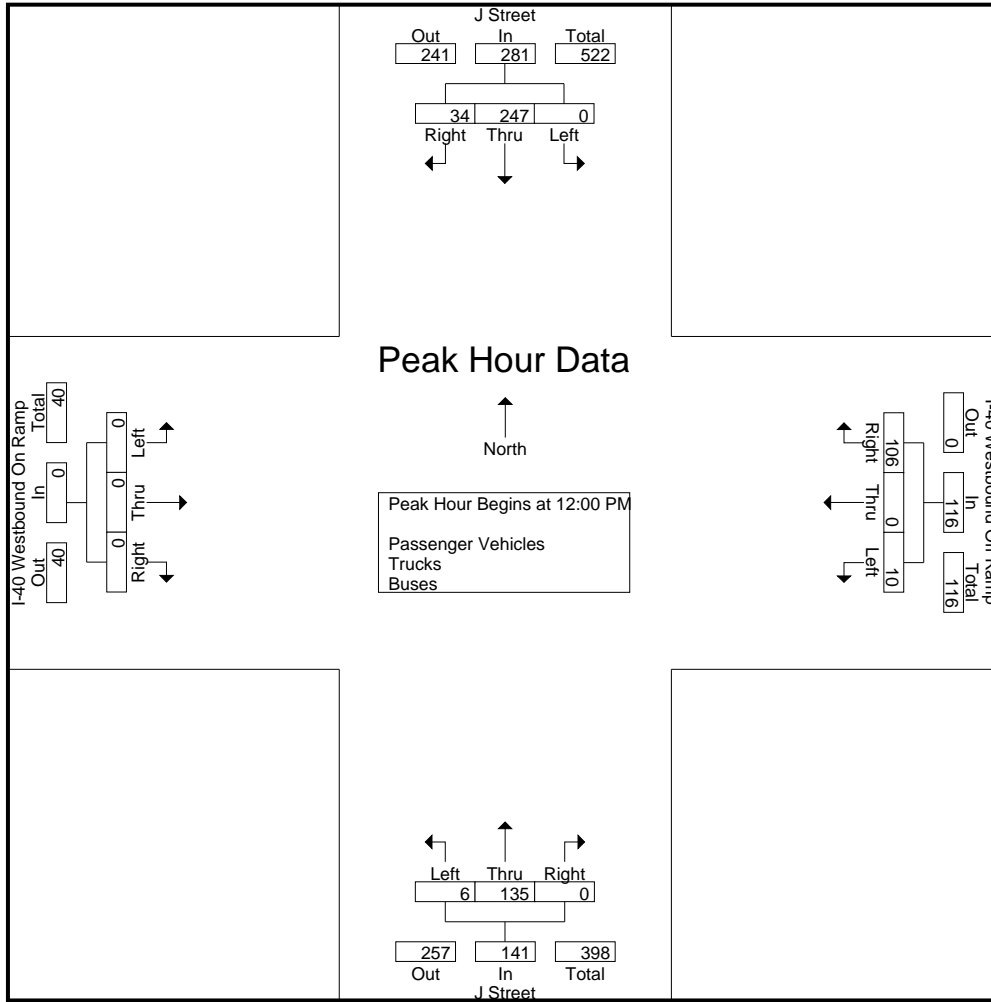
Groups Printed- Passenger Vehicles - Trucks - Buses

Start Time	J Street Southbound				I-40 Westbound Off Ramp Westbound				J Street Northbound				I-40 Westbound On Ramp Eastbound				Int. Total
	Left	Thru	Right	App. Total	Left	Thru	Right	App. Total	Left	Thru	Right	App. Total	Left	Thru	Right	App. Total	
12:00 PM	0	71	6	77	4	0	14	18	0	41	0	41	0	0	0	0	136
12:15 PM	0	55	7	62	3	0	38	41	2	28	0	30	0	0	0	0	133
12:30 PM	0	59	11	70	3	0	22	25	3	28	0	31	0	0	0	0	126
12:45 PM	0	62	10	72	0	0	32	32	1	38	0	39	0	0	0	0	143
Total	0	247	34	281	10	0	106	116	6	135	0	141	0	0	0	0	538
01:00 PM	0	63	12	75	1	0	20	21	1	35	0	36	0	0	0	0	132
01:15 PM	0	50	5	55	2	1	19	22	1	28	0	29	0	0	0	0	106
01:30 PM	0	49	8	57	2	0	22	24	2	29	0	31	0	0	0	0	112
01:45 PM	0	47	6	53	4	0	24	28	4	28	0	32	0	0	0	0	113
Total	0	209	31	240	9	1	85	95	8	120	0	128	0	0	0	0	463
Grand Total	0	456	65	521	19	1	191	211	14	255	0	269	0	0	0	0	1001
Apprch %	0	87.5	12.5		9	0.5	90.5		5.2	94.8	0		0	0	0		
Total %	0	45.6	6.5	52	1.9	0.1	19.1	21.1	1.4	25.5	0	26.9	0	0	0	0	
Passenger Vehicles	0	449	63	512	19	0	185	204	13	250	0	263	0	0	0	0	979
% Passenger Vehicles	0	98.5	96.9	98.3	100	0	96.9	96.7	92.9	98	0	97.8	0	0	0	0	97.8
Trucks	0	7	2	9	0	1	6	7	1	5	0	6	0	0	0	0	22
% Trucks	0	1.5	3.1	1.7	0	100	3.1	3.3	7.1	2	0	2.2	0	0	0	0	2.2
Buses	0	0	0	0	0	0	0	0	0	0	0	0	0	0	0	0	0
% Buses	0	0	0	0	0	0	0	0	0	0	0	0	0	0	0	0	0

Start Time	J Street Southbound				I-40 Westbound Off Ramp Westbound				J Street Northbound				I-40 Westbound On Ramp Eastbound				Int. Total
	Left	Thru	Right	App. Total	Left	Thru	Right	App. Total	Left	Thru	Right	App. Total	Left	Thru	Right	App. Total	
Peak Hour Analysis From 12:00 PM to 01:45 PM - Peak 1 of 1																	
Peak Hour for Entire Intersection Begins at 12:00 PM																	
12:00 PM	0	71	6	77	4	0	14	18	0	41	0	41	0	0	0	0	136
12:15 PM	0	55	7	62	3	0	38	41	2	28	0	30	0	0	0	0	133
12:30 PM	0	59	11	70	3	0	22	25	3	28	0	31	0	0	0	0	126
12:45 PM	0	62	10	72	0	0	32	32	1	38	0	39	0	0	0	0	143
Total Volume	0	247	34	281	10	0	106	116	6	135	0	141	0	0	0	0	538
% App. Total	0	87.9	12.1		8.6	0	91.4		4.3	95.7	0		0	0	0		
PHF	.000	.870	.773	.912	.625	.000	.697	.707	.500	.823	.000	.860	.000	.000	.000	.000	.941

City of Needles
 N/S: J Street
 E/W: I-40 Westbound Ramps
 Weather: Clear

File Name : 09_NDL_J St_40W SAT
 Site Code : 16621325
 Start Date : 7/17/2021
 Page No : 2



Peak Hour Analysis From 12:00 PM to 01:45 PM - Peak 1 of 1
 Peak Hour for Each Approach Begins at:

	12:00 PM				12:15 PM				12:00 PM				12:00 PM			
+0 mins.	0	71	6	77	3	0	38	41	0	41	0	41	0	0	0	0
+15 mins.	0	55	7	62	3	0	22	25	2	28	0	30	0	0	0	0
+30 mins.	0	59	11	70	0	0	32	32	3	28	0	31	0	0	0	0
+45 mins.	0	62	10	72	1	0	20	21	1	38	0	39	0	0	0	0
Total Volume	0	247	34	281	7	0	112	119	6	135	0	141	0	0	0	0
% App. Total	0	87.9	12.1		5.9	0	94.1		4.3	95.7	0		0	0	0	
PHF	.000	.870	.773	.912	.583	.000	.737	.726	.500	.823	.000	.860	.000	.000	.000	.000

City of Needles
 N/S: J Street
 E/W: I-40 Westbound Ramps
 Weather: Clear

File Name : 09_NDL_J St_40W SAT
 Site Code : 16621325
 Start Date : 7/17/2021
 Page No : 1

Groups Printed- Passenger Vehicles

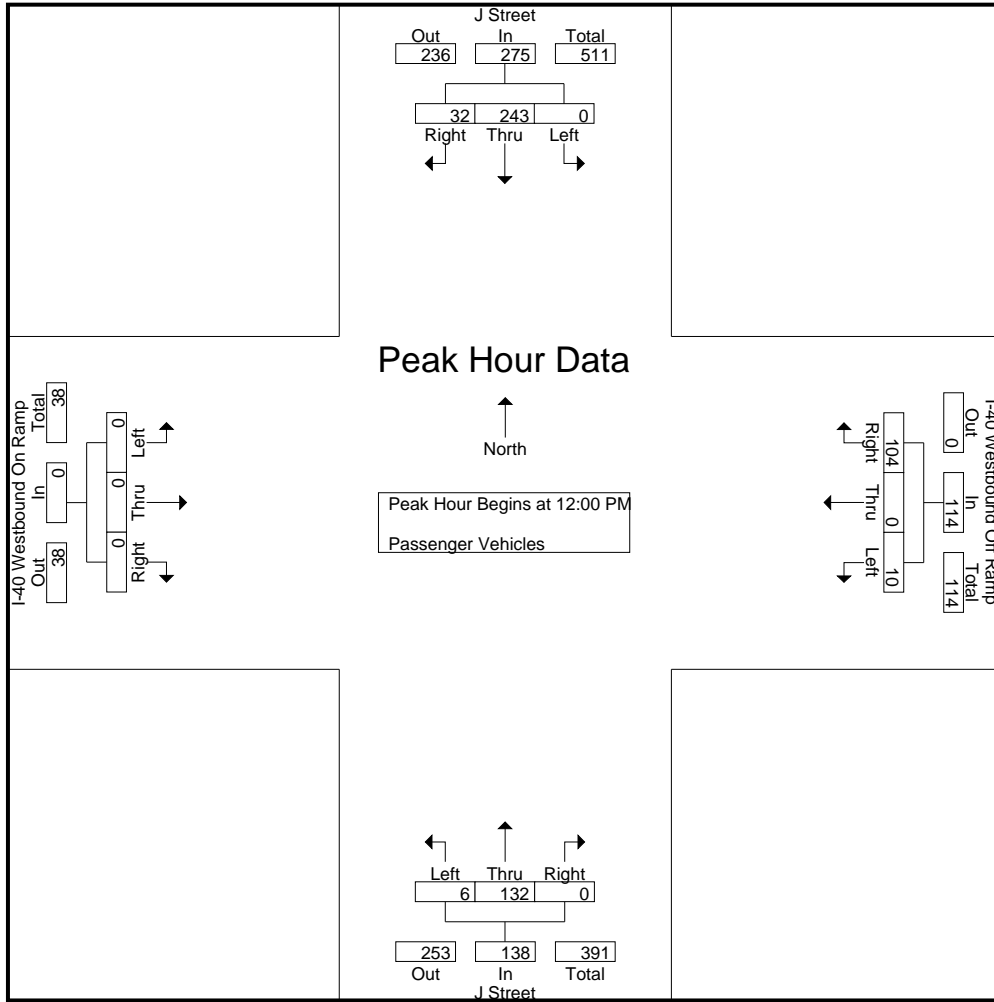
Start Time	J Street Southbound				I-40 Westbound Off Ramp Westbound				J Street Northbound				I-40 Westbound On Ramp Eastbound				Int. Total
	Left	Thru	Right	App. Total	Left	Thru	Right	App. Total	Left	Thru	Right	App. Total	Left	Thru	Right	App. Total	
12:00 PM	0	71	5	76	4	0	14	18	0	40	0	40	0	0	0	0	134
12:15 PM	0	53	6	59	3	0	36	39	2	28	0	30	0	0	0	0	128
12:30 PM	0	59	11	70	3	0	22	25	3	28	0	31	0	0	0	0	126
12:45 PM	0	60	10	70	0	0	32	32	1	36	0	37	0	0	0	0	139
Total	0	243	32	275	10	0	104	114	6	132	0	138	0	0	0	0	527
01:00 PM	0	61	12	73	1	0	19	20	1	34	0	35	0	0	0	0	128
01:15 PM	0	49	5	54	2	0	18	20	1	28	0	29	0	0	0	0	103
01:30 PM	0	49	8	57	2	0	21	23	2	29	0	31	0	0	0	0	111
01:45 PM	0	47	6	53	4	0	23	27	3	27	0	30	0	0	0	0	110
Total	0	206	31	237	9	0	81	90	7	118	0	125	0	0	0	0	452
Grand Total	0	449	63	512	19	0	185	204	13	250	0	263	0	0	0	0	979
Apprch %	0	87.7	12.3		9.3	0	90.7		4.9	95.1	0		0	0	0		
Total %	0	45.9	6.4	52.3	1.9	0	18.9	20.8	1.3	25.5	0	26.9	0	0	0	0	

Start Time	J Street Southbound				I-40 Westbound Off Ramp Westbound				J Street Northbound				I-40 Westbound On Ramp Eastbound				Int. Total
	Left	Thru	Right	App. Total	Left	Thru	Right	App. Total	Left	Thru	Right	App. Total	Left	Thru	Right	App. Total	
12:00 PM	0	71	5	76	4	0	14	18	0	40	0	40	0	0	0	0	134
12:15 PM	0	53	6	59	3	0	36	39	2	28	0	30	0	0	0	0	128
12:30 PM	0	59	11	70	3	0	22	25	3	28	0	31	0	0	0	0	126
12:45 PM	0	60	10	70	0	0	32	32	1	36	0	37	0	0	0	0	139
Total Volume	0	243	32	275	10	0	104	114	6	132	0	138	0	0	0	0	527
% App. Total	0	88.4	11.6		8.8	0	91.2		4.3	95.7	0		0	0	0		
PHF	.000	.856	.727	.905	.625	.000	.722	.731	.500	.825	.000	.863	.000	.000	.000	.000	.948

Peak Hour Analysis From 12:00 PM to 12:45 PM - Peak 1 of 1
 Peak Hour for Entire Intersection Begins at 12:00 PM

City of Needles
 N/S: J Street
 E/W: I-40 Westbound Ramps
 Weather: Clear

File Name : 09_NDL_J St_40W SAT
 Site Code : 16621325
 Start Date : 7/17/2021
 Page No : 2



Peak Hour Analysis From 12:00 PM to 12:45 PM - Peak 1 of 1
 Peak Hour for Each Approach Begins at:

	12:00 PM				12:00 PM				12:00 PM				12:00 PM			
+0 mins.	0	71	5	76	4	0	14	18	0	40	0	40	0	0	0	0
+15 mins.	0	53	6	59	3	0	36	39	2	28	0	30	0	0	0	0
+30 mins.	0	59	11	70	3	0	22	25	3	28	0	31	0	0	0	0
+45 mins.	0	60	10	70	0	0	32	32	1	36	0	37	0	0	0	0
Total Volume	0	243	32	275	10	0	104	114	6	132	0	138	0	0	0	0
% App. Total	0	88.4	11.6		8.8	0	91.2		4.3	95.7	0		0	0	0	
PHF	.000	.856	.727	.905	.625	.000	.722	.731	.500	.825	.000	.863	.000	.000	.000	.000

City of Needles
 N/S: J Street
 E/W: I-40 Westbound Ramps
 Weather: Clear

File Name : 09_NDL_J St_40W SAT
 Site Code : 16621325
 Start Date : 7/17/2021
 Page No : 1

Groups Printed- Trucks

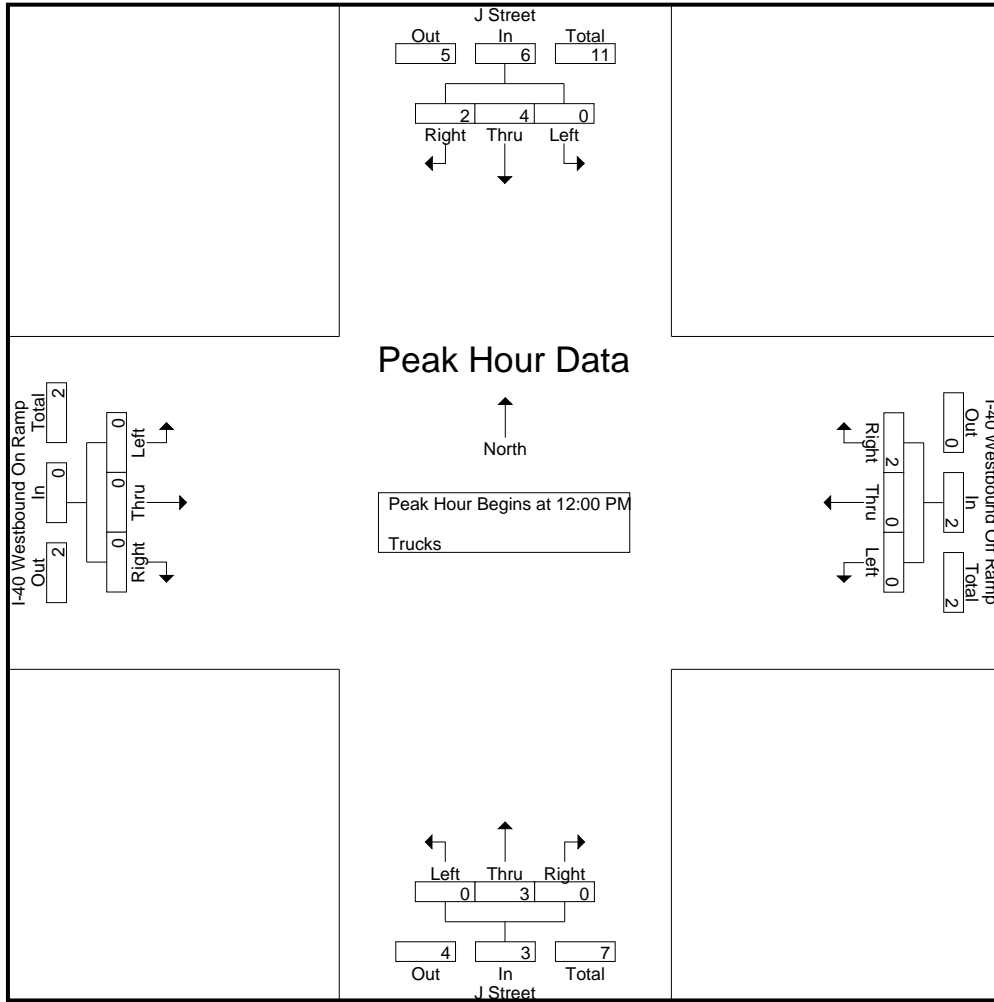
Start Time	J Street Southbound				I-40 Westbound Off Ramp Westbound				J Street Northbound				I-40 Westbound On Ramp Eastbound				Int. Total
	Left	Thru	Right	App. Total	Left	Thru	Right	App. Total	Left	Thru	Right	App. Total	Left	Thru	Right	App. Total	
12:00 PM	0	0	1	1	0	0	0	0	0	1	0	1	0	0	0	0	2
12:15 PM	0	2	1	3	0	0	2	2	0	0	0	0	0	0	0	0	5
12:30 PM	0	0	0	0	0	0	0	0	0	0	0	0	0	0	0	0	0
12:45 PM	0	2	0	2	0	0	0	0	0	2	0	2	0	0	0	0	4
Total	0	4	2	6	0	0	2	2	0	3	0	3	0	0	0	0	11
01:00 PM	0	2	0	2	0	0	1	1	0	1	0	1	0	0	0	0	4
01:15 PM	0	1	0	1	0	1	1	2	0	0	0	0	0	0	0	0	3
01:30 PM	0	0	0	0	0	0	1	1	0	0	0	0	0	0	0	0	1
01:45 PM	0	0	0	0	0	0	1	1	1	1	0	2	0	0	0	0	3
Total	0	3	0	3	0	1	4	5	1	2	0	3	0	0	0	0	11
Grand Total	0	7	2	9	0	1	6	7	1	5	0	6	0	0	0	0	22
Apprch %	0	77.8	22.2		0	14.3	85.7		16.7	83.3	0		0	0	0		
Total %	0	31.8	9.1	40.9	0	4.5	27.3	31.8	4.5	22.7	0	27.3	0	0	0	0	

Start Time	J Street Southbound				I-40 Westbound Off Ramp Westbound				J Street Northbound				I-40 Westbound On Ramp Eastbound				Int. Total
	Left	Thru	Right	App. Total	Left	Thru	Right	App. Total	Left	Thru	Right	App. Total	Left	Thru	Right	App. Total	
12:00 PM	0	0	1	1	0	0	0	0	0	1	0	1	0	0	0	0	2
12:15 PM	0	2	1	3	0	0	2	2	0	0	0	0	0	0	0	0	5
12:30 PM	0	0	0	0	0	0	0	0	0	0	0	0	0	0	0	0	0
12:45 PM	0	2	0	2	0	0	0	0	0	2	0	2	0	0	0	0	4
Total Volume	0	4	2	6	0	0	2	2	0	3	0	3	0	0	0	0	11
% App. Total	0	66.7	33.3		0	0	100		0	100	0		0	0	0		
PHF	.000	.500	.500	.500	.000	.000	.250	.250	.000	.375	.000	.375	.000	.000	.000	.000	.550

Peak Hour Analysis From 12:00 PM to 12:45 PM - Peak 1 of 1
 Peak Hour for Entire Intersection Begins at 12:00 PM

City of Needles
 N/S: J Street
 E/W: I-40 Westbound Ramps
 Weather: Clear

File Name : 09_NDL_J St_40W SAT
 Site Code : 16621325
 Start Date : 7/17/2021
 Page No : 2



Peak Hour Analysis From 12:00 PM to 12:45 PM - Peak 1 of 1
 Peak Hour for Each Approach Begins at:

	12:00 PM				12:00 PM				12:00 PM				12:00 PM			
+0 mins.	0	0	1	1	0	0	0	0	0	1	0	1	0	0	0	0
+15 mins.	0	2	1	3	0	0	2	2	0	0	0	0	0	0	0	0
+30 mins.	0	0	0	0	0	0	0	0	0	0	0	0	0	0	0	0
+45 mins.	0	2	0	2	0	0	0	0	0	2	0	2	0	0	0	0
Total Volume	0	4	2	6	0	0	2	2	0	3	0	3	0	0	0	0
% App. Total	0	66.7	33.3		0	0	100		0	100	0		0	0	0	
PHF	.000	.500	.500	.500	.000	.000	.250	.250	.000	.375	.000	.375	.000	.000	.000	.000

City of Needles
 N/S: J Street
 E/W: I-40 Westbound Ramps
 Weather: Clear

File Name : 09_NDL_J St_40W SAT
 Site Code : 16621325
 Start Date : 7/17/2021
 Page No : 1

Groups Printed- Buses

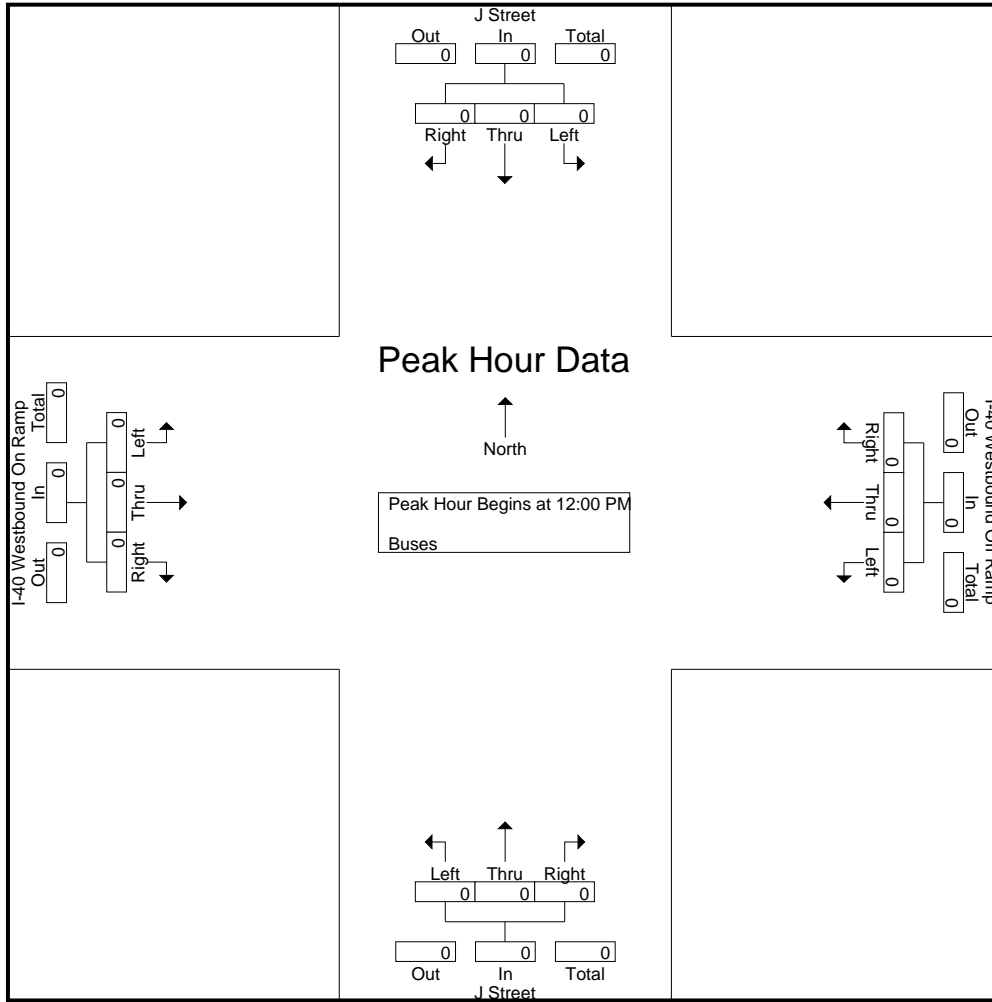
Start Time	J Street Southbound				I-40 Westbound Off Ramp Westbound				J Street Northbound				I-40 Westbound On Ramp Eastbound				Int. Total
	Left	Thru	Right	App. Total	Left	Thru	Right	App. Total	Left	Thru	Right	App. Total	Left	Thru	Right	App. Total	
12:00 PM	0	0	0	0	0	0	0	0	0	0	0	0	0	0	0	0	0
12:15 PM	0	0	0	0	0	0	0	0	0	0	0	0	0	0	0	0	0
12:30 PM	0	0	0	0	0	0	0	0	0	0	0	0	0	0	0	0	0
12:45 PM	0	0	0	0	0	0	0	0	0	0	0	0	0	0	0	0	0
Total	0	0	0	0	0	0	0	0	0	0	0	0	0	0	0	0	0
01:00 PM	0	0	0	0	0	0	0	0	0	0	0	0	0	0	0	0	0
01:15 PM	0	0	0	0	0	0	0	0	0	0	0	0	0	0	0	0	0
01:30 PM	0	0	0	0	0	0	0	0	0	0	0	0	0	0	0	0	0
01:45 PM	0	0	0	0	0	0	0	0	0	0	0	0	0	0	0	0	0
Total	0	0	0	0	0	0	0	0	0	0	0	0	0	0	0	0	0
Grand Total	0	0	0	0	0	0	0	0	0	0	0	0	0	0	0	0	0
Apprch %	0	0	0		0	0	0		0	0	0		0	0	0		
Total %																	

Start Time	J Street Southbound				I-40 Westbound Off Ramp Westbound				J Street Northbound				I-40 Westbound On Ramp Eastbound				Int. Total
	Left	Thru	Right	App. Total	Left	Thru	Right	App. Total	Left	Thru	Right	App. Total	Left	Thru	Right	App. Total	
12:00 PM	0	0	0	0	0	0	0	0	0	0	0	0	0	0	0	0	0
12:15 PM	0	0	0	0	0	0	0	0	0	0	0	0	0	0	0	0	0
12:30 PM	0	0	0	0	0	0	0	0	0	0	0	0	0	0	0	0	0
12:45 PM	0	0	0	0	0	0	0	0	0	0	0	0	0	0	0	0	0
Total Volume	0	0	0	0	0	0	0	0	0	0	0	0	0	0	0	0	0
% App. Total	0	0	0		0	0	0		0	0	0		0	0	0		
PHF	.000	.000	.000	.000	.000	.000	.000	.000	.000	.000	.000	.000	.000	.000	.000	.000	.000

Peak Hour Analysis From 12:00 PM to 12:45 PM - Peak 1 of 1
 Peak Hour for Entire Intersection Begins at 12:00 PM

City of Needles
 N/S: J Street
 E/W: I-40 Westbound Ramps
 Weather: Clear

File Name : 09_NDL_J St_40W SAT
 Site Code : 16621325
 Start Date : 7/17/2021
 Page No : 2



Peak Hour Analysis From 12:00 PM to 12:45 PM - Peak 1 of 1
 Peak Hour for Each Approach Begins at:

	12:00 PM				12:00 PM				12:00 PM				12:00 PM			
+0 mins.	0	0	0	0	0	0	0	0	0	0	0	0	0	0	0	0
+15 mins.	0	0	0	0	0	0	0	0	0	0	0	0	0	0	0	0
+30 mins.	0	0	0	0	0	0	0	0	0	0	0	0	0	0	0	0
+45 mins.	0	0	0	0	0	0	0	0	0	0	0	0	0	0	0	0
Total Volume	0	0	0	0	0	0	0	0	0	0	0	0	0	0	0	0
% App. Total	0	0	0	0	0	0	0	0	0	0	0	0	0	0	0	0
PHF	.000	.000	.000	.000	.000	.000	.000	.000	.000	.000	.000	.000	.000	.000	.000	.000

Location: Needles
 N/S: J Street
 E/W: I-40 Westbound Ramps



PEDESTRIANS

Date: 7/15/2021
 Day: Thursday

	North Leg J Street	East Leg I-40 Westbound Ramps	South Leg J Street	West Leg I-40 Westbound Ramps	
	Pedestrians	Pedestrians	Pedestrians	Pedestrians	
7:00 AM	0	0	0	0	0
7:15 AM	0	0	0	0	0
7:30 AM	0	1	0	0	1
7:45 AM	0	0	0	0	0
8:00 AM	0	1	0	0	1
8:15 AM	0	1	0	0	1
8:30 AM	0	2	0	0	2
8:45 AM	0	2	0	0	2
TOTAL VOLUMES:	0	7	0	0	7

Date: 7/15/2021
 Day: Thursday

	North Leg J Street	East Leg I-40 Westbound Ramps	South Leg J Street	West Leg I-40 Westbound Ramps	
	Pedestrians	Pedestrians	Pedestrians	Pedestrians	
4:00 PM	0	0	0	0	0
4:15 PM	0	1	0	1	2
4:30 PM	0	0	0	1	1
4:45 PM	0	0	0	2	2
5:00 PM	0	0	0	0	0
5:15 PM	0	1	0	0	1
5:30 PM	0	0	0	0	0
5:45 PM	0	0	0	0	0
TOTAL VOLUMES:	0	2	0	4	6

Date: 7/17/2021
 Day: Saturday

	North Leg J Street	East Leg I-40 Westbound Ramps	South Leg J Street	West Leg I-40 Westbound Ramps	
	Pedestrians	Pedestrians	Pedestrians	Pedestrians	
12:00 PM	0	2	0	0	2
12:15 PM	0	3	0	0	3
12:30 PM	0	2	0	0	2
12:45 PM	0	0	0	0	0
1:00 PM	0	2	0	0	2
1:15 PM	0	0	0	0	0
1:30 PM	0	2	0	0	2
1:45 PM	0	0	0	0	0
TOTAL VOLUMES:	0	11	0	0	11

Location: Needles
 N/S: J Street
 E/W: I-40 Westbound Ramps



BICYCLES

Date: 7/15/2021
 Day: Thursday

	Southbound J Street			Westbound I-40 Westbound Ramps			Northbound J Street			Eastbound I-40 Westbound Ramps			
	Left	Thru	Right	Left	Thru	Right	Left	Thru	Right	Left	Thru	Right	
7:00 AM	0	0	0	0	0	0	0	0	0	0	0	0	0
7:15 AM	0	0	0	0	0	0	0	0	0	0	0	0	0
7:30 AM	0	0	0	0	0	0	0	0	0	0	0	0	0
7:45 AM	0	0	0	0	0	0	0	0	0	0	0	0	0
8:00 AM	0	0	0	0	0	0	0	0	0	0	0	0	0
8:15 AM	0	0	0	0	0	0	0	0	0	0	0	0	0
8:30 AM	0	0	0	0	0	0	0	0	0	0	0	0	0
8:45 AM	0	1	0	0	0	0	0	1	0	0	0	0	2
TOTAL VOLUMES:	0	1	0	0	0	0	0	1	0	0	0	0	2

Date: 7/15/2021
 Day: Thursday

	Southbound J Street			Westbound I-40 Westbound Ramps			Northbound J Street			Eastbound I-40 Westbound Ramps			
	Left	Thru	Right	Left	Thru	Right	Left	Thru	Right	Left	Thru	Right	
4:00 PM	0	0	0	0	0	0	0	0	0	0	0	0	0
4:15 PM	0	0	0	0	0	0	0	0	0	0	0	0	0
4:30 PM	0	0	0	0	0	0	0	0	0	0	0	0	0
4:45 PM	0	0	0	0	0	0	0	0	0	0	0	0	0
5:00 PM	0	0	0	0	0	0	0	0	0	0	0	0	0
5:15 PM	0	0	0	0	0	0	0	0	0	0	0	0	0
5:30 PM	0	0	0	0	0	0	0	0	0	0	0	0	0
5:45 PM	0	0	0	0	0	0	0	0	0	0	0	0	0
TOTAL VOLUMES:	0	0	0	0	0	0	0	0	0	0	0	0	0

Date: 7/17/2021
 Day: Saturday

	Southbound J Street			Westbound I-40 Westbound Ramps			Northbound J Street			Eastbound I-40 Westbound Ramps			
	Left	Thru	Right	Left	Thru	Right	Left	Thru	Right	Left	Thru	Right	
12:00 PM	0	0	0	0	0	0	0	0	0	0	0	0	0
12:15 PM	0	0	0	0	0	0	0	0	0	0	0	0	0
12:30 PM	0	0	0	0	0	0	0	0	0	0	0	0	0
12:45 PM	0	0	0	0	0	0	0	0	0	0	0	0	0
1:00 PM	0	0	0	0	0	0	0	0	0	0	0	0	0
1:15 PM	0	0	0	0	0	0	0	0	0	0	0	0	0
1:30 PM	0	0	0	0	0	0	0	0	0	0	0	0	0
1:45 PM	0	0	0	0	0	0	0	0	0	0	0	0	0
TOTAL VOLUMES:	0	0	0	0	0	0	0	0	0	0	0	0	0

City of Needles
 N/S: J Street
 E/W: I-40 Eastbound Ramps
 Weather: Clear

File Name : 10_NDL_J St_40E AM
 Site Code : 16621325
 Start Date : 7/15/2021
 Page No : 1

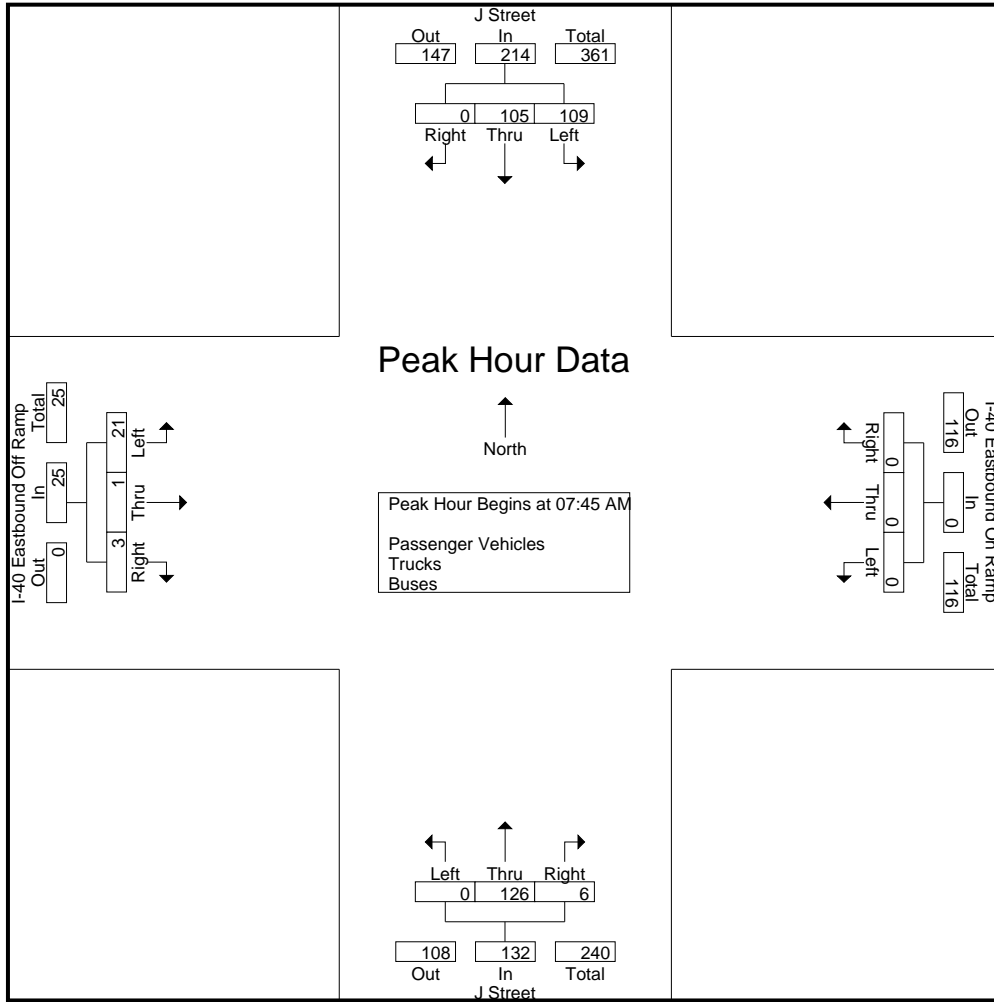
Groups Printed- Passenger Vehicles - Trucks - Buses

Start Time	J Street Southbound				I-40 Eastbound On Ramp Westbound				J Street Northbound				I-40 Eastbound Off Ramp Eastbound				Int. Total
	Left	Thru	Right	App. Total	Left	Thru	Right	App. Total	Left	Thru	Right	App. Total	Left	Thru	Right	App. Total	
07:00 AM	32	9	0	41	0	0	0	0	0	25	2	27	4	0	1	5	73
07:15 AM	26	15	0	41	0	0	0	0	0	31	3	34	6	0	2	8	83
07:30 AM	19	28	0	47	0	0	0	0	0	30	0	30	3	0	1	4	81
07:45 AM	24	37	0	61	0	0	0	0	0	44	1	45	2	0	1	3	109
Total	101	89	0	190	0	0	0	0	0	130	6	136	15	0	5	20	346
08:00 AM	33	14	0	47	0	0	0	0	0	18	3	21	7	1	0	8	76
08:15 AM	21	26	0	47	0	0	0	0	0	30	1	31	3	0	1	4	82
08:30 AM	31	28	0	59	0	0	0	0	0	34	1	35	9	0	1	10	104
08:45 AM	31	19	0	50	0	0	0	0	0	33	4	37	9	0	0	9	96
Total	116	87	0	203	0	0	0	0	0	115	9	124	28	1	2	31	358
Grand Total	217	176	0	393	0	0	0	0	0	245	15	260	43	1	7	51	704
Apprch %	55.2	44.8	0		0	0	0		0	94.2	5.8		84.3	2	13.7		
Total %	30.8	25	0	55.8	0	0	0	0	0	34.8	2.1	36.9	6.1	0.1	1	7.2	
Passenger Vehicles	206	176	0	382	0	0	0	0	0	237	13	250	38	0	5	43	675
% Passenger Vehicles	94.9	100	0	97.2	0	0	0	0	0	96.7	86.7	96.2	88.4	0	71.4	84.3	95.9
Trucks	11	0	0	11	0	0	0	0	0	7	0	7	5	1	2	8	26
% Trucks	5.1	0	0	2.8	0	0	0	0	0	2.9	0	2.7	11.6	100	28.6	15.7	3.7
Buses	0	0	0	0	0	0	0	0	0	1	2	3	0	0	0	0	3
% Buses	0	0	0	0	0	0	0	0	0	0.4	13.3	1.2	0	0	0	0	0.4

Start Time	J Street Southbound				I-40 Eastbound On Ramp Westbound				J Street Northbound				I-40 Eastbound Off Ramp Eastbound				Int. Total
	Left	Thru	Right	App. Total	Left	Thru	Right	App. Total	Left	Thru	Right	App. Total	Left	Thru	Right	App. Total	
Peak Hour Analysis From 07:00 AM to 08:45 AM - Peak 1 of 1																	
Peak Hour for Entire Intersection Begins at 07:45 AM																	
07:45 AM	24	37	0	61	0	0	0	0	0	44	1	45	2	0	1	3	109
08:00 AM	33	14	0	47	0	0	0	0	0	18	3	21	7	1	0	8	76
08:15 AM	21	26	0	47	0	0	0	0	0	30	1	31	3	0	1	4	82
08:30 AM	31	28	0	59	0	0	0	0	0	34	1	35	9	0	1	10	104
Total Volume	109	105	0	214	0	0	0	0	0	126	6	132	21	1	3	25	371
% App. Total	50.9	49.1	0		0	0	0		0	95.5	4.5		84	4	12		
PHF	.826	.709	.000	.877	.000	.000	.000	.000	.000	.716	.500	.733	.583	.250	.750	.625	.851

City of Needles
 N/S: J Street
 E/W: I-40 Eastbound Ramps
 Weather: Clear

File Name : 10_NDL_J St_40E AM
 Site Code : 16621325
 Start Date : 7/15/2021
 Page No : 2



Peak Hour Analysis From 07:00 AM to 08:45 AM - Peak 1 of 1
 Peak Hour for Each Approach Begins at:

	07:45 AM				07:00 AM				07:00 AM				08:00 AM			
+0 mins.	24	37	0	61	0	0	0	0	0	25	2	27	7	1	0	8
+15 mins.	33	14	0	47	0	0	0	0	0	31	3	34	3	0	1	4
+30 mins.	21	26	0	47	0	0	0	0	0	30	0	30	9	0	1	10
+45 mins.	31	28	0	59	0	0	0	0	0	44	1	45	9	0	0	9
Total Volume	109	105	0	214	0	0	0	0	0	130	6	136	28	1	2	31
% App. Total	50.9	49.1	0		0	0	0		0	95.6	4.4		90.3	3.2	6.5	
PHF	.826	.709	.000	.877	.000	.000	.000	.000	.000	.739	.500	.756	.778	.250	.500	.775

City of Needles
 N/S: J Street
 E/W: I-40 Eastbound Ramps
 Weather: Clear

File Name : 10_NDL_J St_40E AM
 Site Code : 16621325
 Start Date : 7/15/2021
 Page No : 1

Groups Printed- Passenger Vehicles

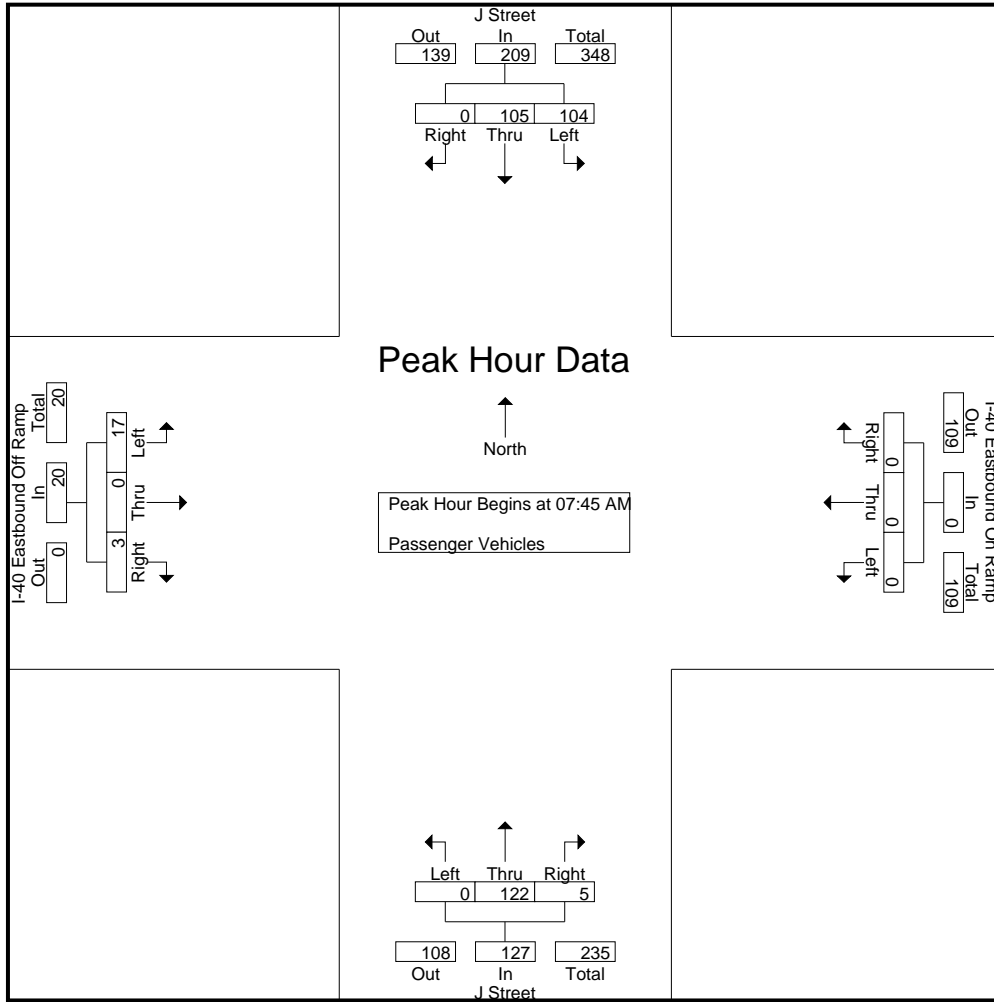
Start Time	J Street Southbound				I-40 Eastbound On Ramp Westbound				J Street Northbound				I-40 Eastbound Off Ramp Eastbound				Int. Total
	Left	Thru	Right	App. Total	Left	Thru	Right	App. Total	Left	Thru	Right	App. Total	Left	Thru	Right	App. Total	
07:00 AM	30	9	0	39	0	0	0	0	0	23	2	25	4	0	1	5	69
07:15 AM	26	15	0	41	0	0	0	0	0	31	2	33	6	0	1	7	81
07:30 AM	16	28	0	44	0	0	0	0	0	29	0	29	3	0	0	3	76
07:45 AM	23	37	0	60	0	0	0	0	0	41	1	42	1	0	1	2	104
Total	95	89	0	184	0	0	0	0	0	124	5	129	14	0	3	17	330
08:00 AM	32	14	0	46	0	0	0	0	0	18	2	20	6	0	0	6	72
08:15 AM	20	26	0	46	0	0	0	0	0	29	1	30	2	0	1	3	79
08:30 AM	29	28	0	57	0	0	0	0	0	34	1	35	8	0	1	9	101
08:45 AM	30	19	0	49	0	0	0	0	0	32	4	36	8	0	0	8	93
Total	111	87	0	198	0	0	0	0	0	113	8	121	24	0	2	26	345
Grand Total	206	176	0	382	0	0	0	0	0	237	13	250	38	0	5	43	675
Apprch %	53.9	46.1	0		0	0	0		0	94.8	5.2		88.4	0	11.6		
Total %	30.5	26.1	0	56.6	0	0	0		0	35.1	1.9	37	5.6	0	0.7	6.4	

Start Time	J Street Southbound				I-40 Eastbound On Ramp Westbound				J Street Northbound				I-40 Eastbound Off Ramp Eastbound				Int. Total
	Left	Thru	Right	App. Total	Left	Thru	Right	App. Total	Left	Thru	Right	App. Total	Left	Thru	Right	App. Total	
07:45 AM	23	37	0	60	0	0	0	0	0	41	1	42	1	0	1	2	104
08:00 AM	32	14	0	46	0	0	0	0	0	18	2	20	6	0	0	6	72
08:15 AM	20	26	0	46	0	0	0	0	0	29	1	30	2	0	1	3	79
08:30 AM	29	28	0	57	0	0	0	0	0	34	1	35	8	0	1	9	101
Total Volume	104	105	0	209	0	0	0	0	0	122	5	127	17	0	3	20	356
% App. Total	49.8	50.2	0		0	0	0		0	96.1	3.9		85	0	15		
PHF	.813	.709	.000	.871	.000	.000	.000	.000	.000	.744	.625	.756	.531	.000	.750	.556	.856

Peak Hour Analysis From 07:45 AM to 08:30 AM - Peak 1 of 1
 Peak Hour for Entire Intersection Begins at 07:45 AM

City of Needles
 N/S: J Street
 E/W: I-40 Eastbound Ramps
 Weather: Clear

File Name : 10_NDL_J St_40E AM
 Site Code : 16621325
 Start Date : 7/15/2021
 Page No : 2



Peak Hour Analysis From 07:45 AM to 08:30 AM - Peak 1 of 1
 Peak Hour for Each Approach Begins at:

	07:45 AM				07:45 AM				07:45 AM				07:45 AM			
+0 mins.	23	37	0	60	0	0	0	0	0	41	1	42	1	0	1	2
+15 mins.	32	14	0	46	0	0	0	0	0	18	2	20	6	0	0	6
+30 mins.	20	26	0	46	0	0	0	0	0	29	1	30	2	0	1	3
+45 mins.	29	28	0	57	0	0	0	0	0	34	1	35	8	0	1	9
Total Volume	104	105	0	209	0	0	0	0	0	122	5	127	17	0	3	20
% App. Total	49.8	50.2	0		0	0	0		0	96.1	3.9		85	0	15	
PHF	.813	.709	.000	.871	.000	.000	.000	.000	.000	.744	.625	.756	.531	.000	.750	.556

City of Needles
 N/S: J Street
 E/W: I-40 Eastbound Ramps
 Weather: Clear

File Name : 10_NDL_J St_40E AM
 Site Code : 16621325
 Start Date : 7/15/2021
 Page No : 1

Groups Printed- Trucks

Start Time	J Street Southbound				I-40 Eastbound On Ramp Westbound				J Street Northbound				I-40 Eastbound Off Ramp Eastbound				Int. Total
	Left	Thru	Right	App. Total	Left	Thru	Right	App. Total	Left	Thru	Right	App. Total	Left	Thru	Right	App. Total	
07:00 AM	2	0	0	2	0	0	0	0	0	1	0	1	0	0	0	0	3
07:15 AM	0	0	0	0	0	0	0	0	0	0	0	0	0	0	1	1	1
07:30 AM	3	0	0	3	0	0	0	0	0	1	0	1	0	0	1	1	5
07:45 AM	1	0	0	1	0	0	0	0	0	3	0	3	1	0	0	1	5
Total	6	0	0	6	0	0	0	0	0	5	0	5	1	0	2	3	14
08:00 AM	1	0	0	1	0	0	0	0	0	0	0	0	1	1	0	2	3
08:15 AM	1	0	0	1	0	0	0	0	0	1	0	1	1	0	0	1	3
08:30 AM	2	0	0	2	0	0	0	0	0	0	0	0	1	0	0	1	3
08:45 AM	1	0	0	1	0	0	0	0	0	1	0	1	1	0	0	1	3
Total	5	0	0	5	0	0	0	0	0	2	0	2	4	1	0	5	12
Grand Total	11	0	0	11	0	0	0	0	0	7	0	7	5	1	2	8	26
Apprch %	100	0	0		0	0	0		0	100	0		62.5	12.5	25		
Total %	42.3	0	0	42.3	0	0	0	0	0	26.9	0	26.9	19.2	3.8	7.7	30.8	

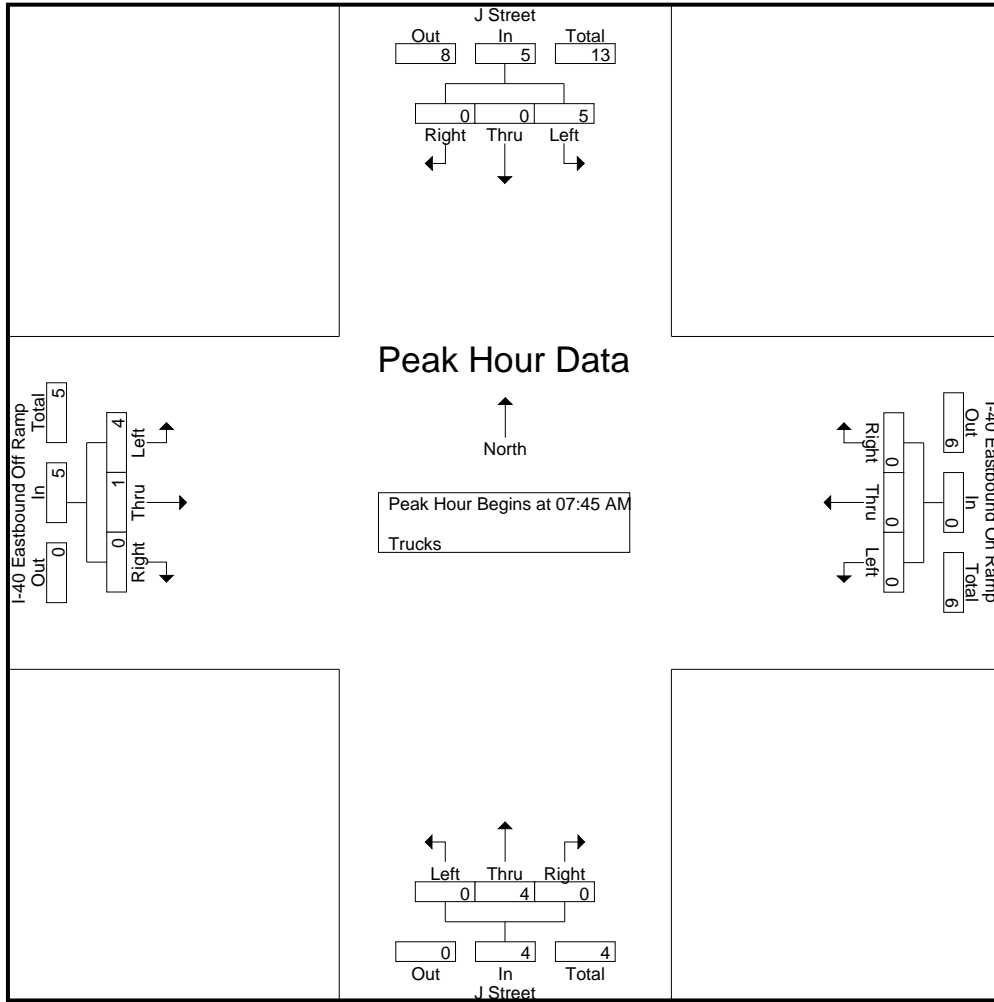
Start Time	J Street Southbound				I-40 Eastbound On Ramp Westbound				J Street Northbound				I-40 Eastbound Off Ramp Eastbound				Int. Total
	Left	Thru	Right	App. Total	Left	Thru	Right	App. Total	Left	Thru	Right	App. Total	Left	Thru	Right	App. Total	
07:45 AM	1	0	0	1	0	0	0	0	0	3	0	3	1	0	0	1	5
08:00 AM	1	0	0	1	0	0	0	0	0	0	0	0	1	1	0	2	3
08:15 AM	1	0	0	1	0	0	0	0	0	1	0	1	1	0	0	1	3
08:30 AM	2	0	0	2	0	0	0	0	0	0	0	0	1	0	0	1	3
Total Volume	5	0	0	5	0	0	0	0	0	4	0	4	4	1	0	5	14
% App. Total	100	0	0		0	0	0		0	100	0		80	20	0		
PHF	.625	.000	.000	.625	.000	.000	.000	.000	.000	.333	.000	.333	1.00	.250	.000	.625	.700

Peak Hour Analysis From 07:45 AM to 08:30 AM - Peak 1 of 1

Peak Hour for Entire Intersection Begins at 07:45 AM

City of Needles
 N/S: J Street
 E/W: I-40 Eastbound Ramps
 Weather: Clear

File Name : 10_NDL_J St_40E AM
 Site Code : 16621325
 Start Date : 7/15/2021
 Page No : 2



Peak Hour Analysis From 07:45 AM to 08:30 AM - Peak 1 of 1
 Peak Hour for Each Approach Begins at:

	07:45 AM				07:45 AM				07:45 AM				07:45 AM			
+0 mins.	1	0	0	1	0	0	0	0	0	3	0	3	1	0	0	1
+15 mins.	1	0	0	1	0	0	0	0	0	0	0	0	1	1	0	2
+30 mins.	1	0	0	1	0	0	0	0	0	1	0	1	1	0	0	1
+45 mins.	2	0	0	2	0	0	0	0	0	0	0	0	1	0	0	1
Total Volume	5	0	0	5	0	0	0	0	0	4	0	4	4	1	0	5
% App. Total	100	0	0		0	0	0		0	100	0		80	20	0	
PHF	.625	.000	.000	.625	.000	.000	.000	.000	.000	.333	.000	.333	1.000	.250	.000	.625

City of Needles
 N/S: J Street
 E/W: I-40 Eastbound Ramps
 Weather: Clear

File Name : 10_NDL_J St_40E AM
 Site Code : 16621325
 Start Date : 7/15/2021
 Page No : 1

Groups Printed- Buses

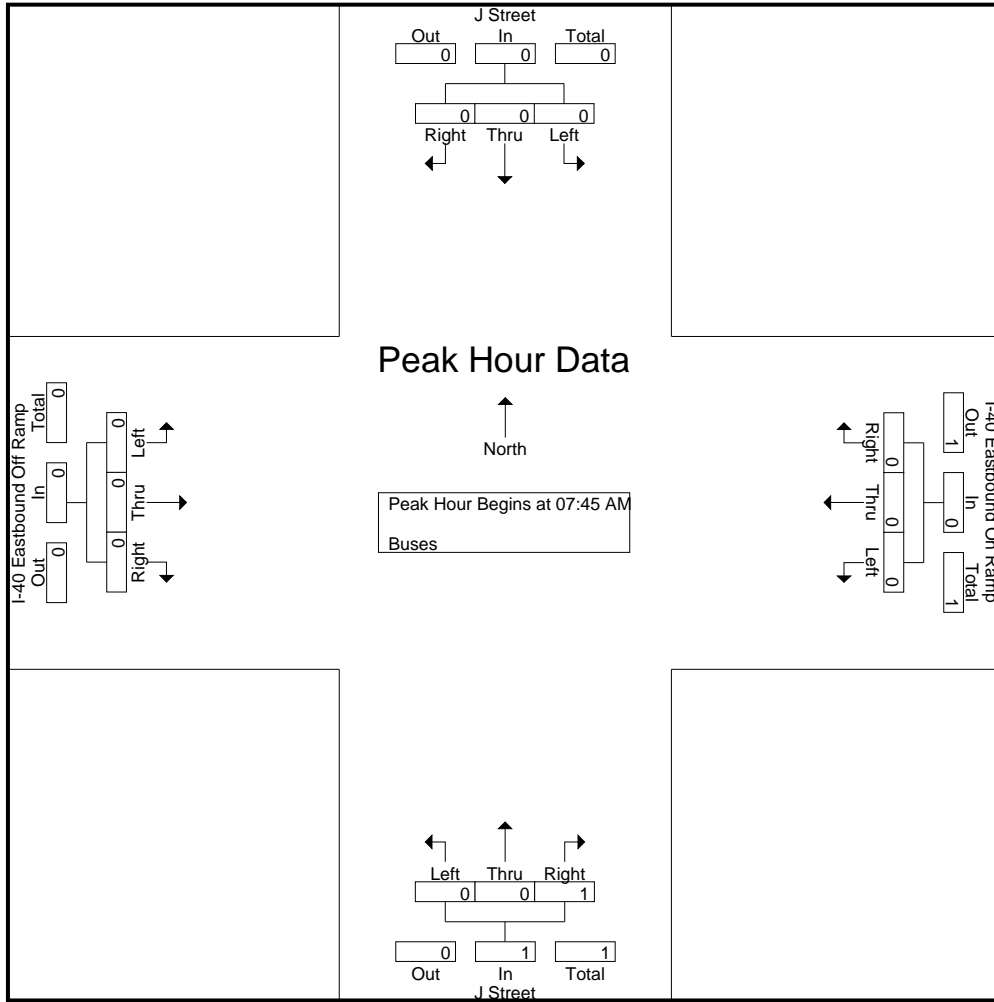
Start Time	J Street Southbound				I-40 Eastbound On Ramp Westbound				J Street Northbound				I-40 Eastbound Off Ramp Eastbound				Int. Total	
	Left	Thru	Right	App. Total	Left	Thru	Right	App. Total	Left	Thru	Right	App. Total	Left	Thru	Right	App. Total		
07:00 AM	0	0	0	0	0	0	0	0	0	0	1	0	1	0	0	0	0	1
07:15 AM	0	0	0	0	0	0	0	0	0	0	0	1	1	0	0	0	0	1
07:30 AM	0	0	0	0	0	0	0	0	0	0	0	0	0	0	0	0	0	0
07:45 AM	0	0	0	0	0	0	0	0	0	0	0	0	0	0	0	0	0	0
Total	0	0	0	0	0	0	0	0	0	0	1	1	2	0	0	0	0	2
08:00 AM	0	0	0	0	0	0	0	0	0	0	0	1	1	0	0	0	0	1
08:15 AM	0	0	0	0	0	0	0	0	0	0	0	0	0	0	0	0	0	0
08:30 AM	0	0	0	0	0	0	0	0	0	0	0	0	0	0	0	0	0	0
08:45 AM	0	0	0	0	0	0	0	0	0	0	0	0	0	0	0	0	0	0
Total	0	0	0	0	0	0	0	0	0	0	0	1	1	0	0	0	0	1
Grand Total	0	0	0	0	0	0	0	0	0	0	1	2	3	0	0	0	0	3
Apprch %	0	0	0	0	0	0	0	0	0	0	33.3	66.7		0	0	0	0	
Total %	0	0	0	0	0	0	0	0	0	0	33.3	66.7	100	0	0	0	0	

Start Time	J Street Southbound				I-40 Eastbound On Ramp Westbound				J Street Northbound				I-40 Eastbound Off Ramp Eastbound				Int. Total	
	Left	Thru	Right	App. Total	Left	Thru	Right	App. Total	Left	Thru	Right	App. Total	Left	Thru	Right	App. Total		
07:45 AM	0	0	0	0	0	0	0	0	0	0	0	0	0	0	0	0	0	0
08:00 AM	0	0	0	0	0	0	0	0	0	0	0	1	1	0	0	0	0	1
08:15 AM	0	0	0	0	0	0	0	0	0	0	0	0	0	0	0	0	0	0
08:30 AM	0	0	0	0	0	0	0	0	0	0	0	0	0	0	0	0	0	0
Total Volume	0	0	0	0	0	0	0	0	0	0	0	1	1	0	0	0	0	1
% App. Total	0	0	0	0	0	0	0	0	0	0	0	100		0	0	0	0	
PHF	.000	.000	.000	.000	.000	.000	.000	.000	.000	.000	.000	.250	.250	.000	.000	.000	.000	.250

Peak Hour Analysis From 07:45 AM to 08:30 AM - Peak 1 of 1
 Peak Hour for Entire Intersection Begins at 07:45 AM

City of Needles
 N/S: J Street
 E/W: I-40 Eastbound Ramps
 Weather: Clear

File Name : 10_NDL_J St_40E AM
 Site Code : 16621325
 Start Date : 7/15/2021
 Page No : 2



Peak Hour Analysis From 07:45 AM to 08:30 AM - Peak 1 of 1
 Peak Hour for Each Approach Begins at:

	07:45 AM				07:45 AM				07:45 AM				07:45 AM			
+0 mins.	0	0	0	0	0	0	0	0	0	0	0	0	0	0	0	0
+15 mins.	0	0	0	0	0	0	0	0	0	0	1	1	0	0	0	0
+30 mins.	0	0	0	0	0	0	0	0	0	0	0	0	0	0	0	0
+45 mins.	0	0	0	0	0	0	0	0	0	0	0	0	0	0	0	0
Total Volume	0	0	0	0	0	0	0	0	0	0	1	1	0	0	0	0
% App. Total	0	0	0	0	0	0	0	0	0	0	100	100	0	0	0	0
PHF	.000	.000	.000	.000	.000	.000	.000	.000	.000	.000	.250	.250	.000	.000	.000	.000

City of Needles
 N/S: J Street
 E/W: I-40 Eastbound Ramps
 Weather: Clear

File Name : 10_NDL_J St_40E PM
 Site Code : 16621325
 Start Date : 7/15/2021
 Page No : 1

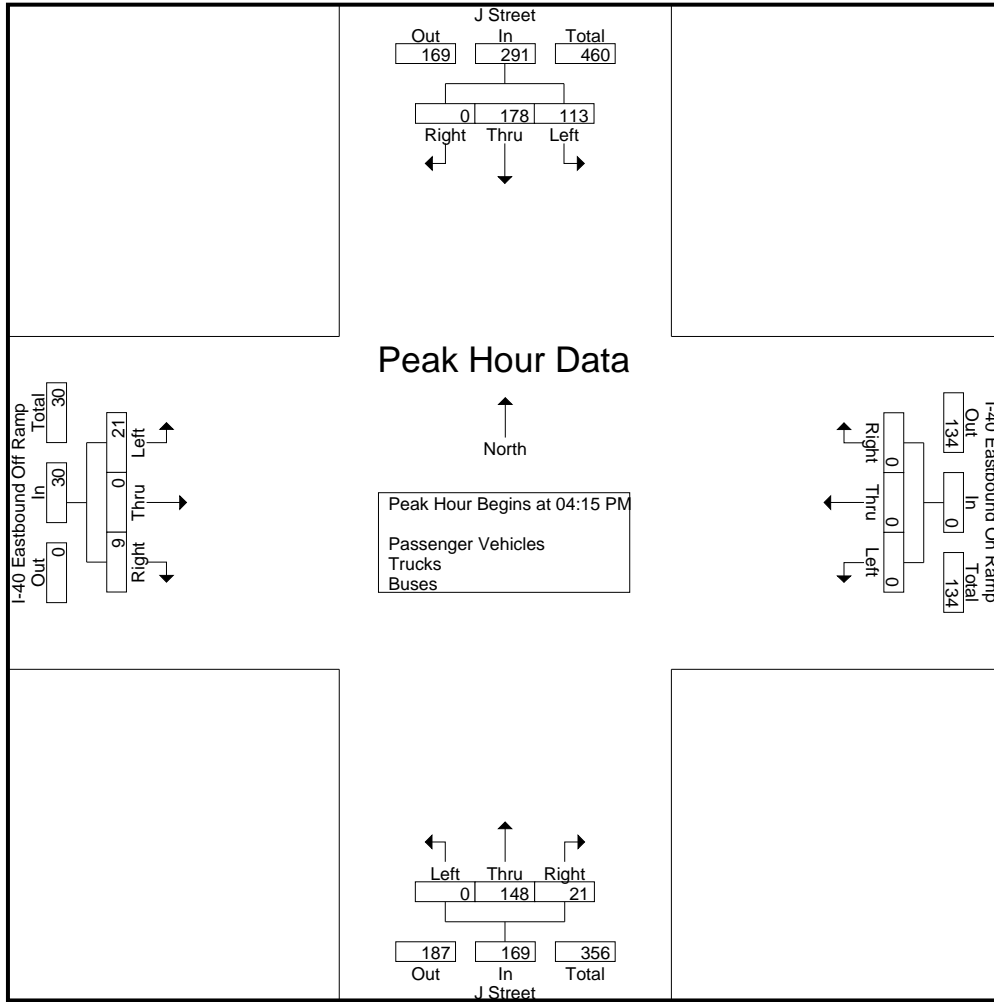
Groups Printed- Passenger Vehicles - Trucks - Buses

Start Time	J Street Southbound				I-40 Eastbound On Ramp Westbound				J Street Northbound				I-40 Eastbound Off Ramp Eastbound				Int. Total
	Left	Thru	Right	App. Total	Left	Thru	Right	App. Total	Left	Thru	Right	App. Total	Left	Thru	Right	App. Total	
04:00 PM	31	48	0	79	0	0	0	0	0	30	3	33	7	0	2	9	121
04:15 PM	36	45	0	81	0	0	0	0	0	38	7	45	6	0	1	7	133
04:30 PM	29	43	0	72	0	0	0	0	0	39	7	46	5	0	2	7	125
04:45 PM	19	40	0	59	0	0	0	0	0	35	2	37	6	0	4	10	106
Total	115	176	0	291	0	0	0	0	0	142	19	161	24	0	9	33	485
05:00 PM	29	50	0	79	0	0	0	0	0	36	5	41	4	0	2	6	126
05:15 PM	25	47	0	72	0	0	0	0	0	27	7	34	9	0	3	12	118
05:30 PM	25	41	0	66	0	0	0	0	0	28	5	33	4	0	2	6	105
05:45 PM	40	43	0	83	0	0	0	0	0	25	4	29	7	0	3	10	122
Total	119	181	0	300	0	0	0	0	0	116	21	137	24	0	10	34	471
Grand Total	234	357	0	591	0	0	0	0	0	258	40	298	48	0	19	67	956
Apprch %	39.6	60.4	0		0	0	0		0	86.6	13.4		71.6	0	28.4		
Total %	24.5	37.3	0	61.8	0	0	0	0	0	27	4.2	31.2	5	0	2	7	
Passenger Vehicles	221	351	0	572	0	0	0	0	0	252	38	290	46	0	18	64	926
% Passenger Vehicles	94.4	98.3	0	96.8	0	0	0	0	0	97.7	95	97.3	95.8	0	94.7	95.5	96.9
Trucks	13	6	0	19	0	0	0	0	0	6	0	6	2	0	1	3	28
% Trucks	5.6	1.7	0	3.2	0	0	0	0	0	2.3	0	2	4.2	0	5.3	4.5	2.9
Buses	0	0	0	0	0	0	0	0	0	0	2	2	0	0	0	0	2
% Buses	0	0	0	0	0	0	0	0	0	0	5	0.7	0	0	0	0	0.2

Start Time	J Street Southbound				I-40 Eastbound On Ramp Westbound				J Street Northbound				I-40 Eastbound Off Ramp Eastbound				Int. Total
	Left	Thru	Right	App. Total	Left	Thru	Right	App. Total	Left	Thru	Right	App. Total	Left	Thru	Right	App. Total	
Peak Hour Analysis From 04:00 PM to 05:45 PM - Peak 1 of 1																	
Peak Hour for Entire Intersection Begins at 04:15 PM																	
04:15 PM	36	45	0	81	0	0	0	0	0	38	7	45	6	0	1	7	133
04:30 PM	29	43	0	72	0	0	0	0	0	39	7	46	5	0	2	7	125
04:45 PM	19	40	0	59	0	0	0	0	0	35	2	37	6	0	4	10	106
05:00 PM	29	50	0	79	0	0	0	0	0	36	5	41	4	0	2	6	126
Total Volume	113	178	0	291	0	0	0	0	0	148	21	169	21	0	9	30	490
% App. Total	38.8	61.2	0		0	0	0		0	87.6	12.4		70	0	30		
PHF	.785	.890	.000	.898	.000	.000	.000	.000	.000	.949	.750	.918	.875	.000	.563	.750	.921

City of Needles
 N/S: J Street
 E/W: I-40 Eastbound Ramps
 Weather: Clear

File Name : 10_NDL_J St_40E PM
 Site Code : 16621325
 Start Date : 7/15/2021
 Page No : 2



Peak Hour Analysis From 04:00 PM to 05:45 PM - Peak 1 of 1
 Peak Hour for Each Approach Begins at:

	05:00 PM				04:00 PM				04:15 PM				04:30 PM			
+0 mins.	29	50	0	79	0	0	0	0	0	38	7	45	5	0	2	7
+15 mins.	25	47	0	72	0	0	0	0	0	39	7	46	6	0	4	10
+30 mins.	25	41	0	66	0	0	0	0	0	35	2	37	4	0	2	6
+45 mins.	40	43	0	83	0	0	0	0	0	36	5	41	9	0	3	12
Total Volume	119	181	0	300	0	0	0	0	0	148	21	169	24	0	11	35
% App. Total	39.7	60.3	0		0	0	0		0	87.6	12.4		68.6	0	31.4	
PHF	.744	.905	.000	.904	.000	.000	.000	.000	.000	.949	.750	.918	.667	.000	.688	.729

City of Needles
 N/S: J Street
 E/W: I-40 Eastbound Ramps
 Weather: Clear

File Name : 10_NDL_J St_40E PM
 Site Code : 16621325
 Start Date : 7/15/2021
 Page No : 1

Groups Printed- Passenger Vehicles

Start Time	J Street Southbound				I-40 Eastbound On Ramp Westbound				J Street Northbound				I-40 Eastbound Off Ramp Eastbound				Int. Total
	Left	Thru	Right	App. Total	Left	Thru	Right	App. Total	Left	Thru	Right	App. Total	Left	Thru	Right	App. Total	
04:00 PM	27	45	0	72	0	0	0	0	0	29	3	32	7	0	2	9	113
04:15 PM	32	43	0	75	0	0	0	0	0	38	6	44	6	0	1	7	126
04:30 PM	27	43	0	70	0	0	0	0	0	36	7	43	5	0	2	7	120
04:45 PM	18	40	0	58	0	0	0	0	0	35	2	37	6	0	4	10	105
Total	104	171	0	275	0	0	0	0	0	138	18	156	24	0	9	33	464
05:00 PM	28	50	0	78	0	0	0	0	0	36	5	41	3	0	2	5	124
05:15 PM	25	46	0	71	0	0	0	0	0	27	6	33	8	0	3	11	115
05:30 PM	25	41	0	66	0	0	0	0	0	26	5	31	4	0	2	6	103
05:45 PM	39	43	0	82	0	0	0	0	0	25	4	29	7	0	2	9	120
Total	117	180	0	297	0	0	0	0	0	114	20	134	22	0	9	31	462
Grand Total	221	351	0	572	0	0	0	0	0	252	38	290	46	0	18	64	926
Apprch %	38.6	61.4	0		0	0	0		0	86.9	13.1		71.9	0	28.1		
Total %	23.9	37.9	0	61.8	0	0	0		0	27.2	4.1	31.3	5	0	1.9	6.9	

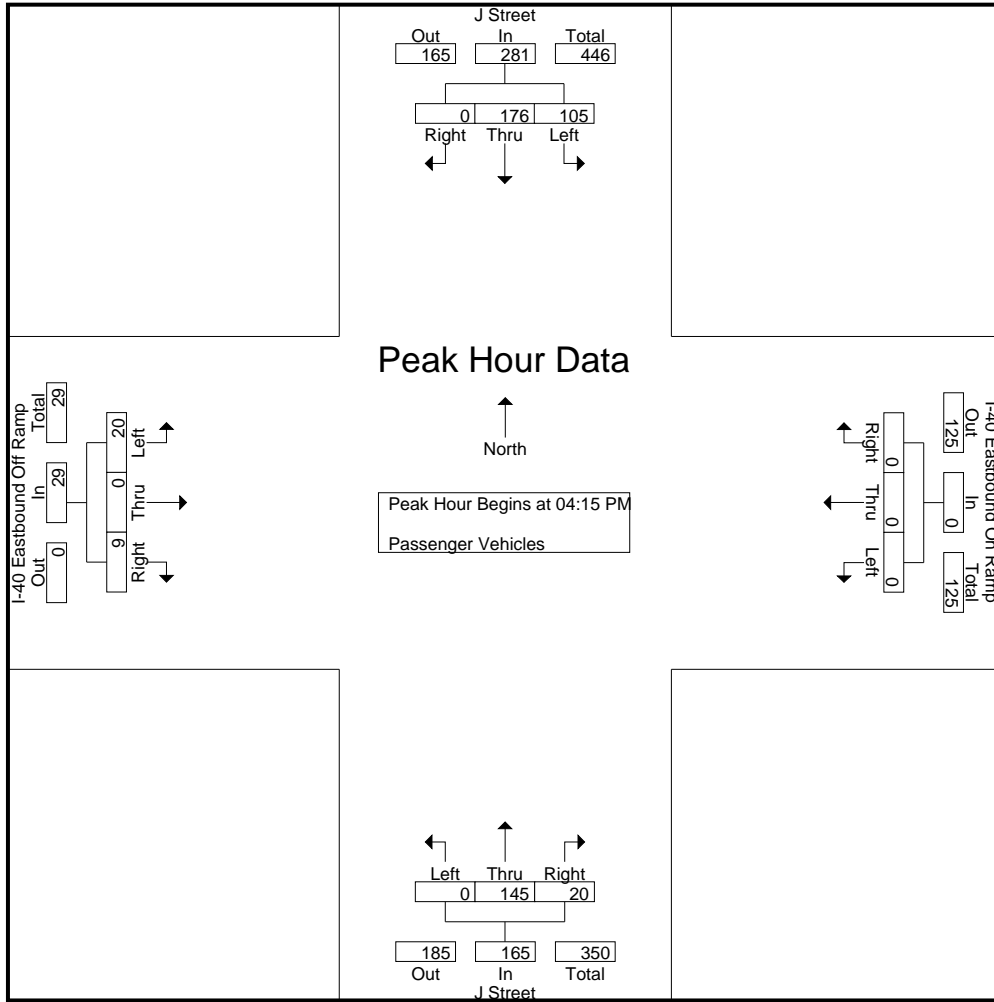
Start Time	J Street Southbound				I-40 Eastbound On Ramp Westbound				J Street Northbound				I-40 Eastbound Off Ramp Eastbound				Int. Total
	Left	Thru	Right	App. Total	Left	Thru	Right	App. Total	Left	Thru	Right	App. Total	Left	Thru	Right	App. Total	
04:15 PM	32	43	0	75	0	0	0	0	0	38	6	44	6	0	1	7	126
04:30 PM	27	43	0	70	0	0	0	0	0	36	7	43	5	0	2	7	120
04:45 PM	18	40	0	58	0	0	0	0	0	35	2	37	6	0	4	10	105
05:00 PM	28	50	0	78	0	0	0	0	0	36	5	41	3	0	2	5	124
Total Volume	105	176	0	281	0	0	0	0	0	145	20	165	20	0	9	29	475
% App. Total	37.4	62.6	0		0	0	0		0	87.9	12.1		69	0	31		
PHF	.820	.880	.000	.901	.000	.000	.000	.000	.000	.954	.714	.938	.833	.000	.563	.725	.942

Peak Hour Analysis From 04:15 PM to 05:00 PM - Peak 1 of 1

Peak Hour for Entire Intersection Begins at 04:15 PM

City of Needles
 N/S: J Street
 E/W: I-40 Eastbound Ramps
 Weather: Clear

File Name : 10_NDL_J St_40E PM
 Site Code : 16621325
 Start Date : 7/15/2021
 Page No : 2



Peak Hour Analysis From 04:15 PM to 05:00 PM - Peak 1 of 1
 Peak Hour for Each Approach Begins at:

	04:15 PM				04:15 PM				04:15 PM				04:15 PM			
+0 mins.	32	43	0	75	0	0	0	0	0	38	6	44	6	0	1	7
+15 mins.	27	43	0	70	0	0	0	0	0	36	7	43	5	0	2	7
+30 mins.	18	40	0	58	0	0	0	0	0	35	2	37	6	0	4	10
+45 mins.	28	50	0	78	0	0	0	0	0	36	5	41	3	0	2	5
Total Volume	105	176	0	281	0	0	0	0	0	145	20	165	20	0	9	29
% App. Total	37.4	62.6	0		0	0	0		0	87.9	12.1		69	0	31	
PHF	.820	.880	.000	.901	.000	.000	.000	.000	.000	.954	.714	.938	.833	.000	.563	.725

City of Needles
 N/S: J Street
 E/W: I-40 Eastbound Ramps
 Weather: Clear

File Name : 10_NDL_J St_40E PM
 Site Code : 16621325
 Start Date : 7/15/2021
 Page No : 1

Groups Printed- Trucks

Start Time	J Street Southbound				I-40 Eastbound On Ramp Westbound				J Street Northbound				I-40 Eastbound Off Ramp Eastbound				Int. Total
	Left	Thru	Right	App. Total	Left	Thru	Right	App. Total	Left	Thru	Right	App. Total	Left	Thru	Right	App. Total	
04:00 PM	4	3	0	7	0	0	0	0	0	1	0	1	0	0	0	0	8
04:15 PM	4	2	0	6	0	0	0	0	0	0	0	0	0	0	0	0	6
04:30 PM	2	0	0	2	0	0	0	0	0	3	0	3	0	0	0	0	5
04:45 PM	1	0	0	1	0	0	0	0	0	0	0	0	0	0	0	0	1
Total	11	5	0	16	0	0	0	0	0	4	0	4	0	0	0	0	20
05:00 PM	1	0	0	1	0	0	0	0	0	0	0	0	1	0	0	1	2
05:15 PM	0	1	0	1	0	0	0	0	0	0	0	0	1	0	0	1	2
05:30 PM	0	0	0	0	0	0	0	0	0	2	0	2	0	0	0	0	2
05:45 PM	1	0	0	1	0	0	0	0	0	0	0	0	0	0	1	1	2
Total	2	1	0	3	0	0	0	0	0	2	0	2	2	0	1	3	8
Grand Total	13	6	0	19	0	0	0	0	0	6	0	6	2	0	1	3	28
Apprch %	68.4	31.6	0		0	0	0		0	100	0		66.7	0	33.3		
Total %	46.4	21.4	0	67.9	0	0	0	0	0	21.4	0	21.4	7.1	0	3.6	10.7	

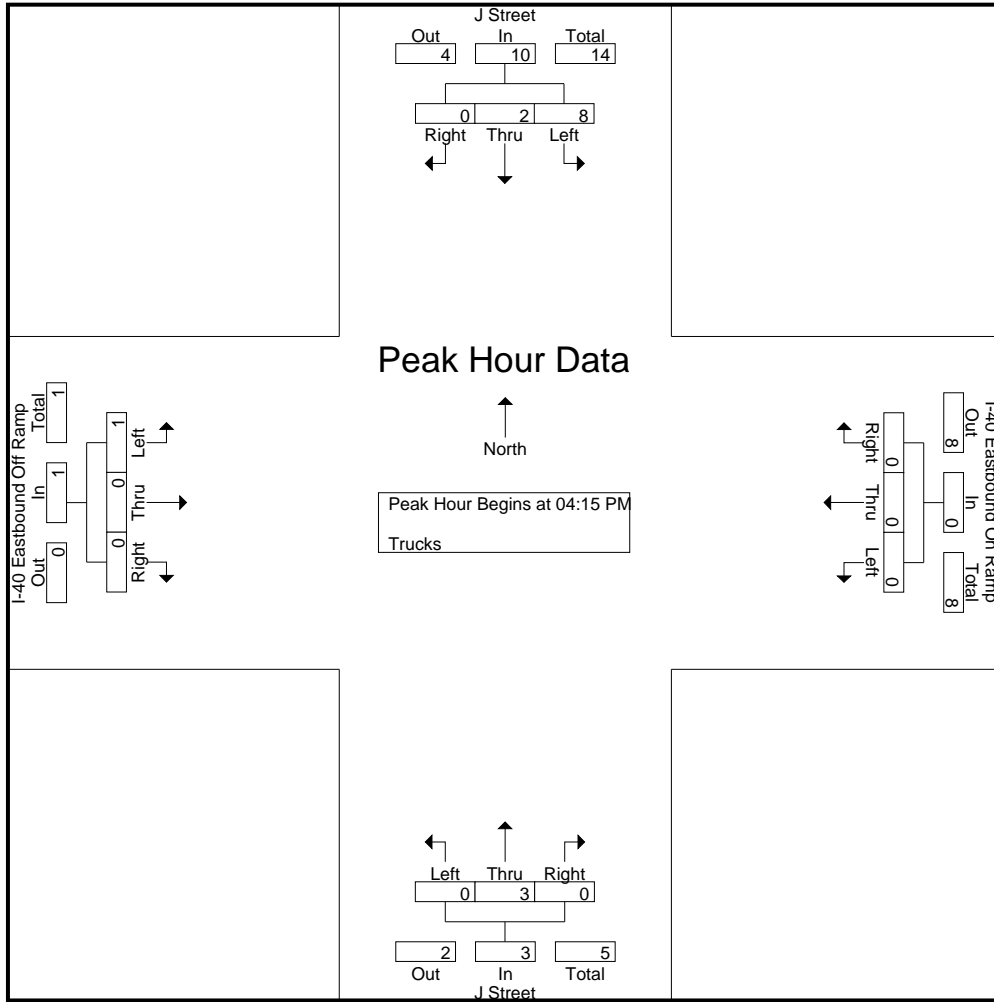
Start Time	J Street Southbound				I-40 Eastbound On Ramp Westbound				J Street Northbound				I-40 Eastbound Off Ramp Eastbound				Int. Total
	Left	Thru	Right	App. Total	Left	Thru	Right	App. Total	Left	Thru	Right	App. Total	Left	Thru	Right	App. Total	
04:15 PM	4	2	0	6	0	0	0	0	0	0	0	0	0	0	0	0	6
04:30 PM	2	0	0	2	0	0	0	0	0	3	0	3	0	0	0	0	5
04:45 PM	1	0	0	1	0	0	0	0	0	0	0	0	0	0	0	0	1
05:00 PM	1	0	0	1	0	0	0	0	0	0	0	0	1	0	0	1	2
Total Volume	8	2	0	10	0	0	0	0	0	3	0	3	1	0	0	1	14
% App. Total	80	20	0		0	0	0		0	100	0		100	0	0		
PHF	.500	.250	.000	.417	.000	.000	.000	.000	.000	.250	.000	.250	.250	.000	.000	.250	.583

Peak Hour Analysis From 04:15 PM to 05:00 PM - Peak 1 of 1

Peak Hour for Entire Intersection Begins at 04:15 PM

City of Needles
 N/S: J Street
 E/W: I-40 Eastbound Ramps
 Weather: Clear

File Name : 10_NDL_J St_40E PM
 Site Code : 16621325
 Start Date : 7/15/2021
 Page No : 2



Peak Hour Analysis From 04:15 PM to 05:00 PM - Peak 1 of 1
 Peak Hour for Each Approach Begins at:

	04:15 PM				04:15 PM				04:15 PM				04:15 PM			
+0 mins.	4	2	0	6	0	0	0	0	0	0	0	0	0	0	0	0
+15 mins.	2	0	0	2	0	0	0	0	0	3	0	3	0	0	0	0
+30 mins.	1	0	0	1	0	0	0	0	0	0	0	0	0	0	0	0
+45 mins.	1	0	0	1	0	0	0	0	0	0	0	0	1	0	0	1
Total Volume	8	2	0	10	0	0	0	0	0	3	0	3	1	0	0	1
% App. Total	80	20	0		0	0	0		0	100	0		100	0	0	
PHF	.500	.250	.000	.417	.000	.000	.000	.000	.000	.250	.000	.250	.250	.000	.000	.250

City of Needles
 N/S: J Street
 E/W: I-40 Eastbound Ramps
 Weather: Clear

File Name : 10_NDL_J St_40E PM
 Site Code : 16621325
 Start Date : 7/15/2021
 Page No : 1

Groups Printed- Buses

Start Time	J Street Southbound				I-40 Eastbound On Ramp Westbound				J Street Northbound				I-40 Eastbound Off Ramp Eastbound				Int. Total		
	Left	Thru	Right	App. Total	Left	Thru	Right	App. Total	Left	Thru	Right	App. Total	Left	Thru	Right	App. Total			
04:00 PM	0	0	0	0	0	0	0	0	0	0	0	0	0	0	0	0	0	0	
04:15 PM	0	0	0	0	0	0	0	0	0	0	0	1	1	0	0	0	0	0	1
04:30 PM	0	0	0	0	0	0	0	0	0	0	0	0	0	0	0	0	0	0	0
04:45 PM	0	0	0	0	0	0	0	0	0	0	0	0	0	0	0	0	0	0	0
Total	0	0	0	0	0	0	0	0	0	0	0	1	1	0	0	0	0	0	1
05:00 PM	0	0	0	0	0	0	0	0	0	0	0	0	0	0	0	0	0	0	0
05:15 PM	0	0	0	0	0	0	0	0	0	0	0	1	1	0	0	0	0	0	1
05:30 PM	0	0	0	0	0	0	0	0	0	0	0	0	0	0	0	0	0	0	0
05:45 PM	0	0	0	0	0	0	0	0	0	0	0	0	0	0	0	0	0	0	0
Total	0	0	0	0	0	0	0	0	0	0	0	1	1	0	0	0	0	0	1
Grand Total	0	0	0	0	0	0	0	0	0	0	0	2	2	0	0	0	0	0	2
Apprch %	0	0	0	0	0	0	0	0	0	0	0	100	100	0	0	0	0	0	0
Total %	0	0	0	0	0	0	0	0	0	0	0	100	100	0	0	0	0	0	0

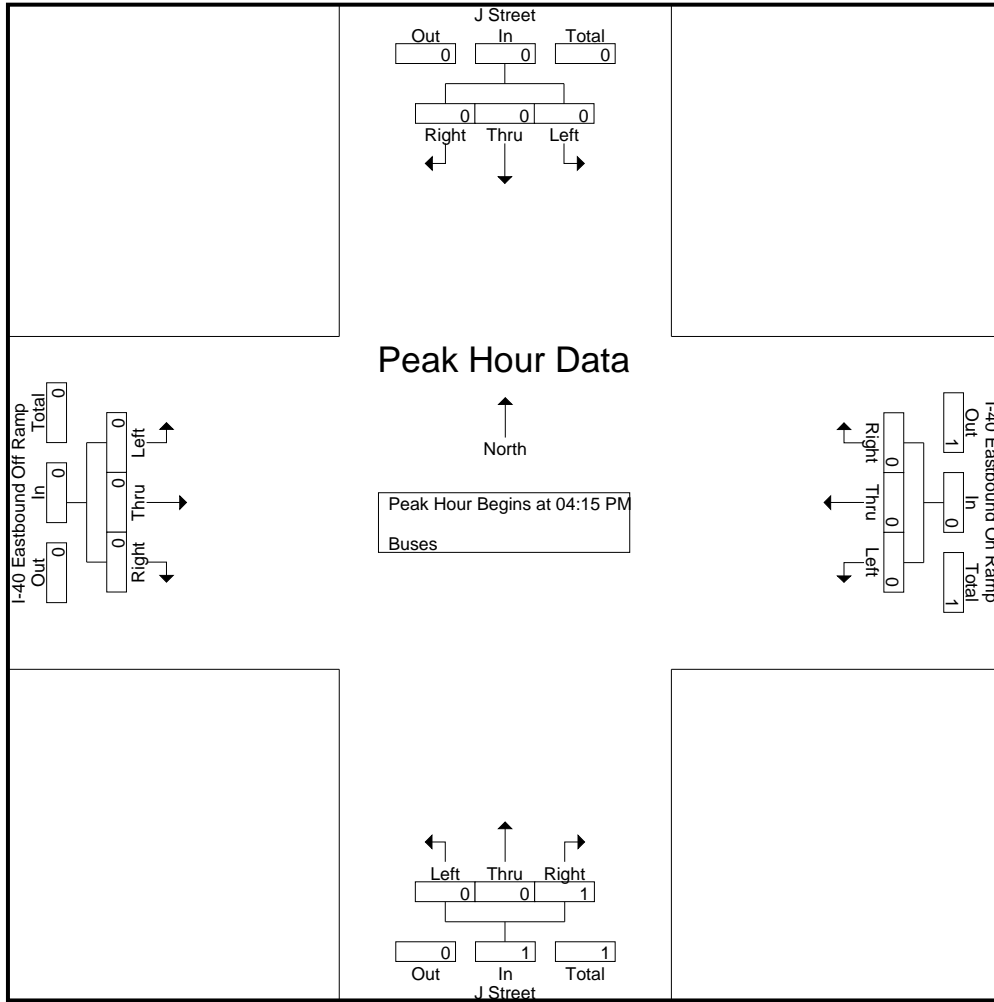
Start Time	J Street Southbound				I-40 Eastbound On Ramp Westbound				J Street Northbound				I-40 Eastbound Off Ramp Eastbound				Int. Total		
	Left	Thru	Right	App. Total	Left	Thru	Right	App. Total	Left	Thru	Right	App. Total	Left	Thru	Right	App. Total			
04:15 PM	0	0	0	0	0	0	0	0	0	0	0	1	1	0	0	0	0	0	1
04:30 PM	0	0	0	0	0	0	0	0	0	0	0	0	0	0	0	0	0	0	0
04:45 PM	0	0	0	0	0	0	0	0	0	0	0	0	0	0	0	0	0	0	0
05:00 PM	0	0	0	0	0	0	0	0	0	0	0	0	0	0	0	0	0	0	0
Total Volume	0	0	0	0	0	0	0	0	0	0	0	1	1	0	0	0	0	0	1
% App. Total	0	0	0	0	0	0	0	0	0	0	0	100	100	0	0	0	0	0	0
PHF	.000	.000	.000	.000	.000	.000	.000	.000	.000	.000	.000	.250	.250	.000	.000	.000	.000	.000	.250

Peak Hour Analysis From 04:15 PM to 05:00 PM - Peak 1 of 1

Peak Hour for Entire Intersection Begins at 04:15 PM

City of Needles
 N/S: J Street
 E/W: I-40 Eastbound Ramps
 Weather: Clear

File Name : 10_NDL_J St_40E PM
 Site Code : 16621325
 Start Date : 7/15/2021
 Page No : 2



Peak Hour Analysis From 04:15 PM to 05:00 PM - Peak 1 of 1
 Peak Hour for Each Approach Begins at:

	04:15 PM				04:15 PM				04:15 PM				04:15 PM			
+0 mins.	0	0	0	0	0	0	0	0	0	0	1	1	0	0	0	0
+15 mins.	0	0	0	0	0	0	0	0	0	0	0	0	0	0	0	0
+30 mins.	0	0	0	0	0	0	0	0	0	0	0	0	0	0	0	0
+45 mins.	0	0	0	0	0	0	0	0	0	0	0	0	0	0	0	0
Total Volume	0	0	0	0	0	0	0	0	0	0	1	1	0	0	0	0
% App. Total	0	0	0	0	0	0	0	0	0	0	100	100	0	0	0	0
PHF	.000	.000	.000	.000	.000	.000	.000	.000	.000	.000	.250	.250	.000	.000	.000	.000

City of Needles
 N/S: J Street
 E/W: I-40 Eastbound Ramps
 Weather: Clear

File Name : 10_NDL_J St_40E SAT
 Site Code : 16621325
 Start Date : 7/17/2021
 Page No : 1

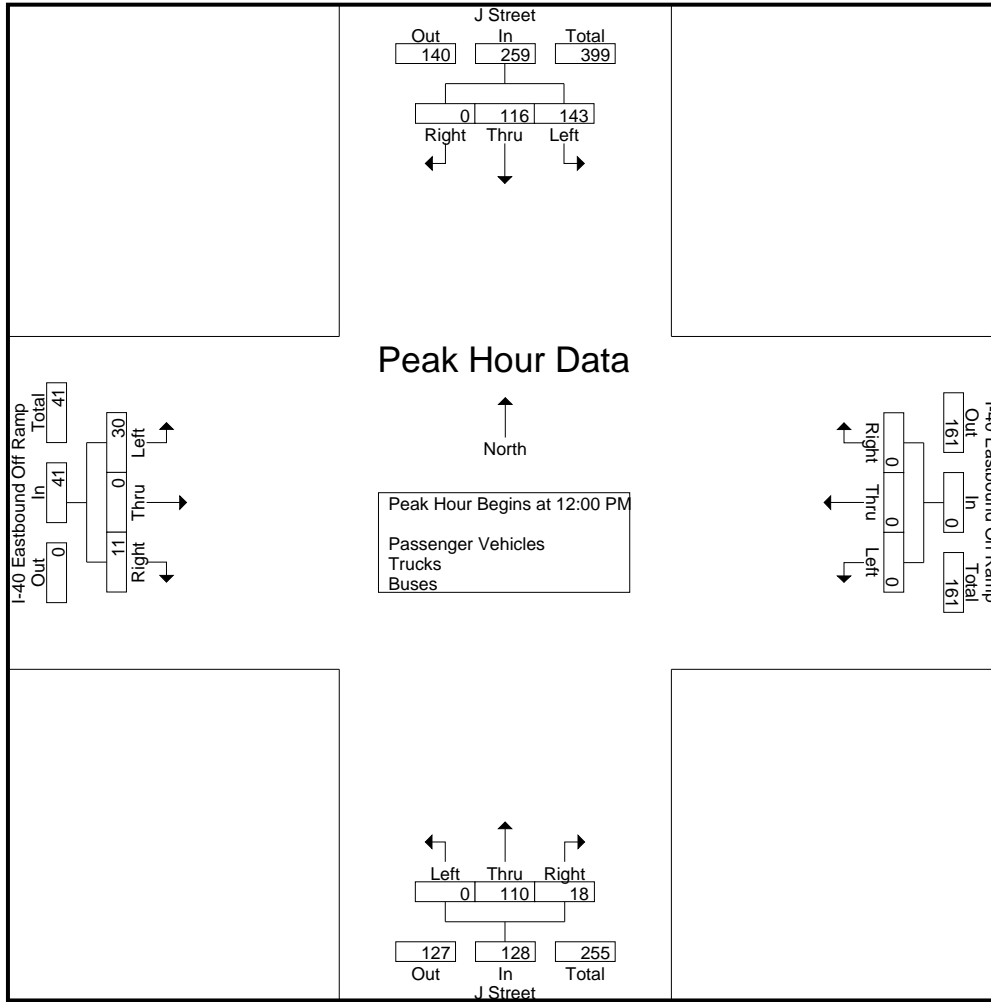
Groups Printed- Passenger Vehicles - Trucks - Buses

Start Time	J Street Southbound				I-40 Eastbound On Ramp Westbound				J Street Northbound				I-40 Eastbound Off Ramp Eastbound				Int. Total
	Left	Thru	Right	App. Total	Left	Thru	Right	App. Total	Left	Thru	Right	App. Total	Left	Thru	Right	App. Total	
12:00 PM	40	35	0	75	0	0	0	0	0	32	5	37	8	0	2	10	122
12:15 PM	33	26	0	59	0	0	0	0	0	23	4	27	8	0	2	10	96
12:30 PM	29	33	0	62	0	0	0	0	0	24	4	28	6	0	3	9	99
12:45 PM	41	22	0	63	0	0	0	0	0	31	5	36	8	0	4	12	111
Total	143	116	0	259	0	0	0	0	0	110	18	128	30	0	11	41	428
01:00 PM	29	30	0	59	0	0	0	0	0	25	9	34	10	1	1	12	105
01:15 PM	34	24	0	58	0	0	0	0	0	19	1	20	10	0	0	10	88
01:30 PM	34	19	0	53	0	0	0	0	0	26	2	28	7	0	1	8	89
01:45 PM	26	22	0	48	0	0	0	0	0	19	2	21	12	0	2	14	83
Total	123	95	0	218	0	0	0	0	0	89	14	103	39	1	4	44	365
Grand Total	266	211	0	477	0	0	0	0	0	199	32	231	69	1	15	85	793
Apprch %	55.8	44.2	0		0	0	0		0	86.1	13.9		81.2	1.2	17.6		
Total %	33.5	26.6	0	60.2	0	0	0	0	0	25.1	4	29.1	8.7	0.1	1.9	10.7	
Passenger Vehicles	259	210	0	469	0	0	0	0	0	198	30	228	64	0	14	78	775
% Passenger Vehicles	97.4	99.5	0	98.3	0	0	0	0	0	99.5	93.8	98.7	92.8	0	93.3	91.8	97.7
Trucks	7	1	0	8	0	0	0	0	0	1	0	1	5	1	1	7	16
% Trucks	2.6	0.5	0	1.7	0	0	0	0	0	0.5	0	0.4	7.2	100	6.7	8.2	2
Buses	0	0	0	0	0	0	0	0	0	0	2	2	0	0	0	0	2
% Buses	0	0	0	0	0	0	0	0	0	0	6.2	0.9	0	0	0	0	0.3

Start Time	J Street Southbound				I-40 Eastbound On Ramp Westbound				J Street Northbound				I-40 Eastbound Off Ramp Eastbound				Int. Total
	Left	Thru	Right	App. Total	Left	Thru	Right	App. Total	Left	Thru	Right	App. Total	Left	Thru	Right	App. Total	
Peak Hour Analysis From 12:00 PM to 01:45 PM - Peak 1 of 1																	
Peak Hour for Entire Intersection Begins at 12:00 PM																	
12:00 PM	40	35	0	75	0	0	0	0	0	32	5	37	8	0	2	10	122
12:15 PM	33	26	0	59	0	0	0	0	0	23	4	27	8	0	2	10	96
12:30 PM	29	33	0	62	0	0	0	0	0	24	4	28	6	0	3	9	99
12:45 PM	41	22	0	63	0	0	0	0	0	31	5	36	8	0	4	12	111
Total Volume	143	116	0	259	0	0	0	0	0	110	18	128	30	0	11	41	428
% App. Total	55.2	44.8	0		0	0	0		0	85.9	14.1		73.2	0	26.8		
PHF	.872	.829	.000	.863	.000	.000	.000	.000	.000	.859	.900	.865	.938	.000	.688	.854	.877

City of Needles
 N/S: J Street
 E/W: I-40 Eastbound Ramps
 Weather: Clear

File Name : 10_NDL_J St_40E SAT
 Site Code : 16621325
 Start Date : 7/17/2021
 Page No : 2



Peak Hour Analysis From 12:00 PM to 01:45 PM - Peak 1 of 1
 Peak Hour for Each Approach Begins at:

	12:00 PM				12:00 PM				12:00 PM				01:00 PM			
+0 mins.	40	35	0	75	0	0	0	0	0	32	5	37	10	1	1	12
+15 mins.	33	26	0	59	0	0	0	0	0	23	4	27	10	0	0	10
+30 mins.	29	33	0	62	0	0	0	0	0	24	4	28	7	0	1	8
+45 mins.	41	22	0	63	0	0	0	0	0	31	5	36	12	0	2	14
Total Volume	143	116	0	259	0	0	0	0	0	110	18	128	39	1	4	44
% App. Total	55.2	44.8	0		0	0	0		0	85.9	14.1		88.6	2.3	9.1	
PHF	.872	.829	.000	.863	.000	.000	.000	.000	.000	.859	.900	.865	.813	.250	.500	.786

City of Needles
 N/S: J Street
 E/W: I-40 Eastbound Ramps
 Weather: Clear

File Name : 10_NDL_J St_40E SAT
 Site Code : 16621325
 Start Date : 7/17/2021
 Page No : 1

Groups Printed- Passenger Vehicles

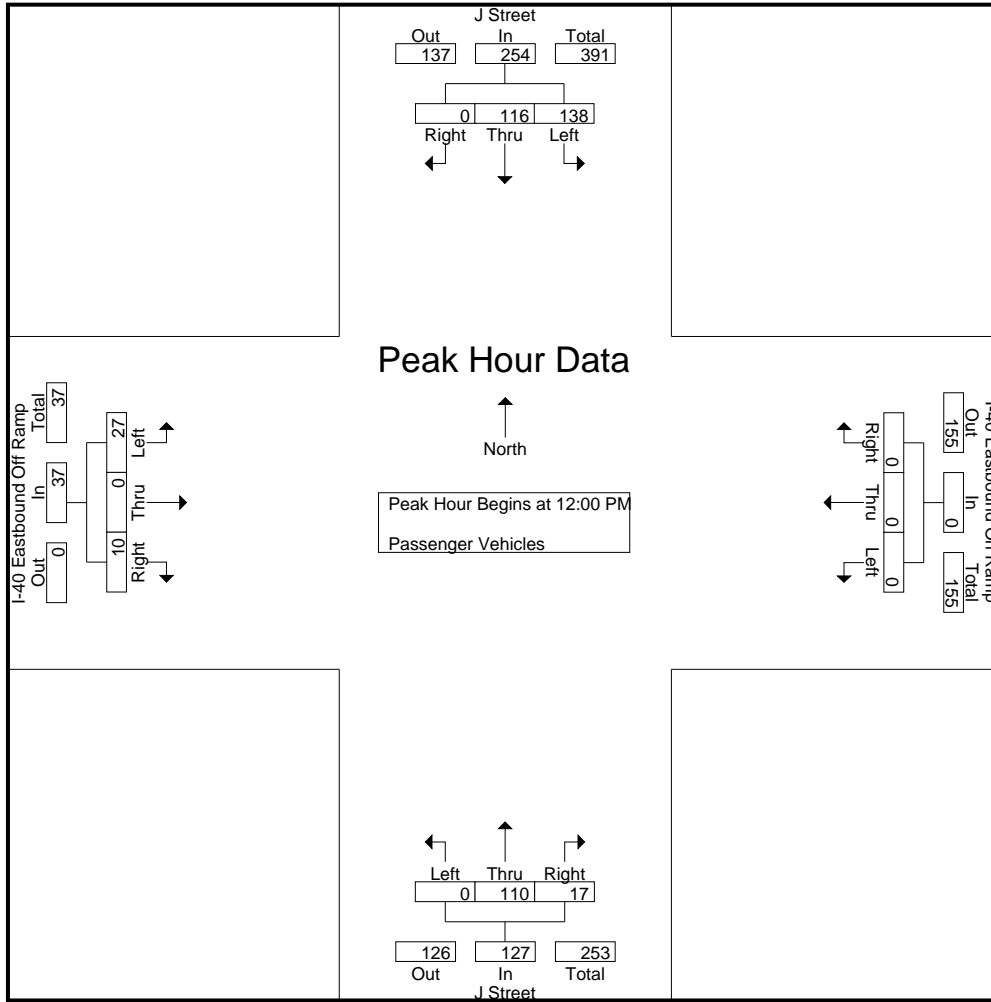
Start Time	J Street Southbound				I-40 Eastbound On Ramp Westbound				J Street Northbound				I-40 Eastbound Off Ramp Eastbound				Int. Total
	Left	Thru	Right	App. Total	Left	Thru	Right	App. Total	Left	Thru	Right	App. Total	Left	Thru	Right	App. Total	
12:00 PM	40	35	0	75	0	0	0	0	0	32	5	37	7	0	2	9	121
12:15 PM	31	26	0	57	0	0	0	0	0	23	3	26	8	0	2	10	93
12:30 PM	29	33	0	62	0	0	0	0	0	24	4	28	6	0	2	8	98
12:45 PM	38	22	0	60	0	0	0	0	0	31	5	36	6	0	4	10	106
Total	138	116	0	254	0	0	0	0	0	110	17	127	27	0	10	37	418
01:00 PM	27	30	0	57	0	0	0	0	0	25	9	34	9	0	1	10	101
01:15 PM	34	23	0	57	0	0	0	0	0	19	0	19	10	0	0	10	86
01:30 PM	34	19	0	53	0	0	0	0	0	26	2	28	7	0	1	8	89
01:45 PM	26	22	0	48	0	0	0	0	0	18	2	20	11	0	2	13	81
Total	121	94	0	215	0	0	0	0	0	88	13	101	37	0	4	41	357
Grand Total	259	210	0	469	0	0	0	0	0	198	30	228	64	0	14	78	775
Apprch %	55.2	44.8	0		0	0	0		0	86.8	13.2		82.1	0	17.9		
Total %	33.4	27.1	0	60.5	0	0	0		0	25.5	3.9	29.4	8.3	0	1.8	10.1	

Start Time	J Street Southbound				I-40 Eastbound On Ramp Westbound				J Street Northbound				I-40 Eastbound Off Ramp Eastbound				Int. Total
	Left	Thru	Right	App. Total	Left	Thru	Right	App. Total	Left	Thru	Right	App. Total	Left	Thru	Right	App. Total	
12:00 PM	40	35	0	75	0	0	0	0	0	32	5	37	7	0	2	9	121
12:15 PM	31	26	0	57	0	0	0	0	0	23	3	26	8	0	2	10	93
12:30 PM	29	33	0	62	0	0	0	0	0	24	4	28	6	0	2	8	98
12:45 PM	38	22	0	60	0	0	0	0	0	31	5	36	6	0	4	10	106
Total Volume	138	116	0	254	0	0	0	0	0	110	17	127	27	0	10	37	418
% App. Total	54.3	45.7	0		0	0	0		0	86.6	13.4		73	0	27		
PHF	.863	.829	.000	.847	.000	.000	.000	.000	.000	.859	.850	.858	.844	.000	.625	.925	.864

Peak Hour Analysis From 12:00 PM to 12:45 PM - Peak 1 of 1
 Peak Hour for Entire Intersection Begins at 12:00 PM

City of Needles
 N/S: J Street
 E/W: I-40 Eastbound Ramps
 Weather: Clear

File Name : 10_NDL_J St_40E SAT
 Site Code : 16621325
 Start Date : 7/17/2021
 Page No : 2



Peak Hour Analysis From 12:00 PM to 12:45 PM - Peak 1 of 1
 Peak Hour for Each Approach Begins at:

	12:00 PM				12:00 PM				12:00 PM				12:00 PM			
+0 mins.	40	35	0	75	0	0	0	0	0	32	5	37	7	0	2	9
+15 mins.	31	26	0	57	0	0	0	0	0	23	3	26	8	0	2	10
+30 mins.	29	33	0	62	0	0	0	0	0	24	4	28	6	0	2	8
+45 mins.	38	22	0	60	0	0	0	0	0	31	5	36	6	0	4	10
Total Volume	138	116	0	254	0	0	0	0	0	110	17	127	27	0	10	37
% App. Total	54.3	45.7	0		0	0	0	0	0	86.6	13.4		73	0	27	
PHF	.863	.829	.000	.847	.000	.000	.000	.000	.000	.859	.850	.858	.844	.000	.625	.925

City of Needles
 N/S: J Street
 E/W: I-40 Eastbound Ramps
 Weather: Clear

File Name : 10_NDL_J St_40E SAT
 Site Code : 16621325
 Start Date : 7/17/2021
 Page No : 1

Groups Printed- Trucks

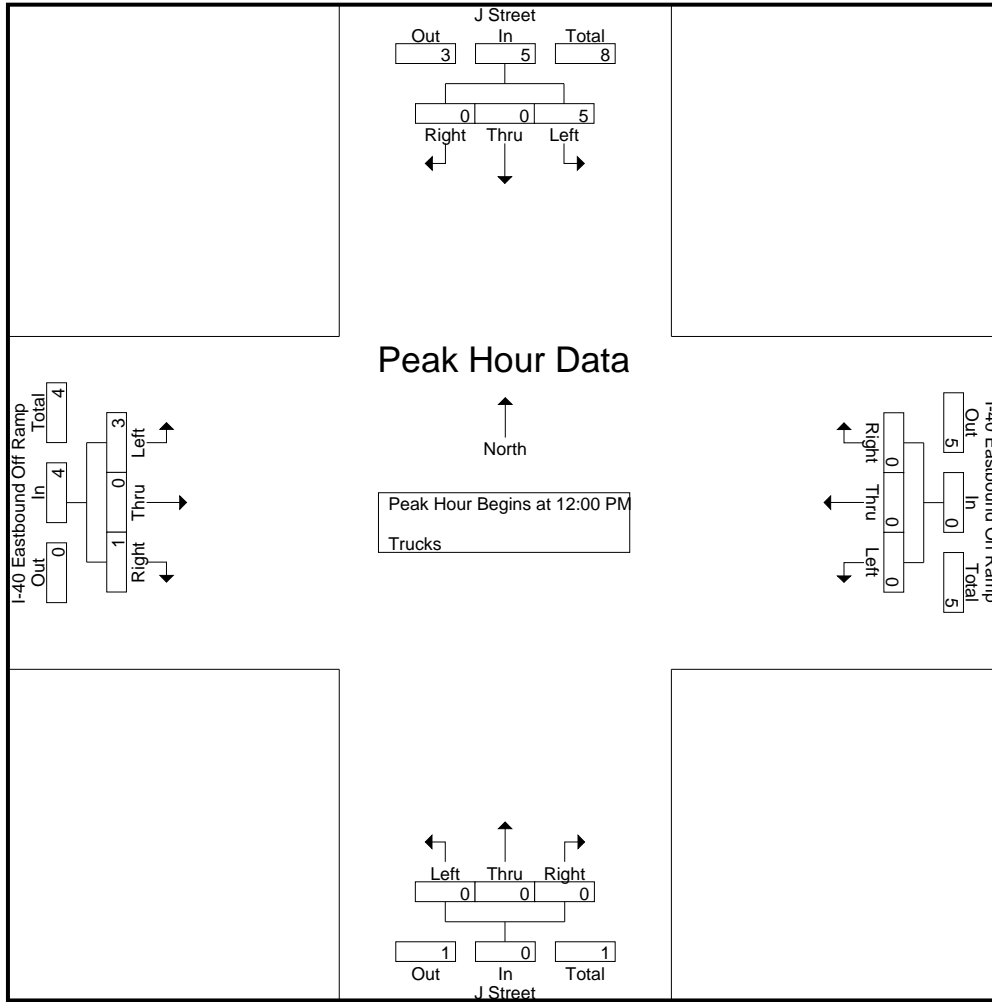
Start Time	J Street Southbound				I-40 Eastbound On Ramp Westbound				J Street Northbound				I-40 Eastbound Off Ramp Eastbound				Int. Total
	Left	Thru	Right	App. Total	Left	Thru	Right	App. Total	Left	Thru	Right	App. Total	Left	Thru	Right	App. Total	
12:00 PM	0	0	0	0	0	0	0	0	0	0	0	0	1	0	0	1	1
12:15 PM	2	0	0	2	0	0	0	0	0	0	0	0	0	0	0	0	2
12:30 PM	0	0	0	0	0	0	0	0	0	0	0	0	0	0	1	1	1
12:45 PM	3	0	0	3	0	0	0	0	0	0	0	0	2	0	0	2	5
Total	5	0	0	5	0	0	0	0	0	0	0	0	3	0	1	4	9
01:00 PM	2	0	0	2	0	0	0	0	0	0	0	0	1	1	0	2	4
01:15 PM	0	1	0	1	0	0	0	0	0	0	0	0	0	0	0	0	1
01:30 PM	0	0	0	0	0	0	0	0	0	0	0	0	0	0	0	0	0
01:45 PM	0	0	0	0	0	0	0	0	0	1	0	1	1	0	0	1	2
Total	2	1	0	3	0	0	0	0	0	1	0	1	2	1	0	3	7
Grand Total	7	1	0	8	0	0	0	0	0	1	0	1	5	1	1	7	16
Apprch %	87.5	12.5	0		0	0	0		0	100	0		71.4	14.3	14.3		
Total %	43.8	6.2	0	50	0	0	0	0	0	6.2	0	6.2	31.2	6.2	6.2	43.8	

Start Time	J Street Southbound				I-40 Eastbound On Ramp Westbound				J Street Northbound				I-40 Eastbound Off Ramp Eastbound				Int. Total
	Left	Thru	Right	App. Total	Left	Thru	Right	App. Total	Left	Thru	Right	App. Total	Left	Thru	Right	App. Total	
12:00 PM	0	0	0	0	0	0	0	0	0	0	0	0	1	0	0	1	1
12:15 PM	2	0	0	2	0	0	0	0	0	0	0	0	0	0	0	0	2
12:30 PM	0	0	0	0	0	0	0	0	0	0	0	0	0	0	1	1	1
12:45 PM	3	0	0	3	0	0	0	0	0	0	0	0	2	0	0	2	5
Total Volume	5	0	0	5	0	0	0	0	0	0	0	0	3	0	1	4	9
% App. Total	100	0	0		0	0	0		0	0	0		75	0	25		
PHF	.417	.000	.000	.417	.000	.000	.000	.000	.000	.000	.000	.000	.375	.000	.250	.500	.450

Peak Hour Analysis From 12:00 PM to 12:45 PM - Peak 1 of 1
 Peak Hour for Entire Intersection Begins at 12:00 PM

City of Needles
 N/S: J Street
 E/W: I-40 Eastbound Ramps
 Weather: Clear

File Name : 10_NDL_J St_40E SAT
 Site Code : 16621325
 Start Date : 7/17/2021
 Page No : 2



Peak Hour Analysis From 12:00 PM to 12:45 PM - Peak 1 of 1
 Peak Hour for Each Approach Begins at:

	12:00 PM				12:00 PM				12:00 PM				12:00 PM			
+0 mins.	0	0	0	0	0	0	0	0	0	0	0	0	1	0	0	1
+15 mins.	2	0	0	2	0	0	0	0	0	0	0	0	0	0	0	0
+30 mins.	0	0	0	0	0	0	0	0	0	0	0	0	0	0	1	1
+45 mins.	3	0	0	3	0	0	0	0	0	0	0	0	2	0	0	2
Total Volume	5	0	0	5	0	0	0	0	0	0	0	0	3	0	1	4
% App. Total	100	0	0		0	0	0		0	0	0		75	0	25	
PHF	.417	.000	.000	.417	.000	.000	.000	.000	.000	.000	.000	.000	.375	.000	.250	.500

City of Needles
 N/S: J Street
 E/W: I-40 Eastbound Ramps
 Weather: Clear

File Name : 10_NDL_J St_40E SAT
 Site Code : 16621325
 Start Date : 7/17/2021
 Page No : 1

Groups Printed- Buses

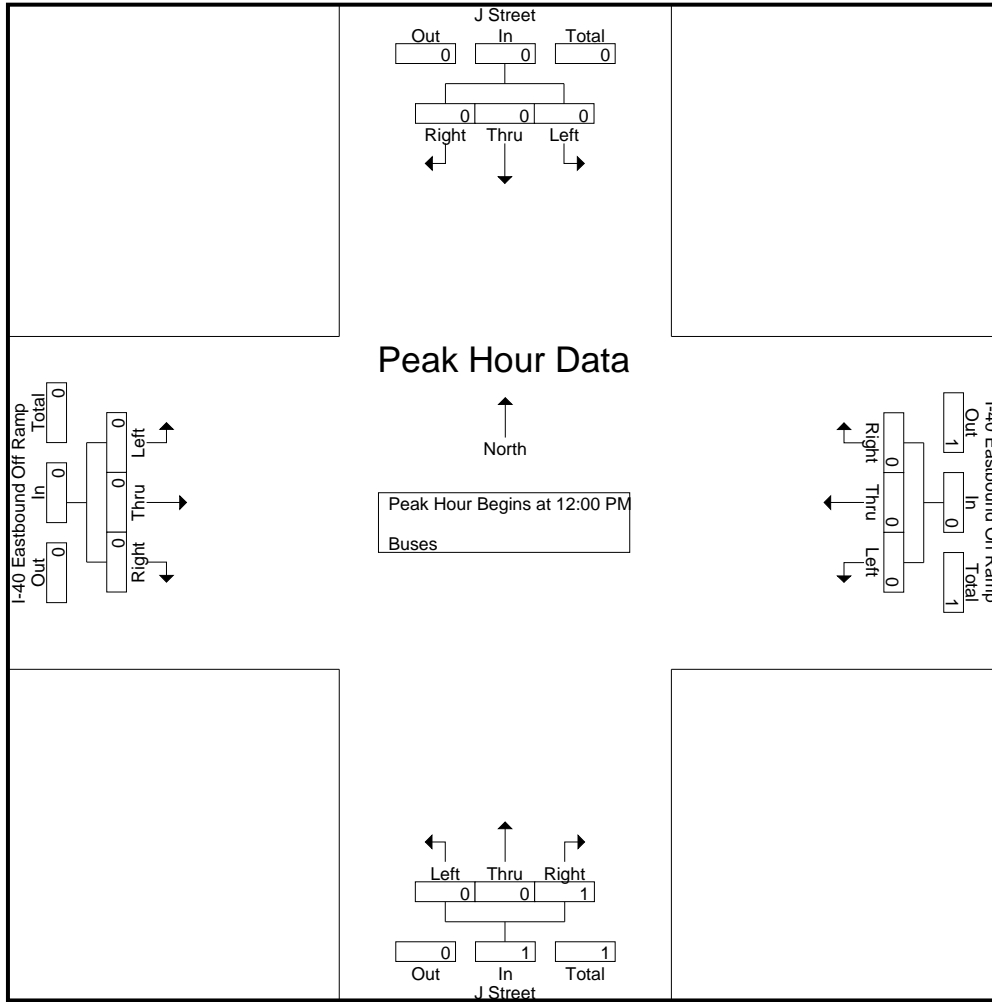
Start Time	J Street Southbound				I-40 Eastbound On Ramp Westbound				J Street Northbound				I-40 Eastbound Off Ramp Eastbound				Int. Total
	Left	Thru	Right	App. Total	Left	Thru	Right	App. Total	Left	Thru	Right	App. Total	Left	Thru	Right	App. Total	
12:00 PM	0	0	0	0	0	0	0	0	0	0	0	0	0	0	0	0	0
12:15 PM	0	0	0	0	0	0	0	0	0	0	1	1	0	0	0	0	1
12:30 PM	0	0	0	0	0	0	0	0	0	0	0	0	0	0	0	0	0
12:45 PM	0	0	0	0	0	0	0	0	0	0	0	0	0	0	0	0	0
Total	0	0	0	0	0	0	0	0	0	0	1	1	0	0	0	0	1
01:00 PM	0	0	0	0	0	0	0	0	0	0	0	0	0	0	0	0	0
01:15 PM	0	0	0	0	0	0	0	0	0	0	1	1	0	0	0	0	1
01:30 PM	0	0	0	0	0	0	0	0	0	0	0	0	0	0	0	0	0
01:45 PM	0	0	0	0	0	0	0	0	0	0	0	0	0	0	0	0	0
Total	0	0	0	0	0	0	0	0	0	0	1	1	0	0	0	0	1
Grand Total	0	0	0	0	0	0	0	0	0	0	2	2	0	0	0	0	2
Apprch %	0	0	0		0	0	0		0	0	100		0	0	0		
Total %	0	0	0		0	0	0		0	0	100	100	0	0	0		

Start Time	J Street Southbound				I-40 Eastbound On Ramp Westbound				J Street Northbound				I-40 Eastbound Off Ramp Eastbound				Int. Total
	Left	Thru	Right	App. Total	Left	Thru	Right	App. Total	Left	Thru	Right	App. Total	Left	Thru	Right	App. Total	
12:00 PM	0	0	0	0	0	0	0	0	0	0	0	0	0	0	0	0	0
12:15 PM	0	0	0	0	0	0	0	0	0	0	1	1	0	0	0	0	1
12:30 PM	0	0	0	0	0	0	0	0	0	0	0	0	0	0	0	0	0
12:45 PM	0	0	0	0	0	0	0	0	0	0	0	0	0	0	0	0	0
Total Volume	0	0	0	0	0	0	0	0	0	0	1	1	0	0	0	0	1
% App. Total	0	0	0		0	0	0		0	0	100		0	0	0		
PHF	.000	.000	.000	.000	.000	.000	.000	.000	.000	.000	.250	.250	.000	.000	.000	.000	.250

Peak Hour Analysis From 12:00 PM to 12:45 PM - Peak 1 of 1
 Peak Hour for Entire Intersection Begins at 12:00 PM

City of Needles
 N/S: J Street
 E/W: I-40 Eastbound Ramps
 Weather: Clear

File Name : 10_NDL_J St_40E SAT
 Site Code : 16621325
 Start Date : 7/17/2021
 Page No : 2



Peak Hour Analysis From 12:00 PM to 12:45 PM - Peak 1 of 1
 Peak Hour for Each Approach Begins at:

	12:00 PM				12:00 PM				12:00 PM				12:00 PM			
+0 mins.	0	0	0	0	0	0	0	0	0	0	0	0	0	0	0	0
+15 mins.	0	0	0	0	0	0	0	0	0	0	1	1	0	0	0	0
+30 mins.	0	0	0	0	0	0	0	0	0	0	0	0	0	0	0	0
+45 mins.	0	0	0	0	0	0	0	0	0	0	0	0	0	0	0	0
Total Volume	0	0	0	0	0	0	0	0	0	0	1	1	0	0	0	0
% App. Total	0	0	0	0	0	0	0	0	0	0	100		0	0	0	0
PHF	.000	.000	.000	.000	.000	.000	.000	.000	.000	.000	.250	.250	.000	.000	.000	.000

Location: Needles
 N/S: J Street
 E/W: I-40 Eastbound Ramps



PEDESTRIANS

Date: 7/15/2021
 Day: Thursday

	North Leg J Street	East Leg I-40 Eastbound Ramps	South Leg J Street	West Leg I-40 Eastbound Ramps	
	Pedestrians	Pedestrians	Pedestrians	Pedestrians	
7:00 AM	0	0	0	0	0
7:15 AM	0	0	0	0	0
7:30 AM	0	1	0	0	1
7:45 AM	0	0	0	0	0
8:00 AM	0	1	0	0	1
8:15 AM	0	2	0	0	2
8:30 AM	0	1	0	0	1
8:45 AM	0	2	0	0	2
TOTAL VOLUMES:	0	7	0	0	7

Date: 7/15/2021
 Day: Thursday

	North Leg J Street	East Leg I-40 Eastbound Ramps	South Leg J Street	West Leg I-40 Eastbound Ramps	
	Pedestrians	Pedestrians	Pedestrians	Pedestrians	
4:00 PM	0	0	0	0	0
4:15 PM	0	1	0	1	2
4:30 PM	0	0	0	1	1
4:45 PM	0	0	0	2	2
5:00 PM	0	0	0	0	0
5:15 PM	0	1	0	0	1
5:30 PM	0	0	0	0	0
5:45 PM	0	0	0	0	0
TOTAL VOLUMES:	0	2	0	4	6

Date: 7/17/2021
 Day: Saturday

	North Leg J Street	East Leg I-40 Eastbound Ramps	South Leg J Street	West Leg I-40 Eastbound Ramps	
	Pedestrians	Pedestrians	Pedestrians	Pedestrians	
12:00 PM	0	1	0	1	2
12:15 PM	0	3	0	0	3
12:30 PM	0	2	0	0	2
12:45 PM	0	0	0	0	0
1:00 PM	0	2	0	0	2
1:15 PM	0	0	0	0	0
1:30 PM	0	2	0	0	2
1:45 PM	0	0	0	0	0
TOTAL VOLUMES:	0	10	0	1	11

Location: Needles
 N/S: J Street
 E/W: I-40 Eastbound Ramps



BICYCLES

Date: 7/15/2021
 Day: Thursday

	Southbound J Street			Westbound I-40 Eastbound Ramps			Northbound J Street			Eastbound I-40 Eastbound Ramps			
	Left	Thru	Right	Left	Thru	Right	Left	Thru	Right	Left	Thru	Right	
7:00 AM	0	0	0	0	0	0	0	0	0	0	0	0	0
7:15 AM	0	0	0	0	0	0	0	0	0	0	0	0	0
7:30 AM	0	0	0	0	0	0	0	0	0	0	0	0	0
7:45 AM	0	0	0	0	0	0	0	0	0	0	0	0	0
8:00 AM	0	0	0	0	0	0	0	0	0	0	0	0	0
8:15 AM	0	0	0	0	0	0	0	0	0	0	0	0	0
8:30 AM	0	0	0	0	0	0	0	0	0	0	0	0	0
8:45 AM	0	1	0	0	0	0	0	1	0	0	0	0	2
TOTAL VOLUMES:	0	1	0	0	0	0	0	1	0	0	0	0	2

Date: 7/15/2021
 Day: Thursday

	Southbound J Street			Westbound I-40 Eastbound Ramps			Northbound J Street			Eastbound I-40 Eastbound Ramps			
	Left	Thru	Right	Left	Thru	Right	Left	Thru	Right	Left	Thru	Right	
4:00 PM	0	0	0	0	0	0	0	0	0	0	0	0	0
4:15 PM	0	0	0	0	0	0	0	0	0	0	0	0	0
4:30 PM	0	0	0	0	0	0	0	0	0	0	0	0	0
4:45 PM	0	0	0	0	0	0	0	0	0	0	0	0	0
5:00 PM	0	0	0	0	0	0	0	0	0	0	0	0	0
5:15 PM	0	0	0	0	0	0	0	0	0	0	0	0	0
5:30 PM	0	0	0	0	0	0	0	0	0	0	0	0	0
5:45 PM	0	0	0	0	0	0	0	0	0	0	0	0	0
TOTAL VOLUMES:	0	0	0	0	0	0	0	0	0	0	0	0	0

Date: 7/17/2021
 Day: Saturday

	Southbound J Street			Westbound I-40 Eastbound Ramps			Northbound J Street			Eastbound I-40 Eastbound Ramps			
	Left	Thru	Right	Left	Thru	Right	Left	Thru	Right	Left	Thru	Right	
12:00 PM	0	0	0	0	0	0	0	0	0	0	0	0	0
12:15 PM	0	0	0	0	0	0	0	0	0	0	0	0	0
12:30 PM	0	0	0	0	0	0	0	0	0	0	0	0	0
12:45 PM	0	0	0	0	0	0	0	0	0	0	0	0	0
1:00 PM	0	0	0	0	0	0	0	0	0	0	0	0	0
1:15 PM	0	0	0	0	0	0	0	0	0	0	0	0	0
1:30 PM	0	0	0	0	0	0	0	0	0	0	0	0	0
1:45 PM	0	0	0	0	0	0	0	0	0	0	0	0	0
TOTAL VOLUMES:	0	0	0	0	0	0	0	0	0	0	0	0	0

City of Needles
 N/S: Bailey Avenue
 E/W: Washington Street
 Weather: Clear

File Name : 11_NDL_Bailey_Wash AM
 Site Code : 16621325
 Start Date : 7/15/2021
 Page No : 1

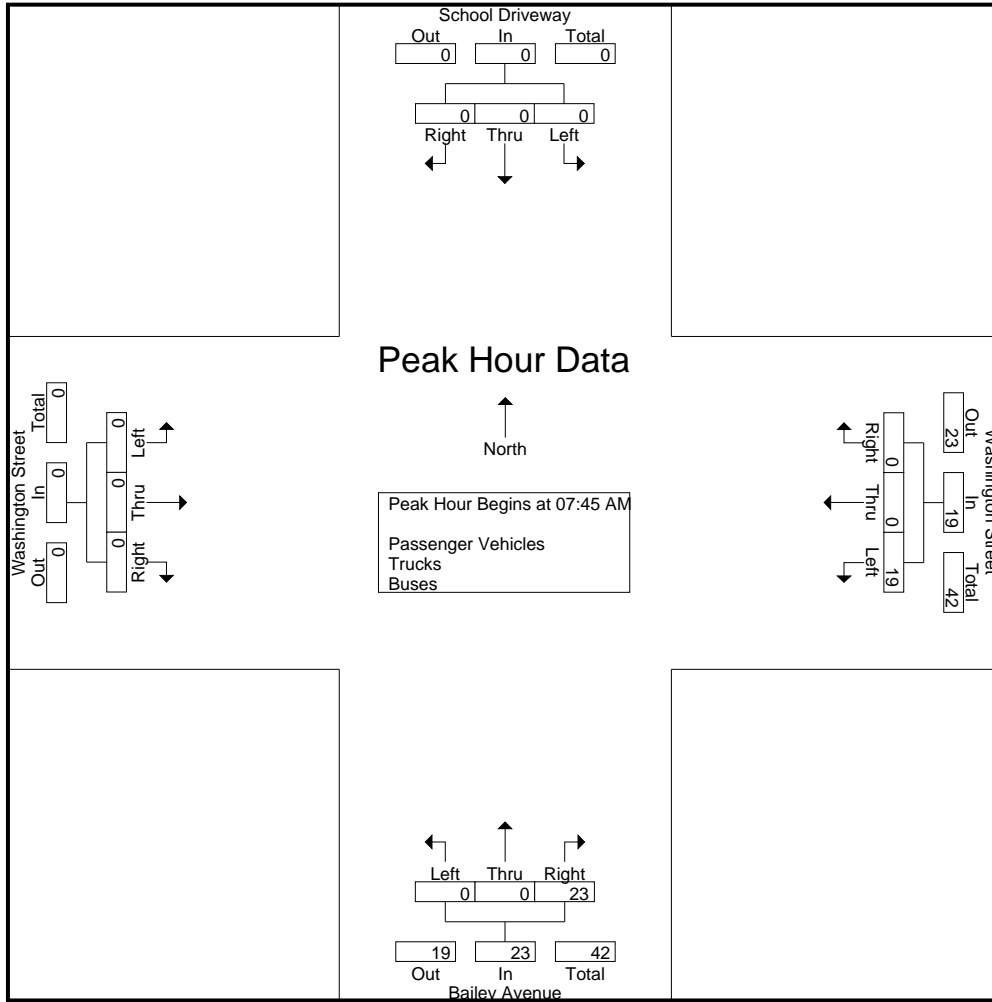
Groups Printed- Passenger Vehicles - Trucks - Buses

Start Time	School Driveway Southbound				Washington Street Westbound				Bailey Avenue Northbound				Washington Street Eastbound				Int. Total
	Left	Thru	Right	App. Total	Left	Thru	Right	App. Total	Left	Thru	Right	App. Total	Left	Thru	Right	App. Total	
07:00 AM	0	0	0	0	0	0	0	0	0	0	4	4	0	0	0	0	4
07:15 AM	0	0	0	0	3	0	0	3	0	0	5	5	0	0	0	0	8
07:30 AM	0	1	0	1	1	0	0	1	0	0	5	5	0	0	0	0	7
07:45 AM	0	0	0	0	8	0	0	8	0	0	6	6	0	0	0	0	14
Total	0	1	0	1	12	0	0	12	0	0	20	20	0	0	0	0	33
08:00 AM	0	0	0	0	3	0	0	3	0	0	7	7	0	0	0	0	10
08:15 AM	0	0	0	0	4	0	0	4	0	0	4	4	0	0	0	0	8
08:30 AM	0	0	0	0	4	0	0	4	0	0	6	6	0	0	0	0	10
08:45 AM	0	0	0	0	0	0	0	0	0	0	8	8	0	0	0	0	8
Total	0	0	0	0	11	0	0	11	0	0	25	25	0	0	0	0	36
Grand Total	0	1	0	1	23	0	0	23	0	0	45	45	0	0	0	0	69
Apprch %	0	100	0		100	0	0		0	0	100		0	0	0		
Total %	0	1.4	0	1.4	33.3	0	0	33.3	0	0	65.2	65.2	0	0	0	0	
Passenger Vehicles	0	1	0	1	23	0	0	23	0	0	45	45	0	0	0	0	69
% Passenger Vehicles	0	100	0	100	100	0	0	100	0	0	100	100	0	0	0	0	100
Trucks	0	0	0	0	0	0	0	0	0	0	0	0	0	0	0	0	0
% Trucks	0	0	0	0	0	0	0	0	0	0	0	0	0	0	0	0	0
Buses	0	0	0	0	0	0	0	0	0	0	0	0	0	0	0	0	0
% Buses	0	0	0	0	0	0	0	0	0	0	0	0	0	0	0	0	0

Start Time	School Driveway Southbound				Washington Street Westbound				Bailey Avenue Northbound				Washington Street Eastbound				Int. Total
	Left	Thru	Right	App. Total	Left	Thru	Right	App. Total	Left	Thru	Right	App. Total	Left	Thru	Right	App. Total	
Peak Hour Analysis From 07:00 AM to 08:45 AM - Peak 1 of 1																	
Peak Hour for Entire Intersection Begins at 07:45 AM																	
07:45 AM	0	0	0	0	8	0	0	8	0	0	6	6	0	0	0	0	14
08:00 AM	0	0	0	0	3	0	0	3	0	0	7	7	0	0	0	0	10
08:15 AM	0	0	0	0	4	0	0	4	0	0	4	4	0	0	0	0	8
08:30 AM	0	0	0	0	4	0	0	4	0	0	6	6	0	0	0	0	10
Total Volume	0	0	0	0	19	0	0	19	0	0	23	23	0	0	0	0	42
% App. Total	0	0	0	0	100	0	0	100	0	0	100	100	0	0	0	0	100
PHF	.000	.000	.000	.000	.594	.000	.000	.594	.000	.000	.821	.821	.000	.000	.000	.000	.750

City of Needles
 N/S: Bailey Avenue
 E/W: Washington Street
 Weather: Clear

File Name : 11_NDL_Bailey_Wash AM
 Site Code : 16621325
 Start Date : 7/15/2021
 Page No : 2



Peak Hour Analysis From 07:00 AM to 08:45 AM - Peak 1 of 1
 Peak Hour for Each Approach Begins at:

	07:00 AM				07:45 AM				08:00 AM				07:00 AM			
+0 mins.	0	0	0	0	8	0	0	8	0	0	7	7	0	0	0	0
+15 mins.	0	0	0	0	3	0	0	3	0	0	4	4	0	0	0	0
+30 mins.	0	1	0	1	4	0	0	4	0	0	6	6	0	0	0	0
+45 mins.	0	0	0	0	4	0	0	4	0	0	8	8	0	0	0	0
Total Volume	0	1	0	1	19	0	0	19	0	0	25	25	0	0	0	0
% App. Total	0	100	0	0	100	0	0	0	0	0	100	0	0	0	0	0
PHF	.000	.250	.000	.250	.594	.000	.000	.594	.000	.000	.781	.781	.000	.000	.000	.000

City of Needles
 N/S: Bailey Avenue
 E/W: Washington Street
 Weather: Clear

File Name : 11_NDL_Bailey_Wash AM
 Site Code : 16621325
 Start Date : 7/15/2021
 Page No : 1

Groups Printed- Passenger Vehicles

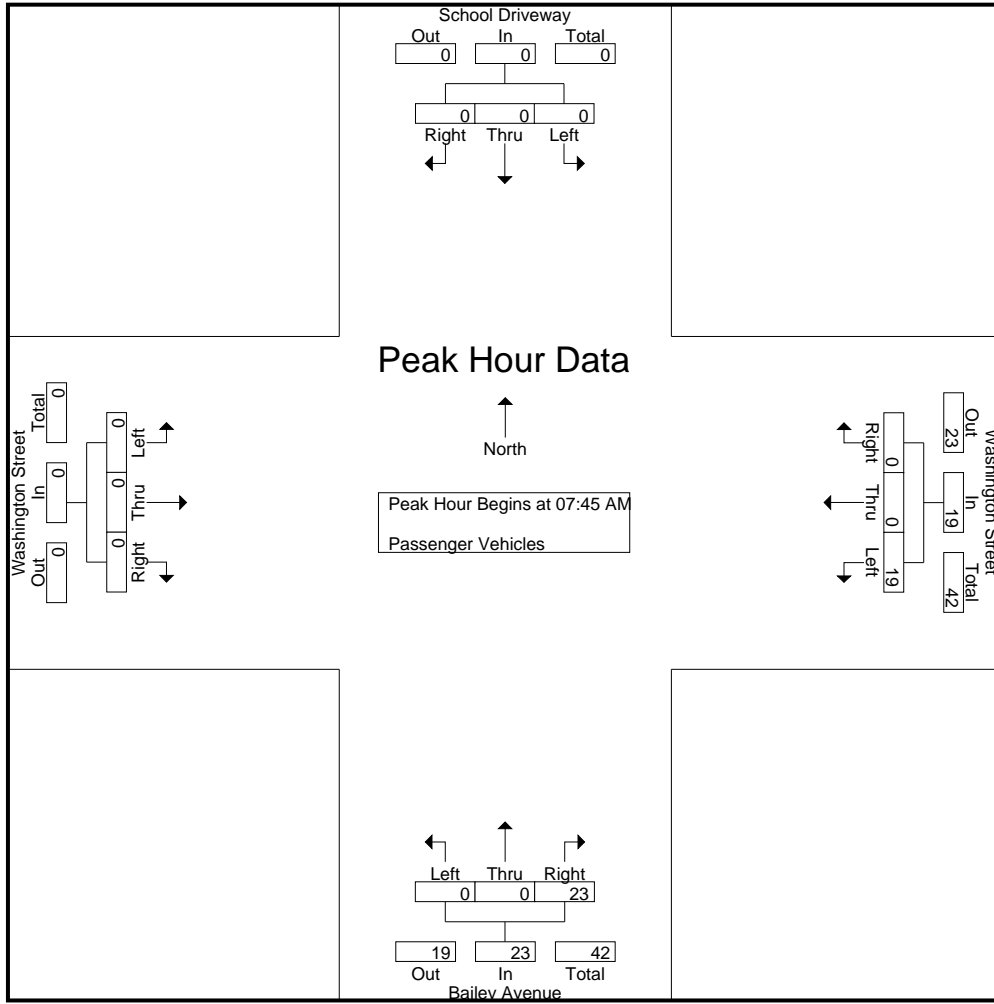
Start Time	School Driveway Southbound				Washington Street Westbound				Bailey Avenue Northbound				Washington Street Eastbound				Int. Total
	Left	Thru	Right	App. Total	Left	Thru	Right	App. Total	Left	Thru	Right	App. Total	Left	Thru	Right	App. Total	
07:00 AM	0	0	0	0	0	0	0	0	0	0	4	4	0	0	0	0	4
07:15 AM	0	0	0	0	3	0	0	3	0	0	5	5	0	0	0	0	8
07:30 AM	0	1	0	1	1	0	0	1	0	0	5	5	0	0	0	0	7
07:45 AM	0	0	0	0	8	0	0	8	0	0	6	6	0	0	0	0	14
Total	0	1	0	1	12	0	0	12	0	0	20	20	0	0	0	0	33
08:00 AM	0	0	0	0	3	0	0	3	0	0	7	7	0	0	0	0	10
08:15 AM	0	0	0	0	4	0	0	4	0	0	4	4	0	0	0	0	8
08:30 AM	0	0	0	0	4	0	0	4	0	0	6	6	0	0	0	0	10
08:45 AM	0	0	0	0	0	0	0	0	0	0	8	8	0	0	0	0	8
Total	0	0	0	0	11	0	0	11	0	0	25	25	0	0	0	0	36
Grand Total	0	1	0	1	23	0	0	23	0	0	45	45	0	0	0	0	69
Apprch %	0	100	0		100	0	0		0	0	100		0	0	0		
Total %	0	1.4	0	1.4	33.3	0	0	33.3	0	0	65.2	65.2	0	0	0	0	

Start Time	School Driveway Southbound				Washington Street Westbound				Bailey Avenue Northbound				Washington Street Eastbound				Int. Total
	Left	Thru	Right	App. Total	Left	Thru	Right	App. Total	Left	Thru	Right	App. Total	Left	Thru	Right	App. Total	
07:45 AM	0	0	0	0	8	0	0	8	0	0	6	6	0	0	0	0	14
08:00 AM	0	0	0	0	3	0	0	3	0	0	7	7	0	0	0	0	10
08:15 AM	0	0	0	0	4	0	0	4	0	0	4	4	0	0	0	0	8
08:30 AM	0	0	0	0	4	0	0	4	0	0	6	6	0	0	0	0	10
Total Volume	0	0	0	0	19	0	0	19	0	0	23	23	0	0	0	0	42
% App. Total	0	0	0		100	0	0		0	0	100		0	0	0		
PHF	.000	.000	.000	.000	.594	.000	.000	.594	.000	.000	.821	.821	.000	.000	.000	.000	.750

Peak Hour Analysis From 07:45 AM to 08:30 AM - Peak 1 of 1
 Peak Hour for Entire Intersection Begins at 07:45 AM

City of Needles
 N/S: Bailey Avenue
 E/W: Washington Street
 Weather: Clear

File Name : 11_NDL_Bailey_Wash AM
 Site Code : 16621325
 Start Date : 7/15/2021
 Page No : 2



Peak Hour Analysis From 07:45 AM to 08:30 AM - Peak 1 of 1
 Peak Hour for Each Approach Begins at:

	07:45 AM				07:45 AM				07:45 AM				07:45 AM			
+0 mins.	0	0	0	0	8	0	0	8	0	0	6	6	0	0	0	0
+15 mins.	0	0	0	0	3	0	0	3	0	0	7	7	0	0	0	0
+30 mins.	0	0	0	0	4	0	0	4	0	0	4	4	0	0	0	0
+45 mins.	0	0	0	0	4	0	0	4	0	0	6	6	0	0	0	0
Total Volume	0	0	0	0	19	0	0	19	0	0	23	23	0	0	0	0
% App. Total	0	0	0	0	100	0	0	100	0	0	100	100	0	0	0	0
PHF	.000	.000	.000	.000	.594	.000	.000	.594	.000	.000	.821	.821	.000	.000	.000	.000

City of Needles
 N/S: Bailey Avenue
 E/W: Washington Street
 Weather: Clear

File Name : 11_NDL_Bailey_Wash AM
 Site Code : 16621325
 Start Date : 7/15/2021
 Page No : 1

Groups Printed- Trucks

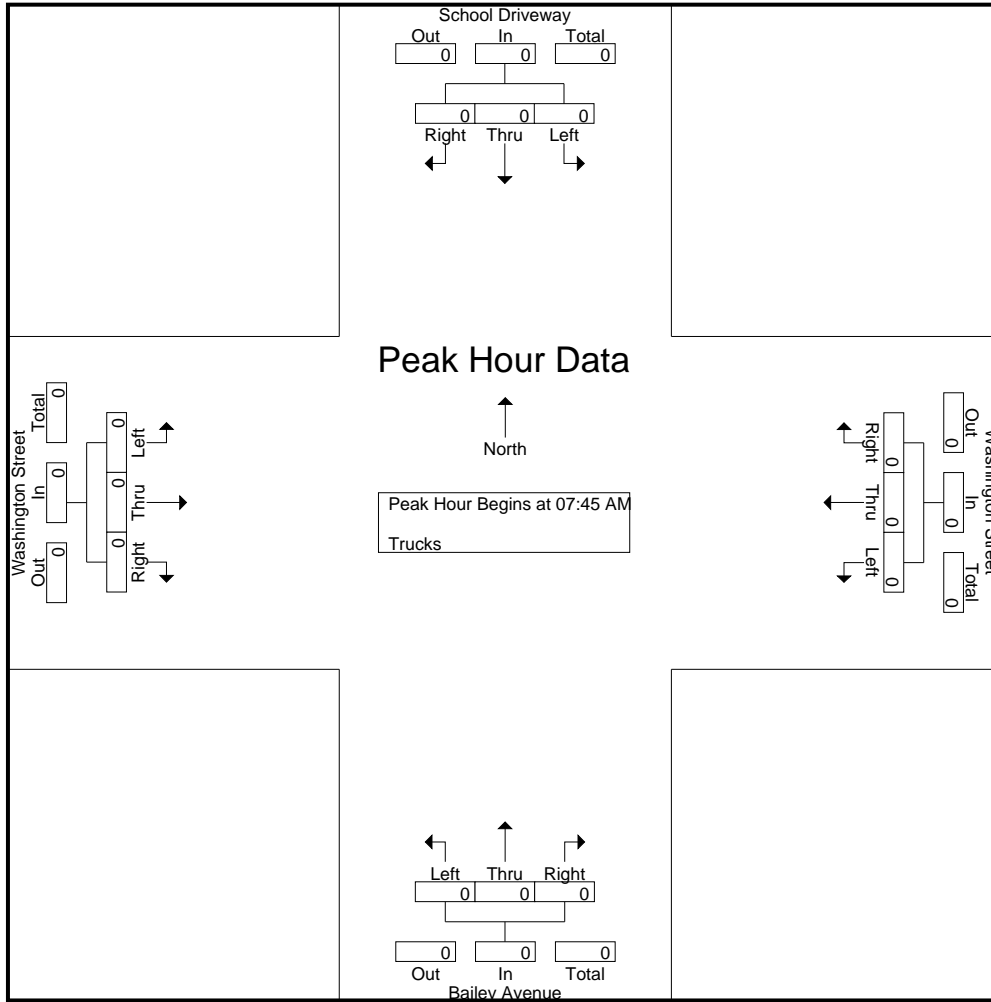
Start Time	School Driveway Southbound				Washington Street Westbound				Bailey Avenue Northbound				Washington Street Eastbound				Int. Total
	Left	Thru	Right	App. Total	Left	Thru	Right	App. Total	Left	Thru	Right	App. Total	Left	Thru	Right	App. Total	
07:00 AM	0	0	0	0	0	0	0	0	0	0	0	0	0	0	0	0	0
07:15 AM	0	0	0	0	0	0	0	0	0	0	0	0	0	0	0	0	0
07:30 AM	0	0	0	0	0	0	0	0	0	0	0	0	0	0	0	0	0
07:45 AM	0	0	0	0	0	0	0	0	0	0	0	0	0	0	0	0	0
Total	0	0	0	0	0	0	0	0	0	0	0	0	0	0	0	0	0
08:00 AM	0	0	0	0	0	0	0	0	0	0	0	0	0	0	0	0	0
08:15 AM	0	0	0	0	0	0	0	0	0	0	0	0	0	0	0	0	0
08:30 AM	0	0	0	0	0	0	0	0	0	0	0	0	0	0	0	0	0
08:45 AM	0	0	0	0	0	0	0	0	0	0	0	0	0	0	0	0	0
Total	0	0	0	0	0	0	0	0	0	0	0	0	0	0	0	0	0
Grand Total	0	0	0	0	0	0	0	0	0	0	0	0	0	0	0	0	0
Apprch %	0	0	0		0	0	0		0	0	0		0	0	0		
Total %																	

Start Time	School Driveway Southbound				Washington Street Westbound				Bailey Avenue Northbound				Washington Street Eastbound				Int. Total
	Left	Thru	Right	App. Total	Left	Thru	Right	App. Total	Left	Thru	Right	App. Total	Left	Thru	Right	App. Total	
07:45 AM	0	0	0	0	0	0	0	0	0	0	0	0	0	0	0	0	0
08:00 AM	0	0	0	0	0	0	0	0	0	0	0	0	0	0	0	0	0
08:15 AM	0	0	0	0	0	0	0	0	0	0	0	0	0	0	0	0	0
08:30 AM	0	0	0	0	0	0	0	0	0	0	0	0	0	0	0	0	0
Total Volume	0	0	0	0	0	0	0	0	0	0	0	0	0	0	0	0	0
% App. Total	0	0	0		0	0	0		0	0	0		0	0	0		
PHF	.000	.000	.000	.000	.000	.000	.000	.000	.000	.000	.000	.000	.000	.000	.000	.000	.000

Peak Hour Analysis From 07:45 AM to 08:30 AM - Peak 1 of 1
 Peak Hour for Entire Intersection Begins at 07:45 AM

City of Needles
 N/S: Bailey Avenue
 E/W: Washington Street
 Weather: Clear

File Name : 11_NDL_Bailey_Wash AM
 Site Code : 16621325
 Start Date : 7/15/2021
 Page No : 2



Peak Hour Analysis From 07:45 AM to 08:30 AM - Peak 1 of 1
 Peak Hour for Each Approach Begins at:

	07:45 AM				07:45 AM				07:45 AM				07:45 AM			
+0 mins.	0	0	0	0	0	0	0	0	0	0	0	0	0	0	0	0
+15 mins.	0	0	0	0	0	0	0	0	0	0	0	0	0	0	0	0
+30 mins.	0	0	0	0	0	0	0	0	0	0	0	0	0	0	0	0
+45 mins.	0	0	0	0	0	0	0	0	0	0	0	0	0	0	0	0
Total Volume	0	0	0	0	0	0	0	0	0	0	0	0	0	0	0	0
% App. Total	0	0	0	0	0	0	0	0	0	0	0	0	0	0	0	0
PHF	.000	.000	.000	.000	.000	.000	.000	.000	.000	.000	.000	.000	.000	.000	.000	.000

City of Needles
 N/S: Bailey Avenue
 E/W: Washington Street
 Weather: Clear

File Name : 11_NDL_Bailey_Wash AM
 Site Code : 16621325
 Start Date : 7/15/2021
 Page No : 1

Groups Printed- Buses

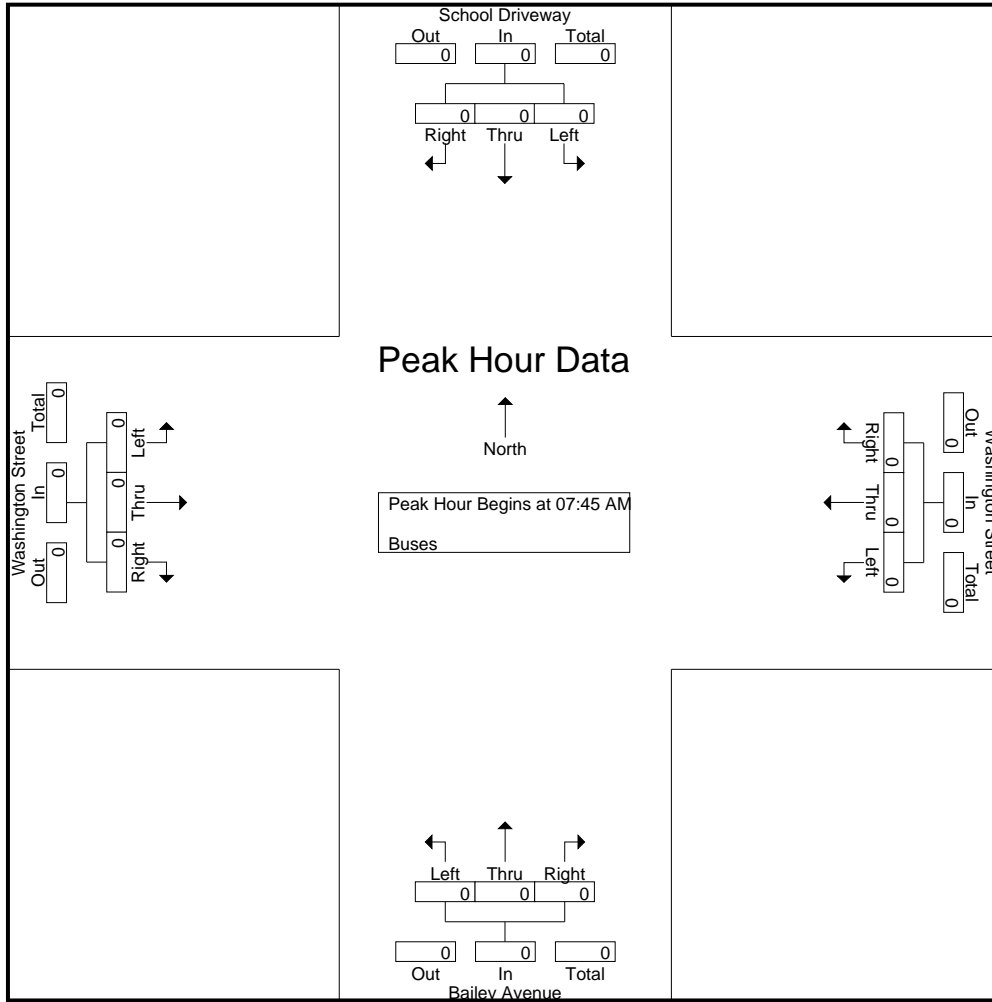
Start Time	School Driveway Southbound				Washington Street Westbound				Bailey Avenue Northbound				Washington Street Eastbound				Int. Total
	Left	Thru	Right	App. Total	Left	Thru	Right	App. Total	Left	Thru	Right	App. Total	Left	Thru	Right	App. Total	
07:00 AM	0	0	0	0	0	0	0	0	0	0	0	0	0	0	0	0	0
07:15 AM	0	0	0	0	0	0	0	0	0	0	0	0	0	0	0	0	0
07:30 AM	0	0	0	0	0	0	0	0	0	0	0	0	0	0	0	0	0
07:45 AM	0	0	0	0	0	0	0	0	0	0	0	0	0	0	0	0	0
Total	0	0	0	0	0	0	0	0	0	0	0	0	0	0	0	0	0
08:00 AM	0	0	0	0	0	0	0	0	0	0	0	0	0	0	0	0	0
08:15 AM	0	0	0	0	0	0	0	0	0	0	0	0	0	0	0	0	0
08:30 AM	0	0	0	0	0	0	0	0	0	0	0	0	0	0	0	0	0
08:45 AM	0	0	0	0	0	0	0	0	0	0	0	0	0	0	0	0	0
Total	0	0	0	0	0	0	0	0	0	0	0	0	0	0	0	0	0
Grand Total	0	0	0	0	0	0	0	0	0	0	0	0	0	0	0	0	0
Apprch %	0	0	0		0	0	0		0	0	0		0	0	0		
Total %																	

Start Time	School Driveway Southbound				Washington Street Westbound				Bailey Avenue Northbound				Washington Street Eastbound				Int. Total
	Left	Thru	Right	App. Total	Left	Thru	Right	App. Total	Left	Thru	Right	App. Total	Left	Thru	Right	App. Total	
07:45 AM	0	0	0	0	0	0	0	0	0	0	0	0	0	0	0	0	0
08:00 AM	0	0	0	0	0	0	0	0	0	0	0	0	0	0	0	0	0
08:15 AM	0	0	0	0	0	0	0	0	0	0	0	0	0	0	0	0	0
08:30 AM	0	0	0	0	0	0	0	0	0	0	0	0	0	0	0	0	0
Total Volume	0	0	0	0	0	0	0	0	0	0	0	0	0	0	0	0	0
% App. Total	0	0	0		0	0	0		0	0	0		0	0	0		
PHF	.000	.000	.000	.000	.000	.000	.000	.000	.000	.000	.000	.000	.000	.000	.000	.000	.000

Peak Hour Analysis From 07:45 AM to 08:30 AM - Peak 1 of 1
 Peak Hour for Entire Intersection Begins at 07:45 AM

City of Needles
 N/S: Bailey Avenue
 E/W: Washington Street
 Weather: Clear

File Name : 11_NDL_Bailey_Wash AM
 Site Code : 16621325
 Start Date : 7/15/2021
 Page No : 2



Peak Hour Analysis From 07:45 AM to 08:30 AM - Peak 1 of 1
 Peak Hour for Each Approach Begins at:

	07:45 AM				07:45 AM				07:45 AM				07:45 AM			
+0 mins.	0	0	0	0	0	0	0	0	0	0	0	0	0	0	0	0
+15 mins.	0	0	0	0	0	0	0	0	0	0	0	0	0	0	0	0
+30 mins.	0	0	0	0	0	0	0	0	0	0	0	0	0	0	0	0
+45 mins.	0	0	0	0	0	0	0	0	0	0	0	0	0	0	0	0
Total Volume	0	0	0	0	0	0	0	0	0	0	0	0	0	0	0	0
% App. Total	0	0	0	0	0	0	0	0	0	0	0	0	0	0	0	0
PHF	.000	.000	.000	.000	.000	.000	.000	.000	.000	.000	.000	.000	.000	.000	.000	.000

City of Needles
 N/S: Bailey Avenue
 E/W: Washington Street
 Weather: Clear

File Name : 11_NDL_Bailey_Wash PM
 Site Code : 16621325
 Start Date : 7/15/2021
 Page No : 1

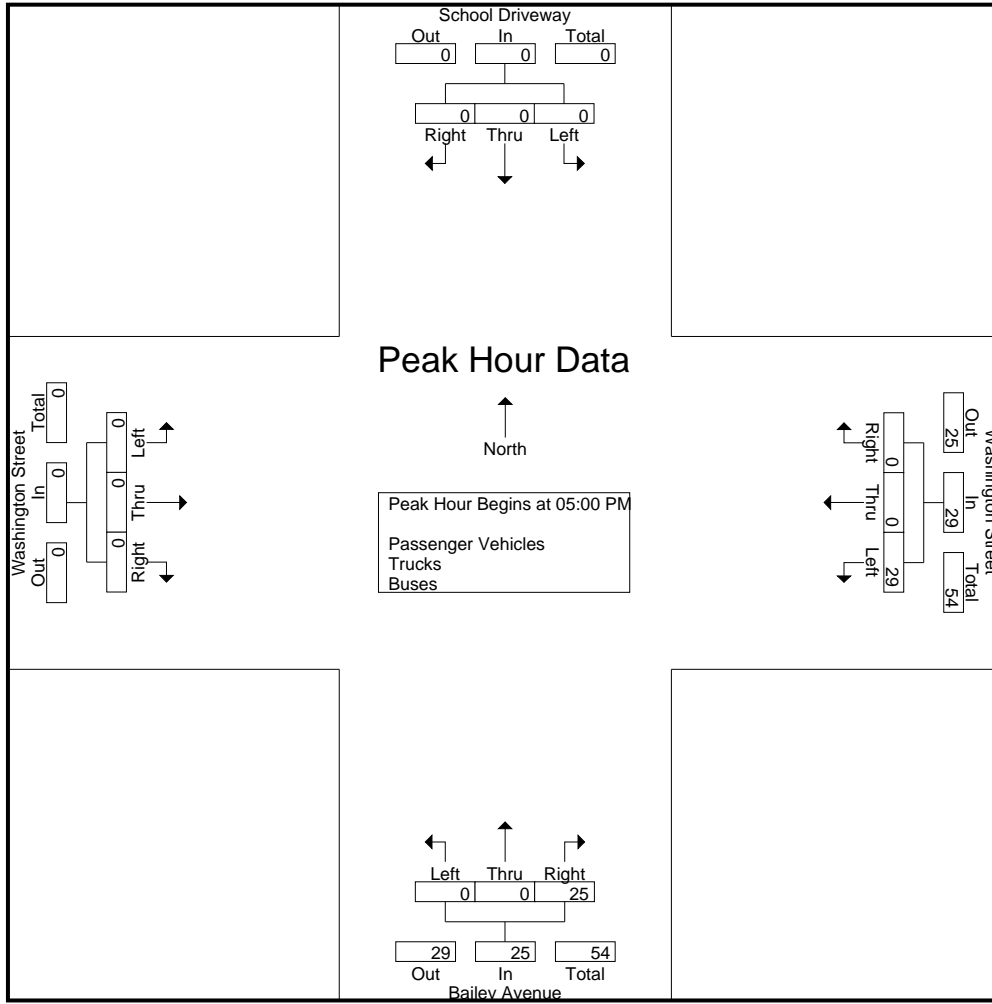
Groups Printed- Passenger Vehicles - Trucks - Buses

Start Time	School Driveway Southbound				Washington Street Westbound				Bailey Avenue Northbound				Washington Street Eastbound				Int. Total
	Left	Thru	Right	App. Total	Left	Thru	Right	App. Total	Left	Thru	Right	App. Total	Left	Thru	Right	App. Total	
04:00 PM	0	0	0	0	2	0	0	2	0	0	5	5	0	0	0	0	7
04:15 PM	0	0	0	0	4	0	0	4	0	0	3	3	0	0	0	0	7
04:30 PM	0	0	0	0	7	0	0	7	0	0	1	1	0	0	0	0	8
04:45 PM	0	0	0	0	4	0	0	4	0	0	6	6	0	0	0	0	10
Total	0	0	0	0	17	0	0	17	0	0	15	15	0	0	0	0	32
05:00 PM	0	0	0	0	5	0	0	5	0	0	7	7	0	0	0	0	12
05:15 PM	0	0	0	0	7	0	0	7	0	0	8	8	0	0	0	0	15
05:30 PM	0	0	0	0	10	0	0	10	0	0	3	3	0	0	0	0	13
05:45 PM	0	0	0	0	7	0	0	7	0	0	7	7	0	0	0	0	14
Total	0	0	0	0	29	0	0	29	0	0	25	25	0	0	0	0	54
Grand Total	0	0	0	0	46	0	0	46	0	0	40	40	0	0	0	0	86
Apprch %	0	0	0		100	0	0		0	0	100		0	0	0		
Total %	0	0	0	0	53.5	0	0	53.5	0	0	46.5	46.5	0	0	0	0	
Passenger Vehicles	0	0	0	0	46	0	0	46	0	0	40	40	0	0	0	0	86
% Passenger Vehicles	0	0	0	0	100	0	0	100	0	0	100	100	0	0	0	0	100
Trucks	0	0	0	0	0	0	0	0	0	0	0	0	0	0	0	0	0
% Trucks	0	0	0	0	0	0	0	0	0	0	0	0	0	0	0	0	0
Buses	0	0	0	0	0	0	0	0	0	0	0	0	0	0	0	0	0
% Buses	0	0	0	0	0	0	0	0	0	0	0	0	0	0	0	0	0

Start Time	School Driveway Southbound				Washington Street Westbound				Bailey Avenue Northbound				Washington Street Eastbound				Int. Total
	Left	Thru	Right	App. Total	Left	Thru	Right	App. Total	Left	Thru	Right	App. Total	Left	Thru	Right	App. Total	
Peak Hour Analysis From 04:00 PM to 05:45 PM - Peak 1 of 1																	
Peak Hour for Entire Intersection Begins at 05:00 PM																	
05:00 PM	0	0	0	0	5	0	0	5	0	0	7	7	0	0	0	0	12
05:15 PM	0	0	0	0	7	0	0	7	0	0	8	8	0	0	0	0	15
05:30 PM	0	0	0	0	10	0	0	10	0	0	3	3	0	0	0	0	13
05:45 PM	0	0	0	0	7	0	0	7	0	0	7	7	0	0	0	0	14
Total Volume	0	0	0	0	29	0	0	29	0	0	25	25	0	0	0	0	54
% App. Total	0	0	0	0	100	0	0	100	0	0	100	100	0	0	0	0	
PHF	.000	.000	.000	.000	.725	.000	.000	.725	.000	.000	.781	.781	.000	.000	.000	.000	.900

City of Needles
 N/S: Bailey Avenue
 E/W: Washington Street
 Weather: Clear

File Name : 11_NDL_Bailey_Wash PM
 Site Code : 16621325
 Start Date : 7/15/2021
 Page No : 2



Peak Hour Analysis From 04:00 PM to 05:45 PM - Peak 1 of 1
 Peak Hour for Each Approach Begins at:

	04:00 PM				05:00 PM				05:00 PM				04:00 PM			
+0 mins.	0	0	0	0	5	0	0	5	0	0	7	7	0	0	0	0
+15 mins.	0	0	0	0	7	0	0	7	0	0	8	8	0	0	0	0
+30 mins.	0	0	0	0	10	0	0	10	0	0	3	3	0	0	0	0
+45 mins.	0	0	0	0	7	0	0	7	0	0	7	7	0	0	0	0
Total Volume	0	0	0	0	29	0	0	29	0	0	25	25	0	0	0	0
% App. Total	0	0	0	0	100	0	0	100	0	0	100	100	0	0	0	0
PHF	.000	.000	.000	.000	.725	.000	.000	.725	.000	.000	.781	.781	.000	.000	.000	.000

City of Needles
 N/S: Bailey Avenue
 E/W: Washington Street
 Weather: Clear

File Name : 11_NDL_Bailey_Wash PM
 Site Code : 16621325
 Start Date : 7/15/2021
 Page No : 1

Groups Printed- Passenger Vehicles

Start Time	School Driveway Southbound				Washington Street Westbound				Bailey Avenue Northbound				Washington Street Eastbound				Int. Total
	Left	Thru	Right	App. Total	Left	Thru	Right	App. Total	Left	Thru	Right	App. Total	Left	Thru	Right	App. Total	
04:00 PM	0	0	0	0	2	0	0	2	0	0	5	5	0	0	0	0	7
04:15 PM	0	0	0	0	4	0	0	4	0	0	3	3	0	0	0	0	7
04:30 PM	0	0	0	0	7	0	0	7	0	0	1	1	0	0	0	0	8
04:45 PM	0	0	0	0	4	0	0	4	0	0	6	6	0	0	0	0	10
Total	0	0	0	0	17	0	0	17	0	0	15	15	0	0	0	0	32
05:00 PM	0	0	0	0	5	0	0	5	0	0	7	7	0	0	0	0	12
05:15 PM	0	0	0	0	7	0	0	7	0	0	8	8	0	0	0	0	15
05:30 PM	0	0	0	0	10	0	0	10	0	0	3	3	0	0	0	0	13
05:45 PM	0	0	0	0	7	0	0	7	0	0	7	7	0	0	0	0	14
Total	0	0	0	0	29	0	0	29	0	0	25	25	0	0	0	0	54
Grand Total	0	0	0	0	46	0	0	46	0	0	40	40	0	0	0	0	86
Apprch %	0	0	0	0	100	0	0	100	0	0	100	100	0	0	0	0	
Total %	0	0	0	0	53.5	0	0	53.5	0	0	46.5	46.5	0	0	0	0	

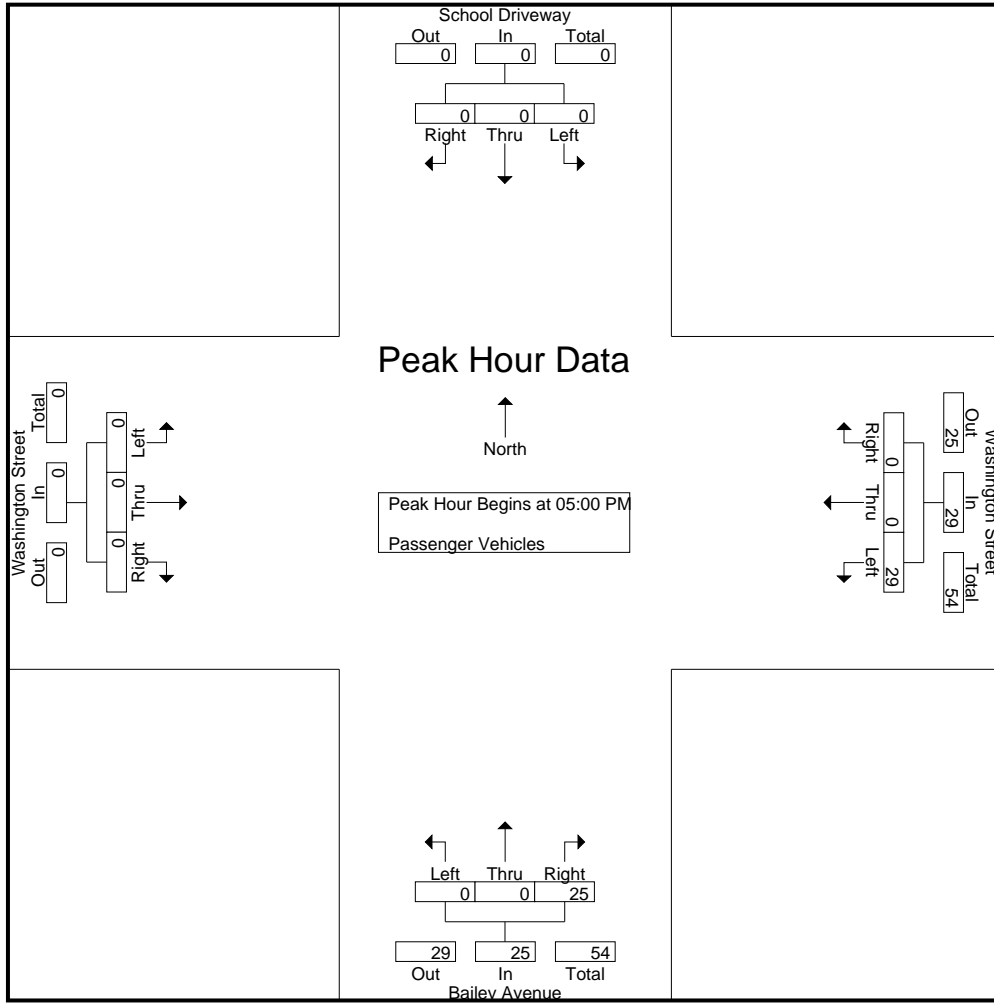
Start Time	School Driveway Southbound				Washington Street Westbound				Bailey Avenue Northbound				Washington Street Eastbound				Int. Total
	Left	Thru	Right	App. Total	Left	Thru	Right	App. Total	Left	Thru	Right	App. Total	Left	Thru	Right	App. Total	
05:00 PM	0	0	0	0	5	0	0	5	0	0	7	7	0	0	0	0	12
05:15 PM	0	0	0	0	7	0	0	7	0	0	8	8	0	0	0	0	15
05:30 PM	0	0	0	0	10	0	0	10	0	0	3	3	0	0	0	0	13
05:45 PM	0	0	0	0	7	0	0	7	0	0	7	7	0	0	0	0	14
Total Volume	0	0	0	0	29	0	0	29	0	0	25	25	0	0	0	0	54
% App. Total	0	0	0	0	100	0	0	100	0	0	100	100	0	0	0	0	
PHF	.000	.000	.000	.000	.725	.000	.000	.725	.000	.000	.781	.781	.000	.000	.000	.000	.900

Peak Hour Analysis From 05:00 PM to 05:45 PM - Peak 1 of 1

Peak Hour for Entire Intersection Begins at 05:00 PM

City of Needles
 N/S: Bailey Avenue
 E/W: Washington Street
 Weather: Clear

File Name : 11_NDL_Bailey_Wash PM
 Site Code : 16621325
 Start Date : 7/15/2021
 Page No : 2



Peak Hour Analysis From 05:00 PM to 05:45 PM - Peak 1 of 1
 Peak Hour for Each Approach Begins at:

	05:00 PM				05:00 PM				05:00 PM				05:00 PM			
+0 mins.	0	0	0	0	5	0	0	5	0	0	7	7	0	0	0	0
+15 mins.	0	0	0	0	7	0	0	7	0	0	8	8	0	0	0	0
+30 mins.	0	0	0	0	10	0	0	10	0	0	3	3	0	0	0	0
+45 mins.	0	0	0	0	7	0	0	7	0	0	7	7	0	0	0	0
Total Volume	0	0	0	0	29	0	0	29	0	0	25	25	0	0	0	0
% App. Total	0	0	0	0	100	0	0	100	0	0	100	100	0	0	0	0
PHF	.000	.000	.000	.000	.725	.000	.000	.725	.000	.000	.781	.781	.000	.000	.000	.000

City of Needles
 N/S: Bailey Avenue
 E/W: Washington Street
 Weather: Clear

File Name : 11_NDL_Bailey_Wash PM
 Site Code : 16621325
 Start Date : 7/15/2021
 Page No : 1

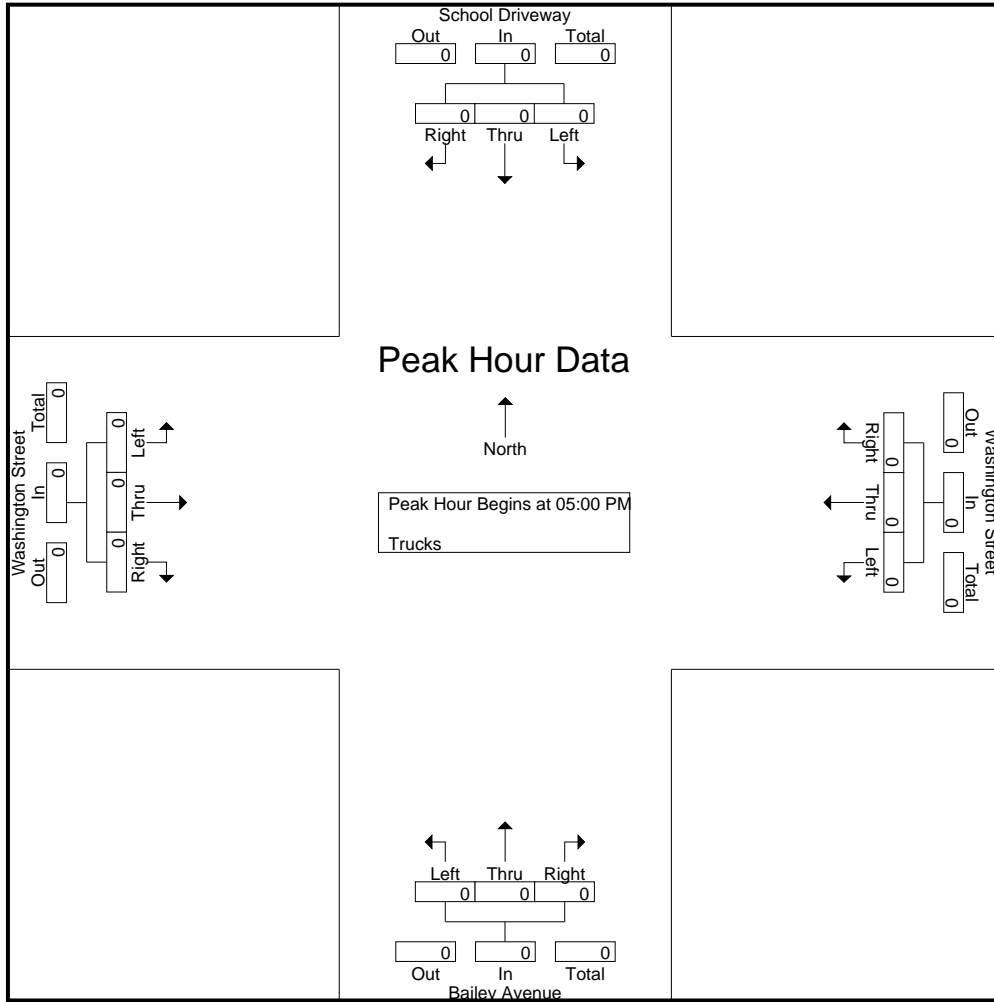
Groups Printed- Trucks

Start Time	School Driveway Southbound				Washington Street Westbound				Bailey Avenue Northbound				Washington Street Eastbound				Int. Total
	Left	Thru	Right	App. Total	Left	Thru	Right	App. Total	Left	Thru	Right	App. Total	Left	Thru	Right	App. Total	
04:00 PM	0	0	0	0	0	0	0	0	0	0	0	0	0	0	0	0	0
04:15 PM	0	0	0	0	0	0	0	0	0	0	0	0	0	0	0	0	0
04:30 PM	0	0	0	0	0	0	0	0	0	0	0	0	0	0	0	0	0
04:45 PM	0	0	0	0	0	0	0	0	0	0	0	0	0	0	0	0	0
Total	0	0	0	0	0	0	0	0	0	0	0	0	0	0	0	0	0
05:00 PM	0	0	0	0	0	0	0	0	0	0	0	0	0	0	0	0	0
05:15 PM	0	0	0	0	0	0	0	0	0	0	0	0	0	0	0	0	0
05:30 PM	0	0	0	0	0	0	0	0	0	0	0	0	0	0	0	0	0
05:45 PM	0	0	0	0	0	0	0	0	0	0	0	0	0	0	0	0	0
Total	0	0	0	0	0	0	0	0	0	0	0	0	0	0	0	0	0
Grand Total	0	0	0	0	0	0	0	0	0	0	0	0	0	0	0	0	0
Apprch %	0	0	0		0	0	0		0	0	0		0	0	0		
Total %																	

Start Time	School Driveway Southbound				Washington Street Westbound				Bailey Avenue Northbound				Washington Street Eastbound				Int. Total
	Left	Thru	Right	App. Total	Left	Thru	Right	App. Total	Left	Thru	Right	App. Total	Left	Thru	Right	App. Total	
Peak Hour Analysis From 05:00 PM to 05:45 PM - Peak 1 of 1																	
Peak Hour for Entire Intersection Begins at 05:00 PM																	
05:00 PM	0	0	0	0	0	0	0	0	0	0	0	0	0	0	0	0	0
05:15 PM	0	0	0	0	0	0	0	0	0	0	0	0	0	0	0	0	0
05:30 PM	0	0	0	0	0	0	0	0	0	0	0	0	0	0	0	0	0
05:45 PM	0	0	0	0	0	0	0	0	0	0	0	0	0	0	0	0	0
Total Volume	0	0	0	0	0	0	0	0	0	0	0	0	0	0	0	0	0
% App. Total	0	0	0		0	0	0		0	0	0		0	0	0		
PHF	.000	.000	.000	.000	.000	.000	.000	.000	.000	.000	.000	.000	.000	.000	.000	.000	.000

City of Needles
 N/S: Bailey Avenue
 E/W: Washington Street
 Weather: Clear

File Name : 11_NDL_Bailey_Wash PM
 Site Code : 16621325
 Start Date : 7/15/2021
 Page No : 2



Peak Hour Analysis From 05:00 PM to 05:45 PM - Peak 1 of 1
 Peak Hour for Each Approach Begins at:

	05:00 PM				05:00 PM				05:00 PM				05:00 PM			
+0 mins.	0	0	0	0	0	0	0	0	0	0	0	0	0	0	0	0
+15 mins.	0	0	0	0	0	0	0	0	0	0	0	0	0	0	0	0
+30 mins.	0	0	0	0	0	0	0	0	0	0	0	0	0	0	0	0
+45 mins.	0	0	0	0	0	0	0	0	0	0	0	0	0	0	0	0
Total Volume	0	0	0	0	0	0	0	0	0	0	0	0	0	0	0	0
% App. Total	0	0	0	0	0	0	0	0	0	0	0	0	0	0	0	0
PHF	.000	.000	.000	.000	.000	.000	.000	.000	.000	.000	.000	.000	.000	.000	.000	.000

City of Needles
 N/S: Bailey Avenue
 E/W: Washington Street
 Weather: Clear

File Name : 11_NDL_Bailey_Wash PM
 Site Code : 16621325
 Start Date : 7/15/2021
 Page No : 1

Groups Printed- Buses

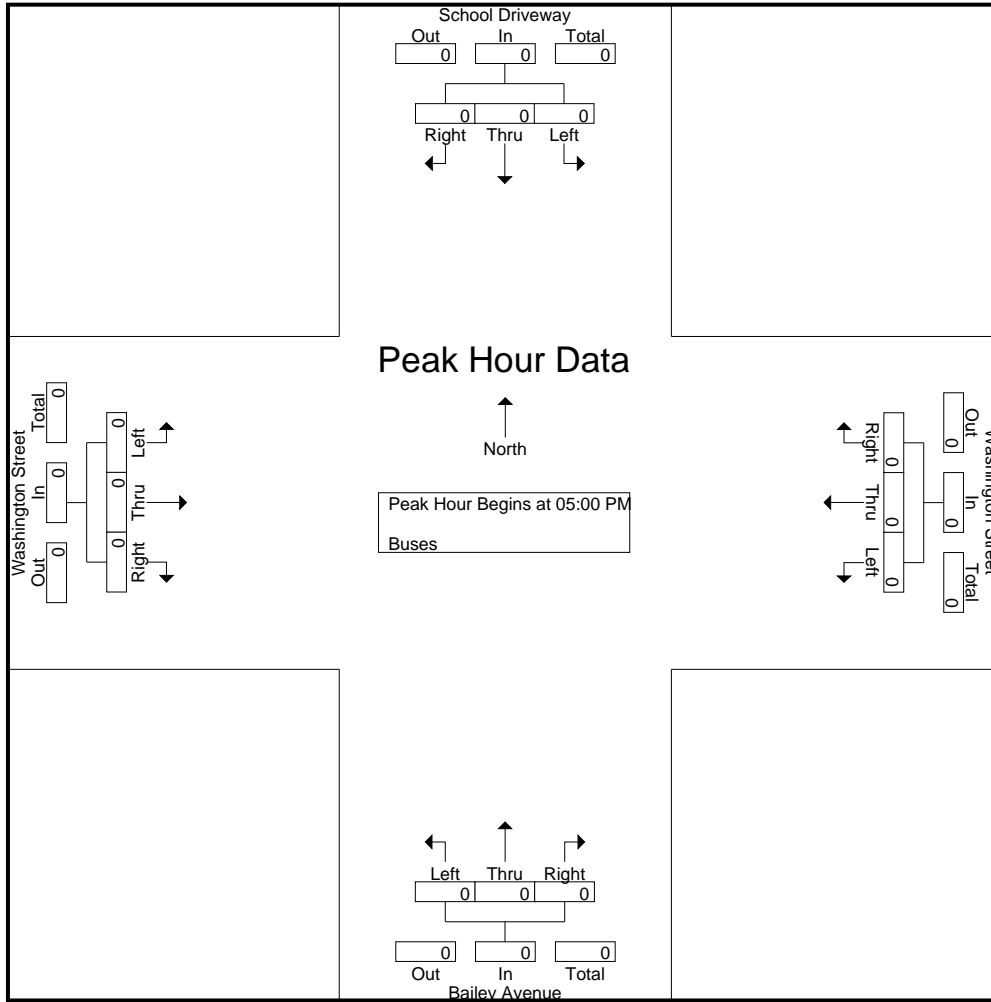
Start Time	School Driveway Southbound				Washington Street Westbound				Bailey Avenue Northbound				Washington Street Eastbound				Int. Total
	Left	Thru	Right	App. Total	Left	Thru	Right	App. Total	Left	Thru	Right	App. Total	Left	Thru	Right	App. Total	
04:00 PM	0	0	0	0	0	0	0	0	0	0	0	0	0	0	0	0	0
04:15 PM	0	0	0	0	0	0	0	0	0	0	0	0	0	0	0	0	0
04:30 PM	0	0	0	0	0	0	0	0	0	0	0	0	0	0	0	0	0
04:45 PM	0	0	0	0	0	0	0	0	0	0	0	0	0	0	0	0	0
Total	0	0	0	0	0	0	0	0	0	0	0	0	0	0	0	0	0
05:00 PM	0	0	0	0	0	0	0	0	0	0	0	0	0	0	0	0	0
05:15 PM	0	0	0	0	0	0	0	0	0	0	0	0	0	0	0	0	0
05:30 PM	0	0	0	0	0	0	0	0	0	0	0	0	0	0	0	0	0
05:45 PM	0	0	0	0	0	0	0	0	0	0	0	0	0	0	0	0	0
Total	0	0	0	0	0	0	0	0	0	0	0	0	0	0	0	0	0
Grand Total	0	0	0	0	0	0	0	0	0	0	0	0	0	0	0	0	0
Apprch %	0	0	0		0	0	0		0	0	0		0	0	0		
Total %																	

Start Time	School Driveway Southbound				Washington Street Westbound				Bailey Avenue Northbound				Washington Street Eastbound				Int. Total
	Left	Thru	Right	App. Total	Left	Thru	Right	App. Total	Left	Thru	Right	App. Total	Left	Thru	Right	App. Total	
05:00 PM	0	0	0	0	0	0	0	0	0	0	0	0	0	0	0	0	0
05:15 PM	0	0	0	0	0	0	0	0	0	0	0	0	0	0	0	0	0
05:30 PM	0	0	0	0	0	0	0	0	0	0	0	0	0	0	0	0	0
05:45 PM	0	0	0	0	0	0	0	0	0	0	0	0	0	0	0	0	0
Total Volume	0	0	0	0	0	0	0	0	0	0	0	0	0	0	0	0	0
% App. Total	0	0	0		0	0	0		0	0	0		0	0	0		
PHF	.000	.000	.000	.000	.000	.000	.000	.000	.000	.000	.000	.000	.000	.000	.000	.000	.000

Peak Hour Analysis From 05:00 PM to 05:45 PM - Peak 1 of 1
 Peak Hour for Entire Intersection Begins at 05:00 PM

City of Needles
 N/S: Bailey Avenue
 E/W: Washington Street
 Weather: Clear

File Name : 11_NDL_Bailey_Wash PM
 Site Code : 16621325
 Start Date : 7/15/2021
 Page No : 2



Peak Hour Analysis From 05:00 PM to 05:45 PM - Peak 1 of 1
 Peak Hour for Each Approach Begins at:

	05:00 PM				05:00 PM				05:00 PM				05:00 PM			
+0 mins.	0	0	0	0	0	0	0	0	0	0	0	0	0	0	0	0
+15 mins.	0	0	0	0	0	0	0	0	0	0	0	0	0	0	0	0
+30 mins.	0	0	0	0	0	0	0	0	0	0	0	0	0	0	0	0
+45 mins.	0	0	0	0	0	0	0	0	0	0	0	0	0	0	0	0
Total Volume	0	0	0	0	0	0	0	0	0	0	0	0	0	0	0	0
% App. Total	0	0	0	0	0	0	0	0	0	0	0	0	0	0	0	0
PHF	.000	.000	.000	.000	.000	.000	.000	.000	.000	.000	.000	.000	.000	.000	.000	.000

City of Needles
 N/S: Bailey Avenue
 E/W: Washington Street
 Weather: Clear

File Name : 11_NDL_Bailey_Wash SAT
 Site Code : 16621325
 Start Date : 7/17/2021
 Page No : 1

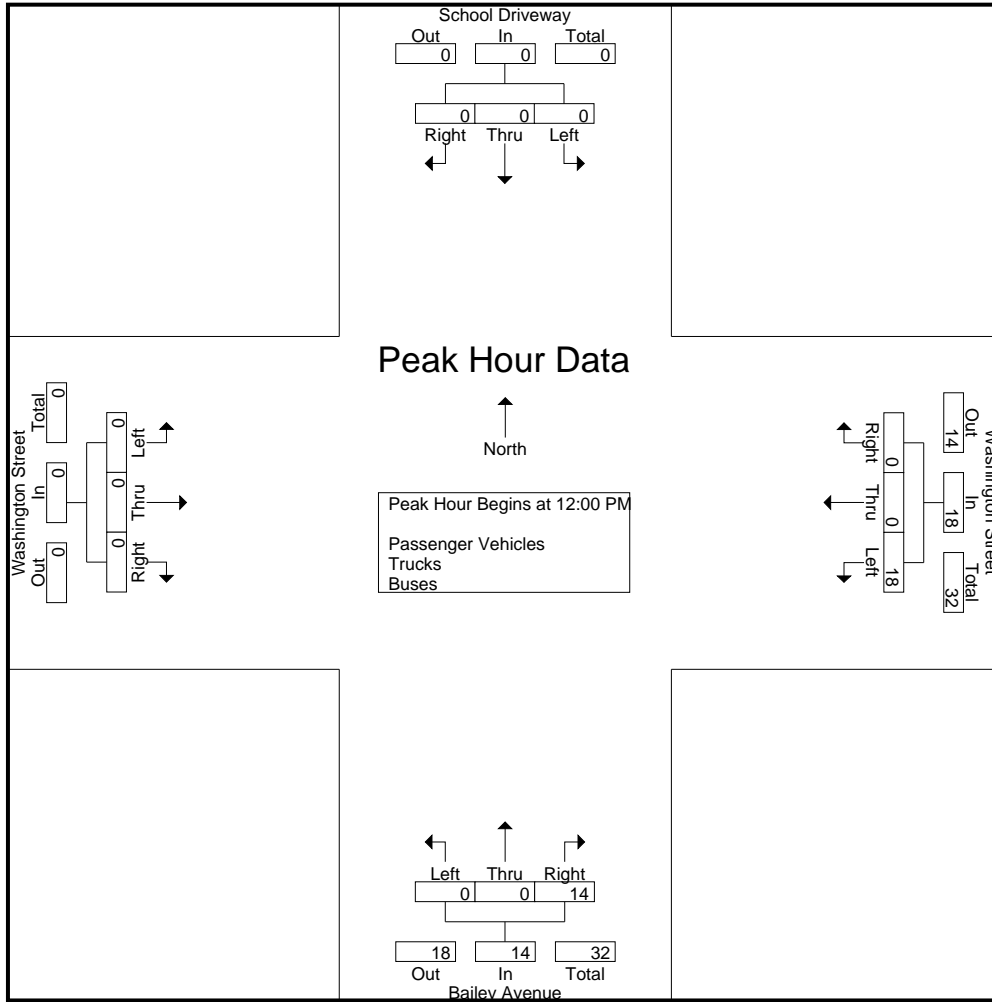
Groups Printed- Passenger Vehicles - Trucks - Buses

Start Time	School Driveway Southbound				Washington Street Westbound				Bailey Avenue Northbound				Washington Street Eastbound				Int. Total
	Left	Thru	Right	App. Total	Left	Thru	Right	App. Total	Left	Thru	Right	App. Total	Left	Thru	Right	App. Total	
12:00 PM	0	0	0	0	4	0	0	4	0	0	5	5	0	0	0	0	9
12:15 PM	0	0	0	0	5	0	0	5	0	0	4	4	0	0	0	0	9
12:30 PM	0	0	0	0	3	0	0	3	0	0	2	2	0	0	0	0	5
12:45 PM	0	0	0	0	6	0	0	6	0	0	3	3	0	0	0	0	9
Total	0	0	0	0	18	0	0	18	0	0	14	14	0	0	0	0	32
01:00 PM	0	0	0	0	4	0	0	4	0	0	3	3	0	0	0	0	7
01:15 PM	0	0	0	0	7	0	0	7	0	0	3	3	0	0	0	0	10
01:30 PM	0	0	0	0	3	0	0	3	0	0	2	2	0	0	0	0	5
01:45 PM	0	0	0	0	3	0	0	3	0	0	4	4	0	0	0	0	7
Total	0	0	0	0	17	0	0	17	0	0	12	12	0	0	0	0	29
Grand Total	0	0	0	0	35	0	0	35	0	0	26	26	0	0	0	0	61
Apprch %	0	0	0		100	0	0		0	0	100		0	0	0		
Total %	0	0	0	0	57.4	0	0	57.4	0	0	42.6	42.6	0	0	0	0	
Passenger Vehicles	0	0	0	0	35	0	0	35	0	0	26	26	0	0	0	0	61
% Passenger Vehicles	0	0	0	0	100	0	0	100	0	0	100	100	0	0	0	0	100
Trucks	0	0	0	0	0	0	0	0	0	0	0	0	0	0	0	0	0
% Trucks	0	0	0	0	0	0	0	0	0	0	0	0	0	0	0	0	0
Buses	0	0	0	0	0	0	0	0	0	0	0	0	0	0	0	0	0
% Buses	0	0	0	0	0	0	0	0	0	0	0	0	0	0	0	0	0

Start Time	School Driveway Southbound				Washington Street Westbound				Bailey Avenue Northbound				Washington Street Eastbound				Int. Total
	Left	Thru	Right	App. Total	Left	Thru	Right	App. Total	Left	Thru	Right	App. Total	Left	Thru	Right	App. Total	
Peak Hour Analysis From 12:00 PM to 01:45 PM - Peak 1 of 1																	
Peak Hour for Entire Intersection Begins at 12:00 PM																	
12:00 PM	0	0	0	0	4	0	0	4	0	0	5	5	0	0	0	0	9
12:15 PM	0	0	0	0	5	0	0	5	0	0	4	4	0	0	0	0	9
12:30 PM	0	0	0	0	3	0	0	3	0	0	2	2	0	0	0	0	5
12:45 PM	0	0	0	0	6	0	0	6	0	0	3	3	0	0	0	0	9
Total Volume	0	0	0	0	18	0	0	18	0	0	14	14	0	0	0	0	32
% App. Total	0	0	0	0	100	0	0	100	0	0	100	100	0	0	0	0	
PHF	.000	.000	.000	.000	.750	.000	.000	.750	.000	.000	.700	.700	.000	.000	.000	.000	.889

City of Needles
 N/S: Bailey Avenue
 E/W: Washington Street
 Weather: Clear

File Name : 11_NDL_Bailey_Wash SAT
 Site Code : 16621325
 Start Date : 7/17/2021
 Page No : 2



Peak Hour Analysis From 12:00 PM to 01:45 PM - Peak 1 of 1
 Peak Hour for Each Approach Begins at:

	12:00 PM				12:30 PM				12:00 PM				12:00 PM			
+0 mins.	0	0	0	0	3	0	0	3	0	0	5	5	0	0	0	0
+15 mins.	0	0	0	0	6	0	0	6	0	0	4	4	0	0	0	0
+30 mins.	0	0	0	0	4	0	0	4	0	0	2	2	0	0	0	0
+45 mins.	0	0	0	0	7	0	0	7	0	0	3	3	0	0	0	0
Total Volume	0	0	0	0	20	0	0	20	0	0	14	14	0	0	0	0
% App. Total	0	0	0	0	100	0	0	100	0	0	100	100	0	0	0	0
PHF	.000	.000	.000	.000	.714	.000	.000	.714	.000	.000	.700	.700	.000	.000	.000	.000

City of Needles
 N/S: Bailey Avenue
 E/W: Washington Street
 Weather: Clear

File Name : 11_NDL_Bailey_Wash SAT
 Site Code : 16621325
 Start Date : 7/17/2021
 Page No : 1

Groups Printed- Passenger Vehicles

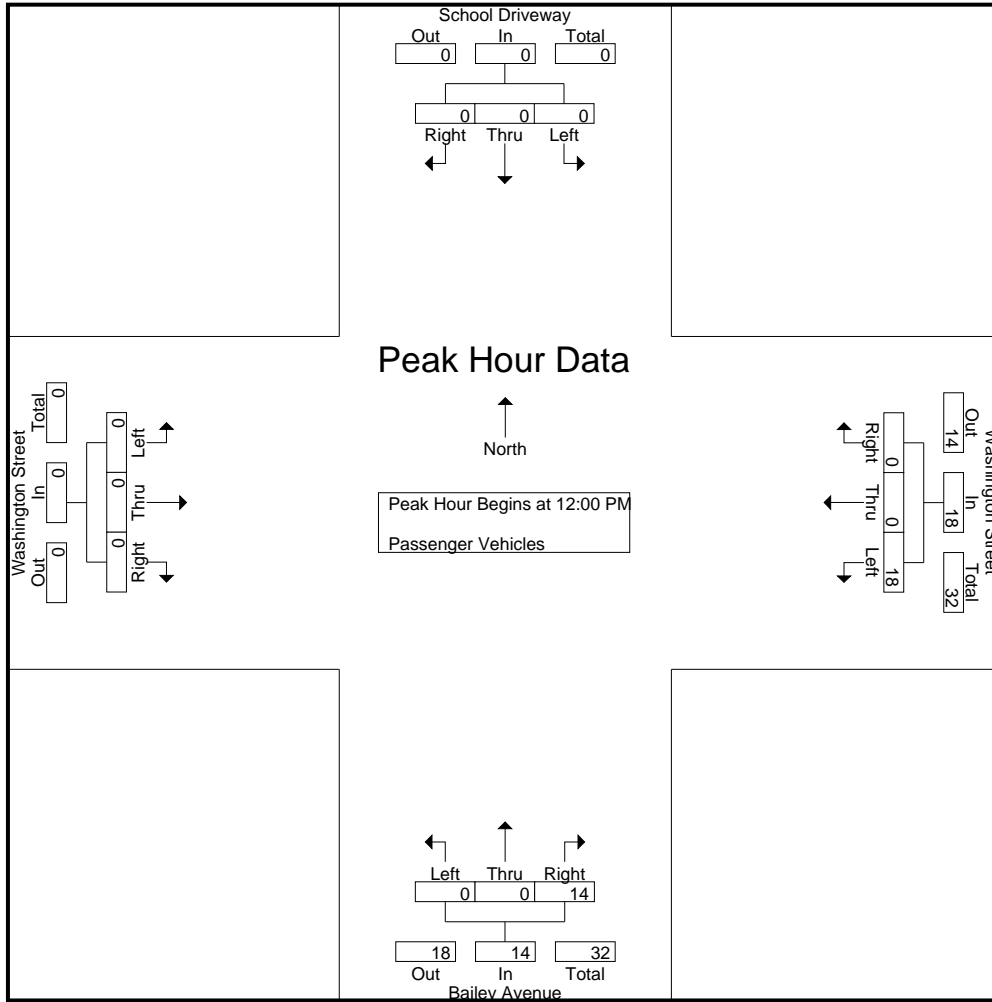
Start Time	School Driveway Southbound				Washington Street Westbound				Bailey Avenue Northbound				Washington Street Eastbound				Int. Total
	Left	Thru	Right	App. Total	Left	Thru	Right	App. Total	Left	Thru	Right	App. Total	Left	Thru	Right	App. Total	
12:00 PM	0	0	0	0	4	0	0	4	0	0	5	5	0	0	0	0	9
12:15 PM	0	0	0	0	5	0	0	5	0	0	4	4	0	0	0	0	9
12:30 PM	0	0	0	0	3	0	0	3	0	0	2	2	0	0	0	0	5
12:45 PM	0	0	0	0	6	0	0	6	0	0	3	3	0	0	0	0	9
Total	0	0	0	0	18	0	0	18	0	0	14	14	0	0	0	0	32
01:00 PM	0	0	0	0	4	0	0	4	0	0	3	3	0	0	0	0	7
01:15 PM	0	0	0	0	7	0	0	7	0	0	3	3	0	0	0	0	10
01:30 PM	0	0	0	0	3	0	0	3	0	0	2	2	0	0	0	0	5
01:45 PM	0	0	0	0	3	0	0	3	0	0	4	4	0	0	0	0	7
Total	0	0	0	0	17	0	0	17	0	0	12	12	0	0	0	0	29
Grand Total	0	0	0	0	35	0	0	35	0	0	26	26	0	0	0	0	61
Apprch %	0	0	0		100	0	0		0	0	100		0	0	0		
Total %	0	0	0	0	57.4	0	0	57.4	0	0	42.6	42.6	0	0	0	0	

Start Time	School Driveway Southbound				Washington Street Westbound				Bailey Avenue Northbound				Washington Street Eastbound				Int. Total
	Left	Thru	Right	App. Total	Left	Thru	Right	App. Total	Left	Thru	Right	App. Total	Left	Thru	Right	App. Total	
12:00 PM	0	0	0	0	4	0	0	4	0	0	5	5	0	0	0	0	9
12:15 PM	0	0	0	0	5	0	0	5	0	0	4	4	0	0	0	0	9
12:30 PM	0	0	0	0	3	0	0	3	0	0	2	2	0	0	0	0	5
12:45 PM	0	0	0	0	6	0	0	6	0	0	3	3	0	0	0	0	9
Total Volume	0	0	0	0	18	0	0	18	0	0	14	14	0	0	0	0	32
% App. Total	0	0	0		100	0	0		0	0	100		0	0	0		
PHF	.000	.000	.000	.000	.750	.000	.000	.750	.000	.000	.700	.700	.000	.000	.000	.000	.889

Peak Hour Analysis From 12:00 PM to 12:45 PM - Peak 1 of 1
 Peak Hour for Entire Intersection Begins at 12:00 PM

City of Needles
 N/S: Bailey Avenue
 E/W: Washington Street
 Weather: Clear

File Name : 11_NDL_Bailey_Wash SAT
 Site Code : 16621325
 Start Date : 7/17/2021
 Page No : 2



Peak Hour Analysis From 12:00 PM to 12:45 PM - Peak 1 of 1
 Peak Hour for Each Approach Begins at:

	12:00 PM				12:00 PM				12:00 PM				12:00 PM			
+0 mins.	0	0	0	0	4	0	0	4	0	0	5	5	0	0	0	0
+15 mins.	0	0	0	0	5	0	0	5	0	0	4	4	0	0	0	0
+30 mins.	0	0	0	0	3	0	0	3	0	0	2	2	0	0	0	0
+45 mins.	0	0	0	0	6	0	0	6	0	0	3	3	0	0	0	0
Total Volume	0	0	0	0	18	0	0	18	0	0	14	14	0	0	0	0
% App. Total	0	0	0	0	100	0	0	100	0	0	100	100	0	0	0	0
PHF	.000	.000	.000	.000	.750	.000	.000	.750	.000	.000	.700	.700	.000	.000	.000	.000

City of Needles
 N/S: Bailey Avenue
 E/W: Washington Street
 Weather: Clear

File Name : 11_NDL_Bailey_Wash SAT
 Site Code : 16621325
 Start Date : 7/17/2021
 Page No : 1

Groups Printed- Trucks

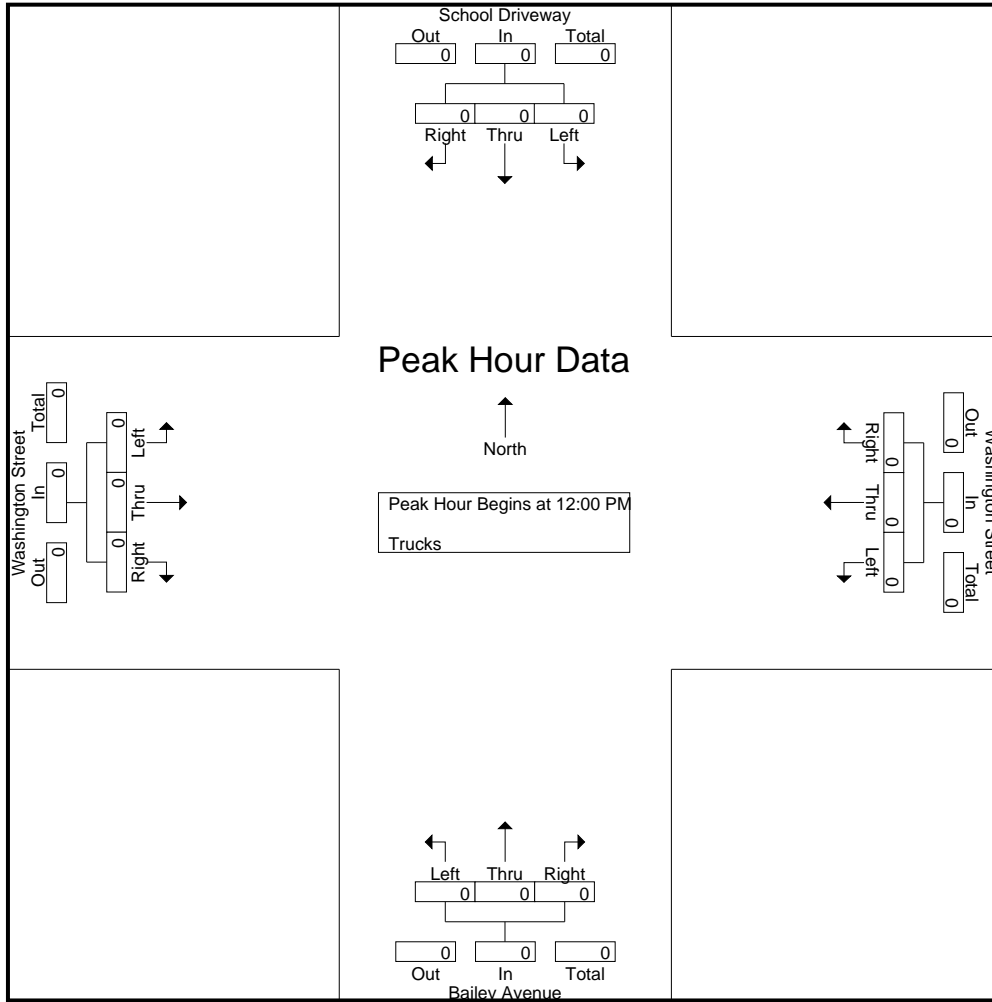
Start Time	School Driveway Southbound				Washington Street Westbound				Bailey Avenue Northbound				Washington Street Eastbound				Int. Total
	Left	Thru	Right	App. Total	Left	Thru	Right	App. Total	Left	Thru	Right	App. Total	Left	Thru	Right	App. Total	
12:00 PM	0	0	0	0	0	0	0	0	0	0	0	0	0	0	0	0	0
12:15 PM	0	0	0	0	0	0	0	0	0	0	0	0	0	0	0	0	0
12:30 PM	0	0	0	0	0	0	0	0	0	0	0	0	0	0	0	0	0
12:45 PM	0	0	0	0	0	0	0	0	0	0	0	0	0	0	0	0	0
Total	0	0	0	0	0	0	0	0	0	0	0	0	0	0	0	0	0
01:00 PM	0	0	0	0	0	0	0	0	0	0	0	0	0	0	0	0	0
01:15 PM	0	0	0	0	0	0	0	0	0	0	0	0	0	0	0	0	0
01:30 PM	0	0	0	0	0	0	0	0	0	0	0	0	0	0	0	0	0
01:45 PM	0	0	0	0	0	0	0	0	0	0	0	0	0	0	0	0	0
Total	0	0	0	0	0	0	0	0	0	0	0	0	0	0	0	0	0
Grand Total	0	0	0	0	0	0	0	0	0	0	0	0	0	0	0	0	0
Apprch %	0	0	0		0	0	0		0	0	0		0	0	0		
Total %																	

Start Time	School Driveway Southbound				Washington Street Westbound				Bailey Avenue Northbound				Washington Street Eastbound				Int. Total
	Left	Thru	Right	App. Total	Left	Thru	Right	App. Total	Left	Thru	Right	App. Total	Left	Thru	Right	App. Total	
12:00 PM	0	0	0	0	0	0	0	0	0	0	0	0	0	0	0	0	0
12:15 PM	0	0	0	0	0	0	0	0	0	0	0	0	0	0	0	0	0
12:30 PM	0	0	0	0	0	0	0	0	0	0	0	0	0	0	0	0	0
12:45 PM	0	0	0	0	0	0	0	0	0	0	0	0	0	0	0	0	0
Total Volume	0	0	0	0	0	0	0	0	0	0	0	0	0	0	0	0	0
% App. Total	0	0	0		0	0	0		0	0	0		0	0	0		
PHF	.000	.000	.000	.000	.000	.000	.000	.000	.000	.000	.000	.000	.000	.000	.000	.000	.000

Peak Hour Analysis From 12:00 PM to 12:45 PM - Peak 1 of 1
 Peak Hour for Entire Intersection Begins at 12:00 PM

City of Needles
 N/S: Bailey Avenue
 E/W: Washington Street
 Weather: Clear

File Name : 11_NDL_Bailey_Wash SAT
 Site Code : 16621325
 Start Date : 7/17/2021
 Page No : 2



Peak Hour Analysis From 12:00 PM to 12:45 PM - Peak 1 of 1
 Peak Hour for Each Approach Begins at:

	12:00 PM				12:00 PM				12:00 PM				12:00 PM			
+0 mins.	0	0	0	0	0	0	0	0	0	0	0	0	0	0	0	0
+15 mins.	0	0	0	0	0	0	0	0	0	0	0	0	0	0	0	0
+30 mins.	0	0	0	0	0	0	0	0	0	0	0	0	0	0	0	0
+45 mins.	0	0	0	0	0	0	0	0	0	0	0	0	0	0	0	0
Total Volume	0	0	0	0	0	0	0	0	0	0	0	0	0	0	0	0
% App. Total	0	0	0	0	0	0	0	0	0	0	0	0	0	0	0	0
PHF	.000	.000	.000	.000	.000	.000	.000	.000	.000	.000	.000	.000	.000	.000	.000	.000

City of Needles
 N/S: Bailey Avenue
 E/W: Washington Street
 Weather: Clear

File Name : 11_NDL_Bailey_Wash SAT
 Site Code : 16621325
 Start Date : 7/17/2021
 Page No : 1

Groups Printed- Buses

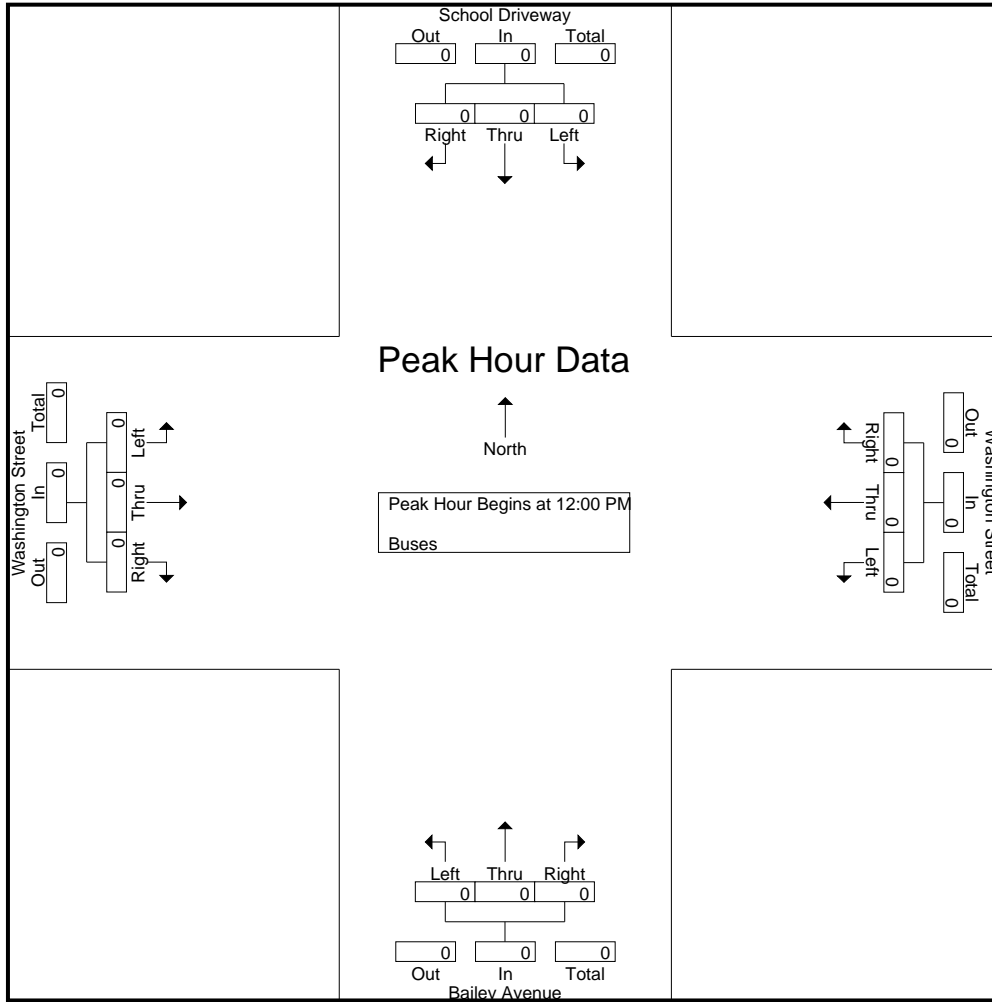
Start Time	School Driveway Southbound				Washington Street Westbound				Bailey Avenue Northbound				Washington Street Eastbound				Int. Total
	Left	Thru	Right	App. Total	Left	Thru	Right	App. Total	Left	Thru	Right	App. Total	Left	Thru	Right	App. Total	
12:00 PM	0	0	0	0	0	0	0	0	0	0	0	0	0	0	0	0	0
12:15 PM	0	0	0	0	0	0	0	0	0	0	0	0	0	0	0	0	0
12:30 PM	0	0	0	0	0	0	0	0	0	0	0	0	0	0	0	0	0
12:45 PM	0	0	0	0	0	0	0	0	0	0	0	0	0	0	0	0	0
Total	0	0	0	0	0	0	0	0	0	0	0	0	0	0	0	0	0
01:00 PM	0	0	0	0	0	0	0	0	0	0	0	0	0	0	0	0	0
01:15 PM	0	0	0	0	0	0	0	0	0	0	0	0	0	0	0	0	0
01:30 PM	0	0	0	0	0	0	0	0	0	0	0	0	0	0	0	0	0
01:45 PM	0	0	0	0	0	0	0	0	0	0	0	0	0	0	0	0	0
Total	0	0	0	0	0	0	0	0	0	0	0	0	0	0	0	0	0
Grand Total	0	0	0	0	0	0	0	0	0	0	0	0	0	0	0	0	0
Apprch %	0	0	0		0	0	0		0	0	0		0	0	0		
Total %																	

Start Time	School Driveway Southbound				Washington Street Westbound				Bailey Avenue Northbound				Washington Street Eastbound				Int. Total
	Left	Thru	Right	App. Total	Left	Thru	Right	App. Total	Left	Thru	Right	App. Total	Left	Thru	Right	App. Total	
12:00 PM	0	0	0	0	0	0	0	0	0	0	0	0	0	0	0	0	0
12:15 PM	0	0	0	0	0	0	0	0	0	0	0	0	0	0	0	0	0
12:30 PM	0	0	0	0	0	0	0	0	0	0	0	0	0	0	0	0	0
12:45 PM	0	0	0	0	0	0	0	0	0	0	0	0	0	0	0	0	0
Total Volume	0	0	0	0	0	0	0	0	0	0	0	0	0	0	0	0	0
% App. Total	0	0	0		0	0	0		0	0	0		0	0	0		
PHF	.000	.000	.000	.000	.000	.000	.000	.000	.000	.000	.000	.000	.000	.000	.000	.000	.000

Peak Hour Analysis From 12:00 PM to 12:45 PM - Peak 1 of 1
 Peak Hour for Entire Intersection Begins at 12:00 PM

City of Needles
 N/S: Bailey Avenue
 E/W: Washington Street
 Weather: Clear

File Name : 11_NDL_Bailey_Wash SAT
 Site Code : 16621325
 Start Date : 7/17/2021
 Page No : 2



Peak Hour Analysis From 12:00 PM to 12:45 PM - Peak 1 of 1
 Peak Hour for Each Approach Begins at:

	12:00 PM				12:00 PM				12:00 PM				12:00 PM			
+0 mins.	0	0	0	0	0	0	0	0	0	0	0	0	0	0	0	0
+15 mins.	0	0	0	0	0	0	0	0	0	0	0	0	0	0	0	0
+30 mins.	0	0	0	0	0	0	0	0	0	0	0	0	0	0	0	0
+45 mins.	0	0	0	0	0	0	0	0	0	0	0	0	0	0	0	0
Total Volume	0	0	0	0	0	0	0	0	0	0	0	0	0	0	0	0
% App. Total	0	0	0	0	0	0	0	0	0	0	0	0	0	0	0	0
PHF	.000	.000	.000	.000	.000	.000	.000	.000	.000	.000	.000	.000	.000	.000	.000	.000

Location: Needles
 N/S: Bailey Avenue
 E/W: Washington Street



PEDESTRIANS

Date: 7/15/2021
 Day: Thursday

	North Leg School Parking Lot	East Leg Washington Street	South Leg Bailey Avenue	West Leg Washington Street	
	Pedestrians	Pedestrians	Pedestrians	Pedestrians	
7:00 AM	0	0	0	0	0
7:15 AM	0	0	0	0	0
7:30 AM	0	0	0	0	0
7:45 AM	0	0	0	1	1
8:00 AM	0	0	0	0	0
8:15 AM	0	0	0	0	0
8:30 AM	0	0	0	0	0
8:45 AM	0	0	0	0	0
TOTAL VOLUMES:	0	0	0	1	1

Date: 7/15/2021
 Day: Thursday

	North Leg School Parking Lot	East Leg Washington Street	South Leg Bailey Avenue	West Leg Washington Street	
	Pedestrians	Pedestrians	Pedestrians	Pedestrians	
4:00 PM	0	0	0	0	0
4:15 PM	0	0	0	0	0
4:30 PM	0	0	0	0	0
4:45 PM	0	0	0	0	0
5:00 PM	0	0	0	0	0
5:15 PM	0	0	0	0	0
5:30 PM	0	0	0	0	0
5:45 PM	0	0	0	0	0
TOTAL VOLUMES:	0	0	0	0	0

Date: 7/17/2021
 Day: Saturday

	North Leg School Parking Lot	East Leg Washington Street	South Leg Bailey Avenue	West Leg Washington Street	
	Pedestrians	Pedestrians	Pedestrians	Pedestrians	
12:00 PM	0	0	0	0	0
12:15 PM	0	0	0	0	0
12:30 PM	0	0	0	0	0
12:45 PM	0	0	0	0	0
1:00 PM	0	0	0	0	0
1:15 PM	0	0	0	0	0
1:30 PM	0	0	0	0	0
1:45 PM	0	0	0	0	0
TOTAL VOLUMES:	0	0	0	0	0

Location: Needles
 N/S: Bailey Avenue
 E/W: Washington Street



BICYCLES

Date: 7/15/2021
 Day: Thursday

	Southbound School Parking Lot			Westbound Washington Street			Northbound Bailey Avenue			Eastbound Washington Street			
	Left	Thru	Right	Left	Thru	Right	Left	Thru	Right	Left	Thru	Right	
7:00 AM	0	0	0	0	0	0	0	0	0	0	0	0	0
7:15 AM	0	0	0	0	0	0	0	0	0	0	0	0	0
7:30 AM	0	0	0	0	0	0	0	0	0	0	0	0	0
7:45 AM	0	0	0	0	0	0	0	0	0	0	0	0	0
8:00 AM	0	0	0	0	0	0	0	0	0	0	0	0	0
8:15 AM	0	0	0	0	0	0	0	0	0	0	0	0	0
8:30 AM	0	0	0	0	0	0	0	0	0	0	0	0	0
8:45 AM	0	0	0	0	0	0	0	0	0	0	0	0	0
TOTAL VOLUMES:	0	0	0	0	0	0	0	0	0	0	0	0	0

Date: 7/15/2021
 Day: Thursday

	Southbound School Parking Lot			Westbound Washington Street			Northbound Bailey Avenue			Eastbound Washington Street			
	Left	Thru	Right	Left	Thru	Right	Left	Thru	Right	Left	Thru	Right	
4:00 PM	0	0	0	0	0	0	0	0	0	0	0	0	0
4:15 PM	0	0	0	0	0	0	0	0	0	0	0	0	0
4:30 PM	0	0	0	0	0	0	0	0	0	0	0	0	0
4:45 PM	0	0	0	0	0	0	0	0	0	0	0	0	0
5:00 PM	0	0	0	0	0	0	0	0	0	0	0	0	0
5:15 PM	0	0	0	0	0	0	0	0	0	0	0	0	0
5:30 PM	0	0	0	0	0	0	0	0	0	0	0	0	0
5:45 PM	0	0	0	0	0	0	0	0	0	0	0	0	0
TOTAL VOLUMES:	0	0	0	0	0	0	0	0	0	0	0	0	0

Date: 7/17/2021
 Day: Saturday

	Southbound School Parking Lot			Westbound Washington Street			Northbound Bailey Avenue			Eastbound Washington Street			
	Left	Thru	Right	Left	Thru	Right	Left	Thru	Right	Left	Thru	Right	
12:00 PM	0	0	0	0	0	0	0	0	0	0	0	0	0
12:15 PM	0	0	0	0	0	0	0	0	0	0	0	0	0
12:30 PM	0	0	0	0	0	0	0	0	0	0	0	0	0
12:45 PM	0	0	0	0	0	0	0	0	0	0	0	0	0
1:00 PM	0	0	0	0	0	0	0	0	0	0	0	0	0
1:15 PM	0	0	0	0	0	0	0	0	0	0	0	0	0
1:30 PM	0	0	0	0	0	0	0	0	0	0	0	0	0
1:45 PM	0	0	0	0	0	0	0	0	0	0	0	0	0
TOTAL VOLUMES:	0	0	0	0	0	0	0	0	0	0	0	0	0

City of Needles
 N/S: Bailey Avenue
 E/W: J Street
 Weather: Clear

File Name : 12_NDL_Bailey_J St AM
 Site Code : 16621325
 Start Date : 7/15/2021
 Page No : 1

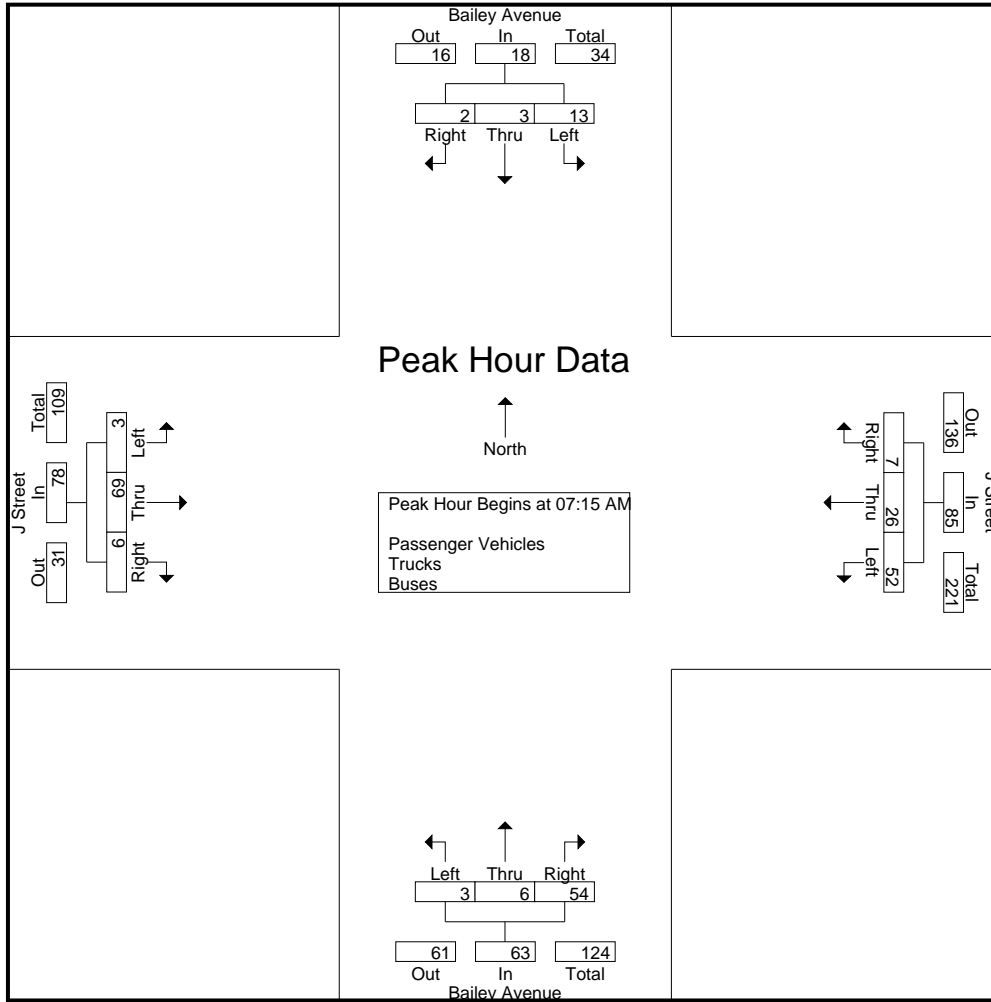
Groups Printed- Passenger Vehicles - Trucks - Buses

Start Time	Bailey Avenue Southbound				J Street Westbound				Bailey Avenue Northbound				J Street Eastbound				Int. Total
	Left	Thru	Right	App. Total	Left	Thru	Right	App. Total	Left	Thru	Right	App. Total	Left	Thru	Right	App. Total	
07:00 AM	1	1	1	3	8	2	0	10	0	2	8	10	1	13	0	14	37
07:15 AM	4	0	0	4	6	3	1	10	0	2	12	14	0	12	0	12	40
07:30 AM	3	1	1	5	8	2	2	12	0	0	10	10	0	12	2	14	41
07:45 AM	0	0	0	0	17	7	3	27	3	0	16	19	1	22	2	25	71
Total	8	2	2	12	39	14	6	59	3	4	46	53	2	59	4	65	189
08:00 AM	6	2	1	9	21	14	1	36	0	4	16	20	2	23	2	27	92
08:15 AM	1	0	0	1	3	1	0	4	0	0	2	2	0	0	0	0	7
08:30 AM	0	1	0	1	7	8	0	15	1	1	24	26	0	7	1	8	50
08:45 AM	2	2	0	4	8	12	3	23	1	3	10	14	2	16	1	19	60
Total	9	5	1	15	39	35	4	78	2	8	52	62	4	46	4	54	209
Grand Total	17	7	3	27	78	49	10	137	5	12	98	115	6	105	8	119	398
Apprch %	63	25.9	11.1		56.9	35.8	7.3		4.3	10.4	85.2		5	88.2	6.7		
Total %	4.3	1.8	0.8	6.8	19.6	12.3	2.5	34.4	1.3	3	24.6	28.9	1.5	26.4	2	29.9	
Passenger Vehicles	17	7	3	27	78	49	10	137	5	10	97	112	5	101	8	114	390
% Passenger Vehicles	100	100	100	100	100	100	100	100	100	83.3	99	97.4	83.3	96.2	100	95.8	98
Trucks	0	0	0	0	0	0	0	0	0	1	1	2	1	2	0	3	5
% Trucks	0	0	0	0	0	0	0	0	0	8.3	1	1.7	16.7	1.9	0	2.5	1.3
Buses	0	0	0	0	0	0	0	0	0	1	0	1	0	2	0	2	3
% Buses	0	0	0	0	0	0	0	0	0	8.3	0	0.9	0	1.9	0	1.7	0.8

Start Time	Bailey Avenue Southbound				J Street Westbound				Bailey Avenue Northbound				J Street Eastbound				Int. Total
	Left	Thru	Right	App. Total	Left	Thru	Right	App. Total	Left	Thru	Right	App. Total	Left	Thru	Right	App. Total	
Peak Hour Analysis From 07:00 AM to 08:45 AM - Peak 1 of 1																	
Peak Hour for Entire Intersection Begins at 07:15 AM																	
07:15 AM	4	0	0	4	6	3	1	10	0	2	12	14	0	12	0	12	40
07:30 AM	3	1	1	5	8	2	2	12	0	0	10	10	0	12	2	14	41
07:45 AM	0	0	0	0	17	7	3	27	3	0	16	19	1	22	2	25	71
08:00 AM	6	2	1	9	21	14	1	36	0	4	16	20	2	23	2	27	92
Total Volume	13	3	2	18	52	26	7	85	3	6	54	63	3	69	6	78	244
% App. Total	72.2	16.7	11.1		61.2	30.6	8.2		4.8	9.5	85.7		3.8	88.5	7.7		
PHF	.542	.375	.500	.500	.619	.464	.583	.590	.250	.375	.844	.788	.375	.750	.750	.722	.663

City of Needles
 N/S: Bailey Avenue
 E/W: J Street
 Weather: Clear

File Name : 12_NDL_Bailey_J St AM
 Site Code : 16621325
 Start Date : 7/15/2021
 Page No : 2



Peak Hour Analysis From 07:00 AM to 08:45 AM - Peak 1 of 1
 Peak Hour for Each Approach Begins at:

	07:15 AM				07:15 AM				07:45 AM				07:15 AM			
+0 mins.	4	0	0	4	6	3	1	10	3	0	16	19	0	12	0	12
+15 mins.	3	1	1	5	8	2	2	12	0	4	16	20	0	12	2	14
+30 mins.	0	0	0	0	17	7	3	27	0	0	2	2	1	22	2	25
+45 mins.	6	2	1	9	21	14	1	36	1	1	24	26	2	23	2	27
Total Volume	13	3	2	18	52	26	7	85	4	5	58	67	3	69	6	78
% App. Total	72.2	16.7	11.1		61.2	30.6	8.2		6	7.5	86.6		3.8	88.5	7.7	
PHF	.542	.375	.500	.500	.619	.464	.583	.590	.333	.313	.604	.644	.375	.750	.750	.722

City of Needles
 N/S: Bailey Avenue
 E/W: J Street
 Weather: Clear

File Name : 12_NDL_Bailey_J St AM
 Site Code : 16621325
 Start Date : 7/15/2021
 Page No : 1

Groups Printed- Passenger Vehicles

Start Time	Bailey Avenue Southbound				J Street Westbound				Bailey Avenue Northbound				J Street Eastbound				Int. Total
	Left	Thru	Right	App. Total	Left	Thru	Right	App. Total	Left	Thru	Right	App. Total	Left	Thru	Right	App. Total	
07:00 AM	1	1	1	3	8	2	0	10	0	1	7	8	1	12	0	13	34
07:15 AM	4	0	0	4	6	3	1	10	0	2	12	14	0	11	0	11	39
07:30 AM	3	1	1	5	8	2	2	12	0	0	10	10	0	12	2	14	41
07:45 AM	0	0	0	0	17	7	3	27	3	0	16	19	1	21	2	24	70
Total	8	2	2	12	39	14	6	59	3	3	45	51	2	56	4	62	184
08:00 AM	6	2	1	9	21	14	1	36	0	3	16	19	1	22	2	25	89
08:15 AM	1	0	0	1	3	1	0	4	0	0	2	2	0	0	0	0	7
08:30 AM	0	1	0	1	7	8	0	15	1	1	24	26	0	7	1	8	50
08:45 AM	2	2	0	4	8	12	3	23	1	3	10	14	2	16	1	19	60
Total	9	5	1	15	39	35	4	78	2	7	52	61	3	45	4	52	206
Grand Total	17	7	3	27	78	49	10	137	5	10	97	112	5	101	8	114	390
Apprch %	63	25.9	11.1		56.9	35.8	7.3		4.5	8.9	86.6		4.4	88.6	7		
Total %	4.4	1.8	0.8	6.9	20	12.6	2.6	35.1	1.3	2.6	24.9	28.7	1.3	25.9	2.1	29.2	

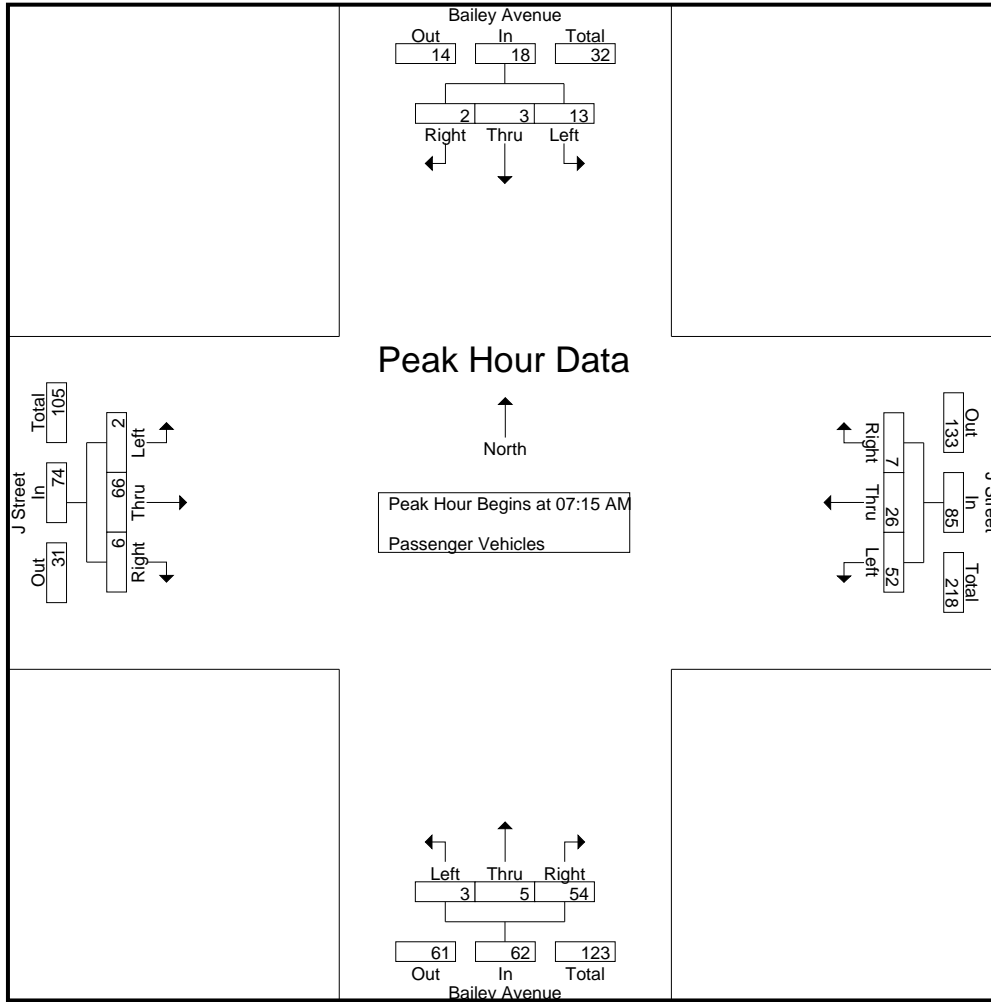
Start Time	Bailey Avenue Southbound				J Street Westbound				Bailey Avenue Northbound				J Street Eastbound				Int. Total
	Left	Thru	Right	App. Total	Left	Thru	Right	App. Total	Left	Thru	Right	App. Total	Left	Thru	Right	App. Total	
07:15 AM	4	0	0	4	6	3	1	10	0	2	12	14	0	11	0	11	39
07:30 AM	3	1	1	5	8	2	2	12	0	0	10	10	0	12	2	14	41
07:45 AM	0	0	0	0	17	7	3	27	3	0	16	19	1	21	2	24	70
08:00 AM	6	2	1	9	21	14	1	36	0	3	16	19	1	22	2	25	89
Total Volume	13	3	2	18	52	26	7	85	3	5	54	62	2	66	6	74	239
% App. Total	72.2	16.7	11.1		61.2	30.6	8.2		4.8	8.1	87.1		2.7	89.2	8.1		
PHF	.542	.375	.500	.500	.619	.464	.583	.590	.250	.417	.844	.816	.500	.750	.750	.740	.671

Peak Hour Analysis From 07:15 AM to 08:00 AM - Peak 1 of 1

Peak Hour for Entire Intersection Begins at 07:15 AM

City of Needles
 N/S: Bailey Avenue
 E/W: J Street
 Weather: Clear

File Name : 12_NDL_Bailey_J St AM
 Site Code : 16621325
 Start Date : 7/15/2021
 Page No : 2



Peak Hour Analysis From 07:15 AM to 08:00 AM - Peak 1 of 1
 Peak Hour for Each Approach Begins at:

	07:15 AM				07:15 AM				07:15 AM				07:15 AM			
+0 mins.	4	0	0	4	6	3	1	10	0	2	12	14	0	11	0	11
+15 mins.	3	1	1	5	8	2	2	12	0	0	10	10	0	12	2	14
+30 mins.	0	0	0	0	17	7	3	27	3	0	16	19	1	21	2	24
+45 mins.	6	2	1	9	21	14	1	36	0	3	16	19	1	22	2	25
Total Volume	13	3	2	18	52	26	7	85	3	5	54	62	2	66	6	74
% App. Total	72.2	16.7	11.1		61.2	30.6	8.2		4.8	8.1	87.1		2.7	89.2	8.1	
PHF	.542	.375	.500	.500	.619	.464	.583	.590	.250	.417	.844	.816	.500	.750	.750	.740

City of Needles
 N/S: Bailey Avenue
 E/W: J Street
 Weather: Clear

File Name : 12_NDL_Bailey_J St AM
 Site Code : 16621325
 Start Date : 7/15/2021
 Page No : 1

Groups Printed- Trucks

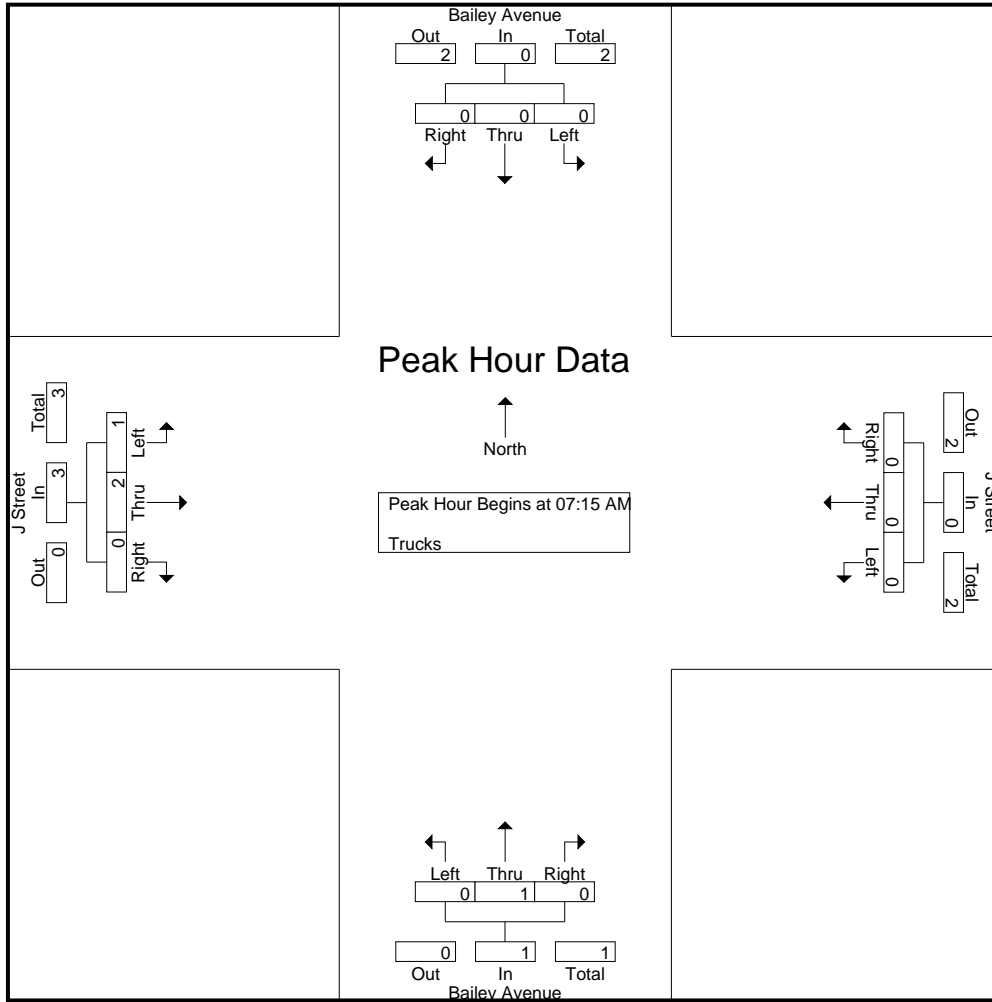
Start Time	Bailey Avenue Southbound				J Street Westbound				Bailey Avenue Northbound				J Street Eastbound				Int. Total	
	Left	Thru	Right	App. Total	Left	Thru	Right	App. Total	Left	Thru	Right	App. Total	Left	Thru	Right	App. Total		
07:00 AM	0	0	0	0	0	0	0	0	0	0	1	1	0	0	0	0	0	1
07:15 AM	0	0	0	0	0	0	0	0	0	0	0	0	0	1	0	1	0	1
07:30 AM	0	0	0	0	0	0	0	0	0	0	0	0	0	0	0	0	0	0
07:45 AM	0	0	0	0	0	0	0	0	0	0	0	0	0	1	0	1	0	1
Total	0	0	0	0	0	0	0	0	0	0	1	1	0	2	0	2	0	3
08:00 AM	0	0	0	0	0	0	0	0	0	1	0	1	1	0	0	1	0	2
08:15 AM	0	0	0	0	0	0	0	0	0	0	0	0	0	0	0	0	0	0
08:30 AM	0	0	0	0	0	0	0	0	0	0	0	0	0	0	0	0	0	0
08:45 AM	0	0	0	0	0	0	0	0	0	0	0	0	0	0	0	0	0	0
Total	0	0	0	0	0	0	0	0	0	1	0	1	1	0	0	1	0	2
Grand Total	0	0	0	0	0	0	0	0	0	1	1	2	1	2	0	3	0	5
Apprch %	0	0	0		0	0	0		0	50	50		33.3	66.7	0			
Total %	0	0	0		0	0	0		0	20	20	40	20	40	0	60		

Start Time	Bailey Avenue Southbound				J Street Westbound				Bailey Avenue Northbound				J Street Eastbound				Int. Total	
	Left	Thru	Right	App. Total	Left	Thru	Right	App. Total	Left	Thru	Right	App. Total	Left	Thru	Right	App. Total		
07:15 AM	0	0	0	0	0	0	0	0	0	0	0	0	0	1	0	1	0	1
07:30 AM	0	0	0	0	0	0	0	0	0	0	0	0	0	0	0	0	0	0
07:45 AM	0	0	0	0	0	0	0	0	0	0	0	0	0	1	0	1	0	1
08:00 AM	0	0	0	0	0	0	0	0	0	1	0	1	1	0	0	1	0	2
Total Volume	0	0	0	0	0	0	0	0	0	1	0	1	1	2	0	3	0	4
% App. Total	0	0	0		0	0	0		0	100	0		33.3	66.7	0			
PHF	.000	.000	.000	.000	.000	.000	.000	.000	.000	.250	.000	.250	.250	.500	.000	.750		.500

Peak Hour Analysis From 07:15 AM to 08:00 AM - Peak 1 of 1
 Peak Hour for Entire Intersection Begins at 07:15 AM

City of Needles
 N/S: Bailey Avenue
 E/W: J Street
 Weather: Clear

File Name : 12_NDL_Bailey_J St AM
 Site Code : 16621325
 Start Date : 7/15/2021
 Page No : 2



Peak Hour Analysis From 07:15 AM to 08:00 AM - Peak 1 of 1
 Peak Hour for Each Approach Begins at:

	07:15 AM				07:15 AM				07:15 AM				07:15 AM			
+0 mins.	0	0	0	0	0	0	0	0	0	0	0	0	0	1	0	1
+15 mins.	0	0	0	0	0	0	0	0	0	0	0	0	0	0	0	0
+30 mins.	0	0	0	0	0	0	0	0	0	0	0	0	0	1	0	1
+45 mins.	0	0	0	0	0	0	0	0	0	1	0	1	1	0	0	1
Total Volume	0	0	0	0	0	0	0	0	0	1	0	1	1	2	0	3
% App. Total	0	0	0	0	0	0	0	0	0	100	0	0	33.3	66.7	0	0
PHF	.000	.000	.000	.000	.000	.000	.000	.000	.000	.250	.000	.250	.250	.500	.000	.750

City of Needles
 N/S: Bailey Avenue
 E/W: J Street
 Weather: Clear

File Name : 12_NDL_Bailey_J St AM
 Site Code : 16621325
 Start Date : 7/15/2021
 Page No : 1

Groups Printed- Buses

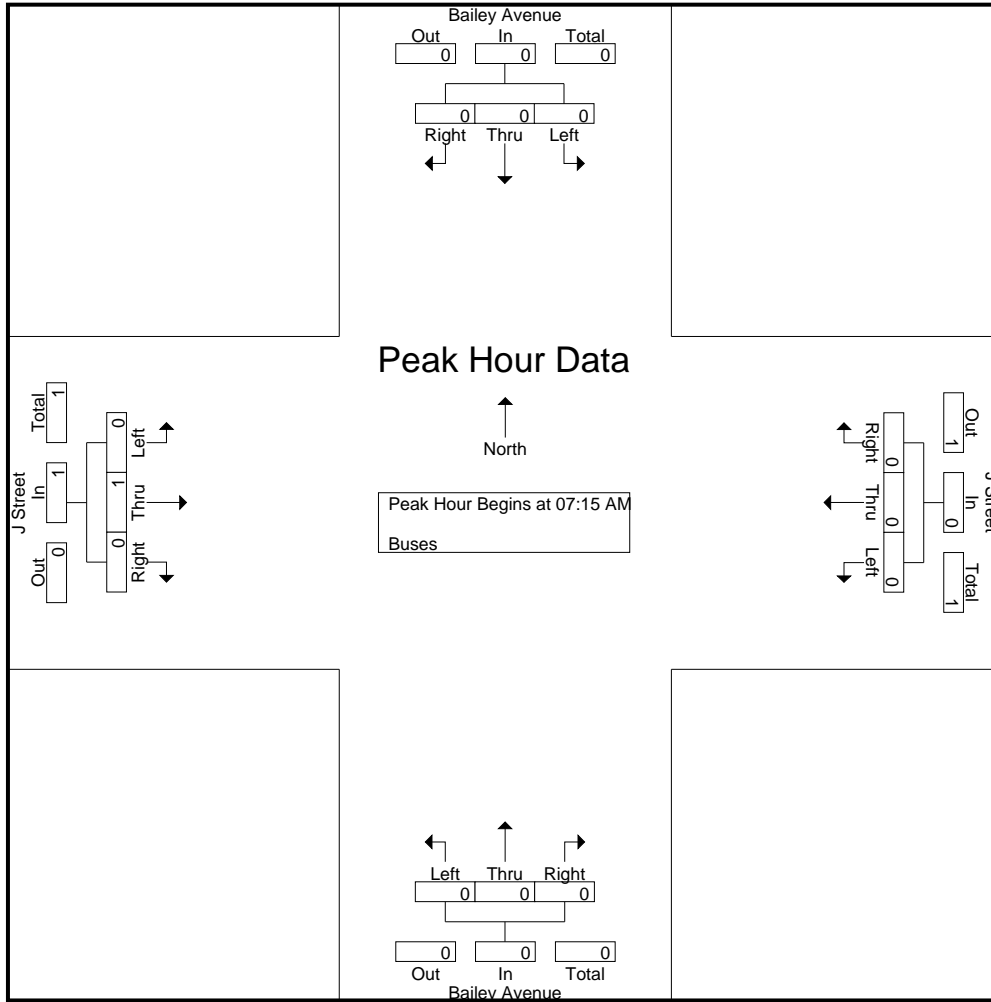
Start Time	Bailey Avenue Southbound				J Street Westbound				Bailey Avenue Northbound				J Street Eastbound				Int. Total
	Left	Thru	Right	App. Total	Left	Thru	Right	App. Total	Left	Thru	Right	App. Total	Left	Thru	Right	App. Total	
07:00 AM	0	0	0	0	0	0	0	0	0	1	0	1	0	1	0	1	2
07:15 AM	0	0	0	0	0	0	0	0	0	0	0	0	0	0	0	0	0
07:30 AM	0	0	0	0	0	0	0	0	0	0	0	0	0	0	0	0	0
07:45 AM	0	0	0	0	0	0	0	0	0	0	0	0	0	0	0	0	0
Total	0	0	0	0	0	0	0	0	0	1	0	1	0	1	0	1	2
08:00 AM	0	0	0	0	0	0	0	0	0	0	0	0	0	1	0	1	1
08:15 AM	0	0	0	0	0	0	0	0	0	0	0	0	0	0	0	0	0
08:30 AM	0	0	0	0	0	0	0	0	0	0	0	0	0	0	0	0	0
08:45 AM	0	0	0	0	0	0	0	0	0	0	0	0	0	0	0	0	0
Total	0	0	0	0	0	0	0	0	0	0	0	0	0	1	0	1	1
Grand Total	0	0	0	0	0	0	0	0	0	1	0	1	0	2	0	2	3
Apprch %	0	0	0		0	0	0		0	100	0		0	100	0		
Total %	0	0	0		0	0	0		0	33.3	0	33.3	0	66.7	0	66.7	

Start Time	Bailey Avenue Southbound				J Street Westbound				Bailey Avenue Northbound				J Street Eastbound				Int. Total
	Left	Thru	Right	App. Total	Left	Thru	Right	App. Total	Left	Thru	Right	App. Total	Left	Thru	Right	App. Total	
07:15 AM	0	0	0	0	0	0	0	0	0	0	0	0	0	0	0	0	0
07:30 AM	0	0	0	0	0	0	0	0	0	0	0	0	0	0	0	0	0
07:45 AM	0	0	0	0	0	0	0	0	0	0	0	0	0	0	0	0	0
08:00 AM	0	0	0	0	0	0	0	0	0	0	0	0	0	1	0	1	1
Total Volume	0	0	0	0	0	0	0	0	0	0	0	0	0	1	0	1	1
% App. Total	0	0	0		0	0	0		0	0	0		0	100	0		
PHF	.000	.000	.000	.000	.000	.000	.000	.000	.000	.000	.000	.000	.000	.250	.000	.250	.250

Peak Hour Analysis From 07:15 AM to 08:00 AM - Peak 1 of 1
 Peak Hour for Entire Intersection Begins at 07:15 AM

City of Needles
 N/S: Bailey Avenue
 E/W: J Street
 Weather: Clear

File Name : 12_NDL_Bailey_J St AM
 Site Code : 16621325
 Start Date : 7/15/2021
 Page No : 2



Peak Hour Analysis From 07:15 AM to 08:00 AM - Peak 1 of 1
 Peak Hour for Each Approach Begins at:

	07:15 AM				07:15 AM				07:15 AM				07:15 AM			
+0 mins.	0	0	0	0	0	0	0	0	0	0	0	0	0	0	0	0
+15 mins.	0	0	0	0	0	0	0	0	0	0	0	0	0	0	0	0
+30 mins.	0	0	0	0	0	0	0	0	0	0	0	0	0	0	0	0
+45 mins.	0	0	0	0	0	0	0	0	0	0	0	0	0	1	0	1
Total Volume	0	0	0	0	0	0	0	0	0	0	0	0	0	1	0	1
% App. Total	0	0	0	0	0	0	0	0	0	0	0	0	0	100	0	0
PHF	.000	.000	.000	.000	.000	.000	.000	.000	.000	.000	.000	.000	.000	.250	.000	.250

City of Needles
 N/S: Bailey Avenue
 E/W: J Street
 Weather: Clear

File Name : 12_NDL_Bailey_J St PM
 Site Code : 16621325
 Start Date : 7/15/2021
 Page No : 1

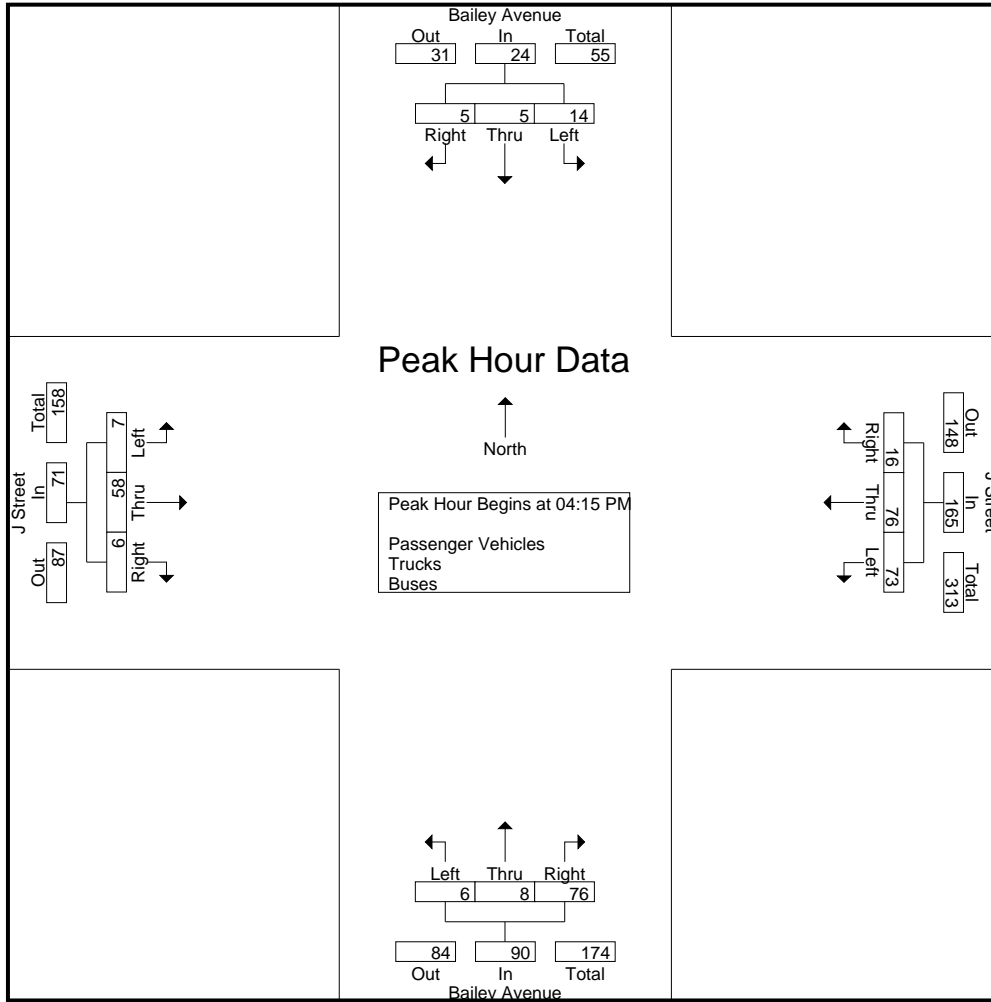
Groups Printed- Passenger Vehicles - Trucks - Buses

Start Time	Bailey Avenue Southbound				J Street Westbound				Bailey Avenue Northbound				J Street Eastbound				Int. Total
	Left	Thru	Right	App. Total	Left	Thru	Right	App. Total	Left	Thru	Right	App. Total	Left	Thru	Right	App. Total	
04:00 PM	1	3	0	4	16	14	1	31	2	1	16	19	1	12	2	15	69
04:15 PM	8	0	1	9	18	18	3	39	1	0	21	22	2	12	2	16	86
04:30 PM	1	0	1	2	20	18	2	40	2	1	23	26	1	18	2	21	89
04:45 PM	3	2	1	6	13	18	5	36	2	1	16	19	2	12	0	14	75
Total	13	5	3	21	67	68	11	146	7	3	76	86	6	54	6	66	319
05:00 PM	2	3	2	7	22	22	6	50	1	6	16	23	2	16	2	20	100
05:15 PM	1	2	2	5	17	17	4	38	1	1	21	23	0	16	0	16	82
05:30 PM	4	2	2	8	18	18	2	38	0	2	6	8	1	12	2	15	69
05:45 PM	3	3	2	8	18	17	3	38	1	4	9	14	3	5	1	9	69
Total	10	10	8	28	75	74	15	164	3	13	52	68	6	49	5	60	320
Grand Total	23	15	11	49	142	142	26	310	10	16	128	154	12	103	11	126	639
Apprch %	46.9	30.6	22.4		45.8	45.8	8.4		6.5	10.4	83.1		9.5	81.7	8.7		
Total %	3.6	2.3	1.7	7.7	22.2	22.2	4.1	48.5	1.6	2.5	20	24.1	1.9	16.1	1.7	19.7	
Passenger Vehicles	23	15	11	49	140	141	25	306	10	14	126	150	12	100	11	123	628
% Passenger Vehicles	100	100	100	100	98.6	99.3	96.2	98.7	100	87.5	98.4	97.4	100	97.1	100	97.6	98.3
Trucks	0	0	0	0	2	1	1	4	0	0	2	2	0	1	0	1	7
% Trucks	0	0	0	0	1.4	0.7	3.8	1.3	0	0	1.6	1.3	0	1	0	0.8	1.1
Buses	0	0	0	0	0	0	0	0	0	2	0	2	0	2	0	2	4
% Buses	0	0	0	0	0	0	0	0	0	12.5	0	1.3	0	1.9	0	1.6	0.6

Start Time	Bailey Avenue Southbound				J Street Westbound				Bailey Avenue Northbound				J Street Eastbound				Int. Total
	Left	Thru	Right	App. Total	Left	Thru	Right	App. Total	Left	Thru	Right	App. Total	Left	Thru	Right	App. Total	
Peak Hour Analysis From 04:00 PM to 05:45 PM - Peak 1 of 1																	
Peak Hour for Entire Intersection Begins at 04:15 PM																	
04:15 PM	8	0	1	9	18	18	3	39	1	0	21	22	2	12	2	16	86
04:30 PM	1	0	1	2	20	18	2	40	2	1	23	26	1	18	2	21	89
04:45 PM	3	2	1	6	13	18	5	36	2	1	16	19	2	12	0	14	75
05:00 PM	2	3	2	7	22	22	6	50	1	6	16	23	2	16	2	20	100
Total Volume	14	5	5	24	73	76	16	165	6	8	76	90	7	58	6	71	350
% App. Total	58.3	20.8	20.8		44.2	46.1	9.7		6.7	8.9	84.4		9.9	81.7	8.5		
PHF	.438	.417	.625	.667	.830	.864	.667	.825	.750	.333	.826	.865	.875	.806	.750	.845	.875

City of Needles
 N/S: Bailey Avenue
 E/W: J Street
 Weather: Clear

File Name : 12_NDL_Bailey_J St PM
 Site Code : 16621325
 Start Date : 7/15/2021
 Page No : 2



Peak Hour Analysis From 04:00 PM to 05:45 PM - Peak 1 of 1
 Peak Hour for Each Approach Begins at:

	05:00 PM				04:15 PM				04:30 PM				04:15 PM			
+0 mins.	2	3	2	7	18	18	3	39	2	1	23	26	2	12	2	16
+15 mins.	1	2	2	5	20	18	2	40	2	1	16	19	1	18	2	21
+30 mins.	4	2	2	8	13	18	5	36	1	6	16	23	2	12	0	14
+45 mins.	3	3	2	8	22	22	6	50	1	1	21	23	2	16	2	20
Total Volume	10	10	8	28	73	76	16	165	6	9	76	91	7	58	6	71
% App. Total	35.7	35.7	28.6		44.2	46.1	9.7		6.6	9.9	83.5		9.9	81.7	8.5	
PHF	.625	.833	1.000	.875	.830	.864	.667	.825	.750	.375	.826	.875	.875	.806	.750	.845

City of Needles
 N/S: Bailey Avenue
 E/W: J Street
 Weather: Clear

File Name : 12_NDL_Bailey_J St PM
 Site Code : 16621325
 Start Date : 7/15/2021
 Page No : 1

Groups Printed- Passenger Vehicles

Start Time	Bailey Avenue Southbound				J Street Westbound				Bailey Avenue Northbound				J Street Eastbound				Int. Total
	Left	Thru	Right	App. Total	Left	Thru	Right	App. Total	Left	Thru	Right	App. Total	Left	Thru	Right	App. Total	
04:00 PM	1	3	0	4	15	14	1	30	2	0	16	18	1	11	2	14	66
04:15 PM	8	0	1	9	17	18	3	38	1	0	20	21	2	12	2	16	84
04:30 PM	1	0	1	2	20	18	2	40	2	1	22	25	1	18	2	21	88
04:45 PM	3	2	1	6	13	18	5	36	2	1	16	19	2	12	0	14	75
Total	13	5	3	21	65	68	11	144	7	2	74	83	6	53	6	65	313
05:00 PM	2	3	2	7	22	22	6	50	1	5	16	22	2	15	2	19	98
05:15 PM	1	2	2	5	17	17	3	37	1	1	21	23	0	15	0	15	80
05:30 PM	4	2	2	8	18	17	2	37	0	2	6	8	1	12	2	15	68
05:45 PM	3	3	2	8	18	17	3	38	1	4	9	14	3	5	1	9	69
Total	10	10	8	28	75	73	14	162	3	12	52	67	6	47	5	58	315
Grand Total	23	15	11	49	140	141	25	306	10	14	126	150	12	100	11	123	628
Apprch %	46.9	30.6	22.4		45.8	46.1	8.2		6.7	9.3	84		9.8	81.3	8.9		
Total %	3.7	2.4	1.8	7.8	22.3	22.5	4	48.7	1.6	2.2	20.1	23.9	1.9	15.9	1.8	19.6	

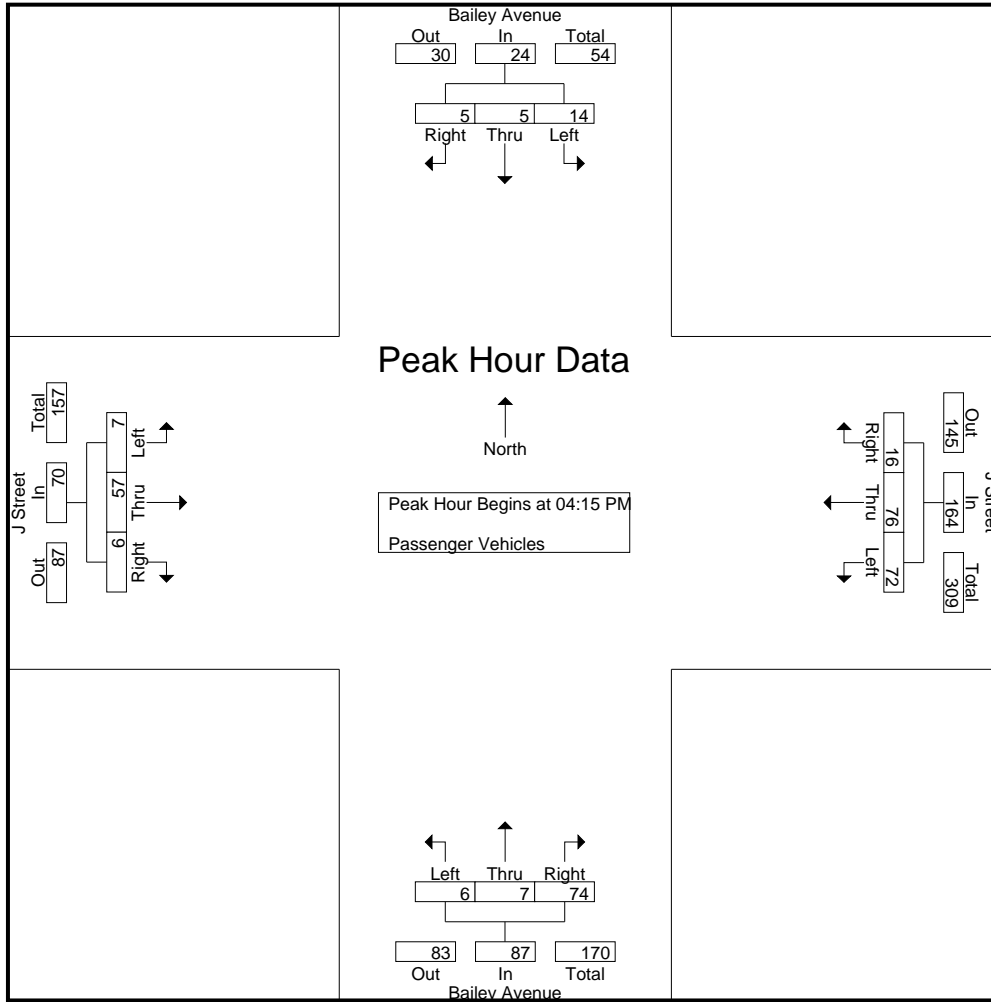
Start Time	Bailey Avenue Southbound				J Street Westbound				Bailey Avenue Northbound				J Street Eastbound				Int. Total
	Left	Thru	Right	App. Total	Left	Thru	Right	App. Total	Left	Thru	Right	App. Total	Left	Thru	Right	App. Total	
04:15 PM	8	0	1	9	17	18	3	38	1	0	20	21	2	12	2	16	84
04:30 PM	1	0	1	2	20	18	2	40	2	1	22	25	1	18	2	21	88
04:45 PM	3	2	1	6	13	18	5	36	2	1	16	19	2	12	0	14	75
05:00 PM	2	3	2	7	22	22	6	50	1	5	16	22	2	15	2	19	98
Total Volume	14	5	5	24	72	76	16	164	6	7	74	87	7	57	6	70	345
% App. Total	58.3	20.8	20.8		43.9	46.3	9.8		6.9	8	85.1		10	81.4	8.6		
PHF	.438	.417	.625	.667	.818	.864	.667	.820	.750	.350	.841	.870	.875	.792	.750	.833	.880

Peak Hour Analysis From 04:15 PM to 05:00 PM - Peak 1 of 1

Peak Hour for Entire Intersection Begins at 04:15 PM

City of Needles
 N/S: Bailey Avenue
 E/W: J Street
 Weather: Clear

File Name : 12_NDL_Bailey_J St PM
 Site Code : 16621325
 Start Date : 7/15/2021
 Page No : 2



Peak Hour Analysis From 04:15 PM to 05:00 PM - Peak 1 of 1
 Peak Hour for Each Approach Begins at:

	04:15 PM				04:15 PM				04:15 PM				04:15 PM			
+0 mins.	8	0	1	9	17	18	3	38	1	0	20	21	2	12	2	16
+15 mins.	1	0	1	2	20	18	2	40	2	1	22	25	1	18	2	21
+30 mins.	3	2	1	6	13	18	5	36	2	1	16	19	2	12	0	14
+45 mins.	2	3	2	7	22	22	6	50	1	5	16	22	2	15	2	19
Total Volume	14	5	5	24	72	76	16	164	6	7	74	87	7	57	6	70
% App. Total	58.3	20.8	20.8		43.9	46.3	9.8		6.9	8	85.1		10	81.4	8.6	
PHF	.438	.417	.625	.667	.818	.864	.667	.820	.750	.350	.841	.870	.875	.792	.750	.833

City of Needles
 N/S: Bailey Avenue
 E/W: J Street
 Weather: Clear

File Name : 12_NDL_Bailey_J St PM
 Site Code : 16621325
 Start Date : 7/15/2021
 Page No : 1

Groups Printed- Trucks

Start Time	Bailey Avenue Southbound				J Street Westbound				Bailey Avenue Northbound				J Street Eastbound				Int. Total
	Left	Thru	Right	App. Total	Left	Thru	Right	App. Total	Left	Thru	Right	App. Total	Left	Thru	Right	App. Total	
04:00 PM	0	0	0	0	1	0	0	1	0	0	0	0	0	0	0	0	0
04:15 PM	0	0	0	0	1	0	0	1	0	0	1	1	0	0	0	0	0
04:30 PM	0	0	0	0	0	0	0	0	0	0	1	1	0	0	0	0	0
04:45 PM	0	0	0	0	0	0	0	0	0	0	0	0	0	0	0	0	0
Total	0	0	0	0	2	0	0	2	0	0	2	2	0	0	0	0	4
05:00 PM	0	0	0	0	0	0	0	0	0	0	0	0	0	0	0	0	0
05:15 PM	0	0	0	0	0	0	1	1	0	0	0	0	0	1	0	1	2
05:30 PM	0	0	0	0	0	1	0	1	0	0	0	0	0	0	0	0	1
05:45 PM	0	0	0	0	0	0	0	0	0	0	0	0	0	0	0	0	0
Total	0	0	0	0	0	1	1	2	0	0	0	0	0	1	0	1	3
Grand Total	0	0	0	0	2	1	1	4	0	0	2	2	0	1	0	1	7
Apprch %	0	0	0		50	25	25		0	0	100		0	100	0		
Total %	0	0	0		28.6	14.3	14.3	57.1	0	0	28.6	28.6	0	14.3	0	14.3	

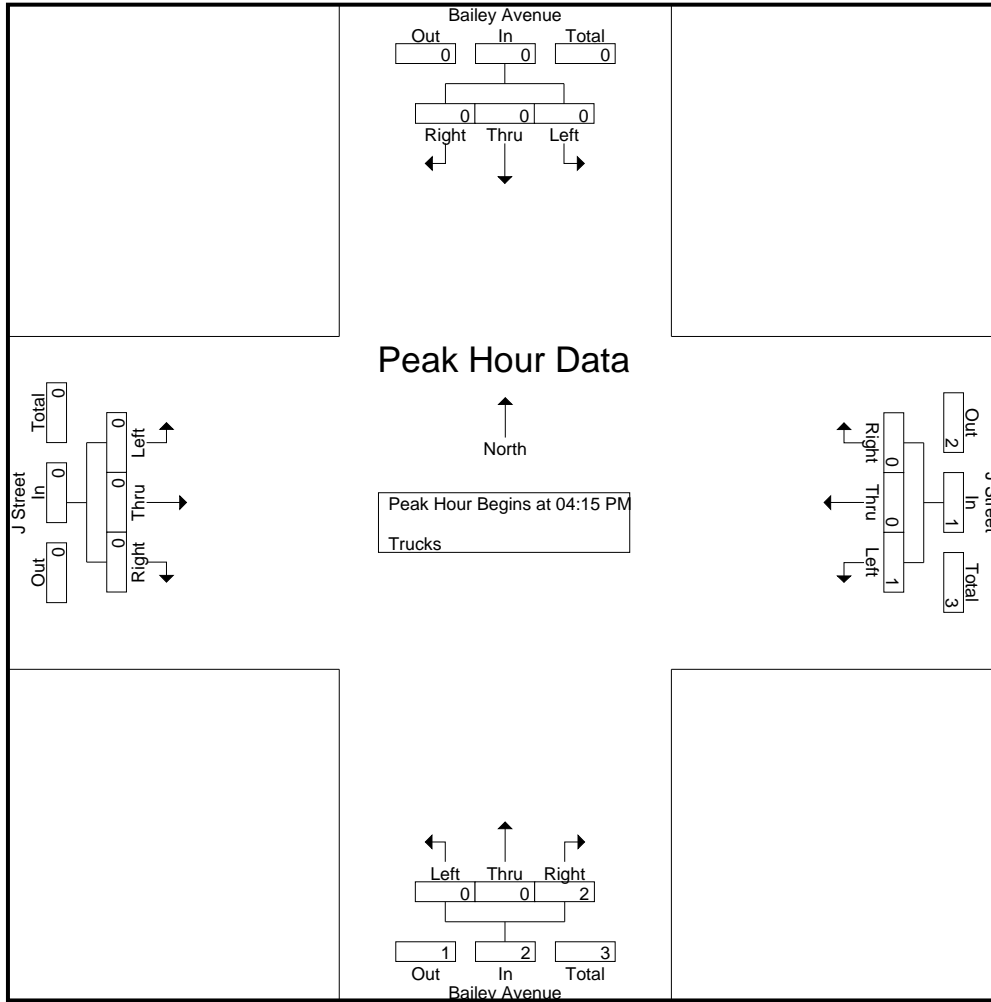
Start Time	Bailey Avenue Southbound				J Street Westbound				Bailey Avenue Northbound				J Street Eastbound				Int. Total
	Left	Thru	Right	App. Total	Left	Thru	Right	App. Total	Left	Thru	Right	App. Total	Left	Thru	Right	App. Total	
04:15 PM	0	0	0	0	1	0	0	1	0	0	1	1	0	0	0	0	2
04:30 PM	0	0	0	0	0	0	0	0	0	0	1	1	0	0	0	0	1
04:45 PM	0	0	0	0	0	0	0	0	0	0	0	0	0	0	0	0	0
05:00 PM	0	0	0	0	0	0	0	0	0	0	0	0	0	0	0	0	0
Total Volume	0	0	0	0	1	0	0	1	0	0	2	2	0	0	0	0	3
% App. Total	0	0	0		100	0	0		0	0	100		0	0	0		
PHF	.000	.000	.000	.000	.250	.000	.000	.250	.000	.000	.500	.500	.000	.000	.000	.000	.375

Peak Hour Analysis From 04:15 PM to 05:00 PM - Peak 1 of 1

Peak Hour for Entire Intersection Begins at 04:15 PM

City of Needles
 N/S: Bailey Avenue
 E/W: J Street
 Weather: Clear

File Name : 12_NDL_Bailey_J St PM
 Site Code : 16621325
 Start Date : 7/15/2021
 Page No : 2



Peak Hour Analysis From 04:15 PM to 05:00 PM - Peak 1 of 1
 Peak Hour for Each Approach Begins at:

	04:15 PM				04:15 PM				04:15 PM				04:15 PM			
+0 mins.	0	0	0	0	1	0	0	1	0	0	1	1	0	0	0	0
+15 mins.	0	0	0	0	0	0	0	0	0	0	1	1	0	0	0	0
+30 mins.	0	0	0	0	0	0	0	0	0	0	0	0	0	0	0	0
+45 mins.	0	0	0	0	0	0	0	0	0	0	0	0	0	0	0	0
Total Volume	0	0	0	0	1	0	0	1	0	0	2	2	0	0	0	0
% App. Total	0	0	0	0	100	0	0	0	0	0	100	0	0	0	0	0
PHF	.000	.000	.000	.000	.250	.000	.000	.250	.000	.000	.500	.500	.000	.000	.000	.000

City of Needles
 N/S: Bailey Avenue
 E/W: J Street
 Weather: Clear

File Name : 12_NDL_Bailey_J St PM
 Site Code : 16621325
 Start Date : 7/15/2021
 Page No : 1

Groups Printed- Buses

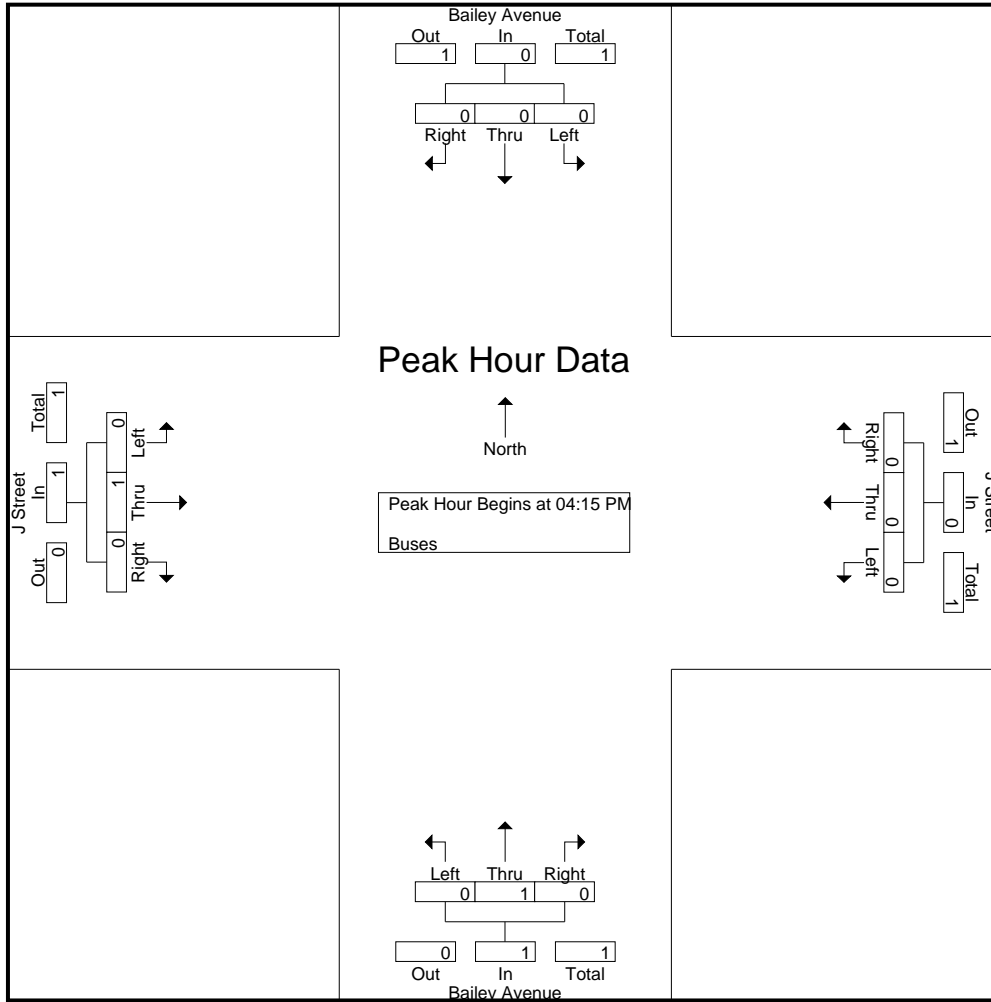
Start Time	Bailey Avenue Southbound				J Street Westbound				Bailey Avenue Northbound				J Street Eastbound				Int. Total
	Left	Thru	Right	App. Total	Left	Thru	Right	App. Total	Left	Thru	Right	App. Total	Left	Thru	Right	App. Total	
04:00 PM	0	0	0	0	0	0	0	0	0	1	0	1	0	1	0	1	2
04:15 PM	0	0	0	0	0	0	0	0	0	0	0	0	0	0	0	0	0
04:30 PM	0	0	0	0	0	0	0	0	0	0	0	0	0	0	0	0	0
04:45 PM	0	0	0	0	0	0	0	0	0	0	0	0	0	0	0	0	0
Total	0	0	0	0	0	0	0	0	0	1	0	1	0	1	0	1	2
05:00 PM	0	0	0	0	0	0	0	0	0	1	0	1	0	1	0	1	2
05:15 PM	0	0	0	0	0	0	0	0	0	0	0	0	0	0	0	0	0
05:30 PM	0	0	0	0	0	0	0	0	0	0	0	0	0	0	0	0	0
05:45 PM	0	0	0	0	0	0	0	0	0	0	0	0	0	0	0	0	0
Total	0	0	0	0	0	0	0	0	0	1	0	1	0	1	0	1	2
Grand Total	0	0	0	0	0	0	0	0	0	2	0	2	0	2	0	2	4
Apprch %	0	0	0		0	0	0		0	100	0		0	100	0		
Total %	0	0	0		0	0	0		0	50	0	50	0	50	0	50	

Start Time	Bailey Avenue Southbound				J Street Westbound				Bailey Avenue Northbound				J Street Eastbound				Int. Total
	Left	Thru	Right	App. Total	Left	Thru	Right	App. Total	Left	Thru	Right	App. Total	Left	Thru	Right	App. Total	
04:15 PM	0	0	0	0	0	0	0	0	0	0	0	0	0	0	0	0	0
04:30 PM	0	0	0	0	0	0	0	0	0	0	0	0	0	0	0	0	0
04:45 PM	0	0	0	0	0	0	0	0	0	0	0	0	0	0	0	0	0
05:00 PM	0	0	0	0	0	0	0	0	0	1	0	1	0	1	0	1	2
Total Volume	0	0	0	0	0	0	0	0	0	1	0	1	0	1	0	1	2
% App. Total	0	0	0		0	0	0		0	100	0		0	100	0		
PHF	.000	.000	.000	.000	.000	.000	.000	.000	.000	.250	.000	.250	.000	.250	.000	.250	.250

Peak Hour Analysis From 04:15 PM to 05:00 PM - Peak 1 of 1
 Peak Hour for Entire Intersection Begins at 04:15 PM

City of Needles
 N/S: Bailey Avenue
 E/W: J Street
 Weather: Clear

File Name : 12_NDL_Bailey_J St PM
 Site Code : 16621325
 Start Date : 7/15/2021
 Page No : 2



Peak Hour Analysis From 04:15 PM to 05:00 PM - Peak 1 of 1
 Peak Hour for Each Approach Begins at:

	04:15 PM				04:15 PM				04:15 PM				04:15 PM			
+0 mins.	0	0	0	0	0	0	0	0	0	0	0	0	0	0	0	0
+15 mins.	0	0	0	0	0	0	0	0	0	0	0	0	0	0	0	0
+30 mins.	0	0	0	0	0	0	0	0	0	0	0	0	0	0	0	0
+45 mins.	0	0	0	0	0	0	0	0	0	1	0	1	0	1	0	1
Total Volume	0	0	0	0	0	0	0	0	0	1	0	1	0	1	0	1
% App. Total	0	0	0	0	0	0	0	0	0	100	0	0	0	100	0	0
PHF	.000	.000	.000	.000	.000	.000	.000	.000	.000	.250	.000	.250	.000	.250	.000	.250

City of Needles
 N/S: Bailey Avenue
 E/W: J Street
 Weather: Clear

File Name : 12_NDL_Bailey_J St SAT
 Site Code : 16621325
 Start Date : 7/17/2021
 Page No : 1

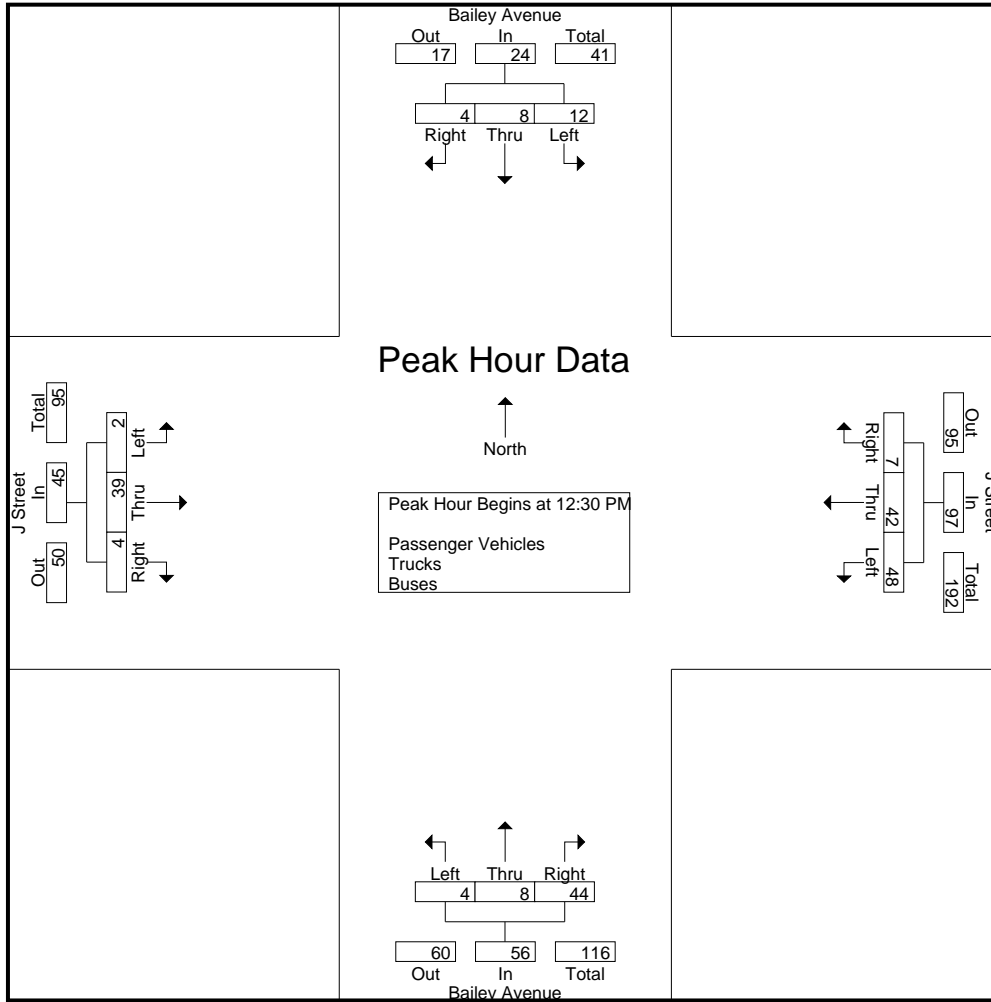
Groups Printed- Passenger Vehicles - Trucks - Buses

Start Time	Bailey Avenue Southbound				J Street Westbound				Bailey Avenue Northbound				J Street Eastbound				Int. Total
	Left	Thru	Right	App. Total	Left	Thru	Right	App. Total	Left	Thru	Right	App. Total	Left	Thru	Right	App. Total	
12:00 PM	2	0	1	3	5	15	2	22	1	4	9	14	2	15	1	18	57
12:15 PM	2	3	0	5	12	8	0	20	2	1	9	12	0	9	2	11	48
12:30 PM	3	2	0	5	11	13	1	25	0	1	11	12	0	10	0	10	52
12:45 PM	3	3	1	7	13	12	1	26	1	1	14	16	0	12	2	14	63
Total	10	8	2	20	41	48	4	93	4	7	43	54	2	46	5	53	220
01:00 PM	2	2	1	5	10	10	2	22	1	3	9	13	1	8	1	10	50
01:15 PM	4	1	2	7	14	7	3	24	2	3	10	15	1	9	1	11	57
01:30 PM	2	2	0	4	4	6	2	12	1	0	3	4	2	14	0	16	36
01:45 PM	1	1	1	3	7	11	1	19	0	1	9	10	1	6	1	8	40
Total	9	6	4	19	35	34	8	77	4	7	31	42	5	37	3	45	183
Grand Total	19	14	6	39	76	82	12	170	8	14	74	96	7	83	8	98	403
Apprch %	48.7	35.9	15.4		44.7	48.2	7.1		8.3	14.6	77.1		7.1	84.7	8.2		
Total %	4.7	3.5	1.5	9.7	18.9	20.3	3	42.2	2	3.5	18.4	23.8	1.7	20.6	2	24.3	
Passenger Vehicles	19	14	6	39	76	82	12	170	8	12	74	94	7	81	8	96	399
% Passenger Vehicles	100	100	100	100	100	100	100	100	100	85.7	100	97.9	100	97.6	100	98	99
Trucks	0	0	0	0	0	0	0	0	0	0	0	0	0	0	0	0	0
% Trucks	0	0	0	0	0	0	0	0	0	0	0	0	0	0	0	0	0
Buses	0	0	0	0	0	0	0	0	0	2	0	2	0	2	0	2	4
% Buses	0	0	0	0	0	0	0	0	0	14.3	0	2.1	0	2.4	0	2	1

Start Time	Bailey Avenue Southbound				J Street Westbound				Bailey Avenue Northbound				J Street Eastbound				Int. Total
	Left	Thru	Right	App. Total	Left	Thru	Right	App. Total	Left	Thru	Right	App. Total	Left	Thru	Right	App. Total	
Peak Hour Analysis From 12:00 PM to 01:45 PM - Peak 1 of 1																	
Peak Hour for Entire Intersection Begins at 12:30 PM																	
12:30 PM	3	2	0	5	11	13	1	25	0	1	11	12	0	10	0	10	52
12:45 PM	3	3	1	7	13	12	1	26	1	1	14	16	0	12	2	14	63
01:00 PM	2	2	1	5	10	10	2	22	1	3	9	13	1	8	1	10	50
01:15 PM	4	1	2	7	14	7	3	24	2	3	10	15	1	9	1	11	57
Total Volume	12	8	4	24	48	42	7	97	4	8	44	56	2	39	4	45	222
% App. Total	50	33.3	16.7		49.5	43.3	7.2		7.1	14.3	78.6		4.4	86.7	8.9		
PHF	.750	.667	.500	.857	.857	.808	.583	.933	.500	.667	.786	.875	.500	.813	.500	.804	.881

City of Needles
 N/S: Bailey Avenue
 E/W: J Street
 Weather: Clear

File Name : 12_NDL_Bailey_J St SAT
 Site Code : 16621325
 Start Date : 7/17/2021
 Page No : 2



Peak Hour Analysis From 12:00 PM to 01:45 PM - Peak 1 of 1
 Peak Hour for Each Approach Begins at:

	12:30 PM				12:30 PM				12:30 PM				12:00 PM			
+0 mins.	3	2	0	5	11	13	1	25	0	1	11	12	2	15	1	18
+15 mins.	3	3	1	7	13	12	1	26	1	1	14	16	0	9	2	11
+30 mins.	2	2	1	5	10	10	2	22	1	3	9	13	0	10	0	10
+45 mins.	4	1	2	7	14	7	3	24	2	3	10	15	0	12	2	14
Total Volume	12	8	4	24	48	42	7	97	4	8	44	56	2	46	5	53
% App. Total	50	33.3	16.7		49.5	43.3	7.2		7.1	14.3	78.6		3.8	86.8	9.4	
PHF	.750	.667	.500	.857	.857	.808	.583	.933	.500	.667	.786	.875	.250	.767	.625	.736

City of Needles
 N/S: Bailey Avenue
 E/W: J Street
 Weather: Clear

File Name : 12_NDL_Bailey_J St SAT
 Site Code : 16621325
 Start Date : 7/17/2021
 Page No : 1

Groups Printed- Passenger Vehicles

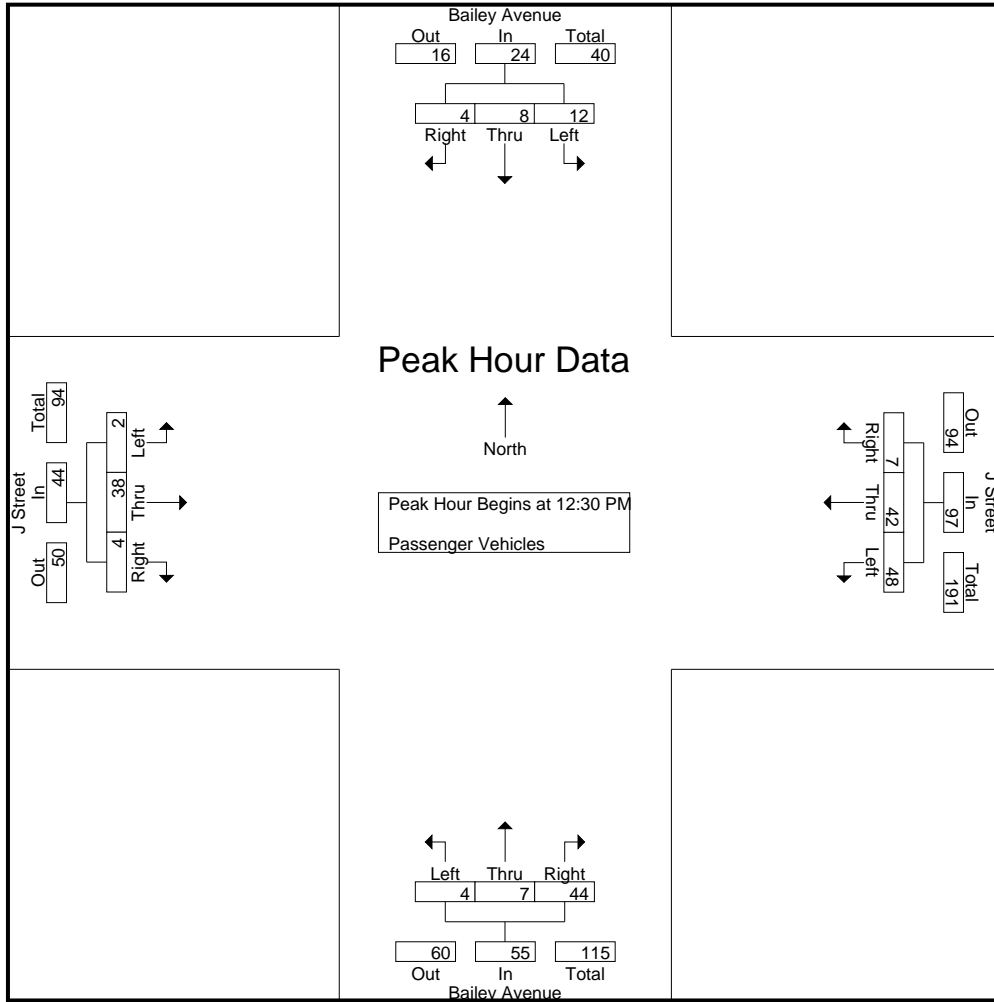
Start Time	Bailey Avenue Southbound				J Street Westbound				Bailey Avenue Northbound				J Street Eastbound				Int. Total
	Left	Thru	Right	App. Total	Left	Thru	Right	App. Total	Left	Thru	Right	App. Total	Left	Thru	Right	App. Total	
12:00 PM	2	0	1	3	5	15	2	22	1	3	9	13	2	15	1	18	56
12:15 PM	2	3	0	5	12	8	0	20	2	1	9	12	0	8	2	10	47
12:30 PM	3	2	0	5	11	13	1	25	0	1	11	12	0	10	0	10	52
12:45 PM	3	3	1	7	13	12	1	26	1	1	14	16	0	12	2	14	63
Total	10	8	2	20	41	48	4	93	4	6	43	53	2	45	5	52	218
01:00 PM	2	2	1	5	10	10	2	22	1	2	9	12	1	7	1	9	48
01:15 PM	4	1	2	7	14	7	3	24	2	3	10	15	1	9	1	11	57
01:30 PM	2	2	0	4	4	6	2	12	1	0	3	4	2	14	0	16	36
01:45 PM	1	1	1	3	7	11	1	19	0	1	9	10	1	6	1	8	40
Total	9	6	4	19	35	34	8	77	4	6	31	41	5	36	3	44	181
Grand Total	19	14	6	39	76	82	12	170	8	12	74	94	7	81	8	96	399
Apprch %	48.7	35.9	15.4		44.7	48.2	7.1		8.5	12.8	78.7		7.3	84.4	8.3		
Total %	4.8	3.5	1.5	9.8	19	20.6	3	42.6	2	3	18.5	23.6	1.8	20.3	2	24.1	

Start Time	Bailey Avenue Southbound				J Street Westbound				Bailey Avenue Northbound				J Street Eastbound				Int. Total
	Left	Thru	Right	App. Total	Left	Thru	Right	App. Total	Left	Thru	Right	App. Total	Left	Thru	Right	App. Total	
12:30 PM	3	2	0	5	11	13	1	25	0	1	11	12	0	10	0	10	52
12:45 PM	3	3	1	7	13	12	1	26	1	1	14	16	0	12	2	14	63
01:00 PM	2	2	1	5	10	10	2	22	1	2	9	12	1	7	1	9	48
01:15 PM	4	1	2	7	14	7	3	24	2	3	10	15	1	9	1	11	57
Total Volume	12	8	4	24	48	42	7	97	4	7	44	55	2	38	4	44	220
% App. Total	50	33.3	16.7		49.5	43.3	7.2		7.3	12.7	80		4.5	86.4	9.1		
PHF	.750	.667	.500	.857	.857	.808	.583	.933	.500	.583	.786	.859	.500	.792	.500	.786	.873

Peak Hour Analysis From 12:30 PM to 01:15 PM - Peak 1 of 1
 Peak Hour for Entire Intersection Begins at 12:30 PM

City of Needles
 N/S: Bailey Avenue
 E/W: J Street
 Weather: Clear

File Name : 12_NDL_Bailey_J St SAT
 Site Code : 16621325
 Start Date : 7/17/2021
 Page No : 2



Peak Hour Analysis From 12:30 PM to 01:15 PM - Peak 1 of 1
 Peak Hour for Each Approach Begins at:

	12:30 PM				12:30 PM				12:30 PM				12:30 PM			
+0 mins.	3	2	0	5	11	13	1	25	0	1	11	12	0	10	0	10
+15 mins.	3	3	1	7	13	12	1	26	1	1	14	16	0	12	2	14
+30 mins.	2	2	1	5	10	10	2	22	1	2	9	12	1	7	1	9
+45 mins.	4	1	2	7	14	7	3	24	2	3	10	15	1	9	1	11
Total Volume	12	8	4	24	48	42	7	97	4	7	44	55	2	38	4	44
% App. Total	50	33.3	16.7		49.5	43.3	7.2		7.3	12.7	80		4.5	86.4	9.1	
PHF	.750	.667	.500	.857	.857	.808	.583	.933	.500	.583	.786	.859	.500	.792	.500	.786

City of Needles
 N/S: Bailey Avenue
 E/W: J Street
 Weather: Clear

File Name : 12_NDL_Bailey_J St SAT
 Site Code : 16621325
 Start Date : 7/17/2021
 Page No : 1

Groups Printed- Trucks

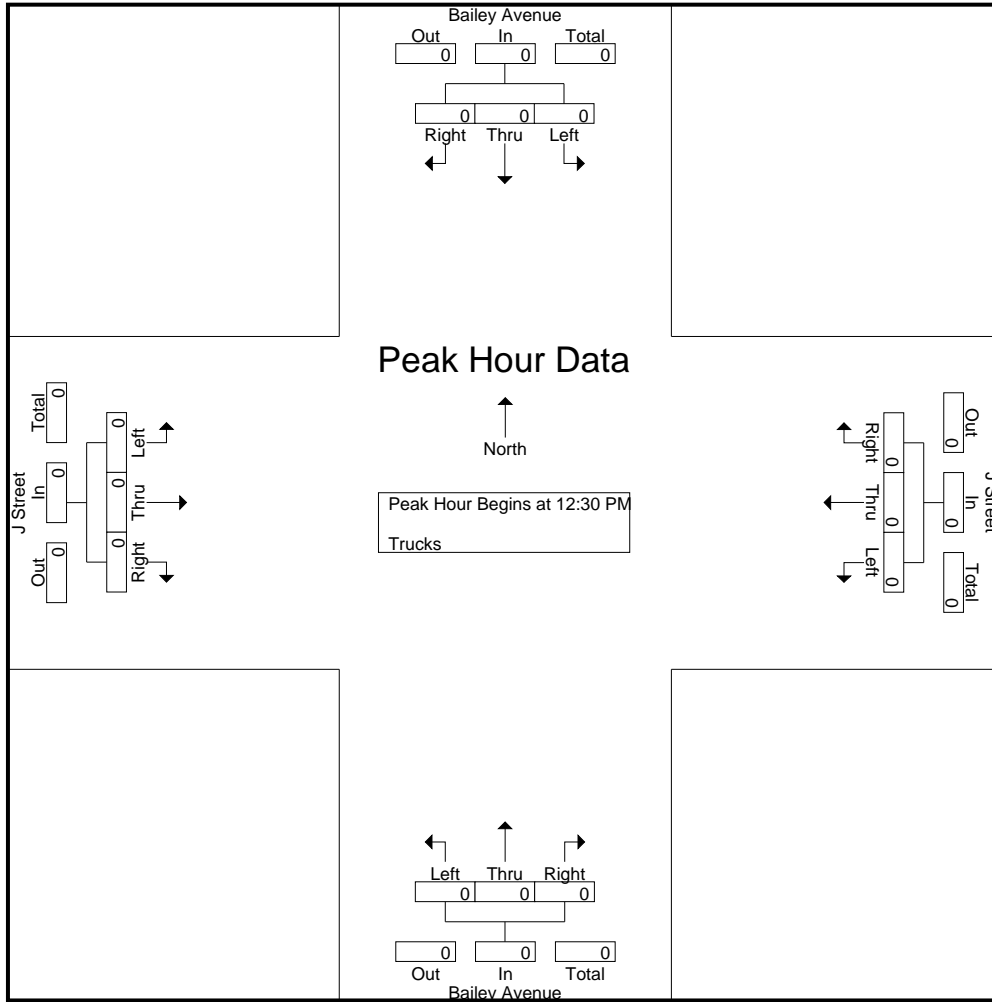
Start Time	Bailey Avenue Southbound				J Street Westbound				Bailey Avenue Northbound				J Street Eastbound				Int. Total
	Left	Thru	Right	App. Total	Left	Thru	Right	App. Total	Left	Thru	Right	App. Total	Left	Thru	Right	App. Total	
12:00 PM	0	0	0	0	0	0	0	0	0	0	0	0	0	0	0	0	0
12:15 PM	0	0	0	0	0	0	0	0	0	0	0	0	0	0	0	0	0
12:30 PM	0	0	0	0	0	0	0	0	0	0	0	0	0	0	0	0	0
12:45 PM	0	0	0	0	0	0	0	0	0	0	0	0	0	0	0	0	0
Total	0	0	0	0	0	0	0	0	0	0	0	0	0	0	0	0	0
01:00 PM	0	0	0	0	0	0	0	0	0	0	0	0	0	0	0	0	0
01:15 PM	0	0	0	0	0	0	0	0	0	0	0	0	0	0	0	0	0
01:30 PM	0	0	0	0	0	0	0	0	0	0	0	0	0	0	0	0	0
01:45 PM	0	0	0	0	0	0	0	0	0	0	0	0	0	0	0	0	0
Total	0	0	0	0	0	0	0	0	0	0	0	0	0	0	0	0	0
Grand Total	0	0	0	0	0	0	0	0	0	0	0	0	0	0	0	0	0
Apprch %	0	0	0		0	0	0		0	0	0		0	0	0		
Total %																	

Start Time	Bailey Avenue Southbound				J Street Westbound				Bailey Avenue Northbound				J Street Eastbound				Int. Total
	Left	Thru	Right	App. Total	Left	Thru	Right	App. Total	Left	Thru	Right	App. Total	Left	Thru	Right	App. Total	
12:30 PM	0	0	0	0	0	0	0	0	0	0	0	0	0	0	0	0	0
12:45 PM	0	0	0	0	0	0	0	0	0	0	0	0	0	0	0	0	0
01:00 PM	0	0	0	0	0	0	0	0	0	0	0	0	0	0	0	0	0
01:15 PM	0	0	0	0	0	0	0	0	0	0	0	0	0	0	0	0	0
Total Volume	0	0	0	0	0	0	0	0	0	0	0	0	0	0	0	0	0
% App. Total	0	0	0		0	0	0		0	0	0		0	0	0		
PHF	.000	.000	.000	.000	.000	.000	.000	.000	.000	.000	.000	.000	.000	.000	.000	.000	.000

Peak Hour Analysis From 12:30 PM to 01:15 PM - Peak 1 of 1
 Peak Hour for Entire Intersection Begins at 12:30 PM

City of Needles
 N/S: Bailey Avenue
 E/W: J Street
 Weather: Clear

File Name : 12_NDL_Bailey_J St SAT
 Site Code : 16621325
 Start Date : 7/17/2021
 Page No : 2



Peak Hour Analysis From 12:30 PM to 01:15 PM - Peak 1 of 1
 Peak Hour for Each Approach Begins at:

	12:30 PM				12:30 PM				12:30 PM				12:30 PM			
+0 mins.	0	0	0	0	0	0	0	0	0	0	0	0	0	0	0	0
+15 mins.	0	0	0	0	0	0	0	0	0	0	0	0	0	0	0	0
+30 mins.	0	0	0	0	0	0	0	0	0	0	0	0	0	0	0	0
+45 mins.	0	0	0	0	0	0	0	0	0	0	0	0	0	0	0	0
Total Volume	0	0	0	0	0	0	0	0	0	0	0	0	0	0	0	0
% App. Total	0	0	0	0	0	0	0	0	0	0	0	0	0	0	0	0
PHF	.000	.000	.000	.000	.000	.000	.000	.000	.000	.000	.000	.000	.000	.000	.000	.000

City of Needles
 N/S: Bailey Avenue
 E/W: J Street
 Weather: Clear

File Name : 12_NDL_Bailey_J St SAT
 Site Code : 16621325
 Start Date : 7/17/2021
 Page No : 1

Groups Printed- Buses

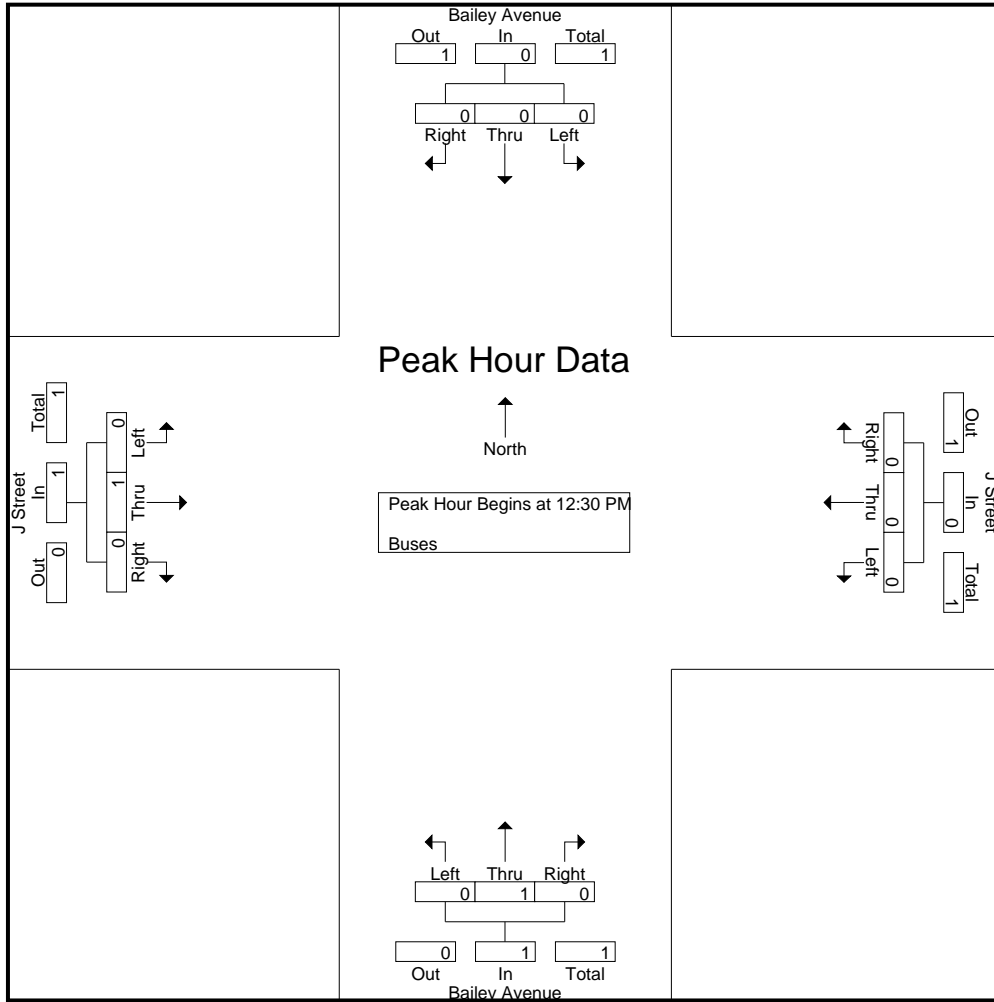
Start Time	Bailey Avenue Southbound				J Street Westbound				Bailey Avenue Northbound				J Street Eastbound				Int. Total	
	Left	Thru	Right	App. Total	Left	Thru	Right	App. Total	Left	Thru	Right	App. Total	Left	Thru	Right	App. Total		
12:00 PM	0	0	0	0	0	0	0	0	0	1	0	1	0	0	0	0	0	1
12:15 PM	0	0	0	0	0	0	0	0	0	0	0	0	0	1	0	1	0	1
12:30 PM	0	0	0	0	0	0	0	0	0	0	0	0	0	0	0	0	0	0
12:45 PM	0	0	0	0	0	0	0	0	0	0	0	0	0	0	0	0	0	0
Total	0	0	0	0	0	0	0	0	0	1	0	1	0	1	0	1	0	2
01:00 PM	0	0	0	0	0	0	0	0	0	1	0	1	0	1	0	1	0	2
01:15 PM	0	0	0	0	0	0	0	0	0	0	0	0	0	0	0	0	0	0
01:30 PM	0	0	0	0	0	0	0	0	0	0	0	0	0	0	0	0	0	0
01:45 PM	0	0	0	0	0	0	0	0	0	0	0	0	0	0	0	0	0	0
Total	0	0	0	0	0	0	0	0	0	1	0	1	0	1	0	1	0	2
Grand Total	0	0	0	0	0	0	0	0	0	2	0	2	0	2	0	2	0	4
Apprch %	0	0	0	0	0	0	0	0	0	100	0	0	0	100	0	0	0	0
Total %	0	0	0	0	0	0	0	0	0	50	0	50	0	50	0	50	0	0

Start Time	Bailey Avenue Southbound				J Street Westbound				Bailey Avenue Northbound				J Street Eastbound				Int. Total	
	Left	Thru	Right	App. Total	Left	Thru	Right	App. Total	Left	Thru	Right	App. Total	Left	Thru	Right	App. Total		
12:30 PM	0	0	0	0	0	0	0	0	0	0	0	0	0	0	0	0	0	0
12:45 PM	0	0	0	0	0	0	0	0	0	0	0	0	0	0	0	0	0	0
01:00 PM	0	0	0	0	0	0	0	0	0	1	0	1	0	1	0	1	0	2
01:15 PM	0	0	0	0	0	0	0	0	0	0	0	0	0	0	0	0	0	0
Total Volume	0	0	0	0	0	0	0	0	0	1	0	1	0	1	0	1	0	2
% App. Total	0	0	0	0	0	0	0	0	0	100	0	0	0	100	0	0	0	0
PHF	.000	.000	.000	.000	.000	.000	.000	.000	.000	.250	.000	.250	.000	.250	.000	.250	.000	.250

Peak Hour Analysis From 12:30 PM to 01:15 PM - Peak 1 of 1
 Peak Hour for Entire Intersection Begins at 12:30 PM

City of Needles
 N/S: Bailey Avenue
 E/W: J Street
 Weather: Clear

File Name : 12_NDL_Bailey_J St SAT
 Site Code : 16621325
 Start Date : 7/17/2021
 Page No : 2



Peak Hour Analysis From 12:30 PM to 01:15 PM - Peak 1 of 1
 Peak Hour for Each Approach Begins at:

	12:30 PM				12:30 PM				12:30 PM				12:30 PM			
+0 mins.	0	0	0	0	0	0	0	0	0	0	0	0	0	0	0	0
+15 mins.	0	0	0	0	0	0	0	0	0	0	0	0	0	0	0	0
+30 mins.	0	0	0	0	0	0	0	0	0	1	0	1	0	1	0	1
+45 mins.	0	0	0	0	0	0	0	0	0	0	0	0	0	0	0	0
Total Volume	0	0	0	0	0	0	0	0	0	1	0	1	0	1	0	1
% App. Total	0	0	0	0	0	0	0	0	0	100	0	0	0	100	0	0
PHF	.000	.000	.000	.000	.000	.000	.000	.000	.000	.250	.000	.250	.000	.250	.000	.250

Location: Needles
 N/S: Bailey Avenue
 E/W: J Street



PEDESTRIANS

Date: 7/15/2021
 Day: Thursday

	North Leg Bailey Avenue	East Leg J Street	South Leg Bailey Avenue	West Leg J Street	
	Pedestrians	Pedestrians	Pedestrians	Pedestrians	
7:00 AM	0	0	0	0	0
7:15 AM	0	0	0	0	0
7:30 AM	0	0	0	0	0
7:45 AM	0	2	1	0	3
8:00 AM	0	0	1	0	1
8:15 AM	0	0	1	0	1
8:30 AM	0	0	0	0	0
8:45 AM	0	0	0	1	1
TOTAL VOLUMES:	0	2	3	1	6

Date: 7/15/2021
 Day: Thursday

	North Leg Bailey Avenue	East Leg J Street	South Leg Bailey Avenue	West Leg J Street	
	Pedestrians	Pedestrians	Pedestrians	Pedestrians	
4:00 PM	0	0	0	0	0
4:15 PM	0	0	0	0	0
4:30 PM	0	1	0	0	1
4:45 PM	0	0	0	0	0
5:00 PM	0	0	0	0	0
5:15 PM	0	0	0	0	0
5:30 PM	0	0	1	0	1
5:45 PM	0	0	0	0	0
TOTAL VOLUMES:	0	1	1	0	2

Date: 7/17/2021
 Day: Saturday

	North Leg Bailey Avenue	East Leg J Street	South Leg Bailey Avenue	West Leg J Street	
	Pedestrians	Pedestrians	Pedestrians	Pedestrians	
12:00 PM	0	0	0	0	0
12:15 PM	0	0	0	0	0
12:30 PM	0	0	0	0	0
12:45 PM	0	0	1	0	1
1:00 PM	1	1	0	0	2
1:15 PM	0	0	0	0	0
1:30 PM	0	0	0	0	0
1:45 PM	0	0	1	0	1
TOTAL VOLUMES:	1	1	2	0	4

Location: Needles
 N/S: Bailey Avenue
 E/W: J Street



BICYCLES

Date: 7/15/2021
 Day: Thursday

	Southbound Bailey Avenue			Westbound J Street			Northbound Bailey Avenue			Eastbound J Street			
	Left	Thru	Right	Left	Thru	Right	Left	Thru	Right	Left	Thru	Right	
7:00 AM	0	0	0	0	0	0	0	0	0	0	0	0	0
7:15 AM	0	0	0	0	0	0	0	0	0	0	0	0	0
7:30 AM	0	0	0	0	0	0	0	0	0	0	0	0	0
7:45 AM	0	0	0	0	0	0	0	0	0	0	0	0	0
8:00 AM	0	0	0	0	0	0	0	0	0	0	0	0	0
8:15 AM	0	0	0	0	0	0	0	0	0	0	0	0	0
8:30 AM	0	0	0	0	0	0	0	0	0	0	0	0	0
8:45 AM	0	0	0	0	0	0	0	0	0	0	0	0	0
TOTAL VOLUMES:	0	0	0	0	0	0	0	0	0	0	0	0	0

Date: 7/15/2021
 Day: Thursday

	Southbound Bailey Avenue			Westbound J Street			Northbound Bailey Avenue			Eastbound J Street			
	Left	Thru	Right	Left	Thru	Right	Left	Thru	Right	Left	Thru	Right	
4:00 PM	0	0	0	0	0	0	0	0	0	0	0	0	0
4:15 PM	0	0	0	0	0	0	0	0	0	0	0	0	0
4:30 PM	0	0	0	0	0	0	0	0	0	0	0	0	0
4:45 PM	0	0	0	0	0	0	0	0	0	0	0	0	0
5:00 PM	0	0	0	2	0	0	0	0	0	0	0	0	2
5:15 PM	0	0	0	0	1	0	0	0	0	0	0	0	1
5:30 PM	0	0	0	0	0	0	0	0	0	0	0	0	0
5:45 PM	0	0	0	0	0	0	0	0	0	0	0	0	0
TOTAL VOLUMES:	0	0	0	2	1	0	0	0	0	0	0	0	3

Date: 7/17/2021
 Day: Saturday

	Southbound Bailey Avenue			Westbound J Street			Northbound Bailey Avenue			Eastbound J Street			
	Left	Thru	Right	Left	Thru	Right	Left	Thru	Right	Left	Thru	Right	
12:00 PM	0	0	0	0	0	0	0	0	0	0	0	0	0
12:15 PM	0	0	0	0	0	0	0	0	0	0	0	0	0
12:30 PM	0	0	0	0	0	0	0	0	0	0	0	0	0
12:45 PM	0	0	0	0	0	0	0	0	0	0	0	0	0
1:00 PM	0	0	0	0	0	0	0	0	0	0	0	0	0
1:15 PM	0	0	0	0	0	0	0	0	0	0	0	0	0
1:30 PM	0	0	0	0	0	0	0	0	0	0	0	0	0
1:45 PM	0	0	0	0	0	0	0	0	0	0	0	0	0
TOTAL VOLUMES:	0	0	0	0	0	0	0	0	0	0	0	0	0

City of Needles
 N/S: Bailey Avenue
 E/W: Lillyhill Drive
 Weather: Clear

File Name : 13_NDL_Bailey_Lilly AM
 Site Code : 16621325
 Start Date : 7/15/2021
 Page No : 1

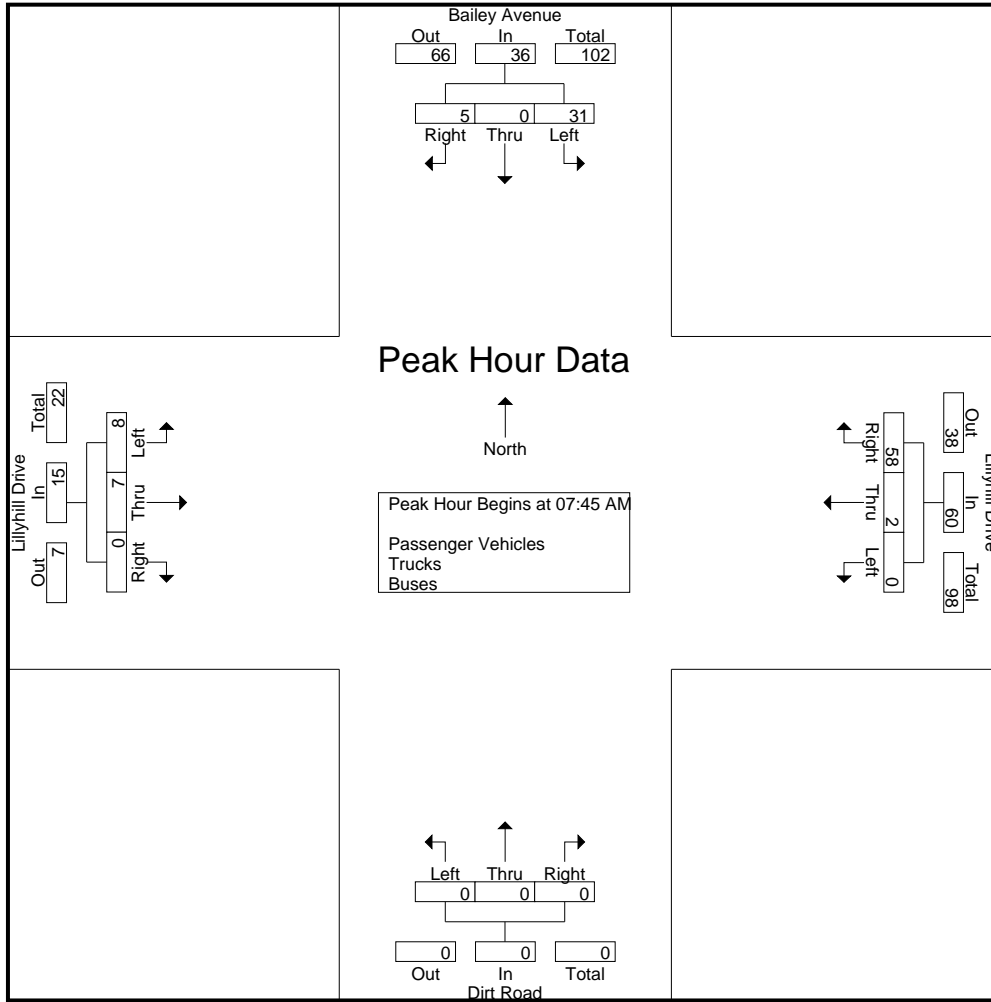
Groups Printed- Passenger Vehicles - Trucks - Buses

Start Time	Bailey Avenue Southbound				Lillyhill Drive Westbound				Dirt Road Northbound				Lillyhill Drive Eastbound				Int. Total
	Left	Thru	Right	App. Total	Left	Thru	Right	App. Total	Left	Thru	Right	App. Total	Left	Thru	Right	App. Total	
07:00 AM	6	0	1	7	0	2	7	9	0	0	0	0	1	1	0	2	18
07:15 AM	3	0	0	3	1	0	11	12	0	0	0	0	1	3	0	4	19
07:30 AM	2	0	0	2	0	0	14	14	0	0	0	0	0	3	0	3	19
07:45 AM	8	0	3	11	0	1	20	21	0	0	0	0	1	2	0	3	35
Total	19	0	4	23	1	3	52	56	0	0	0	0	3	9	0	12	91
08:00 AM	4	0	1	5	0	0	10	10	0	0	0	0	2	1	0	3	18
08:15 AM	11	0	0	11	0	1	10	11	0	0	0	0	1	3	0	4	26
08:30 AM	8	0	1	9	0	0	18	18	0	0	0	0	4	1	0	5	32
08:45 AM	9	0	0	9	0	0	9	9	0	0	0	0	1	3	0	4	22
Total	32	0	2	34	0	1	47	48	0	0	0	0	8	8	0	16	98
Grand Total	51	0	6	57	1	4	99	104	0	0	0	0	11	17	0	28	189
Apprch %	89.5	0	10.5		1	3.8	95.2		0	0	0		39.3	60.7	0		
Total %	27	0	3.2	30.2	0.5	2.1	52.4	55	0	0	0	0	5.8	9	0	14.8	
Passenger Vehicles	50	0	6	56	1	4	96	101	0	0	0	0	11	17	0	28	185
% Passenger Vehicles	98	0	100	98.2	100	100	97	97.1	0	0	0	0	100	100	0	100	97.9
Trucks	1	0	0	1	0	0	0	0	0	0	0	0	0	0	0	0	1
% Trucks	2	0	0	1.8	0	0	0	0	0	0	0	0	0	0	0	0	0.5
Buses	0	0	0	0	0	0	3	3	0	0	0	0	0	0	0	0	3
% Buses	0	0	0	0	0	0	3	2.9	0	0	0	0	0	0	0	0	1.6

Start Time	Bailey Avenue Southbound				Lillyhill Drive Westbound				Dirt Road Northbound				Lillyhill Drive Eastbound				Int. Total
	Left	Thru	Right	App. Total	Left	Thru	Right	App. Total	Left	Thru	Right	App. Total	Left	Thru	Right	App. Total	
Peak Hour Analysis From 07:00 AM to 08:45 AM - Peak 1 of 1																	
Peak Hour for Entire Intersection Begins at 07:45 AM																	
07:45 AM	8	0	3	11	0	1	20	21	0	0	0	0	1	2	0	3	35
08:00 AM	4	0	1	5	0	0	10	10	0	0	0	0	2	1	0	3	18
08:15 AM	11	0	0	11	0	1	10	11	0	0	0	0	1	3	0	4	26
08:30 AM	8	0	1	9	0	0	18	18	0	0	0	0	4	1	0	5	32
Total Volume	31	0	5	36	0	2	58	60	0	0	0	0	8	7	0	15	111
% App. Total	86.1	0	13.9		0	3.3	96.7		0	0	0		53.3	46.7	0		
PHF	.705	.000	.417	.818	.000	.500	.725	.714	.000	.000	.000	.000	.500	.583	.000	.750	.793

City of Needles
 N/S: Bailey Avenue
 E/W: Lillyhill Drive
 Weather: Clear

File Name : 13_NDL_Bailey_Lilly AM
 Site Code : 16621325
 Start Date : 7/15/2021
 Page No : 2



Peak Hour Analysis From 07:00 AM to 08:45 AM - Peak 1 of 1
 Peak Hour for Each Approach Begins at:

	07:45 AM				07:45 AM				07:00 AM				08:00 AM			
+0 mins.	8	0	3	11	0	1	20	21	0	0	0	0	2	1	0	3
+15 mins.	4	0	1	5	0	0	10	10	0	0	0	0	1	3	0	4
+30 mins.	11	0	0	11	0	1	10	11	0	0	0	0	4	1	0	5
+45 mins.	8	0	1	9	0	0	18	18	0	0	0	0	1	3	0	4
Total Volume	31	0	5	36	0	2	58	60	0	0	0	0	8	8	0	16
% App. Total	86.1	0	13.9		0	3.3	96.7		0	0	0		50	50	0	
PHF	.705	.000	.417	.818	.000	.500	.725	.714	.000	.000	.000	.000	.500	.667	.000	.800

City of Needles
 N/S: Bailey Avenue
 E/W: Lillyhill Drive
 Weather: Clear

File Name : 13_NDL_Bailey_Lilly AM
 Site Code : 16621325
 Start Date : 7/15/2021
 Page No : 1

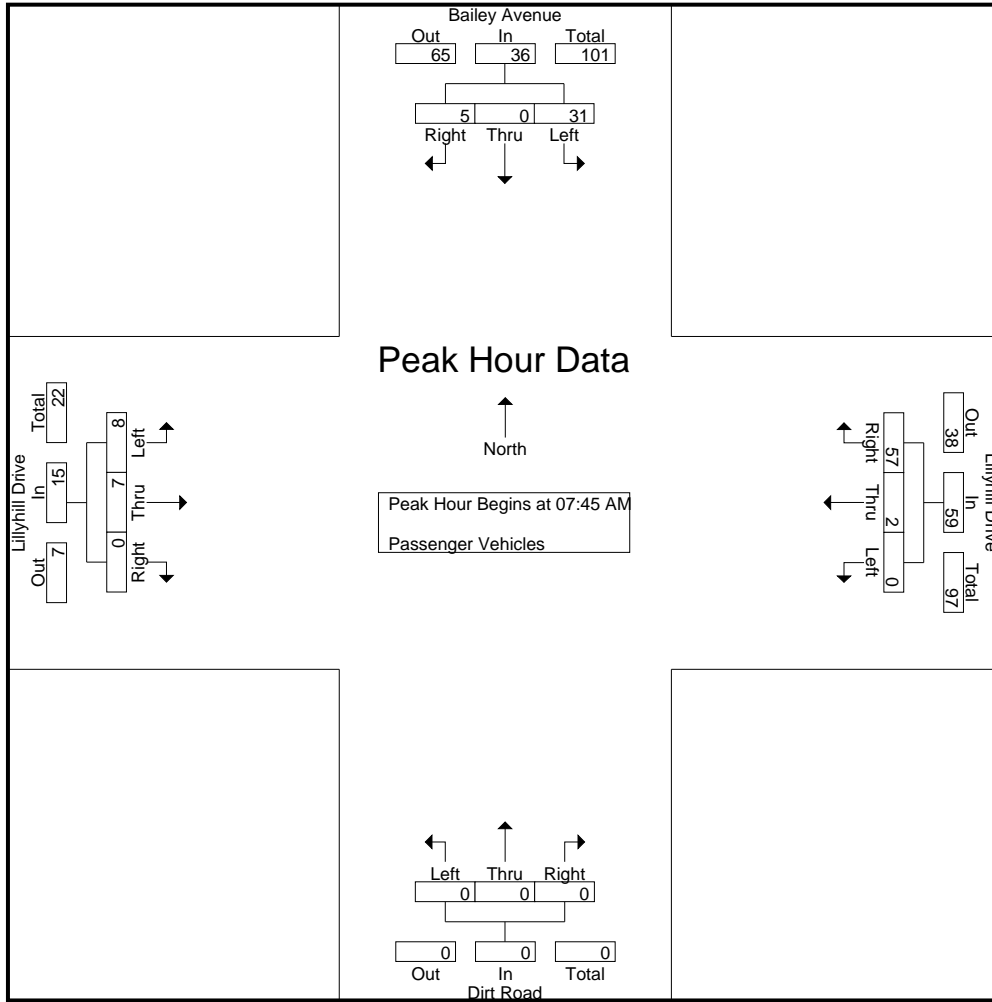
Groups Printed- Passenger Vehicles

Start Time	Bailey Avenue Southbound				Lillyhill Drive Westbound				Dirt Road Northbound				Lillyhill Drive Eastbound				Int. Total
	Left	Thru	Right	App. Total	Left	Thru	Right	App. Total	Left	Thru	Right	App. Total	Left	Thru	Right	App. Total	
07:00 AM	6	0	1	7	0	2	5	7	0	0	0	0	1	1	0	2	16
07:15 AM	3	0	0	3	1	0	11	12	0	0	0	0	1	3	0	4	19
07:30 AM	2	0	0	2	0	0	14	14	0	0	0	0	0	3	0	3	19
07:45 AM	8	0	3	11	0	1	20	21	0	0	0	0	1	2	0	3	35
Total	19	0	4	23	1	3	50	54	0	0	0	0	3	9	0	12	89
08:00 AM	4	0	1	5	0	0	9	9	0	0	0	0	2	1	0	3	17
08:15 AM	11	0	0	11	0	1	10	11	0	0	0	0	1	3	0	4	26
08:30 AM	8	0	1	9	0	0	18	18	0	0	0	0	4	1	0	5	32
08:45 AM	8	0	0	8	0	0	9	9	0	0	0	0	1	3	0	4	21
Total	31	0	2	33	0	1	46	47	0	0	0	0	8	8	0	16	96
Grand Total	50	0	6	56	1	4	96	101	0	0	0	0	11	17	0	28	185
Apprch %	89.3	0	10.7		1	4	95		0	0	0		39.3	60.7	0		
Total %	27	0	3.2	30.3	0.5	2.2	51.9	54.6	0	0	0	0	5.9	9.2	0	15.1	

Start Time	Bailey Avenue Southbound				Lillyhill Drive Westbound				Dirt Road Northbound				Lillyhill Drive Eastbound				Int. Total
	Left	Thru	Right	App. Total	Left	Thru	Right	App. Total	Left	Thru	Right	App. Total	Left	Thru	Right	App. Total	
Peak Hour Analysis From 07:45 AM to 08:30 AM - Peak 1 of 1																	
Peak Hour for Entire Intersection Begins at 07:45 AM																	
07:45 AM	8	0	3	11	0	1	20	21	0	0	0	0	1	2	0	3	35
08:00 AM	4	0	1	5	0	0	9	9	0	0	0	0	2	1	0	3	17
08:15 AM	11	0	0	11	0	1	10	11	0	0	0	0	1	3	0	4	26
08:30 AM	8	0	1	9	0	0	18	18	0	0	0	0	4	1	0	5	32
Total Volume	31	0	5	36	0	2	57	59	0	0	0	0	8	7	0	15	110
% App. Total	86.1	0	13.9		0	3.4	96.6		0	0	0		53.3	46.7	0		
PHF	.705	.000	.417	.818	.000	.500	.713	.702	.000	.000	.000	.000	.500	.583	.000	.750	.786

City of Needles
 N/S: Bailey Avenue
 E/W: Lillyhill Drive
 Weather: Clear

File Name : 13_NDL_Bailey_Lilly AM
 Site Code : 16621325
 Start Date : 7/15/2021
 Page No : 2



Peak Hour Analysis From 07:45 AM to 08:30 AM - Peak 1 of 1
 Peak Hour for Each Approach Begins at:

	07:45 AM				07:45 AM				07:45 AM				07:45 AM			
+0 mins.	8	0	3	11	0	1	20	21	0	0	0	0	1	2	0	3
+15 mins.	4	0	1	5	0	0	9	9	0	0	0	0	2	1	0	3
+30 mins.	11	0	0	11	0	1	10	11	0	0	0	0	1	3	0	4
+45 mins.	8	0	1	9	0	0	18	18	0	0	0	0	4	1	0	5
Total Volume	31	0	5	36	0	2	57	59	0	0	0	0	8	7	0	15
% App. Total	86.1	0	13.9		0	3.4	96.6		0	0	0		53.3	46.7	0	
PHF	.705	.000	.417	.818	.000	.500	.713	.702	.000	.000	.000	.000	.500	.583	.000	.750

City of Needles
 N/S: Bailey Avenue
 E/W: Lillyhill Drive
 Weather: Clear

File Name : 13_NDL_Bailey_Lilly AM
 Site Code : 16621325
 Start Date : 7/15/2021
 Page No : 1

Groups Printed- Trucks

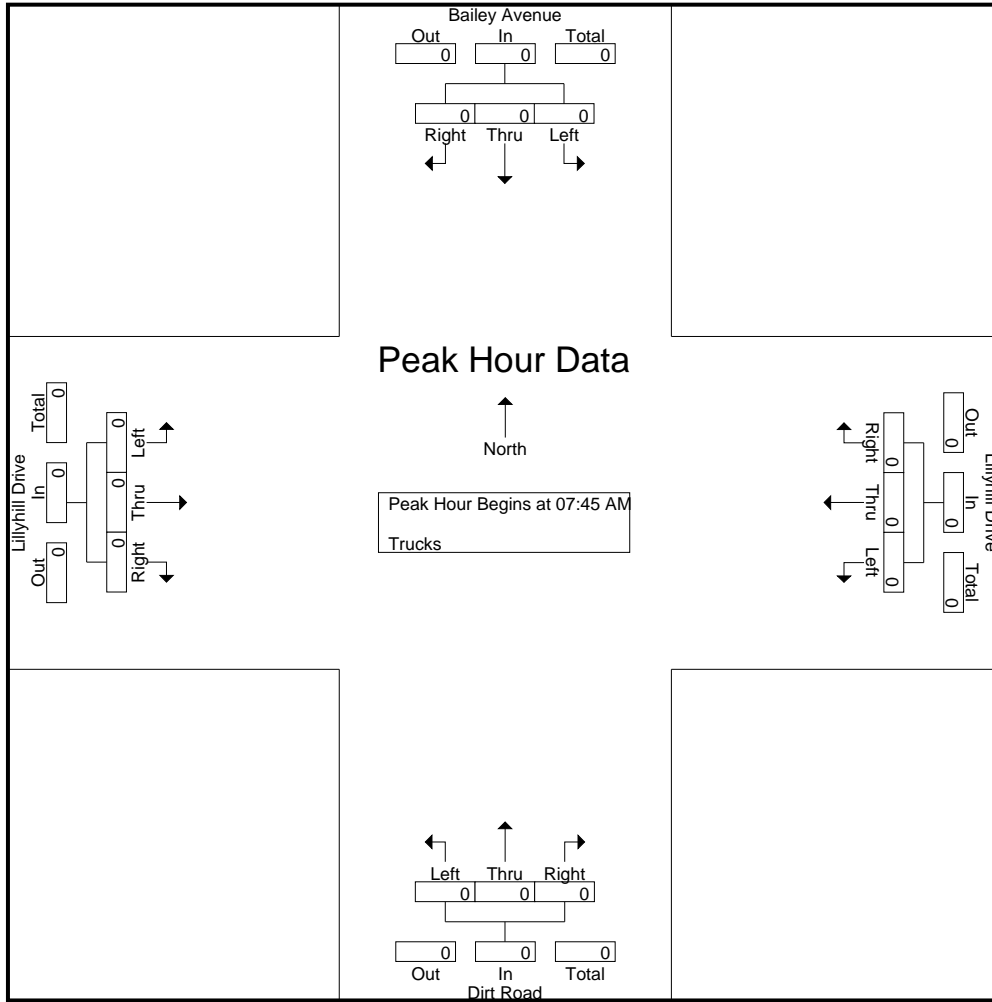
Start Time	Bailey Avenue Southbound				Lillyhill Drive Westbound				Dirt Road Northbound				Lillyhill Drive Eastbound				Int. Total
	Left	Thru	Right	App. Total	Left	Thru	Right	App. Total	Left	Thru	Right	App. Total	Left	Thru	Right	App. Total	
07:00 AM	0	0	0	0	0	0	0	0	0	0	0	0	0	0	0	0	0
07:15 AM	0	0	0	0	0	0	0	0	0	0	0	0	0	0	0	0	0
07:30 AM	0	0	0	0	0	0	0	0	0	0	0	0	0	0	0	0	0
07:45 AM	0	0	0	0	0	0	0	0	0	0	0	0	0	0	0	0	0
Total	0	0	0	0	0	0	0	0	0	0	0	0	0	0	0	0	0
08:00 AM	0	0	0	0	0	0	0	0	0	0	0	0	0	0	0	0	0
08:15 AM	0	0	0	0	0	0	0	0	0	0	0	0	0	0	0	0	0
08:30 AM	0	0	0	0	0	0	0	0	0	0	0	0	0	0	0	0	0
08:45 AM	1	0	0	1	0	0	0	0	0	0	0	0	0	0	0	0	1
Total	1	0	0	1	0	0	0	0	0	0	0	0	0	0	0	0	1
Grand Total	1	0	0	1	0	0	0	0	0	0	0	0	0	0	0	0	1
Apprch %	100	0	0		0	0	0		0	0	0		0	0	0		
Total %	100	0	0	100	0	0	0	0	0	0	0	0	0	0	0	0	

Start Time	Bailey Avenue Southbound				Lillyhill Drive Westbound				Dirt Road Northbound				Lillyhill Drive Eastbound				Int. Total
	Left	Thru	Right	App. Total	Left	Thru	Right	App. Total	Left	Thru	Right	App. Total	Left	Thru	Right	App. Total	
07:45 AM	0	0	0	0	0	0	0	0	0	0	0	0	0	0	0	0	0
08:00 AM	0	0	0	0	0	0	0	0	0	0	0	0	0	0	0	0	0
08:15 AM	0	0	0	0	0	0	0	0	0	0	0	0	0	0	0	0	0
08:30 AM	0	0	0	0	0	0	0	0	0	0	0	0	0	0	0	0	0
Total Volume	0	0	0	0	0	0	0	0	0	0	0	0	0	0	0	0	0
% App. Total	0	0	0		0	0	0		0	0	0		0	0	0		
PHF	.000	.000	.000	.000	.000	.000	.000	.000	.000	.000	.000	.000	.000	.000	.000	.000	.000

Peak Hour Analysis From 07:45 AM to 08:30 AM - Peak 1 of 1
 Peak Hour for Entire Intersection Begins at 07:45 AM

City of Needles
 N/S: Bailey Avenue
 E/W: Lillyhill Drive
 Weather: Clear

File Name : 13_NDL_Bailey_Lilly AM
 Site Code : 16621325
 Start Date : 7/15/2021
 Page No : 2



Peak Hour Analysis From 07:45 AM to 08:30 AM - Peak 1 of 1
 Peak Hour for Each Approach Begins at:

	07:45 AM				07:45 AM				07:45 AM				07:45 AM			
+0 mins.	0	0	0	0	0	0	0	0	0	0	0	0	0	0	0	0
+15 mins.	0	0	0	0	0	0	0	0	0	0	0	0	0	0	0	0
+30 mins.	0	0	0	0	0	0	0	0	0	0	0	0	0	0	0	0
+45 mins.	0	0	0	0	0	0	0	0	0	0	0	0	0	0	0	0
Total Volume	0	0	0	0	0	0	0	0	0	0	0	0	0	0	0	0
% App. Total	0	0	0	0	0	0	0	0	0	0	0	0	0	0	0	0
PHF	.000	.000	.000	.000	.000	.000	.000	.000	.000	.000	.000	.000	.000	.000	.000	.000

City of Needles
 N/S: Bailey Avenue
 E/W: Lillyhill Drive
 Weather: Clear

File Name : 13_NDL_Bailey_Lilly AM
 Site Code : 16621325
 Start Date : 7/15/2021
 Page No : 1

Groups Printed- Buses

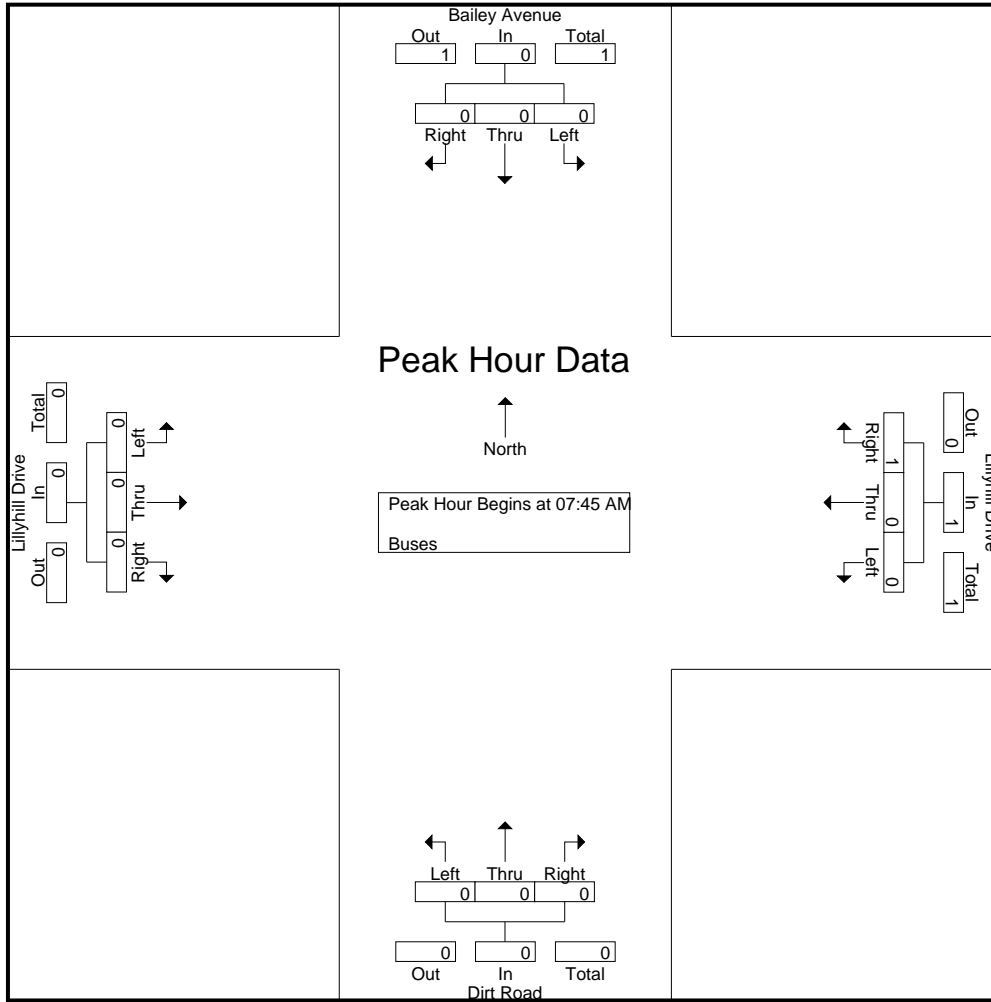
Start Time	Bailey Avenue Southbound				Lillyhill Drive Westbound				Dirt Road Northbound				Lillyhill Drive Eastbound				Int. Total
	Left	Thru	Right	App. Total	Left	Thru	Right	App. Total	Left	Thru	Right	App. Total	Left	Thru	Right	App. Total	
07:00 AM	0	0	0	0	0	0	2	2	0	0	0	0	0	0	0	0	2
07:15 AM	0	0	0	0	0	0	0	0	0	0	0	0	0	0	0	0	0
07:30 AM	0	0	0	0	0	0	0	0	0	0	0	0	0	0	0	0	0
07:45 AM	0	0	0	0	0	0	0	0	0	0	0	0	0	0	0	0	0
Total	0	0	0	0	0	0	2	2	0	0	0	0	0	0	0	0	2
08:00 AM	0	0	0	0	0	0	1	1	0	0	0	0	0	0	0	0	1
08:15 AM	0	0	0	0	0	0	0	0	0	0	0	0	0	0	0	0	0
08:30 AM	0	0	0	0	0	0	0	0	0	0	0	0	0	0	0	0	0
08:45 AM	0	0	0	0	0	0	0	0	0	0	0	0	0	0	0	0	0
Total	0	0	0	0	0	0	1	1	0	0	0	0	0	0	0	0	1
Grand Total	0	0	0	0	0	0	3	3	0	0	0	0	0	0	0	0	3
Apprch %	0	0	0		0	0	100		0	0	0		0	0	0		
Total %	0	0	0	0	0	0	100	100	0	0	0	0	0	0	0	0	

Start Time	Bailey Avenue Southbound				Lillyhill Drive Westbound				Dirt Road Northbound				Lillyhill Drive Eastbound				Int. Total
	Left	Thru	Right	App. Total	Left	Thru	Right	App. Total	Left	Thru	Right	App. Total	Left	Thru	Right	App. Total	
07:45 AM	0	0	0	0	0	0	0	0	0	0	0	0	0	0	0	0	0
08:00 AM	0	0	0	0	0	0	1	1	0	0	0	0	0	0	0	0	1
08:15 AM	0	0	0	0	0	0	0	0	0	0	0	0	0	0	0	0	0
08:30 AM	0	0	0	0	0	0	0	0	0	0	0	0	0	0	0	0	0
Total Volume	0	0	0	0	0	0	1	1	0	0	0	0	0	0	0	0	1
% App. Total	0	0	0		0	0	100		0	0	0		0	0	0		
PHF	.000	.000	.000	.000	.000	.000	.250	.250	.000	.000	.000	.000	.000	.000	.000	.000	.250

Peak Hour Analysis From 07:45 AM to 08:30 AM - Peak 1 of 1
 Peak Hour for Entire Intersection Begins at 07:45 AM

City of Needles
 N/S: Bailey Avenue
 E/W: Lillyhill Drive
 Weather: Clear

File Name : 13_NDL_Bailey_Lilly AM
 Site Code : 16621325
 Start Date : 7/15/2021
 Page No : 2



Peak Hour Analysis From 07:45 AM to 08:30 AM - Peak 1 of 1
 Peak Hour for Each Approach Begins at:

	07:45 AM				07:45 AM				07:45 AM				07:45 AM			
+0 mins.	0	0	0	0	0	0	0	0	0	0	0	0	0	0	0	0
+15 mins.	0	0	0	0	0	0	1	1	0	0	0	0	0	0	0	0
+30 mins.	0	0	0	0	0	0	0	0	0	0	0	0	0	0	0	0
+45 mins.	0	0	0	0	0	0	0	0	0	0	0	0	0	0	0	0
Total Volume	0	0	0	0	0	0	1	1	0	0	0	0	0	0	0	0
% App. Total	0	0	0	0	0	0	100	100	0	0	0	0	0	0	0	0
PHF	.000	.000	.000	.000	.000	.000	.250	.250	.000	.000	.000	.000	.000	.000	.000	.000

City of Needles
 N/S: Bailey Avenue
 E/W: Lillyhill Drive
 Weather: Clear

File Name : 13_NDL_Bailey_Lilly PM
 Site Code : 16621325
 Start Date : 7/15/2021
 Page No : 1

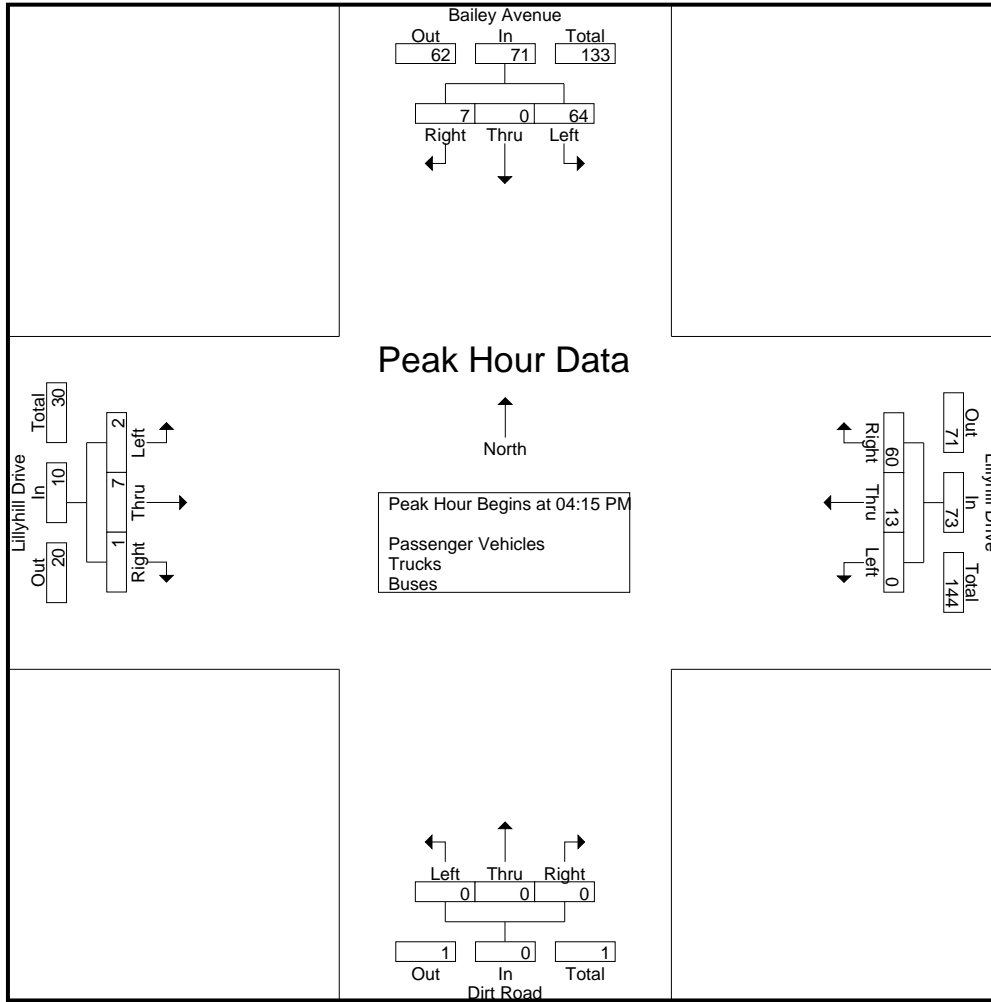
Groups Printed- Passenger Vehicles - Trucks - Buses

Start Time	Bailey Avenue Southbound				Lillyhill Drive Westbound				Dirt Road Northbound				Lillyhill Drive Eastbound				Int. Total
	Left	Thru	Right	App. Total	Left	Thru	Right	App. Total	Left	Thru	Right	App. Total	Left	Thru	Right	App. Total	
04:00 PM	20	0	0	20	0	3	13	16	0	0	0	0	1	3	0	4	40
04:15 PM	12	0	0	12	0	2	17	19	0	0	0	0	1	2	0	3	34
04:30 PM	11	0	1	12	0	6	11	17	0	0	0	0	0	0	1	1	30
04:45 PM	18	0	5	23	0	4	15	19	0	0	0	0	0	3	0	3	45
Total	61	0	6	67	0	15	56	71	0	0	0	0	2	8	1	11	149
05:00 PM	23	0	1	24	0	1	17	18	0	0	0	0	1	2	0	3	45
05:15 PM	15	0	4	19	0	1	9	10	0	0	0	0	3	2	0	5	34
05:30 PM	12	0	1	13	0	5	8	13	0	0	0	0	1	1	0	2	28
05:45 PM	16	0	5	21	0	0	11	11	0	0	0	0	2	2	0	4	36
Total	66	0	11	77	0	7	45	52	0	0	0	0	7	7	0	14	143
Grand Total	127	0	17	144	0	22	101	123	0	0	0	0	9	15	1	25	292
Apprch %	88.2	0	11.8		0	17.9	82.1		0	0	0		36	60	4		
Total %	43.5	0	5.8	49.3	0	7.5	34.6	42.1	0	0	0	0	3.1	5.1	0.3	8.6	
Passenger Vehicles	126	0	17	143	0	21	98	119	0	0	0	0	9	15	1	25	287
% Passenger Vehicles	99.2	0	100	99.3	0	95.5	97	96.7	0	0	0	0	100	100	100	100	98.3
Trucks	1	0	0	1	0	1	1	2	0	0	0	0	0	0	0	0	3
% Trucks	0.8	0	0	0.7	0	4.5	1	1.6	0	0	0	0	0	0	0	0	1
Buses	0	0	0	0	0	0	2	2	0	0	0	0	0	0	0	0	2
% Buses	0	0	0	0	0	0	2	1.6	0	0	0	0	0	0	0	0	0.7

Start Time	Bailey Avenue Southbound				Lillyhill Drive Westbound				Dirt Road Northbound				Lillyhill Drive Eastbound				Int. Total
	Left	Thru	Right	App. Total	Left	Thru	Right	App. Total	Left	Thru	Right	App. Total	Left	Thru	Right	App. Total	
Peak Hour Analysis From 04:00 PM to 05:45 PM - Peak 1 of 1																	
Peak Hour for Entire Intersection Begins at 04:15 PM																	
04:15 PM	12	0	0	12	0	2	17	19	0	0	0	0	1	2	0	3	34
04:30 PM	11	0	1	12	0	6	11	17	0	0	0	0	0	0	1	1	30
04:45 PM	18	0	5	23	0	4	15	19	0	0	0	0	0	3	0	3	45
05:00 PM	23	0	1	24	0	1	17	18	0	0	0	0	1	2	0	3	45
Total Volume	64	0	7	71	0	13	60	73	0	0	0	0	2	7	1	10	154
% App. Total	90.1	0	9.9		0	17.8	82.2		0	0	0		20	70	10		
PHF	.696	.000	.350	.740	.000	.542	.882	.961	.000	.000	.000	.000	.500	.583	.250	.833	.856

City of Needles
 N/S: Bailey Avenue
 E/W: Lillyhill Drive
 Weather: Clear

File Name : 13_NDL_Bailey_Lilly PM
 Site Code : 16621325
 Start Date : 7/15/2021
 Page No : 2



Peak Hour Analysis From 04:00 PM to 05:45 PM - Peak 1 of 1
 Peak Hour for Each Approach Begins at:

	04:45 PM				04:15 PM				04:00 PM				05:00 PM			
+0 mins.	18	0	5	23	0	2	17	19	0	0	0	0	1	2	0	3
+15 mins.	23	0	1	24	0	6	11	17	0	0	0	0	3	2	0	5
+30 mins.	15	0	4	19	0	4	15	19	0	0	0	0	1	1	0	2
+45 mins.	12	0	1	13	0	1	17	18	0	0	0	0	2	2	0	4
Total Volume	68	0	11	79	0	13	60	73	0	0	0	0	7	7	0	14
% App. Total	86.1	0	13.9		0	17.8	82.2		0	0	0		50	50	0	
PHF	.739	.000	.550	.823	.000	.542	.882	.961	.000	.000	.000	.000	.583	.875	.000	.700

City of Needles
 N/S: Bailey Avenue
 E/W: Lillyhill Drive
 Weather: Clear

File Name : 13_NDL_Bailey_Lilly PM
 Site Code : 16621325
 Start Date : 7/15/2021
 Page No : 1

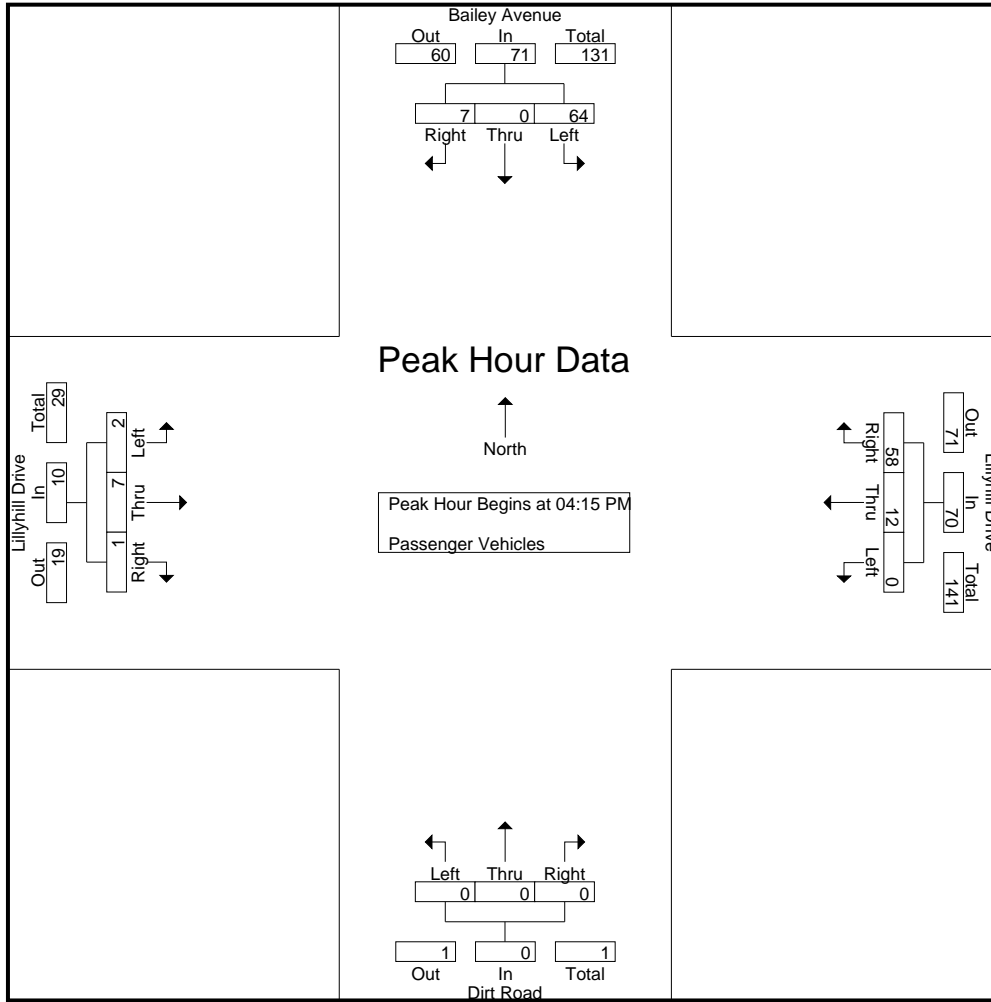
Groups Printed- Passenger Vehicles

Start Time	Bailey Avenue Southbound				Lillyhill Drive Westbound				Dirt Road Northbound				Lillyhill Drive Eastbound				Int. Total
	Left	Thru	Right	App. Total	Left	Thru	Right	App. Total	Left	Thru	Right	App. Total	Left	Thru	Right	App. Total	
04:00 PM	19	0	0	19	0	3	12	15	0	0	0	0	1	3	0	4	38
04:15 PM	12	0	0	12	0	2	16	18	0	0	0	0	1	2	0	3	33
04:30 PM	11	0	1	12	0	6	11	17	0	0	0	0	0	0	1	1	30
04:45 PM	18	0	5	23	0	4	15	19	0	0	0	0	0	3	0	3	45
Total	60	0	6	66	0	15	54	69	0	0	0	0	2	8	1	11	146
05:00 PM	23	0	1	24	0	0	16	16	0	0	0	0	1	2	0	3	43
05:15 PM	15	0	4	19	0	1	9	10	0	0	0	0	3	2	0	5	34
05:30 PM	12	0	1	13	0	5	8	13	0	0	0	0	1	1	0	2	28
05:45 PM	16	0	5	21	0	0	11	11	0	0	0	0	2	2	0	4	36
Total	66	0	11	77	0	6	44	50	0	0	0	0	7	7	0	14	141
Grand Total	126	0	17	143	0	21	98	119	0	0	0	0	9	15	1	25	287
Apprch %	88.1	0	11.9		0	17.6	82.4		0	0	0		36	60	4		
Total %	43.9	0	5.9	49.8	0	7.3	34.1	41.5	0	0	0	0	3.1	5.2	0.3	8.7	

Start Time	Bailey Avenue Southbound				Lillyhill Drive Westbound				Dirt Road Northbound				Lillyhill Drive Eastbound				Int. Total
	Left	Thru	Right	App. Total	Left	Thru	Right	App. Total	Left	Thru	Right	App. Total	Left	Thru	Right	App. Total	
Peak Hour Analysis From 04:15 PM to 05:00 PM - Peak 1 of 1																	
Peak Hour for Entire Intersection Begins at 04:15 PM																	
04:15 PM	12	0	0	12	0	2	16	18	0	0	0	0	1	2	0	3	33
04:30 PM	11	0	1	12	0	6	11	17	0	0	0	0	0	0	1	1	30
04:45 PM	18	0	5	23	0	4	15	19	0	0	0	0	0	3	0	3	45
05:00 PM	23	0	1	24	0	0	16	16	0	0	0	0	1	2	0	3	43
Total Volume	64	0	7	71	0	12	58	70	0	0	0	0	2	7	1	10	151
% App. Total	90.1	0	9.9		0	17.1	82.9		0	0	0		20	70	10		
PHF	.696	.000	.350	.740	.000	.500	.906	.921	.000	.000	.000	.000	.500	.583	.250	.833	.839

City of Needles
 N/S: Bailey Avenue
 E/W: Lillyhill Drive
 Weather: Clear

File Name : 13_NDL_Bailey_Lilly PM
 Site Code : 16621325
 Start Date : 7/15/2021
 Page No : 2

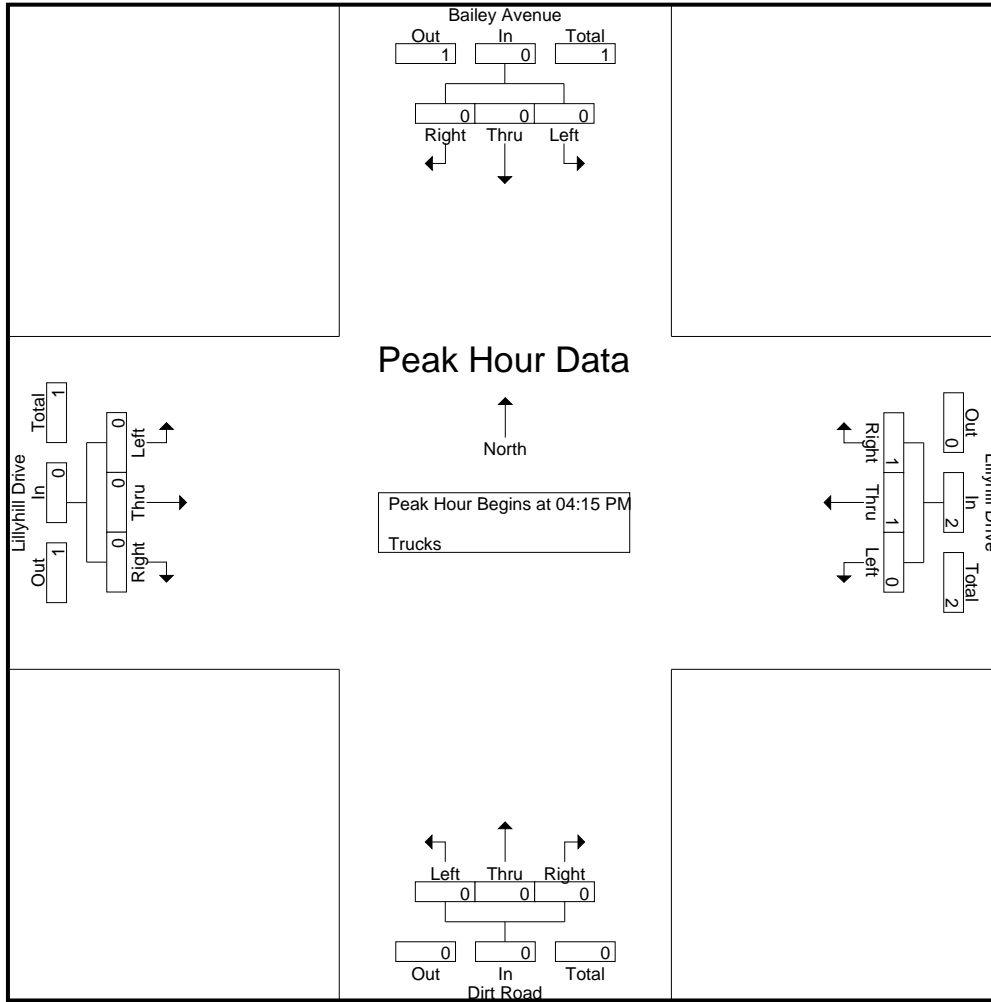


Peak Hour Analysis From 04:15 PM to 05:00 PM - Peak 1 of 1
 Peak Hour for Each Approach Begins at:

	04:15 PM				04:15 PM				04:15 PM				04:15 PM			
+0 mins.	12	0	0	12	0	2	16	18	0	0	0	0	1	2	0	3
+15 mins.	11	0	1	12	0	6	11	17	0	0	0	0	0	0	1	1
+30 mins.	18	0	5	23	0	4	15	19	0	0	0	0	0	3	0	3
+45 mins.	23	0	1	24	0	0	16	16	0	0	0	0	1	2	0	3
Total Volume	64	0	7	71	0	12	58	70	0	0	0	0	2	7	1	10
% App. Total	90.1	0	9.9		0	17.1	82.9		0	0	0		20	70	10	
PHF	.696	.000	.350	.740	.000	.500	.906	.921	.000	.000	.000	.000	.500	.583	.250	.833

City of Needles
 N/S: Bailey Avenue
 E/W: Lillyhill Drive
 Weather: Clear

File Name : 13_NDL_Bailey_Lilly PM
 Site Code : 16621325
 Start Date : 7/15/2021
 Page No : 2



Peak Hour Analysis From 04:15 PM to 05:00 PM - Peak 1 of 1
 Peak Hour for Each Approach Begins at:

	04:15 PM				04:15 PM				04:15 PM				04:15 PM			
+0 mins.	0	0	0	0	0	0	1	1	0	0	0	0	0	0	0	0
+15 mins.	0	0	0	0	0	0	0	0	0	0	0	0	0	0	0	0
+30 mins.	0	0	0	0	0	0	0	0	0	0	0	0	0	0	0	0
+45 mins.	0	0	0	0	0	1	0	1	0	0	0	0	0	0	0	0
Total Volume	0	0	0	0	0	1	1	2	0	0	0	0	0	0	0	0
% App. Total	0	0	0	0	0	50	50		0	0	0	0	0	0	0	0
PHF	.000	.000	.000	.000	.000	.250	.250	.500	.000	.000	.000	.000	.000	.000	.000	.000

City of Needles
 N/S: Bailey Avenue
 E/W: Lillyhill Drive
 Weather: Clear

File Name : 13_NDL_Bailey_Lilly PM
 Site Code : 16621325
 Start Date : 7/15/2021
 Page No : 1

Groups Printed- Buses

Start Time	Bailey Avenue Southbound				Lillyhill Drive Westbound				Dirt Road Northbound				Lillyhill Drive Eastbound				Int. Total
	Left	Thru	Right	App. Total	Left	Thru	Right	App. Total	Left	Thru	Right	App. Total	Left	Thru	Right	App. Total	
04:00 PM	0	0	0	0	0	0	1	1	0	0	0	0	0	0	0	0	1
04:15 PM	0	0	0	0	0	0	0	0	0	0	0	0	0	0	0	0	0
04:30 PM	0	0	0	0	0	0	0	0	0	0	0	0	0	0	0	0	0
04:45 PM	0	0	0	0	0	0	0	0	0	0	0	0	0	0	0	0	0
Total	0	0	0	0	0	0	1	1	0	0	0	0	0	0	0	0	1
05:00 PM	0	0	0	0	0	0	1	1	0	0	0	0	0	0	0	0	1
05:15 PM	0	0	0	0	0	0	0	0	0	0	0	0	0	0	0	0	0
05:30 PM	0	0	0	0	0	0	0	0	0	0	0	0	0	0	0	0	0
05:45 PM	0	0	0	0	0	0	0	0	0	0	0	0	0	0	0	0	0
Total	0	0	0	0	0	0	1	1	0	0	0	0	0	0	0	0	1
Grand Total	0	0	0	0	0	0	2	2	0	0	0	0	0	0	0	0	2
Apprch %	0	0	0		0	0	100		0	0	0		0	0	0		
Total %	0	0	0		0	0	100	100	0	0	0		0	0	0		

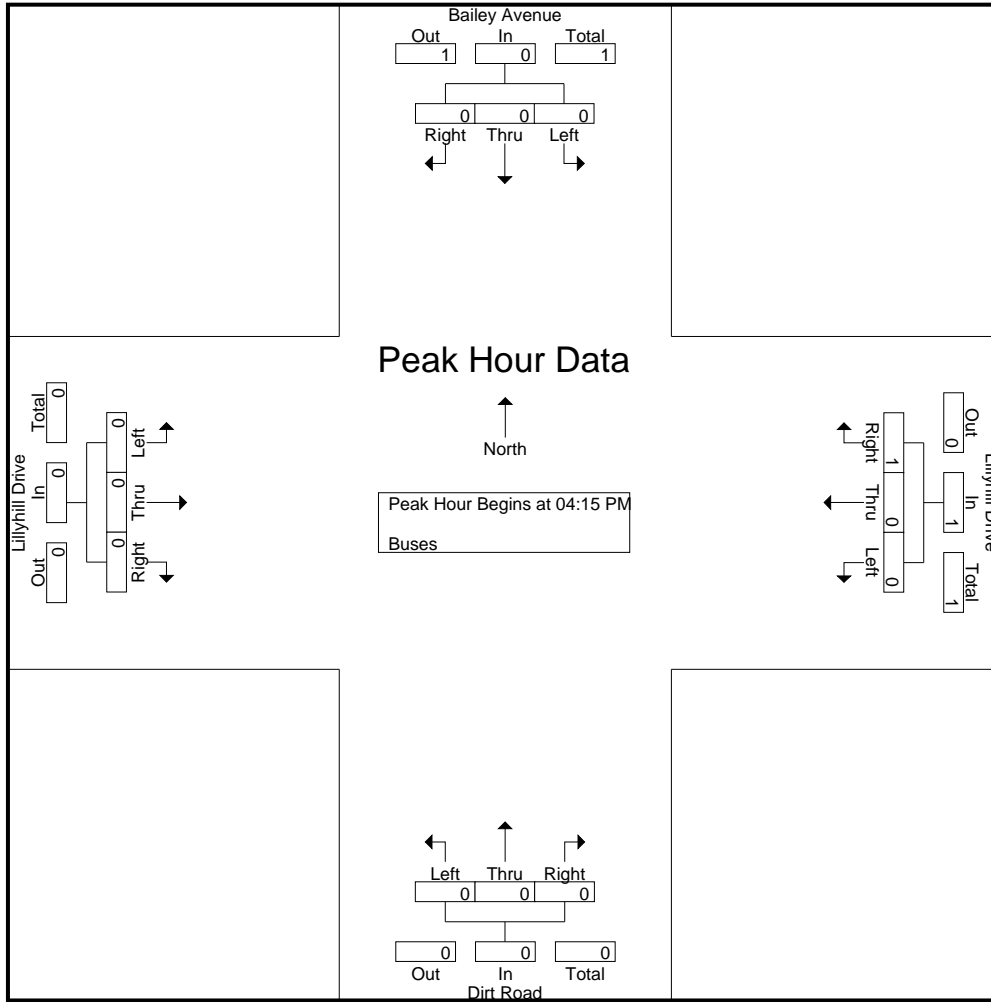
Start Time	Bailey Avenue Southbound				Lillyhill Drive Westbound				Dirt Road Northbound				Lillyhill Drive Eastbound				Int. Total
	Left	Thru	Right	App. Total	Left	Thru	Right	App. Total	Left	Thru	Right	App. Total	Left	Thru	Right	App. Total	
04:15 PM	0	0	0	0	0	0	0	0	0	0	0	0	0	0	0	0	0
04:30 PM	0	0	0	0	0	0	0	0	0	0	0	0	0	0	0	0	0
04:45 PM	0	0	0	0	0	0	0	0	0	0	0	0	0	0	0	0	0
05:00 PM	0	0	0	0	0	0	1	1	0	0	0	0	0	0	0	0	1
Total Volume	0	0	0	0	0	0	1	1	0	0	0	0	0	0	0	0	1
% App. Total	0	0	0		0	0	100		0	0	0		0	0	0		
PHF	.000	.000	.000	.000	.000	.000	.250	.250	.000	.000	.000	.000	.000	.000	.000	.000	.250

Peak Hour Analysis From 04:15 PM to 05:00 PM - Peak 1 of 1

Peak Hour for Entire Intersection Begins at 04:15 PM

City of Needles
 N/S: Bailey Avenue
 E/W: Lillyhill Drive
 Weather: Clear

File Name : 13_NDL_Bailey_Lilly PM
 Site Code : 16621325
 Start Date : 7/15/2021
 Page No : 2



Peak Hour Analysis From 04:15 PM to 05:00 PM - Peak 1 of 1
 Peak Hour for Each Approach Begins at:

	04:15 PM				04:15 PM				04:15 PM				04:15 PM			
+0 mins.	0	0	0	0	0	0	0	0	0	0	0	0	0	0	0	0
+15 mins.	0	0	0	0	0	0	0	0	0	0	0	0	0	0	0	0
+30 mins.	0	0	0	0	0	0	0	0	0	0	0	0	0	0	0	0
+45 mins.	0	0	0	0	0	0	1	1	0	0	0	0	0	0	0	0
Total Volume	0	0	0	0	0	0	1	1	0	0	0	0	0	0	0	0
% App. Total	0	0	0	0	0	0	100	100	0	0	0	0	0	0	0	0
PHF	.000	.000	.000	.000	.000	.000	.250	.250	.000	.000	.000	.000	.000	.000	.000	.000

City of Needles
 N/S: Bailey Avenue
 E/W: Lillyhill Drive
 Weather: Clear

File Name : 13_NDL_Bailey_Lilly SAT
 Site Code : 16621325
 Start Date : 7/17/2021
 Page No : 1

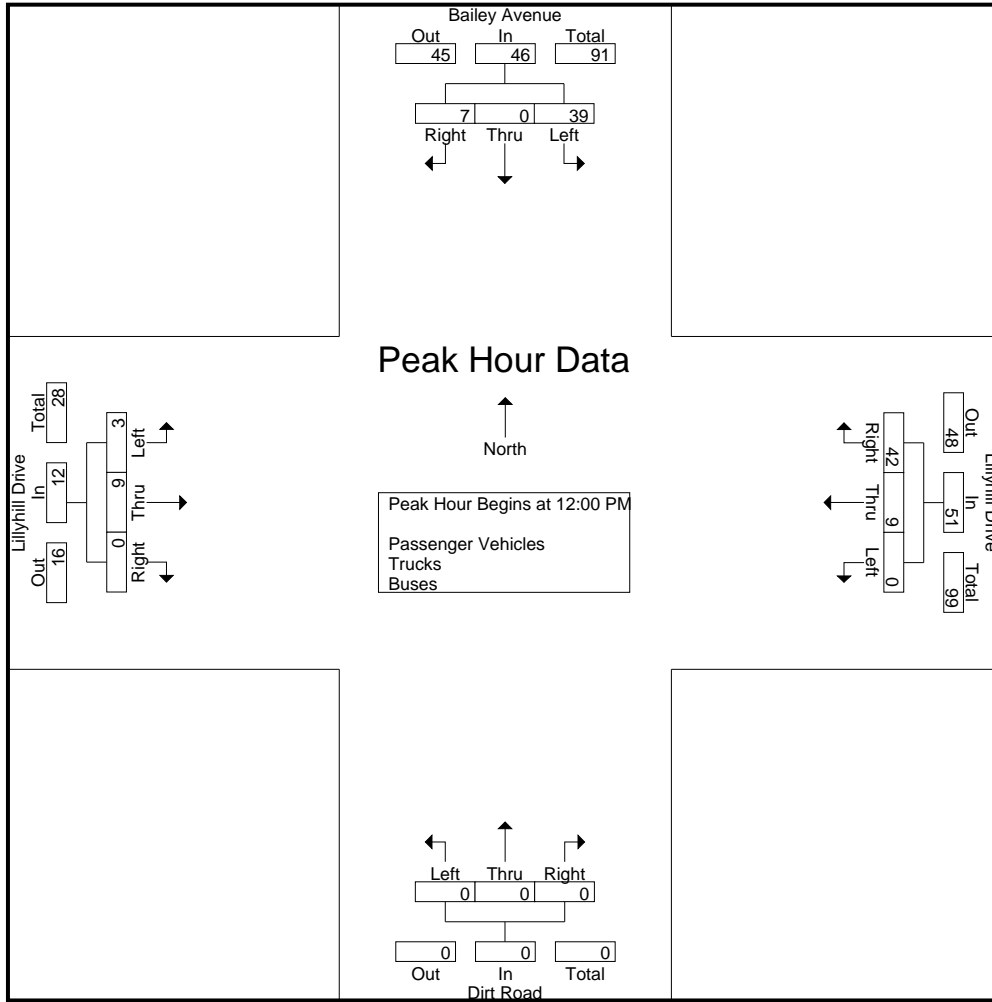
Groups Printed- Passenger Vehicles - Trucks - Buses

Start Time	Bailey Avenue Southbound				Lillyhill Drive Westbound				Dirt Road Northbound				Lillyhill Drive Eastbound				Int. Total
	Left	Thru	Right	App. Total	Left	Thru	Right	App. Total	Left	Thru	Right	App. Total	Left	Thru	Right	App. Total	
12:00 PM	7	0	2	9	0	3	12	15	0	0	0	0	1	2	0	3	27
12:15 PM	11	0	3	14	0	1	9	10	0	0	0	0	0	5	0	5	29
12:30 PM	8	0	0	8	0	1	7	8	0	0	0	0	1	2	0	3	19
12:45 PM	13	0	2	15	0	4	14	18	0	0	0	0	1	0	0	1	34
Total	39	0	7	46	0	9	42	51	0	0	0	0	3	9	0	12	109
01:00 PM	12	0	0	12	0	1	9	10	0	0	0	0	0	3	0	3	25
01:15 PM	12	0	3	15	0	1	11	12	0	0	0	0	0	0	0	0	27
01:30 PM	3	0	1	4	0	2	5	7	0	0	0	0	0	1	0	1	12
01:45 PM	9	0	1	10	0	3	6	9	0	0	0	0	1	2	0	3	22
Total	36	0	5	41	0	7	31	38	0	0	0	0	1	6	0	7	86
Grand Total	75	0	12	87	0	16	73	89	0	0	0	0	4	15	0	19	195
Apprch %	86.2	0	13.8		0	18	82		0	0	0		21.1	78.9	0		
Total %	38.5	0	6.2	44.6	0	8.2	37.4	45.6	0	0	0	0	2.1	7.7	0	9.7	
Passenger Vehicles	75	0	12	87	0	16	71	87	0	0	0	0	4	15	0	19	193
% Passenger Vehicles	100	0	100	100	0	100	97.3	97.8	0	0	0	0	100	100	0	100	99
Trucks	0	0	0	0	0	0	0	0	0	0	0	0	0	0	0	0	0
% Trucks	0	0	0	0	0	0	0	0	0	0	0	0	0	0	0	0	0
Buses	0	0	0	0	0	0	2	2	0	0	0	0	0	0	0	0	2
% Buses	0	0	0	0	0	0	2.7	2.2	0	0	0	0	0	0	0	0	1

Start Time	Bailey Avenue Southbound				Lillyhill Drive Westbound				Dirt Road Northbound				Lillyhill Drive Eastbound				Int. Total
	Left	Thru	Right	App. Total	Left	Thru	Right	App. Total	Left	Thru	Right	App. Total	Left	Thru	Right	App. Total	
Peak Hour Analysis From 12:00 PM to 01:45 PM - Peak 1 of 1																	
Peak Hour for Entire Intersection Begins at 12:00 PM																	
12:00 PM	7	0	2	9	0	3	12	15	0	0	0	0	1	2	0	3	27
12:15 PM	11	0	3	14	0	1	9	10	0	0	0	0	0	5	0	5	29
12:30 PM	8	0	0	8	0	1	7	8	0	0	0	0	1	2	0	3	19
12:45 PM	13	0	2	15	0	4	14	18	0	0	0	0	1	0	0	1	34
Total Volume	39	0	7	46	0	9	42	51	0	0	0	0	3	9	0	12	109
% App. Total	84.8	0	15.2		0	17.6	82.4		0	0	0		25	75	0		
PHF	.750	.000	.583	.767	.000	.563	.750	.708	.000	.000	.000	.000	.750	.450	.000	.600	.801

City of Needles
 N/S: Bailey Avenue
 E/W: Lillyhill Drive
 Weather: Clear

File Name : 13_NDL_Bailey_Lilly SAT
 Site Code : 16621325
 Start Date : 7/17/2021
 Page No : 2



Peak Hour Analysis From 12:00 PM to 01:45 PM - Peak 1 of 1
 Peak Hour for Each Approach Begins at:

	12:30 PM				12:00 PM				12:00 PM				12:00 PM			
+0 mins.	8	0	0	8	0	3	12	15	0	0	0	0	1	2	0	3
+15 mins.	13	0	2	15	0	1	9	10	0	0	0	0	0	5	0	5
+30 mins.	12	0	0	12	0	1	7	8	0	0	0	0	1	2	0	3
+45 mins.	12	0	3	15	0	4	14	18	0	0	0	0	1	0	0	1
Total Volume	45	0	5	50	0	9	42	51	0	0	0	0	3	9	0	12
% App. Total	90	0	10		0	17.6	82.4		0	0	0		25	75	0	
PHF	.865	.000	.417	.833	.000	.563	.750	.708	.000	.000	.000	.000	.750	.450	.000	.600

City of Needles
 N/S: Bailey Avenue
 E/W: Lillyhill Drive
 Weather: Clear

File Name : 13_NDL_Bailey_Lilly SAT
 Site Code : 16621325
 Start Date : 7/17/2021
 Page No : 1

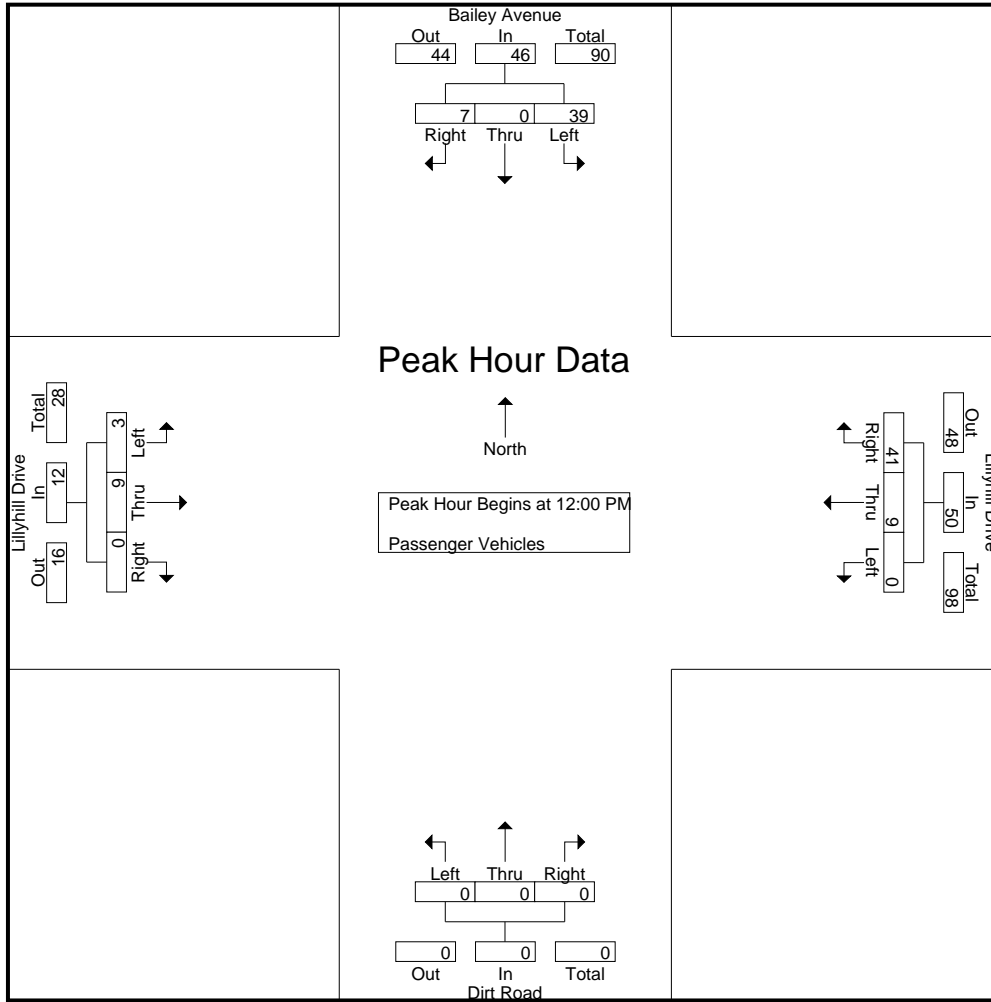
Groups Printed- Passenger Vehicles

Start Time	Bailey Avenue Southbound				Lillyhill Drive Westbound				Dirt Road Northbound				Lillyhill Drive Eastbound				Int. Total
	Left	Thru	Right	App. Total	Left	Thru	Right	App. Total	Left	Thru	Right	App. Total	Left	Thru	Right	App. Total	
12:00 PM	7	0	2	9	0	3	11	14	0	0	0	0	1	2	0	3	26
12:15 PM	11	0	3	14	0	1	9	10	0	0	0	0	0	5	0	5	29
12:30 PM	8	0	0	8	0	1	7	8	0	0	0	0	1	2	0	3	19
12:45 PM	13	0	2	15	0	4	14	18	0	0	0	0	1	0	0	1	34
Total	39	0	7	46	0	9	41	50	0	0	0	0	3	9	0	12	108
01:00 PM	12	0	0	12	0	1	8	9	0	0	0	0	0	3	0	3	24
01:15 PM	12	0	3	15	0	1	11	12	0	0	0	0	0	0	0	0	27
01:30 PM	3	0	1	4	0	2	5	7	0	0	0	0	0	1	0	1	12
01:45 PM	9	0	1	10	0	3	6	9	0	0	0	0	1	2	0	3	22
Total	36	0	5	41	0	7	30	37	0	0	0	0	1	6	0	7	85
Grand Total	75	0	12	87	0	16	71	87	0	0	0	0	4	15	0	19	193
Apprch %	86.2	0	13.8		0	18.4	81.6		0	0	0		21.1	78.9	0		
Total %	38.9	0	6.2	45.1	0	8.3	36.8	45.1	0	0	0	0	2.1	7.8	0	9.8	

Start Time	Bailey Avenue Southbound				Lillyhill Drive Westbound				Dirt Road Northbound				Lillyhill Drive Eastbound				Int. Total
	Left	Thru	Right	App. Total	Left	Thru	Right	App. Total	Left	Thru	Right	App. Total	Left	Thru	Right	App. Total	
Peak Hour Analysis From 12:00 PM to 12:45 PM - Peak 1 of 1																	
Peak Hour for Entire Intersection Begins at 12:00 PM																	
12:00 PM	7	0	2	9	0	3	11	14	0	0	0	0	1	2	0	3	26
12:15 PM	11	0	3	14	0	1	9	10	0	0	0	0	0	5	0	5	29
12:30 PM	8	0	0	8	0	1	7	8	0	0	0	0	1	2	0	3	19
12:45 PM	13	0	2	15	0	4	14	18	0	0	0	0	1	0	0	1	34
Total Volume	39	0	7	46	0	9	41	50	0	0	0	0	3	9	0	12	108
% App. Total	84.8	0	15.2		0	18	82		0	0	0		25	75	0		
PHF	.750	.000	.583	.767	.000	.563	.732	.694	.000	.000	.000	.000	.750	.450	.000	.600	.794

City of Needles
 N/S: Bailey Avenue
 E/W: Lillyhill Drive
 Weather: Clear

File Name : 13_NDL_Bailey_Lilly SAT
 Site Code : 16621325
 Start Date : 7/17/2021
 Page No : 2



Peak Hour Analysis From 12:00 PM to 12:45 PM - Peak 1 of 1
 Peak Hour for Each Approach Begins at:

	12:00 PM				12:00 PM				12:00 PM				12:00 PM			
+0 mins.	7	0	2	9	0	3	11	14	0	0	0	0	1	2	0	3
+15 mins.	11	0	3	14	0	1	9	10	0	0	0	0	0	5	0	5
+30 mins.	8	0	0	8	0	1	7	8	0	0	0	0	1	2	0	3
+45 mins.	13	0	2	15	0	4	14	18	0	0	0	0	1	0	0	1
Total Volume	39	0	7	46	0	9	41	50	0	0	0	0	3	9	0	12
% App. Total	84.8	0	15.2		0	18	82		0	0	0		25	75	0	
PHF	.750	.000	.583	.767	.000	.563	.732	.694	.000	.000	.000	.000	.750	.450	.000	.600

City of Needles
 N/S: Bailey Avenue
 E/W: Lillyhill Drive
 Weather: Clear

File Name : 13_NDL_Bailey_Lilly SAT
 Site Code : 16621325
 Start Date : 7/17/2021
 Page No : 1

Groups Printed- Trucks

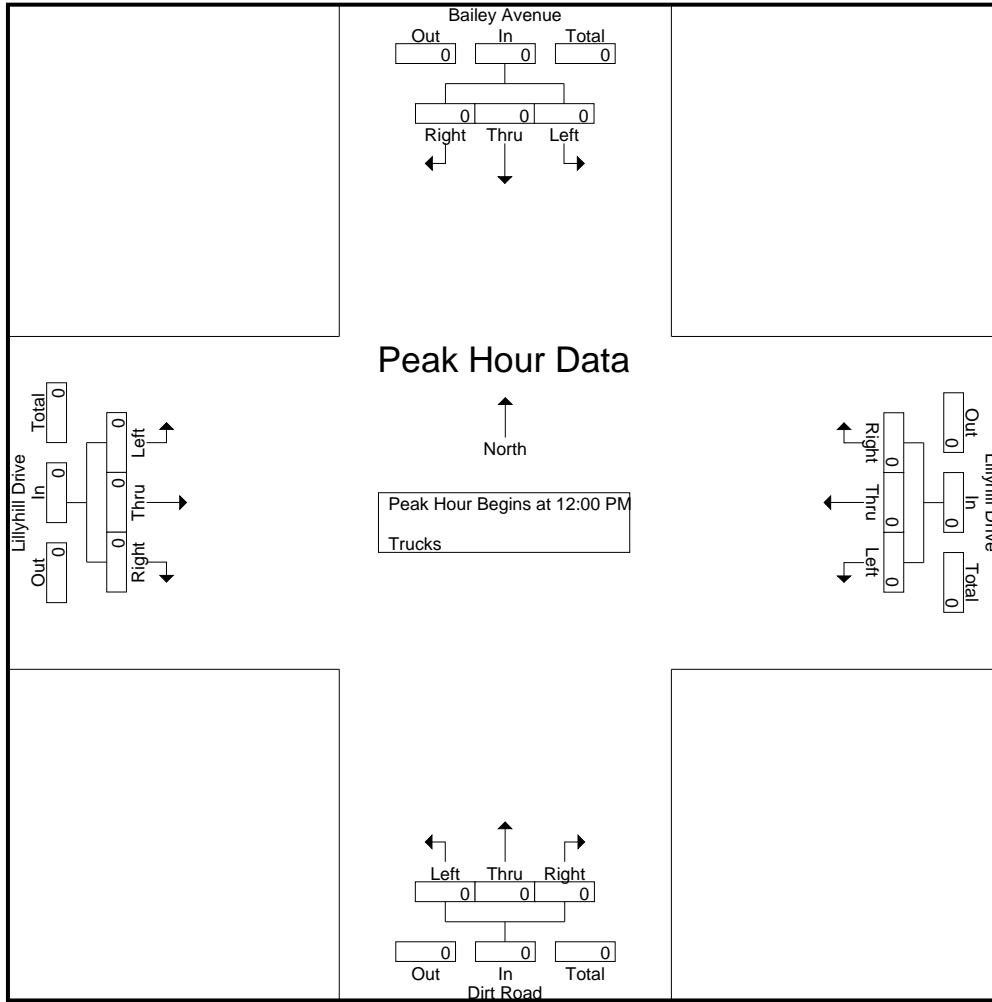
Start Time	Bailey Avenue Southbound				Lillyhill Drive Westbound				Dirt Road Northbound				Lillyhill Drive Eastbound				Int. Total
	Left	Thru	Right	App. Total	Left	Thru	Right	App. Total	Left	Thru	Right	App. Total	Left	Thru	Right	App. Total	
12:00 PM	0	0	0	0	0	0	0	0	0	0	0	0	0	0	0	0	0
12:15 PM	0	0	0	0	0	0	0	0	0	0	0	0	0	0	0	0	0
12:30 PM	0	0	0	0	0	0	0	0	0	0	0	0	0	0	0	0	0
12:45 PM	0	0	0	0	0	0	0	0	0	0	0	0	0	0	0	0	0
Total	0	0	0	0	0	0	0	0	0	0	0	0	0	0	0	0	0
01:00 PM	0	0	0	0	0	0	0	0	0	0	0	0	0	0	0	0	0
01:15 PM	0	0	0	0	0	0	0	0	0	0	0	0	0	0	0	0	0
01:30 PM	0	0	0	0	0	0	0	0	0	0	0	0	0	0	0	0	0
01:45 PM	0	0	0	0	0	0	0	0	0	0	0	0	0	0	0	0	0
Total	0	0	0	0	0	0	0	0	0	0	0	0	0	0	0	0	0
Grand Total	0	0	0	0	0	0	0	0	0	0	0	0	0	0	0	0	0
Apprch %	0	0	0		0	0	0		0	0	0		0	0	0		
Total %																	

Start Time	Bailey Avenue Southbound				Lillyhill Drive Westbound				Dirt Road Northbound				Lillyhill Drive Eastbound				Int. Total
	Left	Thru	Right	App. Total	Left	Thru	Right	App. Total	Left	Thru	Right	App. Total	Left	Thru	Right	App. Total	
12:00 PM	0	0	0	0	0	0	0	0	0	0	0	0	0	0	0	0	0
12:15 PM	0	0	0	0	0	0	0	0	0	0	0	0	0	0	0	0	0
12:30 PM	0	0	0	0	0	0	0	0	0	0	0	0	0	0	0	0	0
12:45 PM	0	0	0	0	0	0	0	0	0	0	0	0	0	0	0	0	0
Total Volume	0	0	0	0	0	0	0	0	0	0	0	0	0	0	0	0	0
% App. Total	0	0	0		0	0	0		0	0	0		0	0	0		
PHF	.000	.000	.000	.000	.000	.000	.000	.000	.000	.000	.000	.000	.000	.000	.000	.000	.000

Peak Hour Analysis From 12:00 PM to 12:45 PM - Peak 1 of 1
 Peak Hour for Entire Intersection Begins at 12:00 PM

City of Needles
 N/S: Bailey Avenue
 E/W: Lillyhill Drive
 Weather: Clear

File Name : 13_NDL_Bailey_Lilly SAT
 Site Code : 16621325
 Start Date : 7/17/2021
 Page No : 2



Peak Hour Analysis From 12:00 PM to 12:45 PM - Peak 1 of 1
 Peak Hour for Each Approach Begins at:

	12:00 PM				12:00 PM				12:00 PM				12:00 PM			
+0 mins.	0	0	0	0	0	0	0	0	0	0	0	0	0	0	0	0
+15 mins.	0	0	0	0	0	0	0	0	0	0	0	0	0	0	0	0
+30 mins.	0	0	0	0	0	0	0	0	0	0	0	0	0	0	0	0
+45 mins.	0	0	0	0	0	0	0	0	0	0	0	0	0	0	0	0
Total Volume	0	0	0	0	0	0	0	0	0	0	0	0	0	0	0	0
% App. Total	0	0	0	0	0	0	0	0	0	0	0	0	0	0	0	0
PHF	.000	.000	.000	.000	.000	.000	.000	.000	.000	.000	.000	.000	.000	.000	.000	.000

City of Needles
 N/S: Bailey Avenue
 E/W: Lillyhill Drive
 Weather: Clear

File Name : 13_NDL_Bailey_Lilly SAT
 Site Code : 16621325
 Start Date : 7/17/2021
 Page No : 1

Groups Printed- Buses

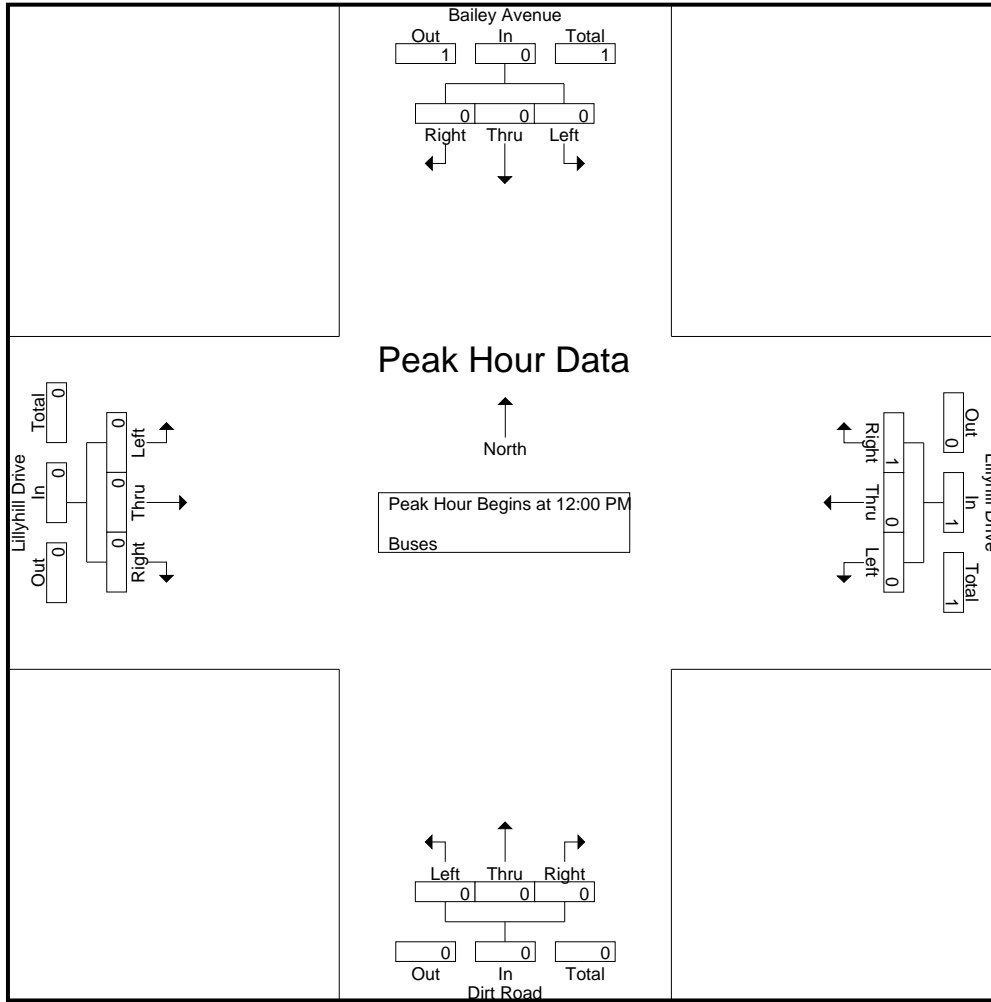
Start Time	Bailey Avenue Southbound				Lillyhill Drive Westbound				Dirt Road Northbound				Lillyhill Drive Eastbound				Int. Total	
	Left	Thru	Right	App. Total	Left	Thru	Right	App. Total	Left	Thru	Right	App. Total	Left	Thru	Right	App. Total		
12:00 PM	0	0	0	0	0	0	1	1	0	0	0	0	0	0	0	0	0	1
12:15 PM	0	0	0	0	0	0	0	0	0	0	0	0	0	0	0	0	0	0
12:30 PM	0	0	0	0	0	0	0	0	0	0	0	0	0	0	0	0	0	0
12:45 PM	0	0	0	0	0	0	0	0	0	0	0	0	0	0	0	0	0	0
Total	0	0	0	0	0	0	1	1	0	0	0	0	0	0	0	0	0	1
01:00 PM	0	0	0	0	0	0	1	1	0	0	0	0	0	0	0	0	0	1
01:15 PM	0	0	0	0	0	0	0	0	0	0	0	0	0	0	0	0	0	0
01:30 PM	0	0	0	0	0	0	0	0	0	0	0	0	0	0	0	0	0	0
01:45 PM	0	0	0	0	0	0	0	0	0	0	0	0	0	0	0	0	0	0
Total	0	0	0	0	0	0	1	1	0	0	0	0	0	0	0	0	0	1
Grand Total	0	0	0	0	0	0	2	2	0	0	0	0	0	0	0	0	0	2
Apprch %	0	0	0		0	0	100		0	0	0		0	0	0			
Total %	0	0	0		0	0	100	100	0	0	0		0	0	0			

Start Time	Bailey Avenue Southbound				Lillyhill Drive Westbound				Dirt Road Northbound				Lillyhill Drive Eastbound				Int. Total	
	Left	Thru	Right	App. Total	Left	Thru	Right	App. Total	Left	Thru	Right	App. Total	Left	Thru	Right	App. Total		
12:00 PM	0	0	0	0	0	0	1	1	0	0	0	0	0	0	0	0	0	1
12:15 PM	0	0	0	0	0	0	0	0	0	0	0	0	0	0	0	0	0	0
12:30 PM	0	0	0	0	0	0	0	0	0	0	0	0	0	0	0	0	0	0
12:45 PM	0	0	0	0	0	0	0	0	0	0	0	0	0	0	0	0	0	0
Total Volume	0	0	0	0	0	0	1	1	0	0	0	0	0	0	0	0	0	1
% App. Total	0	0	0		0	0	100		0	0	0		0	0	0			
PHF	.000	.000	.000	.000	.000	.000	.250	.250	.000	.000	.000	.000	.000	.000	.000	.000	.000	.250

Peak Hour Analysis From 12:00 PM to 12:45 PM - Peak 1 of 1
 Peak Hour for Entire Intersection Begins at 12:00 PM

City of Needles
 N/S: Bailey Avenue
 E/W: Lillyhill Drive
 Weather: Clear

File Name : 13_NDL_Bailey_Lilly SAT
 Site Code : 16621325
 Start Date : 7/17/2021
 Page No : 2



Peak Hour Analysis From 12:00 PM to 12:45 PM - Peak 1 of 1
 Peak Hour for Each Approach Begins at:

	12:00 PM				12:00 PM				12:00 PM				12:00 PM			
+0 mins.	0	0	0	0	0	0	1	1	0	0	0	0	0	0	0	0
+15 mins.	0	0	0	0	0	0	0	0	0	0	0	0	0	0	0	0
+30 mins.	0	0	0	0	0	0	0	0	0	0	0	0	0	0	0	0
+45 mins.	0	0	0	0	0	0	0	0	0	0	0	0	0	0	0	0
Total Volume	0	0	0	0	0	0	1	1	0	0	0	0	0	0	0	0
% App. Total	0	0	0	0	0	0	100	100	0	0	0	0	0	0	0	0
PHF	.000	.000	.000	.000	.000	.000	.250	.250	.000	.000	.000	.000	.000	.000	.000	.000

Location: Needles
 N/S: Bailey Avenue
 E/W: Lillyhill Drive



PEDESTRIANS

Date: 7/15/2021
 Day: Thursday

	North Leg Bailey Avenue	East Leg Lillyhill Drive	South Leg Dirt Road	West Leg Lillyhill Drive	
	Pedestrians	Pedestrians	Pedestrians	Pedestrians	
7:00 AM	3	0	0	0	3
7:15 AM	0	0	0	0	0
7:30 AM	0	0	0	0	0
7:45 AM	0	0	0	0	0
8:00 AM	0	0	0	0	0
8:15 AM	0	0	0	0	0
8:30 AM	0	0	0	0	0
8:45 AM	0	0	0	0	0
TOTAL VOLUMES:	3	0	0	0	3

Date: 7/15/2021
 Day: Thursday

	North Leg Bailey Avenue	East Leg Lillyhill Drive	South Leg Dirt Road	West Leg Lillyhill Drive	
	Pedestrians	Pedestrians	Pedestrians	Pedestrians	
4:00 PM	0	0	0	0	0
4:15 PM	0	0	0	0	0
4:30 PM	0	0	0	0	0
4:45 PM	0	0	0	0	0
5:00 PM	0	0	0	0	0
5:15 PM	0	0	0	0	0
5:30 PM	0	0	0	0	0
5:45 PM	0	0	0	0	0
TOTAL VOLUMES:	0	0	0	0	0

Date: 7/17/2021
 Day: Saturday

	North Leg Bailey Avenue	East Leg Lillyhill Drive	South Leg Dirt Road	West Leg Lillyhill Drive	
	Pedestrians	Pedestrians	Pedestrians	Pedestrians	
12:00 PM	0	0	0	0	0
12:15 PM	0	0	0	0	0
12:30 PM	0	0	0	0	0
12:45 PM	0	0	0	0	0
1:00 PM	0	0	0	0	0
1:15 PM	0	0	0	0	0
1:30 PM	0	0	0	0	0
1:45 PM	0	0	0	0	0
TOTAL VOLUMES:	0	0	0	0	0

Location: Needles
 N/S: Bailey Avenue
 E/W: Lillyhill Drive



BICYCLES

Date: 7/15/2021
 Day: Thursday

	Southbound Bailey Avenue			Westbound Lillyhill Drive			Northbound Dirt Road			Eastbound Lillyhill Drive			
	Left	Thru	Right	Left	Thru	Right	Left	Thru	Right	Left	Thru	Right	
7:00 AM	0	0	0	0	0	0	0	0	0	0	0	0	0
7:15 AM	0	0	0	0	0	0	0	0	0	0	0	0	0
7:30 AM	0	0	0	0	0	0	0	0	0	0	0	0	0
7:45 AM	0	0	0	0	0	0	0	0	0	0	0	0	0
8:00 AM	0	0	0	0	0	0	0	0	0	0	0	0	0
8:15 AM	0	0	0	0	0	0	0	0	0	0	0	0	0
8:30 AM	0	0	0	0	0	1	0	0	0	0	0	0	1
8:45 AM	0	0	0	0	0	0	0	0	0	0	0	0	0
TOTAL VOLUMES:	0	0	0	0	0	1	0	0	0	0	0	0	1

Date: 7/15/2021
 Day: Thursday

	Southbound Bailey Avenue			Westbound Lillyhill Drive			Northbound Dirt Road			Eastbound Lillyhill Drive			
	Left	Thru	Right	Left	Thru	Right	Left	Thru	Right	Left	Thru	Right	
4:00 PM	0	0	0	0	0	0	0	0	0	0	0	0	0
4:15 PM	0	0	0	0	0	0	0	0	0	0	0	0	0
4:30 PM	0	0	0	0	0	0	0	0	0	0	0	0	0
4:45 PM	0	0	0	0	0	0	0	0	0	0	0	0	0
5:00 PM	0	0	0	0	0	0	0	0	0	0	0	0	0
5:15 PM	1	0	0	0	0	0	0	0	0	0	0	0	1
5:30 PM	0	0	0	0	0	0	0	0	0	0	0	0	0
5:45 PM	0	0	0	0	0	0	0	0	0	0	0	0	0
TOTAL VOLUMES:	1	0	0	0	0	0	0	0	0	0	0	0	1

Date: 7/17/2021
 Day: Saturday

	Southbound Bailey Avenue			Westbound Lillyhill Drive			Northbound Dirt Road			Eastbound Lillyhill Drive			
	Left	Thru	Right	Left	Thru	Right	Left	Thru	Right	Left	Thru	Right	
12:00 PM	0	0	0	0	0	0	0	0	0	0	0	0	0
12:15 PM	0	0	0	0	0	0	0	0	0	0	0	0	0
12:30 PM	0	0	0	0	0	0	0	0	0	0	0	0	0
12:45 PM	0	0	0	0	0	0	0	0	0	0	0	0	0
1:00 PM	0	0	0	0	0	0	0	0	0	0	0	0	0
1:15 PM	0	0	0	0	0	0	0	0	0	0	0	0	0
1:30 PM	0	0	0	0	0	0	0	0	0	0	0	0	0
1:45 PM	0	0	0	0	0	0	0	0	0	0	0	0	0
TOTAL VOLUMES:	0	0	0	0	0	0	0	0	0	0	0	0	0

City of Needles
 N/S: Casa Linda Street
 E/W: San Clemente Street
 Weather: Clear

File Name : 14_NDL_Casa_San C AM
 Site Code : 16621325
 Start Date : 7/15/2021
 Page No : 1

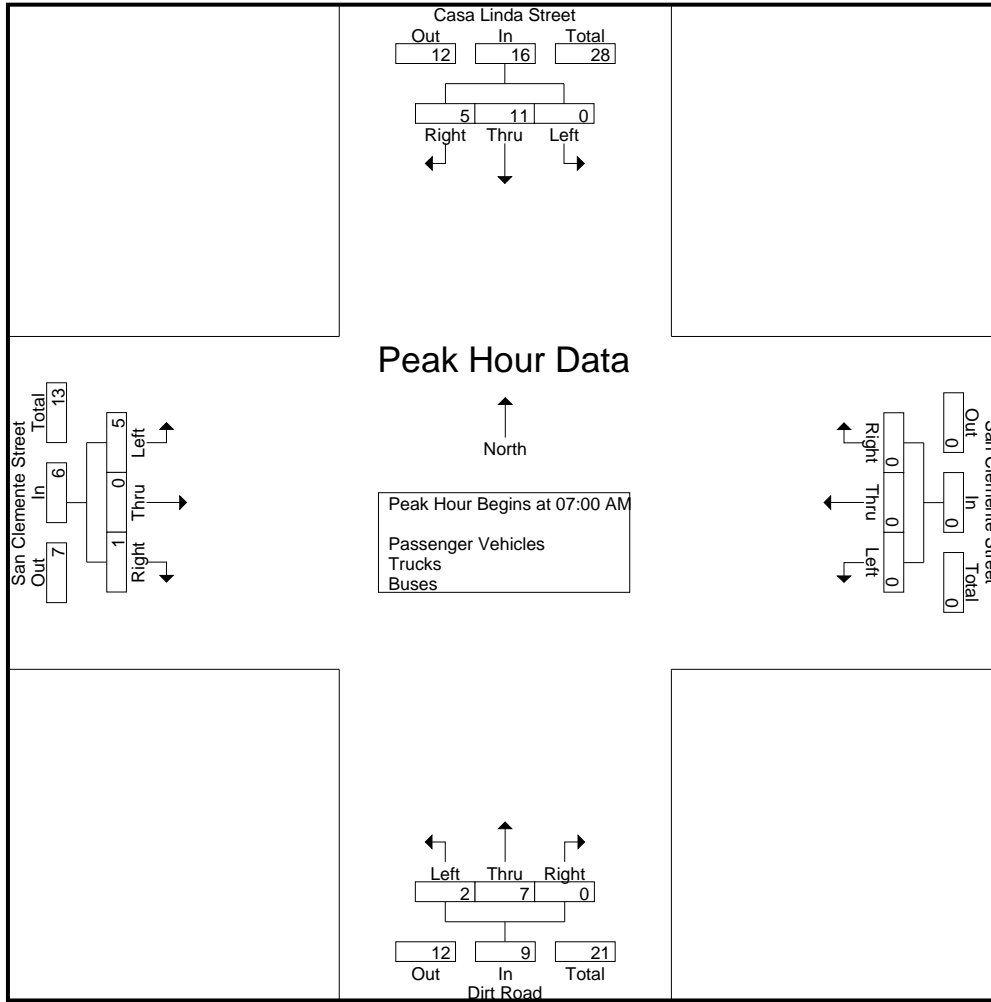
Groups Printed- Passenger Vehicles - Trucks - Buses

Start Time	Casa Linda Street Southbound				San Clemente Street Westbound				Dirt Road Northbound				San Clemente Street Eastbound				Int. Total
	Left	Thru	Right	App. Total	Left	Thru	Right	App. Total	Left	Thru	Right	App. Total	Left	Thru	Right	App. Total	
07:00 AM	0	1	1	2	0	0	0	0	0	3	0	3	0	0	0	0	5
07:15 AM	0	3	1	4	0	0	0	0	1	2	0	3	2	0	0	2	9
07:30 AM	0	4	0	4	0	0	0	0	0	1	0	1	0	0	1	1	6
07:45 AM	0	3	3	6	0	0	0	0	1	1	0	2	3	0	0	3	11
Total	0	11	5	16	0	0	0	0	2	7	0	9	5	0	1	6	31
08:00 AM	0	2	0	2	0	0	0	0	0	1	0	1	0	0	0	0	3
08:15 AM	0	2	3	5	0	0	0	0	0	1	0	1	0	0	0	0	6
08:30 AM	0	2	0	2	0	0	0	0	0	1	0	1	1	0	0	1	4
08:45 AM	0	1	0	1	0	0	0	0	0	4	0	4	2	0	0	2	7
Total	0	7	3	10	0	0	0	0	0	7	0	7	3	0	0	3	20
Grand Total	0	18	8	26	0	0	0	0	2	14	0	16	8	0	1	9	51
Apprch %	0	69.2	30.8		0	0	0		12.5	87.5	0		88.9	0	11.1		
Total %	0	35.3	15.7	51	0	0	0	0	3.9	27.5	0	31.4	15.7	0	2	17.6	
Passenger Vehicles	0	18	8	26	0	0	0	0	2	14	0	16	8	0	1	9	51
% Passenger Vehicles	0	100	100	100	0	0	0	0	100	100	0	100	100	0	100	100	100
Trucks	0	0	0	0	0	0	0	0	0	0	0	0	0	0	0	0	0
% Trucks	0	0	0	0	0	0	0	0	0	0	0	0	0	0	0	0	0
Buses	0	0	0	0	0	0	0	0	0	0	0	0	0	0	0	0	0
% Buses	0	0	0	0	0	0	0	0	0	0	0	0	0	0	0	0	0

Start Time	Casa Linda Street Southbound				San Clemente Street Westbound				Dirt Road Northbound				San Clemente Street Eastbound				Int. Total
	Left	Thru	Right	App. Total	Left	Thru	Right	App. Total	Left	Thru	Right	App. Total	Left	Thru	Right	App. Total	
Peak Hour Analysis From 07:00 AM to 08:45 AM - Peak 1 of 1																	
Peak Hour for Entire Intersection Begins at 07:00 AM																	
07:00 AM	0	1	1	2	0	0	0	0	0	3	0	3	0	0	0	0	5
07:15 AM	0	3	1	4	0	0	0	0	1	2	0	3	2	0	0	2	9
07:30 AM	0	4	0	4	0	0	0	0	0	1	0	1	0	0	1	1	6
07:45 AM	0	3	3	6	0	0	0	0	1	1	0	2	3	0	0	3	11
Total Volume	0	11	5	16	0	0	0	0	2	7	0	9	5	0	1	6	31
% App. Total	0	68.8	31.2		0	0	0		22.2	77.8	0		83.3	0	16.7		
PHF	.000	.688	.417	.667	.000	.000	.000	.000	.500	.583	.000	.750	.417	.000	.250	.500	.705

City of Needles
 N/S: Casa Linda Street
 E/W: San Clemente Street
 Weather: Clear

File Name : 14_NDL_Casa_San C AM
 Site Code : 16621325
 Start Date : 7/15/2021
 Page No : 2



Peak Hour Analysis From 07:00 AM to 08:45 AM - Peak 1 of 1
 Peak Hour for Each Approach Begins at:

	07:30 AM				07:00 AM				07:00 AM				07:00 AM			
+0 mins.	0	4	0	4	0	0	0	0	0	3	0	3	0	0	0	0
+15 mins.	0	3	3	6	0	0	0	0	1	2	0	3	2	0	0	2
+30 mins.	0	2	0	2	0	0	0	0	0	1	0	1	0	0	1	1
+45 mins.	0	2	3	5	0	0	0	0	1	1	0	2	3	0	0	3
Total Volume	0	11	6	17	0	0	0	0	2	7	0	9	5	0	1	6
% App. Total	0	64.7	35.3		0	0	0		22.2	77.8	0		83.3	0	16.7	
PHF	.000	.688	.500	.708	.000	.000	.000	.000	.500	.583	.000	.750	.417	.000	.250	.500

City of Needles
 N/S: Casa Linda Street
 E/W: San Clemente Street
 Weather: Clear

File Name : 14_NDL_Casa_San C AM
 Site Code : 16621325
 Start Date : 7/15/2021
 Page No : 1

Groups Printed- Passenger Vehicles

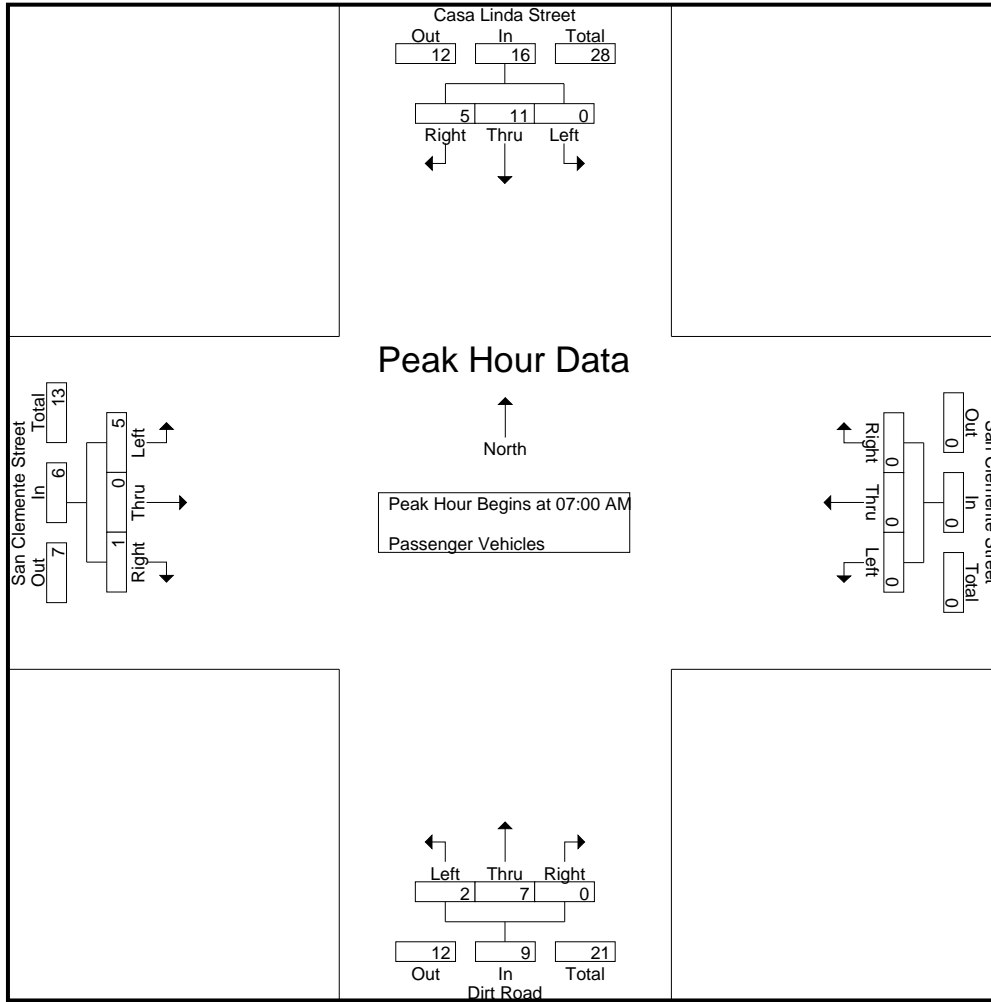
Start Time	Casa Linda Street Southbound				San Clemente Street Westbound				Dirt Road Northbound				San Clemente Street Eastbound				Int. Total
	Left	Thru	Right	App. Total	Left	Thru	Right	App. Total	Left	Thru	Right	App. Total	Left	Thru	Right	App. Total	
07:00 AM	0	1	1	2	0	0	0	0	0	3	0	3	0	0	0	0	5
07:15 AM	0	3	1	4	0	0	0	0	1	2	0	3	2	0	0	2	9
07:30 AM	0	4	0	4	0	0	0	0	0	1	0	1	0	0	1	1	6
07:45 AM	0	3	3	6	0	0	0	0	1	1	0	2	3	0	0	3	11
Total	0	11	5	16	0	0	0	0	2	7	0	9	5	0	1	6	31
08:00 AM	0	2	0	2	0	0	0	0	0	1	0	1	0	0	0	0	3
08:15 AM	0	2	3	5	0	0	0	0	0	1	0	1	0	0	0	0	6
08:30 AM	0	2	0	2	0	0	0	0	0	1	0	1	1	0	0	1	4
08:45 AM	0	1	0	1	0	0	0	0	0	4	0	4	2	0	0	2	7
Total	0	7	3	10	0	0	0	0	0	7	0	7	3	0	0	3	20
Grand Total	0	18	8	26	0	0	0	0	2	14	0	16	8	0	1	9	51
Apprch %	0	69.2	30.8		0	0	0		12.5	87.5	0		88.9	0	11.1		
Total %	0	35.3	15.7	51	0	0	0	0	3.9	27.5	0	31.4	15.7	0	2	17.6	

Start Time	Casa Linda Street Southbound				San Clemente Street Westbound				Dirt Road Northbound				San Clemente Street Eastbound				Int. Total
	Left	Thru	Right	App. Total	Left	Thru	Right	App. Total	Left	Thru	Right	App. Total	Left	Thru	Right	App. Total	
07:00 AM	0	1	1	2	0	0	0	0	0	3	0	3	0	0	0	0	5
07:15 AM	0	3	1	4	0	0	0	0	1	2	0	3	2	0	0	2	9
07:30 AM	0	4	0	4	0	0	0	0	0	1	0	1	0	0	1	1	6
07:45 AM	0	3	3	6	0	0	0	0	1	1	0	2	3	0	0	3	11
Total Volume	0	11	5	16	0	0	0	0	2	7	0	9	5	0	1	6	31
% App. Total	0	68.8	31.2		0	0	0		22.2	77.8	0		83.3	0	16.7		
PHF	.000	.688	.417	.667	.000	.000	.000	.000	.500	.583	.000	.750	.417	.000	.250	.500	.705

Peak Hour Analysis From 07:00 AM to 07:45 AM - Peak 1 of 1
 Peak Hour for Entire Intersection Begins at 07:00 AM

City of Needles
 N/S: Casa Linda Street
 E/W: San Clemente Street
 Weather: Clear

File Name : 14_NDL_Casa_San C AM
 Site Code : 16621325
 Start Date : 7/15/2021
 Page No : 2



Peak Hour Analysis From 07:00 AM to 07:45 AM - Peak 1 of 1
 Peak Hour for Each Approach Begins at:

	07:00 AM				07:00 AM				07:00 AM				07:00 AM			
+0 mins.	0	1	1	2	0	0	0	0	0	3	0	3	0	0	0	0
+15 mins.	0	3	1	4	0	0	0	0	1	2	0	3	2	0	0	2
+30 mins.	0	4	0	4	0	0	0	0	0	1	0	1	0	0	1	1
+45 mins.	0	3	3	6	0	0	0	0	1	1	0	2	3	0	0	3
Total Volume	0	11	5	16	0	0	0	0	2	7	0	9	5	0	1	6
% App. Total	0	68.8	31.2		0	0	0		22.2	77.8	0		83.3	0	16.7	
PHF	.000	.688	.417	.667	.000	.000	.000	.000	.500	.583	.000	.750	.417	.000	.250	.500

City of Needles
 N/S: Casa Linda Street
 E/W: San Clemente Street
 Weather: Clear

File Name : 14_NDL_Casa_San C AM
 Site Code : 16621325
 Start Date : 7/15/2021
 Page No : 1

Groups Printed- Trucks

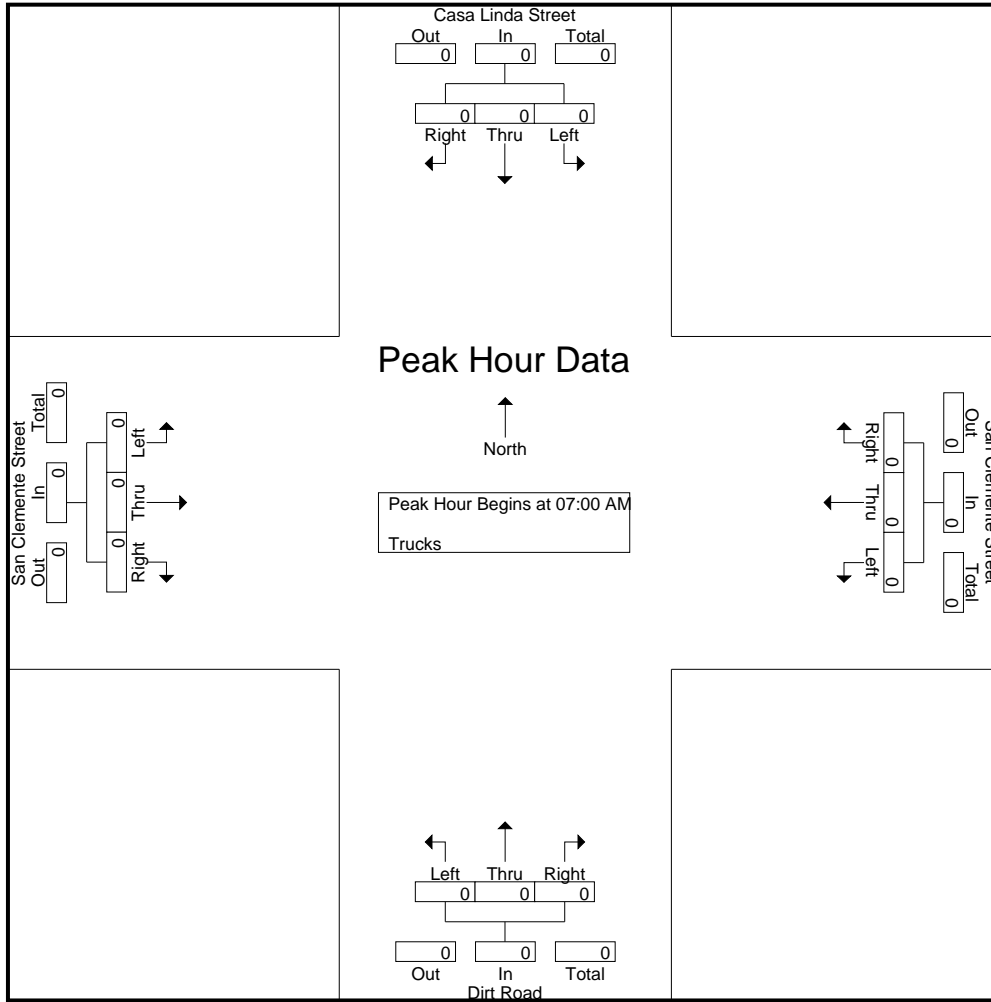
Start Time	Casa Linda Street Southbound				San Clemente Street Westbound				Dirt Road Northbound				San Clemente Street Eastbound				Int. Total
	Left	Thru	Right	App. Total	Left	Thru	Right	App. Total	Left	Thru	Right	App. Total	Left	Thru	Right	App. Total	
07:00 AM	0	0	0	0	0	0	0	0	0	0	0	0	0	0	0	0	0
07:15 AM	0	0	0	0	0	0	0	0	0	0	0	0	0	0	0	0	0
07:30 AM	0	0	0	0	0	0	0	0	0	0	0	0	0	0	0	0	0
07:45 AM	0	0	0	0	0	0	0	0	0	0	0	0	0	0	0	0	0
Total	0	0	0	0	0	0	0	0	0	0	0	0	0	0	0	0	0
08:00 AM	0	0	0	0	0	0	0	0	0	0	0	0	0	0	0	0	0
08:15 AM	0	0	0	0	0	0	0	0	0	0	0	0	0	0	0	0	0
08:30 AM	0	0	0	0	0	0	0	0	0	0	0	0	0	0	0	0	0
08:45 AM	0	0	0	0	0	0	0	0	0	0	0	0	0	0	0	0	0
Total	0	0	0	0	0	0	0	0	0	0	0	0	0	0	0	0	0
Grand Total	0	0	0	0	0	0	0	0	0	0	0	0	0	0	0	0	0
Apprch %	0	0	0		0	0	0		0	0	0		0	0	0		
Total %																	

Start Time	Casa Linda Street Southbound				San Clemente Street Westbound				Dirt Road Northbound				San Clemente Street Eastbound				Int. Total
	Left	Thru	Right	App. Total	Left	Thru	Right	App. Total	Left	Thru	Right	App. Total	Left	Thru	Right	App. Total	
07:00 AM	0	0	0	0	0	0	0	0	0	0	0	0	0	0	0	0	0
07:15 AM	0	0	0	0	0	0	0	0	0	0	0	0	0	0	0	0	0
07:30 AM	0	0	0	0	0	0	0	0	0	0	0	0	0	0	0	0	0
07:45 AM	0	0	0	0	0	0	0	0	0	0	0	0	0	0	0	0	0
Total Volume	0	0	0	0	0	0	0	0	0	0	0	0	0	0	0	0	0
% App. Total	0	0	0		0	0	0		0	0	0		0	0	0		
PHF	.000	.000	.000	.000	.000	.000	.000	.000	.000	.000	.000	.000	.000	.000	.000	.000	.000

Peak Hour Analysis From 07:00 AM to 07:45 AM - Peak 1 of 1
 Peak Hour for Entire Intersection Begins at 07:00 AM

City of Needles
 N/S: Casa Linda Street
 E/W: San Clemente Street
 Weather: Clear

File Name : 14_NDL_Casa_San C AM
 Site Code : 16621325
 Start Date : 7/15/2021
 Page No : 2



Peak Hour Analysis From 07:00 AM to 07:45 AM - Peak 1 of 1
 Peak Hour for Each Approach Begins at:

	07:00 AM				07:00 AM				07:00 AM				07:00 AM			
+0 mins.	0	0	0	0	0	0	0	0	0	0	0	0	0	0	0	0
+15 mins.	0	0	0	0	0	0	0	0	0	0	0	0	0	0	0	0
+30 mins.	0	0	0	0	0	0	0	0	0	0	0	0	0	0	0	0
+45 mins.	0	0	0	0	0	0	0	0	0	0	0	0	0	0	0	0
Total Volume	0	0	0	0	0	0	0	0	0	0	0	0	0	0	0	0
% App. Total	0	0	0	0	0	0	0	0	0	0	0	0	0	0	0	0
PHF	.000	.000	.000	.000	.000	.000	.000	.000	.000	.000	.000	.000	.000	.000	.000	.000

City of Needles
 N/S: Casa Linda Street
 E/W: San Clemente Street
 Weather: Clear

File Name : 14_NDL_Casa_San C AM
 Site Code : 16621325
 Start Date : 7/15/2021
 Page No : 1

Groups Printed- Buses

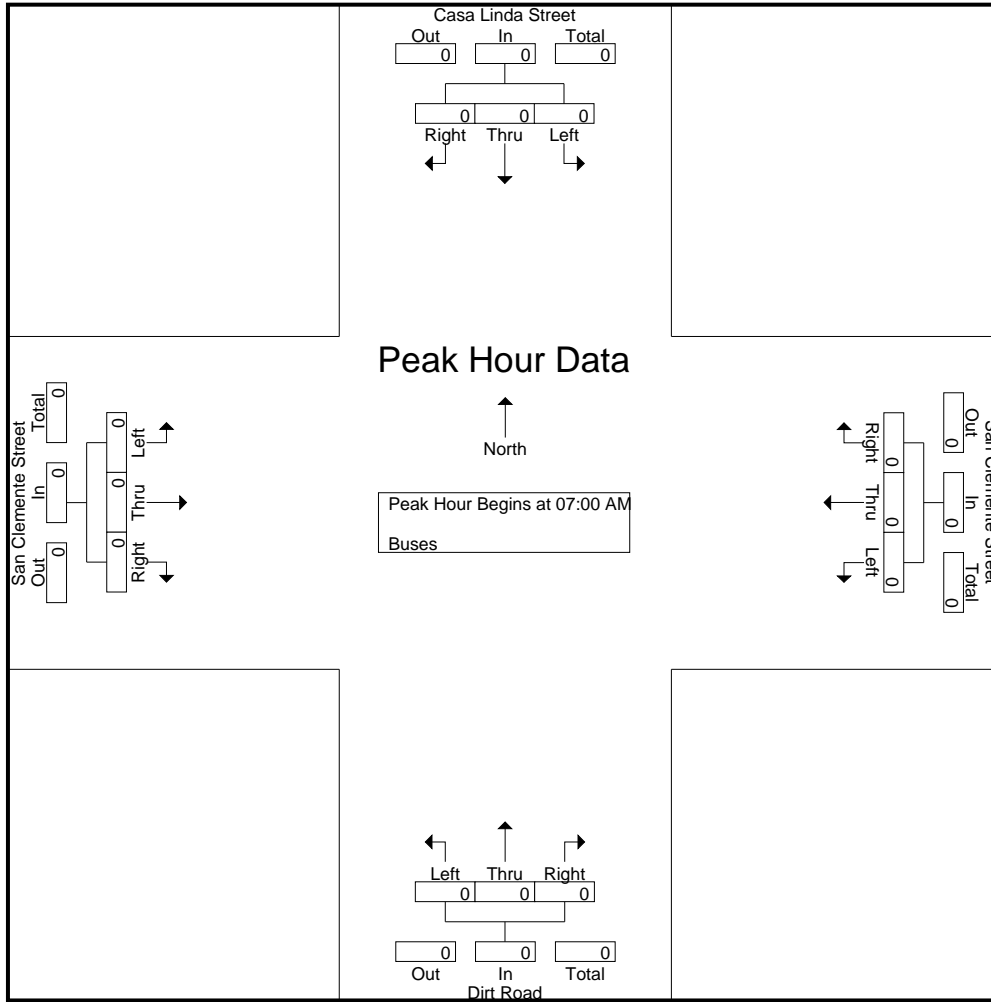
Start Time	Casa Linda Street Southbound				San Clemente Street Westbound				Dirt Road Northbound				San Clemente Street Eastbound				Int. Total
	Left	Thru	Right	App. Total	Left	Thru	Right	App. Total	Left	Thru	Right	App. Total	Left	Thru	Right	App. Total	
07:00 AM	0	0	0	0	0	0	0	0	0	0	0	0	0	0	0	0	0
07:15 AM	0	0	0	0	0	0	0	0	0	0	0	0	0	0	0	0	0
07:30 AM	0	0	0	0	0	0	0	0	0	0	0	0	0	0	0	0	0
07:45 AM	0	0	0	0	0	0	0	0	0	0	0	0	0	0	0	0	0
Total	0	0	0	0	0	0	0	0	0	0	0	0	0	0	0	0	0
08:00 AM	0	0	0	0	0	0	0	0	0	0	0	0	0	0	0	0	0
08:15 AM	0	0	0	0	0	0	0	0	0	0	0	0	0	0	0	0	0
08:30 AM	0	0	0	0	0	0	0	0	0	0	0	0	0	0	0	0	0
08:45 AM	0	0	0	0	0	0	0	0	0	0	0	0	0	0	0	0	0
Total	0	0	0	0	0	0	0	0	0	0	0	0	0	0	0	0	0
Grand Total	0	0	0	0	0	0	0	0	0	0	0	0	0	0	0	0	0
Apprch %	0	0	0		0	0	0		0	0	0		0	0	0		
Total %																	

Start Time	Casa Linda Street Southbound				San Clemente Street Westbound				Dirt Road Northbound				San Clemente Street Eastbound				Int. Total
	Left	Thru	Right	App. Total	Left	Thru	Right	App. Total	Left	Thru	Right	App. Total	Left	Thru	Right	App. Total	
07:00 AM	0	0	0	0	0	0	0	0	0	0	0	0	0	0	0	0	0
07:15 AM	0	0	0	0	0	0	0	0	0	0	0	0	0	0	0	0	0
07:30 AM	0	0	0	0	0	0	0	0	0	0	0	0	0	0	0	0	0
07:45 AM	0	0	0	0	0	0	0	0	0	0	0	0	0	0	0	0	0
Total Volume	0	0	0	0	0	0	0	0	0	0	0	0	0	0	0	0	0
% App. Total	0	0	0		0	0	0		0	0	0		0	0	0		
PHF	.000	.000	.000	.000	.000	.000	.000	.000	.000	.000	.000	.000	.000	.000	.000	.000	.000

Peak Hour Analysis From 07:00 AM to 07:45 AM - Peak 1 of 1
 Peak Hour for Entire Intersection Begins at 07:00 AM

City of Needles
 N/S: Casa Linda Street
 E/W: San Clemente Street
 Weather: Clear

File Name : 14_NDL_Casa_San C AM
 Site Code : 16621325
 Start Date : 7/15/2021
 Page No : 2



Peak Hour Analysis From 07:00 AM to 07:45 AM - Peak 1 of 1
 Peak Hour for Each Approach Begins at:

	07:00 AM				07:00 AM				07:00 AM				07:00 AM			
+0 mins.	0	0	0	0	0	0	0	0	0	0	0	0	0	0	0	0
+15 mins.	0	0	0	0	0	0	0	0	0	0	0	0	0	0	0	0
+30 mins.	0	0	0	0	0	0	0	0	0	0	0	0	0	0	0	0
+45 mins.	0	0	0	0	0	0	0	0	0	0	0	0	0	0	0	0
Total Volume	0	0	0	0	0	0	0	0	0	0	0	0	0	0	0	0
% App. Total	0	0	0	0	0	0	0	0	0	0	0	0	0	0	0	0
PHF	.000	.000	.000	.000	.000	.000	.000	.000	.000	.000	.000	.000	.000	.000	.000	.000

City of Needles
 N/S: Casa Linda Street
 E/W: San Clemente Street
 Weather: Clear

File Name : 14_NDL_Casa_San C PM
 Site Code : 16621325
 Start Date : 7/15/2021
 Page No : 1

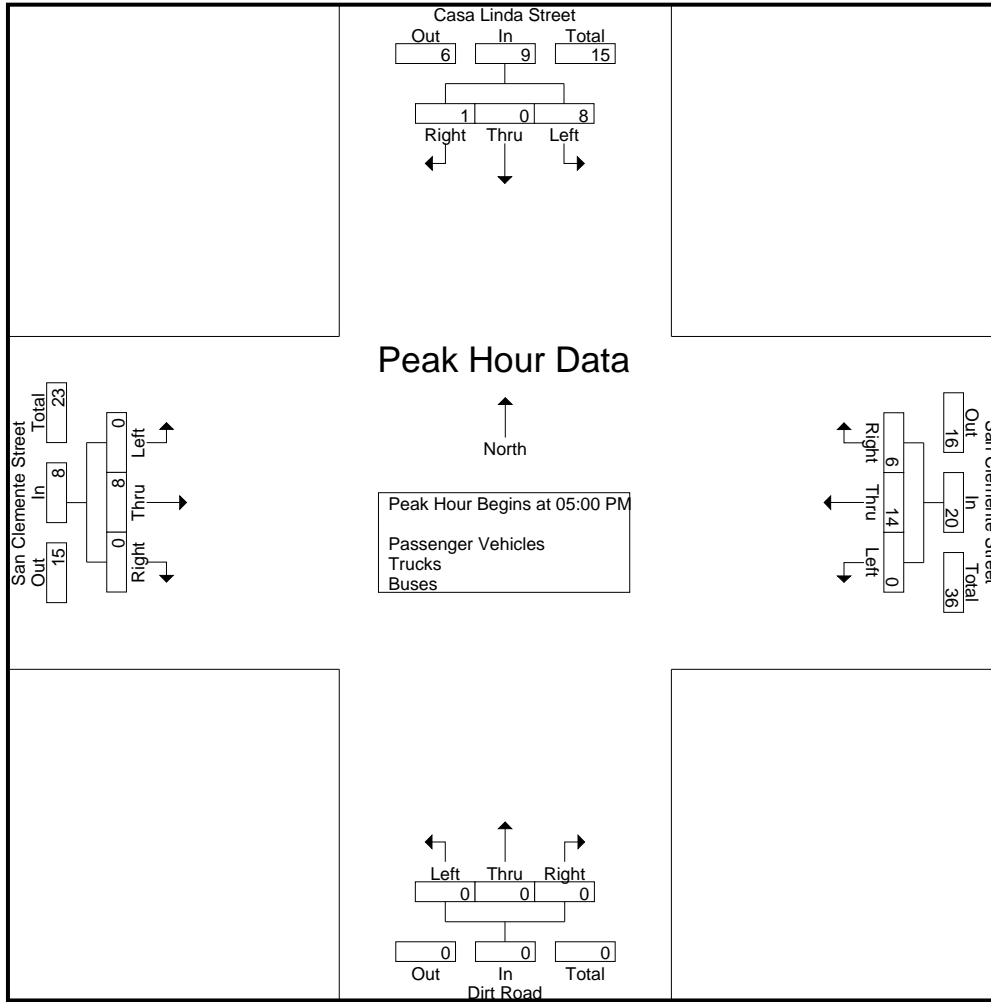
Groups Printed- Passenger Vehicles - Trucks - Buses

Start Time	Casa Linda Street Southbound				San Clemente Street Westbound				Dirt Road Northbound				San Clemente Street Eastbound				Int. Total
	Left	Thru	Right	App. Total	Left	Thru	Right	App. Total	Left	Thru	Right	App. Total	Left	Thru	Right	App. Total	
04:00 PM	0	0	0	0	0	4	1	5	0	0	0	0	0	2	0	2	7
04:15 PM	1	0	0	1	0	1	2	3	0	0	0	0	0	1	0	1	5
04:30 PM	1	0	0	1	0	3	1	4	0	0	0	0	0	2	0	2	7
04:45 PM	1	0	0	1	0	0	0	0	0	0	0	0	0	3	0	3	4
Total	3	0	0	3	0	8	4	12	0	0	0	0	0	8	0	8	23
05:00 PM	4	0	1	5	0	2	2	4	0	0	0	0	0	4	0	4	13
05:15 PM	2	0	0	2	0	4	0	4	0	0	0	0	0	1	0	1	7
05:30 PM	1	0	0	1	0	5	3	8	0	0	0	0	0	1	0	1	10
05:45 PM	1	0	0	1	0	3	1	4	0	0	0	0	0	2	0	2	7
Total	8	0	1	9	0	14	6	20	0	0	0	0	0	8	0	8	37
Grand Total	11	0	1	12	0	22	10	32	0	0	0	0	0	16	0	16	60
Apprch %	91.7	0	8.3		0	68.8	31.2		0	0	0		0	100	0		
Total %	18.3	0	1.7	20	0	36.7	16.7	53.3	0	0	0	0	0	26.7	0	26.7	
Passenger Vehicles	11	0	1	12	0	22	9	31	0	0	0	0	0	16	0	16	59
% Passenger Vehicles	100	0	100	100	0	100	90	96.9	0	0	0	0	0	100	0	100	98.3
Trucks	0	0	0	0	0	0	1	1	0	0	0	0	0	0	0	0	1
% Trucks	0	0	0	0	0	0	10	3.1	0	0	0	0	0	0	0	0	1.7
Buses	0	0	0	0	0	0	0	0	0	0	0	0	0	0	0	0	0
% Buses	0	0	0	0	0	0	0	0	0	0	0	0	0	0	0	0	0

Start Time	Casa Linda Street Southbound				San Clemente Street Westbound				Dirt Road Northbound				San Clemente Street Eastbound				Int. Total
	Left	Thru	Right	App. Total	Left	Thru	Right	App. Total	Left	Thru	Right	App. Total	Left	Thru	Right	App. Total	
Peak Hour Analysis From 04:00 PM to 05:45 PM - Peak 1 of 1																	
Peak Hour for Entire Intersection Begins at 05:00 PM																	
05:00 PM	4	0	1	5	0	2	2	4	0	0	0	0	0	4	0	4	13
05:15 PM	2	0	0	2	0	4	0	4	0	0	0	0	0	1	0	1	7
05:30 PM	1	0	0	1	0	5	3	8	0	0	0	0	0	1	0	1	10
05:45 PM	1	0	0	1	0	3	1	4	0	0	0	0	0	2	0	2	7
Total Volume	8	0	1	9	0	14	6	20	0	0	0	0	0	8	0	8	37
% App. Total	88.9	0	11.1		0	70	30		0	0	0		0	100	0		
PHF	.500	.000	.250	.450	.000	.700	.500	.625	.000	.000	.000	.000	.000	.500	.000	.500	.712

City of Needles
 N/S: Casa Linda Street
 E/W: San Clemente Street
 Weather: Clear

File Name : 14_NDL_Casa_San C PM
 Site Code : 16621325
 Start Date : 7/15/2021
 Page No : 2



Peak Hour Analysis From 04:00 PM to 05:45 PM - Peak 1 of 1
 Peak Hour for Each Approach Begins at:

	04:30 PM				05:00 PM				04:00 PM				04:15 PM			
+0 mins.	1	0	0	1	0	2	2	4	0	0	0	0	0	1	0	1
+15 mins.	1	0	0	1	0	4	0	4	0	0	0	0	0	2	0	2
+30 mins.	4	0	1	5	0	5	3	8	0	0	0	0	0	3	0	3
+45 mins.	2	0	0	2	0	3	1	4	0	0	0	0	0	4	0	4
Total Volume	8	0	1	9	0	14	6	20	0	0	0	0	0	10	0	10
% App. Total	88.9	0	11.1		0	70	30		0	0	0		0	100	0	
PHF	.500	.000	.250	.450	.000	.700	.500	.625	.000	.000	.000	.000	.000	.625	.000	.625

City of Needles
 N/S: Casa Linda Street
 E/W: San Clemente Street
 Weather: Clear

File Name : 14_NDL_Casa_San C PM
 Site Code : 16621325
 Start Date : 7/15/2021
 Page No : 1

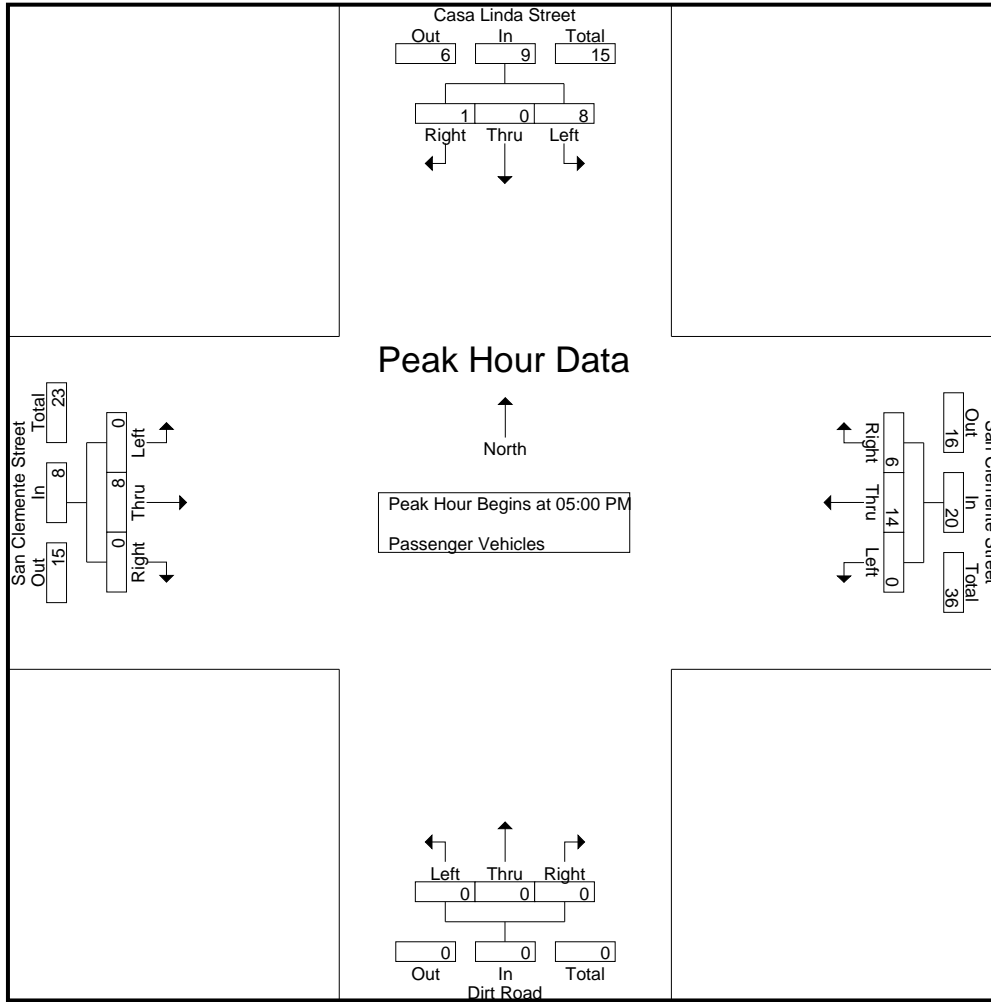
Groups Printed- Passenger Vehicles

Start Time	Casa Linda Street Southbound				San Clemente Street Westbound				Dirt Road Northbound				San Clemente Street Eastbound				Int. Total
	Left	Thru	Right	App. Total	Left	Thru	Right	App. Total	Left	Thru	Right	App. Total	Left	Thru	Right	App. Total	
04:00 PM	0	0	0	0	0	4	0	4	0	0	0	0	0	2	0	2	6
04:15 PM	1	0	0	1	0	1	2	3	0	0	0	0	0	1	0	1	5
04:30 PM	1	0	0	1	0	3	1	4	0	0	0	0	0	2	0	2	7
04:45 PM	1	0	0	1	0	0	0	0	0	0	0	0	0	3	0	3	4
Total	3	0	0	3	0	8	3	11	0	0	0	0	0	8	0	8	22
05:00 PM	4	0	1	5	0	2	2	4	0	0	0	0	0	4	0	4	13
05:15 PM	2	0	0	2	0	4	0	4	0	0	0	0	0	1	0	1	7
05:30 PM	1	0	0	1	0	5	3	8	0	0	0	0	0	1	0	1	10
05:45 PM	1	0	0	1	0	3	1	4	0	0	0	0	0	2	0	2	7
Total	8	0	1	9	0	14	6	20	0	0	0	0	0	8	0	8	37
Grand Total	11	0	1	12	0	22	9	31	0	0	0	0	0	16	0	16	59
Apprch %	91.7	0	8.3		0	71	29		0	0	0		0	100	0		
Total %	18.6	0	1.7	20.3	0	37.3	15.3	52.5	0	0	0	0	0	27.1	0	27.1	

Start Time	Casa Linda Street Southbound				San Clemente Street Westbound				Dirt Road Northbound				San Clemente Street Eastbound				Int. Total
	Left	Thru	Right	App. Total	Left	Thru	Right	App. Total	Left	Thru	Right	App. Total	Left	Thru	Right	App. Total	
Peak Hour Analysis From 05:00 PM to 05:45 PM - Peak 1 of 1																	
Peak Hour for Entire Intersection Begins at 05:00 PM																	
05:00 PM	4	0	1	5	0	2	2	4	0	0	0	0	0	4	0	4	13
05:15 PM	2	0	0	2	0	4	0	4	0	0	0	0	0	1	0	1	7
05:30 PM	1	0	0	1	0	5	3	8	0	0	0	0	0	1	0	1	10
05:45 PM	1	0	0	1	0	3	1	4	0	0	0	0	0	2	0	2	7
Total Volume	8	0	1	9	0	14	6	20	0	0	0	0	0	8	0	8	37
% App. Total	88.9	0	11.1		0	70	30		0	0	0		0	100	0		
PHF	.500	.000	.250	.450	.000	.700	.500	.625	.000	.000	.000	.000	.000	.500	.000	.500	.712

City of Needles
 N/S: Casa Linda Street
 E/W: San Clemente Street
 Weather: Clear

File Name : 14_NDL_Casa_San C PM
 Site Code : 16621325
 Start Date : 7/15/2021
 Page No : 2



Peak Hour Analysis From 05:00 PM to 05:45 PM - Peak 1 of 1
 Peak Hour for Each Approach Begins at:

	05:00 PM				05:00 PM				05:00 PM				05:00 PM			
+0 mins.	4	0	1	5	0	2	2	4	0	0	0	0	0	4	0	4
+15 mins.	2	0	0	2	0	4	0	4	0	0	0	0	0	1	0	1
+30 mins.	1	0	0	1	0	5	3	8	0	0	0	0	0	1	0	1
+45 mins.	1	0	0	1	0	3	1	4	0	0	0	0	0	2	0	2
Total Volume	8	0	1	9	0	14	6	20	0	0	0	0	0	8	0	8
% App. Total	88.9	0	11.1		0	70	30		0	0	0		0	100	0	
PHF	.500	.000	.250	.450	.000	.700	.500	.625	.000	.000	.000	.000	.000	.500	.000	.500

City of Needles
 N/S: Casa Linda Street
 E/W: San Clemente Street
 Weather: Clear

File Name : 14_NDL_Casa_San C PM
 Site Code : 16621325
 Start Date : 7/15/2021
 Page No : 1

Groups Printed- Trucks

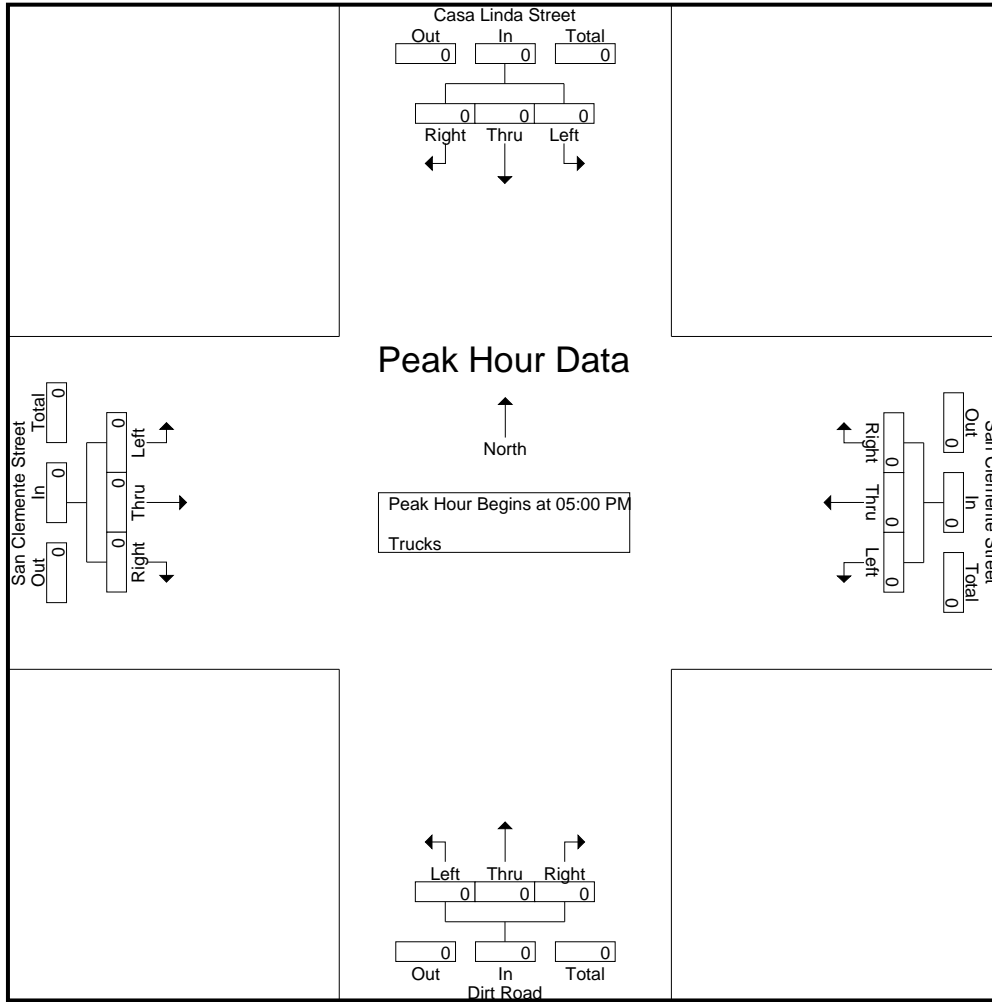
Start Time	Casa Linda Street Southbound				San Clemente Street Westbound				Dirt Road Northbound				San Clemente Street Eastbound				Int. Total
	Left	Thru	Right	App. Total	Left	Thru	Right	App. Total	Left	Thru	Right	App. Total	Left	Thru	Right	App. Total	
04:00 PM	0	0	0	0	0	0	1	1	0	0	0	0	0	0	0	0	1
04:15 PM	0	0	0	0	0	0	0	0	0	0	0	0	0	0	0	0	0
04:30 PM	0	0	0	0	0	0	0	0	0	0	0	0	0	0	0	0	0
04:45 PM	0	0	0	0	0	0	0	0	0	0	0	0	0	0	0	0	0
Total	0	0	0	0	0	0	1	1	0	0	0	0	0	0	0	0	1
05:00 PM	0	0	0	0	0	0	0	0	0	0	0	0	0	0	0	0	0
05:15 PM	0	0	0	0	0	0	0	0	0	0	0	0	0	0	0	0	0
05:30 PM	0	0	0	0	0	0	0	0	0	0	0	0	0	0	0	0	0
05:45 PM	0	0	0	0	0	0	0	0	0	0	0	0	0	0	0	0	0
Total	0	0	0	0	0	0	0	0	0	0	0	0	0	0	0	0	0
Grand Total	0	0	0	0	0	0	1	1	0	0	0	0	0	0	0	0	1
Apprch %	0	0	0		0	0	100		0	0	0		0	0	0		
Total %	0	0	0		0	0	100	100	0	0	0		0	0	0		

Start Time	Casa Linda Street Southbound				San Clemente Street Westbound				Dirt Road Northbound				San Clemente Street Eastbound				Int. Total
	Left	Thru	Right	App. Total	Left	Thru	Right	App. Total	Left	Thru	Right	App. Total	Left	Thru	Right	App. Total	
05:00 PM	0	0	0	0	0	0	0	0	0	0	0	0	0	0	0	0	0
05:15 PM	0	0	0	0	0	0	0	0	0	0	0	0	0	0	0	0	0
05:30 PM	0	0	0	0	0	0	0	0	0	0	0	0	0	0	0	0	0
05:45 PM	0	0	0	0	0	0	0	0	0	0	0	0	0	0	0	0	0
Total Volume	0	0	0	0	0	0	0	0	0	0	0	0	0	0	0	0	0
% App. Total	0	0	0		0	0	0		0	0	0		0	0	0		
PHF	.000	.000	.000	.000	.000	.000	.000	.000	.000	.000	.000	.000	.000	.000	.000	.000	.000

Peak Hour Analysis From 05:00 PM to 05:45 PM - Peak 1 of 1
 Peak Hour for Entire Intersection Begins at 05:00 PM

City of Needles
 N/S: Casa Linda Street
 E/W: San Clemente Street
 Weather: Clear

File Name : 14_NDL_Casa_San C PM
 Site Code : 16621325
 Start Date : 7/15/2021
 Page No : 2



Peak Hour Analysis From 05:00 PM to 05:45 PM - Peak 1 of 1
 Peak Hour for Each Approach Begins at:

	05:00 PM				05:00 PM				05:00 PM				05:00 PM			
+0 mins.	0	0	0	0	0	0	0	0	0	0	0	0	0	0	0	0
+15 mins.	0	0	0	0	0	0	0	0	0	0	0	0	0	0	0	0
+30 mins.	0	0	0	0	0	0	0	0	0	0	0	0	0	0	0	0
+45 mins.	0	0	0	0	0	0	0	0	0	0	0	0	0	0	0	0
Total Volume	0	0	0	0	0	0	0	0	0	0	0	0	0	0	0	0
% App. Total	0	0	0	0	0	0	0	0	0	0	0	0	0	0	0	0
PHF	.000	.000	.000	.000	.000	.000	.000	.000	.000	.000	.000	.000	.000	.000	.000	.000

City of Needles
 N/S: Casa Linda Street
 E/W: San Clemente Street
 Weather: Clear

File Name : 14_NDL_Casa_San C PM
 Site Code : 16621325
 Start Date : 7/15/2021
 Page No : 1

Groups Printed- Buses

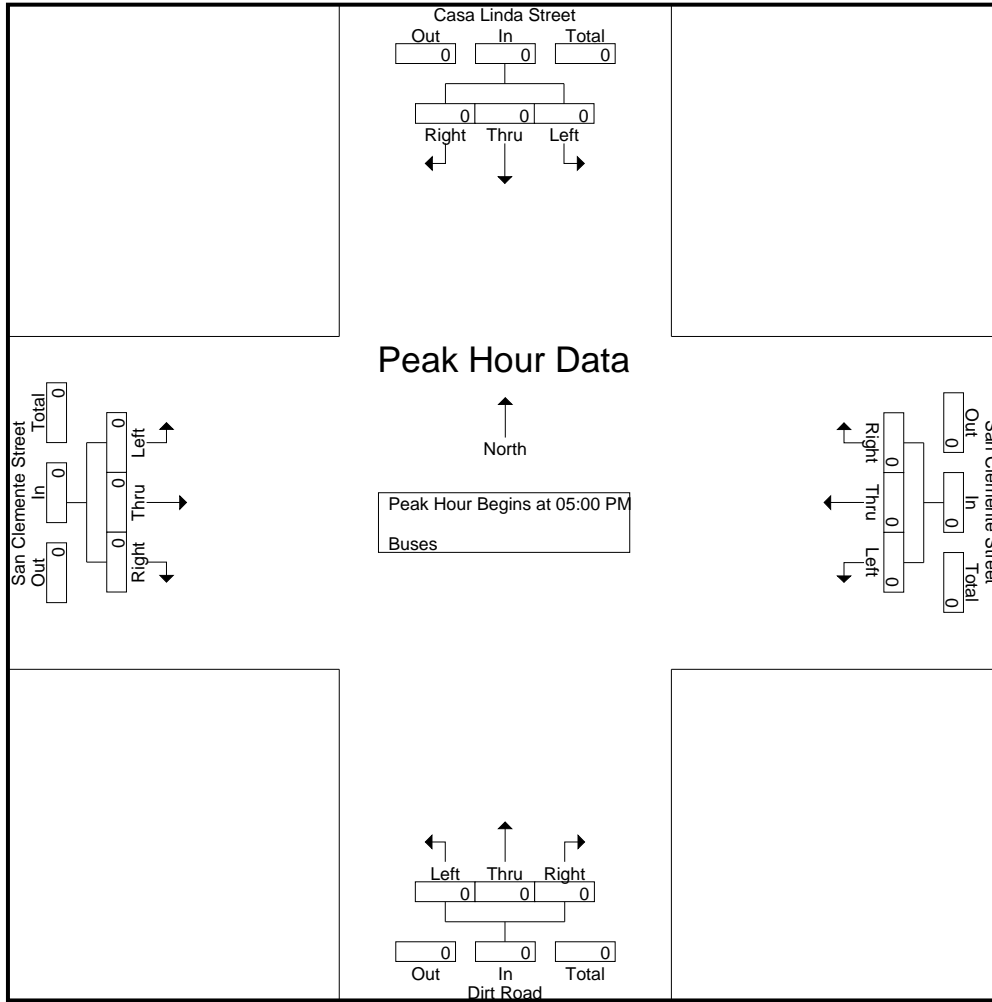
Start Time	Casa Linda Street Southbound				San Clemente Street Westbound				Dirt Road Northbound				San Clemente Street Eastbound				Int. Total
	Left	Thru	Right	App. Total	Left	Thru	Right	App. Total	Left	Thru	Right	App. Total	Left	Thru	Right	App. Total	
04:00 PM	0	0	0	0	0	0	0	0	0	0	0	0	0	0	0	0	0
04:15 PM	0	0	0	0	0	0	0	0	0	0	0	0	0	0	0	0	0
04:30 PM	0	0	0	0	0	0	0	0	0	0	0	0	0	0	0	0	0
04:45 PM	0	0	0	0	0	0	0	0	0	0	0	0	0	0	0	0	0
Total	0	0	0	0	0	0	0	0	0	0	0	0	0	0	0	0	0
05:00 PM	0	0	0	0	0	0	0	0	0	0	0	0	0	0	0	0	0
05:15 PM	0	0	0	0	0	0	0	0	0	0	0	0	0	0	0	0	0
05:30 PM	0	0	0	0	0	0	0	0	0	0	0	0	0	0	0	0	0
05:45 PM	0	0	0	0	0	0	0	0	0	0	0	0	0	0	0	0	0
Total	0	0	0	0	0	0	0	0	0	0	0	0	0	0	0	0	0
Grand Total	0	0	0	0	0	0	0	0	0	0	0	0	0	0	0	0	0
Apprch %	0	0	0		0	0	0		0	0	0		0	0	0		
Total %																	

Start Time	Casa Linda Street Southbound				San Clemente Street Westbound				Dirt Road Northbound				San Clemente Street Eastbound				Int. Total
	Left	Thru	Right	App. Total	Left	Thru	Right	App. Total	Left	Thru	Right	App. Total	Left	Thru	Right	App. Total	
05:00 PM	0	0	0	0	0	0	0	0	0	0	0	0	0	0	0	0	0
05:15 PM	0	0	0	0	0	0	0	0	0	0	0	0	0	0	0	0	0
05:30 PM	0	0	0	0	0	0	0	0	0	0	0	0	0	0	0	0	0
05:45 PM	0	0	0	0	0	0	0	0	0	0	0	0	0	0	0	0	0
Total Volume	0	0	0	0	0	0	0	0	0	0	0	0	0	0	0	0	0
% App. Total	0	0	0		0	0	0		0	0	0		0	0	0		
PHF	.000	.000	.000	.000	.000	.000	.000	.000	.000	.000	.000	.000	.000	.000	.000	.000	.000

Peak Hour Analysis From 05:00 PM to 05:45 PM - Peak 1 of 1
 Peak Hour for Entire Intersection Begins at 05:00 PM

City of Needles
 N/S: Casa Linda Street
 E/W: San Clemente Street
 Weather: Clear

File Name : 14_NDL_Casa_San C PM
 Site Code : 16621325
 Start Date : 7/15/2021
 Page No : 2



Peak Hour Analysis From 05:00 PM to 05:45 PM - Peak 1 of 1
 Peak Hour for Each Approach Begins at:

	05:00 PM				05:00 PM				05:00 PM				05:00 PM			
+0 mins.	0	0	0	0	0	0	0	0	0	0	0	0	0	0	0	0
+15 mins.	0	0	0	0	0	0	0	0	0	0	0	0	0	0	0	0
+30 mins.	0	0	0	0	0	0	0	0	0	0	0	0	0	0	0	0
+45 mins.	0	0	0	0	0	0	0	0	0	0	0	0	0	0	0	0
Total Volume	0	0	0	0	0	0	0	0	0	0	0	0	0	0	0	0
% App. Total	0	0	0	0	0	0	0	0	0	0	0	0	0	0	0	0
PHF	.000	.000	.000	.000	.000	.000	.000	.000	.000	.000	.000	.000	.000	.000	.000	.000

City of Needles
 N/S: Casa Linda Street
 E/W: San Clemente Street
 Weather: Clear

File Name : 14_NDL_Casa_San C SAT
 Site Code : 16621325
 Start Date : 7/17/2021
 Page No : 1

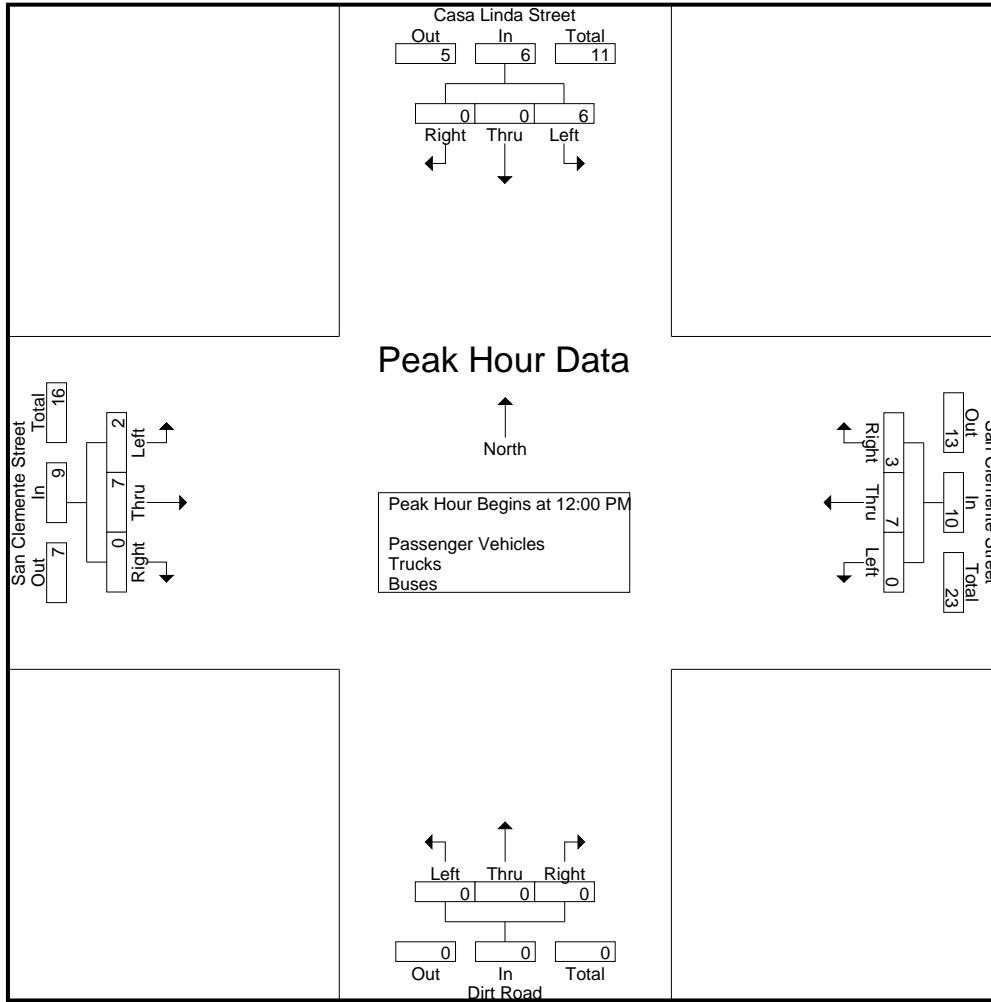
Groups Printed- Passenger Vehicles - Trucks - Buses

Start Time	Casa Linda Street Southbound				San Clemente Street Westbound				Dirt Road Northbound				San Clemente Street Eastbound				Int. Total
	Left	Thru	Right	App. Total	Left	Thru	Right	App. Total	Left	Thru	Right	App. Total	Left	Thru	Right	App. Total	
12:00 PM	1	0	0	1	0	4	0	4	0	0	0	0	0	2	0	2	7
12:15 PM	4	0	0	4	0	0	2	2	0	0	0	0	0	4	0	4	10
12:30 PM	1	0	0	1	0	0	1	1	0	0	0	0	1	0	0	1	3
12:45 PM	0	0	0	0	0	3	0	3	0	0	0	0	1	1	0	2	5
Total	6	0	0	6	0	7	3	10	0	0	0	0	2	7	0	9	25
01:00 PM	0	0	0	0	0	1	1	2	0	0	0	0	0	2	0	2	4
01:15 PM	1	0	0	1	0	1	0	1	0	0	0	0	0	1	0	1	3
01:30 PM	1	0	0	1	0	3	2	5	0	0	0	0	0	0	0	0	6
01:45 PM	2	0	0	2	0	2	1	3	0	0	0	0	0	2	0	2	7
Total	4	0	0	4	0	7	4	11	0	0	0	0	0	5	0	5	20
Grand Total	10	0	0	10	0	14	7	21	0	0	0	0	2	12	0	14	45
Apprch %	100	0	0		0	66.7	33.3		0	0	0		14.3	85.7	0		
Total %	22.2	0	0	22.2	0	31.1	15.6	46.7	0	0	0	0	4.4	26.7	0	31.1	
Passenger Vehicles	10	0	0	10	0	14	7	21	0	0	0	0	2	12	0	14	45
% Passenger Vehicles	100	0	0	100	0	100	100	100	0	0	0	0	100	100	0	100	100
Trucks	0	0	0	0	0	0	0	0	0	0	0	0	0	0	0	0	0
% Trucks	0	0	0	0	0	0	0	0	0	0	0	0	0	0	0	0	0
Buses	0	0	0	0	0	0	0	0	0	0	0	0	0	0	0	0	0
% Buses	0	0	0	0	0	0	0	0	0	0	0	0	0	0	0	0	0

Start Time	Casa Linda Street Southbound				San Clemente Street Westbound				Dirt Road Northbound				San Clemente Street Eastbound				Int. Total
	Left	Thru	Right	App. Total	Left	Thru	Right	App. Total	Left	Thru	Right	App. Total	Left	Thru	Right	App. Total	
Peak Hour Analysis From 12:00 PM to 01:45 PM - Peak 1 of 1																	
Peak Hour for Entire Intersection Begins at 12:00 PM																	
12:00 PM	1	0	0	1	0	4	0	4	0	0	0	0	0	2	0	2	7
12:15 PM	4	0	0	4	0	0	2	2	0	0	0	0	0	4	0	4	10
12:30 PM	1	0	0	1	0	0	1	1	0	0	0	0	1	0	0	1	3
12:45 PM	0	0	0	0	0	3	0	3	0	0	0	0	1	1	0	2	5
Total Volume	6	0	0	6	0	7	3	10	0	0	0	0	2	7	0	9	25
% App. Total	100	0	0		0	70	30		0	0	0		22.2	77.8	0		
PHF	.375	.000	.000	.375	.000	.438	.375	.625	.000	.000	.000	.000	.500	.438	.000	.563	.625

City of Needles
 N/S: Casa Linda Street
 E/W: San Clemente Street
 Weather: Clear

File Name : 14_NDL_Casa_San C SAT
 Site Code : 16621325
 Start Date : 7/17/2021
 Page No : 2



Peak Hour Analysis From 12:00 PM to 01:45 PM - Peak 1 of 1
 Peak Hour for Each Approach Begins at:

	12:00 PM				12:45 PM				12:00 PM				12:00 PM			
+0 mins.	1	0	0	1	0	3	0	3	0	0	0	0	0	2	0	2
+15 mins.	4	0	0	4	0	1	1	2	0	0	0	0	0	4	0	4
+30 mins.	1	0	0	1	0	1	0	1	0	0	0	0	1	0	0	1
+45 mins.	0	0	0	0	0	3	2	5	0	0	0	0	1	1	0	2
Total Volume	6	0	0	6	0	8	3	11	0	0	0	0	2	7	0	9
% App. Total	100	0	0		0	72.7	27.3		0	0	0		22.2	77.8	0	
PHF	.375	.000	.000	.375	.000	.667	.375	.550	.000	.000	.000	.000	.500	.438	.000	.563

City of Needles
 N/S: Casa Linda Street
 E/W: San Clemente Street
 Weather: Clear

File Name : 14_NDL_Casa_San C SAT
 Site Code : 16621325
 Start Date : 7/17/2021
 Page No : 1

Groups Printed- Passenger Vehicles

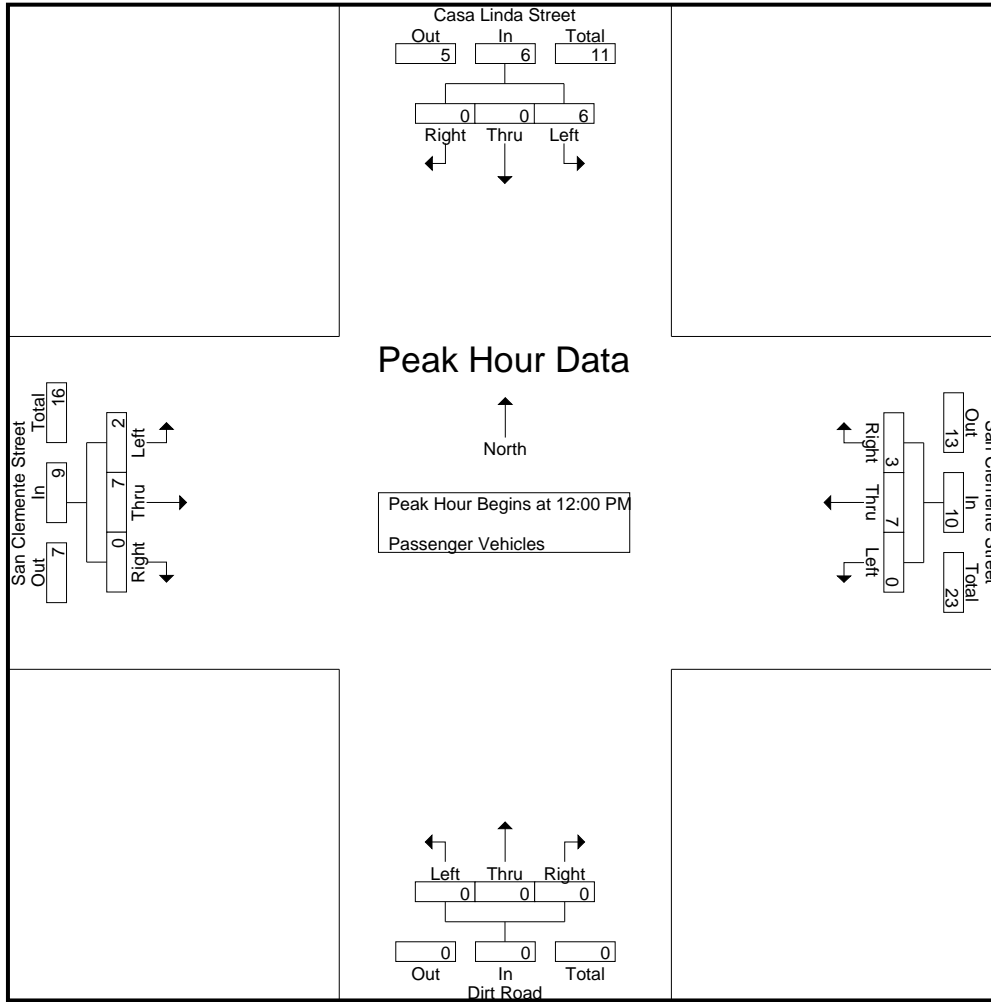
Start Time	Casa Linda Street Southbound				San Clemente Street Westbound				Dirt Road Northbound				San Clemente Street Eastbound				Int. Total
	Left	Thru	Right	App. Total	Left	Thru	Right	App. Total	Left	Thru	Right	App. Total	Left	Thru	Right	App. Total	
12:00 PM	1	0	0	1	0	4	0	4	0	0	0	0	0	2	0	2	7
12:15 PM	4	0	0	4	0	0	2	2	0	0	0	0	0	4	0	4	10
12:30 PM	1	0	0	1	0	0	1	1	0	0	0	0	1	0	0	1	3
12:45 PM	0	0	0	0	0	3	0	3	0	0	0	0	1	1	0	2	5
Total	6	0	0	6	0	7	3	10	0	0	0	0	2	7	0	9	25
01:00 PM	0	0	0	0	0	1	1	2	0	0	0	0	0	2	0	2	4
01:15 PM	1	0	0	1	0	1	0	1	0	0	0	0	0	1	0	1	3
01:30 PM	1	0	0	1	0	3	2	5	0	0	0	0	0	0	0	0	6
01:45 PM	2	0	0	2	0	2	1	3	0	0	0	0	0	2	0	2	7
Total	4	0	0	4	0	7	4	11	0	0	0	0	0	5	0	5	20
Grand Total	10	0	0	10	0	14	7	21	0	0	0	0	2	12	0	14	45
Apprch %	100	0	0		0	66.7	33.3		0	0	0		14.3	85.7	0		
Total %	22.2	0	0	22.2	0	31.1	15.6	46.7	0	0	0	0	4.4	26.7	0	31.1	

Start Time	Casa Linda Street Southbound				San Clemente Street Westbound				Dirt Road Northbound				San Clemente Street Eastbound				Int. Total
	Left	Thru	Right	App. Total	Left	Thru	Right	App. Total	Left	Thru	Right	App. Total	Left	Thru	Right	App. Total	
12:00 PM	1	0	0	1	0	4	0	4	0	0	0	0	0	2	0	2	7
12:15 PM	4	0	0	4	0	0	2	2	0	0	0	0	0	4	0	4	10
12:30 PM	1	0	0	1	0	0	1	1	0	0	0	0	1	0	0	1	3
12:45 PM	0	0	0	0	0	3	0	3	0	0	0	0	1	1	0	2	5
Total Volume	6	0	0	6	0	7	3	10	0	0	0	0	2	7	0	9	25
% App. Total	100	0	0		0	70	30		0	0	0		22.2	77.8	0		
PHF	.375	.000	.000	.375	.000	.438	.375	.625	.000	.000	.000	.000	.500	.438	.000	.563	.625

Peak Hour Analysis From 12:00 PM to 12:45 PM - Peak 1 of 1
 Peak Hour for Entire Intersection Begins at 12:00 PM

City of Needles
 N/S: Casa Linda Street
 E/W: San Clemente Street
 Weather: Clear

File Name : 14_NDL_Casa_San C SAT
 Site Code : 16621325
 Start Date : 7/17/2021
 Page No : 2



Peak Hour Analysis From 12:00 PM to 12:45 PM - Peak 1 of 1
 Peak Hour for Each Approach Begins at:

	12:00 PM				12:00 PM				12:00 PM				12:00 PM			
+0 mins.	1	0	0	1	0	4	0	4	0	0	0	0	0	2	0	2
+15 mins.	4	0	0	4	0	0	2	2	0	0	0	0	0	4	0	4
+30 mins.	1	0	0	1	0	0	1	1	0	0	0	0	1	0	0	1
+45 mins.	0	0	0	0	0	3	0	3	0	0	0	0	1	1	0	2
Total Volume	6	0	0	6	0	7	3	10	0	0	0	0	2	7	0	9
% App. Total	100	0	0		0	70	30		0	0	0		22.2	77.8	0	
PHF	.375	.000	.000	.375	.000	.438	.375	.625	.000	.000	.000	.000	.500	.438	.000	.563

City of Needles
 N/S: Casa Linda Street
 E/W: San Clemente Street
 Weather: Clear

File Name : 14_NDL_Casa_San C SAT
 Site Code : 16621325
 Start Date : 7/17/2021
 Page No : 1

Groups Printed- Trucks

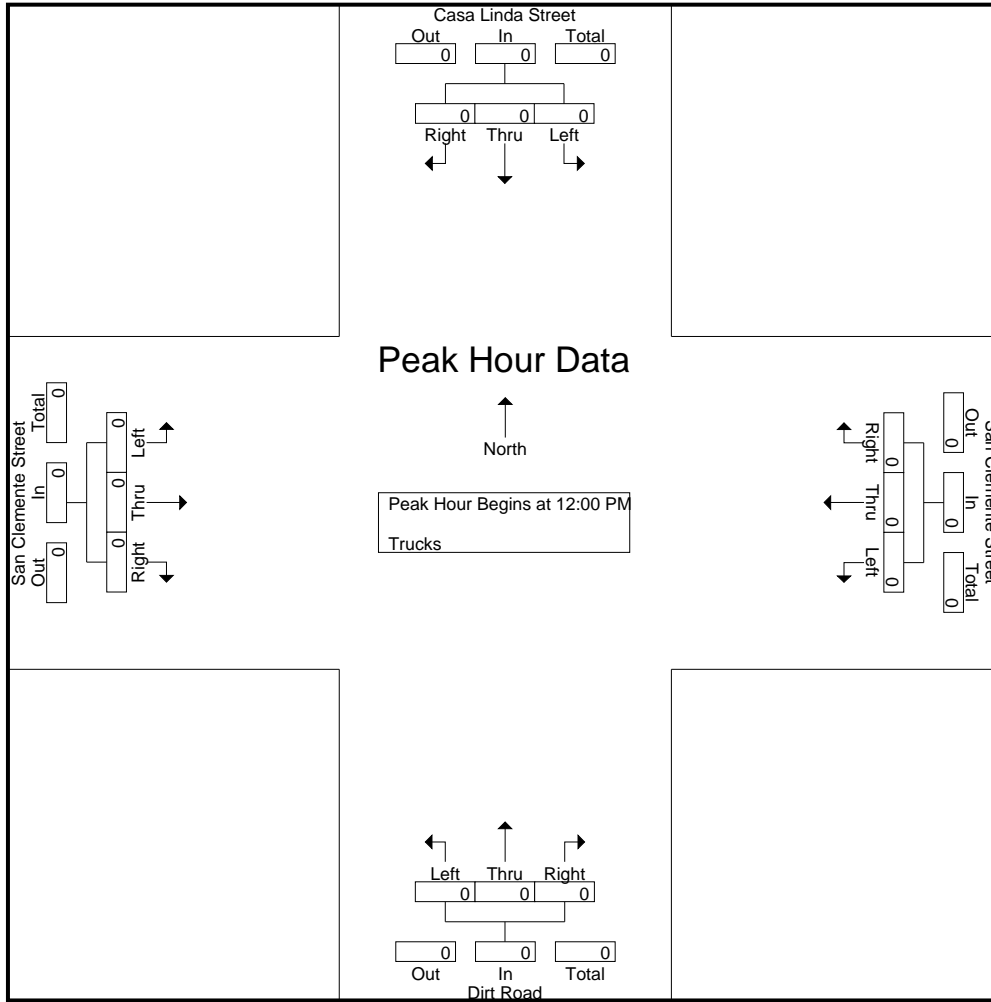
Start Time	Casa Linda Street Southbound				San Clemente Street Westbound				Dirt Road Northbound				San Clemente Street Eastbound				Int. Total
	Left	Thru	Right	App. Total	Left	Thru	Right	App. Total	Left	Thru	Right	App. Total	Left	Thru	Right	App. Total	
12:00 PM	0	0	0	0	0	0	0	0	0	0	0	0	0	0	0	0	0
12:15 PM	0	0	0	0	0	0	0	0	0	0	0	0	0	0	0	0	0
12:30 PM	0	0	0	0	0	0	0	0	0	0	0	0	0	0	0	0	0
12:45 PM	0	0	0	0	0	0	0	0	0	0	0	0	0	0	0	0	0
Total	0	0	0	0	0	0	0	0	0	0	0	0	0	0	0	0	0
01:00 PM	0	0	0	0	0	0	0	0	0	0	0	0	0	0	0	0	0
01:15 PM	0	0	0	0	0	0	0	0	0	0	0	0	0	0	0	0	0
01:30 PM	0	0	0	0	0	0	0	0	0	0	0	0	0	0	0	0	0
01:45 PM	0	0	0	0	0	0	0	0	0	0	0	0	0	0	0	0	0
Total	0	0	0	0	0	0	0	0	0	0	0	0	0	0	0	0	0
Grand Total	0	0	0	0	0	0	0	0	0	0	0	0	0	0	0	0	0
Apprch %	0	0	0		0	0	0		0	0	0		0	0	0		
Total %																	

Start Time	Casa Linda Street Southbound				San Clemente Street Westbound				Dirt Road Northbound				San Clemente Street Eastbound				Int. Total
	Left	Thru	Right	App. Total	Left	Thru	Right	App. Total	Left	Thru	Right	App. Total	Left	Thru	Right	App. Total	
12:00 PM	0	0	0	0	0	0	0	0	0	0	0	0	0	0	0	0	0
12:15 PM	0	0	0	0	0	0	0	0	0	0	0	0	0	0	0	0	0
12:30 PM	0	0	0	0	0	0	0	0	0	0	0	0	0	0	0	0	0
12:45 PM	0	0	0	0	0	0	0	0	0	0	0	0	0	0	0	0	0
Total Volume	0	0	0	0	0	0	0	0	0	0	0	0	0	0	0	0	0
% App. Total	0	0	0		0	0	0		0	0	0		0	0	0		
PHF	.000	.000	.000	.000	.000	.000	.000	.000	.000	.000	.000	.000	.000	.000	.000	.000	.000

Peak Hour Analysis From 12:00 PM to 12:45 PM - Peak 1 of 1
 Peak Hour for Entire Intersection Begins at 12:00 PM

City of Needles
 N/S: Casa Linda Street
 E/W: San Clemente Street
 Weather: Clear

File Name : 14_NDL_Casa_San C SAT
 Site Code : 16621325
 Start Date : 7/17/2021
 Page No : 2



Peak Hour Analysis From 12:00 PM to 12:45 PM - Peak 1 of 1
 Peak Hour for Each Approach Begins at:

	12:00 PM				12:00 PM				12:00 PM				12:00 PM			
+0 mins.	0	0	0	0	0	0	0	0	0	0	0	0	0	0	0	0
+15 mins.	0	0	0	0	0	0	0	0	0	0	0	0	0	0	0	0
+30 mins.	0	0	0	0	0	0	0	0	0	0	0	0	0	0	0	0
+45 mins.	0	0	0	0	0	0	0	0	0	0	0	0	0	0	0	0
Total Volume	0	0	0	0	0	0	0	0	0	0	0	0	0	0	0	0
% App. Total	0	0	0	0	0	0	0	0	0	0	0	0	0	0	0	0
PHF	.000	.000	.000	.000	.000	.000	.000	.000	.000	.000	.000	.000	.000	.000	.000	.000

City of Needles
 N/S: Casa Linda Street
 E/W: San Clemente Street
 Weather: Clear

File Name : 14_NDL_Casa_San C SAT
 Site Code : 16621325
 Start Date : 7/17/2021
 Page No : 1

Groups Printed- Buses

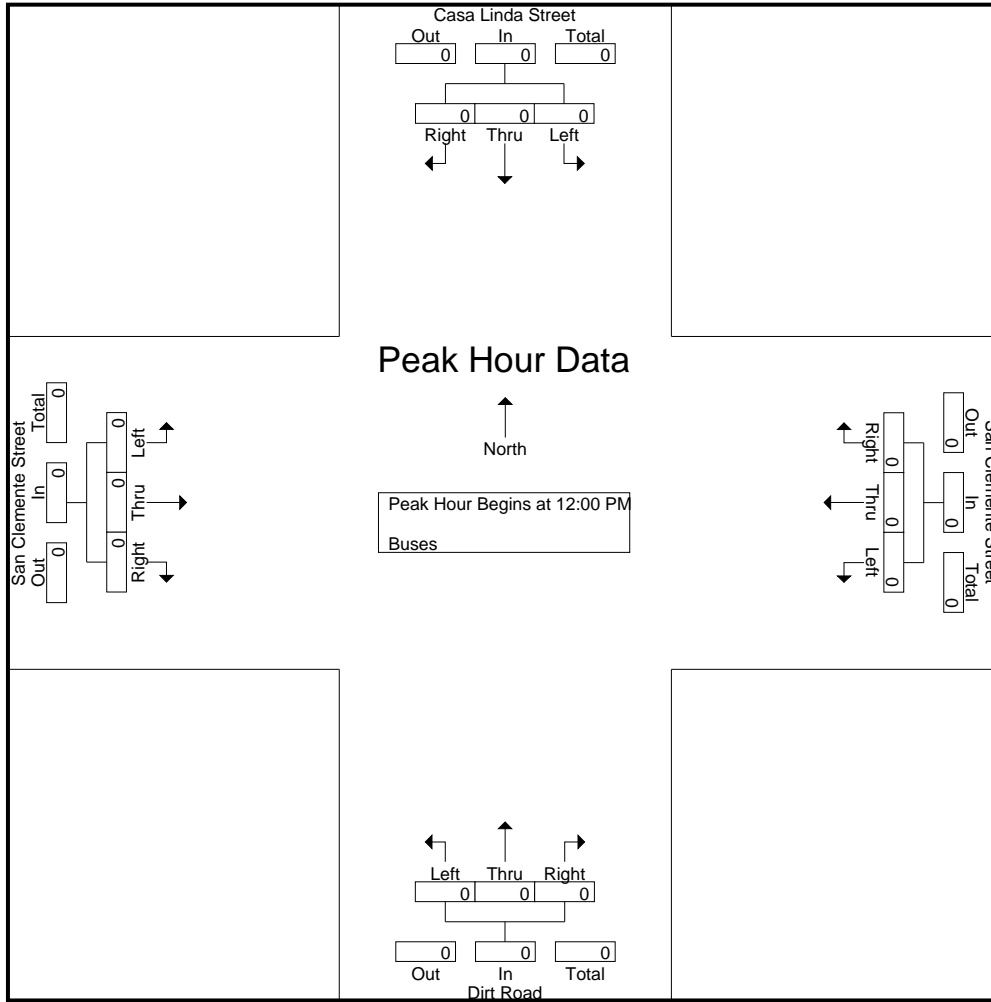
Start Time	Casa Linda Street Southbound				San Clemente Street Westbound				Dirt Road Northbound				San Clemente Street Eastbound				Int. Total
	Left	Thru	Right	App. Total	Left	Thru	Right	App. Total	Left	Thru	Right	App. Total	Left	Thru	Right	App. Total	
12:00 PM	0	0	0	0	0	0	0	0	0	0	0	0	0	0	0	0	0
12:15 PM	0	0	0	0	0	0	0	0	0	0	0	0	0	0	0	0	0
12:30 PM	0	0	0	0	0	0	0	0	0	0	0	0	0	0	0	0	0
12:45 PM	0	0	0	0	0	0	0	0	0	0	0	0	0	0	0	0	0
Total	0	0	0	0	0	0	0	0	0	0	0	0	0	0	0	0	0
01:00 PM	0	0	0	0	0	0	0	0	0	0	0	0	0	0	0	0	0
01:15 PM	0	0	0	0	0	0	0	0	0	0	0	0	0	0	0	0	0
01:30 PM	0	0	0	0	0	0	0	0	0	0	0	0	0	0	0	0	0
01:45 PM	0	0	0	0	0	0	0	0	0	0	0	0	0	0	0	0	0
Total	0	0	0	0	0	0	0	0	0	0	0	0	0	0	0	0	0
Grand Total	0	0	0	0	0	0	0	0	0	0	0	0	0	0	0	0	0
Apprch %	0	0	0		0	0	0		0	0	0		0	0	0		
Total %																	

Start Time	Casa Linda Street Southbound				San Clemente Street Westbound				Dirt Road Northbound				San Clemente Street Eastbound				Int. Total
	Left	Thru	Right	App. Total	Left	Thru	Right	App. Total	Left	Thru	Right	App. Total	Left	Thru	Right	App. Total	
12:00 PM	0	0	0	0	0	0	0	0	0	0	0	0	0	0	0	0	0
12:15 PM	0	0	0	0	0	0	0	0	0	0	0	0	0	0	0	0	0
12:30 PM	0	0	0	0	0	0	0	0	0	0	0	0	0	0	0	0	0
12:45 PM	0	0	0	0	0	0	0	0	0	0	0	0	0	0	0	0	0
Total Volume	0	0	0	0	0	0	0	0	0	0	0	0	0	0	0	0	0
% App. Total	0	0	0		0	0	0		0	0	0		0	0	0		
PHF	.000	.000	.000	.000	.000	.000	.000	.000	.000	.000	.000	.000	.000	.000	.000	.000	.000

Peak Hour Analysis From 12:00 PM to 12:45 PM - Peak 1 of 1
 Peak Hour for Entire Intersection Begins at 12:00 PM

City of Needles
 N/S: Casa Linda Street
 E/W: San Clemente Street
 Weather: Clear

File Name : 14_NDL_Casa_San C SAT
 Site Code : 16621325
 Start Date : 7/17/2021
 Page No : 2



Peak Hour Analysis From 12:00 PM to 12:45 PM - Peak 1 of 1
 Peak Hour for Each Approach Begins at:

	12:00 PM				12:00 PM				12:00 PM				12:00 PM			
+0 mins.	0	0	0	0	0	0	0	0	0	0	0	0	0	0	0	0
+15 mins.	0	0	0	0	0	0	0	0	0	0	0	0	0	0	0	0
+30 mins.	0	0	0	0	0	0	0	0	0	0	0	0	0	0	0	0
+45 mins.	0	0	0	0	0	0	0	0	0	0	0	0	0	0	0	0
Total Volume	0	0	0	0	0	0	0	0	0	0	0	0	0	0	0	0
% App. Total	0	0	0	0	0	0	0	0	0	0	0	0	0	0	0	0
PHF	.000	.000	.000	.000	.000	.000	.000	.000	.000	.000	.000	.000	.000	.000	.000	.000

Location: Needles
 N/S: Casa Linda Street
 E/W: San Clemente Street



PEDESTRIANS

Date: 7/15/2021
 Day: Thursday

	North Leg Casa Linda Street	East Leg San Clemente Street	South Leg Dirt Road	West Leg San Clemente Street	
	Pedestrians	Pedestrians	Pedestrians	Pedestrians	
7:00 AM	0	0	0	0	0
7:15 AM	0	0	0	0	0
7:30 AM	0	0	0	0	0
7:45 AM	0	0	0	0	0
8:00 AM	0	0	0	0	0
8:15 AM	0	0	0	0	0
8:30 AM	0	0	0	0	0
8:45 AM	0	0	0	0	0
TOTAL VOLUMES:	0	0	0	0	0

Date: 7/15/2021
 Day: Thursday

	North Leg Casa Linda Street	East Leg San Clemente Street	South Leg Dirt Road	West Leg San Clemente Street	
	Pedestrians	Pedestrians	Pedestrians	Pedestrians	
4:00 PM	0	0	0	1	1
4:15 PM	0	0	0	0	0
4:30 PM	0	0	0	0	0
4:45 PM	0	0	0	0	0
5:00 PM	0	0	0	0	0
5:15 PM	0	0	0	0	0
5:30 PM	0	0	0	0	0
5:45 PM	0	0	0	0	0
TOTAL VOLUMES:	0	0	0	1	1

Date: 7/17/2021
 Day: Saturday

	North Leg Casa Linda Street	East Leg San Clemente Street	South Leg Dirt Road	West Leg San Clemente Street	
	Pedestrians	Pedestrians	Pedestrians	Pedestrians	
12:00 PM	0	0	0	0	0
12:15 PM	0	0	0	0	0
12:30 PM	0	0	0	0	0
12:45 PM	0	0	0	0	0
1:00 PM	0	0	0	0	0
1:15 PM	0	0	0	0	0
1:30 PM	0	0	0	0	0
1:45 PM	0	0	0	0	0
TOTAL VOLUMES:	0	0	0	0	0

Location: Needles
 N/S: Casa Linda Street
 E/W: San Clemente Street



BICYCLES

Date: 7/15/2021
 Day: Thursday

	Southbound Casa Linda Street			Westbound San Clemente Street			Northbound Dirt Road			Eastbound San Clemente Street			
	Left	Thru	Right	Left	Thru	Right	Left	Thru	Right	Left	Thru	Right	
7:00 AM	0	0	0	0	0	0	0	0	0	0	0	0	0
7:15 AM	0	0	0	0	0	0	0	0	0	0	0	0	0
7:30 AM	0	0	0	0	0	0	0	0	0	0	0	0	0
7:45 AM	0	0	0	0	0	0	0	0	0	0	0	0	0
8:00 AM	0	0	0	0	0	0	0	0	0	0	0	0	0
8:15 AM	0	0	0	0	0	0	0	0	0	0	0	0	0
8:30 AM	0	0	0	0	0	0	0	0	0	0	0	0	0
8:45 AM	0	1	0	0	0	0	0	0	0	0	0	0	1
TOTAL VOLUMES:	0	1	0	0	0	0	0	0	0	0	0	0	1

Date: 7/15/2021
 Day: Thursday

	Southbound Casa Linda Street			Westbound San Clemente Street			Northbound Dirt Road			Eastbound San Clemente Street			
	Left	Thru	Right	Left	Thru	Right	Left	Thru	Right	Left	Thru	Right	
4:00 PM	0	0	0	0	0	0	0	0	0	0	0	0	0
4:15 PM	0	0	0	0	0	0	0	0	0	0	0	0	0
4:30 PM	0	0	0	0	0	0	0	0	0	0	0	0	0
4:45 PM	0	0	0	0	0	0	0	0	0	0	0	0	0
5:00 PM	0	0	0	0	0	0	0	0	0	0	0	0	0
5:15 PM	0	0	0	0	0	0	0	0	0	0	0	0	0
5:30 PM	0	0	0	0	0	0	0	0	0	0	0	0	0
5:45 PM	0	0	0	0	0	0	0	0	0	0	0	0	0
TOTAL VOLUMES:	0	0	0	0	0	0	0	0	0	0	0	0	0

Date: 7/17/2021
 Day: Saturday

	Southbound Casa Linda Street			Westbound San Clemente Street			Northbound Dirt Road			Eastbound San Clemente Street			
	Left	Thru	Right	Left	Thru	Right	Left	Thru	Right	Left	Thru	Right	
12:00 PM	0	0	0	0	0	0	0	0	0	0	0	0	0
12:15 PM	0	0	0	0	0	0	0	0	0	0	0	0	0
12:30 PM	0	0	0	0	0	0	0	0	0	0	0	0	0
12:45 PM	0	0	0	0	0	0	0	0	0	0	0	0	0
1:00 PM	0	0	0	0	0	0	0	0	0	0	0	0	0
1:15 PM	0	0	0	0	0	0	0	0	0	0	0	0	0
1:30 PM	0	0	0	0	0	0	0	0	0	0	0	0	0
1:45 PM	0	0	0	0	0	0	0	0	0	0	0	0	0
TOTAL VOLUMES:	0	0	0	0	0	0	0	0	0	0	0	0	0

City of Needles
 N/S: Broadway Street
 E/W: I-40 Eastbound Ramps
 Weather: Clear

File Name : 15_NDL_Broadway_40E AM
 Site Code : 16621325
 Start Date : 7/15/2021
 Page No : 1

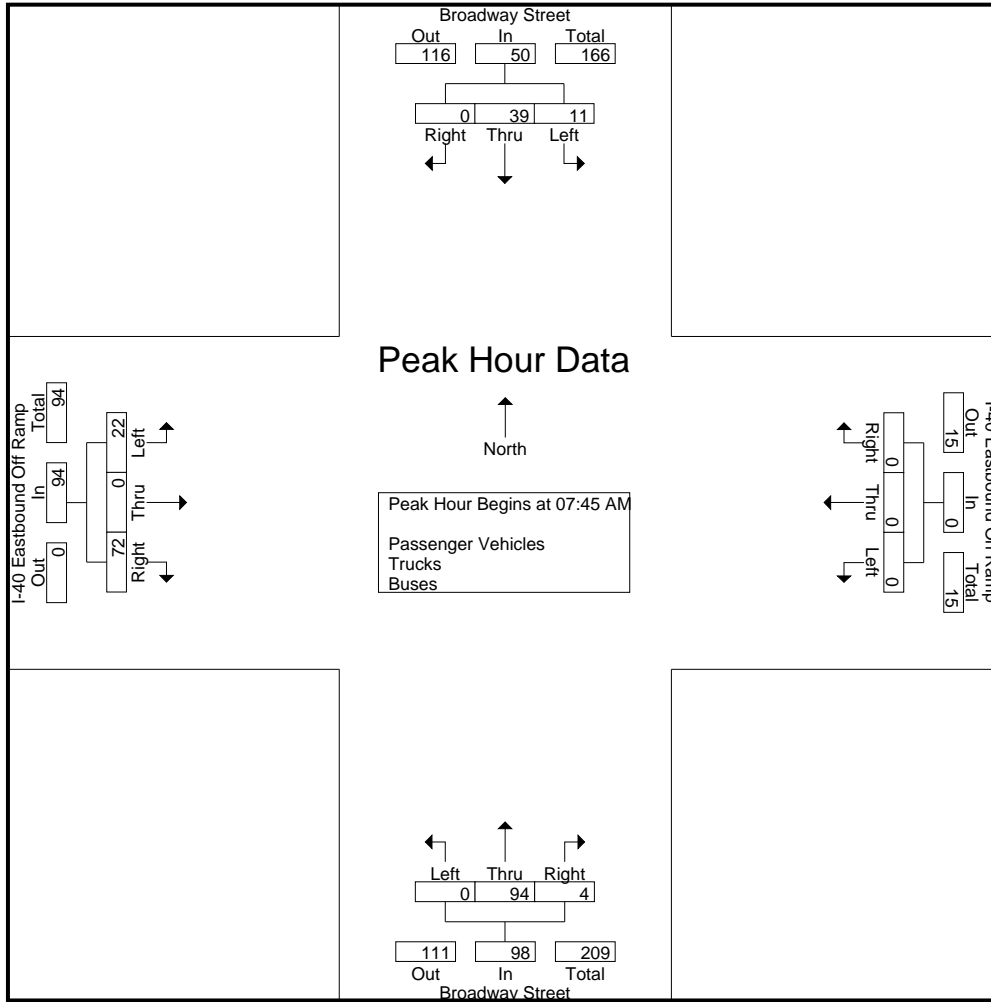
Groups Printed- Passenger Vehicles - Trucks - Buses

Start Time	Broadway Street Southbound				I-40 Eastbound On Ramp Westbound				Broadway Street Northbound				I-40 Eastbound Off Ramp Eastbound				Int. Total
	Left	Thru	Right	App. Total	Left	Thru	Right	App. Total	Left	Thru	Right	App. Total	Left	Thru	Right	App. Total	
07:00 AM	6	7	0	13	0	0	0	0	0	20	3	23	6	0	16	22	58
07:15 AM	3	7	0	10	0	0	0	0	0	22	0	22	6	0	18	24	56
07:30 AM	10	9	0	19	0	0	0	0	0	27	3	30	2	0	9	11	60
07:45 AM	1	9	0	10	0	0	0	0	0	25	1	26	4	0	21	25	61
Total	20	32	0	52	0	0	0	0	0	94	7	101	18	0	64	82	235
08:00 AM	4	11	0	15	0	0	0	0	0	20	1	21	9	0	12	21	57
08:15 AM	4	6	0	10	0	0	0	0	0	20	1	21	3	0	18	21	52
08:30 AM	2	13	0	15	0	0	0	0	0	29	1	30	6	0	21	27	72
08:45 AM	6	5	0	11	0	0	0	0	0	21	2	23	4	0	15	19	53
Total	16	35	0	51	0	0	0	0	0	90	5	95	22	0	66	88	234
Grand Total	36	67	0	103	0	0	0	0	0	184	12	196	40	0	130	170	469
Apprch %	35	65	0		0	0	0		0	93.9	6.1		23.5	0	76.5		
Total %	7.7	14.3	0	22	0	0	0	0	0	39.2	2.6	41.8	8.5	0	27.7	36.2	
Passenger Vehicles	30	56	0	86	0	0	0	0	0	125	9	134	31	0	78	109	329
% Passenger Vehicles	83.3	83.6	0	83.5	0	0	0	0	0	67.9	75	68.4	77.5	0	60	64.1	70.1
Trucks	6	9	0	15	0	0	0	0	0	57	3	60	7	0	52	59	134
% Trucks	16.7	13.4	0	14.6	0	0	0	0	0	31	25	30.6	17.5	0	40	34.7	28.6
Buses	0	2	0	2	0	0	0	0	0	2	0	2	2	0	0	2	6
% Buses	0	3	0	1.9	0	0	0	0	0	1.1	0	1	5	0	0	1.2	1.3

Start Time	Broadway Street Southbound				I-40 Eastbound On Ramp Westbound				Broadway Street Northbound				I-40 Eastbound Off Ramp Eastbound				Int. Total
	Left	Thru	Right	App. Total	Left	Thru	Right	App. Total	Left	Thru	Right	App. Total	Left	Thru	Right	App. Total	
Peak Hour Analysis From 07:00 AM to 08:45 AM - Peak 1 of 1																	
Peak Hour for Entire Intersection Begins at 07:45 AM																	
07:45 AM	1	9	0	10	0	0	0	0	0	25	1	26	4	0	21	25	61
08:00 AM	4	11	0	15	0	0	0	0	0	20	1	21	9	0	12	21	57
08:15 AM	4	6	0	10	0	0	0	0	0	20	1	21	3	0	18	21	52
08:30 AM	2	13	0	15	0	0	0	0	0	29	1	30	6	0	21	27	72
Total Volume	11	39	0	50	0	0	0	0	0	94	4	98	22	0	72	94	242
% App. Total	22	78	0		0	0	0		0	95.9	4.1		23.4	0	76.6		
PHF	.688	.750	.000	.833	.000	.000	.000	.000	.000	.810	1.00	.817	.611	.000	.857	.870	.840

City of Needles
 N/S: Broadway Street
 E/W: I-40 Eastbound Ramps
 Weather: Clear

File Name : 15_NDL_Broadway_40E AM
 Site Code : 16621325
 Start Date : 7/15/2021
 Page No : 2



Peak Hour Analysis From 07:00 AM to 08:45 AM - Peak 1 of 1
 Peak Hour for Each Approach Begins at:

	07:15 AM				07:00 AM				07:00 AM				07:45 AM			
+0 mins.	3	7	0	10	0	0	0	0	0	20	3	23	4	0	21	25
+15 mins.	10	9	0	19	0	0	0	0	0	22	0	22	9	0	12	21
+30 mins.	1	9	0	10	0	0	0	0	0	27	3	30	3	0	18	21
+45 mins.	4	11	0	15	0	0	0	0	0	25	1	26	6	0	21	27
Total Volume	18	36	0	54	0	0	0	0	0	94	7	101	22	0	72	94
% App. Total	33.3	66.7	0		0	0	0	0	0	93.1	6.9		23.4	0	76.6	
PHF	.450	.818	.000	.711	.000	.000	.000	.000	.000	.870	.583	.842	.611	.000	.857	.870

City of Needles
 N/S: Broadway Street
 E/W: I-40 Eastbound Ramps
 Weather: Clear

File Name : 15_NDL_Broadway_40E AM
 Site Code : 16621325
 Start Date : 7/15/2021
 Page No : 1

Groups Printed- Passenger Vehicles

Start Time	Broadway Street Southbound				I-40 Eastbound On Ramp Westbound				Broadway Street Northbound				I-40 Eastbound Off Ramp Eastbound				Int. Total
	Left	Thru	Right	App. Total	Left	Thru	Right	App. Total	Left	Thru	Right	App. Total	Left	Thru	Right	App. Total	
07:00 AM	5	6	0	11	0	0	0	0	0	13	1	14	6	0	12	18	43
07:15 AM	3	7	0	10	0	0	0	0	0	16	0	16	5	0	6	11	37
07:30 AM	9	8	0	17	0	0	0	0	0	19	2	21	1	0	5	6	44
07:45 AM	1	8	0	9	0	0	0	0	0	19	1	20	3	0	13	16	45
Total	18	29	0	47	0	0	0	0	0	67	4	71	15	0	36	51	169
08:00 AM	3	8	0	11	0	0	0	0	0	13	1	14	6	0	8	14	39
08:15 AM	3	6	0	9	0	0	0	0	0	11	1	12	2	0	12	14	35
08:30 AM	1	10	0	11	0	0	0	0	0	18	1	19	4	0	11	15	45
08:45 AM	5	3	0	8	0	0	0	0	0	16	2	18	4	0	11	15	41
Total	12	27	0	39	0	0	0	0	0	58	5	63	16	0	42	58	160
Grand Total	30	56	0	86	0	0	0	0	0	125	9	134	31	0	78	109	329
Apprch %	34.9	65.1	0		0	0	0		0	93.3	6.7		28.4	0	71.6		
Total %	9.1	17	0	26.1	0	0	0	0	0	38	2.7	40.7	9.4	0	23.7	33.1	

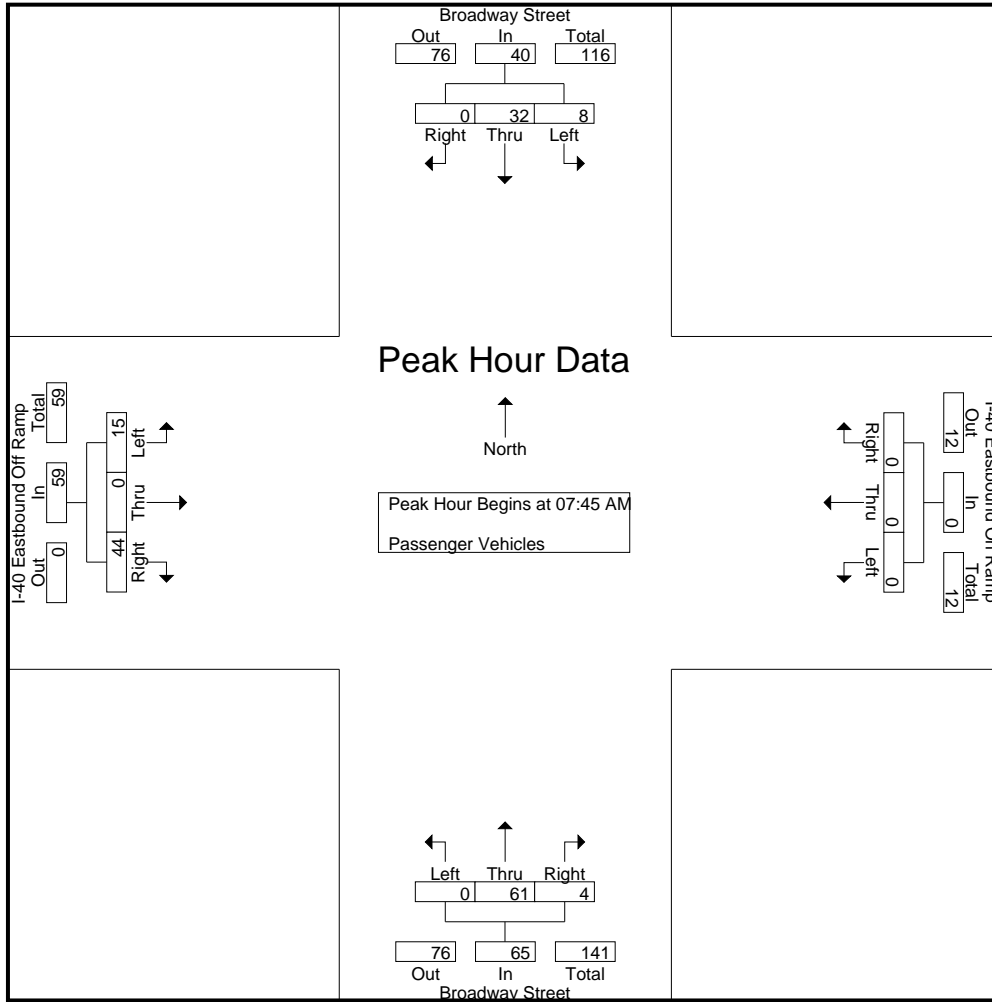
Start Time	Broadway Street Southbound				I-40 Eastbound On Ramp Westbound				Broadway Street Northbound				I-40 Eastbound Off Ramp Eastbound				Int. Total
	Left	Thru	Right	App. Total	Left	Thru	Right	App. Total	Left	Thru	Right	App. Total	Left	Thru	Right	App. Total	
07:45 AM	1	8	0	9	0	0	0	0	0	19	1	20	3	0	13	16	45
08:00 AM	3	8	0	11	0	0	0	0	0	13	1	14	6	0	8	14	39
08:15 AM	3	6	0	9	0	0	0	0	0	11	1	12	2	0	12	14	35
08:30 AM	1	10	0	11	0	0	0	0	0	18	1	19	4	0	11	15	45
Total Volume	8	32	0	40	0	0	0	0	0	61	4	65	15	0	44	59	164
% App. Total	20	80	0		0	0	0		0	93.8	6.2		25.4	0	74.6		
PHF	.667	.800	.000	.909	.000	.000	.000	.000	.000	.803	1.00	.813	.625	.000	.846	.922	.911

Peak Hour Analysis From 07:45 AM to 08:30 AM - Peak 1 of 1

Peak Hour for Entire Intersection Begins at 07:45 AM

City of Needles
 N/S: Broadway Street
 E/W: I-40 Eastbound Ramps
 Weather: Clear

File Name : 15_NDL_Broadway_40E AM
 Site Code : 16621325
 Start Date : 7/15/2021
 Page No : 2



Peak Hour Analysis From 07:45 AM to 08:30 AM - Peak 1 of 1
 Peak Hour for Each Approach Begins at:

	07:45 AM				07:45 AM				07:45 AM				07:45 AM			
+0 mins.	1	8	0	9	0	0	0	0	0	19	1	20	3	0	13	16
+15 mins.	3	8	0	11	0	0	0	0	0	13	1	14	6	0	8	14
+30 mins.	3	6	0	9	0	0	0	0	0	11	1	12	2	0	12	14
+45 mins.	1	10	0	11	0	0	0	0	0	18	1	19	4	0	11	15
Total Volume	8	32	0	40	0	0	0	0	0	61	4	65	15	0	44	59
% App. Total	20	80	0		0	0	0		0	93.8	6.2		25.4	0	74.6	
PHF	.667	.800	.000	.909	.000	.000	.000	.000	.000	.803	1.000	.813	.625	.000	.846	.922

City of Needles
 N/S: Broadway Street
 E/W: I-40 Eastbound Ramps
 Weather: Clear

File Name : 15_NDL_Broadway_40E AM
 Site Code : 16621325
 Start Date : 7/15/2021
 Page No : 1

Groups Printed- Trucks

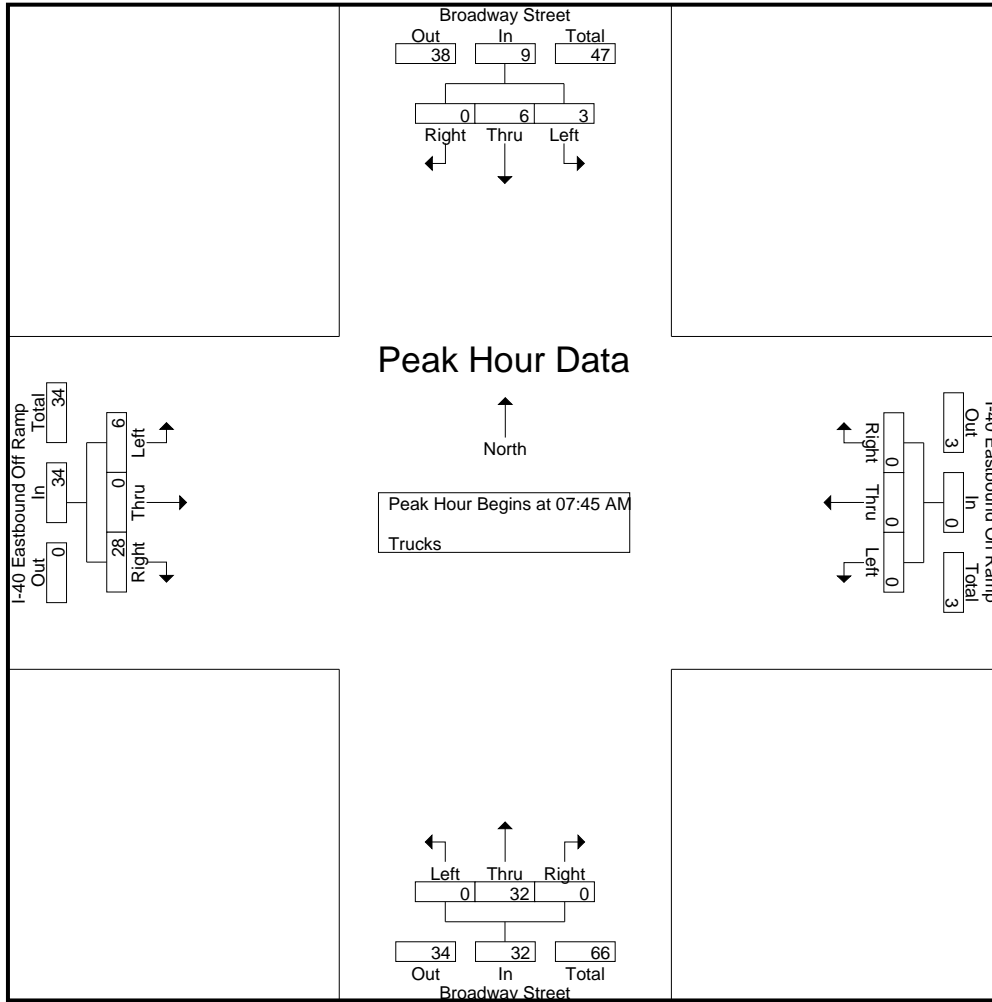
Start Time	Broadway Street Southbound				I-40 Eastbound On Ramp Westbound				Broadway Street Northbound				I-40 Eastbound Off Ramp Eastbound				Int. Total
	Left	Thru	Right	App. Total	Left	Thru	Right	App. Total	Left	Thru	Right	App. Total	Left	Thru	Right	App. Total	
07:00 AM	1	1	0	2	0	0	0	0	0	7	2	9	0	0	4	4	15
07:15 AM	0	0	0	0	0	0	0	0	0	6	0	6	0	0	12	12	18
07:30 AM	1	0	0	1	0	0	0	0	0	8	1	9	1	0	4	5	15
07:45 AM	0	1	0	1	0	0	0	0	0	5	0	5	1	0	8	9	15
Total	2	2	0	4	0	0	0	0	0	26	3	29	2	0	28	30	63
08:00 AM	1	3	0	4	0	0	0	0	0	7	0	7	3	0	4	7	18
08:15 AM	1	0	0	1	0	0	0	0	0	9	0	9	0	0	6	6	16
08:30 AM	1	2	0	3	0	0	0	0	0	11	0	11	2	0	10	12	26
08:45 AM	1	2	0	3	0	0	0	0	0	4	0	4	0	0	4	4	11
Total	4	7	0	11	0	0	0	0	0	31	0	31	5	0	24	29	71
Grand Total	6	9	0	15	0	0	0	0	0	57	3	60	7	0	52	59	134
Apprch %	40	60	0		0	0	0		0	95	5		11.9	0	88.1		
Total %	4.5	6.7	0	11.2	0	0	0	0	0	42.5	2.2	44.8	5.2	0	38.8	44	

Start Time	Broadway Street Southbound				I-40 Eastbound On Ramp Westbound				Broadway Street Northbound				I-40 Eastbound Off Ramp Eastbound				Int. Total
	Left	Thru	Right	App. Total	Left	Thru	Right	App. Total	Left	Thru	Right	App. Total	Left	Thru	Right	App. Total	
07:45 AM	0	1	0	1	0	0	0	0	0	5	0	5	1	0	8	9	15
08:00 AM	1	3	0	4	0	0	0	0	0	7	0	7	3	0	4	7	18
08:15 AM	1	0	0	1	0	0	0	0	0	9	0	9	0	0	6	6	16
08:30 AM	1	2	0	3	0	0	0	0	0	11	0	11	2	0	10	12	26
Total Volume	3	6	0	9	0	0	0	0	0	32	0	32	6	0	28	34	75
% App. Total	33.3	66.7	0		0	0	0		0	100	0		17.6	0	82.4		
PHF	.750	.500	.000	.563	.000	.000	.000	.000	.000	.727	.000	.727	.500	.000	.700	.708	.721

Peak Hour Analysis From 07:45 AM to 08:30 AM - Peak 1 of 1
 Peak Hour for Entire Intersection Begins at 07:45 AM

City of Needles
 N/S: Broadway Street
 E/W: I-40 Eastbound Ramps
 Weather: Clear

File Name : 15_NDL_Broadway_40E AM
 Site Code : 16621325
 Start Date : 7/15/2021
 Page No : 2



Peak Hour Analysis From 07:45 AM to 08:30 AM - Peak 1 of 1
 Peak Hour for Each Approach Begins at:

	07:45 AM				07:45 AM				07:45 AM				07:45 AM			
+0 mins.	0	1	0	1	0	0	0	0	0	5	0	5	1	0	8	9
+15 mins.	1	3	0	4	0	0	0	0	0	7	0	7	3	0	4	7
+30 mins.	1	0	0	1	0	0	0	0	0	9	0	9	0	0	6	6
+45 mins.	1	2	0	3	0	0	0	0	0	11	0	11	2	0	10	12
Total Volume	3	6	0	9	0	0	0	0	0	32	0	32	6	0	28	34
% App. Total	33.3	66.7	0		0	0	0		0	100	0		17.6	0	82.4	
PHF	.750	.500	.000	.563	.000	.000	.000	.000	.000	.727	.000	.727	.500	.000	.700	.708

City of Needles
 N/S: Broadway Street
 E/W: I-40 Eastbound Ramps
 Weather: Clear

File Name : 15_NDL_Broadway_40E AM
 Site Code : 16621325
 Start Date : 7/15/2021
 Page No : 1

Groups Printed- Buses

Start Time	Broadway Street Southbound				I-40 Eastbound On Ramp Westbound				Broadway Street Northbound				I-40 Eastbound Off Ramp Eastbound				Int. Total	
	Left	Thru	Right	App. Total	Left	Thru	Right	App. Total	Left	Thru	Right	App. Total	Left	Thru	Right	App. Total		
07:00 AM	0	0	0	0	0	0	0	0	0	0	0	0	0	0	0	0	0	0
07:15 AM	0	0	0	0	0	0	0	0	0	0	0	0	1	0	0	0	1	1
07:30 AM	0	1	0	1	0	0	0	0	0	0	0	0	0	0	0	0	0	1
07:45 AM	0	0	0	0	0	0	0	0	0	0	1	0	1	0	0	0	0	1
Total	0	1	0	1	0	0	0	0	0	0	1	0	1	0	0	0	1	3
08:00 AM	0	0	0	0	0	0	0	0	0	0	0	0	0	0	0	0	0	0
08:15 AM	0	0	0	0	0	0	0	0	0	0	0	0	1	0	0	0	1	1
08:30 AM	0	1	0	1	0	0	0	0	0	0	0	0	0	0	0	0	0	1
08:45 AM	0	0	0	0	0	0	0	0	0	0	1	0	1	0	0	0	0	1
Total	0	1	0	1	0	0	0	0	0	0	1	0	1	0	0	0	1	3
Grand Total	0	2	0	2	0	0	0	0	0	2	0	2	2	0	0	0	2	6
Apprch %	0	100	0		0	0	0		0	100	0		100	0	0			
Total %	0	33.3	0	33.3	0	0	0		0	33.3	0	33.3	33.3	0	0	33.3		

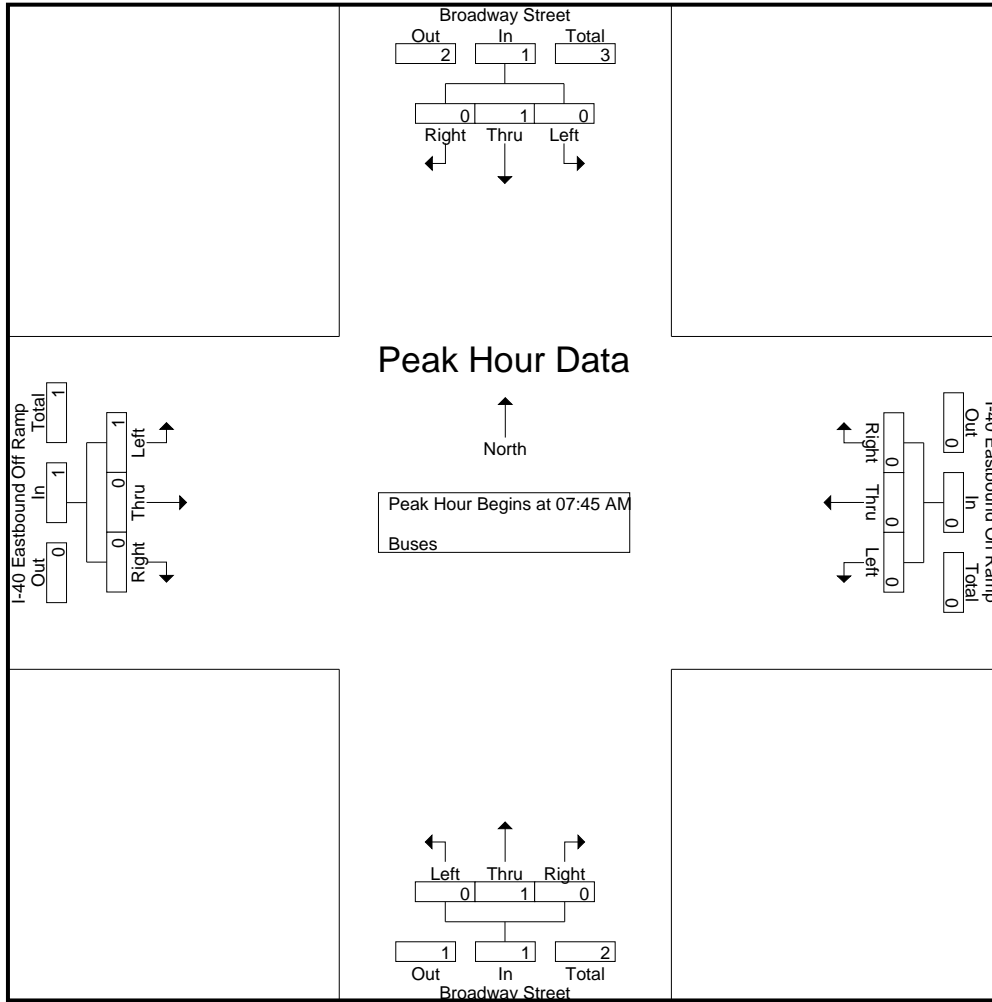
Start Time	Broadway Street Southbound				I-40 Eastbound On Ramp Westbound				Broadway Street Northbound				I-40 Eastbound Off Ramp Eastbound				Int. Total	
	Left	Thru	Right	App. Total	Left	Thru	Right	App. Total	Left	Thru	Right	App. Total	Left	Thru	Right	App. Total		
07:45 AM	0	0	0	0	0	0	0	0	0	1	0	1	0	0	0	0	0	1
08:00 AM	0	0	0	0	0	0	0	0	0	0	0	0	0	0	0	0	0	0
08:15 AM	0	0	0	0	0	0	0	0	0	0	0	0	1	0	0	0	1	1
08:30 AM	0	1	0	1	0	0	0	0	0	0	0	0	0	0	0	0	0	1
Total Volume	0	1	0	1	0	0	0	0	0	1	0	1	1	0	0	0	1	3
% App. Total	0	100	0		0	0	0		0	100	0		100	0	0			
PHF	.000	.250	.000	.250	.000	.000	.000	.000	.000	.250	.000	.250	.250	.000	.000	.250	.750	

Peak Hour Analysis From 07:45 AM to 08:30 AM - Peak 1 of 1

Peak Hour for Entire Intersection Begins at 07:45 AM

City of Needles
 N/S: Broadway Street
 E/W: I-40 Eastbound Ramps
 Weather: Clear

File Name : 15_NDL_Broadway_40E AM
 Site Code : 16621325
 Start Date : 7/15/2021
 Page No : 2



Peak Hour Analysis From 07:45 AM to 08:30 AM - Peak 1 of 1
 Peak Hour for Each Approach Begins at:

	07:45 AM				07:45 AM				07:45 AM				07:45 AM			
+0 mins.	0	0	0	0	0	0	0	0	0	1	0	1	0	0	0	0
+15 mins.	0	0	0	0	0	0	0	0	0	0	0	0	0	0	0	0
+30 mins.	0	0	0	0	0	0	0	0	0	0	0	0	1	0	0	1
+45 mins.	0	1	0	1	0	0	0	0	0	0	0	0	0	0	0	0
Total Volume	0	1	0	1	0	0	0	0	0	1	0	1	1	0	0	1
% App. Total	0	100	0	0	0	0	0	0	0	100	0	0	100	0	0	0
PHF	.000	.250	.000	.250	.000	.000	.000	.000	.000	.250	.000	.250	.250	.000	.000	.250

City of Needles
 N/S: Broadway Street
 E/W: I-40 Eastbound Ramps
 Weather: Clear

File Name : 15_NDL_Broadway_40E PM
 Site Code : 16621325
 Start Date : 7/15/2021
 Page No : 1

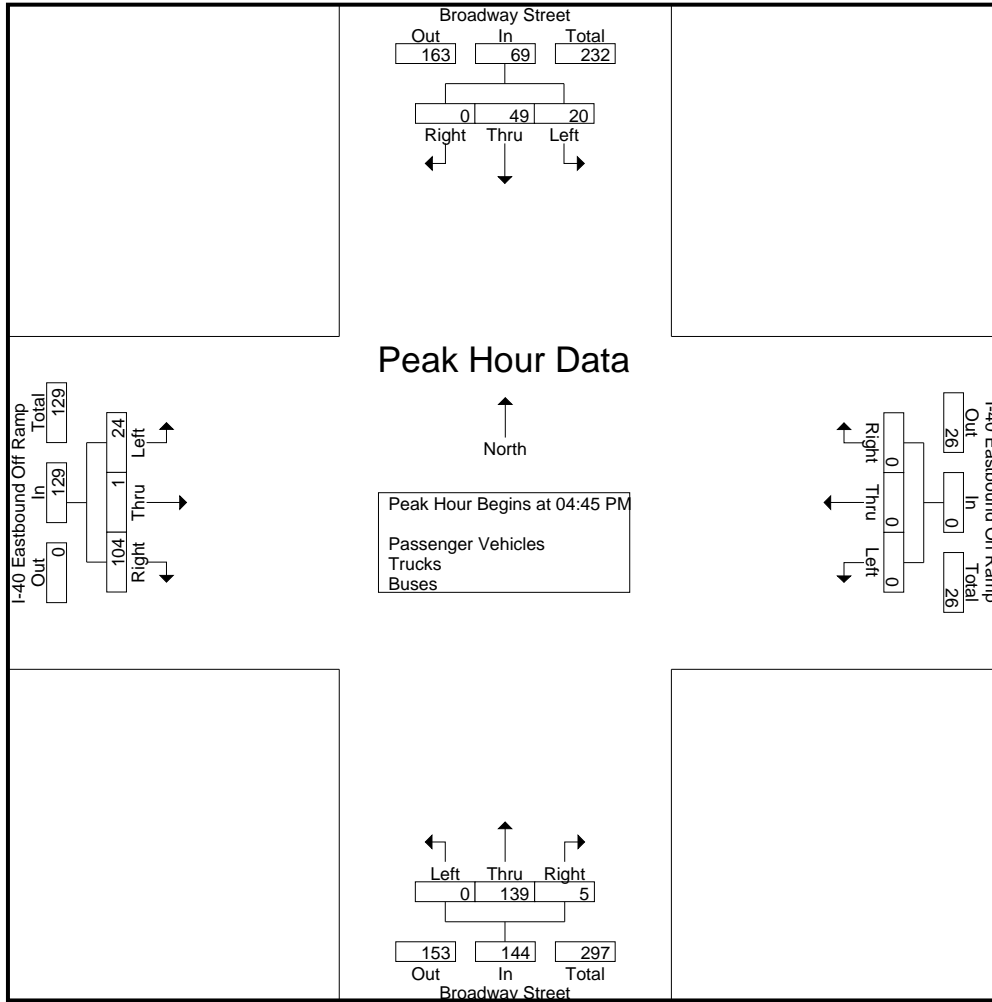
Groups Printed- Passenger Vehicles - Trucks - Buses

Start Time	Broadway Street Southbound				I-40 Eastbound On Ramp Westbound				Broadway Street Northbound				I-40 Eastbound Off Ramp Eastbound				Int. Total
	Left	Thru	Right	App. Total	Left	Thru	Right	App. Total	Left	Thru	Right	App. Total	Left	Thru	Right	App. Total	
04:00 PM	7	10	0	17	0	0	0	0	0	28	1	29	7	0	21	28	74
04:15 PM	5	8	0	13	0	0	0	0	0	42	1	43	11	1	24	36	92
04:30 PM	3	8	0	11	0	0	0	0	0	39	1	40	9	0	19	28	79
04:45 PM	4	14	0	18	0	0	0	0	0	43	0	43	4	0	25	29	90
Total	19	40	0	59	0	0	0	0	0	152	3	155	31	1	89	121	335
05:00 PM	7	11	0	18	0	0	0	0	0	22	1	23	5	0	24	29	70
05:15 PM	4	10	0	14	0	0	0	0	0	37	4	41	8	1	26	35	90
05:30 PM	5	14	0	19	0	0	0	0	0	37	0	37	7	0	29	36	92
05:45 PM	3	16	0	19	0	0	0	0	0	35	1	36	6	1	28	35	90
Total	19	51	0	70	0	0	0	0	0	131	6	137	26	2	107	135	342
Grand Total	38	91	0	129	0	0	0	0	0	283	9	292	57	3	196	256	677
Apprch %	29.5	70.5	0		0	0	0		0	96.9	3.1		22.3	1.2	76.6		
Total %	5.6	13.4	0	19.1	0	0	0	0	0	41.8	1.3	43.1	8.4	0.4	29	37.8	
Passenger Vehicles	29	81	0	110	0	0	0	0	0	194	8	202	41	3	106	150	462
% Passenger Vehicles	76.3	89	0	85.3	0	0	0	0	0	68.6	88.9	69.2	71.9	100	54.1	58.6	68.2
Trucks	9	8	0	17	0	0	0	0	0	87	1	88	14	0	90	104	209
% Trucks	23.7	8.8	0	13.2	0	0	0	0	0	30.7	11.1	30.1	24.6	0	45.9	40.6	30.9
Buses	0	2	0	2	0	0	0	0	0	2	0	2	2	0	0	2	6
% Buses	0	2.2	0	1.6	0	0	0	0	0	0.7	0	0.7	3.5	0	0	0.8	0.9

Start Time	Broadway Street Southbound				I-40 Eastbound On Ramp Westbound				Broadway Street Northbound				I-40 Eastbound Off Ramp Eastbound				Int. Total
	Left	Thru	Right	App. Total	Left	Thru	Right	App. Total	Left	Thru	Right	App. Total	Left	Thru	Right	App. Total	
Peak Hour Analysis From 04:00 PM to 05:45 PM - Peak 1 of 1																	
Peak Hour for Entire Intersection Begins at 04:45 PM																	
04:45 PM	4	14	0	18	0	0	0	0	0	43	0	43	4	0	25	29	90
05:00 PM	7	11	0	18	0	0	0	0	0	22	1	23	5	0	24	29	70
05:15 PM	4	10	0	14	0	0	0	0	0	37	4	41	8	1	26	35	90
05:30 PM	5	14	0	19	0	0	0	0	0	37	0	37	7	0	29	36	92
Total Volume	20	49	0	69	0	0	0	0	0	139	5	144	24	1	104	129	342
% App. Total	29	71	0		0	0	0		0	96.5	3.5		18.6	0.8	80.6		
PHF	.714	.875	.000	.908	.000	.000	.000	.000	.000	.808	.313	.837	.750	.250	.897	.896	.929

City of Needles
 N/S: Broadway Street
 E/W: I-40 Eastbound Ramps
 Weather: Clear

File Name : 15_NDL_Broadway_40E PM
 Site Code : 16621325
 Start Date : 7/15/2021
 Page No : 2



Peak Hour Analysis From 04:00 PM to 05:45 PM - Peak 1 of 1
 Peak Hour for Each Approach Begins at:

	05:00 PM				04:00 PM				04:00 PM				05:00 PM			
+0 mins.	7	11	0	18	0	0	0	0	0	28	1	29	5	0	24	29
+15 mins.	4	10	0	14	0	0	0	0	0	42	1	43	8	1	26	35
+30 mins.	5	14	0	19	0	0	0	0	0	39	1	40	7	0	29	36
+45 mins.	3	16	0	19	0	0	0	0	0	43	0	43	6	1	28	35
Total Volume	19	51	0	70	0	0	0	0	0	152	3	155	26	2	107	135
% App. Total	27.1	72.9	0		0	0	0		0	98.1	1.9		19.3	1.5	79.3	
PHF	.679	.797	.000	.921	.000	.000	.000	.000	.000	.884	.750	.901	.813	.500	.922	.938

City of Needles
 N/S: Broadway Street
 E/W: I-40 Eastbound Ramps
 Weather: Clear

File Name : 15_NDL_Broadway_40E PM
 Site Code : 16621325
 Start Date : 7/15/2021
 Page No : 1

Groups Printed- Passenger Vehicles

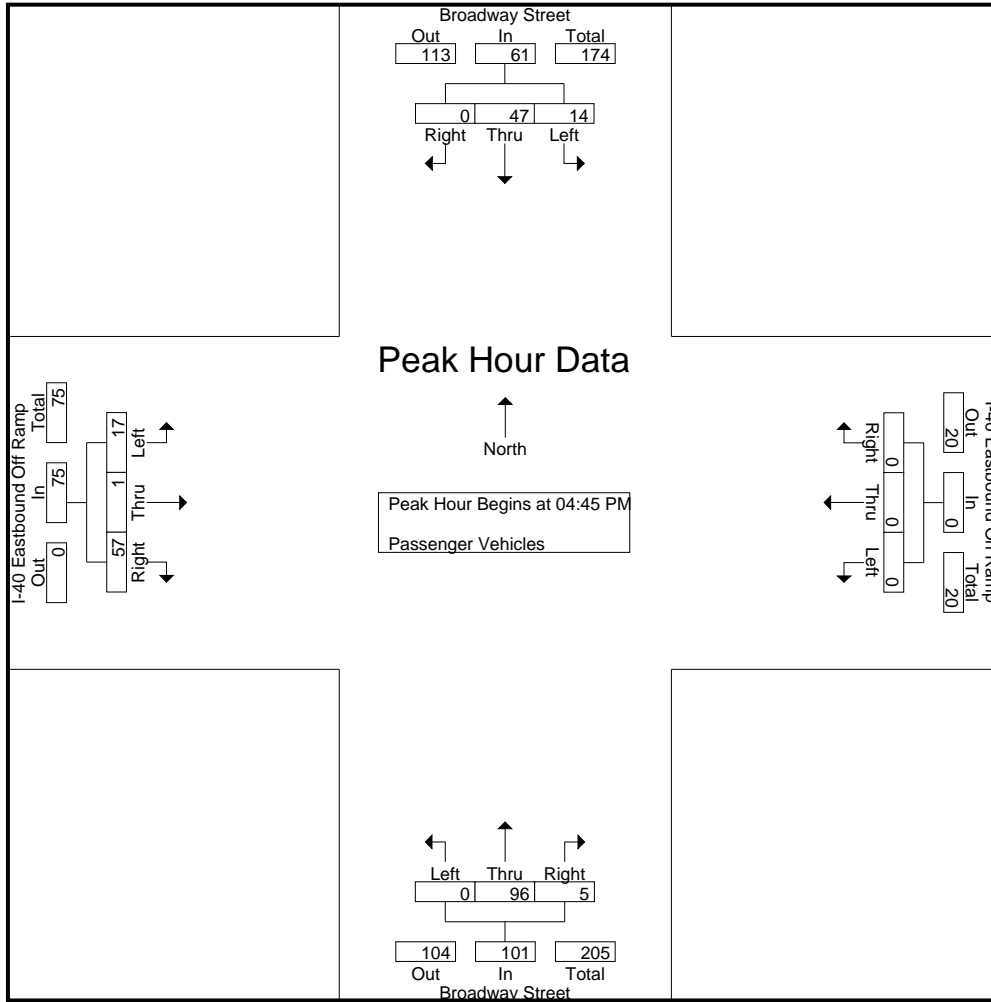
Start Time	Broadway Street Southbound				I-40 Eastbound On Ramp Westbound				Broadway Street Northbound				I-40 Eastbound Off Ramp Eastbound				Int. Total
	Left	Thru	Right	App. Total	Left	Thru	Right	App. Total	Left	Thru	Right	App. Total	Left	Thru	Right	App. Total	
04:00 PM	5	10	0	15	0	0	0	0	0	18	1	19	5	0	7	12	46
04:15 PM	4	7	0	11	0	0	0	0	0	27	1	28	7	1	14	22	61
04:30 PM	3	6	0	9	0	0	0	0	0	30	1	31	7	0	8	15	55
04:45 PM	3	12	0	15	0	0	0	0	0	31	0	31	2	0	15	17	63
Total	15	35	0	50	0	0	0	0	0	106	3	109	21	1	44	66	225
05:00 PM	5	11	0	16	0	0	0	0	0	14	1	15	5	0	11	16	47
05:15 PM	2	10	0	12	0	0	0	0	0	25	4	29	4	1	13	18	59
05:30 PM	4	14	0	18	0	0	0	0	0	26	0	26	6	0	18	24	68
05:45 PM	3	11	0	14	0	0	0	0	0	23	0	23	5	1	20	26	63
Total	14	46	0	60	0	0	0	0	0	88	5	93	20	2	62	84	237
Grand Total	29	81	0	110	0	0	0	0	0	194	8	202	41	3	106	150	462
Apprch %	26.4	73.6	0		0	0	0		0	96	4		27.3	2	70.7		
Total %	6.3	17.5	0	23.8	0	0	0		0	42	1.7	43.7	8.9	0.6	22.9	32.5	

Start Time	Broadway Street Southbound				I-40 Eastbound On Ramp Westbound				Broadway Street Northbound				I-40 Eastbound Off Ramp Eastbound				Int. Total
	Left	Thru	Right	App. Total	Left	Thru	Right	App. Total	Left	Thru	Right	App. Total	Left	Thru	Right	App. Total	
04:45 PM	3	12	0	15	0	0	0	0	0	31	0	31	2	0	15	17	63
05:00 PM	5	11	0	16	0	0	0	0	0	14	1	15	5	0	11	16	47
05:15 PM	2	10	0	12	0	0	0	0	0	25	4	29	4	1	13	18	59
05:30 PM	4	14	0	18	0	0	0	0	0	26	0	26	6	0	18	24	68
Total Volume	14	47	0	61	0	0	0	0	0	96	5	101	17	1	57	75	237
% App. Total	23	77	0		0	0	0		0	95	5		22.7	1.3	76		
PHF	.700	.839	.000	.847	.000	.000	.000	.000	.000	.774	.313	.815	.708	.250	.792	.781	.871

Peak Hour Analysis From 04:45 PM to 05:30 PM - Peak 1 of 1
 Peak Hour for Entire Intersection Begins at 04:45 PM

City of Needles
 N/S: Broadway Street
 E/W: I-40 Eastbound Ramps
 Weather: Clear

File Name : 15_NDL_Broadway_40E PM
 Site Code : 16621325
 Start Date : 7/15/2021
 Page No : 2



Peak Hour Analysis From 04:45 PM to 05:30 PM - Peak 1 of 1
 Peak Hour for Each Approach Begins at:

	04:45 PM				04:45 PM				04:45 PM				04:45 PM			
+0 mins.	3	12	0	15	0	0	0	0	0	31	0	31	2	0	15	17
+15 mins.	5	11	0	16	0	0	0	0	0	14	1	15	5	0	11	16
+30 mins.	2	10	0	12	0	0	0	0	0	25	4	29	4	1	13	18
+45 mins.	4	14	0	18	0	0	0	0	0	26	0	26	6	0	18	24
Total Volume	14	47	0	61	0	0	0	0	0	96	5	101	17	1	57	75
% App. Total	23	77	0		0	0	0		0	95	5		22.7	1.3	76	
PHF	.700	.839	.000	.847	.000	.000	.000	.000	.000	.774	.313	.815	.708	.250	.792	.781

City of Needles
 N/S: Broadway Street
 E/W: I-40 Eastbound Ramps
 Weather: Clear

File Name : 15_NDL_Broadway_40E PM
 Site Code : 16621325
 Start Date : 7/15/2021
 Page No : 1

Groups Printed- Trucks

Start Time	Broadway Street Southbound				I-40 Eastbound On Ramp Westbound				Broadway Street Northbound				I-40 Eastbound Off Ramp Eastbound				Int. Total
	Left	Thru	Right	App. Total	Left	Thru	Right	App. Total	Left	Thru	Right	App. Total	Left	Thru	Right	App. Total	
04:00 PM	2	0	0	2	0	0	0	0	0	10	0	10	2	0	14	16	28
04:15 PM	1	1	0	2	0	0	0	0	0	15	0	15	3	0	10	13	30
04:30 PM	0	1	0	1	0	0	0	0	0	9	0	9	2	0	11	13	23
04:45 PM	1	2	0	3	0	0	0	0	0	11	0	11	2	0	10	12	26
Total	4	4	0	8	0	0	0	0	0	45	0	45	9	0	45	54	107
05:00 PM	2	0	0	2	0	0	0	0	0	8	0	8	0	0	13	13	23
05:15 PM	2	0	0	2	0	0	0	0	0	12	0	12	3	0	13	16	30
05:30 PM	1	0	0	1	0	0	0	0	0	11	0	11	1	0	11	12	24
05:45 PM	0	4	0	4	0	0	0	0	0	11	1	12	1	0	8	9	25
Total	5	4	0	9	0	0	0	0	0	42	1	43	5	0	45	50	102
Grand Total	9	8	0	17	0	0	0	0	0	87	1	88	14	0	90	104	209
Apprch %	52.9	47.1	0		0	0	0		0	98.9	1.1		13.5	0	86.5		
Total %	4.3	3.8	0	8.1	0	0	0	0	0	41.6	0.5	42.1	6.7	0	43.1	49.8	

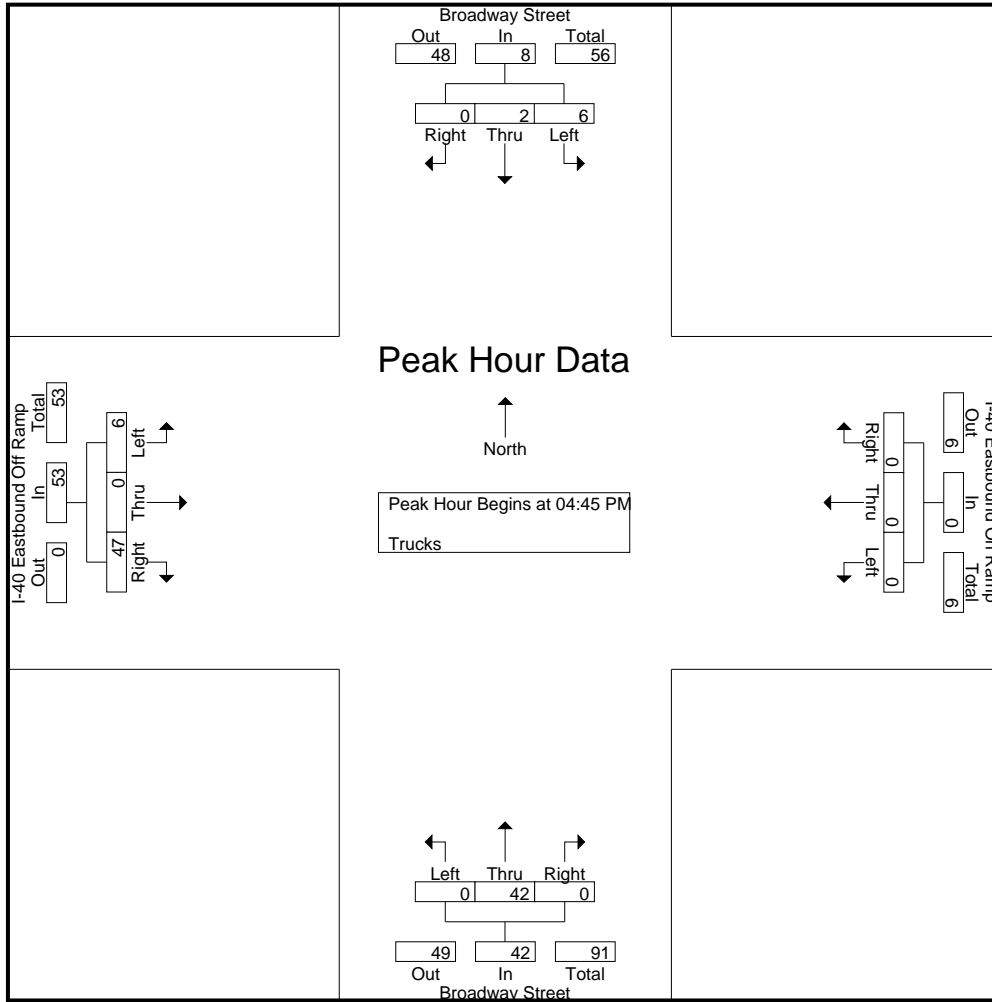
Start Time	Broadway Street Southbound				I-40 Eastbound On Ramp Westbound				Broadway Street Northbound				I-40 Eastbound Off Ramp Eastbound				Int. Total
	Left	Thru	Right	App. Total	Left	Thru	Right	App. Total	Left	Thru	Right	App. Total	Left	Thru	Right	App. Total	
04:45 PM	1	2	0	3	0	0	0	0	0	11	0	11	2	0	10	12	26
05:00 PM	2	0	0	2	0	0	0	0	0	8	0	8	0	0	13	13	23
05:15 PM	2	0	0	2	0	0	0	0	0	12	0	12	3	0	13	16	30
05:30 PM	1	0	0	1	0	0	0	0	0	11	0	11	1	0	11	12	24
Total Volume	6	2	0	8	0	0	0	0	0	42	0	42	6	0	47	53	103
% App. Total	75	25	0		0	0	0		0	100	0		11.3	0	88.7		
PHF	.750	.250	.000	.667	.000	.000	.000	.000	.000	.875	.000	.875	.500	.000	.904	.828	.858

Peak Hour Analysis From 04:45 PM to 05:30 PM - Peak 1 of 1

Peak Hour for Entire Intersection Begins at 04:45 PM

City of Needles
 N/S: Broadway Street
 E/W: I-40 Eastbound Ramps
 Weather: Clear

File Name : 15_NDL_Broadway_40E PM
 Site Code : 16621325
 Start Date : 7/15/2021
 Page No : 2



Peak Hour Analysis From 04:45 PM to 05:30 PM - Peak 1 of 1
 Peak Hour for Each Approach Begins at:

	04:45 PM				04:45 PM				04:45 PM				04:45 PM			
+0 mins.	1	2	0	3	0	0	0	0	0	11	0	11	2	0	10	12
+15 mins.	2	0	0	2	0	0	0	0	0	8	0	8	0	0	13	13
+30 mins.	2	0	0	2	0	0	0	0	0	12	0	12	3	0	13	16
+45 mins.	1	0	0	1	0	0	0	0	0	11	0	11	1	0	11	12
Total Volume	6	2	0	8	0	0	0	0	0	42	0	42	6	0	47	53
% App. Total	75	25	0		0	0	0		0	100	0		11.3	0	88.7	
PHF	.750	.250	.000	.667	.000	.000	.000	.000	.000	.875	.000	.875	.500	.000	.904	.828

City of Needles
 N/S: Broadway Street
 E/W: I-40 Eastbound Ramps
 Weather: Clear

File Name : 15_NDL_Broadway_40E PM
 Site Code : 16621325
 Start Date : 7/15/2021
 Page No : 1

Groups Printed- Buses

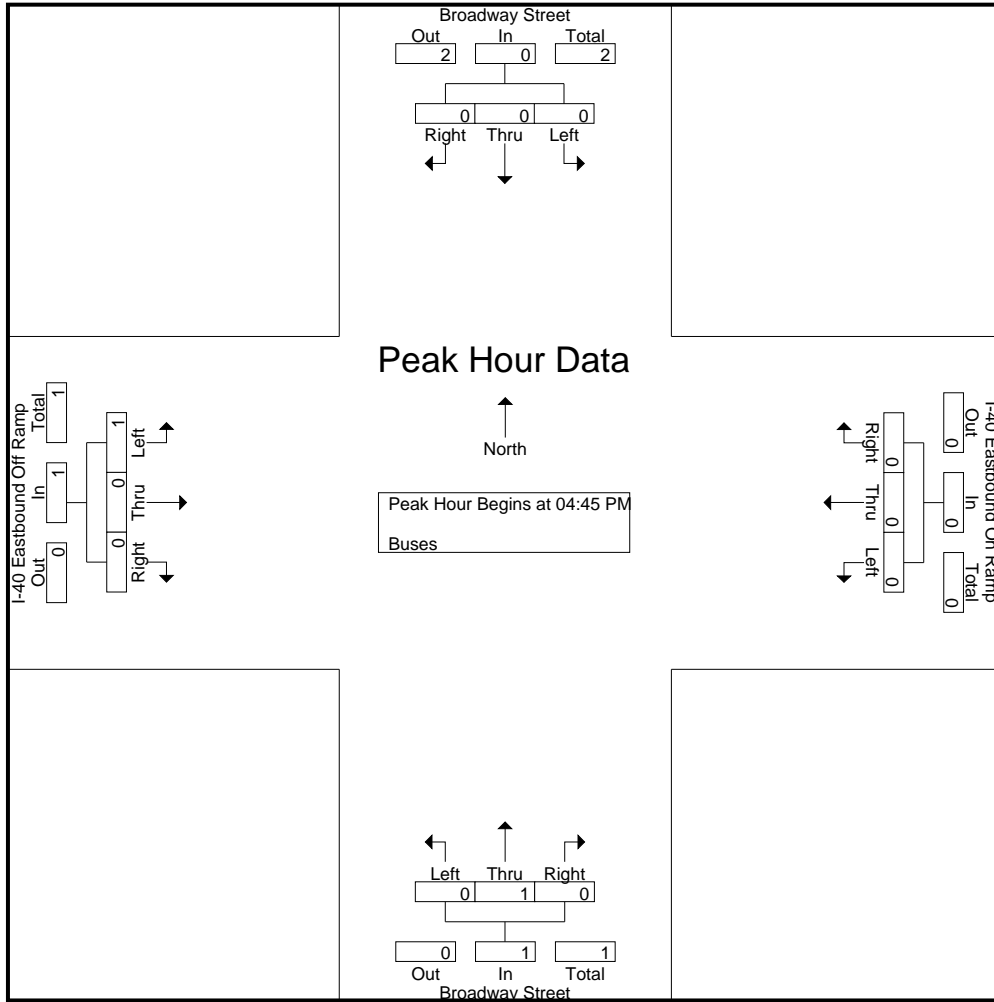
Start Time	Broadway Street Southbound				I-40 Eastbound On Ramp Westbound				Broadway Street Northbound				I-40 Eastbound Off Ramp Eastbound				Int. Total
	Left	Thru	Right	App. Total	Left	Thru	Right	App. Total	Left	Thru	Right	App. Total	Left	Thru	Right	App. Total	
04:00 PM	0	0	0	0	0	0	0	0	0	0	0	0	0	0	0	0	0
04:15 PM	0	0	0	0	0	0	0	0	0	0	0	0	1	0	0	1	1
04:30 PM	0	1	0	1	0	0	0	0	0	0	0	0	0	0	0	0	1
04:45 PM	0	0	0	0	0	0	0	0	0	1	0	1	0	0	0	0	1
Total	0	1	0	1	0	0	0	0	0	1	0	1	1	0	0	1	3
05:00 PM	0	0	0	0	0	0	0	0	0	0	0	0	0	0	0	0	0
05:15 PM	0	0	0	0	0	0	0	0	0	0	0	0	1	0	0	1	1
05:30 PM	0	0	0	0	0	0	0	0	0	0	0	0	0	0	0	0	0
05:45 PM	0	1	0	1	0	0	0	0	0	1	0	1	0	0	0	0	2
Total	0	1	0	1	0	0	0	0	0	1	0	1	1	0	0	1	3
Grand Total	0	2	0	2	0	0	0	0	0	2	0	2	2	0	0	2	6
Apprch %	0	100	0		0	0	0		0	100	0		100	0	0		
Total %	0	33.3	0	33.3	0	0	0	0	0	33.3	0	33.3	33.3	0	0	33.3	

Start Time	Broadway Street Southbound				I-40 Eastbound On Ramp Westbound				Broadway Street Northbound				I-40 Eastbound Off Ramp Eastbound				Int. Total
	Left	Thru	Right	App. Total	Left	Thru	Right	App. Total	Left	Thru	Right	App. Total	Left	Thru	Right	App. Total	
04:45 PM	0	0	0	0	0	0	0	0	0	1	0	1	0	0	0	0	1
05:00 PM	0	0	0	0	0	0	0	0	0	0	0	0	0	0	0	0	0
05:15 PM	0	0	0	0	0	0	0	0	0	0	0	0	1	0	0	1	1
05:30 PM	0	0	0	0	0	0	0	0	0	0	0	0	0	0	0	0	0
Total Volume	0	0	0	0	0	0	0	0	0	1	0	1	1	0	0	1	2
% App. Total	0	0	0		0	0	0		0	100	0		100	0	0		
PHF	.000	.000	.000	.000	.000	.000	.000	.000	.000	.250	.000	.250	.250	.000	.000	.250	.500

Peak Hour Analysis From 04:45 PM to 05:30 PM - Peak 1 of 1
 Peak Hour for Entire Intersection Begins at 04:45 PM

City of Needles
 N/S: Broadway Street
 E/W: I-40 Eastbound Ramps
 Weather: Clear

File Name : 15_NDL_Broadway_40E PM
 Site Code : 16621325
 Start Date : 7/15/2021
 Page No : 2



Peak Hour Analysis From 04:45 PM to 05:30 PM - Peak 1 of 1
 Peak Hour for Each Approach Begins at:

	04:45 PM				04:45 PM				04:45 PM				04:45 PM			
+0 mins.	0	0	0	0	0	0	0	0	0	1	0	1	0	0	0	0
+15 mins.	0	0	0	0	0	0	0	0	0	0	0	0	0	0	0	0
+30 mins.	0	0	0	0	0	0	0	0	0	0	0	0	1	0	0	1
+45 mins.	0	0	0	0	0	0	0	0	0	0	0	0	0	0	0	0
Total Volume	0	0	0	0	0	0	0	0	0	1	0	1	1	0	0	1
% App. Total	0	0	0	0	0	0	0	0	0	100	0	0	100	0	0	0
PHF	.000	.000	.000	.000	.000	.000	.000	.000	.000	.250	.000	.250	.250	.000	.000	.250

City of Needles
 N/S: Broadway Street
 E/W: I-40 Eastbound Ramps
 Weather: Clear

File Name : 15_NDL_Broadway_40E SAT
 Site Code : 16621325
 Start Date : 7/17/2021
 Page No : 1

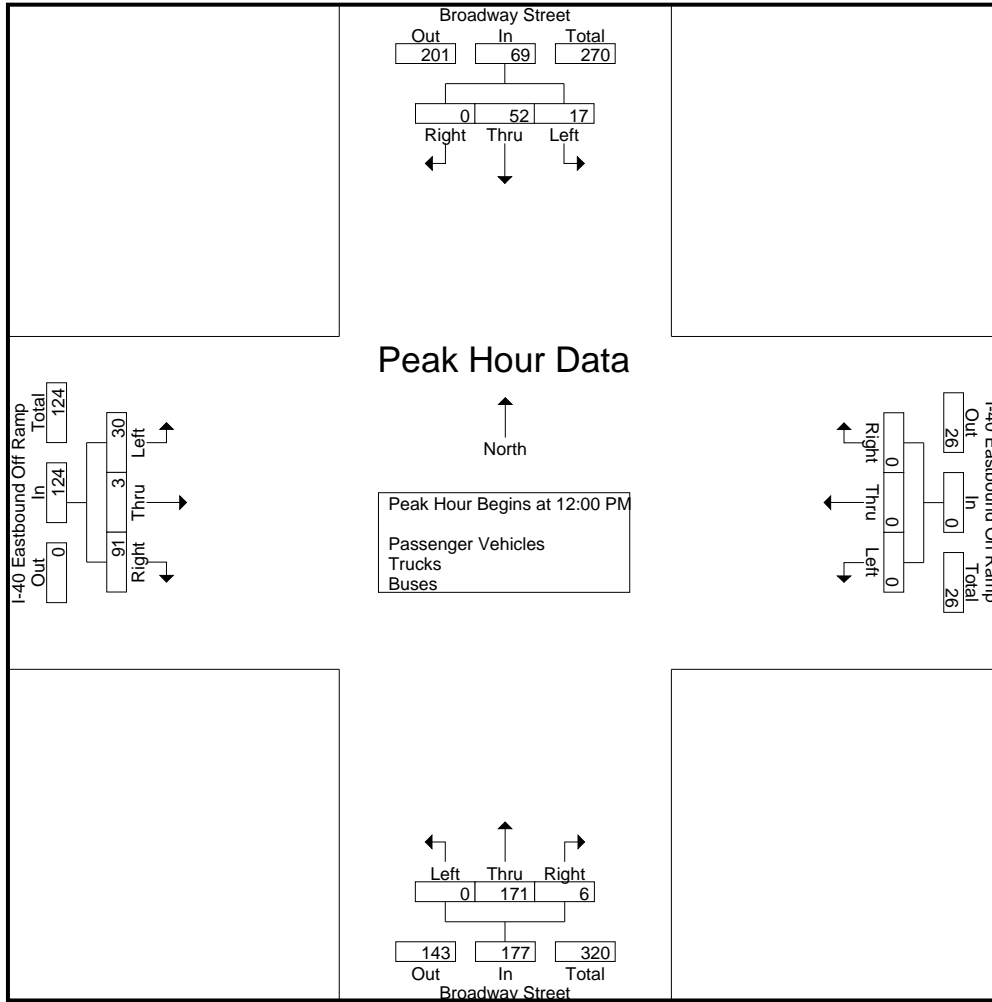
Groups Printed- Passenger Vehicles - Trucks - Buses

Start Time	Broadway Street Southbound				I-40 Eastbound On Ramp Westbound				Broadway Street Northbound				I-40 Eastbound Off Ramp Eastbound				Int. Total
	Left	Thru	Right	App. Total	Left	Thru	Right	App. Total	Left	Thru	Right	App. Total	Left	Thru	Right	App. Total	
12:00 PM	3	18	0	21	0	0	0	0	0	33	2	35	7	2	17	26	82
12:15 PM	7	10	0	17	0	0	0	0	0	46	0	46	9	0	26	35	98
12:30 PM	2	14	0	16	0	0	0	0	0	44	3	47	7	1	20	28	91
12:45 PM	5	10	0	15	0	0	0	0	0	48	1	49	7	0	28	35	99
Total	17	52	0	69	0	0	0	0	0	171	6	177	30	3	91	124	370
01:00 PM	10	4	0	14	0	0	0	0	0	35	0	35	3	0	14	17	66
01:15 PM	5	18	0	23	0	0	0	0	0	26	2	28	11	0	23	34	85
01:30 PM	8	13	0	21	0	0	0	0	0	31	2	33	3	0	15	18	72
01:45 PM	8	13	0	21	0	0	0	0	0	35	1	36	5	1	23	29	86
Total	31	48	0	79	0	0	0	0	0	127	5	132	22	1	75	98	309
Grand Total	48	100	0	148	0	0	0	0	0	298	11	309	52	4	166	222	679
Apprch %	32.4	67.6	0		0	0	0		0	96.4	3.6		23.4	1.8	74.8		
Total %	7.1	14.7	0	21.8	0	0	0	0	0	43.9	1.6	45.5	7.7	0.6	24.4	32.7	
Passenger Vehicles	42	84	0	126	0	0	0	0	0	223	11	234	36	2	119	157	517
% Passenger Vehicles	87.5	84	0	85.1	0	0	0	0	0	74.8	100	75.7	69.2	50	71.7	70.7	76.1
Trucks	6	14	0	20	0	0	0	0	0	73	0	73	14	2	47	63	156
% Trucks	12.5	14	0	13.5	0	0	0	0	0	24.5	0	23.6	26.9	50	28.3	28.4	23
Buses	0	2	0	2	0	0	0	0	0	2	0	2	2	0	0	2	6
% Buses	0	2	0	1.4	0	0	0	0	0	0.7	0	0.6	3.8	0	0	0.9	0.9

Start Time	Broadway Street Southbound				I-40 Eastbound On Ramp Westbound				Broadway Street Northbound				I-40 Eastbound Off Ramp Eastbound				Int. Total
	Left	Thru	Right	App. Total	Left	Thru	Right	App. Total	Left	Thru	Right	App. Total	Left	Thru	Right	App. Total	
Peak Hour Analysis From 12:00 PM to 01:45 PM - Peak 1 of 1																	
Peak Hour for Entire Intersection Begins at 12:00 PM																	
12:00 PM	3	18	0	21	0	0	0	0	0	33	2	35	7	2	17	26	82
12:15 PM	7	10	0	17	0	0	0	0	0	46	0	46	9	0	26	35	98
12:30 PM	2	14	0	16	0	0	0	0	0	44	3	47	7	1	20	28	91
12:45 PM	5	10	0	15	0	0	0	0	0	48	1	49	7	0	28	35	99
Total Volume	17	52	0	69	0	0	0	0	0	171	6	177	30	3	91	124	370
% App. Total	24.6	75.4	0		0	0	0		0	96.6	3.4		24.2	2.4	73.4		
PHF	.607	.722	.000	.821	.000	.000	.000	.000	.000	.891	.500	.903	.833	.375	.813	.886	.934

City of Needles
 N/S: Broadway Street
 E/W: I-40 Eastbound Ramps
 Weather: Clear

File Name : 15_NDL_Broadway_40E SAT
 Site Code : 16621325
 Start Date : 7/17/2021
 Page No : 2



Peak Hour Analysis From 12:00 PM to 01:45 PM - Peak 1 of 1
 Peak Hour for Each Approach Begins at:

	01:00 PM				12:00 PM				12:00 PM				12:00 PM			
+0 mins.	10	4	0	14	0	0	0	0	0	33	2	35	7	2	17	26
+15 mins.	5	18	0	23	0	0	0	0	0	46	0	46	9	0	26	35
+30 mins.	8	13	0	21	0	0	0	0	0	44	3	47	7	1	20	28
+45 mins.	8	13	0	21	0	0	0	0	0	48	1	49	7	0	28	35
Total Volume	31	48	0	79	0	0	0	0	0	171	6	177	30	3	91	124
% App. Total	39.2	60.8	0		0	0	0	0	0	96.6	3.4		24.2	2.4	73.4	
PHF	.775	.667	.000	.859	.000	.000	.000	.000	.000	.891	.500	.903	.833	.375	.813	.886

City of Needles
 N/S: Broadway Street
 E/W: I-40 Eastbound Ramps
 Weather: Clear

File Name : 15_NDL_Broadway_40E SAT
 Site Code : 16621325
 Start Date : 7/17/2021
 Page No : 1

Groups Printed- Passenger Vehicles

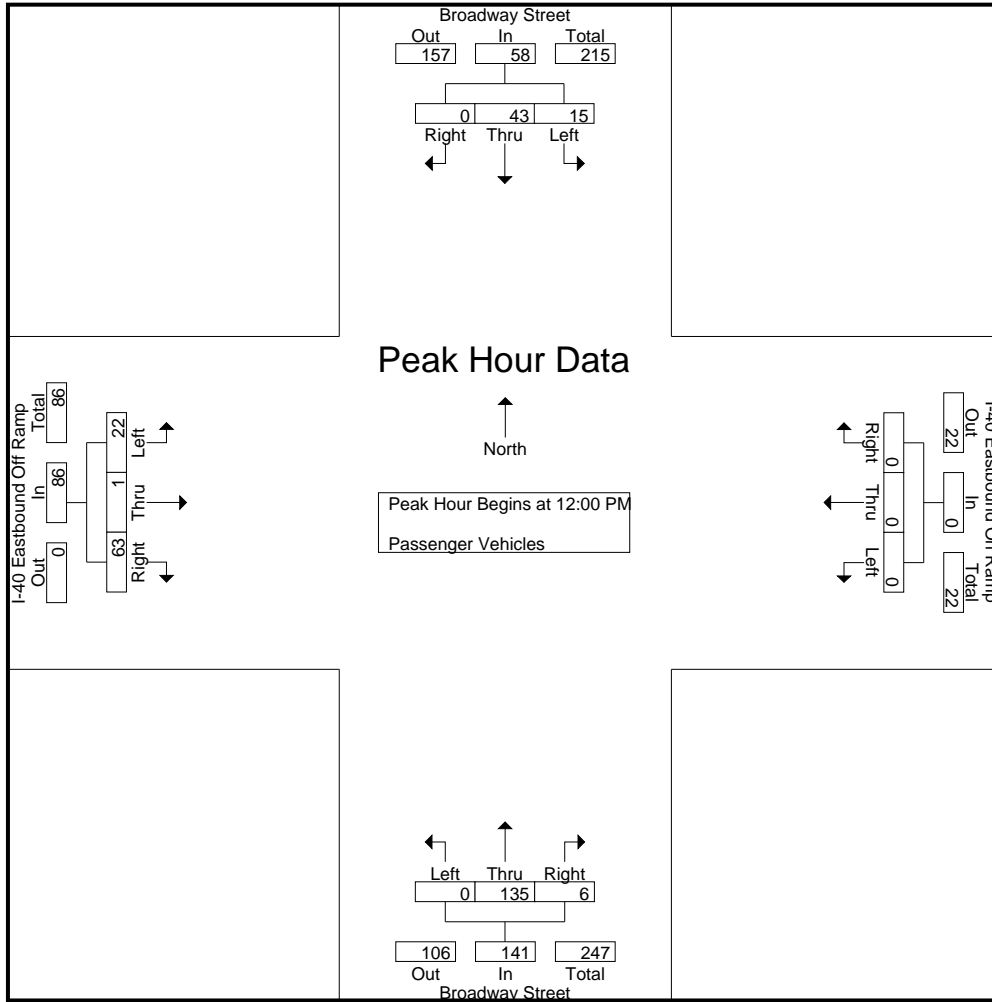
Start Time	Broadway Street Southbound				I-40 Eastbound On Ramp Westbound				Broadway Street Northbound				I-40 Eastbound Off Ramp Eastbound				Int. Total
	Left	Thru	Right	App. Total	Left	Thru	Right	App. Total	Left	Thru	Right	App. Total	Left	Thru	Right	App. Total	
12:00 PM	3	15	0	18	0	0	0	0	0	29	2	31	3	1	10	14	63
12:15 PM	6	9	0	15	0	0	0	0	0	35	0	35	8	0	16	24	74
12:30 PM	1	10	0	11	0	0	0	0	0	32	3	35	7	0	14	21	67
12:45 PM	5	9	0	14	0	0	0	0	0	39	1	40	4	0	23	27	81
Total	15	43	0	58	0	0	0	0	0	135	6	141	22	1	63	86	285
01:00 PM	8	4	0	12	0	0	0	0	0	26	0	26	2	0	10	12	50
01:15 PM	5	17	0	22	0	0	0	0	0	17	2	19	7	0	19	26	67
01:30 PM	6	10	0	16	0	0	0	0	0	21	2	23	3	0	11	14	53
01:45 PM	8	10	0	18	0	0	0	0	0	24	1	25	2	1	16	19	62
Total	27	41	0	68	0	0	0	0	0	88	5	93	14	1	56	71	232
Grand Total	42	84	0	126	0	0	0	0	0	223	11	234	36	2	119	157	517
Apprch %	33.3	66.7	0		0	0	0		0	95.3	4.7		22.9	1.3	75.8		
Total %	8.1	16.2	0	24.4	0	0	0		0	43.1	2.1	45.3	7	0.4	23	30.4	

Start Time	Broadway Street Southbound				I-40 Eastbound On Ramp Westbound				Broadway Street Northbound				I-40 Eastbound Off Ramp Eastbound				Int. Total
	Left	Thru	Right	App. Total	Left	Thru	Right	App. Total	Left	Thru	Right	App. Total	Left	Thru	Right	App. Total	
12:00 PM	3	15	0	18	0	0	0	0	0	29	2	31	3	1	10	14	63
12:15 PM	6	9	0	15	0	0	0	0	0	35	0	35	8	0	16	24	74
12:30 PM	1	10	0	11	0	0	0	0	0	32	3	35	7	0	14	21	67
12:45 PM	5	9	0	14	0	0	0	0	0	39	1	40	4	0	23	27	81
Total Volume	15	43	0	58	0	0	0	0	0	135	6	141	22	1	63	86	285
% App. Total	25.9	74.1	0		0	0	0		0	95.7	4.3		25.6	1.2	73.3		
PHF	.625	.717	.000	.806	.000	.000	.000	.000	.000	.865	.500	.881	.688	.250	.685	.796	.880

Peak Hour Analysis From 12:00 PM to 12:45 PM - Peak 1 of 1
 Peak Hour for Entire Intersection Begins at 12:00 PM

City of Needles
 N/S: Broadway Street
 E/W: I-40 Eastbound Ramps
 Weather: Clear

File Name : 15_NDL_Broadway_40E SAT
 Site Code : 16621325
 Start Date : 7/17/2021
 Page No : 2



Peak Hour Analysis From 12:00 PM to 12:45 PM - Peak 1 of 1
 Peak Hour for Each Approach Begins at:

	12:00 PM				12:00 PM				12:00 PM				12:00 PM			
+0 mins.	3	15	0	18	0	0	0	0	0	29	2	31	3	1	10	14
+15 mins.	6	9	0	15	0	0	0	0	0	35	0	35	8	0	16	24
+30 mins.	1	10	0	11	0	0	0	0	0	32	3	35	7	0	14	21
+45 mins.	5	9	0	14	0	0	0	0	0	39	1	40	4	0	23	27
Total Volume	15	43	0	58	0	0	0	0	0	135	6	141	22	1	63	86
% App. Total	25.9	74.1	0		0	0	0		0	95.7	4.3		25.6	1.2	73.3	
PHF	.625	.717	.000	.806	.000	.000	.000	.000	.000	.865	.500	.881	.688	.250	.685	.796

City of Needles
 N/S: Broadway Street
 E/W: I-40 Eastbound Ramps
 Weather: Clear

File Name : 15_NDL_Broadway_40E SAT
 Site Code : 16621325
 Start Date : 7/17/2021
 Page No : 1

Groups Printed- Trucks

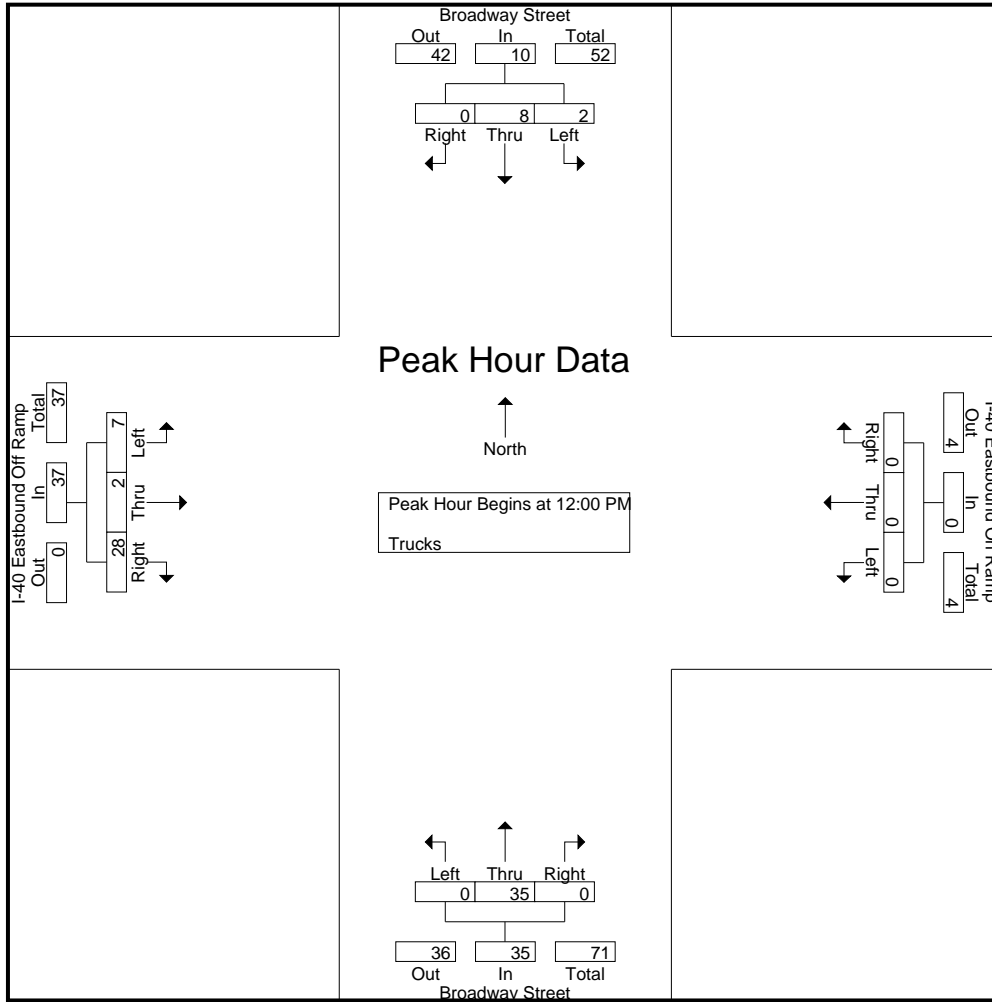
Start Time	Broadway Street Southbound				I-40 Eastbound On Ramp Westbound				Broadway Street Northbound				I-40 Eastbound Off Ramp Eastbound				Int. Total
	Left	Thru	Right	App. Total	Left	Thru	Right	App. Total	Left	Thru	Right	App. Total	Left	Thru	Right	App. Total	
12:00 PM	0	3	0	3	0	0	0	0	0	4	0	4	4	1	7	12	19
12:15 PM	1	1	0	2	0	0	0	0	0	11	0	11	0	0	10	10	23
12:30 PM	1	4	0	5	0	0	0	0	0	12	0	12	0	1	6	7	24
12:45 PM	0	0	0	0	0	0	0	0	0	8	0	8	3	0	5	8	16
Total	2	8	0	10	0	0	0	0	0	35	0	35	7	2	28	37	82
01:00 PM	2	0	0	2	0	0	0	0	0	9	0	9	1	0	4	5	16
01:15 PM	0	1	0	1	0	0	0	0	0	9	0	9	3	0	4	7	17
01:30 PM	2	3	0	5	0	0	0	0	0	10	0	10	0	0	4	4	19
01:45 PM	0	2	0	2	0	0	0	0	0	10	0	10	3	0	7	10	22
Total	4	6	0	10	0	0	0	0	0	38	0	38	7	0	19	26	74
Grand Total	6	14	0	20	0	0	0	0	0	73	0	73	14	2	47	63	156
Apprch %	30	70	0		0	0	0		0	100	0		22.2	3.2	74.6		
Total %	3.8	9	0	12.8	0	0	0	0	0	46.8	0	46.8	9	1.3	30.1	40.4	

Start Time	Broadway Street Southbound				I-40 Eastbound On Ramp Westbound				Broadway Street Northbound				I-40 Eastbound Off Ramp Eastbound				Int. Total
	Left	Thru	Right	App. Total	Left	Thru	Right	App. Total	Left	Thru	Right	App. Total	Left	Thru	Right	App. Total	
12:00 PM	0	3	0	3	0	0	0	0	0	4	0	4	4	1	7	12	19
12:15 PM	1	1	0	2	0	0	0	0	0	11	0	11	0	0	10	10	23
12:30 PM	1	4	0	5	0	0	0	0	0	12	0	12	0	1	6	7	24
12:45 PM	0	0	0	0	0	0	0	0	0	8	0	8	3	0	5	8	16
Total Volume	2	8	0	10	0	0	0	0	0	35	0	35	7	2	28	37	82
% App. Total	20	80	0		0	0	0		0	100	0		18.9	5.4	75.7		
PHF	.500	.500	.000	.500	.000	.000	.000	.000	.000	.729	.000	.729	.438	.500	.700	.771	.854

Peak Hour Analysis From 12:00 PM to 12:45 PM - Peak 1 of 1
 Peak Hour for Entire Intersection Begins at 12:00 PM

City of Needles
 N/S: Broadway Street
 E/W: I-40 Eastbound Ramps
 Weather: Clear

File Name : 15_NDL_Broadway_40E SAT
 Site Code : 16621325
 Start Date : 7/17/2021
 Page No : 2



Peak Hour Analysis From 12:00 PM to 12:45 PM - Peak 1 of 1
 Peak Hour for Each Approach Begins at:

	12:00 PM				12:00 PM				12:00 PM				12:00 PM			
+0 mins.	0	3	0	3	0	0	0	0	0	4	0	4	4	1	7	12
+15 mins.	1	1	0	2	0	0	0	0	0	11	0	11	0	0	10	10
+30 mins.	1	4	0	5	0	0	0	0	0	12	0	12	0	1	6	7
+45 mins.	0	0	0	0	0	0	0	0	0	8	0	8	3	0	5	8
Total Volume	2	8	0	10	0	0	0	0	0	35	0	35	7	2	28	37
% App. Total	20	80	0		0	0	0		0	100	0		18.9	5.4	75.7	
PHF	.500	.500	.000	.500	.000	.000	.000	.000	.000	.729	.000	.729	.438	.500	.700	.771

City of Needles
 N/S: Broadway Street
 E/W: I-40 Eastbound Ramps
 Weather: Clear

File Name : 15_NDL_Broadway_40E SAT
 Site Code : 16621325
 Start Date : 7/17/2021
 Page No : 1

Groups Printed- Buses

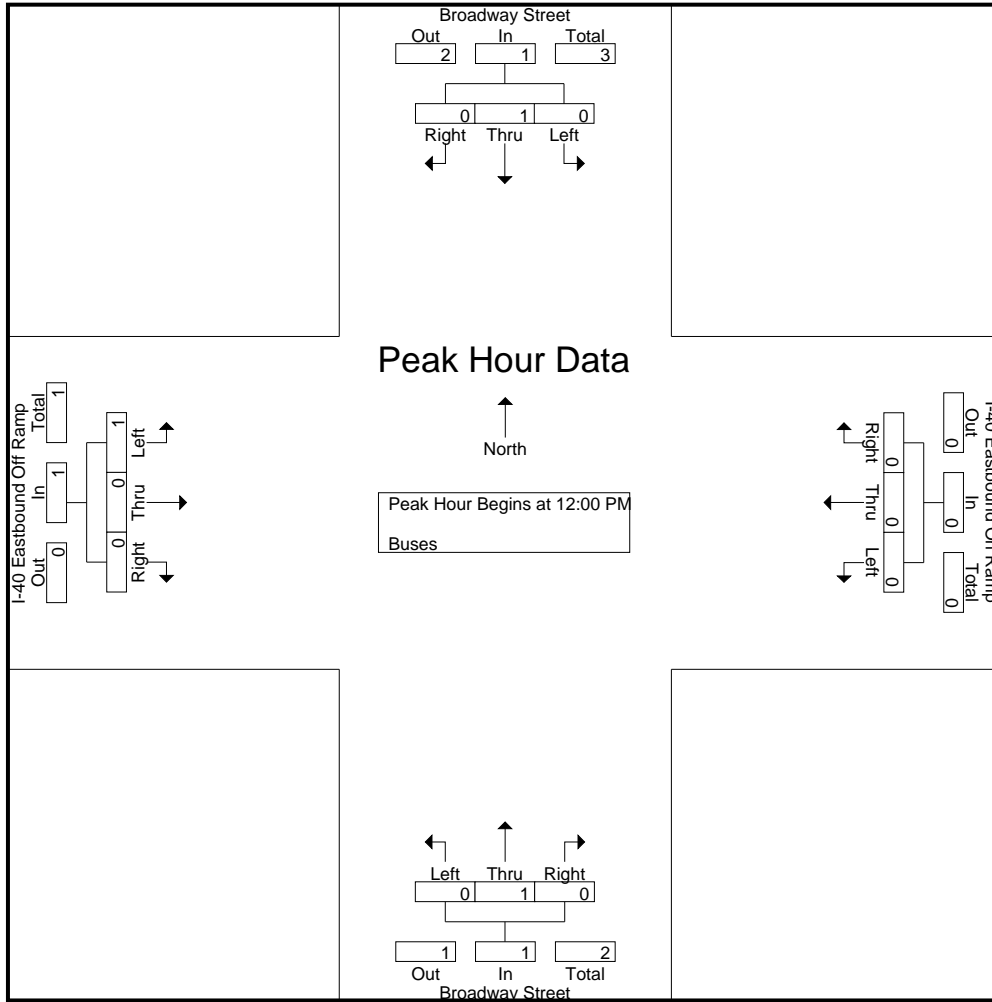
Start Time	Broadway Street Southbound				I-40 Eastbound On Ramp Westbound				Broadway Street Northbound				I-40 Eastbound Off Ramp Eastbound				Int. Total
	Left	Thru	Right	App. Total	Left	Thru	Right	App. Total	Left	Thru	Right	App. Total	Left	Thru	Right	App. Total	
12:00 PM	0	0	0	0	0	0	0	0	0	0	0	0	0	0	0	0	0
12:15 PM	0	0	0	0	0	0	0	0	0	0	0	0	1	0	0	0	1
12:30 PM	0	0	0	0	0	0	0	0	0	0	0	0	0	0	0	0	0
12:45 PM	0	1	0	1	0	0	0	0	0	1	0	1	0	0	0	0	2
Total	0	1	0	1	0	0	0	0	0	1	0	1	1	0	0	1	3
01:00 PM	0	0	0	0	0	0	0	0	0	0	0	0	0	0	0	0	0
01:15 PM	0	0	0	0	0	0	0	0	0	0	0	0	1	0	0	1	1
01:30 PM	0	0	0	0	0	0	0	0	0	0	0	0	0	0	0	0	0
01:45 PM	0	1	0	1	0	0	0	0	0	1	0	1	0	0	0	0	2
Total	0	1	0	1	0	0	0	0	0	1	0	1	1	0	0	1	3
Grand Total	0	2	0	2	0	0	0	0	0	2	0	2	2	0	0	2	6
Apprch %	0	100	0		0	0	0		0	100	0		100	0	0		
Total %	0	33.3	0	33.3	0	0	0		0	33.3	0	33.3	33.3	0	0	33.3	

Start Time	Broadway Street Southbound				I-40 Eastbound On Ramp Westbound				Broadway Street Northbound				I-40 Eastbound Off Ramp Eastbound				Int. Total
	Left	Thru	Right	App. Total	Left	Thru	Right	App. Total	Left	Thru	Right	App. Total	Left	Thru	Right	App. Total	
12:00 PM	0	0	0	0	0	0	0	0	0	0	0	0	0	0	0	0	0
12:15 PM	0	0	0	0	0	0	0	0	0	0	0	0	1	0	0	1	1
12:30 PM	0	0	0	0	0	0	0	0	0	0	0	0	0	0	0	0	0
12:45 PM	0	1	0	1	0	0	0	0	0	1	0	1	0	0	0	0	2
Total Volume	0	1	0	1	0	0	0	0	0	1	0	1	1	0	0	1	3
% App. Total	0	100	0		0	0	0		0	100	0		100	0	0		
PHF	.000	.250	.000	.250	.000	.000	.000	.000	.000	.250	.000	.250	.250	.000	.000	.250	.375

Peak Hour Analysis From 12:00 PM to 12:45 PM - Peak 1 of 1
 Peak Hour for Entire Intersection Begins at 12:00 PM

City of Needles
 N/S: Broadway Street
 E/W: I-40 Eastbound Ramps
 Weather: Clear

File Name : 15_NDL_Broadway_40E SAT
 Site Code : 16621325
 Start Date : 7/17/2021
 Page No : 2



Peak Hour Analysis From 12:00 PM to 12:45 PM - Peak 1 of 1
 Peak Hour for Each Approach Begins at:

	12:00 PM				12:00 PM				12:00 PM				12:00 PM			
+0 mins.	0	0	0	0	0	0	0	0	0	0	0	0	0	0	0	0
+15 mins.	0	0	0	0	0	0	0	0	0	0	0	0	0	1	0	0
+30 mins.	0	0	0	0	0	0	0	0	0	0	0	0	0	0	0	0
+45 mins.	0	1	0	1	0	0	0	0	0	1	0	1	0	0	0	0
Total Volume	0	1	0	1	0	0	0	0	0	1	0	1	1	0	0	1
% App. Total	0	100	0	0	0	0	0	0	0	100	0	0	100	0	0	0
PHF	.000	.250	.000	.250	.000	.000	.000	.000	.000	.250	.000	.250	.250	.000	.000	.250

Location: Needles
 N/S: Broadway Street
 E/W: I-40 Eastbound Ramps



PEDESTRIANS

Date: 7/15/2021
 Day: Thursday

	North Leg Broadway Street	East Leg I-40 Eastbound Ramps	South Leg Broadway Street	West Leg I-40 Eastbound Ramps	
	Pedestrians	Pedestrians	Pedestrians	Pedestrians	
7:00 AM	0	0	0	0	0
7:15 AM	0	0	0	0	0
7:30 AM	0	0	0	1	1
7:45 AM	0	0	0	0	0
8:00 AM	0	0	0	1	1
8:15 AM	0	0	0	0	0
8:30 AM	0	0	0	0	0
8:45 AM	0	0	0	1	1
TOTAL VOLUMES:	0	0	0	3	3

Date: 7/15/2021
 Day: Thursday

	North Leg Broadway Street	East Leg I-40 Eastbound Ramps	South Leg Broadway Street	West Leg I-40 Eastbound Ramps	
	Pedestrians	Pedestrians	Pedestrians	Pedestrians	
4:00 PM	0	0	0	0	0
4:15 PM	0	0	0	0	0
4:30 PM	0	0	0	0	0
4:45 PM	0	0	0	0	0
5:00 PM	0	0	0	0	0
5:15 PM	0	0	0	0	0
5:30 PM	0	0	0	0	0
5:45 PM	0	0	0	0	0
TOTAL VOLUMES:	0	0	0	0	0

Date: 7/17/2021
 Day: Saturday

	North Leg Broadway Street	East Leg I-40 Eastbound Ramps	South Leg Broadway Street	West Leg I-40 Eastbound Ramps	
	Pedestrians	Pedestrians	Pedestrians	Pedestrians	
12:00 PM	0	0	0	0	0
12:15 PM	0	1	0	0	1
12:30 PM	0	0	0	0	0
12:45 PM	0	0	0	0	0
1:00 PM	0	0	0	0	0
1:15 PM	0	0	0	0	0
1:30 PM	0	0	0	0	0
1:45 PM	0	0	0	0	0
TOTAL VOLUMES:	0	1	0	0	1

Location: Needles
 N/S: Broadway Street
 E/W: I-40 Eastbound Ramps



BICYCLES

Date: 7/15/2021
 Day: Thursday

	Southbound Broadway Street			Westbound I-40 Eastbound Ramps			Northbound Broadway Street			Eastbound I-40 Eastbound Ramps			
	Left	Thru	Right	Left	Thru	Right	Left	Thru	Right	Left	Thru	Right	
7:00 AM	0	0	0	0	0	0	0	0	0	0	0	0	0
7:15 AM	0	0	0	0	0	0	0	1	0	0	0	0	1
7:30 AM	0	0	0	0	0	0	0	0	0	0	0	0	0
7:45 AM	0	0	0	0	0	0	0	1	0	0	0	0	1
8:00 AM	0	1	0	0	0	0	0	1	0	0	0	0	2
8:15 AM	0	0	0	0	0	0	0	0	0	0	0	0	0
8:30 AM	0	0	0	0	0	0	0	0	0	0	0	0	0
8:45 AM	0	0	0	0	0	0	0	0	0	0	0	0	0
TOTAL VOLUMES:	0	1	0	0	0	0	0	3	0	0	0	0	4

Date: 7/15/2021
 Day: Thursday

	Southbound Broadway Street			Westbound I-40 Eastbound Ramps			Northbound Broadway Street			Eastbound I-40 Eastbound Ramps			
	Left	Thru	Right	Left	Thru	Right	Left	Thru	Right	Left	Thru	Right	
4:00 PM	0	0	0	0	0	0	0	0	0	0	0	0	0
4:15 PM	0	0	0	0	0	0	0	0	0	0	0	0	0
4:30 PM	0	0	0	0	0	0	0	0	0	0	0	0	0
4:45 PM	0	0	0	0	0	0	0	0	0	0	0	0	0
5:00 PM	0	0	0	0	0	0	0	0	0	0	0	0	0
5:15 PM	0	0	0	0	0	0	0	0	0	0	0	0	0
5:30 PM	0	0	0	0	0	0	0	0	0	0	0	0	0
5:45 PM	0	0	0	0	0	0	0	0	0	0	0	0	0
TOTAL VOLUMES:	0	0	0	0	0	0	0	0	0	0	0	0	0

Date: 7/17/2021
 Day: Saturday

	Southbound Broadway Street			Westbound I-40 Eastbound Ramps			Northbound Broadway Street			Eastbound I-40 Eastbound Ramps			
	Left	Thru	Right	Left	Thru	Right	Left	Thru	Right	Left	Thru	Right	
12:00 PM	0	0	0	0	0	0	0	0	0	0	0	0	0
12:15 PM	0	0	0	0	0	0	0	0	0	0	0	0	0
12:30 PM	0	0	0	0	0	0	0	0	0	0	0	0	0
12:45 PM	0	0	0	0	0	0	0	0	0	0	0	0	0
1:00 PM	0	0	0	0	0	0	0	0	0	0	0	0	0
1:15 PM	0	0	0	0	0	0	0	0	0	0	0	0	0
1:30 PM	0	0	0	0	0	0	0	0	0	0	0	0	0
1:45 PM	0	0	0	0	0	0	0	0	0	0	0	0	0
TOTAL VOLUMES:	0	0	0	0	0	0	0	0	0	0	0	0	0

City of Needles
 N/S: Broadway Street
 E/W: I-40 Westbound Ramps
 Weather: Clear

File Name : 16_NDL_Broadway_40W AM
 Site Code : 16621325
 Start Date : 7/15/2021
 Page No : 1

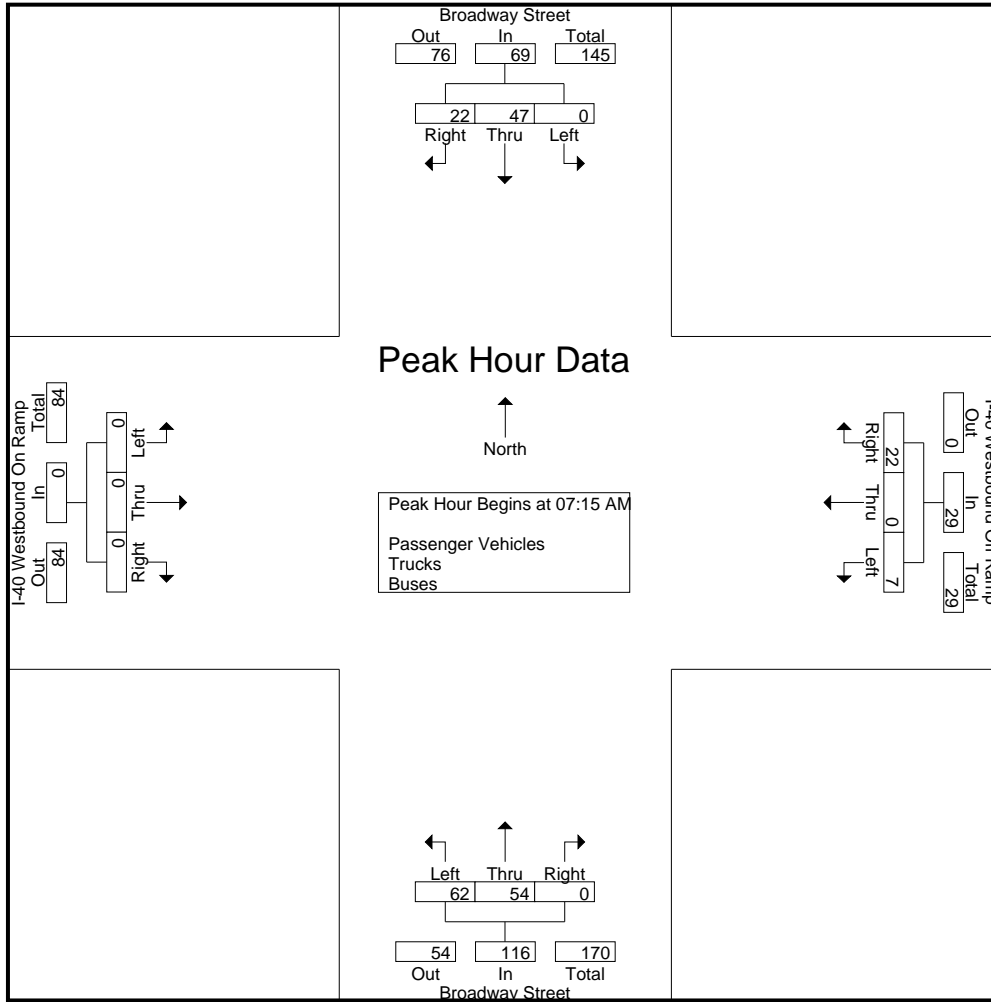
Groups Printed- Passenger Vehicles - Trucks - Buses

Start Time	Broadway Street Southbound				I-40 Westbound Off Ramp Westbound				Broadway Street Northbound				I-40 Westbound On Ramp Eastbound				Int. Total
	Left	Thru	Right	App. Total	Left	Thru	Right	App. Total	Left	Thru	Right	App. Total	Left	Thru	Right	App. Total	
07:00 AM	0	12	8	20	1	1	5	7	13	12	0	25	0	0	0	0	52
07:15 AM	0	9	12	21	1	0	4	5	18	11	0	29	0	0	0	0	55
07:30 AM	0	18	2	20	1	0	4	5	17	12	0	29	0	0	0	0	54
07:45 AM	0	7	4	11	3	0	9	12	13	15	0	28	0	0	0	0	51
Total	0	46	26	72	6	1	22	29	61	50	0	111	0	0	0	0	212
08:00 AM	0	13	4	17	2	0	5	7	14	16	0	30	0	0	0	0	54
08:15 AM	0	9	5	14	2	0	6	8	12	11	0	23	0	0	0	0	45
08:30 AM	0	10	1	11	4	0	2	6	14	20	0	34	0	0	0	0	51
08:45 AM	0	10	5	15	1	0	6	7	12	15	0	27	0	0	0	0	49
Total	0	42	15	57	9	0	19	28	52	62	0	114	0	0	0	0	199
Grand Total	0	88	41	129	15	1	41	57	113	112	0	225	0	0	0	0	411
Apprch %	0	68.2	31.8		26.3	1.8	71.9		50.2	49.8	0		0	0	0		
Total %	0	21.4	10	31.4	3.6	0.2	10	13.9	27.5	27.3	0	54.7	0	0	0	0	
Passenger Vehicles	0	72	32	104	13	1	34	48	64	93	0	157	0	0	0	0	309
% Passenger Vehicles	0	81.8	78	80.6	86.7	100	82.9	84.2	56.6	83	0	69.8	0	0	0	0	75.2
Trucks	0	14	9	23	2	0	7	9	49	15	0	64	0	0	0	0	96
% Trucks	0	15.9	22	17.8	13.3	0	17.1	15.8	43.4	13.4	0	28.4	0	0	0	0	23.4
Buses	0	2	0	2	0	0	0	0	0	4	0	4	0	0	0	0	6
% Buses	0	2.3	0	1.6	0	0	0	0	0	3.6	0	1.8	0	0	0	0	1.5

Start Time	Broadway Street Southbound				I-40 Westbound Off Ramp Westbound				Broadway Street Northbound				I-40 Westbound On Ramp Eastbound				Int. Total
	Left	Thru	Right	App. Total	Left	Thru	Right	App. Total	Left	Thru	Right	App. Total	Left	Thru	Right	App. Total	
Peak Hour Analysis From 07:00 AM to 08:45 AM - Peak 1 of 1																	
Peak Hour for Entire Intersection Begins at 07:15 AM																	
07:15 AM	0	9	12	21	1	0	4	5	18	11	0	29	0	0	0	0	55
07:30 AM	0	18	2	20	1	0	4	5	17	12	0	29	0	0	0	0	54
07:45 AM	0	7	4	11	3	0	9	12	13	15	0	28	0	0	0	0	51
08:00 AM	0	13	4	17	2	0	5	7	14	16	0	30	0	0	0	0	54
Total Volume	0	47	22	69	7	0	22	29	62	54	0	116	0	0	0	0	214
% App. Total	0	68.1	31.9		24.1	0	75.9		53.4	46.6	0		0	0	0		
PHF	.000	.653	.458	.821	.583	.000	.611	.604	.861	.844	.000	.967	.000	.000	.000	.000	.973

City of Needles
 N/S: Broadway Street
 E/W: I-40 Westbound Ramps
 Weather: Clear

File Name : 16_NDL_Broadway_40W AM
 Site Code : 16621325
 Start Date : 7/15/2021
 Page No : 2



Peak Hour Analysis From 07:00 AM to 08:45 AM - Peak 1 of 1
 Peak Hour for Each Approach Begins at:

	07:00 AM				07:45 AM				07:15 AM				07:00 AM			
+0 mins.	0	12	8	20	3	0	9	12	18	11	0	29	0	0	0	0
+15 mins.	0	9	12	21	2	0	5	7	17	12	0	29	0	0	0	0
+30 mins.	0	18	2	20	2	0	6	8	13	15	0	28	0	0	0	0
+45 mins.	0	7	4	11	4	0	2	6	14	16	0	30	0	0	0	0
Total Volume	0	46	26	72	11	0	22	33	62	54	0	116	0	0	0	0
% App. Total	0	63.9	36.1		33.3	0	66.7		53.4	46.6	0		0	0	0	
PHF	.000	.639	.542	.857	.688	.000	.611	.688	.861	.844	.000	.967	.000	.000	.000	.000

City of Needles
 N/S: Broadway Street
 E/W: I-40 Westbound Ramps
 Weather: Clear

File Name : 16_NDL_Broadway_40W AM
 Site Code : 16621325
 Start Date : 7/15/2021
 Page No : 1

Groups Printed- Passenger Vehicles

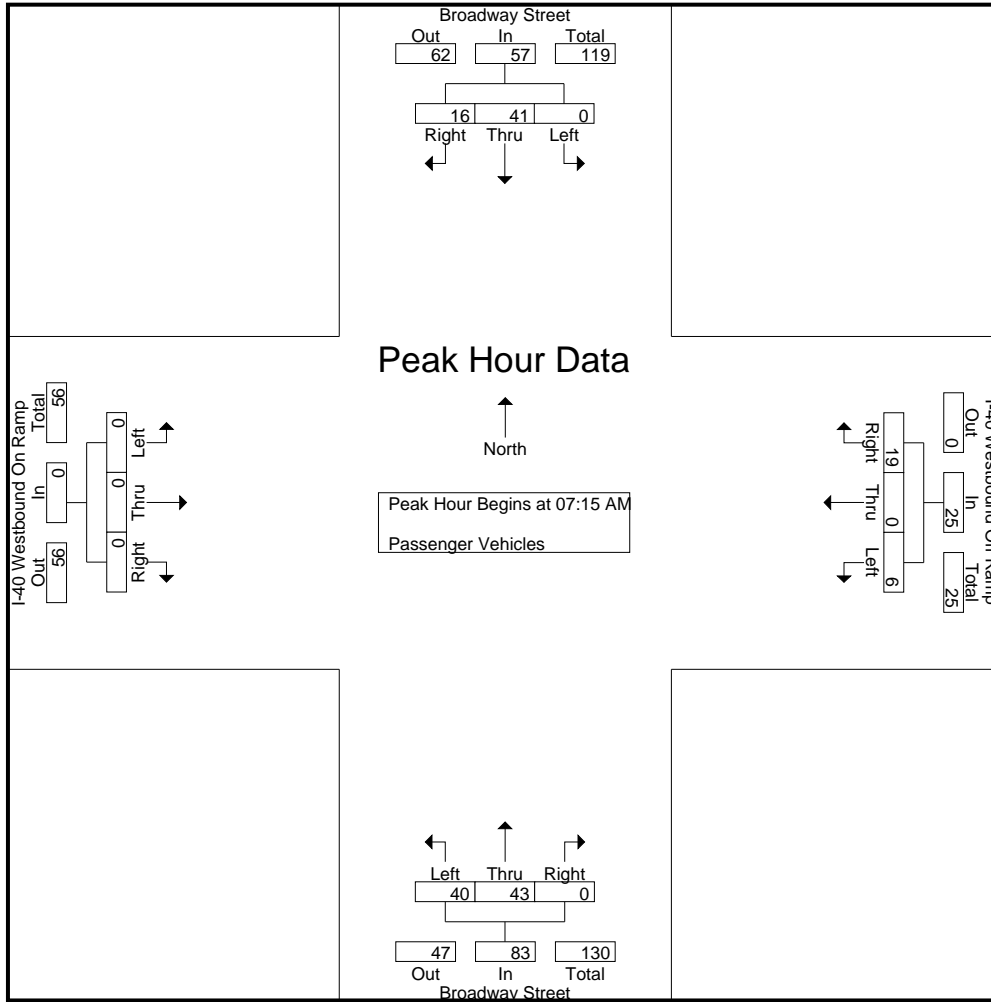
Start Time	Broadway Street Southbound				I-40 Westbound Off Ramp Westbound				Broadway Street Northbound				I-40 Westbound On Ramp Eastbound				Int. Total
	Left	Thru	Right	App. Total	Left	Thru	Right	App. Total	Left	Thru	Right	App. Total	Left	Thru	Right	App. Total	
07:00 AM	0	10	6	16	1	1	5	7	7	11	0	18	0	0	0	0	41
07:15 AM	0	9	10	19	1	0	3	4	12	10	0	22	0	0	0	0	45
07:30 AM	0	16	1	17	1	0	4	5	10	10	0	20	0	0	0	0	42
07:45 AM	0	6	2	8	3	0	8	11	8	13	0	21	0	0	0	0	40
Total	0	41	19	60	6	1	20	27	37	44	0	81	0	0	0	0	168
08:00 AM	0	10	3	13	1	0	4	5	10	10	0	20	0	0	0	0	38
08:15 AM	0	8	4	12	2	0	6	8	4	9	0	13	0	0	0	0	33
08:30 AM	0	7	1	8	3	0	1	4	4	17	0	21	0	0	0	0	33
08:45 AM	0	6	5	11	1	0	3	4	9	13	0	22	0	0	0	0	37
Total	0	31	13	44	7	0	14	21	27	49	0	76	0	0	0	0	141
Grand Total	0	72	32	104	13	1	34	48	64	93	0	157	0	0	0	0	309
Apprch %	0	69.2	30.8		27.1	2.1	70.8		40.8	59.2	0		0	0	0		
Total %	0	23.3	10.4	33.7	4.2	0.3	11	15.5	20.7	30.1	0	50.8	0	0	0	0	

Start Time	Broadway Street Southbound				I-40 Westbound Off Ramp Westbound				Broadway Street Northbound				I-40 Westbound On Ramp Eastbound				Int. Total
	Left	Thru	Right	App. Total	Left	Thru	Right	App. Total	Left	Thru	Right	App. Total	Left	Thru	Right	App. Total	
07:15 AM	0	9	10	19	1	0	3	4	12	10	0	22	0	0	0	0	45
07:30 AM	0	16	1	17	1	0	4	5	10	10	0	20	0	0	0	0	42
07:45 AM	0	6	2	8	3	0	8	11	8	13	0	21	0	0	0	0	40
08:00 AM	0	10	3	13	1	0	4	5	10	10	0	20	0	0	0	0	38
Total Volume	0	41	16	57	6	0	19	25	40	43	0	83	0	0	0	0	165
% App. Total	0	71.9	28.1		24	0	76		48.2	51.8	0		0	0	0		
PHF	.000	.641	.400	.750	.500	.000	.594	.568	.833	.827	.000	.943	.000	.000	.000	.000	.917

Peak Hour Analysis From 07:15 AM to 08:00 AM - Peak 1 of 1
 Peak Hour for Entire Intersection Begins at 07:15 AM

City of Needles
 N/S: Broadway Street
 E/W: I-40 Westbound Ramps
 Weather: Clear

File Name : 16_NDL_Broadway_40W AM
 Site Code : 16621325
 Start Date : 7/15/2021
 Page No : 2



Peak Hour Analysis From 07:15 AM to 08:00 AM - Peak 1 of 1
 Peak Hour for Each Approach Begins at:

	07:15 AM				07:15 AM				07:15 AM				07:15 AM			
+0 mins.	0	9	10	19	1	0	3	4	12	10	0	22	0	0	0	0
+15 mins.	0	16	1	17	1	0	4	5	10	10	0	20	0	0	0	0
+30 mins.	0	6	2	8	3	0	8	11	8	13	0	21	0	0	0	0
+45 mins.	0	10	3	13	1	0	4	5	10	10	0	20	0	0	0	0
Total Volume	0	41	16	57	6	0	19	25	40	43	0	83	0	0	0	0
% App. Total	0	71.9	28.1		24	0	76		48.2	51.8	0		0	0	0	
PHF	.000	.641	.400	.750	.500	.000	.594	.568	.833	.827	.000	.943	.000	.000	.000	.000

City of Needles
 N/S: Broadway Street
 E/W: I-40 Westbound Ramps
 Weather: Clear

File Name : 16_NDL_Broadway_40W AM
 Site Code : 16621325
 Start Date : 7/15/2021
 Page No : 1

Groups Printed- Trucks

Start Time	Broadway Street Southbound				I-40 Westbound Off Ramp Westbound				Broadway Street Northbound				I-40 Westbound On Ramp Eastbound				Int. Total
	Left	Thru	Right	App. Total	Left	Thru	Right	App. Total	Left	Thru	Right	App. Total	Left	Thru	Right	App. Total	
07:00 AM	0	2	2	4	0	0	0	0	6	1	0	7	0	0	0	0	11
07:15 AM	0	0	2	2	0	0	1	1	6	0	0	6	0	0	0	0	9
07:30 AM	0	1	1	2	0	0	0	0	7	2	0	9	0	0	0	0	11
07:45 AM	0	1	2	3	0	0	1	1	5	1	0	6	0	0	0	0	10
Total	0	4	7	11	0	0	2	2	24	4	0	28	0	0	0	0	41
08:00 AM	0	3	1	4	1	0	1	2	4	6	0	10	0	0	0	0	16
08:15 AM	0	1	1	2	0	0	0	0	8	1	0	9	0	0	0	0	11
08:30 AM	0	2	0	2	1	0	1	2	10	3	0	13	0	0	0	0	17
08:45 AM	0	4	0	4	0	0	3	3	3	1	0	4	0	0	0	0	11
Total	0	10	2	12	2	0	5	7	25	11	0	36	0	0	0	0	55
Grand Total	0	14	9	23	2	0	7	9	49	15	0	64	0	0	0	0	96
Apprch %	0	60.9	39.1		22.2	0	77.8		76.6	23.4	0		0	0	0		
Total %	0	14.6	9.4	24	2.1	0	7.3	9.4	51	15.6	0	66.7	0	0	0	0	

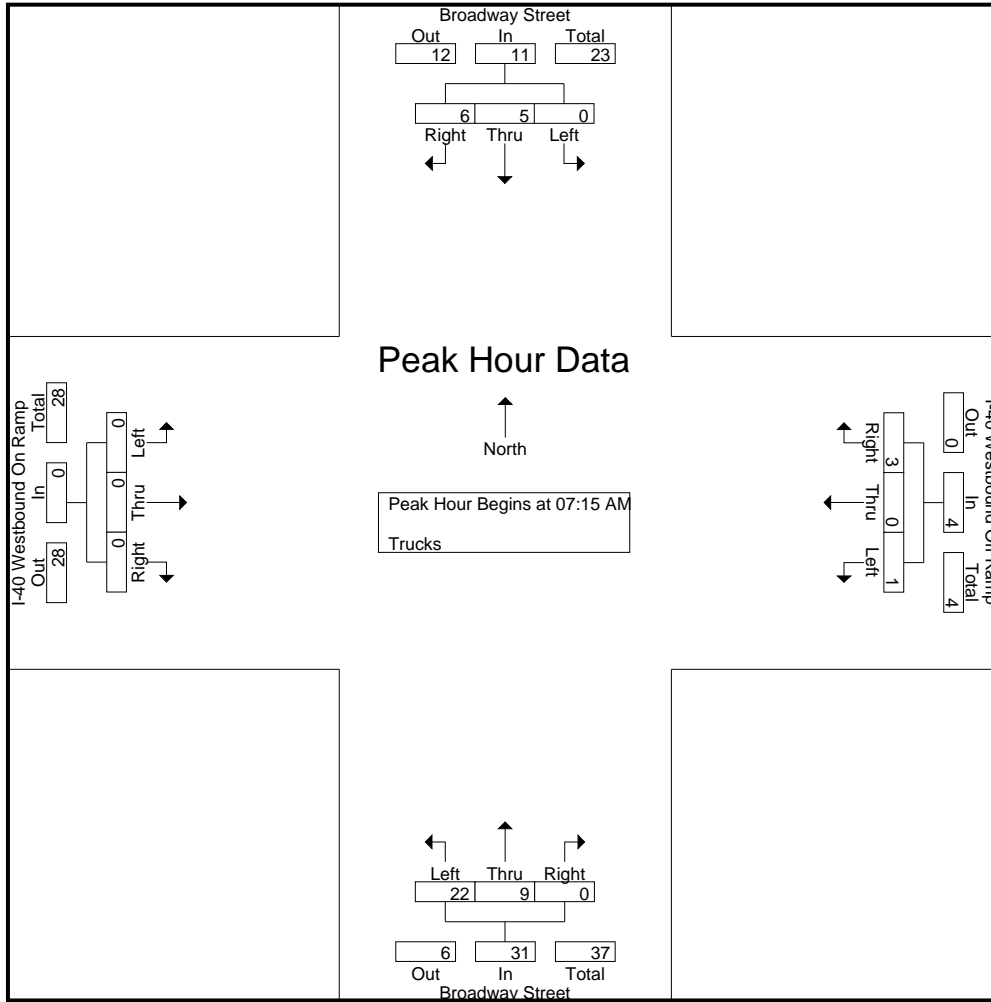
Start Time	Broadway Street Southbound				I-40 Westbound Off Ramp Westbound				Broadway Street Northbound				I-40 Westbound On Ramp Eastbound				Int. Total
	Left	Thru	Right	App. Total	Left	Thru	Right	App. Total	Left	Thru	Right	App. Total	Left	Thru	Right	App. Total	
07:15 AM	0	0	2	2	0	0	1	1	6	0	0	6	0	0	0	0	9
07:30 AM	0	1	1	2	0	0	0	0	7	2	0	9	0	0	0	0	11
07:45 AM	0	1	2	3	0	0	1	1	5	1	0	6	0	0	0	0	10
08:00 AM	0	3	1	4	1	0	1	2	4	6	0	10	0	0	0	0	16
Total Volume	0	5	6	11	1	0	3	4	22	9	0	31	0	0	0	0	46
% App. Total	0	45.5	54.5		25	0	75		71	29	0		0	0	0		
PHF	.000	.417	.750	.688	.250	.000	.750	.500	.786	.375	.000	.775	.000	.000	.000	.000	.719

Peak Hour Analysis From 07:15 AM to 08:00 AM - Peak 1 of 1

Peak Hour for Entire Intersection Begins at 07:15 AM

City of Needles
 N/S: Broadway Street
 E/W: I-40 Westbound Ramps
 Weather: Clear

File Name : 16_NDL_Broadway_40W AM
 Site Code : 16621325
 Start Date : 7/15/2021
 Page No : 2



Peak Hour Analysis From 07:15 AM to 08:00 AM - Peak 1 of 1
 Peak Hour for Each Approach Begins at:

	07:15 AM				07:15 AM				07:15 AM				07:15 AM			
+0 mins.	0	0	2	2	0	0	1	1	6	0	0	6	0	0	0	0
+15 mins.	0	1	1	2	0	0	0	0	7	2	0	9	0	0	0	0
+30 mins.	0	1	2	3	0	0	1	1	5	1	0	6	0	0	0	0
+45 mins.	0	3	1	4	1	0	1	2	4	6	0	10	0	0	0	0
Total Volume	0	5	6	11	1	0	3	4	22	9	0	31	0	0	0	0
% App. Total	0	45.5	54.5		25	0	75		71	29	0		0	0	0	
PHF	.000	.417	.750	.688	.250	.000	.750	.500	.786	.375	.000	.775	.000	.000	.000	.000

City of Needles
 N/S: Broadway Street
 E/W: I-40 Westbound Ramps
 Weather: Clear

File Name : 16_NDL_Broadway_40W AM
 Site Code : 16621325
 Start Date : 7/15/2021
 Page No : 1

Groups Printed- Buses

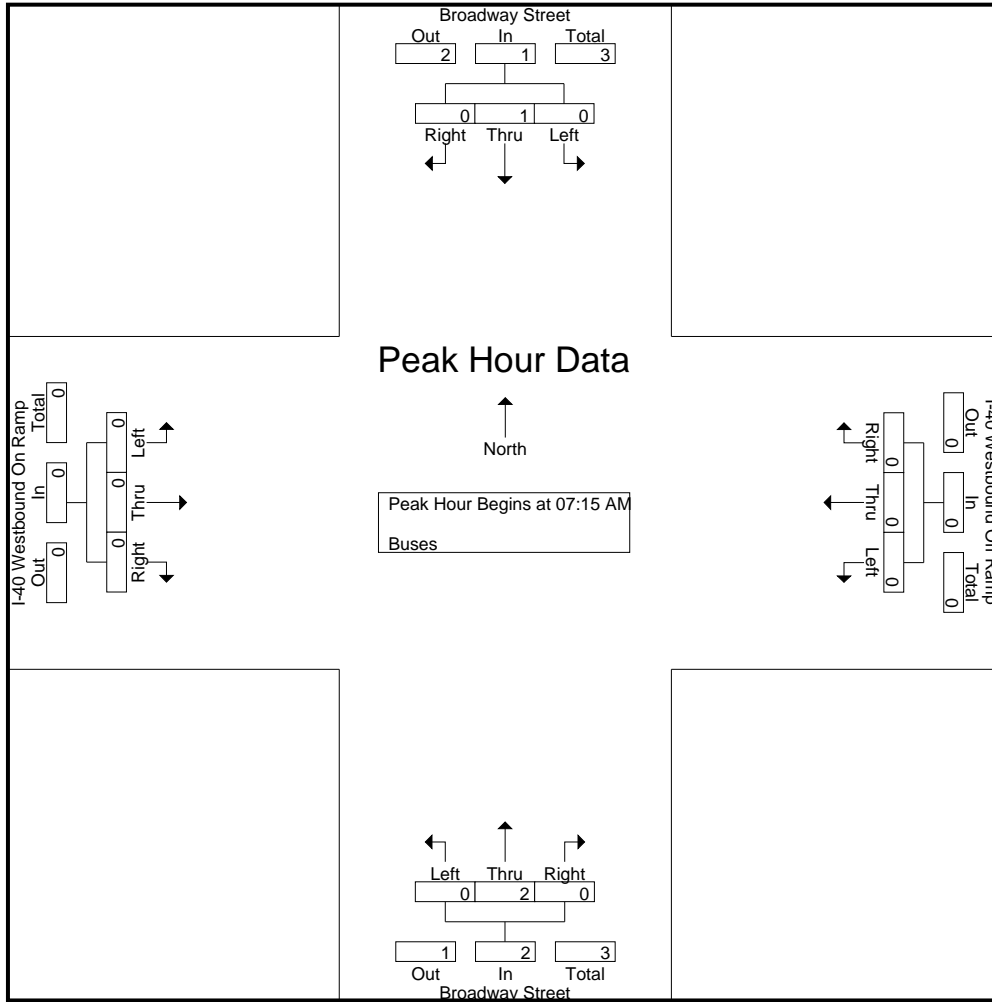
Start Time	Broadway Street Southbound				I-40 Westbound Off Ramp Westbound				Broadway Street Northbound				I-40 Westbound On Ramp Eastbound				Int. Total	
	Left	Thru	Right	App. Total	Left	Thru	Right	App. Total	Left	Thru	Right	App. Total	Left	Thru	Right	App. Total		
07:00 AM	0	0	0	0	0	0	0	0	0	0	0	0	0	0	0	0	0	0
07:15 AM	0	0	0	0	0	0	0	0	0	0	1	0	1	0	0	0	0	1
07:30 AM	0	1	0	1	0	0	0	0	0	0	0	0	0	0	0	0	0	1
07:45 AM	0	0	0	0	0	0	0	0	0	0	1	0	1	0	0	0	0	1
Total	0	1	0	1	0	0	0	0	0	0	2	0	2	0	0	0	0	3
08:00 AM	0	0	0	0	0	0	0	0	0	0	0	0	0	0	0	0	0	0
08:15 AM	0	0	0	0	0	0	0	0	0	0	1	0	1	0	0	0	0	1
08:30 AM	0	1	0	1	0	0	0	0	0	0	0	0	0	0	0	0	0	1
08:45 AM	0	0	0	0	0	0	0	0	0	0	1	0	1	0	0	0	0	1
Total	0	1	0	1	0	0	0	0	0	0	2	0	2	0	0	0	0	3
Grand Total	0	2	0	2	0	0	0	0	0	0	4	0	4	0	0	0	0	6
Apprch %	0	100	0		0	0	0		0	100	0		0	0	0			
Total %	0	33.3	0	33.3	0	0	0		0	66.7	0	66.7	0	0	0			

Start Time	Broadway Street Southbound				I-40 Westbound Off Ramp Westbound				Broadway Street Northbound				I-40 Westbound On Ramp Eastbound				Int. Total	
	Left	Thru	Right	App. Total	Left	Thru	Right	App. Total	Left	Thru	Right	App. Total	Left	Thru	Right	App. Total		
07:15 AM	0	0	0	0	0	0	0	0	0	0	1	0	1	0	0	0	0	1
07:30 AM	0	1	0	1	0	0	0	0	0	0	0	0	0	0	0	0	0	1
07:45 AM	0	0	0	0	0	0	0	0	0	0	1	0	1	0	0	0	0	1
08:00 AM	0	0	0	0	0	0	0	0	0	0	0	0	0	0	0	0	0	0
Total Volume	0	1	0	1	0	0	0	0	0	0	2	0	2	0	0	0	0	3
% App. Total	0	100	0		0	0	0		0	100	0		0	0	0			
PHF	.000	.250	.000	.250	.000	.000	.000	.000	.000	.000	.500	.000	.500	.000	.000	.000	.000	.750

Peak Hour Analysis From 07:15 AM to 08:00 AM - Peak 1 of 1
 Peak Hour for Entire Intersection Begins at 07:15 AM

City of Needles
 N/S: Broadway Street
 E/W: I-40 Westbound Ramps
 Weather: Clear

File Name : 16_NDL_Broadway_40W AM
 Site Code : 16621325
 Start Date : 7/15/2021
 Page No : 2



Peak Hour Analysis From 07:15 AM to 08:00 AM - Peak 1 of 1
 Peak Hour for Each Approach Begins at:

	07:15 AM				07:15 AM				07:15 AM				07:15 AM							
+0 mins.	0	0	0	0	0	0	0	0	0	1	0	1	0	0	0	0	0	0	0	0
+15 mins.	0	1	0	1	0	0	0	0	0	0	0	0	0	0	0	0	0	0	0	0
+30 mins.	0	0	0	0	0	0	0	0	0	1	0	1	0	0	0	0	0	0	0	0
+45 mins.	0	0	0	0	0	0	0	0	0	0	0	0	0	0	0	0	0	0	0	0
Total Volume	0	1	0	1	0	0	0	0	0	2	0	2	0	0	0	0	0	0	0	0
% App. Total	0	100	0	0	0	0	0	0	0	100	0	0	0	0	0	0	0	0	0	0
PHF	.000	.250	.000	.250	.000	.000	.000	.000	.000	.500	.000	.500	.000	.000	.000	.000	.000	.000	.000	.000

City of Needles
 N/S: Broadway Street
 E/W: I-40 Westbound Ramps
 Weather: Clear

File Name : 16_NDL_Broadway_40W PM
 Site Code : 16621325
 Start Date : 7/15/2021
 Page No : 1

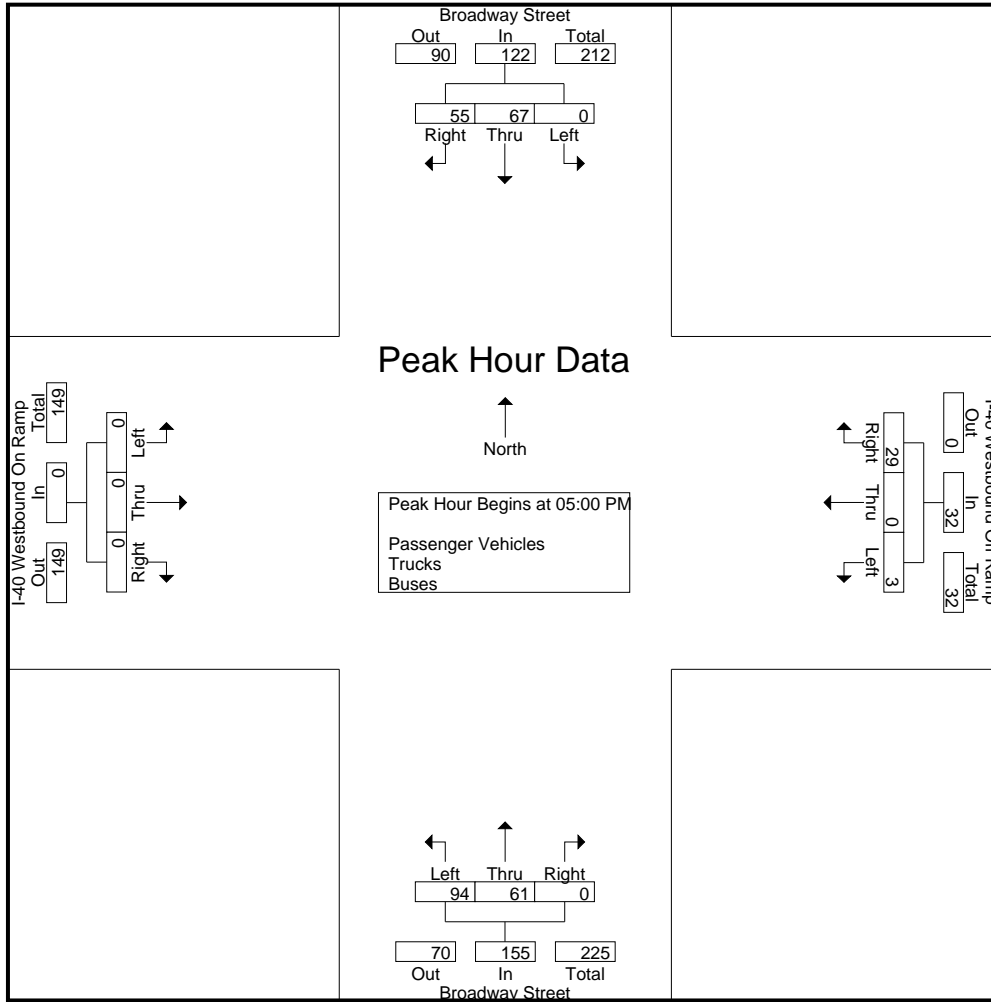
Groups Printed- Passenger Vehicles - Trucks - Buses

Start Time	Broadway Street Southbound				I-40 Westbound Off Ramp Westbound				Broadway Street Northbound				I-40 Westbound On Ramp Eastbound				Int. Total
	Left	Thru	Right	App. Total	Left	Thru	Right	App. Total	Left	Thru	Right	App. Total	Left	Thru	Right	App. Total	
04:00 PM	0	15	14	29	0	0	9	9	19	15	0	34	0	0	0	0	72
04:15 PM	0	11	10	21	2	0	11	13	29	23	0	52	0	0	0	0	86
04:30 PM	0	12	10	22	1	0	0	1	28	20	0	48	0	0	0	0	71
04:45 PM	0	15	7	22	1	0	8	9	24	23	0	47	0	0	0	0	78
Total	0	53	41	94	4	0	28	32	100	81	0	181	0	0	0	0	307
05:00 PM	0	17	10	27	1	0	9	10	14	13	0	27	0	0	0	0	64
05:15 PM	0	14	17	31	0	0	7	7	18	19	0	37	0	0	0	0	75
05:30 PM	0	17	14	31	2	0	10	12	33	15	0	48	0	0	0	0	91
05:45 PM	0	19	14	33	0	0	3	3	29	14	0	43	0	0	0	0	79
Total	0	67	55	122	3	0	29	32	94	61	0	155	0	0	0	0	309
Grand Total	0	120	96	216	7	0	57	64	194	142	0	336	0	0	0	0	616
Apprch %	0	55.6	44.4		10.9	0	89.1		57.7	42.3	0		0	0	0		
Total %	0	19.5	15.6	35.1	1.1	0	9.3	10.4	31.5	23.1	0	54.5	0	0	0	0	
Passenger Vehicles	0	102	75	177	7	0	48	55	116	115	0	231	0	0	0	0	463
% Passenger Vehicles	0	85	78.1	81.9	100	0	84.2	85.9	59.8	81	0	68.8	0	0	0	0	75.2
Trucks	0	16	21	37	0	0	9	9	78	23	0	101	0	0	0	0	147
% Trucks	0	13.3	21.9	17.1	0	0	15.8	14.1	40.2	16.2	0	30.1	0	0	0	0	23.9
Buses	0	2	0	2	0	0	0	0	0	4	0	4	0	0	0	0	6
% Buses	0	1.7	0	0.9	0	0	0	0	0	2.8	0	1.2	0	0	0	0	1

Start Time	Broadway Street Southbound				I-40 Westbound Off Ramp Westbound				Broadway Street Northbound				I-40 Westbound On Ramp Eastbound				Int. Total
	Left	Thru	Right	App. Total	Left	Thru	Right	App. Total	Left	Thru	Right	App. Total	Left	Thru	Right	App. Total	
Peak Hour Analysis From 04:00 PM to 05:45 PM - Peak 1 of 1																	
Peak Hour for Entire Intersection Begins at 05:00 PM																	
05:00 PM	0	17	10	27	1	0	9	10	14	13	0	27	0	0	0	0	64
05:15 PM	0	14	17	31	0	0	7	7	18	19	0	37	0	0	0	0	75
05:30 PM	0	17	14	31	2	0	10	12	33	15	0	48	0	0	0	0	91
05:45 PM	0	19	14	33	0	0	3	3	29	14	0	43	0	0	0	0	79
Total Volume	0	67	55	122	3	0	29	32	94	61	0	155	0	0	0	0	309
% App. Total	0	54.9	45.1		9.4	0	90.6		60.6	39.4	0		0	0	0		
PHF	.000	.882	.809	.924	.375	.000	.725	.667	.712	.803	.000	.807	.000	.000	.000	.000	.849

City of Needles
 N/S: Broadway Street
 E/W: I-40 Westbound Ramps
 Weather: Clear

File Name : 16_NDL_Broadway_40W PM
 Site Code : 16621325
 Start Date : 7/15/2021
 Page No : 2



Peak Hour Analysis From 04:00 PM to 05:45 PM - Peak 1 of 1
 Peak Hour for Each Approach Begins at:

	05:00 PM				04:45 PM				04:00 PM				04:00 PM			
+0 mins.	0	17	10	27	1	0	8	9	19	15	0	34	0	0	0	0
+15 mins.	0	14	17	31	1	0	9	10	29	23	0	52	0	0	0	0
+30 mins.	0	17	14	31	0	0	7	7	28	20	0	48	0	0	0	0
+45 mins.	0	19	14	33	2	0	10	12	24	23	0	47	0	0	0	0
Total Volume	0	67	55	122	4	0	34	38	100	81	0	181	0	0	0	0
% App. Total	0	54.9	45.1		10.5	0	89.5		55.2	44.8	0		0	0	0	
PHF	.000	.882	.809	.924	.500	.000	.850	.792	.862	.880	.000	.870	.000	.000	.000	.000

City of Needles
 N/S: Broadway Street
 E/W: I-40 Westbound Ramps
 Weather: Clear

File Name : 16_NDL_Broadway_40W PM
 Site Code : 16621325
 Start Date : 7/15/2021
 Page No : 1

Groups Printed- Passenger Vehicles

Start Time	Broadway Street Southbound				I-40 Westbound Off Ramp Westbound				Broadway Street Northbound				I-40 Westbound On Ramp Eastbound				Int. Total
	Left	Thru	Right	App. Total	Left	Thru	Right	App. Total	Left	Thru	Right	App. Total	Left	Thru	Right	App. Total	
04:00 PM	0	14	13	27	0	0	9	9	9	13	0	22	0	0	0	0	58
04:15 PM	0	9	8	17	2	0	10	12	18	15	0	33	0	0	0	0	62
04:30 PM	0	10	8	18	1	0	0	1	21	16	0	37	0	0	0	0	56
04:45 PM	0	12	5	17	1	0	6	7	14	19	0	33	0	0	0	0	57
Total	0	45	34	79	4	0	25	29	62	63	0	125	0	0	0	0	233
05:00 PM	0	15	9	24	1	0	7	8	7	12	0	19	0	0	0	0	51
05:15 PM	0	12	15	27	0	0	5	5	9	15	0	24	0	0	0	0	56
05:30 PM	0	16	10	26	2	0	9	11	21	12	0	33	0	0	0	0	70
05:45 PM	0	14	7	21	0	0	2	2	17	13	0	30	0	0	0	0	53
Total	0	57	41	98	3	0	23	26	54	52	0	106	0	0	0	0	230
Grand Total	0	102	75	177	7	0	48	55	116	115	0	231	0	0	0	0	463
Apprch %	0	57.6	42.4		12.7	0	87.3		50.2	49.8	0		0	0	0		
Total %	0	22	16.2	38.2	1.5	0	10.4	11.9	25.1	24.8	0	49.9	0	0	0	0	

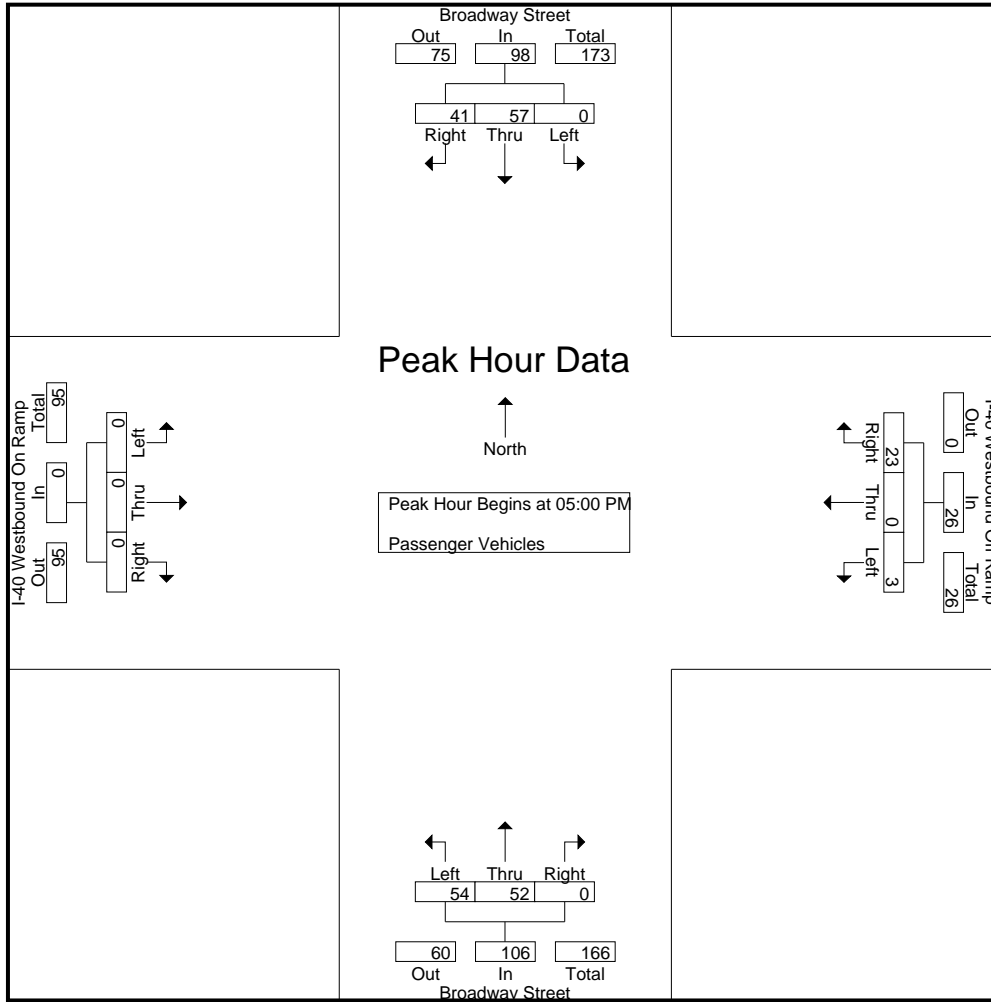
Start Time	Broadway Street Southbound				I-40 Westbound Off Ramp Westbound				Broadway Street Northbound				I-40 Westbound On Ramp Eastbound				Int. Total
	Left	Thru	Right	App. Total	Left	Thru	Right	App. Total	Left	Thru	Right	App. Total	Left	Thru	Right	App. Total	
05:00 PM	0	15	9	24	1	0	7	8	7	12	0	19	0	0	0	0	51
05:15 PM	0	12	15	27	0	0	5	5	9	15	0	24	0	0	0	0	56
05:30 PM	0	16	10	26	2	0	9	11	21	12	0	33	0	0	0	0	70
05:45 PM	0	14	7	21	0	0	2	2	17	13	0	30	0	0	0	0	53
Total Volume	0	57	41	98	3	0	23	26	54	52	0	106	0	0	0	0	230
% App. Total	0	58.2	41.8		11.5	0	88.5		50.9	49.1	0		0	0	0		
PHF	.000	.891	.683	.907	.375	.000	.639	.591	.643	.867	.000	.803	.000	.000	.000	.000	.821

Peak Hour Analysis From 05:00 PM to 05:45 PM - Peak 1 of 1

Peak Hour for Entire Intersection Begins at 05:00 PM

City of Needles
 N/S: Broadway Street
 E/W: I-40 Westbound Ramps
 Weather: Clear

File Name : 16_NDL_Broadway_40W PM
 Site Code : 16621325
 Start Date : 7/15/2021
 Page No : 2



Peak Hour Analysis From 05:00 PM to 05:45 PM - Peak 1 of 1
 Peak Hour for Each Approach Begins at:

	05:00 PM				05:00 PM				05:00 PM				05:00 PM			
+0 mins.	0	15	9	24	1	0	7	8	7	12	0	19	0	0	0	0
+15 mins.	0	12	15	27	0	0	5	5	9	15	0	24	0	0	0	0
+30 mins.	0	16	10	26	2	0	9	11	21	12	0	33	0	0	0	0
+45 mins.	0	14	7	21	0	0	2	2	17	13	0	30	0	0	0	0
Total Volume	0	57	41	98	3	0	23	26	54	52	0	106	0	0	0	0
% App. Total	0	58.2	41.8		11.5	0	88.5		50.9	49.1	0		0	0	0	
PHF	.000	.891	.683	.907	.375	.000	.639	.591	.643	.867	.000	.803	.000	.000	.000	.000

City of Needles
 N/S: Broadway Street
 E/W: I-40 Westbound Ramps
 Weather: Clear

File Name : 16_NDL_Broadway_40W PM
 Site Code : 16621325
 Start Date : 7/15/2021
 Page No : 1

Groups Printed- Trucks

Start Time	Broadway Street Southbound				I-40 Westbound Off Ramp Westbound				Broadway Street Northbound				I-40 Westbound On Ramp Eastbound				Int. Total
	Left	Thru	Right	App. Total	Left	Thru	Right	App. Total	Left	Thru	Right	App. Total	Left	Thru	Right	App. Total	
04:00 PM	0	1	1	2	0	0	0	0	10	2	0	12	0	0	0	0	14
04:15 PM	0	2	2	4	0	0	1	1	11	7	0	18	0	0	0	0	23
04:30 PM	0	1	2	3	0	0	0	0	7	4	0	11	0	0	0	0	14
04:45 PM	0	3	2	5	0	0	2	2	10	3	0	13	0	0	0	0	20
Total	0	7	7	14	0	0	3	3	38	16	0	54	0	0	0	0	71
05:00 PM	0	2	1	3	0	0	2	2	7	1	0	8	0	0	0	0	13
05:15 PM	0	2	2	4	0	0	2	2	9	3	0	12	0	0	0	0	18
05:30 PM	0	1	4	5	0	0	1	1	12	3	0	15	0	0	0	0	21
05:45 PM	0	4	7	11	0	0	1	1	12	0	0	12	0	0	0	0	24
Total	0	9	14	23	0	0	6	6	40	7	0	47	0	0	0	0	76
Grand Total	0	16	21	37	0	0	9	9	78	23	0	101	0	0	0	0	147
Apprch %	0	43.2	56.8		0	0	100		77.2	22.8	0		0	0	0		
Total %	0	10.9	14.3	25.2	0	0	6.1	6.1	53.1	15.6	0	68.7	0	0	0	0	

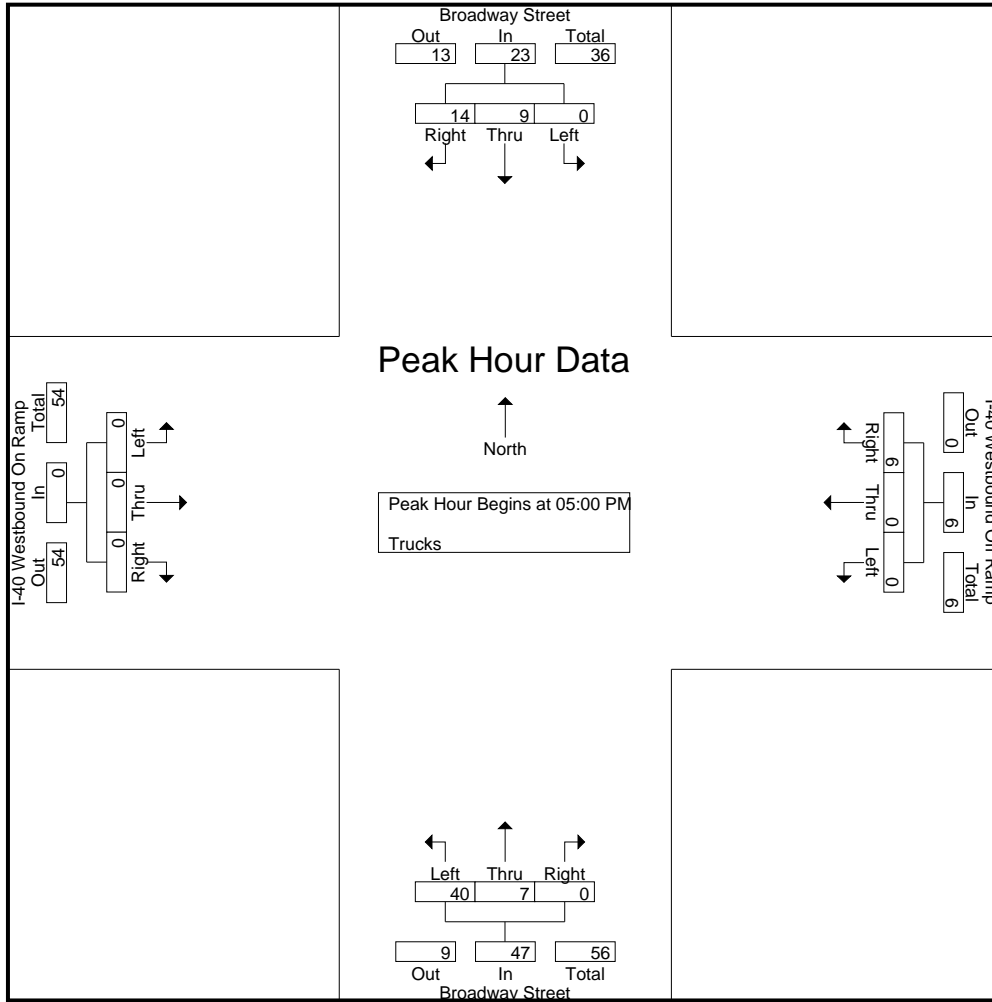
Start Time	Broadway Street Southbound				I-40 Westbound Off Ramp Westbound				Broadway Street Northbound				I-40 Westbound On Ramp Eastbound				Int. Total
	Left	Thru	Right	App. Total	Left	Thru	Right	App. Total	Left	Thru	Right	App. Total	Left	Thru	Right	App. Total	
05:00 PM	0	2	1	3	0	0	2	2	7	1	0	8	0	0	0	0	13
05:15 PM	0	2	2	4	0	0	2	2	9	3	0	12	0	0	0	0	18
05:30 PM	0	1	4	5	0	0	1	1	12	3	0	15	0	0	0	0	21
05:45 PM	0	4	7	11	0	0	1	1	12	0	0	12	0	0	0	0	24
Total Volume	0	9	14	23	0	0	6	6	40	7	0	47	0	0	0	0	76
% App. Total	0	39.1	60.9		0	0	100		85.1	14.9	0		0	0	0		
PHF	.000	.563	.500	.523	.000	.000	.750	.750	.833	.583	.000	.783	.000	.000	.000	.000	.792

Peak Hour Analysis From 05:00 PM to 05:45 PM - Peak 1 of 1

Peak Hour for Entire Intersection Begins at 05:00 PM

City of Needles
 N/S: Broadway Street
 E/W: I-40 Westbound Ramps
 Weather: Clear

File Name : 16_NDL_Broadway_40W PM
 Site Code : 16621325
 Start Date : 7/15/2021
 Page No : 2



Peak Hour Analysis From 05:00 PM to 05:45 PM - Peak 1 of 1
 Peak Hour for Each Approach Begins at:

	05:00 PM				05:00 PM				05:00 PM				05:00 PM			
+0 mins.	0	2	1	3	0	0	2	2	7	1	0	8	0	0	0	0
+15 mins.	0	2	2	4	0	0	2	2	9	3	0	12	0	0	0	0
+30 mins.	0	1	4	5	0	0	1	1	12	3	0	15	0	0	0	0
+45 mins.	0	4	7	11	0	0	1	1	12	0	0	12	0	0	0	0
Total Volume	0	9	14	23	0	0	6	6	40	7	0	47	0	0	0	0
% App. Total	0	39.1	60.9		0	0	100		85.1	14.9	0		0	0	0	
PHF	.000	.563	.500	.523	.000	.000	.750	.750	.833	.583	.000	.783	.000	.000	.000	.000

City of Needles
 N/S: Broadway Street
 E/W: I-40 Westbound Ramps
 Weather: Clear

File Name : 16_NDL_Broadway_40W PM
 Site Code : 16621325
 Start Date : 7/15/2021
 Page No : 1

Groups Printed- Buses

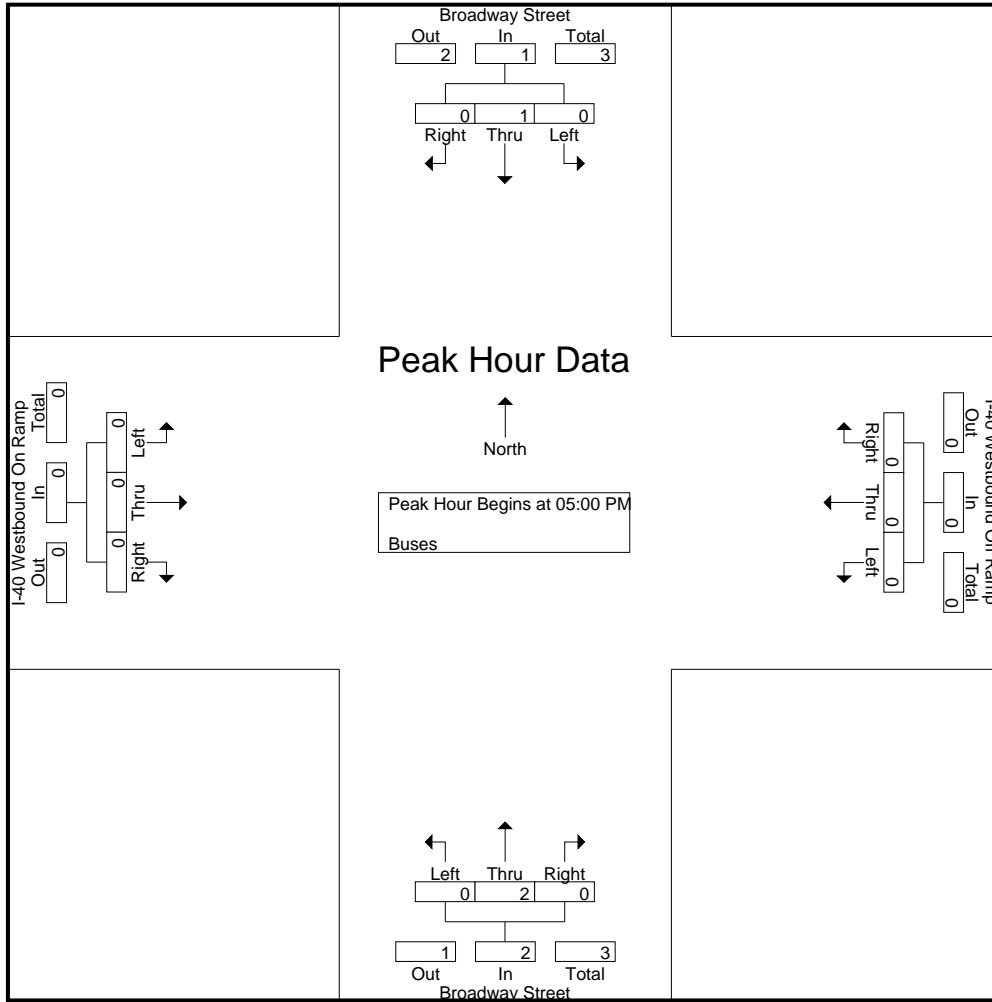
Start Time	Broadway Street Southbound				I-40 Westbound Off Ramp Westbound				Broadway Street Northbound				I-40 Westbound On Ramp Eastbound				Int. Total	
	Left	Thru	Right	App. Total	Left	Thru	Right	App. Total	Left	Thru	Right	App. Total	Left	Thru	Right	App. Total		
04:00 PM	0	0	0	0	0	0	0	0	0	0	0	0	0	0	0	0	0	0
04:15 PM	0	0	0	0	0	0	0	0	0	0	1	0	1	0	0	0	0	1
04:30 PM	0	1	0	1	0	0	0	0	0	0	0	0	0	0	0	0	0	1
04:45 PM	0	0	0	0	0	0	0	0	0	0	1	0	1	0	0	0	0	1
Total	0	1	0	1	0	0	0	0	0	0	2	0	2	0	0	0	0	3
05:00 PM	0	0	0	0	0	0	0	0	0	0	0	0	0	0	0	0	0	0
05:15 PM	0	0	0	0	0	0	0	0	0	0	1	0	1	0	0	0	0	1
05:30 PM	0	0	0	0	0	0	0	0	0	0	0	0	0	0	0	0	0	0
05:45 PM	0	1	0	1	0	0	0	0	0	0	1	0	1	0	0	0	0	2
Total	0	1	0	1	0	0	0	0	0	0	2	0	2	0	0	0	0	3
Grand Total	0	2	0	2	0	0	0	0	0	0	4	0	4	0	0	0	0	6
Apprch %	0	100	0		0	0	0		0	100	0		0	0	0			
Total %	0	33.3	0	33.3	0	0	0		0	66.7	0	66.7	0	0	0			

Start Time	Broadway Street Southbound				I-40 Westbound Off Ramp Westbound				Broadway Street Northbound				I-40 Westbound On Ramp Eastbound				Int. Total	
	Left	Thru	Right	App. Total	Left	Thru	Right	App. Total	Left	Thru	Right	App. Total	Left	Thru	Right	App. Total		
05:00 PM	0	0	0	0	0	0	0	0	0	0	0	0	0	0	0	0	0	0
05:15 PM	0	0	0	0	0	0	0	0	0	0	1	0	1	0	0	0	0	1
05:30 PM	0	0	0	0	0	0	0	0	0	0	0	0	0	0	0	0	0	0
05:45 PM	0	1	0	1	0	0	0	0	0	0	1	0	1	0	0	0	0	2
Total Volume	0	1	0	1	0	0	0	0	0	0	2	0	2	0	0	0	0	3
% App. Total	0	100	0		0	0	0		0	100	0		0	0	0			
PHF	.000	.250	.000	.250	.000	.000	.000	.000	.000	.000	.500	.000	.500	.000	.000	.000	.000	.375

Peak Hour Analysis From 05:00 PM to 05:45 PM - Peak 1 of 1
 Peak Hour for Entire Intersection Begins at 05:00 PM

City of Needles
 N/S: Broadway Street
 E/W: I-40 Westbound Ramps
 Weather: Clear

File Name : 16_NDL_Broadway_40W PM
 Site Code : 16621325
 Start Date : 7/15/2021
 Page No : 2



Peak Hour Analysis From 05:00 PM to 05:45 PM - Peak 1 of 1
 Peak Hour for Each Approach Begins at:

	05:00 PM				05:00 PM				05:00 PM				05:00 PM			
+0 mins.	0	0	0	0	0	0	0	0	0	0	0	0	0	0	0	0
+15 mins.	0	0	0	0	0	0	0	0	0	1	0	1	0	0	0	0
+30 mins.	0	0	0	0	0	0	0	0	0	0	0	0	0	0	0	0
+45 mins.	0	1	0	1	0	0	0	0	0	1	0	1	0	0	0	0
Total Volume	0	1	0	1	0	0	0	0	0	2	0	2	0	0	0	0
% App. Total	0	100	0	0	0	0	0	0	0	100	0	0	0	0	0	0
PHF	.000	.250	.000	.250	.000	.000	.000	.000	.000	.500	.000	.500	.000	.000	.000	.000

City of Needles
 N/S: Broadway Street
 E/W: I-40 Westbound Ramps
 Weather: Clear

File Name : 16_NDL_Broadway_40W SAT
 Site Code : 16621325
 Start Date : 7/17/2021
 Page No : 1

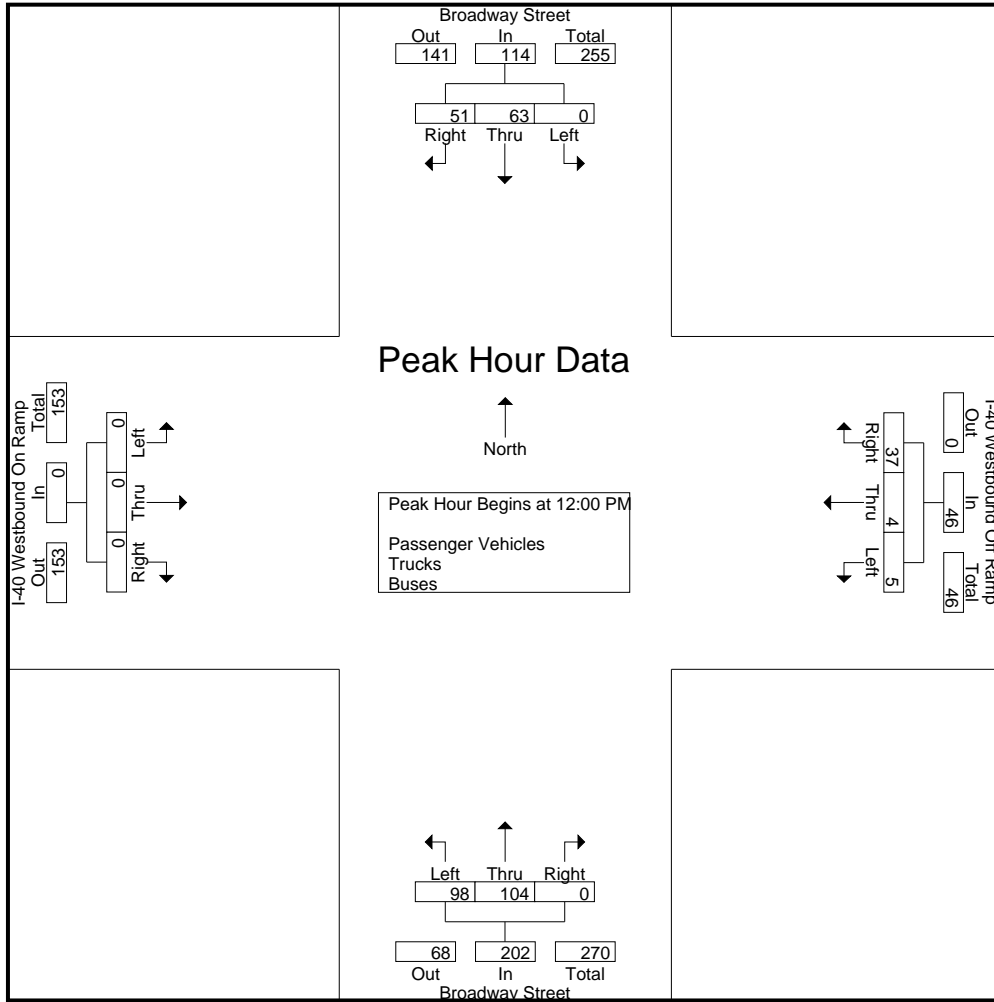
Groups Printed- Passenger Vehicles - Trucks - Buses

Start Time	Broadway Street Southbound				I-40 Westbound Off Ramp Westbound				Broadway Street Northbound				I-40 Westbound On Ramp Eastbound				Int. Total
	Left	Thru	Right	App. Total	Left	Thru	Right	App. Total	Left	Thru	Right	App. Total	Left	Thru	Right	App. Total	
12:00 PM	0	16	10	26	3	0	8	11	17	24	0	41	0	0	0	0	78
12:15 PM	0	17	9	26	1	3	8	12	30	31	0	61	0	0	0	0	99
12:30 PM	0	15	17	32	1	1	9	11	22	24	0	46	0	0	0	0	89
12:45 PM	0	15	15	30	0	0	12	12	29	25	0	54	0	0	0	0	96
Total	0	63	51	114	5	4	37	46	98	104	0	202	0	0	0	0	362
01:00 PM	0	14	12	26	0	0	9	9	22	17	0	39	0	0	0	0	74
01:15 PM	0	21	12	33	2	0	15	17	13	21	0	34	0	0	0	0	84
01:30 PM	0	16	14	30	3	0	10	13	25	11	0	36	0	0	0	0	79
01:45 PM	0	19	8	27	3	1	7	11	23	16	0	39	0	0	0	0	77
Total	0	70	46	116	8	1	41	50	83	65	0	148	0	0	0	0	314
Grand Total	0	133	97	230	13	5	78	96	181	169	0	350	0	0	0	0	676
Apprch %	0	57.8	42.2		13.5	5.2	81.2		51.7	48.3	0		0	0	0		
Total %	0	19.7	14.3	34	1.9	0.7	11.5	14.2	26.8	25	0	51.8	0	0	0	0	
Passenger Vehicles	0	115	79	194	11	2	70	83	116	142	0	258	0	0	0	0	535
% Passenger Vehicles	0	86.5	81.4	84.3	84.6	40	89.7	86.5	64.1	84	0	73.7	0	0	0	0	79.1
Trucks	0	16	18	34	2	3	8	13	65	23	0	88	0	0	0	0	135
% Trucks	0	12	18.6	14.8	15.4	60	10.3	13.5	35.9	13.6	0	25.1	0	0	0	0	20
Buses	0	2	0	2	0	0	0	0	0	4	0	4	0	0	0	0	6
% Buses	0	1.5	0	0.9	0	0	0	0	0	2.4	0	1.1	0	0	0	0	0.9

Start Time	Broadway Street Southbound				I-40 Westbound Off Ramp Westbound				Broadway Street Northbound				I-40 Westbound On Ramp Eastbound				Int. Total
	Left	Thru	Right	App. Total	Left	Thru	Right	App. Total	Left	Thru	Right	App. Total	Left	Thru	Right	App. Total	
Peak Hour Analysis From 12:00 PM to 01:45 PM - Peak 1 of 1																	
Peak Hour for Entire Intersection Begins at 12:00 PM																	
12:00 PM	0	16	10	26	3	0	8	11	17	24	0	41	0	0	0	0	78
12:15 PM	0	17	9	26	1	3	8	12	30	31	0	61	0	0	0	0	99
12:30 PM	0	15	17	32	1	1	9	11	22	24	0	46	0	0	0	0	89
12:45 PM	0	15	15	30	0	0	12	12	29	25	0	54	0	0	0	0	96
Total Volume	0	63	51	114	5	4	37	46	98	104	0	202	0	0	0	0	362
% App. Total	0	55.3	44.7		10.9	8.7	80.4		48.5	51.5	0		0	0	0		
PHF	.000	.926	.750	.891	.417	.333	.771	.958	.817	.839	.000	.828	.000	.000	.000	.000	.914

City of Needles
 N/S: Broadway Street
 E/W: I-40 Westbound Ramps
 Weather: Clear

File Name : 16_NDL_Broadway_40W SAT
 Site Code : 16621325
 Start Date : 7/17/2021
 Page No : 2



Peak Hour Analysis From 12:00 PM to 01:45 PM - Peak 1 of 1
 Peak Hour for Each Approach Begins at:

	12:30 PM				12:45 PM				12:00 PM				12:00 PM			
+0 mins.	0	15	17	32	0	0	12	12	17	24	0	41	0	0	0	0
+15 mins.	0	15	15	30	0	0	9	9	30	31	0	61	0	0	0	0
+30 mins.	0	14	12	26	2	0	15	17	22	24	0	46	0	0	0	0
+45 mins.	0	21	12	33	3	0	10	13	29	25	0	54	0	0	0	0
Total Volume	0	65	56	121	5	0	46	51	98	104	0	202	0	0	0	0
% App. Total	0	53.7	46.3		9.8	0	90.2		48.5	51.5	0		0	0	0	
PHF	.000	.774	.824	.917	.417	.000	.767	.750	.817	.839	.000	.828	.000	.000	.000	.000

City of Needles
 N/S: Broadway Street
 E/W: I-40 Westbound Ramps
 Weather: Clear

File Name : 16_NDL_Broadway_40W SAT
 Site Code : 16621325
 Start Date : 7/17/2021
 Page No : 1

Groups Printed- Passenger Vehicles

Start Time	Broadway Street Southbound				I-40 Westbound Off Ramp Westbound				Broadway Street Northbound				I-40 Westbound On Ramp Eastbound				Int. Total
	Left	Thru	Right	App. Total	Left	Thru	Right	App. Total	Left	Thru	Right	App. Total	Left	Thru	Right	App. Total	
12:00 PM	0	14	9	23	2	0	7	9	14	19	0	33	0	0	0	0	65
12:15 PM	0	14	8	22	1	1	8	10	21	27	0	48	0	0	0	0	80
12:30 PM	0	11	11	22	1	0	9	10	11	22	0	33	0	0	0	0	65
12:45 PM	0	14	14	28	0	0	9	9	23	20	0	43	0	0	0	0	80
Total	0	53	42	95	4	1	33	38	69	88	0	157	0	0	0	0	290
01:00 PM	0	12	10	22	0	0	8	8	14	14	0	28	0	0	0	0	58
01:15 PM	0	20	10	30	2	0	13	15	6	16	0	22	0	0	0	0	67
01:30 PM	0	13	11	24	3	0	9	12	15	11	0	26	0	0	0	0	62
01:45 PM	0	17	6	23	2	1	7	10	12	13	0	25	0	0	0	0	58
Total	0	62	37	99	7	1	37	45	47	54	0	101	0	0	0	0	245
Grand Total	0	115	79	194	11	2	70	83	116	142	0	258	0	0	0	0	535
Apprch %	0	59.3	40.7		13.3	2.4	84.3		45	55	0		0	0	0		
Total %	0	21.5	14.8	36.3	2.1	0.4	13.1	15.5	21.7	26.5	0	48.2	0	0	0	0	

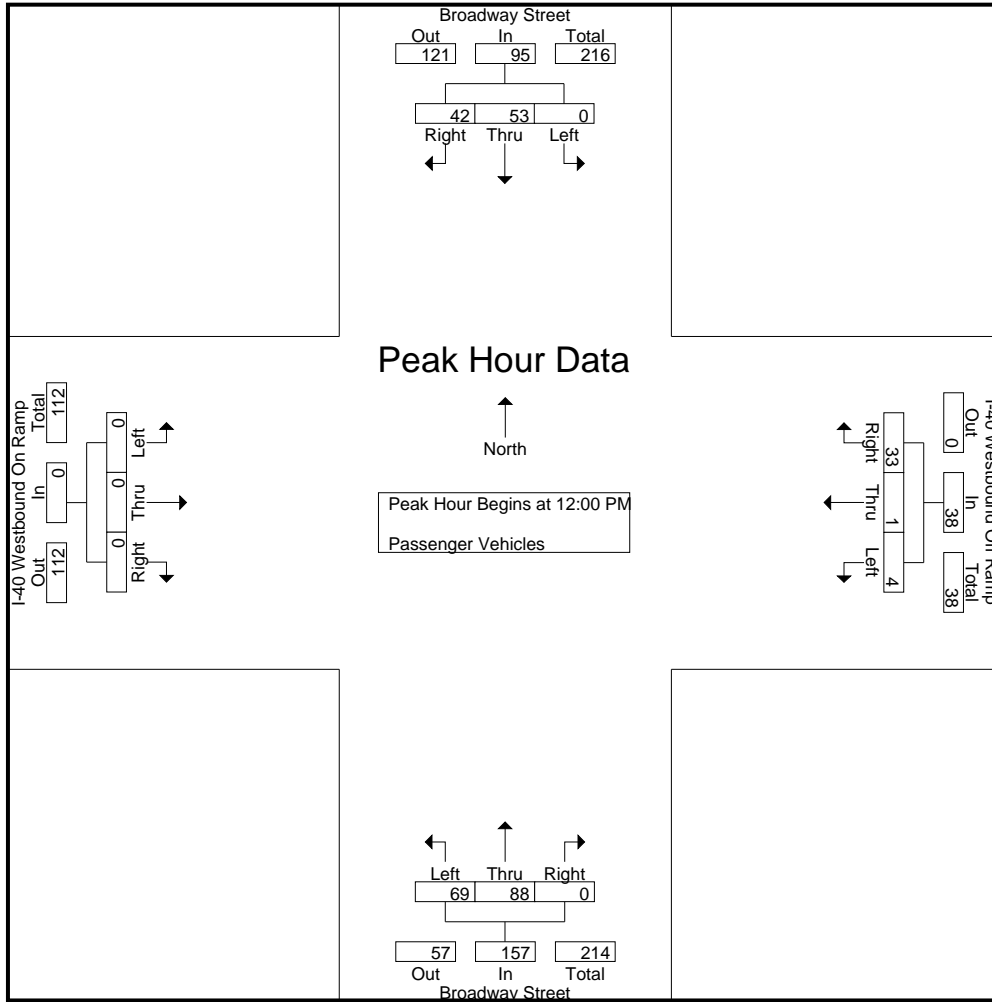
Start Time	Broadway Street Southbound				I-40 Westbound Off Ramp Westbound				Broadway Street Northbound				I-40 Westbound On Ramp Eastbound				Int. Total
	Left	Thru	Right	App. Total	Left	Thru	Right	App. Total	Left	Thru	Right	App. Total	Left	Thru	Right	App. Total	
12:00 PM	0	14	9	23	2	0	7	9	14	19	0	33	0	0	0	0	65
12:15 PM	0	14	8	22	1	1	8	10	21	27	0	48	0	0	0	0	80
12:30 PM	0	11	11	22	1	0	9	10	11	22	0	33	0	0	0	0	65
12:45 PM	0	14	14	28	0	0	9	9	23	20	0	43	0	0	0	0	80
Total Volume	0	53	42	95	4	1	33	38	69	88	0	157	0	0	0	0	290
% App. Total	0	55.8	44.2		10.5	2.6	86.8		43.9	56.1	0		0	0	0		
PHF	.000	.946	.750	.848	.500	.250	.917	.950	.750	.815	.000	.818	.000	.000	.000	.000	.906

Peak Hour Analysis From 12:00 PM to 12:45 PM - Peak 1 of 1

Peak Hour for Entire Intersection Begins at 12:00 PM

City of Needles
 N/S: Broadway Street
 E/W: I-40 Westbound Ramps
 Weather: Clear

File Name : 16_NDL_Broadway_40W SAT
 Site Code : 16621325
 Start Date : 7/17/2021
 Page No : 2



Peak Hour Analysis From 12:00 PM to 12:45 PM - Peak 1 of 1
 Peak Hour for Each Approach Begins at:

	12:00 PM				12:00 PM				12:00 PM				12:00 PM			
+0 mins.	0	14	9	23	2	0	7	9	14	19	0	33	0	0	0	0
+15 mins.	0	14	8	22	1	1	8	10	21	27	0	48	0	0	0	0
+30 mins.	0	11	11	22	1	0	9	10	11	22	0	33	0	0	0	0
+45 mins.	0	14	14	28	0	0	9	9	23	20	0	43	0	0	0	0
Total Volume	0	53	42	95	4	1	33	38	69	88	0	157	0	0	0	0
% App. Total	0	55.8	44.2		10.5	2.6	86.8		43.9	56.1	0		0	0	0	
PHF	.000	.946	.750	.848	.500	.250	.917	.950	.750	.815	.000	.818	.000	.000	.000	.000

City of Needles
 N/S: Broadway Street
 E/W: I-40 Westbound Ramps
 Weather: Clear

File Name : 16_NDL_Broadway_40W SAT
 Site Code : 16621325
 Start Date : 7/17/2021
 Page No : 1

Groups Printed- Trucks

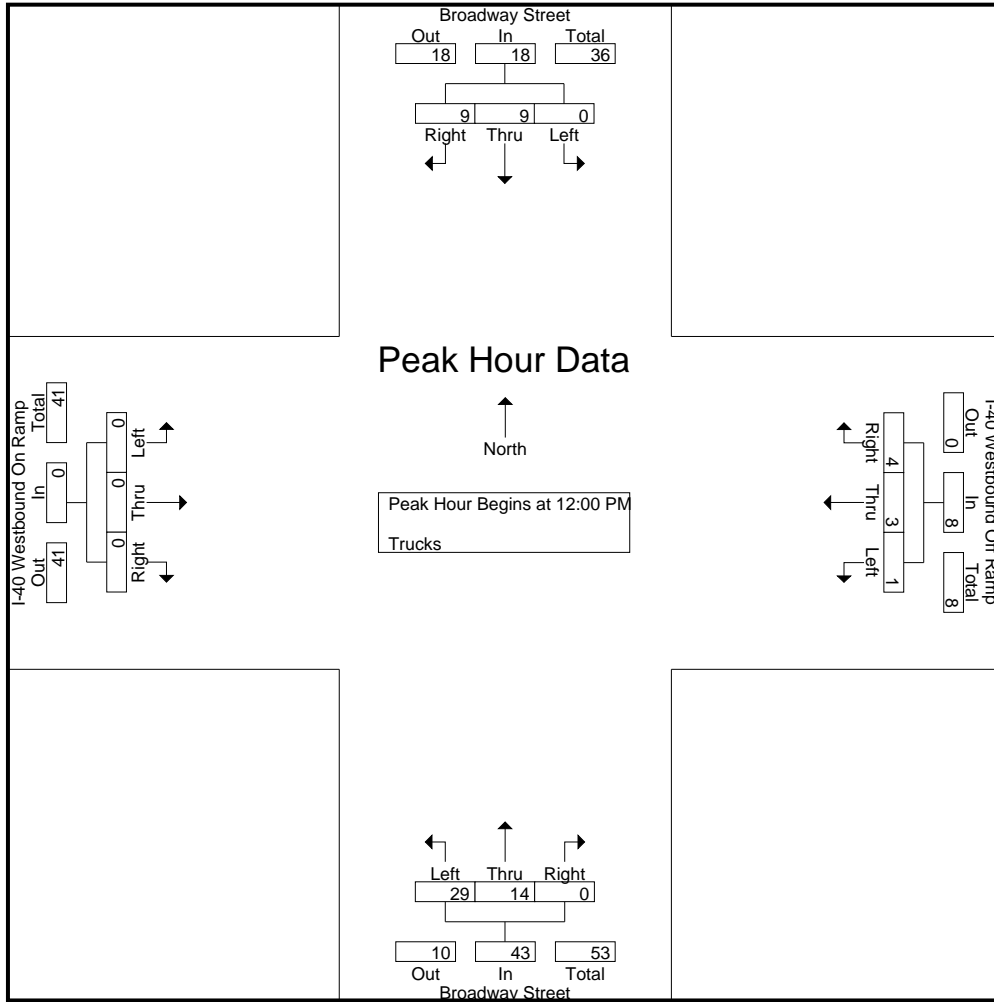
Start Time	Broadway Street Southbound				I-40 Westbound Off Ramp Westbound				Broadway Street Northbound				I-40 Westbound On Ramp Eastbound				Int. Total
	Left	Thru	Right	App. Total	Left	Thru	Right	App. Total	Left	Thru	Right	App. Total	Left	Thru	Right	App. Total	
12:00 PM	0	2	1	3	1	0	1	2	3	4	0	7	0	0	0	0	12
12:15 PM	0	3	1	4	0	2	0	2	9	4	0	13	0	0	0	0	19
12:30 PM	0	4	6	10	0	1	0	1	11	2	0	13	0	0	0	0	24
12:45 PM	0	0	1	1	0	0	3	3	6	4	0	10	0	0	0	0	14
Total	0	9	9	18	1	3	4	8	29	14	0	43	0	0	0	0	69
01:00 PM	0	2	2	4	0	0	1	1	8	3	0	11	0	0	0	0	16
01:15 PM	0	1	2	3	0	0	2	2	7	4	0	11	0	0	0	0	16
01:30 PM	0	3	3	6	0	0	1	1	10	0	0	10	0	0	0	0	17
01:45 PM	0	1	2	3	1	0	0	1	11	2	0	13	0	0	0	0	17
Total	0	7	9	16	1	0	4	5	36	9	0	45	0	0	0	0	66
Grand Total	0	16	18	34	2	3	8	13	65	23	0	88	0	0	0	0	135
Apprch %	0	47.1	52.9		15.4	23.1	61.5		73.9	26.1	0		0	0	0		
Total %	0	11.9	13.3	25.2	1.5	2.2	5.9	9.6	48.1	17	0	65.2	0	0	0	0	

Start Time	Broadway Street Southbound				I-40 Westbound Off Ramp Westbound				Broadway Street Northbound				I-40 Westbound On Ramp Eastbound				Int. Total
	Left	Thru	Right	App. Total	Left	Thru	Right	App. Total	Left	Thru	Right	App. Total	Left	Thru	Right	App. Total	
12:00 PM	0	2	1	3	1	0	1	2	3	4	0	7	0	0	0	0	12
12:15 PM	0	3	1	4	0	2	0	2	9	4	0	13	0	0	0	0	19
12:30 PM	0	4	6	10	0	1	0	1	11	2	0	13	0	0	0	0	24
12:45 PM	0	0	1	1	0	0	3	3	6	4	0	10	0	0	0	0	14
Total Volume	0	9	9	18	1	3	4	8	29	14	0	43	0	0	0	0	69
% App. Total	0	50	50		12.5	37.5	50		67.4	32.6	0		0	0	0		
PHF	.000	.563	.375	.450	.250	.375	.333	.667	.659	.875	.000	.827	.000	.000	.000	.000	.719

Peak Hour Analysis From 12:00 PM to 12:45 PM - Peak 1 of 1
 Peak Hour for Entire Intersection Begins at 12:00 PM

City of Needles
 N/S: Broadway Street
 E/W: I-40 Westbound Ramps
 Weather: Clear

File Name : 16_NDL_Broadway_40W SAT
 Site Code : 16621325
 Start Date : 7/17/2021
 Page No : 2



Peak Hour Analysis From 12:00 PM to 12:45 PM - Peak 1 of 1
 Peak Hour for Each Approach Begins at:

	12:00 PM				12:00 PM				12:00 PM				12:00 PM			
+0 mins.	0	2	1	3	1	0	1	2	3	4	0	7	0	0	0	0
+15 mins.	0	3	1	4	0	2	0	2	9	4	0	13	0	0	0	0
+30 mins.	0	4	6	10	0	1	0	1	11	2	0	13	0	0	0	0
+45 mins.	0	0	1	1	0	0	3	3	6	4	0	10	0	0	0	0
Total Volume	0	9	9	18	1	3	4	8	29	14	0	43	0	0	0	0
% App. Total	0	50	50		12.5	37.5	50		67.4	32.6	0		0	0	0	
PHF	.000	.563	.375	.450	.250	.375	.333	.667	.659	.875	.000	.827	.000	.000	.000	.000

City of Needles
 N/S: Broadway Street
 E/W: I-40 Westbound Ramps
 Weather: Clear

File Name : 16_NDL_Broadway_40W SAT
 Site Code : 16621325
 Start Date : 7/17/2021
 Page No : 1

Groups Printed- Buses

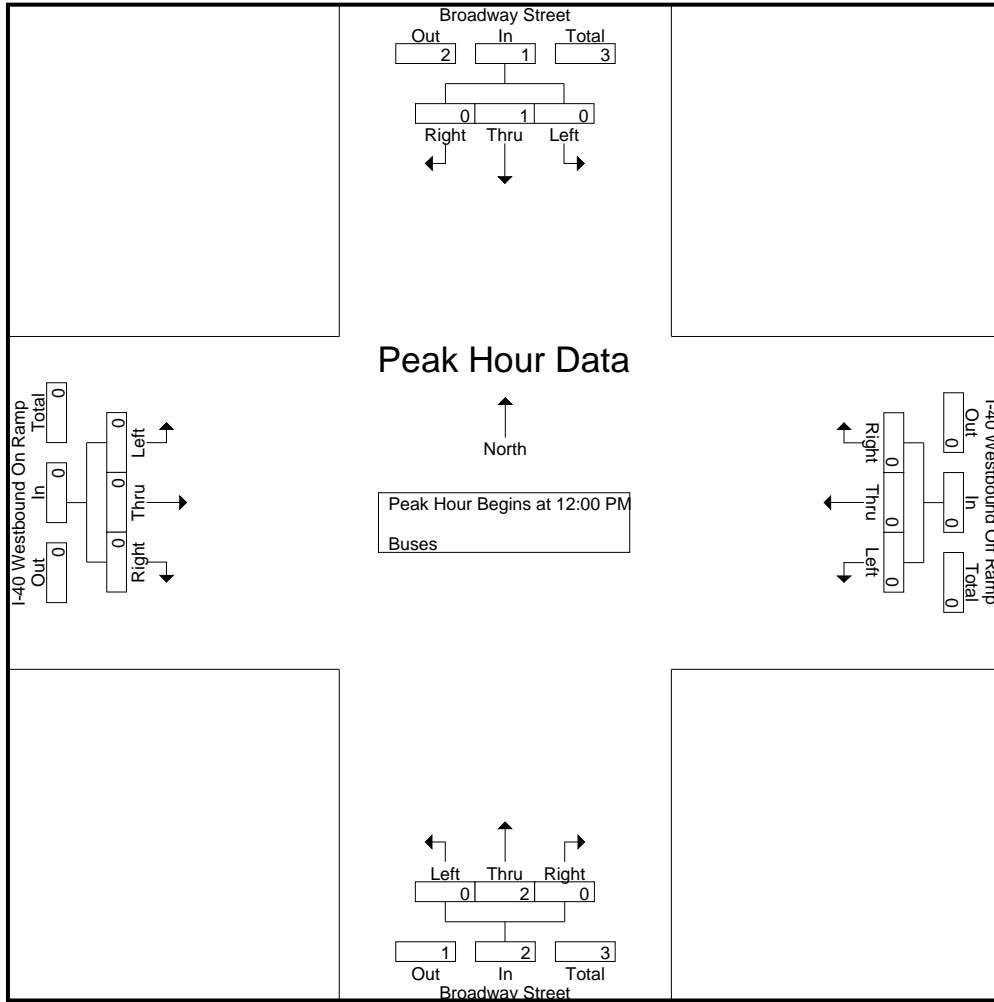
Start Time	Broadway Street Southbound				I-40 Westbound Off Ramp Westbound				Broadway Street Northbound				I-40 Westbound On Ramp Eastbound				Int. Total
	Left	Thru	Right	App. Total	Left	Thru	Right	App. Total	Left	Thru	Right	App. Total	Left	Thru	Right	App. Total	
12:00 PM	0	0	0	0	0	0	0	0	0	1	0	1	0	0	0	0	1
12:15 PM	0	0	0	0	0	0	0	0	0	0	0	0	0	0	0	0	0
12:30 PM	0	0	0	0	0	0	0	0	0	0	0	0	0	0	0	0	0
12:45 PM	0	1	0	1	0	0	0	0	0	1	0	1	0	0	0	0	2
Total	0	1	0	1	0	0	0	0	0	2	0	2	0	0	0	0	3
01:00 PM	0	0	0	0	0	0	0	0	0	0	0	0	0	0	0	0	0
01:15 PM	0	0	0	0	0	0	0	0	0	1	0	1	0	0	0	0	1
01:30 PM	0	0	0	0	0	0	0	0	0	0	0	0	0	0	0	0	0
01:45 PM	0	1	0	1	0	0	0	0	0	1	0	1	0	0	0	0	2
Total	0	1	0	1	0	0	0	0	0	2	0	2	0	0	0	0	3
Grand Total	0	2	0	2	0	0	0	0	0	4	0	4	0	0	0	0	6
Apprch %	0	100	0		0	0	0		0	100	0		0	0	0		
Total %	0	33.3	0	33.3	0	0	0		0	66.7	0	66.7	0	0	0		

Start Time	Broadway Street Southbound				I-40 Westbound Off Ramp Westbound				Broadway Street Northbound				I-40 Westbound On Ramp Eastbound				Int. Total
	Left	Thru	Right	App. Total	Left	Thru	Right	App. Total	Left	Thru	Right	App. Total	Left	Thru	Right	App. Total	
12:00 PM	0	0	0	0	0	0	0	0	0	1	0	1	0	0	0	0	1
12:15 PM	0	0	0	0	0	0	0	0	0	0	0	0	0	0	0	0	0
12:30 PM	0	0	0	0	0	0	0	0	0	0	0	0	0	0	0	0	0
12:45 PM	0	1	0	1	0	0	0	0	0	1	0	1	0	0	0	0	2
Total Volume	0	1	0	1	0	0	0	0	0	2	0	2	0	0	0	0	3
% App. Total	0	100	0		0	0	0		0	100	0		0	0	0		
PHF	.000	.250	.000	.250	.000	.000	.000	.000	.000	.500	.000	.500	.000	.000	.000	.000	.375

Peak Hour Analysis From 12:00 PM to 12:45 PM - Peak 1 of 1
 Peak Hour for Entire Intersection Begins at 12:00 PM

City of Needles
 N/S: Broadway Street
 E/W: I-40 Westbound Ramps
 Weather: Clear

File Name : 16_NDL_Broadway_40W SAT
 Site Code : 16621325
 Start Date : 7/17/2021
 Page No : 2



Peak Hour Analysis From 12:00 PM to 12:45 PM - Peak 1 of 1
 Peak Hour for Each Approach Begins at:

	12:00 PM				12:00 PM				12:00 PM				12:00 PM			
+0 mins.	0	0	0	0	0	0	0	0	0	1	0	1	0	0	0	0
+15 mins.	0	0	0	0	0	0	0	0	0	0	0	0	0	0	0	0
+30 mins.	0	0	0	0	0	0	0	0	0	0	0	0	0	0	0	0
+45 mins.	0	1	0	1	0	0	0	0	0	1	0	1	0	0	0	0
Total Volume	0	1	0	1	0	0	0	0	0	2	0	2	0	0	0	0
% App. Total	0	100	0	0	0	0	0	0	0	100	0	0	0	0	0	0
PHF	.000	.250	.000	.250	.000	.000	.000	.000	.000	.500	.000	.500	.000	.000	.000	.000

Location: Needles
 N/S: Broadway Street
 E/W: I-40 Westbound Ramps



PEDESTRIANS

Date: 7/15/2021
 Day: Thursday

	North Leg Broadway Street	East Leg I-40 Westbound Ramps	South Leg Broadway Street	West Leg I-40 Westbound Ramps	
	Pedestrians	Pedestrians	Pedestrians	Pedestrians	
7:00 AM	0	0	0	0	0
7:15 AM	0	0	0	1	1
7:30 AM	0	0	0	0	0
7:45 AM	0	0	0	0	0
8:00 AM	0	1	0	0	1
8:15 AM	0	1	1	1	3
8:30 AM	0	1	0	0	1
8:45 AM	0	0	0	0	0
TOTAL VOLUMES:	0	3	1	2	6

Date: 7/15/2021
 Day: Thursday

	North Leg Broadway Street	East Leg I-40 Westbound Ramps	South Leg Broadway Street	West Leg I-40 Westbound Ramps	
	Pedestrians	Pedestrians	Pedestrians	Pedestrians	
4:00 PM	0	0	0	0	0
4:15 PM	0	0	0	0	0
4:30 PM	0	0	0	0	0
4:45 PM	0	0	0	0	0
5:00 PM	0	0	0	0	0
5:15 PM	0	0	0	0	0
5:30 PM	1	0	0	0	1
5:45 PM	0	0	0	0	0
TOTAL VOLUMES:	1	0	0	0	1

Date: 7/17/2021
 Day: Saturday

	North Leg Broadway Street	East Leg I-40 Westbound Ramps	South Leg Broadway Street	West Leg I-40 Westbound Ramps	
	Pedestrians	Pedestrians	Pedestrians	Pedestrians	
12:00 PM	0	0	0	0	0
12:15 PM	0	0	0	0	0
12:30 PM	0	0	0	0	0
12:45 PM	0	0	0	0	0
1:00 PM	0	0	0	0	0
1:15 PM	0	0	0	0	0
1:30 PM	0	0	0	0	0
1:45 PM	0	0	0	0	0
TOTAL VOLUMES:	0	0	0	0	0

Location: Needles
 N/S: Broadway Street
 E/W: I-40 Westbound Ramps



BICYCLES

Date: 7/15/2021
 Day: Thursday

	Southbound Broadway Street			Westbound I-40 Westbound Ramps			Northbound Broadway Street			Eastbound I-40 Westbound Ramps			
	Left	Thru	Right	Left	Thru	Right	Left	Thru	Right	Left	Thru	Right	
7:00 AM	0	0	0	0	0	0	0	0	0	0	0	0	0
7:15 AM	0	0	0	0	0	0	0	1	0	0	0	0	1
7:30 AM	0	0	0	0	0	0	0	0	0	0	0	0	0
7:45 AM	0	0	0	0	0	0	0	1	0	0	0	0	1
8:00 AM	0	1	0	0	0	0	0	1	0	0	0	0	2
8:15 AM	0	0	0	0	0	0	0	0	0	0	0	0	0
8:30 AM	0	0	0	0	0	0	0	0	0	0	0	0	0
8:45 AM	0	0	0	0	0	0	0	0	0	0	0	0	0
TOTAL VOLUMES:	0	1	0	0	0	0	0	3	0	0	0	0	4

Date: 7/15/2021
 Day: Thursday

	Southbound Broadway Street			Westbound I-40 Westbound Ramps			Northbound Broadway Street			Eastbound I-40 Westbound Ramps			
	Left	Thru	Right	Left	Thru	Right	Left	Thru	Right	Left	Thru	Right	
4:00 PM	0	0	0	0	0	0	0	0	0	0	0	0	0
4:15 PM	0	0	0	0	0	0	0	0	0	0	0	0	0
4:30 PM	0	0	0	0	0	0	0	0	0	0	0	0	0
4:45 PM	0	0	0	0	0	0	0	0	0	0	0	0	0
5:00 PM	0	0	0	0	0	0	0	0	0	0	0	0	0
5:15 PM	0	0	0	0	0	1	0	0	0	0	0	0	1
5:30 PM	0	0	0	0	0	0	0	0	0	0	0	0	0
5:45 PM	0	0	0	0	0	0	0	0	0	0	0	0	0
TOTAL VOLUMES:	0	0	0	0	0	1	0	0	0	0	0	0	1

Date: 7/17/2021
 Day: Saturday

	Southbound Broadway Street			Westbound I-40 Westbound Ramps			Northbound Broadway Street			Eastbound I-40 Westbound Ramps			
	Left	Thru	Right	Left	Thru	Right	Left	Thru	Right	Left	Thru	Right	
12:00 PM	0	0	0	0	0	0	0	0	0	0	0	0	0
12:15 PM	0	0	0	0	0	0	0	0	0	0	0	0	0
12:30 PM	0	0	0	0	0	0	0	0	0	0	0	0	0
12:45 PM	0	0	0	0	0	0	0	0	0	0	0	0	0
1:00 PM	0	0	0	0	0	0	0	0	0	0	0	0	0
1:15 PM	0	0	0	0	0	0	0	0	0	0	0	0	0
1:30 PM	0	0	0	0	0	0	0	0	0	0	0	0	0
1:45 PM	0	0	0	0	0	0	0	0	0	0	0	0	0
TOTAL VOLUMES:	0	0	0	0	0	0	0	0	0	0	0	0	0

City of Needles
 N/S: Broadway Street
 E/W: Goodwill Street
 Weather: Clear

File Name : 17_NDL_Broadway_Goodwill AM
 Site Code : 16621325
 Start Date : 7/15/2021
 Page No : 1

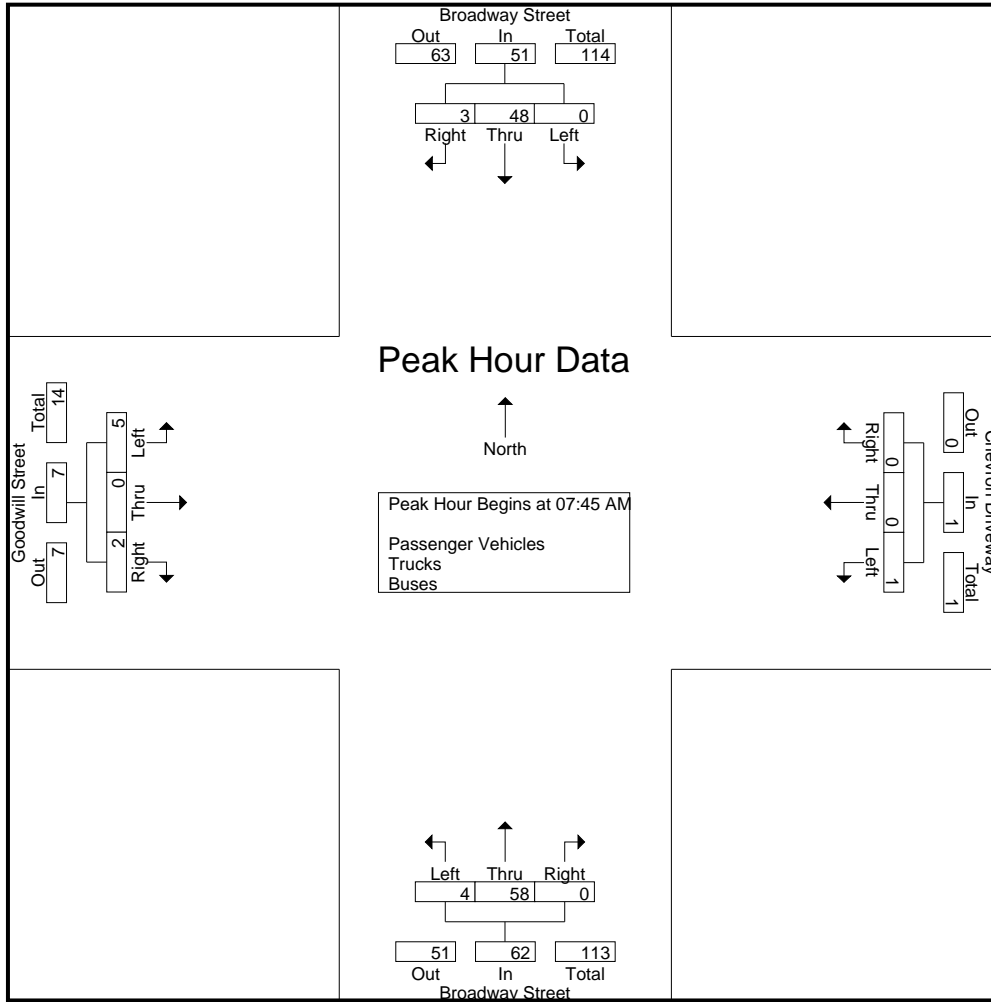
Groups Printed- Passenger Vehicles - Trucks - Buses

Start Time	Broadway Street Southbound				Chevron Driveway Westbound				Broadway Street Northbound				Goodwill Street Eastbound				Int. Total
	Left	Thru	Right	App. Total	Left	Thru	Right	App. Total	Left	Thru	Right	App. Total	Left	Thru	Right	App. Total	
07:00 AM	0	15	2	17	2	0	0	2	0	11	1	12	1	0	1	2	33
07:15 AM	0	10	0	10	1	0	0	1	0	9	0	9	1	0	2	3	23
07:30 AM	0	16	2	18	0	0	0	0	0	12	0	12	1	0	0	1	31
07:45 AM	0	11	1	12	1	0	0	1	3	12	0	15	3	0	1	4	32
Total	0	52	5	57	4	0	0	4	3	44	1	48	6	0	4	10	119
08:00 AM	0	15	2	17	0	0	0	0	1	12	0	13	0	0	0	0	30
08:15 AM	0	9	0	9	0	0	0	0	0	15	0	15	2	0	1	3	27
08:30 AM	0	13	0	13	0	0	0	0	0	19	0	19	0	0	0	0	32
08:45 AM	0	15	0	15	1	0	0	1	0	8	1	9	1	0	0	1	26
Total	0	52	2	54	1	0	0	1	1	54	1	56	3	0	1	4	115
Grand Total	0	104	7	111	5	0	0	5	4	98	2	104	9	0	5	14	234
Apprch %	0	93.7	6.3		100	0	0		3.8	94.2	1.9		64.3	0	35.7		
Total %	0	44.4	3	47.4	2.1	0	0	2.1	1.7	41.9	0.9	44.4	3.8	0	2.1	6	
Passenger Vehicles	0	93	6	99	2	0	0	2	4	86	0	90	8	0	5	13	204
% Passenger Vehicles	0	89.4	85.7	89.2	40	0	0	40	100	87.8	0	86.5	88.9	0	100	92.9	87.2
Trucks	0	9	1	10	3	0	0	3	0	8	2	10	1	0	0	1	24
% Trucks	0	8.7	14.3	9	60	0	0	60	0	8.2	100	9.6	11.1	0	0	7.1	10.3
Buses	0	2	0	2	0	0	0	0	0	4	0	4	0	0	0	0	6
% Buses	0	1.9	0	1.8	0	0	0	0	0	4.1	0	3.8	0	0	0	0	2.6

Start Time	Broadway Street Southbound				Chevron Driveway Westbound				Broadway Street Northbound				Goodwill Street Eastbound				Int. Total
	Left	Thru	Right	App. Total	Left	Thru	Right	App. Total	Left	Thru	Right	App. Total	Left	Thru	Right	App. Total	
Peak Hour Analysis From 07:00 AM to 08:45 AM - Peak 1 of 1																	
Peak Hour for Entire Intersection Begins at 07:45 AM																	
07:45 AM	0	11	1	12	1	0	0	1	3	12	0	15	3	0	1	4	32
08:00 AM	0	15	2	17	0	0	0	0	1	12	0	13	0	0	0	0	30
08:15 AM	0	9	0	9	0	0	0	0	0	15	0	15	2	0	1	3	27
08:30 AM	0	13	0	13	0	0	0	0	0	19	0	19	0	0	0	0	32
Total Volume	0	48	3	51	1	0	0	1	4	58	0	62	5	0	2	7	121
% App. Total	0	94.1	5.9		100	0	0		6.5	93.5	0		71.4	0	28.6		
PHF	.000	.800	.375	.750	.250	.000	.000	.250	.333	.763	.000	.816	.417	.000	.500	.438	.945

City of Needles
 N/S: Broadway Street
 E/W: Goodwill Street
 Weather: Clear

File Name : 17_NDL_Broadway_Goodwill AM
 Site Code : 16621325
 Start Date : 7/15/2021
 Page No : 2



Peak Hour Analysis From 07:00 AM to 08:45 AM - Peak 1 of 1
 Peak Hour for Each Approach Begins at:

	07:00 AM				07:00 AM				07:45 AM				07:00 AM			
+0 mins.	0	15	2	17	2	0	0	2	3	12	0	15	1	0	1	2
+15 mins.	0	10	0	10	1	0	0	1	1	12	0	13	1	0	2	3
+30 mins.	0	16	2	18	0	0	0	0	0	15	0	15	1	0	0	1
+45 mins.	0	11	1	12	1	0	0	1	0	19	0	19	3	0	1	4
Total Volume	0	52	5	57	4	0	0	4	4	58	0	62	6	0	4	10
% App. Total	0	91.2	8.8		100	0	0		6.5	93.5	0		60	0	40	
PHF	.000	.813	.625	.792	.500	.000	.000	.500	.333	.763	.000	.816	.500	.000	.500	.625

City of Needles
 N/S: Broadway Street
 E/W: Goodwill Street
 Weather: Clear

File Name : 17_NDL_Broadway_Goodwill AM
 Site Code : 16621325
 Start Date : 7/15/2021
 Page No : 1

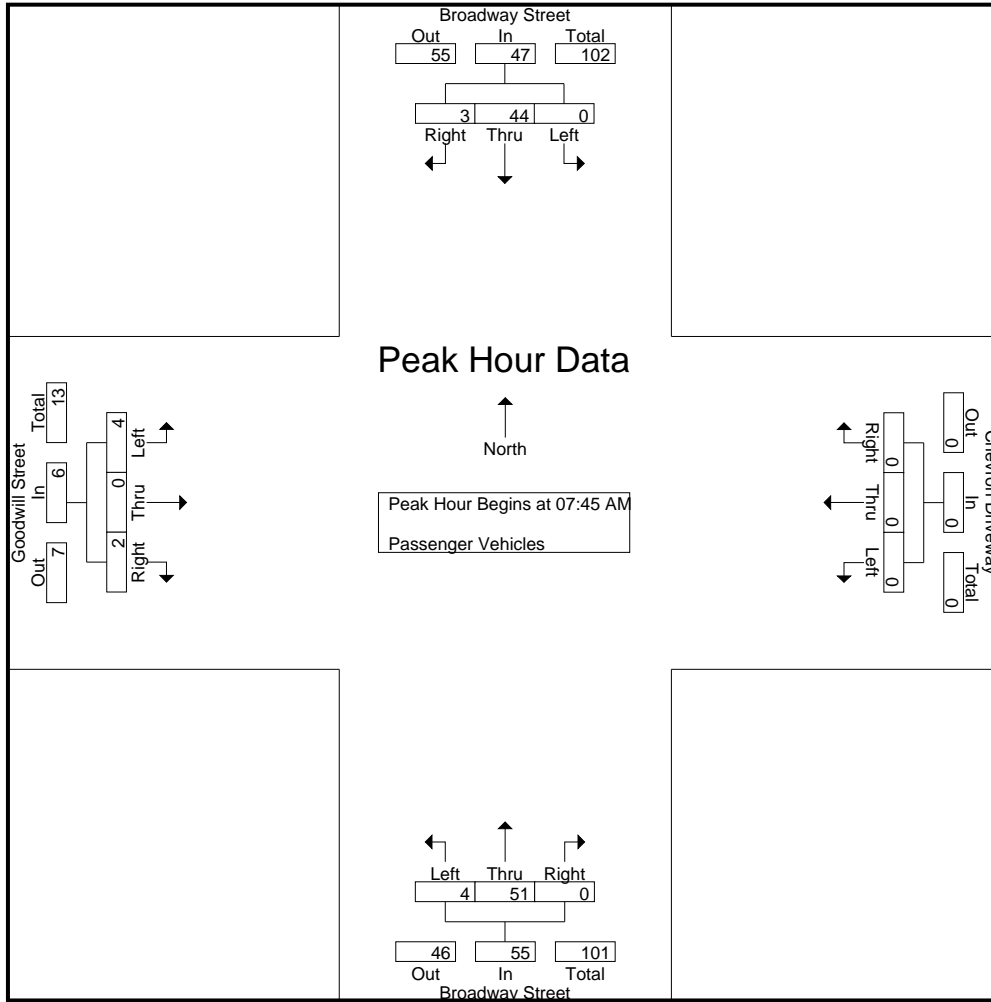
Groups Printed- Passenger Vehicles

Start Time	Broadway Street Southbound				Chevron Driveway Westbound				Broadway Street Northbound				Goodwill Street Eastbound				Int. Total
	Left	Thru	Right	App. Total	Left	Thru	Right	App. Total	Left	Thru	Right	App. Total	Left	Thru	Right	App. Total	
07:00 AM	0	13	2	15	1	0	0	1	0	11	0	11	1	0	1	2	29
07:15 AM	0	10	0	10	0	0	0	0	0	6	0	6	1	0	2	3	19
07:30 AM	0	14	1	15	0	0	0	0	0	12	0	12	1	0	0	1	28
07:45 AM	0	11	1	12	0	0	0	0	3	10	0	13	2	0	1	3	28
Total	0	48	4	52	1	0	0	1	3	39	0	42	5	0	4	9	104
08:00 AM	0	13	2	15	0	0	0	0	1	10	0	11	0	0	0	0	26
08:15 AM	0	9	0	9	0	0	0	0	0	12	0	12	2	0	1	3	24
08:30 AM	0	11	0	11	0	0	0	0	0	19	0	19	0	0	0	0	30
08:45 AM	0	12	0	12	1	0	0	1	0	6	0	6	1	0	0	1	20
Total	0	45	2	47	1	0	0	1	1	47	0	48	3	0	1	4	100
Grand Total	0	93	6	99	2	0	0	2	4	86	0	90	8	0	5	13	204
Apprch %	0	93.9	6.1		100	0	0		4.4	95.6	0		61.5	0	38.5		
Total %	0	45.6	2.9	48.5	1	0	0	1	2	42.2	0	44.1	3.9	0	2.5	6.4	

Start Time	Broadway Street Southbound				Chevron Driveway Westbound				Broadway Street Northbound				Goodwill Street Eastbound				Int. Total
	Left	Thru	Right	App. Total	Left	Thru	Right	App. Total	Left	Thru	Right	App. Total	Left	Thru	Right	App. Total	
Peak Hour Analysis From 07:45 AM to 08:30 AM - Peak 1 of 1																	
Peak Hour for Entire Intersection Begins at 07:45 AM																	
07:45 AM	0	11	1	12	0	0	0	0	3	10	0	13	2	0	1	3	28
08:00 AM	0	13	2	15	0	0	0	0	1	10	0	11	0	0	0	0	26
08:15 AM	0	9	0	9	0	0	0	0	0	12	0	12	2	0	1	3	24
08:30 AM	0	11	0	11	0	0	0	0	0	19	0	19	0	0	0	0	30
Total Volume	0	44	3	47	0	0	0	0	4	51	0	55	4	0	2	6	108
% App. Total	0	93.6	6.4		0	0	0		7.3	92.7	0		66.7	0	33.3		
PHF	.000	.846	.375	.783	.000	.000	.000	.000	.333	.671	.000	.724	.500	.000	.500	.500	.900

City of Needles
 N/S: Broadway Street
 E/W: Goodwill Street
 Weather: Clear

File Name : 17_NDL_Broadway_Goodwill AM
 Site Code : 16621325
 Start Date : 7/15/2021
 Page No : 2



Peak Hour Analysis From 07:45 AM to 08:30 AM - Peak 1 of 1
 Peak Hour for Each Approach Begins at:

	07:45 AM				07:45 AM				07:45 AM				07:45 AM				
+0 mins.	0	11	1	12	0	0	0	0	3	10	0	13	2	0	0	1	3
+15 mins.	0	13	2	15	0	0	0	0	1	10	0	11	0	0	0	0	0
+30 mins.	0	9	0	9	0	0	0	0	0	12	0	12	2	0	1	3	3
+45 mins.	0	11	0	11	0	0	0	0	0	19	0	19	0	0	0	0	0
Total Volume	0	44	3	47	0	0	0	0	4	51	0	55	4	0	2	6	6
% App. Total	0	93.6	6.4		0	0	0		7.3	92.7	0		66.7	0	33.3		
PHF	.000	.846	.375	.783	.000	.000	.000	.000	.333	.671	.000	.724	.500	.000	.500	.500	.500

City of Needles
 N/S: Broadway Street
 E/W: Goodwill Street
 Weather: Clear

File Name : 17_NDL_Broadway_Goodwill AM
 Site Code : 16621325
 Start Date : 7/15/2021
 Page No : 1

Groups Printed- Trucks

Start Time	Broadway Street Southbound				Chevron Driveway Westbound				Broadway Street Northbound				Goodwill Street Eastbound				Int. Total
	Left	Thru	Right	App. Total	Left	Thru	Right	App. Total	Left	Thru	Right	App. Total	Left	Thru	Right	App. Total	
07:00 AM	0	2	0	2	1	0	0	1	0	0	1	1	0	0	0	0	4
07:15 AM	0	0	0	0	1	0	0	1	0	2	0	2	0	0	0	0	3
07:30 AM	0	1	1	2	0	0	0	0	0	0	0	0	0	0	0	0	2
07:45 AM	0	0	0	0	1	0	0	1	0	1	0	1	1	0	0	1	3
Total	0	3	1	4	3	0	0	3	0	3	1	4	1	0	0	1	12
08:00 AM	0	2	0	2	0	0	0	0	0	2	0	2	0	0	0	0	4
08:15 AM	0	0	0	0	0	0	0	0	0	2	0	2	0	0	0	0	2
08:30 AM	0	1	0	1	0	0	0	0	0	0	0	0	0	0	0	0	1
08:45 AM	0	3	0	3	0	0	0	0	0	1	1	2	0	0	0	0	5
Total	0	6	0	6	0	0	0	0	0	5	1	6	0	0	0	0	12
Grand Total	0	9	1	10	3	0	0	3	0	8	2	10	1	0	0	1	24
Apprch %	0	90	10		100	0	0		0	80	20		100	0	0		
Total %	0	37.5	4.2	41.7	12.5	0	0	12.5	0	33.3	8.3	41.7	4.2	0	0	4.2	

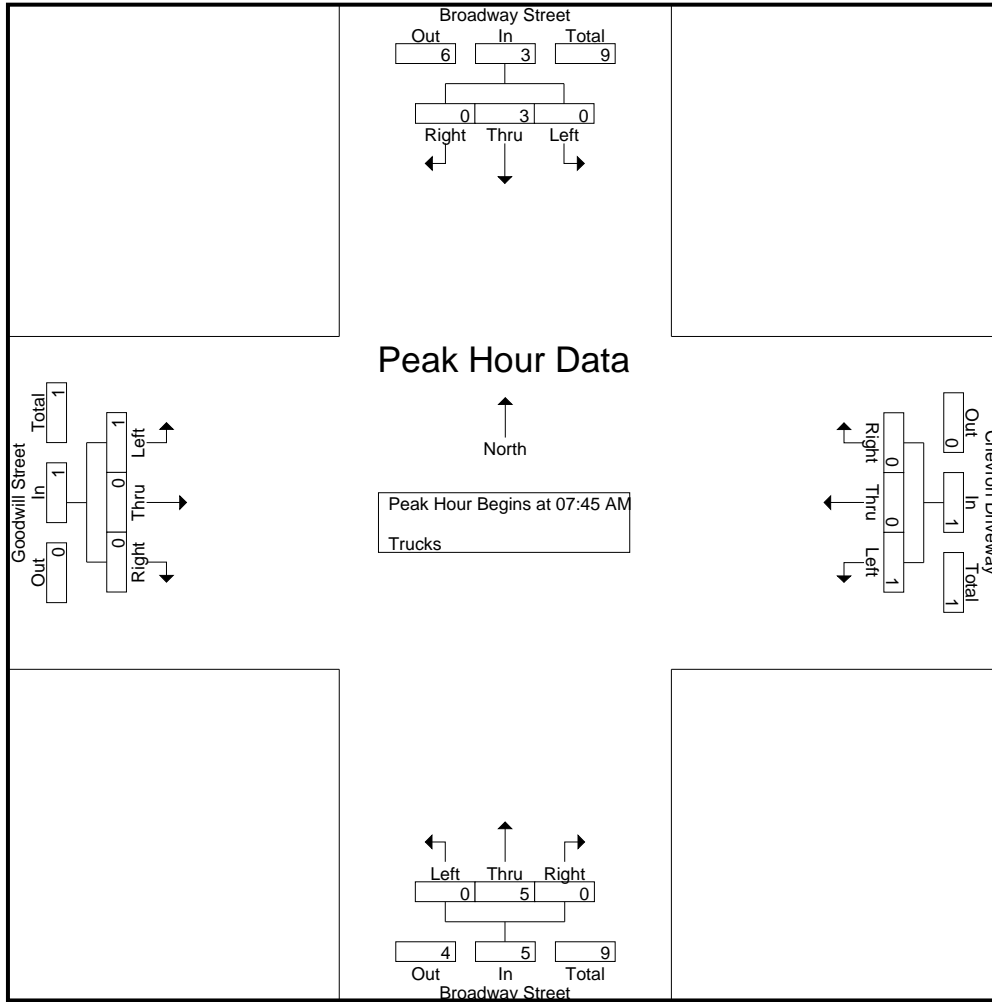
Start Time	Broadway Street Southbound				Chevron Driveway Westbound				Broadway Street Northbound				Goodwill Street Eastbound				Int. Total
	Left	Thru	Right	App. Total	Left	Thru	Right	App. Total	Left	Thru	Right	App. Total	Left	Thru	Right	App. Total	
07:45 AM	0	0	0	0	1	0	0	1	0	1	0	1	1	0	0	1	3
08:00 AM	0	2	0	2	0	0	0	0	0	2	0	2	0	0	0	0	4
08:15 AM	0	0	0	0	0	0	0	0	0	2	0	2	0	0	0	0	2
08:30 AM	0	1	0	1	0	0	0	0	0	0	0	0	0	0	0	0	1
Total Volume	0	3	0	3	1	0	0	1	0	5	0	5	1	0	0	1	10
% App. Total	0	100	0		100	0	0		0	100	0		100	0	0		
PHF	.000	.375	.000	.375	.250	.000	.000	.250	.000	.625	.000	.625	.250	.000	.000	.250	.625

Peak Hour Analysis From 07:45 AM to 08:30 AM - Peak 1 of 1

Peak Hour for Entire Intersection Begins at 07:45 AM

City of Needles
 N/S: Broadway Street
 E/W: Goodwill Street
 Weather: Clear

File Name : 17_NDL_Broadway_Goodwill AM
 Site Code : 16621325
 Start Date : 7/15/2021
 Page No : 2



Peak Hour Analysis From 07:45 AM to 08:30 AM - Peak 1 of 1
 Peak Hour for Each Approach Begins at:

	07:45 AM				07:45 AM				07:45 AM				07:45 AM			
+0 mins.	0	0	0	0	1	0	0	1	0	1	0	1	1	0	0	1
+15 mins.	0	2	0	2	0	0	0	0	0	2	0	2	0	0	0	0
+30 mins.	0	0	0	0	0	0	0	0	0	2	0	2	0	0	0	0
+45 mins.	0	1	0	1	0	0	0	0	0	0	0	0	0	0	0	0
Total Volume	0	3	0	3	1	0	0	1	0	5	0	5	1	0	0	1
% App. Total	0	100	0		100	0	0		0	100	0		100	0	0	
PHF	.000	.375	.000	.375	.250	.000	.000	.250	.000	.625	.000	.625	.250	.000	.000	.250

City of Needles
 N/S: Broadway Street
 E/W: Goodwill Street
 Weather: Clear

File Name : 17_NDL_Broadway_Goodwill AM
 Site Code : 16621325
 Start Date : 7/15/2021
 Page No : 1

Groups Printed- Buses

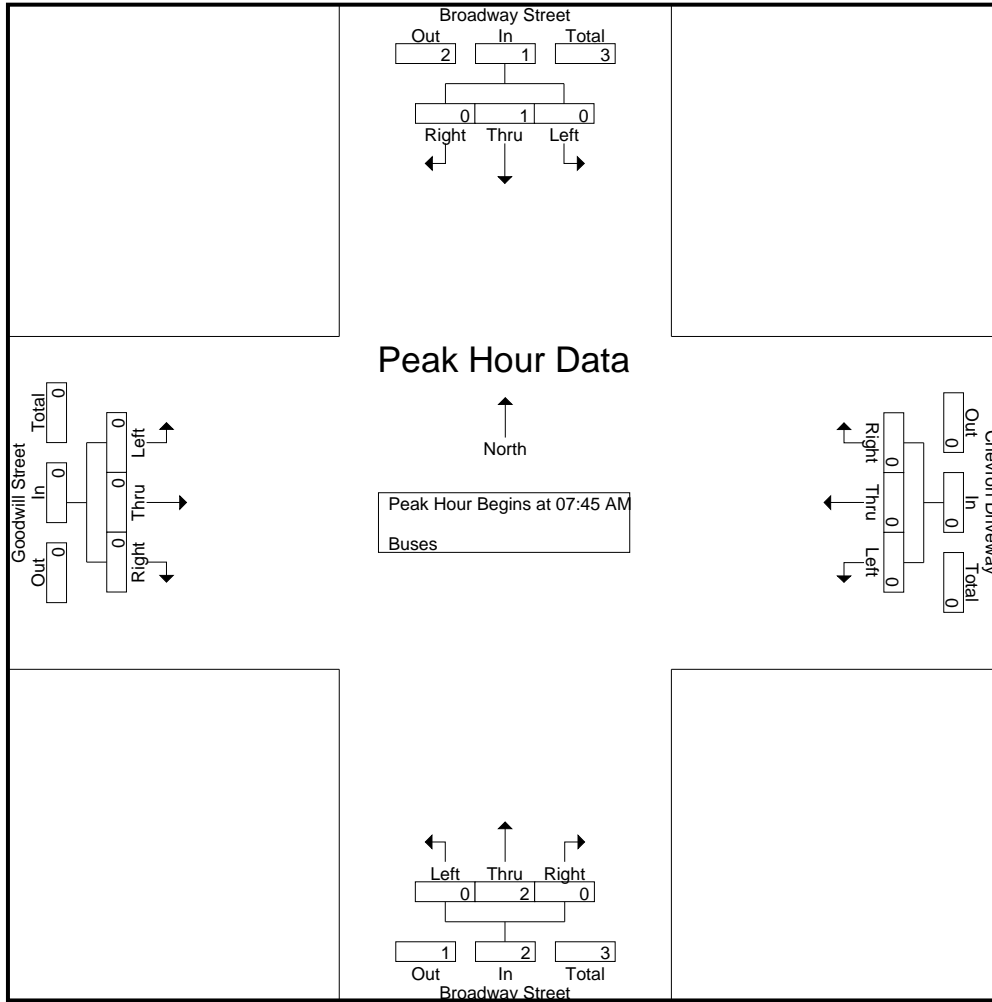
Start Time	Broadway Street Southbound				Chevron Driveway Westbound				Broadway Street Northbound				Goodwill Street Eastbound				Int. Total	
	Left	Thru	Right	App. Total	Left	Thru	Right	App. Total	Left	Thru	Right	App. Total	Left	Thru	Right	App. Total		
07:00 AM	0	0	0	0	0	0	0	0	0	0	0	0	0	0	0	0	0	0
07:15 AM	0	0	0	0	0	0	0	0	0	0	1	0	1	0	0	0	0	1
07:30 AM	0	1	0	1	0	0	0	0	0	0	0	0	0	0	0	0	0	1
07:45 AM	0	0	0	0	0	0	0	0	0	0	1	0	1	0	0	0	0	1
Total	0	1	0	1	0	0	0	0	0	0	2	0	2	0	0	0	0	3
08:00 AM	0	0	0	0	0	0	0	0	0	0	0	0	0	0	0	0	0	0
08:15 AM	0	0	0	0	0	0	0	0	0	0	1	0	1	0	0	0	0	1
08:30 AM	0	1	0	1	0	0	0	0	0	0	0	0	0	0	0	0	0	1
08:45 AM	0	0	0	0	0	0	0	0	0	0	1	0	1	0	0	0	0	1
Total	0	1	0	1	0	0	0	0	0	0	2	0	2	0	0	0	0	3
Grand Total	0	2	0	2	0	0	0	0	0	0	4	0	4	0	0	0	0	6
Apprch %	0	100	0		0	0	0		0	100	0		0	0	0			
Total %	0	33.3	0	33.3	0	0	0	0	0	66.7	0	66.7	0	0	0	0		

Start Time	Broadway Street Southbound				Chevron Driveway Westbound				Broadway Street Northbound				Goodwill Street Eastbound				Int. Total	
	Left	Thru	Right	App. Total	Left	Thru	Right	App. Total	Left	Thru	Right	App. Total	Left	Thru	Right	App. Total		
07:45 AM	0	0	0	0	0	0	0	0	0	0	1	0	1	0	0	0	0	1
08:00 AM	0	0	0	0	0	0	0	0	0	0	0	0	0	0	0	0	0	0
08:15 AM	0	0	0	0	0	0	0	0	0	0	1	0	1	0	0	0	0	1
08:30 AM	0	1	0	1	0	0	0	0	0	0	0	0	0	0	0	0	0	1
Total Volume	0	1	0	1	0	0	0	0	0	0	2	0	2	0	0	0	0	3
% App. Total	0	100	0		0	0	0		0	100	0		0	0	0			
PHF	.000	.250	.000	.250	.000	.000	.000	.000	.000	.000	.500	.000	.500	.000	.000	.000	.000	.750

Peak Hour Analysis From 07:45 AM to 08:30 AM - Peak 1 of 1
 Peak Hour for Entire Intersection Begins at 07:45 AM

City of Needles
 N/S: Broadway Street
 E/W: Goodwill Street
 Weather: Clear

File Name : 17_NDL_Broadway_Goodwill AM
 Site Code : 16621325
 Start Date : 7/15/2021
 Page No : 2



Peak Hour Analysis From 07:45 AM to 08:30 AM - Peak 1 of 1
 Peak Hour for Each Approach Begins at:

	07:45 AM				07:45 AM				07:45 AM				07:45 AM			
+0 mins.	0	0	0	0	0	0	0	0	0	1	0	1	0	0	0	0
+15 mins.	0	0	0	0	0	0	0	0	0	0	0	0	0	0	0	0
+30 mins.	0	0	0	0	0	0	0	0	0	1	0	1	0	0	0	0
+45 mins.	0	1	0	1	0	0	0	0	0	0	0	0	0	0	0	0
Total Volume	0	1	0	1	0	0	0	0	0	2	0	2	0	0	0	0
% App. Total	0	100	0	0	0	0	0	0	0	100	0	0	0	0	0	0
PHF	.000	.250	.000	.250	.000	.000	.000	.000	.000	.500	.000	.500	.000	.000	.000	.000

City of Needles
 N/S: Broadway Street
 E/W: Goodwill Street
 Weather: Clear

File Name : 17_NDL_Broadway_Goodwill PM
 Site Code : 16621325
 Start Date : 7/15/2021
 Page No : 1

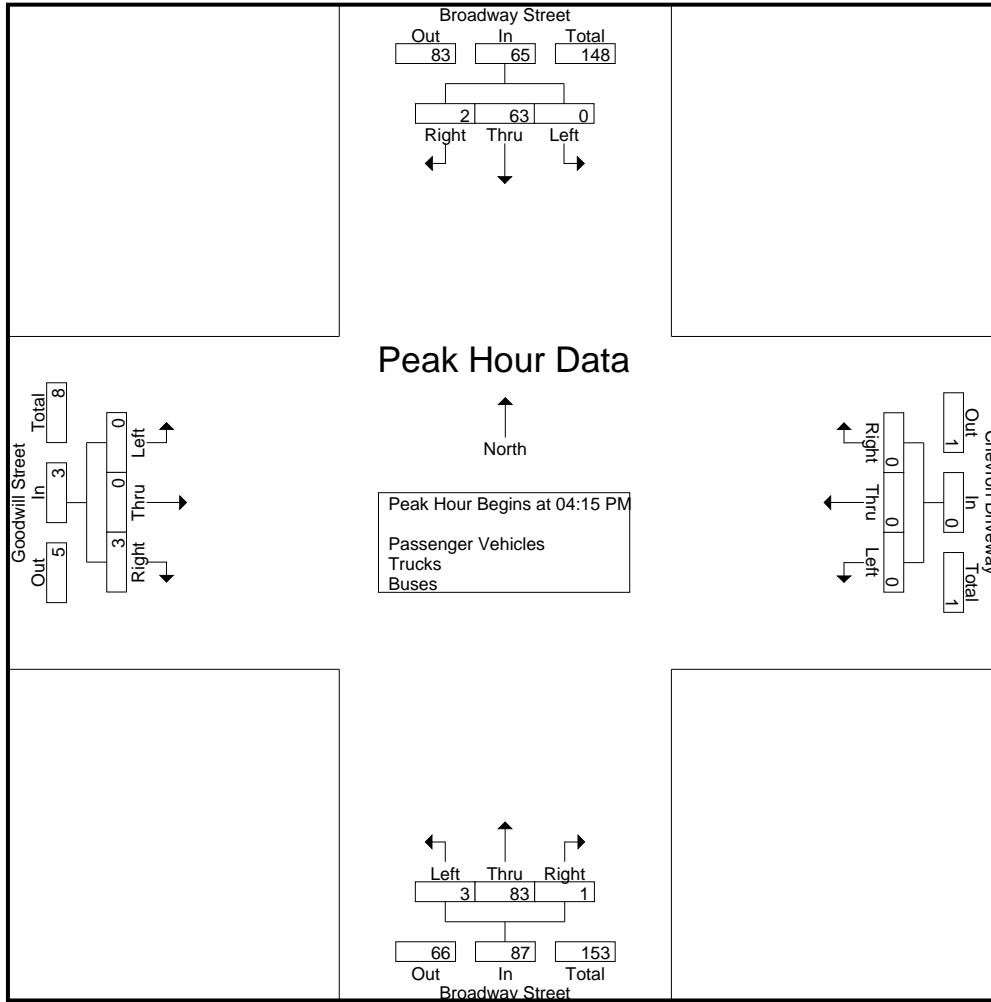
Groups Printed- Passenger Vehicles - Trucks - Buses

Start Time	Broadway Street Southbound				Chevron Driveway Westbound				Broadway Street Northbound				Goodwill Street Eastbound				Int. Total
	Left	Thru	Right	App. Total	Left	Thru	Right	App. Total	Left	Thru	Right	App. Total	Left	Thru	Right	App. Total	
04:00 PM	0	10	0	10	1	0	0	1	0	19	0	19	0	0	0	0	30
04:15 PM	0	18	0	18	0	0	0	0	1	21	0	22	0	0	1	1	41
04:30 PM	0	14	0	14	0	0	0	0	0	21	0	21	0	0	0	0	35
04:45 PM	0	16	1	17	0	0	0	0	1	23	1	25	0	0	1	1	43
Total	0	58	1	59	1	0	0	1	2	84	1	87	0	0	2	2	149
05:00 PM	0	15	1	16	0	0	0	0	1	18	0	19	0	0	1	1	36
05:15 PM	2	8	0	10	5	0	0	5	1	17	0	18	0	0	2	2	35
05:30 PM	0	12	3	15	1	0	0	1	1	15	1	17	0	0	1	1	34
05:45 PM	0	14	0	14	1	0	0	1	0	8	0	8	0	0	0	0	23
Total	2	49	4	55	7	0	0	7	3	58	1	62	0	0	4	4	128
Grand Total	2	107	5	114	8	0	0	8	5	142	2	149	0	0	6	6	277
Apprch %	1.8	93.9	4.4		100	0	0		3.4	95.3	1.3		0	0	100		
Total %	0.7	38.6	1.8	41.2	2.9	0	0	2.9	1.8	51.3	0.7	53.8	0	0	2.2	2.2	
Passenger Vehicles	2	98	5	105	4	0	0	4	5	132	0	137	0	0	6	6	252
% Passenger Vehicles	100	91.6	100	92.1	50	0	0	50	100	93	0	91.9	0	0	100	100	91
Trucks	0	8	0	8	4	0	0	4	0	6	2	8	0	0	0	0	20
% Trucks	0	7.5	0	7	50	0	0	50	0	4.2	100	5.4	0	0	0	0	7.2
Buses	0	1	0	1	0	0	0	0	0	4	0	4	0	0	0	0	5
% Buses	0	0.9	0	0.9	0	0	0	0	0	2.8	0	2.7	0	0	0	0	1.8

Start Time	Broadway Street Southbound				Chevron Driveway Westbound				Broadway Street Northbound				Goodwill Street Eastbound				Int. Total
	Left	Thru	Right	App. Total	Left	Thru	Right	App. Total	Left	Thru	Right	App. Total	Left	Thru	Right	App. Total	
Peak Hour Analysis From 04:00 PM to 05:45 PM - Peak 1 of 1																	
Peak Hour for Entire Intersection Begins at 04:15 PM																	
04:15 PM	0	18	0	18	0	0	0	0	1	21	0	22	0	0	1	1	41
04:30 PM	0	14	0	14	0	0	0	0	0	21	0	21	0	0	0	0	35
04:45 PM	0	16	1	17	0	0	0	0	1	23	1	25	0	0	1	1	43
05:00 PM	0	15	1	16	0	0	0	0	1	18	0	19	0	0	1	1	36
Total Volume	0	63	2	65	0	0	0	0	3	83	1	87	0	0	3	3	155
% App. Total	0	96.9	3.1		0	0	0		3.4	95.4	1.1		0	0	100		
PHF	.000	.875	.500	.903	.000	.000	.000	.000	.750	.902	.250	.870	.000	.000	.750	.750	.901

City of Needles
 N/S: Broadway Street
 E/W: Goodwill Street
 Weather: Clear

File Name : 17_NDL_Broadway_Goodwill PM
 Site Code : 16621325
 Start Date : 7/15/2021
 Page No : 2



Peak Hour Analysis From 04:00 PM to 05:45 PM - Peak 1 of 1
 Peak Hour for Each Approach Begins at:

	04:15 PM				05:00 PM				04:00 PM				04:45 PM			
+0 mins.	0	18	0	18	0	0	0	0	0	19	0	19	0	0	1	1
+15 mins.	0	14	0	14	5	0	0	5	1	21	0	22	0	0	1	1
+30 mins.	0	16	1	17	1	0	0	1	0	21	0	21	0	0	2	2
+45 mins.	0	15	1	16	1	0	0	1	1	23	1	25	0	0	1	1
Total Volume	0	63	2	65	7	0	0	7	2	84	1	87	0	0	5	5
% App. Total	0	96.9	3.1	100	100	0	0	100	2.3	96.6	1.1	100	0	0	100	100
PHF	.000	.875	.500	.903	.350	.000	.000	.350	.500	.913	.250	.870	.000	.000	.625	.625

City of Needles
 N/S: Broadway Street
 E/W: Goodwill Street
 Weather: Clear

File Name : 17_NDL_Broadway_Goodwill PM
 Site Code : 16621325
 Start Date : 7/15/2021
 Page No : 1

Groups Printed- Passenger Vehicles

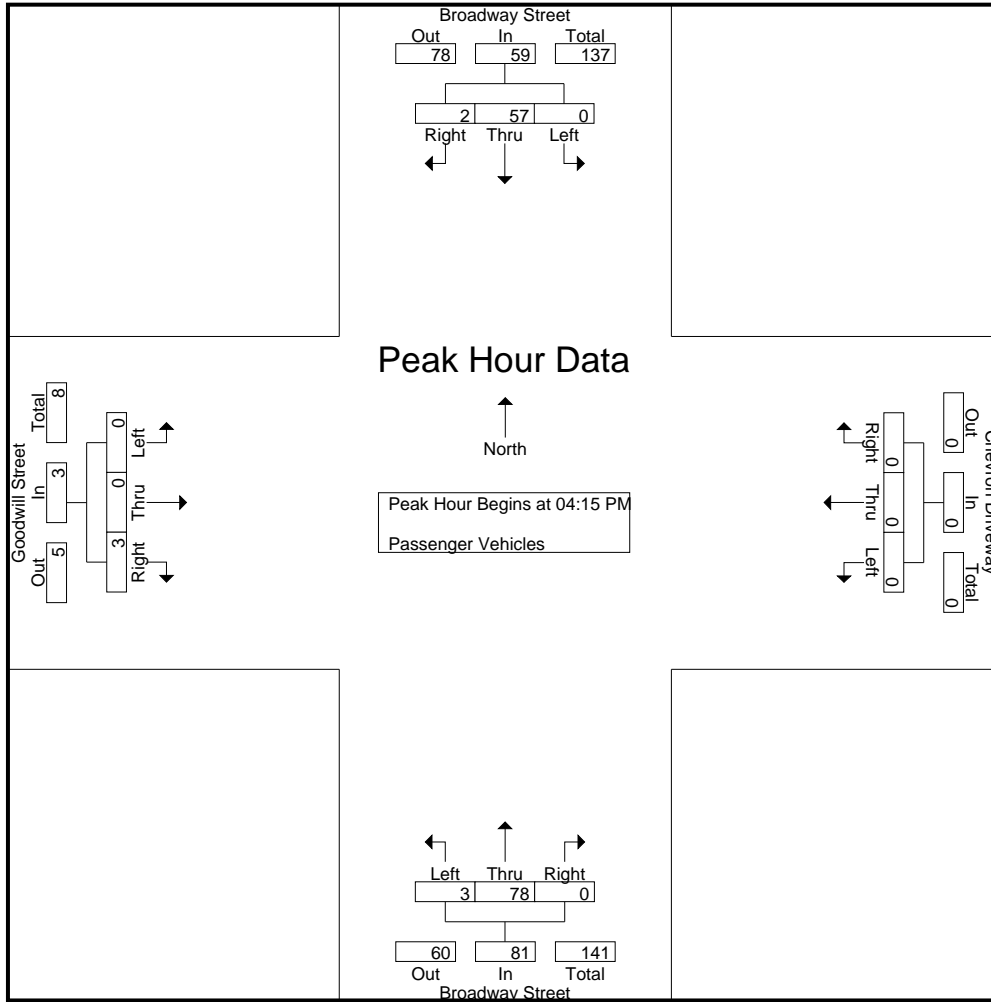
Start Time	Broadway Street Southbound				Chevron Driveway Westbound				Broadway Street Northbound				Goodwill Street Eastbound				Int. Total
	Left	Thru	Right	App. Total	Left	Thru	Right	App. Total	Left	Thru	Right	App. Total	Left	Thru	Right	App. Total	
04:00 PM	0	10	0	10	0	0	0	0	0	19	0	19	0	0	0	0	29
04:15 PM	0	17	0	17	0	0	0	0	1	19	0	20	0	0	1	1	38
04:30 PM	0	12	0	12	0	0	0	0	0	21	0	21	0	0	0	0	33
04:45 PM	0	15	1	16	0	0	0	0	1	21	0	22	0	0	1	1	39
Total	0	54	1	55	0	0	0	0	2	80	0	82	0	0	2	2	139
05:00 PM	0	13	1	14	0	0	0	0	1	17	0	18	0	0	1	1	33
05:15 PM	2	6	0	8	3	0	0	3	1	13	0	14	0	0	2	2	27
05:30 PM	0	12	3	15	0	0	0	0	1	15	0	16	0	0	1	1	32
05:45 PM	0	13	0	13	1	0	0	1	0	7	0	7	0	0	0	0	21
Total	2	44	4	50	4	0	0	4	3	52	0	55	0	0	4	4	113
Grand Total	2	98	5	105	4	0	0	4	5	132	0	137	0	0	6	6	252
Apprch %	1.9	93.3	4.8		100	0	0		3.6	96.4	0		0	0	100		
Total %	0.8	38.9	2	41.7	1.6	0	0	1.6	2	52.4	0	54.4	0	0	2.4	2.4	

Start Time	Broadway Street Southbound				Chevron Driveway Westbound				Broadway Street Northbound				Goodwill Street Eastbound				Int. Total
	Left	Thru	Right	App. Total	Left	Thru	Right	App. Total	Left	Thru	Right	App. Total	Left	Thru	Right	App. Total	
04:15 PM	0	17	0	17	0	0	0	0	1	19	0	20	0	0	1	1	38
04:30 PM	0	12	0	12	0	0	0	0	0	21	0	21	0	0	0	0	33
04:45 PM	0	15	1	16	0	0	0	0	1	21	0	22	0	0	1	1	39
05:00 PM	0	13	1	14	0	0	0	0	1	17	0	18	0	0	1	1	33
Total Volume	0	57	2	59	0	0	0	0	3	78	0	81	0	0	3	3	143
% App. Total	0	96.6	3.4		0	0	0		3.7	96.3	0		0	0	100		
PHF	.000	.838	.500	.868	.000	.000	.000	.000	.750	.929	.000	.920	.000	.000	.750	.750	.917

Peak Hour Analysis From 04:15 PM to 05:00 PM - Peak 1 of 1
 Peak Hour for Entire Intersection Begins at 04:15 PM

City of Needles
 N/S: Broadway Street
 E/W: Goodwill Street
 Weather: Clear

File Name : 17_NDL_Broadway_Goodwill PM
 Site Code : 16621325
 Start Date : 7/15/2021
 Page No : 2



Peak Hour Analysis From 04:15 PM to 05:00 PM - Peak 1 of 1
 Peak Hour for Each Approach Begins at:

	04:15 PM				04:15 PM				04:15 PM				04:15 PM				
+0 mins.	0	17	0	17	0	0	0	0	1	19	0	20	0	0	0	1	1
+15 mins.	0	12	0	12	0	0	0	0	0	21	0	21	0	0	0	0	0
+30 mins.	0	15	1	16	0	0	0	0	1	21	0	22	0	0	0	1	1
+45 mins.	0	13	1	14	0	0	0	0	1	17	0	18	0	0	0	1	1
Total Volume	0	57	2	59	0	0	0	0	3	78	0	81	0	0	0	3	3
% App. Total	0	96.6	3.4		0	0	0		3.7	96.3	0		0	0	0	100	
PHF	.000	.838	.500	.868	.000	.000	.000	.000	.750	.929	.000	.920	.000	.000	.750	.750	

City of Needles
 N/S: Broadway Street
 E/W: Goodwill Street
 Weather: Clear

File Name : 17_NDL_Broadway_Goodwill PM
 Site Code : 16621325
 Start Date : 7/15/2021
 Page No : 1

Groups Printed- Trucks

Start Time	Broadway Street Southbound				Chevron Driveway Westbound				Broadway Street Northbound				Goodwill Street Eastbound				Int. Total	
	Left	Thru	Right	App. Total	Left	Thru	Right	App. Total	Left	Thru	Right	App. Total	Left	Thru	Right	App. Total		
04:00 PM	0	0	0	0	1	0	0	1	0	0	0	0	0	0	0	0	0	1
04:15 PM	0	1	0	1	0	0	0	0	0	1	0	1	0	0	0	0	0	2
04:30 PM	0	1	0	1	0	0	0	0	0	0	0	0	0	0	0	0	0	1
04:45 PM	0	1	0	1	0	0	0	0	0	1	1	2	0	0	0	0	0	3
Total	0	3	0	3	1	0	0	1	0	2	1	3	0	0	0	0	0	7
05:00 PM	0	2	0	2	0	0	0	0	0	1	0	1	0	0	0	0	0	3
05:15 PM	0	2	0	2	2	0	0	2	0	3	0	3	0	0	0	0	0	7
05:30 PM	0	0	0	0	1	0	0	1	0	0	1	1	0	0	0	0	0	2
05:45 PM	0	1	0	1	0	0	0	0	0	0	0	0	0	0	0	0	0	1
Total	0	5	0	5	3	0	0	3	0	4	1	5	0	0	0	0	0	13
Grand Total	0	8	0	8	4	0	0	4	0	6	2	8	0	0	0	0	0	20
Apprch %	0	100	0		100	0	0		0	75	25		0	0	0			
Total %	0	40	0	40	20	0	0	20	0	30	10	40	0	0	0	0	0	

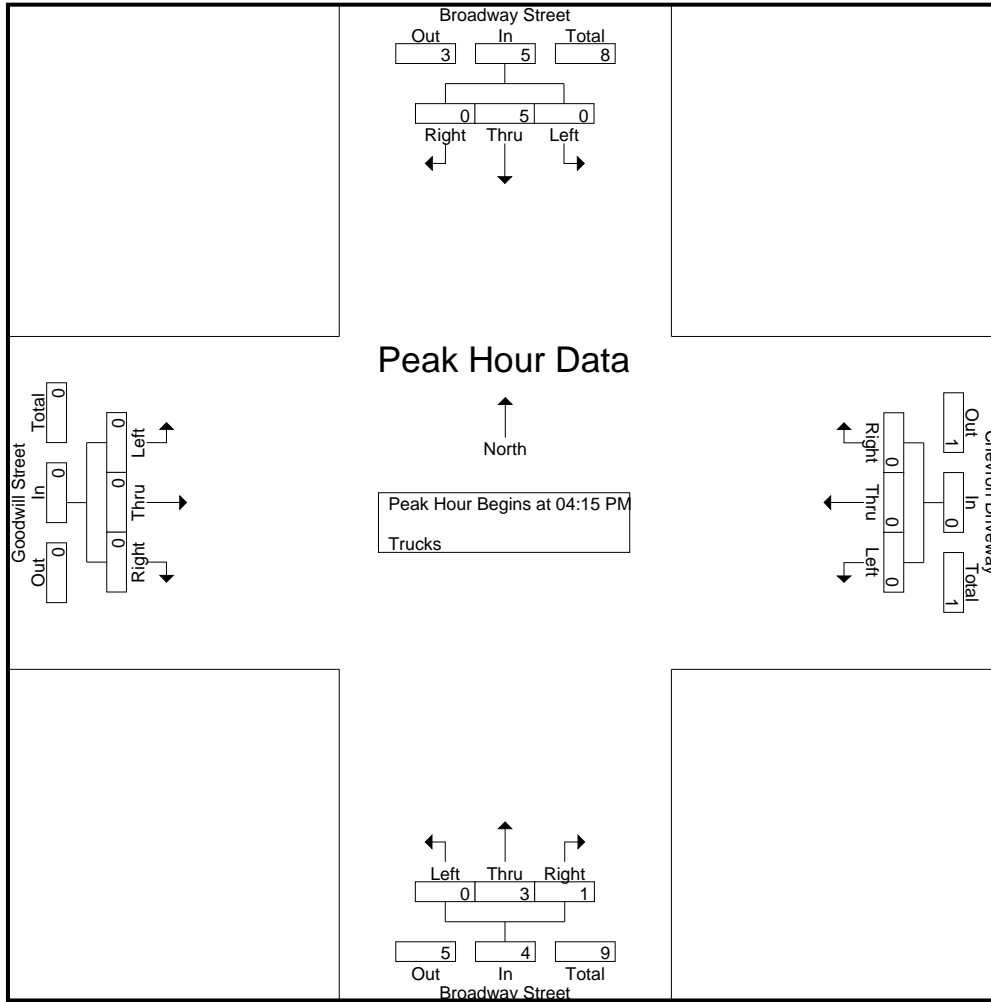
Start Time	Broadway Street Southbound				Chevron Driveway Westbound				Broadway Street Northbound				Goodwill Street Eastbound				Int. Total	
	Left	Thru	Right	App. Total	Left	Thru	Right	App. Total	Left	Thru	Right	App. Total	Left	Thru	Right	App. Total		
04:15 PM	0	1	0	1	0	0	0	0	0	1	0	1	0	0	0	0	0	2
04:30 PM	0	1	0	1	0	0	0	0	0	0	0	0	0	0	0	0	0	1
04:45 PM	0	1	0	1	0	0	0	0	0	1	1	2	0	0	0	0	0	3
05:00 PM	0	2	0	2	0	0	0	0	0	1	0	1	0	0	0	0	0	3
Total Volume	0	5	0	5	0	0	0	0	0	3	1	4	0	0	0	0	0	9
% App. Total	0	100	0		0	0	0		0	75	25		0	0	0			
PHF	.000	.625	.000	.625	.000	.000	.000	.000	.000	.750	.250	.500	.000	.000	.000	.000	.000	.750

Peak Hour Analysis From 04:15 PM to 05:00 PM - Peak 1 of 1

Peak Hour for Entire Intersection Begins at 04:15 PM

City of Needles
 N/S: Broadway Street
 E/W: Goodwill Street
 Weather: Clear

File Name : 17_NDL_Broadway_Goodwill PM
 Site Code : 16621325
 Start Date : 7/15/2021
 Page No : 2



Peak Hour Analysis From 04:15 PM to 05:00 PM - Peak 1 of 1
 Peak Hour for Each Approach Begins at:

	04:15 PM				04:15 PM				04:15 PM				04:15 PM			
+0 mins.	0	1	0	1	0	0	0	0	0	1	0	1	0	0	0	0
+15 mins.	0	1	0	1	0	0	0	0	0	0	0	0	0	0	0	0
+30 mins.	0	1	0	1	0	0	0	0	0	1	1	2	0	0	0	0
+45 mins.	0	2	0	2	0	0	0	0	0	1	0	1	0	0	0	0
Total Volume	0	5	0	5	0	0	0	0	0	3	1	4	0	0	0	0
% App. Total	0	100	0	0	0	0	0	0	0	75	25	0	0	0	0	0
PHF	.000	.625	.000	.625	.000	.000	.000	.000	.000	.750	.250	.500	.000	.000	.000	.000

City of Needles
 N/S: Broadway Street
 E/W: Goodwill Street
 Weather: Clear

File Name : 17_NDL_Broadway_Goodwill PM
 Site Code : 16621325
 Start Date : 7/15/2021
 Page No : 1

Groups Printed- Buses

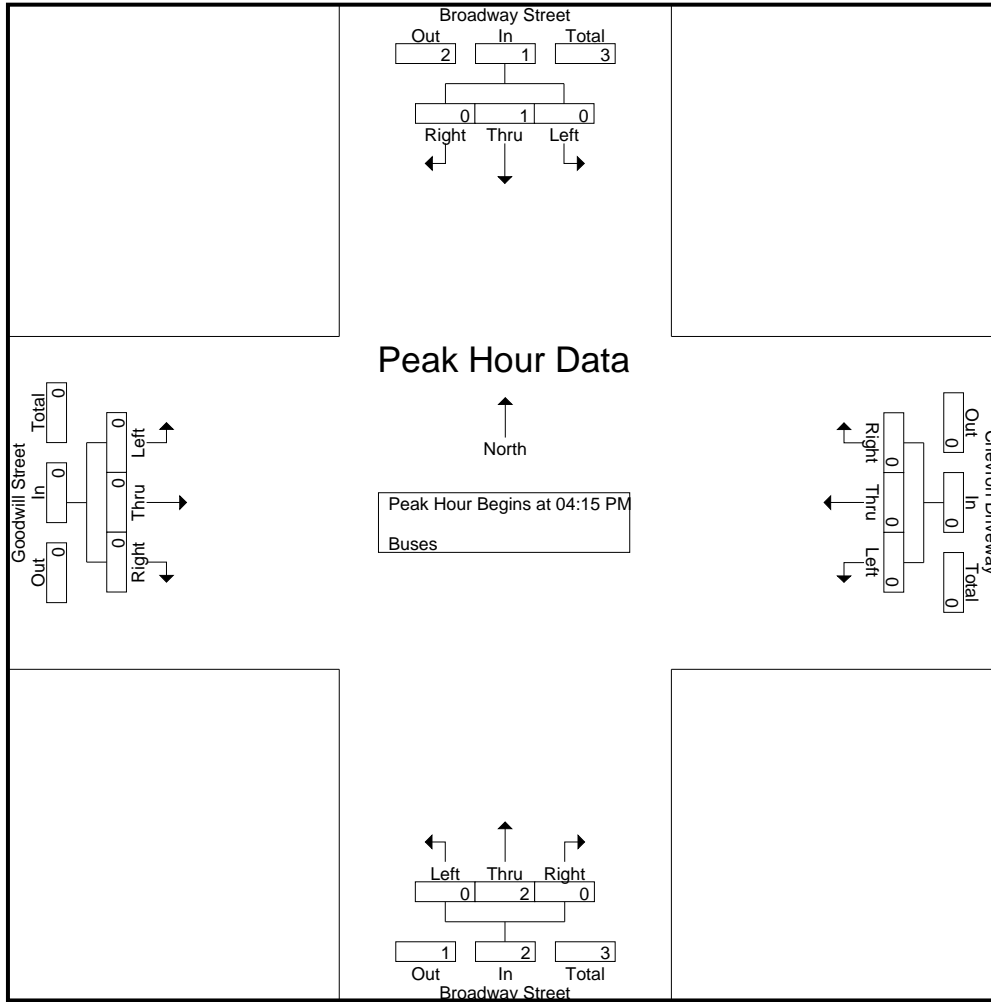
Start Time	Broadway Street Southbound				Chevron Driveway Westbound				Broadway Street Northbound				Goodwill Street Eastbound				Int. Total	
	Left	Thru	Right	App. Total	Left	Thru	Right	App. Total	Left	Thru	Right	App. Total	Left	Thru	Right	App. Total		
04:00 PM	0	0	0	0	0	0	0	0	0	0	0	0	0	0	0	0	0	0
04:15 PM	0	0	0	0	0	0	0	0	0	0	1	0	1	0	0	0	0	1
04:30 PM	0	1	0	1	0	0	0	0	0	0	0	0	0	0	0	0	0	1
04:45 PM	0	0	0	0	0	0	0	0	0	0	1	0	1	0	0	0	0	1
Total	0	1	0	1	0	0	0	0	0	0	2	0	2	0	0	0	0	3
05:00 PM	0	0	0	0	0	0	0	0	0	0	0	0	0	0	0	0	0	0
05:15 PM	0	0	0	0	0	0	0	0	0	0	1	0	1	0	0	0	0	1
05:30 PM	0	0	0	0	0	0	0	0	0	0	0	0	0	0	0	0	0	0
05:45 PM	0	0	0	0	0	0	0	0	0	0	1	0	1	0	0	0	0	1
Total	0	0	0	0	0	0	0	0	0	0	2	0	2	0	0	0	0	2
Grand Total	0	1	0	1	0	0	0	0	0	0	4	0	4	0	0	0	0	5
Apprch %	0	100	0		0	0	0		0	100	0		0	0	0			
Total %	0	20	0	20	0	0	0	0	0	80	0	80	0	0	0	0		

Start Time	Broadway Street Southbound				Chevron Driveway Westbound				Broadway Street Northbound				Goodwill Street Eastbound				Int. Total	
	Left	Thru	Right	App. Total	Left	Thru	Right	App. Total	Left	Thru	Right	App. Total	Left	Thru	Right	App. Total		
04:15 PM	0	0	0	0	0	0	0	0	0	0	1	0	1	0	0	0	0	1
04:30 PM	0	1	0	1	0	0	0	0	0	0	0	0	0	0	0	0	0	1
04:45 PM	0	0	0	0	0	0	0	0	0	0	1	0	1	0	0	0	0	1
05:00 PM	0	0	0	0	0	0	0	0	0	0	0	0	0	0	0	0	0	0
Total Volume	0	1	0	1	0	0	0	0	0	0	2	0	2	0	0	0	0	3
% App. Total	0	100	0		0	0	0		0	100	0		0	0	0			
PHF	.000	.250	.000	.250	.000	.000	.000	.000	.000	.000	.500	.000	.500	.000	.000	.000	.000	.750

Peak Hour Analysis From 04:15 PM to 05:00 PM - Peak 1 of 1
 Peak Hour for Entire Intersection Begins at 04:15 PM

City of Needles
 N/S: Broadway Street
 E/W: Goodwill Street
 Weather: Clear

File Name : 17_NDL_Broadway_Goodwill PM
 Site Code : 16621325
 Start Date : 7/15/2021
 Page No : 2



Peak Hour Analysis From 04:15 PM to 05:00 PM - Peak 1 of 1
 Peak Hour for Each Approach Begins at:

	04:15 PM				04:15 PM				04:15 PM				04:15 PM			
+0 mins.	0	0	0	0	0	0	0	0	0	1	0	1	0	0	0	0
+15 mins.	0	1	0	1	0	0	0	0	0	0	0	0	0	0	0	0
+30 mins.	0	0	0	0	0	0	0	0	0	1	0	1	0	0	0	0
+45 mins.	0	0	0	0	0	0	0	0	0	0	0	0	0	0	0	0
Total Volume	0	1	0	1	0	0	0	0	0	2	0	2	0	0	0	0
% App. Total	0	100	0	0	0	0	0	0	0	100	0	0	0	0	0	0
PHF	.000	.250	.000	.250	.000	.000	.000	.000	.000	.500	.000	.500	.000	.000	.000	.000

City of Needles
 N/S: Broadway Street
 E/W: Goodwill Street
 Weather: Clear

File Name : 17_NDL_Broadway_Goodwill SAT
 Site Code : 16621325
 Start Date : 7/17/2021
 Page No : 1

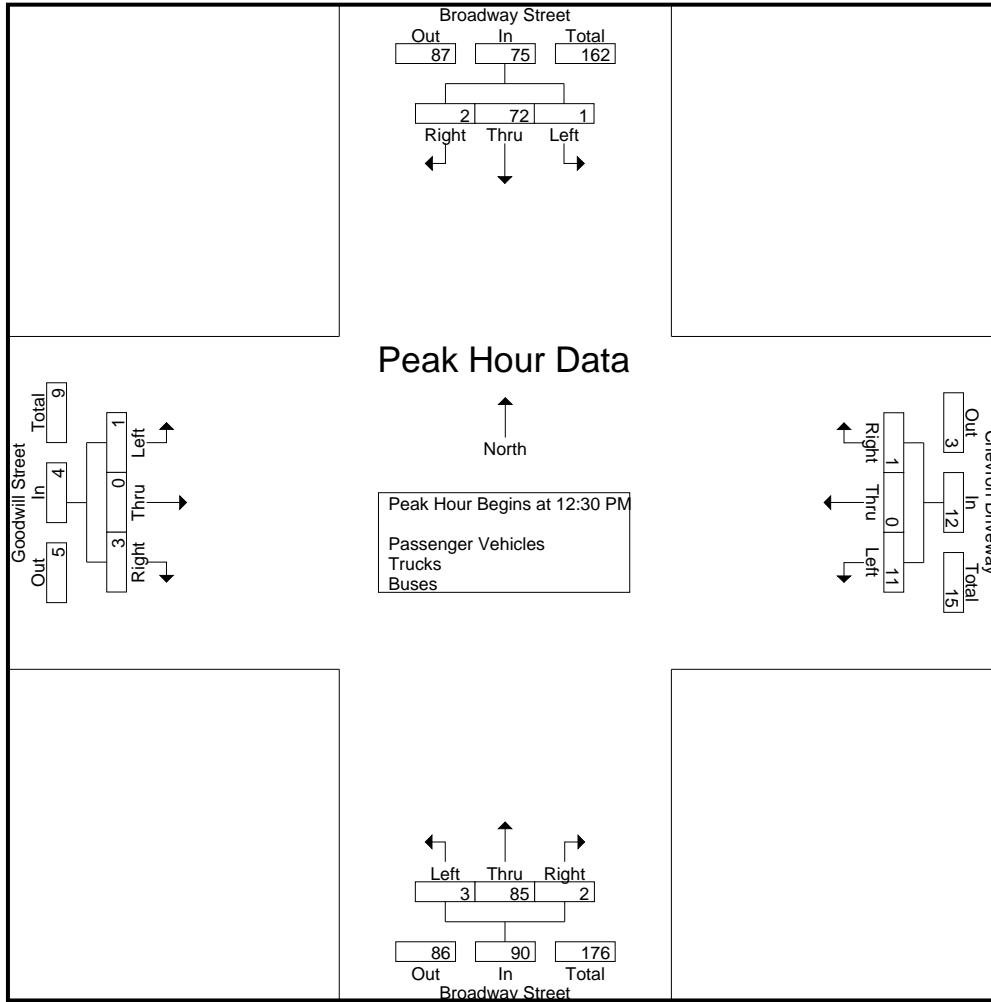
Groups Printed- Passenger Vehicles - Trucks - Buses

Start Time	Broadway Street Southbound				Chevron Driveway Westbound				Broadway Street Northbound				Goodwill Street Eastbound				Int. Total
	Left	Thru	Right	App. Total	Left	Thru	Right	App. Total	Left	Thru	Right	App. Total	Left	Thru	Right	App. Total	
12:00 PM	0	14	2	16	2	0	0	2	0	18	1	19	1	0	2	3	40
12:15 PM	0	10	1	11	1	0	0	1	0	18	0	18	1	0	0	1	31
12:30 PM	0	17	1	18	1	0	1	2	1	18	0	19	0	0	2	2	41
12:45 PM	0	16	0	16	3	0	0	3	0	28	2	30	0	0	0	0	49
Total	0	57	4	61	7	0	1	8	1	82	3	86	2	0	4	6	161
01:00 PM	1	19	0	20	5	0	0	5	1	13	0	14	1	0	0	1	40
01:15 PM	0	20	1	21	2	0	0	2	1	26	0	27	0	0	1	1	51
01:30 PM	0	16	0	16	1	0	0	1	2	16	0	18	0	0	2	2	37
01:45 PM	0	18	3	21	0	0	0	0	0	16	0	16	0	0	0	0	37
Total	1	73	4	78	8	0	0	8	4	71	0	75	1	0	3	4	165
Grand Total	1	130	8	139	15	0	1	16	5	153	3	161	3	0	7	10	326
Apprch %	0.7	93.5	5.8		93.8	0	6.2		3.1	95	1.9		30	0	70		
Total %	0.3	39.9	2.5	42.6	4.6	0	0.3	4.9	1.5	46.9	0.9	49.4	0.9	0	2.1	3.1	
Passenger Vehicles	1	123	8	132	11	0	1	12	5	146	1	152	3	0	7	10	306
% Passenger Vehicles	100	94.6	100	95	73.3	0	100	75	100	95.4	33.3	94.4	100	0	100	100	93.9
Trucks	0	5	0	5	4	0	0	4	0	3	2	5	0	0	0	0	14
% Trucks	0	3.8	0	3.6	26.7	0	0	25	0	2	66.7	3.1	0	0	0	0	4.3
Buses	0	2	0	2	0	0	0	0	0	4	0	4	0	0	0	0	6
% Buses	0	1.5	0	1.4	0	0	0	0	0	2.6	0	2.5	0	0	0	0	1.8

Start Time	Broadway Street Southbound				Chevron Driveway Westbound				Broadway Street Northbound				Goodwill Street Eastbound				Int. Total
	Left	Thru	Right	App. Total	Left	Thru	Right	App. Total	Left	Thru	Right	App. Total	Left	Thru	Right	App. Total	
Peak Hour Analysis From 12:00 PM to 01:45 PM - Peak 1 of 1																	
Peak Hour for Entire Intersection Begins at 12:30 PM																	
12:30 PM	0	17	1	18	1	0	1	2	1	18	0	19	0	0	2	2	41
12:45 PM	0	16	0	16	3	0	0	3	0	28	2	30	0	0	0	0	49
01:00 PM	1	19	0	20	5	0	0	5	1	13	0	14	1	0	0	1	40
01:15 PM	0	20	1	21	2	0	0	2	1	26	0	27	0	0	1	1	51
Total Volume	1	72	2	75	11	0	1	12	3	85	2	90	1	0	3	4	181
% App. Total	1.3	96	2.7		91.7	0	8.3		3.3	94.4	2.2		25	0	75		
PHF	.250	.900	.500	.893	.550	.000	.250	.600	.750	.759	.250	.750	.250	.000	.375	.500	.887

City of Needles
 N/S: Broadway Street
 E/W: Goodwill Street
 Weather: Clear

File Name : 17_NDL_Broadway_Goodwill SAT
 Site Code : 16621325
 Start Date : 7/17/2021
 Page No : 2



Peak Hour Analysis From 12:00 PM to 01:45 PM - Peak 1 of 1
 Peak Hour for Each Approach Begins at:

	01:00 PM				12:30 PM				12:30 PM				12:00 PM			
+0 mins.	1	19	0	20	1	0	1	2	1	18	0	19	1	0	2	3
+15 mins.	0	20	1	21	3	0	0	3	0	28	2	30	1	0	0	1
+30 mins.	0	16	0	16	5	0	0	5	1	13	0	14	0	0	2	2
+45 mins.	0	18	3	21	2	0	0	2	1	26	0	27	0	0	0	0
Total Volume	1	73	4	78	11	0	1	12	3	85	2	90	2	0	4	6
% App. Total	1.3	93.6	5.1		91.7	0	8.3		3.3	94.4	2.2		33.3	0	66.7	
PHF	.250	.913	.333	.929	.550	.000	.250	.600	.750	.759	.250	.750	.500	.000	.500	.500

City of Needles
 N/S: Broadway Street
 E/W: Goodwill Street
 Weather: Clear

File Name : 17_NDL_Broadway_Goodwill SAT
 Site Code : 16621325
 Start Date : 7/17/2021
 Page No : 1

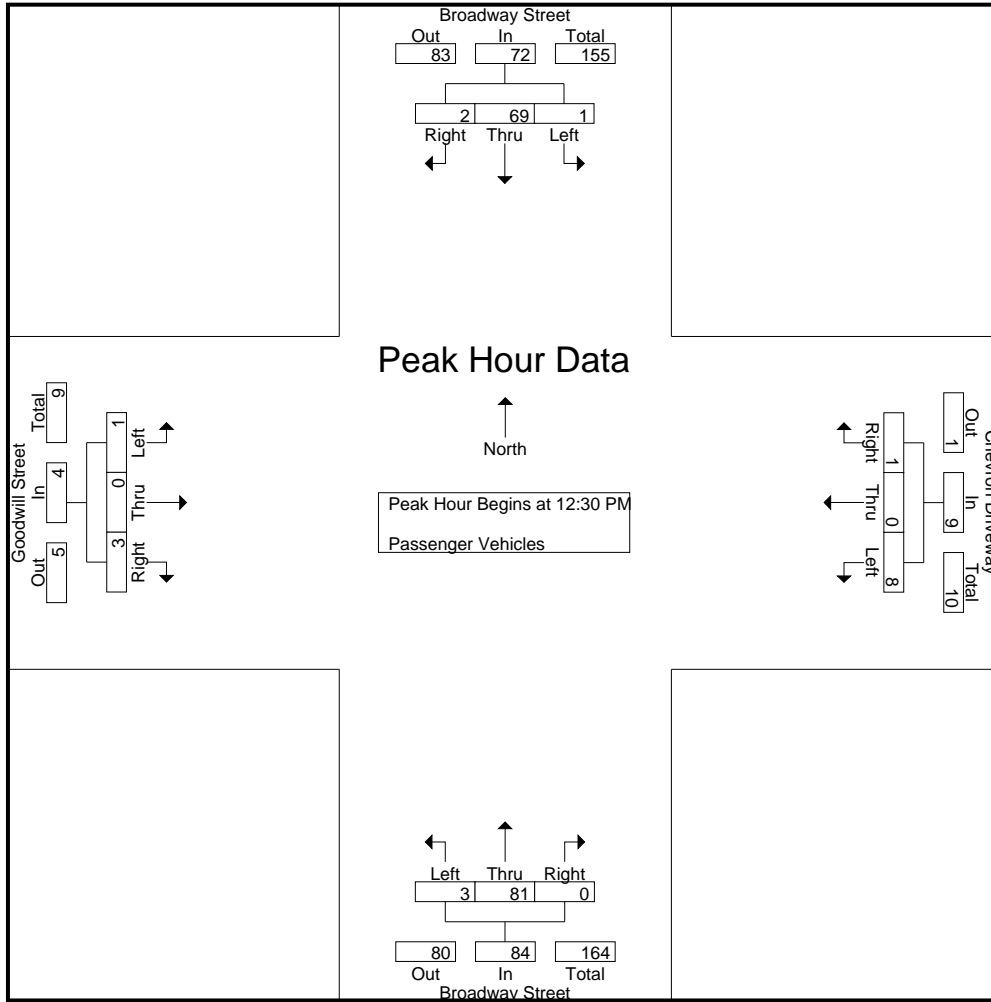
Groups Printed- Passenger Vehicles

Start Time	Broadway Street Southbound				Chevron Driveway Westbound				Broadway Street Northbound				Goodwill Street Eastbound				Int. Total
	Left	Thru	Right	App. Total	Left	Thru	Right	App. Total	Left	Thru	Right	App. Total	Left	Thru	Right	App. Total	
12:00 PM	0	14	2	16	1	0	0	1	0	18	1	19	1	0	2	3	39
12:15 PM	0	10	1	11	1	0	0	1	0	17	0	17	1	0	0	1	30
12:30 PM	0	15	1	16	0	0	1	1	1	18	0	19	0	0	2	2	38
12:45 PM	0	15	0	15	2	0	0	2	0	27	0	27	0	0	0	0	44
Total	0	54	4	58	4	0	1	5	1	80	1	82	2	0	4	6	151
01:00 PM	1	19	0	20	4	0	0	4	1	12	0	13	1	0	0	1	38
01:15 PM	0	20	1	21	2	0	0	2	1	24	0	25	0	0	1	1	49
01:30 PM	0	15	0	15	1	0	0	1	2	15	0	17	0	0	2	2	35
01:45 PM	0	15	3	18	0	0	0	0	0	15	0	15	0	0	0	0	33
Total	1	69	4	74	7	0	0	7	4	66	0	70	1	0	3	4	155
Grand Total	1	123	8	132	11	0	1	12	5	146	1	152	3	0	7	10	306
Apprch %	0.8	93.2	6.1		91.7	0	8.3		3.3	96.1	0.7		30	0	70		
Total %	0.3	40.2	2.6	43.1	3.6	0	0.3	3.9	1.6	47.7	0.3	49.7	1	0	2.3	3.3	

Start Time	Broadway Street Southbound				Chevron Driveway Westbound				Broadway Street Northbound				Goodwill Street Eastbound				Int. Total
	Left	Thru	Right	App. Total	Left	Thru	Right	App. Total	Left	Thru	Right	App. Total	Left	Thru	Right	App. Total	
Peak Hour Analysis From 12:30 PM to 01:15 PM - Peak 1 of 1																	
Peak Hour for Entire Intersection Begins at 12:30 PM																	
12:30 PM	0	15	1	16	0	0	1	1	1	18	0	19	0	0	2	2	38
12:45 PM	0	15	0	15	2	0	0	2	0	27	0	27	0	0	0	0	44
01:00 PM	1	19	0	20	4	0	0	4	1	12	0	13	1	0	0	1	38
01:15 PM	0	20	1	21	2	0	0	2	1	24	0	25	0	0	1	1	49
Total Volume	1	69	2	72	8	0	1	9	3	81	0	84	1	0	3	4	169
% App. Total	1.4	95.8	2.8		88.9	0	11.1		3.6	96.4	0		25	0	75		
PHF	.250	.863	.500	.857	.500	.000	.250	.563	.750	.750	.000	.778	.250	.000	.375	.500	.862

City of Needles
 N/S: Broadway Street
 E/W: Goodwill Street
 Weather: Clear

File Name : 17_NDL_Broadway_Goodwill SAT
 Site Code : 16621325
 Start Date : 7/17/2021
 Page No : 2



Peak Hour Analysis From 12:30 PM to 01:15 PM - Peak 1 of 1
 Peak Hour for Each Approach Begins at:

	12:30 PM				12:30 PM				12:30 PM				12:30 PM			
+0 mins.	0	15	1	16	0	0	1	1	1	18	0	19	0	0	2	2
+15 mins.	0	15	0	15	2	0	0	2	0	27	0	27	0	0	0	0
+30 mins.	1	19	0	20	4	0	0	4	1	12	0	13	1	0	0	1
+45 mins.	0	20	1	21	2	0	0	2	1	24	0	25	0	0	1	1
Total Volume	1	69	2	72	8	0	1	9	3	81	0	84	1	0	3	4
% App. Total	1.4	95.8	2.8		88.9	0	11.1		3.6	96.4	0		25	0	75	
PHF	.250	.863	.500	.857	.500	.000	.250	.563	.750	.750	.000	.778	.250	.000	.375	.500

City of Needles
 N/S: Broadway Street
 E/W: Goodwill Street
 Weather: Clear

File Name : 17_NDL_Broadway_Goodwill SAT
 Site Code : 16621325
 Start Date : 7/17/2021
 Page No : 1

Groups Printed- Trucks

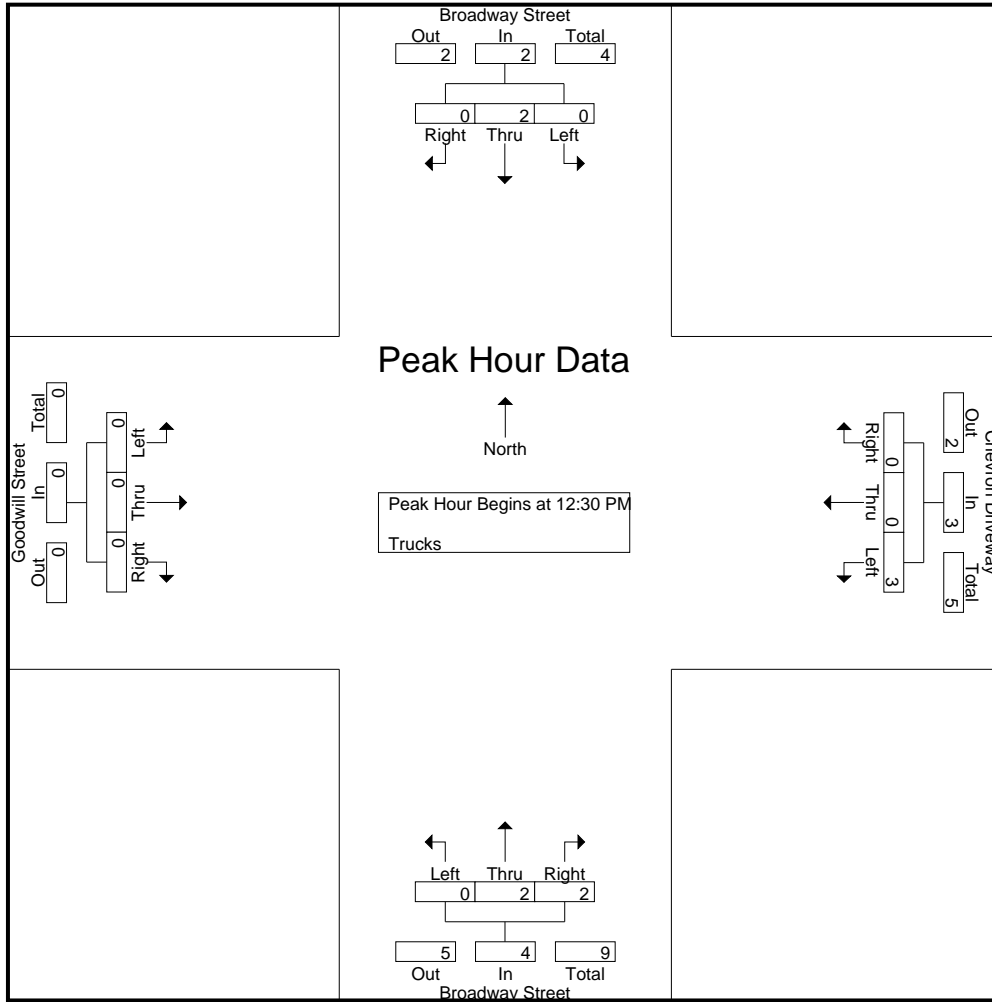
Start Time	Broadway Street Southbound				Chevron Driveway Westbound				Broadway Street Northbound				Goodwill Street Eastbound				Int. Total	
	Left	Thru	Right	App. Total	Left	Thru	Right	App. Total	Left	Thru	Right	App. Total	Left	Thru	Right	App. Total		
12:00 PM	0	0	0	0	1	0	0	1	0	0	0	0	0	0	0	0	0	1
12:15 PM	0	0	0	0	0	0	0	0	0	0	0	0	0	0	0	0	0	0
12:30 PM	0	2	0	2	1	0	0	1	0	0	0	0	0	0	0	0	0	3
12:45 PM	0	0	0	0	1	0	0	1	0	0	2	2	0	0	0	0	0	3
Total	0	2	0	2	3	0	0	3	0	0	2	2	0	0	0	0	0	7
01:00 PM	0	0	0	0	1	0	0	1	0	1	0	1	0	0	0	0	0	2
01:15 PM	0	0	0	0	0	0	0	0	0	1	0	1	0	0	0	0	0	1
01:30 PM	0	1	0	1	0	0	0	0	0	1	0	1	0	0	0	0	0	2
01:45 PM	0	2	0	2	0	0	0	0	0	0	0	0	0	0	0	0	0	2
Total	0	3	0	3	1	0	0	1	0	3	0	3	0	0	0	0	0	7
Grand Total	0	5	0	5	4	0	0	4	0	3	2	5	0	0	0	0	0	14
Apprch %	0	100	0		100	0	0		0	60	40		0	0	0			
Total %	0	35.7	0	35.7	28.6	0	0	28.6	0	21.4	14.3	35.7	0	0	0	0		

Start Time	Broadway Street Southbound				Chevron Driveway Westbound				Broadway Street Northbound				Goodwill Street Eastbound				Int. Total	
	Left	Thru	Right	App. Total	Left	Thru	Right	App. Total	Left	Thru	Right	App. Total	Left	Thru	Right	App. Total		
12:30 PM	0	2	0	2	1	0	0	1	0	0	0	0	0	0	0	0	0	3
12:45 PM	0	0	0	0	1	0	0	1	0	0	2	2	0	0	0	0	0	3
01:00 PM	0	0	0	0	1	0	0	1	0	1	0	1	0	0	0	0	0	2
01:15 PM	0	0	0	0	0	0	0	0	0	1	0	1	0	0	0	0	0	1
Total Volume	0	2	0	2	3	0	0	3	0	2	2	4	0	0	0	0	0	9
% App. Total	0	100	0		100	0	0		0	50	50		0	0	0			
PHF	.000	.250	.000	.250	.750	.000	.000	.750	.000	.500	.250	.500	.000	.000	.000	.000	.000	.750

Peak Hour Analysis From 12:30 PM to 01:15 PM - Peak 1 of 1
 Peak Hour for Entire Intersection Begins at 12:30 PM

City of Needles
 N/S: Broadway Street
 E/W: Goodwill Street
 Weather: Clear

File Name : 17_NDL_Broadway_Goodwill SAT
 Site Code : 16621325
 Start Date : 7/17/2021
 Page No : 2



Peak Hour Analysis From 12:30 PM to 01:15 PM - Peak 1 of 1
 Peak Hour for Each Approach Begins at:

	12:30 PM				12:30 PM				12:30 PM				12:30 PM			
+0 mins.	0	2	0	2	1	0	0	1	0	0	0	0	0	0	0	0
+15 mins.	0	0	0	0	1	0	0	1	0	0	2	2	0	0	0	0
+30 mins.	0	0	0	0	1	0	0	1	0	1	0	1	0	0	0	0
+45 mins.	0	0	0	0	0	0	0	0	0	1	0	1	0	0	0	0
Total Volume	0	2	0	2	3	0	0	3	0	2	2	4	0	0	0	0
% App. Total	0	100	0	0	100	0	0	0	0	50	50	0	0	0	0	0
PHF	.000	.250	.000	.250	.750	.000	.000	.750	.000	.500	.250	.500	.000	.000	.000	.000

City of Needles
 N/S: Broadway Street
 E/W: Goodwill Street
 Weather: Clear

File Name : 17_NDL_Broadway_Goodwill SAT
 Site Code : 16621325
 Start Date : 7/17/2021
 Page No : 1

Groups Printed- Buses

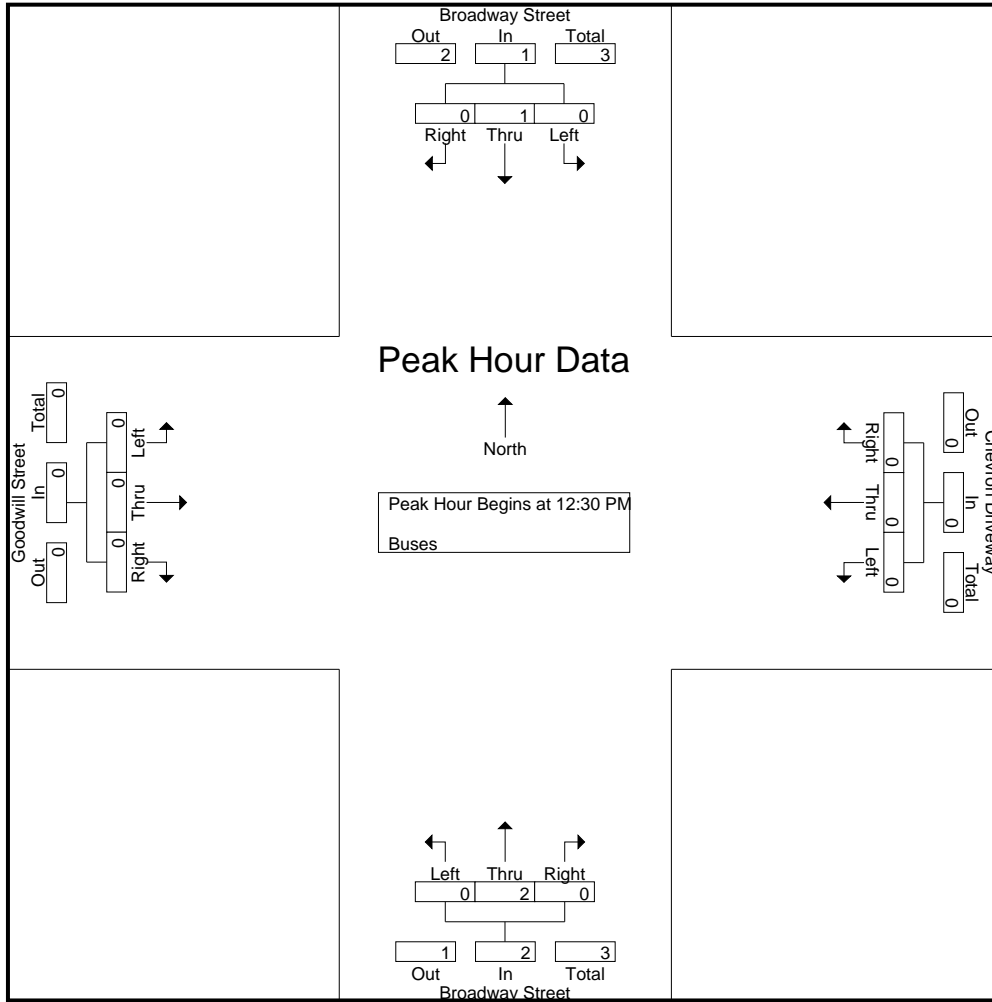
Start Time	Broadway Street Southbound				Chevron Driveway Westbound				Broadway Street Northbound				Goodwill Street Eastbound				Int. Total		
	Left	Thru	Right	App. Total	Left	Thru	Right	App. Total	Left	Thru	Right	App. Total	Left	Thru	Right	App. Total			
12:00 PM	0	0	0	0	0	0	0	0	0	0	0	0	0	0	0	0	0	0	
12:15 PM	0	0	0	0	0	0	0	0	0	0	1	0	1	0	0	0	0	0	1
12:30 PM	0	0	0	0	0	0	0	0	0	0	0	0	0	0	0	0	0	0	0
12:45 PM	0	1	0	1	0	0	0	0	0	0	1	0	1	0	0	0	0	0	2
Total	0	1	0	1	0	0	0	0	0	0	2	0	2	0	0	0	0	0	3
01:00 PM	0	0	0	0	0	0	0	0	0	0	0	0	0	0	0	0	0	0	0
01:15 PM	0	0	0	0	0	0	0	0	0	0	1	0	1	0	0	0	0	0	1
01:30 PM	0	0	0	0	0	0	0	0	0	0	0	0	0	0	0	0	0	0	0
01:45 PM	0	1	0	1	0	0	0	0	0	0	1	0	1	0	0	0	0	0	2
Total	0	1	0	1	0	0	0	0	0	0	2	0	2	0	0	0	0	0	3
Grand Total	0	2	0	2	0	0	0	0	0	0	4	0	4	0	0	0	0	0	6
Apprch %	0	100	0		0	0	0		0	100	0		0	0	0		0		
Total %	0	33.3	0	33.3	0	0	0		0	66.7	0	66.7	0	0	0		0		

Start Time	Broadway Street Southbound				Chevron Driveway Westbound				Broadway Street Northbound				Goodwill Street Eastbound				Int. Total		
	Left	Thru	Right	App. Total	Left	Thru	Right	App. Total	Left	Thru	Right	App. Total	Left	Thru	Right	App. Total			
12:30 PM	0	0	0	0	0	0	0	0	0	0	0	0	0	0	0	0	0	0	0
12:45 PM	0	1	0	1	0	0	0	0	0	0	1	0	1	0	0	0	0	0	2
01:00 PM	0	0	0	0	0	0	0	0	0	0	0	0	0	0	0	0	0	0	0
01:15 PM	0	0	0	0	0	0	0	0	0	0	1	0	1	0	0	0	0	0	1
Total Volume	0	1	0	1	0	0	0	0	0	0	2	0	2	0	0	0	0	0	3
% App. Total	0	100	0		0	0	0		0	100	0		0	0	0		0		
PHF	.000	.250	.000	.250	.000	.000	.000	.000	.000	.000	.500	.000	.500	.000	.000	.000	.000	.000	.375

Peak Hour Analysis From 12:30 PM to 01:15 PM - Peak 1 of 1
 Peak Hour for Entire Intersection Begins at 12:30 PM

City of Needles
 N/S: Broadway Street
 E/W: Goodwill Street
 Weather: Clear

File Name : 17_NDL_Broadway_Goodwill SAT
 Site Code : 16621325
 Start Date : 7/17/2021
 Page No : 2



Peak Hour Analysis From 12:30 PM to 01:15 PM - Peak 1 of 1
 Peak Hour for Each Approach Begins at:

	12:30 PM				12:30 PM				12:30 PM				12:30 PM			
+0 mins.	0	0	0	0	0	0	0	0	0	0	0	0	0	0	0	0
+15 mins.	0	1	0	1	0	0	0	0	0	1	0	1	0	0	0	0
+30 mins.	0	0	0	0	0	0	0	0	0	0	0	0	0	0	0	0
+45 mins.	0	0	0	0	0	0	0	0	0	1	0	1	0	0	0	0
Total Volume	0	1	0	1	0	0	0	0	0	2	0	2	0	0	0	0
% App. Total	0	100	0	0	0	0	0	0	0	100	0	0	0	0	0	0
PHF	.000	.250	.000	.250	.000	.000	.000	.000	.000	.500	.000	.500	.000	.000	.000	.000

Location: Needles
 N/S: Broadway Street
 E/W: Goodwill Street



PEDESTRIANS

Date: 7/15/2021
 Day: Thursday

	North Leg Broadway Street	East Leg Chevron Driveway	South Leg Broadway Street	West Leg Goodwill Street	
	Pedestrians	Pedestrians	Pedestrians	Pedestrians	
7:00 AM	0	1	0	0	1
7:15 AM	0	0	0	1	1
7:30 AM	0	0	0	0	0
7:45 AM	0	0	0	0	0
8:00 AM	0	0	0	0	0
8:15 AM	0	1	0	0	1
8:30 AM	0	0	0	1	1
8:45 AM	0	0	0	0	0
TOTAL VOLUMES:	0	2	0	2	4

Date: 7/15/2021
 Day: Thursday

	North Leg Broadway Street	East Leg Chevron Driveway	South Leg Broadway Street	West Leg Goodwill Street	
	Pedestrians	Pedestrians	Pedestrians	Pedestrians	
4:00 PM	0	0	0	0	0
4:15 PM	0	0	0	0	0
4:30 PM	0	0	0	0	0
4:45 PM	0	0	0	0	0
5:00 PM	0	0	0	0	0
5:15 PM	0	0	0	0	0
5:30 PM	0	0	0	0	0
5:45 PM	0	0	0	0	0
TOTAL VOLUMES:	0	0	0	0	0

Date: 7/17/2021
 Day: Saturday

	North Leg Broadway Street	East Leg Chevron Driveway	South Leg Broadway Street	West Leg Goodwill Street	
	Pedestrians	Pedestrians	Pedestrians	Pedestrians	
12:00 PM	0	0	0	0	0
12:15 PM	0	0	0	0	0
12:30 PM	0	0	0	0	0
12:45 PM	0	0	0	0	0
1:00 PM	0	0	0	0	0
1:15 PM	0	0	0	0	0
1:30 PM	0	0	0	0	0
1:45 PM	0	0	0	0	0
TOTAL VOLUMES:	0	0	0	0	0

Location: Needles
 N/S: Broadway Street
 E/W: Goodwill Street



BICYCLES

Date: 7/15/2021
 Day: Thursday

	Southbound Broadway Street			Westbound Chevron Driveway			Northbound Broadway Street			Eastbound Goodwill Street			
	Left	Thru	Right	Left	Thru	Right	Left	Thru	Right	Left	Thru	Right	
7:00 AM	0	0	0	0	0	0	0	0	0	0	0	0	0
7:15 AM	0	0	0	0	0	0	0	0	0	0	0	0	0
7:30 AM	0	0	0	0	0	0	0	0	0	0	0	0	0
7:45 AM	0	0	0	0	0	0	0	0	0	0	0	0	0
8:00 AM	0	0	0	0	0	0	0	0	0	0	0	0	0
8:15 AM	0	0	0	0	0	0	0	0	0	0	0	0	0
8:30 AM	0	0	0	0	0	0	0	0	0	0	0	0	0
8:45 AM	0	0	0	0	0	0	0	0	0	0	0	0	0
TOTAL VOLUMES:	0	0	0	0	0	0	0	0	0	0	0	0	0

Date: 7/15/2021
 Day: Thursday

	Southbound Broadway Street			Westbound Chevron Driveway			Northbound Broadway Street			Eastbound Goodwill Street			
	Left	Thru	Right	Left	Thru	Right	Left	Thru	Right	Left	Thru	Right	
4:00 PM	PM BIKES	0	0	0	0	0	0	0	0	0	0	0	0
4:15 PM	0	0	0	0	0	0	0	0	0	0	0	0	0
4:30 PM	0	0	0	0	0	0	0	0	0	0	0	0	0
4:45 PM	0	0	0	0	0	0	0	0	0	0	0	0	0
5:00 PM	0	0	0	0	0	0	0	0	0	0	0	0	0
5:15 PM	0	0	0	0	0	0	0	0	0	0	0	0	0
5:30 PM	0	0	0	0	0	0	0	0	0	0	0	0	0
5:45 PM	0	0	0	0	0	0	0	0	0	0	0	0	0
TOTAL VOLUMES:	0	0	0	0	0	0	0	0	0	0	0	0	0

Date: 7/17/2021
 Day: Saturday

	Southbound Broadway Street			Westbound Chevron Driveway			Northbound Broadway Street			Eastbound Goodwill Street			
	Left	Thru	Right	Left	Thru	Right	Left	Thru	Right	Left	Thru	Right	
12:00 PM	0	0	0	0	0	0	0	0	0	0	0	0	0
12:15 PM	0	0	0	0	0	0	0	0	0	0	0	0	0
12:30 PM	0	0	0	0	0	0	0	0	0	0	0	0	0
12:45 PM	0	0	0	0	0	0	0	0	0	0	0	0	0
1:00 PM	0	0	0	0	0	0	0	0	0	0	0	0	0
1:15 PM	0	0	0	0	0	0	0	0	0	0	0	0	0
1:30 PM	0	0	0	0	0	0	0	0	0	0	0	0	0
1:45 PM	0	0	0	0	0	0	0	0	0	0	0	0	0
TOTAL VOLUMES:	0	0	0	0	0	0	0	0	0	0	0	0	0

City of Needles
 N/S: D Street
 E/W: 3rd Street
 Weather: Clear

File Name : 18_NDL_D St_3rd St AM
 Site Code : 16621325
 Start Date : 7/15/2021
 Page No : 1

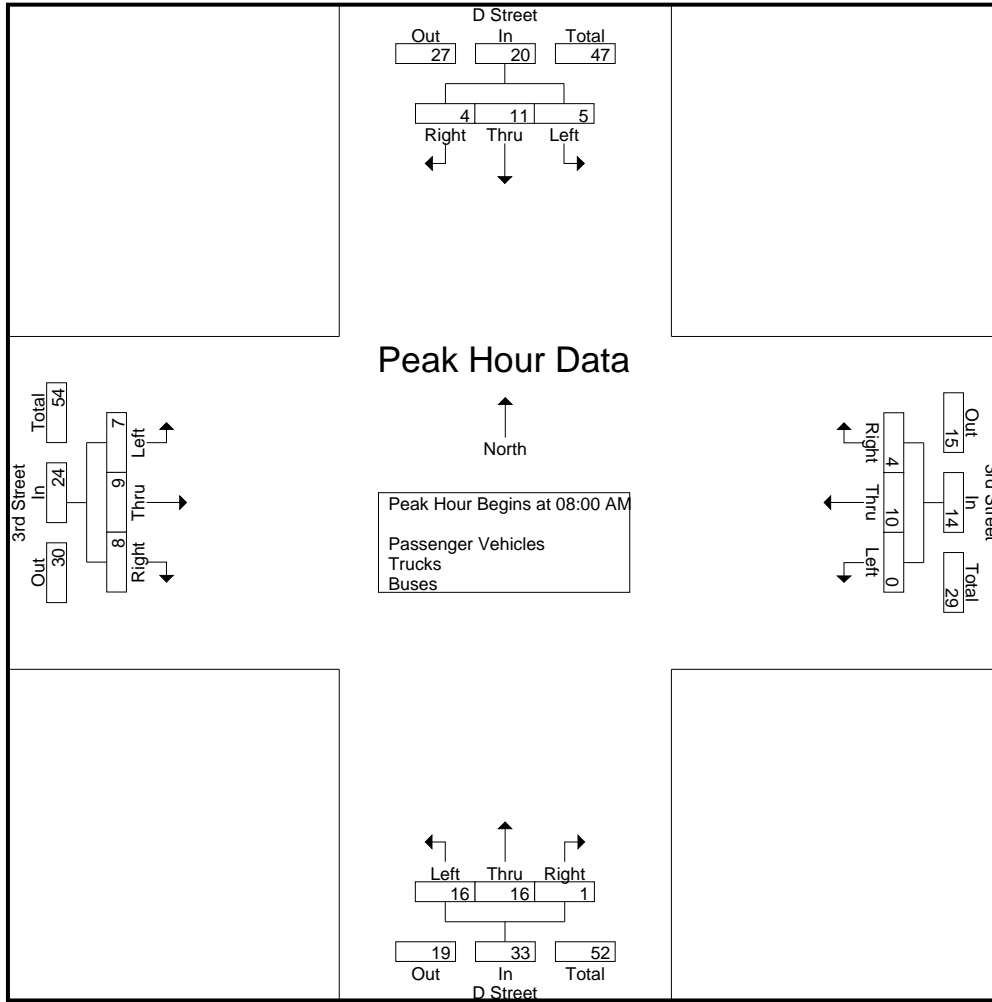
Groups Printed- Passenger Vehicles - Trucks - Buses

Start Time	D Street Southbound				3rd Street Westbound				D Street Northbound				3rd Street Eastbound				Int. Total
	Left	Thru	Right	App. Total	Left	Thru	Right	App. Total	Left	Thru	Right	App. Total	Left	Thru	Right	App. Total	
07:00 AM	0	1	0	1	0	0	1	1	6	2	0	8	2	3	4	9	19
07:15 AM	1	4	1	6	0	3	0	3	5	4	1	10	0	3	4	7	26
07:30 AM	1	1	1	3	0	2	0	2	1	3	0	4	1	0	2	3	12
07:45 AM	0	2	1	3	0	4	0	4	4	1	0	5	1	4	0	5	17
Total	2	8	3	13	0	9	1	10	16	10	1	27	4	10	10	24	74
08:00 AM	3	4	0	7	0	2	2	4	4	2	0	6	1	1	3	5	22
08:15 AM	1	0	2	3	0	2	0	2	2	5	0	7	4	1	1	6	18
08:30 AM	1	2	1	4	0	1	1	2	6	3	1	10	2	3	1	6	22
08:45 AM	0	5	1	6	0	5	1	6	4	6	0	10	0	4	3	7	29
Total	5	11	4	20	0	10	4	14	16	16	1	33	7	9	8	24	91
Grand Total	7	19	7	33	0	19	5	24	32	26	2	60	11	19	18	48	165
Apprch %	21.2	57.6	21.2		0	79.2	20.8		53.3	43.3	3.3		22.9	39.6	37.5		
Total %	4.2	11.5	4.2	20	0	11.5	3	14.5	19.4	15.8	1.2	36.4	6.7	11.5	10.9	29.1	
Passenger Vehicles	7	19	6	32	0	18	4	22	32	25	1	58	10	18	15	43	155
% Passenger Vehicles	100	100	85.7	97	0	94.7	80	91.7	100	96.2	50	96.7	90.9	94.7	83.3	89.6	93.9
Trucks	0	0	1	1	0	1	1	2	0	1	1	2	1	1	1	3	8
% Trucks	0	0	14.3	3	0	5.3	20	8.3	0	3.8	50	3.3	9.1	5.3	5.6	6.2	4.8
Buses	0	0	0	0	0	0	0	0	0	0	0	0	0	0	2	2	2
% Buses	0	0	0	0	0	0	0	0	0	0	0	0	0	0	11.1	4.2	1.2

Start Time	D Street Southbound				3rd Street Westbound				D Street Northbound				3rd Street Eastbound				Int. Total
	Left	Thru	Right	App. Total	Left	Thru	Right	App. Total	Left	Thru	Right	App. Total	Left	Thru	Right	App. Total	
Peak Hour Analysis From 07:00 AM to 08:45 AM - Peak 1 of 1																	
Peak Hour for Entire Intersection Begins at 08:00 AM																	
08:00 AM	3	4	0	7	0	2	2	4	4	2	0	6	1	1	3	5	22
08:15 AM	1	0	2	3	0	2	0	2	2	5	0	7	4	1	1	6	18
08:30 AM	1	2	1	4	0	1	1	2	6	3	1	10	2	3	1	6	22
08:45 AM	0	5	1	6	0	5	1	6	4	6	0	10	0	4	3	7	29
Total Volume	5	11	4	20	0	10	4	14	16	16	1	33	7	9	8	24	91
% App. Total	25	55	20		0	71.4	28.6		48.5	48.5	3		29.2	37.5	33.3		
PHF	.417	.550	.500	.714	.000	.500	.500	.583	.667	.667	.250	.825	.438	.563	.667	.857	.784

City of Needles
 N/S: D Street
 E/W: 3rd Street
 Weather: Clear

File Name : 18_NDL_D St_3rd St AM
 Site Code : 16621325
 Start Date : 7/15/2021
 Page No : 2



Peak Hour Analysis From 07:00 AM to 08:45 AM - Peak 1 of 1
 Peak Hour for Each Approach Begins at:

	08:00 AM				08:00 AM				08:00 AM				07:00 AM			
+0 mins.	3	4	0	7	0	2	2	4	4	2	0	6	2	3	4	9
+15 mins.	1	0	2	3	0	2	0	2	2	5	0	7	0	3	4	7
+30 mins.	1	2	1	4	0	1	1	2	6	3	1	10	1	0	2	3
+45 mins.	0	5	1	6	0	5	1	6	4	6	0	10	1	4	0	5
Total Volume	5	11	4	20	0	10	4	14	16	16	1	33	4	10	10	24
% App. Total	25	55	20		0	71.4	28.6		48.5	48.5	3		16.7	41.7	41.7	
PHF	.417	.550	.500	.714	.000	.500	.500	.583	.667	.667	.250	.825	.500	.625	.625	.667

City of Needles
 N/S: D Street
 E/W: 3rd Street
 Weather: Clear

File Name : 18_NDL_D St_3rd St AM
 Site Code : 16621325
 Start Date : 7/15/2021
 Page No : 1

Groups Printed- Passenger Vehicles

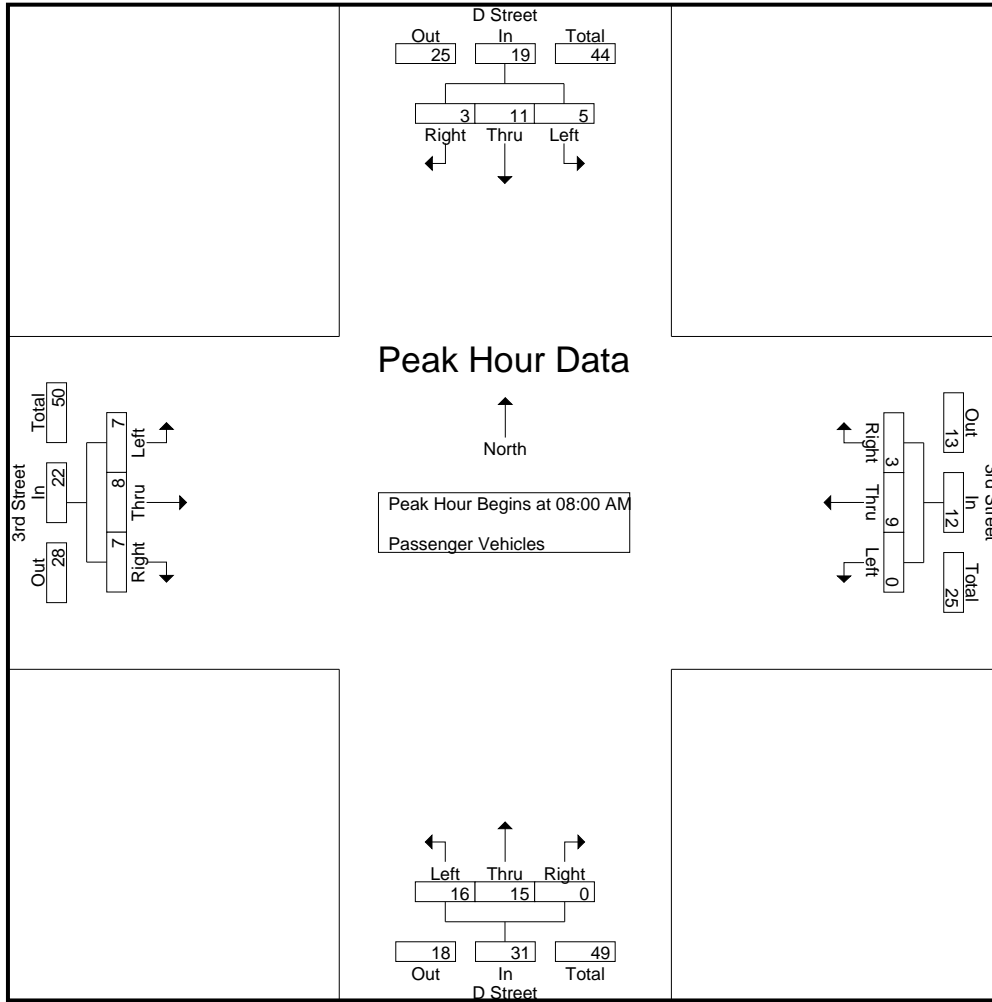
Start Time	D Street Southbound				3rd Street Westbound				D Street Northbound				3rd Street Eastbound				Int. Total
	Left	Thru	Right	App. Total	Left	Thru	Right	App. Total	Left	Thru	Right	App. Total	Left	Thru	Right	App. Total	
07:00 AM	0	1	0	1	0	0	1	1	6	2	0	8	2	3	3	8	18
07:15 AM	1	4	1	6	0	3	0	3	5	4	1	10	0	3	3	6	25
07:30 AM	1	1	1	3	0	2	0	2	1	3	0	4	0	0	2	2	11
07:45 AM	0	2	1	3	0	4	0	4	4	1	0	5	1	4	0	5	17
Total	2	8	3	13	0	9	1	10	16	10	1	27	3	10	8	21	71
08:00 AM	3	4	0	7	0	1	2	3	4	2	0	6	1	0	2	3	19
08:15 AM	1	0	2	3	0	2	0	2	2	5	0	7	4	1	1	6	18
08:30 AM	1	2	1	4	0	1	0	1	6	3	0	9	2	3	1	6	20
08:45 AM	0	5	0	5	0	5	1	6	4	5	0	9	0	4	3	7	27
Total	5	11	3	19	0	9	3	12	16	15	0	31	7	8	7	22	84
Grand Total	7	19	6	32	0	18	4	22	32	25	1	58	10	18	15	43	155
Apprch %	21.9	59.4	18.8		0	81.8	18.2		55.2	43.1	1.7		23.3	41.9	34.9		
Total %	4.5	12.3	3.9	20.6	0	11.6	2.6	14.2	20.6	16.1	0.6	37.4	6.5	11.6	9.7	27.7	

Start Time	D Street Southbound				3rd Street Westbound				D Street Northbound				3rd Street Eastbound				Int. Total
	Left	Thru	Right	App. Total	Left	Thru	Right	App. Total	Left	Thru	Right	App. Total	Left	Thru	Right	App. Total	
08:00 AM	3	4	0	7	0	1	2	3	4	2	0	6	1	0	2	3	19
08:15 AM	1	0	2	3	0	2	0	2	2	5	0	7	4	1	1	6	18
08:30 AM	1	2	1	4	0	1	0	1	6	3	0	9	2	3	1	6	20
08:45 AM	0	5	0	5	0	5	1	6	4	5	0	9	0	4	3	7	27
Total Volume	5	11	3	19	0	9	3	12	16	15	0	31	7	8	7	22	84
% App. Total	26.3	57.9	15.8		0	75	25		51.6	48.4	0		31.8	36.4	31.8		
PHF	.417	.550	.375	.679	.000	.450	.375	.500	.667	.750	.000	.861	.438	.500	.583	.786	.778

Peak Hour Analysis From 08:00 AM to 08:45 AM - Peak 1 of 1
 Peak Hour for Entire Intersection Begins at 08:00 AM

City of Needles
 N/S: D Street
 E/W: 3rd Street
 Weather: Clear

File Name : 18_NDL_D St_3rd St AM
 Site Code : 16621325
 Start Date : 7/15/2021
 Page No : 2



Peak Hour Analysis From 08:00 AM to 08:45 AM - Peak 1 of 1
 Peak Hour for Each Approach Begins at:

	08:00 AM				08:00 AM				08:00 AM				08:00 AM			
+0 mins.	3	4	0	7	0	1	2	3	4	2	0	6	1	0	2	3
+15 mins.	1	0	2	3	0	2	0	2	2	5	0	7	4	1	1	6
+30 mins.	1	2	1	4	0	1	0	1	6	3	0	9	2	3	1	6
+45 mins.	0	5	0	5	0	5	1	6	4	5	0	9	0	4	3	7
Total Volume	5	11	3	19	0	9	3	12	16	15	0	31	7	8	7	22
% App. Total	26.3	57.9	15.8		0	75	25		51.6	48.4	0		31.8	36.4	31.8	
PHF	.417	.550	.375	.679	.000	.450	.375	.500	.667	.750	.000	.861	.438	.500	.583	.786

City of Needles
 N/S: D Street
 E/W: 3rd Street
 Weather: Clear

File Name : 18_NDL_D St_3rd St AM
 Site Code : 16621325
 Start Date : 7/15/2021
 Page No : 1

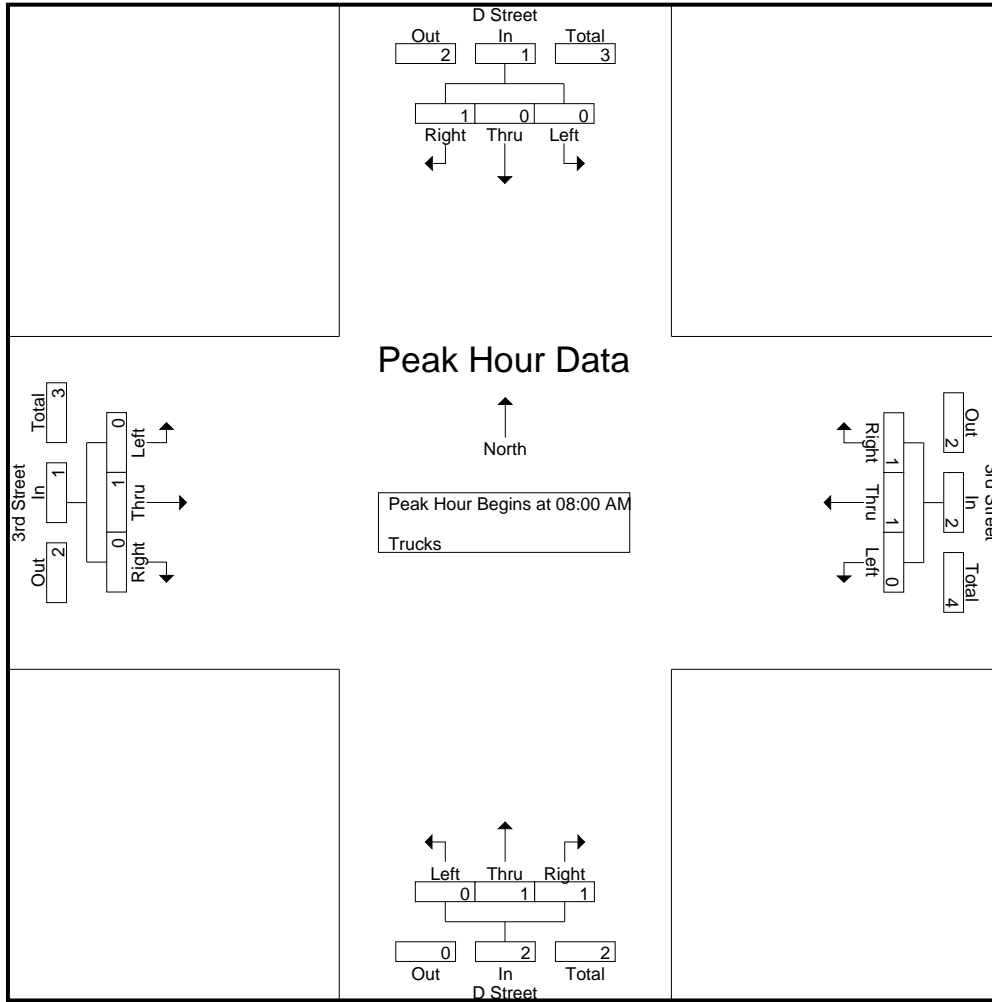
Groups Printed- Trucks

Start Time	D Street Southbound				3rd Street Westbound				D Street Northbound				3rd Street Eastbound				Int. Total
	Left	Thru	Right	App. Total	Left	Thru	Right	App. Total	Left	Thru	Right	App. Total	Left	Thru	Right	App. Total	
07:00 AM	0	0	0	0	0	0	0	0	0	0	0	0	0	0	0	0	0
07:15 AM	0	0	0	0	0	0	0	0	0	0	0	0	0	0	0	1	1
07:30 AM	0	0	0	0	0	0	0	0	0	0	0	0	1	0	0	1	1
07:45 AM	0	0	0	0	0	0	0	0	0	0	0	0	0	0	0	0	0
Total	0	0	0	0	0	0	0	0	0	0	0	0	1	0	1	2	2
08:00 AM	0	0	0	0	0	1	0	1	0	0	0	0	0	1	0	1	2
08:15 AM	0	0	0	0	0	0	0	0	0	0	0	0	0	0	0	0	0
08:30 AM	0	0	0	0	0	0	1	1	0	0	1	1	0	0	0	0	2
08:45 AM	0	0	1	1	0	0	0	0	0	1	0	1	0	0	0	0	2
Total	0	0	1	1	0	1	1	2	0	1	1	2	0	1	0	1	6
Grand Total	0	0	1	1	0	1	1	2	0	1	1	2	1	1	1	3	8
Apprch %	0	0	100		0	50	50		0	50	50		33.3	33.3	33.3		
Total %	0	0	12.5	12.5	0	12.5	12.5	25	0	12.5	12.5	25	12.5	12.5	12.5	37.5	

Start Time	D Street Southbound				3rd Street Westbound				D Street Northbound				3rd Street Eastbound				Int. Total
	Left	Thru	Right	App. Total	Left	Thru	Right	App. Total	Left	Thru	Right	App. Total	Left	Thru	Right	App. Total	
Peak Hour Analysis From 08:00 AM to 08:45 AM - Peak 1 of 1																	
Peak Hour for Entire Intersection Begins at 08:00 AM																	
08:00 AM	0	0	0	0	0	1	0	1	0	0	0	0	0	1	0	1	2
08:15 AM	0	0	0	0	0	0	0	0	0	0	0	0	0	0	0	0	0
08:30 AM	0	0	0	0	0	0	1	1	0	0	1	1	0	0	0	0	2
08:45 AM	0	0	1	1	0	0	0	0	0	1	0	1	0	0	0	0	2
Total Volume	0	0	1	1	0	1	1	2	0	1	1	2	0	1	0	1	6
% App. Total	0	0	100		0	50	50		0	50	50		0	100	0		
PHF	.000	.000	.250	.250	.000	.250	.250	.500	.000	.250	.250	.500	.000	.250	.000	.250	.750

City of Needles
 N/S: D Street
 E/W: 3rd Street
 Weather: Clear

File Name : 18_NDL_D St_3rd St AM
 Site Code : 16621325
 Start Date : 7/15/2021
 Page No : 2



Peak Hour Analysis From 08:00 AM to 08:45 AM - Peak 1 of 1
 Peak Hour for Each Approach Begins at:

	08:00 AM				08:00 AM				08:00 AM				08:00 AM			
+0 mins.	0	0	0	0	0	1	0	1	0	0	0	0	0	1	0	1
+15 mins.	0	0	0	0	0	0	0	0	0	0	0	0	0	0	0	0
+30 mins.	0	0	0	0	0	0	1	1	0	0	1	1	0	0	0	0
+45 mins.	0	0	1	1	0	0	0	0	0	1	0	1	0	0	0	0
Total Volume	0	0	1	1	0	1	1	2	0	1	1	2	0	1	0	1
% App. Total	0	0	100		0	50	50		0	50	50		0	100	0	
PHF	.000	.000	.250	.250	.000	.250	.250	.500	.000	.250	.250	.500	.000	.250	.000	.250

City of Needles
 N/S: D Street
 E/W: 3rd Street
 Weather: Clear

File Name : 18_NDL_D St_3rd St AM
 Site Code : 16621325
 Start Date : 7/15/2021
 Page No : 1

Groups Printed- Buses

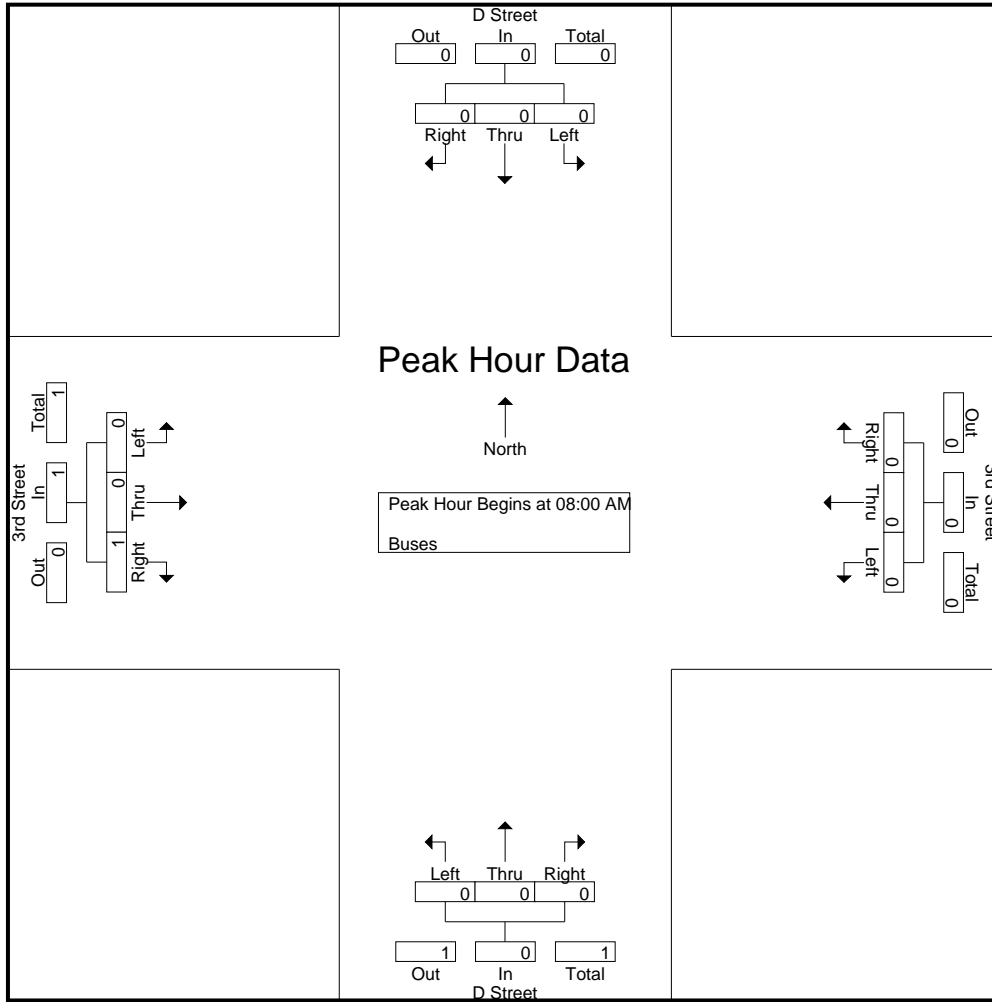
Start Time	D Street Southbound				3rd Street Westbound				D Street Northbound				3rd Street Eastbound				Int. Total
	Left	Thru	Right	App. Total	Left	Thru	Right	App. Total	Left	Thru	Right	App. Total	Left	Thru	Right	App. Total	
07:00 AM	0	0	0	0	0	0	0	0	0	0	0	0	0	0	1	1	1
07:15 AM	0	0	0	0	0	0	0	0	0	0	0	0	0	0	0	0	0
07:30 AM	0	0	0	0	0	0	0	0	0	0	0	0	0	0	0	0	0
07:45 AM	0	0	0	0	0	0	0	0	0	0	0	0	0	0	0	0	0
Total	0	0	0	0	0	0	0	0	0	0	0	0	0	0	1	1	1
08:00 AM	0	0	0	0	0	0	0	0	0	0	0	0	0	0	1	1	1
08:15 AM	0	0	0	0	0	0	0	0	0	0	0	0	0	0	0	0	0
08:30 AM	0	0	0	0	0	0	0	0	0	0	0	0	0	0	0	0	0
08:45 AM	0	0	0	0	0	0	0	0	0	0	0	0	0	0	0	0	0
Total	0	0	0	0	0	0	0	0	0	0	0	0	0	0	1	1	1
Grand Total	0	0	0	0	0	0	0	0	0	0	0	0	0	0	2	2	2
Apprch %	0	0	0		0	0	0		0	0	0		0	0	100		
Total %	0	0	0		0	0	0		0	0	0		0	0	100	100	

Start Time	D Street Southbound				3rd Street Westbound				D Street Northbound				3rd Street Eastbound				Int. Total
	Left	Thru	Right	App. Total	Left	Thru	Right	App. Total	Left	Thru	Right	App. Total	Left	Thru	Right	App. Total	
08:00 AM	0	0	0	0	0	0	0	0	0	0	0	0	0	0	1	1	1
08:15 AM	0	0	0	0	0	0	0	0	0	0	0	0	0	0	0	0	0
08:30 AM	0	0	0	0	0	0	0	0	0	0	0	0	0	0	0	0	0
08:45 AM	0	0	0	0	0	0	0	0	0	0	0	0	0	0	0	0	0
Total Volume	0	0	0	0	0	0	0	0	0	0	0	0	0	0	1	1	1
% App. Total	0	0	0		0	0	0		0	0	0		0	0	100		
PHF	.000	.000	.000	.000	.000	.000	.000	.000	.000	.000	.000	.000	.000	.000	.250	.250	.250

Peak Hour Analysis From 08:00 AM to 08:45 AM - Peak 1 of 1
 Peak Hour for Entire Intersection Begins at 08:00 AM

City of Needles
 N/S: D Street
 E/W: 3rd Street
 Weather: Clear

File Name : 18_NDL_D St_3rd St AM
 Site Code : 16621325
 Start Date : 7/15/2021
 Page No : 2



Peak Hour Analysis From 08:00 AM to 08:45 AM - Peak 1 of 1
 Peak Hour for Each Approach Begins at:

	08:00 AM				08:00 AM				08:00 AM				08:00 AM			
+0 mins.	0	0	0	0	0	0	0	0	0	0	0	0	0	0	0	1
+15 mins.	0	0	0	0	0	0	0	0	0	0	0	0	0	0	0	0
+30 mins.	0	0	0	0	0	0	0	0	0	0	0	0	0	0	0	0
+45 mins.	0	0	0	0	0	0	0	0	0	0	0	0	0	0	0	0
Total Volume	0	0	0	0	0	0	0	0	0	0	0	0	0	0	1	1
% App. Total	0	0	0	0	0	0	0	0	0	0	0	0	0	0	100	100
PHF	.000	.000	.000	.000	.000	.000	.000	.000	.000	.000	.000	.000	.000	.000	.250	.250

City of Needles
 N/S: D Street
 E/W: 3rd Street
 Weather: Clear

File Name : 18_NDL_D St_3rd St PM
 Site Code : 16621325
 Start Date : 7/15/2021
 Page No : 1

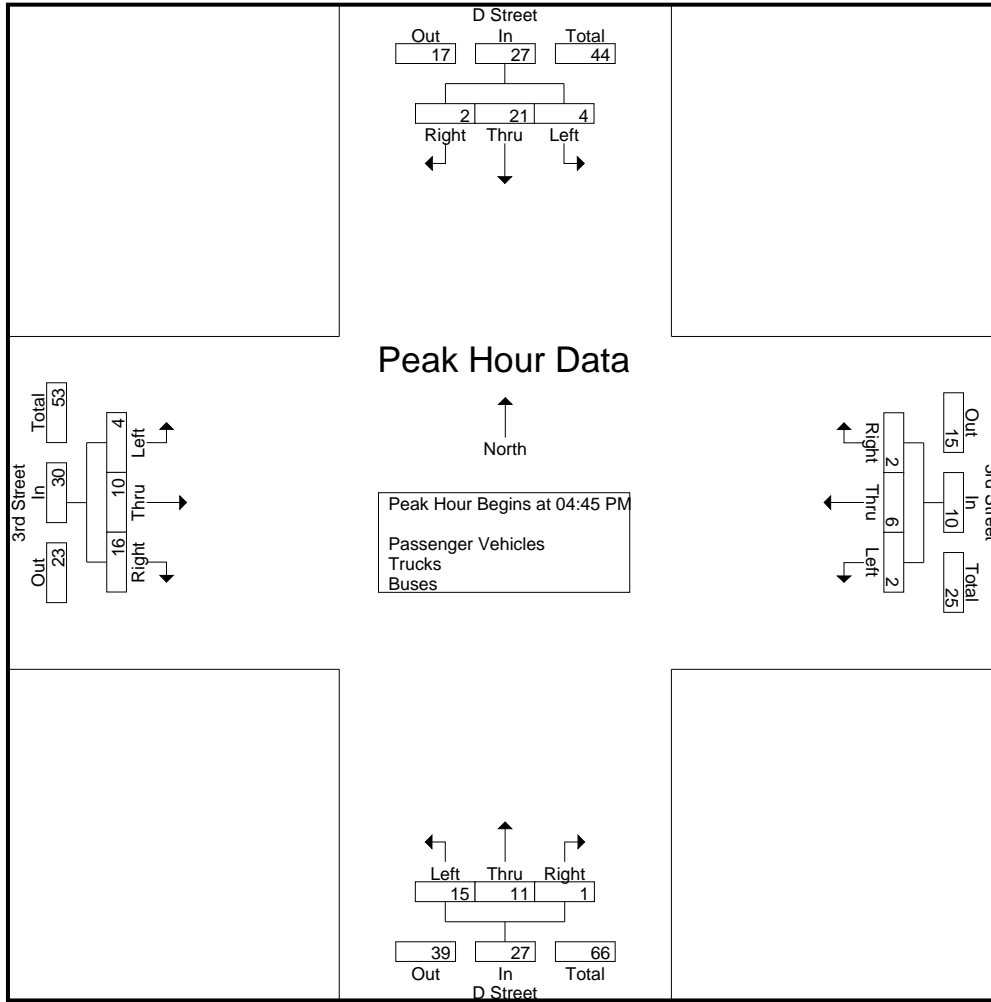
Groups Printed- Passenger Vehicles - Trucks - Buses

Start Time	D Street Southbound				3rd Street Westbound				D Street Northbound				3rd Street Eastbound				Int. Total
	Left	Thru	Right	App. Total	Left	Thru	Right	App. Total	Left	Thru	Right	App. Total	Left	Thru	Right	App. Total	
04:00 PM	1	6	0	7	0	3	0	3	3	2	0	5	3	3	4	10	25
04:15 PM	1	3	2	6	0	0	2	2	3	0	1	4	3	1	1	5	17
04:30 PM	2	3	1	6	0	2	0	2	5	1	0	6	0	3	2	5	19
04:45 PM	0	4	0	4	1	1	0	2	3	5	0	8	1	2	7	10	24
Total	4	16	3	23	1	6	2	9	14	8	1	23	7	9	14	30	85
05:00 PM	0	6	0	6	1	1	0	2	4	2	0	6	2	2	5	9	23
05:15 PM	4	4	1	9	0	3	1	4	4	1	1	6	0	3	2	5	24
05:30 PM	0	7	1	8	0	1	1	2	4	3	0	7	1	3	2	6	23
05:45 PM	1	1	2	4	0	2	1	3	3	2	1	6	0	1	1	2	15
Total	5	18	4	27	1	7	3	11	15	8	2	25	3	9	10	22	85
Grand Total	9	34	7	50	2	13	5	20	29	16	3	48	10	18	24	52	170
Apprch %	18	68	14		10	65	25		60.4	33.3	6.2		19.2	34.6	46.2		
Total %	5.3	20	4.1	29.4	1.2	7.6	2.9	11.8	17.1	9.4	1.8	28.2	5.9	10.6	14.1	30.6	
Passenger Vehicles	8	34	7	49	2	13	5	20	29	16	3	48	10	18	22	50	167
% Passenger Vehicles	88.9	100	100	98	100	100	100	100	100	100	100	100	100	100	91.7	96.2	98.2
Trucks	1	0	0	1	0	0	0	0	0	0	0	0	0	0	0	0	1
% Trucks	11.1	0	0	2	0	0	0	0	0	0	0	0	0	0	0	0	0.6
Buses	0	0	0	0	0	0	0	0	0	0	0	0	0	0	2	2	2
% Buses	0	0	0	0	0	0	0	0	0	0	0	0	0	0	8.3	3.8	1.2

Start Time	D Street Southbound				3rd Street Westbound				D Street Northbound				3rd Street Eastbound				Int. Total
	Left	Thru	Right	App. Total	Left	Thru	Right	App. Total	Left	Thru	Right	App. Total	Left	Thru	Right	App. Total	
Peak Hour Analysis From 04:00 PM to 05:45 PM - Peak 1 of 1																	
Peak Hour for Entire Intersection Begins at 04:45 PM																	
04:45 PM	0	4	0	4	1	1	0	2	3	5	0	8	1	2	7	10	24
05:00 PM	0	6	0	6	1	1	0	2	4	2	0	6	2	2	5	9	23
05:15 PM	4	4	1	9	0	3	1	4	4	1	1	6	0	3	2	5	24
05:30 PM	0	7	1	8	0	1	1	2	4	3	0	7	1	3	2	6	23
Total Volume	4	21	2	27	2	6	2	10	15	11	1	27	4	10	16	30	94
% App. Total	14.8	77.8	7.4		20	60	20		55.6	40.7	3.7		13.3	33.3	53.3		
PHF	.250	.750	.500	.750	.500	.500	.500	.625	.938	.550	.250	.844	.500	.833	.571	.750	.979

City of Needles
 N/S: D Street
 E/W: 3rd Street
 Weather: Clear

File Name : 18_NDL_D St_3rd St PM
 Site Code : 16621325
 Start Date : 7/15/2021
 Page No : 2



Peak Hour Analysis From 04:00 PM to 05:45 PM - Peak 1 of 1
 Peak Hour for Each Approach Begins at:

	04:45 PM				05:00 PM				04:45 PM				04:00 PM			
+0 mins.	0	4	0	4	1	1	0	2	3	5	0	8	3	3	4	10
+15 mins.	0	6	0	6	0	3	1	4	4	2	0	6	3	1	1	5
+30 mins.	4	4	1	9	0	1	1	2	4	1	1	6	0	3	2	5
+45 mins.	0	7	1	8	0	2	1	3	4	3	0	7	1	2	7	10
Total Volume	4	21	2	27	1	7	3	11	15	11	1	27	7	9	14	30
% App. Total	14.8	77.8	7.4		9.1	63.6	27.3		55.6	40.7	3.7		23.3	30	46.7	
PHF	.250	.750	.500	.750	.250	.583	.750	.688	.938	.550	.250	.844	.583	.750	.500	.750

City of Needles
 N/S: D Street
 E/W: 3rd Street
 Weather: Clear

File Name : 18_NDL_D St_3rd St PM
 Site Code : 16621325
 Start Date : 7/15/2021
 Page No : 1

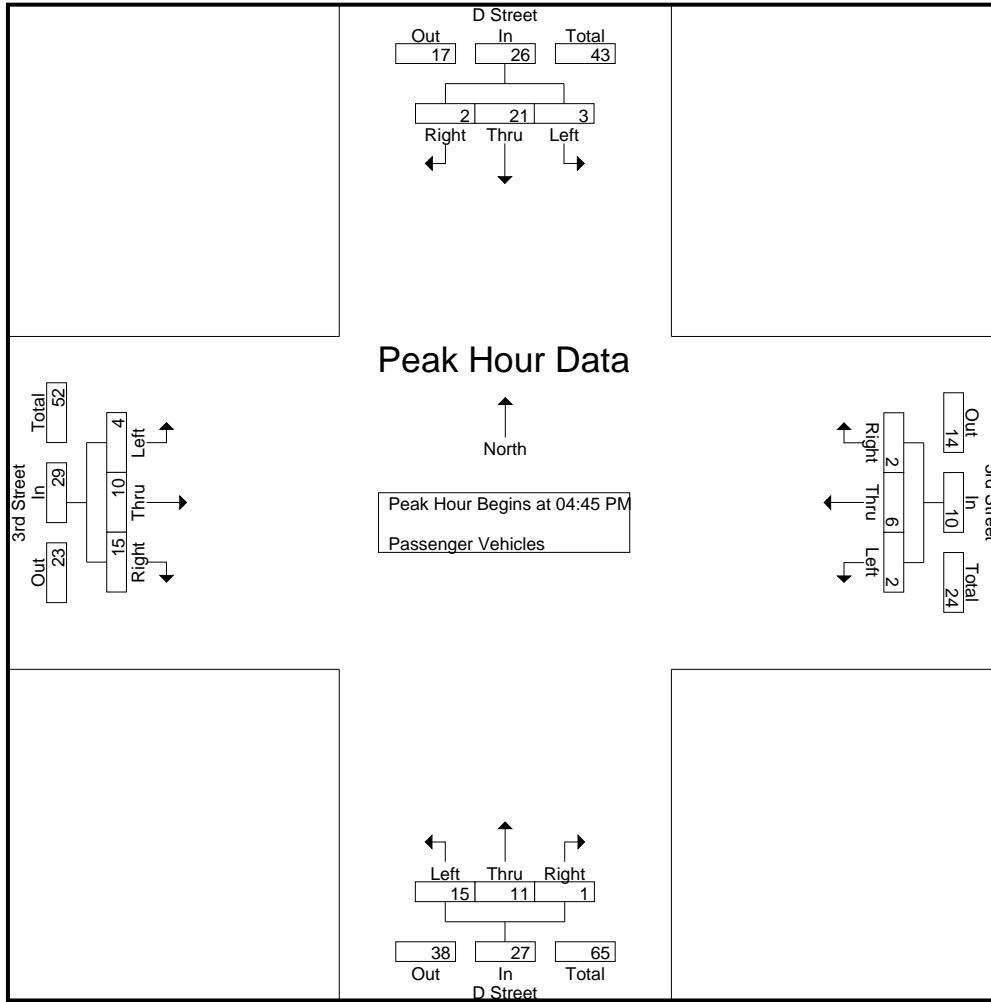
Groups Printed- Passenger Vehicles

Start Time	D Street Southbound				3rd Street Westbound				D Street Northbound				3rd Street Eastbound				Int. Total
	Left	Thru	Right	App. Total	Left	Thru	Right	App. Total	Left	Thru	Right	App. Total	Left	Thru	Right	App. Total	
04:00 PM	1	6	0	7	0	3	0	3	3	2	0	5	3	3	3	9	24
04:15 PM	1	3	2	6	0	0	2	2	3	0	1	4	3	1	1	5	17
04:30 PM	2	3	1	6	0	2	0	2	5	1	0	6	0	3	2	5	19
04:45 PM	0	4	0	4	1	1	0	2	3	5	0	8	1	2	7	10	24
Total	4	16	3	23	1	6	2	9	14	8	1	23	7	9	13	29	84
05:00 PM	0	6	0	6	1	1	0	2	4	2	0	6	2	2	4	8	22
05:15 PM	3	4	1	8	0	3	1	4	4	1	1	6	0	3	2	5	23
05:30 PM	0	7	1	8	0	1	1	2	4	3	0	7	1	3	2	6	23
05:45 PM	1	1	2	4	0	2	1	3	3	2	1	6	0	1	1	2	15
Total	4	18	4	26	1	7	3	11	15	8	2	25	3	9	9	21	83
Grand Total	8	34	7	49	2	13	5	20	29	16	3	48	10	18	22	50	167
Apprch %	16.3	69.4	14.3		10	65	25		60.4	33.3	6.2		20	36	44		
Total %	4.8	20.4	4.2	29.3	1.2	7.8	3	12	17.4	9.6	1.8	28.7	6	10.8	13.2	29.9	

Start Time	D Street Southbound				3rd Street Westbound				D Street Northbound				3rd Street Eastbound				Int. Total
	Left	Thru	Right	App. Total	Left	Thru	Right	App. Total	Left	Thru	Right	App. Total	Left	Thru	Right	App. Total	
Peak Hour Analysis From 04:45 PM to 05:30 PM - Peak 1 of 1																	
Peak Hour for Entire Intersection Begins at 04:45 PM																	
04:45 PM	0	4	0	4	1	1	0	2	3	5	0	8	1	2	7	10	24
05:00 PM	0	6	0	6	1	1	0	2	4	2	0	6	2	2	4	8	22
05:15 PM	3	4	1	8	0	3	1	4	4	1	1	6	0	3	2	5	23
05:30 PM	0	7	1	8	0	1	1	2	4	3	0	7	1	3	2	6	23
Total Volume	3	21	2	26	2	6	2	10	15	11	1	27	4	10	15	29	92
% App. Total	11.5	80.8	7.7		20	60	20		55.6	40.7	3.7		13.8	34.5	51.7		
PHF	.250	.750	.500	.813	.500	.500	.500	.625	.938	.550	.250	.844	.500	.833	.536	.725	.958

City of Needles
 N/S: D Street
 E/W: 3rd Street
 Weather: Clear

File Name : 18_NDL_D St_3rd St PM
 Site Code : 16621325
 Start Date : 7/15/2021
 Page No : 2



Peak Hour Analysis From 04:45 PM to 05:30 PM - Peak 1 of 1
 Peak Hour for Each Approach Begins at:

	04:45 PM				04:45 PM				04:45 PM				04:45 PM			
+0 mins.	0	4	0	4	1	1	0	2	3	5	0	8	1	2	7	10
+15 mins.	0	6	0	6	1	1	0	2	4	2	0	6	2	2	4	8
+30 mins.	3	4	1	8	0	3	1	4	4	1	1	6	0	3	2	5
+45 mins.	0	7	1	8	0	1	1	2	4	3	0	7	1	3	2	6
Total Volume	3	21	2	26	2	6	2	10	15	11	1	27	4	10	15	29
% App. Total	11.5	80.8	7.7		20	60	20		55.6	40.7	3.7		13.8	34.5	51.7	
PHF	.250	.750	.500	.813	.500	.500	.500	.625	.938	.550	.250	.844	.500	.833	.536	.725

City of Needles
 N/S: D Street
 E/W: 3rd Street
 Weather: Clear

File Name : 18_NDL_D St_3rd St PM
 Site Code : 16621325
 Start Date : 7/15/2021
 Page No : 1

Groups Printed- Trucks

Start Time	D Street Southbound				3rd Street Westbound				D Street Northbound				3rd Street Eastbound				Int. Total
	Left	Thru	Right	App. Total	Left	Thru	Right	App. Total	Left	Thru	Right	App. Total	Left	Thru	Right	App. Total	
04:00 PM	0	0	0	0	0	0	0	0	0	0	0	0	0	0	0	0	0
04:15 PM	0	0	0	0	0	0	0	0	0	0	0	0	0	0	0	0	0
04:30 PM	0	0	0	0	0	0	0	0	0	0	0	0	0	0	0	0	0
04:45 PM	0	0	0	0	0	0	0	0	0	0	0	0	0	0	0	0	0
Total	0	0	0	0	0	0	0	0	0	0	0	0	0	0	0	0	0
05:00 PM	0	0	0	0	0	0	0	0	0	0	0	0	0	0	0	0	0
05:15 PM	1	0	0	1	0	0	0	0	0	0	0	0	0	0	0	0	1
05:30 PM	0	0	0	0	0	0	0	0	0	0	0	0	0	0	0	0	0
05:45 PM	0	0	0	0	0	0	0	0	0	0	0	0	0	0	0	0	0
Total	1	0	0	1	0	0	0	0	0	0	0	0	0	0	0	0	1
Grand Total	1	0	0	1	0	0	0	0	0	0	0	0	0	0	0	0	1
Apprch %	100	0	0		0	0	0		0	0	0		0	0	0		
Total %	100	0	0	100	0	0	0	0	0	0	0	0	0	0	0	0	

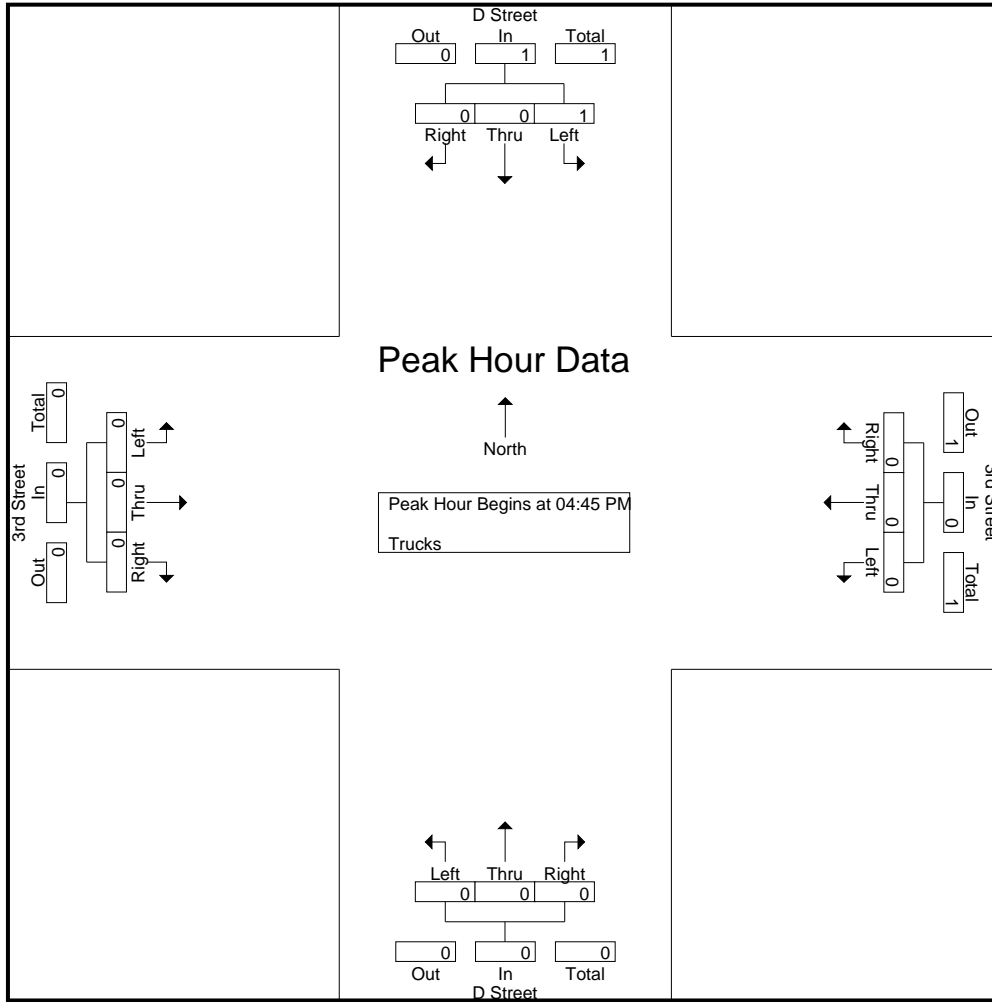
Start Time	D Street Southbound				3rd Street Westbound				D Street Northbound				3rd Street Eastbound				Int. Total
	Left	Thru	Right	App. Total	Left	Thru	Right	App. Total	Left	Thru	Right	App. Total	Left	Thru	Right	App. Total	
04:45 PM	0	0	0	0	0	0	0	0	0	0	0	0	0	0	0	0	0
05:00 PM	0	0	0	0	0	0	0	0	0	0	0	0	0	0	0	0	0
05:15 PM	1	0	0	1	0	0	0	0	0	0	0	0	0	0	0	0	1
05:30 PM	0	0	0	0	0	0	0	0	0	0	0	0	0	0	0	0	0
Total Volume	1	0	0	1	0	0	0	0	0	0	0	0	0	0	0	0	1
% App. Total	100	0	0		0	0	0		0	0	0		0	0	0		
PHF	.250	.000	.000	.250	.000	.000	.000	.000	.000	.000	.000	.000	.000	.000	.000	.000	.250

Peak Hour Analysis From 04:45 PM to 05:30 PM - Peak 1 of 1

Peak Hour for Entire Intersection Begins at 04:45 PM

City of Needles
 N/S: D Street
 E/W: 3rd Street
 Weather: Clear

File Name : 18_NDL_D St_3rd St PM
 Site Code : 16621325
 Start Date : 7/15/2021
 Page No : 2



Peak Hour Analysis From 04:45 PM to 05:30 PM - Peak 1 of 1
 Peak Hour for Each Approach Begins at:

	04:45 PM				04:45 PM				04:45 PM				04:45 PM			
+0 mins.	0	0	0	0	0	0	0	0	0	0	0	0	0	0	0	0
+15 mins.	0	0	0	0	0	0	0	0	0	0	0	0	0	0	0	0
+30 mins.	1	0	0	1	0	0	0	0	0	0	0	0	0	0	0	0
+45 mins.	0	0	0	0	0	0	0	0	0	0	0	0	0	0	0	0
Total Volume	1	0	0	1	0	0	0	0	0	0	0	0	0	0	0	0
% App. Total	100	0	0	0	0	0	0	0	0	0	0	0	0	0	0	0
PHF	.250	.000	.000	.250	.000	.000	.000	.000	.000	.000	.000	.000	.000	.000	.000	.000

City of Needles
 N/S: D Street
 E/W: 3rd Street
 Weather: Clear

File Name : 18_NDL_D St_3rd St PM
 Site Code : 16621325
 Start Date : 7/15/2021
 Page No : 1

Groups Printed- Buses

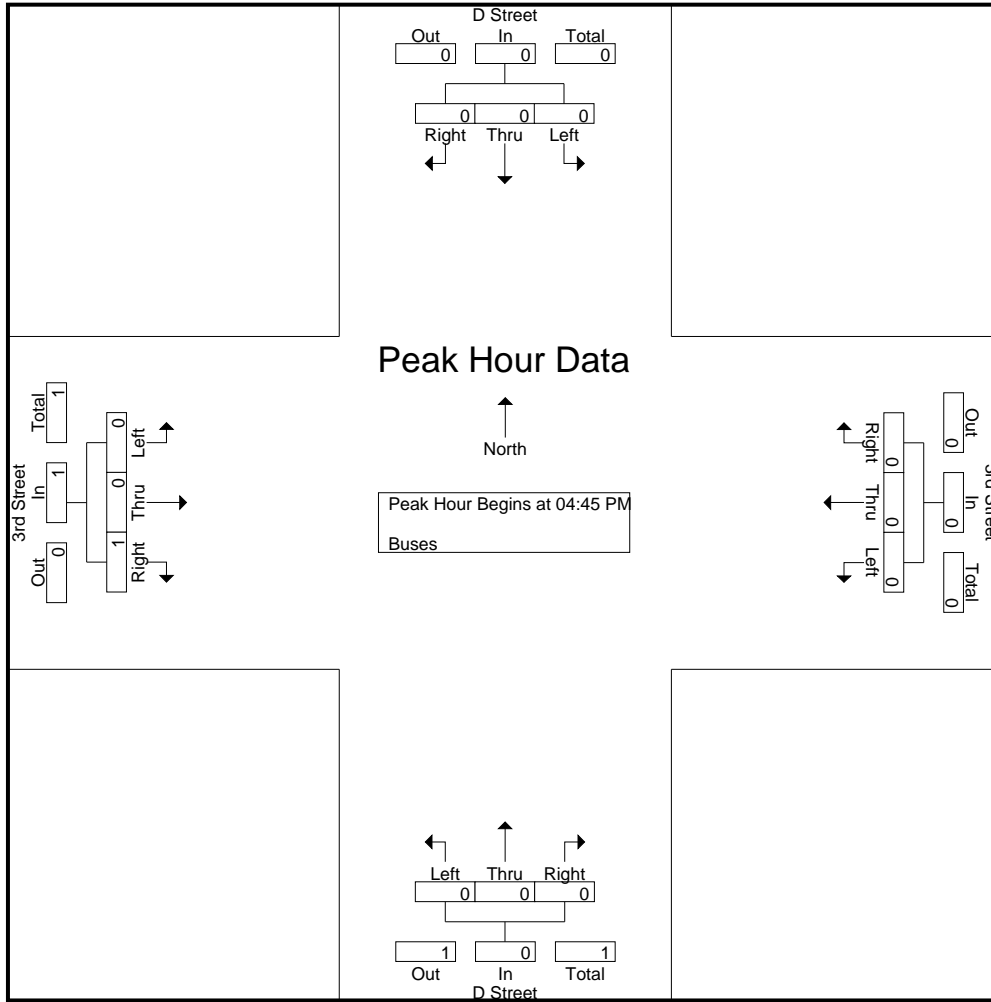
Start Time	D Street Southbound				3rd Street Westbound				D Street Northbound				3rd Street Eastbound				Int. Total
	Left	Thru	Right	App. Total	Left	Thru	Right	App. Total	Left	Thru	Right	App. Total	Left	Thru	Right	App. Total	
04:00 PM	0	0	0	0	0	0	0	0	0	0	0	0	0	0	1	1	1
04:15 PM	0	0	0	0	0	0	0	0	0	0	0	0	0	0	0	0	0
04:30 PM	0	0	0	0	0	0	0	0	0	0	0	0	0	0	0	0	0
04:45 PM	0	0	0	0	0	0	0	0	0	0	0	0	0	0	0	0	0
Total	0	0	0	0	0	0	0	0	0	0	0	0	0	0	1	1	1
05:00 PM	0	0	0	0	0	0	0	0	0	0	0	0	0	0	1	1	1
05:15 PM	0	0	0	0	0	0	0	0	0	0	0	0	0	0	0	0	0
05:30 PM	0	0	0	0	0	0	0	0	0	0	0	0	0	0	0	0	0
05:45 PM	0	0	0	0	0	0	0	0	0	0	0	0	0	0	0	0	0
Total	0	0	0	0	0	0	0	0	0	0	0	0	0	0	1	1	1
Grand Total	0	0	0	0	0	0	0	0	0	0	0	0	0	0	2	2	2
Apprch %	0	0	0		0	0	0		0	0	0		0	0	100		
Total %	0	0	0		0	0	0		0	0	0		0	0	100	100	

Start Time	D Street Southbound				3rd Street Westbound				D Street Northbound				3rd Street Eastbound				Int. Total
	Left	Thru	Right	App. Total	Left	Thru	Right	App. Total	Left	Thru	Right	App. Total	Left	Thru	Right	App. Total	
04:45 PM	0	0	0	0	0	0	0	0	0	0	0	0	0	0	0	0	0
05:00 PM	0	0	0	0	0	0	0	0	0	0	0	0	0	0	1	1	1
05:15 PM	0	0	0	0	0	0	0	0	0	0	0	0	0	0	0	0	0
05:30 PM	0	0	0	0	0	0	0	0	0	0	0	0	0	0	0	0	0
Total Volume	0	0	0	0	0	0	0	0	0	0	0	0	0	0	1	1	1
% App. Total	0	0	0		0	0	0		0	0	0		0	0	100		
PHF	.000	.000	.000	.000	.000	.000	.000	.000	.000	.000	.000	.000	.000	.000	.250	.250	.250

Peak Hour Analysis From 04:45 PM to 05:30 PM - Peak 1 of 1
 Peak Hour for Entire Intersection Begins at 04:45 PM

City of Needles
 N/S: D Street
 E/W: 3rd Street
 Weather: Clear

File Name : 18_NDL_D St_3rd St PM
 Site Code : 16621325
 Start Date : 7/15/2021
 Page No : 2



Peak Hour Analysis From 04:45 PM to 05:30 PM - Peak 1 of 1
 Peak Hour for Each Approach Begins at:

	04:45 PM				04:45 PM				04:45 PM				04:45 PM			
+0 mins.	0	0	0	0	0	0	0	0	0	0	0	0	0	0	0	0
+15 mins.	0	0	0	0	0	0	0	0	0	0	0	0	0	0	0	1
+30 mins.	0	0	0	0	0	0	0	0	0	0	0	0	0	0	0	0
+45 mins.	0	0	0	0	0	0	0	0	0	0	0	0	0	0	0	0
Total Volume	0	0	0	0	0	0	0	0	0	0	0	0	0	0	1	1
% App. Total	0	0	0	0	0	0	0	0	0	0	0	0	0	0	100	100
PHF	.000	.000	.000	.000	.000	.000	.000	.000	.000	.000	.000	.000	.000	.000	.250	.250

City of Needles
 N/S: D Street
 E/W: 3rd Street
 Weather: Clear

File Name : 18_NDL_D St_3rd St SAT
 Site Code : 16621325
 Start Date : 7/17/2021
 Page No : 1

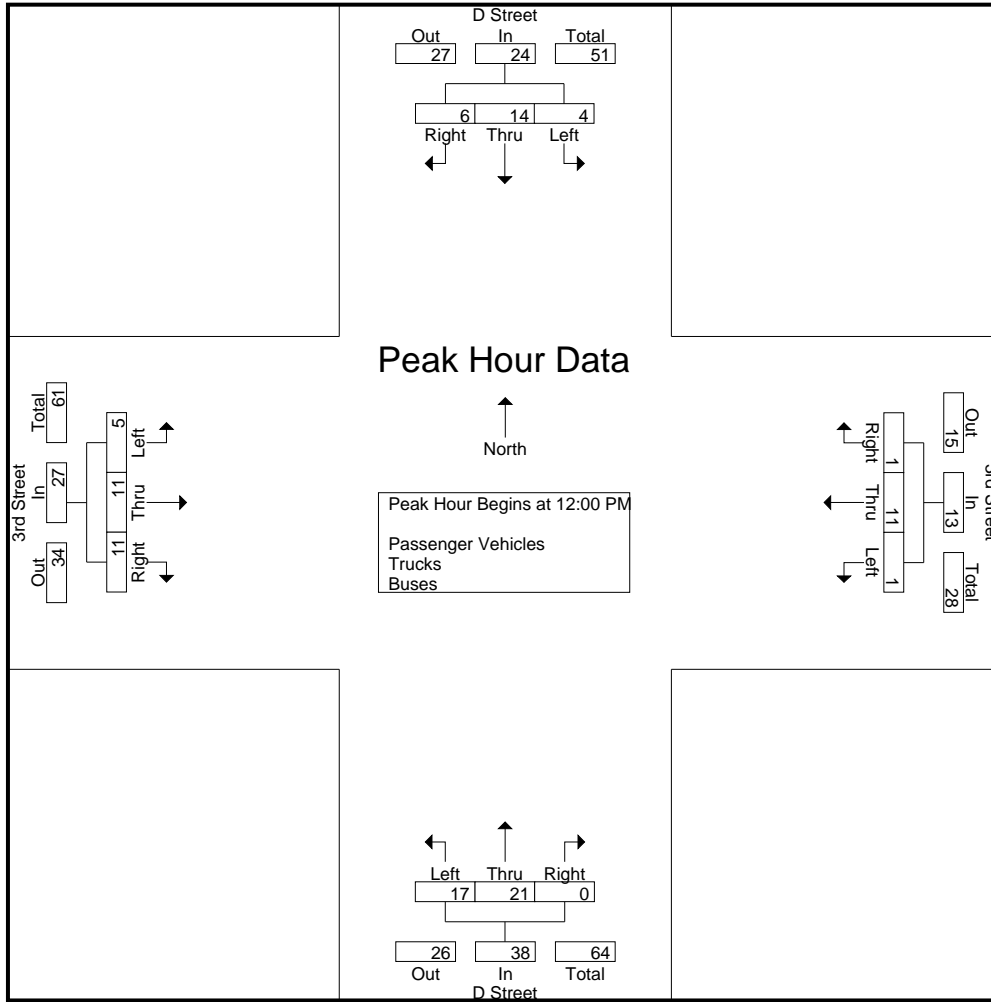
Groups Printed- Passenger Vehicles - Trucks - Buses

Start Time	D Street Southbound				3rd Street Westbound				D Street Northbound				3rd Street Eastbound				Int. Total
	Left	Thru	Right	App. Total	Left	Thru	Right	App. Total	Left	Thru	Right	App. Total	Left	Thru	Right	App. Total	
12:00 PM	0	3	0	3	1	1	0	2	6	11	0	17	1	3	4	8	30
12:15 PM	2	3	0	5	0	5	0	5	4	5	0	9	3	3	2	8	27
12:30 PM	2	4	3	9	0	2	1	3	4	2	0	6	1	4	4	9	27
12:45 PM	0	4	3	7	0	3	0	3	3	3	0	6	0	1	1	2	18
Total	4	14	6	24	1	11	1	13	17	21	0	38	5	11	11	27	102
01:00 PM	2	1	1	4	1	1	1	3	4	3	1	8	2	2	7	11	26
01:15 PM	0	3	0	3	0	0	0	0	4	3	0	7	1	1	2	4	14
01:30 PM	2	2	2	6	1	0	1	2	3	3	0	6	2	3	5	10	24
01:45 PM	1	2	0	3	1	3	1	5	4	3	2	9	1	2	2	5	22
Total	5	8	3	16	3	4	3	10	15	12	3	30	6	8	16	30	86
Grand Total	9	22	9	40	4	15	4	23	32	33	3	68	11	19	27	57	188
Apprch %	22.5	55	22.5		17.4	65.2	17.4		47.1	48.5	4.4		19.3	33.3	47.4		
Total %	4.8	11.7	4.8	21.3	2.1	8	2.1	12.2	17	17.6	1.6	36.2	5.9	10.1	14.4	30.3	
Passenger Vehicles	9	22	9	40	4	15	4	23	32	32	3	67	11	19	25	55	185
% Passenger Vehicles	100	100	100	100	100	100	100	100	100	97	100	98.5	100	100	92.6	96.5	98.4
Trucks	0	0	0	0	0	0	0	0	0	1	0	1	0	0	0	0	1
% Trucks	0	0	0	0	0	0	0	0	0	3	0	1.5	0	0	0	0	0.5
Buses	0	0	0	0	0	0	0	0	0	0	0	0	0	0	2	2	2
% Buses	0	0	0	0	0	0	0	0	0	0	0	0	0	0	7.4	3.5	1.1

Start Time	D Street Southbound				3rd Street Westbound				D Street Northbound				3rd Street Eastbound				Int. Total
	Left	Thru	Right	App. Total	Left	Thru	Right	App. Total	Left	Thru	Right	App. Total	Left	Thru	Right	App. Total	
Peak Hour Analysis From 12:00 PM to 01:45 PM - Peak 1 of 1																	
Peak Hour for Entire Intersection Begins at 12:00 PM																	
12:00 PM	0	3	0	3	1	1	0	2	6	11	0	17	1	3	4	8	30
12:15 PM	2	3	0	5	0	5	0	5	4	5	0	9	3	3	2	8	27
12:30 PM	2	4	3	9	0	2	1	3	4	2	0	6	1	4	4	9	27
12:45 PM	0	4	3	7	0	3	0	3	3	3	0	6	0	1	1	2	18
Total Volume	4	14	6	24	1	11	1	13	17	21	0	38	5	11	11	27	102
% App. Total	16.7	58.3	25		7.7	84.6	7.7		44.7	55.3	0		18.5	40.7	40.7		
PHF	.500	.875	.500	.667	.250	.550	.250	.650	.708	.477	.000	.559	.417	.688	.688	.750	.850

City of Needles
 N/S: D Street
 E/W: 3rd Street
 Weather: Clear

File Name : 18_NDL_D St_3rd St SAT
 Site Code : 16621325
 Start Date : 7/17/2021
 Page No : 2



Peak Hour Analysis From 12:00 PM to 01:45 PM - Peak 1 of 1
 Peak Hour for Each Approach Begins at:

	12:15 PM				12:15 PM				12:00 PM				12:15 PM			
+0 mins.	2	3	0	5	0	5	0	5	6	11	0	17	3	3	2	8
+15 mins.	2	4	3	9	0	2	1	3	4	5	0	9	1	4	4	9
+30 mins.	0	4	3	7	0	3	0	3	4	2	0	6	0	1	1	2
+45 mins.	2	1	1	4	1	1	1	3	3	3	0	6	2	2	7	11
Total Volume	6	12	7	25	1	11	2	14	17	21	0	38	6	10	14	30
% App. Total	24	48	28		7.1	78.6	14.3		44.7	55.3	0		20	33.3	46.7	
PHF	.750	.750	.583	.694	.250	.550	.500	.700	.708	.477	.000	.559	.500	.625	.500	.682

City of Needles
 N/S: D Street
 E/W: 3rd Street
 Weather: Clear

File Name : 18_NDL_D St_3rd St SAT
 Site Code : 16621325
 Start Date : 7/17/2021
 Page No : 1

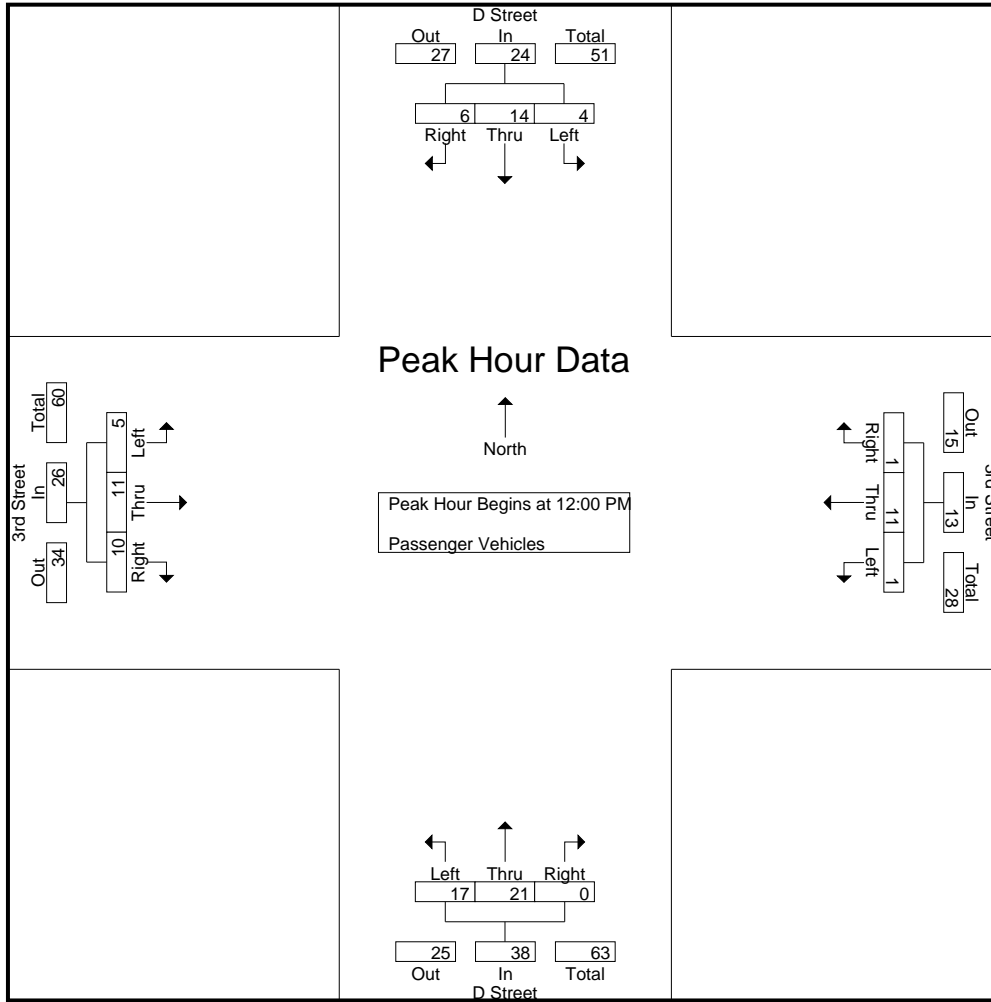
Groups Printed- Passenger Vehicles

Start Time	D Street Southbound				3rd Street Westbound				D Street Northbound				3rd Street Eastbound				Int. Total
	Left	Thru	Right	App. Total	Left	Thru	Right	App. Total	Left	Thru	Right	App. Total	Left	Thru	Right	App. Total	
12:00 PM	0	3	0	3	1	1	0	2	6	11	0	17	1	3	3	7	29
12:15 PM	2	3	0	5	0	5	0	5	4	5	0	9	3	3	2	8	27
12:30 PM	2	4	3	9	0	2	1	3	4	2	0	6	1	4	4	9	27
12:45 PM	0	4	3	7	0	3	0	3	3	3	0	6	0	1	1	2	18
Total	4	14	6	24	1	11	1	13	17	21	0	38	5	11	10	26	101
01:00 PM	2	1	1	4	1	1	1	3	4	2	1	7	2	2	6	10	24
01:15 PM	0	3	0	3	0	0	0	0	4	3	0	7	1	1	2	4	14
01:30 PM	2	2	2	6	1	0	1	2	3	3	0	6	2	3	5	10	24
01:45 PM	1	2	0	3	1	3	1	5	4	3	2	9	1	2	2	5	22
Total	5	8	3	16	3	4	3	10	15	11	3	29	6	8	15	29	84
Grand Total	9	22	9	40	4	15	4	23	32	32	3	67	11	19	25	55	185
Apprch %	22.5	55	22.5		17.4	65.2	17.4		47.8	47.8	4.5		20	34.5	45.5		
Total %	4.9	11.9	4.9	21.6	2.2	8.1	2.2	12.4	17.3	17.3	1.6	36.2	5.9	10.3	13.5	29.7	

Start Time	D Street Southbound				3rd Street Westbound				D Street Northbound				3rd Street Eastbound				Int. Total
	Left	Thru	Right	App. Total	Left	Thru	Right	App. Total	Left	Thru	Right	App. Total	Left	Thru	Right	App. Total	
Peak Hour Analysis From 12:00 PM to 12:45 PM - Peak 1 of 1																	
Peak Hour for Entire Intersection Begins at 12:00 PM																	
12:00 PM	0	3	0	3	1	1	0	2	6	11	0	17	1	3	3	7	29
12:15 PM	2	3	0	5	0	5	0	5	4	5	0	9	3	3	2	8	27
12:30 PM	2	4	3	9	0	2	1	3	4	2	0	6	1	4	4	9	27
12:45 PM	0	4	3	7	0	3	0	3	3	3	0	6	0	1	1	2	18
Total Volume	4	14	6	24	1	11	1	13	17	21	0	38	5	11	10	26	101
% App. Total	16.7	58.3	25		7.7	84.6	7.7		44.7	55.3	0		19.2	42.3	38.5		
PHF	.500	.875	.500	.667	.250	.550	.250	.650	.708	.477	.000	.559	.417	.688	.625	.722	.871

City of Needles
 N/S: D Street
 E/W: 3rd Street
 Weather: Clear

File Name : 18_NDL_D St_3rd St SAT
 Site Code : 16621325
 Start Date : 7/17/2021
 Page No : 2



Peak Hour Analysis From 12:00 PM to 12:45 PM - Peak 1 of 1
 Peak Hour for Each Approach Begins at:

	12:00 PM				12:00 PM				12:00 PM				12:00 PM			
+0 mins.	0	3	0	3	1	1	0	2	6	11	0	17	1	3	3	7
+15 mins.	2	3	0	5	0	5	0	5	4	5	0	9	3	3	2	8
+30 mins.	2	4	3	9	0	2	1	3	4	2	0	6	1	4	4	9
+45 mins.	0	4	3	7	0	3	0	3	3	3	0	6	0	1	1	2
Total Volume	4	14	6	24	1	11	1	13	17	21	0	38	5	11	10	26
% App. Total	16.7	58.3	25		7.7	84.6	7.7		44.7	55.3	0		19.2	42.3	38.5	
PHF	.500	.875	.500	.667	.250	.550	.250	.650	.708	.477	.000	.559	.417	.688	.625	.722

City of Needles
 N/S: D Street
 E/W: 3rd Street
 Weather: Clear

File Name : 18_NDL_D St_3rd St SAT
 Site Code : 16621325
 Start Date : 7/17/2021
 Page No : 1

Groups Printed- Trucks

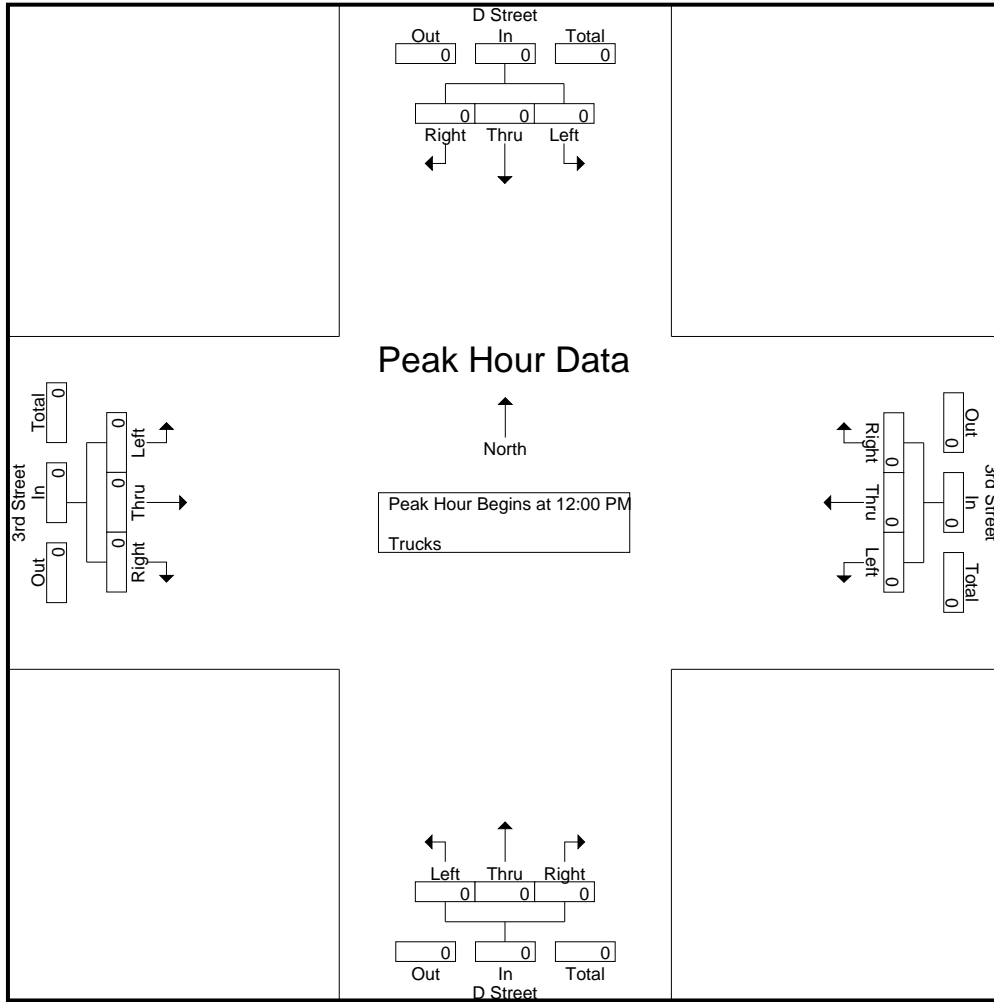
Start Time	D Street Southbound				3rd Street Westbound				D Street Northbound				3rd Street Eastbound				Int. Total
	Left	Thru	Right	App. Total	Left	Thru	Right	App. Total	Left	Thru	Right	App. Total	Left	Thru	Right	App. Total	
12:00 PM	0	0	0	0	0	0	0	0	0	0	0	0	0	0	0	0	0
12:15 PM	0	0	0	0	0	0	0	0	0	0	0	0	0	0	0	0	0
12:30 PM	0	0	0	0	0	0	0	0	0	0	0	0	0	0	0	0	0
12:45 PM	0	0	0	0	0	0	0	0	0	0	0	0	0	0	0	0	0
Total	0	0	0	0	0	0	0	0	0	0	0	0	0	0	0	0	0
01:00 PM	0	0	0	0	0	0	0	0	0	1	0	1	0	0	0	0	1
01:15 PM	0	0	0	0	0	0	0	0	0	0	0	0	0	0	0	0	0
01:30 PM	0	0	0	0	0	0	0	0	0	0	0	0	0	0	0	0	0
01:45 PM	0	0	0	0	0	0	0	0	0	0	0	0	0	0	0	0	0
Total	0	0	0	0	0	0	0	0	0	1	0	1	0	0	0	0	1
Grand Total	0	0	0	0	0	0	0	0	0	1	0	1	0	0	0	0	1
Apprch %	0	0	0		0	0	0		0	100	0		0	0	0		
Total %	0	0	0		0	0	0		0	100	0	100	0	0	0		

Start Time	D Street Southbound				3rd Street Westbound				D Street Northbound				3rd Street Eastbound				Int. Total
	Left	Thru	Right	App. Total	Left	Thru	Right	App. Total	Left	Thru	Right	App. Total	Left	Thru	Right	App. Total	
12:00 PM	0	0	0	0	0	0	0	0	0	0	0	0	0	0	0	0	0
12:15 PM	0	0	0	0	0	0	0	0	0	0	0	0	0	0	0	0	0
12:30 PM	0	0	0	0	0	0	0	0	0	0	0	0	0	0	0	0	0
12:45 PM	0	0	0	0	0	0	0	0	0	0	0	0	0	0	0	0	0
Total Volume	0	0	0	0	0	0	0	0	0	0	0	0	0	0	0	0	0
% App. Total	0	0	0		0	0	0		0	0	0		0	0	0		
PHF	.000	.000	.000	.000	.000	.000	.000	.000	.000	.000	.000	.000	.000	.000	.000	.000	.000

Peak Hour Analysis From 12:00 PM to 12:45 PM - Peak 1 of 1
 Peak Hour for Entire Intersection Begins at 12:00 PM

City of Needles
 N/S: D Street
 E/W: 3rd Street
 Weather: Clear

File Name : 18_NDL_D St_3rd St SAT
 Site Code : 16621325
 Start Date : 7/17/2021
 Page No : 2



Peak Hour Analysis From 12:00 PM to 12:45 PM - Peak 1 of 1
 Peak Hour for Each Approach Begins at:

	12:00 PM				12:00 PM				12:00 PM				12:00 PM			
+0 mins.	0	0	0	0	0	0	0	0	0	0	0	0	0	0	0	0
+15 mins.	0	0	0	0	0	0	0	0	0	0	0	0	0	0	0	0
+30 mins.	0	0	0	0	0	0	0	0	0	0	0	0	0	0	0	0
+45 mins.	0	0	0	0	0	0	0	0	0	0	0	0	0	0	0	0
Total Volume	0	0	0	0	0	0	0	0	0	0	0	0	0	0	0	0
% App. Total	0	0	0	0	0	0	0	0	0	0	0	0	0	0	0	0
PHF	.000	.000	.000	.000	.000	.000	.000	.000	.000	.000	.000	.000	.000	.000	.000	.000

City of Needles
 N/S: D Street
 E/W: 3rd Street
 Weather: Clear

File Name : 18_NDL_D St_3rd St SAT
 Site Code : 16621325
 Start Date : 7/17/2021
 Page No : 1

Groups Printed- Buses

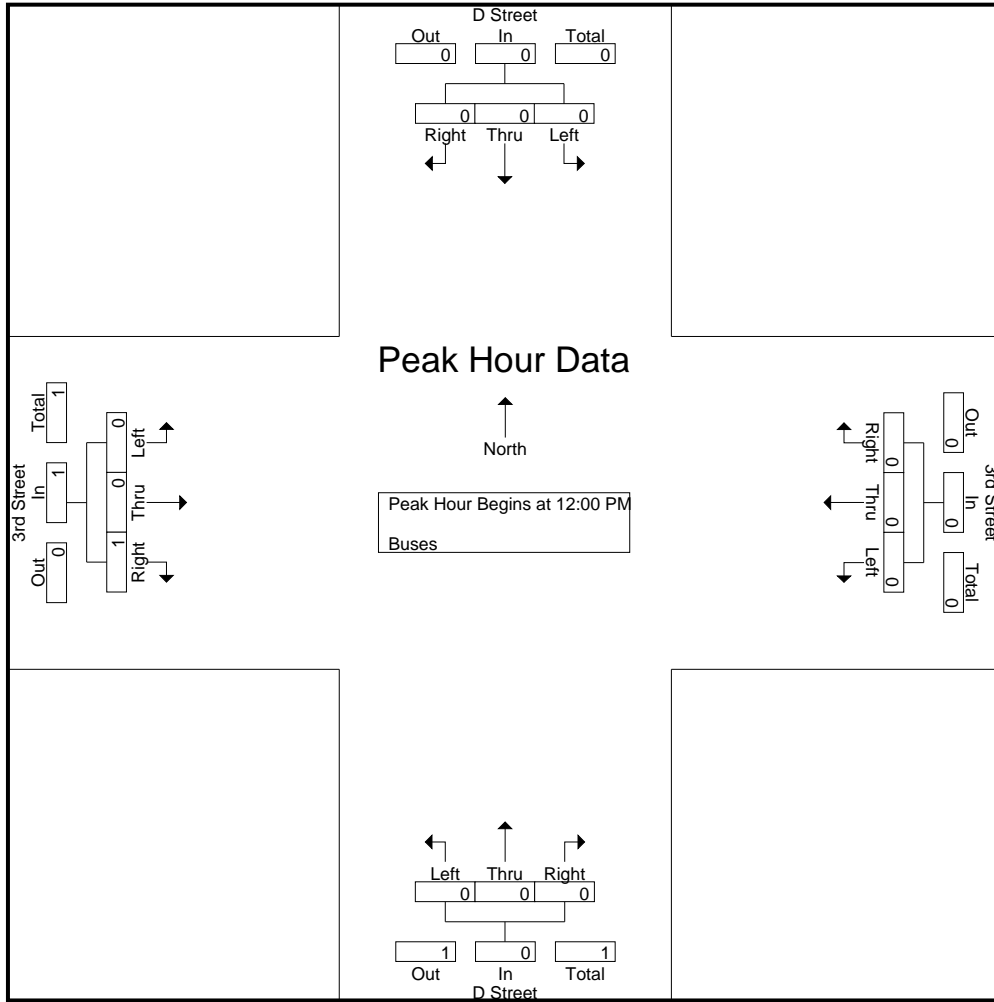
Start Time	D Street Southbound				3rd Street Westbound				D Street Northbound				3rd Street Eastbound				Int. Total
	Left	Thru	Right	App. Total	Left	Thru	Right	App. Total	Left	Thru	Right	App. Total	Left	Thru	Right	App. Total	
12:00 PM	0	0	0	0	0	0	0	0	0	0	0	0	0	0	1	1	1
12:15 PM	0	0	0	0	0	0	0	0	0	0	0	0	0	0	0	0	0
12:30 PM	0	0	0	0	0	0	0	0	0	0	0	0	0	0	0	0	0
12:45 PM	0	0	0	0	0	0	0	0	0	0	0	0	0	0	0	0	0
Total	0	0	0	0	0	0	0	0	0	0	0	0	0	0	1	1	1
01:00 PM	0	0	0	0	0	0	0	0	0	0	0	0	0	0	1	1	1
01:15 PM	0	0	0	0	0	0	0	0	0	0	0	0	0	0	0	0	0
01:30 PM	0	0	0	0	0	0	0	0	0	0	0	0	0	0	0	0	0
01:45 PM	0	0	0	0	0	0	0	0	0	0	0	0	0	0	0	0	0
Total	0	0	0	0	0	0	0	0	0	0	0	0	0	0	1	1	1
Grand Total	0	0	0	0	0	0	0	0	0	0	0	0	0	0	2	2	2
Apprch %	0	0	0		0	0	0		0	0	0		0	0	100		
Total %	0	0	0		0	0	0		0	0	0		0	0	100	100	

Start Time	D Street Southbound				3rd Street Westbound				D Street Northbound				3rd Street Eastbound				Int. Total
	Left	Thru	Right	App. Total	Left	Thru	Right	App. Total	Left	Thru	Right	App. Total	Left	Thru	Right	App. Total	
12:00 PM	0	0	0	0	0	0	0	0	0	0	0	0	0	0	1	1	1
12:15 PM	0	0	0	0	0	0	0	0	0	0	0	0	0	0	0	0	0
12:30 PM	0	0	0	0	0	0	0	0	0	0	0	0	0	0	0	0	0
12:45 PM	0	0	0	0	0	0	0	0	0	0	0	0	0	0	0	0	0
Total Volume	0	0	0	0	0	0	0	0	0	0	0	0	0	0	1	1	1
% App. Total	0	0	0		0	0	0		0	0	0		0	0	100		
PHF	.000	.000	.000	.000	.000	.000	.000	.000	.000	.000	.000	.000	.000	.000	.250	.250	.250

Peak Hour Analysis From 12:00 PM to 12:45 PM - Peak 1 of 1
 Peak Hour for Entire Intersection Begins at 12:00 PM

City of Needles
 N/S: D Street
 E/W: 3rd Street
 Weather: Clear

File Name : 18_NDL_D St_3rd St SAT
 Site Code : 16621325
 Start Date : 7/17/2021
 Page No : 2



Peak Hour Analysis From 12:00 PM to 12:45 PM - Peak 1 of 1
 Peak Hour for Each Approach Begins at:

	12:00 PM				12:00 PM				12:00 PM				12:00 PM				
+0 mins.	0	0	0	0	0	0	0	0	0	0	0	0	0	0	0	1	1
+15 mins.	0	0	0	0	0	0	0	0	0	0	0	0	0	0	0	0	0
+30 mins.	0	0	0	0	0	0	0	0	0	0	0	0	0	0	0	0	0
+45 mins.	0	0	0	0	0	0	0	0	0	0	0	0	0	0	0	0	0
Total Volume	0	0	0	0	0	0	0	0	0	0	0	0	0	0	1	1	
% App. Total	0	0	0	0	0	0	0	0	0	0	0	0	0	0	100		
PHF	.000	.000	.000	.000	.000	.000	.000	.000	.000	.000	.000	.000	.000	.000	.250	.250	

Location: Needles
 N/S: D Street
 E/W: 3rd Street



PEDESTRIANS

Date: 7/15/2021
 Day: Thursday

	North Leg D Street	East Leg 3rd Street	South Leg D Street	West Leg 3rd Street	
	Pedestrians	Pedestrians	Pedestrians	Pedestrians	
7:00 AM	0	0	0	2	2
7:15 AM	0	0	0	0	0
7:30 AM	0	0	0	0	0
7:45 AM	0	0	0	0	0
8:00 AM	0	1	0	0	1
8:15 AM	0	1	0	0	1
8:30 AM	0	0	1	0	1
8:45 AM	0	1	0	1	2
TOTAL VOLUMES:	0	3	1	3	7

Date: 7/15/2021
 Day: Thursday

	North Leg D Street	East Leg 3rd Street	South Leg D Street	West Leg 3rd Street	
	Pedestrians	Pedestrians	Pedestrians	Pedestrians	
4:00 PM	0	0	0	0	0
4:15 PM	0	0	0	0	0
4:30 PM	0	0	0	0	0
4:45 PM	0	0	0	0	0
5:00 PM	0	0	0	0	0
5:15 PM	0	0	0	0	0
5:30 PM	0	0	0	0	0
5:45 PM	0	0	0	0	0
TOTAL VOLUMES:	0	0	0	0	0

Date: 7/17/2021
 Day: Saturday

	North Leg D Street	East Leg 3rd Street	South Leg D Street	West Leg 3rd Street	
	Pedestrians	Pedestrians	Pedestrians	Pedestrians	
12:00 PM	0	0	0	0	0
12:15 PM	0	0	0	0	0
12:30 PM	0	0	0	0	0
12:45 PM	0	0	1	1	2
1:00 PM	0	0	0	0	0
1:15 PM	0	0	0	0	0
1:30 PM	0	0	0	1	1
1:45 PM	0	0	0	0	0
TOTAL VOLUMES:	0	0	1	2	3

Location: Needles
 N/S: D Street
 E/W: 3rd Street



BICYCLES

Date: 7/15/2021
 Day: Thursday

	Southbound D Street			Westbound 3rd Street			Northbound D Street			Eastbound 3rd Street			
	Left	Thru	Right	Left	Thru	Right	Left	Thru	Right	Left	Thru	Right	
7:00 AM	0	0	0	0	0	0	0	0	0	0	0	0	0
7:15 AM	0	0	0	0	0	0	0	0	0	0	0	0	0
7:30 AM	0	0	0	0	0	0	0	0	0	0	0	0	0
7:45 AM	0	0	0	0	0	0	0	0	0	0	0	0	0
8:00 AM	0	0	0	0	0	0	0	0	0	0	0	0	0
8:15 AM	0	0	0	0	0	0	0	0	0	0	0	0	0
8:30 AM	0	0	0	0	0	0	0	0	0	0	0	0	0
8:45 AM	0	0	0	0	0	0	0	0	0	0	0	0	0
TOTAL VOLUMES:	0	0	0	0	0	0	0	0	0	0	0	0	0

Date: 7/15/2021
 Day: Thursday

	Southbound D Street			Westbound 3rd Street			Northbound D Street			Eastbound 3rd Street			
	Left	Thru	Right	Left	Thru	Right	Left	Thru	Right	Left	Thru	Right	
4:00 PM	0	0	0	0	0	0	0	0	0	0	0	0	0
4:15 PM	0	0	0	0	0	0	0	0	0	0	1	0	1
4:30 PM	0	0	0	0	0	0	0	0	0	0	0	0	0
4:45 PM	0	0	0	0	0	0	0	0	0	0	0	0	0
5:00 PM	0	0	0	0	0	0	0	0	0	0	0	0	0
5:15 PM	0	0	0	0	0	0	0	0	0	0	0	0	0
5:30 PM	0	0	0	0	0	0	0	0	0	0	0	0	0
5:45 PM	0	0	0	0	0	0	0	0	0	0	0	0	0
TOTAL VOLUMES:	0	0	0	0	0	0	0	0	0	0	1	0	1

Date: 7/17/2021
 Day: Saturday

	Southbound D Street			Westbound 3rd Street			Northbound D Street			Eastbound 3rd Street			
	Left	Thru	Right	Left	Thru	Right	Left	Thru	Right	Left	Thru	Right	
12:00 PM	0	0	0	0	0	0	0	1	0	0	0	0	1
12:15 PM	0	1	0	0	0	0	0	0	0	0	0	0	1
12:30 PM	0	0	0	0	0	0	0	0	0	0	0	0	0
12:45 PM	0	0	0	0	0	0	0	0	0	0	0	0	0
1:00 PM	0	0	0	0	0	0	0	0	0	0	0	0	0
1:15 PM	0	0	0	0	0	0	0	0	0	0	0	0	0
1:30 PM	0	0	0	0	0	0	0	1	0	0	1	0	2
1:45 PM	0	0	0	0	0	0	0	0	0	0	0	0	0
TOTAL VOLUMES:	0	1	0	0	0	0	0	2	0	0	1	0	4

City of Needles
 N/S: Palm Way
 E/W: Broadway Street
 Weather: Clear

File Name : 19_NDL_Palm_Broadway AM
 Site Code : 16621325
 Start Date : 7/15/2021
 Page No : 1

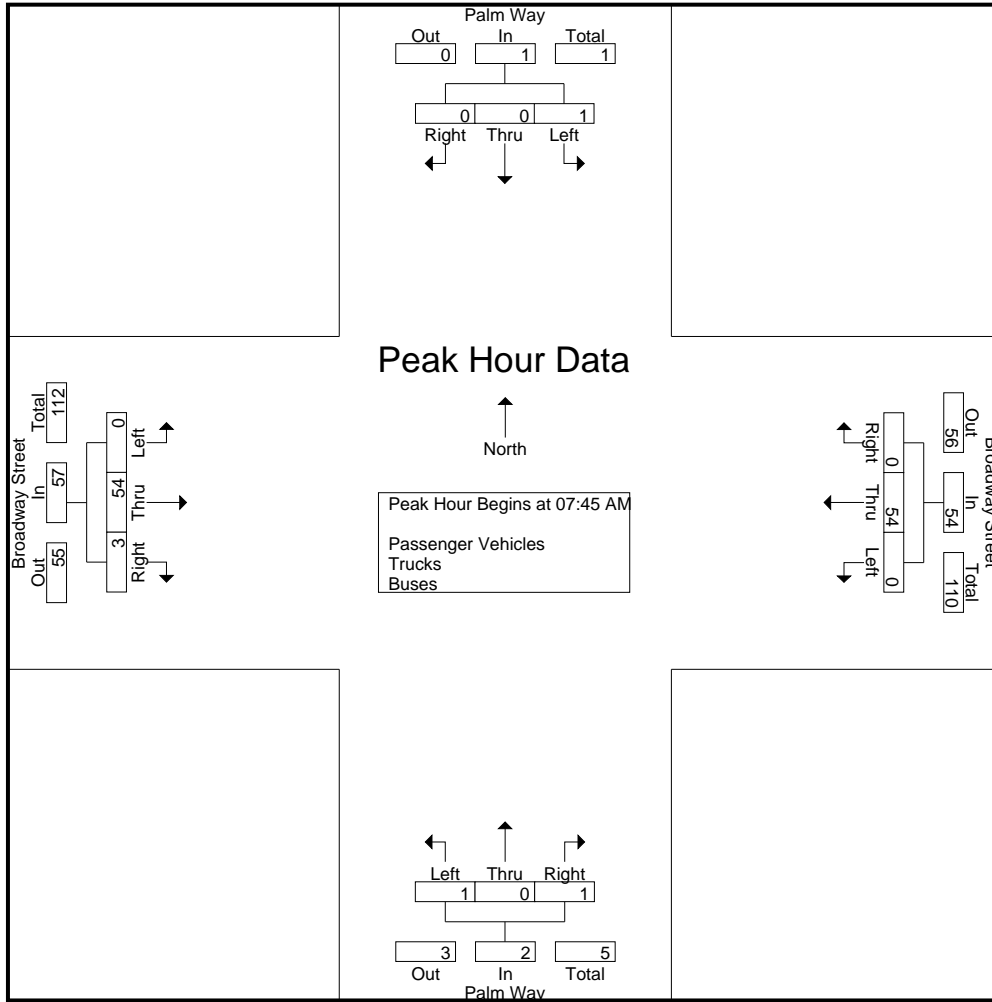
Groups Printed- Passenger Vehicles - Trucks - Buses

Start Time	Palm Way Southbound				Broadway Street Westbound				Palm Way Northbound				Broadway Street Eastbound				Int. Total
	Left	Thru	Right	App. Total	Left	Thru	Right	App. Total	Left	Thru	Right	App. Total	Left	Thru	Right	App. Total	
07:00 AM	0	0	0	0	0	12	0	12	0	0	1	1	0	17	1	18	31
07:15 AM	0	0	0	0	0	9	0	9	1	0	0	1	0	8	0	8	18
07:30 AM	1	0	0	1	0	8	0	8	0	0	0	0	0	16	0	16	25
07:45 AM	0	0	0	0	0	13	0	13	1	0	0	1	0	16	0	16	30
Total	1	0	0	1	0	42	0	42	2	0	1	3	0	57	1	58	104
08:00 AM	1	0	0	1	0	11	0	11	0	0	0	0	0	16	0	16	28
08:15 AM	0	0	0	0	0	14	0	14	0	0	1	1	0	9	3	12	27
08:30 AM	0	0	0	0	0	16	0	16	0	0	0	0	0	13	0	13	29
08:45 AM	0	0	0	0	0	10	0	10	0	0	0	0	0	13	0	13	23
Total	1	0	0	1	0	51	0	51	0	0	1	1	0	51	3	54	107
Grand Total	2	0	0	2	0	93	0	93	2	0	2	4	0	108	4	112	211
Apprch %	100	0	0		0	100	0		50	0	50		0	96.4	3.6		
Total %	0.9	0	0	0.9	0	44.1	0	44.1	0.9	0	0.9	1.9	0	51.2	1.9	53.1	
Passenger Vehicles	2	0	0	2	0	80	0	80	2	0	1	3	0	96	3	99	184
% Passenger Vehicles	100	0	0	100	0	86	0	86	100	0	50	75	0	88.9	75	88.4	87.2
Trucks	0	0	0	0	0	9	0	9	0	0	1	1	0	10	1	11	21
% Trucks	0	0	0	0	0	9.7	0	9.7	0	0	50	25	0	9.3	25	9.8	10
Buses	0	0	0	0	0	4	0	4	0	0	0	0	0	2	0	2	6
% Buses	0	0	0	0	0	4.3	0	4.3	0	0	0	0	0	1.9	0	1.8	2.8

Start Time	Palm Way Southbound				Broadway Street Westbound				Palm Way Northbound				Broadway Street Eastbound				Int. Total
	Left	Thru	Right	App. Total	Left	Thru	Right	App. Total	Left	Thru	Right	App. Total	Left	Thru	Right	App. Total	
Peak Hour Analysis From 07:00 AM to 08:45 AM - Peak 1 of 1																	
Peak Hour for Entire Intersection Begins at 07:45 AM																	
07:45 AM	0	0	0	0	0	13	0	13	1	0	0	1	0	16	0	16	30
08:00 AM	1	0	0	1	0	11	0	11	0	0	0	0	0	16	0	16	28
08:15 AM	0	0	0	0	0	14	0	14	0	0	1	1	0	9	3	12	27
08:30 AM	0	0	0	0	0	16	0	16	0	0	0	0	0	13	0	13	29
Total Volume	1	0	0	1	0	54	0	54	1	0	1	2	0	54	3	57	114
% App. Total	100	0	0		0	100	0		50	0	50		0	94.7	5.3		
PHF	.250	.000	.000	.250	.000	.844	.000	.844	.250	.000	.250	.500	.000	.844	.250	.891	.950

City of Needles
 N/S: Palm Way
 E/W: Broadway Street
 Weather: Clear

File Name : 19_NDL_Palm_Broadway AM
 Site Code : 16621325
 Start Date : 7/15/2021
 Page No : 2



Peak Hour Analysis From 07:00 AM to 08:45 AM - Peak 1 of 1
 Peak Hour for Each Approach Begins at:

	07:15 AM				07:45 AM				07:00 AM				07:30 AM			
+0 mins.	0	0	0	0	0	13	0	13	0	0	1	1	0	16	0	16
+15 mins.	1	0	0	1	0	11	0	11	1	0	0	1	0	16	0	16
+30 mins.	0	0	0	0	0	14	0	14	0	0	0	0	0	16	0	16
+45 mins.	1	0	0	1	0	16	0	16	1	0	0	1	0	9	3	12
Total Volume	2	0	0	2	0	54	0	54	2	0	1	3	0	57	3	60
% App. Total	100	0	0	0	0	100	0	0	66.7	0	33.3	0	0	95	5	0
PHF	.500	.000	.000	.500	.000	.844	.000	.844	.500	.000	.250	.750	.000	.891	.250	.938

City of Needles
 N/S: Palm Way
 E/W: Broadway Street
 Weather: Clear

File Name : 19_NDL_Palm_Broadway AM
 Site Code : 16621325
 Start Date : 7/15/2021
 Page No : 1

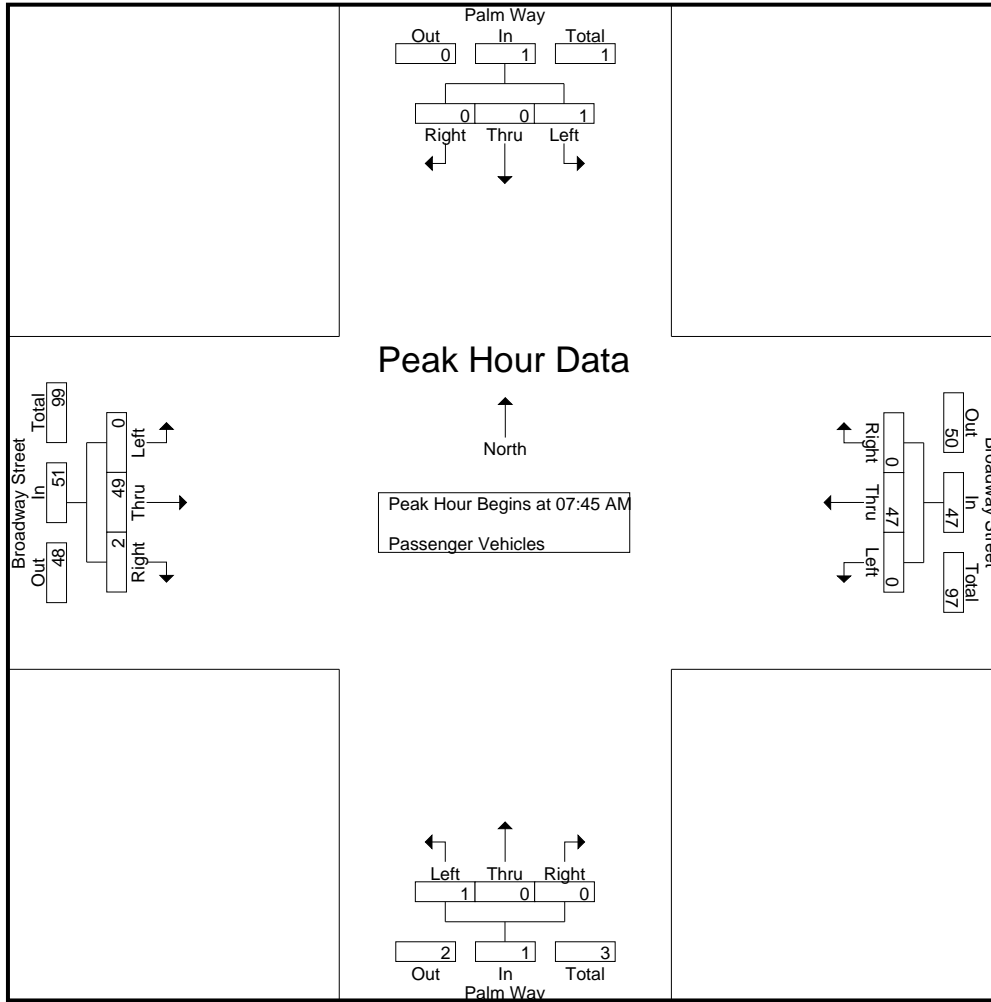
Groups Printed- Passenger Vehicles

Start Time	Palm Way Southbound				Broadway Street Westbound				Palm Way Northbound				Broadway Street Eastbound				Int. Total
	Left	Thru	Right	App. Total	Left	Thru	Right	App. Total	Left	Thru	Right	App. Total	Left	Thru	Right	App. Total	
07:00 AM	0	0	0	0	0	11	0	11	0	0	1	1	0	15	1	16	28
07:15 AM	0	0	0	0	0	6	0	6	1	0	0	1	0	8	0	8	15
07:30 AM	1	0	0	1	0	8	0	8	0	0	0	0	0	14	0	14	23
07:45 AM	0	0	0	0	0	11	0	11	1	0	0	1	0	15	0	15	27
Total	1	0	0	1	0	36	0	36	2	0	1	3	0	52	1	53	93
08:00 AM	1	0	0	1	0	9	0	9	0	0	0	0	0	14	0	14	24
08:15 AM	0	0	0	0	0	11	0	11	0	0	0	0	0	9	2	11	22
08:30 AM	0	0	0	0	0	16	0	16	0	0	0	0	0	11	0	11	27
08:45 AM	0	0	0	0	0	8	0	8	0	0	0	0	0	10	0	10	18
Total	1	0	0	1	0	44	0	44	0	0	0	0	0	44	2	46	91
Grand Total	2	0	0	2	0	80	0	80	2	0	1	3	0	96	3	99	184
Apprch %	100	0	0		0	100	0		66.7	0	33.3		0	97	3		
Total %	1.1	0	0	1.1	0	43.5	0	43.5	1.1	0	0.5	1.6	0	52.2	1.6	53.8	

Start Time	Palm Way Southbound				Broadway Street Westbound				Palm Way Northbound				Broadway Street Eastbound				Int. Total
	Left	Thru	Right	App. Total	Left	Thru	Right	App. Total	Left	Thru	Right	App. Total	Left	Thru	Right	App. Total	
Peak Hour Analysis From 07:45 AM to 08:30 AM - Peak 1 of 1																	
Peak Hour for Entire Intersection Begins at 07:45 AM																	
07:45 AM	0	0	0	0	0	11	0	11	1	0	0	1	0	15	0	15	27
08:00 AM	1	0	0	1	0	9	0	9	0	0	0	0	0	14	0	14	24
08:15 AM	0	0	0	0	0	11	0	11	0	0	0	0	0	9	2	11	22
08:30 AM	0	0	0	0	0	16	0	16	0	0	0	0	0	11	0	11	27
Total Volume	1	0	0	1	0	47	0	47	1	0	0	1	0	49	2	51	100
% App. Total	100	0	0		0	100	0		100	0	0		0	96.1	3.9		
PHF	.250	.000	.000	.250	.000	.734	.000	.734	.250	.000	.000	.250	.000	.817	.250	.850	.926

City of Needles
 N/S: Palm Way
 E/W: Broadway Street
 Weather: Clear

File Name : 19_NDL_Palm_Broadway AM
 Site Code : 16621325
 Start Date : 7/15/2021
 Page No : 2



Peak Hour Analysis From 07:45 AM to 08:30 AM - Peak 1 of 1
 Peak Hour for Each Approach Begins at:

	07:45 AM				07:45 AM				07:45 AM				07:45 AM			
+0 mins.	0	0	0	0	0	11	0	11	1	0	0	1	0	15	0	15
+15 mins.	1	0	0	1	0	9	0	9	0	0	0	0	0	14	0	14
+30 mins.	0	0	0	0	0	11	0	11	0	0	0	0	0	9	2	11
+45 mins.	0	0	0	0	0	16	0	16	0	0	0	0	0	11	0	11
Total Volume	1	0	0	1	0	47	0	47	1	0	0	1	0	49	2	51
% App. Total	100	0	0	0	0	100	0	0	100	0	0	0	0	96.1	3.9	0
PHF	.250	.000	.000	.250	.000	.734	.000	.734	.250	.000	.000	.250	.000	.817	.250	.850

City of Needles
 N/S: Palm Way
 E/W: Broadway Street
 Weather: Clear

File Name : 19_NDL_Palm_Broadway AM
 Site Code : 16621325
 Start Date : 7/15/2021
 Page No : 1

Groups Printed- Trucks

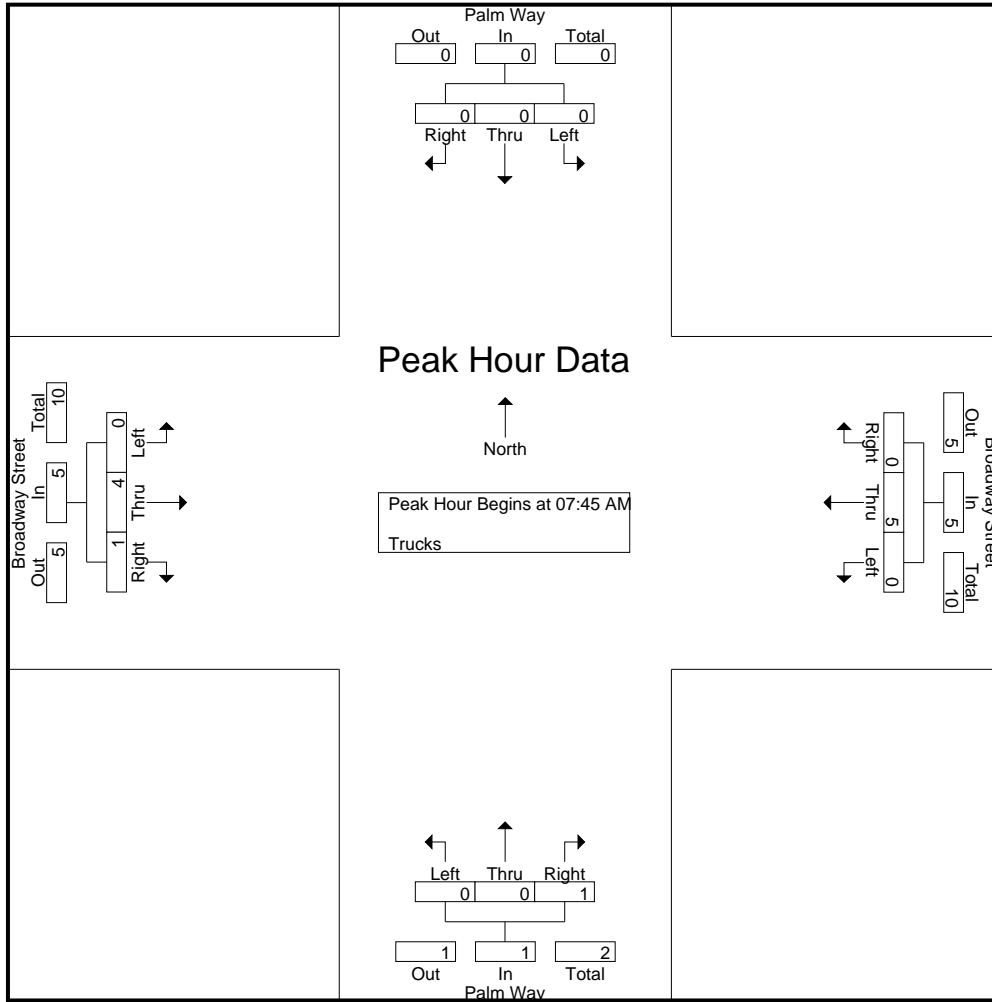
Start Time	Palm Way Southbound				Broadway Street Westbound				Palm Way Northbound				Broadway Street Eastbound				Int. Total
	Left	Thru	Right	App. Total	Left	Thru	Right	App. Total	Left	Thru	Right	App. Total	Left	Thru	Right	App. Total	
07:00 AM	0	0	0	0	0	1	0	1	0	0	0	0	0	2	0	2	3
07:15 AM	0	0	0	0	0	2	0	2	0	0	0	0	0	0	0	0	2
07:30 AM	0	0	0	0	0	0	0	0	0	0	0	0	0	1	0	1	1
07:45 AM	0	0	0	0	0	1	0	1	0	0	0	0	0	1	0	1	2
Total	0	0	0	0	0	4	0	4	0	0	0	0	0	4	0	4	8
08:00 AM	0	0	0	0	0	2	0	2	0	0	0	0	0	2	0	2	4
08:15 AM	0	0	0	0	0	2	0	2	0	0	1	1	0	0	1	1	4
08:30 AM	0	0	0	0	0	0	0	0	0	0	0	0	0	1	0	1	1
08:45 AM	0	0	0	0	0	1	0	1	0	0	0	0	0	3	0	3	4
Total	0	0	0	0	0	5	0	5	0	0	1	1	0	6	1	7	13
Grand Total	0	0	0	0	0	9	0	9	0	0	1	1	0	10	1	11	21
Apprch %	0	0	0		0	100	0		0	0	100		0	90.9	9.1		
Total %	0	0	0		0	42.9	0	42.9	0	0	4.8	4.8	0	47.6	4.8	52.4	

Start Time	Palm Way Southbound				Broadway Street Westbound				Palm Way Northbound				Broadway Street Eastbound				Int. Total
	Left	Thru	Right	App. Total	Left	Thru	Right	App. Total	Left	Thru	Right	App. Total	Left	Thru	Right	App. Total	
07:45 AM	0	0	0	0	0	1	0	1	0	0	0	0	0	1	0	1	2
08:00 AM	0	0	0	0	0	2	0	2	0	0	0	0	0	2	0	2	4
08:15 AM	0	0	0	0	0	2	0	2	0	0	1	1	0	0	1	1	4
08:30 AM	0	0	0	0	0	0	0	0	0	0	0	0	0	1	0	1	1
Total Volume	0	0	0	0	0	5	0	5	0	0	1	1	0	4	1	5	11
% App. Total	0	0	0		0	100	0		0	0	100		0	80	20		
PHF	.000	.000	.000	.000	.000	.625	.000	.625	.000	.000	.250	.250	.000	.500	.250	.625	.688

Peak Hour Analysis From 07:45 AM to 08:30 AM - Peak 1 of 1
 Peak Hour for Entire Intersection Begins at 07:45 AM

City of Needles
 N/S: Palm Way
 E/W: Broadway Street
 Weather: Clear

File Name : 19_NDL_Palm_Broadway AM
 Site Code : 16621325
 Start Date : 7/15/2021
 Page No : 2



Peak Hour Analysis From 07:45 AM to 08:30 AM - Peak 1 of 1
 Peak Hour for Each Approach Begins at:

	07:45 AM				07:45 AM				07:45 AM				07:45 AM			
+0 mins.	0	0	0	0	0	1	0	1	0	0	0	0	0	1	0	1
+15 mins.	0	0	0	0	0	2	0	2	0	0	0	0	0	2	0	2
+30 mins.	0	0	0	0	0	2	0	2	0	0	1	1	0	0	1	1
+45 mins.	0	0	0	0	0	0	0	0	0	0	0	0	0	1	0	1
Total Volume	0	0	0	0	0	5	0	5	0	0	1	1	0	4	1	5
% App. Total	0	0	0	0	0	100	0	0	0	0	100	0	0	80	20	0
PHF	.000	.000	.000	.000	.000	.625	.000	.625	.000	.000	.250	.250	.000	.500	.250	.625

City of Needles
 N/S: Palm Way
 E/W: Broadway Street
 Weather: Clear

File Name : 19_NDL_Palm_Broadway AM
 Site Code : 16621325
 Start Date : 7/15/2021
 Page No : 1

Groups Printed- Buses

Start Time	Palm Way Southbound				Broadway Street Westbound				Palm Way Northbound				Broadway Street Eastbound				Int. Total
	Left	Thru	Right	App. Total	Left	Thru	Right	App. Total	Left	Thru	Right	App. Total	Left	Thru	Right	App. Total	
07:00 AM	0	0	0	0	0	0	0	0	0	0	0	0	0	0	0	0	0
07:15 AM	0	0	0	0	0	1	0	1	0	0	0	0	0	0	0	0	0
07:30 AM	0	0	0	0	0	0	0	0	0	0	0	0	0	1	0	1	1
07:45 AM	0	0	0	0	0	1	0	1	0	0	0	0	0	0	0	0	1
Total	0	0	0	0	0	2	0	2	0	0	0	0	0	1	0	1	3
08:00 AM	0	0	0	0	0	0	0	0	0	0	0	0	0	0	0	0	0
08:15 AM	0	0	0	0	0	1	0	1	0	0	0	0	0	0	0	0	1
08:30 AM	0	0	0	0	0	0	0	0	0	0	0	0	0	1	0	1	1
08:45 AM	0	0	0	0	0	1	0	1	0	0	0	0	0	0	0	0	1
Total	0	0	0	0	0	2	0	2	0	0	0	0	0	1	0	1	3
Grand Total	0	0	0	0	0	4	0	4	0	0	0	0	0	2	0	2	6
Apprch %	0	0	0		0	100	0		0	0	0		0	100	0		
Total %	0	0	0		0	66.7	0	66.7	0	0	0		0	33.3	0	33.3	

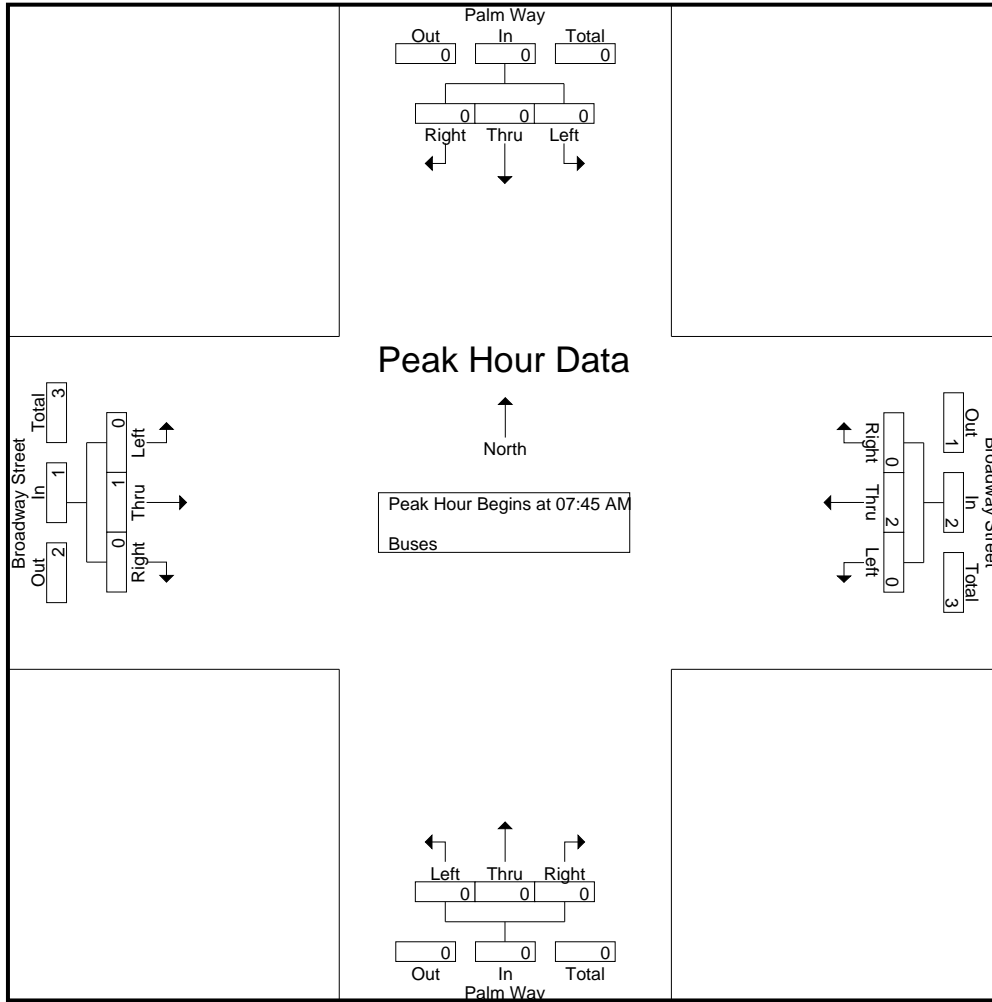
Start Time	Palm Way Southbound				Broadway Street Westbound				Palm Way Northbound				Broadway Street Eastbound				Int. Total
	Left	Thru	Right	App. Total	Left	Thru	Right	App. Total	Left	Thru	Right	App. Total	Left	Thru	Right	App. Total	
07:45 AM	0	0	0	0	0	1	0	1	0	0	0	0	0	0	0	0	1
08:00 AM	0	0	0	0	0	0	0	0	0	0	0	0	0	0	0	0	0
08:15 AM	0	0	0	0	0	1	0	1	0	0	0	0	0	0	0	0	1
08:30 AM	0	0	0	0	0	0	0	0	0	0	0	0	0	1	0	1	1
Total Volume	0	0	0	0	0	2	0	2	0	0	0	0	0	1	0	1	3
% App. Total	0	0	0		0	100	0		0	0	0		0	100	0		
PHF	.000	.000	.000	.000	.000	.500	.000	.500	.000	.000	.000	.000	.000	.250	.000	.250	.750

Peak Hour Analysis From 07:45 AM to 08:30 AM - Peak 1 of 1

Peak Hour for Entire Intersection Begins at 07:45 AM

City of Needles
 N/S: Palm Way
 E/W: Broadway Street
 Weather: Clear

File Name : 19_NDL_Palm_Broadway AM
 Site Code : 16621325
 Start Date : 7/15/2021
 Page No : 2



Peak Hour Analysis From 07:45 AM to 08:30 AM - Peak 1 of 1
 Peak Hour for Each Approach Begins at:

	07:45 AM				07:45 AM				07:45 AM				07:45 AM			
+0 mins.	0	0	0	0	0	1	0	1	0	0	0	0	0	0	0	0
+15 mins.	0	0	0	0	0	0	0	0	0	0	0	0	0	0	0	0
+30 mins.	0	0	0	0	0	1	0	1	0	0	0	0	0	0	0	0
+45 mins.	0	0	0	0	0	0	0	0	0	0	0	0	0	1	0	1
Total Volume	0	0	0	0	0	2	0	2	0	0	0	0	0	1	0	1
% App. Total	0	0	0	0	0	100	0	0	0	0	0	0	0	100	0	0
PHF	.000	.000	.000	.000	.000	.500	.000	.500	.000	.000	.000	.000	.000	.250	.000	.250

City of Needles
 N/S: Palm Way
 E/W: Broadway Street
 Weather: Clear

File Name : 19_NDL_Palm_Broadway PM
 Site Code : 16621325
 Start Date : 7/15/2021
 Page No : 1

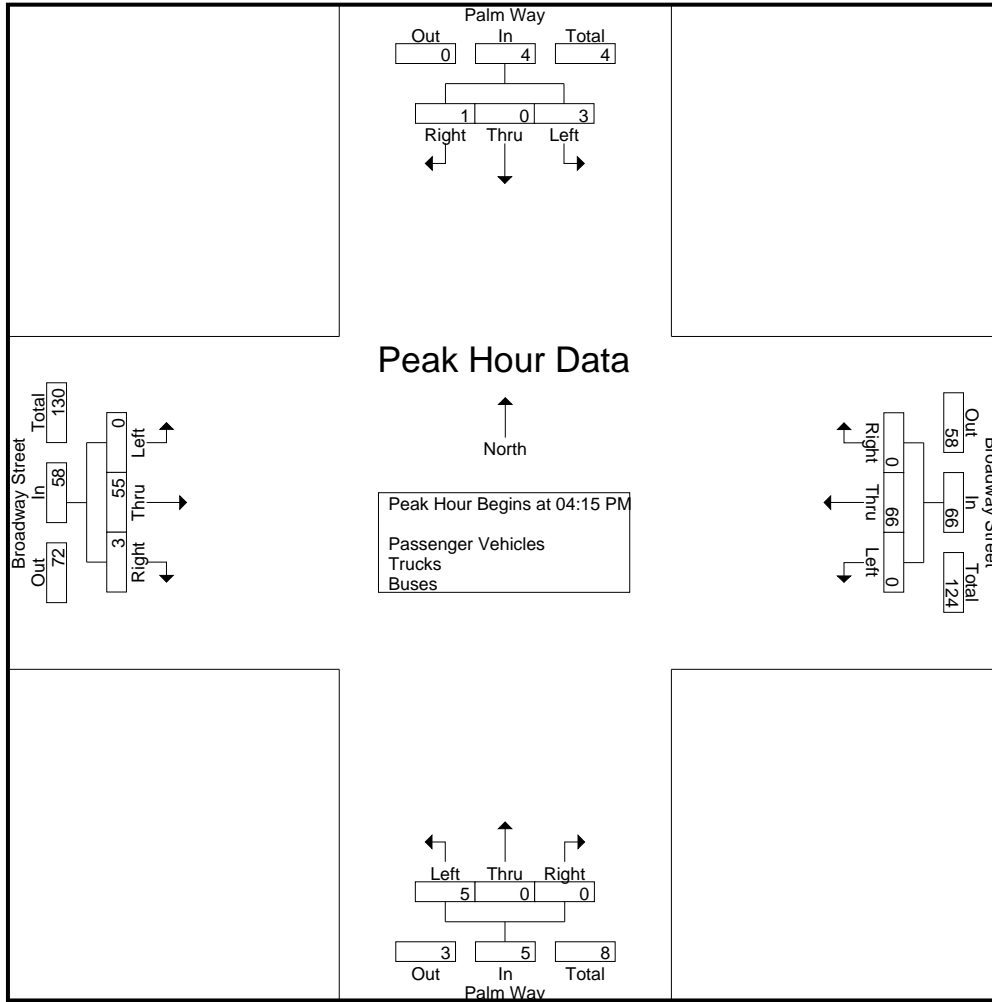
Groups Printed- Passenger Vehicles - Trucks - Buses

Start Time	Palm Way Southbound				Broadway Street Westbound				Palm Way Northbound				Broadway Street Eastbound				Int. Total
	Left	Thru	Right	App. Total	Left	Thru	Right	App. Total	Left	Thru	Right	App. Total	Left	Thru	Right	App. Total	
04:00 PM	0	0	0	0	0	15	0	15	0	0	0	0	0	13	0	13	28
04:15 PM	0	0	0	0	0	15	0	15	1	0	0	1	0	14	2	16	32
04:30 PM	0	0	1	1	0	15	0	15	2	0	0	2	0	15	1	16	34
04:45 PM	2	0	0	2	0	18	0	18	1	0	0	1	0	14	0	14	35
Total	2	0	1	3	0	63	0	63	4	0	0	4	0	56	3	59	129
05:00 PM	1	0	0	1	0	18	0	18	1	0	0	1	0	12	0	12	32
05:15 PM	0	1	0	1	0	16	0	16	1	0	0	1	0	8	0	8	26
05:30 PM	0	0	0	0	0	14	0	14	0	0	0	0	0	16	2	18	32
05:45 PM	1	0	0	1	0	8	0	8	0	0	0	0	0	12	0	12	21
Total	2	1	0	3	0	56	0	56	2	0	0	2	0	48	2	50	111
Grand Total	4	1	1	6	0	119	0	119	6	0	0	6	0	104	5	109	240
Apprch %	66.7	16.7	16.7		0	100	0		100	0	0		0	95.4	4.6		
Total %	1.7	0.4	0.4	2.5	0	49.6	0	49.6	2.5	0	0	2.5	0	43.3	2.1	45.4	
Passenger Vehicles	4	1	1	6	0	111	0	111	6	0	0	6	0	95	5	100	223
% Passenger Vehicles	100	100	100	100	0	93.3	0	93.3	100	0	0	100	0	91.3	100	91.7	92.9
Trucks	0	0	0	0	0	4	0	4	0	0	0	0	0	7	0	7	11
% Trucks	0	0	0	0	0	3.4	0	3.4	0	0	0	0	0	6.7	0	6.4	4.6
Buses	0	0	0	0	0	4	0	4	0	0	0	0	0	2	0	2	6
% Buses	0	0	0	0	0	3.4	0	3.4	0	0	0	0	0	1.9	0	1.8	2.5

Start Time	Palm Way Southbound				Broadway Street Westbound				Palm Way Northbound				Broadway Street Eastbound				Int. Total
	Left	Thru	Right	App. Total	Left	Thru	Right	App. Total	Left	Thru	Right	App. Total	Left	Thru	Right	App. Total	
Peak Hour Analysis From 04:00 PM to 05:45 PM - Peak 1 of 1																	
Peak Hour for Entire Intersection Begins at 04:15 PM																	
04:15 PM	0	0	0	0	0	15	0	15	1	0	0	1	0	14	2	16	32
04:30 PM	0	0	1	1	0	15	0	15	2	0	0	2	0	15	1	16	34
04:45 PM	2	0	0	2	0	18	0	18	1	0	0	1	0	14	0	14	35
05:00 PM	1	0	0	1	0	18	0	18	1	0	0	1	0	12	0	12	32
Total Volume	3	0	1	4	0	66	0	66	5	0	0	5	0	55	3	58	133
% App. Total	75	0	25		0	100	0		100	0	0		0	94.8	5.2		
PHF	.375	.000	.250	.500	.000	.917	.000	.917	.625	.000	.000	.625	.000	.917	.375	.906	.950

City of Needles
 N/S: Palm Way
 E/W: Broadway Street
 Weather: Clear

File Name : 19_NDL_Palm_Broadway PM
 Site Code : 16621325
 Start Date : 7/15/2021
 Page No : 2



Peak Hour Analysis From 04:00 PM to 05:45 PM - Peak 1 of 1
 Peak Hour for Each Approach Begins at:

	04:30 PM				04:30 PM				04:15 PM				04:00 PM			
+0 mins.	0	0	1	1	0	15	0	15	1	0	0	1	0	13	0	13
+15 mins.	2	0	0	2	0	18	0	18	2	0	0	2	0	14	2	16
+30 mins.	1	0	0	1	0	18	0	18	1	0	0	1	0	15	1	16
+45 mins.	0	1	0	1	0	16	0	16	1	0	0	1	0	14	0	14
Total Volume	3	1	1	5	0	67	0	67	5	0	0	5	0	56	3	59
% App. Total	60	20	20		0	100	0		100	0	0		0	94.9	5.1	
PHF	.375	.250	.250	.625	.000	.931	.000	.931	.625	.000	.000	.625	.000	.933	.375	.922

City of Needles
 N/S: Palm Way
 E/W: Broadway Street
 Weather: Clear

File Name : 19_NDL_Palm_Broadway PM
 Site Code : 16621325
 Start Date : 7/15/2021
 Page No : 1

Groups Printed- Passenger Vehicles

Start Time	Palm Way Southbound				Broadway Street Westbound				Palm Way Northbound				Broadway Street Eastbound				Int. Total
	Left	Thru	Right	App. Total	Left	Thru	Right	App. Total	Left	Thru	Right	App. Total	Left	Thru	Right	App. Total	
04:00 PM	0	0	0	0	0	15	0	15	0	0	0	0	0	13	0	13	28
04:15 PM	0	0	0	0	0	13	0	13	1	0	0	1	0	12	2	14	28
04:30 PM	0	0	1	1	0	15	0	15	2	0	0	2	0	13	1	14	32
04:45 PM	2	0	0	2	0	17	0	17	1	0	0	1	0	13	0	13	33
Total	2	0	1	3	0	60	0	60	4	0	0	4	0	51	3	54	121
05:00 PM	1	0	0	1	0	17	0	17	1	0	0	1	0	11	0	11	30
05:15 PM	0	1	0	1	0	13	0	13	1	0	0	1	0	6	0	6	21
05:30 PM	0	0	0	0	0	14	0	14	0	0	0	0	0	15	2	17	31
05:45 PM	1	0	0	1	0	7	0	7	0	0	0	0	0	12	0	12	20
Total	2	1	0	3	0	51	0	51	2	0	0	2	0	44	2	46	102
Grand Total	4	1	1	6	0	111	0	111	6	0	0	6	0	95	5	100	223
Apprch %	66.7	16.7	16.7		0	100	0		100	0	0		0	95	5		
Total %	1.8	0.4	0.4	2.7	0	49.8	0	49.8	2.7	0	0	2.7	0	42.6	2.2	44.8	

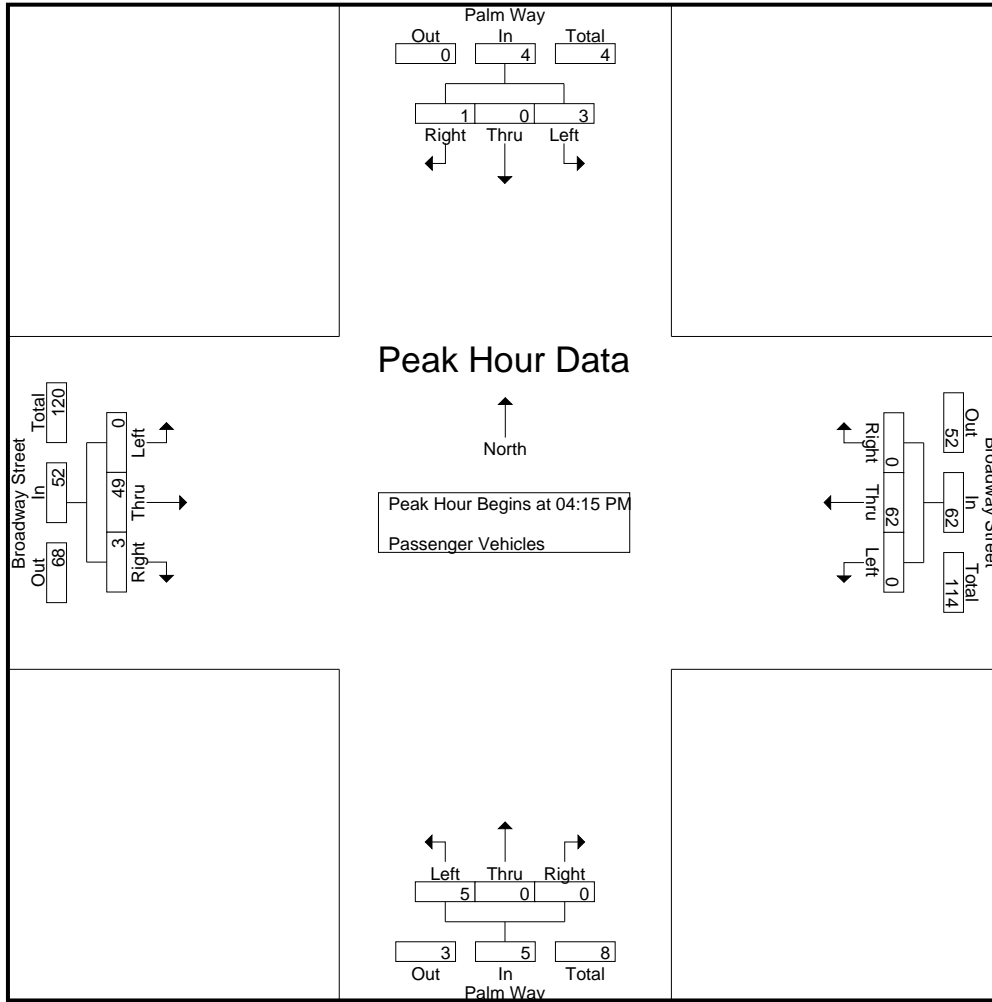
Start Time	Palm Way Southbound				Broadway Street Westbound				Palm Way Northbound				Broadway Street Eastbound				Int. Total
	Left	Thru	Right	App. Total	Left	Thru	Right	App. Total	Left	Thru	Right	App. Total	Left	Thru	Right	App. Total	
04:15 PM	0	0	0	0	0	13	0	13	1	0	0	1	0	12	2	14	28
04:30 PM	0	0	1	1	0	15	0	15	2	0	0	2	0	13	1	14	32
04:45 PM	2	0	0	2	0	17	0	17	1	0	0	1	0	13	0	13	33
05:00 PM	1	0	0	1	0	17	0	17	1	0	0	1	0	11	0	11	30
Total Volume	3	0	1	4	0	62	0	62	5	0	0	5	0	49	3	52	123
% App. Total	75	0	25		0	100	0		100	0	0		0	94.2	5.8		
PHF	.375	.000	.250	.500	.000	.912	.000	.912	.625	.000	.000	.625	.000	.942	.375	.929	.932

Peak Hour Analysis From 04:15 PM to 05:00 PM - Peak 1 of 1

Peak Hour for Entire Intersection Begins at 04:15 PM

City of Needles
 N/S: Palm Way
 E/W: Broadway Street
 Weather: Clear

File Name : 19_NDL_Palm_Broadway PM
 Site Code : 16621325
 Start Date : 7/15/2021
 Page No : 2



Peak Hour Analysis From 04:15 PM to 05:00 PM - Peak 1 of 1
 Peak Hour for Each Approach Begins at:

	04:15 PM				04:15 PM				04:15 PM				04:15 PM			
+0 mins.	0	0	0	0	0	13	0	13	1	0	0	1	0	12	2	14
+15 mins.	0	0	1	1	0	15	0	15	2	0	0	2	0	13	1	14
+30 mins.	2	0	0	2	0	17	0	17	1	0	0	1	0	13	0	13
+45 mins.	1	0	0	1	0	17	0	17	1	0	0	1	0	11	0	11
Total Volume	3	0	1	4	0	62	0	62	5	0	0	5	0	49	3	52
% App. Total	75	0	25		0	100	0		100	0	0		0	94.2	5.8	
PHF	.375	.000	.250	.500	.000	.912	.000	.912	.625	.000	.000	.625	.000	.942	.375	.929

City of Needles
 N/S: Palm Way
 E/W: Broadway Street
 Weather: Clear

File Name : 19_NDL_Palm_Broadway PM
 Site Code : 16621325
 Start Date : 7/15/2021
 Page No : 1

Groups Printed- Trucks

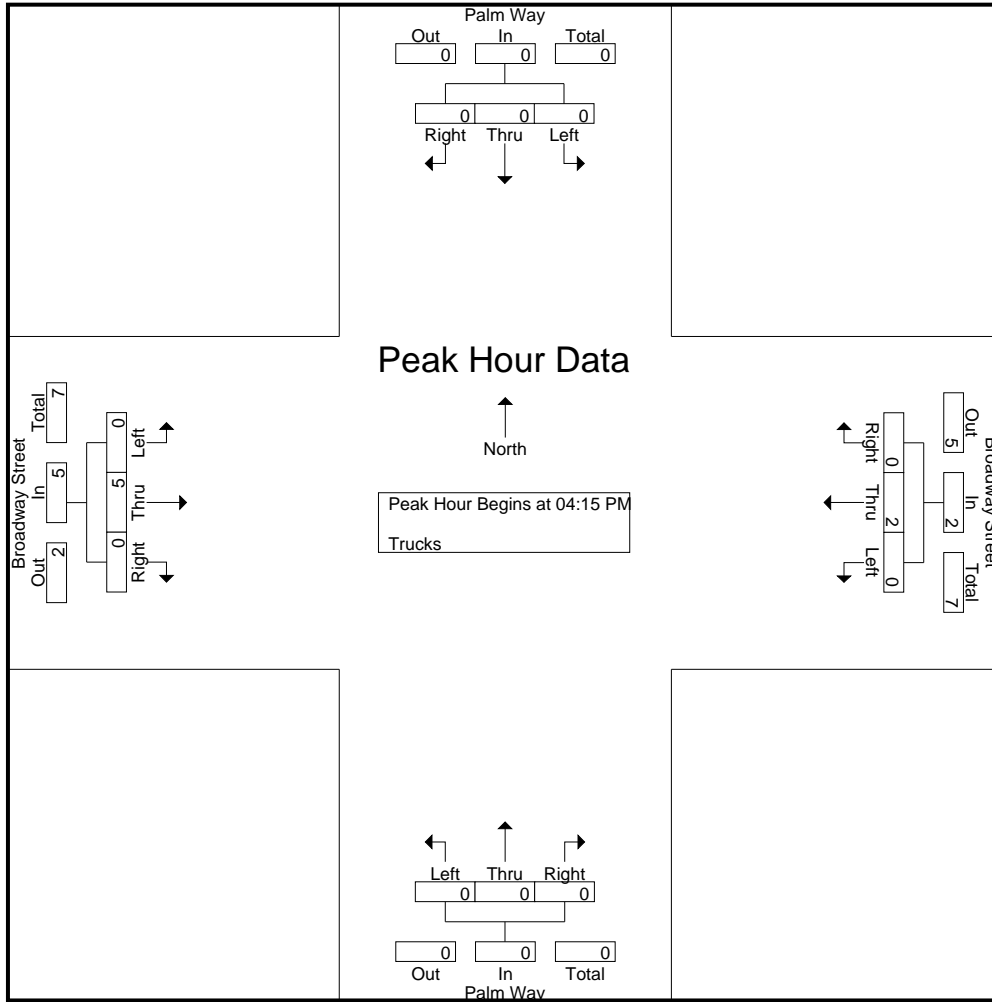
Start Time	Palm Way Southbound				Broadway Street Westbound				Palm Way Northbound				Broadway Street Eastbound				Int. Total		
	Left	Thru	Right	App. Total	Left	Thru	Right	App. Total	Left	Thru	Right	App. Total	Left	Thru	Right	App. Total			
04:00 PM	0	0	0	0	0	0	0	0	0	0	0	0	0	0	0	0	0	0	
04:15 PM	0	0	0	0	0	1	0	1	0	0	0	0	0	2	0	2	0	2	3
04:30 PM	0	0	0	0	0	0	0	0	0	0	0	0	0	1	0	1	0	1	1
04:45 PM	0	0	0	0	0	0	0	0	0	0	0	0	0	1	0	1	0	1	1
Total	0	0	0	0	0	1	0	1	0	0	0	0	0	4	0	4	0	4	5
05:00 PM	0	0	0	0	0	1	0	1	0	0	0	0	0	1	0	1	0	1	2
05:15 PM	0	0	0	0	0	2	0	2	0	0	0	0	0	2	0	2	0	2	4
05:30 PM	0	0	0	0	0	0	0	0	0	0	0	0	0	0	0	0	0	0	0
05:45 PM	0	0	0	0	0	0	0	0	0	0	0	0	0	0	0	0	0	0	0
Total	0	0	0	0	0	3	0	3	0	0	0	0	0	3	0	3	0	3	6
Grand Total	0	0	0	0	0	4	0	4	0	0	0	0	0	7	0	7	0	7	11
Apprch %	0	0	0	0	0	100	0	0	0	0	0	0	0	100	0	0	0	0	0
Total %	0	0	0	0	0	36.4	0	36.4	0	0	0	0	0	63.6	0	63.6	0	63.6	0

Start Time	Palm Way Southbound				Broadway Street Westbound				Palm Way Northbound				Broadway Street Eastbound				Int. Total		
	Left	Thru	Right	App. Total	Left	Thru	Right	App. Total	Left	Thru	Right	App. Total	Left	Thru	Right	App. Total			
04:15 PM	0	0	0	0	0	1	0	1	0	0	0	0	0	2	0	2	0	2	3
04:30 PM	0	0	0	0	0	0	0	0	0	0	0	0	0	1	0	1	0	1	1
04:45 PM	0	0	0	0	0	0	0	0	0	0	0	0	0	1	0	1	0	1	1
05:00 PM	0	0	0	0	0	1	0	1	0	0	0	0	0	1	0	1	0	1	2
Total Volume	0	0	0	0	0	2	0	2	0	0	0	0	0	5	0	5	0	5	7
% App. Total	0	0	0	0	0	100	0	0	0	0	0	0	0	100	0	0	0	0	0
PHF	.000	.000	.000	.000	.000	.500	.000	.500	.000	.000	.000	.000	.000	.625	.000	.625	.000	.625	.583

Peak Hour Analysis From 04:15 PM to 05:00 PM - Peak 1 of 1
 Peak Hour for Entire Intersection Begins at 04:15 PM

City of Needles
 N/S: Palm Way
 E/W: Broadway Street
 Weather: Clear

File Name : 19_NDL_Palm_Broadway PM
 Site Code : 16621325
 Start Date : 7/15/2021
 Page No : 2



Peak Hour Analysis From 04:15 PM to 05:00 PM - Peak 1 of 1
 Peak Hour for Each Approach Begins at:

	04:15 PM				04:15 PM				04:15 PM				04:15 PM			
+0 mins.	0	0	0	0	0	1	0	1	0	0	0	0	0	2	0	2
+15 mins.	0	0	0	0	0	0	0	0	0	0	0	0	0	0	0	0
+30 mins.	0	0	0	0	0	0	0	0	0	0	0	0	0	0	0	0
+45 mins.	0	0	0	0	0	1	0	1	0	0	0	0	0	0	0	0
Total Volume	0	0	0	0	0	2	0	2	0	0	0	0	0	5	0	5
% App. Total	0	0	0	0	0	100	0	0	0	0	0	0	0	100	0	0
PHF	.000	.000	.000	.000	.000	.500	.000	.500	.000	.000	.000	.000	.000	.625	.000	.625

City of Needles
 N/S: Palm Way
 E/W: Broadway Street
 Weather: Clear

File Name : 19_NDL_Palm_Broadway PM
 Site Code : 16621325
 Start Date : 7/15/2021
 Page No : 1

Groups Printed- Buses

Start Time	Palm Way Southbound				Broadway Street Westbound				Palm Way Northbound				Broadway Street Eastbound				Int. Total
	Left	Thru	Right	App. Total	Left	Thru	Right	App. Total	Left	Thru	Right	App. Total	Left	Thru	Right	App. Total	
04:00 PM	0	0	0	0	0	0	0	0	0	0	0	0	0	0	0	0	0
04:15 PM	0	0	0	0	0	1	0	1	0	0	0	0	0	0	0	0	0
04:30 PM	0	0	0	0	0	0	0	0	0	0	0	0	0	1	0	1	1
04:45 PM	0	0	0	0	0	1	0	1	0	0	0	0	0	0	0	0	0
Total	0	0	0	0	0	2	0	2	0	0	0	0	0	1	0	1	3
05:00 PM	0	0	0	0	0	0	0	0	0	0	0	0	0	0	0	0	0
05:15 PM	0	0	0	0	0	1	0	1	0	0	0	0	0	0	0	0	1
05:30 PM	0	0	0	0	0	0	0	0	0	0	0	0	0	1	0	1	1
05:45 PM	0	0	0	0	0	1	0	1	0	0	0	0	0	0	0	0	1
Total	0	0	0	0	0	2	0	2	0	0	0	0	0	1	0	1	3
Grand Total	0	0	0	0	0	4	0	4	0	0	0	0	0	2	0	2	6
Apprch %	0	0	0		0	100	0		0	0	0		0	100	0		
Total %	0	0	0		0	66.7	0	66.7	0	0	0		0	33.3	0	33.3	

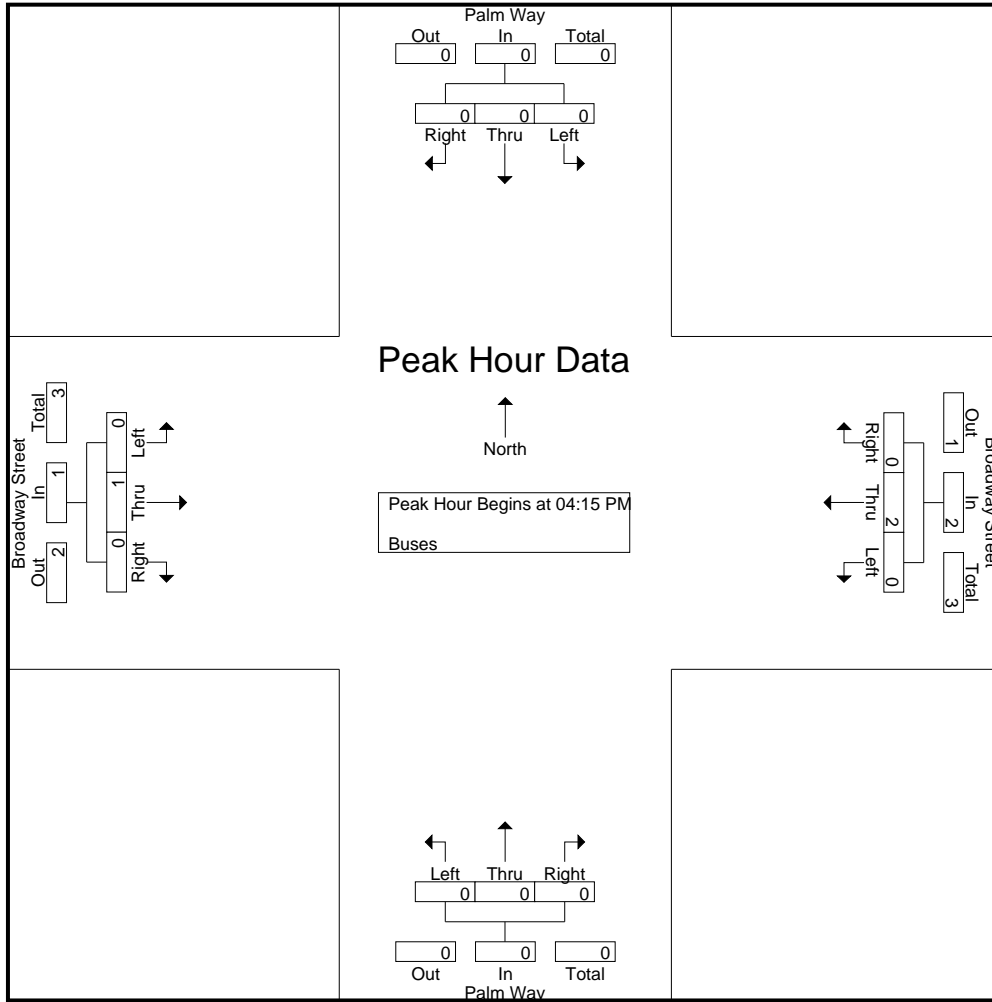
Start Time	Palm Way Southbound				Broadway Street Westbound				Palm Way Northbound				Broadway Street Eastbound				Int. Total
	Left	Thru	Right	App. Total	Left	Thru	Right	App. Total	Left	Thru	Right	App. Total	Left	Thru	Right	App. Total	
04:15 PM	0	0	0	0	0	1	0	1	0	0	0	0	0	0	0	0	1
04:30 PM	0	0	0	0	0	0	0	0	0	0	0	0	0	1	0	1	1
04:45 PM	0	0	0	0	0	1	0	1	0	0	0	0	0	0	0	0	1
05:00 PM	0	0	0	0	0	0	0	0	0	0	0	0	0	0	0	0	0
Total Volume	0	0	0	0	0	2	0	2	0	0	0	0	0	1	0	1	3
% App. Total	0	0	0		0	100	0		0	0	0		0	100	0		
PHF	.000	.000	.000	.000	.000	.500	.000	.500	.000	.000	.000	.000	.000	.250	.000	.250	.750

Peak Hour Analysis From 04:15 PM to 05:00 PM - Peak 1 of 1

Peak Hour for Entire Intersection Begins at 04:15 PM

City of Needles
 N/S: Palm Way
 E/W: Broadway Street
 Weather: Clear

File Name : 19_NDL_Palm_Broadway PM
 Site Code : 16621325
 Start Date : 7/15/2021
 Page No : 2



Peak Hour Analysis From 04:15 PM to 05:00 PM - Peak 1 of 1
 Peak Hour for Each Approach Begins at:

	04:15 PM				04:15 PM				04:15 PM				04:15 PM			
+0 mins.	0	0	0	0	0	1	0	1	0	0	0	0	0	0	0	0
+15 mins.	0	0	0	0	0	0	0	0	0	0	0	0	0	1	0	1
+30 mins.	0	0	0	0	0	1	0	1	0	0	0	0	0	0	0	0
+45 mins.	0	0	0	0	0	0	0	0	0	0	0	0	0	0	0	0
Total Volume	0	0	0	0	0	2	0	2	0	0	0	0	0	1	0	1
% App. Total	0	0	0	0	0	100	0	0	0	0	0	0	0	100	0	0
PHF	.000	.000	.000	.000	.000	.500	.000	.500	.000	.000	.000	.000	.000	.250	.000	.250

City of Needles
 N/S: Palm Way
 E/W: Broadway Street
 Weather: Clear

File Name : 19_NDL_Palm_Broadway SAT
 Site Code : 16621325
 Start Date : 7/17/2021
 Page No : 1

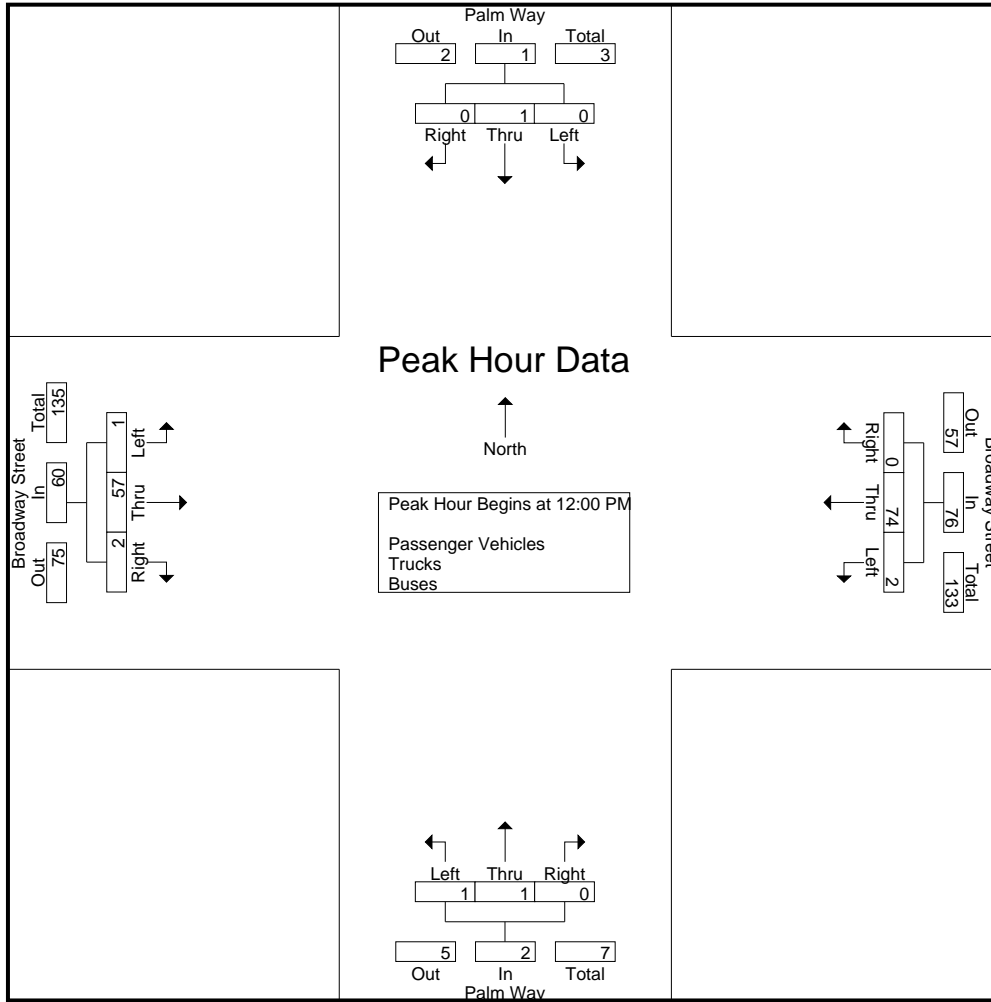
Groups Printed- Passenger Vehicles - Trucks - Buses

Start Time	Palm Way Southbound				Broadway Street Westbound				Palm Way Northbound				Broadway Street Eastbound				Int. Total
	Left	Thru	Right	App. Total	Left	Thru	Right	App. Total	Left	Thru	Right	App. Total	Left	Thru	Right	App. Total	
12:00 PM	0	0	0	0	1	20	0	21	0	0	0	0	0	17	0	17	38
12:15 PM	0	1	0	1	0	16	0	16	0	0	0	0	0	11	2	13	30
12:30 PM	0	0	0	0	0	14	0	14	0	1	0	1	0	16	0	16	31
12:45 PM	0	0	0	0	1	24	0	25	1	0	0	1	1	13	0	14	40
Total	0	1	0	1	2	74	0	76	1	1	0	2	1	57	2	60	139
01:00 PM	0	0	0	0	0	11	0	11	0	0	0	0	1	17	2	20	31
01:15 PM	0	0	0	0	0	18	0	18	0	0	0	0	0	16	1	17	35
01:30 PM	0	0	0	0	0	10	0	10	2	0	0	2	0	14	1	15	27
01:45 PM	1	0	1	2	0	16	0	16	1	0	0	1	0	17	0	17	36
Total	1	0	1	2	0	55	0	55	3	0	0	3	1	64	4	69	129
Grand Total	1	1	1	3	2	129	0	131	4	1	0	5	2	121	6	129	268
Apprch %	33.3	33.3	33.3		1.5	98.5	0		80	20	0		1.6	93.8	4.7		
Total %	0.4	0.4	0.4	1.1	0.7	48.1	0	48.9	1.5	0.4	0	1.9	0.7	45.1	2.2	48.1	
Passenger Vehicles	1	1	1	3	2	122	0	124	4	1	0	5	2	114	6	122	254
% Passenger Vehicles	100	100	100	100	100	94.6	0	94.7	100	100	0	100	100	94.2	100	94.6	94.8
Trucks	0	0	0	0	0	2	0	2	0	0	0	0	0	5	0	5	7
% Trucks	0	0	0	0	0	1.6	0	1.5	0	0	0	0	0	4.1	0	3.9	2.6
Buses	0	0	0	0	0	5	0	5	0	0	0	0	0	2	0	2	7
% Buses	0	0	0	0	0	3.9	0	3.8	0	0	0	0	0	1.7	0	1.6	2.6

Start Time	Palm Way Southbound				Broadway Street Westbound				Palm Way Northbound				Broadway Street Eastbound				Int. Total
	Left	Thru	Right	App. Total	Left	Thru	Right	App. Total	Left	Thru	Right	App. Total	Left	Thru	Right	App. Total	
Peak Hour Analysis From 12:00 PM to 01:45 PM - Peak 1 of 1																	
Peak Hour for Entire Intersection Begins at 12:00 PM																	
12:00 PM	0	0	0	0	1	20	0	21	0	0	0	0	0	17	0	17	38
12:15 PM	0	1	0	1	0	16	0	16	0	0	0	0	0	11	2	13	30
12:30 PM	0	0	0	0	0	14	0	14	0	1	0	1	0	16	0	16	31
12:45 PM	0	0	0	0	1	24	0	25	1	0	0	1	1	13	0	14	40
Total Volume	0	1	0	1	2	74	0	76	1	1	0	2	1	57	2	60	139
% App. Total	0	100	0		2.6	97.4	0		50	50	0		1.7	95	3.3		
PHF	.000	.250	.000	.250	.500	.771	.000	.760	.250	.250	.000	.500	.250	.838	.250	.882	.869

City of Needles
 N/S: Palm Way
 E/W: Broadway Street
 Weather: Clear

File Name : 19_NDL_Palm_Broadway SAT
 Site Code : 16621325
 Start Date : 7/17/2021
 Page No : 2



Peak Hour Analysis From 12:00 PM to 01:45 PM - Peak 1 of 1
 Peak Hour for Each Approach Begins at:

	01:00 PM				12:00 PM				12:45 PM				01:00 PM			
+0 mins.	0	0	0	0	1	20	0	21	1	0	0	1	1	17	2	20
+15 mins.	0	0	0	0	0	16	0	16	0	0	0	0	0	16	1	17
+30 mins.	0	0	0	0	0	14	0	14	0	0	0	0	0	14	1	15
+45 mins.	1	0	1	2	1	24	0	25	2	0	0	2	0	17	0	17
Total Volume	1	0	1	2	2	74	0	76	3	0	0	3	1	64	4	69
% App. Total	50	0	50		2.6	97.4	0		100	0	0		1.4	92.8	5.8	
PHF	.250	.000	.250	.250	.500	.771	.000	.760	.375	.000	.000	.375	.250	.941	.500	.863

City of Needles
 N/S: Palm Way
 E/W: Broadway Street
 Weather: Clear

File Name : 19_NDL_Palm_Broadway SAT
 Site Code : 16621325
 Start Date : 7/17/2021
 Page No : 1

Groups Printed- Passenger Vehicles

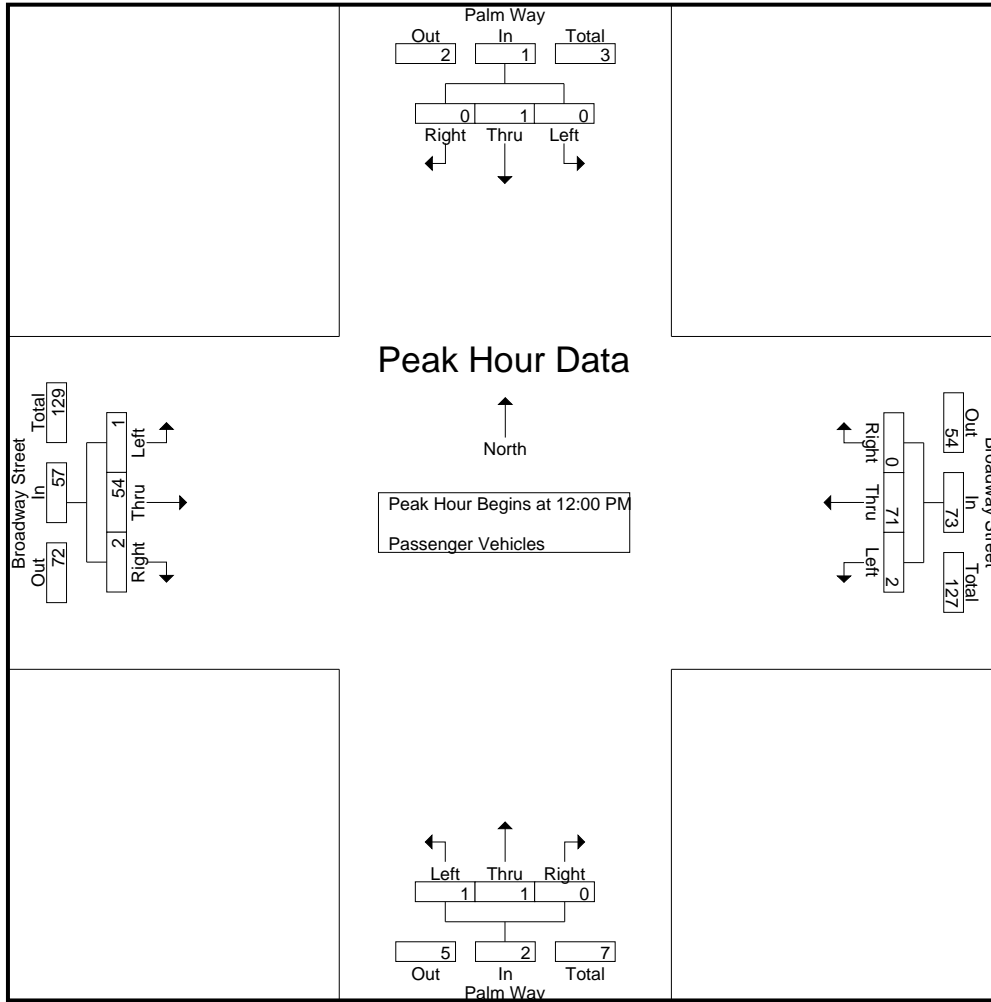
Start Time	Palm Way Southbound				Broadway Street Westbound				Palm Way Northbound				Broadway Street Eastbound				Int. Total
	Left	Thru	Right	App. Total	Left	Thru	Right	App. Total	Left	Thru	Right	App. Total	Left	Thru	Right	App. Total	
12:00 PM	0	0	0	0	1	19	0	20	0	0	0	0	0	17	0	17	37
12:15 PM	0	1	0	1	0	15	0	15	0	0	0	0	0	11	2	13	29
12:30 PM	0	0	0	0	0	14	0	14	0	1	0	1	0	14	0	14	29
12:45 PM	0	0	0	0	1	23	0	24	1	0	0	1	1	12	0	13	38
Total	0	1	0	1	2	71	0	73	1	1	0	2	1	54	2	57	133
01:00 PM	0	0	0	0	0	11	0	11	0	0	0	0	1	17	2	20	31
01:15 PM	0	0	0	0	0	16	0	16	0	0	0	0	0	16	1	17	33
01:30 PM	0	0	0	0	0	9	0	9	2	0	0	2	0	13	1	14	25
01:45 PM	1	0	1	2	0	15	0	15	1	0	0	1	0	14	0	14	32
Total	1	0	1	2	0	51	0	51	3	0	0	3	1	60	4	65	121
Grand Total	1	1	1	3	2	122	0	124	4	1	0	5	2	114	6	122	254
Apprch %	33.3	33.3	33.3		1.6	98.4	0		80	20	0		1.6	93.4	4.9		
Total %	0.4	0.4	0.4	1.2	0.8	48	0	48.8	1.6	0.4	0	2	0.8	44.9	2.4	48	

Start Time	Palm Way Southbound				Broadway Street Westbound				Palm Way Northbound				Broadway Street Eastbound				Int. Total
	Left	Thru	Right	App. Total	Left	Thru	Right	App. Total	Left	Thru	Right	App. Total	Left	Thru	Right	App. Total	
12:00 PM	0	0	0	0	1	19	0	20	0	0	0	0	0	17	0	17	37
12:15 PM	0	1	0	1	0	15	0	15	0	0	0	0	0	11	2	13	29
12:30 PM	0	0	0	0	0	14	0	14	0	1	0	1	0	14	0	14	29
12:45 PM	0	0	0	0	1	23	0	24	1	0	0	1	1	12	0	13	38
Total Volume	0	1	0	1	2	71	0	73	1	1	0	2	1	54	2	57	133
% App. Total	0	100	0		2.7	97.3	0		50	50	0		1.8	94.7	3.5		
PHF	.000	.250	.000	.250	.500	.772	.000	.760	.250	.250	.000	.500	.250	.794	.250	.838	.875

Peak Hour Analysis From 12:00 PM to 12:45 PM - Peak 1 of 1
 Peak Hour for Entire Intersection Begins at 12:00 PM

City of Needles
 N/S: Palm Way
 E/W: Broadway Street
 Weather: Clear

File Name : 19_NDL_Palm_Broadway SAT
 Site Code : 16621325
 Start Date : 7/17/2021
 Page No : 2



Peak Hour Analysis From 12:00 PM to 12:45 PM - Peak 1 of 1
 Peak Hour for Each Approach Begins at:

	12:00 PM				12:00 PM				12:00 PM				12:00 PM			
+0 mins.	0	0	0	0	1	19	0	20	0	0	0	0	0	17	0	17
+15 mins.	0	1	0	1	0	15	0	15	0	0	0	0	0	11	2	13
+30 mins.	0	0	0	0	0	14	0	14	0	1	0	1	0	14	0	14
+45 mins.	0	0	0	0	1	23	0	24	1	0	0	1	1	12	0	13
Total Volume	0	1	0	1	2	71	0	73	1	1	0	2	1	54	2	57
% App. Total	0	100	0		2.7	97.3	0		50	50	0		1.8	94.7	3.5	
PHF	.000	.250	.000	.250	.500	.772	.000	.760	.250	.250	.000	.500	.250	.794	.250	.838

City of Needles
 N/S: Palm Way
 E/W: Broadway Street
 Weather: Clear

File Name : 19_NDL_Palm_Broadway SAT
 Site Code : 16621325
 Start Date : 7/17/2021
 Page No : 1

Groups Printed- Trucks

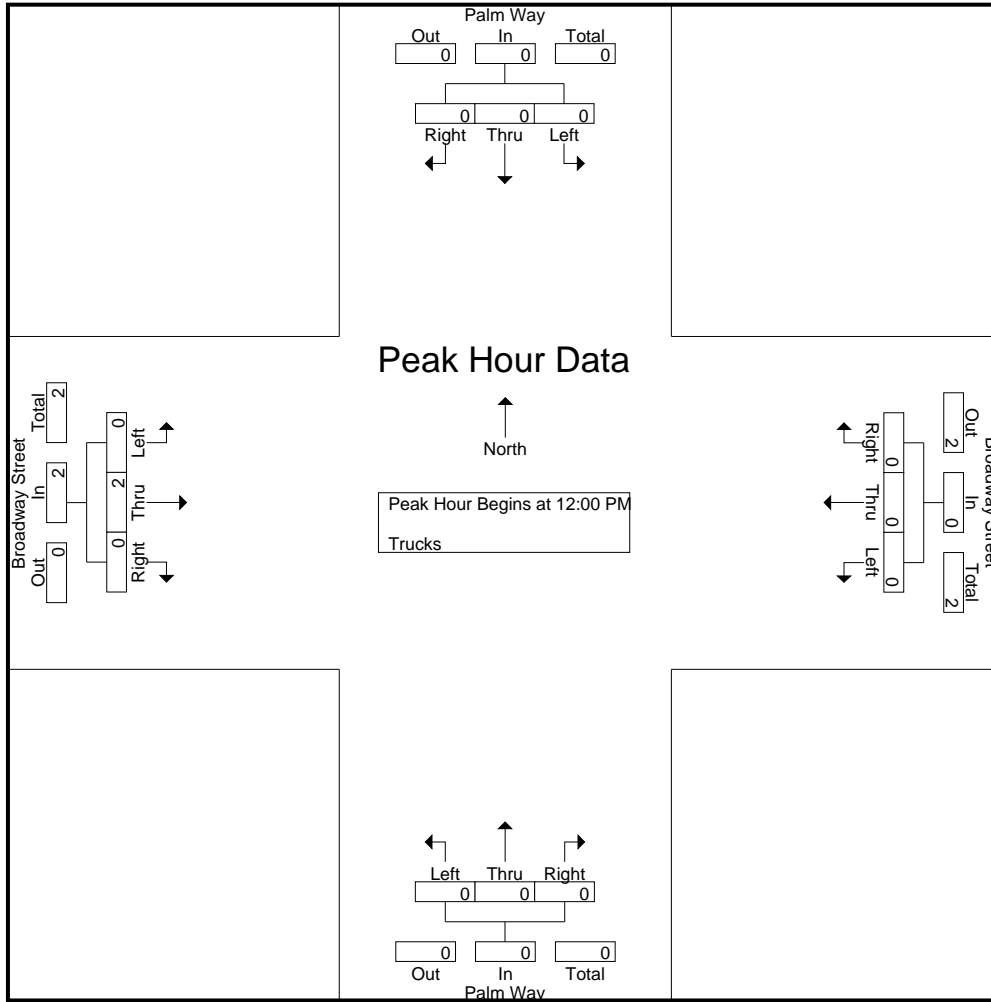
Start Time	Palm Way Southbound				Broadway Street Westbound				Palm Way Northbound				Broadway Street Eastbound				Int. Total
	Left	Thru	Right	App. Total	Left	Thru	Right	App. Total	Left	Thru	Right	App. Total	Left	Thru	Right	App. Total	
12:00 PM	0	0	0	0	0	0	0	0	0	0	0	0	0	0	0	0	0
12:15 PM	0	0	0	0	0	0	0	0	0	0	0	0	0	0	0	0	0
12:30 PM	0	0	0	0	0	0	0	0	0	0	0	0	0	2	0	2	2
12:45 PM	0	0	0	0	0	0	0	0	0	0	0	0	0	0	0	0	0
Total	0	0	0	0	0	0	0	0	0	0	0	0	0	2	0	2	2
01:00 PM	0	0	0	0	0	0	0	0	0	0	0	0	0	0	0	0	0
01:15 PM	0	0	0	0	0	1	0	1	0	0	0	0	0	0	0	0	1
01:30 PM	0	0	0	0	0	1	0	1	0	0	0	0	0	1	0	1	2
01:45 PM	0	0	0	0	0	0	0	0	0	0	0	0	0	2	0	2	2
Total	0	0	0	0	0	2	0	2	0	0	0	0	0	3	0	3	5
Grand Total	0	0	0	0	0	2	0	2	0	0	0	0	0	5	0	5	7
Apprch %	0	0	0		0	100	0		0	0	0		0	100	0		
Total %	0	0	0		0	28.6	0	28.6	0	0	0		0	71.4	0	71.4	

Start Time	Palm Way Southbound				Broadway Street Westbound				Palm Way Northbound				Broadway Street Eastbound				Int. Total
	Left	Thru	Right	App. Total	Left	Thru	Right	App. Total	Left	Thru	Right	App. Total	Left	Thru	Right	App. Total	
12:00 PM	0	0	0	0	0	0	0	0	0	0	0	0	0	0	0	0	0
12:15 PM	0	0	0	0	0	0	0	0	0	0	0	0	0	0	0	0	0
12:30 PM	0	0	0	0	0	0	0	0	0	0	0	0	0	2	0	2	2
12:45 PM	0	0	0	0	0	0	0	0	0	0	0	0	0	0	0	0	0
Total Volume	0	0	0	0	0	0	0	0	0	0	0	0	0	2	0	2	2
% App. Total	0	0	0		0	0	0		0	0	0		0	100	0		
PHF	.000	.000	.000	.000	.000	.000	.000	.000	.000	.000	.000	.000	.000	.250	.000	.250	.250

Peak Hour Analysis From 12:00 PM to 12:45 PM - Peak 1 of 1
 Peak Hour for Entire Intersection Begins at 12:00 PM

City of Needles
 N/S: Palm Way
 E/W: Broadway Street
 Weather: Clear

File Name : 19_NDL_Palm_Broadway SAT
 Site Code : 16621325
 Start Date : 7/17/2021
 Page No : 2



Peak Hour Analysis From 12:00 PM to 12:45 PM - Peak 1 of 1
 Peak Hour for Each Approach Begins at:

	12:00 PM				12:00 PM				12:00 PM				12:00 PM			
+0 mins.	0	0	0	0	0	0	0	0	0	0	0	0	0	0	0	0
+15 mins.	0	0	0	0	0	0	0	0	0	0	0	0	0	0	0	0
+30 mins.	0	0	0	0	0	0	0	0	0	0	0	0	0	2	0	2
+45 mins.	0	0	0	0	0	0	0	0	0	0	0	0	0	0	0	0
Total Volume	0	0	0	0	0	0	0	0	0	0	0	0	0	2	0	2
% App. Total	0	0	0	0	0	0	0	0	0	0	0	0	0	100	0	0
PHF	.000	.000	.000	.000	.000	.000	.000	.000	.000	.000	.000	.000	.000	.250	.000	.250

City of Needles
 N/S: Palm Way
 E/W: Broadway Street
 Weather: Clear

File Name : 19_NDL_Palm_Broadway SAT
 Site Code : 16621325
 Start Date : 7/17/2021
 Page No : 1

Groups Printed- Buses

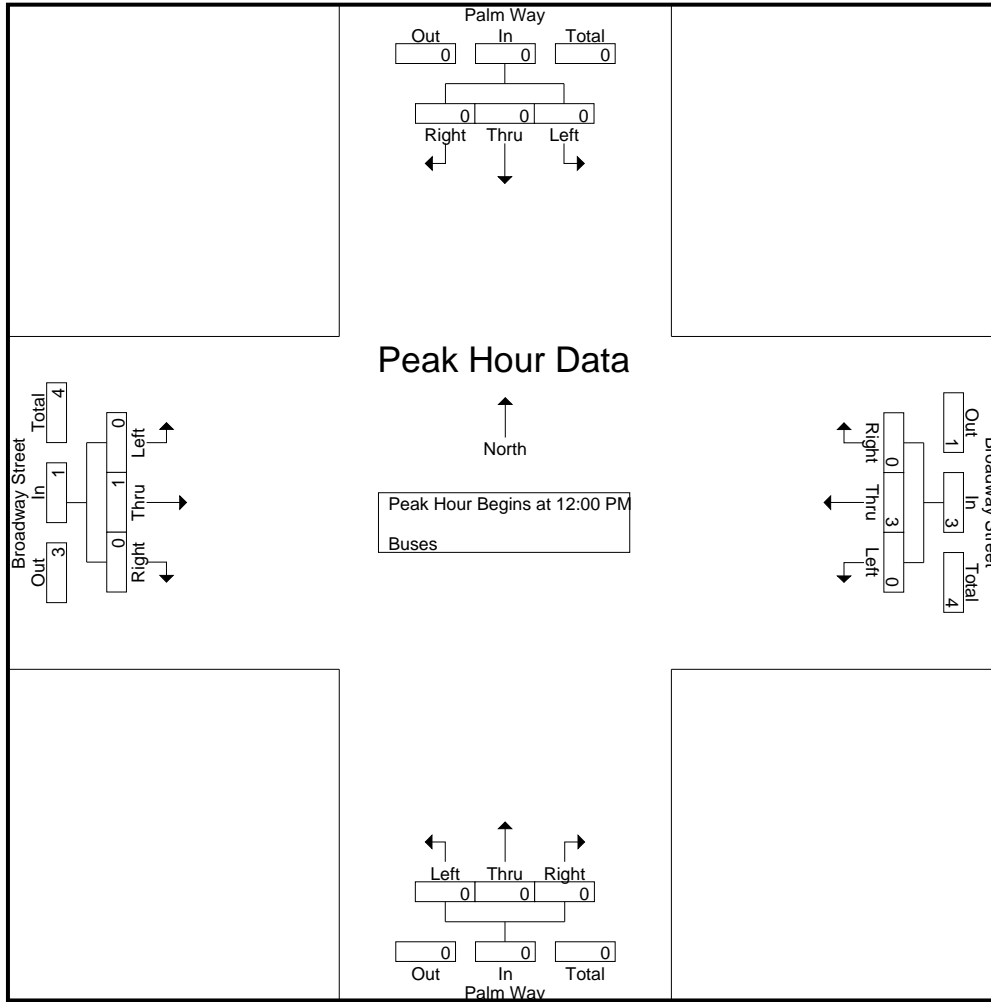
Start Time	Palm Way Southbound				Broadway Street Westbound				Palm Way Northbound				Broadway Street Eastbound				Int. Total	
	Left	Thru	Right	App. Total	Left	Thru	Right	App. Total	Left	Thru	Right	App. Total	Left	Thru	Right	App. Total		
12:00 PM	0	0	0	0	0	1	0	1	0	0	0	0	0	0	0	0	0	1
12:15 PM	0	0	0	0	0	1	0	1	0	0	0	0	0	0	0	0	0	1
12:30 PM	0	0	0	0	0	0	0	0	0	0	0	0	0	0	0	0	0	0
12:45 PM	0	0	0	0	0	1	0	1	0	0	0	0	0	1	0	0	1	2
Total	0	0	0	0	0	3	0	3	0	0	0	0	0	1	0	1	1	4
01:00 PM	0	0	0	0	0	0	0	0	0	0	0	0	0	0	0	0	0	0
01:15 PM	0	0	0	0	0	1	0	1	0	0	0	0	0	0	0	0	0	1
01:30 PM	0	0	0	0	0	0	0	0	0	0	0	0	0	0	0	0	0	0
01:45 PM	0	0	0	0	0	1	0	1	0	0	0	0	0	1	0	0	1	2
Total	0	0	0	0	0	2	0	2	0	0	0	0	0	1	0	1	1	3
Grand Total	0	0	0	0	0	5	0	5	0	0	0	0	0	2	0	2	2	7
Apprch %	0	0	0	0	0	100	0	0	0	0	0	0	0	100	0	0	0	0
Total %	0	0	0	0	0	71.4	0	71.4	0	0	0	0	0	28.6	0	28.6	0	0

Start Time	Palm Way Southbound				Broadway Street Westbound				Palm Way Northbound				Broadway Street Eastbound				Int. Total	
	Left	Thru	Right	App. Total	Left	Thru	Right	App. Total	Left	Thru	Right	App. Total	Left	Thru	Right	App. Total		
12:00 PM	0	0	0	0	0	1	0	1	0	0	0	0	0	0	0	0	0	1
12:15 PM	0	0	0	0	0	1	0	1	0	0	0	0	0	0	0	0	0	1
12:30 PM	0	0	0	0	0	0	0	0	0	0	0	0	0	0	0	0	0	0
12:45 PM	0	0	0	0	0	1	0	1	0	0	0	0	0	1	0	0	1	2
Total Volume	0	0	0	0	0	3	0	3	0	0	0	0	0	1	0	1	1	4
% App. Total	0	0	0	0	0	100	0	0	0	0	0	0	0	100	0	0	0	0
PHF	.000	.000	.000	.000	.000	.750	.000	.750	.000	.000	.000	.000	.000	.250	.000	.250	.000	.500

Peak Hour Analysis From 12:00 PM to 12:45 PM - Peak 1 of 1
 Peak Hour for Entire Intersection Begins at 12:00 PM

City of Needles
 N/S: Palm Way
 E/W: Broadway Street
 Weather: Clear

File Name : 19_NDL_Palm_Broadway SAT
 Site Code : 16621325
 Start Date : 7/17/2021
 Page No : 2



Peak Hour Analysis From 12:00 PM to 12:45 PM - Peak 1 of 1
 Peak Hour for Each Approach Begins at:

	12:00 PM				12:00 PM				12:00 PM				12:00 PM			
+0 mins.	0	0	0	0	0	1	0	1	0	0	0	0	0	0	0	0
+15 mins.	0	0	0	0	0	1	0	1	0	0	0	0	0	0	0	0
+30 mins.	0	0	0	0	0	0	0	0	0	0	0	0	0	0	0	0
+45 mins.	0	0	0	0	0	1	0	1	0	0	0	0	0	1	0	1
Total Volume	0	0	0	0	0	3	0	3	0	0	0	0	0	1	0	1
% App. Total	0	0	0	0	0	100	0	0	0	0	0	0	0	100	0	0
PHF	.000	.000	.000	.000	.000	.750	.000	.750	.000	.000	.000	.000	.000	.250	.000	.250

Location: Needles
 N/S: Palm Way
 E/W: Broadway Street



PEDESTRIANS

Date: 7/15/2021
 Day: Thursday

	North Leg Palm Way	East Leg Broadway Street	South Leg Palm Way	West Leg Broadway Street	
	Pedestrians	Pedestrians	Pedestrians	Pedestrians	
7:00 AM	0	0	0	0	0
7:15 AM	0	0	1	0	1
7:30 AM	0	0	1	0	1
7:45 AM	0	0	0	0	0
8:00 AM	0	0	0	0	0
8:15 AM	0	0	0	1	1
8:30 AM	0	0	0	0	0
8:45 AM	0	0	1	0	1
TOTAL VOLUMES:	0	0	3	1	4

Date: 7/15/2021
 Day: Thursday

	North Leg Palm Way	East Leg Broadway Street	South Leg Palm Way	West Leg Broadway Street	
	Pedestrians	Pedestrians	Pedestrians	Pedestrians	
4:00 PM	0	0	0	0	0
4:15 PM	0	0	0	0	0
4:30 PM	0	0	0	0	0
4:45 PM	0	0	0	0	0
5:00 PM	0	0	0	0	0
5:15 PM	0	0	0	0	0
5:30 PM	0	0	0	0	0
5:45 PM	0	0	1	0	1
TOTAL VOLUMES:	0	0	1	0	1

Date: 7/17/2021
 Day: Saturday

	North Leg Palm Way	East Leg Broadway Street	South Leg Palm Way	West Leg Broadway Street	
	Pedestrians	Pedestrians	Pedestrians	Pedestrians	
12:00 PM	0	0	0	0	0
12:15 PM	0	0	0	0	0
12:30 PM	0	0	0	0	0
12:45 PM	0	0	0	0	0
1:00 PM	0	0	0	0	0
1:15 PM	0	0	0	0	0
1:30 PM	0	0	0	0	0
1:45 PM	0	0	0	0	0
TOTAL VOLUMES:	0	0	0	0	0

Location: Needles
 N/S: Palm Way
 E/W: Broadway Street



BICYCLES

Date: 7/15/2021
 Day: Thursday

	Southbound Palm Way			Westbound Broadway Street			Northbound Palm Way			Eastbound Broadway Street			
	Left	Thru	Right	Left	Thru	Right	Left	Thru	Right	Left	Thru	Right	
7:00 AM	0	0	0	0	0	0	1	0	0	0	0	0	1
7:15 AM	0	0	0	0	0	0	0	0	0	0	0	0	0
7:30 AM	0	0	0	0	0	0	0	0	0	0	0	0	0
7:45 AM	0	0	0	0	0	0	0	0	0	0	0	0	0
8:00 AM	0	0	0	0	0	0	0	0	0	0	0	0	0
8:15 AM	0	0	0	0	0	0	0	0	0	0	0	0	0
8:30 AM	0	0	0	0	0	0	0	0	0	0	0	0	0
8:45 AM	0	0	0	0	0	0	0	0	0	0	0	0	0
TOTAL VOLUMES:	0	0	0	0	0	0	1	0	0	0	0	0	1

Date: 7/15/2021
 Day: Thursday

	Southbound Palm Way			Westbound Broadway Street			Northbound Palm Way			Eastbound Broadway Street			
	Left	Thru	Right	Left	Thru	Right	Left	Thru	Right	Left	Thru	Right	
4:00 PM	0	0	0	0	2	0	0	0	0	0	0	0	2
4:15 PM	0	0	0	0	0	0	0	0	0	0	0	0	0
4:30 PM	0	0	0	0	0	0	0	0	0	0	0	0	0
4:45 PM	0	0	0	0	0	0	0	0	0	0	0	0	0
5:00 PM	0	0	0	0	0	0	0	0	0	0	0	0	0
5:15 PM	0	0	0	0	0	0	0	0	0	0	0	0	0
5:30 PM	0	0	0	0	1	0	0	0	0	0	0	0	1
5:45 PM	0	0	0	0	0	0	0	0	0	0	0	0	0
TOTAL VOLUMES:	0	0	0	0	3	0	0	0	0	0	0	0	3

Date: 7/17/2021
 Day: Saturday

	Southbound Palm Way			Westbound Broadway Street			Northbound Palm Way			Eastbound Broadway Street			
	Left	Thru	Right	Left	Thru	Right	Left	Thru	Right	Left	Thru	Right	
12:00 PM	0	0	0	0	0	0	0	0	0	0	0	0	0
12:15 PM	0	0	0	0	0	0	0	0	0	0	0	0	0
12:30 PM	0	0	0	0	0	0	0	0	0	0	0	0	0
12:45 PM	0	0	0	0	0	0	0	0	0	0	0	0	0
1:00 PM	0	0	0	0	0	0	0	0	0	0	0	0	0
1:15 PM	0	0	0	0	0	0	0	0	0	0	0	0	0
1:30 PM	0	0	0	0	0	0	0	0	0	0	0	0	0
1:45 PM	0	0	0	0	0	0	0	0	0	0	0	0	0
TOTAL VOLUMES:	0	0	0	0	0	0	0	0	0	0	0	0	0

City of Needles
 N/S: Broadway Street
 E/W: Victory Drive
 Weather: Clear

File Name : 20_NDL_Broadway_Victory AM
 Site Code : 16621325
 Start Date : 7/15/2021
 Page No : 1

Groups Printed- Passenger Vehicles - Trucks - Buses

Start Time	Broadway Street Southbound			Broadway Street Northbound			Victory Drive Eastbound			Int. Total
	Thru	Right	App. Total	Left	Thru	App. Total	Left	Right	App. Total	
07:00 AM	21	1	22	0	16	16	1	0	1	39
07:15 AM	20	1	21	0	20	20	1	0	1	42
07:30 AM	10	1	11	0	19	19	3	0	3	33
07:45 AM	17	2	19	0	11	11	4	0	4	34
Total	68	5	73	0	66	66	9	0	9	148
08:00 AM	15	2	17	0	13	13	2	0	2	32
08:15 AM	19	1	20	0	16	16	0	0	0	36
08:30 AM	24	1	25	0	19	19	1	0	1	45
08:45 AM	17	0	17	0	22	22	1	0	1	40
Total	75	4	79	0	70	70	4	0	4	153
Grand Total	143	9	152	0	136	136	13	0	13	301
Apprch %	94.1	5.9		0	100		100	0		
Total %	47.5	3	50.5	0	45.2	45.2	4.3	0	4.3	
Passenger Vehicles	84	8	92	0	76	76	11	0	11	179
% Passenger Vehicles	58.7	88.9	60.5	0	55.9	55.9	84.6	0	84.6	59.5
Trucks	59	1	60	0	60	60	0	0	0	120
% Trucks	41.3	11.1	39.5	0	44.1	44.1	0	0	0	39.9
Buses	0	0	0	0	0	0	2	0	2	2
% Buses	0	0	0	0	0	0	15.4	0	15.4	0.7

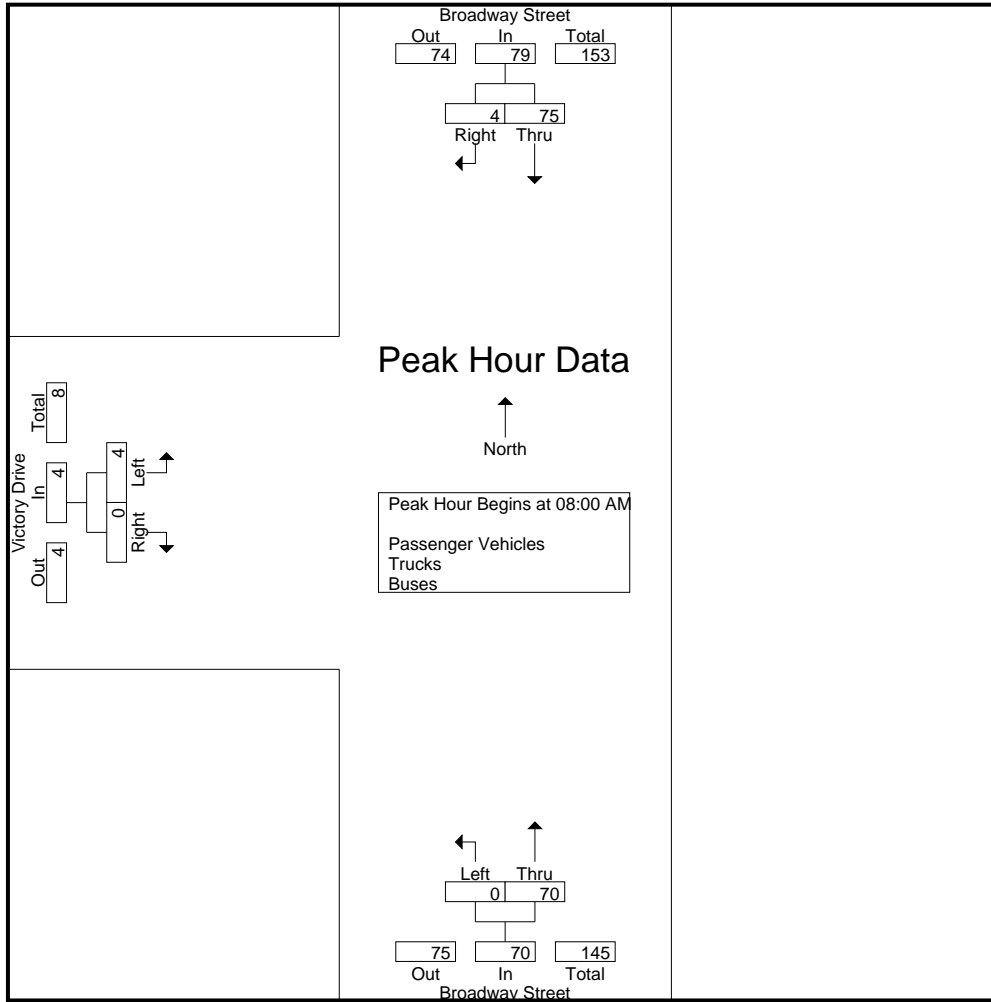
Start Time	Broadway Street Southbound			Broadway Street Northbound			Victory Drive Eastbound			Int. Total
	Thru	Right	App. Total	Left	Thru	App. Total	Left	Right	App. Total	
08:00 AM	15	2	17	0	13	13	2	0	2	32
08:15 AM	19	1	20	0	16	16	0	0	0	36
08:30 AM	24	1	25	0	19	19	1	0	1	45
08:45 AM	17	0	17	0	22	22	1	0	1	40
Total Volume	75	4	79	0	70	70	4	0	4	153
% App. Total	94.9	5.1		0	100		100	0		
PHF	.781	.500	.790	.000	.795	.795	.500	.000	.500	.850

Peak Hour Analysis From 07:00 AM to 08:45 AM - Peak 1 of 1

Peak Hour for Entire Intersection Begins at 08:00 AM

City of Needles
 N/S: Broadway Street
 E/W: Victory Drive
 Weather: Clear

File Name : 20_NDL_Broadway_Victory AM
 Site Code : 16621325
 Start Date : 7/15/2021
 Page No : 2



Peak Hour Analysis From 07:00 AM to 08:45 AM - Peak 1 of 1
 Peak Hour for Each Approach Begins at:

	07:45 AM			08:00 AM			07:15 AM		
+0 mins.	17	2	19	0	13	13	1	0	1
+15 mins.	15	2	17	0	16	16	3	0	3
+30 mins.	19	1	20	0	19	19	4	0	4
+45 mins.	24	1	25	0	22	22	2	0	2
Total Volume	75	6	81	0	70	70	10	0	10
% App. Total	92.6	7.4		0	100		100	0	
PHF	.781	.750	.810	.000	.795	.795	.625	.000	.625

City of Needles
 N/S: Broadway Street
 E/W: Victory Drive
 Weather: Clear

File Name : 20_NDL_Broadway_Victory AM
 Site Code : 16621325
 Start Date : 7/15/2021
 Page No : 1

Groups Printed- Passenger Vehicles

Start Time	Broadway Street Southbound			Broadway Street Northbound			Victory Drive Eastbound			Int. Total
	Thru	Right	App. Total	Left	Thru	App. Total	Left	Right	App. Total	
07:00 AM	14	1	15	0	8	8	1	0	1	24
07:15 AM	6	1	7	0	13	13	1	0	1	21
07:30 AM	6	1	7	0	10	10	3	0	3	20
07:45 AM	9	2	11	0	6	6	3	0	3	20
Total	35	5	40	0	37	37	8	0	8	85
08:00 AM	11	1	12	0	8	8	2	0	2	22
08:15 AM	14	1	15	0	7	7	0	0	0	22
08:30 AM	12	1	13	0	7	7	1	0	1	21
08:45 AM	12	0	12	0	17	17	0	0	0	29
Total	49	3	52	0	39	39	3	0	3	94
Grand Total	84	8	92	0	76	76	11	0	11	179
Apprch %	91.3	8.7		0	100		100	0		
Total %	46.9	4.5	51.4	0	42.5	42.5	6.1	0	6.1	

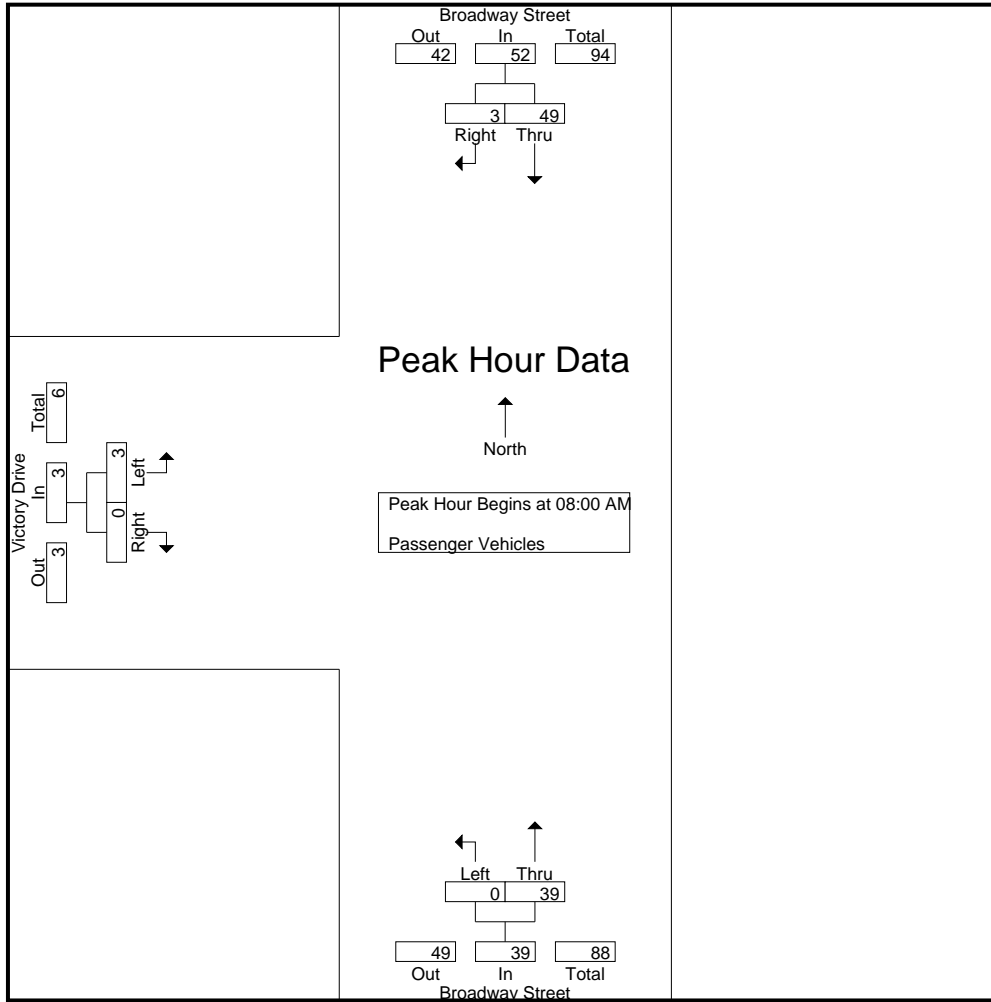
Start Time	Broadway Street Southbound			Broadway Street Northbound			Victory Drive Eastbound			Int. Total
	Thru	Right	App. Total	Left	Thru	App. Total	Left	Right	App. Total	
08:00 AM	11	1	12	0	8	8	2	0	2	22
08:15 AM	14	1	15	0	7	7	0	0	0	22
08:30 AM	12	1	13	0	7	7	1	0	1	21
08:45 AM	12	0	12	0	17	17	0	0	0	29
Total Volume	49	3	52	0	39	39	3	0	3	94
% App. Total	94.2	5.8		0	100		100	0		
PHF	.875	.750	.867	.000	.574	.574	.375	.000	.375	.810

Peak Hour Analysis From 08:00 AM to 08:45 AM - Peak 1 of 1

Peak Hour for Entire Intersection Begins at 08:00 AM

City of Needles
 N/S: Broadway Street
 E/W: Victory Drive
 Weather: Clear

File Name : 20_NDL_Broadway_Victory AM
 Site Code : 16621325
 Start Date : 7/15/2021
 Page No : 2



Peak Hour Analysis From 08:00 AM to 08:45 AM - Peak 1 of 1
 Peak Hour for Each Approach Begins at:

	08:00 AM			08:00 AM			08:00 AM		
+0 mins.	11	1	12	0	8	8	2	0	2
+15 mins.	14	1	15	0	7	7	0	0	0
+30 mins.	12	1	13	0	7	7	1	0	1
+45 mins.	12	0	12	0	17	17	0	0	0
Total Volume	49	3	52	0	39	39	3	0	3
% App. Total	94.2	5.8		0	100		100	0	
PHF	.875	.750	.867	.000	.574	.574	.375	.000	.375

City of Needles
 N/S: Broadway Street
 E/W: Victory Drive
 Weather: Clear

File Name : 20_NDL_Broadway_Victory AM
 Site Code : 16621325
 Start Date : 7/15/2021
 Page No : 1

Groups Printed- Trucks

Start Time	Broadway Street Southbound			Broadway Street Northbound			Victory Drive Eastbound			Int. Total
	Thru	Right	App. Total	Left	Thru	App. Total	Left	Right	App. Total	
07:00 AM	7	0	7	0	8	8	0	0	0	15
07:15 AM	14	0	14	0	7	7	0	0	0	21
07:30 AM	4	0	4	0	9	9	0	0	0	13
07:45 AM	8	0	8	0	5	5	0	0	0	13
Total	33	0	33	0	29	29	0	0	0	62
08:00 AM	4	1	5	0	5	5	0	0	0	10
08:15 AM	5	0	5	0	9	9	0	0	0	14
08:30 AM	12	0	12	0	12	12	0	0	0	24
08:45 AM	5	0	5	0	5	5	0	0	0	10
Total	26	1	27	0	31	31	0	0	0	58
Grand Total	59	1	60	0	60	60	0	0	0	120
Apprch %	98.3	1.7		0	100		0	0		
Total %	49.2	0.8	50	0	50	50	0	0	0	

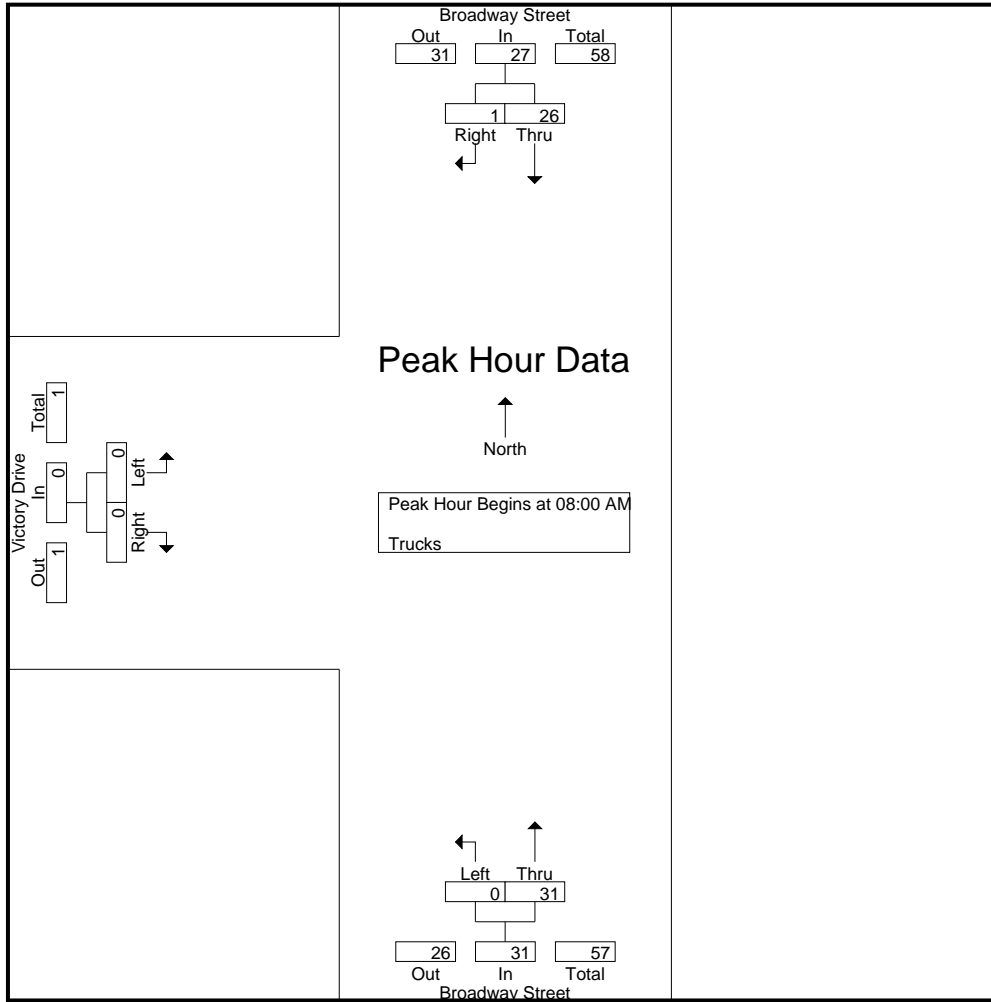
Start Time	Broadway Street Southbound			Broadway Street Northbound			Victory Drive Eastbound			Int. Total
	Thru	Right	App. Total	Left	Thru	App. Total	Left	Right	App. Total	
08:00 AM	4	1	5	0	5	5	0	0	0	10
08:15 AM	5	0	5	0	9	9	0	0	0	14
08:30 AM	12	0	12	0	12	12	0	0	0	24
08:45 AM	5	0	5	0	5	5	0	0	0	10
Total Volume	26	1	27	0	31	31	0	0	0	58
% App. Total	96.3	3.7		0	100		0	0		
PHF	.542	.250	.563	.000	.646	.646	.000	.000	.000	.604

Peak Hour Analysis From 08:00 AM to 08:45 AM - Peak 1 of 1

Peak Hour for Entire Intersection Begins at 08:00 AM

City of Needles
 N/S: Broadway Street
 E/W: Victory Drive
 Weather: Clear

File Name : 20_NDL_Broadway_Victory AM
 Site Code : 16621325
 Start Date : 7/15/2021
 Page No : 2



Peak Hour Analysis From 08:00 AM to 08:45 AM - Peak 1 of 1
 Peak Hour for Each Approach Begins at:

	08:00 AM			08:00 AM			08:00 AM		
+0 mins.	4	1	5	0	5	5	0	0	0
+15 mins.	5	0	5	0	9	9	0	0	0
+30 mins.	12	0	12	0	12	12	0	0	0
+45 mins.	5	0	5	0	5	5	0	0	0
Total Volume	26	1	27	0	31	31	0	0	0
% App. Total	96.3	3.7		0	100		0	0	
PHF	.542	.250	.563	.000	.646	.646	.000	.000	.000

City of Needles
 N/S: Broadway Street
 E/W: Victory Drive
 Weather: Clear

File Name : 20_NDL_Broadway_Victory AM
 Site Code : 16621325
 Start Date : 7/15/2021
 Page No : 1

Groups Printed- Buses

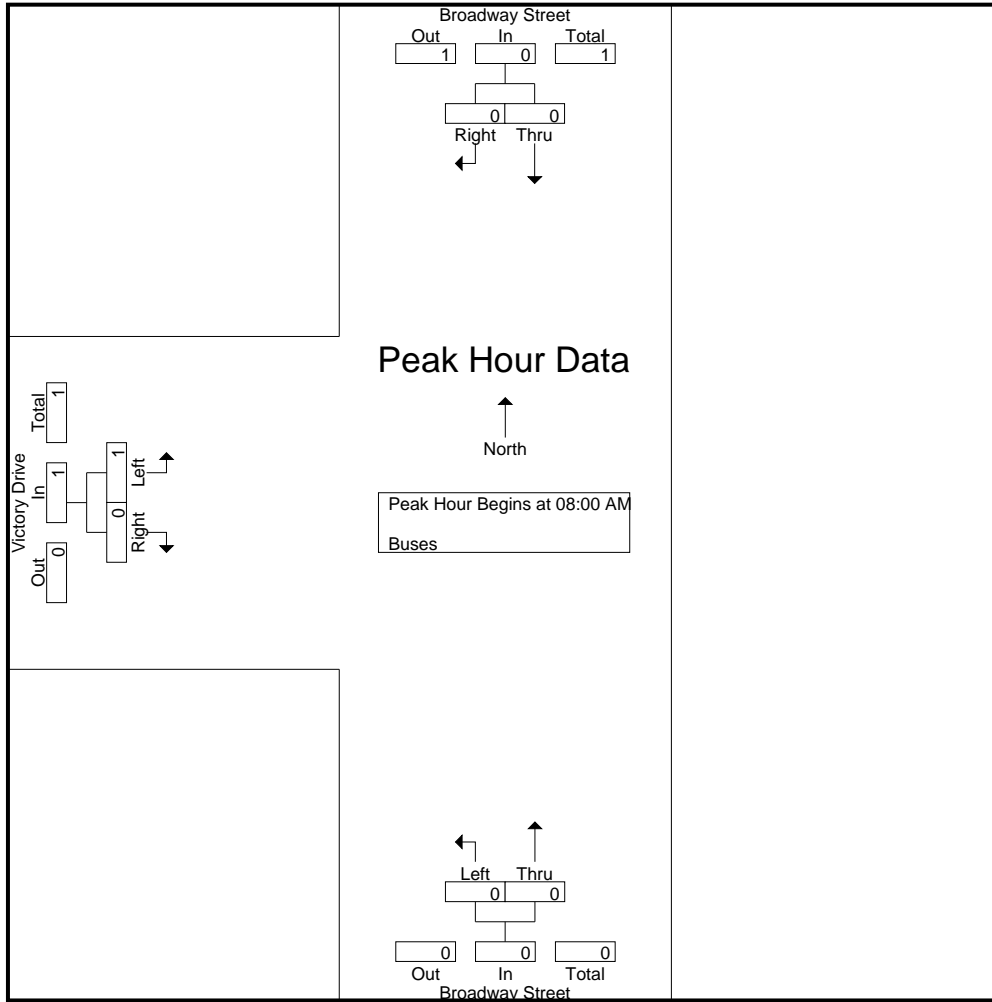
Start Time	Broadway Street Southbound			Broadway Street Northbound			Victory Drive Eastbound			Int. Total
	Thru	Right	App. Total	Left	Thru	App. Total	Left	Right	App. Total	
07:00 AM	0	0	0	0	0	0	0	0	0	0
07:15 AM	0	0	0	0	0	0	0	0	0	0
07:30 AM	0	0	0	0	0	0	0	0	0	0
07:45 AM	0	0	0	0	0	0	1	0	1	1
Total	0	0	0	0	0	0	1	0	1	1
08:00 AM	0	0	0	0	0	0	0	0	0	0
08:15 AM	0	0	0	0	0	0	0	0	0	0
08:30 AM	0	0	0	0	0	0	0	0	0	0
08:45 AM	0	0	0	0	0	0	1	0	1	1
Total	0	0	0	0	0	0	1	0	1	1
Grand Total	0	0	0	0	0	0	2	0	2	2
Apprch %	0	0		0	0		100	0		
Total %	0	0		0	0		100	0	100	

Start Time	Broadway Street Southbound			Broadway Street Northbound			Victory Drive Eastbound			Int. Total
	Thru	Right	App. Total	Left	Thru	App. Total	Left	Right	App. Total	
08:00 AM	0	0	0	0	0	0	0	0	0	0
08:15 AM	0	0	0	0	0	0	0	0	0	0
08:30 AM	0	0	0	0	0	0	0	0	0	0
08:45 AM	0	0	0	0	0	0	1	0	1	1
Total Volume	0	0	0	0	0	0	1	0	1	1
% App. Total	0	0		0	0		100	0		
PHF	.000	.000	.000	.000	.000	.000	.250	.000	.250	.250

Peak Hour Analysis From 08:00 AM to 08:45 AM - Peak 1 of 1
 Peak Hour for Entire Intersection Begins at 08:00 AM

City of Needles
 N/S: Broadway Street
 E/W: Victory Drive
 Weather: Clear

File Name : 20_NDL_Broadway_Victory AM
 Site Code : 16621325
 Start Date : 7/15/2021
 Page No : 2



Peak Hour Analysis From 08:00 AM to 08:45 AM - Peak 1 of 1
 Peak Hour for Each Approach Begins at:

	08:00 AM			08:00 AM			08:00 AM		
+0 mins.	0	0	0	0	0	0	0	0	0
+15 mins.	0	0	0	0	0	0	0	0	0
+30 mins.	0	0	0	0	0	0	0	0	0
+45 mins.	0	0	0	0	0	0	1	0	1
Total Volume	0	0	0	0	0	0	1	0	1
% App. Total	0	0	0	0	0	0	100	0	100
PHF	.000	.000	.000	.000	.000	.000	.250	.000	.250

City of Needles
 N/S: Broadway Street
 E/W: Victory Drive
 Weather: Clear

File Name : 20_NDL_Broadway_Victory PM
 Site Code : 16621325
 Start Date : 7/15/2021
 Page No : 1

Groups Printed- Passenger Vehicles - Trucks - Buses

Start Time	Broadway Street Southbound			Broadway Street Northbound			Victory Drive Eastbound			Int. Total
	Thru	Right	App. Total	Left	Thru	App. Total	Left	Right	App. Total	
04:00 PM	26	1	27	1	28	29	2	0	2	58
04:15 PM	22	0	22	0	33	33	0	1	1	56
04:30 PM	18	3	21	0	21	21	1	0	1	43
04:45 PM	28	4	32	0	29	29	2	0	2	63
Total	94	8	102	1	111	112	5	1	6	220
05:00 PM	22	3	25	0	23	23	1	0	1	49
05:15 PM	26	0	26	0	24	24	2	1	3	53
05:30 PM	32	0	32	0	38	38	0	0	0	70
05:45 PM	34	0	34	0	33	33	2	0	2	69
Total	114	3	117	0	118	118	5	1	6	241
Grand Total	208	11	219	1	229	230	10	2	12	461
Apprch %	95	5		0.4	99.6		83.3	16.7		
Total %	45.1	2.4	47.5	0.2	49.7	49.9	2.2	0.4	2.6	
Passenger Vehicles	111	11	122	1	141	142	8	2	10	274
% Passenger Vehicles	53.4	100	55.7	100	61.6	61.7	80	100	83.3	59.4
Trucks	97	0	97	0	88	88	0	0	0	185
% Trucks	46.6	0	44.3	0	38.4	38.3	0	0	0	40.1
Buses	0	0	0	0	0	0	2	0	2	2
% Buses	0	0	0	0	0	0	20	0	16.7	0.4

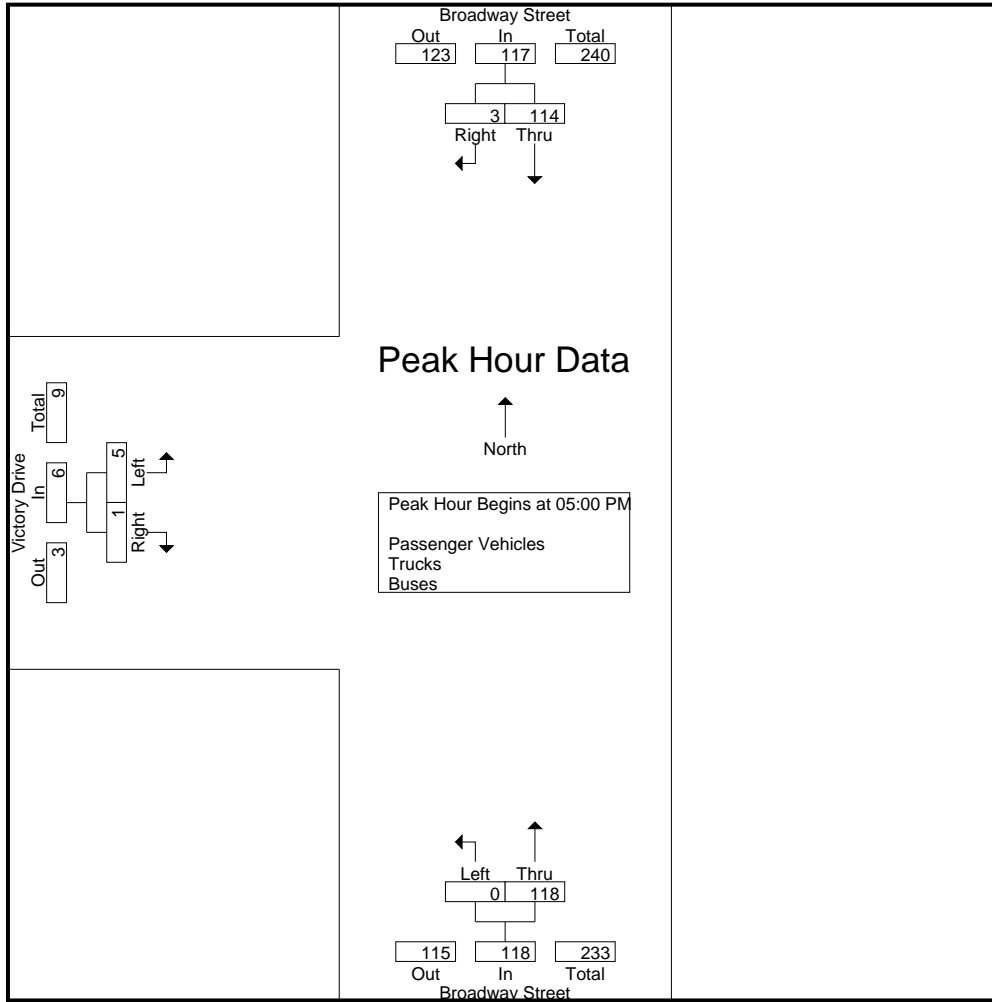
Start Time	Broadway Street Southbound			Broadway Street Northbound			Victory Drive Eastbound			Int. Total
	Thru	Right	App. Total	Left	Thru	App. Total	Left	Right	App. Total	
05:00 PM	22	3	25	0	23	23	1	0	1	49
05:15 PM	26	0	26	0	24	24	2	1	3	53
05:30 PM	32	0	32	0	38	38	0	0	0	70
05:45 PM	34	0	34	0	33	33	2	0	2	69
Total Volume	114	3	117	0	118	118	5	1	6	241
% App. Total	97.4	2.6		0	100		83.3	16.7		
PHF	.838	.250	.860	.000	.776	.776	.625	.250	.500	.861

Peak Hour Analysis From 04:00 PM to 05:45 PM - Peak 1 of 1

Peak Hour for Entire Intersection Begins at 05:00 PM

City of Needles
 N/S: Broadway Street
 E/W: Victory Drive
 Weather: Clear

File Name : 20_NDL_Broadway_Victory PM
 Site Code : 16621325
 Start Date : 7/15/2021
 Page No : 2



Peak Hour Analysis From 04:00 PM to 05:45 PM - Peak 1 of 1
 Peak Hour for Each Approach Begins at:

	05:00 PM			05:00 PM			04:30 PM		
+0 mins.	22	3	25	0	23	23	1	0	1
+15 mins.	26	0	26	0	24	24	2	0	2
+30 mins.	32	0	32	0	38	38	1	0	1
+45 mins.	34	0	34	0	33	33	2	1	3
Total Volume	114	3	117	0	118	118	6	1	7
% App. Total	97.4	2.6		0	100		85.7	14.3	
PHF	.838	.250	.860	.000	.776	.776	.750	.250	.583

City of Needles
 N/S: Broadway Street
 E/W: Victory Drive
 Weather: Clear

File Name : 20_NDL_Broadway_Victory PM
 Site Code : 16621325
 Start Date : 7/15/2021
 Page No : 1

Groups Printed- Passenger Vehicles

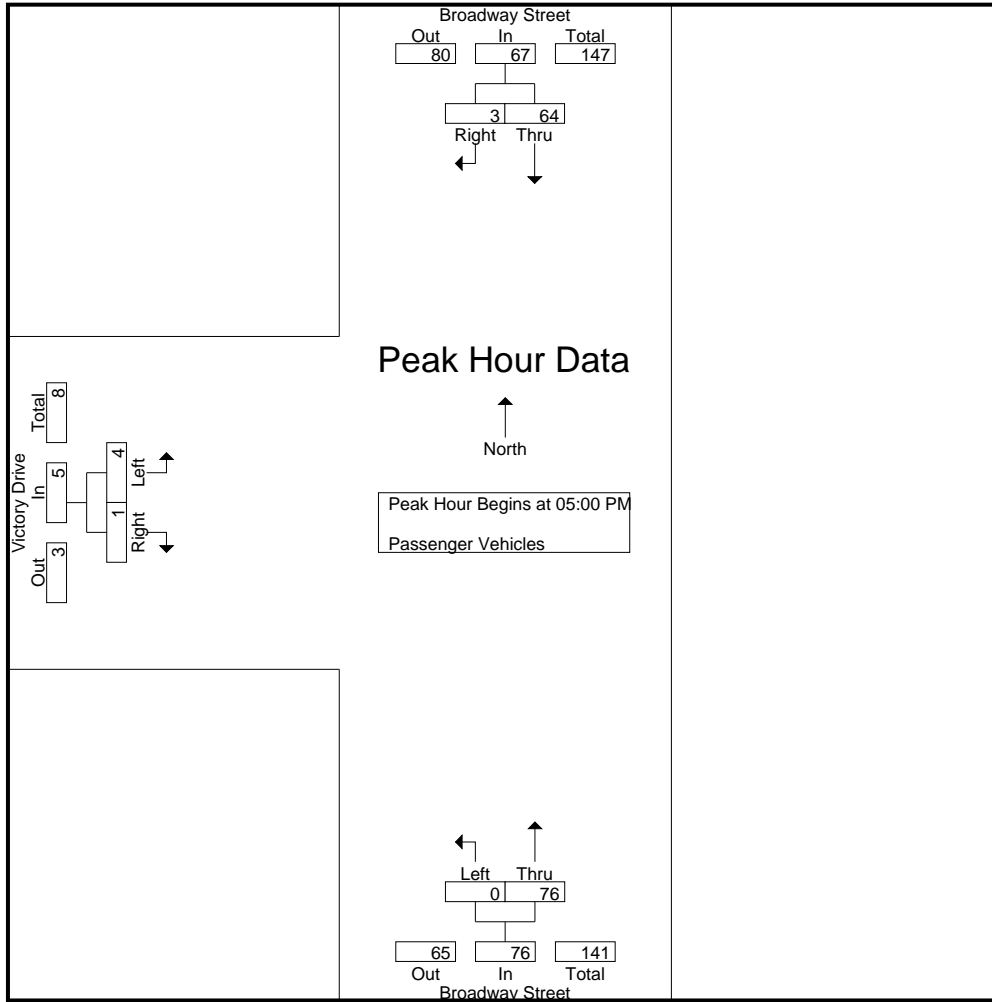
Start Time	Broadway Street Southbound			Broadway Street Northbound			Victory Drive Eastbound			Int. Total
	Thru	Right	App. Total	Left	Thru	App. Total	Left	Right	App. Total	
04:00 PM	12	1	13	1	15	16	2	0	2	31
04:15 PM	15	0	15	0	20	20	0	1	1	36
04:30 PM	4	3	7	0	13	13	1	0	1	21
04:45 PM	16	4	20	0	17	17	1	0	1	38
Total	47	8	55	1	65	66	4	1	5	126
05:00 PM	9	3	12	0	12	12	1	0	1	25
05:15 PM	13	0	13	0	16	16	2	1	3	32
05:30 PM	20	0	20	0	27	27	0	0	0	47
05:45 PM	22	0	22	0	21	21	1	0	1	44
Total	64	3	67	0	76	76	4	1	5	148
Grand Total	111	11	122	1	141	142	8	2	10	274
Apprch %	91	9		0.7	99.3		80	20		
Total %	40.5	4	44.5	0.4	51.5	51.8	2.9	0.7	3.6	

Start Time	Broadway Street Southbound			Broadway Street Northbound			Victory Drive Eastbound			Int. Total
	Thru	Right	App. Total	Left	Thru	App. Total	Left	Right	App. Total	
05:00 PM	9	3	12	0	12	12	1	0	1	25
05:15 PM	13	0	13	0	16	16	2	1	3	32
05:30 PM	20	0	20	0	27	27	0	0	0	47
05:45 PM	22	0	22	0	21	21	1	0	1	44
Total Volume	64	3	67	0	76	76	4	1	5	148
% App. Total	95.5	4.5		0	100		80	20		
PHF	.727	.250	.761	.000	.704	.704	.500	.250	.417	.787

Peak Hour Analysis From 05:00 PM to 05:45 PM - Peak 1 of 1
 Peak Hour for Entire Intersection Begins at 05:00 PM

City of Needles
 N/S: Broadway Street
 E/W: Victory Drive
 Weather: Clear

File Name : 20_NDL_Broadway_Victory PM
 Site Code : 16621325
 Start Date : 7/15/2021
 Page No : 2



Peak Hour Analysis From 05:00 PM to 05:45 PM - Peak 1 of 1
 Peak Hour for Each Approach Begins at:

	05:00 PM			05:00 PM			05:00 PM		
+0 mins.	9	3	12	0	12	12	1	0	1
+15 mins.	13	0	13	0	16	16	2	1	3
+30 mins.	20	0	20	0	27	27	0	0	0
+45 mins.	22	0	22	0	21	21	1	0	1
Total Volume	64	3	67	0	76	76	4	1	5
% App. Total	95.5	4.5		0	100		80	20	
PHF	.727	.250	.761	.000	.704	.704	.500	.250	.417

City of Needles
 N/S: Broadway Street
 E/W: Victory Drive
 Weather: Clear

File Name : 20_NDL_Broadway_Victory PM
 Site Code : 16621325
 Start Date : 7/15/2021
 Page No : 1

Groups Printed- Trucks

Start Time	Broadway Street Southbound			Broadway Street Northbound			Victory Drive Eastbound			Int. Total
	Thru	Right	App. Total	Left	Thru	App. Total	Left	Right	App. Total	
04:00 PM	14	0	14	0	13	13	0	0	0	27
04:15 PM	7	0	7	0	13	13	0	0	0	20
04:30 PM	14	0	14	0	8	8	0	0	0	22
04:45 PM	12	0	12	0	12	12	0	0	0	24
Total	47	0	47	0	46	46	0	0	0	93
05:00 PM	13	0	13	0	11	11	0	0	0	24
05:15 PM	13	0	13	0	8	8	0	0	0	21
05:30 PM	12	0	12	0	11	11	0	0	0	23
05:45 PM	12	0	12	0	12	12	0	0	0	24
Total	50	0	50	0	42	42	0	0	0	92
Grand Total	97	0	97	0	88	88	0	0	0	185
Apprch %	100	0		0	100		0	0		
Total %	52.4	0	52.4	0	47.6	47.6	0	0	0	

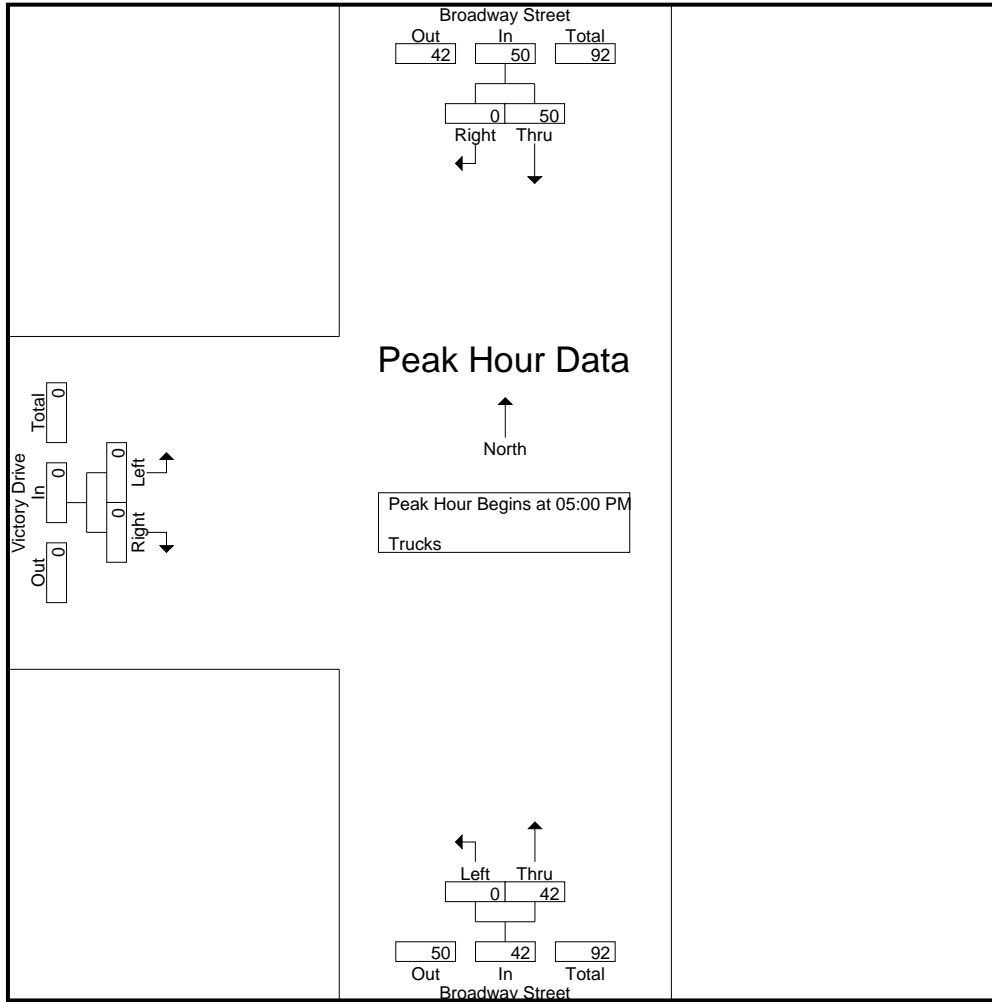
Start Time	Broadway Street Southbound			Broadway Street Northbound			Victory Drive Eastbound			Int. Total
	Thru	Right	App. Total	Left	Thru	App. Total	Left	Right	App. Total	
05:00 PM	13	0	13	0	11	11	0	0	0	24
05:15 PM	13	0	13	0	8	8	0	0	0	21
05:30 PM	12	0	12	0	11	11	0	0	0	23
05:45 PM	12	0	12	0	12	12	0	0	0	24
Total Volume	50	0	50	0	42	42	0	0	0	92
% App. Total	100	0		0	100		0	0		
PHF	.962	.000	.962	.000	.875	.875	.000	.000	.000	.958

Peak Hour Analysis From 05:00 PM to 05:45 PM - Peak 1 of 1

Peak Hour for Entire Intersection Begins at 05:00 PM

City of Needles
 N/S: Broadway Street
 E/W: Victory Drive
 Weather: Clear

File Name : 20_NDL_Broadway_Victory PM
 Site Code : 16621325
 Start Date : 7/15/2021
 Page No : 2



Peak Hour Analysis From 05:00 PM to 05:45 PM - Peak 1 of 1
 Peak Hour for Each Approach Begins at:

	05:00 PM			05:00 PM			05:00 PM		
+0 mins.	13	0	13	0	11	11	0	0	0
+15 mins.	13	0	13	0	8	8	0	0	0
+30 mins.	12	0	12	0	11	11	0	0	0
+45 mins.	12	0	12	0	12	12	0	0	0
Total Volume	50	0	50	0	42	42	0	0	0
% App. Total	100	0		0	100		0	0	
PHF	.962	.000	.962	.000	.875	.875	.000	.000	.000

City of Needles
 N/S: Broadway Street
 E/W: Victory Drive
 Weather: Clear

File Name : 20_NDL_Broadway_Victory PM
 Site Code : 16621325
 Start Date : 7/15/2021
 Page No : 1

Groups Printed- Buses

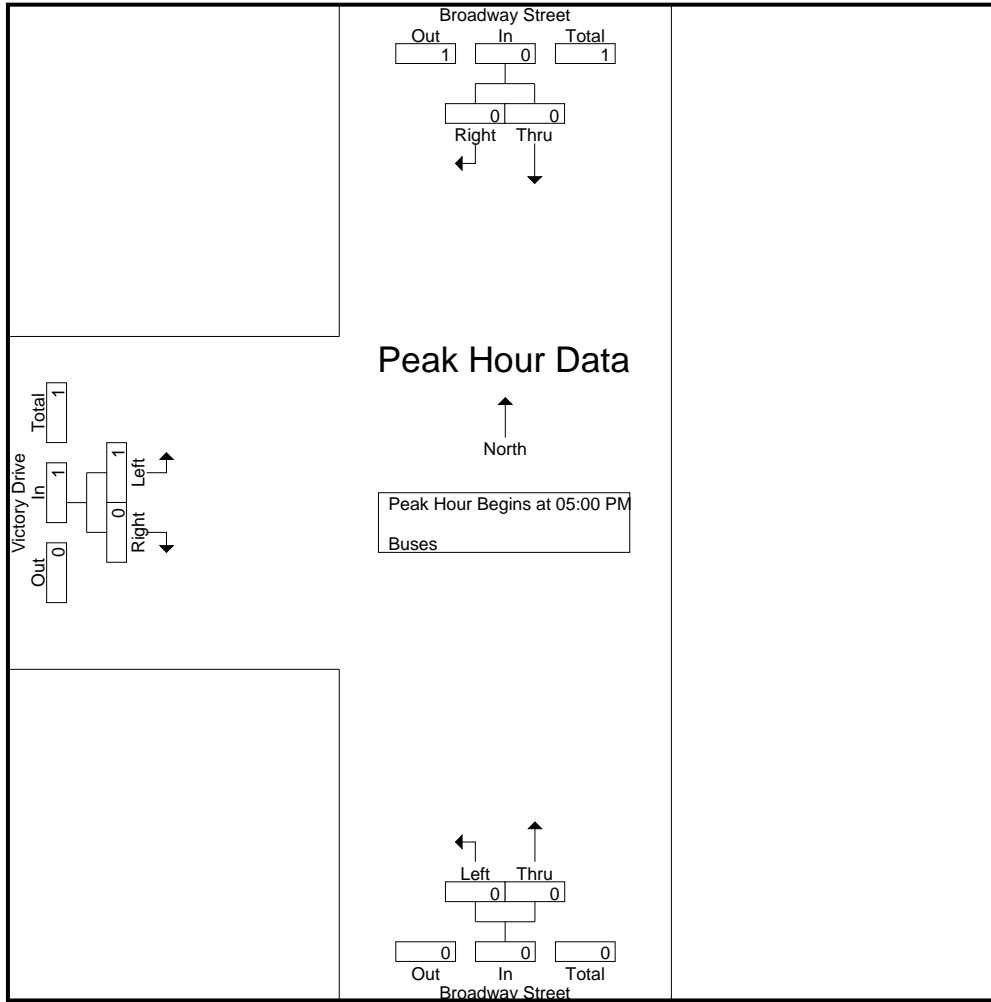
Start Time	Broadway Street Southbound			Broadway Street Northbound			Victory Drive Eastbound			Int. Total
	Thru	Right	App. Total	Left	Thru	App. Total	Left	Right	App. Total	
04:00 PM	0	0	0	0	0	0	0	0	0	0
04:15 PM	0	0	0	0	0	0	0	0	0	0
04:30 PM	0	0	0	0	0	0	0	0	0	0
04:45 PM	0	0	0	0	0	0	1	0	1	1
Total	0	0	0	0	0	0	1	0	1	1
05:00 PM	0	0	0	0	0	0	0	0	0	0
05:15 PM	0	0	0	0	0	0	0	0	0	0
05:30 PM	0	0	0	0	0	0	0	0	0	0
05:45 PM	0	0	0	0	0	0	1	0	1	1
Total	0	0	0	0	0	0	1	0	1	1
Grand Total	0	0	0	0	0	0	2	0	2	2
Apprch %	0	0		0	0		100	0		
Total %	0	0		0	0		100	0	100	

Start Time	Broadway Street Southbound			Broadway Street Northbound			Victory Drive Eastbound			Int. Total
	Thru	Right	App. Total	Left	Thru	App. Total	Left	Right	App. Total	
05:00 PM	0	0	0	0	0	0	0	0	0	0
05:15 PM	0	0	0	0	0	0	0	0	0	0
05:30 PM	0	0	0	0	0	0	0	0	0	0
05:45 PM	0	0	0	0	0	0	1	0	1	1
Total Volume	0	0	0	0	0	0	1	0	1	1
% App. Total	0	0		0	0		100	0		
PHF	.000	.000	.000	.000	.000	.000	.250	.000	.250	.250

Peak Hour Analysis From 05:00 PM to 05:45 PM - Peak 1 of 1
 Peak Hour for Entire Intersection Begins at 05:00 PM

City of Needles
 N/S: Broadway Street
 E/W: Victory Drive
 Weather: Clear

File Name : 20_NDL_Broadway_Victory PM
 Site Code : 16621325
 Start Date : 7/15/2021
 Page No : 2



Peak Hour Analysis From 05:00 PM to 05:45 PM - Peak 1 of 1
 Peak Hour for Each Approach Begins at:

	05:00 PM			05:00 PM			05:00 PM		
+0 mins.	0	0	0	0	0	0	0	0	0
+15 mins.	0	0	0	0	0	0	0	0	0
+30 mins.	0	0	0	0	0	0	0	0	0
+45 mins.	0	0	0	0	0	0	1	0	1
Total Volume	0	0	0	0	0	0	1	0	1
% App. Total	0	0	0	0	0	0	100	0	100
PHF	.000	.000	.000	.000	.000	.000	.250	.000	.250

City of Needles
 N/S: Broadway Street
 E/W: Victory Drive
 Weather: Clear

File Name : 20_NDL_Broadway_Victory SAT
 Site Code : 16621325
 Start Date : 7/17/2021
 Page No : 1

Groups Printed- Passenger Vehicles - Trucks - Buses

Start Time	Broadway Street Southbound			Broadway Street Northbound			Victory Drive Eastbound			Int. Total
	Thru	Right	App. Total	Left	Thru	App. Total	Left	Right	App. Total	
12:00 PM	26	2	28	0	32	32	3	0	3	63
12:15 PM	34	0	34	0	30	30	1	0	1	65
12:30 PM	25	0	25	0	36	36	3	0	3	64
12:45 PM	26	3	29	1	43	44	2	0	2	75
Total	111	5	116	1	141	142	9	0	9	267
01:00 PM	19	0	19	0	24	24	2	0	2	45
01:15 PM	33	1	34	0	21	21	2	0	2	57
01:30 PM	20	2	22	0	28	28	2	0	2	52
01:45 PM	25	0	25	1	24	25	4	0	4	54
Total	97	3	100	1	97	98	10	0	10	208
Grand Total	208	8	216	2	238	240	19	0	19	475
Apprch %	96.3	3.7		0.8	99.2		100	0		
Total %	43.8	1.7	45.5	0.4	50.1	50.5	4	0	4	
Passenger Vehicles	149	8	157	2	164	166	19	0	19	342
% Passenger Vehicles	71.6	100	72.7	100	68.9	69.2	100	0	100	72
Trucks	59	0	59	0	74	74	0	0	0	133
% Trucks	28.4	0	27.3	0	31.1	30.8	0	0	0	28
Buses	0	0	0	0	0	0	0	0	0	0
% Buses	0	0	0	0	0	0	0	0	0	0

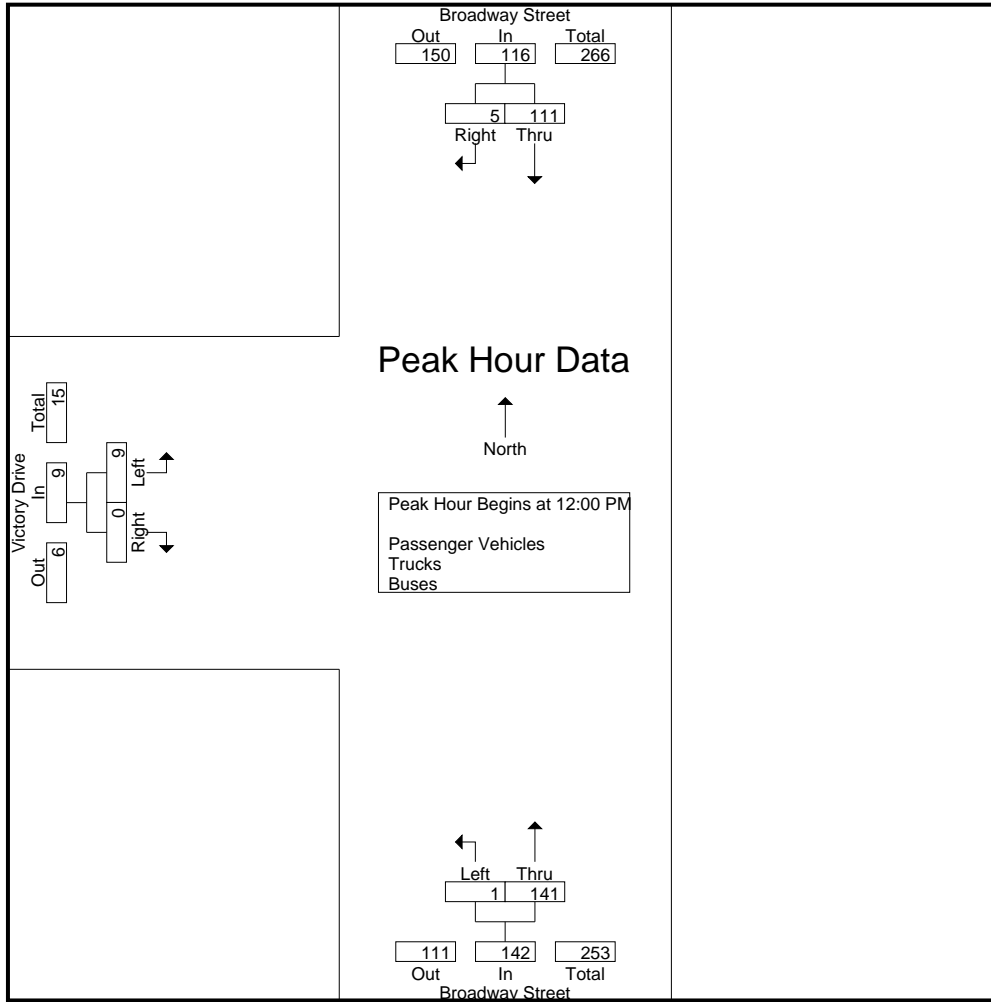
Start Time	Broadway Street Southbound			Broadway Street Northbound			Victory Drive Eastbound			Int. Total
	Thru	Right	App. Total	Left	Thru	App. Total	Left	Right	App. Total	
12:00 PM	26	2	28	0	32	32	3	0	3	63
12:15 PM	34	0	34	0	30	30	1	0	1	65
12:30 PM	25	0	25	0	36	36	3	0	3	64
12:45 PM	26	3	29	1	43	44	2	0	2	75
Total Volume	111	5	116	1	141	142	9	0	9	267
% App. Total	95.7	4.3		0.7	99.3		100	0		
PHF	.816	.417	.853	.250	.820	.807	.750	.000	.750	.890

Peak Hour Analysis From 12:00 PM to 01:45 PM - Peak 1 of 1

Peak Hour for Entire Intersection Begins at 12:00 PM

City of Needles
 N/S: Broadway Street
 E/W: Victory Drive
 Weather: Clear

File Name : 20_NDL_Broadway_Victory SAT
 Site Code : 16621325
 Start Date : 7/17/2021
 Page No : 2



Peak Hour Analysis From 12:00 PM to 01:45 PM - Peak 1 of 1
 Peak Hour for Each Approach Begins at:

	12:00 PM			12:00 PM			01:00 PM		
+0 mins.	26	2	28	0	32	32	2	0	2
+15 mins.	34	0	34	0	30	30	2	0	2
+30 mins.	25	0	25	0	36	36	2	0	2
+45 mins.	26	3	29	1	43	44	4	0	4
Total Volume	111	5	116	1	141	142	10	0	10
% App. Total	95.7	4.3		0.7	99.3		100	0	
PHF	.816	.417	.853	.250	.820	.807	.625	.000	.625

City of Needles
 N/S: Broadway Street
 E/W: Victory Drive
 Weather: Clear

File Name : 20_NDL_Broadway_Victory SAT
 Site Code : 16621325
 Start Date : 7/17/2021
 Page No : 1

Groups Printed- Passenger Vehicles

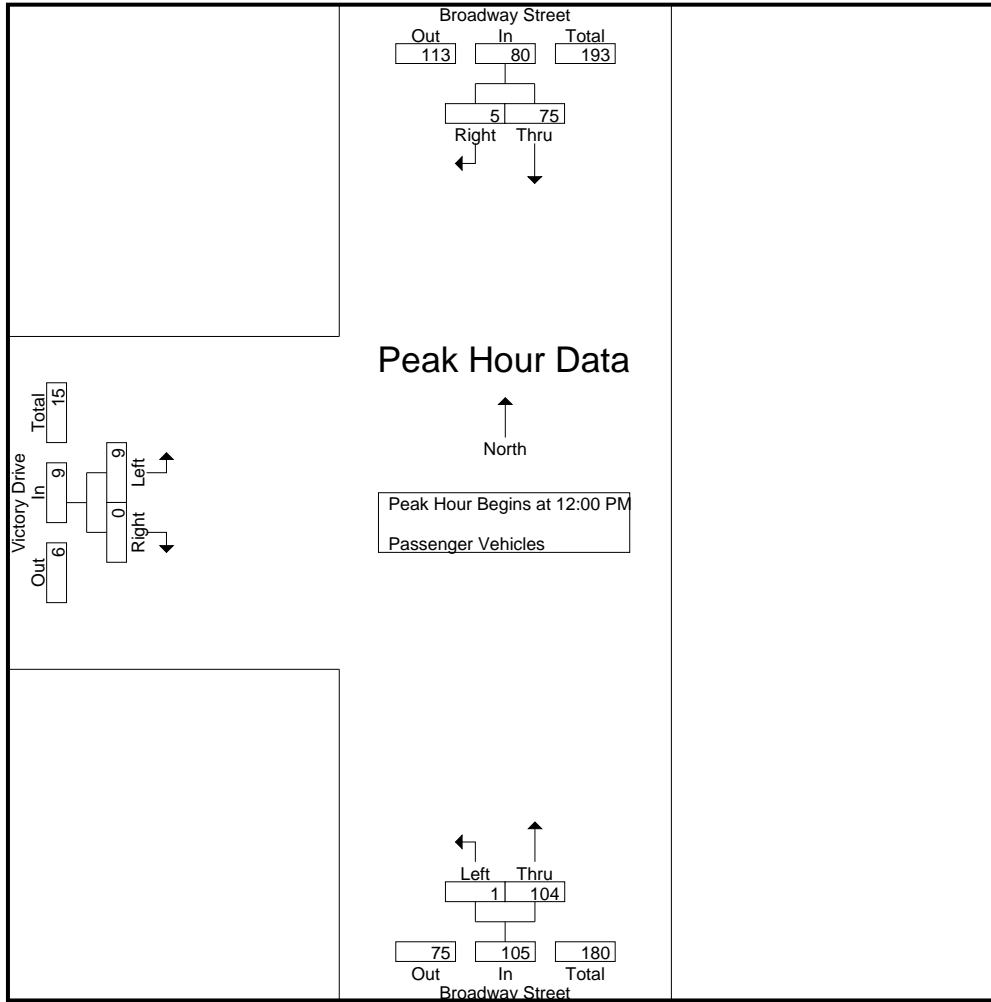
Start Time	Broadway Street Southbound			Broadway Street Northbound			Victory Drive Eastbound			Int. Total
	Thru	Right	App. Total	Left	Thru	App. Total	Left	Right	App. Total	
12:00 PM	18	2	20	0	27	27	3	0	3	50
12:15 PM	22	0	22	0	20	20	1	0	1	43
12:30 PM	14	0	14	0	23	23	3	0	3	40
12:45 PM	21	3	24	1	34	35	2	0	2	61
Total	75	5	80	1	104	105	9	0	9	194
01:00 PM	13	0	13	0	16	16	2	0	2	31
01:15 PM	28	1	29	0	12	12	2	0	2	43
01:30 PM	15	2	17	0	18	18	2	0	2	37
01:45 PM	18	0	18	1	14	15	4	0	4	37
Total	74	3	77	1	60	61	10	0	10	148
Grand Total	149	8	157	2	164	166	19	0	19	342
Apprch %	94.9	5.1		1.2	98.8		100	0		
Total %	43.6	2.3	45.9	0.6	48	48.5	5.6	0	5.6	

Start Time	Broadway Street Southbound			Broadway Street Northbound			Victory Drive Eastbound			Int. Total
	Thru	Right	App. Total	Left	Thru	App. Total	Left	Right	App. Total	
12:00 PM	18	2	20	0	27	27	3	0	3	50
12:15 PM	22	0	22	0	20	20	1	0	1	43
12:30 PM	14	0	14	0	23	23	3	0	3	40
12:45 PM	21	3	24	1	34	35	2	0	2	61
Total Volume	75	5	80	1	104	105	9	0	9	194
% App. Total	93.8	6.2		1	99		100	0		
PHF	.852	.417	.833	.250	.765	.750	.750	.000	.750	.795

Peak Hour Analysis From 12:00 PM to 12:45 PM - Peak 1 of 1
 Peak Hour for Entire Intersection Begins at 12:00 PM

City of Needles
 N/S: Broadway Street
 E/W: Victory Drive
 Weather: Clear

File Name : 20_NDL_Broadway_Victory SAT
 Site Code : 16621325
 Start Date : 7/17/2021
 Page No : 2



Peak Hour Analysis From 12:00 PM to 12:45 PM - Peak 1 of 1
 Peak Hour for Each Approach Begins at:

	12:00 PM			12:00 PM			12:00 PM		
+0 mins.	18	2	20	0	27	27	3	0	3
+15 mins.	22	0	22	0	20	20	1	0	1
+30 mins.	14	0	14	0	23	23	3	0	3
+45 mins.	21	3	24	1	34	35	2	0	2
Total Volume	75	5	80	1	104	105	9	0	9
% App. Total	93.8	6.2		1	99		100	0	
PHF	.852	.417	.833	.250	.765	.750	.750	.000	.750

City of Needles
 N/S: Broadway Street
 E/W: Victory Drive
 Weather: Clear

File Name : 20_NDL_Broadway_Victory SAT
 Site Code : 16621325
 Start Date : 7/17/2021
 Page No : 1

Groups Printed- Trucks

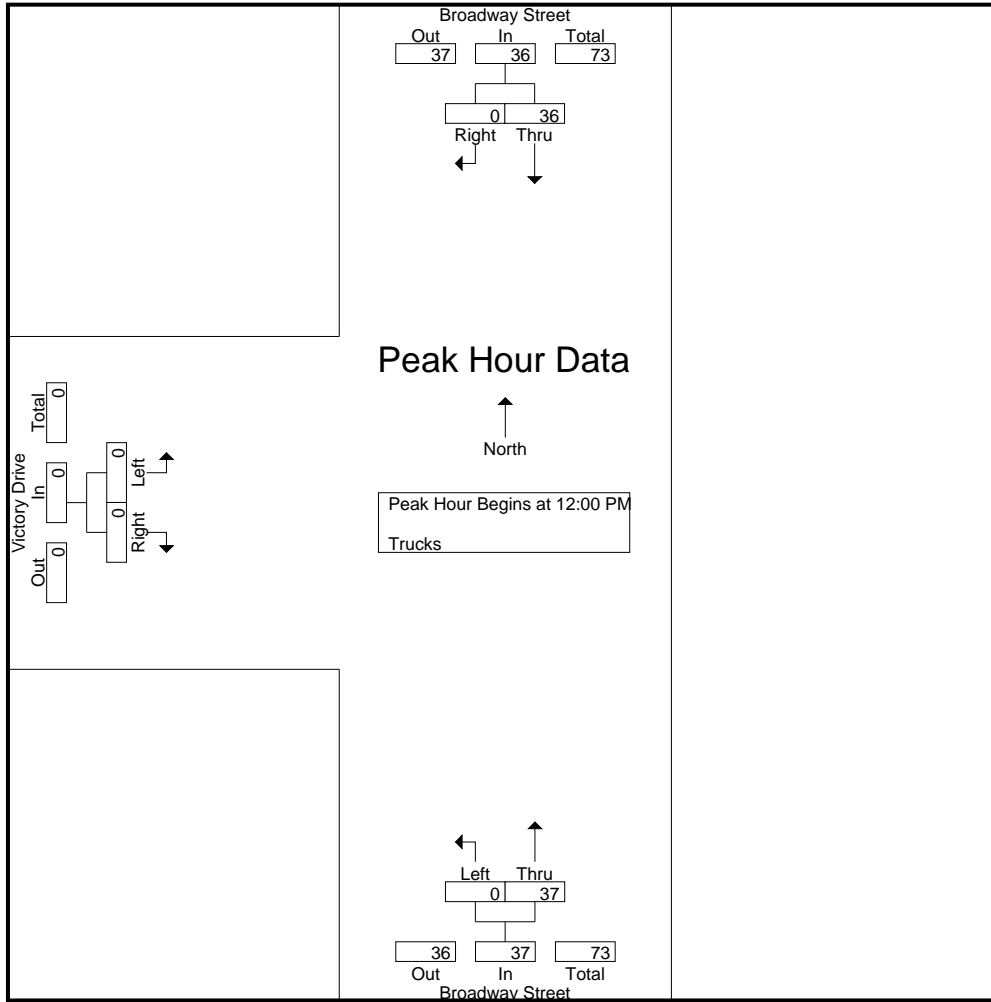
Start Time	Broadway Street Southbound			Broadway Street Northbound			Victory Drive Eastbound			Int. Total
	Thru	Right	App. Total	Left	Thru	App. Total	Left	Right	App. Total	
12:00 PM	8	0	8	0	5	5	0	0	0	13
12:15 PM	12	0	12	0	10	10	0	0	0	22
12:30 PM	11	0	11	0	13	13	0	0	0	24
12:45 PM	5	0	5	0	9	9	0	0	0	14
Total	36	0	36	0	37	37	0	0	0	73
01:00 PM	6	0	6	0	8	8	0	0	0	14
01:15 PM	5	0	5	0	9	9	0	0	0	14
01:30 PM	5	0	5	0	10	10	0	0	0	15
01:45 PM	7	0	7	0	10	10	0	0	0	17
Total	23	0	23	0	37	37	0	0	0	60
Grand Total	59	0	59	0	74	74	0	0	0	133
Apprch %	100	0		0	100		0	0		
Total %	44.4	0	44.4	0	55.6	55.6	0	0	0	

Start Time	Broadway Street Southbound			Broadway Street Northbound			Victory Drive Eastbound			Int. Total
	Thru	Right	App. Total	Left	Thru	App. Total	Left	Right	App. Total	
12:00 PM	8	0	8	0	5	5	0	0	0	13
12:15 PM	12	0	12	0	10	10	0	0	0	22
12:30 PM	11	0	11	0	13	13	0	0	0	24
12:45 PM	5	0	5	0	9	9	0	0	0	14
Total Volume	36	0	36	0	37	37	0	0	0	73
% App. Total	100	0		0	100		0	0		
PHF	.750	.000	.750	.000	.712	.712	.000	.000	.000	.760

Peak Hour Analysis From 12:00 PM to 12:45 PM - Peak 1 of 1
 Peak Hour for Entire Intersection Begins at 12:00 PM

City of Needles
 N/S: Broadway Street
 E/W: Victory Drive
 Weather: Clear

File Name : 20_NDL_Broadway_Victory SAT
 Site Code : 16621325
 Start Date : 7/17/2021
 Page No : 2



Peak Hour Analysis From 12:00 PM to 12:45 PM - Peak 1 of 1
 Peak Hour for Each Approach Begins at:

	12:00 PM			12:00 PM			12:00 PM		
+0 mins.	8	0	8	0	5	5	0	0	0
+15 mins.	12	0	12	0	10	10	0	0	0
+30 mins.	11	0	11	0	13	13	0	0	0
+45 mins.	5	0	5	0	9	9	0	0	0
Total Volume	36	0	36	0	37	37	0	0	0
% App. Total	100	0		0	100		0	0	
PHF	.750	.000	.750	.000	.712	.712	.000	.000	.000

City of Needles
 N/S: Broadway Street
 E/W: Victory Drive
 Weather: Clear

File Name : 20_NDL_Broadway_Victory SAT
 Site Code : 16621325
 Start Date : 7/17/2021
 Page No : 1

Groups Printed- Buses

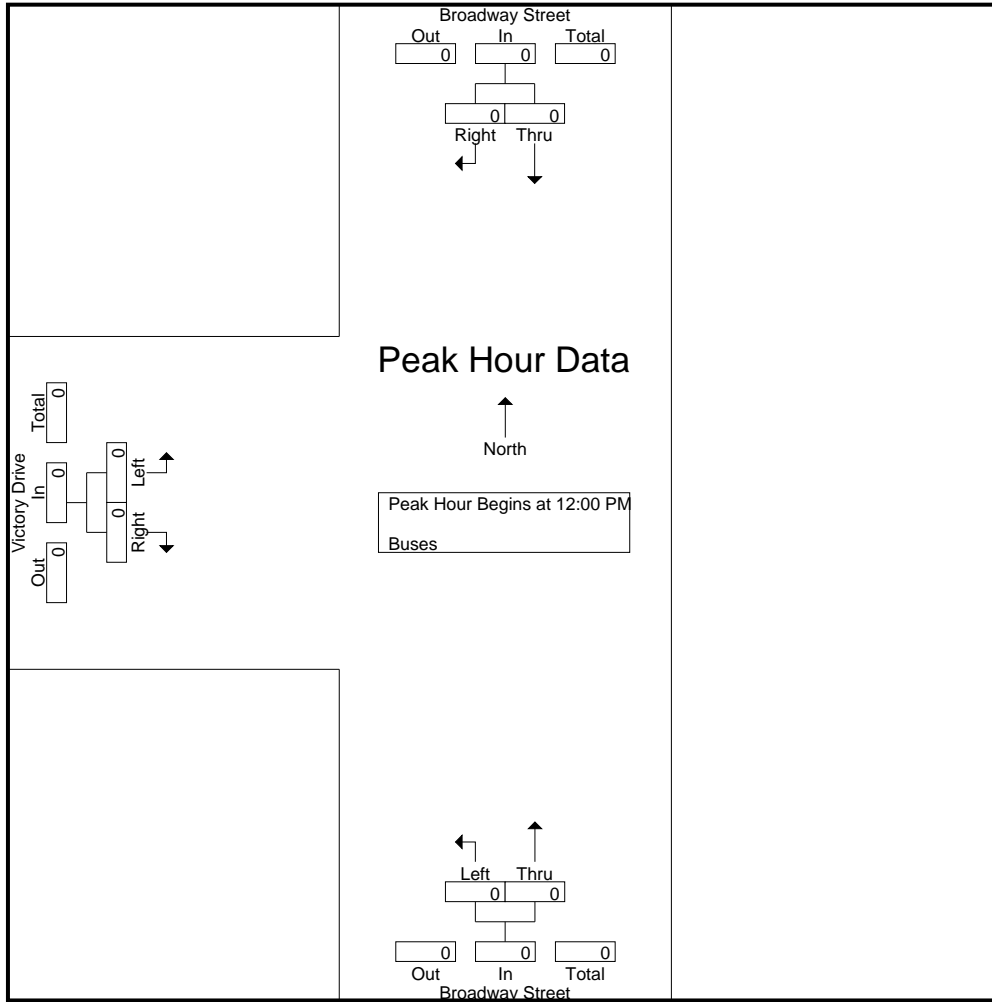
Start Time	Broadway Street Southbound			Broadway Street Northbound			Victory Drive Eastbound			Int. Total
	Thru	Right	App. Total	Left	Thru	App. Total	Left	Right	App. Total	
12:00 PM	0	0	0	0	0	0	0	0	0	0
12:15 PM	0	0	0	0	0	0	0	0	0	0
12:30 PM	0	0	0	0	0	0	0	0	0	0
12:45 PM	0	0	0	0	0	0	0	0	0	0
Total	0	0	0	0	0	0	0	0	0	0
01:00 PM	0	0	0	0	0	0	0	0	0	0
01:15 PM	0	0	0	0	0	0	0	0	0	0
01:30 PM	0	0	0	0	0	0	0	0	0	0
01:45 PM	0	0	0	0	0	0	0	0	0	0
Total	0	0	0	0	0	0	0	0	0	0
Grand Total	0	0	0	0	0	0	0	0	0	0
Apprch %	0	0		0	0		0	0		
Total %										

Start Time	Broadway Street Southbound			Broadway Street Northbound			Victory Drive Eastbound			Int. Total
	Thru	Right	App. Total	Left	Thru	App. Total	Left	Right	App. Total	
12:00 PM	0	0	0	0	0	0	0	0	0	0
12:15 PM	0	0	0	0	0	0	0	0	0	0
12:30 PM	0	0	0	0	0	0	0	0	0	0
12:45 PM	0	0	0	0	0	0	0	0	0	0
Total Volume	0	0	0	0	0	0	0	0	0	0
% App. Total	0	0		0	0		0	0		
PHF	.000	.000	.000	.000	.000	.000	.000	.000	.000	.000

Peak Hour Analysis From 12:00 PM to 12:45 PM - Peak 1 of 1
 Peak Hour for Entire Intersection Begins at 12:00 PM

City of Needles
 N/S: Broadway Street
 E/W: Victory Drive
 Weather: Clear

File Name : 20_NDL_Broadway_Victory SAT
 Site Code : 16621325
 Start Date : 7/17/2021
 Page No : 2



Peak Hour Analysis From 12:00 PM to 12:45 PM - Peak 1 of 1
 Peak Hour for Each Approach Begins at:

	12:00 PM			12:00 PM			12:00 PM		
+0 mins.	0	0	0	0	0	0	0	0	0
+15 mins.	0	0	0	0	0	0	0	0	0
+30 mins.	0	0	0	0	0	0	0	0	0
+45 mins.	0	0	0	0	0	0	0	0	0
Total Volume	0	0	0	0	0	0	0	0	0
% App. Total	0	0	0	0	0	0	0	0	0
PHF	.000	.000	.000	.000	.000	.000	.000	.000	.000

Location: Needles
 N/S: Broadway Street
 E/W: Victory Drive



PEDESTRIANS

Date: 7/15/2021
 Day: Thursday

	North Leg Broadway Street	East Leg Dead End	South Leg Broadway Street	West Leg Victory Drive	
	Pedestrians	Pedestrians	Pedestrians	Pedestrians	
7:00 AM	0	0	0	0	0
7:15 AM	0	0	0	0	0
7:30 AM	0	0	0	0	0
7:45 AM	0	0	0	0	0
8:00 AM	0	0	0	0	0
8:15 AM	0	0	0	0	0
8:30 AM	0	0	0	0	0
8:45 AM	1	0	0	0	1
TOTAL VOLUMES:	1	0	0	0	1

Date: 7/15/2021
 Day: Thursday

	North Leg Broadway Street	East Leg Dead End	South Leg Broadway Street	West Leg Victory Drive	
	Pedestrians	Pedestrians	Pedestrians	Pedestrians	
4:00 PM	0	0	0	0	0
4:15 PM	0	0	0	0	0
4:30 PM	0	0	0	0	0
4:45 PM	0	0	0	0	0
5:00 PM	0	0	0	0	0
5:15 PM	0	0	0	0	0
5:30 PM	0	0	0	0	0
5:45 PM	0	0	0	0	0
TOTAL VOLUMES:	0	0	0	0	0

Date: 7/17/2021
 Day: Saturday

	North Leg Broadway Street	East Leg Dead End	South Leg Broadway Street	West Leg Victory Drive	
	Pedestrians	Pedestrians	Pedestrians	Pedestrians	
12:00 PM	0	0	0	0	0
12:15 PM	0	0	0	0	0
12:30 PM	0	0	0	0	0
12:45 PM	0	0	0	0	0
1:00 PM	0	0	0	0	0
1:15 PM	0	0	0	0	0
1:30 PM	0	0	0	0	0
1:45 PM	0	0	0	0	0
TOTAL VOLUMES:	0	0	0	0	0

Location: Needles
 N/S: Broadway Street
 E/W: Victory Drive



BICYCLES

Date: 7/15/2021
 Day: Thursday

	Southbound Broadway Street			Westbound Dead End			Northbound Broadway Street			Eastbound Victory Drive			
	Left	Thru	Right	Left	Thru	Right	Left	Thru	Right	Left	Thru	Right	
7:00 AM	0	0	0	0	0	0	0	0	0	0	0	0	0
7:15 AM	0	0	0	0	0	0	0	0	0	0	0	0	0
7:30 AM	0	0	0	0	0	0	0	0	0	0	0	0	0
7:45 AM	0	0	0	0	0	0	0	0	0	0	0	0	0
8:00 AM	0	0	0	0	0	0	0	0	0	0	0	0	0
8:15 AM	0	0	0	0	0	0	0	0	0	0	0	0	0
8:30 AM	0	0	0	0	0	0	0	0	0	0	0	0	0
8:45 AM	0	0	0	0	0	0	0	0	0	0	0	0	0
TOTAL VOLUMES:	0	0	0	0	0	0	0	0	0	0	0	0	0

Date: 7/15/2021
 Day: Thursday

	Southbound Broadway Street			Westbound Dead End			Northbound Broadway Street			Eastbound Victory Drive			
	Left	Thru	Right	Left	Thru	Right	Left	Thru	Right	Left	Thru	Right	
4:00 PM	0	0	0	0	0	0	0	0	0	0	0	0	0
4:15 PM	0	0	0	0	0	0	0	0	0	0	0	0	0
4:30 PM	0	0	0	0	0	0	0	0	0	0	0	0	0
4:45 PM	0	0	0	0	0	0	0	0	0	0	0	0	0
5:00 PM	0	0	0	0	0	0	0	0	0	0	0	0	0
5:15 PM	0	0	0	0	0	0	0	0	0	0	0	0	0
5:30 PM	0	0	0	0	0	0	0	0	0	0	0	0	0
5:45 PM	0	0	0	0	0	0	0	0	0	0	0	0	0
TOTAL VOLUMES:	0	0	0	0	0	0	0	0	0	0	0	0	0

Date: 7/17/2021
 Day: Saturday

	Southbound Broadway Street			Westbound Dead End			Northbound Broadway Street			Eastbound Victory Drive			
	Left	Thru	Right	Left	Thru	Right	Left	Thru	Right	Left	Thru	Right	
12:00 PM	0	0	0	0	0	0	0	0	0	0	0	0	0
12:15 PM	0	0	0	0	0	0	0	0	0	0	0	0	0
12:30 PM	0	0	0	0	0	0	0	0	0	0	0	0	0
12:45 PM	0	0	0	0	0	0	0	0	0	0	0	0	0
1:00 PM	0	0	0	0	0	0	0	0	0	0	0	0	0
1:15 PM	0	0	0	0	0	0	0	0	0	0	0	0	0
1:30 PM	0	0	0	0	0	0	0	0	0	0	0	0	0
1:45 PM	0	0	0	0	0	0	0	0	0	0	0	0	0
TOTAL VOLUMES:	0	0	0	0	0	0	0	0	0	0	0	0	0

Counts Unlimited, Inc.

City of Needles
 Needles Highway
 B/ Budweiser Road - Northern City Limits
 72 Hour Directional Volume Count

PO Box 1178
 Corona, CA 92787
 Phone: (951) 268-6268
 email: counts@countsunlimited.com

NDL001
 Site Code: 166-21325

Start Time	15-Jul-21 Thu	Northbound		Hour Totals		Southbound		Hour Totals		Combined Totals	
		Morning	Afternoon	Morning	Afternoon	Morning	Afternoon	Morning	Afternoon	Morning	Afternoon
12:00		2	25			2	29				
12:15		11	43			3	23				
12:30		3	40			2	18				
12:45		2	48	18	156	0	15	7	85	25	241
01:00		5	34			1	25				
01:15		5	50			5	12				
01:30		3	34			0	18				
01:45		2	38	15	156	3	21	9	76	24	232
02:00		1	50			1	13				
02:15		8	29			3	15				
02:30		2	55			1	23				
02:45		2	53	13	187	4	15	9	66	22	253
03:00		1	43			5	23				
03:15		3	54			2	15				
03:30		2	37			4	16				
03:45		0	36	6	170	5	14	16	68	22	238
04:00		0	34			4	17				
04:15		6	44			9	10				
04:30		3	36			11	14				
04:45		3	37	12	151	16	20	40	61	52	212
05:00		3	34			6	18				
05:15		2	47			6	5				
05:30		2	25			10	14				
05:45		2	32	9	138	10	11	32	48	41	186
06:00		7	44			14	5				
06:15		11	34			3	9				
06:30		8	24			8	10				
06:45		7	19	33	121	8	12	33	36	66	157
07:00		2	22			10	9				
07:15		14	21			16	10				
07:30		15	22			17	5				
07:45		19	20	50	85	15	10	58	34	108	119
08:00		14	19			21	4				
08:15		26	20			19	3				
08:30		24	22			19	6				
08:45		19	14	83	75	34	7	93	20	176	95
09:00		25	28			28	6				
09:15		28	30			22	5				
09:30		36	36			42	7				
09:45		26	31	115	125	34	6	126	24	241	149
10:00		26	28			20	6				
10:15		20	27			41	3				
10:30		34	41			30	10				
10:45		34	35	114	131	39	5	130	24	244	155
11:00		25	20			26	2				
11:15		31	19			42	0				
11:30		35	33			41	2				
11:45		38	19	129	91	32	2	141	6	270	97
Total		597	1586	597	1586	694	548	694	548	1291	2134
Combined Total		2183		2183		1242		1242		3425	
AM Peak	-	11:00	-	-	-	10:45	-	-	-	-	-
Vol.	-	129	-	-	-	148	-	-	-	-	-
P.H.F.	-	0.849				0.881					
PM Peak	-	-	02:30	-	-	-	12:00	-	-	-	-
Vol.	-	-	205	-	-	-	85	-	-	-	-
P.H.F.	-	-	0.932				0.733				
Percentage		27.3%	72.7%			55.9%	44.1%				

Counts Unlimited, Inc.

City of Needles
 Needles Highway
 B/ Budweiser Road - Northern City Limits
 72 Hour Directional Volume Count

PO Box 1178
 Corona, CA 92787
 Phone: (951) 268-6268
 email: counts@countsunlimited.com

NDL001
 Site Code: 166-21325

Start Time	16-Jul-21 Fri	Northbound		Hour Totals		Southbound		Hour Totals		Combined Totals	
		Morning	Afternoon	Morning	Afternoon	Morning	Afternoon	Morning	Afternoon	Morning	Afternoon
12:00		35	65			4	30				
12:15		23	71			2	32				
12:30		15	58			0	29				
12:45		13	58	86	252	3	19	9	110	95	362
01:00		6	52			4	33				
01:15		9	63			1	26				
01:30		8	85			2	13				
01:45		3	63	26	263	1	22	8	94	34	357
02:00		10	73			1	18				
02:15		4	85			1	22				
02:30		9	69			4	18				
02:45		7	67	30	294	2	25	8	83	38	377
03:00		6	60			1	9				
03:15		6	90			3	13				
03:30		4	46			3	18				
03:45		1	67	17	263	3	10	10	50	27	313
04:00		8	65			8	10				
04:15		2	47			6	9				
04:30		11	58			12	15				
04:45		0	85	21	255	4	12	30	46	51	301
05:00		10	42			4	13				
05:15		7	43			5	10				
05:30		10	55			7	11				
05:45		3	54	30	194	11	16	27	50	57	244
06:00		5	43			10	5				
06:15		5	45			14	13				
06:30		18	45			14	7				
06:45		15	48	43	181	17	5	55	30	98	211
07:00		12	59			18	7				
07:15		13	41			8	12				
07:30		25	56			19	10				
07:45		23	54	73	210	23	3	68	32	141	242
08:00		22	83			16	12				
08:15		50	42			34	8				
08:30		38	46			16	8				
08:45		48	58	158	229	21	16	87	44	245	273
09:00		54	31			31	6				
09:15		34	51			23	6				
09:30		51	44			24	11				
09:45		56	27	195	153	31	9	109	32	304	185
10:00		62	44			36	1				
10:15		60	34			24	10				
10:30		54	46			34	5				
10:45		44	25	220	149	18	5	112	21	332	170
11:00		63	48			23	9				
11:15		64	31			44	3				
11:30		60	26			33	3				
11:45		78	43	265	148	41	8	141	23	406	171
Total		1164	2591	1164	2591	664	615	664	615	1828	3206
Combined Total		3755		3755		1279		1279		5034	
AM Peak	-	11:00	-	-	-	11:00	-	-	-	-	-
Vol.	-	265	-	-	-	141	-	-	-	-	-
P.H.F.	-	0.849	-	-	-	0.801	-	-	-	-	-
PM Peak	-	-	01:30	-	-	-	00:15	-	-	-	-
Vol.	-	-	306	-	-	-	113	-	-	-	-
P.H.F.	-	-	0.900	-	-	-	0.856	-	-	-	-
Percentage		31.0%	69.0%			51.9%	48.1%				

Counts Unlimited, Inc.

City of Needles
 Needles Highway
 B/ Budweiser Road - Northern City Limits
 72 Hour Directional Volume Count

PO Box 1178
 Corona, CA 92787
 Phone: (951) 268-6268
 email: counts@countsunlimited.com

NDL001
 Site Code: 166-21325

Start Time	17-Jul-21 Sat	Northbound		Hour Totals		Southbound		Hour Totals		Combined Totals	
		Morning	Afternoon	Morning	Afternoon	Morning	Afternoon	Morning	Afternoon	Morning	Afternoon
12:00		28	38			3	23				
12:15		24	45			2	20				
12:30		15	32			3	30				
12:45		16	36	83	151	4	19	12	92	95	243
01:00		21	33			2	21				
01:15		17	31			6	17				
01:30		10	32			2	16				
01:45		7	33	55	129	3	11	13	65	68	194
02:00		11	20			7	11				
02:15		7	29			2	17				
02:30		8	29			0	10				
02:45		5	22	31	100	3	21	12	59	43	159
03:00		5	32			3	9				
03:15		7	23			1	15				
03:30		7	11			3	22				
03:45		5	27	24	93	4	10	11	56	35	149
04:00		1	21			4	15				
04:15		9	22			3	13				
04:30		13	27			4	10				
04:45		4	12	27	82	2	8	13	46	40	128
05:00		7	22			4	7				
05:15		9	21			5	12				
05:30		12	29			5	22				
05:45		14	28	42	100	9	18	23	59	65	159
06:00		7	18			7	7				
06:15		15	28			8	9				
06:30		8	19			5	13				
06:45		20	14	50	79	20	10	40	39	90	118
07:00		13	18			9	14				
07:15		24	18			13	11				
07:30		17	21			18	12				
07:45		36	17	90	74	14	13	54	50	144	124
08:00		28	8			13	7				
08:15		27	10			24	5				
08:30		18	13			24	8				
08:45		31	14	104	45	19	6	80	26	184	71
09:00		30	22			25	12				
09:15		38	4			21	8				
09:30		33	9			14	2				
09:45		27	12	128	47	24	11	84	33	212	80
10:00		29	8			13	19				
10:15		34	5			31	2				
10:30		30	12			28	12				
10:45		30	7	123	32	27	5	99	38	222	70
11:00		27	5			25	2				
11:15		30	8			29	14				
11:30		30	4			20	3				
11:45		30	6	117	23	21	3	95	22	212	45
Total		874	955	874	955	536	585	536	585	1410	1540
Combined Total		1829		1829		1121		1121		2950	
AM Peak	-	08:45	-	-	-	10:15	-	-	-	-	-
Vol.	-	132	-	-	-	111	-	-	-	-	-
P.H.F.	-	0.868	-	-	-	0.895	-	-	-	-	-
PM Peak	-	-	12:00	-	-	-	12:00	-	-	-	-
Vol.	-	-	151	-	-	-	92	-	-	-	-
P.H.F.	-	-	0.839	-	-	-	0.767	-	-	-	-
Percentage		47.8%	52.2%			47.8%	52.2%				
ADT/AADT		ADT 3,803		AADT 3,803							

Counts Unlimited, Inc.

City of Needles
 Park Road
 B/ Interstate 40 Ramps - Needles Highway
 72 Hour Directional Volume Count

PO Box 1178
 Corona, CA 92787
 Phone: (951) 268-6268
 email: counts@countsunlimited.com

NDL002
 Site Code: 166-21325

Start Time	15-Jul-21 Thu	Eastbound		Hour Totals		Westbound		Hour Totals		Combined Totals	
		Morning	Afternoon	Morning	Afternoon	Morning	Afternoon	Morning	Afternoon	Morning	Afternoon
12:00		6	37			0	19				
12:15		4	22			0	15				
12:30		1	30			0	15				
12:45		0	43	11	132	0	9	0	58	11	190
01:00		3	31			1	17				
01:15		4	25			1	15				
01:30		3	26			3	14				
01:45		1	29	11	111	0	13	5	59	16	170
02:00		4	43			0	10				
02:15		7	29			1	6				
02:30		1	33			0	12				
02:45		3	35	15	140	0	15	1	43	16	183
03:00		1	36			2	12				
03:15		3	40			3	8				
03:30		2	30			3	7				
03:45		0	23	6	129	3	8	11	35	17	164
04:00		3	30			0	8				
04:15		2	31			3	4				
04:30		1	35			5	3				
04:45		1	28	7	124	5	6	13	21	20	145
05:00		1	29			3	10				
05:15		0	28			4	3				
05:30		1	23			0	6				
05:45		2	27	4	107	7	4	14	23	18	130
06:00		6	27			6	3				
06:15		6	23			1	4				
06:30		7	21			4	3				
06:45		4	23	23	94	2	8	13	18	36	112
07:00		0	19			4	4				
07:15		12	16			8	4				
07:30		4	14			11	2				
07:45		4	23	20	72	10	2	33	12	53	84
08:00		10	9			14	1				
08:15		26	20			11	3				
08:30		21	12			12	3				
08:45		14	19	71	60	23	2	60	9	131	69
09:00		30	17			27	2				
09:15		23	25			17	4				
09:30		30	25			32	5				
09:45		19	31	102	98	23	2	99	13	201	111
10:00		16	20			14	4				
10:15		23	32			30	0				
10:30		26	35			19	5				
10:45		18	27	83	114	33	2	96	11	179	125
11:00		19	14			24	2				
11:15		23	19			28	0				
11:30		29	32			28	1				
11:45		21	22	92	87	27	0	107	3	199	90
Total		445	1268	445	1268	452	305	452	305	897	1573
Combined Total			1713		1713		757		757		2470
AM Peak	-	09:00	-	-	-	10:45	-	-	-	-	-
Vol.	-	102	-	-	-	113	-	-	-	-	-
P.H.F.	-	0.850	-	-	-	0.856	-	-	-	-	-
PM Peak	-	-	02:30	-	-	-	01:00	-	-	-	-
Vol.	-	-	144	-	-	-	59	-	-	-	-
P.H.F.	-	-	0.900	-	-	-	0.868	-	-	-	-
Percentage		26.0%	74.0%			59.7%	40.3%				

Counts Unlimited, Inc.

City of Needles
 Park Road
 B/ Interstate 40 Ramps - Needles Highway
 72 Hour Directional Volume Count

PO Box 1178
 Corona, CA 92787
 Phone: (951) 268-6268
 email: counts@countsunlimited.com

NDL002
 Site Code: 166-21325

Start Time	16-Jul-21 Fri	Eastbound		Hour Totals		Westbound		Hour Totals		Combined Totals	
		Morning	Afternoon	Morning	Afternoon	Morning	Afternoon	Morning	Afternoon	Morning	Afternoon
12:00		29	53			3	11				
12:15		14	54			1	29				
12:30		23	51			0	17				
12:45		5	39	71	197	0	13	4	70	75	267
01:00		10	57			2	25				
01:15		5	43			1	18				
01:30		6	77			0	6				
01:45		3	53	24	230	1	19	4	68	28	298
02:00		11	58			0	6				
02:15		3	76			0	12				
02:30		5	61			2	7				
02:45		9	49	28	244	2	18	4	43	32	287
03:00		2	63			1	10				
03:15		6	68			0	4				
03:30		5	44			1	6				
03:45		5	74	18	249	2	7	4	27	22	276
04:00		3	46			2	5				
04:15		2	36			0	5				
04:30		1	70			5	10				
04:45		6	46	12	198	0	3	7	23	19	221
05:00		4	49			2	6				
05:15		6	36			3	6				
05:30		5	44			4	6				
05:45		5	46	20	175	11	3	20	21	40	196
06:00		3	26			5	5				
06:15		4	43			3	6				
06:30		12	29			6	3				
06:45		11	54	30	152	13	2	27	16	57	168
07:00		11	38			9	2				
07:15		8	29			7	4				
07:30		29	57			13	7				
07:45		19	66	67	190	17	0	46	13	113	203
08:00		23	56			13	3				
08:15		36	35			23	6				
08:30		28	50			12	1				
08:45		42	50	129	191	18	4	66	14	195	205
09:00		37	29			23	1				
09:15		37	54			16	4				
09:30		43	26			19	2				
09:45		53	28	170	137	20	4	78	11	248	148
10:00		50	38			37	0				
10:15		47	35			20	2				
10:30		57	30			22	2				
10:45		48	32	202	135	16	1	95	5	297	140
11:00		55	43			14	1				
11:15		52	28			32	1				
11:30		48	26			19	0				
11:45		69	44	224	141	26	1	91	3	315	144
Total		995	2239	995	2239	446	314	446	314	1441	2553
Combined Total			3234		3234		760		760		3994
AM Peak	-	11:00	-	-	-	09:45	-	-	-	-	-
Vol.	-	224	-	-	-	99	-	-	-	-	-
P.H.F.	-	0.812	-	-	-	0.669	-	-	-	-	-
PM Peak	-	-	01:30	-	-	-	00:15	-	-	-	-
Vol.	-	-	264	-	-	-	84	-	-	-	-
P.H.F.	-	-	0.857	-	-	-	0.724	-	-	-	-
Percentage		30.8%	69.2%			58.7%	41.3%				

Counts Unlimited, Inc.

City of Needles
 Park Road
 B/ Interstate 40 Ramps - Needles Highway
 72 Hour Directional Volume Count

PO Box 1178
 Corona, CA 92787
 Phone: (951) 268-6268
 email: counts@countsunlimited.com

NDL002
 Site Code: 166-21325

Start Time	17-Jul-21 Sat	Eastbound		Hour Totals		Westbound		Hour Totals		Combined Totals	
		Morning	Afternoon	Morning	Afternoon	Morning	Afternoon	Morning	Afternoon	Morning	Afternoon
12:00		16	23			1	12				
12:15		24	31			2	17				
12:30		17	29			0	15				
12:45		14	20	71	103	0	12	3	56	74	159
01:00		22	19			0	18				
01:15		14	22			4	6				
01:30		8	18			0	11				
01:45		10	17	54	76	1	9	5	44	59	120
02:00		5	19			1	9				
02:15		4	22			1	9				
02:30		6	26			0	5				
02:45		3	21	18	88	2	13	4	36	22	124
03:00		5	17			1	6				
03:15		7	13			0	11				
03:30		6	6			0	8				
03:45		2	14	20	50	4	5	5	30	25	80
04:00		1	12			2	7				
04:15		10	15			3	6				
04:30		7	12			1	5				
04:45		4	8	22	47	4	5	10	23	32	70
05:00		12	15			3	7				
05:15		11	13			1	6				
05:30		11	14			3	9				
05:45		14	18	48	60	5	3	12	25	60	85
06:00		3	14			4	7				
06:15		9	16			8	5				
06:30		8	16			2	7				
06:45		15	10	35	56	13	7	27	26	62	82
07:00		16	6			10	5				
07:15		17	15			5	8				
07:30		19	10			9	9				
07:45		20	5	72	36	8	4	32	26	104	62
08:00		21	4			6	3				
08:15		21	5			17	5				
08:30		13	7			13	2				
08:45		27	10	82	26	11	3	47	13	129	39
09:00		17	10			10	7				
09:15		24	5			24	1				
09:30		18	6			7	2				
09:45		27	5	86	26	18	6	59	16	145	42
10:00		26	3			9	12				
10:15		28	2			17	0				
10:30		33	7			22	6				
10:45		14	5	101	17	11	0	59	18	160	35
11:00		18	4			24	2				
11:15		26	2			23	7				
11:30		20	2			14	3				
11:45		36	8	100	16	9	2	70	14	170	30
Total		709	601	709	601	333	327	333	327	1042	928
Combined Total		1310		1310		660		660		1970	
AM Peak	-	09:45	-	-	-	10:30	-	-	-	-	-
Vol.	-	114	-	-	-	80	-	-	-	-	-
P.H.F.	-	0.864	-	-	-	0.833	-	-	-	-	-
PM Peak	-	-	12:00	-	-	-	00:15	-	-	-	-
Vol.	-	-	103	-	-	-	62	-	-	-	-
P.H.F.	-	-	0.831	-	-	-	0.861	-	-	-	-
Percentage		54.1%	45.9%			50.5%	49.5%				
ADT/AADT		ADT 2,811		AADT 2,811							

Counts Unlimited, Inc.

City of Needles
 Needles Highway
 B/ Park Road - National Trails Highway
 72 Hour Directional Volume Count

PO Box 1178
 Corona, CA 92787
 Phone: (951) 268-6268
 email: counts@countsunlimited.com

NDL003
 Site Code: 166-21325

Start Time	15-Jul-21 Thu	Northbound		Hour Totals		Southbound		Hour Totals		Combined Totals	
		Morning	Afternoon	Morning	Afternoon	Morning	Afternoon	Morning	Afternoon	Morning	Afternoon
12:00		3	17			5	19				
12:15		0	19			3	14				
12:30		3	11			2	15				
12:45		4	16	10	63	2	10	12	58	22	121
01:00		2	11			0	12				
01:15		1	24			4	15				
01:30		1	20			6	10				
01:45		0	15	4	70	3	16	13	53	17	123
02:00		0	16			1	15				
02:15		0	11			2	10				
02:30		1	16			0	17				
02:45		0	22	1	65	2	10	5	52	6	117
03:00		1	12			0	11				
03:15		3	17			1	8				
03:30		0	15			4	12				
03:45		0	12	4	56	2	15	7	46	11	102
04:00		0	15			1	8				
04:15		4	15			1	13				
04:30		5	8			4	11				
04:45		2	15	11	53	4	21	10	53	21	106
05:00		2	13			5	10				
05:15		2	16			6	8				
05:30		4	13			7	13				
05:45		5	16	13	58	6	11	24	42	37	100
06:00		4	13			11	9				
06:15		2	11			3	4				
06:30		2	10			6	13				
06:45		6	5	14	39	10	12	30	38	44	77
07:00		6	12			6	12				
07:15		7	11			7	8				
07:30		12	5			15	2				
07:45		10	9	35	37	9	7	37	29	72	66
08:00		9	9			12	8				
08:15		9	15			10	5				
08:30		7	5			14	6				
08:45		8	6	33	35	10	3	46	22	79	57
09:00		3	9			19	5				
09:15		10	10			7	5				
09:30		12	22			18	1				
09:45		14	9	39	50	14	7	58	18	97	68
10:00		14	8			20	3				
10:15		14	6			13	0				
10:30		12	6			15	8				
10:45		10	3	50	23	12	3	60	14	110	37
11:00		19	5			26	3				
11:15		15	6			13	1				
11:30		22	2			14	1				
11:45		14	4	70	17	14	2	67	7	137	24
Total		284	566	284	566	369	432	369	432	653	998
Combined Total		850		850		801		801		1651	
AM Peak	-	11:00	-	-	-	11:00	-	-	-	-	-
Vol.	-	70	-	-	-	67	-	-	-	-	-
P.H.F.	-	0.795	-	-	-	0.644	-	-	-	-	-
PM Peak	-	-	01:15	-	-	-	12:00	-	-	-	-
Vol.	-	-	75	-	-	-	58	-	-	-	-
P.H.F.	-	-	0.781	-	-	-	0.763	-	-	-	-
Percentage		33.4%	66.6%			46.1%	53.9%				

Counts Unlimited, Inc.

City of Needles
 Needles Highway
 B/ Park Road - National Trails Highway
 72 Hour Directional Volume Count

PO Box 1178
 Corona, CA 92787
 Phone: (951) 268-6268
 email: counts@countsunlimited.com

NDL003
 Site Code: 166-21325

Start Time	16-Jul-21 Fri	Northbound		Hour Totals		Southbound		Hour Totals		Combined Totals	
		Morning	Afternoon	Morning	Afternoon	Morning	Afternoon	Morning	Afternoon	Morning	Afternoon
12:00		5	28			3	22				
12:15		3	25			2	17				
12:30		2	30			3	10				
12:45		1	18	11	101	2	17	10	66	21	167
01:00		0	24			4	13				
01:15		2	17			1	11				
01:30		0	26			1	14				
01:45		1	14	3	81	1	21	7	59	10	140
02:00		2	19			1	11				
02:15		4	22			0	20				
02:30		3	20			0	15				
02:45		0	13	9	74	3	12	4	58	13	132
03:00		1	14			0	8				
03:15		1	14			2	11				
03:30		0	23			1	11				
03:45		1	11	3	62	1	12	4	42	7	104
04:00		0	17			6	7				
04:15		7	7			2	10				
04:30		6	14			6	13				
04:45		1	18	14	56	2	13	16	43	30	99
05:00		3	8			3	17				
05:15		6	23			3	15				
05:30		3	14			1	10				
05:45		5	20	17	65	4	15	11	57	28	122
06:00		3	14			8	11				
06:15		8	11			6	7				
06:30		7	9			18	11				
06:45		9	17	27	51	15	10	47	39	74	90
07:00		2	17			14	9				
07:15		6	16			7	14				
07:30		8	27			8	13				
07:45		6	10	22	70	5	7	34	43	56	113
08:00		10	18			11	11				
08:15		12	19			13	8				
08:30		14	16			17	13				
08:45		18	13	54	66	12	14	53	46	107	112
09:00		9	9			15	7				
09:15		10	12			13	7				
09:30		16	12			13	12				
09:45		22	13	57	46	17	8	58	34	115	80
10:00		21	7			20	2				
10:15		9	12			20	9				
10:30		17	10			16	5				
10:45		20	5	67	34	16	5	72	21	139	55
11:00		19	2			14	7				
11:15		10	8			16	3				
11:30		20	8			23	6				
11:45		19	4	68	22	20	7	73	23	141	45
Total		352	728	352	728	389	531	389	531	741	1259
Combined Total			1080		1080		920		920		2000
AM Peak	-	09:15	-	-	-	09:45	-	-	-	-	-
Vol.	-	69	-	-	-	73	-	-	-	-	-
P.H.F.		0.784				0.913					
PM Peak	-	-	12:00	-	-	-	01:45	-	-	-	-
Vol.	-	-	101	-	-	-	67	-	-	-	-
P.H.F.			0.842				0.798				
Percentage		32.6%	67.4%			42.3%	57.7%				

Counts Unlimited, Inc.

City of Needles
 Needles Highway
 B/ Park Road - National Trails Highway
 72 Hour Directional Volume Count

PO Box 1178
 Corona, CA 92787
 Phone: (951) 268-6268
 email: counts@countsunlimited.com

NDL003
 Site Code: 166-21325

Start Time	17-Jul-21 Sat	Northbound		Hour Totals		Southbound		Hour Totals		Combined Totals	
		Morning	Afternoon	Morning	Afternoon	Morning	Afternoon	Morning	Afternoon	Morning	Afternoon
12:00		4	24			7	12				
12:15		4	6			0	12				
12:30		5	15			4	18				
12:45		3	19	16	64	3	16	14	58	30	122
01:00		3	14			4	15				
01:15		1	14			3	4				
01:30		0	23			0	9				
01:45		0	16	4	67	3	8	10	36	14	103
02:00		1	4			7	7				
02:15		3	10			1	8				
02:30		6	10			2	5				
02:45		2	18	12	42	3	11	13	31	25	73
03:00		2	11			3	14				
03:15		0	11			4	5				
03:30		2	7			0	16				
03:45		0	20	4	49	1	15	8	50	12	99
04:00		0	8			2	7				
04:15		0	11			1	14				
04:30		4	21			1	8				
04:45		1	14	5	54	0	5	4	34	9	88
05:00		3	7			3	9				
05:15		0	11			3	9				
05:30		2	25			3	15				
05:45		4	14	9	57	5	14	14	47	23	104
06:00		2	18			5	8				
06:15		4	20			2	10				
06:30		4	16			3	17				
06:45		4	11	14	65	8	7	18	42	32	107
07:00		5	11			8	13				
07:15		8	14			10	15				
07:30		15	16			23	5				
07:45		12	12	40	53	16	13	57	46	97	99
08:00		12	20			11	9				
08:15		6	6			5	6				
08:30		16	9			10	13				
08:45		8	14	42	49	9	2	35	30	77	79
09:00		15	8			9	7				
09:15		18	5			18	7				
09:30		11	6			13	4				
09:45		15	3	59	22	17	5	57	23	116	45
10:00		14	11			14	4				
10:15		18	2			14	3				
10:30		20	8			21	7				
10:45		16	1	68	22	26	7	75	21	143	43
11:00		17	3			9	0				
11:15		12	3			15	4				
11:30		11	2			9	2				
11:45		14	4	54	12	24	2	57	8	111	20
Total		327	556	327	556	362	426	362	426	689	982
Combined Total		883		883		788		788		1671	
AM Peak	-	10:15	-	-	-	10:00	-	-	-	-	-
Vol.	-	71	-	-	-	75	-	-	-	-	-
P.H.F.	-	0.888				0.721					
PM Peak	-	-	05:30	-	-	-	00:15	-	-	-	-
Vol.	-	-	77	-	-	-	61	-	-	-	-
P.H.F.	-	-	0.770			-	0.847				
Percentage		37.0%	63.0%			45.9%	54.1%				
ADT/AADT		ADT 1,774		AADT 1,774							

Counts Unlimited, Inc.

City of Needles
 Needles Highway
 N/ Interstate 40 Westbound Ramps / Balboa Place
 72 Hour Directional Volume Count

PO Box 1178
 Corona, CA 92787
 Phone: (951) 268-6268
 email: counts@countsunlimited.com

NDL004
 Site Code: 166-21325

Start Time	15-Jul-21 Thu	Northbound		Hour Totals		Southbound		Hour Totals		Combined Totals	
		Morning	Afternoon	Morning	Afternoon	Morning	Afternoon	Morning	Afternoon	Morning	Afternoon
12:00		3	21			3	20				
12:15		1	20			4	20				
12:30		2	16			3	19				
12:45		4	19	10	76	2	17	12	76	22	152
01:00		2	20			0	26				
01:15		2	23			6	17				
01:30		1	25			5	13				
01:45		0	20	5	88	4	21	15	77	20	165
02:00		1	17			1	19				
02:15		3	14			1	14				
02:30		1	17			3	10				
02:45		0	24	5	72	2	8	7	51	12	123
03:00		1	17			1	15				
03:15		1	20			3	13				
03:30		0	21			5	16				
03:45		0	14	2	72	1	17	10	61	12	133
04:00		1	21			4	19				
04:15		3	24			1	11				
04:30		5	16			5	20				
04:45		3	22	12	83	11	17	21	67	33	150
05:00		4	28			7	16				
05:15		2	21			16	13				
05:30		4	21			11	20				
05:45		8	17	18	87	8	15	42	64	60	151
06:00		5	19			11	11				
06:15		2	12			7	8				
06:30		6	10			10	15				
06:45		8	12	21	53	14	17	42	51	63	104
07:00		5	15			12	8				
07:15		12	20			15	15				
07:30		9	8			15	5				
07:45		13	10	39	53	11	8	53	36	92	89
08:00		12	15			15	10				
08:15		10	16			14	8				
08:30		9	9			15	5				
08:45		12	12	43	52	14	7	58	30	101	82
09:00		6	14			15	5				
09:15		9	12			19	7				
09:30		16	18			27	5				
09:45		18	10	49	54	24	6	85	23	134	77
10:00		18	11			23	7				
10:15		23	6			19	0				
10:30		17	6			21	8				
10:45		13	3	71	26	20	3	83	18	154	44
11:00		25	7			30	2				
11:15		22	8			19	1				
11:30		29	2			21	1				
11:45		18	4	94	21	13	3	83	7	177	28
Total		369	737	369	737	511	561	511	561	880	1298
Combined Total			1106		1106		1072		1072		2178
AM Peak	-	11:00	-	-	-	09:15	-	-	-	-	-
Vol.	-	94	-	-	-	93	-	-	-	-	-
P.H.F.		0.810				0.861					
PM Peak	-	-	04:45	-	-	-	00:15	-	-	-	-
Vol.	-	-	92	-	-	-	82	-	-	-	-
P.H.F.			0.821				0.788				
Percentage		33.4%	66.6%			47.7%	52.3%				

Counts Unlimited, Inc.

City of Needles
 Needles Highway
 N/ Interstate 40 Westbound Ramps / Balboa Place
 72 Hour Directional Volume Count

PO Box 1178
 Corona, CA 92787
 Phone: (951) 268-6268
 email: counts@countsunlimited.com

NDL004
 Site Code: 166-21325

Start Time	16-Jul-21 Fri	Northbound		Hour Totals		Southbound		Hour Totals		Combined Totals	
		Morning	Afternoon	Morning	Afternoon	Morning	Afternoon	Morning	Afternoon	Morning	Afternoon
12:00		6	34			3	22				
12:15		5	36			6	18				
12:30		2	32			4	13				
12:45		1	25	14	127	2	20	15	73	29	200
01:00		2	27			7	17				
01:15		2	22			1	23				
01:30		1	32			1	25				
01:45		1	15	6	96	1	26	10	91	16	187
02:00		2	24			1	11				
02:15		4	27			0	17				
02:30		3	25			0	11				
02:45		0	23	9	99	4	20	5	59	14	158
03:00		1	15			0	18				
03:15		1	21			2	15				
03:30		0	27			1	17				
03:45		1	17	3	80	2	11	5	61	8	141
04:00		0	21			4	11				
04:15		8	12			5	11				
04:30		5	21			5	19				
04:45		0	20	13	74	5	19	19	60	32	134
05:00		3	18			7	19				
05:15		9	33			6	15				
05:30		4	17			3	13				
05:45		6	21	22	89	7	16	23	63	45	152
06:00		5	18			7	12				
06:15		7	23			10	6				
06:30		12	16			27	12				
06:45		11	21	35	78	19	12	63	42	98	120
07:00		5	22			13	13				
07:15		5	20			17	15				
07:30		12	30			13	16				
07:45		6	14	28	86	8	7	51	51	79	137
08:00		16	21			18	10				
08:15		9	21			20	13				
08:30		17	20			20	14				
08:45		26	19	68	81	17	12	75	49	143	130
09:00		15	12			23	7				
09:15		16	11			14	8				
09:30		19	12			17	14				
09:45		34	13	84	48	26	9	80	38	164	86
10:00		19	9			28	10				
10:15		14	17			24	8				
10:30		26	11			21	4				
10:45		26	4	85	41	23	5	96	27	181	68
11:00		21	3			22	5				
11:15		14	10			16	6				
11:30		23	8			26	4				
11:45		24	6	82	27	26	5	90	20	172	47
Total		449	926	449	926	532	634	532	634	981	1560
Combined Total		1375		1375		1166		1166		2541	
AM Peak	-	09:45	-	-	-	09:45	-	-	-	-	-
Vol.	-	93	-	-	-	99	-	-	-	-	-
P.H.F.		0.684				0.884					
PM Peak	-	-	12:00	-	-	-	01:00	-	-	-	-
Vol.	-	-	127	-	-	-	91	-	-	-	-
P.H.F.			0.882				0.875				
Percentage		32.7%	67.3%			45.6%	54.4%				

Counts Unlimited, Inc.

City of Needles
 Needles Highway
 B/ I-40 Eastbound Ramps - North Broadway Avenue
 72 Hour Directional Volume Count

PO Box 1178
 Corona, CA 92787
 Phone: (951) 268-6268
 email: counts@countsunlimited.com

NDL005
 Site Code: 166-21325

Start Time	15-Jul-21 Thu	Eastbound		Hour Totals		Westbound		Hour Totals		Combined Totals	
		Morning	Afternoon	Morning	Afternoon	Morning	Afternoon	Morning	Afternoon	Morning	Afternoon
12:00		16	51			8	74				
12:15		14	63			6	73				
12:30		17	54			14	62				
12:45		11	68	58	236	10	38	38	247	96	483
01:00		12	57			8	50				
01:15		5	50			7	44				
01:30		14	51			7	55				
01:45		15	59	46	217	6	47	28	196	74	413
02:00		9	49			6	43				
02:15		9	46			9	37				
02:30		5	56			2	36				
02:45		7	51	30	202	2	43	19	159	49	361
03:00		2	65			2	29				
03:15		6	65			7	29				
03:30		11	57			16	56				
03:45		11	62	30	249	13	41	38	155	68	404
04:00		9	49			18	66				
04:15		4	57			8	62				
04:30		1	52			9	44				
04:45		7	59	21	217	22	58	57	230	78	447
05:00		11	57			17	51				
05:15		12	54			13	34				
05:30		11	48			20	33				
05:45		26	50	60	209	20	33	70	151	130	360
06:00		22	36			21	35				
06:15		18	37			28	31				
06:30		21	35			35	34				
06:45		26	57	87	165	36	46	120	146	207	311
07:00		23	29			34	27				
07:15		25	48			35	46				
07:30		38	34			27	13				
07:45		31	44	117	155	55	37	151	123	268	278
08:00		28	20			46	48				
08:15		37	51			46	42				
08:30		22	26			50	25				
08:45		29	31	116	128	51	22	193	137	309	265
09:00		43	47			48	23				
09:15		20	34			48	24				
09:30		46	50			44	24				
09:45		32	42	141	173	57	9	197	80	338	253
10:00		60	26			50	14				
10:15		48	32			57	10				
10:30		32	44			52	8				
10:45		39	26	179	128	64	10	223	42	402	170
11:00		53	32			65	11				
11:15		47	25			71	7				
11:30		42	26			83	2				
11:45		35	29	177	112	60	5	279	25	456	137
Total		1062	2191	1062	2191	1413	1691	1413	1691	2475	3882
Combined Total			3253		3253		3104		3104		6357
AM Peak	-	09:30	-	-	-	10:45	-	-	-	-	-
Vol.	-	186	-	-	-	283	-	-	-	-	-
P.H.F.		0.775				0.852					
PM Peak	-	-	03:00	-	-	-	12:00	-	-	-	-
Vol.	-	-	249	-	-	-	247	-	-	-	-
P.H.F.			0.915				0.834				
Percentage		32.6%	67.4%			45.5%	54.5%				

Counts Unlimited, Inc.

City of Needles
 Needles Highway
 B/ I-40 Eastbound Ramps - North Broadway Avenue
 72 Hour Directional Volume Count

PO Box 1178
 Corona, CA 92787
 Phone: (951) 268-6268
 email: counts@countsunlimited.com

NDL005
 Site Code: 166-21325

Start Time	16-Jul-21 Fri	Eastbound		Hour Totals		Westbound		Hour Totals		Combined Totals	
		Morning	Afternoon	Morning	Afternoon	Morning	Afternoon	Morning	Afternoon	Morning	Afternoon
12:00		18	55			6	58				
12:15		23	57			5	71				
12:30		20	90			5	80				
12:45		13	84	74	286	7	71	23	280	97	566
01:00		9	67			4	56				
01:15		13	75			9	32				
01:30		11	67			3	51				
01:45		1	61	34	270	7	52	23	191	57	461
02:00		3	43			8	33				
02:15		9	34			12	44				
02:30		6	49			7	41				
02:45		11	63	29	189	9	47	36	165	65	354
03:00		10	70			11	34				
03:15		6	64			3	38				
03:30		7	70			7	68				
03:45		9	64	32	268	11	38	32	178	64	446
04:00		7	68			16	43				
04:15		7	44			4	47				
04:30		7	60			13	45				
04:45		8	60	29	232	13	47	46	182	75	414
05:00		14	45			15	36				
05:15		6	50			19	36				
05:30		6	42			26	44				
05:45		20	42	46	179	26	37	86	153	132	332
06:00		19	57			28	49				
06:15		21	38			30	43				
06:30		16	71			45	38				
06:45		30	47	86	213	52	34	155	164	241	377
07:00		35	46			32	40				
07:15		28	56			9	44				
07:30		27	44			43	38				
07:45		26	42	116	188	38	28	122	150	238	338
08:00		42	51			47	30				
08:15		47	59			35	31				
08:30		44	57			66	31				
08:45		45	49	178	216	73	16	221	108	399	324
09:00		44	50			74	26				
09:15		48	46			37	29				
09:30		58	61			63	22				
09:45		55	45	205	202	71	16	245	93	450	295
10:00		44	38			64	18				
10:15		59	28			53	23				
10:30		48	41			55	10				
10:45		69	29	220	136	68	16	240	67	460	203
11:00		68	27			65	8				
11:15		75	26			61	10				
11:30		52	21			58	22				
11:45		56	23	251	97	52	9	236	49	487	146
Total		1300	2476	1300	2476	1465	1780	1465	1780	2765	4256
Combined Total		3776		3776		3245		3245		7021	
AM Peak	-	10:45	-	-	-	10:45	-	-	-	-	-
Vol.	-	264	-	-	-	252	-	-	-	-	-
P.H.F.	-	0.880	-	-	-	0.887	-	-	-	-	-
PM Peak	-	-	00:30	-	-	-	12:00	-	-	-	-
Vol.	-	-	316	-	-	-	280	-	-	-	-
P.H.F.	-	-	0.878	-	-	-	0.875	-	-	-	-
Percentage		34.4%	65.6%			45.1%	54.9%				

Counts Unlimited, Inc.

City of Needles
 Needles Highway
 B/ I-40 Eastbound Ramps - North Broadway Avenue
 72 Hour Directional Volume Count

PO Box 1178
 Corona, CA 92787
 Phone: (951) 268-6268
 email: counts@countsunlimited.com

NDL005
 Site Code: 166-21325

Start Time	17-Jul-21 Sat	Eastbound		Hour Totals		Westbound		Hour Totals		Combined Totals	
		Morning	Afternoon	Morning	Afternoon	Morning	Afternoon	Morning	Afternoon	Morning	Afternoon
12:00		19	64			8	60				
12:15		26	45			8	52				
12:30		19	57			10	47				
12:45		24	52	88	218	8	53	34	212	122	430
01:00		17	48			11	40				
01:15		15	37			6	40				
01:30		8	44			9	33				
01:45		18	41	58	170	5	53	31	166	89	336
02:00		11	42			9	36				
02:15		14	33			9	46				
02:30		5	37			3	45				
02:45		3	47	33	159	4	45	25	172	58	331
03:00		5	44			9	30				
03:15		6	38			10	27				
03:30		13	47			8	28				
03:45		7	39	31	168	6	49	33	134	64	302
04:00		19	44			3	26				
04:15		6	27			4	38				
04:30		2	25			7	41				
04:45		9	44	36	140	14	45	28	150	64	290
05:00		10	38			12	41				
05:15		6	31			20	54				
05:30		10	35			10	50				
05:45		11	32	37	136	15	36	57	181	94	317
06:00		15	46			19	39				
06:15		14	42			29	33				
06:30		20	40			28	35				
06:45		17	29	66	157	45	43	121	150	187	307
07:00		36	37			38	37				
07:15		25	35			34	34				
07:30		38	34			38	32				
07:45		31	30	130	136	36	30	146	133	276	269
08:00		50	32			39	40				
08:15		37	37			29	24				
08:30		33	29			61	44				
08:45		34	25	154	123	58	37	187	145	341	268
09:00		45	35			41	30				
09:15		54	26			44	16				
09:30		52	37			49	22				
09:45		56	26	207	124	54	15	188	83	395	207
10:00		57	30			49	20				
10:15		30	21			68	9				
10:30		52	29			43	23				
10:45		47	12	186	92	40	11	200	63	386	155
11:00		47	13			55	9				
11:15		59	15			56	11				
11:30		48	10			51	6				
11:45		42	7	196	45	37	6	199	32	395	77
Total		1222	1668	1222	1668	1249	1621	1249	1621	2471	3289
Combined Total		2890		2890		2870		2870		5760	
AM Peak	-	09:15	-	-	-	09:30	-	-	-	-	-
Vol.	-	219	-	-	-	220	-	-	-	-	-
P.H.F.		0.961				0.809					
PM Peak	-	-	12:00	-	-	-	12:00	-	-	-	-
Vol.	-	-	218	-	-	-	212	-	-	-	-
P.H.F.			0.852				0.883				
Percentage		42.3%	57.7%			43.5%	56.5%				
ADT/AADT		ADT 6,379		AADT 6,379							

Counts Unlimited, Inc.

City of Needles
 Needles Highway
 B/ North Broadway Avenue - North K Street
 72 Hour Directional Volume Count

PO Box 1178
 Corona, CA 92787
 Phone: (951) 268-6268
 email: counts@countsunlimited.com

NDL006
 Site Code: 166-21325

Start Time	15-Jul-21 Thu	Eastbound		Hour Totals		Westbound		Hour Totals		Combined Totals	
		Morning	Afternoon	Morning	Afternoon	Morning	Afternoon	Morning	Afternoon	Morning	Afternoon
12:00		22	114			20	121				
12:15		25	135			15	113				
12:30		29	122			17	119				
12:45		16	113	92	484	19	101	71	454	163	938
01:00		14	125			12	117				
01:15		9	123			7	104				
01:30		21	116			9	118				
01:45		15	126	59	490	8	112	36	451	95	941
02:00		10	119			7	92				
02:15		21	98			10	94				
02:30		14	115			6	91				
02:45		13	140	58	472	4	94	27	371	85	843
03:00		8	148			7	100				
03:15		12	147			11	94				
03:30		34	133			20	122				
03:45		19	138	73	566	30	95	68	411	141	977
04:00		21	99			25	116				
04:15		15	138			25	126				
04:30		15	121			27	109				
04:45		17	119	68	477	36	103	113	454	181	931
05:00		36	120			37	131				
05:15		38	110			31	96				
05:30		41	120			35	105				
05:45		50	114	165	464	58	106	161	438	326	902
06:00		59	117			56	92				
06:15		57	89			71	82				
06:30		49	97			83	62				
06:45		62	87	227	390	82	96	292	332	519	722
07:00		74	71			82	66				
07:15		75	92			77	70				
07:30		83	84			79	58				
07:45		106	81	338	328	119	74	357	268	695	596
08:00		80	67			111	99				
08:15		96	75			105	57				
08:30		97	52			97	52				
08:45		85	70	358	264	93	56	406	264	764	528
09:00		101	70			117	59				
09:15		112	65			110	50				
09:30		103	59			115	45				
09:45		83	69	399	263	108	39	450	193	849	456
10:00		132	58			109	44				
10:15		114	55			117	34				
10:30		124	66			107	31				
10:45		107	43	477	222	133	26	466	135	943	357
11:00		115	49			116	40				
11:15		129	31			117	15				
11:30		120	37			150	24				
11:45		102	40	466	157	135	19	518	98	984	255
Total		2780	4577	2780	4577	2965	3869	2965	3869	5745	8446
Combined Total			7357		7357		6834		6834		14191
AM Peak	-	10:00	-	-	-	11:00	-	-	-	-	-
Vol.	-	477	-	-	-	518	-	-	-	-	-
P.H.F.	-	0.903	-	-	-	0.863	-	-	-	-	-
PM Peak	-	-	02:45	-	-	-	04:15	-	-	-	-
Vol.	-	-	568	-	-	-	469	-	-	-	-
P.H.F.	-	-	0.959	-	-	-	0.895	-	-	-	-
Percentage		37.8%	62.2%			43.4%	56.6%				

Counts Unlimited, Inc.

City of Needles
 Needles Highway
 B/ North Broadway Avenue - North K Street
 72 Hour Directional Volume Count

PO Box 1178
 Corona, CA 92787
 Phone: (951) 268-6268
 email: counts@countsunlimited.com

NDL006
 Site Code: 166-21325

Start Time	16-Jul-21 Fri	Eastbound		Hour Totals		Westbound		Hour Totals		Combined Totals	
		Morning	Afternoon	Morning	Afternoon	Morning	Afternoon	Morning	Afternoon	Morning	Afternoon
12:00		28	154			13	116				
12:15		21	132			6	137				
12:30		26	153			15	115				
12:45		15	140	90	579	14	139	48	507	138	1086
01:00		18	131			9	117				
01:15		19	122			12	114				
01:30		21	146			9	98				
01:45		11	126	69	525	10	127	40	456	109	981
02:00		10	130			14	109				
02:15		16	106			12	101				
02:30		9	124			15	121				
02:45		16	130	51	490	10	120	51	451	102	941
03:00		12	137			21	88				
03:15		13	126			9	88				
03:30		12	143			19	99				
03:45		13	134	50	540	23	102	72	377	122	917
04:00		26	139			21	100				
04:15		15	123			18	108				
04:30		21	135			30	104				
04:45		32	138	94	535	38	120	107	432	201	967
05:00		45	126			26	127				
05:15		38	137			45	111				
05:30		37	110			44	123				
05:45		42	95	162	468	61	104	176	465	338	933
06:00		56	91			70	98				
06:15		44	110			74	87				
06:30		56	112			92	83				
06:45		81	97	237	410	91	78	327	346	564	756
07:00		79	96			78	96				
07:15		94	106			62	78				
07:30		88	76			93	78				
07:45		79	86	340	364	83	70	316	322	656	686
08:00		84	103			105	78				
08:15		108	109			109	68				
08:30		108	93			117	60				
08:45		113	86	413	391	133	47	464	253	877	644
09:00		108	91			123	68				
09:15		101	100			104	58				
09:30		119	77			122	59				
09:45		108	78	436	346	115	54	464	239	900	585
10:00		109	77			118	46				
10:15		103	61			112	46				
10:30		136	73			120	33				
10:45		131	46	479	257	121	27	471	152	950	409
11:00		133	41			142	35				
11:15		154	35			119	23				
11:30		124	43			131	28				
11:45		131	38	542	157	112	20	504	106	1046	263
Total		2963	5062	2963	5062	3040	4106	3040	4106	6003	9168
Combined Total		8025		8025		7146		7146		15171	
AM Peak	-	10:30	-	-	-	10:45	-	-	-	-	-
Vol.	-	554	-	-	-	513	-	-	-	-	-
P.H.F.	-	0.899	-	-	-	0.903	-	-	-	-	-
PM Peak	-	-	12:00	-	-	-	00:15	-	-	-	-
Vol.	-	-	579	-	-	-	508	-	-	-	-
P.H.F.	-	-	0.940	-	-	-	0.914	-	-	-	-
Percentage		36.9%	63.1%			42.5%	57.5%				

Counts Unlimited, Inc.

City of Needles
 Needles Highway
 B/ North Broadway Avenue - North K Street
 72 Hour Directional Volume Count

PO Box 1178
 Corona, CA 92787
 Phone: (951) 268-6268
 email: counts@countsunlimited.com

NDL006
 Site Code: 166-21325

Start Time	17-Jul-21 Sat	Eastbound		Hour Totals		Westbound		Hour Totals		Combined Totals	
		Morning	Afternoon	Morning	Afternoon	Morning	Afternoon	Morning	Afternoon	Morning	Afternoon
12:00		24	125			22	119				
12:15		47	111			13	97				
12:30		33	107			22	105				
12:45		24	115	128	458	22	114	79	435	207	893
01:00		18	94			16	96				
01:15		19	86			7	102				
01:30		21	100			20	72				
01:45		21	82	79	362	13	91	56	361	135	723
02:00		11	105			14	68				
02:15		22	65			4	98				
02:30		10	98			7	90				
02:45		12	88	55	356	11	76	36	332	91	688
03:00		8	83			12	78				
03:15		11	72			15	70				
03:30		16	101			6	68				
03:45		8	81	43	337	15	77	48	293	91	630
04:00		23	94			4	67				
04:15		14	91			13	87				
04:30		3	72			17	99				
04:45		13	101	53	358	19	96	53	349	106	707
05:00		17	111			19	97				
05:15		21	78			28	102				
05:30		29	78			27	107				
05:45		30	82	97	349	37	92	111	398	208	747
06:00		41	91			55	69				
06:15		26	83			42	93				
06:30		49	84			53	74				
06:45		37	76	153	334	61	87	211	323	364	657
07:00		61	72			54	69				
07:15		69	82			47	76				
07:30		82	82			72	75				
07:45		73	59	285	295	64	76	237	296	522	591
08:00		78	55			90	73				
08:15		84	55			76	66				
08:30		94	75			77	88				
08:45		82	53	338	238	94	61	337	288	675	526
09:00		88	63			83	64				
09:15		97	56			100	44				
09:30		96	62			104	40				
09:45		121	41	402	222	100	47	387	195	789	417
10:00		100	50			110	48				
10:15		107	33			96	39				
10:30		131	50			102	38				
10:45		123	39	461	172	90	29	398	154	859	326
11:00		109	37			120	32				
11:15		111	31			107	20				
11:30		127	23			95	17				
11:45		121	14	468	105	88	25	410	94	878	199
Total		2562	3586	2562	3586	2363	3518	2363	3518	4925	7104
Combined Total		6148		6148		5881		5881		12029	
AM Peak	-	10:30	-	-	-	10:30	-	-	-	-	-
Vol.	-	474	-	-	-	419	-	-	-	-	-
P.H.F.	-	0.905	-	-	-	0.873	-	-	-	-	-
PM Peak	-	-	12:00	-	-	-	12:00	-	-	-	-
Vol.	-	-	458	-	-	-	435	-	-	-	-
P.H.F.	-	-	0.916	-	-	-	0.914	-	-	-	-
Percentage		41.7%	58.3%			40.2%	59.8%				
ADT/AADT		ADT 13,797		AADT 13,797							

Counts Unlimited, Inc.

City of Needles
 North K Street
 B/ Needles Highway - River Road
 72 Hour Directional Volume Count

PO Box 1178
 Corona, CA 92787
 Phone: (951) 268-6268
 email: counts@countsunlimited.com

NDL007
 Site Code: 166-21325

Start Time	15-Jul-21 Thu	Northbound		Hour Totals		Southbound		Hour Totals		Combined Totals	
		Morning	Afternoon	Morning	Afternoon	Morning	Afternoon	Morning	Afternoon	Morning	Afternoon
12:00		23	107			16	112				
12:15		20	133			12	113				
12:30		19	107			21	125				
12:45		17	112	79	459	18	105	67	455	146	914
01:00		17	117			13	119				
01:15		4	126			10	102				
01:30		21	107			13	125				
01:45		13	124	55	474	9	119	45	465	100	939
02:00		11	118			8	98				
02:15		19	100			14	100				
02:30		15	116			6	94				
02:45		15	135	60	469	7	112	35	404	95	873
03:00		6	150			8	99				
03:15		10	152			14	108				
03:30		29	140			20	119				
03:45		15	129	60	571	25	96	67	422	127	993
04:00		18	98			25	120				
04:15		18	145			25	137				
04:30		15	136			25	115				
04:45		19	98	70	477	36	99	111	471	181	948
05:00		25	114			35	128				
05:15		38	107			36	107				
05:30		40	134			38	106				
05:45		36	121	139	476	59	106	168	447	307	923
06:00		59	115			58	88				
06:15		49	86			78	91				
06:30		51	78			82	64				
06:45		49	97	208	376	79	97	297	340	505	716
07:00		76	71			84	69				
07:15		68	87			72	63				
07:30		99	76			81	61				
07:45		91	71	334	305	122	81	359	274	693	579
08:00		78	67			110	93				
08:15		87	72			117	69				
08:30		107	62			93	51				
08:45		79	71	351	272	98	58	418	271	769	543
09:00		97	69			121	66				
09:15		94	60			117	49				
09:30		101	60			118	48				
09:45		87	73	379	262	101	36	457	199	836	461
10:00		134	54			113	47				
10:15		104	52			122	31				
10:30		106	54			110	31				
10:45		114	41	458	201	135	29	480	138	938	339
11:00		111	47			121	40				
11:15		124	36			130	14				
11:30		114	40			151	20				
11:45		106	29	455	152	134	18	536	92	991	244
Total		2648	4494	2648	4494	3040	3978	3040	3978	5688	8472
Combined Total		7142		7142		7018		7018		14160	
AM Peak	-	10:45	-	-	-	10:45	-	-	-	-	-
Vol.	-	463	-	-	-	537	-	-	-	-	-
P.H.F.	-	0.933				0.889					
PM Peak	-	-	02:45	-	-	-	04:15	-	-	-	-
Vol.	-	-	577	-	-	-	479	-	-	-	-
P.H.F.	-	-	0.949				0.874				
Percentage		37.1%	62.9%			43.3%	56.7%				

Counts Unlimited, Inc.

City of Needles
 North K Street
 B/ Needles Highway - River Road
 72 Hour Directional Volume Count

PO Box 1178
 Corona, CA 92787
 Phone: (951) 268-6268
 email: counts@countsunlimited.com

NDL007
 Site Code: 166-21325

Start Time	16-Jul-21 Fri	Northbound		Hour Totals		Southbound		Hour Totals		Combined Totals	
		Morning	Afternoon	Morning	Afternoon	Morning	Afternoon	Morning	Afternoon	Morning	Afternoon
12:00		40	136			12	131				
12:15		18	130			9	120				
12:30		24	140			16	111				
12:45		16	135	98	541	17	126	54	488	152	1029
01:00		18	126			10	117				
01:15		18	114			13	113				
01:30		21	132			9	113				
01:45		11	126	68	498	13	109	45	452	113	950
02:00		7	137			15	105				
02:15		15	103			12	121				
02:30		13	125			16	135				
02:45		13	123	48	488	12	107	55	468	103	956
03:00		10	123			22	96				
03:15		10	124			9	83				
03:30		16	141			18	104				
03:45		8	131	44	519	25	105	74	388	118	907
04:00		22	125			21	102				
04:15		15	131			18	109				
04:30		19	138			32	122				
04:45		27	133	83	527	37	129	108	462	191	989
05:00		40	143			27	123				
05:15		40	146			46	118				
05:30		32	105			56	133				
05:45		38	96	150	490	75	105	204	479	354	969
06:00		57	88			64	107				
06:15		40	101			72	89				
06:30		50	113			100	71				
06:45		74	95	221	397	92	83	328	350	549	747
07:00		73	99			74	83				
07:15		98	93			66	80				
07:30		85	77			96	75				
07:45		79	85	335	354	81	77	317	315	652	669
08:00		85	95			102	71				
08:15		104	98			118	73				
08:30		94	90			124	50				
08:45		111	83	394	366	136	63	480	257	874	623
09:00		95	76			111	60				
09:15		113	101			101	58				
09:30		118	82			120	64				
09:45		99	86	425	345	120	52	452	234	877	579
10:00		108	70			113	35				
10:15		95	61			124	47				
10:30		111	72			134	27				
10:45		130	41	444	244	136	29	507	138	951	382
11:00		117	35			134	29				
11:15		144	35			119	24				
11:30		120	42			133	31				
11:45		133	33	514	145	115	22	501	106	1015	251
Total		2824	4914	2824	4914	3125	4137	3125	4137	5949	9051
Combined Total		7738		7738		7262		7262		15000	
AM Peak	-	11:00	-	-	-	10:15	-	-	-	-	-
Vol.	-	514	-	-	-	528	-	-	-	-	-
P.H.F.	-	0.892	-	-	-	0.971	-	-	-	-	-
PM Peak	-	-	04:30	-	-	-	04:45	-	-	-	-
Vol.	-	-	560	-	-	-	503	-	-	-	-
P.H.F.	-	-	0.959	-	-	-	0.945	-	-	-	-
Percentage		36.5%	63.5%			43.0%	57.0%				

Counts Unlimited, Inc.

City of Needles
 River Road
 B/ Needles Highway - Marina Drive
 72 Hour Directional Volume Count

PO Box 1178
 Corona, CA 92787
 Phone: (951) 268-6268
 email: counts@countsunlimited.com

NDL008
 Site Code: 166-21325

Start Time	15-Jul-21 Thu	Northbound		Hour Totals		Southbound		Hour Totals		Combined Totals	
		Morning	Afternoon	Morning	Afternoon	Morning	Afternoon	Morning	Afternoon	Morning	Afternoon
12:00		5	25			1	17				
12:15		1	13			3	22				
12:30		0	13			4	20				
12:45		1	24	7	75	1	13	9	72	16	147
01:00		0	15			1	18				
01:15		1	19			1	32				
01:30		0	13			2	11				
01:45		0	10	1	57	4	17	8	78	9	135
02:00		0	16			0	20				
02:15		2	9			0	11				
02:30		1	6			0	16				
02:45		0	11	3	42	0	22	0	69	3	111
03:00		3	18			1	11				
03:15		1	13			1	13				
03:30		1	15			4	16				
03:45		4	15	9	61	7	17	13	57	22	118
04:00		3	16			2	11				
04:15		1	10			2	21				
04:30		3	12			0	8				
04:45		1	19	8	57	8	16	12	56	20	113
05:00		1	14			3	11				
05:15		2	14			11	13				
05:30		4	12			6	5				
05:45		2	19	9	59	6	11	26	40	35	99
06:00		3	24			8	17				
06:15		3	21			4	15				
06:30		8	14			3	13				
06:45		10	18	24	77	8	10	23	55	47	132
07:00		6	9			7	7				
07:15		11	12			8	18				
07:30		5	19			13	12				
07:45		11	25	33	65	15	13	43	50	76	115
08:00		12	27			5	11				
08:15		15	10			15	2				
08:30		8	4			12	5				
08:45		15	2	50	43	14	5	46	23	96	66
09:00		8	4			10	11				
09:15		8	9			13	8				
09:30		13	15			19	8				
09:45		13	3	42	31	11	5	53	32	95	63
10:00		13	3			17	2				
10:15		11	2			23	11				
10:30		10	2			19	8				
10:45		14	3	48	10	18	11	77	32	125	42
11:00		15	4			11	5				
11:15		10	2			17	4				
11:30		29	1			20	2				
11:45		18	4	72	11	17	1	65	12	137	23
Total		306	588	306	588	375	576	375	576	681	1164
Combined Total			894		894		951		951		1845
AM Peak	-	11:00	-	-	-	10:00	-	-	-	-	-
Vol.	-	72	-	-	-	77	-	-	-	-	-
P.H.F.	-	0.621	-	-	-	0.837	-	-	-	-	-
PM Peak	-	-	07:15	-	-	-	00:30	-	-	-	-
Vol.	-	-	83	-	-	-	83	-	-	-	-
P.H.F.	-	-	0.769	-	-	-	0.648	-	-	-	-
Percentage		34.2%	65.8%			39.4%	60.6%				

Counts Unlimited, Inc.

City of Needles
 River Road
 B/ Needles Highway - Marina Drive
 72 Hour Directional Volume Count

PO Box 1178
 Corona, CA 92787
 Phone: (951) 268-6268
 email: counts@countsunlimited.com

NDL008
 Site Code: 166-21325

Start Time	16-Jul-21 Fri	Northbound		Hour Totals		Southbound		Hour Totals		Combined Totals	
		Morning	Afternoon	Morning	Afternoon	Morning	Afternoon	Morning	Afternoon	Morning	Afternoon
12:00		1	23			0	50				
12:15		0	19			3	26				
12:30		1	21			1	23				
12:45		1	30	3	93	2	33	6	132	9	225
01:00		1	21			0	18				
01:15		2	16			3	26				
01:30		0	19			0	24				
01:45		0	14	3	70	1	24	4	92	7	162
02:00		1	15			2	24				
02:15		0	14			0	23				
02:30		3	15			0	25				
02:45		2	28	6	72	1	16	3	88	9	160
03:00		0	27			0	21				
03:15		0	22			3	20				
03:30		2	18			0	22				
03:45		2	22	4	89	9	19	12	82	16	171
04:00		2	29			3	9				
04:15		2	28			3	13				
04:30		1	12			4	14				
04:45		5	22	10	91	7	16	17	52	27	143
05:00		0	28			5	14				
05:15		7	21			8	15				
05:30		1	27			5	11				
05:45		5	29	13	105	15	14	33	54	46	159
06:00		9	28			4	15				
06:15		13	24			3	9				
06:30		7	35			11	15				
06:45		9	17	38	104	16	17	34	56	72	160
07:00		10	24			12	8				
07:15		10	24			17	11				
07:30		10	25			17	13				
07:45		15	30	45	103	14	10	60	42	105	145
08:00		22	42			16	6				
08:15		11	17			25	13				
08:30		9	26			25	5				
08:45		33	13	75	98	16	16	82	40	157	138
09:00		15	6			26	10				
09:15		14	10			25	13				
09:30		21	4			29	7				
09:45		17	5	67	25	27	5	107	35	174	60
10:00		21	7			33	8				
10:15		16	6			31	7				
10:30		16	5			28	5				
10:45		18	3	71	21	46	1	138	21	209	42
11:00		24	1			30	4				
11:15		14	7			38	3				
11:30		14	3			36	1				
11:45		17	4	69	15	38	7	142	15	211	30
Total		404	886	404	886	638	709	638	709	1042	1595
Combined Total			1290		1290		1347		1347		2637
AM Peak	-	08:45	-	-	-	10:45	-	-	-	-	-
Vol.	-	83	-	-	-	150	-	-	-	-	-
P.H.F.	-	0.629	-	-	-	0.815	-	-	-	-	-
PM Peak	-	-	07:15	-	-	-	12:00	-	-	-	-
Vol.	-	-	121	-	-	-	132	-	-	-	-
P.H.F.	-	-	0.720	-	-	-	0.660	-	-	-	-
Percentage		31.3%	68.7%			47.4%	52.6%				

Counts Unlimited, Inc.

City of Needles
 River Road
 B/ Needles Highway - Marina Drive
 72 Hour Directional Volume Count

PO Box 1178
 Corona, CA 92787
 Phone: (951) 268-6268
 email: counts@countsunlimited.com

NDL008
 Site Code: 166-21325

Start Time	17-Jul-21 Sat	Northbound		Hour Totals		Southbound		Hour Totals		Combined Totals	
		Morning	Afternoon	Morning	Afternoon	Morning	Afternoon	Morning	Afternoon	Morning	Afternoon
12:00		2	26			2	45				
12:15		1	26			0	53				
12:30		4	20			1	46				
12:45		4	18	11	90	2	24	5	168	16	258
01:00		2	16			0	18				
01:15		0	20			1	30				
01:30		2	21			2	26				
01:45		0	30	4	87	2	26	5	100	9	187
02:00		0	10			2	30				
02:15		0	24			1	15				
02:30		0	19			0	18				
02:45		2	16	2	69	3	15	6	78	8	147
03:00		2	21			2	11				
03:15		1	21			2	30				
03:30		1	50			3	26				
03:45		1	23	5	115	3	19	10	86	15	201
04:00		0	26			1	16				
04:15		0	33			0	19				
04:30		1	40			1	13				
04:45		2	101	3	200	5	8	7	56	10	256
05:00		1	62			3	11				
05:15		1	75			5	17				
05:30		1	39			5	12				
05:45		4	34	7	210	9	11	22	51	29	261
06:00		6	41			4	14				
06:15		3	46			6	21				
06:30		12	36			11	17				
06:45		10	41	31	164	10	7	31	59	62	223
07:00		7	31			9	11				
07:15		8	49			10	16				
07:30		12	42			20	16				
07:45		10	32	37	154	15	13	54	56	91	210
08:00		20	34			30	8				
08:15		12	23			25	8				
08:30		16	22			38	12				
08:45		16	12	64	91	35	4	128	32	192	123
09:00		11	7			52	8				
09:15		28	10			48	8				
09:30		28	8			57	2				
09:45		22	9	89	34	75	7	232	25	321	59
10:00		23	5			47	4				
10:15		13	1			43	2				
10:30		16	9			64	3				
10:45		23	2	75	17	49	3	203	12	278	29
11:00		11	4			58	0				
11:15		21	4			36	2				
11:30		18	1			36	1				
11:45		25	1	75	10	38	1	168	4	243	14
Total		403	1241	403	1241	871	727	871	727	1274	1968
Combined Total		1644		1644		1598		1598		3242	
AM Peak	-	09:15	-	-	-	09:00	-	-	-	-	-
Vol.	-	101	-	-	-	232	-	-	-	-	-
P.H.F.	-	0.902	-	-	-	0.773	-	-	-	-	-
PM Peak	-	-	04:30	-	-	-	12:00	-	-	-	-
Vol.	-	-	278	-	-	-	168	-	-	-	-
P.H.F.	-	-	0.688	-	-	-	0.792	-	-	-	-
Percentage		24.5%	75.5%			54.5%	45.5%				
ADT/AADT		ADT 2,575		AADT 2,575							

Counts Unlimited, Inc.

City of Needles
 J Street
 B/ Bailey Avenue - Interstate 40 Ramps
 72 Hour Directional Volume Count

PO Box 1178
 Corona, CA 92787
 Phone: (951) 268-6268
 email: counts@countsunlimited.com

NDL009
 Site Code: 166-21325

Start Time	15-Jul-21 Thu	Northbound		Hour Totals		Southbound		Hour Totals		Combined Totals	
		Morning	Afternoon	Morning	Afternoon	Morning	Afternoon	Morning	Afternoon	Morning	Afternoon
12:00		4	38			8	43				
12:15		3	25			4	23				
12:30		0	29			5	28				
12:45		2	39	9	131	5	38	22	132	31	263
01:00		2	33			2	51				
01:15		0	47			1	49				
01:30		5	28			1	30				
01:45		1	31	8	139	3	24	7	154	15	293
02:00		3	24			1	34				
02:15		1	20			2	23				
02:30		3	27			0	35				
02:45		2	29	9	100	2	27	5	119	14	219
03:00		2	26			0	45				
03:15		2	40			2	33				
03:30		8	24			2	36				
03:45		11	38	23	128	5	39	9	153	32	281
04:00		3	32			3	49				
04:15		2	44			4	46				
04:30		3	41			0	39				
04:45		7	33	15	150	5	43	12	177	27	327
05:00		14	38			10	45				
05:15		19	33			6	49				
05:30		22	29			8	39				
05:45		27	27	82	127	16	38	40	171	122	298
06:00		21	39			12	32				
06:15		11	39			12	34				
06:30		15	25			11	26				
06:45		30	21	77	124	17	35	52	127	129	251
07:00		24	35			8	22				
07:15		26	32			13	23				
07:30		26	23			24	33				
07:45		39	39	115	129	38	23	83	101	198	230
08:00		23	26			12	24				
08:15		30	14			28	26				
08:30		32	18			26	24				
08:45		30	15	115	73	18	19	84	93	199	166
09:00		36	15			23	21				
09:15		35	13			27	17				
09:30		27	8			24	21				
09:45		29	15	127	51	37	16	111	75	238	126
10:00		28	10			30	12				
10:15		33	11			26	11				
10:30		38	9			29	14				
10:45		31	8	130	38	22	10	107	47	237	85
11:00		34	9			34	12				
11:15		32	10			31	12				
11:30		42	7			21	9				
11:45		36	3	144	29	25	13	111	46	255	75
Total		854	1219	854	1219	643	1395	643	1395	1497	2614
Combined Total		2073		2073		2038		2038		4111	
AM Peak	-	11:00	-	-	-	09:45	-	-	-	-	-
Vol.	-	144	-	-	-	122	-	-	-	-	-
P.H.F.	-	0.857	-	-	-	0.824	-	-	-	-	-
PM Peak	-	-	04:15	-	-	-	04:00	-	-	-	-
Vol.	-	-	156	-	-	-	177	-	-	-	-
P.H.F.	-	-	0.886	-	-	-	0.903	-	-	-	-
Percentage		41.2%	58.8%			31.6%	68.4%				

Counts Unlimited, Inc.

City of Needles
 J Street
 B/ Bailey Avenue - Interstate 40 Ramps
 72 Hour Directional Volume Count

PO Box 1178
 Corona, CA 92787
 Phone: (951) 268-6268
 email: counts@countsunlimited.com

NDL009
 Site Code: 166-21325

Start Time	16-Jul-21 Fri	Northbound		Hour Totals		Southbound		Hour Totals		Combined Totals	
		Morning	Afternoon	Morning	Afternoon	Morning	Afternoon	Morning	Afternoon	Morning	Afternoon
12:00		7	34			11	32				
12:15		1	31			3	30				
12:30		2	29			4	36				
12:45		0	37	10	131	5	45	23	143	33	274
01:00		2	28			4	30				
01:15		2	21			4	15				
01:30		3	32			4	23				
01:45		11	52	18	133	3	41	15	109	33	242
02:00		6	22			5	43				
02:15		2	37			1	26				
02:30		0	28			2	48				
02:45		0	45	8	132	0	42	8	159	16	291
03:00		1	30			5	28				
03:15		1	31			2	32				
03:30		3	32			2	39				
03:45		5	34	10	127	1	37	10	136	20	263
04:00		2	35			2	33				
04:15		5	27			2	40				
04:30		10	20			6	31				
04:45		11	33	28	115	5	54	15	158	43	273
05:00		11	25			7	56				
05:15		20	34			4	43				
05:30		16	36			11	46				
05:45		19	36	66	131	8	35	30	180	96	311
06:00		16	23			15	35				
06:15		10	27			10	33				
06:30		17	24			14	24				
06:45		20	28	63	102	11	26	50	118	113	220
07:00		21	37			9	29				
07:15		28	23			16	31				
07:30		19	26			24	24				
07:45		33	22	101	108	21	23	70	107	171	215
08:00		30	18			22	28				
08:15		25	25			21	27				
08:30		25	21			22	25				
08:45		23	10	103	74	14	18	79	98	182	172
09:00		26	49			30	27				
09:15		29	42			31	22				
09:30		38	21			36	19				
09:45		43	22	136	134	24	19	121	87	257	221
10:00		41	36			18	19				
10:15		18	20			24	14				
10:30		26	13			28	17				
10:45		30	14	115	83	30	13	100	63	215	146
11:00		34	5			29	8				
11:15		30	10			34	10				
11:30		44	5			29	13				
11:45		41	4	149	24	34	10	126	41	275	65
Total		807	1294	807	1294	647	1399	647	1399	1454	2693
Combined Total			2101		2101		2046		2046		4147
AM Peak	-	09:15	-	-	-	11:00	-	-	-	-	-
Vol.	-	151	-	-	-	126	-	-	-	-	-
P.H.F.	-	0.878	-	-	-	0.926	-	-	-	-	-
PM Peak	-	-	01:30	-	-	-	04:45	-	-	-	-
Vol.	-	-	143	-	-	-	199	-	-	-	-
P.H.F.	-	-	0.688	-	-	-	0.888	-	-	-	-
Percentage		38.4%	61.6%			31.6%	68.4%				

Counts Unlimited, Inc.

City of Needles
 J Street
 B/ Bailey Avenue - Interstate 40 Ramps
 72 Hour Directional Volume Count

PO Box 1178
 Corona, CA 92787
 Phone: (951) 268-6268
 email: counts@countsunlimited.com

NDL009
 Site Code: 166-21325

Start Time	17-Jul-21 Sat	Northbound		Hour Totals		Southbound		Hour Totals		Combined Totals	
		Morning	Afternoon	Morning	Afternoon	Morning	Afternoon	Morning	Afternoon	Morning	Afternoon
12:00		3	33			8	35				
12:15		5	22			7	25				
12:30		4	26			6	30				
12:45		0	36	12	117	10	25	31	115	43	232
01:00		5	25			8	24				
01:15		4	27			7	25				
01:30		3	24			4	18				
01:45		3	21	15	97	3	22	22	89	37	186
02:00		5	32			2	23				
02:15		2	18			5	21				
02:30		2	22			4	19				
02:45		1	23	10	95	4	24	15	87	25	182
03:00		3	29			2	30				
03:15		1	23			2	28				
03:30		3	27			0	25				
03:45		6	26	13	105	3	18	7	101	20	206
04:00		2	16			3	27				
04:15		3	25			1	20				
04:30		3	17			1	27				
04:45		5	28	13	86	7	30	12	104	25	190
05:00		7	15			5	24				
05:15		3	17			7	31				
05:30		9	12			8	27				
05:45		20	31	39	75	6	32	26	114	65	189
06:00		9	24			6	19				
06:15		13	29			6	26				
06:30		14	20			10	24				
06:45		13	25	49	98	4	33	26	102	75	200
07:00		19	21			6	21				
07:15		25	27			12	22				
07:30		17	20			8	35				
07:45		21	22	82	90	8	16	34	94	116	184
08:00		19	22			15	25				
08:15		26	16			16	22				
08:30		34	26			11	20				
08:45		22	22	101	86	26	19	68	86	169	172
09:00		23	15			14	28				
09:15		20	18			15	28				
09:30		20	21			18	28				
09:45		30	15	93	69	21	21	68	105	161	174
10:00		20	16			19	14				
10:15		32	16			20	23				
10:30		21	10			19	15				
10:45		28	6	101	48	28	9	86	61	187	109
11:00		22	7			32	10				
11:15		24	6			20	9				
11:30		23	5			22	5				
11:45		21	3	90	21	19	8	93	32	183	53
Total		618	987	618	987	488	1090	488	1090	1106	2077
Combined Total		1605		1605		1578		1578		3183	
AM Peak	-	08:15	-	-	-	10:45	-	-	-	-	-
Vol.	-	105	-	-	-	102	-	-	-	-	-
P.H.F.	-	0.772	-	-	-	0.797	-	-	-	-	-
PM Peak	-	-	12:00	-	-	-	12:00	-	-	-	-
Vol.	-	-	117	-	-	-	115	-	-	-	-
P.H.F.	-	-	0.813	-	-	-	0.821	-	-	-	-
Percentage		38.5%	61.5%			30.9%	69.1%				
ADT/AADT		ADT 3,814		AADT 3,814							

Counts Unlimited, Inc.

City of Needles
 J Street
 B/ Interstate 40 Ramps - Broadway Avenue
 72 Hour Directional Volume Count

PO Box 1178
 Corona, CA 92787
 Phone: (951) 268-6268
 email: counts@countsunlimited.com

NDL010
 Site Code: 166-21325

Start Time	15-Jul-21 Thu	Northbound		Hour Totals		Southbound		Hour Totals		Combined Totals	
		Morning	Afternoon	Morning	Afternoon	Morning	Afternoon	Morning	Afternoon	Morning	Afternoon
12:00		12	70			7	67				
12:15		14	71			13	69				
12:30		17	79			20	71				
12:45		11	58	54	278	11	77	51	284	105	562
01:00		12	68			11	86				
01:15		7	71			6	82				
01:30		13	71			15	69				
01:45		11	74	43	284	11	71	43	308	86	592
02:00		5	47			5	74				
02:15		13	50			9	62				
02:30		8	47			3	71				
02:45		7	88	33	232	5	71	22	278	55	510
03:00		8	75			8	75				
03:15		8	73			9	87				
03:30		34	61			11	76				
03:45		19	62	69	271	23	66	51	304	120	575
04:00		11	61			14	78				
04:15		9	78			29	75				
04:30		10	85			24	68				
04:45		24	69	54	293	15	66	82	287	136	580
05:00		31	58			28	84				
05:15		35	53			20	74				
05:30		45	65			25	84				
05:45		46	69	157	245	44	79	117	321	274	566
06:00		54	65			38	68				
06:15		44	55			46	61				
06:30		46	72			53	55				
06:45		57	46	201	238	54	58	191	242	392	480
07:00		69	59			59	61				
07:15		59	66			45	64				
07:30		65	51			53	54				
07:45		80	54	273	230	60	54	217	233	490	463
08:00		51	52			58	58				
08:15		60	45			55	51				
08:30		86	44			62	43				
08:45		61	41	258	182	51	39	226	191	484	373
09:00		67	39			52	43				
09:15		66	37			59	43				
09:30		66	26			69	41				
09:45		61	36	260	138	63	32	243	159	503	297
10:00		74	41			73	37				
10:15		76	28			76	35				
10:30		92	31			66	36				
10:45		68	19	310	119	74	19	289	127	599	246
11:00		85	28			67	27				
11:15		85	15			75	17				
11:30		73	14			62	17				
11:45		104	12	347	69	79	24	283	85	630	154
Total		2059	2579	2059	2579	1815	2819	1815	2819	3874	5398
Combined Total		4638		4638		4634		4634		9272	
AM Peak	-	11:00	-	-	-	10:00	-	-	-	-	-
Vol.	-	347	-	-	-	289	-	-	-	-	-
P.H.F.	-	0.834	-	-	-	0.951	-	-	-	-	-
PM Peak	-	-	02:45	-	-	-	05:00	-	-	-	-
Vol.	-	-	297	-	-	-	321	-	-	-	-
P.H.F.	-	-	0.844	-	-	-	0.922	-	-	-	-
Percentage		44.4%	55.6%			39.2%	60.8%				

Counts Unlimited, Inc.

City of Needles
 J Street
 B/ Interstate 40 Ramps - Broadway Avenue
 72 Hour Directional Volume Count

PO Box 1178
 Corona, CA 92787
 Phone: (951) 268-6268
 email: counts@countsunlimited.com

NDL010
 Site Code: 166-21325

Start Time	16-Jul-21 Fri	Northbound		Hour Totals		Southbound		Hour Totals		Combined Totals	
		Morning	Afternoon	Morning	Afternoon	Morning	Afternoon	Morning	Afternoon	Morning	Afternoon
12:00		12	83			14	72				
12:15		10	85			9	78				
12:30		6	63			13	66				
12:45		13	71	41	302	11	86	47	302	88	604
01:00		15	65			18	89				
01:15		10	52			13	60				
01:30		10	77			7	68				
01:45		12	80	47	274	4	80	42	297	89	571
02:00		18	62			13	70				
02:15		12	68			13	58				
02:30		10	66			6	87				
02:45		7	73	47	269	8	75	40	290	87	559
03:00		2	66			15	65				
03:15		5	62			6	75				
03:30		7	62			13	52				
03:45		8	73	22	263	14	63	48	255	70	518
04:00		6	66			14	76				
04:15		12	74			9	66				
04:30		17	68			21	59				
04:45		35	69	70	277	24	90	68	291	138	568
05:00		31	74			26	88				
05:15		41	83			30	73				
05:30		29	60			38	79				
05:45		39	73	140	290	52	79	146	319	286	609
06:00		37	57			38	57				
06:15		37	62			46	63				
06:30		40	60			61	50				
06:45		53	50	167	229	66	58	211	228	378	457
07:00		47	66			54	69				
07:15		62	55			63	52				
07:30		59	46			62	44				
07:45		48	41	216	208	66	56	245	221	461	429
08:00		43	47			61	53				
08:15		59	57			65	66				
08:30		73	45			63	47				
08:45		62	44	237	193	81	37	270	203	507	396
09:00		71	74			81	54				
09:15		53	61			73	48				
09:30		73	39			82	45				
09:45		68	40	265	214	75	61	311	208	576	422
10:00		72	57			79	43				
10:15		62	42			56	45				
10:30		65	26			86	34				
10:45		60	28	259	153	74	25	295	147	554	300
11:00		78	24			83	34				
11:15		89	23			81	24				
11:30		75	21			77	16				
11:45		84	16	326	84	79	12	320	86	646	170
Total		1837	2756	1837	2756	2043	2847	2043	2847	3880	5603
Combined Total		4593		4593		4890		4890		9483	
AM Peak	-	11:00	-	-	-	10:30	-	-	-	-	-
Vol.	-	326	-	-	-	324	-	-	-	-	-
P.H.F.	-	0.916	-	-	-	0.942	-	-	-	-	-
PM Peak	-	-	12:00	-	-	-	04:45	-	-	-	-
Vol.	-	-	302	-	-	-	330	-	-	-	-
P.H.F.	-	-	0.888	-	-	-	0.917	-	-	-	-
Percentage		40.0%	60.0%			41.8%	58.2%				

Counts Unlimited, Inc.

City of Needles
 Broadway Avenue
 B/ Needles Highway - J Street
 72 Hour Directional Volume Count

PO Box 1178
 Corona, CA 92787
 Phone: (951) 268-6268
 email: counts@countsunlimited.com

NDL011
 Site Code: 166-21325

Start Time	15-Jul-21 Thu	Northbound		Hour Totals		Southbound		Hour Totals		Combined Totals	
		Morning	Afternoon	Morning	Afternoon	Morning	Afternoon	Morning	Afternoon	Morning	Afternoon
12:00		12	97			12	112				
12:15		16	99			17	132				
12:30		17	99			13	121				
12:45		14	81	59	376	12	117	54	482	113	858
01:00		11	89			11	142				
01:15		5	103			9	114				
01:30		18	110			14	115				
01:45		7	99	41	401	11	116	45	487	86	888
02:00		7	95			9	94				
02:15		15	72			11	102				
02:30		12	74			6	94				
02:45		10	118	44	359	3	111	29	401	73	760
03:00		8	111			10	111				
03:15		8	99			7	121				
03:30		20	96			9	114				
03:45		16	99	52	405	20	99	46	445	98	850
04:00		11	78			20	110				
04:15		13	97			22	96				
04:30		9	107			24	112				
04:45		16	80	49	362	21	82	87	400	136	762
05:00		29	93			32	94				
05:15		36	73			24	106				
05:30		44	88			38	105				
05:45		37	89	146	343	55	107	149	412	295	755
06:00		53	91			56	78				
06:15		47	72			66	72				
06:30		49	94			74	57				
06:45		55	59	204	316	69	76	265	283	469	599
07:00		76	68			72	67				
07:15		68	72			66	59				
07:30		73	58			77	58				
07:45		89	58	306	256	97	65	312	249	618	505
08:00		79	59			90	63				
08:15		84	54			79	57				
08:30		98	45			81	48				
08:45		85	52	346	210	64	42	314	210	660	420
09:00		71	45			84	54				
09:15		89	44			85	43				
09:30		88	33			108	44				
09:45		79	35	327	157	78	43	355	184	682	341
10:00		89	41			95	38				
10:15		79	26			111	31				
10:30		114	29			109	32				
10:45		83	20	365	116	110	22	425	123	790	239
11:00		93	27			113	25				
11:15		104	14			96	20				
11:30		95	16			104	17				
11:45		116	19	408	76	131	20	444	82	852	158
Total		2347	3377	2347	3377	2525	3758	2525	3758	4872	7135
Combined Total		5724		5724		6283		6283		12007	
AM Peak	-	11:00	-	-	-	11:00	-	-	-	-	-
Vol.	-	408	-	-	-	444	-	-	-	-	-
P.H.F.	-	0.879	-	-	-	0.847	-	-	-	-	-
PM Peak	-	-	02:45	-	-	-	00:15	-	-	-	-
Vol.	-	-	424	-	-	-	512	-	-	-	-
P.H.F.	-	-	0.898	-	-	-	0.901	-	-	-	-
Percentage		41.0%	59.0%			40.2%	59.8%				

Counts Unlimited, Inc.

City of Needles
 Broadway Avenue
 B/ Needles Highway - J Street
 72 Hour Directional Volume Count

PO Box 1178
 Corona, CA 92787
 Phone: (951) 268-6268
 email: counts@countsunlimited.com

NDL011
 Site Code: 166-21325

Start Time	16-Jul-21 Fri	Northbound		Hour Totals		Southbound		Hour Totals		Combined Totals	
		Morning	Afternoon	Morning	Afternoon	Morning	Afternoon	Morning	Afternoon	Morning	Afternoon
12:00		15	125			17	125				
12:15		10	108			13	111				
12:30		13	83			15	116				
12:45		10	90	48	406	18	134	63	486	111	892
01:00		23	95			11	134				
01:15		12	84			11	113				
01:30		15	100			8	107				
01:45		12	106	62	385	7	127	37	481	99	866
02:00		13	100			11	124				
02:15		13	91			11	85				
02:30		13	98			9	150				
02:45		2	109	41	398	9	98	40	457	81	855
03:00		6	92			21	93				
03:15		10	85			8	101				
03:30		6	104			14	71				
03:45		10	88	32	369	11	101	54	366	86	735
04:00		13	87			15	96				
04:15		11	101			16	93				
04:30		19	95			22	92				
04:45		25	85	68	368	30	107	83	388	151	756
05:00		42	101			26	97				
05:15		35	109			33	89				
05:30		31	83			38	108				
05:45		38	86	146	379	54	104	151	398	297	777
06:00		44	64			44	76				
06:15		35	94			60	74				
06:30		48	69			73	70				
06:45		70	65	197	292	67	59	244	279	441	571
07:00		56	74			60	80				
07:15		82	66			78	63				
07:30		69	51			75	55				
07:45		76	61	283	252	69	61	282	259	565	511
08:00		66	54			82	62				
08:15		78	74			87	59				
08:30		77	52			80	54				
08:45		89	50	310	230	100	39	349	214	659	444
09:00		84	69			102	60				
09:15		78	72			75	55				
09:30		81	46			109	49				
09:45		80	41	323	228	104	69	390	233	713	461
10:00		100	56			95	45				
10:15		70	53			97	35				
10:30		92	37			145	40				
10:45		95	28	357	174	108	30	445	150	802	324
11:00		93	22			126	35				
11:15		112	21			124	20				
11:30		98	22			130	18				
11:45		109	20	412	85	110	16	490	89	902	174
Total		2279	3566	2279	3566	2628	3800	2628	3800	4907	7366
Combined Total		5845		5845		6428		6428		12273	
AM Peak	-	11:00	-	-	-	10:30	-	-	-	-	-
Vol.	-	412	-	-	-	503	-	-	-	-	-
P.H.F.	-	0.920	-	-	-	0.867	-	-	-	-	-
PM Peak	-	-	12:00	-	-	-	00:30	-	-	-	-
Vol.	-	-	406	-	-	-	497	-	-	-	-
P.H.F.	-	-	0.812	-	-	-	0.927	-	-	-	-
Percentage		39.0%	61.0%			40.9%	59.1%				

Counts Unlimited, Inc.

City of Needles
 Broadway Avenue
 B/ J Street - G Street
 72 Hour Directional Volume Count

PO Box 1178
 Corona, CA 92787
 Phone: (951) 268-6268
 email: counts@countsunlimited.com

NDL012
 Site Code: 166-21325

Start Time	15-Jul-21 Thu	Eastbound		Hour Totals		Westbound		Hour Totals		Combined Totals	
		Morning	Afternoon	Morning	Afternoon	Morning	Afternoon	Morning	Afternoon	Morning	Afternoon
12:00		8	26			2	34				
12:15		3	32			1	29				
12:30		1	23			3	32				
12:45		1	28	13	109	0	26	6	121	19	230
01:00		2	37			1	37				
01:15		1	28			0	42				
01:30		0	27			2	29				
01:45		1	32	4	124	4	43	7	151	11	275
02:00		1	20			1	36				
02:15		5	15			2	31				
02:30		2	21			4	30				
02:45		1	25	9	81	1	47	8	144	17	225
03:00		3	20			1	36				
03:15		0	26			4	24				
03:30		0	20			0	25				
03:45		4	22	7	88	2	33	7	118	14	206
04:00		2	18			3	27				
04:15		3	18			4	27				
04:30		4	20			1	19				
04:45		7	18	16	74	7	21	15	94	31	168
05:00		6	19			4	35				
05:15		9	28			8	16				
05:30		9	20			10	22				
05:45		13	18	37	85	5	14	27	87	64	172
06:00		17	20			1	25				
06:15		21	14			9	25				
06:30		22	12			16	31				
06:45		20	18	80	64	9	22	35	103	115	167
07:00		14	18			16	23				
07:15		15	15			13	17				
07:30		22	12			14	14				
07:45		27	14	78	59	17	17	60	71	138	130
08:00		26	15			22	11				
08:15		12	11			26	18				
08:30		29	16			24	9				
08:45		16	7	83	49	22	14	94	52	177	101
09:00		28	8			18	8				
09:15		34	7			40	10				
09:30		23	5			35	8				
09:45		23	3	108	23	22	8	115	34	223	57
10:00		25	9			30	14				
10:15		28	4			35	4				
10:30		24	5			37	7				
10:45		22	2	99	20	35	3	137	28	236	48
11:00		32	7			37	8				
11:15		29	3			34	6				
11:30		33	5			39	3				
11:45		33	3	127	18	29	6	139	23	266	41
Total		661	794	661	794	650	1026	650	1026	1311	1820
Combined Total		1455		1455		1676		1676		3131	
AM Peak	-	11:00	-	-	-	10:45	-	-	-	-	-
Vol.	-	127	-	-	-	145	-	-	-	-	-
P.H.F.	-	0.962	-	-	-	0.929	-	-	-	-	-
PM Peak	-	-	01:00	-	-	-	01:00	-	-	-	-
Vol.	-	-	124	-	-	-	151	-	-	-	-
P.H.F.	-	-	0.838	-	-	-	0.878	-	-	-	-
Percentage		45.4%	54.6%			38.8%	61.2%				

Counts Unlimited, Inc.

City of Needles
 Broadway Avenue
 B/ J Street - G Street
 72 Hour Directional Volume Count

PO Box 1178
 Corona, CA 92787
 Phone: (951) 268-6268
 email: counts@countsunlimited.com

NDL012
 Site Code: 166-21325

Start Time	16-Jul-21 Fri	Eastbound		Hour Totals		Westbound		Hour Totals		Combined Totals	
		Morning	Afternoon	Morning	Afternoon	Morning	Afternoon	Morning	Afternoon	Morning	Afternoon
12:00		4	30			3	36				
12:15		5	22			1	43				
12:30		1	30			4	44				
12:45		3	27	13	109	0	31	8	154	21	263
01:00		3	28			3	32				
01:15		2	23			6	30				
01:30		2	36			2	42				
01:45		4	29	11	116	2	30	13	134	24	250
02:00		2	25			4	41				
02:15		0	21			2	34				
02:30		3	26			1	28				
02:45		2	34	7	106	1	40	8	143	15	249
03:00		3	21			4	34				
03:15		0	18			0	29				
03:30		4	22			1	35				
03:45		4	22	11	83	1	22	6	120	17	203
04:00		1	17			9	25				
04:15		3	24			1	31				
04:30		2	24			6	27				
04:45		5	24	11	89	5	33	21	116	32	205
05:00		1	21			7	28				
05:15		5	16			4	25				
05:30		5	22			2	17				
05:45		12	25	23	84	6	17	19	87	42	171
06:00		9	16			3	15				
06:15		7	19			10	33				
06:30		25	18			14	17				
06:45		13	14	54	67	21	23	48	88	102	155
07:00		11	15			11	7				
07:15		15	13			17	15				
07:30		10	14			14	9				
07:45		22	13	58	55	20	22	62	53	120	108
08:00		22	6			32	15				
08:15		16	12			13	19				
08:30		31	11			26	6				
08:45		19	11	88	40	26	10	97	50	185	90
09:00		32	5			20	11				
09:15		15	8			30	8				
09:30		30	6			25	8				
09:45		34	10	111	29	28	10	103	37	214	66
10:00		28	9			40	5				
10:15		23	9			25	11				
10:30		34	6			48	5				
10:45		25	5	110	29	28	1	141	22	251	51
11:00		26	7			20	6				
11:15		24	8			38	4				
11:30		25	5			26	2				
11:45		25	6	100	26	38	6	122	18	222	44
Total		597	833	597	833	648	1022	648	1022	1245	1855
Combined Total		1430		1430		1670		1670		3100	
AM Peak	-	09:45	-	-	-	09:45	-	-	-	-	-
Vol.	-	119	-	-	-	141	-	-	-	-	-
P.H.F.	-	0.875	-	-	-	0.734	-	-	-	-	-
PM Peak	-	-	01:00	-	-	-	12:00	-	-	-	-
Vol.	-	-	116	-	-	-	154	-	-	-	-
P.H.F.	-	-	0.806	-	-	-	0.875	-	-	-	-
Percentage		41.7%	58.3%			38.8%	61.2%				

Counts Unlimited, Inc.

City of Needles
 Broadway Avenue
 B/ J Street - G Street
 72 Hour Directional Volume Count

PO Box 1178
 Corona, CA 92787
 Phone: (951) 268-6268
 email: counts@countsunlimited.com

NDL012
 Site Code: 166-21325

Start Time	17-Jul-21 Sat	Eastbound		Hour Totals		Westbound		Hour Totals		Combined Totals	
		Morning	Afternoon	Morning	Afternoon	Morning	Afternoon	Morning	Afternoon	Morning	Afternoon
12:00		2	18			4	36				
12:15		4	19			3	29				
12:30		3	31			3	25				
12:45		6	18	15	86	9	25	19	115	34	201
01:00		4	24			2	18				
01:15		4	18			3	19				
01:30		2	18			10	28				
01:45		5	21	15	81	5	20	20	85	35	166
02:00		5	17			0	27				
02:15		5	18			6	18				
02:30		2	12			4	26				
02:45		1	20	13	67	2	22	12	93	25	160
03:00		2	14			4	18				
03:15		0	15			4	20				
03:30		6	15			1	21				
03:45		0	18	8	62	0	19	9	78	17	140
04:00		2	17			1	22				
04:15		0	10			1	20				
04:30		2	22			3	16				
04:45		1	21	5	70	3	21	8	79	13	149
05:00		0	13			3	20				
05:15		2	11			1	19				
05:30		5	17			4	17				
05:45		7	13	14	54	2	13	10	69	24	123
06:00		10	12			6	14				
06:15		2	15			5	20				
06:30		9	11			6	19				
06:45		6	8	27	46	4	14	21	67	48	113
07:00		6	7			10	14				
07:15		5	13			17	9				
07:30		4	8			12	17				
07:45		21	16	36	44	23	11	62	51	98	95
08:00		20	14			18	23				
08:15		16	18			10	8				
08:30		20	10			13	8				
08:45		19	12	75	54	15	11	56	50	131	104
09:00		13	9			17	9				
09:15		17	12			13	10				
09:30		17	3			16	11				
09:45		20	16	67	40	30	5	76	35	143	75
10:00		18	4			16	7				
10:15		18	11			23	9				
10:30		29	7			30	10				
10:45		21	8	86	30	27	10	96	36	182	66
11:00		17	7			27	6				
11:15		22	5			22	2				
11:30		13	2			18	1				
11:45		25	5	77	19	24	4	91	13	168	32
Total		438	653	438	653	480	771	480	771	918	1424
Combined Total		1091		1091		1251		1251		2342	
AM Peak	-	10:30	-	-	-	10:15	-	-	-	-	-
Vol.	-	89	-	-	-	107	-	-	-	-	-
P.H.F.	-	0.767	-	-	-	0.892	-	-	-	-	-
PM Peak	-	-	00:15	-	-	-	12:00	-	-	-	-
Vol.	-	-	92	-	-	-	115	-	-	-	-
P.H.F.	-	-	0.742	-	-	-	0.799	-	-	-	-
Percentage		40.1%	59.9%			38.4%	61.6%				
ADT/AADT		ADT 2,858		AADT 2,858							

Counts Unlimited, Inc.

City of Needles
 3rd Street
 B/ F Street - D Street
 72 Hour Directional Volume Count

PO Box 1178
 Corona, CA 92787
 Phone: (951) 268-6268
 email: counts@countsunlimited.com

NDL013
 Site Code: 166-21325

Start Time	15-Jul-21 Thu	Eastbound		Hour Totals		Westbound		Hour Totals		Combined Totals	
		Morning	Afternoon	Morning	Afternoon	Morning	Afternoon	Morning	Afternoon	Morning	Afternoon
12:00		0	10			2	11				
12:15		2	7			3	11				
12:30		0	6			0	9				
12:45		2	10	4	33	1	6	6	37	10	70
01:00		1	11			1	6				
01:15		1	9			0	11				
01:30		0	6			1	8				
01:45		2	10	4	36	1	6	3	31	7	67
02:00		2	7			0	6				
02:15		1	4			2	6				
02:30		1	4			0	8				
02:45		0	5	4	20	0	14	2	34	6	54
03:00		1	8			0	11				
03:15		1	6			1	5				
03:30		0	6			2	5				
03:45		2	5	4	25	2	7	5	28	9	53
04:00		1	9			0	7				
04:15		0	5			2	3				
04:30		0	5			0	10				
04:45		1	10	2	29	5	2	7	22	9	51
05:00		2	11			3	6				
05:15		0	3			3	10				
05:30		3	5			2	5				
05:45		2	3	7	22	4	7	12	28	19	50
06:00		3	4			9	9				
06:15		2	11			3	4				
06:30		7	5			2	3				
06:45		7	5	19	25	10	5	24	21	43	46
07:00		8	9			5	2				
07:15		7	4			7	3				
07:30		5	2			3	5				
07:45		4	6	24	21	9	5	24	15	48	36
08:00		7	7			6	5				
08:15		5	2			11	3				
08:30		5	3			8	2				
08:45		7	7	24	19	10	8	35	18	59	37
09:00		10	4			10	5				
09:15		9	7			7	2				
09:30		9	4			14	4				
09:45		10	4	38	19	8	7	39	18	77	37
10:00		15	5			10	5				
10:15		11	3			13	3				
10:30		8	6			8	2				
10:45		10	2	44	16	21	3	52	13	96	29
11:00		8	0			13	1				
11:15		4	1			5	0				
11:30		10	4			8	0				
11:45		11	2	33	7	12	3	38	4	71	11
Total		207	272	207	272	247	269	247	269	454	541
Combined Total		479		479		516		516		995	
AM Peak	-	09:30	-	-	-	10:15	-	-	-	-	-
Vol.	-	45	-	-	-	55	-	-	-	-	-
P.H.F.	-	0.750	-	-	-	0.655	-	-	-	-	-
PM Peak	-	-	00:30	-	-	-	02:15	-	-	-	-
Vol.	-	-	36	-	-	-	39	-	-	-	-
P.H.F.	-	-	0.818	-	-	-	0.696	-	-	-	-
Percentage		43.2%	56.8%			47.9%	52.1%				

Counts Unlimited, Inc.

City of Needles
 3rd Street
 B/ F Street - D Street
 72 Hour Directional Volume Count

PO Box 1178
 Corona, CA 92787
 Phone: (951) 268-6268
 email: counts@countsunlimited.com

NDL013
 Site Code: 166-21325

Start Time	16-Jul-21 Fri	Eastbound		Hour Totals		Westbound		Hour Totals		Combined Totals	
		Morning	Afternoon	Morning	Afternoon	Morning	Afternoon	Morning	Afternoon	Morning	Afternoon
12:00		0	9			0	12				
12:15		1	11			0	12				
12:30		1	12			1	7				
12:45		0	10	2	42	0	8	1	39	3	81
01:00		0	5			2	7				
01:15		3	6			2	8				
01:30		1	9			1	17				
01:45		1	12	5	32	1	12	6	44	11	76
02:00		2	15			2	4				
02:15		1	7			2	10				
02:30		1	10			1	11				
02:45		0	11	4	43	1	5	6	30	10	73
03:00		1	8			0	7				
03:15		2	9			1	8				
03:30		1	3			1	12				
03:45		1	14	5	34	3	6	5	33	10	67
04:00		0	8			0	8				
04:15		0	7			1	11				
04:30		0	8			1	6				
04:45		0	3	0	26	3	6	5	31	5	57
05:00		0	8			3	7				
05:15		1	6			2	6				
05:30		4	8			2	5				
05:45		3	7	8	29	3	8	10	26	18	55
06:00		2	8			2	8				
06:15		7	2			2	5				
06:30		6	4			2	4				
06:45		3	3	18	17	4	4	10	21	28	38
07:00		6	5			2	7				
07:15		3	6			5	5				
07:30		4	6			4	6				
07:45		8	5	21	22	10	7	21	25	42	47
08:00		7	5			4	3				
08:15		10	2			4	9				
08:30		4	6			11	3				
08:45		7	2	28	15	4	5	23	20	51	35
09:00		5	4			2	6				
09:15		2	5			7	5				
09:30		8	4			5	3				
09:45		10	6	25	19	8	6	22	20	47	39
10:00		13	6			12	4				
10:15		14	3			15	3				
10:30		12	6			16	1				
10:45		7	3	46	18	9	1	52	9	98	27
11:00		7	0			9	1				
11:15		8	3			14	2				
11:30		10	1			3	0				
11:45		6	4	31	8	8	3	34	6	65	14
Total		193	305	193	305	195	304	195	304	388	609
Combined Total		498		498		499		499		997	
AM Peak	-	09:45	-	-	-	10:00	-	-	-	-	-
Vol.	-	49	-	-	-	52	-	-	-	-	-
P.H.F.	-	0.875	-	-	-	0.813	-	-	-	-	-
PM Peak	-	-	01:45	-	-	-	01:00	-	-	-	-
Vol.	-	-	44	-	-	-	44	-	-	-	-
P.H.F.	-	-	0.733	-	-	-	0.647	-	-	-	-
Percentage		38.8%	61.2%			39.1%	60.9%				

Counts Unlimited, Inc.

City of Needles
 3rd Street
 B/ F Street - D Street
 72 Hour Directional Volume Count

PO Box 1178
 Corona, CA 92787
 Phone: (951) 268-6268
 email: counts@countsunlimited.com

NDL013
 Site Code: 166-21325

Start Time	17-Jul-21 Sat	Eastbound		Hour Totals		Westbound		Hour Totals		Combined Totals	
		Morning	Afternoon	Morning	Afternoon	Morning	Afternoon	Morning	Afternoon	Morning	Afternoon
12:00		3	8			1	8				
12:15		0	9			1	10				
12:30		3	9			0	7				
12:45		0	2	6	28	2	8	4	33	10	61
01:00		2	10			0	8				
01:15		2	6			1	2				
01:30		0	9			1	7				
01:45		3	6	7	31	2	7	4	24	11	55
02:00		1	9			0	3				
02:15		0	13			3	4				
02:30		3	3			0	6				
02:45		0	3	4	28	2	4	5	17	9	45
03:00		1	7			1	9				
03:15		1	3			0	3				
03:30		0	3			0	5				
03:45		0	7	2	20	0	12	1	29	3	49
04:00		0	8			1	4				
04:15		0	8			1	8				
04:30		0	8			1	3				
04:45		0	7	0	31	1	7	4	22	4	53
05:00		1	8			0	5				
05:15		0	5			1	7				
05:30		2	6			1	5				
05:45		2	8	5	27	1	4	3	21	8	48
06:00		3	6			3	5				
06:15		1	7			3	8				
06:30		1	6			3	11				
06:45		1	8	6	27	3	8	12	32	18	59
07:00		1	7			1	3				
07:15		2	5			2	2				
07:30		3	4			1	4				
07:45		6	10	12	26	6	6	10	15	22	41
08:00		1	6			4	5				
08:15		3	4			4	3				
08:30		3	1			10	8				
08:45		3	2	10	13	4	7	22	23	32	36
09:00		1	4			2	4				
09:15		2	1			9	4				
09:30		2	2			4	4				
09:45		2	5	7	12	4	3	19	15	26	27
10:00		5	5			12	4				
10:15		11	1			6	4				
10:30		3	4			9	3				
10:45		10	4	29	14	6	4	33	15	62	29
11:00		6	5			10	0				
11:15		3	0			7	2				
11:30		6	0			6	1				
11:45		9	1	24	6	4	1	27	4	51	10
Total		112	263	112	263	144	250	144	250	256	513
Combined Total		375		375		394		394		769	
AM Peak	-	10:15	-	-	-	10:00	-	-	-	-	-
Vol.	-	30	-	-	-	33	-	-	-	-	-
P.H.F.	-	0.682	-	-	-	0.688	-	-	-	-	-
PM Peak	-	-	01:30	-	-	-	12:00	-	-	-	-
Vol.	-	-	37	-	-	-	33	-	-	-	-
P.H.F.	-	-	0.712	-	-	-	0.825	-	-	-	-
Percentage		29.9%	70.1%			36.5%	63.5%				
ADT/AADT		ADT 920		AADT 920							

Counts Unlimited, Inc.

City of Needles
 D Street
 B/ 3rd Street - Valley Avenue
 72 Hour Directional Volume Count

PO Box 1178
 Corona, CA 92787
 Phone: (951) 268-6268
 email: counts@countsunlimited.com

NDL014
 Site Code: 166-21325

Start Time	15-Jul-21 Thu	Northbound		Hour Totals		Southbound		Hour Totals		Combined Totals	
		Morning	Afternoon	Morning	Afternoon	Morning	Afternoon	Morning	Afternoon	Morning	Afternoon
12:00		1	10			3	15				
12:15		0	7			1	9				
12:30		1	11			0	5				
12:45		0	4	2	32	1	7	5	36	7	68
01:00		1	11			1	13				
01:15		0	6			0	8				
01:30		0	3			0	5				
01:45		0	7	1	27	1	6	2	32	3	59
02:00		0	8			3	11				
02:15		3	6			1	6				
02:30		1	6			1	3				
02:45		0	9	4	29	0	7	5	27	9	56
03:00		0	9			1	3				
03:15		2	6			2	4				
03:30		1	5			0	6				
03:45		2	10	5	30	0	7	3	20	8	50
04:00		0	5			2	11				
04:15		2	2			0	4				
04:30		0	6			1	5				
04:45		1	7	3	20	0	14	3	34	6	54
05:00		2	8			0	8				
05:15		2	6			2	5				
05:30		3	8			1	7				
05:45		6	3	13	25	3	4	6	24	19	49
06:00		2	9			4	4				
06:15		2	7			3	6				
06:30		7	5			5	9				
06:45		6	7	17	28	2	7	14	26	31	54
07:00		6	8			7	9				
07:15		11	4			7	7				
07:30		4	5			2	5				
07:45		8	4	29	21	3	5	19	26	48	47
08:00		2	5			4	6				
08:15		6	4			0	3				
08:30		6	3			3	3				
08:45		7	7	21	19	3	9	10	21	31	40
09:00		5	4			13	5				
09:15		9	1			10	4				
09:30		12	4			5	6				
09:45		7	7	33	16	5	4	33	19	66	35
10:00		10	2			5	5				
10:15		8	1			8	4				
10:30		7	2			5	5				
10:45		11	1	36	6	10	2	28	16	64	22
11:00		11	0			5	2				
11:15		9	2			5	2				
11:30		6	0			10	4				
11:45		10	1	36	3	4	1	24	9	60	12
Total		200	256	200	256	152	290	152	290	352	546
Combined Total		456		456		442		442		898	
AM Peak	-	09:15	-	-	-	09:00	-	-	-	-	-
Vol.	-	38	-	-	-	33	-	-	-	-	-
P.H.F.	-	0.792	-	-	-	0.635	-	-	-	-	-
PM Peak	-	-	00:15	-	-	-	12:00	-	-	-	-
Vol.	-	-	33	-	-	-	36	-	-	-	-
P.H.F.	-	-	0.750	-	-	-	0.600	-	-	-	-
Percentage		43.9%	56.1%			34.4%	65.6%				

Counts Unlimited, Inc.

City of Needles
 D Street
 B/ 3rd Street - Valley Avenue
 72 Hour Directional Volume Count

PO Box 1178
 Corona, CA 92787
 Phone: (951) 268-6268
 email: counts@countsunlimited.com

NDL014
 Site Code: 166-21325

Start Time	16-Jul-21 Fri	Northbound		Hour Totals		Southbound		Hour Totals		Combined Totals	
		Morning	Afternoon	Morning	Afternoon	Morning	Afternoon	Morning	Afternoon	Morning	Afternoon
12:00		2	10			2	6				
12:15		1	15			3	9				
12:30		2	6			2	10				
12:45		1	8	6	39	2	8	9	33	15	72
01:00		3	9			0	5				
01:15		1	6			3	6				
01:30		2	14			1	6				
01:45		0	5	6	34	0	11	4	28	10	62
02:00		0	4			2	6				
02:15		2	7			1	6				
02:30		1	12			1	16				
02:45		1	6	4	29	0	9	4	37	8	66
03:00		0	5			0	7				
03:15		1	10			1	7				
03:30		1	7			1	6				
03:45		3	5	5	27	0	12	2	32	7	59
04:00		0	6			1	7				
04:15		0	10			1	3				
04:30		2	4			1	8				
04:45		2	2	4	22	3	3	6	21	10	43
05:00		3	7			1	7				
05:15		2	8			1	8				
05:30		2	6			3	9				
05:45		2	6	9	27	3	6	8	30	17	57
06:00		1	3			3	7				
06:15		5	6			5	4				
06:30		3	5			3	7				
06:45		6	5	15	19	2	2	13	20	28	39
07:00		1	4			5	5				
07:15		7	6			1	12				
07:30		3	5			2	3				
07:45		6	4	17	19	2	7	10	27	27	46
08:00		4	4			4	7				
08:15		5	4			2	4				
08:30		8	4			1	5				
08:45		7	2	24	14	3	6	10	22	34	36
09:00		5	2			4	6				
09:15		4	6			4	2				
09:30		3	7			7	8				
09:45		5	5	17	20	5	7	20	23	37	43
10:00		6	3			7	3				
10:15		6	1			11	5				
10:30		12	4			10	5				
10:45		4	2	28	10	3	5	31	18	59	28
11:00		5	4			10	4				
11:15		9	0			8	5				
11:30		1	5			2	4				
11:45		3	3	18	12	4	3	24	16	42	28
Total		153	272	153	272	141	307	141	307	294	579
Combined Total		425		425		448		448		873	
AM Peak	-	10:30	-	-	-	10:15	-	-	-	-	-
Vol.	-	30	-	-	-	34	-	-	-	-	-
P.H.F.	-	0.625	-	-	-	0.773	-	-	-	-	-
PM Peak	-	-	12:00	-	-	-	01:45	-	-	-	-
Vol.	-	-	39	-	-	-	39	-	-	-	-
P.H.F.	-	-	0.650	-	-	-	0.609	-	-	-	-
Percentage		36.0%	64.0%			31.5%	68.5%				

Counts Unlimited, Inc.

City of Needles
 D Street
 B/ 3rd Street - Valley Avenue
 72 Hour Directional Volume Count

PO Box 1178
 Corona, CA 92787
 Phone: (951) 268-6268
 email: counts@countsunlimited.com

NDL014
 Site Code: 166-21325

Start Time	17-Jul-21 Sat	Northbound		Hour Totals		Southbound		Hour Totals		Combined Totals	
		Morning	Afternoon	Morning	Afternoon	Morning	Afternoon	Morning	Afternoon	Morning	Afternoon
12:00		2	17			2	6				
12:15		2	8			2	3				
12:30		3	5			2	8				
12:45		3	6	10	36	2	6	8	23	18	59
01:00		1	6			2	7				
01:15		2	4			0	5				
01:30		2	4			1	6				
01:45		2	6	7	20	1	5	4	23	11	43
02:00		0	9			2	3				
02:15		2	3			2	10				
02:30		2	5			2	4				
02:45		4	5	8	22	0	7	6	24	14	46
03:00		2	7			1	6				
03:15		0	6			0	6				
03:30		0	7			1	2				
03:45		0	10	2	30	0	7	2	21	4	51
04:00		0	10			0	6				
04:15		1	4			0	4				
04:30		0	7			0	10				
04:45		3	7	4	28	1	10	1	30	5	58
05:00		0	5			0	4				
05:15		2	8			2	8				
05:30		1	5			1	3				
05:45		1	6	4	24	1	4	4	19	8	43
06:00		0	7			6	7				
06:15		5	3			2	7				
06:30		7	8			4	3				
06:45		2	5	14	23	5	9	17	26	31	49
07:00		4	2			3	5				
07:15		4	4			4	7				
07:30		2	2			1	1				
07:45		3	4	13	12	0	8	8	21	21	33
08:00		4	4			2	6				
08:15		3	5			0	7				
08:30		8	7			3	0				
08:45		3	5	18	21	3	9	8	22	26	43
09:00		3	4			0	5				
09:15		7	4			1	4				
09:30		4	7			3	2				
09:45		5	4	19	19	1	6	5	17	24	36
10:00		6	4			3	4				
10:15		8	4			10	5				
10:30		6	4			2	5				
10:45		4	7	24	19	7	5	22	19	46	38
11:00		13	0			7	5				
11:15		3	1			5	4				
11:30		4	2			5	0				
11:45		7	2	27	5	7	1	24	10	51	15
Total		150	259	150	259	109	255	109	255	259	514
Combined Total		409		409		364		364		773	
AM Peak	-	10:15	-	-	-	10:15	-	-	-	-	-
Vol.	-	31	-	-	-	26	-	-	-	-	-
P.H.F.	-	0.596	-	-	-	0.650	-	-	-	-	-
PM Peak	-	-	12:00	-	-	-	04:30	-	-	-	-
Vol.	-	-	36	-	-	-	32	-	-	-	-
P.H.F.	-	-	0.529	-	-	-	0.800	-	-	-	-
Percentage		36.7%	63.3%			29.9%	70.1%				
ADT/AADT		ADT 848		AADT 848							

Counts Unlimited, Inc.

City of Needles
 Bailey Avenue
 B/ Washington Street - J Street
 72 Hour Directional Volume Count

PO Box 1178
 Corona, CA 92787
 Phone: (951) 268-6268
 email: counts@countsunlimited.com

NDL015
 Site Code: 166-21325

Start Time	15-Jul-21 Thu	Northbound		Hour Totals		Southbound		Hour Totals		Combined Totals	
		Morning	Afternoon	Morning	Afternoon	Morning	Afternoon	Morning	Afternoon	Morning	Afternoon
12:00		0	9			0	4				
12:15		1	4			1	6				
12:30		1	1			0	7				
12:45		1	8	3	22	0	10	1	27	4	49
01:00		1	4			0	8				
01:15		0	7			0	3				
01:30		0	4			2	6				
01:45		1	6	2	21	1	5	3	22	5	43
02:00		2	4			0	5				
02:15		0	2			0	5				
02:30		0	7			0	2				
02:45		0	2	2	15	0	8	0	20	2	35
03:00		0	6			1	6				
03:15		0	3			0	5				
03:30		0	4			0	5				
03:45		1	7	1	20	0	2	1	18	2	38
04:00		1	3			1	2				
04:15		2	7			0	9				
04:30		0	5			2	2				
04:45		0	7	3	22	1	7	4	20	7	42
05:00		1	15			2	11				
05:15		4	5			0	4				
05:30		0	3			2	10				
05:45		4	9	9	32	7	7	11	32	20	64
06:00		2	6			1	4				
06:15		1	7			2	5				
06:30		3	2			5	6				
06:45		3	2	9	17	4	2	12	17	21	34
07:00		4	8			1	6				
07:15		2	6			6	17				
07:30		3	7			5	9				
07:45		4	2	13	23	0	4	12	36	25	59
08:00		5	4			6	7				
08:15		3	4			6	6				
08:30		2	0			3	1				
08:45		9	4	19	12	4	3	19	17	38	29
09:00		6	1			8	1				
09:15		8	3			5	0				
09:30		4	1			5	2				
09:45		7	2	25	7	8	3	26	6	51	13
10:00		2	4			6	3				
10:15		4	1			10	5				
10:30		1	3			3	2				
10:45		3	1	10	9	3	1	22	11	32	20
11:00		9	1			8	2				
11:15		5	1			11	0				
11:30		7	2			10	2				
11:45		5	1	26	5	5	0	34	4	60	9
Total		122	205	122	205	145	230	145	230	267	435
Combined Total		327		327		375		375		702	
AM Peak	-	08:45	-	-	-	11:00	-	-	-	-	-
Vol.	-	27	-	-	-	34	-	-	-	-	-
P.H.F.	-	0.750	-	-	-	0.773	-	-	-	-	-
PM Peak	-	-	04:15	-	-	-	07:15	-	-	-	-
Vol.	-	-	34	-	-	-	37	-	-	-	-
P.H.F.	-	-	0.567	-	-	-	0.544	-	-	-	-
Percentage		37.3%	62.7%			38.7%	61.3%				

Counts Unlimited, Inc.

City of Needles
 Bailey Avenue
 B/ Washington Street - J Street
 72 Hour Directional Volume Count

PO Box 1178
 Corona, CA 92787
 Phone: (951) 268-6268
 email: counts@countsunlimited.com

NDL015
 Site Code: 166-21325

Start Time	16-Jul-21 Fri	Northbound		Hour Totals		Southbound		Hour Totals		Combined Totals	
		Morning	Afternoon	Morning	Afternoon	Morning	Afternoon	Morning	Afternoon	Morning	Afternoon
12:00		4	6			2	6				
12:15		1	6			3	5				
12:30		0	9			0	5				
12:45		0	4	5	25	0	4	5	20	10	45
01:00		0	7			0	6				
01:15		0	2			1	7				
01:30		1	1			1	4				
01:45		1	10	2	20	1	12	3	29	5	49
02:00		0	8			0	5				
02:15		0	5			1	5				
02:30		0	9			1	3				
02:45		0	6	0	28	2	6	4	19	4	47
03:00		1	7			1	9				
03:15		1	5			0	2				
03:30		0	7			2	2				
03:45		0	4	2	23	0	6	3	19	5	42
04:00		1	4			0	2				
04:15		0	4			2	4				
04:30		0	4			1	3				
04:45		1	4	2	16	0	9	3	18	5	34
05:00		0	6			1	4				
05:15		2	6			4	2				
05:30		0	1			0	4				
05:45		1	1	3	14	2	6	7	16	10	30
06:00		1	5			4	7				
06:15		0	5			0	4				
06:30		2	2			2	2				
06:45		0	4	3	16	1	4	7	17	10	33
07:00		4	3			6	3				
07:15		1	9			6	5				
07:30		1	3			2	3				
07:45		0	3	6	18	6	2	20	13	26	31
08:00		5	6			7	7				
08:15		1	3			2	2				
08:30		4	4			3	3				
08:45		6	2	16	15	3	6	15	18	31	33
09:00		2	2			3	3				
09:15		1	3			5	1				
09:30		5	1			5	2				
09:45		7	1	15	7	3	2	16	8	31	15
10:00		6	4			4	2				
10:15		4	3			5	3				
10:30		3	2			5	2				
10:45		3	7	16	16	9	4	23	11	39	27
11:00		5	1			5	2				
11:15		5	3			1	0				
11:30		5	1			9	0				
11:45		8	2	23	7	16	2	31	4	54	11
Total		93	205	93	205	137	192	137	192	230	397
Combined Total		298		298		329		329		627	
AM Peak	-	11:00	-	-	-	11:00	-	-	-	-	-
Vol.	-	23	-	-	-	31	-	-	-	-	-
P.H.F.	-	0.719	-	-	-	0.484	-	-	-	-	-
PM Peak	-	-	01:45	-	-	-	01:00	-	-	-	-
Vol.	-	-	32	-	-	-	29	-	-	-	-
P.H.F.	-	-	0.800	-	-	-	0.604	-	-	-	-
Percentage		31.2%	68.8%			41.6%	58.4%				

Counts Unlimited, Inc.

City of Needles
 Bailey Avenue
 B/ Washington Street - J Street
 72 Hour Directional Volume Count

PO Box 1178
 Corona, CA 92787
 Phone: (951) 268-6268
 email: counts@countsunlimited.com

NDL015
 Site Code: 166-21325

Start Time	17-Jul-21 Sat	Northbound		Hour Totals		Southbound		Hour Totals		Combined Totals	
		Morning	Afternoon	Morning	Afternoon	Morning	Afternoon	Morning	Afternoon	Morning	Afternoon
12:00		0	7			0	3				
12:15		1	2			1	6				
12:30		0	1			1	4				
12:45		0	2	1	12	0	8	2	21	3	33
01:00		1	7			0	4				
01:15		0	5			0	7				
01:30		1	5			0	5				
01:45		1	2	3	19	3	3	3	19	6	38
02:00		0	6			0	6				
02:15		3	3			0	5				
02:30		0	4			2	2				
02:45		0	6	3	19	0	1	2	14	5	33
03:00		1	6			0	10				
03:15		0	2			0	2				
03:30		0	4			0	3				
03:45		0	5	1	17	1	2	1	17	2	34
04:00		1	7			0	4				
04:15		0	6			1	8				
04:30		3	3			5	4				
04:45		2	4	6	20	1	5	7	21	13	41
05:00		0	4			3	3				
05:15		1	2			1	4				
05:30		1	3			0	6				
05:45		0	3	2	12	2	4	6	17	8	29
06:00		1	4			0	8				
06:15		1	2			1	3				
06:30		0	1			0	3				
06:45		0	2	2	9	2	2	3	16	5	25
07:00		2	3			0	1				
07:15		1	3			1	5				
07:30		2	4			2	3				
07:45		2	8	7	18	1	2	4	11	11	29
08:00		3	1			2	3				
08:15		0	1			2	2				
08:30		2	2			3	3				
08:45		1	0	6	4	8	7	15	15	21	19
09:00		2	1			4	1				
09:15		3	2			0	2				
09:30		2	4			1	1				
09:45		5	1	12	8	7	3	12	7	24	15
10:00		11	2			6	3				
10:15		1	6			4	8				
10:30		2	5			4	6				
10:45		5	0	19	13	3	1	17	18	36	31
11:00		6	2			3	1				
11:15		4	3			5	2				
11:30		5	1			4	4				
11:45		3	2	18	8	2	1	14	8	32	16
Total		80	159	80	159	86	184	86	184	166	343
Combined Total		239		239		270		270		509	
AM Peak	-	09:15	-	-	-	09:45	-	-	-	-	-
Vol.	-	21	-	-	-	21	-	-	-	-	-
P.H.F.	-	0.477	-	-	-	0.750	-	-	-	-	-
PM Peak	-	-	03:30	-	-	-	00:45	-	-	-	-
Vol.	-	-	22	-	-	-	24	-	-	-	-
P.H.F.	-	-	0.786	-	-	-	0.750	-	-	-	-
Percentage		33.5%	66.5%			31.9%	68.1%				
ADT/AADT		ADT 613		AADT 613							

Counts Unlimited, Inc.

City of Needles
 Bailey Avenue
 B/ J Street - Lillyhill Drive
 72 Hour Directional Volume Count

PO Box 1178
 Corona, CA 92787
 Phone: (951) 268-6268
 email: counts@countsunlimited.com

NDL016
 Site Code: 166-21325

Start Time	15-Jul-21 Thu	Northbound		Hour Totals		Southbound		Hour Totals		Combined Totals	
		Morning	Afternoon	Morning	Afternoon	Morning	Afternoon	Morning	Afternoon	Morning	Afternoon
12:00		8	36			4	14				
12:15		2	11			2	10				
12:30		0	20			2	12				
12:45		2	15	12	82	1	20	9	56	21	138
01:00		2	18			0	36				
01:15		1	22			0	19				
01:30		5	14			1	20				
01:45		2	21	10	75	1	13	2	88	12	163
02:00		4	22			0	19				
02:15		0	8			1	13				
02:30		0	25			0	12				
02:45		1	10	5	65	3	15	4	59	9	124
03:00		0	17			0	18				
03:15		0	34			0	26				
03:30		5	21			2	22				
03:45		2	22	7	94	0	23	2	89	9	183
04:00		1	22			1	28				
04:15		2	30			0	19				
04:30		3	29			2	19				
04:45		5	32	11	113	5	22	8	88	19	201
05:00		12	28			8	27				
05:15		16	32			2	21				
05:30		14	14			5	21				
05:45		16	19	58	93	5	21	20	90	78	183
06:00		9	35			7	17				
06:15		7	24			6	20				
06:30		10	13			6	12				
06:45		14	18	40	90	12	16	31	65	71	155
07:00		14	21			6	13				
07:15		19	18			9	18				
07:30		13	12			11	10				
07:45		24	14	70	65	18	12	44	53	114	118
08:00		11	10			10	20				
08:15		14	8			17	13				
08:30		36	8			12	11				
08:45		18	8	79	34	11	11	50	55	129	89
09:00		22	9			7	17				
09:15		15	7			14	11				
09:30		16	6			16	12				
09:45		15	10	68	32	18	10	55	50	123	82
10:00		18	5			14	5				
10:15		12	1			15	0				
10:30		26	4			18	6				
10:45		22	5	78	15	13	5	60	16	138	31
11:00		22	8			19	6				
11:15		24	8			25	9				
11:30		22	2			15	2				
11:45		19	2	87	20	17	6	76	23	163	43
Total		525	778	525	778	361	732	361	732	886	1510
Combined Total		1303		1303		1093		1093		2396	
AM Peak	-	10:30	-	-	-	11:00	-	-	-	-	-
Vol.	-	94	-	-	-	76	-	-	-	-	-
P.H.F.	-	0.904	-	-	-	0.760	-	-	-	-	-
PM Peak	-	-	04:30	-	-	-	03:15	-	-	-	-
Vol.	-	-	121	-	-	-	99	-	-	-	-
P.H.F.	-	-	0.945	-	-	-	0.688	-	-	-	-
Percentage		40.3%	59.7%			33.0%	67.0%				

Counts Unlimited, Inc.

City of Needles
 Bailey Avenue
 B/ J Street - Lillyhill Drive
 72 Hour Directional Volume Count

PO Box 1178
 Corona, CA 92787
 Phone: (951) 268-6268
 email: counts@countsunlimited.com

NDL016
 Site Code: 166-21325

Start Time	16-Jul-21 Fri	Northbound		Hour Totals		Southbound		Hour Totals		Combined Totals	
		Morning	Afternoon	Morning	Afternoon	Morning	Afternoon	Morning	Afternoon	Morning	Afternoon
12:00		5	20			9	17				
12:15		0	23			3	12				
12:30		0	20			0	19				
12:45		0	27	5	90	3	21	15	69	20	159
01:00		0	21			0	16				
01:15		0	10			2	10				
01:30		3	19			3	15				
01:45		3	37	6	87	1	17	6	58	12	145
02:00		0	12			2	22				
02:15		2	18			0	16				
02:30		0	26			1	24				
02:45		0	23	2	79	2	22	5	84	7	163
03:00		1	17			3	18				
03:15		1	20			1	18				
03:30		1	23			2	9				
03:45		1	23	4	83	0	11	6	56	10	139
04:00		1	18			0	19				
04:15		3	19			1	9				
04:30		6	22			4	20				
04:45		7	29	17	88	2	23	7	71	24	159
05:00		4	26			5	18				
05:15		17	26			0	14				
05:30		10	19			4	15				
05:45		5	19	36	90	5	20	14	67	50	157
06:00		7	14			5	17				
06:15		3	21			5	13				
06:30		10	21			10	17				
06:45		8	14	28	70	6	10	26	57	54	127
07:00		17	27			6	16				
07:15		22	17			14	12				
07:30		11	9			17	17				
07:45		20	13	70	66	15	13	52	58	122	124
08:00		22	10			13	13				
08:15		16	10			12	17				
08:30		20	6			15	11				
08:45		17	7	75	33	11	9	51	50	126	83
09:00		14	14			16	11				
09:15		18	5			17	17				
09:30		16	7			22	13				
09:45		21	12	69	38	22	8	77	49	146	87
10:00		26	15			13	18				
10:15		18	5			15	8				
10:30		15	9			20	5				
10:45		26	9	85	38	22	12	70	43	155	81
11:00		20	3			9	6				
11:15		20	2			20	3				
11:30		25	3			17	3				
11:45		24	3	89	11	12	5	58	17	147	28
Total		486	773	486	773	387	679	387	679	873	1452
Combined Total			1259		1259		1066		1066		2325
AM Peak	-	10:45	-	-	-	09:00	-	-	-	-	-
Vol.	-	91	-	-	-	77	-	-	-	-	-
P.H.F.		0.875				0.875					
PM Peak	-	-	04:30	-	-	-	02:00	-	-	-	-
Vol.	-	-	103	-	-	-	84	-	-	-	-
P.H.F.			0.888				0.875				
Percentage			38.6%		61.4%		36.3%		63.7%		

Counts Unlimited, Inc.

City of Needles
 Bailey Avenue
 B/ J Street - Lillyhill Drive
 72 Hour Directional Volume Count

PO Box 1178
 Corona, CA 92787
 Phone: (951) 268-6268
 email: counts@countsunlimited.com

NDL016
 Site Code: 166-21325

Start Time	17-Jul-21 Sat	Northbound		Hour Totals		Southbound		Hour Totals		Combined Totals	
		Morning	Afternoon	Morning	Afternoon	Morning	Afternoon	Morning	Afternoon	Morning	Afternoon
12:00		3	17			4	6				
12:15		0	15			2	19				
12:30		2	14			3	13				
12:45		0	20	5	66	4	18	13	56	18	122
01:00		4	14			3	14				
01:15		4	16			4	15				
01:30		3	5			3	6				
01:45		3	13	14	48	5	8	15	43	29	91
02:00		1	19			2	9				
02:15		1	7			3	12				
02:30		4	25			2	11				
02:45		1	13	7	64	3	19	10	51	17	115
03:00		2	13			1	15				
03:15		0	9			1	11				
03:30		2	15			0	11				
03:45		4	14	8	51	1	16	3	53	11	104
04:00		1	12			2	8				
04:15		2	11			0	16				
04:30		1	14			3	20				
04:45		3	12	7	49	3	16	8	60	15	109
05:00		8	13			3	12				
05:15		1	11			3	11				
05:30		9	8			3	18				
05:45		7	22	25	54	0	16	9	57	34	111
06:00		12	10			2	14				
06:15		4	15			0	15				
06:30		7	12			3	14				
06:45		6	21	29	58	5	10	10	53	39	111
07:00		9	11			1	10				
07:15		13	8			3	10				
07:30		12	11			4	13				
07:45		9	13	43	43	4	6	12	39	55	82
08:00		8	18			5	14				
08:15		14	12			9	13				
08:30		15	12			6	12				
08:45		13	5	50	47	9	9	29	48	79	95
09:00		7	9			11	11				
09:15		15	8			6	11				
09:30		10	7			6	12				
09:45		12	8	44	32	11	17	34	51	78	83
10:00		16	8			11	4				
10:15		17	11			11	11				
10:30		11	10			9	10				
10:45		20	3	64	32	8	9	39	34	103	66
11:00		7	6			20	5				
11:15		8	4			15	7				
11:30		8	8			6	5				
11:45		12	2	35	20	8	5	49	22	84	42
Total		331	564	331	564	231	567	231	567	562	1131
Combined Total		895		895		798		798		1693	
AM Peak	-	10:00	-	-	-	10:30	-	-	-	-	-
Vol.	-	64	-	-	-	52	-	-	-	-	-
P.H.F.	-	0.800	-	-	-	0.650	-	-	-	-	-
PM Peak	-	-	12:00	-	-	-	00:15	-	-	-	-
Vol.	-	-	66	-	-	-	64	-	-	-	-
P.H.F.	-	-	0.825	-	-	-	0.842	-	-	-	-
Percentage		37.0%	63.0%			28.9%	71.1%				
ADT/AADT		ADT 2,138		AADT 2,138							

Counts Unlimited, Inc.

City of Needles
 Lillyhill Drive
 B/ Bailey Avenue - Clay Drive
 72 Hour Directional Volume Count

PO Box 1178
 Corona, CA 92787
 Phone: (951) 268-6268
 email: counts@countsunlimited.com

NDL017
 Site Code: 166-21325

Start Time	15-Jul-21 Thu	Northbound		Hour Totals		Southbound		Hour Totals		Combined Totals	
		Morning	Afternoon	Morning	Afternoon	Morning	Afternoon	Morning	Afternoon	Morning	Afternoon
12:00		2	10			4	15				
12:15		1	8			2	5				
12:30		0	16			0	15				
12:45		1	14	4	48	1	15	7	50	11	98
01:00		0	23			0	13				
01:15		0	13			2	12				
01:30		1	12			2	11				
01:45		1	11	2	59	2	15	6	51	8	110
02:00		0	15			1	14				
02:15		0	11			0	9				
02:30		0	8			0	13				
02:45		3	15	3	49	1	9	2	45	5	94
03:00		0	14			0	11				
03:15		0	20			0	18				
03:30		0	24			2	12				
03:45		0	19	0	77	2	14	4	55	4	132
04:00		1	25			0	17				
04:15		0	14			1	21				
04:30		0	18			1	19				
04:45		0	18	1	75	6	18	8	75	9	150
05:00		6	27			8	18				
05:15		2	16			10	11				
05:30		1	14			10	11				
05:45		2	16	11	73	5	15	33	55	44	128
06:00		3	13			4	21				
06:15		3	17			7	15				
06:30		4	10			8	14				
06:45		7	14	17	54	8	14	27	64	44	118
07:00		5	11			9	9				
07:15		7	16			14	11				
07:30		4	11			14	8				
07:45		10	8	26	46	20	12	57	40	83	86
08:00		5	16			10	6				
08:15		14	11			11	7				
08:30		9	8			18	10				
08:45		13	12	41	47	10	6	49	29	90	76
09:00		5	7			13	7				
09:15		9	10			12	7				
09:30		18	8			15	4				
09:45		12	7	44	32	12	5	52	23	96	55
10:00		13	5			13	8				
10:15		13	0			11	1				
10:30		13	8			18	5				
10:45		9	6	48	19	18	3	60	17	108	36
11:00		14	4			11	6				
11:15		15	8			12	3				
11:30		13	7			10	4				
11:45		14	7	56	26	16	1	49	14	105	40
Total		253	605	253	605	354	518	354	518	607	1123
Combined Total		858		858		872		872		1730	
AM Peak	-	09:30	-	-	-	10:00	-	-	-	-	-
Vol.	-	56	-	-	-	60	-	-	-	-	-
P.H.F.	-	0.778	-	-	-	0.833	-	-	-	-	-
PM Peak	-	-	03:15	-	-	-	04:15	-	-	-	-
Vol.	-	-	88	-	-	-	76	-	-	-	-
P.H.F.	-	-	0.880	-	-	-	0.905	-	-	-	-
Percentage		29.5%	70.5%			40.6%	59.4%				

Counts Unlimited, Inc.

City of Needles
 Lillyhill Drive
 B/ Bailey Avenue - Clay Drive
 72 Hour Directional Volume Count

PO Box 1178
 Corona, CA 92787
 Phone: (951) 268-6268
 email: counts@countsunlimited.com

NDL017
 Site Code: 166-21325

Start Time	16-Jul-21 Fri	Northbound		Hour Totals		Southbound		Hour Totals		Combined Totals	
		Morning	Afternoon	Morning	Afternoon	Morning	Afternoon	Morning	Afternoon	Morning	Afternoon
12:00		9	14			5	15				
12:15		3	13			2	12				
12:30		0	15			0	14				
12:45		4	9	16	51	0	14	7	55	23	106
01:00		0	14			0	13				
01:15		2	15			1	12				
01:30		5	12			1	13				
01:45		0	15	7	56	2	25	4	63	11	119
02:00		0	15			0	12				
02:15		0	16			1	6				
02:30		3	17			0	16				
02:45		2	20	5	68	0	17	1	51	6	119
03:00		3	15			1	17				
03:15		0	12			1	14				
03:30		1	9			0	14				
03:45		0	9	4	45	3	15	5	60	9	105
04:00		0	23			0	15				
04:15		2	8			2	15				
04:30		5	11			8	8				
04:45		2	18	9	60	5	10	15	48	24	108
05:00		5	14			4	19				
05:15		1	15			12	14				
05:30		2	12			6	14				
05:45		2	18	10	59	5	15	27	62	37	121
06:00		3	18			6	13				
06:15		4	13			2	10				
06:30		7	13			9	16				
06:45		6	9	20	53	9	8	26	47	46	100
07:00		3	11			13	15				
07:15		8	7			12	10				
07:30		8	14			3	7				
07:45		6	13	25	45	16	12	44	44	69	89
08:00		7	7			14	9				
08:15		7	12			10	6				
08:30		4	12			12	5				
08:45		6	10	24	41	11	10	47	30	71	71
09:00		10	15			13	7				
09:15		12	14			10	2				
09:30		9	11			10	5				
09:45		15	8	46	48	13	8	46	22	92	70
10:00		7	15			16	6				
10:15		13	8			14	9				
10:30		13	9			9	7				
10:45		13	9	46	41	10	6	49	28	95	69
11:00		6	6			18	4				
11:15		12	3			13	2				
11:30		9	2			9	2				
11:45		10	5	37	16	11	2	51	10	88	26
Total		249	583	249	583	322	520	322	520	571	1103
Combined Total		832		832		842		842		1674	
AM Peak	-	09:45	-	-	-	09:30	-	-	-	-	-
Vol.	-	48	-	-	-	53	-	-	-	-	-
P.H.F.	-	0.800	-	-	-	0.828	-	-	-	-	-
PM Peak	-	-	02:00	-	-	-	02:30	-	-	-	-
Vol.	-	-	68	-	-	-	64	-	-	-	-
P.H.F.	-	-	0.850	-	-	-	0.640	-	-	-	-
Percentage		29.9%	70.1%			38.2%	61.8%				

Counts Unlimited, Inc.

City of Needles
Lillyhill Drive
B/ Bailey Avenue - Clay Drive
72 Hour Directional Volume Count

PO Box 1178
Corona, CA 92787
Phone: (951) 268-6268
email: counts@countsunlimited.com

NDL017
Site Code: 166-21325

Start Time	17-Jul-21 Sat	Northbound		Hour Totals		Southbound		Hour Totals		Combined Totals	
		Morning	Afternoon	Morning	Afternoon	Morning	Afternoon	Morning	Afternoon	Morning	Afternoon
12:00		5	11			1	16				
12:15		1	14			1	9				
12:30		4	14			1	9				
12:45		4	12	14	51	1	17	4	51	18	102
01:00		1	16			2	9				
01:15		3	11			3	12				
01:30		4	5			1	8				
01:45		2	10	10	42	1	10	7	39	17	81
02:00		1	7			0	9				
02:15		3	15			0	13				
02:30		4	8			1	10				
02:45		1	16	9	46	2	9	3	41	12	87
03:00		0	11			0	14				
03:15		0	10			0	6				
03:30		0	14			1	13				
03:45		1	5	1	40	2	12	3	45	4	85
04:00		0	7			0	9				
04:15		0	14			1	9				
04:30		1	14			1	14				
04:45		2	17	3	52	3	10	5	42	8	94
05:00		1	15			1	8				
05:15		3	8			5	9				
05:30		2	21			5	14				
05:45		2	11	8	55	3	10	14	41	22	96
06:00		2	10			6	11				
06:15		0	14			4	9				
06:30		2	15			7	14				
06:45		3	7	7	46	5	10	22	44	29	90
07:00		1	13			6	11				
07:15		3	8			9	8				
07:30		2	12			6	4				
07:45		2	6	8	39	4	9	25	32	33	71
08:00		3	11			6	11				
08:15		8	12			8	11				
08:30		5	10			8	6				
08:45		7	8	23	41	13	7	35	35	58	76
09:00		9	12			4	8				
09:15		7	12			10	6				
09:30		3	9			6	7				
09:45		11	12	30	45	11	3	31	24	61	69
10:00		9	6			13	9				
10:15		7	12			14	9				
10:30		13	12			8	5				
10:45		9	6	38	36	11	4	46	27	84	63
11:00		19	5			6	8				
11:15		11	7			12	2				
11:30		8	6			9	4				
11:45		3	4	41	22	7	2	34	16	75	38
Total		192	515	192	515	229	437	229	437	421	952
Combined Total		707		707		666		666		1373	
AM Peak	-	10:30	-	-	-	09:45	-	-	-	-	-
Vol.	-	52	-	-	-	46	-	-	-	-	-
P.H.F.	-	0.684	-	-	-	0.821	-	-	-	-	-
PM Peak	-	-	04:45	-	-	-	12:00	-	-	-	-
Vol.	-	-	61	-	-	-	51	-	-	-	-
P.H.F.	-	-	0.726	-	-	-	0.750	-	-	-	-
Percentage		27.2%	72.8%			34.4%	65.6%				
ADT/AADT		ADT 1,592		AADT 1,592							

Counts Unlimited, Inc.

City of Needles
 San Clemente Street
 B/ Clay Drive - Interstate 40 Ramps
 72 Hour Directional Volume Count

PO Box 1178
 Corona, CA 92787
 Phone: (951) 268-6268
 email: counts@countsunlimited.com

NDL018
 Site Code: 166-21325

Start Time	15-Jul-21 Thu	Eastbound		Hour Totals		Westbound		Hour Totals		Combined Totals	
		Morning	Afternoon	Morning	Afternoon	Morning	Afternoon	Morning	Afternoon	Morning	Afternoon
12:00		0	1			2	5				
12:15		0	4			1	1				
12:30		0	2			0	0				
12:45		1	3	1	10	0	7	3	13	4	23
01:00		0	3			0	4				
01:15		0	2			0	2				
01:30		0	2			0	2				
01:45		0	3	0	10	1	3	1	11	1	21
02:00		0	4			0	3				
02:15		0	5			0	5				
02:30		1	7			0	2				
02:45		0	4	1	20	0	3	0	13	1	33
03:00		0	2			0	1				
03:15		0	8			1	6				
03:30		0	4			0	3				
03:45		0	3	0	17	0	4	1	14	1	31
04:00		0	2			1	6				
04:15		1	2			0	7				
04:30		2	3			0	3				
04:45		0	5	3	12	0	0	1	16	4	28
05:00		0	7			1	5				
05:15		4	6			0	7				
05:30		2	2			0	13				
05:45		3	2	9	17	0	3	1	28	10	45
06:00		1	5			1	2				
06:15		3	5			1	0				
06:30		3	5			1	5				
06:45		2	4	9	19	1	3	4	10	13	29
07:00		3	4			2	4				
07:15		5	6			6	4				
07:30		2	4			3	10				
07:45		5	3	15	17	5	5	16	23	31	40
08:00		1	3			3	1				
08:15		3	1			7	5				
08:30		2	1			2	2				
08:45		5	3	11	8	1	4	13	12	24	20
09:00		3	0			5	3				
09:15		4	0			1	2				
09:30		3	2			6	1				
09:45		5	1	15	3	5	1	17	7	32	10
10:00		5	0			2	1				
10:15		6	1			3	0				
10:30		5	4			4	2				
10:45		4	0	20	5	1	1	10	4	30	9
11:00		6	0			4	0				
11:15		4	4			5	1				
11:30		3	1			4	1				
11:45		6	4	19	9	1	1	14	3	33	12
Total		103	147	103	147	81	154	81	154	184	301
Combined Total		250		250		235		235		485	
AM Peak	-	09:45	-	-	-	07:30	-	-	-	-	-
Vol.	-	21	-	-	-	18	-	-	-	-	-
P.H.F.		0.875				0.643					
PM Peak	-	-	02:30	-	-	-	05:00	-	-	-	-
Vol.	-	-	21	-	-	-	28	-	-	-	-
P.H.F.			0.656				0.538				
Percentage		41.2%	58.8%			34.5%	65.5%				

Counts Unlimited, Inc.

City of Needles
 San Clemente Street
 B/ Clay Drive - Interstate 40 Ramps
 72 Hour Directional Volume Count

PO Box 1178
 Corona, CA 92787
 Phone: (951) 268-6268
 email: counts@countsunlimited.com

NDL018
 Site Code: 166-21325

Start Time	16-Jul-21 Fri	Eastbound		Hour Totals		Westbound		Hour Totals		Combined Totals	
		Morning	Afternoon	Morning	Afternoon	Morning	Afternoon	Morning	Afternoon	Morning	Afternoon
12:00		0	5			0	7				
12:15		1	3			0	1				
12:30		0	5			0	3				
12:45		0	3	1	16	2	6	2	17	3	33
01:00		0	3			0	5				
01:15		0	2			2	6				
01:30		2	3			0	3				
01:45		0	5	2	13	0	5	2	19	4	32
02:00		0	6			0	5				
02:15		0	6			0	4				
02:30		0	3			0	1				
02:45		0	4	0	19	0	4	0	14	0	33
03:00		0	3			2	4				
03:15		0	3			0	7				
03:30		0	3			0	4				
03:45		0	4	0	13	0	10	2	25	2	38
04:00		0	6			1	6				
04:15		1	4			0	7				
04:30		1	5			1	5				
04:45		3	2	5	17	0	4	2	22	7	39
05:00		1	2			1	4				
05:15		1	3			0	8				
05:30		7	1			0	5				
05:45		2	4	11	10	1	0	2	17	13	27
06:00		2	2			4	3				
06:15		2	6			1	2				
06:30		1	6			2	5				
06:45		2	2	7	16	1	5	8	15	15	31
07:00		6	6			2	4				
07:15		2	2			2	2				
07:30		3	3			3	6				
07:45		4	1	15	12	4	5	11	17	26	29
08:00		4	4			5	4				
08:15		2	5			6	3				
08:30		1	2			5	5				
08:45		6	4	13	15	1	4	17	16	30	31
09:00		4	4			6	0				
09:15		4	1			3	6				
09:30		0	0			3	0				
09:45		9	1	17	6	6	1	18	7	35	13
10:00		1	2			4	4				
10:15		5	2			5	1				
10:30		2	2			5	2				
10:45		4	2	12	8	3	0	17	7	29	15
11:00		3	2			6	2				
11:15		2	3			1	3				
11:30		3	1			2	1				
11:45		5	0	13	6	5	1	14	7	27	13
Total		96	151	96	151	95	183	95	183	191	334
Combined Total		247		247		278		278		525	
AM Peak	-	09:00	-	-	-	07:45	-	-	-	-	-
Vol.	-	17	-	-	-	20	-	-	-	-	-
P.H.F.	-	0.472	-	-	-	0.833	-	-	-	-	-
PM Peak	-	-	01:30	-	-	-	03:45	-	-	-	-
Vol.	-	-	20	-	-	-	28	-	-	-	-
P.H.F.	-	-	0.833	-	-	-	0.700	-	-	-	-
Percentage		38.9%	61.1%			34.2%	65.8%				

Counts Unlimited, Inc.

City of Needles
 San Clemente Street
 B/ Clay Drive - Interstate 40 Ramps
 72 Hour Directional Volume Count

PO Box 1178
 Corona, CA 92787
 Phone: (951) 268-6268
 email: counts@countsunlimited.com

NDL018
 Site Code: 166-21325

Start Time	17-Jul-21 Sat	Eastbound		Hour Totals		Westbound		Hour Totals		Combined Totals	
		Morning	Afternoon	Morning	Afternoon	Morning	Afternoon	Morning	Afternoon	Morning	Afternoon
12:00		3	4			1	4				
12:15		2	7			2	2				
12:30		2	2			2	1				
12:45		1	1	8	14	2	2	7	9	15	23
01:00		1	3			2	3				
01:15		0	2			0	1				
01:30		0	2			0	6				
01:45		0	4	1	11	0	6	2	16	3	27
02:00		0	1			1	6				
02:15		2	5			2	6				
02:30		1	4			1	6				
02:45		1	1	4	11	1	3	5	21	9	32
03:00		0	2			0	2				
03:15		0	2			0	5				
03:30		0	6			0	4				
03:45		0	3	0	13	0	5	0	16	0	29
04:00		0	0			0	4				
04:15		0	3			0	7				
04:30		2	5			0	5				
04:45		0	6	2	14	0	8	0	24	2	38
05:00		0	4			0	2				
05:15		3	4			1	3				
05:30		1	2			0	5				
05:45		3	4	7	14	0	1	1	11	8	25
06:00		1	3			3	2				
06:15		0	3			3	3				
06:30		1	3			2	4				
06:45		1	1	3	10	1	4	9	13	12	23
07:00		4	1			0	1				
07:15		0	5			3	4				
07:30		4	5			0	3				
07:45		2	2	10	13	0	3	3	11	13	24
08:00		3	1			2	4				
08:15		2	2			5	6				
08:30		2	0			2	3				
08:45		3	1	10	4	1	2	10	15	20	19
09:00		4	2			2	2				
09:15		0	0			7	3				
09:30		6	1			0	3				
09:45		4	4	14	7	5	4	14	12	28	19
10:00		6	2			6	4				
10:15		5	2			1	2				
10:30		3	2			3	1				
10:45		2	1	16	7	2	1	12	8	28	15
11:00		3	2			3	2				
11:15		6	0			3	0				
11:30		0	0			1	1				
11:45		3	0	12	2	0	1	7	4	19	6
Total		87	120	87	120	70	160	70	160	157	280
Combined Total		207		207		230		230		437	
AM Peak	-	09:30	-	-	-	09:15	-	-	-	-	-
Vol.	-	21	-	-	-	18	-	-	-	-	-
P.H.F.	-	0.875	-	-	-	0.643	-	-	-	-	-
PM Peak	-	-	04:30	-	-	-	01:30	-	-	-	-
Vol.	-	-	19	-	-	-	24	-	-	-	-
P.H.F.	-	-	0.792	-	-	-	1.000	-	-	-	-
Percentage		42.0%	58.0%			30.4%	69.6%				
ADT/AADT		ADT 482		AADT 482							

Counts Unlimited, Inc.

City of Needles
 East Broadway Street
 B/ Interstate 40 Ramps - Goodwill Street
 72 Hour Directional Volume Count

PO Box 1178
 Corona, CA 92787
 Phone: (951) 268-6268
 email: counts@countsunlimited.com

NDL019
 Site Code: 166-21325

Start Time	15-Jul-21 Thu	Northbound		Hour Totals		Southbound		Hour Totals		Combined Totals	
		Morning	Afternoon	Morning	Afternoon	Morning	Afternoon	Morning	Afternoon	Morning	Afternoon
12:00		2	42			3	36				
12:15		3	30			2	31				
12:30		2	29			0	25				
12:45		3	15	10	116	2	30	7	122	17	238
01:00		2	17			3	29				
01:15		3	36			1	24				
01:30		0	27			1	24				
01:45		1	33	6	113	1	24	6	101	12	214
02:00		0	20			0	22				
02:15		0	28			1	14				
02:30		4	23			2	14				
02:45		5	40	9	111	4	26	7	76	16	187
03:00		6	30			6	18				
03:15		1	36			1	32				
03:30		2	30			3	29				
03:45		4	29	13	125	2	34	12	113	25	238
04:00		3	26			4	17				
04:15		5	27			6	23				
04:30		1	19			2	14				
04:45		18	33	27	105	4	18	16	72	43	177
05:00		4	24			3	18				
05:15		6	22			7	30				
05:30		7	28			14	19				
05:45		7	12	24	86	7	19	31	86	55	172
06:00		10	18			19	17				
06:15		5	28			17	14				
06:30		7	11			11	7				
06:45		16	18	38	75	12	15	59	53	97	128
07:00		14	13			20	13				
07:15		9	20			17	13				
07:30		18	15			17	11				
07:45		16	13	57	61	16	15	70	52	127	113
08:00		15	9			17	13				
08:15		18	10			11	6				
08:30		20	15			14	12				
08:45		14	13	67	47	17	5	59	36	126	83
09:00		26	10			25	10				
09:15		34	15			26	8				
09:30		25	7			26	7				
09:45		16	12	101	44	26	9	103	34	204	78
10:00		28	22			15	11				
10:15		30	3			19	8				
10:30		29	9			25	7				
10:45		25	5	112	39	27	6	86	32	198	71
11:00		24	7			20	1				
11:15		31	7			24	7				
11:30		31	5			19	2				
11:45		42	8	128	27	30	3	93	13	221	40
Total		592	949	592	949	549	790	549	790	1141	1739
Combined Total			1541		1541		1339		1339		2880
AM Peak	-	11:00	-	-	-	09:00	-	-	-	-	-
Vol.	-	128	-	-	-	103	-	-	-	-	-
P.H.F.	-	0.762	-	-	-	0.990	-	-	-	-	-
PM Peak	-	-	02:45	-	-	-	12:00	-	-	-	-
Vol.	-	-	136	-	-	-	122	-	-	-	-
P.H.F.	-	-	0.850	-	-	-	0.847	-	-	-	-
Percentage		38.4%	61.6%			41.0%	59.0%				

Counts Unlimited, Inc.

City of Needles
 East Broadway Street
 B/ Interstate 40 Ramps - Goodwill Street
 72 Hour Directional Volume Count

PO Box 1178
 Corona, CA 92787
 Phone: (951) 268-6268
 email: counts@countsunlimited.com

NDL019
 Site Code: 166-21325

Start Time	16-Jul-21 Fri	Northbound		Hour Totals		Southbound		Hour Totals		Combined Totals	
		Morning	Afternoon	Morning	Afternoon	Morning	Afternoon	Morning	Afternoon	Morning	Afternoon
12:00		6	23			4	22				
12:15		4	37			1	25				
12:30		7	38			2	34				
12:45		3	29	20	127	8	29	15	110	35	237
01:00		10	18			11	21				
01:15		3	30			5	27				
01:30		1	28			4	24				
01:45		10	32	24	108	4	27	24	99	48	207
02:00		5	31			0	23				
02:15		3	27			5	27				
02:30		4	24			4	20				
02:45		1	30	13	112	6	30	15	100	28	212
03:00		3	30			3	19				
03:15		4	22			3	20				
03:30		2	27			2	14				
03:45		6	16	15	95	3	18	11	71	26	166
04:00		2	37			3	16				
04:15		5	31			3	20				
04:30		1	31			0	22				
04:45		6	25	14	124	7	20	13	78	27	202
05:00		3	20			5	22				
05:15		9	17			7	22				
05:30		9	14			4	11				
05:45		7	12	28	63	9	20	25	75	53	138
06:00		2	23			9	11				
06:15		8	19			7	10				
06:30		7	14			22	5				
06:45		13	16	30	72	14	14	52	40	82	112
07:00		13	17			10	16				
07:15		16	18			14	18				
07:30		9	17			11	14				
07:45		22	14	60	66	25	14	60	62	120	128
08:00		11	12			15	7				
08:15		11	16			9	10				
08:30		16	6			19	7				
08:45		20	12	58	46	23	11	66	35	124	81
09:00		28	12			27	8				
09:15		19	7			23	3				
09:30		19	11			23	8				
09:45		43	8	109	38	26	11	99	30	208	68
10:00		35	4			32	5				
10:15		19	8			27	4				
10:30		32	6			24	6				
10:45		27	7	113	25	21	5	104	20	217	45
11:00		26	7			24	5				
11:15		30	11			23	4				
11:30		32	3			25	3				
11:45		32	3	120	24	22	3	94	15	214	39
Total		604	900	604	900	578	735	578	735	1182	1635
Combined Total		1504		1504		1313		1313		2817	
AM Peak	-	09:45	-	-	-	09:45	-	-	-	-	-
Vol.	-	129	-	-	-	109	-	-	-	-	-
P.H.F.	-	0.750	-	-	-	0.852	-	-	-	-	-
PM Peak	-	-	12:00	-	-	-	00:30	-	-	-	-
Vol.	-	-	127	-	-	-	111	-	-	-	-
P.H.F.	-	-	0.836	-	-	-	0.816	-	-	-	-
Percentage		40.2%	59.8%			44.0%	56.0%				

Counts Unlimited, Inc.

City of Needles
 East Broadway Street
 B/ Interstate 40 Ramps - Goodwill Street
 72 Hour Directional Volume Count

PO Box 1178
 Corona, CA 92787
 Phone: (951) 268-6268
 email: counts@countsunlimited.com

NDL019
 Site Code: 166-21325

Start Time	17-Jul-21 Sat	Northbound		Hour Totals		Southbound		Hour Totals		Combined Totals	
		Morning	Afternoon	Morning	Afternoon	Morning	Afternoon	Morning	Afternoon	Morning	Afternoon
12:00		8	26			12	25				
12:15		11	30			8	15				
12:30		3	29			4	28				
12:45		6	42	28	127	4	26	28	94	56	221
01:00		10	20			12	30				
01:15		5	33			3	25				
01:30		4	20			3	24				
01:45		3	22	22	95	2	23	20	102	42	197
02:00		2	19			2	18				
02:15		6	21			5	25				
02:30		2	29			3	15				
02:45		4	14	14	83	4	10	14	68	28	151
03:00		7	24			3	7				
03:15		2	13			2	17				
03:30		0	15			2	9				
03:45		2	19	11	71	2	20	9	53	20	124
04:00		3	9			2	14				
04:15		2	19			4	18				
04:30		1	17			2	14				
04:45		1	21	7	66	3	17	11	63	18	129
05:00		6	17			1	4				
05:15		4	16			5	13				
05:30		2	14			7	14				
05:45		7	12	19	59	7	8	20	39	39	98
06:00		4	13			7	10				
06:15		8	17			4	8				
06:30		6	11			3	6				
06:45		9	18	27	59	9	10	23	34	50	93
07:00		8	8			8	5				
07:15		16	7			7	7				
07:30		11	19			10	10				
07:45		24	8	59	42	15	12	40	34	99	76
08:00		10	20			17	9				
08:15		12	15			11	15				
08:30		4	8			26	11				
08:45		16	16	42	59	14	13	68	48	110	107
09:00		20	12			18	9				
09:15		15	9			15	7				
09:30		20	4			14	4				
09:45		29	7	84	32	25	14	72	34	156	66
10:00		14	5			20	5				
10:15		20	5			16	7				
10:30		29	11			20	3				
10:45		25	13	88	34	19	4	75	19	163	53
11:00		26	10			21	7				
11:15		25	7			12	0				
11:30		18	5			16	2				
11:45		18	3	87	25	18	16	67	25	154	50
Total		488	752	488	752	447	613	447	613	935	1365
Combined Total		1240		1240		1060		1060		2300	
AM Peak	-	10:30	-	-	-	09:45	-	-	-	-	-
Vol.	-	105	-	-	-	81	-	-	-	-	-
P.H.F.	-	0.905	-	-	-	0.810	-	-	-	-	-
PM Peak	-	-	12:00	-	-	-	00:30	-	-	-	-
Vol.	-	-	127	-	-	-	109	-	-	-	-
P.H.F.	-	-	0.756	-	-	-	0.908	-	-	-	-
Percentage		39.4%	60.6%			42.2%	57.8%				
ADT/AADT		ADT 2,666		AADT 2,666							

Counts Unlimited, Inc.

City of Needles
 East Broadway Street
 B/ Victory Drive - Spikes Road
 72 Hour Directional Volume Count

PO Box 1178
 Corona, CA 92787
 Phone: (951) 268-6268
 email: counts@countsunlimited.com

NDL020
 Site Code: 166-21325

Start Time	15-Jul-21 Thu	Northbound		Hour Totals		Southbound		Hour Totals		Combined Totals	
		Morning	Afternoon	Morning	Afternoon	Morning	Afternoon	Morning	Afternoon	Morning	Afternoon
12:00		8	57			9	37				
12:15		2	46			21	48				
12:30		10	38			20	31				
12:45		11	55	31	196	17	39	67	155	98	351
01:00		19	58			21	42				
01:15		5	50			12	31				
01:30		10	56			13	37				
01:45		9	60	43	224	12	54	58	164	101	388
02:00		0	41			10	39				
02:15		8	49			5	38				
02:30		7	43			19	39				
02:45		2	52	17	185	3	41	37	157	54	342
03:00		9	58			0	36				
03:15		8	46			3	46				
03:30		9	45			12	27				
03:45		6	37	32	186	15	45	30	154	62	340
04:00		8	45			17	48				
04:15		1	56			12	34				
04:30		4	32			15	37				
04:45		13	42	26	175	15	49	59	168	85	343
05:00		11	41			6	41				
05:15		12	42			18	45				
05:30		9	45			14	50				
05:45		18	51	50	179	26	51	64	187	114	366
06:00		10	37			12	39				
06:15		10	29			31	53				
06:30		11	31			37	39				
06:45		13	31	44	128	28	35	108	166	152	294
07:00		25	36			25	38				
07:15		28	25			34	51				
07:30		32	38			16	49				
07:45		20	29	105	128	28	56	103	194	208	322
08:00		12	34			19	46				
08:15		27	49			26	16				
08:30		44	38			42	27				
08:45		21	51	104	172	24	33	111	122	215	294
09:00		40	36			31	41				
09:15		25	53			35	14				
09:30		39	94			23	39				
09:45		57	97	161	280	46	16	135	110	296	390
10:00		24	51			44	21				
10:15		34	75			62	17				
10:30		28	47			29	20				
10:45		40	43	126	216	45	17	180	75	306	291
11:00		41	21			40	27				
11:15		43	36			38	19				
11:30		43	53			21	20				
11:45		48	43	175	153	44	13	143	79	318	232
Total		914	2222	914	2222	1095	1731	1095	1731	2099	3953
Combined Total		3136		3136		2826		2826		5962	
AM Peak	-	11:00	-	-	-	09:45	-	-	-	-	-
Vol.	-	175	-	-	-	181	-	-	-	-	-
P.H.F.	-	0.911				0.730					
PM Peak	-	-	09:30	-	-	-	07:15	-	-	-	-
Vol.	-	-	317	-	-	-	202	-	-	-	-
P.H.F.	-	-	0.817				0.902				
Percentage		29.1%	70.9%			38.7%	61.3%				

Counts Unlimited, Inc.

City of Needles
 East Broadway Street
 B/ Victory Drive - Spikes Road
 72 Hour Directional Volume Count

PO Box 1178
 Corona, CA 92787
 Phone: (951) 268-6268
 email: counts@countsunlimited.com

NDL020
 Site Code: 166-21325

Start Time	16-Jul-21 Fri	Northbound		Hour Totals		Southbound		Hour Totals		Combined Totals	
		Morning	Afternoon	Morning	Afternoon	Morning	Afternoon	Morning	Afternoon	Morning	Afternoon
12:00		37	63			12	43				
12:15		48	72			16	32				
12:30		19	48			16	38				
12:45		34	62	138	245	17	28	61	141	199	386
01:00		31	62			28	41				
01:15		29	64			10	42				
01:30		29	49			15	36				
01:45		28	78	117	253	22	41	75	160	192	413
02:00		17	50			10	33				
02:15		33	47			18	51				
02:30		20	93			24	40				
02:45		13	66	83	256	17	36	69	160	152	416
03:00		11	81			23	50				
03:15		25	28			20	36				
03:30		20	70			22	55				
03:45		26	46	82	225	22	52	87	193	169	418
04:00		40	23			25	34				
04:15		19	60			17	36				
04:30		19	41			28	46				
04:45		20	44	98	168	16	46	86	162	184	330
05:00		26	59			21	20				
05:15		31	52			20	38				
05:30		29	55			29	36				
05:45		15	47	101	213	32	51	102	145	203	358
06:00		26	38			17	34				
06:15		18	48			22	44				
06:30		32	37			38	42				
06:45		46	58	122	181	24	54	101	174	223	355
07:00		26	30			34	33				
07:15		33	31			35	37				
07:30		32	30			27	38				
07:45		45	31	136	122	37	39	133	147	269	269
08:00		30	46			14	27				
08:15		19	47			28	30				
08:30		43	22			26	18				
08:45		42	30	134	145	55	28	123	103	257	248
09:00		20	40			41	21				
09:15		36	37			24	12				
09:30		36	25			45	34				
09:45		51	23	143	125	44	16	154	83	297	208
10:00		61	26			28	28				
10:15		41	27			43	24				
10:30		36	8			43	12				
10:45		42	3	180	64	26	13	140	77	320	141
11:00		48	9			41	13				
11:15		43	22			56	4				
11:30		37	12			36	25				
11:45		60	21	188	64	36	16	169	58	357	122
Total		1522	2061	1522	2061	1300	1603	1300	1603	2822	3664
Combined Total		3583		3583		2903		2903		6486	
AM Peak	-	09:30	-	-	-	11:00	-	-	-	-	-
Vol.	-	189	-	-	-	169	-	-	-	-	-
P.H.F.	-	0.775	-	-	-	0.754	-	-	-	-	-
PM Peak	-	-	02:15	-	-	-	03:00	-	-	-	-
Vol.	-	-	287	-	-	-	193	-	-	-	-
P.H.F.	-	-	0.772	-	-	-	0.877	-	-	-	-
Percentage		42.5%	57.5%			44.8%	55.2%				

Counts Unlimited, Inc.

City of Needles
 East Broadway Street
 B/ Victory Drive - Spikes Road
 72 Hour Directional Volume Count

PO Box 1178
 Corona, CA 92787
 Phone: (951) 268-6268
 email: counts@countsunlimited.com

NDL020
 Site Code: 166-21325

Start Time	17-Jul-21 Sat	Northbound		Hour Totals		Southbound		Hour Totals		Combined Totals	
		Morning	Afternoon	Morning	Afternoon	Morning	Afternoon	Morning	Afternoon	Morning	Afternoon
12:00		17	39			4	39				
12:15		18	53			15	52				
12:30		8	50			15	42				
12:45		12	54	55	196	15	29	49	162	104	358
01:00		10	38			4	28				
01:15		4	42			4	35				
01:30		5	42			8	32				
01:45		5	40	24	162	2	27	18	122	42	284
02:00		8	37			1	33				
02:15		16	39			8	23				
02:30		6	34			2	39				
02:45		8	38	38	148	3	33	14	128	52	276
03:00		1	43			2	35				
03:15		3	44			5	27				
03:30		2	21			6	29				
03:45		2	43	8	151	5	25	18	116	26	267
04:00		5	22			9	35				
04:15		13	38			4	24				
04:30		2	22			12	31				
04:45		10	29	30	111	13	37	38	127	68	238
05:00		2	26			10	25				
05:15		15	24			7	21				
05:30		15	41			12	35				
05:45		7	16	39	107	32	24	61	105	100	212
06:00		16	23			27	30				
06:15		17	31			34	21				
06:30		16	32			18	20				
06:45		25	24	74	110	18	19	97	90	171	200
07:00		25	23			25	17				
07:15		28	20			29	18				
07:30		33	15			29	23				
07:45		15	27	101	85	22	12	105	70	206	155
08:00		30	45			25	17				
08:15		26	10			25	12				
08:30		29	14			25	11				
08:45		33	12	118	81	34	10	109	50	227	131
09:00		20	17			41	13				
09:15		34	18			20	20				
09:30		28	21			29	9				
09:45		23	24	105	80	31	29	121	71	226	151
10:00		36	5			51	8				
10:15		23	18			27	16				
10:30		45	10			32	10				
10:45		43	11	147	44	53	11	163	45	310	89
11:00		34	11			35	7				
11:15		31	4			26	7				
11:30		46	13			27	7				
11:45		29	11	140	39	43	3	131	24	271	63
Total		879	1314	879	1314	924	1110	924	1110	1803	2424
Combined Total		2193		2193		2034		2034		4227	
AM Peak	-	10:45	-	-	-	10:00	-	-	-	-	-
Vol.	-	154	-	-	-	163	-	-	-	-	-
P.H.F.	-	0.837	-	-	-	0.769	-	-	-	-	-
PM Peak	-	-	12:00	-	-	-	12:00	-	-	-	-
Vol.	-	-	196	-	-	-	162	-	-	-	-
P.H.F.	-	-	0.907	-	-	-	0.779	-	-	-	-
Percentage		40.1%	59.9%			45.4%	54.6%				
ADT/AADT		ADT 5,558		AADT 5,558							

Appendix B – Existing Year (2021) Conditions Analysis Worksheets

Intersection						
Int Delay, s/veh	0.3					
Movement	WBL	WBR	NBT	NBR	SBL	SBT
Lane Configurations						
Traffic Vol, veh/h	4	0	72	2	0	87
Future Vol, veh/h	4	0	72	2	0	87
Conflicting Peds, #/hr	0	0	0	1	1	0
Sign Control	Stop	Stop	Free	Free	Free	Free
RT Channelized	-	None	-	None	-	None
Storage Length	0	-	-	-	-	-
Veh in Median Storage, #	0	-	0	-	-	0
Grade, %	0	-	0	-	-	0
Peak Hour Factor	50	25	75	25	25	75
Heavy Vehicles, %	14	0	8	0	0	4
Mvmt Flow	8	0	96	8	0	116

Major/Minor	Minor1	Major1	Major2			
Conflicting Flow All	217	101	0	0	105	0
Stage 1	101	-	-	-	-	-
Stage 2	116	-	-	-	-	-
Critical Hdwy	6.54	6.2	-	-	4.1	-
Critical Hdwy Stg 1	5.54	-	-	-	-	-
Critical Hdwy Stg 2	5.54	-	-	-	-	-
Follow-up Hdwy	3.626	3.3	-	-	2.2	-
Pot Cap-1 Maneuver	745	960	-	-	1499	-
Stage 1	894	-	-	-	-	-
Stage 2	880	-	-	-	-	-
Platoon blocked, %			-	-		-
Mov Cap-1 Maneuver	744	959	-	-	1498	-
Mov Cap-2 Maneuver	744	-	-	-	-	-
Stage 1	893	-	-	-	-	-
Stage 2	880	-	-	-	-	-

Approach	WB	NB	SB
HCM Control Delay, s	9.9	0	0
HCM LOS	A		

Minor Lane/Major Mvmt	NBT	NBRWBLn1	SBL	SBT
Capacity (veh/h)	-	-	744	1498
HCM Lane V/C Ratio	-	-	0.011	-
HCM Control Delay (s)	-	-	9.9	0
HCM Lane LOS	-	-	A	A
HCM 95th %tile Q(veh)	-	-	0	0

Intersection												
Int Delay, s/veh	4.2											
Movement	SEL	SET	SER	NWL	NWT	NWR	NEL	NET	NER	SWL	SWT	SWR
Lane Configurations		↕	↗		↕			↕			↕	
Traffic Vol, veh/h	1	42	47	4	30	0	57	1	4	0	0	0
Future Vol, veh/h	1	42	47	4	30	0	57	1	4	0	0	0
Conflicting Peds, #/hr	0	0	0	0	0	0	0	0	0	0	0	0
Sign Control	Free	Free	Free	Free	Free	Free	Stop	Stop	Stop	Stop	Stop	Stop
RT Channelized	-	-	None	-	-	None	-	-	None	-	-	None
Storage Length	-	-	0	-	-	-	-	-	-	-	-	-
Veh in Median Storage, #	-	0	-	-	0	-	-	0	-	-	0	-
Grade, %	-	0	-	-	0	-	-	0	-	-	0	-
Peak Hour Factor	25	75	73	50	83	25	57	25	50	25	25	25
Heavy Vehicles, %	0	3	1	0	3	0	6	0	0	0	0	0
Mvmt Flow	4	56	64	8	36	0	100	4	8	0	0	0

Major/Minor	Major1			Major2			Minor1			Minor2		
Conflicting Flow All	36	0	0	120	0	0	116	116	56	154	180	36
Stage 1	-	-	-	-	-	-	64	64	-	52	52	-
Stage 2	-	-	-	-	-	-	52	52	-	102	128	-
Critical Hdwy	4.1	-	-	4.1	-	-	7.16	6.5	6.2	7.1	6.5	6.2
Critical Hdwy Stg 1	-	-	-	-	-	-	6.16	5.5	-	6.1	5.5	-
Critical Hdwy Stg 2	-	-	-	-	-	-	6.16	5.5	-	6.1	5.5	-
Follow-up Hdwy	2.2	-	-	2.2	-	-	3.554	4	3.3	3.5	4	3.3
Pot Cap-1 Maneuver	1588	-	-	1480	-	-	851	778	1016	817	717	1042
Stage 1	-	-	-	-	-	-	937	846	-	966	856	-
Stage 2	-	-	-	-	-	-	951	856	-	909	794	-
Platoon blocked, %	-	-	-	-	-	-	-	-	-	-	-	-
Mov Cap-1 Maneuver	1588	-	-	1480	-	-	845	771	1016	801	711	1042
Mov Cap-2 Maneuver	-	-	-	-	-	-	845	771	-	801	711	-
Stage 1	-	-	-	-	-	-	934	843	-	963	851	-
Stage 2	-	-	-	-	-	-	945	851	-	895	792	-

Approach	SE			NW			NE			SW		
HCM Control Delay, s	0.2			1.3			9.9			0		
HCM LOS							A			A		

Minor Lane/Major Mvmt	NELn1	NWL	NWT	NWR	SEL	SET	SERSWLn1
Capacity (veh/h)	852	1480	-	-	1588	-	-
HCM Lane V/C Ratio	0.131	0.005	-	-	0.003	-	-
HCM Control Delay (s)	9.9	7.4	0	-	7.3	0	0
HCM Lane LOS	A	A	A	-	A	A	A
HCM 95th %tile Q(veh)	0.5	0	-	-	0	-	-

Intersection												
Int Delay, s/veh	5											
Movement	EBL	EBT	EBR	WBL	WBT	WBR	NBL	NBT	NBR	SBL	SBT	SBR
Lane Configurations		↕			↕		↕	↕		↕	↕	
Traffic Vol, veh/h	13	0	18	1	0	0	98	37	0	0	53	7
Future Vol, veh/h	13	0	18	1	0	0	98	37	0	0	53	7
Conflicting Peds, #/hr	0	0	0	0	0	0	0	0	0	0	0	0
Sign Control	Stop	Stop	Stop	Stop	Stop	Stop	Free	Free	Free	Free	Free	Free
RT Channelized	-	-	None	-	-	None	-	-	None	-	-	None
Storage Length	-	-	-	-	-	-	100	-	-	100	-	-
Veh in Median Storage, #	-	0	-	-	0	-	-	0	-	-	0	-
Grade, %	-	0	-	-	0	-	-	0	-	-	0	-
Peak Hour Factor	54	25	75	25	25	25	88	93	25	25	88	44
Heavy Vehicles, %	0	0	33	0	0	0	19	3	0	0	1	0
Mvmt Flow	24	0	24	4	0	0	111	40	0	0	60	16

Major/Minor	Minor2		Minor1		Major1			Major2				
Conflicting Flow All	330	330	68	342	338	40	76	0	0	40	0	0
Stage 1	68	68	-	262	262	-	-	-	-	-	-	-
Stage 2	262	262	-	80	76	-	-	-	-	-	-	-
Critical Hdwy	7.1	6.5	6.53	7.1	6.5	6.2	4.29	-	-	4.1	-	-
Critical Hdwy Stg 1	6.1	5.5	-	6.1	5.5	-	-	-	-	-	-	-
Critical Hdwy Stg 2	6.1	5.5	-	6.1	5.5	-	-	-	-	-	-	-
Follow-up Hdwy	3.5	4	3.597	3.5	4	3.3	2.371	-	-	2.2	-	-
Pot Cap-1 Maneuver	627	592	915	616	586	1037	1422	-	-	1583	-	-
Stage 1	947	842	-	747	695	-	-	-	-	-	-	-
Stage 2	747	695	-	934	836	-	-	-	-	-	-	-
Platoon blocked, %								-	-	-	-	-
Mov Cap-1 Maneuver	589	546	915	564	540	1037	1422	-	-	1583	-	-
Mov Cap-2 Maneuver	589	546	-	564	540	-	-	-	-	-	-	-
Stage 1	873	842	-	689	641	-	-	-	-	-	-	-
Stage 2	689	641	-	910	836	-	-	-	-	-	-	-

Approach	EB		WB		NB		SB	
HCM Control Delay, s	10.4		11.4		5.7		0	
HCM LOS	B		B					

Minor Lane/Major Mvmt	NBL	NBT	NBR	EBLn1	WBLn1	SBL	SBT	SBR
Capacity (veh/h)	1422	-	-	716	564	1583	-	-
HCM Lane V/C Ratio	0.078	-	-	0.067	0.007	-	-	-
HCM Control Delay (s)	7.7	-	-	10.4	11.4	0	-	-
HCM Lane LOS	A	-	-	B	B	A	-	-
HCM 95th %tile Q(veh)	0.3	-	-	0.2	0	0	-	-

Intersection												
Int Delay, s/veh	4.7											
Movement	EBL	EBT	EBR	WBL	WBT	WBR	NBL	NBT	NBR	SBL	SBT	SBR
Lane Configurations	↖	↗		↖	↗	↖		↔			↖	↗
Traffic Vol, veh/h	19	50	7	27	127	45	1	14	16	56	15	1
Future Vol, veh/h	19	50	7	27	127	45	1	14	16	56	15	1
Conflicting Peds, #/hr	0	0	1	1	0	0	0	0	0	0	0	0
Sign Control	Free	Free	Free	Free	Free	Free	Stop	Stop	Stop	Stop	Stop	Stop
RT Channelized	-	-	None	-	-	None	-	-	None	-	-	Yield
Storage Length	100	-	-	100	-	0	-	-	-	-	-	0
Veh in Median Storage, #	-	0	-	-	0	-	-	0	-	-	0	-
Grade, %	-	0	-	-	0	-	-	0	-	-	0	-
Peak Hour Factor	68	83	29	68	86	62	25	70	67	78	54	25
Heavy Vehicles, %	11	10	7	3	13	32	33	9	5	19	18	50
Mvmt Flow	28	60	24	40	148	73	4	20	24	72	28	4

Major/Minor	Major1		Major2			Minor1			Minor2			
Conflicting Flow All	221	0	0	85	0	0	408	430	73	378	369	148
Stage 1	-	-	-	-	-	-	129	129	-	228	228	-
Stage 2	-	-	-	-	-	-	279	301	-	150	141	-
Critical Hdwy	4.21	-	-	4.13	-	-	7.43	6.59	6.25	7.29	6.68	6.7
Critical Hdwy Stg 1	-	-	-	-	-	-	6.43	5.59	-	6.29	5.68	-
Critical Hdwy Stg 2	-	-	-	-	-	-	6.43	5.59	-	6.29	5.68	-
Follow-up Hdwy	2.299	-	-	2.227	-	-	3.797	4.081	3.345	3.671	4.162	3.75
Pot Cap-1 Maneuver	1297	-	-	1505	-	-	503	507	981	550	536	786
Stage 1	-	-	-	-	-	-	805	776	-	738	687	-
Stage 2	-	-	-	-	-	-	665	652	-	814	750	-
Platoon blocked, %	-	-	-	-	-	-	-	-	-	-	-	-
Mov Cap-1 Maneuver	1297	-	-	1503	-	-	462	482	980	501	510	786
Mov Cap-2 Maneuver	-	-	-	-	-	-	462	482	-	501	510	-
Stage 1	-	-	-	-	-	-	786	758	-	722	668	-
Stage 2	-	-	-	-	-	-	617	634	-	757	733	-

Approach	EB	WB	NB	SB
HCM Control Delay, s	1.9	1.1	11	13.7
HCM LOS			B	B

Minor Lane/Major Mvmt	NBLn1	EBL	EBT	EBR	WBL	WBT	WBR	SBLn1	SBLn2
Capacity (veh/h)	643	1297	-	-	1503	-	-	503	786
HCM Lane V/C Ratio	0.074	0.022	-	-	0.026	-	-	0.198	0.005
HCM Control Delay (s)	11	7.8	-	-	7.5	-	-	13.9	9.6
HCM Lane LOS	B	A	-	-	A	-	-	B	A
HCM 95th %tile Q(veh)	0.2	0.1	-	-	0.1	-	-	0.7	0

Intersection												
Int Delay, s/veh	0.8											
Movement	NBL	NBT	NBR	SBL	SBT	SBR	SEL	SET	SER	NWL	NWT	NWR
Lane Configurations	↖	↗		↖	↗			↕			↕	
Traffic Vol, veh/h	2	332	1	16	408	1	3	0	1	0	1	16
Future Vol, veh/h	2	332	1	16	408	1	3	0	1	0	1	16
Conflicting Peds, #/hr	1	0	1	1	0	1	1	0	0	0	0	1
Sign Control	Free	Free	Free	Free	Free	Free	Stop	Stop	Stop	Stop	Stop	Stop
RT Channelized	-	-	None	-	-	None	-	-	None	-	-	None
Storage Length	50	-	-	50	-	-	-	-	-	-	-	-
Veh in Median Storage, #	-	0	-	-	0	-	-	0	-	-	0	-
Grade, %	-	0	-	-	0	-	-	0	-	-	0	-
Peak Hour Factor	50	93	25	67	92	25	75	25	25	25	25	67
Heavy Vehicles, %	0	5	0	6	5	0	0	0	0	0	0	3
Mvmt Flow	4	357	4	24	443	4	4	0	4	0	4	24


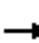



















Major/Minor	Major1			Major2			Minor2			Minor1		
Conflicting Flow All	448	0	0	362	0	0	876	864	446	863	864	361
Stage 1	-	-	-	-	-	-	494	494	-	368	368	-
Stage 2	-	-	-	-	-	-	382	370	-	495	496	-
Critical Hdwy	4.1	-	-	4.16	-	-	7.1	6.5	6.2	7.1	6.5	6.23
Critical Hdwy Stg 1	-	-	-	-	-	-	6.1	5.5	-	6.1	5.5	-
Critical Hdwy Stg 2	-	-	-	-	-	-	6.1	5.5	-	6.1	5.5	-
Follow-up Hdwy	2.2	-	-	2.254	-	-	3.5	4	3.3	3.5	4	3.327
Pot Cap-1 Maneuver	1123	-	-	1175	-	-	272	294	617	277	294	681
Stage 1	-	-	-	-	-	-	561	550	-	656	625	-
Stage 2	-	-	-	-	-	-	645	624	-	560	549	-
Platoon blocked, %	-	-	-	-	-	-	-	-	-	-	-	-
Mov Cap-1 Maneuver	1122	-	-	1174	-	-	254	286	616	270	286	679
Mov Cap-2 Maneuver	-	-	-	-	-	-	254	286	-	270	286	-
Stage 1	-	-	-	-	-	-	558	538	-	653	622	-
Stage 2	-	-	-	-	-	-	615	621	-	545	537	-

Approach	NB			SB			SE			NW		
HCM Control Delay, s	0.1			0.4			15.2			11.7		
HCM LOS							C			B		

Minor Lane/Major Mvmt	NBL	NBT	NBR	NWLn1	SELn1	SBL	SBT	SBR
Capacity (veh/h)	1122	-	-	567	360	1174	-	-
HCM Lane V/C Ratio	0.004	-	-	0.049	0.022	0.02	-	-
HCM Control Delay (s)	8.2	-	-	11.7	15.2	8.1	-	-
HCM Lane LOS	A	-	-	B	C	A	-	-
HCM 95th %tile Q(veh)	0	-	-	0.2	0.1	0.1	-	-

HCM 6th Signalized Intersection Summary
6: N Broadway Avenue/N Street & Needles Highway

Needles Circulation Element
09/14/2022

												
Movement	EBL	EBT	EBR	WBL	WBT	WBR	NBL	NBT	NBR	SBL	SBT	SBR
Lane Configurations												
Traffic Volume (veh/h)	0	86	63	261	160	2	59	5	259	2	3	1
Future Volume (veh/h)	0	86	63	261	160	2	59	5	259	2	3	1
Initial Q (Qb), veh	0	0	0	0	0	0	0	0	0	0	0	0
Ped-Bike Adj(A_pbT)	1.00		1.00	1.00		1.00	1.00		1.00	1.00		1.00
Parking Bus, Adj	1.00	1.00	1.00	1.00	1.00	1.00	1.00	1.00	1.00	1.00	1.00	1.00
Work Zone On Approach		No			No			No			No	
Adj Sat Flow, veh/h/ln	1900	1841	1856	1870	1822	1900	1841	1900	1899	1900	1976	1900
Adj Flow Rate, veh/h	0	116	80	293	172	8	84	12	278	4	8	4
Peak Hour Factor	0.25	0.74	0.79	0.89	0.93	0.25	0.70	0.42	0.93	0.50	0.38	0.25
Percent Heavy Veh, %	0	4	3	2	10	0	4	0	5	0	0	0
Cap, veh/h	180	665	567	557	624	29	383	55	386	11	22	11
Arrive On Green	0.00	0.36	0.36	0.36	0.36	0.36	0.24	0.24	0.24	0.02	0.02	0.02
Sat Flow, veh/h	1223	1841	1570	1186	1727	80	1593	228	1606	467	933	467
Grp Volume(v), veh/h	0	116	80	293	0	180	96	0	278	16	0	0
Grp Sat Flow(s),veh/h/ln	1223	1841	1570	1186	0	1807	1820	0	1606	1866	0	0
Q Serve(g_s), s	0.0	1.7	1.4	9.0	0.0	2.8	1.7	0.0	6.4	0.3	0.0	0.0
Cycle Q Clear(g_c), s	0.0	1.7	1.4	10.7	0.0	2.8	1.7	0.0	6.4	0.3	0.0	0.0
Prop In Lane	1.00		1.00	1.00		0.04	0.87		1.00	0.25		0.25
Lane Grp Cap(c), veh/h	180	665	567	557	0	653	438	0	386	44	0	0
V/C Ratio(X)	0.00	0.17	0.14	0.53	0.00	0.28	0.22	0.00	0.72	0.36	0.00	0.00
Avail Cap(c_a), veh/h	501	1149	980	869	0	1128	1091	0	962	1118	0	0
HCM Platoon Ratio	1.00	1.00	1.00	1.00	1.00	1.00	1.00	1.00	1.00	1.00	1.00	1.00
Upstream Filter(I)	0.00	1.00	1.00	1.00	0.00	1.00	1.00	0.00	1.00	1.00	0.00	0.00
Uniform Delay (d), s/veh	0.0	8.7	8.6	12.4	0.0	9.1	12.2	0.0	14.0	19.3	0.0	0.0
Incr Delay (d2), s/veh	0.0	0.1	0.1	0.8	0.0	0.2	0.2	0.0	2.5	4.9	0.0	0.0
Initial Q Delay(d3),s/veh	0.0	0.0	0.0	0.0	0.0	0.0	0.0	0.0	0.0	0.0	0.0	0.0
%ile BackOfQ(50%),veh/ln	0.0	0.5	0.4	2.0	0.0	0.9	0.6	0.0	2.1	0.2	0.0	0.0
Unsig. Movement Delay, s/veh												
LnGrp Delay(d),s/veh	0.0	8.8	8.7	13.1	0.0	9.3	12.4	0.0	16.5	24.2	0.0	0.0
LnGrp LOS	A	A	A	B	A	A	B	A	B	C	A	A
Approach Vol, veh/h		196			473			374				16
Approach Delay, s/veh		8.8			11.7			15.5				24.2
Approach LOS		A			B			B				C
Timer - Assigned Phs		2		4		6		8				
Phs Duration (G+Y+Rc), s		19.5		14.6		19.5		5.9				
Change Period (Y+Rc), s		5.0		5.0		5.0		5.0				
Max Green Setting (Gmax), s		25.0		24.0		25.0		24.0				
Max Q Clear Time (g_c+I1), s		3.7		8.4		12.7		2.3				
Green Ext Time (p_c), s		0.8		1.3		1.8		0.0				
Intersection Summary												
HCM 6th Ctrl Delay				12.7								
HCM 6th LOS				B								

HCM 6th Signalized Intersection Summary
 7: North K Street & Needles Highway



Movement	EBL	EBT	EBR	WBL	WBT	WBR	NBL	NBT	NBR	SBL	SBT	SBR
Lane Configurations												
Traffic Volume (veh/h)	313	23	3	2	24	0	3	8	1	1	8	377
Future Volume (veh/h)	313	23	3	2	24	0	3	8	1	1	8	377
Initial Q (Qb), veh	0	0	0	0	0	0	0	0	0	0	0	0
Ped-Bike Adj(A_pbT)	1.00		1.00	1.00		1.00	1.00		1.00	1.00		0.98
Parking Bus, Adj	1.00	1.00	1.00	1.00	1.00	1.00	1.00	1.00	1.00	1.00	1.00	1.00
Work Zone On Approach		No			No			No			No	
Adj Sat Flow, veh/h/ln	1826	1914	1900	1900	1976	1900	1900	1900	1900	1900	1976	1826
Adj Flow Rate, veh/h	337	36	8	8	36	0	8	12	4	4	12	433
Peak Hour Factor	0.93	0.64	0.38	0.25	0.67	0.25	0.38	0.67	0.25	0.25	0.67	0.87
Percent Heavy Veh, %	5	4	0	0	0	0	0	0	0	0	0	5
Cap, veh/h	648	509	113	657	663	0	339	497	166	725	16	584
Arrive On Green	0.34	0.34	0.34	0.34	0.34	0.00	0.36	0.36	0.36	0.36	0.36	0.36
Sat Flow, veh/h	1338	1516	337	1382	1976	0	959	1363	454	1417	44	1600
Grp Volume(v), veh/h	337	0	44	8	36	0	8	0	16	4	0	445
Grp Sat Flow(s),veh/h/ln	1338	0	1853	1382	1976	0	959	0	1817	1417	0	1645
Q Serve(g_s), s	7.6	0.0	0.5	0.1	0.4	0.0	0.2	0.0	0.2	0.1	0.0	7.9
Cycle Q Clear(g_c), s	8.0	0.0	0.5	0.7	0.4	0.0	8.1	0.0	0.2	0.2	0.0	7.9
Prop In Lane	1.00		0.18	1.00		0.00	1.00		0.25	1.00		0.97
Lane Grp Cap(c), veh/h	648	0	622	657	663	0	339	0	663	725	0	600
V/C Ratio(X)	0.52	0.00	0.07	0.01	0.05	0.00	0.02	0.00	0.02	0.01	0.00	0.74
Avail Cap(c_a), veh/h	1161	0	1333	1187	1421	0	593	0	1144	1100	0	1035
HCM Platoon Ratio	1.00	1.00	1.00	1.00	1.00	1.00	1.00	1.00	1.00	1.00	1.00	1.00
Upstream Filter(I)	1.00	0.00	1.00	1.00	1.00	0.00	1.00	0.00	1.00	1.00	0.00	1.00
Uniform Delay (d), s/veh	10.2	0.0	7.5	7.8	7.5	0.0	12.8	0.0	6.8	6.9	0.0	9.2
Incr Delay (d2), s/veh	0.6	0.0	0.0	0.0	0.0	0.0	0.0	0.0	0.0	0.0	0.0	1.8
Initial Q Delay(d3),s/veh	0.0	0.0	0.0	0.0	0.0	0.0	0.0	0.0	0.0	0.0	0.0	0.0
%ile BackOfQ(50%),veh/ln	1.6	0.0	0.2	0.0	0.1	0.0	0.0	0.0	0.1	0.0	0.0	2.1
Unsig. Movement Delay, s/veh												
LnGrp Delay(d),s/veh	10.9	0.0	7.6	7.8	7.5	0.0	12.8	0.0	6.8	6.9	0.0	11.1
LnGrp LOS	B	A	A	A	A	A	B	A	A	A	A	B
Approach Vol, veh/h		381			44			24				449
Approach Delay, s/veh		10.5			7.6			8.8				11.0
Approach LOS		B			A			A				B
Timer - Assigned Phs		2		4		6		8				
Phs Duration (G+Y+Rc), s		16.2		17.2		16.2		17.2				
Change Period (Y+Rc), s		5.0		5.0		5.0		5.0				
Max Green Setting (Gmax), s		24.0		21.0		24.0		21.0				
Max Q Clear Time (g_c+I1), s		10.0		10.1		2.7		9.9				
Green Ext Time (p_c), s		1.2		0.0		0.1		2.4				
Intersection Summary												
HCM 6th Ctrl Delay												10.6
HCM 6th LOS												B

HCM 6th Signalized Intersection Summary
8: J Street & W Broadway Avenue



Movement	EBL	EBT	EBR	WBL	WBT	WBR	NBL	NBT	NBR	SBL	SBT	SBR
Lane Configurations												
Traffic Volume (veh/h)	1	139	192	16	106	1	193	2	22	2	1	0
Future Volume (veh/h)	1	139	192	16	106	1	193	2	22	2	1	0
Initial Q (Qb), veh	0	0	0	0	0	0	0	0	0	0	0	0
Ped-Bike Adj(A_pbT)	1.00		1.00	1.00		1.00	1.00		1.00	1.00		1.00
Parking Bus, Adj	1.00	1.00	1.00	1.00	1.00	1.00	1.00	1.00	1.00	1.00	1.00	1.00
Work Zone On Approach		No			No			No			No	
Adj Sat Flow, veh/h/ln	1976	1945	1856	1856	1884	1900	1899	1976	1781	1900	1976	1900
Adj Flow Rate, veh/h	4	172	204	28	125	4	233	4	44	4	4	0
Peak Hour Factor	0.25	0.81	0.94	0.57	0.85	0.25	0.83	0.50	0.50	0.50	0.25	0.25
Percent Heavy Veh, %	0	2	3	3	6	0	5	0	8	0	0	0
Cap, veh/h	696	549	488	533	1051	33	676	33	367	384	285	0
Arrive On Green	0.30	0.30	0.30	0.30	0.30	0.30	0.24	0.24	0.24	0.24	0.24	0.00
Sat Flow, veh/h	1329	1848	1643	997	3539	113	1432	141	1553	559	1204	0
Grp Volume(v), veh/h	4	172	204	28	63	66	233	0	48	8	0	0
Grp Sat Flow(s),veh/h/ln	1329	1848	1643	997	1789	1863	1432	0	1694	1764	0	0
Q Serve(g_s), s	0.0	1.5	2.1	0.5	0.5	0.6	3.1	0.0	0.5	0.0	0.0	0.0
Cycle Q Clear(g_c), s	0.6	1.5	2.1	2.6	0.5	0.6	3.2	0.0	0.5	0.1	0.0	0.0
Prop In Lane	1.00		1.00	1.00		0.06	1.00		0.92	0.50		0.00
Lane Grp Cap(c), veh/h	696	549	488	533	531	553	676	0	401	669	0	0
V/C Ratio(X)	0.01	0.31	0.42	0.05	0.12	0.12	0.34	0.00	0.12	0.01	0.00	0.00
Avail Cap(c_a), veh/h	1542	1725	1533	1167	1670	1738	2008	0	1976	2214	0	0
HCM Platoon Ratio	1.00	1.00	1.00	1.00	1.00	1.00	1.00	1.00	1.00	1.00	1.00	1.00
Upstream Filter(I)	1.00	1.00	1.00	1.00	1.00	1.00	1.00	0.00	1.00	1.00	0.00	0.00
Uniform Delay (d), s/veh	5.7	5.8	6.0	7.1	5.5	5.5	7.4	0.0	6.4	6.3	0.0	0.0
Incr Delay (d2), s/veh	0.0	0.3	0.6	0.0	0.1	0.1	0.3	0.0	0.1	0.0	0.0	0.0
Initial Q Delay(d3),s/veh	0.0	0.0	0.0	0.0	0.0	0.0	0.0	0.0	0.0	0.0	0.0	0.0
%ile BackOfQ(50%),veh/ln	0.0	0.3	0.4	0.1	0.1	0.1	0.5	0.0	0.1	0.0	0.0	0.0
Unsig. Movement Delay, s/veh												
LnGrp Delay(d),s/veh	5.7	6.2	6.6	7.1	5.6	5.6	7.7	0.0	6.6	6.3	0.0	0.0
LnGrp LOS	A	A	A	A	A	A	A	A	A	A	A	A
Approach Vol, veh/h		380			157			281				8
Approach Delay, s/veh		6.4			5.9			7.5				6.3
Approach LOS		A			A			A				A
Timer - Assigned Phs		2		4		6		8				
Phs Duration (G+Y+Rc), s		11.4		10.1		11.4		10.1				
Change Period (Y+Rc), s		5.0		5.0		5.0		5.0				
Max Green Setting (Gmax), s		20.0		25.0		20.0		25.0				
Max Q Clear Time (g_c+11), s		4.1		5.2		4.6		2.1				
Green Ext Time (p_c), s		2.1		0.9		0.6		0.0				
Intersection Summary												
HCM 6th Ctrl Delay				6.7								
HCM 6th LOS				A								

Intersection												
Int Delay, s/veh	2.5											
Movement	NBL	NBT	NBR	SBL	SBT	SBR	NEL	NET	NER	SWL	SWT	SWR
Lane Configurations		↕↔					↕	↑			↕	
Traffic Vol, veh/h	10	0	93	0	0	0	8	139	0	0	204	21
Future Vol, veh/h	10	0	93	0	0	0	8	139	0	0	204	21
Conflicting Peds, #/hr	0	0	0	0	0	0	0	0	4	4	0	0
Sign Control	Stop	Stop	Stop	Stop	Stop	Stop	Free	Free	Free	Free	Free	Free
RT Channelized	-	-	None	-	-	None	-	-	None	-	-	None
Storage Length	-	-	-	-	-	-	60	-	-	-	-	-
Veh in Median Storage, #	-	0	-	-	0	-	-	0	-	-	0	-
Grade, %	-	0	-	-	0	-	-	0	-	-	0	-
Peak Hour Factor	83	25	78	25	25	25	67	81	25	25	90	75
Heavy Vehicles, %	0	100	9	0	0	0	10	4	0	0	3	6
Mvmt Flow	12	0	119	0	0	0	12	172	0	0	227	28

Major/Minor	Minor1			Major1			Major2					
Conflicting Flow All	437	451	172				255	0	-	-	-	0
Stage 1	196	196	-				-	-	-	-	-	-
Stage 2	241	255	-				-	-	-	-	-	-
Critical Hdwy	6.4	7.5	6.29				4.2	-	-	-	-	-
Critical Hdwy Stg 1	5.4	6.5	-				-	-	-	-	-	-
Critical Hdwy Stg 2	5.4	6.5	-				-	-	-	-	-	-
Follow-up Hdwy	3.5	4.9	3.381				2.29	-	-	-	-	-
Pot Cap-1 Maneuver	581	384	854				1265	-	0	0	-	-
Stage 1	842	588	-				-	-	0	0	-	-
Stage 2	804	549	-				-	-	0	0	-	-
Platoon blocked, %								-			-	-
Mov Cap-1 Maneuver	576	0	854				1265	-	-	-	-	-
Mov Cap-2 Maneuver	576	0	-				-	-	-	-	-	-
Stage 1	834	0	-				-	-	-	-	-	-
Stage 2	804	0	-				-	-	-	-	-	-

Approach	NB	NE	SW
HCM Control Delay, s	10.2	0.5	0
HCM LOS	B		

Minor Lane/Major Mvmt	NEL	NET	NBLn1	SWT	SWR
Capacity (veh/h)	1265	-	818	-	-
HCM Lane V/C Ratio	0.009	-	0.16	-	-
HCM Control Delay (s)	7.9	-	10.2	-	-
HCM Lane LOS	A	-	B	-	-
HCM 95th %tile Q(veh)	0	-	0.6	-	-

Intersection												
Int Delay, s/veh	3.2											
Movement	NBL	NBT	NBR	SBL	SBT	SBR	NEL	NET	NER	SWL	SWT	SWR
Lane Configurations				↖		↗		↖		↖	↗	↗
Traffic Vol, veh/h	0	0	0	21	1	3	0	126	6	109	105	0
Future Vol, veh/h	0	0	0	21	1	3	0	126	6	109	105	0
Conflicting Peds, #/hr	0	0	0	0	0	0	0	0	4	4	0	0
Sign Control	Stop	Stop	Stop	Stop	Stop	Stop	Free	Free	Free	Free	Free	Free
RT Channelized	-	-	None	-	-	None	-	-	None	-	-	None
Storage Length	-	-	-	0	-	0	-	-	-	75	-	-
Veh in Median Storage, #	-	1	-	-	0	-	-	0	-	-	0	-
Grade, %	-	0	-	-	0	-	-	0	-	-	0	-
Peak Hour Factor	25	25	25	58	25	75	25	72	50	83	71	25
Heavy Vehicles, %	0	0	0	12	100	29	0	3	0	5	0	0
Mvmt Flow	0	0	0	36	4	4	0	175	12	131	148	0

Major/Minor	Minor2		Major1			Major2			
Conflicting Flow All	591	601	148	-	0	0	191	0	0
Stage 1	410	410	-	-	-	-	-	-	-
Stage 2	181	191	-	-	-	-	-	-	-
Critical Hdwy	6.52	7.5	6.49	-	-	-	4.15	-	-
Critical Hdwy Stg 1	5.52	6.5	-	-	-	-	-	-	-
Critical Hdwy Stg 2	5.52	6.5	-	-	-	-	-	-	-
Follow-up Hdwy	3.608	4.9	3.561	-	-	-	2.245	-	-
Pot Cap-1 Maneuver	453	308	832	0	-	-	1365	-	0
Stage 1	649	457	-	0	-	-	-	-	0
Stage 2	827	591	-	0	-	-	-	-	0
Platoon blocked, %									
Mov Cap-1 Maneuver	410	0	832	-	-	-	1365	-	-
Mov Cap-2 Maneuver	410	0	-	-	-	-	-	-	-
Stage 1	649	0	-	-	-	-	-	-	-
Stage 2	748	0	-	-	-	-	-	-	-

Approach	SB	NE	SW
HCM Control Delay, s	14.1	0	3.7
HCM LOS	B		

Minor Lane/Major Mvmt	NET	NER	SBLn1	SBLn2	SWL	SWT
Capacity (veh/h)	-	-	410	832	1365	-
HCM Lane V/C Ratio	-	-	0.088	0.005	0.096	-
HCM Control Delay (s)	-	-	14.6	9.3	7.9	-
HCM Lane LOS	-	-	B	A	A	-
HCM 95th %tile Q(veh)	-	-	0.3	0	0.3	-

Intersection	
Intersection Delay, s/veh	6.9
Intersection LOS	A

Movement	EBT	EBR	WBL	WBT	NBL	NBR
Lane Configurations				←↑	↑↑	
Traffic Vol, veh/h	0	0	19	0	0	23
Future Vol, veh/h	0	0	19	0	0	23
Peak Hour Factor	0.25	0.25	0.59	0.25	0.25	0.82
Heavy Vehicles, %	0	0	0	0	0	0
Mvmt Flow	0	0	32	0	0	28
Number of Lanes	0	0	0	1	1	0

Approach	WB	NB
Opposing Approach		
Opposing Lanes	0	0
Conflicting Approach Left	NB	
Conflicting Lanes Left	1	0
Conflicting Approach Right		WB
Conflicting Lanes Right	0	1
HCM Control Delay	7.3	6.5
HCM LOS	A	A

Lane	NBLn1	WBLn1
Vol Left, %	0%	100%
Vol Thru, %	0%	0%
Vol Right, %	100%	0%
Sign Control	Stop	Stop
Traffic Vol by Lane	23	19
LT Vol	0	19
Through Vol	0	0
RT Vol	23	0
Lane Flow Rate	28	32
Geometry Grp	1	1
Degree of Util (X)	0.026	0.037
Departure Headway (Hd)	3.357	4.149
Convergence, Y/N	Yes	Yes
Cap	1068	868
Service Time	1.372	2.151
HCM Lane V/C Ratio	0.026	0.037
HCM Control Delay	6.5	7.3
HCM Lane LOS	A	A
HCM 95th-tile Q	0.1	0.1

Intersection												
Intersection Delay, s/veh	8.5											
Intersection LOS	A											

Movement	EBL	EBT	EBR	WBL	WBT	WBR	NBL	NBT	NBR	SBL	SBT	SBR
Lane Configurations	↙	↑	↗	↙	↑	↗	↙	↑	↗	↙	↑	↗
Traffic Vol, veh/h	3	69	6	52	26	7	3	6	54	13	3	2
Future Vol, veh/h	3	69	6	52	26	7	3	6	54	13	3	2
Peak Hour Factor	0.38	0.75	0.75	0.62	0.46	0.58	0.25	0.38	0.84	0.54	0.38	0.50
Heavy Vehicles, %	17	2	0	0	0	0	0	8	1	0	0	0
Mvmt Flow	8	92	8	84	57	12	12	16	64	24	8	4
Number of Lanes	1	1	1	1	1	0	1	1	1	1	1	0

Approach	EB	WB	NB	SB
Opposing Approach	WB	EB	SB	NB
Opposing Lanes	2	3	2	3
Conflicting Approach Left	SB	NB	EB	WB
Conflicting Lanes Left	2	3	3	2
Conflicting Approach Right	NB	SB	WB	EB
Conflicting Lanes Right	3	2	2	3
HCM Control Delay	8.6	8.7	8	8.6
HCM LOS	A	A	A	A

Lane	NBLn1	NBLn2	NBLn3	EBLn1	EBLn2	EBLn3	WBLn1	WBLn2	SBLn1	SBLn2
Vol Left, %	100%	0%	0%	100%	0%	0%	100%	0%	100%	0%
Vol Thru, %	0%	100%	0%	0%	100%	0%	0%	79%	0%	60%
Vol Right, %	0%	0%	100%	0%	0%	100%	0%	21%	0%	40%
Sign Control	Stop	Stop	Stop	Stop	Stop	Stop	Stop	Stop	Stop	Stop
Traffic Vol by Lane	3	6	54	3	69	6	52	33	13	5
LT Vol	3	0	0	3	0	0	52	0	13	0
Through Vol	0	6	0	0	69	0	0	26	0	3
RT Vol	0	0	54	0	0	6	0	7	0	2
Lane Flow Rate	12	16	64	8	92	8	84	69	24	12
Geometry Grp	8	8	8	8	8	8	8	8	8	8
Degree of Util (X)	0.019	0.024	0.082	0.013	0.133	0.01	0.13	0.094	0.039	0.017
Departure Headway (Hd)	5.801	5.437	4.616	5.956	5.2	4.464	5.57	4.92	5.902	5.12
Convergence, Y/N	Yes	Yes	Yes	Yes	Yes	Yes	Yes	Yes	Yes	Yes
Cap	617	658	775	601	689	801	644	728	606	698
Service Time	3.536	3.172	2.351	3.689	2.933	2.197	3.3	2.65	3.643	2.86
HCM Lane V/C Ratio	0.019	0.024	0.083	0.013	0.134	0.01	0.13	0.095	0.04	0.017
HCM Control Delay	8.6	8.3	7.8	8.8	8.7	7.2	9.1	8.2	8.9	7.9
HCM Lane LOS	A	A	A	A	A	A	A	A	A	A
HCM 95th-tile Q	0.1	0.1	0.3	0	0.5	0	0.4	0.3	0.1	0.1

Intersection

Intersection Delay, s/veh 7.5

Intersection LOS A

Movement	EBL	EBT	EBR	WBL	WBT	WBR	NBL	NBT	NBR	SBL	SBT	SBR
Lane Configurations		↔			↑	↗				↖	↑	↗
Traffic Vol, veh/h	8	7	0	0	2	58	0	0	0	31	0	5
Future Vol, veh/h	8	7	0	0	2	58	0	0	0	31	0	5
Peak Hour Factor	0.50	0.58	0.25	0.25	0.50	0.72	0.25	0.25	0.25	0.70	0.25	0.42
Heavy Vehicles, %	0	0	0	0	0	0	0	0	0	2	0	0
Mvmt Flow	16	12	0	0	4	81	0	0	0	44	0	12
Number of Lanes	0	1	0	0	1	1	0	0	0	1	1	1

Approach	EB	WB	SB
Opposing Approach	WB	EB	
Opposing Lanes	2	1	0
Conflicting Approach Left	SB		WB
Conflicting Lanes Left	3	0	2
Conflicting Approach Right		SB	EB
Conflicting Lanes Right	0	3	1
HCM Control Delay	8	7.1	8
HCM LOS	A	A	A

Lane	EBLn1	WBLn1	WBLn2	SBLn1	SBLn2	SBLn3
Vol Left, %	53%	0%	0%	100%	0%	0%
Vol Thru, %	47%	100%	0%	0%	100%	0%
Vol Right, %	0%	0%	100%	0%	0%	100%
Sign Control	Stop	Stop	Stop	Stop	Stop	Stop
Traffic Vol by Lane	15	2	58	31	0	5
LT Vol	8	0	0	31	0	0
Through Vol	7	2	0	0	0	0
RT Vol	0	0	58	0	0	5
Lane Flow Rate	28	4	81	44	0	12
Geometry Grp	8	8	8	7	7	7
Degree of Util (X)	0.039	0.005	0.088	0.064	0	0.013
Departure Headway (Hd)	4.991	4.646	3.945	5.228	4.694	3.993
Convergence, Y/N	Yes	Yes	Yes	Yes	Yes	Yes
Cap	710	762	896	682	0	889
Service Time	2.775	2.425	1.724	2.987	2.452	1.751
HCM Lane V/C Ratio	0.039	0.005	0.09	0.065	0	0.013
HCM Control Delay	8	7.4	7.1	8.3	7.5	6.8
HCM Lane LOS	A	A	A	A	N	A
HCM 95th-tile Q	0.1	0	0.3	0.2	0	0

Intersection	
Intersection Delay, s/veh	7
Intersection LOS	A

Movement	EBL	EBT	EBR	WBL	WBT	WBR	NBL	NBT	NBR	SBL	SBT	SBR
Lane Configurations		↕			↕						↕	
Traffic Vol, veh/h	2	7	0	0	11	5	0	0	0	5	0	1
Future Vol, veh/h	2	7	0	0	11	5	0	0	0	5	0	1
Peak Hour Factor	0.50	0.58	0.25	0.25	0.69	0.42	0.25	0.25	0.25	0.42	0.25	0.25
Heavy Vehicles, %	0	0	0	0	0	0	0	0	0	0	0	0
Mvmt Flow	4	12	0	0	16	12	0	0	0	12	0	4
Number of Lanes	0	1	0	0	1	0	0	0	0	0	1	0

Approach	EB	WB	SB
Opposing Approach	WB	EB	
Opposing Lanes	1	1	0
Conflicting Approach Left			WB
Conflicting Lanes Left	1	0	1
Conflicting Approach Right		SB	EB
Conflicting Lanes Right	0	1	1
HCM Control Delay	7.1	6.9	7.1
HCM LOS	A	A	A

Lane	EBLn1	WBLn1	SBLn1
Vol Left, %	22%	0%	83%
Vol Thru, %	78%	69%	0%
Vol Right, %	0%	31%	17%
Sign Control	Stop	Stop	Stop
Traffic Vol by Lane	9	16	6
LT Vol	2	0	5
Through Vol	7	11	0
RT Vol	0	5	1
Lane Flow Rate	16	28	16
Geometry Grp	1	1	1
Degree of Util (X)	0.018	0.029	0.018
Departure Headway (Hd)	3.993	3.752	4.043
Convergence, Y/N	Yes	Yes	Yes
Cap	899	957	887
Service Time	2.004	1.763	2.058
HCM Lane V/C Ratio	0.018	0.029	0.018
HCM Control Delay	7.1	6.9	7.1
HCM Lane LOS	A	A	A
HCM 95th-tile Q	0.1	0.1	0.1

Intersection												
Int Delay, s/veh	4.2											
Movement	NBL	NBT	NBR	SBL	SBT	SBR	NEL	NET	NER	SWL	SWT	SWR
Lane Configurations					↕			↕		↕	↕	
Traffic Vol, veh/h	0	0	0	22	0	72	0	94	4	11	39	0
Future Vol, veh/h	0	0	0	22	0	72	0	94	4	11	39	0
Conflicting Peds, #/hr	0	0	0	0	0	0	2	0	0	0	0	2
Sign Control	Stop	Stop	Stop	Stop	Stop	Stop	Free	Free	Free	Free	Free	Free
RT Channelized	-	-	None	-	-	None	-	-	None	-	-	None
Storage Length	-	-	-	-	-	-	-	-	-	240	-	-
Veh in Median Storage, #	-	1	-	-	0	-	-	0	-	-	0	-
Grade, %	-	0	-	-	0	-	-	0	-	-	0	-
Peak Hour Factor	25	25	25	61	25	86	25	81	100	69	75	25
Heavy Vehicles, %	0	0	0	18	0	40	0	31	25	17	13	0
Mvmt Flow	0	0	0	36	0	84	0	116	4	16	52	0

Major/Minor	Minor2		Major1			Major2			
Conflicting Flow All	202	204	26	-	0	0	120	0	0
Stage 1	84	84	-	-	-	-	-	-	-
Stage 2	118	120	-	-	-	-	-	-	-
Critical Hdwy	6.87	6.5	7.5	-	-	-	4.355	-	-
Critical Hdwy Stg 1	6.07	5.5	-	-	-	-	-	-	-
Critical Hdwy Stg 2	5.67	5.5	-	-	-	-	-	-	-
Follow-up Hdwy	3.671	4	3.68	-	-	-	-2.3615	-	-
Pot Cap-1 Maneuver	738	696	939	0	-	-	1371	-	0
Stage 1	888	829	-	0	-	-	-	-	0
Stage 2	864	800	-	0	-	-	-	-	0
Platoon blocked, %									
Mov Cap-1 Maneuver	729	0	939	-	-	-	1371	-	-
Mov Cap-2 Maneuver	729	0	-	-	-	-	-	-	-
Stage 1	888	0	-	-	-	-	-	-	-
Stage 2	854	0	-	-	-	-	-	-	-

Approach	SB	NE	SW
HCM Control Delay, s	9.8	0	1.8
HCM LOS	A		

Minor Lane/Major Mvmt	NET	NER	SBLn1	SWL	SWT
Capacity (veh/h)	-	-	864	1371	-
HCM Lane V/C Ratio	-	-	0.139	0.012	-
HCM Control Delay (s)	-	-	9.8	7.7	-
HCM Lane LOS	-	-	A	A	-
HCM 95th %tile Q(veh)	-	-	0.5	0	-

Intersection												
Int Delay, s/veh	3.4											
Movement	NBL	NBT	NBR	SBL	SBT	SBR	SEL	SET	SER	NWL	NWT	NWR
Lane Configurations	↘	↑↑			↑↑					↘		↗
Traffic Vol, veh/h	62	54	0	0	47	22	0	0	0	7	0	22
Future Vol, veh/h	62	54	0	0	47	22	0	0	0	7	0	22
Conflicting Peds, #/hr	1	0	2	2	0	1	0	0	1	1	0	0
Sign Control	Free	Free	Free	Free	Free	Free	Stop	Stop	Stop	Stop	Stop	Stop
RT Channelized	-	-	None	-	-	None	-	-	None	-	-	Yield
Storage Length	140	-	-	-	-	-	-	-	-	0	-	0
Veh in Median Storage, #	-	0	-	-	0	-	-	0	-	-	0	-
Grade, %	-	0	-	-	0	-	-	0	-	-	0	-
Peak Hour Factor	86	84	25	25	65	46	25	25	25	58	25	61
Heavy Vehicles, %	43	13	0	0	16	22	0	0	0	13	0	17
Mvmt Flow	72	64	0	0	72	48	0	0	0	12	0	36

Major/Minor	Major1		Major2				Minor1	
Conflicting Flow All	121	0	-	-	-	0	245	- 32
Stage 1	-	-	-	-	-	-	208	- -
Stage 2	-	-	-	-	-	-	37	- -
Critical Hdwy	4.96	-	-	-	-	-	7.06	- 7.24
Critical Hdwy Stg 1	-	-	-	-	-	-	6.06	- -
Critical Hdwy Stg 2	-	-	-	-	-	-	6.06	- -
Follow-up Hdwy	2.63	-	-	-	-	-	3.63	- 3.47
Pot Cap-1 Maneuver	1211	-	0	0	-	-	692	0 988
Stage 1	-	-	0	0	-	-	775	0 -
Stage 2	-	-	0	0	-	-	949	0 -
Platoon blocked, %		-			-	-		
Mov Cap-1 Maneuver	1211	-	-	-	-	-	650	0 988
Mov Cap-2 Maneuver	-	-	-	-	-	-	650	0 -
Stage 1	-	-	-	-	-	-	729	0 -
Stage 2	-	-	-	-	-	-	948	0 -

Approach	NB	SB	NW
HCM Control Delay, s	4.3	0	9.3
HCM LOS			A

Minor Lane/Major Mvmt	NBL	NBTNWLn1	NWLn2	SBT	SBR
Capacity (veh/h)	1211	-	650	988	- -
HCM Lane V/C Ratio	0.06	-	0.019	0.037	- -
HCM Control Delay (s)	8.2	-	10.6	8.8	- -
HCM Lane LOS	A	-	B	A	- -
HCM 95th %tile Q(veh)	0.2	-	0.1	0.1	- -

Intersection												
Int Delay, s/veh	1.6											
Movement	EBL	EBT	EBR	WBL	WBT	WBR	NBL	NBT	NBR	SBL	SBT	SBR
Lane Configurations		↕			↕			↕			↕	
Traffic Vol, veh/h	5	0	2	1	0	0	4	58	0	0	48	3
Future Vol, veh/h	5	0	2	1	0	0	4	58	0	0	48	3
Conflicting Peds, #/hr	0	0	0	0	0	0	1	0	1	1	0	1
Sign Control	Stop	Stop	Stop	Stop	Stop	Stop	Free	Free	Free	Free	Free	Free
RT Channelized	-	-	None	-	-	None	-	-	None	-	-	None
Storage Length	-	-	-	-	-	-	-	-	-	-	-	-
Veh in Median Storage, #	-	0	-	-	0	-	-	0	-	-	0	-
Grade, %	-	0	-	-	0	-	-	0	-	-	0	-
Peak Hour Factor	42	25	50	25	25	25	33	76	25	25	80	38
Heavy Vehicles, %	11	0	0	60	0	0	0	8	100	0	9	14
Mvmt Flow	12	0	4	4	0	0	12	76	0	0	60	8

Major/Minor	Minor2		Minor1		Major1		Major2					
Conflicting Flow All	127	165	35	130	169	38	69	0	-	-	-	0
Stage 1	65	65	-	100	100	-	-	-	-	-	-	-
Stage 2	62	100	-	30	69	-	-	-	-	-	-	-
Critical Hdwy	7.72	6.5	6.9	8.7	6.5	6.9	4.1	-	-	-	-	-
Critical Hdwy Stg 1	6.72	5.5	-	7.7	5.5	-	-	-	-	-	-	-
Critical Hdwy Stg 2	6.72	5.5	-	7.7	5.5	-	-	-	-	-	-	-
Follow-up Hdwy	3.61	4	3.3	4.1	4	3.3	2.2	-	-	-	-	-
Pot Cap-1 Maneuver	809	731	1037	690	728	1032	1545	-	0	0	-	-
Stage 1	912	845	-	750	816	-	-	-	0	0	-	-
Stage 2	916	816	-	838	841	-	-	-	0	0	-	-
Platoon blocked, %								-	-	-	-	-
Mov Cap-1 Maneuver	803	724	1036	683	721	1032	1544	-	-	-	-	-
Mov Cap-2 Maneuver	803	724	-	683	721	-	-	-	-	-	-	-
Stage 1	904	844	-	744	809	-	-	-	-	-	-	-
Stage 2	909	809	-	835	840	-	-	-	-	-	-	-

Approach	EB		WB		NB		SB	
HCM Control Delay, s	9.3		10.3		1		0	
HCM LOS	A		B					

Minor Lane/Major Mvmt	NBL	NBT	EBLn1	WBLn1	SBT	SBR
Capacity (veh/h)	1544	-	851	683	-	-
HCM Lane V/C Ratio	0.008	-	0.019	0.006	-	-
HCM Control Delay (s)	7.3	0	9.3	10.3	-	-
HCM Lane LOS	A	A	A	B	-	-
HCM 95th %tile Q(veh)	0	-	0.1	0	-	-

Intersection	
Intersection Delay, s/veh	7.3
Intersection LOS	A

Movement	EBL	EBT	EBR	WBL	WBT	WBR	NBL	NBT	NBR	SBL	SBT	SBR
Lane Configurations		↕			↕			↕			↕	
Traffic Vol, veh/h	7	9	8	0	10	4	16	16	1	5	11	4
Future Vol, veh/h	7	9	8	0	10	4	16	16	1	5	11	4
Peak Hour Factor	0.44	0.56	0.67	0.25	0.50	0.50	0.67	0.67	0.25	0.42	0.55	0.50
Heavy Vehicles, %	9	5	6	0	5	20	0	4	50	0	0	14
Mvmt Flow	16	16	12	0	20	8	24	24	4	12	20	8
Number of Lanes	0	1	0	0	1	0	0	1	0	0	1	0
Approach	EB				WB			NB		SB		
Opposing Approach	WB				EB			SB		NB		
Opposing Lanes	1				1			1		1		
Conflicting Approach Left	SB				NB			EB		WB		
Conflicting Lanes Left	1				1			1		1		
Conflicting Approach Right	NB				SB			WB		EB		
Conflicting Lanes Right	1				1			1		1		
HCM Control Delay	7.4				7.2			7.4		7.2		
HCM LOS	A				A			A		A		

Lane	NBLn1	EBLn1	WBLn1	SBLn1
Vol Left, %	48%	29%	0%	25%
Vol Thru, %	48%	38%	71%	55%
Vol Right, %	3%	33%	29%	20%
Sign Control	Stop	Stop	Stop	Stop
Traffic Vol by Lane	33	24	14	20
LT Vol	16	7	0	5
Through Vol	16	9	10	11
RT Vol	1	8	4	4
Lane Flow Rate	52	44	28	40
Geometry Grp	1	1	1	1
Degree of Util (X)	0.059	0.05	0.031	0.044
Departure Headway (Hd)	4.134	4.091	4.005	3.994
Convergence, Y/N	Yes	Yes	Yes	Yes
Cap	863	871	888	892
Service Time	2.175	2.139	2.057	2.039
HCM Lane V/C Ratio	0.06	0.051	0.032	0.045
HCM Control Delay	7.4	7.4	7.2	7.2
HCM Lane LOS	A	A	A	A
HCM 95th-tile Q	0.2	0.2	0.1	0.1

Intersection												
Int Delay, s/veh	0.7											
Movement	EBL	EBT	EBR	WBL	WBT	WBR	NBL	NBT	NBR	SBL	SBT	SBR
Lane Configurations		↔			↔			↔			↔	
Traffic Vol, veh/h	0	54	3	0	54	0	1	0	1	1	0	0
Future Vol, veh/h	0	54	3	0	54	0	1	0	1	1	0	0
Conflicting Peds, #/hr	0	0	2	2	0	0	1	0	0	0	0	1
Sign Control	Free	Free	Free	Free	Free	Free	Stop	Stop	Stop	Stop	Stop	Stop
RT Channelized	-	-	None	-	-	None	-	-	None	-	-	None
Storage Length	-	-	-	-	-	-	-	-	-	-	-	-
Veh in Median Storage, #	-	0	-	-	0	-	-	0	-	-	0	-
Grade, %	-	0	-	-	0	-	-	0	-	-	0	-
Peak Hour Factor	25	84	25	25	84	25	25	25	25	25	25	25
Heavy Vehicles, %	0	9	25	0	10	0	0	0	50	0	0	0
Mvmt Flow	0	64	12	0	64	0	4	0	4	4	0	0

Major/Minor	Major1		Major2		Minor1			Minor2				
Conflicting Flow All	64	0	0	78	0	0	105	136	40	96	142	33
Stage 1	-	-	-	-	-	-	72	72	-	64	64	-
Stage 2	-	-	-	-	-	-	33	64	-	32	78	-
Critical Hdwy	4.1	-	-	4.1	-	-	7.5	6.5	7.9	7.5	6.5	6.9
Critical Hdwy Stg 1	-	-	-	-	-	-	6.5	5.5	-	6.5	5.5	-
Critical Hdwy Stg 2	-	-	-	-	-	-	6.5	5.5	-	6.5	5.5	-
Follow-up Hdwy	2.2	-	-	2.2	-	-	3.5	4	3.8	3.5	4	3.3
Pot Cap-1 Maneuver	1551	-	-	1533	-	-	869	759	886	882	753	1040
Stage 1	-	-	-	-	-	-	935	839	-	945	846	-
Stage 2	-	-	-	-	-	-	985	846	-	986	834	-
Platoon blocked, %	-	-	-	-	-	-	-	-	-	-	-	-
Mov Cap-1 Maneuver	1551	-	-	1529	-	-	866	757	884	878	751	1039
Mov Cap-2 Maneuver	-	-	-	-	-	-	866	757	-	878	751	-
Stage 1	-	-	-	-	-	-	932	836	-	945	846	-
Stage 2	-	-	-	-	-	-	984	846	-	982	831	-

Approach	EB	WB	NB	SB
HCM Control Delay, s	0	0	9.2	9.1
HCM LOS			A	A

Minor Lane/Major Mvmt	NBLn1	EBL	EBT	EBR	WBL	WBT	WBR	SBLn1
Capacity (veh/h)	875	1551	-	-	1529	-	-	878
HCM Lane V/C Ratio	0.009	-	-	-	-	-	-	0.005
HCM Control Delay (s)	9.2	0	-	-	0	-	-	9.1
HCM Lane LOS	A	A	-	-	A	-	-	A
HCM 95th %tile Q(veh)	0	0	-	-	0	-	-	0

Intersection						
Int Delay, s/veh	0.4					
Movement	EBL	EBR	NBL	NBT	SBT	SBR
Lane Configurations	W			W	W	
Traffic Vol, veh/h	4	0	0	70	75	4
Future Vol, veh/h	4	0	0	70	75	4
Conflicting Peds, #/hr	1	0	0	0	0	0
Sign Control	Stop	Stop	Free	Free	Free	Free
RT Channelized	-	None	-	None	-	None
Storage Length	0	-	-	-	-	-
Veh in Median Storage, #	0	-	-	0	0	-
Grade, %	0	-	-	0	0	-
Peak Hour Factor	50	25	25	80	78	50
Heavy Vehicles, %	0	0	0	44	41	11
Mvmt Flow	8	0	0	88	96	8

Major/Minor	Minor2	Major1		Major2	
Conflicting Flow All	189	100	104	0	0
Stage 1	100	-	-	-	-
Stage 2	89	-	-	-	-
Critical Hdwy	6.4	6.2	4.1	-	-
Critical Hdwy Stg 1	5.4	-	-	-	-
Critical Hdwy Stg 2	5.4	-	-	-	-
Follow-up Hdwy	3.5	3.3	2.2	-	-
Pot Cap-1 Maneuver	805	961	1500	-	-
Stage 1	929	-	-	-	-
Stage 2	940	-	-	-	-
Platoon blocked, %				-	-
Mov Cap-1 Maneuver	805	961	1500	-	-
Mov Cap-2 Maneuver	805	-	-	-	-
Stage 1	929	-	-	-	-
Stage 2	940	-	-	-	-

Approach	EB	NB	SB
HCM Control Delay, s	9.5	0	0
HCM LOS	A		

Minor Lane/Major Mvmt	NBL	NBT	EBLn1	SBT	SBR
Capacity (veh/h)	1500	-	805	-	-
HCM Lane V/C Ratio	-	-	0.01	-	-
HCM Control Delay (s)	0	-	9.5	-	-
HCM Lane LOS	A	-	A	-	-
HCM 95th %tile Q(veh)	0	-	0	-	-

Intersection						
Int Delay, s/veh	0.3					
Movement	WBL	WBR	NBT	NBR	SBL	SBT
Lane Configurations						
Traffic Vol, veh/h	3	1	134	2	0	51
Future Vol, veh/h	3	1	134	2	0	51
Conflicting Peds, #/hr	0	0	0	1	1	0
Sign Control	Stop	Stop	Free	Free	Free	Free
RT Channelized	-	None	-	None	-	None
Storage Length	0	-	-	-	-	-
Veh in Median Storage, #	0	-	0	-	-	0
Grade, %	0	-	0	-	-	0
Peak Hour Factor	75	25	88	50	25	85
Heavy Vehicles, %	17	0	4	0	0	6
Mvmt Flow	4	4	152	4	0	60

Major/Minor	Minor1	Major1	Major2			
Conflicting Flow All	215	155	0	0	157	0
Stage 1	155	-	-	-	-	-
Stage 2	60	-	-	-	-	-
Critical Hdwy	6.57	6.2	-	-	4.1	-
Critical Hdwy Stg 1	5.57	-	-	-	-	-
Critical Hdwy Stg 2	5.57	-	-	-	-	-
Follow-up Hdwy	3.653	3.3	-	-	2.2	-
Pot Cap-1 Maneuver	741	896	-	-	1435	-
Stage 1	838	-	-	-	-	-
Stage 2	926	-	-	-	-	-
Platoon blocked, %			-	-		-
Mov Cap-1 Maneuver	740	895	-	-	1434	-
Mov Cap-2 Maneuver	740	-	-	-	-	-
Stage 1	837	-	-	-	-	-
Stage 2	926	-	-	-	-	-

Approach	WB	NB	SB
HCM Control Delay, s	9.5	0	0
HCM LOS	A		

Minor Lane/Major Mvmt	NBT	NBRWBLn1	SBL	SBT
Capacity (veh/h)	-	-	810	1434
HCM Lane V/C Ratio	-	-	0.01	-
HCM Control Delay (s)	-	-	9.5	0
HCM Lane LOS	-	-	A	A
HCM 95th %tile Q(veh)	-	-	0	0

Intersection												
Int Delay, s/veh	4.6											
Movement	SEL	SET	SER	NWL	NWT	NWR	NEL	NET	NER	SWL	SWT	SWR
Lane Configurations		↕	↗		↕			↕			↕	
Traffic Vol, veh/h	1	45	19	4	47	0	100	0	6	1	0	0
Future Vol, veh/h	1	45	19	4	47	0	100	0	6	1	0	0
Conflicting Peds, #/hr	0	0	0	0	0	0	0	0	0	0	0	0
Sign Control	Free	Free	Free	Free	Free	Free	Stop	Stop	Stop	Stop	Stop	Stop
RT Channelized	-	-	None	-	-	None	-	-	None	-	-	None
Storage Length	-	-	0	-	-	-	-	-	-	-	-	-
Veh in Median Storage, #	-	0	-	-	0	-	-	0	-	-	0	-
Grade, %	-	0	-	-	0	-	-	0	-	-	0	-
Peak Hour Factor	25	75	47	50	73	25	86	25	75	25	25	25
Heavy Vehicles, %	0	6	11	50	2	0	4	0	14	0	0	0
Mvmt Flow	4	60	40	8	64	0	116	0	8	4	0	0

Major/Minor	Major1			Major2			Minor1			Minor2		
Conflicting Flow All	64	0	0	100	0	0	148	148	60	172	188	64
Stage 1	-	-	-	-	-	-	68	68	-	80	80	-
Stage 2	-	-	-	-	-	-	80	80	-	92	108	-
Critical Hdwy	4.1	-	-	4.6	-	-	7.14	6.5	6.34	7.1	6.5	6.2
Critical Hdwy Stg 1	-	-	-	-	-	-	6.14	5.5	-	6.1	5.5	-
Critical Hdwy Stg 2	-	-	-	-	-	-	6.14	5.5	-	6.1	5.5	-
Follow-up Hdwy	2.2	-	-	2.65	-	-	3.536	4	3.426	3.5	4	3.3
Pot Cap-1 Maneuver	1551	-	-	1240	-	-	816	747	973	796	710	1006
Stage 1	-	-	-	-	-	-	937	842	-	934	832	-
Stage 2	-	-	-	-	-	-	924	832	-	920	810	-
Platoon blocked, %	-	-	-	-	-	-	-	-	-	-	-	-
Mov Cap-1 Maneuver	1551	-	-	1240	-	-	809	740	973	783	703	1006
Mov Cap-2 Maneuver	-	-	-	-	-	-	809	740	-	783	703	-
Stage 1	-	-	-	-	-	-	934	839	-	931	826	-
Stage 2	-	-	-	-	-	-	918	826	-	910	808	-

Approach	SE	NW	NE	SW
HCM Control Delay, s	0.3	0.9	10.2	9.6
HCM LOS			B	A

Minor Lane/Major Mvmt	NELn1	NWL	NWT	NWR	SEL	SET	SERSWLn1
Capacity (veh/h)	818	1240	-	-	1551	-	- 783
HCM Lane V/C Ratio	0.152	0.006	-	-	0.003	-	- 0.005
HCM Control Delay (s)	10.2	7.9	0	-	7.3	0	- 9.6
HCM Lane LOS	B	A	A	-	A	A	- A
HCM 95th %tile Q(veh)	0.5	0	-	-	0	-	- 0

Intersection												
Int Delay, s/veh	5.1											
Movement	EBL	EBT	EBR	WBL	WBT	WBR	NBL	NBT	NBR	SBL	SBT	SBR
Lane Configurations		↕			↕		↕	↕		↕	↕	
Traffic Vol, veh/h	27	1	23	2	1	1	79	50	1	0	61	11
Future Vol, veh/h	27	1	23	2	1	1	79	50	1	0	61	11
Conflicting Peds, #/hr	0	0	0	0	0	0	0	0	0	0	0	0
Sign Control	Stop	Stop	Stop	Stop	Stop	Stop	Free	Free	Free	Free	Free	Free
RT Channelized	-	-	None	-	-	None	-	-	None	-	-	None
Storage Length	-	-	-	-	-	-	100	-	-	100	-	-
Veh in Median Storage, #	-	0	-	-	0	-	-	0	-	-	0	-
Grade, %	-	0	-	-	0	-	-	0	-	-	0	-
Peak Hour Factor	52	25	96	50	25	25	79	73	25	25	85	46
Heavy Vehicles, %	3	0	24	0	0	0	28	0	50	0	5	0
Mvmt Flow	52	4	24	4	4	4	100	68	4	0	72	24

Major/Minor	Minor2		Minor1		Major1		Major2					
Conflicting Flow All	358	356	84	368	366	70	96	0	0	72	0	0
Stage 1	84	84	-	270	270	-	-	-	-	-	-	-
Stage 2	274	272	-	98	96	-	-	-	-	-	-	-
Critical Hdwy	7.13	6.5	6.44	7.1	6.5	6.2	4.38	-	-	4.1	-	-
Critical Hdwy Stg 1	6.13	5.5	-	6.1	5.5	-	-	-	-	-	-	-
Critical Hdwy Stg 2	6.13	5.5	-	6.1	5.5	-	-	-	-	-	-	-
Follow-up Hdwy	3.527	4	3.516	3.5	4	3.3	2.452	-	-	2.2	-	-
Pot Cap-1 Maneuver	596	573	918	592	566	998	1350	-	-	1541	-	-
Stage 1	922	829	-	740	690	-	-	-	-	-	-	-
Stage 2	730	688	-	913	819	-	-	-	-	-	-	-
Platoon blocked, %								-	-	-	-	-
Mov Cap-1 Maneuver	557	531	918	541	524	998	1350	-	-	1541	-	-
Mov Cap-2 Maneuver	557	531	-	541	524	-	-	-	-	-	-	-
Stage 1	854	829	-	685	639	-	-	-	-	-	-	-
Stage 2	669	637	-	885	819	-	-	-	-	-	-	-

Approach	EB		WB		NB		SB	
HCM Control Delay, s	11.5		10.8		4.6		0	
HCM LOS	B		B					

Minor Lane/Major Mvmt	NBL	NBT	NBR	EBLn1	WBLn1	SBL	SBT	SBR
Capacity (veh/h)	1350	-	-	630	630	1541	-	-
HCM Lane V/C Ratio	0.074	-	-	0.127	0.019	-	-	-
HCM Control Delay (s)	7.9	-	-	11.5	10.8	0	-	-
HCM Lane LOS	A	-	-	B	B	A	-	-
HCM 95th %tile Q(veh)	0.2	-	-	0.4	0.1	0	-	-

Intersection												
Int Delay, s/veh	6.2											
Movement	EBL	EBT	EBR	WBL	WBT	WBR	NBL	NBT	NBR	SBL	SBT	SBR
Lane Configurations												
Traffic Vol, veh/h	20	61	4	12	121	51	3	2	13	147	8	4
Future Vol, veh/h	20	61	4	12	121	51	3	2	13	147	8	4
Conflicting Peds, #/hr	0	0	0	0	0	0	0	0	0	0	0	0
Sign Control	Free	Free	Free	Free	Free	Free	Stop	Stop	Stop	Stop	Stop	Stop
RT Channelized	-	-	None	-	-	None	-	-	None	-	-	Yield
Storage Length	100	-	-	100	-	0	-	-	-	-	-	0
Veh in Median Storage, #	-	0	-	-	0	-	-	0	-	-	0	-
Grade, %	-	0	-	-	0	-	-	0	-	-	0	-
Peak Hour Factor	83	80	33	75	78	85	38	50	46	80	67	50
Heavy Vehicles, %	5	14	0	4	18	23	0	0	3	14	0	0
Mvmt Flow	24	76	12	16	155	60	8	4	28	184	12	8

Major/Minor	Major1			Major2			Minor1			Minor2		
Conflicting Flow All	215	0	0	88	0	0	353	377	82	333	323	155
Stage 1	-	-	-	-	-	-	130	130	-	187	187	-
Stage 2	-	-	-	-	-	-	223	247	-	146	136	-
Critical Hdwy	4.15	-	-	4.14	-	-	7.1	6.5	6.23	7.24	6.5	6.2
Critical Hdwy Stg 1	-	-	-	-	-	-	6.1	5.5	-	6.24	5.5	-
Critical Hdwy Stg 2	-	-	-	-	-	-	6.1	5.5	-	6.24	5.5	-
Follow-up Hdwy	2.245	-	-	2.236	-	-	3.5	4	3.327	3.626	4	3.3
Pot Cap-1 Maneuver	1337	-	-	1495	-	-	606	558	975	598	598	896
Stage 1	-	-	-	-	-	-	878	792	-	788	749	-
Stage 2	-	-	-	-	-	-	784	706	-	829	788	-
Platoon blocked, %	-	-	-	-	-	-	-	-	-	-	-	-
Mov Cap-1 Maneuver	1337	-	-	1495	-	-	578	542	975	565	581	896
Mov Cap-2 Maneuver	-	-	-	-	-	-	578	542	-	565	581	-
Stage 1	-	-	-	-	-	-	862	778	-	774	741	-
Stage 2	-	-	-	-	-	-	756	698	-	786	774	-

Approach	EB			WB			NB			SB		
HCM Control Delay, s	1.7			0.5			9.7			14.5		
HCM LOS							A			B		

Minor Lane/Major Mvmt	NBLn1	EBL	EBT	EBR	WBL	WBT	WBR	SBLn1	SBLn2
Capacity (veh/h)	803	1337	-	-	1495	-	-	566	896
HCM Lane V/C Ratio	0.05	0.018	-	-	0.011	-	-	0.346	0.009
HCM Control Delay (s)	9.7	7.7	-	-	7.4	-	-	14.7	9.1
HCM Lane LOS	A	A	-	-	A	-	-	B	A
HCM 95th %tile Q(veh)	0.2	0.1	-	-	0	-	-	1.5	0

Intersection												
Int Delay, s/veh	1.1											
Movement	NBL	NBT	NBR	SBL	SBT	SBR	SEL	SET	SER	NWL	NWT	NWR
Lane Configurations	↖	↗		↖	↗			↕			↕	
Traffic Vol, veh/h	2	475	3	17	429	1	5	1	1	2	0	19
Future Vol, veh/h	2	475	3	17	429	1	5	1	1	2	0	19
Conflicting Peds, #/hr	1	0	0	0	0	1	0	0	0	0	0	0
Sign Control	Free	Free	Free	Free	Free	Free	Stop	Stop	Stop	Stop	Stop	Stop
RT Channelized	-	-	None	-	-	None	-	-	None	-	-	None
Storage Length	50	-	-	50	-	-	-	-	-	-	-	-
Veh in Median Storage, #	-	0	-	-	0	-	-	0	-	-	0	-
Grade, %	-	0	-	-	0	-	-	0	-	-	0	-
Peak Hour Factor	50	85	75	42	90	25	62	25	25	50	25	68
Heavy Vehicles, %	0	3	0	0	5	0	0	0	0	0	0	0
Mvmt Flow	4	559	4	40	477	4	8	4	4	4	0	28

Major/Minor	Major1			Major2			Minor2			Minor1		
Conflicting Flow All	482	0	0	563	0	0	1143	1131	480	1132	1131	561
Stage 1	-	-	-	-	-	-	560	560	-	569	569	-
Stage 2	-	-	-	-	-	-	583	571	-	563	562	-
Critical Hdwy	4.1	-	-	4.1	-	-	7.1	6.5	6.2	7.1	6.5	6.2
Critical Hdwy Stg 1	-	-	-	-	-	-	6.1	5.5	-	6.1	5.5	-
Critical Hdwy Stg 2	-	-	-	-	-	-	6.1	5.5	-	6.1	5.5	-
Follow-up Hdwy	2.2	-	-	2.2	-	-	3.5	4	3.3	3.5	4	3.3
Pot Cap-1 Maneuver	1091	-	-	1019	-	-	179	205	590	182	205	531
Stage 1	-	-	-	-	-	-	516	514	-	511	509	-
Stage 2	-	-	-	-	-	-	502	508	-	514	513	-
Platoon blocked, %	-	-	-	-	-	-	-	-	-	-	-	-
Mov Cap-1 Maneuver	1090	-	-	1019	-	-	164	196	589	172	196	531
Mov Cap-2 Maneuver	-	-	-	-	-	-	164	196	-	172	196	-
Stage 1	-	-	-	-	-	-	513	493	-	509	507	-
Stage 2	-	-	-	-	-	-	474	506	-	486	492	-

Approach	NB	SB	SE	NW
HCM Control Delay, s	0.1	0.7	23.6	14.3
HCM LOS			C	B

Minor Lane/Major Mvmt	NBL	NBT	NBRNWLn1	SELn1	SBL	SBT	SBR
Capacity (veh/h)	1090	-	-	421	210	1019	-
HCM Lane V/C Ratio	0.004	-	-	0.076	0.076	0.04	-
HCM Control Delay (s)	8.3	-	-	14.3	23.6	8.7	-
HCM Lane LOS	A	-	-	B	C	A	-
HCM 95th %tile Q(veh)	0	-	-	0.2	0.2	0.1	-

HCM 6th Signalized Intersection Summary
6: N Broadway Avenue/N Street & Needles Highway



Movement	EBL	EBT	EBR	WBL	WBT	WBR	NBL	NBT	NBR	SBL	SBT	SBR
Lane Configurations												
Traffic Volume (veh/h)	2	195	68	268	144	8	66	5	289	3	1	0
Future Volume (veh/h)	2	195	68	268	144	8	66	5	289	3	1	0
Initial Q (Qb), veh	0	0	0	0	0	0	0	0	0	0	0	0
Ped-Bike Adj(A_pbT)	1.00		1.00	1.00		1.00	1.00		1.00	1.00		1.00
Parking Bus, Adj	1.00	1.00	1.00	1.00	1.00	1.00	1.00	1.00	1.00	1.00	1.00	1.00
Work Zone On Approach		No			No			No			No	
Adj Sat Flow, veh/h/ln	1900	1811	1885	1870	1776	1900	1885	1900	1945	1900	1976	1900
Adj Flow Rate, veh/h	8	232	96	279	164	12	84	8	325	4	4	0
Peak Hour Factor	0.25	0.84	0.71	0.96	0.88	0.67	0.79	0.62	0.89	0.75	0.25	0.25
Percent Heavy Veh, %	0	6	1	2	13	0	1	0	2	0	0	0
Cap, veh/h	588	746	657	505	673	49	428	41	426	10	10	0
Arrive On Green	0.41	0.41	0.41	0.41	0.41	0.41	0.26	0.26	0.26	0.01	0.01	0.00
Sat Flow, veh/h	1226	1811	1594	1051	1634	120	1659	158	1648	964	964	0
Grp Volume(v), veh/h	8	232	96	279	0	176	92	0	325	8	0	0
Grp Sat Flow(s),veh/h/ln	1226	1811	1594	1051	0	1754	1817	0	1648	1928	0	0
Q Serve(g_s), s	0.2	3.8	1.7	10.8	0.0	2.9	1.7	0.0	8.0	0.2	0.0	0.0
Cycle Q Clear(g_c), s	3.1	3.8	1.7	14.6	0.0	2.9	1.7	0.0	8.0	0.2	0.0	0.0
Prop In Lane	1.00		1.00	1.00		0.07	0.91		1.00	0.50		0.00
Lane Grp Cap(c), veh/h	588	746	657	505	0	723	469	0	426	20	0	0
V/C Ratio(X)	0.01	0.31	0.15	0.55	0.00	0.24	0.20	0.00	0.76	0.39	0.00	0.00
Avail Cap(c_a), veh/h	801	1062	934	688	0	1028	987	0	895	1047	0	0
HCM Platoon Ratio	1.00	1.00	1.00	1.00	1.00	1.00	1.00	1.00	1.00	1.00	1.00	1.00
Upstream Filter(I)	1.00	1.00	1.00	1.00	0.00	1.00	1.00	0.00	1.00	1.00	0.00	0.00
Uniform Delay (d), s/veh	9.5	8.8	8.1	13.7	0.0	8.5	12.8	0.0	15.1	21.7	0.0	0.0
Incr Delay (d2), s/veh	0.0	0.2	0.1	0.9	0.0	0.2	0.2	0.0	2.9	11.8	0.0	0.0
Initial Q Delay(d3),s/veh	0.0	0.0	0.0	0.0	0.0	0.0	0.0	0.0	0.0	0.0	0.0	0.0
%ile BackOfQ(50%),veh/ln	0.0	1.2	0.5	2.2	0.0	0.9	0.6	0.0	2.9	0.1	0.0	0.0
Unsig. Movement Delay, s/veh												
LnGrp Delay(d),s/veh	9.5	9.0	8.2	14.6	0.0	8.7	13.0	0.0	18.0	33.5	0.0	0.0
LnGrp LOS	A	A	A	B	A	A	B	A	B	C	A	A
Approach Vol, veh/h		336			455			417				8
Approach Delay, s/veh		8.8			12.3			16.9				33.5
Approach LOS		A			B			B				C
Timer - Assigned Phs		2		4		6		8				
Phs Duration (G+Y+Rc), s		22.9		16.1		22.9		5.2				
Change Period (Y+Rc), s		* 4.7		* 4.7		* 4.7		4.7				
Max Green Setting (Gmax), s		* 26		* 24		* 26		24.0				
Max Q Clear Time (g_c+I1), s		5.8		10.0		16.6		2.2				
Green Ext Time (p_c), s		1.6		1.4		1.6		0.0				

Intersection Summary

HCM 6th Ctrl Delay	13.1
HCM 6th LOS	B

Notes

* HCM 6th computational engine requires equal clearance times for the phases crossing the barrier.

HCM 6th Signalized Intersection Summary
 7: North K Street & Needles Highway



Movement	EBL	EBT	EBR	WBL	WBT	WBR	NBL	NBT	NBR	SBL	SBT	SBR
Lane Configurations												
Traffic Volume (veh/h)	424	31	6	3	20	1	9	17	2	2	15	393
Future Volume (veh/h)	424	31	6	3	20	1	9	17	2	2	15	393
Initial Q (Qb), veh	0	0	0	0	0	0	0	0	0	0	0	0
Ped-Bike Adj(A_pbT)	1.00		1.00	1.00		1.00	1.00		1.00	1.00		1.00
Parking Bus, Adj	1.00	1.00	1.00	1.00	1.00	1.00	1.00	1.00	1.00	1.00	1.00	1.00
Work Zone On Approach		No			No			No			No	
Adj Sat Flow, veh/h/ln	1841	1945	1900	1900	1945	1900	1796	1900	1900	1900	1930	1811
Adj Flow Rate, veh/h	476	40	16	8	36	4	12	24	4	4	20	437
Peak Hour Factor	0.89	0.78	0.38	0.38	0.56	0.25	0.75	0.71	0.50	0.50	0.75	0.90
Percent Heavy Veh, %	4	2	0	0	2	0	7	0	0	0	3	6
Cap, veh/h	717	556	222	718	724	80	253	551	92	639	25	545
Arrive On Green	0.42	0.42	0.42	0.42	0.42	0.42	0.35	0.35	0.35	0.35	0.35	0.35
Sat Flow, veh/h	1346	1321	529	1369	1720	191	897	1587	264	1400	72	1570
Grp Volume(v), veh/h	476	0	56	8	0	40	12	0	28	4	0	457
Grp Sat Flow(s),veh/h/ln	1346	0	1850	1369	0	1911	897	0	1851	1400	0	1642
Q Serve(g_s), s	14.0	0.0	0.8	0.2	0.0	0.5	0.5	0.0	0.4	0.1	0.0	10.8
Cycle Q Clear(g_c), s	14.5	0.0	0.8	0.9	0.0	0.5	11.4	0.0	0.4	0.5	0.0	10.8
Prop In Lane	1.00		0.29	1.00		0.10	1.00		0.14	1.00		0.96
Lane Grp Cap(c), veh/h	717	0	778	718	0	804	253	0	643	639	0	570
V/C Ratio(X)	0.66	0.00	0.07	0.01	0.00	0.05	0.05	0.00	0.04	0.01	0.00	0.80
Avail Cap(c_a), veh/h	1056	0	1245	1064	0	1286	378	0	903	836	0	800
HCM Platoon Ratio	1.00	1.00	1.00	1.00	1.00	1.00	1.00	1.00	1.00	1.00	1.00	1.00
Upstream Filter(I)	1.00	0.00	1.00	1.00	0.00	1.00	1.00	0.00	1.00	1.00	0.00	1.00
Uniform Delay (d), s/veh	11.7	0.0	7.5	7.7	0.0	7.4	17.9	0.0	9.3	9.5	0.0	12.7
Incr Delay (d2), s/veh	1.1	0.0	0.0	0.0	0.0	0.0	0.1	0.0	0.0	0.0	0.0	4.0
Initial Q Delay(d3),s/veh	0.0	0.0	0.0	0.0	0.0	0.0	0.0	0.0	0.0	0.0	0.0	0.0
%ile BackOfQ(50%),veh/ln	3.3	0.0	0.2	0.0	0.0	0.2	0.1	0.0	0.1	0.0	0.0	3.8
Unsig. Movement Delay, s/veh												
LnGrp Delay(d),s/veh	12.7	0.0	7.5	7.7	0.0	7.4	17.9	0.0	9.4	9.5	0.0	16.7
LnGrp LOS	B	A	A	A	A	A	B	A	A	A	A	B
Approach Vol, veh/h		532			48			40			461	
Approach Delay, s/veh		12.2			7.5			11.9			16.7	
Approach LOS		B			A			B			B	
Timer - Assigned Phs		2		4		6		8				
Phs Duration (G+Y+Rc), s		23.1		20.0		23.1		20.0				
Change Period (Y+Rc), s		5.0		5.0		5.0		5.0				
Max Green Setting (Gmax), s		29.0		21.0		29.0		21.0				
Max Q Clear Time (g_c+1), s		16.5		13.4		2.9		12.8				
Green Ext Time (p_c), s		1.6		0.1		0.2		2.0				
Intersection Summary												
HCM 6th Ctrl Delay												13.9
HCM 6th LOS												B

HCM 6th Signalized Intersection Summary
8: J Street & W Broadway Avenue



Movement	EBL	EBT	EBR	WBL	WBT	WBR	NBL	NBT	NBR	SBL	SBT	SBR
Lane Configurations	↖	↗		↖	↗		↖	↗			↕	
Traffic Volume (veh/h)	0	78	244	20	106	1	265	1	18	1	1	0
Future Volume (veh/h)	0	78	244	20	106	1	265	1	18	1	1	0
Initial Q (Qb), veh	0	0	0	0	0	0	0	0	0	0	0	0
Ped-Bike Adj(A_pbT)	1.00		1.00	1.00		1.00	1.00		1.00	1.00		1.00
Parking Bus, Adj	1.00	1.00	1.00	1.00	1.00	1.00	1.00	1.00	1.00	1.00	1.00	1.00
Work Zone On Approach		No		No		No		No		No		No
Adj Sat Flow, veh/h/ln	1976	1961	1870	1811	1961	1900	1945	1976	1856	1900	1976	1900
Adj Flow Rate, veh/h	0	80	265	32	156	4	305	4	24	4	4	0
Peak Hour Factor	0.25	0.97	0.92	0.62	0.68	0.25	0.87	0.25	0.75	0.25	0.25	0.25
Percent Heavy Veh, %	0	1	2	6	1	0	2	0	3	0	0	0
Cap, veh/h	299	554	494	463	1105	28	721	70	421	402	327	0
Arrive On Green	0.00	0.30	0.30	0.30	0.30	0.30	0.29	0.29	0.29	0.29	0.29	0.00
Sat Flow, veh/h	1296	1863	1659	1002	3711	95	1466	244	1465	618	1137	0
Grp Volume(v), veh/h	0	80	265	32	78	82	305	0	28	8	0	0
Grp Sat Flow(s),veh/h/ln	1296	1863	1659	1002	1863	1943	1466	0	1709	1756	0	0
Q Serve(g_s), s	0.0	0.8	3.2	0.7	0.7	0.7	4.4	0.0	0.3	0.0	0.0	0.0
Cycle Q Clear(g_c), s	0.0	0.8	3.2	3.9	0.7	0.7	4.5	0.0	0.3	0.1	0.0	0.0
Prop In Lane	1.00		1.00	1.00		0.05	1.00		0.86	0.50		0.00
Lane Grp Cap(c), veh/h	299	554	494	463	554	578	721	0	491	729	0	0
V/C Ratio(X)	0.00	0.14	0.54	0.07	0.14	0.14	0.42	0.00	0.06	0.01	0.00	0.00
Avail Cap(c_a), veh/h	988	1546	1377	997	1546	1613	1821	0	1773	1987	0	0
HCM Platoon Ratio	1.00	1.00	1.00	1.00	1.00	1.00	1.00	1.00	1.00	1.00	1.00	1.00
Upstream Filter(I)	0.00	1.00	1.00	1.00	1.00	1.00	1.00	0.00	1.00	1.00	0.00	0.00
Uniform Delay (d), s/veh	0.0	6.2	7.1	8.7	6.2	6.2	7.7	0.0	6.2	6.1	0.0	0.0
Incr Delay (d2), s/veh	0.0	0.1	0.9	0.1	0.1	0.1	0.4	0.0	0.0	0.0	0.0	0.0
Initial Q Delay(d3),s/veh	0.0	0.0	0.0	0.0	0.0	0.0	0.0	0.0	0.0	0.0	0.0	0.0
%ile BackOfQ(50%),veh/ln	0.0	0.2	0.7	0.1	0.2	0.2	0.8	0.0	0.1	0.0	0.0	0.0
Unsig. Movement Delay, s/veh												
LnGrp Delay(d),s/veh	0.0	6.3	8.0	8.8	6.3	6.3	8.1	0.0	6.3	6.2	0.0	0.0
LnGrp LOS	A	A	A	A	A	A	A	A	A	A	A	A
Approach Vol, veh/h		345		192		333		8				
Approach Delay, s/veh		7.6		6.7		8.0		6.2				
Approach LOS		A		A		A		A				
Timer - Assigned Phs		2		4		6		8				
Phs Duration (G+Y+Rc), s		12.2		11.9		12.2		11.9				
Change Period (Y+Rc), s		5.0		5.0		5.0		5.0				
Max Green Setting (Gmax), s		20.0		25.0		20.0		25.0				
Max Q Clear Time (g_c+I1), s		5.2		6.5		5.9		2.1				
Green Ext Time (p_c), s		1.9		1.0		0.8		0.0				
Intersection Summary												
HCM 6th Ctrl Delay				7.5								
HCM 6th LOS				A								

Intersection												
Int Delay, s/veh	3.5											
Movement	NBL	NBT	NBR	SBL	SBT	SBR	NEL	NET	NER	SWL	SWT	SWR
Lane Configurations		↕					↕	↑			↕	
Traffic Vol, veh/h	27	0	131	0	0	0	10	156	0	0	265	21
Future Vol, veh/h	27	0	131	0	0	0	10	156	0	0	265	21
Conflicting Peds, #/hr	0	0	0	0	0	0	2	0	0	1	0	2
Sign Control	Stop	Stop	Stop	Stop	Stop	Stop	Free	Free	Free	Free	Free	Free
RT Channelized	-	-	None	-	-	None	-	-	None	-	-	None
Storage Length	-	-	-	-	-	-	60	-	-	-	-	-
Veh in Median Storage, #	-	0	-	-	0	-	-	0	-	-	0	-
Grade, %	-	0	-	-	0	-	-	0	-	-	0	-
Peak Hour Factor	75	25	76	25	25	25	42	91	25	25	86	75
Heavy Vehicles, %	4	0	6	0	0	0	20	2	0	0	3	7
Mvmt Flow	36	0	172	0	0	0	24	171	0	0	308	28

Major/Minor	Minor1			Major1			Major2					
Conflicting Flow All	541	557	171				338	0	-	-	-	0
Stage 1	219	219	-				-	-	-	-	-	-
Stage 2	322	338	-				-	-	-	-	-	-
Critical Hdwy	6.44	6.5	6.26				4.3	-	-	-	-	-
Critical Hdwy Stg 1	5.44	5.5	-				-	-	-	-	-	-
Critical Hdwy Stg 2	5.44	5.5	-				-	-	-	-	-	-
Follow-up Hdwy	3.536	4	3.354				2.38	-	-	-	-	-
Pot Cap-1 Maneuver	499	442	862				1127	-	0	0	-	-
Stage 1	813	726	-				-	-	0	0	-	-
Stage 2	730	644	-				-	-	0	0	-	-
Platoon blocked, %								-			-	-
Mov Cap-1 Maneuver	489	0	862				1127	-	-	-	-	-
Mov Cap-2 Maneuver	489	0	-				-	-	-	-	-	-
Stage 1	796	0	-				-	-	-	-	-	-
Stage 2	730	0	-				-	-	-	-	-	-

Approach	NB	NE	SW
HCM Control Delay, s	11.5	1	0
HCM LOS	B		

Minor Lane/Major Mvmt	NEL	NET	NBLn1	SWT	SWR
Capacity (veh/h)	1127	-	762	-	-
HCM Lane V/C Ratio	0.021	-	0.273	-	-
HCM Control Delay (s)	8.3	-	11.5	-	-
HCM Lane LOS	A	-	B	-	-
HCM 95th %tile Q(veh)	0.1	-	1.1	-	-

Intersection												
Int Delay, s/veh	2.9											
Movement	NBL	NBT	NBR	SBL	SBT	SBR	NEL	NET	NER	SWL	SWT	SWR
Lane Configurations				↖		↗		↖		↖	↗	
Traffic Vol, veh/h	0	0	0	21	0	9	0	148	21	113	178	0
Future Vol, veh/h	0	0	0	21	0	9	0	148	21	113	178	0
Conflicting Peds, #/hr	0	0	0	0	0	0	2	0	1	1	0	2
Sign Control	Stop	Stop	Stop	Stop	Stop	Stop	Free	Free	Free	Free	Free	Free
RT Channelized	-	-	None	-	-	None	-	-	None	-	-	None
Storage Length	-	-	-	0	-	0	-	-	-	75	-	-
Veh in Median Storage, #	-	1	-	-	0	-	-	0	-	-	0	-
Grade, %	-	0	-	-	0	-	-	0	-	-	0	-
Peak Hour Factor	25	25	25	88	25	56	25	95	75	79	89	25
Heavy Vehicles, %	0	0	0	4	0	5	0	2	0	6	2	0
Mvmt Flow	0	0	0	24	0	16	0	156	28	143	200	0

Major/Minor	Minor2	Major1	Major2
Conflicting Flow All	656	- 200	- 0 0 185 0 0
Stage 1	486	- -	- - - - - -
Stage 2	170	- -	- - - - - -
Critical Hdwy	6.44	- 6.25	- - - 4.16 - -
Critical Hdwy Stg 1	5.44	- -	- - - - - -
Critical Hdwy Stg 2	5.44	- -	- - - - - -
Follow-up Hdwy	3.536	- 3.345	- - - 2.254 - -
Pot Cap-1 Maneuver	427	0 833	0 - - 1366 - 0
Stage 1	614	0 -	0 - - - - 0
Stage 2	855	0 -	0 - - - - 0
Platoon blocked, %			- - -
Mov Cap-1 Maneuver	382	0 833	- - - 1366 - -
Mov Cap-2 Maneuver	382	0 -	- - - - - -
Stage 1	614	0 -	- - - - - -
Stage 2	765	0 -	- - - - - -

Approach	SB	NE	SW
HCM Control Delay, s	12.8	0	3.3
HCM LOS	B		

Minor Lane/Major Mvmt	NET	NER	SBLn1	SBLn2	SWL	SWT
Capacity (veh/h)	-	-	382	833	1366	-
HCM Lane V/C Ratio	-	-	0.062	0.019	0.105	-
HCM Control Delay (s)	-	-	15.1	9.4	7.9	-
HCM Lane LOS	-	-	C	A	A	-
HCM 95th %tile Q(veh)	-	-	0.2	0.1	0.3	-

Intersection	
Intersection Delay, s/veh	7
Intersection LOS	A

Movement	EBT	EBR	WBL	WBT	NBL	NBR
Lane Configurations				↕	↕	
Traffic Vol, veh/h	0	0	29	0	0	25
Future Vol, veh/h	0	0	29	0	0	25
Peak Hour Factor	0.25	0.25	0.72	0.25	0.25	0.78
Heavy Vehicles, %	0	0	0	0	0	0
Mvmt Flow	0	0	40	0	0	32
Number of Lanes	0	0	0	1	1	0

Approach	WB	NB
Opposing Approach		
Opposing Lanes	0	0
Conflicting Approach Left	NB	
Conflicting Lanes Left	1	0
Conflicting Approach Right		WB
Conflicting Lanes Right	0	1
HCM Control Delay	7.4	6.5
HCM LOS	A	A

Lane	NBLn1	WBLn1
Vol Left, %	0%	100%
Vol Thru, %	0%	0%
Vol Right, %	100%	0%
Sign Control	Stop	Stop
Traffic Vol by Lane	25	29
LT Vol	0	29
Through Vol	0	0
RT Vol	25	0
Lane Flow Rate	32	40
Geometry Grp	1	1
Degree of Util (X)	0.03	0.046
Departure Headway (Hd)	3.37	4.155
Convergence, Y/N	Yes	Yes
Cap	1063	866
Service Time	1.39	2.159
HCM Lane V/C Ratio	0.03	0.046
HCM Control Delay	6.5	7.4
HCM Lane LOS	A	A
HCM 95th-tile Q	0.1	0.1

Intersection	
Intersection Delay, s/veh	8.7
Intersection LOS	A

Movement	EBL	EBT	EBR	WBL	WBT	WBR	NBL	NBT	NBR	SBL	SBT	SBR
Lane Configurations	↙	↑	↗	↙	↑		↙	↑	↗	↙	↑	
Traffic Vol, veh/h	7	58	6	73	76	16	6	8	76	14	5	5
Future Vol, veh/h	7	58	6	73	76	16	6	8	76	14	5	5
Peak Hour Factor	0.88	0.81	0.75	0.83	0.86	0.67	0.75	0.33	0.83	0.44	0.42	0.62
Heavy Vehicles, %	0	1	0	1	1	4	0	0	2	0	0	0
Mvmt Flow	8	72	8	88	88	24	8	24	92	32	12	8
Number of Lanes	1	1	1	1	1	0	1	1	1	1	1	0

Approach	EB	WB	NB	SB
Opposing Approach	WB	EB	SB	NB
Opposing Lanes	2	3	2	3
Conflicting Approach Left	SB	NB	EB	WB
Conflicting Lanes Left	2	3	3	2
Conflicting Approach Right	NB	SB	WB	EB
Conflicting Lanes Right	3	2	2	3
HCM Control Delay	8.7	9	8.3	8.7
HCM LOS	A	A	A	A

Lane	NBLn1	NBLn2	NBLn3	EBLn1	EBLn2	EBLn3	WBLn1	WBLn2	SBLn1	SBLn2
Vol Left, %	100%	0%	0%	100%	0%	0%	100%	0%	100%	0%
Vol Thru, %	0%	100%	0%	0%	100%	0%	0%	83%	0%	50%
Vol Right, %	0%	0%	100%	0%	0%	100%	0%	17%	0%	50%
Sign Control	Stop	Stop	Stop	Stop	Stop	Stop	Stop	Stop	Stop	Stop
Traffic Vol by Lane	6	8	76	7	58	6	73	92	14	10
LT Vol	6	0	0	7	0	0	73	0	14	0
Through Vol	0	8	0	0	58	0	0	76	0	5
RT Vol	0	0	76	0	0	6	0	16	0	5
Lane Flow Rate	8	24	92	8	72	8	88	112	32	20
Geometry Grp	8	8	8	8	8	8	8	8	8	8
Degree of Util (X)	0.013	0.036	0.121	0.013	0.108	0.01	0.139	0.158	0.053	0.029
Departure Headway (Hd)	5.915	5.414	4.746	5.894	5.409	4.69	5.677	5.053	6.038	5.185
Convergence, Y/N	Yes	Yes	Yes	Yes	Yes	Yes	Yes	Yes	Yes	Yes
Cap	604	660	753	606	660	759	631	707	591	687
Service Time	3.662	3.16	2.493	3.646	3.161	2.441	3.422	2.799	3.795	2.941
HCM Lane V/C Ratio	0.013	0.036	0.122	0.013	0.109	0.011	0.139	0.158	0.054	0.029
HCM Control Delay	8.7	8.4	8.2	8.7	8.8	7.5	9.3	8.8	9.1	8.1
HCM Lane LOS	A	A	A	A	A	A	A	A	A	A
HCM 95th-tile Q	0	0.1	0.4	0	0.4	0	0.5	0.6	0.2	0.1

Intersection	
Intersection Delay, s/veh	8
Intersection LOS	A

Movement	EBL	EBT	EBR	WBL	WBT	WBR	NBL	NBT	NBR	SBL	SBT	SBR
Lane Configurations		↔			↑	↗				↖	↑	↗
Traffic Vol, veh/h	2	7	1	0	13	60	0	0	0	64	0	7
Future Vol, veh/h	2	7	1	0	13	60	0	0	0	64	0	7
Peak Hour Factor	0.50	0.58	0.25	0.25	0.54	0.88	0.25	0.25	0.25	0.70	0.25	0.35
Heavy Vehicles, %	0	0	0	0	4	1	0	0	0	1	0	0
Mvmt Flow	4	12	4	0	24	68	0	0	0	91	0	20
Number of Lanes	0	1	0	0	1	1	0	0	0	1	1	1

Approach	EB	WB	SB
Opposing Approach	WB	EB	
Opposing Lanes	2	1	0
Conflicting Approach Left	SB		WB
Conflicting Lanes Left	3	0	2
Conflicting Approach Right		SB	EB
Conflicting Lanes Right	0	3	1
HCM Control Delay	7.9	7.4	8.5
HCM LOS	A	A	A

Lane	EBLn1	WBLn1	WBLn2	SBLn1	SBLn2	SBLn3
Vol Left, %	20%	0%	0%	100%	0%	0%
Vol Thru, %	70%	100%	0%	0%	100%	0%
Vol Right, %	10%	0%	100%	0%	0%	100%
Sign Control	Stop	Stop	Stop	Stop	Stop	Stop
Traffic Vol by Lane	10	13	60	64	0	7
LT Vol	2	0	0	64	0	0
Through Vol	7	13	0	0	0	0
RT Vol	1	0	60	0	0	7
Lane Flow Rate	20	24	68	91	0	20
Geometry Grp	8	8	8	7	7	7
Degree of Util (X)	0.028	0.033	0.079	0.132	0	0.022
Departure Headway (Hd)	5.025	4.938	4.185	5.209	4.691	3.99
Convergence, Y/N	Yes	Yes	Yes	Yes	Yes	Yes
Cap	716	729	861	683	0	886
Service Time	2.73	2.639	1.886	2.984	2.466	1.765
HCM Lane V/C Ratio	0.028	0.033	0.079	0.133	0	0.023
HCM Control Delay	7.9	7.8	7.2	8.8	7.5	6.9
HCM Lane LOS	A	A	A	A	N	A
HCM 95th-tile Q	0.1	0.1	0.3	0.5	0	0.1

Intersection

Intersection Delay, s/veh	7
Intersection LOS	A

Movement	EBL	EBT	EBR	WBL	WBT	WBR	NBL	NBT	NBR	SBL	SBT	SBR
Lane Configurations		↕			↕						↕	
Traffic Vol, veh/h	0	8	0	0	14	6	0	0	0	8	0	1
Future Vol, veh/h	0	8	0	0	14	6	0	0	0	8	0	1
Peak Hour Factor	0.25	0.50	0.25	0.25	0.70	0.50	0.25	0.25	0.25	0.50	0.25	0.25
Heavy Vehicles, %	0	0	0	0	0	10	0	0	0	0	0	0
Mvmt Flow	0	16	0	0	20	12	0	0	0	16	0	4
Number of Lanes	0	1	0	0	1	0	0	0	0	0	1	0

Approach	EB	WB	SB
Opposing Approach	WB	EB	
Opposing Lanes	1	1	0
Conflicting Approach Left	SB		WB
Conflicting Lanes Left	1	0	1
Conflicting Approach Right		SB	EB
Conflicting Lanes Right	0	1	1
HCM Control Delay	7	6.9	7.2
HCM LOS	A	A	A

Lane	EBLn1	WBLn1	SBLn1
Vol Left, %	0%	0%	89%
Vol Thru, %	100%	70%	0%
Vol Right, %	0%	30%	11%
Sign Control	Stop	Stop	Stop
Traffic Vol by Lane	8	20	9
LT Vol	0	0	8
Through Vol	8	14	0
RT Vol	0	6	1
Lane Flow Rate	16	32	20
Geometry Grp	1	1	1
Degree of Util (X)	0.018	0.033	0.023
Departure Headway (Hd)	3.959	3.767	4.093
Convergence, Y/N	Yes	Yes	Yes
Cap	906	953	876
Service Time	1.973	1.78	2.11
HCM Lane V/C Ratio	0.018	0.034	0.023
HCM Control Delay	7	6.9	7.2
HCM Lane LOS	A	A	A
HCM 95th-tile Q	0.1	0.1	0.1

Intersection												
Int Delay, s/veh	4.2											
Movement	NBL	NBT	NBR	SBL	SBT	SBR	NEL	NET	NER	SWL	SWT	SWR
Lane Configurations					↕			↕		↕	↕	
Traffic Vol, veh/h	0	0	0	24	1	104	0	139	5	20	49	0
Future Vol, veh/h	0	0	0	24	1	104	0	139	5	20	49	0
Conflicting Peds, #/hr	0	0	0	0	0	0	0	0	0	0	0	0
Sign Control	Stop	Stop	Stop	Stop	Stop	Stop	Free	Free	Free	Free	Free	Free
RT Channelized	-	-	None	-	-	None	-	-	None	-	-	None
Storage Length	-	-	-	-	-	-	-	-	-	240	-	-
Veh in Median Storage, #	-	1	-	-	0	-	-	0	-	-	0	-
Grade, %	-	0	-	-	0	-	-	0	-	-	0	-
Peak Hour Factor	25	25	25	75	25	90	25	81	31	71	88	25
Heavy Vehicles, %	0	0	0	25	0	46	0	31	11	24	9	0
Mvmt Flow	0	0	0	32	4	116	0	172	16	28	56	0

Major/Minor	Minor2		Major1			Major2			
Conflicting Flow All	292	300	28	-	0	0	188	0	0
Stage 1	112	112	-	-	-	-	-	-	-
Stage 2	180	188	-	-	-	-	-	-	-
Critical Hdwy	6.975	6.5	7.59	-	-	-	4.46	-	-
Critical Hdwy Stg 1	6.175	5.5	-	-	-	-	-	-	-
Critical Hdwy Stg 2	5.775	5.5	-	-	-	-	-	-	-
Follow-up Hdwy	3.7375	4	3.737	-	-	-	2.428	-	-
Pot Cap-1 Maneuver	634	616	921	0	-	-	1251	-	0
Stage 1	842	807	-	0	-	-	-	-	0
Stage 2	791	748	-	0	-	-	-	-	0
Platoon blocked, %									
Mov Cap-1 Maneuver	620	0	921	-	-	-	1251	-	-
Mov Cap-2 Maneuver	620	0	-	-	-	-	-	-	-
Stage 1	842	0	-	-	-	-	-	-	-
Stage 2	774	0	-	-	-	-	-	-	-

Approach	SB	NE	SW
HCM Control Delay, s	10.3	0	2.7
HCM LOS	B		

Minor Lane/Major Mvmt	NET	NER	SBLn1	SWL	SWT
Capacity (veh/h)	-	-	833	1251	-
HCM Lane V/C Ratio	-	-	0.182	0.023	-
HCM Control Delay (s)	-	-	10.3	7.9	-
HCM Lane LOS	-	-	B	A	-
HCM 95th %tile Q(veh)	-	-	0.7	0.1	-

Intersection												
Int Delay, s/veh	3.9											
Movement	NBL	NBT	NBR	SBL	SBT	SBR	SEL	SET	SER	NWL	NWT	NWR
Lane Configurations	↘	↗↗			↗↗					↘		↗
Traffic Vol, veh/h	94	61	0	0	67	55	0	0	0	3	0	29
Future Vol, veh/h	94	61	0	0	67	55	0	0	0	3	0	29
Conflicting Peds, #/hr	0	0	0	0	0	0	1	0	0	0	0	1
Sign Control	Free	Free	Free	Free	Free	Free	Stop	Stop	Stop	Stop	Stop	Stop
RT Channelized	-	-	None	-	-	None	-	-	None	-	-	Yield
Storage Length	140	-	-	-	-	-	-	-	-	0	-	0
Veh in Median Storage, #	-	0	-	-	0	-	-	0	-	-	0	-
Grade, %	-	0	-	-	0	-	-	0	-	-	0	-
Peak Hour Factor	71	80	25	25	88	81	25	25	25	38	25	72
Heavy Vehicles, %	40	16	0	0	13	22	0	0	0	0	0	16
Mvmt Flow	132	76	0	0	76	68	0	0	0	8	0	40

Major/Minor	Major1		Major2				Minor1	
Conflicting Flow All	144	0	-	-	-	0	378	- 39
Stage 1	-	-	-	-	-	-	340	- -
Stage 2	-	-	-	-	-	-	38	- -
Critical Hdwy	4.9	-	-	-	-	-	6.8	- 7.22
Critical Hdwy Stg 1	-	-	-	-	-	-	5.8	- -
Critical Hdwy Stg 2	-	-	-	-	-	-	5.8	- -
Follow-up Hdwy	2.6	-	-	-	-	-	3.5	- 3.46
Pot Cap-1 Maneuver	1198	-	0	0	-	-	602	0 980
Stage 1	-	-	0	0	-	-	698	0 -
Stage 2	-	-	0	0	-	-	985	0 -
Platoon blocked, %		-			-	-		
Mov Cap-1 Maneuver	1198	-	-	-	-	-	536	0 979
Mov Cap-2 Maneuver	-	-	-	-	-	-	536	0 -
Stage 1	-	-	-	-	-	-	621	0 -
Stage 2	-	-	-	-	-	-	985	0 -

Approach	NB	SB	NW
HCM Control Delay, s	5.3	0	9.3
HCM LOS			A

Minor Lane/Major Mvmt	NBL	NBTNWLn1	NWLn2	SBT	SBR
Capacity (veh/h)	1198	-	536	979	- -
HCM Lane V/C Ratio	0.111	-	0.015	0.041	- -
HCM Control Delay (s)	8.4	-	11.8	8.8	- -
HCM Lane LOS	A	-	B	A	- -
HCM 95th %tile Q(veh)	0.4	-	0	0.1	- -

Intersection												
Int Delay, s/veh	0.4											
Movement	EBL	EBT	EBR	WBL	WBT	WBR	NBL	NBT	NBR	SBL	SBT	SBR
Lane Configurations		↕			↕			↕			↕	
Traffic Vol, veh/h	0	0	3	0	0	0	3	83	1	0	63	2
Future Vol, veh/h	0	0	3	0	0	0	3	83	1	0	63	2
Conflicting Peds, #/hr	0	0	0	0	0	0	0	0	0	0	0	0
Sign Control	Stop	Stop	Stop	Stop	Stop	Stop	Free	Free	Free	Free	Free	Free
RT Channelized	-	-	None	-	-	None	-	-	None	-	-	None
Storage Length	-	-	-	-	-	-	-	-	-	-	-	-
Veh in Median Storage, #	-	0	-	-	0	-	-	0	-	-	0	-
Grade, %	-	0	-	-	0	-	-	0	-	-	0	-
Peak Hour Factor	25	25	75	25	25	25	75	90	25	25	88	50
Heavy Vehicles, %	0	0	0	50	0	0	0	4	100	0	8	0
Mvmt Flow	0	0	4	0	0	0	4	92	4	0	72	4

Major/Minor	Minor2		Minor1			Major1		Major2				
Conflicting Flow All	128	178	38	138	178	48	76	0	0	-	-	0
Stage 1	74	74	-	102	102	-	-	-	-	-	-	-
Stage 2	54	104	-	36	76	-	-	-	-	-	-	-
Critical Hdwy	7.5	6.5	6.9	8.5	6.5	6.9	4.1	-	-	-	-	-
Critical Hdwy Stg 1	6.5	5.5	-	7.5	5.5	-	-	-	-	-	-	-
Critical Hdwy Stg 2	6.5	5.5	-	7.5	5.5	-	-	-	-	-	-	-
Follow-up Hdwy	3.5	4	3.3	4	4	3.3	2.2	-	-	-	-	-
Pot Cap-1 Maneuver	838	719	1032	701	719	1017	1536	-	-	0	-	-
Stage 1	933	837	-	770	815	-	-	-	-	0	-	-
Stage 2	958	813	-	852	836	-	-	-	-	0	-	-
Platoon blocked, %								-	-	-	-	-
Mov Cap-1 Maneuver	836	717	1032	697	717	1017	1536	-	-	-	-	-
Mov Cap-2 Maneuver	836	717	-	697	717	-	-	-	-	-	-	-
Stage 1	930	837	-	768	813	-	-	-	-	-	-	-
Stage 2	955	811	-	849	836	-	-	-	-	-	-	-

Approach	EB	WB	NB	SB
HCM Control Delay, s	8.5	0	0.3	0
HCM LOS	A	A		

Minor Lane/Major Mvmt	NBL	NBT	NBR	EBLn1	WBLn1	SBT	SBR
Capacity (veh/h)	1536	-	-	1032	-	-	-
HCM Lane V/C Ratio	0.003	-	-	0.004	-	-	-
HCM Control Delay (s)	7.3	0	-	8.5	0	-	-
HCM Lane LOS	A	A	-	A	A	-	-
HCM 95th %tile Q(veh)	0	-	-	0	-	-	-

Intersection	
Intersection Delay, s/veh	7.3
Intersection LOS	A

Movement	EBL	EBT	EBR	WBL	WBT	WBR	NBL	NBT	NBR	SBL	SBT	SBR
Lane Configurations		↕			↕			↕			↕	
Traffic Vol, veh/h	4	10	16	2	6	2	15	11	1	4	21	2
Future Vol, veh/h	4	10	16	2	6	2	15	11	1	4	21	2
Peak Hour Factor	0.50	0.83	0.57	0.50	0.50	0.50	0.94	0.55	0.25	0.25	0.75	0.50
Heavy Vehicles, %	0	0	0	0	0	0	0	0	0	11	0	0
Mvmt Flow	8	12	28	4	12	4	16	20	4	16	28	4
Number of Lanes	0	1	0	0	1	0	0	1	0	0	1	0

Approach	EB	WB	NB	SB
Opposing Approach	WB	EB	SB	NB
Opposing Lanes	1	1	1	1
Conflicting Approach Left	SB	NB	EB	WB
Conflicting Lanes Left	1	1	1	1
Conflicting Approach Right	NB	SB	WB	EB
Conflicting Lanes Right	1	1	1	1
HCM Control Delay	7	7.2	7.4	7.5
HCM LOS	A	A	A	A

Lane	NBLn1	EBLn1	WBLn1	SBLn1
Vol Left, %	56%	13%	20%	15%
Vol Thru, %	41%	33%	60%	78%
Vol Right, %	4%	53%	20%	7%
Sign Control	Stop	Stop	Stop	Stop
Traffic Vol by Lane	27	30	10	27
LT Vol	15	4	2	4
Through Vol	11	10	6	21
RT Vol	1	16	2	2
Lane Flow Rate	40	48	20	48
Geometry Grp	1	1	1	1
Degree of Util (X)	0.046	0.05	0.022	0.056
Departure Headway (Hd)	4.145	3.776	4.011	4.222
Convergence, Y/N	Yes	Yes	Yes	Yes
Cap	862	942	887	847
Service Time	2.178	1.824	2.062	2.253
HCM Lane V/C Ratio	0.046	0.051	0.023	0.057
HCM Control Delay	7.4	7	7.2	7.5
HCM Lane LOS	A	A	A	A
HCM 95th-tile Q	0.1	0.2	0.1	0.2

Intersection												
Int Delay, s/veh	1.1											
Movement	EBL	EBT	EBR	WBL	WBT	WBR	NBL	NBT	NBR	SBL	SBT	SBR
Lane Configurations		↔↔			↔↔			↔			↔	
Traffic Vol, veh/h	0	55	3	0	66	0	5	0	0	3	0	1
Future Vol, veh/h	0	55	3	0	66	0	5	0	0	3	0	1
Conflicting Peds, #/hr	0	0	1	1	0	0	0	0	0	0	0	0
Sign Control	Free	Free	Free	Free	Free	Free	Stop	Stop	Stop	Stop	Stop	Stop
RT Channelized	-	-	None	-	-	None	-	-	None	-	-	None
Storage Length	-	-	-	-	-	-	-	-	-	-	-	-
Veh in Median Storage, #	-	0	-	-	0	-	-	0	-	-	0	-
Grade, %	-	0	-	-	0	-	-	0	-	-	0	-
Peak Hour Factor	25	92	38	25	92	25	62	25	25	38	25	25
Heavy Vehicles, %	0	7	0	0	3	0	0	0	0	0	0	0
Mvmt Flow	0	60	8	0	72	0	8	0	0	8	0	4

Major/Minor	Major1		Major2		Minor1			Minor2				
Conflicting Flow All	72	0	0	69	0	0	101	137	35	102	141	36
Stage 1	-	-	-	-	-	-	65	65	-	72	72	-
Stage 2	-	-	-	-	-	-	36	72	-	30	69	-
Critical Hdwy	4.1	-	-	4.1	-	-	7.5	6.5	6.9	7.5	6.5	6.9
Critical Hdwy Stg 1	-	-	-	-	-	-	6.5	5.5	-	6.5	5.5	-
Critical Hdwy Stg 2	-	-	-	-	-	-	6.5	5.5	-	6.5	5.5	-
Follow-up Hdwy	2.2	-	-	2.2	-	-	3.5	4	3.3	3.5	4	3.3
Pot Cap-1 Maneuver	1541	-	-	1545	-	-	875	758	1037	874	754	1035
Stage 1	-	-	-	-	-	-	944	845	-	935	839	-
Stage 2	-	-	-	-	-	-	981	839	-	989	841	-
Platoon blocked, %		-	-	-	-	-						
Mov Cap-1 Maneuver	1541	-	-	1543	-	-	871	757	1036	874	753	1035
Mov Cap-2 Maneuver	-	-	-	-	-	-	871	757	-	874	753	-
Stage 1	-	-	-	-	-	-	943	844	-	935	839	-
Stage 2	-	-	-	-	-	-	977	839	-	989	840	-

Approach	EB	WB	NB	SB
HCM Control Delay, s	0	0	9.2	9
HCM LOS			A	A

Minor Lane/Major Mvmt	NBLn1	EBL	EBT	EBR	WBL	WBT	WBR	SBLn1
Capacity (veh/h)	871	1541	-	-	1543	-	-	922
HCM Lane V/C Ratio	0.009	-	-	-	-	-	-	0.013
HCM Control Delay (s)	9.2	0	-	-	0	-	-	9
HCM Lane LOS	A	A	-	-	A	-	-	A
HCM 95th %tile Q(veh)	0	0	-	-	0	-	-	0

Intersection						
Int Delay, s/veh	0.4					
Movement	EBL	EBR	NBL	NBT	SBT	SBR
Lane Configurations	T			T		
Traffic Vol, veh/h	5	1	0	118	114	3
Future Vol, veh/h	5	1	0	118	114	3
Conflicting Peds, #/hr	0	0	0	0	0	0
Sign Control	Stop	Stop	Free	Free	Free	Free
RT Channelized	-	None	-	None	-	None
Storage Length	0	-	-	-	-	-
Veh in Median Storage, #	0	-	-	0	0	-
Grade, %	0	-	-	0	0	-
Peak Hour Factor	62	25	25	78	84	25
Heavy Vehicles, %	0	0	0	38	47	0
Mvmt Flow	8	4	0	151	136	12

Major/Minor	Minor2	Major1	Major2			
Conflicting Flow All	293	142	148	0	-	0
Stage 1	142	-	-	-	-	-
Stage 2	151	-	-	-	-	-
Critical Hdwy	6.4	6.2	4.1	-	-	-
Critical Hdwy Stg 1	5.4	-	-	-	-	-
Critical Hdwy Stg 2	5.4	-	-	-	-	-
Follow-up Hdwy	3.5	3.3	2.2	-	-	-
Pot Cap-1 Maneuver	702	911	1446	-	-	-
Stage 1	890	-	-	-	-	-
Stage 2	882	-	-	-	-	-
Platoon blocked, %				-	-	-
Mov Cap-1 Maneuver	702	911	1446	-	-	-
Mov Cap-2 Maneuver	702	-	-	-	-	-
Stage 1	890	-	-	-	-	-
Stage 2	882	-	-	-	-	-

Approach	EB	NB	SB
HCM Control Delay, s	9.8	0	0
HCM LOS	A		

Minor Lane/Major Mvmt	NBL	NBT	EBLn1	SBT	SBR
Capacity (veh/h)	1446	-	760	-	-
HCM Lane V/C Ratio	-	-	0.016	-	-
HCM Control Delay (s)	0	-	9.8	-	-
HCM Lane LOS	A	-	A	-	-
HCM 95th %tile Q(veh)	0	-	0	-	-

Intersection						
Int Delay, s/veh	0.3					
Movement	WBL	WBR	NBT	NBR	SBL	SBT
Lane Configurations						
Traffic Vol, veh/h	1	1	134	4	0	90
Future Vol, veh/h	1	1	134	4	0	90
Conflicting Peds, #/hr	0	0	0	1	1	0
Sign Control	Stop	Stop	Free	Free	Free	Free
RT Channelized	-	None	-	None	-	None
Storage Length	0	-	-	-	-	-
Veh in Median Storage, #	0	-	0	-	-	0
Grade, %	0	-	0	-	-	0
Peak Hour Factor	25	25	84	33	25	80
Heavy Vehicles, %	0	0	3	14	0	3
Mvmt Flow	4	4	160	12	0	113

Major/Minor	Minor1	Major1	Major2		
Conflicting Flow All	280	167	0	0	173
Stage 1	167	-	-	-	-
Stage 2	113	-	-	-	-
Critical Hdwy	6.4	6.2	-	-	4.1
Critical Hdwy Stg 1	5.4	-	-	-	-
Critical Hdwy Stg 2	5.4	-	-	-	-
Follow-up Hdwy	3.5	3.3	-	-	2.2
Pot Cap-1 Maneuver	714	882	-	-	1416
Stage 1	867	-	-	-	-
Stage 2	917	-	-	-	-
Platoon blocked, %			-	-	-
Mov Cap-1 Maneuver	713	881	-	-	1415
Mov Cap-2 Maneuver	713	-	-	-	-
Stage 1	866	-	-	-	-
Stage 2	917	-	-	-	-

Approach	WB	NB	SB
HCM Control Delay, s	9.6	0	0
HCM LOS	A		

Minor Lane/Major Mvmt	NBT	NBRWBLn1	SBL	SBT
Capacity (veh/h)	-	-	788	1415
HCM Lane V/C Ratio	-	-	0.01	-
HCM Control Delay (s)	-	-	9.6	0
HCM Lane LOS	-	-	A	A
HCM 95th %tile Q(veh)	-	-	0	0

Intersection												
Int Delay, s/veh	3.7											
Movement	SEL	SET	SER	NWL	NWT	NWR	NEL	NET	NER	SWL	SWT	SWR
Lane Configurations		↕	↗		↕			↕			↕	
Traffic Vol, veh/h	0	44	52	1	57	1	91	0	7	0	0	1
Future Vol, veh/h	0	44	52	1	57	1	91	0	7	0	0	1
Conflicting Peds, #/hr	0	0	0	0	0	0	0	0	0	0	0	0
Sign Control	Free	Free	Free	Free	Free	Free	Stop	Stop	Stop	Stop	Stop	Stop
RT Channelized	-	-	None	-	-	None	-	-	None	-	-	None
Storage Length	-	-	0	-	-	-	-	-	-	-	-	-
Veh in Median Storage, #	-	0	-	-	0	-	-	0	-	-	0	-
Grade, %	-	0	-	-	0	-	-	0	-	-	0	-
Peak Hour Factor	25	73	68	25	62	25	81	25	58	25	25	25
Heavy Vehicles, %	0	0	4	0	3	0	3	0	13	0	0	50
Mvmt Flow	0	60	76	4	92	4	112	0	12	0	0	4

Major/Minor	Major1			Major2			Minor1			Minor2		
Conflicting Flow All	96	0	0	136	0	0	164	164	60	206	238	94
Stage 1	-	-	-	-	-	-	60	60	-	102	102	-
Stage 2	-	-	-	-	-	-	104	104	-	104	136	-
Critical Hdwy	4.1	-	-	4.1	-	-	7.13	6.5	6.33	7.1	6.5	6.7
Critical Hdwy Stg 1	-	-	-	-	-	-	6.13	5.5	-	6.1	5.5	-
Critical Hdwy Stg 2	-	-	-	-	-	-	6.13	5.5	-	6.1	5.5	-
Follow-up Hdwy	2.2	-	-	2.2	-	-	3.527	4	3.417	3.5	4	3.75
Pot Cap-1 Maneuver	1510	-	-	1461	-	-	798	732	975	756	666	846
Stage 1	-	-	-	-	-	-	949	849	-	909	815	-
Stage 2	-	-	-	-	-	-	899	813	-	907	788	-
Platoon blocked, %	-	-	-	-	-	-	-	-	-	-	-	-
Mov Cap-1 Maneuver	1510	-	-	1461	-	-	792	730	975	745	664	846
Mov Cap-2 Maneuver	-	-	-	-	-	-	792	730	-	745	664	-
Stage 1	-	-	-	-	-	-	949	849	-	909	813	-
Stage 2	-	-	-	-	-	-	892	811	-	896	788	-

Approach	SE	NW	NE	SW
HCM Control Delay, s	0	0.3	10.3	9.3
HCM LOS			B	A

Minor Lane/Major Mvmt	NELn1	NWL	NWT	NWR	SEL	SET	SERSWLn1
Capacity (veh/h)	807	1461	-	-	1510	-	846
HCM Lane V/C Ratio	0.154	0.003	-	-	-	-	0.005
HCM Control Delay (s)	10.3	7.5	0	-	0	-	9.3
HCM Lane LOS	B	A	A	-	A	-	A
HCM 95th %tile Q(veh)	0.5	0	-	-	0	-	0

Intersection												
Int Delay, s/veh	4.9											
Movement	EBL	EBT	EBR	WBL	WBT	WBR	NBL	NBT	NBR	SBL	SBT	SBR
Lane Configurations		↕			↕		↕	↕		↕	↕	
Traffic Vol, veh/h	29	0	27	1	1	0	81	50	2	0	62	4
Future Vol, veh/h	29	0	27	1	1	0	81	50	2	0	62	4
Conflicting Peds, #/hr	0	0	0	0	0	0	0	0	0	0	0	0
Sign Control	Stop	Stop	Stop	Stop	Stop	Stop	Free	Free	Free	Free	Free	Free
RT Channelized	-	-	None	-	-	None	-	-	None	-	-	None
Storage Length	-	-	-	-	-	-	100	-	-	100	-	-
Veh in Median Storage, #	-	0	-	-	0	-	-	0	-	-	0	-
Grade, %	-	0	-	-	0	-	-	0	-	-	0	-
Peak Hour Factor	60	25	68	25	25	25	84	66	25	25	70	50
Heavy Vehicles, %	0	0	22	0	0	0	16	2	0	0	2	0
Mvmt Flow	48	0	40	4	4	0	96	76	8	0	89	8

Major/Minor	Minor2		Minor1		Major1			Major2				
Conflicting Flow All	367	369	93	385	369	80	97	0	0	84	0	0
Stage 1	93	93	-	272	272	-	-	-	-	-	-	-
Stage 2	274	276	-	113	97	-	-	-	-	-	-	-
Critical Hdwy	7.1	6.5	6.42	7.1	6.5	6.2	4.26	-	-	4.1	-	-
Critical Hdwy Stg 1	6.1	5.5	-	6.1	5.5	-	-	-	-	-	-	-
Critical Hdwy Stg 2	6.1	5.5	-	6.1	5.5	-	-	-	-	-	-	-
Follow-up Hdwy	3.5	4	3.498	3.5	4	3.3	2.344	-	-	2.2	-	-
Pot Cap-1 Maneuver	593	563	912	577	563	986	1413	-	-	1526	-	-
Stage 1	919	822	-	738	688	-	-	-	-	-	-	-
Stage 2	736	685	-	897	819	-	-	-	-	-	-	-
Platoon blocked, %								-	-	-	-	-
Mov Cap-1 Maneuver	559	525	912	523	525	986	1413	-	-	1526	-	-
Mov Cap-2 Maneuver	559	525	-	523	525	-	-	-	-	-	-	-
Stage 1	857	822	-	688	641	-	-	-	-	-	-	-
Stage 2	682	638	-	858	819	-	-	-	-	-	-	-

Approach	EB		WB		NB		SB	
HCM Control Delay, s	11.1		12		4.1		0	
HCM LOS	B		B					

Minor Lane/Major Mvmt	NBL	NBT	NBR	EBLn1	WBLn1	SBL	SBT	SBR
Capacity (veh/h)	1413	-	-	677	524	1526	-	-
HCM Lane V/C Ratio	0.068	-	-	0.13	0.015	-	-	-
HCM Control Delay (s)	7.7	-	-	11.1	12	0	-	-
HCM Lane LOS	A	-	-	B	B	A	-	-
HCM 95th %tile Q(veh)	0.2	-	-	0.4	0	0	-	-

Intersection												
Int Delay, s/veh	7.1											
Movement	EBL	EBT	EBR	WBL	WBT	WBR	NBL	NBT	NBR	SBL	SBT	SBR
Lane Configurations	↖	↗		↖	↗	↖		↔			↖	↗
Traffic Vol, veh/h	17	66	9	17	123	76	8	13	19	152	16	2
Future Vol, veh/h	17	66	9	17	123	76	8	13	19	152	16	2
Conflicting Peds, #/hr	0	0	0	0	0	0	0	0	0	0	0	0
Sign Control	Free	Free	Free	Free	Free	Free	Stop	Stop	Stop	Stop	Stop	Stop
RT Channelized	-	-	None	-	-	None	-	-	None	-	-	Yield
Storage Length	100	-	-	100	-	0	-	-	-	-	-	0
Veh in Median Storage, #	-	0	-	-	0	-	-	0	-	-	0	-
Grade, %	-	0	-	-	0	-	-	0	-	-	0	-
Peak Hour Factor	39	87	56	61	96	95	67	81	59	88	67	25
Heavy Vehicles, %	0	11	5	7	11	17	13	4	7	14	11	0
Mvmt Flow	44	76	16	28	128	80	12	16	32	173	24	8

Major/Minor	Major1			Major2			Minor1			Minor2		
Conflicting Flow All	208	0	0	92	0	0	408	436	84	380	364	128
Stage 1	-	-	-	-	-	-	172	172	-	184	184	-
Stage 2	-	-	-	-	-	-	236	264	-	196	180	-
Critical Hdwy	4.1	-	-	4.17	-	-	7.23	6.54	6.27	7.24	6.61	6.2
Critical Hdwy Stg 1	-	-	-	-	-	-	6.23	5.54	-	6.24	5.61	-
Critical Hdwy Stg 2	-	-	-	-	-	-	6.23	5.54	-	6.24	5.61	-
Follow-up Hdwy	2.2	-	-	2.263	-	-	3.617	4.036	3.363	3.626	4.099	3.3
Pot Cap-1 Maneuver	1375	-	-	1472	-	-	535	511	962	556	550	927
Stage 1	-	-	-	-	-	-	805	753	-	791	731	-
Stage 2	-	-	-	-	-	-	743	686	-	779	734	-
Platoon blocked, %		-	-		-	-						
Mov Cap-1 Maneuver	1375	-	-	1472	-	-	492	485	962	504	523	927
Mov Cap-2 Maneuver	-	-	-	-	-	-	492	485	-	504	523	-
Stage 1	-	-	-	-	-	-	779	729	-	766	717	-
Stage 2	-	-	-	-	-	-	699	673	-	713	711	-

Approach	EB			WB			NB			SB		
HCM Control Delay, s	2.5			0.9			11			16.3		
HCM LOS							B			C		

Minor Lane/Major Mvmt	NBLn1	EBL	EBT	EBR	WBL	WBT	WBR	SBLn1	SBLn2
Capacity (veh/h)	663	1375	-	-	1472	-	-	506	927
HCM Lane V/C Ratio	0.091	0.032	-	-	0.019	-	-	0.389	0.009
HCM Control Delay (s)	11	7.7	-	-	7.5	-	-	16.6	8.9
HCM Lane LOS	B	A	-	-	A	-	-	C	A
HCM 95th %tile Q(veh)	0.3	0.1	-	-	0.1	-	-	1.8	0

Intersection												
Int Delay, s/veh	2.1											
Movement	NBL	NBT	NBR	SBL	SBT	SBR	SEL	SET	SER	NWL	NWT	NWR
Lane Configurations	↖	↗		↖	↗			↕			↕	
Traffic Vol, veh/h	1	378	3	79	390	2	3	0	2	2	2	41
Future Vol, veh/h	1	378	3	79	390	2	3	0	2	2	2	41
Conflicting Peds, #/hr	1	0	0	0	0	1	0	0	0	0	0	0
Sign Control	Free	Free	Free	Free	Free	Free	Stop	Stop	Stop	Stop	Stop	Stop
RT Channelized	-	-	None	-	-	None	-	-	None	-	-	None
Storage Length	50	-	-	50	-	-	-	-	-	-	-	-
Veh in Median Storage, #	-	0	-	-	0	-	-	0	-	-	0	-
Grade, %	-	0	-	-	0	-	-	0	-	-	0	-
Peak Hour Factor	25	94	38	62	86	25	38	25	25	50	50	79
Heavy Vehicles, %	0	4	33	0	3	0	0	0	0	0	0	1
Mvmt Flow	4	402	8	127	453	8	8	0	8	4	4	52

Major/Minor	Major1		Major2		Minor2			Minor1				
Conflicting Flow All	462	0	0	410	0	0	1154	1130	458	1129	1130	406
Stage 1	-	-	-	-	-	-	712	712	-	414	414	-
Stage 2	-	-	-	-	-	-	442	418	-	715	716	-
Critical Hdwy	4.1	-	-	4.1	-	-	7.1	6.5	6.2	7.1	6.5	6.21
Critical Hdwy Stg 1	-	-	-	-	-	-	6.1	5.5	-	6.1	5.5	-
Critical Hdwy Stg 2	-	-	-	-	-	-	6.1	5.5	-	6.1	5.5	-
Follow-up Hdwy	2.2	-	-	2.2	-	-	3.5	4	3.3	3.5	4	3.309
Pot Cap-1 Maneuver	1110	-	-	1160	-	-	176	205	607	183	205	647
Stage 1	-	-	-	-	-	-	427	439	-	620	597	-
Stage 2	-	-	-	-	-	-	598	594	-	425	437	-
Platoon blocked, %		-	-		-	-						
Mov Cap-1 Maneuver	1109	-	-	1160	-	-	145	182	606	165	182	647
Mov Cap-2 Maneuver	-	-	-	-	-	-	145	182	-	165	182	-
Stage 1	-	-	-	-	-	-	425	391	-	618	595	-
Stage 2	-	-	-	-	-	-	544	592	-	373	389	-

Approach	NB	SB	SE	NW
HCM Control Delay, s	0.1	1.8	21.4	13.7
HCM LOS			C	B

Minor Lane/Major Mvmt	NBL	NBT	NBRNWLn1	SELn1	SBL	SBT	SBR
Capacity (veh/h)	1109	-	-	474	235	1160	-
HCM Lane V/C Ratio	0.004	-	-	0.126	0.068	0.11	-
HCM Control Delay (s)	8.3	-	-	13.7	21.4	8.5	-
HCM Lane LOS	A	-	-	B	C	A	-
HCM 95th %tile Q(veh)	0	-	-	0.4	0.2	0.4	-

HCM 6th Signalized Intersection Summary
6: N Broadway Avenue/N Street & Needles Highway



Movement	EBL	EBT	EBR	WBL	WBT	WBR	NBL	NBT	NBR	SBL	SBT	SBR
Lane Configurations	↶	↷	↷	↶	↷			↶	↷		↷	↶
Traffic Volume (veh/h)	2	160	59	270	148	4	48	4	259	3	2	1
Future Volume (veh/h)	2	160	59	270	148	4	48	4	259	3	2	1
Initial Q (Qb), veh	0	0	0	0	0	0	0	0	0	0	0	0
Ped-Bike Adj(A_pbT)	1.00		1.00	1.00		1.00	1.00		1.00	1.00		1.00
Parking Bus, Adj	1.00	1.00	1.00	1.00	1.00	1.00	1.00	1.00	1.00	1.00	1.00	1.00
Work Zone On Approach		No			No			No			No	
Adj Sat Flow, veh/h/ln	1900	1796	1826	1870	1868	1900	1796	1900	1945	1900	1976	1900
Adj Flow Rate, veh/h	8	193	97	290	172	12	52	8	301	8	8	4
Peak Hour Factor	0.25	0.83	0.61	0.93	0.86	0.33	0.92	0.50	0.86	0.38	0.25	0.25
Percent Heavy Veh, %	0	7	5	2	7	0	7	0	2	0	0	0
Cap, veh/h	582	728	627	531	699	49	380	58	397	19	19	9
Arrive On Green	0.41	0.41	0.41	0.41	0.41	0.41	0.24	0.24	0.24	0.02	0.02	0.02
Sat Flow, veh/h	1219	1796	1547	1089	1726	120	1578	243	1648	748	748	374
Grp Volume(v), veh/h	8	193	97	290	0	184	60	0	301	20	0	0
Grp Sat Flow(s),veh/h/ln	1219	1796	1547	1089	0	1846	1821	0	1648	1871	0	0
Q Serve(g_s), s	0.2	3.1	1.7	10.4	0.0	2.8	1.1	0.0	7.3	0.5	0.0	0.0
Cycle Q Clear(g_c), s	3.0	3.1	1.7	13.4	0.0	2.8	1.1	0.0	7.3	0.5	0.0	0.0
Prop In Lane	1.00		1.00	1.00		0.07	0.87		1.00	0.40		0.20
Lane Grp Cap(c), veh/h	582	728	627	531	0	748	439	0	397	46	0	0
V/C Ratio(X)	0.01	0.27	0.15	0.55	0.00	0.25	0.14	0.00	0.76	0.43	0.00	0.00
Avail Cap(c_a), veh/h	882	1170	1008	800	0	1203	1021	0	924	1049	0	0
HCM Platoon Ratio	1.00	1.00	1.00	1.00	1.00	1.00	1.00	1.00	1.00	1.00	1.00	1.00
Upstream Filter(I)	1.00	1.00	1.00	1.00	0.00	1.00	1.00	0.00	1.00	1.00	0.00	0.00
Uniform Delay (d), s/veh	9.4	8.5	8.1	13.0	0.0	8.4	12.8	0.0	15.1	20.6	0.0	0.0
Incr Delay (d2), s/veh	0.0	0.2	0.1	0.9	0.0	0.2	0.1	0.0	3.0	6.3	0.0	0.0
Initial Q Delay(d3),s/veh	0.0	0.0	0.0	0.0	0.0	0.0	0.0	0.0	0.0	0.0	0.0	0.0
%ile BackOfQ(50%),veh/ln	0.0	0.9	0.5	2.1	0.0	0.9	0.4	0.0	2.6	0.3	0.0	0.0
Unsig. Movement Delay, s/veh												
LnGrp Delay(d),s/veh	9.4	8.7	8.2	13.8	0.0	8.6	12.9	0.0	18.1	26.8	0.0	0.0
LnGrp LOS	A	A	A	B	A	A	B	A	B	C	A	A
Approach Vol, veh/h		298			474			361				20
Approach Delay, s/veh		8.5			11.8			17.2				26.8
Approach LOS		A			B			B				C
Timer - Assigned Phs		2		4		6		8				
Phs Duration (G+Y+Rc), s		22.0		15.0		22.0		5.8				
Change Period (Y+Rc), s		* 4.7		* 4.7		* 4.7		4.7				
Max Green Setting (Gmax), s		* 28		* 24		* 28		24.0				
Max Q Clear Time (g_c+I1), s		5.1		9.3		15.4		2.5				
Green Ext Time (p_c), s		1.4		1.2		1.9		0.0				

Intersection Summary

HCM 6th Ctrl Delay	12.9
HCM 6th LOS	B

Notes

* HCM 6th computational engine requires equal clearance times for the phases crossing the barrier.

HCM 6th Signalized Intersection Summary
7: North K Street & Needles Highway



Movement	EBL	EBT	EBR	WBL	WBT	WBR	NBL	NBT	NBR	SBL	SBT	SBR
Lane Configurations												
Traffic Volume (veh/h)	344	52	6	4	36	2	4	9	5	7	14	351
Future Volume (veh/h)	344	52	6	4	36	2	4	9	5	7	14	351
Initial Q (Qb), veh	0	0	0	0	0	0	0	0	0	0	0	0
Ped-Bike Adj(A_pbT)	1.00		1.00	1.00		1.00	1.00		1.00	1.00		1.00
Parking Bus, Adj	1.00	1.00	1.00	1.00	1.00	1.00	1.00	1.00	1.00	1.00	1.00	1.00
Work Zone On Approach		No			No			No			No	
Adj Sat Flow, veh/h/ln	1841	1961	1900	1900	1899	1900	1900	1900	1900	1900	1976	1841
Adj Flow Rate, veh/h	358	56	8	12	52	8	8	16	12	12	28	399
Peak Hour Factor	0.96	0.93	0.75	0.33	0.69	0.25	0.50	0.56	0.42	0.58	0.50	0.88
Percent Heavy Veh, %	4	1	0	0	5	0	0	0	0	0	0	4
Cap, veh/h	663	609	87	675	583	90	330	346	260	679	38	543
Arrive On Green	0.36	0.36	0.36	0.36	0.36	0.36	0.34	0.34	0.34	0.34	0.34	0.34
Sat Flow, veh/h	1321	1678	240	1359	1607	247	976	1008	756	1404	111	1581
Grp Volume(v), veh/h	358	0	64	12	0	60	8	0	28	12	0	427
Grp Sat Flow(s),veh/h/ln	1321	0	1917	1359	0	1854	976	0	1764	1404	0	1691
Q Serve(g_s), s	8.3	0.0	0.7	0.2	0.0	0.7	0.2	0.0	0.4	0.2	0.0	7.5
Cycle Q Clear(g_c), s	9.1	0.0	0.7	0.9	0.0	0.7	7.8	0.0	0.4	0.6	0.0	7.5
Prop In Lane	1.00		0.13	1.00		0.13	1.00		0.43	1.00		0.93
Lane Grp Cap(c), veh/h	663	0	696	675	0	673	330	0	606	679	0	581
V/C Ratio(X)	0.54	0.00	0.09	0.02	0.00	0.09	0.02	0.00	0.05	0.02	0.00	0.74
Avail Cap(c_a), veh/h	1115	0	1352	1140	0	1307	597	0	1088	1063	0	1044
HCM Platoon Ratio	1.00	1.00	1.00	1.00	1.00	1.00	1.00	1.00	1.00	1.00	1.00	1.00
Upstream Filter(I)	1.00	0.00	1.00	1.00	0.00	1.00	1.00	0.00	1.00	1.00	0.00	1.00
Uniform Delay (d), s/veh	10.1	0.0	7.1	7.5	0.0	7.1	13.2	0.0	7.5	7.6	0.0	9.8
Incr Delay (d2), s/veh	0.7	0.0	0.1	0.0	0.0	0.1	0.0	0.0	0.0	0.0	0.0	1.8
Initial Q Delay(d3),s/veh	0.0	0.0	0.0	0.0	0.0	0.0	0.0	0.0	0.0	0.0	0.0	0.0
%ile BackOfQ(50%),veh/ln	1.8	0.0	0.2	0.0	0.0	0.2	0.0	0.0	0.1	0.0	0.0	2.2
Unsig. Movement Delay, s/veh												
LnGrp Delay(d),s/veh	10.8	0.0	7.2	7.5	0.0	7.2	13.3	0.0	7.5	7.7	0.0	11.7
LnGrp LOS	B	A	A	A	A	A	B	A	A	A	A	B
Approach Vol, veh/h		422			72			36			439	
Approach Delay, s/veh		10.3			7.2			8.8			11.5	
Approach LOS		B			A			A			B	
Timer - Assigned Phs		2		4		6		8				
Phs Duration (G+Y+Rc), s		17.4		16.7		17.4		16.7				
Change Period (Y+Rc), s		5.0		5.0		5.0		5.0				
Max Green Setting (Gmax), s		24.0		21.0		24.0		21.0				
Max Q Clear Time (g_c+I1), s		11.1		9.8		2.9		9.5				
Green Ext Time (p_c), s		1.3		0.1		0.3		2.3				
Intersection Summary												
HCM 6th Ctrl Delay					10.6							
HCM 6th LOS					B							

HCM 6th Signalized Intersection Summary
 8: J Street & W Broadway Avenue



Movement	EBL	EBT	EBR	WBL	WBT	WBR	NBL	NBT	NBR	SBL	SBT	SBR
Lane Configurations												
Traffic Volume (veh/h)	2	107	226	34	121	0	182	1	29	0	0	1
Future Volume (veh/h)	2	107	226	34	121	0	182	1	29	0	0	1
Initial Q (Qb), veh	0	0	0	0	0	0	0	0	0	0	0	0
Ped-Bike Adj(A_pbT)	0.99		0.99	1.00		1.00	1.00		1.00	1.00		1.00
Parking Bus, Adj	1.00	1.00	1.00	1.00	1.00	1.00	1.00	1.00	1.00	1.00	1.00	1.00
Work Zone On Approach		No			No			No			No	
Adj Sat Flow, veh/h/ln	1467	1914	1870	1870	1914	1900	1945	1976	1870	1900	1976	1900
Adj Flow Rate, veh/h	8	149	251	48	144	0	192	4	40	0	0	4
Peak Hour Factor	0.25	0.72	0.90	0.71	0.84	0.25	0.95	0.25	0.72	0.25	0.25	0.25
Percent Heavy Veh, %	33	4	2	2	4	0	2	0	2	0	0	0
Cap, veh/h	630	615	544	540	1230	0	627	32	317	0	0	343
Arrive On Green	0.34	0.34	0.34	0.34	0.34	0.00	0.21	0.21	0.21	0.00	0.00	0.21
Sat Flow, veh/h	969	1819	1608	981	3733	0	1463	154	1538	0	0	1668
Grp Volume(v), veh/h	8	149	251	48	144	0	192	0	44	0	0	4
Grp Sat Flow(s),veh/h/ln	969	1819	1608	981	1819	0	1463	0	1692	0	0	1668
Q Serve(g_s), s	0.1	1.3	2.7	0.9	0.6	0.0	2.6	0.0	0.5	0.0	0.0	0.0
Cycle Q Clear(g_c), s	0.7	1.3	2.7	3.6	0.6	0.0	2.7	0.0	0.5	0.0	0.0	0.0
Prop In Lane	1.00		1.00	1.00		0.00	1.00		0.91	0.00		1.00
Lane Grp Cap(c), veh/h	630	615	544	540	1230	0	627	0	348	0	0	343
V/C Ratio(X)	0.01	0.24	0.46	0.09	0.12	0.00	0.31	0.00	0.13	0.00	0.00	0.01
Avail Cap(c_a), veh/h	1186	1659	1467	1103	3318	0	1993	0	1929	0	0	1902
HCM Platoon Ratio	1.00	1.00	1.00	1.00	1.00	1.00	1.00	1.00	1.00	1.00	1.00	1.00
Upstream Filter(I)	1.00	1.00	1.00	1.00	1.00	0.00	1.00	0.00	1.00	0.00	0.00	1.00
Uniform Delay (d), s/veh	5.3	5.2	5.7	7.1	5.0	0.0	8.0	0.0	7.1	0.0	0.0	6.9
Incr Delay (d2), s/veh	0.0	0.2	0.6	0.1	0.0	0.0	0.3	0.0	0.2	0.0	0.0	0.0
Initial Q Delay(d3),s/veh	0.0	0.0	0.0	0.0	0.0	0.0	0.0	0.0	0.0	0.0	0.0	0.0
%ile BackOfQ(50%),veh/ln	0.0	0.2	0.4	0.1	0.1	0.0	0.5	0.0	0.1	0.0	0.0	0.0
Unsig. Movement Delay, s/veh												
LnGrp Delay(d),s/veh	5.3	5.4	6.3	7.2	5.0	0.0	8.3	0.0	7.3	0.0	0.0	6.9
LnGrp LOS	A	A	A	A	A	A	A	A	A	A	A	A
Approach Vol, veh/h		408			192			236				4
Approach Delay, s/veh		6.0			5.6			8.1				6.9
Approach LOS		A			A			A				A
Timer - Assigned Phs		2		4		6		8				
Phs Duration (G+Y+Rc), s		12.4		9.5		12.4		9.5				
Change Period (Y+Rc), s		5.0		5.0		5.0		5.0				
Max Green Setting (Gmax), s		20.0		25.0		20.0		25.0				
Max Q Clear Time (g_c+I1), s		4.7		4.7		5.6		2.0				
Green Ext Time (p_c), s		2.3		0.7		0.9		0.0				
Intersection Summary												
HCM 6th Ctrl Delay				6.5								
HCM 6th LOS				A								

Intersection												
Int Delay, s/veh	2.7											
Movement	NBL	NBT	NBR	SBL	SBT	SBR	NEL	NET	NER	SWL	SWT	SWR
Lane Configurations		↕					↕	↑			↕	
Traffic Vol, veh/h	10	0	106	0	0	0	6	135	0	0	247	34
Future Vol, veh/h	10	0	106	0	0	0	6	135	0	0	247	34
Conflicting Peds, #/hr	0	0	0	0	0	0	0	0	7	7	0	0
Sign Control	Stop	Stop	Stop	Stop	Stop	Stop	Free	Free	Free	Free	Free	Free
RT Channelized	-	-	None	-	-	None	-	-	None	-	-	None
Storage Length	-	-	-	-	-	-	60	-	-	-	-	-
Veh in Median Storage, #	-	0	-	-	0	-	-	0	-	-	0	-
Grade, %	-	0	-	-	0	-	-	0	-	-	0	-
Peak Hour Factor	62	25	70	25	25	25	50	82	25	25	87	77
Heavy Vehicles, %	0	0	3	0	0	0	7	2	0	0	2	3
Mvmt Flow	16	0	151	0	0	0	12	165	0	0	284	44

Major/Minor	Minor1			Major1			Major2		
Conflicting Flow All	495	517	165	328	0	-	-	-	0
Stage 1	189	189	-	-	-	-	-	-	-
Stage 2	306	328	-	-	-	-	-	-	-
Critical Hdwy	6.4	6.5	6.23	4.17	-	-	-	-	-
Critical Hdwy Stg 1	5.4	5.5	-	-	-	-	-	-	-
Critical Hdwy Stg 2	5.4	5.5	-	-	-	-	-	-	-
Follow-up Hdwy	3.5	4	3.327	2.263	-	-	-	-	-
Pot Cap-1 Maneuver	537	465	877	1204	-	0	0	-	-
Stage 1	848	748	-	-	-	0	0	-	-
Stage 2	751	651	-	-	-	0	0	-	-
Platoon blocked, %									
Mov Cap-1 Maneuver	532	0	877	1204	-	-	-	-	-
Mov Cap-2 Maneuver	532	0	-	-	-	-	-	-	-
Stage 1	840	0	-	-	-	-	-	-	-
Stage 2	751	0	-	-	-	-	-	-	-

Approach	NB	NE	SW
HCM Control Delay, s	10.5	0.5	0
HCM LOS	B		

Minor Lane/Major Mvmt	NEL	NET	NBLn1	SWT	SWR
Capacity (veh/h)	1204	-	825	-	-
HCM Lane V/C Ratio	0.01	-	0.203	-	-
HCM Control Delay (s)	8	-	10.5	-	-
HCM Lane LOS	A	-	B	-	-
HCM 95th %tile Q(veh)	0	-	0.8	-	-

Intersection												
Int Delay, s/veh	3.9											
Movement	NBL	NBT	NBR	SBL	SBT	SBR	NEL	NET	NER	SWL	SWT	SWR
Lane Configurations				↖		↗		↖		↖	↗	↗
Traffic Vol, veh/h	0	0	0	30	0	11	0	110	18	143	116	0
Future Vol, veh/h	0	0	0	30	0	11	0	110	18	143	116	0
Conflicting Peds, #/hr	0	0	0	0	0	0	1	0	6	6	0	1
Sign Control	Stop	Stop	Stop	Stop	Stop	Stop	Free	Free	Free	Free	Free	Free
RT Channelized	-	-	None	-	-	None	-	-	None	-	-	None
Storage Length	-	-	-	0	-	0	-	-	-	75	-	-
Veh in Median Storage, #	-	1	-	-	0	-	-	0	-	-	0	-
Grade, %	-	0	-	-	0	-	-	0	-	-	0	-
Peak Hour Factor	25	25	25	94	25	69	25	86	90	87	83	25
Heavy Vehicles, %	0	0	0	7	0	7	0	1	6	3	1	0
Mvmt Flow	0	0	0	32	0	16	0	128	20	164	140	0

Major/Minor	Minor2	Major1	Major2
Conflicting Flow All	606	- 140	- 0 0 154 0 0
Stage 1	468	- -	- - - - - -
Stage 2	138	- -	- - - - - -
Critical Hdwy	6.47	- 6.27	- - - 4.13 - -
Critical Hdwy Stg 1	5.47	- -	- - - - - -
Critical Hdwy Stg 2	5.47	- -	- - - - - -
Follow-up Hdwy	3.563	- 3.363	- - - 2.227 - -
Pot Cap-1 Maneuver	452	0 895	0 - - 1420 - 0
Stage 1	620	0 -	0 - - - - 0
Stage 2	876	0 -	0 - - - - 0
Platoon blocked, %			- - -
Mov Cap-1 Maneuver	400	0 895	- - - 1420 - -
Mov Cap-2 Maneuver	400	0 -	- - - - - -
Stage 1	620	0 -	- - - - - -
Stage 2	775	0 -	- - - - - -

Approach	SB	NE	SW
HCM Control Delay, s	12.9	0	4.3
HCM LOS	B		

Minor Lane/Major Mvmt	NET	NER	SBLn1	SBLn2	SWL	SWT
Capacity (veh/h)	-	-	400	895	1420	-
HCM Lane V/C Ratio	-	-	0.08	0.018	0.116	-
HCM Control Delay (s)	-	-	14.8	9.1	7.9	-
HCM Lane LOS	-	-	B	A	A	-
HCM 95th %tile Q(veh)	-	-	0.3	0.1	0.4	-

Intersection	
Intersection Delay, s/veh	6.9
Intersection LOS	A

Movement	EBT	EBR	WBL	WBT	NBL	NBR
Lane Configurations				↕	↕	
Traffic Vol, veh/h	0	0	18	0	0	14
Future Vol, veh/h	0	0	18	0	0	14
Peak Hour Factor	0.25	0.25	0.75	0.25	0.25	0.70
Heavy Vehicles, %	0	0	0	0	0	0
Mvmt Flow	0	0	24	0	0	20
Number of Lanes	0	0	0	1	1	0

Approach	WB	NB
Opposing Approach		
Opposing Lanes	0	0
Conflicting Approach Left	NB	
Conflicting Lanes Left	1	0
Conflicting Approach Right		WB
Conflicting Lanes Right	0	1
HCM Control Delay	7.3	6.4
HCM LOS	A	A

Lane	NBLn1	WBLn1
Vol Left, %	0%	100%
Vol Thru, %	0%	0%
Vol Right, %	100%	0%
Sign Control	Stop	Stop
Traffic Vol by Lane	14	18
LT Vol	0	18
Through Vol	0	0
RT Vol	14	0
Lane Flow Rate	20	24
Geometry Grp	1	1
Degree of Util (X)	0.019	0.028
Departure Headway (Hd)	3.341	4.135
Convergence, Y/N	Yes	Yes
Cap	1073	870
Service Time	1.355	2.137
HCM Lane V/C Ratio	0.019	0.028
HCM Control Delay	6.4	7.3
HCM Lane LOS	A	A
HCM 95th-tile Q	0.1	0.1

Intersection	
Intersection Delay, s/veh	8.1
Intersection LOS	A

Movement	EBL	EBT	EBR	WBL	WBT	WBR	NBL	NBT	NBR	SBL	SBT	SBR
Lane Configurations	↙	↑	↗	↙	↑		↙	↑	↗	↙	↑	
Traffic Vol, veh/h	2	39	4	48	42	7	4	8	44	12	8	4
Future Vol, veh/h	2	39	4	48	42	7	4	8	44	12	8	4
Peak Hour Factor	0.50	0.81	0.50	0.86	0.81	0.58	0.50	0.67	0.79	0.75	0.67	0.50
Heavy Vehicles, %	0	2	0	0	0	0	0	15	0	0	0	0
Mvmt Flow	4	48	8	56	52	12	8	12	56	16	12	8
Number of Lanes	1	1	1	1	1	0	1	1	1	1	1	0

Approach	EB	WB	NB	SB
Opposing Approach	WB	EB	SB	NB
Opposing Lanes	2	3	2	3
Conflicting Approach Left	SB	NB	EB	WB
Conflicting Lanes Left	2	3	3	2
Conflicting Approach Right	NB	SB	WB	EB
Conflicting Lanes Right	3	2	2	3
HCM Control Delay	8.1	8.3	7.6	8.1
HCM LOS	A	A	A	A

Lane	NBLn1	NBLn2	NBLn3	EBLn1	EBLn2	EBLn3	WBLn1	WBLn2	SBLn1	SBLn2
Vol Left, %	100%	0%	0%	100%	0%	0%	100%	0%	100%	0%
Vol Thru, %	0%	100%	0%	0%	100%	0%	0%	86%	0%	67%
Vol Right, %	0%	0%	100%	0%	0%	100%	0%	14%	0%	33%
Sign Control	Stop	Stop	Stop	Stop	Stop	Stop	Stop	Stop	Stop	Stop
Traffic Vol by Lane	4	8	44	2	39	4	48	49	12	12
LT Vol	4	0	0	2	0	0	48	0	12	0
Through Vol	0	8	0	0	39	0	0	42	0	8
RT Vol	0	0	44	0	0	4	0	7	0	4
Lane Flow Rate	8	12	56	4	48	8	56	64	16	20
Geometry Grp	8	8	8	8	8	8	8	8	8	8
Degree of Util (X)	0.012	0.018	0.068	0.006	0.068	0.01	0.084	0.086	0.025	0.027
Departure Headway (Hd)	5.569	5.323	4.367	5.54	5.073	4.338	5.416	4.816	5.638	4.903
Convergence, Y/N	Yes	Yes	Yes	Yes	Yes	Yes	Yes	Yes	Yes	Yes
Cap	644	674	822	648	708	826	664	746	636	731
Service Time	3.287	3.042	2.086	3.259	2.792	2.057	3.133	2.532	3.359	2.624
HCM Lane V/C Ratio	0.012	0.018	0.068	0.006	0.068	0.01	0.084	0.086	0.025	0.027
HCM Control Delay	8.4	8.1	7.4	8.3	8.2	7.1	8.6	8	8.5	7.8
HCM Lane LOS	A	A	A	A	A	A	A	A	A	A
HCM 95th-tile Q	0	0.1	0.2	0	0.2	0	0.3	0.3	0.1	0.1

Intersection

Intersection Delay, s/veh 7.6

Intersection LOS A

Movement	EBL	EBT	EBR	WBL	WBT	WBR	NBL	NBT	NBR	SBL	SBT	SBR
Lane Configurations		↔			↑	↗				↖	↑	↗
Traffic Vol, veh/h	3	9	0	0	9	42	0	0	0	39	0	7
Future Vol, veh/h	3	9	0	0	9	42	0	0	0	39	0	7
Peak Hour Factor	0.75	0.45	0.25	0.25	0.56	0.75	0.25	0.25	0.25	0.75	0.25	0.58
Heavy Vehicles, %	0	0	0	0	0	3	0	0	0	0	0	0
Mvmt Flow	4	20	0	0	16	56	0	0	0	52	0	12
Number of Lanes	0	1	0	0	1	1	0	0	0	1	1	1

Approach	EB	WB	SB
Opposing Approach	WB	EB	
Opposing Lanes	2	1	0
Conflicting Approach Left	SB		WB
Conflicting Lanes Left	3	0	2
Conflicting Approach Right		SB	EB
Conflicting Lanes Right	0	3	1
HCM Control Delay	7.8	7.2	8
HCM LOS	A	A	A

Lane	EBLn1	WBLn1	WBLn2	SBLn1	SBLn2	SBLn3
Vol Left, %	25%	0%	0%	100%	0%	0%
Vol Thru, %	75%	100%	0%	0%	100%	0%
Vol Right, %	0%	0%	100%	0%	0%	100%
Sign Control	Stop	Stop	Stop	Stop	Stop	Stop
Traffic Vol by Lane	12	9	42	39	0	7
LT Vol	3	0	0	39	0	0
Through Vol	9	9	0	0	0	0
RT Vol	0	0	42	0	0	7
Lane Flow Rate	24	16	56	52	0	12
Geometry Grp	8	8	8	7	7	7
Degree of Util (X)	0.032	0.021	0.062	0.075	0	0.013
Departure Headway (Hd)	4.845	4.654	4.005	5.163	4.663	3.962
Convergence, Y/N	Yes	Yes	Yes	Yes	Yes	Yes
Cap	729	760	881	691	0	896
Service Time	2.641	2.438	1.787	2.92	2.419	1.718
HCM Lane V/C Ratio	0.033	0.021	0.064	0.075	0	0.013
HCM Control Delay	7.8	7.5	7.1	8.3	7.4	6.8
HCM Lane LOS	A	A	A	A	N	A
HCM 95th-tile Q	0.1	0.1	0.2	0.2	0	0

Intersection

Intersection Delay, s/veh 7.1
 Intersection LOS A

Movement	EBL	EBT	EBR	WBL	WBT	WBR	NBL	NBT	NBR	SBL	SBT	SBR
Lane Configurations		↕			↕						↕	
Traffic Vol, veh/h	2	7	0	0	7	3	0	0	0	6	0	0
Future Vol, veh/h	2	7	0	0	7	3	0	0	0	6	0	0
Peak Hour Factor	0.50	0.44	0.25	0.25	0.44	0.38	0.25	0.25	0.25	0.38	0.25	0.25
Heavy Vehicles, %	0	0	0	0	0	0	0	0	0	0	0	0
Mvmt Flow	4	16	0	0	16	8	0	0	0	16	0	0
Number of Lanes	0	1	0	0	1	0	0	0	0	0	1	0

Approach	EB	WB	SB
Opposing Approach	WB	EB	
Opposing Lanes	1	1	0
Conflicting Approach Left	SB		WB
Conflicting Lanes Left	1	0	1
Conflicting Approach Right		SB	EB
Conflicting Lanes Right	0	1	1
HCM Control Delay	7.1	6.9	7.3
HCM LOS	A	A	A

Lane	EBLn1	WBLn1	SBLn1
Vol Left, %	22%	0%	100%
Vol Thru, %	78%	70%	0%
Vol Right, %	0%	30%	0%
Sign Control	Stop	Stop	Stop
Traffic Vol by Lane	9	10	6
LT Vol	2	0	6
Through Vol	7	7	0
RT Vol	0	3	0
Lane Flow Rate	20	24	16
Geometry Grp	1	1	1
Degree of Util (X)	0.022	0.025	0.018
Departure Headway (Hd)	3.99	3.763	4.176
Convergence, Y/N	Yes	Yes	Yes
Cap	900	954	859
Service Time	2.001	1.774	2.192
HCM Lane V/C Ratio	0.022	0.025	0.019
HCM Control Delay	7.1	6.9	7.3
HCM Lane LOS	A	A	A
HCM 95th-tile Q	0.1	0.1	0.1

Intersection												
Int Delay, s/veh	4											
Movement	NBL	NBT	NBR	SBL	SBT	SBR	NEL	NET	NER	SWL	SWT	SWR
Lane Configurations					↕			↕		↕	↕	
Traffic Vol, veh/h	0	0	0	30	3	91	0	171	6	17	52	0
Future Vol, veh/h	0	0	0	30	3	91	0	171	6	17	52	0
Conflicting Peds, #/hr	0	0	0	0	0	0	0	0	1	1	0	0
Sign Control	Stop	Stop	Stop	Stop	Stop	Stop	Free	Free	Free	Free	Free	Free
RT Channelized	-	-	None	-	-	None	-	-	None	-	-	None
Storage Length	-	-	-	-	-	-	-	-	-	240	-	-
Veh in Median Storage, #	-	1	-	-	0	-	-	0	-	-	0	-
Grade, %	-	0	-	-	0	-	-	0	-	-	0	-
Peak Hour Factor	25	25	25	83	38	81	25	89	50	61	72	25
Heavy Vehicles, %	0	0	0	31	50	28	0	25	0	13	16	0
Mvmt Flow	0	0	0	36	8	112	0	192	12	28	72	0

Major/Minor	Minor2		Major1			Major2			
Conflicting Flow All	326	333	36	-	0	0	205	0	0
Stage 1	128	128	-	-	-	-	-	-	-
Stage 2	198	205	-	-	-	-	-	-	-
Critical Hdwy	7.065	7.25	7.32	-	-	-	4.295	-	-
Critical Hdwy Stg 1	6.265	6.25	-	-	-	-	-	-	-
Critical Hdwy Stg 2	5.865	6.25	-	-	-	-	-	-	-
Follow-up Hdwy	3.7945	4.475	3.566	-	-	-	2.3235	-	-
Pot Cap-1 Maneuver	591	502	955	0	-	-	1295	-	0
Stage 1	812	697	-	0	-	-	-	-	0
Stage 2	761	638	-	0	-	-	-	-	0
Platoon blocked, %									
Mov Cap-1 Maneuver	578	0	955	-	-	-	1295	-	-
Mov Cap-2 Maneuver	578	0	-	-	-	-	-	-	-
Stage 1	812	0	-	-	-	-	-	-	-
Stage 2	744	0	-	-	-	-	-	-	-

Approach	SB	NE	SW
HCM Control Delay, s	10.4	0	2.2
HCM LOS	B		

Minor Lane/Major Mvmt	NET	NER	SBLn1	SWL	SWT
Capacity (veh/h)	-	-	824	1295	-
HCM Lane V/C Ratio	-	-	0.19	0.022	-
HCM Control Delay (s)	-	-	10.4	7.8	-
HCM Lane LOS	-	-	B	A	-
HCM 95th %tile Q(veh)	-	-	0.7	0.1	-

Intersection												
Int Delay, s/veh	3.8											
Movement	NBL	NBT	NBR	SBL	SBT	SBR	SEL	SET	SER	NWL	NWT	NWR
Lane Configurations	↘	↑↑			↑↑					↘		↗
Traffic Vol, veh/h	98	104	0	0	53	51	0	0	0	5	4	37
Future Vol, veh/h	98	104	0	0	53	51	0	0	0	5	4	37
Conflicting Peds, #/hr	0	0	0	0	0	0	0	0	0	0	0	0
Sign Control	Free	Free	Free	Free	Free	Free	Stop	Stop	Stop	Stop	Stop	Stop
RT Channelized	-	-	None	-	-	None	-	-	None	-	-	Yield
Storage Length	140	-	-	-	-	-	-	-	-	0	-	0
Veh in Median Storage, #	-	0	-	-	0	-	-	0	-	-	0	-
Grade, %	-	0	-	-	0	-	-	0	-	-	0	-
Peak Hour Factor	82	84	25	25	93	75	25	25	25	42	33	77
Heavy Vehicles, %	36	16	0	0	14	19	0	0	0	15	60	10
Mvmt Flow	120	124	0	0	57	68	0	0	0	12	12	48

Major/Minor	Major1		Major2				Minor1			
Conflicting Flow All	125	0	-	-	-	0		393	489	62
Stage 1	-	-	-	-	-	-		364	364	-
Stage 2	-	-	-	-	-	-		29	125	-
Critical Hdwy	4.82	-	-	-	-	-		7.1	7.7	7.1
Critical Hdwy Stg 1	-	-	-	-	-	-		6.1	6.7	-
Critical Hdwy Stg 2	-	-	-	-	-	-		6.1	6.7	-
Follow-up Hdwy	2.56	-	-	-	-	-		3.65	4.6	3.4
Pot Cap-1 Maneuver	1243	-	0	0	-	-		551	370	965
Stage 1	-	-	0	0	-	-		637	497	-
Stage 2	-	-	0	0	-	-		953	671	-
Platoon blocked, %		-			-	-				
Mov Cap-1 Maneuver	1243	-	-	-	-	-		498	0	965
Mov Cap-2 Maneuver	-	-	-	-	-	-		498	0	-
Stage 1	-	-	-	-	-	-		575	0	-
Stage 2	-	-	-	-	-	-		953	0	-

Approach	NB	SB	NW
HCM Control Delay, s	4	0	9.6
HCM LOS			A

Minor Lane/Major Mvmt	NBL	NBTNWLn1	NWLn2	SBT	SBR
Capacity (veh/h)	1243	-	498	965	-
HCM Lane V/C Ratio	0.096	-	0.024	0.05	-
HCM Control Delay (s)	8.2	-	12.4	8.9	-
HCM Lane LOS	A	-	B	A	-
HCM 95th %tile Q(veh)	0.3	-	0.1	0.2	-

Intersection												
Int Delay, s/veh	1.6											
Movement	EBL	EBT	EBR	WBL	WBT	WBR	NBL	NBT	NBR	SBL	SBT	SBR
Lane Configurations		↕			↕			↕			↕	
Traffic Vol, veh/h	1	0	3	11	0	1	3	85	2	1	72	2
Future Vol, veh/h	1	0	3	11	0	1	3	85	2	1	72	2
Conflicting Peds, #/hr	0	0	0	0	0	0	0	0	0	0	0	0
Sign Control	Stop	Stop	Stop	Stop	Stop	Stop	Free	Free	Free	Free	Free	Free
RT Channelized	-	-	None	-	-	None	-	-	None	-	-	None
Storage Length	-	-	-	-	-	-	-	-	-	-	-	-
Veh in Median Storage, #	-	0	-	-	0	-	-	0	-	-	0	-
Grade, %	-	0	-	-	0	-	-	0	-	-	0	-
Peak Hour Factor	25	25	38	55	25	25	75	76	25	25	90	50
Heavy Vehicles, %	0	0	0	27	0	0	0	5	67	0	5	0
Mvmt Flow	4	0	8	20	0	4	4	112	8	4	80	4

Major/Minor	Minor2		Minor1		Major1			Major2				
Conflicting Flow All	154	218	42	172	216	60	84	0	0	120	0	0
Stage 1	90	90	-	124	124	-	-	-	-	-	-	-
Stage 2	64	128	-	48	92	-	-	-	-	-	-	-
Critical Hdwy	7.5	6.5	6.9	8.04	6.5	6.9	4.1	-	-	4.1	-	-
Critical Hdwy Stg 1	6.5	5.5	-	7.04	5.5	-	-	-	-	-	-	-
Critical Hdwy Stg 2	6.5	5.5	-	7.04	5.5	-	-	-	-	-	-	-
Follow-up Hdwy	3.5	4	3.3	3.77	4	3.3	2.2	-	-	2.2	-	-
Pot Cap-1 Maneuver	804	684	1026	711	685	999	1526	-	-	1480	-	-
Stage 1	913	824	-	799	797	-	-	-	-	-	-	-
Stage 2	945	794	-	891	823	-	-	-	-	-	-	-
Platoon blocked, %								-	-	-	-	-
Mov Cap-1 Maneuver	797	680	1026	702	681	999	1526	-	-	1480	-	-
Mov Cap-2 Maneuver	797	680	-	702	681	-	-	-	-	-	-	-
Stage 1	910	822	-	797	795	-	-	-	-	-	-	-
Stage 2	938	792	-	881	821	-	-	-	-	-	-	-

Approach	EB	WB	NB	SB
HCM Control Delay, s	8.9	10	0.2	0.3
HCM LOS	A	B		

Minor Lane/Major Mvmt	NBL	NBT	NBR	EBLn1	WBLn1	SBL	SBT	SBR
Capacity (veh/h)	1526	-	-	936	739	1480	-	-
HCM Lane V/C Ratio	0.003	-	-	0.013	0.032	0.003	-	-
HCM Control Delay (s)	7.4	0	-	8.9	10	7.4	-	-
HCM Lane LOS	A	A	-	A	B	A	-	-
HCM 95th %tile Q(veh)	0	-	-	0	0.1	0	-	-

Intersection	
Intersection Delay, s/veh	7.3
Intersection LOS	A

Movement	EBL	EBT	EBR	WBL	WBT	WBR	NBL	NBT	NBR	SBL	SBT	SBR
Lane Configurations		↕			↕			↕			↕	
Traffic Vol, veh/h	5	11	11	1	11	1	17	21	0	4	14	6
Future Vol, veh/h	5	11	11	1	11	1	17	21	0	4	14	6
Peak Hour Factor	0.42	0.69	0.69	0.25	0.55	0.25	0.71	0.48	0.25	0.50	0.88	0.50
Heavy Vehicles, %	0	0	7	0	0	0	0	3	0	0	0	0
Mvmt Flow	12	16	16	4	20	4	24	44	0	8	16	12
Number of Lanes	0	1	0	0	1	0	0	1	0	0	1	0

Approach	EB	WB	NB	SB
Opposing Approach	WB	EB	SB	NB
Opposing Lanes	1	1	1	1
Conflicting Approach Left	SB	NB	EB	WB
Conflicting Lanes Left	1	1	1	1
Conflicting Approach Right	NB	SB	WB	EB
Conflicting Lanes Right	1	1	1	1
HCM Control Delay	7.1	7.3	7.5	7.2
HCM LOS	A	A	A	A

Lane	NBLn1	EBLn1	WBLn1	SBLn1
Vol Left, %	45%	19%	8%	17%
Vol Thru, %	55%	41%	85%	58%
Vol Right, %	0%	41%	8%	25%
Sign Control	Stop	Stop	Stop	Stop
Traffic Vol by Lane	38	27	13	24
LT Vol	17	5	1	4
Through Vol	21	11	11	14
RT Vol	0	11	1	6
Lane Flow Rate	68	44	28	36
Geometry Grp	1	1	1	1
Degree of Util (X)	0.078	0.047	0.032	0.039
Departure Headway (Hd)	4.142	3.893	4.082	3.96
Convergence, Y/N	Yes	Yes	Yes	Yes
Cap	863	913	871	900
Service Time	2.177	1.948	2.138	2.005
HCM Lane V/C Ratio	0.079	0.048	0.032	0.04
HCM Control Delay	7.5	7.1	7.3	7.2
HCM Lane LOS	A	A	A	A
HCM 95th-tile Q	0.3	0.1	0.1	0.1

Intersection												
Int Delay, s/veh	0.9											
Movement	EBL	EBT	EBR	WBL	WBT	WBR	NBL	NBT	NBR	SBL	SBT	SBR
Lane Configurations		↔			↔			↔			↔	
Traffic Vol, veh/h	1	57	2	2	74	0	1	1	0	0	1	0
Future Vol, veh/h	1	57	2	2	74	0	1	1	0	0	1	0
Conflicting Peds, #/hr	0	0	0	0	0	0	0	0	0	0	0	0
Sign Control	Free	Free	Free	Free	Free	Free	Stop	Stop	Stop	Stop	Stop	Stop
RT Channelized	-	-	None	-	-	None	-	-	None	-	-	None
Storage Length	-	-	-	-	-	-	-	-	-	-	-	-
Veh in Median Storage, #	-	0	-	-	0	-	-	0	-	-	0	-
Grade, %	-	0	-	-	0	-	-	0	-	-	0	-
Peak Hour Factor	25	84	25	50	77	25	25	25	25	25	25	25
Heavy Vehicles, %	0	7	0	0	3	0	0	0	0	0	0	0
Mvmt Flow	4	68	8	4	96	0	4	4	0	0	4	0

Major/Minor	Major1		Major2		Minor1			Minor2				
Conflicting Flow All	96	0	0	76	0	0	138	184	38	148	188	48
Stage 1	-	-	-	-	-	-	80	80	-	104	104	-
Stage 2	-	-	-	-	-	-	58	104	-	44	84	-
Critical Hdwy	4.1	-	-	4.1	-	-	7.5	6.5	6.9	7.5	6.5	6.9
Critical Hdwy Stg 1	-	-	-	-	-	-	6.5	5.5	-	6.5	5.5	-
Critical Hdwy Stg 2	-	-	-	-	-	-	6.5	5.5	-	6.5	5.5	-
Follow-up Hdwy	2.2	-	-	2.2	-	-	3.5	4	3.3	3.5	4	3.3
Pot Cap-1 Maneuver	1510	-	-	1536	-	-	824	714	1032	811	710	1017
Stage 1	-	-	-	-	-	-	925	832	-	896	813	-
Stage 2	-	-	-	-	-	-	953	813	-	970	829	-
Platoon blocked, %	-	-	-	-	-	-	-	-	-	-	-	-
Mov Cap-1 Maneuver	1510	-	-	1536	-	-	817	710	1032	804	706	1017
Mov Cap-2 Maneuver	-	-	-	-	-	-	817	710	-	804	706	-
Stage 1	-	-	-	-	-	-	922	830	-	893	811	-
Stage 2	-	-	-	-	-	-	945	811	-	962	827	-

Approach	EB	WB	NB	SB
HCM Control Delay, s	0.4	0.3	9.8	10.1
HCM LOS			A	B

Minor Lane/Major Mvmt	NBLn1	EBL	EBT	EBR	WBL	WBT	WBR	SBLn1
Capacity (veh/h)	760	1510	-	-	1536	-	-	706
HCM Lane V/C Ratio	0.011	0.003	-	-	0.003	-	-	0.006
HCM Control Delay (s)	9.8	7.4	0	-	7.3	0	-	10.1
HCM Lane LOS	A	A	A	-	A	A	-	B
HCM 95th %tile Q(veh)	0	0	-	-	0	-	-	0

Intersection						
Int Delay, s/veh	0.5					
Movement	EBL	EBR	NBL	NBT	SBT	SBR
Lane Configurations	T			T		T
Traffic Vol, veh/h	9	0	1	141	111	5
Future Vol, veh/h	9	0	1	141	111	5
Conflicting Peds, #/hr	0	0	0	0	0	0
Sign Control	Stop	Stop	Free	Free	Free	Free
RT Channelized	-	None	-	None	-	None
Storage Length	0	-	-	-	-	-
Veh in Median Storage, #	0	-	-	0	0	-
Grade, %	0	-	-	0	0	-
Peak Hour Factor	75	25	25	82	82	42
Heavy Vehicles, %	0	0	0	31	28	0
Mvmt Flow	12	0	4	172	135	12

Major/Minor	Minor2	Major1		Major2	
Conflicting Flow All	321	141	147	0	0
Stage 1	141	-	-	-	-
Stage 2	180	-	-	-	-
Critical Hdwy	6.4	6.2	4.1	-	-
Critical Hdwy Stg 1	5.4	-	-	-	-
Critical Hdwy Stg 2	5.4	-	-	-	-
Follow-up Hdwy	3.5	3.3	2.2	-	-
Pot Cap-1 Maneuver	677	912	1447	-	-
Stage 1	891	-	-	-	-
Stage 2	856	-	-	-	-
Platoon blocked, %				-	-
Mov Cap-1 Maneuver	675	912	1447	-	-
Mov Cap-2 Maneuver	675	-	-	-	-
Stage 1	888	-	-	-	-
Stage 2	856	-	-	-	-

Approach	EB	NB	SB
HCM Control Delay, s	10.4	0.2	0
HCM LOS	B		

Minor Lane/Major Mvmt	NBL	NBT	EBLn1	SBT	SBR
Capacity (veh/h)	1447	-	675	-	-
HCM Lane V/C Ratio	0.003	-	0.018	-	-
HCM Control Delay (s)	7.5	0	10.4	-	-
HCM Lane LOS	A	A	B	-	-
HCM 95th %tile Q(veh)	0	-	0.1	-	-

Appendix C – SBTAM Base Year SED Assumption Adjustments

EXISTING (2021) CONDITIONS																				
TAZ	Population	Households			Enrollment		Employment													
		Total	SFDU	MFDU	K-12	College	Agriculture	Construction	Manufacturing	Wholesale	Retail	Transportation	Information	Finance	Professional	Education	Entertainment	Other Service	Pub Admin	Total
53995101	3	1	1	0	0	0	0	0	0	0	0	2	0	0	0	0	0	0	0	2
53995201	1321	523	40	483	39	0	0	0	3	1	160	0	1	1	1	1	55	2	0	226
53995202	0	0	0	0	0	0	0	0	0	0	0	0	0	0	0	0	0	0	0	0
53996101	769	297	173	124	0	0	0	0	0	0	21	2	0	0	7	15	62	3	2	112
53996102	130	50	24	26	0	0	0	5	5	5	5	18	0	0	0	0	0	1	0	39
53996103	976	377	79	298	0	0	0	7	7	7	37	23	0	0	31	7	0	2	1	122
53996104	70	27	21	6	0	0	0	2	2	2	39	5	0	0	7	0	0	4	0	61
53997101	567	219	156	63	25	0	0	3	1	1	44	4	0	22	13	31	10	5	5	139
53997102	360	139	98	41	0	0	0	6	0	0	114	2	0	56	35	108	12	11	17	361
53997103	3	1	0	1	0	0	0	1	1	1	7	5	0	0	0	7	0	1	1	24
53997201	1062	410	328	82	0	0	0	8	0	0	4	0	0	86	7	106	39	2	17	269
53997202	515	199	89	110	7	0	0	2	2	2	3	5	0	0	2	24	0	0	4	44
53997301	728	281	37	244	949	0	0	7	7	7	7	24	0	4	3	59	0	1	10	129

Appendix D - SBTAM Future Year SED Assumption Adjustments

Future (2040) CONDITIONS																				
TAZ	Population	Households			Enrollment		Employment													
		Total	SFDU	MFDU	K-12	College	Agriculture	Construction	Manufacturing	Wholesale	Retail	Transportation	Information	Finance	Professional	Education	Entertainment	Other Service	Pub Admin	Total
53995101	3	1	1	0	0	0	0	0	0	0	0	0	2	0	0	0	0	0	2	
53995201	1650	652	120	532	160	0	1	15	8	10	199	15	2	8	27	70	79	13	5	453
53995202	0	0	0	0	0	0	0	0	0	0	0	0	0	0	0	0	0	0	0	0
53996101	1082	418	176	242	0	0	0	0	0	0	29	2	0	0	7	15	295	3	2	353
53996102	130	50	24	26	0	0	115	5	20	6	5	19	0	0	0	0	0	1	0	171
53996103	1095	423	88	335	0	0	33	7	8	7	41	23	0	0	31	7	26	2	1	186
53996104	70	27	21	6	0	0	24	1	1	2	59	1	0	0	7	0	24	4	0	123
53997101	860	332	238	94	25	0	5	3	1	1	61	4	0	22	13	31	18	5	5	169
53997102	821	317	172	145	0	0	41	6	0	0	136	2	0	56	35	128	68	12	17	501
53997103	3	1	0	1	0	0	22	1	1	3	32	5	0	0	0	7	0	1	1	73
53997201	1552	599	480	119	0	0	0	8	0	0	3	0	0	86	7	186	64	2	17	373
53997202	1157	447	181	266	7	0	108	0	0	1	20	0	0	0	2	24	0	0	4	159
53997301	995	384	77	307	949	0	80	7	22	7	7	25	0	4	3	119	0	1	10	285
43472200	102	49	34	15	0	0	0	0	0	0	0	0	0	0	0	0	0	0	0	0
43474100	0	0	0	0	0	0	0	11	2	2	9	3	1	3	10	24	11	5	4	85
43474200	249	95	78	17	0	0	0	2	0	0	1	0	0	0	2	4	2	1	1	13
43474300	414	152	117	35	0	0	0	6	1	1	5	1	1	2	6	13	6	3	2	47
43474400	200	70	55	15	0	0	0	10	2	2	8	3	1	3	9	22	10	4	2	76
43474500	1221	483	385	98	0	0	0	0	0	0	0	0	0	0	0	1	0	1	1	3
43474600	700	193	117	76	0	0	12	202	46	39	181	60	26	55	201	457	262	100	49	1690
43474700	0	0	0	0	0	0	2	29	8	5	27	9	4	8	30	69	32	13	8	244
43474800	78	34	19	15	0	0	1	34	8	6	29	10	4	9	33	77	34	15	8	268
43474900	0	0	0	0	0	0	0	0	0	0	0	0	0	0	0	0	0	0	1	1
43481100	1300	580	399	181	0	0	0	2	1	1	3	1	0	5	3	7	3	2	2	30
43481200	4855	1610	1046	564	0	0	0	29	4	2	17	14	2	28	39	57	14	17	4	227
43486100	6133	2689	1852	837	0	0	0	12	3	2	10	4	2	3	11	27	12	5	3	94
43486200	10889	4507	2661	1846	1043	0	0	5	1	1	5	1	1	1	5	33	6	3	2	64
43486300	382	151	95	56	0	0	0	0	0	0	0	0	0	0	0	0	0	0	1	1
43486400	399	169	120	49	0	0	0	13	3	2	11	4	2	3	12	29	13	6	3	101
43486500	3734	1452	922	530	0	0	1	53	12	10	45	15	7	14	51	119	55	24	12	418
43487100	0	0	0	0	0	0	0	0	0	0	0	0	0	0	0	0	0	0	0	0
43488100	25	10	6	4	0	0	0	0	0	0	0	0	0	0	0	1	0	0	1	2
43488200	32	18	15	3	0	0	0	1	0	0	1	0	0	0	1	3	2	2	1	11
43488300	655	238	191	47	0	0	1	20	5	3	17	5	3	5	19	45	21	9	5	158
43488400	0	0	0	0	0	0	0	6	1	1	5	1	1	2	6	14	6	3	2	48
43488500	52	13	11	2	0	0	1	24	5	4	20	6	3	6	23	54	25	11	7	189
43488600	721	204	106	98	0	0	6	23	5	5	27	9	3	24	28	49	77	18	7	281
43492100	7370	2604	1846	758	0	0	0	16	4	3	14	7	2	4	20	37	17	8	4	136
43492200	7948	2605	1892	713	0	0	3	86	20	15	75	119	11	23	83	196	89	39	20	779
43493100	4859	1857	1409	448	1155	0	4	115	26	21	162	36	15	31	112	262	119	52	27	982
43494100	1814	672	530	142	3397	0	2	47	11	8	40	20	6	13	46	114	48	21	12	388
43494200	3202	1200	996	204	0	0	3	79	18	15	67	40	10	21	76	248	81	38	20	716
43494300	3439	1506	1227	279	0	0	1	56	13	11	48	16	7	15	54	126	57	25	13	442
43495000	647	309	219	90	0	0	5	193	59	33	162	83	48	51	189	420	197	85	45	1570
43499100	5147	1868	1458	410	1092	0	2	76	17	14	75	21	10	20	74	173	78	34	18	612
43499200	6199	2068	1598	470	0	0	1	36	9	7	32	10	5	10	36	128	39	24	9	346
43499300	5771	2144	1580	564	0	0	1	56	13	11	48	16	7	15	54	126	57	25	13	442
43501100	6880	2574	1733	841	0	0	0	21	5	4	18	6	3	6	20	48	22	25	5	183
43501200	2474	891	657	234	0	0	0	15	3	3	17	4	2	4	14	45	15	7	3	132
43501300	3951	1037	631	406	0	0	0	0	0	0	1	0	0	17	0	1	0	0	1	20

SBTAM Future Year SED Assumption Adjustments

Future (2040) CONDITIONS																				
TAZ	Population	Households			Enrollment		Employment													
		Total	SFDU	MFDU	K-12	College	Agriculture	Construction	Manufacturing	Wholesale	Retail	Transportation	Information	Finance	Professional	Education	Entertainment	Other Service	Pub Admin	Total
43501400	9900	3170	2074	1096	1095	0	0	0	0	0	9	0	0	65	1	19	14	1	0	109
43501500	3485	1498	1132	366	1184	0	2	76	17	14	66	21	10	20	74	173	79	34	18	604
43501600	332	131	96	35	0	0	0	2	0	0	1	0	0	2	1	2	1	4	1	14
43503100	0	0	0	0	0	0	4	118	27	22	101	33	15	32	114	268	121	53	28	936
43503200	9	4	2	2	0	0	4	148	34	27	126	41	19	40	143	335	151	67	35	1170
43503300	0	0	0	0	0	0	0	11	3	2	9	3	1	3	11	25	11	5	3	87
43505100	383	145	109	36	0	0	0	5	1	1	5	2	1	1	5	12	5	4	2	44
43505200	289	90	73	17	0	0	0	1	0	0	0	0	0	0	0	1	1	0	1	4
43505300	0	0	0	0	0	0	0	4	1	1	4	1	1	1	4	9	4	3	1	34
43505400	2637	843	683	160	0	0	0	2	1	0	2	1	0	1	2	6	3	1	1	20
43505500	150	57	48	9	0	0	0	2	1	0	2	1	0	1	2	6	3	2	1	21
43505600	342	141	78	63	0	0	0	1	0	0	1	0	0	4	1	2	4	2	2	17
43505700	3551	1275	797	478	0	0	6	10	2	3	16	5	1	31	16	21	68	14	4	197
43506100	1816	645	437	208	0	0	2	50	11	10	43	14	6	13	48	114	51	23	12	397
43506200	681	262	178	84	643	0	0	12	3	2	10	4	1	3	11	50	12	5	3	116
43515100	0	0	0	0	0	0	1	5	2	1	5	2	0	1	6	13	11	4	3	54
43515200	0	0	0	0	0	0	0	4	1	1	4	2	0	1	4	10	4	2	3	36
43515300	0	0	0	0	0	0	0	18	4	3	15	5	2	4	24	39	87	10	4	215
43515400	0	0	0	0	0	0	0	2	0	0	2	0	0	1	2	5	2	2	1	17
43516100	4849	2445	1530	915	0	0	3	29	7	6	27	9	4	34	30	67	45	15	7	283
43525100	6105	2833	1746	1087	0	0	4	181	27	65	137	33	15	81	126	274	121	69	29	1162
43525200	365	116	72	44	0	0	0	3	0	0	0	0	0	5	1	3	4	0	1	17
43525300	778	251	171	80	0	0	1	9	2	2	9	3	1	2	8	20	9	4	2	72
43525400	8750	3838	2278	1560	0	0	0	5	1	1	10	1	1	29	34	11	8	12	2	115
43525500	5264	2513	1640	873	0	0	0	3	0	3	3	0	0	22	1	0	0	1	1	34
43525600	955	384	250	134	0	0	0	2	0	0	0	0	0	6	0	2	3	1	1	15
43527100	310	94	66	28	0	0	0	14	3	2	12	4	2	4	14	32	15	6	4	112
43527200	8120	2224	1563	661	941	0	0	360	85	111	66	14	110	170	937	158	33	29	7	2080
43527300	5096	1552	1088	464	0	0	0	58	13	16	18	5	15	54	134	45	15	8	4	385
43527400	14	3	1	2	0	0	0	27	28	14	45	281	6	7	92	62	182	27	10	781
43527500	8523	4118	2283	1835	0	0	0	11	5	3	11	28	1	33	17	25	25	6	4	169
43536100	4772	2144	1510	634	706	0	2	57	13	10	49	16	7	15	56	130	59	27	14	455
43536200	827	394	273	121	0	0	1	282	29	29	79	31	40	14	372	210	185	31	12	1315
43537100	1627	584	390	194	0	0	0	20	1	1	1	0	0	10	3	18	20	2	1	77
43585100	36860	10668	7418	3250	20	0	44	1243	284	226	1058	346	160	331	1197	2808	1270	553	283	9803
43586100	0	0	0	0	0	0	0	3	1	1	3	1	0	1	4	8	4	2	1	29
43587100	1072	329	172	157	0	0	0	20	5	4	18	6	3	30	20	50	21	9	29	215
43587200	9008	0	0	0	0	0	0	7	2	2	10	3	2	3	11	73	9	7	470	599
43588100	732	335	185	150	0	0	41	1163	266	211	991	324	150	328	1122	2651	1189	523	458	9417
43595100	1054	386	118	268	0	0	3	12	7	4	18	8	2	5	17	40	19	8	8	151
53879101	259	91	65	26	0	0	0	4	2	2	43	4	0	2	7	19	4	3	2	92
53879103	343	122	95	27	0	0	0	0	0	0	9	0	0	0	3	1	0	0	0	14
53879301	1310	480	263	217	191	0	0	8	3	5	66	8	1	4	36	38	8	6	3	186
53879302	490	185	108	77	0	0	1	13	5	9	12	13	1	6	28	62	13	10	5	176
53879305	332	130	57	73	0	0	0	8	3	5	3	8	1	4	14	38	8	6	3	101
53880101	663	246	163	83	0	0	1	3	1	2	66	2	0	1	21	12	3	2	1	116
53881301	1	1	0	1	0	0	0	7	3	5	15	7	1	3	12	34	7	5	3	101
53881302	86	31	31	0	0	0	0	0	0	0	18	0	0	0	0	1	0	0	0	21
53882101	18	8	7	1	0	0	0	1	0	1	9	1	0	1	2	5	1	1	0	23
53882102	7	3	0	3	0	0	0	2	1	2	9	2	0	1	4	11	2	2	1	38

SBTAM Future Year SED Assumption Adjustments

Future (2040) CONDITIONS																					
TAZ	Population	Households			Enrollment		Employment														
		Total	SFDU	MFDU	K-12	College	Agriculture	Construction	Manufacturing	Wholesale	Retail	Transportation	Information	Finance	Professional	Education	Entertainment	Other Service	Pub Admin	Total	
53882103	335	98	78	20	33	0	0	5	2	4	14	4	1	3	36	24	5	4	2	103	
53883101	7	5	2	3	0	0	0	3	3	2	150	3	0	2	11	16	9	3	1	203	
53883102	8	3	1	1	0	0	0	0	0	0	22	0	0	0	1	2	1	0	0	28	
53883103	0	0	0	0	0	0	0	0	0	0	0	0	0	0	1	1	1	0	0	3	
53884201	633	187	31	154	212	0	1	12	14	9	394	16	2	10	50	74	40	14	4	640	
53885101	187	70	38	32	0	0	0	8	3	5	82	7	1	3	13	36	8	5	3	175	
53885102	0	0	0	0	0	0	0	3	1	2	15	3	0	1	5	13	3	2	1	49	
53885201	188	77	27	50	0	0	0	9	15	5	40	13	2	9	47	59	40	13	4	257	
53885202	5	2	2	0	0	0	0	1	1	0	0	1	0	1	3	4	3	1	0	16	
53886101	55	22	7	15	0	0	0	7	2	5	49	7	1	3	13	33	7	5	2	134	
53977101	1544	619	543	76	102	0	0	3	1	1	0	1	0	1	4	8	2	6	1	28	
53977102	86	36	25	11	0	0	0	1	0	0	0	0	0	0	0	0	0	0	0	2	
53977104	141	59	51	8	0	0	0	1	0	0	0	0	0	0	1	2	0	1	0	5	
53977201	1063	449	358	91	0	0	0	5	2	4	48	14	0	2	16	25	5	16	2	139	
53978101	793	304	283	21	288	0	0	0	0	0	0	0	0	0	0	0	0	0	21	21	
53980101	151	73	59	14	38	0	0	1	0	1	2	1	0	1	2	6	1	1	0	17	
53980102	276	126	96	30	0	0	0	1	0	1	6	1	0	1	2	5	1	1	0	20	
53980301	301	139	113	26	0	0	0	2	1	0	15	1	0	0	1	5	0	1	0	26	
53980302	101	50	46	4	0	0	0	0	0	0	5	0	0	0	0	0	0	0	0	5	
53980303	295	134	121	13	0	0	0	10	4	1	10	4	0	1	6	30	2	6	1	75	
53980304	2279	958	684	274	226	0	0	26	10	3	61	11	0	2	16	79	5	16	2	233	
53980305	61	32	28	4	0	0	0	0	0	0	0	0	0	0	0	0	0	0	0	0	
53980401	26	10	8	2	0	0	0	0	0	0	0	0	0	0	0	0	0	0	0	0	
53980402	152	80	27	53	0	0	0	0	0	0	19	0	0	0	0	0	0	0	0	20	
53980403	290	135	86	49	0	0	0	23	2	3	42	7	0	2	28	23	18	10	2	161	
53980404	266	110	93	17	0	0	0	9	1	2	5	4	0	1	11	12	10	4	1	59	
53981101	635	444	187	259	1368	0	1	21	8	14	127	20	2	10	36	97	20	14	7	377	
53981102	1186	595	270	325	0	0	1	40	16	26	46	39	5	19	70	191	40	28	13	535	
53981201	455	269	257	12	348	0	0	8	0	0	1	8	0	0	8	24	8	0	0	56	
53981301	280	107	105	2	0	0	0	1	0	1	0	1	0	0	2	5	1	1	0	12	
53981302	547	218	203	15	0	0	0	2	0	1	0	1	0	0	2	5	1	2	0	14	
53981303	781	291	280	11	0	0	0	5	3	3	0	4	0	2	7	19	4	4	1	53	
53981304	1694	842	748	94	179	0	0	11	6	8	2	11	1	5	20	53	11	8	4	139	
53981305	497	231	226	5	12	0	0	1	0	1	0	1	0	0	1	4	1	1	0	10	
53981401	14	8	0	8	0	0	0	3	1	1	10	2	0	1	7	72	3	5	1	107	
53981402	268	118	35	85	0	0	0	1	0	0	18	1	0	0	2	19	1	1	0	43	
53981403	9	12	2	10	0	0	0	2	1	1	29	1	0	1	6	91	2	4	0	138	
53981404	107	57	24	35	0	0	0	0	0	0	9	0	0	0	1	8	0	1	0	20	
53981405	706	370	297	75	0	0	0	14	5	6	156	10	1	6	34	328	15	21	3	599	
53981406	228	95	83	12	590	0	0	2	1	1	0	1	0	1	4	39	2	3	0	53	
53981407	187	81	74	7	0	0	0	0	0	0	2	0	0	0	1	6	0	0	0	10	
53982101	358	170	144	26	0	0	0	13	4	6	37	10	1	5	26	46	10	7	3	168	
53982102	311	127	105	22	0	0	0	1	0	0	28	0	0	0	3	2	0	0	0	36	
53982103	88	41	40	1	0	0	0	0	0	0	0	0	0	0	0	0	0	0	0	0	
53982104	150	65	57	8	0	0	0	2	0	0	0	0	0	0	4	1	0	1	0	9	
53982105	947	639	68	569	72	0	0	15	3	5	80	7	1	3	31	34	7	7	2	195	
53982106	139	84	35	49	0	0	1	59	12	20	70	29	3	14	127	140	29	29	10	542	
53982201	579	397	39	358	0	0	0	29	11	19	279	37	3	14	50	135	28	20	10	635	
53982202	248	95	74	21	0	0	0	7	3	5	567	7	1	3	13	35	7	5	2	656	

SBTAM Future Year SED Assumption Adjustments

Future (2040) CONDITIONS																					
TAZ	Population	Households			Enrollment		Employment														
		Total	SFDU	MFDU	K-12	College	Agriculture	Construction	Manufacturing	Wholesale	Retail	Transportation	Information	Finance	Professional	Education	Entertainment	Other Service	Pub Admin	Total	
53982301	379	185	164	21	0	0	0	10	4	6	3	10	1	5	17	47	10	7	3	122	
53982302	602	299	284	15	0	0	1	27	11	18	48	27	2	13	48	130	27	19	9	381	
53982303	454	235	207	28	0	0	0	0	0	0	2	2	0	0	1	2	0	0	0	9	
53982304	536	381	380	1	0	0	0	1	0	0	0	1	0	0	1	4	1	1	0	9	
53982305	982	544	516	28	0	0	0	0	0	0	2	0	0	0	1	2	0	0	0	7	
53982401	381	179	124	57	0	0	0	9	1	2	71	4	0	2	9	25	18	7	1	150	
53982402	248	88	37	51	0	0	0	31	3	5	289	10	1	5	23	59	41	22	3	492	
53982403	889	444	173	271	0	0	0	16	2	3	29	6	0	3	11	32	23	11	2	138	
53982501	196	82	73	9	0	0	0	0	0	0	0	0	0	0	0	0	0	0	0	0	
53982502	198	103	97	6	0	0	0	23	9	16	5	23	2	11	40	110	23	16	8	286	
53982503	806	461	417	44	45	0	0	5	2	3	20	5	0	2	11	25	5	4	2	85	
53982504	594	300	293	7	0	0	0	1	0	0	9	0	0	0	4	2	0	0	0	18	
53982601	0	0	0	0	0	0	0	0	0	0	12	0	0	0	0	0	0	0	0	12	
53982602	1478	544	285	259	63	0	0	1	0	1	7	3	0	0	1	3	1	1	0	18	
53983101	1213	509	477	32	134	0	11	1	0	0	1	0	0	0	2	1	3	11	1	32	
53983201	932	364	303	61	0	0	0	6	3	4	2	6	1	3	11	30	6	4	2	80	
53983202	1009	406	356	50	0	0	0	4	2	3	15	4	0	2	8	24	4	5	1	73	
53983203	84	38	34	4	0	0	0	0	0	0	0	0	0	0	0	0	0	0	0	0	
53983204	0	0	2	0	0	0	0	0	0	0	0	0	0	0	0	0	0	0	0	0	
53983205	873	368	307	61	0	0	0	1	1	1	23	1	0	1	3	18	1	3	1	54	
53983206	907	396	347	49	203	0	0	7	3	4	50	7	1	3	12	55	7	11	2	161	
53984101	898	494	480	14	75	0	0	3	1	2	0	3	0	1	5	20	3	2	1	39	
53984102	2538	1599	1577	22	358	0	0	3	1	2	24	3	0	1	5	28	3	2	1	72	
53984201	1848	762	724	38	533	0	0	33	2	1	1	12	0	1	9	419	3	7	1	488	
53984301	4	4	4	0	0	0	1	17	7	12	87	17	2	8	30	112	17	12	7	329	
53984302	1551	1007	314	693	0	0	1	40	15	26	100	39	4	19	69	187	39	27	14	580	
53984401	790	295	270	25	0	0	0	10	3	2	45	9	0	1	8	135	3	4	1	221	
53984402	13	5	4	1	0	0	1	72	34	21	438	67	3	15	81	662	33	37	10	1473	
53984403	0	0	0	0	838	0	1	81	39	23	141	75	4	17	92	745	36	42	11	1305	
53984501	687	312	203	109	0	0	0	3	1	1	8	2	1	3	9	42	4	2	23	98	
53984502	685	293	228	65	0	0	0	1	1	1	4	1	0	1	4	18	2	1	11	45	
53984503	431	156	145	11	0	0	0	0	0	0	0	0	0	0	0	1	0	0	1	4	
53984504	543	189	175	14	0	0	0	0	0	0	0	0	0	0	1	5	1	0	4	13	
53984601	1650	676	592	84	761	0	0	10	2	2	7	5	0	1	5	108	3	4	1	147	
53984602	214	91	84	7	0	0	0	0	0	0	0	0	0	0	0	6	0	0	0	7	
53985101	1586	617	545	72	548	0	0	11	3	5	15	8	1	4	15	98	8	10	3	180	
53985102	671	256	230	26	0	0	0	3	1	1	22	2	0	1	4	58	2	3	1	97	
53985201	493	199	171	28	0	0	0	10	1	1	3	1	0	0	3	6	1	7	1	34	
53985202	706	292	244	48	0	0	0	4	0	0	0	0	0	0	1	1	0	3	0	10	
53985203	125	46	43	3	0	0	0	0	0	0	0	0	0	0	0	0	0	0	0	0	
53986101	472	190	155	35	0	0	0	0	0	0	0	0	0	0	0	0	0	0	0	0	
53986102	182	69	59	10	0	0	0	0	0	0	0	0	0	0	0	0	0	0	0	0	
53986103	44	21	19	2	0	0	0	2	0	0	0	0	0	0	0	1	0	1	0	4	
53986104	826	301	260	41	180	0	0	11	0	0	0	1	0	0	1	3	1	6	0	24	
53986105	440	188	161	27	0	0	0	4	0	0	5	1	0	0	1	3	1	3	0	18	
53986201	1142	474	170	306	0	0	0	8	3	4	67	7	7	3	15	125	66	19	2	325	
53986202	123	49	39	10	0	0	0	0	0	0	9	0	0	0	0	2	1	0	0	14	
53986301	236	96	88	8	0	0	0	2	0	0	1	0	0	0	0	0	0	1	0	4	
53986302	261	108	101	7	0	0	0	11	0	0	0	0	0	0	0	0	0	6	1	18	

SBTAM Future Year SED Assumption Adjustments

Future (2040) CONDITIONS																				
TAZ	Population	Households			Enrollment		Employment													
		Total	SFDU	MFDU	K-12	College	Agriculture	Construction	Manufacturing	Wholesale	Retail	Transportation	Information	Finance	Professional	Education	Entertainment	Other Service	Pub Admin	Total
53986401	829	327	110	217	98	0	0	6	2	3	2	5	1	2	10	30	6	4	2	73
53986501	276	103	73	30	0	0	0	0	0	0	11	0	0	0	0	0	0	0	0	11
53986502	575	246	210	36	0	0	0	4	1	2	7	4	2	2	8	50	25	8	1	114
53986503	1061	401	110	293	398	0	0	15	6	10	65	14	9	7	29	192	96	30	5	478
53987101	1326	573	542	31	0	0	0	1	0	0	8	0	0	0	20	1	1	7	1	38
53987102	291	138	133	5	0	0	0	1	0	0	0	0	0	0	9	0	0	3	0	13
53987201	1766	719	458	261	0	0	0	6	2	3	90	5	1	2	9	157	5	9	1	292
53987301	462	145	18	127	0	0	0	0	0	0	1	0	0	0	0	0	0	0	0	1
53987302	896	307	161	146	0	0	2	106	40	70	29	104	11	50	186	730	103	73	36	1542
53987401	1616	594	207	387	625	0	0	6	2	4	11	5	1	3	10	59	6	4	3	113
53987402	973	380	261	119	0	0	0	0	0	0	5	0	0	0	1	3	0	0	0	10
53988101	8	4	4	0	0	0	0	1	0	1	0	1	0	0	2	6	1	1	1	15
53988102	-2	-1	0	0	0	0	0	1	0	0	0	1	0	0	0	1	0	0	0	5
53989101	658	242	231	11	69	0	0	18	7	12	2	18	2	9	31	84	18	12	6	217
53989201	287	127	113	14	0	0	0	0	0	0	0	0	0	0	0	3	0	0	0	3
53989202	768	318	295	23	0	0	0	0	0	0	0	0	0	0	0	10	0	0	0	10
53989203	481	208	187	21	0	0	0	0	0	0	0	0	0	0	0	0	0	0	0	0
53989301	714	248	242	6	141	0	0	1	0	1	3	1	0	1	2	6	1	1	1	18
53989302	218	84	82	2	0	0	0	0	0	0	7	0	0	0	0	0	0	0	0	8
53989303	703	242	87	155	87	2359	0	7	1	1	0	1	0	1	7	6	1	5	3	33
53989401	1697	655	441	214	109	0	0	8	2	4	9	6	1	3	14	32	8	7	43	138
53989501	1018	366	336	30	165	0	0	2	1	1	14	1	0	1	3	6	2	1	6	37
53989601	662	252	230	22	0	0	0	3	0	1	0	1	0	0	1	4	1	1	0	12
53989602	298	119	113	6	0	0	0	3	0	0	0	0	0	0	0	1	0	1	0	7
53989603	995	350	334	16	211	0	0	5	0	0	2	1	0	0	1	3	1	1	0	15
53989604	625	258	255	3	0	0	0	6	0	1	0	1	0	0	2	6	1	2	0	22
53990101	8535	1685	2	1683	0	0	0	1	1	10	79	1	20	14	890	219	129	7	2	1372
53991101	1410	471	455	16	260	0	0	1	0	1	1	1	0	0	1	4	1	2	0	12
53991102	454	162	129	33	0	0	0	0	0	0	0	0	0	0	0	0	0	0	0	0
53991103	759	270	228	42	0	0	0	2	1	1	0	2	0	1	3	7	2	2	1	20
53991104	263	96	91	5	777	0	0	15	3	4	0	7	1	3	13	34	7	19	2	109
53991105	1140	398	342	56	0	0	0	3	0	0	0	0	0	0	2	0	0	3	0	9
53991106	1359	464	417	47	0	0	0	3	0	0	0	0	0	0	2	0	0	4	0	9
53991107	354	122	88	34	0	0	0	0	0	0	20	0	0	0	1	2	0	1	0	26
53991108	472	172	122	50	0	0	0	5	1	2	99	3	0	2	6	16	3	7	1	147
53991109	923	341	255	86	0	0	0	2	0	0	78	1	0	0	2	4	1	3	0	91
53991201	546	209	137	72	90	0	0	4	1	3	56	23	0	2	7	27	19	6	2	150
53991202	515	178	142	36	0	0	0	3	1	2	217	19	0	1	5	20	13	5	1	287
53991203	896	312	258	54	0	0	0	2	1	2	0	14	0	1	4	17	11	4	1	57
53992101	218	74	64	10	0	0	0	0	0	0	0	0	0	0	0	0	0	0	0	0
53992102	267	86	85	1	0	0	0	3	1	2	0	3	0	1	5	14	3	2	1	35
53992103	103	31	30	1	0	0	0	2	1	2	35	2	0	1	4	11	2	2	1	64
53992104	21	11	7	4	0	0	0	0	0	0	0	0	0	0	0	1	0	0	0	3
53992105	2538	905	774	131	254	0	0	8	3	5	96	8	1	4	15	39	8	8	3	199
53992106	63	21	21	0	0	0	0	0	0	0	1	0	0	0	0	0	0	0	0	1
53992201	164	50	50	0	526	0	0	4	1	2	50	4	0	2	6	18	4	6	1	98
53992202	10	4	4	0	0	0	0	0	0	0	94	0	0	0	0	0	0	0	0	94
53992203	1135	396	262	134	169	0	0	1	0	1	92	1	0	1	2	5	1	2	0	106
53992204	32	9	7	-1	0	0	0	0	0	0	7	0	0	0	0	0	0	0	0	7

SBTAM Future Year SED Assumption Adjustments

Future (2040) CONDITIONS																				
TAZ	Population	Households			Enrollment		Employment													
		Total	SFDU	MFDU	K-12	College	Agriculture	Construction	Manufacturing	Wholesale	Retail	Transportation	Information	Finance	Professional	Education	Entertainment	Other Service	Pub Admin	Total
53992205	1009	348	315	33	1037	0	0	37	14	24	120	36	4	18	65	175	37	28	12	570
53992301	3117	1157	109	1048	77	0	0	8	3	5	43	8	1	4	15	49	8	8	3	155
53992302	159	91	21	70	0	0	1	13	5	8	106	13	1	6	23	63	13	9	4	266
53992401	-157	-47	-43	-4	14	0	0	14	5	10	10	14	1	7	24	64	14	10	5	176
53992402	1383	456	65	391	0	0	0	0	0	0	0	0	0	0	0	1	0	0	0	3
53992403	422	132	132	0	180	0	0	0	0	0	6	0	0	0	0	0	0	0	0	6
53992501	1097	388	298	92	509	0	0	11	3	6	172	9	1	4	15	42	9	6	3	281
53992502	910	369	212	159	0	0	1	15	6	10	137	14	2	7	26	69	15	10	5	316
53992503	402	133	123	10	0	0	0	2	1	1	57	2	0	1	4	11	2	2	1	84
53992504	216	81	69	12	80	0	0	7	0	1	0	5	0	0	3	4	0	2	0	22
53992601	836	351	102	251	0	0	0	5	3	6	95	6	2	9	21	138	46	21	8	360
53992602	1571	588	340	248	103	0	0	1	0	1	14	1	0	1	2	12	5	2	1	39
53992603	384	124	92	32	578	0	0	5	3	6	2	6	2	9	21	109	48	18	8	237
53993101	395	156	151	5	0	0	0	1	0	0	8	1	0	0	1	3	1	1	0	15
53993201	275	118	113	5	0	0	0	0	0	0	2	0	0	0	0	0	0	0	0	2
53993202	193	75	66	9	0	0	0	0	0	0	0	0	0	0	0	0	0	0	0	0
53993203	411	177	170	7	0	0	0	2	1	1	6	2	0	1	7	9	2	14	1	45
53993301	920	324	287	37	0	0	0	0	0	0	2	0	0	0	0	2	0	0	0	8
53993302	1330	469	424	45	0	0	0	0	0	0	0	0	0	0	1	3	0	0	0	8
53993303	933	372	288	84	0	0	0	0	0	0	4	0	0	0	0	0	0	0	0	4
53993401	1201	400	386	14	366	0	0	203	78	147	18	219	16	109	375	1016	216	156	78	2631
53993402	2126	723	694	29	107	0	0	0	0	0	18	0	0	0	0	1	0	0	0	20
53993403	2059	703	676	27	165	0	0	31	12	23	26	34	2	17	58	156	34	24	12	428
53993501	118	45	45	0	0	0	0	1	0	0	0	0	0	0	2	1	1	4	0	8
53993502	55	26	26	0	0	0	0	0	0	0	0	0	0	0	1	1	0	3	0	5
53993503	241	90	85	5	89	0	0	0	0	0	0	0	0	0	0	0	0	1	0	2
53993601	209	97	93	4	0	0	0	0	0	0	3	0	0	0	0	1	0	1	0	6
53993602	483	209	195	14	0	0	0	0	0	0	1	0	0	0	2	2	0	5	0	12
53994101	4	0	0	0	0	0	0	0	0	0	0	0	0	0	0	0	0	0	0	0
53994102	53	31	5	26	0	0	0	7	0	8	0	7	0	0	37	29	7	103	15	214
53994103	14	7	7	0	0	0	0	7	0	7	0	7	0	0	37	29	7	102	15	212
53995301	6	3	0	3	0	0	0	0	0	0	0	0	0	0	1	2	0	0	0	4
53995302	21	7	5	2	0	0	0	0	0	0	0	0	0	0	0	0	0	0	0	1
53998101	22	10	2	8	0	0	0	0	0	0	0	0	0	0	0	0	0	0	0	0
53999101	1888	880	0	880	0	0	2	1	1	1	83	1	0	29	1	10	85	21	13	247
110011000	1139	515	429	86	0	0	1	20	12	7	30	16	2	5	20	55	18	4	61	251
110303000	6960	1220	884	336	122	0	6	64	39	24	96	53	8	16	69	180	56	14	1034	1659
140222000	40852	22072	16125	5947	3414	0	176	5011	1126	922	4084	1341	1326	1283	5530	11042	6008	2223	1099	41171
140226000	126812	34089	24401	9688	6381	0	662	952	238	189	914	926	126	260	966	2308	999	453	303	9296
140227000	227609	78798	56354	22444	25159	0	1084	5596	1280	1042	4816	1453	661	1561	5502	12260	6667	2333	1371	45626
140239000	20664	7810	6121	1689	4703	5899	68	919	211	165	786	257	120	247	890	2089	949	415	220	7336
140342000	0	0	0	0	0	0	0	11	2	2	9	3	1	3	10	24	11	5	3	84

Appendix E – Future (2040) Peak Hour Link Volume Calculation Worksheets

Future Year (2040) With Project Conditions

Location (Interesection)			Link (leg)	Peak Period Volume (vph)				Peak Hour Volume (vph)							
				Base Year		Future Year		Diff *	0.38	Calib Adj Yr		Existing Count		Fut (Exist+Growth)	
				2020	2040	0	20			2020		2040			
N/S Street		E/W Street	IN	OUT	IN	OUT	IN	OUT	IN	OUT	IN	OUT	IN	OUT	
1	Needles Hwy @	Budweiser Rd	N Leg	438	192	532	475	36	108	36	108	87	72	123	180
			S Leg	192	438	475	532	108	36	108	36	74	91	182	127
			E Leg	0	0	0	0	0	0	0	0	4	2	4	2
			W Leg					0	0	0	0	0	0	0	0
			Total	630	630	1007	1007	143	143	143	143	165	165	308	308
2	Needles Hwy @	Park Rd	N Leg	165	59	140	141	-10	31	-10	31	90	87	81	118
			S Leg	47	148	105	115	22	-13	22	-13	34	46	56	33
			E Leg					0	0	0	0	0	2	0	2
			W Leg	12	17	39	27	10	4	10	4	62	51	72	55
			Total	224	224	284	283	23	22	23	22	186	186	209	208
3	Needles Hwy @	I-40 Ramps/Balboa	N Leg	148	47	115	105	-13	22	-13	22	60	50	47	72
			S Leg	19	148	89	116	27	-12	27	-12	135	72	162	60
			E Leg					0	0	0	0	1	0	1	0
			W Leg	29	1	21	3	-3	1	-3	1	31	105	28	106
			Total	196	196	225	224	11	11	11	11	227	227	238	238
4	I-40 Ramps/Pastor	Needles Hwy	N Leg	1	45	17	17	6	-11	6	-11	72	78	78	67
			S Leg					0	0	0	0	31	49	31	49
			E Leg	20	104	94	121	28	6	28	6	199	122	227	128
			W Leg	148	19	116	89	-12	27	-12	27	76	129	64	156
			Total	169	168	227	227	22	22	22	22	378	378	400	400
5	K St @	Pastor Rd/Smokestack	N Leg	97	54	64	73	-13	7	-13	7	425	351	412	358
			S Leg	84	141	126	101	16	-15	16	-15	335	409	351	394
			E Leg	44	30	37	53	-3	9	-3	9	17	17	14	26
			W Leg	0	0	0	0	0	0	0	0	4	4	4	4
			Total	225	225	227	227	1	1	1	1	781	781	782	782

Location (Interesection)			Link (leg)	Peak Period Volume (vph)				Peak Hour Volume (vph)							
				Base Year		Future Year		Diff *	0.38	Calib Adj Yr		Existing Count		Fut (Exist+Growth)	
				2020	2020	2040	2040			0	20	2020	2020	2040	2040
N/S Street		E/W Street	IN	OUT	IN	OUT	IN	OUT	IN	OUT	IN	OUT	IN	OUT	
6	dway Ave/N S @	Needles Hwy	N Leg	0	0	0	0	0	0	0	0	6	7	6	7
			S Leg	152	281	194	142	16	-53	16	-53	323	327	339	274
			E Leg	188	115	147	191	-16	29	-16	29	423	347	407	376
			W Leg	111	54	146	153	13	38	13	38	149	220	162	258
			Total	451	450	487	486	14	14	14	14	901	901	915	915
7	K St @	Needles Hwy	N Leg	141	84	101	126	-15	16	-15	16	386	321	371	337
			S Leg	2	1	8	11	2	4	2	4	12	13	14	17
			E Leg	44	30	37	53	-3	9	-3	9	26	25	23	34
			W Leg	115	188	191	147	29	-16	29	-16	339	404	368	388
			Total	302	303	337	337	13	13	13	13	763	763	776	776
8	J St @	Broadway Ave	N Leg	27	19	16	24	-4	2	-4	2	3	4	-1	6
			S Leg	112	224	125	106	5	-45	5	-45	217	209	222	164
			E Leg	36	60	85	46	19	-5	19	-5	123	163	142	158
			W Leg	256	129	135	185	-46	21	-46	21	332	299	286	320
			Total	431	432	361	361	-27	-27	-27	-27	675	675	648	648
9	VB I-40 Ramp @	J St	N Leg	0	52	0	57	0	2	0	2	0	29	0	31
			S Leg	18	0	20	0	1	0	1	0	103	0	104	0
			E Leg	199	200	182	156	-6	-17	-6	-17	225	232	219	215
			W Leg	216	181	178	167	-14	-5	-14	-5	147	214	133	209
			Total	433	433	380	380	-20	-20	-20	-20	475	475	455	455
10	EB I-40 Ramps @	J St	N Leg	82	0	91	0	3	0	3	0	25	0	28	0
			S Leg	0	13	0	13	0	0	0	0	0	116	0	116
			E Leg	181	216	167	178	-5	-14	-5	-14	214	147	209	133
			W Leg	188	222	173	238	-6	6	-6	6	132	108	126	114
			Total	451	451	431	429	-8	-8	-8	-8	371	371	363	363

Location (Interesection)				Link (leg)	Peak Period Volume (vph)				Peak Hour Volume (vph)							
					Base Year		Future Year		Diff *	0.38	Calib Adj Yr		Existing Count		Fut (Exist+Growth)	
					2020	2040	0	20			2020		2040			
N/S Street		E/W Street		IN	OUT	IN	OUT	IN	OUT	IN	OUT	IN	OUT			
11	Bailey Ave	@	Washington St	N Leg					0	0	0	0	0	0		
				S Leg	9	20	24	12	6	-3	6	-3	23	19		
				E Leg	20	9	12	24	-3	6	-3	6	19	23		
				W Leg					0	0	0	0	0	0		
				Total	29	29	36	36	3	3	3	3	42	42		
12	Bailey Ave	@	J St	N Leg	84	67	51	80	-13	5	-13	5	18	16		
				S Leg	115	169	148	172	13	1	13	1	63	61		
				E Leg	222	188	238	173	6	-6	6	-6	85	136		
				W Leg	57	54	38	51	-7	-1	-7	-1	78	31		
				Total	478	478	475	476	-1	-1	-1	-1	244	244		
13	Bailey Ave	@	Lillyhill Dr	N Leg	150	89	143	137	-3	18	-3	18	36	66		
				S Leg					0	0	0	0	0	0		
				E Leg	111	178	160	156	19	-8	19	-8	60	38		
				W Leg	28	22	13	24	-6	1	-6	1	15	7		
				Total	289	289	316	317	10	11	10	11	111	111		
14	Casa Linda St	@	San Clemente St	N Leg	50	21	24	36	-10	6	-10	6	6	7		
				S Leg					0	0	0	0	0	0		
				E Leg	45	39	39	26	-2	-5	-2	-5	16	12		
				W Leg	17	52	26	27	3	-10	3	-10	9	12		
				Total	112	112	89	89	-9	-9	-9	-9	31	31		
15	EB I-40 Ramps	@	Broadway St	N Leg	159		262		39	0	39	0	94	0		
				S Leg		2		4	0	1	0	1	0	15		
				E Leg	48	137	48	205	0	26	0	26	50	116		
				W Leg	129	197	198	299	26	39	26	39	98	111		
				Total	336	336	508	508	65	65	65	65	242	242		

Location (Interesection)			Link (leg)	Peak Period Volume (vph)				Peak Hour Volume (vph)							
				Base Year		Future Year		Diff *	0.38	Calib Adj Yr		Existing Count		Fut (Exist+Growth)	
				2020	2020	2040	2040			0	20	2020	2020	2040	2040
N/S Street		E/W Street	IN	OUT	IN	OUT	IN	OUT	IN	OUT	IN	OUT	IN	OUT	
16	Broadway St @	WB I-40 Ramps	N Leg	50	47	55	73	2	10	2	10	69	76	71	86
			S Leg	137	48	205	48	26	0	26	0	116	54	142	54
			E Leg	7		6		0	0	0	0	29	0	29	0
			W Leg		99		145	0	17	0	17	0	84	0	101
			Total	194	194	266	266	27	27	27	27	214	214	241	241
17	Broadway St @	Goodwill St	N Leg	52	33	60	54	3	8	3	8	51	63	54	71
			S Leg	33	52	54	60	8	3	8	3	62	51	70	54
			E Leg					0	0	0	0	1	0	1	0
			W Leg					0	0	0	0	7	7	7	7
			Total	85	85	114	114	11	11	11	11	121	121	132	132
18	D St @	3rd St	N Leg	7	9	9	14	1	2	1	2	20	27	21	29
			S Leg	44	18	38	28	-2	4	-2	4	33	19	31	23
			E Leg	76	66	97	48	8	-7	8	-7	14	15	22	8
			W Leg	77	112	68	122	-3	4	-3	4	24	30	21	34
			Total	204	205	212	212	3	3	3	3	91	91	94	94
19	Palm Way @	Broadway St	N Leg					0	0	0	0	1	0	1	0
			S Leg	0	0	0	0	0	0	0	0	2	3	2	3
			E Leg	20	39	39	38	7	0	7	0	54	56	61	56
			W Leg	39	20	38	39	0	7	0	7	57	55	57	62
			Total	59	59	77	77	7	7	7	7	114	114	121	121
20	Broadway St @	Victory Dr	N Leg	226	164	307	217	31	20	31	20	79	74	110	94
			S Leg	129	134	140	219	4	32	4	32	70	75	74	107
			E Leg					0	0	0	0	0	0	0	0
			W Leg	54	111	86	97	12	-5	12	-5	4	4	16	-1
			Total	409	409	533	533	47	47	47	47	153	153	200	200

Location (Interesection)				Link (leg)	Peak Period Volume (vph)				Peak Hour Volume (vph)							
					Base Year		Future Year		Diff *	0.28	Calib Adj Yr		Existing Count		Fut (Exist+Growth)	
					2020	2040	0	20			2020		2040			
N/S Street		E/W Street		IN	OUT	IN	OUT	IN	OUT	IN	OUT	IN	OUT			
1	Needles Hwy	@	Budweiser Rd	N Leg	603	266	730	648	36	107	36	107	51	135	87	242
				S Leg	266	603	648	730	107	36	107	36	136	54	243	90
				E Leg	0	0	0	0	0	0	0	0	4	2	4	2
				W Leg					0	0	0	0	0	0	0	0
				Total	869	869	1378	1378	143	143	143	143	191	191	334	334
2	Needles Hwy	@	Park Rd	N Leg	200	234	229	251	8	5	8	5	65	147	73	152
				S Leg	204	176	177	174	-8	-1	-8	-1	51	52	43	51
				E Leg					0	0	0	0	1	1	1	1
				W Leg	30	25	74	55	12	8	12	8	106	23	118	31
				Total	434	435	480	480	13	13	13	13	223	223	236	236
3	Needles Hwy	@	I-40 Ramps/Balboa	N Leg	176	204	174	177	-1	-8	-1	-8	72	78	71	70
				S Leg	160	181	148	178	-3	-1	-3	-1	130	86	127	85
				E Leg					0	0	0	0	4	2	4	2
				W Leg	52	4	41	8	-3	1	-3	1	51	91	48	92
				Total	388	389	363	363	-7	-7	-7	-7	257	257	250	250
4	I-40 Ramps/Past	@	Needles Hwy	N Leg	5	70	21	40	4	-8	4	-8	159	73	163	65
				S Leg					0	0	0	0	18	24	18	24
				E Leg	167	122	157	168	-3	13	-3	13	184	221	181	234
				W Leg	181	160	178	148	-1	-3	-1	-3	85	128	84	125
				Total	353	352	356	356	1	1	1	1	446	446	447	447
5	K St	@	Mar Rd/Smokestack	N Leg	84	142	110	116	7	-7	7	-7	447	499	454	492
				S Leg	212	131	196	193	-4	17	-4	17	480	432	476	449
				E Leg	47	69	83	80	10	3	10	3	21	21	31	24
				W Leg	0	0	0	0	0	0	0	0	7	3	7	3
				Total	343	342	389	389	13	13	13	13	955	955	968	968

Location (Interesection)			Link (leg)	Peak Period Volume (vph)				Peak Hour Volume (vph)							
				Base Year		Future Year		Diff *	0.28	Calib Adj Yr		Existing Count		Fut (Exist+Growth)	
				2020	2040	0	20			2020		2040			
N/S Street		E/W Street	IN	OUT	IN	OUT	IN	OUT	IN	OUT	IN	OUT	IN	OUT	
6	dway Ave/N S @	Needles Hwy	N Leg	0	0	0	0	0	0	0	0	4	15	4	15
			S Leg	308	184	287	330	-6	41	-6	41	360	337	354	378
			E Leg	189	297	290	293	28	-1	28	-1	420	487	448	486
			W Leg	194	210	273	228	22	5	22	5	265	210	287	215
			Total	691	691	850	851	45	45	45	45	1049	1049	1094	1094
7	K St @	Needles Hwy	N Leg	131	212	193	196	17	-4	17	-4	410	442	427	438
			S Leg	11	16	14	17	1	0	1	0	28	24	29	24
			E Leg	47	69	83	80	10	3	10	3	24	35	34	38
			W Leg	297	189	293	290	-1	28	-1	28	461	422	460	450
			Total	486	486	583	583	27	27	27	27	923	923	950	950
8	J St @	Broadway Ave	N Leg	21	31	41	36	6	1	6	1	2	2	8	3
			S Leg	330	192	209	209	-34	5	-34	5	284	265	250	270
			E Leg	74	67	101	137	8	20	8	20	127	97	135	117
			W Leg	238	374	306	274	19	-28	19	-28	322	371	341	343
			Total	663	664	657	656	-2	-2	-2	-2	735	735	733	733
9	VB I-40 Ramp @	J St	N Leg		100		145	0	13	0	13	0	31	0	44
			S Leg	30		39		3	0	3	0	158	0	161	0
			E Leg	319	331	278	284	-11	-13	-11	-13	286	287	275	274
			W Leg	377	295	367	255	-3	-11	-3	-11	166	292	163	281
			Total	726	726	684	684	-12	-12	-12	-12	610	610	598	598
10	EB I-40 Ramps @	J St	N Leg	128		98		-8	0	-8	0	30	0	22	0
			S Leg		31		29	0	-1	0	-1	0	134	0	133
			E Leg	295	377	255	367	-11	-3	-11	-3	291	169	280	166
			W Leg	334	350	357	313	6	-10	6	-10	169	187	175	177
			Total	757	758	710	709	-13	-14	-13	-14	490	490	477	476

Location (Interesection)				Link (leg)	Peak Period Volume (vph)				Peak Hour Volume (vph)							
					Base Year		Future Year		Diff *	0.28	Calib Adj Yr		Existing Count		Fut (Exist+Growth)	
					2020	2040	0	20			2020		2040			
N/S Street		E/W Street		IN	OUT	IN	OUT	IN	OUT	IN	OUT	IN	OUT			
11	Bailey Ave	@	Washington St	N Leg					0	0	0	0	0	0		
				S Leg	20	16	35	48	4	9	4	9	25	29		
				E Leg	16	20	48	35	9	4	9	4	29	25		
				W Leg					0	0	0	0	0	0		
				Total	36	36	83	83	13	13	13	13	54	54		
12	Bailey Ave	@	J St	N Leg	111	119	138	112	8	-2	8	-2	24	31		
				S Leg	212	216	259	250	13	10	13	10	90	84		
				E Leg	350	334	313	357	-10	6	-10	6	165	148		
				W Leg	95	99	87	78	-2	-6	-2	-6	71	87		
				Total	768	768	797	797	8	8	8	8	350	350		
13	Bailey Ave	@	Lillyhill Dr	N Leg	165	165	217	212	15	13	15	13	71	62		
				S Leg					0	0	0	0	0	1		
				E Leg	198	196	237	249	11	15	11	15	73	71		
				W Leg	31	32	33	25	1	-2	1	-2	10	20		
				Total	394	393	487	486	26	26	26	26	154	154		
14	Casa Linda St	@	San Clemente St	N Leg	35	47	50	38	4	-3	4	-3	9	6		
				S Leg					0	0	0	0	0	0		
				E Leg	39	45	46	47	2	1	2	1	20	16		
				W Leg	40	22	32	43	-2	6	-2	6	8	15		
				Total	114	114	128	128	4	4	4	4	37	37		
15	EB I-40 Ramps	@	Broadway St	N Leg	219		296		22	0	22	0	129	0		
				S Leg		3		3	0	0	0	0	0	26		
				E Leg	58	168	94	315	10	41	10	41	69	163		
				W Leg	159	265	303	373	40	30	40	30	144	153		
				Total	436	436	693	691	72	71	72	71	342	342		

Location (Interesection)				Link (leg)	Peak Period Volume (vph)				Peak Hour Volume (vph)							
					Base Year		Future Year		Diff *	0.28	Calib Adj Yr		Existing Count		Fut (Exist+Growth)	
					2020	2040	0	20			2020		2040			
N/S Street		E/W Street		IN	OUT	IN	OUT	IN	OUT	IN	OUT	IN	OUT			
16	Broadway St	@	WB I-40 Ramps	N Leg	76	67	120	90	12	6	12	6	122	90	134	96
				S Leg	168	58	315	94	41	10	41	10	155	70	196	80
				E Leg	9		9		0	0	0	0	32	0	32	0
				W Leg		128		259	0	37	0	37	0	149	0	186
				Total	253	253	444	443	53	53	53	53	309	309	362	362
17	Broadway St	@	Goodwill St	N Leg	54	59	89	86	10	8	10	8	65	83	75	91
				S Leg	59	54	86	89	8	10	8	10	87	66	95	76
				E Leg					0	0	0	0	0	1	0	1
				W Leg					0	0	0	0	3	5	3	5
				Total	113	113	175	175	17	17	17	17	155	155	172	172
18	D St	@	3rd St	N Leg	15	13	25	23	3	3	3	3	27	17	30	20
				S Leg	43	67	61	68	5	0	5	0	27	39	32	39
				E Leg	119	125	102	143	-5	5	-5	5	10	15	5	20
				W Leg	177	149	185	140	2	-3	2	-3	30	23	32	20
				Total	354	354	373	374	5	6	5	6	94	94	99	100
19	Palm Way	@	Broadway St	N Leg					0	0	0	0	4	0	4	0
				S Leg					0	0	0	0	5	3	5	3
				E Leg	38	39	52	69	4	8	4	8	66	58	70	66
				W Leg	39	38	69	52	8	4	8	4	58	72	66	76
				Total	77	77	121	121	12	12	12	12	133	133	145	145
20	Broadway St	@	Victory Dr	N Leg	286	181	382	314	27	37	27	37	117	123	144	160
				S Leg	85	200	196	254	31	15	31	15	118	115	149	130
				E Leg					0	0	0	0	0	0	0	0
				W Leg	108	98	130	139	6	11	6	11	6	3	12	14
				Total	479	479	708	707	64	64	64	64	241	241	305	305

Location (Interesection)				Link	Weekday PM Peak Hour Volume (vph)				Weekend MD Peak Hour Volume (vph)							
					Diff *	0.28	Calib Adj Yr		Weekend Peak to PM Peak Factor		Weekend Peak Growth		Existing Count		Fut (Exist+Growth)	
N/S Street		E/W Street	(leg)	IN	OUT	IN	OUT	IN	OUT	IN	OUT	IN	OUT	IN	OUT	
1	Needles Hwy	@	Budweiser Rd	N Leg	36	107	36	107	1.76	1.00	63	107	90	135	153	242
				S Leg	107	36	107	36	1.01	1.69	109	60	138	91	247	151
				E Leg	0	0	0	0	0.50	2.00	0	0	2	4	2	4
				W Leg	0	0	0	0	0.00	0.00	0	0	0	0	0	0
				Total	143	143	143	143			171	167	230	230	401	397
2	Needles Hwy	@	Park Rd	N Leg	8	5	8	5	1.48	0.97	12	5	96	143	108	148
				S Leg	-8	-1	-8	-1	1.04	0.98	-8	-1	53	51	45	50
				E Leg	0	0	0	0	1.00	1.00	0	0	1	1	1	1
				W Leg	12	8	12	8	0.92	2.30	11	19	98	53	109	72
				Total	13	13	13	13			16	23	248	248	264	271
3	Needles Hwy	@	I-40 Ramps/Balboa	N Leg	-1	-8	-1	-8	0.92	1.01	-1	-8	66	79	65	71
				S Leg	-3	-1	-3	-1	1.02	1.05	-3	-1	133	90	130	89
				E Leg	0	0	0	0	0.50	1.00	0	0	2	2	2	2
				W Leg	-3	1	-3	1	1.10	0.95	-3	1	56	86	53	87
				Total	-7	-7	-7	-7			-7	-7	257	257	250	250
4	I-40 Ramps/Past	@	Needles Hwy	N Leg	4	-8	4	-8	1.07	1.45	5	-12	170	106	175	94
				S Leg	0	0	0	0	2.22	1.75	0	0	40	42	40	42
				E Leg	-3	13	-3	13	1.17	1.07	-3	14	216	237	213	251
				W Leg	-1	-3	-1	-3	1.08	1.04	-1	-3	92	133	91	130
				Total	1	1	1	1			1	-2	518	518	519	516
5	K St	@	Mar Rd/Smokestack	N Leg	7	-7	7	-7	1.05	0.85	8	-6	471	422	479	416
				S Leg	-4	17	-4	17	0.80	0.91	-4	16	382	394	378	410
				E Leg	10	3	10	3	2.14	3.90	22	12	45	82	67	94
				W Leg	0	0	0	0	0.71	1.67	0	0	5	5	5	5
				Total	13	13	13	13			26	22	903	903	929	925

Location (Interesection)			Link	Weekday PM Peak Hour Volume (vph)				Weekend MD Peak Hour Volume (vph)							
				Diff *	0.28	Calib Adj Yr		Weekend Peak to PM Peak Factor		Weekend Peak Growth		Existing Count		Fut (Exist+Growth)	
N/S Street		E/W Street	(leg)	IN	OUT	IN	OUT	IN	OUT	IN	OUT	IN	OUT	IN	OUT
6	dway Ave/N S @	Needles Hwy	N Leg	0	0	0	0	1.50	0.67	0	0	6	10	6	10
			S Leg	-6	41	-6	41	0.86	0.98	-5	40	311	331	306	371
			E Leg	28	-1	28	-1	1.00	0.87	28	-1	422	422	450	421
			W Leg	22	5	22	5	0.83	0.94	18	5	221	197	239	202
			Total	45	45	45	45			42	44	960	960	1002	1004
7	K St @	Needles Hwy	N Leg	17	-4	17	-4	0.91	0.80	16	-4	372	355	388	351
			S Leg	1	0	1	0	0.64	1.00	1	0	18	24	19	24
			E Leg	10	3	10	3	1.75	1.83	18	6	42	64	60	70
			W Leg	-1	28	-1	28	0.87	0.93	-1	26	402	391	401	417
			Total	27	27	27	27			33	29	834	834	867	863
8	J St @	Broadway Ave	N Leg	6	1	6	1	0.50	1.50	3	2	1	3	4	5
			S Leg	-34	5	-34	5	0.75	0.98	-25	5	212	260	187	265
			E Leg	8	20	8	20	1.22	1.40	9	27	155	136	164	163
			W Leg	19	-28	19	-28	1.04	0.82	20	-23	335	304	355	281
			Total	-2	-2	-2	-2			7	11	703	703	710	714
9	VB I-40 Ramp @	J St	N Leg	0	13	0	13	0.00	1.29	0	16	0	40	0	56
			S Leg	3	0	3	0	0.73	0.00	2	0	116	0	118	0
			E Leg	-11	-13	-11	-13	0.98	0.84	-11	-11	281	241	270	230
			W Leg	-3	-11	-3	-11	0.85	0.88	-2	-10	141	257	139	247
			Total	-12	-12	-12	-12			-12	-5	538	538	526	533
10	EB I-40 Ramps @	J St	N Leg	-8	0	-8	0	1.37	0.00	-11	0	41	0	30	0
			S Leg	0	-1	0	-1	0.00	1.20	0	-1	0	161	0	160
			E Leg	-11	-3	-11	-3	0.89	0.83	-10	-2	259	140	249	138
			W Leg	6	-10	6	-10	0.76	0.68	5	-7	128	127	133	120
			Total	-13	-14	-13	-14			-17	-10	428	428	411	418

Location (Interesection)				Link	Weekday PM Peak Hour Volume (vph)				Weekend MD Peak Hour Volume (vph)					
					Diff *	0.28	Calib Adj Yr		Weekend Peak to PM Peak Factor		Weekend Peak Growth		Existing Count	
N/S Street		@	E/W Street	(leg)	IN	OUT	IN	OUT	IN	OUT	IN	OUT	IN	OUT
11	Bailey Ave	@	Washington St	N Leg	0	0	0	0	0.00	0.00	0	0	0	0
				S Leg	4	9	4	9	0.56	0.62	2	6	14	18
				E Leg	9	4	9	4	0.62	0.56	6	2	18	14
				W Leg	0	0	0	0	0.00	0.00	0	0	0	0
				Total	13	13	13	13			8	8	32	32
12	Bailey Ave	@	J St	N Leg	8	-2	8	-2	1.00	0.55	8	-1	24	17
				S Leg	13	10	13	10	0.62	0.71	8	7	56	60
				E Leg	-10	6	-10	6	0.59	0.64	-6	4	97	95
				W Leg	-2	-6	-2	-6	0.63	0.57	-1	-3	45	50
				Total	8	8	8	8			8	6	222	222
13	Bailey Ave	@	Lillyhill Dr	N Leg	15	13	15	13	0.65	0.73	9	10	46	45
				S Leg	0	0	0	0	0.00	0.00	0	0	0	0
				E Leg	11	15	11	15	0.70	0.68	8	10	51	48
				W Leg	1	-2	1	-2	1.20	0.80	1	-2	12	16
				Total	26	26	26	26			18	18	109	109
14	Casa Linda St	@	San Clemente St	N Leg	4	-3	4	-3	0.67	0.83	3	-2	6	5
				S Leg	0	0	0	0	0.00	0.00	0	0	0	0
				E Leg	2	1	2	1	0.50	0.81	1	0	10	13
				W Leg	-2	6	-2	6	1.13	0.47	-3	3	9	7
				Total	4	4	4	4			1	1	25	25
15	EB I-40 Ramps	@	Broadway St	N Leg	22	0	22	0	0.96	0.00	21	0	124	0
				S Leg	0	0	0	0	0.00	1.00	0	0	0	26
				E Leg	10	41	10	41	1.00	1.23	10	51	69	201
				W Leg	40	30	40	30	1.23	0.93	50	28	177	143
				Total	72	71	72	71			80	79	370	370

Location (Interesection)				Link	Weekday PM Peak Hour Volume (vph)				Weekend MD Peak Hour Volume (vph)							
					Diff *	0.28	Calib Adj Yr		Weekend Peak to PM Peak Factor		Weekend Peak Growth		Existing Count		Fut (Exist+Growth)	
N/S Street		E/W Street	(leg)	IN	OUT	IN	OUT	IN	OUT	IN	OUT	IN	OUT	IN	OUT	
16	Broadway St	@	WB I-40 Ramps	N Leg	12	6	12	6	0.93	1.57	12	10	114	141	126	151
				S Leg	41	10	41	10	1.30	0.97	54	10	202	68	256	78
				E Leg	0	0	0	0	1.44	0.00	0	0	46	0	46	0
				W Leg	0	37	0	37	0.00	1.03	0	38	0	153	0	191
				Total	53	53	53	53			65	58	362	362	427	420
17	Broadway St	@	Goodwill St	N Leg	10	8	10	8	1.15	1.05	11	8	75	87	86	95
				S Leg	8	10	8	10	1.03	1.30	8	13	90	86	98	99
				E Leg	0	0	0	0	0.00	3.00	0	0	12	3	12	3
				W Leg	0	0	0	0	1.33	1.00	0	0	4	5	4	5
				Total	17	17	17	17			19	21	181	181	200	202
18	D St	@	3rd St	N Leg	3	3	3	3	0.89	1.59	2	4	24	27	26	31
				S Leg	5	0	5	0	1.41	0.67	7	0	38	26	45	26
				E Leg	-5	5	-5	5	1.30	1.00	-6	5	13	15	7	20
				W Leg	2	-3	2	-3	0.90	1.48	2	-4	27	34	29	30
				Total	5	6	5	6			5	6	102	102	107	108
19	Palm Way	@	Broadway St	N Leg	0	0	0	0	0.25	0.00	0	0	1	2	1	2
				S Leg	0	0	0	0	0.40	1.67	0	0	2	5	2	5
				E Leg	4	8	4	8	1.15	0.98	5	8	76	57	81	65
				W Leg	8	4	8	4	1.03	1.04	9	4	60	75	69	79
				Total	12	12	12	12			13	12	139	139	152	151
20	Broadway St	@	Victory Dr	N Leg	27	37	27	37	0.99	1.22	27	45	116	150	143	195
				S Leg	31	15	31	15	1.20	0.97	37	15	142	111	179	126
				E Leg	0	0	0	0	0.00	0.00	0	0	0	0	0	0
				W Leg	6	11	6	11	1.50	2.00	9	23	9	6	18	29
				Total	64	64	64	64			73	83	267	267	340	350

Appendix F - NCHRP Report 765 Iterative Turning Movement Calculation Worksheets

Future Year (2040) With Project Conditions

Turn Movement Forecast: Row-Column-Sum Method

Street Alignment: North/South East/West Scenario: **Future (2040) With Plan Build**
 Intersection: Needles Hwy at Budweiser Rd Time Period: **Weekday AM**

Future Link Inputs				Existing Counts		Turn Move Inputs			
	North					0	87	0	
	123	180				SR	ST	SL	
0			4		0	EL		WR	0
0			2		0	ET		WT	0
	127	182			0	ER		WL	4
				Average		NL	NT	NR	
In - Out	309	309	309			0	72	2	

Average In-out volumes

Link Inputs			
	North		
	123	180	
0			4
0			2
	127	182	
In - Out	309	309	0

1	To N	To S	To E	To W	RowTt	Target	2	To N	To S	To E	To W
	From N	0	87	0	0	87	123	0	123	0	0
	From S	72	0	2	0	74	182	177	0	5	0
	From E	0	4	0	0	4	4	0	4	0	0
	From W	0	0	0	0	0	0	0	0	0	0
		To N	To S	To E	To W			ColTot	177	127	5
							Target	180	127	2	0
2	To N	To S	To E	To W	RowTt	Target		To N	To S	To E	To W
	From N	0	123	0	0	123	123	0	123	0	0
	From S	180	0	2	0	182	182	180	0	2	0
	From E	0	4	0	0	4	4	0	4	0	0
	From W	0	0	0	0	0	0	0	0	0	0
		To N	To S	To E	To W			ColTot	180	127	2
							Target	180	127	2	0
3	To N	To S	To E	To W	RowTt	Target		To N	To S	To E	To W
	From N	0	123	0	0	123	123	0	123	0	0
	From S	180	0	2	0	182	182	180	0	2	0
	From E	0	4	0	0	4	4	0	4	0	0
	From W	0	0	0	0	0	0	0	0	0	0
		To N	To S	To E	To W			ColTot	180	127	2
							Target	180	127	2	0
4	To N	To S	To E	To W	RowTt	Target		To N	To S	To E	To W
	From N	0	123	0	0	123	123	0	123	0	0
	From S	180	0	2	0	182	182	180	0	2	0
	From E	0	4	0	0	4	4	0	4	0	0
	From W	0	0	0	0	0	0	0	0	0	0
		To N	To S	To E	To W			ColTot	180	127	2
							Target	180	127	2	0

Turn Movement Forecast: Row-Column-Sum Method

Street Alignment: North/South at East/West Scenario: **Future (2040) With Plan Build**
 Intersection: Needles Hwy at Budweiser Rd Time Period: **Weekday AM**

5		To N	To S	To E	To W	RowTt	Target		To N	To S	To E	To W
	From N	0	123	0	0	123	123		0	123	0	0
	From S	180	0	2	0	182	182		180	0	2	0
	From E	0	4	0	0	4	4		0	4	0	0
	From W	0	0	0	0	0	0		0	0	0	0
		To N	To S	To E	To W			ColTot	180	127	2	0
								Target	180	127	2	0
6		To N	To S	To E	To W	RowTt	Target		To N	To S	To E	To W
	From N	0	123	0	0	123	123		0	123	0	0
	From S	180	0	2	0	182	182		180	0	2	0
	From E	0	4	0	0	4	4		0	4	0	0
	From W	0	0	0	0	0	0		0	0	0	0
		To N	To S	To E	To W			ColTot	180	127	2	0
								Target	180	127	2	0
7		To N	To S	To E	To W	RowTt	Target		To N	To S	To E	To W
	From N	0	123	0	0	123	123		0	123	0	0
	From S	180	0	2	0	182	182		180	0	2	0
	From E	0	4	0	0	4	4		0	4	0	0
	From W	0	0	0	0	0	0		0	0	0	0
		To N	To S	To E	To W			ColTot	180	127	2	0
								Target	180	127	2	0
8		To N	To S	To E	To W	RowTt	Target		To N	To S	To E	To W
	From N	0	123	0	0	123	123		0	123	0	0
	From S	180	0	2	0	182	182		180	0	2	0
	From E	0	4	0	0	4	4		0	4	0	0
	From W	0	0	0	0	0	0		0	0	0	0
		To N	To S	To E	To W			ColTot	180	127	2	0
								Target	180	127	2	0
9		To N	To S	To E	To W	RowTt	Target		To N	To S	To E	To W
	From N	0	123	0	0	123	123		0	123	0	0
	From S	180	0	2	0	182	182		180	0	2	0
	From E	0	4	0	0	4	4		0	4	0	0
	From W	0	0	0	0	0	0		0	0	0	0
		To N	To S	To E	To W			ColTot	180	127	2	0
								Target	180	127	2	0
10		To N	To S	To E	To W	RowTt	Target		To N	To S	To E	To W
	From N	0	123	0	0	123	123		0	123	0	0
	From S	180	0	2	0	182	182		180	0	2	0
	From E	0	4	0	0	4	4		0	4	0	0
	From W	0	0	0	0	0	0		0	0	0	0
		To N	To S	To E	To W			ColTot	180	127	2	0
								Target	180	127	2	0
11		To N	To S	To E	To W	RowTt	Target		To N	To S	To E	To W
	From N	0	123	0	0	123	123		0	123	0	0
	From S	180	0	2	0	182	182		180	0	2	0
	From E	0	4	0	0	4	4		0	4	0	0
	From W	0	0	0	0	0	0		0	0	0	0
		To N	To S	To E	To W			ColTot	180	127	2	0
								Target	180	127	2	0

Turn Movement Forecast: Row-Column-Sum Method

Street Alignment: North/South East/West Scenario: **Future (2040) With Plan Build**
 Intersection: Needles Hwy at Budweiser Rd Time Period: **Weekday AM**

12		To N	To S	To E	To W	RowTt	Target		To N	To S	To E	To W
	From N	0	123	0	0	123	123		0	123	0	0
	From S	180	0	2	0	182	182		180	0	2	0
	From E	0	4	0	0	4	4		0	4	0	0
	From W	0	0	0	0	0	0		0	0	0	0
		To N	To S	To E	To W			ColTot	180	127	2	0
								Target	180	127	2	0
13		To N	To S	To E	To W	RowTt	Target		To N	To S	To E	To W
	From N	0	123	0	0	123	123		0	123	0	0
	From S	180	0	2	0	182	182		180	0	2	0
	From E	0	4	0	0	4	4		0	4	0	0
	From W	0	0	0	0	0	0		0	0	0	0
		To N	To S	To E	To W			ColTot	180	127	2	0
								Target	180	127	2	0
14		To N	To S	To E	To W	RowTt	Target		To N	To S	To E	To W
	From N	0	123	0	0	123	123		0	123	0	0
	From S	180	0	2	0	182	182		180	0	2	0
	From E	0	4	0	0	4	4		0	4	0	0
	From W	0	0	0	0	0	0		0	0	0	0
		To N	To S	To E	To W			ColTot	180	127	2	0
								Target	180	127	2	0
15		To N	To S	To E	To W	RowTt	Target		To N	To S	To E	To W
	From N	0	123	0	0	123	123		0	123	0	0
	From S	180	0	2	0	182	182		180	0	2	0
	From E	0	4	0	0	4	4		0	4	0	0
	From W	0	0	0	0	0	0		0	0	0	0
		To N	To S	To E	To W			ColTot	180	127	2	0
								Target	180	127	2	0
16		To N	To S	To E	To W	RowTt	Target		To N	To S	To E	To W
	From N	0	123	0	0	123	123		0	123	0	0
	From S	180	0	2	0	182	182		180	0	2	0
	From E	0	4	0	0	4	4		0	4	0	0
	From W	0	0	0	0	0	0		0	0	0	0
		To N	To S	To E	To W			ColTot	180	127	2	0
								Target	180	127	2	0
17		To N	To S	To E	To W	RowTt	Target		To N	To S	To E	To W
	From N	0	123	0	0	123	123		0	123	0	0
	From S	180	0	2	0	182	182		180	0	2	0
	From E	0	4	0	0	4	4		0	4	0	0
	From W	0	0	0	0	0	0		0	0	0	0
		To N	To S	To E	To W			ColTot	180	127	2	0
								Target	180	127	2	0
18		To N	To S	To E	To W	RowTt	Target		To N	To S	To E	To W
	From N	0	123	0	0	123	123		0	123	0	0
	From S	180	0	2	0	182	182		180	0	2	0
	From E	0	4	0	0	4	4		0	4	0	0
	From W	0	0	0	0	0	0		0	0	0	0
		To N	To S	To E	To W			ColTot	180	127	2	0
								Target	180	127	2	0

Turn Movement Forecast: Row-Column-Sum Method

Street Alignment: North/South East/West Scenario: **Future (2040) With Plan Build**
 Intersection: Needles Hwy at Budweiser Rd Time Period: **Weekday AM**

19		To N	To S	To E	To W	RowTt	Target		To N	To S	To E	To W	
	From N	0	123	0	0	123	123		0	123	0	0	
	From S	180	0	2	0	182	182		180	0	2	0	
	From E	0	4	0	0	4	4		0	4	0	0	
	From W	0	0	0	0	0	0		0	0	0	0	
		To N	To S	To E	To W			ColTot	180	127	2	0	
								Target	180	127	2	0	
20		To N	To S	To E	To W	RowTt	Target		To N	To S	To E	To W	
	From N	0	123	0	0	123	123		0	123	0	0	1.000
	From S	180	0	2	0	182	182		180	0	2	0	1.000
	From E	0	4	0	0	4	4		0	4	0	0	1.000
	From W	0	0	0	0	0	0		0	0	0	0	0.000
		To N	To S	To E	To W			ColTot	180	127	2	0	
								Target	180	127	2	0	
								Pct	1.000	1.000	1.000	0.000	

Turn Movements and Traffic Volumes												
Year	<u>NL</u>	<u>NT</u>	<u>NR</u>	<u>SL</u>	<u>ST</u>	<u>SR</u>	<u>EL</u>	<u>ET</u>	<u>ER</u>	<u>WL</u>	<u>WT</u>	<u>WR</u>
Existing	0	72	2	0	87	0	0	0	0	4	0	0
2040	0	180	2	0	123	0	0	0	0	4	0	0
max(existing, 2040)	0	180	2	0	123	0	0	0	0	4	0	0
rounded to nearest 10	0	180	10	0	130	0	0	0	0	10	0	0

Future Link outputs

	North		
	130	180	
	0		10
	0		10
	140	190	
In - Out	330	330	Diff 0

Future volume

	0	130	0
	SR	ST	SL
	0		WR
	0		WT
	0		WL
	NL	NT	NR
	0	180	10

Turn Movement Forecast: Row-Column-Sum Method

Street Alignment: North/South at East/West Scenario: **Future (2040) With Project**
 Intersection: Needles Hwy at Budweiser Rd Time Period: **Weekday PM**

Future Link Inputs				Existing Counts				Turn Move Inputs			
North								0	51	0	
	87	242						SR	ST	SL	
0			4	0				EL		WR	1
0			2	0				ET		WT	0
	90	243		0				ER		WL	3
								NL	NT	NR	
In - Out	334	334	334					0	134	2	

Average In-out volumes

Link Inputs			
North			
	87	242	
0			4
0			2
	90	243	
In - Out	334	334	0

1	To N	To S	To E	To W	RowTt	Target	2	To N	To S	To E	To W
	From N	0	51	0	0	51	87	0	87	0	0
	From S	134	0	2	0	136	243	239	0	4	0
	From E	1	3	0	0	4	4	1	3	0	0
	From W	0	0	0	0	0	0	0	0	0	0
	To N	To S	To E	To W			ColTot	240	90	4	0
							Target	242	90	2	0
2	To N	To S	To E	To W	RowTt	Target		To N	To S	To E	To W
	From N	0	87	0	0	87	87	0	87	0	0
	From S	241	0	2	0	243	243	241	0	2	0
	From E	1	3	0	0	4	4	1	3	0	0
	From W	0	0	0	0	0	0	0	0	0	0
	To N	To S	To E	To W			ColTot	242	90	2	0
							Target	242	90	2	0
3	To N	To S	To E	To W	RowTt	Target		To N	To S	To E	To W
	From N	0	87	0	0	87	87	0	87	0	0
	From S	241	0	2	0	243	243	241	0	2	0
	From E	1	3	0	0	4	4	1	3	0	0
	From W	0	0	0	0	0	0	0	0	0	0
	To N	To S	To E	To W			ColTot	242	90	2	0
							Target	242	90	2	0
4	To N	To S	To E	To W	RowTt	Target		To N	To S	To E	To W
	From N	0	87	0	0	87	87	0	87	0	0
	From S	241	0	2	0	243	243	241	0	2	0
	From E	1	3	0	0	4	4	1	3	0	0
	From W	0	0	0	0	0	0	0	0	0	0
	To N	To S	To E	To W			ColTot	242	90	2	0
							Target	242	90	2	0

Turn Movement Forecast: Row-Column-Sum Method

Street Alignment:
Intersection:

North/South
Needles Hwy at East/West
Budweiser Rd

Scenario: **Future (2040) With Project**
Time Period: **Weekday PM**

5		To N	To S	To E	To W	RowTt	Target		To N	To S	To E	To W	
	From N	0	87	0	0	87	87		0	87	0	0	
	From S	241	0	2	0	243	243		241	0	2	0	
	From E	1	3	0	0	4	4		1	3	0	0	
	From W	0	0	0	0	0	0		0	0	0	0	
		To N	To S	To E	To W				ColTot	242	90	2	0
									Target	242	90	2	0
6		To N	To S	To E	To W	RowTt	Target		To N	To S	To E	To W	
	From N	0	87	0	0	87	87		0	87	0	0	
	From S	241	0	2	0	243	243		241	0	2	0	
	From E	1	3	0	0	4	4		1	3	0	0	
	From W	0	0	0	0	0	0		0	0	0	0	
		To N	To S	To E	To W				ColTot	242	90	2	0
									Target	242	90	2	0
7		To N	To S	To E	To W	RowTt	Target		To N	To S	To E	To W	
	From N	0	87	0	0	87	87		0	87	0	0	
	From S	241	0	2	0	243	243		241	0	2	0	
	From E	1	3	0	0	4	4		1	3	0	0	
	From W	0	0	0	0	0	0		0	0	0	0	
		To N	To S	To E	To W				ColTot	242	90	2	0
									Target	242	90	2	0
8		To N	To S	To E	To W	RowTt	Target		To N	To S	To E	To W	
	From N	0	87	0	0	87	87		0	87	0	0	
	From S	241	0	2	0	243	243		241	0	2	0	
	From E	1	3	0	0	4	4		1	3	0	0	
	From W	0	0	0	0	0	0		0	0	0	0	
		To N	To S	To E	To W				ColTot	242	90	2	0
									Target	242	90	2	0
9		To N	To S	To E	To W	RowTt	Target		To N	To S	To E	To W	
	From N	0	87	0	0	87	87		0	87	0	0	
	From S	241	0	2	0	243	243		241	0	2	0	
	From E	1	3	0	0	4	4		1	3	0	0	
	From W	0	0	0	0	0	0		0	0	0	0	
		To N	To S	To E	To W				ColTot	242	90	2	0
									Target	242	90	2	0
10		To N	To S	To E	To W	RowTt	Target		To N	To S	To E	To W	
	From N	0	87	0	0	87	87		0	87	0	0	
	From S	241	0	2	0	243	243		241	0	2	0	
	From E	1	3	0	0	4	4		1	3	0	0	
	From W	0	0	0	0	0	0		0	0	0	0	
		To N	To S	To E	To W				ColTot	242	90	2	0
									Target	242	90	2	0
11		To N	To S	To E	To W	RowTt	Target		To N	To S	To E	To W	
	From N	0	87	0	0	87	87		0	87	0	0	
	From S	241	0	2	0	243	243		241	0	2	0	
	From E	1	3	0	0	4	4		1	3	0	0	
	From W	0	0	0	0	0	0		0	0	0	0	
		To N	To S	To E	To W				ColTot	242	90	2	0
									Target	242	90	2	0

Turn Movement Forecast: Row-Column-Sum Method

Street Alignment: North/South at East/West
 Intersection: Needles Hwy at Budweiser Rd

Scenario: **Future (2040) With Project**
 Time Period: **Weekday PM**

12		To N	To S	To E	To W	RowTt	Target		To N	To S	To E	To W	
	From N	0	87	0	0	87	87		0	87	0	0	
	From S	241	0	2	0	243	243		241	0	2	0	
	From E	1	3	0	0	4	4		1	3	0	0	
	From W	0	0	0	0	0	0		0	0	0	0	
		To N	To S	To E	To W				ColTot	242	90	2	0
									Target	242	90	2	0
13		To N	To S	To E	To W	RowTt	Target		To N	To S	To E	To W	
	From N	0	87	0	0	87	87		0	87	0	0	
	From S	241	0	2	0	243	243		241	0	2	0	
	From E	1	3	0	0	4	4		1	3	0	0	
	From W	0	0	0	0	0	0		0	0	0	0	
		To N	To S	To E	To W				ColTot	242	90	2	0
									Target	242	90	2	0
14		To N	To S	To E	To W	RowTt	Target		To N	To S	To E	To W	
	From N	0	87	0	0	87	87		0	87	0	0	
	From S	241	0	2	0	243	243		241	0	2	0	
	From E	1	3	0	0	4	4		1	3	0	0	
	From W	0	0	0	0	0	0		0	0	0	0	
		To N	To S	To E	To W				ColTot	242	90	2	0
									Target	242	90	2	0
15		To N	To S	To E	To W	RowTt	Target		To N	To S	To E	To W	
	From N	0	87	0	0	87	87		0	87	0	0	
	From S	241	0	2	0	243	243		241	0	2	0	
	From E	1	3	0	0	4	4		1	3	0	0	
	From W	0	0	0	0	0	0		0	0	0	0	
		To N	To S	To E	To W				ColTot	242	90	2	0
									Target	242	90	2	0
16		To N	To S	To E	To W	RowTt	Target		To N	To S	To E	To W	
	From N	0	87	0	0	87	87		0	87	0	0	
	From S	241	0	2	0	243	243		241	0	2	0	
	From E	1	3	0	0	4	4		1	3	0	0	
	From W	0	0	0	0	0	0		0	0	0	0	
		To N	To S	To E	To W				ColTot	242	90	2	0
									Target	242	90	2	0
17		To N	To S	To E	To W	RowTt	Target		To N	To S	To E	To W	
	From N	0	87	0	0	87	87		0	87	0	0	
	From S	241	0	2	0	243	243		241	0	2	0	
	From E	1	3	0	0	4	4		1	3	0	0	
	From W	0	0	0	0	0	0		0	0	0	0	
		To N	To S	To E	To W				ColTot	242	90	2	0
									Target	242	90	2	0
18		To N	To S	To E	To W	RowTt	Target		To N	To S	To E	To W	
	From N	0	87	0	0	87	87		0	87	0	0	
	From S	241	0	2	0	243	243		241	0	2	0	
	From E	1	3	0	0	4	4		1	3	0	0	
	From W	0	0	0	0	0	0		0	0	0	0	
		To N	To S	To E	To W				ColTot	242	90	2	0
									Target	242	90	2	0

Turn Movement Forecast: Row-Column-Sum Method

Street Alignment: North/South East/West Scenario: **Future (2040) With Project**
 Intersection: Needles Hwy at Budweiser Rd Time Period: **Weekday PM**

19		To N	To S	To E	To W	RowTt	Target		To N	To S	To E	To W	
	From N	0	87	0	0	87	87		0	87	0	0	
	From S	241	0	2	0	243	243		241	0	2	0	
	From E	1	3	0	0	4	4		1	3	0	0	
	From W	0	0	0	0	0	0		0	0	0	0	
		To N	To S	To E	To W			ColTot	242	90	2	0	
								Target	242	90	2	0	
20		To N	To S	To E	To W	RowTt	Target		To N	To S	To E	To W	
	From N	0	87	0	0	87	87		0	87	0	0	1.000
	From S	241	0	2	0	243	243		241	0	2	0	1.000
	From E	1	3	0	0	4	4		1	3	0	0	1.000
	From W	0	0	0	0	0	0		0	0	0	0	0.000
		To N	To S	To E	To W			ColTot	242	90	2	0	
								Target	242	90	2	0	
								Pct	1.000	1.000	1.000	0.000	

Turn Movements and Traffic Volumes

Year	NL	NT	NR	SL	ST	SR	EL	ET	ER	WL	WT	WR
Existing		134	2		51					3		1
2040	0	241	2	0	87	0	0	0	0	3	0	1
max(existing, 2040)	0	241	2	0	87	0	0	0	0	3	0	1
rounded to nearest 10	0	250	10	0	90	0	0	0	0	10	0	10

Future Link outputs

	North		
	90	260	
0			20
0			10
	100	260	
In - Out	370	370	Diff 0

Future volume

	0	90	0
	SR	ST	SL
0	EL		WR 10
0	ET		WT 0
0	ER		WL 10
	NL	NT	NR
	0	250	10

Turn Movement Forecast: Row-Column-Sum Method

Street Alignment: North/South at East/West Scenario: **Future (2040) With Project**
 Intersection: Needles Hwy at Budweiser Rd Time Period: **Weekend MD**

Future Link Inputs				Existing Counts		Turn Move Inputs			
	North					0	90	0	
		153	242			SR	ST	SL	
0				0		EL		WR	1
				0		ET		WT	0
		151	247		0	ER		WL	1
						NL	NT	NR	
In - Out		402	397	Average		0	134	4	

Average In-out volumes

Link Inputs			
	North		
		152	244
0			2
			4
		152	245
In - Out		400	400

1	To N	To S	To E	To W	RowTt	Target	2	To N	To S	To E	To W
	From N	0	90	0	0	90	152	0	152	0	0
	From S	134	0	4	0	138	245	238	0	7	0
	From E	1	1	0	0	2	2	1	1	0	0
	From W	0	0	0	0	0	0	0	0	0	0
		To N	To S	To E	To W			ColTot	239	153	7
							Target	244	152	4	0
2	To N	To S	To E	To W	RowTt	Target		To N	To S	To E	To W
	From N	0	151	0	0	151	152	0	152	0	0
	From S	243	0	4	0	247	245	241	0	4	0
	From E	1	1	0	0	2	2	1	1	0	0
	From W	0	0	0	0	0	0	0	0	0	0
		To N	To S	To E	To W			ColTot	242	153	4
							Target	244	152	4	0
3	To N	To S	To E	To W	RowTt	Target		To N	To S	To E	To W
	From N	0	151	0	0	151	152	0	152	0	0
	From S	243	0	4	0	247	245	241	0	4	0
	From E	1	1	0	0	2	2	1	1	0	0
	From W	0	0	0	0	0	0	0	0	0	0
		To N	To S	To E	To W			ColTot	242	153	4
							Target	244	152	4	0
4	To N	To S	To E	To W	RowTt	Target		To N	To S	To E	To W
	From N	0	151	0	0	151	152	0	152	0	0
	From S	243	0	4	0	247	245	241	0	4	0
	From E	1	1	0	0	2	2	1	1	0	0
	From W	0	0	0	0	0	0	0	0	0	0
		To N	To S	To E	To W			ColTot	242	153	4
							Target	244	152	4	0

Turn Movement Forecast: Row-Column-Sum Method

Street Alignment:
Intersection:

North/South
Needles Hwy at East/West
Budweiser Rd

Scenario: **Future (2040) With Project**
Time Period: **Weekend MD**

5		To N	To S	To E	To W	RowTt	Target		To N	To S	To E	To W
	From N	0	151	0	0	151	152		0	152	0	0
	From S	243	0	4	0	247	245		241	0	4	0
	From E	1	1	0	0	2	2		1	1	0	0
	From W	0	0	0	0	0	0		0	0	0	0
		To N	To S	To E	To W			ColTot	242	153	4	0
								Target	244	152	4	0
6		To N	To S	To E	To W	RowTt	Target		To N	To S	To E	To W
	From N	0	151	0	0	151	152		0	152	0	0
	From S	242	0	4	0	247	245		241	0	4	0
	From E	1	1	0	0	2	2		1	1	0	0
	From W	0	0	0	0	0	0		0	0	0	0
		To N	To S	To E	To W			ColTot	242	153	4	0
								Target	244	152	4	0
7		To N	To S	To E	To W	RowTt	Target		To N	To S	To E	To W
	From N	0	151	0	0	151	152		0	152	0	0
	From S	242	0	4	0	247	245		241	0	4	0
	From E	1	1	0	0	2	2		1	1	0	0
	From W	0	0	0	0	0	0		0	0	0	0
		To N	To S	To E	To W			ColTot	242	153	4	0
								Target	244	152	4	0
8		To N	To S	To E	To W	RowTt	Target		To N	To S	To E	To W
	From N	0	151	0	0	151	152		0	152	0	0
	From S	242	0	4	0	247	245		241	0	4	0
	From E	1	1	0	0	2	2		1	1	0	0
	From W	0	0	0	0	0	0		0	0	0	0
		To N	To S	To E	To W			ColTot	242	153	4	0
								Target	244	152	4	0
9		To N	To S	To E	To W	RowTt	Target		To N	To S	To E	To W
	From N	0	151	0	0	151	152		0	152	0	0
	From S	242	0	4	0	247	245		241	0	4	0
	From E	1	1	0	0	2	2		1	1	0	0
	From W	0	0	0	0	0	0		0	0	0	0
		To N	To S	To E	To W			ColTot	243	153	4	0
								Target	244	152	4	0
10		To N	To S	To E	To W	RowTt	Target		To N	To S	To E	To W
	From N	0	151	0	0	151	152		0	152	0	0
	From S	242	0	4	0	246	245		241	0	4	0
	From E	1	1	0	0	2	2		1	1	0	0
	From W	0	0	0	0	0	0		0	0	0	0
		To N	To S	To E	To W			ColTot	243	153	4	0
								Target	244	152	4	0
11		To N	To S	To E	To W	RowTt	Target		To N	To S	To E	To W
	From N	0	151	0	0	151	152		0	152	0	0
	From S	242	0	4	0	246	245		241	0	4	0
	From E	1	1	0	0	2	2		1	1	0	0
	From W	0	0	0	0	0	0		0	0	0	0
		To N	To S	To E	To W			ColTot	243	153	4	0
								Target	244	152	4	0

Turn Movement Forecast: Row-Column-Sum Method

Street Alignment:
Intersection:

North/South
Needles Hwy at East/West
Budweiser Rd

Scenario: **Future (2040) With Project**
Time Period: **Weekend MD**

12		To N	To S	To E	To W	RowTt	Target		To N	To S	To E	To W
	From N	0	151	0	0	151	152		0	152	0	0
	From S	242	0	4	0	246	245		241	0	4	0
	From E	1	1	0	0	2	2		1	1	0	0
	From W	0	0	0	0	0	0		0	0	0	0
		To N	To S	To E	To W				ColTot	243	153	4
								Target	244	152	4	0
13		To N	To S	To E	To W	RowTt	Target		To N	To S	To E	To W
	From N	0	151	0	0	151	152		0	152	0	0
	From S	242	0	4	0	246	245		241	0	4	0
	From E	1	1	0	0	2	2		1	1	0	0
	From W	0	0	0	0	0	0		0	0	0	0
		To N	To S	To E	To W				ColTot	243	153	4
								Target	244	152	4	0
14		To N	To S	To E	To W	RowTt	Target		To N	To S	To E	To W
	From N	0	151	0	0	151	152		0	152	0	0
	From S	242	0	4	0	246	245		241	0	4	0
	From E	1	1	0	0	2	2		1	1	0	0
	From W	0	0	0	0	0	0		0	0	0	0
		To N	To S	To E	To W				ColTot	243	153	4
								Target	244	152	4	0
15		To N	To S	To E	To W	RowTt	Target		To N	To S	To E	To W
	From N	0	151	0	0	151	152		0	152	0	0
	From S	242	0	4	0	246	245		241	0	4	0
	From E	1	1	0	0	2	2		1	1	0	0
	From W	0	0	0	0	0	0		0	0	0	0
		To N	To S	To E	To W				ColTot	243	153	4
								Target	244	152	4	0
16		To N	To S	To E	To W	RowTt	Target		To N	To S	To E	To W
	From N	0	151	0	0	151	152		0	152	0	0
	From S	242	0	4	0	246	245		241	0	4	0
	From E	1	1	0	0	2	2		1	1	0	0
	From W	0	0	0	0	0	0		0	0	0	0
		To N	To S	To E	To W				ColTot	243	153	4
								Target	244	152	4	0
17		To N	To S	To E	To W	RowTt	Target		To N	To S	To E	To W
	From N	0	151	0	0	151	152		0	152	0	0
	From S	242	0	4	0	246	245		241	0	4	0
	From E	1	1	0	0	2	2		1	1	0	0
	From W	0	0	0	0	0	0		0	0	0	0
		To N	To S	To E	To W				ColTot	243	153	4
								Target	244	152	4	0
18		To N	To S	To E	To W	RowTt	Target		To N	To S	To E	To W
	From N	0	151	0	0	151	152		0	152	0	0
	From S	242	0	4	0	246	245		241	0	4	0
	From E	1	1	0	0	2	2		1	1	0	0
	From W	0	0	0	0	0	0		0	0	0	0
		To N	To S	To E	To W				ColTot	243	153	4
								Target	244	152	4	0

Turn Movement Forecast: Row-Column-Sum Method

Street Alignment: North/South East/West Scenario: **Future (2040) With Project**
 Intersection: Needles Hwy at Budweiser Rd Time Period: **Weekend MD**

19		To N	To S	To E	To W	RowTt	Target		To N	To S	To E	To W	
	From N	0	151	0	0	151	152		0	152	0	0	
	From S	242	0	4	0	246	245		241	0	4	0	
	From E	1	1	0	0	2	2		1	1	0	0	
	From W	0	0	0	0	0	0		0	0	0	0	
		To N	To S	To E	To W			ColTot	243	153	4	0	
								Target	244	152	4	0	
20		To N	To S	To E	To W	RowTt	Target		To N	To S	To E	To W	
	From N	0	151	0	0	151	152		0	152	0	0	0.994
	From S	242	0	4	0	246	245		241	0	4	0	1.004
	From E	1	1	0	0	2	2		1	1	0	0	0.999
	From W	0	0	0	0	0	0		0	0	0	0	0.000
		To N	To S	To E	To W			ColTot	243	153	4	0	
								Target	244	152	4	0	
								Pct	0.996	1.006	0.996	0.000	

Turn Movements and Traffic Volumes												
Year	NL	NT	NR	SL	ST	SR	EL	ET	ER	WL	WT	WR
Existing		134	4		90					1		1
2040	0	241	4	0	152	0	0	0	0	1	0	1
max(existing, 2040)	0	241	4	0	152	0	0	0	0	1	0	1
rounded to nearest 10	0	250	10	0	160	0	0	0	0	10	0	10

Future Link outputs			
	North		
	160	260	
0			20
0			10
	170	260	
In - Out	440	440	Diff 0

Future volume	Turn Move Inputs		
	0	160	0
	SR	ST	SL
0			WR
0			WT
0			WL
	NL	NT	NR
	0	250	10

Turn Movement Forecast: Row-Column-Sum Method

Street Alignment: North/South East/West Scenario: **Future (2040) With Project**
 Intersection: Needles Hwy at Park Rd Time Period: **Weekday AM**

Future Link Inputs				Existing Counts		Turn Move Inputs		
	North					47	42	1
	81	118				SR	ST	SL
55					57	EL		WR
72					1	ET		WT
	33	56			4	ER		WL
				Average		NL	NT	NR
In - Out	209	208	209			4	30	0

Average In-out volumes

Link Inputs

North			
	81	118	
55			0
72			2
	33	56	
In - Out	209	209	0

1	To N	To S	To E	To W	RowTt	Target	2	To N	To S	To E	To W
	From N	0	42	1	47	90	81	0	38	1	42
	From S	30	0	0	4	34	56	49	0	0	7
	From E	0	0	0	0	0	0	0	0	0	0
	From W	57	4	1	0	62	72	66	5	1	0
	To N	To S	To E	To W			ColTot	115	42	2	49
							Target	118	33	2	55
2	To N	To S	To E	To W	RowTt	Target		To N	To S	To E	To W
	From N	0	29	1	48	78	81	0	31	1	49
	From S	51	0	0	7	58	56	49	0	0	7
	From E	0	0	0	0	0	0	0	0	0	0
	From W	68	4	1	0	72	72	67	4	1	0
	To N	To S	To E	To W			ColTot	116	34	2	57
							Target	118	33	2	55
3	To N	To S	To E	To W	RowTt	Target		To N	To S	To E	To W
	From N	0	30	1	48	79	81	0	30	1	49
	From S	50	0	0	7	57	56	49	0	0	7
	From E	0	0	0	0	0	0	0	0	0	0
	From W	69	3	1	0	73	72	67	3	1	0
	To N	To S	To E	To W			ColTot	116	34	2	56
							Target	118	33	2	55
4	To N	To S	To E	To W	RowTt	Target		To N	To S	To E	To W
	From N	0	30	1	48	79	81	0	30	1	49
	From S	50	0	0	7	57	56	49	0	0	7
	From E	0	0	0	0	0	0	0	0	0	0
	From W	68	3	1	0	73	72	67	3	1	0
	To N	To S	To E	To W			ColTot	117	34	2	56
							Target	118	33	2	55

Turn Movement Forecast: Row-Column-Sum Method

Street Alignment: North/South at East/West
 Intersection: Needles Hwy at Park Rd

Scenario: **Future (2040) With Project**
 Time Period: **Weekday AM**

5		To N	To S	To E	To W	RowTt	Target		To N	To S	To E	To W
	From N	0	30	1	49	79	81		0	30	1	49
	From S	50	0	0	7	56	56		49	0	0	6
	From E	0	0	0	0	0	0		0	0	0	0
	From W	68	3	1	0	73	72		68	3	1	0
		To N	To S	To E	To W			ColTot	117	34	2	56
								Target	118	33	2	55
6		To N	To S	To E	To W	RowTt	Target		To N	To S	To E	To W
	From N	0	30	1	49	80	81		0	30	1	49
	From S	50	0	0	6	56	56		50	0	0	6
	From E	0	0	0	0	0	0		0	0	0	0
	From W	68	3	1	0	73	72		68	3	1	0
		To N	To S	To E	To W			ColTot	117	33	2	56
								Target	118	33	2	55
7		To N	To S	To E	To W	RowTt	Target		To N	To S	To E	To W
	From N	0	30	1	49	80	81		0	30	1	49
	From S	50	0	0	6	56	56		50	0	0	6
	From E	0	0	0	0	0	0		0	0	0	0
	From W	68	3	1	0	72	72		68	3	1	0
		To N	To S	To E	To W			ColTot	117	33	2	56
								Target	118	33	2	55
8		To N	To S	To E	To W	RowTt	Target		To N	To S	To E	To W
	From N	0	30	1	49	80	81		0	30	1	49
	From S	50	0	0	6	56	56		50	0	0	6
	From E	0	0	0	0	0	0		0	0	0	0
	From W	68	3	1	0	72	72		68	3	1	0
		To N	To S	To E	To W			ColTot	118	33	2	56
								Target	118	33	2	55
9		To N	To S	To E	To W	RowTt	Target		To N	To S	To E	To W
	From N	0	30	1	49	80	81		0	30	1	49
	From S	50	0	0	6	56	56		50	0	0	6
	From E	0	0	0	0	0	0		0	0	0	0
	From W	68	3	1	0	72	72		68	3	1	0
		To N	To S	To E	To W			ColTot	118	33	2	56
								Target	118	33	2	55
10		To N	To S	To E	To W	RowTt	Target		To N	To S	To E	To W
	From N	0	30	1	49	80	81		0	30	1	49
	From S	50	0	0	6	56	56		50	0	0	6
	From E	0	0	0	0	0	0		0	0	0	0
	From W	68	3	1	0	72	72		68	3	1	0
		To N	To S	To E	To W			ColTot	118	33	2	55
								Target	118	33	2	55
11		To N	To S	To E	To W	RowTt	Target		To N	To S	To E	To W
	From N	0	30	1	49	80	81		0	30	1	49
	From S	50	0	0	6	56	56		50	0	0	6
	From E	0	0	0	0	0	0		0	0	0	0
	From W	68	3	1	0	72	72		68	3	1	0
		To N	To S	To E	To W			ColTot	118	33	2	55
								Target	118	33	2	55

Turn Movement Forecast: Row-Column-Sum Method

Street Alignment:
Intersection:

North/South
Needles Hwy at East/West
Park Rd

Scenario: **Future (2040) With Project**
Time Period: **Weekday AM**

12		To N	To S	To E	To W	RowTt	Target		To N	To S	To E	To W
	From N	0	30	1	49	80	81		0	30	1	49
	From S	50	0	0	6	56	56		50	0	0	6
	From E	0	0	0	0	0	0		0	0	0	0
	From W	68	3	1	0	72	72		68	3	1	0
		To N	To S	To E	To W			ColTot	118	33	2	55
								Target	118	33	2	55
13		To N	To S	To E	To W	RowTt	Target		To N	To S	To E	To W
	From N	0	30	1	49	80	81		0	30	1	49
	From S	50	0	0	6	56	56		50	0	0	6
	From E	0	0	0	0	0	0		0	0	0	0
	From W	68	3	1	0	72	72		68	3	1	0
		To N	To S	To E	To W			ColTot	118	33	2	55
								Target	118	33	2	55
14		To N	To S	To E	To W	RowTt	Target		To N	To S	To E	To W
	From N	0	30	1	49	81	81		0	30	1	49
	From S	50	0	0	6	56	56		50	0	0	6
	From E	0	0	0	0	0	0		0	0	0	0
	From W	68	3	1	0	72	72		68	3	1	0
		To N	To S	To E	To W			ColTot	118	33	2	55
								Target	118	33	2	55
15		To N	To S	To E	To W	RowTt	Target		To N	To S	To E	To W
	From N	0	30	1	49	81	81		0	30	1	49
	From S	50	0	0	6	56	56		50	0	0	6
	From E	0	0	0	0	0	0		0	0	0	0
	From W	68	3	1	0	72	72		68	3	1	0
		To N	To S	To E	To W			ColTot	118	33	2	55
								Target	118	33	2	55
16		To N	To S	To E	To W	RowTt	Target		To N	To S	To E	To W
	From N	0	30	1	49	81	81		0	30	1	49
	From S	50	0	0	6	56	56		50	0	0	6
	From E	0	0	0	0	0	0		0	0	0	0
	From W	68	3	1	0	72	72		68	3	1	0
		To N	To S	To E	To W			ColTot	118	33	2	55
								Target	118	33	2	55
17		To N	To S	To E	To W	RowTt	Target		To N	To S	To E	To W
	From N	0	30	1	49	81	81		0	30	1	49
	From S	50	0	0	6	56	56		50	0	0	6
	From E	0	0	0	0	0	0		0	0	0	0
	From W	68	3	1	0	72	72		68	3	1	0
		To N	To S	To E	To W			ColTot	118	33	2	55
								Target	118	33	2	55
18		To N	To S	To E	To W	RowTt	Target		To N	To S	To E	To W
	From N	0	30	1	49	81	81		0	30	1	49
	From S	50	0	0	6	56	56		50	0	0	6
	From E	0	0	0	0	0	0		0	0	0	0
	From W	68	3	1	0	72	72		68	3	1	0
		To N	To S	To E	To W			ColTot	118	33	2	55
								Target	118	33	2	55

Turn Movement Forecast: Row-Column-Sum Method

Street Alignment: North/South East/West Scenario: **Future (2040) With Project**
 Intersection: Needles Hwy at Park Rd Time Period: **Weekday AM**

19		To N	To S	To E	To W	RowTt	Target		To N	To S	To E	To W	
	From N	0	30	1	49	81	81		0	30	1	49	
	From S	50	0	0	6	56	56		50	0	0	6	
	From E	0	0	0	0	0	0		0	0	0	0	
	From W	68	3	1	0	72	72		68	3	1	0	
		To N	To S	To E	To W			ColTot	118	33	2	55	
								Target	118	33	2	55	
20		To N	To S	To E	To W	RowTt	Target		To N	To S	To E	To W	
	From N	0	30	1	49	81	81		0	30	1	49	0.999
	From S	50	0	0	6	56	56		50	0	0	6	1.001
	From E	0	0	0	0	0	0		0	0	0	0	0.000
	From W	68	3	1	0	72	72		68	3	1	0	1.001
		To N	To S	To E	To W			ColTot	118	33	2	55	
								Target	118	33	2	55	
								Pct	0.999	1.001	1.000	1.001	

Turn Movements and Traffic Volumes

Year	<u>NL</u>	<u>NT</u>	<u>NR</u>	<u>SL</u>	<u>ST</u>	<u>SR</u>	<u>EL</u>	<u>ET</u>	<u>ER</u>	<u>WL</u>	<u>WT</u>	<u>WR</u>
Existing	4	30	0	1	42	47	57	1	4	0	0	0
2040	6	50	0	1	30	49	68	1	3	0	0	0
max(existing, 2040)	6	50	0	1	42	49	68	1	4	0	0	0
rounded to nearest 10	10	60	0	10	50	50	70	10	10	0	0	0

Future Link outputs

	North		
	110	130	
60			0
90			20
	60	70	
In - Out	270	270	Diff 0

Future volume

	50	50	10
	SR	ST	SL
70			WR
10			WT
10			WL
	NL	NT	NR
	10	60	0

Turn Movement Forecast: Row-Column-Sum Method

Street Alignment: North/South East/West Scenario: **Future (2040) With Project**
 Intersection: Needles Hwy at Park Rd Time Period: **Weekday PM**

Future Link Inputs				Existing Counts		Turn Move Inputs		
	North					19	45	1
	73	152				SR	ST	SL
31				100		EL		WR
118				0		ET		WT
	51	43		6		ER		WL
			Average			NL	NT	NR
In - Out	235	235	235			4	47	0

Average In-out volumes

Link Inputs			
	North		
	73	152	
31			1
118			1
	51	43	
In - Out	235	235	0

1	To N	To S	To E	To W	RowTt	Target	2	To N	To S	To E	To W
	From N	0	45	1	19	65	73	0	51	1	21
	From S	47	0	0	4	51	43	40	0	0	3
	From E	0	1	0	0	1	1	0	1	0	0
	From W	100	6	0	0	106	118	111	7	0	0
	To N	To S	To E	To W			ColTot	151	58	1	25
							Target	152	51	1	31
2	To N	To S	To E	To W	RowTt	Target		To N	To S	To E	To W
	From N	0	44	1	27	72	73	0	45	1	27
	From S	40	0	0	4	44	43	39	0	0	4
	From E	0	1	0	0	1	1	0	1	0	0
	From W	112	6	0	0	118	118	112	6	0	0
	To N	To S	To E	To W			ColTot	151	52	1	31
							Target	152	51	1	31
3	To N	To S	To E	To W	RowTt	Target		To N	To S	To E	To W
	From N	0	44	1	27	72	73	0	45	1	27
	From S	39	0	0	4	43	43	39	0	0	4
	From E	0	1	0	0	1	1	0	1	0	0
	From W	113	6	0	0	119	118	112	6	0	0
	To N	To S	To E	To W			ColTot	151	52	1	31
							Target	152	51	1	31
4	To N	To S	To E	To W	RowTt	Target		To N	To S	To E	To W
	From N	0	44	1	27	72	73	0	45	1	27
	From S	39	0	0	4	43	43	39	0	0	4
	From E	0	1	0	0	1	1	0	1	0	0
	From W	113	6	0	0	119	118	112	6	0	0
	To N	To S	To E	To W			ColTot	151	51	1	31
							Target	152	51	1	31

Turn Movement Forecast: Row-Column-Sum Method

Street Alignment: North/South at East/West Scenario: **Future (2040) With Project**
 Intersection: Needles Hwy at Park Rd Time Period: **Weekday PM**

5		To N	To S	To E	To W	RowTt	Target		To N	To S	To E	To W
	From N	0	44	1	27	72	73		0	45	1	27
	From S	39	0	0	4	43	43		39	0	0	4
	From E	0	1	0	0	1	1		0	1	0	0
	From W	113	6	0	0	118	118		112	6	0	0
		To N	To S	To E	To W			ColTot	151	51	1	31
								Target	152	51	1	31
6		To N	To S	To E	To W	RowTt	Target		To N	To S	To E	To W
	From N	0	44	1	27	73	73		0	45	1	27
	From S	39	0	0	4	43	43		39	0	0	4
	From E	0	1	0	0	1	1		0	1	0	0
	From W	113	6	0	0	118	118		112	6	0	0
		To N	To S	To E	To W			ColTot	152	51	1	31
								Target	152	51	1	31
7		To N	To S	To E	To W	RowTt	Target		To N	To S	To E	To W
	From N	0	45	1	27	73	73		0	45	1	27
	From S	39	0	0	4	43	43		39	0	0	4
	From E	0	1	0	0	1	1		0	1	0	0
	From W	113	6	0	0	118	118		113	5	0	0
		To N	To S	To E	To W			ColTot	152	51	1	31
								Target	152	51	1	31
8		To N	To S	To E	To W	RowTt	Target		To N	To S	To E	To W
	From N	0	45	1	27	73	73		0	45	1	27
	From S	39	0	0	4	43	43		39	0	0	4
	From E	0	1	0	0	1	1		0	1	0	0
	From W	113	5	0	0	118	118		113	5	0	0
		To N	To S	To E	To W			ColTot	152	51	1	31
								Target	152	51	1	31
9		To N	To S	To E	To W	RowTt	Target		To N	To S	To E	To W
	From N	0	45	1	27	73	73		0	45	1	27
	From S	39	0	0	4	43	43		39	0	0	4
	From E	0	1	0	0	1	1		0	1	0	0
	From W	113	5	0	0	118	118		113	5	0	0
		To N	To S	To E	To W			ColTot	152	51	1	31
								Target	152	51	1	31
10		To N	To S	To E	To W	RowTt	Target		To N	To S	To E	To W
	From N	0	45	1	27	73	73		0	45	1	27
	From S	39	0	0	4	43	43		39	0	0	4
	From E	0	1	0	0	1	1		0	1	0	0
	From W	113	5	0	0	118	118		113	5	0	0
		To N	To S	To E	To W			ColTot	152	51	1	31
								Target	152	51	1	31
11		To N	To S	To E	To W	RowTt	Target		To N	To S	To E	To W
	From N	0	45	1	27	73	73		0	45	1	27
	From S	39	0	0	4	43	43		39	0	0	4
	From E	0	1	0	0	1	1		0	1	0	0
	From W	113	5	0	0	118	118		113	5	0	0
		To N	To S	To E	To W			ColTot	152	51	1	31
								Target	152	51	1	31

Turn Movement Forecast: Row-Column-Sum Method

Street Alignment: North/South at East/West
 Intersection: Needles Hwy at Park Rd

Scenario: **Future (2040) With Project**
 Time Period: **Weekday PM**

12		To N	To S	To E	To W	RowTt	Target		To N	To S	To E	To W
	From N	0	45	1	27	73	73		0	45	1	27
	From S	39	0	0	4	43	43		39	0	0	4
	From E	0	1	0	0	1	1		0	1	0	0
	From W	113	5	0	0	118	118		113	5	0	0
		To N	To S	To E	To W			ColTot	152	51	1	31
								Target	152	51	1	31
13		To N	To S	To E	To W	RowTt	Target		To N	To S	To E	To W
	From N	0	45	1	27	73	73		0	45	1	27
	From S	39	0	0	4	43	43		39	0	0	4
	From E	0	1	0	0	1	1		0	1	0	0
	From W	113	5	0	0	118	118		113	5	0	0
		To N	To S	To E	To W			ColTot	152	51	1	31
								Target	152	51	1	31
14		To N	To S	To E	To W	RowTt	Target		To N	To S	To E	To W
	From N	0	45	1	27	73	73		0	45	1	27
	From S	39	0	0	4	43	43		39	0	0	4
	From E	0	1	0	0	1	1		0	1	0	0
	From W	113	5	0	0	118	118		113	5	0	0
		To N	To S	To E	To W			ColTot	152	51	1	31
								Target	152	51	1	31
15		To N	To S	To E	To W	RowTt	Target		To N	To S	To E	To W
	From N	0	45	1	27	73	73		0	45	1	27
	From S	39	0	0	4	43	43		39	0	0	4
	From E	0	1	0	0	1	1		0	1	0	0
	From W	113	5	0	0	118	118		113	5	0	0
		To N	To S	To E	To W			ColTot	152	51	1	31
								Target	152	51	1	31
16		To N	To S	To E	To W	RowTt	Target		To N	To S	To E	To W
	From N	0	45	1	27	73	73		0	45	1	27
	From S	39	0	0	4	43	43		39	0	0	4
	From E	0	1	0	0	1	1		0	1	0	0
	From W	113	5	0	0	118	118		113	5	0	0
		To N	To S	To E	To W			ColTot	152	51	1	31
								Target	152	51	1	31
17		To N	To S	To E	To W	RowTt	Target		To N	To S	To E	To W
	From N	0	45	1	27	73	73		0	45	1	27
	From S	39	0	0	4	43	43		39	0	0	4
	From E	0	1	0	0	1	1		0	1	0	0
	From W	113	5	0	0	118	118		113	5	0	0
		To N	To S	To E	To W			ColTot	152	51	1	31
								Target	152	51	1	31
18		To N	To S	To E	To W	RowTt	Target		To N	To S	To E	To W
	From N	0	45	1	27	73	73		0	45	1	27
	From S	39	0	0	4	43	43		39	0	0	4
	From E	0	1	0	0	1	1		0	1	0	0
	From W	113	5	0	0	118	118		113	5	0	0
		To N	To S	To E	To W			ColTot	152	51	1	31
								Target	152	51	1	31

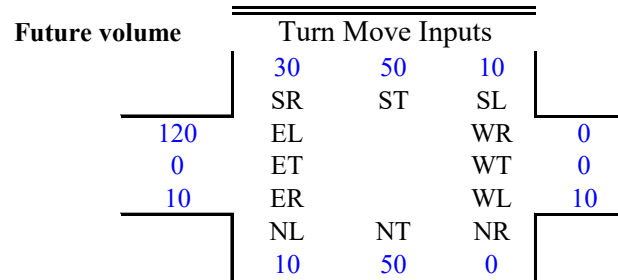
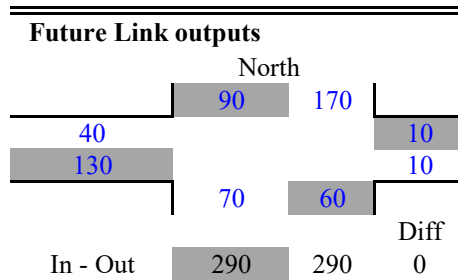
Turn Movement Forecast: Row-Column-Sum Method

Street Alignment: North/South at East/West
 Intersection: Needles Hwy at Park Rd

Scenario: **Future (2040) With Project**
 Time Period: **Weekday PM**

19		To N	To S	To E	To W	RowTt	Target		To N	To S	To E	To W	
	From N	0	45	1	27	73	73		0	45	1	27	
	From S	39	0	0	4	43	43		39	0	0	4	
	From E	0	1	0	0	1	1		0	1	0	0	
	From W	113	5	0	0	118	118		113	5	0	0	
		To N	To S	To E	To W			ColTot	152	51	1	31	
								Target	152	51	1	31	
20		To N	To S	To E	To W	RowTt	Target		To N	To S	To E	To W	
	From N	0	45	1	27	73	73		0	45	1	27	0.999
	From S	39	0	0	4	43	43		39	0	0	4	1.000
	From E	0	1	0	0	1	1		0	1	0	0	0.999
	From W	113	5	0	0	118	118		113	5	0	0	1.000
		To N	To S	To E	To W			ColTot	152	51	1	31	
								Target	152	51	1	31	
								Pct	1.000	1.000	1.001	1.000	

Turn Movements and Traffic Volumes												
Year	<u>NL</u>	<u>NT</u>	<u>NR</u>	<u>SL</u>	<u>ST</u>	<u>SR</u>	<u>EL</u>	<u>ET</u>	<u>ER</u>	<u>WL</u>	<u>WT</u>	<u>WR</u>
Existing	4	47	0	1	45	19	100		6	1		
2040	4	39	0	1	45	27	113	0	5	1	0	0
max(existing, 2040)	4	47	0	1	45	27	113	0	6	1	0	0
rounded to nearest 10	10	50	0	10	50	30	120	0	10	10	0	0



Turn Movement Forecast: Row-Column-Sum Method

Street Alignment: North/South at East/West Scenario: **Future (2040) With Project**
 Intersection: Needles Hwy at Park Rd Time Period: **Weekend MD**

Future Link Inputs				Existing Counts		Turn Move Inputs			
	North					52	44	0	
	108	148				SR	ST	SL	
72					91	EL		WR	1
109					0	ET		WT	0
	50	45			7	ER		WL	0
				Average		NL	NT	NR	
In - Out	263	271	267			1	57	1	

Average In-out volumes

Link Inputs

North			
	110	146	
71			1
111			1
	49	46	
In - Out	267	267	0

1		To N	To S	To E	To W	RowTt	Target	2	To N	To S	To E	To W
	From N	0	44	0	52	96	110		0	50	0	59
	From S	57	0	1	1	59	46		44	0	1	1
	From E	1	0	0	0	1	1		1	0	0	0
	From W	91	7	0	0	98	111		103	8	0	0
		To N	To S	To E	To W			ColTot	148	58	1	60
								Target	146	49	1	71
2		To N	To S	To E	To W	RowTt	Target		To N	To S	To E	To W
	From N	0	43	0	70	113	110		0	41	0	68
	From S	44	0	1	1	45	46		44	0	1	1
	From E	1	0	0	0	1	1		1	0	0	0
	From W	101	7	0	0	108	111		104	7	0	0
		To N	To S	To E	To W			ColTot	149	48	1	69
								Target	146	49	1	71
3		To N	To S	To E	To W	RowTt	Target		To N	To S	To E	To W
	From N	0	42	0	70	112	110		0	41	0	68
	From S	43	0	1	1	45	46		44	0	1	1
	From E	1	0	0	0	1	1		1	0	0	0
	From W	102	7	0	0	109	111		104	7	0	0
		To N	To S	To E	To W			ColTot	148	48	1	69
								Target	146	49	1	71
4		To N	To S	To E	To W	RowTt	Target		To N	To S	To E	To W
	From N	0	42	0	70	112	110		0	41	0	68
	From S	43	0	1	1	45	46		44	0	1	1
	From E	1	0	0	0	1	1		1	0	0	0
	From W	102	7	0	0	109	111		103	7	0	0
		To N	To S	To E	To W			ColTot	148	48	1	69
								Target	146	49	1	71

Turn Movement Forecast: Row-Column-Sum Method

Street Alignment:
Intersection:

North/South
Needles Hwy at East/West
Park Rd

Scenario: **Future (2040) With Project**
Time Period: **Weekend MD**

5		To N	To S	To E	To W	RowTt	Target		To N	To S	To E	To W
	From N	0	42	0	70	112	110		0	41	0	69
	From S	43	0	1	1	45	46		44	0	1	1
	From E	1	0	0	0	1	1		1	0	0	0
	From W	102	7	0	0	109	111		103	8	0	0
		To N	To S	To E	To W			ColTot	148	49	1	70
								Target	146	49	1	71
6		To N	To S	To E	To W	RowTt	Target		To N	To S	To E	To W
	From N	0	42	0	70	111	110		0	41	0	69
	From S	43	0	1	1	45	46		44	0	1	1
	From E	1	0	0	0	1	1		1	0	0	0
	From W	102	8	0	0	109	111		103	8	0	0
		To N	To S	To E	To W			ColTot	148	49	1	70
								Target	146	49	1	71
7		To N	To S	To E	To W	RowTt	Target		To N	To S	To E	To W
	From N	0	41	0	70	111	110		0	41	0	69
	From S	43	0	1	1	45	46		44	0	1	1
	From E	1	0	0	0	1	1		1	0	0	0
	From W	102	8	0	0	110	111		103	8	0	0
		To N	To S	To E	To W			ColTot	147	49	1	70
								Target	146	49	1	71
8		To N	To S	To E	To W	RowTt	Target		To N	To S	To E	To W
	From N	0	41	0	70	111	110		0	41	0	69
	From S	43	0	1	1	45	46		44	0	1	1
	From E	1	0	0	0	1	1		1	0	0	0
	From W	102	8	0	0	110	111		103	8	0	0
		To N	To S	To E	To W			ColTot	147	49	1	70
								Target	146	49	1	71
9		To N	To S	To E	To W	RowTt	Target		To N	To S	To E	To W
	From N	0	41	0	70	111	110		0	41	0	69
	From S	43	0	1	1	45	46		44	0	1	1
	From E	1	0	0	0	1	1		1	0	0	0
	From W	102	8	0	0	110	111		102	8	0	0
		To N	To S	To E	To W			ColTot	147	49	1	70
								Target	146	49	1	71
10		To N	To S	To E	To W	RowTt	Target		To N	To S	To E	To W
	From N	0	41	0	70	111	110		0	41	0	69
	From S	43	0	1	1	45	46		44	0	1	1
	From E	1	0	0	0	1	1		1	0	0	0
	From W	102	8	0	0	110	111		102	8	0	0
		To N	To S	To E	To W			ColTot	147	49	1	70
								Target	146	49	1	71
11		To N	To S	To E	To W	RowTt	Target		To N	To S	To E	To W
	From N	0	41	0	70	111	110		0	40	0	69
	From S	43	0	1	1	45	46		44	0	1	1
	From E	1	0	0	0	1	1		1	0	0	0
	From W	102	8	0	0	110	111		102	8	0	0
		To N	To S	To E	To W			ColTot	147	49	1	70
								Target	146	49	1	71

Turn Movement Forecast: Row-Column-Sum Method

Street Alignment:
Intersection:

North/South
Needles Hwy at East/West
Park Rd

Scenario: **Future (2040) With Project**
Time Period: **Weekend MD**

12		To N	To S	To E	To W	RowTt	Target		To N	To S	To E	To W
	From N	0	41	0	70	110	110		0	40	0	69
	From S	43	0	1	1	45	46		43	0	1	1
	From E	1	0	0	0	1	1		1	0	0	0
	From W	102	9	0	0	110	111		102	9	0	0
		To N	To S	To E	To W			ColTot	147	49	1	70
								Target	146	49	1	71
13		To N	To S	To E	To W	RowTt	Target		To N	To S	To E	To W
	From N	0	41	0	70	110	110		0	40	0	69
	From S	43	0	1	1	45	46		43	0	1	1
	From E	1	0	0	0	1	1		1	0	0	0
	From W	102	9	0	0	110	111		102	9	0	0
		To N	To S	To E	To W			ColTot	147	49	1	70
								Target	146	49	1	71
14		To N	To S	To E	To W	RowTt	Target		To N	To S	To E	To W
	From N	0	41	0	70	110	110		0	40	0	69
	From S	43	0	1	1	45	46		43	0	1	1
	From E	1	0	0	0	1	1		1	0	0	0
	From W	102	9	0	0	110	111		102	9	0	0
		To N	To S	To E	To W			ColTot	146	49	1	71
								Target	146	49	1	71
15		To N	To S	To E	To W	RowTt	Target		To N	To S	To E	To W
	From N	0	41	0	70	110	110		0	40	0	69
	From S	43	0	1	1	46	46		43	0	1	1
	From E	1	0	0	0	1	1		1	0	0	0
	From W	102	9	0	0	110	111		102	9	0	0
		To N	To S	To E	To W			ColTot	146	49	1	71
								Target	146	49	1	71
16		To N	To S	To E	To W	RowTt	Target		To N	To S	To E	To W
	From N	0	40	0	70	110	110		0	40	0	69
	From S	43	0	1	1	46	46		43	0	1	1
	From E	1	0	0	0	1	1		1	0	0	0
	From W	102	9	0	0	110	111		102	9	0	0
		To N	To S	To E	To W			ColTot	146	49	1	71
								Target	146	49	1	71
17		To N	To S	To E	To W	RowTt	Target		To N	To S	To E	To W
	From N	0	40	0	70	110	110		0	40	0	69
	From S	43	0	1	1	46	46		43	0	1	1
	From E	1	0	0	0	1	1		1	0	0	0
	From W	101	9	0	0	110	111		102	9	0	0
		To N	To S	To E	To W			ColTot	146	49	1	71
								Target	146	49	1	71
18		To N	To S	To E	To W	RowTt	Target		To N	To S	To E	To W
	From N	0	40	0	70	110	110		0	40	0	69
	From S	43	0	1	1	46	46		43	0	1	1
	From E	1	0	0	0	1	1		1	0	0	0
	From W	101	9	0	0	110	111		102	9	0	0
		To N	To S	To E	To W			ColTot	146	49	1	71
								Target	146	49	1	71

Turn Movement Forecast: Row-Column-Sum Method

Street Alignment: North/South East/West Scenario: **Future (2040) With Project**
 Intersection: Needles Hwy at Park Rd Time Period: **Weekend MD**

19		To N	To S	To E	To W	RowTt	Target		To N	To S	To E	To W	
	From N	0	40	0	70	110	110		0	40	0	69	
	From S	43	0	1	1	46	46		43	0	1	1	
	From E	1	0	0	0	1	1		1	0	0	0	
	From W	101	9	0	0	110	111		102	9	0	0	
		To N	To S	To E	To W			ColTot	146	49	1	71	
								Target	146	49	1	71	
20		To N	To S	To E	To W	RowTt	Target		To N	To S	To E	To W	
	From N	0	40	0	70	110	110		0	40	0	69	1.003
	From S	43	0	1	1	46	46		43	0	1	1	0.998
	From E	1	0	0	0	1	1		1	0	0	0	0.998
	From W	101	9	0	0	110	111		102	9	0	0	0.998
		To N	To S	To E	To W			ColTot	146	49	1	71	
								Target	146	49	1	71	
								Pct	1.002	0.998	1.002	0.998	

Turn Movements and Traffic Volumes												
Year	NL	NT	NR	SL	ST	SR	EL	ET	ER	WL	WT	WR
Existing	1	57	1	0	44	52	91	0	7	0	0	1
2040	1	43	1	0	40	69	102	0	9	0	0	1
max(existing, 2040)	1	57	1	0	44	69	102	0	9	0	0	1
rounded to nearest 10	10	60	10	0	50	70	110	0	10	0	0	10

Future Link outputs			
North			
	120	180	
80			10
120			10
	60	80	
In - Out	330	330	Diff 0

Future volume			
Turn Move Inputs			
	70	50	0
	SR	ST	SL
110			WR
0			WT
10			WL
	NL	NT	NR
	10	60	10

Turn Movement Forecast: Row-Column-Sum Method

Street Alignment: North/South at East/West Scenario: **Future (2040) With Project**
 Intersection: Needles Hwy at WB I-40 Ramps/Balboa Pl Time Period: **Weekday AM**

Future Link Inputs				Existing Counts		Turn Move Inputs			
	North					7	53	0	
	47	72				SR	ST	SL	
106					13	EL		WR	0
28					0	ET		WT	0
	60	162			18	ER		WL	1
				Average		NL	NT	NR	
In - Out	238	238	238			98	37	0	

Average In-out volumes

Link Inputs

North			
	47	72	
106			1
28			0
	60	162	
In - Out	238	238	0

1	To N	To S	To E	To W	RowTt	Target	2	To N	To S	To E	To W
	From N	0	53	0	7	60	47	0	42	0	5
	From S	37	0	0	98	135	162	44	0	0	118
	From E	0	1	0	0	1	1	0	1	0	0
	From W	13	18	0	0	31	28	12	16	0	0
	To N	To S	To E	To W			ColTot	56	59	0	123
							Target	72	60	0	106
2	To N	To S	To E	To W	RowTt	Target		To N	To S	To E	To W
	From N	0	42	0	5	47	47	0	42	0	5
	From S	57	0	0	101	158	162	58	0	0	104
	From E	0	1	0	0	1	1	0	1	0	0
	From W	15	17	0	0	32	28	13	15	0	0
	To N	To S	To E	To W			ColTot	72	58	0	108
							Target	72	60	0	106
3	To N	To S	To E	To W	RowTt	Target		To N	To S	To E	To W
	From N	0	44	0	5	48	47	0	43	0	4
	From S	59	0	0	101	160	162	59	0	0	103
	From E	0	1	0	0	1	1	0	1	0	0
	From W	13	15	0	0	29	28	13	15	0	0
	To N	To S	To E	To W			ColTot	72	58	0	107
							Target	72	60	0	106
4	To N	To S	To E	To W	RowTt	Target		To N	To S	To E	To W
	From N	0	44	0	4	48	47	0	43	0	4
	From S	59	0	0	102	161	162	60	0	0	102
	From E	0	1	0	0	1	1	0	1	0	0
	From W	13	15	0	0	28	28	13	15	0	0
	To N	To S	To E	To W			ColTot	72	59	0	107
							Target	72	60	0	106

Turn Movement Forecast: Row-Column-Sum Method

Street Alignment: North/South at East/West Scenario: **Future (2040) With Project**
 Intersection: Needles Hwy at WB I-40 Ramps/Balboa Pl Time Period: **Weekday AM**

5		To N	To S	To E	To W	RowTt	Target		To N	To S	To E	To W
	From N	0	44	0	4	48	47		0	43	0	4
	From S	59	0	0	102	161	162		60	0	0	102
	From E	0	1	0	0	1	1		0	1	0	0
	From W	13	15	0	0	28	28		13	15	0	0
		To N	To S	To E	To W			ColTot	72	59	0	107
							Target	72	60	0	106	
6		To N	To S	To E	To W	RowTt	Target		To N	To S	To E	To W
	From N	0	43	0	4	48	47		0	43	0	4
	From S	59	0	0	102	161	162		60	0	0	102
	From E	0	1	0	0	1	1		0	1	0	0
	From W	13	16	0	0	28	28		13	15	0	0
		To N	To S	To E	To W			ColTot	72	59	0	106
							Target	72	60	0	106	
7		To N	To S	To E	To W	RowTt	Target		To N	To S	To E	To W
	From N	0	43	0	4	47	47		0	43	0	4
	From S	59	0	0	102	161	162		60	0	0	102
	From E	0	1	0	0	1	1		0	1	0	0
	From W	13	16	0	0	28	28		12	16	0	0
		To N	To S	To E	To W			ColTot	72	59	0	106
							Target	72	60	0	106	
8		To N	To S	To E	To W	RowTt	Target		To N	To S	To E	To W
	From N	0	43	0	4	47	47		0	43	0	4
	From S	60	0	0	102	162	162		60	0	0	102
	From E	0	1	0	0	1	1		0	1	0	0
	From W	12	16	0	0	28	28		12	16	0	0
		To N	To S	To E	To W			ColTot	72	60	0	106
							Target	72	60	0	106	
9		To N	To S	To E	To W	RowTt	Target		To N	To S	To E	To W
	From N	0	43	0	4	47	47		0	43	0	4
	From S	60	0	0	102	162	162		60	0	0	102
	From E	0	1	0	0	1	1		0	1	0	0
	From W	12	16	0	0	28	28		12	16	0	0
		To N	To S	To E	To W			ColTot	72	60	0	106
							Target	72	60	0	106	
10		To N	To S	To E	To W	RowTt	Target		To N	To S	To E	To W
	From N	0	43	0	4	47	47		0	43	0	4
	From S	60	0	0	102	162	162		60	0	0	102
	From E	0	1	0	0	1	1		0	1	0	0
	From W	12	16	0	0	28	28		12	16	0	0
		To N	To S	To E	To W			ColTot	72	60	0	106
							Target	72	60	0	106	
11		To N	To S	To E	To W	RowTt	Target		To N	To S	To E	To W
	From N	0	43	0	4	47	47		0	43	0	4
	From S	60	0	0	102	162	162		60	0	0	102
	From E	0	1	0	0	1	1		0	1	0	0
	From W	12	16	0	0	28	28		12	16	0	0
		To N	To S	To E	To W			ColTot	72	60	0	106
							Target	72	60	0	106	

Turn Movement Forecast: Row-Column-Sum Method

Street Alignment: North/South at East/West Scenario: **Future (2040) With Project**
 Intersection: Needles Hwy at WB I-40 Ramps/Balboa Pl Time Period: **Weekday AM**

12		To N	To S	To E	To W	RowTt	Target		To N	To S	To E	To W
	From N	0	43	0	4	47	47		0	43	0	4
	From S	60	0	0	102	162	162		60	0	0	102
	From E	0	1	0	0	1	1		0	1	0	0
	From W	12	16	0	0	28	28		12	16	0	0
		To N	To S	To E	To W			ColTot	72	60	0	106
								Target	72	60	0	106
13		To N	To S	To E	To W	RowTt	Target		To N	To S	To E	To W
	From N	0	43	0	4	47	47		0	43	0	4
	From S	60	0	0	102	162	162		60	0	0	102
	From E	0	1	0	0	1	1		0	1	0	0
	From W	12	16	0	0	28	28		12	16	0	0
		To N	To S	To E	To W			ColTot	72	60	0	106
								Target	72	60	0	106
14		To N	To S	To E	To W	RowTt	Target		To N	To S	To E	To W
	From N	0	43	0	4	47	47		0	43	0	4
	From S	60	0	0	102	162	162		60	0	0	102
	From E	0	1	0	0	1	1		0	1	0	0
	From W	12	16	0	0	28	28		12	16	0	0
		To N	To S	To E	To W			ColTot	72	60	0	106
								Target	72	60	0	106
15		To N	To S	To E	To W	RowTt	Target		To N	To S	To E	To W
	From N	0	43	0	4	47	47		0	43	0	4
	From S	60	0	0	102	162	162		60	0	0	102
	From E	0	1	0	0	1	1		0	1	0	0
	From W	12	16	0	0	28	28		12	16	0	0
		To N	To S	To E	To W			ColTot	72	60	0	106
								Target	72	60	0	106
16		To N	To S	To E	To W	RowTt	Target		To N	To S	To E	To W
	From N	0	43	0	4	47	47		0	43	0	4
	From S	60	0	0	102	162	162		60	0	0	102
	From E	0	1	0	0	1	1		0	1	0	0
	From W	12	16	0	0	28	28		12	16	0	0
		To N	To S	To E	To W			ColTot	72	60	0	106
								Target	72	60	0	106
17		To N	To S	To E	To W	RowTt	Target		To N	To S	To E	To W
	From N	0	43	0	4	47	47		0	43	0	4
	From S	60	0	0	102	162	162		60	0	0	102
	From E	0	1	0	0	1	1		0	1	0	0
	From W	12	16	0	0	28	28		12	16	0	0
		To N	To S	To E	To W			ColTot	72	60	0	106
								Target	72	60	0	106
18		To N	To S	To E	To W	RowTt	Target		To N	To S	To E	To W
	From N	0	43	0	4	47	47		0	43	0	4
	From S	60	0	0	102	162	162		60	0	0	102
	From E	0	1	0	0	1	1		0	1	0	0
	From W	12	16	0	0	28	28		12	16	0	0
		To N	To S	To E	To W			ColTot	72	60	0	106
								Target	72	60	0	106

Turn Movement Forecast: Row-Column-Sum Method

Street Alignment: North/South East/West Scenario: **Future (2040) With Project**
 Intersection: Needles Hwy at WB I-40 Ramps/Balboa Pl Time Period: **Weekday AM**

19		To N	To S	To E	To W	RowTt	Target		To N	To S	To E	To W	
	From N	0	43	0	4	47	47		0	43	0	4	
	From S	60	0	0	102	162	162		60	0	0	102	
	From E	0	1	0	0	1	1		0	1	0	0	
	From W	12	16	0	0	28	28		12	16	0	0	
		To N	To S	To E	To W			ColTot	72	60	0	106	
								Target	72	60	0	106	
20		To N	To S	To E	To W	RowTt	Target		To N	To S	To E	To W	
	From N	0	43	0	4	47	47		0	43	0	4	1.000
	From S	60	0	0	102	162	162		60	0	0	102	1.000
	From E	0	1	0	0	1	1		0	1	0	0	1.000
	From W	12	16	0	0	28	28		12	16	0	0	1.000
		To N	To S	To E	To W			ColTot	72	60	0	106	
								Target	72	60	0	106	
								Pct	1.000	1.000	0.000	1.000	

Turn Movements and Traffic Volumes												
Year	<u>NL</u>	<u>NT</u>	<u>NR</u>	<u>SL</u>	<u>ST</u>	<u>SR</u>	<u>EL</u>	<u>ET</u>	<u>ER</u>	<u>WL</u>	<u>WT</u>	<u>WR</u>
Existing	98	37	0	0	53	7	13	0	18	1	0	0
2040	102	60	0	0	43	4	12	0	16	1	0	0
max(existing, 2040)	102	60	0	0	53	7	13	0	18	1	0	0
rounded to nearest 10	110	60	0	0	60	10	20	0	20	10	0	0

Future Link outputs			
North			
	70	80	
120			10
40			0
	90	170	
In - Out	290	290	Diff 0

Future volume			
Turn Move Inputs			
	10	60	0
	SR	ST	SL
20			WR
0			WT
20			WL
	NL	NT	NR
	110	60	0

Turn Movement Forecast: Row-Column-Sum Method

Street Alignment: North/South East/West Scenario: **Future (2040) With Project**
 Intersection: Needles Hwy at WB I-40 Ramps/Balboa Pl Time Period: **Weekday PM**

Future Link Inputs				Existing Counts		Turn Move Inputs		
	North					11	61	0
	71	70				SR	ST	SL
92			4		27	EL		WR
48			2		1	ET		WT
	85	127			23	ER		WL
				Average		NL	NT	NR
In - Out	250	249	250			79	50	1

Average In-out volumes

Link Inputs			
	North		
	71	70	
92			4
48			2
	85	127	
In - Out	250	250	0

1		To N	To S	To E	To W	RowTt	Target	2	To N	To S	To E	To W
	From N	0	61	0	11	72	71		0	60	0	11
	From S	50	0	1	79	130	127		49	0	1	77
	From E	1	2	0	1	4	4		1	2	0	1
	From W	27	23	1	0	51	48		25	22	1	0
		To N	To S	To E	To W			ColTot	75	84	2	89
								Target	70	85	2	92
2		To N	To S	To E	To W	RowTt	Target		To N	To S	To E	To W
	From N	0	61	0	11	72	71		0	60	0	11
	From S	46	0	1	80	126	127		46	0	1	80
	From E	1	2	0	1	4	4		1	2	0	1
	From W	24	22	1	0	47	48		24	23	1	0
		To N	To S	To E	To W			ColTot	71	84	2	92
								Target	70	85	2	92
3		To N	To S	To E	To W	RowTt	Target		To N	To S	To E	To W
	From N	0	60	0	11	71	71		0	60	0	11
	From S	45	0	1	80	126	127		45	0	1	80
	From E	1	2	0	1	4	4		1	2	0	1
	From W	24	23	1	0	48	48		24	23	1	0
		To N	To S	To E	To W			ColTot	70	85	2	92
								Target	70	85	2	92
4		To N	To S	To E	To W	RowTt	Target		To N	To S	To E	To W
	From N	0	60	0	11	71	71		0	60	0	11
	From S	45	0	1	80	126	127		45	0	1	80
	From E	1	2	0	1	4	4		1	2	0	1
	From W	24	23	1	0	48	48		24	23	1	0
		To N	To S	To E	To W			ColTot	70	85	2	92
								Target	70	85	2	92

Turn Movement Forecast: Row-Column-Sum Method

Street Alignment: North/South at East/West Scenario: **Future (2040) With Project**
 Intersection: Needles Hwy at WB I-40 Ramps/Balboa Pl Time Period: **Weekday PM**

5		To N	To S	To E	To W	RowTt	Target		To N	To S	To E	To W
	From N	0	60	0	11	71	71		0	60	0	11
	From S	45	0	1	80	127	127		45	0	1	80
	From E	1	2	0	1	4	4		1	2	0	1
	From W	24	23	1	0	48	48		24	23	1	0
		To N	To S	To E	To W			ColTot	70	85	2	92
								Target	70	85	2	92
6		To N	To S	To E	To W	RowTt	Target		To N	To S	To E	To W
	From N	0	60	0	11	71	71		0	60	0	11
	From S	45	0	1	80	127	127		45	0	1	80
	From E	1	2	0	1	4	4		1	2	0	1
	From W	24	23	1	0	48	48		24	23	1	0
		To N	To S	To E	To W			ColTot	70	85	2	92
								Target	70	85	2	92
7		To N	To S	To E	To W	RowTt	Target		To N	To S	To E	To W
	From N	0	60	0	11	71	71		0	60	0	11
	From S	45	0	1	80	127	127		45	0	1	80
	From E	1	2	0	1	4	4		1	2	0	1
	From W	24	23	1	0	48	48		24	23	1	0
		To N	To S	To E	To W			ColTot	70	85	2	92
								Target	70	85	2	92
8		To N	To S	To E	To W	RowTt	Target		To N	To S	To E	To W
	From N	0	60	0	11	71	71		0	60	0	11
	From S	45	0	1	80	127	127		45	0	1	80
	From E	1	2	0	1	4	4		1	2	0	1
	From W	24	23	1	0	48	48		24	23	1	0
		To N	To S	To E	To W			ColTot	70	85	2	92
								Target	70	85	2	92
9		To N	To S	To E	To W	RowTt	Target		To N	To S	To E	To W
	From N	0	60	0	11	71	71		0	60	0	11
	From S	45	0	1	80	127	127		45	0	1	80
	From E	1	2	0	1	4	4		1	2	0	1
	From W	24	23	1	0	48	48		24	23	1	0
		To N	To S	To E	To W			ColTot	70	85	2	92
								Target	70	85	2	92
10		To N	To S	To E	To W	RowTt	Target		To N	To S	To E	To W
	From N	0	60	0	11	71	71		0	60	0	11
	From S	45	0	1	80	127	127		45	0	1	80
	From E	1	2	0	1	4	4		1	2	0	1
	From W	24	23	1	0	48	48		24	23	1	0
		To N	To S	To E	To W			ColTot	70	85	2	92
								Target	70	85	2	92
11		To N	To S	To E	To W	RowTt	Target		To N	To S	To E	To W
	From N	0	60	0	11	71	71		0	60	0	11
	From S	45	0	1	80	127	127		45	0	1	80
	From E	1	2	0	1	4	4		1	2	0	1
	From W	24	23	1	0	48	48		24	23	1	0
		To N	To S	To E	To W			ColTot	70	85	2	92
								Target	70	85	2	92

Turn Movement Forecast: Row-Column-Sum Method

Street Alignment: North/South at East/West Scenario: **Future (2040) With Project**
 Intersection: Needles Hwy at WB I-40 Ramps/Balboa Pl Time Period: **Weekday PM**

12		To N	To S	To E	To W	RowTt	Target		To N	To S	To E	To W	
	From N	0	60	0	11	71	71		0	60	0	11	
	From S	45	0	1	80	127	127		45	0	1	80	
	From E	1	2	0	1	4	4		1	2	0	1	
	From W	24	23	1	0	48	48		24	23	1	0	
		To N	To S	To E	To W				ColTot	70	85	2	92
									Target	70	85	2	92
13		To N	To S	To E	To W	RowTt	Target		To N	To S	To E	To W	
	From N	0	60	0	11	71	71		0	60	0	11	
	From S	45	0	1	80	127	127		45	0	1	80	
	From E	1	2	0	1	4	4		1	2	0	1	
	From W	24	23	1	0	48	48		24	23	1	0	
		To N	To S	To E	To W				ColTot	70	85	2	92
									Target	70	85	2	92
14		To N	To S	To E	To W	RowTt	Target		To N	To S	To E	To W	
	From N	0	60	0	11	71	71		0	60	0	11	
	From S	45	0	1	80	127	127		45	0	1	80	
	From E	1	2	0	1	4	4		1	2	0	1	
	From W	24	23	1	0	48	48		24	23	1	0	
		To N	To S	To E	To W				ColTot	70	85	2	92
									Target	70	85	2	92
15		To N	To S	To E	To W	RowTt	Target		To N	To S	To E	To W	
	From N	0	60	0	11	71	71		0	60	0	11	
	From S	45	0	1	80	127	127		45	0	1	80	
	From E	1	2	0	1	4	4		1	2	0	1	
	From W	24	23	1	0	48	48		24	23	1	0	
		To N	To S	To E	To W				ColTot	70	85	2	92
									Target	70	85	2	92
16		To N	To S	To E	To W	RowTt	Target		To N	To S	To E	To W	
	From N	0	60	0	11	71	71		0	60	0	11	
	From S	45	0	1	80	127	127		45	0	1	80	
	From E	1	2	0	1	4	4		1	2	0	1	
	From W	24	23	1	0	48	48		24	23	1	0	
		To N	To S	To E	To W				ColTot	70	85	2	92
									Target	70	85	2	92
17		To N	To S	To E	To W	RowTt	Target		To N	To S	To E	To W	
	From N	0	60	0	11	71	71		0	60	0	11	
	From S	45	0	1	80	127	127		45	0	1	80	
	From E	1	2	0	1	4	4		1	2	0	1	
	From W	24	23	1	0	48	48		24	23	1	0	
		To N	To S	To E	To W				ColTot	70	85	2	92
									Target	70	85	2	92
18		To N	To S	To E	To W	RowTt	Target		To N	To S	To E	To W	
	From N	0	60	0	11	71	71		0	60	0	11	
	From S	45	0	1	80	127	127		45	0	1	80	
	From E	1	2	0	1	4	4		1	2	0	1	
	From W	24	23	1	0	48	48		24	23	1	0	
		To N	To S	To E	To W				ColTot	70	85	2	92
									Target	70	85	2	92

Turn Movement Forecast: Row-Column-Sum Method

Street Alignment: North/South East/West Scenario: **Future (2040) With Project**
 Intersection: Needles Hwy at WB I-40 Ramps/Balboa Pl Time Period: **Weekday PM**

19		To N	To S	To E	To W	RowTt	Target		To N	To S	To E	To W	
	From N	0	60	0	11	71	71		0	60	0	11	
	From S	45	0	1	80	127	127		45	0	1	80	
	From E	1	2	0	1	4	4		1	2	0	1	
	From W	24	23	1	0	48	48		24	23	1	0	
		To N	To S	To E	To W			ColTot	70	85	2	92	
								Target	70	85	2	92	
20		To N	To S	To E	To W	RowTt	Target		To N	To S	To E	To W	
	From N	0	60	0	11	71	71		0	60	0	11	1.000
	From S	45	0	1	80	127	127		45	0	1	80	1.000
	From E	1	2	0	1	4	4		1	2	0	1	1.000
	From W	24	23	1	0	48	48		24	23	1	0	1.000
		To N	To S	To E	To W			ColTot	70	85	2	92	
								Target	70	85	2	92	
								Pct	1.000	1.000	1.000	1.000	

Turn Movements and Traffic Volumes												
Year	<u>NL</u>	<u>NT</u>	<u>NR</u>	<u>SL</u>	<u>ST</u>	<u>SR</u>	<u>EL</u>	<u>ET</u>	<u>ER</u>	<u>WL</u>	<u>WT</u>	<u>WR</u>
Existing	79	50	1		61	11	27	1	23	2	1	1
2040	80	45	1	0	60	11	24	1	23	2	1	1
max(existing, 2040)	80	50	1	0	61	11	27	1	23	2	1	1
rounded to nearest 10	90	50	10	0	70	20	30	10	30	10	10	10

Future Link outputs			
	North		
	90	90	
120			30
70			20
	110	150	
In - Out	340	340	Diff 0

Future volume			
	20	70	0
	SR	ST	SL
30			WR 10
10			WT 10
30			WL 10
	NL	NT	NR
	90	50	10

Turn Movement Forecast: Row-Column-Sum Method

Street Alignment: North/South East/West Scenario: **Future (2040) With Project**
 Intersection: Needles Hwy at WB I-40 Ramps/Balboa Pl Time Period: **Weekend MD**

Future Link Inputs				Existing Counts		Turn Move Inputs			
North						4	62	0	
87	65	71	2	29		SR	ST	SL	
53			2	0		EL		WR	0
	89	130		27		ET		WT	1
						ER		WL	1
						NL	NT	NR	
In - Out	250	249	250			81	50	2	

Average In-out volumes

Link Inputs			
North			
87	65	71	2
53			2
	89	130	
In - Out	250	250	0

1		To N	To S	To E	To W	RowTt	Target	2	To N	To S	To E	To W
	From N	0	62	0	4	66	65		0	61	0	4
	From S	50	0	2	81	133	130		49	0	2	79
	From E	0	1	0	1	2	2		0	1	0	1
	From W	29	27	0	0	56	53		27	26	0	0
		To N	To S	To E	To W			ColTot	76	87	2	84
								Target	71	89	2	87
2		To N	To S	To E	To W	RowTt	Target		To N	To S	To E	To W
	From N	0	62	0	4	66	65		0	61	0	4
	From S	46	0	2	82	130	130		46	0	2	82
	From E	0	1	0	1	2	2		0	1	0	1
	From W	26	26	0	0	52	53		26	27	0	0
		To N	To S	To E	To W			ColTot	72	89	2	87
								Target	71	89	2	87
3		To N	To S	To E	To W	RowTt	Target		To N	To S	To E	To W
	From N	0	61	0	4	65	65		0	61	0	4
	From S	45	0	2	82	129	130		45	0	2	82
	From E	0	1	0	1	2	2		0	1	0	1
	From W	26	27	0	0	53	53		26	27	0	0
		To N	To S	To E	To W			ColTot	71	89	2	87
								Target	71	89	2	87
4		To N	To S	To E	To W	RowTt	Target		To N	To S	To E	To W
	From N	0	61	0	4	65	65		0	61	0	4
	From S	45	0	2	82	129	130		45	0	2	82
	From E	0	1	0	1	2	2		0	1	0	1
	From W	26	27	0	0	53	53		26	27	0	0
		To N	To S	To E	To W			ColTot	71	89	2	87
								Target	71	89	2	87

Turn Movement Forecast: Row-Column-Sum Method

Street Alignment: North/South at East/West Scenario: **Future (2040) With Project**
 Intersection: Needles Hwy at WB I-40 Ramps/Balboa Pl Time Period: **Weekend MD**

5		To N	To S	To E	To W	RowTt	Target		To N	To S	To E	To W
	From N	0	61	0	4	65	65		0	61	0	4
	From S	45	0	2	82	130	130		45	0	2	82
	From E	0	1	0	1	2	2		0	1	0	1
	From W	26	27	0	0	53	53		26	27	0	0
		To N	To S	To E	To W			ColTot	71	89	2	87
								Target	71	89	2	87
6		To N	To S	To E	To W	RowTt	Target		To N	To S	To E	To W
	From N	0	61	0	4	65	65		0	61	0	4
	From S	45	0	2	82	130	130		45	0	2	82
	From E	0	1	0	1	2	2		0	1	0	1
	From W	26	27	0	0	53	53		26	27	0	0
		To N	To S	To E	To W			ColTot	71	89	2	87
								Target	71	89	2	87
7		To N	To S	To E	To W	RowTt	Target		To N	To S	To E	To W
	From N	0	61	0	4	65	65		0	61	0	4
	From S	45	0	2	82	130	130		45	0	2	82
	From E	0	1	0	1	2	2		0	1	0	1
	From W	26	27	0	0	53	53		26	27	0	0
		To N	To S	To E	To W			ColTot	71	89	2	87
								Target	71	89	2	87
8		To N	To S	To E	To W	RowTt	Target		To N	To S	To E	To W
	From N	0	61	0	4	65	65		0	61	0	4
	From S	45	0	2	82	130	130		45	0	2	82
	From E	0	1	0	1	2	2		0	1	0	1
	From W	26	27	0	0	53	53		26	27	0	0
		To N	To S	To E	To W			ColTot	71	89	2	87
								Target	71	89	2	87
9		To N	To S	To E	To W	RowTt	Target		To N	To S	To E	To W
	From N	0	61	0	4	65	65		0	61	0	4
	From S	45	0	2	82	130	130		45	0	2	82
	From E	0	1	0	1	2	2		0	1	0	1
	From W	26	27	0	0	53	53		26	27	0	0
		To N	To S	To E	To W			ColTot	71	89	2	87
								Target	71	89	2	87
10		To N	To S	To E	To W	RowTt	Target		To N	To S	To E	To W
	From N	0	61	0	4	65	65		0	61	0	4
	From S	45	0	2	82	130	130		45	0	2	82
	From E	0	1	0	1	2	2		0	1	0	1
	From W	26	27	0	0	53	53		26	27	0	0
		To N	To S	To E	To W			ColTot	71	89	2	87
								Target	71	89	2	87
11		To N	To S	To E	To W	RowTt	Target		To N	To S	To E	To W
	From N	0	61	0	4	65	65		0	61	0	4
	From S	45	0	2	82	130	130		45	0	2	82
	From E	0	1	0	1	2	2		0	1	0	1
	From W	26	27	0	0	53	53		26	27	0	0
		To N	To S	To E	To W			ColTot	71	89	2	87
								Target	71	89	2	87

Turn Movement Forecast: Row-Column-Sum Method

Street Alignment: North/South at East/West Scenario: **Future (2040) With Project**
 Intersection: Needles Hwy at WB I-40 Ramps/Balboa Pl Time Period: **Weekend MD**

12		To N	To S	To E	To W	RowTt	Target		To N	To S	To E	To W
	From N	0	61	0	4	65	65		0	61	0	4
	From S	45	0	2	82	130	130		45	0	2	82
	From E	0	1	0	1	2	2		0	1	0	1
	From W	26	27	0	0	53	53		26	27	0	0
		To N	To S	To E	To W			ColTot	71	89	2	87
								Target	71	89	2	87
13		To N	To S	To E	To W	RowTt	Target		To N	To S	To E	To W
	From N	0	61	0	4	65	65		0	61	0	4
	From S	45	0	2	82	130	130		45	0	2	82
	From E	0	1	0	1	2	2		0	1	0	1
	From W	26	27	0	0	53	53		26	27	0	0
		To N	To S	To E	To W			ColTot	71	89	2	87
								Target	71	89	2	87
14		To N	To S	To E	To W	RowTt	Target		To N	To S	To E	To W
	From N	0	61	0	4	65	65		0	61	0	4
	From S	45	0	2	82	130	130		45	0	2	82
	From E	0	1	0	1	2	2		0	1	0	1
	From W	26	27	0	0	53	53		26	27	0	0
		To N	To S	To E	To W			ColTot	71	89	2	87
								Target	71	89	2	87
15		To N	To S	To E	To W	RowTt	Target		To N	To S	To E	To W
	From N	0	61	0	4	65	65		0	61	0	4
	From S	45	0	2	82	130	130		45	0	2	82
	From E	0	1	0	1	2	2		0	1	0	1
	From W	26	27	0	0	53	53		26	27	0	0
		To N	To S	To E	To W			ColTot	71	89	2	87
								Target	71	89	2	87
16		To N	To S	To E	To W	RowTt	Target		To N	To S	To E	To W
	From N	0	61	0	4	65	65		0	61	0	4
	From S	45	0	2	82	130	130		45	0	2	82
	From E	0	1	0	1	2	2		0	1	0	1
	From W	26	27	0	0	53	53		26	27	0	0
		To N	To S	To E	To W			ColTot	71	89	2	87
								Target	71	89	2	87
17		To N	To S	To E	To W	RowTt	Target		To N	To S	To E	To W
	From N	0	61	0	4	65	65		0	61	0	4
	From S	45	0	2	82	130	130		45	0	2	82
	From E	0	1	0	1	2	2		0	1	0	1
	From W	26	27	0	0	53	53		26	27	0	0
		To N	To S	To E	To W			ColTot	71	89	2	87
								Target	71	89	2	87
18		To N	To S	To E	To W	RowTt	Target		To N	To S	To E	To W
	From N	0	61	0	4	65	65		0	61	0	4
	From S	45	0	2	82	130	130		45	0	2	82
	From E	0	1	0	1	2	2		0	1	0	1
	From W	26	27	0	0	53	53		26	27	0	0
		To N	To S	To E	To W			ColTot	71	89	2	87
								Target	71	89	2	87

Turn Movement Forecast: Row-Column-Sum Method

Street Alignment: North/South East/West Scenario: **Future (2040) With Project**
 Intersection: Needles Hwy at WB I-40 Ramps/Balboa Pl Time Period: **Weekend MD**

19		To N	To S	To E	To W	RowTt	Target		To N	To S	To E	To W	
	From N	0	61	0	4	65	65		0	61	0	4	
	From S	45	0	2	82	130	130		45	0	2	82	
	From E	0	1	0	1	2	2		0	1	0	1	
	From W	26	27	0	0	53	53		26	27	0	0	
		To N	To S	To E	To W			ColTot	71	89	2	87	
								Target	71	89	2	87	
20		To N	To S	To E	To W	RowTt	Target		To N	To S	To E	To W	
	From N	0	61	0	4	65	65		0	61	0	4	1.000
	From S	45	0	2	82	130	130		45	0	2	82	1.000
	From E	0	1	0	1	2	2		0	1	0	1	1.000
	From W	26	27	0	0	53	53		26	27	0	0	1.000
		To N	To S	To E	To W			ColTot	71	89	2	87	
								Target	71	89	2	87	
								Pct	1.000	1.000	1.000	1.000	

Turn Movements and Traffic Volumes												
Year	<u>NL</u>	<u>NT</u>	<u>NR</u>	<u>SL</u>	<u>ST</u>	<u>SR</u>	<u>EL</u>	<u>ET</u>	<u>ER</u>	<u>WL</u>	<u>WT</u>	<u>WR</u>
Existing	81	50	2		62	4	29		27	1	1	
2040	82	45	2	0	61	4	26	0	27	1	1	0
max(existing, 2040)	82	50	2	0	62	4	29	0	27	1	1	0
rounded to nearest 10	90	50	10	0	70	10	30	0	30	10	10	0

Future Link outputs			
North			
	80	80	
110			20
60			10
	110	150	
In - Out	310	310	Diff 0

Future volume			
Turn Move Inputs			
	10	70	0
	SR	ST	SL
30			WR 0
0			WT 10
30			WL 10
	NL	NT	NR
	90	50	10

Turn Movement Forecast: Row-Column-Sum Method

Street Alignment: North/South East/West Scenario: **Future (2040) With Project**
 Intersection: EB I-40 Ramps at Needles Hwy Time Period: **Weekday AM**

Future Link Inputs				Existing Counts		Turn Move Inputs		
	North					1	15	56
	78	67				SR	ST	SL
156			227	19		EL		WR
64			128	50		ET		WT
	49	31		7		ER		WL
			Average			NL	NT	NR
In - Out	400	400	400			1	14	16

Average In-out volumes

Link Inputs			
	North		
	78	67	
156			227
64			128
	49	31	
In - Out	400	400	0

1		To N	To S	To E	To W	RowTt	Target	2	To N	To S	To E	To W
	From N	0	15	56	1	72	78		0	16	61	1
	From S	14	0	16	1	31	31		14	0	16	1
	From E	45	27	0	127	199	227		51	31	0	145
	From W	19	7	50	0	76	64		16	6	42	0
		To N	To S	To E	To W			ColTot	81	53	119	147
								Target	67	49	128	156
2		To N	To S	To E	To W	RowTt	Target		To N	To S	To E	To W
	From N	0	15	65	1	82	78		0	14	63	1
	From S	12	0	17	1	30	31		12	0	18	1
	From E	42	29	0	154	225	227		43	29	0	155
	From W	13	5	45	0	64	64		13	5	45	0
		To N	To S	To E	To W			ColTot	68	49	126	158
								Target	67	49	128	156
3		To N	To S	To E	To W	RowTt	Target		To N	To S	To E	To W
	From N	0	14	64	1	79	78		0	14	63	1
	From S	12	0	18	1	31	31		12	0	18	1
	From E	42	29	0	154	225	227		43	29	0	155
	From W	13	5	46	0	65	64		13	5	46	0
		To N	To S	To E	To W			ColTot	67	49	126	157
								Target	67	49	128	156
4		To N	To S	To E	To W	RowTt	Target		To N	To S	To E	To W
	From N	0	14	63	1	79	78		0	14	63	1
	From S	12	0	18	1	31	31		12	0	18	1
	From E	42	29	0	154	226	227		43	29	0	155
	From W	13	5	46	0	65	64		13	5	46	0
		To N	To S	To E	To W			ColTot	67	49	127	157
								Target	67	49	128	156

Turn Movement Forecast: Row-Column-Sum Method

Street Alignment: North/South East/West Scenario: **Future (2040) With Project**
 Intersection: EB I-40 Ramps at Needles Hwy Time Period: **Weekday AM**

5		To N	To S	To E	To W	RowTt	Target		To N	To S	To E	To W
	From N	0	14	63	1	79	78		0	14	63	1
	From S	12	0	18	1	31	31		12	0	18	1
	From E	43	29	0	154	226	227		43	30	0	155
	From W	13	5	46	0	64	64		13	5	46	0
		To N	To S	To E	To W			ColTot	67	49	127	157
								Target	67	49	128	156
6		To N	To S	To E	To W	RowTt	Target		To N	To S	To E	To W
	From N	0	14	63	1	78	78		0	14	63	1
	From S	12	0	18	1	31	31		12	0	18	1
	From E	43	30	0	154	226	227		43	30	0	154
	From W	13	5	46	0	64	64		13	5	46	0
		To N	To S	To E	To W			ColTot	67	49	127	156
								Target	67	49	128	156
7		To N	To S	To E	To W	RowTt	Target		To N	To S	To E	To W
	From N	0	14	63	1	78	78		0	14	63	1
	From S	12	0	18	1	31	31		12	0	18	1
	From E	43	30	0	154	226	227		43	30	0	154
	From W	13	5	46	0	64	64		13	5	46	0
		To N	To S	To E	To W			ColTot	67	49	128	156
								Target	67	49	128	156
8		To N	To S	To E	To W	RowTt	Target		To N	To S	To E	To W
	From N	0	14	63	1	78	78		0	14	63	1
	From S	12	0	18	1	31	31		12	0	18	1
	From E	43	30	0	154	227	227		43	30	0	154
	From W	13	5	46	0	64	64		13	5	46	0
		To N	To S	To E	To W			ColTot	67	49	128	156
								Target	67	49	128	156
9		To N	To S	To E	To W	RowTt	Target		To N	To S	To E	To W
	From N	0	14	63	1	78	78		0	14	63	1
	From S	11	0	18	1	31	31		11	0	18	1
	From E	43	30	0	154	227	227		43	30	0	154
	From W	12	5	46	0	64	64		12	5	46	0
		To N	To S	To E	To W			ColTot	67	49	128	156
								Target	67	49	128	156
10		To N	To S	To E	To W	RowTt	Target		To N	To S	To E	To W
	From N	0	14	63	1	78	78		0	14	63	1
	From S	11	0	19	1	31	31		11	0	18	1
	From E	43	30	0	154	227	227		43	30	0	154
	From W	12	5	46	0	64	64		12	5	46	0
		To N	To S	To E	To W			ColTot	67	49	128	156
								Target	67	49	128	156
11		To N	To S	To E	To W	RowTt	Target		To N	To S	To E	To W
	From N	0	14	63	1	78	78		0	14	63	1
	From S	11	0	19	1	31	31		11	0	18	1
	From E	43	30	0	154	227	227		43	30	0	154
	From W	12	5	46	0	64	64		12	5	46	0
		To N	To S	To E	To W			ColTot	67	49	128	156
								Target	67	49	128	156

Turn Movement Forecast: Row-Column-Sum Method

Street Alignment: North/South East/West Scenario: **Future (2040) With Project**
 Intersection: EB I-40 Ramps at Needles Hwy Time Period: **Weekday AM**

12		To N	To S	To E	To W	RowTt	Target		To N	To S	To E	To W	
	From N	0	14	63	1	78	78		0	14	63	1	
	From S	11	0	19	1	31	31		11	0	19	1	
	From E	43	30	0	154	227	227		43	30	0	154	
	From W	12	5	46	0	64	64		12	5	46	0	
		To N	To S	To E	To W				ColTot	67	49	128	156
									Target	67	49	128	156
13		To N	To S	To E	To W	RowTt	Target		To N	To S	To E	To W	
	From N	0	14	63	1	78	78		0	14	63	1	
	From S	11	0	19	1	31	31		11	0	19	1	
	From E	43	30	0	154	227	227		43	30	0	154	
	From W	12	5	46	0	64	64		12	5	46	0	
		To N	To S	To E	To W				ColTot	67	49	128	156
									Target	67	49	128	156
14		To N	To S	To E	To W	RowTt	Target		To N	To S	To E	To W	
	From N	0	14	63	1	78	78		0	14	63	1	
	From S	11	0	19	1	31	31		11	0	19	1	
	From E	43	30	0	154	227	227		43	30	0	154	
	From W	12	5	46	0	64	64		12	5	46	0	
		To N	To S	To E	To W				ColTot	67	49	128	156
									Target	67	49	128	156
15		To N	To S	To E	To W	RowTt	Target		To N	To S	To E	To W	
	From N	0	14	63	1	78	78		0	14	63	1	
	From S	11	0	19	1	31	31		11	0	19	1	
	From E	43	30	0	154	227	227		43	30	0	154	
	From W	12	5	46	0	64	64		12	5	46	0	
		To N	To S	To E	To W				ColTot	67	49	128	156
									Target	67	49	128	156
16		To N	To S	To E	To W	RowTt	Target		To N	To S	To E	To W	
	From N	0	14	63	1	78	78		0	14	63	1	
	From S	11	0	19	1	31	31		11	0	19	1	
	From E	43	30	0	154	227	227		43	30	0	154	
	From W	12	5	46	0	64	64		12	5	46	0	
		To N	To S	To E	To W				ColTot	67	49	128	156
									Target	67	49	128	156
17		To N	To S	To E	To W	RowTt	Target		To N	To S	To E	To W	
	From N	0	14	63	1	78	78		0	14	63	1	
	From S	11	0	19	1	31	31		11	0	19	1	
	From E	43	30	0	154	227	227		43	30	0	154	
	From W	12	5	46	0	64	64		12	5	46	0	
		To N	To S	To E	To W				ColTot	67	49	128	156
									Target	67	49	128	156
18		To N	To S	To E	To W	RowTt	Target		To N	To S	To E	To W	
	From N	0	14	63	1	78	78		0	14	63	1	
	From S	11	0	19	1	31	31		11	0	19	1	
	From E	43	30	0	154	227	227		43	30	0	154	
	From W	12	5	46	0	64	64		12	5	46	0	
		To N	To S	To E	To W				ColTot	67	49	128	156
									Target	67	49	128	156

Turn Movement Forecast: Row-Column-Sum Method

Street Alignment: North/South East/West Scenario: **Future (2040) With Project**
 Intersection: EB I-40 Ramps at Needles Hwy Time Period: **Weekday AM**

19		To N	To S	To E	To W	RowTt	Target		To N	To S	To E	To W	
	From N	0	14	63	1	78	78		0	14	63	1	
	From S	11	0	19	1	31	31		11	0	19	1	
	From E	43	30	0	154	227	227		43	30	0	154	
	From W	12	5	46	0	64	64		12	5	46	0	
		To N	To S	To E	To W			ColTot	67	49	128	156	
								Target	67	49	128	156	
20		To N	To S	To E	To W	RowTt	Target		To N	To S	To E	To W	
	From N	0	14	63	1	78	78		0	14	63	1	1.000
	From S	11	0	19	1	31	31		11	0	19	1	1.000
	From E	43	30	0	154	227	227		43	30	0	154	1.000
	From W	12	5	46	0	64	64		12	5	46	0	1.000
		To N	To S	To E	To W			ColTot	67	49	128	156	
								Target	67	49	128	156	
								Pct	1.000	1.000	1.000	1.000	

Turn Movements and Traffic Volumes												
Year	NL	NT	NR	SL	ST	SR	EL	ET	ER	WL	WT	WR
Existing	1	14	16	56	15	1	19	50	7	27	127	45
2040	1	11	19	63	14	1	12	46	5	30	154	43
max(existing, 2040)	1	14	19	63	15	1	19	50	7	30	154	45
rounded to nearest 10	10	20	20	70	20	10	20	50	10	30	160	50

Future Link outputs			
North			
	100	90	
180			240
80			140
	60	50	
In - Out	470	470	Diff 0

Future volume			
Turn Move Inputs			
	10	20	70
	SR	ST	SL
20			WR 50
50			WT 160
10			WL 30
	NL	NT	NR
	10	20	20

Turn Movement Forecast: Row-Column-Sum Method

Street Alignment: North/South East/West Scenario: **Future (2040) With Project**
 Intersection: EB I-40 Ramps at Needles Hwy Time Period: **Weekday PM**

Future Link Inputs				Existing Counts		Turn Move Inputs		
	North					4	8	147
	163	65				SR	ST	SL
125			181	20		EL		WR
84			234	61		ET		WT
	24	18		4		ER		WL
			Average			NL	NT	NR
In - Out	446	448	447			3	2	13

Average In-out volumes

Link Inputs			
	North		
	163	65	
125			181
84			233
	24	18	
In - Out	447	447	0

1		To N	To S	To E	To W	RowTt	Target	2	To N	To S	To E	To W
	From N	0	8	147	4	159	163		0	8	151	4
	From S	2	0	13	3	18	18		2	0	13	3
	From E	51	12	0	121	184	181		50	12	0	119
	From W	20	4	61	0	85	84		20	4	60	0
		To N	To S	To E	To W			ColTot	72	24	224	126
								Target	65	24	233	125
2		To N	To S	To E	To W	RowTt	Target		To N	To S	To E	To W
	From N	0	8	157	4	169	163		0	8	152	4
	From S	2	0	14	3	18	18		2	0	13	3
	From E	45	12	0	118	175	181		47	12	0	122
	From W	18	4	63	0	85	84		18	4	63	0
		To N	To S	To E	To W			ColTot	66	24	227	129
								Target	65	24	233	125
3		To N	To S	To E	To W	RowTt	Target		To N	To S	To E	To W
	From N	0	8	156	4	167	163		0	8	152	4
	From S	2	0	14	3	18	18		2	0	14	3
	From E	46	12	0	118	176	181		47	13	0	122
	From W	17	4	64	0	85	84		17	4	63	0
		To N	To S	To E	To W			ColTot	66	24	229	128
								Target	65	24	233	125
4		To N	To S	To E	To W	RowTt	Target		To N	To S	To E	To W
	From N	0	8	155	4	166	163		0	8	152	4
	From S	2	0	14	3	18	18		2	0	14	3
	From E	46	12	0	118	177	181		47	13	0	121
	From W	17	4	65	0	85	84		17	4	64	0
		To N	To S	To E	To W			ColTot	66	24	230	127
								Target	65	24	233	125

Turn Movement Forecast: Row-Column-Sum Method

Street Alignment:
Intersection:

North/South
EB I-40 Ramps/ at East/West
Needles Hwy

Scenario: **Future (2040) With Project**
Time Period: **Weekday PM**

5		To N	To S	To E	To W	RowTt	Target		To N	To S	To E	To W
	From N	0	7	155	3	166	163		0	7	153	3
	From S	2	0	14	3	18	18		2	0	14	3
	From E	47	13	0	119	178	181		48	13	0	121
	From W	16	4	65	0	85	84		16	4	64	0
		To N	To S	To E	To W			ColTot	66	24	231	127
								Target	65	24	233	125
6		To N	To S	To E	To W	RowTt	Target		To N	To S	To E	To W
	From N	0	7	154	3	165	163		0	7	153	3
	From S	2	0	14	3	18	18		2	0	14	3
	From E	47	13	0	119	179	181		48	13	0	120
	From W	16	4	65	0	85	84		16	4	65	0
		To N	To S	To E	To W			ColTot	65	24	231	126
								Target	65	24	233	125
7		To N	To S	To E	To W	RowTt	Target		To N	To S	To E	To W
	From N	0	7	154	3	165	163		0	7	153	3
	From S	2	0	14	3	18	18		2	0	14	3
	From E	47	13	0	119	179	181		48	13	0	120
	From W	16	4	65	0	85	84		16	4	65	0
		To N	To S	To E	To W			ColTot	65	24	232	126
								Target	65	24	233	125
8		To N	To S	To E	To W	RowTt	Target		To N	To S	To E	To W
	From N	0	7	154	3	164	163		0	7	153	3
	From S	2	0	14	2	18	18		2	0	14	2
	From E	48	13	0	119	180	181		48	13	0	120
	From W	16	4	65	0	85	84		16	4	65	0
		To N	To S	To E	To W			ColTot	65	24	232	126
								Target	65	24	233	125
9		To N	To S	To E	To W	RowTt	Target		To N	To S	To E	To W
	From N	0	7	154	3	164	163		0	7	153	3
	From S	2	0	14	2	18	18		2	0	14	2
	From E	48	13	0	119	180	181		48	13	0	120
	From W	15	4	65	0	84	84		15	4	65	0
		To N	To S	To E	To W			ColTot	65	24	232	126
								Target	65	24	233	125
10		To N	To S	To E	To W	RowTt	Target		To N	To S	To E	To W
	From N	0	7	154	3	164	163		0	7	153	3
	From S	2	0	14	2	18	18		2	0	14	2
	From E	48	13	0	119	180	181		48	13	0	120
	From W	15	4	65	0	84	84		15	4	65	0
		To N	To S	To E	To W			ColTot	65	24	233	125
								Target	65	24	233	125
11		To N	To S	To E	To W	RowTt	Target		To N	To S	To E	To W
	From N	0	7	154	3	164	163		0	7	153	3
	From S	2	0	14	2	18	18		2	0	14	2
	From E	48	13	0	119	181	181		48	13	0	120
	From W	15	4	66	0	84	84		15	4	65	0
		To N	To S	To E	To W			ColTot	65	24	233	125
								Target	65	24	233	125

Turn Movement Forecast: Row-Column-Sum Method

Street Alignment: North/South East/West Scenario: **Future (2040) With Project**
 Intersection: EB I-40 Ramps at Needles Hwy Time Period: **Weekday PM**

12		To N	To S	To E	To W	RowTt	Target		To N	To S	To E	To W	
	From N	0	7	154	3	164	163		0	7	153	3	
	From S	2	0	14	2	18	18		2	0	14	2	
	From E	48	13	0	119	181	181		48	13	0	120	
	From W	15	4	66	0	84	84		15	4	65	0	
		To N	To S	To E	To W				ColTot	65	24	233	125
									Target	65	24	233	125
13		To N	To S	To E	To W	RowTt	Target		To N	To S	To E	To W	
	From N	0	7	154	3	164	163		0	7	153	3	
	From S	2	0	14	2	18	18		2	0	14	2	
	From E	48	13	0	119	181	181		48	13	0	120	
	From W	15	4	66	0	84	84		15	4	66	0	
		To N	To S	To E	To W				ColTot	65	24	233	125
									Target	65	24	233	125
14		To N	To S	To E	To W	RowTt	Target		To N	To S	To E	To W	
	From N	0	7	154	3	164	163		0	7	153	3	
	From S	2	0	14	2	18	18		2	0	14	2	
	From E	48	13	0	119	181	181		48	13	0	120	
	From W	15	4	66	0	84	84		15	4	66	0	
		To N	To S	To E	To W				ColTot	65	24	233	125
									Target	65	24	233	125
15		To N	To S	To E	To W	RowTt	Target		To N	To S	To E	To W	
	From N	0	7	154	3	164	163		0	7	153	3	
	From S	2	0	14	2	18	18		2	0	14	2	
	From E	48	13	0	119	181	181		48	13	0	120	
	From W	15	4	66	0	84	84		15	4	66	0	
		To N	To S	To E	To W				ColTot	65	24	233	125
									Target	65	24	233	125
16		To N	To S	To E	To W	RowTt	Target		To N	To S	To E	To W	
	From N	0	7	154	3	164	163		0	7	153	3	
	From S	2	0	14	2	18	18		2	0	14	2	
	From E	48	13	0	119	181	181		48	14	0	119	
	From W	15	4	66	0	84	84		15	4	66	0	
		To N	To S	To E	To W				ColTot	65	24	233	125
									Target	65	24	233	125
17		To N	To S	To E	To W	RowTt	Target		To N	To S	To E	To W	
	From N	0	7	154	3	164	163		0	7	153	3	
	From S	2	0	14	2	18	18		2	0	14	2	
	From E	48	14	0	119	181	181		48	14	0	119	
	From W	15	4	66	0	84	84		15	4	66	0	
		To N	To S	To E	To W				ColTot	65	24	233	125
									Target	65	24	233	125
18		To N	To S	To E	To W	RowTt	Target		To N	To S	To E	To W	
	From N	0	7	154	3	163	163		0	7	153	3	
	From S	2	0	14	2	18	18		2	0	14	2	
	From E	48	14	0	119	181	181		48	14	0	119	
	From W	15	4	66	0	84	84		15	4	66	0	
		To N	To S	To E	To W				ColTot	65	24	233	125
									Target	65	24	233	125

Turn Movement Forecast: Row-Column-Sum Method

Street Alignment: North/South East/West Scenario: **Future (2040) With Project**
 Intersection: EB I-40 Ramps at Needles Hwy Time Period: **Weekday PM**

19		To N	To S	To E	To W	RowTt	Target		To N	To S	To E	To W	
	From N	0	7	154	3	163	163		0	7	153	3	
	From S	2	0	14	2	18	18		2	0	14	2	
	From E	48	14	0	119	181	181		48	14	0	119	
	From W	15	4	66	0	84	84		15	4	66	0	
		To N	To S	To E	To W			ColTot	65	24	233	125	
								Target	65	24	233	125	
20		To N	To S	To E	To W	RowTt	Target		To N	To S	To E	To W	
	From N	0	7	154	3	163	163		0	7	153	3	1.000
	From S	2	0	14	2	18	18		2	0	14	2	1.000
	From E	48	14	0	119	181	181		48	14	0	119	0.999
	From W	15	4	66	0	84	84		15	4	66	0	1.000
		To N	To S	To E	To W			ColTot	65	24	233	125	
								Target	65	24	233	125	
								Pct	1.000	1.000	1.000	1.000	

Turn Movements and Traffic Volumes

Year	<u>NL</u>	<u>NT</u>	<u>NR</u>	<u>SL</u>	<u>ST</u>	<u>SR</u>	<u>EL</u>	<u>ET</u>	<u>ER</u>	<u>WL</u>	<u>WT</u>	<u>WR</u>
Existing	3	2	13	147	8	4	20	61	4	12	121	51
2040	2	2	14	153	7	3	15	66	4	14	119	48
max(existing, 2040)	3	2	14	153	8	4	20	66	4	14	121	51
rounded to nearest 10	10	10	20	160	10	10	20	70	10	20	130	60

Future Link outputs			
North			
	180	90	
150			210
100			250
	40	40	
In - Out	530	530	Diff 0

Future volume	Turn Move Inputs		
	10	10	160
	SR	ST	SL
20			WR
70			WT
10			WL
	NL	NT	NR
	10	10	20

Turn Movement Forecast: Row-Column-Sum Method

Street Alignment: North/South East/West Scenario: **Future (2040) With Project**
 Intersection: EB I-40 Ramps at Needles Hwy Time Period: **Weekend MD**

Future Link Inputs				Existing Counts		Turn Move Inputs		
	North					2	16	152
	175	94				SR	ST	SL
130			213	17		EL		WR
91			251	66		ET		WT
	42	40		9		ER		WL
						NL	NT	NR
In - Out	519	517	518			8	13	19
			Average					

Average In-out volumes

Link Inputs			
	North		
	175	94	
130			213
91			251
	42	40	
In - Out	518	518	0

1		To N	To S	To E	To W	RowTt	Target	2	To N	To S	To E	To W
	From N	0	16	152	2	170	175		0	16	156	2
	From S	13	0	19	8	40	40		13	0	19	8
	From E	76	17	0	123	216	213		75	17	0	121
	From W	17	9	66	0	92	91		17	9	65	0
		To N	To S	To E	To W			ColTot	105	42	240	131
								Target	94	42	251	130
2		To N	To S	To E	To W	RowTt	Target		To N	To S	To E	To W
	From N	0	16	163	2	182	175		0	16	157	2
	From S	12	0	20	8	39	40		12	0	20	8
	From E	67	17	0	120	204	213		70	17	0	125
	From W	15	9	68	0	92	91		15	9	67	0
		To N	To S	To E	To W			ColTot	97	42	244	135
								Target	94	42	251	130
3		To N	To S	To E	To W	RowTt	Target		To N	To S	To E	To W
	From N	0	16	162	2	179	175		0	15	157	2
	From S	12	0	21	8	40	40		12	0	21	8
	From E	68	17	0	121	206	213		70	18	0	124
	From W	14	9	69	0	92	91		14	9	68	0
		To N	To S	To E	To W			ColTot	96	42	246	134
								Target	94	42	251	130
4		To N	To S	To E	To W	RowTt	Target		To N	To S	To E	To W
	From N	0	15	161	2	178	175		0	15	158	2
	From S	11	0	21	8	40	40		11	0	21	8
	From E	69	18	0	121	208	213		70	18	0	124
	From W	14	9	69	0	92	91		14	9	69	0
		To N	To S	To E	To W			ColTot	96	42	247	133
								Target	94	42	251	130

Turn Movement Forecast: Row-Column-Sum Method

Street Alignment:
Intersection:

North/South
EB I-40 Ramps/ at East/West
Needles Hwy

Scenario: **Future (2040) With Project**
Time Period: **Weekend MD**

5		To N	To S	To E	To W	RowTt	Target		To N	To S	To E	To W
	From N	0	15	160	2	177	175		0	15	158	2
	From S	11	0	21	7	40	40		11	0	21	7
	From E	69	18	0	121	209	213		71	19	0	123
	From W	14	9	70	0	92	91		13	8	69	0
		To N	To S	To E	To W			ColTot	95	42	248	132
								Target	94	42	251	130
6		To N	To S	To E	To W	RowTt	Target		To N	To S	To E	To W
	From N	0	15	160	2	177	175		0	15	158	2
	From S	11	0	22	7	40	40		11	0	22	7
	From E	70	19	0	121	210	213		71	19	0	123
	From W	13	8	70	0	92	91		13	8	69	0
		To N	To S	To E	To W			ColTot	95	42	249	132
								Target	94	42	251	130
7		To N	To S	To E	To W	RowTt	Target		To N	To S	To E	To W
	From N	0	15	160	2	176	175		0	15	158	2
	From S	11	0	22	7	40	40		11	0	22	7
	From E	70	19	0	121	211	213		71	19	0	123
	From W	13	8	70	0	91	91		13	8	69	0
		To N	To S	To E	To W			ColTot	95	42	250	131
								Target	94	42	251	130
8		To N	To S	To E	To W	RowTt	Target		To N	To S	To E	To W
	From N	0	15	159	2	176	175		0	15	159	2
	From S	11	0	22	7	40	40		11	0	22	7
	From E	70	19	0	122	211	213		71	19	0	122
	From W	13	8	70	0	91	91		13	8	70	0
		To N	To S	To E	To W			ColTot	95	42	250	131
								Target	94	42	251	130
9		To N	To S	To E	To W	RowTt	Target		To N	To S	To E	To W
	From N	0	15	159	2	175	175		0	14	159	2
	From S	11	0	22	7	40	40		11	0	22	7
	From E	71	19	0	122	211	213		71	19	0	122
	From W	13	8	70	0	91	91		13	8	70	0
		To N	To S	To E	To W			ColTot	95	42	251	131
								Target	94	42	251	130
10		To N	To S	To E	To W	RowTt	Target		To N	To S	To E	To W
	From N	0	14	159	2	175	175		0	14	159	2
	From S	11	0	22	7	40	40		11	0	22	7
	From E	71	19	0	122	212	213		71	19	0	122
	From W	13	8	70	0	91	91		13	8	70	0
		To N	To S	To E	To W			ColTot	94	42	251	131
								Target	94	42	251	130
11		To N	To S	To E	To W	RowTt	Target		To N	To S	To E	To W
	From N	0	14	159	2	175	175		0	14	159	2
	From S	11	0	22	7	40	40		11	0	22	7
	From E	71	19	0	122	212	213		71	19	0	122
	From W	13	8	70	0	91	91		13	8	70	0
		To N	To S	To E	To W			ColTot	94	42	251	131
								Target	94	42	251	130

Turn Movement Forecast: Row-Column-Sum Method

Street Alignment:
Intersection:

North/South
EB I-40 Ramps/ at East/West
Needles Hwy

Scenario: **Future (2040) With Project**
Time Period: **Weekend MD**

12		To N	To S	To E	To W	RowTt	Target		To N	To S	To E	To W
	From N	0	14	159	2	175	175		0	14	159	2
	From S	11	0	22	7	40	40		11	0	22	7
	From E	71	19	0	122	212	213		71	20	0	122
	From W	13	8	70	0	91	91		13	8	70	0
		To N	To S	To E	To W				ColTot	94	42	251
								Target	94	42	251	130
13		To N	To S	To E	To W	RowTt	Target		To N	To S	To E	To W
	From N	0	14	159	2	175	175		0	14	159	2
	From S	11	0	22	7	40	40		11	0	22	7
	From E	71	20	0	122	212	213		71	20	0	122
	From W	13	8	70	0	91	91		13	8	70	0
		To N	To S	To E	To W				ColTot	94	42	251
								Target	94	42	251	130
14		To N	To S	To E	To W	RowTt	Target		To N	To S	To E	To W
	From N	0	14	159	2	175	175		0	14	159	2
	From S	11	0	22	7	40	40		11	0	22	7
	From E	71	20	0	122	212	213		71	20	0	122
	From W	13	8	70	0	91	91		13	8	70	0
		To N	To S	To E	To W				ColTot	94	42	251
								Target	94	42	251	130
15		To N	To S	To E	To W	RowTt	Target		To N	To S	To E	To W
	From N	0	14	159	2	175	175		0	14	159	2
	From S	11	0	22	7	40	40		11	0	22	7
	From E	71	20	0	122	212	213		71	20	0	122
	From W	13	8	70	0	91	91		13	8	70	0
		To N	To S	To E	To W				ColTot	94	42	251
								Target	94	42	251	130
16		To N	To S	To E	To W	RowTt	Target		To N	To S	To E	To W
	From N	0	14	159	2	175	175		0	14	159	2
	From S	11	0	22	7	40	40		11	0	22	7
	From E	71	20	0	122	212	213		71	20	0	122
	From W	13	8	70	0	91	91		13	8	70	0
		To N	To S	To E	To W				ColTot	94	42	251
								Target	94	42	251	130
17		To N	To S	To E	To W	RowTt	Target		To N	To S	To E	To W
	From N	0	14	159	2	175	175		0	14	159	2
	From S	11	0	22	7	40	40		11	0	22	7
	From E	71	20	0	122	212	213		71	20	0	122
	From W	13	8	70	0	91	91		13	8	70	0
		To N	To S	To E	To W				ColTot	94	42	251
								Target	94	42	251	130
18		To N	To S	To E	To W	RowTt	Target		To N	To S	To E	To W
	From N	0	14	159	2	175	175		0	14	159	2
	From S	11	0	22	7	40	40		11	0	22	7
	From E	71	20	0	122	213	213		71	20	0	122
	From W	13	8	70	0	91	91		13	8	70	0
		To N	To S	To E	To W				ColTot	94	42	251
								Target	94	42	251	130

Turn Movement Forecast: Row-Column-Sum Method

Street Alignment: North/South East/West Scenario: **Future (2040) With Project**
 Intersection: EB I-40 Ramps at Needles Hwy Time Period: **Weekend MD**

19		To N	To S	To E	To W	RowTt	Target		To N	To S	To E	To W	
	From N	0	14	159	2	175	175		0	14	159	2	
	From S	11	0	22	7	40	40		11	0	22	7	
	From E	71	20	0	122	213	213		71	20	0	122	
	From W	12	8	70	0	91	91		12	8	70	0	
		To N	To S	To E	To W			ColTot	94	42	251	130	
								Target	94	42	251	130	
20		To N	To S	To E	To W	RowTt	Target		To N	To S	To E	To W	
	From N	0	14	159	2	175	175		0	14	159	2	1.000
	From S	11	0	22	7	40	40		11	0	22	7	1.000
	From E	71	20	0	122	213	213		71	20	0	122	1.000
	From W	12	8	70	0	91	91		12	8	70	0	1.000
		To N	To S	To E	To W			ColTot	94	42	251	130	
								Target	94	42	251	130	
								Pct	1.000	1.000	1.000	1.000	

Turn Movements and Traffic Volumes												
<u>Year</u>	<u>NL</u>	<u>NT</u>	<u>NR</u>	<u>SL</u>	<u>ST</u>	<u>SR</u>	<u>EL</u>	<u>ET</u>	<u>ER</u>	<u>WL</u>	<u>WT</u>	<u>WR</u>
Existing	8	13	19	152	16	2	17	66	9	17	123	76
2040	7	11	22	159	14	2	12	70	8	20	122	71
max(existing, 2040)	8	13	22	159	16	2	17	70	9	20	123	76
rounded to nearest 10	10	20	30	160	20	10	20	80	10	20	130	80

Future Link outputs			
North			
	190	120	
150			230
110			270
	50	60	
In - Out	590	590	Diff 0

Future volume			
Turn Move Inputs			
	10	20	160
	SR	ST	SL
20			WR
80			WT
10			WL
	NL	NT	NR
	10	20	30

Turn Movement Forecast: Row-Column-Sum Method

Street Alignment: North/South East/West Scenario: **Future (2040) With Project**
 Intersection: K Street at River Rd/Smokestack Ave Time Period: **Weekday AM**

Future Link Inputs				Existing Counts		Turn Move Inputs			
North						1	408	16	
	412	358				SR	ST	SL	
4			14	3		EL		WR	16
4			26	0		ET		WT	1
	394	351		1		ER		WL	0
			Average			NL	NT	NR	
In - Out	781	782	782			2	332	1	

Average In-out volumes

Link Inputs			
North			
	412	358	
4			14
4			26
	394	351	
In - Out	782	782	0

1	To N	To S	To E	To W	RowTt	Target	2	To N	To S	To E	To W
	From N	0	408	16	1	425	412	0	396	16	1
	From S	332	0	1	2	335	351	348	0	1	2
	From E	16	0	0	1	17	14	13	0	0	1
	From W	3	1	0	0	4	4	3	1	0	0
	To N	To S	To E	To W			ColTot	364	397	17	4
							Target	358	394	26	4
2	To N	To S	To E	To W	RowTt	Target		To N	To S	To E	To W
	From N	0	393	24	1	418	412	0	387	24	1
	From S	342	0	2	2	346	351	347	0	2	2
	From E	13	0	0	1	14	14	13	0	0	1
	From W	3	1	0	0	4	4	3	1	0	0
	To N	To S	To E	To W			ColTot	364	388	26	4
							Target	358	394	26	4
3	To N	To S	To E	To W	RowTt	Target		To N	To S	To E	To W
	From N	0	393	24	1	418	412	0	387	24	1
	From S	342	0	2	2	346	351	347	0	2	2
	From E	13	0	0	1	14	14	13	0	0	1
	From W	3	1	0	0	4	4	3	1	0	0
	To N	To S	To E	To W			ColTot	363	388	26	4
							Target	358	394	26	4
4	To N	To S	To E	To W	RowTt	Target		To N	To S	To E	To W
	From N	0	393	24	1	418	412	0	387	24	1
	From S	342	0	2	2	346	351	347	0	2	2
	From E	13	0	0	1	14	14	13	0	0	1
	From W	3	1	0	0	4	4	3	1	0	0
	To N	To S	To E	To W			ColTot	363	388	26	4
							Target	358	394	26	4

Turn Movement Forecast: Row-Column-Sum Method

Street Alignment: North/South East/West Scenario: **Future (2040) With Project**
 Intersection: K Street at River Rd/Smokestack Ave Time Period: **Weekday AM**

5		To N	To S	To E	To W	RowTt	Target		To N	To S	To E	To W
	From N	0	393	24	1	418	412		0	387	24	1
	From S	342	0	2	2	346	351		347	0	2	2
	From E	13	0	0	1	14	14		13	0	0	1
	From W	3	1	0	0	4	4		3	1	0	0
		To N	To S	To E	To W			ColTot	363	389	26	4
								Target	358	394	26	4
6		To N	To S	To E	To W	RowTt	Target		To N	To S	To E	To W
	From N	0	393	24	1	418	412		0	388	24	1
	From S	342	0	2	2	346	351		347	0	2	2
	From E	13	0	0	1	14	14		13	0	0	1
	From W	3	1	0	0	4	4		3	1	0	0
		To N	To S	To E	To W			ColTot	363	389	26	4
								Target	358	394	26	4
7		To N	To S	To E	To W	RowTt	Target		To N	To S	To E	To W
	From N	0	393	24	1	418	412		0	388	24	1
	From S	342	0	2	2	346	351		347	0	2	2
	From E	13	0	0	1	14	14		13	0	0	1
	From W	3	1	0	0	4	4		3	1	0	0
		To N	To S	To E	To W			ColTot	363	389	26	4
								Target	358	394	26	4
8		To N	To S	To E	To W	RowTt	Target		To N	To S	To E	To W
	From N	0	393	24	1	418	412		0	388	24	1
	From S	342	0	2	2	346	351		347	0	2	2
	From E	13	0	0	1	14	14		13	0	0	1
	From W	3	1	0	0	4	4		3	1	0	0
		To N	To S	To E	To W			ColTot	363	389	26	4
								Target	358	394	26	4
9		To N	To S	To E	To W	RowTt	Target		To N	To S	To E	To W
	From N	0	393	24	1	417	412		0	388	24	1
	From S	342	0	2	2	346	351		347	0	2	2
	From E	13	0	0	1	14	14		13	0	0	1
	From W	3	1	0	0	4	4		3	1	0	0
		To N	To S	To E	To W			ColTot	363	389	26	4
								Target	358	394	26	4
10		To N	To S	To E	To W	RowTt	Target		To N	To S	To E	To W
	From N	0	393	24	1	417	412		0	388	24	1
	From S	342	0	2	2	346	351		347	0	2	2
	From E	13	0	0	1	14	14		13	0	0	1
	From W	3	1	0	0	4	4		3	1	0	0
		To N	To S	To E	To W			ColTot	363	389	26	4
								Target	358	394	26	4
11		To N	To S	To E	To W	RowTt	Target		To N	To S	To E	To W
	From N	0	393	24	1	417	412		0	388	24	1
	From S	342	0	2	2	346	351		347	0	2	2
	From E	13	0	0	1	14	14		13	0	0	1
	From W	3	1	0	0	4	4		3	1	0	0
		To N	To S	To E	To W			ColTot	363	389	26	4
								Target	358	394	26	4

Turn Movement Forecast: Row-Column-Sum Method

Street Alignment: North/South at East/West Scenario: **Future (2040) With Project**
 Intersection: K Street at River Rd/Smokestack Ave Time Period: **Weekday AM**

12		To N	To S	To E	To W	RowTt	Target		To N	To S	To E	To W
	From N	0	393	24	1	417	412		0	388	24	1
	From S	342	0	2	2	347	351		347	0	2	2
	From E	13	0	0	1	14	14		13	0	0	1
	From W	3	1	0	0	4	4		3	1	0	0
		To N	To S	To E	To W			ColTot	363	389	26	4
								Target	358	394	26	4
13		To N	To S	To E	To W	RowTt	Target		To N	To S	To E	To W
	From N	0	393	24	1	417	412		0	388	24	1
	From S	342	0	2	2	347	351		347	0	2	2
	From E	13	0	0	1	14	14		13	0	0	1
	From W	3	1	0	0	4	4		3	1	0	0
		To N	To S	To E	To W			ColTot	363	389	26	4
								Target	358	394	26	4
14		To N	To S	To E	To W	RowTt	Target		To N	To S	To E	To W
	From N	0	392	24	1	417	412		0	388	23	1
	From S	342	0	2	2	347	351		347	0	2	2
	From E	13	0	0	1	14	14		13	0	0	1
	From W	3	1	0	0	4	4		3	1	0	0
		To N	To S	To E	To W			ColTot	362	389	26	4
								Target	358	394	26	4
15		To N	To S	To E	To W	RowTt	Target		To N	To S	To E	To W
	From N	0	392	24	1	417	412		0	388	23	1
	From S	342	0	2	2	347	351		347	0	2	2
	From E	13	0	0	1	14	14		13	0	0	1
	From W	3	1	0	0	4	4		3	1	0	0
		To N	To S	To E	To W			ColTot	362	389	26	4
								Target	358	394	26	4
16		To N	To S	To E	To W	RowTt	Target		To N	To S	To E	To W
	From N	0	392	24	1	417	412		0	388	23	1
	From S	342	0	2	2	347	351		346	0	2	2
	From E	13	0	0	1	14	14		13	0	0	1
	From W	3	1	0	0	4	4		3	1	0	0
		To N	To S	To E	To W			ColTot	362	389	26	4
								Target	358	394	26	4
17		To N	To S	To E	To W	RowTt	Target		To N	To S	To E	To W
	From N	0	392	24	1	417	412		0	388	23	1
	From S	342	0	2	2	347	351		346	0	2	2
	From E	13	0	0	1	14	14		13	0	0	1
	From W	3	1	0	0	4	4		3	1	0	0
		To N	To S	To E	To W			ColTot	362	390	26	4
								Target	358	394	26	4
18		To N	To S	To E	To W	RowTt	Target		To N	To S	To E	To W
	From N	0	392	24	1	417	412		0	388	23	1
	From S	342	0	2	2	347	351		346	0	2	2
	From E	13	0	0	1	14	14		13	0	0	1
	From W	3	1	0	0	4	4		3	1	0	0
		To N	To S	To E	To W			ColTot	362	390	26	4
								Target	358	394	26	4

Turn Movement Forecast: Row-Column-Sum Method

Street Alignment: North/South East/West Scenario: **Future (2040) With Project**
 Intersection: K Street at River Rd/Smokestack Ave Time Period: **Weekday AM**

19		To N	To S	To E	To W	RowTt	Target		To N	To S	To E	To W	
	From N	0	392	24	1	417	412		0	388	23	1	
	From S	342	0	2	2	347	351		346	0	3	2	
	From E	13	0	0	1	14	14		13	0	0	1	
	From W	3	1	0	0	4	4		3	1	0	0	
		To N	To S	To E	To W			ColTot	362	390	26	4	
								Target	358	394	26	4	
20		To N	To S	To E	To W	RowTt	Target		To N	To S	To E	To W	
	From N	0	392	23	1	416	412		0	388	23	1	1.010
	From S	342	0	3	2	347	351		346	0	3	2	0.988
	From E	13	0	0	1	14	14		13	0	0	1	0.989
	From W	3	1	0	0	4	4		3	1	0	0	0.996
		To N	To S	To E	To W			ColTot	362	390	26	4	
								Target	358	394	26	4	
								Pct	1.012	0.990	0.992	1.008	

Turn Movements and Traffic Volumes												
Year	<u>NL</u>	<u>NT</u>	<u>NR</u>	<u>SL</u>	<u>ST</u>	<u>SR</u>	<u>EL</u>	<u>ET</u>	<u>ER</u>	<u>WL</u>	<u>WT</u>	<u>WR</u>
Existing	2	332	1	16	408	1	3	0	1	0	1	16
2040	2	346	3	23	388	1	3	0	1	0	1	13
max(existing, 2040)	2	346	3	23	408	1	3	0	1	0	1	16
rounded to nearest 10	10	350	10	30	410	10	10	0	10	0	10	20

Future Link outputs			
North			
	450	380	
30			30
20			40
	420	370	
In - Out	870	870	Diff 0

Future volume			Turn Move Inputs		
	10	410	30		
	SR	ST	SL		
10			WR	20	
0			WT	10	
10			WL	0	
	NL	NT	NR		
	10	350	10		

Turn Movement Forecast: Row-Column-Sum Method

Street Alignment: North/South at East/West Scenario: **Future (2040) With Project**
 Intersection: K Street at River Rd/Smokestack Ave Time Period: **Weekday PM**

Future Link Inputs				Existing Counts		Turn Move Inputs			
North						1	429	17	
	454	492				SR	ST	SL	
3			31	5		EL		WR	19
7			24	1		ET		WT	0
	449	476		1		ER		WL	2
			Average			NL	NT	NR	
In - Out	968	968	968			2	475	3	

Average In-out volumes

Link Inputs			
North			
	454	492	
3			31
7			24
	449	476	
In - Out	968	968	0

1	To N	To S	To E	To W	RowTt	Target	2	To N	To S	To E	To W
	From N	0	429	17	1	447	454	0	436	17	1
	From S	475	0	3	2	480	476	471	0	3	2
	From E	19	2	0	0	21	31	28	3	0	0
	From W	5	1	1	0	7	7	5	1	1	0
	To N	To S	To E	To W			ColTot	504	440	21	3
							Target	492	449	24	3
2	To N	To S	To E	To W	RowTt	Target		To N	To S	To E	To W
	From N	0	445	20	1	465	454	0	434	19	1
	From S	460	0	3	2	465	476	471	0	3	2
	From E	27	3	0	0	30	31	28	3	0	0
	From W	5	1	1	0	7	7	5	1	1	0
	To N	To S	To E	To W			ColTot	503	438	24	3
							Target	492	449	24	3
3	To N	To S	To E	To W	RowTt	Target		To N	To S	To E	To W
	From N	0	445	19	1	465	454	0	434	19	1
	From S	460	0	3	2	465	476	470	0	4	2
	From E	27	3	0	0	30	31	28	3	0	0
	From W	5	1	1	0	7	7	5	1	1	0
	To N	To S	To E	To W			ColTot	503	438	24	3
							Target	492	449	24	3
4	To N	To S	To E	To W	RowTt	Target		To N	To S	To E	To W
	From N	0	445	19	1	465	454	0	434	19	1
	From S	460	0	4	2	466	476	470	0	4	2
	From E	27	3	0	0	30	31	28	3	0	0
	From W	5	1	1	0	7	7	5	1	1	0
	To N	To S	To E	To W			ColTot	503	439	24	3
							Target	492	449	24	3

Turn Movement Forecast: Row-Column-Sum Method

Street Alignment: North/South at East/West Scenario: **Future (2040) With Project**
 Intersection: K Street at River Rd/Smokestack Ave Time Period: **Weekday PM**

5		To N	To S	To E	To W	RowTt	Target		To N	To S	To E	To W
	From N	0	444	19	1	464	454		0	434	19	1
	From S	460	0	4	2	466	476		470	0	4	2
	From E	27	3	0	0	30	31		28	3	0	0
	From W	5	1	1	0	7	7		5	1	1	0
		To N	To S	To E	To W			ColTot	502	439	24	3
								Target	492	449	24	3
6		To N	To S	To E	To W	RowTt	Target		To N	To S	To E	To W
	From N	0	444	19	1	464	454		0	435	18	1
	From S	460	0	4	2	466	476		470	0	4	2
	From E	27	4	0	0	31	31		27	4	0	0
	From W	5	1	1	0	7	7		5	1	1	0
		To N	To S	To E	To W			ColTot	502	439	24	3
								Target	492	449	24	3
7		To N	To S	To E	To W	RowTt	Target		To N	To S	To E	To W
	From N	0	444	19	1	464	454		0	435	18	1
	From S	461	0	4	2	467	476		470	0	4	2
	From E	27	4	0	0	31	31		27	4	0	0
	From W	5	1	1	0	7	7		5	1	1	0
		To N	To S	To E	To W			ColTot	502	440	24	3
								Target	492	449	24	3
8		To N	To S	To E	To W	RowTt	Target		To N	To S	To E	To W
	From N	0	444	19	1	463	454		0	435	18	1
	From S	461	0	4	2	467	476		470	0	4	2
	From E	27	4	0	0	31	31		27	4	0	0
	From W	4	1	1	0	7	7		4	1	1	0
		To N	To S	To E	To W			ColTot	501	440	24	3
								Target	492	449	24	3
9		To N	To S	To E	To W	RowTt	Target		To N	To S	To E	To W
	From N	0	444	18	1	463	454		0	435	18	1
	From S	461	0	4	2	467	476		469	0	4	2
	From E	27	4	0	0	31	31		27	4	0	0
	From W	4	1	1	0	7	7		4	1	1	0
		To N	To S	To E	To W			ColTot	501	440	24	3
								Target	492	449	24	3
10		To N	To S	To E	To W	RowTt	Target		To N	To S	To E	To W
	From N	0	444	18	1	463	454		0	435	18	1
	From S	461	0	4	2	468	476		469	0	5	2
	From E	27	4	0	0	31	31		27	4	0	0
	From W	4	1	1	0	7	7		4	1	1	0
		To N	To S	To E	To W			ColTot	500	441	24	3
								Target	492	449	24	3
11		To N	To S	To E	To W	RowTt	Target		To N	To S	To E	To W
	From N	0	443	18	1	462	454		0	435	18	1
	From S	461	0	5	2	468	476		469	0	5	2
	From E	26	4	0	0	31	31		27	4	0	0
	From W	4	1	1	0	7	7		4	1	1	0
		To N	To S	To E	To W			ColTot	500	441	24	3
								Target	492	449	24	3

Turn Movement Forecast: Row-Column-Sum Method

Street Alignment: North/South East/West Scenario: **Future (2040) With Project**
 Intersection: K Street at River Rd/Smokestack Ave Time Period: **Weekday PM**

12		To N	To S	To E	To W	RowTt	Target		To N	To S	To E	To W	
	From N	0	443	18	1	462	454		0	436	18	1	
	From S	461	0	5	2	468	476		469	0	5	2	
	From E	26	4	0	0	31	31		27	4	0	0	
	From W	4	1	1	0	7	7		4	1	1	0	
		To N	To S	To E	To W				ColTot	500	441	24	3
									Target	492	449	24	3
13		To N	To S	To E	To W	RowTt	Target		To N	To S	To E	To W	
	From N	0	443	18	1	462	454		0	436	18	1	
	From S	462	0	5	2	469	476		469	0	5	2	
	From E	26	4	0	0	31	31		26	5	0	0	
	From W	4	1	1	0	7	7		4	1	1	0	
		To N	To S	To E	To W				ColTot	500	442	24	3
									Target	492	449	24	3
14		To N	To S	To E	To W	RowTt	Target		To N	To S	To E	To W	
	From N	0	443	18	1	461	454		0	436	17	1	
	From S	462	0	5	2	469	476		469	0	5	2	
	From E	26	5	0	0	31	31		26	5	0	0	
	From W	4	1	1	0	7	7		4	1	1	0	
		To N	To S	To E	To W				ColTot	499	442	24	3
									Target	492	449	24	3
15		To N	To S	To E	To W	RowTt	Target		To N	To S	To E	To W	
	From N	0	443	18	1	461	454		0	436	17	1	
	From S	462	0	5	2	469	476		469	0	5	2	
	From E	26	5	0	0	31	31		26	5	0	0	
	From W	4	1	1	0	7	7		4	1	1	0	
		To N	To S	To E	To W				ColTot	499	442	24	3
									Target	492	449	24	3
16		To N	To S	To E	To W	RowTt	Target		To N	To S	To E	To W	
	From N	0	443	17	1	461	454		0	436	17	1	
	From S	462	0	5	2	470	476		468	0	5	2	
	From E	26	5	0	0	31	31		26	5	0	0	
	From W	4	1	1	0	7	7		4	1	1	0	
		To N	To S	To E	To W				ColTot	499	443	24	3
									Target	492	449	24	3
17		To N	To S	To E	To W	RowTt	Target		To N	To S	To E	To W	
	From N	0	443	17	1	461	454		0	436	17	1	
	From S	462	0	5	2	470	476		468	0	5	2	
	From E	26	5	0	0	31	31		26	5	0	0	
	From W	4	1	1	0	7	7		4	1	1	0	
		To N	To S	To E	To W				ColTot	498	443	24	3
									Target	492	449	24	3
18		To N	To S	To E	To W	RowTt	Target		To N	To S	To E	To W	
	From N	0	442	17	1	460	454		0	436	17	1	
	From S	462	0	5	2	470	476		468	0	5	2	
	From E	26	5	0	0	31	31		26	5	0	0	
	From W	4	2	1	0	7	7		4	2	1	0	
		To N	To S	To E	To W				ColTot	498	443	24	3
									Target	492	449	24	3

Turn Movement Forecast: Row-Column-Sum Method

Street Alignment: North/South East/West Scenario: **Future (2040) With Project**
 Intersection: K Street at River Rd/Smokestack Ave Time Period: **Weekday PM**

19		To N	To S	To E	To W	RowTt	Target		To N	To S	To E	To W	
	From N	0	442	17	1	460	454		0	437	17	1	
	From S	462	0	5	2	470	476		468	0	6	2	
	From E	26	5	0	0	31	31		26	5	0	0	
	From W	4	2	1	0	7	7		4	2	1	0	
		To N	To S	To E	To W			ColTot	498	443	24	3	
								Target	492	449	24	3	
20		To N	To S	To E	To W	RowTt	Target		To N	To S	To E	To W	
	From N	0	442	17	1	460	454		0	437	17	1	1.013
	From S	463	0	6	2	471	476		468	0	6	2	0.989
	From E	25	5	0	0	31	31		26	5	0	0	0.992
	From W	4	2	2	0	7	7		4	2	2	0	0.998
		To N	To S	To E	To W			ColTot	498	444	24	3	
								Target	492	449	24	3	
								Pct	1.011	0.988	0.994	1.007	

Turn Movements and Traffic Volumes												
<u>Year</u>	<u>NL</u>	<u>NT</u>	<u>NR</u>	<u>SL</u>	<u>ST</u>	<u>SR</u>	<u>EL</u>	<u>ET</u>	<u>ER</u>	<u>WL</u>	<u>WT</u>	<u>WR</u>
Existing	2	475	3	17	429	1	5	1	1	2		19
2040	2	468	6	17	437	1	4	2	2	5	0	26
max(existing, 2040)	2	475	6	17	437	1	5	2	2	5	0	26
rounded to nearest 10	10	480	10	20	440	10	10	10	10	10	0	30

Future Link outputs			
North			
	470	520	
20			40
30			40
	460	500	
In - Out	1040	1040	Diff 0

Future volume			
Turn Move Inputs			
	10	440	20
	SR	ST	SL
10	EL		WR 30
10	ET		WT 0
10	ER		WL 10
	NL	NT	NR
	10	480	10

Turn Movement Forecast: Row-Column-Sum Method

Street Alignment: North/South at East/West Scenario: **Future (2040) With Project**
 Intersection: K Street at River Rd/Smokestack Ave Time Period: **Weekend MD**

Future Link Inputs				Existing Counts		Turn Move Inputs			
	North					2	390	79	
		479	416			SR	ST	SL	
5				67	3	EL		WR	41
5				94	0	ET		WT	2
		410	378		2	ER		WL	2
				Average		NL	NT	NR	
In - Out		929	925	927		1	378	3	

Average In-out volumes

Link Inputs			
	North		
		478	417
5			67
5			94
		411	377
In - Out		927	927
			0

1		To N	To S	To E	To W	RowTt	Target	2	To N	To S	To E	To W
	From N	0	390	79	2	471	478		0	396	80	2
	From S	378	0	3	1	382	377		373	0	3	1
	From E	41	2	0	2	45	67		61	3	0	3
	From W	3	2	0	0	5	5		3	2	0	0
		To N	To S	To E	To W			ColTot	437	401	83	6
								Target	417	411	94	5
2		To N	To S	To E	To W	RowTt	Target		To N	To S	To E	To W
	From N	0	406	91	2	498	478		0	389	87	2
	From S	356	0	3	1	360	377		373	0	4	1
	From E	58	3	0	2	64	67		61	3	0	3
	From W	3	2	0	0	5	5		3	2	0	0
		To N	To S	To E	To W			ColTot	437	394	91	5
								Target	417	411	94	5
3		To N	To S	To E	To W	RowTt	Target		To N	To S	To E	To W
	From N	0	405	91	2	498	478		0	389	87	2
	From S	356	0	4	1	360	377		372	0	4	1
	From E	58	3	0	3	64	67		61	3	0	3
	From W	3	2	0	0	5	5		3	2	0	0
		To N	To S	To E	To W			ColTot	436	395	91	5
								Target	417	411	94	5
4		To N	To S	To E	To W	RowTt	Target		To N	To S	To E	To W
	From N	0	405	90	2	497	478		0	390	87	1
	From S	356	0	4	1	361	377		372	0	4	1
	From E	58	4	0	3	64	67		60	4	0	3
	From W	3	2	0	0	5	5		3	2	0	0
		To N	To S	To E	To W			ColTot	435	396	91	5
								Target	417	411	94	5

Turn Movement Forecast: Row-Column-Sum Method

Street Alignment: North/South East/West Scenario: **Future (2040) With Project**
 Intersection: K Street at River Rd/Smokestack Ave Time Period: **Weekend MD**

5		To N	To S	To E	To W	RowTt	Target		To N	To S	To E	To W
	From N	0	405	90	1	496	478		0	390	87	1
	From S	356	0	4	1	362	377		372	0	4	1
	From E	58	4	0	3	64	67		60	4	0	3
	From W	3	2	0	0	5	5		3	2	0	0
		To N	To S	To E	To W			ColTot	434	396	91	5
								Target	417	411	94	5
6		To N	To S	To E	To W	RowTt	Target		To N	To S	To E	To W
	From N	0	404	90	1	495	478		0	390	86	1
	From S	357	0	5	1	362	377		371	0	5	1
	From E	58	4	0	3	65	67		60	4	0	3
	From W	2	2	0	0	5	5		3	2	0	0
		To N	To S	To E	To W			ColTot	434	397	91	5
								Target	417	411	94	5
7		To N	To S	To E	To W	RowTt	Target		To N	To S	To E	To W
	From N	0	404	89	1	494	478		0	390	86	1
	From S	357	0	5	1	363	377		371	0	5	1
	From E	57	4	0	3	65	67		59	5	0	3
	From W	2	3	0	0	5	5		2	3	0	0
		To N	To S	To E	To W			ColTot	433	398	91	5
								Target	417	411	94	5
8		To N	To S	To E	To W	RowTt	Target		To N	To S	To E	To W
	From N	0	403	89	1	494	478		0	391	86	1
	From S	357	0	5	1	364	377		371	0	6	1
	From E	57	5	0	3	65	67		59	5	0	3
	From W	2	3	0	0	5	5		2	3	0	0
		To N	To S	To E	To W			ColTot	432	398	92	5
								Target	417	411	94	5
9		To N	To S	To E	To W	RowTt	Target		To N	To S	To E	To W
	From N	0	403	89	1	493	478		0	391	86	1
	From S	358	0	6	1	364	377		370	0	6	1
	From E	57	5	0	3	65	67		59	5	0	3
	From W	2	3	0	0	5	5		2	3	0	0
		To N	To S	To E	To W			ColTot	431	399	92	5
								Target	417	411	94	5
10		To N	To S	To E	To W	RowTt	Target		To N	To S	To E	To W
	From N	0	403	88	1	492	478		0	391	86	1
	From S	358	0	6	1	365	377		370	0	6	1
	From E	57	5	0	3	65	67		58	6	0	3
	From W	2	3	0	0	5	5		2	3	0	0
		To N	To S	To E	To W			ColTot	430	400	92	5
								Target	417	411	94	5
11		To N	To S	To E	To W	RowTt	Target		To N	To S	To E	To W
	From N	0	402	88	1	491	478		0	391	85	1
	From S	358	0	6	1	366	377		370	0	7	1
	From E	56	6	0	3	65	67		58	6	0	3
	From W	2	3	0	0	5	5		2	3	0	0
		To N	To S	To E	To W			ColTot	430	400	92	5
								Target	417	411	94	5

Turn Movement Forecast: Row-Column-Sum Method

Street Alignment: North/South East/West Scenario: **Future (2040) With Project**
 Intersection: K Street at River Rd/Smokestack Ave Time Period: **Weekend MD**

12		To N	To S	To E	To W	RowTt	Target		To N	To S	To E	To W
	From N	0	402	87	1	490	478		0	392	85	1
	From S	359	0	7	1	366	377		369	0	7	1
	From E	56	6	0	3	65	67		58	6	0	3
	From W	2	3	0	0	5	5		2	3	0	0
		To N	To S	To E	To W			ColTot	429	401	92	5
								Target	417	411	94	5
13		To N	To S	To E	To W	RowTt	Target		To N	To S	To E	To W
	From N	0	401	87	1	490	478		0	392	85	1
	From S	359	0	7	1	367	377		369	0	7	1
	From E	56	6	0	3	65	67		57	6	0	3
	From W	2	3	0	0	5	5		2	3	0	0
		To N	To S	To E	To W			ColTot	428	401	92	5
								Target	417	411	94	5
14		To N	To S	To E	To W	RowTt	Target		To N	To S	To E	To W
	From N	0	401	87	1	489	478		0	392	85	1
	From S	359	0	7	1	368	377		368	0	8	1
	From E	56	7	0	3	65	67		57	7	0	3
	From W	2	3	0	0	5	5		2	3	0	0
		To N	To S	To E	To W			ColTot	427	402	92	5
								Target	417	411	94	5
15		To N	To S	To E	To W	RowTt	Target		To N	To S	To E	To W
	From N	0	401	86	1	488	478		0	392	85	1
	From S	359	0	8	1	368	377		368	0	8	1
	From E	56	7	0	3	66	67		57	7	0	3
	From W	2	3	0	0	5	5		2	3	0	0
		To N	To S	To E	To W			ColTot	427	403	93	5
								Target	417	411	94	5
16		To N	To S	To E	To W	RowTt	Target		To N	To S	To E	To W
	From N	0	400	86	1	487	478		0	393	84	1
	From S	360	0	8	1	369	377		368	0	8	1
	From E	55	7	0	3	66	67		56	7	0	3
	From W	2	3	0	0	5	5		2	3	0	0
		To N	To S	To E	To W			ColTot	426	403	93	5
								Target	417	411	94	5
17		To N	To S	To E	To W	RowTt	Target		To N	To S	To E	To W
	From N	0	400	86	1	487	478		0	393	84	1
	From S	360	0	8	1	369	377		367	0	9	1
	From E	55	7	0	3	66	67		56	8	0	3
	From W	2	3	0	0	5	5		2	3	0	0
		To N	To S	To E	To W			ColTot	425	404	93	5
								Target	417	411	94	5
18		To N	To S	To E	To W	RowTt	Target		To N	To S	To E	To W
	From N	0	400	85	1	486	478		0	393	84	1
	From S	360	0	9	1	370	377		367	0	9	1
	From E	55	8	0	3	66	67		56	8	0	3
	From W	2	3	0	0	5	5		2	3	0	0
		To N	To S	To E	To W			ColTot	425	404	93	5
								Target	417	411	94	5

Turn Movement Forecast: Row-Column-Sum Method

Street Alignment: North/South East/West Scenario: **Future (2040) With Project**
 Intersection: K Street at River Rd/Smokestack Ave Time Period: **Weekend MD**

19		To N	To S	To E	To W	RowTt	Target		To N	To S	To E	To W	
	From N	0	400	85	1	486	478		0	393	84	1	
	From S	360	0	9	1	371	377		367	0	9	1	
	From E	55	8	0	3	66	67		56	8	0	3	
	From W	2	3	0	0	5	5		2	3	0	0	
		To N	To S	To E	To W			ColTot	424	405	93	5	
								Target	417	411	94	5	
20		To N	To S	To E	To W	RowTt	Target		To N	To S	To E	To W	
	From N	0	399	85	1	485	478		0	394	84	1	1.015
	From S	361	0	9	1	371	377		367	0	9	1	0.984
	From E	55	8	0	3	66	67		55	8	0	3	0.987
	From W	2	3	0	0	5	5		2	3	0	0	1.004
		To N	To S	To E	To W			ColTot	424	405	93	5	
								Target	417	411	94	5	
								Pct	1.016	0.986	0.989	1.010	

Turn Movements and Traffic Volumes

Year	<u>NL</u>	<u>NT</u>	<u>NR</u>	<u>SL</u>	<u>ST</u>	<u>SR</u>	<u>EL</u>	<u>ET</u>	<u>ER</u>	<u>WL</u>	<u>WT</u>	<u>WR</u>
Existing	1	378	3	79	390	2	3	0	2	2	2	41
2040	1	367	9	84	394	1	2	0	3	8	3	55
max(existing, 2040)	1	378	9	84	394	2	3	0	3	8	3	55
rounded to nearest 10	10	380	10	90	400	10	10	0	10	10	10	60

Future Link outputs

	North		
	500	450	
30			80
20			100
	420	400	
In - Out	1000	1000	Diff 0

Future volume

	10	400	90
	SR	ST	SL
10	EL		WR 60
0	ET		WT 10
10	ER		WL 10
	NL	NT	NR
	10	380	10

Turn Movement Forecast: Row-Column-Sum Method

Street Alignment: North/South East/West Scenario: **Future (2040) With Project**
 Intersection: Broadway Ave./ at Needles Hwy Time Period: **Weekday AM**

Future Link Inputs				Existing Counts		Turn Move Inputs			
	North					1	3	2	
	6	7				SR	ST	SL	
258			407	0		EL		WR	2
162			376	86		ET		WT	160
	274	339		63		ER		WL	261
						NL	NT	NR	
In - Out	914	915	915			59	5	259	

Average In-out volumes

Link Inputs

North			
	6	7	
258			407
162			376
	274	339	
In - Out	915	915	0

1		To N	To S	To E	To W	RowTt	Target	2	To N	To S	To E	To W
	From N	0	3	2	1	6	6		0	3	2	1
	From S	5	0	259	59	323	339		5	0	272	62
	From E	2	261	0	160	423	407		2	251	0	154
	From W	0	63	86	0	149	162		0	69	94	0
		To N	To S	To E	To W			ColTot	7	323	368	217
								Target	7	274	376	258
2		To N	To S	To E	To W	RowTt	Target		To N	To S	To E	To W
	From N	0	3	2	1	6	6		0	3	2	1
	From S	5	0	278	74	357	339		5	0	264	70
	From E	2	213	0	183	398	407		2	218	0	187
	From W	0	58	96	0	154	162		0	61	101	0
		To N	To S	To E	To W			ColTot	7	282	367	258
								Target	7	274	376	258
3		To N	To S	To E	To W	RowTt	Target		To N	To S	To E	To W
	From N	0	3	2	1	6	6		0	3	2	1
	From S	5	0	270	70	345	339		5	0	266	69
	From E	2	212	0	187	401	407		2	215	0	190
	From W	0	60	103	0	163	162		0	59	103	0
		To N	To S	To E	To W			ColTot	7	277	371	260
								Target	7	274	376	258
4		To N	To S	To E	To W	RowTt	Target		To N	To S	To E	To W
	From N	0	3	2	1	6	6		0	3	2	1
	From S	5	0	269	68	342	339		5	0	267	67
	From E	2	213	0	189	403	407		2	215	0	190
	From W	0	59	104	0	163	162		0	58	104	0
		To N	To S	To E	To W			ColTot	7	276	373	259
								Target	7	274	376	258

Turn Movement Forecast: Row-Column-Sum Method

Street Alignment: North/South East/West Scenario: **Future (2040) With Project**
 Intersection: Broadway Ave./ at Needles Hwy Time Period: **Weekday AM**

5		To N	To S	To E	To W	RowTt	Target		To N	To S	To E	To W
	From N	0	3	2	1	6	6		0	3	2	1
	From S	5	0	269	67	341	339		5	0	268	67
	From E	2	213	0	190	405	407		2	215	0	191
	From W	0	58	105	0	163	162		0	58	104	0
		To N	To S	To E	To W			ColTot	7	275	374	259
								Target	7	274	376	258
6		To N	To S	To E	To W	RowTt	Target		To N	To S	To E	To W
	From N	0	3	2	1	6	6		0	3	2	1
	From S	5	0	269	67	340	339		5	0	268	66
	From E	2	214	0	190	406	407		2	214	0	191
	From W	0	58	105	0	162	162		0	57	105	0
		To N	To S	To E	To W			ColTot	7	274	375	258
								Target	7	274	376	258
7		To N	To S	To E	To W	RowTt	Target		To N	To S	To E	To W
	From N	0	3	2	1	6	6		0	3	2	1
	From S	5	0	269	66	340	339		5	0	268	66
	From E	2	214	0	190	406	407		2	214	0	191
	From W	0	57	105	0	162	162		0	57	105	0
		To N	To S	To E	To W			ColTot	7	274	375	258
								Target	7	274	376	258
8		To N	To S	To E	To W	RowTt	Target		To N	To S	To E	To W
	From N	0	3	2	1	6	6		0	3	2	1
	From S	5	0	269	66	340	339		5	0	268	66
	From E	2	214	0	191	407	407		2	214	0	191
	From W	0	57	105	0	162	162		0	57	105	0
		To N	To S	To E	To W			ColTot	7	274	375	258
								Target	7	274	376	258
9		To N	To S	To E	To W	RowTt	Target		To N	To S	To E	To W
	From N	0	3	2	1	6	6		0	3	2	1
	From S	5	0	269	66	339	339		5	0	268	66
	From E	2	214	0	191	407	407		2	214	0	191
	From W	0	57	105	0	162	162		0	57	105	0
		To N	To S	To E	To W			ColTot	7	274	376	258
								Target	7	274	376	258
10		To N	To S	To E	To W	RowTt	Target		To N	To S	To E	To W
	From N	0	3	2	1	6	6		0	3	2	1
	From S	5	0	269	66	339	339		5	0	268	66
	From E	2	214	0	191	407	407		2	214	0	191
	From W	0	57	105	0	162	162		0	57	105	0
		To N	To S	To E	To W			ColTot	7	274	376	258
								Target	7	274	376	258
11		To N	To S	To E	To W	RowTt	Target		To N	To S	To E	To W
	From N	0	3	2	1	6	6		0	3	2	1
	From S	5	0	268	66	339	339		5	0	268	66
	From E	2	214	0	191	407	407		2	214	0	191
	From W	0	57	105	0	162	162		0	57	105	0
		To N	To S	To E	To W			ColTot	7	274	376	258
								Target	7	274	376	258

Turn Movement Forecast: Row-Column-Sum Method

Street Alignment: North/South East/West Scenario: **Future (2040) With Project**
 Intersection: Broadway Ave./ at Needles Hwy Time Period: **Weekday AM**

12		To N	To S	To E	To W	RowTt	Target		To N	To S	To E	To W
	From N	0	3	2	1	6	6		0	3	2	1
	From S	5	0	268	66	339	339		5	0	268	66
	From E	2	214	0	191	407	407		2	214	0	191
	From W	0	57	105	0	162	162		0	57	105	0
		To N	To S	To E	To W			ColTot	7	274	376	258
								Target	7	274	376	258
13		To N	To S	To E	To W	RowTt	Target		To N	To S	To E	To W
	From N	0	3	2	1	6	6		0	3	2	1
	From S	5	0	268	66	339	339		5	0	268	66
	From E	2	214	0	191	407	407		2	214	0	191
	From W	0	57	105	0	162	162		0	57	105	0
		To N	To S	To E	To W			ColTot	7	274	376	258
								Target	7	274	376	258
14		To N	To S	To E	To W	RowTt	Target		To N	To S	To E	To W
	From N	0	3	2	1	6	6		0	3	2	1
	From S	5	0	268	66	339	339		5	0	268	66
	From E	2	214	0	191	407	407		2	214	0	191
	From W	0	57	105	0	162	162		0	57	105	0
		To N	To S	To E	To W			ColTot	7	274	376	258
								Target	7	274	376	258
15		To N	To S	To E	To W	RowTt	Target		To N	To S	To E	To W
	From N	0	3	2	1	6	6		0	3	2	1
	From S	5	0	268	66	339	339		5	0	268	66
	From E	2	214	0	191	407	407		2	214	0	191
	From W	0	57	105	0	162	162		0	57	105	0
		To N	To S	To E	To W			ColTot	7	274	376	258
								Target	7	274	376	258
16		To N	To S	To E	To W	RowTt	Target		To N	To S	To E	To W
	From N	0	3	2	1	6	6		0	3	2	1
	From S	5	0	268	66	339	339		5	0	268	66
	From E	2	214	0	191	407	407		2	214	0	191
	From W	0	57	105	0	162	162		0	57	105	0
		To N	To S	To E	To W			ColTot	7	274	376	258
								Target	7	274	376	258
17		To N	To S	To E	To W	RowTt	Target		To N	To S	To E	To W
	From N	0	3	2	1	6	6		0	3	2	1
	From S	5	0	268	66	339	339		5	0	268	66
	From E	2	214	0	191	407	407		2	214	0	191
	From W	0	57	105	0	162	162		0	57	105	0
		To N	To S	To E	To W			ColTot	7	274	376	258
								Target	7	274	376	258
18		To N	To S	To E	To W	RowTt	Target		To N	To S	To E	To W
	From N	0	3	2	1	6	6		0	3	2	1
	From S	5	0	268	66	339	339		5	0	268	66
	From E	2	214	0	191	407	407		2	214	0	191
	From W	0	57	105	0	162	162		0	57	105	0
		To N	To S	To E	To W			ColTot	7	274	376	258
								Target	7	274	376	258

Turn Movement Forecast: Row-Column-Sum Method

Street Alignment: North/South East/West Scenario: **Future (2040) With Project**
 Intersection: Broadway Ave./ at Needles Hwy Time Period: **Weekday AM**

19		To N	To S	To E	To W	RowTt	Target		To N	To S	To E	To W	
	From N	0	3	2	1	6	6		0	3	2	1	
	From S	5	0	268	66	339	339		5	0	268	66	
	From E	2	214	0	191	407	407		2	214	0	191	
	From W	0	57	105	0	162	162		0	57	105	0	
		To N	To S	To E	To W			ColTot	7	274	376	258	
								Target	7	274	376	258	
20		To N	To S	To E	To W	RowTt	Target		To N	To S	To E	To W	
	From N	0	3	2	1	6	6		0	3	2	1	1.000
	From S	5	0	268	66	339	339		5	0	268	66	1.000
	From E	2	214	0	191	407	407		2	214	0	191	1.000
	From W	0	57	105	0	162	162		0	57	105	0	1.000
		To N	To S	To E	To W			ColTot	7	274	376	258	
								Target	7	274	376	258	
								Pct	1.000	1.000	1.000	1.000	

Turn Movements and Traffic Volumes

Year	<u>NL</u>	<u>NT</u>	<u>NR</u>	<u>SL</u>	<u>ST</u>	<u>SR</u>	<u>EL</u>	<u>ET</u>	<u>ER</u>	<u>WL</u>	<u>WT</u>	<u>WR</u>
Existing	59	5	259	2	3	1	0	86	63	261	160	2
2040	66	5	268	2	3	1	0	105	57	214	191	2
max(existing, 2040)	66	5	268	2	3	1	0	105	63	261	191	2
rounded to nearest 10	70	10	270	10	10	10	0	110	70	270	200	10

Future Link outputs			
North			
	30	20	
280			480
180			390
	350	350	
In - Out	1040	1040	Diff 0

Future volume	Turn Move Inputs		
	10	10	10
	SR	ST	SL
0	EL		WR 10
110	ET		WT 200
70	ER		WL 270
	NL	NT	NR
	70	10	270

Turn Movement Forecast: Row-Column-Sum Method

Street Alignment: North/South East/West Scenario: **Future (2040) With Project**
 Intersection: Broadway Ave./ at Needles Hwy Time Period: **Weekday PM**

Future Link Inputs				Existing Counts		Turn Move Inputs		
	North					0	1	3
	4	15				SR	ST	SL
215			448	2		EL		WR
287			486	195		ET		WT
	378	354		68		ER		WL
			Average			NL	NT	NR
In - Out	1093	1094	1094			66	5	289

Average In-out volumes

Link Inputs			
	North		
	4	15	
215			448
287			486
	378	354	
In - Out	1094	1094	0

1		To N	To S	To E	To W	RowTt	Target	2	To N	To S	To E	To W
	From N	0	1	3	0	4	4		0	1	3	0
	From S	5	0	289	66	360	354		5	0	284	65
	From E	8	268	0	144	420	448		9	286	0	154
	From W	2	68	195	0	265	287		2	74	211	0
		To N	To S	To E	To W			ColTot	16	361	499	219
								Target	15	378	486	215
2		To N	To S	To E	To W	RowTt	Target		To N	To S	To E	To W
	From N	0	1	3	0	4	4		0	1	3	0
	From S	5	0	277	64	346	354		5	0	284	65
	From E	8	300	0	151	459	448		8	293	0	148
	From W	2	77	206	0	285	287		2	78	207	0
		To N	To S	To E	To W			ColTot	15	371	494	213
								Target	15	378	486	215
3		To N	To S	To E	To W	RowTt	Target		To N	To S	To E	To W
	From N	0	1	3	0	4	4		0	1	3	0
	From S	5	0	279	66	350	354		5	0	282	67
	From E	8	298	0	149	455	448		8	293	0	147
	From W	2	79	204	0	285	287		2	80	205	0
		To N	To S	To E	To W			ColTot	15	374	491	214
								Target	15	378	486	215
4		To N	To S	To E	To W	RowTt	Target		To N	To S	To E	To W
	From N	0	1	3	0	4	4		0	1	3	0
	From S	5	0	280	67	352	354		5	0	282	68
	From E	8	296	0	148	452	448		8	294	0	146
	From W	2	80	203	0	286	287		2	81	204	0
		To N	To S	To E	To W			ColTot	15	376	489	214
								Target	15	378	486	215

Turn Movement Forecast: Row-Column-Sum Method

Street Alignment:
Intersection:

North/South
Broadway Ave./ at East/West
Needles Hwy

Scenario: **Future (2040) With Project**
Time Period: **Weekday PM**

5		To N	To S	To E	To W	RowTt	Target		To N	To S	To E	To W
	From N	0	1	3	0	4	4		0	1	3	0
	From S	5	0	280	68	353	354		5	0	281	68
	From E	8	295	0	147	450	448		8	294	0	146
	From W	2	81	203	0	286	287		2	81	204	0
		To N	To S	To E	To W				ColTot	15	377	487
								Target	15	378	486	215
6		To N	To S	To E	To W	RowTt	Target		To N	To S	To E	To W
	From N	0	1	3	0	4	4		0	1	3	0
	From S	5	0	280	68	353	354		5	0	281	68
	From E	8	295	0	147	449	448		8	294	0	146
	From W	2	82	203	0	287	287		2	82	203	0
		To N	To S	To E	To W				ColTot	15	377	487
								Target	15	378	486	215
7		To N	To S	To E	To W	RowTt	Target		To N	To S	To E	To W
	From N	0	1	3	0	4	4		0	1	3	0
	From S	5	0	280	69	354	354		5	0	281	69
	From E	8	295	0	146	449	448		8	294	0	146
	From W	2	82	203	0	287	287		2	82	203	0
		To N	To S	To E	To W				ColTot	15	377	486
								Target	15	378	486	215
8		To N	To S	To E	To W	RowTt	Target		To N	To S	To E	To W
	From N	0	1	3	0	4	4		0	1	3	0
	From S	5	0	280	69	354	354		5	0	280	69
	From E	8	295	0	146	449	448		8	294	0	146
	From W	2	82	203	0	287	287		2	82	203	0
		To N	To S	To E	To W				ColTot	15	378	486
								Target	15	378	486	215
9		To N	To S	To E	To W	RowTt	Target		To N	To S	To E	To W
	From N	0	1	3	0	4	4		0	1	3	0
	From S	5	0	280	69	354	354		5	0	280	69
	From E	8	294	0	146	448	448		8	294	0	146
	From W	2	82	203	0	287	287		2	82	203	0
		To N	To S	To E	To W				ColTot	15	378	486
								Target	15	378	486	215
10		To N	To S	To E	To W	RowTt	Target		To N	To S	To E	To W
	From N	0	1	3	0	4	4		0	1	3	0
	From S	5	0	280	69	354	354		5	0	280	69
	From E	8	294	0	146	448	448		8	294	0	146
	From W	2	82	203	0	287	287		2	82	203	0
		To N	To S	To E	To W				ColTot	15	378	486
								Target	15	378	486	215
11		To N	To S	To E	To W	RowTt	Target		To N	To S	To E	To W
	From N	0	1	3	0	4	4		0	1	3	0
	From S	5	0	280	69	354	354		5	0	280	69
	From E	8	294	0	146	448	448		8	294	0	146
	From W	2	82	203	0	287	287		2	82	203	0
		To N	To S	To E	To W				ColTot	15	378	486
								Target	15	378	486	215

Turn Movement Forecast: Row-Column-Sum Method

Street Alignment: North/South East/West Scenario: **Future (2040) With Project**
 Intersection: Broadway Ave./ at Needles Hwy Time Period: **Weekday PM**

12		To N	To S	To E	To W	RowTt	Target		To N	To S	To E	To W
	From N	0	1	3	0	4	4		0	1	3	0
	From S	5	0	280	69	354	354		5	0	280	69
	From E	8	294	0	146	448	448		8	294	0	146
	From W	2	82	203	0	287	287		2	82	203	0
		To N	To S	To E	To W			ColTot	15	378	486	215
								Target	15	378	486	215
13		To N	To S	To E	To W	RowTt	Target		To N	To S	To E	To W
	From N	0	1	3	0	4	4		0	1	3	0
	From S	5	0	280	69	354	354		5	0	280	69
	From E	8	294	0	146	448	448		8	294	0	146
	From W	2	82	203	0	287	287		2	82	203	0
		To N	To S	To E	To W			ColTot	15	378	486	215
								Target	15	378	486	215
14		To N	To S	To E	To W	RowTt	Target		To N	To S	To E	To W
	From N	0	1	3	0	4	4		0	1	3	0
	From S	5	0	280	69	354	354		5	0	280	69
	From E	8	294	0	146	448	448		8	294	0	146
	From W	2	82	203	0	287	287		2	82	203	0
		To N	To S	To E	To W			ColTot	15	378	486	215
								Target	15	378	486	215
15		To N	To S	To E	To W	RowTt	Target		To N	To S	To E	To W
	From N	0	1	3	0	4	4		0	1	3	0
	From S	5	0	280	69	354	354		5	0	280	69
	From E	8	294	0	146	448	448		8	294	0	146
	From W	2	82	203	0	287	287		2	82	203	0
		To N	To S	To E	To W			ColTot	15	378	486	215
								Target	15	378	486	215
16		To N	To S	To E	To W	RowTt	Target		To N	To S	To E	To W
	From N	0	1	3	0	4	4		0	1	3	0
	From S	5	0	280	69	354	354		5	0	280	69
	From E	8	294	0	146	448	448		8	294	0	146
	From W	2	82	203	0	287	287		2	82	203	0
		To N	To S	To E	To W			ColTot	15	378	486	215
								Target	15	378	486	215
17		To N	To S	To E	To W	RowTt	Target		To N	To S	To E	To W
	From N	0	1	3	0	4	4		0	1	3	0
	From S	5	0	280	69	354	354		5	0	280	69
	From E	8	294	0	146	448	448		8	294	0	146
	From W	2	82	203	0	287	287		2	82	203	0
		To N	To S	To E	To W			ColTot	15	378	486	215
								Target	15	378	486	215
18		To N	To S	To E	To W	RowTt	Target		To N	To S	To E	To W
	From N	0	1	3	0	4	4		0	1	3	0
	From S	5	0	280	69	354	354		5	0	280	69
	From E	8	294	0	146	448	448		8	294	0	146
	From W	2	82	203	0	287	287		2	82	203	0
		To N	To S	To E	To W			ColTot	15	378	486	215
								Target	15	378	486	215

Turn Movement Forecast: Row-Column-Sum Method

Street Alignment: North/South East/West Scenario: **Future (2040) With Project**
 Intersection: Broadway Ave./ at Needles Hwy Time Period: **Weekday PM**

19		To N	To S	To E	To W	RowTt	Target		To N	To S	To E	To W	
	From N	0	1	3	0	4	4		0	1	3	0	
	From S	5	0	280	69	354	354		5	0	280	69	
	From E	8	294	0	146	448	448		8	294	0	146	
	From W	2	82	203	0	287	287		2	82	203	0	
		To N	To S	To E	To W			ColTot	15	378	486	215	
								Target	15	378	486	215	
20		To N	To S	To E	To W	RowTt	Target		To N	To S	To E	To W	
	From N	0	1	3	0	4	4		0	1	3	0	1.000
	From S	5	0	280	69	354	354		5	0	280	69	1.000
	From E	8	294	0	146	448	448		8	294	0	146	1.000
	From W	2	82	203	0	287	287		2	82	203	0	1.000
		To N	To S	To E	To W			ColTot	15	378	486	215	
								Target	15	378	486	215	
								Pct	1.000	1.000	1.000	1.000	

Turn Movements and Traffic Volumes												
Year	<u>NL</u>	<u>NT</u>	<u>NR</u>	<u>SL</u>	<u>ST</u>	<u>SR</u>	<u>EL</u>	<u>ET</u>	<u>ER</u>	<u>WL</u>	<u>WT</u>	<u>WR</u>
Existing	66	5	289	3	1		2	195	68	268	144	8
2040	69	5	280	3	1	0	2	203	82	294	146	8
max(existing, 2040)	69	5	289	3	1	0	2	203	82	294	146	8
rounded to nearest 10	70	10	290	10	10	0	10	210	90	300	150	10

Future Link outputs			
North			
	20	30	
220			460
310			510
	400	370	
In - Out	1160	1160	Diff 0

Future volume			
Turn Move Inputs			
	0	10	10
	SR	ST	SL
10	EL		WR 10
210	ET		WT 150
90	ER		WL 300
	NL	NT	NR
	70	10	290

Turn Movement Forecast: Row-Column-Sum Method

Street Alignment: North/South East/West Scenario: **Future (2040) With Project**
 Intersection: Broadway Ave./ at Needles Hwy Time Period: **Weekend MD**

Future Link Inputs				Existing Counts		Turn Move Inputs		
	North					1	2	3
	6	10				SR	ST	SL
202			450	2		EL		WR
239			421	160		ET		WT
	371	306		59		ER		WL
			Average			NL	NT	NR
In - Out	1001	1004	1003			48	4	259

Average In-out volumes

Link Inputs			
	North		
	6	10	
202			451
239			420
	370	306	
In - Out	1003	1003	0

1		To N	To S	To E	To W	RowTt	Target	2	To N	To S	To E	To W
	From N	0	2	3	1	6	6		0	2	3	1
	From S	4	0	259	48	311	306		4	0	255	47
	From E	4	270	0	148	422	451		4	288	0	158
	From W	2	59	160	0	221	239		2	64	173	0
		To N	To S	To E	To W			ColTot	10	354	432	206
								Target	10	370	420	202
2		To N	To S	To E	To W	RowTt	Target		To N	To S	To E	To W
	From N	0	2	3	1	6	6		0	2	3	1
	From S	4	0	249	46	299	306		4	0	255	47
	From E	4	302	0	154	460	451		4	295	0	151
	From W	2	67	169	0	238	239		2	67	170	0
		To N	To S	To E	To W			ColTot	10	365	428	200
								Target	10	370	420	202
3		To N	To S	To E	To W	RowTt	Target		To N	To S	To E	To W
	From N	0	2	3	1	6	6		0	2	3	1
	From S	4	0	251	48	302	306		4	0	254	49
	From E	4	300	0	153	457	451		4	296	0	151
	From W	2	68	167	0	237	239		2	69	168	0
		To N	To S	To E	To W			ColTot	10	367	425	200
								Target	10	370	420	202
4		To N	To S	To E	To W	RowTt	Target		To N	To S	To E	To W
	From N	0	2	3	1	6	6		0	2	3	1
	From S	4	0	251	49	304	306		4	0	253	49
	From E	4	299	0	152	454	451		4	296	0	151
	From W	2	70	166	0	238	239		2	70	167	0
		To N	To S	To E	To W			ColTot	10	368	423	201
								Target	10	370	420	202

Turn Movement Forecast: Row-Column-Sum Method

Street Alignment:
Intersection:

North/South
Broadway Ave./ at East/West
Needles Hwy

Scenario: **Future (2040) With Project**
Time Period: **Weekend MD**

5		To N	To S	To E	To W	RowTt	Target		To N	To S	To E	To W
	From N	0	2	3	1	6	6		0	2	3	1
	From S	4	0	251	50	305	306		4	0	253	50
	From E	4	298	0	151	453	451		4	296	0	150
	From W	2	70	166	0	239	239		2	71	167	0
		To N	To S	To E	To W			ColTot	10	369	422	201
								Target	10	370	420	202
6		To N	To S	To E	To W	RowTt	Target		To N	To S	To E	To W
	From N	0	2	3	1	6	6		0	2	3	1
	From S	4	0	252	50	305	306		4	0	252	50
	From E	4	297	0	151	452	451		4	296	0	150
	From W	2	71	166	0	239	239		2	71	166	0
		To N	To S	To E	To W			ColTot	10	370	422	201
								Target	10	370	420	202
7		To N	To S	To E	To W	RowTt	Target		To N	To S	To E	To W
	From N	0	2	3	1	6	6		0	2	3	1
	From S	4	0	252	50	306	306		4	0	252	50
	From E	4	297	0	151	452	451		4	297	0	150
	From W	2	71	166	0	239	239		2	71	166	0
		To N	To S	To E	To W			ColTot	10	370	421	201
								Target	10	370	420	202
8		To N	To S	To E	To W	RowTt	Target		To N	To S	To E	To W
	From N	0	2	3	1	6	6		0	2	3	1
	From S	4	0	252	50	306	306		4	0	252	50
	From E	4	297	0	150	451	451		4	297	0	150
	From W	2	71	166	0	239	239		2	71	166	0
		To N	To S	To E	To W			ColTot	10	370	421	202
								Target	10	370	420	202
9		To N	To S	To E	To W	RowTt	Target		To N	To S	To E	To W
	From N	0	2	3	1	6	6		0	2	3	1
	From S	4	0	252	50	306	306		4	0	252	50
	From E	4	297	0	150	451	451		4	297	0	150
	From W	2	71	166	0	239	239		2	71	166	0
		To N	To S	To E	To W			ColTot	10	370	421	202
								Target	10	370	420	202
10		To N	To S	To E	To W	RowTt	Target		To N	To S	To E	To W
	From N	0	2	3	1	6	6		0	2	3	1
	From S	4	0	252	50	306	306		4	0	252	50
	From E	4	297	0	150	451	451		4	297	0	150
	From W	2	71	166	0	239	239		2	72	166	0
		To N	To S	To E	To W			ColTot	10	370	421	202
								Target	10	370	420	202
11		To N	To S	To E	To W	RowTt	Target		To N	To S	To E	To W
	From N	0	2	3	1	6	6		0	2	3	1
	From S	4	0	252	50	306	306		4	0	252	50
	From E	4	297	0	150	451	451		4	297	0	150
	From W	2	72	166	0	239	239		2	72	166	0
		To N	To S	To E	To W			ColTot	10	370	420	202
								Target	10	370	420	202

Turn Movement Forecast: Row-Column-Sum Method

Street Alignment:
Intersection:

North/South
Broadway Ave./ at East/West
Needles Hwy

Scenario: **Future (2040) With Project**
Time Period: **Weekend MD**

12		To N	To S	To E	To W	RowTt	Target		To N	To S	To E	To W	
	From N	0	2	3	1	6	6		0	2	3	1	
	From S	4	0	252	50	306	306		4	0	252	51	
	From E	4	297	0	150	451	451		4	297	0	150	
	From W	2	72	166	0	239	239		2	72	166	0	
		To N	To S	To E	To W				ColTot	10	370	420	202
									Target	10	370	420	202
13		To N	To S	To E	To W	RowTt	Target		To N	To S	To E	To W	
	From N	0	2	3	1	6	6		0	2	3	1	
	From S	4	0	252	51	306	306		4	0	252	51	
	From E	4	297	0	150	451	451		4	297	0	150	
	From W	2	72	166	0	239	239		2	72	166	0	
		To N	To S	To E	To W				ColTot	10	370	420	202
									Target	10	370	420	202
14		To N	To S	To E	To W	RowTt	Target		To N	To S	To E	To W	
	From N	0	2	3	1	6	6		0	2	3	1	
	From S	4	0	252	51	306	306		4	0	252	51	
	From E	4	297	0	150	451	451		4	297	0	150	
	From W	2	72	166	0	239	239		2	72	166	0	
		To N	To S	To E	To W				ColTot	10	370	420	202
									Target	10	370	420	202
15		To N	To S	To E	To W	RowTt	Target		To N	To S	To E	To W	
	From N	0	2	3	1	6	6		0	2	3	1	
	From S	4	0	252	51	306	306		4	0	252	51	
	From E	4	297	0	150	451	451		4	297	0	150	
	From W	2	72	166	0	239	239		2	72	166	0	
		To N	To S	To E	To W				ColTot	10	370	420	202
									Target	10	370	420	202
16		To N	To S	To E	To W	RowTt	Target		To N	To S	To E	To W	
	From N	0	2	3	1	6	6		0	2	3	1	
	From S	4	0	252	51	306	306		4	0	252	51	
	From E	4	297	0	150	451	451		4	297	0	150	
	From W	2	72	166	0	239	239		2	72	166	0	
		To N	To S	To E	To W				ColTot	10	370	420	202
									Target	10	370	420	202
17		To N	To S	To E	To W	RowTt	Target		To N	To S	To E	To W	
	From N	0	2	3	1	6	6		0	2	3	1	
	From S	4	0	252	51	306	306		4	0	252	51	
	From E	4	297	0	150	451	451		4	297	0	150	
	From W	2	72	166	0	239	239		2	72	166	0	
		To N	To S	To E	To W				ColTot	10	370	420	202
									Target	10	370	420	202
18		To N	To S	To E	To W	RowTt	Target		To N	To S	To E	To W	
	From N	0	2	3	1	6	6		0	2	3	1	
	From S	4	0	252	51	306	306		4	0	252	51	
	From E	4	297	0	150	451	451		4	297	0	150	
	From W	2	72	166	0	239	239		2	72	166	0	
		To N	To S	To E	To W				ColTot	10	370	420	202
									Target	10	370	420	202

Turn Movement Forecast: Row-Column-Sum Method

Street Alignment: North/South East/West Scenario: **Future (2040) With Project**
 Intersection: Broadway Ave./ at Needles Hwy Time Period: **Weekend MD**

19		To N	To S	To E	To W	RowTt	Target		To N	To S	To E	To W	
	From N	0	2	3	1	6	6		0	2	3	1	
	From S	4	0	252	51	306	306		4	0	252	51	
	From E	4	297	0	150	451	451		4	297	0	150	
	From W	2	72	166	0	239	239		2	72	166	0	
		To N	To S	To E	To W			ColTot	10	370	420	202	
								Target	10	370	420	202	
20		To N	To S	To E	To W	RowTt	Target		To N	To S	To E	To W	
	From N	0	2	3	1	6	6		0	2	3	1	1.000
	From S	4	0	252	51	306	306		4	0	252	51	1.000
	From E	4	297	0	150	451	451		4	297	0	150	1.000
	From W	2	72	166	0	239	239		2	72	166	0	1.000
		To N	To S	To E	To W			ColTot	10	370	420	202	
								Target	10	370	420	202	
								Pct	1.000	1.000	1.000	1.000	

Turn Movements and Traffic Volumes												
Year	<u>NL</u>	<u>NT</u>	<u>NR</u>	<u>SL</u>	<u>ST</u>	<u>SR</u>	<u>EL</u>	<u>ET</u>	<u>ER</u>	<u>WL</u>	<u>WT</u>	<u>WR</u>
Existing	48	4	259	3	2	1	2	160	59	270	148	4
2040	51	4	252	3	2	1	2	166	72	297	150	4
max(existing, 2040)	51	4	259	3	2	1	2	166	72	297	150	4
rounded to nearest 10	60	10	260	10	10	10	10	170	80	300	160	10

Future Link outputs			
North			
	30	30	
230			470
260			440
	390	330	
In - Out	1090	1090	Diff 0

Future volume			
Turn Move Inputs			
10	10	10	
SR	ST	SL	
10		WR	10
170		WT	160
80		WL	300
NL	NT	NR	
60	10	260	

Turn Movement Forecast: Row-Column-Sum Method

Street Alignment: North/South at East/West Scenario: **Future (2040) With Project**
 Intersection: K Street at Needles Hwy Time Period: **Weekday AM**

Future Link Inputs				Existing Counts		Turn Move Inputs		
	North					377	8	1
	371	337				SR	ST	SL
388			23		313	EL		WR
368			34		23	ET		WT
	17	14			3	ER		WL
				Average		NL	NT	NR
In - Out	776	776	776			3	8	1

Average In-out volumes

Link Inputs			
	North		
	371	337	
388			23
368			34
	17	14	
In - Out	776	776	0

1	To N	To S	To E	To W	RowTt	Target	2	To N	To S	To E	To W	
	From N	0	8	1	377	386	371	0	8	1	362	
	From S	8	0	1	3	12	14	9	0	1	4	
	From E	0	2	0	24	26	23	0	2	0	21	
	From W	313	3	23	0	339	368	340	3	25	0	
		To N	To S	To E	To W			ColTot	349	13	27	387
								Target	337	17	34	388
2	To N	To S	To E	To W	RowTt	Target		To N	To S	To E	To W	
	From N	0	10	1	363	375	371	0	10	1	360	
	From S	9	0	1	4	14	14	9	0	1	4	
	From E	0	2	0	21	24	23	0	2	0	21	
	From W	328	4	31	0	364	368	332	4	32	0	
		To N	To S	To E	To W			ColTot	341	17	34	384
								Target	337	17	34	388
3	To N	To S	To E	To W	RowTt	Target		To N	To S	To E	To W	
	From N	0	10	1	364	375	371	0	10	1	360	
	From S	9	0	1	4	14	14	9	0	1	4	
	From E	0	2	0	21	23	23	0	2	0	21	
	From W	328	4	31	0	364	368	332	4	32	0	
		To N	To S	To E	To W			ColTot	341	17	34	384
								Target	337	17	34	388
4	To N	To S	To E	To W	RowTt	Target		To N	To S	To E	To W	
	From N	0	10	1	363	375	371	0	10	1	360	
	From S	9	0	1	4	14	14	9	0	1	4	
	From E	0	2	0	21	23	23	0	2	0	21	
	From W	328	5	31	0	364	368	332	5	32	0	
		To N	To S	To E	To W			ColTot	341	17	34	384
								Target	337	17	34	388

Turn Movement Forecast: Row-Column-Sum Method

Street Alignment: North/South East/West Scenario: **Future (2040) With Project**
 Intersection: K Street at Needles Hwy Time Period: **Weekday AM**

5		To N	To S	To E	To W	RowTt	Target		To N	To S	To E	To W
	From N	0	10	1	363	375	371		0	10	1	360
	From S	9	0	1	4	14	14		9	0	1	4
	From E	0	2	0	21	23	23		0	2	0	21
	From W	328	5	31	0	364	368		332	5	32	0
		To N	To S	To E	To W			ColTot	340	17	34	384
								Target	337	17	34	388
6		To N	To S	To E	To W	RowTt	Target		To N	To S	To E	To W
	From N	0	10	1	363	375	371		0	10	1	360
	From S	9	0	1	4	14	14		9	0	1	4
	From E	0	2	0	21	23	23		0	2	0	21
	From W	328	5	31	0	364	368		332	5	32	0
		To N	To S	To E	To W			ColTot	340	17	34	384
								Target	337	17	34	388
7		To N	To S	To E	To W	RowTt	Target		To N	To S	To E	To W
	From N	0	10	1	363	374	371		0	10	1	360
	From S	9	0	1	4	14	14		9	0	1	4
	From E	0	2	0	21	23	23		0	2	0	21
	From W	328	5	31	0	364	368		331	5	32	0
		To N	To S	To E	To W			ColTot	340	17	34	385
								Target	337	17	34	388
8		To N	To S	To E	To W	RowTt	Target		To N	To S	To E	To W
	From N	0	10	1	363	374	371		0	10	1	360
	From S	9	0	1	4	14	14		9	0	1	4
	From E	0	2	0	21	23	23		0	2	0	21
	From W	328	5	32	0	365	368		331	5	32	0
		To N	To S	To E	To W			ColTot	340	17	34	385
								Target	337	17	34	388
9		To N	To S	To E	To W	RowTt	Target		To N	To S	To E	To W
	From N	0	10	1	363	374	371		0	10	1	360
	From S	9	0	1	4	14	14		9	0	1	4
	From E	0	2	0	21	23	23		0	2	0	21
	From W	328	5	32	0	365	368		331	5	32	0
		To N	To S	To E	To W			ColTot	340	17	34	385
								Target	337	17	34	388
10		To N	To S	To E	To W	RowTt	Target		To N	To S	To E	To W
	From N	0	10	1	363	374	371		0	10	1	360
	From S	9	0	1	4	14	14		9	0	1	4
	From E	0	2	0	21	23	23		0	2	0	21
	From W	328	5	32	0	365	368		331	5	32	0
		To N	To S	To E	To W			ColTot	340	17	34	385
								Target	337	17	34	388
11		To N	To S	To E	To W	RowTt	Target		To N	To S	To E	To W
	From N	0	10	1	363	374	371		0	10	1	360
	From S	9	0	1	4	14	14		9	0	1	4
	From E	0	2	0	21	23	23		0	2	0	21
	From W	328	5	32	0	365	368		331	5	32	0
		To N	To S	To E	To W			ColTot	340	17	34	385
								Target	337	17	34	388

Turn Movement Forecast: Row-Column-Sum Method

Street Alignment:
Intersection:

North/South
K Street at East/West
Needles Hwy

Scenario: **Future (2040) With Project**
Time Period: **Weekday AM**

12		To N	To S	To E	To W	RowTt	Target		To N	To S	To E	To W
	From N	0	10	1	363	374	371		0	10	1	360
	From S	9	0	1	4	14	14		9	0	1	4
	From E	0	2	0	21	23	23		0	2	0	21
	From W	328	5	32	0	365	368		331	5	32	0
	To N	To S	To E	To W				ColTot	340	17	34	385
								Target	337	17	34	388
13		To N	To S	To E	To W	RowTt	Target		To N	To S	To E	To W
	From N	0	10	1	363	374	371		0	10	1	360
	From S	8	0	1	4	14	14		9	0	1	4
	From E	0	2	0	21	23	23		0	2	0	21
	From W	329	5	32	0	365	368		331	5	32	0
	To N	To S	To E	To W				ColTot	340	17	34	385
								Target	337	17	34	388
14		To N	To S	To E	To W	RowTt	Target		To N	To S	To E	To W
	From N	0	10	1	363	374	371		0	10	1	360
	From S	8	0	1	4	14	14		8	0	1	4
	From E	0	2	0	21	23	23		0	2	0	21
	From W	329	5	32	0	365	368		331	5	32	0
	To N	To S	To E	To W				ColTot	339	17	34	385
								Target	337	17	34	388
15		To N	To S	To E	To W	RowTt	Target		To N	To S	To E	To W
	From N	0	10	1	363	373	371		0	10	1	360
	From S	8	0	1	4	14	14		8	0	1	4
	From E	0	2	0	21	23	23		0	2	0	21
	From W	329	5	32	0	365	368		331	5	32	0
	To N	To S	To E	To W				ColTot	339	17	34	385
								Target	337	17	34	388
16		To N	To S	To E	To W	RowTt	Target		To N	To S	To E	To W
	From N	0	10	1	363	373	371		0	10	1	361
	From S	8	0	1	4	14	14		8	0	1	4
	From E	0	2	0	21	23	23		0	2	0	21
	From W	329	5	32	0	365	368		331	5	32	0
	To N	To S	To E	To W				ColTot	339	17	34	386
								Target	337	17	34	388
17		To N	To S	To E	To W	RowTt	Target		To N	To S	To E	To W
	From N	0	10	1	363	373	371		0	10	1	361
	From S	8	0	1	4	14	14		8	0	1	4
	From E	0	2	0	21	23	23		0	2	0	21
	From W	329	5	32	0	366	368		331	5	32	0
	To N	To S	To E	To W				ColTot	339	17	34	386
								Target	337	17	34	388
18		To N	To S	To E	To W	RowTt	Target		To N	To S	To E	To W
	From N	0	10	1	363	373	371		0	9	1	361
	From S	8	0	1	4	14	14		8	0	1	4
	From E	0	2	0	21	23	23		0	2	0	21
	From W	329	5	32	0	366	368		331	5	32	0
	To N	To S	To E	To W				ColTot	339	17	34	386
								Target	337	17	34	388

Turn Movement Forecast: Row-Column-Sum Method

Street Alignment: North/South East/West Scenario: **Future (2040) With Project**
 Intersection: K Street at Needles Hwy Time Period: **Weekday AM**

19		To N	To S	To E	To W	RowTt	Target		To N	To S	To E	To W	
	From N	0	9	1	363	373	371		0	9	1	361	
	From S	8	0	1	4	14	14		8	0	1	4	
	From E	0	2	0	21	23	23		0	2	0	21	
	From W	329	5	32	0	366	368		331	5	32	0	
		To N	To S	To E	To W			ColTot	339	17	34	386	
								Target	337	17	34	388	
20		To N	To S	To E	To W	RowTt	Target		To N	To S	To E	To W	
	From N	0	9	1	363	373	371		0	9	1	361	1.006
	From S	8	0	1	4	14	14		8	0	1	4	0.998
	From E	0	2	0	21	23	23		0	2	0	21	1.005
	From W	329	5	32	0	366	368		331	5	32	0	0.994
		To N	To S	To E	To W			ColTot	339	17	34	386	
								Target	337	17	34	388	
								Pct	1.006	0.998	1.005	0.995	

Turn Movements and Traffic Volumes

Year	<u>NL</u>	<u>NT</u>	<u>NR</u>	<u>SL</u>	<u>ST</u>	<u>SR</u>	<u>EL</u>	<u>ET</u>	<u>ER</u>	<u>WL</u>	<u>WT</u>	<u>WR</u>
Existing	3	8	1	1	8	377	313	23	3	2	24	0
2040	4	8	1	1	9	361	331	32	5	2	21	0
max(existing, 2040)	4	8	1	1	9	377	331	32	5	2	24	0
rounded to nearest 10	10	10	10	10	10	380	340	40	10	10	30	0

Future Link outputs			
North			
	400	350	
420			40
390			60
	30	30	
In - Out	860	860	Diff 0

Future volume	Turn Move Inputs		
	380	10	10
	SR	ST	SL
340	EL		WR
40	ET		WT
10	ER		WL
	NL	NT	NR
	10	10	10

Turn Movement Forecast: Row-Column-Sum Method

Street Alignment: North/South at East/West Scenario: **Future (2040) With Project**
 Intersection: K Street at Needles Hwy Time Period: **Weekday PM**

Future Link Inputs				Existing Counts		Turn Move Inputs			
	North					393	15	2	
	427	438				SR	ST	SL	
450			34		424	EL		WR	1
460			38		31	ET		WT	20
	24	29			6	ER		WL	3
				Average		NL	NT	NR	
In - Out	950	950	950			9	17	2	

Average In-out volumes

Link Inputs			
	North		
	427	438	
450			34
460			38
	24	29	
In - Out	950	950	0

1		To N	To S	To E	To W	RowTt	Target	2	To N	To S	To E	To W
	From N	0	15	2	393	410	427		0	16	2	409
	From S	17	0	2	9	28	29		18	0	2	9
	From E	1	3	0	20	24	34		1	4	0	28
	From W	424	6	31	0	461	460		423	6	31	0
		To N	To S	To E	To W			ColTot	442	26	35	447
								Target	438	24	38	450
2		To N	To S	To E	To W	RowTt	Target		To N	To S	To E	To W
	From N	0	14	2	412	429	427		0	14	2	410
	From S	17	0	2	9	29	29		17	0	2	9
	From E	1	4	0	29	34	34		1	4	0	29
	From W	419	6	34	0	458	460		421	6	34	0
		To N	To S	To E	To W			ColTot	440	24	38	448
								Target	438	24	38	450
3		To N	To S	To E	To W	RowTt	Target		To N	To S	To E	To W
	From N	0	14	2	412	429	427		0	14	2	410
	From S	17	0	2	9	29	29		17	0	2	9
	From E	1	4	0	29	34	34		1	4	0	29
	From W	419	6	34	0	458	460		421	6	34	0
		To N	To S	To E	To W			ColTot	440	24	38	448
								Target	438	24	38	450
4		To N	To S	To E	To W	RowTt	Target		To N	To S	To E	To W
	From N	0	14	2	412	428	427		0	14	2	410
	From S	17	0	2	9	29	29		17	0	2	9
	From E	1	4	0	29	34	34		1	4	0	29
	From W	419	6	34	0	458	460		421	6	34	0
		To N	To S	To E	To W			ColTot	439	24	38	449
								Target	438	24	38	450

Turn Movement Forecast: Row-Column-Sum Method

Street Alignment: North/South at East/West Scenario: **Future (2040) With Project**
 Intersection: K Street at Needles Hwy Time Period: **Weekday PM**

5		To N	To S	To E	To W	RowTt	Target		To N	To S	To E	To W
	From N	0	14	2	412	428	427		0	14	2	410
	From S	17	0	2	9	29	29		17	0	2	9
	From E	1	4	0	29	34	34		1	4	0	29
	From W	419	6	34	0	459	460		421	6	34	0
		To N	To S	To E	To W			ColTot	439	24	38	449
								Target	438	24	38	450
6		To N	To S	To E	To W	RowTt	Target		To N	To S	To E	To W
	From N	0	14	2	412	428	427		0	14	2	410
	From S	17	0	2	10	29	29		17	0	2	10
	From E	1	4	0	29	34	34		1	4	0	29
	From W	419	6	34	0	459	460		421	6	34	0
		To N	To S	To E	To W			ColTot	439	24	38	449
								Target	438	24	38	450
7		To N	To S	To E	To W	RowTt	Target		To N	To S	To E	To W
	From N	0	14	2	412	428	427		0	14	2	411
	From S	17	0	2	10	29	29		17	0	2	10
	From E	1	4	0	29	34	34		1	4	0	29
	From W	419	6	34	0	459	460		421	6	34	0
		To N	To S	To E	To W			ColTot	439	24	38	449
								Target	438	24	38	450
8		To N	To S	To E	To W	RowTt	Target		To N	To S	To E	To W
	From N	0	14	2	412	428	427		0	14	2	411
	From S	17	0	2	10	29	29		17	0	2	10
	From E	1	4	0	29	34	34		1	4	0	29
	From W	419	6	34	0	459	460		421	6	34	0
		To N	To S	To E	To W			ColTot	439	24	38	449
								Target	438	24	38	450
9		To N	To S	To E	To W	RowTt	Target		To N	To S	To E	To W
	From N	0	14	2	412	428	427		0	14	2	411
	From S	17	0	2	10	29	29		17	0	2	10
	From E	1	4	0	29	34	34		1	4	0	29
	From W	420	6	34	0	459	460		421	6	34	0
		To N	To S	To E	To W			ColTot	439	24	38	449
								Target	438	24	38	450
10		To N	To S	To E	To W	RowTt	Target		To N	To S	To E	To W
	From N	0	14	2	412	428	427		0	14	2	411
	From S	17	0	2	10	29	29		17	0	2	10
	From E	1	4	0	29	34	34		1	4	0	29
	From W	420	6	34	0	459	460		421	6	34	0
		To N	To S	To E	To W			ColTot	439	24	38	449
								Target	438	24	38	450
11		To N	To S	To E	To W	RowTt	Target		To N	To S	To E	To W
	From N	0	14	2	412	428	427		0	14	2	411
	From S	17	0	2	10	29	29		17	0	2	10
	From E	1	4	0	29	34	34		1	4	0	29
	From W	420	6	34	0	459	460		420	6	34	0
		To N	To S	To E	To W			ColTot	439	24	38	449
								Target	438	24	38	450

Turn Movement Forecast: Row-Column-Sum Method

Street Alignment: North/South at East/West Scenario: **Future (2040) With Project**
 Intersection: K Street at Needles Hwy Time Period: **Weekday PM**

12		To N	To S	To E	To W	RowTt	Target		To N	To S	To E	To W
	From N	0	14	2	411	428	427		0	14	2	411
	From S	17	0	2	10	29	29		17	0	2	10
	From E	1	4	0	29	34	34		1	4	0	29
	From W	420	6	34	0	459	460		420	6	34	0
		To N	To S	To E	To W			ColTot	439	24	38	449
								Target	438	24	38	450
13		To N	To S	To E	To W	RowTt	Target		To N	To S	To E	To W
	From N	0	14	2	411	428	427		0	14	2	411
	From S	17	0	2	10	29	29		17	0	2	10
	From E	1	4	0	29	34	34		1	4	0	29
	From W	420	6	34	0	459	460		420	6	34	0
		To N	To S	To E	To W			ColTot	439	24	38	449
								Target	438	24	38	450
14		To N	To S	To E	To W	RowTt	Target		To N	To S	To E	To W
	From N	0	14	2	411	428	427		0	14	2	411
	From S	17	0	2	10	29	29		17	0	2	10
	From E	1	4	0	29	34	34		1	4	0	29
	From W	420	6	34	0	459	460		420	6	34	0
		To N	To S	To E	To W			ColTot	439	24	38	449
								Target	438	24	38	450
15		To N	To S	To E	To W	RowTt	Target		To N	To S	To E	To W
	From N	0	14	2	411	428	427		0	14	2	411
	From S	17	0	2	10	29	29		17	0	2	10
	From E	1	4	0	29	34	34		1	4	0	29
	From W	420	6	34	0	459	460		420	6	34	0
		To N	To S	To E	To W			ColTot	439	24	38	449
								Target	438	24	38	450
16		To N	To S	To E	To W	RowTt	Target		To N	To S	To E	To W
	From N	0	14	2	411	428	427		0	14	2	411
	From S	17	0	2	10	29	29		17	0	2	10
	From E	1	4	0	29	34	34		1	4	0	29
	From W	420	6	34	0	459	460		420	6	34	0
		To N	To S	To E	To W			ColTot	439	24	38	449
								Target	438	24	38	450
17		To N	To S	To E	To W	RowTt	Target		To N	To S	To E	To W
	From N	0	14	2	411	428	427		0	14	2	411
	From S	17	0	2	10	29	29		17	0	2	10
	From E	1	4	0	29	34	34		1	4	0	29
	From W	420	6	34	0	459	460		420	6	34	0
		To N	To S	To E	To W			ColTot	439	24	38	449
								Target	438	24	38	450
18		To N	To S	To E	To W	RowTt	Target		To N	To S	To E	To W
	From N	0	14	2	411	428	427		0	14	2	411
	From S	17	0	2	10	29	29		17	0	2	10
	From E	1	4	0	29	34	34		1	4	0	29
	From W	420	6	34	0	459	460		420	6	34	0
		To N	To S	To E	To W			ColTot	439	24	38	449
								Target	438	24	38	450

Turn Movement Forecast: Row-Column-Sum Method

Street Alignment: North/South East/West Scenario: **Future (2040) With Project**
 Intersection: K Street at Needles Hwy Time Period: **Weekday PM**

19		To N	To S	To E	To W	RowTt	Target		To N	To S	To E	To W	
	From N	0	14	2	411	428	427		0	14	2	411	
	From S	17	0	2	10	29	29		17	0	2	10	
	From E	1	4	0	29	34	34		1	4	0	29	
	From W	420	6	34	0	459	460		420	6	34	0	
		To N	To S	To E	To W			ColTot	439	24	38	449	
								Target	438	24	38	450	
20		To N	To S	To E	To W	RowTt	Target		To N	To S	To E	To W	
	From N	0	14	2	411	428	427		0	14	2	411	1.001
	From S	17	0	2	10	29	29		17	0	2	10	1.000
	From E	1	4	0	29	34	34		1	4	0	29	1.001
	From W	420	6	34	0	459	460		420	6	34	0	0.999
		To N	To S	To E	To W			ColTot	439	24	38	449	
								Target	438	24	38	450	
								Pct	1.001	0.999	1.001	0.999	

Turn Movements and Traffic Volumes

Year	<u>NL</u>	<u>NT</u>	<u>NR</u>	<u>SL</u>	<u>ST</u>	<u>SR</u>	<u>EL</u>	<u>ET</u>	<u>ER</u>	<u>WL</u>	<u>WT</u>	<u>WR</u>
Existing	9	17	2	2	15	393	424	31	6	3	20	1
2040	10	17	2	2	14	411	420	34	6	4	29	1
max(existing, 2040)	10	17	2	2	15	411	424	34	6	4	29	1
rounded to nearest 10	10	20	10	10	20	420	430	40	10	10	30	10

Future Link outputs

	North		
	450	460	
460			50
480			60
	40	40	
In - Out	1020	1020	Diff 0

Future volume

	420	20	10
	SR	ST	SL
430			WR
40			WT
10			WL
	NL	NT	NR
	10	20	10

Turn Movement Forecast: Row-Column-Sum Method

Street Alignment: North/South at East/West Scenario: **Future (2040) With Project**
 Intersection: K Street at Needles Hwy Time Period: **Weekend MD**

Future Link Inputs				Existing Counts		Turn Move Inputs		
	North					351	14	7
	388	351				SR	ST	SL
417			60	344		EL		WR 2
401			70	52		ET		WT 36
	24	19		6		ER		WL 4
			Average			NL	NT	NR
In - Out	868	862	865			4	9	5

Average In-out volumes

Link Inputs			
	North		
	387	352	
418			60
400			70
	24	19	
In - Out	865	865	0

1		To N	To S	To E	To W	RowTt	Target	2	To N	To S	To E	To W
	From N	0	14	7	351	372	387		0	15	7	365
	From S	9	0	5	4	18	19		9	0	5	4
	From E	2	4	0	36	42	60		3	6	0	51
	From W	344	6	52	0	402	400		342	6	52	0
		To N	To S	To E	To W			ColTot	354	26	64	420
								Target	352	24	70	418
2		To N	To S	To E	To W	RowTt	Target		To N	To S	To E	To W
	From N	0	13	8	363	385	387		0	13	8	365
	From S	9	0	6	4	19	19		9	0	6	4
	From E	3	5	0	51	59	60		3	5	0	52
	From W	340	5	57	0	402	400		338	5	56	0
		To N	To S	To E	To W			ColTot	350	24	70	421
								Target	352	24	70	418
3		To N	To S	To E	To W	RowTt	Target		To N	To S	To E	To W
	From N	0	13	8	363	384	387		0	13	8	365
	From S	9	0	6	4	19	19		9	0	6	4
	From E	3	5	0	51	59	60		3	5	0	52
	From W	340	5	57	0	402	400		338	5	56	0
		To N	To S	To E	To W			ColTot	350	24	70	421
								Target	352	24	70	418
4		To N	To S	To E	To W	RowTt	Target		To N	To S	To E	To W
	From N	0	13	8	363	385	387		0	13	8	365
	From S	9	0	6	4	19	19		9	0	6	4
	From E	3	5	0	51	60	60		3	5	0	52
	From W	340	5	56	0	402	400		338	5	56	0
		To N	To S	To E	To W			ColTot	350	24	70	421
								Target	352	24	70	418

Turn Movement Forecast: Row-Column-Sum Method

Street Alignment: North/South at East/West Scenario: **Future (2040) With Project**
 Intersection: K Street at Needles Hwy Time Period: **Weekend MD**

5		To N	To S	To E	To W	RowTt	Target		To N	To S	To E	To W
	From N	0	13	8	363	385	387		0	14	8	365
	From S	9	0	6	4	19	19		9	0	6	4
	From E	3	5	0	51	60	60		3	5	0	52
	From W	340	5	56	0	402	400		338	5	56	0
		To N	To S	To E	To W			ColTot	350	24	70	420
								Target	352	24	70	418
6		To N	To S	To E	To W	RowTt	Target		To N	To S	To E	To W
	From N	0	13	8	363	385	387		0	14	8	365
	From S	9	0	6	4	19	19		9	0	6	4
	From E	3	5	0	51	60	60		3	5	0	51
	From W	340	5	56	0	402	400		338	5	56	0
		To N	To S	To E	To W			ColTot	351	24	70	420
								Target	352	24	70	418
7		To N	To S	To E	To W	RowTt	Target		To N	To S	To E	To W
	From N	0	14	8	363	385	387		0	14	8	365
	From S	9	0	6	4	19	19		9	0	6	4
	From E	3	5	0	51	60	60		3	5	0	51
	From W	340	5	56	0	401	400		338	5	56	0
		To N	To S	To E	To W			ColTot	351	24	70	420
								Target	352	24	70	418
8		To N	To S	To E	To W	RowTt	Target		To N	To S	To E	To W
	From N	0	14	8	363	385	387		0	14	8	365
	From S	9	0	6	4	19	19		9	0	6	4
	From E	3	5	0	51	60	60		3	5	0	51
	From W	340	5	56	0	401	400		338	5	56	0
		To N	To S	To E	To W			ColTot	351	24	70	420
								Target	352	24	70	418
9		To N	To S	To E	To W	RowTt	Target		To N	To S	To E	To W
	From N	0	14	8	363	385	387		0	14	8	365
	From S	9	0	6	4	19	19		9	0	6	4
	From E	3	5	0	51	60	60		3	5	0	51
	From W	340	5	56	0	401	400		339	5	56	0
		To N	To S	To E	To W			ColTot	351	24	70	420
								Target	352	24	70	418
10		To N	To S	To E	To W	RowTt	Target		To N	To S	To E	To W
	From N	0	14	9	363	385	387		0	14	9	364
	From S	9	0	6	4	19	19		9	0	6	4
	From E	3	5	0	51	60	60		3	5	0	51
	From W	340	5	56	0	401	400		339	5	56	0
		To N	To S	To E	To W			ColTot	351	24	70	420
								Target	352	24	70	418
11		To N	To S	To E	To W	RowTt	Target		To N	To S	To E	To W
	From N	0	14	9	363	386	387		0	14	9	364
	From S	9	0	6	4	19	19		9	0	6	4
	From E	3	5	0	51	60	60		3	5	0	51
	From W	340	5	56	0	401	400		339	5	56	0
		To N	To S	To E	To W			ColTot	351	24	70	420
								Target	352	24	70	418

Turn Movement Forecast: Row-Column-Sum Method

Street Alignment: North/South at East/West Scenario: **Future (2040) With Project**
 Intersection: K Street at Needles Hwy Time Period: **Weekend MD**

12		To N	To S	To E	To W	RowTt	Target		To N	To S	To E	To W
	From N	0	14	9	363	386	387		0	14	9	364
	From S	9	0	6	4	19	19		9	0	6	4
	From E	3	5	0	51	60	60		3	5	0	51
	From W	340	5	56	0	401	400		339	5	56	0
	To N	To S	To E	To W				ColTot	351	24	70	420
								Target	352	24	70	418
13		To N	To S	To E	To W	RowTt	Target		To N	To S	To E	To W
	From N	0	14	9	363	386	387		0	14	9	364
	From S	9	0	6	4	19	19		9	0	6	4
	From E	3	5	0	51	60	60		3	5	0	51
	From W	340	5	56	0	401	400		339	5	56	0
	To N	To S	To E	To W				ColTot	351	24	70	419
								Target	352	24	70	418
14		To N	To S	To E	To W	RowTt	Target		To N	To S	To E	To W
	From N	0	14	9	363	386	387		0	14	9	364
	From S	9	0	6	4	19	19		9	0	6	4
	From E	3	5	0	51	60	60		3	5	0	51
	From W	340	5	56	0	401	400		339	5	56	0
	To N	To S	To E	To W				ColTot	351	24	70	419
								Target	352	24	70	418
15		To N	To S	To E	To W	RowTt	Target		To N	To S	To E	To W
	From N	0	14	9	363	386	387		0	14	9	364
	From S	9	0	6	4	19	19		9	0	6	4
	From E	3	5	0	51	60	60		3	5	0	51
	From W	340	5	56	0	400	400		339	5	56	0
	To N	To S	To E	To W				ColTot	351	24	70	419
								Target	352	24	70	418
16		To N	To S	To E	To W	RowTt	Target		To N	To S	To E	To W
	From N	0	14	9	363	386	387		0	14	9	364
	From S	9	0	6	4	19	19		9	0	6	4
	From E	3	5	0	51	60	60		3	5	0	51
	From W	340	5	56	0	400	400		339	5	56	0
	To N	To S	To E	To W				ColTot	352	24	70	419
								Target	352	24	70	418
17		To N	To S	To E	To W	RowTt	Target		To N	To S	To E	To W
	From N	0	14	9	364	386	387		0	14	9	364
	From S	9	0	6	4	19	19		9	0	6	4
	From E	3	5	0	51	60	60		3	5	0	51
	From W	340	5	56	0	400	400		339	5	56	0
	To N	To S	To E	To W				ColTot	352	24	70	419
								Target	352	24	70	418
18		To N	To S	To E	To W	RowTt	Target		To N	To S	To E	To W
	From N	0	14	9	364	386	387		0	14	9	364
	From S	9	0	6	4	19	19		9	0	6	4
	From E	3	5	0	51	60	60		3	5	0	51
	From W	340	5	56	0	400	400		339	5	56	0
	To N	To S	To E	To W				ColTot	352	24	70	419
								Target	352	24	70	418

Turn Movement Forecast: Row-Column-Sum Method

Street Alignment: North/South East/West Scenario: **Future (2040) With Project**
 Intersection: K Street at Needles Hwy Time Period: **Weekend MD**

19		To N	To S	To E	To W	RowTt	Target		To N	To S	To E	To W	
	From N	0	14	9	364	386	387		0	14	9	364	
	From S	9	0	6	4	19	19		9	0	6	4	
	From E	3	5	0	51	60	60		3	5	0	51	
	From W	340	5	56	0	400	400		339	5	56	0	
		To N	To S	To E	To W			ColTot	352	24	70	419	
								Target	352	24	70	418	
20		To N	To S	To E	To W	RowTt	Target		To N	To S	To E	To W	
	From N	0	14	9	364	386	387		0	14	9	364	0.999
	From S	9	0	6	4	19	19		9	0	6	4	1.001
	From E	3	5	0	51	60	60		3	5	0	51	0.999
	From W	340	5	56	0	400	400		339	5	56	0	1.001
		To N	To S	To E	To W			ColTot	352	24	70	419	
								Target	352	24	70	418	
								Pct	0.999	1.001	0.999	1.001	

Turn Movements and Traffic Volumes												
<u>Year</u>	<u>NL</u>	<u>NT</u>	<u>NR</u>	<u>SL</u>	<u>ST</u>	<u>SR</u>	<u>EL</u>	<u>ET</u>	<u>ER</u>	<u>WL</u>	<u>WT</u>	<u>WR</u>
Existing	4	9	5	7	14	351	344	52	6	4	36	2
2040	4	9	6	9	14	364	339	56	5	5	51	3
max(existing, 2040)	4	9	6	9	14	364	344	56	6	5	51	3
rounded to nearest 10	10	10	10	10	20	370	350	60	10	10	60	10

Future Link outputs			
North			
	400	370	
440			80
420			80
	40	30	
In - Out	930	930	Diff 0

Future volume			
Turn Move Inputs			
370	20	10	
SR	ST	SL	
350			10
EL		WR	10
60		WT	60
10		WL	10
		NR	
10	10	10	
NL	NT	NR	

Turn Movement Forecast: Row-Column-Sum Method

Street Alignment: North/South East/West Scenario: **Future (2040) With Project**
 Intersection: J Street at Broadway Ave Time Period: **Weekday AM**

Future Link Inputs				Existing Counts		Turn Move Inputs		
	North					0	1	2
	-1	6				SR	ST	SL
	320		142		1	EL		WR
	286		158		139	ET		WT
		164	222		192	ER		WL
			Average			NL	NT	NR
In - Out	649	648	649			193	2	22

Average In-out volumes

Link Inputs			
	North		
	-1	6	
	320		142
	286		158
		164	222
In - Out	649	649	0

1	To N	To S	To E	To W	RowTt	Target	2	To N	To S	To E	To W	
	From N	0	1	2	0	3	-1	0	0	-1	0	
	From S	2	0	22	193	217	222	2	0	22	197	
	From E	1	16	0	106	123	142	1	18	0	122	
	From W	1	192	139	0	332	286	1	165	120	0	
		To N	To S	To E	To W			ColTot	4	183	141	320
								Target	6	164	158	320
2	To N	To S	To E	To W	RowTt	Target		To N	To S	To E	To W	
	From N	0	0	-1	0	-1	-1	0	0	-1	0	
	From S	3	0	25	198	226	222	3	0	25	194	
	From E	2	17	0	123	141	142	2	17	0	124	
	From W	1	148	134	0	283	286	1	149	135	0	
		To N	To S	To E	To W			ColTot	6	166	159	318
								Target	6	164	158	320
3	To N	To S	To E	To W	RowTt	Target		To N	To S	To E	To W	
	From N	0	0	-1	0	-1	-1	0	0	-1	0	
	From S	3	0	25	196	223	222	3	0	24	194	
	From E	2	16	0	125	143	142	2	16	0	124	
	From W	1	148	134	0	284	286	1	149	135	0	
		To N	To S	To E	To W			ColTot	6	165	159	318
								Target	6	164	158	320
4	To N	To S	To E	To W	RowTt	Target		To N	To S	To E	To W	
	From N	0	0	-1	0	-1	-1	0	0	-1	0	
	From S	3	0	24	196	223	222	3	0	24	195	
	From E	2	16	0	125	143	142	2	16	0	124	
	From W	1	148	135	0	284	286	1	149	135	0	
		To N	To S	To E	To W			ColTot	6	165	159	319
								Target	6	164	158	320

Turn Movement Forecast: Row-Column-Sum Method

Street Alignment: North/South at East/West
 Intersection: J Street at Broadway Ave

Scenario: **Future (2040) With Project**
 Time Period: **Weekday AM**

5		To N	To S	To E	To W	RowTt	Target		To N	To S	To E	To W
	From N	0	0	-1	0	-1	-1		0	0	-1	0
	From S	3	0	24	196	223	222		3	0	24	195
	From E	2	16	0	125	142	142		2	16	0	124
	From W	1	148	135	0	284	286		1	149	135	0
		To N	To S	To E	To W			ColTot	6	165	159	319
								Target	6	164	158	320
6		To N	To S	To E	To W	RowTt	Target		To N	To S	To E	To W
	From N	0	0	-1	0	-1	-1		0	0	-1	0
	From S	3	0	24	196	222	222		3	0	24	195
	From E	2	16	0	125	142	142		2	16	0	124
	From W	1	148	135	0	285	286		1	149	135	0
		To N	To S	To E	To W			ColTot	6	165	159	319
								Target	6	164	158	320
7		To N	To S	To E	To W	RowTt	Target		To N	To S	To E	To W
	From N	0	0	-1	0	-1	-1		0	0	-1	0
	From S	3	0	24	196	222	222		3	0	24	195
	From E	2	16	0	125	142	142		2	16	0	124
	From W	1	149	135	0	285	286		1	149	136	0
		To N	To S	To E	To W			ColTot	6	165	158	320
								Target	6	164	158	320
8		To N	To S	To E	To W	RowTt	Target		To N	To S	To E	To W
	From N	0	0	-1	0	-1	-1		0	0	-1	0
	From S	3	0	24	196	222	222		3	0	24	195
	From E	2	16	0	125	142	142		2	16	0	124
	From W	1	149	135	0	285	286		1	149	136	0
		To N	To S	To E	To W			ColTot	6	164	158	320
								Target	6	164	158	320
9		To N	To S	To E	To W	RowTt	Target		To N	To S	To E	To W
	From N	0	0	-1	0	-1	-1		0	0	-1	0
	From S	3	0	24	196	222	222		3	0	23	195
	From E	2	16	0	125	142	142		2	16	0	124
	From W	1	149	135	0	285	286		1	149	136	0
		To N	To S	To E	To W			ColTot	6	164	158	320
								Target	6	164	158	320
10		To N	To S	To E	To W	RowTt	Target		To N	To S	To E	To W
	From N	0	0	-1	0	-1	-1		0	0	-1	0
	From S	3	0	23	196	222	222		3	0	23	195
	From E	2	16	0	125	142	142		2	16	0	124
	From W	1	149	135	0	285	286		1	149	136	0
		To N	To S	To E	To W			ColTot	6	164	158	320
								Target	6	164	158	320
11		To N	To S	To E	To W	RowTt	Target		To N	To S	To E	To W
	From N	0	0	-1	0	-1	-1		0	0	-1	0
	From S	3	0	23	196	222	222		3	0	23	195
	From E	2	16	0	125	142	142		2	16	0	124
	From W	1	149	135	0	285	286		1	149	136	0
		To N	To S	To E	To W			ColTot	6	164	158	320
								Target	6	164	158	320

Turn Movement Forecast: Row-Column-Sum Method

Street Alignment: North/South at East/West Scenario: **Future (2040) With Project**
 Intersection: J Street at Broadway Ave Time Period: **Weekday AM**

12		To N	To S	To E	To W	RowTt	Target		To N	To S	To E	To W
	From N	0	0	-1	0	-1	-1		0	0	-1	0
	From S	3	0	23	196	222	222		3	0	23	196
	From E	2	16	0	125	142	142		2	16	0	125
	From W	1	149	135	0	286	286		1	149	136	0
		To N	To S	To E	To W			ColTot	6	164	158	320
								Target	6	164	158	320
13		To N	To S	To E	To W	RowTt	Target		To N	To S	To E	To W
	From N	0	0	-1	0	-1	-1		0	0	-1	0
	From S	3	0	23	196	222	222		3	0	23	196
	From E	2	16	0	125	142	142		2	16	0	125
	From W	1	149	135	0	286	286		1	149	136	0
		To N	To S	To E	To W			ColTot	6	164	158	320
								Target	6	164	158	320
14		To N	To S	To E	To W	RowTt	Target		To N	To S	To E	To W
	From N	0	0	-1	0	-1	-1		0	0	-1	0
	From S	3	0	23	196	222	222		3	0	23	196
	From E	2	16	0	125	142	142		2	16	0	125
	From W	1	149	136	0	286	286		1	149	136	0
		To N	To S	To E	To W			ColTot	6	164	158	320
								Target	6	164	158	320
15		To N	To S	To E	To W	RowTt	Target		To N	To S	To E	To W
	From N	0	0	-1	0	-1	-1		0	0	-1	0
	From S	3	0	23	196	222	222		3	0	23	196
	From E	2	16	0	125	142	142		2	16	0	125
	From W	1	149	136	0	286	286		1	149	136	0
		To N	To S	To E	To W			ColTot	6	164	158	320
								Target	6	164	158	320
16		To N	To S	To E	To W	RowTt	Target		To N	To S	To E	To W
	From N	0	0	-1	0	-1	-1		0	0	-1	0
	From S	3	0	23	196	222	222		3	0	23	196
	From E	2	16	0	125	142	142		2	16	0	125
	From W	1	149	136	0	286	286		1	149	136	0
		To N	To S	To E	To W			ColTot	6	164	158	320
								Target	6	164	158	320
17		To N	To S	To E	To W	RowTt	Target		To N	To S	To E	To W
	From N	0	0	-1	0	-1	-1		0	0	-1	0
	From S	3	0	23	196	222	222		3	0	23	196
	From E	2	16	0	125	142	142		2	16	0	125
	From W	1	149	136	0	286	286		1	149	136	0
		To N	To S	To E	To W			ColTot	6	164	158	320
								Target	6	164	158	320
18		To N	To S	To E	To W	RowTt	Target		To N	To S	To E	To W
	From N	0	0	-1	0	-1	-1		0	0	-1	0
	From S	3	0	23	196	222	222		3	0	23	196
	From E	2	16	0	125	142	142		2	16	0	125
	From W	1	149	136	0	286	286		1	149	136	0
		To N	To S	To E	To W			ColTot	6	164	158	320
								Target	6	164	158	320

Turn Movement Forecast: Row-Column-Sum Method

Street Alignment: North/South East/West Scenario: **Future (2040) With Project**
 Intersection: J Street at Broadway Ave Time Period: **Weekday AM**

19		To N	To S	To E	To W	RowTt	Target		To N	To S	To E	To W	
	From N	0	0	-1	0	-1	-1		0	0	-1	0	
	From S	3	0	23	196	222	222		3	0	23	196	
	From E	2	16	0	125	142	142		2	16	0	125	
	From W	1	149	136	0	286	286		1	149	136	0	
		To N	To S	To E	To W			ColTot	6	164	158	320	
								Target	6	164	158	320	
20		To N	To S	To E	To W	RowTt	Target		To N	To S	To E	To W	
	From N	0	0	-1	0	-1	-1		0	0	-1	0	1.000
	From S	3	0	23	196	222	222		3	0	23	196	1.000
	From E	2	16	0	125	142	142		2	16	0	125	1.000
	From W	1	149	136	0	286	286		1	149	136	0	1.000
		To N	To S	To E	To W			ColTot	6	164	158	320	
								Target	6	164	158	320	
								Pct	1.000	1.000	1.000	1.000	

Turn Movements and Traffic Volumes

Year	NL	NT	NR	SL	ST	SR	EL	ET	ER	WL	WT	WR
Existing	193	2	22	2	1	0	1	139	192	16	106	1
2040	196	3	23	-1	0	0	1	136	149	16	125	2
max(existing, 2040)	196	3	23	2	1	0	1	139	192	16	125	2
rounded to nearest 10	200	10	30	10	10	0	10	140	200	20	130	10

Future Link outputs			
North			
	20	30	
330			160
350			180
	230	240	
In - Out	770	770	Diff 0

Future volume	Turn Move Inputs		
	0	10	10
	SR	ST	SL
10	EL		WR
140	ET		WT
200	ER		WL
	NL	NT	NR
	200	10	30

Turn Movement Forecast: Row-Column-Sum Method

Street Alignment: North/South East/West Scenario: **Future (2040) With Project**
 Intersection: J Street at Broadway Ave Time Period: **Weekday PM**

Future Link Inputs				Existing Counts		Turn Move Inputs		
	North					0	1	1
	8	3				SR	ST	SL
343			135	0		EL		WR
341			117	78		ET		WT
	270	250		244		ER		WL
						NL	NT	NR
In - Out	734	733	Average 734			265	1	18

Average In-out volumes

Link Inputs			
	North		
	8	3	
343			135
341			117
	270	250	
In - Out	734	734	0

1	To N	To S	To E	To W	RowTt	Target	2	To N	To S	To E	To W	
	From N	0	1	1	0	2		8	0	4	4	0
	From S	1	0	18	265	284		250	1	0	16	233
	From E	1	20	0	106	127		135	1	21	0	113
	From W	0	244	78	0	322		341	0	258	83	0
		To N	To S	To E	To W				ColTot	2	283	102
							Target	3	270	117	343	
2	To N	To S	To E	To W	RowTt	Target		To N	To S	To E	To W	
	From N	0	4	5	0	8	8	0	4	4	0	
	From S	1	0	18	231	251	250	1	0	18	230	
	From E	2	20	0	112	134	135	2	20	0	113	
	From W	0	246	94	0	341	341	0	246	94	0	
		To N	To S	To E	To W			ColTot	3	270	117	343
							Target	3	270	117	343	
3	To N	To S	To E	To W	RowTt	Target		To N	To S	To E	To W	
	From N	0	4	4	0	8	8	0	4	4	0	
	From S	1	0	18	230	250	250	1	0	18	230	
	From E	2	20	0	113	135	135	2	20	0	113	
	From W	0	246	95	0	341	341	0	246	95	0	
		To N	To S	To E	To W			ColTot	3	270	117	343
							Target	3	270	117	343	
4	To N	To S	To E	To W	RowTt	Target		To N	To S	To E	To W	
	From N	0	4	4	0	8	8	0	4	4	0	
	From S	1	0	18	230	250	250	1	0	18	230	
	From E	2	20	0	113	135	135	2	20	0	113	
	From W	0	246	95	0	341	341	0	246	95	0	
		To N	To S	To E	To W			ColTot	3	270	117	343
							Target	3	270	117	343	

Turn Movement Forecast: Row-Column-Sum Method

Street Alignment: North/South East/West Scenario: **Future (2040) With Project**
 Intersection: J Street at Broadway Ave Time Period: **Weekday PM**

5		To N	To S	To E	To W	RowTt	Target		To N	To S	To E	To W
	From N	0	4	4	0	8	8		0	4	4	0
	From S	1	0	18	230	250	250		1	0	18	230
	From E	2	20	0	113	135	135		2	20	0	113
	From W	0	246	95	0	341	341		0	246	95	0
		To N	To S	To E	To W			ColTot	3	270	117	343
								Target	3	270	117	343
6		To N	To S	To E	To W	RowTt	Target		To N	To S	To E	To W
	From N	0	4	4	0	8	8		0	4	4	0
	From S	1	0	18	230	250	250		1	0	18	230
	From E	2	20	0	113	135	135		2	20	0	113
	From W	0	246	95	0	341	341		0	246	95	0
		To N	To S	To E	To W			ColTot	3	270	117	343
								Target	3	270	117	343
7		To N	To S	To E	To W	RowTt	Target		To N	To S	To E	To W
	From N	0	4	4	0	8	8		0	4	4	0
	From S	1	0	18	230	250	250		1	0	18	230
	From E	2	20	0	113	135	135		2	20	0	113
	From W	0	246	95	0	341	341		0	246	95	0
		To N	To S	To E	To W			ColTot	3	270	117	343
								Target	3	270	117	343
8		To N	To S	To E	To W	RowTt	Target		To N	To S	To E	To W
	From N	0	4	4	0	8	8		0	4	4	0
	From S	1	0	18	230	250	250		1	0	18	230
	From E	2	20	0	113	135	135		2	20	0	113
	From W	0	246	95	0	341	341		0	246	95	0
		To N	To S	To E	To W			ColTot	3	270	117	343
								Target	3	270	117	343
9		To N	To S	To E	To W	RowTt	Target		To N	To S	To E	To W
	From N	0	4	4	0	8	8		0	4	4	0
	From S	1	0	18	230	250	250		1	0	18	230
	From E	2	20	0	113	135	135		2	20	0	113
	From W	0	246	95	0	341	341		0	246	95	0
		To N	To S	To E	To W			ColTot	3	270	117	343
								Target	3	270	117	343
10		To N	To S	To E	To W	RowTt	Target		To N	To S	To E	To W
	From N	0	4	4	0	8	8		0	4	4	0
	From S	1	0	18	230	250	250		1	0	18	230
	From E	2	20	0	113	135	135		2	20	0	113
	From W	0	246	95	0	341	341		0	246	95	0
		To N	To S	To E	To W			ColTot	3	270	117	343
								Target	3	270	117	343
11		To N	To S	To E	To W	RowTt	Target		To N	To S	To E	To W
	From N	0	4	4	0	8	8		0	4	4	0
	From S	1	0	18	230	250	250		1	0	18	230
	From E	2	20	0	113	135	135		2	20	0	113
	From W	0	246	95	0	341	341		0	246	95	0
		To N	To S	To E	To W			ColTot	3	270	117	343
								Target	3	270	117	343

Turn Movement Forecast: Row-Column-Sum Method

Street Alignment: North/South East/West Scenario: **Future (2040) With Project**
 Intersection: J Street at Broadway Ave Time Period: **Weekday PM**

12		To N	To S	To E	To W	RowTt	Target		To N	To S	To E	To W
	From N	0	4	4	0	8	8		0	4	4	0
	From S	1	0	18	230	250	250		1	0	18	230
	From E	2	20	0	113	135	135		2	20	0	113
	From W	0	246	95	0	341	341		0	246	95	0
		To N	To S	To E	To W			ColTot	3	270	117	343
								Target	3	270	117	343
13		To N	To S	To E	To W	RowTt	Target		To N	To S	To E	To W
	From N	0	4	4	0	8	8		0	4	4	0
	From S	1	0	18	230	250	250		1	0	18	230
	From E	2	20	0	113	135	135		2	20	0	113
	From W	0	246	95	0	341	341		0	246	95	0
		To N	To S	To E	To W			ColTot	3	270	117	343
								Target	3	270	117	343
14		To N	To S	To E	To W	RowTt	Target		To N	To S	To E	To W
	From N	0	4	4	0	8	8		0	4	4	0
	From S	1	0	18	230	250	250		1	0	18	230
	From E	2	20	0	113	135	135		2	20	0	113
	From W	0	246	95	0	341	341		0	246	95	0
		To N	To S	To E	To W			ColTot	3	270	117	343
								Target	3	270	117	343
15		To N	To S	To E	To W	RowTt	Target		To N	To S	To E	To W
	From N	0	4	4	0	8	8		0	4	4	0
	From S	1	0	18	230	250	250		1	0	18	230
	From E	2	20	0	113	135	135		2	20	0	113
	From W	0	246	95	0	341	341		0	246	95	0
		To N	To S	To E	To W			ColTot	3	270	117	343
								Target	3	270	117	343
16		To N	To S	To E	To W	RowTt	Target		To N	To S	To E	To W
	From N	0	4	4	0	8	8		0	4	4	0
	From S	1	0	18	230	250	250		1	0	18	230
	From E	2	20	0	113	135	135		2	20	0	113
	From W	0	246	95	0	341	341		0	246	95	0
		To N	To S	To E	To W			ColTot	3	270	117	343
								Target	3	270	117	343
17		To N	To S	To E	To W	RowTt	Target		To N	To S	To E	To W
	From N	0	4	4	0	8	8		0	4	4	0
	From S	1	0	18	230	250	250		1	0	18	230
	From E	2	20	0	113	135	135		2	20	0	113
	From W	0	246	95	0	341	341		0	246	95	0
		To N	To S	To E	To W			ColTot	3	270	117	343
								Target	3	270	117	343
18		To N	To S	To E	To W	RowTt	Target		To N	To S	To E	To W
	From N	0	4	4	0	8	8		0	4	4	0
	From S	1	0	18	230	250	250		1	0	18	230
	From E	2	20	0	113	135	135		2	20	0	113
	From W	0	246	95	0	341	341		0	246	95	0
		To N	To S	To E	To W			ColTot	3	270	117	343
								Target	3	270	117	343

Turn Movement Forecast: Row-Column-Sum Method

Street Alignment: North/South East/West Scenario: **Future (2040) With Project**
 Intersection: J Street at Broadway Ave Time Period: **Weekday PM**

19		To N	To S	To E	To W	RowTt	Target		To N	To S	To E	To W	
	From N	0	4	4	0	8	8		0	4	4	0	
	From S	1	0	18	230	250	250		1	0	18	230	
	From E	2	20	0	113	135	135		2	20	0	113	
	From W	0	246	95	0	341	341		0	246	95	0	
		To N	To S	To E	To W			ColTot	3	270	117	343	
								Target	3	270	117	343	
20		To N	To S	To E	To W	RowTt	Target		To N	To S	To E	To W	
	From N	0	4	4	0	8	8		0	4	4	0	1.000
	From S	1	0	18	230	250	250		1	0	18	230	1.000
	From E	2	20	0	113	135	135		2	20	0	113	1.000
	From W	0	246	95	0	341	341		0	246	95	0	1.000
		To N	To S	To E	To W			ColTot	3	270	117	343	
								Target	3	270	117	343	
								Pct	1.000	1.000	1.000	1.000	

Turn Movements and Traffic Volumes												
Year	NL	NT	NR	SL	ST	SR	EL	ET	ER	WL	WT	WR
Existing	265	1	18	1	1			78	244	20	106	1
2040	230	1	18	4	4	0	0	95	246	20	113	2
max(existing, 2040)	265	1	18	4	4	0	0	95	246	20	113	2
rounded to nearest 10	270	10	20	10	10	0	0	100	250	30	120	10

Future Link outputs			
North			
	20	20	
390			160
350			130
	290	300	
In - Out	830	830	Diff 0

Future volume			
Turn Move Inputs			
0	10	10	
	SR	ST	SL
0			WR 10
100			WT 120
250			WL 30
	NL	NT	NR
	270	10	20

Turn Movement Forecast: Row-Column-Sum Method

Street Alignment: North/South at East/West Scenario: **Future (2040) With Project**
 Intersection: J Street at Broadway Ave Time Period: **Weekend MD**

Future Link Inputs				Existing Counts		Turn Move Inputs		
	North					1	0	0
	4	5				SR	ST	SL
281			164	2		EL		WR
355			163	107		ET		WT
	265	187		226		ER		WL
			Average			NL	NT	NR
In - Out	710	714	712			182	1	29

Average In-out volumes

Link Inputs			
	North		
	4	5	
280			164
356			163
	264	188	
In - Out	712	712	0

1	To N	To S	To E	To W	RowTt	Target	2	To N	To S	To E	To W		
	From N	0	0	1	1	4		0	0	0	4		
	From S	1	0	29	182	212		188	1	0	26	161	
	From E	0	34	0	121	155		164	0	36	0	128	
	From W	2	226	107	0	335		356	2	240	114	0	
		To N	To S	To E	To W				ColTot	3	276	139	293
									Target	5	264	163	280
2	To N	To S	To E	To W	RowTt	Target		To N	To S	To E	To W		
	From N	0	0	4	4	4	0	0	0	0	4		
	From S	1	0	30	154	185	188	1	0	30	156		
	From E	0	35	0	123	157	164	0	36	0	128		
	From W	4	230	133	0	366	356	3	224	129	0		
		To N	To S	To E	To W			ColTot	5	260	159	288	
								Target	5	264	163	280	
3	To N	To S	To E	To W	RowTt	Target		To N	To S	To E	To W		
	From N	0	0	4	4	4	0	0	0	0	4		
	From S	2	0	31	151	184	188	2	0	32	154		
	From E	0	37	0	125	162	164	0	37	0	127		
	From W	3	227	132	0	363	356	3	223	129	0		
		To N	To S	To E	To W			ColTot	5	261	161	286	
								Target	5	264	163	280	
4	To N	To S	To E	To W	RowTt	Target		To N	To S	To E	To W		
	From N	0	0	4	4	4	0	0	0	0	4		
	From S	2	0	32	152	185	188	2	0	32	154		
	From E	0	38	0	125	163	164	0	38	0	126		
	From W	3	226	131	0	360	356	3	224	129	0		
		To N	To S	To E	To W			ColTot	5	262	161	284	
								Target	5	264	163	280	

Turn Movement Forecast: Row-Column-Sum Method

Street Alignment: North/South East/West Scenario: **Future (2040) With Project**
 Intersection: J Street at Broadway Ave Time Period: **Weekend MD**

5		To N	To S	To E	To W	RowTt	Target		To N	To S	To E	To W	
	From N	0	0	0	4	4	4		0	0	0	4	
	From S	2	0	33	152	186	188		2	0	33	153	
	From E	0	39	0	125	163	164		0	39	0	125	
	From W	3	226	130	0	359	356		3	224	129	0	
		To N	To S	To E	To W				ColTot	5	263	162	283
									Target	5	264	163	280
6		To N	To S	To E	To W	RowTt	Target		To N	To S	To E	To W	
	From N	0	0	0	4	4	4		0	0	0	4	
	From S	2	0	33	152	186	188		2	0	33	153	
	From E	0	39	0	124	164	164		0	39	0	125	
	From W	3	225	130	0	358	356		3	224	129	0	
		To N	To S	To E	To W				ColTot	5	263	162	282
									Target	5	264	163	280
7		To N	To S	To E	To W	RowTt	Target		To N	To S	To E	To W	
	From N	0	0	0	4	4	4		0	0	0	4	
	From S	2	0	33	152	187	188		2	0	33	152	
	From E	0	40	0	124	164	164		0	40	0	125	
	From W	3	225	129	0	357	356		3	224	129	0	
		To N	To S	To E	To W				ColTot	5	264	162	281
									Target	5	264	163	280
8		To N	To S	To E	To W	RowTt	Target		To N	To S	To E	To W	
	From N	0	0	0	4	4	4		0	0	0	4	
	From S	2	0	34	152	187	188		2	0	34	152	
	From E	0	40	0	124	164	164		0	40	0	125	
	From W	3	224	129	0	357	356		3	224	129	0	
		To N	To S	To E	To W				ColTot	5	264	162	281
									Target	5	264	163	280
9		To N	To S	To E	To W	RowTt	Target		To N	To S	To E	To W	
	From N	0	0	0	4	4	4		0	0	0	4	
	From S	2	0	34	152	187	188		2	0	34	152	
	From E	0	40	0	124	164	164		0	40	0	124	
	From W	3	224	129	0	357	356		3	224	129	0	
		To N	To S	To E	To W				ColTot	5	264	162	281
									Target	5	264	163	280
10		To N	To S	To E	To W	RowTt	Target		To N	To S	To E	To W	
	From N	0	0	0	4	4	4		0	0	0	4	
	From S	2	0	34	152	187	188		2	0	34	152	
	From E	0	40	0	124	164	164		0	40	0	124	
	From W	3	224	129	0	356	356		3	224	129	0	
		To N	To S	To E	To W				ColTot	5	264	162	281
									Target	5	264	163	280
11		To N	To S	To E	To W	RowTt	Target		To N	To S	To E	To W	
	From N	0	0	0	4	4	4		0	0	0	4	
	From S	2	0	34	152	187	188		2	0	34	152	
	From E	0	40	0	124	164	164		0	40	0	124	
	From W	3	224	129	0	356	356		3	224	129	0	
		To N	To S	To E	To W				ColTot	5	264	162	280
									Target	5	264	163	280

Turn Movement Forecast: Row-Column-Sum Method

Street Alignment: North/South East/West Scenario: **Future (2040) With Project**
 Intersection: J Street at Broadway Ave Time Period: **Weekend MD**

12		To N	To S	To E	To W	RowTt	Target		To N	To S	To E	To W
	From N	0	0	0	4	4	4		0	0	0	4
	From S	2	0	34	152	187	188		2	0	34	152
	From E	0	40	0	124	164	164		0	40	0	124
	From W	3	224	129	0	356	356		3	224	129	0
	To N	To S	To E	To W				ColTot	5	264	163	280
								Target	5	264	163	280
13		To N	To S	To E	To W	RowTt	Target		To N	To S	To E	To W
	From N	0	0	0	4	4	4		0	0	0	4
	From S	2	0	34	152	187	188		2	0	34	152
	From E	0	40	0	124	164	164		0	40	0	124
	From W	3	224	129	0	356	356		3	224	129	0
	To N	To S	To E	To W				ColTot	5	264	163	280
								Target	5	264	163	280
14		To N	To S	To E	To W	RowTt	Target		To N	To S	To E	To W
	From N	0	0	0	4	4	4		0	0	0	4
	From S	2	0	34	152	187	188		2	0	34	152
	From E	0	40	0	124	164	164		0	40	0	124
	From W	3	224	129	0	356	356		3	224	129	0
	To N	To S	To E	To W				ColTot	5	264	163	280
								Target	5	264	163	280
15		To N	To S	To E	To W	RowTt	Target		To N	To S	To E	To W
	From N	0	0	0	4	4	4		0	0	0	4
	From S	2	0	34	152	188	188		2	0	34	152
	From E	0	40	0	124	164	164		0	40	0	124
	From W	3	224	129	0	356	356		3	224	129	0
	To N	To S	To E	To W				ColTot	5	264	163	280
								Target	5	264	163	280
16		To N	To S	To E	To W	RowTt	Target		To N	To S	To E	To W
	From N	0	0	0	4	4	4		0	0	0	4
	From S	2	0	34	152	188	188		2	0	34	152
	From E	0	40	0	124	164	164		0	40	0	124
	From W	3	224	129	0	356	356		3	224	129	0
	To N	To S	To E	To W				ColTot	5	264	163	280
								Target	5	264	163	280
17		To N	To S	To E	To W	RowTt	Target		To N	To S	To E	To W
	From N	0	0	0	4	4	4		0	0	0	4
	From S	2	0	34	152	188	188		2	0	34	152
	From E	0	40	0	124	164	164		0	40	0	124
	From W	3	224	129	0	356	356		3	224	129	0
	To N	To S	To E	To W				ColTot	5	264	163	280
								Target	5	264	163	280
18		To N	To S	To E	To W	RowTt	Target		To N	To S	To E	To W
	From N	0	0	0	4	4	4		0	0	0	4
	From S	2	0	34	152	188	188		2	0	34	152
	From E	0	40	0	124	164	164		0	40	0	124
	From W	3	224	129	0	356	356		3	224	129	0
	To N	To S	To E	To W				ColTot	5	264	163	280
								Target	5	264	163	280

Turn Movement Forecast: Row-Column-Sum Method

Street Alignment: North/South East/West Scenario: **Future (2040) With Project**
 Intersection: J Street at Broadway Ave Time Period: **Weekend MD**

19		To N	To S	To E	To W	RowTt	Target		To N	To S	To E	To W	
	From N	0	0	0	4	4	4		0	0	0	4	
	From S	2	0	34	152	188	188		2	0	34	152	
	From E	0	40	0	124	164	164		0	40	0	124	
	From W	3	224	129	0	356	356		3	224	129	0	
		To N	To S	To E	To W			ColTot	5	264	163	280	
								Target	5	264	163	280	
20		To N	To S	To E	To W	RowTt	Target		To N	To S	To E	To W	
	From N	0	0	0	4	4	4		0	0	0	4	1.000
	From S	2	0	34	152	188	188		2	0	34	152	1.000
	From E	0	40	0	124	164	164		0	40	0	124	1.000
	From W	3	224	129	0	356	356		3	224	129	0	1.000
		To N	To S	To E	To W			ColTot	5	264	163	280	
								Target	5	264	163	280	
								Pct	1.000	1.000	1.000	1.000	

Turn Movements and Traffic Volumes												
Year	<u>NL</u>	<u>NT</u>	<u>NR</u>	<u>SL</u>	<u>ST</u>	<u>SR</u>	<u>EL</u>	<u>ET</u>	<u>ER</u>	<u>WL</u>	<u>WT</u>	<u>WR</u>
Existing	182	1	29			1	2	107	226	34	121	
2040	152	2	34	0	0	4	3	129	224	40	124	0
max(existing, 2040)	182	2	34	0	0	4	3	129	226	40	124	0
rounded to nearest 10	190	10	40	0	0	10	10	130	230	50	130	0

Future Link outputs			
North			
	10	20	
330			180
370			170
	280	240	
In - Out	800	800	Diff 0

Future volume			
Turn Move Inputs			
	10	0	0
	SR	ST	SL
10	EL		WR 0
130	ET		WT 130
230	ER		WL 50
	NL	NT	NR
	190	10	40

Turn Movement Forecast: Row-Column-Sum Method

Street Alignment: North/South East/West Scenario: **Future (2040) With Project**
 Intersection: WB I-40 Ramps at J Street Time Period: **Weekday AM**

Future Link Inputs				Existing Counts		Turn Move Inputs		
	North					0	0	0
		0	31			SR	ST	SL
209				8		EL		WR
				139		ET		WT
133		0	104	0		ER		WL
						NL	NT	NR
			Average			10	0	93
In - Out		456	455	456				

Average In-out volumes

Link Inputs			
	North		
		0	31
209			219
			215
133		0	104
In - Out		456	456

1	To N	To S	To E	To W	RowTt	Target	2	To N	To S	To E	To W		
	From N	0	0	0	0	0		0	0	0	0	0	
	From S	0	0	93	10	103		104	0	0	94	10	
	From E	21	0	0	204	225		219	20	0	0	198	
	From W	8	0	139	0	147		133	7	0	126	0	
		To N	To S	To E	To W				ColTot	28	0	219	208
									Target	31	0	215	209
2	To N	To S	To E	To W	RowTt	Target		To N	To S	To E	To W		
	From N	0	0	0	0	0	0	0	0	0	0		
	From S	0	0	92	10	102	104	0	0	94	10		
	From E	23	0	0	199	222	219	23	0	0	196		
	From W	8	0	123	0	131	133	8	0	125	0		
		To N	To S	To E	To W			ColTot	31	0	218	206	
								Target	31	0	215	209	
3	To N	To S	To E	To W	RowTt	Target		To N	To S	To E	To W		
	From N	0	0	0	0	0	0	0	0	0	0		
	From S	0	0	92	10	103	104	0	0	93	11		
	From E	23	0	0	199	222	219	22	0	0	196		
	From W	8	0	123	0	131	133	8	0	124	0		
		To N	To S	To E	To W			ColTot	31	0	218	207	
								Target	31	0	215	209	
4	To N	To S	To E	To W	RowTt	Target		To N	To S	To E	To W		
	From N	0	0	0	0	0	0	0	0	0	0		
	From S	0	0	92	11	103	104	0	0	93	11		
	From E	23	0	0	199	221	219	22	0	0	196		
	From W	8	0	123	0	131	133	9	0	124	0		
		To N	To S	To E	To W			ColTot	31	0	217	207	
								Target	31	0	215	209	

Turn Movement Forecast: Row-Column-Sum Method

Street Alignment: North/South East/West Scenario: **Future (2040) With Project**
 Intersection: WB I-40 Ramps at J Street Time Period: **Weekday AM**

5		To N	To S	To E	To W	RowTt	Target		To N	To S	To E	To W
	From N	0	0	0	0	0	0		0	0	0	0
	From S	0	0	92	11	103	104		0	0	93	11
	From E	22	0	0	198	221	219		22	0	0	196
	From W	9	0	123	0	132	133		9	0	124	0
		To N	To S	To E	To W			ColTot	31	0	217	207
								Target	31	0	215	209
6		To N	To S	To E	To W	RowTt	Target		To N	To S	To E	To W
	From N	0	0	0	0	0	0		0	0	0	0
	From S	0	0	92	11	103	104		0	0	93	11
	From E	22	0	0	198	221	219		22	0	0	197
	From W	9	0	123	0	132	133		9	0	124	0
		To N	To S	To E	To W			ColTot	31	0	217	208
								Target	31	0	215	209
7		To N	To S	To E	To W	RowTt	Target		To N	To S	To E	To W
	From N	0	0	0	0	0	0		0	0	0	0
	From S	0	0	92	11	103	104		0	0	93	11
	From E	22	0	0	198	220	219		22	0	0	197
	From W	9	0	123	0	132	133		9	0	124	0
		To N	To S	To E	To W			ColTot	31	0	217	208
								Target	31	0	215	209
8		To N	To S	To E	To W	RowTt	Target		To N	To S	To E	To W
	From N	0	0	0	0	0	0		0	0	0	0
	From S	0	0	92	11	103	104		0	0	92	11
	From E	22	0	0	198	220	219		22	0	0	197
	From W	9	0	123	0	132	133		9	0	124	0
		To N	To S	To E	To W			ColTot	31	0	216	208
								Target	31	0	215	209
9		To N	To S	To E	To W	RowTt	Target		To N	To S	To E	To W
	From N	0	0	0	0	0	0		0	0	0	0
	From S	0	0	92	11	103	104		0	0	92	12
	From E	22	0	0	198	220	219		22	0	0	197
	From W	9	0	123	0	132	133		9	0	124	0
		To N	To S	To E	To W			ColTot	31	0	216	208
								Target	31	0	215	209
10		To N	To S	To E	To W	RowTt	Target		To N	To S	To E	To W
	From N	0	0	0	0	0	0		0	0	0	0
	From S	0	0	92	12	104	104		0	0	92	12
	From E	22	0	0	198	220	219		22	0	0	197
	From W	9	0	123	0	132	133		9	0	124	0
		To N	To S	To E	To W			ColTot	31	0	216	208
								Target	31	0	215	209
11		To N	To S	To E	To W	RowTt	Target		To N	To S	To E	To W
	From N	0	0	0	0	0	0		0	0	0	0
	From S	0	0	92	12	104	104		0	0	92	12
	From E	22	0	0	198	220	219		22	0	0	197
	From W	9	0	123	0	132	133		9	0	124	0
		To N	To S	To E	To W			ColTot	31	0	216	209
								Target	31	0	215	209

Turn Movement Forecast: Row-Column-Sum Method

Street Alignment: North/South East/West
 Intersection: WB I-40 Ramps at J Street

Scenario: **Future (2040) With Project**
 Time Period: **Weekday AM**

12		To N	To S	To E	To W	RowTt	Target		To N	To S	To E	To W
	From N	0	0	0	0	0	0		0	0	0	0
	From S	0	0	92	12	104	104		0	0	92	12
	From E	22	0	0	197	219	219		22	0	0	197
	From W	9	0	123	0	132	133		9	0	124	0
		To N	To S	To E	To W				ColTot	31	0	216
								Target	31	0	215	209
13		To N	To S	To E	To W	RowTt	Target		To N	To S	To E	To W
	From N	0	0	0	0	0	0		0	0	0	0
	From S	0	0	92	12	104	104		0	0	92	12
	From E	22	0	0	197	219	219		22	0	0	197
	From W	9	0	123	0	133	133		9	0	124	0
		To N	To S	To E	To W				ColTot	31	0	216
								Target	31	0	215	209
14		To N	To S	To E	To W	RowTt	Target		To N	To S	To E	To W
	From N	0	0	0	0	0	0		0	0	0	0
	From S	0	0	92	12	104	104		0	0	92	12
	From E	22	0	0	197	219	219		22	0	0	197
	From W	9	0	123	0	133	133		9	0	124	0
		To N	To S	To E	To W				ColTot	31	0	216
								Target	31	0	215	209
15		To N	To S	To E	To W	RowTt	Target		To N	To S	To E	To W
	From N	0	0	0	0	0	0		0	0	0	0
	From S	0	0	92	12	104	104		0	0	92	12
	From E	22	0	0	197	219	219		22	0	0	197
	From W	9	0	123	0	133	133		9	0	124	0
		To N	To S	To E	To W				ColTot	31	0	216
								Target	31	0	215	209
16		To N	To S	To E	To W	RowTt	Target		To N	To S	To E	To W
	From N	0	0	0	0	0	0		0	0	0	0
	From S	0	0	92	12	104	104		0	0	92	12
	From E	22	0	0	197	219	219		22	0	0	197
	From W	9	0	123	0	133	133		9	0	124	0
		To N	To S	To E	To W				ColTot	31	0	216
								Target	31	0	215	209
17		To N	To S	To E	To W	RowTt	Target		To N	To S	To E	To W
	From N	0	0	0	0	0	0		0	0	0	0
	From S	0	0	92	12	104	104		0	0	92	12
	From E	22	0	0	197	219	219		22	0	0	197
	From W	9	0	123	0	133	133		9	0	124	0
		To N	To S	To E	To W				ColTot	31	0	216
								Target	31	0	215	209
18		To N	To S	To E	To W	RowTt	Target		To N	To S	To E	To W
	From N	0	0	0	0	0	0		0	0	0	0
	From S	0	0	92	12	104	104		0	0	92	12
	From E	22	0	0	197	219	219		22	0	0	197
	From W	9	0	123	0	133	133		9	0	124	0
		To N	To S	To E	To W				ColTot	31	0	215
								Target	31	0	215	209

Turn Movement Forecast: Row-Column-Sum Method

Street Alignment: North/South East/West Scenario: **Future (2040) With Project**
 Intersection: WB I-40 Ramps at J Street Time Period: **Weekday AM**

19		To N	To S	To E	To W	RowTt	Target		To N	To S	To E	To W	
	From N	0	0	0	0	0	0		0	0	0	0	
	From S	0	0	92	12	104	104		0	0	92	12	
	From E	22	0	0	197	219	219		22	0	0	197	
	From W	9	0	123	0	133	133		9	0	124	0	
		To N	To S	To E	To W			ColTot	31	0	215	209	
								Target	31	0	215	209	
20		To N	To S	To E	To W	RowTt	Target		To N	To S	To E	To W	
	From N	0	0	0	0	0	0		0	0	0	0	0.000
	From S	0	0	92	12	104	104		0	0	92	12	0.999
	From E	22	0	0	197	219	219		22	0	0	197	1.001
	From W	9	0	123	0	133	133		9	0	124	0	0.999
		To N	To S	To E	To W			ColTot	31	0	215	209	
								Target	31	0	215	209	
								Pct	1.000	0.000	1.001	0.999	

Turn Movements and Traffic Volumes												
Year	NL	NT	NR	SL	ST	SR	EL	ET	ER	WL	WT	WR
Existing	10	0	93	0	0	0	8	139	0	0	204	21
2040	12	0	92	0	0	0	9	124	0	0	197	22
max(existing, 2040)	12	0	93	0	0	0	9	139	0	0	204	22
rounded to nearest 10	20	0	100	0	0	0	10	140	0	0	210	30

Future Link outputs			
	North		
	0	40	
230			240
150			240
	0	120	
In - Out	510	510	Diff 0

Future volume	Turn Move Inputs		
	0	0	0
	SR	ST	SL
10			WR
140			WT
0			WL
	NL	NT	NR
	20	0	100

Turn Movement Forecast: Row-Column-Sum Method

Street Alignment: North/South East/West Scenario: **Future (2040) With Project**
 Intersection: WB I-40 Ramps at J Street Time Period: **Weekday PM**

Future Link Inputs				Existing Counts		Turn Move Inputs		
	North					0	0	0
		0	44			SR	ST	SL
281				10		EL		WR 21
				156		ET		WT 265
163				0		ER		WL 0
		0	161			NL	NT	NR
In - Out		599	599	599		27	0	131

Average In-out volumes

Link Inputs

	North		
		0	44
281			275
			274
163			
		0	161
In - Out		599	599

1		To N	To S	To E	To W	RowTt	Target	2	To N	To S	To E	To W
	From N	0	0	0	0	0	0		0	0	0	0
	From S	0	0	131	27	158	161		0	0	133	28
	From E	21	0	0	265	286	275		20	0	0	255
	From W	10	0	156	0	166	163		10	0	153	0
		To N	To S	To E	To W			ColTot	30	0	287	282
								Target	44	0	274	281
2		To N	To S	To E	To W	RowTt	Target		To N	To S	To E	To W
	From N	0	0	0	0	0	0		0	0	0	0
	From S	0	0	128	27	155	161		0	0	133	28
	From E	30	0	0	254	283	275		29	0	0	246
	From W	14	0	146	0	161	163		15	0	148	0
		To N	To S	To E	To W			ColTot	43	0	281	275
								Target	44	0	274	281
3		To N	To S	To E	To W	RowTt	Target		To N	To S	To E	To W
	From N	0	0	0	0	0	0		0	0	0	0
	From S	0	0	129	29	158	161		0	0	131	30
	From E	29	0	0	252	281	275		29	0	0	246
	From W	15	0	145	0	160	163		15	0	148	0
		To N	To S	To E	To W			ColTot	44	0	279	276
								Target	44	0	274	281
4		To N	To S	To E	To W	RowTt	Target		To N	To S	To E	To W
	From N	0	0	0	0	0	0		0	0	0	0
	From S	0	0	129	30	159	161		0	0	131	30
	From E	29	0	0	251	280	275		28	0	0	247
	From W	15	0	145	0	160	163		15	0	148	0
		To N	To S	To E	To W			ColTot	44	0	278	277
								Target	44	0	274	281

Turn Movement Forecast: Row-Column-Sum Method

Street Alignment: North/South East/West Scenario: **Future (2040) With Project**
 Intersection: WB I-40 Ramps at J Street Time Period: **Weekday PM**

5		To N	To S	To E	To W	RowTt	Target		To N	To S	To E	To W
	From N	0	0	0	0	0	0		0	0	0	0
	From S	0	0	129	31	160	161		0	0	130	31
	From E	28	0	0	250	279	275		28	0	0	247
	From W	16	0	145	0	161	163		16	0	147	0
		To N	To S	To E	To W			ColTot	44	0	277	278
								Target	44	0	274	281
6		To N	To S	To E	To W	RowTt	Target		To N	To S	To E	To W
	From N	0	0	0	0	0	0		0	0	0	0
	From S	0	0	128	32	160	161		0	0	129	32
	From E	28	0	0	249	278	275		28	0	0	247
	From W	16	0	146	0	161	163		16	0	147	0
		To N	To S	To E	To W			ColTot	44	0	276	279
								Target	44	0	274	281
7		To N	To S	To E	To W	RowTt	Target		To N	To S	To E	To W
	From N	0	0	0	0	0	0		0	0	0	0
	From S	0	0	128	32	160	161		0	0	129	32
	From E	28	0	0	249	277	275		28	0	0	247
	From W	16	0	146	0	162	163		16	0	147	0
		To N	To S	To E	To W			ColTot	44	0	276	279
								Target	44	0	274	281
8		To N	To S	To E	To W	RowTt	Target		To N	To S	To E	To W
	From N	0	0	0	0	0	0		0	0	0	0
	From S	0	0	128	32	160	161		0	0	129	32
	From E	28	0	0	249	276	275		28	0	0	247
	From W	16	0	146	0	162	163		16	0	147	0
		To N	To S	To E	To W			ColTot	44	0	275	280
								Target	44	0	274	281
9		To N	To S	To E	To W	RowTt	Target		To N	To S	To E	To W
	From N	0	0	0	0	0	0		0	0	0	0
	From S	0	0	128	33	161	161		0	0	128	33
	From E	28	0	0	248	276	275		28	0	0	247
	From W	16	0	146	0	162	163		16	0	147	0
		To N	To S	To E	To W			ColTot	44	0	275	280
								Target	44	0	274	281
10		To N	To S	To E	To W	RowTt	Target		To N	To S	To E	To W
	From N	0	0	0	0	0	0		0	0	0	0
	From S	0	0	128	33	161	161		0	0	128	33
	From E	28	0	0	248	276	275		28	0	0	247
	From W	16	0	146	0	163	163		16	0	147	0
		To N	To S	To E	To W			ColTot	44	0	275	280
								Target	44	0	274	281
11		To N	To S	To E	To W	RowTt	Target		To N	To S	To E	To W
	From N	0	0	0	0	0	0		0	0	0	0
	From S	0	0	128	33	161	161		0	0	128	33
	From E	28	0	0	248	276	275		28	0	0	247
	From W	16	0	146	0	163	163		16	0	147	0
		To N	To S	To E	To W			ColTot	44	0	275	280
								Target	44	0	274	281

Turn Movement Forecast: Row-Column-Sum Method

Street Alignment:
Intersection:

North/South
WB I-40 Ramps at East/West
J Street

Scenario: **Future (2040) With Project**
Time Period: **Weekday PM**

12		To N	To S	To E	To W	RowTt	Target		To N	To S	To E	To W
	From N	0	0	0	0	0	0		0	0	0	0
	From S	0	0	128	33	161	161		0	0	128	33
	From E	28	0	0	248	275	275		27	0	0	248
	From W	16	0	146	0	163	163		17	0	146	0
		To N	To S	To E	To W			ColTot	44	0	274	281
								Target	44	0	274	281
13		To N	To S	To E	To W	RowTt	Target		To N	To S	To E	To W
	From N	0	0	0	0	0	0		0	0	0	0
	From S	0	0	128	33	161	161		0	0	128	33
	From E	27	0	0	248	275	275		27	0	0	248
	From W	17	0	146	0	163	163		17	0	146	0
		To N	To S	To E	To W			ColTot	44	0	274	281
								Target	44	0	274	281
14		To N	To S	To E	To W	RowTt	Target		To N	To S	To E	To W
	From N	0	0	0	0	0	0		0	0	0	0
	From S	0	0	128	33	161	161		0	0	128	33
	From E	27	0	0	248	275	275		27	0	0	248
	From W	17	0	146	0	163	163		17	0	146	0
		To N	To S	To E	To W			ColTot	44	0	274	281
								Target	44	0	274	281
15		To N	To S	To E	To W	RowTt	Target		To N	To S	To E	To W
	From N	0	0	0	0	0	0		0	0	0	0
	From S	0	0	128	33	161	161		0	0	128	33
	From E	27	0	0	248	275	275		27	0	0	248
	From W	17	0	146	0	163	163		17	0	146	0
		To N	To S	To E	To W			ColTot	44	0	274	281
								Target	44	0	274	281
16		To N	To S	To E	To W	RowTt	Target		To N	To S	To E	To W
	From N	0	0	0	0	0	0		0	0	0	0
	From S	0	0	128	33	161	161		0	0	128	33
	From E	27	0	0	248	275	275		27	0	0	248
	From W	17	0	146	0	163	163		17	0	146	0
		To N	To S	To E	To W			ColTot	44	0	274	281
								Target	44	0	274	281
17		To N	To S	To E	To W	RowTt	Target		To N	To S	To E	To W
	From N	0	0	0	0	0	0		0	0	0	0
	From S	0	0	128	33	161	161		0	0	128	33
	From E	27	0	0	248	275	275		27	0	0	248
	From W	17	0	146	0	163	163		17	0	146	0
		To N	To S	To E	To W			ColTot	44	0	274	281
								Target	44	0	274	281
18		To N	To S	To E	To W	RowTt	Target		To N	To S	To E	To W
	From N	0	0	0	0	0	0		0	0	0	0
	From S	0	0	128	33	161	161		0	0	128	33
	From E	27	0	0	248	275	275		27	0	0	248
	From W	17	0	146	0	163	163		17	0	146	0
		To N	To S	To E	To W			ColTot	44	0	274	281
								Target	44	0	274	281

Turn Movement Forecast: Row-Column-Sum Method

Street Alignment: North/South East/West Scenario: **Future (2040) With Project**
 Intersection: WB I-40 Ramps at J Street Time Period: **Weekday PM**

19		To N	To S	To E	To W	RowTt	Target		To N	To S	To E	To W	
	From N	0	0	0	0	0	0		0	0	0	0	
	From S	0	0	128	33	161	161		0	0	128	33	
	From E	27	0	0	248	275	275		27	0	0	248	
	From W	17	0	146	0	163	163		17	0	146	0	
		To N	To S	To E	To W			ColTot	44	0	274	281	
								Target	44	0	274	281	
20		To N	To S	To E	To W	RowTt	Target		To N	To S	To E	To W	
	From N	0	0	0	0	0	0		0	0	0	0	0.000
	From S	0	0	128	33	161	161		0	0	128	33	1.000
	From E	27	0	0	248	275	275		27	0	0	248	1.000
	From W	17	0	146	0	163	163		17	0	146	0	1.000
		To N	To S	To E	To W			ColTot	44	0	274	281	
								Target	44	0	274	281	
								Pct	1.000	0.000	1.000	1.000	

Turn Movements and Traffic Volumes												
Year	<u>NL</u>	<u>NT</u>	<u>NR</u>	<u>SL</u>	<u>ST</u>	<u>SR</u>	<u>EL</u>	<u>ET</u>	<u>ER</u>	<u>WL</u>	<u>WT</u>	<u>WR</u>
Existing	27		131				10	156			265	21
2040	33	0	128	0	0	0	17	146	0	0	248	27
max(existing, 2040)	33	0	131	0	0	0	17	156	0	0	265	27
rounded to nearest 10	40	0	140	0	0	0	20	160	0	0	270	30

Future Link outputs			
	North		
	0	50	
310			300
180			300
	0	180	
In - Out	660	660	Diff 0

Future volume	Turn Move Inputs		
	0	0	0
	SR	ST	SL
20			WR 30
160			WT 270
0			WL 0
	NL	NT	NR
40		0	140

Turn Movement Forecast: Row-Column-Sum Method

Street Alignment: North/South East/West Scenario: **Future (2040) With Project**
 Intersection: WB I-40 Ramps at J Street Time Period: **Weekend MD**

Future Link Inputs				Existing Counts		Turn Move Inputs		
	North					0	0	0
	0	56				SR	ST	SL
247			270	6		EL		WR 34
139			230	135		ET		WT 247
	0	118		0		ER		WL 0
			Average			NL	NT	NR
In - Out	527	533	530			10	0	106

Average In-out volumes

Link Inputs			
	North		
	0	56	
246			272
140			229
	0	119	
In - Out	530	530	0

1	To N	To S	To E	To W	RowTt	Target	2	To N	To S	To E	To W	
	From N	0	0	0	0	0		0	0	0	0	0
	From S	0	0	106	10	116		119	0	0	108	10
	From E	34	0	0	247	281		272	33	0	0	239
	From W	6	0	135	0	141		140	6	0	134	0
		To N	To S	To E	To W				ColTot	39	0	242
							Target	56	0	229	246	
2	To N	To S	To E	To W	RowTt	Target		To N	To S	To E	To W	
	From N	0	0	0	0	0	0	0	0	0	0	
	From S	0	0	102	10	112	119	0	0	108	11	
	From E	47	0	0	236	283	272	45	0	0	226	
	From W	9	0	126	0	135	140	9	0	131	0	
		To N	To S	To E	To W			ColTot	54	0	239	237
							Target	56	0	229	246	
3	To N	To S	To E	To W	RowTt	Target		To N	To S	To E	To W	
	From N	0	0	0	0	0	0	0	0	0	0	
	From S	0	0	103	11	114	119	0	0	107	11	
	From E	47	0	0	235	281	272	45	0	0	227	
	From W	9	0	125	0	134	140	9	0	130	0	
		To N	To S	To E	To W			ColTot	54	0	238	238
							Target	56	0	229	246	
4	To N	To S	To E	To W	RowTt	Target		To N	To S	To E	To W	
	From N	0	0	0	0	0	0	0	0	0	0	
	From S	0	0	103	12	115	119	0	0	106	12	
	From E	46	0	0	234	280	272	45	0	0	227	
	From W	10	0	125	0	135	140	10	0	130	0	
		To N	To S	To E	To W			ColTot	55	0	236	239
							Target	56	0	229	246	

Turn Movement Forecast: Row-Column-Sum Method

Street Alignment:
Intersection:

North/South
WB I-40 Ramps at East/West
J Street

Scenario: **Future (2040) With Project**
Time Period: **Weekend MD**

5		To N	To S	To E	To W	RowTt	Target		To N	To S	To E	To W
	From N	0	0	0	0	0	0		0	0	0	0
	From S	0	0	103	13	116	119		0	0	106	13
	From E	45	0	0	233	279	272		44	0	0	227
	From W	10	0	126	0	136	140		10	0	129	0
		To N	To S	To E	To W			ColTot	55	0	235	240
								Target	56	0	229	246
6		To N	To S	To E	To W	RowTt	Target		To N	To S	To E	To W
	From N	0	0	0	0	0	0		0	0	0	0
	From S	0	0	103	13	116	119		0	0	105	13
	From E	45	0	0	232	277	272		44	0	0	227
	From W	11	0	126	0	136	140		11	0	129	0
		To N	To S	To E	To W			ColTot	55	0	234	241
								Target	56	0	229	246
7		To N	To S	To E	To W	RowTt	Target		To N	To S	To E	To W
	From N	0	0	0	0	0	0		0	0	0	0
	From S	0	0	103	14	117	119		0	0	105	14
	From E	45	0	0	232	277	272		44	0	0	228
	From W	11	0	126	0	137	140		11	0	129	0
		To N	To S	To E	To W			ColTot	55	0	233	242
								Target	56	0	229	246
8		To N	To S	To E	To W	RowTt	Target		To N	To S	To E	To W
	From N	0	0	0	0	0	0		0	0	0	0
	From S	0	0	103	14	117	119		0	0	104	14
	From E	44	0	0	231	276	272		44	0	0	228
	From W	11	0	126	0	137	140		12	0	128	0
		To N	To S	To E	To W			ColTot	55	0	232	242
								Target	56	0	229	246
9		To N	To S	To E	To W	RowTt	Target		To N	To S	To E	To W
	From N	0	0	0	0	0	0		0	0	0	0
	From S	0	0	103	15	117	119		0	0	104	15
	From E	44	0	0	231	275	272		43	0	0	228
	From W	12	0	126	0	138	140		12	0	128	0
		To N	To S	To E	To W			ColTot	55	0	232	243
								Target	56	0	229	246
10		To N	To S	To E	To W	RowTt	Target		To N	To S	To E	To W
	From N	0	0	0	0	0	0		0	0	0	0
	From S	0	0	102	15	117	119		0	0	104	15
	From E	44	0	0	231	274	272		43	0	0	228
	From W	12	0	126	0	138	140		12	0	128	0
		To N	To S	To E	To W			ColTot	55	0	231	243
								Target	56	0	229	246
11		To N	To S	To E	To W	RowTt	Target		To N	To S	To E	To W
	From N	0	0	0	0	0	0		0	0	0	0
	From S	0	0	102	15	118	119		0	0	103	15
	From E	44	0	0	230	274	272		43	0	0	228
	From W	12	0	126	0	138	140		12	0	128	0
		To N	To S	To E	To W			ColTot	55	0	231	244
								Target	56	0	229	246

Turn Movement Forecast: Row-Column-Sum Method

Street Alignment: North/South East/West Scenario: **Future (2040) With Project**
 Intersection: WB I-40 Ramps at J Street Time Period: **Weekend MD**

12		To N	To S	To E	To W	RowTt	Target		To N	To S	To E	To W
	From N	0	0	0	0	0	0		0	0	0	0
	From S	0	0	102	15	118	119		0	0	103	16
	From E	43	0	0	230	273	272		43	0	0	228
	From W	12	0	126	0	139	140		12	0	127	0
		To N	To S	To E	To W			ColTot	55	0	230	244
								Target	56	0	229	246
13		To N	To S	To E	To W	RowTt	Target		To N	To S	To E	To W
	From N	0	0	0	0	0	0		0	0	0	0
	From S	0	0	102	16	118	119		0	0	103	16
	From E	43	0	0	230	273	272		43	0	0	229
	From W	12	0	126	0	139	140		13	0	127	0
		To N	To S	To E	To W			ColTot	56	0	230	244
								Target	56	0	229	246
14		To N	To S	To E	To W	RowTt	Target		To N	To S	To E	To W
	From N	0	0	0	0	0	0		0	0	0	0
	From S	0	0	102	16	118	119		0	0	103	16
	From E	43	0	0	230	273	272		43	0	0	229
	From W	13	0	126	0	139	140		13	0	127	0
		To N	To S	To E	To W			ColTot	56	0	230	245
								Target	56	0	229	246
15		To N	To S	To E	To W	RowTt	Target		To N	To S	To E	To W
	From N	0	0	0	0	0	0		0	0	0	0
	From S	0	0	102	16	118	119		0	0	103	16
	From E	43	0	0	230	273	272		43	0	0	229
	From W	13	0	126	0	139	140		13	0	127	0
		To N	To S	To E	To W			ColTot	56	0	230	245
								Target	56	0	229	246
16		To N	To S	To E	To W	RowTt	Target		To N	To S	To E	To W
	From N	0	0	0	0	0	0		0	0	0	0
	From S	0	0	102	16	118	119		0	0	102	16
	From E	43	0	0	229	272	272		43	0	0	229
	From W	13	0	127	0	139	140		13	0	127	0
		To N	To S	To E	To W			ColTot	56	0	229	245
								Target	56	0	229	246
17		To N	To S	To E	To W	RowTt	Target		To N	To S	To E	To W
	From N	0	0	0	0	0	0		0	0	0	0
	From S	0	0	102	16	118	119		0	0	102	16
	From E	43	0	0	229	272	272		43	0	0	229
	From W	13	0	127	0	139	140		13	0	127	0
		To N	To S	To E	To W			ColTot	56	0	229	245
								Target	56	0	229	246
18		To N	To S	To E	To W	RowTt	Target		To N	To S	To E	To W
	From N	0	0	0	0	0	0		0	0	0	0
	From S	0	0	102	16	118	119		0	0	102	16
	From E	43	0	0	229	272	272		43	0	0	229
	From W	13	0	127	0	139	140		13	0	127	0
		To N	To S	To E	To W			ColTot	56	0	229	245
								Target	56	0	229	246

Turn Movement Forecast: Row-Column-Sum Method

Street Alignment: North/South East/West Scenario: **Future (2040) With Project**
 Intersection: WB I-40 Ramps at J Street Time Period: **Weekend MD**

19		To N	To S	To E	To W	RowTt	Target		To N	To S	To E	To W	
	From N	0	0	0	0	0	0		0	0	0	0	
	From S	0	0	102	16	118	119		0	0	102	16	
	From E	43	0	0	229	272	272		43	0	0	229	
	From W	13	0	127	0	140	140		13	0	127	0	
		To N	To S	To E	To W			ColTot	56	0	229	245	
								Target	56	0	229	246	
20		To N	To S	To E	To W	RowTt	Target		To N	To S	To E	To W	
	From N	0	0	0	0	0	0		0	0	0	0	0.000
	From S	0	0	102	16	119	119		0	0	102	16	0.999
	From E	43	0	0	229	272	272		43	0	0	229	1.001
	From W	13	0	127	0	140	140		13	0	127	0	0.998
		To N	To S	To E	To W			ColTot	56	0	229	245	
								Target	56	0	229	246	
								Pct	0.999	0.000	1.001	0.999	

Turn Movements and Traffic Volumes

Year	<u>NL</u>	<u>NT</u>	<u>NR</u>	<u>SL</u>	<u>ST</u>	<u>SR</u>	<u>EL</u>	<u>ET</u>	<u>ER</u>	<u>WL</u>	<u>WT</u>	<u>WR</u>
Existing	10		106				6	135			247	34
2040	16	0	102	0	0	0	13	127	0	0	229	43
max(existing, 2040)	16	0	106	0	0	0	13	135	0	0	247	43
rounded to nearest 10	20	0	110	0	0	0	20	140	0	0	250	50

Future Link outputs			
North			
	0	70	
270			300
160			250
	0	130	
In - Out	590	590	Diff 0

Future volume	Turn Move Inputs		
	0	0	0
	SR	ST	SL
20	EL		WR 50
140	ET		WT 250
0	ER		WL 0
	NL	NT	NR
	20	0	110

Turn Movement Forecast: Row-Column-Sum Method

Street Alignment: North/South East/West Scenario: **Future (2040) With Project**
 Intersection: EB I-40 Ramps at J Street Time Period: **Weekday AM**

Future Link Inputs				Existing Counts		Turn Move Inputs		
	North							
	28	0				3	1	21
114			209	0		SR	ST	SL
126			133	126		EL		WR
	116	0		6		ET		WT
						ER		WL
			Average			NL	NT	NR
In - Out	363	363	363			0	0	0

Average In-out volumes

Link Inputs			
	North		
	28	0	
114			209
126			133
	116	0	
In - Out	363	363	0

1	To N	To S	To E	To W	RowTt	Target	2	To N	To S	To E	To W		
	From N	0	1	21	3	25		28	0	1	24	3	
	From S	0	0	0	0	0		0	0	0	0	0	
	From E	0	109	0	105	214		209	0	106	0	103	
	From W	0	6	126	0	132		126	0	6	120	0	
		To N	To S	To E	To W				ColTot	0	113	144	106
									Target	0	116	133	114
2	To N	To S	To E	To W	RowTt	Target		To N	To S	To E	To W		
	From N	0	1	22	4	27	28	0	1	23	4		
	From S	0	0	0	0	0	0	0	0	0	0		
	From E	0	109	0	110	219	209	0	104	0	105		
	From W	0	6	111	0	117	126	0	6	120	0		
		To N	To S	To E	To W			ColTot	0	111	143	109	
								Target	0	116	133	114	
3	To N	To S	To E	To W	RowTt	Target		To N	To S	To E	To W		
	From N	0	1	21	4	27	28	0	1	22	4		
	From S	0	0	0	0	0	0	0	0	0	0		
	From E	0	108	0	110	218	209	0	104	0	105		
	From W	0	7	112	0	118	126	0	7	119	0		
		To N	To S	To E	To W			ColTot	0	112	141	110	
								Target	0	116	133	114	
4	To N	To S	To E	To W	RowTt	Target		To N	To S	To E	To W		
	From N	0	1	21	4	27	28	0	1	22	5		
	From S	0	0	0	0	0	0	0	0	0	0		
	From E	0	107	0	110	217	209	0	103	0	106		
	From W	0	7	112	0	119	126	0	8	118	0		
		To N	To S	To E	To W			ColTot	0	113	140	110	
								Target	0	116	133	114	

Turn Movement Forecast: Row-Column-Sum Method

Street Alignment:
Intersection:

North/South
EB I-40 Ramps at East/West
J Street

Scenario: **Future (2040) With Project**
Time Period: **Weekday AM**

5		To N	To S	To E	To W	RowTt	Target		To N	To S	To E	To W
	From N	0	1	21	5	27	28		0	2	22	5
	From S	0	0	0	0	0	0		0	0	0	0
	From E	0	107	0	109	216	209		0	103	0	106
	From W	0	8	112	0	120	126		0	8	118	0
		To N	To S	To E	To W			ColTot	0	113	139	111
								Target	0	116	133	114
6		To N	To S	To E	To W	RowTt	Target		To N	To S	To E	To W
	From N	0	2	21	5	27	28		0	2	21	5
	From S	0	0	0	0	0	0		0	0	0	0
	From E	0	106	0	109	215	209		0	103	0	106
	From W	0	9	112	0	121	126		0	9	117	0
		To N	To S	To E	To W			ColTot	0	114	138	111
								Target	0	116	133	114
7		To N	To S	To E	To W	RowTt	Target		To N	To S	To E	To W
	From N	0	2	20	5	27	28		0	2	21	5
	From S	0	0	0	0	0	0		0	0	0	0
	From E	0	105	0	109	214	209		0	103	0	106
	From W	0	9	113	0	122	126		0	9	117	0
		To N	To S	To E	To W			ColTot	0	114	137	112
								Target	0	116	133	114
8		To N	To S	To E	To W	RowTt	Target		To N	To S	To E	To W
	From N	0	2	20	6	27	28		0	2	21	6
	From S	0	0	0	0	0	0		0	0	0	0
	From E	0	105	0	108	213	209		0	103	0	106
	From W	0	10	113	0	122	126		0	10	116	0
		To N	To S	To E	To W			ColTot	0	114	137	112
								Target	0	116	133	114
9		To N	To S	To E	To W	RowTt	Target		To N	To S	To E	To W
	From N	0	2	20	6	28	28		0	2	20	6
	From S	0	0	0	0	0	0		0	0	0	0
	From E	0	104	0	108	212	209		0	103	0	106
	From W	0	10	113	0	123	126		0	10	116	0
		To N	To S	To E	To W			ColTot	0	115	136	112
								Target	0	116	133	114
10		To N	To S	To E	To W	RowTt	Target		To N	To S	To E	To W
	From N	0	2	20	6	28	28		0	2	20	6
	From S	0	0	0	0	0	0		0	0	0	0
	From E	0	104	0	108	212	209		0	102	0	107
	From W	0	10	113	0	123	126		0	11	115	0
		To N	To S	To E	To W			ColTot	0	115	136	113
								Target	0	116	133	114
11		To N	To S	To E	To W	RowTt	Target		To N	To S	To E	To W
	From N	0	2	20	6	28	28		0	2	20	6
	From S	0	0	0	0	0	0		0	0	0	0
	From E	0	103	0	108	211	209		0	102	0	107
	From W	0	11	113	0	124	126		0	11	115	0
		To N	To S	To E	To W			ColTot	0	115	135	113
								Target	0	116	133	114

Turn Movement Forecast: Row-Column-Sum Method

Street Alignment: North/South East/West Scenario: **Future (2040) With Project**
 Intersection: EB I-40 Ramps at J Street Time Period: **Weekday AM**

12		To N	To S	To E	To W	RowTt	Target		To N	To S	To E	To W	
	From N	0	2	20	6	28	28		0	2	20	6	
	From S	0	0	0	0	0	0		0	0	0	0	
	From E	0	103	0	108	211	209		0	102	0	107	
	From W	0	11	113	0	124	126		0	11	115	0	
		To N	To S	To E	To W				ColTot	0	115	135	113
									Target	0	116	133	114
13		To N	To S	To E	To W	RowTt	Target		To N	To S	To E	To W	
	From N	0	2	20	6	28	28		0	2	20	6	
	From S	0	0	0	0	0	0		0	0	0	0	
	From E	0	103	0	108	211	209		0	102	0	107	
	From W	0	11	113	0	125	126		0	11	115	0	
		To N	To S	To E	To W				ColTot	0	115	134	113
									Target	0	116	133	114
14		To N	To S	To E	To W	RowTt	Target		To N	To S	To E	To W	
	From N	0	2	20	6	28	28		0	2	20	6	
	From S	0	0	0	0	0	0		0	0	0	0	
	From E	0	103	0	108	210	209		0	102	0	107	
	From W	0	11	113	0	125	126		0	11	115	0	
		To N	To S	To E	To W				ColTot	0	115	134	113
									Target	0	116	133	114
15		To N	To S	To E	To W	RowTt	Target		To N	To S	To E	To W	
	From N	0	2	19	6	28	28		0	2	20	6	
	From S	0	0	0	0	0	0		0	0	0	0	
	From E	0	102	0	108	210	209		0	102	0	107	
	From W	0	12	114	0	125	126		0	12	114	0	
		To N	To S	To E	To W				ColTot	0	116	134	114
									Target	0	116	133	114
16		To N	To S	To E	To W	RowTt	Target		To N	To S	To E	To W	
	From N	0	2	19	7	28	28		0	2	19	7	
	From S	0	0	0	0	0	0		0	0	0	0	
	From E	0	102	0	107	210	209		0	102	0	107	
	From W	0	12	114	0	125	126		0	12	114	0	
		To N	To S	To E	To W				ColTot	0	116	134	114
									Target	0	116	133	114
17		To N	To S	To E	To W	RowTt	Target		To N	To S	To E	To W	
	From N	0	2	19	7	28	28		0	2	19	7	
	From S	0	0	0	0	0	0		0	0	0	0	
	From E	0	102	0	107	210	209		0	102	0	107	
	From W	0	12	114	0	125	126		0	12	114	0	
		To N	To S	To E	To W				ColTot	0	116	134	114
									Target	0	116	133	114
18		To N	To S	To E	To W	RowTt	Target		To N	To S	To E	To W	
	From N	0	2	19	7	28	28		0	2	19	7	
	From S	0	0	0	0	0	0		0	0	0	0	
	From E	0	102	0	107	210	209		0	102	0	107	
	From W	0	12	114	0	126	126		0	12	114	0	
		To N	To S	To E	To W				ColTot	0	116	133	114
									Target	0	116	133	114

Turn Movement Forecast: Row-Column-Sum Method

Street Alignment: North/South East/West
 Intersection: EB I-40 Ramps at J Street

Scenario: **Future (2040) With Project**
 Time Period: **Weekday AM**

19		To N	To S	To E	To W	RowTt	Target		To N	To S	To E	To W	
	From N	0	2	19	7	28	28		0	2	19	7	
	From S	0	0	0	0	0	0		0	0	0	0	
	From E	0	102	0	107	209	209		0	102	0	107	
	From W	0	12	114	0	126	126		0	12	114	0	
		To N	To S	To E	To W			ColTot	0	116	133	114	
								Target	0	116	133	114	
20		To N	To S	To E	To W	RowTt	Target		To N	To S	To E	To W	
	From N	0	2	19	7	28	28		0	2	19	7	0.999
	From S	0	0	0	0	0	0		0	0	0	0	0.000
	From E	0	102	0	107	209	209		0	102	0	107	1.002
	From W	0	12	114	0	126	126		0	12	114	0	0.998
		To N	To S	To E	To W			ColTot	0	116	133	114	
								Target	0	116	133	114	
								Pct	0.000	0.999	1.002	0.999	

Turn Movements and Traffic Volumes												
Year	NL	NT	NR	SL	ST	SR	EL	ET	ER	WL	WT	WR
Existing	0	0	0	21	1	3	0	126	6	109	105	0
2040	0	0	0	19	2	7	0	114	12	102	107	0
max(existing, 2040)	0	0	0	21	2	7	0	126	12	109	107	0
rounded to nearest 10	0	0	0	30	10	10	0	130	20	110	110	0

Future Link outputs			
North			
	50	0	
120			220
150			160
	140	0	
In - Out	420	420	Diff 0

Future volume	Turn Move Inputs		
	10	10	30
	SR	ST	SL
0	EL		WR 0
130	ET		WT 110
20	ER		WL 110
	NL	NT	NR
	0	0	0

Turn Movement Forecast: Row-Column-Sum Method

Street Alignment: North/South East/West Scenario: **Future (2040) With Project**
 Intersection: EB I-40 Ramps at J Street Time Period: **Weekday PM**

Future Link Inputs				Existing Counts		Turn Move Inputs		
North						9	0	21
177	22	0	280	0		SR	ST	SL
175			166	148		EL		WR
	133	0		21		ET		WT
						ER		WL
			Average			NL	NT	NR
In - Out	477	476	477			0	0	0

Average In-out volumes

Link Inputs			
North			
177	22	0	280
175			166
	133	0	
In - Out	477	477	0

1	To N	To S	To E	To W	RowTt	Target	2	To N	To S	To E	To W		
	From N	0	0	21	9	30		22	0	0	15	7	
	From S	0	0	0	0	0		0	0	0	0	0	
	From E	0	113	0	178	291		280	0	109	0	171	
	From W	0	21	148	0	169		175	0	22	153	0	
		To N	To S	To E	To W				ColTot	0	130	168	178
									Target	0	133	166	177
2	To N	To S	To E	To W	RowTt	Target		To N	To S	To E	To W		
	From N	0	0	15	7	22	22	0	0	15	7		
	From S	0	0	0	0	0	0	0	0	0	0		
	From E	0	111	0	171	282	280	0	110	0	169		
	From W	0	22	151	0	173	175	0	22	152	0		
		To N	To S	To E	To W			ColTot	0	133	168	176	
								Target	0	133	166	177	
3	To N	To S	To E	To W	RowTt	Target		To N	To S	To E	To W		
	From N	0	0	15	7	22	22	0	0	15	7		
	From S	0	0	0	0	0	0	0	0	0	0		
	From E	0	111	0	171	281	280	0	110	0	170		
	From W	0	22	151	0	173	175	0	23	152	0		
		To N	To S	To E	To W			ColTot	0	133	167	176	
								Target	0	133	166	177	
4	To N	To S	To E	To W	RowTt	Target		To N	To S	To E	To W		
	From N	0	0	15	7	22	22	0	0	15	7		
	From S	0	0	0	0	0	0	0	0	0	0		
	From E	0	110	0	170	281	280	0	110	0	170		
	From W	0	23	151	0	174	175	0	23	152	0		
		To N	To S	To E	To W			ColTot	0	133	167	177	
								Target	0	133	166	177	

Turn Movement Forecast: Row-Column-Sum Method

Street Alignment: North/South East/West Scenario: **Future (2040) With Project**
 Intersection: EB I-40 Ramps at J Street Time Period: **Weekday PM**

5		To N	To S	To E	To W	RowTt	Target		To N	To S	To E	To W
	From N	0	0	15	7	22	22		0	0	15	7
	From S	0	0	0	0	0	0		0	0	0	0
	From E	0	110	0	170	281	280		0	110	0	170
	From W	0	23	151	0	174	175		0	23	152	0
		To N	To S	To E	To W				ColTot	0	133	167
								Target	0	133	166	177
6		To N	To S	To E	To W	RowTt	Target		To N	To S	To E	To W
	From N	0	0	15	7	22	22		0	0	15	7
	From S	0	0	0	0	0	0		0	0	0	0
	From E	0	110	0	170	280	280		0	110	0	170
	From W	0	23	151	0	174	175		0	23	152	0
		To N	To S	To E	To W				ColTot	0	133	167
								Target	0	133	166	177
7		To N	To S	To E	To W	RowTt	Target		To N	To S	To E	To W
	From N	0	0	15	7	22	22		0	0	15	7
	From S	0	0	0	0	0	0		0	0	0	0
	From E	0	110	0	170	280	280		0	110	0	170
	From W	0	23	151	0	174	175		0	23	152	0
		To N	To S	To E	To W				ColTot	0	133	167
								Target	0	133	166	177
8		To N	To S	To E	To W	RowTt	Target		To N	To S	To E	To W
	From N	0	0	15	7	22	22		0	0	15	7
	From S	0	0	0	0	0	0		0	0	0	0
	From E	0	110	0	170	280	280		0	110	0	170
	From W	0	23	151	0	174	175		0	23	151	0
		To N	To S	To E	To W				ColTot	0	133	167
								Target	0	133	166	177
9		To N	To S	To E	To W	RowTt	Target		To N	To S	To E	To W
	From N	0	0	15	7	22	22		0	0	15	7
	From S	0	0	0	0	0	0		0	0	0	0
	From E	0	110	0	170	280	280		0	110	0	170
	From W	0	23	151	0	174	175		0	23	151	0
		To N	To S	To E	To W				ColTot	0	133	166
								Target	0	133	166	177
10		To N	To S	To E	To W	RowTt	Target		To N	To S	To E	To W
	From N	0	0	15	7	22	22		0	0	15	7
	From S	0	0	0	0	0	0		0	0	0	0
	From E	0	110	0	170	280	280		0	110	0	170
	From W	0	23	151	0	175	175		0	23	151	0
		To N	To S	To E	To W				ColTot	0	133	166
								Target	0	133	166	177
11		To N	To S	To E	To W	RowTt	Target		To N	To S	To E	To W
	From N	0	0	15	7	22	22		0	0	15	7
	From S	0	0	0	0	0	0		0	0	0	0
	From E	0	110	0	170	280	280		0	110	0	170
	From W	0	23	151	0	175	175		0	23	151	0
		To N	To S	To E	To W				ColTot	0	133	166
								Target	0	133	166	177

Turn Movement Forecast: Row-Column-Sum Method

Street Alignment: North/South East/West Scenario: **Future (2040) With Project**
 Intersection: EB I-40 Ramps at J Street Time Period: **Weekday PM**

12		To N	To S	To E	To W	RowTt	Target		To N	To S	To E	To W	
	From N	0	0	15	7	22	22		0	0	15	7	
	From S	0	0	0	0	0	0		0	0	0	0	
	From E	0	110	0	170	280	280		0	110	0	170	
	From W	0	24	151	0	175	175		0	24	151	0	
		To N	To S	To E	To W				ColTot	0	133	166	177
									Target	0	133	166	177
13		To N	To S	To E	To W	RowTt	Target		To N	To S	To E	To W	
	From N	0	0	15	7	22	22		0	0	15	7	
	From S	0	0	0	0	0	0		0	0	0	0	
	From E	0	110	0	170	280	280		0	110	0	170	
	From W	0	24	151	0	175	175		0	24	151	0	
		To N	To S	To E	To W				ColTot	0	133	166	177
									Target	0	133	166	177
14		To N	To S	To E	To W	RowTt	Target		To N	To S	To E	To W	
	From N	0	0	15	7	22	22		0	0	15	7	
	From S	0	0	0	0	0	0		0	0	0	0	
	From E	0	110	0	170	280	280		0	110	0	170	
	From W	0	24	151	0	175	175		0	24	151	0	
		To N	To S	To E	To W				ColTot	0	133	166	177
									Target	0	133	166	177
15		To N	To S	To E	To W	RowTt	Target		To N	To S	To E	To W	
	From N	0	0	15	7	22	22		0	0	15	7	
	From S	0	0	0	0	0	0		0	0	0	0	
	From E	0	110	0	170	280	280		0	110	0	170	
	From W	0	24	151	0	175	175		0	24	151	0	
		To N	To S	To E	To W				ColTot	0	133	166	177
									Target	0	133	166	177
16		To N	To S	To E	To W	RowTt	Target		To N	To S	To E	To W	
	From N	0	0	15	7	22	22		0	0	15	7	
	From S	0	0	0	0	0	0		0	0	0	0	
	From E	0	110	0	170	280	280		0	110	0	170	
	From W	0	24	151	0	175	175		0	24	151	0	
		To N	To S	To E	To W				ColTot	0	133	166	177
									Target	0	133	166	177
17		To N	To S	To E	To W	RowTt	Target		To N	To S	To E	To W	
	From N	0	0	15	7	22	22		0	0	15	7	
	From S	0	0	0	0	0	0		0	0	0	0	
	From E	0	110	0	170	280	280		0	110	0	170	
	From W	0	24	151	0	175	175		0	24	151	0	
		To N	To S	To E	To W				ColTot	0	133	166	177
									Target	0	133	166	177
18		To N	To S	To E	To W	RowTt	Target		To N	To S	To E	To W	
	From N	0	0	15	7	22	22		0	0	15	7	
	From S	0	0	0	0	0	0		0	0	0	0	
	From E	0	110	0	170	280	280		0	110	0	170	
	From W	0	24	151	0	175	175		0	24	151	0	
		To N	To S	To E	To W				ColTot	0	133	166	177
									Target	0	133	166	177

Turn Movement Forecast: Row-Column-Sum Method

Street Alignment: North/South East/West
 Intersection: EB I-40 Ramps at J Street

Scenario: **Future (2040) With Project**
 Time Period: **Weekday PM**

19		To N	To S	To E	To W	RowTt	Target		To N	To S	To E	To W	
	From N	0	0	15	7	22	22		0	0	15	7	
	From S	0	0	0	0	0	0		0	0	0	0	
	From E	0	110	0	170	280	280		0	110	0	170	
	From W	0	24	151	0	175	175		0	24	151	0	
		To N	To S	To E	To W			ColTot	0	133	166	177	
								Target	0	133	166	177	
20		To N	To S	To E	To W	RowTt	Target		To N	To S	To E	To W	
	From N	0	0	15	7	22	22		0	0	15	7	1.000
	From S	0	0	0	0	0	0		0	0	0	0	0.000
	From E	0	110	0	170	280	280		0	110	0	170	1.000
	From W	0	24	151	0	175	175		0	24	151	0	1.000
		To N	To S	To E	To W			ColTot	0	133	166	177	
								Target	0	133	166	177	
								Pct	0.000	1.000	1.000	1.000	

Turn Movements and Traffic Volumes												
Year	NL	NT	NR	SL	ST	SR	EL	ET	ER	WL	WT	WR
Existing				21		9		148	21	113	178	
2040	0	0	0	15	0	7	0	151	24	110	170	0
max(existing, 2040)	0	0	0	21	0	9	0	151	24	113	178	0
rounded to nearest 10	0	0	0	30	0	10	0	160	30	120	180	0

Future Link outputs			
North			
	40	0	
190			300
190			190
	150	0	
In - Out	530	530	0

Future volume			
Turn Move Inputs			
10	0	30	
SR	ST	SL	
0		WR	0
160		WT	180
30		WL	120
NL	NT	NR	
0	0	0	

Turn Movement Forecast: Row-Column-Sum Method

Street Alignment: North/South East/West Scenario: **Future (2040) With Project**
 Intersection: EB I-40 Ramps at J Street Time Period: **Weekend MD**

Future Link Inputs				Existing Counts		Turn Move Inputs		
	North					11	0	30
	30	0				SR	ST	SL
120			249	0		EL		WR
133			138	110		ET		WT
	160	0		18		ER		WL
			Average			NL	NT	NR
In - Out	412	418	415			0	0	0

Average In-out volumes

Link Inputs			
	North		
	30	0	
119			251
134			137
	159	0	
In - Out	415	415	0

1	To N	To S	To E	To W	RowTt	Target	2	To N	To S	To E	To W		
	From N	0	0	30	11	41		30	0	0	22	8	
	From S	0	0	0	0	0		0	0	0	0	0	
	From E	0	143	0	116	259		251	0	138	0	112	
	From W	0	18	110	0	128		134	0	19	115	0	
		To N	To S	To E	To W				ColTot	0	157	137	120
									Target	0	159	137	119
2	To N	To S	To E	To W	RowTt	Target		To N	To S	To E	To W		
	From N	0	0	22	8	30		30	0	0	22	8	
	From S	0	0	0	0	0		0	0	0	0	0	
	From E	0	140	0	111	251		251	0	140	0	111	
	From W	0	19	115	0	134		134	0	19	115	0	
		To N	To S	To E	To W				ColTot	0	159	137	119
									Target	0	159	137	119
3	To N	To S	To E	To W	RowTt	Target		To N	To S	To E	To W		
	From N	0	0	22	8	30		30	0	0	22	8	
	From S	0	0	0	0	0		0	0	0	0	0	
	From E	0	140	0	111	251		251	0	140	0	111	
	From W	0	19	115	0	134		134	0	19	115	0	
		To N	To S	To E	To W				ColTot	0	159	137	119
									Target	0	159	137	119
4	To N	To S	To E	To W	RowTt	Target		To N	To S	To E	To W		
	From N	0	0	22	8	30		30	0	0	22	8	
	From S	0	0	0	0	0		0	0	0	0	0	
	From E	0	140	0	111	251		251	0	140	0	111	
	From W	0	19	115	0	134		134	0	19	115	0	
		To N	To S	To E	To W				ColTot	0	159	137	119
									Target	0	159	137	119

Turn Movement Forecast: Row-Column-Sum Method

Street Alignment: North/South East/West
 Intersection: EB I-40 Ramps at J Street

Scenario: **Future (2040) With Project**
 Time Period: **Weekend MD**

5		To N	To S	To E	To W	RowTt	Target		To N	To S	To E	To W
	From N	0	0	22	8	30	30		0	0	22	8
	From S	0	0	0	0	0	0		0	0	0	0
	From E	0	140	0	111	251	251		0	140	0	111
	From W	0	19	115	0	134	134		0	19	115	0
		To N	To S	To E	To W			ColTot	0	159	137	119
								Target	0	159	137	119
6		To N	To S	To E	To W	RowTt	Target		To N	To S	To E	To W
	From N	0	0	22	8	30	30		0	0	22	8
	From S	0	0	0	0	0	0		0	0	0	0
	From E	0	140	0	111	251	251		0	140	0	111
	From W	0	19	115	0	134	134		0	19	115	0
		To N	To S	To E	To W			ColTot	0	159	137	119
								Target	0	159	137	119
7		To N	To S	To E	To W	RowTt	Target		To N	To S	To E	To W
	From N	0	0	22	8	30	30		0	0	22	8
	From S	0	0	0	0	0	0		0	0	0	0
	From E	0	140	0	111	251	251		0	140	0	111
	From W	0	19	115	0	134	134		0	19	115	0
		To N	To S	To E	To W			ColTot	0	159	137	119
								Target	0	159	137	119
8		To N	To S	To E	To W	RowTt	Target		To N	To S	To E	To W
	From N	0	0	22	8	30	30		0	0	22	8
	From S	0	0	0	0	0	0		0	0	0	0
	From E	0	140	0	111	251	251		0	140	0	111
	From W	0	19	115	0	134	134		0	19	115	0
		To N	To S	To E	To W			ColTot	0	159	137	119
								Target	0	159	137	119
9		To N	To S	To E	To W	RowTt	Target		To N	To S	To E	To W
	From N	0	0	22	8	30	30		0	0	22	8
	From S	0	0	0	0	0	0		0	0	0	0
	From E	0	140	0	111	251	251		0	140	0	111
	From W	0	19	115	0	134	134		0	19	115	0
		To N	To S	To E	To W			ColTot	0	159	137	119
								Target	0	159	137	119
10		To N	To S	To E	To W	RowTt	Target		To N	To S	To E	To W
	From N	0	0	22	8	30	30		0	0	22	8
	From S	0	0	0	0	0	0		0	0	0	0
	From E	0	140	0	111	251	251		0	140	0	111
	From W	0	19	115	0	134	134		0	19	115	0
		To N	To S	To E	To W			ColTot	0	159	137	119
								Target	0	159	137	119
11		To N	To S	To E	To W	RowTt	Target		To N	To S	To E	To W
	From N	0	0	22	8	30	30		0	0	22	8
	From S	0	0	0	0	0	0		0	0	0	0
	From E	0	140	0	111	251	251		0	140	0	111
	From W	0	19	115	0	134	134		0	19	115	0
		To N	To S	To E	To W			ColTot	0	159	137	119
								Target	0	159	137	119

Turn Movement Forecast: Row-Column-Sum Method

Street Alignment: North/South East/West
 Intersection: EB I-40 Ramps at J Street

Scenario: **Future (2040) With Project**
 Time Period: **Weekend MD**

12		To N	To S	To E	To W	RowTt	Target		To N	To S	To E	To W	
	From N	0	0	22	8	30	30		0	0	22	8	
	From S	0	0	0	0	0	0		0	0	0	0	
	From E	0	140	0	111	251	251		0	140	0	111	
	From W	0	19	115	0	134	134		0	19	115	0	
		To N	To S	To E	To W				ColTot	0	159	137	119
									Target	0	159	137	119
13		To N	To S	To E	To W	RowTt	Target		To N	To S	To E	To W	
	From N	0	0	22	8	30	30		0	0	22	8	
	From S	0	0	0	0	0	0		0	0	0	0	
	From E	0	140	0	111	251	251		0	140	0	111	
	From W	0	19	115	0	134	134		0	19	115	0	
		To N	To S	To E	To W				ColTot	0	159	137	119
									Target	0	159	137	119
14		To N	To S	To E	To W	RowTt	Target		To N	To S	To E	To W	
	From N	0	0	22	8	30	30		0	0	22	8	
	From S	0	0	0	0	0	0		0	0	0	0	
	From E	0	140	0	111	251	251		0	140	0	111	
	From W	0	19	115	0	134	134		0	19	115	0	
		To N	To S	To E	To W				ColTot	0	159	137	119
									Target	0	159	137	119
15		To N	To S	To E	To W	RowTt	Target		To N	To S	To E	To W	
	From N	0	0	22	8	30	30		0	0	22	8	
	From S	0	0	0	0	0	0		0	0	0	0	
	From E	0	140	0	111	251	251		0	140	0	111	
	From W	0	19	115	0	134	134		0	19	115	0	
		To N	To S	To E	To W				ColTot	0	159	137	119
									Target	0	159	137	119
16		To N	To S	To E	To W	RowTt	Target		To N	To S	To E	To W	
	From N	0	0	22	8	30	30		0	0	22	8	
	From S	0	0	0	0	0	0		0	0	0	0	
	From E	0	140	0	111	251	251		0	140	0	111	
	From W	0	19	115	0	134	134		0	19	115	0	
		To N	To S	To E	To W				ColTot	0	159	137	119
									Target	0	159	137	119
17		To N	To S	To E	To W	RowTt	Target		To N	To S	To E	To W	
	From N	0	0	22	8	30	30		0	0	22	8	
	From S	0	0	0	0	0	0		0	0	0	0	
	From E	0	140	0	111	251	251		0	140	0	111	
	From W	0	19	115	0	134	134		0	19	115	0	
		To N	To S	To E	To W				ColTot	0	159	137	119
									Target	0	159	137	119
18		To N	To S	To E	To W	RowTt	Target		To N	To S	To E	To W	
	From N	0	0	22	8	30	30		0	0	22	8	
	From S	0	0	0	0	0	0		0	0	0	0	
	From E	0	140	0	111	251	251		0	140	0	111	
	From W	0	19	115	0	134	134		0	19	115	0	
		To N	To S	To E	To W				ColTot	0	159	137	119
									Target	0	159	137	119

Turn Movement Forecast: Row-Column-Sum Method

Street Alignment: North/South
 Intersection: EB I-40 Ramps at East/West
J Street

Scenario: **Future (2040) With Project**
 Time Period: **Weekend MD**

19		To N	To S	To E	To W	RowTt	Target		To N	To S	To E	To W	
	From N	0	0	22	8	30	30		0	0	22	8	
	From S	0	0	0	0	0	0		0	0	0	0	
	From E	0	140	0	111	251	251		0	140	0	111	
	From W	0	19	115	0	134	134		0	19	115	0	
		To N	To S	To E	To W			ColTot	0	159	137	119	
								Target	0	159	137	119	
20		To N	To S	To E	To W	RowTt	Target		To N	To S	To E	To W	
	From N	0	0	22	8	30	30		0	0	22	8	1.000
	From S	0	0	0	0	0	0		0	0	0	0	0.000
	From E	0	140	0	111	251	251		0	140	0	111	1.000
	From W	0	19	115	0	134	134		0	19	115	0	1.000
		To N	To S	To E	To W			ColTot	0	159	137	119	
								Target	0	159	137	119	
								Pct	0.000	1.000	1.000	1.000	

Turn Movements and Traffic Volumes												
Year	NL	NT	NR	SL	ST	SR	EL	ET	ER	WL	WT	WR
Existing				30		11		110	18	143	116	
2040	0	0	0	22	0	8	0	115	19	140	111	0
max(existing, 2040)	0	0	0	30	0	11	0	115	19	143	116	0
rounded to nearest 10	0	0	0	30	0	20	0	120	20	150	120	0

Future Link outputs			
North			
	50	0	
140			270
140			150
	170	0	
In - Out	460	460	Diff 0

Future volume			
Turn Move Inputs			
20	0	30	
SR	ST	SL	
0		WR	0
120		WT	120
20		WL	150
NL	NT	NR	
0	0	0	

Turn Movement Forecast: Row-Column-Sum Method

Street Alignment: North/South East/West Scenario: **Future (2040) With Project**
 Intersection: Bailey Ave at Washington St Time Period: **Weekday AM**

Future Link Inputs				Existing Counts		Turn Move Inputs		
	North					0	0	0
	0	0		0		SR	ST	SL
			16	0		EL		WR
	0		29	0		ET		WT
		16		0		ER		WL
			Average	0		NL	NT	NR
In - Out	45	45	45			0	0	23

Average In-out volumes

Link Inputs			
	North		
	0	0	
	0		16
	0		29
		16	
In - Out	45	45	0

1	To N	To S	To E	To W	RowTt	Target	2	To N	To S	To E	To W		
	From N	0	0	0	0	0		0	0	0	0	0	
	From S	0	0	23	0	23		29	0	0	29	0	
	From E	0	19	0	0	19		16	0	16	0	0	
	From W	0	0	0	0	0		0	0	0	0	0	
		To N	To S	To E	To W				ColTot	0	16	29	0
									Target	0	16	29	0
2	To N	To S	To E	To W	RowTt	Target		To N	To S	To E	To W		
	From N	0	0	0	0	0	0	0	0	0	0		
	From S	0	0	29	0	29	29	0	0	29	0		
	From E	0	16	0	0	16	16	0	16	0	0		
	From W	0	0	0	0	0	0	0	0	0	0		
		To N	To S	To E	To W			ColTot	0	16	29	0	
								Target	0	16	29	0	
3	To N	To S	To E	To W	RowTt	Target		To N	To S	To E	To W		
	From N	0	0	0	0	0	0	0	0	0	0		
	From S	0	0	29	0	29	29	0	0	29	0		
	From E	0	16	0	0	16	16	0	16	0	0		
	From W	0	0	0	0	0	0	0	0	0	0		
		To N	To S	To E	To W			ColTot	0	16	29	0	
								Target	0	16	29	0	
4	To N	To S	To E	To W	RowTt	Target		To N	To S	To E	To W		
	From N	0	0	0	0	0	0	0	0	0	0		
	From S	0	0	29	0	29	29	0	0	29	0		
	From E	0	16	0	0	16	16	0	16	0	0		
	From W	0	0	0	0	0	0	0	0	0	0		
		To N	To S	To E	To W			ColTot	0	16	29	0	
								Target	0	16	29	0	

Turn Movement Forecast: Row-Column-Sum Method

Street Alignment: North/South East/West
 Intersection: Bailey Ave at Washington St

Scenario: **Future (2040) With Project**
 Time Period: **Weekday AM**

5		To N	To S	To E	To W	RowTt	Target		To N	To S	To E	To W
	From N	0	0	0	0	0	0		0	0	0	0
	From S	0	0	29	0	29	29		0	0	29	0
	From E	0	16	0	0	16	16		0	16	0	0
	From W	0	0	0	0	0	0		0	0	0	0
		To N	To S	To E	To W			ColTot	0	16	29	0
								Target	0	16	29	0
6		To N	To S	To E	To W	RowTt	Target		To N	To S	To E	To W
	From N	0	0	0	0	0	0		0	0	0	0
	From S	0	0	29	0	29	29		0	0	29	0
	From E	0	16	0	0	16	16		0	16	0	0
	From W	0	0	0	0	0	0		0	0	0	0
		To N	To S	To E	To W			ColTot	0	16	29	0
								Target	0	16	29	0
7		To N	To S	To E	To W	RowTt	Target		To N	To S	To E	To W
	From N	0	0	0	0	0	0		0	0	0	0
	From S	0	0	29	0	29	29		0	0	29	0
	From E	0	16	0	0	16	16		0	16	0	0
	From W	0	0	0	0	0	0		0	0	0	0
		To N	To S	To E	To W			ColTot	0	16	29	0
								Target	0	16	29	0
8		To N	To S	To E	To W	RowTt	Target		To N	To S	To E	To W
	From N	0	0	0	0	0	0		0	0	0	0
	From S	0	0	29	0	29	29		0	0	29	0
	From E	0	16	0	0	16	16		0	16	0	0
	From W	0	0	0	0	0	0		0	0	0	0
		To N	To S	To E	To W			ColTot	0	16	29	0
								Target	0	16	29	0
9		To N	To S	To E	To W	RowTt	Target		To N	To S	To E	To W
	From N	0	0	0	0	0	0		0	0	0	0
	From S	0	0	29	0	29	29		0	0	29	0
	From E	0	16	0	0	16	16		0	16	0	0
	From W	0	0	0	0	0	0		0	0	0	0
		To N	To S	To E	To W			ColTot	0	16	29	0
								Target	0	16	29	0
10		To N	To S	To E	To W	RowTt	Target		To N	To S	To E	To W
	From N	0	0	0	0	0	0		0	0	0	0
	From S	0	0	29	0	29	29		0	0	29	0
	From E	0	16	0	0	16	16		0	16	0	0
	From W	0	0	0	0	0	0		0	0	0	0
		To N	To S	To E	To W			ColTot	0	16	29	0
								Target	0	16	29	0
11		To N	To S	To E	To W	RowTt	Target		To N	To S	To E	To W
	From N	0	0	0	0	0	0		0	0	0	0
	From S	0	0	29	0	29	29		0	0	29	0
	From E	0	16	0	0	16	16		0	16	0	0
	From W	0	0	0	0	0	0		0	0	0	0
		To N	To S	To E	To W			ColTot	0	16	29	0
								Target	0	16	29	0

Turn Movement Forecast: Row-Column-Sum Method

Street Alignment: North/South
 Intersection: Bailey Ave at East/West
Washington St

Scenario: **Future (2040) With Project**
 Time Period: **Weekday AM**

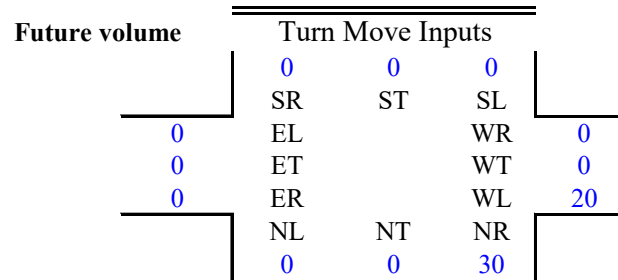
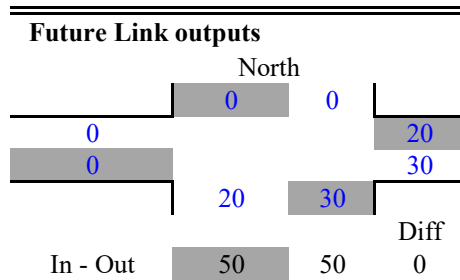
12		To N	To S	To E	To W	RowTt	Target		To N	To S	To E	To W
	From N	0	0	0	0	0	0		0	0	0	0
	From S	0	0	29	0	29	29		0	0	29	0
	From E	0	16	0	0	16	16		0	16	0	0
	From W	0	0	0	0	0	0		0	0	0	0
		To N	To S	To E	To W				ColTot	0	16	29
								Target	0	16	29	0
13		To N	To S	To E	To W	RowTt	Target		To N	To S	To E	To W
	From N	0	0	0	0	0	0		0	0	0	0
	From S	0	0	29	0	29	29		0	0	29	0
	From E	0	16	0	0	16	16		0	16	0	0
	From W	0	0	0	0	0	0		0	0	0	0
		To N	To S	To E	To W				ColTot	0	16	29
								Target	0	16	29	0
14		To N	To S	To E	To W	RowTt	Target		To N	To S	To E	To W
	From N	0	0	0	0	0	0		0	0	0	0
	From S	0	0	29	0	29	29		0	0	29	0
	From E	0	16	0	0	16	16		0	16	0	0
	From W	0	0	0	0	0	0		0	0	0	0
		To N	To S	To E	To W				ColTot	0	16	29
								Target	0	16	29	0
15		To N	To S	To E	To W	RowTt	Target		To N	To S	To E	To W
	From N	0	0	0	0	0	0		0	0	0	0
	From S	0	0	29	0	29	29		0	0	29	0
	From E	0	16	0	0	16	16		0	16	0	0
	From W	0	0	0	0	0	0		0	0	0	0
		To N	To S	To E	To W				ColTot	0	16	29
								Target	0	16	29	0
16		To N	To S	To E	To W	RowTt	Target		To N	To S	To E	To W
	From N	0	0	0	0	0	0		0	0	0	0
	From S	0	0	29	0	29	29		0	0	29	0
	From E	0	16	0	0	16	16		0	16	0	0
	From W	0	0	0	0	0	0		0	0	0	0
		To N	To S	To E	To W				ColTot	0	16	29
								Target	0	16	29	0
17		To N	To S	To E	To W	RowTt	Target		To N	To S	To E	To W
	From N	0	0	0	0	0	0		0	0	0	0
	From S	0	0	29	0	29	29		0	0	29	0
	From E	0	16	0	0	16	16		0	16	0	0
	From W	0	0	0	0	0	0		0	0	0	0
		To N	To S	To E	To W				ColTot	0	16	29
								Target	0	16	29	0
18		To N	To S	To E	To W	RowTt	Target		To N	To S	To E	To W
	From N	0	0	0	0	0	0		0	0	0	0
	From S	0	0	29	0	29	29		0	0	29	0
	From E	0	16	0	0	16	16		0	16	0	0
	From W	0	0	0	0	0	0		0	0	0	0
		To N	To S	To E	To W				ColTot	0	16	29
								Target	0	16	29	0

Turn Movement Forecast: Row-Column-Sum Method

Street Alignment: North/South East/West Scenario: **Future (2040) With Project**
 Intersection: Bailey Ave at Washington St Time Period: **Weekday AM**

19		To N	To S	To E	To W	RowTt	Target		To N	To S	To E	To W	
	From N	0	0	0	0	0	0		0	0	0	0	
	From S	0	0	29	0	29	29		0	0	29	0	
	From E	0	16	0	0	16	16		0	16	0	0	
	From W	0	0	0	0	0	0		0	0	0	0	
		To N	To S	To E	To W			ColTot	0	16	29	0	
								Target	0	16	29	0	
20		To N	To S	To E	To W	RowTt	Target		To N	To S	To E	To W	
	From N	0	0	0	0	0	0		0	0	0	0	0.000
	From S	0	0	29	0	29	29		0	0	29	0	1.000
	From E	0	16	0	0	16	16		0	16	0	0	1.000
	From W	0	0	0	0	0	0		0	0	0	0	0.000
		To N	To S	To E	To W			ColTot	0	16	29	0	
								Target	0	16	29	0	
								Pct	0.000	1.000	1.000	0.000	

Turn Movements and Traffic Volumes												
Year	<u>NL</u>	<u>NT</u>	<u>NR</u>	<u>SL</u>	<u>ST</u>	<u>SR</u>	<u>EL</u>	<u>ET</u>	<u>ER</u>	<u>WL</u>	<u>WT</u>	<u>WR</u>
Existing	0	0	23	0	0	0	0	0	0	19	0	0
2040	0	0	29	0	0	0	0	0	0	16	0	0
max(existing, 2040)	0	0	29	0	0	0	0	0	0	19	0	0
rounded to nearest 10	0	0	30	0	0	0	0	0	0	20	0	0



Turn Movement Forecast: Row-Column-Sum Method

Street Alignment: North/South East/West Scenario: **Future (2040) With Project**
 Intersection: Bailey Ave at Washington St Time Period: **Weekday PM**

Future Link Inputs				Existing Counts		Turn Move Inputs		
	North					0	0	0
	0	0		0		SR	ST	SL
			38	0		EL		WR
	0		29	0		ET		WT
		38		0		ER		WL
				0		NL	NT	NR
In - Out	67	67	Average	67		0	0	25

Average In-out volumes

Link Inputs			
	North		
	0	0	
	0		38
			29
		38	
In - Out	67	67	0

1	To N	To S	To E	To W	RowTt	Target	2	To N	To S	To E	To W		
	From N	0	0	0	0	0		0	0	0	0	0	
	From S	0	0	25	0	25		29	0	0	29	0	
	From E	0	29	0	0	29		38	0	38	0	0	
	From W	0	0	0	0	0		0	0	0	0	0	
		To N	To S	To E	To W				ColTot	0	38	29	0
									Target	0	38	29	0
2	To N	To S	To E	To W	RowTt	Target		To N	To S	To E	To W		
	From N	0	0	0	0	0	0	0	0	0	0		
	From S	0	0	29	0	29	29	0	0	29	0		
	From E	0	38	0	0	38	38	0	38	0	0		
	From W	0	0	0	0	0	0	0	0	0	0		
		To N	To S	To E	To W			ColTot	0	38	29	0	
								Target	0	38	29	0	
3	To N	To S	To E	To W	RowTt	Target		To N	To S	To E	To W		
	From N	0	0	0	0	0	0	0	0	0	0		
	From S	0	0	29	0	29	29	0	0	29	0		
	From E	0	38	0	0	38	38	0	38	0	0		
	From W	0	0	0	0	0	0	0	0	0	0		
		To N	To S	To E	To W			ColTot	0	38	29	0	
								Target	0	38	29	0	
4	To N	To S	To E	To W	RowTt	Target		To N	To S	To E	To W		
	From N	0	0	0	0	0	0	0	0	0	0		
	From S	0	0	29	0	29	29	0	0	29	0		
	From E	0	38	0	0	38	38	0	38	0	0		
	From W	0	0	0	0	0	0	0	0	0	0		
		To N	To S	To E	To W			ColTot	0	38	29	0	
								Target	0	38	29	0	

Turn Movement Forecast: Row-Column-Sum Method

Street Alignment: North/South at East/West
 Intersection: Bailey Ave at Washington St

Scenario: **Future (2040) With Project**
 Time Period: **Weekday PM**

5		To N	To S	To E	To W	RowTt	Target		To N	To S	To E	To W
	From N	0	0	0	0	0	0		0	0	0	0
	From S	0	0	29	0	29	29		0	0	29	0
	From E	0	38	0	0	38	38		0	38	0	0
	From W	0	0	0	0	0	0		0	0	0	0
		To N	To S	To E	To W			ColTot	0	38	29	0
								Target	0	38	29	0
6		To N	To S	To E	To W	RowTt	Target		To N	To S	To E	To W
	From N	0	0	0	0	0	0		0	0	0	0
	From S	0	0	29	0	29	29		0	0	29	0
	From E	0	38	0	0	38	38		0	38	0	0
	From W	0	0	0	0	0	0		0	0	0	0
		To N	To S	To E	To W			ColTot	0	38	29	0
								Target	0	38	29	0
7		To N	To S	To E	To W	RowTt	Target		To N	To S	To E	To W
	From N	0	0	0	0	0	0		0	0	0	0
	From S	0	0	29	0	29	29		0	0	29	0
	From E	0	38	0	0	38	38		0	38	0	0
	From W	0	0	0	0	0	0		0	0	0	0
		To N	To S	To E	To W			ColTot	0	38	29	0
								Target	0	38	29	0
8		To N	To S	To E	To W	RowTt	Target		To N	To S	To E	To W
	From N	0	0	0	0	0	0		0	0	0	0
	From S	0	0	29	0	29	29		0	0	29	0
	From E	0	38	0	0	38	38		0	38	0	0
	From W	0	0	0	0	0	0		0	0	0	0
		To N	To S	To E	To W			ColTot	0	38	29	0
								Target	0	38	29	0
9		To N	To S	To E	To W	RowTt	Target		To N	To S	To E	To W
	From N	0	0	0	0	0	0		0	0	0	0
	From S	0	0	29	0	29	29		0	0	29	0
	From E	0	38	0	0	38	38		0	38	0	0
	From W	0	0	0	0	0	0		0	0	0	0
		To N	To S	To E	To W			ColTot	0	38	29	0
								Target	0	38	29	0
10		To N	To S	To E	To W	RowTt	Target		To N	To S	To E	To W
	From N	0	0	0	0	0	0		0	0	0	0
	From S	0	0	29	0	29	29		0	0	29	0
	From E	0	38	0	0	38	38		0	38	0	0
	From W	0	0	0	0	0	0		0	0	0	0
		To N	To S	To E	To W			ColTot	0	38	29	0
								Target	0	38	29	0
11		To N	To S	To E	To W	RowTt	Target		To N	To S	To E	To W
	From N	0	0	0	0	0	0		0	0	0	0
	From S	0	0	29	0	29	29		0	0	29	0
	From E	0	38	0	0	38	38		0	38	0	0
	From W	0	0	0	0	0	0		0	0	0	0
		To N	To S	To E	To W			ColTot	0	38	29	0
								Target	0	38	29	0

Turn Movement Forecast: Row-Column-Sum Method

Street Alignment:
Intersection:

North/South
Bailey Ave at East/West
Washington St

Scenario: **Future (2040) With Project**
Time Period: **Weekday PM**

12		To N	To S	To E	To W	RowTt	Target		To N	To S	To E	To W
	From N	0	0	0	0	0	0		0	0	0	0
	From S	0	0	29	0	29	29		0	0	29	0
	From E	0	38	0	0	38	38		0	38	0	0
	From W	0	0	0	0	0	0		0	0	0	0
		To N	To S	To E	To W				ColTot	0	38	29
								Target	0	38	29	0
13		To N	To S	To E	To W	RowTt	Target		To N	To S	To E	To W
	From N	0	0	0	0	0	0		0	0	0	0
	From S	0	0	29	0	29	29		0	0	29	0
	From E	0	38	0	0	38	38		0	38	0	0
	From W	0	0	0	0	0	0		0	0	0	0
		To N	To S	To E	To W				ColTot	0	38	29
								Target	0	38	29	0
14		To N	To S	To E	To W	RowTt	Target		To N	To S	To E	To W
	From N	0	0	0	0	0	0		0	0	0	0
	From S	0	0	29	0	29	29		0	0	29	0
	From E	0	38	0	0	38	38		0	38	0	0
	From W	0	0	0	0	0	0		0	0	0	0
		To N	To S	To E	To W				ColTot	0	38	29
								Target	0	38	29	0
15		To N	To S	To E	To W	RowTt	Target		To N	To S	To E	To W
	From N	0	0	0	0	0	0		0	0	0	0
	From S	0	0	29	0	29	29		0	0	29	0
	From E	0	38	0	0	38	38		0	38	0	0
	From W	0	0	0	0	0	0		0	0	0	0
		To N	To S	To E	To W				ColTot	0	38	29
								Target	0	38	29	0
16		To N	To S	To E	To W	RowTt	Target		To N	To S	To E	To W
	From N	0	0	0	0	0	0		0	0	0	0
	From S	0	0	29	0	29	29		0	0	29	0
	From E	0	38	0	0	38	38		0	38	0	0
	From W	0	0	0	0	0	0		0	0	0	0
		To N	To S	To E	To W				ColTot	0	38	29
								Target	0	38	29	0
17		To N	To S	To E	To W	RowTt	Target		To N	To S	To E	To W
	From N	0	0	0	0	0	0		0	0	0	0
	From S	0	0	29	0	29	29		0	0	29	0
	From E	0	38	0	0	38	38		0	38	0	0
	From W	0	0	0	0	0	0		0	0	0	0
		To N	To S	To E	To W				ColTot	0	38	29
								Target	0	38	29	0
18		To N	To S	To E	To W	RowTt	Target		To N	To S	To E	To W
	From N	0	0	0	0	0	0		0	0	0	0
	From S	0	0	29	0	29	29		0	0	29	0
	From E	0	38	0	0	38	38		0	38	0	0
	From W	0	0	0	0	0	0		0	0	0	0
		To N	To S	To E	To W				ColTot	0	38	29
								Target	0	38	29	0

Turn Movement Forecast: Row-Column-Sum Method

Street Alignment: North/South East/West Scenario: **Future (2040) With Project**
 Intersection: Bailey Ave at Washington St Time Period: **Weekday PM**

19		To N	To S	To E	To W	RowTt	Target		To N	To S	To E	To W	
	From N	0	0	0	0	0	0		0	0	0	0	
	From S	0	0	29	0	29	29		0	0	29	0	
	From E	0	38	0	0	38	38		0	38	0	0	
	From W	0	0	0	0	0	0		0	0	0	0	
		To N	To S	To E	To W			ColTot	0	38	29	0	
								Target	0	38	29	0	
20		To N	To S	To E	To W	RowTt	Target		To N	To S	To E	To W	
	From N	0	0	0	0	0	0		0	0	0	0	0.000
	From S	0	0	29	0	29	29		0	0	29	0	1.000
	From E	0	38	0	0	38	38		0	38	0	0	1.000
	From W	0	0	0	0	0	0		0	0	0	0	0.000
		To N	To S	To E	To W			ColTot	0	38	29	0	
								Target	0	38	29	0	
								Pct	0.000	1.000	1.000	0.000	

Turn Movements and Traffic Volumes												
Year	NL	NT	NR	SL	ST	SR	EL	ET	ER	WL	WT	WR
Existing			25							29		
2040	0	0	29	0	0	0	0	0	0	38	0	0
max(existing, 2040)	0	0	29	0	0	0	0	0	0	38	0	0
rounded to nearest 10	0	0	30	0	0	0	0	0	0	40	0	0

Future Link outputs			
	North		
	0	0	
0			40
0			30
	40	30	
In - Out	70	70	Diff 0

Future volume	Turn Move Inputs		
	0	0	0
	SR	ST	SL
0	EL		WR
0	ET		WT
0	ER		WL
	NL	NT	NR
	0	0	30

Turn Movement Forecast: Row-Column-Sum Method

Street Alignment: North/South East/West Scenario: **Future (2040) With Project**
 Intersection: Bailey Ave at Washington St Time Period: **Weekend MD**

Future Link Inputs				Existing Counts		Turn Move Inputs		
North						0	0	0
0	0	0	24	0	SR	ST	SL	0
0			16	0	EL		WR	0
	24	16		0	ET		WT	0
				0	ER		WL	18
In - Out	40	40	Average 40		NL	NT	NR	0
					0	0	14	

Average In-out volumes

Link Inputs			
North			
0	0	0	24
0			16
	24	16	
In - Out	40	40	0

1	To N	To S	To E	To W	RowTt	Target	2	To N	To S	To E	To W
	From N	0	0	0	0	0		0	0	0	0
	From S	0	0	14	0	14	16	0	0	16	0
	From E	0	18	0	0	18	24	0	24	0	0
	From W	0	0	0	0	0	0	0	0	0	0
	To N	To S	To E	To W			ColTot	0	24	16	0
							Target	0	24	16	0
2	To N	To S	To E	To W	RowTt	Target		To N	To S	To E	To W
	From N	0	0	0	0	0		0	0	0	0
	From S	0	0	16	0	16	16	0	0	16	0
	From E	0	24	0	0	24	24	0	24	0	0
	From W	0	0	0	0	0	0	0	0	0	0
	To N	To S	To E	To W			ColTot	0	24	16	0
							Target	0	24	16	0
3	To N	To S	To E	To W	RowTt	Target		To N	To S	To E	To W
	From N	0	0	0	0	0		0	0	0	0
	From S	0	0	16	0	16	16	0	0	16	0
	From E	0	24	0	0	24	24	0	24	0	0
	From W	0	0	0	0	0	0	0	0	0	0
	To N	To S	To E	To W			ColTot	0	24	16	0
							Target	0	24	16	0
4	To N	To S	To E	To W	RowTt	Target		To N	To S	To E	To W
	From N	0	0	0	0	0		0	0	0	0
	From S	0	0	16	0	16	16	0	0	16	0
	From E	0	24	0	0	24	24	0	24	0	0
	From W	0	0	0	0	0	0	0	0	0	0
	To N	To S	To E	To W			ColTot	0	24	16	0
							Target	0	24	16	0

Turn Movement Forecast: Row-Column-Sum Method

Street Alignment: North/South East/West Scenario: **Future (2040) With Project**
 Intersection: Bailey Ave at Washington St Time Period: **Weekend MD**

5		To N	To S	To E	To W	RowTt	Target		To N	To S	To E	To W
	From N	0	0	0	0	0	0		0	0	0	0
	From S	0	0	16	0	16	16		0	0	16	0
	From E	0	24	0	0	24	24		0	24	0	0
	From W	0	0	0	0	0	0		0	0	0	0
		To N	To S	To E	To W				ColTot	0	24	16
								Target	0	24	16	0
6		To N	To S	To E	To W	RowTt	Target		To N	To S	To E	To W
	From N	0	0	0	0	0	0		0	0	0	0
	From S	0	0	16	0	16	16		0	0	16	0
	From E	0	24	0	0	24	24		0	24	0	0
	From W	0	0	0	0	0	0		0	0	0	0
		To N	To S	To E	To W				ColTot	0	24	16
								Target	0	24	16	0
7		To N	To S	To E	To W	RowTt	Target		To N	To S	To E	To W
	From N	0	0	0	0	0	0		0	0	0	0
	From S	0	0	16	0	16	16		0	0	16	0
	From E	0	24	0	0	24	24		0	24	0	0
	From W	0	0	0	0	0	0		0	0	0	0
		To N	To S	To E	To W				ColTot	0	24	16
								Target	0	24	16	0
8		To N	To S	To E	To W	RowTt	Target		To N	To S	To E	To W
	From N	0	0	0	0	0	0		0	0	0	0
	From S	0	0	16	0	16	16		0	0	16	0
	From E	0	24	0	0	24	24		0	24	0	0
	From W	0	0	0	0	0	0		0	0	0	0
		To N	To S	To E	To W				ColTot	0	24	16
								Target	0	24	16	0
9		To N	To S	To E	To W	RowTt	Target		To N	To S	To E	To W
	From N	0	0	0	0	0	0		0	0	0	0
	From S	0	0	16	0	16	16		0	0	16	0
	From E	0	24	0	0	24	24		0	24	0	0
	From W	0	0	0	0	0	0		0	0	0	0
		To N	To S	To E	To W				ColTot	0	24	16
								Target	0	24	16	0
10		To N	To S	To E	To W	RowTt	Target		To N	To S	To E	To W
	From N	0	0	0	0	0	0		0	0	0	0
	From S	0	0	16	0	16	16		0	0	16	0
	From E	0	24	0	0	24	24		0	24	0	0
	From W	0	0	0	0	0	0		0	0	0	0
		To N	To S	To E	To W				ColTot	0	24	16
								Target	0	24	16	0
11		To N	To S	To E	To W	RowTt	Target		To N	To S	To E	To W
	From N	0	0	0	0	0	0		0	0	0	0
	From S	0	0	16	0	16	16		0	0	16	0
	From E	0	24	0	0	24	24		0	24	0	0
	From W	0	0	0	0	0	0		0	0	0	0
		To N	To S	To E	To W				ColTot	0	24	16
								Target	0	24	16	0

Turn Movement Forecast: Row-Column-Sum Method

Street Alignment:
Intersection:

North/South
Bailey Ave at East/West
Washington St

Scenario: **Future (2040) With Project**
Time Period: **Weekend MD**

12		To N	To S	To E	To W	RowTt	Target		To N	To S	To E	To W	
	From N	0	0	0	0	0	0		0	0	0	0	
	From S	0	0	16	0	16	16		0	0	16	0	
	From E	0	24	0	0	24	24		0	24	0	0	
	From W	0	0	0	0	0	0		0	0	0	0	
		To N	To S	To E	To W				ColTot	0	24	16	0
									Target	0	24	16	0
13		To N	To S	To E	To W	RowTt	Target		To N	To S	To E	To W	
	From N	0	0	0	0	0	0		0	0	0	0	
	From S	0	0	16	0	16	16		0	0	16	0	
	From E	0	24	0	0	24	24		0	24	0	0	
	From W	0	0	0	0	0	0		0	0	0	0	
		To N	To S	To E	To W				ColTot	0	24	16	0
									Target	0	24	16	0
14		To N	To S	To E	To W	RowTt	Target		To N	To S	To E	To W	
	From N	0	0	0	0	0	0		0	0	0	0	
	From S	0	0	16	0	16	16		0	0	16	0	
	From E	0	24	0	0	24	24		0	24	0	0	
	From W	0	0	0	0	0	0		0	0	0	0	
		To N	To S	To E	To W				ColTot	0	24	16	0
									Target	0	24	16	0
15		To N	To S	To E	To W	RowTt	Target		To N	To S	To E	To W	
	From N	0	0	0	0	0	0		0	0	0	0	
	From S	0	0	16	0	16	16		0	0	16	0	
	From E	0	24	0	0	24	24		0	24	0	0	
	From W	0	0	0	0	0	0		0	0	0	0	
		To N	To S	To E	To W				ColTot	0	24	16	0
									Target	0	24	16	0
16		To N	To S	To E	To W	RowTt	Target		To N	To S	To E	To W	
	From N	0	0	0	0	0	0		0	0	0	0	
	From S	0	0	16	0	16	16		0	0	16	0	
	From E	0	24	0	0	24	24		0	24	0	0	
	From W	0	0	0	0	0	0		0	0	0	0	
		To N	To S	To E	To W				ColTot	0	24	16	0
									Target	0	24	16	0
17		To N	To S	To E	To W	RowTt	Target		To N	To S	To E	To W	
	From N	0	0	0	0	0	0		0	0	0	0	
	From S	0	0	16	0	16	16		0	0	16	0	
	From E	0	24	0	0	24	24		0	24	0	0	
	From W	0	0	0	0	0	0		0	0	0	0	
		To N	To S	To E	To W				ColTot	0	24	16	0
									Target	0	24	16	0
18		To N	To S	To E	To W	RowTt	Target		To N	To S	To E	To W	
	From N	0	0	0	0	0	0		0	0	0	0	
	From S	0	0	16	0	16	16		0	0	16	0	
	From E	0	24	0	0	24	24		0	24	0	0	
	From W	0	0	0	0	0	0		0	0	0	0	
		To N	To S	To E	To W				ColTot	0	24	16	0
									Target	0	24	16	0

Turn Movement Forecast: Row-Column-Sum Method

Street Alignment: North/South East/West Scenario: **Future (2040) With Project**
 Intersection: Bailey Ave at Washington St Time Period: **Weekend MD**

19		To N	To S	To E	To W	RowTt	Target		To N	To S	To E	To W	
	From N	0	0	0	0	0	0		0	0	0	0	
	From S	0	0	16	0	16	16		0	0	16	0	
	From E	0	24	0	0	24	24		0	24	0	0	
	From W	0	0	0	0	0	0		0	0	0	0	
		To N	To S	To E	To W			ColTot	0	24	16	0	
								Target	0	24	16	0	
20		To N	To S	To E	To W	RowTt	Target		To N	To S	To E	To W	
	From N	0	0	0	0	0	0		0	0	0	0	0.000
	From S	0	0	16	0	16	16		0	0	16	0	1.000
	From E	0	24	0	0	24	24		0	24	0	0	1.000
	From W	0	0	0	0	0	0		0	0	0	0	0.000
		To N	To S	To E	To W			ColTot	0	24	16	0	
								Target	0	24	16	0	
								Pct	0.000	1.000	1.000	0.000	

Turn Movements and Traffic Volumes

Year	NL	NT	NR	SL	ST	SR	EL	ET	ER	WL	WT	WR
Existing			14							18		
2040	0	0	16	0	0	0	0	0	0	24	0	0
max(existing, 2040)	0	0	16	0	0	0	0	0	0	24	0	0
rounded to nearest 10	0	0	20	0	0	0	0	0	0	30	0	0

Future Link outputs

	North		
	0	0	
0			30
0			20
	30	20	
In - Out	50	50	Diff 0

Future volume

	0	0	0
	SR	ST	SL
0	EL		WR
0	ET		WT
0	ER		WL
	NL	NT	NR
	0	0	20

Turn Movement Forecast: Row-Column-Sum Method

Street Alignment: North/South at East/West Scenario: **Future (2040) With Project**
 Intersection: Bailey Ave at J Street Time Period: **Weekday AM**

Future Link Inputs				Existing Counts		Turn Move Inputs		
	North							
	5	21				2	3	13
30			91			SR	ST	SL
71			130	3		EL		WR
	62	76		69		ET		WT
			Average	6		ER		WL
						NL	NT	NR
In - Out	243	243	243			3	6	54

Average In-out volumes

Link Inputs			
	North		
	5	21	
30			91
71			130
	62	76	
In - Out	243	243	0

1	To N	To S	To E	To W	RowTt	Target	2	To N	To S	To E	To W	
	From N	0	3	13	2	18	5	0	1	4	1	
	From S	6	0	54	3	63	76	7	0	65	4	
	From E	7	52	0	26	85	91	7	56	0	28	
	From W	3	6	69	0	78	71	3	5	63	0	
		To N	To S	To E	To W			ColTot	17	62	132	32
								Target	21	62	130	30
2	To N	To S	To E	To W	RowTt	Target		To N	To S	To E	To W	
	From N	0	1	4	1	5	5	0	1	4	1	
	From S	9	0	64	3	76	76	9	0	64	3	
	From E	9	56	0	26	91	91	9	56	0	26	
	From W	3	5	62	0	71	71	3	5	62	0	
		To N	To S	To E	To W			ColTot	21	62	130	30
								Target	21	62	130	30
3	To N	To S	To E	To W	RowTt	Target		To N	To S	To E	To W	
	From N	0	1	4	1	5	5	0	1	4	1	
	From S	9	0	64	3	76	76	9	0	64	3	
	From E	9	56	0	26	91	91	9	56	0	26	
	From W	3	5	62	0	71	71	3	5	62	0	
		To N	To S	To E	To W			ColTot	21	62	130	30
								Target	21	62	130	30
4	To N	To S	To E	To W	RowTt	Target		To N	To S	To E	To W	
	From N	0	1	4	1	5	5	0	1	4	1	
	From S	9	0	64	3	76	76	9	0	64	3	
	From E	9	56	0	26	91	91	9	56	0	26	
	From W	3	5	62	0	71	71	3	5	62	0	
		To N	To S	To E	To W			ColTot	21	62	130	30
								Target	21	62	130	30

Turn Movement Forecast: Row-Column-Sum Method

Street Alignment: North/South East/West
 Intersection: Bailey Ave at J Street

Scenario: **Future (2040) With Project**
 Time Period: **Weekday AM**

5		To N	To S	To E	To W	RowTt	Target		To N	To S	To E	To W
	From N	0	1	4	1	5	5		0	1	4	1
	From S	9	0	64	3	76	76		9	0	64	3
	From E	9	56	0	26	91	91		9	56	0	26
	From W	3	5	62	0	71	71		3	5	62	0
		To N	To S	To E	To W			ColTot	21	62	130	30
							Target	21	62	130	30	
6		To N	To S	To E	To W	RowTt	Target		To N	To S	To E	To W
	From N	0	1	4	1	5	5		0	1	4	1
	From S	9	0	64	3	76	76		9	0	64	3
	From E	9	56	0	26	91	91		9	56	0	26
	From W	3	5	62	0	71	71		3	5	62	0
		To N	To S	To E	To W			ColTot	21	62	130	30
							Target	21	62	130	30	
7		To N	To S	To E	To W	RowTt	Target		To N	To S	To E	To W
	From N	0	1	4	1	5	5		0	1	4	1
	From S	9	0	64	3	76	76		9	0	64	3
	From E	9	56	0	26	91	91		9	56	0	26
	From W	3	5	62	0	71	71		3	5	62	0
		To N	To S	To E	To W			ColTot	21	62	130	30
							Target	21	62	130	30	
8		To N	To S	To E	To W	RowTt	Target		To N	To S	To E	To W
	From N	0	1	4	1	5	5		0	1	4	1
	From S	9	0	64	3	76	76		9	0	64	3
	From E	9	56	0	26	91	91		9	56	0	26
	From W	3	5	62	0	71	71		3	5	62	0
		To N	To S	To E	To W			ColTot	21	62	130	30
							Target	21	62	130	30	
9		To N	To S	To E	To W	RowTt	Target		To N	To S	To E	To W
	From N	0	1	4	1	5	5		0	1	4	1
	From S	9	0	64	3	76	76		9	0	64	3
	From E	9	56	0	26	91	91		9	56	0	26
	From W	3	5	62	0	71	71		3	5	62	0
		To N	To S	To E	To W			ColTot	21	62	130	30
							Target	21	62	130	30	
10		To N	To S	To E	To W	RowTt	Target		To N	To S	To E	To W
	From N	0	1	4	1	5	5		0	1	4	1
	From S	9	0	64	3	76	76		9	0	64	3
	From E	9	56	0	26	91	91		9	56	0	26
	From W	3	5	62	0	71	71		3	5	62	0
		To N	To S	To E	To W			ColTot	21	62	130	30
							Target	21	62	130	30	
11		To N	To S	To E	To W	RowTt	Target		To N	To S	To E	To W
	From N	0	1	4	1	5	5		0	1	4	1
	From S	9	0	64	3	76	76		9	0	64	3
	From E	9	56	0	26	91	91		9	56	0	26
	From W	3	5	62	0	71	71		3	5	62	0
		To N	To S	To E	To W			ColTot	21	62	130	30
							Target	21	62	130	30	

Turn Movement Forecast: Row-Column-Sum Method

Street Alignment: North/South East/West
 Intersection: Bailey Ave at J Street

Scenario: **Future (2040) With Project**
 Time Period: **Weekday AM**

12		To N	To S	To E	To W	RowTt	Target		To N	To S	To E	To W	
	From N	0	1	4	1	5	5		0	1	4	1	
	From S	9	0	64	3	76	76		9	0	64	3	
	From E	9	56	0	26	91	91		9	56	0	26	
	From W	3	5	62	0	71	71		3	5	62	0	
		To N	To S	To E	To W				ColTot	21	62	130	30
									Target	21	62	130	30
13		To N	To S	To E	To W	RowTt	Target		To N	To S	To E	To W	
	From N	0	1	4	1	5	5		0	1	4	1	
	From S	9	0	64	3	76	76		9	0	64	3	
	From E	9	56	0	26	91	91		9	56	0	26	
	From W	3	5	62	0	71	71		3	5	62	0	
		To N	To S	To E	To W				ColTot	21	62	130	30
									Target	21	62	130	30
14		To N	To S	To E	To W	RowTt	Target		To N	To S	To E	To W	
	From N	0	1	4	1	5	5		0	1	4	1	
	From S	9	0	64	3	76	76		9	0	64	3	
	From E	9	56	0	26	91	91		9	56	0	26	
	From W	3	5	62	0	71	71		3	5	62	0	
		To N	To S	To E	To W				ColTot	21	62	130	30
									Target	21	62	130	30
15		To N	To S	To E	To W	RowTt	Target		To N	To S	To E	To W	
	From N	0	1	4	1	5	5		0	1	4	1	
	From S	9	0	64	3	76	76		9	0	64	3	
	From E	9	56	0	26	91	91		9	56	0	26	
	From W	3	5	62	0	71	71		3	5	62	0	
		To N	To S	To E	To W				ColTot	21	62	130	30
									Target	21	62	130	30
16		To N	To S	To E	To W	RowTt	Target		To N	To S	To E	To W	
	From N	0	1	4	1	5	5		0	1	4	1	
	From S	9	0	64	3	76	76		9	0	64	3	
	From E	9	56	0	26	91	91		9	56	0	26	
	From W	3	5	62	0	71	71		3	5	62	0	
		To N	To S	To E	To W				ColTot	21	62	130	30
									Target	21	62	130	30
17		To N	To S	To E	To W	RowTt	Target		To N	To S	To E	To W	
	From N	0	1	4	1	5	5		0	1	4	1	
	From S	9	0	64	3	76	76		9	0	64	3	
	From E	9	56	0	26	91	91		9	56	0	26	
	From W	3	5	62	0	71	71		3	5	62	0	
		To N	To S	To E	To W				ColTot	21	62	130	30
									Target	21	62	130	30
18		To N	To S	To E	To W	RowTt	Target		To N	To S	To E	To W	
	From N	0	1	4	1	5	5		0	1	4	1	
	From S	9	0	64	3	76	76		9	0	64	3	
	From E	9	56	0	26	91	91		9	56	0	26	
	From W	3	5	62	0	71	71		3	5	62	0	
		To N	To S	To E	To W				ColTot	21	62	130	30
									Target	21	62	130	30

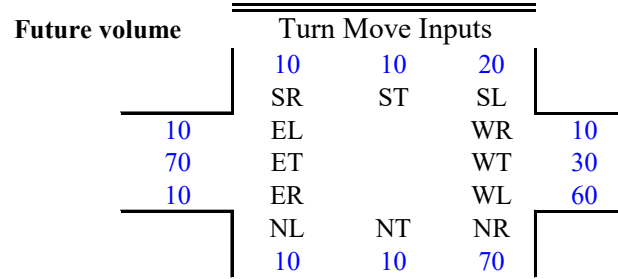
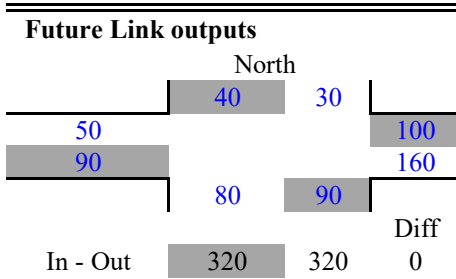
Turn Movement Forecast: Row-Column-Sum Method

Street Alignment: North/South East/West Scenario: **Future (2040) With Project**
 Intersection: Bailey Ave at J Street Time Period: **Weekday AM**

19		To N	To S	To E	To W	RowTt	Target		To N	To S	To E	To W	
	From N	0	1	4	1	5	5		0	1	4	1	
	From S	9	0	64	3	76	76		9	0	64	3	
	From E	9	56	0	26	91	91		9	56	0	26	
	From W	3	5	62	0	71	71		3	5	62	0	
		To N	To S	To E	To W			ColTot	21	62	130	30	
								Target	21	62	130	30	
20		To N	To S	To E	To W	RowTt	Target		To N	To S	To E	To W	
	From N	0	1	4	1	5	5		0	1	4	1	1.000
	From S	9	0	64	3	76	76		9	0	64	3	1.000
	From E	9	56	0	26	91	91		9	56	0	26	1.000
	From W	3	5	62	0	71	71		3	5	62	0	1.000
		To N	To S	To E	To W			ColTot	21	62	130	30	
								Target	21	62	130	30	
								Pct	1.000	1.000	1.000	1.000	

Turn Movements and Traffic Volumes

Year	<u>NL</u>	<u>NT</u>	<u>NR</u>	<u>SL</u>	<u>ST</u>	<u>SR</u>	<u>EL</u>	<u>ET</u>	<u>ER</u>	<u>WL</u>	<u>WT</u>	<u>WR</u>
Existing	3	6	54	13	3	2	3	69	6	52	26	7
2040	3	9	64	4	1	1	3	62	5	56	26	9
max(existing, 2040)	3	9	64	13	3	2	3	69	6	56	26	9
rounded to nearest 10	10	10	70	20	10	10	10	70	10	60	30	10



Turn Movement Forecast: Row-Column-Sum Method

Street Alignment: North/South East/West Scenario: **Future (2040) With Project**
 Intersection: Bailey Ave at J Street Time Period: **Weekday PM**

Future Link Inputs				Existing Counts		Turn Move Inputs		
	North					5	5	14
	32	29				SR	ST	SL
81			155	7		EL		WR 16
69			154	58		ET		WT 76
	94	103		6		ER		WL 73
			Average			NL	NT	NR
In - Out	359	358	359			6	8	76

Average In-out volumes

Link Inputs			
	North		
	32	29	
81			155
69			154
	94	103	
In - Out	359	359	0

1	To N	To S	To E	To W	RowTt	Target	2	To N	To S	To E	To W
	From N	0	5	14	5	24	32	0	7	19	7
	From S	8	0	76	6	90	103	9	0	87	7
	From E	16	73	0	76	165	155	15	68	0	71
	From W	7	6	58	0	71	69	7	6	56	0
		To N	To S	To E	To W			ColTot	31	81	162
							Target	29	94	154	81
2	To N	To S	To E	To W	RowTt	Target		To N	To S	To E	To W
	From N	0	8	18	6	32	32	0	8	18	6
	From S	9	0	83	7	98	103	9	0	87	7
	From E	14	80	0	68	162	155	13	76	0	65
	From W	6	7	54	0	67	69	7	7	55	0
		To N	To S	To E	To W			ColTot	29	91	160
							Target	29	94	154	81
3	To N	To S	To E	To W	RowTt	Target		To N	To S	To E	To W
	From N	0	8	17	7	32	32	0	8	17	7
	From S	9	0	84	7	100	103	9	0	86	7
	From E	13	79	0	67	160	155	13	76	0	65
	From W	7	7	53	0	67	69	7	7	55	0
		To N	To S	To E	To W			ColTot	29	92	158
							Target	29	94	154	81
4	To N	To S	To E	To W	RowTt	Target		To N	To S	To E	To W
	From N	0	8	17	7	32	32	0	8	17	7
	From S	9	0	84	8	101	103	9	0	86	8
	From E	13	78	0	67	158	155	13	77	0	65
	From W	7	8	53	0	68	69	7	8	54	0
		To N	To S	To E	To W			ColTot	29	93	157
							Target	29	94	154	81

Turn Movement Forecast: Row-Column-Sum Method

Street Alignment: North/South East/West Scenario: **Future (2040) With Project**
 Intersection: Bailey Ave at J Street Time Period: **Weekday PM**

5		To N	To S	To E	To W	RowTt	Target		To N	To S	To E	To W
	From N	0	8	17	7	32	32		0	8	17	7
	From S	9	0	84	8	101	103		10	0	85	8
	From E	13	78	0	66	157	155		13	77	0	65
	From W	7	8	53	0	68	69		7	8	54	0
		To N	To S	To E	To W			ColTot	29	93	156	80
								Target	29	94	154	81
6		To N	To S	To E	To W	RowTt	Target		To N	To S	To E	To W
	From N	0	9	16	7	32	32		0	9	16	7
	From S	10	0	84	8	102	103		10	0	85	8
	From E	13	78	0	66	156	155		12	77	0	66
	From W	7	8	53	0	68	69		7	8	54	0
		To N	To S	To E	To W			ColTot	29	93	155	81
								Target	29	94	154	81
7		To N	To S	To E	To W	RowTt	Target		To N	To S	To E	To W
	From N	0	9	16	7	32	32		0	9	16	7
	From S	10	0	85	8	102	103		10	0	85	8
	From E	12	77	0	66	156	155		12	77	0	66
	From W	7	8	53	0	69	69		7	8	54	0
		To N	To S	To E	To W			ColTot	29	94	155	81
								Target	29	94	154	81
8		To N	To S	To E	To W	RowTt	Target		To N	To S	To E	To W
	From N	0	9	16	7	32	32		0	9	16	7
	From S	10	0	85	8	102	103		10	0	85	8
	From E	12	77	0	66	155	155		12	77	0	66
	From W	7	8	53	0	69	69		7	8	54	0
		To N	To S	To E	To W			ColTot	29	94	155	81
								Target	29	94	154	81
9		To N	To S	To E	To W	RowTt	Target		To N	To S	To E	To W
	From N	0	9	16	7	32	32		0	9	16	7
	From S	10	0	85	8	103	103		10	0	85	8
	From E	12	77	0	66	155	155		12	77	0	66
	From W	7	8	53	0	69	69		7	8	54	0
		To N	To S	To E	To W			ColTot	29	94	155	81
								Target	29	94	154	81
10		To N	To S	To E	To W	RowTt	Target		To N	To S	To E	To W
	From N	0	9	16	7	32	32		0	9	16	7
	From S	10	0	85	8	103	103		10	0	85	8
	From E	12	77	0	66	155	155		12	77	0	66
	From W	7	8	53	0	69	69		7	8	53	0
		To N	To S	To E	To W			ColTot	29	94	154	81
								Target	29	94	154	81
11		To N	To S	To E	To W	RowTt	Target		To N	To S	To E	To W
	From N	0	9	16	7	32	32		0	9	16	7
	From S	10	0	85	8	103	103		10	0	85	8
	From E	12	77	0	66	155	155		12	77	0	66
	From W	7	8	53	0	69	69		7	8	53	0
		To N	To S	To E	To W			ColTot	29	94	154	81
								Target	29	94	154	81

Turn Movement Forecast: Row-Column-Sum Method

Street Alignment: North/South East/West Scenario: **Future (2040) With Project**
 Intersection: Bailey Ave at J Street Time Period: **Weekday PM**

12		To N	To S	To E	To W	RowTt	Target		To N	To S	To E	To W
	From N	0	9	16	7	32	32		0	9	16	7
	From S	10	0	85	8	103	103		10	0	85	8
	From E	12	77	0	66	155	155		12	77	0	66
	From W	7	8	53	0	69	69		7	8	53	0
		To N	To S	To E	To W			ColTot	29	94	154	81
								Target	29	94	154	81
13		To N	To S	To E	To W	RowTt	Target		To N	To S	To E	To W
	From N	0	9	16	7	32	32		0	9	16	7
	From S	10	0	85	8	103	103		10	0	85	8
	From E	12	77	0	66	155	155		12	77	0	66
	From W	7	8	53	0	69	69		7	8	53	0
		To N	To S	To E	To W			ColTot	29	94	154	81
								Target	29	94	154	81
14		To N	To S	To E	To W	RowTt	Target		To N	To S	To E	To W
	From N	0	9	16	7	32	32		0	9	16	7
	From S	10	0	85	8	103	103		10	0	85	8
	From E	12	77	0	66	155	155		12	77	0	66
	From W	7	8	53	0	69	69		7	8	53	0
		To N	To S	To E	To W			ColTot	29	94	154	81
								Target	29	94	154	81
15		To N	To S	To E	To W	RowTt	Target		To N	To S	To E	To W
	From N	0	9	16	7	32	32		0	9	16	7
	From S	10	0	85	8	103	103		10	0	85	8
	From E	12	77	0	66	155	155		12	77	0	66
	From W	7	8	53	0	69	69		7	8	53	0
		To N	To S	To E	To W			ColTot	29	94	154	81
								Target	29	94	154	81
16		To N	To S	To E	To W	RowTt	Target		To N	To S	To E	To W
	From N	0	9	16	7	32	32		0	9	16	7
	From S	10	0	85	8	103	103		10	0	85	8
	From E	12	77	0	66	155	155		12	77	0	66
	From W	7	8	53	0	69	69		7	8	53	0
		To N	To S	To E	To W			ColTot	29	94	154	81
								Target	29	94	154	81
17		To N	To S	To E	To W	RowTt	Target		To N	To S	To E	To W
	From N	0	9	16	7	32	32		0	9	16	7
	From S	10	0	85	8	103	103		10	0	85	8
	From E	12	77	0	66	155	155		12	77	0	66
	From W	7	8	53	0	69	69		7	8	53	0
		To N	To S	To E	To W			ColTot	29	94	154	81
								Target	29	94	154	81
18		To N	To S	To E	To W	RowTt	Target		To N	To S	To E	To W
	From N	0	9	16	7	32	32		0	9	16	7
	From S	10	0	85	8	103	103		10	0	85	8
	From E	12	77	0	66	155	155		12	77	0	66
	From W	7	8	53	0	69	69		7	8	53	0
		To N	To S	To E	To W			ColTot	29	94	154	81
								Target	29	94	154	81

Turn Movement Forecast: Row-Column-Sum Method

Street Alignment: North/South East/West Scenario: **Future (2040) With Project**
 Intersection: Bailey Ave at J Street Time Period: **Weekday PM**

19		To N	To S	To E	To W	RowTt	Target		To N	To S	To E	To W	
	From N	0	9	16	7	32	32		0	9	16	7	
	From S	10	0	85	8	103	103		10	0	85	8	
	From E	12	77	0	66	155	155		12	77	0	66	
	From W	7	8	53	0	69	69		7	8	53	0	
		To N	To S	To E	To W			ColTot	29	94	154	81	
								Target	29	94	154	81	
20		To N	To S	To E	To W	RowTt	Target		To N	To S	To E	To W	
	From N	0	9	16	7	32	32		0	9	16	7	1.000
	From S	10	0	85	8	103	103		10	0	85	8	1.000
	From E	12	77	0	66	155	155		12	77	0	66	1.000
	From W	7	8	53	0	69	69		7	8	53	0	1.000
		To N	To S	To E	To W			ColTot	29	94	154	81	
								Target	29	94	154	81	
								Pct	1.000	1.000	1.000	1.000	

Turn Movements and Traffic Volumes												
Year	NL	NT	NR	SL	ST	SR	EL	ET	ER	WL	WT	WR
Existing	6	8	76	14	5	5	7	58	6	73	76	16
2040	8	10	85	16	9	7	7	53	8	77	66	12
max(existing, 2040)	8	10	85	16	9	7	7	58	8	77	76	16
rounded to nearest 10	10	10	90	20	10	10	10	60	10	80	80	20

Future Link outputs			
North			
	40	40	
100			180
80			170
	100	110	
In - Out	410	410	Diff 0

Future volume			
Turn Move Inputs			
	10	10	20
	SR	ST	SL
10	EL		WR 20
60	ET		WT 80
10	ER		WL 80
	NL	NT	NR
	10	10	90

Turn Movement Forecast: Row-Column-Sum Method

Street Alignment: North/South East/West Scenario: **Future (2040) With Project**
 Intersection: Bailey Ave at J Street Time Period: **Weekend MD**

Future Link Inputs				Existing Counts		Turn Move Inputs		
	North					4	8	12
	32	16				SR	ST	SL
47			91	2		EL		WR 7
44			99	39		ET		WT 42
	67	64		4		ER		WL 48
			Average			NL	NT	NR
In - Out	231	229	230			4	8	44

Average In-out volumes

Link Inputs			
	North		
	32	16	
47			91
44			99
	67	64	
In - Out	230	230	0

1	To N	To S	To E	To W	RowTt	Target	2	To N	To S	To E	To W	
	From N	0	8	12	4	24	32	0	11	16	5	
	From S	8	0	44	4	56	64	9	0	50	5	
	From E	7	48	0	42	97	91	7	45	0	39	
	From W	2	4	39	0	45	44	2	4	38	0	
		To N	To S	To E	To W			ColTot	18	59	104	49
								Target	16	67	99	47
2	To N	To S	To E	To W	RowTt	Target		To N	To S	To E	To W	
	From N	0	12	15	5	32	32	0	12	15	5	
	From S	8	0	48	4	61	64	9	0	50	5	
	From E	6	51	0	38	95	91	6	49	0	36	
	From W	2	4	36	0	43	44	2	5	37	0	
		To N	To S	To E	To W			ColTot	16	65	103	46
								Target	16	67	99	47
3	To N	To S	To E	To W	RowTt	Target		To N	To S	To E	To W	
	From N	0	12	15	5	32	32	0	12	14	5	
	From S	9	0	49	5	62	64	9	0	50	5	
	From E	6	50	0	37	93	91	5	49	0	36	
	From W	2	5	36	0	43	44	2	5	37	0	
		To N	To S	To E	To W			ColTot	16	66	102	46
								Target	16	67	99	47
4	To N	To S	To E	To W	RowTt	Target		To N	To S	To E	To W	
	From N	0	12	14	5	32	32	0	12	14	5	
	From S	9	0	49	5	63	64	9	0	50	5	
	From E	5	50	0	37	92	91	5	49	0	36	
	From W	2	5	36	0	43	44	2	5	37	0	
		To N	To S	To E	To W			ColTot	16	66	101	47
								Target	16	67	99	47

Turn Movement Forecast: Row-Column-Sum Method

Street Alignment:
Intersection:

North/South
Bailey Ave at East/West
J Street

Scenario: **Future (2040) With Project**
Time Period: **Weekend MD**

5		To N	To S	To E	To W	RowTt	Target		To N	To S	To E	To W
	From N	0	13	14	5	32	32		0	13	14	5
	From S	9	0	49	5	63	64		9	0	50	5
	From E	5	50	0	37	92	91		5	49	0	36
	From W	2	5	36	0	43	44		2	5	37	0
		To N	To S	To E	To W			ColTot	16	67	100	47
								Target	16	67	99	47
6		To N	To S	To E	To W	RowTt	Target		To N	To S	To E	To W
	From N	0	13	14	5	32	32		0	13	14	5
	From S	9	0	49	5	63	64		9	0	49	5
	From E	5	49	0	37	91	91		5	49	0	36
	From W	2	5	36	0	44	44		2	5	37	0
		To N	To S	To E	To W			ColTot	16	67	100	47
								Target	16	67	99	47
7		To N	To S	To E	To W	RowTt	Target		To N	To S	To E	To W
	From N	0	13	14	5	32	32		0	13	14	5
	From S	9	0	49	5	63	64		9	0	49	5
	From E	5	49	0	37	91	91		5	49	0	36
	From W	2	5	37	0	44	44		2	5	37	0
		To N	To S	To E	To W			ColTot	16	67	100	47
								Target	16	67	99	47
8		To N	To S	To E	To W	RowTt	Target		To N	To S	To E	To W
	From N	0	13	14	5	32	32		0	13	14	5
	From S	9	0	49	5	64	64		9	0	49	5
	From E	5	49	0	36	91	91		5	49	0	36
	From W	2	5	37	0	44	44		2	5	37	0
		To N	To S	To E	To W			ColTot	16	67	100	47
								Target	16	67	99	47
9		To N	To S	To E	To W	RowTt	Target		To N	To S	To E	To W
	From N	0	13	14	5	32	32		0	13	14	5
	From S	9	0	49	5	64	64		9	0	49	5
	From E	5	49	0	36	91	91		5	49	0	36
	From W	2	5	37	0	44	44		2	5	37	0
		To N	To S	To E	To W			ColTot	16	67	100	47
								Target	16	67	99	47
10		To N	To S	To E	To W	RowTt	Target		To N	To S	To E	To W
	From N	0	13	14	5	32	32		0	13	14	5
	From S	9	0	49	5	64	64		9	0	49	5
	From E	5	49	0	36	91	91		5	49	0	36
	From W	2	5	37	0	44	44		2	5	37	0
		To N	To S	To E	To W			ColTot	16	67	100	47
								Target	16	67	99	47
11		To N	To S	To E	To W	RowTt	Target		To N	To S	To E	To W
	From N	0	13	14	5	32	32		0	13	14	5
	From S	9	0	49	5	64	64		9	0	49	5
	From E	5	49	0	36	91	91		5	49	0	36
	From W	2	5	37	0	44	44		2	5	37	0
		To N	To S	To E	To W			ColTot	16	67	99	47
								Target	16	67	99	47

Turn Movement Forecast: Row-Column-Sum Method

Street Alignment: North/South East/West
 Intersection: Bailey Ave at J Street

Scenario: **Future (2040) With Project**
 Time Period: **Weekend MD**

12		To N	To S	To E	To W	RowTt	Target		To N	To S	To E	To W	
	From N	0	13	14	5	32	32		0	13	14	5	
	From S	9	0	49	5	64	64		9	0	49	5	
	From E	5	49	0	36	91	91		5	49	0	36	
	From W	2	5	37	0	44	44		2	5	37	0	
		To N	To S	To E	To W				ColTot	16	67	99	47
									Target	16	67	99	47
13		To N	To S	To E	To W	RowTt	Target		To N	To S	To E	To W	
	From N	0	13	14	5	32	32		0	13	14	5	
	From S	9	0	49	5	64	64		9	0	49	5	
	From E	5	49	0	36	91	91		5	49	0	36	
	From W	2	5	37	0	44	44		2	5	37	0	
		To N	To S	To E	To W				ColTot	16	67	99	47
									Target	16	67	99	47
14		To N	To S	To E	To W	RowTt	Target		To N	To S	To E	To W	
	From N	0	13	14	5	32	32		0	13	14	5	
	From S	9	0	49	5	64	64		9	0	49	5	
	From E	5	49	0	36	91	91		5	49	0	36	
	From W	2	5	37	0	44	44		2	5	37	0	
		To N	To S	To E	To W				ColTot	16	67	99	47
									Target	16	67	99	47
15		To N	To S	To E	To W	RowTt	Target		To N	To S	To E	To W	
	From N	0	13	14	5	32	32		0	13	14	5	
	From S	9	0	49	5	64	64		9	0	49	5	
	From E	5	49	0	36	91	91		5	49	0	36	
	From W	2	5	37	0	44	44		2	5	37	0	
		To N	To S	To E	To W				ColTot	16	67	99	47
									Target	16	67	99	47
16		To N	To S	To E	To W	RowTt	Target		To N	To S	To E	To W	
	From N	0	13	14	5	32	32		0	13	14	5	
	From S	9	0	49	5	64	64		9	0	49	5	
	From E	5	49	0	36	91	91		5	49	0	36	
	From W	2	5	37	0	44	44		2	5	37	0	
		To N	To S	To E	To W				ColTot	16	67	99	47
									Target	16	67	99	47
17		To N	To S	To E	To W	RowTt	Target		To N	To S	To E	To W	
	From N	0	13	14	5	32	32		0	13	14	5	
	From S	9	0	49	5	64	64		9	0	49	5	
	From E	5	49	0	36	91	91		5	49	0	36	
	From W	2	5	37	0	44	44		2	5	37	0	
		To N	To S	To E	To W				ColTot	16	67	99	47
									Target	16	67	99	47
18		To N	To S	To E	To W	RowTt	Target		To N	To S	To E	To W	
	From N	0	13	14	5	32	32		0	13	14	5	
	From S	9	0	49	5	64	64		9	0	49	5	
	From E	5	49	0	36	91	91		5	49	0	36	
	From W	2	5	37	0	44	44		2	5	37	0	
		To N	To S	To E	To W				ColTot	16	67	99	47
									Target	16	67	99	47

Turn Movement Forecast: Row-Column-Sum Method

Street Alignment: North/South East/West Scenario: **Future (2040) With Project**
 Intersection: Bailey Ave at J Street Time Period: **Weekend MD**

19		To N	To S	To E	To W	RowTt	Target		To N	To S	To E	To W	
	From N	0	13	14	5	32	32		0	13	14	5	
	From S	9	0	49	5	64	64		9	0	49	5	
	From E	5	49	0	36	91	91		5	49	0	36	
	From W	2	5	37	0	44	44		2	5	37	0	
		To N	To S	To E	To W			ColTot	16	67	99	47	
								Target	16	67	99	47	
20		To N	To S	To E	To W	RowTt	Target		To N	To S	To E	To W	
	From N	0	13	14	5	32	32		0	13	14	5	1.000
	From S	9	0	49	5	64	64		9	0	49	5	1.000
	From E	5	49	0	36	91	91		5	49	0	36	1.000
	From W	2	5	37	0	44	44		2	5	37	0	1.000
		To N	To S	To E	To W			ColTot	16	67	99	47	
								Target	16	67	99	47	
								Pct	1.000	1.000	1.000	1.000	

Turn Movements and Traffic Volumes												
Year	NL	NT	NR	SL	ST	SR	EL	ET	ER	WL	WT	WR
Existing	4	8	44	12	8	4	2	39	4	48	42	7
2040	5	9	49	14	13	5	2	37	5	49	36	5
max(existing, 2040)	5	9	49	14	13	5	2	39	5	49	42	7
rounded to nearest 10	10	10	50	20	20	10	10	40	10	50	50	10

Future Link outputs			
North			
	50	30	
70			110
60			110
	80	70	
In - Out	290	290	Diff 0

Future volume	Turn Move Inputs		
	10	20	20
	SR	ST	SL
10	EL		WR 10
40	ET		WT 50
10	ER		WL 50
	NL	NT	NR
	10	10	50

Turn Movement Forecast: Row-Column-Sum Method

Street Alignment: North/South at East/West
 Intersection: Bailey Ave at Lillyhill Dr

Scenario: Future (2040) With Project
 Time Period: Weekday AM

Future Link Inputs

	North		
	33	84	
8			79
9			30
	0	0	
	Average		
In - Out	121	122	122

Existing Counts

	8	
	7	
	0	

Turn Move Inputs

	5	0	31	
SR		ST	SL	
EL			WR	58
ET			WT	2
ER			WL	0
NL	0	0	0	NR

Average In-out volumes

Link Inputs

	North		
	33	84	
8			79
9			30
	0	0	
In - Out	122	122	0

1		To N	To S	To E	To W	RowTt	Target	2	To N	To S	To E	To W
	From N	0	0	31	5	36	33		0	0	29	5
	From S	0	0	0	0	0	0		0	0	0	0
	From E	58	0	0	2	60	79		77	0	0	3
	From W	8	0	7	0	15	9		5	0	4	0
		To N	To S	To E	To W			ColTot	82	0	33	7
								Target	84	0	30	8
2		To N	To S	To E	To W	RowTt	Target		To N	To S	To E	To W
	From N	0	0	26	5	31	33		0	0	28	5
	From S	0	0	0	0	0	0		0	0	0	0
	From E	79	0	0	3	82	79		77	0	0	3
	From W	5	0	4	0	9	9		5	0	4	0
		To N	To S	To E	To W			ColTot	82	0	32	8
								Target	84	0	30	8
3		To N	To S	To E	To W	RowTt	Target		To N	To S	To E	To W
	From N	0	0	26	5	31	33		0	0	28	6
	From S	0	0	0	0	0	0		0	0	0	0
	From E	78	0	0	3	81	79		77	0	0	3
	From W	5	0	4	0	9	9		5	0	4	0
		To N	To S	To E	To W			ColTot	82	0	31	8
								Target	84	0	30	8
4		To N	To S	To E	To W	RowTt	Target		To N	To S	To E	To W
	From N	0	0	26	5	32	33		0	0	28	6
	From S	0	0	0	0	0	0		0	0	0	0
	From E	78	0	0	3	81	79		77	0	0	3
	From W	5	0	4	0	9	9		5	0	4	0
		To N	To S	To E	To W			ColTot	82	0	31	8
								Target	84	0	30	8

Turn Movement Forecast: Row-Column-Sum Method

Street Alignment: North/South East/West
 Intersection: Bailey Ave at Lillyhill Dr

Scenario: **Future (2040) With Project**
 Time Period: **Weekday AM**

5		To N	To S	To E	To W	RowTt	Target		To N	To S	To E	To W
	From N	0	0	26	5	32	33		0	0	27	6
	From S	0	0	0	0	0	0		0	0	0	0
	From E	78	0	0	2	81	79		77	0	0	2
	From W	6	0	3	0	9	9		6	0	3	0
		To N	To S	To E	To W			ColTot	82	0	31	8
								Target	84	0	30	8
6		To N	To S	To E	To W	RowTt	Target		To N	To S	To E	To W
	From N	0	0	27	6	32	33		0	0	27	6
	From S	0	0	0	0	0	0		0	0	0	0
	From E	78	0	0	2	80	79		77	0	0	2
	From W	6	0	3	0	9	9		6	0	3	0
		To N	To S	To E	To W			ColTot	83	0	31	8
								Target	84	0	30	8
7		To N	To S	To E	To W	RowTt	Target		To N	To S	To E	To W
	From N	0	0	27	6	32	33		0	0	27	6
	From S	0	0	0	0	0	0		0	0	0	0
	From E	78	0	0	2	80	79		77	0	0	2
	From W	6	0	3	0	9	9		6	0	3	0
		To N	To S	To E	To W			ColTot	83	0	31	8
								Target	84	0	30	8
8		To N	To S	To E	To W	RowTt	Target		To N	To S	To E	To W
	From N	0	0	27	6	32	33		0	0	27	6
	From S	0	0	0	0	0	0		0	0	0	0
	From E	78	0	0	2	80	79		77	0	0	2
	From W	6	0	3	0	9	9		6	0	3	0
		To N	To S	To E	To W			ColTot	83	0	31	8
								Target	84	0	30	8
9		To N	To S	To E	To W	RowTt	Target		To N	To S	To E	To W
	From N	0	0	27	6	32	33		0	0	27	6
	From S	0	0	0	0	0	0		0	0	0	0
	From E	78	0	0	2	80	79		77	0	0	2
	From W	6	0	3	0	9	9		6	0	3	0
		To N	To S	To E	To W			ColTot	83	0	30	8
								Target	84	0	30	8
10		To N	To S	To E	To W	RowTt	Target		To N	To S	To E	To W
	From N	0	0	27	6	33	33		0	0	27	6
	From S	0	0	0	0	0	0		0	0	0	0
	From E	78	0	0	2	80	79		77	0	0	2
	From W	6	0	3	0	9	9		6	0	3	0
		To N	To S	To E	To W			ColTot	83	0	30	8
								Target	84	0	30	8
11		To N	To S	To E	To W	RowTt	Target		To N	To S	To E	To W
	From N	0	0	27	6	33	33		0	0	27	6
	From S	0	0	0	0	0	0		0	0	0	0
	From E	78	0	0	2	80	79		77	0	0	2
	From W	6	0	3	0	9	9		6	0	3	0
		To N	To S	To E	To W			ColTot	83	0	30	8
								Target	84	0	30	8

Turn Movement Forecast: Row-Column-Sum Method

Street Alignment: North/South East/West
 Intersection: Bailey Ave at Lillyhill Dr

Scenario: **Future (2040) With Project**
 Time Period: **Weekday AM**

12		To N	To S	To E	To W	RowTt	Target		To N	To S	To E	To W
	From N	0	0	27	6	33	33		0	0	27	6
	From S	0	0	0	0	0	0		0	0	0	0
	From E	78	0	0	2	80	79		77	0	0	2
	From W	6	0	3	0	9	9		6	0	3	0
		To N	To S	To E	To W			ColTot	83	0	30	8
								Target	84	0	30	8
13		To N	To S	To E	To W	RowTt	Target		To N	To S	To E	To W
	From N	0	0	27	6	33	33		0	0	27	6
	From S	0	0	0	0	0	0		0	0	0	0
	From E	78	0	0	2	80	79		77	0	0	2
	From W	6	0	3	0	9	9		6	0	3	0
		To N	To S	To E	To W			ColTot	83	0	30	8
								Target	84	0	30	8
14		To N	To S	To E	To W	RowTt	Target		To N	To S	To E	To W
	From N	0	0	27	6	33	33		0	0	27	6
	From S	0	0	0	0	0	0		0	0	0	0
	From E	78	0	0	2	80	79		77	0	0	2
	From W	6	0	3	0	9	9		6	0	3	0
		To N	To S	To E	To W			ColTot	83	0	30	8
								Target	84	0	30	8
15		To N	To S	To E	To W	RowTt	Target		To N	To S	To E	To W
	From N	0	0	27	6	33	33		0	0	27	6
	From S	0	0	0	0	0	0		0	0	0	0
	From E	78	0	0	2	80	79		77	0	0	2
	From W	6	0	3	0	9	9		6	0	3	0
		To N	To S	To E	To W			ColTot	83	0	30	8
								Target	84	0	30	8
16		To N	To S	To E	To W	RowTt	Target		To N	To S	To E	To W
	From N	0	0	27	6	33	33		0	0	27	6
	From S	0	0	0	0	0	0		0	0	0	0
	From E	78	0	0	2	80	79		77	0	0	2
	From W	6	0	3	0	9	9		6	0	3	0
		To N	To S	To E	To W			ColTot	83	0	30	8
								Target	84	0	30	8
17		To N	To S	To E	To W	RowTt	Target		To N	To S	To E	To W
	From N	0	0	27	6	33	33		0	0	27	6
	From S	0	0	0	0	0	0		0	0	0	0
	From E	78	0	0	2	80	79		77	0	0	2
	From W	6	0	3	0	9	9		6	0	3	0
		To N	To S	To E	To W			ColTot	83	0	30	8
								Target	84	0	30	8
18		To N	To S	To E	To W	RowTt	Target		To N	To S	To E	To W
	From N	0	0	27	6	33	33		0	0	27	6
	From S	0	0	0	0	0	0		0	0	0	0
	From E	78	0	0	2	79	79		77	0	0	2
	From W	6	0	3	0	9	9		6	0	3	0
		To N	To S	To E	To W			ColTot	83	0	30	8
								Target	84	0	30	8

Turn Movement Forecast: Row-Column-Sum Method

Street Alignment: North/South East/West
 Intersection: Bailey Ave at Lillyhill Dr

Scenario: Future (2040) With Project
 Time Period: Weekday AM

19		To N	To S	To E	To W	RowTt	Target		To N	To S	To E	To W	
	From N	0	0	27	6	33	33		0	0	27	6	
	From S	0	0	0	0	0	0		0	0	0	0	
	From E	77	0	0	2	79	79		77	0	0	2	
	From W	6	0	3	0	9	9		6	0	3	0	
		To N	To S	To E	To W			ColTot	84	0	30	8	
								Target	84	0	30	8	
20		To N	To S	To E	To W	RowTt	Target		To N	To S	To E	To W	
	From N	0	0	27	6	33	33		0	0	27	6	0.996
	From S	0	0	0	0	0	0		0	0	0	0	0.000
	From E	77	0	0	2	79	79		77	0	0	2	1.002
	From W	6	0	3	0	9	9		6	0	3	0	1.000
		To N	To S	To E	To W			ColTot	84	0	30	8	
								Target	84	0	30	8	
								Pct	0.999	0.000	1.003	1.002	

Turn Movements and Traffic Volumes

Year	<u>NL</u>	<u>NT</u>	<u>NR</u>	<u>SL</u>	<u>ST</u>	<u>SR</u>	<u>EL</u>	<u>ET</u>	<u>ER</u>	<u>WL</u>	<u>WT</u>	<u>WR</u>
Existing	0	0	0	31	0	5	8	7	0	0	2	58
2040	0	0	0	27	0	6	6	3	0	0	2	77
max(existing, 2040)	0	0	0	31	0	6	8	7	0	0	2	77
rounded to nearest 10	0	0	0	40	0	10	10	10	0	0	10	80

Future Link outputs

	North		
	50	90	
20			90
20			50
	0	0	
In - Out	160	160	Diff 0

Future volume

	Turn Move Inputs			
	10	0	40	
	SR	ST	SL	
10			WR	80
10			WT	10
0			WL	0
	NL	NT	NR	
	0	0	0	

Turn Movement Forecast: Row-Column-Sum Method

Street Alignment: North/South East/West Scenario: **Future (2040) With Project**
 Intersection: Bailey Ave at Lillyhill Dr Time Period: **Weekday PM**

Future Link Inputs				Existing Counts		Turn Move Inputs		
North						7	0	64
18	86	75	84	2		SR	ST	SL
11			86	7		EL		WR
	1	0		1		ET		WT
						ER		WL
						NL	NT	NR
In - Out	181	180	181			0	0	0

Average In-out volumes

Link Inputs			
North			
18	86	75	84
11			86
	1	0	
In - Out	181	181	0

1	To N	To S	To E	To W	RowTt	Target	2	To N	To S	To E	To W	
	From N	0	0	64	7	71		86	0	0	77	8
	From S	0	0	0	0	0		0	0	0	0	0
	From E	60	0	0	13	73		84	69	0	0	15
	From W	2	1	7	0	10		11	2	1	8	0
		To N	To S	To E	To W				ColTot	71	1	85
							Target	75	1	86	18	
2	To N	To S	To E	To W	RowTt	Target		To N	To S	To E	To W	
	From N	0	0	78	7	85	86	0	0	79	7	
	From S	0	0	0	0	0	0	0	0	0	0	
	From E	73	0	0	12	84	84	72	0	0	11	
	From W	2	1	8	0	11	11	2	1	8	0	
		To N	To S	To E	To W			ColTot	75	1	87	18
							Target	75	1	86	18	
3	To N	To S	To E	To W	RowTt	Target		To N	To S	To E	To W	
	From N	0	0	79	7	85	86	0	0	79	7	
	From S	0	0	0	0	0	0	0	0	0	0	
	From E	73	0	0	11	84	84	72	0	0	11	
	From W	2	1	8	0	11	11	2	1	8	0	
		To N	To S	To E	To W			ColTot	75	1	87	18
							Target	75	1	86	18	
4	To N	To S	To E	To W	RowTt	Target		To N	To S	To E	To W	
	From N	0	0	79	7	85	86	0	0	79	7	
	From S	0	0	0	0	0	0	0	0	0	0	
	From E	73	0	0	11	84	84	72	0	0	11	
	From W	2	1	8	0	11	11	2	1	8	0	
		To N	To S	To E	To W			ColTot	75	1	87	18
							Target	75	1	86	18	

Turn Movement Forecast: Row-Column-Sum Method

Street Alignment: North/South East/West
 Intersection: Bailey Ave at Lillyhill Dr

Scenario: **Future (2040) With Project**
 Time Period: **Weekday PM**

5		To N	To S	To E	To W	RowTt	Target		To N	To S	To E	To W
	From N	0	0	79	7	85	86		0	0	79	7
	From S	0	0	0	0	0	0		0	0	0	0
	From E	73	0	0	11	84	84		72	0	0	11
	From W	2	1	8	0	11	11		2	1	8	0
		To N	To S	To E	To W			ColTot	75	1	87	18
								Target	75	1	86	18
6		To N	To S	To E	To W	RowTt	Target		To N	To S	To E	To W
	From N	0	0	79	7	85	86		0	0	79	7
	From S	0	0	0	0	0	0		0	0	0	0
	From E	73	0	0	11	84	84		73	0	0	11
	From W	2	1	8	0	11	11		2	1	8	0
		To N	To S	To E	To W			ColTot	75	1	87	18
								Target	75	1	86	18
7		To N	To S	To E	To W	RowTt	Target		To N	To S	To E	To W
	From N	0	0	79	7	85	86		0	0	79	7
	From S	0	0	0	0	0	0		0	0	0	0
	From E	73	0	0	11	84	84		73	0	0	11
	From W	2	1	8	0	11	11		2	1	8	0
		To N	To S	To E	To W			ColTot	75	1	87	18
								Target	75	1	86	18
8		To N	To S	To E	To W	RowTt	Target		To N	To S	To E	To W
	From N	0	0	79	7	86	86		0	0	79	7
	From S	0	0	0	0	0	0		0	0	0	0
	From E	73	0	0	11	84	84		73	0	0	11
	From W	2	1	8	0	11	11		2	1	8	0
		To N	To S	To E	To W			ColTot	75	1	86	18
								Target	75	1	86	18
9		To N	To S	To E	To W	RowTt	Target		To N	To S	To E	To W
	From N	0	0	79	7	86	86		0	0	79	7
	From S	0	0	0	0	0	0		0	0	0	0
	From E	73	0	0	11	84	84		73	0	0	11
	From W	2	1	8	0	11	11		2	1	8	0
		To N	To S	To E	To W			ColTot	75	1	86	18
								Target	75	1	86	18
10		To N	To S	To E	To W	RowTt	Target		To N	To S	To E	To W
	From N	0	0	79	7	86	86		0	0	79	7
	From S	0	0	0	0	0	0		0	0	0	0
	From E	73	0	0	11	84	84		73	0	0	11
	From W	2	1	8	0	11	11		2	1	8	0
		To N	To S	To E	To W			ColTot	75	1	86	18
								Target	75	1	86	18
11		To N	To S	To E	To W	RowTt	Target		To N	To S	To E	To W
	From N	0	0	79	7	86	86		0	0	79	7
	From S	0	0	0	0	0	0		0	0	0	0
	From E	73	0	0	11	84	84		73	0	0	11
	From W	2	1	8	0	11	11		2	1	8	0
		To N	To S	To E	To W			ColTot	75	1	86	18
								Target	75	1	86	18

Turn Movement Forecast: Row-Column-Sum Method

Street Alignment: North/South East/West Scenario: **Future (2040) With Project**
 Intersection: Bailey Ave at Lillyhill Dr Time Period: **Weekday PM**

12		To N	To S	To E	To W	RowTt	Target		To N	To S	To E	To W	
	From N	0	0	79	7	86	86		0	0	79	7	
	From S	0	0	0	0	0	0		0	0	0	0	
	From E	73	0	0	11	84	84		73	0	0	11	
	From W	2	1	8	0	11	11		2	1	8	0	
		To N	To S	To E	To W				ColTot	75	1	86	18
									Target	75	1	86	18
13		To N	To S	To E	To W	RowTt	Target		To N	To S	To E	To W	
	From N	0	0	79	7	86	86		0	0	79	7	
	From S	0	0	0	0	0	0		0	0	0	0	
	From E	73	0	0	11	84	84		73	0	0	11	
	From W	2	1	8	0	11	11		2	1	8	0	
		To N	To S	To E	To W				ColTot	75	1	86	18
									Target	75	1	86	18
14		To N	To S	To E	To W	RowTt	Target		To N	To S	To E	To W	
	From N	0	0	79	7	86	86		0	0	79	7	
	From S	0	0	0	0	0	0		0	0	0	0	
	From E	73	0	0	11	84	84		73	0	0	11	
	From W	2	1	8	0	11	11		2	1	8	0	
		To N	To S	To E	To W				ColTot	75	1	86	18
									Target	75	1	86	18
15		To N	To S	To E	To W	RowTt	Target		To N	To S	To E	To W	
	From N	0	0	79	7	86	86		0	0	79	7	
	From S	0	0	0	0	0	0		0	0	0	0	
	From E	73	0	0	11	84	84		73	0	0	11	
	From W	2	1	8	0	11	11		2	1	8	0	
		To N	To S	To E	To W				ColTot	75	1	86	18
									Target	75	1	86	18
16		To N	To S	To E	To W	RowTt	Target		To N	To S	To E	To W	
	From N	0	0	79	7	86	86		0	0	79	7	
	From S	0	0	0	0	0	0		0	0	0	0	
	From E	73	0	0	11	84	84		73	0	0	11	
	From W	2	1	8	0	11	11		2	1	8	0	
		To N	To S	To E	To W				ColTot	75	1	86	18
									Target	75	1	86	18
17		To N	To S	To E	To W	RowTt	Target		To N	To S	To E	To W	
	From N	0	0	79	7	86	86		0	0	79	7	
	From S	0	0	0	0	0	0		0	0	0	0	
	From E	73	0	0	11	84	84		73	0	0	11	
	From W	2	1	8	0	11	11		2	1	8	0	
		To N	To S	To E	To W				ColTot	75	1	86	18
									Target	75	1	86	18
18		To N	To S	To E	To W	RowTt	Target		To N	To S	To E	To W	
	From N	0	0	79	7	86	86		0	0	79	7	
	From S	0	0	0	0	0	0		0	0	0	0	
	From E	73	0	0	11	84	84		73	0	0	11	
	From W	2	1	7	0	11	11		2	1	8	0	
		To N	To S	To E	To W				ColTot	75	1	86	18
									Target	75	1	86	18

Turn Movement Forecast: Row-Column-Sum Method

Street Alignment: North/South East/West Scenario: **Future (2040) With Project**
 Intersection: Bailey Ave at Lillyhill Dr Time Period: **Weekday PM**

19		To N	To S	To E	To W	RowTt	Target		To N	To S	To E	To W	
	From N	0	0	79	7	86	86		0	0	79	7	
	From S	0	0	0	0	0	0		0	0	0	0	
	From E	73	0	0	11	84	84		73	0	0	11	
	From W	2	1	7	0	11	11		2	1	7	0	
		To N	To S	To E	To W			ColTot	75	1	86	18	
								Target	75	1	86	18	
20		To N	To S	To E	To W	RowTt	Target		To N	To S	To E	To W	
	From N	0	0	79	7	86	86		0	0	79	7	1.000
	From S	0	0	0	0	0	0		0	0	0	0	0.000
	From E	73	0	0	11	84	84		73	0	0	11	1.001
	From W	2	1	7	0	11	11		2	1	7	0	1.000
		To N	To S	To E	To W			ColTot	75	1	86	18	
								Target	75	1	86	18	
								Pct	0.999	1.000	1.000	1.000	

Year	Turn Movements and Traffic Volumes											
	<u>NL</u>	<u>NT</u>	<u>NR</u>	<u>SL</u>	<u>ST</u>	<u>SR</u>	<u>EL</u>	<u>ET</u>	<u>ER</u>	<u>WL</u>	<u>WT</u>	<u>WR</u>
Existing				64		7	2	7	1		13	60
2040	0	0	0	79	0	7	2	7	1	0	11	73
max(existing, 2040)	0	0	0	79	0	7	2	7	1	0	13	73
rounded to nearest 10	0	0	0	80	0	10	10	10	10	0	20	80

Future Link outputs			
North			
	90	90	
30			100
30			90
	10	0	
In - Out	220	220	Diff 0

Future volume			Turn Move Inputs		
	10	0	80		
	SR	ST	SL		
10			WR	80	
10			WT	20	
10			WL	0	
	NL	NT	NR		
	0	0	0		

Turn Movement Forecast: Row-Column-Sum Method

Street Alignment: North/South at East/West
 Intersection: Bailey Ave at Lillyhill Dr

Scenario: **Future (2040) With Project**
 Time Period: **Weekend MD**

Future Link Inputs				Existing Counts		Turn Move Inputs		
	North							
	55	55				7	0	39
14			59			SR	ST	SL
13			58	3		EL		WR
	0	0		9		ET		WT
				0		ER		WL
			Average			NL	NT	NR
In - Out	127	127	127			0	0	0

Average In-out volumes

Link Inputs			
	North		
	55	55	
14			59
13			58
	0	0	
In - Out	127	127	0

1	To N	To S	To E	To W	RowTt	Target	2	To N	To S	To E	To W
	From N	0	0	39	7	46	55		0	0	47
From S	0	0	0	0	0	0		0	0	0	0
From E	42	0	0	9	51	59		49	0	0	10
From W	3	0	9	0	12	13		3	0	10	0
	To N	To S	To E	To W			ColTot	52	0	56	19
							Target	55	0	58	14
2	To N	To S	To E	To W	RowTt	Target	To N	To S	To E	To W	
From N	0	0	48	6	54	55	0	0	49	6	
From S	0	0	0	0	0	0	0	0	0	0	
From E	52	0	0	8	59	59	51	0	0	8	
From W	3	0	10	0	13	13	3	0	10	0	
	To N	To S	To E	To W			ColTot	55	0	58	14
							Target	55	0	58	14
3	To N	To S	To E	To W	RowTt	Target	To N	To S	To E	To W	
From N	0	0	48	6	55	55	0	0	49	6	
From S	0	0	0	0	0	0	0	0	0	0	
From E	52	0	0	8	59	59	51	0	0	8	
From W	3	0	10	0	13	13	3	0	10	0	
	To N	To S	To E	To W			ColTot	55	0	58	14
							Target	55	0	58	14
4	To N	To S	To E	To W	RowTt	Target	To N	To S	To E	To W	
From N	0	0	48	6	55	55	0	0	49	6	
From S	0	0	0	0	0	0	0	0	0	0	
From E	52	0	0	8	59	59	51	0	0	8	
From W	3	0	10	0	13	13	3	0	10	0	
	To N	To S	To E	To W			ColTot	55	0	58	14
							Target	55	0	58	14

Turn Movement Forecast: Row-Column-Sum Method

Street Alignment: North/South at East/West
 Intersection: Bailey Ave at Lillyhill Dr

Scenario: **Future (2040) With Project**
 Time Period: **Weekend MD**

5		To N	To S	To E	To W	RowTt	Target		To N	To S	To E	To W
	From N	0	0	48	6	55	55		0	0	49	6
	From S	0	0	0	0	0	0		0	0	0	0
	From E	52	0	0	8	59	59		51	0	0	8
	From W	3	0	10	0	13	13		3	0	10	0
		To N	To S	To E	To W			ColTot	55	0	58	14
								Target	55	0	58	14
6		To N	To S	To E	To W	RowTt	Target		To N	To S	To E	To W
	From N	0	0	48	6	55	55		0	0	49	6
	From S	0	0	0	0	0	0		0	0	0	0
	From E	52	0	0	8	59	59		51	0	0	8
	From W	3	0	10	0	13	13		3	0	10	0
		To N	To S	To E	To W			ColTot	55	0	58	14
								Target	55	0	58	14
7		To N	To S	To E	To W	RowTt	Target		To N	To S	To E	To W
	From N	0	0	48	6	55	55		0	0	49	6
	From S	0	0	0	0	0	0		0	0	0	0
	From E	52	0	0	8	59	59		51	0	0	8
	From W	3	0	10	0	13	13		3	0	10	0
		To N	To S	To E	To W			ColTot	55	0	58	14
								Target	55	0	58	14
8		To N	To S	To E	To W	RowTt	Target		To N	To S	To E	To W
	From N	0	0	48	6	55	55		0	0	49	6
	From S	0	0	0	0	0	0		0	0	0	0
	From E	52	0	0	8	59	59		51	0	0	8
	From W	3	0	10	0	13	13		3	0	10	0
		To N	To S	To E	To W			ColTot	55	0	58	14
								Target	55	0	58	14
9		To N	To S	To E	To W	RowTt	Target		To N	To S	To E	To W
	From N	0	0	48	6	55	55		0	0	49	6
	From S	0	0	0	0	0	0		0	0	0	0
	From E	52	0	0	8	59	59		51	0	0	8
	From W	3	0	10	0	13	13		3	0	10	0
		To N	To S	To E	To W			ColTot	55	0	58	14
								Target	55	0	58	14
10		To N	To S	To E	To W	RowTt	Target		To N	To S	To E	To W
	From N	0	0	48	6	55	55		0	0	49	6
	From S	0	0	0	0	0	0		0	0	0	0
	From E	52	0	0	8	59	59		51	0	0	8
	From W	3	0	10	0	13	13		3	0	10	0
		To N	To S	To E	To W			ColTot	55	0	58	14
								Target	55	0	58	14
11		To N	To S	To E	To W	RowTt	Target		To N	To S	To E	To W
	From N	0	0	48	6	55	55		0	0	49	6
	From S	0	0	0	0	0	0		0	0	0	0
	From E	52	0	0	8	59	59		51	0	0	8
	From W	3	0	10	0	13	13		3	0	10	0
		To N	To S	To E	To W			ColTot	55	0	58	14
								Target	55	0	58	14

Turn Movement Forecast: Row-Column-Sum Method

Street Alignment: North/South East/West
 Intersection: Bailey Ave at Lillyhill Dr

Scenario: **Future (2040) With Project**
 Time Period: **Weekend MD**

12		To N	To S	To E	To W	RowTt	Target		To N	To S	To E	To W
	From N	0	0	48	6	55	55		0	0	49	6
	From S	0	0	0	0	0	0		0	0	0	0
	From E	52	0	0	8	59	59		51	0	0	8
	From W	3	0	10	0	13	13		3	0	10	0
	To N	To S	To E	To W				ColTot	55	0	58	14
								Target	55	0	58	14
13		To N	To S	To E	To W	RowTt	Target		To N	To S	To E	To W
	From N	0	0	48	6	55	55		0	0	49	6
	From S	0	0	0	0	0	0		0	0	0	0
	From E	52	0	0	8	59	59		51	0	0	8
	From W	3	0	10	0	13	13		3	0	10	0
	To N	To S	To E	To W				ColTot	55	0	58	14
								Target	55	0	58	14
14		To N	To S	To E	To W	RowTt	Target		To N	To S	To E	To W
	From N	0	0	48	6	55	55		0	0	49	6
	From S	0	0	0	0	0	0		0	0	0	0
	From E	52	0	0	8	59	59		51	0	0	8
	From W	3	0	10	0	13	13		3	0	10	0
	To N	To S	To E	To W				ColTot	55	0	58	14
								Target	55	0	58	14
15		To N	To S	To E	To W	RowTt	Target		To N	To S	To E	To W
	From N	0	0	48	6	55	55		0	0	49	6
	From S	0	0	0	0	0	0		0	0	0	0
	From E	52	0	0	8	59	59		51	0	0	8
	From W	3	0	10	0	13	13		3	0	10	0
	To N	To S	To E	To W				ColTot	55	0	58	14
								Target	55	0	58	14
16		To N	To S	To E	To W	RowTt	Target		To N	To S	To E	To W
	From N	0	0	48	6	55	55		0	0	49	6
	From S	0	0	0	0	0	0		0	0	0	0
	From E	52	0	0	8	59	59		51	0	0	8
	From W	3	0	10	0	13	13		3	0	10	0
	To N	To S	To E	To W				ColTot	55	0	58	14
								Target	55	0	58	14
17		To N	To S	To E	To W	RowTt	Target		To N	To S	To E	To W
	From N	0	0	48	6	55	55		0	0	48	7
	From S	0	0	0	0	0	0		0	0	0	0
	From E	52	0	0	8	59	59		52	0	0	7
	From W	3	0	10	0	13	13		3	0	10	0
	To N	To S	To E	To W				ColTot	55	0	58	14
								Target	55	0	58	14
18		To N	To S	To E	To W	RowTt	Target		To N	To S	To E	To W
	From N	0	0	48	7	55	55		0	0	48	7
	From S	0	0	0	0	0	0		0	0	0	0
	From E	52	0	0	7	59	59		52	0	0	7
	From W	3	0	10	0	13	13		3	0	10	0
	To N	To S	To E	To W				ColTot	55	0	58	14
								Target	55	0	58	14

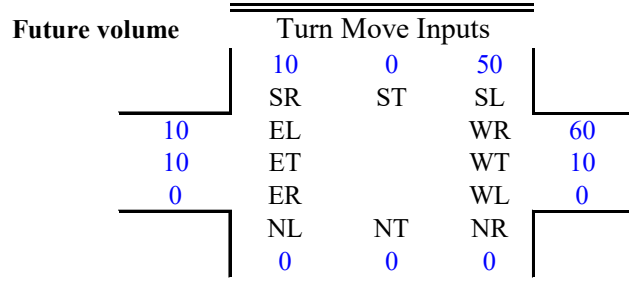
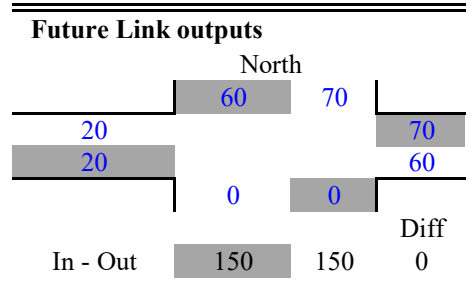
Turn Movement Forecast: Row-Column-Sum Method

Street Alignment: North/South at East/West
 Intersection: Bailey Ave at Lillyhill Dr

Scenario: **Future (2040) With Project**
 Time Period: **Weekend MD**

19		To N	To S	To E	To W	RowTt	Target		To N	To S	To E	To W	
	From N	0	0	48	7	55	55		0	0	48	7	
	From S	0	0	0	0	0	0		0	0	0	0	
	From E	52	0	0	7	59	59		52	0	0	7	
	From W	3	0	10	0	13	13		3	0	10	0	
		To N	To S	To E	To W			ColTot	55	0	58	14	
								Target	55	0	58	14	
20		To N	To S	To E	To W	RowTt	Target		To N	To S	To E	To W	
	From N	0	0	48	7	55	55		0	0	48	7	1.000
	From S	0	0	0	0	0	0		0	0	0	0	0.000
	From E	52	0	0	7	59	59		52	0	0	7	1.000
	From W	3	0	10	0	13	13		3	0	10	0	1.000
		To N	To S	To E	To W			ColTot	55	0	58	14	
								Target	55	0	58	14	
								Pct	1.000	0.000	1.000	1.000	

Year	Turn Movements and Traffic Volumes												
	NL	NT	NR	SL	ST	SR	EL	ET	ER	WL	WT	WR	
Existing				39		7	3	9				9	42
2040	0	0	0	48	0	7	3	10	0	0	7	52	
max(existing, 2040)	0	0	0	48	0	7	3	10	0	0	9	52	
rounded to nearest 10	0	0	0	50	0	10	10	10	0	0	10	60	



Turn Movement Forecast: Row-Column-Sum Method

Street Alignment: North/South East/West Scenario: **Future (2040) With Project**
 Intersection: Casa Linda St at San Clemente St Time Period: **Weekday AM**

Future Link Inputs				Existing Counts		Turn Move Inputs			
North						1	0	5	
3	-4	13		2		SR	ST	SL	
			14	7		EL		WR	5
13					7	ET		WT	11
	0	0		0		ER		WL	0
						NL	NT	NR	
In - Out	23	23	23			0	0	0	
Average									

Average In-out volumes

Link Inputs			
North			
3	-4	13	14
13			7
	0	0	
In - Out	23	23	0

1	To N	To S	To E	To W	RowTt	Target	2	To N	To S	To E	To W
	From N	0	0	5	1	6	-4	0	0	-3	-1
From S	0	0	0	0	0	0	0	0	0	0	
From E	5	0	0	11	16	14	4	0	0	10	
From W	2	0	7	0	9	13	3	0	10	0	
	To N	To S	To E	To W			ColTot	7	0	7	9
							Target	13	0	7	3
2	To N	To S	To E	To W	RowTt	Target	To N	To S	To E	To W	
From N	0	0	-3	0	-4	-4	0	0	-4	0	
From S	0	0	0	0	0	0	0	0	0	0	
From E	8	0	0	3	11	14	10	0	0	4	
From W	5	0	10	0	16	13	4	0	9	0	
	To N	To S	To E	To W			ColTot	14	0	5	4
							Target	13	0	7	3
3	To N	To S	To E	To W	RowTt	Target	To N	To S	To E	To W	
From N	0	0	-5	0	-6	-4	0	0	-4	0	
From S	0	0	0	0	0	0	0	0	0	0	
From E	9	0	0	3	12	14	10	0	0	4	
From W	4	0	12	0	16	13	3	0	10	0	
	To N	To S	To E	To W			ColTot	14	0	6	4
							Target	13	0	7	3
4	To N	To S	To E	To W	RowTt	Target	To N	To S	To E	To W	
From N	0	0	-5	0	-5	-4	0	0	-4	0	
From S	0	0	0	0	0	0	0	0	0	0	
From E	10	0	0	3	13	14	11	0	0	3	
From W	3	0	12	0	15	13	3	0	10	0	
	To N	To S	To E	To W			ColTot	13	0	6	3
							Target	13	0	7	3

Turn Movement Forecast: Row-Column-Sum Method

Street Alignment: North/South East/West Scenario: **Future (2040) With Project**
 Intersection: Casa Linda St at San Clemente St Time Period: **Weekday AM**

5		To N	To S	To E	To W	RowTt	Target		To N	To S	To E	To W	
	From N	0	0	-4	0	-4	-4		0	0	-4	0	
	From S	0	0	0	0	0	0		0	0	0	0	
	From E	10	0	0	3	13	14		11	0	0	3	
	From W	3	0	11	0	14	13		2	0	11	0	
		To N	To S	To E	To W				ColTot	13	0	7	3
									Target	13	0	7	3
6		To N	To S	To E	To W	RowTt	Target		To N	To S	To E	To W	
	From N	0	0	-4	0	-4	-4		0	0	-4	0	
	From S	0	0	0	0	0	0		0	0	0	0	
	From E	11	0	0	3	14	14		11	0	0	3	
	From W	2	0	11	0	14	13		2	0	11	0	
		To N	To S	To E	To W				ColTot	13	0	7	3
									Target	13	0	7	3
7		To N	To S	To E	To W	RowTt	Target		To N	To S	To E	To W	
	From N	0	0	-4	0	-4	-4		0	0	-4	0	
	From S	0	0	0	0	0	0		0	0	0	0	
	From E	11	0	0	3	14	14		11	0	0	3	
	From W	2	0	11	0	13	13		2	0	11	0	
		To N	To S	To E	To W				ColTot	13	0	7	3
									Target	13	0	7	3
8		To N	To S	To E	To W	RowTt	Target		To N	To S	To E	To W	
	From N	0	0	-4	0	-4	-4		0	0	-4	0	
	From S	0	0	0	0	0	0		0	0	0	0	
	From E	11	0	0	3	14	14		11	0	0	3	
	From W	2	0	11	0	13	13		2	0	11	0	
		To N	To S	To E	To W				ColTot	13	0	7	3
									Target	13	0	7	3
9		To N	To S	To E	To W	RowTt	Target		To N	To S	To E	To W	
	From N	0	0	-4	0	-4	-4		0	0	-4	0	
	From S	0	0	0	0	0	0		0	0	0	0	
	From E	11	0	0	3	14	14		11	0	0	3	
	From W	2	0	11	0	13	13		2	0	11	0	
		To N	To S	To E	To W				ColTot	13	0	7	3
									Target	13	0	7	3
10		To N	To S	To E	To W	RowTt	Target		To N	To S	To E	To W	
	From N	0	0	-4	0	-4	-4		0	0	-4	0	
	From S	0	0	0	0	0	0		0	0	0	0	
	From E	11	0	0	3	14	14		11	0	0	3	
	From W	2	0	11	0	13	13		2	0	11	0	
		To N	To S	To E	To W				ColTot	13	0	7	3
									Target	13	0	7	3
11		To N	To S	To E	To W	RowTt	Target		To N	To S	To E	To W	
	From N	0	0	-4	0	-4	-4		0	0	-4	0	
	From S	0	0	0	0	0	0		0	0	0	0	
	From E	11	0	0	3	14	14		11	0	0	3	
	From W	2	0	11	0	13	13		2	0	11	0	
		To N	To S	To E	To W				ColTot	13	0	7	3
									Target	13	0	7	3

Turn Movement Forecast: Row-Column-Sum Method

Street Alignment: North/South East/West
 Intersection: Casa Linda St at San Clemente St

Scenario: **Future (2040) With Project**
 Time Period: **Weekday AM**

12		To N	To S	To E	To W	RowTt	Target		To N	To S	To E	To W	
	From N	0	0	-4	0	-4	-4		0	0	-4	0	
	From S	0	0	0	0	0	0		0	0	0	0	
	From E	11	0	0	3	14	14		11	0	0	3	
	From W	2	0	11	0	13	13		2	0	11	0	
		To N	To S	To E	To W				ColTot	13	0	7	3
									Target	13	0	7	3
13		To N	To S	To E	To W	RowTt	Target		To N	To S	To E	To W	
	From N	0	0	-4	0	-4	-4		0	0	-4	0	
	From S	0	0	0	0	0	0		0	0	0	0	
	From E	11	0	0	3	14	14		11	0	0	3	
	From W	2	0	11	0	13	13		2	0	11	0	
		To N	To S	To E	To W				ColTot	13	0	7	3
									Target	13	0	7	3
14		To N	To S	To E	To W	RowTt	Target		To N	To S	To E	To W	
	From N	0	0	-4	0	-4	-4		0	0	-4	0	
	From S	0	0	0	0	0	0		0	0	0	0	
	From E	11	0	0	3	14	14		11	0	0	3	
	From W	2	0	11	0	13	13		2	0	11	0	
		To N	To S	To E	To W				ColTot	13	0	7	3
									Target	13	0	7	3
15		To N	To S	To E	To W	RowTt	Target		To N	To S	To E	To W	
	From N	0	0	-4	0	-4	-4		0	0	-4	0	
	From S	0	0	0	0	0	0		0	0	0	0	
	From E	11	0	0	3	14	14		11	0	0	3	
	From W	2	0	11	0	13	13		2	0	11	0	
		To N	To S	To E	To W				ColTot	13	0	7	3
									Target	13	0	7	3
16		To N	To S	To E	To W	RowTt	Target		To N	To S	To E	To W	
	From N	0	0	-4	0	-4	-4		0	0	-4	0	
	From S	0	0	0	0	0	0		0	0	0	0	
	From E	11	0	0	3	14	14		11	0	0	3	
	From W	2	0	11	0	13	13		2	0	11	0	
		To N	To S	To E	To W				ColTot	13	0	7	3
									Target	13	0	7	3
17		To N	To S	To E	To W	RowTt	Target		To N	To S	To E	To W	
	From N	0	0	-4	0	-4	-4		0	0	-4	0	
	From S	0	0	0	0	0	0		0	0	0	0	
	From E	11	0	0	3	14	14		11	0	0	3	
	From W	2	0	11	0	13	13		2	0	11	0	
		To N	To S	To E	To W				ColTot	13	0	7	3
									Target	13	0	7	3
18		To N	To S	To E	To W	RowTt	Target		To N	To S	To E	To W	
	From N	0	0	-4	0	-4	-4		0	0	-4	0	
	From S	0	0	0	0	0	0		0	0	0	0	
	From E	11	0	0	3	14	14		11	0	0	3	
	From W	2	0	11	0	13	13		2	0	11	0	
		To N	To S	To E	To W				ColTot	13	0	7	3
									Target	13	0	7	3

Turn Movement Forecast: Row-Column-Sum Method

Street Alignment: North/South East/West Scenario: **Future (2040) With Project**
 Intersection: Casa Linda St at San Clemente St Time Period: **Weekday AM**

19		To N	To S	To E	To W	RowTt	Target		To N	To S	To E	To W	
	From N	0	0	-4	0	-4	-4		0	0	-4	0	
	From S	0	0	0	0	0	0		0	0	0	0	
	From E	11	0	0	3	14	14		11	0	0	3	
	From W	2	0	11	0	13	13		2	0	11	0	
		To N	To S	To E	To W			ColTot	13	0	7	3	
								Target	13	0	7	3	
20		To N	To S	To E	To W	RowTt	Target		To N	To S	To E	To W	
	From N	0	0	-4	0	-4	-4		0	0	-4	0	1.000
	From S	0	0	0	0	0	0		0	0	0	0	0.000
	From E	11	0	0	3	14	14		11	0	0	3	1.000
	From W	2	0	11	0	13	13		2	0	11	0	1.000
		To N	To S	To E	To W			ColTot	13	0	7	3	
								Target	13	0	7	3	
								Pct	1.000	0.000	1.000	1.000	

Turn Movements and Traffic Volumes												
Year	NL	NT	NR	SL	ST	SR	EL	ET	ER	WL	WT	WR
Existing	0	0	0	5	0	1	2	7	0	0	11	5
2040	0	0	0	-4	0	0	2	11	0	0	3	11
max(existing, 2040)	0	0	0	5	0	1	2	11	0	0	11	11
rounded to nearest 10	0	0	0	10	0	10	10	20	0	0	20	20

Future Link outputs			
	North		
	20	30	
30			40
30			30
	0	0	
In - Out	90	90	Diff 0

Future volume			
Turn Move Inputs			
10	0	10	
SR	ST	SL	
10		WR	20
20		WT	20
0		WL	0
NL	NT	NR	
0	0	0	

Turn Movement Forecast: Row-Column-Sum Method

Street Alignment: North/South East/West Scenario: **Future (2040) With Project**
 Intersection: Casa Linda St at San Clemente St Time Period: **Weekday PM**

Future Link Inputs				Existing Counts		Turn Move Inputs		
North						1	0	8
21	13	3	22	0	SR	ST	SL	
6			17	8	EL		WR	6
	0	0		0	ET		WT	14
					ER		WL	0
					NL	NT	NR	
In - Out	41	41	41		0	0	0	

Average In-out volumes

Link Inputs			
North			
21	13	3	22
6			17
	0	0	
In - Out	41	41	0

	To N	To S	To E	To W	RowTt	Target		To N	To S	To E	To W	
1	From N	0	0	8	1	9	13	2	0	0	12	1
	From S	0	0	0	0	0	0		0	0	0	0
	From E	6	0	0	14	20	22		7	0	0	15
	From W	0	0	8	0	8	6		0	0	6	0
		To N	To S	To E	To W			ColTot	7	0	18	17
								Target	3	0	17	21
2	From N	0	0	11	2	13	13		To N	To S	To E	To W
	From S	0	0	0	0	0	0		0	0	11	2
	From E	3	0	0	19	22	22		3	0	0	19
	From W	0	0	6	0	6	6		0	0	6	0
		To N	To S	To E	To W			ColTot	3	0	17	21
								Target	3	0	17	21
3	From N	0	0	11	2	13	13		To N	To S	To E	To W
	From S	0	0	0	0	0	0		0	0	11	2
	From E	3	0	0	19	22	22		3	0	0	19
	From W	0	0	6	0	6	6		0	0	6	0
		To N	To S	To E	To W			ColTot	3	0	17	21
								Target	3	0	17	21
4	From N	0	0	11	2	13	13		To N	To S	To E	To W
	From S	0	0	0	0	0	0		0	0	11	2
	From E	3	0	0	19	22	22		3	0	0	19
	From W	0	0	6	0	6	6		0	0	6	0
		To N	To S	To E	To W			ColTot	3	0	17	21
								Target	3	0	17	21

Turn Movement Forecast: Row-Column-Sum Method

Street Alignment:
Intersection:

North/South
Casa Linda St at East/West
San Clemente St

Scenario: **Future (2040) With Project**
Time Period: **Weekday PM**

5		To N	To S	To E	To W	RowTt	Target		To N	To S	To E	To W
	From N	0	0	11	2	13	13		0	0	11	2
	From S	0	0	0	0	0	0		0	0	0	0
	From E	3	0	0	19	22	22		3	0	0	19
	From W	0	0	6	0	6	6		0	0	6	0
		To N	To S	To E	To W			ColTot	3	0	17	21
								Target	3	0	17	21
6		To N	To S	To E	To W	RowTt	Target		To N	To S	To E	To W
	From N	0	0	11	2	13	13		0	0	11	2
	From S	0	0	0	0	0	0		0	0	0	0
	From E	3	0	0	19	22	22		3	0	0	19
	From W	0	0	6	0	6	6		0	0	6	0
		To N	To S	To E	To W			ColTot	3	0	17	21
								Target	3	0	17	21
7		To N	To S	To E	To W	RowTt	Target		To N	To S	To E	To W
	From N	0	0	11	2	13	13		0	0	11	2
	From S	0	0	0	0	0	0		0	0	0	0
	From E	3	0	0	19	22	22		3	0	0	19
	From W	0	0	6	0	6	6		0	0	6	0
		To N	To S	To E	To W			ColTot	3	0	17	21
								Target	3	0	17	21
8		To N	To S	To E	To W	RowTt	Target		To N	To S	To E	To W
	From N	0	0	11	2	13	13		0	0	11	2
	From S	0	0	0	0	0	0		0	0	0	0
	From E	3	0	0	19	22	22		3	0	0	19
	From W	0	0	6	0	6	6		0	0	6	0
		To N	To S	To E	To W			ColTot	3	0	17	21
								Target	3	0	17	21
9		To N	To S	To E	To W	RowTt	Target		To N	To S	To E	To W
	From N	0	0	11	2	13	13		0	0	11	2
	From S	0	0	0	0	0	0		0	0	0	0
	From E	3	0	0	19	22	22		3	0	0	19
	From W	0	0	6	0	6	6		0	0	6	0
		To N	To S	To E	To W			ColTot	3	0	17	21
								Target	3	0	17	21
10		To N	To S	To E	To W	RowTt	Target		To N	To S	To E	To W
	From N	0	0	11	2	13	13		0	0	11	2
	From S	0	0	0	0	0	0		0	0	0	0
	From E	3	0	0	19	22	22		3	0	0	19
	From W	0	0	6	0	6	6		0	0	6	0
		To N	To S	To E	To W			ColTot	3	0	17	21
								Target	3	0	17	21
11		To N	To S	To E	To W	RowTt	Target		To N	To S	To E	To W
	From N	0	0	11	2	13	13		0	0	11	2
	From S	0	0	0	0	0	0		0	0	0	0
	From E	3	0	0	19	22	22		3	0	0	19
	From W	0	0	6	0	6	6		0	0	6	0
		To N	To S	To E	To W			ColTot	3	0	17	21
								Target	3	0	17	21

Turn Movement Forecast: Row-Column-Sum Method

Street Alignment: North/South East/West Scenario: **Future (2040) With Project**
 Intersection: Casa Linda St at San Clemente St Time Period: **Weekday PM**

12		To N	To S	To E	To W	RowTt	Target		To N	To S	To E	To W	
	From N	0	0	11	2	13	13		0	0	11	2	
	From S	0	0	0	0	0	0		0	0	0	0	
	From E	3	0	0	19	22	22		3	0	0	19	
	From W	0	0	6	0	6	6		0	0	6	0	
		To N	To S	To E	To W				ColTot	3	0	17	21
									Target	3	0	17	21
13		To N	To S	To E	To W	RowTt	Target		To N	To S	To E	To W	
	From N	0	0	11	2	13	13		0	0	11	2	
	From S	0	0	0	0	0	0		0	0	0	0	
	From E	3	0	0	19	22	22		3	0	0	19	
	From W	0	0	6	0	6	6		0	0	6	0	
		To N	To S	To E	To W				ColTot	3	0	17	21
									Target	3	0	17	21
14		To N	To S	To E	To W	RowTt	Target		To N	To S	To E	To W	
	From N	0	0	11	2	13	13		0	0	11	2	
	From S	0	0	0	0	0	0		0	0	0	0	
	From E	3	0	0	19	22	22		3	0	0	19	
	From W	0	0	6	0	6	6		0	0	6	0	
		To N	To S	To E	To W				ColTot	3	0	17	21
									Target	3	0	17	21
15		To N	To S	To E	To W	RowTt	Target		To N	To S	To E	To W	
	From N	0	0	11	2	13	13		0	0	11	2	
	From S	0	0	0	0	0	0		0	0	0	0	
	From E	3	0	0	19	22	22		3	0	0	19	
	From W	0	0	6	0	6	6		0	0	6	0	
		To N	To S	To E	To W				ColTot	3	0	17	21
									Target	3	0	17	21
16		To N	To S	To E	To W	RowTt	Target		To N	To S	To E	To W	
	From N	0	0	11	2	13	13		0	0	11	2	
	From S	0	0	0	0	0	0		0	0	0	0	
	From E	3	0	0	19	22	22		3	0	0	19	
	From W	0	0	6	0	6	6		0	0	6	0	
		To N	To S	To E	To W				ColTot	3	0	17	21
									Target	3	0	17	21
17		To N	To S	To E	To W	RowTt	Target		To N	To S	To E	To W	
	From N	0	0	11	2	13	13		0	0	11	2	
	From S	0	0	0	0	0	0		0	0	0	0	
	From E	3	0	0	19	22	22		3	0	0	19	
	From W	0	0	6	0	6	6		0	0	6	0	
		To N	To S	To E	To W				ColTot	3	0	17	21
									Target	3	0	17	21
18		To N	To S	To E	To W	RowTt	Target		To N	To S	To E	To W	
	From N	0	0	11	2	13	13		0	0	11	2	
	From S	0	0	0	0	0	0		0	0	0	0	
	From E	3	0	0	19	22	22		3	0	0	19	
	From W	0	0	6	0	6	6		0	0	6	0	
		To N	To S	To E	To W				ColTot	3	0	17	21
									Target	3	0	17	21

Turn Movement Forecast: Row-Column-Sum Method

Street Alignment: North/South East/West Scenario: **Future (2040) With Project**
 Intersection: Casa Linda St at San Clemente St Time Period: **Weekday PM**

19		To N	To S	To E	To W	RowTt	Target		To N	To S	To E	To W	
	From N	0	0	11	2	13	13		0	0	11	2	
	From S	0	0	0	0	0	0		0	0	0	0	
	From E	3	0	0	19	22	22		3	0	0	19	
	From W	0	0	6	0	6	6		0	0	6	0	
		To N	To S	To E	To W			ColTot	3	0	17	21	
								Target	3	0	17	21	
20		To N	To S	To E	To W	RowTt	Target		To N	To S	To E	To W	
	From N	0	0	11	2	13	13		0	0	11	2	1.000
	From S	0	0	0	0	0	0		0	0	0	0	0.000
	From E	3	0	0	19	22	22		3	0	0	19	1.000
	From W	0	0	6	0	6	6		0	0	6	0	0.999
		To N	To S	To E	To W			ColTot	3	0	17	21	
								Target	3	0	17	21	
								Pct	1.000	0.000	1.000	1.000	

Turn Movements and Traffic Volumes												
Year	NL	NT	NR	SL	ST	SR	EL	ET	ER	WL	WT	WR
Existing				8		1		8			14	6
2040	0	0	0	11	0	2	0	6	0	0	19	3
max(existing, 2040)	0	0	0	11	0	2	0	8	0	0	19	6
rounded to nearest 10	0	0	0	20	0	10	0	10	0	0	20	10

Future Link outputs			
	North		
	30	10	
30			30
10			30
	0	0	
In - Out	70	70	Diff 0

Future volume	Turn Move Inputs		
	10	0	20
	SR	ST	SL
0	EL		WR 10
10	ET		WT 20
0	ER		WL 0
	NL	NT	NR
	0	0	0

Turn Movement Forecast: Row-Column-Sum Method

Street Alignment: North/South East/West Scenario: **Future (2040) With Project**
 Intersection: Casa Linda St at San Clemente St Time Period: **Weekend MD**

Future Link Inputs				Existing Counts		Turn Move Inputs		
	North					0	0	6
	9	3				SR	ST	SL
10			11	2		EL		WR
6			13	7		ET		WT
	0	0		0		ER		WL
			Average			NL	NT	NR
In - Out	26	26	26			0	0	0

Average In-out volumes

Link Inputs			
	North		
	9	3	
10			11
6			13
	0	0	
In - Out	26	26	0

1	To N	To S	To E	To W	RowTt	Target	2	To N	To S	To E	To W	
	From N	0	0	6	0	6	9	0	0	9	0	
	From S	0	0	0	0	0	0	0	0	0	0	
	From E	3	0	0	7	10	11	3	0	0	8	
	From W	2	0	7	0	9	6	1	0	5	0	
		To N	To S	To E	To W			ColTot	5	0	14	8
								Target	3	0	13	10
2	To N	To S	To E	To W	RowTt	Target		To N	To S	To E	To W	
	From N	0	0	9	0	9	9	0	0	9	0	
	From S	0	0	0	0	0	0	0	0	0	0	
	From E	2	0	0	10	12	11	2	0	0	9	
	From W	1	0	4	0	5	6	1	0	5	0	
		To N	To S	To E	To W			ColTot	3	0	14	9
								Target	3	0	13	10
3	To N	To S	To E	To W	RowTt	Target		To N	To S	To E	To W	
	From N	0	0	8	0	8	9	0	0	9	0	
	From S	0	0	0	0	0	0	0	0	0	0	
	From E	2	0	0	10	12	11	2	0	0	9	
	From W	1	0	5	0	6	6	1	0	5	0	
		To N	To S	To E	To W			ColTot	3	0	14	9
								Target	3	0	13	10
4	To N	To S	To E	To W	RowTt	Target		To N	To S	To E	To W	
	From N	0	0	8	0	8	9	0	0	9	0	
	From S	0	0	0	0	0	0	0	0	0	0	
	From E	2	0	0	10	12	11	2	0	0	9	
	From W	1	0	5	0	6	6	1	0	5	0	
		To N	To S	To E	To W			ColTot	3	0	14	9
								Target	3	0	13	10

Turn Movement Forecast: Row-Column-Sum Method

Street Alignment: North/South East/West Scenario: **Future (2040) With Project**
 Intersection: Casa Linda St at San Clemente St Time Period: **Weekend MD**

5		To N	To S	To E	To W	RowTt	Target		To N	To S	To E	To W
	From N	0	0	8	0	8	9		0	0	9	0
	From S	0	0	0	0	0	0		0	0	0	0
	From E	2	0	0	10	12	11		2	0	0	9
	From W	1	0	5	0	6	6		1	0	5	0
		To N	To S	To E	To W			ColTot	3	0	14	9
								Target	3	0	13	10
6		To N	To S	To E	To W	RowTt	Target		To N	To S	To E	To W
	From N	0	0	9	0	9	9		0	0	9	0
	From S	0	0	0	0	0	0		0	0	0	0
	From E	2	0	0	10	12	11		2	0	0	9
	From W	1	0	4	0	6	6		1	0	5	0
		To N	To S	To E	To W			ColTot	3	0	14	9
								Target	3	0	13	10
7		To N	To S	To E	To W	RowTt	Target		To N	To S	To E	To W
	From N	0	0	9	0	9	9		0	0	9	0
	From S	0	0	0	0	0	0		0	0	0	0
	From E	2	0	0	10	12	11		2	0	0	9
	From W	1	0	4	0	6	6		1	0	5	0
		To N	To S	To E	To W			ColTot	3	0	14	9
								Target	3	0	13	10
8		To N	To S	To E	To W	RowTt	Target		To N	To S	To E	To W
	From N	0	0	9	0	9	9		0	0	9	0
	From S	0	0	0	0	0	0		0	0	0	0
	From E	2	0	0	10	12	11		1	0	0	10
	From W	1	0	4	0	6	6		1	0	5	0
		To N	To S	To E	To W			ColTot	3	0	14	10
								Target	3	0	13	10
9		To N	To S	To E	To W	RowTt	Target		To N	To S	To E	To W
	From N	0	0	9	0	9	9		0	0	9	0
	From S	0	0	0	0	0	0		0	0	0	0
	From E	2	0	0	10	12	11		1	0	0	10
	From W	1	0	4	0	6	6		2	0	4	0
		To N	To S	To E	To W			ColTot	3	0	13	10
								Target	3	0	13	10
10		To N	To S	To E	To W	RowTt	Target		To N	To S	To E	To W
	From N	0	0	9	0	9	9		0	0	9	0
	From S	0	0	0	0	0	0		0	0	0	0
	From E	1	0	0	10	11	11		1	0	0	10
	From W	2	0	4	0	6	6		2	0	4	0
		To N	To S	To E	To W			ColTot	3	0	13	10
								Target	3	0	13	10
11		To N	To S	To E	To W	RowTt	Target		To N	To S	To E	To W
	From N	0	0	9	0	9	9		0	0	9	0
	From S	0	0	0	0	0	0		0	0	0	0
	From E	1	0	0	10	11	11		1	0	0	10
	From W	2	0	4	0	6	6		2	0	4	0
		To N	To S	To E	To W			ColTot	3	0	13	10
								Target	3	0	13	10

Turn Movement Forecast: Row-Column-Sum Method

Street Alignment: North/South East/West Scenario: **Future (2040) With Project**
 Intersection: Casa Linda St at San Clemente St Time Period: **Weekend MD**

12		To N	To S	To E	To W	RowTt	Target		To N	To S	To E	To W	
	From N	0	0	9	0	9	9		0	0	9	0	
	From S	0	0	0	0	0	0		0	0	0	0	
	From E	1	0	0	10	11	11		1	0	0	10	
	From W	2	0	4	0	6	6		2	0	4	0	
		To N	To S	To E	To W				ColTot	3	0	13	10
									Target	3	0	13	10
13		To N	To S	To E	To W	RowTt	Target		To N	To S	To E	To W	
	From N	0	0	9	0	9	9		0	0	9	0	
	From S	0	0	0	0	0	0		0	0	0	0	
	From E	1	0	0	10	11	11		1	0	0	10	
	From W	2	0	4	0	6	6		2	0	4	0	
		To N	To S	To E	To W				ColTot	3	0	13	10
									Target	3	0	13	10
14		To N	To S	To E	To W	RowTt	Target		To N	To S	To E	To W	
	From N	0	0	9	0	9	9		0	0	9	0	
	From S	0	0	0	0	0	0		0	0	0	0	
	From E	1	0	0	10	11	11		1	0	0	10	
	From W	2	0	4	0	6	6		2	0	4	0	
		To N	To S	To E	To W				ColTot	3	0	13	10
									Target	3	0	13	10
15		To N	To S	To E	To W	RowTt	Target		To N	To S	To E	To W	
	From N	0	0	9	0	9	9		0	0	9	0	
	From S	0	0	0	0	0	0		0	0	0	0	
	From E	1	0	0	10	11	11		1	0	0	10	
	From W	2	0	4	0	6	6		2	0	4	0	
		To N	To S	To E	To W				ColTot	3	0	13	10
									Target	3	0	13	10
16		To N	To S	To E	To W	RowTt	Target		To N	To S	To E	To W	
	From N	0	0	9	0	9	9		0	0	9	0	
	From S	0	0	0	0	0	0		0	0	0	0	
	From E	1	0	0	10	11	11		1	0	0	10	
	From W	2	0	4	0	6	6		2	0	4	0	
		To N	To S	To E	To W				ColTot	3	0	13	10
									Target	3	0	13	10
17		To N	To S	To E	To W	RowTt	Target		To N	To S	To E	To W	
	From N	0	0	9	0	9	9		0	0	9	0	
	From S	0	0	0	0	0	0		0	0	0	0	
	From E	1	0	0	10	11	11		1	0	0	10	
	From W	2	0	4	0	6	6		2	0	4	0	
		To N	To S	To E	To W				ColTot	3	0	13	10
									Target	3	0	13	10
18		To N	To S	To E	To W	RowTt	Target		To N	To S	To E	To W	
	From N	0	0	9	0	9	9		0	0	9	0	
	From S	0	0	0	0	0	0		0	0	0	0	
	From E	1	0	0	10	11	11		1	0	0	10	
	From W	2	0	4	0	6	6		2	0	4	0	
		To N	To S	To E	To W				ColTot	3	0	13	10
									Target	3	0	13	10

Turn Movement Forecast: Row-Column-Sum Method

Street Alignment: North/South East/West Scenario: **Future (2040) With Project**
 Intersection: Casa Linda St at San Clemente St Time Period: **Weekend MD**

19		To N	To S	To E	To W	RowTt	Target		To N	To S	To E	To W	
	From N	0	0	9	0	9	9		0	0	9	0	
	From S	0	0	0	0	0	0		0	0	0	0	
	From E	1	0	0	10	11	11		1	0	0	10	
	From W	2	0	4	0	6	6		2	0	4	0	
		To N	To S	To E	To W			ColTot	3	0	13	10	
								Target	3	0	13	10	
20		To N	To S	To E	To W	RowTt	Target		To N	To S	To E	To W	
	From N	0	0	9	0	9	9		0	0	9	0	0.988
	From S	0	0	0	0	0	0		0	0	0	0	0.000
	From E	1	0	0	10	11	11		1	0	0	10	1.014
	From W	2	0	4	0	6	6		2	0	4	0	0.992
		To N	To S	To E	To W			ColTot	3	0	13	10	
								Target	3	0	13	10	
								Pct	1.000	0.000	1.011	0.986	

Turn Movements and Traffic Volumes												
Year	NL	NT	NR	SL	ST	SR	EL	ET	ER	WL	WT	WR
Existing				6			2	7			7	3
2040	0	0	0	9	0	0	2	4	0	0	10	1
max(existing, 2040)	0	0	0	9	0	0	2	7	0	0	10	3
rounded to nearest 10	0	0	0	10	0	0	10	10	0	0	10	10

Future Link outputs			
North			
	10	20	
10			20
20			20
	0	0	
In - Out	50	50	Diff 0

Future volume			Turn Move Inputs		
	0	0	10		
	SR	ST	SL		
10			WR	10	
10			WT	10	
0			WL	0	
	NL	NT	NR		
	0	0	0		

Turn Movement Forecast: Row-Column-Sum Method

Street Alignment: North/South East/West Scenario: **Future (2040) With Project**
 Intersection: EB I-40 Ramps at Broadway St Time Period: **Weekday AM**

Future Link Inputs				Existing Counts		Turn Move Inputs			
	North					72	0	22	
	133	0				SR	ST	SL	
150			50		0	EL		WR	0
124			142		94	ET		WT	39
	16	0			4	ER		WL	11
				Average		NL	NT	NR	
In - Out	307	308	308			0	0	0	

Average In-out volumes

Link Inputs			
	North		
	133	0	
150			50
124			142
	16	0	
In - Out	308	308	0

1	To N	To S	To E	To W	RowTt	Target	2	To N	To S	To E	To W
	From N	0	0	22	72	94	133	0	0	31	102
	From S	0	0	0	0	0	0	0	0	0	0
	From E	0	11	0	39	50	50	0	11	0	39
	From W	0	4	94	0	98	124	0	5	119	0
		To N	To S	To E	To W			ColTot	0	16	150
							Target	0	16	142	150
2	To N	To S	To E	To W	RowTt	Target		To N	To S	To E	To W
	From N	0	0	29	108	138	133	0	0	28	105
	From S	0	0	0	0	0	0	0	0	0	0
	From E	0	11	0	41	52	50	0	10	0	40
	From W	0	5	112	0	117	124	0	5	119	0
		To N	To S	To E	To W			ColTot	0	16	147
							Target	0	16	142	150
3	To N	To S	To E	To W	RowTt	Target		To N	To S	To E	To W
	From N	0	0	27	109	136	133	0	0	27	106
	From S	0	0	0	0	0	0	0	0	0	0
	From E	0	11	0	41	52	50	0	10	0	40
	From W	0	5	114	0	120	124	0	6	119	0
		To N	To S	To E	To W			ColTot	0	16	145
							Target	0	16	142	150
4	To N	To S	To E	To W	RowTt	Target		To N	To S	To E	To W
	From N	0	0	26	109	135	133	0	0	26	107
	From S	0	0	0	0	0	0	0	0	0	0
	From E	0	10	0	41	51	50	0	10	0	40
	From W	0	6	116	0	121	124	0	6	118	0
		To N	To S	To E	To W			ColTot	0	16	144
							Target	0	16	142	150

Turn Movement Forecast: Row-Column-Sum Method

Street Alignment:
Intersection:

North/South
EB I-40 Ramps at East/West
Broadway St

Scenario: **Future (2040) With Project**
Time Period: **Weekday AM**

5		To N	To S	To E	To W	RowTt	Target		To N	To S	To E	To W
	From N	0	0	25	109	134	133		0	0	25	108
	From S	0	0	0	0	0	0		0	0	0	0
	From E	0	10	0	41	51	50		0	10	0	40
	From W	0	6	116	0	122	124		0	6	118	0
		To N	To S	To E	To W			ColTot	0	16	143	148
								Target	0	16	142	150
6		To N	To S	To E	To W	RowTt	Target		To N	To S	To E	To W
	From N	0	0	25	109	134	133		0	0	25	109
	From S	0	0	0	0	0	0		0	0	0	0
	From E	0	10	0	40	51	50		0	10	0	40
	From W	0	6	117	0	123	124		0	6	118	0
		To N	To S	To E	To W			ColTot	0	16	143	149
								Target	0	16	142	150
7		To N	To S	To E	To W	RowTt	Target		To N	To S	To E	To W
	From N	0	0	24	109	134	133		0	0	24	109
	From S	0	0	0	0	0	0		0	0	0	0
	From E	0	10	0	40	50	50		0	10	0	40
	From W	0	6	117	0	123	124		0	6	118	0
		To N	To S	To E	To W			ColTot	0	16	143	149
								Target	0	16	142	150
8		To N	To S	To E	To W	RowTt	Target		To N	To S	To E	To W
	From N	0	0	24	109	134	133		0	0	24	109
	From S	0	0	0	0	0	0		0	0	0	0
	From E	0	10	0	40	50	50		0	10	0	40
	From W	0	6	118	0	124	124		0	6	118	0
		To N	To S	To E	To W			ColTot	0	16	142	149
								Target	0	16	142	150
9		To N	To S	To E	To W	RowTt	Target		To N	To S	To E	To W
	From N	0	0	24	109	133	133		0	0	24	109
	From S	0	0	0	0	0	0		0	0	0	0
	From E	0	10	0	40	50	50		0	10	0	40
	From W	0	6	118	0	124	124		0	6	118	0
		To N	To S	To E	To W			ColTot	0	16	142	149
								Target	0	16	142	150
10		To N	To S	To E	To W	RowTt	Target		To N	To S	To E	To W
	From N	0	0	24	109	133	133		0	0	24	109
	From S	0	0	0	0	0	0		0	0	0	0
	From E	0	10	0	40	50	50		0	10	0	40
	From W	0	6	118	0	124	124		0	6	118	0
		To N	To S	To E	To W			ColTot	0	16	142	150
								Target	0	16	142	150
11		To N	To S	To E	To W	RowTt	Target		To N	To S	To E	To W
	From N	0	0	24	109	133	133		0	0	24	109
	From S	0	0	0	0	0	0		0	0	0	0
	From E	0	10	0	40	50	50		0	10	0	40
	From W	0	6	118	0	124	124		0	6	118	0
		To N	To S	To E	To W			ColTot	0	16	142	150
								Target	0	16	142	150

Turn Movement Forecast: Row-Column-Sum Method

Street Alignment: North/South East/West
 Intersection: EB I-40 Ramps at Broadway St

Scenario: Future (2040) With Project
 Time Period: Weekday AM

12		To N	To S	To E	To W	RowTt	Target		To N	To S	To E	To W	
	From N	0	0	24	109	133	133		0	0	24	109	
	From S	0	0	0	0	0	0		0	0	0	0	
	From E	0	10	0	40	50	50		0	10	0	40	
	From W	0	6	118	0	124	124		0	6	118	0	
		To N	To S	To E	To W				ColTot	0	16	142	150
									Target	0	16	142	150
13		To N	To S	To E	To W	RowTt	Target		To N	To S	To E	To W	
	From N	0	0	24	109	133	133		0	0	24	109	
	From S	0	0	0	0	0	0		0	0	0	0	
	From E	0	10	0	40	50	50		0	10	0	40	
	From W	0	6	118	0	124	124		0	6	118	0	
		To N	To S	To E	To W				ColTot	0	16	142	150
									Target	0	16	142	150
14		To N	To S	To E	To W	RowTt	Target		To N	To S	To E	To W	
	From N	0	0	24	109	133	133		0	0	24	109	
	From S	0	0	0	0	0	0		0	0	0	0	
	From E	0	10	0	40	50	50		0	10	0	40	
	From W	0	6	118	0	124	124		0	6	118	0	
		To N	To S	To E	To W				ColTot	0	16	142	150
									Target	0	16	142	150
15		To N	To S	To E	To W	RowTt	Target		To N	To S	To E	To W	
	From N	0	0	24	110	133	133		0	0	24	109	
	From S	0	0	0	0	0	0		0	0	0	0	
	From E	0	10	0	40	50	50		0	10	0	40	
	From W	0	6	118	0	124	124		0	6	118	0	
		To N	To S	To E	To W				ColTot	0	16	142	150
									Target	0	16	142	150
16		To N	To S	To E	To W	RowTt	Target		To N	To S	To E	To W	
	From N	0	0	24	110	133	133		0	0	24	109	
	From S	0	0	0	0	0	0		0	0	0	0	
	From E	0	10	0	40	50	50		0	10	0	40	
	From W	0	6	118	0	124	124		0	6	118	0	
		To N	To S	To E	To W				ColTot	0	16	142	150
									Target	0	16	142	150
17		To N	To S	To E	To W	RowTt	Target		To N	To S	To E	To W	
	From N	0	0	24	110	133	133		0	0	24	109	
	From S	0	0	0	0	0	0		0	0	0	0	
	From E	0	10	0	40	50	50		0	10	0	40	
	From W	0	6	118	0	124	124		0	6	118	0	
		To N	To S	To E	To W				ColTot	0	16	142	150
									Target	0	16	142	150
18		To N	To S	To E	To W	RowTt	Target		To N	To S	To E	To W	
	From N	0	0	24	110	133	133		0	0	24	109	
	From S	0	0	0	0	0	0		0	0	0	0	
	From E	0	10	0	40	50	50		0	10	0	40	
	From W	0	6	118	0	124	124		0	6	118	0	
		To N	To S	To E	To W				ColTot	0	16	142	150
									Target	0	16	142	150

Turn Movement Forecast: Row-Column-Sum Method

Street Alignment: North/South East/West Scenario: **Future (2040) With Project**
 Intersection: EB I-40 Ramps at Broadway St Time Period: **Weekday AM**

19		To N	To S	To E	To W	RowTt	Target		To N	To S	To E	To W	
	From N	0	0	24	110	133	133		0	0	24	110	
	From S	0	0	0	0	0	0		0	0	0	0	
	From E	0	10	0	40	50	50		0	10	0	40	
	From W	0	6	118	0	124	124		0	6	118	0	
		To N	To S	To E	To W			ColTot	0	16	142	150	
								Target	0	16	142	150	
20		To N	To S	To E	To W	RowTt	Target		To N	To S	To E	To W	
	From N	0	0	24	110	133	133		0	0	24	110	1.000
	From S	0	0	0	0	0	0		0	0	0	0	0.000
	From E	0	10	0	40	50	50		0	10	0	40	1.000
	From W	0	6	118	0	124	124		0	6	118	0	1.000
		To N	To S	To E	To W			ColTot	0	16	142	150	
								Target	0	16	142	150	
								Pct	0.000	1.000	1.000	1.000	

Turn Movements and Traffic Volumes												
Year	NL	NT	NR	SL	ST	SR	EL	ET	ER	WL	WT	WR
Existing	0	0	0	22	0	72	0	94	4	11	39	0
2040	0	0	0	24	0	110	0	118	6	10	40	0
max(existing, 2040)	0	0	0	24	0	110	0	118	6	11	40	0
rounded to nearest 10	0	0	0	30	0	110	0	120	10	20	50	0

Future Link outputs			
North			
	140	0	
160			70
130			150
	30	0	
In - Out	340	340	Diff 0

Future volume	Turn Move Inputs		
110	0	30	
SR	ST	SL	
0		WR	0
120		WT	50
10		WL	20
	NL	NT	NR
0	0	0	

Turn Movement Forecast: Row-Column-Sum Method

Street Alignment: North/South East/West Scenario: **Future (2040) With Project**
 Intersection: EB I-40 Ramps at Broadway St Time Period: **Weekday PM**

Future Link Inputs				Existing Counts		Turn Move Inputs		
	North					104	1	24
	151	0				SR	ST	SL
183			79	0		EL		WR
184			204	139		ET		WT
	26	0		5		ER		WL
						NL	NT	NR
In - Out	414	413	Average 414			0	0	0

Average In-out volumes

Link Inputs			
	North		
	151	0	
183			79
184			204
	26	0	
In - Out	414	414	0

1	To N	To S	To E	To W	RowTt	Target	2	To N	To S	To E	To W
	From N	0	1	24	104	129		151	0	1	28
From S	0	0	0	0	0	0	0	0	0	0	
From E	0	20	0	49	69	79	0	23	0	56	
From W	0	5	139	0	144	184	0	6	177	0	
	To N	To S	To E	To W			ColTot	0	30	205	178
							Target	0	26	204	183
2	To N	To S	To E	To W	RowTt	Target	To N	To S	To E	To W	
	From N	0	1	28	125	154	151	0	1	27	123
From S	0	0	0	0	0	0	0	0	0	0	
From E	0	20	0	58	77	79	0	20	0	59	
From W	0	5	176	0	182	184	0	6	178	0	
	To N	To S	To E	To W			ColTot	0	26	206	182
							Target	0	26	204	183
3	To N	To S	To E	To W	RowTt	Target	To N	To S	To E	To W	
	From N	0	1	27	124	152	151	0	1	27	123
From S	0	0	0	0	0	0	0	0	0	0	
From E	0	20	0	59	79	79	0	20	0	59	
From W	0	5	177	0	183	184	0	5	178	0	
	To N	To S	To E	To W			ColTot	0	26	205	182
							Target	0	26	204	183
4	To N	To S	To E	To W	RowTt	Target	To N	To S	To E	To W	
	From N	0	1	27	124	151	151	0	1	27	123
From S	0	0	0	0	0	0	0	0	0	0	
From E	0	20	0	60	79	79	0	20	0	59	
From W	0	5	177	0	183	184	0	5	178	0	
	To N	To S	To E	To W			ColTot	0	26	205	183
							Target	0	26	204	183

Turn Movement Forecast: Row-Column-Sum Method

Street Alignment:
Intersection:

North/South
EB I-40 Ramps at East/West
Broadway St

Scenario: **Future (2040) With Project**
Time Period: **Weekday PM**

5		To N	To S	To E	To W	RowTt	Target		To N	To S	To E	To W
	From N	0	1	27	124	151	151		0	1	27	123
	From S	0	0	0	0	0	0		0	0	0	0
	From E	0	20	0	60	79	79		0	19	0	59
	From W	0	6	178	0	183	184		0	6	178	0
		To N	To S	To E	To W			ColTot	0	26	205	183
								Target	0	26	204	183
6		To N	To S	To E	To W	RowTt	Target		To N	To S	To E	To W
	From N	0	1	26	124	151	151		0	1	26	123
	From S	0	0	0	0	0	0		0	0	0	0
	From E	0	20	0	60	79	79		0	19	0	59
	From W	0	6	178	0	183	184		0	6	178	0
		To N	To S	To E	To W			ColTot	0	26	205	183
								Target	0	26	204	183
7		To N	To S	To E	To W	RowTt	Target		To N	To S	To E	To W
	From N	0	1	26	124	151	151		0	1	26	124
	From S	0	0	0	0	0	0		0	0	0	0
	From E	0	20	0	60	79	79		0	19	0	59
	From W	0	6	178	0	183	184		0	6	178	0
		To N	To S	To E	To W			ColTot	0	26	205	183
								Target	0	26	204	183
8		To N	To S	To E	To W	RowTt	Target		To N	To S	To E	To W
	From N	0	1	26	124	151	151		0	1	26	124
	From S	0	0	0	0	0	0		0	0	0	0
	From E	0	19	0	60	79	79		0	19	0	59
	From W	0	6	178	0	184	184		0	6	178	0
		To N	To S	To E	To W			ColTot	0	26	204	183
								Target	0	26	204	183
9		To N	To S	To E	To W	RowTt	Target		To N	To S	To E	To W
	From N	0	1	26	124	151	151		0	1	26	124
	From S	0	0	0	0	0	0		0	0	0	0
	From E	0	19	0	59	79	79		0	19	0	59
	From W	0	6	178	0	184	184		0	6	178	0
		To N	To S	To E	To W			ColTot	0	26	204	183
								Target	0	26	204	183
10		To N	To S	To E	To W	RowTt	Target		To N	To S	To E	To W
	From N	0	1	26	124	151	151		0	1	26	124
	From S	0	0	0	0	0	0		0	0	0	0
	From E	0	19	0	59	79	79		0	19	0	59
	From W	0	6	178	0	184	184		0	6	178	0
		To N	To S	To E	To W			ColTot	0	26	204	183
								Target	0	26	204	183
11		To N	To S	To E	To W	RowTt	Target		To N	To S	To E	To W
	From N	0	1	26	124	151	151		0	1	26	124
	From S	0	0	0	0	0	0		0	0	0	0
	From E	0	19	0	59	79	79		0	19	0	59
	From W	0	6	178	0	184	184		0	6	178	0
		To N	To S	To E	To W			ColTot	0	26	204	183
								Target	0	26	204	183

Turn Movement Forecast: Row-Column-Sum Method

Street Alignment:
Intersection:

North/South
EB I-40 Ramps at East/West
Broadway St

Scenario: **Future (2040) With Project**
Time Period: **Weekday PM**

12		To N	To S	To E	To W	RowTt	Target		To N	To S	To E	To W	
	From N	0	1	26	124	151	151		0	1	26	124	
	From S	0	0	0	0	0	0		0	0	0	0	
	From E	0	19	0	59	79	79		0	19	0	59	
	From W	0	6	178	0	184	184		0	6	178	0	
		To N	To S	To E	To W				ColTot	0	26	204	183
									Target	0	26	204	183
13		To N	To S	To E	To W	RowTt	Target		To N	To S	To E	To W	
	From N	0	1	26	124	151	151		0	1	26	124	
	From S	0	0	0	0	0	0		0	0	0	0	
	From E	0	19	0	59	79	79		0	19	0	59	
	From W	0	6	178	0	184	184		0	6	178	0	
		To N	To S	To E	To W				ColTot	0	26	204	183
									Target	0	26	204	183
14		To N	To S	To E	To W	RowTt	Target		To N	To S	To E	To W	
	From N	0	1	26	124	151	151		0	1	26	124	
	From S	0	0	0	0	0	0		0	0	0	0	
	From E	0	19	0	59	79	79		0	19	0	59	
	From W	0	6	178	0	184	184		0	6	178	0	
		To N	To S	To E	To W				ColTot	0	26	204	183
									Target	0	26	204	183
15		To N	To S	To E	To W	RowTt	Target		To N	To S	To E	To W	
	From N	0	1	26	124	151	151		0	1	26	124	
	From S	0	0	0	0	0	0		0	0	0	0	
	From E	0	19	0	59	79	79		0	19	0	59	
	From W	0	6	178	0	184	184		0	6	178	0	
		To N	To S	To E	To W				ColTot	0	26	204	183
									Target	0	26	204	183
16		To N	To S	To E	To W	RowTt	Target		To N	To S	To E	To W	
	From N	0	1	26	124	151	151		0	1	26	124	
	From S	0	0	0	0	0	0		0	0	0	0	
	From E	0	19	0	59	79	79		0	19	0	59	
	From W	0	6	178	0	184	184		0	6	178	0	
		To N	To S	To E	To W				ColTot	0	26	204	183
									Target	0	26	204	183
17		To N	To S	To E	To W	RowTt	Target		To N	To S	To E	To W	
	From N	0	1	26	124	151	151		0	1	26	124	
	From S	0	0	0	0	0	0		0	0	0	0	
	From E	0	19	0	59	79	79		0	19	0	59	
	From W	0	6	178	0	184	184		0	6	178	0	
		To N	To S	To E	To W				ColTot	0	26	204	183
									Target	0	26	204	183
18		To N	To S	To E	To W	RowTt	Target		To N	To S	To E	To W	
	From N	0	1	26	124	151	151		0	1	26	124	
	From S	0	0	0	0	0	0		0	0	0	0	
	From E	0	19	0	59	79	79		0	19	0	59	
	From W	0	6	178	0	184	184		0	6	178	0	
		To N	To S	To E	To W				ColTot	0	26	204	183
									Target	0	26	204	183

Turn Movement Forecast: Row-Column-Sum Method

Street Alignment: North/South East/West Scenario: **Future (2040) With Project**
 Intersection: EB I-40 Ramps at Broadway St Time Period: **Weekday PM**

19		To N	To S	To E	To W	RowTt	Target		To N	To S	To E	To W	
	From N	0	1	26	124	151	151		0	1	26	124	
	From S	0	0	0	0	0	0		0	0	0	0	
	From E	0	19	0	59	79	79		0	19	0	59	
	From W	0	6	178	0	184	184		0	6	178	0	
		To N	To S	To E	To W			ColTot	0	26	204	183	
								Target	0	26	204	183	
20		To N	To S	To E	To W	RowTt	Target		To N	To S	To E	To W	
	From N	0	1	26	124	151	151		0	1	26	124	1.000
	From S	0	0	0	0	0	0		0	0	0	0	0.000
	From E	0	19	0	59	79	79		0	19	0	59	1.000
	From W	0	6	178	0	184	184		0	6	178	0	1.000
		To N	To S	To E	To W			ColTot	0	26	204	183	
								Target	0	26	204	183	
								Pct	0.000	1.000	1.000	1.000	

Year	Turn Movements and Traffic Volumes											
	NL	NT	NR	SL	ST	SR	EL	ET	ER	WL	WT	WR
Existing				24	1	104		139	5	20	49	
2040	0	0	0	26	1	124	0	178	6	19	59	0
max(existing, 2040)	0	0	0	26	1	124	0	178	6	20	59	0
rounded to nearest 10	0	0	0	30	10	130	0	180	10	20	60	0

Future Link outputs			
North			
	170	0	
190			80
190			210
	40	0	
In - Out	440	440	Diff 0

Future volume	Turn Move Inputs		
	130	10	30
	SR	ST	SL
0	EL		WR 0
180	ET		WT 60
10	ER		WL 20
	NL	NT	NR
	0	0	0

Turn Movement Forecast: Row-Column-Sum Method

Street Alignment: North/South East/West Scenario: **Future (2040) With Project**
 Intersection: EB I-40 Ramps at Broadway St Time Period: **Weekend MD**

Future Link Inputs				Existing Counts		Turn Move Inputs		
	North					91	3	30
	145	0				SR	ST	SL
171			79	0		EL		WR
227			252	171		ET		WT
	26	0		6		ER		WL
						NL	NT	NR
In - Out	451	449	450			0	0	0
		Average						

Average In-out volumes

Link Inputs			
	North		
	145	0	
171			79
226			253
	26	0	
In - Out	450	450	0

1	To N To S To E To W RowTt Target							2	To N To S To E To W			
	From N	0	3	30	91	124	145		0	4	35	106
From S	0	0	0	0	0	0	0	0	0	0		
From E	0	17	0	52	69	79	0	19	0	59		
From W	0	6	171	0	177	226	0	8	219	0		
	To N	To S	To E	To W			ColTot	0	31	254	166	
							Target	0	26	253	171	
2	To N To S To E To W RowTt Target							To N To S To E To W				
	From N	0	3	35	110	148	145	0	3	34	108	
From S	0	0	0	0	0	0	0	0	0	0		
From E	0	17	0	61	78	79	0	17	0	62		
From W	0	7	218	0	224	226	0	7	220	0		
	To N	To S	To E	To W			ColTot	0	26	254	170	
							Target	0	26	253	171	
3	To N To S To E To W RowTt Target							To N To S To E To W				
	From N	0	3	34	109	145	145	0	3	34	108	
From S	0	0	0	0	0	0	0	0	0	0		
From E	0	17	0	63	79	79	0	16	0	62		
From W	0	7	219	0	225	226	0	7	220	0		
	To N	To S	To E	To W			ColTot	0	26	254	170	
							Target	0	26	253	171	
4	To N To S To E To W RowTt Target							To N To S To E To W				
	From N	0	3	34	109	145	145	0	3	33	108	
From S	0	0	0	0	0	0	0	0	0	0		
From E	0	17	0	63	79	79	0	16	0	62		
From W	0	7	219	0	226	226	0	7	220	0		
	To N	To S	To E	To W			ColTot	0	26	253	171	
							Target	0	26	253	171	

Turn Movement Forecast: Row-Column-Sum Method

Street Alignment: North/South East/West Scenario: **Future (2040) With Project**
 Intersection: EB I-40 Ramps at Broadway St Time Period: **Weekend MD**

5		To N	To S	To E	To W	RowTt	Target		To N	To S	To E	To W	
	From N	0	3	33	109	145	145		0	3	33	109	
	From S	0	0	0	0	0	0		0	0	0	0	
	From E	0	17	0	63	79	79		0	16	0	62	
	From W	0	7	219	0	226	226		0	7	220	0	
		To N	To S	To E	To W				ColTot	0	26	253	171
									Target	0	26	253	171
6		To N	To S	To E	To W	RowTt	Target		To N	To S	To E	To W	
	From N	0	3	33	109	145	145		0	3	33	109	
	From S	0	0	0	0	0	0		0	0	0	0	
	From E	0	16	0	63	79	79		0	16	0	62	
	From W	0	7	219	0	226	226		0	7	220	0	
		To N	To S	To E	To W				ColTot	0	26	253	171
									Target	0	26	253	171
7		To N	To S	To E	To W	RowTt	Target		To N	To S	To E	To W	
	From N	0	3	33	109	145	145		0	3	33	109	
	From S	0	0	0	0	0	0		0	0	0	0	
	From E	0	16	0	63	79	79		0	16	0	62	
	From W	0	7	219	0	226	226		0	7	220	0	
		To N	To S	To E	To W				ColTot	0	26	253	171
									Target	0	26	253	171
8		To N	To S	To E	To W	RowTt	Target		To N	To S	To E	To W	
	From N	0	3	33	109	145	145		0	3	33	109	
	From S	0	0	0	0	0	0		0	0	0	0	
	From E	0	16	0	62	79	79		0	16	0	62	
	From W	0	7	220	0	226	226		0	7	220	0	
		To N	To S	To E	To W				ColTot	0	26	253	171
									Target	0	26	253	171
9		To N	To S	To E	To W	RowTt	Target		To N	To S	To E	To W	
	From N	0	3	33	109	145	145		0	3	33	109	
	From S	0	0	0	0	0	0		0	0	0	0	
	From E	0	16	0	62	79	79		0	16	0	62	
	From W	0	7	220	0	226	226		0	7	220	0	
		To N	To S	To E	To W				ColTot	0	26	253	171
									Target	0	26	253	171
10		To N	To S	To E	To W	RowTt	Target		To N	To S	To E	To W	
	From N	0	3	33	109	145	145		0	3	33	109	
	From S	0	0	0	0	0	0		0	0	0	0	
	From E	0	16	0	62	79	79		0	16	0	62	
	From W	0	7	220	0	226	226		0	7	220	0	
		To N	To S	To E	To W				ColTot	0	26	253	171
									Target	0	26	253	171
11		To N	To S	To E	To W	RowTt	Target		To N	To S	To E	To W	
	From N	0	3	33	109	145	145		0	3	33	109	
	From S	0	0	0	0	0	0		0	0	0	0	
	From E	0	16	0	62	79	79		0	16	0	62	
	From W	0	7	220	0	226	226		0	7	220	0	
		To N	To S	To E	To W				ColTot	0	26	253	171
									Target	0	26	253	171

Turn Movement Forecast: Row-Column-Sum Method

Street Alignment: North/South East/West Scenario: **Future (2040) With Project**
 Intersection: EB I-40 Ramps at Broadway St Time Period: **Weekend MD**

12		To N	To S	To E	To W	RowTt	Target		To N	To S	To E	To W	
	From N	0	3	33	109	145	145		0	3	33	109	
	From S	0	0	0	0	0	0		0	0	0	0	
	From E	0	16	0	62	79	79		0	16	0	62	
	From W	0	7	220	0	226	226		0	7	220	0	
		To N	To S	To E	To W				ColTot	0	26	253	171
									Target	0	26	253	171
13		To N	To S	To E	To W	RowTt	Target		To N	To S	To E	To W	
	From N	0	3	33	109	145	145		0	3	33	109	
	From S	0	0	0	0	0	0		0	0	0	0	
	From E	0	16	0	62	79	79		0	16	0	62	
	From W	0	7	220	0	226	226		0	7	220	0	
		To N	To S	To E	To W				ColTot	0	26	253	171
									Target	0	26	253	171
14		To N	To S	To E	To W	RowTt	Target		To N	To S	To E	To W	
	From N	0	3	33	109	145	145		0	3	33	109	
	From S	0	0	0	0	0	0		0	0	0	0	
	From E	0	16	0	62	79	79		0	16	0	62	
	From W	0	7	220	0	226	226		0	7	220	0	
		To N	To S	To E	To W				ColTot	0	26	253	171
									Target	0	26	253	171
15		To N	To S	To E	To W	RowTt	Target		To N	To S	To E	To W	
	From N	0	3	33	109	145	145		0	3	33	109	
	From S	0	0	0	0	0	0		0	0	0	0	
	From E	0	16	0	62	79	79		0	16	0	62	
	From W	0	7	220	0	226	226		0	7	220	0	
		To N	To S	To E	To W				ColTot	0	26	253	171
									Target	0	26	253	171
16		To N	To S	To E	To W	RowTt	Target		To N	To S	To E	To W	
	From N	0	3	33	109	145	145		0	3	33	109	
	From S	0	0	0	0	0	0		0	0	0	0	
	From E	0	16	0	62	79	79		0	16	0	62	
	From W	0	7	220	0	226	226		0	7	220	0	
		To N	To S	To E	To W				ColTot	0	26	253	171
									Target	0	26	253	171
17		To N	To S	To E	To W	RowTt	Target		To N	To S	To E	To W	
	From N	0	3	33	109	145	145		0	3	33	109	
	From S	0	0	0	0	0	0		0	0	0	0	
	From E	0	16	0	62	79	79		0	16	0	62	
	From W	0	7	220	0	226	226		0	7	220	0	
		To N	To S	To E	To W				ColTot	0	26	253	171
									Target	0	26	253	171
18		To N	To S	To E	To W	RowTt	Target		To N	To S	To E	To W	
	From N	0	3	33	109	145	145		0	3	33	109	
	From S	0	0	0	0	0	0		0	0	0	0	
	From E	0	16	0	62	79	79		0	16	0	62	
	From W	0	7	220	0	226	226		0	7	220	0	
		To N	To S	To E	To W				ColTot	0	26	253	171
									Target	0	26	253	171

Turn Movement Forecast: Row-Column-Sum Method

Street Alignment: North/South East/West Scenario: **Future (2040) With Project**
 Intersection: EB I-40 Ramps at Broadway St Time Period: **Weekend MD**

19		To N	To S	To E	To W	RowTt	Target		To N	To S	To E	To W	
	From N	0	3	33	109	145	145		0	3	33	109	
	From S	0	0	0	0	0	0		0	0	0	0	
	From E	0	16	0	62	79	79		0	16	0	62	
	From W	0	7	220	0	226	226		0	7	220	0	
		To N	To S	To E	To W			ColTot	0	26	253	171	
								Target	0	26	253	171	
20		To N	To S	To E	To W	RowTt	Target		To N	To S	To E	To W	
	From N	0	3	33	109	145	145		0	3	33	109	1.000
	From S	0	0	0	0	0	0		0	0	0	0	0.000
	From E	0	16	0	62	79	79		0	16	0	62	1.000
	From W	0	7	220	0	226	226		0	7	220	0	1.000
		To N	To S	To E	To W			ColTot	0	26	253	171	
								Target	0	26	253	171	
								Pct	0.000	1.000	1.000	1.000	

Year	Turn Movements and Traffic Volumes											
	NL	NT	NR	SL	ST	SR	EL	ET	ER	WL	WT	WR
Existing				30	3	91		171	6	17	52	
2040	0	0	0	33	3	109	0	220	7	16	62	0
max(existing, 2040)	0	0	0	33	3	109	0	220	7	17	62	0
rounded to nearest 10	0	0	0	40	10	110	0	220	10	20	70	0

Future Link outputs			
North			
	160	0	
180			90
230			260
	40	0	
In - Out	480	480	Diff 0

Future volume	Turn Move Inputs		
110	10	40	
SR	ST	SL	
0		WR	0
220		WT	70
10		WL	20
	NL	NT	NR
0	0	0	

Turn Movement Forecast: Row-Column-Sum Method

Street Alignment: North/South East/West Scenario: **Future (2040) With Project**
 Intersection: Broadway St at WB I-40 Ramps Time Period: **Weekday AM**

Future Link Inputs				Existing Counts		Turn Move Inputs			
	North					22	47	0	
	71	86				SR	ST	SL	
101			29		0	EL		WR	22
0			0		0	ET		WT	0
	54	142			0	ER		WL	7
				Average		NL	NT	NR	
In - Out	242	241	242			62	54	0	

Average In-out volumes

Link Inputs			
	North		
	71	86	
101			29
0			0
	54	142	
In - Out	242	242	0

1	To N	To S	To E	To W	RowTt	Target	2	To N	To S	To E	To W
	From N	0	47	0	22	69	71	0	48	0	23
	From S	54	0	0	62	116	142	66	0	0	76
	From E	22	7	0	0	29	29	22	7	0	0
	From W	0	0	0	0	0	0	0	0	0	0
	To N	To S	To E	To W			ColTot	88	55	0	98
							Target	86	54	0	101
2	To N	To S	To E	To W	RowTt	Target		To N	To S	To E	To W
	From N	0	47	0	23	71	71	0	47	0	23
	From S	65	0	0	78	143	142	64	0	0	77
	From E	22	7	0	0	28	29	22	7	0	0
	From W	0	0	0	0	0	0	0	0	0	0
	To N	To S	To E	To W			ColTot	86	54	0	101
							Target	86	54	0	101
3	To N	To S	To E	To W	RowTt	Target		To N	To S	To E	To W
	From N	0	47	0	23	71	71	0	47	0	24
	From S	64	0	0	78	142	142	64	0	0	78
	From E	22	7	0	0	29	29	22	7	0	0
	From W	0	0	0	0	0	0	0	0	0	0
	To N	To S	To E	To W			ColTot	86	54	0	101
							Target	86	54	0	101
4	To N	To S	To E	To W	RowTt	Target		To N	To S	To E	To W
	From N	0	47	0	24	71	71	0	47	0	24
	From S	64	0	0	78	142	142	64	0	0	78
	From E	22	7	0	0	29	29	22	7	0	0
	From W	0	0	0	0	0	0	0	0	0	0
	To N	To S	To E	To W			ColTot	86	54	0	101
							Target	86	54	0	101

Turn Movement Forecast: Row-Column-Sum Method

Street Alignment: North/South East/West Scenario: **Future (2040) With Project**
 Intersection: Broadway St at WB I-40 Ramps Time Period: **Weekday AM**

5		To N	To S	To E	To W	RowTt	Target		To N	To S	To E	To W
	From N	0	47	0	24	71	71		0	47	0	24
	From S	64	0	0	78	142	142		64	0	0	78
	From E	22	7	0	0	29	29		22	7	0	0
	From W	0	0	0	0	0	0		0	0	0	0
		To N	To S	To E	To W				ColTot	86	54	0
								Target	86	54	0	101
6		To N	To S	To E	To W	RowTt	Target		To N	To S	To E	To W
	From N	0	47	0	24	71	71		0	47	0	24
	From S	64	0	0	78	142	142		64	0	0	78
	From E	22	7	0	0	29	29		22	7	0	0
	From W	0	0	0	0	0	0		0	0	0	0
		To N	To S	To E	To W				ColTot	86	54	0
								Target	86	54	0	101
7		To N	To S	To E	To W	RowTt	Target		To N	To S	To E	To W
	From N	0	47	0	24	71	71		0	47	0	24
	From S	64	0	0	78	142	142		64	0	0	78
	From E	22	7	0	0	29	29		22	7	0	0
	From W	0	0	0	0	0	0		0	0	0	0
		To N	To S	To E	To W				ColTot	86	54	0
								Target	86	54	0	101
8		To N	To S	To E	To W	RowTt	Target		To N	To S	To E	To W
	From N	0	47	0	24	71	71		0	47	0	24
	From S	64	0	0	78	142	142		64	0	0	78
	From E	22	7	0	0	29	29		22	7	0	0
	From W	0	0	0	0	0	0		0	0	0	0
		To N	To S	To E	To W				ColTot	86	54	0
								Target	86	54	0	101
9		To N	To S	To E	To W	RowTt	Target		To N	To S	To E	To W
	From N	0	47	0	24	71	71		0	47	0	24
	From S	64	0	0	78	142	142		64	0	0	78
	From E	22	7	0	0	29	29		22	7	0	0
	From W	0	0	0	0	0	0		0	0	0	0
		To N	To S	To E	To W				ColTot	86	54	0
								Target	86	54	0	101
10		To N	To S	To E	To W	RowTt	Target		To N	To S	To E	To W
	From N	0	47	0	24	71	71		0	47	0	24
	From S	64	0	0	78	142	142		64	0	0	78
	From E	22	7	0	0	29	29		22	7	0	0
	From W	0	0	0	0	0	0		0	0	0	0
		To N	To S	To E	To W				ColTot	86	54	0
								Target	86	54	0	101
11		To N	To S	To E	To W	RowTt	Target		To N	To S	To E	To W
	From N	0	47	0	24	71	71		0	47	0	24
	From S	64	0	0	78	142	142		64	0	0	78
	From E	22	7	0	0	29	29		22	7	0	0
	From W	0	0	0	0	0	0		0	0	0	0
		To N	To S	To E	To W				ColTot	86	54	0
								Target	86	54	0	101

Turn Movement Forecast: Row-Column-Sum Method

Street Alignment:
Intersection:

North/South
Broadway St at East/West
WB I-40 Ramps

Scenario: **Future (2040) With Project**
Time Period: **Weekday AM**

12		To N	To S	To E	To W	RowTt	Target		To N	To S	To E	To W	
	From N	0	47	0	24	71	71		0	47	0	24	
	From S	64	0	0	78	142	142		64	0	0	78	
	From E	22	7	0	0	29	29		22	7	0	0	
	From W	0	0	0	0	0	0		0	0	0	0	
		To N	To S	To E	To W				ColTot	86	54	0	101
									Target	86	54	0	101
13		To N	To S	To E	To W	RowTt	Target		To N	To S	To E	To W	
	From N	0	47	0	24	71	71		0	47	0	24	
	From S	64	0	0	78	142	142		64	0	0	78	
	From E	22	7	0	0	29	29		22	7	0	0	
	From W	0	0	0	0	0	0		0	0	0	0	
		To N	To S	To E	To W				ColTot	86	54	0	101
									Target	86	54	0	101
14		To N	To S	To E	To W	RowTt	Target		To N	To S	To E	To W	
	From N	0	47	0	24	71	71		0	47	0	24	
	From S	64	0	0	78	142	142		64	0	0	78	
	From E	22	7	0	0	29	29		22	7	0	0	
	From W	0	0	0	0	0	0		0	0	0	0	
		To N	To S	To E	To W				ColTot	86	54	0	101
									Target	86	54	0	101
15		To N	To S	To E	To W	RowTt	Target		To N	To S	To E	To W	
	From N	0	47	0	24	71	71		0	47	0	24	
	From S	64	0	0	78	142	142		64	0	0	78	
	From E	22	7	0	0	29	29		22	7	0	0	
	From W	0	0	0	0	0	0		0	0	0	0	
		To N	To S	To E	To W				ColTot	86	54	0	101
									Target	86	54	0	101
16		To N	To S	To E	To W	RowTt	Target		To N	To S	To E	To W	
	From N	0	47	0	24	71	71		0	47	0	24	
	From S	64	0	0	78	142	142		64	0	0	78	
	From E	22	7	0	0	29	29		22	7	0	0	
	From W	0	0	0	0	0	0		0	0	0	0	
		To N	To S	To E	To W				ColTot	86	54	0	101
									Target	86	54	0	101
17		To N	To S	To E	To W	RowTt	Target		To N	To S	To E	To W	
	From N	0	47	0	24	71	71		0	47	0	24	
	From S	64	0	0	78	142	142		64	0	0	78	
	From E	22	7	0	0	29	29		22	7	0	0	
	From W	0	0	0	0	0	0		0	0	0	0	
		To N	To S	To E	To W				ColTot	86	54	0	101
									Target	86	54	0	101
18		To N	To S	To E	To W	RowTt	Target		To N	To S	To E	To W	
	From N	0	47	0	24	71	71		0	47	0	24	
	From S	64	0	0	78	142	142		64	0	0	78	
	From E	22	7	0	0	29	29		22	7	0	0	
	From W	0	0	0	0	0	0		0	0	0	0	
		To N	To S	To E	To W				ColTot	86	54	0	101
									Target	86	54	0	101

Turn Movement Forecast: Row-Column-Sum Method

Street Alignment: North/South East/West Scenario: **Future (2040) With Project**
 Intersection: Broadway St at WB I-40 Ramps Time Period: **Weekday AM**

19		To N	To S	To E	To W	RowTt	Target		To N	To S	To E	To W	
	From N	0	47	0	24	71	71		0	47	0	24	
	From S	64	0	0	78	142	142		64	0	0	78	
	From E	22	7	0	0	29	29		22	7	0	0	
	From W	0	0	0	0	0	0		0	0	0	0	
		To N	To S	To E	To W			ColTot	86	54	0	101	
								Target	86	54	0	101	
20		To N	To S	To E	To W	RowTt	Target		To N	To S	To E	To W	
	From N	0	47	0	24	71	71		0	47	0	24	1.000
	From S	64	0	0	78	142	142		64	0	0	78	1.000
	From E	22	7	0	0	29	29		22	7	0	0	1.000
	From W	0	0	0	0	0	0		0	0	0	0	0.000
		To N	To S	To E	To W			ColTot	86	54	0	101	
								Target	86	54	0	101	
								Pct	1.000	1.000	0.000	1.000	

Turn Movements and Traffic Volumes

Year	<u>NL</u>	<u>NT</u>	<u>NR</u>	<u>SL</u>	<u>ST</u>	<u>SR</u>	<u>EL</u>	<u>ET</u>	<u>ER</u>	<u>WL</u>	<u>WT</u>	<u>WR</u>
Existing	62	54	0	0	47	22	0	0	0	7	0	22
2040	78	64	0	0	47	24	0	0	0	7	0	22
max(existing, 2040)	78	64	0	0	47	24	0	0	0	7	0	22
rounded to nearest 10	80	70	0	0	50	30	0	0	0	10	0	30

Future Link outputs

	North		
	80	100	
110			40
0			0
	60	150	
In - Out	270	270	Diff 0

Future volume

	30	50	0
	SR	ST	SL
0			WR
0			WT
0			WL
	NL	NT	NR
	80	70	0

Turn Movement Forecast: Row-Column-Sum Method

Street Alignment: North/South at East/West Scenario: **Future (2040) With Project**
 Intersection: Broadway St at WB I-40 Ramps Time Period: **Weekday PM**

Future Link Inputs				Existing Counts		Turn Move Inputs			
	North					55	67	0	
	134	96				SR	ST	SL	
186			32		0	EL		WR	29
0			0		0	ET		WT	0
	80	196			0	ER		WL	3
				Average		NL	NT	NR	
In - Out	362	362	362			94	61	0	

Average In-out volumes

Link Inputs

North			
	134	96	
186			32
0			0
	80	196	
In - Out	362	362	0

1	To N	To S	To E	To W	RowTt	Target	2	To N	To S	To E	To W
	From N	0	67	0	55	122	134	0	74	0	60
	From S	61	0	0	94	155	196	77	0	0	119
	From E	29	3	0	0	32	32	29	3	0	0
	From W	0	0	0	0	0	0	0	0	0	0
	To N	To S	To E	To W			ColTot	106	77	0	179
							Target	96	80	0	186
2	To N	To S	To E	To W	RowTt	Target		To N	To S	To E	To W
	From N	0	77	0	63	140	134	0	74	0	60
	From S	70	0	0	123	193	196	71	0	0	125
	From E	26	3	0	0	29	32	29	3	0	0
	From W	0	0	0	0	0	0	0	0	0	0
	To N	To S	To E	To W			ColTot	99	77	0	185
							Target	96	80	0	186
3	To N	To S	To E	To W	RowTt	Target		To N	To S	To E	To W
	From N	0	76	0	60	137	134	0	75	0	59
	From S	68	0	0	126	194	196	69	0	0	127
	From E	28	4	0	0	31	32	28	4	0	0
	From W	0	0	0	0	0	0	0	0	0	0
	To N	To S	To E	To W			ColTot	97	79	0	186
							Target	96	80	0	186
4	To N	To S	To E	To W	RowTt	Target		To N	To S	To E	To W
	From N	0	76	0	59	135	134	0	75	0	59
	From S	68	0	0	127	195	196	68	0	0	128
	From E	28	4	0	0	32	32	28	4	0	0
	From W	0	0	0	0	0	0	0	0	0	0
	To N	To S	To E	To W			ColTot	97	79	0	186
							Target	96	80	0	186

Turn Movement Forecast: Row-Column-Sum Method

Street Alignment: North/South East/West Scenario: **Future (2040) With Project**
 Intersection: Broadway St at WB I-40 Ramps Time Period: **Weekday PM**

5	From N	To N	To S	To E	To W	RowTt	Target	From N	To N	To S	To E	To W
	From S	68	0	0	128	195	196	From S	68	0	0	128
	From E	28	4	0	0	32	32	From E	28	4	0	0
	From W	0	0	0	0	0	0	From W	0	0	0	0
		To N	To S	To E	To W			ColTot	96	80	0	186
								Target	96	80	0	186
6	From N	To N	To S	To E	To W	RowTt	Target	From N	To N	To S	To E	To W
	From S	68	0	0	128	196	196	From S	68	0	0	128
	From E	28	4	0	0	32	32	From E	28	4	0	0
	From W	0	0	0	0	0	0	From W	0	0	0	0
		To N	To S	To E	To W			ColTot	96	80	0	186
								Target	96	80	0	186
7	From N	To N	To S	To E	To W	RowTt	Target	From N	To N	To S	To E	To W
	From S	68	0	0	128	196	196	From S	68	0	0	128
	From E	28	4	0	0	32	32	From E	28	4	0	0
	From W	0	0	0	0	0	0	From W	0	0	0	0
		To N	To S	To E	To W			ColTot	96	80	0	186
								Target	96	80	0	186
8	From N	To N	To S	To E	To W	RowTt	Target	From N	To N	To S	To E	To W
	From S	68	0	0	128	196	196	From S	68	0	0	128
	From E	28	4	0	0	32	32	From E	28	4	0	0
	From W	0	0	0	0	0	0	From W	0	0	0	0
		To N	To S	To E	To W			ColTot	96	80	0	186
								Target	96	80	0	186
9	From N	To N	To S	To E	To W	RowTt	Target	From N	To N	To S	To E	To W
	From S	68	0	0	128	196	196	From S	68	0	0	128
	From E	28	4	0	0	32	32	From E	28	4	0	0
	From W	0	0	0	0	0	0	From W	0	0	0	0
		To N	To S	To E	To W			ColTot	96	80	0	186
								Target	96	80	0	186
10	From N	To N	To S	To E	To W	RowTt	Target	From N	To N	To S	To E	To W
	From S	68	0	0	128	196	196	From S	68	0	0	128
	From E	28	4	0	0	32	32	From E	28	4	0	0
	From W	0	0	0	0	0	0	From W	0	0	0	0
		To N	To S	To E	To W			ColTot	96	80	0	186
								Target	96	80	0	186
11	From N	To N	To S	To E	To W	RowTt	Target	From N	To N	To S	To E	To W
	From S	68	0	0	128	196	196	From S	68	0	0	128
	From E	28	4	0	0	32	32	From E	28	4	0	0
	From W	0	0	0	0	0	0	From W	0	0	0	0
		To N	To S	To E	To W			ColTot	96	80	0	186
								Target	96	80	0	186

Turn Movement Forecast: Row-Column-Sum Method

Street Alignment:
Intersection:

North/South
Broadway St at East/West
WB I-40 Ramps

Scenario: **Future (2040) With Project**
Time Period: **Weekday PM**

12		To N	To S	To E	To W	RowTt	Target		To N	To S	To E	To W
	From N	0	76	0	58	134	134		0	76	0	58
	From S	68	0	0	128	196	196		68	0	0	128
	From E	28	4	0	0	32	32		28	4	0	0
	From W	0	0	0	0	0	0		0	0	0	0
		To N	To S	To E	To W				ColTot	96	80	0
								Target	96	80	0	186
13		To N	To S	To E	To W	RowTt	Target		To N	To S	To E	To W
	From N	0	76	0	58	134	134		0	76	0	58
	From S	68	0	0	128	196	196		68	0	0	128
	From E	28	4	0	0	32	32		28	4	0	0
	From W	0	0	0	0	0	0		0	0	0	0
		To N	To S	To E	To W				ColTot	96	80	0
								Target	96	80	0	186
14		To N	To S	To E	To W	RowTt	Target		To N	To S	To E	To W
	From N	0	76	0	58	134	134		0	76	0	58
	From S	68	0	0	128	196	196		68	0	0	128
	From E	28	4	0	0	32	32		28	4	0	0
	From W	0	0	0	0	0	0		0	0	0	0
		To N	To S	To E	To W				ColTot	96	80	0
								Target	96	80	0	186
15		To N	To S	To E	To W	RowTt	Target		To N	To S	To E	To W
	From N	0	76	0	58	134	134		0	76	0	58
	From S	68	0	0	128	196	196		68	0	0	128
	From E	28	4	0	0	32	32		28	4	0	0
	From W	0	0	0	0	0	0		0	0	0	0
		To N	To S	To E	To W				ColTot	96	80	0
								Target	96	80	0	186
16		To N	To S	To E	To W	RowTt	Target		To N	To S	To E	To W
	From N	0	76	0	58	134	134		0	76	0	58
	From S	68	0	0	128	196	196		68	0	0	128
	From E	28	4	0	0	32	32		28	4	0	0
	From W	0	0	0	0	0	0		0	0	0	0
		To N	To S	To E	To W				ColTot	96	80	0
								Target	96	80	0	186
17		To N	To S	To E	To W	RowTt	Target		To N	To S	To E	To W
	From N	0	76	0	58	134	134		0	76	0	58
	From S	68	0	0	128	196	196		68	0	0	128
	From E	28	4	0	0	32	32		28	4	0	0
	From W	0	0	0	0	0	0		0	0	0	0
		To N	To S	To E	To W				ColTot	96	80	0
								Target	96	80	0	186
18		To N	To S	To E	To W	RowTt	Target		To N	To S	To E	To W
	From N	0	76	0	58	134	134		0	76	0	58
	From S	68	0	0	128	196	196		68	0	0	128
	From E	28	4	0	0	32	32		28	4	0	0
	From W	0	0	0	0	0	0		0	0	0	0
		To N	To S	To E	To W				ColTot	96	80	0
								Target	96	80	0	186

Turn Movement Forecast: Row-Column-Sum Method

Street Alignment: North/South East/West Scenario: **Future (2040) With Project**
 Intersection: Broadway St at WB I-40 Ramps Time Period: **Weekday PM**

19		To N	To S	To E	To W	RowTt	Target		To N	To S	To E	To W	
	From N	0	76	0	58	134	134		0	76	0	58	
	From S	68	0	0	128	196	196		68	0	0	128	
	From E	28	4	0	0	32	32		28	4	0	0	
	From W	0	0	0	0	0	0		0	0	0	0	
		To N	To S	To E	To W			ColTot	96	80	0	186	
								Target	96	80	0	186	
20		To N	To S	To E	To W	RowTt	Target		To N	To S	To E	To W	
	From N	0	76	0	58	134	134		0	76	0	58	1.000
	From S	68	0	0	128	196	196		68	0	0	128	1.000
	From E	28	4	0	0	32	32		28	4	0	0	1.000
	From W	0	0	0	0	0	0		0	0	0	0	0.000
		To N	To S	To E	To W			ColTot	96	80	0	186	
								Target	96	80	0	186	
								Pct	1.000	1.000	0.000	1.000	

Turn Movements and Traffic Volumes												
Year	NL	NT	NR	SL	ST	SR	EL	ET	ER	WL	WT	WR
Existing	94	61			67	55				3		29
2040	128	68	0	0	76	58	0	0	0	4	0	28
max(existing, 2040)	128	68	0	0	76	58	0	0	0	4	0	29
rounded to nearest 10	130	70	0	0	80	60	0	0	0	10	0	30

Future Link outputs			
North			
	140	100	
190			40
0			0
	90	200	
In - Out	380	380	Diff 0

Future volume	Turn Move Inputs		
	60	80	0
	SR	ST	SL
0	EL		WR 30
0	ET		WT 0
0	ER		WL 10
	NL	NT	NR
	130	70	0

Turn Movement Forecast: Row-Column-Sum Method

Street Alignment: North/South East/West Scenario: **Future (2040) With Project**
 Intersection: Broadway St at WB I-40 Ramps Time Period: **Weekend MD**

Future Link Inputs				Existing Counts		Turn Move Inputs			
	North					51	63	0	
	126	151				SR	ST	SL	
191			46		0	EL		WR	37
0			0		0	ET		WT	4
	78	256			0	ER		WL	5
				Average		NL	NT	NR	
In - Out	428	420	424			98	104	0	

Average In-out volumes

Link Inputs

North			
	125	152	
193			46
0			0
	79	254	
In - Out	424	424	0

1	To N	To S	To E	To W	RowTt	Target	2	To N	To S	To E	To W
	From N	0	63	0	51	114	125	0	69	0	56
	From S	104	0	0	98	202	254	131	0	0	123
	From E	37	5	0	4	46	46	37	5	0	4
	From W	0	0	0	0	0	0	0	0	0	0
	To N	To S	To E	To W			ColTot	167	74	0	183
							Target	152	79	0	193
2	To N	To S	To E	To W	RowTt	Target		To N	To S	To E	To W
	From N	0	73	0	59	132	125	0	69	0	56
	From S	119	0	0	130	249	254	121	0	0	132
	From E	33	5	0	4	43	46	36	6	0	4
	From W	0	0	0	0	0	0	0	0	0	0
	To N	To S	To E	To W			ColTot	157	75	0	192
							Target	152	79	0	193
3	To N	To S	To E	To W	RowTt	Target		To N	To S	To E	To W
	From N	0	73	0	56	129	125	0	71	0	54
	From S	118	0	0	133	251	254	119	0	0	134
	From E	35	6	0	4	45	46	35	6	0	5
	From W	0	0	0	0	0	0	0	0	0	0
	To N	To S	To E	To W			ColTot	154	77	0	193
							Target	152	79	0	193
4	To N	To S	To E	To W	RowTt	Target		To N	To S	To E	To W
	From N	0	73	0	54	127	125	0	72	0	53
	From S	118	0	0	134	252	254	119	0	0	135
	From E	35	6	0	5	45	46	35	6	0	5
	From W	0	0	0	0	0	0	0	0	0	0
	To N	To S	To E	To W			ColTot	153	78	0	193
							Target	152	79	0	193

Turn Movement Forecast: Row-Column-Sum Method

Street Alignment:
Intersection:

North/South
Broadway St at East/West
WB I-40 Ramps

Scenario: **Future (2040) With Project**
Time Period: **Weekend MD**

5		To N	To S	To E	To W	RowTt	Target		To N	To S	To E	To W
	From N	0	72	0	53	126	125		0	72	0	53
	From S	118	0	0	135	253	254		118	0	0	135
	From E	35	6	0	5	45	46		35	6	0	5
	From W	0	0	0	0	0	0		0	0	0	0
		To N	To S	To E	To W			ColTot	153	78	0	193
								Target	152	79	0	193
6		To N	To S	To E	To W	RowTt	Target		To N	To S	To E	To W
	From N	0	72	0	53	125	125		0	72	0	53
	From S	118	0	0	135	253	254		118	0	0	136
	From E	35	6	0	5	46	46		35	6	0	5
	From W	0	0	0	0	0	0		0	0	0	0
		To N	To S	To E	To W			ColTot	153	78	0	193
								Target	152	79	0	193
7		To N	To S	To E	To W	RowTt	Target		To N	To S	To E	To W
	From N	0	72	0	53	125	125		0	72	0	53
	From S	118	0	0	136	253	254		118	0	0	136
	From E	35	6	0	5	46	46		35	6	0	5
	From W	0	0	0	0	0	0		0	0	0	0
		To N	To S	To E	To W			ColTot	153	79	0	193
								Target	152	79	0	193
8		To N	To S	To E	To W	RowTt	Target		To N	To S	To E	To W
	From N	0	72	0	53	125	125		0	72	0	53
	From S	118	0	0	136	254	254		118	0	0	136
	From E	35	6	0	5	46	46		35	6	0	5
	From W	0	0	0	0	0	0		0	0	0	0
		To N	To S	To E	To W			ColTot	152	79	0	193
								Target	152	79	0	193
9		To N	To S	To E	To W	RowTt	Target		To N	To S	To E	To W
	From N	0	72	0	53	125	125		0	72	0	52
	From S	118	0	0	136	254	254		118	0	0	136
	From E	35	6	0	5	46	46		35	6	0	5
	From W	0	0	0	0	0	0		0	0	0	0
		To N	To S	To E	To W			ColTot	152	79	0	193
								Target	152	79	0	193
10		To N	To S	To E	To W	RowTt	Target		To N	To S	To E	To W
	From N	0	72	0	52	125	125		0	72	0	52
	From S	118	0	0	136	254	254		118	0	0	136
	From E	35	6	0	5	46	46		35	6	0	5
	From W	0	0	0	0	0	0		0	0	0	0
		To N	To S	To E	To W			ColTot	152	79	0	193
								Target	152	79	0	193
11		To N	To S	To E	To W	RowTt	Target		To N	To S	To E	To W
	From N	0	72	0	52	125	125		0	72	0	52
	From S	118	0	0	136	254	254		118	0	0	136
	From E	35	6	0	5	46	46		35	6	0	5
	From W	0	0	0	0	0	0		0	0	0	0
		To N	To S	To E	To W			ColTot	152	79	0	193
								Target	152	79	0	193

Turn Movement Forecast: Row-Column-Sum Method

Street Alignment:
Intersection:

North/South
Broadway St at East/West
WB I-40 Ramps

Scenario: **Future (2040) With Project**
Time Period: **Weekend MD**

12		To N	To S	To E	To W	RowTt	Target		To N	To S	To E	To W
	From N	0	72	0	52	125	125		0	72	0	52
	From S	118	0	0	136	254	254		118	0	0	136
	From E	35	6	0	5	46	46		35	6	0	5
	From W	0	0	0	0	0	0		0	0	0	0
		To N	To S	To E	To W			ColTot	152	79	0	193
								Target	152	79	0	193
13		To N	To S	To E	To W	RowTt	Target		To N	To S	To E	To W
	From N	0	72	0	52	125	125		0	72	0	52
	From S	118	0	0	136	254	254		118	0	0	136
	From E	35	6	0	5	46	46		35	6	0	5
	From W	0	0	0	0	0	0		0	0	0	0
		To N	To S	To E	To W			ColTot	152	79	0	193
								Target	152	79	0	193
14		To N	To S	To E	To W	RowTt	Target		To N	To S	To E	To W
	From N	0	72	0	52	125	125		0	72	0	52
	From S	118	0	0	136	254	254		118	0	0	136
	From E	35	6	0	5	46	46		35	6	0	5
	From W	0	0	0	0	0	0		0	0	0	0
		To N	To S	To E	To W			ColTot	152	79	0	193
								Target	152	79	0	193
15		To N	To S	To E	To W	RowTt	Target		To N	To S	To E	To W
	From N	0	72	0	52	125	125		0	72	0	52
	From S	118	0	0	136	254	254		118	0	0	136
	From E	35	6	0	5	46	46		35	6	0	5
	From W	0	0	0	0	0	0		0	0	0	0
		To N	To S	To E	To W			ColTot	152	79	0	193
								Target	152	79	0	193
16		To N	To S	To E	To W	RowTt	Target		To N	To S	To E	To W
	From N	0	72	0	52	125	125		0	72	0	52
	From S	118	0	0	136	254	254		118	0	0	136
	From E	35	6	0	5	46	46		35	6	0	5
	From W	0	0	0	0	0	0		0	0	0	0
		To N	To S	To E	To W			ColTot	152	79	0	193
								Target	152	79	0	193
17		To N	To S	To E	To W	RowTt	Target		To N	To S	To E	To W
	From N	0	72	0	52	125	125		0	72	0	52
	From S	118	0	0	136	254	254		118	0	0	136
	From E	35	6	0	5	46	46		35	6	0	5
	From W	0	0	0	0	0	0		0	0	0	0
		To N	To S	To E	To W			ColTot	152	79	0	193
								Target	152	79	0	193
18		To N	To S	To E	To W	RowTt	Target		To N	To S	To E	To W
	From N	0	72	0	52	125	125		0	72	0	52
	From S	118	0	0	136	254	254		118	0	0	136
	From E	35	6	0	5	46	46		35	6	0	5
	From W	0	0	0	0	0	0		0	0	0	0
		To N	To S	To E	To W			ColTot	152	79	0	193
								Target	152	79	0	193

Turn Movement Forecast: Row-Column-Sum Method

Street Alignment: North/South East/West Scenario: **Future (2040) With Project**
 Intersection: Broadway St at WB I-40 Ramps Time Period: **Weekend MD**

19		To N	To S	To E	To W	RowTt	Target		To N	To S	To E	To W	
	From N	0	72	0	52	125	125		0	72	0	52	
	From S	118	0	0	136	254	254		118	0	0	136	
	From E	35	6	0	5	46	46		35	6	0	5	
	From W	0	0	0	0	0	0		0	0	0	0	
		To N	To S	To E	To W			ColTot	152	79	0	193	
								Target	152	79	0	193	
20		To N	To S	To E	To W	RowTt	Target		To N	To S	To E	To W	
	From N	0	72	0	52	125	125		0	72	0	52	1.000
	From S	118	0	0	136	254	254		118	0	0	136	1.000
	From E	35	6	0	5	46	46		35	6	0	5	1.000
	From W	0	0	0	0	0	0		0	0	0	0	0.000
		To N	To S	To E	To W			ColTot	152	79	0	193	
								Target	152	79	0	193	
								Pct	1.000	1.000	0.000	1.000	

Turn Movements and Traffic Volumes												
Year	NL	NT	NR	SL	ST	SR	EL	ET	ER	WL	WT	WR
Existing	98	104			63	51				5	4	37
2040	136	118	0	0	72	52	0	0	0	6	5	35
max(existing, 2040)	136	118	0	0	72	52	0	0	0	6	5	37
rounded to nearest 10	140	120	0	0	80	60	0	0	0	10	10	40

Future Link outputs			
	North		
	140	160	
210			60
0			0
	90	260	
In - Out	460	460	Diff 0

Future volume	Turn Move Inputs		
	60	80	0
	SR	ST	SL
0	EL		WR
0	ET		WT
0	ER		WL
	NL	NT	NR
	140	120	0

Turn Movement Forecast: Row-Column-Sum Method

Street Alignment: North/South at East/West Scenario: **Future (2040) With Project**
 Intersection: Broadway St at Goodwill Dr Time Period: **Weekday AM**

Future Link Inputs				Existing Counts		Turn Move Inputs			
	North								
	54	71				3	48	0	
7			1			SR	ST	SL	
7			0		5			WR	0
	54	70			0			WT	0
				Average	2			WL	1
						NL	NT	NR	
In - Out	132	132	132			4	58	0	

Average In-out volumes

Link Inputs			
	North		
	54	71	
7			1
7			0
	54	70	
In - Out	132	132	0

1		To N	To S	To E	To W	RowTt	Target	2	To N	To S	To E	To W
	From N	0	48	0	3	51	54		0	51	0	3
	From S	58	0	0	4	62	70		65	0	0	5
	From E	0	1	0	0	1	1		0	1	0	0
	From W	5	2	0	0	7	7		5	2	0	0
		To N	To S	To E	To W			ColTot	70	54	0	8
								Target	71	54	0	7
2		To N	To S	To E	To W	RowTt	Target		To N	To S	To E	To W
	From N	0	51	0	3	54	54		0	51	0	3
	From S	66	0	0	4	70	70		66	0	0	4
	From E	0	1	0	0	1	1		0	1	0	0
	From W	5	2	0	0	7	7		5	2	0	0
		To N	To S	To E	To W			ColTot	71	54	0	7
								Target	71	54	0	7
3		To N	To S	To E	To W	RowTt	Target		To N	To S	To E	To W
	From N	0	51	0	3	54	54		0	51	0	3
	From S	66	0	0	4	70	70		66	0	0	4
	From E	0	1	0	0	1	1		0	1	0	0
	From W	5	2	0	0	7	7		5	2	0	0
		To N	To S	To E	To W			ColTot	71	54	0	7
								Target	71	54	0	7
4		To N	To S	To E	To W	RowTt	Target		To N	To S	To E	To W
	From N	0	51	0	3	54	54		0	51	0	3
	From S	66	0	0	4	70	70		66	0	0	4
	From E	0	1	0	0	1	1		0	1	0	0
	From W	5	2	0	0	7	7		5	2	0	0
		To N	To S	To E	To W			ColTot	71	54	0	7
								Target	71	54	0	7

Turn Movement Forecast: Row-Column-Sum Method

Street Alignment:
Intersection:

North/South
Broadway St at East/West
Goodwill Dr

Scenario: **Future (2040) With Project**
Time Period: **Weekday AM**

5		To N	To S	To E	To W	RowTt	Target		To N	To S	To E	To W
	From N	0	51	0	3	54	54		0	51	0	3
	From S	66	0	0	4	70	70		66	0	0	4
	From E	0	1	0	0	1	1		0	1	0	0
	From W	5	2	0	0	7	7		5	2	0	0
		To N	To S	To E	To W			ColTot	71	54	0	7
								Target	71	54	0	7
6		To N	To S	To E	To W	RowTt	Target		To N	To S	To E	To W
	From N	0	51	0	3	54	54		0	51	0	3
	From S	66	0	0	4	70	70		66	0	0	4
	From E	0	1	0	0	1	1		0	1	0	0
	From W	5	2	0	0	7	7		5	2	0	0
		To N	To S	To E	To W			ColTot	71	54	0	7
								Target	71	54	0	7
7		To N	To S	To E	To W	RowTt	Target		To N	To S	To E	To W
	From N	0	51	0	3	54	54		0	51	0	3
	From S	66	0	0	4	70	70		66	0	0	4
	From E	0	1	0	0	1	1		0	1	0	0
	From W	5	2	0	0	7	7		5	2	0	0
		To N	To S	To E	To W			ColTot	71	54	0	7
								Target	71	54	0	7
8		To N	To S	To E	To W	RowTt	Target		To N	To S	To E	To W
	From N	0	51	0	3	54	54		0	51	0	3
	From S	66	0	0	4	70	70		66	0	0	4
	From E	0	1	0	0	1	1		0	1	0	0
	From W	5	2	0	0	7	7		5	2	0	0
		To N	To S	To E	To W			ColTot	71	54	0	7
								Target	71	54	0	7
9		To N	To S	To E	To W	RowTt	Target		To N	To S	To E	To W
	From N	0	51	0	3	54	54		0	51	0	3
	From S	66	0	0	4	70	70		66	0	0	4
	From E	0	1	0	0	1	1		0	1	0	0
	From W	5	2	0	0	7	7		5	2	0	0
		To N	To S	To E	To W			ColTot	71	54	0	7
								Target	71	54	0	7
10		To N	To S	To E	To W	RowTt	Target		To N	To S	To E	To W
	From N	0	51	0	3	54	54		0	51	0	3
	From S	66	0	0	4	70	70		66	0	0	4
	From E	0	1	0	0	1	1		0	1	0	0
	From W	5	2	0	0	7	7		5	2	0	0
		To N	To S	To E	To W			ColTot	71	54	0	7
								Target	71	54	0	7
11		To N	To S	To E	To W	RowTt	Target		To N	To S	To E	To W
	From N	0	51	0	3	54	54		0	51	0	3
	From S	66	0	0	4	70	70		66	0	0	4
	From E	0	1	0	0	1	1		0	1	0	0
	From W	5	2	0	0	7	7		5	2	0	0
		To N	To S	To E	To W			ColTot	71	54	0	7
								Target	71	54	0	7

Turn Movement Forecast: Row-Column-Sum Method

Street Alignment: North/South East/West
 Intersection: Broadway St at Goodwill Dr

Scenario: **Future (2040) With Project**
 Time Period: **Weekday AM**

12		To N	To S	To E	To W	RowTt	Target		To N	To S	To E	To W
	From N	0	51	0	3	54	54		0	51	0	3
	From S	66	0	0	4	70	70		66	0	0	4
	From E	0	1	0	0	1	1		0	1	0	0
	From W	5	2	0	0	7	7		5	2	0	0
		To N	To S	To E	To W			ColTot	71	54	0	7
								Target	71	54	0	7
13		To N	To S	To E	To W	RowTt	Target		To N	To S	To E	To W
	From N	0	51	0	3	54	54		0	51	0	3
	From S	66	0	0	4	70	70		66	0	0	4
	From E	0	1	0	0	1	1		0	1	0	0
	From W	5	2	0	0	7	7		5	2	0	0
		To N	To S	To E	To W			ColTot	71	54	0	7
								Target	71	54	0	7
14		To N	To S	To E	To W	RowTt	Target		To N	To S	To E	To W
	From N	0	51	0	3	54	54		0	51	0	3
	From S	66	0	0	4	70	70		66	0	0	4
	From E	0	1	0	0	1	1		0	1	0	0
	From W	5	2	0	0	7	7		5	2	0	0
		To N	To S	To E	To W			ColTot	71	54	0	7
								Target	71	54	0	7
15		To N	To S	To E	To W	RowTt	Target		To N	To S	To E	To W
	From N	0	51	0	3	54	54		0	51	0	3
	From S	66	0	0	4	70	70		66	0	0	4
	From E	0	1	0	0	1	1		0	1	0	0
	From W	5	2	0	0	7	7		5	2	0	0
		To N	To S	To E	To W			ColTot	71	54	0	7
								Target	71	54	0	7
16		To N	To S	To E	To W	RowTt	Target		To N	To S	To E	To W
	From N	0	51	0	3	54	54		0	51	0	3
	From S	66	0	0	4	70	70		66	0	0	4
	From E	0	1	0	0	1	1		0	1	0	0
	From W	5	2	0	0	7	7		5	2	0	0
		To N	To S	To E	To W			ColTot	71	54	0	7
								Target	71	54	0	7
17		To N	To S	To E	To W	RowTt	Target		To N	To S	To E	To W
	From N	0	51	0	3	54	54		0	51	0	3
	From S	66	0	0	4	70	70		66	0	0	4
	From E	0	1	0	0	1	1		0	1	0	0
	From W	5	2	0	0	7	7		5	2	0	0
		To N	To S	To E	To W			ColTot	71	54	0	7
								Target	71	54	0	7
18		To N	To S	To E	To W	RowTt	Target		To N	To S	To E	To W
	From N	0	51	0	3	54	54		0	51	0	3
	From S	66	0	0	4	70	70		66	0	0	4
	From E	0	1	0	0	1	1		0	1	0	0
	From W	5	2	0	0	7	7		5	2	0	0
		To N	To S	To E	To W			ColTot	71	54	0	7
								Target	71	54	0	7

Turn Movement Forecast: Row-Column-Sum Method

Street Alignment: North/South East/West Scenario: **Future (2040) With Project**
 Intersection: Broadway St at Goodwill Dr Time Period: **Weekday AM**

19		To N	To S	To E	To W	RowTt	Target		To N	To S	To E	To W	
	From N	0	51	0	3	54	54		0	51	0	3	
	From S	66	0	0	4	70	70		66	0	0	4	
	From E	0	1	0	0	1	1		0	1	0	0	
	From W	5	2	0	0	7	7		5	2	0	0	
		To N	To S	To E	To W			ColTot	71	54	0	7	
								Target	71	54	0	7	
20		To N	To S	To E	To W	RowTt	Target		To N	To S	To E	To W	
	From N	0	51	0	3	54	54		0	51	0	3	1.000
	From S	66	0	0	4	70	70		66	0	0	4	1.000
	From E	0	1	0	0	1	1		0	1	0	0	1.000
	From W	5	2	0	0	7	7		5	2	0	0	1.000
		To N	To S	To E	To W			ColTot	71	54	0	7	
								Target	71	54	0	7	
								Pct	1.000	1.000	0.000	1.000	

Turn Movements and Traffic Volumes												
Year	<u>NL</u>	<u>NT</u>	<u>NR</u>	<u>SL</u>	<u>ST</u>	<u>SR</u>	<u>EL</u>	<u>ET</u>	<u>ER</u>	<u>WL</u>	<u>WT</u>	<u>WR</u>
Existing	4	58	0	0	48	3	5	0	2	1	0	0
2040	4	66	0	0	51	3	5	0	2	1	0	0
max(existing, 2040)	4	66	0	0	51	3	5	0	2	1	0	0
rounded to nearest 10	10	70	0	0	60	10	10	0	10	10	0	0

Future Link outputs			
	North		
	70	80	
20			10
20			0
	80	80	
In - Out	180	180	Diff 0

Future volume	Turn Move Inputs		
10	SR	ST	SL
10	EL		WR
0	ET		WT
10	ER		WL
10	NL	NT	NR
		70	0

Turn Movement Forecast: Row-Column-Sum Method

Street Alignment: North/South at East/West Scenario: **Future (2040) With Project**
 Intersection: Broadway St at Goodwill Dr Time Period: **Weekday PM**

Future Link Inputs				Existing Counts		Turn Move Inputs		
	North							
	75	91				2	63	0
5			0			SR	ST	SL
3			1	0		EL		WR
	76	95		0		ET		WT
				3		ER		WL
			Average			NL	NT	NR
In - Out	173	173	173			3	83	1

Average In-out volumes

Link Inputs			
	North		
	75	91	
5			0
3			1
	76	95	
In - Out	173	173	0

1		To N	To S	To E	To W	RowTt	Target	2	To N	To S	To E	To W
	From N	0	63	0	2	65	75		0	73	0	2
	From S	83	0	1	3	87	95		91	0	1	3
	From E	0	0	0	0	0	0		0	0	0	0
	From W	0	3	0	0	3	3		0	3	0	0
		To N	To S	To E	To W			ColTot	91	76	1	6
								Target	91	76	1	5
2		To N	To S	To E	To W	RowTt	Target		To N	To S	To E	To W
	From N	0	73	0	2	75	75		0	73	0	2
	From S	91	0	1	3	95	95		91	0	1	3
	From E	0	0	0	0	0	0		0	0	0	0
	From W	0	3	0	0	3	3		0	3	0	0
		To N	To S	To E	To W			ColTot	91	76	1	5
								Target	91	76	1	5
3		To N	To S	To E	To W	RowTt	Target		To N	To S	To E	To W
	From N	0	73	0	2	75	75		0	73	0	2
	From S	91	0	1	3	95	95		91	0	1	3
	From E	0	0	0	0	0	0		0	0	0	0
	From W	0	3	0	0	3	3		0	3	0	0
		To N	To S	To E	To W			ColTot	91	76	1	5
								Target	91	76	1	5
4		To N	To S	To E	To W	RowTt	Target		To N	To S	To E	To W
	From N	0	73	0	2	75	75		0	73	0	2
	From S	91	0	1	3	95	95		91	0	1	3
	From E	0	0	0	0	0	0		0	0	0	0
	From W	0	3	0	0	3	3		0	3	0	0
		To N	To S	To E	To W			ColTot	91	76	1	5
								Target	91	76	1	5

Turn Movement Forecast: Row-Column-Sum Method

Street Alignment:
Intersection:

North/South
Broadway St at East/West
Goodwill Dr

Scenario: **Future (2040) With Project**
Time Period: **Weekday PM**

5		To N	To S	To E	To W	RowTt	Target		To N	To S	To E	To W
	From N	0	73	0	2	75	75		0	73	0	2
	From S	91	0	1	3	95	95		91	0	1	3
	From E	0	0	0	0	0	0		0	0	0	0
	From W	0	3	0	0	3	3		0	3	0	0
		To N	To S	To E	To W			ColTot	91	76	1	5
								Target	91	76	1	5
6		To N	To S	To E	To W	RowTt	Target		To N	To S	To E	To W
	From N	0	73	0	2	75	75		0	73	0	2
	From S	91	0	1	3	95	95		91	0	1	3
	From E	0	0	0	0	0	0		0	0	0	0
	From W	0	3	0	0	3	3		0	3	0	0
		To N	To S	To E	To W			ColTot	91	76	1	5
								Target	91	76	1	5
7		To N	To S	To E	To W	RowTt	Target		To N	To S	To E	To W
	From N	0	73	0	2	75	75		0	73	0	2
	From S	91	0	1	3	95	95		91	0	1	3
	From E	0	0	0	0	0	0		0	0	0	0
	From W	0	3	0	0	3	3		0	3	0	0
		To N	To S	To E	To W			ColTot	91	76	1	5
								Target	91	76	1	5
8		To N	To S	To E	To W	RowTt	Target		To N	To S	To E	To W
	From N	0	73	0	2	75	75		0	73	0	2
	From S	91	0	1	3	95	95		91	0	1	3
	From E	0	0	0	0	0	0		0	0	0	0
	From W	0	3	0	0	3	3		0	3	0	0
		To N	To S	To E	To W			ColTot	91	76	1	5
								Target	91	76	1	5
9		To N	To S	To E	To W	RowTt	Target		To N	To S	To E	To W
	From N	0	73	0	2	75	75		0	73	0	2
	From S	91	0	1	3	95	95		91	0	1	3
	From E	0	0	0	0	0	0		0	0	0	0
	From W	0	3	0	0	3	3		0	3	0	0
		To N	To S	To E	To W			ColTot	91	76	1	5
								Target	91	76	1	5
10		To N	To S	To E	To W	RowTt	Target		To N	To S	To E	To W
	From N	0	73	0	2	75	75		0	73	0	2
	From S	91	0	1	3	95	95		91	0	1	3
	From E	0	0	0	0	0	0		0	0	0	0
	From W	0	3	0	0	3	3		0	3	0	0
		To N	To S	To E	To W			ColTot	91	76	1	5
								Target	91	76	1	5
11		To N	To S	To E	To W	RowTt	Target		To N	To S	To E	To W
	From N	0	73	0	2	75	75		0	73	0	2
	From S	91	0	1	3	95	95		91	0	1	3
	From E	0	0	0	0	0	0		0	0	0	0
	From W	0	3	0	0	3	3		0	3	0	0
		To N	To S	To E	To W			ColTot	91	76	1	5
								Target	91	76	1	5

Turn Movement Forecast: Row-Column-Sum Method

Street Alignment: North/South at East/West
 Intersection: Broadway St at Goodwill Dr

Scenario: **Future (2040) With Project**
 Time Period: **Weekday PM**

12		To N	To S	To E	To W	RowTt	Target		To N	To S	To E	To W
	From N	0	73	0	2	75	75		0	73	0	2
	From S	91	0	1	3	95	95		91	0	1	3
	From E	0	0	0	0	0	0		0	0	0	0
	From W	0	3	0	0	3	3		0	3	0	0
		To N	To S	To E	To W			ColTot	91	76	1	5
								Target	91	76	1	5
13		To N	To S	To E	To W	RowTt	Target		To N	To S	To E	To W
	From N	0	73	0	2	75	75		0	73	0	2
	From S	91	0	1	3	95	95		91	0	1	3
	From E	0	0	0	0	0	0		0	0	0	0
	From W	0	3	0	0	3	3		0	3	0	0
		To N	To S	To E	To W			ColTot	91	76	1	5
								Target	91	76	1	5
14		To N	To S	To E	To W	RowTt	Target		To N	To S	To E	To W
	From N	0	73	0	2	75	75		0	73	0	2
	From S	91	0	1	3	95	95		91	0	1	3
	From E	0	0	0	0	0	0		0	0	0	0
	From W	0	3	0	0	3	3		0	3	0	0
		To N	To S	To E	To W			ColTot	91	76	1	5
								Target	91	76	1	5
15		To N	To S	To E	To W	RowTt	Target		To N	To S	To E	To W
	From N	0	73	0	2	75	75		0	73	0	2
	From S	91	0	1	3	95	95		91	0	1	3
	From E	0	0	0	0	0	0		0	0	0	0
	From W	0	3	0	0	3	3		0	3	0	0
		To N	To S	To E	To W			ColTot	91	76	1	5
								Target	91	76	1	5
16		To N	To S	To E	To W	RowTt	Target		To N	To S	To E	To W
	From N	0	73	0	2	75	75		0	73	0	2
	From S	91	0	1	3	95	95		91	0	1	3
	From E	0	0	0	0	0	0		0	0	0	0
	From W	0	3	0	0	3	3		0	3	0	0
		To N	To S	To E	To W			ColTot	91	76	1	5
								Target	91	76	1	5
17		To N	To S	To E	To W	RowTt	Target		To N	To S	To E	To W
	From N	0	73	0	2	75	75		0	73	0	2
	From S	91	0	1	3	95	95		91	0	1	3
	From E	0	0	0	0	0	0		0	0	0	0
	From W	0	3	0	0	3	3		0	3	0	0
		To N	To S	To E	To W			ColTot	91	76	1	5
								Target	91	76	1	5
18		To N	To S	To E	To W	RowTt	Target		To N	To S	To E	To W
	From N	0	73	0	2	75	75		0	73	0	2
	From S	91	0	1	3	95	95		91	0	1	3
	From E	0	0	0	0	0	0		0	0	0	0
	From W	0	3	0	0	3	3		0	3	0	0
		To N	To S	To E	To W			ColTot	91	76	1	5
								Target	91	76	1	5

Turn Movement Forecast: Row-Column-Sum Method

Street Alignment: North/South at East/West
 Intersection: Broadway St at Goodwill Dr

Scenario: Future (2040) With Project
 Time Period: Weekday PM

19		To N	To S	To E	To W	RowTt	Target		To N	To S	To E	To W	
	From N	0	73	0	2	75	75		0	73	0	2	
	From S	91	0	1	3	95	95		91	0	1	3	
	From E	0	0	0	0	0	0		0	0	0	0	
	From W	0	3	0	0	3	3		0	3	0	0	
		To N	To S	To E	To W			ColTot	91	76	1	5	
								Target	91	76	1	5	
20		To N	To S	To E	To W	RowTt	Target		To N	To S	To E	To W	
	From N	0	73	0	2	75	75		0	73	0	2	1.001
	From S	91	0	1	3	95	95		91	0	1	3	1.000
	From E	0	0	0	0	0	0		0	0	0	0	0.000
	From W	0	3	0	0	3	3		0	3	0	0	1.001
		To N	To S	To E	To W			ColTot	91	76	1	5	
								Target	91	76	1	5	
								Pct	1.000	0.999	1.000	1.000	

Turn Movements and Traffic Volumes

Year	<u>NL</u>	<u>NT</u>	<u>NR</u>	<u>SL</u>	<u>ST</u>	<u>SR</u>	<u>EL</u>	<u>ET</u>	<u>ER</u>	<u>WL</u>	<u>WT</u>	<u>WR</u>
Existing	3	83	1		63	2			3			
2040	3	91	1	0	73	2	0	0	3	0	0	0
max(existing, 2040)	3	91	1	0	73	2	0	0	3	0	0	0
rounded to nearest 10	10	100	10	0	80	10	0	0	10	0	0	0

Future Link outputs

	North		
	90	100	
20			0
10			10
	90	120	
In - Out	220	220	Diff 0

Future volume

	10	80	0
	SR	ST	SL
0	EL		WR
0	ET		WT
10	ER		WL
	NL	NT	NR
	10	100	10

Turn Movement Forecast: Row-Column-Sum Method

Street Alignment: North/South East/West Scenario: **Future (2040) With Project**
 Intersection: Broadway St at Goodwill Dr Time Period: **Weekend MD**

Future Link Inputs				Existing Counts		Turn Move Inputs			
	North								
	86	95				2	72	1	
5			12			SR	ST	SL	
4			3		1			WR	1
	99	98			0			WT	0
			Average		3			WL	11
						NL	NT	NR	
In - Out	200	202	201			3	85	2	

Average In-out volumes

Link Inputs

North			
	86	95	
5			12
4			3
	99	98	
In - Out	201	201	0

1		To N	To S	To E	To W	RowTt	Target	2	To N	To S	To E	To W
	From N	0	72	1	2	75	86		0	83	1	2
	From S	85	0	2	3	90	98		93	0	2	3
	From E	1	11	0	0	12	12		1	11	0	0
	From W	1	3	0	0	4	4		1	3	0	0
		To N	To S	To E	To W			ColTot	95	97	3	6
								Target	95	99	3	5
2		To N	To S	To E	To W	RowTt	Target		To N	To S	To E	To W
	From N	0	84	1	2	87	86		0	83	1	2
	From S	93	0	2	3	97	98		94	0	2	3
	From E	1	11	0	0	12	12		1	11	0	0
	From W	1	3	0	0	4	4		1	3	0	0
		To N	To S	To E	To W			ColTot	96	97	3	5
								Target	95	99	3	5
3		To N	To S	To E	To W	RowTt	Target		To N	To S	To E	To W
	From N	0	84	1	2	87	86		0	83	1	2
	From S	93	0	2	3	97	98		94	0	2	3
	From E	1	11	0	0	12	12		1	11	0	0
	From W	1	3	0	0	4	4		1	3	0	0
		To N	To S	To E	To W			ColTot	95	98	3	5
								Target	95	99	3	5
4		To N	To S	To E	To W	RowTt	Target		To N	To S	To E	To W
	From N	0	84	1	2	87	86		0	83	1	2
	From S	93	0	2	3	98	98		93	0	2	3
	From E	1	11	0	0	12	12		1	11	0	0
	From W	1	3	0	0	4	4		1	3	0	0
		To N	To S	To E	To W			ColTot	95	98	3	5
								Target	95	99	3	5

Turn Movement Forecast: Row-Column-Sum Method

Street Alignment: North/South East/West
 Intersection: Broadway St at Goodwill Dr

Scenario: **Future (2040) With Project**
 Time Period: **Weekend MD**

5		To N	To S	To E	To W	RowTt	Target		To N	To S	To E	To W
	From N	0	84	1	2	87	86		0	83	1	2
	From S	93	0	2	3	98	98		93	0	2	3
	From E	1	11	0	0	12	12		1	11	0	0
	From W	1	3	0	0	4	4		1	3	0	0
		To N	To S	To E	To W				ColTot	95	98	3
								Target	95	99	3	5
6		To N	To S	To E	To W	RowTt	Target		To N	To S	To E	To W
	From N	0	84	1	2	87	86		0	84	1	2
	From S	93	0	2	3	98	98		93	0	2	3
	From E	1	11	0	0	12	12		1	11	0	0
	From W	1	3	0	0	4	4		1	3	0	0
		To N	To S	To E	To W				ColTot	95	98	3
								Target	95	99	3	5
7		To N	To S	To E	To W	RowTt	Target		To N	To S	To E	To W
	From N	0	84	1	2	87	86		0	84	1	2
	From S	93	0	2	3	98	98		93	0	2	3
	From E	1	11	0	0	12	12		1	11	0	0
	From W	1	3	0	0	4	4		1	3	0	0
		To N	To S	To E	To W				ColTot	95	98	3
								Target	95	99	3	5
8		To N	To S	To E	To W	RowTt	Target		To N	To S	To E	To W
	From N	0	84	1	2	87	86		0	84	1	2
	From S	93	0	2	3	98	98		93	0	2	3
	From E	1	11	0	0	12	12		1	11	0	0
	From W	1	3	0	0	4	4		1	3	0	0
		To N	To S	To E	To W				ColTot	95	98	3
								Target	95	99	3	5
9		To N	To S	To E	To W	RowTt	Target		To N	To S	To E	To W
	From N	0	84	1	2	87	86		0	84	1	2
	From S	93	0	2	3	98	98		93	0	2	3
	From E	1	11	0	0	12	12		1	11	0	0
	From W	1	3	0	0	4	4		1	3	0	0
		To N	To S	To E	To W				ColTot	95	98	3
								Target	95	99	3	5
10		To N	To S	To E	To W	RowTt	Target		To N	To S	To E	To W
	From N	0	84	1	2	87	86		0	84	1	2
	From S	93	0	2	3	98	98		93	0	2	3
	From E	1	11	0	0	12	12		1	11	0	0
	From W	1	3	0	0	4	4		1	3	0	0
		To N	To S	To E	To W				ColTot	95	98	3
								Target	95	99	3	5
11		To N	To S	To E	To W	RowTt	Target		To N	To S	To E	To W
	From N	0	84	1	2	87	86		0	84	1	2
	From S	93	0	2	3	98	98		93	0	2	3
	From E	1	11	0	0	12	12		1	11	0	0
	From W	1	3	0	0	4	4		1	3	0	0
		To N	To S	To E	To W				ColTot	95	98	3
								Target	95	99	3	5

Turn Movement Forecast: Row-Column-Sum Method

Street Alignment: North/South at East/West
 Intersection: Broadway St at Goodwill Dr

Scenario: **Future (2040) With Project**
 Time Period: **Weekend MD**

12		To N	To S	To E	To W	RowTt	Target		To N	To S	To E	To W	
	From N	0	84	1	2	87	86		0	84	1	2	
	From S	93	0	2	3	98	98		93	0	2	3	
	From E	1	11	0	0	12	12		1	11	0	0	
	From W	1	3	0	0	4	4		1	3	0	0	
		To N	To S	To E	To W				ColTot	95	98	3	5
									Target	95	99	3	5
13		To N	To S	To E	To W	RowTt	Target		To N	To S	To E	To W	
	From N	0	84	1	2	87	86		0	84	1	2	
	From S	93	0	2	3	98	98		93	0	2	3	
	From E	1	11	0	0	12	12		1	11	0	0	
	From W	1	3	0	0	4	4		1	3	0	0	
		To N	To S	To E	To W				ColTot	95	98	3	5
									Target	95	99	3	5
14		To N	To S	To E	To W	RowTt	Target		To N	To S	To E	To W	
	From N	0	84	1	2	87	86		0	84	1	2	
	From S	93	0	2	3	98	98		93	0	2	3	
	From E	1	11	0	0	12	12		1	11	0	0	
	From W	1	3	0	0	4	4		1	3	0	0	
		To N	To S	To E	To W				ColTot	95	98	3	5
									Target	95	99	3	5
15		To N	To S	To E	To W	RowTt	Target		To N	To S	To E	To W	
	From N	0	84	1	2	87	86		0	84	1	2	
	From S	93	0	2	3	98	98		93	0	2	3	
	From E	1	11	0	0	12	12		1	11	0	0	
	From W	1	3	0	0	4	4		1	3	0	0	
		To N	To S	To E	To W				ColTot	95	98	3	5
									Target	95	99	3	5
16		To N	To S	To E	To W	RowTt	Target		To N	To S	To E	To W	
	From N	0	84	1	2	87	86		0	84	1	2	
	From S	93	0	2	3	98	98		93	0	2	3	
	From E	1	11	0	0	12	12		1	11	0	0	
	From W	1	3	0	0	4	4		1	3	0	0	
		To N	To S	To E	To W				ColTot	95	98	3	5
									Target	95	99	3	5
17		To N	To S	To E	To W	RowTt	Target		To N	To S	To E	To W	
	From N	0	84	1	2	87	86		0	84	1	2	
	From S	93	0	2	3	98	98		93	0	2	3	
	From E	1	11	0	0	12	12		1	11	0	0	
	From W	1	3	0	0	4	4		1	3	0	0	
		To N	To S	To E	To W				ColTot	95	98	3	5
									Target	95	99	3	5
18		To N	To S	To E	To W	RowTt	Target		To N	To S	To E	To W	
	From N	0	84	1	2	87	86		0	84	1	2	
	From S	93	0	2	3	98	98		93	0	2	3	
	From E	1	11	0	0	12	12		1	11	0	0	
	From W	1	3	0	0	4	4		1	3	0	0	
		To N	To S	To E	To W				ColTot	95	98	3	5
									Target	95	99	3	5

Turn Movement Forecast: Row-Column-Sum Method

Street Alignment: North/South at East/West
 Intersection: Broadway St at Goodwill Dr

Scenario: Future (2040) With Project
 Time Period: Weekend MD

19		To N	To S	To E	To W	RowTt	Target		To N	To S	To E	To W	
	From N	0	84	1	2	87	86		0	84	1	2	
	From S	93	0	2	3	98	98		93	0	2	3	
	From E	1	11	0	0	12	12		1	11	0	0	
	From W	1	3	0	0	4	4		1	3	0	0	
		To N	To S	To E	To W			ColTot	95	98	3	5	
								Target	95	99	3	5	
20		To N	To S	To E	To W	RowTt	Target		To N	To S	To E	To W	
	From N	0	84	1	2	87	86		0	84	1	2	1.003
	From S	93	0	2	3	98	98		93	0	2	3	0.997
	From E	1	11	0	0	12	12		1	11	0	0	1.003
	From W	1	3	0	0	4	4		1	3	0	0	1.002
		To N	To S	To E	To W			ColTot	95	98	3	5	
								Target	95	99	3	5	
								Pct	1.003	0.997	1.001	1.001	

Turn Movements and Traffic Volumes

Year	<u>NL</u>	<u>NT</u>	<u>NR</u>	<u>SL</u>	<u>ST</u>	<u>SR</u>	<u>EL</u>	<u>ET</u>	<u>ER</u>	<u>WL</u>	<u>WT</u>	<u>WR</u>
Existing	3	85	2	1	72	2	1		3	11		1
2040	3	93	2	1	84	2	1	0	3	11	0	1
max(existing, 2040)	3	93	2	1	84	2	1	0	3	11	0	1
rounded to nearest 10	10	100	10	10	90	10	10	0	10	20	0	10

Future Link outputs

	North		
	110	120	
20			30
20			20
	120	120	
In - Out	280	280	Diff 0

Future volume

	10	90	10	
		SR	ST	SL
10				WR
0				WT
10				WL
	NL	NT	NR	
	10	100	10	

Turn Movement Forecast: Row-Column-Sum Method

Street Alignment: North/South at East/West
 Intersection: D Street at 3rd Street

Scenario: **Future (2040) With Project**
 Time Period: **Weekday AM**

Future Link Inputs				Existing Counts		Turn Move Inputs		
	North					4	11	5
	21	29				SR	ST	SL
34			22		7	EL		WR
21			8		9	ET		WT
	23	31			8	ER		WL
				Average		NL	NT	NR
In - Out	95	94	95			16	16	1

Average In-out volumes

Link Inputs			
	North		
	21	29	
34			22
21			8
	23	31	
In - Out	95	95	0

1	To N	To S	To E	To W	RowTt	Target	2	To N	To S	To E	To W
	From N	0	11	5	4	20	21	0	11	5	4
	From S	16	0	1	16	33	31	15	0	1	15
	From E	4	0	0	10	14	22	6	0	0	16
	From W	7	8	9	0	24	21	6	7	8	0
		To N	To S	To E	To W			ColTot	27	18	14
							Target	29	23	8	34
2	To N	To S	To E	To W	RowTt	Target		To N	To S	To E	To W
	From N	0	14	3	4	22	21	0	14	3	4
	From S	16	0	1	15	31	31	16	0	1	15
	From E	7	0	0	15	22	22	7	0	0	15
	From W	7	9	5	0	20	21	7	9	5	0
		To N	To S	To E	To W			ColTot	29	23	8
							Target	29	23	8	34
3	To N	To S	To E	To W	RowTt	Target		To N	To S	To E	To W
	From N	0	14	3	4	21	21	0	14	3	4
	From S	16	0	1	15	31	31	16	0	1	15
	From E	7	0	0	15	22	22	7	0	0	15
	From W	7	9	5	0	21	21	7	9	5	0
		To N	To S	To E	To W			ColTot	29	23	8
							Target	29	23	8	34
4	To N	To S	To E	To W	RowTt	Target		To N	To S	To E	To W
	From N	0	14	3	4	21	21	0	14	3	4
	From S	16	0	1	15	31	31	16	0	1	15
	From E	7	0	0	15	22	22	7	0	0	15
	From W	7	9	5	0	21	21	7	9	5	0
		To N	To S	To E	To W			ColTot	29	23	8
							Target	29	23	8	34

Turn Movement Forecast: Row-Column-Sum Method

Street Alignment: North/South at East/West
 Intersection: D Street at 3rd Street

Scenario: **Future (2040) With Project**
 Time Period: **Weekday AM**

5		To N	To S	To E	To W	RowTt	Target		To N	To S	To E	To W
	From N	0	14	3	4	21	21		0	14	3	4
	From S	16	0	1	15	31	31		16	0	1	15
	From E	7	0	0	15	22	22		7	0	0	15
	From W	7	9	5	0	21	21		7	9	5	0
		To N	To S	To E	To W			ColTot	29	23	8	34
								Target	29	23	8	34
6		To N	To S	To E	To W	RowTt	Target		To N	To S	To E	To W
	From N	0	14	3	4	21	21		0	14	3	4
	From S	16	0	1	15	31	31		16	0	1	15
	From E	7	0	0	15	22	22		7	0	0	15
	From W	7	9	5	0	21	21		7	9	5	0
		To N	To S	To E	To W			ColTot	29	23	8	34
								Target	29	23	8	34
7		To N	To S	To E	To W	RowTt	Target		To N	To S	To E	To W
	From N	0	14	3	4	21	21		0	14	3	4
	From S	16	0	1	15	31	31		16	0	1	15
	From E	7	0	0	15	22	22		7	0	0	15
	From W	7	9	5	0	21	21		7	9	5	0
		To N	To S	To E	To W			ColTot	29	23	8	34
								Target	29	23	8	34
8		To N	To S	To E	To W	RowTt	Target		To N	To S	To E	To W
	From N	0	14	3	4	21	21		0	14	3	4
	From S	16	0	1	15	31	31		16	0	1	15
	From E	7	0	0	15	22	22		7	0	0	15
	From W	7	9	5	0	21	21		7	9	5	0
		To N	To S	To E	To W			ColTot	29	23	8	34
								Target	29	23	8	34
9		To N	To S	To E	To W	RowTt	Target		To N	To S	To E	To W
	From N	0	14	3	4	21	21		0	14	3	4
	From S	16	0	1	15	31	31		16	0	1	15
	From E	7	0	0	15	22	22		7	0	0	15
	From W	7	9	5	0	21	21		7	9	5	0
		To N	To S	To E	To W			ColTot	29	23	8	34
								Target	29	23	8	34
10		To N	To S	To E	To W	RowTt	Target		To N	To S	To E	To W
	From N	0	14	3	4	21	21		0	14	3	4
	From S	16	0	1	15	31	31		16	0	1	15
	From E	7	0	0	15	22	22		7	0	0	15
	From W	7	9	5	0	21	21		7	9	5	0
		To N	To S	To E	To W			ColTot	29	23	8	34
								Target	29	23	8	34
11		To N	To S	To E	To W	RowTt	Target		To N	To S	To E	To W
	From N	0	14	3	4	21	21		0	14	3	4
	From S	16	0	1	15	31	31		16	0	1	15
	From E	7	0	0	15	22	22		7	0	0	15
	From W	7	9	5	0	21	21		7	9	5	0
		To N	To S	To E	To W			ColTot	29	23	8	34
								Target	29	23	8	34

Turn Movement Forecast: Row-Column-Sum Method

Street Alignment: North/South at East/West
 Intersection: D Street at 3rd Street

Scenario: **Future (2040) With Project**
 Time Period: **Weekday AM**

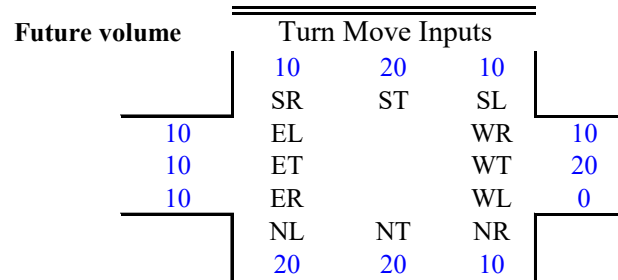
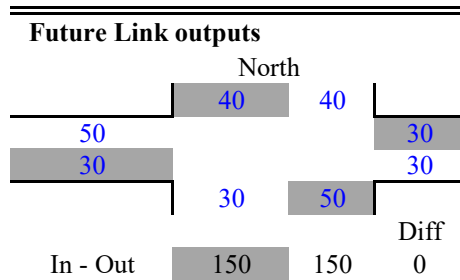
12		To N	To S	To E	To W	RowTt	Target		To N	To S	To E	To W	
	From N	0	14	3	4	21	21		0	14	3	4	
	From S	16	0	1	15	31	31		16	0	1	15	
	From E	7	0	0	15	22	22		7	0	0	15	
	From W	7	9	5	0	21	21		7	9	5	0	
		To N	To S	To E	To W				ColTot	29	23	8	34
									Target	29	23	8	34
13		To N	To S	To E	To W	RowTt	Target		To N	To S	To E	To W	
	From N	0	14	3	4	21	21		0	14	3	4	
	From S	16	0	1	15	31	31		16	0	1	15	
	From E	7	0	0	15	22	22		7	0	0	15	
	From W	7	9	5	0	21	21		7	9	5	0	
		To N	To S	To E	To W				ColTot	29	23	8	34
									Target	29	23	8	34
14		To N	To S	To E	To W	RowTt	Target		To N	To S	To E	To W	
	From N	0	14	3	4	21	21		0	14	3	4	
	From S	16	0	1	15	31	31		16	0	1	15	
	From E	7	0	0	15	22	22		7	0	0	15	
	From W	7	9	5	0	21	21		7	9	5	0	
		To N	To S	To E	To W				ColTot	29	23	8	34
									Target	29	23	8	34
15		To N	To S	To E	To W	RowTt	Target		To N	To S	To E	To W	
	From N	0	14	3	4	21	21		0	14	3	4	
	From S	16	0	1	15	31	31		16	0	1	15	
	From E	7	0	0	15	22	22		7	0	0	15	
	From W	7	9	5	0	21	21		7	9	5	0	
		To N	To S	To E	To W				ColTot	29	23	8	34
									Target	29	23	8	34
16		To N	To S	To E	To W	RowTt	Target		To N	To S	To E	To W	
	From N	0	14	3	4	21	21		0	14	3	4	
	From S	16	0	1	15	31	31		16	0	1	15	
	From E	7	0	0	15	22	22		7	0	0	15	
	From W	7	9	5	0	21	21		7	9	5	0	
		To N	To S	To E	To W				ColTot	29	23	8	34
									Target	29	23	8	34
17		To N	To S	To E	To W	RowTt	Target		To N	To S	To E	To W	
	From N	0	14	3	4	21	21		0	14	3	4	
	From S	16	0	1	15	31	31		16	0	1	15	
	From E	7	0	0	15	22	22		7	0	0	15	
	From W	7	9	5	0	21	21		7	9	5	0	
		To N	To S	To E	To W				ColTot	29	23	8	34
									Target	29	23	8	34
18		To N	To S	To E	To W	RowTt	Target		To N	To S	To E	To W	
	From N	0	14	3	4	21	21		0	14	3	4	
	From S	16	0	1	15	31	31		16	0	1	15	
	From E	7	0	0	15	22	22		7	0	0	15	
	From W	7	9	5	0	21	21		7	9	5	0	
		To N	To S	To E	To W				ColTot	29	23	8	34
									Target	29	23	8	34

Turn Movement Forecast: Row-Column-Sum Method

Street Alignment: North/South at East/West Scenario: **Future (2040) With Project**
 Intersection: D Street at 3rd Street Time Period: **Weekday AM**

19		To N	To S	To E	To W	RowTt	Target		To N	To S	To E	To W	
	From N	0	14	3	4	21	21		0	14	3	4	
	From S	16	0	1	15	31	31		16	0	1	15	
	From E	7	0	0	15	22	22		7	0	0	15	
	From W	7	9	5	0	21	21		7	9	5	0	
		To N	To S	To E	To W			ColTot	29	23	8	34	
								Target	29	23	8	34	
20		To N	To S	To E	To W	RowTt	Target		To N	To S	To E	To W	
	From N	0	14	3	4	21	21		0	14	3	4	1.000
	From S	16	0	1	15	31	31		16	0	1	15	1.000
	From E	7	0	0	15	22	22		7	0	0	15	1.000
	From W	7	9	5	0	21	21		7	9	5	0	1.000
		To N	To S	To E	To W			ColTot	29	23	8	34	
								Target	29	23	8	34	
								Pct	1.000	1.000	1.000	1.000	

Turn Movements and Traffic Volumes												
Year	NL	NT	NR	SL	ST	SR	EL	ET	ER	WL	WT	WR
Existing	16	16	1	5	11	4	7	9	8	0	10	4
2040	15	16	1	3	14	4	7	5	9	0	15	7
max(existing, 2040)	16	16	1	5	14	4	7	9	9	0	15	7
rounded to nearest 10	20	20	10	10	20	10	10	10	10	0	20	10



Turn Movement Forecast: Row-Column-Sum Method

Street Alignment: North/South at East/West Scenario: **Future (2040) With Project**
 Intersection: D Street at 3rd Street Time Period: **Weekday PM**

Future Link Inputs				Existing Counts		Turn Move Inputs		
	North					2	21	4
	30	20				SR	ST	SL
20			5		4	EL		WR
32			20		10	ET		WT
	39	32			16	ER		WL
			Average			NL	NT	NR
In - Out	99	99	99			15	11	1

Average In-out volumes

Link Inputs			
	North		
	30	20	
20			5
32			20
	39	32	
In - Out	99	99	0

1		To N	To S	To E	To W	RowTt	Target	2	To N	To S	To E	To W
	From N	0	21	4	2	27	30		0	23	4	2
	From S	11	0	1	15	27	32		13	0	1	18
	From E	2	2	0	6	10	5		1	1	0	3
	From W	4	16	10	0	30	32		4	17	11	0
		To N	To S	To E	To W			ColTot	18	41	16	23
								Target	20	39	20	20
2		To N	To S	To E	To W	RowTt	Target		To N	To S	To E	To W
	From N	0	22	5	2	29	30		0	22	6	2
	From S	14	0	1	15	31	32		15	0	1	16
	From E	1	1	0	3	5	5		1	1	0	3
	From W	5	16	13	0	34	32		4	15	12	0
		To N	To S	To E	To W			ColTot	20	39	19	21
								Target	20	39	20	20
3		To N	To S	To E	To W	RowTt	Target		To N	To S	To E	To W
	From N	0	23	6	2	30	30		0	22	6	2
	From S	14	0	2	15	31	32		15	0	2	16
	From E	1	1	0	3	5	5		1	1	0	3
	From W	4	15	13	0	32	32		4	15	13	0
		To N	To S	To E	To W			ColTot	20	39	20	20
								Target	20	39	20	20
4		To N	To S	To E	To W	RowTt	Target		To N	To S	To E	To W
	From N	0	23	6	2	30	30		0	22	6	2
	From S	15	0	2	15	32	32		15	0	2	16
	From E	1	1	0	3	5	5		1	1	0	3
	From W	4	15	13	0	32	32		4	15	13	0
		To N	To S	To E	To W			ColTot	20	39	20	20
								Target	20	39	20	20

Turn Movement Forecast: Row-Column-Sum Method

Street Alignment: North/South at East/West
 Intersection: D Street at 3rd Street

Scenario: **Future (2040) With Project**
 Time Period: **Weekday PM**

5		To N	To S	To E	To W	RowTt	Target		To N	To S	To E	To W
	From N	0	23	6	2	30	30		0	23	6	2
	From S	15	0	2	15	32	32		15	0	2	16
	From E	1	1	0	3	5	5		1	1	0	3
	From W	4	15	13	0	32	32		4	15	13	0
		To N	To S	To E	To W			ColTot	20	39	20	20
								Target	20	39	20	20
6		To N	To S	To E	To W	RowTt	Target		To N	To S	To E	To W
	From N	0	23	6	2	30	30		0	23	6	2
	From S	15	0	2	15	32	32		15	0	2	16
	From E	1	1	0	3	5	5		1	1	0	3
	From W	4	15	13	0	32	32		4	15	13	0
		To N	To S	To E	To W			ColTot	20	39	20	20
								Target	20	39	20	20
7		To N	To S	To E	To W	RowTt	Target		To N	To S	To E	To W
	From N	0	23	6	2	30	30		0	23	6	2
	From S	15	0	2	15	32	32		15	0	2	16
	From E	1	1	0	3	5	5		1	1	0	3
	From W	4	15	13	0	32	32		4	15	13	0
		To N	To S	To E	To W			ColTot	20	39	20	20
								Target	20	39	20	20
8		To N	To S	To E	To W	RowTt	Target		To N	To S	To E	To W
	From N	0	23	6	2	30	30		0	23	6	2
	From S	15	0	2	16	32	32		15	0	2	16
	From E	1	1	0	3	5	5		1	1	0	3
	From W	4	15	13	0	32	32		4	15	13	0
		To N	To S	To E	To W			ColTot	20	39	20	20
								Target	20	39	20	20
9		To N	To S	To E	To W	RowTt	Target		To N	To S	To E	To W
	From N	0	23	6	2	30	30		0	23	6	2
	From S	15	0	2	16	32	32		15	0	2	16
	From E	1	1	0	3	5	5		1	1	0	3
	From W	4	15	13	0	32	32		4	15	13	0
		To N	To S	To E	To W			ColTot	20	39	20	20
								Target	20	39	20	20
10		To N	To S	To E	To W	RowTt	Target		To N	To S	To E	To W
	From N	0	23	6	2	30	30		0	23	6	2
	From S	15	0	2	16	32	32		15	0	2	16
	From E	1	1	0	3	5	5		1	1	0	3
	From W	4	15	13	0	32	32		4	15	13	0
		To N	To S	To E	To W			ColTot	20	39	20	20
								Target	20	39	20	20
11		To N	To S	To E	To W	RowTt	Target		To N	To S	To E	To W
	From N	0	23	6	2	30	30		0	23	6	2
	From S	15	0	2	16	32	32		15	0	2	16
	From E	1	1	0	3	5	5		1	1	0	3
	From W	4	15	13	0	32	32		4	15	13	0
		To N	To S	To E	To W			ColTot	20	39	20	20
								Target	20	39	20	20

Turn Movement Forecast: Row-Column-Sum Method

Street Alignment: North/South at East/West
 Intersection: D Street at 3rd Street

Scenario: **Future (2040) With Project**
 Time Period: **Weekday PM**

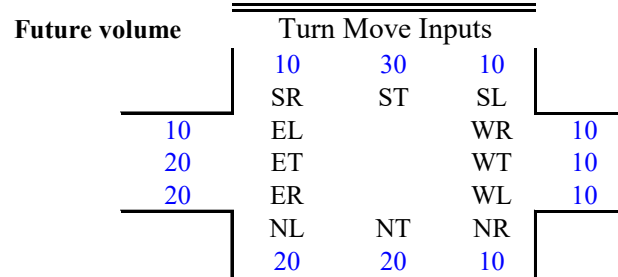
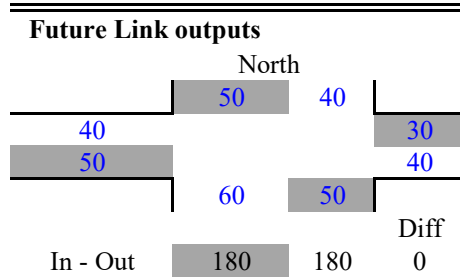
12		To N	To S	To E	To W	RowTt	Target		To N	To S	To E	To W
	From N	0	23	6	2	30	30		0	23	6	2
	From S	15	0	2	16	32	32		15	0	2	16
	From E	1	1	0	3	5	5		1	1	0	3
	From W	4	15	13	0	32	32		4	15	13	0
		To N	To S	To E	To W			ColTot	20	39	20	20
								Target	20	39	20	20
13		To N	To S	To E	To W	RowTt	Target		To N	To S	To E	To W
	From N	0	23	6	2	30	30		0	23	6	2
	From S	15	0	2	16	32	32		15	0	2	16
	From E	1	1	0	3	5	5		1	1	0	3
	From W	4	15	13	0	32	32		4	15	13	0
		To N	To S	To E	To W			ColTot	20	39	20	20
								Target	20	39	20	20
14		To N	To S	To E	To W	RowTt	Target		To N	To S	To E	To W
	From N	0	23	6	2	30	30		0	23	6	2
	From S	15	0	2	16	32	32		15	0	2	16
	From E	1	1	0	3	5	5		1	1	0	3
	From W	4	15	13	0	32	32		4	15	13	0
		To N	To S	To E	To W			ColTot	20	39	20	20
								Target	20	39	20	20
15		To N	To S	To E	To W	RowTt	Target		To N	To S	To E	To W
	From N	0	23	6	2	30	30		0	23	6	2
	From S	15	0	2	16	32	32		15	0	2	16
	From E	1	1	0	3	5	5		1	1	0	3
	From W	4	15	13	0	32	32		4	15	13	0
		To N	To S	To E	To W			ColTot	20	39	20	20
								Target	20	39	20	20
16		To N	To S	To E	To W	RowTt	Target		To N	To S	To E	To W
	From N	0	23	6	2	30	30		0	23	6	2
	From S	15	0	2	16	32	32		15	0	2	16
	From E	1	1	0	3	5	5		1	1	0	3
	From W	4	15	13	0	32	32		4	15	13	0
		To N	To S	To E	To W			ColTot	20	39	20	20
								Target	20	39	20	20
17		To N	To S	To E	To W	RowTt	Target		To N	To S	To E	To W
	From N	0	23	6	2	30	30		0	23	6	2
	From S	15	0	2	16	32	32		15	0	2	16
	From E	1	1	0	3	5	5		1	1	0	3
	From W	4	15	13	0	32	32		4	15	13	0
		To N	To S	To E	To W			ColTot	20	39	20	20
								Target	20	39	20	20
18		To N	To S	To E	To W	RowTt	Target		To N	To S	To E	To W
	From N	0	23	6	2	30	30		0	23	6	2
	From S	15	0	2	16	32	32		15	0	2	16
	From E	1	1	0	3	5	5		1	1	0	3
	From W	4	15	13	0	32	32		4	15	13	0
		To N	To S	To E	To W			ColTot	20	39	20	20
								Target	20	39	20	20

Turn Movement Forecast: Row-Column-Sum Method

Street Alignment: North/South at East/West Scenario: **Future (2040) With Project**
 Intersection: D Street at 3rd Street Time Period: **Weekday PM**

19		To N	To S	To E	To W	RowTt	Target		To N	To S	To E	To W	
	From N	0	23	6	2	30	30		0	23	6	2	
	From S	15	0	2	16	32	32		15	0	2	16	
	From E	1	1	0	3	5	5		1	1	0	3	
	From W	4	15	13	0	32	32		4	15	13	0	
	To N	To S	To E	To W				ColTot	20	39	20	20	
								Target	20	39	20	20	
20		To N	To S	To E	To W	RowTt	Target		To N	To S	To E	To W	
	From N	0	23	6	2	30	30		0	23	6	2	1.000
	From S	15	0	2	16	32	32		15	0	2	16	1.000
	From E	1	1	0	3	5	5		1	1	0	3	1.000
	From W	4	15	13	0	32	32		4	15	13	0	1.000
	To N	To S	To E	To W				ColTot	20	39	20	20	
								Target	20	39	20	20	
								Pct	1.000	1.000	1.000	1.000	

Turn Movements and Traffic Volumes												
Year	NL	NT	NR	SL	ST	SR	EL	ET	ER	WL	WT	WR
Existing	15	11	1	4	21	2	4	10	16	2	6	2
2040	16	15	2	6	23	2	4	13	15	1	3	1
max(existing, 2040)	16	15	2	6	23	2	4	13	16	2	6	2
rounded to nearest 10	20	20	10	10	30	10	10	20	20	10	10	10



Turn Movement Forecast: Row-Column-Sum Method

Street Alignment: North/South at East/West Scenario: **Future (2040) With Project**
 Intersection: D Street at 3rd Street Time Period: **Weekend MD**

Future Link Inputs				Existing Counts		Turn Move Inputs			
	North								
	26	31				6	14	4	
30			7			SR	ST	SL	
29			20		5			WR	1
	26	45			11			WT	11
			Average		11			WL	1
						NL	NT	NR	
In - Out	107	107	107			17	21	0	

Average In-out volumes

Link Inputs			
	North		
	26	31	
30			7
29			20
	26	45	
In - Out	107	107	0

1		To N	To S	To E	To W	RowTt	Target		2	To N	To S	To E	To W
	From N	0	14	4	6	24	26			0	15	4	7
	From S	21	0	0	17	38	45			25	0	0	20
	From E	1	1	0	11	13	7			1	1	0	6
	From W	5	11	11	0	27	29			5	12	12	0
		To N	To S	To E	To W			ColTot		31	28	16	33
								Target		31	26	20	30
2		To N	To S	To E	To W	RowTt	Target			To N	To S	To E	To W
	From N	0	14	5	6	26	26			0	15	5	6
	From S	25	0	0	19	44	45			26	0	0	19
	From E	1	1	0	5	7	7			1	1	0	6
	From W	5	11	15	0	31	29			5	10	14	0
		To N	To S	To E	To W			ColTot		31	25	19	31
								Target		31	26	20	30
3		To N	To S	To E	To W	RowTt	Target			To N	To S	To E	To W
	From N	0	15	6	6	26	26			0	15	6	6
	From S	25	0	0	18	44	45			26	0	0	19
	From E	1	1	0	6	7	7			1	1	0	6
	From W	5	11	14	0	30	29			5	10	14	0
		To N	To S	To E	To W			ColTot		31	25	20	31
								Target		31	26	20	30
4		To N	To S	To E	To W	RowTt	Target			To N	To S	To E	To W
	From N	0	15	6	6	26	26			0	15	6	6
	From S	26	0	0	19	44	45			26	0	0	19
	From E	1	1	0	6	7	7			1	1	0	6
	From W	5	11	14	0	29	29			5	10	14	0
		To N	To S	To E	To W			ColTot		31	26	20	30
								Target		31	26	20	30

Turn Movement Forecast: Row-Column-Sum Method

Street Alignment: North/South at East/West
 Intersection: D Street at 3rd Street

Scenario: **Future (2040) With Project**
 Time Period: **Weekend MD**

5	From N	To N	To S	To E	To W	RowTt	Target		To N	To S	To E	To W
	From S	0	15	6	6	26	26		0	15	6	5
6	From E	26	0	0	19	45	45		26	0	0	19
	From W	1	1	0	6	7	7		1	1	0	6
7	From W	5	10	14	0	29	29		5	10	14	0
		To N	To S	To E	To W			ColTot	31	26	20	30
8								Target	31	26	20	30
	From N	To N	To S	To E	To W	RowTt	Target		To N	To S	To E	To W
9	From S	0	15	6	5	26	26		0	15	6	5
	From E	26	0	0	19	45	45		26	0	0	19
10	From W	1	1	0	6	7	7		1	1	0	6
		4	10	14	0	29	29		4	10	14	0
11		To N	To S	To E	To W			ColTot	31	26	20	30
								Target	31	26	20	30
12	From N	To N	To S	To E	To W	RowTt	Target		To N	To S	To E	To W
	From S	0	15	6	5	26	26		0	15	6	5
13	From E	26	0	0	19	45	45		26	0	0	19
	From W	1	1	0	6	7	7		1	1	0	6
14	From W	4	10	14	0	29	29		4	10	14	0
		To N	To S	To E	To W			ColTot	31	26	20	30
15								Target	31	26	20	30

Turn Movement Forecast: Row-Column-Sum Method

Street Alignment: North/South at East/West
 Intersection: D Street at 3rd Street

Scenario: **Future (2040) With Project**
 Time Period: **Weekend MD**

12		To N	To S	To E	To W	RowTt	Target		To N	To S	To E	To W	
	From N	0	15	6	5	26	26		0	15	6	5	
	From S	26	0	0	19	45	45		26	0	0	19	
	From E	1	1	0	6	7	7		1	1	0	6	
	From W	4	10	14	0	29	29		4	10	14	0	
		To N	To S	To E	To W				ColTot	31	26	20	30
									Target	31	26	20	30
13		To N	To S	To E	To W	RowTt	Target		To N	To S	To E	To W	
	From N	0	15	6	5	26	26		0	15	6	5	
	From S	26	0	0	19	45	45		26	0	0	19	
	From E	1	1	0	6	7	7		1	1	0	6	
	From W	4	10	14	0	29	29		4	10	14	0	
		To N	To S	To E	To W				ColTot	31	26	20	30
									Target	31	26	20	30
14		To N	To S	To E	To W	RowTt	Target		To N	To S	To E	To W	
	From N	0	15	6	5	26	26		0	15	6	5	
	From S	26	0	0	19	45	45		26	0	0	19	
	From E	1	1	0	6	7	7		1	1	0	6	
	From W	4	10	14	0	29	29		4	10	14	0	
		To N	To S	To E	To W				ColTot	31	26	20	30
									Target	31	26	20	30
15		To N	To S	To E	To W	RowTt	Target		To N	To S	To E	To W	
	From N	0	15	6	5	26	26		0	15	6	5	
	From S	26	0	0	19	45	45		26	0	0	19	
	From E	1	1	0	6	7	7		1	1	0	6	
	From W	4	10	14	0	29	29		4	10	14	0	
		To N	To S	To E	To W				ColTot	31	26	20	30
									Target	31	26	20	30
16		To N	To S	To E	To W	RowTt	Target		To N	To S	To E	To W	
	From N	0	15	6	5	26	26		0	15	6	5	
	From S	26	0	0	19	45	45		26	0	0	19	
	From E	1	1	0	6	7	7		1	1	0	6	
	From W	4	10	14	0	29	29		4	10	14	0	
		To N	To S	To E	To W				ColTot	31	26	20	30
									Target	31	26	20	30
17		To N	To S	To E	To W	RowTt	Target		To N	To S	To E	To W	
	From N	0	15	6	5	26	26		0	15	6	5	
	From S	26	0	0	19	45	45		26	0	0	19	
	From E	1	1	0	6	7	7		1	1	0	6	
	From W	4	10	14	0	29	29		4	10	14	0	
		To N	To S	To E	To W				ColTot	31	26	20	30
									Target	31	26	20	30
18		To N	To S	To E	To W	RowTt	Target		To N	To S	To E	To W	
	From N	0	15	6	5	26	26		0	15	6	5	
	From S	26	0	0	19	45	45		26	0	0	19	
	From E	1	1	0	6	7	7		1	1	0	6	
	From W	4	10	14	0	29	29		4	10	14	0	
		To N	To S	To E	To W				ColTot	31	26	20	30
									Target	31	26	20	30

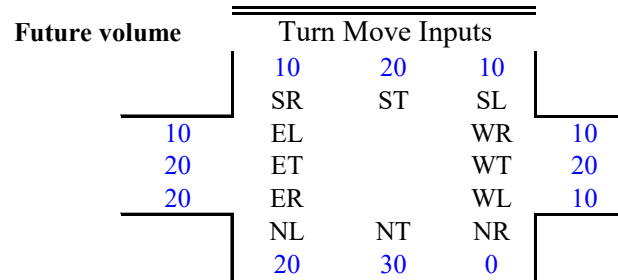
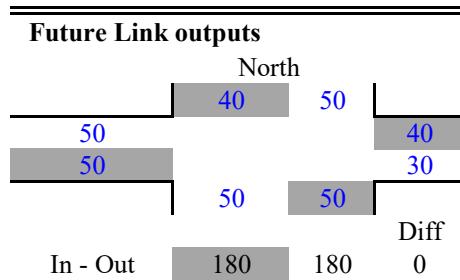
Turn Movement Forecast: Row-Column-Sum Method

Street Alignment: North/South at East/West
 Intersection: D Street at 3rd Street

Scenario: **Future (2040) With Project**
 Time Period: **Weekend MD**

19		To N	To S	To E	To W	RowTt	Target		To N	To S	To E	To W	
	From N	0	15	6	5	26	26		0	15	6	5	
	From S	26	0	0	19	45	45		26	0	0	19	
	From E	1	1	0	6	7	7		1	1	0	6	
	From W	4	10	14	0	29	29		4	10	14	0	
		To N	To S	To E	To W			ColTot	31	26	20	30	
								Target	31	26	20	30	
20		To N	To S	To E	To W	RowTt	Target		To N	To S	To E	To W	
	From N	0	15	6	5	26	26		0	15	6	5	1.000
	From S	26	0	0	19	45	45		26	0	0	19	1.000
	From E	1	1	0	6	7	7		1	1	0	6	1.000
	From W	4	10	14	0	29	29		4	10	14	0	1.000
		To N	To S	To E	To W			ColTot	31	26	20	30	
								Target	31	26	20	30	
								Pct	1.000	1.000	1.000	1.000	

Turn Movements and Traffic Volumes												
Year	NL	NT	NR	SL	ST	SR	EL	ET	ER	WL	WT	WR
Existing	17	21		4	14	6	5	11	11	1	11	1
2040	19	26	0	6	15	5	4	14	10	1	6	1
max(existing, 2040)	19	26	0	6	15	6	5	14	11	1	11	1
rounded to nearest 10	20	30	0	10	20	10	10	20	20	10	20	10



Turn Movement Forecast: Row-Column-Sum Method

Street Alignment: North/South at East/West Scenario: **Future (2040) With Project**
 Intersection: Palm Way at Broadway St Time Period: **Weekday AM**

Future Link Inputs				Existing Counts		Turn Move Inputs		
	North					0	0	1
	1	0				SR	ST	SL
62			61		0	EL		WR
57			56		54	ET		WT
	3	2			3	ER		WL
			Average			NL	NT	NR
In - Out	121	121	121			1	0	1

Average In-out volumes

Link Inputs			
	North		
	1	0	
62			61
57			56
	3	2	
In - Out	121	121	0

1		To N	To S	To E	To W	RowTt	Target	2	To N	To S	To E	To W
	From N	0	0	1	0	1	1		0	0	1	0
	From S	0	0	1	1	2	2		0	0	1	1
	From E	0	0	0	54	54	61		0	0	0	61
	From W	0	3	54	0	57	57		0	3	54	0
		To N	To S	To E	To W			ColTot	0	3	56	62
								Target	0	3	56	62
2		To N	To S	To E	To W	RowTt	Target		To N	To S	To E	To W
	From N	0	0	1	0	1	1		0	0	1	0
	From S	0	0	1	1	2	2		0	0	1	1
	From E	0	0	0	61	61	61		0	0	0	61
	From W	0	3	54	0	57	57		0	3	54	0
		To N	To S	To E	To W			ColTot	0	3	56	62
								Target	0	3	56	62
3		To N	To S	To E	To W	RowTt	Target		To N	To S	To E	To W
	From N	0	0	1	0	1	1		0	0	1	0
	From S	0	0	1	1	2	2		0	0	1	1
	From E	0	0	0	61	61	61		0	0	0	61
	From W	0	3	54	0	57	57		0	3	54	0
		To N	To S	To E	To W			ColTot	0	3	56	62
								Target	0	3	56	62
4		To N	To S	To E	To W	RowTt	Target		To N	To S	To E	To W
	From N	0	0	1	0	1	1		0	0	1	0
	From S	0	0	1	1	2	2		0	0	1	1
	From E	0	0	0	61	61	61		0	0	0	61
	From W	0	3	54	0	57	57		0	3	54	0
		To N	To S	To E	To W			ColTot	0	3	56	62
								Target	0	3	56	62

Turn Movement Forecast: Row-Column-Sum Method

Street Alignment:
Intersection:

North/South
Palm Way at East/West
Broadway St

Scenario: **Future (2040) With Project**
Time Period: **Weekday AM**

5		To N	To S	To E	To W	RowTt	Target		To N	To S	To E	To W	
	From N	0	0	1	0	1	1		0	0	1	0	
	From S	0	0	1	1	2	2		0	0	1	1	
	From E	0	0	0	61	61	61		0	0	0	61	
	From W	0	3	54	0	57	57		0	3	54	0	
		To N	To S	To E	To W				ColTot	0	3	56	62
									Target	0	3	56	62
6		To N	To S	To E	To W	RowTt	Target		To N	To S	To E	To W	
	From N	0	0	1	0	1	1		0	0	1	0	
	From S	0	0	1	1	2	2		0	0	1	1	
	From E	0	0	0	61	61	61		0	0	0	61	
	From W	0	3	54	0	57	57		0	3	54	0	
		To N	To S	To E	To W				ColTot	0	3	56	62
									Target	0	3	56	62
7		To N	To S	To E	To W	RowTt	Target		To N	To S	To E	To W	
	From N	0	0	1	0	1	1		0	0	1	0	
	From S	0	0	1	1	2	2		0	0	1	1	
	From E	0	0	0	61	61	61		0	0	0	61	
	From W	0	3	54	0	57	57		0	3	54	0	
		To N	To S	To E	To W				ColTot	0	3	56	62
									Target	0	3	56	62
8		To N	To S	To E	To W	RowTt	Target		To N	To S	To E	To W	
	From N	0	0	1	0	1	1		0	0	1	0	
	From S	0	0	1	1	2	2		0	0	1	1	
	From E	0	0	0	61	61	61		0	0	0	61	
	From W	0	3	54	0	57	57		0	3	54	0	
		To N	To S	To E	To W				ColTot	0	3	56	62
									Target	0	3	56	62
9		To N	To S	To E	To W	RowTt	Target		To N	To S	To E	To W	
	From N	0	0	1	0	1	1		0	0	1	0	
	From S	0	0	1	1	2	2		0	0	1	1	
	From E	0	0	0	61	61	61		0	0	0	61	
	From W	0	3	54	0	57	57		0	3	54	0	
		To N	To S	To E	To W				ColTot	0	3	56	62
									Target	0	3	56	62
10		To N	To S	To E	To W	RowTt	Target		To N	To S	To E	To W	
	From N	0	0	1	0	1	1		0	0	1	0	
	From S	0	0	1	1	2	2		0	0	1	1	
	From E	0	0	0	61	61	61		0	0	0	61	
	From W	0	3	54	0	57	57		0	3	54	0	
		To N	To S	To E	To W				ColTot	0	3	56	62
									Target	0	3	56	62
11		To N	To S	To E	To W	RowTt	Target		To N	To S	To E	To W	
	From N	0	0	1	0	1	1		0	0	1	0	
	From S	0	0	1	1	2	2		0	0	1	1	
	From E	0	0	0	61	61	61		0	0	0	61	
	From W	0	3	54	0	57	57		0	3	54	0	
		To N	To S	To E	To W				ColTot	0	3	56	62
									Target	0	3	56	62

Turn Movement Forecast: Row-Column-Sum Method

Street Alignment: North/South at East/West
 Intersection: Palm Way at Broadway St

Scenario: **Future (2040) With Project**
 Time Period: **Weekday AM**

12		To N	To S	To E	To W	RowTt	Target		To N	To S	To E	To W	
	From N	0	0	1	0	1	1		0	0	1	0	
	From S	0	0	1	1	2	2		0	0	1	1	
	From E	0	0	0	61	61	61		0	0	0	61	
	From W	0	3	54	0	57	57		0	3	54	0	
		To N	To S	To E	To W				ColTot	0	3	56	62
									Target	0	3	56	62
13		To N	To S	To E	To W	RowTt	Target		To N	To S	To E	To W	
	From N	0	0	1	0	1	1		0	0	1	0	
	From S	0	0	1	1	2	2		0	0	1	1	
	From E	0	0	0	61	61	61		0	0	0	61	
	From W	0	3	54	0	57	57		0	3	54	0	
		To N	To S	To E	To W				ColTot	0	3	56	62
									Target	0	3	56	62
14		To N	To S	To E	To W	RowTt	Target		To N	To S	To E	To W	
	From N	0	0	1	0	1	1		0	0	1	0	
	From S	0	0	1	1	2	2		0	0	1	1	
	From E	0	0	0	61	61	61		0	0	0	61	
	From W	0	3	54	0	57	57		0	3	54	0	
		To N	To S	To E	To W				ColTot	0	3	56	62
									Target	0	3	56	62
15		To N	To S	To E	To W	RowTt	Target		To N	To S	To E	To W	
	From N	0	0	1	0	1	1		0	0	1	0	
	From S	0	0	1	1	2	2		0	0	1	1	
	From E	0	0	0	61	61	61		0	0	0	61	
	From W	0	3	54	0	57	57		0	3	54	0	
		To N	To S	To E	To W				ColTot	0	3	56	62
									Target	0	3	56	62
16		To N	To S	To E	To W	RowTt	Target		To N	To S	To E	To W	
	From N	0	0	1	0	1	1		0	0	1	0	
	From S	0	0	1	1	2	2		0	0	1	1	
	From E	0	0	0	61	61	61		0	0	0	61	
	From W	0	3	54	0	57	57		0	3	54	0	
		To N	To S	To E	To W				ColTot	0	3	56	62
									Target	0	3	56	62
17		To N	To S	To E	To W	RowTt	Target		To N	To S	To E	To W	
	From N	0	0	1	0	1	1		0	0	1	0	
	From S	0	0	1	1	2	2		0	0	1	1	
	From E	0	0	0	61	61	61		0	0	0	61	
	From W	0	3	54	0	57	57		0	3	54	0	
		To N	To S	To E	To W				ColTot	0	3	56	62
									Target	0	3	56	62
18		To N	To S	To E	To W	RowTt	Target		To N	To S	To E	To W	
	From N	0	0	1	0	1	1		0	0	1	0	
	From S	0	0	1	1	2	2		0	0	1	1	
	From E	0	0	0	61	61	61		0	0	0	61	
	From W	0	3	54	0	57	57		0	3	54	0	
		To N	To S	To E	To W				ColTot	0	3	56	62
									Target	0	3	56	62

Turn Movement Forecast: Row-Column-Sum Method

Street Alignment: North/South at East/West
 Intersection: Palm Way at Broadway St

Scenario: Future (2040) With Project
 Time Period: Weekday AM

19		To N	To S	To E	To W	RowTt	Target		To N	To S	To E	To W	
	From N	0	0	1	0	1	1		0	0	1	0	
	From S	0	0	1	1	2	2		0	0	1	1	
	From E	0	0	0	61	61	61		0	0	0	61	
	From W	0	3	54	0	57	57		0	3	54	0	
		To N	To S	To E	To W			ColTot	0	3	56	62	
								Target	0	3	56	62	
20		To N	To S	To E	To W	RowTt	Target		To N	To S	To E	To W	
	From N	0	0	1	0	1	1		0	0	1	0	1.000
	From S	0	0	1	1	2	2		0	0	1	1	1.000
	From E	0	0	0	61	61	61		0	0	0	61	1.000
	From W	0	3	54	0	57	57		0	3	54	0	1.000
		To N	To S	To E	To W			ColTot	0	3	56	62	
								Target	0	3	56	62	
								Pct	0.000	1.000	1.000	1.000	

Turn Movements and Traffic Volumes

Year	<u>NL</u>	<u>NT</u>	<u>NR</u>	<u>SL</u>	<u>ST</u>	<u>SR</u>	<u>EL</u>	<u>ET</u>	<u>ER</u>	<u>WL</u>	<u>WT</u>	<u>WR</u>
Existing	1	0	1	1	0	0	0	54	3	0	54	0
2040	1	0	1	1	0	0	0	54	3	0	61	0
max(existing, 2040)	1	0	1	1	0	0	0	54	3	0	61	0
rounded to nearest 10	10	0	10	10	0	0	0	60	10	0	70	0

Future Link outputs

	North		
	10	0	
80			70
70			80
	10	20	
			Diff
In - Out	170	170	0

Future volume

	0	0	10	
	SR	ST	SL	
0				WR
60				WT
10				WL
	NL	NT	NR	
	10	0	10	

Turn Movement Forecast: Row-Column-Sum Method

Street Alignment: North/South at East/West Scenario: **Future (2040) With Project**
 Intersection: Palm Way at Broadway St Time Period: **Weekday PM**

Future Link Inputs				Existing Counts		Turn Move Inputs		
North						1	0	3
	4	0				SR	ST	SL
76			70	0		EL		WR
66			66	55		ET		WT
	3	5		3		ER		WL
			Average			NL	NT	NR
In - Out	145	145	145			5	0	0

Average In-out volumes

Link Inputs			
North			
	4	0	
76			70
66			66
	3	5	
In - Out	145	145	0

1	To N	To S	To E	To W	RowTt	Target	2	To N	To S	To E	To W		
	From N	0	0	3	1	4		4	0	0	3	1	
	From S	0	0	0	5	5		5	0	0	0	5	
	From E	0	0	0	66	66		70	0	0	0	70	
	From W	0	3	55	0	58		66	0	3	63	0	
		To N	To S	To E	To W				ColTot	0	3	66	76
									Target	0	3	66	76
2	To N	To S	To E	To W	RowTt	Target		To N	To S	To E	To W		
	From N	0	0	3	1	4		4	0	0	3	1	
	From S	0	0	0	5	5		5	0	0	0	5	
	From E	0	0	0	70	70		70	0	0	0	70	
	From W	0	3	63	0	66		66	0	3	63	0	
		To N	To S	To E	To W				ColTot	0	3	66	76
									Target	0	3	66	76
3	To N	To S	To E	To W	RowTt	Target		To N	To S	To E	To W		
	From N	0	0	3	1	4		4	0	0	3	1	
	From S	0	0	0	5	5		5	0	0	0	5	
	From E	0	0	0	70	70		70	0	0	0	70	
	From W	0	3	63	0	66		66	0	3	63	0	
		To N	To S	To E	To W				ColTot	0	3	66	76
									Target	0	3	66	76
4	To N	To S	To E	To W	RowTt	Target		To N	To S	To E	To W		
	From N	0	0	3	1	4		4	0	0	3	1	
	From S	0	0	0	5	5		5	0	0	0	5	
	From E	0	0	0	70	70		70	0	0	0	70	
	From W	0	3	63	0	66		66	0	3	63	0	
		To N	To S	To E	To W				ColTot	0	3	66	76
									Target	0	3	66	76

Turn Movement Forecast: Row-Column-Sum Method

Street Alignment: North/South at East/West
 Intersection: Palm Way at Broadway St

Scenario: **Future (2040) With Project**
 Time Period: **Weekday PM**

5		To N	To S	To E	To W	RowTt	Target		To N	To S	To E	To W	
	From N	0	0	3	1	4	4		0	0	3	1	
	From S	0	0	0	5	5	5		0	0	0	5	
	From E	0	0	0	70	70	70		0	0	0	70	
	From W	0	3	63	0	66	66		0	3	63	0	
		To N	To S	To E	To W				ColTot	0	3	66	76
									Target	0	3	66	76
6		To N	To S	To E	To W	RowTt	Target		To N	To S	To E	To W	
	From N	0	0	3	1	4	4		0	0	3	1	
	From S	0	0	0	5	5	5		0	0	0	5	
	From E	0	0	0	70	70	70		0	0	0	70	
	From W	0	3	63	0	66	66		0	3	63	0	
		To N	To S	To E	To W				ColTot	0	3	66	76
									Target	0	3	66	76
7		To N	To S	To E	To W	RowTt	Target		To N	To S	To E	To W	
	From N	0	0	3	1	4	4		0	0	3	1	
	From S	0	0	0	5	5	5		0	0	0	5	
	From E	0	0	0	70	70	70		0	0	0	70	
	From W	0	3	63	0	66	66		0	3	63	0	
		To N	To S	To E	To W				ColTot	0	3	66	76
									Target	0	3	66	76
8		To N	To S	To E	To W	RowTt	Target		To N	To S	To E	To W	
	From N	0	0	3	1	4	4		0	0	3	1	
	From S	0	0	0	5	5	5		0	0	0	5	
	From E	0	0	0	70	70	70		0	0	0	70	
	From W	0	3	63	0	66	66		0	3	63	0	
		To N	To S	To E	To W				ColTot	0	3	66	76
									Target	0	3	66	76
9		To N	To S	To E	To W	RowTt	Target		To N	To S	To E	To W	
	From N	0	0	3	1	4	4		0	0	3	1	
	From S	0	0	0	5	5	5		0	0	0	5	
	From E	0	0	0	70	70	70		0	0	0	70	
	From W	0	3	63	0	66	66		0	3	63	0	
		To N	To S	To E	To W				ColTot	0	3	66	76
									Target	0	3	66	76
10		To N	To S	To E	To W	RowTt	Target		To N	To S	To E	To W	
	From N	0	0	3	1	4	4		0	0	3	1	
	From S	0	0	0	5	5	5		0	0	0	5	
	From E	0	0	0	70	70	70		0	0	0	70	
	From W	0	3	63	0	66	66		0	3	63	0	
		To N	To S	To E	To W				ColTot	0	3	66	76
									Target	0	3	66	76
11		To N	To S	To E	To W	RowTt	Target		To N	To S	To E	To W	
	From N	0	0	3	1	4	4		0	0	3	1	
	From S	0	0	0	5	5	5		0	0	0	5	
	From E	0	0	0	70	70	70		0	0	0	70	
	From W	0	3	63	0	66	66		0	3	63	0	
		To N	To S	To E	To W				ColTot	0	3	66	76
									Target	0	3	66	76

Turn Movement Forecast: Row-Column-Sum Method

Street Alignment: North/South East/West
 Intersection: Palm Way at Broadway St

Scenario: **Future (2040) With Project**
 Time Period: **Weekday PM**

12		To N	To S	To E	To W	RowTt	Target		To N	To S	To E	To W	
	From N	0	0	3	1	4	4		0	0	3	1	
	From S	0	0	0	5	5	5		0	0	0	5	
	From E	0	0	0	70	70	70		0	0	0	70	
	From W	0	3	63	0	66	66		0	3	63	0	
		To N	To S	To E	To W				ColTot	0	3	66	76
									Target	0	3	66	76
13		To N	To S	To E	To W	RowTt	Target		To N	To S	To E	To W	
	From N	0	0	3	1	4	4		0	0	3	1	
	From S	0	0	0	5	5	5		0	0	0	5	
	From E	0	0	0	70	70	70		0	0	0	70	
	From W	0	3	63	0	66	66		0	3	63	0	
		To N	To S	To E	To W				ColTot	0	3	66	76
									Target	0	3	66	76
14		To N	To S	To E	To W	RowTt	Target		To N	To S	To E	To W	
	From N	0	0	3	1	4	4		0	0	3	1	
	From S	0	0	0	5	5	5		0	0	0	5	
	From E	0	0	0	70	70	70		0	0	0	70	
	From W	0	3	63	0	66	66		0	3	63	0	
		To N	To S	To E	To W				ColTot	0	3	66	76
									Target	0	3	66	76
15		To N	To S	To E	To W	RowTt	Target		To N	To S	To E	To W	
	From N	0	0	3	1	4	4		0	0	3	1	
	From S	0	0	0	5	5	5		0	0	0	5	
	From E	0	0	0	70	70	70		0	0	0	70	
	From W	0	3	63	0	66	66		0	3	63	0	
		To N	To S	To E	To W				ColTot	0	3	66	76
									Target	0	3	66	76
16		To N	To S	To E	To W	RowTt	Target		To N	To S	To E	To W	
	From N	0	0	3	1	4	4		0	0	3	1	
	From S	0	0	0	5	5	5		0	0	0	5	
	From E	0	0	0	70	70	70		0	0	0	70	
	From W	0	3	63	0	66	66		0	3	63	0	
		To N	To S	To E	To W				ColTot	0	3	66	76
									Target	0	3	66	76
17		To N	To S	To E	To W	RowTt	Target		To N	To S	To E	To W	
	From N	0	0	3	1	4	4		0	0	3	1	
	From S	0	0	0	5	5	5		0	0	0	5	
	From E	0	0	0	70	70	70		0	0	0	70	
	From W	0	3	63	0	66	66		0	3	63	0	
		To N	To S	To E	To W				ColTot	0	3	66	76
									Target	0	3	66	76
18		To N	To S	To E	To W	RowTt	Target		To N	To S	To E	To W	
	From N	0	0	3	1	4	4		0	0	3	1	
	From S	0	0	0	5	5	5		0	0	0	5	
	From E	0	0	0	70	70	70		0	0	0	70	
	From W	0	3	63	0	66	66		0	3	63	0	
		To N	To S	To E	To W				ColTot	0	3	66	76
									Target	0	3	66	76

Turn Movement Forecast: Row-Column-Sum Method

Street Alignment: North/South East/West Scenario: **Future (2040) With Project**
 Intersection: Palm Way at Broadway St Time Period: **Weekday PM**

19		To N	To S	To E	To W	RowTt	Target		To N	To S	To E	To W	
	From N	0	0	3	1	4	4		0	0	3	1	
	From S	0	0	0	5	5	5		0	0	0	5	
	From E	0	0	0	70	70	70		0	0	0	70	
	From W	0	3	63	0	66	66		0	3	63	0	
		To N	To S	To E	To W			ColTot	0	3	66	76	
								Target	0	3	66	76	
20		To N	To S	To E	To W	RowTt	Target		To N	To S	To E	To W	
	From N	0	0	3	1	4	4		0	0	3	1	1.000
	From S	0	0	0	5	5	5		0	0	0	5	1.000
	From E	0	0	0	70	70	70		0	0	0	70	1.000
	From W	0	3	63	0	66	66		0	3	63	0	1.000
		To N	To S	To E	To W			ColTot	0	3	66	76	
								Target	0	3	66	76	
								Pct	0.000	1.000	1.000	1.000	

Turn Movements and Traffic Volumes												
Year	<u>NL</u>	<u>NT</u>	<u>NR</u>	<u>SL</u>	<u>ST</u>	<u>SR</u>	<u>EL</u>	<u>ET</u>	<u>ER</u>	<u>WL</u>	<u>WT</u>	<u>WR</u>
Existing	5			3		1		55	3		66	
2040	5	0	0	3	0	1	0	63	3	0	70	0
max(existing, 2040)	5	0	0	3	0	1	0	63	3	0	70	0
rounded to nearest 10	10	0	0	10	0	10	0	70	10	0	70	0

Future Link outputs			
	North		
	20	0	
90			70
80			80
	10	10	
In - Out	180	180	Diff 0

Future volume			
	Turn Move Inputs		
	10	0	10
	SR	ST	SL
0	EL		WR
70	ET		WT
10	ER		WL
	NL	NT	NR
	10	0	0

Turn Movement Forecast: Row-Column-Sum Method

Street Alignment: North/South at East/West Scenario: **Future (2040) With Project**
 Intersection: Palm Way at Broadway St Time Period: **Weekend MD**

Future Link Inputs				Existing Counts		Turn Move Inputs		
North						0	1	0
79	1	2	81	1		SR	ST	SL
69			65	57		EL		WR
	5	2		2		ET		WT
						ER		WL
						NL	NT	NR
In - Out	153	151	152			1	1	0

Average In-out volumes

Link Inputs			
North			
80	1	2	80
69			65
	5	2	
In - Out	152	152	0

1		To N	To S	To E	To W	RowTt	Target	2	To N	To S	To E	To W
	From N	0	1	0	0	1	1		0	1	0	0
	From S	1	0	0	1	2	2		1	0	0	1
	From E	0	2	0	74	76	80		0	2	0	78
	From W	1	2	57	0	60	69		1	2	65	0
		To N	To S	To E	To W			ColTot	2	5	65	79
								Target	2	5	65	80
2		To N	To S	To E	To W	RowTt	Target		To N	To S	To E	To W
	From N	0	1	0	0	1	1		0	1	0	0
	From S	1	0	0	1	2	2		1	0	0	1
	From E	0	2	0	79	81	80		0	2	0	78
	From W	1	2	65	0	69	69		1	2	65	0
		To N	To S	To E	To W			ColTot	2	5	65	80
								Target	2	5	65	80
3		To N	To S	To E	To W	RowTt	Target		To N	To S	To E	To W
	From N	0	1	0	0	1	1		0	1	0	0
	From S	1	0	0	1	2	2		1	0	0	1
	From E	0	2	0	78	80	80		0	2	0	79
	From W	1	2	65	0	69	69		1	2	65	0
		To N	To S	To E	To W			ColTot	2	5	65	80
								Target	2	5	65	80
4		To N	To S	To E	To W	RowTt	Target		To N	To S	To E	To W
	From N	0	1	0	0	1	1		0	1	0	0
	From S	1	0	0	1	2	2		1	0	0	1
	From E	0	2	0	78	80	80		0	2	0	79
	From W	1	2	65	0	69	69		1	2	65	0
		To N	To S	To E	To W			ColTot	2	5	65	80
								Target	2	5	65	80

Turn Movement Forecast: Row-Column-Sum Method

Street Alignment:
Intersection:

North/South
Palm Way at East/West
Broadway St

Scenario: **Future (2040) With Project**
Time Period: **Weekend MD**

5		To N	To S	To E	To W	RowTt	Target		To N	To S	To E	To W
	From N	0	1	0	0	1	1		0	1	0	0
	From S	1	0	0	1	2	2		1	0	0	1
	From E	0	2	0	78	80	80		0	2	0	79
	From W	1	2	65	0	69	69		1	2	65	0
		To N	To S	To E	To W			ColTot	2	5	65	80
								Target	2	5	65	80
6		To N	To S	To E	To W	RowTt	Target		To N	To S	To E	To W
	From N	0	1	0	0	1	1		0	1	0	0
	From S	1	0	0	1	2	2		1	0	0	1
	From E	0	2	0	78	80	80		0	2	0	79
	From W	1	2	65	0	69	69		1	2	65	0
		To N	To S	To E	To W			ColTot	2	5	65	80
								Target	2	5	65	80
7		To N	To S	To E	To W	RowTt	Target		To N	To S	To E	To W
	From N	0	1	0	0	1	1		0	1	0	0
	From S	1	0	0	1	2	2		1	0	0	1
	From E	0	2	0	78	80	80		0	2	0	79
	From W	1	2	65	0	69	69		1	2	65	0
		To N	To S	To E	To W			ColTot	2	5	65	80
								Target	2	5	65	80
8		To N	To S	To E	To W	RowTt	Target		To N	To S	To E	To W
	From N	0	1	0	0	1	1		0	1	0	0
	From S	1	0	0	1	2	2		1	0	0	1
	From E	0	2	0	78	80	80		0	2	0	79
	From W	1	2	65	0	69	69		1	2	65	0
		To N	To S	To E	To W			ColTot	2	5	65	80
								Target	2	5	65	80
9		To N	To S	To E	To W	RowTt	Target		To N	To S	To E	To W
	From N	0	1	0	0	1	1		0	1	0	0
	From S	1	0	0	1	2	2		1	0	0	1
	From E	0	2	0	78	80	80		0	2	0	79
	From W	1	2	65	0	69	69		1	2	65	0
		To N	To S	To E	To W			ColTot	2	5	65	80
								Target	2	5	65	80
10		To N	To S	To E	To W	RowTt	Target		To N	To S	To E	To W
	From N	0	1	0	0	1	1		0	1	0	0
	From S	1	0	0	1	2	2		1	0	0	1
	From E	0	2	0	78	80	80		0	2	0	79
	From W	1	2	65	0	69	69		1	2	65	0
		To N	To S	To E	To W			ColTot	2	5	65	80
								Target	2	5	65	80
11		To N	To S	To E	To W	RowTt	Target		To N	To S	To E	To W
	From N	0	1	0	0	1	1		0	1	0	0
	From S	1	0	0	1	2	2		1	0	0	1
	From E	0	2	0	78	80	80		0	2	0	79
	From W	1	2	65	0	69	69		1	2	65	0
		To N	To S	To E	To W			ColTot	2	5	65	80
								Target	2	5	65	80

Turn Movement Forecast: Row-Column-Sum Method

Street Alignment: North/South at East/West
 Intersection: Palm Way at Broadway St

Scenario: **Future (2040) With Project**
 Time Period: **Weekend MD**

12		To N	To S	To E	To W	RowTt	Target		To N	To S	To E	To W	
	From N	0	1	0	0	1	1		0	1	0	0	
	From S	1	0	0	1	2	2		1	0	0	1	
	From E	0	2	0	78	80	80		0	2	0	79	
	From W	1	2	65	0	69	69		1	2	65	0	
		To N	To S	To E	To W				ColTot	2	5	65	80
									Target	2	5	65	80
13		To N	To S	To E	To W	RowTt	Target		To N	To S	To E	To W	
	From N	0	1	0	0	1	1		0	1	0	0	
	From S	1	0	0	1	2	2		1	0	0	1	
	From E	0	2	0	78	80	80		0	2	0	79	
	From W	1	2	65	0	69	69		1	2	65	0	
		To N	To S	To E	To W				ColTot	2	5	65	80
									Target	2	5	65	80
14		To N	To S	To E	To W	RowTt	Target		To N	To S	To E	To W	
	From N	0	1	0	0	1	1		0	1	0	0	
	From S	1	0	0	1	2	2		1	0	0	1	
	From E	0	2	0	78	80	80		0	2	0	79	
	From W	1	2	65	0	69	69		1	2	65	0	
		To N	To S	To E	To W				ColTot	2	5	65	80
									Target	2	5	65	80
15		To N	To S	To E	To W	RowTt	Target		To N	To S	To E	To W	
	From N	0	1	0	0	1	1		0	1	0	0	
	From S	1	0	0	1	2	2		1	0	0	1	
	From E	0	2	0	78	80	80		0	2	0	79	
	From W	1	2	65	0	69	69		1	2	65	0	
		To N	To S	To E	To W				ColTot	2	5	65	80
									Target	2	5	65	80
16		To N	To S	To E	To W	RowTt	Target		To N	To S	To E	To W	
	From N	0	1	0	0	1	1		0	1	0	0	
	From S	1	0	0	1	2	2		1	0	0	1	
	From E	0	2	0	78	80	80		0	2	0	79	
	From W	1	2	65	0	69	69		1	2	65	0	
		To N	To S	To E	To W				ColTot	2	5	65	80
									Target	2	5	65	80
17		To N	To S	To E	To W	RowTt	Target		To N	To S	To E	To W	
	From N	0	1	0	0	1	1		0	1	0	0	
	From S	1	0	0	1	2	2		1	0	0	1	
	From E	0	2	0	78	80	80		0	2	0	79	
	From W	1	2	65	0	69	69		1	2	65	0	
		To N	To S	To E	To W				ColTot	2	5	65	80
									Target	2	5	65	80
18		To N	To S	To E	To W	RowTt	Target		To N	To S	To E	To W	
	From N	0	1	0	0	1	1		0	1	0	0	
	From S	1	0	0	1	2	2		1	0	0	1	
	From E	0	2	0	78	80	80		0	2	0	79	
	From W	1	2	65	0	69	69		1	2	65	0	
		To N	To S	To E	To W				ColTot	2	5	65	80
									Target	2	5	65	80

Turn Movement Forecast: Row-Column-Sum Method

Street Alignment: North/South East/West Scenario: **Future (2040) With Project**
 Intersection: Palm Way at Broadway St Time Period: **Weekend MD**

19		To N	To S	To E	To W	RowTt	Target		To N	To S	To E	To W	
	From N	0	1	0	0	1	1		0	1	0	0	
	From S	1	0	0	1	2	2		1	0	0	1	
	From E	0	2	0	78	80	80		0	2	0	79	
	From W	1	2	65	0	69	69		1	2	65	0	
		To N	To S	To E	To W			ColTot	2	5	65	80	
								Target	2	5	65	80	
20		To N	To S	To E	To W	RowTt	Target		To N	To S	To E	To W	
	From N	0	1	0	0	1	1		0	1	0	0	1.000
	From S	1	0	0	1	2	2		1	0	0	1	1.000
	From E	0	2	0	78	80	80		0	2	0	79	1.000
	From W	1	2	65	0	69	69		1	2	65	0	1.000
		To N	To S	To E	To W			ColTot	2	5	65	80	
								Target	2	5	65	80	
								Pct	1.000	1.000	1.000	1.000	

Turn Movements and Traffic Volumes												
Year	NL	NT	NR	SL	ST	SR	EL	ET	ER	WL	WT	WR
Existing	1	1			1		1	57	2	2	74	
2040	1	1	0	0	1	0	1	65	2	2	79	0
max(existing, 2040)	1	1	0	0	1	0	1	65	2	2	79	0
rounded to nearest 10	10	10	0	0	10	0	10	70	10	10	80	0

Future Link outputs			
	North		
	10	20	
90			90
90			70
	30	20	
In - Out	210	210	Diff 0

Future volume	Turn Move Inputs		
	0	10	0
	SR	ST	SL
10	EL		WR 0
70	ET		WT 80
10	ER		WL 10
	NL	NT	NR
	10	10	0

Turn Movement Forecast: Row-Column-Sum Method

Street Alignment: North/South at East/West Scenario: **Future (2040) With Project**
 Intersection: Broadway St at Victory Dr Time Period: **Weekday AM**

Future Link Inputs				Existing Counts		Turn Move Inputs			
	North								
	110	94				4	75	0	
	-1					SR	ST	SL	
	16				4			WR	0
					0			WT	0
	107	74			0			WL	0
			Average			NL	NT	NR	
In - Out	200	200	200			0	70	0	

Average In-out volumes

Link Inputs			
	North		
	110	94	
	-1		
	16		
	107	74	
In - Out	200	200	0

1		To N	To S	To E	To W	RowTt	Target	2	To N	To S	To E	To W
	From N	0	75	0	4	79	110		0	104	0	6
	From S	70	0	0	0	70	74		74	0	0	0
	From E	0	0	0	0	0	0		0	0	0	0
	From W	4	0	0	0	4	16		16	0	0	0
		To N	To S	To E	To W			ColTot	90	104	0	6
								Target	94	107	0	-1
2		To N	To S	To E	To W	RowTt	Target		To N	To S	To E	To W
	From N	0	107	0	-1	106	110		0	111	0	-1
	From S	77	0	0	0	77	74		74	0	0	0
	From E	0	0	0	0	0	0		0	0	0	0
	From W	17	0	0	0	17	16		16	0	0	0
		To N	To S	To E	To W			ColTot	90	111	0	-1
								Target	94	107	0	-1
3		To N	To S	To E	To W	RowTt	Target		To N	To S	To E	To W
	From N	0	107	0	-1	106	110		0	111	0	-1
	From S	77	0	0	0	77	74		74	0	0	0
	From E	0	0	0	0	0	0		0	0	0	0
	From W	17	0	0	0	17	16		16	0	0	0
		To N	To S	To E	To W			ColTot	90	111	0	-1
								Target	94	107	0	-1
4		To N	To S	To E	To W	RowTt	Target		To N	To S	To E	To W
	From N	0	107	0	-1	106	110		0	111	0	-1
	From S	77	0	0	0	77	74		74	0	0	0
	From E	0	0	0	0	0	0		0	0	0	0
	From W	17	0	0	0	17	16		16	0	0	0
		To N	To S	To E	To W			ColTot	90	111	0	-1
								Target	94	107	0	-1

Turn Movement Forecast: Row-Column-Sum Method

Street Alignment:
Intersection:

North/South
Broadway St at East/West
Victory Dr

Scenario: **Future (2040) With Project**
Time Period: **Weekday AM**

5		To N	To S	To E	To W	RowTt	Target		To N	To S	To E	To W
	From N	0	107	0	-1	106	110		0	111	0	-1
	From S	77	0	0	0	77	74		74	0	0	0
	From E	0	0	0	0	0	0		0	0	0	0
	From W	17	0	0	0	17	16		16	0	0	0
		To N	To S	To E	To W			ColTot	90	111	0	-1
								Target	94	107	0	-1
6		To N	To S	To E	To W	RowTt	Target		To N	To S	To E	To W
	From N	0	107	0	-1	106	110		0	111	0	-1
	From S	77	0	0	0	77	74		74	0	0	0
	From E	0	0	0	0	0	0		0	0	0	0
	From W	17	0	0	0	17	16		16	0	0	0
		To N	To S	To E	To W			ColTot	90	111	0	-1
								Target	94	107	0	-1
7		To N	To S	To E	To W	RowTt	Target		To N	To S	To E	To W
	From N	0	107	0	-1	106	110		0	111	0	-1
	From S	77	0	0	0	77	74		74	0	0	0
	From E	0	0	0	0	0	0		0	0	0	0
	From W	17	0	0	0	17	16		16	0	0	0
		To N	To S	To E	To W			ColTot	90	111	0	-1
								Target	94	107	0	-1
8		To N	To S	To E	To W	RowTt	Target		To N	To S	To E	To W
	From N	0	107	0	-1	106	110		0	111	0	-1
	From S	77	0	0	0	77	74		74	0	0	0
	From E	0	0	0	0	0	0		0	0	0	0
	From W	17	0	0	0	17	16		16	0	0	0
		To N	To S	To E	To W			ColTot	90	111	0	-1
								Target	94	107	0	-1
9		To N	To S	To E	To W	RowTt	Target		To N	To S	To E	To W
	From N	0	107	0	-1	106	110		0	111	0	-1
	From S	77	0	0	0	77	74		74	0	0	0
	From E	0	0	0	0	0	0		0	0	0	0
	From W	17	0	0	0	17	16		16	0	0	0
		To N	To S	To E	To W			ColTot	90	111	0	-1
								Target	94	107	0	-1
10		To N	To S	To E	To W	RowTt	Target		To N	To S	To E	To W
	From N	0	107	0	-1	106	110		0	111	0	-1
	From S	77	0	0	0	77	74		74	0	0	0
	From E	0	0	0	0	0	0		0	0	0	0
	From W	17	0	0	0	17	16		16	0	0	0
		To N	To S	To E	To W			ColTot	90	111	0	-1
								Target	94	107	0	-1
11		To N	To S	To E	To W	RowTt	Target		To N	To S	To E	To W
	From N	0	107	0	-1	106	110		0	111	0	-1
	From S	77	0	0	0	77	74		74	0	0	0
	From E	0	0	0	0	0	0		0	0	0	0
	From W	17	0	0	0	17	16		16	0	0	0
		To N	To S	To E	To W			ColTot	90	111	0	-1
								Target	94	107	0	-1

Turn Movement Forecast: Row-Column-Sum Method

Street Alignment:
Intersection:

North/South
Broadway St at East/West
Victory Dr

Scenario: **Future (2040) With Project**
Time Period: **Weekday AM**

12		To N	To S	To E	To W	RowTt	Target		To N	To S	To E	To W
	From N	0	107	0	-1	106	110		0	111	0	-1
	From S	77	0	0	0	77	74		74	0	0	0
	From E	0	0	0	0	0	0		0	0	0	0
	From W	17	0	0	0	17	16		16	0	0	0
		To N	To S	To E	To W			ColTot	90	111	0	-1
								Target	94	107	0	-1
13		To N	To S	To E	To W	RowTt	Target		To N	To S	To E	To W
	From N	0	107	0	-1	106	110		0	111	0	-1
	From S	77	0	0	0	77	74		74	0	0	0
	From E	0	0	0	0	0	0		0	0	0	0
	From W	17	0	0	0	17	16		16	0	0	0
		To N	To S	To E	To W			ColTot	90	111	0	-1
								Target	94	107	0	-1
14		To N	To S	To E	To W	RowTt	Target		To N	To S	To E	To W
	From N	0	107	0	-1	106	110		0	111	0	-1
	From S	77	0	0	0	77	74		74	0	0	0
	From E	0	0	0	0	0	0		0	0	0	0
	From W	17	0	0	0	17	16		16	0	0	0
		To N	To S	To E	To W			ColTot	90	111	0	-1
								Target	94	107	0	-1
15		To N	To S	To E	To W	RowTt	Target		To N	To S	To E	To W
	From N	0	107	0	-1	106	110		0	111	0	-1
	From S	77	0	0	0	77	74		74	0	0	0
	From E	0	0	0	0	0	0		0	0	0	0
	From W	17	0	0	0	17	16		16	0	0	0
		To N	To S	To E	To W			ColTot	90	111	0	-1
								Target	94	107	0	-1
16		To N	To S	To E	To W	RowTt	Target		To N	To S	To E	To W
	From N	0	107	0	-1	106	110		0	111	0	-1
	From S	77	0	0	0	77	74		74	0	0	0
	From E	0	0	0	0	0	0		0	0	0	0
	From W	17	0	0	0	17	16		16	0	0	0
		To N	To S	To E	To W			ColTot	90	111	0	-1
								Target	94	107	0	-1
17		To N	To S	To E	To W	RowTt	Target		To N	To S	To E	To W
	From N	0	107	0	-1	106	110		0	111	0	-1
	From S	77	0	0	0	77	74		74	0	0	0
	From E	0	0	0	0	0	0		0	0	0	0
	From W	17	0	0	0	17	16		16	0	0	0
		To N	To S	To E	To W			ColTot	90	111	0	-1
								Target	94	107	0	-1
18		To N	To S	To E	To W	RowTt	Target		To N	To S	To E	To W
	From N	0	107	0	-1	106	110		0	111	0	-1
	From S	77	0	0	0	77	74		74	0	0	0
	From E	0	0	0	0	0	0		0	0	0	0
	From W	17	0	0	0	17	16		16	0	0	0
		To N	To S	To E	To W			ColTot	90	111	0	-1
								Target	94	107	0	-1

Turn Movement Forecast: Row-Column-Sum Method

Street Alignment: North/South East/West Scenario: **Future (2040) With Project**
 Intersection: Broadway St at Victory Dr Time Period: **Weekday AM**

19		To N	To S	To E	To W	RowTt	Target		To N	To S	To E	To W	
	From N	0	107	0	-1	106	110		0	111	0	-1	
	From S	77	0	0	0	77	74		74	0	0	0	
	From E	0	0	0	0	0	0		0	0	0	0	
	From W	17	0	0	0	17	16		16	0	0	0	
		To N	To S	To E	To W			ColTot	90	111	0	-1	
								Target	94	107	0	-1	
20		To N	To S	To E	To W	RowTt	Target		To N	To S	To E	To W	
	From N	0	107	0	-1	106	110		0	111	0	-1	0.964
	From S	77	0	0	0	77	74		74	0	0	0	1.044
	From E	0	0	0	0	0	0		0	0	0	0	0.000
	From W	17	0	0	0	17	16		16	0	0	0	1.044
		To N	To S	To E	To W			ColTot	90	111	0	-1	
								Target	94	107	0	-1	
								Pct	0.957	1.038	0.000	1.038	

Turn Movements and Traffic Volumes

Year	<u>NL</u>	<u>NT</u>	<u>NR</u>	<u>SL</u>	<u>ST</u>	<u>SR</u>	<u>EL</u>	<u>ET</u>	<u>ER</u>	<u>WL</u>	<u>WT</u>	<u>WR</u>
Existing	0	70	0	0	75	4	4	0	0	0	0	0
2040	0	74	0	0	111	-1	16	0	0	0	0	0
max(existing, 2040)	0	74	0	0	111	4	16	0	0	0	0	0
rounded to nearest 10	0	80	0	0	120	10	20	0	0	0	0	0

Future Link outputs

	North		
	130	100	
10			0
20			0
	120	80	
In - Out	230	230	Diff 0

Future volume

	10	120	0
	SR	ST	SL
20			WR 0
0			WT 0
0			WL 0
	NL	NT	NR
	0	80	0

Turn Movement Forecast: Row-Column-Sum Method

Street Alignment: North/South at East/West Scenario: **Future (2040) With Project**
 Intersection: Broadway St at Victory Dr Time Period: **Weekday PM**

Future Link Inputs				Existing Counts		Turn Move Inputs			
	North					3	114	0	
	144	160				SR	ST	SL	
14					5	EL		WR	0
12					0	ET		WT	0
		130	149		1	ER		WL	0
				Average		NL	NT	NR	
In - Out	305	304	305			0	118	0	

Average In-out volumes

Link Inputs

North			
	North		
	144	160	
14			0
12			0
		130	149
In - Out	305	305	0

1	To N	To S	To E	To W	RowTt	Target	2	To N	To S	To E	To W
	From N	0	114	0	3	117	144	0	140	0	4
	From S	118	0	0	0	118	149	149	0	0	0
	From E	0	0	0	0	0	0	0	0	0	0
	From W	5	1	0	0	6	12	10	2	0	0
	To N	To S	To E	To W			ColTot	159	142	0	4
							Target	160	130	0	14
2	To N	To S	To E	To W	RowTt	Target		To N	To S	To E	To W
	From N	0	128	0	14	142	144	0	130	0	14
	From S	150	0	0	0	150	149	149	0	0	0
	From E	0	0	0	0	0	0	0	0	0	0
	From W	10	2	0	0	12	12	10	2	0	0
	To N	To S	To E	To W			ColTot	159	131	0	14
							Target	160	130	0	14
3	To N	To S	To E	To W	RowTt	Target		To N	To S	To E	To W
	From N	0	128	0	14	142	144	0	130	0	14
	From S	150	0	0	0	150	149	149	0	0	0
	From E	0	0	0	0	0	0	0	0	0	0
	From W	10	2	0	0	12	12	10	2	0	0
	To N	To S	To E	To W			ColTot	159	131	0	14
							Target	160	130	0	14
4	To N	To S	To E	To W	RowTt	Target		To N	To S	To E	To W
	From N	0	128	0	14	142	144	0	130	0	14
	From S	150	0	0	0	150	149	149	0	0	0
	From E	0	0	0	0	0	0	0	0	0	0
	From W	10	2	0	0	12	12	10	2	0	0
	To N	To S	To E	To W			ColTot	159	131	0	14
							Target	160	130	0	14

Turn Movement Forecast: Row-Column-Sum Method

Street Alignment: North/South at East/West
 Intersection: Broadway St at Victory Dr

Scenario: **Future (2040) With Project**
 Time Period: **Weekday PM**

5		To N	To S	To E	To W	RowTt	Target		To N	To S	To E	To W
	From N	0	128	0	14	142	144		0	130	0	14
	From S	150	0	0	0	150	149		149	0	0	0
	From E	0	0	0	0	0	0		0	0	0	0
	From W	10	2	0	0	12	12		10	2	0	0
		To N	To S	To E	To W			ColTot	159	131	0	14
								Target	160	130	0	14
6		To N	To S	To E	To W	RowTt	Target		To N	To S	To E	To W
	From N	0	128	0	14	142	144		0	130	0	14
	From S	150	0	0	0	150	149		149	0	0	0
	From E	0	0	0	0	0	0		0	0	0	0
	From W	10	2	0	0	12	12		10	2	0	0
		To N	To S	To E	To W			ColTot	159	131	0	14
								Target	160	130	0	14
7		To N	To S	To E	To W	RowTt	Target		To N	To S	To E	To W
	From N	0	128	0	14	143	144		0	130	0	14
	From S	150	0	0	0	150	149		149	0	0	0
	From E	0	0	0	0	0	0		0	0	0	0
	From W	10	2	0	0	12	12		10	2	0	0
		To N	To S	To E	To W			ColTot	159	131	0	14
								Target	160	130	0	14
8		To N	To S	To E	To W	RowTt	Target		To N	To S	To E	To W
	From N	0	129	0	14	143	144		0	130	0	14
	From S	150	0	0	0	150	149		149	0	0	0
	From E	0	0	0	0	0	0		0	0	0	0
	From W	10	2	0	0	12	12		10	2	0	0
		To N	To S	To E	To W			ColTot	159	131	0	14
								Target	160	130	0	14
9		To N	To S	To E	To W	RowTt	Target		To N	To S	To E	To W
	From N	0	129	0	14	143	144		0	130	0	14
	From S	150	0	0	0	150	149		149	0	0	0
	From E	0	0	0	0	0	0		0	0	0	0
	From W	10	2	0	0	12	12		10	2	0	0
		To N	To S	To E	To W			ColTot	159	131	0	14
								Target	160	130	0	14
10		To N	To S	To E	To W	RowTt	Target		To N	To S	To E	To W
	From N	0	129	0	14	143	144		0	130	0	14
	From S	150	0	0	0	150	149		149	0	0	0
	From E	0	0	0	0	0	0		0	0	0	0
	From W	10	2	0	0	12	12		10	2	0	0
		To N	To S	To E	To W			ColTot	159	131	0	14
								Target	160	130	0	14
11		To N	To S	To E	To W	RowTt	Target		To N	To S	To E	To W
	From N	0	129	0	14	143	144		0	130	0	14
	From S	150	0	0	0	150	149		149	0	0	0
	From E	0	0	0	0	0	0		0	0	0	0
	From W	10	2	0	0	12	12		10	2	0	0
		To N	To S	To E	To W			ColTot	159	131	0	14
								Target	160	130	0	14

Turn Movement Forecast: Row-Column-Sum Method

Street Alignment:
Intersection:

North/South
Broadway St at East/West
Victory Dr

Scenario: **Future (2040) With Project**
Time Period: **Weekday PM**

12		To N	To S	To E	To W	RowTt	Target		To N	To S	To E	To W
	From N	0	129	0	14	143	144		0	130	0	14
	From S	150	0	0	0	150	149		149	0	0	0
	From E	0	0	0	0	0	0		0	0	0	0
	From W	10	2	0	0	12	12		10	2	0	0
		To N	To S	To E	To W			ColTot	159	131	0	14
								Target	160	130	0	14
13		To N	To S	To E	To W	RowTt	Target		To N	To S	To E	To W
	From N	0	129	0	14	143	144		0	130	0	14
	From S	150	0	0	0	150	149		149	0	0	0
	From E	0	0	0	0	0	0		0	0	0	0
	From W	10	2	0	0	12	12		10	2	0	0
		To N	To S	To E	To W			ColTot	159	131	0	14
								Target	160	130	0	14
14		To N	To S	To E	To W	RowTt	Target		To N	To S	To E	To W
	From N	0	129	0	14	143	144		0	130	0	14
	From S	150	0	0	0	150	149		149	0	0	0
	From E	0	0	0	0	0	0		0	0	0	0
	From W	10	2	0	0	12	12		10	2	0	0
		To N	To S	To E	To W			ColTot	159	131	0	14
								Target	160	130	0	14
15		To N	To S	To E	To W	RowTt	Target		To N	To S	To E	To W
	From N	0	129	0	14	143	144		0	130	0	14
	From S	150	0	0	0	150	149		149	0	0	0
	From E	0	0	0	0	0	0		0	0	0	0
	From W	10	2	0	0	12	12		10	2	0	0
		To N	To S	To E	To W			ColTot	159	131	0	14
								Target	160	130	0	14
16		To N	To S	To E	To W	RowTt	Target		To N	To S	To E	To W
	From N	0	129	0	14	143	144		0	130	0	14
	From S	150	0	0	0	150	149		149	0	0	0
	From E	0	0	0	0	0	0		0	0	0	0
	From W	11	2	0	0	12	12		10	2	0	0
		To N	To S	To E	To W			ColTot	159	131	0	14
								Target	160	130	0	14
17		To N	To S	To E	To W	RowTt	Target		To N	To S	To E	To W
	From N	0	129	0	14	143	144		0	130	0	14
	From S	150	0	0	0	150	149		149	0	0	0
	From E	0	0	0	0	0	0		0	0	0	0
	From W	11	2	0	0	12	12		10	2	0	0
		To N	To S	To E	To W			ColTot	159	131	0	14
								Target	160	130	0	14
18		To N	To S	To E	To W	RowTt	Target		To N	To S	To E	To W
	From N	0	129	0	14	143	144		0	130	0	14
	From S	150	0	0	0	150	149		149	0	0	0
	From E	0	0	0	0	0	0		0	0	0	0
	From W	11	1	0	0	12	12		10	1	0	0
		To N	To S	To E	To W			ColTot	159	131	0	14
								Target	160	130	0	14

Turn Movement Forecast: Row-Column-Sum Method

Street Alignment: North/South East/West Scenario: **Future (2040) With Project**
 Intersection: Broadway St at Victory Dr Time Period: **Weekday PM**

19		To N	To S	To E	To W	RowTt	Target		To N	To S	To E	To W	
	From N	0	129	0	14	143	144		0	130	0	14	
	From S	150	0	0	0	150	149		149	0	0	0	
	From E	0	0	0	0	0	0		0	0	0	0	
	From W	11	1	0	0	12	12		11	1	0	0	
		To N	To S	To E	To W			ColTot	159	131	0	14	
								Target	160	130	0	14	
20		To N	To S	To E	To W	RowTt	Target		To N	To S	To E	To W	
	From N	0	129	0	14	143	144		0	130	0	14	0.993
	From S	150	0	0	0	150	149		149	0	0	0	1.006
	From E	0	0	0	0	0	0		0	0	0	0	0.000
	From W	11	1	0	0	12	12		11	1	0	0	1.005
		To N	To S	To E	To W			ColTot	159	131	0	14	
								Target	160	130	0	14	
								Pct	0.994	1.007	0.000	1.007	

Turn Movements and Traffic Volumes												
Year	NL	NT	NR	SL	ST	SR	EL	ET	ER	WL	WT	WR
Existing		118			114	3	5		1			
2040	0	149	0	0	130	14	11	0	1	0	0	0
max(existing, 2040)	0	149	0	0	130	14	11	0	1	0	0	0
rounded to nearest 10	0	150	0	0	130	20	20	0	10	0	0	0

Future Link outputs			
North			
	150	170	
20			0
30			0
	140	150	
In - Out	330	330	Diff 0

Future volume			
Turn Move Inputs			
20	130	0	
SR	ST	SL	
20		WR	0
0		WT	0
10		WL	0
NL	NT	NR	
0	150	0	

Turn Movement Forecast: Row-Column-Sum Method

Street Alignment: North/South East/West Scenario: **Future (2040) With Project**
 Intersection: Broadway St at Victory Dr Time Period: **Weekend MD**

Future Link Inputs				Existing Counts		Turn Move Inputs			
North						5	111	0	
	143	195				SR	ST	SL	
29			0	9		EL		WR	0
18			0	0		ET		WT	0
	126	179		0		ER		WL	0
			Average			NL	NT	NR	
In - Out	340	350	345			1	141	0	

Average In-out volumes

Link Inputs			
North			
	145	192	
29			0
18			0
	124	182	
In - Out	345	345	0

1	To N	To S	To E	To W	RowTt	Target	2	To N	To S	To E	To W
	From N	0	111	0	5	116	145	0	139	0	6
	From S	141	0	0	1	142	182	180	0	0	1
	From E	0	0	0	0	0	0	0	0	0	0
	From W	9	0	0	0	9	18	18	0	0	0
	To N	To S	To E	To W			ColTot	199	139	0	8
							Target	192	124	0	29
2	To N	To S	To E	To W	RowTt	Target		To N	To S	To E	To W
	From N	0	124	0	24	148	145	0	122	0	23
	From S	175	0	0	5	179	182	177	0	0	5
	From E	0	0	0	0	0	0	0	0	0	0
	From W	18	0	0	0	18	18	18	0	0	0
	To N	To S	To E	To W			ColTot	195	122	0	28
							Target	192	124	0	29
3	To N	To S	To E	To W	RowTt	Target		To N	To S	To E	To W
	From N	0	124	0	24	148	145	0	122	0	23
	From S	174	0	0	5	179	182	177	0	0	5
	From E	0	0	0	0	0	0	0	0	0	0
	From W	18	0	0	0	18	18	18	0	0	0
	To N	To S	To E	To W			ColTot	195	122	0	28
							Target	192	124	0	29
4	To N	To S	To E	To W	RowTt	Target		To N	To S	To E	To W
	From N	0	124	0	23	148	145	0	122	0	23
	From S	174	0	0	5	179	182	176	0	0	5
	From E	0	0	0	0	0	0	0	0	0	0
	From W	18	0	0	0	18	18	18	0	0	0
	To N	To S	To E	To W			ColTot	195	122	0	28
							Target	192	124	0	29

Turn Movement Forecast: Row-Column-Sum Method

Street Alignment: North/South at East/West
 Intersection: Broadway St at Victory Dr

Scenario: **Future (2040) With Project**
 Time Period: **Weekend MD**

5		To N	To S	To E	To W	RowTt	Target		To N	To S	To E	To W
	From N	0	124	0	23	148	145		0	122	0	23
	From S	174	0	0	5	179	182		176	0	0	5
	From E	0	0	0	0	0	0		0	0	0	0
	From W	18	0	0	0	18	18		18	0	0	0
		To N	To S	To E	To W			ColTot	195	122	0	28
								Target	192	124	0	29
6		To N	To S	To E	To W	RowTt	Target		To N	To S	To E	To W
	From N	0	124	0	23	147	145		0	122	0	23
	From S	174	0	0	5	180	182		176	0	0	5
	From E	0	0	0	0	0	0		0	0	0	0
	From W	18	0	0	0	18	18		18	0	0	0
		To N	To S	To E	To W			ColTot	194	122	0	28
								Target	192	124	0	29
7		To N	To S	To E	To W	RowTt	Target		To N	To S	To E	To W
	From N	0	124	0	23	147	145		0	122	0	23
	From S	174	0	0	5	180	182		176	0	0	6
	From E	0	0	0	0	0	0		0	0	0	0
	From W	18	0	0	0	18	18		18	0	0	0
		To N	To S	To E	To W			ColTot	194	122	0	28
								Target	192	124	0	29
8		To N	To S	To E	To W	RowTt	Target		To N	To S	To E	To W
	From N	0	124	0	23	147	145		0	122	0	23
	From S	174	0	0	6	180	182		176	0	0	6
	From E	0	0	0	0	0	0		0	0	0	0
	From W	18	0	0	0	18	18		18	0	0	0
		To N	To S	To E	To W			ColTot	194	122	0	28
								Target	192	124	0	29
9		To N	To S	To E	To W	RowTt	Target		To N	To S	To E	To W
	From N	0	124	0	23	147	145		0	123	0	23
	From S	174	0	0	6	180	182		176	0	0	6
	From E	0	0	0	0	0	0		0	0	0	0
	From W	18	0	0	0	18	18		18	0	0	0
		To N	To S	To E	To W			ColTot	194	123	0	28
								Target	192	124	0	29
10		To N	To S	To E	To W	RowTt	Target		To N	To S	To E	To W
	From N	0	124	0	23	147	145		0	123	0	22
	From S	174	0	0	6	180	182		176	0	0	6
	From E	0	0	0	0	0	0		0	0	0	0
	From W	18	0	0	0	18	18		18	0	0	0
		To N	To S	To E	To W			ColTot	194	123	0	28
								Target	192	124	0	29
11		To N	To S	To E	To W	RowTt	Target		To N	To S	To E	To W
	From N	0	124	0	23	147	145		0	123	0	22
	From S	174	0	0	6	180	182		176	0	0	6
	From E	0	0	0	0	0	0		0	0	0	0
	From W	18	0	0	0	18	18		18	0	0	0
		To N	To S	To E	To W			ColTot	194	123	0	28
								Target	192	124	0	29

Turn Movement Forecast: Row-Column-Sum Method

Street Alignment:
Intersection:

North/South
Broadway St at East/West
Victory Dr

Scenario: **Future (2040) With Project**
Time Period: **Weekend MD**

12		To N	To S	To E	To W	RowTt	Target		To N	To S	To E	To W	
	From N	0	124	0	23	147	145		0	123	0	22	
	From S	174	0	0	6	180	182		176	0	0	6	
	From E	0	0	0	0	0	0		0	0	0	0	
	From W	18	0	0	0	18	18		18	0	0	0	
		To N	To S	To E	To W				ColTot	194	123	0	28
									Target	192	124	0	29
13		To N	To S	To E	To W	RowTt	Target		To N	To S	To E	To W	
	From N	0	124	0	22	147	145		0	123	0	22	
	From S	174	0	0	6	180	182		175	0	0	6	
	From E	0	0	0	0	0	0		0	0	0	0	
	From W	18	0	0	0	18	18		18	0	0	0	
		To N	To S	To E	To W				ColTot	194	123	0	28
									Target	192	124	0	29
14		To N	To S	To E	To W	RowTt	Target		To N	To S	To E	To W	
	From N	0	124	0	22	147	145		0	123	0	22	
	From S	174	0	0	6	180	182		175	0	0	6	
	From E	0	0	0	0	0	0		0	0	0	0	
	From W	18	0	0	0	18	18		18	0	0	0	
		To N	To S	To E	To W				ColTot	194	123	0	28
									Target	192	124	0	29
15		To N	To S	To E	To W	RowTt	Target		To N	To S	To E	To W	
	From N	0	124	0	22	146	145		0	123	0	22	
	From S	174	0	0	6	180	182		175	0	0	6	
	From E	0	0	0	0	0	0		0	0	0	0	
	From W	18	0	0	0	18	18		18	0	0	0	
		To N	To S	To E	To W				ColTot	194	123	0	28
									Target	192	124	0	29
16		To N	To S	To E	To W	RowTt	Target		To N	To S	To E	To W	
	From N	0	124	0	22	146	145		0	123	0	22	
	From S	174	0	0	6	180	182		175	0	0	6	
	From E	0	0	0	0	0	0		0	0	0	0	
	From W	18	0	0	0	18	18		18	0	0	0	
		To N	To S	To E	To W				ColTot	193	123	0	28
									Target	192	124	0	29
17		To N	To S	To E	To W	RowTt	Target		To N	To S	To E	To W	
	From N	0	124	0	22	146	145		0	123	0	22	
	From S	174	0	0	6	181	182		175	0	0	6	
	From E	0	0	0	0	0	0		0	0	0	0	
	From W	18	0	0	0	18	18		18	0	0	0	
		To N	To S	To E	To W				ColTot	193	123	0	28
									Target	192	124	0	29
18		To N	To S	To E	To W	RowTt	Target		To N	To S	To E	To W	
	From N	0	124	0	22	146	145		0	123	0	22	
	From S	174	0	0	7	181	182		175	0	0	7	
	From E	0	0	0	0	0	0		0	0	0	0	
	From W	18	0	0	0	18	18		18	0	0	0	
		To N	To S	To E	To W				ColTot	193	123	0	28
									Target	192	124	0	29

Turn Movement Forecast: Row-Column-Sum Method

Street Alignment: North/South East/West Scenario: **Future (2040) With Project**
 Intersection: Broadway St at Victory Dr Time Period: **Weekend MD**

19		To N	To S	To E	To W	RowTt	Target		To N	To S	To E	To W	
	From N	0	124	0	22	146	145		0	123	0	22	
	From S	174	0	0	7	181	182		175	0	0	7	
	From E	0	0	0	0	0	0		0	0	0	0	
	From W	18	0	0	0	18	18		18	0	0	0	
		To N	To S	To E	To W			ColTot	193	123	0	28	
								Target	192	124	0	29	
20		To N	To S	To E	To W	RowTt	Target		To N	To S	To E	To W	
	From N	0	124	0	22	146	145		0	123	0	22	1.007
	From S	174	0	0	7	181	182		175	0	0	7	0.995
	From E	0	0	0	0	0	0		0	0	0	0	0.000
	From W	18	0	0	0	18	18		18	0	0	0	0.995
		To N	To S	To E	To W			ColTot	193	123	0	28	
								Target	192	124	0	29	
								Pct	1.005	0.993	0.000	0.996	

Turn Movements and Traffic Volumes

Year	<u>NL</u>	<u>NT</u>	<u>NR</u>	<u>SL</u>	<u>ST</u>	<u>SR</u>	<u>EL</u>	<u>ET</u>	<u>ER</u>	<u>WL</u>	<u>WT</u>	<u>WR</u>
Existing	1	141			111	5	9					
2040	7	175	0	0	123	22	18	0	0	0	0	0
max(existing, 2040)	7	175	0	0	123	22	18	0	0	0	0	0
rounded to nearest 10	10	180	0	0	130	30	20	0	0	0	0	0

Future Link outputs

	North		
	160	200	
40			0
20			0
	130	190	
In - Out	370	370	Diff 0

Future volume

	30	130	0	
	SR	ST	SL	
20			WR	0
0			WT	0
0			WL	0
	NL	NT	NR	
	10	180	0	

Appendix G – Future Year (2040) Daily Link Volume Calculation Worksheets

Future Year (2040) With Project Conditions

Study Roadway Segment	Existing (2021) Count Weekday Volumes		SBTAM Model Volumes						Future (2040) Weekday Volumes		
	NB/EB	SB/WB	Base Year (2021) Weekday		Future Year (2040)		Weekday Growth		NB/EB	SB/WB	Total
			NB/EB	SB/WB	NB/EB	SB/WB	NB/EB	SB/WB			
1. Needles Highway n/o Budweiser Road	2,183	1,242	1,381	3,217	3,454	3,901	2,073	684	4,256	1,926	6,182
2. Park Road from I-40 Ramps to Needles Hwy	1,713	757	120	111	343	239	223	128	1,936	885	2,821
3. Needles Highway from Park Rd to National Trails Hwy	850	801	628	818	672	698	44	-120	894	681	1,575
4. Needles Highway n/o I-40 WB Ramps/Balboa Pl	1,106	1,072	628	818	672	698	44	-120	1,150	952	2,102
5. Needles Highway from I-40 EB Ramps to W Broadway St	3,253	3,104	778	690	1,039	921	261	231	3,514	3,335	6,849
6. Needles Highway from W Broadway St to N K Street	7,357	6,834	1,002	838	1,189	1,078	187	240	7,544	7,074	14,618
7. North K Street from Needles Hwy to River Rd	7,142	7,018	710	597	791	724	81	127	7,223	7,145	14,368
8. River Road from Needles Hwy to Marina Dr	894	951	464	401	645	590	181	189	1,075	1,140	2,215
9. J Street from Bailey Ave to I-40 Ramps	2,073	2,038	1,164	1,258	1,271	1,264	107	6	2,180	2,044	4,224
10. J Street from I-40 Ramps to W Broadway St	4,638	4,634	1,202	1,113	987	1,014	-215	-99	4,423	4,535	8,958
11. West Broadway Street from Needles Hwy to J St	5,724	6,283	1,252	1,154	1,159	1,148	-93	-6	5,631	6,277	11,908
12. West Broadway Street from J St to G St	1,455	1,676	254	236	419	408	165	172	1,620	1,848	3,468
13. 3rd Street from F St to D St	479	516	565	570	556	561	-9	-9	470	507	977
14. D Street from 3rd St to Valley Ave/Cibola St	456	442	181	183	222	222	41	39	497	481	978
15. Bailey Avenue from Washington St to J St	327	375	395	391	398	386	3	-5	330	370	700
16. Bailey Avenue from J St to Lillyhill Dr	1,303	1,093	741	483	961	930	220	447	1,523	1,540	3,063
17. Lillyhill Drive from Bailey Ave to Clary Dr	858	872	764	697	879	927	115	230	973	1,102	2,075
18. San Clemente Street from Clary Dr to I-40 Ramps	250	235	198	206	216	228	18	22	268	257	525
19. East Broadway Street from I-40 Ramps to Goodwill St	1,541	1,339	244	235	350	362	106	127	1,647	1,466	3,113
20. East Broadway Street from Victory Dr to Spikes Rd	3,136	2,826	763	1,162	1,271	1,666	508	504	3,644	3,330	6,974

Study Roadway Segment	Existing (2021) Weekend Volumes		SBTAM Weekday Model Volumes										Future (2040) Weekend Volumes		
	NB/EB	SB/WB	Base Year (2021) Weekday		Future Year (2040)		Weekday Growth		Weekend-to-Weekday Factor		Weekend Growth		NB/EB	SB/WB	Total
			NB/EB	SB/WB	NB/EB	SB/WB	NB/EB	SB/WB	NB/EB	SB/WB	NB/EB	SB/WB			
1. Needles Highway n/o Budweiser Road	1,829	1,121	1,381	3,217	3,454	3,901	2,073	684	0.84	0.90	1,737	617	3,566	1,738	5,304
2. Park Road from I-40 Ramps to Needles Hwy	1,310	660	120	111	343	239	223	128	0.76	0.87	171	112	1,481	772	2,253
3. Needles Highway from Park Rd to National Trails Hwy	883	788	628	818	672	698	44	-120	1.04	0.98	46	-118	929	670	1,599
4. Needles Highway n/o I-40 WB Ramps/Balboa Pl	1,159	1,052	628	818	672	698	44	-120	1.05	0.98	46	-118	1,205	934	2,139
5. Needles Highway from I-40 Ramps to W Broadway St	2,890	2,870	778	690	1,039	921	261	231	0.89	0.92	232	214	3,122	3,084	6,206
6. Needles Highway from W Broadway St to N K Street	6,148	5,881	1,002	838	1,189	1,078	187	240	0.84	0.86	156	207	6,304	6,088	12,392
7. North K Street from Needles Hwy to River Rd	5,740	5,826	710	597	791	724	81	127	0.80	0.83	65	105	5,805	5,931	11,736
8. River Road from Needles Hwy to Marina Dr	1,644	1,598	464	401	645	590	181	189	1.84	1.68	333	318	1,977	1,916	3,893
9. J Street from Bailey Ave to I-40 Ramps	1,605	1,578	1,164	1,258	1,271	1,264	107	6	0.77	0.77	83	5	1,688	1,583	3,271
10. J Street from I-40 Ramps to W Broadway St	3,573	3,885	1,202	1,113	987	1,014	-215	-99	0.77	0.84	-166	-83	3,407	3,802	7,209
11. West Broadway Street from Needles Hwy to J St	4,690	5,082	1,252	1,154	1,159	1,148	-93	-6	0.82	0.81	-76	-5	4,614	5,077	9,691
12. West Broadway Street from J St to G St	1,091	1,251	254	236	419	408	165	172	0.75	0.75	124	128	1,215	1,379	2,594
13. 3rd Street from F St to D St	375	394	565	570	556	561	-9	-9	0.78	0.76	-7	-7	368	387	755
14. D Street from 3rd St to Valley Ave/Cibola St	409	364	181	183	222	222	41	39	0.90	0.82	37	32	446	396	842
15. Bailey Avenue from Washington St to J St	239	270	395	391	398	386	3	-5	0.73	0.72	2	-4	241	266	507
16. Bailey Avenue from J St to Lillyhill Dr	895	798	741	483	961	930	220	447	0.69	0.73	151	326	1,046	1,124	2,170
17. Lillyhill Drive from Bailey Ave to Clary Dr	707	666	764	697	879	927	115	230	0.82	0.76	95	176	802	842	1,644
18. San Clemente Street from Clary Dr to I-40 Ramps	207	230	198	206	216	228	18	22	0.83	0.98	15	22	222	252	474
19. East Broadway Street from I-40 Ramps to Goodwill St	1,240	1,060	244	235	350	362	106	127	0.80	0.79	85	101	1,325	1,161	2,486
20. East Broadway Street from Victory Dr to Spikes Rd	2,193	2,034	763	1,162	1,271	1,666	508	504	0.70	0.72	355	363	2,548	2,397	4,945

Appendix H – Future Year (2040) With Project Conditions Analysis Worksheets

Intersection						
Int Delay, s/veh	0.2					
Movement	WBL	WBR	NBT	NBR	SBL	SBT
Lane Configurations	TT		TT			TT
Traffic Vol, veh/h	4	0	180	2	0	123
Future Vol, veh/h	4	0	180	2	0	123
Conflicting Peds, #/hr	0	0	0	1	1	0
Sign Control	Stop	Stop	Free	Free	Free	Free
RT Channelized	-	None	-	None	-	None
Storage Length	0	-	-	-	-	-
Veh in Median Storage, #	0	-	0	-	-	0
Grade, %	0	-	0	-	-	0
Peak Hour Factor	50	25	75	25	25	75
Heavy Vehicles, %	14	0	8	0	0	4
Mvmt Flow	8	0	240	8	0	164

Major/Minor	Minor1	Major1	Major2		
Conflicting Flow All	409	245	0	0	249
Stage 1	245	-	-	-	-
Stage 2	164	-	-	-	-
Critical Hdwy	6.54	6.2	-	-	4.1
Critical Hdwy Stg 1	5.54	-	-	-	-
Critical Hdwy Stg 2	5.54	-	-	-	-
Follow-up Hdwy	3.626	3.3	-	-	2.2
Pot Cap-1 Maneuver	576	799	-	-	1328
Stage 1	768	-	-	-	-
Stage 2	837	-	-	-	-
Platoon blocked, %			-	-	-
Mov Cap-1 Maneuver	575	798	-	-	1327
Mov Cap-2 Maneuver	575	-	-	-	-
Stage 1	767	-	-	-	-
Stage 2	837	-	-	-	-

Approach	WB	NB	SB
HCM Control Delay, s	11.3	0	0
HCM LOS	B		

Minor Lane/Major Mvmt	NBT	NBRWBLn1	SBL	SBT
Capacity (veh/h)	-	-	575	1327
HCM Lane V/C Ratio	-	-	0.014	-
HCM Control Delay (s)	-	-	11.3	0
HCM Lane LOS	-	-	B	A
HCM 95th %tile Q(veh)	-	-	0	0

Intersection												
Int Delay, s/veh	4.4											
Movement	SEL	SET	SER	NWL	NWT	NWR	NEL	NET	NER	SWL	SWT	SWR
Lane Configurations		↕	↗		↕			↕			↕	
Traffic Vol, veh/h	1	42	49	6	50	0	68	1	4	0	0	0
Future Vol, veh/h	1	42	49	6	50	0	68	1	4	0	0	0
Conflicting Peds, #/hr	0	0	0	0	0	0	0	0	0	0	0	0
Sign Control	Free	Free	Free	Free	Free	Free	Stop	Stop	Stop	Stop	Stop	Stop
RT Channelized	-	-	None	-	-	None	-	-	None	-	-	None
Storage Length	-	-	0	-	-	-	-	-	-	-	-	-
Veh in Median Storage, #	-	0	-	-	0	-	-	0	-	-	0	-
Grade, %	-	0	-	-	0	-	-	0	-	-	0	-
Peak Hour Factor	25	75	73	50	83	25	57	25	50	25	25	25
Heavy Vehicles, %	0	3	1	0	3	0	6	0	0	0	0	0
Mvmt Flow	4	56	67	12	60	0	119	4	8	0	0	0

Major/Minor	Major1			Major2			Minor1			Minor2		
Conflicting Flow All	60	0	0	123	0	0	148	148	56	188	215	60
Stage 1	-	-	-	-	-	-	64	64	-	84	84	-
Stage 2	-	-	-	-	-	-	84	84	-	104	131	-
Critical Hdwy	4.1	-	-	4.1	-	-	7.16	6.5	6.2	7.1	6.5	6.2
Critical Hdwy Stg 1	-	-	-	-	-	-	6.16	5.5	-	6.1	5.5	-
Critical Hdwy Stg 2	-	-	-	-	-	-	6.16	5.5	-	6.1	5.5	-
Follow-up Hdwy	2.2	-	-	2.2	-	-	3.554	4	3.3	3.5	4	3.3
Pot Cap-1 Maneuver	1556	-	-	1477	-	-	811	747	1016	777	686	1011
Stage 1	-	-	-	-	-	-	937	846	-	929	829	-
Stage 2	-	-	-	-	-	-	914	829	-	907	792	-
Platoon blocked, %	-	-	-	-	-	-	-	-	-	-	-	-
Mov Cap-1 Maneuver	1556	-	-	1477	-	-	805	739	1016	761	678	1011
Mov Cap-2 Maneuver	-	-	-	-	-	-	805	739	-	761	678	-
Stage 1	-	-	-	-	-	-	934	843	-	926	822	-
Stage 2	-	-	-	-	-	-	907	822	-	893	790	-

Approach	SE	NW	NE	SW
HCM Control Delay, s	0.2	1.2	10.3	0
HCM LOS			B	A

Minor Lane/Major Mvmt	NELn1	NWL	NWT	NWR	SEL	SET	SERSWLn1
Capacity (veh/h)	813	1477	-	-	1556	-	-
HCM Lane V/C Ratio	0.161	0.008	-	-	0.003	-	-
HCM Control Delay (s)	10.3	7.5	0	-	7.3	0	0
HCM Lane LOS	B	A	A	-	A	A	A
HCM 95th %tile Q(veh)	0.6	0	-	-	0	-	-

Intersection												
Int Delay, s/veh	4.7											
Movement	EBL	EBT	EBR	WBL	WBT	WBR	NBL	NBT	NBR	SBL	SBT	SBR
Lane Configurations		↕			↕		↕	↕		↕	↕	
Traffic Vol, veh/h	13	0	18	1	0	0	102	60	0	0	53	7
Future Vol, veh/h	13	0	18	1	0	0	102	60	0	0	53	7
Conflicting Peds, #/hr	0	0	0	0	0	0	0	0	0	0	0	0
Sign Control	Stop	Stop	Stop	Stop	Stop	Stop	Free	Free	Free	Free	Free	Free
RT Channelized	-	-	None	-	-	None	-	-	None	-	-	None
Storage Length	-	-	-	-	-	-	100	-	-	100	-	-
Veh in Median Storage, #	-	0	-	-	0	-	-	0	-	-	0	-
Grade, %	-	0	-	-	0	-	-	0	-	-	0	-
Peak Hour Factor	54	25	75	25	25	25	88	93	25	25	88	44
Heavy Vehicles, %	0	0	33	0	0	0	19	3	0	0	1	0
Mvmt Flow	24	0	24	4	0	0	116	65	0	0	60	16

Major/Minor	Minor2		Minor1		Major1		Major2					
Conflicting Flow All	365	365	68	377	373	65	76	0	0	65	0	0
Stage 1	68	68	-	297	297	-	-	-	-	-	-	-
Stage 2	297	297	-	80	76	-	-	-	-	-	-	-
Critical Hdwy	7.1	6.5	6.53	7.1	6.5	6.2	4.29	-	-	4.1	-	-
Critical Hdwy Stg 1	6.1	5.5	-	6.1	5.5	-	-	-	-	-	-	-
Critical Hdwy Stg 2	6.1	5.5	-	6.1	5.5	-	-	-	-	-	-	-
Follow-up Hdwy	3.5	4	3.597	3.5	4	3.3	2.371	-	-	2.2	-	-
Pot Cap-1 Maneuver	595	566	915	584	561	1005	1422	-	-	1550	-	-
Stage 1	947	842	-	716	671	-	-	-	-	-	-	-
Stage 2	716	671	-	934	836	-	-	-	-	-	-	-
Platoon blocked, %								-	-	-	-	-
Mov Cap-1 Maneuver	558	520	915	533	515	1005	1422	-	-	1550	-	-
Mov Cap-2 Maneuver	558	520	-	533	515	-	-	-	-	-	-	-
Stage 1	869	842	-	657	616	-	-	-	-	-	-	-
Stage 2	658	616	-	910	836	-	-	-	-	-	-	-

Approach	EB		WB		NB		SB	
HCM Control Delay, s	10.6		11.8		5		0	
HCM LOS	B		B					

Minor Lane/Major Mvmt	NBL	NBT	NBR	EBLn1	WBLn1	SBL	SBT	SBR
Capacity (veh/h)	1422	-	-	693	533	1550	-	-
HCM Lane V/C Ratio	0.082	-	-	0.069	0.008	-	-	-
HCM Control Delay (s)	7.8	-	-	10.6	11.8	0	-	-
HCM Lane LOS	A	-	-	B	B	A	-	-
HCM 95th %tile Q(veh)	0.3	-	-	0.2	0	0	-	-

Intersection												
Int Delay, s/veh	4.9											
Movement	EBL	EBT	EBR	WBL	WBT	WBR	NBL	NBT	NBR	SBL	SBT	SBR
Lane Configurations												
Traffic Vol, veh/h	19	50	7	30	154	45	1	14	19	63	15	1
Future Vol, veh/h	19	50	7	30	154	45	1	14	19	63	15	1
Conflicting Peds, #/hr	0	0	1	1	0	0	0	0	0	0	0	0
Sign Control	Free	Free	Free	Free	Free	Free	Stop	Stop	Stop	Stop	Stop	Stop
RT Channelized	-	-	None	-	-	None	-	-	None	-	-	Yield
Storage Length	100	-	-	100	-	0	-	-	-	-	-	0
Veh in Median Storage, #	-	0	-	-	0	-	-	0	-	-	0	-
Grade, %	-	0	-	-	0	-	-	0	-	-	0	-
Peak Hour Factor	68	83	29	68	86	62	25	70	67	78	54	25
Heavy Vehicles, %	11	10	7	3	13	32	33	9	5	19	18	50
Mvmt Flow	28	60	24	44	179	73	4	20	28	81	28	4

Major/Minor	Major1			Major2			Minor1			Minor2		
Conflicting Flow All	252	0	0	85	0	0	447	469	73	419	408	179
Stage 1	-	-	-	-	-	-	129	129	-	267	267	-
Stage 2	-	-	-	-	-	-	318	340	-	152	141	-
Critical Hdwy	4.21	-	-	4.13	-	-	7.43	6.59	6.25	7.29	6.68	6.7
Critical Hdwy Stg 1	-	-	-	-	-	-	6.43	5.59	-	6.29	5.68	-
Critical Hdwy Stg 2	-	-	-	-	-	-	6.43	5.59	-	6.29	5.68	-
Follow-up Hdwy	2.299	-	-	2.227	-	-	3.797	4.081	3.345	3.671	4.162	3.75
Pot Cap-1 Maneuver	1263	-	-	1505	-	-	473	482	981	516	509	754
Stage 1	-	-	-	-	-	-	805	776	-	703	660	-
Stage 2	-	-	-	-	-	-	632	627	-	812	750	-
Platoon blocked, %		-	-		-	-						
Mov Cap-1 Maneuver	1263	-	-	1503	-	-	432	457	980	465	483	754
Mov Cap-2 Maneuver	-	-	-	-	-	-	432	457	-	465	483	-
Stage 1	-	-	-	-	-	-	786	758	-	688	641	-
Stage 2	-	-	-	-	-	-	584	609	-	751	733	-

Approach	EB			WB			NB			SB		
HCM Control Delay, s	2			1.1			11.1			14.8		
HCM LOS							B			B		

Minor Lane/Major Mvmt	NBLn1	EBL	EBT	EBR	WBL	WBT	WBR	SBLn1	SBLn2
Capacity (veh/h)	639	1263	-	-	1503	-	-	469	754
HCM Lane V/C Ratio	0.082	0.022	-	-	0.029	-	-	0.231	0.005
HCM Control Delay (s)	11.1	7.9	-	-	7.5	-	-	15	9.8
HCM Lane LOS	B	A	-	-	A	-	-	C	A
HCM 95th %tile Q(veh)	0.3	0.1	-	-	0.1	-	-	0.9	0


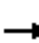




















Intersection												
Int Delay, s/veh	0.9											
Movement	NBL	NBT	NBR	SBL	SBT	SBR	SEL	SET	SER	NWL	NWT	NWR
Lane Configurations	↖	↗		↖	↗			↕			↕	
Traffic Vol, veh/h	2	346	3	23	408	1	3	0	1	0	1	16
Future Vol, veh/h	2	346	3	23	408	1	3	0	1	0	1	16
Conflicting Peds, #/hr	1	0	1	1	0	1	1	0	0	0	0	1
Sign Control	Free	Free	Free	Free	Free	Free	Stop	Stop	Stop	Stop	Stop	Stop
RT Channelized	-	-	None	-	-	None	-	-	None	-	-	None
Storage Length	50	-	-	50	-	-	-	-	-	-	-	-
Veh in Median Storage, #	-	0	-	-	0	-	-	0	-	-	0	-
Grade, %	-	0	-	-	0	-	-	0	-	-	0	-
Peak Hour Factor	50	93	25	67	92	25	75	25	25	25	25	67
Heavy Vehicles, %	0	5	0	6	5	0	0	0	0	0	0	3
Mvmt Flow	4	372	12	34	443	4	4	0	4	0	4	24

Major/Minor	Major1		Major2		Minor2		Minor1					
Conflicting Flow All	448	0	0	385	0	0	915	907	446	902	903	380
Stage 1	-	-	-	-	-	-	514	514	-	387	387	-
Stage 2	-	-	-	-	-	-	401	393	-	515	516	-
Critical Hdwy	4.1	-	-	4.16	-	-	7.1	6.5	6.2	7.1	6.5	6.23
Critical Hdwy Stg 1	-	-	-	-	-	-	6.1	5.5	-	6.1	5.5	-
Critical Hdwy Stg 2	-	-	-	-	-	-	6.1	5.5	-	6.1	5.5	-
Follow-up Hdwy	2.2	-	-	2.254	-	-	3.5	4	3.3	3.5	4	3.327
Pot Cap-1 Maneuver	1123	-	-	1152	-	-	256	278	617	261	279	665
Stage 1	-	-	-	-	-	-	547	539	-	641	613	-
Stage 2	-	-	-	-	-	-	630	609	-	546	538	-
Platoon blocked, %		-	-	-	-	-						
Mov Cap-1 Maneuver	1122	-	-	1151	-	-	237	268	616	252	269	663
Mov Cap-2 Maneuver	-	-	-	-	-	-	237	268	-	252	269	-
Stage 1	-	-	-	-	-	-	544	522	-	638	610	-
Stage 2	-	-	-	-	-	-	601	606	-	526	521	-

Approach	NB		SB		SE		NW	
HCM Control Delay, s	0.1		0.6		15.8		11.9	
HCM LOS					C		B	

Minor Lane/Major Mvmt	NBL	NBT	NBR	NWLn1	SELn1	SBL	SBT	SBR
Capacity (veh/h)	1122	-	-	548	342	1151	-	-
HCM Lane V/C Ratio	0.004	-	-	0.051	0.023	0.03	-	-
HCM Control Delay (s)	8.2	-	-	11.9	15.8	8.2	-	-
HCM Lane LOS	A	-	-	B	C	A	-	-
HCM 95th %tile Q(veh)	0	-	-	0.2	0.1	0.1	-	-

HCM 6th Signalized Intersection Summary
6: N Broadway Avenue/N Street & Needles Highway

												
Movement	EBL	EBT	EBR	WBL	WBT	WBR	NBL	NBT	NBR	SBL	SBT	SBR
Lane Configurations												
Traffic Volume (veh/h)	0	105	63	261	191	2	66	5	268	2	3	1
Future Volume (veh/h)	0	105	63	261	191	2	66	5	268	2	3	1
Initial Q (Qb), veh	0	0	0	0	0	0	0	0	0	0	0	0
Ped-Bike Adj(A_pbT)	1.00		1.00	1.00		1.00	1.00		1.00	1.00		1.00
Parking Bus, Adj	1.00	1.00	1.00	1.00	1.00	1.00	1.00	1.00	1.00	1.00	1.00	1.00
Work Zone On Approach		No			No			No			No	
Adj Sat Flow, veh/h/ln	1900	1841	1856	1870	1822	1900	1841	1900	1899	1900	1976	1900
Adj Flow Rate, veh/h	0	142	80	293	205	8	94	12	288	4	8	4
Peak Hour Factor	0.25	0.74	0.79	0.89	0.93	0.25	0.70	0.42	0.93	0.50	0.38	0.25
Percent Heavy Veh, %	0	4	3	2	10	0	4	0	5	0	0	0
Cap, veh/h	171	689	588	544	652	25	396	51	394	11	22	11
Arrive On Green	0.00	0.37	0.37	0.37	0.37	0.37	0.25	0.25	0.25	0.02	0.02	0.02
Sat Flow, veh/h	1187	1841	1570	1158	1742	68	1613	206	1606	467	933	467
Grp Volume(v), veh/h	0	142	80	293	0	213	106	0	288	16	0	0
Grp Sat Flow(s),veh/h/ln	1187	1841	1570	1158	0	1810	1819	0	1606	1866	0	0
Q Serve(g_s), s	0.0	2.2	1.4	9.7	0.0	3.5	2.0	0.0	6.9	0.4	0.0	0.0
Cycle Q Clear(g_c), s	0.0	2.2	1.4	11.9	0.0	3.5	2.0	0.0	6.9	0.4	0.0	0.0
Prop In Lane	1.00		1.00	1.00		0.04	0.89		1.00	0.25		0.25
Lane Grp Cap(c), veh/h	171	689	588	544	0	678	447	0	394	44	0	0
V/C Ratio(X)	0.00	0.21	0.14	0.54	0.00	0.31	0.24	0.00	0.73	0.36	0.00	0.00
Avail Cap(c_a), veh/h	432	1094	933	799	0	1075	1038	0	916	1065	0	0
HCM Platoon Ratio	1.00	1.00	1.00	1.00	1.00	1.00	1.00	1.00	1.00	1.00	1.00	1.00
Upstream Filter(I)	0.00	1.00	1.00	1.00	0.00	1.00	1.00	0.00	1.00	1.00	0.00	0.00
Uniform Delay (d), s/veh	0.0	8.9	8.7	12.9	0.0	9.3	12.7	0.0	14.6	20.2	0.0	0.0
Incr Delay (d2), s/veh	0.0	0.1	0.1	0.8	0.0	0.3	0.3	0.0	2.6	5.0	0.0	0.0
Initial Q Delay(d3),s/veh	0.0	0.0	0.0	0.0	0.0	0.0	0.0	0.0	0.0	0.0	0.0	0.0
%ile BackOfQ(50%),veh/ln	0.0	0.7	0.4	2.1	0.0	1.1	0.7	0.0	2.4	0.2	0.0	0.0
Unsig. Movement Delay, s/veh												
LnGrp Delay(d),s/veh	0.0	9.1	8.8	13.8	0.0	9.6	13.0	0.0	17.2	25.2	0.0	0.0
LnGrp LOS	A	A	A	B	A	A	B	A	B	C	A	A
Approach Vol, veh/h		222			506			394				16
Approach Delay, s/veh		9.0			12.0			16.1				25.2
Approach LOS		A			B			B				C
Timer - Assigned Phs		2		4		6		8				
Phs Duration (G+Y+Rc), s		20.8		15.3		20.8		6.0				
Change Period (Y+Rc), s		5.0		5.0		5.0		5.0				
Max Green Setting (Gmax), s		25.0		24.0		25.0		24.0				
Max Q Clear Time (g_c+I1), s		4.2		8.9		13.9		2.4				
Green Ext Time (p_c), s		1.0		1.4		1.9		0.0				
Intersection Summary												
HCM 6th Ctrl Delay				13.0								
HCM 6th LOS				B								

HCM 6th Signalized Intersection Summary
 7: North K Street & Needles Highway



Movement	EBL	EBT	EBR	WBL	WBT	WBR	NBL	NBT	NBR	SBL	SBT	SBR
Lane Configurations												
Traffic Volume (veh/h)	331	32	5	2	24	0	4	8	1	1	9	377
Future Volume (veh/h)	331	32	5	2	24	0	4	8	1	1	9	377
Initial Q (Qb), veh	0	0	0	0	0	0	0	0	0	0	0	0
Ped-Bike Adj(A_pbT)	1.00		1.00	1.00		1.00	1.00		1.00	1.00		0.98
Parking Bus, Adj	1.00	1.00	1.00	1.00	1.00	1.00	1.00	1.00	1.00	1.00	1.00	1.00
Work Zone On Approach		No		No		No		No		No		No
Adj Sat Flow, veh/h/ln	1826	1914	1900	1900	1976	1900	1900	1900	1900	1900	1976	1826
Adj Flow Rate, veh/h	356	50	13	8	36	0	11	12	4	4	13	433
Peak Hour Factor	0.93	0.64	0.38	0.25	0.67	0.25	0.38	0.67	0.25	0.25	0.67	0.87
Percent Heavy Veh, %	5	4	0	0	0	0	0	0	0	0	0	5
Cap, veh/h	659	511	133	651	689	0	328	493	164	713	17	578
Arrive On Green	0.35	0.35	0.35	0.35	0.35	0.00	0.36	0.36	0.36	0.36	0.36	0.36
Sat Flow, veh/h	1338	1464	381	1359	1976	0	958	1363	454	1417	48	1597
Grp Volume(v), veh/h	356	0	63	8	36	0	11	0	16	4	0	446
Grp Sat Flow(s),veh/h/ln	1338	0	1845	1359	1976	0	958	0	1817	1417	0	1645
Q Serve(g_s), s	8.3	0.0	0.8	0.1	0.4	0.0	0.4	0.0	0.2	0.1	0.0	8.2
Cycle Q Clear(g_c), s	8.7	0.0	0.8	0.9	0.4	0.0	8.5	0.0	0.2	0.3	0.0	8.2
Prop In Lane	1.00		0.21	1.00		0.00	1.00		0.25	1.00		0.97
Lane Grp Cap(c), veh/h	659	0	643	651	689	0	328	0	657	713	0	595
V/C Ratio(X)	0.54	0.00	0.10	0.01	0.05	0.00	0.03	0.00	0.02	0.01	0.00	0.75
Avail Cap(c_a), veh/h	1122	0	1282	1121	1373	0	564	0	1105	1062	0	1001
HCM Platoon Ratio	1.00	1.00	1.00	1.00	1.00	1.00	1.00	1.00	1.00	1.00	1.00	1.00
Upstream Filter(I)	1.00	0.00	1.00	1.00	1.00	0.00	1.00	0.00	1.00	1.00	0.00	1.00
Uniform Delay (d), s/veh	10.4	0.0	7.6	7.9	7.5	0.0	13.4	0.0	7.1	7.2	0.0	9.7
Incr Delay (d2), s/veh	0.7	0.0	0.1	0.0	0.0	0.0	0.0	0.0	0.0	0.0	0.0	1.9
Initial Q Delay(d3),s/veh	0.0	0.0	0.0	0.0	0.0	0.0	0.0	0.0	0.0	0.0	0.0	0.0
%ile BackOfQ(50%),veh/ln	1.8	0.0	0.2	0.0	0.1	0.0	0.1	0.0	0.1	0.0	0.0	2.3
Unsig. Movement Delay, s/veh												
LnGrp Delay(d),s/veh	11.0	0.0	7.6	7.9	7.5	0.0	13.4	0.0	7.1	7.2	0.0	11.6
LnGrp LOS	B	A	A	A	A	A	B	A	A	A	A	B
Approach Vol, veh/h		419			44			27			450	
Approach Delay, s/veh		10.5			7.6			9.7			11.5	
Approach LOS		B			A			A			B	
Timer - Assigned Phs		2		4		6		8				
Phs Duration (G+Y+Rc), s		17.0		17.5		17.0		17.5				
Change Period (Y+Rc), s		5.0		5.0		5.0		5.0				
Max Green Setting (Gmax), s		24.0		21.0		24.0		21.0				
Max Q Clear Time (g_c+1), s		10.7		10.5		2.9		10.2				
Green Ext Time (p_c), s		1.3		0.0		0.1		2.3				
Intersection Summary												
HCM 6th Ctrl Delay												10.8
HCM 6th LOS												B

HCM 6th Signalized Intersection Summary
 8: J Street & W Broadway Avenue



Movement	EBL	EBT	EBR	WBL	WBT	WBR	NBL	NBT	NBR	SBL	SBT	SBR
Lane Configurations												
Traffic Volume (veh/h)	1	139	192	16	125	2	196	3	23	2	1	0
Future Volume (veh/h)	1	139	192	16	125	2	196	3	23	2	1	0
Initial Q (Qb), veh	0	0	0	0	0	0	0	0	0	0	0	0
Ped-Bike Adj(A_pbT)	1.00		1.00	1.00		1.00	1.00		1.00	1.00		1.00
Parking Bus, Adj	1.00	1.00	1.00	1.00	1.00	1.00	1.00	1.00	1.00	1.00	1.00	1.00
Work Zone On Approach		No			No			No			No	
Adj Sat Flow, veh/h/ln	1976	1945	1856	1856	1884	1900	1899	1976	1781	1900	1976	1900
Adj Flow Rate, veh/h	4	172	204	28	147	8	236	6	46	4	4	0
Peak Hour Factor	0.25	0.81	0.94	0.57	0.85	0.25	0.83	0.50	0.50	0.50	0.25	0.25
Percent Heavy Veh, %	0	2	3	3	6	0	5	0	8	0	0	0
Cap, veh/h	677	547	486	529	1021	55	680	47	363	386	288	0
Arrive On Green	0.30	0.30	0.30	0.30	0.30	0.30	0.24	0.24	0.24	0.24	0.24	0.00
Sat Flow, veh/h	1298	1848	1643	997	3452	187	1432	196	1506	562	1197	0
Grp Volume(v), veh/h	4	172	204	28	76	79	236	0	52	8	0	0
Grp Sat Flow(s),veh/h/ln	1298	1848	1643	997	1789	1849	1432	0	1703	1760	0	0
Q Serve(g_s), s	0.0	1.6	2.2	0.5	0.7	0.7	3.1	0.0	0.5	0.0	0.0	0.0
Cycle Q Clear(g_c), s	0.7	1.6	2.2	2.7	0.7	0.7	3.2	0.0	0.5	0.1	0.0	0.0
Prop In Lane	1.00		1.00	1.00		0.10	1.00		0.88	0.50		0.00
Lane Grp Cap(c), veh/h	677	547	486	529	529	547	680	0	410	674	0	0
V/C Ratio(X)	0.01	0.31	0.42	0.05	0.14	0.14	0.35	0.00	0.13	0.01	0.00	0.00
Avail Cap(c_a), veh/h	1496	1713	1523	1158	1659	1714	1994	0	1973	2195	0	0
HCM Platoon Ratio	1.00	1.00	1.00	1.00	1.00	1.00	1.00	1.00	1.00	1.00	1.00	1.00
Upstream Filter(I)	1.00	1.00	1.00	1.00	1.00	1.00	1.00	0.00	1.00	1.00	0.00	0.00
Uniform Delay (d), s/veh	5.9	5.9	6.1	7.2	5.6	5.6	7.4	0.0	6.4	6.2	0.0	0.0
Incr Delay (d2), s/veh	0.0	0.3	0.6	0.0	0.1	0.1	0.3	0.0	0.1	0.0	0.0	0.0
Initial Q Delay(d3),s/veh	0.0	0.0	0.0	0.0	0.0	0.0	0.0	0.0	0.0	0.0	0.0	0.0
%ile BackOfQ(50%),veh/ln	0.0	0.3	0.4	0.1	0.1	0.1	0.5	0.0	0.1	0.0	0.0	0.0
Unsig. Movement Delay, s/veh												
LnGrp Delay(d),s/veh	5.9	6.2	6.7	7.2	5.7	5.7	7.7	0.0	6.6	6.3	0.0	0.0
LnGrp LOS	A	A	A	A	A	A	A	A	A	A	A	A
Approach Vol, veh/h		380			183			288				8
Approach Delay, s/veh		6.5			5.9			7.5				6.3
Approach LOS		A			A			A				A
Timer - Assigned Phs		2		4		6		8				
Phs Duration (G+Y+Rc), s		11.4		10.2		11.4		10.2				
Change Period (Y+Rc), s		5.0		5.0		5.0		5.0				
Max Green Setting (Gmax), s		20.0		25.0		20.0		25.0				
Max Q Clear Time (g_c+1), s		4.2		5.2		4.7		2.1				
Green Ext Time (p_c), s		2.1		0.9		0.8		0.0				
Intersection Summary												
HCM 6th Ctrl Delay				6.7								
HCM 6th LOS				A								

Intersection												
Int Delay, s/veh	2.6											
Movement	NBL	NBT	NBR	SBL	SBT	SBR	NEL	NET	NER	SWL	SWT	SWR
Lane Configurations		↕					↕	↑			↕	
Traffic Vol, veh/h	12	0	93	0	0	0	9	139	0	0	204	22
Future Vol, veh/h	12	0	93	0	0	0	9	139	0	0	204	22
Conflicting Peds, #/hr	0	0	0	0	0	0	0	0	4	4	0	0
Sign Control	Stop	Stop	Stop	Stop	Stop	Stop	Free	Free	Free	Free	Free	Free
RT Channelized	-	-	None	-	-	None	-	-	None	-	-	None
Storage Length	-	-	-	-	-	-	60	-	-	-	-	-
Veh in Median Storage, #	-	0	-	-	0	-	-	0	-	-	0	-
Grade, %	-	0	-	-	0	-	-	0	-	-	0	-
Peak Hour Factor	83	25	78	25	25	25	67	81	25	25	90	75
Heavy Vehicles, %	0	100	9	0	0	0	10	4	0	0	3	6
Mvmt Flow	14	0	119	0	0	0	13	172	0	0	227	29

Major/Minor	Minor1			Major1			Major2					
Conflicting Flow All	440	454	172				256	0	-	-	-	0
Stage 1	198	198	-				-	-	-	-	-	-
Stage 2	242	256	-				-	-	-	-	-	-
Critical Hdwy	6.4	7.5	6.29				4.2	-	-	-	-	-
Critical Hdwy Stg 1	5.4	6.5	-				-	-	-	-	-	-
Critical Hdwy Stg 2	5.4	6.5	-				-	-	-	-	-	-
Follow-up Hdwy	3.5	4.9	3.381				2.29	-	-	-	-	-
Pot Cap-1 Maneuver	578	383	854				1264	-	0	0	-	-
Stage 1	840	586	-				-	-	0	0	-	-
Stage 2	803	548	-				-	-	0	0	-	-
Platoon blocked, %								-			-	-
Mov Cap-1 Maneuver	572	0	854				1264	-	-	-	-	-
Mov Cap-2 Maneuver	572	0	-				-	-	-	-	-	-
Stage 1	832	0	-				-	-	-	-	-	-
Stage 2	803	0	-				-	-	-	-	-	-

Approach	NB	NE	SW
HCM Control Delay, s	10.3	0.6	0
HCM LOS	B		

Minor Lane/Major Mvmt	NEL	NET	NBLn1	SWT	SWR
Capacity (veh/h)	1264	-	811	-	-
HCM Lane V/C Ratio	0.011	-	0.165	-	-
HCM Control Delay (s)	7.9	-	10.3	-	-
HCM Lane LOS	A	-	B	-	-
HCM 95th %tile Q(veh)	0	-	0.6	-	-

Intersection												
Int Delay, s/veh	3.3											
Movement	NBL	NBT	NBR	SBL	SBT	SBR	NEL	NET	NER	SWL	SWT	SWR
Lane Configurations				↖		↗		↖		↖	↗	
Traffic Vol, veh/h	0	0	0	21	2	7	0	126	12	109	107	0
Future Vol, veh/h	0	0	0	21	2	7	0	126	12	109	107	0
Conflicting Peds, #/hr	0	0	0	0	0	0	0	0	4	4	0	0
Sign Control	Stop	Stop	Stop	Stop	Stop	Stop	Free	Free	Free	Free	Free	Free
RT Channelized	-	-	None	-	-	None	-	-	None	-	-	None
Storage Length	-	-	-	0	-	0	-	-	-	75	-	-
Veh in Median Storage, #	-	1	-	-	0	-	-	0	-	-	0	-
Grade, %	-	0	-	-	0	-	-	0	-	-	0	-
Peak Hour Factor	25	25	25	58	25	75	25	72	50	83	71	25
Heavy Vehicles, %	0	0	0	12	100	29	0	3	0	5	0	0
Mvmt Flow	0	0	0	36	8	9	0	175	24	131	151	0

Major/Minor	Minor2		Major1			Major2			
Conflicting Flow All	600	616	151	-	0	0	203	0	0
Stage 1	413	413	-	-	-	-	-	-	-
Stage 2	187	203	-	-	-	-	-	-	-
Critical Hdwy	6.52	7.5	6.49	-	-	-	4.15	-	-
Critical Hdwy Stg 1	5.52	6.5	-	-	-	-	-	-	-
Critical Hdwy Stg 2	5.52	6.5	-	-	-	-	-	-	-
Follow-up Hdwy	3.608	4.9	3.561	-	-	-	2.245	-	-
Pot Cap-1 Maneuver	448	301	829	0	-	-	1351	-	0
Stage 1	647	456	-	0	-	-	-	-	0
Stage 2	821	583	-	0	-	-	-	-	0
Platoon blocked, %									
Mov Cap-1 Maneuver	405	0	829	-	-	-	1351	-	-
Mov Cap-2 Maneuver	405	0	-	-	-	-	-	-	-
Stage 1	647	0	-	-	-	-	-	-	-
Stage 2	741	0	-	-	-	-	-	-	-

Approach	SB	NE	SW
HCM Control Delay, s	13.7	0	3.7
HCM LOS	B		

Minor Lane/Major Mvmt	NET	NER	SBLn1	SBLn2	SWL	SWT
Capacity (veh/h)	-	-	405	829	1351	-
HCM Lane V/C Ratio	-	-	0.089	0.011	0.097	-
HCM Control Delay (s)	-	-	14.8	9.4	8	-
HCM Lane LOS	-	-	B	A	A	-
HCM 95th %tile Q(veh)	-	-	0.3	0	0.3	-

Intersection	
Intersection Delay, s/veh	6.9
Intersection LOS	A

Movement	EBT	EBR	WBL	WBT	NBL	NBR
Lane Configurations				←↑	↑↑	
Traffic Vol, veh/h	0	0	19	0	0	29
Future Vol, veh/h	0	0	19	0	0	29
Peak Hour Factor	0.25	0.25	0.59	0.25	0.25	0.82
Heavy Vehicles, %	0	0	0	0	0	0
Mvmt Flow	0	0	32	0	0	35
Number of Lanes	0	0	0	1	1	0

Approach	WB	NB
Opposing Approach		
Opposing Lanes	0	0
Conflicting Approach Left	NB	
Conflicting Lanes Left	1	0
Conflicting Approach Right		WB
Conflicting Lanes Right	0	1
HCM Control Delay	7.3	6.5
HCM LOS	A	A

Lane	NBLn1	WBLn1
Vol Left, %	0%	100%
Vol Thru, %	0%	0%
Vol Right, %	100%	0%
Sign Control	Stop	Stop
Traffic Vol by Lane	29	19
LT Vol	0	19
Through Vol	0	0
RT Vol	29	0
Lane Flow Rate	35	32
Geometry Grp	1	1
Degree of Util (X)	0.033	0.037
Departure Headway (Hd)	3.357	4.161
Convergence, Y/N	Yes	Yes
Cap	1068	865
Service Time	1.372	2.165
HCM Lane V/C Ratio	0.033	0.037
HCM Control Delay	6.5	7.3
HCM Lane LOS	A	A
HCM 95th-tile Q	0.1	0.1

Intersection

Intersection Delay, s/veh	8.6
Intersection LOS	A

Movement	EBL	EBT	EBR	WBL	WBT	WBR	NBL	NBT	NBR	SBL	SBT	SBR
Lane Configurations	↖	↑	↗	↖	↑	↗	↖	↑	↗	↖	↑	↗
Traffic Vol, veh/h	3	69	6	56	26	9	3	9	64	13	3	2
Future Vol, veh/h	3	69	6	56	26	9	3	9	64	13	3	2
Peak Hour Factor	0.38	0.75	0.75	0.62	0.46	0.58	0.25	0.38	0.84	0.54	0.38	0.50
Heavy Vehicles, %	17	2	0	0	0	0	0	8	1	0	0	0
Mvmt Flow	8	92	8	90	57	16	12	24	76	24	8	4
Number of Lanes	1	1	1	1	1	0	1	1	1	1	1	0

Approach	EB	WB	NB	SB
Opposing Approach	WB	EB	SB	NB
Opposing Lanes	2	3	2	3
Conflicting Approach Left	SB	NB	EB	WB
Conflicting Lanes Left	2	3	3	2
Conflicting Approach Right	NB	SB	WB	EB
Conflicting Lanes Right	3	2	2	3
HCM Control Delay	8.7	8.8	8.1	8.7
HCM LOS	A	A	A	A

Lane	NBLn1	NBLn2	NBLn3	EBLn1	EBLn2	EBLn3	WBLn1	WBLn2	SBLn1	SBLn2
Vol Left, %	100%	0%	0%	100%	0%	0%	100%	0%	100%	0%
Vol Thru, %	0%	100%	0%	0%	100%	0%	0%	74%	0%	60%
Vol Right, %	0%	0%	100%	0%	0%	100%	0%	26%	0%	40%
Sign Control	Stop	Stop	Stop	Stop	Stop	Stop	Stop	Stop	Stop	Stop
Traffic Vol by Lane	3	9	64	3	69	6	56	35	13	5
LT Vol	3	0	0	3	0	0	56	0	13	0
Through Vol	0	9	0	0	69	0	0	26	0	3
RT Vol	0	0	64	0	0	6	0	9	0	2
Lane Flow Rate	12	24	76	8	92	8	90	72	24	12
Geometry Grp	8	8	8	8	8	8	8	8	8	8
Degree of Util (X)	0.019	0.036	0.098	0.013	0.135	0.01	0.141	0.099	0.04	0.017
Departure Headway (Hd)	5.837	5.472	4.651	6.033	5.276	4.54	5.626	4.945	5.974	5.191
Convergence, Y/N	Yes	Yes	Yes	Yes	Yes	Yes	Yes	Yes	Yes	Yes
Cap	613	654	770	593	679	787	638	724	599	688
Service Time	3.572	3.207	2.386	3.77	3.013	2.277	3.36	2.679	3.717	2.934
HCM Lane V/C Ratio	0.02	0.037	0.099	0.013	0.135	0.01	0.141	0.099	0.04	0.017
HCM Control Delay	8.7	8.4	7.9	8.8	8.8	7.3	9.3	8.2	9	8
HCM Lane LOS	A	A	A	A	A	A	A	A	A	A
HCM 95th-tile Q	0.1	0.1	0.3	0	0.5	0	0.5	0.3	0.1	0.1

Intersection

Intersection Delay, s/veh 7.6

Intersection LOS A

Movement	EBL	EBT	EBR	WBL	WBT	WBR	NBL	NBT	NBR	SBL	SBT	SBR
Lane Configurations		↔			↑	↗				↖	↑	↗
Traffic Vol, veh/h	8	7	0	0	2	77	0	0	0	31	0	6
Future Vol, veh/h	8	7	0	0	2	77	0	0	0	31	0	6
Peak Hour Factor	0.50	0.58	0.25	0.25	0.50	0.72	0.25	0.25	0.25	0.70	0.25	0.42
Heavy Vehicles, %	0	0	0	0	0	0	0	0	0	2	0	0
Mvmt Flow	16	12	0	0	4	107	0	0	0	44	0	14
Number of Lanes	0	1	0	0	1	1	0	0	0	1	1	1

Approach	EB	WB	SB
Opposing Approach	WB	EB	
Opposing Lanes	2	1	0
Conflicting Approach Left	SB		WB
Conflicting Lanes Left	3	0	2
Conflicting Approach Right		SB	EB
Conflicting Lanes Right	0	3	1
HCM Control Delay	8	7.3	8
HCM LOS	A	A	A

Lane	EBLn1	WBLn1	WBLn2	SBLn1	SBLn2	SBLn3
Vol Left, %	53%	0%	0%	100%	0%	0%
Vol Thru, %	47%	100%	0%	0%	100%	0%
Vol Right, %	0%	0%	100%	0%	0%	100%
Sign Control	Stop	Stop	Stop	Stop	Stop	Stop
Traffic Vol by Lane	15	2	77	31	0	6
LT Vol	8	0	0	31	0	0
Through Vol	7	2	0	0	0	0
RT Vol	0	0	77	0	0	6
Lane Flow Rate	28	4	107	44	0	14
Geometry Grp	8	8	8	7	7	7
Degree of Util (X)	0.039	0.005	0.117	0.065	0	0.016
Departure Headway (Hd)	5.03	4.65	3.949	5.273	4.738	4.037
Convergence, Y/N	Yes	Yes	Yes	Yes	Yes	Yes
Cap	703	761	894	674	0	877
Service Time	2.827	2.433	1.732	3.043	2.508	1.806
HCM Lane V/C Ratio	0.04	0.005	0.12	0.065	0	0.016
HCM Control Delay	8	7.5	7.3	8.4	7.5	6.9
HCM Lane LOS	A	A	A	A	N	A
HCM 95th-tile Q	0.1	0	0.4	0.2	0	0

Intersection	
Intersection Delay, s/veh	7
Intersection LOS	A

Movement	EBL	EBT	EBR	WBL	WBT	WBR	NBL	NBT	NBR	SBL	SBT	SBR
Lane Configurations		↕			↕						↕	
Traffic Vol, veh/h	2	11	0	0	11	11	0	0	0	5	0	1
Future Vol, veh/h	2	11	0	0	11	11	0	0	0	5	0	1
Peak Hour Factor	0.50	0.58	0.25	0.25	0.69	0.42	0.25	0.25	0.25	0.42	0.25	0.25
Heavy Vehicles, %	0	0	0	0	0	0	0	0	0	0	0	0
Mvmt Flow	4	19	0	0	16	26	0	0	0	12	0	4
Number of Lanes	0	1	0	0	1	0	0	0	0	0	1	0

Approach	EB	WB	SB
Opposing Approach	WB	EB	
Opposing Lanes	1	1	0
Conflicting Approach Left	SB		WB
Conflicting Lanes Left	1	0	1
Conflicting Approach Right		SB	EB
Conflicting Lanes Right	0	1	1
HCM Control Delay	7.1	6.8	7.2
HCM LOS	A	A	A

Lane	EBLn1	WBLn1	SBLn1
Vol Left, %	15%	0%	83%
Vol Thru, %	85%	50%	0%
Vol Right, %	0%	50%	17%
Sign Control	Stop	Stop	Stop
Traffic Vol by Lane	13	22	6
LT Vol	2	0	5
Through Vol	11	11	0
RT Vol	0	11	1
Lane Flow Rate	23	42	16
Geometry Grp	1	1	1
Degree of Util (X)	0.025	0.043	0.018
Departure Headway (Hd)	3.989	3.644	4.078
Convergence, Y/N	Yes	Yes	Yes
Cap	900	985	879
Service Time	2.002	1.656	2.099
HCM Lane V/C Ratio	0.026	0.043	0.018
HCM Control Delay	7.1	6.8	7.2
HCM Lane LOS	A	A	A
HCM 95th-tile Q	0.1	0.1	0.1

Intersection												
Int Delay, s/veh	4.7											
Movement	NBL	NBT	NBR	SBL	SBT	SBR	NEL	NET	NER	SWL	SWT	SWR
Lane Configurations					↕			↔		↕	↕	
Traffic Vol, veh/h	0	0	0	24	0	110	0	118	6	11	40	0
Future Vol, veh/h	0	0	0	24	0	110	0	118	6	11	40	0
Conflicting Peds, #/hr	0	0	0	0	0	0	2	0	0	0	0	2
Sign Control	Stop	Stop	Stop	Stop	Stop	Stop	Free	Free	Free	Free	Free	Free
RT Channelized	-	-	None	-	-	None	-	-	None	-	-	None
Storage Length	-	-	-	-	-	-	-	-	-	240	-	-
Veh in Median Storage, #	-	1	-	-	0	-	-	0	-	-	0	-
Grade, %	-	0	-	-	0	-	-	0	-	-	0	-
Peak Hour Factor	25	25	25	61	25	86	25	81	100	69	75	25
Heavy Vehicles, %	0	0	0	18	0	40	0	31	25	17	13	0
Mvmt Flow	0	0	0	39	0	128	0	146	6	16	53	0

Major/Minor	Minor2		Major1			Major2			
Conflicting Flow All	234	237	27	-	0	0	152	0	0
Stage 1	85	85	-	-	-	-	-	-	-
Stage 2	149	152	-	-	-	-	-	-	-
Critical Hdwy	6.87	6.5	7.5	-	-	-	4.355	-	-
Critical Hdwy Stg 1	6.07	5.5	-	-	-	-	-	-	-
Critical Hdwy Stg 2	5.67	5.5	-	-	-	-	-	-	-
Follow-up Hdwy	3.671	4	3.68	-	-	-	2.3615	-	-
Pot Cap-1 Maneuver	705	667	938	0	-	-	1333	-	0
Stage 1	887	828	-	0	-	-	-	-	0
Stage 2	836	775	-	0	-	-	-	-	0
Platoon blocked, %									
Mov Cap-1 Maneuver	697	0	938	-	-	-	1333	-	-
Mov Cap-2 Maneuver	697	0	-	-	-	-	-	-	-
Stage 1	887	0	-	-	-	-	-	-	-
Stage 2	826	0	-	-	-	-	-	-	-

Approach	SB	NE	SW
HCM Control Delay, s	10.1	0	1.8
HCM LOS	B		

Minor Lane/Major Mvmt	NET	NER	SBLn1	SWL	SWT
Capacity (veh/h)	-	-	867	1333	-
HCM Lane V/C Ratio	-	-	0.193	0.012	-
HCM Control Delay (s)	-	-	10.1	7.7	-
HCM Lane LOS	-	-	B	A	-
HCM 95th %tile Q(veh)	-	-	0.7	0	-

Intersection												
Int Delay, s/veh	3.5											
Movement	NBL	NBT	NBR	SBL	SBT	SBR	SEL	SET	SER	NWL	NWT	NWR
Lane Configurations	↘	↑↑			↑↑					↘		↗
Traffic Vol, veh/h	78	64	0	0	47	24	0	0	0	7	0	22
Future Vol, veh/h	78	64	0	0	47	24	0	0	0	7	0	22
Conflicting Peds, #/hr	1	0	2	2	0	1	0	0	1	1	0	0
Sign Control	Free	Free	Free	Free	Free	Free	Stop	Stop	Stop	Stop	Stop	Stop
RT Channelized	-	-	None	-	-	None	-	-	None	-	-	Yield
Storage Length	140	-	-	-	-	-	-	-	-	0	-	0
Veh in Median Storage, #	-	0	-	-	0	-	-	0	-	-	0	-
Grade, %	-	0	-	-	0	-	-	0	-	-	0	-
Peak Hour Factor	86	84	25	25	65	46	25	25	25	58	25	61
Heavy Vehicles, %	43	13	0	0	16	22	0	0	0	13	0	17
Mvmt Flow	91	76	0	0	72	52	0	0	0	12	0	36

Major/Minor	Major1		Major2				Minor1	
Conflicting Flow All	125	0	-	-	-	0	295	- 38
Stage 1	-	-	-	-	-	-	258	- -
Stage 2	-	-	-	-	-	-	37	- -
Critical Hdwy	4.96	-	-	-	-	-	7.06	- 7.24
Critical Hdwy Stg 1	-	-	-	-	-	-	6.06	- -
Critical Hdwy Stg 2	-	-	-	-	-	-	6.06	- -
Follow-up Hdwy	2.63	-	-	-	-	-	3.63	- 3.47
Pot Cap-1 Maneuver	1206	-	0	0	-	-	643	0 979
Stage 1	-	-	0	0	-	-	730	0 -
Stage 2	-	-	0	0	-	-	949	0 -
Platoon blocked, %		-			-	-		
Mov Cap-1 Maneuver	1206	-	-	-	-	-	594	0 979
Mov Cap-2 Maneuver	-	-	-	-	-	-	594	0 -
Stage 1	-	-	-	-	-	-	675	0 -
Stage 2	-	-	-	-	-	-	948	0 -

Approach	NB	SB	NW
HCM Control Delay, s	4.5	0	9.4
HCM LOS			A

Minor Lane/Major Mvmt	NBL	NBTNWLn1	NWLn2	SBT	SBR
Capacity (veh/h)	1206	-	594	979	- -
HCM Lane V/C Ratio	0.075	-	0.02	0.037	- -
HCM Control Delay (s)	8.2	-	11.2	8.8	- -
HCM Lane LOS	A	-	B	A	- -
HCM 95th %tile Q(veh)	0.2	-	0.1	0.1	- -

Intersection												
Int Delay, s/veh	1.5											
Movement	EBL	EBT	EBR	WBL	WBT	WBR	NBL	NBT	NBR	SBL	SBT	SBR
Lane Configurations		↕			↕			↕			↕	
Traffic Vol, veh/h	5	0	2	1	0	0	4	66	0	0	51	3
Future Vol, veh/h	5	0	2	1	0	0	4	66	0	0	51	3
Conflicting Peds, #/hr	0	0	0	0	0	0	1	0	1	1	0	1
Sign Control	Stop	Stop	Stop	Stop	Stop	Stop	Free	Free	Free	Free	Free	Free
RT Channelized	-	-	None	-	-	None	-	-	None	-	-	None
Storage Length	-	-	-	-	-	-	-	-	-	-	-	-
Veh in Median Storage, #	-	0	-	-	0	-	-	0	-	-	0	-
Grade, %	-	0	-	-	0	-	-	0	-	-	0	-
Peak Hour Factor	42	25	50	25	25	25	33	76	25	25	80	38
Heavy Vehicles, %	11	0	0	60	0	0	0	8	100	0	9	14
Mvmt Flow	12	0	4	4	0	0	12	87	0	0	64	8

Major/Minor	Minor2		Minor1		Major1		Major2					
Conflicting Flow All	137	180	37	143	184	44	73	0	-	-	-	0
Stage 1	69	69	-	111	111	-	-	-	-	-	-	-
Stage 2	68	111	-	32	73	-	-	-	-	-	-	-
Critical Hdwy	7.72	6.5	6.9	8.7	6.5	6.9	4.1	-	-	-	-	-
Critical Hdwy Stg 1	6.72	5.5	-	7.7	5.5	-	-	-	-	-	-	-
Critical Hdwy Stg 2	6.72	5.5	-	7.7	5.5	-	-	-	-	-	-	-
Follow-up Hdwy	3.61	4	3.3	4.1	4	3.3	2.2	-	-	-	-	-
Pot Cap-1 Maneuver	796	717	1034	673	714	1023	1540	-	0	0	-	-
Stage 1	907	841	-	737	807	-	-	-	0	0	-	-
Stage 2	909	807	-	835	838	-	-	-	0	0	-	-
Platoon blocked, %								-	-	-	-	-
Mov Cap-1 Maneuver	790	711	1033	666	708	1023	1539	-	-	-	-	-
Mov Cap-2 Maneuver	790	711	-	666	708	-	-	-	-	-	-	-
Stage 1	899	840	-	731	801	-	-	-	-	-	-	-
Stage 2	902	801	-	832	837	-	-	-	-	-	-	-

Approach	EB		WB		NB		SB	
HCM Control Delay, s	9.4		10.4		0.9		0	
HCM LOS	A		B					

Minor Lane/Major Mvmt	NBL	NBT	EBLn1	WBLn1	SBT	SBR
Capacity (veh/h)	1539	-	840	666	-	-
HCM Lane V/C Ratio	0.008	-	0.019	0.006	-	-
HCM Control Delay (s)	7.4	0	9.4	10.4	-	-
HCM Lane LOS	A	A	A	B	-	-
HCM 95th %tile Q(veh)	0	-	0.1	0	-	-

Intersection	
Intersection Delay, s/veh	7.4
Intersection LOS	A

Movement	EBL	EBT	EBR	WBL	WBT	WBR	NBL	NBT	NBR	SBL	SBT	SBR
Lane Configurations		↕			↕			↕			↕	
Traffic Vol, veh/h	7	9	9	0	15	7	16	16	1	5	14	4
Future Vol, veh/h	7	9	9	0	15	7	16	16	1	5	14	4
Peak Hour Factor	0.44	0.56	0.67	0.25	0.50	0.50	0.67	0.67	0.25	0.42	0.55	0.50
Heavy Vehicles, %	9	5	6	0	5	20	0	4	50	0	0	14
Mvmt Flow	16	16	13	0	30	14	24	24	4	12	25	8
Number of Lanes	0	1	0	0	1	0	0	1	0	0	1	0
Approach	EB				WB			NB		SB		
Opposing Approach	WB				EB			SB		NB		
Opposing Lanes	1				1			1		1		
Conflicting Approach Left	SB				NB			EB		WB		
Conflicting Lanes Left	1				1			1		1		
Conflicting Approach Right	NB				SB			WB		EB		
Conflicting Lanes Right	1				1			1		1		
HCM Control Delay	7.4				7.3			7.5		7.3		
HCM LOS	A				A			A		A		

Lane	NBLn1	EBLn1	WBLn1	SBLn1
Vol Left, %	48%	28%	0%	22%
Vol Thru, %	48%	36%	68%	61%
Vol Right, %	3%	36%	32%	17%
Sign Control	Stop	Stop	Stop	Stop
Traffic Vol by Lane	33	25	22	23
LT Vol	16	7	0	5
Through Vol	16	9	15	14
RT Vol	1	9	7	4
Lane Flow Rate	52	45	44	45
Geometry Grp	1	1	1	1
Degree of Util (X)	0.06	0.052	0.049	0.051
Departure Headway (Hd)	4.167	4.094	3.996	4.033
Convergence, Y/N	Yes	Yes	Yes	Yes
Cap	854	868	888	881
Service Time	2.22	2.152	2.055	2.088
HCM Lane V/C Ratio	0.061	0.052	0.05	0.051
HCM Control Delay	7.5	7.4	7.3	7.3
HCM Lane LOS	A	A	A	A
HCM 95th-tile Q	0.2	0.2	0.2	0.2

Intersection												
Int Delay, s/veh	0.7											
Movement	EBL	EBT	EBR	WBL	WBT	WBR	NBL	NBT	NBR	SBL	SBT	SBR
Lane Configurations		↔			↔			↔			↔	
Traffic Vol, veh/h	0	54	3	0	61	0	1	0	1	1	0	0
Future Vol, veh/h	0	54	3	0	61	0	1	0	1	1	0	0
Conflicting Peds, #/hr	0	0	2	2	0	0	1	0	0	0	0	1
Sign Control	Free	Free	Free	Free	Free	Free	Stop	Stop	Stop	Stop	Stop	Stop
RT Channelized	-	-	None	-	-	None	-	-	None	-	-	None
Storage Length	-	-	-	-	-	-	-	-	-	-	-	-
Veh in Median Storage, #	-	0	-	-	0	-	-	0	-	-	0	-
Grade, %	-	0	-	-	0	-	-	0	-	-	0	-
Peak Hour Factor	25	84	25	25	84	25	25	25	25	25	25	25
Heavy Vehicles, %	0	9	25	0	10	0	0	0	50	0	0	0
Mvmt Flow	0	64	12	0	73	0	4	0	4	4	0	0

Major/Minor	Major1			Major2			Minor1			Minor2		
Conflicting Flow All	73	0	0	78	0	0	110	145	40	105	151	38
Stage 1	-	-	-	-	-	-	72	72	-	73	73	-
Stage 2	-	-	-	-	-	-	38	73	-	32	78	-
Critical Hdwy	4.1	-	-	4.1	-	-	7.5	6.5	7.9	7.5	6.5	6.9
Critical Hdwy Stg 1	-	-	-	-	-	-	6.5	5.5	-	6.5	5.5	-
Critical Hdwy Stg 2	-	-	-	-	-	-	6.5	5.5	-	6.5	5.5	-
Follow-up Hdwy	2.2	-	-	2.2	-	-	3.5	4	3.8	3.5	4	3.3
Pot Cap-1 Maneuver	1540	-	-	1533	-	-	862	750	886	869	744	1032
Stage 1	-	-	-	-	-	-	935	839	-	934	838	-
Stage 2	-	-	-	-	-	-	978	838	-	986	834	-
Platoon blocked, %	-	-	-	-	-	-	-	-	-	-	-	-
Mov Cap-1 Maneuver	1540	-	-	1529	-	-	859	748	884	865	742	1031
Mov Cap-2 Maneuver	-	-	-	-	-	-	859	748	-	865	742	-
Stage 1	-	-	-	-	-	-	932	836	-	934	838	-
Stage 2	-	-	-	-	-	-	977	838	-	982	831	-

Approach	EB	WB	NB	SB
HCM Control Delay, s	0	0	9.2	9.2
HCM LOS			A	A

Minor Lane/Major Mvmt	NBLn1	EBL	EBT	EBR	WBL	WBT	WBR	SBLn1
Capacity (veh/h)	871	1540	-	-	1529	-	-	865
HCM Lane V/C Ratio	0.009	-	-	-	-	-	-	0.005
HCM Control Delay (s)	9.2	0	-	-	0	-	-	9.2
HCM Lane LOS	A	A	-	-	A	-	-	A
HCM 95th %tile Q(veh)	0	0	-	-	0	-	-	0

Intersection						
Int Delay, s/veh	1.2					
Movement	EBL	EBR	NBL	NBT	SBT	SBR
Lane Configurations						
Traffic Vol, veh/h	16	0	0	74	111	4
Future Vol, veh/h	16	0	0	74	111	4
Conflicting Peds, #/hr	1	0	0	0	0	0
Sign Control	Stop	Stop	Free	Free	Free	Free
RT Channelized	-	None	-	None	-	None
Storage Length	0	-	-	-	-	-
Veh in Median Storage, #	0	-	-	0	0	-
Grade, %	0	-	-	0	0	-
Peak Hour Factor	50	25	25	80	78	50
Heavy Vehicles, %	0	0	0	44	41	11
Mvmt Flow	32	0	0	93	142	8

Major/Minor	Minor2	Major1	Major2			
Conflicting Flow All	240	146	150	0	-	0
Stage 1	146	-	-	-	-	-
Stage 2	94	-	-	-	-	-
Critical Hdwy	6.4	6.2	4.1	-	-	-
Critical Hdwy Stg 1	5.4	-	-	-	-	-
Critical Hdwy Stg 2	5.4	-	-	-	-	-
Follow-up Hdwy	3.5	3.3	2.2	-	-	-
Pot Cap-1 Maneuver	753	906	1444	-	-	-
Stage 1	886	-	-	-	-	-
Stage 2	935	-	-	-	-	-
Platoon blocked, %				-	-	-
Mov Cap-1 Maneuver	753	906	1444	-	-	-
Mov Cap-2 Maneuver	753	-	-	-	-	-
Stage 1	886	-	-	-	-	-
Stage 2	935	-	-	-	-	-

Approach	EB	NB	SB
HCM Control Delay, s	10	0	0
HCM LOS	B		

Minor Lane/Major Mvmt	NBL	NBT	EBLn1	SBT	SBR
Capacity (veh/h)	1444	-	753	-	-
HCM Lane V/C Ratio	-	-	0.042	-	-
HCM Control Delay (s)	0	-	10	-	-
HCM Lane LOS	A	-	B	-	-
HCM 95th %tile Q(veh)	0	-	0.1	-	-

Intersection						
Int Delay, s/veh	0.2					
Movement	WBL	WBR	NBT	NBR	SBL	SBT
Lane Configurations						
Traffic Vol, veh/h	3	1	241	2	0	87
Future Vol, veh/h	3	1	241	2	0	87
Conflicting Peds, #/hr	0	0	0	1	1	0
Sign Control	Stop	Stop	Free	Free	Free	Free
RT Channelized	-	None	-	None	-	None
Storage Length	0	-	-	-	-	-
Veh in Median Storage, #	0	-	0	-	-	0
Grade, %	0	-	0	-	-	0
Peak Hour Factor	75	25	88	50	25	85
Heavy Vehicles, %	17	0	4	0	0	6
Mvmt Flow	4	4	274	4	0	102

Major/Minor	Minor1	Major1	Major2			
Conflicting Flow All	379	277	0	0	279	0
Stage 1	277	-	-	-	-	-
Stage 2	102	-	-	-	-	-
Critical Hdwy	6.57	6.2	-	-	4.1	-
Critical Hdwy Stg 1	5.57	-	-	-	-	-
Critical Hdwy Stg 2	5.57	-	-	-	-	-
Follow-up Hdwy	3.653	3.3	-	-	2.2	-
Pot Cap-1 Maneuver	594	767	-	-	1295	-
Stage 1	736	-	-	-	-	-
Stage 2	886	-	-	-	-	-
Platoon blocked, %			-	-		-
Mov Cap-1 Maneuver	593	766	-	-	1294	-
Mov Cap-2 Maneuver	593	-	-	-	-	-
Stage 1	735	-	-	-	-	-
Stage 2	886	-	-	-	-	-

Approach	WB	NB	SB
HCM Control Delay, s	10.5	0	0
HCM LOS	B		

Minor Lane/Major Mvmt	NBT	NBRWBLn1	SBL	SBT
Capacity (veh/h)	-	-	668	1294
HCM Lane V/C Ratio	-	-	0.012	-
HCM Control Delay (s)	-	-	10.5	0
HCM Lane LOS	-	-	B	A
HCM 95th %tile Q(veh)	-	-	0	0

Intersection												
Int Delay, s/veh	4.6											
Movement	SEL	SET	SER	NWL	NWT	NWR	NEL	NET	NER	SWL	SWT	SWR
Lane Configurations		↕	↗		↕			↕			↕	
Traffic Vol, veh/h	1	45	27	4	47	0	113	0	6	1	0	0
Future Vol, veh/h	1	45	27	4	47	0	113	0	6	1	0	0
Conflicting Peds, #/hr	0	0	0	0	0	0	0	0	0	0	0	0
Sign Control	Free	Free	Free	Free	Free	Free	Stop	Stop	Stop	Stop	Stop	Stop
RT Channelized	-	-	None	-	-	None	-	-	None	-	-	None
Storage Length	-	-	0	-	-	-	-	-	-	-	-	-
Veh in Median Storage, #	-	0	-	-	0	-	-	0	-	-	0	-
Grade, %	-	0	-	-	0	-	-	0	-	-	0	-
Peak Hour Factor	25	75	47	50	73	25	86	25	75	25	25	25
Heavy Vehicles, %	0	6	11	50	2	0	4	0	14	0	0	0
Mvmt Flow	4	60	57	8	64	0	131	0	8	4	0	0

Major/Minor	Major1			Major2			Minor1			Minor2		
Conflicting Flow All	64	0	0	117	0	0	148	148	60	181	205	64
Stage 1	-	-	-	-	-	-	68	68	-	80	80	-
Stage 2	-	-	-	-	-	-	80	80	-	101	125	-
Critical Hdwy	4.1	-	-	4.6	-	-	7.14	6.5	6.34	7.1	6.5	6.2
Critical Hdwy Stg 1	-	-	-	-	-	-	6.14	5.5	-	6.1	5.5	-
Critical Hdwy Stg 2	-	-	-	-	-	-	6.14	5.5	-	6.1	5.5	-
Follow-up Hdwy	2.2	-	-	2.65	-	-	3.536	4	3.426	3.5	4	3.3
Pot Cap-1 Maneuver	1551	-	-	1221	-	-	816	747	973	785	695	1006
Stage 1	-	-	-	-	-	-	937	842	-	934	832	-
Stage 2	-	-	-	-	-	-	924	832	-	910	796	-
Platoon blocked, %	-	-	-	-	-	-	-	-	-	-	-	-
Mov Cap-1 Maneuver	1551	-	-	1221	-	-	809	740	973	772	688	1006
Mov Cap-2 Maneuver	-	-	-	-	-	-	809	740	-	772	688	-
Stage 1	-	-	-	-	-	-	934	839	-	931	826	-
Stage 2	-	-	-	-	-	-	918	826	-	900	794	-

Approach	SE			NW			NE			SW		
HCM Control Delay, s	0.2			0.9			10.3			9.7		
HCM LOS							B			A		

Minor Lane/Major Mvmt	NELn1	NWL	NWT	NWR	SEL	SET	SERSWLn1
Capacity (veh/h)	817	1221	-	-	1551	-	772
HCM Lane V/C Ratio	0.171	0.007	-	-	0.003	-	0.005
HCM Control Delay (s)	10.3	8	0	-	7.3	0	9.7
HCM Lane LOS	B	A	A	-	A	A	A
HCM 95th %tile Q(veh)	0.6	0	-	-	0	-	0

Intersection												
Int Delay, s/veh	5.1											
Movement	EBL	EBT	EBR	WBL	WBT	WBR	NBL	NBT	NBR	SBL	SBT	SBR
Lane Configurations		↕			↕		↕	↕		↕	↕	
Traffic Vol, veh/h	27	1	23	2	1	1	80	50	1	0	61	11
Future Vol, veh/h	27	1	23	2	1	1	80	50	1	0	61	11
Conflicting Peds, #/hr	0	0	0	0	0	0	0	0	0	0	0	0
Sign Control	Stop	Stop	Stop	Stop	Stop	Stop	Free	Free	Free	Free	Free	Free
RT Channelized	-	-	None	-	-	None	-	-	None	-	-	None
Storage Length	-	-	-	-	-	-	100	-	-	100	-	-
Veh in Median Storage, #	-	0	-	-	0	-	-	0	-	-	0	-
Grade, %	-	0	-	-	0	-	-	0	-	-	0	-
Peak Hour Factor	52	25	96	50	25	25	79	73	25	25	85	46
Heavy Vehicles, %	3	0	24	0	0	0	28	0	50	0	5	0
Mvmt Flow	52	4	24	4	4	4	101	68	4	0	72	24

Major/Minor	Minor2		Minor1		Major1			Major2				
Conflicting Flow All	360	358	84	370	368	70	96	0	0	72	0	0
Stage 1	84	84	-	272	272	-	-	-	-	-	-	-
Stage 2	276	274	-	98	96	-	-	-	-	-	-	-
Critical Hdwy	7.13	6.5	6.44	7.1	6.5	6.2	4.38	-	-	4.1	-	-
Critical Hdwy Stg 1	6.13	5.5	-	6.1	5.5	-	-	-	-	-	-	-
Critical Hdwy Stg 2	6.13	5.5	-	6.1	5.5	-	-	-	-	-	-	-
Follow-up Hdwy	3.527	4	3.516	3.5	4	3.3	2.452	-	-	2.2	-	-
Pot Cap-1 Maneuver	594	572	918	590	564	998	1350	-	-	1541	-	-
Stage 1	922	829	-	738	688	-	-	-	-	-	-	-
Stage 2	728	687	-	913	819	-	-	-	-	-	-	-
Platoon blocked, %								-	-	-	-	-
Mov Cap-1 Maneuver	555	529	918	539	522	998	1350	-	-	1541	-	-
Mov Cap-2 Maneuver	555	529	-	539	522	-	-	-	-	-	-	-
Stage 1	853	829	-	683	636	-	-	-	-	-	-	-
Stage 2	667	635	-	885	819	-	-	-	-	-	-	-

Approach	EB		WB		NB		SB	
HCM Control Delay, s	11.6		10.8		4.6		0	
HCM LOS	B		B					

Minor Lane/Major Mvmt	NBL	NBT	NBR	EBLn1	WBLn1	SBL	SBT	SBR
Capacity (veh/h)	1350	-	-	628	629	1541	-	-
HCM Lane V/C Ratio	0.075	-	-	0.127	0.019	-	-	-
HCM Control Delay (s)	7.9	-	-	11.6	10.8	0	-	-
HCM Lane LOS	A	-	-	B	B	A	-	-
HCM 95th %tile Q(veh)	0.2	-	-	0.4	0.1	0	-	-

Intersection												
Int Delay, s/veh	6.5											
Movement	EBL	EBT	EBR	WBL	WBT	WBR	NBL	NBT	NBR	SBL	SBT	SBR
Lane Configurations												
Traffic Vol, veh/h	20	66	4	14	121	51	3	2	14	153	8	4
Future Vol, veh/h	20	66	4	14	121	51	3	2	14	153	8	4
Conflicting Peds, #/hr	0	0	0	0	0	0	0	0	0	0	0	0
Sign Control	Free	Free	Free	Free	Free	Free	Stop	Stop	Stop	Stop	Stop	Stop
RT Channelized	-	-	None	-	-	None	-	-	None	-	-	Yield
Storage Length	100	-	-	100	-	0	-	-	-	-	-	0
Veh in Median Storage, #	-	0	-	-	0	-	-	0	-	-	0	-
Grade, %	-	0	-	-	0	-	-	0	-	-	0	-
Peak Hour Factor	83	80	33	75	78	85	38	50	46	80	67	50
Heavy Vehicles, %	5	14	0	4	18	23	0	0	3	14	0	0
Mvmt Flow	24	83	12	19	155	60	8	4	30	191	12	8

Major/Minor	Major1			Major2			Minor1			Minor2		
Conflicting Flow All	215	0	0	95	0	0	366	390	89	347	336	155
Stage 1	-	-	-	-	-	-	137	137	-	193	193	-
Stage 2	-	-	-	-	-	-	229	253	-	154	143	-
Critical Hdwy	4.15	-	-	4.14	-	-	7.1	6.5	6.23	7.24	6.5	6.2
Critical Hdwy Stg 1	-	-	-	-	-	-	6.1	5.5	-	6.24	5.5	-
Critical Hdwy Stg 2	-	-	-	-	-	-	6.1	5.5	-	6.24	5.5	-
Follow-up Hdwy	2.245	-	-	2.236	-	-	3.5	4	3.327	3.626	4	3.3
Pot Cap-1 Maneuver	1337	-	-	1486	-	-	594	548	966	585	588	896
Stage 1	-	-	-	-	-	-	871	787	-	782	745	-
Stage 2	-	-	-	-	-	-	778	701	-	821	782	-
Platoon blocked, %	-	-	-	-	-	-	-	-	-	-	-	-
Mov Cap-1 Maneuver	1337	-	-	1486	-	-	566	531	966	550	570	896
Mov Cap-2 Maneuver	-	-	-	-	-	-	566	531	-	550	570	-
Stage 1	-	-	-	-	-	-	855	773	-	768	735	-
Stage 2	-	-	-	-	-	-	749	692	-	777	768	-

Approach	EB			WB			NB			SB		
HCM Control Delay, s	1.6			0.6			9.8			15.1		
HCM LOS							A			C		

Minor Lane/Major Mvmt	NBLn1	EBL	EBT	EBR	WBL	WBT	WBR	SBLn1	SBLn2
Capacity (veh/h)	799	1337	-	-	1486	-	-	551	896
HCM Lane V/C Ratio	0.053	0.018	-	-	0.013	-	-	0.369	0.009
HCM Control Delay (s)	9.8	7.7	-	-	7.5	-	-	15.3	9.1
HCM Lane LOS	A	A	-	-	A	-	-	C	A
HCM 95th %tile Q(veh)	0.2	0.1	-	-	0	-	-	1.7	0

Intersection												
Int Delay, s/veh	1.5											
Movement	NBL	NBT	NBR	SBL	SBT	SBR	SEL	SET	SER	NWL	NWT	NWR
Lane Configurations	↖	↗		↖	↗			↕			↕	
Traffic Vol, veh/h	2	475	6	17	437	1	5	2	2	5	0	26
Future Vol, veh/h	2	475	6	17	437	1	5	2	2	5	0	26
Conflicting Peds, #/hr	1	0	0	0	0	1	0	0	0	0	0	0
Sign Control	Free	Free	Free	Free	Free	Free	Stop	Stop	Stop	Stop	Stop	Stop
RT Channelized	-	-	None	-	-	None	-	-	None	-	-	None
Storage Length	50	-	-	50	-	-	-	-	-	-	-	-
Veh in Median Storage, #	-	0	-	-	0	-	-	0	-	-	0	-
Grade, %	-	0	-	-	0	-	-	0	-	-	0	-
Peak Hour Factor	50	85	75	42	90	25	62	25	25	50	25	68
Heavy Vehicles, %	0	3	0	0	5	0	0	0	0	0	0	0
Mvmt Flow	4	559	8	40	486	4	8	8	8	10	0	38

Major/Minor	Major1		Major2		Minor2			Minor1				
Conflicting Flow All	491	0	0	567	0	0	1159	1144	489	1147	1142	563
Stage 1	-	-	-	-	-	-	569	569	-	571	571	-
Stage 2	-	-	-	-	-	-	590	575	-	576	571	-
Critical Hdwy	4.1	-	-	4.1	-	-	7.1	6.5	6.2	7.1	6.5	6.2
Critical Hdwy Stg 1	-	-	-	-	-	-	6.1	5.5	-	6.1	5.5	-
Critical Hdwy Stg 2	-	-	-	-	-	-	6.1	5.5	-	6.1	5.5	-
Follow-up Hdwy	2.2	-	-	2.2	-	-	3.5	4	3.3	3.5	4	3.3
Pot Cap-1 Maneuver	1083	-	-	1015	-	-	174	202	583	178	202	530
Stage 1	-	-	-	-	-	-	511	509	-	509	508	-
Stage 2	-	-	-	-	-	-	497	506	-	506	508	-
Platoon blocked, %		-	-		-	-						
Mov Cap-1 Maneuver	1082	-	-	1015	-	-	156	193	582	164	193	530
Mov Cap-2 Maneuver	-	-	-	-	-	-	156	193	-	164	193	-
Stage 1	-	-	-	-	-	-	508	489	-	507	506	-
Stage 2	-	-	-	-	-	-	459	504	-	472	488	-

Approach	NB	SB	SE	NW
HCM Control Delay, s	0.1	0.7	22.9	16.5
HCM LOS			C	C

Minor Lane/Major Mvmt	NBL	NBT	NBRNWLn1	SELn1	SBL	SBT	SBR
Capacity (veh/h)	1082	-	-	362	225	1015	-
HCM Lane V/C Ratio	0.004	-	-	0.133	0.107	0.04	-
HCM Control Delay (s)	8.3	-	-	16.5	22.9	8.7	-
HCM Lane LOS	A	-	-	C	C	A	-
HCM 95th %tile Q(veh)	0	-	-	0.5	0.4	0.1	-

HCM 6th Signalized Intersection Summary
6: N Broadway Avenue/N Street & Needles Highway



Movement	EBL	EBT	EBR	WBL	WBT	WBR	NBL	NBT	NBR	SBL	SBT	SBR
Lane Configurations												
Traffic Volume (veh/h)	2	203	82	294	146	8	69	5	289	3	1	0
Future Volume (veh/h)	2	203	82	294	146	8	69	5	289	3	1	0
Initial Q (Qb), veh	0	0	0	0	0	0	0	0	0	0	0	0
Ped-Bike Adj(A_pbT)	1.00		1.00	1.00		1.00	1.00		1.00	1.00		1.00
Parking Bus, Adj	1.00	1.00	1.00	1.00	1.00	1.00	1.00	1.00	1.00	1.00	1.00	1.00
Work Zone On Approach		No			No			No			No	
Adj Sat Flow, veh/h/ln	1900	1811	1885	1870	1776	1900	1885	1900	1945	1900	1976	1900
Adj Flow Rate, veh/h	8	242	115	306	166	12	87	8	325	4	4	0
Peak Hour Factor	0.25	0.84	0.71	0.96	0.88	0.67	0.79	0.62	0.89	0.75	0.25	0.25
Percent Heavy Veh, %	0	6	1	2	13	0	1	0	2	0	0	0
Cap, veh/h	609	791	696	510	715	52	423	39	419	10	10	0
Arrive On Green	0.44	0.44	0.44	0.44	0.44	0.44	0.25	0.25	0.25	0.01	0.01	0.00
Sat Flow, veh/h	1224	1811	1594	1023	1636	118	1664	153	1648	964	964	0
Grp Volume(v), veh/h	8	242	115	306	0	178	95	0	325	8	0	0
Grp Sat Flow(s),veh/h/ln	1224	1811	1594	1023	0	1754	1817	0	1648	1928	0	0
Q Serve(g_s), s	0.2	4.1	2.1	13.1	0.0	3.0	1.9	0.0	8.7	0.2	0.0	0.0
Cycle Q Clear(g_c), s	3.2	4.1	2.1	17.2	0.0	3.0	1.9	0.0	8.7	0.2	0.0	0.0
Prop In Lane	1.00		1.00	1.00		0.07	0.92		1.00	0.50		0.00
Lane Grp Cap(c), veh/h	609	791	696	510	0	766	462	0	419	20	0	0
V/C Ratio(X)	0.01	0.31	0.17	0.60	0.00	0.23	0.21	0.00	0.77	0.39	0.00	0.00
Avail Cap(c_a), veh/h	745	992	873	624	0	961	922	0	837	979	0	0
HCM Platoon Ratio	1.00	1.00	1.00	1.00	1.00	1.00	1.00	1.00	1.00	1.00	1.00	1.00
Upstream Filter(I)	1.00	1.00	1.00	1.00	0.00	1.00	1.00	0.00	1.00	1.00	0.00	0.00
Uniform Delay (d), s/veh	9.3	8.7	8.1	14.3	0.0	8.3	13.9	0.0	16.4	23.2	0.0	0.0
Incr Delay (d2), s/veh	0.0	0.2	0.1	1.1	0.0	0.2	0.2	0.0	3.1	11.9	0.0	0.0
Initial Q Delay(d3),s/veh	0.0	0.0	0.0	0.0	0.0	0.0	0.0	0.0	0.0	0.0	0.0	0.0
%ile BackOfQ(50%),veh/ln	0.0	1.3	0.6	2.6	0.0	0.9	0.7	0.0	3.2	0.1	0.0	0.0
Unsig. Movement Delay, s/veh												
LnGrp Delay(d),s/veh	9.4	8.9	8.2	15.4	0.0	8.5	14.1	0.0	19.5	35.1	0.0	0.0
LnGrp LOS	A	A	A	B	A	A	B	A	B	D	A	A
Approach Vol, veh/h		365			484			420				8
Approach Delay, s/veh		8.7			12.9			18.3				35.1
Approach LOS		A			B			B				D
Timer - Assigned Phs		2		4		6		8				
Phs Duration (G+Y+Rc), s		25.4		16.7		25.4		5.2				
Change Period (Y+Rc), s		* 4.7		* 4.7		* 4.7		4.7				
Max Green Setting (Gmax), s		* 26		* 24		* 26		24.0				
Max Q Clear Time (g_c+I1), s		6.1		10.7		19.2		2.2				
Green Ext Time (p_c), s		1.7		1.4		1.4		0.0				

Intersection Summary

HCM 6th Ctrl Delay	13.6
HCM 6th LOS	B

Notes

* HCM 6th computational engine requires equal clearance times for the phases crossing the barrier.

HCM 6th Signalized Intersection Summary
7: North K Street & Needles Highway



Movement	EBL	EBT	EBR	WBL	WBT	WBR	NBL	NBT	NBR	SBL	SBT	SBR
Lane Configurations												
Traffic Volume (veh/h)	424	34	6	4	29	1	10	17	2	2	15	411
Future Volume (veh/h)	424	34	6	4	29	1	10	17	2	2	15	411
Initial Q (Qb), veh	0	0	0	0	0	0	0	0	0	0	0	0
Ped-Bike Adj(A_pbT)	1.00		1.00	1.00		1.00	1.00		1.00	1.00		1.00
Parking Bus, Adj	1.00	1.00	1.00	1.00	1.00	1.00	1.00	1.00	1.00	1.00	1.00	1.00
Work Zone On Approach		No			No			No			No	
Adj Sat Flow, veh/h/ln	1841	1945	1900	1900	1945	1900	1796	1900	1900	1900	1930	1811
Adj Flow Rate, veh/h	476	44	16	11	52	4	13	24	4	4	20	457
Peak Hour Factor	0.89	0.78	0.38	0.38	0.56	0.25	0.75	0.71	0.50	0.50	0.75	0.90
Percent Heavy Veh, %	4	2	0	0	2	0	7	0	0	0	3	6
Cap, veh/h	702	581	211	715	762	59	236	560	93	639	24	555
Arrive On Green	0.43	0.43	0.43	0.43	0.43	0.43	0.35	0.35	0.35	0.35	0.35	0.35
Sat Flow, veh/h	1326	1361	495	1364	1783	137	880	1587	265	1400	69	1573
Grp Volume(v), veh/h	476	0	60	11	0	56	13	0	28	4	0	477
Grp Sat Flow(s),veh/h/ln	1326	0	1856	1364	0	1920	880	0	1852	1400	0	1641
Q Serve(g_s), s	15.0	0.0	0.9	0.2	0.0	0.8	0.6	0.0	0.5	0.1	0.0	12.0
Cycle Q Clear(g_c), s	15.8	0.0	0.9	1.1	0.0	0.8	12.7	0.0	0.5	0.5	0.0	12.0
Prop In Lane	1.00		0.27	1.00		0.07	1.00		0.14	1.00		0.96
Lane Grp Cap(c), veh/h	702	0	793	715	0	820	236	0	653	639	0	579
V/C Ratio(X)	0.68	0.00	0.08	0.02	0.00	0.07	0.06	0.00	0.04	0.01	0.00	0.82
Avail Cap(c_a), veh/h	982	0	1185	1003	0	1226	332	0	856	792	0	759
HCM Platoon Ratio	1.00	1.00	1.00	1.00	1.00	1.00	1.00	1.00	1.00	1.00	1.00	1.00
Upstream Filter(I)	1.00	0.00	1.00	1.00	0.00	1.00	1.00	0.00	1.00	1.00	0.00	1.00
Uniform Delay (d), s/veh	12.3	0.0	7.7	8.0	0.0	7.7	19.2	0.0	9.7	9.8	0.0	13.4
Incr Delay (d2), s/veh	1.2	0.0	0.0	0.0	0.0	0.0	0.1	0.0	0.0	0.0	0.0	5.7
Initial Q Delay(d3),s/veh	0.0	0.0	0.0	0.0	0.0	0.0	0.0	0.0	0.0	0.0	0.0	0.0
%ile BackOfQ(50%),veh/ln	3.6	0.0	0.3	0.1	0.0	0.3	0.1	0.0	0.2	0.0	0.0	4.5
Unsig. Movement Delay, s/veh												
LnGrp Delay(d),s/veh	13.5	0.0	7.7	8.0	0.0	7.7	19.3	0.0	9.7	9.8	0.0	19.1
LnGrp LOS	B	A	A	A	A	A	B	A	A	A	A	B
Approach Vol, veh/h		536			67			41				481
Approach Delay, s/veh		12.9			7.8			12.7				19.0
Approach LOS		B			A			B				B
Timer - Assigned Phs		2		4		6		8				
Phs Duration (G+Y+Rc), s		24.4		21.0		24.4		21.0				
Change Period (Y+Rc), s		5.0		5.0		5.0		5.0				
Max Green Setting (Gmax), s		29.0		21.0		29.0		21.0				
Max Q Clear Time (g_c+1), s		17.8		14.7		3.1		14.0				
Green Ext Time (p_c), s		1.6		0.0		0.3		1.9				
Intersection Summary												
HCM 6th Ctrl Delay												15.2
HCM 6th LOS												B

HCM 6th Signalized Intersection Summary
8: J Street & W Broadway Avenue

Needles Circulation Element
09/14/2022



Movement	EBL	EBT	EBR	WBL	WBT	WBR	NBL	NBT	NBR	SBL	SBT	SBR
Lane Configurations	↖	↗		↖	↗		↖	↗			↕	
Traffic Volume (veh/h)	0	95	246	20	113	2	265	1	18	4	4	0
Future Volume (veh/h)	0	95	246	20	113	2	265	1	18	4	4	0
Initial Q (Qb), veh	0	0	0	0	0	0	0	0	0	0	0	0
Ped-Bike Adj(A_pbT)	1.00		1.00	1.00		1.00	1.00		1.00	1.00		1.00
Parking Bus, Adj	1.00	1.00	1.00	1.00	1.00	1.00	1.00	1.00	1.00	1.00	1.00	1.00
Work Zone On Approach		No		No		No		No		No		No
Adj Sat Flow, veh/h/ln	1976	1961	1870	1811	1961	1900	1945	1976	1856	1900	1976	1900
Adj Flow Rate, veh/h	0	98	267	32	166	8	305	4	24	16	16	0
Peak Hour Factor	0.25	0.97	0.92	0.62	0.68	0.25	0.87	0.25	0.75	0.25	0.25	0.25
Percent Heavy Veh, %	0	1	2	6	1	0	2	0	3	0	0	0
Cap, veh/h	295	560	499	458	1087	52	720	71	425	402	328	0
Arrive On Green	0.00	0.30	0.30	0.30	0.30	0.30	0.29	0.29	0.29	0.29	0.29	0.00
Sat Flow, veh/h	1279	1863	1659	984	3618	173	1450	244	1465	622	1132	0
Grp Volume(v), veh/h	0	98	267	32	85	89	305	0	28	32	0	0
Grp Sat Flow(s),veh/h/ln	1279	1863	1659	984	1863	1929	1450	0	1709	1755	0	0
Q Serve(g_s), s	0.0	0.9	3.3	0.7	0.8	0.8	4.2	0.0	0.3	0.0	0.0	0.0
Cycle Q Clear(g_c), s	0.0	0.9	3.3	4.0	0.8	0.8	4.5	0.0	0.3	0.3	0.0	0.0
Prop In Lane	1.00		1.00	1.00		0.09	1.00		0.86	0.50		0.00
Lane Grp Cap(c), veh/h	295	560	499	458	560	580	720	0	496	730	0	0
V/C Ratio(X)	0.00	0.18	0.54	0.07	0.15	0.15	0.42	0.00	0.06	0.04	0.00	0.00
Avail Cap(c_a), veh/h	958	1525	1358	968	1525	1579	1784	0	1749	1960	0	0
HCM Platoon Ratio	1.00	1.00	1.00	1.00	1.00	1.00	1.00	1.00	1.00	1.00	1.00	1.00
Upstream Filter(I)	0.00	1.00	1.00	1.00	1.00	1.00	1.00	0.00	1.00	1.00	0.00	0.00
Uniform Delay (d), s/veh	0.0	6.3	7.1	8.8	6.3	6.3	7.7	0.0	6.3	6.3	0.0	0.0
Incr Delay (d2), s/veh	0.0	0.1	0.9	0.1	0.1	0.1	0.4	0.0	0.0	0.0	0.0	0.0
Initial Q Delay(d3),s/veh	0.0	0.0	0.0	0.0	0.0	0.0	0.0	0.0	0.0	0.0	0.0	0.0
%ile BackOfQ(50%),veh/ln	0.0	0.2	0.7	0.1	0.2	0.2	0.8	0.0	0.1	0.1	0.0	0.0
Unsig. Movement Delay, s/veh												
LnGrp Delay(d),s/veh	0.0	6.5	8.0	8.8	6.4	6.4	8.1	0.0	6.3	6.3	0.0	0.0
LnGrp LOS	A	A	A	A	A	A	A	A	A	A	A	A
Approach Vol, veh/h		365		206			333				32	
Approach Delay, s/veh		7.6		6.8			8.0				6.3	
Approach LOS		A		A			A				A	
Timer - Assigned Phs		2		4			6				8	
Phs Duration (G+Y+Rc), s		12.3		12.1			12.3				12.1	
Change Period (Y+Rc), s		5.0		5.0			5.0				5.0	
Max Green Setting (Gmax), s		20.0		25.0			20.0				25.0	
Max Q Clear Time (g_c+1), s		5.3		6.5			6.0				2.3	
Green Ext Time (p_c), s		2.0		1.0			0.9				0.1	
Intersection Summary												
HCM 6th Ctrl Delay				7.5								
HCM 6th LOS				A								

Intersection												
Int Delay, s/veh	3.8											
Movement	NBL	NBT	NBR	SBL	SBT	SBR	NEL	NET	NER	SWL	SWT	SWR
Lane Configurations		↔					↑	↑			↑	
Traffic Vol, veh/h	33	0	131	0	0	0	17	156	0	0	265	27
Future Vol, veh/h	33	0	131	0	0	0	17	156	0	0	265	27
Conflicting Peds, #/hr	0	0	0	0	0	0	2	0	0	1	0	2
Sign Control	Stop	Stop	Stop	Stop	Stop	Stop	Free	Free	Free	Free	Free	Free
RT Channelized	-	-	None	-	-	None	-	-	None	-	-	None
Storage Length	-	-	-	-	-	-	60	-	-	-	-	-
Veh in Median Storage, #	-	0	-	-	0	-	-	0	-	-	0	-
Grade, %	-	0	-	-	0	-	-	0	-	-	0	-
Peak Hour Factor	75	25	76	25	25	25	42	91	25	25	86	75
Heavy Vehicles, %	4	0	6	0	0	0	20	2	0	0	3	7
Mvmt Flow	44	0	172	0	0	0	40	171	0	0	308	36

Major/Minor	Minor1			Major1			Major2					
Conflicting Flow All	577	597	171				346	0	-	-	-	0
Stage 1	251	251	-				-	-	-	-	-	-
Stage 2	326	346	-				-	-	-	-	-	-
Critical Hdwy	6.44	6.5	6.26				4.3	-	-	-	-	-
Critical Hdwy Stg 1	5.44	5.5	-				-	-	-	-	-	-
Critical Hdwy Stg 2	5.44	5.5	-				-	-	-	-	-	-
Follow-up Hdwy	3.536	4	3.354				2.38	-	-	-	-	-
Pot Cap-1 Maneuver	475	419	862				1119	-	0	0	-	-
Stage 1	786	703	-				-	-	0	0	-	-
Stage 2	727	639	-				-	-	0	0	-	-
Platoon blocked, %								-			-	-
Mov Cap-1 Maneuver	458	0	862				1119	-	-	-	-	-
Mov Cap-2 Maneuver	458	0	-				-	-	-	-	-	-
Stage 1	758	0	-				-	-	-	-	-	-
Stage 2	727	0	-				-	-	-	-	-	-

Approach	NB	NE	SW
HCM Control Delay, s	12	1.6	0
HCM LOS	B		

Minor Lane/Major Mvmt	NEL	NET	NBLn1	SWT	SWR
Capacity (veh/h)	1119	-	731	-	-
HCM Lane V/C Ratio	0.036	-	0.296	-	-
HCM Control Delay (s)	8.3	-	12	-	-
HCM Lane LOS	A	-	B	-	-
HCM 95th %tile Q(veh)	0.1	-	1.2	-	-

Intersection												
Int Delay, s/veh	2.9											
Movement	NBL	NBT	NBR	SBL	SBT	SBR	NEL	NET	NER	SWL	SWT	SWR
Lane Configurations				↶		↷		↶		↶	↷	↶
Traffic Vol, veh/h	0	0	0	21	0	9	0	151	24	113	178	0
Future Vol, veh/h	0	0	0	21	0	9	0	151	24	113	178	0
Conflicting Peds, #/hr	0	0	0	0	0	0	2	0	1	1	0	2
Sign Control	Stop	Stop	Stop	Stop	Stop	Stop	Free	Free	Free	Free	Free	Free
RT Channelized	-	-	None	-	-	None	-	-	None	-	-	None
Storage Length	-	-	-	0	-	0	-	-	-	75	-	-
Veh in Median Storage, #	-	1	-	-	0	-	-	0	-	-	0	-
Grade, %	-	0	-	-	0	-	-	0	-	-	0	-
Peak Hour Factor	25	25	25	88	25	56	25	95	75	79	89	25
Heavy Vehicles, %	0	0	0	4	0	5	0	2	0	6	2	0
Mvmt Flow	0	0	0	24	0	16	0	159	32	143	200	0

Major/Minor	Minor2	Major1	Major2
Conflicting Flow All	661	- 200	- 0 0 192 0 0
Stage 1	486	- -	- - - - - -
Stage 2	175	- -	- - - - - -
Critical Hdwy	6.44	- 6.25	- - - 4.16 - -
Critical Hdwy Stg 1	5.44	- -	- - - - - -
Critical Hdwy Stg 2	5.44	- -	- - - - - -
Follow-up Hdwy	3.536	- 3.345	- - - 2.254 - -
Pot Cap-1 Maneuver	424	0 833	0 - - 1358 - 0
Stage 1	614	0 -	0 - - - - 0
Stage 2	851	0 -	0 - - - - 0
Platoon blocked, %			- - -
Mov Cap-1 Maneuver	379	0 833	- - - 1358 - -
Mov Cap-2 Maneuver	379	0 -	- - - - - -
Stage 1	614	0 -	- - - - - -
Stage 2	762	0 -	- - - - - -

Approach	SB	NE	SW
HCM Control Delay, s	12.8	0	3.3
HCM LOS	B		

Minor Lane/Major Mvmt	NET	NER	SBLn1	SBLn2	SWL	SWT
Capacity (veh/h)	-	-	379	833	1358	-
HCM Lane V/C Ratio	-	-	0.063	0.019	0.105	-
HCM Control Delay (s)	-	-	15.1	9.4	8	-
HCM Lane LOS	-	-	C	A	A	-
HCM 95th %tile Q(veh)	-	-	0.2	0.1	0.4	-

Intersection	
Intersection Delay, s/veh	7
Intersection LOS	A

Movement	EBT	EBR	WBL	WBT	NBL	NBR
Lane Configurations				↕	↕	
Traffic Vol, veh/h	0	0	38	0	0	29
Future Vol, veh/h	0	0	38	0	0	29
Peak Hour Factor	0.25	0.25	0.72	0.25	0.25	0.78
Heavy Vehicles, %	0	0	0	0	0	0
Mvmt Flow	0	0	53	0	0	37
Number of Lanes	0	0	0	1	1	0

Approach	WB	NB
Opposing Approach		
Opposing Lanes	0	0
Conflicting Approach Left	NB	
Conflicting Lanes Left	1	0
Conflicting Approach Right		WB
Conflicting Lanes Right	0	1
HCM Control Delay	7.4	6.5
HCM LOS	A	A

Lane	NBLn1	WBLn1
Vol Left, %	0%	100%
Vol Thru, %	0%	0%
Vol Right, %	100%	0%
Sign Control	Stop	Stop
Traffic Vol by Lane	29	38
LT Vol	0	38
Through Vol	0	0
RT Vol	29	0
Lane Flow Rate	37	53
Geometry Grp	1	1
Degree of Util (X)	0.035	0.061
Departure Headway (Hd)	3.392	4.165
Convergence, Y/N	Yes	Yes
Cap	1054	865
Service Time	1.419	2.169
HCM Lane V/C Ratio	0.035	0.061
HCM Control Delay	6.5	7.4
HCM Lane LOS	A	A
HCM 95th-tile Q	0.1	0.2

Intersection	
Intersection Delay, s/veh	8.8
Intersection LOS	A

Movement	EBL	EBT	EBR	WBL	WBT	WBR	NBL	NBT	NBR	SBL	SBT	SBR
Lane Configurations	↙	↑	↗	↙	↑		↙	↑	↗	↙	↑	
Traffic Vol, veh/h	7	58	8	77	76	16	8	10	85	16	9	7
Future Vol, veh/h	7	58	8	77	76	16	8	10	85	16	9	7
Peak Hour Factor	0.88	0.81	0.75	0.83	0.86	0.67	0.75	0.33	0.83	0.44	0.42	0.62
Heavy Vehicles, %	0	1	0	1	1	4	0	0	2	0	0	0
Mvmt Flow	8	72	11	93	88	24	11	30	102	36	21	11
Number of Lanes	1	1	1	1	1	0	1	1	1	1	1	0

Approach	EB	WB	NB	SB
Opposing Approach	WB	EB	SB	NB
Opposing Lanes	2	3	2	3
Conflicting Approach Left	SB	NB	EB	WB
Conflicting Lanes Left	2	3	3	2
Conflicting Approach Right	NB	SB	WB	EB
Conflicting Lanes Right	3	2	2	3
HCM Control Delay	8.8	9.2	8.4	8.8
HCM LOS	A	A	A	A

Lane	NBLn1	NBLn2	NBLn3	EBLn1	EBLn2	EBLn3	WBLn1	WBLn2	SBLn1	SBLn2
Vol Left, %	100%	0%	0%	100%	0%	0%	100%	0%	100%	0%
Vol Thru, %	0%	100%	0%	0%	100%	0%	0%	83%	0%	56%
Vol Right, %	0%	0%	100%	0%	0%	100%	0%	17%	0%	44%
Sign Control	Stop	Stop	Stop	Stop	Stop	Stop	Stop	Stop	Stop	Stop
Traffic Vol by Lane	8	10	85	7	58	8	77	92	16	16
LT Vol	8	0	0	7	0	0	77	0	16	0
Through Vol	0	10	0	0	58	0	0	76	0	9
RT Vol	0	0	85	0	0	8	0	16	0	7
Lane Flow Rate	11	30	102	8	72	11	93	112	36	33
Geometry Grp	8	8	8	8	8	8	8	8	8	8
Degree of Util (X)	0.018	0.046	0.137	0.013	0.11	0.014	0.149	0.161	0.062	0.048
Departure Headway (Hd)	5.984	5.483	4.815	6.016	5.531	4.811	5.79	5.167	6.109	5.3
Convergence, Y/N	Yes	Yes	Yes	Yes	Yes	Yes	Yes	Yes	Yes	Yes
Cap	596	651	740	592	644	739	618	691	584	672
Service Time	3.739	3.237	2.569	3.778	3.293	2.573	3.544	2.92	3.874	3.064
HCM Lane V/C Ratio	0.018	0.046	0.138	0.014	0.112	0.015	0.15	0.162	0.062	0.049
HCM Control Delay	8.8	8.5	8.3	8.9	9	7.6	9.6	8.9	9.3	8.3
HCM Lane LOS	A	A	A	A	A	A	A	A	A	A
HCM 95th-tile Q	0.1	0.1	0.5	0	0.4	0	0.5	0.6	0.2	0.2

Intersection

Intersection Delay, s/veh	8.2
Intersection LOS	A

Movement	EBL	EBT	EBR	WBL	WBT	WBR	NBL	NBT	NBR	SBL	SBT	SBR
Lane Configurations		↔			↑	↗				↖	↑	↗
Traffic Vol, veh/h	2	7	1	0	13	73	0	0	0	79	0	7
Future Vol, veh/h	2	7	1	0	13	73	0	0	0	79	0	7
Peak Hour Factor	0.50	0.58	0.25	0.25	0.54	0.88	0.25	0.25	0.25	0.70	0.25	0.35
Heavy Vehicles, %	0	0	0	0	4	1	0	0	0	1	0	0
Mvmt Flow	4	12	4	0	24	83	0	0	0	113	0	20
Number of Lanes	0	1	0	0	1	1	0	0	0	1	1	1

Approach	EB	WB	SB
Opposing Approach	WB	EB	
Opposing Lanes	2	1	0
Conflicting Approach Left	SB		WB
Conflicting Lanes Left	3	0	2
Conflicting Approach Right		SB	EB
Conflicting Lanes Right	0	3	1
HCM Control Delay	8	7.5	8.8
HCM LOS	A	A	A

Lane	EBLn1	WBLn1	WBLn2	SBLn1	SBLn2	SBLn3
Vol Left, %	20%	0%	0%	100%	0%	0%
Vol Thru, %	70%	100%	0%	0%	100%	0%
Vol Right, %	10%	0%	100%	0%	0%	100%
Sign Control	Stop	Stop	Stop	Stop	Stop	Stop
Traffic Vol by Lane	10	13	73	79	0	7
LT Vol	2	0	0	79	0	0
Through Vol	7	13	0	0	0	0
RT Vol	1	0	73	0	0	7
Lane Flow Rate	20	24	83	113	0	20
Geometry Grp	8	8	8	7	7	7
Degree of Util (X)	0.029	0.033	0.098	0.164	0	0.022
Departure Headway (Hd)	5.12	5.006	4.252	5.233	4.716	4.015
Convergence, Y/N	Yes	Yes	Yes	Yes	Yes	Yes
Cap	702	719	847	678	0	878
Service Time	2.827	2.709	1.955	3.021	2.503	1.802
HCM Lane V/C Ratio	0.028	0.033	0.098	0.167	0	0.023
HCM Control Delay	8	7.9	7.4	9.1	7.5	6.9
HCM Lane LOS	A	A	A	A	N	A
HCM 95th-tile Q	0.1	0.1	0.3	0.6	0	0.1

Intersection

Intersection Delay, s/veh 7.1

Intersection LOS A

Movement	EBL	EBT	EBR	WBL	WBT	WBR	NBL	NBT	NBR	SBL	SBT	SBR
Lane Configurations		↕			↕						↕	
Traffic Vol, veh/h	0	8	0	0	19	6	0	0	0	11	0	2
Future Vol, veh/h	0	8	0	0	19	6	0	0	0	11	0	2
Peak Hour Factor	0.25	0.50	0.25	0.25	0.70	0.50	0.25	0.25	0.25	0.50	0.25	0.25
Heavy Vehicles, %	0	0	0	0	0	10	0	0	0	0	0	0
Mvmt Flow	0	16	0	0	27	12	0	0	0	22	0	8
Number of Lanes	0	1	0	0	1	0	0	0	0	0	1	0

Approach	EB	WB	SB
Opposing Approach	WB	EB	
Opposing Lanes	1	1	0
Conflicting Approach Left	SB		WB
Conflicting Lanes Left	1	0	1
Conflicting Approach Right		SB	EB
Conflicting Lanes Right	0	1	1
HCM Control Delay	7.1	7	7.2
HCM LOS	A	A	A

Lane	EBLn1	WBLn1	SBLn1
Vol Left, %	0%	0%	85%
Vol Thru, %	100%	76%	0%
Vol Right, %	0%	24%	15%
Sign Control	Stop	Stop	Stop
Traffic Vol by Lane	8	25	13
LT Vol	0	0	11
Through Vol	8	19	0
RT Vol	0	6	2
Lane Flow Rate	16	39	30
Geometry Grp	1	1	1
Degree of Util (X)	0.018	0.042	0.034
Departure Headway (Hd)	3.983	3.821	4.072
Convergence, Y/N	Yes	Yes	Yes
Cap	900	939	880
Service Time	2.003	1.838	2.094
HCM Lane V/C Ratio	0.018	0.042	0.034
HCM Control Delay	7.1	7	7.2
HCM Lane LOS	A	A	A
HCM 95th-tile Q	0.1	0.1	0.1

Intersection												
Int Delay, s/veh	4.1											
Movement	NBL	NBT	NBR	SBL	SBT	SBR	NEL	NET	NER	SWL	SWT	SWR
Lane Configurations					↕			↔		↙	↗	
Traffic Vol, veh/h	0	0	0	26	1	124	0	178	6	20	59	0
Future Vol, veh/h	0	0	0	26	1	124	0	178	6	20	59	0
Conflicting Peds, #/hr	0	0	0	0	0	0	0	0	0	0	0	0
Sign Control	Stop	Stop	Stop	Stop	Stop	Stop	Free	Free	Free	Free	Free	Free
RT Channelized	-	-	None	-	-	None	-	-	None	-	-	None
Storage Length	-	-	-	-	-	-	-	-	-	240	-	-
Veh in Median Storage, #	-	1	-	-	0	-	-	0	-	-	0	-
Grade, %	-	0	-	-	0	-	-	0	-	-	0	-
Peak Hour Factor	25	25	25	75	25	90	25	81	31	71	88	25
Heavy Vehicles, %	0	0	0	25	0	46	0	31	11	24	9	0
Mvmt Flow	0	0	0	35	4	138	0	220	19	28	67	0

Major/Minor	Minor2		Major1		Major2	
Conflicting Flow All	353	362	34	-	0	0
Stage 1	123	123	-	-	-	-
Stage 2	230	239	-	-	-	-
Critical Hdwy	6.975	6.5	7.59	-	-	4.46
Critical Hdwy Stg 1	6.175	5.5	-	-	-	-
Critical Hdwy Stg 2	5.775	5.5	-	-	-	-
Follow-up Hdwy	3.7375	4	3.737	-	-	2.428
Pot Cap-1 Maneuver	581	569	913	0	-	1194
Stage 1	831	798	-	0	-	-
Stage 2	749	711	-	0	-	-
Platoon blocked, %						
Mov Cap-1 Maneuver	568	0	913	-	-	1194
Mov Cap-2 Maneuver	568	0	-	-	-	-
Stage 1	831	0	-	-	-	-
Stage 2	732	0	-	-	-	-

Approach	SB	NE	SW
HCM Control Delay, s	10.6	0	2.4
HCM LOS	B		

Minor Lane/Major Mvmt	NET	NER	SBLn1	SWL	SWT
Capacity (veh/h)	-	-	814	1194	-
HCM Lane V/C Ratio	-	-	0.217	0.024	-
HCM Control Delay (s)	-	-	10.6	8.1	-
HCM Lane LOS	-	-	B	A	-
HCM 95th %tile Q(veh)	-	-	0.8	0.1	-

Intersection												
Int Delay, s/veh	4.3											
Movement	NBL	NBT	NBR	SBL	SBT	SBR	SEL	SET	SER	NWL	NWT	NWR
Lane Configurations	↘	↑↑			↑↑					↘		↗
Traffic Vol, veh/h	128	68	0	0	76	58	0	0	0	4	0	29
Future Vol, veh/h	128	68	0	0	76	58	0	0	0	4	0	29
Conflicting Peds, #/hr	0	0	0	0	0	0	1	0	0	0	0	1
Sign Control	Free	Free	Free	Free	Free	Free	Stop	Stop	Stop	Stop	Stop	Stop
RT Channelized	-	-	None	-	-	None	-	-	None	-	-	Yield
Storage Length	140	-	-	-	-	-	-	-	-	0	-	0
Veh in Median Storage, #	-	0	-	-	0	-	-	0	-	-	0	-
Grade, %	-	0	-	-	0	-	-	0	-	-	0	-
Peak Hour Factor	71	80	25	25	88	81	25	25	25	38	25	72
Heavy Vehicles, %	40	16	0	0	13	22	0	0	0	0	0	16
Mvmt Flow	180	85	0	0	86	72	0	0	0	11	0	40

Major/Minor	Major1	Major2	Minor1
Conflicting Flow All	158	0	488
Stage 1	-	-	445
Stage 2	-	-	43
Critical Hdwy	4.9	-	6.8
Critical Hdwy Stg 1	-	-	5.8
Critical Hdwy Stg 2	-	-	5.8
Follow-up Hdwy	2.6	-	3.5
Pot Cap-1 Maneuver	1182	0	514
Stage 1	-	0	619
Stage 2	-	0	980
Platoon blocked, %	-	-	-
Mov Cap-1 Maneuver	1182	-	436
Mov Cap-2 Maneuver	-	-	436
Stage 1	-	-	525
Stage 2	-	-	980

Approach	NB	SB	NW
HCM Control Delay, s	5.8	0	9.9
HCM LOS			A

Minor Lane/Major Mvmt	NBL	NBTNWLn1	NWLn2	SBT	SBR
Capacity (veh/h)	1182	-	436	972	-
HCM Lane V/C Ratio	0.153	-	0.024	0.041	-
HCM Control Delay (s)	8.6	-	13.5	8.9	-
HCM Lane LOS	A	-	B	A	-
HCM 95th %tile Q(veh)	0.5	-	0.1	0.1	-

Intersection												
Int Delay, s/veh	0.3											
Movement	EBL	EBT	EBR	WBL	WBT	WBR	NBL	NBT	NBR	SBL	SBT	SBR
Lane Configurations		↔			↔			↔			↔	
Traffic Vol, veh/h	0	0	3	0	0	0	3	91	1	0	73	2
Future Vol, veh/h	0	0	3	0	0	0	3	91	1	0	73	2
Conflicting Peds, #/hr	0	0	0	0	0	0	0	0	0	0	0	0
Sign Control	Stop	Stop	Stop	Stop	Stop	Stop	Free	Free	Free	Free	Free	Free
RT Channelized	-	-	None	-	-	None	-	-	None	-	-	None
Storage Length	-	-	-	-	-	-	-	-	-	-	-	-
Veh in Median Storage, #	-	0	-	-	0	-	-	0	-	-	0	-
Grade, %	-	0	-	-	0	-	-	0	-	-	0	-
Peak Hour Factor	25	25	75	25	25	25	75	90	25	25	88	50
Heavy Vehicles, %	0	0	0	50	0	0	0	4	100	0	8	0
Mvmt Flow	0	0	4	0	0	0	4	101	4	0	83	4

Major/Minor	Minor2		Minor1			Major1		Major2				
Conflicting Flow All	144	198	44	153	198	53	87	0	0	-	-	0
Stage 1	85	85	-	111	111	-	-	-	-	-	-	-
Stage 2	59	113	-	42	87	-	-	-	-	-	-	-
Critical Hdwy	7.5	6.5	6.9	8.5	6.5	6.9	4.1	-	-	-	-	-
Critical Hdwy Stg 1	6.5	5.5	-	7.5	5.5	-	-	-	-	-	-	-
Critical Hdwy Stg 2	6.5	5.5	-	7.5	5.5	-	-	-	-	-	-	-
Follow-up Hdwy	3.5	4	3.3	4	4	3.3	2.2	-	-	-	-	-
Pot Cap-1 Maneuver	817	701	1023	682	701	1010	1522	-	-	0	-	-
Stage 1	919	828	-	759	807	-	-	-	-	0	-	-
Stage 2	951	806	-	844	827	-	-	-	-	0	-	-
Platoon blocked, %								-	-	-	-	-
Mov Cap-1 Maneuver	815	699	1023	678	699	1010	1522	-	-	-	-	-
Mov Cap-2 Maneuver	815	699	-	678	699	-	-	-	-	-	-	-
Stage 1	916	828	-	757	805	-	-	-	-	-	-	-
Stage 2	948	804	-	841	827	-	-	-	-	-	-	-

Approach	EB	WB	NB	SB
HCM Control Delay, s	8.5	0	0.3	0
HCM LOS	A	A		

Minor Lane/Major Mvmt	NBL	NBT	NBR	EBLn1	WBLn1	SBT	SBR
Capacity (veh/h)	1522	-	-	1023	-	-	-
HCM Lane V/C Ratio	0.003	-	-	0.004	-	-	-
HCM Control Delay (s)	7.4	0	-	8.5	0	-	-
HCM Lane LOS	A	A	-	A	A	-	-
HCM 95th %tile Q(veh)	0	-	-	0	-	-	-

Intersection	
Intersection Delay, s/veh	7.4
Intersection LOS	A

Movement	EBL	EBT	EBR	WBL	WBT	WBR	NBL	NBT	NBR	SBL	SBT	SBR
Lane Configurations		↕			↕			↕			↕	
Traffic Vol, veh/h	4	13	16	2	6	2	16	15	2	6	23	2
Future Vol, veh/h	4	13	16	2	6	2	16	15	2	6	23	2
Peak Hour Factor	0.50	0.83	0.57	0.50	0.50	0.50	0.94	0.55	0.25	0.25	0.75	0.50
Heavy Vehicles, %	0	0	0	0	0	0	0	0	0	11	0	0
Mvmt Flow	8	16	28	4	12	4	17	27	8	24	31	4
Number of Lanes	0	1	0	0	1	0	0	1	0	0	1	0

Approach	EB	WB	NB	SB
Opposing Approach	WB	EB	SB	NB
Opposing Lanes	1	1	1	1
Conflicting Approach Left	SB	NB	EB	WB
Conflicting Lanes Left	1	1	1	1
Conflicting Approach Right	NB	SB	WB	EB
Conflicting Lanes Right	1	1	1	1
HCM Control Delay	7.1	7.2	7.4	7.6
HCM LOS	A	A	A	A

Lane	NBLn1	EBLn1	WBLn1	SBLn1
Vol Left, %	48%	12%	20%	19%
Vol Thru, %	45%	39%	60%	74%
Vol Right, %	6%	48%	20%	6%
Sign Control	Stop	Stop	Stop	Stop
Traffic Vol by Lane	33	33	10	31
LT Vol	16	4	2	6
Through Vol	15	13	6	23
RT Vol	2	16	2	2
Lane Flow Rate	52	52	20	59
Geometry Grp	1	1	1	1
Degree of Util (X)	0.06	0.055	0.023	0.069
Departure Headway (Hd)	4.13	3.839	4.051	4.252
Convergence, Y/N	Yes	Yes	Yes	Yes
Cap	863	923	874	840
Service Time	2.173	1.903	2.119	2.291
HCM Lane V/C Ratio	0.06	0.056	0.023	0.07
HCM Control Delay	7.4	7.1	7.2	7.6
HCM Lane LOS	A	A	A	A
HCM 95th-tile Q	0.2	0.2	0.1	0.2

Intersection												
Int Delay, s/veh	1.1											
Movement	EBL	EBT	EBR	WBL	WBT	WBR	NBL	NBT	NBR	SBL	SBT	SBR
Lane Configurations		↔			↔			↔			↔	
Traffic Vol, veh/h	0	63	3	0	70	0	5	0	0	3	0	1
Future Vol, veh/h	0	63	3	0	70	0	5	0	0	3	0	1
Conflicting Peds, #/hr	0	0	1	1	0	0	0	0	0	0	0	0
Sign Control	Free	Free	Free	Free	Free	Free	Stop	Stop	Stop	Stop	Stop	Stop
RT Channelized	-	-	None	-	-	None	-	-	None	-	-	None
Storage Length	-	-	-	-	-	-	-	-	-	-	-	-
Veh in Median Storage, #	-	0	-	-	0	-	-	0	-	-	0	-
Grade, %	-	0	-	-	0	-	-	0	-	-	0	-
Peak Hour Factor	25	92	38	25	92	25	62	25	25	38	25	25
Heavy Vehicles, %	0	7	0	0	3	0	0	0	0	0	0	0
Mvmt Flow	0	68	8	0	76	0	8	0	0	8	0	4

Major/Minor	Major1		Major2		Minor1			Minor2				
Conflicting Flow All	76	0	0	77	0	0	111	149	39	110	153	38
Stage 1	-	-	-	-	-	-	73	73	-	76	76	-
Stage 2	-	-	-	-	-	-	38	76	-	34	77	-
Critical Hdwy	4.1	-	-	4.1	-	-	7.5	6.5	6.9	7.5	6.5	6.9
Critical Hdwy Stg 1	-	-	-	-	-	-	6.5	5.5	-	6.5	5.5	-
Critical Hdwy Stg 2	-	-	-	-	-	-	6.5	5.5	-	6.5	5.5	-
Follow-up Hdwy	2.2	-	-	2.2	-	-	3.5	4	3.3	3.5	4	3.3
Pot Cap-1 Maneuver	1536	-	-	1535	-	-	861	746	1031	862	742	1032
Stage 1	-	-	-	-	-	-	934	838	-	930	836	-
Stage 2	-	-	-	-	-	-	978	836	-	983	835	-
Platoon blocked, %	-	-	-	-	-	-	-	-	-	-	-	-
Mov Cap-1 Maneuver	1536	-	-	1533	-	-	857	745	1030	862	741	1032
Mov Cap-2 Maneuver	-	-	-	-	-	-	857	745	-	862	741	-
Stage 1	-	-	-	-	-	-	933	837	-	930	836	-
Stage 2	-	-	-	-	-	-	974	836	-	983	834	-

Approach	EB	WB	NB	SB
HCM Control Delay, s	0	0	9.2	9
HCM LOS			A	A

Minor Lane/Major Mvmt	NBLn1	EBL	EBT	EBR	WBL	WBT	WBR	SBLn1
Capacity (veh/h)	857	1536	-	-	1533	-	-	913
HCM Lane V/C Ratio	0.009	-	-	-	-	-	-	0.013
HCM Control Delay (s)	9.2	0	-	-	0	-	-	9
HCM Lane LOS	A	A	-	-	A	-	-	A
HCM 95th %tile Q(veh)	0	0	-	-	0	-	-	0

Intersection						
Int Delay, s/veh	0.5					
Movement	EBL	EBR	NBL	NBT	SBT	SBR
Lane Configurations						
Traffic Vol, veh/h	11	1	0	149	130	14
Future Vol, veh/h	11	1	0	149	130	14
Conflicting Peds, #/hr	0	0	0	0	0	0
Sign Control	Stop	Stop	Free	Free	Free	Free
RT Channelized	-	None	-	None	-	None
Storage Length	0	-	-	-	-	-
Veh in Median Storage, #	0	-	-	0	0	-
Grade, %	0	-	-	0	0	-
Peak Hour Factor	62	25	25	78	84	25
Heavy Vehicles, %	0	0	0	38	47	0
Mvmt Flow	18	4	0	191	155	56

Major/Minor	Minor2	Major1		Major2	
Conflicting Flow All	374	183	211	0	0
Stage 1	183	-	-	-	-
Stage 2	191	-	-	-	-
Critical Hdwy	6.4	6.2	4.1	-	-
Critical Hdwy Stg 1	5.4	-	-	-	-
Critical Hdwy Stg 2	5.4	-	-	-	-
Follow-up Hdwy	3.5	3.3	2.2	-	-
Pot Cap-1 Maneuver	631	865	1372	-	-
Stage 1	853	-	-	-	-
Stage 2	846	-	-	-	-
Platoon blocked, %				-	-
Mov Cap-1 Maneuver	631	865	1372	-	-
Mov Cap-2 Maneuver	631	-	-	-	-
Stage 1	853	-	-	-	-
Stage 2	846	-	-	-	-

Approach	EB	NB	SB
HCM Control Delay, s	10.6	0	0
HCM LOS	B		

Minor Lane/Major Mvmt	NBL	NBT	EBLn1	SBT	SBR
Capacity (veh/h)	1372	-	664	-	-
HCM Lane V/C Ratio	-	-	0.033	-	-
HCM Control Delay (s)	0	-	10.6	-	-
HCM Lane LOS	A	-	B	-	-
HCM 95th %tile Q(veh)	0	-	0.1	-	-

Intersection						
Int Delay, s/veh	0.2					
Movement	WBL	WBR	NBT	NBR	SBL	SBT
Lane Configurations						
Traffic Vol, veh/h	1	1	241	4	0	152
Future Vol, veh/h	1	1	241	4	0	152
Conflicting Peds, #/hr	0	0	0	1	1	0
Sign Control	Stop	Stop	Free	Free	Free	Free
RT Channelized	-	None	-	None	-	None
Storage Length	0	-	-	-	-	-
Veh in Median Storage, #	0	-	0	-	-	0
Grade, %	0	-	0	-	-	0
Peak Hour Factor	25	25	84	33	25	80
Heavy Vehicles, %	0	0	3	14	0	3
Mvmt Flow	4	4	287	12	0	190

Major/Minor	Minor1	Major1	Major2			
Conflicting Flow All	484	294	0	0	300	0
Stage 1	294	-	-	-	-	-
Stage 2	190	-	-	-	-	-
Critical Hdwy	6.4	6.2	-	-	4.1	-
Critical Hdwy Stg 1	5.4	-	-	-	-	-
Critical Hdwy Stg 2	5.4	-	-	-	-	-
Follow-up Hdwy	3.5	3.3	-	-	2.2	-
Pot Cap-1 Maneuver	545	750	-	-	1273	-
Stage 1	761	-	-	-	-	-
Stage 2	847	-	-	-	-	-
Platoon blocked, %			-	-	-	-
Mov Cap-1 Maneuver	544	749	-	-	1272	-
Mov Cap-2 Maneuver	544	-	-	-	-	-
Stage 1	760	-	-	-	-	-
Stage 2	847	-	-	-	-	-

Approach	WB	NB	SB
HCM Control Delay, s	10.8	0	0
HCM LOS	B		

Minor Lane/Major Mvmt	NBT	NBRWBLn1	SBL	SBT
Capacity (veh/h)	-	-	630	1272
HCM Lane V/C Ratio	-	-	0.013	-
HCM Control Delay (s)	-	-	10.8	0
HCM Lane LOS	-	-	B	A
HCM 95th %tile Q(veh)	-	-	0	0

Intersection												
Int Delay, s/veh	3.8											
Movement	SEL	SET	SER	NWL	NWT	NWR	NEL	NET	NER	SWL	SWT	SWR
Lane Configurations		↕	↗		↕			↕			↕	
Traffic Vol, veh/h	0	44	69	1	57	1	102	0	9	0	0	1
Future Vol, veh/h	0	44	69	1	57	1	102	0	9	0	0	1
Conflicting Peds, #/hr	0	0	0	0	0	0	0	0	0	0	0	0
Sign Control	Free	Free	Free	Free	Free	Free	Stop	Stop	Stop	Stop	Stop	Stop
RT Channelized	-	-	None	-	-	None	-	-	None	-	-	None
Storage Length	-	-	0	-	-	-	-	-	-	-	-	-
Veh in Median Storage, #	-	0	-	-	0	-	-	0	-	-	0	-
Grade, %	-	0	-	-	0	-	-	0	-	-	0	-
Peak Hour Factor	25	73	68	25	62	25	81	25	58	25	25	25
Heavy Vehicles, %	0	0	4	0	3	0	3	0	13	0	0	50
Mvmt Flow	0	60	101	4	92	4	126	0	16	0	0	4

Major/Minor	Major1			Major2			Minor1			Minor2		
Conflicting Flow All	96	0	0	161	0	0	164	164	60	221	263	94
Stage 1	-	-	-	-	-	-	60	60	-	102	102	-
Stage 2	-	-	-	-	-	-	104	104	-	119	161	-
Critical Hdwy	4.1	-	-	4.1	-	-	7.13	6.5	6.33	7.1	6.5	6.7
Critical Hdwy Stg 1	-	-	-	-	-	-	6.13	5.5	-	6.1	5.5	-
Critical Hdwy Stg 2	-	-	-	-	-	-	6.13	5.5	-	6.1	5.5	-
Follow-up Hdwy	2.2	-	-	2.2	-	-	3.527	4	3.417	3.5	4	3.75
Pot Cap-1 Maneuver	1510	-	-	1430	-	-	798	732	975	739	646	846
Stage 1	-	-	-	-	-	-	949	849	-	909	815	-
Stage 2	-	-	-	-	-	-	899	813	-	890	769	-
Platoon blocked, %	-	-	-	-	-	-	-	-	-	-	-	-
Mov Cap-1 Maneuver	1510	-	-	1430	-	-	792	730	975	726	644	846
Mov Cap-2 Maneuver	-	-	-	-	-	-	792	730	-	726	644	-
Stage 1	-	-	-	-	-	-	949	849	-	909	813	-
Stage 2	-	-	-	-	-	-	892	811	-	876	769	-

Approach	SE	NW	NE	SW
HCM Control Delay, s	0	0.3	10.4	9.3
HCM LOS			B	A

Minor Lane/Major Mvmt	NELn1	NWL	NWT	NWR	SEL	SET	SERSWLn1
Capacity (veh/h)	809	1430	-	-	1510	-	846
HCM Lane V/C Ratio	0.175	0.003	-	-	-	-	0.005
HCM Control Delay (s)	10.4	7.5	0	-	0	-	9.3
HCM Lane LOS	B	A	A	-	A	-	A
HCM 95th %tile Q(veh)	0.6	0	-	-	0	-	0

Intersection												
Int Delay, s/veh	4.9											
Movement	EBL	EBT	EBR	WBL	WBT	WBR	NBL	NBT	NBR	SBL	SBT	SBR
Lane Configurations		↕			↕		↕	↕		↕	↕	
Traffic Vol, veh/h	29	0	27	1	1	0	82	50	2	0	62	4
Future Vol, veh/h	29	0	27	1	1	0	82	50	2	0	62	4
Conflicting Peds, #/hr	0	0	0	0	0	0	0	0	0	0	0	0
Sign Control	Stop	Stop	Stop	Stop	Stop	Stop	Free	Free	Free	Free	Free	Free
RT Channelized	-	-	None	-	-	None	-	-	None	-	-	None
Storage Length	-	-	-	-	-	-	100	-	-	100	-	-
Veh in Median Storage, #	-	0	-	-	0	-	-	0	-	-	0	-
Grade, %	-	0	-	-	0	-	-	0	-	-	0	-
Peak Hour Factor	60	25	68	25	25	25	84	66	25	25	70	50
Heavy Vehicles, %	0	0	22	0	0	0	16	2	0	0	2	0
Mvmt Flow	48	0	40	4	4	0	98	76	8	0	89	8

Major/Minor	Minor2		Minor1			Major1			Major2			
Conflicting Flow All	371	373	93	389	373	80	97	0	0	84	0	0
Stage 1	93	93	-	276	276	-	-	-	-	-	-	-
Stage 2	278	280	-	113	97	-	-	-	-	-	-	-
Critical Hdwy	7.1	6.5	6.42	7.1	6.5	6.2	4.26	-	-	4.1	-	-
Critical Hdwy Stg 1	6.1	5.5	-	6.1	5.5	-	-	-	-	-	-	-
Critical Hdwy Stg 2	6.1	5.5	-	6.1	5.5	-	-	-	-	-	-	-
Follow-up Hdwy	3.5	4	3.498	3.5	4	3.3	2.344	-	-	2.2	-	-
Pot Cap-1 Maneuver	589	561	912	574	561	986	1413	-	-	1526	-	-
Stage 1	919	822	-	735	685	-	-	-	-	-	-	-
Stage 2	733	683	-	897	819	-	-	-	-	-	-	-
Platoon blocked, %								-	-	-	-	-
Mov Cap-1 Maneuver	555	522	912	520	522	986	1413	-	-	1526	-	-
Mov Cap-2 Maneuver	555	522	-	520	522	-	-	-	-	-	-	-
Stage 1	856	822	-	684	638	-	-	-	-	-	-	-
Stage 2	678	636	-	858	819	-	-	-	-	-	-	-

Approach	EB		WB			NB			SB		
HCM Control Delay, s	11.1		12			4.2			0		
HCM LOS	B		B								

Minor Lane/Major Mvmt	NBL	NBT	NBR	EBLn1	WBLn1	SBL	SBT	SBR
Capacity (veh/h)	1413	-	-	674	521	1526	-	-
HCM Lane V/C Ratio	0.069	-	-	0.131	0.015	-	-	-
HCM Control Delay (s)	7.7	-	-	11.1	12	0	-	-
HCM Lane LOS	A	-	-	B	B	A	-	-
HCM 95th %tile Q(veh)	0.2	-	-	0.4	0	0	-	-

Intersection												
Int Delay, s/veh	7.5											
Movement	EBL	EBT	EBR	WBL	WBT	WBR	NBL	NBT	NBR	SBL	SBT	SBR
Lane Configurations												
Traffic Vol, veh/h	17	70	9	20	123	76	8	13	22	159	16	2
Future Vol, veh/h	17	70	9	20	123	76	8	13	22	159	16	2
Conflicting Peds, #/hr	0	0	0	0	0	0	0	0	0	0	0	0
Sign Control	Free	Free	Free	Free	Free	Free	Stop	Stop	Stop	Stop	Stop	Stop
RT Channelized	-	-	None	-	-	None	-	-	None	-	-	Yield
Storage Length	100	-	-	100	-	0	-	-	-	-	-	0
Veh in Median Storage, #	-	0	-	-	0	-	-	0	-	-	0	-
Grade, %	-	0	-	-	0	-	-	0	-	-	0	-
Peak Hour Factor	39	87	56	61	96	95	67	81	59	88	67	25
Heavy Vehicles, %	0	11	5	7	11	17	13	4	7	14	11	0
Mvmt Flow	44	80	16	33	128	80	12	16	37	181	24	8

Major/Minor	Major1			Major2			Minor1			Minor2		
Conflicting Flow All	208	0	0	96	0	0	422	450	88	397	378	128
Stage 1	-	-	-	-	-	-	176	176	-	194	194	-
Stage 2	-	-	-	-	-	-	246	274	-	203	184	-
Critical Hdwy	4.1	-	-	4.17	-	-	7.23	6.54	6.27	7.24	6.61	6.2
Critical Hdwy Stg 1	-	-	-	-	-	-	6.23	5.54	-	6.24	5.61	-
Critical Hdwy Stg 2	-	-	-	-	-	-	6.23	5.54	-	6.24	5.61	-
Follow-up Hdwy	2.2	-	-	2.263	-	-	3.617	4.036	3.363	3.626	4.099	3.3
Pot Cap-1 Maneuver	1375	-	-	1467	-	-	523	501	957	542	540	927
Stage 1	-	-	-	-	-	-	801	750	-	781	723	-
Stage 2	-	-	-	-	-	-	734	680	-	772	731	-
Platoon blocked, %	-	-	-	-	-	-	-	-	-	-	-	-
Mov Cap-1 Maneuver	1375	-	-	1467	-	-	480	474	957	487	511	927
Mov Cap-2 Maneuver	-	-	-	-	-	-	480	474	-	487	511	-
Stage 1	-	-	-	-	-	-	775	726	-	756	707	-
Stage 2	-	-	-	-	-	-	687	665	-	702	708	-

Approach	EB	WB	NB	SB
HCM Control Delay, s	2.4	1	11	17.2
HCM LOS			B	C

Minor Lane/Major Mvmt	NBLn1	EBL	EBT	EBR	WBL	WBT	WBR	SBLn1	SBLn2
Capacity (veh/h)	668	1375	-	-	1467	-	-	490	927
HCM Lane V/C Ratio	0.098	0.032	-	-	0.022	-	-	0.417	0.009
HCM Control Delay (s)	11	7.7	-	-	7.5	-	-	17.5	8.9
HCM Lane LOS	B	A	-	-	A	-	-	C	A
HCM 95th %tile Q(veh)	0.3	0.1	-	-	0.1	-	-	2	0

Intersection												
Int Delay, s/veh	2.8											
Movement	NBL	NBT	NBR	SBL	SBT	SBR	SEL	SET	SER	NWL	NWT	NWR
Lane Configurations	↖	↗		↖	↗			↕			↕	
Traffic Vol, veh/h	1	378	9	84	394	2	3	0	3	8	3	55
Future Vol, veh/h	1	378	9	84	394	2	3	0	3	8	3	55
Conflicting Peds, #/hr	1	0	0	0	0	1	0	0	0	0	0	0
Sign Control	Free	Free	Free	Free	Free	Free	Stop	Stop	Stop	Stop	Stop	Stop
RT Channelized	-	-	None	-	-	None	-	-	None	-	-	None
Storage Length	50	-	-	50	-	-	-	-	-	-	-	-
Veh in Median Storage, #	-	0	-	-	0	-	-	0	-	-	0	-
Grade, %	-	0	-	-	0	-	-	0	-	-	0	-
Peak Hour Factor	25	94	38	62	86	25	38	25	25	50	50	79
Heavy Vehicles, %	0	4	33	0	3	0	0	0	0	0	0	1
Mvmt Flow	4	402	24	135	458	8	8	0	12	16	6	70

Major/Minor	Major1			Major2			Minor2			Minor1		
Conflicting Flow All	467	0	0	426	0	0	1193	1167	463	1160	1159	414
Stage 1	-	-	-	-	-	-	733	733	-	422	422	-
Stage 2	-	-	-	-	-	-	460	434	-	738	737	-
Critical Hdwy	4.1	-	-	4.1	-	-	7.1	6.5	6.2	7.1	6.5	6.21
Critical Hdwy Stg 1	-	-	-	-	-	-	6.1	5.5	-	6.1	5.5	-
Critical Hdwy Stg 2	-	-	-	-	-	-	6.1	5.5	-	6.1	5.5	-
Follow-up Hdwy	2.2	-	-	2.2	-	-	3.5	4	3.3	3.5	4	3.309
Pot Cap-1 Maneuver	1105	-	-	1144	-	-	165	195	603	174	197	640
Stage 1	-	-	-	-	-	-	415	429	-	613	592	-
Stage 2	-	-	-	-	-	-	585	585	-	413	428	-
Platoon blocked, %		-	-		-	-						
Mov Cap-1 Maneuver	1104	-	-	1144	-	-	130	171	602	155	173	640
Mov Cap-2 Maneuver	-	-	-	-	-	-	130	171	-	155	173	-
Stage 1	-	-	-	-	-	-	413	378	-	611	590	-
Stage 2	-	-	-	-	-	-	514	583	-	357	377	-

Approach	NB	SB	SE	NW
HCM Control Delay, s	0.1	1.9	20.8	17.9
HCM LOS			C	C

Minor Lane/Major Mvmt	NBL	NBT	NBRNWLn1	SELn1	SBL	SBT	SBR
Capacity (veh/h)	1104	-	-	371	247	1144	-
HCM Lane V/C Ratio	0.004	-	-	0.247	0.081	0.118	-
HCM Control Delay (s)	8.3	-	-	17.9	20.8	8.6	-
HCM Lane LOS	A	-	-	C	C	A	-
HCM 95th %tile Q(veh)	0	-	-	1	0.3	0.4	-

HCM 6th Signalized Intersection Summary
6: N Broadway Avenue/N Street & Needles Highway



Movement	EBL	EBT	EBR	WBL	WBT	WBR	NBL	NBT	NBR	SBL	SBT	SBR
Lane Configurations												
Traffic Volume (veh/h)	2	166	72	297	150	4	51	4	259	3	2	1
Future Volume (veh/h)	2	166	72	297	150	4	51	4	259	3	2	1
Initial Q (Qb), veh	0	0	0	0	0	0	0	0	0	0	0	0
Ped-Bike Adj(A_pbT)	1.00		1.00	1.00		1.00	1.00		1.00	1.00		1.00
Parking Bus, Adj	1.00	1.00	1.00	1.00	1.00	1.00	1.00	1.00	1.00	1.00	1.00	1.00
Work Zone On Approach		No			No			No			No	
Adj Sat Flow, veh/h/ln	1900	1796	1826	1870	1868	1900	1796	1900	1945	1900	1976	1900
Adj Flow Rate, veh/h	8	200	118	319	174	12	55	8	301	8	8	4
Peak Hour Factor	0.25	0.83	0.61	0.93	0.86	0.33	0.92	0.50	0.86	0.38	0.25	0.25
Percent Heavy Veh, %	0	7	5	2	7	0	7	0	2	0	0	0
Cap, veh/h	603	774	667	538	744	51	378	55	392	18	18	9
Arrive On Green	0.43	0.43	0.43	0.43	0.43	0.43	0.24	0.24	0.24	0.02	0.02	0.02
Sat Flow, veh/h	1217	1796	1547	1062	1728	119	1589	231	1648	748	748	374
Grp Volume(v), veh/h	8	200	118	319	0	186	63	0	301	20	0	0
Grp Sat Flow(s),veh/h/ln	1217	1796	1547	1062	0	1847	1821	0	1648	1871	0	0
Q Serve(g_s), s	0.2	3.3	2.2	12.6	0.0	2.9	1.3	0.0	7.8	0.5	0.0	0.0
Cycle Q Clear(g_c), s	3.1	3.3	2.2	15.9	0.0	2.9	1.3	0.0	7.8	0.5	0.0	0.0
Prop In Lane	1.00		1.00	1.00		0.06	0.87		1.00	0.40		0.20
Lane Grp Cap(c), veh/h	603	774	667	538	0	796	433	0	392	46	0	0
V/C Ratio(X)	0.01	0.26	0.18	0.59	0.00	0.23	0.15	0.00	0.77	0.44	0.00	0.00
Avail Cap(c_a), veh/h	818	1091	940	726	0	1122	951	0	862	978	0	0
HCM Platoon Ratio	1.00	1.00	1.00	1.00	1.00	1.00	1.00	1.00	1.00	1.00	1.00	1.00
Upstream Filter(I)	1.00	1.00	1.00	1.00	0.00	1.00	1.00	0.00	1.00	1.00	0.00	0.00
Uniform Delay (d), s/veh	9.3	8.4	8.1	13.5	0.0	8.3	13.8	0.0	16.3	22.1	0.0	0.0
Incr Delay (d2), s/veh	0.0	0.2	0.1	1.0	0.0	0.1	0.2	0.0	3.2	6.4	0.0	0.0
Initial Q Delay(d3),s/veh	0.0	0.0	0.0	0.0	0.0	0.0	0.0	0.0	0.0	0.0	0.0	0.0
%ile BackOfQ(50%),veh/ln	0.0	1.0	0.6	2.6	0.0	0.9	0.5	0.0	2.9	0.3	0.0	0.0
Unsig. Movement Delay, s/veh												
LnGrp Delay(d),s/veh	9.3	8.5	8.2	14.5	0.0	8.4	14.0	0.0	19.5	28.5	0.0	0.0
LnGrp LOS	A	A	A	B	A	A	B	A	B	C	A	A
Approach Vol, veh/h		326			505			364				20
Approach Delay, s/veh		8.4			12.3			18.6				28.5
Approach LOS		A			B			B				C
Timer - Assigned Phs		2		4		6		8				
Phs Duration (G+Y+Rc), s		24.5		15.6		24.5		5.8				
Change Period (Y+Rc), s		* 4.7		* 4.7		* 4.7		4.7				
Max Green Setting (Gmax), s		* 28		* 24		* 28		24.0				
Max Q Clear Time (g_c+I1), s		5.3		9.8		17.9		2.5				
Green Ext Time (p_c), s		1.5		1.2		1.9		0.0				

Intersection Summary

HCM 6th Ctrl Delay	13.4
HCM 6th LOS	B

Notes

* HCM 6th computational engine requires equal clearance times for the phases crossing the barrier.

HCM 6th Signalized Intersection Summary
 7: North K Street & Needles Highway



Movement	EBL	EBT	EBR	WBL	WBT	WBR	NBL	NBT	NBR	SBL	SBT	SBR
Lane Configurations												
Traffic Volume (veh/h)	344	56	6	5	51	3	4	9	6	9	14	364
Future Volume (veh/h)	344	56	6	5	51	3	4	9	6	9	14	364
Initial Q (Qb), veh	0	0	0	0	0	0	0	0	0	0	0	0
Ped-Bike Adj(A_pbT)	1.00		1.00	1.00		1.00	1.00		1.00	1.00		1.00
Parking Bus, Adj	1.00	1.00	1.00	1.00	1.00	1.00	1.00	1.00	1.00	1.00	1.00	1.00
Work Zone On Approach		No		No		No		No		No		No
Adj Sat Flow, veh/h/ln	1841	1961	1900	1900	1899	1900	1900	1900	1900	1900	1976	1841
Adj Flow Rate, veh/h	358	60	8	15	74	12	8	16	14	16	28	414
Peak Hour Factor	0.96	0.93	0.75	0.33	0.69	0.25	0.50	0.56	0.42	0.58	0.50	0.88
Percent Heavy Veh, %	4	1	0	0	5	0	0	0	0	0	0	4
Cap, veh/h	644	634	85	676	597	97	313	325	284	671	37	551
Arrive On Green	0.37	0.37	0.37	0.37	0.37	0.37	0.35	0.35	0.35	0.35	0.35	0.35
Sat Flow, veh/h	1291	1694	226	1354	1594	258	962	935	818	1401	107	1584
Grp Volume(v), veh/h	358	0	68	15	0	86	8	0	30	16	0	442
Grp Sat Flow(s),veh/h/ln	1291	0	1920	1354	0	1852	962	0	1753	1401	0	1691
Q Serve(g_s), s	9.1	0.0	0.8	0.3	0.0	1.1	0.3	0.0	0.4	0.3	0.0	8.3
Cycle Q Clear(g_c), s	10.2	0.0	0.8	1.1	0.0	1.1	8.6	0.0	0.4	0.7	0.0	8.3
Prop In Lane	1.00		0.12	1.00		0.14	1.00		0.47	1.00		0.94
Lane Grp Cap(c), veh/h	644	0	719	676	0	693	313	0	609	671	0	588
V/C Ratio(X)	0.56	0.00	0.09	0.02	0.00	0.12	0.03	0.00	0.05	0.02	0.00	0.75
Avail Cap(c_a), veh/h	1022	0	1282	1073	0	1236	540	0	1024	1003	0	988
HCM Platoon Ratio	1.00	1.00	1.00	1.00	1.00	1.00	1.00	1.00	1.00	1.00	1.00	1.00
Upstream Filter(I)	1.00	0.00	1.00	1.00	0.00	1.00	1.00	0.00	1.00	1.00	0.00	1.00
Uniform Delay (d), s/veh	10.7	0.0	7.3	7.6	0.0	7.4	14.1	0.0	7.8	8.0	0.0	10.4
Incr Delay (d2), s/veh	0.8	0.0	0.1	0.0	0.0	0.1	0.0	0.0	0.0	0.0	0.0	2.0
Initial Q Delay(d3),s/veh	0.0	0.0	0.0	0.0	0.0	0.0	0.0	0.0	0.0	0.0	0.0	0.0
%ile BackOfQ(50%),veh/ln	9	0.0	0.2	0.1	0.0	0.3	0.1	0.0	0.1	0.1	0.0	2.5
Unsig. Movement Delay, s/veh												
LnGrp Delay(d),s/veh	11.5	0.0	7.4	7.7	0.0	7.5	14.2	0.0	7.8	8.0	0.0	12.3
LnGrp LOS	B	A	A	A	A	A	B	A	A	A	A	B
Approach Vol, veh/h		426			101			38				458
Approach Delay, s/veh		10.8			7.5			9.2				12.2
Approach LOS		B			A			A				B
Timer - Assigned Phs		2		4		6		8				
Phs Duration (G+Y+Rc), s		18.5		17.5		18.5		17.5				
Change Period (Y+Rc), s		5.0		5.0		5.0		5.0				
Max Green Setting (Gmax), s		24.0		21.0		24.0		21.0				
Max Q Clear Time (g_c+1), s		12.2		10.6		3.1		10.3				
Green Ext Time (p_c), s		1.3		0.1		0.4		2.3				
Intersection Summary												
HCM 6th Ctrl Delay												11.0
HCM 6th LOS												B

HCM 6th Signalized Intersection Summary
8: J Street & W Broadway Avenue



Movement	EBL	EBT	EBR	WBL	WBT	WBR	NBL	NBT	NBR	SBL	SBT	SBR
Lane Configurations												
Traffic Volume (veh/h)	3	129	226	40	124	0	182	2	34	0	0	4
Future Volume (veh/h)	3	129	226	40	124	0	182	2	34	0	0	4
Initial Q (Qb), veh	0	0	0	0	0	0	0	0	0	0	0	0
Ped-Bike Adj(A_pbT)	0.99		0.99	1.00		1.00	1.00		1.00	1.00		1.00
Parking Bus, Adj	1.00	1.00	1.00	1.00	1.00	1.00	1.00	1.00	1.00	1.00	1.00	1.00
Work Zone On Approach		No			No			No			No	
Adj Sat Flow, veh/h/ln	1467	1914	1870	1870	1914	1900	1945	1976	1870	1900	1976	1900
Adj Flow Rate, veh/h	12	179	251	56	148	0	192	8	47	0	0	16
Peak Hour Factor	0.25	0.72	0.90	0.71	0.84	0.25	0.95	0.25	0.72	0.25	0.25	0.25
Percent Heavy Veh, %	33	4	2	2	4	0	2	0	2	0	0	0
Cap, veh/h	619	617	546	525	1235	0	624	54	320	0	0	366
Arrive On Green	0.34	0.34	0.34	0.34	0.34	0.00	0.22	0.22	0.22	0.00	0.00	0.22
Sat Flow, veh/h	966	1819	1608	954	3733	0	1447	248	1458	0	0	1668
Grp Volume(v), veh/h	12	179	251	56	148	0	192	0	55	0	0	16
Grp Sat Flow(s),veh/h/ln	966	1819	1608	954	1819	0	1447	0	1706	0	0	1668
Q Serve(g_s), s	0.2	1.6	2.8	1.1	0.6	0.0	2.7	0.0	0.6	0.0	0.0	0.2
Cycle Q Clear(g_c), s	0.8	1.6	2.8	3.9	0.6	0.0	2.9	0.0	0.6	0.0	0.0	0.2
Prop In Lane	1.00		1.00	1.00		0.00	1.00		0.85	0.00		1.00
Lane Grp Cap(c), veh/h	619	617	546	525	1235	0	624	0	374	0	0	366
V/C Ratio(X)	0.02	0.29	0.46	0.11	0.12	0.00	0.31	0.00	0.15	0.00	0.00	0.04
Avail Cap(c_a), veh/h	1143	1605	1419	1043	3210	0	1904	0	1883	0	0	1840
HCM Platoon Ratio	1.00	1.00	1.00	1.00	1.00	1.00	1.00	1.00	1.00	1.00	1.00	1.00
Upstream Filter(I)	1.00	1.00	1.00	1.00	1.00	0.00	1.00	0.00	1.00	0.00	0.00	1.00
Uniform Delay (d), s/veh	5.4	5.5	5.9	7.4	5.2	0.0	8.1	0.0	7.1	0.0	0.0	7.0
Incr Delay (d2), s/veh	0.0	0.3	0.6	0.1	0.0	0.0	0.3	0.0	0.2	0.0	0.0	0.0
Initial Q Delay(d3),s/veh	0.0	0.0	0.0	0.0	0.0	0.0	0.0	0.0	0.0	0.0	0.0	0.0
%ile BackOfQ(50%),veh/ln	0.0	0.3	0.5	0.1	0.1	0.0	0.5	0.0	0.1	0.0	0.0	0.0
Unsig. Movement Delay, s/veh												
LnGrp Delay(d),s/veh	5.5	5.7	6.5	7.5	5.2	0.0	8.4	0.0	7.3	0.0	0.0	7.0
LnGrp LOS	A	A	A	A	A	A	A	A	A	A	A	A
Approach Vol, veh/h		442			204			247				16
Approach Delay, s/veh		6.1			5.8			8.2				7.0
Approach LOS		A			A			A				A
Timer - Assigned Phs		2		4		6		8				
Phs Duration (G+Y+Rc), s		12.7		10.0		12.7		10.0				
Change Period (Y+Rc), s		5.0		5.0		5.0		5.0				
Max Green Setting (Gmax), s		20.0		25.0		20.0		25.0				
Max Q Clear Time (g_c+1), s		4.8		4.9		5.9		2.2				
Green Ext Time (p_c), s		2.4		0.8		0.9		0.0				
Intersection Summary												
HCM 6th Ctrl Delay				6.6								
HCM 6th LOS				A								

Intersection												
Int Delay, s/veh	3											
Movement	NBL	NBT	NBR	SBL	SBT	SBR	NEL	NET	NER	SWL	SWT	SWR
Lane Configurations		↕					↕	↑			↕	
Traffic Vol, veh/h	16	0	106	0	0	0	13	135	0	0	247	43
Future Vol, veh/h	16	0	106	0	0	0	13	135	0	0	247	43
Conflicting Peds, #/hr	0	0	0	0	0	0	0	0	7	7	0	0
Sign Control	Stop	Stop	Stop	Stop	Stop	Stop	Free	Free	Free	Free	Free	Free
RT Channelized	-	-	None	-	-	None	-	-	None	-	-	None
Storage Length	-	-	-	-	-	-	60	-	-	-	-	-
Veh in Median Storage, #	-	0	-	-	0	-	-	0	-	-	0	-
Grade, %	-	0	-	-	0	-	-	0	-	-	0	-
Peak Hour Factor	62	25	70	25	25	25	50	82	25	25	87	77
Heavy Vehicles, %	0	0	3	0	0	0	7	2	0	0	2	3
Mvmt Flow	26	0	151	0	0	0	26	165	0	0	284	56

Major/Minor	Minor1			Major1			Major2		
Conflicting Flow All	529	557	165	340	0	-	-	-	0
Stage 1	217	217	-	-	-	-	-	-	-
Stage 2	312	340	-	-	-	-	-	-	-
Critical Hdwy	6.4	6.5	6.23	4.17	-	-	-	-	-
Critical Hdwy Stg 1	5.4	5.5	-	-	-	-	-	-	-
Critical Hdwy Stg 2	5.4	5.5	-	-	-	-	-	-	-
Follow-up Hdwy	3.5	4	3.327	2.263	-	-	-	-	-
Pot Cap-1 Maneuver	514	442	877	1192	-	0	0	-	-
Stage 1	824	727	-	-	-	0	0	-	-
Stage 2	747	643	-	-	-	0	0	-	-
Platoon blocked, %									
Mov Cap-1 Maneuver	503	0	877	1192	-	-	-	-	-
Mov Cap-2 Maneuver	503	0	-	-	-	-	-	-	-
Stage 1	806	0	-	-	-	-	-	-	-
Stage 2	747	0	-	-	-	-	-	-	-

Approach	NB	NE	SW
HCM Control Delay, s	10.9	1.1	0
HCM LOS	B		

Minor Lane/Major Mvmt	NEL	NET	NBLn1	SWT	SWR
Capacity (veh/h)	1192	-	791	-	-
HCM Lane V/C Ratio	0.022	-	0.224	-	-
HCM Control Delay (s)	8.1	-	10.9	-	-
HCM Lane LOS	A	-	B	-	-
HCM 95th %tile Q(veh)	0.1	-	0.9	-	-

Intersection												
Int Delay, s/veh	3.8											
Movement	NBL	NBT	NBR	SBL	SBT	SBR	NEL	NET	NER	SWL	SWT	SWR
Lane Configurations				↶		↷		↶		↶	↷	↷
Traffic Vol, veh/h	0	0	0	30	0	11	0	115	19	143	116	0
Future Vol, veh/h	0	0	0	30	0	11	0	115	19	143	116	0
Conflicting Peds, #/hr	0	0	0	0	0	0	1	0	6	6	0	1
Sign Control	Stop	Stop	Stop	Stop	Stop	Stop	Free	Free	Free	Free	Free	Free
RT Channelized	-	-	None	-	-	None	-	-	None	-	-	None
Storage Length	-	-	-	0	-	0	-	-	-	75	-	-
Veh in Median Storage, #	-	1	-	-	0	-	-	0	-	-	0	-
Grade, %	-	0	-	-	0	-	-	0	-	-	0	-
Peak Hour Factor	25	25	25	94	25	69	25	86	90	87	83	25
Heavy Vehicles, %	0	0	0	7	0	7	0	1	6	3	1	0
Mvmt Flow	0	0	0	32	0	16	0	134	21	164	140	0

Major/Minor	Minor2	Major1	Major2
Conflicting Flow All	613	- 140	- 0 0 161 0 0
Stage 1	468	- -	- - - - - -
Stage 2	145	- -	- - - - - -
Critical Hdwy	6.47	- 6.27	- - - 4.13 - -
Critical Hdwy Stg 1	5.47	- -	- - - - - -
Critical Hdwy Stg 2	5.47	- -	- - - - - -
Follow-up Hdwy	3.563	- 3.363	- - - 2.227 - -
Pot Cap-1 Maneuver	448	0 895	0 - - 1412 - 0
Stage 1	620	0 -	0 - - - - 0
Stage 2	870	0 -	0 - - - - 0
Platoon blocked, %			- - -
Mov Cap-1 Maneuver	396	0 895	- - - 1412 - -
Mov Cap-2 Maneuver	396	0 -	- - - - - -
Stage 1	620	0 -	- - - - - -
Stage 2	769	0 -	- - - - - -

Approach	SB	NE	SW
HCM Control Delay, s	13	0	4.3
HCM LOS	B		

Minor Lane/Major Mvmt	NET	NER	SBLn1	SBLn2	SWL	SWT
Capacity (veh/h)	-	-	396	895	1412	-
HCM Lane V/C Ratio	-	-	0.081	0.018	0.116	-
HCM Control Delay (s)	-	-	14.9	9.1	7.9	-
HCM Lane LOS	-	-	B	A	A	-
HCM 95th %tile Q(veh)	-	-	0.3	0.1	0.4	-

Intersection	
Intersection Delay, s/veh	6.9
Intersection LOS	A

Movement	EBT	EBR	WBL	WBT	NBL	NBR
Lane Configurations				↕	↕	
Traffic Vol, veh/h	0	0	24	0	0	16
Future Vol, veh/h	0	0	24	0	0	16
Peak Hour Factor	0.25	0.25	0.75	0.25	0.25	0.70
Heavy Vehicles, %	0	0	0	0	0	0
Mvmt Flow	0	0	32	0	0	23
Number of Lanes	0	0	0	1	1	0

Approach	WB	NB
Opposing Approach		
Opposing Lanes	0	0
Conflicting Approach Left	NB	
Conflicting Lanes Left	1	0
Conflicting Approach Right		WB
Conflicting Lanes Right	0	1
HCM Control Delay	7.3	6.4
HCM LOS	A	A

Lane	NBLn1	WBLn1
Vol Left, %	0%	100%
Vol Thru, %	0%	0%
Vol Right, %	100%	0%
Sign Control	Stop	Stop
Traffic Vol by Lane	16	24
LT Vol	0	24
Through Vol	0	0
RT Vol	16	0
Lane Flow Rate	23	32
Geometry Grp	1	1
Degree of Util (X)	0.021	0.037
Departure Headway (Hd)	3.355	4.139
Convergence, Y/N	Yes	Yes
Cap	1068	870
Service Time	1.372	2.141
HCM Lane V/C Ratio	0.022	0.037
HCM Control Delay	6.4	7.3
HCM Lane LOS	A	A
HCM 95th-tile Q	0.1	0.1

Intersection	
Intersection Delay, s/veh	8.1
Intersection LOS	A

Movement	EBL	EBT	EBR	WBL	WBT	WBR	NBL	NBT	NBR	SBL	SBT	SBR
Lane Configurations												
Traffic Vol, veh/h	2	39	5	49	42	7	5	9	49	14	13	5
Future Vol, veh/h	2	39	5	49	42	7	5	9	49	14	13	5
Peak Hour Factor	0.50	0.81	0.50	0.86	0.81	0.58	0.50	0.67	0.79	0.75	0.67	0.50
Heavy Vehicles, %	0	2	0	0	0	0	0	15	0	0	0	0
Mvmt Flow	4	48	10	57	52	12	10	13	62	19	19	10
Number of Lanes	1	1	1	1	1	0	1	1	1	1	1	0

Approach	EB	WB	NB	SB
Opposing Approach	WB	EB	SB	NB
Opposing Lanes	2	3	2	3
Conflicting Approach Left	SB	NB	EB	WB
Conflicting Lanes Left	2	3	3	2
Conflicting Approach Right	NB	SB	WB	EB
Conflicting Lanes Right	3	2	2	3
HCM Control Delay	8.1	8.4	7.7	8.2
HCM LOS	A	A	A	A

Lane	NBLn1	NBLn2	NBLn3	EBLn1	EBLn2	EBLn3	WBLn1	WBLn2	SBLn1	SBLn2
Vol Left, %	100%	0%	0%	100%	0%	0%	100%	0%	100%	0%
Vol Thru, %	0%	100%	0%	0%	100%	0%	0%	86%	0%	72%
Vol Right, %	0%	0%	100%	0%	0%	100%	0%	14%	0%	28%
Sign Control	Stop	Stop	Stop	Stop	Stop	Stop	Stop	Stop	Stop	Stop
Traffic Vol by Lane	5	9	49	2	39	5	49	49	14	18
LT Vol	5	0	0	2	0	0	49	0	14	0
Through Vol	0	9	0	0	39	0	0	42	0	13
RT Vol	0	0	49	0	0	5	0	7	0	5
Lane Flow Rate	10	13	62	4	48	10	57	64	19	29
Geometry Grp	8	8	8	8	8	8	8	8	8	8
Degree of Util (X)	0.016	0.02	0.076	0.006	0.069	0.012	0.087	0.087	0.029	0.041
Departure Headway (Hd)	5.606	5.361	4.404	5.602	5.135	4.4	5.479	4.878	5.667	4.971
Convergence, Y/N	Yes	Yes	Yes	Yes	Yes	Yes	Yes	Yes	Yes	Yes
Cap	640	669	814	640	698	814	655	736	633	721
Service Time	3.328	3.083	2.126	3.329	2.862	2.126	3.201	2.6	3.393	2.697
HCM Lane V/C Ratio	0.016	0.019	0.076	0.006	0.069	0.012	0.087	0.087	0.03	0.04
HCM Control Delay	8.4	8.2	7.5	8.4	8.2	7.2	8.7	8.1	8.6	7.9
HCM Lane LOS	A	A	A	A	A	A	A	A	A	A
HCM 95th-tile Q	0	0.1	0.2	0	0.2	0	0.3	0.3	0.1	0.1

Intersection

Intersection Delay, s/veh 7.7
Intersection LOS A

Movement	EBL	EBT	EBR	WBL	WBT	WBR	NBL	NBT	NBR	SBL	SBT	SBR
Lane Configurations		↔			↑	↗				↘	↑	↗
Traffic Vol, veh/h	3	10	0	0	9	52	0	0	0	48	0	7
Future Vol, veh/h	3	10	0	0	9	52	0	0	0	48	0	7
Peak Hour Factor	0.75	0.45	0.25	0.25	0.56	0.75	0.25	0.25	0.25	0.75	0.25	0.58
Heavy Vehicles, %	0	0	0	0	0	3	0	0	0	0	0	0
Mvmt Flow	4	22	0	0	16	69	0	0	0	64	0	12
Number of Lanes	0	1	0	0	1	1	0	0	0	1	1	1

Approach	EB	WB	SB
Opposing Approach	WB	EB	
Opposing Lanes	2	1	0
Conflicting Approach Left	SB		WB
Conflicting Lanes Left	3	0	2
Conflicting Approach Right		SB	EB
Conflicting Lanes Right	0	3	1
HCM Control Delay	7.9	7.3	8.2
HCM LOS	A	A	A

Lane	EBLn1	WBLn1	WBLn2	SBLn1	SBLn2	SBLn3
Vol Left, %	23%	0%	0%	100%	0%	0%
Vol Thru, %	77%	100%	0%	0%	100%	0%
Vol Right, %	0%	0%	100%	0%	0%	100%
Sign Control	Stop	Stop	Stop	Stop	Stop	Stop
Traffic Vol by Lane	13	9	52	48	0	7
LT Vol	3	0	0	48	0	0
Through Vol	10	9	0	0	0	0
RT Vol	0	0	52	0	0	7
Lane Flow Rate	26	16	69	64	0	12
Geometry Grp	8	8	8	7	7	7
Degree of Util (X)	0.036	0.021	0.078	0.092	0	0.013
Departure Headway (Hd)	4.992	4.681	4.031	5.19	4.689	3.989
Convergence, Y/N	Yes	Yes	Yes	Yes	Yes	Yes
Cap	722	753	873	685	0	888
Service Time	2.692	2.48	1.83	2.958	2.457	1.756
HCM Lane V/C Ratio	0.036	0.021	0.079	0.093	0	0.014
HCM Control Delay	7.9	7.6	7.2	8.5	7.5	6.8
HCM Lane LOS	A	A	A	A	N	A
HCM 95th-tile Q	0.1	0.1	0.3	0.3	0	0

Intersection

Intersection Delay, s/veh 7.1
 Intersection LOS A

Movement	EBL	EBT	EBR	WBL	WBT	WBR	NBL	NBT	NBR	SBL	SBT	SBR
Lane Configurations		↕			↕						↕	
Traffic Vol, veh/h	2	7	0	0	10	3	0	0	0	9	0	0
Future Vol, veh/h	2	7	0	0	10	3	0	0	0	9	0	0
Peak Hour Factor	0.50	0.44	0.25	0.25	0.44	0.38	0.25	0.25	0.25	0.38	0.25	0.25
Heavy Vehicles, %	0	0	0	0	0	0	0	0	0	0	0	0
Mvmt Flow	4	16	0	0	23	8	0	0	0	24	0	0
Number of Lanes	0	1	0	0	1	0	0	0	0	0	1	0

Approach	EB	WB	SB
Opposing Approach	WB	EB	
Opposing Lanes	1	1	0
Conflicting Approach Left	SB		WB
Conflicting Lanes Left	1	0	1
Conflicting Approach Right		SB	EB
Conflicting Lanes Right	0	1	1
HCM Control Delay	7.1	7	7.3
HCM LOS	A	A	A

Lane	EBLn1	WBLn1	SBLn1
Vol Left, %	22%	0%	100%
Vol Thru, %	78%	77%	0%
Vol Right, %	0%	23%	0%
Sign Control	Stop	Stop	Stop
Traffic Vol by Lane	9	13	9
LT Vol	2	0	9
Through Vol	7	10	0
RT Vol	0	3	0
Lane Flow Rate	20	31	24
Geometry Grp	1	1	1
Degree of Util (X)	0.022	0.032	0.028
Departure Headway (Hd)	4.009	3.818	4.188
Convergence, Y/N	Yes	Yes	Yes
Cap	894	939	856
Service Time	2.027	1.835	2.205
HCM Lane V/C Ratio	0.022	0.033	0.028
HCM Control Delay	7.1	7	7.3
HCM Lane LOS	A	A	A
HCM 95th-tile Q	0.1	0.1	0.1

Intersection												
Int Delay, s/veh	4											
Movement	NBL	NBT	NBR	SBL	SBT	SBR	NEL	NET	NER	SWL	SWT	SWR
Lane Configurations					↕			↕		↕	↕	
Traffic Vol, veh/h	0	0	0	33	3	109	0	220	7	17	62	0
Future Vol, veh/h	0	0	0	33	3	109	0	220	7	17	62	0
Conflicting Peds, #/hr	0	0	0	0	0	0	0	0	1	1	0	0
Sign Control	Stop	Stop	Stop	Stop	Stop	Stop	Free	Free	Free	Free	Free	Free
RT Channelized	-	-	None	-	-	None	-	-	None	-	-	None
Storage Length	-	-	-	-	-	-	-	-	-	240	-	-
Veh in Median Storage, #	-	1	-	-	0	-	-	0	-	-	0	-
Grade, %	-	0	-	-	0	-	-	0	-	-	0	-
Peak Hour Factor	25	25	25	83	38	81	25	89	50	61	72	25
Heavy Vehicles, %	0	0	0	31	50	28	0	25	0	13	16	0
Mvmt Flow	0	0	0	40	8	135	0	247	14	28	86	0

Major/Minor	Minor2		Major1			Major2			
Conflicting Flow All	396	404	43	-	0	0	262	0	0
Stage 1	142	142	-	-	-	-	-	-	-
Stage 2	254	262	-	-	-	-	-	-	-
Critical Hdwy	7.065	7.25	7.32	-	-	-	4.295	-	-
Critical Hdwy Stg 1	6.265	6.25	-	-	-	-	-	-	-
Critical Hdwy Stg 2	5.865	6.25	-	-	-	-	-	-	-
Follow-up Hdwy	3.7945	4.475	3.566	-	-	-	2.3235	-	-
Pot Cap-1 Maneuver	533	454	945	0	-	-	1232	-	0
Stage 1	798	686	-	0	-	-	-	-	0
Stage 2	715	598	-	0	-	-	-	-	0
Platoon blocked, %									
Mov Cap-1 Maneuver	521	0	945	-	-	-	1232	-	-
Mov Cap-2 Maneuver	521	0	-	-	-	-	-	-	-
Stage 1	798	0	-	-	-	-	-	-	-
Stage 2	699	0	-	-	-	-	-	-	-

Approach	SB	NE	SW
HCM Control Delay, s	10.9	0	2
HCM LOS	B		

Minor Lane/Major Mvmt	NET	NER	SBLn1	SWL	SWT
Capacity (veh/h)	-	-	797	1232	-
HCM Lane V/C Ratio	-	-	0.229	0.023	-
HCM Control Delay (s)	-	-	10.9	8	-
HCM Lane LOS	-	-	B	A	-
HCM 95th %tile Q(veh)	-	-	0.9	0.1	-

Intersection												
Int Delay, s/veh	4.1											
Movement	NBL	NBT	NBR	SBL	SBT	SBR	SEL	SET	SER	NWL	NWT	NWR
Lane Configurations	↘	↑↑			↑↑					↘		↗
Traffic Vol, veh/h	136	118	0	0	72	52	0	0	0	6	5	37
Future Vol, veh/h	136	118	0	0	72	52	0	0	0	6	5	37
Conflicting Peds, #/hr	0	0	0	0	0	0	0	0	0	0	0	0
Sign Control	Free	Free	Free	Free	Free	Free	Stop	Stop	Stop	Stop	Stop	Stop
RT Channelized	-	-	None	-	-	None	-	-	None	-	-	Yield
Storage Length	140	-	-	-	-	-	-	-	-	0	-	0
Veh in Median Storage, #	-	0	-	-	0	-	-	0	-	-	0	-
Grade, %	-	0	-	-	0	-	-	0	-	-	0	-
Peak Hour Factor	82	84	25	25	93	75	25	25	25	42	33	77
Heavy Vehicles, %	36	16	0	0	14	19	0	0	0	15	60	10
Mvmt Flow	166	140	0	0	77	69	0	0	0	14	15	48

Major/Minor	Major1		Major2				Minor1			
Conflicting Flow All	146	0	-	-	-	0		511	618	70
Stage 1	-	-	-	-	-	-		472	472	-
Stage 2	-	-	-	-	-	-		39	146	-
Critical Hdwy	4.82	-	-	-	-	-		7.1	7.7	7.1
Critical Hdwy Stg 1	-	-	-	-	-	-		6.1	6.7	-
Critical Hdwy Stg 2	-	-	-	-	-	-		6.1	6.7	-
Follow-up Hdwy	2.56	-	-	-	-	-		3.65	4.6	3.4
Pot Cap-1 Maneuver	1218	-	0	0	-	-		461	302	953
Stage 1	-	-	0	0	-	-		558	433	-
Stage 2	-	-	0	0	-	-		942	654	-
Platoon blocked, %		-	-	-	-	-				
Mov Cap-1 Maneuver	1218	-	-	-	-	-		398	0	953
Mov Cap-2 Maneuver	-	-	-	-	-	-		398	0	-
Stage 1	-	-	-	-	-	-		482	0	-
Stage 2	-	-	-	-	-	-		942	0	-

Approach	NB	SB	NW
HCM Control Delay, s	4.6	0	10.2
HCM LOS			B

Minor Lane/Major Mvmt	NBL	NBTNWLn1	NWLn2	SBT	SBR
Capacity (veh/h)	1218	-	398	953	-
HCM Lane V/C Ratio	0.136	-	0.036	0.05	-
HCM Control Delay (s)	8.4	-	14.4	9	-
HCM Lane LOS	A	-	B	A	-
HCM 95th %tile Q(veh)	0.5	-	0.1	0.2	-

Intersection												
Int Delay, s/veh	1.5											
Movement	EBL	EBT	EBR	WBL	WBT	WBR	NBL	NBT	NBR	SBL	SBT	SBR
Lane Configurations		↕			↕			↕			↕	
Traffic Vol, veh/h	1	0	3	11	0	1	3	93	2	1	84	2
Future Vol, veh/h	1	0	3	11	0	1	3	93	2	1	84	2
Conflicting Peds, #/hr	0	0	0	0	0	0	0	0	0	0	0	0
Sign Control	Stop	Stop	Stop	Stop	Stop	Stop	Free	Free	Free	Free	Free	Free
RT Channelized	-	-	None	-	-	None	-	-	None	-	-	None
Storage Length	-	-	-	-	-	-	-	-	-	-	-	-
Veh in Median Storage, #	-	0	-	-	0	-	-	0	-	-	0	-
Grade, %	-	0	-	-	0	-	-	0	-	-	0	-
Peak Hour Factor	25	25	38	55	25	25	75	76	25	25	90	50
Heavy Vehicles, %	0	0	0	27	0	0	0	5	67	0	5	0
Mvmt Flow	4	0	8	20	0	4	4	122	8	4	93	4

Major/Minor	Minor2		Minor1			Major1			Major2			
Conflicting Flow All	172	241	49	189	239	65	97	0	0	130	0	0
Stage 1	103	103	-	134	134	-	-	-	-	-	-	-
Stage 2	69	138	-	55	105	-	-	-	-	-	-	-
Critical Hdwy	7.5	6.5	6.9	8.04	6.5	6.9	4.1	-	-	4.1	-	-
Critical Hdwy Stg 1	6.5	5.5	-	7.04	5.5	-	-	-	-	-	-	-
Critical Hdwy Stg 2	6.5	5.5	-	7.04	5.5	-	-	-	-	-	-	-
Follow-up Hdwy	3.5	4	3.3	3.77	4	3.3	2.2	-	-	2.2	-	-
Pot Cap-1 Maneuver	781	664	1016	690	666	992	1509	-	-	1468	-	-
Stage 1	897	814	-	788	789	-	-	-	-	-	-	-
Stage 2	939	786	-	882	812	-	-	-	-	-	-	-
Platoon blocked, %								-	-	-	-	-
Mov Cap-1 Maneuver	774	660	1016	682	662	992	1509	-	-	1468	-	-
Mov Cap-2 Maneuver	774	660	-	682	662	-	-	-	-	-	-	-
Stage 1	894	812	-	786	787	-	-	-	-	-	-	-
Stage 2	932	784	-	873	810	-	-	-	-	-	-	-

Approach	EB		WB			NB			SB		
HCM Control Delay, s	9		10.2			0.2			0.3		
HCM LOS	A		B								

Minor Lane/Major Mvmt	NBL	NBT	NBR	EBLn1	WBLn1	SBL	SBT	SBR
Capacity (veh/h)	1509	-	-	919	719	1468	-	-
HCM Lane V/C Ratio	0.003	-	-	0.013	0.033	0.003	-	-
HCM Control Delay (s)	7.4	0	-	9	10.2	7.5	-	-
HCM Lane LOS	A	A	-	A	B	A	-	-
HCM 95th %tile Q(veh)	0	-	-	0	0.1	0	-	-

Intersection	
Intersection Delay, s/veh	7.4
Intersection LOS	A

Movement	EBL	EBT	EBR	WBL	WBT	WBR	NBL	NBT	NBR	SBL	SBT	SBR
Lane Configurations		↕			↕			↕			↕	
Traffic Vol, veh/h	5	14	11	1	11	1	19	26	0	6	15	6
Future Vol, veh/h	5	14	11	1	11	1	19	26	0	6	15	6
Peak Hour Factor	0.42	0.69	0.69	0.25	0.55	0.25	0.71	0.48	0.25	0.50	0.88	0.50
Heavy Vehicles, %	0	0	7	0	0	0	0	3	0	0	0	0
Mvmt Flow	12	20	16	4	20	4	27	54	0	12	17	12
Number of Lanes	0	1	0	0	1	0	0	1	0	0	1	0

Approach	EB	WB	NB	SB
Opposing Approach	WB	EB	SB	NB
Opposing Lanes	1	1	1	1
Conflicting Approach Left	SB	NB	EB	WB
Conflicting Lanes Left	1	1	1	1
Conflicting Approach Right	NB	SB	WB	EB
Conflicting Lanes Right	1	1	1	1
HCM Control Delay	7.2	7.3	7.6	7.3
HCM LOS	A	A	A	A

Lane	NBLn1	EBLn1	WBLn1	SBLn1
Vol Left, %	42%	17%	8%	22%
Vol Thru, %	58%	47%	85%	56%
Vol Right, %	0%	37%	8%	22%
Sign Control	Stop	Stop	Stop	Stop
Traffic Vol by Lane	45	30	13	27
LT Vol	19	5	1	6
Through Vol	26	14	11	15
RT Vol	0	11	1	6
Lane Flow Rate	81	48	28	41
Geometry Grp	1	1	1	1
Degree of Util (X)	0.093	0.053	0.032	0.046
Departure Headway (Hd)	4.148	3.945	4.117	4.006
Convergence, Y/N	Yes	Yes	Yes	Yes
Cap	860	898	860	888
Service Time	2.19	2.011	2.186	2.057
HCM Lane V/C Ratio	0.094	0.053	0.033	0.046
HCM Control Delay	7.6	7.2	7.3	7.3
HCM Lane LOS	A	A	A	A
HCM 95th-tile Q	0.3	0.2	0.1	0.1

Intersection												
Int Delay, s/veh	0.9											
Movement	EBL	EBT	EBR	WBL	WBT	WBR	NBL	NBT	NBR	SBL	SBT	SBR
Lane Configurations		↔			↔			↔			↔	
Traffic Vol, veh/h	1	65	2	2	79	0	1	1	0	0	1	0
Future Vol, veh/h	1	65	2	2	79	0	1	1	0	0	1	0
Conflicting Peds, #/hr	0	0	0	0	0	0	0	0	0	0	0	0
Sign Control	Free	Free	Free	Free	Free	Free	Stop	Stop	Stop	Stop	Stop	Stop
RT Channelized	-	-	None	-	-	None	-	-	None	-	-	None
Storage Length	-	-	-	-	-	-	-	-	-	-	-	-
Veh in Median Storage, #	-	0	-	-	0	-	-	0	-	-	0	-
Grade, %	-	0	-	-	0	-	-	0	-	-	0	-
Peak Hour Factor	25	84	25	50	77	25	25	25	25	25	25	25
Heavy Vehicles, %	0	7	0	0	3	0	0	0	0	0	0	0
Mvmt Flow	4	77	8	4	103	0	4	4	0	0	4	0

Major/Minor	Major1			Major2			Minor1			Minor2		
Conflicting Flow All	103	0	0	85	0	0	151	200	43	160	204	52
Stage 1	-	-	-	-	-	-	89	89	-	111	111	-
Stage 2	-	-	-	-	-	-	62	111	-	49	93	-
Critical Hdwy	4.1	-	-	4.1	-	-	7.5	6.5	6.9	7.5	6.5	6.9
Critical Hdwy Stg 1	-	-	-	-	-	-	6.5	5.5	-	6.5	5.5	-
Critical Hdwy Stg 2	-	-	-	-	-	-	6.5	5.5	-	6.5	5.5	-
Follow-up Hdwy	2.2	-	-	2.2	-	-	3.5	4	3.3	3.5	4	3.3
Pot Cap-1 Maneuver	1502	-	-	1524	-	-	807	699	1025	796	696	1011
Stage 1	-	-	-	-	-	-	914	825	-	888	807	-
Stage 2	-	-	-	-	-	-	948	807	-	964	822	-
Platoon blocked, %	-	-	-	-	-	-	-	-	-	-	-	-
Mov Cap-1 Maneuver	1502	-	-	1524	-	-	800	695	1025	789	692	1011
Mov Cap-2 Maneuver	-	-	-	-	-	-	800	695	-	789	692	-
Stage 1	-	-	-	-	-	-	911	823	-	885	805	-
Stage 2	-	-	-	-	-	-	940	805	-	956	820	-

Approach	EB			WB			NB			SB		
HCM Control Delay, s	0.3			0.3			9.9			10.2		
HCM LOS							A			B		

Minor Lane/Major Mvmt	NBLn1	EBL	EBT	EBR	WBL	WBT	WBR	SBLn1
Capacity (veh/h)	744	1502	-	-	1524	-	-	692
HCM Lane V/C Ratio	0.011	0.003	-	-	0.003	-	-	0.006
HCM Control Delay (s)	9.9	7.4	0	-	7.4	0	-	10.2
HCM Lane LOS	A	A	A	-	A	A	-	B
HCM 95th %tile Q(veh)	0	0	-	-	0	-	-	0

Intersection						
Int Delay, s/veh	1.1					
Movement	EBL	EBR	NBL	NBT	SBT	SBR
Lane Configurations	Y			Y	Y	
Traffic Vol, veh/h	18	0	7	175	123	22
Future Vol, veh/h	18	0	7	175	123	22
Conflicting Peds, #/hr	0	0	0	0	0	0
Sign Control	Stop	Stop	Free	Free	Free	Free
RT Channelized	-	None	-	None	-	None
Storage Length	0	-	-	-	-	-
Veh in Median Storage, #	0	-	-	0	0	-
Grade, %	0	-	-	0	0	-
Peak Hour Factor	75	25	25	82	82	42
Heavy Vehicles, %	0	0	0	31	28	0
Mvmt Flow	24	0	28	213	150	52

Major/Minor	Minor2	Major1		Major2	
Conflicting Flow All	445	176	202	0	0
Stage 1	176	-	-	-	-
Stage 2	269	-	-	-	-
Critical Hdwy	6.4	6.2	4.1	-	-
Critical Hdwy Stg 1	5.4	-	-	-	-
Critical Hdwy Stg 2	5.4	-	-	-	-
Follow-up Hdwy	3.5	3.3	2.2	-	-
Pot Cap-1 Maneuver	574	872	1382	-	-
Stage 1	859	-	-	-	-
Stage 2	781	-	-	-	-
Platoon blocked, %				-	-
Mov Cap-1 Maneuver	561	872	1382	-	-
Mov Cap-2 Maneuver	561	-	-	-	-
Stage 1	839	-	-	-	-
Stage 2	781	-	-	-	-

Approach	EB	NB	SB
HCM Control Delay, s	11.7	0.9	0
HCM LOS	B		

Minor Lane/Major Mvmt	NBL	NBT	EBLn1	SBT	SBR
Capacity (veh/h)	1382	-	561	-	-
HCM Lane V/C Ratio	0.02	-	0.043	-	-
HCM Control Delay (s)	7.7	0	11.7	-	-
HCM Lane LOS	A	A	B	-	-
HCM 95th %tile Q(veh)	0.1	-	0.1	-	-

HCM 6th Signalized Intersection Summary
8: J Street & W Broadway Avenue

Needles Circulation Element
09/23/2022



Movement	EBL	EBT	EBR	WBL	WBT	WBR	NBL	NBT	NBR	SBL	SBT	SBR
Lane Configurations	↶	↷	↷	↶	↷	↷	↶	↷			↷	
Traffic Volume (veh/h)	1	139	192	16	125	2	196	3	23	2	1	0
Future Volume (veh/h)	1	139	192	16	125	2	196	3	23	2	1	0
Initial Q (Qb), veh	0	0	0	0	0	0	0	0	0	0	0	0
Ped-Bike Adj(A_pbT)	1.00		1.00	1.00		1.00	1.00		1.00	1.00		1.00
Parking Bus, Adj	1.00	1.00	1.00	1.00	1.00	1.00	1.00	1.00	1.00	1.00	1.00	1.00
Work Zone On Approach		No			No			No			No	
Adj Sat Flow, veh/h/ln	1976	1945	1856	1856	1884	1900	1899	1976	1781	1900	1976	1900
Adj Flow Rate, veh/h	4	172	204	28	147	8	236	6	46	4	4	0
Peak Hour Factor	0.25	0.81	0.94	0.57	0.85	0.25	0.83	0.50	0.50	0.50	0.25	0.25
Percent Heavy Veh, %	0	2	3	3	6	0	5	0	8	0	0	0
Cap, veh/h	630	548	442	555	531	452	690	47	364	392	291	0
Arrive On Green	0.28	0.28	0.28	0.28	0.28	0.28	0.24	0.24	0.24	0.24	0.24	0.00
Sat Flow, veh/h	1298	1945	1567	997	1884	1604	1431	196	1505	558	1203	0
Grp Volume(v), veh/h	4	172	204	28	147	8	236	0	52	8	0	0
Grp Sat Flow(s),veh/h/ln	1298	1945	1567	997	1884	1604	1431	0	1701	1761	0	0
Q Serve(g_s), s	0.1	1.5	2.3	0.5	1.3	0.1	3.1	0.0	0.5	0.0	0.0	0.0
Cycle Q Clear(g_c), s	1.3	1.5	2.3	1.9	1.3	0.1	3.1	0.0	0.5	0.1	0.0	0.0
Prop In Lane	1.00		1.00	1.00		1.00	1.00		0.88	0.50		0.00
Lane Grp Cap(c), veh/h	630	548	442	555	531	452	690	0	411	683	0	0
V/C Ratio(X)	0.01	0.31	0.46	0.05	0.28	0.02	0.34	0.00	0.13	0.01	0.00	0.00
Avail Cap(c_a), veh/h	1502	1854	1494	1224	1796	1530	2050	0	2027	2257	0	0
HCM Platoon Ratio	1.00	1.00	1.00	1.00	1.00	1.00	1.00	1.00	1.00	1.00	1.00	1.00
Upstream Filter(I)	1.00	1.00	1.00	1.00	1.00	1.00	1.00	0.00	1.00	1.00	0.00	0.00
Uniform Delay (d), s/veh	6.4	5.9	6.2	6.7	5.9	5.4	7.2	0.0	6.2	6.1	0.0	0.0
Incr Delay (d2), s/veh	0.0	0.3	0.8	0.0	0.3	0.0	0.3	0.0	0.1	0.0	0.0	0.0
Initial Q Delay(d3),s/veh	0.0	0.0	0.0	0.0	0.0	0.0	0.0	0.0	0.0	0.0	0.0	0.0
%ile BackOfQ(50%),veh/ln	0.0	0.3	0.4	0.1	0.2	0.0	0.5	0.0	0.1	0.0	0.0	0.0
Unsig. Movement Delay, s/veh												
LnGrp Delay(d),s/veh	6.4	6.3	7.0	6.7	6.1	5.5	7.5	0.0	6.4	6.1	0.0	0.0
LnGrp LOS	A	A	A	A	A	A	A	A	A	A	A	A
Approach Vol, veh/h		380			183			288				8
Approach Delay, s/veh		6.6			6.2			7.3				6.1
Approach LOS		A			A			A				A
Timer - Assigned Phs		2		4		6		8				
Phs Duration (G+Y+Rc), s		10.9		10.1		10.9		10.1				
Change Period (Y+Rc), s		5.0		5.0		5.0		5.0				
Max Green Setting (Gmax), s		20.0		25.0		20.0		25.0				
Max Q Clear Time (g_c+I1), s		4.3		5.1		3.9		2.1				
Green Ext Time (p_c), s		1.5		0.9		0.8		0.0				

Intersection Summary

HCM 6th Ctrl Delay	6.8
HCM 6th LOS	A


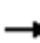






















HCM 6th Signalized Intersection Summary
8: J Street & W Broadway Avenue



Movement	EBL	EBT	EBR	WBL	WBT	WBR	NBL	NBT	NBR	SBL	SBT	SBR
Lane Configurations	↗	↑	↖	↗	↑	↖	↗	↖			↕	
Traffic Volume (veh/h)	0	95	246	20	113	2	265	1	18	4	4	0
Future Volume (veh/h)	0	95	246	20	113	2	265	1	18	4	4	0
Initial Q (Qb), veh	0	0	0	0	0	0	0	0	0	0	0	0
Ped-Bike Adj(A_pbT)	1.00		1.00	1.00		1.00	1.00		1.00	1.00		1.00
Parking Bus, Adj	1.00	1.00	1.00	1.00	1.00	1.00	1.00	1.00	1.00	1.00	1.00	1.00
Work Zone On Approach		No			No			No			No	
Adj Sat Flow, veh/h/ln	1976	1961	1870	1811	1961	1900	1945	1976	1856	1900	1976	1900
Adj Flow Rate, veh/h	0	98	267	32	166	8	305	4	24	16	16	0
Peak Hour Factor	0.25	0.97	0.92	0.62	0.68	0.25	0.87	0.25	0.75	0.25	0.25	0.25
Percent Heavy Veh, %	0	1	2	6	1	0	2	0	3	0	0	0
Cap, veh/h	304	561	453	549	561	460	731	71	427	408	332	0
Arrive On Green	0.00	0.29	0.29	0.29	0.29	0.29	0.29	0.29	0.29	0.29	0.29	0.00
Sat Flow, veh/h	1279	1961	1582	984	1961	1607	1448	244	1463	618	1138	0
Grp Volume(v), veh/h	0	98	267	32	166	8	305	0	28	32	0	0
Grp Sat Flow(s),veh/h/ln	1279	1961	1582	984	1961	1607	1448	0	1707	1755	0	0
Q Serve(g_s), s	0.0	0.9	3.4	0.6	1.6	0.1	4.1	0.0	0.3	0.0	0.0	0.0
Cycle Q Clear(g_c), s	0.0	0.9	3.4	1.5	1.6	0.1	4.4	0.0	0.3	0.3	0.0	0.0
Prop In Lane	1.00		1.00	1.00		1.00	1.00		0.86	0.50		0.00
Lane Grp Cap(c), veh/h	304	561	453	549	561	460	731	0	498	740	0	0
V/C Ratio(X)	0.00	0.17	0.59	0.06	0.30	0.02	0.42	0.00	0.06	0.04	0.00	0.00
Avail Cap(c_a), veh/h	1018	1655	1336	1098	1655	1357	1837	0	1801	2020	0	0
HCM Platoon Ratio	1.00	1.00	1.00	1.00	1.00	1.00	1.00	1.00	1.00	1.00	1.00	1.00
Upstream Filter(I)	0.00	1.00	1.00	1.00	1.00	1.00	1.00	0.00	1.00	1.00	0.00	0.00
Uniform Delay (d), s/veh	0.0	6.4	7.3	6.9	6.6	6.1	7.5	0.0	6.0	6.0	0.0	0.0
Incr Delay (d2), s/veh	0.0	0.1	1.2	0.0	0.3	0.0	0.4	0.0	0.0	0.0	0.0	0.0
Initial Q Delay(d3),s/veh	0.0	0.0	0.0	0.0	0.0	0.0	0.0	0.0	0.0	0.0	0.0	0.0
%ile BackOfQ(50%),veh/ln	0.0	0.2	0.7	0.1	0.4	0.0	0.8	0.0	0.1	0.1	0.0	0.0
Unsig. Movement Delay, s/veh												
LnGrp Delay(d),s/veh	0.0	6.5	8.5	7.0	6.9	6.1	7.8	0.0	6.1	6.1	0.0	0.0
LnGrp LOS	A	A	A	A	A	A	A	A	A	A	A	A
Approach Vol, veh/h		365			206			333				32
Approach Delay, s/veh		8.0			6.9			7.7				6.1
Approach LOS		A			A			A				A
Timer - Assigned Phs		2		4		6		8				
Phs Duration (G+Y+Rc), s		11.8		11.9		11.8		11.9				
Change Period (Y+Rc), s		5.0		5.0		5.0		5.0				
Max Green Setting (Gmax), s		20.0		25.0		20.0		25.0				
Max Q Clear Time (g_c+I1), s		5.4		6.4		3.6		2.3				
Green Ext Time (p_c), s		1.3		1.0		0.9		0.1				
Intersection Summary												
HCM 6th Ctrl Delay				7.6								
HCM 6th LOS				A								

HCM 6th Signalized Intersection Summary
8: J Street & W Broadway Avenue

Needles Circulation Element
09/23/2022

												
Movement	EBL	EBT	EBR	WBL	WBT	WBR	NBL	NBT	NBR	SBL	SBT	SBR
Lane Configurations												
Traffic Volume (veh/h)	3	129	226	40	124	0	182	2	34	0	0	4
Future Volume (veh/h)	3	129	226	40	124	0	182	2	34	0	0	4
Initial Q (Qb), veh	0	0	0	0	0	0	0	0	0	0	0	0
Ped-Bike Adj(A_pbT)	0.99		0.99	1.00		1.00	0.99		0.99	1.00		0.99
Parking Bus, Adj	1.00	1.00	1.00	1.00	1.00	1.00	1.00	1.00	1.00	1.00	1.00	1.00
Work Zone On Approach		No			No			No			No	
Adj Sat Flow, veh/h/ln	1467	1914	1870	1870	1914	1900	1945	1976	1870	1900	1976	1900
Adj Flow Rate, veh/h	12	179	251	56	148	0	192	8	47	0	0	16
Peak Hour Factor	0.25	0.72	0.90	0.71	0.84	0.25	0.95	0.25	0.72	0.25	0.25	0.25
Percent Heavy Veh, %	33	4	2	2	4	0	2	0	2	0	0	0
Cap, veh/h	586	617	506	570	617	519	636	55	321	0	0	366
Arrive On Green	0.32	0.32	0.32	0.32	0.32	0.00	0.22	0.22	0.22	0.00	0.00	0.22
Sat Flow, veh/h	966	1914	1570	954	1914	1610	1444	248	1455	0	0	1664
Grp Volume(v), veh/h	12	179	251	56	148	0	192	0	55	0	0	16
Grp Sat Flow(s),veh/h/ln	966	1914	1570	954	1914	1610	1444	0	1703	0	0	1664
Q Serve(g_s), s	0.2	1.5	2.8	1.0	1.2	0.0	2.6	0.0	0.6	0.0	0.0	0.2
Cycle Q Clear(g_c), s	1.4	1.5	2.8	2.5	1.2	0.0	2.8	0.0	0.6	0.0	0.0	0.2
Prop In Lane	1.00		1.00	1.00		1.00	1.00		0.85	0.00		1.00
Lane Grp Cap(c), veh/h	586	617	506	570	617	519	636	0	375	0	0	366
V/C Ratio(X)	0.02	0.29	0.50	0.10	0.24	0.00	0.30	0.00	0.15	0.00	0.00	0.04
Avail Cap(c_a), veh/h	1158	1752	1437	1135	1752	1473	1970	0	1948	0	0	1903
HCM Platoon Ratio	1.00	1.00	1.00	1.00	1.00	1.00	1.00	1.00	1.00	1.00	1.00	1.00
Upstream Filter(I)	1.00	1.00	1.00	1.00	1.00	0.00	1.00	0.00	1.00	0.00	0.00	1.00
Uniform Delay (d), s/veh	6.0	5.5	6.0	6.5	5.4	0.0	7.8	0.0	6.9	0.0	0.0	6.7
Incr Delay (d2), s/veh	0.0	0.3	0.8	0.1	0.2	0.0	0.3	0.0	0.2	0.0	0.0	0.0
Initial Q Delay(d3),s/veh	0.0	0.0	0.0	0.0	0.0	0.0	0.0	0.0	0.0	0.0	0.0	0.0
%ile BackOfQ(50%),veh/ln	0.0	0.3	0.5	0.1	0.2	0.0	0.5	0.0	0.1	0.0	0.0	0.0
Unsig. Movement Delay, s/veh												
LnGrp Delay(d),s/veh	6.0	5.8	6.7	6.6	5.6	0.0	8.1	0.0	7.0	0.0	0.0	6.8
LnGrp LOS	A	A	A	A	A	A	A	A	A	A	A	A
Approach Vol, veh/h		442			204			247				16
Approach Delay, s/veh		6.3			5.9			7.8				6.8
Approach LOS		A			A			A				A
Timer - Assigned Phs		2		4		6		8				
Phs Duration (G+Y+Rc), s		12.0		9.8		12.0		9.8				
Change Period (Y+Rc), s		5.0		5.0		5.0		5.0				
Max Green Setting (Gmax), s		20.0		25.0		20.0		25.0				
Max Q Clear Time (g_c+I1), s		4.8		4.8		4.5		2.2				
Green Ext Time (p_c), s		1.7		0.8		0.9		0.0				
Intersection Summary												
HCM 6th Ctrl Delay				6.7								
HCM 6th LOS				A								



APPENDIX G

Tribal Cultural Resources



APPENDIX G.1

AB52 Tribal Consultation Letters



City of Needles

817 Third Street • Needles, California 92363
(760) 326-2113 • FAX (760) 326-6765
www.cityofneedles.com

Mayor, Jeff Williams
Vice Mayor Edward T. Paget, M.D
Councilmember Shawn Gudmundson
Councilmember Tona Belt
Councilmember Clayton Hazelwood
Councilmember Tim Terral
Councilmember Zachery Longacre
City Manager Rick Daniels

October 20, 2022

Colorado River Indian Tribes
26600 Mohave Road
Parker, AZ, 85344
rloudbear@critdoj.com

Attention: Ms. Rebecca Loudbear

Re: Tribal Consultation Pursuant to SB 18 and AB 52
City of Needles General Plan Update

Dear Ms. Loudbear,

The City of Needles (City) is currently reviewing its General Plan Land use and Circulation Elements for the purposes of updating both. The City is providing an opportunity to consult with the City regarding the updating of these elements to identify any potential to impact Tribal Cultural Resources in accordance with California State Law. Although the City previously initiated the consultation process in its August 22, 2022 letter to Mr. David Harper, the City is sending this letter as additional notification based on direction from the Native American Heritage Commission (NAHC). The NAHC indicated that the Sacred Lands File check was positive. This letter is being sent to both via email and postal service using the contact information provided by the NAHC.

PROJECT LOCATION: The City of Needles is located on the far eastern edge of San Bernardino County, is bounded by the Colorado River to the east, and is surrounded by the Mojave Desert on the north, west, and south sides. Interstate 40 bisects the City, running diagonally northwest to southeast.

PROJECT DESCRIPTION: The Land Use and Transportation elements form the backbone of the City's general plan and guide the long-term growth and improvement of the Needles community. The proposed project updates the Land Use and Transportation elements of the general plan to guide the City's growth and development for the next 20 years through 2040. The City intends to limit growth and development to its incorporated boundaries and does not plan on promoting growth or changing land use or circulation in its unincorporated sphere of influence (SOI).⁷

The City will also create a single-map system that brings its General Plan and Zoning maps into consistency, and introduce mixed-use development into the City's downtown and the creation of a Downtown (DT) designation and corresponding changes to the Development Code (see attached map as page 3 of this letter). Table 1, *Buildout Statistical Summary*, provides a statistical summary of the buildout potential associated with the Proposed Land Use Element compared to existing conditions. The City's transportation systems will be updated to enhance mobility in and around Needles for more efficient and safer motorized and nonmotorized circulation, with a focus on aligning future growth projections and necessary roadway improvements.

⁷ The majority of unincorporated SOI is north, south, and west of the incorporated boundaries; the exception is an 18-acre area that is owned by the Fort Mojave Indian Tribe and entirely surrounded by incorporated lands. The City assumes County land use designations for all unincorporated SOI areas, most of which are not associated with residential or nonresidential building activities (either Open Space or Resource/Land Management). The unincorporated land owned by the Fort Mojave Indian Tribe is designed for Rural Living by the County.

Table 1 Buildout Statistical Summary

Scenario	Acres	Units	Population	Non-res Sq. Feet	Employment
Exist. Conditions (2021)	19,124	2,829	5,225	1,876,869	1,403
Proposed GP (2040)	19,124	3,907	7,750	2,743,154	2,395
Potential Growth	--	1,078	2,525	866,285	992

The proposed project is designed to achieve the following primary objectives:

- Facilitate more flexible and innovative mix of land uses that will revitalize the downtown and provide new housing opportunities throughout the city
- Support economic growth through the cannabis industry while ensuring land use compatibility and preserving City identity and history
- Improve public access to and increase tourism related to the Colorado River
- Provide better alternatives to driving with expanded access for people walking, bicycling, and taking transit
- Manage growth to ensure safe and fiscally sustainable infrastructure systems

Under California State Law, the Project is subject environmental review under the California Environmental Quality Act (CEQA), and the City will be preparing documentation pursuant to CEQA to evaluate the potential impacts of the Project. Please note the City is proposing the update the General Plan to guide future development in the City and no individual development projects are proposed at this time.

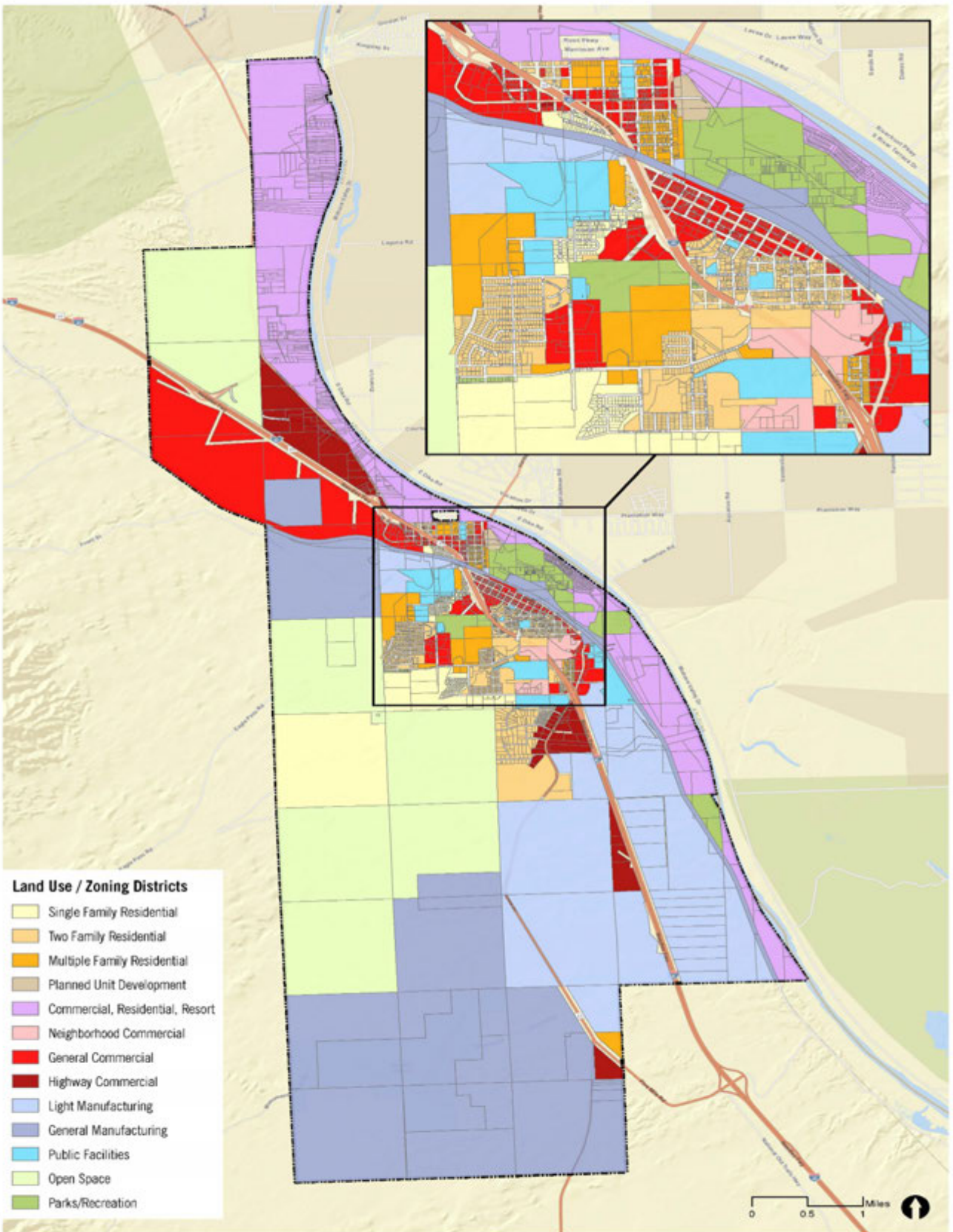
The Native American Resource Protection Act (Assembly Bill 52, Public Resources Code Section 21080.3.1) requires the City to notify California Native American Tribes of the decision to undertake the Project and allows Tribes 30 days to request consultation regarding possible significant effects that implementation of the Project may have on tribal cultural resources. In addition, Senate Bill 18 (Chapter 905, Statutes of 2004) requires the City to contact California Native American Tribes prior to amending a specific plan and allows Tribes 90 days to request consultation.

If consultation with the City regarding this Project is desired, please respond to this letter with a request in writing and identify a lead contact person. Within 30 days of receiving the tribe’s request, the City will initiate consultation.

Whether or not the Tribe wishes for consultation with the City, the City welcomes comments from the Tribe as part of the environmental review process the City is conducting to comply with CEQA.

Sincerely,

Patrick Martinez,
 Community Development Manager



Proposed General Plan & Zoning Map (Draft)

Prepared 10-07-2022





City of Needles

817 Third Street • Needles, California 92363
(760) 326-2113 • FAX (760) 326-6765
www.cityofneedles.com

Mayor, Jeff Williams
Vice Mayor Edward T. Paget, M.D
Councilmember Shawn Gudmundson
Councilmember Tona Belt
Councilmember Clayton Hazelwood
Councilmember Tim Terral
Councilmember Zachery Longacre
City Manager Rick Daniels

October 20, 2022

Fort Mojave Indian Tribe
500 Merriman Ave
Needles, CA, 92363
lindaotero@fortmojave.com

Attention: Mr. Timothy Williams

Re: Tribal Consultation Pursuant to SB 18 and AB 52
City of Needles General Plan Update

Dear Mr. Williams,

The City of Needles (City) is currently reviewing its General Plan Land use and Circulation Elements for the purposes of updating both. The City is providing an opportunity to consult with the City regarding the updating of these elements to identify any potential to impact Tribal Cultural Resources in accordance with California State Law. Although the City previously initiated the consultation process in its August 22, 2022 letter to Ms. Linda Otero, the City is sending this letter as additional notification based on direction from the Native American Heritage Commission (NAHC). The NAHC indicated that the Sacred Lands File check was positive. This letter is being sent to both via email and postal service using the contact information provided by the NAHC.

PROJECT LOCATION: The City of Needles is located on the far eastern edge of San Bernardino County, is bounded by the Colorado River to the east, and is surrounded by the Mojave Desert on the north, west, and south sides. Interstate 40 bisects the City, running diagonally northwest to southeast.

PROJECT DESCRIPTION: The Land Use and Transportation elements form the backbone of the City's general plan and guide the long-term growth and improvement of the Needles community. The proposed project updates the Land Use and Transportation elements of the general plan to guide the City's growth and development for the next 20 years through 2040. The City intends to limit growth and development to its incorporated boundaries and does not plan on promoting growth or changing land use or circulation in its unincorporated sphere of influence (SOI).⁸

The City will also create a single-map system that brings its General Plan and Zoning maps into consistency, and introduce mixed-use development into the City's downtown and the creation of a Downtown (DT) designation and corresponding changes to the Development Code (see attached map as page 3 of this letter). Table 1, *Buildout Statistical Summary*, provides a statistical summary of the buildout potential associated with the Proposed Land Use Element compared to existing conditions. The City's transportation systems will be updated to enhance mobility in and around Needles for more efficient and safer motorized and nonmotorized circulation, with a focus on aligning future growth projections and necessary roadway improvements.

⁸ The majority of unincorporated SOI is north, south, and west of the incorporated boundaries; the exception is an 18-acre area that is owned by the Fort Mojave Indian Tribe and entirely surrounded by incorporated lands. The City assumes County land use designations for all unincorporated SOI areas, most of which are not associated with residential or nonresidential building activities (either Open Space or Resource/Land Management). The unincorporated land owned by the Fort Mojave Indian Tribe is designed for Rural Living by the County.

Table 1 Buildout Statistical Summary

Scenario	Acres	Units	Population	Non-res Sq. Feet	Employment
Exist. Conditions (2021)	19,124	2,829	5,225	1,876,869	1,403
Proposed GP (2040)	19,124	3,907	7,750	2,743,154	2,395
Potential Growth	--	1,078	2,525	866,285	992

The proposed project is designed to achieve the following primary objectives:

- Facilitate more flexible and innovative mix of land uses that will revitalize the downtown and provide new housing opportunities throughout the city
- Support economic growth through the cannabis industry while ensuring land use compatibility and preserving City identity and history
- Improve public access to and increase tourism related to the Colorado River
- Provide better alternatives to driving with expanded access for people walking, bicycling, and taking transit
- Manage growth to ensure safe and fiscally sustainable infrastructure systems

Under California State Law, the Project is subject environmental review under the California Environmental Quality Act (CEQA), and the City will be preparing documentation pursuant to CEQA to evaluate the potential impacts of the Project. Please note the City is proposing the update the General Plan to guide future development in the City and no individual development projects are proposed at this time.

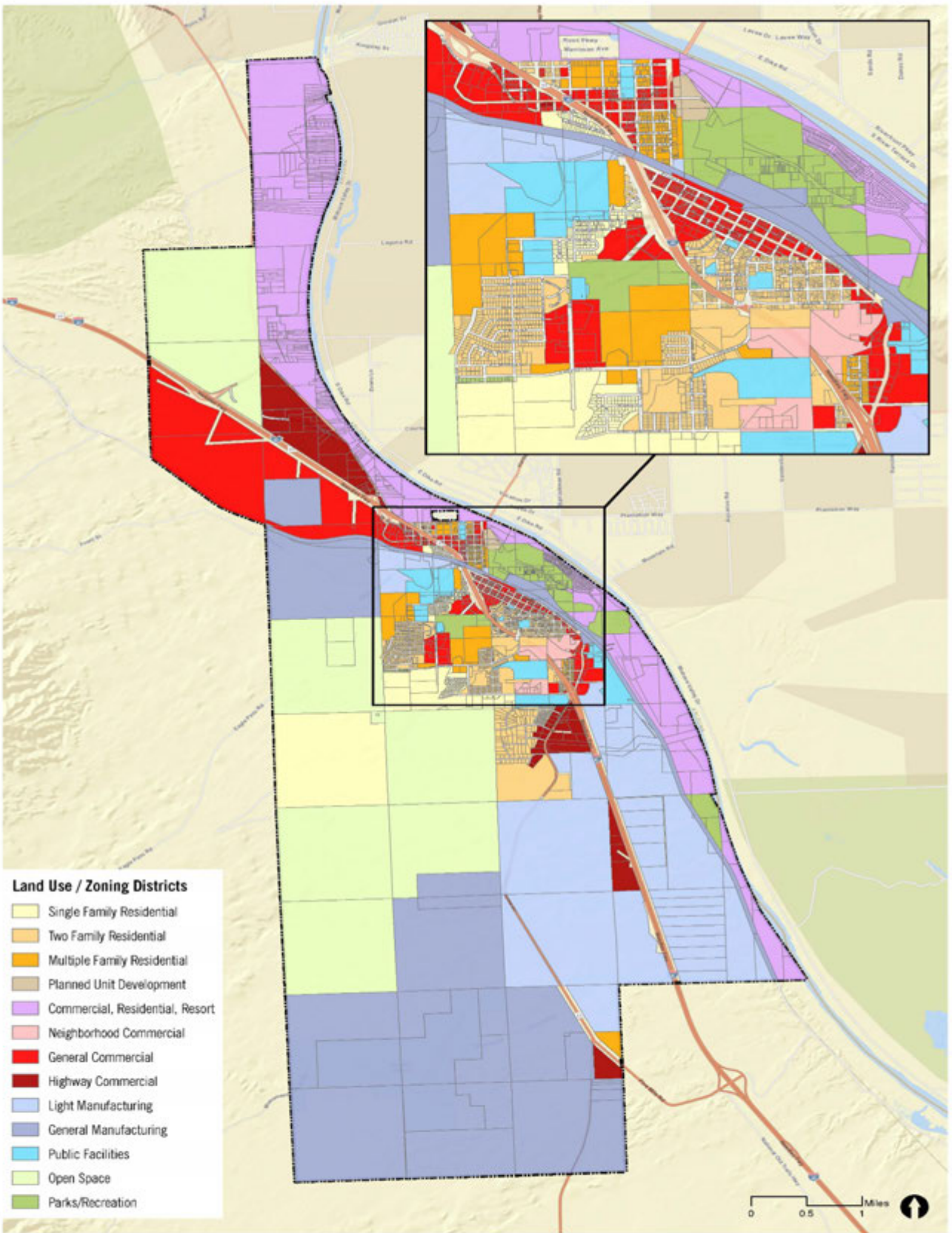
The Native American Resource Protection Act (Assembly Bill 52, Public Resources Code Section 21080.3.1) requires the City to notify California Native American Tribes of the decision to undertake the Project and allows Tribes 30 days to request consultation regarding possible significant effects that implementation of the Project may have on tribal cultural resources. In addition, Senate Bill 18 (Chapter 905, Statutes of 2004) requires the City to contact California Native American Tribes prior to amending a specific plan and allows Tribes 90 days to request consultation.

If consultation with the City regarding this Project is desired, please respond to this letter with a request in writing and identify a lead contact person. Within 30 days of receiving the tribe's request, the City will initiate consultation.

Whether or not the Tribe wishes for consultation with the City, the City welcomes comments from the Tribe as part of the environmental review process the City is conducting to comply with CEQA.

Sincerely,

Patrick Martinez,
Community Development Manager



Proposed General Plan & Zoning Map (Draft)

Prepared 10-07-2022





City of Needles

817 Third Street • Needles, California 92363
(760) 326-2113 • FAX (760) 326-6765
www.cityofneedles.com

Mayor, Jeff Williams
Vice Mayor Edward T. Paget, M.D
Councilmember Shawn Gudmundson
Councilmember Tona Belt
Councilmember Clayton Hazelwood
Councilmember Tim Terral
Councilmember Zachery Longacre
City Manager Rick Daniels

October 20, 2022

Morongo Band of Mission Indians
12700 Pumarra Road
Banning, CA, 92220
abrierty@morongo-nsn.gov

Attention: Ms. Ann Brierty

Re: Tribal Consultation Pursuant to SB 18 and AB 52
City of Needles General Plan Update

Dear Ms. Brierty,

The City of Needles (City) is currently reviewing its General Plan Land use and Circulation Elements for the purposes of updating both. The City is providing an opportunity to consult with the City regarding the updating of these elements to identify any potential to impact Tribal Cultural Resources in accordance with California State Law. Although the City previously initiated the consultation process in its August 22, 2022 letter to Mr. Raymond Huante, the City is sending this letter as additional notification based on direction from the Native American Heritage Commission (NAHC). The NAHC indicated that the Sacred Lands File check was positive. This letter is being sent to both via email and postal service using the contact information provided by the NAHC. This letter is being sent to both via email and postal service using the contact information provided by the NAHC.

PROJECT LOCATION: The City of Needles is located on the far eastern edge of San Bernardino County, is bounded by the Colorado River to the east, and is surrounded by the Mojave Desert on the north, west, and south sides. Interstate 40 bisects the City, running diagonally northwest to southeast.

PROJECT DESCRIPTION: The Land Use and Transportation elements form the backbone of the City's general plan and guide the long-term growth and improvement of the Needles community. The proposed project updates the Land Use and Transportation elements of the general plan to guide the City's growth and development for the next 20 years through 2040. The City intends to limit growth and development to its incorporated boundaries and does not plan on promoting growth or changing land use or circulation in its unincorporated sphere of influence (SOI).¹⁹

The City will also create a single-map system that brings its General Plan and Zoning maps into consistency, and introduce mixed-use development into the City's downtown and the creation of a Downtown (DT) designation and corresponding changes to the Development Code (see attached map as page 3 of this letter). Table 1, *Buildout Statistical Summary*, provides a statistical summary of the buildout potential associated with the Proposed Land Use Element compared to existing conditions. The City's transportation systems will be updated to enhance mobility in and around Needles for more efficient and safer motorized and nonmotorized circulation, with a focus on aligning future growth projections and necessary roadway improvements.

¹⁹ The majority of unincorporated SOI is north, south, and west of the incorporated boundaries; the exception is an 18-acre area that is owned by the Fort Mojave Indian Tribe and entirely surrounded by incorporated lands. The City assumes County land use designations for all unincorporated SOI areas, most of which are not associated with residential or nonresidential building activities (either Open Space or Resource/Land Management). The unincorporated land owned by the Fort Mojave Indian Tribe is designed for Rural Living by the County.

Table 1 Buildout Statistical Summary

Scenario	Acres	Units	Population	Non-res Sq. Feet	Employment
Exist. Conditions (2021)	19,124	2,829	5,225	1,876,869	1,403
Proposed GP (2040)	19,124	3,907	7,750	2,743,154	2,395
Potential Growth	--	1,078	2,525	866,285	992

The proposed project is designed to achieve the following primary objectives:

- Facilitate more flexible and innovative mix of land uses that will revitalize the downtown and provide new housing opportunities throughout the city
- Support economic growth through the cannabis industry while ensuring land use compatibility and preserving City identity and history
- Improve public access to and increase tourism related to the Colorado River
- Provide better alternatives to driving with expanded access for people walking, bicycling, and taking transit
- Manage growth to ensure safe and fiscally sustainable infrastructure systems

Under California State Law, the Project is subject environmental review under the California Environmental Quality Act (CEQA), and the City will be preparing documentation pursuant to CEQA to evaluate the potential impacts of the Project. Please note the City is proposing the update the General Plan to guide future development in the City and no individual development projects are proposed at this time.

The Native American Resource Protection Act (Assembly Bill 52, Public Resources Code Section 21080.3.1) requires the City to notify California Native American Tribes of the decision to undertake the Project and allows Tribes 30 days to request consultation regarding possible significant effects that implementation of the Project may have on tribal cultural resources. In addition, Senate Bill 18 (Chapter 905, Statutes of 2004) requires the City to contact California Native American Tribes prior to amending a specific plan and allows Tribes 90 days to request consultation.

If consultation with the City regarding this Project is desired, please respond to this letter with a request in writing and identify a lead contact person. Within 30 days of receiving the tribe's request, the City will initiate consultation.

Whether or not the Tribe wishes for consultation with the City, the City welcomes comments from the Tribe as part of the environmental review process the City is conducting to comply with CEQA.

Sincerely,

Patrick Martinez,
 Community Development Manager



Proposed General Plan & Zoning Map (Draft)

Prepared 10-07-2022





City of Needles

817 Third Street • Needles, California 92363
(760) 326-2113 • FAX (760) 326-6765
www.cityofneedles.com

Mayor, Jeff Williams
Vice Mayor Edward T. Paget, M.D
Councilmember Shawn Gudmundson
Councilmember Tona Belt
Councilmember Clayton Hazelwood
Councilmember Tim Terral
Councilmember Zachery Longacre
City Manager Rick Daniels

October 20, 2022

Morongo Band of Mission Indians
12700 Pumarra Road
Banning, CA, 92220
abrierty@morongo-nsn.gov

Attention: Mr. Robert Martin

Re: Tribal Consultation Pursuant to SB 18 and AB 52
City of Needles General Plan Update

Dear Mr. Martin,

The City of Needles (City) is currently reviewing its General Plan Land use and Circulation Elements for the purposes of updating both. The City is providing an opportunity to consult with the City regarding the updating of these elements to identify any potential to impact Tribal Cultural Resources in accordance with California State Law. Although the City previously initiated the consultation process in its August 22, 2022 letter to Mr. Raymond Huante, the City is sending this letter as additional notification based on direction from the Native American Heritage Commission (NAHC). The NAHC indicated that the Sacred Lands File check was positive. This letter is being sent to both via email and postal service using the contact information provided by the NAHC.

PROJECT LOCATION: The City of Needles is located on the far eastern edge of San Bernardino County, is bounded by the Colorado River to the east, and is surrounded by the Mojave Desert on the north, west, and south sides. Interstate 40 bisects the City, running diagonally northwest to southeast.

PROJECT DESCRIPTION: The Land Use and Transportation elements form the backbone of the City's general plan and guide the long-term growth and improvement of the Needles community. The proposed project updates the Land Use and Transportation elements of the general plan to guide the City's growth and development for the next 20 years through 2040. The City intends to limit growth and development to its incorporated boundaries and does not plan on promoting growth or changing land use or circulation in its unincorporated sphere of influence (SOI).²⁰

The City will also create a single-map system that brings its General Plan and Zoning maps into consistency, and introduce mixed-use development into the City's downtown and the creation of a Downtown (DT) designation and corresponding changes to the Development Code (see attached map as page 3 of this letter). Table 1, *Buildout Statistical Summary*, provides a statistical summary of the buildout potential associated with the Proposed Land Use Element compared to existing conditions. The City's transportation systems will be updated to enhance mobility in and around Needles for more efficient and safer motorized and nonmotorized circulation, with a focus on aligning future growth projections and necessary roadway improvements.

²⁰ The majority of unincorporated SOI is north, south, and west of the incorporated boundaries; the exception is an 18-acre area that is owned by the Fort Mojave Indian Tribe and entirely surrounded by incorporated lands. The City assumes County land use designations for all unincorporated SOI areas, most of which are not associated with residential or nonresidential building activities (either Open Space or Resource/Land Management). The unincorporated land owned by the Fort Mojave Indian Tribe is designed for Rural Living by the County.

Table 1 Buildout Statistical Summary

Scenario	Acres	Units	Population	Non-res Sq. Feet	Employment
Exist. Conditions (2021)	19,124	2,829	5,225	1,876,869	1,403
Proposed GP (2040)	19,124	3,907	7,750	2,743,154	2,395
Potential Growth	--	1,078	2,525	866,285	992

The proposed project is designed to achieve the following primary objectives:

- Facilitate more flexible and innovative mix of land uses that will revitalize the downtown and provide new housing opportunities throughout the city
- Support economic growth through the cannabis industry while ensuring land use compatibility and preserving City identity and history
- Improve public access to and increase tourism related to the Colorado River
- Provide better alternatives to driving with expanded access for people walking, bicycling, and taking transit
- Manage growth to ensure safe and fiscally sustainable infrastructure systems

Under California State Law, the Project is subject environmental review under the California Environmental Quality Act (CEQA), and the City will be preparing documentation pursuant to CEQA to evaluate the potential impacts of the Project. Please note the City is proposing the update the General Plan to guide future development in the City and no individual development projects are proposed at this time.

The Native American Resource Protection Act (Assembly Bill 52, Public Resources Code Section 21080.3.1) requires the City to notify California Native American Tribes of the decision to undertake the Project and allows Tribes 30 days to request consultation regarding possible significant effects that implementation of the Project may have on tribal cultural resources. In addition, Senate Bill 18 (Chapter 905, Statutes of 2004) requires the City to contact California Native American Tribes prior to amending a specific plan and allows Tribes 90 days to request consultation.

If consultation with the City regarding this Project is desired, please respond to this letter with a request in writing and identify a lead contact person. Within 30 days of receiving the tribe's request, the City will initiate consultation.

Whether or not the Tribe wishes for consultation with the City, the City welcomes comments from the Tribe as part of the environmental review process the City is conducting to comply with CEQA.

Sincerely,

Patrick Martinez,
Community Development Manager



Proposed General Plan & Zoning Map (Draft)

Prepared 10-07-2022





City of Needles

817 Third Street • Needles, California 92363
(760) 326-2113 • FAX (760) 326-6765
www.cityofneedles.com

Mayor, Jeff Williams
Vice Mayor Edward T. Paget, M.D
Councilmember Shawn Gudmundson
Councilmember Tona Belt
Councilmember Clayton Hazelwood
Councilmember Tim Terral
Councilmember Zachery Longacre
City Manager Rick Daniels

October 20, 2022

Torres-Martinez Desert Cahuilla Indians
P.O. Box 1160
Thermal, CA, 92274
thomas.tortez@torresmartineznsn.gov

Attention: Mr. Thomas Tortez

Re: Tribal Consultation Pursuant to SB 18 and AB 52
City of Needles General Plan Update

Dear Mr. Tortez,

The City of Needles (City) is currently reviewing its General Plan Land use and Circulation Elements for the purposes of updating both. The City is providing an opportunity to consult with the City regarding the updating of these elements to identify any potential to impact Tribal Cultural Resources in accordance with California State Law. Although the City previously initiated the consultation process in its August 22, 2022 letter to Mr. Michael Mirelez, the City is sending this letter as additional notification based on direction from the Native American Heritage Commission (NAHC). The NAHC indicated that the Sacred Lands File check was positive. This letter is being sent to both via email and postal service using the contact information provided by the NAHC.

PROJECT LOCATION: The City of Needles is located on the far eastern edge of San Bernardino County, is bounded by the Colorado River to the east, and is surrounded by the Mojave Desert on the north, west, and south sides. Interstate 40 bisects the City, running diagonally northwest to southeast.

PROJECT DESCRIPTION: The Land Use and Transportation elements form the backbone of the City's general plan and guide the long-term growth and improvement of the Needles community. The proposed project updates the Land Use and Transportation elements of the general plan to guide the City's growth and development for the next 20 years through 2040. The City intends to limit growth and development to its incorporated boundaries and does not plan on promoting growth or changing land use or circulation in its unincorporated sphere of influence (SOI).³³

The City will also create a single-map system that brings its General Plan and Zoning maps into consistency, and introduce mixed-use development into the City's downtown and the creation of a Downtown (DT) designation and corresponding changes to the Development Code (see attached map as page 3 of this letter). Table 1, *Buildout Statistical Summary*, provides a statistical summary of the buildout potential associated with the Proposed Land Use Element compared to existing conditions. The City's transportation systems will be updated to enhance mobility in and around Needles for more efficient and safer motorized and nonmotorized circulation, with a focus on aligning future growth projections and necessary roadway improvements.

³³ The majority of unincorporated SOI is north, south, and west of the incorporated boundaries; the exception is an 18-acre area that is owned by the Fort Mojave Indian Tribe and entirely surrounded by incorporated lands. The City assumes County land use designations for all unincorporated SOI areas, most of which are not associated with residential or nonresidential building activities (either Open Space or Resource/Land Management). The unincorporated land owned by the Fort Mojave Indian Tribe is designed for Rural Living by the County.

Table 1 Buildout Statistical Summary

Scenario	Acres	Units	Population	Non-res Sq. Feet	Employment
Exist. Conditions (2021)	19,124	2,829	5,225	1,876,869	1,403
Proposed GP (2040)	19,124	3,907	7,750	2,743,154	2,395
Potential Growth	--	1,078	2,525	866,285	992

The proposed project is designed to achieve the following primary objectives:

- Facilitate more flexible and innovative mix of land uses that will revitalize the downtown and provide new housing opportunities throughout the city
- Support economic growth through the cannabis industry while ensuring land use compatibility and preserving City identity and history
- Improve public access to and increase tourism related to the Colorado River
- Provide better alternatives to driving with expanded access for people walking, bicycling, and taking transit
- Manage growth to ensure safe and fiscally sustainable infrastructure systems

Under California State Law, the Project is subject environmental review under the California Environmental Quality Act (CEQA), and the City will be preparing documentation pursuant to CEQA to evaluate the potential impacts of the Project. Please note the City is proposing the update the General Plan to guide future development in the City and no individual development projects are proposed at this time.

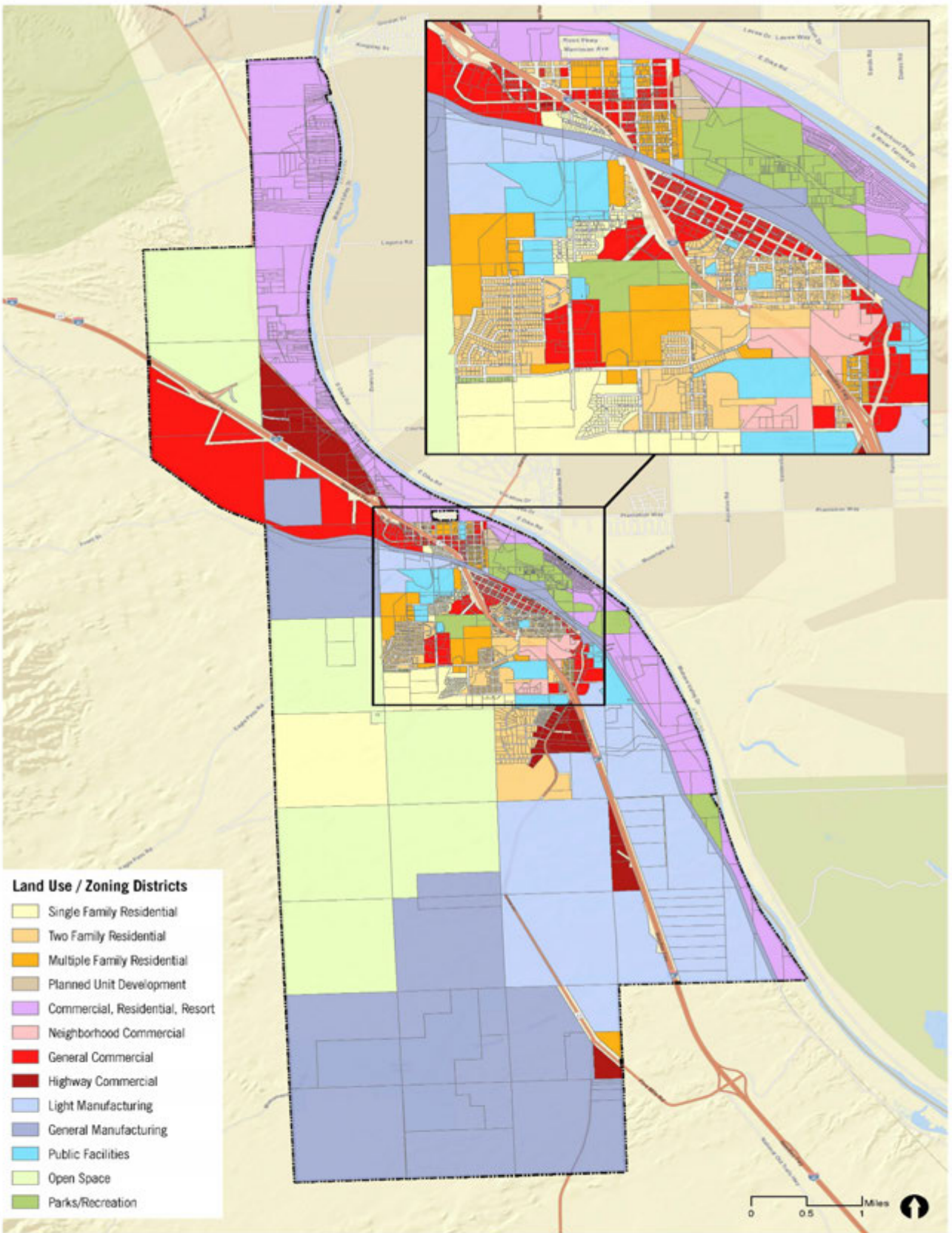
The Native American Resource Protection Act (Assembly Bill 52, Public Resources Code Section 21080.3.1) requires the City to notify California Native American Tribes of the decision to undertake the Project and allows Tribes 30 days to request consultation regarding possible significant effects that implementation of the Project may have on tribal cultural resources. In addition, Senate Bill 18 (Chapter 905, Statutes of 2004) requires the City to contact California Native American Tribes prior to amending a specific plan and allows Tribes 90 days to request consultation.

If consultation with the City regarding this Project is desired, please respond to this letter with a request in writing and identify a lead contact person. Within 30 days of receiving the tribe's request, the City will initiate consultation.

Whether or not the Tribe wishes for consultation with the City, the City welcomes comments from the Tribe as part of the environmental review process the City is conducting to comply with CEQA.

Sincerely,

Patrick Martinez,
Community Development Manager



Proposed General Plan & Zoning Map (Draft)

Prepared 10-07-2022





City of Needles

817 Third Street • Needles, California 92363
(760) 326-2113 • FAX (760) 326-6765
www.cityofneedles.com

Mayor, Jeff Williams
Vice Mayor Edward T. Paget, M.D
Councilmember Shawn Gudmundson
Councilmember Tona Belt
Councilmember Clayton Hazlewood
Councilmember Tim Terral
Councilmember Zachery Longacre
City Manager Rick Daniels

October 20, 2022

Twenty-Nine Palms Band of Mission Indians
46-200 Harrison Place
Coachella, CA, 92236
29chairman@29palmsbominsn.gov

Attention: Mr. Darrell Mike

Re: Tribal Consultation Pursuant to SB 18 and AB 52
City of Needles General Plan Update

Dear Mr. Mike,

The City of Needles (City) is currently reviewing its General Plan Land use and Circulation Elements for the purposes of updating both. The City is providing an opportunity to consult with the City regarding the updating of these elements to identify any potential to impact Tribal Cultural Resources in accordance with California State Law. Although the City previously initiated the consultation process in its August 22, 2022 letter, the City is sending this letter as additional notification based on direction from the Native American Heritage Commission (NAHC). The NAHC indicated that the Sacred Lands File check was positive. This letter is being sent to both via email and postal service using the contact information provided by the NAHC.

PROJECT LOCATION: The City of Needles is located on the far eastern edge of San Bernardino County, is bounded by the Colorado River to the east, and is surrounded by the Mojave Desert on the north, west, and south sides. Interstate 40 bisects the City, running diagonally northwest to southeast.

PROJECT DESCRIPTION: The Land Use and Transportation elements form the backbone of the City's general plan and guide the long-term growth and improvement of the Needles community. The proposed project updates the Land Use and Transportation elements of the general plan to guide the City's growth and development for the next 20 years through 2040. The City intends to limit growth and development to its incorporated boundaries and does not plan on promoting growth or changing land use or circulation in its unincorporated sphere of influence (SOI).³⁴

The City will also create a single-map system that brings its General Plan and Zoning maps into consistency, and introduce mixed-use development into the City's downtown and the creation of a Downtown (DT) designation and corresponding changes to the Development Code (see attached map as page 3 of this letter). Table 1, *Buildout Statistical Summary*, provides a statistical summary of the buildout potential associated with the Proposed Land Use Element compared to existing conditions. The City's transportation systems will be updated to enhance mobility in and around Needles for more efficient and safer motorized and nonmotorized circulation, with a focus on aligning future growth projections and necessary roadway improvements.

³⁴ The majority of unincorporated SOI is north, south, and west of the incorporated boundaries; the exception is an 18-acre area that is owned by the Fort Mojave Indian Tribe and entirely surrounded by incorporated lands. The City assumes County land use designations for all unincorporated SOI areas, most of which are not associated with residential or nonresidential building activities (either Open Space or Resource/Land Management). The unincorporated land owned by the Fort Mojave Indian Tribe is designed for Rural Living by the County.

Table 1 Buildout Statistical Summary

Scenario	Acres	Units	Population	Non-res Sq. Feet	Employment
Exist. Conditions (2021)	19,124	2,829	5,225	1,876,869	1,403
Proposed GP (2040)	19,124	3,907	7,750	2,743,154	2,395
Potential Growth	--	1,078	2,525	866,285	992

The proposed project is designed to achieve the following primary objectives:

- Facilitate more flexible and innovative mix of land uses that will revitalize the downtown and provide new housing opportunities throughout the city
- Support economic growth through the cannabis industry while ensuring land use compatibility and preserving City identity and history
- Improve public access to and increase tourism related to the Colorado River
- Provide better alternatives to driving with expanded access for people walking, bicycling, and taking transit
- Manage growth to ensure safe and fiscally sustainable infrastructure systems

Under California State Law, the Project is subject environmental review under the California Environmental Quality Act (CEQA), and the City will be preparing documentation pursuant to CEQA to evaluate the potential impacts of the Project. Please note the City is proposing the update the General Plan to guide future development in the City and no individual development projects are proposed at this time.

The Native American Resource Protection Act (Assembly Bill 52, Public Resources Code Section 21080.3.1) requires the City to notify California Native American Tribes of the decision to undertake the Project and allows Tribes 30 days to request consultation regarding possible significant effects that implementation of the Project may have on tribal cultural resources. In addition, Senate Bill 18 (Chapter 905, Statutes of 2004) requires the City to contact California Native American Tribes prior to amending a specific plan and allows Tribes 90 days to request consultation.

If consultation with the City regarding this Project is desired, please respond to this letter with a request in writing and identify a lead contact person. Within 30 days of receiving the tribe's request, the City will initiate consultation.

Whether or not the Tribe wishes for consultation with the City, the City welcomes comments from the Tribe as part of the environmental review process the City is conducting to comply with CEQA.

Sincerely,

Patrick Martinez,
 Community Development Manager



Proposed General Plan & Zoning Map (Draft)

Prepared 10-07-2022





APPENDIX G.2

SB18 Tribal Consultation Letters



City of Needles

817 Third Street • Needles, California 92363
(760) 326-2113 • FAX (760) 326-6765
www.cityofneedles.com

Mayor, Jeff Williams
Vice Mayor Edward T. Paget, M.D
Councilmember Shawn Gudmundson
Councilmember Tona Belt
Councilmember Clayton Hazelwood
Councilmember Tim Terral
Councilmember Zachery Longacre
City Manager Rick Daniels

October 20, 2022

Agua Caliente Band of Cahuilla Indians
5401 Dinah Shore Drive
Palm Springs, CA 92264
acbi-thpo@aguacaliente.net

Attention: Ms. Patricia Garcia-Plotkin

Re: Tribal Consultation Pursuant to SB 18 and AB 52
City of Needles General Plan Update

Dear Ms. Garcia-Plotkin,

The City of Needles (City) is currently reviewing its General Plan Land use and Circulation Elements for the purposes of updating both. The City is providing an opportunity to consult with the City regarding the updating of these elements to identify any potential to impact Tribal Cultural Resources in accordance with California State Law. The Native American Heritage Commission (NAHC) indicated that the Sacred Lands File check was positive. This letter is being sent to both via email and postal service using the contact information provided by the NAHC.

PROJECT LOCATION: The City of Needles is located on the far eastern edge of San Bernardino County, is bounded by the Colorado River to the east, and is surrounded by the Mojave Desert on the north, west, and south sides. Interstate 40 bisects the City, running diagonally northwest to southeast.

PROJECT DESCRIPTION: The Land Use and Transportation elements form the backbone of the City's general plan and guide the long-term growth and improvement of the Needles community. The proposed project updates the Land Use and Transportation elements of the general plan to guide the City's growth and development for the next 20 years through 2040. The City intends to limit growth and development to its incorporated boundaries and does not plan on promoting growth or changing land use or circulation in its unincorporated sphere of influence (SOI).²

The City will also create a single-map system that brings its General Plan and Zoning maps into consistency, and introduce mixed-use development into the City's downtown and the creation of a Downtown (DT) designation and corresponding changes to the Development Code (see attached map as page 3 of this letter). Table 1, *Buildout Statistical Summary*, provides a statistical summary of the buildout potential associated with the Proposed Land Use Element compared to existing conditions. The City's transportation systems will be updated to enhance mobility in and around Needles for more efficient and safer motorized and nonmotorized circulation, with a focus on aligning future growth projections and necessary roadway improvements.

² The majority of unincorporated SOI is north, south, and west of the incorporated boundaries; the exception is an 18-acre area that is owned by the Fort Mojave Indian Tribe and entirely surrounded by incorporated lands. The City assumes County land use designations for all unincorporated SOI areas, most of which are not associated with residential or nonresidential building activities (either Open Space or Resource/Land Management). The unincorporated land owned by the Fort Mojave Indian Tribe is designed for Rural Living by the County.

Table 1 Buildout Statistical Summary

Scenario	Acres	Units	Population	Non-res Sq. Feet	Employment
Exist. Conditions (2021)	19,124	2,829	5,225	1,876,869	1,403
Proposed GP (2040)	19,124	3,907	7,750	2,743,154	2,395
Potential Growth	--	1,078	2,525	866,285	992

The proposed project is designed to achieve the following primary objectives:

- Facilitate more flexible and innovative mix of land uses that will revitalize the downtown and provide new housing opportunities throughout the city
- Support economic growth through the cannabis industry while ensuring land use compatibility and preserving City identity and history
- Improve public access to and increase tourism related to the Colorado River
- Provide better alternatives to driving with expanded access for people walking, bicycling, and taking transit
- Manage growth to ensure safe and fiscally sustainable infrastructure systems

Under California State Law, the Project is subject environmental review under the California Environmental Quality Act (CEQA), and the City will be preparing documentation pursuant to CEQA to evaluate the potential impacts of the Project. Please note the City is proposing the update the General Plan to guide future development in the City and no individual development projects are proposed at this time.

The Native American Resource Protection Act (Assembly Bill 52, Public Resources Code Section 21080.3.1) requires the City to notify California Native American Tribes of the decision to undertake the Project and allows Tribes 30 days to request consultation regarding possible significant effects that implementation of the Project may have on tribal cultural resources. In addition, Senate Bill 18 (Chapter 905, Statutes of 2004) requires the City to contact California Native American Tribes prior to amending a specific plan and allows Tribes 90 days to request consultation.

If consultation with the City regarding this Project is desired, please respond to this letter with a request in writing and identify a lead contact person. Within 30 days of receiving the tribe's request, the City will initiate consultation.

Whether or not the Tribe wishes for consultation with the City, the City welcomes comments from the Tribe as part of the environmental review process the City is conducting to comply with CEQA.

Sincerely,

Patrick Martinez,
Community Development Manager



Proposed General Plan & Zoning Map (Draft)

Prepared 10-07-2022





City of Needles

817 Third Street • Needles, California 92363
(760) 326-2113 • FAX (760) 326-6765
www.cityofneedles.com

Mayor, Jeff Williams
Vice Mayor Edward T. Paget, M.D.
Councilmember Shawn Gudmundson
Councilmember Tona Belt
Councilmember Clayton ~~Hazlewood~~
Councilmember Tim Terral
Councilmember Zachery Longacre
City Manager Rick Daniels

October 20, 2022

Agua Caliente Band of Cahuilla Indians
5401 Dinah Shore Drive
Palm Springs, CA 92264
laviles@aguacaliente.net

Attention: Mr. Reid Milanovich

Re: Tribal Consultation Pursuant to SB 18 and AB 52
City of Needles General Plan Update

Dear Mr. Milanovich,

The City of Needles (City) is currently reviewing its General Plan Land use and Circulation Elements for the purposes of updating both. The City is providing an opportunity to consult with the City regarding the updating of these elements to identify any potential to impact Tribal Cultural Resources in accordance with California State Law. The Native American Heritage Commission (NAHC) indicated that the Sacred Lands File check was positive. This letter is being sent to both via email and postal service using the contact information provided by the NAHC.

PROJECT LOCATION: The City of Needles is located on the far eastern edge of San Bernardino County, is bounded by the Colorado River to the east, and is surrounded by the Mojave Desert on the north, west, and south sides. Interstate 40 bisects the City, running diagonally northwest to southeast.

PROJECT DESCRIPTION: The Land Use and Transportation elements form the backbone of the City's general plan and guide the long-term growth and improvement of the Needles community. The proposed project updates the Land Use and Transportation elements of the general plan to guide the City's growth and development for the next 20 years through 2040. The City intends to limit growth and development to its incorporated boundaries and does not plan on promoting growth or changing land use or circulation in its unincorporated sphere of influence (SOI).¹

The City will also create a single-map system that brings its General Plan and Zoning maps into consistency, and introduce mixed-use development into the City's downtown and the creation of a Downtown (DT) designation and corresponding changes to the Development Code (see attached map as page 3 of this letter). Table 1, *Buildout Statistical Summary*, provides a statistical summary of the buildout potential associated with the Proposed Land Use Element compared to existing conditions. The City's transportation systems will be updated to enhance mobility in and around Needles for more efficient and safer motorized and nonmotorized circulation, with a focus on aligning future growth projections and necessary roadway improvements.

¹ The majority of unincorporated SOI is north, south, and west of the incorporated boundaries; the exception is an 18-acre area that is owned by the Fort Mojave Indian Tribe and entirely surrounded by incorporated lands. The City assumes County land use designations for all unincorporated SOI areas, most of which are not associated with residential or nonresidential building activities (either Open Space or Resource/Land Management). The unincorporated land owned by the Fort Mojave Indian Tribe is designed for Rural Living by the County.

Table 1 Buildout Statistical Summary

Scenario	Acres	Units	Population	Non-res Sq. Feet	Employment
Exist. Conditions (2021)	19,124	2,829	5,225	1,876,869	1,403
Proposed GP (2040)	19,124	3,907	7,750	2,743,154	2,395
Potential Growth	--	1,078	2,525	866,285	992

The proposed project is designed to achieve the following primary objectives:

- Facilitate more flexible and innovative mix of land uses that will revitalize the downtown and provide new housing opportunities throughout the city
- Support economic growth through the cannabis industry while ensuring land use compatibility and preserving City identity and history
- Improve public access to and increase tourism related to the Colorado River
- Provide better alternatives to driving with expanded access for people walking, bicycling, and taking transit
- Manage growth to ensure safe and fiscally sustainable infrastructure systems

Under California State Law, the Project is subject environmental review under the California Environmental Quality Act (CEQA), and the City will be preparing documentation pursuant to CEQA to evaluate the potential impacts of the Project. Please note the City is proposing the update the General Plan to guide future development in the City and no individual development projects are proposed at this time.

The Native American Resource Protection Act (Assembly Bill 52, Public Resources Code Section 21080.3.1) requires the City to notify California Native American Tribes of the decision to undertake the Project and allows Tribes 30 days to request consultation regarding possible significant effects that implementation of the Project may have on tribal cultural resources. In addition, Senate Bill 18 (Chapter 905, Statutes of 2004) requires the City to contact California Native American Tribes prior to amending a specific plan and allows Tribes 90 days to request consultation.

If consultation with the City regarding this Project is desired, please respond to this letter with a request in writing and identify a lead contact person. Within 30 days of receiving the tribe's request, the City will initiate consultation.

Whether or not the Tribe wishes for consultation with the City, the City welcomes comments from the Tribe as part of the environmental review process the City is conducting to comply with CEQA.

Sincerely,

Patrick Martinez,
Community Development Manager



Proposed General Plan & Zoning Map (Draft)

Prepared 10-07-2022





City of Needles

817 Third Street • Needles, California 92363
(760) 326-2113 • FAX (760) 326-6765
www.cityofneedles.com

Mayor, Jeff Williams
Vice Mayor Edward T. Paget, M.D.
Councilmember Shawn Gudmundson
Councilmember Tona Belt
Councilmember Clayton Hazelwood
Councilmember Tim Terral
Councilmember Zachery Longacre
City Manager Rick Daniels

October 20, 2022

Augustine Band of Cahuilla Mission Indians
84-001 Avenue 54
Coachella, CA, 92236
hhaines@augustinetribe.com

Attention: Ms. Amanda Vance

Re: Tribal Consultation Pursuant to SB 18 and AB 52
City of Needles General Plan Update

Dear Ms. Vance,

The City of Needles (City) is currently reviewing its General Plan Land use and Circulation Elements for the purposes of updating both. The City is providing an opportunity to consult with the City regarding the updating of these elements to identify any potential to impact Tribal Cultural Resources in accordance with California State Law. The Native American Heritage Commission (NAHC) indicated that the Sacred Lands File check was positive. This letter is being sent to both via email and postal service using the contact information provided by the NAHC.

PROJECT LOCATION: The City of Needles is located on the far eastern edge of San Bernardino County, is bounded by the Colorado River to the east, and is surrounded by the Mojave Desert on the north, west, and south sides. Interstate 40 bisects the City, running diagonally northwest to southeast.

PROJECT DESCRIPTION: The Land Use and Transportation elements form the backbone of the City's general plan and guide the long-term growth and improvement of the Needles community. The proposed project updates the Land Use and Transportation elements of the general plan to guide the City's growth and development for the next 20 years through 2040. The City intends to limit growth and development to its incorporated boundaries and does not plan on promoting growth or changing land use or circulation in its unincorporated sphere of influence (SOI).³

The City will also create a single-map system that brings its General Plan and Zoning maps into consistency, and introduce mixed-use development into the City's downtown and the creation of a Downtown (DT) designation and corresponding changes to the Development Code (see attached map as page 3 of this letter). Table 1, *Buildout Statistical Summary*, provides a statistical summary of the buildout potential associated with the Proposed Land Use Element compared to existing conditions. The City's transportation systems will be updated to enhance mobility in and around Needles for more efficient and safer motorized and nonmotorized circulation, with a focus on aligning future growth projections and necessary roadway improvements.

³ The majority of unincorporated SOI is north, south, and west of the incorporated boundaries; the exception is an 18-acre area that is owned by the Fort Mojave Indian Tribe and entirely surrounded by incorporated lands. The City assumes County land use designations for all unincorporated SOI areas, most of which are not associated with residential or nonresidential building activities (either Open Space or Resource/Land Management). The unincorporated land owned by the Fort Mojave Indian Tribe is designed for Rural Living by the County.

Table 1 Buildout Statistical Summary

Scenario	Acres	Units	Population	Non-res Sq. Feet	Employment
Exist. Conditions (2021)	19,124	2,829	5,225	1,876,869	1,403
Proposed GP (2040)	19,124	3,907	7,750	2,743,154	2,395
Potential Growth	--	1,078	2,525	866,285	992

The proposed project is designed to achieve the following primary objectives:

- Facilitate more flexible and innovative mix of land uses that will revitalize the downtown and provide new housing opportunities throughout the city
- Support economic growth through the cannabis industry while ensuring land use compatibility and preserving City identity and history
- Improve public access to and increase tourism related to the Colorado River
- Provide better alternatives to driving with expanded access for people walking, bicycling, and taking transit
- Manage growth to ensure safe and fiscally sustainable infrastructure systems

Under California State Law, the Project is subject environmental review under the California Environmental Quality Act (CEQA), and the City will be preparing documentation pursuant to CEQA to evaluate the potential impacts of the Project. Please note the City is proposing the update the General Plan to guide future development in the City and no individual development projects are proposed at this time.

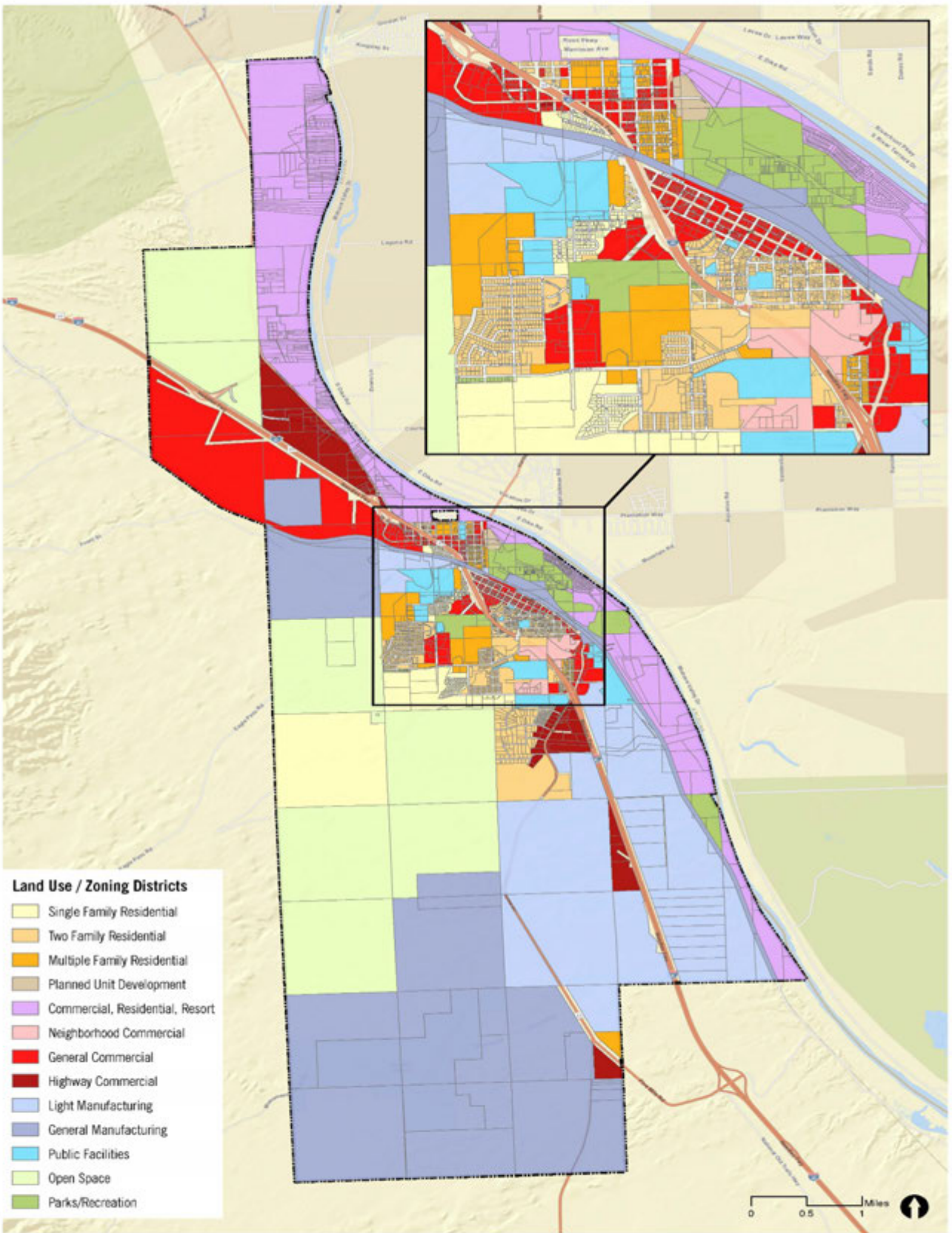
The Native American Resource Protection Act (Assembly Bill 52, Public Resources Code Section 21080.3.1) requires the City to notify California Native American Tribes of the decision to undertake the Project and allows Tribes 30 days to request consultation regarding possible significant effects that implementation of the Project may have on tribal cultural resources. In addition, Senate Bill 18 (Chapter 905, Statutes of 2004) requires the City to contact California Native American Tribes prior to amending a specific plan and allows Tribes 90 days to request consultation.

If consultation with the City regarding this Project is desired, please respond to this letter with a request in writing and identify a lead contact person. Within 30 days of receiving the tribe's request, the City will initiate consultation.

Whether or not the Tribe wishes for consultation with the City, the City welcomes comments from the Tribe as part of the environmental review process the City is conducting to comply with CEQA.

Sincerely,

Patrick Martinez,
 Community Development Manager



Proposed General Plan & Zoning Map (Draft)

Prepared 10-07-2022





City of Needles

817 Third Street • Needles, California 92363
(760) 326-2113 • FAX (760) 326-6765
www.cityofneedles.com

Mayor, Jeff Williams
Vice Mayor Edward T. Paget, M.D
Councilmember Shawn Gudmundson
Councilmember Tona Belt
Councilmember Clayton Hazelwood
Councilmember Tim Terral
Councilmember Zachery Longacre
City Manager Rick Daniels

October 20, 2022

Cabazon Band of Mission Indians
84-245 Indio Springs Parkway
Indio, CA, 92203
jstapp@cabazonindians-nsn.gov

Attention: Mr. Doug Welmas

Re: Tribal Consultation Pursuant to SB 18 and AB 52
City of Needles General Plan Update

Dear Mr. Welmas,

The City of Needles (City) is currently reviewing its General Plan Land use and Circulation Elements for the purposes of updating both. The City is providing an opportunity to consult with the City regarding the updating of these elements to identify any potential to impact Tribal Cultural Resources in accordance with California State Law. The Native American Heritage Commission (NAHC) indicated that the Sacred Lands File check was positive. This letter is being sent to both via email and postal service using the contact information provided by the NAHC.

PROJECT LOCATION: The City of Needles is located on the far eastern edge of San Bernardino County, is bounded by the Colorado River to the east, and is surrounded by the Mojave Desert on the north, west, and south sides. Interstate 40 bisects the City, running diagonally northwest to southeast.

PROJECT DESCRIPTION: The Land Use and Transportation elements form the backbone of the City's general plan and guide the long-term growth and improvement of the Needles community. The proposed project updates the Land Use and Transportation elements of the general plan to guide the City's growth and development for the next 20 years through 2040. The City intends to limit growth and development to its incorporated boundaries and does not plan on promoting growth or changing land use or circulation in its unincorporated sphere of influence (SOI).⁴

The City will also create a single-map system that bring its General Plan and Zoning maps into consistency, and introduce mixed-use development into the City's downtown and the creation of a Downtown (DT) designation and corresponding changes to the Development Code (see attached map as page 3 of this letter). Table 1, *Buildout Statistical Summary*, provides a statistical summary of the buildout potential associated with the Proposed Land Use Element compared to existing conditions. The City's transportation systems will be updated to enhance mobility in and around Needles for more efficient and safer motorized and nonmotorized circulation, with a focus on aligning future growth projections and necessary roadway improvements.

⁴ The majority of unincorporated SOI is north, south, and west of the incorporated boundaries; the exception is an 18-acre area that is owned by the Fort Mojave Indian Tribe and entirely surrounded by incorporated lands. The City assumes County land use designations for all unincorporated SOI areas, most of which are not associated with residential or nonresidential building activities (either Open Space or Resource/Land Management). The unincorporated land owned by the Fort Mojave Indian Tribe is designed for Rural Living by the County.

Table 1 Buildout Statistical Summary

Scenario	Acres	Units	Population	Non-res Sq. Feet	Employment
Exist. Conditions (2021)	19,124	2,829	5,225	1,876,869	1,403
Proposed GP (2040)	19,124	3,907	7,750	2,743,154	2,395
Potential Growth	--	1,078	2,525	866,285	992

The proposed project is designed to achieve the following primary objectives:

- Facilitate more flexible and innovative mix of land uses that will revitalize the downtown and provide new housing opportunities throughout the city
- Support economic growth through the cannabis industry while ensuring land use compatibility and preserving City identity and history
- Improve public access to and increase tourism related to the Colorado River
- Provide better alternatives to driving with expanded access for people walking, bicycling, and taking transit
- Manage growth to ensure safe and fiscally sustainable infrastructure systems

Under California State Law, the Project is subject environmental review under the California Environmental Quality Act (CEQA), and the City will be preparing documentation pursuant to CEQA to evaluate the potential impacts of the Project. Please note the City is proposing the update the General Plan to guide future development in the City and no individual development projects are proposed at this time.

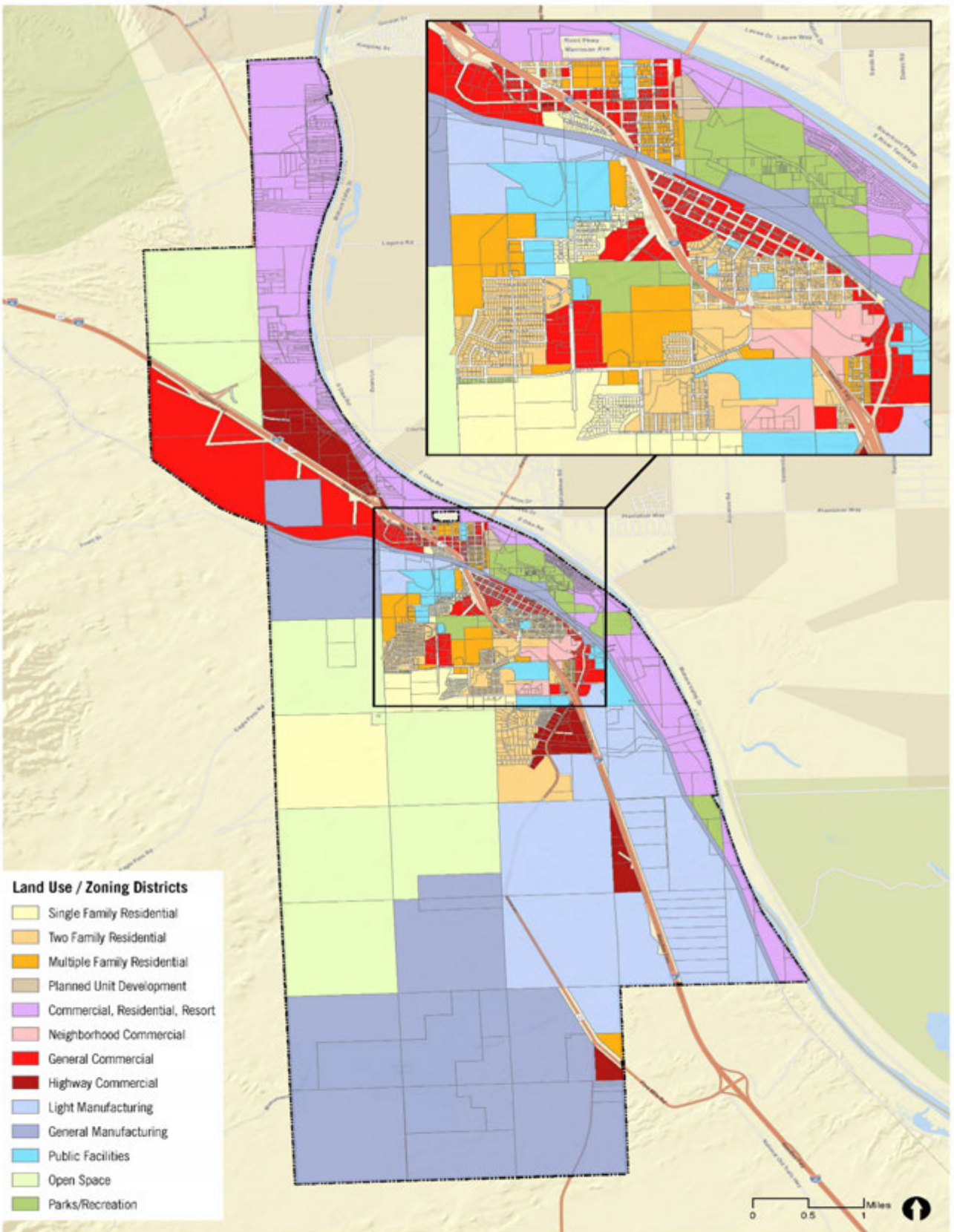
The Native American Resource Protection Act (Assembly Bill 52, Public Resources Code Section 21080.3.1) requires the City to notify California Native American Tribes of the decision to undertake the Project and allows Tribes 30 days to request consultation regarding possible significant effects that implementation of the Project may have on tribal cultural resources. In addition, Senate Bill 18 (Chapter 905, Statutes of 2004) requires the City to contact California Native American Tribes prior to amending a specific plan and allows Tribes 90 days to request consultation.

If consultation with the City regarding this Project is desired, please respond to this letter with a request in writing and identify a lead contact person. Within 30 days of receiving the tribe's request, the City will initiate consultation.

Whether or not the Tribe wishes for consultation with the City, the City welcomes comments from the Tribe as part of the environmental review process the City is conducting to comply with CEQA.

Sincerely,

Patrick Martinez,
 Community Development Manager



Proposed General Plan & Zoning Map (Draft)

Prepared 10-07-2022





City of Needles

817 Third Street • Needles, California 92363
(760) 326-2113 • FAX (760) 326-6765
www.cityofneedles.com

Mayor, Jeff Williams
Vice Mayor Edward T. Paget, M.D.
Councilmember Shawn Gudmundson
Councilmember Tona Belt
Councilmember Clayton Hazelwood
Councilmember Tim Terral
Councilmember Zachery Longacre
City Manager Rick Daniels

October 20, 2022

Cahuilla Band of Indians
52701 U.S. Highway 371
Anza, CA, 92539
chairman@cahuilla.net

Attention: Mr. Daniel Salgado

Re: Tribal Consultation Pursuant to SB 18 and AB 52
City of Needles General Plan Update

Dear Mr. Salgado,

The City of Needles (City) is currently reviewing its General Plan Land use and Circulation Elements for the purposes of updating both. The City is providing an opportunity to consult with the City regarding the updating of these elements to identify any potential to impact Tribal Cultural Resources in accordance with California State Law. The Native American Heritage Commission (NAHC) indicated that the Sacred Lands File check was positive. This letter is being sent to both via email and postal service using the contact information provided by the NAHC.

PROJECT LOCATION: The City of Needles is located on the far eastern edge of San Bernardino County, is bounded by the Colorado River to the east, and is surrounded by the Mojave Desert on the north, west, and south sides. Interstate 40 bisects the City, running diagonally northwest to southeast.

PROJECT DESCRIPTION: The Land Use and Transportation elements form the backbone of the City's general plan and guide the long-term growth and improvement of the Needles community. The proposed project updates the Land Use and Transportation elements of the general plan to guide the City's growth and development for the next 20 years through 2040. The City intends to limit growth and development to its incorporated boundaries and does not plan on promoting growth or changing land use or circulation in its unincorporated sphere of influence (SOI).⁵

The City will also create a single-map system that bring its General Plan and Zoning maps into consistency, and introduce mixed-use development into the City's downtown and the creation of a Downtown (DT) designation and corresponding changes to the Development Code (see attached map as page 3 of this letter). Table 1, *Buildout Statistical Summary*, provides a statistical summary of the buildout potential associated with the Proposed Land Use Element compared to existing conditions. The City's transportation systems will be updated to enhance mobility in and around Needles for more efficient and safer motorized and nonmotorized circulation, with a focus on aligning future growth projections and necessary roadway improvements.

⁵ The majority of unincorporated SOI is north, south, and west of the incorporated boundaries; the exception is an 18-acre area that is owned by the Fort Mojave Indian Tribe and entirely surrounded by incorporated lands. The City assumes County land use designations for all unincorporated SOI areas, most of which are not associated with residential or nonresidential building activities (either Open Space or Resource/Land Management). The unincorporated land owned by the Fort Mojave Indian Tribe is designed for Rural Living by the County.

Table 1 Buildout Statistical Summary

Scenario	Acres	Units	Population	Non-res Sq. Feet	Employment
Exist. Conditions (2021)	19,124	2,829	5,225	1,876,869	1,403
Proposed GP (2040)	19,124	3,907	7,750	2,743,154	2,395
Potential Growth	--	1,078	2,525	866,285	992

The proposed project is designed to achieve the following primary objectives:

- Facilitate more flexible and innovative mix of land uses that will revitalize the downtown and provide new housing opportunities throughout the city
- Support economic growth through the cannabis industry while ensuring land use compatibility and preserving City identity and history
- Improve public access to and increase tourism related to the Colorado River
- Provide better alternatives to driving with expanded access for people walking, bicycling, and taking transit
- Manage growth to ensure safe and fiscally sustainable infrastructure systems

Under California State Law, the Project is subject environmental review under the California Environmental Quality Act (CEQA), and the City will be preparing documentation pursuant to CEQA to evaluate the potential impacts of the Project. Please note the City is proposing the update the General Plan to guide future development in the City and no individual development projects are proposed at this time.

The Native American Resource Protection Act (Assembly Bill 52, Public Resources Code Section 21080.3.1) requires the City to notify California Native American Tribes of the decision to undertake the Project and allows Tribes 30 days to request consultation regarding possible significant effects that implementation of the Project may have on tribal cultural resources. In addition, Senate Bill 18 (Chapter 905, Statutes of 2004) requires the City to contact California Native American Tribes prior to amending a specific plan and allows Tribes 90 days to request consultation.

If consultation with the City regarding this Project is desired, please respond to this letter with a request in writing and identify a lead contact person. Within 30 days of receiving the tribe’s request, the City will initiate consultation.

Whether or not the Tribe wishes for consultation with the City, the City welcomes comments from the Tribe as part of the environmental review process the City is conducting to comply with CEQA.

Sincerely,

Patrick Martinez,
 Community Development Manager



Proposed General Plan & Zoning Map (Draft)

Prepared 10-07-2022





City of Needles

817 Third Street • Needles, California 92363
(760) 326-2113 • FAX (760) 326-6765
www.cityofneedles.com

Mayor, Jeff Williams
Vice Mayor Edward T. Paget, M.D.
Councilmember Shawn Gudmundson
Councilmember Tona Belt
Councilmember Clayton Hazelwood
Councilmember Tim Terral
Councilmember Zachery Longacre
City Manager Rick Daniels

October 20, 2022

Chemehuevi Indian Tribe
P.O. Box 1976 1990 Palo Verde Drive
Havasu Lake, CA, 92363
chairman@cit-nsn.gov

Attention: Ms. Sierra Pencille

Re: Tribal Consultation Pursuant to SB 18 and AB 52
City of Needles General Plan Update

Dear Ms. Pencille,

The City of Needles (City) is currently reviewing its General Plan Land use and Circulation Elements for the purposes of updating both. The City is providing an opportunity to consult with the City regarding the updating of these elements to identify any potential to impact Tribal Cultural Resources in accordance with California State Law. The Native American Heritage Commission (NAHC) indicated that the Sacred Lands File check was positive. This letter is being sent to both via email and postal service using the contact information provided by the NAHC.

PROJECT LOCATION: The City of Needles is located on the far eastern edge of San Bernardino County, is bounded by the Colorado River to the east, and is surrounded by the Mojave Desert on the north, west, and south sides. Interstate 40 bisects the City, running diagonally northwest to southeast.

PROJECT DESCRIPTION: The Land Use and Transportation elements form the backbone of the City's general plan and guide the long-term growth and improvement of the Needles community. The proposed project updates the Land Use and Transportation elements of the general plan to guide the City's growth and development for the next 20 years through 2040. The City intends to limit growth and development to its incorporated boundaries and does not plan on promoting growth or changing land use or circulation in its unincorporated sphere of influence (SOI).⁶

The City will also create a single-map system that bring its General Plan and Zoning maps into consistency, and introduce mixed-use development into the City's downtown and the creation of a Downtown (DT) designation and corresponding changes to the Development Code (see attached map as page 3 of this letter). Table 1, *Buildout Statistical Summary*, provides a statistical summary of the buildout potential associated with the Proposed Land Use Element compared to existing conditions. The City's transportation systems will be updated to enhance mobility in and around Needles for more efficient and safer motorized and nonmotorized circulation, with a focus on aligning future growth projections and necessary roadway improvements.

⁶ The majority of unincorporated SOI is north, south, and west of the incorporated boundaries; the exception is an 18-acre area that is owned by the Fort Mojave Indian Tribe and entirely surrounded by incorporated lands. The City assumes County land use designations for all unincorporated SOI areas, most of which are not associated with residential or nonresidential building activities (either Open Space or Resource/Land Management). The unincorporated land owned by the Fort Mojave Indian Tribe is designed for Rural Living by the County.

Table 1 Buildout Statistical Summary

Scenario	Acres	Units	Population	Non-res Sq. Feet	Employment
Exist. Conditions (2021)	19,124	2,829	5,225	1,876,869	1,403
Proposed GP (2040)	19,124	3,907	7,750	2,743,154	2,395
Potential Growth	--	1,078	2,525	866,285	992

The proposed project is designed to achieve the following primary objectives:

- Facilitate more flexible and innovative mix of land uses that will revitalize the downtown and provide new housing opportunities throughout the city
- Support economic growth through the cannabis industry while ensuring land use compatibility and preserving City identity and history
- Improve public access to and increase tourism related to the Colorado River
- Provide better alternatives to driving with expanded access for people walking, bicycling, and taking transit
- Manage growth to ensure safe and fiscally sustainable infrastructure systems

Under California State Law, the Project is subject environmental review under the California Environmental Quality Act (CEQA), and the City will be preparing documentation pursuant to CEQA to evaluate the potential impacts of the Project. Please note the City is proposing the update the General Plan to guide future development in the City and no individual development projects are proposed at this time.

The Native American Resource Protection Act (Assembly Bill 52, Public Resources Code Section 21080.3.1) requires the City to notify California Native American Tribes of the decision to undertake the Project and allows Tribes 30 days to request consultation regarding possible significant effects that implementation of the Project may have on tribal cultural resources. In addition, Senate Bill 18 (Chapter 905, Statutes of 2004) requires the City to contact California Native American Tribes prior to amending a specific plan and allows Tribes 90 days to request consultation.

If consultation with the City regarding this Project is desired, please respond to this letter with a request in writing and identify a lead contact person. Within 30 days of receiving the tribe's request, the City will initiate consultation.

Whether or not the Tribe wishes for consultation with the City, the City welcomes comments from the Tribe as part of the environmental review process the City is conducting to comply with CEQA.

Sincerely,

Patrick Martinez,
Community Development Manager



Proposed General Plan & Zoning Map (Draft)

Prepared 10-07-2022





City of Needles

817 Third Street • Needles, California 92363
(760) 326-2113 • FAX (760) 326-6765
www.cityofneedles.com

Mayor, Jeff Williams
Vice Mayor Edward T. Paget, M.D
Councilmember Shawn Gudmundson
Councilmember Tona Belt
Councilmember Clayton Hazelwood
Councilmember Tim Terral
Councilmember Zachery Longacre
City Manager Rick Daniels

October 20, 2022

Gabrieleno Band of Mission Indians - Kizh Nation
P.O. Box 393
Covina, CA, 91723
admin@gabrielenoindians.org

Attention: Mr. Andrew Salas

Re: Tribal Consultation Pursuant to SB 18 and AB 52
City of Needles General Plan Update

Dear Mr. Salas,

The City of Needles (City) is currently reviewing its General Plan Land use and Circulation Elements for the purposes of updating both. The City is providing an opportunity to consult with the City regarding the updating of these elements to identify any potential to impact Tribal Cultural Resources in accordance with California State Law. The Native American Heritage Commission (NAHC) indicated that the Sacred Lands File check was positive. This letter is being sent to both via email and postal service using the contact information provided by the NAHC.

PROJECT LOCATION: The City of Needles is located on the far eastern edge of San Bernardino County, is bounded by the Colorado River to the east, and is surrounded by the Mojave Desert on the north, west, and south sides. Interstate 40 bisects the City, running diagonally northwest to southeast.

PROJECT DESCRIPTION: The Land Use and Transportation elements form the backbone of the City's general plan and guide the long-term growth and improvement of the Needles community. The proposed project updates the Land Use and Transportation elements of the general plan to guide the City's growth and development for the next 20 years through 2040. The City intends to limit growth and development to its incorporated boundaries and does not plan on promoting growth or changing land use or circulation in its unincorporated sphere of influence (SOI).⁹

The City will also create a single-map system that bring its General Plan and Zoning maps into consistency, and introduce mixed-use development into the City's downtown and the creation of a Downtown (DT) designation and corresponding changes to the Development Code (see attached map as page 3 of this letter). Table 1, *Buildout Statistical Summary*, provides a statistical summary of the buildout potential associated with the Proposed Land Use Element compared to existing conditions. The City's transportation systems will be updated to enhance mobility in and around Needles for more efficient and safer motorized and nonmotorized circulation, with a focus on aligning future growth projections and necessary roadway improvements.

⁹ The majority of unincorporated SOI is north, south, and west of the incorporated boundaries; the exception is an 18-acre area that is owned by the Fort Mojave Indian Tribe and entirely surrounded by incorporated lands. The City assumes County land use designations for all unincorporated SOI areas, most of which are not associated with residential or nonresidential building activities (either Open Space or Resource/Land Management). The unincorporated land owned by the Fort Mojave Indian Tribe is designed for Rural Living by the County.

Table 1 Buildout Statistical Summary

Scenario	Acres	Units	Population	Non-res Sq. Feet	Employment
Exist. Conditions (2021)	19,124	2,829	5,225	1,876,869	1,403
Proposed GP (2040)	19,124	3,907	7,750	2,743,154	2,395
Potential Growth	--	1,078	2,525	866,285	992

The proposed project is designed to achieve the following primary objectives:

- Facilitate more flexible and innovative mix of land uses that will revitalize the downtown and provide new housing opportunities throughout the city
- Support economic growth through the cannabis industry while ensuring land use compatibility and preserving City identity and history
- Improve public access to and increase tourism related to the Colorado River
- Provide better alternatives to driving with expanded access for people walking, bicycling, and taking transit
- Manage growth to ensure safe and fiscally sustainable infrastructure systems

Under California State Law, the Project is subject environmental review under the California Environmental Quality Act (CEQA), and the City will be preparing documentation pursuant to CEQA to evaluate the potential impacts of the Project. Please note the City is proposing the update the General Plan to guide future development in the City and no individual development projects are proposed at this time.

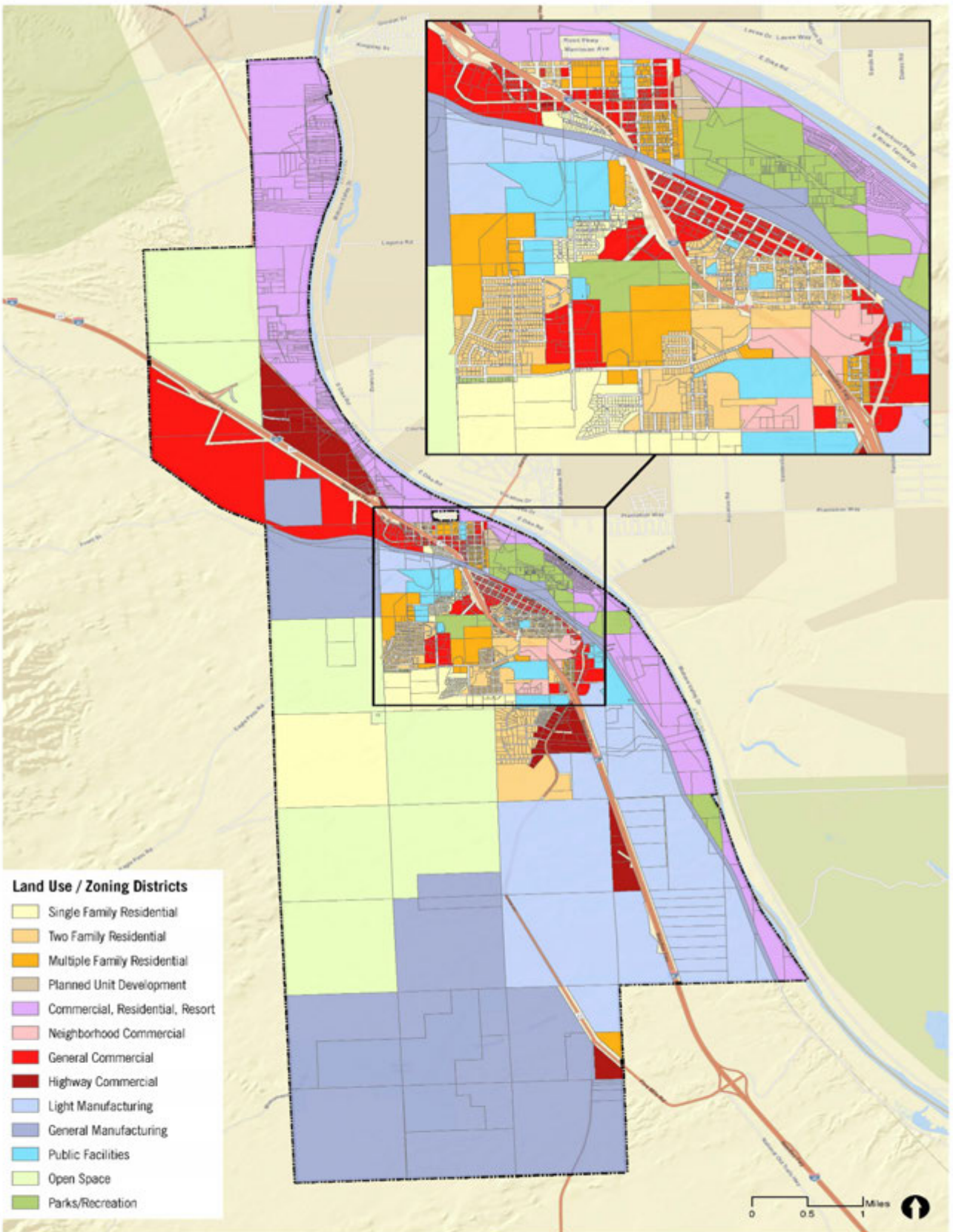
The Native American Resource Protection Act (Assembly Bill 52, Public Resources Code Section 21080.3.1) requires the City to notify California Native American Tribes of the decision to undertake the Project and allows Tribes 30 days to request consultation regarding possible significant effects that implementation of the Project may have on tribal cultural resources. In addition, Senate Bill 18 (Chapter 905, Statutes of 2004) requires the City to contact California Native American Tribes prior to amending a specific plan and allows Tribes 90 days to request consultation.

If consultation with the City regarding this Project is desired, please respond to this letter with a request in writing and identify a lead contact person. Within 30 days of receiving the tribe's request, the City will initiate consultation.

Whether or not the Tribe wishes for consultation with the City, the City welcomes comments from the Tribe as part of the environmental review process the City is conducting to comply with CEQA.

Sincerely,

Patrick Martinez,
 Community Development Manager



Proposed General Plan & Zoning Map (Draft)

Prepared 10-07-2022





City of Needles

817 Third Street • Needles, California 92363
(760) 326-2113 • FAX (760) 326-6765
www.cityofneedles.com

Mayor, Jeff Williams
Vice Mayor Edward T. Paget, M.D
Councilmember Shawn Gudmundson
Councilmember Tona Belt
Councilmember Clayton Hazlewood
Councilmember Tim Terral
Councilmember Zachery Longacre
City Manager Rick Daniels

October 20, 2022

Gabrielino /Tongva Nation
106 1/2 Judge John Aiso St. #231
Los Angeles, CA, 90012
sgoad@gabrielino-tongva.com

Attention: Ms. Sandonne Goad

Re: Tribal Consultation Pursuant to SB 18 and AB 52
City of Needles General Plan Update

Dear Ms. Goad,

The City of Needles (City) is currently reviewing its General Plan Land use and Circulation Elements for the purposes of updating both. The City is providing an opportunity to consult with the City regarding the updating of these elements to identify any potential to impact Tribal Cultural Resources in accordance with California State Law. The Native American Heritage Commission (NAHC) indicated that the Sacred Lands File check was positive. This letter is being sent to both via email and postal service using the contact information provided by the NAHC.

PROJECT LOCATION: The City of Needles is located on the far eastern edge of San Bernardino County, is bounded by the Colorado River to the east, and is surrounded by the Mojave Desert on the north, west, and south sides. Interstate 40 bisects the City, running diagonally northwest to southeast.

PROJECT DESCRIPTION: The Land Use and Transportation elements form the backbone of the City's general plan and guide the long-term growth and improvement of the Needles community. The proposed project updates the Land Use and Transportation elements of the general plan to guide the City's growth and development for the next 20 years through 2040. The City intends to limit growth and development to its incorporated boundaries and does not plan on promoting growth or changing land use or circulation in its unincorporated sphere of influence (SOI).¹¹

The City will also create a single-map system that bring its General Plan and Zoning maps into consistency, and introduce mixed-use development into the City's downtown and the creation of a Downtown (DT) designation and corresponding changes to the Development Code (see attached map as page 3 of this letter). Table 1, *Buildout Statistical Summary*, provides a statistical summary of the buildout potential associated with the Proposed Land Use Element compared to existing conditions. The City's transportation systems will be updated to enhance mobility in and around Needles for more efficient and safer motorized and nonmotorized circulation, with a focus on aligning future growth projections and necessary roadway improvements.

¹¹ The majority of unincorporated SOI is north, south, and west of the incorporated boundaries; the exception is an 18-acre area that is owned by the Fort Mojave Indian Tribe and entirely surrounded by incorporated lands. The City assumes County land use designations for all unincorporated SOI areas, most of which are not associated with residential or nonresidential building activities (either Open Space or Resource/Land Management). The unincorporated land owned by the Fort Mojave Indian Tribe is designed for Rural Living by the County.

Table 1 Buildout Statistical Summary

Scenario	Acres	Units	Population	Non-res Sq. Feet	Employment
Exist. Conditions (2021)	19,124	2,829	5,225	1,876,869	1,403
Proposed GP (2040)	19,124	3,907	7,750	2,743,154	2,395
Potential Growth	--	1,078	2,525	866,285	992

The proposed project is designed to achieve the following primary objectives:

- Facilitate more flexible and innovative mix of land uses that will revitalize the downtown and provide new housing opportunities throughout the city
- Support economic growth through the cannabis industry while ensuring land use compatibility and preserving City identity and history
- Improve public access to and increase tourism related to the Colorado River
- Provide better alternatives to driving with expanded access for people walking, bicycling, and taking transit
- Manage growth to ensure safe and fiscally sustainable infrastructure systems

Under California State Law, the Project is subject environmental review under the California Environmental Quality Act (CEQA), and the City will be preparing documentation pursuant to CEQA to evaluate the potential impacts of the Project. Please note the City is proposing the update the General Plan to guide future development in the City and no individual development projects are proposed at this time.

The Native American Resource Protection Act (Assembly Bill 52, Public Resources Code Section 21080.3.1) requires the City to notify California Native American Tribes of the decision to undertake the Project and allows Tribes 30 days to request consultation regarding possible significant effects that implementation of the Project may have on tribal cultural resources. In addition, Senate Bill 18 (Chapter 905, Statutes of 2004) requires the City to contact California Native American Tribes prior to amending a specific plan and allows Tribes 90 days to request consultation.

If consultation with the City regarding this Project is desired, please respond to this letter with a request in writing and identify a lead contact person. Within 30 days of receiving the tribe’s request, the City will initiate consultation.

Whether or not the Tribe wishes for consultation with the City, the City welcomes comments from the Tribe as part of the environmental review process the City is conducting to comply with CEQA.

Sincerely,

Patrick Martinez,
 Community Development Manager



Proposed General Plan & Zoning Map (Draft)

Prepared 10-07-2022





City of Needles

817 Third Street • Needles, California 92363
(760) 326-2113 • FAX (760) 326-6765
www.cityofneedles.com

Mayor, Jeff Williams
Vice Mayor Edward T. Paget, M.D.
Councilmember Shawn Gudmundson
Councilmember Tona Belt
Councilmember Clayton Hazlewood
Councilmember Tim Terral
Councilmember Zachery Longacre
City Manager Rick Daniels

October 20, 2022

Gabrieleno/Tongva San Gabriel Band of Mission Indians
P.O. Box 693
San Gabriel, CA, 91778
GTtribalcouncil@aol.com

Attention: Mr. Anthony Morales

Re: Tribal Consultation Pursuant to SB 18 and AB 52
City of Needles General Plan Update

Dear Mr. Morales,

The City of Needles (City) is currently reviewing its General Plan Land use and Circulation Elements for the purposes of updating both. The City is providing an opportunity to consult with the City regarding the updating of these elements to identify any potential to impact Tribal Cultural Resources in accordance with California State Law. The Native American Heritage Commission (NAHC) indicated that the Sacred Lands File check was positive. This letter is being sent to both via email and postal service using the contact information provided by the NAHC.

PROJECT LOCATION: The City of Needles is located on the far eastern edge of San Bernardino County, is bounded by the Colorado River to the east, and is surrounded by the Mojave Desert on the north, west, and south sides. Interstate 40 bisects the City, running diagonally northwest to southeast.

PROJECT DESCRIPTION: The Land Use and Transportation elements form the backbone of the City's general plan and guide the long-term growth and improvement of the Needles community. The proposed project updates the Land Use and Transportation elements of the general plan to guide the City's growth and development for the next 20 years through 2040. The City intends to limit growth and development to its incorporated boundaries and does not plan on promoting growth or changing land use or circulation in its unincorporated sphere of influence (SOI).¹⁰

The City will also create a single-map system that bring its General Plan and Zoning maps into consistency, and introduce mixed-use development into the City's downtown and the creation of a Downtown (DT) designation and corresponding changes to the Development Code (see attached map as page 3 of this letter). Table 1, *Buildout Statistical Summary*, provides a statistical summary of the buildout potential associated with the Proposed Land Use Element compared to existing conditions. The City's transportation systems will be updated to enhance mobility in and around Needles for more efficient and safer motorized and nonmotorized circulation, with a focus on aligning future growth projections and necessary roadway improvements.

¹⁰ The majority of unincorporated SOI is north, south, and west of the incorporated boundaries; the exception is an 18-acre area that is owned by the Fort Mojave Indian Tribe and entirely surrounded by incorporated lands. The City assumes County land use designations for all unincorporated SOI areas, most of which are not associated with residential or nonresidential building activities (either Open Space or Resource/Land Management). The unincorporated land owned by the Fort Mojave Indian Tribe is designed for Rural Living by the County.

Table 1 Buildout Statistical Summary

Scenario	Acres	Units	Population	Non-res Sq. Feet	Employment
Exist. Conditions (2021)	19,124	2,829	5,225	1,876,869	1,403
Proposed GP (2040)	19,124	3,907	7,750	2,743,154	2,395
Potential Growth	--	1,078	2,525	866,285	992

The proposed project is designed to achieve the following primary objectives:

- Facilitate more flexible and innovative mix of land uses that will revitalize the downtown and provide new housing opportunities throughout the city
- Support economic growth through the cannabis industry while ensuring land use compatibility and preserving City identity and history
- Improve public access to and increase tourism related to the Colorado River
- Provide better alternatives to driving with expanded access for people walking, bicycling, and taking transit
- Manage growth to ensure safe and fiscally sustainable infrastructure systems

Under California State Law, the Project is subject environmental review under the California Environmental Quality Act (CEQA), and the City will be preparing documentation pursuant to CEQA to evaluate the potential impacts of the Project. Please note the City is proposing the update the General Plan to guide future development in the City and no individual development projects are proposed at this time.

The Native American Resource Protection Act (Assembly Bill 52, Public Resources Code Section 21080.3.1) requires the City to notify California Native American Tribes of the decision to undertake the Project and allows Tribes 30 days to request consultation regarding possible significant effects that implementation of the Project may have on tribal cultural resources. In addition, Senate Bill 18 (Chapter 905, Statutes of 2004) requires the City to contact California Native American Tribes prior to amending a specific plan and allows Tribes 90 days to request consultation.

If consultation with the City regarding this Project is desired, please respond to this letter with a request in writing and identify a lead contact person. Within 30 days of receiving the tribe's request, the City will initiate consultation.

Whether or not the Tribe wishes for consultation with the City, the City welcomes comments from the Tribe as part of the environmental review process the City is conducting to comply with CEQA.

Sincerely,

Patrick Martinez,
 Community Development Manager



Proposed General Plan & Zoning Map (Draft)

Prepared 10-07-2022





City of Needles

817 Third Street • Needles, California 92363
(760) 326-2113 • FAX (760) 326-6765
www.cityofneedles.com

Mayor, Jeff Williams
Vice Mayor Edward T. Paget, M.D.
Councilmember Shawn Gudmundson
Councilmember Tona Belt
Councilmember Clayton Hazelwood
Councilmember Tim Terral
Councilmember Zachery Longacre
City Manager Rick Daniels

October 20, 2022

Gabrielino-Tongva Tribe
23454 Vanowen Street
West Hills, CA, 91307
roadkingcharles@aol.com

Attention: Mr. Charles Alvarez

Re: Tribal Consultation Pursuant to SB 18 and AB 52
City of Needles General Plan Update

Dear Mr. Alvarez,

The City of Needles (City) is currently reviewing its General Plan Land use and Circulation Elements for the purposes of updating both. The City is providing an opportunity to consult with the City regarding the updating of these elements to identify any potential to impact Tribal Cultural Resources in accordance with California State Law. The Native American Heritage Commission (NAHC) indicated that the Sacred Lands File check was positive. This letter is being sent to both via email and postal service using the contact information provided by the NAHC.

PROJECT LOCATION: The City of Needles is located on the far eastern edge of San Bernardino County, is bounded by the Colorado River to the east, and is surrounded by the Mojave Desert on the north, west, and south sides. Interstate 40 bisects the City, running diagonally northwest to southeast.

PROJECT DESCRIPTION: The Land Use and Transportation elements form the backbone of the City's general plan and guide the long-term growth and improvement of the Needles community. The proposed project updates the Land Use and Transportation elements of the general plan to guide the City's growth and development for the next 20 years through 2040. The City intends to limit growth and development to its incorporated boundaries and does not plan on promoting growth or changing land use or circulation in its unincorporated sphere of influence (SOI).¹⁴

The City will also create a single-map system that bring its General Plan and Zoning maps into consistency, and introduce mixed-use development into the City's downtown and the creation of a Downtown (DT) designation and corresponding changes to the Development Code (see attached map as page 3 of this letter). Table 1, *Buildout Statistical Summary*, provides a statistical summary of the buildout potential associated with the Proposed Land Use Element compared to existing conditions. The City's transportation systems will be updated to enhance mobility in and around Needles for more efficient and safer motorized and nonmotorized circulation, with a focus on aligning future growth projections and necessary roadway improvements.

¹⁴ The majority of unincorporated SOI is north, south, and west of the incorporated boundaries; the exception is an 18-acre area that is owned by the Fort Mojave Indian Tribe and entirely surrounded by incorporated lands. The City assumes County land use designations for all unincorporated SOI areas, most of which are not associated with residential or nonresidential building activities (either Open Space or Resource/Land Management). The unincorporated land owned by the Fort Mojave Indian Tribe is designed for Rural Living by the County.

Table 1 Buildout Statistical Summary

Scenario	Acres	Units	Population	Non-res Sq. Feet	Employment
Exist. Conditions (2021)	19,124	2,829	5,225	1,876,869	1,403
Proposed GP (2040)	19,124	3,907	7,750	2,743,154	2,395
Potential Growth	--	1,078	2,525	866,285	992

The proposed project is designed to achieve the following primary objectives:

- Facilitate more flexible and innovative mix of land uses that will revitalize the downtown and provide new housing opportunities throughout the city
- Support economic growth through the cannabis industry while ensuring land use compatibility and preserving City identity and history
- Improve public access to and increase tourism related to the Colorado River
- Provide better alternatives to driving with expanded access for people walking, bicycling, and taking transit
- Manage growth to ensure safe and fiscally sustainable infrastructure systems

Under California State Law, the Project is subject environmental review under the California Environmental Quality Act (CEQA), and the City will be preparing documentation pursuant to CEQA to evaluate the potential impacts of the Project. Please note the City is proposing the update the General Plan to guide future development in the City and no individual development projects are proposed at this time.

The Native American Resource Protection Act (Assembly Bill 52, Public Resources Code Section 21080.3.1) requires the City to notify California Native American Tribes of the decision to undertake the Project and allows Tribes 30 days to request consultation regarding possible significant effects that implementation of the Project may have on tribal cultural resources. In addition, Senate Bill 18 (Chapter 905, Statutes of 2004) requires the City to contact California Native American Tribes prior to amending a specific plan and allows Tribes 90 days to request consultation.

If consultation with the City regarding this Project is desired, please respond to this letter with a request in writing and identify a lead contact person. Within 30 days of receiving the tribe's request, the City will initiate consultation.

Whether or not the Tribe wishes for consultation with the City, the City welcomes comments from the Tribe as part of the environmental review process the City is conducting to comply with CEQA.

Sincerely,

Patrick Martinez,
Community Development Manager



Proposed General Plan & Zoning Map (Draft)

Prepared 10-07-2022





City of Needles

817 Third Street • Needles, California 92363
(760) 326-2113 • FAX (760) 326-6765
www.cityofneedles.com

Mayor, Jeff Williams
Vice Mayor Edward T. Paget, M.D
Councilmember Shawn Gudmundson
Councilmember Tona Belt
Councilmember Clayton Hazlewood
Councilmember Tim Terral
Councilmember Zachery Longacre
City Manager Rick Daniels

October 20, 2022

Gabrielino Tongva Indians of California Tribal Council
P.O. Box 941078
Simi Valley, CA, 93094
christina.marsden@alumni.usc.edu

Attention: Ms. Christina Conley

Re: Tribal Consultation Pursuant to SB 18 and AB 52
City of Needles General Plan Update

Dear Ms. Conley,

The City of Needles (City) is currently reviewing its General Plan Land use and Circulation Elements for the purposes of updating both. The City is providing an opportunity to consult with the City regarding the updating of these elements to identify any potential to impact Tribal Cultural Resources in accordance with California State Law. The Native American Heritage Commission (NAHC) indicated that the Sacred Lands File check was positive. This letter is being sent to both via email and postal service using the contact information provided by the NAHC.

PROJECT LOCATION: The City of Needles is located on the far eastern edge of San Bernardino County, is bounded by the Colorado River to the east, and is surrounded by the Mojave Desert on the north, west, and south sides. Interstate 40 bisects the City, running diagonally northwest to southeast.

PROJECT DESCRIPTION: The Land Use and Transportation elements form the backbone of the City's general plan and guide the long-term growth and improvement of the Needles community. The proposed project updates the Land Use and Transportation elements of the general plan to guide the City's growth and development for the next 20 years through 2040. The City intends to limit growth and development to its incorporated boundaries and does not plan on promoting growth or changing land use or circulation in its unincorporated sphere of influence (SOI).¹³

The City will also create a single-map system that bring its General Plan and Zoning maps into consistency, and introduce mixed-use development into the City's downtown and the creation of a Downtown (DT) designation and corresponding changes to the Development Code (see attached map as page 3 of this letter). Table 1, *Buildout Statistical Summary*, provides a statistical summary of the buildout potential associated with the Proposed Land Use Element compared to existing conditions. The City's transportation systems will be updated to enhance mobility in and around Needles for more efficient and safer motorized and nonmotorized circulation, with a focus on aligning future growth projections and necessary roadway improvements.

¹³ The majority of unincorporated SOI is north, south, and west of the incorporated boundaries; the exception is an 18-acre area that is owned by the Fort Mojave Indian Tribe and entirely surrounded by incorporated lands. The City assumes County land use designations for all unincorporated SOI areas, most of which are not associated with residential or nonresidential building activities (either Open Space or Resource/Land Management). The unincorporated land owned by the Fort Mojave Indian Tribe is designed for Rural Living by the County.

Table 1 Buildout Statistical Summary

Scenario	Acres	Units	Population	Non-res Sq. Feet	Employment
Exist. Conditions (2021)	19,124	2,829	5,225	1,876,869	1,403
Proposed GP (2040)	19,124	3,907	7,750	2,743,154	2,395
Potential Growth	--	1,078	2,525	866,285	992

The proposed project is designed to achieve the following primary objectives:

- Facilitate more flexible and innovative mix of land uses that will revitalize the downtown and provide new housing opportunities throughout the city
- Support economic growth through the cannabis industry while ensuring land use compatibility and preserving City identity and history
- Improve public access to and increase tourism related to the Colorado River
- Provide better alternatives to driving with expanded access for people walking, bicycling, and taking transit
- Manage growth to ensure safe and fiscally sustainable infrastructure systems

Under California State Law, the Project is subject environmental review under the California Environmental Quality Act (CEQA), and the City will be preparing documentation pursuant to CEQA to evaluate the potential impacts of the Project. Please note the City is proposing the update the General Plan to guide future development in the City and no individual development projects are proposed at this time.

The Native American Resource Protection Act (Assembly Bill 52, Public Resources Code Section 21080.3.1) requires the City to notify California Native American Tribes of the decision to undertake the Project and allows Tribes 30 days to request consultation regarding possible significant effects that implementation of the Project may have on tribal cultural resources. In addition, Senate Bill 18 (Chapter 905, Statutes of 2004) requires the City to contact California Native American Tribes prior to amending a specific plan and allows Tribes 90 days to request consultation.

If consultation with the City regarding this Project is desired, please respond to this letter with a request in writing and identify a lead contact person. Within 30 days of receiving the tribe's request, the City will initiate consultation.

Whether or not the Tribe wishes for consultation with the City, the City welcomes comments from the Tribe as part of the environmental review process the City is conducting to comply with CEQA.

Sincerely,

Patrick Martinez,
Community Development Manager



Proposed General Plan & Zoning Map (Draft)

Prepared 10-07-2022





City of Needles

817 Third Street • Needles, California 92363
(760) 326-2113 • FAX (760) 326-6765
www.cityofneedles.com

Mayor, Jeff Williams
Vice Mayor Edward T. Paget, M.D.
Councilmember Shawn Gudmundson
Councilmember Tona Belt
Councilmember Clayton Hazelwood
Councilmember Tim Terral
Councilmember Zachery Longacre
City Manager Rick Daniels

October 20, 2022

Gabrielino Tongva Indians of California Tribal Council
P.O. Box 490
Bellflower, CA, 90707
gtongva@gmail.com

Attention: Mr. Robert Dorame

Re: Tribal Consultation Pursuant to SB 18 and AB 52
City of Needles General Plan Update

Dear Mr. Dorame,

The City of Needles (City) is currently reviewing its General Plan Land use and Circulation Elements for the purposes of updating both. The City is providing an opportunity to consult with the City regarding the updating of these elements to identify any potential to impact Tribal Cultural Resources in accordance with California State Law. The Native American Heritage Commission (NAHC) indicated that the Sacred Lands File check was positive. This letter is being sent to both via email and postal service using the contact information provided by the NAHC.

PROJECT LOCATION: The City of Needles is located on the far eastern edge of San Bernardino County, is bounded by the Colorado River to the east, and is surrounded by the Mojave Desert on the north, west, and south sides. Interstate 40 bisects the City, running diagonally northwest to southeast.

PROJECT DESCRIPTION: The Land Use and Transportation elements form the backbone of the City's general plan and guide the long-term growth and improvement of the Needles community. The proposed project updates the Land Use and Transportation elements of the general plan to guide the City's growth and development for the next 20 years through 2040. The City intends to limit growth and development to its incorporated boundaries and does not plan on promoting growth or changing land use or circulation in its unincorporated sphere of influence (SOI).¹²

The City will also create a single-map system that brings its General Plan and Zoning maps into consistency, and introduce mixed-use development into the City's downtown and the creation of a Downtown (DT) designation and corresponding changes to the Development Code (see attached map as page 3 of this letter). Table 1, *Buildout Statistical Summary*, provides a statistical summary of the buildout potential associated with the Proposed Land Use Element compared to existing conditions. The City's transportation systems will be updated to enhance mobility in and around Needles for more efficient and safer motorized and nonmotorized circulation, with a focus on aligning future growth projections and necessary roadway improvements.

¹² The majority of unincorporated SOI is north, south, and west of the incorporated boundaries; the exception is an 18-acre area that is owned by the Fort Mojave Indian Tribe and entirely surrounded by incorporated lands. The City assumes County land use designations for all unincorporated SOI areas, most of which are not associated with residential or nonresidential building activities (either Open Space or Resource/Land Management). The unincorporated land owned by the Fort Mojave Indian Tribe is designed for Rural Living by the County.

Table 1 Buildout Statistical Summary

Scenario	Acres	Units	Population	Non-res Sq. Feet	Employment
Exist. Conditions (2021)	19,124	2,829	5,225	1,876,869	1,403
Proposed GP (2040)	19,124	3,907	7,750	2,743,154	2,395
Potential Growth	--	1,078	2,525	866,285	992

The proposed project is designed to achieve the following primary objectives:

- Facilitate more flexible and innovative mix of land uses that will revitalize the downtown and provide new housing opportunities throughout the city
- Support economic growth through the cannabis industry while ensuring land use compatibility and preserving City identity and history
- Improve public access to and increase tourism related to the Colorado River
- Provide better alternatives to driving with expanded access for people walking, bicycling, and taking transit
- Manage growth to ensure safe and fiscally sustainable infrastructure systems

Under California State Law, the Project is subject environmental review under the California Environmental Quality Act (CEQA), and the City will be preparing documentation pursuant to CEQA to evaluate the potential impacts of the Project. Please note the City is proposing the update the General Plan to guide future development in the City and no individual development projects are proposed at this time.

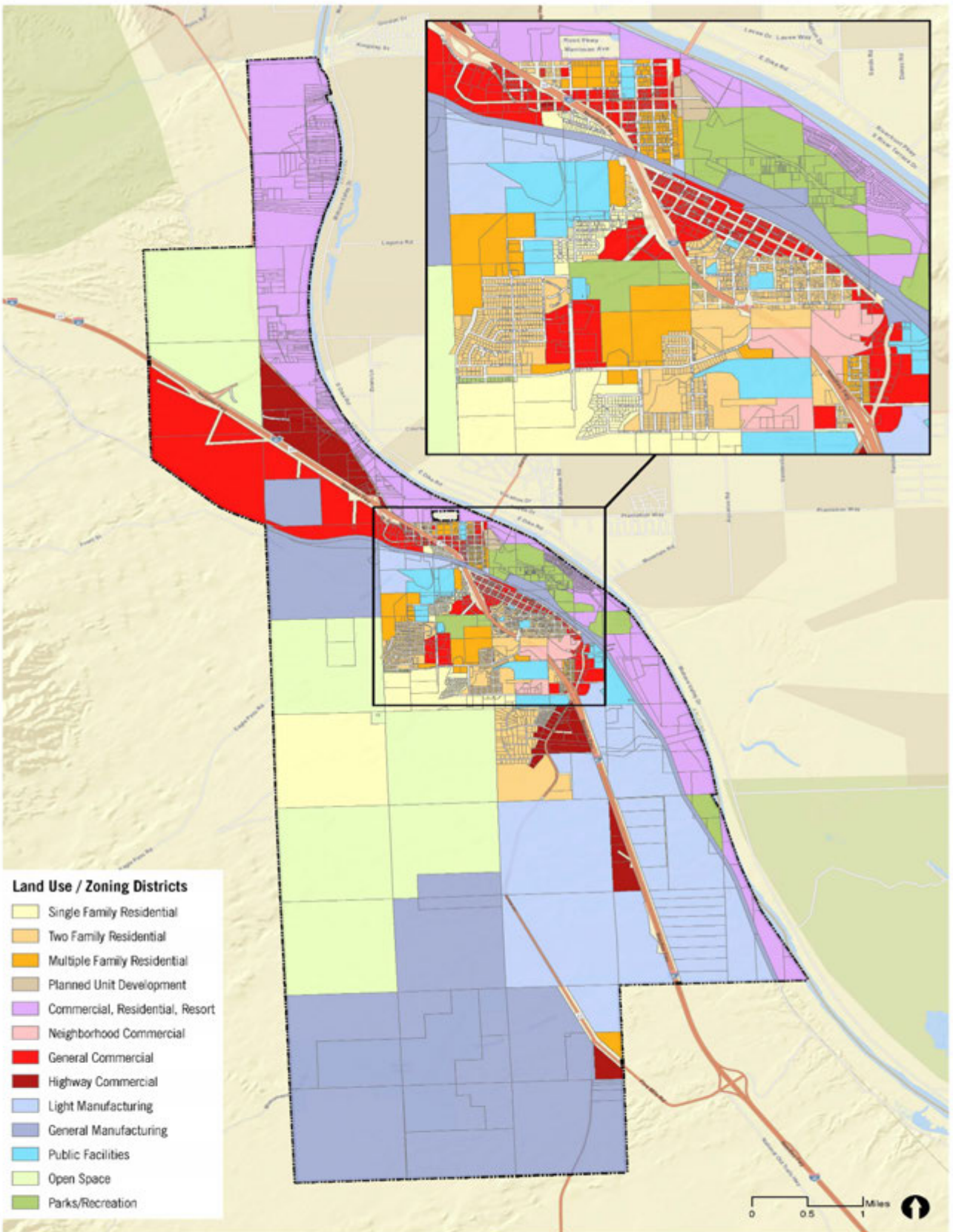
The Native American Resource Protection Act (Assembly Bill 52, Public Resources Code Section 21080.3.1) requires the City to notify California Native American Tribes of the decision to undertake the Project and allows Tribes 30 days to request consultation regarding possible significant effects that implementation of the Project may have on tribal cultural resources. In addition, Senate Bill 18 (Chapter 905, Statutes of 2004) requires the City to contact California Native American Tribes prior to amending a specific plan and allows Tribes 90 days to request consultation.

If consultation with the City regarding this Project is desired, please respond to this letter with a request in writing and identify a lead contact person. Within 30 days of receiving the tribe's request, the City will initiate consultation.

Whether or not the Tribe wishes for consultation with the City, the City welcomes comments from the Tribe as part of the environmental review process the City is conducting to comply with CEQA.

Sincerely,

Patrick Martinez,
Community Development Manager



Proposed General Plan & Zoning Map (Draft)

Prepared 10-07-2022





City of Needles

817 Third Street • Needles, California 92363
(760) 326-2113 • FAX (760) 326-6765
www.cityofneedles.com

Mayor, Jeff Williams
Vice Mayor Edward T. Paget, M.D.
Councilmember Shawn Gudmundson
Councilmember Tona Belt
Councilmember Clayton Hazlewood
Councilmember Tim Terral
Councilmember Zachery Longacre
City Manager Rick Daniels

October 20, 2022

Juaneno Band of Indians Acjachemen Nation - Belardes
32161 Avenida Los Amigos
San Juan Capistrano, CA, 92675
kaamalam@gmail.com

Attention: Mr. Matias Belardes

Re: Tribal Consultation Pursuant to SB 18 and AB 52
City of Needles General Plan Update

Dear Mr. Belardes,

The City of Needles (City) is currently reviewing its General Plan Land use and Circulation Elements for the purposes of updating both. The City is providing an opportunity to consult with the City regarding the updating of these elements to identify any potential to impact Tribal Cultural Resources in accordance with California State Law. The Native American Heritage Commission (NAHC) indicated that the Sacred Lands File check was positive. This letter is being sent to both via email and postal service using the contact information provided by the NAHC.

PROJECT LOCATION: The City of Needles is located on the far eastern edge of San Bernardino County, is bounded by the Colorado River to the east, and is surrounded by the Mojave Desert on the north, west, and south sides. Interstate 40 bisects the City, running diagonally northwest to southeast.

PROJECT DESCRIPTION: The Land Use and Transportation elements form the backbone of the City's general plan and guide the long-term growth and improvement of the Needles community. The proposed project updates the Land Use and Transportation elements of the general plan to guide the City's growth and development for the next 20 years through 2040. The City intends to limit growth and development to its incorporated boundaries and does not plan on promoting growth or changing land use or circulation in its unincorporated sphere of influence (SOI).¹⁵

The City will also create a single-map system that bring its General Plan and Zoning maps into consistency, and introduce mixed-use development into the City's downtown and the creation of a Downtown (DT) designation and corresponding changes to the Development Code (see attached map as page 3 of this letter). Table 1, *Buildout Statistical Summary*, provides a statistical summary of the buildout potential associated with the Proposed Land Use Element compared to existing conditions. The City's transportation systems will be updated to enhance mobility in and around Needles for more efficient and safer motorized and nonmotorized circulation, with a focus on aligning future growth projections and necessary roadway improvements.

¹⁵ The majority of unincorporated SOI is north, south, and west of the incorporated boundaries; the exception is an 18-acre area that is owned by the Fort Mojave Indian Tribe and entirely surrounded by incorporated lands. The City assumes County land use designations for all unincorporated SOI areas, most of which are not associated with residential or nonresidential building activities (either Open Space or Resource/Land Management). The unincorporated land owned by the Fort Mojave Indian Tribe is designed for Rural Living by the County.

Table 1 Buildout Statistical Summary

Scenario	Acres	Units	Population	Non-res Sq. Feet	Employment
Exist. Conditions (2021)	19,124	2,829	5,225	1,876,869	1,403
Proposed GP (2040)	19,124	3,907	7,750	2,743,154	2,395
Potential Growth	--	1,078	2,525	866,285	992

The proposed project is designed to achieve the following primary objectives:

- Facilitate more flexible and innovative mix of land uses that will revitalize the downtown and provide new housing opportunities throughout the city
- Support economic growth through the cannabis industry while ensuring land use compatibility and preserving City identity and history
- Improve public access to and increase tourism related to the Colorado River
- Provide better alternatives to driving with expanded access for people walking, bicycling, and taking transit
- Manage growth to ensure safe and fiscally sustainable infrastructure systems

Under California State Law, the Project is subject environmental review under the California Environmental Quality Act (CEQA), and the City will be preparing documentation pursuant to CEQA to evaluate the potential impacts of the Project. Please note the City is proposing the update the General Plan to guide future development in the City and no individual development projects are proposed at this time.

The Native American Resource Protection Act (Assembly Bill 52, Public Resources Code Section 21080.3.1) requires the City to notify California Native American Tribes of the decision to undertake the Project and allows Tribes 30 days to request consultation regarding possible significant effects that implementation of the Project may have on tribal cultural resources. In addition, Senate Bill 18 (Chapter 905, Statutes of 2004) requires the City to contact California Native American Tribes prior to amending a specific plan and allows Tribes 90 days to request consultation.

If consultation with the City regarding this Project is desired, please respond to this letter with a request in writing and identify a lead contact person. Within 30 days of receiving the tribe's request, the City will initiate consultation.

Whether or not the Tribe wishes for consultation with the City, the City welcomes comments from the Tribe as part of the environmental review process the City is conducting to comply with CEQA.

Sincerely,

Patrick Martinez,
 Community Development Manager



Proposed General Plan & Zoning Map (Draft)

Prepared 10-07-2022





City of Needles

817 Third Street • Needles, California 92363
(760) 326-2113 • FAX (760) 326-6765
www.cityofneedles.com

Mayor, Jeff Williams
Vice Mayor Edward T. Paget, M.D
Councilmember Shawn Gudmundson
Councilmember Tona Belt
Councilmember Clayton Hazlewood
Councilmember Tim Terral
Councilmember Zachery Longacre
City Manager Rick Daniels

October 20, 2022

Juaneno Band of Mission Indians Acjachemen Nation 84A
31411-A La Matanza Street
San Juan Capistrano, CA, 92675
hllucero105@gmail.com

Attention: Ms. Heidi Lucero

Re: Tribal Consultation Pursuant to SB 18 and AB 52
City of Needles General Plan Update

Dear Ms. Lucero,

The City of Needles (City) is currently reviewing its General Plan Land use and Circulation Elements for the purposes of updating both. The City is providing an opportunity to consult with the City regarding the updating of these elements to identify any potential to impact Tribal Cultural Resources in accordance with California State Law. The Native American Heritage Commission (NAHC) indicated that the Sacred Lands File check was positive. This letter is being sent to both via email and postal service using the contact information provided by the NAHC.

PROJECT LOCATION: The City of Needles is located on the far eastern edge of San Bernardino County, is bounded by the Colorado River to the east, and is surrounded by the Mojave Desert on the north, west, and south sides. Interstate 40 bisects the City, running diagonally northwest to southeast.

PROJECT DESCRIPTION: The Land Use and Transportation elements form the backbone of the City's general plan and guide the long-term growth and improvement of the Needles community. The proposed project updates the Land Use and Transportation elements of the general plan to guide the City's growth and development for the next 20 years through 2040. The City intends to limit growth and development to its incorporated boundaries and does not plan on promoting growth or changing land use or circulation in its unincorporated sphere of influence (SOI).¹⁶

The City will also create a single-map system that bring its General Plan and Zoning maps into consistency, and introduce mixed-use development into the City's downtown and the creation of a Downtown (DT) designation and corresponding changes to the Development Code (see attached map as page 3 of this letter). Table 1, *Buildout Statistical Summary*, provides a statistical summary of the buildout potential associated with the Proposed Land Use Element compared to existing conditions. The City's transportation systems will be updated to enhance mobility in and around Needles for more efficient and safer motorized and nonmotorized circulation, with a focus on aligning future growth projections and necessary roadway improvements.

¹⁶ The majority of unincorporated SOI is north, south, and west of the incorporated boundaries; the exception is an 18-acre area that is owned by the Fort Mojave Indian Tribe and entirely surrounded by incorporated lands. The City assumes County land use designations for all unincorporated SOI areas, most of which are not associated with residential or nonresidential building activities (either Open Space or Resource/Land Management). The unincorporated land owned by the Fort Mojave Indian Tribe is designed for Rural Living by the County.

Table 1 Buildout Statistical Summary

Scenario	Acres	Units	Population	Non-res Sq. Feet	Employment
Exist. Conditions (2021)	19,124	2,829	5,225	1,876,869	1,403
Proposed GP (2040)	19,124	3,907	7,750	2,743,154	2,395
Potential Growth	--	1,078	2,525	866,285	992

The proposed project is designed to achieve the following primary objectives:

- Facilitate more flexible and innovative mix of land uses that will revitalize the downtown and provide new housing opportunities throughout the city
- Support economic growth through the cannabis industry while ensuring land use compatibility and preserving City identity and history
- Improve public access to and increase tourism related to the Colorado River
- Provide better alternatives to driving with expanded access for people walking, bicycling, and taking transit
- Manage growth to ensure safe and fiscally sustainable infrastructure systems

Under California State Law, the Project is subject environmental review under the California Environmental Quality Act (CEQA), and the City will be preparing documentation pursuant to CEQA to evaluate the potential impacts of the Project. Please note the City is proposing the update the General Plan to guide future development in the City and no individual development projects are proposed at this time.

The Native American Resource Protection Act (Assembly Bill 52, Public Resources Code Section 21080.3.1) requires the City to notify California Native American Tribes of the decision to undertake the Project and allows Tribes 30 days to request consultation regarding possible significant effects that implementation of the Project may have on tribal cultural resources. In addition, Senate Bill 18 (Chapter 905, Statutes of 2004) requires the City to contact California Native American Tribes prior to amending a specific plan and allows Tribes 90 days to request consultation.

If consultation with the City regarding this Project is desired, please respond to this letter with a request in writing and identify a lead contact person. Within 30 days of receiving the tribe's request, the City will initiate consultation.

Whether or not the Tribe wishes for consultation with the City, the City welcomes comments from the Tribe as part of the environmental review process the City is conducting to comply with CEQA.

Sincerely,

Patrick Martinez,
Community Development Manager



Proposed General Plan & Zoning Map (Draft)

Prepared 10-07-2022





City of Needles

817 Third Street • Needles, California 92363
(760) 326-2113 • FAX (760) 326-6765
www.cityofneedles.com

Mayor, Jeff Williams
Vice Mayor Edward T. Paget, M.D
Councilmember Shawn Gudmundson
Councilmember Tona Belt
Councilmember Clayton Hazlewood
Councilmember Tim Terral
Councilmember Zachery Longacre
City Manager Rick Daniels

October 20, 2022

Kern Valley Indian Community
P.O. Box 1010
Lake Isabella, CA, 93240
bbutterbredt@gmail.com

Attention: Mr. Robert Robinson

Re: Tribal Consultation Pursuant to SB 18 and AB 52
City of Needles General Plan Update

Dear Mr. Robinson,

The City of Needles (City) is currently reviewing its General Plan Land use and Circulation Elements for the purposes of updating both. The City is providing an opportunity to consult with the City regarding the updating of these elements to identify any potential to impact Tribal Cultural Resources in accordance with California State Law. The Native American Heritage Commission (NAHC) indicated that the Sacred Lands File check was positive. This letter is being sent to both via email and postal service using the contact information provided by the NAHC.

PROJECT LOCATION: The City of Needles is located on the far eastern edge of San Bernardino County, is bounded by the Colorado River to the east, and is surrounded by the Mojave Desert on the north, west, and south sides. Interstate 40 bisects the City, running diagonally northwest to southeast.

PROJECT DESCRIPTION: The Land Use and Transportation elements form the backbone of the City's general plan and guide the long-term growth and improvement of the Needles community. The proposed project updates the Land Use and Transportation elements of the general plan to guide the City's growth and development for the next 20 years through 2040. The City intends to limit growth and development to its incorporated boundaries and does not plan on promoting growth or changing land use or circulation in its unincorporated sphere of influence (SOI).¹⁷

The City will also create a single-map system that bring its General Plan and Zoning maps into consistency, and introduce mixed-use development into the City's downtown and the creation of a Downtown (DT) designation and corresponding changes to the Development Code (see attached map as page 3 of this letter). Table 1, *Buildout Statistical Summary*, provides a statistical summary of the buildout potential associated with the Proposed Land Use Element compared to existing conditions. The City's transportation systems will be updated to enhance mobility in and around Needles for more efficient and safer motorized and nonmotorized circulation, with a focus on aligning future growth projections and necessary roadway improvements.

¹⁷ The majority of unincorporated SOI is north, south, and west of the incorporated boundaries; the exception is an 18-acre area that is owned by the Fort Mojave Indian Tribe and entirely surrounded by incorporated lands. The City assumes County land use designations for all unincorporated SOI areas, most of which are not associated with residential or nonresidential building activities (either Open Space or Resource/Land Management). The unincorporated land owned by the Fort Mojave Indian Tribe is designed for Rural Living by the County.

Table 1 Buildout Statistical Summary

Scenario	Acres	Units	Population	Non-res Sq. Feet	Employment
Exist. Conditions (2021)	19,124	2,829	5,225	1,876,869	1,403
Proposed GP (2040)	19,124	3,907	7,750	2,743,154	2,395
Potential Growth	--	1,078	2,525	866,285	992

The proposed project is designed to achieve the following primary objectives:

- Facilitate more flexible and innovative mix of land uses that will revitalize the downtown and provide new housing opportunities throughout the city
- Support economic growth through the cannabis industry while ensuring land use compatibility and preserving City identity and history
- Improve public access to and increase tourism related to the Colorado River
- Provide better alternatives to driving with expanded access for people walking, bicycling, and taking transit
- Manage growth to ensure safe and fiscally sustainable infrastructure systems

Under California State Law, the Project is subject environmental review under the California Environmental Quality Act (CEQA), and the City will be preparing documentation pursuant to CEQA to evaluate the potential impacts of the Project. Please note the City is proposing the update the General Plan to guide future development in the City and no individual development projects are proposed at this time.

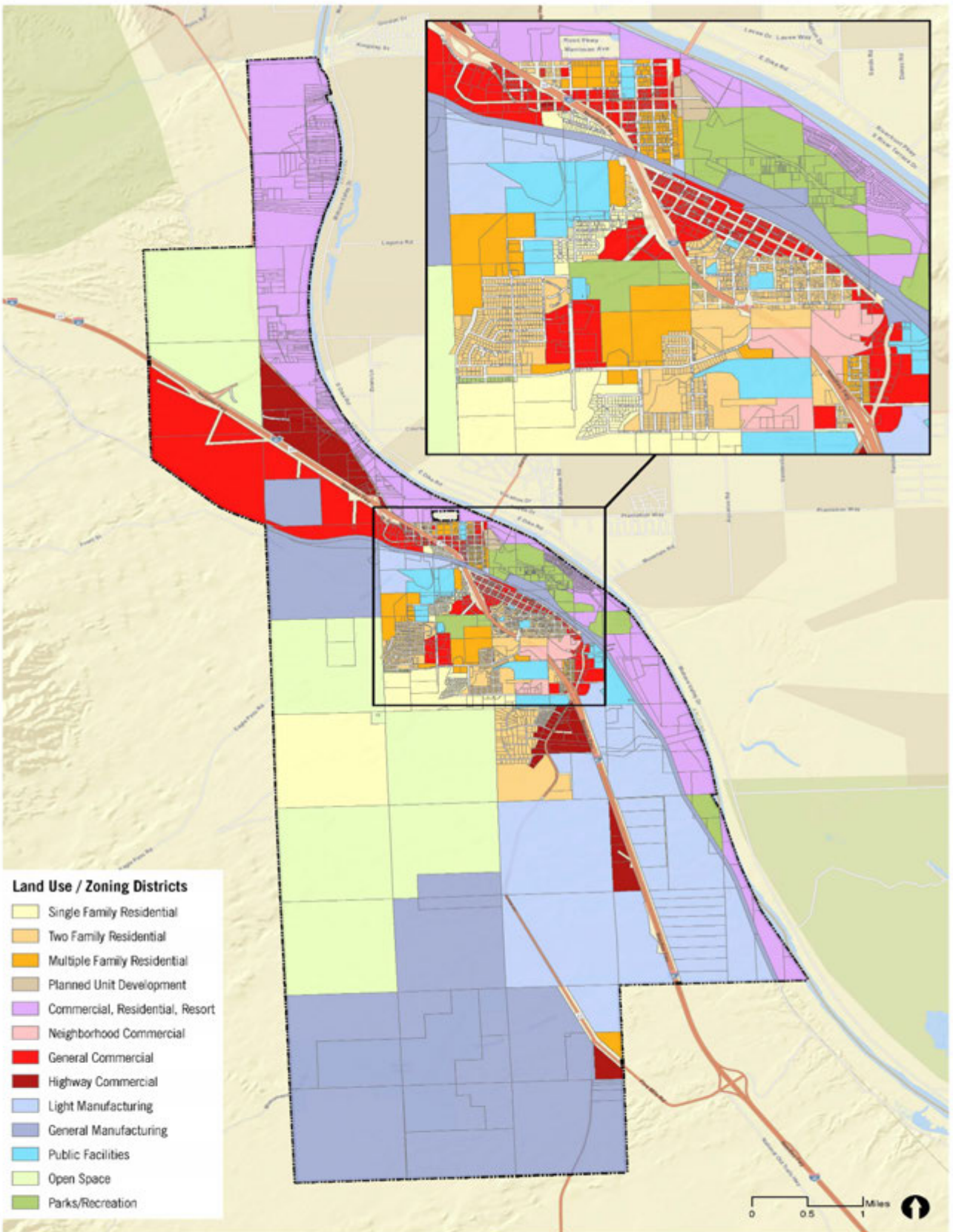
The Native American Resource Protection Act (Assembly Bill 52, Public Resources Code Section 21080.3.1) requires the City to notify California Native American Tribes of the decision to undertake the Project and allows Tribes 30 days to request consultation regarding possible significant effects that implementation of the Project may have on tribal cultural resources. In addition, Senate Bill 18 (Chapter 905, Statutes of 2004) requires the City to contact California Native American Tribes prior to amending a specific plan and allows Tribes 90 days to request consultation.

If consultation with the City regarding this Project is desired, please respond to this letter with a request in writing and identify a lead contact person. Within 30 days of receiving the tribe’s request, the City will initiate consultation.

Whether or not the Tribe wishes for consultation with the City, the City welcomes comments from the Tribe as part of the environmental review process the City is conducting to comply with CEQA.

Sincerely,

Patrick Martinez,
 Community Development Manager



Proposed General Plan & Zoning Map (Draft)

Prepared 10-07-2022





City of Needles

817 Third Street • Needles, California 92363
(760) 326-2113 • FAX (760) 326-6765
www.cityofneedles.com

Mayor, Jeff Williams
Vice Mayor Edward T. Paget, M.D
Councilmember Shawn Gudmundson
Councilmember Tona Belt
Councilmember Clayton Hazelwood
Councilmember Tim Terral
Councilmember Zachery Longacre
City Manager Rick Daniels

October 20, 2022

Los Coyotes Band of Cahuilla and Cupeño Indians
P.O. Box 189
Warner Springs, CA, 92086-0189

Attention: Mr. Ray Chapparosa

Re: Tribal Consultation Pursuant to SB 18 and AB 52
City of Needles General Plan Update

Dear Mr. Chapparosa,

The City of Needles (City) is currently reviewing its General Plan Land use and Circulation Elements for the purposes of updating both. The City is providing an opportunity to consult with the City regarding the updating of these elements to identify any potential to impact Tribal Cultural Resources in accordance with California State Law. The Native American Heritage Commission indicated that the Sacred Lands File check was positive.

PROJECT LOCATION: The City of Needles is located on the far eastern edge of San Bernardino County, is bounded by the Colorado River to the east, and is surrounded by the Mojave Desert on the north, west, and south sides. Interstate 40 bisects the City, running diagonally northwest to southeast.

PROJECT DESCRIPTION: The Land Use and Transportation elements form the backbone of the City's general plan and guide the long-term growth and improvement of the Needles community. The proposed project updates the Land Use and Transportation elements of the general plan to guide the City's growth and development for the next 20 years through 2040. The City intends to limit growth and development to its incorporated boundaries and does not plan on promoting growth or changing land use or circulation in its unincorporated sphere of influence (SOI).¹⁸

The City will also create a single-map system that bring its General Plan and Zoning maps into consistency, and introduce mixed-use development into the City's downtown and the creation of a Downtown (DT) designation and corresponding changes to the Development Code (see attached map as page 3 of this letter). Table 1, *Buildout Statistical Summary*, provides a statistical summary of the buildout potential associated with the Proposed Land Use Element compared to existing conditions. The City's transportation systems will be updated to enhance mobility in and around Needles for more efficient and safer motorized and nonmotorized circulation, with a focus on aligning future growth projections and necessary roadway improvements.

Table 1 Buildout Statistical Summary

Scenario	Acres	Units	Population	Non-res Sq. Feet	Employment
----------	-------	-------	------------	------------------	------------

¹⁸ The majority of unincorporated SOI is north, south, and west of the incorporated boundaries; the exception is an 18-acre area that is owned by the Fort Mojave Indian Tribe and entirely surrounded by incorporated lands. The City assumes County land use designations for all unincorporated SOI areas, most of which are not associated with residential or nonresidential building activities (either Open Space or Resource/Land Management). The unincorporated land owned by the Fort Mojave Indian Tribe is designed for Rural Living by the County.

Exist. Conditions (2021)	19,124	2,829	5,225	1,876,869	1,403
Proposed GP (2040)	19,124	3,907	7,750	2,743,154	2,395
Potential Growth	--	1,078	2,525	866,285	992

The proposed project is designed to achieve the following primary objectives:

- Facilitate more flexible and innovative mix of land uses that will revitalize the downtown and provide new housing opportunities throughout the city
- Support economic growth through the cannabis industry while ensuring land use compatibility and preserving City identity and history
- Improve public access to and increase tourism related to the Colorado River
- Provide better alternatives to driving with expanded access for people walking, bicycling, and taking transit
- Manage growth to ensure safe and fiscally sustainable infrastructure systems

Under California State Law, the Project is subject environmental review under the California Environmental Quality Act (CEQA), and the City will be preparing documentation pursuant to CEQA to evaluate the potential impacts of the Project. Please note the City is proposing the update the General Plan to guide future development in the City and no individual development projects are proposed at this time.

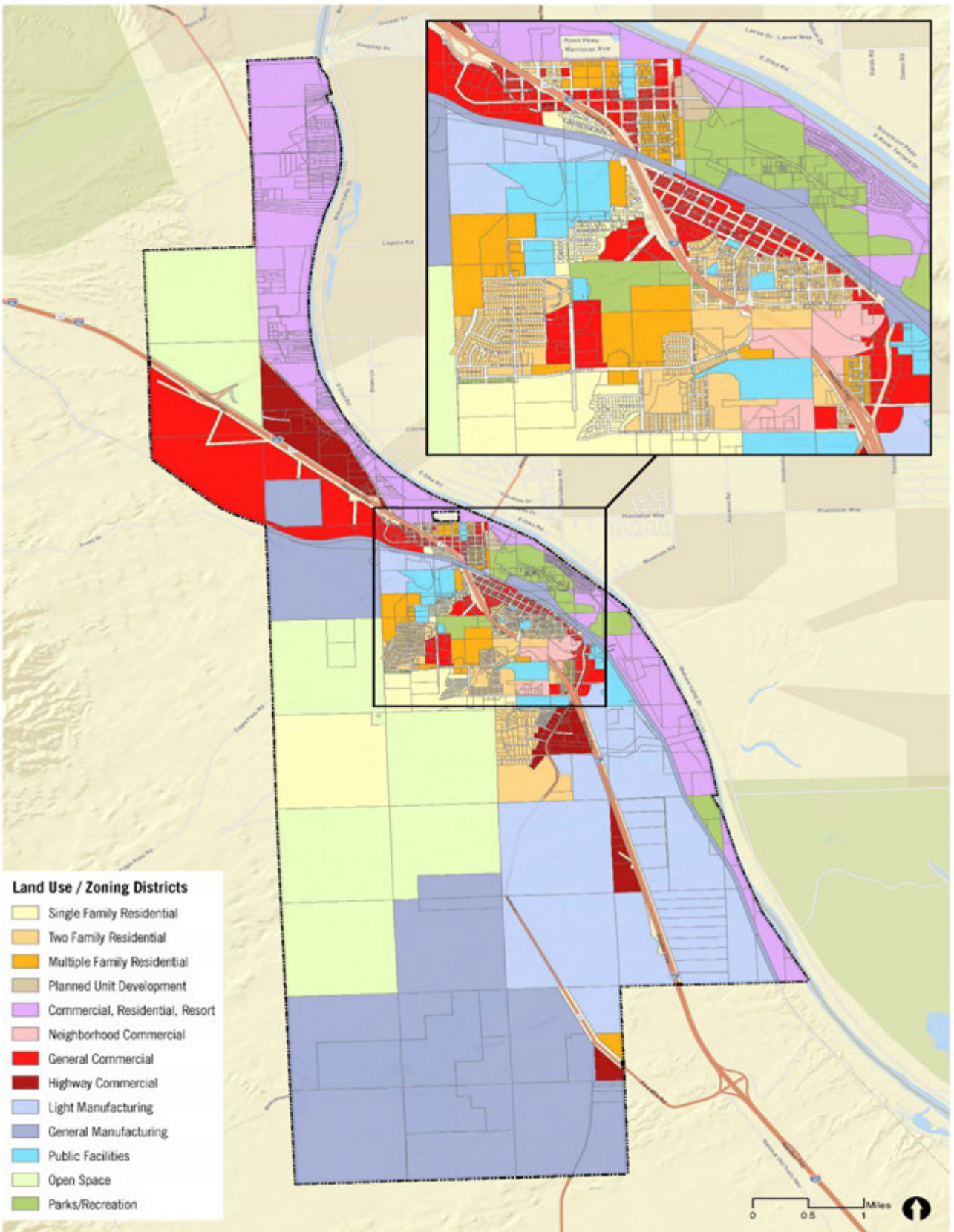
The Native American Resource Protection Act (Assembly Bill 52, Public Resources Code Section 21080.3.1) requires the City to notify California Native American Tribes of the decision to undertake the Project and allows Tribes 30 days to request consultation regarding possible significant effects that implementation of the Project may have on tribal cultural resources. In addition, Senate Bill 18 (Chapter 905, Statutes of 2004) requires the City to contact California Native American Tribes prior to amending a specific plan and allows Tribes 90 days to request consultation.

If consultation with the City regarding this Project is desired, please respond to this letter with a request in writing and identify a lead contact person. Within 30 days of receiving the tribe's request, the City will initiate consultation.

Whether or not the Tribe wishes for consultation with the City, the City welcomes comments from the Tribe as part of the environmental review process the City is conducting to comply with CEQA.

Sincerely,

Patrick Martinez,
Community Development Manager



Proposed General Plan & Zoning Map (Draft)

Prepared 10-07-2022





City of Needles

817 Third Street • Needles, California 92363
(760) 326-2113 • FAX (760) 326-6765
www.cityofneedles.com

Mayor, Jeff Williams
Vice Mayor Edward T. Paget, M.D
Councilmember Shawn Gudmundson
Councilmember Tona Belt
Councilmember Clayton Hazlewood
Councilmember Tim Terral
Councilmember Zachery Longacre
City Manager Rick Daniels

October 20, 2022

Pala Band of Mission Indians
PMB 50 35008 Pala Temecula Rd
Pala, CA 92059
sgaughen@palatribe.com

Attention: Ms. Shasta Gaughen

Re: Tribal Consultation Pursuant to SB 18 and AB 52
City of Needles General Plan Update

Dear Ms. Gaughen,

The City of Needles (City) is currently reviewing its General Plan Land use and Circulation Elements for the purposes of updating both. The City is providing an opportunity to consult with the City regarding the updating of these elements to identify any potential to impact Tribal Cultural Resources in accordance with California State Law. The Native American Heritage Commission (NAHC) indicated that the Sacred Lands File check was positive. This letter is being sent to both via email and postal service using the contact information provided by the NAHC.

PROJECT LOCATION: The City of Needles is located on the far eastern edge of San Bernardino County, is bounded by the Colorado River to the east, and is surrounded by the Mojave Desert on the north, west, and south sides. Interstate 40 bisects the City, running diagonally northwest to southeast.

PROJECT DESCRIPTION: The Land Use and Transportation elements form the backbone of the City's general plan and guide the long-term growth and improvement of the Needles community. The proposed project updates the Land Use and Transportation elements of the general plan to guide the City's growth and development for the next 20 years through 2040. The City intends to limit growth and development to its incorporated boundaries and does not plan on promoting growth or changing land use or circulation in its unincorporated sphere of influence (SOI).³⁵

The City will also create a single-map system that bring its General Plan and Zoning maps into consistency, and introduce mixed-use development into the City's downtown and the creation of a Downtown (DT) designation and corresponding changes to the Development Code (see attached map as page 3 of this letter). Table 1, *Buildout Statistical Summary*, provides a statistical summary of the buildout potential associated with the Proposed Land Use Element compared to existing conditions. The City's transportation systems will be updated to enhance mobility in and around Needles for more efficient and safer motorized and nonmotorized circulation, with a focus on aligning future growth projections and necessary roadway improvements.

³⁵ The majority of unincorporated SOI is north, south, and west of the incorporated boundaries; the exception is an 18-acre area that is owned by the Fort Mojave Indian Tribe and entirely surrounded by incorporated lands. The City assumes County land use designations for all unincorporated SOI areas, most of which are not associated with residential or nonresidential building activities (either Open Space or Resource/Land Management). The unincorporated land owned by the Fort Mojave Indian Tribe is designed for Rural Living by the County.

Table 1 Buildout Statistical Summary

Scenario	Acres	Units	Population	Non-res Sq. Feet	Employment
Exist. Conditions (2021)	19,124	2,829	5,225	1,876,869	1,403
Proposed GP (2040)	19,124	3,907	7,750	2,743,154	2,395
Potential Growth	--	1,078	2,525	866,285	992

The proposed project is designed to achieve the following primary objectives:

- Facilitate more flexible and innovative mix of land uses that will revitalize the downtown and provide new housing opportunities throughout the city
- Support economic growth through the cannabis industry while ensuring land use compatibility and preserving City identity and history
- Improve public access to and increase tourism related to the Colorado River
- Provide better alternatives to driving with expanded access for people walking, bicycling, and taking transit
- Manage growth to ensure safe and fiscally sustainable infrastructure systems

Under California State Law, the Project is subject environmental review under the California Environmental Quality Act (CEQA), and the City will be preparing documentation pursuant to CEQA to evaluate the potential impacts of the Project. Please note the City is proposing the update the General Plan to guide future development in the City and no individual development projects are proposed at this time.

The Native American Resource Protection Act (Assembly Bill 52, Public Resources Code Section 21080.3.1) requires the City to notify California Native American Tribes of the decision to undertake the Project and allows Tribes 30 days to request consultation regarding possible significant effects that implementation of the Project may have on tribal cultural resources. In addition, Senate Bill 18 (Chapter 905, Statutes of 2004) requires the City to contact California Native American Tribes prior to amending a specific plan and allows Tribes 90 days to request consultation.

If consultation with the City regarding this Project is desired, please respond to this letter with a request in writing and identify a lead contact person. Within 30 days of receiving the tribe’s request, the City will initiate consultation.

Whether or not the Tribe wishes for consultation with the City, the City welcomes comments from the Tribe as part of the environmental review process the City is conducting to comply with CEQA.

Sincerely,

Patrick Martinez,
 Community Development Manager



Proposed General Plan & Zoning Map (Draft)

Prepared 10-07-2022





City of Needles

817 Third Street • Needles, California 92363
(760) 326-2113 • FAX (760) 326-6765
www.cityofneedles.com

Mayor, Jeff Williams
Vice Mayor Edward T. Paget, M.D
Councilmember Shawn Gudmundson
Councilmember Tona Belt
Councilmember Clayton Hazlewood
Councilmember Tim Terral
Councilmember Zachery Longacre
City Manager Rick Daniels

October 20, 2022

Pechanga Band of Indians
P.O. Box 1477
Temecula, CA, 92593
epreston@pechanga-nsn.gov

Attention: Mr. Mark Macarro

Re: Tribal Consultation Pursuant to SB 18 and AB 52
City of Needles General Plan Update

Dear Mr. Macarro,

The City of Needles (City) is currently reviewing its General Plan Land use and Circulation Elements for the purposes of updating both. The City is providing an opportunity to consult with the City regarding the updating of these elements to identify any potential to impact Tribal Cultural Resources in accordance with California State Law. The Native American Heritage Commission (NAHC) indicated that the Sacred Lands File check was positive. This letter is being sent to both via email and postal service using the contact information provided by the NAHC.

PROJECT LOCATION: The City of Needles is located on the far eastern edge of San Bernardino County, is bounded by the Colorado River to the east, and is surrounded by the Mojave Desert on the north, west, and south sides. Interstate 40 bisects the City, running diagonally northwest to southeast.

PROJECT DESCRIPTION: The Land Use and Transportation elements form the backbone of the City's general plan and guide the long-term growth and improvement of the Needles community. The proposed project updates the Land Use and Transportation elements of the general plan to guide the City's growth and development for the next 20 years through 2040. The City intends to limit growth and development to its incorporated boundaries and does not plan on promoting growth or changing land use or circulation in its unincorporated sphere of influence (SOI).²¹

The City will also create a single-map system that bring its General Plan and Zoning maps into consistency, and introduce mixed-use development into the City's downtown and the creation of a Downtown (DT) designation and corresponding changes to the Development Code (see attached map as page 3 of this letter). Table 1, *Buildout Statistical Summary*, provides a statistical summary of the buildout potential associated with the Proposed Land Use Element compared to existing conditions. The City's transportation systems will be updated to enhance mobility in and around Needles for more efficient and safer motorized and nonmotorized circulation, with a focus on aligning future growth projections and necessary roadway improvements.

²¹ The majority of unincorporated SOI is north, south, and west of the incorporated boundaries; the exception is an 18-acre area that is owned by the Fort Mojave Indian Tribe and entirely surrounded by incorporated lands. The City assumes County land use designations for all unincorporated SOI areas, most of which are not associated with residential or nonresidential building activities (either Open Space or Resource/Land Management). The unincorporated land owned by the Fort Mojave Indian Tribe is designed for Rural Living by the County.

Table 1 Buildout Statistical Summary

Scenario	Acres	Units	Population	Non-res Sq. Feet	Employment
Exist. Conditions (2021)	19,124	2,829	5,225	1,876,869	1,403
Proposed GP (2040)	19,124	3,907	7,750	2,743,154	2,395
Potential Growth	--	1,078	2,525	866,285	992

The proposed project is designed to achieve the following primary objectives:

- Facilitate more flexible and innovative mix of land uses that will revitalize the downtown and provide new housing opportunities throughout the city
- Support economic growth through the cannabis industry while ensuring land use compatibility and preserving City identity and history
- Improve public access to and increase tourism related to the Colorado River
- Provide better alternatives to driving with expanded access for people walking, bicycling, and taking transit
- Manage growth to ensure safe and fiscally sustainable infrastructure systems

Under California State Law, the Project is subject environmental review under the California Environmental Quality Act (CEQA), and the City will be preparing documentation pursuant to CEQA to evaluate the potential impacts of the Project. Please note the City is proposing the update the General Plan to guide future development in the City and no individual development projects are proposed at this time.

The Native American Resource Protection Act (Assembly Bill 52, Public Resources Code Section 21080.3.1) requires the City to notify California Native American Tribes of the decision to undertake the Project and allows Tribes 30 days to request consultation regarding possible significant effects that implementation of the Project may have on tribal cultural resources. In addition, Senate Bill 18 (Chapter 905, Statutes of 2004) requires the City to contact California Native American Tribes prior to amending a specific plan and allows Tribes 90 days to request consultation.

If consultation with the City regarding this Project is desired, please respond to this letter with a request in writing and identify a lead contact person. Within 30 days of receiving the tribe's request, the City will initiate consultation.

Whether or not the Tribe wishes for consultation with the City, the City welcomes comments from the Tribe as part of the environmental review process the City is conducting to comply with CEQA.

Sincerely,

Patrick Martinez,
Community Development Manager



Proposed General Plan & Zoning Map (Draft)

Prepared 10-07-2022





City of Needles

817 Third Street • Needles, California 92363
(760) 326-2113 • FAX (760) 326-6765
www.cityofneedles.com

Mayor, Jeff Williams
Vice Mayor Edward T. Paget, M.D
Councilmember Shawn Gudmundson
Councilmember Tona Belt
Councilmember Clayton Hazlewood
Councilmember Tim Terral
Councilmember Zachery Longacre
City Manager Rick Daniels

October 20, 2022

Quechan Tribe of the Fort Yuma Reservation
P.O. Box 1899
Yuma, AZ, 85366
historicpreservation@quechantribe.com

Attention: Ms. Jill McCormick

Re: Tribal Consultation Pursuant to SB 18 and AB 52
City of Needles General Plan Update

Dear Ms. McCormick,

The City of Needles (City) is currently reviewing its General Plan Land use and Circulation Elements for the purposes of updating both. The City is providing an opportunity to consult with the City regarding the updating of these elements to identify any potential to impact Tribal Cultural Resources in accordance with California State Law. The Native American Heritage Commission (NAHC) indicated that the Sacred Lands File check was positive. This letter is being sent to both via email and postal service using the contact information provided by the NAHC.

PROJECT LOCATION: The City of Needles is located on the far eastern edge of San Bernardino County, is bounded by the Colorado River to the east, and is surrounded by the Mojave Desert on the north, west, and south sides. Interstate 40 bisects the City, running diagonally northwest to southeast.

PROJECT DESCRIPTION: The Land Use and Transportation elements form the backbone of the City's general plan and guide the long-term growth and improvement of the Needles community. The proposed project updates the Land Use and Transportation elements of the general plan to guide the City's growth and development for the next 20 years through 2040. The City intends to limit growth and development to its incorporated boundaries and does not plan on promoting growth or changing land use or circulation in its unincorporated sphere of influence (SOI).²²

The City will also create a single-map system that bring its General Plan and Zoning maps into consistency, and introduce mixed-use development into the City's downtown and the creation of a Downtown (DT) designation and corresponding changes to the Development Code (see attached map as page 3 of this letter). Table 1, *Buildout Statistical Summary*, provides a statistical summary of the buildout potential associated with the Proposed Land Use Element compared to existing conditions. The City's transportation systems will be updated to enhance mobility in and around Needles for more efficient and safer motorized and nonmotorized circulation, with a focus on aligning future growth projections and necessary roadway improvements.

²² The majority of unincorporated SOI is north, south, and west of the incorporated boundaries; the exception is an 18-acre area that is owned by the Fort Mojave Indian Tribe and entirely surrounded by incorporated lands. The City assumes County land use designations for all unincorporated SOI areas, most of which are not associated with residential or nonresidential building activities (either Open Space or Resource/Land Management). The unincorporated land owned by the Fort Mojave Indian Tribe is designed for Rural Living by the County.

Table 1 Buildout Statistical Summary

Scenario	Acres	Units	Population	Non-res Sq. Feet	Employment
Exist. Conditions (2021)	19,124	2,829	5,225	1,876,869	1,403
Proposed GP (2040)	19,124	3,907	7,750	2,743,154	2,395
Potential Growth	--	1,078	2,525	866,285	992

The proposed project is designed to achieve the following primary objectives:

- Facilitate more flexible and innovative mix of land uses that will revitalize the downtown and provide new housing opportunities throughout the city
- Support economic growth through the cannabis industry while ensuring land use compatibility and preserving City identity and history
- Improve public access to and increase tourism related to the Colorado River
- Provide better alternatives to driving with expanded access for people walking, bicycling, and taking transit
- Manage growth to ensure safe and fiscally sustainable infrastructure systems

Under California State Law, the Project is subject environmental review under the California Environmental Quality Act (CEQA), and the City will be preparing documentation pursuant to CEQA to evaluate the potential impacts of the Project. Please note the City is proposing the update the General Plan to guide future development in the City and no individual development projects are proposed at this time.

The Native American Resource Protection Act (Assembly Bill 52, Public Resources Code Section 21080.3.1) requires the City to notify California Native American Tribes of the decision to undertake the Project and allows Tribes 30 days to request consultation regarding possible significant effects that implementation of the Project may have on tribal cultural resources. In addition, Senate Bill 18 (Chapter 905, Statutes of 2004) requires the City to contact California Native American Tribes prior to amending a specific plan and allows Tribes 90 days to request consultation.

If consultation with the City regarding this Project is desired, please respond to this letter with a request in writing and identify a lead contact person. Within 30 days of receiving the tribe's request, the City will initiate consultation.

Whether or not the Tribe wishes for consultation with the City, the City welcomes comments from the Tribe as part of the environmental review process the City is conducting to comply with CEQA.

Sincerely,

Patrick Martinez,
 Community Development Manager



Proposed General Plan & Zoning Map (Draft)

Prepared 10-07-2022





City of Needles

817 Third Street • Needles, California 92363
(760) 326-2113 • FAX (760) 326-6765
www.cityofneedles.com

Mayor, Jeff Williams
Vice Mayor Edward T. Paget, M.D
Councilmember Shawn Gudmundson
Councilmember Tona Belt
Councilmember Clayton Hazlewood
Councilmember Tim Terral
Councilmember Zachery Longacre
City Manager Rick Daniels

October 20, 2022

Ramona Band of Cahuilla
P.O. Box 391670
Anza, CA, 92539
admin@ramona-nsn.gov

Attention: Mr. Joseph Hamilton

Re: Tribal Consultation Pursuant to SB 18 and AB 52
City of Needles General Plan Update

Dear Mr. Hamilton,

The City of Needles (City) is currently reviewing its General Plan Land use and Circulation Elements for the purposes of updating both. The City is providing an opportunity to consult with the City regarding the updating of these elements to identify any potential to impact Tribal Cultural Resources in accordance with California State Law. The Native American Heritage Commission (NAHC) indicated that the Sacred Lands File check was positive. This letter is being sent to both via email and postal service using the contact information provided by the NAHC.

PROJECT LOCATION: The City of Needles is located on the far eastern edge of San Bernardino County, is bounded by the Colorado River to the east, and is surrounded by the Mojave Desert on the north, west, and south sides. Interstate 40 bisects the City, running diagonally northwest to southeast.

PROJECT DESCRIPTION: The Land Use and Transportation elements form the backbone of the City's general plan and guide the long-term growth and improvement of the Needles community. The proposed project updates the Land Use and Transportation elements of the general plan to guide the City's growth and development for the next 20 years through 2040. The City intends to limit growth and development to its incorporated boundaries and does not plan on promoting growth or changing land use or circulation in its unincorporated sphere of influence (SOI).²³

The City will also create a single-map system that brings its General Plan and Zoning maps into consistency, and introduce mixed-use development into the City's downtown and the creation of a Downtown (DT) designation and corresponding changes to the Development Code (see attached map as page 3 of this letter). Table 1, *Buildout Statistical Summary*, provides a statistical summary of the buildout potential associated with the Proposed Land Use Element compared to existing conditions. The City's transportation systems will be updated to enhance mobility in and around Needles for more efficient and safer motorized and nonmotorized circulation, with a focus on aligning future growth projections and necessary roadway improvements.

²³ The majority of unincorporated SOI is north, south, and west of the incorporated boundaries; the exception is an 18-acre area that is owned by the Fort Mojave Indian Tribe and entirely surrounded by incorporated lands. The City assumes County land use designations for all unincorporated SOI areas, most of which are not associated with residential or nonresidential building activities (either Open Space or Resource/Land Management). The unincorporated land owned by the Fort Mojave Indian Tribe is designed for Rural Living by the County.

Table 1 Buildout Statistical Summary

Scenario	Acres	Units	Population	Non-res Sq. Feet	Employment
Exist. Conditions (2021)	19,124	2,829	5,225	1,876,869	1,403
Proposed GP (2040)	19,124	3,907	7,750	2,743,154	2,395
Potential Growth	--	1,078	2,525	866,285	992

The proposed project is designed to achieve the following primary objectives:

- Facilitate more flexible and innovative mix of land uses that will revitalize the downtown and provide new housing opportunities throughout the city
- Support economic growth through the cannabis industry while ensuring land use compatibility and preserving City identity and history
- Improve public access to and increase tourism related to the Colorado River
- Provide better alternatives to driving with expanded access for people walking, bicycling, and taking transit
- Manage growth to ensure safe and fiscally sustainable infrastructure systems

Under California State Law, the Project is subject environmental review under the California Environmental Quality Act (CEQA), and the City will be preparing documentation pursuant to CEQA to evaluate the potential impacts of the Project. Please note the City is proposing the update the General Plan to guide future development in the City and no individual development projects are proposed at this time.

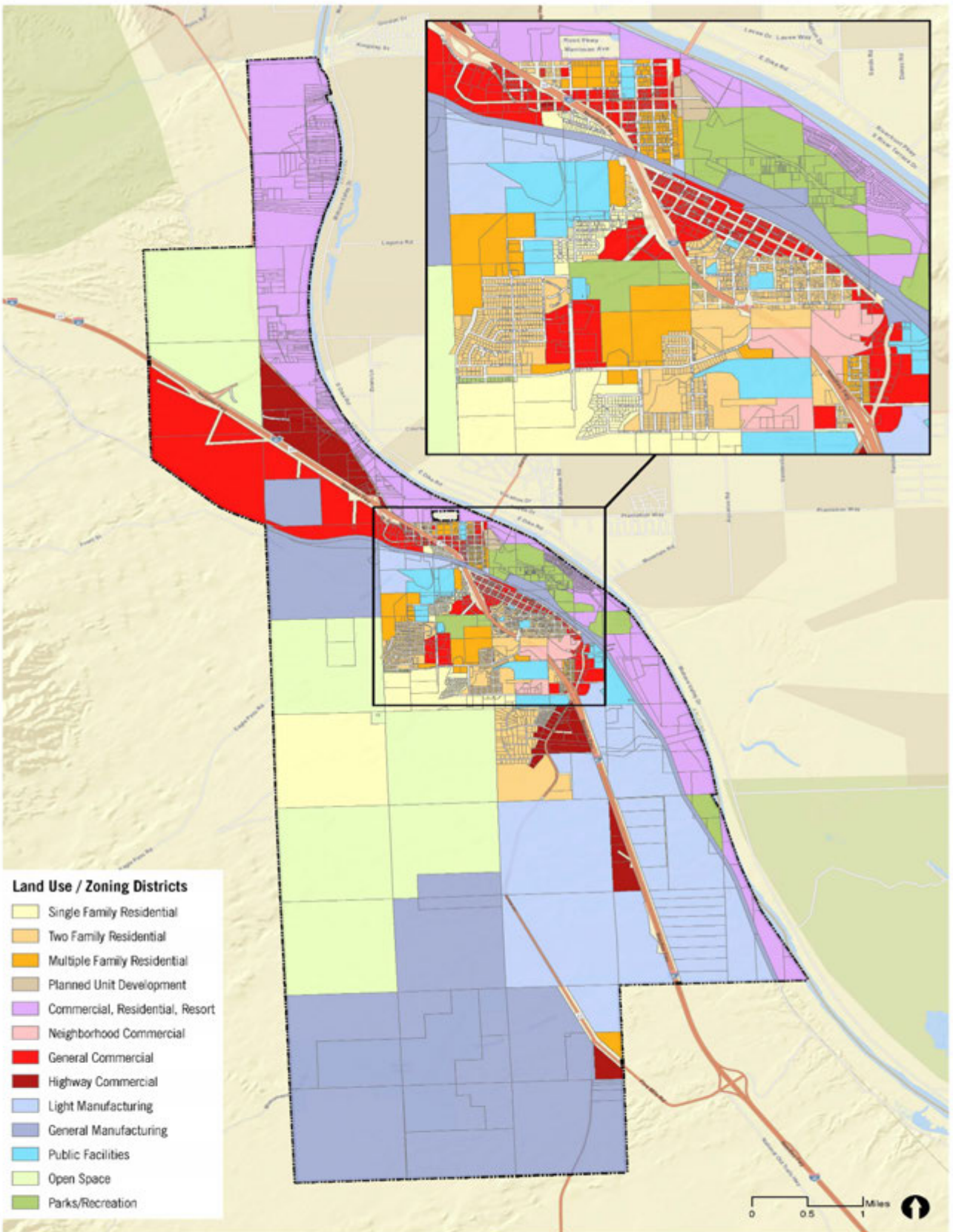
The Native American Resource Protection Act (Assembly Bill 52, Public Resources Code Section 21080.3.1) requires the City to notify California Native American Tribes of the decision to undertake the Project and allows Tribes 30 days to request consultation regarding possible significant effects that implementation of the Project may have on tribal cultural resources. In addition, Senate Bill 18 (Chapter 905, Statutes of 2004) requires the City to contact California Native American Tribes prior to amending a specific plan and allows Tribes 90 days to request consultation.

If consultation with the City regarding this Project is desired, please respond to this letter with a request in writing and identify a lead contact person. Within 30 days of receiving the tribe's request, the City will initiate consultation.

Whether or not the Tribe wishes for consultation with the City, the City welcomes comments from the Tribe as part of the environmental review process the City is conducting to comply with CEQA.

Sincerely,

Patrick Martinez,
 Community Development Manager



Proposed General Plan & Zoning Map (Draft)

Prepared 10-07-2022





City of Needles

817 Third Street • Needles, California 92363
(760) 326-2113 • FAX (760) 326-6765
www.cityofneedles.com

Mayor, Jeff Williams
Vice Mayor Edward T. Paget, M.D
Councilmember Shawn Gudmundson
Councilmember Tona Belt
Councilmember Clayton Hazlewood
Councilmember Tim Terral
Councilmember Zachery Longacre
City Manager Rick Daniels

October 20, 2022

Rincon Band of Luiseno Indians
One Government Center Lane
Valley Center, CA, 92082
crd@rincon-nsn.gov

Attention: Ms. Cheryl Madrigal

Re: Tribal Consultation Pursuant to SB 18 and AB 52
City of Needles General Plan Update

Dear Ms. Madrigal,

The City of Needles (City) is currently reviewing its General Plan Land use and Circulation Elements for the purposes of updating both. The City is providing an opportunity to consult with the City regarding the updating of these elements to identify any potential to impact Tribal Cultural Resources in accordance with California State Law. The Native American Heritage Commission (NAHC) indicated that the Sacred Lands File check was positive. This letter is being sent to both via email and postal service using the contact information provided by the NAHC.

PROJECT LOCATION: The City of Needles is located on the far eastern edge of San Bernardino County, is bounded by the Colorado River to the east, and is surrounded by the Mojave Desert on the north, west, and south sides. Interstate 40 bisects the City, running diagonally northwest to southeast.

PROJECT DESCRIPTION: The Land Use and Transportation elements form the backbone of the City's general plan and guide the long-term growth and improvement of the Needles community. The proposed project updates the Land Use and Transportation elements of the general plan to guide the City's growth and development for the next 20 years through 2040. The City intends to limit growth and development to its incorporated boundaries and does not plan on promoting growth or changing land use or circulation in its unincorporated sphere of influence (SOI).²⁴

The City will also create a single-map system that brings its General Plan and Zoning maps into consistency, and introduce mixed-use development into the City's downtown and the creation of a Downtown (DT) designation and corresponding changes to the Development Code (see attached map as page 3 of this letter). Table 1, *Buildout Statistical Summary*, provides a statistical summary of the buildout potential associated with the Proposed Land Use Element compared to existing conditions. The City's transportation systems will be updated to enhance mobility in and around Needles for more efficient and safer motorized and nonmotorized circulation, with a focus on aligning future growth projections and necessary roadway improvements.

²⁴ The majority of unincorporated SOI is north, south, and west of the incorporated boundaries; the exception is an 18-acre area that is owned by the Fort Mojave Indian Tribe and entirely surrounded by incorporated lands. The City assumes County land use designations for all unincorporated SOI areas, most of which are not associated with residential or nonresidential building activities (either Open Space or Resource/Land Management). The unincorporated land owned by the Fort Mojave Indian Tribe is designed for Rural Living by the County.

Table 1 Buildout Statistical Summary

Scenario	Acres	Units	Population	Non-res Sq. Feet	Employment
Exist. Conditions (2021)	19,124	2,829	5,225	1,876,869	1,403
Proposed GP (2040)	19,124	3,907	7,750	2,743,154	2,395
Potential Growth	--	1,078	2,525	866,285	992

The proposed project is designed to achieve the following primary objectives:

- Facilitate more flexible and innovative mix of land uses that will revitalize the downtown and provide new housing opportunities throughout the city
- Support economic growth through the cannabis industry while ensuring land use compatibility and preserving City identity and history
- Improve public access to and increase tourism related to the Colorado River
- Provide better alternatives to driving with expanded access for people walking, bicycling, and taking transit
- Manage growth to ensure safe and fiscally sustainable infrastructure systems

Under California State Law, the Project is subject environmental review under the California Environmental Quality Act (CEQA), and the City will be preparing documentation pursuant to CEQA to evaluate the potential impacts of the Project. Please note the City is proposing the update the General Plan to guide future development in the City and no individual development projects are proposed at this time.

The Native American Resource Protection Act (Assembly Bill 52, Public Resources Code Section 21080.3.1) requires the City to notify California Native American Tribes of the decision to undertake the Project and allows Tribes 30 days to request consultation regarding possible significant effects that implementation of the Project may have on tribal cultural resources. In addition, Senate Bill 18 (Chapter 905, Statutes of 2004) requires the City to contact California Native American Tribes prior to amending a specific plan and allows Tribes 90 days to request consultation.

If consultation with the City regarding this Project is desired, please respond to this letter with a request in writing and identify a lead contact person. Within 30 days of receiving the tribe's request, the City will initiate consultation.

Whether or not the Tribe wishes for consultation with the City, the City welcomes comments from the Tribe as part of the environmental review process the City is conducting to comply with CEQA.

Sincerely,

Patrick Martinez,
 Community Development Manager



Proposed General Plan & Zoning Map (Draft)

Prepared 10-07-2022





City of Needles

817 Third Street • Needles, California 92363
(760) 326-2113 • FAX (760) 326-6765
www.cityofneedles.com

Mayor, Jeff Williams
Vice Mayor Edward T. Paget, M.D
Councilmember Shawn Gudmundson
Councilmember Tona Belt
Councilmember Clayton Hazlewood
Councilmember Tim Terral
Councilmember Zachery Longacre
City Manager Rick Daniels

October 20, 2022

Rincon Band of Luiseno Indians
One Government Center Lane
Valley Center, CA, 92082
bomazzetti@aol.com

Attention: Mr. Bo Mazzetti

Re: Tribal Consultation Pursuant to SB 18 and AB 52
City of Needles General Plan Update

Dear Mr. Mazzetti,

The City of Needles (City) is currently reviewing its General Plan Land use and Circulation Elements for the purposes of updating both. The City is providing an opportunity to consult with the City regarding the updating of these elements to identify any potential to impact Tribal Cultural Resources in accordance with California State Law. The Native American Heritage Commission (NAHC) indicated that the Sacred Lands File check was positive. This letter is being sent to both via email and postal service using the contact information provided by the NAHC.

PROJECT LOCATION: The City of Needles is located on the far eastern edge of San Bernardino County, is bounded by the Colorado River to the east, and is surrounded by the Mojave Desert on the north, west, and south sides. Interstate 40 bisects the City, running diagonally northwest to southeast.

PROJECT DESCRIPTION: The Land Use and Transportation elements form the backbone of the City's general plan and guide the long-term growth and improvement of the Needles community. The proposed project updates the Land Use and Transportation elements of the general plan to guide the City's growth and development for the next 20 years through 2040. The City intends to limit growth and development to its incorporated boundaries and does not plan on promoting growth or changing land use or circulation in its unincorporated sphere of influence (SOI).²⁵

The City will also create a single-map system that bring its General Plan and Zoning maps into consistency, and introduce mixed-use development into the City's downtown and the creation of a Downtown (DT) designation and corresponding changes to the Development Code (see attached map as page 3 of this letter). Table 1, *Buildout Statistical Summary*, provides a statistical summary of the buildout potential associated with the Proposed Land Use Element compared to existing conditions. The City's transportation systems will be updated to enhance mobility in and around Needles for more efficient and safer motorized and nonmotorized circulation, with a focus on aligning future growth projections and necessary roadway improvements.

²⁵ The majority of unincorporated SOI is north, south, and west of the incorporated boundaries; the exception is an 18-acre area that is owned by the Fort Mojave Indian Tribe and entirely surrounded by incorporated lands. The City assumes County land use designations for all unincorporated SOI areas, most of which are not associated with residential or nonresidential building activities (either Open Space or Resource/Land Management). The unincorporated land owned by the Fort Mojave Indian Tribe is designed for Rural Living by the County.

Table 1 Buildout Statistical Summary

Scenario	Acres	Units	Population	Non-res Sq. Feet	Employment
Exist. Conditions (2021)	19,124	2,829	5,225	1,876,869	1,403
Proposed GP (2040)	19,124	3,907	7,750	2,743,154	2,395
Potential Growth	--	1,078	2,525	866,285	992

The proposed project is designed to achieve the following primary objectives:

- Facilitate more flexible and innovative mix of land uses that will revitalize the downtown and provide new housing opportunities throughout the city
- Support economic growth through the cannabis industry while ensuring land use compatibility and preserving City identity and history
- Improve public access to and increase tourism related to the Colorado River
- Provide better alternatives to driving with expanded access for people walking, bicycling, and taking transit
- Manage growth to ensure safe and fiscally sustainable infrastructure systems

Under California State Law, the Project is subject environmental review under the California Environmental Quality Act (CEQA), and the City will be preparing documentation pursuant to CEQA to evaluate the potential impacts of the Project. Please note the City is proposing the update the General Plan to guide future development in the City and no individual development projects are proposed at this time.

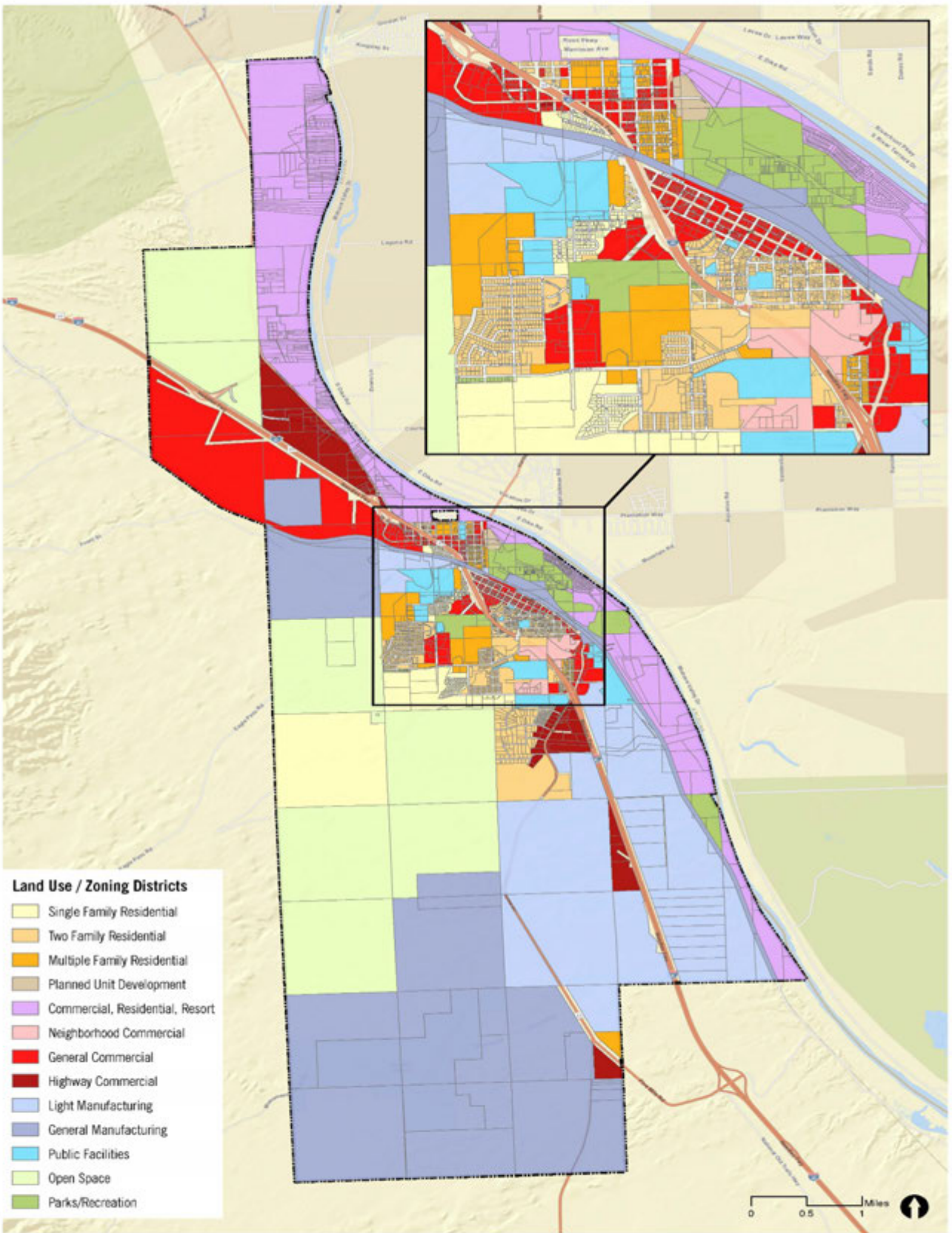
The Native American Resource Protection Act (Assembly Bill 52, Public Resources Code Section 21080.3.1) requires the City to notify California Native American Tribes of the decision to undertake the Project and allows Tribes 30 days to request consultation regarding possible significant effects that implementation of the Project may have on tribal cultural resources. In addition, Senate Bill 18 (Chapter 905, Statutes of 2004) requires the City to contact California Native American Tribes prior to amending a specific plan and allows Tribes 90 days to request consultation.

If consultation with the City regarding this Project is desired, please respond to this letter with a request in writing and identify a lead contact person. Within 30 days of receiving the tribe’s request, the City will initiate consultation.

Whether or not the Tribe wishes for consultation with the City, the City welcomes comments from the Tribe as part of the environmental review process the City is conducting to comply with CEQA.

Sincerely,

Patrick Martinez,
 Community Development Manager



Proposed General Plan & Zoning Map (Draft)

Prepared 10-07-2022





City of Needles

817 Third Street • Needles, California 92363
(760) 326-2113 • FAX (760) 326-6765
www.cityofneedles.com

Mayor, Jeff Williams
Vice Mayor Edward T. Paget, M.D
Councilmember Shawn Gudmundson
Councilmember Tona Belt
Councilmember Clayton Hazelwood
Councilmember Tim Terral
Councilmember Zachery Longacre
City Manager Rick Daniels

October 20, 2022

San Fernando Band of Mission Indians
P.O. Box 221838
Newhall, CA, 91322
ddyocum@comcast.net

Attention: Ms. Donna Yocum

Re: Tribal Consultation Pursuant to SB 18 and AB 52
City of Needles General Plan Update

Dear Ms. Yocum,

The City of Needles (City) is currently reviewing its General Plan Land use and Circulation Elements for the purposes of updating both. The City is providing an opportunity to consult with the City regarding the updating of these elements to identify any potential to impact Tribal Cultural Resources in accordance with California State Law. The Native American Heritage Commission (NAHC) indicated that the Sacred Lands File check was positive. This letter is being sent to both via email and postal service using the contact information provided by the NAHC.

PROJECT LOCATION: The City of Needles is located on the far eastern edge of San Bernardino County, is bounded by the Colorado River to the east, and is surrounded by the Mojave Desert on the north, west, and south sides. Interstate 40 bisects the City, running diagonally northwest to southeast.

PROJECT DESCRIPTION: The Land Use and Transportation elements form the backbone of the City's general plan and guide the long-term growth and improvement of the Needles community. The proposed project updates the Land Use and Transportation elements of the general plan to guide the City's growth and development for the next 20 years through 2040. The City intends to limit growth and development to its incorporated boundaries and does not plan on promoting growth or changing land use or circulation in its unincorporated sphere of influence (SOI).²⁶

The City will also create a single-map system that bring its General Plan and Zoning maps into consistency, and introduce mixed-use development into the City's downtown and the creation of a Downtown (DT) designation and corresponding changes to the Development Code (see attached map as page 3 of this letter). Table 1, *Buildout Statistical Summary*, provides a statistical summary of the buildout potential associated with the Proposed Land Use Element compared to existing conditions. The City's transportation systems will be updated to enhance mobility in and around Needles for more efficient and safer motorized and nonmotorized circulation, with a focus on aligning future growth projections and necessary roadway improvements.

²⁶ The majority of unincorporated SOI is north, south, and west of the incorporated boundaries; the exception is an 18-acre area that is owned by the Fort Mojave Indian Tribe and entirely surrounded by incorporated lands. The City assumes County land use designations for all unincorporated SOI areas, most of which are not associated with residential or nonresidential building activities (either Open Space or Resource/Land Management). The unincorporated land owned by the Fort Mojave Indian Tribe is designed for Rural Living by the County.

Table 1 Buildout Statistical Summary

Scenario	Acres	Units	Population	Non-res Sq. Feet	Employment
Exist. Conditions (2021)	19,124	2,829	5,225	1,876,869	1,403
Proposed GP (2040)	19,124	3,907	7,750	2,743,154	2,395
Potential Growth	--	1,078	2,525	866,285	992

The proposed project is designed to achieve the following primary objectives:

- Facilitate more flexible and innovative mix of land uses that will revitalize the downtown and provide new housing opportunities throughout the city
- Support economic growth through the cannabis industry while ensuring land use compatibility and preserving City identity and history
- Improve public access to and increase tourism related to the Colorado River
- Provide better alternatives to driving with expanded access for people walking, bicycling, and taking transit
- Manage growth to ensure safe and fiscally sustainable infrastructure systems

Under California State Law, the Project is subject environmental review under the California Environmental Quality Act (CEQA), and the City will be preparing documentation pursuant to CEQA to evaluate the potential impacts of the Project. Please note the City is proposing the update the General Plan to guide future development in the City and no individual development projects are proposed at this time.

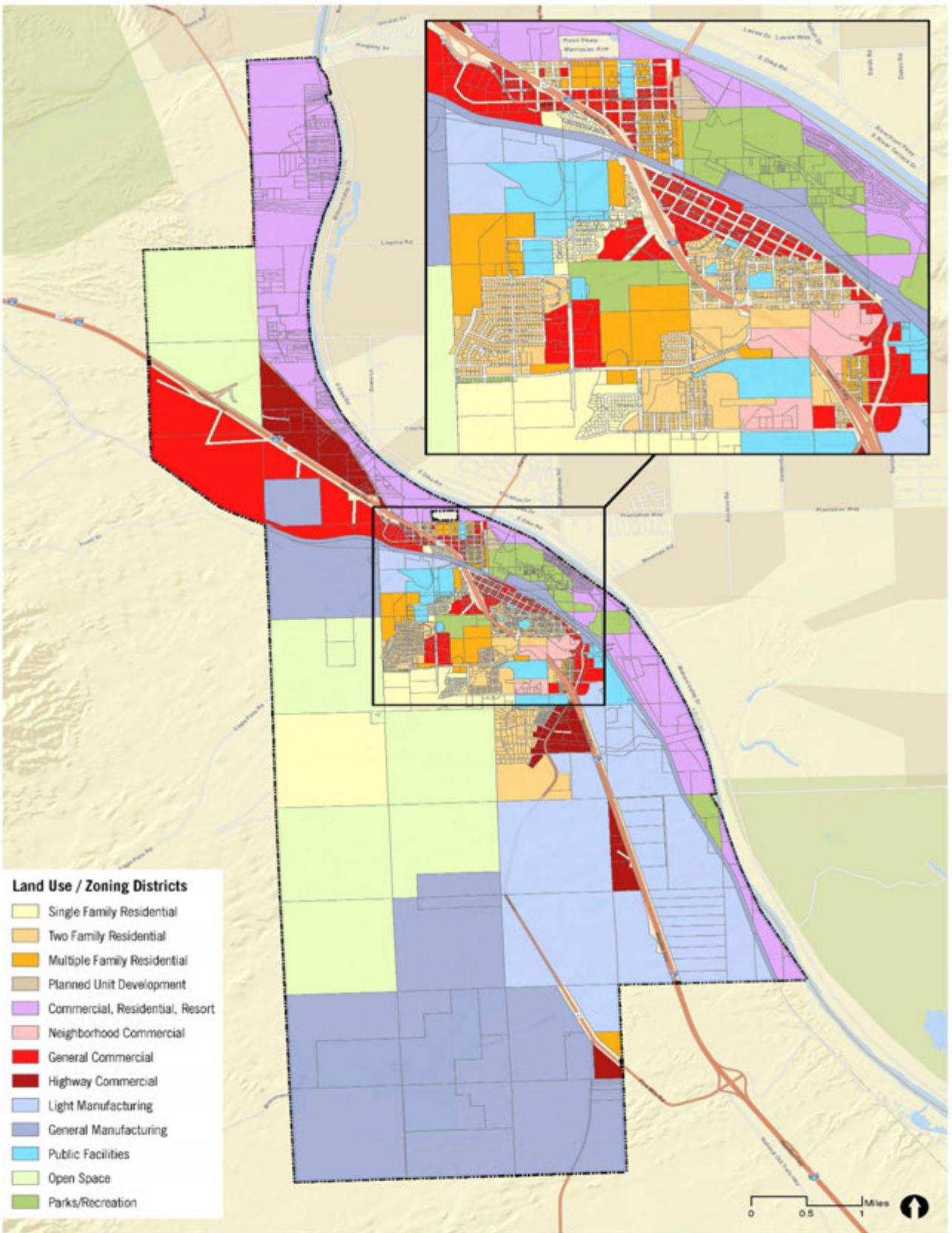
The Native American Resource Protection Act (Assembly Bill 52, Public Resources Code Section 21080.3.1) requires the City to notify California Native American Tribes of the decision to undertake the Project and allows Tribes 30 days to request consultation regarding possible significant effects that implementation of the Project may have on tribal cultural resources. In addition, Senate Bill 18 (Chapter 905, Statutes of 2004) requires the City to contact California Native American Tribes prior to amending a specific plan and allows Tribes 90 days to request consultation.

If consultation with the City regarding this Project is desired, please respond to this letter with a request in writing and identify a lead contact person. Within 30 days of receiving the tribe's request, the City will initiate consultation.

Whether or not the Tribe wishes for consultation with the City, the City welcomes comments from the Tribe as part of the environmental review process the City is conducting to comply with CEQA.

Sincerely,

Patrick Martinez,
 Community Development Manager



Proposed General Plan & Zoning Map (Draft)

Prepared 10-07-2022





City of Needles

817 Third Street • Needles, California 92363
(760) 326-2113 • FAX (760) 326-6765
www.cityofneedles.com

Mayor, Jeff Williams
Vice Mayor Edward T. Paget, M.D
Councilmember Shawn Gudmundson
Councilmember Tona Belt
Councilmember Clayton Hazlewood
Councilmember Tim Terral
Councilmember Zachery Longacre
City Manager Rick Daniels

October 20, 2022

San Manuel Band of Mission Indians
26569 Community Center Drive
Highland, CA, 92346
Jessica.Mauck@sanmanuelnsn.gov

Attention: Ms. Jessica Mauck

Re: Tribal Consultation Pursuant to SB 18 and AB 52
City of Needles General Plan Update

Dear Ms. Mauck,

The City of Needles (City) is currently reviewing its General Plan Land use and Circulation Elements for the purposes of updating both. The City is providing an opportunity to consult with the City regarding the updating of these elements to identify any potential to impact Tribal Cultural Resources in accordance with California State Law. The Native American Heritage Commission (NAHC) indicated that the Sacred Lands File check was positive. This letter is being sent to both via email and postal service using the contact information provided by the NAHC.

PROJECT LOCATION: The City of Needles is located on the far eastern edge of San Bernardino County, is bounded by the Colorado River to the east, and is surrounded by the Mojave Desert on the north, west, and south sides. Interstate 40 bisects the City, running diagonally northwest to southeast.

PROJECT DESCRIPTION: The Land Use and Transportation elements form the backbone of the City's general plan and guide the long-term growth and improvement of the Needles community. The proposed project updates the Land Use and Transportation elements of the general plan to guide the City's growth and development for the next 20 years through 2040. The City intends to limit growth and development to its incorporated boundaries and does not plan on promoting growth or changing land use or circulation in its unincorporated sphere of influence (SOI).²⁷

The City will also create a single-map system that bring its General Plan and Zoning maps into consistency, and introduce mixed-use development into the City's downtown and the creation of a Downtown (DT) designation and corresponding changes to the Development Code (see attached map as page 3 of this letter). Table 1, *Buildout Statistical Summary*, provides a statistical summary of the buildout potential associated with the Proposed Land Use Element compared to existing conditions. The City's transportation systems will be updated to enhance mobility in and around Needles for more efficient and safer motorized and nonmotorized circulation, with a focus on aligning future growth projections and necessary roadway improvements.

²⁷ The majority of unincorporated SOI is north, south, and west of the incorporated boundaries; the exception is an 18-acre area that is owned by the Fort Mojave Indian Tribe and entirely surrounded by incorporated lands. The City assumes County land use designations for all unincorporated SOI areas, most of which are not associated with residential or nonresidential building activities (either Open Space or Resource/Land Management). The unincorporated land owned by the Fort Mojave Indian Tribe is designed for Rural Living by the County.

Table 1 Buildout Statistical Summary

Scenario	Acres	Units	Population	Non-res Sq. Feet	Employment
Exist. Conditions (2021)	19,124	2,829	5,225	1,876,869	1,403
Proposed GP (2040)	19,124	3,907	7,750	2,743,154	2,395
Potential Growth	--	1,078	2,525	866,285	992

The proposed project is designed to achieve the following primary objectives:

- Facilitate more flexible and innovative mix of land uses that will revitalize the downtown and provide new housing opportunities throughout the city
- Support economic growth through the cannabis industry while ensuring land use compatibility and preserving City identity and history
- Improve public access to and increase tourism related to the Colorado River
- Provide better alternatives to driving with expanded access for people walking, bicycling, and taking transit
- Manage growth to ensure safe and fiscally sustainable infrastructure systems

Under California State Law, the Project is subject environmental review under the California Environmental Quality Act (CEQA), and the City will be preparing documentation pursuant to CEQA to evaluate the potential impacts of the Project. Please note the City is proposing the update the General Plan to guide future development in the City and no individual development projects are proposed at this time.

The Native American Resource Protection Act (Assembly Bill 52, Public Resources Code Section 21080.3.1) requires the City to notify California Native American Tribes of the decision to undertake the Project and allows Tribes 30 days to request consultation regarding possible significant effects that implementation of the Project may have on tribal cultural resources. In addition, Senate Bill 18 (Chapter 905, Statutes of 2004) requires the City to contact California Native American Tribes prior to amending a specific plan and allows Tribes 90 days to request consultation.

If consultation with the City regarding this Project is desired, please respond to this letter with a request in writing and identify a lead contact person. Within 30 days of receiving the tribe's request, the City will initiate consultation.

Whether or not the Tribe wishes for consultation with the City, the City welcomes comments from the Tribe as part of the environmental review process the City is conducting to comply with CEQA.

Sincerely,

Patrick Martinez,
 Community Development Manager



Proposed General Plan & Zoning Map (Draft)

Prepared 10-07-2022





City of Needles

817 Third Street • Needles, California 92363
(760) 326-2113 • FAX (760) 326-6765
www.cityofneedles.com

Mayor, Jeff Williams
Vice Mayor Edward T. Paget, M.D
Councilmember Shawn Gudmundson
Councilmember Tona Belt
Councilmember Clayton Hazlewood
Councilmember Tim Terral
Councilmember Zachery Longacre
City Manager Rick Daniels

October 20, 2022

Santa Rosa Band of Cahuilla Indians
P.O. Box 391820
Anza, CA, 92539
Isaul@santarosa-nsn.gov

Attention: Ms. Lovina Redner

Re: Tribal Consultation Pursuant to SB 18 and AB 52
City of Needles General Plan Update

Dear Ms. Redner,

The City of Needles (City) is currently reviewing its General Plan Land use and Circulation Elements for the purposes of updating both. The City is providing an opportunity to consult with the City regarding the updating of these elements to identify any potential to impact Tribal Cultural Resources in accordance with California State Law. The Native American Heritage Commission (NAHC) indicated that the Sacred Lands File check was positive. This letter is being sent to both via email and postal service using the contact information provided by the NAHC.

PROJECT LOCATION: The City of Needles is located on the far eastern edge of San Bernardino County, is bounded by the Colorado River to the east, and is surrounded by the Mojave Desert on the north, west, and south sides. Interstate 40 bisects the City, running diagonally northwest to southeast.

PROJECT DESCRIPTION: The Land Use and Transportation elements form the backbone of the City's general plan and guide the long-term growth and improvement of the Needles community. The proposed project updates the Land Use and Transportation elements of the general plan to guide the City's growth and development for the next 20 years through 2040. The City intends to limit growth and development to its incorporated boundaries and does not plan on promoting growth or changing land use or circulation in its unincorporated sphere of influence (SOI).²⁸

The City will also create a single-map system that bring its General Plan and Zoning maps into consistency, and introduce mixed-use development into the City's downtown and the creation of a Downtown (DT) designation and corresponding changes to the Development Code (see attached map as page 3 of this letter). Table 1, *Buildout Statistical Summary*, provides a statistical summary of the buildout potential associated with the Proposed Land Use Element compared to existing conditions. The City's transportation systems will be updated to enhance mobility in and around Needles for more efficient and safer motorized and nonmotorized circulation, with a focus on aligning future growth projections and necessary roadway improvements.

²⁸ The majority of unincorporated SOI is north, south, and west of the incorporated boundaries; the exception is an 18-acre area that is owned by the Fort Mojave Indian Tribe and entirely surrounded by incorporated lands. The City assumes County land use designations for all unincorporated SOI areas, most of which are not associated with residential or nonresidential building activities (either Open Space or Resource/Land Management). The unincorporated land owned by the Fort Mojave Indian Tribe is designed for Rural Living by the County.

Table 1 Buildout Statistical Summary

Scenario	Acres	Units	Population	Non-res Sq. Feet	Employment
Exist. Conditions (2021)	19,124	2,829	5,225	1,876,869	1,403
Proposed GP (2040)	19,124	3,907	7,750	2,743,154	2,395
Potential Growth	--	1,078	2,525	866,285	992

The proposed project is designed to achieve the following primary objectives:

- Facilitate more flexible and innovative mix of land uses that will revitalize the downtown and provide new housing opportunities throughout the city
- Support economic growth through the cannabis industry while ensuring land use compatibility and preserving City identity and history
- Improve public access to and increase tourism related to the Colorado River
- Provide better alternatives to driving with expanded access for people walking, bicycling, and taking transit
- Manage growth to ensure safe and fiscally sustainable infrastructure systems

Under California State Law, the Project is subject environmental review under the California Environmental Quality Act (CEQA), and the City will be preparing documentation pursuant to CEQA to evaluate the potential impacts of the Project. Please note the City is proposing the update the General Plan to guide future development in the City and no individual development projects are proposed at this time.

The Native American Resource Protection Act (Assembly Bill 52, Public Resources Code Section 21080.3.1) requires the City to notify California Native American Tribes of the decision to undertake the Project and allows Tribes 30 days to request consultation regarding possible significant effects that implementation of the Project may have on tribal cultural resources. In addition, Senate Bill 18 (Chapter 905, Statutes of 2004) requires the City to contact California Native American Tribes prior to amending a specific plan and allows Tribes 90 days to request consultation.

If consultation with the City regarding this Project is desired, please respond to this letter with a request in writing and identify a lead contact person. Within 30 days of receiving the tribe's request, the City will initiate consultation.

Whether or not the Tribe wishes for consultation with the City, the City welcomes comments from the Tribe as part of the environmental review process the City is conducting to comply with CEQA.

Sincerely,

Patrick Martinez,
 Community Development Manager



Proposed General Plan & Zoning Map (Draft)

Prepared 10-07-2022





City of Needles

817 Third Street • Needles, California 92363
(760) 326-2113 • FAX (760) 326-6765
www.cityofneedles.com

Mayor, Jeff Williams
Vice Mayor Edward T. Paget, M.D
Councilmember Shawn Gudmundson
Councilmember Tona Belt
Councilmember Clayton Hazelwood
Councilmember Tim Terral
Councilmember Zachery Longacre
City Manager Rick Daniels

October 20, 2022

Serrano Nation of Mission Indians
P. O. Box 343
Patton, CA, 92370
serranonation1@gmail.com

Attention: Mr. Mark Cochrane

Re: Tribal Consultation Pursuant to SB 18 and AB 52
City of Needles General Plan Update

Dear Mr. Cochrane,

The City of Needles (City) is currently reviewing its General Plan Land use and Circulation Elements for the purposes of updating both. The City is providing an opportunity to consult with the City regarding the updating of these elements to identify any potential to impact Tribal Cultural Resources in accordance with California State Law. The Native American Heritage Commission (NAHC) indicated that the Sacred Lands File check was positive. This letter is being sent to both via email and postal service using the contact information provided by the NAHC.

PROJECT LOCATION: The City of Needles is located on the far eastern edge of San Bernardino County, is bounded by the Colorado River to the east, and is surrounded by the Mojave Desert on the north, west, and south sides. Interstate 40 bisects the City, running diagonally northwest to southeast.

PROJECT DESCRIPTION: The Land Use and Transportation elements form the backbone of the City's general plan and guide the long-term growth and improvement of the Needles community. The proposed project updates the Land Use and Transportation elements of the general plan to guide the City's growth and development for the next 20 years through 2040. The City intends to limit growth and development to its incorporated boundaries and does not plan on promoting growth or changing land use or circulation in its unincorporated sphere of influence (SOI).³⁰

The City will also create a single-map system that brings its General Plan and Zoning maps into consistency, and introduce mixed-use development into the City's downtown and the creation of a Downtown (DT) designation and corresponding changes to the Development Code (see attached map as page 3 of this letter). Table 1, *Buildout Statistical Summary*, provides a statistical summary of the buildout potential associated with the Proposed Land Use Element compared to existing conditions. The City's transportation systems will be updated to enhance mobility in and around Needles for more efficient and safer motorized and nonmotorized circulation, with a focus on aligning future growth projections and necessary roadway improvements.

³⁰ The majority of unincorporated SOI is north, south, and west of the incorporated boundaries; the exception is an 18-acre area that is owned by the Fort Mojave Indian Tribe and entirely surrounded by incorporated lands. The City assumes County land use designations for all unincorporated SOI areas, most of which are not associated with residential or nonresidential building activities (either Open Space or Resource/Land Management). The unincorporated land owned by the Fort Mojave Indian Tribe is designed for Rural Living by the County.

Table 1 Buildout Statistical Summary

Scenario	Acres	Units	Population	Non-res Sq. Feet	Employment
Exist. Conditions (2021)	19,124	2,829	5,225	1,876,869	1,403
Proposed GP (2040)	19,124	3,907	7,750	2,743,154	2,395
Potential Growth	--	1,078	2,525	866,285	992

The proposed project is designed to achieve the following primary objectives:

- Facilitate more flexible and innovative mix of land uses that will revitalize the downtown and provide new housing opportunities throughout the city
- Support economic growth through the cannabis industry while ensuring land use compatibility and preserving City identity and history
- Improve public access to and increase tourism related to the Colorado River
- Provide better alternatives to driving with expanded access for people walking, bicycling, and taking transit
- Manage growth to ensure safe and fiscally sustainable infrastructure systems

Under California State Law, the Project is subject environmental review under the California Environmental Quality Act (CEQA), and the City will be preparing documentation pursuant to CEQA to evaluate the potential impacts of the Project. Please note the City is proposing the update the General Plan to guide future development in the City and no individual development projects are proposed at this time.

The Native American Resource Protection Act (Assembly Bill 52, Public Resources Code Section 21080.3.1) requires the City to notify California Native American Tribes of the decision to undertake the Project and allows Tribes 30 days to request consultation regarding possible significant effects that implementation of the Project may have on tribal cultural resources. In addition, Senate Bill 18 (Chapter 905, Statutes of 2004) requires the City to contact California Native American Tribes prior to amending a specific plan and allows Tribes 90 days to request consultation.

If consultation with the City regarding this Project is desired, please respond to this letter with a request in writing and identify a lead contact person. Within 30 days of receiving the tribe’s request, the City will initiate consultation.

Whether or not the Tribe wishes for consultation with the City, the City welcomes comments from the Tribe as part of the environmental review process the City is conducting to comply with CEQA.

Sincerely,

Patrick Martinez,
 Community Development Manager



Proposed General Plan & Zoning Map (Draft)

Prepared 10-07-2022





City of Needles

817 Third Street • Needles, California 92363
(760) 326-2113 • FAX (760) 326-6765
www.cityofneedles.com

Mayor, Jeff Williams
Vice Mayor Edward T. Paget, M.D
Councilmember Shawn Gudmundson
Councilmember Tona Belt
Councilmember Clayton Hazelwood
Councilmember Tim Terral
Councilmember Zachery Longacre
City Manager Rick Daniels

October 20, 2022

Serrano Nation of Mission Indians
P. O. Box 343
Patton, CA, 92369
serranonation1@gmail.com

Attention: Mr. Wayne Walker

Re: Tribal Consultation Pursuant to SB 18 and AB 52
City of Needles General Plan Update

Dear Mr. Walker,

The City of Needles (City) is currently reviewing its General Plan Land use and Circulation Elements for the purposes of updating both. The City is providing an opportunity to consult with the City regarding the updating of these elements to identify any potential to impact Tribal Cultural Resources in accordance with California State Law. The Native American Heritage Commission (NAHC) indicated that the Sacred Lands File check was positive. This letter is being sent to both via email and postal service using the contact information provided by the NAHC.

PROJECT LOCATION: The City of Needles is located on the far eastern edge of San Bernardino County, is bounded by the Colorado River to the east, and is surrounded by the Mojave Desert on the north, west, and south sides. Interstate 40 bisects the City, running diagonally northwest to southeast.

PROJECT DESCRIPTION: The Land Use and Transportation elements form the backbone of the City's general plan and guide the long-term growth and improvement of the Needles community. The proposed project updates the Land Use and Transportation elements of the general plan to guide the City's growth and development for the next 20 years through 2040. The City intends to limit growth and development to its incorporated boundaries and does not plan on promoting growth or changing land use or circulation in its unincorporated sphere of influence (SOI).²⁹

The City will also create a single-map system that bring its General Plan and Zoning maps into consistency, and introduce mixed-use development into the City's downtown and the creation of a Downtown (DT) designation and corresponding changes to the Development Code (see attached map as page 3 of this letter). Table 1, *Buildout Statistical Summary*, provides a statistical summary of the buildout potential associated with the Proposed Land Use Element compared to existing conditions. The City's transportation systems will be updated to enhance mobility in and around Needles for more efficient and safer motorized and nonmotorized circulation, with a focus on aligning future growth projections and necessary roadway improvements.

²⁹ The majority of unincorporated SOI is north, south, and west of the incorporated boundaries; the exception is an 18-acre area that is owned by the Fort Mojave Indian Tribe and entirely surrounded by incorporated lands. The City assumes County land use designations for all unincorporated SOI areas, most of which are not associated with residential or nonresidential building activities (either Open Space or Resource/Land Management). The unincorporated land owned by the Fort Mojave Indian Tribe is designed for Rural Living by the County.

Table 1 Buildout Statistical Summary

Scenario	Acres	Units	Population	Non-res Sq. Feet	Employment
Exist. Conditions (2021)	19,124	2,829	5,225	1,876,869	1,403
Proposed GP (2040)	19,124	3,907	7,750	2,743,154	2,395
Potential Growth	--	1,078	2,525	866,285	992

The proposed project is designed to achieve the following primary objectives:

- Facilitate more flexible and innovative mix of land uses that will revitalize the downtown and provide new housing opportunities throughout the city
- Support economic growth through the cannabis industry while ensuring land use compatibility and preserving City identity and history
- Improve public access to and increase tourism related to the Colorado River
- Provide better alternatives to driving with expanded access for people walking, bicycling, and taking transit
- Manage growth to ensure safe and fiscally sustainable infrastructure systems

Under California State Law, the Project is subject environmental review under the California Environmental Quality Act (CEQA), and the City will be preparing documentation pursuant to CEQA to evaluate the potential impacts of the Project. Please note the City is proposing the update the General Plan to guide future development in the City and no individual development projects are proposed at this time.

The Native American Resource Protection Act (Assembly Bill 52, Public Resources Code Section 21080.3.1) requires the City to notify California Native American Tribes of the decision to undertake the Project and allows Tribes 30 days to request consultation regarding possible significant effects that implementation of the Project may have on tribal cultural resources. In addition, Senate Bill 18 (Chapter 905, Statutes of 2004) requires the City to contact California Native American Tribes prior to amending a specific plan and allows Tribes 90 days to request consultation.

If consultation with the City regarding this Project is desired, please respond to this letter with a request in writing and identify a lead contact person. Within 30 days of receiving the tribe’s request, the City will initiate consultation.

Whether or not the Tribe wishes for consultation with the City, the City welcomes comments from the Tribe as part of the environmental review process the City is conducting to comply with CEQA.

Sincerely,

Patrick Martinez,
 Community Development Manager



Proposed General Plan & Zoning Map (Draft)

Prepared 10-07-2022





City of Needles

817 Third Street • Needles, California 92363
(760) 326-2113 • FAX (760) 326-6765
www.cityofneedles.com

Mayor, Jeff Williams
Vice Mayor Edward T. Paget, M.D
Councilmember Shawn Gudmundson
Councilmember Tona Belt
Councilmember Clayton Hazlewood
Councilmember Tim Terral
Councilmember Zachery Longacre
City Manager Rick Daniels

October 20, 2022

Soboba Band of Luiseno Indians
P.O. BOX 487
San Jacinto, CA 92581
jontiveros@soboba-nsn.gov

Attention: Mr. Joseph Ontiveros

Re: Tribal Consultation Pursuant to SB 18 and AB 52
City of Needles General Plan Update

Dear Mr. Ontiveros,

The City of Needles (City) is currently reviewing its General Plan Land use and Circulation Elements for the purposes of updating both. The City is providing an opportunity to consult with the City regarding the updating of these elements to identify any potential to impact Tribal Cultural Resources in accordance with California State Law. The Native American Heritage Commission (NAHC) indicated that the Sacred Lands File check was positive. This letter is being sent to both via email and postal service using the contact information provided by the NAHC.

PROJECT LOCATION: The City of Needles is located on the far eastern edge of San Bernardino County, is bounded by the Colorado River to the east, and is surrounded by the Mojave Desert on the north, west, and south sides. Interstate 40 bisects the City, running diagonally northwest to southeast.

PROJECT DESCRIPTION: The Land Use and Transportation elements form the backbone of the City's general plan and guide the long-term growth and improvement of the Needles community. The proposed project updates the Land Use and Transportation elements of the general plan to guide the City's growth and development for the next 20 years through 2040. The City intends to limit growth and development to its incorporated boundaries and does not plan on promoting growth or changing land use or circulation in its unincorporated sphere of influence (SOI).³¹

The City will also create a single-map system that bring its General Plan and Zoning maps into consistency, and introduce mixed-use development into the City's downtown and the creation of a Downtown (DT) designation and corresponding changes to the Development Code (see attached map as page 3 of this letter). Table 1, *Buildout Statistical Summary*, provides a statistical summary of the buildout potential associated with the Proposed Land Use Element compared to existing conditions. The City's transportation systems will be updated to enhance mobility in and around Needles for more efficient and safer motorized and nonmotorized circulation, with a focus on aligning future growth projections and necessary roadway improvements.

³¹ The majority of unincorporated SOI is north, south, and west of the incorporated boundaries; the exception is an 18-acre area that is owned by the Fort Mojave Indian Tribe and entirely surrounded by incorporated lands. The City assumes County land use designations for all unincorporated SOI areas, most of which are not associated with residential or nonresidential building activities (either Open Space or Resource/Land Management). The unincorporated land owned by the Fort Mojave Indian Tribe is designed for Rural Living by the County.

Table 1 Buildout Statistical Summary

Scenario	Acres	Units	Population	Non-res Sq. Feet	Employment
Exist. Conditions (2021)	19,124	2,829	5,225	1,876,869	1,403
Proposed GP (2040)	19,124	3,907	7,750	2,743,154	2,395
Potential Growth	--	1,078	2,525	866,285	992

The proposed project is designed to achieve the following primary objectives:

- Facilitate more flexible and innovative mix of land uses that will revitalize the downtown and provide new housing opportunities throughout the city
- Support economic growth through the cannabis industry while ensuring land use compatibility and preserving City identity and history
- Improve public access to and increase tourism related to the Colorado River
- Provide better alternatives to driving with expanded access for people walking, bicycling, and taking transit
- Manage growth to ensure safe and fiscally sustainable infrastructure systems

Under California State Law, the Project is subject environmental review under the California Environmental Quality Act (CEQA), and the City will be preparing documentation pursuant to CEQA to evaluate the potential impacts of the Project. Please note the City is proposing the update the General Plan to guide future development in the City and no individual development projects are proposed at this time.

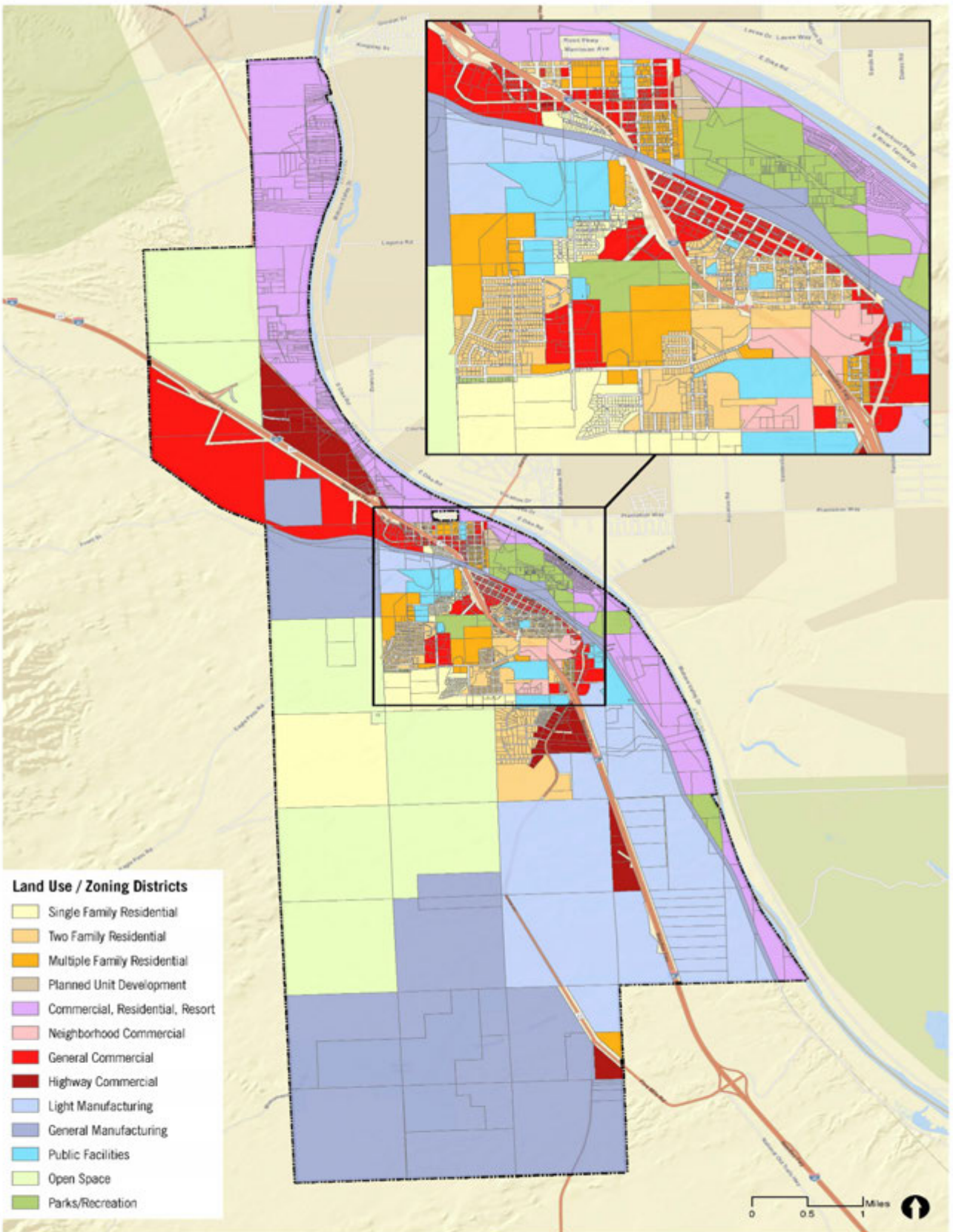
The Native American Resource Protection Act (Assembly Bill 52, Public Resources Code Section 21080.3.1) requires the City to notify California Native American Tribes of the decision to undertake the Project and allows Tribes 30 days to request consultation regarding possible significant effects that implementation of the Project may have on tribal cultural resources. In addition, Senate Bill 18 (Chapter 905, Statutes of 2004) requires the City to contact California Native American Tribes prior to amending a specific plan and allows Tribes 90 days to request consultation.

If consultation with the City regarding this Project is desired, please respond to this letter with a request in writing and identify a lead contact person. Within 30 days of receiving the tribe’s request, the City will initiate consultation.

Whether or not the Tribe wishes for consultation with the City, the City welcomes comments from the Tribe as part of the environmental review process the City is conducting to comply with CEQA.

Sincerely,

Patrick Martinez,
 Community Development Manager



Proposed General Plan & Zoning Map (Draft)

Prepared 10-07-2022





City of Needles

817 Third Street • Needles, California 92363
(760) 326-2113 • FAX (760) 326-6765
www.cityofneedles.com

Mayor, Jeff Williams
Vice Mayor Edward T. Paget, M.D
Councilmember Shawn Gudmundson
Councilmember Tona Belt
Councilmember Clayton Hazlewood
Councilmember Tim Terral
Councilmember Zachery Longacre
City Manager Rick Daniels

October 20, 2022

Soboba Band of Luiseno Indians
P. O. Box 487
San Jacinto, CA 92581
ivivanco@soboba-nsn.gov

Attention: Mr. Isaiah Vivanco

Re: Tribal Consultation Pursuant to SB 18 and AB 52
City of Needles General Plan Update

Dear Mr. Vivanco,

The City of Needles (City) is currently reviewing its General Plan Land use and Circulation Elements for the purposes of updating both. The City is providing an opportunity to consult with the City regarding the updating of these elements to identify any potential to impact Tribal Cultural Resources in accordance with California State Law. The Native American Heritage Commission (NAHC) indicated that the Sacred Lands File check was positive. This letter is being sent to both via email and postal service using the contact information provided by the NAHC.

PROJECT LOCATION: The City of Needles is located on the far eastern edge of San Bernardino County, is bounded by the Colorado River to the east, and is surrounded by the Mojave Desert on the north, west, and south sides. Interstate 40 bisects the City, running diagonally northwest to southeast.

PROJECT DESCRIPTION: The Land Use and Transportation elements form the backbone of the City's general plan and guide the long-term growth and improvement of the Needles community. The proposed project updates the Land Use and Transportation elements of the general plan to guide the City's growth and development for the next 20 years through 2040. The City intends to limit growth and development to its incorporated boundaries and does not plan on promoting growth or changing land use or circulation in its unincorporated sphere of influence (SOI).³²

The City will also create a single-map system that bring its General Plan and Zoning maps into consistency, and introduce mixed-use development into the City's downtown and the creation of a Downtown (DT) designation and corresponding changes to the Development Code (see attached map as page 3 of this letter). Table 1, *Buildout Statistical Summary*, provides a statistical summary of the buildout potential associated with the Proposed Land Use Element compared to existing conditions. The City's transportation systems will be updated to enhance mobility in and around Needles for more efficient and safer motorized and nonmotorized circulation, with a focus on aligning future growth projections and necessary roadway improvements.

³² The majority of unincorporated SOI is north, south, and west of the incorporated boundaries; the exception is an 18-acre area that is owned by the Fort Mojave Indian Tribe and entirely surrounded by incorporated lands. The City assumes County land use designations for all unincorporated SOI areas, most of which are not associated with residential or nonresidential building activities (either Open Space or Resource/Land Management). The unincorporated land owned by the Fort Mojave Indian Tribe is designed for Rural Living by the County.

Table 1 Buildout Statistical Summary

Scenario	Acres	Units	Population	Non-res Sq. Feet	Employment
Exist. Conditions (2021)	19,124	2,829	5,225	1,876,869	1,403
Proposed GP (2040)	19,124	3,907	7,750	2,743,154	2,395
Potential Growth	--	1,078	2,525	866,285	992

The proposed project is designed to achieve the following primary objectives:

- Facilitate more flexible and innovative mix of land uses that will revitalize the downtown and provide new housing opportunities throughout the city
- Support economic growth through the cannabis industry while ensuring land use compatibility and preserving City identity and history
- Improve public access to and increase tourism related to the Colorado River
- Provide better alternatives to driving with expanded access for people walking, bicycling, and taking transit
- Manage growth to ensure safe and fiscally sustainable infrastructure systems

Under California State Law, the Project is subject environmental review under the California Environmental Quality Act (CEQA), and the City will be preparing documentation pursuant to CEQA to evaluate the potential impacts of the Project. Please note the City is proposing the update the General Plan to guide future development in the City and no individual development projects are proposed at this time.

The Native American Resource Protection Act (Assembly Bill 52, Public Resources Code Section 21080.3.1) requires the City to notify California Native American Tribes of the decision to undertake the Project and allows Tribes 30 days to request consultation regarding possible significant effects that implementation of the Project may have on tribal cultural resources. In addition, Senate Bill 18 (Chapter 905, Statutes of 2004) requires the City to contact California Native American Tribes prior to amending a specific plan and allows Tribes 90 days to request consultation.

If consultation with the City regarding this Project is desired, please respond to this letter with a request in writing and identify a lead contact person. Within 30 days of receiving the tribe's request, the City will initiate consultation.

Whether or not the Tribe wishes for consultation with the City, the City welcomes comments from the Tribe as part of the environmental review process the City is conducting to comply with CEQA.

Sincerely,

Patrick Martinez,
 Community Development Manager



Proposed General Plan & Zoning Map (Draft)

Prepared 10-07-2022

