

CABALLERO ENERGY STORAGE PROJECT

VISUAL SIMULATIONS

Figure 9
-
Joshua Street



Existing Conditions



Simulated Conditions

PHOTO DATA

View Location	Joshua Street
Latitude	35.003729°
Longitude	-120.455797°
Viewing Direction	Northeast
Observer Elevation	303 feet
Date of Photograph	07/30/2020
Time of Photograph	1:15 PM
Weather Conditions	Clear



CABALLERO ENERGY STORAGE PROJECT

VISUAL SIMULATIONS

Figure 10
-
Joshua Street



Existing Conditions



Simulated Conditions

PHOTO DATA

View Location	Joshua Street
Latitude	35.004459°
Longitude	-120.454559°
Viewing Direction	West-southwest
Observer Elevation	292 feet
Date of Photograph	07/30/2020
Time of Photograph	1:40 PM
Weather Conditions	Partly Cloudy



CABALLERO ENERGY STORAGE PROJECT

VISUAL SIMULATIONS

Figure 11
-
U.S. Highway 101



Existing Conditions



Simulated Conditions

PHOTO DATA

View Location	U.S. Highway 101
Latitude	35.012912°
Longitude	-120.456984°
Viewing Direction	South
Observer Elevation	298 feet
Date of Photograph	07/30/2020
Time of Photograph	2:20 PM
Weather Conditions	Clear



CABALLERO ENERGY STORAGE PROJECT

VISUAL SIMULATIONS

Figure 12
-
U.S. Highway 101



Existing Conditions



Simulated Conditions

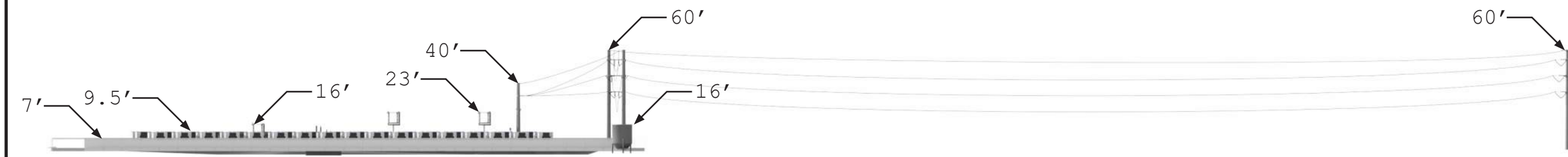
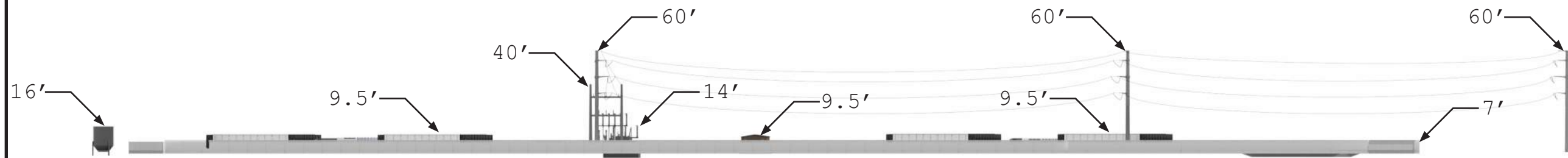
PHOTO DATA

View Location	U.S. Highway 101
Latitude	35.008105°
Longitude	-120.447259°
Viewing Direction	Southwest
Observer Elevation	290 feet
Date of Photograph	07/30/2020
Time of Photograph	2:00 PM
Weather Conditions	Clear



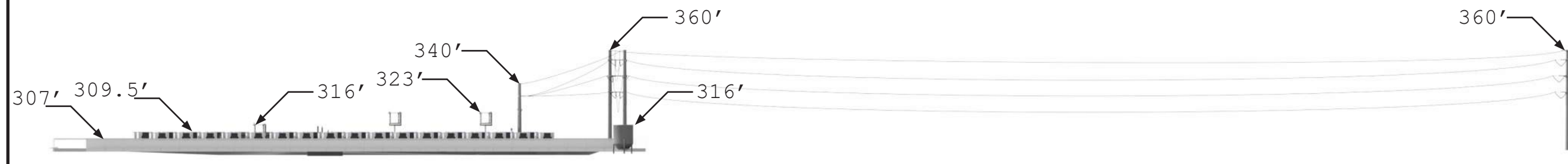
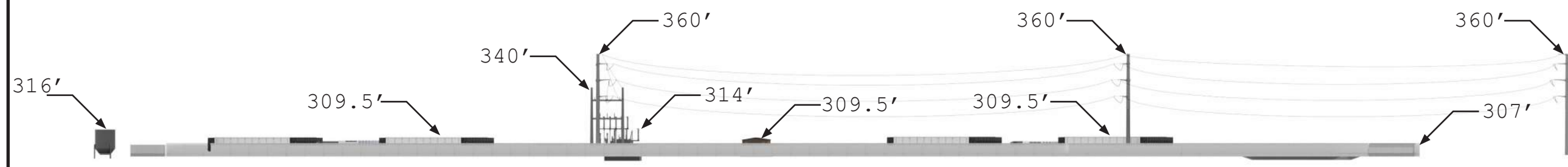
CABALLERO ENERGY STORAGE PROJECT

PROJECT DIMENSIONS



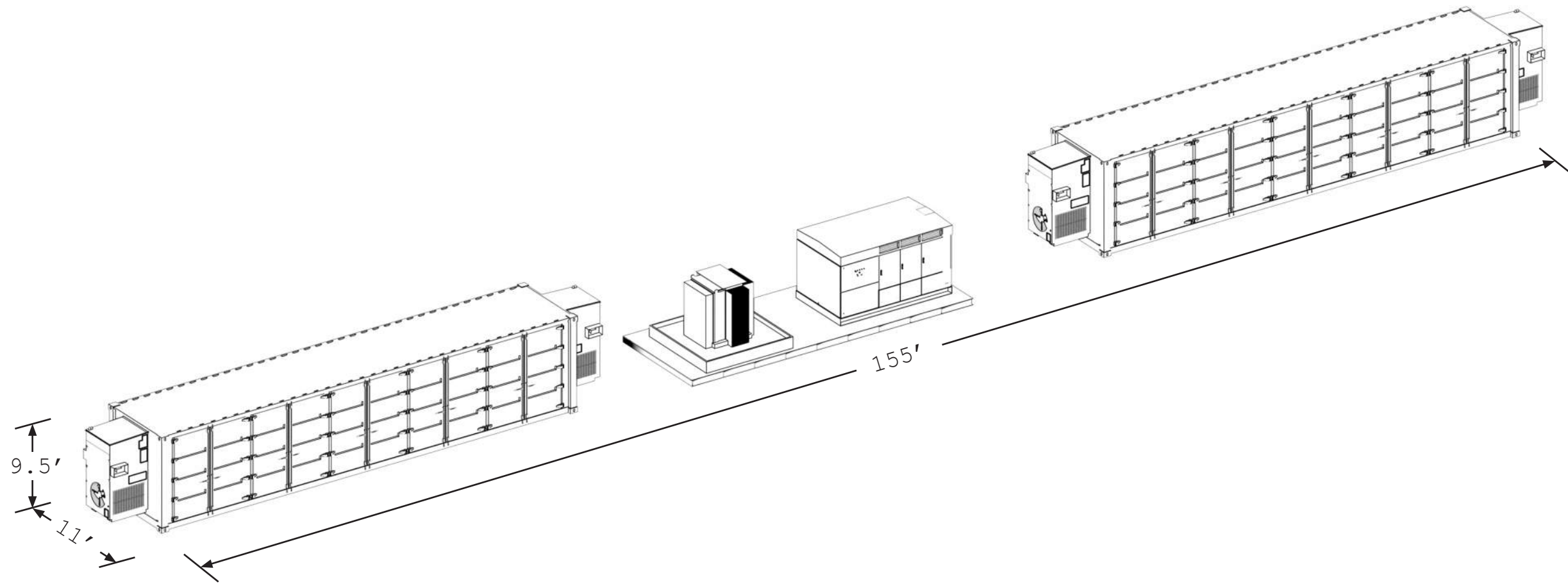
CABALLERO ENERGY STORAGE PROJECT

PROJECT ELEVATIONS



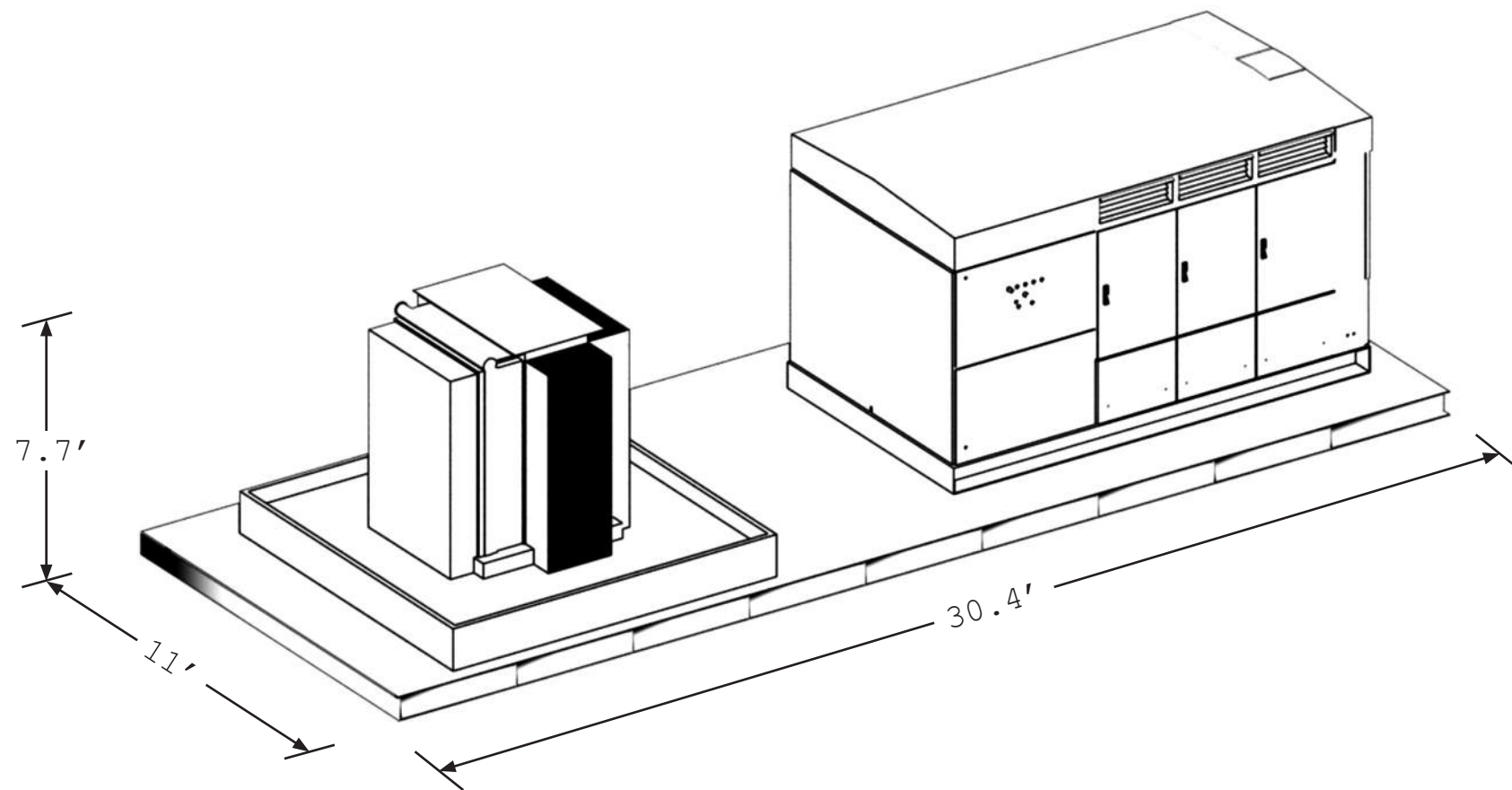
COMPONENT
DRAWINGS

BESS SKID GROUP



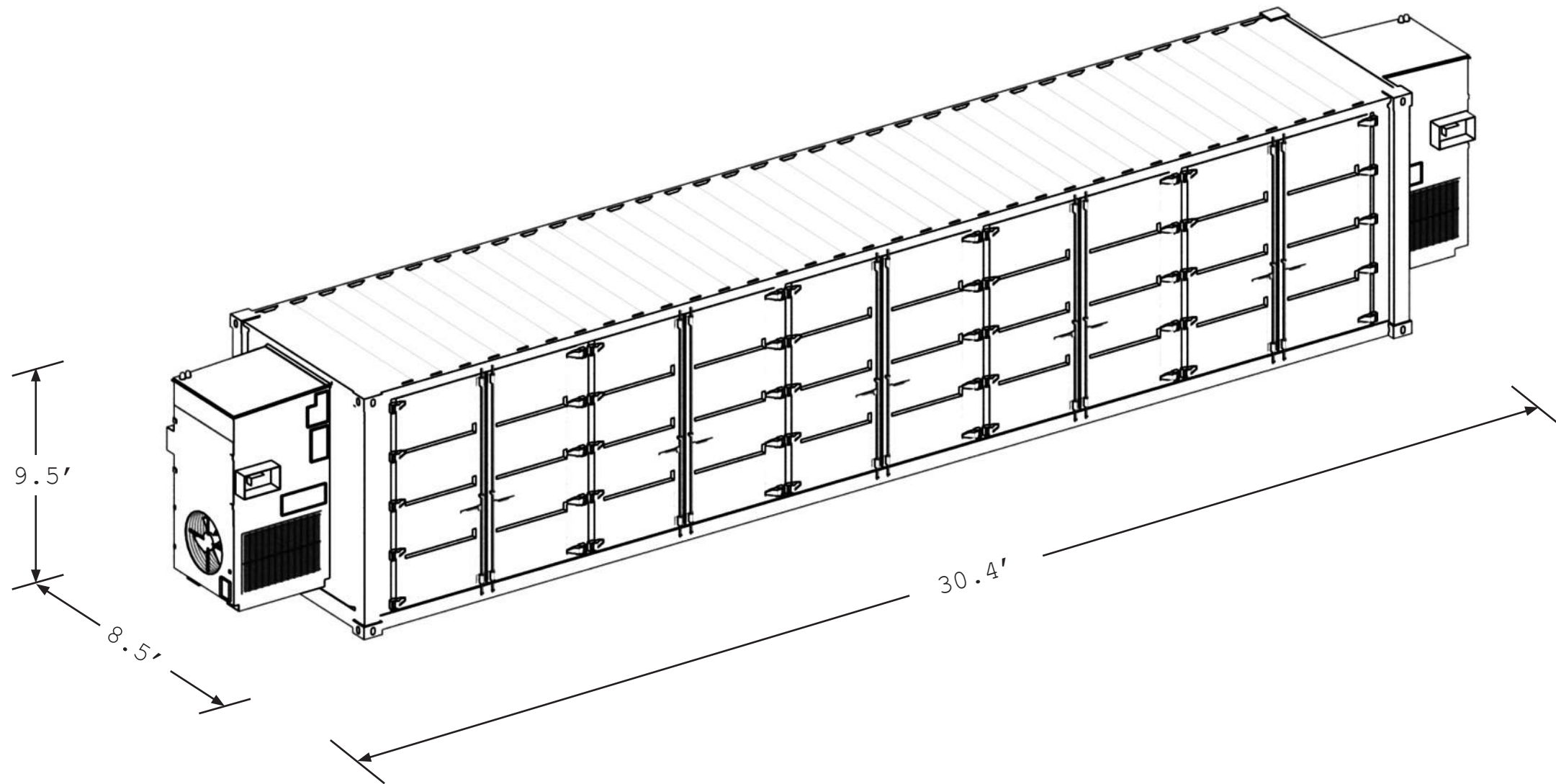
**COMPONENT
DRAWINGS**

BESS INVERTER &
TRANSFORMER SKID



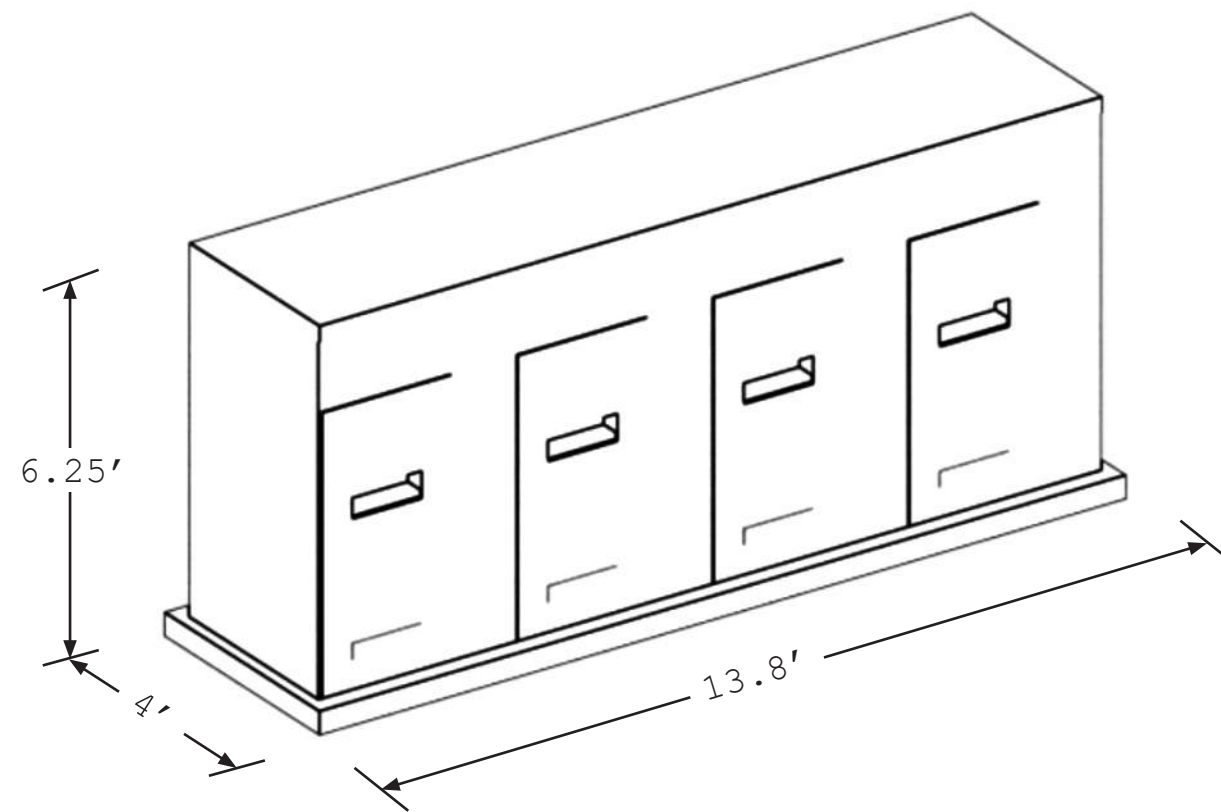
*COMPONENT
DRAWINGS*

BATTERY STORAGE
CONTAINER



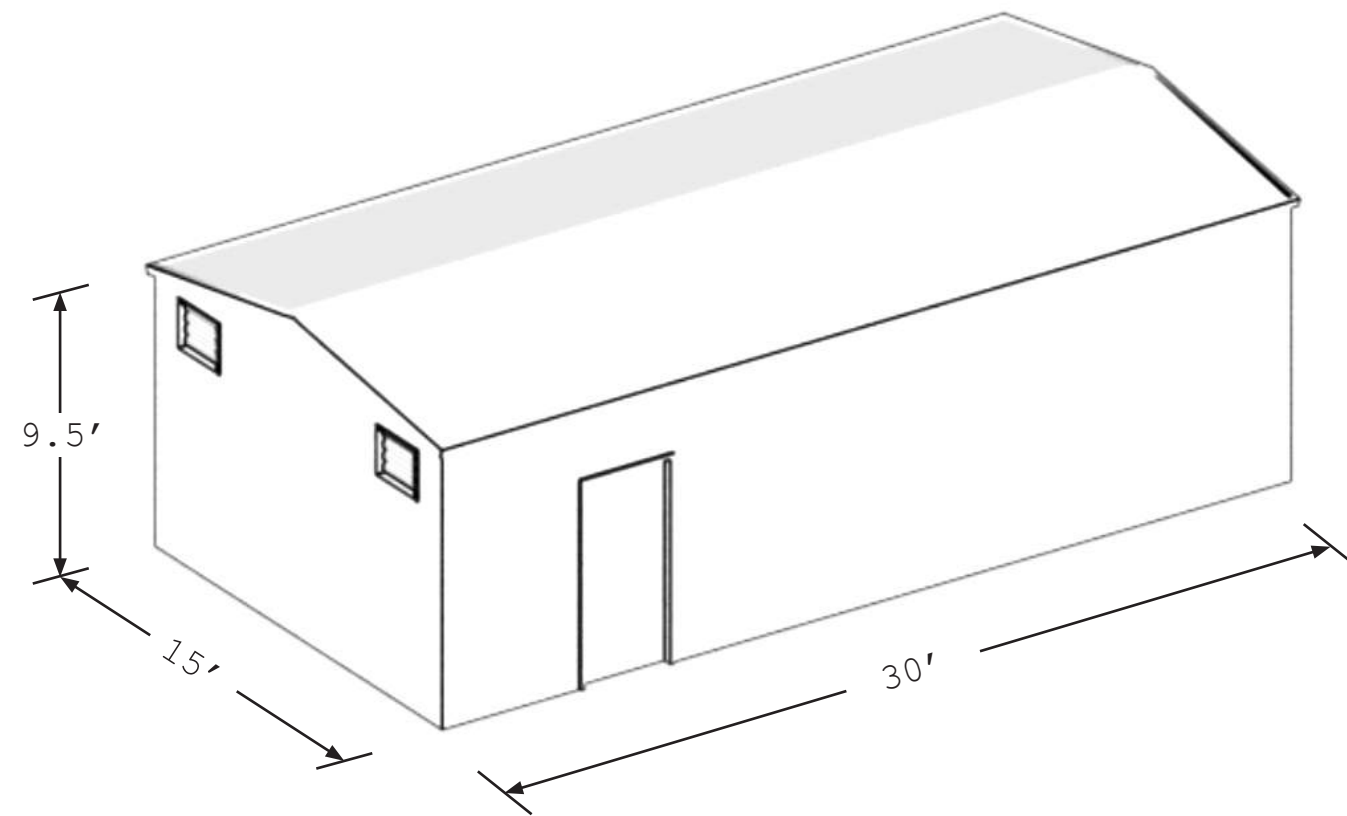
**COMPONENT
DRAWINGS**

ENCLOSED
SWITCHGEAR BOX



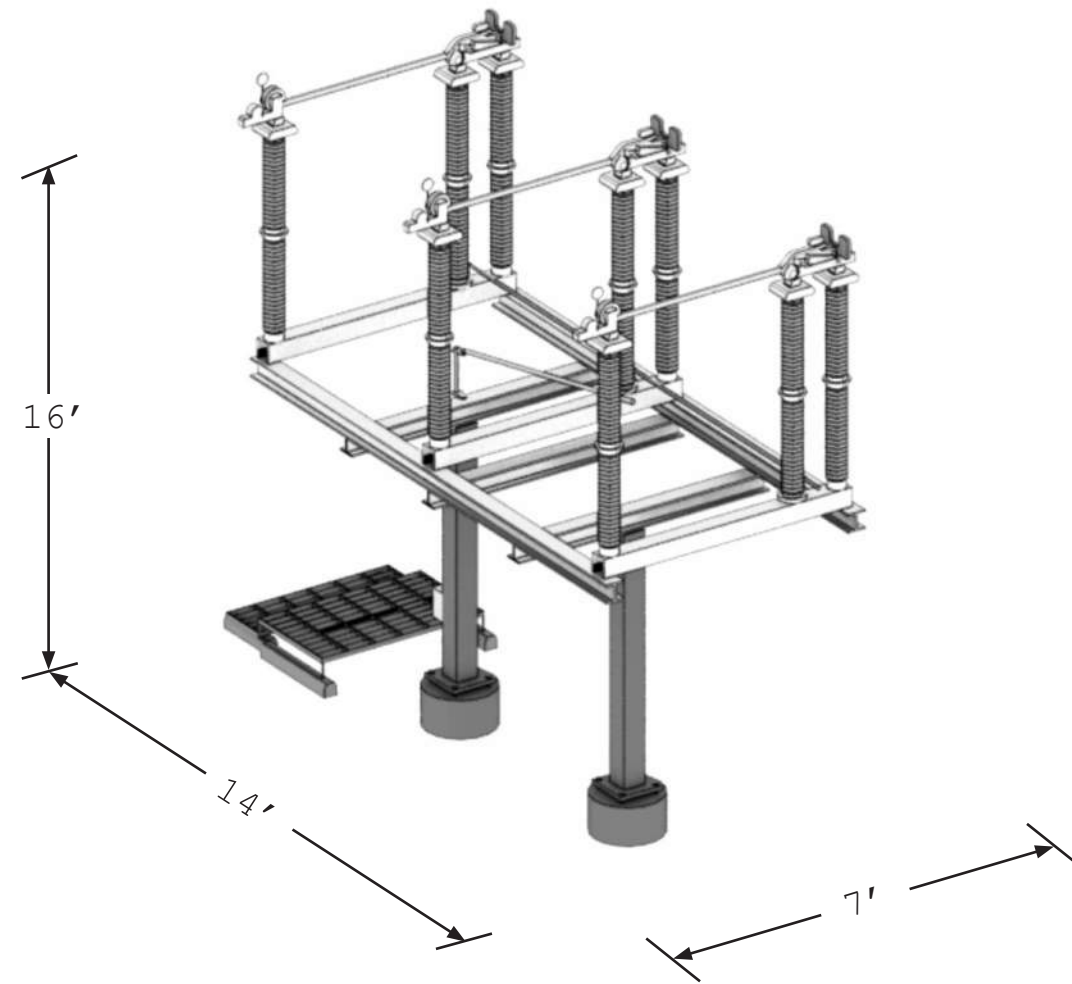
**COMPONENT
DRAWINGS**

UTILITY BUILDING



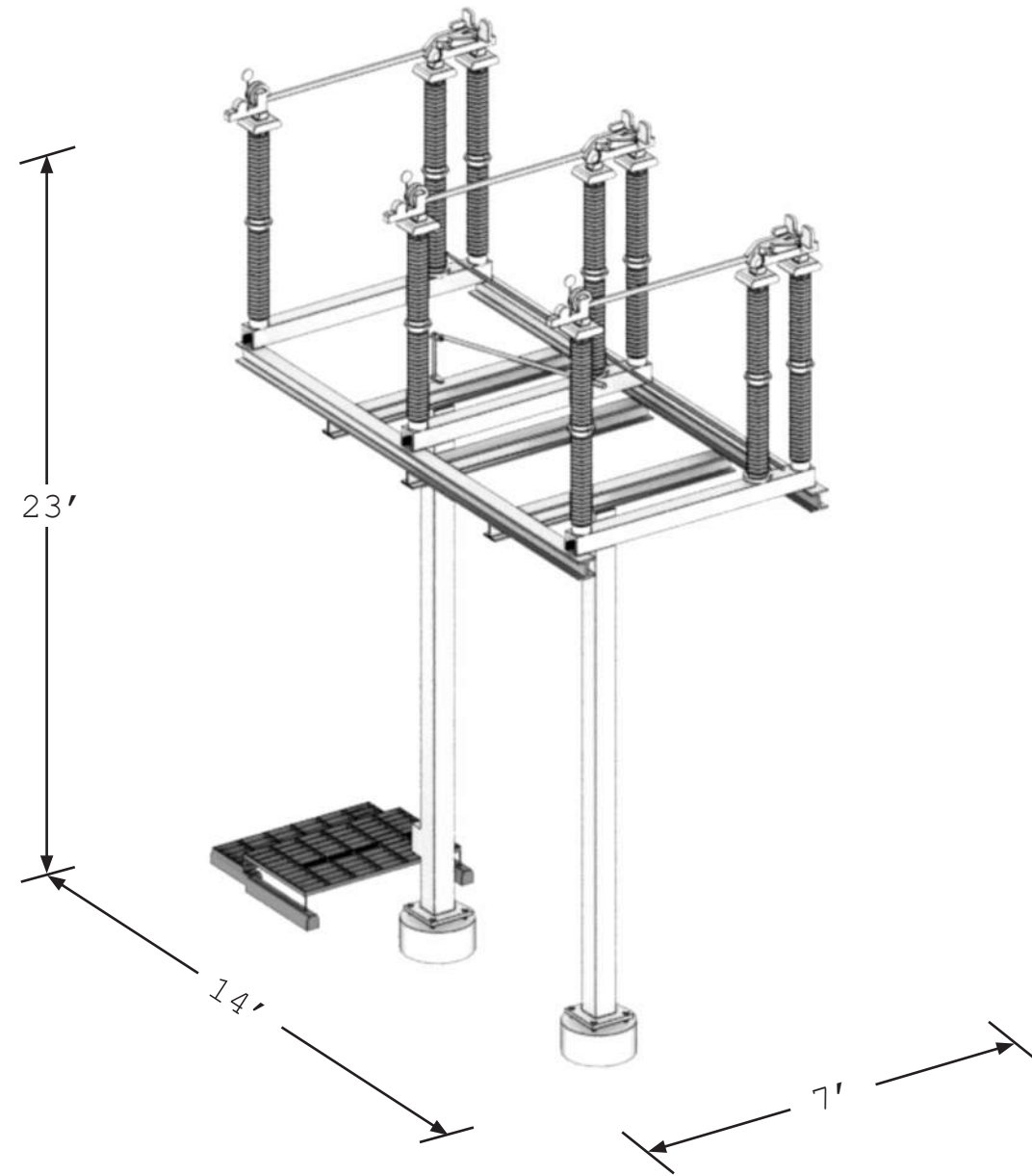
*COMPONENT
DRAWINGS*

LOW BUS
16' SWITCH

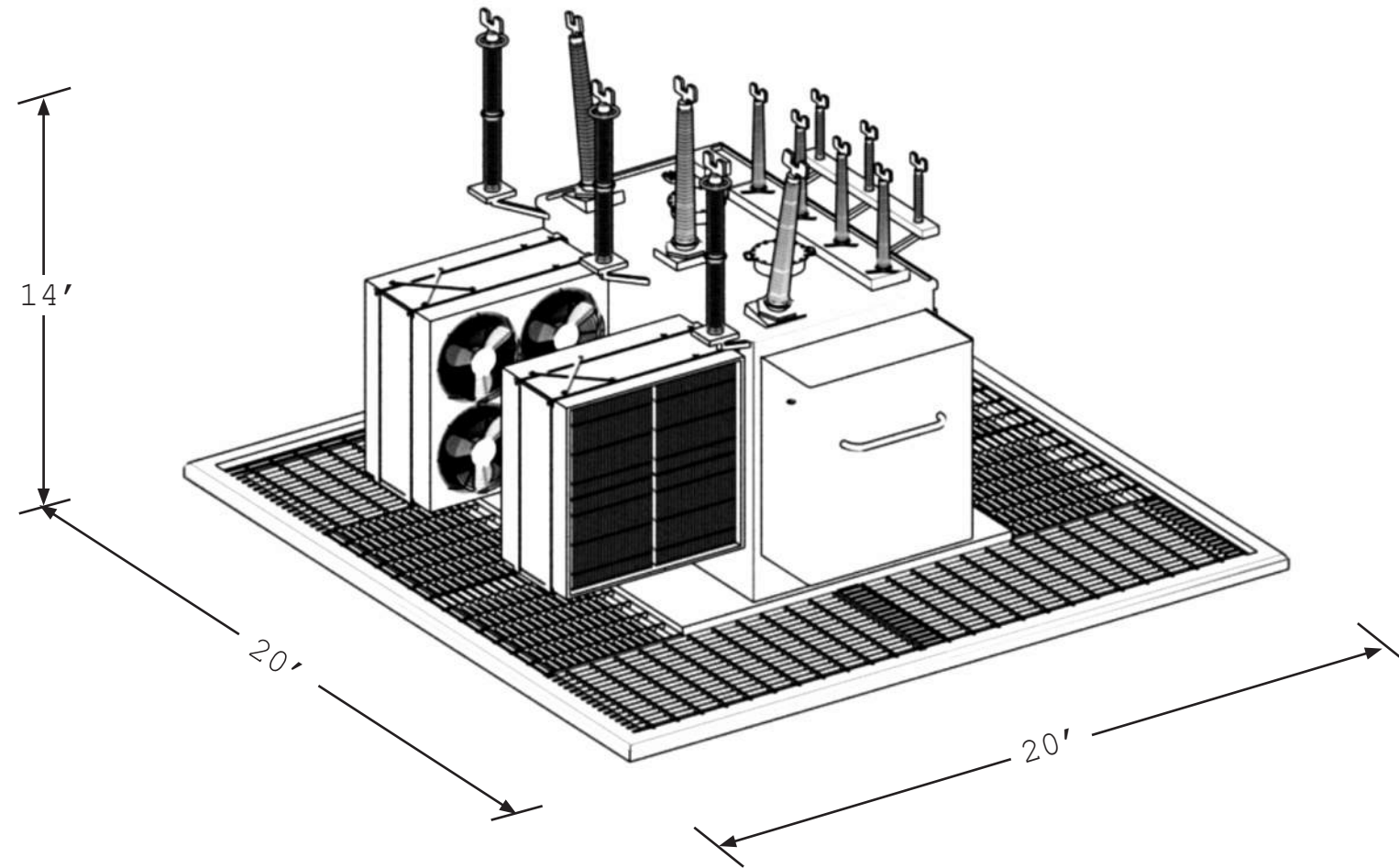


*COMPONENT
DRAWINGS*

HIGH BUS
23' SWITCH



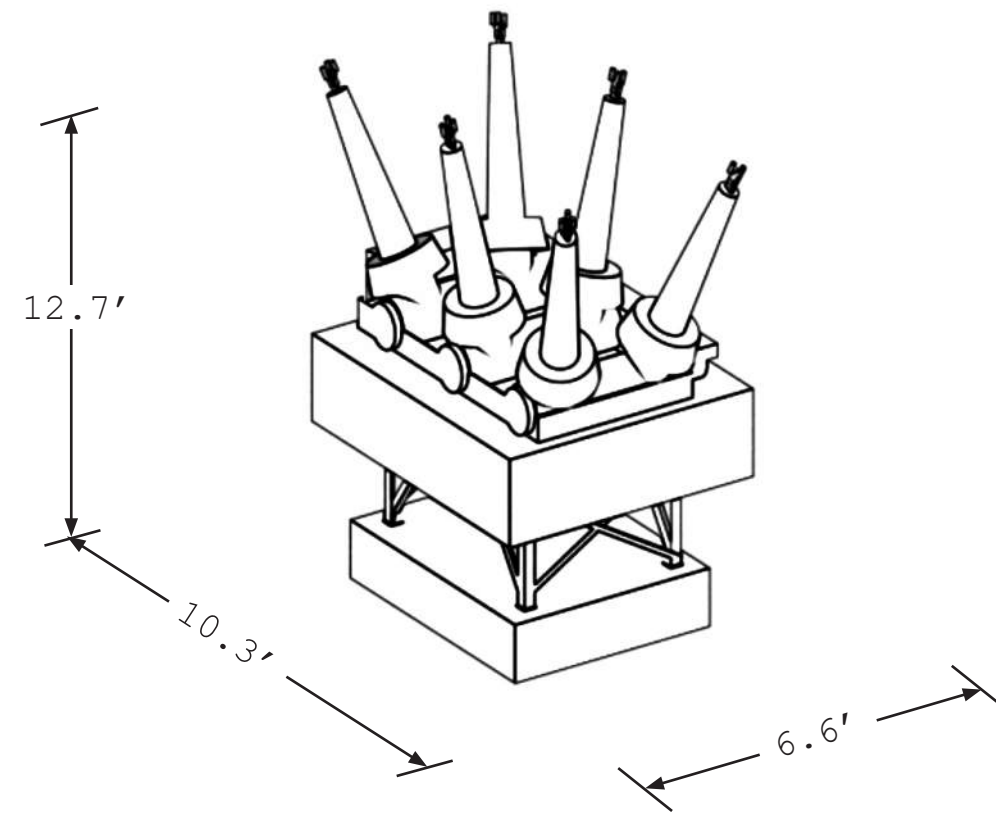
COMPONENT
DRAWINGS



TRANSFORMER

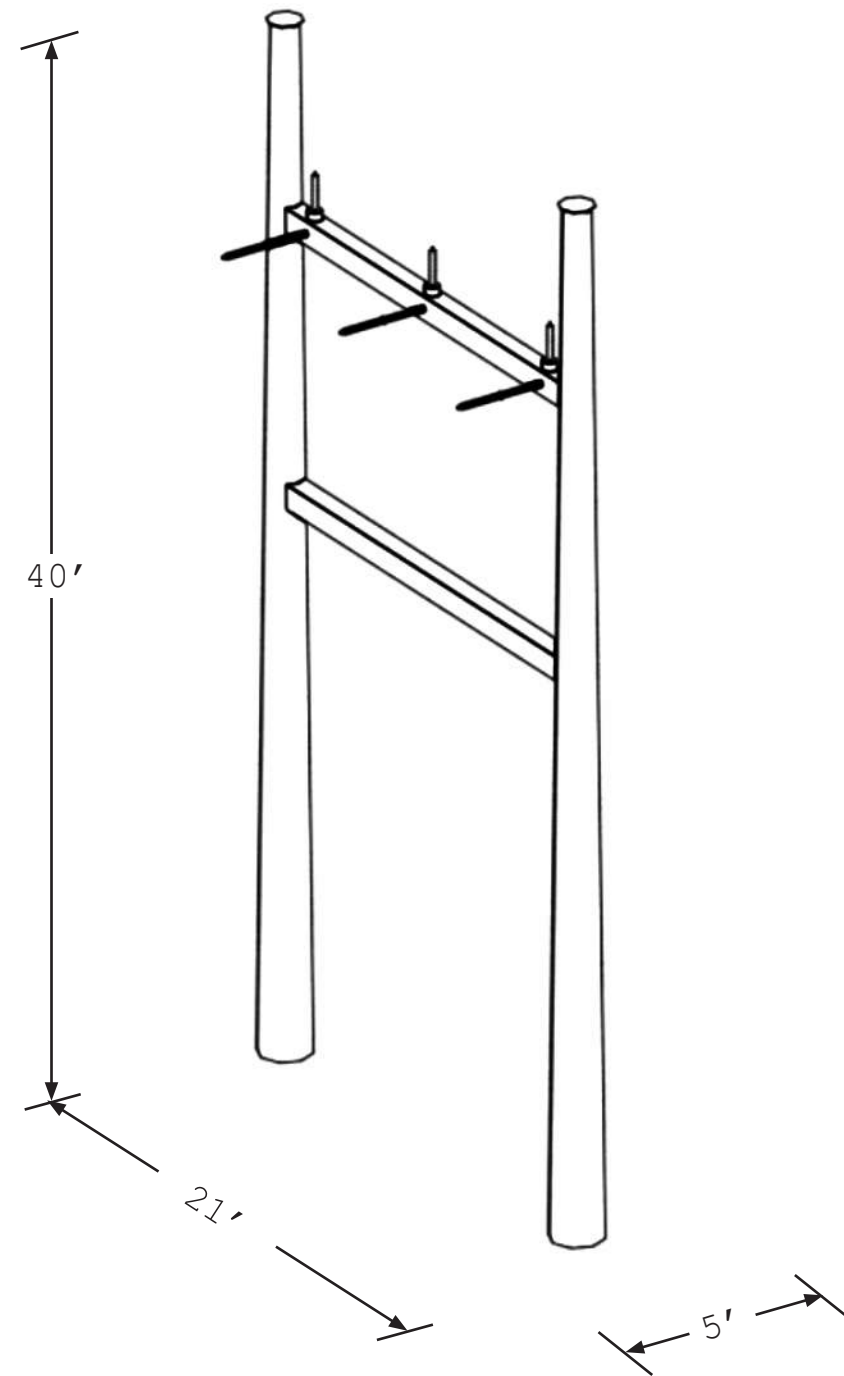
*COMPONENT
DRAWINGS*

BREAKER



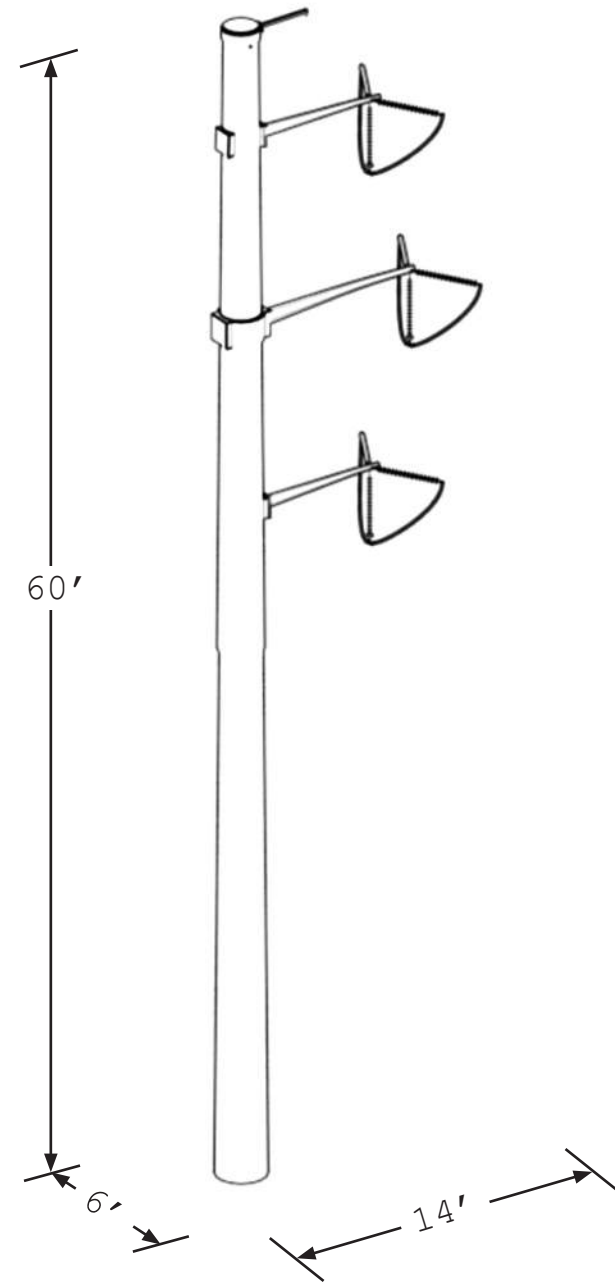
COMPONENT
DRAWINGS

DEADEND



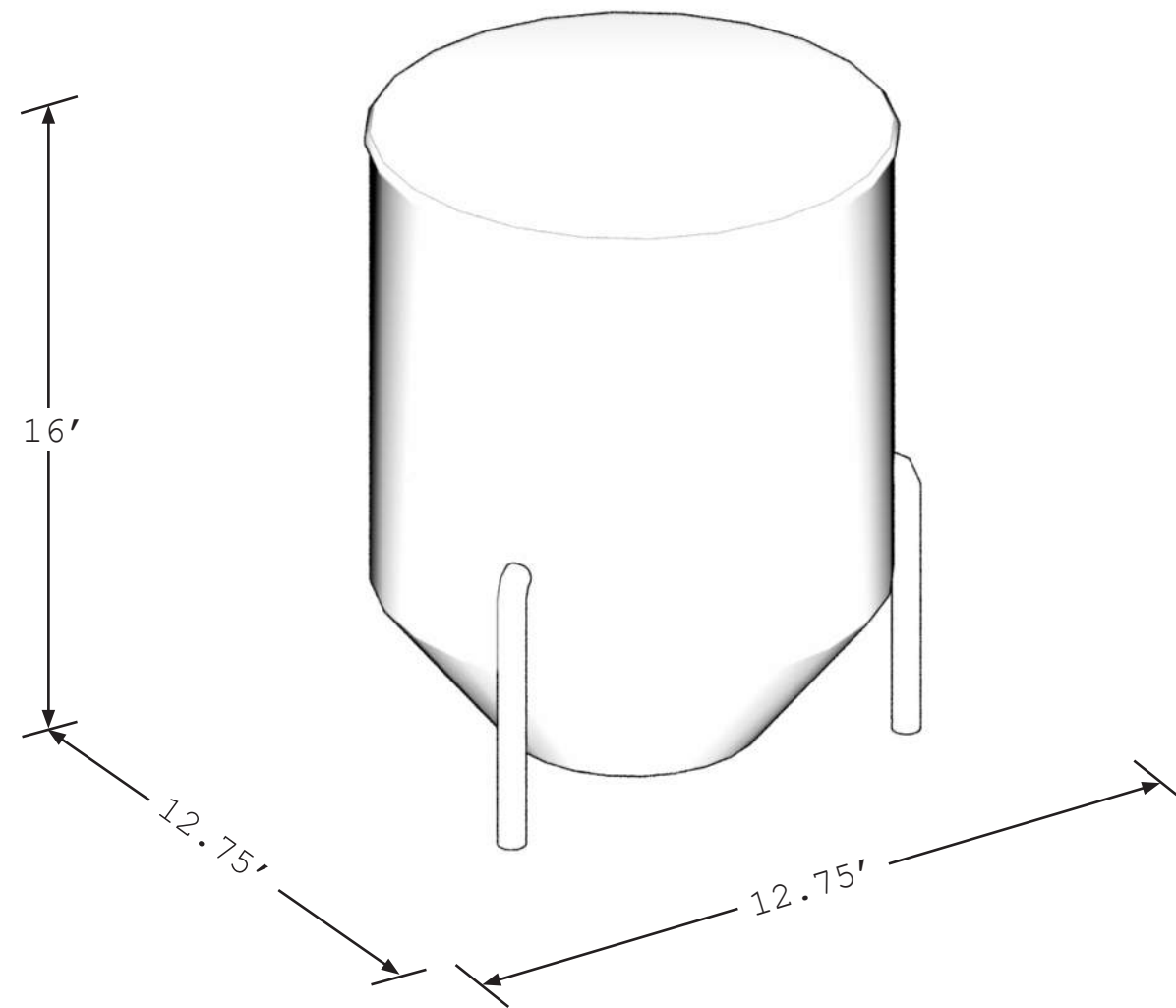
**COMPONENT
DRAWINGS**

220KV ANGLE
TRANSMISSION POLE



*COMPONENT
DRAWINGS*

FIRE SUPPRESSION
TANK



**COMPONENT
DRAWINGS**

CHAINLINK FENCE

