

---

# **Appendix L**

## Noise Modeling



# Field Noise Measurement Data Sheets

**ST1**

Address	Start Time	Leq	Over	Under	Output Ov	Marker 1	Marker 2
1	10/10/2023 11:14:41.0	47.8	----	-----	-----	-	-
2	10/10/2023 11:14:42.0	50.6	----	-----	-----	-	-
3	10/10/2023 11:14:43.0	52.3	----	-----	-----	-	-
4	10/10/2023 11:14:44.0	50.4	----	-----	-----	-	-
5	10/10/2023 11:14:45.0	45.8	----	-----	-----	-	-
6	10/10/2023 11:14:46.0	55.1	----	-----	-----	-	-
7	10/10/2023 11:14:47.0	45	----	-----	-----	-	-
8	10/10/2023 11:14:48.0	53.8	----	-----	-----	-	-
9	10/10/2023 11:14:49.0	52.1	----	-----	-----	-	-
10	10/10/2023 11:14:50.0	53.6	----	-----	-----	-	-
11	10/10/2023 11:14:51.0	52.6	----	-----	-----	-	-
12	10/10/2023 11:14:52.0	52.7	----	-----	-----	-	-
13	10/10/2023 11:14:53.0	55.6	----	-----	-----	-	-
14	10/10/2023 11:14:54.0	54.6	----	-----	-----	-	-
15	10/10/2023 11:14:55.0	55.7	----	-----	-----	-	-
16	10/10/2023 11:14:56.0	53.3	----	-----	-----	-	-
17	10/10/2023 11:14:57.0	53.3	----	-----	-----	-	-
18	10/10/2023 11:14:58.0	55.8	----	-----	-----	-	-
19	10/10/2023 11:14:59.0	53.2	----	-----	-----	-	-
20	10/10/2023 11:15:00.0	53	----	-----	-----	-	-
21	10/10/2023 11:15:01.0	57.6	----	-----	-----	-	-
22	10/10/2023 11:15:02.0	53.8	----	-----	-----	-	-
23	10/10/2023 11:15:03.0	56.2	----	-----	-----	-	-
24	10/10/2023 11:15:04.0	54.3	----	-----	-----	-	-
25	10/10/2023 11:15:05.0	55.3	----	-----	-----	-	-
26	10/10/2023 11:15:06.0	53.8	----	-----	-----	-	-
27	10/10/2023 11:15:07.0	53.1	----	-----	-----	-	-
28	10/10/2023 11:15:08.0	54.7	----	-----	-----	-	-
29	10/10/2023 11:15:09.0	52	----	-----	-----	-	-
30	10/10/2023 11:15:10.0	51.4	----	-----	-----	-	-
31	10/10/2023 11:15:11.0	54	----	-----	-----	-	-
32	10/10/2023 11:15:12.0	52.7	----	-----	-----	-	-
33	10/10/2023 11:15:13.0	52.8	----	-----	-----	-	-
34	10/10/2023 11:15:14.0	56.5	----	-----	-----	-	-
35	10/10/2023 11:15:15.0	44.7	----	-----	-----	-	-
36	10/10/2023 11:15:16.0	55.7	----	-----	-----	-	-
37	10/10/2023 11:15:17.0	52.7	----	-----	-----	-	-
38	10/10/2023 11:15:18.0	55.7	----	-----	-----	-	-
39	10/10/2023 11:15:19.0	48.7	----	-----	-----	-	-
40	10/10/2023 11:15:20.0	55.4	----	-----	-----	-	-
41	10/10/2023 11:15:21.0	48.9	----	-----	-----	-	-
42	10/10/2023 11:15:22.0	54.8	----	-----	-----	-	-
43	10/10/2023 11:15:23.0	54.2	----	-----	-----	-	-
44	10/10/2023 11:15:24.0	53.2	----	-----	-----	-	-

45	10/10/2023 11:15:25.0	54.9	----	-----	-	-
46	10/10/2023 11:15:26.0	50.9	----	-----	-	-
47	10/10/2023 11:15:27.0	54.1	----	-----	-	-
48	10/10/2023 11:15:28.0	49.1	----	-----	-	-
49	10/10/2023 11:15:29.0	54.6	----	-----	-	-
50	10/10/2023 11:15:30.0	44.7	----	-----	-	-
51	10/10/2023 11:15:31.0	52	----	-----	-	-
52	10/10/2023 11:15:32.0	53.5	----	-----	-	-
53	10/10/2023 11:15:33.0	52.1	----	-----	-	-
54	10/10/2023 11:15:34.0	50.3	----	-----	-	-
55	10/10/2023 11:15:35.0	52.6	----	-----	-	-
56	10/10/2023 11:15:36.0	52.7	----	-----	-	-
57	10/10/2023 11:15:37.0	57.6	----	-----	-	-
58	10/10/2023 11:15:38.0	53.4	----	-----	-	-
59	10/10/2023 11:15:39.0	41	----	-----	-	-
60	10/10/2023 11:15:40.0	52.8	----	-----	-	-
61	10/10/2023 11:15:41.0	49.3	----	-----	-	-
62	10/10/2023 11:15:42.0	49.1	----	-----	-	-
63	10/10/2023 11:15:43.0	52.3	----	-----	-	-
64	10/10/2023 11:15:44.0	41.3	----	-----	-	-
65	10/10/2023 11:15:45.0	51.4	----	-----	-	-
66	10/10/2023 11:15:46.0	49.2	----	-----	-	-
67	10/10/2023 11:15:47.0	48	----	-----	-	-
68	10/10/2023 11:15:48.0	53.5	----	-----	-	-
69	10/10/2023 11:15:49.0	47.6	----	-----	-	-
70	10/10/2023 11:15:50.0	55.8	----	-----	-	-
71	10/10/2023 11:15:51.0	51.5	----	-----	-	-
72	10/10/2023 11:15:52.0	38.4	----	-----	-	-
73	10/10/2023 11:15:53.0	53.7	----	-----	-	-
74	10/10/2023 11:15:54.0	39.9	----	-----	-	-
75	10/10/2023 11:15:55.0	53.4	----	-----	-	-
76	10/10/2023 11:15:56.0	54.3	----	-----	-	-
77	10/10/2023 11:15:57.0	51.8	----	-----	-	-
78	10/10/2023 11:15:58.0	52.6	----	-----	-	-
79	10/10/2023 11:15:59.0	51.7	----	-----	-	-
80	10/10/2023 11:16:00.0	49	----	-----	-	-
81	10/10/2023 11:16:01.0	56.1	----	-----	-	-
82	10/10/2023 11:16:02.0	55.1	----	-----	-	-
83	10/10/2023 11:16:03.0	52.4	----	-----	-	-
84	10/10/2023 11:16:04.0	52.6	----	-----	-	-
85	10/10/2023 11:16:05.0	51.9	----	-----	-	-
86	10/10/2023 11:16:06.0	55.1	----	-----	-	-
87	10/10/2023 11:16:07.0	47.3	----	-----	-	-
88	10/10/2023 11:16:08.0	53.4	----	-----	-	-
89	10/10/2023 11:16:09.0	52.1	----	-----	-	-
90	10/10/2023 11:16:10.0	52.4	----	-----	-	-
91	10/10/2023 11:16:11.0	54.9	----	-----	-	-

92	10/10/2023 11:16:12.0	56.5	----	-----	-	-
93	10/10/2023 11:16:13.0	55.2	----	-----	-	-
94	10/10/2023 11:16:14.0	51.4	----	-----	-	-
95	10/10/2023 11:16:15.0	55.5	----	-----	-	-
96	10/10/2023 11:16:16.0	45.4	----	-----	-	-
97	10/10/2023 11:16:17.0	56.5	----	-----	-	-
98	10/10/2023 11:16:18.0	52.2	----	-----	-	-
99	10/10/2023 11:16:19.0	38.5	----	-----	-	-
100	10/10/2023 11:16:20.0	54.4	----	-----	-	-
101	10/10/2023 11:16:21.0	54	----	-----	-	-
102	10/10/2023 11:16:22.0	54.9	----	-----	-	-
103	10/10/2023 11:16:23.0	55.2	----	-----	-	-
104	10/10/2023 11:16:24.0	50.5	----	-----	-	-
105	10/10/2023 11:16:25.0	39.6	----	-----	-	-
106	10/10/2023 11:16:26.0	55.2	----	-----	-	-
107	10/10/2023 11:16:27.0	44	----	-----	-	-
108	10/10/2023 11:16:28.0	51.3	----	-----	-	-
109	10/10/2023 11:16:29.0	50.1	----	-----	-	-
110	10/10/2023 11:16:30.0	56.7	----	-----	-	-
111	10/10/2023 11:16:31.0	47.8	----	-----	-	-
112	10/10/2023 11:16:32.0	41.2	----	-----	-	-
113	10/10/2023 11:16:33.0	53.6	----	-----	-	-
114	10/10/2023 11:16:34.0	45.4	----	-----	-	-
115	10/10/2023 11:16:35.0	50.4	----	-----	-	-
116	10/10/2023 11:16:36.0	50.9	----	-----	-	-
117	10/10/2023 11:16:37.0	50.2	----	-----	-	-
118	10/10/2023 11:16:38.0	56	----	-----	-	-
119	10/10/2023 11:16:39.0	49.2	----	-----	-	-
120	10/10/2023 11:16:40.0	56.3	----	-----	-	-
121	10/10/2023 11:16:41.0	52.4	----	-----	-	-
122	10/10/2023 11:16:42.0	53.4	----	-----	-	-
123	10/10/2023 11:16:43.0	41.9	----	-----	-	-
124	10/10/2023 11:16:44.0	58.7	----	-----	-	-
125	10/10/2023 11:16:45.0	51.8	----	-----	-	-
126	10/10/2023 11:16:46.0	41.5	----	-----	-	-
127	10/10/2023 11:16:47.0	54.4	----	-----	-	-
128	10/10/2023 11:16:48.0	53.1	----	-----	-	-
129	10/10/2023 11:16:49.0	53.1	----	-----	-	-
130	10/10/2023 11:16:50.0	49.7	----	-----	-	-
131	10/10/2023 11:16:51.0	54.8	----	-----	-	-
132	10/10/2023 11:16:52.0	55.7	----	-----	-	-
133	10/10/2023 11:16:53.0	53.3	----	-----	-	-
134	10/10/2023 11:16:54.0	53.5	----	-----	-	-
135	10/10/2023 11:16:55.0	56.1	----	-----	-	-
136	10/10/2023 11:16:56.0	53.7	----	-----	-	-
137	10/10/2023 11:16:57.0	42.9	----	-----	-	-
138	10/10/2023 11:16:58.0	41.4	----	-----	-	-

139	10/10/2023 11:16:59.0	53	----	-----	-	-
140	10/10/2023 11:17:00.0	42.8	----	-----	-	-
141	10/10/2023 11:17:01.0	55.4	----	-----	-	-
142	10/10/2023 11:17:02.0	50.7	----	-----	-	-
143	10/10/2023 11:17:03.0	53.5	----	-----	-	-
144	10/10/2023 11:17:04.0	52.2	----	-----	-	-
145	10/10/2023 11:17:05.0	55.4	----	-----	-	-
146	10/10/2023 11:17:06.0	48.4	----	-----	-	-
147	10/10/2023 11:17:07.0	45	----	-----	-	-
148	10/10/2023 11:17:08.0	54.3	----	-----	-	-
149	10/10/2023 11:17:09.0	54.8	----	-----	-	-
150	10/10/2023 11:17:10.0	41.6	----	-----	-	-
151	10/10/2023 11:17:11.0	56.2	----	-----	-	-
152	10/10/2023 11:17:12.0	52	----	-----	-	-
153	10/10/2023 11:17:13.0	52.1	----	-----	-	-
154	10/10/2023 11:17:14.0	53.1	----	-----	-	-
155	10/10/2023 11:17:15.0	54.6	----	-----	-	-
156	10/10/2023 11:17:16.0	54.9	----	-----	-	-
157	10/10/2023 11:17:17.0	52.1	----	-----	-	-
158	10/10/2023 11:17:18.0	52.3	----	-----	-	-
159	10/10/2023 11:17:19.0	54.9	----	-----	-	-
160	10/10/2023 11:17:20.0	53.2	----	-----	-	-
161	10/10/2023 11:17:21.0	54.1	----	-----	-	-
162	10/10/2023 11:17:22.0	55	----	-----	-	-
163	10/10/2023 11:17:23.0	52.7	----	-----	-	-
164	10/10/2023 11:17:24.0	53.9	----	-----	-	-
165	10/10/2023 11:17:25.0	54.1	----	-----	-	-
166	10/10/2023 11:17:26.0	52	----	-----	-	-
167	10/10/2023 11:17:27.0	52.1	----	-----	-	-
168	10/10/2023 11:17:28.0	55.7	----	-----	-	-
169	10/10/2023 11:17:29.0	53.1	----	-----	-	-
170	10/10/2023 11:17:30.0	54.5	----	-----	-	-
171	10/10/2023 11:17:31.0	53.1	----	-----	-	-
172	10/10/2023 11:17:32.0	55.7	----	-----	-	-
173	10/10/2023 11:17:33.0	53.5	----	-----	-	-
174	10/10/2023 11:17:34.0	50	----	-----	-	-
175	10/10/2023 11:17:35.0	50	----	-----	-	-
176	10/10/2023 11:17:36.0	54.5	----	-----	-	-
177	10/10/2023 11:17:37.0	55	----	-----	-	-
178	10/10/2023 11:17:38.0	51.8	----	-----	-	-
179	10/10/2023 11:17:39.0	52.7	----	-----	-	-
180	10/10/2023 11:17:40.0	52.9	----	-----	-	-
181	10/10/2023 11:17:41.0	51.4	----	-----	-	-
182	10/10/2023 11:17:42.0	49.6	----	-----	-	-
183	10/10/2023 11:17:43.0	44.6	----	-----	-	-
184	10/10/2023 11:17:44.0	50	----	-----	-	-
185	10/10/2023 11:17:45.0	54.3	----	-----	-	-

186	10/10/2023 11:17:46.0	50.5	----	-----	-	-
187	10/10/2023 11:17:47.0	50.4	----	-----	-	-
188	10/10/2023 11:17:48.0	45.3	----	-----	-	-
189	10/10/2023 11:17:49.0	44.5	----	-----	-	-
190	10/10/2023 11:17:50.0	53	----	-----	-	-
191	10/10/2023 11:17:51.0	50.4	----	-----	-	-
192	10/10/2023 11:17:52.0	51.4	----	-----	-	-
193	10/10/2023 11:17:53.0	44.6	----	-----	-	-
194	10/10/2023 11:17:54.0	44.2	----	-----	-	-
195	10/10/2023 11:17:55.0	53.6	----	-----	-	-
196	10/10/2023 11:17:56.0	48	----	-----	-	-
197	10/10/2023 11:17:57.0	47.1	----	-----	-	-
198	10/10/2023 11:17:58.0	51.7	----	-----	-	-
199	10/10/2023 11:17:59.0	55.8	----	-----	-	-
200	10/10/2023 11:18:00.0	47	----	-----	-	-
201	10/10/2023 11:18:01.0	55	----	-----	-	-
202	10/10/2023 11:18:02.0	51.2	----	-----	-	-
203	10/10/2023 11:18:03.0	47.2	----	-----	-	-
204	10/10/2023 11:18:04.0	51.7	----	-----	-	-
205	10/10/2023 11:18:05.0	49.6	----	-----	-	-
206	10/10/2023 11:18:06.0	55.6	----	-----	-	-
207	10/10/2023 11:18:07.0	46.2	----	-----	-	-
208	10/10/2023 11:18:08.0	51.7	----	-----	-	-
209	10/10/2023 11:18:09.0	48.4	----	-----	-	-
210	10/10/2023 11:18:10.0	48.7	----	-----	-	-
211	10/10/2023 11:18:11.0	52.8	----	-----	-	-
212	10/10/2023 11:18:12.0	51.4	----	-----	-	-
213	10/10/2023 11:18:13.0	53.9	----	-----	-	-
214	10/10/2023 11:18:14.0	49.4	----	-----	-	-
215	10/10/2023 11:18:15.0	54.3	----	-----	-	-
216	10/10/2023 11:18:16.0	48.2	----	-----	-	-
217	10/10/2023 11:18:17.0	50.4	----	-----	-	-
218	10/10/2023 11:18:18.0	52.1	----	-----	-	-
219	10/10/2023 11:18:19.0	50.4	----	-----	-	-
220	10/10/2023 11:18:20.0	51	----	-----	-	-
221	10/10/2023 11:18:21.0	46.9	----	-----	-	-
222	10/10/2023 11:18:22.0	47.6	----	-----	-	-
223	10/10/2023 11:18:23.0	49.6	----	-----	-	-
224	10/10/2023 11:18:24.0	53.4	----	-----	-	-
225	10/10/2023 11:18:25.0	51.5	----	-----	-	-
226	10/10/2023 11:18:26.0	50.4	----	-----	-	-
227	10/10/2023 11:18:27.0	47.7	----	-----	-	-
228	10/10/2023 11:18:28.0	54.7	----	-----	-	-
229	10/10/2023 11:18:29.0	53.4	----	-----	-	-
230	10/10/2023 11:18:30.0	53.4	----	-----	-	-
231	10/10/2023 11:18:31.0	50.2	----	-----	-	-
232	10/10/2023 11:18:32.0	52	----	-----	-	-



233	10/10/2023 11:18:33.0	49.5	----	-----	-	-
234	10/10/2023 11:18:34.0	51.1	----	-----	-	-
235	10/10/2023 11:18:35.0	44.1	----	-----	-	-
236	10/10/2023 11:18:36.0	43.8	----	-----	-	-
237	10/10/2023 11:18:37.0	46.5	----	-----	-	-
238	10/10/2023 11:18:38.0	52.7	----	-----	-	-
239	10/10/2023 11:18:39.0	51.7	----	-----	-	-
240	10/10/2023 11:18:40.0	51.5	----	-----	-	-
241	10/10/2023 11:18:41.0	51.6	----	-----	-	-
242	10/10/2023 11:18:42.0	50.3	----	-----	-	-
243	10/10/2023 11:18:43.0	44.5	----	-----	-	-
244	10/10/2023 11:18:44.0	49	----	-----	-	-
245	10/10/2023 11:18:45.0	50.6	----	-----	-	-
246	10/10/2023 11:18:46.0	53.3	----	-----	-	-
247	10/10/2023 11:18:47.0	45.6	----	-----	-	-
248	10/10/2023 11:18:48.0	46.1	----	-----	-	-
249	10/10/2023 11:18:49.0	50.3	----	-----	-	-
250	10/10/2023 11:18:50.0	43.2	----	-----	-	-
251	10/10/2023 11:18:51.0	48.2	----	-----	-	-
252	10/10/2023 11:18:52.0	49.3	----	-----	-	-
253	10/10/2023 11:18:53.0	51.9	----	-----	-	-
254	10/10/2023 11:18:54.0	50.2	----	-----	-	-
255	10/10/2023 11:18:55.0	48.5	----	-----	-	-
256	10/10/2023 11:18:56.0	42.9	----	-----	-	-
257	10/10/2023 11:18:57.0	41.9	----	-----	-	-
258	10/10/2023 11:18:58.0	48.8	----	-----	-	-
259	10/10/2023 11:18:59.0	49.8	----	-----	-	-
260	10/10/2023 11:19:00.0	51.6	----	-----	-	-
261	10/10/2023 11:19:01.0	45.3	----	-----	-	-
262	10/10/2023 11:19:02.0	40.8	----	-----	-	-
263	10/10/2023 11:19:03.0	40.6	----	-----	-	-
264	10/10/2023 11:19:04.0	50.7	----	-----	-	-
265	10/10/2023 11:19:05.0	49.5	----	-----	-	-
266	10/10/2023 11:19:06.0	48.4	----	-----	-	-
267	10/10/2023 11:19:07.0	40.7	----	-----	-	-
268	10/10/2023 11:19:08.0	39.3	----	-----	-	-
269	10/10/2023 11:19:09.0	46	----	-----	-	-
270	10/10/2023 11:19:10.0	52.2	----	-----	-	-
271	10/10/2023 11:19:11.0	50	----	-----	-	-
272	10/10/2023 11:19:12.0	50.5	----	-----	-	-
273	10/10/2023 11:19:13.0	52.2	----	-----	-	-
274	10/10/2023 11:19:14.0	50.9	----	-----	-	-
275	10/10/2023 11:19:15.0	49.3	----	-----	-	-
276	10/10/2023 11:19:16.0	49.2	----	-----	-	-
277	10/10/2023 11:19:17.0	46.7	----	-----	-	-
278	10/10/2023 11:19:18.0	49.7	----	-----	-	-
279	10/10/2023 11:19:19.0	52	----	-----	-	-

280	10/10/2023 11:19:20.0	50.1	----	-----	-	-
281	10/10/2023 11:19:21.0	52.2	----	-----	-	-
282	10/10/2023 11:19:22.0	50.9	----	-----	-	-
283	10/10/2023 11:19:23.0	48.8	----	-----	-	-
284	10/10/2023 11:19:24.0	49	----	-----	-	-
285	10/10/2023 11:19:25.0	51.2	----	-----	-	-
286	10/10/2023 11:19:26.0	51.4	----	-----	-	-
287	10/10/2023 11:19:27.0	48.2	----	-----	-	-
288	10/10/2023 11:19:28.0	49.7	----	-----	-	-
289	10/10/2023 11:19:29.0	47.2	----	-----	-	-
290	10/10/2023 11:19:30.0	39.3	----	-----	-	-
291	10/10/2023 11:19:31.0	50.9	----	-----	-	-
292	10/10/2023 11:19:32.0	46.4	----	-----	-	-
293	10/10/2023 11:19:33.0	50.7	----	-----	-	-
294	10/10/2023 11:19:34.0	50.8	----	-----	-	-
295	10/10/2023 11:19:35.0	50.8	----	-----	-	-
296	10/10/2023 11:19:36.0	48	----	-----	-	-
297	10/10/2023 11:19:37.0	48.8	----	-----	-	-
298	10/10/2023 11:19:38.0	52.8	----	-----	-	-
299	10/10/2023 11:19:39.0	50.5	----	-----	-	-
300	10/10/2023 11:19:40.0	47.2	----	-----	-	-
301	10/10/2023 11:19:41.0	40.3	----	-----	-	-
302	10/10/2023 11:19:42.0	50.2	----	-----	-	-
303	10/10/2023 11:19:43.0	48.3	----	-----	-	-
304	10/10/2023 11:19:44.0	49.9	----	-----	-	-
305	10/10/2023 11:19:45.0	48.4	----	-----	-	-
306	10/10/2023 11:19:46.0	45.7	----	-----	-	-
307	10/10/2023 11:19:47.0	47.3	----	-----	-	-
308	10/10/2023 11:19:48.0	47.3	----	-----	-	-
309	10/10/2023 11:19:49.0	50.8	----	-----	-	-
310	10/10/2023 11:19:50.0	47.5	----	-----	-	-
311	10/10/2023 11:19:51.0	38.3	----	-----	-	-
312	10/10/2023 11:19:52.0	46.3	----	-----	-	-
313	10/10/2023 11:19:53.0	47	----	-----	-	-
314	10/10/2023 11:19:54.0	43.6	----	-----	-	-
315	10/10/2023 11:19:55.0	50.6	----	-----	-	-
316	10/10/2023 11:19:56.0	47.9	----	-----	-	-
317	10/10/2023 11:19:57.0	48.4	----	-----	-	-
318	10/10/2023 11:19:58.0	48.5	----	-----	-	-
319	10/10/2023 11:19:59.0	47.6	----	-----	-	-
320	10/10/2023 11:20:00.0	46.2	----	-----	-	-
321	10/10/2023 11:20:01.0	52.1	----	-----	-	-
322	10/10/2023 11:20:02.0	48.8	----	-----	-	-
323	10/10/2023 11:20:03.0	36.6	----	-----	-	-
324	10/10/2023 11:20:04.0	51.2	----	-----	-	-
325	10/10/2023 11:20:05.0	49.6	----	-----	-	-
326	10/10/2023 11:20:06.0	42.4	----	-----	-	-

327	10/10/2023 11:20:07.0	48.5	----	-----	-	-
328	10/10/2023 11:20:08.0	37.5	----	-----	-	-
329	10/10/2023 11:20:09.0	50.7	----	-----	-	-
330	10/10/2023 11:20:10.0	48.1	----	-----	-	-
331	10/10/2023 11:20:11.0	36.7	----	-----	-	-
332	10/10/2023 11:20:12.0	36.9	----	-----	-	-
333	10/10/2023 11:20:13.0	50.8	----	-----	-	-
334	10/10/2023 11:20:14.0	39	----	-----	-	-
335	10/10/2023 11:20:15.0	47.8	----	-----	-	-
336	10/10/2023 11:20:16.0	50.1	----	-----	-	-
337	10/10/2023 11:20:17.0	45.8	----	-----	-	-
338	10/10/2023 11:20:18.0	44.7	----	-----	-	-
339	10/10/2023 11:20:19.0	46.5	----	-----	-	-
340	10/10/2023 11:20:20.0	45.2	----	-----	-	-
341	10/10/2023 11:20:21.0	35.2	----	-----	-	-
342	10/10/2023 11:20:22.0	49.2	----	-----	-	-
343	10/10/2023 11:20:23.0	46.1	----	-----	-	-
344	10/10/2023 11:20:24.0	48.2	----	-----	-	-
345	10/10/2023 11:20:25.0	44.3	----	-----	-	-
346	10/10/2023 11:20:26.0	49.5	----	-----	-	-
347	10/10/2023 11:20:27.0	40	----	-----	-	-
348	10/10/2023 11:20:28.0	49	----	-----	-	-
349	10/10/2023 11:20:29.0	46.1	----	-----	-	-
350	10/10/2023 11:20:30.0	46	----	-----	-	-
351	10/10/2023 11:20:31.0	45.8	----	-----	-	-
352	10/10/2023 11:20:32.0	42.8	----	-----	-	-
353	10/10/2023 11:20:33.0	36.1	----	-----	-	-
354	10/10/2023 11:20:34.0	36.6	----	-----	-	-
355	10/10/2023 11:20:35.0	35.8	----	-----	-	-
356	10/10/2023 11:20:36.0	35.3	----	-----	-	-
357	10/10/2023 11:20:37.0	34.9	----	-----	-	-
358	10/10/2023 11:20:38.0	34.9	----	-----	-	-
359	10/10/2023 11:20:39.0	47	----	-----	-	-
360	10/10/2023 11:20:40.0	50.3	----	-----	-	-
361	10/10/2023 11:20:41.0	46.3	----	-----	-	-
362	10/10/2023 11:20:42.0	47.9	----	-----	-	-
363	10/10/2023 11:20:43.0	48.9	----	-----	-	-
364	10/10/2023 11:20:44.0	47.1	----	-----	-	-
365	10/10/2023 11:20:45.0	38.1	----	-----	-	-
366	10/10/2023 11:20:46.0	38.5	----	-----	-	-
367	10/10/2023 11:20:47.0	49.1	----	-----	-	-
368	10/10/2023 11:20:48.0	51	----	-----	-	-
369	10/10/2023 11:20:49.0	43.8	----	-----	-	-
370	10/10/2023 11:20:50.0	50.2	----	-----	-	-
371	10/10/2023 11:20:51.0	46.1	----	-----	-	-
372	10/10/2023 11:20:52.0	46	----	-----	-	-
373	10/10/2023 11:20:53.0	41.2	----	-----	-	-

374	10/10/2023 11:20:54.0	39	----	-----	-	-
375	10/10/2023 11:20:55.0	49.1	----	-----	-	-
376	10/10/2023 11:20:56.0	47	----	-----	-	-
377	10/10/2023 11:20:57.0	47.4	----	-----	-	-
378	10/10/2023 11:20:58.0	46.4	----	-----	-	-
379	10/10/2023 11:20:59.0	39	----	-----	-	-
380	10/10/2023 11:21:00.0	48.5	----	-----	-	-
381	10/10/2023 11:21:01.0	39.6	----	-----	-	-
382	10/10/2023 11:21:02.0	48.5	----	-----	-	-
383	10/10/2023 11:21:03.0	46	----	-----	-	-
384	10/10/2023 11:21:04.0	37.7	----	-----	-	-
385	10/10/2023 11:21:05.0	40.1	----	-----	-	-
386	10/10/2023 11:21:06.0	43.4	----	-----	-	-
387	10/10/2023 11:21:07.0	38.5	----	-----	-	-
388	10/10/2023 11:21:08.0	36	----	-----	-	-
389	10/10/2023 11:21:09.0	49.1	----	-----	-	-
390	10/10/2023 11:21:10.0	48	----	-----	-	-
391	10/10/2023 11:21:11.0	49.8	----	-----	-	-
392	10/10/2023 11:21:12.0	44.6	----	-----	-	-
393	10/10/2023 11:21:13.0	41.2	----	-----	-	-
394	10/10/2023 11:21:14.0	40	----	-----	-	-
395	10/10/2023 11:21:15.0	50.3	----	-----	-	-
396	10/10/2023 11:21:16.0	47.4	----	-----	-	-
397	10/10/2023 11:21:17.0	40.9	----	-----	-	-
398	10/10/2023 11:21:18.0	48.6	----	-----	-	-
399	10/10/2023 11:21:19.0	51.8	----	-----	-	-
400	10/10/2023 11:21:20.0	40.3	----	-----	-	-
401	10/10/2023 11:21:21.0	51.3	----	-----	-	-
402	10/10/2023 11:21:22.0	40.4	----	-----	-	-
403	10/10/2023 11:21:23.0	52.6	----	-----	-	-
404	10/10/2023 11:21:24.0	43.2	----	-----	-	-
405	10/10/2023 11:21:25.0	47.5	----	-----	-	-
406	10/10/2023 11:21:26.0	38.6	----	-----	-	-
407	10/10/2023 11:21:27.0	37.8	----	-----	-	-
408	10/10/2023 11:21:28.0	45.5	----	-----	-	-
409	10/10/2023 11:21:29.0	45.8	----	-----	-	-
410	10/10/2023 11:21:30.0	49	----	-----	-	-
411	10/10/2023 11:21:31.0	48.9	----	-----	-	-
412	10/10/2023 11:21:32.0	42.4	----	-----	-	-
413	10/10/2023 11:21:33.0	45.8	----	-----	-	-
414	10/10/2023 11:21:34.0	44.3	----	-----	-	-
415	10/10/2023 11:21:35.0	41.8	----	-----	-	-
416	10/10/2023 11:21:36.0	42.7	----	-----	-	-
417	10/10/2023 11:21:37.0	44.8	----	-----	-	-
418	10/10/2023 11:21:38.0	47.8	----	-----	-	-
419	10/10/2023 11:21:39.0	50.5	----	-----	-	-
420	10/10/2023 11:21:40.0	50	----	-----	-	-

421	10/10/2023 11:21:41.0	50.3	----	-----	-----	-	-
422	10/10/2023 11:21:42.0	49.9	----	-----	-----	-	-
423	10/10/2023 11:21:43.0	45.4	----	-----	-----	-	-
424	10/10/2023 11:21:44.0	50.6	----	-----	-----	-	-
425	10/10/2023 11:21:45.0	47.5	----	-----	-----	-	-
426	10/10/2023 11:21:46.0	46.4	----	-----	-----	-	-
427	10/10/2023 11:21:47.0	49.5	----	-----	-----	-	-
428	10/10/2023 11:21:48.0	49.5	----	-----	-----	-	-
429	10/10/2023 11:21:49.0	46.3	----	-----	-----	-	-
430	10/10/2023 11:21:50.0	49.1	----	-----	-----	-	-
431	10/10/2023 11:21:51.0	45.3	----	-----	-----	-	-
432	10/10/2023 11:21:52.0	49.1	----	-----	-----	-	-
433	10/10/2023 11:21:53.0	44.9	----	-----	-----	-	-
434	10/10/2023 11:21:54.0	44.3	----	-----	-----	-	-
435	10/10/2023 11:21:55.0	44.1	----	-----	-----	-	-
436	10/10/2023 11:21:56.0	43	----	-----	-----	-	-
437	10/10/2023 11:21:57.0	45.6	----	-----	-----	-	-
438	10/10/2023 11:21:58.0	53.4	----	-----	-----	-	-
439	10/10/2023 11:21:59.0	45	----	-----	-----	-	-
440	10/10/2023 11:22:00.0	48.6	----	-----	-----	-	-
441	10/10/2023 11:22:01.0	43.9	----	-----	-----	-	-
442	10/10/2023 11:22:02.0	45.2	----	-----	-----	-	-
443	10/10/2023 11:22:03.0	44.2	----	-----	-----	-	-
444	10/10/2023 11:22:04.0	42.8	----	-----	-----	-	-
445	10/10/2023 11:22:05.0	41	----	-----	-----	-	-
446	10/10/2023 11:22:06.0	43.6	----	-----	-----	-	-
447	10/10/2023 11:22:07.0	43.2	----	-----	-----	-	-
448	10/10/2023 11:22:08.0	49.6	----	-----	-----	-	-
449	10/10/2023 11:22:09.0	52.2	----	-----	-----	-	-
450	10/10/2023 11:22:10.0	47.5	----	-----	-----	-	-
451	10/10/2023 11:22:11.0	49.5	----	-----	-----	-	-
452	10/10/2023 11:22:12.0	48.7	----	-----	-----	-	-
453	10/10/2023 11:22:13.0	42.2	----	-----	-----	-	-
454	10/10/2023 11:22:14.0	47.2	----	-----	-----	-	-
455	10/10/2023 11:22:15.0	48.8	----	-----	-----	-	-
456	10/10/2023 11:22:16.0	48.7	----	-----	-----	-	-
457	10/10/2023 11:22:17.0	46.9	----	-----	-----	-	-
458	10/10/2023 11:22:18.0	45.1	----	-----	-----	-	-
459	10/10/2023 11:22:19.0	50.4	----	-----	-----	-	-
460	10/10/2023 11:22:20.0	50.3	----	-----	-----	-	-
461	10/10/2023 11:22:21.0	49.6	----	-----	-----	-	-
462	10/10/2023 11:22:22.0	44.5	----	-----	-----	-	-
463	10/10/2023 11:22:23.0	49.2	----	-----	-----	-	-
464	10/10/2023 11:22:24.0	45.5	----	-----	-----	-	-
465	10/10/2023 11:22:25.0	45.3	----	-----	-----	-	-
466	10/10/2023 11:22:26.0	44.4	----	-----	-----	-	-
467	10/10/2023 11:22:27.0	42.5	----	-----	-----	-	-

468	10/10/2023 11:22:28.0	44.5	----	-----	-	-
469	10/10/2023 11:22:29.0	40.8	----	-----	-	-
470	10/10/2023 11:22:30.0	44.1	----	-----	-	-
471	10/10/2023 11:22:31.0	44.8	----	-----	-	-
472	10/10/2023 11:22:32.0	53.1	----	-----	-	-
473	10/10/2023 11:22:33.0	47.9	----	-----	-	-
474	10/10/2023 11:22:34.0	50.6	----	-----	-	-
475	10/10/2023 11:22:35.0	47.4	----	-----	-	-
476	10/10/2023 11:22:36.0	49.4	----	-----	-	-
477	10/10/2023 11:22:37.0	51	----	-----	-	-
478	10/10/2023 11:22:38.0	46.1	----	-----	-	-
479	10/10/2023 11:22:39.0	50.6	----	-----	-	-
480	10/10/2023 11:22:40.0	45.9	----	-----	-	-
481	10/10/2023 11:22:41.0	49	----	-----	-	-
482	10/10/2023 11:22:42.0	46.2	----	-----	-	-
483	10/10/2023 11:22:43.0	43.6	----	-----	-	-
484	10/10/2023 11:22:44.0	42.6	----	-----	-	-
485	10/10/2023 11:22:45.0	44.9	----	-----	-	-
486	10/10/2023 11:22:46.0	49.1	----	-----	-	-
487	10/10/2023 11:22:47.0	47.2	----	-----	-	-
488	10/10/2023 11:22:48.0	43.1	----	-----	-	-
489	10/10/2023 11:22:49.0	49.3	----	-----	-	-
490	10/10/2023 11:22:50.0	42.9	----	-----	-	-
491	10/10/2023 11:22:51.0	47.2	----	-----	-	-
492	10/10/2023 11:22:52.0	51.1	----	-----	-	-
493	10/10/2023 11:22:53.0	46.1	----	-----	-	-
494	10/10/2023 11:22:54.0	48.1	----	-----	-	-
495	10/10/2023 11:22:55.0	42.5	----	-----	-	-
496	10/10/2023 11:22:56.0	47.6	----	-----	-	-
497	10/10/2023 11:22:57.0	48.5	----	-----	-	-
498	10/10/2023 11:22:58.0	44.2	----	-----	-	-
499	10/10/2023 11:22:59.0	43.3	----	-----	-	-
500	10/10/2023 11:23:00.0	45.8	----	-----	-	-
501	10/10/2023 11:23:01.0	52.1	----	-----	-	-
502	10/10/2023 11:23:02.0	47.1	----	-----	-	-
503	10/10/2023 11:23:03.0	45	----	-----	-	-
504	10/10/2023 11:23:04.0	51.1	----	-----	-	-
505	10/10/2023 11:23:05.0	48.8	----	-----	-	-
506	10/10/2023 11:23:06.0	44.7	----	-----	-	-
507	10/10/2023 11:23:07.0	42.7	----	-----	-	-
508	10/10/2023 11:23:08.0	42.9	----	-----	-	-
509	10/10/2023 11:23:09.0	43.1	----	-----	-	-
510	10/10/2023 11:23:10.0	45.2	----	-----	-	-
511	10/10/2023 11:23:11.0	44.6	----	-----	-	-
512	10/10/2023 11:23:12.0	48.1	----	-----	-	-
513	10/10/2023 11:23:13.0	52.3	----	-----	-	-
514	10/10/2023 11:23:14.0	49.3	----	-----	-	-

515	10/10/2023 11:23:15.0	49	----	-----	-	-
516	10/10/2023 11:23:16.0	43.3	----	-----	-	-
517	10/10/2023 11:23:17.0	46.3	----	-----	-	-
518	10/10/2023 11:23:18.0	49.8	----	-----	-	-
519	10/10/2023 11:23:19.0	42.2	----	-----	-	-
520	10/10/2023 11:23:20.0	42.8	----	-----	-	-
521	10/10/2023 11:23:21.0	49.6	----	-----	-	-
522	10/10/2023 11:23:22.0	41.1	----	-----	-	-
523	10/10/2023 11:23:23.0	50.3	----	-----	-	-
524	10/10/2023 11:23:24.0	48.9	----	-----	-	-
525	10/10/2023 11:23:25.0	51.6	----	-----	-	-
526	10/10/2023 11:23:26.0	50	----	-----	-	-
527	10/10/2023 11:23:27.0	50.1	----	-----	-	-
528	10/10/2023 11:23:28.0	51	----	-----	-	-
529	10/10/2023 11:23:29.0	48.7	----	-----	-	-
530	10/10/2023 11:23:30.0	53.8	----	-----	-	-
531	10/10/2023 11:23:31.0	45.6	----	-----	-	-
532	10/10/2023 11:23:32.0	42.1	----	-----	-	-
533	10/10/2023 11:23:33.0	42	----	-----	-	-
534	10/10/2023 11:23:34.0	45.9	----	-----	-	-
535	10/10/2023 11:23:35.0	50.3	----	-----	-	-
536	10/10/2023 11:23:36.0	46.2	----	-----	-	-
537	10/10/2023 11:23:37.0	50.3	----	-----	-	-
538	10/10/2023 11:23:38.0	49.6	----	-----	-	-
539	10/10/2023 11:23:39.0	50.5	----	-----	-	-
540	10/10/2023 11:23:40.0	50.3	----	-----	-	-
541	10/10/2023 11:23:41.0	49	----	-----	-	-
542	10/10/2023 11:23:42.0	50.5	----	-----	-	-
543	10/10/2023 11:23:43.0	48.4	----	-----	-	-
544	10/10/2023 11:23:44.0	44.9	----	-----	-	-
545	10/10/2023 11:23:45.0	48.6	----	-----	-	-
546	10/10/2023 11:23:46.0	46.4	----	-----	-	-
547	10/10/2023 11:23:47.0	43.6	----	-----	-	-
548	10/10/2023 11:23:48.0	49.2	----	-----	-	-
549	10/10/2023 11:23:49.0	51.2	----	-----	-	-
550	10/10/2023 11:23:50.0	51.6	----	-----	-	-
551	10/10/2023 11:23:51.0	43.1	----	-----	-	-
552	10/10/2023 11:23:52.0	53.5	----	-----	-	-
553	10/10/2023 11:23:53.0	46	----	-----	-	-
554	10/10/2023 11:23:54.0	44.6	----	-----	-	-
555	10/10/2023 11:23:55.0	42.4	----	-----	-	-
556	10/10/2023 11:23:56.0	45.1	----	-----	-	-
557	10/10/2023 11:23:57.0	53.6	----	-----	-	-
558	10/10/2023 11:23:58.0	42.1	----	-----	-	-
559	10/10/2023 11:23:59.0	41.7	----	-----	-	-
560	10/10/2023 11:24:00.0	42.4	----	-----	-	-
561	10/10/2023 11:24:01.0	52.8	----	-----	-	-

562	10/10/2023 11:24:02.0	42.1	----	-----	-	-
563	10/10/2023 11:24:03.0	50.5	----	-----	-	-
564	10/10/2023 11:24:04.0	42.2	----	-----	-	-
565	10/10/2023 11:24:05.0	51.9	----	-----	-	-
566	10/10/2023 11:24:06.0	47.9	----	-----	-	-
567	10/10/2023 11:24:07.0	48.2	----	-----	-	-
568	10/10/2023 11:24:08.0	49.1	----	-----	-	-
569	10/10/2023 11:24:09.0	40.3	----	-----	-	-
570	10/10/2023 11:24:10.0	48.5	----	-----	-	-
571	10/10/2023 11:24:11.0	48.5	----	-----	-	-
572	10/10/2023 11:24:12.0	42.4	----	-----	-	-
573	10/10/2023 11:24:13.0	46.3	----	-----	-	-
574	10/10/2023 11:24:14.0	45.1	----	-----	-	-
575	10/10/2023 11:24:15.0	47.5	----	-----	-	-
576	10/10/2023 11:24:16.0	50	----	-----	-	-
577	10/10/2023 11:24:17.0	47.7	----	-----	-	-
578	10/10/2023 11:24:18.0	42.3	----	-----	-	-
579	10/10/2023 11:24:19.0	42.8	----	-----	-	-
580	10/10/2023 11:24:20.0	45.8	----	-----	-	-
581	10/10/2023 11:24:21.0	47.6	----	-----	-	-
582	10/10/2023 11:24:22.0	41.9	----	-----	-	-
583	10/10/2023 11:24:23.0	41.7	----	-----	-	-
584	10/10/2023 11:24:24.0	51.3	----	-----	-	-
585	10/10/2023 11:24:25.0	39.2	----	-----	-	-
586	10/10/2023 11:24:26.0	38.6	----	-----	-	-
587	10/10/2023 11:24:27.0	40.7	----	-----	-	-
588	10/10/2023 11:24:28.0	41.1	----	-----	-	-
589	10/10/2023 11:24:29.0	40.9	----	-----	-	-
590	10/10/2023 11:24:30.0	49.7	----	-----	-	-
591	10/10/2023 11:24:31.0	39.7	----	-----	-	-
592	10/10/2023 11:24:32.0	46.1	----	-----	-	-
593	10/10/2023 11:24:33.0	46.8	----	-----	-	-
594	10/10/2023 11:24:34.0	46.2	----	-----	-	-
595	10/10/2023 11:24:35.0	41.9	----	-----	-	-
596	10/10/2023 11:24:36.0	40.2	----	-----	-	-
597	10/10/2023 11:24:37.0	39.8	----	-----	-	-
598	10/10/2023 11:24:38.0	48.6	----	-----	-	-
599	10/10/2023 11:24:39.0	45.6	----	-----	-	-
600	10/10/2023 11:24:40.0	42.1	----	-----	-	-
601	10/10/2023 11:24:41.0	40.6	----	-----	-	-
602	10/10/2023 11:24:42.0	47.5	----	-----	-	-
603	10/10/2023 11:24:43.0	45.6	----	-----	-	-
604	10/10/2023 11:24:44.0	47.3	----	-----	-	-
605	10/10/2023 11:24:45.0	45.1	----	-----	-	-
606	10/10/2023 11:24:46.0	46.8	----	-----	-	-
607	10/10/2023 11:24:47.0	41	----	-----	-	-
608	10/10/2023 11:24:48.0	39.6	----	-----	-	-



609	10/10/2023 11:24:49.0	40.4	----	-----	-	-
610	10/10/2023 11:24:50.0	40.2	----	-----	-	-
611	10/10/2023 11:24:51.0	39.7	----	-----	-	-
612	10/10/2023 11:24:52.0	50.9	----	-----	-	-
613	10/10/2023 11:24:53.0	45.4	----	-----	-	-
614	10/10/2023 11:24:54.0	50.8	----	-----	-	-
615	10/10/2023 11:24:55.0	49.8	----	-----	-	-
616	10/10/2023 11:24:56.0	47	----	-----	-	-
617	10/10/2023 11:24:57.0	45.6	----	-----	-	-
618	10/10/2023 11:24:58.0	44.8	----	-----	-	-
619	10/10/2023 11:24:59.0	48	----	-----	-	-
620	10/10/2023 11:25:00.0	46.7	----	-----	-	-
621	10/10/2023 11:25:01.0	49.8	----	-----	-	-
622	10/10/2023 11:25:02.0	41.5	----	-----	-	-
623	10/10/2023 11:25:03.0	46.2	----	-----	-	-
624	10/10/2023 11:25:04.0	48.9	----	-----	-	-
625	10/10/2023 11:25:05.0	50.9	----	-----	-	-
626	10/10/2023 11:25:06.0	46.5	----	-----	-	-
627	10/10/2023 11:25:07.0	44.9	----	-----	-	-
628	10/10/2023 11:25:08.0	42.2	----	-----	-	-
629	10/10/2023 11:25:09.0	44.9	----	-----	-	-
630	10/10/2023 11:25:10.0	41.4	----	-----	-	-
631	10/10/2023 11:25:11.0	42.6	----	-----	-	-
632	10/10/2023 11:25:12.0	50.9	----	-----	-	-
633	10/10/2023 11:25:13.0	48	----	-----	-	-
634	10/10/2023 11:25:14.0	46.4	----	-----	-	-
635	10/10/2023 11:25:15.0	46.9	----	-----	-	-
636	10/10/2023 11:25:16.0	46.5	----	-----	-	-
637	10/10/2023 11:25:17.0	39.8	----	-----	-	-
638	10/10/2023 11:25:18.0	47.8	----	-----	-	-
639	10/10/2023 11:25:19.0	40.3	----	-----	-	-
640	10/10/2023 11:25:20.0	40.8	----	-----	-	-
641	10/10/2023 11:25:21.0	41.5	----	-----	-	-
642	10/10/2023 11:25:22.0	40.2	----	-----	-	-
643	10/10/2023 11:25:23.0	39.1	----	-----	-	-
644	10/10/2023 11:25:24.0	48.7	----	-----	-	-
645	10/10/2023 11:25:25.0	49.7	----	-----	-	-
646	10/10/2023 11:25:26.0	48.5	----	-----	-	-
647	10/10/2023 11:25:27.0	41.5	----	-----	-	-
648	10/10/2023 11:25:28.0	41	----	-----	-	-
649	10/10/2023 11:25:29.0	46.3	----	-----	-	-
650	10/10/2023 11:25:30.0	50.1	----	-----	-	-
651	10/10/2023 11:25:31.0	49.8	----	-----	-	-
652	10/10/2023 11:25:32.0	48.4	----	-----	-	-
653	10/10/2023 11:25:33.0	47.7	----	-----	-	-
654	10/10/2023 11:25:34.0	47.6	----	-----	-	-
655	10/10/2023 11:25:35.0	51.4	----	-----	-	-

656	10/10/2023 11:25:36.0	46.3	----	-----	-	-
657	10/10/2023 11:25:37.0	48.2	----	-----	-	-
658	10/10/2023 11:25:38.0	51.3	----	-----	-	-
659	10/10/2023 11:25:39.0	48.7	----	-----	-	-
660	10/10/2023 11:25:40.0	50.2	----	-----	-	-
661	10/10/2023 11:25:41.0	45.4	----	-----	-	-
662	10/10/2023 11:25:42.0	44.9	----	-----	-	-
663	10/10/2023 11:25:43.0	46.4	----	-----	-	-
664	10/10/2023 11:25:44.0	48.9	----	-----	-	-
665	10/10/2023 11:25:45.0	49.4	----	-----	-	-
666	10/10/2023 11:25:46.0	49	----	-----	-	-
667	10/10/2023 11:25:47.0	42.3	----	-----	-	-
668	10/10/2023 11:25:48.0	48.2	----	-----	-	-
669	10/10/2023 11:25:49.0	44.2	----	-----	-	-
670	10/10/2023 11:25:50.0	42.1	----	-----	-	-
671	10/10/2023 11:25:51.0	42.5	----	-----	-	-
672	10/10/2023 11:25:52.0	48.6	----	-----	-	-
673	10/10/2023 11:25:53.0	47.5	----	-----	-	-
674	10/10/2023 11:25:54.0	46.1	----	-----	-	-
675	10/10/2023 11:25:55.0	41.4	----	-----	-	-
676	10/10/2023 11:25:56.0	49.2	----	-----	-	-
677	10/10/2023 11:25:57.0	49.6	----	-----	-	-
678	10/10/2023 11:25:58.0	47.2	----	-----	-	-
679	10/10/2023 11:25:59.0	42.2	----	-----	-	-
680	10/10/2023 11:26:00.0	46.4	----	-----	-	-
681	10/10/2023 11:26:01.0	42.4	----	-----	-	-
682	10/10/2023 11:26:02.0	45.7	----	-----	-	-
683	10/10/2023 11:26:03.0	47.1	----	-----	-	-
684	10/10/2023 11:26:04.0	42	----	-----	-	-
685	10/10/2023 11:26:05.0	42	----	-----	-	-
686	10/10/2023 11:26:06.0	49.3	----	-----	-	-
687	10/10/2023 11:26:07.0	43.7	----	-----	-	-
688	10/10/2023 11:26:08.0	48.1	----	-----	-	-
689	10/10/2023 11:26:09.0	41.5	----	-----	-	-
690	10/10/2023 11:26:10.0	40.8	----	-----	-	-
691	10/10/2023 11:26:11.0	51.4	----	-----	-	-
692	10/10/2023 11:26:12.0	46.9	----	-----	-	-
693	10/10/2023 11:26:13.0	43.1	----	-----	-	-
694	10/10/2023 11:26:14.0	51.4	----	-----	-	-
695	10/10/2023 11:26:15.0	48.9	----	-----	-	-
696	10/10/2023 11:26:16.0	47.5	----	-----	-	-
697	10/10/2023 11:26:17.0	43.8	----	-----	-	-
698	10/10/2023 11:26:18.0	49.6	----	-----	-	-
699	10/10/2023 11:26:19.0	49.3	----	-----	-	-
700	10/10/2023 11:26:20.0	40.3	----	-----	-	-
701	10/10/2023 11:26:21.0	48.7	----	-----	-	-
702	10/10/2023 11:26:22.0	50.4	----	-----	-	-

703	10/10/2023 11:26:23.0	45.2	----	-----	-	-
704	10/10/2023 11:26:24.0	46.6	----	-----	-	-
705	10/10/2023 11:26:25.0	48.1	----	-----	-	-
706	10/10/2023 11:26:26.0	45.3	----	-----	-	-
707	10/10/2023 11:26:27.0	43.7	----	-----	-	-
708	10/10/2023 11:26:28.0	43.3	----	-----	-	-
709	10/10/2023 11:26:29.0	43.7	----	-----	-	-
710	10/10/2023 11:26:30.0	41.9	----	-----	-	-
711	10/10/2023 11:26:31.0	43.4	----	-----	-	-
712	10/10/2023 11:26:32.0	44	----	-----	-	-
713	10/10/2023 11:26:33.0	46.3	----	-----	-	-
714	10/10/2023 11:26:34.0	47.7	----	-----	-	-
715	10/10/2023 11:26:35.0	47.7	----	-----	-	-
716	10/10/2023 11:26:36.0	47.1	----	-----	-	-
717	10/10/2023 11:26:37.0	48.5	----	-----	-	-
718	10/10/2023 11:26:38.0	47.2	----	-----	-	-
719	10/10/2023 11:26:39.0	51.3	----	-----	-	-
720	10/10/2023 11:26:40.0	47.8	----	-----	-	-
721	10/10/2023 11:26:41.0	45.6	----	-----	-	-
722	10/10/2023 11:26:42.0	49.9	----	-----	-	-
723	10/10/2023 11:26:43.0	45.9	----	-----	-	-
724	10/10/2023 11:26:44.0	43.4	----	-----	-	-
725	10/10/2023 11:26:45.0	43.9	----	-----	-	-
726	10/10/2023 11:26:46.0	43.8	----	-----	-	-
727	10/10/2023 11:26:47.0	43.8	----	-----	-	-
728	10/10/2023 11:26:48.0	41.5	----	-----	-	-
729	10/10/2023 11:26:49.0	45.6	----	-----	-	-
730	10/10/2023 11:26:50.0	41.8	----	-----	-	-
731	10/10/2023 11:26:51.0	41.8	----	-----	-	-
732	10/10/2023 11:26:52.0	43	----	-----	-	-
733	10/10/2023 11:26:53.0	42	----	-----	-	-
734	10/10/2023 11:26:54.0	43	----	-----	-	-
735	10/10/2023 11:26:55.0	40.2	----	-----	-	-
736	10/10/2023 11:26:56.0	47.1	----	-----	-	-
737	10/10/2023 11:26:57.0	42.3	----	-----	-	-
738	10/10/2023 11:26:58.0	47.5	----	-----	-	-
739	10/10/2023 11:26:59.0	41.1	----	-----	-	-
740	10/10/2023 11:27:00.0	40.6	----	-----	-	-
741	10/10/2023 11:27:01.0	41.4	----	-----	-	-
742	10/10/2023 11:27:02.0	47	----	-----	-	-
743	10/10/2023 11:27:03.0	48.8	----	-----	-	-
744	10/10/2023 11:27:04.0	50.4	----	-----	-	-
745	10/10/2023 11:27:05.0	42.2	----	-----	-	-
746	10/10/2023 11:27:06.0	42.7	----	-----	-	-
747	10/10/2023 11:27:07.0	42	----	-----	-	-
748	10/10/2023 11:27:08.0	42.7	----	-----	-	-
749	10/10/2023 11:27:09.0	47.5	----	-----	-	-

750	10/10/2023 11:27:10.0	42.3	----	-----	-	-
751	10/10/2023 11:27:11.0	40.8	----	-----	-	-
752	10/10/2023 11:27:12.0	43.8	----	-----	-	-
753	10/10/2023 11:27:13.0	48.1	----	-----	-	-
754	10/10/2023 11:27:14.0	51.3	----	-----	-	-
755	10/10/2023 11:27:15.0	44.2	----	-----	-	-
756	10/10/2023 11:27:16.0	42.7	----	-----	-	-
757	10/10/2023 11:27:17.0	48.9	----	-----	-	-
758	10/10/2023 11:27:18.0	40.7	----	-----	-	-
759	10/10/2023 11:27:19.0	49.3	----	-----	-	-
760	10/10/2023 11:27:20.0	48.8	----	-----	-	-
761	10/10/2023 11:27:21.0	47	----	-----	-	-
762	10/10/2023 11:27:22.0	42.5	----	-----	-	-
763	10/10/2023 11:27:23.0	49	----	-----	-	-
764	10/10/2023 11:27:24.0	48	----	-----	-	-
765	10/10/2023 11:27:25.0	44.4	----	-----	-	-
766	10/10/2023 11:27:26.0	51.8	----	-----	-	-
767	10/10/2023 11:27:27.0	48.4	----	-----	-	-
768	10/10/2023 11:27:28.0	49.7	----	-----	-	-
769	10/10/2023 11:27:29.0	48.4	----	-----	-	-
770	10/10/2023 11:27:30.0	48	----	-----	-	-
771	10/10/2023 11:27:31.0	45.6	----	-----	-	-
772	10/10/2023 11:27:32.0	46.9	----	-----	-	-
773	10/10/2023 11:27:33.0	49.3	----	-----	-	-
774	10/10/2023 11:27:34.0	44.8	----	-----	-	-
775	10/10/2023 11:27:35.0	47.8	----	-----	-	-
776	10/10/2023 11:27:36.0	48.4	----	-----	-	-
777	10/10/2023 11:27:37.0	48.4	----	-----	-	-
778	10/10/2023 11:27:38.0	44.8	----	-----	-	-
779	10/10/2023 11:27:39.0	43.7	----	-----	-	-
780	10/10/2023 11:27:40.0	46.9	----	-----	-	-
781	10/10/2023 11:27:41.0	48.6	----	-----	-	-
782	10/10/2023 11:27:42.0	45.4	----	-----	-	-
783	10/10/2023 11:27:43.0	48.4	----	-----	-	-
784	10/10/2023 11:27:44.0	50.7	----	-----	-	-
785	10/10/2023 11:27:45.0	49.7	----	-----	-	-
786	10/10/2023 11:27:46.0	47.1	----	-----	-	-
787	10/10/2023 11:27:47.0	46.8	----	-----	-	-
788	10/10/2023 11:27:48.0	44.3	----	-----	-	-
789	10/10/2023 11:27:49.0	45.5	----	-----	-	-
790	10/10/2023 11:27:50.0	45.7	----	-----	-	-
791	10/10/2023 11:27:51.0	45.6	----	-----	-	-
792	10/10/2023 11:27:52.0	45	----	-----	-	-
793	10/10/2023 11:27:53.0	44.3	----	-----	-	-
794	10/10/2023 11:27:54.0	45.3	----	-----	-	-
795	10/10/2023 11:27:55.0	45.4	----	-----	-	-
796	10/10/2023 11:27:56.0	45.1	----	-----	-	-

797	10/10/2023 11:27:57.0	44.9	----	-----	-	-
798	10/10/2023 11:27:58.0	50.4	----	-----	-	-
799	10/10/2023 11:27:59.0	48.3	----	-----	-	-
800	10/10/2023 11:28:00.0	50.4	----	-----	-	-
801	10/10/2023 11:28:01.0	50	----	-----	-	-
802	10/10/2023 11:28:02.0	49	----	-----	-	-
803	10/10/2023 11:28:03.0	48.2	----	-----	-	-
804	10/10/2023 11:28:04.0	50	----	-----	-	-
805	10/10/2023 11:28:05.0	45.2	----	-----	-	-
806	10/10/2023 11:28:06.0	47.8	----	-----	-	-
807	10/10/2023 11:28:07.0	51.3	----	-----	-	-
808	10/10/2023 11:28:08.0	42.5	----	-----	-	-
809	10/10/2023 11:28:09.0	47.4	----	-----	-	-
810	10/10/2023 11:28:10.0	40.6	----	-----	-	-
811	10/10/2023 11:28:11.0	49.3	----	-----	-	-
812	10/10/2023 11:28:12.0	50.3	----	-----	-	-
813	10/10/2023 11:28:13.0	48.2	----	-----	-	-
814	10/10/2023 11:28:14.0	47.5	----	-----	-	-
815	10/10/2023 11:28:15.0	41.8	----	-----	-	-
816	10/10/2023 11:28:16.0	50.4	----	-----	-	-
817	10/10/2023 11:28:17.0	44.2	----	-----	-	-
818	10/10/2023 11:28:18.0	43.8	----	-----	-	-
819	10/10/2023 11:28:19.0	47.8	----	-----	-	-
820	10/10/2023 11:28:20.0	44.3	----	-----	-	-
821	10/10/2023 11:28:21.0	42.1	----	-----	-	-
822	10/10/2023 11:28:22.0	47.7	----	-----	-	-
823	10/10/2023 11:28:23.0	44	----	-----	-	-
824	10/10/2023 11:28:24.0	44.2	----	-----	-	-
825	10/10/2023 11:28:25.0	44.9	----	-----	-	-
826	10/10/2023 11:28:26.0	44.3	----	-----	-	-
827	10/10/2023 11:28:27.0	46.7	----	-----	-	-
828	10/10/2023 11:28:28.0	49.1	----	-----	-	-
829	10/10/2023 11:28:29.0	46.3	----	-----	-	-
830	10/10/2023 11:28:30.0	49.3	----	-----	-	-
831	10/10/2023 11:28:31.0	49.6	----	-----	-	-
832	10/10/2023 11:28:32.0	48.9	----	-----	-	-
833	10/10/2023 11:28:33.0	49.3	----	-----	-	-
834	10/10/2023 11:28:34.0	45.6	----	-----	-	-
835	10/10/2023 11:28:35.0	48.5	----	-----	-	-
836	10/10/2023 11:28:36.0	45.1	----	-----	-	-
837	10/10/2023 11:28:37.0	42.2	----	-----	-	-
838	10/10/2023 11:28:38.0	47	----	-----	-	-
839	10/10/2023 11:28:39.0	47.5	----	-----	-	-
840	10/10/2023 11:28:40.0	47	----	-----	-	-
841	10/10/2023 11:28:41.0	45.5	----	-----	-	-
842	10/10/2023 11:28:42.0	44.7	----	-----	-	-
843	10/10/2023 11:28:43.0	48	----	-----	-	-

844	10/10/2023 11:28:44.0	50.9	----	-----	-	-
845	10/10/2023 11:28:45.0	45.8	----	-----	-	-
846	10/10/2023 11:28:46.0	43.1	----	-----	-	-
847	10/10/2023 11:28:47.0	41.8	----	-----	-	-
848	10/10/2023 11:28:48.0	49.6	----	-----	-	-
849	10/10/2023 11:28:49.0	47.9	----	-----	-	-
850	10/10/2023 11:28:50.0	48	----	-----	-	-
851	10/10/2023 11:28:51.0	48.4	----	-----	-	-
852	10/10/2023 11:28:52.0	45.2	----	-----	-	-
853	10/10/2023 11:28:53.0	46.7	----	-----	-	-
854	10/10/2023 11:28:54.0	48	----	-----	-	-
855	10/10/2023 11:28:55.0	48	----	-----	-	-
856	10/10/2023 11:28:56.0	47.3	----	-----	-	-
857	10/10/2023 11:28:57.0	43.1	----	-----	-	-
858	10/10/2023 11:28:58.0	49	----	-----	-	-
859	10/10/2023 11:28:59.0	44.9	----	-----	-	-
860	10/10/2023 11:29:00.0	49.5	----	-----	-	-
861	10/10/2023 11:29:01.0	44.5	----	-----	-	-
862	10/10/2023 11:29:02.0	48.7	----	-----	-	-
863	10/10/2023 11:29:03.0	40	----	-----	-	-
864	10/10/2023 11:29:04.0	44.3	----	-----	-	-
865	10/10/2023 11:29:05.0	46.7	----	-----	-	-
866	10/10/2023 11:29:06.0	42.6	----	-----	-	-
867	10/10/2023 11:29:07.0	44.1	----	-----	-	-
868	10/10/2023 11:29:08.0	37.2	----	-----	-	-
869	10/10/2023 11:29:09.0	42.6	----	-----	-	-
870	10/10/2023 11:29:10.0	39.2	----	-----	-	-
871	10/10/2023 11:29:11.0	37.9	----	-----	-	-
872	10/10/2023 11:29:12.0	46.5	----	-----	-	-
873	10/10/2023 11:29:13.0	44.8	----	-----	-	-
874	10/10/2023 11:29:14.0	46.5	----	-----	-	-
875	10/10/2023 11:29:15.0	47	----	-----	-	-
876	10/10/2023 11:29:16.0	46.1	----	-----	-	-
877	10/10/2023 11:29:17.0	47.2	----	-----	-	-
878	10/10/2023 11:29:18.0	45.6	----	-----	-	-
879	10/10/2023 11:29:19.0	49.6	----	-----	-	-
880	10/10/2023 11:29:20.0	45.1	----	-----	-	-
881	10/10/2023 11:29:21.0	49	----	-----	-	-
882	10/10/2023 11:29:22.0	43.7	----	-----	-	-
883	10/10/2023 11:29:23.0	46.6	----	-----	-	-
884	10/10/2023 11:29:24.0	47.4	----	-----	-	-
885	10/10/2023 11:29:25.0	45.2	----	-----	-	-
886	10/10/2023 11:29:26.0	46	----	-----	-	-
887	10/10/2023 11:29:27.0	46.3	----	-----	-	-
888	10/10/2023 11:29:28.0	44.6	----	-----	-	-
889	10/10/2023 11:29:29.0	45.7	----	-----	-	-
890	10/10/2023 11:29:30.0	42.8	----	-----	-	-

891	10/10/2023 11:29:31.0	45.9	----	-----	-	-
892	10/10/2023 11:29:32.0	45	----	-----	-	-
893	10/10/2023 11:29:33.0	42.2	----	-----	-	-
894	10/10/2023 11:29:34.0	46.3	----	-----	-	-
895	10/10/2023 11:29:35.0	46.3	----	-----	-	-
896	10/10/2023 11:29:36.0	47.2	----	-----	-	-
897	10/10/2023 11:29:37.0	47.1	----	-----	-	-
898	10/10/2023 11:29:38.0	45.9	----	-----	-	-
899	10/10/2023 11:29:39.0	47.2	----	-----	-	-
900	10/10/2023 11:29:40.0	45.5	----	-----	-	-
901	10/10/2023 11:29:41.0	45.2	----	-----	-	-
902	10/10/2023 11:29:42.0	41.5	----	-----	-	-
903	10/10/2023 11:29:43.0	45.8	----	-----	-	-
904	10/10/2023 11:29:44.0	46.1	----	-----	-	-
905	10/10/2023 11:29:45.0	46.6	----	-----	-	-
906	10/10/2023 11:29:46.0	45.3	----	-----	-	-
907	10/10/2023 11:29:47.0	41.6	----	-----	-	-
908	10/10/2023 11:29:48.0	41.3	----	-----	-	-
909	10/10/2023 11:29:49.0	44.7	----	-----	-	-
910	10/10/2023 11:29:50.0	40.9	----	-----	-	-
911	10/10/2023 11:29:51.0	45.8	----	-----	-	-
912	10/10/2023 11:29:52.0	46.5	----	-----	-	-
913	10/10/2023 11:29:53.0	47.8	----	-----	-	-
914	10/10/2023 11:29:54.0	41.1	----	-----	-	-
915	10/10/2023 11:29:55.0	41.9	----	-----	-	-
916	10/10/2023 11:29:56.0	44.7	----	-----	-	-
917	10/10/2023 11:29:57.0	41.1	----	-----	-	-
918	10/10/2023 11:29:58.0	42.5	----	-----	-	-
919	10/10/2023 11:29:59.0	44.8	----	-----	-	-
920	10/10/2023 11:30:00.0	45.4	----	-----	-	-
921	10/10/2023 11:30:01.0	45.4	----	-----	-	-
922	10/10/2023 11:30:02.0	47.4	----	-----	-	-
923	10/10/2023 11:30:03.0	45.3	----	-----	-	-
924	10/10/2023 11:30:04.0	43	----	-----	-	-
925	10/10/2023 11:30:05.0	48.9	----	-----	-	-
926	10/10/2023 11:30:06.0	46.8	----	-----	-	-
927	10/10/2023 11:30:07.0	47.3	----	-----	-	-
928	10/10/2023 11:30:08.0	48.3	----	-----	-	-
929	10/10/2023 11:30:09.0	45	----	-----	-	-
930	10/10/2023 11:30:10.0	47.2	----	-----	-	-
931	10/10/2023 11:30:11.0	46.7	----	-----	-	-
932	10/10/2023 11:30:12.0	48.6	----	-----	-	-
933	10/10/2023 11:30:13.0	46.2	----	-----	-	-
934	10/10/2023 11:30:14.0	44.5	----	-----	-	-
935	10/10/2023 11:30:15.0	42.5	----	-----	-	-
936	10/10/2023 11:30:16.0	44.8	----	-----	-	-
937	10/10/2023 11:30:17.0	48.3	----	-----	-	-

938	10/10/2023 11:30:18.0	44.8	----	-----	-	-
939	10/10/2023 11:30:19.0	47.7	----	-----	-	-
940	10/10/2023 11:30:20.0	48.1	----	-----	-	-
941	10/10/2023 11:30:21.0	44.7	----	-----	-	-
942	10/10/2023 11:30:22.0	45.1	----	-----	-	-
943	10/10/2023 11:30:23.0	42.2	----	-----	-	-
944	10/10/2023 11:30:24.0	46.2	----	-----	-	-
945	10/10/2023 11:30:25.0	43.5	----	-----	-	-
946	10/10/2023 11:30:26.0	45.8	----	-----	-	-
947	10/10/2023 11:30:27.0	47.5	----	-----	-	-
948	10/10/2023 11:30:28.0	48.2	----	-----	-	-
949	10/10/2023 11:30:29.0	45.2	----	-----	-	-
950	10/10/2023 11:30:30.0	42	----	-----	-	-
951	10/10/2023 11:30:31.0	46.4	----	-----	-	-
952	10/10/2023 11:30:32.0	44.9	----	-----	-	-
953	10/10/2023 11:30:33.0	44.8	----	-----	-	-
954	10/10/2023 11:30:34.0	46	----	-----	-	-
955	10/10/2023 11:30:35.0	47.6	----	-----	-	-
956	10/10/2023 11:30:36.0	41.1	----	-----	-	-
957	10/10/2023 11:30:37.0	40.4	----	-----	-	-
958	10/10/2023 11:30:38.0	49.6	----	-----	-	-
959	10/10/2023 11:30:39.0	46.4	----	-----	-	-
960	10/10/2023 11:30:40.0	41.6	----	-----	-	-
961	10/10/2023 11:30:41.0	49.9	----	-----	-	-
962	10/10/2023 11:30:42.0	46.6	----	-----	-	-
963	10/10/2023 11:30:43.0	50.6	----	-----	-	-
964	10/10/2023 11:30:44.0	47.1	----	-----	-	-
965	10/10/2023 11:30:45.0	46	----	-----	-	-
966	10/10/2023 11:30:46.0	48.9	----	-----	-	-
967	10/10/2023 11:30:47.0	41.6	----	-----	-	-
968	10/10/2023 11:30:48.0	48.3	----	-----	-	-
969	10/10/2023 11:30:49.0	49.3	----	-----	-	-
970	10/10/2023 11:30:50.0	47.2	----	-----	-	-
971	10/10/2023 11:30:51.0	49.3	----	-----	-	-
972	10/10/2023 11:30:52.0	50	----	-----	-	-
973	10/10/2023 11:30:53.0	49.9	----	-----	-	-
974	10/10/2023 11:30:54.0	44.2	----	-----	-	-
975	10/10/2023 11:30:55.0	44.1	----	-----	-	-
976	10/10/2023 11:30:56.0	46.3	----	-----	-	-
977	10/10/2023 11:30:57.0	46.4	----	-----	-	-
978	10/10/2023 11:30:58.0	51	----	-----	-	-
979	10/10/2023 11:30:59.0	48.8	----	-----	-	-
980	10/10/2023 11:31:00.0	47.3	----	-----	-	-
981	10/10/2023 11:31:01.0	48.4	----	-----	-	-
982	10/10/2023 11:31:02.0	50.1	----	-----	-	-
983	10/10/2023 11:31:03.0	49.3	----	-----	-	-
984	10/10/2023 11:31:04.0	50.1	----	-----	-	-



985	10/10/2023 11:31:05.0	50.3	----	-----	-	-
986	10/10/2023 11:31:06.0	44.8	----	-----	-	-
987	10/10/2023 11:31:07.0	51.4	----	-----	-	-
988	10/10/2023 11:31:08.0	46.6	----	-----	-	-
989	10/10/2023 11:31:09.0	45.7	----	-----	-	-
990	10/10/2023 11:31:10.0	44.2	----	-----	-	-
991	10/10/2023 11:31:11.0	47.7	----	-----	-	-
992	10/10/2023 11:31:12.0	44.6	----	-----	-	-
993	10/10/2023 11:31:13.0	45.1	----	-----	-	-
994	10/10/2023 11:31:14.0	50.8	----	-----	-	-
995	10/10/2023 11:31:15.0	47	----	-----	-	-
996	10/10/2023 11:31:16.0	49.1	----	-----	-	-
997	10/10/2023 11:31:17.0	49.4	----	-----	-	-
998	10/10/2023 11:31:18.0	45.2	----	-----	-	-
999	10/10/2023 11:31:19.0	49.5	----	-----	-	-
1000	10/10/2023 11:31:20.0	48.2	----	-----	-	-
1001	10/10/2023 11:31:21.0	46.7	----	-----	-	-
1002	10/10/2023 11:31:22.0	49.7	----	-----	-	-
1003	10/10/2023 11:31:23.0	48.1	----	-----	-	-
1004	10/10/2023 11:31:24.0	47.9	----	-----	-	-
1005	10/10/2023 11:31:25.0	45	----	-----	-	-
1006	10/10/2023 11:31:26.0	46.3	----	-----	-	-
1007	10/10/2023 11:31:27.0	48	----	-----	-	-
1008	10/10/2023 11:31:28.0	48.6	----	-----	-	-
1009	10/10/2023 11:31:29.0	49	----	-----	-	-
1010	10/10/2023 11:31:30.0	48.8	----	-----	-	-
1011	10/10/2023 11:31:31.0	43.1	----	-----	-	-
1012	10/10/2023 11:31:32.0	48.4	----	-----	-	-
1013	10/10/2023 11:31:33.0	42.1	----	-----	-	-
1014	10/10/2023 11:31:34.0	41.4	----	-----	-	-
1015	10/10/2023 11:31:35.0	40.6	----	-----	-	-
1016	10/10/2023 11:31:36.0	49.8	----	-----	-	-
1017	10/10/2023 11:31:37.0	40.5	----	-----	-	-
1018	10/10/2023 11:31:38.0	49.1	----	-----	-	-
1019	10/10/2023 11:31:39.0	43.5	----	-----	-	-
1020	10/10/2023 11:31:40.0	42.6	----	-----	-	-
1021	10/10/2023 11:31:41.0	49.1	----	-----	-	-
1022	10/10/2023 11:31:42.0	52.1	----	-----	-	-
1023	10/10/2023 11:31:43.0	49.6	----	-----	-	-
1024	10/10/2023 11:31:44.0	48.7	----	-----	-	-
1025	10/10/2023 11:31:45.0	50.8	----	-----	-	-
1026	10/10/2023 11:31:46.0	51.1	----	-----	-	-
1027	10/10/2023 11:31:47.0	49.3	----	-----	-	-
1028	10/10/2023 11:31:48.0	51.6	----	-----	-	-
1029	10/10/2023 11:31:49.0	42.6	----	-----	-	-
1030	10/10/2023 11:31:50.0	46.7	----	-----	-	-
1031	10/10/2023 11:31:51.0	39.8	----	-----	-	-

1032	10/10/2023 11:31:52.0	46	----	-----	-	-
1033	10/10/2023 11:31:53.0	39.5	----	-----	-	-
1034	10/10/2023 11:31:54.0	48	----	-----	-	-
1035	10/10/2023 11:31:55.0	39.6	----	-----	-	-
1036	10/10/2023 11:31:56.0	48.9	----	-----	-	-
1037	10/10/2023 11:31:57.0	43.3	----	-----	-	-
1038	10/10/2023 11:31:58.0	45.6	----	-----	-	-
1039	10/10/2023 11:31:59.0	47	----	-----	-	-
1040	10/10/2023 11:32:00.0	47.2	----	-----	-	-
1041	10/10/2023 11:32:01.0	48.9	----	-----	-	-
1042	10/10/2023 11:32:02.0	50.1	----	-----	-	-
1043	10/10/2023 11:32:03.0	45.9	----	-----	-	-
1044	10/10/2023 11:32:04.0	43.1	----	-----	-	-
1045	10/10/2023 11:32:05.0	46.2	----	-----	-	-
1046	10/10/2023 11:32:06.0	47.5	----	-----	-	-
1047	10/10/2023 11:32:07.0	47.1	----	-----	-	-
1048	10/10/2023 11:32:08.0	48.2	----	-----	-	-
1049	10/10/2023 11:32:09.0	49.7	----	-----	-	-
1050	10/10/2023 11:32:10.0	48.8	----	-----	-	-
1051	10/10/2023 11:32:11.0	49.3	----	-----	-	-
1052	10/10/2023 11:32:12.0	47.7	----	-----	-	-
1053	10/10/2023 11:32:13.0	43.3	----	-----	-	-
1054	10/10/2023 11:32:14.0	42.4	----	-----	-	-
1055	10/10/2023 11:32:15.0	42.1	----	-----	-	-
1056	10/10/2023 11:32:16.0	42.1	----	-----	-	-
1057	10/10/2023 11:32:17.0	45.5	----	-----	-	-
1058	10/10/2023 11:32:18.0	47.8	----	-----	-	-
1059	10/10/2023 11:32:19.0	50.5	----	-----	-	-
1060	10/10/2023 11:32:20.0	50	----	-----	-	-
1061	10/10/2023 11:32:21.0	44.8	----	-----	-	-
1062	10/10/2023 11:32:22.0	47.5	----	-----	-	-
1063	10/10/2023 11:32:23.0	42.5	----	-----	-	-
1064	10/10/2023 11:32:24.0	49.3	----	-----	-	-
1065	10/10/2023 11:32:25.0	47.5	----	-----	-	-
1066	10/10/2023 11:32:26.0	51.3	----	-----	-	-
1067	10/10/2023 11:32:27.0	43	----	-----	-	-
1068	10/10/2023 11:32:28.0	41.7	----	-----	-	-
1069	10/10/2023 11:32:29.0	41.6	----	-----	-	-
1070	10/10/2023 11:32:30.0	45	----	-----	-	-
1071	10/10/2023 11:32:31.0	42.6	----	-----	-	-
1072	10/10/2023 11:32:32.0	42.7	----	-----	-	-
1073	10/10/2023 11:32:33.0	47.4	----	-----	-	-
1074	10/10/2023 11:32:34.0	41.8	----	-----	-	-
1075	10/10/2023 11:32:35.0	41.2	----	-----	-	-
1076	10/10/2023 11:32:36.0	41.4	----	-----	-	-
1077	10/10/2023 11:32:37.0	50.6	----	-----	-	-
1078	10/10/2023 11:32:38.0	43.2	----	-----	-	-

1079	10/10/2023 11:32:39.0	47.9	----	-----	-	-
1080	10/10/2023 11:32:40.0	43.7	----	-----	-	-
1081	10/10/2023 11:32:41.0	43.4	----	-----	-	-
1082	10/10/2023 11:32:42.0	47.3	----	-----	-	-
1083	10/10/2023 11:32:43.0	47.6	----	-----	-	-
1084	10/10/2023 11:32:44.0	42.3	----	-----	-	-
1085	10/10/2023 11:32:45.0	42.6	----	-----	-	-
1086	10/10/2023 11:32:46.0	41	----	-----	-	-
1087	10/10/2023 11:32:47.0	46.8	----	-----	-	-
1088	10/10/2023 11:32:48.0	43.8	----	-----	-	-
1089	10/10/2023 11:32:49.0	43.7	----	-----	-	-
1090	10/10/2023 11:32:50.0	42.4	----	-----	-	-
1091	10/10/2023 11:32:51.0	43.2	----	-----	-	-
1092	10/10/2023 11:32:52.0	41.9	----	-----	-	-
1093	10/10/2023 11:32:53.0	45.7	----	-----	-	-
1094	10/10/2023 11:32:54.0	43.6	----	-----	-	-
1095	10/10/2023 11:32:55.0	44.2	----	-----	-	-
1096	10/10/2023 11:32:56.0	48.5	----	-----	-	-
1097	10/10/2023 11:32:57.0	44.1	----	-----	-	-
1098	10/10/2023 11:32:58.0	43.7	----	-----	-	-
1099	10/10/2023 11:32:59.0	45.5	----	-----	-	-
1100	10/10/2023 11:33:00.0	44.6	----	-----	-	-
1101	10/10/2023 11:33:01.0	44.5	----	-----	-	-
1102	10/10/2023 11:33:02.0	44.3	----	-----	-	-
1103	10/10/2023 11:33:03.0	45.7	----	-----	-	-
1104	10/10/2023 11:33:04.0	44.7	----	-----	-	-
1105	10/10/2023 11:33:05.0	51.6	----	-----	-	-
1106	10/10/2023 11:33:06.0	43	----	-----	-	-
1107	10/10/2023 11:33:07.0	43.8	----	-----	-	-
1108	10/10/2023 11:33:08.0	46.5	----	-----	-	-
1109	10/10/2023 11:33:09.0	47.4	----	-----	-	-
1110	10/10/2023 11:33:10.0	52.2	----	-----	-	-
1111	10/10/2023 11:33:11.0	47	----	-----	-	-
1112	10/10/2023 11:33:12.0	53.9	----	-----	-	-
1113	10/10/2023 11:33:13.0	51.3	----	-----	-	-
1114	10/10/2023 11:33:14.0	53.7	----	-----	-	-
1115	10/10/2023 11:33:15.0	48.7	----	-----	-	-
1116	10/10/2023 11:33:16.0	52.5	----	-----	-	-
1117	10/10/2023 11:33:17.0	49.7	----	-----	-	-
1118	10/10/2023 11:33:18.0	49.7	----	-----	-	-
1119	10/10/2023 11:33:19.0	49.2	----	-----	-	-
1120	10/10/2023 11:33:20.0	51.8	----	-----	-	-
1121	10/10/2023 11:33:21.0	49.8	----	-----	-	-
1122	10/10/2023 11:33:22.0	51.8	----	-----	-	-
1123	10/10/2023 11:33:23.0	51.4	----	-----	-	-
1124	10/10/2023 11:33:24.0	54.3	----	-----	-	-
1125	10/10/2023 11:33:25.0	54.5	----	-----	-	-

1126	10/10/2023 11:33:26.0	54.4	----	-----	-	-
1127	10/10/2023 11:33:27.0	52.2	----	-----	-	-
1128	10/10/2023 11:33:28.0	54.8	----	-----	-	-
1129	10/10/2023 11:33:29.0	51.6	----	-----	-	-
1130	10/10/2023 11:33:30.0	54.3	----	-----	-	-
1131	10/10/2023 11:33:31.0	53	----	-----	-	-
1132	10/10/2023 11:33:32.0	54.7	----	-----	-	-
1133	10/10/2023 11:33:33.0	53.4	----	-----	-	-
1134	10/10/2023 11:33:34.0	54.4	----	-----	-	-
1135	10/10/2023 11:33:35.0	51.6	----	-----	-	-
1136	10/10/2023 11:33:36.0	51	----	-----	-	-
1137	10/10/2023 11:33:37.0	55.8	----	-----	-	-
1138	10/10/2023 11:33:38.0	48.7	----	-----	-	-
1139	10/10/2023 11:33:39.0	57.2	----	-----	-	-
1140	10/10/2023 11:33:40.0	53.3	----	-----	-	-
1141	10/10/2023 11:33:41.0	53.5	----	-----	-	-
1142	10/10/2023 11:33:42.0	54.3	----	-----	-	-
1143	10/10/2023 11:33:43.0	56	----	-----	-	-
1144	10/10/2023 11:33:44.0	53.6	----	-----	-	-
1145	10/10/2023 11:33:45.0	55.8	----	-----	-	-
1146	10/10/2023 11:33:46.0	52.7	----	-----	-	-
1147	10/10/2023 11:33:47.0	54.4	----	-----	-	-
1148	10/10/2023 11:33:48.0	53	----	-----	-	-
1149	10/10/2023 11:33:49.0	53.7	----	-----	-	-
1150	10/10/2023 11:33:50.0	55.9	----	-----	-	-
1151	10/10/2023 11:33:51.0	51.6	----	-----	-	-
1152	10/10/2023 11:33:52.0	54.1	----	-----	-	-
1153	10/10/2023 11:33:53.0	51.9	----	-----	-	-
1154	10/10/2023 11:33:54.0	53.8	----	-----	-	-
1155	10/10/2023 11:33:55.0	53.2	----	-----	-	-
1156	10/10/2023 11:33:56.0	51.3	----	-----	-	-
1157	10/10/2023 11:33:57.0	52.4	----	-----	-	-
1158	10/10/2023 11:33:58.0	55.2	----	-----	-	-
1159	10/10/2023 11:33:59.0	52.9	----	-----	-	-
1160	10/10/2023 11:34:00.0	53.4	----	-----	-	-
1161	10/10/2023 11:34:01.0	50.7	----	-----	-	-
1162	10/10/2023 11:34:02.0	53.2	----	-----	-	-
1163	10/10/2023 11:34:03.0	50.4	----	-----	-	-
1164	10/10/2023 11:34:04.0	53.4	----	-----	-	-
1165	10/10/2023 11:34:05.0	45.3	----	-----	-	-
1166	10/10/2023 11:34:06.0	57.3	----	-----	-	-
1167	10/10/2023 11:34:07.0	51.6	----	-----	-	-
1168	10/10/2023 11:34:08.0	51.9	----	-----	-	-
1169	10/10/2023 11:34:09.0	53.5	----	-----	-	-
1170	10/10/2023 11:34:10.0	53.4	----	-----	-	-
1171	10/10/2023 11:34:11.0	55.4	----	-----	-	-
1172	10/10/2023 11:34:12.0	53	----	-----	-	-

1173	10/10/2023 11:34:13.0	52.3	----	-----	-	-
1174	10/10/2023 11:34:14.0	50.5	----	-----	-	-
1175	10/10/2023 11:34:15.0	55.3	----	-----	-	-
1176	10/10/2023 11:34:16.0	52.9	----	-----	-	-
1177	10/10/2023 11:34:17.0	52.1	----	-----	-	-
1178	10/10/2023 11:34:18.0	55.5	----	-----	-	-
1179	10/10/2023 11:34:19.0	50.1	----	-----	-	-
1180	10/10/2023 11:34:20.0	51.6	----	-----	-	-
1181	10/10/2023 11:34:21.0	56.3	----	-----	-	-
1182	10/10/2023 11:34:22.0	51.2	----	-----	-	-
1183	10/10/2023 11:34:23.0	56.1	----	-----	-	-
1184	10/10/2023 11:34:24.0	52.3	----	-----	-	-
1185	10/10/2023 11:34:25.0	52.5	----	-----	-	-
1186	10/10/2023 11:34:26.0	52.9	----	-----	-	-
1187	10/10/2023 11:34:27.0	52.3	----	-----	-	-
1188	10/10/2023 11:34:28.0	53.5	----	-----	-	-
1189	10/10/2023 11:34:29.0	55.5	----	-----	-	-
1190	10/10/2023 11:34:30.0	50.7	----	-----	-	-
1191	10/10/2023 11:34:31.0	54.7	----	-----	-	-
1192	10/10/2023 11:34:32.0	50.8	----	-----	-	-
1193	10/10/2023 11:34:33.0	56.1	----	-----	-	-
1194	10/10/2023 11:34:34.0	53.5	----	-----	-	-
1195	10/10/2023 11:34:35.0	54.5	----	-----	-	-
1196	10/10/2023 11:34:36.0	53	----	-----	-	-
1197	10/10/2023 11:34:37.0	51.3	----	-----	-	-
1198	10/10/2023 11:34:38.0	53.7	----	-----	-	-
1199	10/10/2023 11:34:39.0	55.2	----	-----	-	-
1200	10/10/2023 11:34:40.0	42.8	----	-----	-	-

**ST2**

Address	Start Time	Leq	Over	Under	Output Ov	Marker 1	Marker 2
1	10/10/2023 12:33:24.0	43.7	----	-----	-----	-	-
2	10/10/2023 12:33:25.0	51.3	----	-----	-----	-	-
3	10/10/2023 12:33:26.0	46.7	----	-----	-----	-	-
4	10/10/2023 12:33:27.0	44.9	----	-----	-----	-	-
5	10/10/2023 12:33:28.0	50	----	-----	-----	-	-
6	10/10/2023 12:33:29.0	48.3	----	-----	-----	-	-
7	10/10/2023 12:33:30.0	47.6	----	-----	-----	-	-
8	10/10/2023 12:33:31.0	47	----	-----	-----	-	-
9	10/10/2023 12:33:32.0	43	----	-----	-----	-	-
10	10/10/2023 12:33:33.0	45	----	-----	-----	-	-
11	10/10/2023 12:33:34.0	44.7	----	-----	-----	-	-
12	10/10/2023 12:33:35.0	43.6	----	-----	-----	-	-
13	10/10/2023 12:33:36.0	41.6	----	-----	-----	-	-
14	10/10/2023 12:33:37.0	39.6	----	-----	-----	-	-
15	10/10/2023 12:33:38.0	42.6	----	-----	-----	-	-
16	10/10/2023 12:33:39.0	38.5	----	-----	-----	-	-
17	10/10/2023 12:33:40.0	41.8	----	-----	-----	-	-
18	10/10/2023 12:33:41.0	38.4	----	-----	-----	-	-
19	10/10/2023 12:33:42.0	40	----	-----	-----	-	-
20	10/10/2023 12:33:43.0	37.7	----	-----	-----	-	-
21	10/10/2023 12:33:44.0	44.4	----	-----	-----	-	-
22	10/10/2023 12:33:45.0	45.5	----	-----	-----	-	-
23	10/10/2023 12:33:46.0	45.5	----	-----	-----	-	-
24	10/10/2023 12:33:47.0	43.1	----	-----	-----	-	-
25	10/10/2023 12:33:48.0	44.8	----	-----	-----	-	-
26	10/10/2023 12:33:49.0	43.6	----	-----	-----	-	-
27	10/10/2023 12:33:50.0	42.6	----	-----	-----	-	-
28	10/10/2023 12:33:51.0	41.1	----	-----	-----	-	-
29	10/10/2023 12:33:52.0	40.5	----	-----	-----	-	-
30	10/10/2023 12:33:53.0	44.6	----	-----	-----	-	-
31	10/10/2023 12:33:54.0	40.7	----	-----	-----	-	-
32	10/10/2023 12:33:55.0	41.3	----	-----	-----	-	-
33	10/10/2023 12:33:56.0	44.1	----	-----	-----	-	-
34	10/10/2023 12:33:57.0	42.5	----	-----	-----	-	-
35	10/10/2023 12:33:58.0	41.5	----	-----	-----	-	-
36	10/10/2023 12:33:59.0	41.4	----	-----	-----	-	-
37	10/10/2023 12:34:00.0	43.8	----	-----	-----	-	-
38	10/10/2023 12:34:01.0	39.3	----	-----	-----	-	-
39	10/10/2023 12:34:02.0	38.3	----	-----	-----	-	-
40	10/10/2023 12:34:03.0	33.6	----	-----	-----	-	-
41	10/10/2023 12:34:04.0	39.7	----	-----	-----	-	-
42	10/10/2023 12:34:05.0	41.7	----	-----	-----	-	-
43	10/10/2023 12:34:06.0	37.3	----	-----	-----	-	-
44	10/10/2023 12:34:07.0	40.8	----	-----	-----	-	-

45	10/10/2023 12:34:08.0	40.7	----	-----	-	-
46	10/10/2023 12:34:09.0	40.5	----	-----	-	-
47	10/10/2023 12:34:10.0	45.3	----	-----	-	-
48	10/10/2023 12:34:11.0	40.3	----	-----	-	-
49	10/10/2023 12:34:12.0	42.9	----	-----	-	-
50	10/10/2023 12:34:13.0	45.9	----	-----	-	-
51	10/10/2023 12:34:14.0	44.8	----	-----	-	-
52	10/10/2023 12:34:15.0	44.3	----	-----	-	-
53	10/10/2023 12:34:16.0	45.1	----	-----	-	-
54	10/10/2023 12:34:17.0	45.6	----	-----	-	-
55	10/10/2023 12:34:18.0	41.6	----	-----	-	-
56	10/10/2023 12:34:19.0	42.4	----	-----	-	-
57	10/10/2023 12:34:20.0	43	----	-----	-	-
58	10/10/2023 12:34:21.0	44.5	----	-----	-	-
59	10/10/2023 12:34:22.0	42.8	----	-----	-	-
60	10/10/2023 12:34:23.0	42.2	----	-----	-	-
61	10/10/2023 12:34:24.0	47.8	----	-----	-	-
62	10/10/2023 12:34:25.0	41.4	----	-----	-	-
63	10/10/2023 12:34:26.0	40.5	----	-----	-	-
64	10/10/2023 12:34:27.0	41.6	----	-----	-	-
65	10/10/2023 12:34:28.0	41.6	----	-----	-	-
66	10/10/2023 12:34:29.0	44.2	----	-----	-	-
67	10/10/2023 12:34:30.0	39.3	----	-----	-	-
68	10/10/2023 12:34:31.0	40.5	----	-----	-	-
69	10/10/2023 12:34:32.0	45.4	----	-----	-	-
70	10/10/2023 12:34:33.0	46.6	----	-----	-	-
71	10/10/2023 12:34:34.0	47.8	----	-----	-	-
72	10/10/2023 12:34:35.0	47.9	----	-----	-	-
73	10/10/2023 12:34:36.0	42	----	-----	-	-
74	10/10/2023 12:34:37.0	45.2	----	-----	-	-
75	10/10/2023 12:34:38.0	38.4	----	-----	-	-
76	10/10/2023 12:34:39.0	43.5	----	-----	-	-
77	10/10/2023 12:34:40.0	43.9	----	-----	-	-
78	10/10/2023 12:34:41.0	40.6	----	-----	-	-
79	10/10/2023 12:34:42.0	40	----	-----	-	-
80	10/10/2023 12:34:43.0	44	----	-----	-	-
81	10/10/2023 12:34:44.0	36.8	----	-----	-	-
82	10/10/2023 12:34:45.0	43.5	----	-----	-	-
83	10/10/2023 12:34:46.0	39.1	----	-----	-	-
84	10/10/2023 12:34:47.0	46.4	----	-----	-	-
85	10/10/2023 12:34:48.0	39.6	----	-----	-	-
86	10/10/2023 12:34:49.0	36	----	-----	-	-
87	10/10/2023 12:34:50.0	41	----	-----	-	-
88	10/10/2023 12:34:51.0	42.4	----	-----	-	-
89	10/10/2023 12:34:52.0	50.4	----	-----	-	-
90	10/10/2023 12:34:53.0	38	----	-----	-	-
91	10/10/2023 12:34:54.0	35.8	----	-----	-	-

92	10/10/2023 12:34:55.0	35.4	----	-----	-	-
93	10/10/2023 12:34:56.0	39.1	----	-----	-	-
94	10/10/2023 12:34:57.0	36.1	----	-----	-	-
95	10/10/2023 12:34:58.0	44.4	----	-----	-	-
96	10/10/2023 12:34:59.0	37.4	----	-----	-	-
97	10/10/2023 12:35:00.0	36.3	----	-----	-	-
98	10/10/2023 12:35:01.0	38.3	----	-----	-	-
99	10/10/2023 12:35:02.0	43.6	----	-----	-	-
100	10/10/2023 12:35:03.0	38.4	----	-----	-	-
101	10/10/2023 12:35:04.0	40.6	----	-----	-	-
102	10/10/2023 12:35:05.0	36.9	----	-----	-	-
103	10/10/2023 12:35:06.0	36.1	----	-----	-	-
104	10/10/2023 12:35:07.0	37.3	----	-----	-	-
105	10/10/2023 12:35:08.0	37.7	----	-----	-	-
106	10/10/2023 12:35:09.0	36	----	-----	-	-
107	10/10/2023 12:35:10.0	36.8	----	-----	-	-
108	10/10/2023 12:35:11.0	38.3	----	-----	-	-
109	10/10/2023 12:35:12.0	40.3	----	-----	-	-
110	10/10/2023 12:35:13.0	39.5	----	-----	-	-
111	10/10/2023 12:35:14.0	37.6	----	-----	-	-
112	10/10/2023 12:35:15.0	40.9	----	-----	-	-
113	10/10/2023 12:35:16.0	40.2	----	-----	-	-
114	10/10/2023 12:35:17.0	38.6	----	-----	-	-
115	10/10/2023 12:35:18.0	39.5	----	-----	-	-
116	10/10/2023 12:35:19.0	40.4	----	-----	-	-
117	10/10/2023 12:35:20.0	36.9	----	-----	-	-
118	10/10/2023 12:35:21.0	38.5	----	-----	-	-
119	10/10/2023 12:35:22.0	39.3	----	-----	-	-
120	10/10/2023 12:35:23.0	39.5	----	-----	-	-
121	10/10/2023 12:35:24.0	40.7	----	-----	-	-
122	10/10/2023 12:35:25.0	46	----	-----	-	-
123	10/10/2023 12:35:26.0	40.5	----	-----	-	-
124	10/10/2023 12:35:27.0	38.9	----	-----	-	-
125	10/10/2023 12:35:28.0	39.8	----	-----	-	-
126	10/10/2023 12:35:29.0	41.3	----	-----	-	-
127	10/10/2023 12:35:30.0	39.5	----	-----	-	-
128	10/10/2023 12:35:31.0	39.8	----	-----	-	-
129	10/10/2023 12:35:32.0	38.1	----	-----	-	-
130	10/10/2023 12:35:33.0	38.9	----	-----	-	-
131	10/10/2023 12:35:34.0	38.2	----	-----	-	-
132	10/10/2023 12:35:35.0	39.5	----	-----	-	-
133	10/10/2023 12:35:36.0	40.9	----	-----	-	-
134	10/10/2023 12:35:37.0	41.3	----	-----	-	-
135	10/10/2023 12:35:38.0	41.2	----	-----	-	-
136	10/10/2023 12:35:39.0	39.5	----	-----	-	-
137	10/10/2023 12:35:40.0	40.9	----	-----	-	-
138	10/10/2023 12:35:41.0	42	----	-----	-	-



139	10/10/2023 12:35:42.0	44.1	----	-----	-	-
140	10/10/2023 12:35:43.0	41.9	----	-----	-	-
141	10/10/2023 12:35:44.0	43.1	----	-----	-	-
142	10/10/2023 12:35:45.0	42.5	----	-----	-	-
143	10/10/2023 12:35:46.0	40.6	----	-----	-	-
144	10/10/2023 12:35:47.0	41.3	----	-----	-	-
145	10/10/2023 12:35:48.0	39.8	----	-----	-	-
146	10/10/2023 12:35:49.0	37.8	----	-----	-	-
147	10/10/2023 12:35:50.0	40.1	----	-----	-	-
148	10/10/2023 12:35:51.0	41.3	----	-----	-	-
149	10/10/2023 12:35:52.0	42.1	----	-----	-	-
150	10/10/2023 12:35:53.0	46.8	----	-----	-	-
151	10/10/2023 12:35:54.0	46.9	----	-----	-	-
152	10/10/2023 12:35:55.0	45.2	----	-----	-	-
153	10/10/2023 12:35:56.0	46.2	----	-----	-	-
154	10/10/2023 12:35:57.0	47.5	----	-----	-	-
155	10/10/2023 12:35:58.0	42.4	----	-----	-	-
156	10/10/2023 12:35:59.0	42.6	----	-----	-	-
157	10/10/2023 12:36:00.0	41.7	----	-----	-	-
158	10/10/2023 12:36:01.0	43.5	----	-----	-	-
159	10/10/2023 12:36:02.0	44.4	----	-----	-	-
160	10/10/2023 12:36:03.0	48.2	----	-----	-	-
161	10/10/2023 12:36:04.0	51.7	----	-----	-	-
162	10/10/2023 12:36:05.0	49.5	----	-----	-	-
163	10/10/2023 12:36:06.0	46.7	----	-----	-	-
164	10/10/2023 12:36:07.0	47.9	----	-----	-	-
165	10/10/2023 12:36:08.0	49.3	----	-----	-	-
166	10/10/2023 12:36:09.0	45.5	----	-----	-	-
167	10/10/2023 12:36:10.0	45.3	----	-----	-	-
168	10/10/2023 12:36:11.0	48	----	-----	-	-
169	10/10/2023 12:36:12.0	47.7	----	-----	-	-
170	10/10/2023 12:36:13.0	41.1	----	-----	-	-
171	10/10/2023 12:36:14.0	42	----	-----	-	-
172	10/10/2023 12:36:15.0	43.7	----	-----	-	-
173	10/10/2023 12:36:16.0	44.5	----	-----	-	-
174	10/10/2023 12:36:17.0	49.8	----	-----	-	-
175	10/10/2023 12:36:18.0	50.3	----	-----	-	-
176	10/10/2023 12:36:19.0	45.4	----	-----	-	-
177	10/10/2023 12:36:20.0	45.1	----	-----	-	-
178	10/10/2023 12:36:21.0	43.1	----	-----	-	-
179	10/10/2023 12:36:22.0	44.4	----	-----	-	-
180	10/10/2023 12:36:23.0	41.7	----	-----	-	-
181	10/10/2023 12:36:24.0	38.5	----	-----	-	-
182	10/10/2023 12:36:25.0	38	----	-----	-	-
183	10/10/2023 12:36:26.0	40.1	----	-----	-	-
184	10/10/2023 12:36:27.0	40.2	----	-----	-	-
185	10/10/2023 12:36:28.0	39.7	----	-----	-	-

186	10/10/2023 12:36:29.0	39.3	----	-----	-	-
187	10/10/2023 12:36:30.0	40.7	----	-----	-	-
188	10/10/2023 12:36:31.0	42.2	----	-----	-	-
189	10/10/2023 12:36:32.0	41.8	----	-----	-	-
190	10/10/2023 12:36:33.0	42.3	----	-----	-	-
191	10/10/2023 12:36:34.0	43.3	----	-----	-	-
192	10/10/2023 12:36:35.0	44.7	----	-----	-	-
193	10/10/2023 12:36:36.0	45.6	----	-----	-	-
194	10/10/2023 12:36:37.0	43.8	----	-----	-	-
195	10/10/2023 12:36:38.0	46.2	----	-----	-	-
196	10/10/2023 12:36:39.0	42.2	----	-----	-	-
197	10/10/2023 12:36:40.0	40.4	----	-----	-	-
198	10/10/2023 12:36:41.0	39.5	----	-----	-	-
199	10/10/2023 12:36:42.0	36.4	----	-----	-	-
200	10/10/2023 12:36:43.0	36	----	-----	-	-
201	10/10/2023 12:36:44.0	35.4	----	-----	-	-
202	10/10/2023 12:36:45.0	34	----	-----	-	-
203	10/10/2023 12:36:46.0	34.1	----	-----	-	-
204	10/10/2023 12:36:47.0	34.8	----	-----	-	-
205	10/10/2023 12:36:48.0	34	----	-----	-	-
206	10/10/2023 12:36:49.0	35.1	----	-----	-	-
207	10/10/2023 12:36:50.0	35.9	----	-----	-	-
208	10/10/2023 12:36:51.0	35.2	----	-----	-	-
209	10/10/2023 12:36:52.0	33.4	----	-----	-	-
210	10/10/2023 12:36:53.0	32.6	----	-----	-	-
211	10/10/2023 12:36:54.0	32.4	----	-----	-	-
212	10/10/2023 12:36:55.0	35	----	-----	-	-
213	10/10/2023 12:36:56.0	34.2	----	-----	-	-
214	10/10/2023 12:36:57.0	34	----	-----	-	-
215	10/10/2023 12:36:58.0	33.7	----	-----	-	-
216	10/10/2023 12:36:59.0	34.4	----	-----	-	-
217	10/10/2023 12:37:00.0	32.5	----	-----	-	-
218	10/10/2023 12:37:01.0	32.5	----	-----	-	-
219	10/10/2023 12:37:02.0	32.1	----	-----	-	-
220	10/10/2023 12:37:03.0	32.4	----	-----	-	-
221	10/10/2023 12:37:04.0	32.3	----	-----	-	-
222	10/10/2023 12:37:05.0	33.2	----	-----	-	-
223	10/10/2023 12:37:06.0	33.5	----	-----	-	-
224	10/10/2023 12:37:07.0	32.3	----	-----	-	-
225	10/10/2023 12:37:08.0	38.4	----	-----	-	-
226	10/10/2023 12:37:09.0	38.5	----	-----	-	-
227	10/10/2023 12:37:10.0	38.9	----	-----	-	-
228	10/10/2023 12:37:11.0	38.3	----	-----	-	-
229	10/10/2023 12:37:12.0	42	----	-----	-	-
230	10/10/2023 12:37:13.0	41.9	----	-----	-	-
231	10/10/2023 12:37:14.0	44.3	----	-----	-	-
232	10/10/2023 12:37:15.0	41.1	----	-----	-	-

233	10/10/2023 12:37:16.0	38.8	----	-----	-	-
234	10/10/2023 12:37:17.0	43.9	----	-----	-	-
235	10/10/2023 12:37:18.0	48.9	----	-----	-	-
236	10/10/2023 12:37:19.0	41.4	----	-----	-	-
237	10/10/2023 12:37:20.0	40	----	-----	-	-
238	10/10/2023 12:37:21.0	43.2	----	-----	-	-
239	10/10/2023 12:37:22.0	43.3	----	-----	-	-
240	10/10/2023 12:37:23.0	41.3	----	-----	-	-
241	10/10/2023 12:37:24.0	39.5	----	-----	-	-
242	10/10/2023 12:37:25.0	44.1	----	-----	-	-
243	10/10/2023 12:37:26.0	43.1	----	-----	-	-
244	10/10/2023 12:37:27.0	41.7	----	-----	-	-
245	10/10/2023 12:37:28.0	42.7	----	-----	-	-
246	10/10/2023 12:37:29.0	43	----	-----	-	-
247	10/10/2023 12:37:30.0	42.6	----	-----	-	-
248	10/10/2023 12:37:31.0	38.5	----	-----	-	-
249	10/10/2023 12:37:32.0	37.7	----	-----	-	-
250	10/10/2023 12:37:33.0	40.9	----	-----	-	-
251	10/10/2023 12:37:34.0	42	----	-----	-	-
252	10/10/2023 12:37:35.0	41.1	----	-----	-	-
253	10/10/2023 12:37:36.0	42.9	----	-----	-	-
254	10/10/2023 12:37:37.0	42.6	----	-----	-	-
255	10/10/2023 12:37:38.0	44.3	----	-----	-	-
256	10/10/2023 12:37:39.0	44.6	----	-----	-	-
257	10/10/2023 12:37:40.0	45.6	----	-----	-	-
258	10/10/2023 12:37:41.0	40.3	----	-----	-	-
259	10/10/2023 12:37:42.0	36.7	----	-----	-	-
260	10/10/2023 12:37:43.0	36.9	----	-----	-	-
261	10/10/2023 12:37:44.0	36	----	-----	-	-
262	10/10/2023 12:37:45.0	36	----	-----	-	-
263	10/10/2023 12:37:46.0	35	----	-----	-	-
264	10/10/2023 12:37:47.0	33.9	----	-----	-	-
265	10/10/2023 12:37:48.0	36.6	----	-----	-	-
266	10/10/2023 12:37:49.0	41.8	----	-----	-	-
267	10/10/2023 12:37:50.0	42	----	-----	-	-
268	10/10/2023 12:37:51.0	38.9	----	-----	-	-
269	10/10/2023 12:37:52.0	38.2	----	-----	-	-
270	10/10/2023 12:37:53.0	35.9	----	-----	-	-
271	10/10/2023 12:37:54.0	36	----	-----	-	-
272	10/10/2023 12:37:55.0	37.2	----	-----	-	-
273	10/10/2023 12:37:56.0	34.4	----	-----	-	-
274	10/10/2023 12:37:57.0	32.4	----	-----	-	-
275	10/10/2023 12:37:58.0	32.5	----	-----	-	-
276	10/10/2023 12:37:59.0	35	----	-----	-	-
277	10/10/2023 12:38:00.0	34.1	----	-----	-	-
278	10/10/2023 12:38:01.0	34.5	----	-----	-	-
279	10/10/2023 12:38:02.0	34	----	-----	-	-

280	10/10/2023 12:38:03.0	33.7	----	-----	-	-
281	10/10/2023 12:38:04.0	32.2	----	-----	-	-
282	10/10/2023 12:38:05.0	34.4	----	-----	-	-
283	10/10/2023 12:38:06.0	37.3	----	-----	-	-
284	10/10/2023 12:38:07.0	34.7	----	-----	-	-
285	10/10/2023 12:38:08.0	32.6	----	-----	-	-
286	10/10/2023 12:38:09.0	34.8	----	-----	-	-
287	10/10/2023 12:38:10.0	34.3	----	-----	-	-
288	10/10/2023 12:38:11.0	32.9	----	-----	-	-
289	10/10/2023 12:38:12.0	34	----	-----	-	-
290	10/10/2023 12:38:13.0	34.8	----	-----	-	-
291	10/10/2023 12:38:14.0	34.7	----	-----	-	-
292	10/10/2023 12:38:15.0	34.3	----	-----	-	-
293	10/10/2023 12:38:16.0	34.7	----	-----	-	-
294	10/10/2023 12:38:17.0	35.9	----	-----	-	-
295	10/10/2023 12:38:18.0	34.4	----	-----	-	-
296	10/10/2023 12:38:19.0	34.3	----	-----	-	-
297	10/10/2023 12:38:20.0	34	----	-----	-	-
298	10/10/2023 12:38:21.0	34.6	----	-----	-	-
299	10/10/2023 12:38:22.0	36.9	----	-----	-	-
300	10/10/2023 12:38:23.0	36.9	----	-----	-	-
301	10/10/2023 12:38:24.0	37.4	----	-----	-	-
302	10/10/2023 12:38:25.0	37.7	----	-----	-	-
303	10/10/2023 12:38:26.0	40.7	----	-----	-	-
304	10/10/2023 12:38:27.0	40	----	-----	-	-
305	10/10/2023 12:38:28.0	41.5	----	-----	-	-
306	10/10/2023 12:38:29.0	42.6	----	-----	-	-
307	10/10/2023 12:38:30.0	42.9	----	-----	-	-
308	10/10/2023 12:38:31.0	44.5	----	-----	-	-
309	10/10/2023 12:38:32.0	47.8	----	-----	-	-
310	10/10/2023 12:38:33.0	42.1	----	-----	-	-
311	10/10/2023 12:38:34.0	38.7	----	-----	-	-
312	10/10/2023 12:38:35.0	41.3	----	-----	-	-
313	10/10/2023 12:38:36.0	41.8	----	-----	-	-
314	10/10/2023 12:38:37.0	45.1	----	-----	-	-
315	10/10/2023 12:38:38.0	44.3	----	-----	-	-
316	10/10/2023 12:38:39.0	41.2	----	-----	-	-
317	10/10/2023 12:38:40.0	44.7	----	-----	-	-
318	10/10/2023 12:38:41.0	41.8	----	-----	-	-
319	10/10/2023 12:38:42.0	41.2	----	-----	-	-
320	10/10/2023 12:38:43.0	41.2	----	-----	-	-
321	10/10/2023 12:38:44.0	41.5	----	-----	-	-
322	10/10/2023 12:38:45.0	43	----	-----	-	-
323	10/10/2023 12:38:46.0	41.6	----	-----	-	-
324	10/10/2023 12:38:47.0	39.4	----	-----	-	-
325	10/10/2023 12:38:48.0	40.7	----	-----	-	-
326	10/10/2023 12:38:49.0	42	----	-----	-	-

327	10/10/2023 12:38:50.0	46	----	-----	-	-
328	10/10/2023 12:38:51.0	44.2	----	-----	-	-
329	10/10/2023 12:38:52.0	41.9	----	-----	-	-
330	10/10/2023 12:38:53.0	39.5	----	-----	-	-
331	10/10/2023 12:38:54.0	40	----	-----	-	-
332	10/10/2023 12:38:55.0	44.7	----	-----	-	-
333	10/10/2023 12:38:56.0	42.7	----	-----	-	-
334	10/10/2023 12:38:57.0	40.5	----	-----	-	-
335	10/10/2023 12:38:58.0	44.2	----	-----	-	-
336	10/10/2023 12:38:59.0	47.5	----	-----	-	-
337	10/10/2023 12:39:00.0	40.7	----	-----	-	-
338	10/10/2023 12:39:01.0	39.7	----	-----	-	-
339	10/10/2023 12:39:02.0	38.9	----	-----	-	-
340	10/10/2023 12:39:03.0	39.3	----	-----	-	-
341	10/10/2023 12:39:04.0	39.2	----	-----	-	-
342	10/10/2023 12:39:05.0	38.9	----	-----	-	-
343	10/10/2023 12:39:06.0	39.8	----	-----	-	-
344	10/10/2023 12:39:07.0	39.3	----	-----	-	-
345	10/10/2023 12:39:08.0	41.9	----	-----	-	-
346	10/10/2023 12:39:09.0	44.5	----	-----	-	-
347	10/10/2023 12:39:10.0	43.2	----	-----	-	-
348	10/10/2023 12:39:11.0	39.2	----	-----	-	-
349	10/10/2023 12:39:12.0	39.2	----	-----	-	-
350	10/10/2023 12:39:13.0	42.1	----	-----	-	-
351	10/10/2023 12:39:14.0	42.8	----	-----	-	-
352	10/10/2023 12:39:15.0	43.1	----	-----	-	-
353	10/10/2023 12:39:16.0	47.8	----	-----	-	-
354	10/10/2023 12:39:17.0	48.3	----	-----	-	-
355	10/10/2023 12:39:18.0	48.4	----	-----	-	-
356	10/10/2023 12:39:19.0	48.9	----	-----	-	-
357	10/10/2023 12:39:20.0	48.1	----	-----	-	-
358	10/10/2023 12:39:21.0	44.3	----	-----	-	-
359	10/10/2023 12:39:22.0	44	----	-----	-	-
360	10/10/2023 12:39:23.0	42.9	----	-----	-	-
361	10/10/2023 12:39:24.0	46.3	----	-----	-	-
362	10/10/2023 12:39:25.0	46	----	-----	-	-
363	10/10/2023 12:39:26.0	48.4	----	-----	-	-
364	10/10/2023 12:39:27.0	47.9	----	-----	-	-
365	10/10/2023 12:39:28.0	48	----	-----	-	-
366	10/10/2023 12:39:29.0	47.8	----	-----	-	-
367	10/10/2023 12:39:30.0	46.6	----	-----	-	-
368	10/10/2023 12:39:31.0	49.2	----	-----	-	-
369	10/10/2023 12:39:32.0	52.2	----	-----	-	-
370	10/10/2023 12:39:33.0	50.3	----	-----	-	-
371	10/10/2023 12:39:34.0	49.8	----	-----	-	-
372	10/10/2023 12:39:35.0	50.9	----	-----	-	-
373	10/10/2023 12:39:36.0	48.4	----	-----	-	-

374	10/10/2023 12:39:37.0	47.4	----	-----	-	-
375	10/10/2023 12:39:38.0	44.4	----	-----	-	-
376	10/10/2023 12:39:39.0	43.9	----	-----	-	-
377	10/10/2023 12:39:40.0	42.7	----	-----	-	-
378	10/10/2023 12:39:41.0	42.8	----	-----	-	-
379	10/10/2023 12:39:42.0	42.2	----	-----	-	-
380	10/10/2023 12:39:43.0	41.2	----	-----	-	-
381	10/10/2023 12:39:44.0	41.3	----	-----	-	-
382	10/10/2023 12:39:45.0	39.8	----	-----	-	-
383	10/10/2023 12:39:46.0	40.3	----	-----	-	-
384	10/10/2023 12:39:47.0	39	----	-----	-	-
385	10/10/2023 12:39:48.0	39.4	----	-----	-	-
386	10/10/2023 12:39:49.0	43.1	----	-----	-	-
387	10/10/2023 12:39:50.0	44.5	----	-----	-	-
388	10/10/2023 12:39:51.0	40.9	----	-----	-	-
389	10/10/2023 12:39:52.0	41.2	----	-----	-	-
390	10/10/2023 12:39:53.0	41.3	----	-----	-	-
391	10/10/2023 12:39:54.0	39	----	-----	-	-
392	10/10/2023 12:39:55.0	40.4	----	-----	-	-
393	10/10/2023 12:39:56.0	41	----	-----	-	-
394	10/10/2023 12:39:57.0	41.4	----	-----	-	-
395	10/10/2023 12:39:58.0	42.2	----	-----	-	-
396	10/10/2023 12:39:59.0	41.4	----	-----	-	-
397	10/10/2023 12:40:00.0	44.3	----	-----	-	-
398	10/10/2023 12:40:01.0	44.6	----	-----	-	-
399	10/10/2023 12:40:02.0	44.4	----	-----	-	-
400	10/10/2023 12:40:03.0	45.1	----	-----	-	-
401	10/10/2023 12:40:04.0	45.2	----	-----	-	-
402	10/10/2023 12:40:05.0	44.8	----	-----	-	-
403	10/10/2023 12:40:06.0	46.4	----	-----	-	-
404	10/10/2023 12:40:07.0	46.5	----	-----	-	-
405	10/10/2023 12:40:08.0	52.1	----	-----	-	-
406	10/10/2023 12:40:09.0	54.5	----	-----	-	-
407	10/10/2023 12:40:10.0	47.2	----	-----	-	-
408	10/10/2023 12:40:11.0	46.6	----	-----	-	-
409	10/10/2023 12:40:12.0	46.1	----	-----	-	-
410	10/10/2023 12:40:13.0	47	----	-----	-	-
411	10/10/2023 12:40:14.0	47.4	----	-----	-	-
412	10/10/2023 12:40:15.0	54.2	----	-----	-	-
413	10/10/2023 12:40:16.0	49	----	-----	-	-
414	10/10/2023 12:40:17.0	49.6	----	-----	-	-
415	10/10/2023 12:40:18.0	48.6	----	-----	-	-
416	10/10/2023 12:40:19.0	50.4	----	-----	-	-
417	10/10/2023 12:40:20.0	55.7	----	-----	-	-
418	10/10/2023 12:40:21.0	53.8	----	-----	-	-
419	10/10/2023 12:40:22.0	52.3	----	-----	-	-
420	10/10/2023 12:40:23.0	58.7	----	-----	-	-

421	10/10/2023 12:40:24.0	55.2	----	-----	-----	-	-
422	10/10/2023 12:40:25.0	58.5	----	-----	-----	-	-
423	10/10/2023 12:40:26.0	53.1	----	-----	-----	-	-
424	10/10/2023 12:40:27.0	54.3	----	-----	-----	-	-
425	10/10/2023 12:40:28.0	48.2	----	-----	-----	-	-
426	10/10/2023 12:40:29.0	48.4	----	-----	-----	-	-
427	10/10/2023 12:40:30.0	47.5	----	-----	-----	-	-
428	10/10/2023 12:40:31.0	54.9	----	-----	-----	-	-
429	10/10/2023 12:40:32.0	51.2	----	-----	-----	-	-
430	10/10/2023 12:40:33.0	47.4	----	-----	-----	-	-
431	10/10/2023 12:40:34.0	48.7	----	-----	-----	-	-
432	10/10/2023 12:40:35.0	48.6	----	-----	-----	-	-
433	10/10/2023 12:40:36.0	49.7	----	-----	-----	-	-
434	10/10/2023 12:40:37.0	48	----	-----	-----	-	-
435	10/10/2023 12:40:38.0	46.6	----	-----	-----	-	-
436	10/10/2023 12:40:39.0	54	----	-----	-----	-	-
437	10/10/2023 12:40:40.0	50.5	----	-----	-----	-	-
438	10/10/2023 12:40:41.0	48.1	----	-----	-----	-	-
439	10/10/2023 12:40:42.0	47.5	----	-----	-----	-	-
440	10/10/2023 12:40:43.0	46.6	----	-----	-----	-	-
441	10/10/2023 12:40:44.0	48.7	----	-----	-----	-	-
442	10/10/2023 12:40:45.0	45.5	----	-----	-----	-	-
443	10/10/2023 12:40:46.0	43.8	----	-----	-----	-	-
444	10/10/2023 12:40:47.0	43.6	----	-----	-----	-	-
445	10/10/2023 12:40:48.0	43.4	----	-----	-----	-	-
446	10/10/2023 12:40:49.0	47.8	----	-----	-----	-	-
447	10/10/2023 12:40:50.0	48.3	----	-----	-----	-	-
448	10/10/2023 12:40:51.0	50.9	----	-----	-----	-	-
449	10/10/2023 12:40:52.0	47.9	----	-----	-----	-	-
450	10/10/2023 12:40:53.0	44.3	----	-----	-----	-	-
451	10/10/2023 12:40:54.0	39.7	----	-----	-----	-	-
452	10/10/2023 12:40:55.0	42	----	-----	-----	-	-
453	10/10/2023 12:40:56.0	46.1	----	-----	-----	-	-
454	10/10/2023 12:40:57.0	48.8	----	-----	-----	-	-
455	10/10/2023 12:40:58.0	45.7	----	-----	-----	-	-
456	10/10/2023 12:40:59.0	45.4	----	-----	-----	-	-
457	10/10/2023 12:41:00.0	42.9	----	-----	-----	-	-
458	10/10/2023 12:41:01.0	40.5	----	-----	-----	-	-
459	10/10/2023 12:41:02.0	39.9	----	-----	-----	-	-
460	10/10/2023 12:41:03.0	39.9	----	-----	-----	-	-
461	10/10/2023 12:41:04.0	38.2	----	-----	-----	-	-
462	10/10/2023 12:41:05.0	35.5	----	-----	-----	-	-
463	10/10/2023 12:41:06.0	35	----	-----	-----	-	-
464	10/10/2023 12:41:07.0	33.4	----	-----	-----	-	-
465	10/10/2023 12:41:08.0	33.1	----	-----	-----	-	-
466	10/10/2023 12:41:09.0	33.1	----	-----	-----	-	-
467	10/10/2023 12:41:10.0	33.6	----	-----	-----	-	-

468	10/10/2023 12:41:11.0	33.4	----	-----	-	-
469	10/10/2023 12:41:12.0	30.5	----	-----	-	-
470	10/10/2023 12:41:13.0	31.5	----	-----	-	-
471	10/10/2023 12:41:14.0	30.7	----	-----	-	-
472	10/10/2023 12:41:15.0	30.9	----	-----	-	-
473	10/10/2023 12:41:16.0	31.9	----	-----	-	-
474	10/10/2023 12:41:17.0	32.1	----	-----	-	-
475	10/10/2023 12:41:18.0	32.2	----	-----	-	-
476	10/10/2023 12:41:19.0	35.2	----	-----	-	-
477	10/10/2023 12:41:20.0	36.7	----	-----	-	-
478	10/10/2023 12:41:21.0	35.8	----	-----	-	-
479	10/10/2023 12:41:22.0	35.3	----	-----	-	-
480	10/10/2023 12:41:23.0	36.5	----	-----	-	-
481	10/10/2023 12:41:24.0	36.6	----	-----	-	-
482	10/10/2023 12:41:25.0	34.8	----	-----	-	-
483	10/10/2023 12:41:26.0	34.7	----	-----	-	-
484	10/10/2023 12:41:27.0	35.2	----	-----	-	-
485	10/10/2023 12:41:28.0	35.1	----	-----	-	-
486	10/10/2023 12:41:29.0	37.9	----	-----	-	-
487	10/10/2023 12:41:30.0	37.4	----	-----	-	-
488	10/10/2023 12:41:31.0	41.6	----	-----	-	-
489	10/10/2023 12:41:32.0	40.6	----	-----	-	-
490	10/10/2023 12:41:33.0	38.2	----	-----	-	-
491	10/10/2023 12:41:34.0	40	----	-----	-	-
492	10/10/2023 12:41:35.0	39	----	-----	-	-
493	10/10/2023 12:41:36.0	39.2	----	-----	-	-
494	10/10/2023 12:41:37.0	37.4	----	-----	-	-
495	10/10/2023 12:41:38.0	37.4	----	-----	-	-
496	10/10/2023 12:41:39.0	45.3	----	-----	-	-
497	10/10/2023 12:41:40.0	41.6	----	-----	-	-
498	10/10/2023 12:41:41.0	41.8	----	-----	-	-
499	10/10/2023 12:41:42.0	44.6	----	-----	-	-
500	10/10/2023 12:41:43.0	42.1	----	-----	-	-
501	10/10/2023 12:41:44.0	38.7	----	-----	-	-
502	10/10/2023 12:41:45.0	40.8	----	-----	-	-
503	10/10/2023 12:41:46.0	45.5	----	-----	-	-
504	10/10/2023 12:41:47.0	41.7	----	-----	-	-
505	10/10/2023 12:41:48.0	42	----	-----	-	-
506	10/10/2023 12:41:49.0	41.3	----	-----	-	-
507	10/10/2023 12:41:50.0	42.6	----	-----	-	-
508	10/10/2023 12:41:51.0	42.4	----	-----	-	-
509	10/10/2023 12:41:52.0	42.5	----	-----	-	-
510	10/10/2023 12:41:53.0	44.8	----	-----	-	-
511	10/10/2023 12:41:54.0	46	----	-----	-	-
512	10/10/2023 12:41:55.0	46.2	----	-----	-	-
513	10/10/2023 12:41:56.0	41.9	----	-----	-	-
514	10/10/2023 12:41:57.0	40.9	----	-----	-	-



515	10/10/2023 12:41:58.0	41.5	----	-----	-	-
516	10/10/2023 12:41:59.0	38.6	----	-----	-	-
517	10/10/2023 12:42:00.0	43.1	----	-----	-	-
518	10/10/2023 12:42:01.0	39.5	----	-----	-	-
519	10/10/2023 12:42:02.0	38.6	----	-----	-	-
520	10/10/2023 12:42:03.0	44.3	----	-----	-	-
521	10/10/2023 12:42:04.0	42.7	----	-----	-	-
522	10/10/2023 12:42:05.0	39.4	----	-----	-	-
523	10/10/2023 12:42:06.0	45.5	----	-----	-	-
524	10/10/2023 12:42:07.0	43.2	----	-----	-	-
525	10/10/2023 12:42:08.0	38	----	-----	-	-
526	10/10/2023 12:42:09.0	37.6	----	-----	-	-
527	10/10/2023 12:42:10.0	38.5	----	-----	-	-
528	10/10/2023 12:42:11.0	36.8	----	-----	-	-
529	10/10/2023 12:42:12.0	36.1	----	-----	-	-
530	10/10/2023 12:42:13.0	36.6	----	-----	-	-
531	10/10/2023 12:42:14.0	37	----	-----	-	-
532	10/10/2023 12:42:15.0	37.8	----	-----	-	-
533	10/10/2023 12:42:16.0	40.9	----	-----	-	-
534	10/10/2023 12:42:17.0	40.5	----	-----	-	-
535	10/10/2023 12:42:18.0	36	----	-----	-	-
536	10/10/2023 12:42:19.0	37.1	----	-----	-	-
537	10/10/2023 12:42:20.0	36.9	----	-----	-	-
538	10/10/2023 12:42:21.0	36.5	----	-----	-	-
539	10/10/2023 12:42:22.0	35	----	-----	-	-
540	10/10/2023 12:42:23.0	36.3	----	-----	-	-
541	10/10/2023 12:42:24.0	39.8	----	-----	-	-
542	10/10/2023 12:42:25.0	38.3	----	-----	-	-
543	10/10/2023 12:42:26.0	35.7	----	-----	-	-
544	10/10/2023 12:42:27.0	35.8	----	-----	-	-
545	10/10/2023 12:42:28.0	35.5	----	-----	-	-
546	10/10/2023 12:42:29.0	36.2	----	-----	-	-
547	10/10/2023 12:42:30.0	36.5	----	-----	-	-
548	10/10/2023 12:42:31.0	36.9	----	-----	-	-
549	10/10/2023 12:42:32.0	37.2	----	-----	-	-
550	10/10/2023 12:42:33.0	37.3	----	-----	-	-
551	10/10/2023 12:42:34.0	37	----	-----	-	-
552	10/10/2023 12:42:35.0	40.3	----	-----	-	-
553	10/10/2023 12:42:36.0	42.3	----	-----	-	-
554	10/10/2023 12:42:37.0	38.8	----	-----	-	-
555	10/10/2023 12:42:38.0	42.9	----	-----	-	-
556	10/10/2023 12:42:39.0	45.5	----	-----	-	-
557	10/10/2023 12:42:40.0	47.1	----	-----	-	-
558	10/10/2023 12:42:41.0	48.6	----	-----	-	-
559	10/10/2023 12:42:42.0	48.2	----	-----	-	-
560	10/10/2023 12:42:43.0	45.8	----	-----	-	-
561	10/10/2023 12:42:44.0	46.6	----	-----	-	-

562	10/10/2023 12:42:45.0	43.6	----	-----	-	-
563	10/10/2023 12:42:46.0	44.3	----	-----	-	-
564	10/10/2023 12:42:47.0	43.2	----	-----	-	-
565	10/10/2023 12:42:48.0	41.2	----	-----	-	-
566	10/10/2023 12:42:49.0	38.9	----	-----	-	-
567	10/10/2023 12:42:50.0	42.7	----	-----	-	-
568	10/10/2023 12:42:51.0	41.1	----	-----	-	-
569	10/10/2023 12:42:52.0	38.6	----	-----	-	-
570	10/10/2023 12:42:53.0	37	----	-----	-	-
571	10/10/2023 12:42:54.0	36.8	----	-----	-	-
572	10/10/2023 12:42:55.0	36.9	----	-----	-	-
573	10/10/2023 12:42:56.0	37.9	----	-----	-	-
574	10/10/2023 12:42:57.0	39.9	----	-----	-	-
575	10/10/2023 12:42:58.0	39.3	----	-----	-	-
576	10/10/2023 12:42:59.0	40.7	----	-----	-	-
577	10/10/2023 12:43:00.0	43.3	----	-----	-	-
578	10/10/2023 12:43:01.0	43.9	----	-----	-	-
579	10/10/2023 12:43:02.0	47.1	----	-----	-	-
580	10/10/2023 12:43:03.0	50.2	----	-----	-	-
581	10/10/2023 12:43:04.0	51.2	----	-----	-	-
582	10/10/2023 12:43:05.0	44.5	----	-----	-	-
583	10/10/2023 12:43:06.0	42.1	----	-----	-	-
584	10/10/2023 12:43:07.0	47.1	----	-----	-	-
585	10/10/2023 12:43:08.0	44.6	----	-----	-	-
586	10/10/2023 12:43:09.0	47.6	----	-----	-	-
587	10/10/2023 12:43:10.0	49.8	----	-----	-	-
588	10/10/2023 12:43:11.0	50.2	----	-----	-	-
589	10/10/2023 12:43:12.0	47	----	-----	-	-
590	10/10/2023 12:43:13.0	43.7	----	-----	-	-
591	10/10/2023 12:43:14.0	43.1	----	-----	-	-
592	10/10/2023 12:43:15.0	49.4	----	-----	-	-
593	10/10/2023 12:43:16.0	49.4	----	-----	-	-
594	10/10/2023 12:43:17.0	45.6	----	-----	-	-
595	10/10/2023 12:43:18.0	47.3	----	-----	-	-
596	10/10/2023 12:43:19.0	45.6	----	-----	-	-
597	10/10/2023 12:43:20.0	47.4	----	-----	-	-
598	10/10/2023 12:43:21.0	46.7	----	-----	-	-
599	10/10/2023 12:43:22.0	47	----	-----	-	-
600	10/10/2023 12:43:23.0	50.7	----	-----	-	-
601	10/10/2023 12:43:24.0	50.8	----	-----	-	-
602	10/10/2023 12:43:25.0	47.3	----	-----	-	-
603	10/10/2023 12:43:26.0	50.8	----	-----	-	-
604	10/10/2023 12:43:27.0	49.4	----	-----	-	-
605	10/10/2023 12:43:28.0	51.3	----	-----	-	-
606	10/10/2023 12:43:29.0	59.4	----	-----	-	-
607	10/10/2023 12:43:30.0	45.8	----	-----	-	-
608	10/10/2023 12:43:31.0	46.4	----	-----	-	-

609	10/10/2023 12:43:32.0	42.7	----	-----	-	-
610	10/10/2023 12:43:33.0	42.4	----	-----	-	-
611	10/10/2023 12:43:34.0	43.3	----	-----	-	-
612	10/10/2023 12:43:35.0	45	----	-----	-	-
613	10/10/2023 12:43:36.0	44.1	----	-----	-	-
614	10/10/2023 12:43:37.0	44.7	----	-----	-	-
615	10/10/2023 12:43:38.0	46.3	----	-----	-	-
616	10/10/2023 12:43:39.0	45.1	----	-----	-	-
617	10/10/2023 12:43:40.0	47.7	----	-----	-	-
618	10/10/2023 12:43:41.0	46.5	----	-----	-	-
619	10/10/2023 12:43:42.0	46.1	----	-----	-	-
620	10/10/2023 12:43:43.0	45.6	----	-----	-	-
621	10/10/2023 12:43:44.0	46.2	----	-----	-	-
622	10/10/2023 12:43:45.0	46.2	----	-----	-	-
623	10/10/2023 12:43:46.0	44.4	----	-----	-	-
624	10/10/2023 12:43:47.0	43.1	----	-----	-	-
625	10/10/2023 12:43:48.0	39.8	----	-----	-	-
626	10/10/2023 12:43:49.0	37.3	----	-----	-	-
627	10/10/2023 12:43:50.0	38.2	----	-----	-	-
628	10/10/2023 12:43:51.0	38.9	----	-----	-	-
629	10/10/2023 12:43:52.0	39.9	----	-----	-	-
630	10/10/2023 12:43:53.0	36.9	----	-----	-	-
631	10/10/2023 12:43:54.0	37.7	----	-----	-	-
632	10/10/2023 12:43:55.0	38.7	----	-----	-	-
633	10/10/2023 12:43:56.0	42.4	----	-----	-	-
634	10/10/2023 12:43:57.0	41	----	-----	-	-
635	10/10/2023 12:43:58.0	39.1	----	-----	-	-
636	10/10/2023 12:43:59.0	38.5	----	-----	-	-
637	10/10/2023 12:44:00.0	38.9	----	-----	-	-
638	10/10/2023 12:44:01.0	39.6	----	-----	-	-
639	10/10/2023 12:44:02.0	37.8	----	-----	-	-
640	10/10/2023 12:44:03.0	38	----	-----	-	-
641	10/10/2023 12:44:04.0	37.6	----	-----	-	-
642	10/10/2023 12:44:05.0	37.5	----	-----	-	-
643	10/10/2023 12:44:06.0	36.5	----	-----	-	-
644	10/10/2023 12:44:07.0	38.3	----	-----	-	-
645	10/10/2023 12:44:08.0	46.8	----	-----	-	-
646	10/10/2023 12:44:09.0	50.9	----	-----	-	-
647	10/10/2023 12:44:10.0	50.4	----	-----	-	-
648	10/10/2023 12:44:11.0	47.7	----	-----	-	-
649	10/10/2023 12:44:12.0	43.4	----	-----	-	-
650	10/10/2023 12:44:13.0	45.3	----	-----	-	-
651	10/10/2023 12:44:14.0	44.6	----	-----	-	-
652	10/10/2023 12:44:15.0	40.4	----	-----	-	-
653	10/10/2023 12:44:16.0	40	----	-----	-	-
654	10/10/2023 12:44:17.0	39.7	----	-----	-	-
655	10/10/2023 12:44:18.0	39.3	----	-----	-	-

656	10/10/2023 12:44:19.0	39.5	----	-----	-	-
657	10/10/2023 12:44:20.0	40	----	-----	-	-
658	10/10/2023 12:44:21.0	44.7	----	-----	-	-
659	10/10/2023 12:44:22.0	44.2	----	-----	-	-
660	10/10/2023 12:44:23.0	44.7	----	-----	-	-
661	10/10/2023 12:44:24.0	43.4	----	-----	-	-
662	10/10/2023 12:44:25.0	43.8	----	-----	-	-
663	10/10/2023 12:44:26.0	44.6	----	-----	-	-
664	10/10/2023 12:44:27.0	45.3	----	-----	-	-
665	10/10/2023 12:44:28.0	47.1	----	-----	-	-
666	10/10/2023 12:44:29.0	46.4	----	-----	-	-
667	10/10/2023 12:44:30.0	43	----	-----	-	-
668	10/10/2023 12:44:31.0	49.5	----	-----	-	-
669	10/10/2023 12:44:32.0	47.4	----	-----	-	-
670	10/10/2023 12:44:33.0	45.5	----	-----	-	-
671	10/10/2023 12:44:34.0	56	----	-----	-	-
672	10/10/2023 12:44:35.0	48.6	----	-----	-	-
673	10/10/2023 12:44:36.0	46.9	----	-----	-	-
674	10/10/2023 12:44:37.0	47.1	----	-----	-	-
675	10/10/2023 12:44:38.0	49.2	----	-----	-	-
676	10/10/2023 12:44:39.0	48.1	----	-----	-	-
677	10/10/2023 12:44:40.0	47.9	----	-----	-	-
678	10/10/2023 12:44:41.0	50.8	----	-----	-	-
679	10/10/2023 12:44:42.0	46.5	----	-----	-	-
680	10/10/2023 12:44:43.0	45.8	----	-----	-	-
681	10/10/2023 12:44:44.0	47.4	----	-----	-	-
682	10/10/2023 12:44:45.0	47	----	-----	-	-
683	10/10/2023 12:44:46.0	46.3	----	-----	-	-
684	10/10/2023 12:44:47.0	47.6	----	-----	-	-
685	10/10/2023 12:44:48.0	48	----	-----	-	-
686	10/10/2023 12:44:49.0	50.1	----	-----	-	-
687	10/10/2023 12:44:50.0	49.8	----	-----	-	-
688	10/10/2023 12:44:51.0	46	----	-----	-	-
689	10/10/2023 12:44:52.0	47	----	-----	-	-
690	10/10/2023 12:44:53.0	48.7	----	-----	-	-
691	10/10/2023 12:44:54.0	45.2	----	-----	-	-
692	10/10/2023 12:44:55.0	44.6	----	-----	-	-
693	10/10/2023 12:44:56.0	43.8	----	-----	-	-
694	10/10/2023 12:44:57.0	41.7	----	-----	-	-
695	10/10/2023 12:44:58.0	43.2	----	-----	-	-
696	10/10/2023 12:44:59.0	43.1	----	-----	-	-
697	10/10/2023 12:45:00.0	43.5	----	-----	-	-
698	10/10/2023 12:45:01.0	43.6	----	-----	-	-
699	10/10/2023 12:45:02.0	43.2	----	-----	-	-
700	10/10/2023 12:45:03.0	47.3	----	-----	-	-
701	10/10/2023 12:45:04.0	45.3	----	-----	-	-
702	10/10/2023 12:45:05.0	44.5	----	-----	-	-

703	10/10/2023 12:45:06.0	44.1	----	-----	-	-
704	10/10/2023 12:45:07.0	44.6	----	-----	-	-
705	10/10/2023 12:45:08.0	44	----	-----	-	-
706	10/10/2023 12:45:09.0	43	----	-----	-	-
707	10/10/2023 12:45:10.0	45.3	----	-----	-	-
708	10/10/2023 12:45:11.0	43.1	----	-----	-	-
709	10/10/2023 12:45:12.0	42.1	----	-----	-	-
710	10/10/2023 12:45:13.0	41.4	----	-----	-	-
711	10/10/2023 12:45:14.0	43.3	----	-----	-	-
712	10/10/2023 12:45:15.0	41	----	-----	-	-
713	10/10/2023 12:45:16.0	40.4	----	-----	-	-
714	10/10/2023 12:45:17.0	38.3	----	-----	-	-
715	10/10/2023 12:45:18.0	36.5	----	-----	-	-
716	10/10/2023 12:45:19.0	34.6	----	-----	-	-
717	10/10/2023 12:45:20.0	33.7	----	-----	-	-
718	10/10/2023 12:45:21.0	35.2	----	-----	-	-
719	10/10/2023 12:45:22.0	35.1	----	-----	-	-
720	10/10/2023 12:45:23.0	35.6	----	-----	-	-
721	10/10/2023 12:45:24.0	36.3	----	-----	-	-
722	10/10/2023 12:45:25.0	35.3	----	-----	-	-
723	10/10/2023 12:45:26.0	35.8	----	-----	-	-
724	10/10/2023 12:45:27.0	34.6	----	-----	-	-
725	10/10/2023 12:45:28.0	37.4	----	-----	-	-
726	10/10/2023 12:45:29.0	41.6	----	-----	-	-
727	10/10/2023 12:45:30.0	42.8	----	-----	-	-
728	10/10/2023 12:45:31.0	41	----	-----	-	-
729	10/10/2023 12:45:32.0	40.7	----	-----	-	-
730	10/10/2023 12:45:33.0	39	----	-----	-	-
731	10/10/2023 12:45:34.0	34.6	----	-----	-	-
732	10/10/2023 12:45:35.0	34.3	----	-----	-	-
733	10/10/2023 12:45:36.0	36.3	----	-----	-	-
734	10/10/2023 12:45:37.0	34.6	----	-----	-	-
735	10/10/2023 12:45:38.0	33.9	----	-----	-	-
736	10/10/2023 12:45:39.0	35.7	----	-----	-	-
737	10/10/2023 12:45:40.0	37.8	----	-----	-	-
738	10/10/2023 12:45:41.0	33.6	----	-----	-	-
739	10/10/2023 12:45:42.0	33.8	----	-----	-	-
740	10/10/2023 12:45:43.0	33.4	----	-----	-	-
741	10/10/2023 12:45:44.0	33.8	----	-----	-	-
742	10/10/2023 12:45:45.0	33.9	----	-----	-	-
743	10/10/2023 12:45:46.0	34.7	----	-----	-	-
744	10/10/2023 12:45:47.0	35.3	----	-----	-	-
745	10/10/2023 12:45:48.0	37.5	----	-----	-	-
746	10/10/2023 12:45:49.0	36.7	----	-----	-	-
747	10/10/2023 12:45:50.0	39.5	----	-----	-	-
748	10/10/2023 12:45:51.0	41.8	----	-----	-	-
749	10/10/2023 12:45:52.0	40.6	----	-----	-	-

750	10/10/2023 12:45:53.0	43.3	----	-----	-	-
751	10/10/2023 12:45:54.0	47.1	----	-----	-	-
752	10/10/2023 12:45:55.0	47.7	----	-----	-	-
753	10/10/2023 12:45:56.0	45.8	----	-----	-	-
754	10/10/2023 12:45:57.0	42.6	----	-----	-	-
755	10/10/2023 12:45:58.0	41.3	----	-----	-	-
756	10/10/2023 12:45:59.0	38.4	----	-----	-	-
757	10/10/2023 12:46:00.0	37.4	----	-----	-	-
758	10/10/2023 12:46:01.0	35.6	----	-----	-	-
759	10/10/2023 12:46:02.0	34.4	----	-----	-	-
760	10/10/2023 12:46:03.0	33.5	----	-----	-	-
761	10/10/2023 12:46:04.0	32.3	----	-----	-	-
762	10/10/2023 12:46:05.0	32.2	----	-----	-	-
763	10/10/2023 12:46:06.0	30.9	----	-----	-	-
764	10/10/2023 12:46:07.0	30.7	----	-----	-	-
765	10/10/2023 12:46:08.0	31	----	-----	-	-
766	10/10/2023 12:46:09.0	31.7	----	-----	-	-
767	10/10/2023 12:46:10.0	31.8	----	-----	-	-
768	10/10/2023 12:46:11.0	31.2	----	-----	-	-
769	10/10/2023 12:46:12.0	31.8	----	-----	-	-
770	10/10/2023 12:46:13.0	31.7	----	-----	-	-
771	10/10/2023 12:46:14.0	31.6	----	-----	-	-
772	10/10/2023 12:46:15.0	32.7	----	-----	-	-
773	10/10/2023 12:46:16.0	32.8	----	-----	-	-
774	10/10/2023 12:46:17.0	31.7	----	-----	-	-
775	10/10/2023 12:46:18.0	30.4	----	-----	-	-
776	10/10/2023 12:46:19.0	30.3	----	-----	-	-
777	10/10/2023 12:46:20.0	29.4	----	-----	-	-
778	10/10/2023 12:46:21.0	30.7	----	-----	-	-
779	10/10/2023 12:46:22.0	29.1	----	-----	-	-
780	10/10/2023 12:46:23.0	29.2	----	-----	-	-
781	10/10/2023 12:46:24.0	28.8	----	-----	-	-
782	10/10/2023 12:46:25.0	30.2	----	-----	-	-
783	10/10/2023 12:46:26.0	29.2	----	-----	-	-
784	10/10/2023 12:46:27.0	32.8	----	-----	-	-
785	10/10/2023 12:46:28.0	34.5	----	-----	-	-
786	10/10/2023 12:46:29.0	32.2	----	-----	-	-
787	10/10/2023 12:46:30.0	30.7	----	-----	-	-
788	10/10/2023 12:46:31.0	30.2	----	-----	-	-
789	10/10/2023 12:46:32.0	29.6	----	-----	-	-
790	10/10/2023 12:46:33.0	30.7	----	-----	-	-
791	10/10/2023 12:46:34.0	32	----	-----	-	-
792	10/10/2023 12:46:35.0	32.2	----	-----	-	-
793	10/10/2023 12:46:36.0	30.7	----	-----	-	-
794	10/10/2023 12:46:37.0	32.6	----	-----	-	-
795	10/10/2023 12:46:38.0	30.9	----	-----	-	-
796	10/10/2023 12:46:39.0	30.6	----	-----	-	-

797	10/10/2023 12:46:40.0	31.6	----	-----	-	-
798	10/10/2023 12:46:41.0	32.6	----	-----	-	-
799	10/10/2023 12:46:42.0	32.3	----	-----	-	-
800	10/10/2023 12:46:43.0	33.9	----	-----	-	-
801	10/10/2023 12:46:44.0	32.6	----	-----	-	-
802	10/10/2023 12:46:45.0	33.7	----	-----	-	-
803	10/10/2023 12:46:46.0	35.3	----	-----	-	-
804	10/10/2023 12:46:47.0	35.7	----	-----	-	-
805	10/10/2023 12:46:48.0	36.5	----	-----	-	-
806	10/10/2023 12:46:49.0	35.7	----	-----	-	-
807	10/10/2023 12:46:50.0	39.6	----	-----	-	-
808	10/10/2023 12:46:51.0	38.2	----	-----	-	-
809	10/10/2023 12:46:52.0	41	----	-----	-	-
810	10/10/2023 12:46:53.0	38.3	----	-----	-	-
811	10/10/2023 12:46:54.0	37.2	----	-----	-	-
812	10/10/2023 12:46:55.0	36.2	----	-----	-	-
813	10/10/2023 12:46:56.0	35.4	----	-----	-	-
814	10/10/2023 12:46:57.0	37.6	----	-----	-	-
815	10/10/2023 12:46:58.0	39.5	----	-----	-	-
816	10/10/2023 12:46:59.0	38.5	----	-----	-	-
817	10/10/2023 12:47:00.0	40.7	----	-----	-	-
818	10/10/2023 12:47:01.0	39.5	----	-----	-	-
819	10/10/2023 12:47:02.0	34.8	----	-----	-	-
820	10/10/2023 12:47:03.0	33.9	----	-----	-	-
821	10/10/2023 12:47:04.0	33.5	----	-----	-	-
822	10/10/2023 12:47:05.0	36.1	----	-----	-	-
823	10/10/2023 12:47:06.0	33.3	----	-----	-	-
824	10/10/2023 12:47:07.0	32.5	----	-----	-	-
825	10/10/2023 12:47:08.0	33.1	----	-----	-	-
826	10/10/2023 12:47:09.0	33.5	----	-----	-	-
827	10/10/2023 12:47:10.0	34.2	----	-----	-	-
828	10/10/2023 12:47:11.0	33.6	----	-----	-	-
829	10/10/2023 12:47:12.0	33.5	----	-----	-	-
830	10/10/2023 12:47:13.0	32.8	----	-----	-	-
831	10/10/2023 12:47:14.0	33.9	----	-----	-	-
832	10/10/2023 12:47:15.0	34.3	----	-----	-	-
833	10/10/2023 12:47:16.0	34	----	-----	-	-
834	10/10/2023 12:47:17.0	33.3	----	-----	-	-
835	10/10/2023 12:47:18.0	33.2	----	-----	-	-
836	10/10/2023 12:47:19.0	36.1	----	-----	-	-
837	10/10/2023 12:47:20.0	37.3	----	-----	-	-
838	10/10/2023 12:47:21.0	37.5	----	-----	-	-
839	10/10/2023 12:47:22.0	36.2	----	-----	-	-
840	10/10/2023 12:47:23.0	38.6	----	-----	-	-
841	10/10/2023 12:47:24.0	38.3	----	-----	-	-
842	10/10/2023 12:47:25.0	36.4	----	-----	-	-
843	10/10/2023 12:47:26.0	36.1	----	-----	-	-

844	10/10/2023 12:47:27.0	37	----	-----	-	-
845	10/10/2023 12:47:28.0	37.3	----	-----	-	-
846	10/10/2023 12:47:29.0	36.1	----	-----	-	-
847	10/10/2023 12:47:30.0	33.9	----	-----	-	-
848	10/10/2023 12:47:31.0	34.6	----	-----	-	-
849	10/10/2023 12:47:32.0	34.5	----	-----	-	-
850	10/10/2023 12:47:33.0	34.1	----	-----	-	-
851	10/10/2023 12:47:34.0	35.9	----	-----	-	-
852	10/10/2023 12:47:35.0	37.8	----	-----	-	-
853	10/10/2023 12:47:36.0	40.1	----	-----	-	-
854	10/10/2023 12:47:37.0	42.1	----	-----	-	-
855	10/10/2023 12:47:38.0	37.7	----	-----	-	-
856	10/10/2023 12:47:39.0	38	----	-----	-	-
857	10/10/2023 12:47:40.0	38.6	----	-----	-	-
858	10/10/2023 12:47:41.0	35.7	----	-----	-	-
859	10/10/2023 12:47:42.0	38.8	----	-----	-	-
860	10/10/2023 12:47:43.0	40.6	----	-----	-	-
861	10/10/2023 12:47:44.0	39.3	----	-----	-	-
862	10/10/2023 12:47:45.0	38.5	----	-----	-	-
863	10/10/2023 12:47:46.0	38.3	----	-----	-	-
864	10/10/2023 12:47:47.0	40.2	----	-----	-	-
865	10/10/2023 12:47:48.0	40	----	-----	-	-
866	10/10/2023 12:47:49.0	42.6	----	-----	-	-
867	10/10/2023 12:47:50.0	40.2	----	-----	-	-
868	10/10/2023 12:47:51.0	42.2	----	-----	-	-
869	10/10/2023 12:47:52.0	45.2	----	-----	-	-
870	10/10/2023 12:47:53.0	46.3	----	-----	-	-
871	10/10/2023 12:47:54.0	40.5	----	-----	-	-
872	10/10/2023 12:47:55.0	47.5	----	-----	-	-
873	10/10/2023 12:47:56.0	43.3	----	-----	-	-
874	10/10/2023 12:47:57.0	41.7	----	-----	-	-
875	10/10/2023 12:47:58.0	44.5	----	-----	-	-
876	10/10/2023 12:47:59.0	43.5	----	-----	-	-
877	10/10/2023 12:48:00.0	44.2	----	-----	-	-
878	10/10/2023 12:48:01.0	44.3	----	-----	-	-
879	10/10/2023 12:48:02.0	47.4	----	-----	-	-
880	10/10/2023 12:48:03.0	44.7	----	-----	-	-
881	10/10/2023 12:48:04.0	45.3	----	-----	-	-
882	10/10/2023 12:48:05.0	44.2	----	-----	-	-
883	10/10/2023 12:48:06.0	46.4	----	-----	-	-
884	10/10/2023 12:48:07.0	48.8	----	-----	-	-
885	10/10/2023 12:48:08.0	47.8	----	-----	-	-
886	10/10/2023 12:48:09.0	46.6	----	-----	-	-
887	10/10/2023 12:48:10.0	47.6	----	-----	-	-
888	10/10/2023 12:48:11.0	45.9	----	-----	-	-
889	10/10/2023 12:48:12.0	45	----	-----	-	-
890	10/10/2023 12:48:13.0	43.9	----	-----	-	-



891	10/10/2023 12:48:14.0	43	----	-----	-	-
892	10/10/2023 12:48:15.0	44.4	----	-----	-	-
893	10/10/2023 12:48:16.0	49.8	----	-----	-	-
894	10/10/2023 12:48:17.0	50.8	----	-----	-	-
895	10/10/2023 12:48:18.0	48.7	----	-----	-	-
896	10/10/2023 12:48:19.0	48	----	-----	-	-
897	10/10/2023 12:48:20.0	48.3	----	-----	-	-
898	10/10/2023 12:48:21.0	48.4	----	-----	-	-
899	10/10/2023 12:48:22.0	48	----	-----	-	-
900	10/10/2023 12:48:23.0	45.9	----	-----	-	-
901	10/10/2023 12:48:24.0	45.1	----	-----	-	-
902	10/10/2023 12:48:25.0	45.7	----	-----	-	-
903	10/10/2023 12:48:26.0	44.6	----	-----	-	-
904	10/10/2023 12:48:27.0	53.8	----	-----	-	-
905	10/10/2023 12:48:28.0	48.1	----	-----	-	-
906	10/10/2023 12:48:29.0	48.8	----	-----	-	-
907	10/10/2023 12:48:30.0	47.6	----	-----	-	-
908	10/10/2023 12:48:31.0	45.2	----	-----	-	-
909	10/10/2023 12:48:32.0	46.4	----	-----	-	-
910	10/10/2023 12:48:33.0	48.2	----	-----	-	-
911	10/10/2023 12:48:34.0	51.4	----	-----	-	-
912	10/10/2023 12:48:35.0	48.9	----	-----	-	-
913	10/10/2023 12:48:36.0	47.9	----	-----	-	-
914	10/10/2023 12:48:37.0	50.4	----	-----	-	-
915	10/10/2023 12:48:38.0	48.7	----	-----	-	-
916	10/10/2023 12:48:39.0	50.5	----	-----	-	-
917	10/10/2023 12:48:40.0	52.7	----	-----	-	-
918	10/10/2023 12:48:41.0	54.9	----	-----	-	-
919	10/10/2023 12:48:42.0	50.3	----	-----	-	-
920	10/10/2023 12:48:43.0	50.4	----	-----	-	-
921	10/10/2023 12:48:44.0	45.2	----	-----	-	-
922	10/10/2023 12:48:45.0	45.8	----	-----	-	-
923	10/10/2023 12:48:46.0	42.3	----	-----	-	-
924	10/10/2023 12:48:47.0	45.9	----	-----	-	-
925	10/10/2023 12:48:48.0	50.1	----	-----	-	-
926	10/10/2023 12:48:49.0	50.3	----	-----	-	-
927	10/10/2023 12:48:50.0	52.5	----	-----	-	-
928	10/10/2023 12:48:51.0	49	----	-----	-	-
929	10/10/2023 12:48:52.0	53.3	----	-----	-	-
930	10/10/2023 12:48:53.0	53.8	----	-----	-	-
931	10/10/2023 12:48:54.0	53.2	----	-----	-	-
932	10/10/2023 12:48:55.0	54.6	----	-----	-	-
933	10/10/2023 12:48:56.0	50.4	----	-----	-	-
934	10/10/2023 12:48:57.0	52.1	----	-----	-	-
935	10/10/2023 12:48:58.0	51.5	----	-----	-	-
936	10/10/2023 12:48:59.0	52	----	-----	-	-
937	10/10/2023 12:49:00.0	53.3	----	-----	-	-

938	10/10/2023 12:49:01.0	49.7	----	-----	-	-
939	10/10/2023 12:49:02.0	47.2	----	-----	-	-
940	10/10/2023 12:49:03.0	47.2	----	-----	-	-
941	10/10/2023 12:49:04.0	50.7	----	-----	-	-
942	10/10/2023 12:49:05.0	50.3	----	-----	-	-
943	10/10/2023 12:49:06.0	48	----	-----	-	-
944	10/10/2023 12:49:07.0	51	----	-----	-	-
945	10/10/2023 12:49:08.0	49.1	----	-----	-	-
946	10/10/2023 12:49:09.0	45.9	----	-----	-	-
947	10/10/2023 12:49:10.0	48.5	----	-----	-	-
948	10/10/2023 12:49:11.0	51.8	----	-----	-	-
949	10/10/2023 12:49:12.0	47.3	----	-----	-	-
950	10/10/2023 12:49:13.0	53.6	----	-----	-	-
951	10/10/2023 12:49:14.0	51.8	----	-----	-	-
952	10/10/2023 12:49:15.0	44.7	----	-----	-	-
953	10/10/2023 12:49:16.0	46.1	----	-----	-	-
954	10/10/2023 12:49:17.0	49	----	-----	-	-
955	10/10/2023 12:49:18.0	48.9	----	-----	-	-
956	10/10/2023 12:49:19.0	51.2	----	-----	-	-
957	10/10/2023 12:49:20.0	48.5	----	-----	-	-
958	10/10/2023 12:49:21.0	48	----	-----	-	-
959	10/10/2023 12:49:22.0	45.3	----	-----	-	-
960	10/10/2023 12:49:23.0	43.6	----	-----	-	-
961	10/10/2023 12:49:24.0	48.4	----	-----	-	-
962	10/10/2023 12:49:25.0	45	----	-----	-	-
963	10/10/2023 12:49:26.0	42.6	----	-----	-	-
964	10/10/2023 12:49:27.0	42.6	----	-----	-	-
965	10/10/2023 12:49:28.0	46.6	----	-----	-	-
966	10/10/2023 12:49:29.0	50.6	----	-----	-	-
967	10/10/2023 12:49:30.0	46.9	----	-----	-	-
968	10/10/2023 12:49:31.0	42.9	----	-----	-	-
969	10/10/2023 12:49:32.0	43.2	----	-----	-	-
970	10/10/2023 12:49:33.0	50.5	----	-----	-	-
971	10/10/2023 12:49:34.0	50.4	----	-----	-	-
972	10/10/2023 12:49:35.0	49.4	----	-----	-	-
973	10/10/2023 12:49:36.0	44.3	----	-----	-	-
974	10/10/2023 12:49:37.0	50.9	----	-----	-	-
975	10/10/2023 12:49:38.0	49.8	----	-----	-	-
976	10/10/2023 12:49:39.0	44.4	----	-----	-	-
977	10/10/2023 12:49:40.0	39.3	----	-----	-	-
978	10/10/2023 12:49:41.0	43	----	-----	-	-
979	10/10/2023 12:49:42.0	43.9	----	-----	-	-
980	10/10/2023 12:49:43.0	42.2	----	-----	-	-
981	10/10/2023 12:49:44.0	47.1	----	-----	-	-
982	10/10/2023 12:49:45.0	45.8	----	-----	-	-
983	10/10/2023 12:49:46.0	45.4	----	-----	-	-
984	10/10/2023 12:49:47.0	41.3	----	-----	-	-

985	10/10/2023 12:49:48.0	39.3	----	-----	-	-
986	10/10/2023 12:49:49.0	39	----	-----	-	-
987	10/10/2023 12:49:50.0	37.7	----	-----	-	-
988	10/10/2023 12:49:51.0	37.3	----	-----	-	-
989	10/10/2023 12:49:52.0	37.9	----	-----	-	-
990	10/10/2023 12:49:53.0	39.6	----	-----	-	-
991	10/10/2023 12:49:54.0	44.3	----	-----	-	-
992	10/10/2023 12:49:55.0	50.5	----	-----	-	-
993	10/10/2023 12:49:56.0	45.5	----	-----	-	-
994	10/10/2023 12:49:57.0	41.6	----	-----	-	-
995	10/10/2023 12:49:58.0	40.7	----	-----	-	-
996	10/10/2023 12:49:59.0	38.1	----	-----	-	-
997	10/10/2023 12:50:00.0	38.7	----	-----	-	-
998	10/10/2023 12:50:01.0	37.6	----	-----	-	-
999	10/10/2023 12:50:02.0	38.8	----	-----	-	-
1000	10/10/2023 12:50:03.0	44.1	----	-----	-	-
1001	10/10/2023 12:50:04.0	35.9	----	-----	-	-
1002	10/10/2023 12:50:05.0	41.2	----	-----	-	-
1003	10/10/2023 12:50:06.0	40	----	-----	-	-
1004	10/10/2023 12:50:07.0	37.2	----	-----	-	-
1005	10/10/2023 12:50:08.0	35	----	-----	-	-
1006	10/10/2023 12:50:09.0	35.9	----	-----	-	-
1007	10/10/2023 12:50:10.0	40.9	----	-----	-	-
1008	10/10/2023 12:50:11.0	40	----	-----	-	-
1009	10/10/2023 12:50:12.0	42.2	----	-----	-	-
1010	10/10/2023 12:50:13.0	40	----	-----	-	-
1011	10/10/2023 12:50:14.0	41	----	-----	-	-
1012	10/10/2023 12:50:15.0	39.8	----	-----	-	-
1013	10/10/2023 12:50:16.0	39.5	----	-----	-	-
1014	10/10/2023 12:50:17.0	38.4	----	-----	-	-
1015	10/10/2023 12:50:18.0	38.6	----	-----	-	-
1016	10/10/2023 12:50:19.0	38.2	----	-----	-	-
1017	10/10/2023 12:50:20.0	38.8	----	-----	-	-
1018	10/10/2023 12:50:21.0	36.8	----	-----	-	-
1019	10/10/2023 12:50:22.0	40.1	----	-----	-	-
1020	10/10/2023 12:50:23.0	38.3	----	-----	-	-
1021	10/10/2023 12:50:24.0	39.4	----	-----	-	-
1022	10/10/2023 12:50:25.0	35.1	----	-----	-	-
1023	10/10/2023 12:50:26.0	37.5	----	-----	-	-
1024	10/10/2023 12:50:27.0	35.1	----	-----	-	-
1025	10/10/2023 12:50:28.0	34.6	----	-----	-	-
1026	10/10/2023 12:50:29.0	35.7	----	-----	-	-
1027	10/10/2023 12:50:30.0	36.1	----	-----	-	-
1028	10/10/2023 12:50:31.0	37.3	----	-----	-	-
1029	10/10/2023 12:50:32.0	37.4	----	-----	-	-
1030	10/10/2023 12:50:33.0	39.2	----	-----	-	-
1031	10/10/2023 12:50:34.0	36.1	----	-----	-	-

1032	10/10/2023 12:50:35.0	35.8	----	-----	-	-
1033	10/10/2023 12:50:36.0	35.8	----	-----	-	-
1034	10/10/2023 12:50:37.0	37.2	----	-----	-	-
1035	10/10/2023 12:50:38.0	36.1	----	-----	-	-
1036	10/10/2023 12:50:39.0	39.3	----	-----	-	-
1037	10/10/2023 12:50:40.0	37.7	----	-----	-	-
1038	10/10/2023 12:50:41.0	37.5	----	-----	-	-
1039	10/10/2023 12:50:42.0	35.9	----	-----	-	-
1040	10/10/2023 12:50:43.0	37.5	----	-----	-	-
1041	10/10/2023 12:50:44.0	41.7	----	-----	-	-
1042	10/10/2023 12:50:45.0	36.6	----	-----	-	-
1043	10/10/2023 12:50:46.0	37.9	----	-----	-	-
1044	10/10/2023 12:50:47.0	40.3	----	-----	-	-
1045	10/10/2023 12:50:48.0	41.5	----	-----	-	-
1046	10/10/2023 12:50:49.0	40.9	----	-----	-	-
1047	10/10/2023 12:50:50.0	38.7	----	-----	-	-
1048	10/10/2023 12:50:51.0	40.9	----	-----	-	-
1049	10/10/2023 12:50:52.0	43.4	----	-----	-	-
1050	10/10/2023 12:50:53.0	42.2	----	-----	-	-
1051	10/10/2023 12:50:54.0	41.7	----	-----	-	-
1052	10/10/2023 12:50:55.0	40.5	----	-----	-	-
1053	10/10/2023 12:50:56.0	43.4	----	-----	-	-
1054	10/10/2023 12:50:57.0	44.4	----	-----	-	-
1055	10/10/2023 12:50:58.0	41.7	----	-----	-	-
1056	10/10/2023 12:50:59.0	41.4	----	-----	-	-
1057	10/10/2023 12:51:00.0	40	----	-----	-	-
1058	10/10/2023 12:51:01.0	40.6	----	-----	-	-
1059	10/10/2023 12:51:02.0	41.5	----	-----	-	-
1060	10/10/2023 12:51:03.0	43.3	----	-----	-	-
1061	10/10/2023 12:51:04.0	45.5	----	-----	-	-
1062	10/10/2023 12:51:05.0	43.1	----	-----	-	-
1063	10/10/2023 12:51:06.0	42.7	----	-----	-	-
1064	10/10/2023 12:51:07.0	42.7	----	-----	-	-
1065	10/10/2023 12:51:08.0	44.1	----	-----	-	-
1066	10/10/2023 12:51:09.0	46	----	-----	-	-
1067	10/10/2023 12:51:10.0	44.1	----	-----	-	-
1068	10/10/2023 12:51:11.0	43.9	----	-----	-	-
1069	10/10/2023 12:51:12.0	45.5	----	-----	-	-
1070	10/10/2023 12:51:13.0	43.5	----	-----	-	-
1071	10/10/2023 12:51:14.0	44.8	----	-----	-	-
1072	10/10/2023 12:51:15.0	46.9	----	-----	-	-
1073	10/10/2023 12:51:16.0	45.8	----	-----	-	-
1074	10/10/2023 12:51:17.0	43.9	----	-----	-	-
1075	10/10/2023 12:51:18.0	45.4	----	-----	-	-
1076	10/10/2023 12:51:19.0	46.5	----	-----	-	-
1077	10/10/2023 12:51:20.0	40.6	----	-----	-	-
1078	10/10/2023 12:51:21.0	39.9	----	-----	-	-

1079	10/10/2023 12:51:22.0	40.1	----	-----	-	-
1080	10/10/2023 12:51:23.0	39.3	----	-----	-	-
1081	10/10/2023 12:51:24.0	40.7	----	-----	-	-
1082	10/10/2023 12:51:25.0	42.1	----	-----	-	-
1083	10/10/2023 12:51:26.0	42.8	----	-----	-	-
1084	10/10/2023 12:51:27.0	38.1	----	-----	-	-
1085	10/10/2023 12:51:28.0	36.7	----	-----	-	-
1086	10/10/2023 12:51:29.0	36.6	----	-----	-	-
1087	10/10/2023 12:51:30.0	37.6	----	-----	-	-
1088	10/10/2023 12:51:31.0	36.2	----	-----	-	-
1089	10/10/2023 12:51:32.0	38.7	----	-----	-	-
1090	10/10/2023 12:51:33.0	40.8	----	-----	-	-
1091	10/10/2023 12:51:34.0	40	----	-----	-	-
1092	10/10/2023 12:51:35.0	43.8	----	-----	-	-
1093	10/10/2023 12:51:36.0	40.3	----	-----	-	-
1094	10/10/2023 12:51:37.0	39.5	----	-----	-	-
1095	10/10/2023 12:51:38.0	38.5	----	-----	-	-
1096	10/10/2023 12:51:39.0	42.3	----	-----	-	-
1097	10/10/2023 12:51:40.0	41.6	----	-----	-	-
1098	10/10/2023 12:51:41.0	39.7	----	-----	-	-
1099	10/10/2023 12:51:42.0	39.5	----	-----	-	-
1100	10/10/2023 12:51:43.0	40.6	----	-----	-	-
1101	10/10/2023 12:51:44.0	43.7	----	-----	-	-
1102	10/10/2023 12:51:45.0	44.7	----	-----	-	-
1103	10/10/2023 12:51:46.0	44.2	----	-----	-	-
1104	10/10/2023 12:51:47.0	45	----	-----	-	-
1105	10/10/2023 12:51:48.0	44.1	----	-----	-	-
1106	10/10/2023 12:51:49.0	48.2	----	-----	-	-
1107	10/10/2023 12:51:50.0	45.3	----	-----	-	-
1108	10/10/2023 12:51:51.0	43.6	----	-----	-	-
1109	10/10/2023 12:51:52.0	62.6	----	-----	-	-
1110	10/10/2023 12:51:53.0	43.7	----	-----	-	-
1111	10/10/2023 12:51:54.0	45.1	----	-----	-	-
1112	10/10/2023 12:51:55.0	45.7	----	-----	-	-
1113	10/10/2023 12:51:56.0	44.1	----	-----	-	-
1114	10/10/2023 12:51:57.0	43.5	----	-----	-	-
1115	10/10/2023 12:51:58.0	47.1	----	-----	-	-
1116	10/10/2023 12:51:59.0	49.7	----	-----	-	-
1117	10/10/2023 12:52:00.0	50.4	----	-----	-	-
1118	10/10/2023 12:52:01.0	50.8	----	-----	-	-
1119	10/10/2023 12:52:02.0	50.1	----	-----	-	-
1120	10/10/2023 12:52:03.0	44.6	----	-----	-	-
1121	10/10/2023 12:52:04.0	41.1	----	-----	-	-
1122	10/10/2023 12:52:05.0	45.4	----	-----	-	-
1123	10/10/2023 12:52:06.0	44.4	----	-----	-	-
1124	10/10/2023 12:52:07.0	45.4	----	-----	-	-
1125	10/10/2023 12:52:08.0	44	----	-----	-	-

1126	10/10/2023 12:52:09.0	41.8	----	-----	-	-
1127	10/10/2023 12:52:10.0	44.2	----	-----	-	-
1128	10/10/2023 12:52:11.0	51.4	----	-----	-	-
1129	10/10/2023 12:52:12.0	51.4	----	-----	-	-
1130	10/10/2023 12:52:13.0	47.1	----	-----	-	-
1131	10/10/2023 12:52:14.0	44.8	----	-----	-	-
1132	10/10/2023 12:52:15.0	47.6	----	-----	-	-
1133	10/10/2023 12:52:16.0	49.6	----	-----	-	-
1134	10/10/2023 12:52:17.0	44.6	----	-----	-	-
1135	10/10/2023 12:52:18.0	53.5	----	-----	-	-
1136	10/10/2023 12:52:19.0	43.8	----	-----	-	-
1137	10/10/2023 12:52:20.0	50.1	----	-----	-	-
1138	10/10/2023 12:52:21.0	47.1	----	-----	-	-
1139	10/10/2023 12:52:22.0	48.7	----	-----	-	-
1140	10/10/2023 12:52:23.0	46	----	-----	-	-
1141	10/10/2023 12:52:24.0	44.4	----	-----	-	-
1142	10/10/2023 12:52:25.0	43.6	----	-----	-	-
1143	10/10/2023 12:52:26.0	44.3	----	-----	-	-
1144	10/10/2023 12:52:27.0	51.6	----	-----	-	-
1145	10/10/2023 12:52:28.0	54.2	----	-----	-	-
1146	10/10/2023 12:52:29.0	50.1	----	-----	-	-
1147	10/10/2023 12:52:30.0	46.3	----	-----	-	-
1148	10/10/2023 12:52:31.0	44.8	----	-----	-	-
1149	10/10/2023 12:52:32.0	46.5	----	-----	-	-
1150	10/10/2023 12:52:33.0	47.2	----	-----	-	-
1151	10/10/2023 12:52:34.0	47.6	----	-----	-	-
1152	10/10/2023 12:52:35.0	45.9	----	-----	-	-
1153	10/10/2023 12:52:36.0	45.4	----	-----	-	-
1154	10/10/2023 12:52:37.0	48.2	----	-----	-	-
1155	10/10/2023 12:52:38.0	51	----	-----	-	-
1156	10/10/2023 12:52:39.0	50.3	----	-----	-	-
1157	10/10/2023 12:52:40.0	51.3	----	-----	-	-
1158	10/10/2023 12:52:41.0	44.4	----	-----	-	-
1159	10/10/2023 12:52:42.0	47.9	----	-----	-	-
1160	10/10/2023 12:52:43.0	50.7	----	-----	-	-
1161	10/10/2023 12:52:44.0	44.2	----	-----	-	-
1162	10/10/2023 12:52:45.0	43.3	----	-----	-	-
1163	10/10/2023 12:52:46.0	44.3	----	-----	-	-
1164	10/10/2023 12:52:47.0	44.4	----	-----	-	-
1165	10/10/2023 12:52:48.0	47.4	----	-----	-	-
1166	10/10/2023 12:52:49.0	46.1	----	-----	-	-
1167	10/10/2023 12:52:50.0	51.4	----	-----	-	-
1168	10/10/2023 12:52:51.0	52.5	----	-----	-	-
1169	10/10/2023 12:52:52.0	45.5	----	-----	-	-
1170	10/10/2023 12:52:53.0	46	----	-----	-	-
1171	10/10/2023 12:52:54.0	46	----	-----	-	-
1172	10/10/2023 12:52:55.0	43.3	----	-----	-	-

1173	10/10/2023 12:52:56.0	45.9	----	-----	-	-
1174	10/10/2023 12:52:57.0	44.9	----	-----	-	-
1175	10/10/2023 12:52:58.0	46.3	----	-----	-	-
1176	10/10/2023 12:52:59.0	47.9	----	-----	-	-
1177	10/10/2023 12:53:00.0	46.1	----	-----	-	-
1178	10/10/2023 12:53:01.0	44.2	----	-----	-	-
1179	10/10/2023 12:53:02.0	45.4	----	-----	-	-
1180	10/10/2023 12:53:03.0	44.7	----	-----	-	-
1181	10/10/2023 12:53:04.0	44.6	----	-----	-	-
1182	10/10/2023 12:53:05.0	43.4	----	-----	-	-
1183	10/10/2023 12:53:06.0	46.1	----	-----	-	-
1184	10/10/2023 12:53:07.0	50.5	----	-----	-	-
1185	10/10/2023 12:53:08.0	45.4	----	-----	-	-
1186	10/10/2023 12:53:09.0	41.1	----	-----	-	-
1187	10/10/2023 12:53:10.0	42	----	-----	-	-
1188	10/10/2023 12:53:11.0	46.4	----	-----	-	-
1189	10/10/2023 12:53:12.0	48.8	----	-----	-	-
1190	10/10/2023 12:53:13.0	48	----	-----	-	-
1191	10/10/2023 12:53:14.0	47	----	-----	-	-
1192	10/10/2023 12:53:15.0	49.1	----	-----	-	-
1193	10/10/2023 12:53:16.0	52	----	-----	-	-
1194	10/10/2023 12:53:17.0	53.4	----	-----	-	-
1195	10/10/2023 12:53:18.0	50.1	----	-----	-	-
1196	10/10/2023 12:53:19.0	47.3	----	-----	-	-
1197	10/10/2023 12:53:20.0	49.1	----	-----	-	-
1198	10/10/2023 12:53:21.0	48.9	----	-----	-	-
1199	10/10/2023 12:53:22.0	47.9	----	-----	-	-
1200	10/10/2023 12:53:23.0	46.1	----	-----	-	-

ST3

Address	Start Time	Leq	Over	Under	Output Ov	Marker 1	Marker 2
1	10/10/2023 12:06:37.3	43.7	----	-----	-----	-	-
2	10/10/2023 12:06:38.3	44	----	-----	-----	-	-
3	10/10/2023 12:06:39.3	45.5	----	-----	-----	-	-
4	10/10/2023 12:06:40.3	46.2	----	-----	-----	-	-
5	10/10/2023 12:06:41.3	42.7	----	-----	-----	-	-
6	10/10/2023 12:06:42.3	44.9	----	-----	-----	-	-
7	10/10/2023 12:06:43.3	43.6	----	-----	-----	-	-
8	10/10/2023 12:06:44.3	41.3	----	-----	-----	-	-
9	10/10/2023 12:06:45.3	41.6	----	-----	-----	-	-
10	10/10/2023 12:06:46.3	46	----	-----	-----	-	-
11	10/10/2023 12:06:47.3	39.2	----	-----	-----	-	-
12	10/10/2023 12:06:48.3	37.7	----	-----	-----	-	-
13	10/10/2023 12:06:49.3	38.4	----	-----	-----	-	-
14	10/10/2023 12:06:50.3	38.4	----	-----	-----	-	-
15	10/10/2023 12:06:51.3	39.5	----	-----	-----	-	-
16	10/10/2023 12:06:52.3	38	----	-----	-----	-	-
17	10/10/2023 12:06:53.3	39	----	-----	-----	-	-
18	10/10/2023 12:06:54.3	38.5	----	-----	-----	-	-
19	10/10/2023 12:06:55.3	37.6	----	-----	-----	-	-
20	10/10/2023 12:06:56.3	38.2	----	-----	-----	-	-
21	10/10/2023 12:06:57.3	37.9	----	-----	-----	-	-
22	10/10/2023 12:06:58.3	47	----	-----	-----	-	-
23	10/10/2023 12:06:59.3	46.3	----	-----	-----	-	-
24	10/10/2023 12:07:00.3	49.6	----	-----	-----	-	-
25	10/10/2023 12:07:01.3	45.3	----	-----	-----	-	-
26	10/10/2023 12:07:02.3	50.1	----	-----	-----	-	-
27	10/10/2023 12:07:03.3	48.8	----	-----	-----	-	-
28	10/10/2023 12:07:04.3	51.4	----	-----	-----	-	-
29	10/10/2023 12:07:05.3	52.5	----	-----	-----	-	-
30	10/10/2023 12:07:06.3	49.1	----	-----	-----	-	-
31	10/10/2023 12:07:07.3	50.7	----	-----	-----	-	-
32	10/10/2023 12:07:08.3	57.4	----	-----	-----	-	-
33	10/10/2023 12:07:09.3	52.7	----	-----	-----	-	-
34	10/10/2023 12:07:10.3	49.9	----	-----	-----	-	-
35	10/10/2023 12:07:11.3	37.4	----	-----	-----	-	-
36	10/10/2023 12:07:12.3	41.8	----	-----	-----	-	-
37	10/10/2023 12:07:13.3	42.3	----	-----	-----	-	-
38	10/10/2023 12:07:14.3	43.1	----	-----	-----	-	-
39	10/10/2023 12:07:15.3	39.1	----	-----	-----	-	-
40	10/10/2023 12:07:16.3	47.3	----	-----	-----	-	-
41	10/10/2023 12:07:17.3	40.9	----	-----	-----	-	-
42	10/10/2023 12:07:18.3	48.7	----	-----	-----	-	-
43	10/10/2023 12:07:19.3	41.6	----	-----	-----	-	-
44	10/10/2023 12:07:20.3	41.4	----	-----	-----	-	-



45	10/10/2023 12:07:21.3	44.2	----	-----	-	-
46	10/10/2023 12:07:22.3	43.7	----	-----	-	-
47	10/10/2023 12:07:23.3	42	----	-----	-	-
48	10/10/2023 12:07:24.3	41.4	----	-----	-	-
49	10/10/2023 12:07:25.3	39.7	----	-----	-	-
50	10/10/2023 12:07:26.3	39.6	----	-----	-	-
51	10/10/2023 12:07:27.3	39.4	----	-----	-	-
52	10/10/2023 12:07:28.3	40	----	-----	-	-
53	10/10/2023 12:07:29.3	41.9	----	-----	-	-
54	10/10/2023 12:07:30.3	42.6	----	-----	-	-
55	10/10/2023 12:07:31.3	38.6	----	-----	-	-
56	10/10/2023 12:07:32.3	38.9	----	-----	-	-
57	10/10/2023 12:07:33.3	41.2	----	-----	-	-
58	10/10/2023 12:07:34.3	40	----	-----	-	-
59	10/10/2023 12:07:35.3	41.3	----	-----	-	-
60	10/10/2023 12:07:36.3	44.7	----	-----	-	-
61	10/10/2023 12:07:37.3	44.8	----	-----	-	-
62	10/10/2023 12:07:38.3	46.2	----	-----	-	-
63	10/10/2023 12:07:39.3	44.9	----	-----	-	-
64	10/10/2023 12:07:40.3	46.1	----	-----	-	-
65	10/10/2023 12:07:41.3	46.7	----	-----	-	-
66	10/10/2023 12:07:42.3	46.2	----	-----	-	-
67	10/10/2023 12:07:43.3	48.3	----	-----	-	-
68	10/10/2023 12:07:44.3	48	----	-----	-	-
69	10/10/2023 12:07:45.3	49.4	----	-----	-	-
70	10/10/2023 12:07:46.3	45	----	-----	-	-
71	10/10/2023 12:07:47.3	48.4	----	-----	-	-
72	10/10/2023 12:07:48.3	45.8	----	-----	-	-
73	10/10/2023 12:07:49.3	45.5	----	-----	-	-
74	10/10/2023 12:07:50.3	45.6	----	-----	-	-
75	10/10/2023 12:07:51.3	46.1	----	-----	-	-
76	10/10/2023 12:07:52.3	47.3	----	-----	-	-
77	10/10/2023 12:07:53.3	44.3	----	-----	-	-
78	10/10/2023 12:07:54.3	41.6	----	-----	-	-
79	10/10/2023 12:07:55.3	44.8	----	-----	-	-
80	10/10/2023 12:07:56.3	47.2	----	-----	-	-
81	10/10/2023 12:07:57.3	42.9	----	-----	-	-
82	10/10/2023 12:07:58.3	45.6	----	-----	-	-
83	10/10/2023 12:07:59.3	43.7	----	-----	-	-
84	10/10/2023 12:08:00.3	42.5	----	-----	-	-
85	10/10/2023 12:08:01.3	39.6	----	-----	-	-
86	10/10/2023 12:08:02.3	40.2	----	-----	-	-
87	10/10/2023 12:08:03.3	38.8	----	-----	-	-
88	10/10/2023 12:08:04.3	43.6	----	-----	-	-
89	10/10/2023 12:08:05.3	39.9	----	-----	-	-
90	10/10/2023 12:08:06.3	40	----	-----	-	-
91	10/10/2023 12:08:07.3	43.9	----	-----	-	-

92	10/10/2023 12:08:08.3	42.8	----	-----	-	-
93	10/10/2023 12:08:09.3	40.6	----	-----	-	-
94	10/10/2023 12:08:10.3	42.6	----	-----	-	-
95	10/10/2023 12:08:11.3	45.6	----	-----	-	-
96	10/10/2023 12:08:12.3	49.1	----	-----	-	-
97	10/10/2023 12:08:13.3	55.8	----	-----	-	-
98	10/10/2023 12:08:14.3	66.1	----	-----	-	-
99	10/10/2023 12:08:15.3	77.1	----	-----	-	-
100	10/10/2023 12:08:16.3	75.6	----	-----	-	-
101	10/10/2023 12:08:17.3	64.1	----	-----	-	-
102	10/10/2023 12:08:18.3	59.9	----	-----	-	-
103	10/10/2023 12:08:19.3	54.1	----	-----	-	-
104	10/10/2023 12:08:20.3	52.4	----	-----	-	-
105	10/10/2023 12:08:21.3	54.8	----	-----	-	-
106	10/10/2023 12:08:22.3	56.1	----	-----	-	-
107	10/10/2023 12:08:23.3	50.9	----	-----	-	-
108	10/10/2023 12:08:24.3	52.6	----	-----	-	-
109	10/10/2023 12:08:25.3	52.8	----	-----	-	-
110	10/10/2023 12:08:26.3	52.1	----	-----	-	-
111	10/10/2023 12:08:27.3	52	----	-----	-	-
112	10/10/2023 12:08:28.3	50.1	----	-----	-	-
113	10/10/2023 12:08:29.3	46.1	----	-----	-	-
114	10/10/2023 12:08:30.3	43	----	-----	-	-
115	10/10/2023 12:08:31.3	41.2	----	-----	-	-
116	10/10/2023 12:08:32.3	39.7	----	-----	-	-
117	10/10/2023 12:08:33.3	39.8	----	-----	-	-
118	10/10/2023 12:08:34.3	39.7	----	-----	-	-
119	10/10/2023 12:08:35.3	42.2	----	-----	-	-
120	10/10/2023 12:08:36.3	41.7	----	-----	-	-
121	10/10/2023 12:08:37.3	39.8	----	-----	-	-
122	10/10/2023 12:08:38.3	38.1	----	-----	-	-
123	10/10/2023 12:08:39.3	38	----	-----	-	-
124	10/10/2023 12:08:40.3	38.1	----	-----	-	-
125	10/10/2023 12:08:41.3	38.2	----	-----	-	-
126	10/10/2023 12:08:42.3	37.8	----	-----	-	-
127	10/10/2023 12:08:43.3	37	----	-----	-	-
128	10/10/2023 12:08:44.3	37.3	----	-----	-	-
129	10/10/2023 12:08:45.3	36.3	----	-----	-	-
130	10/10/2023 12:08:46.3	35.7	----	-----	-	-
131	10/10/2023 12:08:47.3	36.2	----	-----	-	-
132	10/10/2023 12:08:48.3	36.3	----	-----	-	-
133	10/10/2023 12:08:49.3	36.1	----	-----	-	-
134	10/10/2023 12:08:50.3	36.6	----	-----	-	-
135	10/10/2023 12:08:51.3	35.8	----	-----	-	-
136	10/10/2023 12:08:52.3	36	----	-----	-	-
137	10/10/2023 12:08:53.3	38.4	----	-----	-	-
138	10/10/2023 12:08:54.3	36.6	----	-----	-	-

139	10/10/2023 12:08:55.3	37.5	----	-----	-	-
140	10/10/2023 12:08:56.3	37.7	----	-----	-	-
141	10/10/2023 12:08:57.3	38.8	----	-----	-	-
142	10/10/2023 12:08:58.3	39.8	----	-----	-	-
143	10/10/2023 12:08:59.3	40.2	----	-----	-	-
144	10/10/2023 12:09:00.3	40.1	----	-----	-	-
145	10/10/2023 12:09:01.3	39.5	----	-----	-	-
146	10/10/2023 12:09:02.3	38.9	----	-----	-	-
147	10/10/2023 12:09:03.3	39.2	----	-----	-	-
148	10/10/2023 12:09:04.3	40.5	----	-----	-	-
149	10/10/2023 12:09:05.3	40.6	----	-----	-	-
150	10/10/2023 12:09:06.3	39.2	----	-----	-	-
151	10/10/2023 12:09:07.3	40	----	-----	-	-
152	10/10/2023 12:09:08.3	40.3	----	-----	-	-
153	10/10/2023 12:09:09.3	42.3	----	-----	-	-
154	10/10/2023 12:09:10.3	41.4	----	-----	-	-
155	10/10/2023 12:09:11.3	40.1	----	-----	-	-
156	10/10/2023 12:09:12.3	39	----	-----	-	-
157	10/10/2023 12:09:13.3	40	----	-----	-	-
158	10/10/2023 12:09:14.3	41	----	-----	-	-
159	10/10/2023 12:09:15.3	41.1	----	-----	-	-
160	10/10/2023 12:09:16.3	42	----	-----	-	-
161	10/10/2023 12:09:17.3	42.7	----	-----	-	-
162	10/10/2023 12:09:18.3	43	----	-----	-	-
163	10/10/2023 12:09:19.3	42	----	-----	-	-
164	10/10/2023 12:09:20.3	42.3	----	-----	-	-
165	10/10/2023 12:09:21.3	44.2	----	-----	-	-
166	10/10/2023 12:09:22.3	48.6	----	-----	-	-
167	10/10/2023 12:09:23.3	44.5	----	-----	-	-
168	10/10/2023 12:09:24.3	42.3	----	-----	-	-
169	10/10/2023 12:09:25.3	43.9	----	-----	-	-
170	10/10/2023 12:09:26.3	43.2	----	-----	-	-
171	10/10/2023 12:09:27.3	44.9	----	-----	-	-
172	10/10/2023 12:09:28.3	47	----	-----	-	-
173	10/10/2023 12:09:29.3	49.8	----	-----	-	-
174	10/10/2023 12:09:30.3	52.4	----	-----	-	-
175	10/10/2023 12:09:31.3	52.2	----	-----	-	-
176	10/10/2023 12:09:32.3	53	----	-----	-	-
177	10/10/2023 12:09:33.3	54.7	----	-----	-	-
178	10/10/2023 12:09:34.3	55.6	----	-----	-	-
179	10/10/2023 12:09:35.3	56.3	----	-----	-	-
180	10/10/2023 12:09:36.3	58.8	----	-----	-	-
181	10/10/2023 12:09:37.3	62.9	----	-----	-	-
182	10/10/2023 12:09:38.3	73.3	----	-----	-	-
183	10/10/2023 12:09:39.3	76.2	----	-----	-	-
184	10/10/2023 12:09:40.3	66.8	----	-----	-	-
185	10/10/2023 12:09:41.3	61	----	-----	-	-

186	10/10/2023 12:09:42.3	56.5	----	-----	-	-
187	10/10/2023 12:09:43.3	56.7	----	-----	-	-
188	10/10/2023 12:09:44.3	57.1	----	-----	-	-
189	10/10/2023 12:09:45.3	63.1	----	-----	-	-
190	10/10/2023 12:09:46.3	71.6	----	-----	-	-
191	10/10/2023 12:09:47.3	73.7	----	-----	-	-
192	10/10/2023 12:09:48.3	67.7	----	-----	-	-
193	10/10/2023 12:09:49.3	60.1	----	-----	-	-
194	10/10/2023 12:09:50.3	57.6	----	-----	-	-
195	10/10/2023 12:09:51.3	60.1	----	-----	-	-
196	10/10/2023 12:09:52.3	67.2	----	-----	-	-
197	10/10/2023 12:09:53.3	76.6	----	-----	-	-
198	10/10/2023 12:09:54.3	71.7	----	-----	-	-
199	10/10/2023 12:09:55.3	60.5	----	-----	-	-
200	10/10/2023 12:09:56.3	53.6	----	-----	-	-
201	10/10/2023 12:09:57.3	51.8	----	-----	-	-
202	10/10/2023 12:09:58.3	51.7	----	-----	-	-
203	10/10/2023 12:09:59.3	49.5	----	-----	-	-
204	10/10/2023 12:10:00.3	49.4	----	-----	-	-
205	10/10/2023 12:10:01.3	47.7	----	-----	-	-
206	10/10/2023 12:10:02.3	48.2	----	-----	-	-
207	10/10/2023 12:10:03.3	48.9	----	-----	-	-
208	10/10/2023 12:10:04.3	46.1	----	-----	-	-
209	10/10/2023 12:10:05.3	46.7	----	-----	-	-
210	10/10/2023 12:10:06.3	46.8	----	-----	-	-
211	10/10/2023 12:10:07.3	46.8	----	-----	-	-
212	10/10/2023 12:10:08.3	44.7	----	-----	-	-
213	10/10/2023 12:10:09.3	45.4	----	-----	-	-
214	10/10/2023 12:10:10.3	45.4	----	-----	-	-
215	10/10/2023 12:10:11.3	44.4	----	-----	-	-
216	10/10/2023 12:10:12.3	43.1	----	-----	-	-
217	10/10/2023 12:10:13.3	42.3	----	-----	-	-
218	10/10/2023 12:10:14.3	44	----	-----	-	-
219	10/10/2023 12:10:15.3	44.9	----	-----	-	-
220	10/10/2023 12:10:16.3	47.3	----	-----	-	-
221	10/10/2023 12:10:17.3	48.8	----	-----	-	-
222	10/10/2023 12:10:18.3	46.3	----	-----	-	-
223	10/10/2023 12:10:19.3	45.7	----	-----	-	-
224	10/10/2023 12:10:20.3	46.9	----	-----	-	-
225	10/10/2023 12:10:21.3	47.3	----	-----	-	-
226	10/10/2023 12:10:22.3	45.7	----	-----	-	-
227	10/10/2023 12:10:23.3	46.5	----	-----	-	-
228	10/10/2023 12:10:24.3	48.7	----	-----	-	-
229	10/10/2023 12:10:25.3	46.1	----	-----	-	-
230	10/10/2023 12:10:26.3	44.9	----	-----	-	-
231	10/10/2023 12:10:27.3	43.8	----	-----	-	-
232	10/10/2023 12:10:28.3	46.1	----	-----	-	-

233	10/10/2023 12:10:29.3	44.9	----	-----	-	-
234	10/10/2023 12:10:30.3	45.8	----	-----	-	-
235	10/10/2023 12:10:31.3	49.8	----	-----	-	-
236	10/10/2023 12:10:32.3	47.9	----	-----	-	-
237	10/10/2023 12:10:33.3	48.7	----	-----	-	-
238	10/10/2023 12:10:34.3	46.8	----	-----	-	-
239	10/10/2023 12:10:35.3	46.2	----	-----	-	-
240	10/10/2023 12:10:36.3	48.7	----	-----	-	-
241	10/10/2023 12:10:37.3	45	----	-----	-	-
242	10/10/2023 12:10:38.3	46.2	----	-----	-	-
243	10/10/2023 12:10:39.3	43.1	----	-----	-	-
244	10/10/2023 12:10:40.3	41.8	----	-----	-	-
245	10/10/2023 12:10:41.3	41.3	----	-----	-	-
246	10/10/2023 12:10:42.3	41.2	----	-----	-	-
247	10/10/2023 12:10:43.3	41.3	----	-----	-	-
248	10/10/2023 12:10:44.3	46.3	----	-----	-	-
249	10/10/2023 12:10:45.3	42	----	-----	-	-
250	10/10/2023 12:10:46.3	40.5	----	-----	-	-
251	10/10/2023 12:10:47.3	45.7	----	-----	-	-
252	10/10/2023 12:10:48.3	52.4	----	-----	-	-
253	10/10/2023 12:10:49.3	53.5	----	-----	-	-
254	10/10/2023 12:10:50.3	45.1	----	-----	-	-
255	10/10/2023 12:10:51.3	47.6	----	-----	-	-
256	10/10/2023 12:10:52.3	47	----	-----	-	-
257	10/10/2023 12:10:53.3	49.5	----	-----	-	-
258	10/10/2023 12:10:54.3	46.2	----	-----	-	-
259	10/10/2023 12:10:55.3	46.2	----	-----	-	-
260	10/10/2023 12:10:56.3	44.9	----	-----	-	-
261	10/10/2023 12:10:57.3	49.5	----	-----	-	-
262	10/10/2023 12:10:58.3	39.1	----	-----	-	-
263	10/10/2023 12:10:59.3	38.2	----	-----	-	-
264	10/10/2023 12:11:00.3	38.2	----	-----	-	-
265	10/10/2023 12:11:01.3	38.1	----	-----	-	-
266	10/10/2023 12:11:02.3	38.3	----	-----	-	-
267	10/10/2023 12:11:03.3	38.7	----	-----	-	-
268	10/10/2023 12:11:04.3	38.9	----	-----	-	-
269	10/10/2023 12:11:05.3	38.1	----	-----	-	-
270	10/10/2023 12:11:06.3	38.3	----	-----	-	-
271	10/10/2023 12:11:07.3	38	----	-----	-	-
272	10/10/2023 12:11:08.3	38.7	----	-----	-	-
273	10/10/2023 12:11:09.3	38.9	----	-----	-	-
274	10/10/2023 12:11:10.3	39.6	----	-----	-	-
275	10/10/2023 12:11:11.3	38.8	----	-----	-	-
276	10/10/2023 12:11:12.3	38.9	----	-----	-	-
277	10/10/2023 12:11:13.3	38.8	----	-----	-	-
278	10/10/2023 12:11:14.3	39.5	----	-----	-	-
279	10/10/2023 12:11:15.3	39.8	----	-----	-	-

280	10/10/2023 12:11:16.3	45	----	-----	-	-
281	10/10/2023 12:11:17.3	48.5	----	-----	-	-
282	10/10/2023 12:11:18.3	45.2	----	-----	-	-
283	10/10/2023 12:11:19.3	44.4	----	-----	-	-
284	10/10/2023 12:11:20.3	45	----	-----	-	-
285	10/10/2023 12:11:21.3	42.4	----	-----	-	-
286	10/10/2023 12:11:22.3	43.3	----	-----	-	-
287	10/10/2023 12:11:23.3	43	----	-----	-	-
288	10/10/2023 12:11:24.3	46.6	----	-----	-	-
289	10/10/2023 12:11:25.3	45.4	----	-----	-	-
290	10/10/2023 12:11:26.3	44.8	----	-----	-	-
291	10/10/2023 12:11:27.3	46.6	----	-----	-	-
292	10/10/2023 12:11:28.3	46.8	----	-----	-	-
293	10/10/2023 12:11:29.3	50.4	----	-----	-	-
294	10/10/2023 12:11:30.3	54.5	----	-----	-	-
295	10/10/2023 12:11:31.3	65	----	-----	-	-
296	10/10/2023 12:11:32.3	76.7	----	-----	-	-
297	10/10/2023 12:11:33.3	77.5	----	-----	-	-
298	10/10/2023 12:11:34.3	69.5	----	-----	-	-
299	10/10/2023 12:11:35.3	62.2	----	-----	-	-
300	10/10/2023 12:11:36.3	59.2	----	-----	-	-
301	10/10/2023 12:11:37.3	56.9	----	-----	-	-
302	10/10/2023 12:11:38.3	54.8	----	-----	-	-
303	10/10/2023 12:11:39.3	55.3	----	-----	-	-
304	10/10/2023 12:11:40.3	53.6	----	-----	-	-
305	10/10/2023 12:11:41.3	53.6	----	-----	-	-
306	10/10/2023 12:11:42.3	51.8	----	-----	-	-
307	10/10/2023 12:11:43.3	51.4	----	-----	-	-
308	10/10/2023 12:11:44.3	52.5	----	-----	-	-
309	10/10/2023 12:11:45.3	53.8	----	-----	-	-
310	10/10/2023 12:11:46.3	56.8	----	-----	-	-
311	10/10/2023 12:11:47.3	52	----	-----	-	-
312	10/10/2023 12:11:48.3	48.7	----	-----	-	-
313	10/10/2023 12:11:49.3	48.3	----	-----	-	-
314	10/10/2023 12:11:50.3	46.7	----	-----	-	-
315	10/10/2023 12:11:51.3	46.6	----	-----	-	-
316	10/10/2023 12:11:52.3	44.8	----	-----	-	-
317	10/10/2023 12:11:53.3	52.7	----	-----	-	-
318	10/10/2023 12:11:54.3	53.5	----	-----	-	-
319	10/10/2023 12:11:55.3	53.2	----	-----	-	-
320	10/10/2023 12:11:56.3	53.3	----	-----	-	-
321	10/10/2023 12:11:57.3	52.7	----	-----	-	-
322	10/10/2023 12:11:58.3	54.7	----	-----	-	-
323	10/10/2023 12:11:59.3	55.3	----	-----	-	-
324	10/10/2023 12:12:00.3	59.3	----	-----	-	-
325	10/10/2023 12:12:01.3	60.7	----	-----	-	-
326	10/10/2023 12:12:02.3	62.7	----	-----	-	-

327	10/10/2023 12:12:03.3	64.5	----	-----	-	-
328	10/10/2023 12:12:04.3	72.8	----	-----	-	-
329	10/10/2023 12:12:05.3	80.6	----	-----	-	-
330	10/10/2023 12:12:06.3	72.9	----	-----	-	-
331	10/10/2023 12:12:07.3	60.7	----	-----	-	-
332	10/10/2023 12:12:08.3	50.2	----	-----	-	-
333	10/10/2023 12:12:09.3	46.7	----	-----	-	-
334	10/10/2023 12:12:10.3	45.8	----	-----	-	-
335	10/10/2023 12:12:11.3	46.3	----	-----	-	-
336	10/10/2023 12:12:12.3	46	----	-----	-	-
337	10/10/2023 12:12:13.3	44	----	-----	-	-
338	10/10/2023 12:12:14.3	46.2	----	-----	-	-
339	10/10/2023 12:12:15.3	46.2	----	-----	-	-
340	10/10/2023 12:12:16.3	46.1	----	-----	-	-
341	10/10/2023 12:12:17.3	46.9	----	-----	-	-
342	10/10/2023 12:12:18.3	48	----	-----	-	-
343	10/10/2023 12:12:19.3	49.9	----	-----	-	-
344	10/10/2023 12:12:20.3	49.2	----	-----	-	-
345	10/10/2023 12:12:21.3	54.4	----	-----	-	-
346	10/10/2023 12:12:22.3	54.1	----	-----	-	-
347	10/10/2023 12:12:23.3	48.1	----	-----	-	-
348	10/10/2023 12:12:24.3	47.3	----	-----	-	-
349	10/10/2023 12:12:25.3	47.9	----	-----	-	-
350	10/10/2023 12:12:26.3	47.4	----	-----	-	-
351	10/10/2023 12:12:27.3	51	----	-----	-	-
352	10/10/2023 12:12:28.3	48.8	----	-----	-	-
353	10/10/2023 12:12:29.3	52.3	----	-----	-	-
354	10/10/2023 12:12:30.3	49.8	----	-----	-	-
355	10/10/2023 12:12:31.3	50	----	-----	-	-
356	10/10/2023 12:12:32.3	46.4	----	-----	-	-
357	10/10/2023 12:12:33.3	46	----	-----	-	-
358	10/10/2023 12:12:34.3	44.1	----	-----	-	-
359	10/10/2023 12:12:35.3	45.3	----	-----	-	-
360	10/10/2023 12:12:36.3	41.9	----	-----	-	-
361	10/10/2023 12:12:37.3	40.9	----	-----	-	-
362	10/10/2023 12:12:38.3	41	----	-----	-	-
363	10/10/2023 12:12:39.3	41.3	----	-----	-	-
364	10/10/2023 12:12:40.3	42.9	----	-----	-	-
365	10/10/2023 12:12:41.3	41.3	----	-----	-	-
366	10/10/2023 12:12:42.3	41.3	----	-----	-	-
367	10/10/2023 12:12:43.3	41.7	----	-----	-	-
368	10/10/2023 12:12:44.3	41.6	----	-----	-	-
369	10/10/2023 12:12:45.3	40.8	----	-----	-	-
370	10/10/2023 12:12:46.3	40.6	----	-----	-	-
371	10/10/2023 12:12:47.3	42	----	-----	-	-
372	10/10/2023 12:12:48.3	41.7	----	-----	-	-
373	10/10/2023 12:12:49.3	41.9	----	-----	-	-

374	10/10/2023 12:12:50.3	40.7	----	-----	-	-
375	10/10/2023 12:12:51.3	41.4	----	-----	-	-
376	10/10/2023 12:12:52.3	39.6	----	-----	-	-
377	10/10/2023 12:12:53.3	39.5	----	-----	-	-
378	10/10/2023 12:12:54.3	40.6	----	-----	-	-
379	10/10/2023 12:12:55.3	41.6	----	-----	-	-
380	10/10/2023 12:12:56.3	42.2	----	-----	-	-
381	10/10/2023 12:12:57.3	41.5	----	-----	-	-
382	10/10/2023 12:12:58.3	41.7	----	-----	-	-
383	10/10/2023 12:12:59.3	41.2	----	-----	-	-
384	10/10/2023 12:13:00.3	45.1	----	-----	-	-
385	10/10/2023 12:13:01.3	46	----	-----	-	-
386	10/10/2023 12:13:02.3	43.1	----	-----	-	-
387	10/10/2023 12:13:03.3	42.6	----	-----	-	-
388	10/10/2023 12:13:04.3	44.6	----	-----	-	-
389	10/10/2023 12:13:05.3	42	----	-----	-	-
390	10/10/2023 12:13:06.3	43.7	----	-----	-	-
391	10/10/2023 12:13:07.3	47	----	-----	-	-
392	10/10/2023 12:13:08.3	46	----	-----	-	-
393	10/10/2023 12:13:09.3	44.6	----	-----	-	-
394	10/10/2023 12:13:10.3	44.3	----	-----	-	-
395	10/10/2023 12:13:11.3	44.4	----	-----	-	-
396	10/10/2023 12:13:12.3	43.5	----	-----	-	-
397	10/10/2023 12:13:13.3	42.4	----	-----	-	-
398	10/10/2023 12:13:14.3	42.3	----	-----	-	-
399	10/10/2023 12:13:15.3	42.8	----	-----	-	-
400	10/10/2023 12:13:16.3	43.7	----	-----	-	-
401	10/10/2023 12:13:17.3	45.1	----	-----	-	-
402	10/10/2023 12:13:18.3	44.8	----	-----	-	-
403	10/10/2023 12:13:19.3	45.7	----	-----	-	-
404	10/10/2023 12:13:20.3	46	----	-----	-	-
405	10/10/2023 12:13:21.3	44.2	----	-----	-	-
406	10/10/2023 12:13:22.3	45.6	----	-----	-	-
407	10/10/2023 12:13:23.3	45.8	----	-----	-	-
408	10/10/2023 12:13:24.3	48	----	-----	-	-
409	10/10/2023 12:13:25.3	47.2	----	-----	-	-
410	10/10/2023 12:13:26.3	45	----	-----	-	-
411	10/10/2023 12:13:27.3	45	----	-----	-	-
412	10/10/2023 12:13:28.3	45	----	-----	-	-
413	10/10/2023 12:13:29.3	46	----	-----	-	-
414	10/10/2023 12:13:30.3	48.6	----	-----	-	-
415	10/10/2023 12:13:31.3	48.8	----	-----	-	-
416	10/10/2023 12:13:32.3	50.7	----	-----	-	-
417	10/10/2023 12:13:33.3	51.2	----	-----	-	-
418	10/10/2023 12:13:34.3	50.5	----	-----	-	-
419	10/10/2023 12:13:35.3	51.9	----	-----	-	-
420	10/10/2023 12:13:36.3	51.3	----	-----	-	-



421	10/10/2023 12:13:37.3	51.3	----	-----	-	-
422	10/10/2023 12:13:38.3	48.9	----	-----	-	-
423	10/10/2023 12:13:39.3	48	----	-----	-	-
424	10/10/2023 12:13:40.3	47.8	----	-----	-	-
425	10/10/2023 12:13:41.3	46	----	-----	-	-
426	10/10/2023 12:13:42.3	46.3	----	-----	-	-
427	10/10/2023 12:13:43.3	45	----	-----	-	-
428	10/10/2023 12:13:44.3	45.5	----	-----	-	-
429	10/10/2023 12:13:45.3	46.6	----	-----	-	-
430	10/10/2023 12:13:46.3	46.9	----	-----	-	-
431	10/10/2023 12:13:47.3	49	----	-----	-	-
432	10/10/2023 12:13:48.3	48.8	----	-----	-	-
433	10/10/2023 12:13:49.3	46.8	----	-----	-	-
434	10/10/2023 12:13:50.3	45	----	-----	-	-
435	10/10/2023 12:13:51.3	46.3	----	-----	-	-
436	10/10/2023 12:13:52.3	47.6	----	-----	-	-
437	10/10/2023 12:13:53.3	45.3	----	-----	-	-
438	10/10/2023 12:13:54.3	45.2	----	-----	-	-
439	10/10/2023 12:13:55.3	48	----	-----	-	-
440	10/10/2023 12:13:56.3	47.6	----	-----	-	-
441	10/10/2023 12:13:57.3	50	----	-----	-	-
442	10/10/2023 12:13:58.3	50.8	----	-----	-	-
443	10/10/2023 12:13:59.3	57.7	----	-----	-	-
444	10/10/2023 12:14:00.3	62.7	----	-----	-	-
445	10/10/2023 12:14:01.3	66	----	-----	-	-
446	10/10/2023 12:14:02.3	63	----	-----	-	-
447	10/10/2023 12:14:03.3	59.3	----	-----	-	-
448	10/10/2023 12:14:04.3	56	----	-----	-	-
449	10/10/2023 12:14:05.3	55.4	----	-----	-	-
450	10/10/2023 12:14:06.3	56	----	-----	-	-
451	10/10/2023 12:14:07.3	59.7	----	-----	-	-
452	10/10/2023 12:14:08.3	59	----	-----	-	-
453	10/10/2023 12:14:09.3	53.6	----	-----	-	-
454	10/10/2023 12:14:10.3	59.5	----	-----	-	-
455	10/10/2023 12:14:11.3	62.9	----	-----	-	-
456	10/10/2023 12:14:12.3	65.6	----	-----	-	-
457	10/10/2023 12:14:13.3	67.1	----	-----	-	-
458	10/10/2023 12:14:14.3	66.2	----	-----	-	-
459	10/10/2023 12:14:15.3	63.7	----	-----	-	-
460	10/10/2023 12:14:16.3	69.3	----	-----	-	-
461	10/10/2023 12:14:17.3	78.1	----	-----	-	-
462	10/10/2023 12:14:18.3	86.3	----	-----	-	-
463	10/10/2023 12:14:19.3	85.6	----	-----	-	-
464	10/10/2023 12:14:20.3	76.6	----	-----	-	-
465	10/10/2023 12:14:21.3	69.6	----	-----	-	-
466	10/10/2023 12:14:22.3	65	----	-----	-	-
467	10/10/2023 12:14:23.3	61.1	----	-----	-	-

468	10/10/2023 12:14:24.3	56	----	-----	-	-
469	10/10/2023 12:14:25.3	51.3	----	-----	-	-
470	10/10/2023 12:14:26.3	55.1	----	-----	-	-
471	10/10/2023 12:14:27.3	59.2	----	-----	-	-
472	10/10/2023 12:14:28.3	50	----	-----	-	-
473	10/10/2023 12:14:29.3	51.8	----	-----	-	-
474	10/10/2023 12:14:30.3	52.4	----	-----	-	-
475	10/10/2023 12:14:31.3	49.5	----	-----	-	-
476	10/10/2023 12:14:32.3	48.8	----	-----	-	-
477	10/10/2023 12:14:33.3	48.5	----	-----	-	-
478	10/10/2023 12:14:34.3	49.2	----	-----	-	-
479	10/10/2023 12:14:35.3	50.2	----	-----	-	-
480	10/10/2023 12:14:36.3	50	----	-----	-	-
481	10/10/2023 12:14:37.3	51.4	----	-----	-	-
482	10/10/2023 12:14:38.3	47.8	----	-----	-	-
483	10/10/2023 12:14:39.3	47.2	----	-----	-	-
484	10/10/2023 12:14:40.3	44.7	----	-----	-	-
485	10/10/2023 12:14:41.3	44.4	----	-----	-	-
486	10/10/2023 12:14:42.3	45	----	-----	-	-
487	10/10/2023 12:14:43.3	45.6	----	-----	-	-
488	10/10/2023 12:14:44.3	45.3	----	-----	-	-
489	10/10/2023 12:14:45.3	43.7	----	-----	-	-
490	10/10/2023 12:14:46.3	45.2	----	-----	-	-
491	10/10/2023 12:14:47.3	43.4	----	-----	-	-
492	10/10/2023 12:14:48.3	41.4	----	-----	-	-
493	10/10/2023 12:14:49.3	40.3	----	-----	-	-
494	10/10/2023 12:14:50.3	40.2	----	-----	-	-
495	10/10/2023 12:14:51.3	40.4	----	-----	-	-
496	10/10/2023 12:14:52.3	40.7	----	-----	-	-
497	10/10/2023 12:14:53.3	42	----	-----	-	-
498	10/10/2023 12:14:54.3	42.4	----	-----	-	-
499	10/10/2023 12:14:55.3	43.5	----	-----	-	-
500	10/10/2023 12:14:56.3	43.2	----	-----	-	-
501	10/10/2023 12:14:57.3	45.4	----	-----	-	-
502	10/10/2023 12:14:58.3	46	----	-----	-	-
503	10/10/2023 12:14:59.3	46.9	----	-----	-	-
504	10/10/2023 12:15:00.3	49.9	----	-----	-	-
505	10/10/2023 12:15:01.3	49.1	----	-----	-	-
506	10/10/2023 12:15:02.3	50.9	----	-----	-	-
507	10/10/2023 12:15:03.3	52.2	----	-----	-	-
508	10/10/2023 12:15:04.3	50.7	----	-----	-	-
509	10/10/2023 12:15:05.3	57.7	----	-----	-	-
510	10/10/2023 12:15:06.3	58.4	----	-----	-	-
511	10/10/2023 12:15:07.3	54.9	----	-----	-	-
512	10/10/2023 12:15:08.3	52.6	----	-----	-	-
513	10/10/2023 12:15:09.3	51.9	----	-----	-	-
514	10/10/2023 12:15:10.3	53.2	----	-----	-	-

515	10/10/2023 12:15:11.3	54.9	----	-----	-	-
516	10/10/2023 12:15:12.3	53	----	-----	-	-
517	10/10/2023 12:15:13.3	52	----	-----	-	-
518	10/10/2023 12:15:14.3	53	----	-----	-	-
519	10/10/2023 12:15:15.3	50.6	----	-----	-	-
520	10/10/2023 12:15:16.3	49.3	----	-----	-	-
521	10/10/2023 12:15:17.3	48	----	-----	-	-
522	10/10/2023 12:15:18.3	46.4	----	-----	-	-
523	10/10/2023 12:15:19.3	46.6	----	-----	-	-
524	10/10/2023 12:15:20.3	46.7	----	-----	-	-
525	10/10/2023 12:15:21.3	46.5	----	-----	-	-
526	10/10/2023 12:15:22.3	45.1	----	-----	-	-
527	10/10/2023 12:15:23.3	45.7	----	-----	-	-
528	10/10/2023 12:15:24.3	47.6	----	-----	-	-
529	10/10/2023 12:15:25.3	47.1	----	-----	-	-
530	10/10/2023 12:15:26.3	48.9	----	-----	-	-
531	10/10/2023 12:15:27.3	45.5	----	-----	-	-
532	10/10/2023 12:15:28.3	45.4	----	-----	-	-
533	10/10/2023 12:15:29.3	45.6	----	-----	-	-
534	10/10/2023 12:15:30.3	47.4	----	-----	-	-
535	10/10/2023 12:15:31.3	48.1	----	-----	-	-
536	10/10/2023 12:15:32.3	51	----	-----	-	-
537	10/10/2023 12:15:33.3	42.9	----	-----	-	-
538	10/10/2023 12:15:34.3	42.6	----	-----	-	-
539	10/10/2023 12:15:35.3	41.3	----	-----	-	-
540	10/10/2023 12:15:36.3	41.5	----	-----	-	-
541	10/10/2023 12:15:37.3	39.3	----	-----	-	-
542	10/10/2023 12:15:38.3	38.9	----	-----	-	-
543	10/10/2023 12:15:39.3	39.4	----	-----	-	-
544	10/10/2023 12:15:40.3	38.3	----	-----	-	-
545	10/10/2023 12:15:41.3	37.6	----	-----	-	-
546	10/10/2023 12:15:42.3	37.6	----	-----	-	-
547	10/10/2023 12:15:43.3	37.3	----	-----	-	-
548	10/10/2023 12:15:44.3	36.6	----	-----	-	-
549	10/10/2023 12:15:45.3	37.1	----	-----	-	-
550	10/10/2023 12:15:46.3	37.7	----	-----	-	-
551	10/10/2023 12:15:47.3	37.7	----	-----	-	-
552	10/10/2023 12:15:48.3	38.2	----	-----	-	-
553	10/10/2023 12:15:49.3	39.5	----	-----	-	-
554	10/10/2023 12:15:50.3	40.6	----	-----	-	-
555	10/10/2023 12:15:51.3	45.3	----	-----	-	-
556	10/10/2023 12:15:52.3	50.8	----	-----	-	-
557	10/10/2023 12:15:53.3	58.1	----	-----	-	-
558	10/10/2023 12:15:54.3	69.8	----	-----	-	-
559	10/10/2023 12:15:55.3	78.4	----	-----	-	-
560	10/10/2023 12:15:56.3	75.6	----	-----	-	-
561	10/10/2023 12:15:57.3	63.7	----	-----	-	-

562	10/10/2023 12:15:58.3	59.2	----	-----	-	-
563	10/10/2023 12:15:59.3	57.1	----	-----	-	-
564	10/10/2023 12:16:00.3	52.7	----	-----	-	-
565	10/10/2023 12:16:01.3	46.7	----	-----	-	-
566	10/10/2023 12:16:02.3	43.7	----	-----	-	-
567	10/10/2023 12:16:03.3	41.5	----	-----	-	-
568	10/10/2023 12:16:04.3	39.1	----	-----	-	-
569	10/10/2023 12:16:05.3	38.1	----	-----	-	-
570	10/10/2023 12:16:06.3	38.4	----	-----	-	-
571	10/10/2023 12:16:07.3	39.6	----	-----	-	-
572	10/10/2023 12:16:08.3	39.7	----	-----	-	-
573	10/10/2023 12:16:09.3	40.4	----	-----	-	-
574	10/10/2023 12:16:10.3	41.1	----	-----	-	-
575	10/10/2023 12:16:11.3	41.8	----	-----	-	-
576	10/10/2023 12:16:12.3	42.6	----	-----	-	-
577	10/10/2023 12:16:13.3	42	----	-----	-	-
578	10/10/2023 12:16:14.3	41.6	----	-----	-	-
579	10/10/2023 12:16:15.3	43.2	----	-----	-	-
580	10/10/2023 12:16:16.3	47.2	----	-----	-	-
581	10/10/2023 12:16:17.3	49.8	----	-----	-	-
582	10/10/2023 12:16:18.3	55.7	----	-----	-	-
583	10/10/2023 12:16:19.3	65.3	----	-----	-	-
584	10/10/2023 12:16:20.3	74.8	----	-----	-	-
585	10/10/2023 12:16:21.3	77.4	----	-----	-	-
586	10/10/2023 12:16:22.3	69.8	----	-----	-	-
587	10/10/2023 12:16:23.3	61.5	----	-----	-	-
588	10/10/2023 12:16:24.3	57.5	----	-----	-	-
589	10/10/2023 12:16:25.3	52.7	----	-----	-	-
590	10/10/2023 12:16:26.3	53.3	----	-----	-	-
591	10/10/2023 12:16:27.3	49	----	-----	-	-
592	10/10/2023 12:16:28.3	49.2	----	-----	-	-
593	10/10/2023 12:16:29.3	50.4	----	-----	-	-
594	10/10/2023 12:16:30.3	52.4	----	-----	-	-
595	10/10/2023 12:16:31.3	50.7	----	-----	-	-
596	10/10/2023 12:16:32.3	50.9	----	-----	-	-
597	10/10/2023 12:16:33.3	53.8	----	-----	-	-
598	10/10/2023 12:16:34.3	57	----	-----	-	-
599	10/10/2023 12:16:35.3	53.7	----	-----	-	-
600	10/10/2023 12:16:36.3	53.8	----	-----	-	-
601	10/10/2023 12:16:37.3	52.2	----	-----	-	-
602	10/10/2023 12:16:38.3	53.4	----	-----	-	-
603	10/10/2023 12:16:39.3	55	----	-----	-	-
604	10/10/2023 12:16:40.3	53.9	----	-----	-	-
605	10/10/2023 12:16:41.3	53.6	----	-----	-	-
606	10/10/2023 12:16:42.3	50.2	----	-----	-	-
607	10/10/2023 12:16:43.3	51.4	----	-----	-	-
608	10/10/2023 12:16:44.3	54.4	----	-----	-	-

609	10/10/2023 12:16:45.3	52.6	----	-----	-	-
610	10/10/2023 12:16:46.3	60.1	----	-----	-	-
611	10/10/2023 12:16:47.3	60.9	----	-----	-	-
612	10/10/2023 12:16:48.3	63.2	----	-----	-	-
613	10/10/2023 12:16:49.3	64.7	----	-----	-	-
614	10/10/2023 12:16:50.3	69	----	-----	-	-
615	10/10/2023 12:16:51.3	80.9	----	-----	-	-
616	10/10/2023 12:16:52.3	80.5	----	-----	-	-
617	10/10/2023 12:16:53.3	66	----	-----	-	-
618	10/10/2023 12:16:54.3	55.1	----	-----	-	-
619	10/10/2023 12:16:55.3	51.3	----	-----	-	-
620	10/10/2023 12:16:56.3	48.2	----	-----	-	-
621	10/10/2023 12:16:57.3	47.9	----	-----	-	-
622	10/10/2023 12:16:58.3	46.9	----	-----	-	-
623	10/10/2023 12:16:59.3	47.6	----	-----	-	-
624	10/10/2023 12:17:00.3	49.9	----	-----	-	-
625	10/10/2023 12:17:01.3	52.2	----	-----	-	-
626	10/10/2023 12:17:02.3	56.4	----	-----	-	-
627	10/10/2023 12:17:03.3	60.2	----	-----	-	-
628	10/10/2023 12:17:04.3	59.8	----	-----	-	-
629	10/10/2023 12:17:05.3	63.5	----	-----	-	-
630	10/10/2023 12:17:06.3	67.2	----	-----	-	-
631	10/10/2023 12:17:07.3	79.9	----	-----	-	-
632	10/10/2023 12:17:08.3	83.5	----	-----	-	-
633	10/10/2023 12:17:09.3	73.4	----	-----	-	-
634	10/10/2023 12:17:10.3	60.8	----	-----	-	-
635	10/10/2023 12:17:11.3	53.1	----	-----	-	-
636	10/10/2023 12:17:12.3	47.6	----	-----	-	-
637	10/10/2023 12:17:13.3	45.9	----	-----	-	-
638	10/10/2023 12:17:14.3	44.6	----	-----	-	-
639	10/10/2023 12:17:15.3	45.4	----	-----	-	-
640	10/10/2023 12:17:16.3	44.4	----	-----	-	-
641	10/10/2023 12:17:17.3	43.6	----	-----	-	-
642	10/10/2023 12:17:18.3	43.3	----	-----	-	-
643	10/10/2023 12:17:19.3	43	----	-----	-	-
644	10/10/2023 12:17:20.3	43.4	----	-----	-	-
645	10/10/2023 12:17:21.3	42.5	----	-----	-	-
646	10/10/2023 12:17:22.3	41.2	----	-----	-	-
647	10/10/2023 12:17:23.3	40.2	----	-----	-	-
648	10/10/2023 12:17:24.3	41.1	----	-----	-	-
649	10/10/2023 12:17:25.3	42.5	----	-----	-	-
650	10/10/2023 12:17:26.3	41.8	----	-----	-	-
651	10/10/2023 12:17:27.3	41.1	----	-----	-	-
652	10/10/2023 12:17:28.3	40.5	----	-----	-	-
653	10/10/2023 12:17:29.3	40.4	----	-----	-	-
654	10/10/2023 12:17:30.3	40.7	----	-----	-	-
655	10/10/2023 12:17:31.3	40.8	----	-----	-	-

656	10/10/2023 12:17:32.3	40.7	----	-----	-	-
657	10/10/2023 12:17:33.3	40.1	----	-----	-	-
658	10/10/2023 12:17:34.3	42.3	----	-----	-	-
659	10/10/2023 12:17:35.3	41.1	----	-----	-	-
660	10/10/2023 12:17:36.3	41	----	-----	-	-
661	10/10/2023 12:17:37.3	41.5	----	-----	-	-
662	10/10/2023 12:17:38.3	41.8	----	-----	-	-
663	10/10/2023 12:17:39.3	39.5	----	-----	-	-
664	10/10/2023 12:17:40.3	40.9	----	-----	-	-
665	10/10/2023 12:17:41.3	43	----	-----	-	-
666	10/10/2023 12:17:42.3	41.2	----	-----	-	-
667	10/10/2023 12:17:43.3	39.7	----	-----	-	-
668	10/10/2023 12:17:44.3	39.8	----	-----	-	-
669	10/10/2023 12:17:45.3	42	----	-----	-	-
670	10/10/2023 12:17:46.3	41.7	----	-----	-	-
671	10/10/2023 12:17:47.3	39.6	----	-----	-	-
672	10/10/2023 12:17:48.3	38.9	----	-----	-	-
673	10/10/2023 12:17:49.3	39.1	----	-----	-	-
674	10/10/2023 12:17:50.3	39.4	----	-----	-	-
675	10/10/2023 12:17:51.3	39.2	----	-----	-	-
676	10/10/2023 12:17:52.3	39	----	-----	-	-
677	10/10/2023 12:17:53.3	39.5	----	-----	-	-
678	10/10/2023 12:17:54.3	37.7	----	-----	-	-
679	10/10/2023 12:17:55.3	37.9	----	-----	-	-
680	10/10/2023 12:17:56.3	37.7	----	-----	-	-
681	10/10/2023 12:17:57.3	37.1	----	-----	-	-
682	10/10/2023 12:17:58.3	36.7	----	-----	-	-
683	10/10/2023 12:17:59.3	36.6	----	-----	-	-
684	10/10/2023 12:18:00.3	36.5	----	-----	-	-
685	10/10/2023 12:18:01.3	37	----	-----	-	-
686	10/10/2023 12:18:02.3	37.2	----	-----	-	-
687	10/10/2023 12:18:03.3	38.4	----	-----	-	-
688	10/10/2023 12:18:04.3	38.9	----	-----	-	-
689	10/10/2023 12:18:05.3	38.5	----	-----	-	-
690	10/10/2023 12:18:06.3	38.9	----	-----	-	-
691	10/10/2023 12:18:07.3	37.4	----	-----	-	-
692	10/10/2023 12:18:08.3	39.1	----	-----	-	-
693	10/10/2023 12:18:09.3	40.1	----	-----	-	-
694	10/10/2023 12:18:10.3	43.4	----	-----	-	-
695	10/10/2023 12:18:11.3	41.2	----	-----	-	-
696	10/10/2023 12:18:12.3	41.7	----	-----	-	-
697	10/10/2023 12:18:13.3	43.2	----	-----	-	-
698	10/10/2023 12:18:14.3	41	----	-----	-	-
699	10/10/2023 12:18:15.3	40.6	----	-----	-	-
700	10/10/2023 12:18:16.3	40.2	----	-----	-	-
701	10/10/2023 12:18:17.3	38.8	----	-----	-	-
702	10/10/2023 12:18:18.3	39.5	----	-----	-	-

703	10/10/2023 12:18:19.3	41.7	----	-----	-	-
704	10/10/2023 12:18:20.3	39.9	----	-----	-	-
705	10/10/2023 12:18:21.3	39.5	----	-----	-	-
706	10/10/2023 12:18:22.3	38.5	----	-----	-	-
707	10/10/2023 12:18:23.3	38	----	-----	-	-
708	10/10/2023 12:18:24.3	37.5	----	-----	-	-
709	10/10/2023 12:18:25.3	37.3	----	-----	-	-
710	10/10/2023 12:18:26.3	37.4	----	-----	-	-
711	10/10/2023 12:18:27.3	37.2	----	-----	-	-
712	10/10/2023 12:18:28.3	38.3	----	-----	-	-
713	10/10/2023 12:18:29.3	38.9	----	-----	-	-
714	10/10/2023 12:18:30.3	38.2	----	-----	-	-
715	10/10/2023 12:18:31.3	45.2	----	-----	-	-
716	10/10/2023 12:18:32.3	42.8	----	-----	-	-
717	10/10/2023 12:18:33.3	42.9	----	-----	-	-
718	10/10/2023 12:18:34.3	42.4	----	-----	-	-
719	10/10/2023 12:18:35.3	42.4	----	-----	-	-
720	10/10/2023 12:18:36.3	45.6	----	-----	-	-
721	10/10/2023 12:18:37.3	47	----	-----	-	-
722	10/10/2023 12:18:38.3	47.4	----	-----	-	-
723	10/10/2023 12:18:39.3	47.6	----	-----	-	-
724	10/10/2023 12:18:40.3	48.8	----	-----	-	-
725	10/10/2023 12:18:41.3	50.8	----	-----	-	-
726	10/10/2023 12:18:42.3	52.5	----	-----	-	-
727	10/10/2023 12:18:43.3	56.9	----	-----	-	-
728	10/10/2023 12:18:44.3	58.3	----	-----	-	-
729	10/10/2023 12:18:45.3	67	----	-----	-	-
730	10/10/2023 12:18:46.3	75.1	----	-----	-	-
731	10/10/2023 12:18:47.3	68.2	----	-----	-	-
732	10/10/2023 12:18:48.3	59.7	----	-----	-	-
733	10/10/2023 12:18:49.3	54.4	----	-----	-	-
734	10/10/2023 12:18:50.3	50.4	----	-----	-	-
735	10/10/2023 12:18:51.3	48.7	----	-----	-	-
736	10/10/2023 12:18:52.3	44.9	----	-----	-	-
737	10/10/2023 12:18:53.3	42.5	----	-----	-	-
738	10/10/2023 12:18:54.3	41.6	----	-----	-	-
739	10/10/2023 12:18:55.3	40.7	----	-----	-	-
740	10/10/2023 12:18:56.3	42.1	----	-----	-	-
741	10/10/2023 12:18:57.3	41.4	----	-----	-	-
742	10/10/2023 12:18:58.3	42.3	----	-----	-	-
743	10/10/2023 12:18:59.3	43.2	----	-----	-	-
744	10/10/2023 12:19:00.3	42.2	----	-----	-	-
745	10/10/2023 12:19:01.3	45.8	----	-----	-	-
746	10/10/2023 12:19:02.3	45.5	----	-----	-	-
747	10/10/2023 12:19:03.3	48.5	----	-----	-	-
748	10/10/2023 12:19:04.3	45	----	-----	-	-
749	10/10/2023 12:19:05.3	42.6	----	-----	-	-

750	10/10/2023 12:19:06.3	43.3	----	-----	-	-
751	10/10/2023 12:19:07.3	45.2	----	-----	-	-
752	10/10/2023 12:19:08.3	46	----	-----	-	-
753	10/10/2023 12:19:09.3	49.3	----	-----	-	-
754	10/10/2023 12:19:10.3	50.1	----	-----	-	-
755	10/10/2023 12:19:11.3	46.4	----	-----	-	-
756	10/10/2023 12:19:12.3	46.9	----	-----	-	-
757	10/10/2023 12:19:13.3	51.3	----	-----	-	-
758	10/10/2023 12:19:14.3	56.8	----	-----	-	-
759	10/10/2023 12:19:15.3	62.9	----	-----	-	-
760	10/10/2023 12:19:16.3	70.6	----	-----	-	-
761	10/10/2023 12:19:17.3	71.3	----	-----	-	-
762	10/10/2023 12:19:18.3	64.1	----	-----	-	-
763	10/10/2023 12:19:19.3	56.9	----	-----	-	-
764	10/10/2023 12:19:20.3	54.1	----	-----	-	-
765	10/10/2023 12:19:21.3	51.8	----	-----	-	-
766	10/10/2023 12:19:22.3	50.7	----	-----	-	-
767	10/10/2023 12:19:23.3	48.7	----	-----	-	-
768	10/10/2023 12:19:24.3	46.1	----	-----	-	-
769	10/10/2023 12:19:25.3	42.7	----	-----	-	-
770	10/10/2023 12:19:26.3	41.3	----	-----	-	-
771	10/10/2023 12:19:27.3	39.8	----	-----	-	-
772	10/10/2023 12:19:28.3	38.3	----	-----	-	-
773	10/10/2023 12:19:29.3	38.1	----	-----	-	-
774	10/10/2023 12:19:30.3	37.3	----	-----	-	-
775	10/10/2023 12:19:31.3	37.6	----	-----	-	-
776	10/10/2023 12:19:32.3	38.8	----	-----	-	-
777	10/10/2023 12:19:33.3	39.2	----	-----	-	-
778	10/10/2023 12:19:34.3	38.4	----	-----	-	-
779	10/10/2023 12:19:35.3	38.9	----	-----	-	-
780	10/10/2023 12:19:36.3	40.1	----	-----	-	-
781	10/10/2023 12:19:37.3	40.6	----	-----	-	-
782	10/10/2023 12:19:38.3	41.5	----	-----	-	-
783	10/10/2023 12:19:39.3	42.3	----	-----	-	-
784	10/10/2023 12:19:40.3	41.7	----	-----	-	-
785	10/10/2023 12:19:41.3	42.6	----	-----	-	-
786	10/10/2023 12:19:42.3	43.9	----	-----	-	-
787	10/10/2023 12:19:43.3	43.3	----	-----	-	-
788	10/10/2023 12:19:44.3	43.8	----	-----	-	-
789	10/10/2023 12:19:45.3	44.6	----	-----	-	-
790	10/10/2023 12:19:46.3	45.9	----	-----	-	-
791	10/10/2023 12:19:47.3	44.8	----	-----	-	-
792	10/10/2023 12:19:48.3	42.2	----	-----	-	-
793	10/10/2023 12:19:49.3	43.1	----	-----	-	-
794	10/10/2023 12:19:50.3	42.5	----	-----	-	-
795	10/10/2023 12:19:51.3	42.4	----	-----	-	-
796	10/10/2023 12:19:52.3	40.8	----	-----	-	-



797	10/10/2023 12:19:53.3	40.7	----	-----	-	-
798	10/10/2023 12:19:54.3	41.7	----	-----	-	-
799	10/10/2023 12:19:55.3	37.9	----	-----	-	-
800	10/10/2023 12:19:56.3	38.2	----	-----	-	-
801	10/10/2023 12:19:57.3	39.5	----	-----	-	-
802	10/10/2023 12:19:58.3	38.8	----	-----	-	-
803	10/10/2023 12:19:59.3	37.8	----	-----	-	-
804	10/10/2023 12:20:00.3	37.9	----	-----	-	-
805	10/10/2023 12:20:01.3	37.8	----	-----	-	-
806	10/10/2023 12:20:02.3	39.6	----	-----	-	-
807	10/10/2023 12:20:03.3	39.5	----	-----	-	-
808	10/10/2023 12:20:04.3	39.1	----	-----	-	-
809	10/10/2023 12:20:05.3	39.5	----	-----	-	-
810	10/10/2023 12:20:06.3	38.3	----	-----	-	-
811	10/10/2023 12:20:07.3	38.3	----	-----	-	-
812	10/10/2023 12:20:08.3	38.4	----	-----	-	-
813	10/10/2023 12:20:09.3	39.4	----	-----	-	-
814	10/10/2023 12:20:10.3	38.2	----	-----	-	-
815	10/10/2023 12:20:11.3	39.9	----	-----	-	-
816	10/10/2023 12:20:12.3	38.9	----	-----	-	-
817	10/10/2023 12:20:13.3	39	----	-----	-	-
818	10/10/2023 12:20:14.3	38.8	----	-----	-	-
819	10/10/2023 12:20:15.3	39.3	----	-----	-	-
820	10/10/2023 12:20:16.3	37.4	----	-----	-	-
821	10/10/2023 12:20:17.3	37.3	----	-----	-	-
822	10/10/2023 12:20:18.3	36.8	----	-----	-	-
823	10/10/2023 12:20:19.3	36.8	----	-----	-	-
824	10/10/2023 12:20:20.3	37.9	----	-----	-	-
825	10/10/2023 12:20:21.3	38.3	----	-----	-	-
826	10/10/2023 12:20:22.3	37.3	----	-----	-	-
827	10/10/2023 12:20:23.3	36.1	----	-----	-	-
828	10/10/2023 12:20:24.3	36.4	----	-----	-	-
829	10/10/2023 12:20:25.3	35.6	----	-----	-	-
830	10/10/2023 12:20:26.3	36.5	----	-----	-	-
831	10/10/2023 12:20:27.3	36.5	----	-----	-	-
832	10/10/2023 12:20:28.3	37.1	----	-----	-	-
833	10/10/2023 12:20:29.3	42.1	----	-----	-	-
834	10/10/2023 12:20:30.3	40.7	----	-----	-	-
835	10/10/2023 12:20:31.3	37.9	----	-----	-	-
836	10/10/2023 12:20:32.3	38.3	----	-----	-	-
837	10/10/2023 12:20:33.3	37.8	----	-----	-	-
838	10/10/2023 12:20:34.3	41.1	----	-----	-	-
839	10/10/2023 12:20:35.3	38.5	----	-----	-	-
840	10/10/2023 12:20:36.3	40.4	----	-----	-	-
841	10/10/2023 12:20:37.3	39.9	----	-----	-	-
842	10/10/2023 12:20:38.3	38.7	----	-----	-	-
843	10/10/2023 12:20:39.3	39.8	----	-----	-	-

844	10/10/2023 12:20:40.3	39.5	----	-----	-	-
845	10/10/2023 12:20:41.3	38.9	----	-----	-	-
846	10/10/2023 12:20:42.3	38.2	----	-----	-	-
847	10/10/2023 12:20:43.3	38.4	----	-----	-	-
848	10/10/2023 12:20:44.3	39.7	----	-----	-	-
849	10/10/2023 12:20:45.3	38.8	----	-----	-	-
850	10/10/2023 12:20:46.3	40.4	----	-----	-	-
851	10/10/2023 12:20:47.3	39.9	----	-----	-	-
852	10/10/2023 12:20:48.3	39.6	----	-----	-	-
853	10/10/2023 12:20:49.3	38.7	----	-----	-	-
854	10/10/2023 12:20:50.3	37.8	----	-----	-	-
855	10/10/2023 12:20:51.3	38.1	----	-----	-	-
856	10/10/2023 12:20:52.3	38.9	----	-----	-	-
857	10/10/2023 12:20:53.3	38.3	----	-----	-	-
858	10/10/2023 12:20:54.3	37.7	----	-----	-	-
859	10/10/2023 12:20:55.3	38.4	----	-----	-	-
860	10/10/2023 12:20:56.3	38.7	----	-----	-	-
861	10/10/2023 12:20:57.3	37.8	----	-----	-	-
862	10/10/2023 12:20:58.3	37.6	----	-----	-	-
863	10/10/2023 12:20:59.3	39.7	----	-----	-	-
864	10/10/2023 12:21:00.3	38.8	----	-----	-	-
865	10/10/2023 12:21:01.3	40.4	----	-----	-	-
866	10/10/2023 12:21:02.3	39	----	-----	-	-
867	10/10/2023 12:21:03.3	39.5	----	-----	-	-
868	10/10/2023 12:21:04.3	39.3	----	-----	-	-
869	10/10/2023 12:21:05.3	38	----	-----	-	-
870	10/10/2023 12:21:06.3	38.4	----	-----	-	-
871	10/10/2023 12:21:07.3	37.3	----	-----	-	-
872	10/10/2023 12:21:08.3	40.1	----	-----	-	-
873	10/10/2023 12:21:09.3	39.5	----	-----	-	-
874	10/10/2023 12:21:10.3	38.6	----	-----	-	-
875	10/10/2023 12:21:11.3	43.3	----	-----	-	-
876	10/10/2023 12:21:12.3	41.9	----	-----	-	-
877	10/10/2023 12:21:13.3	39.3	----	-----	-	-
878	10/10/2023 12:21:14.3	39	----	-----	-	-
879	10/10/2023 12:21:15.3	38.4	----	-----	-	-
880	10/10/2023 12:21:16.3	37.9	----	-----	-	-
881	10/10/2023 12:21:17.3	37.6	----	-----	-	-
882	10/10/2023 12:21:18.3	38.8	----	-----	-	-
883	10/10/2023 12:21:19.3	40	----	-----	-	-
884	10/10/2023 12:21:20.3	42.8	----	-----	-	-
885	10/10/2023 12:21:21.3	41.7	----	-----	-	-
886	10/10/2023 12:21:22.3	40.3	----	-----	-	-
887	10/10/2023 12:21:23.3	42.6	----	-----	-	-
888	10/10/2023 12:21:24.3	45.6	----	-----	-	-
889	10/10/2023 12:21:25.3	48.9	----	-----	-	-
890	10/10/2023 12:21:26.3	48.6	----	-----	-	-

891	10/10/2023 12:21:27.3	47.5	----	-----	-	-
892	10/10/2023 12:21:28.3	49.4	----	-----	-	-
893	10/10/2023 12:21:29.3	50.7	----	-----	-	-
894	10/10/2023 12:21:30.3	48.6	----	-----	-	-
895	10/10/2023 12:21:31.3	49	----	-----	-	-
896	10/10/2023 12:21:32.3	46.8	----	-----	-	-
897	10/10/2023 12:21:33.3	44.6	----	-----	-	-
898	10/10/2023 12:21:34.3	43.5	----	-----	-	-
899	10/10/2023 12:21:35.3	47.6	----	-----	-	-
900	10/10/2023 12:21:36.3	40.3	----	-----	-	-
901	10/10/2023 12:21:37.3	40.8	----	-----	-	-
902	10/10/2023 12:21:38.3	41.8	----	-----	-	-
903	10/10/2023 12:21:39.3	39.3	----	-----	-	-
904	10/10/2023 12:21:40.3	41.6	----	-----	-	-
905	10/10/2023 12:21:41.3	42.5	----	-----	-	-
906	10/10/2023 12:21:42.3	44.2	----	-----	-	-
907	10/10/2023 12:21:43.3	45.6	----	-----	-	-
908	10/10/2023 12:21:44.3	44.4	----	-----	-	-
909	10/10/2023 12:21:45.3	44.3	----	-----	-	-
910	10/10/2023 12:21:46.3	46	----	-----	-	-
911	10/10/2023 12:21:47.3	47.3	----	-----	-	-
912	10/10/2023 12:21:48.3	46.5	----	-----	-	-
913	10/10/2023 12:21:49.3	46	----	-----	-	-
914	10/10/2023 12:21:50.3	46.9	----	-----	-	-
915	10/10/2023 12:21:51.3	52.3	----	-----	-	-
916	10/10/2023 12:21:52.3	56.3	----	-----	-	-
917	10/10/2023 12:21:53.3	51.2	----	-----	-	-
918	10/10/2023 12:21:54.3	49	----	-----	-	-
919	10/10/2023 12:21:55.3	49.5	----	-----	-	-
920	10/10/2023 12:21:56.3	53.5	----	-----	-	-
921	10/10/2023 12:21:57.3	56.3	----	-----	-	-
922	10/10/2023 12:21:58.3	51.2	----	-----	-	-
923	10/10/2023 12:21:59.3	51.5	----	-----	-	-
924	10/10/2023 12:22:00.3	51.8	----	-----	-	-
925	10/10/2023 12:22:01.3	51.4	----	-----	-	-
926	10/10/2023 12:22:02.3	52.8	----	-----	-	-
927	10/10/2023 12:22:03.3	52.8	----	-----	-	-
928	10/10/2023 12:22:04.3	52.2	----	-----	-	-
929	10/10/2023 12:22:05.3	55.4	----	-----	-	-
930	10/10/2023 12:22:06.3	53	----	-----	-	-
931	10/10/2023 12:22:07.3	54.8	----	-----	-	-
932	10/10/2023 12:22:08.3	51.3	----	-----	-	-
933	10/10/2023 12:22:09.3	51.4	----	-----	-	-
934	10/10/2023 12:22:10.3	55.8	----	-----	-	-
935	10/10/2023 12:22:11.3	55.7	----	-----	-	-
936	10/10/2023 12:22:12.3	57.3	----	-----	-	-
937	10/10/2023 12:22:13.3	60.1	----	-----	-	-

938	10/10/2023 12:22:14.3	56.6	----	-----	-	-
939	10/10/2023 12:22:15.3	58.9	----	-----	-	-
940	10/10/2023 12:22:16.3	60.2	----	-----	-	-
941	10/10/2023 12:22:17.3	61.2	----	-----	-	-
942	10/10/2023 12:22:18.3	61.3	----	-----	-	-
943	10/10/2023 12:22:19.3	66.9	----	-----	-	-
944	10/10/2023 12:22:20.3	76.7	----	-----	-	-
945	10/10/2023 12:22:21.3	80.6	----	-----	-	-
946	10/10/2023 12:22:22.3	76.1	----	-----	-	-
947	10/10/2023 12:22:23.3	68.4	----	-----	-	-
948	10/10/2023 12:22:24.3	62.9	----	-----	-	-
949	10/10/2023 12:22:25.3	59.2	----	-----	-	-
950	10/10/2023 12:22:26.3	57	----	-----	-	-
951	10/10/2023 12:22:27.3	53.6	----	-----	-	-
952	10/10/2023 12:22:28.3	49.6	----	-----	-	-
953	10/10/2023 12:22:29.3	48.9	----	-----	-	-
954	10/10/2023 12:22:30.3	47.2	----	-----	-	-
955	10/10/2023 12:22:31.3	47.3	----	-----	-	-
956	10/10/2023 12:22:32.3	45	----	-----	-	-
957	10/10/2023 12:22:33.3	43.7	----	-----	-	-
958	10/10/2023 12:22:34.3	44.2	----	-----	-	-
959	10/10/2023 12:22:35.3	44.3	----	-----	-	-
960	10/10/2023 12:22:36.3	43.2	----	-----	-	-
961	10/10/2023 12:22:37.3	41.8	----	-----	-	-
962	10/10/2023 12:22:38.3	40.4	----	-----	-	-
963	10/10/2023 12:22:39.3	39.2	----	-----	-	-
964	10/10/2023 12:22:40.3	39.5	----	-----	-	-
965	10/10/2023 12:22:41.3	39.8	----	-----	-	-
966	10/10/2023 12:22:42.3	39.6	----	-----	-	-
967	10/10/2023 12:22:43.3	39.8	----	-----	-	-
968	10/10/2023 12:22:44.3	39.8	----	-----	-	-
969	10/10/2023 12:22:45.3	38.7	----	-----	-	-
970	10/10/2023 12:22:46.3	38.8	----	-----	-	-
971	10/10/2023 12:22:47.3	39.3	----	-----	-	-
972	10/10/2023 12:22:48.3	39.5	----	-----	-	-
973	10/10/2023 12:22:49.3	39	----	-----	-	-
974	10/10/2023 12:22:50.3	37.9	----	-----	-	-
975	10/10/2023 12:22:51.3	38.5	----	-----	-	-
976	10/10/2023 12:22:52.3	38.9	----	-----	-	-
977	10/10/2023 12:22:53.3	39.2	----	-----	-	-
978	10/10/2023 12:22:54.3	38.8	----	-----	-	-
979	10/10/2023 12:22:55.3	38.8	----	-----	-	-
980	10/10/2023 12:22:56.3	40.7	----	-----	-	-
981	10/10/2023 12:22:57.3	41.3	----	-----	-	-
982	10/10/2023 12:22:58.3	41.6	----	-----	-	-
983	10/10/2023 12:22:59.3	40.3	----	-----	-	-
984	10/10/2023 12:23:00.3	39.1	----	-----	-	-

985	10/10/2023 12:23:01.3	38.5	----	-----	-	-
986	10/10/2023 12:23:02.3	39.2	----	-----	-	-
987	10/10/2023 12:23:03.3	37.8	----	-----	-	-
988	10/10/2023 12:23:04.3	38.4	----	-----	-	-
989	10/10/2023 12:23:05.3	51.6	----	-----	-	-
990	10/10/2023 12:23:06.3	39.2	----	-----	-	-
991	10/10/2023 12:23:07.3	39.9	----	-----	-	-
992	10/10/2023 12:23:08.3	39	----	-----	-	-
993	10/10/2023 12:23:09.3	38.9	----	-----	-	-
994	10/10/2023 12:23:10.3	38.1	----	-----	-	-
995	10/10/2023 12:23:11.3	41.4	----	-----	-	-
996	10/10/2023 12:23:12.3	43.5	----	-----	-	-
997	10/10/2023 12:23:13.3	50	----	-----	-	-
998	10/10/2023 12:23:14.3	49.4	----	-----	-	-
999	10/10/2023 12:23:15.3	51.1	----	-----	-	-
1000	10/10/2023 12:23:16.3	44.5	----	-----	-	-
1001	10/10/2023 12:23:17.3	41.7	----	-----	-	-
1002	10/10/2023 12:23:18.3	38.9	----	-----	-	-
1003	10/10/2023 12:23:19.3	40.1	----	-----	-	-
1004	10/10/2023 12:23:20.3	40.4	----	-----	-	-
1005	10/10/2023 12:23:21.3	40.8	----	-----	-	-
1006	10/10/2023 12:23:22.3	38.5	----	-----	-	-
1007	10/10/2023 12:23:23.3	38.9	----	-----	-	-
1008	10/10/2023 12:23:24.3	41.4	----	-----	-	-
1009	10/10/2023 12:23:25.3	41.8	----	-----	-	-
1010	10/10/2023 12:23:26.3	43.4	----	-----	-	-
1011	10/10/2023 12:23:27.3	46.2	----	-----	-	-
1012	10/10/2023 12:23:28.3	44.7	----	-----	-	-
1013	10/10/2023 12:23:29.3	47.9	----	-----	-	-
1014	10/10/2023 12:23:30.3	43.4	----	-----	-	-
1015	10/10/2023 12:23:31.3	42	----	-----	-	-
1016	10/10/2023 12:23:32.3	41.7	----	-----	-	-
1017	10/10/2023 12:23:33.3	42.5	----	-----	-	-
1018	10/10/2023 12:23:34.3	44.7	----	-----	-	-
1019	10/10/2023 12:23:35.3	47.1	----	-----	-	-
1020	10/10/2023 12:23:36.3	52.3	----	-----	-	-
1021	10/10/2023 12:23:37.3	49	----	-----	-	-
1022	10/10/2023 12:23:38.3	48.7	----	-----	-	-
1023	10/10/2023 12:23:39.3	50.2	----	-----	-	-
1024	10/10/2023 12:23:40.3	49.4	----	-----	-	-
1025	10/10/2023 12:23:41.3	45.2	----	-----	-	-
1026	10/10/2023 12:23:42.3	48.2	----	-----	-	-
1027	10/10/2023 12:23:43.3	47	----	-----	-	-
1028	10/10/2023 12:23:44.3	47.2	----	-----	-	-
1029	10/10/2023 12:23:45.3	47.4	----	-----	-	-
1030	10/10/2023 12:23:46.3	45.8	----	-----	-	-
1031	10/10/2023 12:23:47.3	44.5	----	-----	-	-

1032	10/10/2023 12:23:48.3	41.3	----	-----	-	-
1033	10/10/2023 12:23:49.3	43.1	----	-----	-	-
1034	10/10/2023 12:23:50.3	44	----	-----	-	-
1035	10/10/2023 12:23:51.3	39.4	----	-----	-	-
1036	10/10/2023 12:23:52.3	39.5	----	-----	-	-
1037	10/10/2023 12:23:53.3	38.7	----	-----	-	-
1038	10/10/2023 12:23:54.3	37.8	----	-----	-	-
1039	10/10/2023 12:23:55.3	38.3	----	-----	-	-
1040	10/10/2023 12:23:56.3	37.9	----	-----	-	-
1041	10/10/2023 12:23:57.3	37.7	----	-----	-	-
1042	10/10/2023 12:23:58.3	37.8	----	-----	-	-
1043	10/10/2023 12:23:59.3	37.2	----	-----	-	-
1044	10/10/2023 12:24:00.3	37.8	----	-----	-	-
1045	10/10/2023 12:24:01.3	38.4	----	-----	-	-
1046	10/10/2023 12:24:02.3	39	----	-----	-	-
1047	10/10/2023 12:24:03.3	37.8	----	-----	-	-
1048	10/10/2023 12:24:04.3	38.3	----	-----	-	-
1049	10/10/2023 12:24:05.3	37.6	----	-----	-	-
1050	10/10/2023 12:24:06.3	36.8	----	-----	-	-
1051	10/10/2023 12:24:07.3	37.7	----	-----	-	-
1052	10/10/2023 12:24:08.3	42.6	----	-----	-	-
1053	10/10/2023 12:24:09.3	41	----	-----	-	-
1054	10/10/2023 12:24:10.3	42.2	----	-----	-	-
1055	10/10/2023 12:24:11.3	40.5	----	-----	-	-
1056	10/10/2023 12:24:12.3	39.6	----	-----	-	-
1057	10/10/2023 12:24:13.3	39.7	----	-----	-	-
1058	10/10/2023 12:24:14.3	37	----	-----	-	-
1059	10/10/2023 12:24:15.3	40.8	----	-----	-	-
1060	10/10/2023 12:24:16.3	38.3	----	-----	-	-
1061	10/10/2023 12:24:17.3	38.1	----	-----	-	-
1062	10/10/2023 12:24:18.3	39	----	-----	-	-
1063	10/10/2023 12:24:19.3	40.6	----	-----	-	-
1064	10/10/2023 12:24:20.3	41.5	----	-----	-	-
1065	10/10/2023 12:24:21.3	40.1	----	-----	-	-
1066	10/10/2023 12:24:22.3	41.2	----	-----	-	-
1067	10/10/2023 12:24:23.3	40.4	----	-----	-	-
1068	10/10/2023 12:24:24.3	41.5	----	-----	-	-
1069	10/10/2023 12:24:25.3	45.3	----	-----	-	-
1070	10/10/2023 12:24:26.3	44	----	-----	-	-
1071	10/10/2023 12:24:27.3	43.8	----	-----	-	-
1072	10/10/2023 12:24:28.3	45	----	-----	-	-
1073	10/10/2023 12:24:29.3	47.2	----	-----	-	-
1074	10/10/2023 12:24:30.3	53.7	----	-----	-	-
1075	10/10/2023 12:24:31.3	56.5	----	-----	-	-
1076	10/10/2023 12:24:32.3	53	----	-----	-	-
1077	10/10/2023 12:24:33.3	51.3	----	-----	-	-
1078	10/10/2023 12:24:34.3	51.4	----	-----	-	-

1079	10/10/2023 12:24:35.3	53.6	----	-----	-	-
1080	10/10/2023 12:24:36.3	51.8	----	-----	-	-
1081	10/10/2023 12:24:37.3	52	----	-----	-	-
1082	10/10/2023 12:24:38.3	51.1	----	-----	-	-
1083	10/10/2023 12:24:39.3	54.4	----	-----	-	-
1084	10/10/2023 12:24:40.3	50.2	----	-----	-	-
1085	10/10/2023 12:24:41.3	51.2	----	-----	-	-
1086	10/10/2023 12:24:42.3	50.6	----	-----	-	-
1087	10/10/2023 12:24:43.3	50.8	----	-----	-	-
1088	10/10/2023 12:24:44.3	51.5	----	-----	-	-
1089	10/10/2023 12:24:45.3	53	----	-----	-	-
1090	10/10/2023 12:24:46.3	54.4	----	-----	-	-
1091	10/10/2023 12:24:47.3	52.6	----	-----	-	-
1092	10/10/2023 12:24:48.3	50.6	----	-----	-	-
1093	10/10/2023 12:24:49.3	52.3	----	-----	-	-
1094	10/10/2023 12:24:50.3	48.5	----	-----	-	-
1095	10/10/2023 12:24:51.3	49.3	----	-----	-	-
1096	10/10/2023 12:24:52.3	48	----	-----	-	-
1097	10/10/2023 12:24:53.3	45.4	----	-----	-	-
1098	10/10/2023 12:24:54.3	48.8	----	-----	-	-
1099	10/10/2023 12:24:55.3	47.9	----	-----	-	-
1100	10/10/2023 12:24:56.3	44.8	----	-----	-	-
1101	10/10/2023 12:24:57.3	46.2	----	-----	-	-
1102	10/10/2023 12:24:58.3	49.2	----	-----	-	-
1103	10/10/2023 12:24:59.3	48.9	----	-----	-	-
1104	10/10/2023 12:25:00.3	48.6	----	-----	-	-
1105	10/10/2023 12:25:01.3	45.8	----	-----	-	-
1106	10/10/2023 12:25:02.3	45.3	----	-----	-	-
1107	10/10/2023 12:25:03.3	48.7	----	-----	-	-
1108	10/10/2023 12:25:04.3	50	----	-----	-	-
1109	10/10/2023 12:25:05.3	49.9	----	-----	-	-
1110	10/10/2023 12:25:06.3	50.8	----	-----	-	-
1111	10/10/2023 12:25:07.3	48.1	----	-----	-	-
1112	10/10/2023 12:25:08.3	44.5	----	-----	-	-
1113	10/10/2023 12:25:09.3	43.2	----	-----	-	-
1114	10/10/2023 12:25:10.3	43.5	----	-----	-	-
1115	10/10/2023 12:25:11.3	44.9	----	-----	-	-
1116	10/10/2023 12:25:12.3	42.6	----	-----	-	-
1117	10/10/2023 12:25:13.3	42	----	-----	-	-
1118	10/10/2023 12:25:14.3	44.5	----	-----	-	-
1119	10/10/2023 12:25:15.3	41	----	-----	-	-
1120	10/10/2023 12:25:16.3	40.2	----	-----	-	-
1121	10/10/2023 12:25:17.3	41.6	----	-----	-	-
1122	10/10/2023 12:25:18.3	41	----	-----	-	-
1123	10/10/2023 12:25:19.3	41.2	----	-----	-	-
1124	10/10/2023 12:25:20.3	39.7	----	-----	-	-
1125	10/10/2023 12:25:21.3	39.7	----	-----	-	-

1126	10/10/2023 12:25:22.3	38.1	----	-----	-	-
1127	10/10/2023 12:25:23.3	39.7	----	-----	-	-
1128	10/10/2023 12:25:24.3	39.7	----	-----	-	-
1129	10/10/2023 12:25:25.3	47.9	----	-----	-	-
1130	10/10/2023 12:25:26.3	41	----	-----	-	-
1131	10/10/2023 12:25:27.3	43.8	----	-----	-	-
1132	10/10/2023 12:25:28.3	42.8	----	-----	-	-
1133	10/10/2023 12:25:29.3	45	----	-----	-	-
1134	10/10/2023 12:25:30.3	40.5	----	-----	-	-
1135	10/10/2023 12:25:31.3	44.7	----	-----	-	-
1136	10/10/2023 12:25:32.3	41.1	----	-----	-	-
1137	10/10/2023 12:25:33.3	40.7	----	-----	-	-
1138	10/10/2023 12:25:34.3	40.8	----	-----	-	-
1139	10/10/2023 12:25:35.3	45.2	----	-----	-	-
1140	10/10/2023 12:25:36.3	40.5	----	-----	-	-
1141	10/10/2023 12:25:37.3	40.8	----	-----	-	-
1142	10/10/2023 12:25:38.3	41.3	----	-----	-	-
1143	10/10/2023 12:25:39.3	42	----	-----	-	-
1144	10/10/2023 12:25:40.3	44	----	-----	-	-
1145	10/10/2023 12:25:41.3	45.5	----	-----	-	-
1146	10/10/2023 12:25:42.3	46.7	----	-----	-	-
1147	10/10/2023 12:25:43.3	47.1	----	-----	-	-
1148	10/10/2023 12:25:44.3	48	----	-----	-	-
1149	10/10/2023 12:25:45.3	51.2	----	-----	-	-
1150	10/10/2023 12:25:46.3	52.5	----	-----	-	-
1151	10/10/2023 12:25:47.3	59.4	----	-----	-	-
1152	10/10/2023 12:25:48.3	61.6	----	-----	-	-
1153	10/10/2023 12:25:49.3	55.1	----	-----	-	-
1154	10/10/2023 12:25:50.3	53.1	----	-----	-	-
1155	10/10/2023 12:25:51.3	53.4	----	-----	-	-
1156	10/10/2023 12:25:52.3	52.7	----	-----	-	-
1157	10/10/2023 12:25:53.3	52	----	-----	-	-
1158	10/10/2023 12:25:54.3	52.6	----	-----	-	-
1159	10/10/2023 12:25:55.3	51.9	----	-----	-	-
1160	10/10/2023 12:25:56.3	52.5	----	-----	-	-
1161	10/10/2023 12:25:57.3	49.5	----	-----	-	-
1162	10/10/2023 12:25:58.3	46.5	----	-----	-	-
1163	10/10/2023 12:25:59.3	48.3	----	-----	-	-
1164	10/10/2023 12:26:00.3	46.5	----	-----	-	-
1165	10/10/2023 12:26:01.3	48.8	----	-----	-	-
1166	10/10/2023 12:26:02.3	44.3	----	-----	-	-
1167	10/10/2023 12:26:03.3	44.8	----	-----	-	-
1168	10/10/2023 12:26:04.3	47.3	----	-----	-	-
1169	10/10/2023 12:26:05.3	47	----	-----	-	-
1170	10/10/2023 12:26:06.3	47.1	----	-----	-	-
1171	10/10/2023 12:26:07.3	45.5	----	-----	-	-
1172	10/10/2023 12:26:08.3	48	----	-----	-	-



1173	10/10/2023 12:26:09.3	43.8	----	-----	-	-
1174	10/10/2023 12:26:10.3	43.6	----	-----	-	-
1175	10/10/2023 12:26:11.3	45	----	-----	-	-
1176	10/10/2023 12:26:12.3	44.4	----	-----	-	-
1177	10/10/2023 12:26:13.3	44.9	----	-----	-	-
1178	10/10/2023 12:26:14.3	44.9	----	-----	-	-
1179	10/10/2023 12:26:15.3	44.7	----	-----	-	-
1180	10/10/2023 12:26:16.3	43.6	----	-----	-	-
1181	10/10/2023 12:26:17.3	45.5	----	-----	-	-
1182	10/10/2023 12:26:18.3	46.9	----	-----	-	-
1183	10/10/2023 12:26:19.3	48.5	----	-----	-	-
1184	10/10/2023 12:26:20.3	51.2	----	-----	-	-
1185	10/10/2023 12:26:21.3	52.9	----	-----	-	-
1186	10/10/2023 12:26:22.3	53.8	----	-----	-	-
1187	10/10/2023 12:26:23.3	55.5	----	-----	-	-
1188	10/10/2023 12:26:24.3	62	----	-----	-	-
1189	10/10/2023 12:26:25.3	71.3	----	-----	-	-
1190	10/10/2023 12:26:26.3	70.7	----	-----	-	-
1191	10/10/2023 12:26:27.3	61.2	----	-----	-	-
1192	10/10/2023 12:26:28.3	54.2	----	-----	-	-
1193	10/10/2023 12:26:29.3	50.8	----	-----	-	-
1194	10/10/2023 12:26:30.3	50.1	----	-----	-	-
1195	10/10/2023 12:26:31.3	52.4	----	-----	-	-
1196	10/10/2023 12:26:32.3	55.6	----	-----	-	-
1197	10/10/2023 12:26:33.3	64.3	----	-----	-	-
1198	10/10/2023 12:26:34.3	74.9	----	-----	-	-
1199	10/10/2023 12:26:35.3	76.1	----	-----	-	-
1200	10/10/2023 12:26:36.3	68.9	----	-----	-	-

**ST4**

Address	Start Time	Leq	Over	Under	Output Ov	Marker 1	Marker 2
1	10/10/2023 11:41:14.8	35.4	----	-----	-----	-	-
2	10/10/2023 11:41:15.8	44	----	-----	-----	-	-
3	10/10/2023 11:41:16.8	40.4	----	-----	-----	-	-
4	10/10/2023 11:41:17.8	44.4	----	-----	-----	-	-
5	10/10/2023 11:41:18.8	44	----	-----	-----	-	-
6	10/10/2023 11:41:19.8	42.3	----	-----	-----	-	-
7	10/10/2023 11:41:20.8	44.6	----	-----	-----	-	-
8	10/10/2023 11:41:21.8	44.6	----	-----	-----	-	-
9	10/10/2023 11:41:22.8	41.6	----	-----	-----	-	-
10	10/10/2023 11:41:23.8	41	----	-----	-----	-	-
11	10/10/2023 11:41:24.8	39.7	----	-----	-----	-	-
12	10/10/2023 11:41:25.8	41.6	----	-----	-----	-	-
13	10/10/2023 11:41:26.8	41.9	----	-----	-----	-	-
14	10/10/2023 11:41:27.8	42.6	----	-----	-----	-	-
15	10/10/2023 11:41:28.8	40.2	----	-----	-----	-	-
16	10/10/2023 11:41:29.8	40.4	----	-----	-----	-	-
17	10/10/2023 11:41:30.8	39.9	----	-----	-----	-	-
18	10/10/2023 11:41:31.8	40.8	----	-----	-----	-	-
19	10/10/2023 11:41:32.8	41.3	----	-----	-----	-	-
20	10/10/2023 11:41:33.8	42.2	----	-----	-----	-	-
21	10/10/2023 11:41:34.8	42.1	----	-----	-----	-	-
22	10/10/2023 11:41:35.8	39.1	----	-----	-----	-	-
23	10/10/2023 11:41:36.8	43.4	----	-----	-----	-	-
24	10/10/2023 11:41:37.8	40.7	----	-----	-----	-	-
25	10/10/2023 11:41:38.8	43.5	----	-----	-----	-	-
26	10/10/2023 11:41:39.8	43.4	----	-----	-----	-	-
27	10/10/2023 11:41:40.8	42.8	----	-----	-----	-	-
28	10/10/2023 11:41:41.8	45.7	----	-----	-----	-	-
29	10/10/2023 11:41:42.8	41.4	----	-----	-----	-	-
30	10/10/2023 11:41:43.8	44.4	----	-----	-----	-	-
31	10/10/2023 11:41:44.8	42.2	----	-----	-----	-	-
32	10/10/2023 11:41:45.8	46.3	----	-----	-----	-	-
33	10/10/2023 11:41:46.8	40.3	----	-----	-----	-	-
34	10/10/2023 11:41:47.8	43.8	----	-----	-----	-	-
35	10/10/2023 11:41:48.8	44.8	----	-----	-----	-	-
36	10/10/2023 11:41:49.8	43.1	----	-----	-----	-	-
37	10/10/2023 11:41:50.8	47.1	----	-----	-----	-	-
38	10/10/2023 11:41:51.8	41.8	----	-----	-----	-	-
39	10/10/2023 11:41:52.8	42.5	----	-----	-----	-	-
40	10/10/2023 11:41:53.8	38.7	----	-----	-----	-	-
41	10/10/2023 11:41:54.8	45.9	----	-----	-----	-	-
42	10/10/2023 11:41:55.8	38.5	----	-----	-----	-	-
43	10/10/2023 11:41:56.8	42.3	----	-----	-----	-	-
44	10/10/2023 11:41:57.8	39.7	----	-----	-----	-	-

45	10/10/2023 11:41:58.8	45.7	----	-----	-	-
46	10/10/2023 11:41:59.8	45.1	----	-----	-	-
47	10/10/2023 11:42:00.8	44.2	----	-----	-	-
48	10/10/2023 11:42:01.8	44.8	----	-----	-	-
49	10/10/2023 11:42:02.8	44.3	----	-----	-	-
50	10/10/2023 11:42:03.8	41.1	----	-----	-	-
51	10/10/2023 11:42:04.8	40.7	----	-----	-	-
52	10/10/2023 11:42:05.8	44	----	-----	-	-
53	10/10/2023 11:42:06.8	42.9	----	-----	-	-
54	10/10/2023 11:42:07.8	45	----	-----	-	-
55	10/10/2023 11:42:08.8	38.6	----	-----	-	-
56	10/10/2023 11:42:09.8	38.3	----	-----	-	-
57	10/10/2023 11:42:10.8	38	----	-----	-	-
58	10/10/2023 11:42:11.8	36.3	----	-----	-	-
59	10/10/2023 11:42:12.8	41.9	----	-----	-	-
60	10/10/2023 11:42:13.8	36.3	----	-----	-	-
61	10/10/2023 11:42:14.8	37.6	----	-----	-	-
62	10/10/2023 11:42:15.8	38.3	----	-----	-	-
63	10/10/2023 11:42:16.8	46.6	----	-----	-	-
64	10/10/2023 11:42:17.8	39	----	-----	-	-
65	10/10/2023 11:42:18.8	38	----	-----	-	-
66	10/10/2023 11:42:19.8	42	----	-----	-	-
67	10/10/2023 11:42:20.8	45	----	-----	-	-
68	10/10/2023 11:42:21.8	38.2	----	-----	-	-
69	10/10/2023 11:42:22.8	45.7	----	-----	-	-
70	10/10/2023 11:42:23.8	46.2	----	-----	-	-
71	10/10/2023 11:42:24.8	38.7	----	-----	-	-
72	10/10/2023 11:42:25.8	39.5	----	-----	-	-
73	10/10/2023 11:42:26.8	39.9	----	-----	-	-
74	10/10/2023 11:42:27.8	44.5	----	-----	-	-
75	10/10/2023 11:42:28.8	43.4	----	-----	-	-
76	10/10/2023 11:42:29.8	41.7	----	-----	-	-
77	10/10/2023 11:42:30.8	44.3	----	-----	-	-
78	10/10/2023 11:42:31.8	45.1	----	-----	-	-
79	10/10/2023 11:42:32.8	45.8	----	-----	-	-
80	10/10/2023 11:42:33.8	40.2	----	-----	-	-
81	10/10/2023 11:42:34.8	40.8	----	-----	-	-
82	10/10/2023 11:42:35.8	40.3	----	-----	-	-
83	10/10/2023 11:42:36.8	40	----	-----	-	-
84	10/10/2023 11:42:37.8	41.3	----	-----	-	-
85	10/10/2023 11:42:38.8	42.4	----	-----	-	-
86	10/10/2023 11:42:39.8	46.3	----	-----	-	-
87	10/10/2023 11:42:40.8	49.2	----	-----	-	-
88	10/10/2023 11:42:41.8	41.4	----	-----	-	-
89	10/10/2023 11:42:42.8	41.2	----	-----	-	-
90	10/10/2023 11:42:43.8	45.9	----	-----	-	-
91	10/10/2023 11:42:44.8	45	----	-----	-	-

92	10/10/2023 11:42:45.8	44.2	----	-----	-	-
93	10/10/2023 11:42:46.8	43.5	----	-----	-	-
94	10/10/2023 11:42:47.8	41.9	----	-----	-	-
95	10/10/2023 11:42:48.8	47.6	----	-----	-	-
96	10/10/2023 11:42:49.8	47.8	----	-----	-	-
97	10/10/2023 11:42:50.8	49.6	----	-----	-	-
98	10/10/2023 11:42:51.8	48	----	-----	-	-
99	10/10/2023 11:42:52.8	46.6	----	-----	-	-
100	10/10/2023 11:42:53.8	50.4	----	-----	-	-
101	10/10/2023 11:42:54.8	49.1	----	-----	-	-
102	10/10/2023 11:42:55.8	44.5	----	-----	-	-
103	10/10/2023 11:42:56.8	42.5	----	-----	-	-
104	10/10/2023 11:42:57.8	42.1	----	-----	-	-
105	10/10/2023 11:42:58.8	42.8	----	-----	-	-
106	10/10/2023 11:42:59.8	39.4	----	-----	-	-
107	10/10/2023 11:43:00.8	43.3	----	-----	-	-
108	10/10/2023 11:43:01.8	46.8	----	-----	-	-
109	10/10/2023 11:43:02.8	49.6	----	-----	-	-
110	10/10/2023 11:43:03.8	47.7	----	-----	-	-
111	10/10/2023 11:43:04.8	46.9	----	-----	-	-
112	10/10/2023 11:43:05.8	44.6	----	-----	-	-
113	10/10/2023 11:43:06.8	42.5	----	-----	-	-
114	10/10/2023 11:43:07.8	40.3	----	-----	-	-
115	10/10/2023 11:43:08.8	47.4	----	-----	-	-
116	10/10/2023 11:43:09.8	44.2	----	-----	-	-
117	10/10/2023 11:43:10.8	44.3	----	-----	-	-
118	10/10/2023 11:43:11.8	43.3	----	-----	-	-
119	10/10/2023 11:43:12.8	41.2	----	-----	-	-
120	10/10/2023 11:43:13.8	41.9	----	-----	-	-
121	10/10/2023 11:43:14.8	44.8	----	-----	-	-
122	10/10/2023 11:43:15.8	45.7	----	-----	-	-
123	10/10/2023 11:43:16.8	45.9	----	-----	-	-
124	10/10/2023 11:43:17.8	45.7	----	-----	-	-
125	10/10/2023 11:43:18.8	44.1	----	-----	-	-
126	10/10/2023 11:43:19.8	41.7	----	-----	-	-
127	10/10/2023 11:43:20.8	40.9	----	-----	-	-
128	10/10/2023 11:43:21.8	44.2	----	-----	-	-
129	10/10/2023 11:43:22.8	43.6	----	-----	-	-
130	10/10/2023 11:43:23.8	37.6	----	-----	-	-
131	10/10/2023 11:43:24.8	42.3	----	-----	-	-
132	10/10/2023 11:43:25.8	42.1	----	-----	-	-
133	10/10/2023 11:43:26.8	42.7	----	-----	-	-
134	10/10/2023 11:43:27.8	41.4	----	-----	-	-
135	10/10/2023 11:43:28.8	40.7	----	-----	-	-
136	10/10/2023 11:43:29.8	45.5	----	-----	-	-
137	10/10/2023 11:43:30.8	43.1	----	-----	-	-
138	10/10/2023 11:43:31.8	42.7	----	-----	-	-

139	10/10/2023 11:43:32.8	42.2	----	-----	-	-
140	10/10/2023 11:43:33.8	42.6	----	-----	-	-
141	10/10/2023 11:43:34.8	42.3	----	-----	-	-
142	10/10/2023 11:43:35.8	42.3	----	-----	-	-
143	10/10/2023 11:43:36.8	40	----	-----	-	-
144	10/10/2023 11:43:37.8	41.8	----	-----	-	-
145	10/10/2023 11:43:38.8	42.4	----	-----	-	-
146	10/10/2023 11:43:39.8	42.6	----	-----	-	-
147	10/10/2023 11:43:40.8	42.4	----	-----	-	-
148	10/10/2023 11:43:41.8	42.9	----	-----	-	-
149	10/10/2023 11:43:42.8	41.9	----	-----	-	-
150	10/10/2023 11:43:43.8	41	----	-----	-	-
151	10/10/2023 11:43:44.8	42.6	----	-----	-	-
152	10/10/2023 11:43:45.8	44.8	----	-----	-	-
153	10/10/2023 11:43:46.8	42.5	----	-----	-	-
154	10/10/2023 11:43:47.8	40	----	-----	-	-
155	10/10/2023 11:43:48.8	39.9	----	-----	-	-
156	10/10/2023 11:43:49.8	39.1	----	-----	-	-
157	10/10/2023 11:43:50.8	39.4	----	-----	-	-
158	10/10/2023 11:43:51.8	38.9	----	-----	-	-
159	10/10/2023 11:43:52.8	40.9	----	-----	-	-
160	10/10/2023 11:43:53.8	40	----	-----	-	-
161	10/10/2023 11:43:54.8	40.2	----	-----	-	-
162	10/10/2023 11:43:55.8	38.9	----	-----	-	-
163	10/10/2023 11:43:56.8	40	----	-----	-	-
164	10/10/2023 11:43:57.8	39.1	----	-----	-	-
165	10/10/2023 11:43:58.8	40.7	----	-----	-	-
166	10/10/2023 11:43:59.8	41.1	----	-----	-	-
167	10/10/2023 11:44:00.8	38.5	----	-----	-	-
168	10/10/2023 11:44:01.8	36.9	----	-----	-	-
169	10/10/2023 11:44:02.8	36.1	----	-----	-	-
170	10/10/2023 11:44:03.8	39.3	----	-----	-	-
171	10/10/2023 11:44:04.8	42.4	----	-----	-	-
172	10/10/2023 11:44:05.8	39.7	----	-----	-	-
173	10/10/2023 11:44:06.8	39	----	-----	-	-
174	10/10/2023 11:44:07.8	42.7	----	-----	-	-
175	10/10/2023 11:44:08.8	40.8	----	-----	-	-
176	10/10/2023 11:44:09.8	42.9	----	-----	-	-
177	10/10/2023 11:44:10.8	44.2	----	-----	-	-
178	10/10/2023 11:44:11.8	49.5	----	-----	-	-
179	10/10/2023 11:44:12.8	50.1	----	-----	-	-
180	10/10/2023 11:44:13.8	51.4	----	-----	-	-
181	10/10/2023 11:44:14.8	46.4	----	-----	-	-
182	10/10/2023 11:44:15.8	45.1	----	-----	-	-
183	10/10/2023 11:44:16.8	46.9	----	-----	-	-
184	10/10/2023 11:44:17.8	46.3	----	-----	-	-
185	10/10/2023 11:44:18.8	46.2	----	-----	-	-

186	10/10/2023 11:44:19.8	41.1	----	-----	-	-
187	10/10/2023 11:44:20.8	36.9	----	-----	-	-
188	10/10/2023 11:44:21.8	37.5	----	-----	-	-
189	10/10/2023 11:44:22.8	37.8	----	-----	-	-
190	10/10/2023 11:44:23.8	40.1	----	-----	-	-
191	10/10/2023 11:44:24.8	37	----	-----	-	-
192	10/10/2023 11:44:25.8	37.6	----	-----	-	-
193	10/10/2023 11:44:26.8	38.9	----	-----	-	-
194	10/10/2023 11:44:27.8	40.1	----	-----	-	-
195	10/10/2023 11:44:28.8	42.2	----	-----	-	-
196	10/10/2023 11:44:29.8	41.1	----	-----	-	-
197	10/10/2023 11:44:30.8	39.9	----	-----	-	-
198	10/10/2023 11:44:31.8	41.3	----	-----	-	-
199	10/10/2023 11:44:32.8	41.2	----	-----	-	-
200	10/10/2023 11:44:33.8	39.9	----	-----	-	-
201	10/10/2023 11:44:34.8	41.4	----	-----	-	-
202	10/10/2023 11:44:35.8	40.2	----	-----	-	-
203	10/10/2023 11:44:36.8	39.5	----	-----	-	-
204	10/10/2023 11:44:37.8	38	----	-----	-	-
205	10/10/2023 11:44:38.8	37	----	-----	-	-
206	10/10/2023 11:44:39.8	37.3	----	-----	-	-
207	10/10/2023 11:44:40.8	38	----	-----	-	-
208	10/10/2023 11:44:41.8	40	----	-----	-	-
209	10/10/2023 11:44:42.8	44.6	----	-----	-	-
210	10/10/2023 11:44:43.8	47.1	----	-----	-	-
211	10/10/2023 11:44:44.8	47.1	----	-----	-	-
212	10/10/2023 11:44:45.8	45.3	----	-----	-	-
213	10/10/2023 11:44:46.8	46.2	----	-----	-	-
214	10/10/2023 11:44:47.8	42.4	----	-----	-	-
215	10/10/2023 11:44:48.8	43.2	----	-----	-	-
216	10/10/2023 11:44:49.8	44.1	----	-----	-	-
217	10/10/2023 11:44:50.8	42.6	----	-----	-	-
218	10/10/2023 11:44:51.8	41.9	----	-----	-	-
219	10/10/2023 11:44:52.8	42.1	----	-----	-	-
220	10/10/2023 11:44:53.8	39.8	----	-----	-	-
221	10/10/2023 11:44:54.8	43.2	----	-----	-	-
222	10/10/2023 11:44:55.8	42.6	----	-----	-	-
223	10/10/2023 11:44:56.8	41.6	----	-----	-	-
224	10/10/2023 11:44:57.8	41	----	-----	-	-
225	10/10/2023 11:44:58.8	40.4	----	-----	-	-
226	10/10/2023 11:44:59.8	42.7	----	-----	-	-
227	10/10/2023 11:45:00.8	40.9	----	-----	-	-
228	10/10/2023 11:45:01.8	41.6	----	-----	-	-
229	10/10/2023 11:45:02.8	41.9	----	-----	-	-
230	10/10/2023 11:45:03.8	41.7	----	-----	-	-
231	10/10/2023 11:45:04.8	39.8	----	-----	-	-
232	10/10/2023 11:45:05.8	40.2	----	-----	-	-

233	10/10/2023 11:45:06.8	39.8	----	-----	-	-
234	10/10/2023 11:45:07.8	39.2	----	-----	-	-
235	10/10/2023 11:45:08.8	41.1	----	-----	-	-
236	10/10/2023 11:45:09.8	40.9	----	-----	-	-
237	10/10/2023 11:45:10.8	42.4	----	-----	-	-
238	10/10/2023 11:45:11.8	40.9	----	-----	-	-
239	10/10/2023 11:45:12.8	42.9	----	-----	-	-
240	10/10/2023 11:45:13.8	42.2	----	-----	-	-
241	10/10/2023 11:45:14.8	40.4	----	-----	-	-
242	10/10/2023 11:45:15.8	44.8	----	-----	-	-
243	10/10/2023 11:45:16.8	44.7	----	-----	-	-
244	10/10/2023 11:45:17.8	42.6	----	-----	-	-
245	10/10/2023 11:45:18.8	45	----	-----	-	-
246	10/10/2023 11:45:19.8	44	----	-----	-	-
247	10/10/2023 11:45:20.8	43.6	----	-----	-	-
248	10/10/2023 11:45:21.8	43.2	----	-----	-	-
249	10/10/2023 11:45:22.8	44.1	----	-----	-	-
250	10/10/2023 11:45:23.8	41.1	----	-----	-	-
251	10/10/2023 11:45:24.8	40.5	----	-----	-	-
252	10/10/2023 11:45:25.8	40.5	----	-----	-	-
253	10/10/2023 11:45:26.8	42.5	----	-----	-	-
254	10/10/2023 11:45:27.8	44.2	----	-----	-	-
255	10/10/2023 11:45:28.8	43.9	----	-----	-	-
256	10/10/2023 11:45:29.8	44.1	----	-----	-	-
257	10/10/2023 11:45:30.8	46.7	----	-----	-	-
258	10/10/2023 11:45:31.8	45	----	-----	-	-
259	10/10/2023 11:45:32.8	42.5	----	-----	-	-
260	10/10/2023 11:45:33.8	40.7	----	-----	-	-
261	10/10/2023 11:45:34.8	44.4	----	-----	-	-
262	10/10/2023 11:45:35.8	47.6	----	-----	-	-
263	10/10/2023 11:45:36.8	48.9	----	-----	-	-
264	10/10/2023 11:45:37.8	51.2	----	-----	-	-
265	10/10/2023 11:45:38.8	50.6	----	-----	-	-
266	10/10/2023 11:45:39.8	51	----	-----	-	-
267	10/10/2023 11:45:40.8	47.9	----	-----	-	-
268	10/10/2023 11:45:41.8	45.6	----	-----	-	-
269	10/10/2023 11:45:42.8	44.7	----	-----	-	-
270	10/10/2023 11:45:43.8	50.7	----	-----	-	-
271	10/10/2023 11:45:44.8	48.2	----	-----	-	-
272	10/10/2023 11:45:45.8	46	----	-----	-	-
273	10/10/2023 11:45:46.8	44.5	----	-----	-	-
274	10/10/2023 11:45:47.8	42.2	----	-----	-	-
275	10/10/2023 11:45:48.8	42.4	----	-----	-	-
276	10/10/2023 11:45:49.8	44.2	----	-----	-	-
277	10/10/2023 11:45:50.8	42.9	----	-----	-	-
278	10/10/2023 11:45:51.8	47.4	----	-----	-	-
279	10/10/2023 11:45:52.8	41.9	----	-----	-	-

280	10/10/2023 11:45:53.8	40.2	----	-----	-	-
281	10/10/2023 11:45:54.8	46.4	----	-----	-	-
282	10/10/2023 11:45:55.8	45.9	----	-----	-	-
283	10/10/2023 11:45:56.8	51.4	----	-----	-	-
284	10/10/2023 11:45:57.8	54.3	----	-----	-	-
285	10/10/2023 11:45:58.8	58.1	----	-----	-	-
286	10/10/2023 11:45:59.8	58.3	----	-----	-	-
287	10/10/2023 11:46:00.8	59.8	----	-----	-	-
288	10/10/2023 11:46:01.8	58.7	----	-----	-	-
289	10/10/2023 11:46:02.8	55.6	----	-----	-	-
290	10/10/2023 11:46:03.8	54.2	----	-----	-	-
291	10/10/2023 11:46:04.8	57.7	----	-----	-	-
292	10/10/2023 11:46:05.8	57.6	----	-----	-	-
293	10/10/2023 11:46:06.8	53.9	----	-----	-	-
294	10/10/2023 11:46:07.8	50.8	----	-----	-	-
295	10/10/2023 11:46:08.8	49	----	-----	-	-
296	10/10/2023 11:46:09.8	47.3	----	-----	-	-
297	10/10/2023 11:46:10.8	48.3	----	-----	-	-
298	10/10/2023 11:46:11.8	49.3	----	-----	-	-
299	10/10/2023 11:46:12.8	50	----	-----	-	-
300	10/10/2023 11:46:13.8	51	----	-----	-	-
301	10/10/2023 11:46:14.8	48.9	----	-----	-	-
302	10/10/2023 11:46:15.8	50.6	----	-----	-	-
303	10/10/2023 11:46:16.8	50	----	-----	-	-
304	10/10/2023 11:46:17.8	50	----	-----	-	-
305	10/10/2023 11:46:18.8	48.1	----	-----	-	-
306	10/10/2023 11:46:19.8	51.2	----	-----	-	-
307	10/10/2023 11:46:20.8	56.5	----	-----	-	-
308	10/10/2023 11:46:21.8	55.3	----	-----	-	-
309	10/10/2023 11:46:22.8	55.9	----	-----	-	-
310	10/10/2023 11:46:23.8	54.1	----	-----	-	-
311	10/10/2023 11:46:24.8	51.1	----	-----	-	-
312	10/10/2023 11:46:25.8	52.7	----	-----	-	-
313	10/10/2023 11:46:26.8	47.2	----	-----	-	-
314	10/10/2023 11:46:27.8	47.5	----	-----	-	-
315	10/10/2023 11:46:28.8	44	----	-----	-	-
316	10/10/2023 11:46:29.8	45.8	----	-----	-	-
317	10/10/2023 11:46:30.8	53.1	----	-----	-	-
318	10/10/2023 11:46:31.8	54.4	----	-----	-	-
319	10/10/2023 11:46:32.8	50.7	----	-----	-	-
320	10/10/2023 11:46:33.8	54.6	----	-----	-	-
321	10/10/2023 11:46:34.8	58	----	-----	-	-
322	10/10/2023 11:46:35.8	54.6	----	-----	-	-
323	10/10/2023 11:46:36.8	52.2	----	-----	-	-
324	10/10/2023 11:46:37.8	53	----	-----	-	-
325	10/10/2023 11:46:38.8	55.4	----	-----	-	-
326	10/10/2023 11:46:39.8	57	----	-----	-	-



327	10/10/2023 11:46:40.8	53.6	----	-----	-	-
328	10/10/2023 11:46:41.8	53.3	----	-----	-	-
329	10/10/2023 11:46:42.8	51	----	-----	-	-
330	10/10/2023 11:46:43.8	47.8	----	-----	-	-
331	10/10/2023 11:46:44.8	49	----	-----	-	-
332	10/10/2023 11:46:45.8	50.8	----	-----	-	-
333	10/10/2023 11:46:46.8	49.4	----	-----	-	-
334	10/10/2023 11:46:47.8	47.8	----	-----	-	-
335	10/10/2023 11:46:48.8	49.4	----	-----	-	-
336	10/10/2023 11:46:49.8	50.1	----	-----	-	-
337	10/10/2023 11:46:50.8	48.3	----	-----	-	-
338	10/10/2023 11:46:51.8	49.3	----	-----	-	-
339	10/10/2023 11:46:52.8	50.3	----	-----	-	-
340	10/10/2023 11:46:53.8	52.8	----	-----	-	-
341	10/10/2023 11:46:54.8	54.7	----	-----	-	-
342	10/10/2023 11:46:55.8	53.6	----	-----	-	-
343	10/10/2023 11:46:56.8	51.3	----	-----	-	-
344	10/10/2023 11:46:57.8	50	----	-----	-	-
345	10/10/2023 11:46:58.8	51.7	----	-----	-	-
346	10/10/2023 11:46:59.8	48.5	----	-----	-	-
347	10/10/2023 11:47:00.8	50.4	----	-----	-	-
348	10/10/2023 11:47:01.8	52.3	----	-----	-	-
349	10/10/2023 11:47:02.8	49.8	----	-----	-	-
350	10/10/2023 11:47:03.8	44.5	----	-----	-	-
351	10/10/2023 11:47:04.8	46.2	----	-----	-	-
352	10/10/2023 11:47:05.8	45.3	----	-----	-	-
353	10/10/2023 11:47:06.8	43.1	----	-----	-	-
354	10/10/2023 11:47:07.8	42.9	----	-----	-	-
355	10/10/2023 11:47:08.8	47.9	----	-----	-	-
356	10/10/2023 11:47:09.8	48.3	----	-----	-	-
357	10/10/2023 11:47:10.8	49.4	----	-----	-	-
358	10/10/2023 11:47:11.8	47.3	----	-----	-	-
359	10/10/2023 11:47:12.8	52	----	-----	-	-
360	10/10/2023 11:47:13.8	51.9	----	-----	-	-
361	10/10/2023 11:47:14.8	52.4	----	-----	-	-
362	10/10/2023 11:47:15.8	48.1	----	-----	-	-
363	10/10/2023 11:47:16.8	46.5	----	-----	-	-
364	10/10/2023 11:47:17.8	48.1	----	-----	-	-
365	10/10/2023 11:47:18.8	52	----	-----	-	-
366	10/10/2023 11:47:19.8	51.8	----	-----	-	-
367	10/10/2023 11:47:20.8	49.5	----	-----	-	-
368	10/10/2023 11:47:21.8	48.4	----	-----	-	-
369	10/10/2023 11:47:22.8	47.3	----	-----	-	-
370	10/10/2023 11:47:23.8	47.1	----	-----	-	-
371	10/10/2023 11:47:24.8	49	----	-----	-	-
372	10/10/2023 11:47:25.8	51.9	----	-----	-	-
373	10/10/2023 11:47:26.8	47.9	----	-----	-	-

374	10/10/2023 11:47:27.8	45.8	----	-----	-	-
375	10/10/2023 11:47:28.8	51.7	----	-----	-	-
376	10/10/2023 11:47:29.8	49.8	----	-----	-	-
377	10/10/2023 11:47:30.8	50.7	----	-----	-	-
378	10/10/2023 11:47:31.8	48.1	----	-----	-	-
379	10/10/2023 11:47:32.8	48.7	----	-----	-	-
380	10/10/2023 11:47:33.8	47.9	----	-----	-	-
381	10/10/2023 11:47:34.8	48.1	----	-----	-	-
382	10/10/2023 11:47:35.8	44.5	----	-----	-	-
383	10/10/2023 11:47:36.8	44.1	----	-----	-	-
384	10/10/2023 11:47:37.8	45.3	----	-----	-	-
385	10/10/2023 11:47:38.8	41.6	----	-----	-	-
386	10/10/2023 11:47:39.8	42.5	----	-----	-	-
387	10/10/2023 11:47:40.8	46	----	-----	-	-
388	10/10/2023 11:47:41.8	46.6	----	-----	-	-
389	10/10/2023 11:47:42.8	46.4	----	-----	-	-
390	10/10/2023 11:47:43.8	50.8	----	-----	-	-
391	10/10/2023 11:47:44.8	50.4	----	-----	-	-
392	10/10/2023 11:47:45.8	51.5	----	-----	-	-
393	10/10/2023 11:47:46.8	50.4	----	-----	-	-
394	10/10/2023 11:47:47.8	50.6	----	-----	-	-
395	10/10/2023 11:47:48.8	53.4	----	-----	-	-
396	10/10/2023 11:47:49.8	47.2	----	-----	-	-
397	10/10/2023 11:47:50.8	47.3	----	-----	-	-
398	10/10/2023 11:47:51.8	45.6	----	-----	-	-
399	10/10/2023 11:47:52.8	48.6	----	-----	-	-
400	10/10/2023 11:47:53.8	48.7	----	-----	-	-
401	10/10/2023 11:47:54.8	49.1	----	-----	-	-
402	10/10/2023 11:47:55.8	54.2	----	-----	-	-
403	10/10/2023 11:47:56.8	52	----	-----	-	-
404	10/10/2023 11:47:57.8	50.6	----	-----	-	-
405	10/10/2023 11:47:58.8	50.8	----	-----	-	-
406	10/10/2023 11:47:59.8	54.9	----	-----	-	-
407	10/10/2023 11:48:00.8	53.7	----	-----	-	-
408	10/10/2023 11:48:01.8	51	----	-----	-	-
409	10/10/2023 11:48:02.8	50.2	----	-----	-	-
410	10/10/2023 11:48:03.8	54.7	----	-----	-	-
411	10/10/2023 11:48:04.8	51.8	----	-----	-	-
412	10/10/2023 11:48:05.8	51.6	----	-----	-	-
413	10/10/2023 11:48:06.8	51.8	----	-----	-	-
414	10/10/2023 11:48:07.8	48.1	----	-----	-	-
415	10/10/2023 11:48:08.8	46.5	----	-----	-	-
416	10/10/2023 11:48:09.8	48.7	----	-----	-	-
417	10/10/2023 11:48:10.8	52	----	-----	-	-
418	10/10/2023 11:48:11.8	49.8	----	-----	-	-
419	10/10/2023 11:48:12.8	49.8	----	-----	-	-
420	10/10/2023 11:48:13.8	45.1	----	-----	-	-

421	10/10/2023 11:48:14.8	41.7	----	-----	-	-
422	10/10/2023 11:48:15.8	43.2	----	-----	-	-
423	10/10/2023 11:48:16.8	47.1	----	-----	-	-
424	10/10/2023 11:48:17.8	45.8	----	-----	-	-
425	10/10/2023 11:48:18.8	43.5	----	-----	-	-
426	10/10/2023 11:48:19.8	45.9	----	-----	-	-
427	10/10/2023 11:48:20.8	47.5	----	-----	-	-
428	10/10/2023 11:48:21.8	47.1	----	-----	-	-
429	10/10/2023 11:48:22.8	50.1	----	-----	-	-
430	10/10/2023 11:48:23.8	48.7	----	-----	-	-
431	10/10/2023 11:48:24.8	46.2	----	-----	-	-
432	10/10/2023 11:48:25.8	45.7	----	-----	-	-
433	10/10/2023 11:48:26.8	45.3	----	-----	-	-
434	10/10/2023 11:48:27.8	43.3	----	-----	-	-
435	10/10/2023 11:48:28.8	43.7	----	-----	-	-
436	10/10/2023 11:48:29.8	46.5	----	-----	-	-
437	10/10/2023 11:48:30.8	45.1	----	-----	-	-
438	10/10/2023 11:48:31.8	45.1	----	-----	-	-
439	10/10/2023 11:48:32.8	41.9	----	-----	-	-
440	10/10/2023 11:48:33.8	43.2	----	-----	-	-
441	10/10/2023 11:48:34.8	43.4	----	-----	-	-
442	10/10/2023 11:48:35.8	44.6	----	-----	-	-
443	10/10/2023 11:48:36.8	44.4	----	-----	-	-
444	10/10/2023 11:48:37.8	44.2	----	-----	-	-
445	10/10/2023 11:48:38.8	45.1	----	-----	-	-
446	10/10/2023 11:48:39.8	45.4	----	-----	-	-
447	10/10/2023 11:48:40.8	46.2	----	-----	-	-
448	10/10/2023 11:48:41.8	46.3	----	-----	-	-
449	10/10/2023 11:48:42.8	45.6	----	-----	-	-
450	10/10/2023 11:48:43.8	46.3	----	-----	-	-
451	10/10/2023 11:48:44.8	44.6	----	-----	-	-
452	10/10/2023 11:48:45.8	43.2	----	-----	-	-
453	10/10/2023 11:48:46.8	41.7	----	-----	-	-
454	10/10/2023 11:48:47.8	45.1	----	-----	-	-
455	10/10/2023 11:48:48.8	43.4	----	-----	-	-
456	10/10/2023 11:48:49.8	43	----	-----	-	-
457	10/10/2023 11:48:50.8	43.5	----	-----	-	-
458	10/10/2023 11:48:51.8	40.4	----	-----	-	-
459	10/10/2023 11:48:52.8	42.6	----	-----	-	-
460	10/10/2023 11:48:53.8	41.6	----	-----	-	-
461	10/10/2023 11:48:54.8	41.6	----	-----	-	-
462	10/10/2023 11:48:55.8	45.8	----	-----	-	-
463	10/10/2023 11:48:56.8	43.6	----	-----	-	-
464	10/10/2023 11:48:57.8	41.8	----	-----	-	-
465	10/10/2023 11:48:58.8	42.6	----	-----	-	-
466	10/10/2023 11:48:59.8	43.2	----	-----	-	-
467	10/10/2023 11:49:00.8	42.3	----	-----	-	-

468	10/10/2023 11:49:01.8	41.9	----	-----	-	-
469	10/10/2023 11:49:02.8	42.2	----	-----	-	-
470	10/10/2023 11:49:03.8	43.3	----	-----	-	-
471	10/10/2023 11:49:04.8	41.8	----	-----	-	-
472	10/10/2023 11:49:05.8	43.1	----	-----	-	-
473	10/10/2023 11:49:06.8	42.9	----	-----	-	-
474	10/10/2023 11:49:07.8	43.3	----	-----	-	-
475	10/10/2023 11:49:08.8	42.6	----	-----	-	-
476	10/10/2023 11:49:09.8	42.5	----	-----	-	-
477	10/10/2023 11:49:10.8	42.9	----	-----	-	-
478	10/10/2023 11:49:11.8	43.4	----	-----	-	-
479	10/10/2023 11:49:12.8	43.2	----	-----	-	-
480	10/10/2023 11:49:13.8	44.2	----	-----	-	-
481	10/10/2023 11:49:14.8	44.3	----	-----	-	-
482	10/10/2023 11:49:15.8	45.9	----	-----	-	-
483	10/10/2023 11:49:16.8	44	----	-----	-	-
484	10/10/2023 11:49:17.8	42.6	----	-----	-	-
485	10/10/2023 11:49:18.8	41.1	----	-----	-	-
486	10/10/2023 11:49:19.8	41.9	----	-----	-	-
487	10/10/2023 11:49:20.8	45.4	----	-----	-	-
488	10/10/2023 11:49:21.8	42.5	----	-----	-	-
489	10/10/2023 11:49:22.8	43.1	----	-----	-	-
490	10/10/2023 11:49:23.8	41.4	----	-----	-	-
491	10/10/2023 11:49:24.8	43.1	----	-----	-	-
492	10/10/2023 11:49:25.8	42.7	----	-----	-	-
493	10/10/2023 11:49:26.8	43.4	----	-----	-	-
494	10/10/2023 11:49:27.8	46.7	----	-----	-	-
495	10/10/2023 11:49:28.8	44.8	----	-----	-	-
496	10/10/2023 11:49:29.8	44.3	----	-----	-	-
497	10/10/2023 11:49:30.8	46.2	----	-----	-	-
498	10/10/2023 11:49:31.8	45.7	----	-----	-	-
499	10/10/2023 11:49:32.8	45.4	----	-----	-	-
500	10/10/2023 11:49:33.8	51.3	----	-----	-	-
501	10/10/2023 11:49:34.8	50	----	-----	-	-
502	10/10/2023 11:49:35.8	40.5	----	-----	-	-
503	10/10/2023 11:49:36.8	43.2	----	-----	-	-
504	10/10/2023 11:49:37.8	44.6	----	-----	-	-
505	10/10/2023 11:49:38.8	45.5	----	-----	-	-
506	10/10/2023 11:49:39.8	43.9	----	-----	-	-
507	10/10/2023 11:49:40.8	42.5	----	-----	-	-
508	10/10/2023 11:49:41.8	44.1	----	-----	-	-
509	10/10/2023 11:49:42.8	41.2	----	-----	-	-
510	10/10/2023 11:49:43.8	43.5	----	-----	-	-
511	10/10/2023 11:49:44.8	42	----	-----	-	-
512	10/10/2023 11:49:45.8	40.7	----	-----	-	-
513	10/10/2023 11:49:46.8	40.8	----	-----	-	-
514	10/10/2023 11:49:47.8	39.8	----	-----	-	-

515	10/10/2023 11:49:48.8	41.3	----	-----	-	-
516	10/10/2023 11:49:49.8	40.6	----	-----	-	-
517	10/10/2023 11:49:50.8	40.5	----	-----	-	-
518	10/10/2023 11:49:51.8	42.1	----	-----	-	-
519	10/10/2023 11:49:52.8	42.1	----	-----	-	-
520	10/10/2023 11:49:53.8	42.8	----	-----	-	-
521	10/10/2023 11:49:54.8	44.6	----	-----	-	-
522	10/10/2023 11:49:55.8	44.2	----	-----	-	-
523	10/10/2023 11:49:56.8	41.8	----	-----	-	-
524	10/10/2023 11:49:57.8	40.4	----	-----	-	-
525	10/10/2023 11:49:58.8	39.4	----	-----	-	-
526	10/10/2023 11:49:59.8	41.9	----	-----	-	-
527	10/10/2023 11:50:00.8	41.4	----	-----	-	-
528	10/10/2023 11:50:01.8	37.4	----	-----	-	-
529	10/10/2023 11:50:02.8	37.1	----	-----	-	-
530	10/10/2023 11:50:03.8	38.7	----	-----	-	-
531	10/10/2023 11:50:04.8	43.2	----	-----	-	-
532	10/10/2023 11:50:05.8	39.2	----	-----	-	-
533	10/10/2023 11:50:06.8	37	----	-----	-	-
534	10/10/2023 11:50:07.8	40.8	----	-----	-	-
535	10/10/2023 11:50:08.8	51.3	----	-----	-	-
536	10/10/2023 11:50:09.8	54.2	----	-----	-	-
537	10/10/2023 11:50:10.8	50.4	----	-----	-	-
538	10/10/2023 11:50:11.8	47.7	----	-----	-	-
539	10/10/2023 11:50:12.8	42.4	----	-----	-	-
540	10/10/2023 11:50:13.8	40.4	----	-----	-	-
541	10/10/2023 11:50:14.8	41.3	----	-----	-	-
542	10/10/2023 11:50:15.8	44.8	----	-----	-	-
543	10/10/2023 11:50:16.8	45.8	----	-----	-	-
544	10/10/2023 11:50:17.8	50.9	----	-----	-	-
545	10/10/2023 11:50:18.8	50.8	----	-----	-	-
546	10/10/2023 11:50:19.8	49.8	----	-----	-	-
547	10/10/2023 11:50:20.8	50.1	----	-----	-	-
548	10/10/2023 11:50:21.8	49.5	----	-----	-	-
549	10/10/2023 11:50:22.8	45.9	----	-----	-	-
550	10/10/2023 11:50:23.8	44.9	----	-----	-	-
551	10/10/2023 11:50:24.8	45.3	----	-----	-	-
552	10/10/2023 11:50:25.8	45.8	----	-----	-	-
553	10/10/2023 11:50:26.8	45.3	----	-----	-	-
554	10/10/2023 11:50:27.8	45.2	----	-----	-	-
555	10/10/2023 11:50:28.8	43.9	----	-----	-	-
556	10/10/2023 11:50:29.8	46.7	----	-----	-	-
557	10/10/2023 11:50:30.8	43.9	----	-----	-	-
558	10/10/2023 11:50:31.8	41.2	----	-----	-	-
559	10/10/2023 11:50:32.8	39	----	-----	-	-
560	10/10/2023 11:50:33.8	39.5	----	-----	-	-
561	10/10/2023 11:50:34.8	37.7	----	-----	-	-

562	10/10/2023 11:50:35.8	37.3	----	-----	-	-
563	10/10/2023 11:50:36.8	40	----	-----	-	-
564	10/10/2023 11:50:37.8	39.4	----	-----	-	-
565	10/10/2023 11:50:38.8	39	----	-----	-	-
566	10/10/2023 11:50:39.8	39.2	----	-----	-	-
567	10/10/2023 11:50:40.8	38.3	----	-----	-	-
568	10/10/2023 11:50:41.8	36.5	----	-----	-	-
569	10/10/2023 11:50:42.8	39.7	----	-----	-	-
570	10/10/2023 11:50:43.8	40.4	----	-----	-	-
571	10/10/2023 11:50:44.8	38.9	----	-----	-	-
572	10/10/2023 11:50:45.8	37.6	----	-----	-	-
573	10/10/2023 11:50:46.8	37.9	----	-----	-	-
574	10/10/2023 11:50:47.8	36.9	----	-----	-	-
575	10/10/2023 11:50:48.8	37.2	----	-----	-	-
576	10/10/2023 11:50:49.8	39.4	----	-----	-	-
577	10/10/2023 11:50:50.8	38.3	----	-----	-	-
578	10/10/2023 11:50:51.8	39.9	----	-----	-	-
579	10/10/2023 11:50:52.8	41.8	----	-----	-	-
580	10/10/2023 11:50:53.8	43.4	----	-----	-	-
581	10/10/2023 11:50:54.8	45.2	----	-----	-	-
582	10/10/2023 11:50:55.8	44	----	-----	-	-
583	10/10/2023 11:50:56.8	43.7	----	-----	-	-
584	10/10/2023 11:50:57.8	42.4	----	-----	-	-
585	10/10/2023 11:50:58.8	42.4	----	-----	-	-
586	10/10/2023 11:50:59.8	40.7	----	-----	-	-
587	10/10/2023 11:51:00.8	41.6	----	-----	-	-
588	10/10/2023 11:51:01.8	40.9	----	-----	-	-
589	10/10/2023 11:51:02.8	41.1	----	-----	-	-
590	10/10/2023 11:51:03.8	39.5	----	-----	-	-
591	10/10/2023 11:51:04.8	40.1	----	-----	-	-
592	10/10/2023 11:51:05.8	39.4	----	-----	-	-
593	10/10/2023 11:51:06.8	40.3	----	-----	-	-
594	10/10/2023 11:51:07.8	38.9	----	-----	-	-
595	10/10/2023 11:51:08.8	38.9	----	-----	-	-
596	10/10/2023 11:51:09.8	39.6	----	-----	-	-
597	10/10/2023 11:51:10.8	41.2	----	-----	-	-
598	10/10/2023 11:51:11.8	37.8	----	-----	-	-
599	10/10/2023 11:51:12.8	38.5	----	-----	-	-
600	10/10/2023 11:51:13.8	39.3	----	-----	-	-
601	10/10/2023 11:51:14.8	40.1	----	-----	-	-
602	10/10/2023 11:51:15.8	39.3	----	-----	-	-
603	10/10/2023 11:51:16.8	37.5	----	-----	-	-
604	10/10/2023 11:51:17.8	38.7	----	-----	-	-
605	10/10/2023 11:51:18.8	38.8	----	-----	-	-
606	10/10/2023 11:51:19.8	37.7	----	-----	-	-
607	10/10/2023 11:51:20.8	39.7	----	-----	-	-
608	10/10/2023 11:51:21.8	37.1	----	-----	-	-

609	10/10/2023 11:51:22.8	37	----	-----	-	-
610	10/10/2023 11:51:23.8	36.6	----	-----	-	-
611	10/10/2023 11:51:24.8	37.1	----	-----	-	-
612	10/10/2023 11:51:25.8	36.3	----	-----	-	-
613	10/10/2023 11:51:26.8	38.6	----	-----	-	-
614	10/10/2023 11:51:27.8	41.4	----	-----	-	-
615	10/10/2023 11:51:28.8	38	----	-----	-	-
616	10/10/2023 11:51:29.8	38.9	----	-----	-	-
617	10/10/2023 11:51:30.8	39.6	----	-----	-	-
618	10/10/2023 11:51:31.8	40	----	-----	-	-
619	10/10/2023 11:51:32.8	42.5	----	-----	-	-
620	10/10/2023 11:51:33.8	42.7	----	-----	-	-
621	10/10/2023 11:51:34.8	41.7	----	-----	-	-
622	10/10/2023 11:51:35.8	44.8	----	-----	-	-
623	10/10/2023 11:51:36.8	45.3	----	-----	-	-
624	10/10/2023 11:51:37.8	41.8	----	-----	-	-
625	10/10/2023 11:51:38.8	43.9	----	-----	-	-
626	10/10/2023 11:51:39.8	43.5	----	-----	-	-
627	10/10/2023 11:51:40.8	44.5	----	-----	-	-
628	10/10/2023 11:51:41.8	43.4	----	-----	-	-
629	10/10/2023 11:51:42.8	43.3	----	-----	-	-
630	10/10/2023 11:51:43.8	42.6	----	-----	-	-
631	10/10/2023 11:51:44.8	42.3	----	-----	-	-
632	10/10/2023 11:51:45.8	42.7	----	-----	-	-
633	10/10/2023 11:51:46.8	43.1	----	-----	-	-
634	10/10/2023 11:51:47.8	42.5	----	-----	-	-
635	10/10/2023 11:51:48.8	41.4	----	-----	-	-
636	10/10/2023 11:51:49.8	41.5	----	-----	-	-
637	10/10/2023 11:51:50.8	43.3	----	-----	-	-
638	10/10/2023 11:51:51.8	42.8	----	-----	-	-
639	10/10/2023 11:51:52.8	40.2	----	-----	-	-
640	10/10/2023 11:51:53.8	37.2	----	-----	-	-
641	10/10/2023 11:51:54.8	36.8	----	-----	-	-
642	10/10/2023 11:51:55.8	38.7	----	-----	-	-
643	10/10/2023 11:51:56.8	37.5	----	-----	-	-
644	10/10/2023 11:51:57.8	38.6	----	-----	-	-
645	10/10/2023 11:51:58.8	39.3	----	-----	-	-
646	10/10/2023 11:51:59.8	39.7	----	-----	-	-
647	10/10/2023 11:52:00.8	37.3	----	-----	-	-
648	10/10/2023 11:52:01.8	37.5	----	-----	-	-
649	10/10/2023 11:52:02.8	37.1	----	-----	-	-
650	10/10/2023 11:52:03.8	37.8	----	-----	-	-
651	10/10/2023 11:52:04.8	38.4	----	-----	-	-
652	10/10/2023 11:52:05.8	43.1	----	-----	-	-
653	10/10/2023 11:52:06.8	46.8	----	-----	-	-
654	10/10/2023 11:52:07.8	47.5	----	-----	-	-
655	10/10/2023 11:52:08.8	48.5	----	-----	-	-

656	10/10/2023 11:52:09.8	47.4	----	-----	-	-
657	10/10/2023 11:52:10.8	46.6	----	-----	-	-
658	10/10/2023 11:52:11.8	47.2	----	-----	-	-
659	10/10/2023 11:52:12.8	42.5	----	-----	-	-
660	10/10/2023 11:52:13.8	40.6	----	-----	-	-
661	10/10/2023 11:52:14.8	46	----	-----	-	-
662	10/10/2023 11:52:15.8	46.2	----	-----	-	-
663	10/10/2023 11:52:16.8	47.8	----	-----	-	-
664	10/10/2023 11:52:17.8	48.2	----	-----	-	-
665	10/10/2023 11:52:18.8	44.1	----	-----	-	-
666	10/10/2023 11:52:19.8	41	----	-----	-	-
667	10/10/2023 11:52:20.8	44.6	----	-----	-	-
668	10/10/2023 11:52:21.8	48	----	-----	-	-
669	10/10/2023 11:52:22.8	48.4	----	-----	-	-
670	10/10/2023 11:52:23.8	48.1	----	-----	-	-
671	10/10/2023 11:52:24.8	48.2	----	-----	-	-
672	10/10/2023 11:52:25.8	48.7	----	-----	-	-
673	10/10/2023 11:52:26.8	48.2	----	-----	-	-
674	10/10/2023 11:52:27.8	48.1	----	-----	-	-
675	10/10/2023 11:52:28.8	47.5	----	-----	-	-
676	10/10/2023 11:52:29.8	46.9	----	-----	-	-
677	10/10/2023 11:52:30.8	47.7	----	-----	-	-
678	10/10/2023 11:52:31.8	47.6	----	-----	-	-
679	10/10/2023 11:52:32.8	46.1	----	-----	-	-
680	10/10/2023 11:52:33.8	45.6	----	-----	-	-
681	10/10/2023 11:52:34.8	45.6	----	-----	-	-
682	10/10/2023 11:52:35.8	44.6	----	-----	-	-
683	10/10/2023 11:52:36.8	43.9	----	-----	-	-
684	10/10/2023 11:52:37.8	42.5	----	-----	-	-
685	10/10/2023 11:52:38.8	40.5	----	-----	-	-
686	10/10/2023 11:52:39.8	41.4	----	-----	-	-
687	10/10/2023 11:52:40.8	39.5	----	-----	-	-
688	10/10/2023 11:52:41.8	38	----	-----	-	-
689	10/10/2023 11:52:42.8	37.5	----	-----	-	-
690	10/10/2023 11:52:43.8	37.4	----	-----	-	-
691	10/10/2023 11:52:44.8	37.1	----	-----	-	-
692	10/10/2023 11:52:45.8	37.3	----	-----	-	-
693	10/10/2023 11:52:46.8	38.6	----	-----	-	-
694	10/10/2023 11:52:47.8	38.8	----	-----	-	-
695	10/10/2023 11:52:48.8	38	----	-----	-	-
696	10/10/2023 11:52:49.8	39.7	----	-----	-	-
697	10/10/2023 11:52:50.8	38.3	----	-----	-	-
698	10/10/2023 11:52:51.8	37.6	----	-----	-	-
699	10/10/2023 11:52:52.8	38.3	----	-----	-	-
700	10/10/2023 11:52:53.8	39.6	----	-----	-	-
701	10/10/2023 11:52:54.8	38.1	----	-----	-	-
702	10/10/2023 11:52:55.8	41.7	----	-----	-	-



703	10/10/2023 11:52:56.8	40.6	----	-----	-	-
704	10/10/2023 11:52:57.8	38	----	-----	-	-
705	10/10/2023 11:52:58.8	39.9	----	-----	-	-
706	10/10/2023 11:52:59.8	39.9	----	-----	-	-
707	10/10/2023 11:53:00.8	39.1	----	-----	-	-
708	10/10/2023 11:53:01.8	42.3	----	-----	-	-
709	10/10/2023 11:53:02.8	44.7	----	-----	-	-
710	10/10/2023 11:53:03.8	45.2	----	-----	-	-
711	10/10/2023 11:53:04.8	42.6	----	-----	-	-
712	10/10/2023 11:53:05.8	39.5	----	-----	-	-
713	10/10/2023 11:53:06.8	41.1	----	-----	-	-
714	10/10/2023 11:53:07.8	44.5	----	-----	-	-
715	10/10/2023 11:53:08.8	48.5	----	-----	-	-
716	10/10/2023 11:53:09.8	48.4	----	-----	-	-
717	10/10/2023 11:53:10.8	48.8	----	-----	-	-
718	10/10/2023 11:53:11.8	46.1	----	-----	-	-
719	10/10/2023 11:53:12.8	40.3	----	-----	-	-
720	10/10/2023 11:53:13.8	40.6	----	-----	-	-
721	10/10/2023 11:53:14.8	47.4	----	-----	-	-
722	10/10/2023 11:53:15.8	46	----	-----	-	-
723	10/10/2023 11:53:16.8	45.1	----	-----	-	-
724	10/10/2023 11:53:17.8	45.9	----	-----	-	-
725	10/10/2023 11:53:18.8	42.4	----	-----	-	-
726	10/10/2023 11:53:19.8	46.9	----	-----	-	-
727	10/10/2023 11:53:20.8	49.3	----	-----	-	-
728	10/10/2023 11:53:21.8	45.5	----	-----	-	-
729	10/10/2023 11:53:22.8	41.2	----	-----	-	-
730	10/10/2023 11:53:23.8	46	----	-----	-	-
731	10/10/2023 11:53:24.8	50.9	----	-----	-	-
732	10/10/2023 11:53:25.8	48.9	----	-----	-	-
733	10/10/2023 11:53:26.8	47.2	----	-----	-	-
734	10/10/2023 11:53:27.8	44.3	----	-----	-	-
735	10/10/2023 11:53:28.8	47	----	-----	-	-
736	10/10/2023 11:53:29.8	46.2	----	-----	-	-
737	10/10/2023 11:53:30.8	49.8	----	-----	-	-
738	10/10/2023 11:53:31.8	48.1	----	-----	-	-
739	10/10/2023 11:53:32.8	50.8	----	-----	-	-
740	10/10/2023 11:53:33.8	48.3	----	-----	-	-
741	10/10/2023 11:53:34.8	50.2	----	-----	-	-
742	10/10/2023 11:53:35.8	48.8	----	-----	-	-
743	10/10/2023 11:53:36.8	47.9	----	-----	-	-
744	10/10/2023 11:53:37.8	48.2	----	-----	-	-
745	10/10/2023 11:53:38.8	46.8	----	-----	-	-
746	10/10/2023 11:53:39.8	42.6	----	-----	-	-
747	10/10/2023 11:53:40.8	44.8	----	-----	-	-
748	10/10/2023 11:53:41.8	43.4	----	-----	-	-
749	10/10/2023 11:53:42.8	40.5	----	-----	-	-

750	10/10/2023 11:53:43.8	40.7	----	-----	-	-
751	10/10/2023 11:53:44.8	40	----	-----	-	-
752	10/10/2023 11:53:45.8	40.8	----	-----	-	-
753	10/10/2023 11:53:46.8	40.4	----	-----	-	-
754	10/10/2023 11:53:47.8	41.1	----	-----	-	-
755	10/10/2023 11:53:48.8	39.2	----	-----	-	-
756	10/10/2023 11:53:49.8	38.1	----	-----	-	-
757	10/10/2023 11:53:50.8	41.7	----	-----	-	-
758	10/10/2023 11:53:51.8	40	----	-----	-	-
759	10/10/2023 11:53:52.8	37.5	----	-----	-	-
760	10/10/2023 11:53:53.8	41.2	----	-----	-	-
761	10/10/2023 11:53:54.8	43.3	----	-----	-	-
762	10/10/2023 11:53:55.8	39	----	-----	-	-
763	10/10/2023 11:53:56.8	41.9	----	-----	-	-
764	10/10/2023 11:53:57.8	42.8	----	-----	-	-
765	10/10/2023 11:53:58.8	41	----	-----	-	-
766	10/10/2023 11:53:59.8	42	----	-----	-	-
767	10/10/2023 11:54:00.8	42.3	----	-----	-	-
768	10/10/2023 11:54:01.8	41.6	----	-----	-	-
769	10/10/2023 11:54:02.8	40	----	-----	-	-
770	10/10/2023 11:54:03.8	39.5	----	-----	-	-
771	10/10/2023 11:54:04.8	39	----	-----	-	-
772	10/10/2023 11:54:05.8	40.6	----	-----	-	-
773	10/10/2023 11:54:06.8	38.3	----	-----	-	-
774	10/10/2023 11:54:07.8	40.2	----	-----	-	-
775	10/10/2023 11:54:08.8	42.5	----	-----	-	-
776	10/10/2023 11:54:09.8	44.9	----	-----	-	-
777	10/10/2023 11:54:10.8	43.7	----	-----	-	-
778	10/10/2023 11:54:11.8	43.3	----	-----	-	-
779	10/10/2023 11:54:12.8	45.5	----	-----	-	-
780	10/10/2023 11:54:13.8	44.5	----	-----	-	-
781	10/10/2023 11:54:14.8	45.5	----	-----	-	-
782	10/10/2023 11:54:15.8	48.3	----	-----	-	-
783	10/10/2023 11:54:16.8	45.7	----	-----	-	-
784	10/10/2023 11:54:17.8	45.7	----	-----	-	-
785	10/10/2023 11:54:18.8	45.4	----	-----	-	-
786	10/10/2023 11:54:19.8	45.3	----	-----	-	-
787	10/10/2023 11:54:20.8	44.4	----	-----	-	-
788	10/10/2023 11:54:21.8	49.2	----	-----	-	-
789	10/10/2023 11:54:22.8	46.6	----	-----	-	-
790	10/10/2023 11:54:23.8	46.2	----	-----	-	-
791	10/10/2023 11:54:24.8	47.1	----	-----	-	-
792	10/10/2023 11:54:25.8	48.8	----	-----	-	-
793	10/10/2023 11:54:26.8	49	----	-----	-	-
794	10/10/2023 11:54:27.8	50.4	----	-----	-	-
795	10/10/2023 11:54:28.8	47	----	-----	-	-
796	10/10/2023 11:54:29.8	47.8	----	-----	-	-

797	10/10/2023 11:54:30.8	46.5	----	-----	-	-
798	10/10/2023 11:54:31.8	49.1	----	-----	-	-
799	10/10/2023 11:54:32.8	45.7	----	-----	-	-
800	10/10/2023 11:54:33.8	45.9	----	-----	-	-
801	10/10/2023 11:54:34.8	46	----	-----	-	-
802	10/10/2023 11:54:35.8	46.1	----	-----	-	-
803	10/10/2023 11:54:36.8	44	----	-----	-	-
804	10/10/2023 11:54:37.8	44.9	----	-----	-	-
805	10/10/2023 11:54:38.8	45.1	----	-----	-	-
806	10/10/2023 11:54:39.8	42.3	----	-----	-	-
807	10/10/2023 11:54:40.8	44	----	-----	-	-
808	10/10/2023 11:54:41.8	41.7	----	-----	-	-
809	10/10/2023 11:54:42.8	41.2	----	-----	-	-
810	10/10/2023 11:54:43.8	43.7	----	-----	-	-
811	10/10/2023 11:54:44.8	43.4	----	-----	-	-
812	10/10/2023 11:54:45.8	43.6	----	-----	-	-
813	10/10/2023 11:54:46.8	41.7	----	-----	-	-
814	10/10/2023 11:54:47.8	41.4	----	-----	-	-
815	10/10/2023 11:54:48.8	39.8	----	-----	-	-
816	10/10/2023 11:54:49.8	39.3	----	-----	-	-
817	10/10/2023 11:54:50.8	41.4	----	-----	-	-
818	10/10/2023 11:54:51.8	41.3	----	-----	-	-
819	10/10/2023 11:54:52.8	40.2	----	-----	-	-
820	10/10/2023 11:54:53.8	39.9	----	-----	-	-
821	10/10/2023 11:54:54.8	37.8	----	-----	-	-
822	10/10/2023 11:54:55.8	37.7	----	-----	-	-
823	10/10/2023 11:54:56.8	37.6	----	-----	-	-
824	10/10/2023 11:54:57.8	36.2	----	-----	-	-
825	10/10/2023 11:54:58.8	37.2	----	-----	-	-
826	10/10/2023 11:54:59.8	37.3	----	-----	-	-
827	10/10/2023 11:55:00.8	40.4	----	-----	-	-
828	10/10/2023 11:55:01.8	39.5	----	-----	-	-
829	10/10/2023 11:55:02.8	38	----	-----	-	-
830	10/10/2023 11:55:03.8	37.3	----	-----	-	-
831	10/10/2023 11:55:04.8	37.4	----	-----	-	-
832	10/10/2023 11:55:05.8	36.9	----	-----	-	-
833	10/10/2023 11:55:06.8	36.6	----	-----	-	-
834	10/10/2023 11:55:07.8	37.3	----	-----	-	-
835	10/10/2023 11:55:08.8	36	----	-----	-	-
836	10/10/2023 11:55:09.8	35.8	----	-----	-	-
837	10/10/2023 11:55:10.8	34.9	----	-----	-	-
838	10/10/2023 11:55:11.8	36.9	----	-----	-	-
839	10/10/2023 11:55:12.8	39.9	----	-----	-	-
840	10/10/2023 11:55:13.8	39.9	----	-----	-	-
841	10/10/2023 11:55:14.8	39.5	----	-----	-	-
842	10/10/2023 11:55:15.8	40.2	----	-----	-	-
843	10/10/2023 11:55:16.8	41.8	----	-----	-	-

844	10/10/2023 11:55:17.8	39.5	----	-----	-	-
845	10/10/2023 11:55:18.8	38.2	----	-----	-	-
846	10/10/2023 11:55:19.8	38.4	----	-----	-	-
847	10/10/2023 11:55:20.8	38.6	----	-----	-	-
848	10/10/2023 11:55:21.8	36.2	----	-----	-	-
849	10/10/2023 11:55:22.8	37.3	----	-----	-	-
850	10/10/2023 11:55:23.8	37	----	-----	-	-
851	10/10/2023 11:55:24.8	35.8	----	-----	-	-
852	10/10/2023 11:55:25.8	35.9	----	-----	-	-
853	10/10/2023 11:55:26.8	36.6	----	-----	-	-
854	10/10/2023 11:55:27.8	38.1	----	-----	-	-
855	10/10/2023 11:55:28.8	37.6	----	-----	-	-
856	10/10/2023 11:55:29.8	35.9	----	-----	-	-
857	10/10/2023 11:55:30.8	35.4	----	-----	-	-
858	10/10/2023 11:55:31.8	36	----	-----	-	-
859	10/10/2023 11:55:32.8	36.1	----	-----	-	-
860	10/10/2023 11:55:33.8	38.8	----	-----	-	-
861	10/10/2023 11:55:34.8	36.2	----	-----	-	-
862	10/10/2023 11:55:35.8	39.2	----	-----	-	-
863	10/10/2023 11:55:36.8	37.2	----	-----	-	-
864	10/10/2023 11:55:37.8	37.6	----	-----	-	-
865	10/10/2023 11:55:38.8	41.1	----	-----	-	-
866	10/10/2023 11:55:39.8	40.9	----	-----	-	-
867	10/10/2023 11:55:40.8	39.1	----	-----	-	-
868	10/10/2023 11:55:41.8	35.8	----	-----	-	-
869	10/10/2023 11:55:42.8	39	----	-----	-	-
870	10/10/2023 11:55:43.8	44.6	----	-----	-	-
871	10/10/2023 11:55:44.8	45.5	----	-----	-	-
872	10/10/2023 11:55:45.8	43.7	----	-----	-	-
873	10/10/2023 11:55:46.8	44.5	----	-----	-	-
874	10/10/2023 11:55:47.8	47.1	----	-----	-	-
875	10/10/2023 11:55:48.8	43	----	-----	-	-
876	10/10/2023 11:55:49.8	41	----	-----	-	-
877	10/10/2023 11:55:50.8	43.8	----	-----	-	-
878	10/10/2023 11:55:51.8	42.4	----	-----	-	-
879	10/10/2023 11:55:52.8	39.5	----	-----	-	-
880	10/10/2023 11:55:53.8	36.8	----	-----	-	-
881	10/10/2023 11:55:54.8	37.3	----	-----	-	-
882	10/10/2023 11:55:55.8	38	----	-----	-	-
883	10/10/2023 11:55:56.8	37.4	----	-----	-	-
884	10/10/2023 11:55:57.8	38.1	----	-----	-	-
885	10/10/2023 11:55:58.8	37.2	----	-----	-	-
886	10/10/2023 11:55:59.8	37.8	----	-----	-	-
887	10/10/2023 11:56:00.8	36.8	----	-----	-	-
888	10/10/2023 11:56:01.8	37.7	----	-----	-	-
889	10/10/2023 11:56:02.8	41.2	----	-----	-	-
890	10/10/2023 11:56:03.8	43.4	----	-----	-	-

891	10/10/2023 11:56:04.8	42.3	----	-----	-	-
892	10/10/2023 11:56:05.8	43.7	----	-----	-	-
893	10/10/2023 11:56:06.8	39.8	----	-----	-	-
894	10/10/2023 11:56:07.8	42.1	----	-----	-	-
895	10/10/2023 11:56:08.8	41.9	----	-----	-	-
896	10/10/2023 11:56:09.8	41.8	----	-----	-	-
897	10/10/2023 11:56:10.8	40.4	----	-----	-	-
898	10/10/2023 11:56:11.8	40.3	----	-----	-	-
899	10/10/2023 11:56:12.8	41.9	----	-----	-	-
900	10/10/2023 11:56:13.8	42.9	----	-----	-	-
901	10/10/2023 11:56:14.8	46.5	----	-----	-	-
902	10/10/2023 11:56:15.8	48.8	----	-----	-	-
903	10/10/2023 11:56:16.8	49.2	----	-----	-	-
904	10/10/2023 11:56:17.8	46.5	----	-----	-	-
905	10/10/2023 11:56:18.8	48	----	-----	-	-
906	10/10/2023 11:56:19.8	44.9	----	-----	-	-
907	10/10/2023 11:56:20.8	45.2	----	-----	-	-
908	10/10/2023 11:56:21.8	46.9	----	-----	-	-
909	10/10/2023 11:56:22.8	45.1	----	-----	-	-
910	10/10/2023 11:56:23.8	45	----	-----	-	-
911	10/10/2023 11:56:24.8	44.3	----	-----	-	-
912	10/10/2023 11:56:25.8	44.4	----	-----	-	-
913	10/10/2023 11:56:26.8	43.9	----	-----	-	-
914	10/10/2023 11:56:27.8	44.7	----	-----	-	-
915	10/10/2023 11:56:28.8	43.2	----	-----	-	-
916	10/10/2023 11:56:29.8	43.3	----	-----	-	-
917	10/10/2023 11:56:30.8	42.2	----	-----	-	-
918	10/10/2023 11:56:31.8	41.8	----	-----	-	-
919	10/10/2023 11:56:32.8	44.5	----	-----	-	-
920	10/10/2023 11:56:33.8	44.9	----	-----	-	-
921	10/10/2023 11:56:34.8	43.1	----	-----	-	-
922	10/10/2023 11:56:35.8	44	----	-----	-	-
923	10/10/2023 11:56:36.8	43	----	-----	-	-
924	10/10/2023 11:56:37.8	43	----	-----	-	-
925	10/10/2023 11:56:38.8	42.8	----	-----	-	-
926	10/10/2023 11:56:39.8	42.5	----	-----	-	-
927	10/10/2023 11:56:40.8	44.5	----	-----	-	-
928	10/10/2023 11:56:41.8	45.1	----	-----	-	-
929	10/10/2023 11:56:42.8	43.9	----	-----	-	-
930	10/10/2023 11:56:43.8	43.5	----	-----	-	-
931	10/10/2023 11:56:44.8	42.6	----	-----	-	-
932	10/10/2023 11:56:45.8	42.8	----	-----	-	-
933	10/10/2023 11:56:46.8	43.6	----	-----	-	-
934	10/10/2023 11:56:47.8	44	----	-----	-	-
935	10/10/2023 11:56:48.8	44.4	----	-----	-	-
936	10/10/2023 11:56:49.8	43.1	----	-----	-	-
937	10/10/2023 11:56:50.8	43	----	-----	-	-

938	10/10/2023 11:56:51.8	44	----	-----	-	-
939	10/10/2023 11:56:52.8	45.1	----	-----	-	-
940	10/10/2023 11:56:53.8	45.5	----	-----	-	-
941	10/10/2023 11:56:54.8	45.4	----	-----	-	-
942	10/10/2023 11:56:55.8	46.5	----	-----	-	-
943	10/10/2023 11:56:56.8	50.2	----	-----	-	-
944	10/10/2023 11:56:57.8	45.8	----	-----	-	-
945	10/10/2023 11:56:58.8	45.1	----	-----	-	-
946	10/10/2023 11:56:59.8	43.5	----	-----	-	-
947	10/10/2023 11:57:00.8	43	----	-----	-	-
948	10/10/2023 11:57:01.8	45.9	----	-----	-	-
949	10/10/2023 11:57:02.8	46.2	----	-----	-	-
950	10/10/2023 11:57:03.8	49	----	-----	-	-
951	10/10/2023 11:57:04.8	50	----	-----	-	-
952	10/10/2023 11:57:05.8	48.2	----	-----	-	-
953	10/10/2023 11:57:06.8	46.7	----	-----	-	-
954	10/10/2023 11:57:07.8	45.3	----	-----	-	-
955	10/10/2023 11:57:08.8	45.2	----	-----	-	-
956	10/10/2023 11:57:09.8	41.4	----	-----	-	-
957	10/10/2023 11:57:10.8	41.6	----	-----	-	-
958	10/10/2023 11:57:11.8	42.2	----	-----	-	-
959	10/10/2023 11:57:12.8	46	----	-----	-	-
960	10/10/2023 11:57:13.8	46	----	-----	-	-
961	10/10/2023 11:57:14.8	44.6	----	-----	-	-
962	10/10/2023 11:57:15.8	40.7	----	-----	-	-
963	10/10/2023 11:57:16.8	38.9	----	-----	-	-
964	10/10/2023 11:57:17.8	38.9	----	-----	-	-
965	10/10/2023 11:57:18.8	41.6	----	-----	-	-
966	10/10/2023 11:57:19.8	43.7	----	-----	-	-
967	10/10/2023 11:57:20.8	41.9	----	-----	-	-
968	10/10/2023 11:57:21.8	42.8	----	-----	-	-
969	10/10/2023 11:57:22.8	43.4	----	-----	-	-
970	10/10/2023 11:57:23.8	42.6	----	-----	-	-
971	10/10/2023 11:57:24.8	40.7	----	-----	-	-
972	10/10/2023 11:57:25.8	39	----	-----	-	-
973	10/10/2023 11:57:26.8	40.2	----	-----	-	-
974	10/10/2023 11:57:27.8	46.7	----	-----	-	-
975	10/10/2023 11:57:28.8	45.4	----	-----	-	-
976	10/10/2023 11:57:29.8	48.7	----	-----	-	-
977	10/10/2023 11:57:30.8	45.3	----	-----	-	-
978	10/10/2023 11:57:31.8	41.5	----	-----	-	-
979	10/10/2023 11:57:32.8	40.2	----	-----	-	-
980	10/10/2023 11:57:33.8	42.4	----	-----	-	-
981	10/10/2023 11:57:34.8	41.7	----	-----	-	-
982	10/10/2023 11:57:35.8	40.8	----	-----	-	-
983	10/10/2023 11:57:36.8	40.8	----	-----	-	-
984	10/10/2023 11:57:37.8	40.1	----	-----	-	-

985	10/10/2023 11:57:38.8	41.6	----	-----	-	-
986	10/10/2023 11:57:39.8	42.5	----	-----	-	-
987	10/10/2023 11:57:40.8	42.6	----	-----	-	-
988	10/10/2023 11:57:41.8	41.1	----	-----	-	-
989	10/10/2023 11:57:42.8	39.4	----	-----	-	-
990	10/10/2023 11:57:43.8	39.2	----	-----	-	-
991	10/10/2023 11:57:44.8	38.8	----	-----	-	-
992	10/10/2023 11:57:45.8	39.7	----	-----	-	-
993	10/10/2023 11:57:46.8	41.6	----	-----	-	-
994	10/10/2023 11:57:47.8	40.9	----	-----	-	-
995	10/10/2023 11:57:48.8	38.6	----	-----	-	-
996	10/10/2023 11:57:49.8	39.9	----	-----	-	-
997	10/10/2023 11:57:50.8	39.1	----	-----	-	-
998	10/10/2023 11:57:51.8	38.4	----	-----	-	-
999	10/10/2023 11:57:52.8	38.5	----	-----	-	-
1000	10/10/2023 11:57:53.8	40.2	----	-----	-	-
1001	10/10/2023 11:57:54.8	43.6	----	-----	-	-
1002	10/10/2023 11:57:55.8	43.2	----	-----	-	-
1003	10/10/2023 11:57:56.8	44.2	----	-----	-	-
1004	10/10/2023 11:57:57.8	41.1	----	-----	-	-
1005	10/10/2023 11:57:58.8	46.1	----	-----	-	-
1006	10/10/2023 11:57:59.8	49.4	----	-----	-	-
1007	10/10/2023 11:58:00.8	49.5	----	-----	-	-
1008	10/10/2023 11:58:01.8	50.7	----	-----	-	-
1009	10/10/2023 11:58:02.8	46.7	----	-----	-	-
1010	10/10/2023 11:58:03.8	46.6	----	-----	-	-
1011	10/10/2023 11:58:04.8	44.9	----	-----	-	-
1012	10/10/2023 11:58:05.8	45.4	----	-----	-	-
1013	10/10/2023 11:58:06.8	42.4	----	-----	-	-
1014	10/10/2023 11:58:07.8	42	----	-----	-	-
1015	10/10/2023 11:58:08.8	42.8	----	-----	-	-
1016	10/10/2023 11:58:09.8	46.8	----	-----	-	-
1017	10/10/2023 11:58:10.8	45.5	----	-----	-	-
1018	10/10/2023 11:58:11.8	49.1	----	-----	-	-
1019	10/10/2023 11:58:12.8	47.5	----	-----	-	-
1020	10/10/2023 11:58:13.8	44.3	----	-----	-	-
1021	10/10/2023 11:58:14.8	45.2	----	-----	-	-
1022	10/10/2023 11:58:15.8	41.3	----	-----	-	-
1023	10/10/2023 11:58:16.8	41.4	----	-----	-	-
1024	10/10/2023 11:58:17.8	42.4	----	-----	-	-
1025	10/10/2023 11:58:18.8	43	----	-----	-	-
1026	10/10/2023 11:58:19.8	44.3	----	-----	-	-
1027	10/10/2023 11:58:20.8	43.8	----	-----	-	-
1028	10/10/2023 11:58:21.8	43.3	----	-----	-	-
1029	10/10/2023 11:58:22.8	45.4	----	-----	-	-
1030	10/10/2023 11:58:23.8	43	----	-----	-	-
1031	10/10/2023 11:58:24.8	44.8	----	-----	-	-

1032	10/10/2023 11:58:25.8	45	----	-----	-	-
1033	10/10/2023 11:58:26.8	41.4	----	-----	-	-
1034	10/10/2023 11:58:27.8	41.6	----	-----	-	-
1035	10/10/2023 11:58:28.8	43.4	----	-----	-	-
1036	10/10/2023 11:58:29.8	42	----	-----	-	-
1037	10/10/2023 11:58:30.8	41.8	----	-----	-	-
1038	10/10/2023 11:58:31.8	42.2	----	-----	-	-
1039	10/10/2023 11:58:32.8	42.8	----	-----	-	-
1040	10/10/2023 11:58:33.8	45.8	----	-----	-	-
1041	10/10/2023 11:58:34.8	45.2	----	-----	-	-
1042	10/10/2023 11:58:35.8	45.4	----	-----	-	-
1043	10/10/2023 11:58:36.8	43.5	----	-----	-	-
1044	10/10/2023 11:58:37.8	48.2	----	-----	-	-
1045	10/10/2023 11:58:38.8	43.2	----	-----	-	-
1046	10/10/2023 11:58:39.8	50.4	----	-----	-	-
1047	10/10/2023 11:58:40.8	51.1	----	-----	-	-
1048	10/10/2023 11:58:41.8	47.5	----	-----	-	-
1049	10/10/2023 11:58:42.8	42.5	----	-----	-	-
1050	10/10/2023 11:58:43.8	39.6	----	-----	-	-
1051	10/10/2023 11:58:44.8	41	----	-----	-	-
1052	10/10/2023 11:58:45.8	40.2	----	-----	-	-
1053	10/10/2023 11:58:46.8	43.9	----	-----	-	-
1054	10/10/2023 11:58:47.8	44.9	----	-----	-	-
1055	10/10/2023 11:58:48.8	48.6	----	-----	-	-
1056	10/10/2023 11:58:49.8	49.1	----	-----	-	-
1057	10/10/2023 11:58:50.8	50.9	----	-----	-	-
1058	10/10/2023 11:58:51.8	50.3	----	-----	-	-
1059	10/10/2023 11:58:52.8	48.2	----	-----	-	-
1060	10/10/2023 11:58:53.8	47.8	----	-----	-	-
1061	10/10/2023 11:58:54.8	48.1	----	-----	-	-
1062	10/10/2023 11:58:55.8	47.4	----	-----	-	-
1063	10/10/2023 11:58:56.8	45.4	----	-----	-	-
1064	10/10/2023 11:58:57.8	47.7	----	-----	-	-
1065	10/10/2023 11:58:58.8	46.2	----	-----	-	-
1066	10/10/2023 11:58:59.8	49.1	----	-----	-	-
1067	10/10/2023 11:59:00.8	47.1	----	-----	-	-
1068	10/10/2023 11:59:01.8	46.5	----	-----	-	-
1069	10/10/2023 11:59:02.8	48.5	----	-----	-	-
1070	10/10/2023 11:59:03.8	49.3	----	-----	-	-
1071	10/10/2023 11:59:04.8	47.3	----	-----	-	-
1072	10/10/2023 11:59:05.8	46.9	----	-----	-	-
1073	10/10/2023 11:59:06.8	43.7	----	-----	-	-
1074	10/10/2023 11:59:07.8	45.5	----	-----	-	-
1075	10/10/2023 11:59:08.8	45.3	----	-----	-	-
1076	10/10/2023 11:59:09.8	45.6	----	-----	-	-
1077	10/10/2023 11:59:10.8	42.5	----	-----	-	-
1078	10/10/2023 11:59:11.8	38.7	----	-----	-	-



1079	10/10/2023 11:59:12.8	40.6	----	-----	-	-
1080	10/10/2023 11:59:13.8	40.7	----	-----	-	-
1081	10/10/2023 11:59:14.8	48.1	----	-----	-	-
1082	10/10/2023 11:59:15.8	49.7	----	-----	-	-
1083	10/10/2023 11:59:16.8	56.6	----	-----	-	-
1084	10/10/2023 11:59:17.8	56.2	----	-----	-	-
1085	10/10/2023 11:59:18.8	49.6	----	-----	-	-
1086	10/10/2023 11:59:19.8	52.9	----	-----	-	-
1087	10/10/2023 11:59:20.8	54.2	----	-----	-	-
1088	10/10/2023 11:59:21.8	53.9	----	-----	-	-
1089	10/10/2023 11:59:22.8	52.6	----	-----	-	-
1090	10/10/2023 11:59:23.8	52	----	-----	-	-
1091	10/10/2023 11:59:24.8	50.5	----	-----	-	-
1092	10/10/2023 11:59:25.8	52	----	-----	-	-
1093	10/10/2023 11:59:26.8	51.8	----	-----	-	-
1094	10/10/2023 11:59:27.8	51.8	----	-----	-	-
1095	10/10/2023 11:59:28.8	52.5	----	-----	-	-
1096	10/10/2023 11:59:29.8	49.1	----	-----	-	-
1097	10/10/2023 11:59:30.8	51.4	----	-----	-	-
1098	10/10/2023 11:59:31.8	51.3	----	-----	-	-
1099	10/10/2023 11:59:32.8	49.6	----	-----	-	-
1100	10/10/2023 11:59:33.8	53.6	----	-----	-	-
1101	10/10/2023 11:59:34.8	52.5	----	-----	-	-
1102	10/10/2023 11:59:35.8	59.2	----	-----	-	-
1103	10/10/2023 11:59:36.8	62.1	----	-----	-	-
1104	10/10/2023 11:59:37.8	57.9	----	-----	-	-
1105	10/10/2023 11:59:38.8	58.8	----	-----	-	-
1106	10/10/2023 11:59:39.8	55.7	----	-----	-	-
1107	10/10/2023 11:59:40.8	56.6	----	-----	-	-
1108	10/10/2023 11:59:41.8	55	----	-----	-	-
1109	10/10/2023 11:59:42.8	52.5	----	-----	-	-
1110	10/10/2023 11:59:43.8	53	----	-----	-	-
1111	10/10/2023 11:59:44.8	54.3	----	-----	-	-
1112	10/10/2023 11:59:45.8	54.7	----	-----	-	-
1113	10/10/2023 11:59:46.8	54.1	----	-----	-	-
1114	10/10/2023 11:59:47.8	54.7	----	-----	-	-
1115	10/10/2023 11:59:48.8	52.7	----	-----	-	-
1116	10/10/2023 11:59:49.8	52.4	----	-----	-	-
1117	10/10/2023 11:59:50.8	49.5	----	-----	-	-
1118	10/10/2023 11:59:51.8	47.5	----	-----	-	-
1119	10/10/2023 11:59:52.8	48.4	----	-----	-	-
1120	10/10/2023 11:59:53.8	49.5	----	-----	-	-
1121	10/10/2023 11:59:54.8	49.5	----	-----	-	-
1122	10/10/2023 11:59:55.8	45.4	----	-----	-	-
1123	10/10/2023 11:59:56.8	43.6	----	-----	-	-
1124	10/10/2023 11:59:57.8	47.8	----	-----	-	-
1125	10/10/2023 11:59:58.8	47.6	----	-----	-	-

1126	10/10/2023 11:59:59.8	49.2	----	-----	-	-
1127	10/10/2023 12:00:00.8	45.5	----	-----	-	-
1128	10/10/2023 12:00:01.8	42.8	----	-----	-	-
1129	10/10/2023 12:00:02.8	43.1	----	-----	-	-
1130	10/10/2023 12:00:03.8	42.9	----	-----	-	-
1131	10/10/2023 12:00:04.8	47.6	----	-----	-	-
1132	10/10/2023 12:00:05.8	48.6	----	-----	-	-
1133	10/10/2023 12:00:06.8	43.8	----	-----	-	-
1134	10/10/2023 12:00:07.8	45.1	----	-----	-	-
1135	10/10/2023 12:00:08.8	47.2	----	-----	-	-
1136	10/10/2023 12:00:09.8	45.1	----	-----	-	-
1137	10/10/2023 12:00:10.8	46	----	-----	-	-
1138	10/10/2023 12:00:11.8	43.4	----	-----	-	-
1139	10/10/2023 12:00:12.8	44.7	----	-----	-	-
1140	10/10/2023 12:00:13.8	45.2	----	-----	-	-
1141	10/10/2023 12:00:14.8	46.5	----	-----	-	-
1142	10/10/2023 12:00:15.8	48.5	----	-----	-	-
1143	10/10/2023 12:00:16.8	47.5	----	-----	-	-
1144	10/10/2023 12:00:17.8	48.4	----	-----	-	-
1145	10/10/2023 12:00:18.8	46.4	----	-----	-	-
1146	10/10/2023 12:00:19.8	48.7	----	-----	-	-
1147	10/10/2023 12:00:20.8	50.2	----	-----	-	-
1148	10/10/2023 12:00:21.8	48.4	----	-----	-	-
1149	10/10/2023 12:00:22.8	46.7	----	-----	-	-
1150	10/10/2023 12:00:23.8	47.3	----	-----	-	-
1151	10/10/2023 12:00:24.8	51.4	----	-----	-	-
1152	10/10/2023 12:00:25.8	47.2	----	-----	-	-
1153	10/10/2023 12:00:26.8	44.7	----	-----	-	-
1154	10/10/2023 12:00:27.8	45.8	----	-----	-	-
1155	10/10/2023 12:00:28.8	45.3	----	-----	-	-
1156	10/10/2023 12:00:29.8	45	----	-----	-	-
1157	10/10/2023 12:00:30.8	43.3	----	-----	-	-
1158	10/10/2023 12:00:31.8	42.2	----	-----	-	-
1159	10/10/2023 12:00:32.8	42.3	----	-----	-	-
1160	10/10/2023 12:00:33.8	42.5	----	-----	-	-
1161	10/10/2023 12:00:34.8	44.4	----	-----	-	-
1162	10/10/2023 12:00:35.8	40.7	----	-----	-	-
1163	10/10/2023 12:00:36.8	42.8	----	-----	-	-
1164	10/10/2023 12:00:37.8	41.1	----	-----	-	-
1165	10/10/2023 12:00:38.8	41.5	----	-----	-	-
1166	10/10/2023 12:00:39.8	44.2	----	-----	-	-
1167	10/10/2023 12:00:40.8	45.8	----	-----	-	-
1168	10/10/2023 12:00:41.8	48.2	----	-----	-	-
1169	10/10/2023 12:00:42.8	47.6	----	-----	-	-
1170	10/10/2023 12:00:43.8	47.4	----	-----	-	-
1171	10/10/2023 12:00:44.8	47.6	----	-----	-	-
1172	10/10/2023 12:00:45.8	42.5	----	-----	-	-

1173	10/10/2023 12:00:46.8	39.3	----	-----	-	-
1174	10/10/2023 12:00:47.8	37.4	----	-----	-	-
1175	10/10/2023 12:00:48.8	37.8	----	-----	-	-
1176	10/10/2023 12:00:49.8	41.5	----	-----	-	-
1177	10/10/2023 12:00:50.8	45.5	----	-----	-	-
1178	10/10/2023 12:00:51.8	50.9	----	-----	-	-
1179	10/10/2023 12:00:52.8	47.4	----	-----	-	-
1180	10/10/2023 12:00:53.8	45.3	----	-----	-	-
1181	10/10/2023 12:00:54.8	44.3	----	-----	-	-
1182	10/10/2023 12:00:55.8	47.6	----	-----	-	-
1183	10/10/2023 12:00:56.8	50.5	----	-----	-	-
1184	10/10/2023 12:00:57.8	48.8	----	-----	-	-
1185	10/10/2023 12:00:58.8	45.7	----	-----	-	-
1186	10/10/2023 12:00:59.8	43.7	----	-----	-	-
1187	10/10/2023 12:01:00.8	44	----	-----	-	-
1188	10/10/2023 12:01:01.8	46.4	----	-----	-	-
1189	10/10/2023 12:01:02.8	45.6	----	-----	-	-
1190	10/10/2023 12:01:03.8	47.3	----	-----	-	-
1191	10/10/2023 12:01:04.8	46.3	----	-----	-	-
1192	10/10/2023 12:01:05.8	48.9	----	-----	-	-
1193	10/10/2023 12:01:06.8	48.5	----	-----	-	-
1194	10/10/2023 12:01:07.8	47.7	----	-----	-	-
1195	10/10/2023 12:01:08.8	50.2	----	-----	-	-
1196	10/10/2023 12:01:09.8	45.4	----	-----	-	-
1197	10/10/2023 12:01:10.8	44.2	----	-----	-	-
1198	10/10/2023 12:01:11.8	48.1	----	-----	-	-
1199	10/10/2023 12:01:12.8	50.2	----	-----	-	-
1200	10/10/2023 12:01:13.8	46.6	----	-----	-	-



# Construction Noise Model Input / Output

To User: bordered cells are inputs, unbordered cells have formulae  
 enter "0" to turn off air or grnd absorption terms, "1" to turn on

air abs?   
 grnd abs?

magnitude of threshold (dBA) =   
 allowable hours over which Leq is to be averaged =

Project Phase No.	Project Phase Description	Comparable FHWA RCNM Construction Equipment Type	Quantity	AUF % (from FHWA RCNM)	Reference Lmax @ 50 ft. from FHWA RCNM	Source to NSR Distance (ft.)	Temporary Barrier Insertion Loss (dB)	Additional Noise Reduction	Distance-Adjusted Lmax	Allowable Operation Time (hours)	Allowable Operation Time (minutes)	Predicted 8-hour Leq
1	Site Preparation	Tractor	1	40	84	1400	0		55.0	8	480	51
		dozer	1	40	82	1400	0		53.0	8	480	49
		front end loader	1	40	79	1400	0		50.0	8	480	46
		dozer	1	40	82	1400	0		53.0	8	480	49
		backhoe	1	40	78	1400	0		49.0	8	480	45
		dozer	1	40	82	1400	0		53.0	8	480	49
		tractor	1	40	84	1400	0		55.0	8	480	51
Total Aggregate Noise Exposure from Site Preparation Phase												57.5
2	Grading	excavator	1	40	81	1400	0		52.0	8	480	48
		grader	1	40	85	1400	0		56.0	8	480	52
		dozer	1	40	82	1400	0		53.0	8	480	49
		scraper	1	40	84	1400	0		55.0	8	480	51
		tractor	1	40	84	1400	0		55.0	8	480	51
		excavator	1	40	81	1400	0		52.0	8	480	48
		scraper	1	40	84	1400	0		55.0	8	480	51
backhoe	1	40	78	1400	0		49.0	8	480	45		
Total Aggregate Noise Exposure from Grading Phase												58.9
3	Building Construction	man lift	1	20	75	1400	0		46.0	8	480	39
		backhoe	1	40	78	1400	0		49.0	7	420	44
		crane	1	16	81	1400	0		52.0	7	420	43
		man lift	1	20	75	1400	0		46.0	8	480	39
		tractor	1	40	84	1400	0		55.0	7	420	50
		generator	1	50	72	1400	0		43.0	8	480	40
		man lift	1	20	75	1400	0		46.0	8	480	39
		backhoe	1	40	78	1400	0		49.0	7	420	44
		welder / torch	1	40	73	1400	0		44.0	8	480	40
Total Aggregate Noise Exposure from Building Construction Phase												53.7
4	Paving	paver	1	50	77	1400	0		48.0	7	420	44
		All Other Equipment > 5 HP	1	50	85	1400	0		56.0	7	420	52
		roller	1	20	80	1400	0		51.0	8	480	44
		paver	1	50	77	1400	0		48.0	7	420	44
		All Other Equipment > 5 HP	1	50	85	1400	0		56.0	8	480	53
roller	1	20	80	1400	0		51.0	8	480	44		
Total Aggregate Noise Exposure from Paving Phase												56.8
5	Architectual Coating	compressor (air)	1	40	78	1400	0		49.0	6	360	44
Total Aggregate Noise Exposure from Architectual Coating Phase												43.8
6	Utilities/Off-Site Improvements	Auger Drill Rig	1	20	84	900	0		58.8	8	480	52
		crane	1	16	81	900	0		55.8	7	420	47
		paver	1	50	77	900	0		51.8	7	420	48
		All Other Equipment > 5 HP	1	50	85	900	0		59.8	8	480	57
		roller	1	20	80	900	0		54.8	7	420	47
Total Aggregate Noise Exposure from Utilities/Off-Site Improvements Phase												59.1

To User: bordered cells are inputs, unbordered cells have formulae  
 enter "0" to turn off air or grnd absorption terms, "1" to turn on

air abs?   
 grnd abs?

magnitude of threshold (dBA) =   
 allowable hours over which Leq is to be averaged =

Project Phase No.	Project Phase Description	Comparable FHWA RCNM Construction Equipment Type	Quantity	AUF % (from FHWA RCNM)	Reference Lmax @ 50 ft. from FHWA RCNM	Source to NSR Distance (ft.)	Temporary Barrier Insertion Loss (dB)	Additional Noise Reduction	Distance-Adjusted Lmax	Allowable Operation Time (hours)	Allowable Operation Time (minutes)	Predicted 8-hour Leq
1	Site Preparation	Tractor	1	40	84	190	0		72.3	8	480	68
		dozer	1	40	82	250	0		68.0	8	480	64
		front end loader	1	40	79	300	0		63.4	8	480	59
		dozer	1	40	82	350	0		65.0	8	480	61
		backhoe	1	40	78	400	0		59.9	8	480	56
		dozer	1	40	82	450	0		62.9	8	480	59
		tractor	1	40	84	500	0		63.9	8	480	60
Total Aggregate Noise Exposure from Site Preparation Phase												71.4
2	Grading	excavator	1	40	81	190	0		69.3	8	480	65
		grader	1	40	85	250	0		71.0	8	480	67
		dozer	1	40	82	300	0		66.4	8	480	62
		scraper	1	40	84	350	0		67.0	8	480	63
		tractor	1	40	84	400	0		65.9	8	480	62
		excavator	1	40	81	450	0		61.9	8	480	58
		scraper	1	40	84	500	0		63.9	8	480	60
backhoe	1	40	78	550	0		57.1	8	480	53		
Total Aggregate Noise Exposure from Grading Phase												71.9
3	Building Construction	man lift	1	20	75	190	0		63.3	8	480	56
		backhoe	1	40	78	250	0		64.0	7	420	59
		crane	1	16	81	300	0		65.4	7	420	57
		man lift	1	20	75	350	0		58.0	8	480	51
		tractor	1	40	84	400	0		65.9	7	420	61
		generator	1	50	72	450	0		52.9	8	480	50
		man lift	1	20	75	500	0		54.9	8	480	48
		backhoe	1	40	78	550	0		57.1	7	420	53
		welder / torch	1	40	73	600	0		51.4	8	480	47
Total Aggregate Noise Exposure from Building Construction Phase												65.6
4	Paving	paver	1	50	77	190	0		65.3	7	420	62
		All Other Equipment > 5 HP	1	50	85	250	0		71.0	7	420	67
		roller	1	20	80	300	0		64.4	8	480	57
		paver	1	50	77	350	0		60.0	7	420	56
		All Other Equipment > 5 HP	1	50	85	400	0		66.9	8	480	64
		roller	1	20	80	450	0		60.9	8	480	54
Total Aggregate Noise Exposure from Paving Phase												70.3
5	Architectual Coating	compressor (air)	1	40	78	190	0		66.3	6	360	61
Total Aggregate Noise Exposure from Architectual Coating Phase												61.1
6	Utilities/Off-Site Improvements	Auger Drill Rig	1	20	84	125	0		76.0	8	480	69
		crane	1	16	81	150	0		71.4	7	420	63
		paver	1	50	77	200	0		64.9	7	420	61
		All Other Equipment > 5 HP	1	50	85	250	0		71.0	8	480	68
		roller	1	20	80	300	0		64.4	7	420	57
Total Aggregate Noise Exposure from Utilities/Off-Site Improvements Phase												72.5

To User: bordered cells are inputs, unbordered cells have formulae  
 enter "0" to turn off air or grnd absorption terms, "1" to turn on

air abs?   
 grnd abs?

magnitude of threshold (dBA) =   
 allowable hours over which Leq is to be averaged =

Project Phase No.	Project Phase Description	Comparable FHWA RCNM Construction Equipment Type	Quantity	AUF % (from FHWA RCNM)	Reference Lmax @ 50 ft. from FHWA RCNM	Source to NSR Distance (ft.)	Temporary Barrier Insertion Loss (dB)	Additional Noise Reduction	Distance-Adjusted Lmax	Allowable Operation Time (hours)	Allowable Operation Time (minutes)	Predicted 8-hour Leq
1	Site Preparation	Tractor	1	40	84	1400	0		55.0	8	480	51
		dozer	1	40	82	1400	0		53.0	8	480	49
		front end loader	1	40	79	1400	0		50.0	8	480	46
		dozer	1	40	82	1400	0		53.0	8	480	49
		backhoe	1	40	78	1400	0		49.0	8	480	45
		dozer	1	40	82	1400	0		53.0	8	480	49
		tractor	1	40	84	1400	0		55.0	8	480	51
Total Aggregate Noise Exposure from Site Preparation Phase												57.5
2	Grading	excavator	1	40	81	1400	0		52.0	8	480	48
		grader	1	40	85	1400	0		56.0	8	480	52
		dozer	1	40	82	1400	0		53.0	8	480	49
		scraper	1	40	84	1400	0		55.0	8	480	51
		tractor	1	40	84	1400	0		55.0	8	480	51
		excavator	1	40	81	1400	0		52.0	8	480	48
		scraper	1	40	84	1400	0		55.0	8	480	51
backhoe	1	40	78	1400	0		49.0	8	480	45		
Total Aggregate Noise Exposure from Grading Phase												58.9
3	Building Construction	man lift	1	20	75	1400	0		46.0	8	480	39
		backhoe	1	40	78	1400	0		49.0	7	420	44
		crane	1	16	81	1400	0		52.0	7	420	43
		man lift	1	20	75	1400	0		46.0	8	480	39
		tractor	1	40	84	1400	0		55.0	7	420	50
		generator	1	50	72	1400	0		43.0	8	480	40
		man lift	1	20	75	1400	0		46.0	8	480	39
		backhoe	1	40	78	1400	0		49.0	7	420	44
		welder / torch	1	40	73	1400	0		44.0	8	480	40
Total Aggregate Noise Exposure from Building Construction Phase												53.7
4	Paving	paver	1	50	77	1400	0		48.0	7	420	44
		All Other Equipment > 5 HP	1	50	85	1400	0		56.0	7	420	52
		roller	1	20	80	1400	0		51.0	8	480	44
		paver	1	50	77	1400	0		48.0	7	420	44
		All Other Equipment > 5 HP	1	50	85	1400	0		56.0	8	480	53
roller	1	20	80	1400	0		51.0	8	480	44		
Total Aggregate Noise Exposure from Paving Phase												56.8
5	Architectual Coating	compressor (air)	1	40	78	1400	0		49.0	6	360	44
Total Aggregate Noise Exposure from Architectual Coating Phase												43.8
6	Utilities/Off-Site Improvements	Auger Drill Rig	1	20	84	1000	0		57.9	8	480	51
		crane	1	16	81	1000	0		54.9	7	420	46
		paver	1	50	77	1000	0		50.9	7	420	47
		All Other Equipment > 5 HP	1	50	85	1000	0		58.9	8	480	56
		roller	1	20	80	1000	0		53.9	7	420	46
Total Aggregate Noise Exposure from Utilities/Off-Site Improvements Phase												58.2



To User: bordered cells are inputs, unbordered cells have formulae  
 enter "0" to turn off air or grnd absorption terms, "1" to turn on

air abs?   
 grnd abs?

magnitude of threshold (dBA) =   
 allowable hours over which Leq is to be averaged =

Project Phase No.	Project Phase Description	Comparable FHWA RCNM Construction Equipment Type	Quantity	AUF % (from FHWA RCNM)	Reference Lmax @ 50 ft. from FHWA RCNM	Source to NSR Distance (ft.)	Temporary Barrier Insertion Loss (dB)	Additional Noise Reduction	Distance-Adjusted Lmax	Allowable Operation Time (hours)	Allowable Operation Time (minutes)	Predicted 8-hour Leq
1	Site Preparation	Tractor	1	40	84	250	0		70.0	8	480	66
		dozer	1	40	82	300	0		66.4	8	480	62
		front end loader	1	40	79	350	0		62.0	8	480	58
		dozer	1	40	82	400	0		63.9	8	480	60
		backhoe	1	40	78	450	0		58.9	8	480	55
		dozer	1	40	82	500	0		61.9	8	480	58
		tractor	1	40	84	550	0		63.1	8	480	59
Total Aggregate Noise Exposure from Site Preparation Phase											69.6	
2	Grading	excavator	1	40	81	250	0		67.0	8	480	63
		grader	1	40	85	300	0		69.4	8	480	65
		dozer	1	40	82	350	0		65.0	8	480	61
		scraper	1	40	84	400	0		65.9	8	480	62
		tractor	1	40	84	450	0		64.9	8	480	61
		excavator	1	40	81	500	0		60.9	8	480	57
		scraper	1	40	84	550	0		63.1	8	480	59
		backhoe	1	40	78	600	0		56.4	8	480	52
Total Aggregate Noise Exposure from Grading Phase											70.4	
3	Building Construction	man lift	1	20	75	250	0		61.0	8	480	54
		backhoe	1	40	78	300	0		62.4	7	420	58
		crane	1	16	81	350	0		64.0	7	420	55
		man lift	1	20	75	400	0		56.9	8	480	50
		tractor	1	40	84	450	0		64.9	7	420	60
		generator	1	50	72	500	0		51.9	8	480	49
		man lift	1	20	75	550	0		54.1	8	480	47
		backhoe	1	40	78	600	0		56.4	7	420	52
		welder / torch	1	40	73	650	0		50.7	8	480	47
		Total Aggregate Noise Exposure from Building Construction Phase										
4	Paving	paver	1	50	77	250	0		63.0	7	420	59
		All Other Equipment > 5 HP	1	50	85	300	0		69.4	7	420	66
		roller	1	20	80	350	0		63.0	8	480	56
		paver	1	50	77	400	0		58.9	7	420	55
		All Other Equipment > 5 HP	1	50	85	450	0		65.9	8	480	63
		roller	1	20	80	500	0		59.9	8	480	53
Total Aggregate Noise Exposure from Paving Phase											68.8	
5	Architectual Coating	compressor (air)	1	40	78	250	0		64.0	6	360	59
Total Aggregate Noise Exposure from Architectual Coating Phase											58.7	
6	Utilities/Off-Site Improvements	Auger Drill Rig	1	20	84	200	0		71.9	8	480	65
		crane	1	16	81	250	0		67.0	7	420	58
		paver	1	50	77	300	0		61.4	7	420	58
		All Other Equipment > 5 HP	1	50	85	350	0		68.0	8	480	65
		roller	1	20	80	400	0		61.9	7	420	54
Total Aggregate Noise Exposure from Utilities/Off-Site Improvements Phase											68.9	



# Traffic Noise Model Input / Output

INPUT: ROADWAYS

Cordova

Dudek					6 December 2023						
CB					TNM 2.5						
INPUT: ROADWAYS											
PROJECT/CONTRACT:	Cordova									Average pavement type shall be used unless a State highway agency substantiates the use of a different type with the approval of FHWA	
RUN:	Existing										
Roadway		Points									
Name	Width	Name	No.	Coordinates (pavement)			Flow Control			Segment	
				X	Y	Z	Control Device	Speed Constraint	Percent Vehicles Affected	Pvmt Type	On Struct?
	ft			ft	ft	ft		mph	%		
Quarry Rd	45.0	point1	1	6,284,243.0	2,532,851.8	0.00				Average	
		point2	2	6,283,713.5	2,532,854.2	0.00				Average	
		point3	3	6,281,790.0	2,532,874.2	0.00				Average	
		point4	4	6,280,508.5	2,532,885.2	0.00				Average	
		point5	5	6,273,659.0	2,532,963.2	0.00					
Flint	30.0	point6	6	6,281,615.5	2,529,936.5	0.00				Average	
		point7	7	6,281,654.5	2,532,840.8	0.00					
Cordova	30.0	point8	8	6,273,644.0	2,530,231.8	0.00				Average	
		point9	9	6,276,312.0	2,530,183.0	0.00				Average	
		point10	10	6,281,600.5	2,530,146.0	0.00					
Navajo	30.0	point11	11	6,278,960.5	2,527,529.5	0.00				Average	
		point12	12	6,279,011.5	2,530,140.5	0.00					
Johnson Rd	45.0	point13	13	6,282,168.0	2,527,479.2	0.00				Average	
		point14	14	6,278,940.5	2,527,499.8	0.00				Average	
		point15	15	6,273,656.5	2,527,551.5	0.00					
Dale Evans	30.0	point16	16	6,273,645.5	2,532,979.8	0.00				Average	
		point17	17	6,273,638.0	2,531,668.8	0.00				Average	
		point18	18	6,273,616.0	2,527,599.2	0.00					
Dachshund Ave	30.0	point19	19	6,276,312.5	2,530,173.0	0.00				Average	
		point20	20	6,276,282.5	2,528,876.8	0.00					

INPUT: TRAFFIC FOR LAeq1h Volumes

Cordova

Dudek		6 December 2023										
CB		TNM 2.5										
INPUT: TRAFFIC FOR LAeq1h Volumes												
PROJECT/CONTRACT:		Cordova										
RUN:		Existing										
Roadway	Points											
Name	Name	No.	Segment		MTrucks		HTrucks		Buses		Motorcycles	
			Autos		V	S	V	S	V	S	V	S
			V	S								
			veh/hr	mph	veh/hr	mph	veh/hr	mph	veh/hr	mph	veh/hr	mph
Quarry Rd	point1	1	114	50	0	0	0	0	0	0	0	0
	point2	2	114	50	0	0	0	0	0	0	0	0
	point3	3	114	50	0	0	0	0	0	0	0	0
	point4	4	114	50	0	0	0	0	0	0	0	0
	point5	5										
Flint	point6	6	0	0	0	0	0	0	0	0	0	0
	point7	7										
Cordova	point8	8	3	25	0	0	0	0	0	0	0	0
	point9	9	3	25	0	0	0	0	0	0	0	0
	point10	10										
Navajo	point11	11	0	0	0	0	0	0	0	0	0	0
	point12	12										
Johnson Rd	point13	13	368	50	0	0	0	0	0	0	0	0
	point14	14	368	50	0	0	0	0	0	0	0	0
	point15	15										
Dale Evans	point16	16	296	50	0	0	0	0	0	0	0	0
	point17	17	296	50	0	0	0	0	0	0	0	0
	point18	18										
Dachshund Ave	point19	19	0	0	0	0	0	0	0	0	0	0
	point20	20										

**INPUT: RECEIVERS**

**Cordova**

Dudek							6 December 2023					
CB							TNM 2.5					
INPUT: RECEIVERS												
PROJECT/CONTRACT:		Cordova										
RUN:		Existing										
Receiver												
Name	No.	#DUs	Coordinates (ground)			Height above Ground	Input Sound Levels and Criteria				Active in Calc.	
			X	Y	Z		Existing LAeq1h	Impact Criteria LAeq1h	Sub'l	NR Goal		
			ft	ft	ft	ft	dBA	dBA	dB	dB		
ST1	1	1	6,276,304.0	2,528,843.5	0.00	4.92	49.70	66	10.0	8.0	Y	
ST2	2	1	6,281,672.0	2,532,525.0	0.00	4.92	45.50	66	10.0	8.0	Y	
ST3	3	1	6,273,697.0	2,532,818.0	0.00	4.92	63.70	66	10.0	8.0	Y	
ST4	4	1	6,274,969.0	2,530,289.2	0.00	4.92	47.00	66	10.0	8.0	Y	
M1	5	1	6,276,359.5	2,528,697.5	0.00	4.92	0.00	66	10.0	8.0	Y	
M2	6	1	6,281,865.0	2,532,459.2	0.00	4.92	0.00	66	10.0	8.0	Y	
M3	7	1	6,273,975.0	2,532,632.0	0.00	4.92	0.00	66	10.0	8.0	Y	

**RESULTS: SOUND LEVELS**

**Cordova**

<b>Dudek</b>													<b>6 December 2023</b>	
<b>CB</b>													<b>TNM 2.5</b>	
													<b>Calculated with TNM 2.5</b>	
<b>RESULTS: SOUND LEVELS</b>														
<b>PROJECT/CONTRACT:</b>			<b>Cordova</b>											
<b>RUN:</b>			<b>Existing</b>											
<b>BARRIER DESIGN:</b>			<b>INPUT HEIGHTS</b>										<b>Average pavement type shall be used unless a State highway agency substantiates the use of a different type with approval of FHWA.</b>	
<b>ATMOSPHERICS:</b>			<b>68 deg F, 50% RH</b>											
<b>Receiver</b>														
<b>Name</b>		<b>No.</b>	<b>#DUs</b>	<b>Existing LAeq1h</b>	<b>No Barrier LAeq1h Calculated</b>	<b>Crit'n</b>	<b>Increase over existing</b>		<b>With Barrier</b>					
							<b>Calculated</b>	<b>Crit'n</b>	<b>Type Impact</b>	<b>Calculated LAeq1h</b>	<b>Noise Reduction</b>		<b>Calculated minus Goal</b>	
				<b>dBA</b>	<b>dBA</b>	<b>dBA</b>	<b>dB</b>	<b>dB</b>		<b>dBA</b>	<b>dB</b>	<b>dB</b>	<b>dB</b>	
ST1		1	1	49.7	35.1	66	-14.6	10	----	35.1	0.0	8	-8.0	
ST2		2	1	45.5	43.7	66	-1.8	10	----	43.7	0.0	8	-8.0	
ST3		3	1	63.7	62.6	66	-1.1	10	----	62.6	0.0	8	-8.0	
ST4		4	1	47.0	36.0	66	-11.0	10	----	36.0	0.0	8	-8.0	
M1		5	1	0.0	35.9	66	35.9	10	----	35.9	0.0	8	-8.0	
M2		6	1	0.0	41.5	66	41.5	10	----	41.5	0.0	8	-8.0	
M3		7	1	0.0	47.6	66	47.6	10	----	47.6	0.0	8	-8.0	
<b>Dwelling Units</b>			<b># DUs</b>	<b>Noise Reduction</b>										
				<b>Min</b>	<b>Avg</b>	<b>Max</b>								
				<b>dB</b>	<b>dB</b>	<b>dB</b>								
All Selected			7	0.0	0.0	0.0								
All Impacted			0	0.0	0.0	0.0								
All that meet NR Goal			0	0.0	0.0	0.0								

INPUT: ROADWAYS

Cordova

					6 December 2023						
Dudek					TNM 2.5						
CB											
INPUT: ROADWAYS					Average pavement type shall be used unless						
PROJECT/CONTRACT: Cordova					a State highway agency substantiates the use						
RUN: Future					of a different type with the approval of FHWA						
Roadway		Points			Flow Control						
Name	Width	Name	No.	Coordinates (pavement)				Segment			
				X	Y	Z	Control	Speed	Percent	Pvmt	On
							Device	Constraint	Vehicles	Type	Struct?
									Affected		
	ft			ft	ft	ft		mph	%		
Quarry Rd	45.0	point1	1	6,284,243.0	2,532,851.8	0.00				Average	
		point2	2	6,283,713.5	2,532,854.2	0.00				Average	
		point3	3	6,281,790.0	2,532,874.2	0.00				Average	
		point4	4	6,280,508.5	2,532,885.2	0.00				Average	
		point5	5	6,273,659.0	2,532,963.2	0.00					
Flint	30.0	point6	6	6,281,615.5	2,529,936.5	0.00				Average	
		point7	7	6,281,654.5	2,532,840.8	0.00					
Cordova	30.0	point8	8	6,273,644.0	2,530,231.8	0.00				Average	
		point9	9	6,276,312.0	2,530,183.0	0.00					
Navajo	30.0	point11	11	6,278,960.5	2,527,529.5	0.00				Average	
		point12	12	6,279,011.5	2,530,140.5	0.00					
Johnson Rd	45.0	point13	13	6,282,168.0	2,527,479.2	0.00				Average	
		point14	14	6,278,940.5	2,527,499.8	0.00				Average	
		point15	15	6,273,656.5	2,527,551.5	0.00					
Dale Evans	30.0	point16	16	6,273,645.5	2,532,979.8	0.00				Average	
		point17	17	6,273,638.0	2,531,668.8	0.00				Average	
		point18	18	6,273,616.0	2,527,599.2	0.00					
Dachshund Ave	30.0	point19	19	6,276,312.5	2,530,173.0	0.00				Average	
		point20	20	6,276,282.5	2,528,876.8	0.00					
Cordova-2	30.0	point22	22	6,276,312.0	2,530,183.0	0.00				Average	
		point21	21	6,278,956.0	2,530,164.5	0.00					
Cordova-2-2	30.0	point23	23	6,278,956.0	2,530,164.5	0.00				Average	
		point10	10	6,281,600.5	2,530,146.0	0.00					



INPUT: TRAFFIC FOR LAeq1h Volumes

Cordova

Dudek		6 December 2023											
CB		TNM 2.5											
INPUT: TRAFFIC FOR LAeq1h Volumes													
PROJECT/CONTRACT:		Cordova											
RUN:		Future											
Roadway	Points												
Name	Name	No.	Segment		MTrucks		HTrucks		Buses		Motorcycles		
			V	S	V	S	V	S	V	S	V	S	
			veh/hr	mph	veh/hr	mph	veh/hr	mph	veh/hr	mph	veh/hr	mph	
Quarry Rd	point1	1	118	50	0	0	0	0	0	0	0	0	
	point2	2	118	50	0	0	0	0	0	0	0	0	
	point3	3	118	50	0	0	0	0	0	0	0	0	
	point4	4	118	50	0	0	0	0	0	0	0	0	
	point5	5											
Flint	point6	6	0	0	0	0	0	0	0	0	0	0	
	point7	7											
Cordova	point8	8	95	25	0	0	0	0	0	0	0	0	
	point9	9											
Navajo	point11	11	0	0	0	0	0	0	0	0	0	0	
	point12	12											
Johnson Rd	point13	13	391	50	0	0	0	0	0	0	0	0	
	point14	14	391	50	0	0	0	0	0	0	0	0	
	point15	15											
Dale Evans	point16	16	460	50	0	0	0	0	0	0	0	0	
	point17	17	460	50	0	0	0	0	0	0	0	0	
	point18	18											
Dachshund Ave	point19	19	0	0	0	0	0	0	0	0	0	0	
	point20	20											
Cordova-2	point22	22	95	25	0	0	0	0	0	0	0	0	
	point21	21											
Cordova-2-2	point23	23	95	25	0	0	0	0	0	0	0	0	
	point10	10											

**INPUT: RECEIVERS**

**Cordova**

Dudek							6 December 2023					
CB							TNM 2.5					
INPUT: RECEIVERS												
PROJECT/CONTRACT:		Cordova										
RUN:		Future										
Receiver												
Name	No.	#DUs	Coordinates (ground)			Height above Ground	Input Sound Levels and Criteria				Active in Calc.	
			X	Y	Z		Existing LAeq1h	Impact Criteria LAeq1h	Sub'l	NR Goal		
			ft	ft	ft	ft	dBA	dBA	dB	dB		
ST1	1	1	6,276,304.0	2,528,843.5	0.00	4.92	49.70	66	10.0	8.0	Y	
ST2	2	1	6,281,672.0	2,532,525.0	0.00	4.92	45.50	66	10.0	8.0	Y	
ST3	3	1	6,273,697.0	2,532,818.0	0.00	4.92	63.70	66	10.0	8.0	Y	
ST4	4	1	6,274,969.0	2,530,289.2	0.00	4.92	47.00	66	10.0	8.0	Y	
M1	5	1	6,276,359.5	2,528,697.5	0.00	4.92	0.00	66	10.0	8.0	Y	
M2	6	1	6,281,865.0	2,532,459.2	0.00	4.92	0.00	66	10.0	8.0	Y	
M3	7	1	6,273,975.0	2,532,632.0	0.00	4.92	0.00	66	10.0	8.0	Y	

**RESULTS: SOUND LEVELS**

**Cordova**

<b>Dudek</b>													<b>6 December 2023</b>	
<b>CB</b>													<b>TNM 2.5</b>	
													<b>Calculated with TNM 2.5</b>	
<b>RESULTS: SOUND LEVELS</b>														
<b>PROJECT/CONTRACT:</b>			<b>Cordova</b>											
<b>RUN:</b>			<b>Future</b>											
<b>BARRIER DESIGN:</b>			<b>INPUT HEIGHTS</b>							<b>Average pavement type shall be used unless a State highway agency substantiates the use of a different type with approval of FHWA.</b>				
<b>ATMOSPHERICS:</b>			<b>68 deg F, 50% RH</b>											
<b>Receiver</b>														
<b>Name</b>		<b>No.</b>	<b>#DUs</b>	<b>Existing LAeq1h</b>	<b>No Barrier LAeq1h Calculated</b>	<b>Crit'n</b>	<b>Increase over existing</b>		<b>With Barrier</b>					
							<b>Calculated</b>	<b>Crit'n</b>	<b>Type Impact</b>	<b>Calculated LAeq1h</b>	<b>Noise Reduction</b>		<b>Calculated minus Goal</b>	
				<b>dBA</b>	<b>dBA</b>	<b>dBA</b>	<b>dB</b>	<b>dB</b>		<b>dBA</b>	<b>dB</b>	<b>dB</b>	<b>dB</b>	
ST1		1	1	49.7	35.8	66	-13.9	10	----	35.8	0.0	8	-8.0	
ST2		2	1	45.5	43.9	66	-1.6	10	----	43.9	0.0	8	-8.0	
ST3		3	1	63.7	64.2	66	0.5	10	----	64.2	0.0	8	-8.0	
ST4		4	1	47.0	46.8	66	-0.2	10	----	46.8	0.0	8	-8.0	
M1		5	1	0.0	36.5	66	36.5	10	----	36.5	0.0	8	-8.0	
M2		6	1	0.0	41.7	66	41.7	10	----	41.7	0.0	8	-8.0	
M3		7	1	0.0	48.9	66	48.9	10	----	48.9	0.0	8	-8.0	
<b>Dwelling Units</b>			<b># DUs</b>	<b>Noise Reduction</b>										
				<b>Min</b>	<b>Avg</b>	<b>Max</b>								
				<b>dB</b>	<b>dB</b>	<b>dB</b>								
All Selected			7	0.0	0.0	0.0								
All Impacted			0	0.0	0.0	0.0								
All that meet NR Goal			0	0.0	0.0	0.0								

INPUT: ROADWAYS

Cordova

Dudek						6 December 2023				
CB						TNM 2.5				
INPUT: ROADWAYS										
PROJECT/CONTRACT:	Cordova								Average pavement type shall be used unless a State highway agency substantiates the use of a different type with the approval of FHWA	
RUN:	Future + Project									

Roadway	Width	Points	No.	Coordinates (pavement)			Flow Control			Segment	
Name		Name		X	Y	Z	Control Device	Speed Constraint	Percent Vehicles Affected	Pvmt Type	On Struct?
	ft			ft	ft	ft		mph	%		
Quarry Rd	45.0	point1	1	6,284,243.0	2,532,851.8	0.00				Average	
		point2	2	6,283,713.5	2,532,854.2	0.00				Average	
		point3	3	6,281,790.0	2,532,874.2	0.00				Average	
		point4	4	6,280,508.5	2,532,885.2	0.00				Average	
		point5	5	6,273,659.0	2,532,963.2	0.00					
Flint	30.0	point6	6	6,281,615.5	2,529,936.5	0.00				Average	
		point7	7	6,281,654.5	2,532,840.8	0.00					
Cordova	30.0	point8	8	6,273,644.0	2,530,231.8	0.00				Average	
		point9	9	6,276,312.0	2,530,183.0	0.00					
Navajo	30.0	point11	11	6,278,960.5	2,527,529.5	0.00				Average	
		point12	12	6,279,011.5	2,530,140.5	0.00					
Johnson Rd	45.0	point13	13	6,282,168.0	2,527,479.2	0.00				Average	
		point14	14	6,278,940.5	2,527,499.8	0.00				Average	
		point15	15	6,273,656.5	2,527,551.5	0.00					
Dale Evans	30.0	point16	16	6,273,645.5	2,532,979.8	0.00				Average	
		point17	17	6,273,638.0	2,531,668.8	0.00				Average	
		point24	24	6,273,627.0	2,530,248.2	0.00					
Dachshund Ave	30.0	point19	19	6,276,312.5	2,530,173.0	0.00				Average	
		point20	20	6,276,282.5	2,528,876.8	0.00					
Cordova-2	30.0	point22	22	6,276,312.0	2,530,183.0	0.00				Average	
		point21	21	6,278,956.0	2,530,164.5	0.00					
Cordova-2-2	30.0	point23	23	6,278,956.0	2,530,164.5	0.00				Average	
		point10	10	6,281,600.5	2,530,146.0	0.00					
Dale Evans-2	30.0	point26	26	6,273,627.0	2,530,248.2	0.00				Average	
		point18	18	6,273,616.0	2,527,599.2	0.00					

INPUT: TRAFFIC FOR LAeq1h Volumes

Cordova

Dudek		6 December 2023											
CB		TNM 2.5											
INPUT: TRAFFIC FOR LAeq1h Volumes													
PROJECT/CONTRACT:		Cordova											
RUN:		Future + Project											
Roadway	Points												
Name	Name	No.	Segment		MTrucks		HTrucks		Buses		Motorcycles		
			V	S	V	S	V	S	V	S	V	S	
			veh/hr	mph	veh/hr	mph	veh/hr	mph	veh/hr	mph	veh/hr	mph	
Quarry Rd	point1	1	118	50	0	0	0	0	0	0	0	0	
	point2	2	118	50	0	0	0	0	0	0	0	0	
	point3	3	118	50	0	0	0	0	0	0	0	0	
	point4	4	118	50	0	0	0	0	0	0	0	0	
	point5	5											
Flint	point6	6	493	25	0	0	0	0	0	0	0	0	
	point7	7											
Cordova	point8	8	521	25	0	0	0	0	0	0	0	0	
	point9	9											
Navajo	point11	11	448	25	0	0	0	0	0	0	0	0	
	point12	12											
Johnson Rd	point13	13	601	50	0	0	0	0	0	0	0	0	
	point14	14	601	50	0	0	0	0	0	0	0	0	
	point15	15											
Dale Evans	point16	16	570	50	0	0	0	0	0	0	0	0	
	point17	17	570	50	0	0	0	0	0	0	0	0	
	point24	24											
Dachshund Ave	point19	19	132	25	0	0	0	0	0	0	0	0	
	point20	20											
Cordova-2	point22	22	508	25	0	0	0	0	0	0	0	0	
	point21	21											
Cordova-2-2	point23	23	508	25	0	0	0	0	0	0	0	0	
	point10	10											

**INPUT: TRAFFIC FOR LAeq1h Volumes****Cordova**

Dale Evans-2	point26	26	800	50	0	0	0	0	0	0	0	0
	point18	18										

**INPUT: RECEIVERS**

**Cordova**

Dudek							6 December 2023					
CB							TNM 2.5					
INPUT: RECEIVERS												
PROJECT/CONTRACT:		Cordova										
RUN:		Future + Project										
Receiver												
Name	No.	#DUs	Coordinates (ground)			Height above Ground	Input Sound Levels and Criteria				Active in Calc.	
			X	Y	Z		Existing LAeq1h	Impact Criteria LAeq1h	Sub'l	NR Goal		
			ft	ft	ft	ft	dBA	dBA	dB	dB		
ST1	1	1	6,276,304.0	2,528,843.5	0.00	4.92	49.70	66	10.0	8.0	Y	
ST2	2	1	6,281,672.0	2,532,525.0	0.00	4.92	45.50	66	10.0	8.0	Y	
ST3	3	1	6,273,697.0	2,532,818.0	0.00	4.92	63.70	66	10.0	8.0	Y	
ST4	4	1	6,274,969.0	2,530,289.2	0.00	4.92	47.00	66	10.0	8.0	Y	
M1	5	1	6,276,359.5	2,528,697.5	0.00	4.92	0.00	66	10.0	8.0	Y	
M2	6	1	6,281,865.0	2,532,459.2	0.00	4.92	0.00	66	10.0	8.0	Y	
M3	7	1	6,273,975.0	2,532,632.0	0.00	4.92	0.00	66	10.0	8.0	Y	

**RESULTS: SOUND LEVELS**

**Cordova**

<b>Dudek</b>													<b>6 December 2023</b>	
<b>CB</b>													<b>TNM 2.5</b>	
													<b>Calculated with TNM 2.5</b>	
<b>RESULTS: SOUND LEVELS</b>														
<b>PROJECT/CONTRACT:</b>			<b>Cordova</b>											
<b>RUN:</b>			<b>Future + Project</b>											
<b>BARRIER DESIGN:</b>			<b>INPUT HEIGHTS</b>										<b>Average pavement type shall be used unless a State highway agency substantiates the use of a different type with approval of FHWA.</b>	
<b>ATMOSPHERICS:</b>			<b>68 deg F, 50% RH</b>											
<b>Receiver</b>														
<b>Name</b>		<b>No.</b>	<b>#DUs</b>	<b>Existing LAeq1h</b>	<b>No Barrier LAeq1h Calculated</b>	<b>Crit'n</b>	<b>Increase over existing</b>		<b>With Barrier</b>					
							<b>Calculated</b>	<b>Crit'n</b>	<b>Type Impact</b>	<b>Calculated LAeq1h</b>	<b>Noise Reduction</b>		<b>Calculated minus Goal</b>	
								<b>Sub'l Inc</b>			<b>Calculated</b>	<b>Goal</b>	<b>Calculated minus Goal</b>	
				<b>dBA</b>	<b>dBA</b>	<b>dBA</b>	<b>dB</b>	<b>dB</b>		<b>dBA</b>	<b>dB</b>	<b>dB</b>	<b>dB</b>	
ST1		1	1	49.7	47.1	66	-2.6	10	----	47.1	0.0	8	-8.0	
ST2		2	1	45.5	60.1	66	14.6	10	Sub'l Inc	60.1	0.0	8	-8.0	
ST3		3	1	63.7	65.2	66	1.5	10	----	65.2	0.0	8	-8.0	
ST4		4	1	47.0	54.0	66	7.0	10	----	54.0	0.0	8	-8.0	
M1		5	1	0.0	41.4	66	41.4	10	----	41.4	0.0	8	-8.0	
M2		6	1	0.0	46.4	66	46.4	10	----	46.4	0.0	8	-8.0	
M3		7	1	0.0	49.6	66	49.6	10	----	49.6	0.0	8	-8.0	
<b>Dwelling Units</b>			<b># DUs</b>	<b>Noise Reduction</b>										
				<b>Min</b>	<b>Avg</b>	<b>Max</b>								
				<b>dB</b>	<b>dB</b>	<b>dB</b>								
All Selected			7	0.0	0.0	0.0								
All Impacted			1	0.0	0.0	0.0								
All that meet NR Goal			0	0.0	0.0	0.0								



# Onsite Noise Calculations

# Bericht (Existing with Project.cna)

Gruppentabelle Tag und Nacht

Name	Expression	Partial Sum Level							
		M1		M2		M3		ST4	
		Day	Night	Day	Night	Day	Night	Day	Night

Source			Partial Level							
Name	M.	ID	M1		M2		M3		ST4	
			Day	Night	Day	Night	Day	Night	Day	Night
HVAC			21.5	21.5	-1.4	-1.4	9.2	9.2	16.4	16.4
HVAC			9.9	9.9	3.5	3.5	5.1	5.1	8.8	8.8
HVAC			14.2	14.2	4.4	4.4	4.2	4.2	8.3	8.3
HVAC			28.1	28.1	-1.4	-1.4	7.7	7.7	15.0	15.0
HVAC			3.6	3.6	26.4	26.4				
HVAC			5.2	5.2	16.3	16.3			3.3	3.3
HVAC			2.1	2.1	14.8	14.8			4.8	4.8
			2.5	2.5	6.6	6.6	-1.8	-1.8	0.1	0.1
			6.9	6.9	13.1	13.1			5.1	5.1
			-0.4	-0.4	24.4	24.4			-2.3	-2.3
			-1.5	-1.5	15.0	15.0				
			-2.9	-2.9	24.7	24.7				
			25.9	25.9	-0.9	-0.9	2.6	2.6	9.3	9.3
			23.4	23.4	0.5	0.5	1.0	1.0	6.8	6.8
			12.5	12.5	0.7	0.7	0.5	0.5	5.2	5.2
			8.9	8.9	3.3	3.3	1.8	1.8	6.0	6.0
			11.1	11.1	1.0	1.0	4.2	4.2	10.2	10.2
			13.1	13.1	7.5	7.5	8.1	8.1	13.5	13.5

## Schallquellen

### Punktquellen

Name	M.	ID	Result. PWL			Lw / Li		Correction			Sound Reduction		Attenuation	Operating Time			K0
			Day	Evening	Night	Type	Value	norm.	Day	Evening	Night	R		Area	Day	Special	
			(dBA)	(dBA)	(dBA)			dB(A)	dB(A)	dB(A)	dB(A)		(m²)	(min)	(min)	(min)	(dB)
HVAC			89.0	89.0	89.0	Lw	89		0.0	0.0	0.0						0.0
HVAC			89.0	89.0	89.0	Lw	89		0.0	0.0	0.0						0.0
HVAC			89.0	89.0	89.0	Lw	89		0.0	0.0	0.0						0.0
HVAC			89.0	89.0	89.0	Lw	89		0.0	0.0	0.0						0.0
HVAC			89.0	89.0	89.0	Lw	89		0.0	0.0	0.0						0.0
HVAC			89.0	89.0	89.0	Lw	89		0.0	0.0	0.0						0.0
HVAC			89.0	89.0	89.0	Lw	89		0.0	0.0	0.0						0.0

### Linienquellen



Name	M.	ID	Lme			Count Data		exact Count Data						Speed Limit		SCS	Surface	
			Day	Evening	Night	DTV	Str.class.	M			p (%)			Auto	Truck	Dist.	Dstro	Type
			(dBA)	(dBA)	(dBA)			Day	Evening	Night	Day	Evening	Night	(km/h)	(km/h)		(dB)	
			0.0	0.0	0.0	0	Federal Road							100		0.0	0.0	1
			0.0	0.0	0.0	0	Federal Road							100		0.0	0.0	1
			0.0	0.0	0.0	0	Federal Road							100		0.0	0.0	1

## Ampeln

Name	M.	ID	Active			Height	Coordinates					
			Day	Evening	Night	Begin	X	Y	Z			
						(m)	(m)	(m)	(m)			

## Immissionspunkte

Name	M.	ID	Level Lr		Limit. Value		Land Use			Height	Coordinates			
			Day	Night	Day	Night	Type	Auto	Noise Type		X	Y	Z	
			(dBA)	(dBA)	(dBA)	(dBA)					(m)	(m)	(m)	(m)
M1			31.8	31.8	0.0	0.0	x		Total	1.50	r	2129.40	6358.98	1.50
M2			30.6	30.6	0.0	0.0	x		Total	1.50	r	3786.63	7543.69	1.50
M3			15.5	15.5	0.0	0.0	x		Total	1.50	r	1383.17	7559.61	1.50
ST4			21.8	21.8	0.0	0.0	x		Total	1.50	r	1629.93	6847.17	1.50

## Gebietsausweisungen

Name	M.	ID	Type	Persons
				(1/km <sup>2</sup> )

## Hindernisse

### Schirme

Name	M.	ID	Absorption		Z-Ext.	Cantilever		Height			
			left	right		horz.	vert.	Begin	End		
					(m)	(m)	(m)	(m)	(m)	(m)	
								0.00	r		
Bldg								15.85	r	15.85	r
Bldg								15.85	r	15.85	r

### Häuser

Name	M.	ID	RB	Residents	Absorption	Height
						Begin
						(m)

### Bewuchs

Name	M.	ID	Height
			(m)

### Bebauung

Name	M.	ID	Type	Attenuation	B	m	Height
				dB/100m	%	1/m	(m)

## Geometriedaten

### Geometrie Linienquellen

Name	Height		Coordinates			
	Begin	End	x	y	z	Ground
	(m)	(m)	(m)	(m)	(m)	(m)
	0.00	r	3364.23	6813.26	0.00	0.00
			3360.22	7308.03	0.00	0.00

Name	Height		Coordinates			
	Begin	End	x	y	z	Ground
	(m)	(m)	(m)	(m)	(m)	(m)
			3380.39	7308.03	0.00	0.00
0.00	r		3388.20	7009.42	0.00	0.00
			3384.84	7537.86	0.00	0.00
0.00	r		3602.96	7013.44	0.00	0.00
			3600.44	7543.56	0.00	0.00
0.00	r		3720.02	6939.81	0.00	0.00
			3631.33	6940.48	0.00	0.00
			3632.00	7307.89	0.00	0.00
			3604.66	7307.89	0.00	0.00
0.00	r		3712.87	7606.49	0.00	0.00
			3627.14	7603.32	0.00	0.00
			3632.43	7317.52	0.00	0.00
0.00	r		2111.17	6455.81	0.00	0.00
			2503.25	6452.47	0.00	0.00
			2503.25	6478.48	0.00	0.00
0.00	r		2234.53	6478.48	0.00	0.00
			2829.33	6478.48	0.00	0.00
0.00	r		2919.35	6452.47	0.00	0.00
			2505.25	6453.14	0.00	0.00
0.00	r		2920.68	6711.86	0.00	0.00
			2886.67	6711.20	0.00	0.00
			2869.33	6722.53	0.00	0.00
			2497.92	6723.20	0.00	0.00
			2497.92	6701.20	0.00	0.00
0.00	r		2238.53	6797.22	0.00	0.00
			2238.53	6724.53	0.00	0.00
			2494.59	6723.20	0.00	0.00
0.00	r		2233.86	6698.53	0.00	0.00
			2825.99	6698.53	0.00	0.00

### Geometrie Flächenquellen

Name	Height		Coordinates			
	Begin	End	x	y	z	Ground
	(m)	(m)	(m)	(m)	(m)	(m)

### Geometrie Parkplätze

Name	Height		Coordinates			
	Begin	End	x	y	z	Ground
	(m)	(m)	(m)	(m)	(m)	(m)

### Geometrie Straßen

Name	Height		Coordinates				Dist (m)	LSlope (%)
	Begin	End	x	y	z	Ground		
	(m)	(m)	(m)	(m)	(m)	(m)		
0.00	r		4543.13	5583.27	0.00	0.00		
			4541.45	7664.14	0.00	0.00		
0.00	r		4540.63	7668.38	0.00	0.00		
			3725.75	7659.98	0.00	0.00		
			3315.79	7654.94	0.00	0.00		
			1289.52	7658.30	0.00	0.00		
			748.51	7648.22	0.00	0.00		
0.00	r		1300.51	5490.87	0.00	0.00		
			1294.16	6011.62	0.00	0.00		
			1292.04	6813.91	0.00	0.00		
			1279.34	7650.08	0.00	0.00		
0.00	r		1281.05	7670.21	0.00	0.00		
			1273.05	7963.59	0.00	0.00		
0.00	r		960.98	6013.62	0.00	0.00		
			1286.36	6013.62	0.00	0.00		
			2102.50	6005.62	0.00	0.00		

Name	Height		Coordinates				Dist (m)	LSlope (%)
	Begin (m)	End (m)	x (m)	y (m)	z (m)	Ground (m)		
			2915.96	6000.29	0.00	0.00		
			4529.56	6010.95	0.00	0.00		
	0.00	r	1299.72	6417.25	0.00	0.00		
			2104.13	6406.67	0.00	0.00		
	0.00	r	1298.41	6814.83	0.00	0.00		
			2102.82	6806.36	0.00	0.00		
			2930.52	6810.60	0.00	0.00		
			3316.86	6807.42	0.00	0.00		
			3728.93	6810.09	0.00	0.00		
	0.00	r	3718.46	7623.26	0.00	0.00		
			3725.13	6817.41	0.00	0.00		
	0.00	r	2099.81	6416.04	0.00	0.00		
			2105.15	6800.11	0.00	0.00		
	0.00	r	2098.33	6028.11	0.00	0.00		
			2098.33	6401.11	0.00	0.00		

### Geometrie Schienen

Name	Height		Coordinates			
	Begin (m)	End (m)	x (m)	y (m)	z (m)	Ground (m)

### Geometrie Schirme

Name	M.	ID	Absorption		Z-Ext. (m)	Cantilever		Height		Coordinates					
			left	right		horz. (m)	vert. (m)	Begin (m)	End (m)	x (m)	y (m)	z (m)	Ground (m)		
								0.00	r	1001.34	7804.43	0.00	0.00		
										1004.70	5512.78	0.00	0.00		
Bldg								15.85	r	15.85	r	2188.41	6710.71	15.85	0.00
												2222.42	6710.71	15.85	0.00
												2221.75	6690.04	15.85	0.00
												2841.87	6690.04	15.85	0.00
												2842.54	6711.38	15.85	0.00
												2873.88	6710.05	15.85	0.00
												2875.88	6462.66	15.85	0.00
												2842.54	6462.66	15.85	0.00
												2841.21	6484.67	15.85	0.00
												2221.75	6485.34	15.85	0.00
												2221.75	6465.33	15.85	0.00
												2189.75	6466.00	15.85	0.00
												2187.75	6710.71	15.85	0.00
Bldg								15.85	r	15.85	r	3368.37	7597.25	15.85	0.00
												3617.04	7598.09	15.85	0.00
												3617.88	7554.40	15.85	0.00
												3597.72	7554.40	15.85	0.00
												3600.39	6999.63	15.85	0.00
												3619.06	7000.29	15.85	0.00
												3619.06	6954.28	15.85	0.00
												3373.01	6953.62	15.85	0.00
												3373.01	6998.29	15.85	0.00
												3392.35	6997.62	15.85	0.00
												3388.64	7551.74	15.85	0.00
												3369.06	7551.74	15.85	0.00
												3368.53	7597.26	15.85	0.00

### Geometrie Häuser

Name	M.	ID	RB	Residents	Absorption	Height	Coordinates			
							Begin (m)	x (m)	y (m)	z (m)

### Geometrie Höhenlinien

Name	M.	ID	OnlyPts	Height		Coordinates		
				Begin	End	x	y	z
				(m)	(m)	(m)	(m)	(m)

### Geometrie Bruchkanten

Name	M.	ID	Coordinates	
			x	y
			(m)	(m)

from CMS "Midpoint at 237" March 27, 2014 noise study

	dBA dist (feet)		Dudek time estimate			source	PWL
			at 50'	minutes per hour	hourly Leq		
truck passby	68	30	63.6	2	48.8	<b>traveling on lot</b>	<b>83.5</b>
truck airbrakes	72	25	66.0	0.05	35.2	at dock	69.8
truck backup alarm	79	30	74.6	0.1	46.8	at dock	81.4
idle before shutoff	70	25	64.0	5	53.2	at dock	87.8
truck engine ignition + airbrakes	71	25	65.0	0.05	34.2	at dock	68.8
truck accelerating from stop	74	25	68.0	0.05	37.2	at dock	71.8
						<b>total at dock</b>	<b>88.9</b>

dock door quantities from 5/2/23 siteplan

	peak hour trips*	split**	log add***
Cordova Complex	docks	64	
north	133	32.0	15.1
south	133	32.0	15.1
Quarry at Pawnee	docks	60	
east	118	30.1	14.8
west	117	29.9	14.8

\*(3 and 4-axle trucks)

\*\* (based on dock ratio for the building)

\*\*\* (to single truck noise levels)





## TECHNICAL GUIDE

### R-410A ZE/ZF/ZR/XN/XP SERIES 3 - 6 TON 60 Hertz



### Description

YORK® ZE/ZF/ZR/XN/XP Series units are convertible single package high efficiency rooftops with a common roof curb for the 3, 4, 5 and 6 Ton sizes (ZE, ZR, XN, XP not available in 6 Ton). Although the units are primarily designed for curb mounting on a roof, they can also be slab-mounted at ground level or set on steel beams above a finished roof.

All ZE/ZF/ZR/XN/XP Series units are self-contained and assembled on rigid full perimeter base rails allowing for overhead rigging. Every unit is completely charged, wired, piped and tested at the factory to provide a quick and easy field installation.

All models (including those with an economizer) are convertible between bottom and horizontal duct connections.

ZE/ZF/ZR Series units are available in the following configurations: cooling only, cooling with electric heat, and cooling with one or two stage gas heat. Electric heaters are available as factory-installed option or field installed accessory.

XN/XP Series units are available in the following configurations: cooling and heating only and cooling and heating with electric heat.

Tested in accordance with:

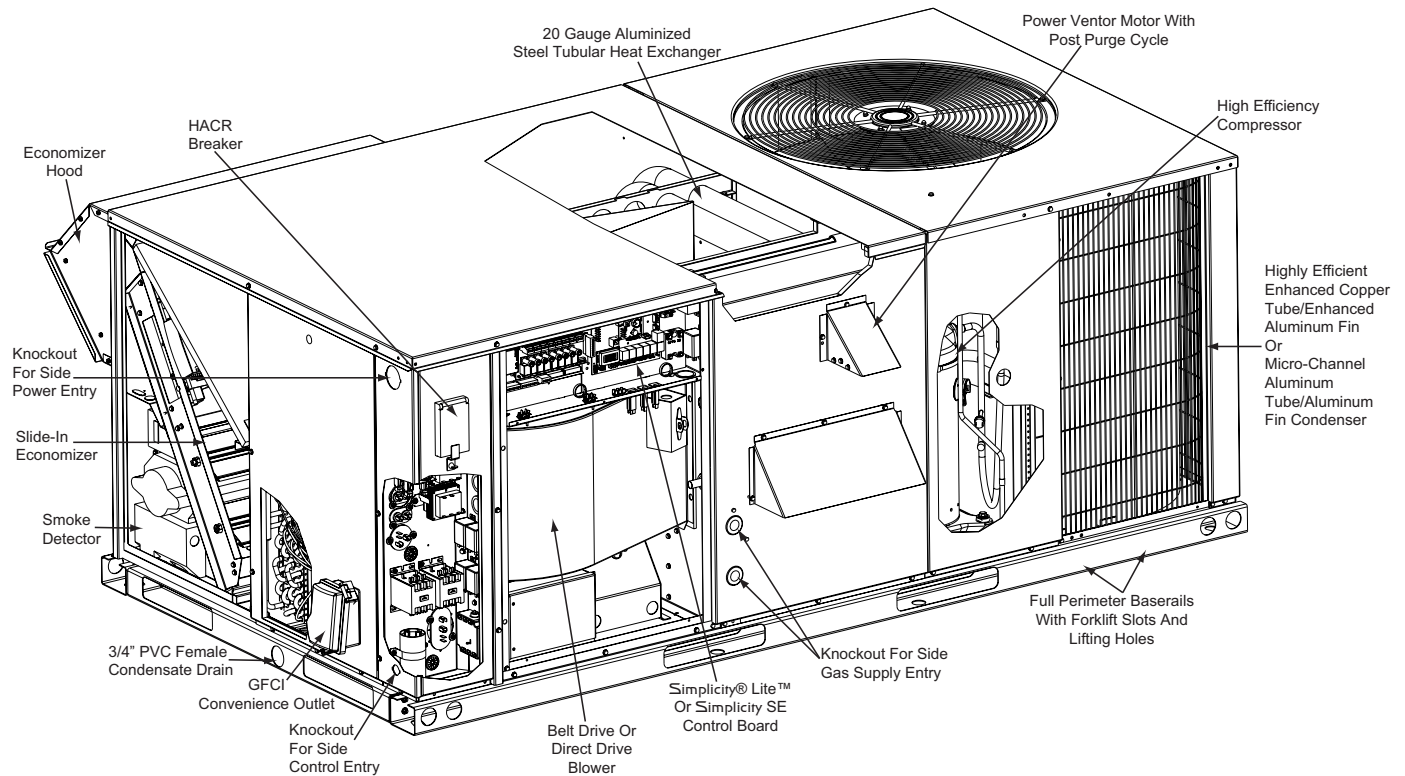


## Table of Contents

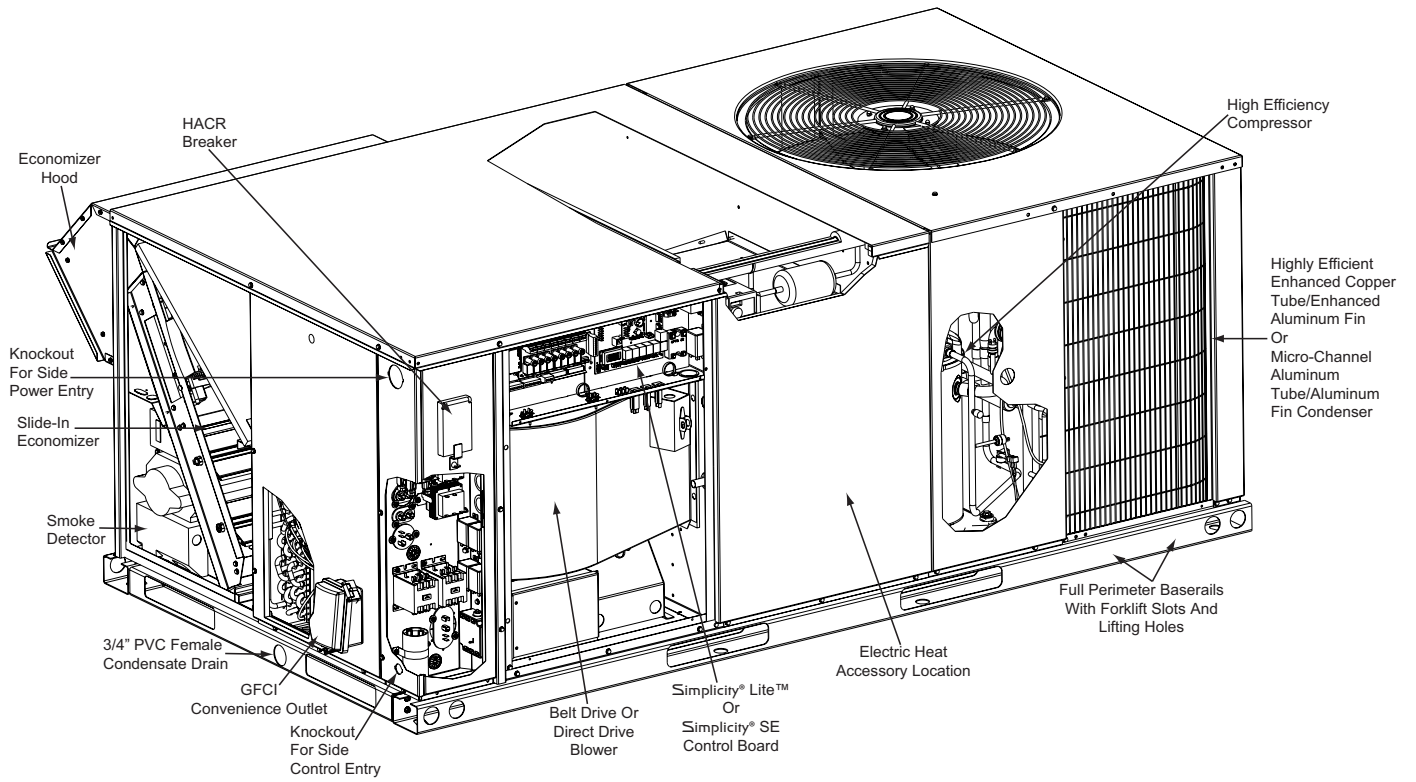
Description .....	1
Table of Contents .....	2
Component Location .....	2
Nomenclature .....	4
Features and Benefits .....	5
Guide Specifications .....	9
Physical Data .....	12
Capacity Performance .....	25
Airflow Performance .....	67
Sound Performance .....	86
Electrical Data .....	87
Typical Field Power and Control Wiring .....	143
Weights and Dimensions .....	147

## Component Location

### Gas/Electric



**Electric/Electric and Heat Pump**



### Electric Heat Minimum Supply Air

Size (Tons)	Voltage	Minimum Supply Air (CFM)					
		Heater kW					
		5	7	10	15	20	30
036 (3.0)	208/230-1-60	900	900	900	900	900	-
	208/230-3-60	900	900	900	900	900	-
	460-3-60	-	900	900	900	900	-
	600-3-60	-	-	900	900	900	-
048 (4.0)	208/230-1-60	1200	1200	1200	1200	1200	-
	208/230-3-60	1200	1200	1200	1200	1200	-
	460-3-60	-	1200	1200	1200	1200	-
	600-3-60	-	-	1200	1200	1200	-
060 (5.0)	208/230-1-60	1500	1500	1500	1500	1500	1500
	208/230-3-60	1500	1500	1500	1500	1500	1500
	460-3-60	-	1500	1500	1500	1500	1500
	600-3-60	-	-	1500	1500	1500	1500
072 (6.0)	208/230-3-60	1500	1500	1500	1500	1500	1500
	460-3-60	-	1500	1500	1500	1500	1500
	600-3-60	-	-	1500	1500	1500	1500

### Indoor Blower Specifications (Belt Drive)

Size (Tons)	Motor					Motor Sheave			Blower Sheave			Belt
	HP	RPM	Eff.	SF	Frame	Datum Dia. (in.)	Bore (in.)	Model	Datum Dia. (in.)	Bore (in.)	Model	
036 (3.0)	1-1/2	1725	0.8	1.15	56	2.8 - 3.8	7/8	1VL44	6.0	1	AK64	A37
	1-1/2	1725	0.8	1.15	56	4.0 - 5.0	7/8	1VP56	6.2	1	AK66	A39
048 (4.0)	1-1/2	1725	0.8	1.15	56	2.8 - 3.8	7/8	1VL44	5.2	1	AK56	A36
	1-1/2	1725	0.8	1.15	56	4.0 - 5.0	7/8	1VP56	5.7	1	AK61	A38
060 (5.0)	1-1/2	1725	0.8	1.15	56	2.8 - 3.8	7/8	1VL44	5.2	1	AK56	A36
	2	1725	0.8	1.15	56	4.0 - 5.0	7/8	1VP56	5.2	1	AK56	A38
072 (6.0)	1-1/2	1725	0.8	1.15	56	2.8 - 3.8	7/8	1VL44	5.2	1	AK56	A36
	3	1725	0.8	1.15	56	4.0 - 5.0	7/8	1VP56	5.2	1	AK56	A38

### Power Exhaust Specifications

Model	Voltage	Motor			Motor			Fuse Size	CFM @ 0.1 ESP
		HP	RPM	QTY	LRA	FLA	MCA		
2PE04703725	208/230-1-60	1/2	1725 <sup>1</sup>	1	23.7	4.4	5.5	8	1350
2PE04703746	460-1-60	1/2	1725 <sup>1</sup>	1	4.1	1.7	2.1	5	1350
2PE04703758	575-3-60	1/2	1725	1	4.5	0.9	1.1	2	1350

1. Motors are multi-tapped and factory wired for high speed.

### Electric Heat Multipliers

Voltage Nominal	Voltage Applied	kW Capacity Multipliers <sup>1</sup>
	230	0.92
480	460	0.92
600	575	0.92

1. Electric heaters are rated at nominal voltage. Use this table to determine the electric heat capacity for heaters applied at lower voltages.

## Sound Performance

### ZF/ZR/XP Indoor Sound Power Levels

Size (Tons)	CFM	ESP (IWG)	Blower		Sound Power, dB (10 <sup>-12</sup> ) Watts								
					Sound Rating <sup>1</sup> dB (A)	Octave Band Centerline Frequency (Hz)							
			RPM	BHP		63	125	250	500	1000	2000	4000	8000
036 (3.0)	1200	0.2	630	0.41	63	82	77	59	50	43	42	40	45
048 (4.0)	1600	0.2	791	0.54	72	95	84	58	54	46	44	45	44
060 (5.0)	2000	0.2	840	0.67	62	84	71	58	53	50	49	49	49
072 (6.0)	2200	0.3	920	1.45	76	61	71	68	67	72	66	61	54

1. These values have been accessed using a model of sound propagation from a point source into the hemispheric/free field. The dBA values provided are to be used for reference only. Calculation of dBA values cover matters of system design and the fan manufacture has no way of knowing the details of each system. This constitutes an exception to any specification or guarantee requiring a dBA value of sound data in any other form than sound power level ratings.

### ZE/ZF/ZR Outdoor Sound Power Levels

Size (Tons)	Sound Rating <sup>1</sup> dB (A)	Octave Band Centerline Frequency (Hz)							
		63	125	250	500	1000	2000	4000	8000
036 (3.0)	81	87.5	86.0	81.0	77.0	75.0	69.5	65.5	70.5
048 (4.0)	80	84.5	81.0	80.0	78.0	75.0	70.0	67.0	70.5
060 (5.0)	82	86.5	87.5	81.5	77.5	75.0	71.5	68.0	70.5
072 (6.0)	83	-	84.0	85.0	79.0	80.0	72.0	67.5	62.5

1. Rated in accordance with AHRI 270 standard.

### XN/XP Outdoor Sound Power Levels

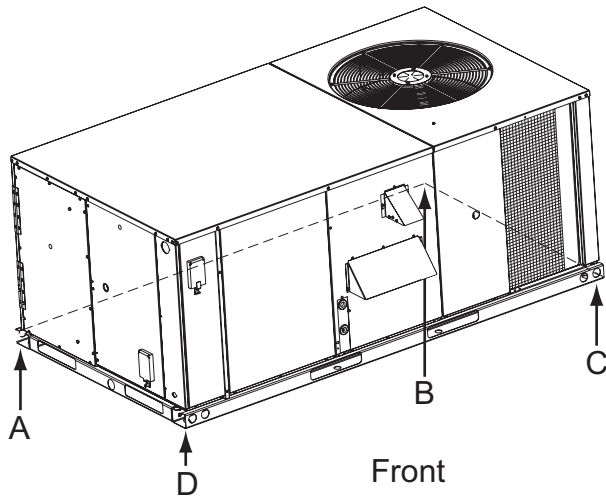
Size (Tons)	Sound Rating <sup>1</sup> dB (A)	Octave Band Centerline Frequency (Hz)							
		63	125	250	500	1000	2000	4000	8000
036 (3.0)	76	83.5	84.5	76.5	72.0	68.0	66.0	60.0	56.0
048 (4.0)	80	85.0	83.0	81.0	77.5	75.5	71.5	67.5	61.5
060 (5.0)	80	86.0	84.0	81.0	77.0	75.5	71.0	66.5	60.5

1. Rated in accordance with AHRI 270 standard.

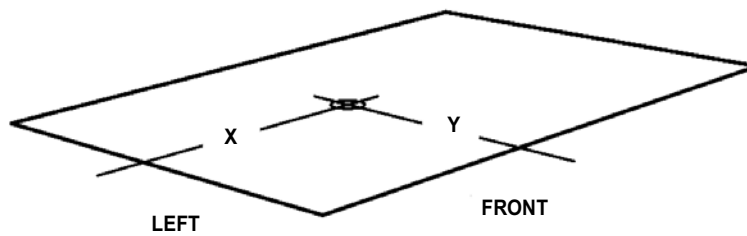
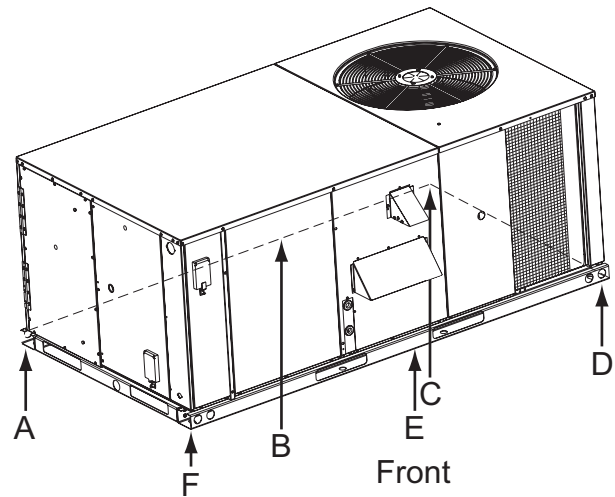
## Weights and Dimensions

### ZE/ZF/ZR/XN/XP036-072 Unit Weights

#### Unit 4 Point Load Weight



#### Unit 6 Point Load Weight



#### ZE036-060

Size (Tons)	Weight (lbs.)		Center of Gravity		4 point Load Location (lbs.)				6 point Load Location (lbs.)					
	Shipping	Operating	X	Y	A	B	C	D	A	B	C	D	E	F
036 (3)	475	470	34.5	18.25	111	80	117	162	78	62	51	74	91	114
048 (4)	603	598	36	18.5	139	108	154	198	96	81	69	98	116	137
060 (5)	637	632	37.5	18.2	139	117	171	204	96	85	76	111	124	140

#### ZF036-072

Size (Tons)	Weight (lbs.)		Center of Gravity		4 Point Load Location (lbs.)				6 Point Load Location (lbs.)					
	Shipping	Operating	X	Y	A	B	C	D	A	B	C	D	E	F
036 (3.0)	473	468	33	18.25	114	76	111	166	81	61	48	70	89	119
048 (4.0)	546	541	31.5	18.5	138	85	122	196	100	71	53	75	101	142
060 (5.0)	574	569	37	15	105	86	170	208	72	63	55	110	125	144
072 (6.0)	645	640	37	15	118	96	192	234	81	71	62	124	141	162

**ZR036-060**

Size (Tons)	Weight (lbs.)		Center of Gravity		4 Point Load Location (lbs.)				6 Point Load Location (lbs.)					
	Shipping	Operating	X	Y	A	B	C	D	A	B	C	D	E	F
036 (3.0)	580	575	40	20	132	125	155	164	89	85	82	102	106	110
048 (4.0)	590	585	40	20	134	127	158	167	90	87	84	104	108	112
060 (5.0)	595	590	40	20	135	128	159	168	91	88	84	105	109	113

**XN036-060**

Size (Tons)	Weight (lbs.)		Center of Gravity		4 point Load Location (lbs.)				6 point Load Location (lbs.)					
	Shipping	Operating	X	Y	A	B	C	D	A	B	C	D	E	F
036 (3)	615	610	38.3	18.75	136	119	165	190	93	85	77	108	118	129
048 (4)	621	616	38.2	18.4	135	117	169	195	92	84	76	110	121	133
060 (5)	625	620	38.6	18	132	117	174	197	90	83	76	114	123	134

**XP036-060**

Size (Tons)	Weight (lbs.)		Center of Gravity		4 Point Load Location (lbs.)				6 Point Load Location (lbs.)					
	Shipping	Operating	X	Y	A	B	C	D	A	B	C	D	E	F
036 (3.0)	580	575	39	20	135	121	151	168	91	85	80	99	106	114
048 (4.0)	590	585	39	20	137	124	154	171	93	87	81	101	108	116
060 (5.0)	595	590	39	20	138	125	155	172	94	87	82	102	109	117

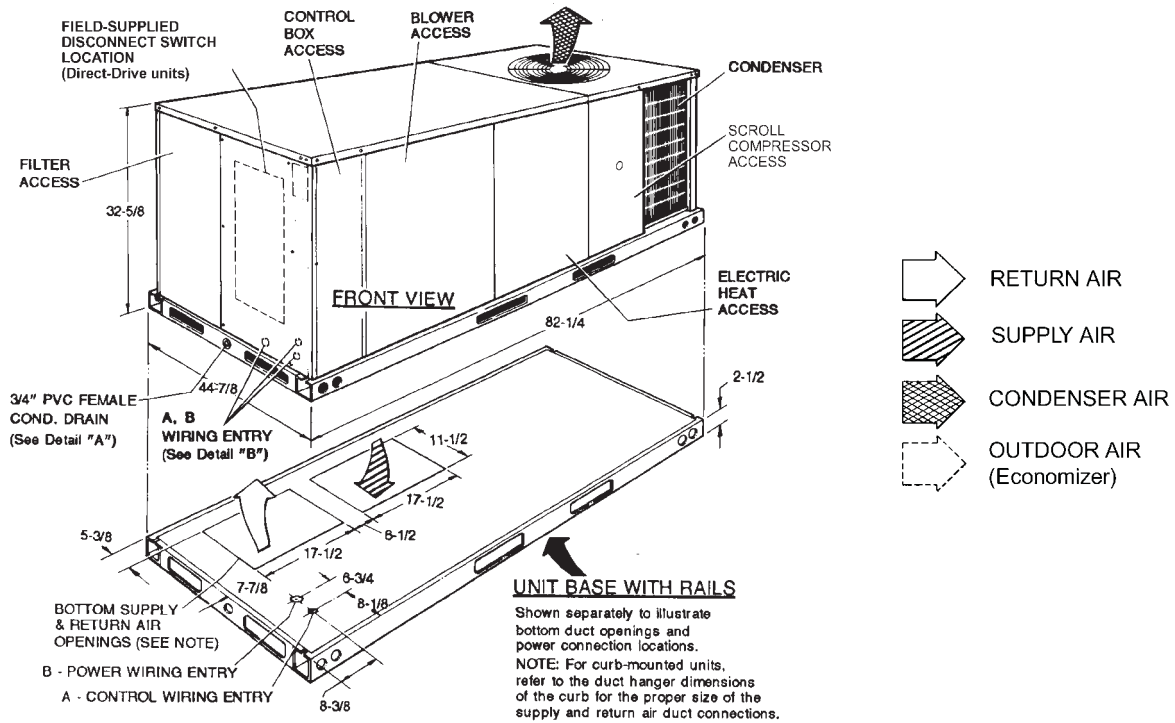
**ZE/ZF/ZR/XN/XP036-072 Unit Accessory Weights**

Unit Accessory	Weight (lbs.)	
	Shipping	Operating
Economizer	55	50
Power Exhaust	55	50
Electric Heat <sup>1</sup>	28	28
Gas Heat <sup>2</sup>	70	70

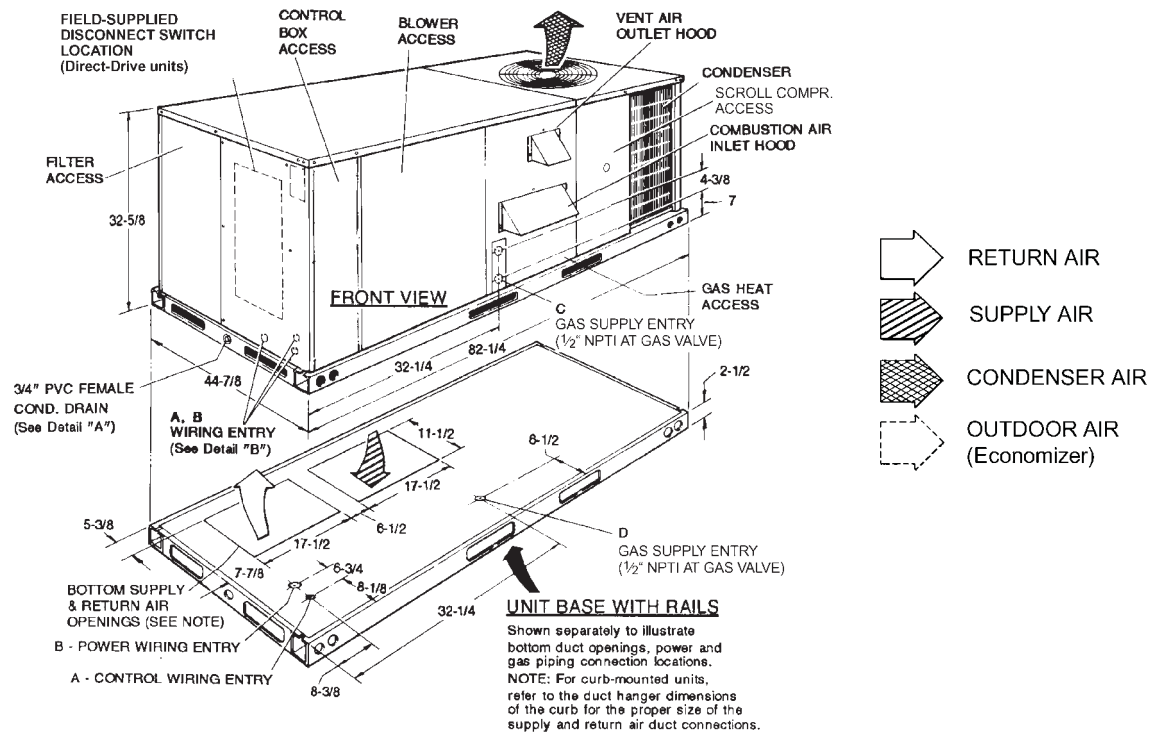
1. Weight given is for the maximum heater size available (30KW).
2. Weight given is for the maximum number of tube heat exchangers available (5 tube).

### ZE/ZF/ZR/XN/XP036-072 Unit Dimensions

#### ZE/ZF/ZR036-072 Cooling Only/Electric Heat Front View XN/XP036-060 Heat Pump/Electric Heat Front View

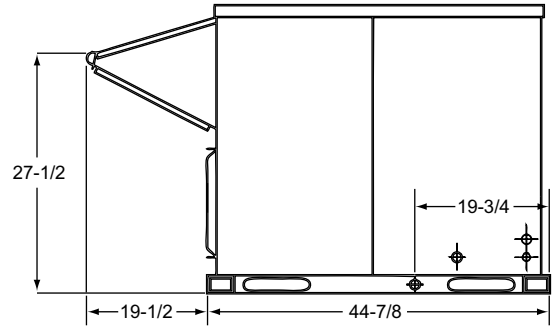
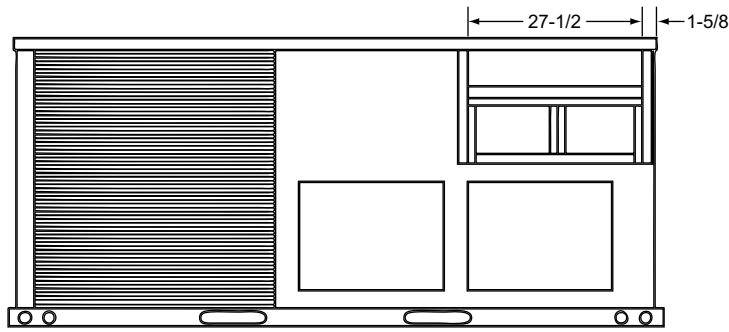


#### ZE/ZF/ZR036-072 Cooling Only/Gas Heat Front View

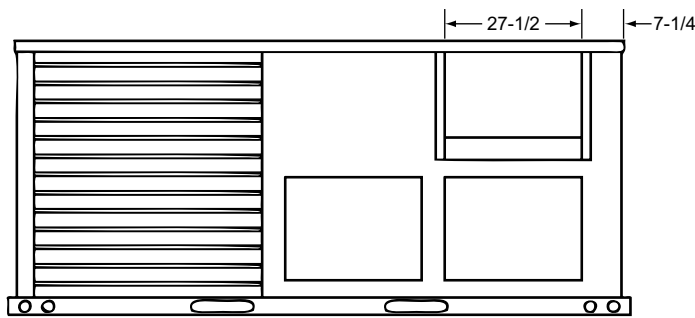




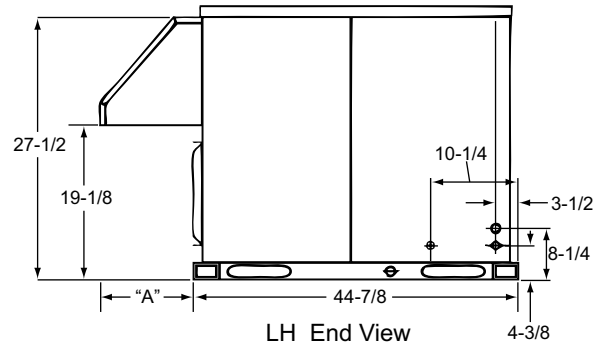
**ZE/ZF/ZR/XN/XP036-072 Fixed Outdoor Air Motorized Damper Rain Hood**



Detail "A"



Rear View

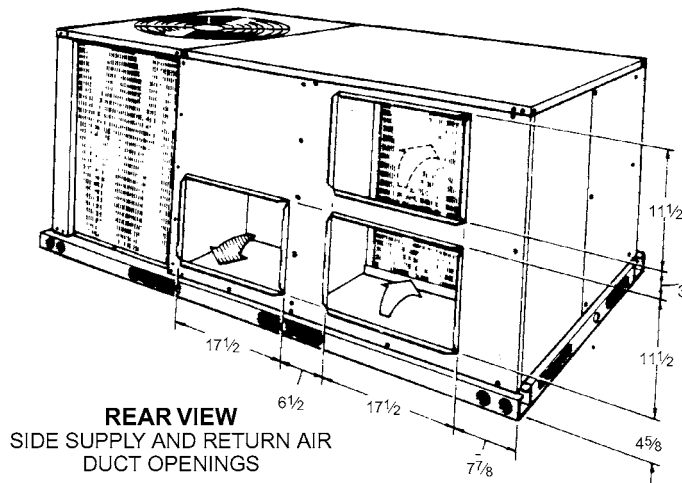


LH End View

Dimension "A"	
Fixed Outdoor Air Damper	12
Motorized Damper	16-1/2

Detail "B"

**ZE/ZF/ZR/XN/XP036-072 Rear View**



**REAR VIEW**  
SIDE SUPPLY AND RETURN AIR  
DUCT OPENINGS

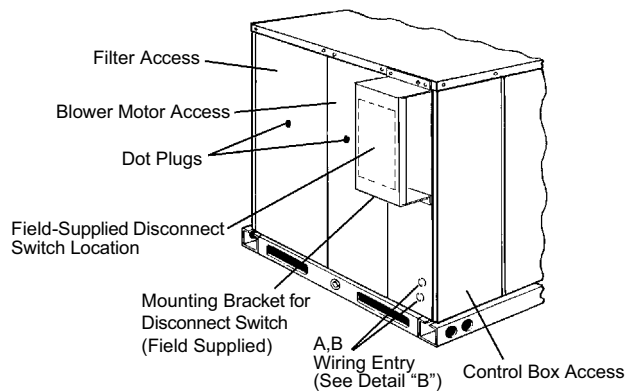
**DUCT COVERS** - Units are shipped with all air duct openings covered.

For side duct applications;

1. Remove and discard the supply and return air duct covers.
2. Connect ductwork to duct flanges on the rear of the unit.

For bottom duct applications;

1. Remove the side supply air duct cover to gain access to the bottom supply air knockout panel.
2. Remove and discard the bottom knockout panel.
3. Replace the side duct cover.
4. With filter section access panel removed from the unit, remove and discard the bottom return air knockout panel.
5. Replace the filter access panel.

**ZR/ZF/ZR/XN/XP036-072 Disconnect**

Disconnect Switch Location and Motor Access Panel for Unit with "Belt-Drive" Option

**ZE/ZF/ZR/XN/XP036-072 Utilities Entry**

Hole	Opening Size (Dia.)	Used For
A	7/8" KO <sup>1</sup>	Control Wiring <sup>2</sup>
		Side Bottom
B	2" KO <sup>1</sup>	Power Wiring
		Side Bottom
C	1-5/8" KO	Gas Piping (Front)
D	1-1/2" KO	Gas Piping (Bottom)

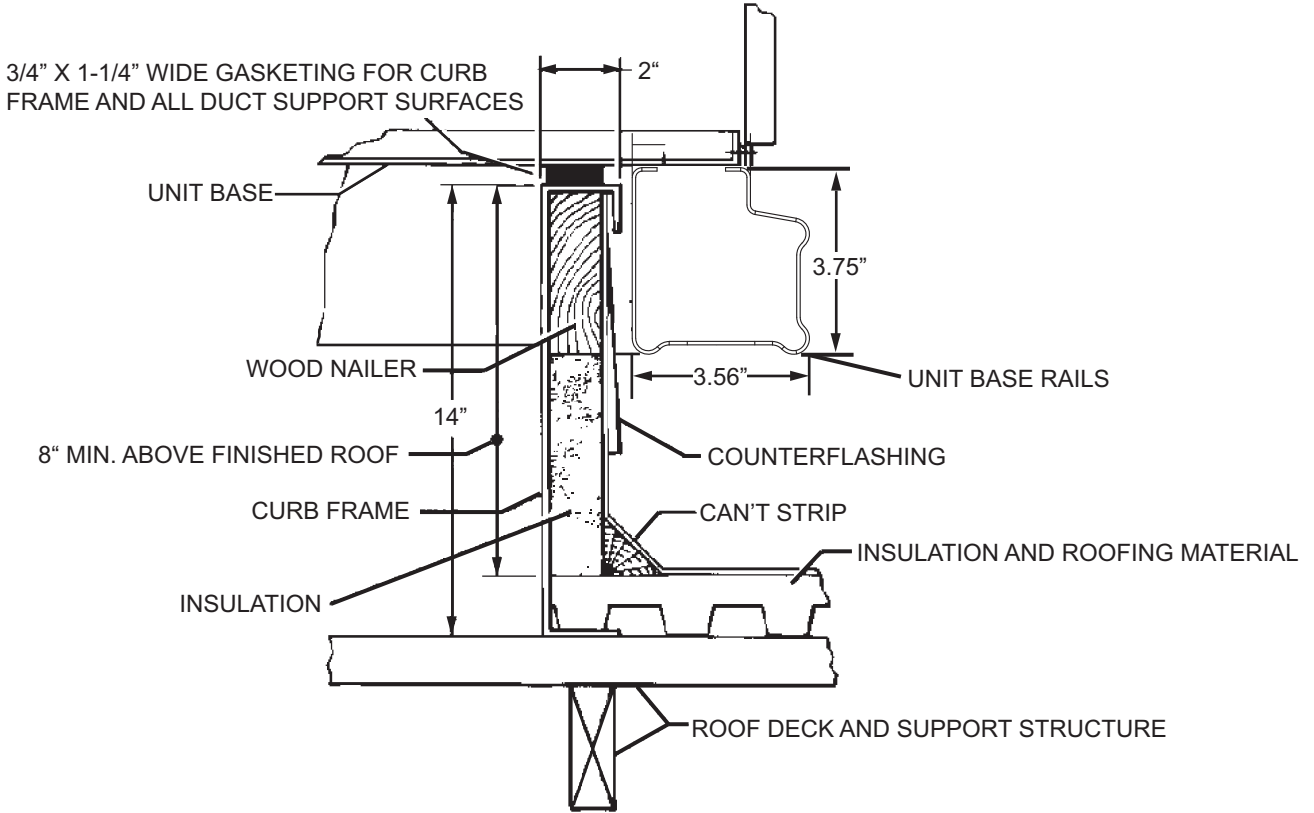
1. Opening in the bottom to the unit can be located by the slice in the insulation.
2. Do not remove the 2" knockout ring.

**ZE/ZF/ZR/XN/XP036-072 Minimum Clearances**

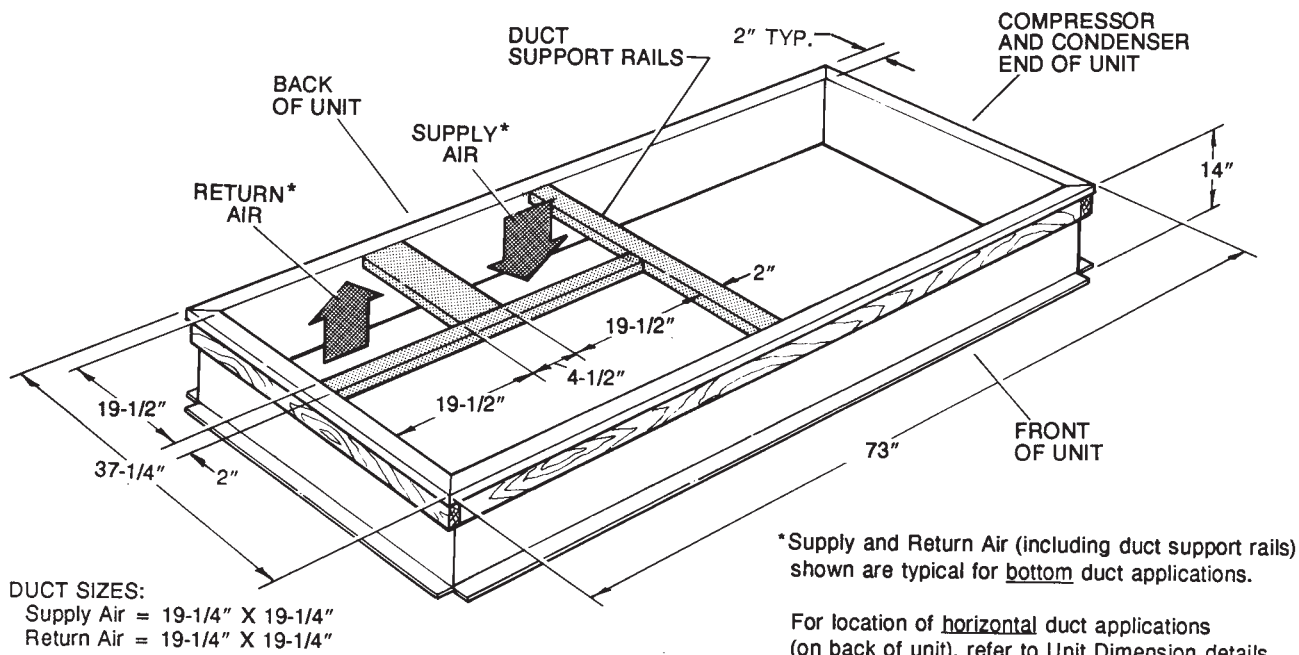
Location	Clearance
Front	24" (Cooling/Electric Heat) 32" (Gas Heat)
Rear	12" (Less Economizer) 36" (With Economizer or Fixed Air/Motorized Damper)
Left Side (Filter Access)	24" (Less Economizer) 36" (With Economizer)
Right Side (Cond. Coil)	24"
Below Unit <sup>1</sup>	0"
Above Unit <sup>2</sup>	72" (For Condenser Air Discharge)

1. Units may be installed on combustible floors made from wood or class A, B, or C roof covering material.
2. Units must be installed outdoors. Overhanging structures or shrubs should not obstruct condenser air discharge outlet.

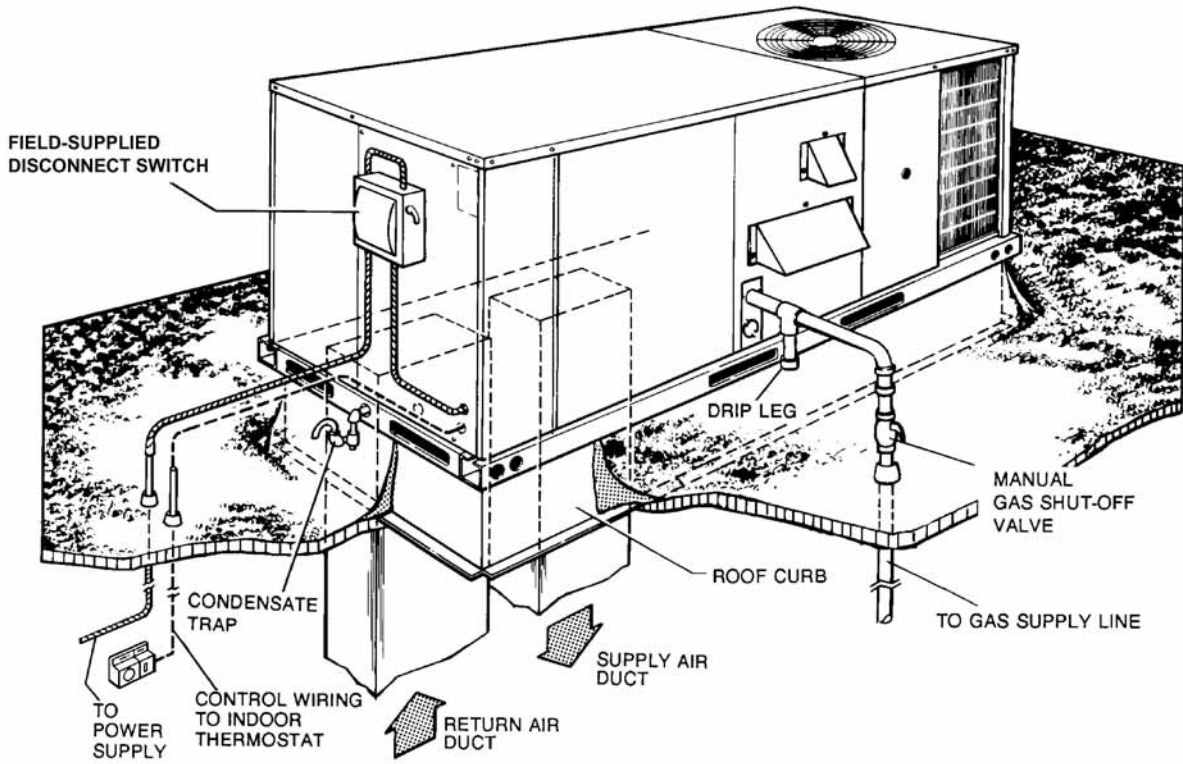
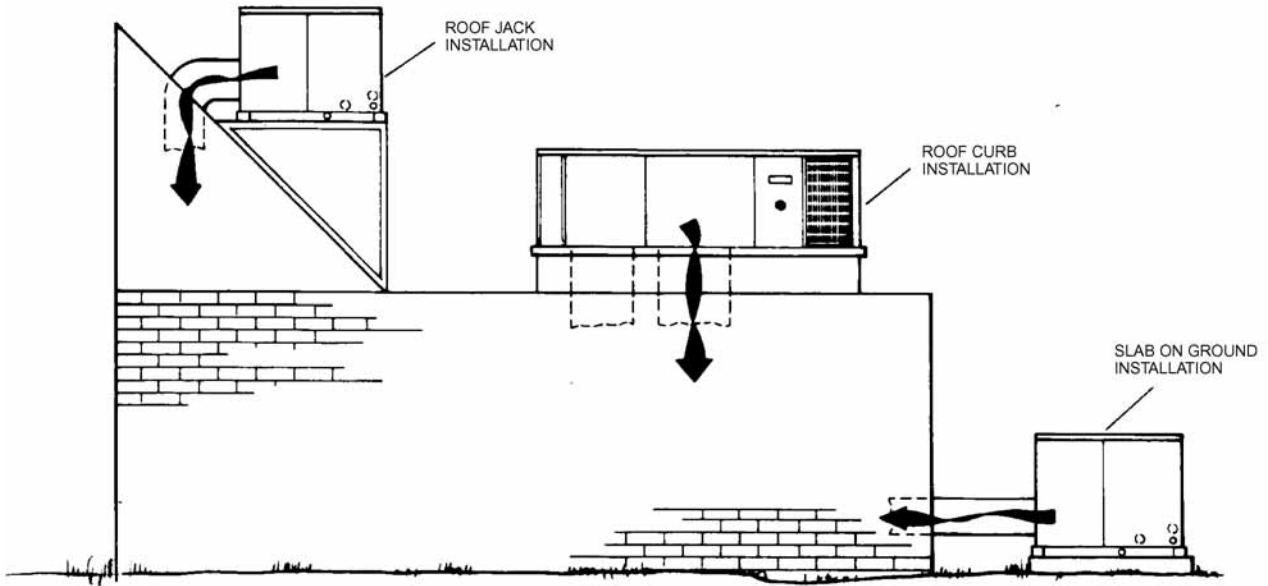
**ZE/ZF/ZR/XN/XP036-072 Roof Curb Cutaway**



## ZE/ZF/ZR/XN/XP036-072 Roof Curb Dimensions



**ZE/ZF/ZR/XN/XP036-072 Typical Applications**



Subject to change without notice. Printed in U.S.A.  
 Copyright © 2015 by Johnson Controls, Inc. All rights reserved.

251933-YTG-Y-0715  
 Supersedes: 251933-YTG-X-0615

**York International Corporation**  
 5005 York Drive  
 Norman, OK 73069