

## Notice of Exemption

---



**To:**  
Office of Planning and Research  
[CEQA Submit](#)

**From:**  
Department of Fish and Wildlife  
Northern Region  
601 Locust Street  
Redding, CA 96001  
[R1LSARedding@wildlife.ca.gov](mailto:R1LSARedding@wildlife.ca.gov)

**Project Title:** City of Redding Blue Gravel Mine Trail Storm Damage Repair (Notification of Lake or Streambed Alteration, No. EPIMS-SHA-50956-R1)

**Project Location (Shasta):** The project is located at an unnamed stream, a tributary to Canyon Hollow Creek, in the city of Redding, California; Latitude 40.565311, Longitude - 122.41360; section 3, township 31N, range 05W, Mount Diablo Base and Meridian; in the Redding U.S. Geological Survey (USGS) 7.5-minute quadrangle; Assessor's Parcel Number 104-040-043-000.

**Project Description:** The California Department of Fish and Wildlife has executed Lake and Streambed Alteration Agreement EPIMS Notification No. EPIMS-SHA-50956-R1, pursuant to Section 1602 of the Fish and Game Code to City of Redding.

The project consists of the realignment and reinforcement of an ephemeral drainage that conveys water under a multi-use pedestrian path. The work is resulting from storm flows over the past winter that caused the culvert to fill with sediment. This created a backflow of the waters attempting to drain downhill and resulted in approximately one cubic yard of debris accumulation along the multi-use path. The event also changed the alignment and flow pattern of the drainage into the culvert. Rock slope protection (RSP) will be re-installed at the inlet of the culvert. The stream alignment will be re-contoured to approximately 30-linear feet upslope of the culvert inlet. There will be one cubic yard of aggregate base placed to repair the shoulder erosion created by the altered flows during the previous winter's storms. Approximately one cubic yard of existing riprap will be reutilized in addition to three additional cubic yards of riprap to reinforce the culvert inlet. Approximately ten cubic yards of deposited material within the stream will be excavated and hauled off. Engineered plans were developed to address the repairs. The disturbed area will be hydroseeded to help stabilize the site from future erosional impacts.

**Public Agency Approving Project:** CALIFORNIA DEPARTMENT OF FISH AND WILDLIFE

**Person or Public Agency Carrying Out Project:** City of Redding Blue Gravel Mine Trail Storm Damage Repair

**Exempt Status:**

- Statutory Exemption.
- Categorical Exemption. Type – **Class 1; California Code of Regulations, title 14, section 15301**, The operation, repair, maintenance, permitting, leasing, licensing,

**Notice of Exemption**

---

or minor alteration of existing public or private structures, facilities, mechanical equipment, or topographical features, involving negligible or no expansion of existing or former use.



**Reasons why the project is exempt:** The project is for the repair of an existing facility. No expansion is proposed for this project.

**CDFW Contact Person:** Dyana Judnick (Environmental Scientist),  
[R1LSARedding@wildlife.ca.gov](mailto:R1LSARedding@wildlife.ca.gov)

DocuSigned by:  
*Adam McKannay* Date: 9/25/2024  
Signature: \_\_\_\_\_  
BE359DC694E14AE...

Adam McKannay, Environmental Program Manager

Date received for filing at OPR: \_\_\_\_\_

**CALIFORNIA DEPARTMENT OF FISH AND WILDLIFE**  
REGION 1 - NORTHERN  
601 LOCUST STREET  
REDDING, CA 96001



**STREAMBED ALTERATION AGREEMENT**  
EPIMS-SHA-50956-R1  
UNNAMED TRIBUTARY TO CANYON HOLLOW CREEK

CITY OF REDDING  
STREAM BANK STABILIZATION

This Streambed Alteration Agreement (Agreement) is entered into between the California Department of Fish and Wildlife (CDFW) and City of Redding (Permittee) as represented by Travis Menne.

## **RECITALS**

WHEREAS, pursuant to Fish and Game Code section 1602, Permittee notified CDFW on June 28, 2024, that Permittee intends to complete the project described herein.

WHEREAS, pursuant to Fish and Game Code section 1603, CDFW has determined that the project could substantially adversely affect existing fish or wildlife resources and has included measures in this Agreement necessary to protect those resources.

WHEREAS, Permittee has reviewed this Agreement and accepts its terms and conditions, including the measures to protect fish and wildlife resources.

NOW THEREFORE, Permittee agrees to complete the project in accordance with this Agreement.

## **PROJECT LOCATION**

The project is located at an unnamed stream, a tributary to Canyon Hollow Creek, in the city of Redding, California; Latitude 40.565311, Longitude - 122.41360; section 3, township 31N, range 05W, Mount Diablo Base and Meridian; in the Redding U.S. Geological Survey (USGS) 7.5-minute quadrangle; Assessor's Parcel Number 104-040-043-000.

## **PROJECT DESCRIPTION**

The project consists of the realignment and reinforcement of an ephemeral drainage that conveys water under a multi-use pedestrian path. The work is

EPIMS-SHA-50956-R1  
Streambed Alteration Agreement  
Page 2 of 14

resulting from storm flows over the past winter that caused the culvert to fill with sediment. This created a backflow of the waters attempting to drain downhill and resulted in approximately one cubic yard of debris accumulation along the multi-use path. The event also changed the alignment and flow pattern of the drainage into the culvert. Rock slope protection (RSP) will be re-installed at the inlet of the culvert. The stream alignment will be re-contoured to approximately 30-linear feet upslope of the culvert inlet. There will be one cubic yard of aggregate base placed to repair the shoulder erosion created by the altered flows during the previous winter's storms. Approximately one cubic yard of existing riprap will be reutilized in addition to three additional cubic yards of riprap to reinforce the culvert inlet. Approximately ten cubic yards of deposited material within the stream will be excavated and hauled off. Engineered plans (exhibit A) were developed to address the repairs. The disturbed area will be hydroseeded to help stabilize the site from future erosional impacts. The above description is hereafter referenced as the Project.

## **PROJECT IMPACTS**

Existing fish or wildlife resources the project could substantially adversely affect include direct and indirect effects to fish and wildlife, and their habitat, including bed, bank, and channel, riparian vegetation, habitat connectivity and water quality.

The adverse effects the Project could have on the fish or wildlife resources identified above include:

### **Impacts to water quality:**

- Increased sedimentation (chronic or episodic)
- Short-term release of contaminants incidental from construction
- Long-term release of contaminants incidental from storm water runoff

### **Impacts to bed, channel, or bank:**

- Change in gradient or contour of bed, bank and channel
- Accelerated channel scour
- Loss of bank stability during construction

## **MEASURES TO PROTECT FISH AND WILDLIFE RESOURCES**

### **1. Administrative Measures**

Permittee shall meet each administrative requirement described below.

- 1.1 Documentation at Project Site. This Agreement, any extensions and amendments to this Agreement, and all related notification materials and

EPIMS-SHA-50956-R1  
Streambed Alteration Agreement  
Page 3 of 14

California Environmental Quality Act (CEQA) documents, shall be readily available at the Project site at all times and shall be presented to CDFW personnel, or personnel from another state, federal, or local agency upon request.

- 1.2 Providing Agreement to Persons at Project Site. This Agreement and any extensions and amendments to this Agreement shall be provided to all persons working on the Project at the Project site, on behalf of the Permittee, including but not limited to contractors, subcontractors, inspectors, and monitors.
- 1.3 Notification of Conflicting Provisions. Notify CDFW if Permittee determines or learns that a provision in this Agreement might conflict with a provision imposed on the Project by another local, state, or federal agency. In that event, CDFW will work with Permittee to resolve any conflict.
- 1.4 Change of Conditions and Need to Cease Operations. If conditions arise, or change, in such a manner as to be considered deleterious to the stream or wildlife, operations shall cease until corrective measures approved by CDFW are taken.
- 1.5 Project Site Entry. CDFW personnel may enter the Project site at any time to verify compliance with this Agreement, provided CDFW: a) provides 24-hour advance notice; and b) allows the Permittee or representatives to participate in the inspection and/or monitoring. This condition does not apply to CDFW law enforcement personnel.
- 1.6 No Trespass. To the extent that any provisions of this Agreement provide for activities that require the Permittee to traverse another owner's property, such provisions are agreed to with the understanding that the Permittee possesses the legal right to so traverse.
- 1.7 Notification Materials. The Lake or Streambed Alteration Notification (Notification) together with all maps, plans, designs, investigations, studies, drawings, photographs, and all other supporting documents submitted with the Notification to describe the activity is hereby incorporated by reference into this Agreement. Project activities shall be conducted within the work areas and using the protective features described in the Notification and supporting documents, unless such project activities, work areas, or protective features are modified by the provisions of this Agreement, in which case the activities shall be conducted as described in this Agreement.

EPIMS-SHA-50956-R1  
Streambed Alteration Agreement  
Page 4 of 14

1.8 Agency Permitting Requirements. The proposed Project may be subject to additional federal, state, and local laws, regulations, and permitting requirements. It is the responsibility of the Permittee to obtain and comply with any additional permits necessary to cover the scope of work as described by the Project. Examples include but are not limited to the following:

- The Federal Clean Water Act (CWA) as implemented through permits, enforcement orders, and self-implementing requirements. When needed per the requirements of the CWA, the Project proponent shall obtain a CWA Section 404 (33 U.S.C. Section 1344) Permit from the United States Army Corps of Engineers and a CWA Section 401 (33 U.S.C. Section 1341) Water Quality Certification from State Water Resources Control Board or appropriate Regional Water Quality Control Board.
- All Applicable state, city, county, or local regulations, ordinances, or license requirements including, but not limited to those for grading, construction, and building.

## **2. Avoidance and Minimization Measures**

To avoid or minimize adverse impacts to fish and wildlife resources identified above, Permittee shall implement each measure listed below.

### **Project Timing and Coordination**

2.1 Work Period. Work that lies on or within the bed or bank of a stream shall occur from July 1 to October 15.

2.2 Work According to Plans. All work shall be completed according to the design plans submitted to CDFW in the notification materials. A copy of these plans shall always be kept on the Project site during construction activities. If the Permittee finds it necessary to update Project-related plans prior to construction, the updated plans will be submitted to CDFW at least 30 days prior to beginning Project-related activities to determine if an amendment to this Agreement is required. Project-related activities shall not proceed until CDFW has approved the updated plans in writing. At the discretion of CDFW, if substantial changes are made to the original plans, this Agreement becomes void, and the Permittee shall submit a new notification.

2.3 Work Period Variance. If more time is needed to complete a Project-related activity, work may be permitted outside of the Work Period and extended on a day-to-day basis by the CDFW representative who reviewed the

EPIMS-SHA-50956-R1  
Streambed Alteration Agreement  
Page 5 of 14

Project, or if unavailable, by emailing [R1LSARedding@wildlife.ca.gov](mailto:R1LSARedding@wildlife.ca.gov). Requests shall be made in writing via email and CDFW will review the written request to work outside of the established work period. The work period variance request shall: 1) describe the extent of work already completed; 2) detail the activities that remain to be completed; 3) detail the time required to complete each of the remaining activities; and 4) provide photographs of both the current work completed and the proposed site for continued work. The work period variance request should consider the effects of increased stream flows, rain delays, increased erosion control measures, limited access due to saturated soil conditions, and limited growth of erosion control grasses due to cool weather. Work period variances are issued at the discretion of CDFW. CDFW reserves the right to require additional measures to protect fish and wildlife resources as a condition for granting the variance. CDFW shall have ten (10) calendar days to review the proposed work period variance.

- 2.4 CDFW Notification of Work Initiation and Completion. Contact CDFW seven (7) days prior to starting work permitted by this Agreement, by emailing [R1LSARedding@wildlife.ca.gov](mailto:R1LSARedding@wildlife.ca.gov). Information provided shall include Agreement number and the anticipated start date. No later than seven (7) days after the Project is completed, submit a Project Completion Report via Environmental Permit Information Management System (EPIMS) – refer to 3.2 for content details.
- 2.5 Work in Dry Weather Only. Project activities within the bed, bank, channel, or riparian zone shall be limited to forecasted periods of 40% chance or less of light precipitation (less than ¼-inch per 24-hour period). The National Weather Service (NWS) 72-hr forecast for the Project area shall be monitored. If a greater than 40% chance of more than ¼-inch of precipitation within a 24-hour period is forecast within 72 hours of ground-disturbing Project activities, all activities shall cease until the criteria are met.

### **Wildlife Protection and Avoidance**

- 2.6 Delineating Limits of Work. Prior to initiating vegetation- or ground-disturbing Project activities, clearly delineate the limits of the work area. Restrict all Project activities to the work area and maintain all fencing, stakes, and flags until the completion of Project activities.
- 2.7 Report Mortalities and Serious Injuries Immediately. If any native aquatic species are found dead or injured during relocation activities or other construction-related actions, contact CDFW within two hours and provide written notification to CDFW in writing within 24 hours. The purpose of the

EPIMS-SHA-50956-R1  
Streambed Alteration Agreement  
Page 6 of 14

contact with CDFW is to review the activities resulting in mortality and to determine if additional protective measures are required.

- 2.8 Backfill With Native Soils. If open excavation occurs during Project activities, remove, and stockpile the top six to twelve inches of soil and material. This stockpiled material shall be replaced at the end of construction and the trenched area returned to pre-Project grade.
- 2.9 Remove Temporary Flagging, Fencing, and Barriers. All temporary flagging, fencing, and/or barriers shall be removed from the Project site and vicinity of the stream upon completion of Project activities.
- 2.10 Stream Materials. Rock, gravel, and/or other materials shall not be imported to, taken from, or moved within the bed and banks of the stream except as otherwise addressed in this Agreement.

### **Stream Crossings**

- 2.11 Maintenance Activities. Conduct routine maintenance activities (i.e. cleaning and/or clearing debris from crossings) to crossings authorized in this Agreement to ensure that water flow is not impaired. Such work shall employ only hand tools and shall comply with all written measures within this Agreement. Maintenance activities shall not substantially divert or obstruct the natural flow of, or substantially change or use any material from the bed, channel, or bank of any stream without written notification to, and authorization from, CDFW in accordance with Fish and Game Code section 1602.

### **Erosion Control**

- 2.12 Rock Slope Protection (Riprap). If used for bank stabilization, rock slope protection (RSP) and energy dissipater materials shall consist of clean rock, competent for the application, sized and properly installed to resist washout. RSP shall be clean and free of trash, debris and deleterious material. Asphalt shall not be considered an acceptable material. RSP slopes shall be supported with competent boulders keyed into a footing trench with a depth sufficient to properly seat the footing course boulders and prevent instability (typically at least 1/3 diameter of footing course boulders).
- 2.13 Specs for Placing RSP. Permittee shall excavate a footing trench along the toe of slope. The larger rocks shall be placed in the footing trench. Rocks shall be placed with their longitudinal axis normal to the embankment face and arranged so that each rock above the foundation course has a three-



EPIMS-SHA-50956-R1  
Streambed Alteration Agreement  
Page 7 of 14

point bearing on the underlying rocks. Foundation course is the course placed on the slope in contact with the ground surface. Bearing on smaller rocks which may be used for chinking voids is not acceptable. Placing rocks by dumping is not permitted. Local surface irregularities of the slope protection shall not vary from the planned slope by more than one foot measured at right angles to the slope.

- 2.14 Restore Banks and Channel Material. Permittee shall return stream channel as near as possible to natural conditions. The gradient of the streambed shall be returned to its natural grade. With the exception of vegetation directly in a trench excavation area, vegetation within the stream which proves to be an obstruction to normal operations, should be trimmed only as pre-approved by CDFW.
- 2.15 Erosion Control. Erosion control measures shall be used throughout all work phases where sediment runoff threatens to enter a stream or other waters of the state.
- 2.16 Excavation Spoils. No castings or spoils shall be placed where they may enter a stream or other waters of the state.
- 2.17 Soil Stabilization. Loose or compacted soil in need of stabilization shall be seeded with a sterile or locally native grass seed mix, unless otherwise agreed upon with CDFW. Restored areas must be mulched, using at least 2- to 4-inches of weed-free, clean straw or similar biodegradable mulch over the seeded area. Alternately, seeding may be covered with jute netting, coconut fiber blanket or similar erosion control blanket.
- 2.18 Prohibition of Use of Monofilament Netting. Geotextiles, fiber rolls, and other erosion control measures made of loose-weave mesh (e.g., jute, coconut (coir) fiber, or from other products without welded weaves) shall only be used. Synthetic (e.g., plastic, including photo or biodegradable plastic netting, or nylon) monofilament netting materials shall not be used for erosion control for any Project activities.
- 2.19 Silt Laden Runoff. At no time shall silt-laden runoff be allowed to enter the stream or directed to where it may enter the stream. Erosion control and soil stabilization measures shall be used wherever silt-laden water has the potential to leave the Project site and enter the stream.
- 2.20 Site Maintenance. Site maintenance including, but not limited to, re-establishing erosion control to minimize surface erosion and ensuring

EPIMS-SHA-50956-R1  
Streambed Alteration Agreement  
Page 8 of 14

drainage structures and altered streambeds and banks remain sufficiently armored and/or stable is the responsibility of the Permittee.

### **Vegetation Management**

- 2.21 Maintain Riparian Vegetation. Clearly mark all vegetation within the Project area that must be trimmed or removed during Project activities. Maintain native vegetative cover (e.g., trees, shrubs, and grasses) in aquatic habitat areas to the maximum extent possible for streambank stabilization, erosion control, stream shading and temperature control, sediment and chemical filtration, aquatic life support, wildlife support.
- 2.22 Minimum Vegetation Removal. Disturbance or removal of vegetation shall be limited to the minimum necessary to access the Project. Precautions shall be taken to avoid damage to vegetation outside the Project work area. Hand tools (trimmer, chain saw, etc.) shall be used to trim vegetation to the extent necessary to maintain access to the Project; larger equipment shall not be used for vegetation removal without prior written approval from CDFW.
- 2.23 Invasive Species. Project-related activities shall be conducted in a manner that prevents the introduction, transfer, and spread of invasive species, including plants, animals, and microbes (algae, fungi, parasites, bacteria, etc.), from one waterbody to another. If decontamination is not done on site, transport contaminated equipment in sealed plastic bags and keep separate from clean gear. Prevention BMPs and guidelines for invasive plants can be found on the California Invasive Plant Council's website at: <http://www.cal-ipc.org/ip/prevention/index.php> and for invasive mussels and aquatic species can be found at the Stop Aquatic Hitchhikers website: <http://www.protectyourwaters.net/>.
- 2.24 Vegetation Disposal. All downed vegetation and other debris shall be moved outside the normal high-water mark prior to inundation by water. All removed vegetation shall be disposed of according to state, local laws and ordinances.

### **Pollution**

- 2.25 Stockpiled Materials. Building materials and/or construction materials shall not be stockpiled or stored where they may be washed or percolate into the stream, or where they may adversely affect stream habitat or aquatic or riparian vegetation.
- 2.26 Removal, Storage, and Disposal of Fill, Spoils, and Debris. Removal of all

EPIMS-SHA-50956-R1  
Streambed Alteration Agreement  
Page 9 of 14

permanently excavated fill, spoil, and debris shall be placed in stable upland location where it cannot discharge into the stream or disposed of according to state and local laws and ordinances.

- 2.27 Debris and Trash. All debris and trash shall be contained and regularly removed from the Project site and disposed of at an authorized landfill or other disposal site in compliance with state and local laws, ordinances, and regulations. Litter, plastic, or similar debris shall not be allowed to enter the stream pursuant to Fish and Game Code section 5652.
- 2.28 Deleterious Substances. Debris, soil, silt, bark, slash, sawdust, rubbish, creosote-treated wood, raw cement and concrete or washings thereof, asphalt, paint or other coating material, oil or other petroleum products, or any other substances which could be hazardous to any life stage of fish and wildlife, or their habitat (including food sources) shall not enter the stream, pursuant to Fish and Game Code section 5650. These materials, if placed within, or where they may enter the stream, shall be immediately removed and properly disposed of according to measure 2.27
- 2.29 Staging and Storage. Equipment, materials, fuels, lubricants, solvents, and hazardous or toxic materials shall not be staged or stored where they may enter or where they have potential to enter the stream (through storm water runoff or percolation). Equipment shall be positioned over drip pans. Stationary heavy equipment shall have suitable containment to handle a catastrophic spill/leak.
- 2.30 Vehicles and Equipment Refueling. Vehicles and equipment shall only be refueled outside of riparian setbacks. All equipment using oil, hydraulic fluid, or petroleum products shall be regularly inspected and monitored for leaks prior to use. Stationary equipment (e.g., motors, pumps, generators, etc.) and vehicles not in use shall be located outside of riparian setbacks. Spill and containment equipment (e.g., oil spill booms, sorbent pads, etc.) shall be stored onsite at all locations where equipment is used or staged.
- 2.31 Toxic Materials. Hazardous or toxic materials that could be deleterious to aquatic life shall be used and stored in accordance with all applicable federal, state, and local laws and ordinances and these materials shall be prevented from contaminating the soil or entering the stream.
- 2.32 Spill Cleanup and Containment. In the case of a spill, immediately notify the California Office of Emergency Services State Warning Center at 1-800-852-7550 and immediately initiate clean-up activities.

EPIMS-SHA-50956-R1  
Streambed Alteration Agreement  
Page 10 of 14

### 3. Reporting Measures

Permittee shall meet each reporting requirement described below.

- 3.1 CDFW Notification Prior to Start Work Initiation. The Permittee shall notify CDFW at least 7 days prior to commencement of Project-related activities as covered by this Agreement. Email [R1LSARedding@wildlife.ca.gov](mailto:R1LSARedding@wildlife.ca.gov) to submit notice of work initiation.
- 3.2 Project Completion Report. Submit to CDFW a Project Completion Report via EPIMS within 7 days of completing the Project. The report shall include the following:
  - a) Project beginning and ending dates.
  - b) A summary of CNDDDB submissions
  - c) Before and after photographs from established photo points. Photographs shall include staging area, access area, temporary crossing, stream facing upstream, downstream, and perpendicular.

### CONTACT INFORMATION

Any communication that Permittee or CDFW submits to the other shall be submitted through EPIMS as instructed by CDFW.

To Permittee:

City of Redding  
Travis Menne  
EPIMS-SHA-50956-R1  
Stream Bank Stabilization  
777 Cypress Ave.  
Redding, CA 96001  
tmenne@cityofredding.org

To CDFW:

Department of Fish and Wildlife  
Northern Region  
601 Locust Street  
Redding, CA 96001  
Attn: Lake and Streambed Alteration Program  
EPIMS-SHA-50956-R1  
[R1LSARedding@wildlife.ca.gov](mailto:R1LSARedding@wildlife.ca.gov)

EPIMS-SHA-50956-R1  
Streambed Alteration Agreement  
Page 11 of 14

## **LIABILITY**

Permittee shall be solely liable for any violations of this Agreement, whether committed by Permittee or any person acting on behalf of Permittee, including its officers, employees, representatives, agents or contractors and subcontractors, to complete the project or any activity related to it that this Agreement authorizes.

This Agreement does not constitute CDFW's endorsement of or require Permittee to proceed with the project. The decision to proceed with the project is Permittee's alone.

## **SUSPENSION AND REVOCATION**

CDFW may suspend or revoke in its entirety this Agreement if it determines that Permittee or any person acting on behalf of Permittee, including its officers, employees, representatives, agents, or contractors and subcontractors, is not in compliance with this Agreement.

Before CDFW suspends or revokes this Agreement, it shall provide Permittee written notice by certified or registered mail that it intends to suspend or revoke. The notice shall state the reason(s) for the proposed suspension or revocation, provide Permittee an opportunity to correct any deficiency before CDFW suspends or revokes this Agreement, and include instructions to Permittee, if necessary, including but not limited to a directive to immediately cease the specific activity or activities that caused CDFW to issue the notice.

## **ENFORCEMENT**

Nothing in this Agreement precludes CDFW from pursuing an enforcement action against Permittee instead of, or in addition to, suspending or revoking this Agreement.

Nothing in this Agreement limits or otherwise affects CDFW's enforcement authority or that of its enforcement personnel.

## **OTHER LEGAL OBLIGATIONS**

This Agreement does not relieve Permittee or any person acting on behalf of Permittee, including its officers, employees, representatives, agents, or contractors and subcontractors, from complying with, or obtaining any other permits or authorizations that might be required under, other federal, state, or local laws or regulations before beginning the project or an activity related to it. For example, if the project causes take of a species listed as threatened or

EPIMS-SHA-50956-R1  
Streambed Alteration Agreement  
Page 12 of 14

endangered under the Endangered Species Act (ESA), such take will be unlawful under the ESA absent a permit or other form of authorization from the U.S. Fish and Wildlife Service or National Marine Fisheries Service.

This Agreement does not relieve Permittee or any person acting on behalf of Permittee, including its officers, employees, representatives, agents, or contractors and subcontractors, from complying with other applicable statutes in the Fish and Game Code including, but not limited to, Fish and Game Code sections 2050 *et seq.* (threatened and endangered species), section 3503 (bird nests and eggs), section 3503.5 (birds of prey), section 5650 (water pollution), section 5652 (refuse disposal into water), section 5901 (fish passage), section 5937 (sufficient water for fish), and section 5948 (obstruction of stream).

Nothing in this Agreement authorizes Permittee or any person acting on behalf of Permittee, including its officers, employees, representatives, agents, or contractors and subcontractors, to trespass.

#### **AMENDMENT**

CDFW may amend this Agreement at any time during its term if CDFW determines the amendment is necessary to protect an existing fish or wildlife resource.

Permittee may amend this Agreement at any time during its term, provided the amendment is mutually agreed to in writing by CDFW and Permittee. To request an amendment, Permittee shall use the "Amendments and Extension" form in EPIMS to submit the request. Permittee shall include with the completed form, payment of the corresponding amendment fee identified in CDFW's current fee schedule (see Cal. Code Regs., Title. 14, § 699.5).

#### **TRANSFER AND ASSIGNMENT**

This Agreement may not be transferred or assigned to another entity, and any purported transfer or assignment of this Agreement to another entity shall not be valid or effective, unless the transfer or assignment is requested by Permittee in writing, as specified below, and thereafter CDFW approves the transfer or assignment in writing.

The transfer or assignment of this Agreement to another entity shall constitute a minor amendment, and therefore to request a transfer or assignment, Permittee shall use the "Amendments and Extension" form in EPIMS to submit the request. Permittee shall include with the completed form, payment of the minor amendment fee identified in CDFW's current fee schedule (see Cal. Code Regs., Title. 14, § 699.5).

EPIMS-SHA-50956-R1  
Streambed Alteration Agreement  
Page 13 of 14

## **EXTENSIONS**

In accordance with Fish and Game Code section 1605, subdivision (b), Permittee may request one extension of this Agreement, provided the request is made prior to the expiration of this Agreement's term. To request an extension, Permittee shall use the "Amendments and Extension" form in EPIMS to submit the request. Permittee shall include, with the completed form, payment of the extension fee identified in CDFW's current fee schedule (see Cal. Code Regs., Title. 14, § 699.5). CDFW shall process the extension request in accordance with Fish and Game Code section 1605, subdivisions (b) through (e).

If Permittee fails to submit a request to extend this Agreement prior to its expiration, Permittee must submit a new notification and notification fee before beginning or continuing the project this Agreement covers (Fish and Game Code section, § 1605, subd. (f)).

## **EFFECTIVE DATE**

This Agreement becomes effective on the date of CDFW's signature, which shall be: 1) after Permittee's signature; 2) after CDFW complies with all applicable requirements under the California Environmental Quality Act ; and 3) after payment of the applicable (Fish and Game Code section, § 711.4) filing fee listed at <https://www.wildlife.ca.gov/Conservation/CEQA/Fees>.

## **TERM**

This Agreement shall expire five years from the date of execution unless it is terminated or extended before then. All provisions in this Agreement shall remain in force throughout its term. Permittee shall remain responsible for implementing any provisions specified herein to protect fish and wildlife resources after this Agreement expires or is terminated, as Fish and Game Code section 1605, subdivision (a)(2) requires.

## **EXHIBITS**

The documents listed below are included as exhibits to the Agreement and incorporated herein by reference.

A. Engineered Plans

## **AUTHORITY**

If the person signing this Agreement (signatory) is doing so as a representative of Permittee, the signatory hereby acknowledges that he or she is doing so on

EPIMS-SHA-50956-R1  
Streambed Alteration Agreement  
Page 14 of 14

Permittee's behalf and represents and warrants that he or she has the authority to legally bind Permittee to the provisions herein.

### **AUTHORIZATION**

This Agreement authorizes only the project described herein. If Permittee begins or completes a project different from the project this Agreement authorizes, Permittee may be subject to civil or criminal prosecution for failing to notify CDFW in accordance with Fish and Game Code section 1602.

### **CONCURRENCE**

Through the electronic signature by the permittee or permittee's representative as evidenced by the attached concurrence from CDFW's Environmental Permit Information Management System (EPIMS), the permittee accepts and agrees to comply with all provisions contained herein.

**The EPIMS concurrence page containing electronic signatures must be attached to this Agreement to be valid.**

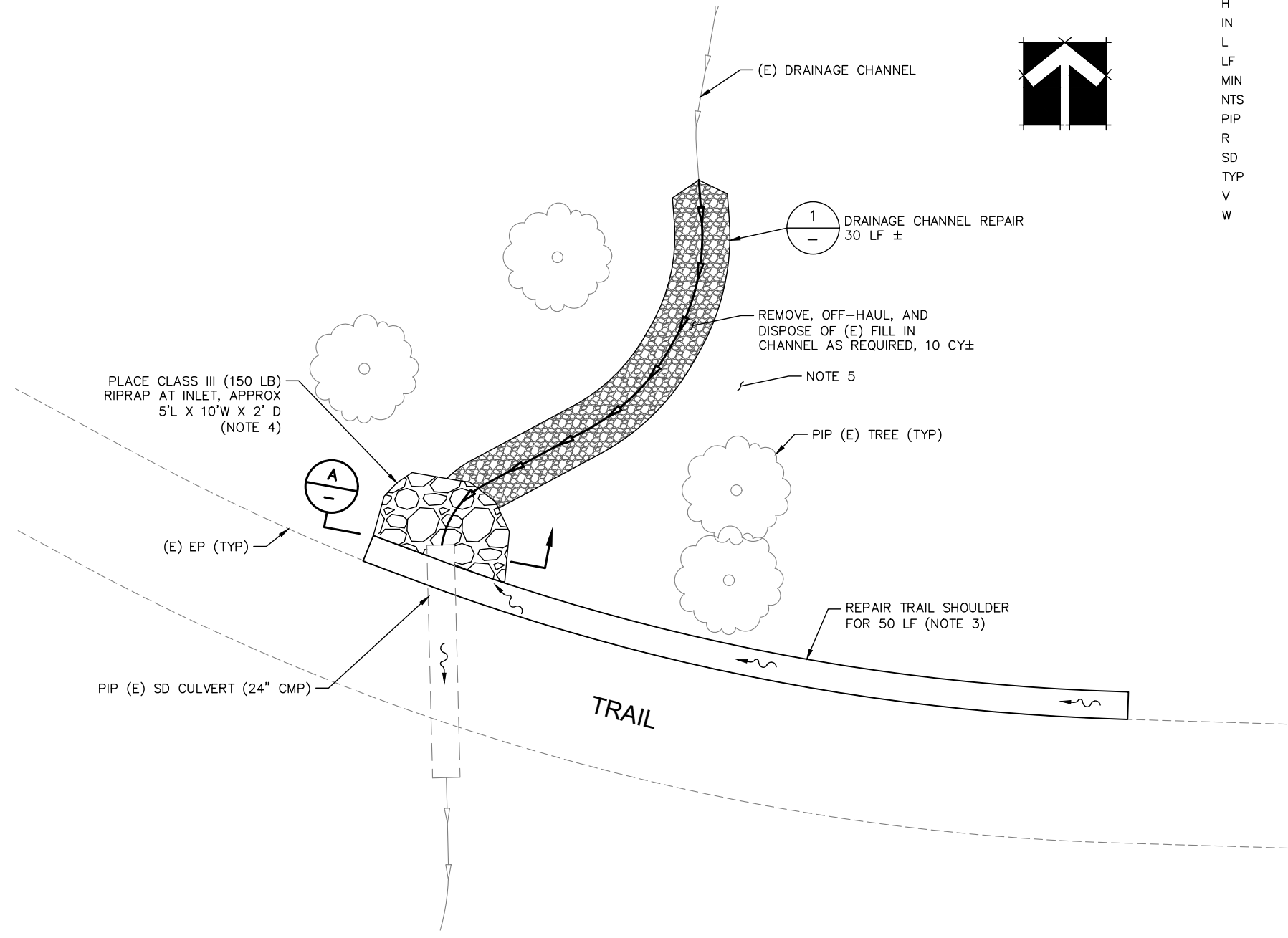


**ABBREVIATIONS**

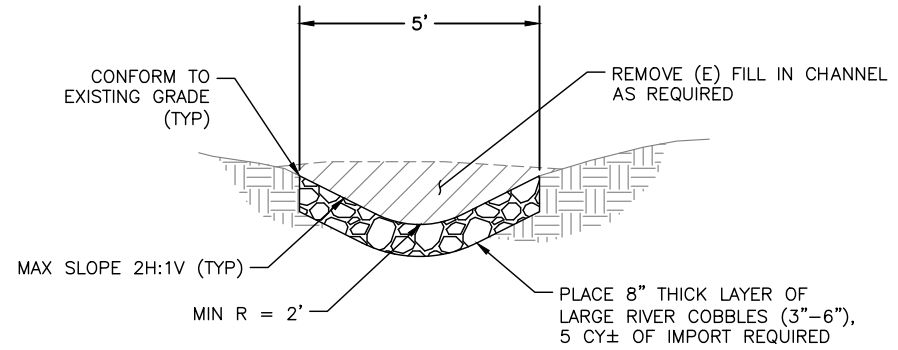
±	APPROXIMATELY
AB	AGGREGATE BASE
CMP	CORRUGATED METAL PIPE
D	DEEP
(E)	EXISTING
EA	EACH
EP	EDGE OF PAVEMENT
FT	FOOT, FEET
H	HORIZONTAL
IN	INCH
L	LONG
LF	LINEAR FOOT
MIN	MINIMUM
NTS	NOT TO SCALE
PIP	PROTECT IN PLACE
R	RADIUS
SD	STORM DRAIN
TYP	TYPICAL
V	VERTICAL
W	WIDE

**NOTES:**

- ALL CONSTRUCTION SHALL CONFORM TO THE CURRENT CITY OF REDDING CONSTRUCTION STANDARDS (CORCS), THE STANDARD SPECIFICATIONS FOR PUBLIC WORKS CONSTRUCTION, DATED 2021 (GREENBOOK), AND THE CONTRACT SPECIFICATIONS AS THEY PERTAIN TO THE WORK DEPICTED HEREIN. CORCS AS APPLIES TO THIS PROJECT SHALL BE THE CURRENT VERSION AS POSTED ON THE CITY OF REDDING WEBSITE, [https://www.cityofredding.gov/government/departments/public\\_works/engineering/construction\\_standards\\_handouts/](https://www.cityofredding.gov/government/departments/public_works/engineering/construction_standards_handouts/)
- TOPOGRAPHIC SURVEY HAS NOT BEEN PERFORMED FOR THIS PROJECT. SOME FIELD MEASUREMENTS HAVE BEEN PERFORMED FOR PREPARATION OF THIS PLAN, BUT THE LOCATIONS AND DIMENSIONS OF EXISTING FEATURES AND IMPROVEMENTS SHOWN ARE APPROXIMATE.
- IMPORT APPROXIMATELY 1 CY OF CLASS II AB TO REPAIR SHOULDER EROSION. COMPACT TO MIN 90% RELATIVE COMPACTION.
- UTILIZE AND REPOSITION APPROXIMATELY 2 CY OF EXISTING RIPRAP AT INLET, APPROXIMATELY 3 CY OF IMPORT RIPRAP REQUIRED.
- HYDROSEED DISTURBED AREAS OUTSIDE OF DRAINAGE CHANNEL REPAIR.

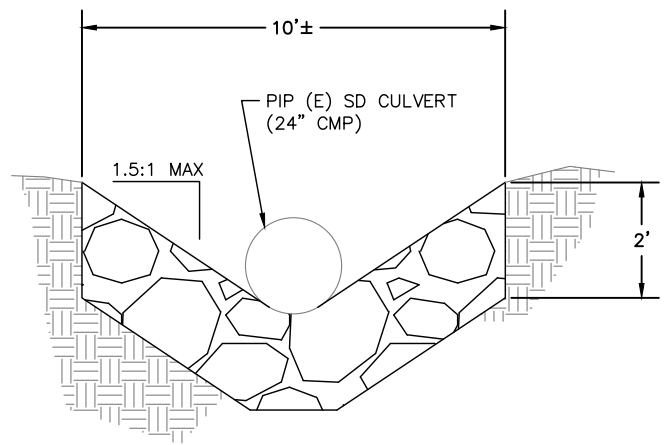


**PLAN**  
SCALE: 1" = 5'-0"

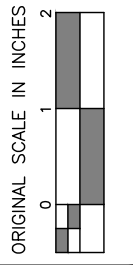


**SECTION**

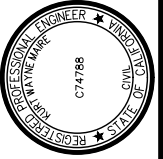
**1 DRAINAGE CHANNEL REPAIR**  
SCALE: NTS



**A SECTION**  
SCALE: NTS



DESIGNED BY  
K. MAIRE  
DRAWN BY  
K. MAIRE



DESIGNED BY:  
DATE: 05/10/2024  
PROJECT ENGINEER

**CITY OF REDDING**  
**PUBLIC WORKS DEPARTMENT**

**BLUE GRAVEL MINE TRAIL**  
**SITE D REPAIR PLAN**

**REDUCED PLANS**

ORIGINAL SCALE:  
AS NOTED  
DATE: MAY 2024  
SHEET 1 OF 1