



Facilities Department
San Francisco Unified School District
135 Van Ness Avenue
San Francisco, CA 94102

NOTICE OF EXEMPTION

Submitted to:

San Francisco Office of the County Clerk
City Hall, Room 160
One Dr Carlton B Goodlett Place
San Francisco, CA 94102

Office of Planning and Research
Submitted electronically via CEQASubmit

From: San Francisco Unified School District
135 Van Ness Avenue
San Francisco, CA 94102

PROJECT TITLE: Ulloa Elementary School – Portable Classrooms Heating Project

Project Address: 2650 42nd Ave.
San Francisco, CA 94116

Assessor's Parcel Number: 2455/001
County of: San Francisco

Project Description: The project consists of the replacement of exterior heating units for portable classrooms located on the campus of Ulloa Elementary School.

The project has been **approved by** and **will be carried out by** the San Francisco Unified School District.

Lead Agency Contact Person: LeeAnn Bailey, Grants and Compliance Manager
(bailey1@sfusd.edu) 415-241-6000

Signature: LeeAnn Bailey **Date:** 3/25/25

EXEMPT STATUS

Categorically Exempt **Classes:** 1 and 14

The project meets the categorical exemptions of Class 1 and 14.



NOTICE OF EXEMPTION – ADDITIONAL INFORMATION

ENVIRONMENTAL ANALYSIS

Reason Project is Exempt: The project described above is exempt under CEQA Guidelines Section 15301 (Existing Facilities) and Section 15314 (Minor Additions to Schools). The project meets the conditions for these exemptions as explained below.

Existing Facilities (Class 1, Section 15301). The project consists of the operation, repair, maintenance, permitting, leasing, licensing, or minor alteration of existing public or private structures, facilities, mechanical equipment, or topographical features, involving negligible or no expansion of existing or former use.

Minor Additions to Schools (Class 14, Section 15314). The project consists of minor additions within the existing school grounds and the additions do not increase original student capacity by more than 25% or ten classrooms, whichever is less.

Exceptions to Use of a Categorical Exemption: The project does not have the potential to trigger any of the exceptions identified in CEQA Guidelines Section 15300.2 prohibiting the use of a categorical exemption.

- a. **Location.** Classes 3, 4, 5, 6, and 11 are qualified by consideration of where the project is to be located - a project that is ordinarily insignificant in its impact on the environment may, in a particularly sensitive environment, be significant. Therefore, these classes are considered to apply in all instances, except where the project may impact on an environmental resource of hazardous or critical concern where designated, precisely mapped, and officially adopted pursuant to law by federal, state, or local agencies.

Although the location exception does not apply to a Class 1 or 14 Categorical Exemptions, the environmental sensitivity of the project site was assessed as part of preparation of this Notice of Exemption and the location of the project does not have an impact on a particularly sensitive environment.

- b. **Cumulative Impact.** All exemptions for these classes are inapplicable when the cumulative impact of successive projects of the same type in the same place, over time is significant.

The project does not contribute to any cumulative impact as there are no ongoing projects at this site or adjacent projects as confirmed by the SF Planning database.

- c. **Significant Effect.** A categorical exemption shall not be used for an activity where there is a reasonable possibility that the activity will have a significant effect on the environment due to unusual circumstances.

The project does not create any unusual circumstances.

- d. Scenic Highways. A categorical exemption shall not be used for a project which may result in damage to scenic resources including, but not limited to, trees, historic buildings, rock outcroppings or similar resources, within a highway officially designated as a state scenic highway.

Not applicable. The project is not within proximity to a highway officially designated as a state scenic highway.

- e. Hazardous Waste Sites. A categorical exemption shall not be used for a project located on a site that is included on any list compiled pursuant to Section 65962.5 of the Government Code.

Not applicable. The project site is not on the Cortes List – State Database of Hazardous Sites.

- f. Historical Resources. A categorical exemption shall not be used for a project that may cause a substantial adverse change in the significance of a historical resource.

Not applicable. The project does not have a significant impact or substantial adverse change on a historical resource as the project does not impact the permanent school building in any way and is limited to the exterior heating system of the portable classroom buildings.

REFERENCES

California Department of Toxic Substances Control (DTSC). 2025. Envirostor.

<https://www.envirostor.dtsc.ca.gov/public/>. Accessed 3/15/2025.

California Department of Transportation (Caltrans). 2025. List of Eligible and Officially Designated State Scenic Highways.

State Water Resources Control Board (SWRCB). 2025. GeoTracker.

<https://geotracker.waterboards.ca.gov/>. Accessed 3/15/2025.

[End of Notice]

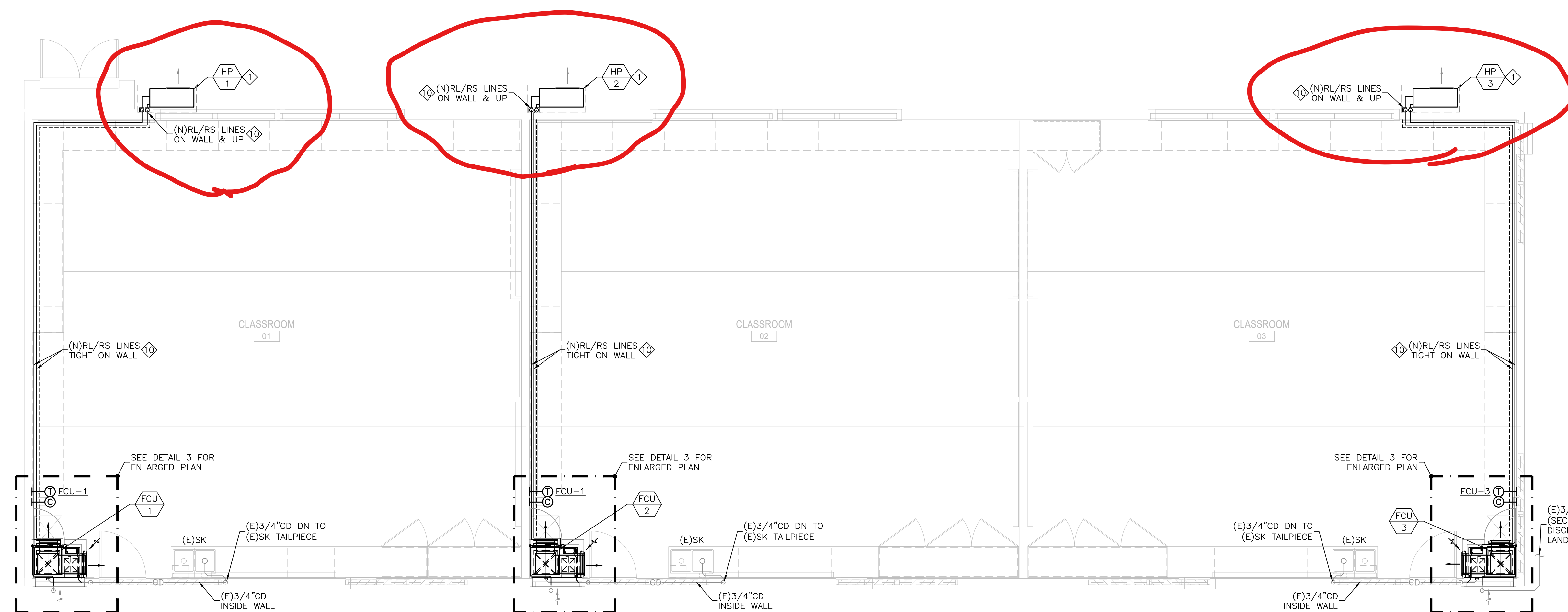
Date	No.	Revisions

Project Name:
INDOOR HEAT PUMP UNITS REPLACEMENT

Approvals: [Blank]

DRAWING TITLE:
MECHANICAL NEW PLANS

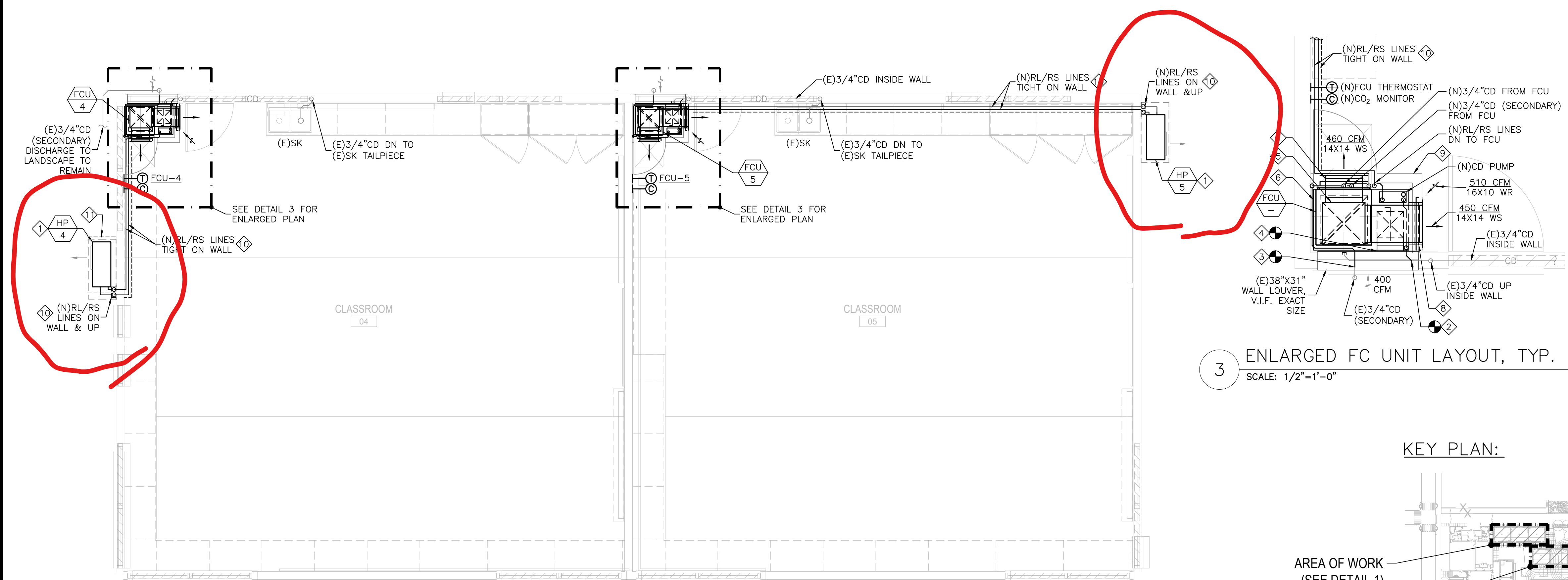
SHEET NO. M6		6 OF 7 SHEETS	
DATE 02/10/2025	DRAFTER LE	CHECKED BY GA	SITE NO. 862
SCALE AS SHOWN		S.F.U.S.D. PROJECT NO. 12440	



1 EAST CLASSROOMS MECHANICAL NEW PLAN
SCALE: 1/4"=1'-0"

- GENERAL NOTES:
- PERFORM A TEST AND BALANCE OF AIR REGISTERS WITHIN PROJECT AREA, AND ADJUST AIRFLOW TO SHOWN AIR QUANTITIES.
 - SUBMIT A TEST AND BALANCE (TAB) REPORT FOR REVIEW AND APPROVAL.
 - CONTRACTOR TO REFURBISH/PATCH FLOORING TO MATCH EXISTING.

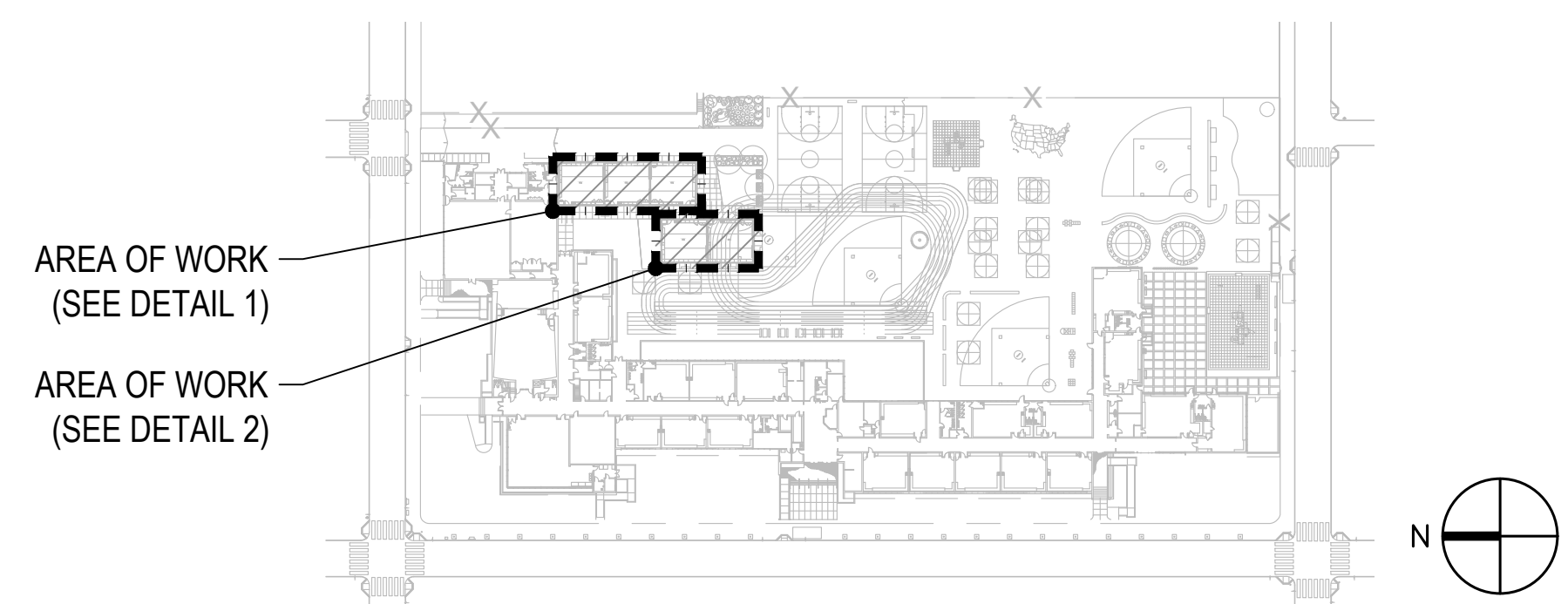
- MECHANICAL SHEET NOTES:
- PROVIDE OUTDOOR HEAT PUMP WITH AIRDEKO ENCLOSURE/COVER (SIZE MEDIUM).
 - DRAIN (N)3/4"CD TO CONDENSATE PUMP & CONNECT TO (E)CD LINE DISCHARGING TO (E)SK TAILPIECE.
 - CONNECT (N)3/4"CD (SECONDARY) TO (E)3/4"CD (SECONDARY) DISCHARGE.
 - BLANK-OFF (E)WALL LOUVER WITH SHEET METAL TO FORM A PLENUM. CONNECT (N)14X10 O.A. DUCT TO LOUVER INTAKE PLENUM & PROVIDE (N)10X10 O.A. DUCT CONNECTION TO RETURN PLENUM.
 - (N)16X16 SUPPLY DUCT PLENUM. CONNECT TO FC UNIT AIR OUTLET CONNECTION.
 - (N)36"L X 23"W X 14"H RETURN DUCT PLENUM. CONNECT TO FC UNIT AIR INLET CONNECTION.
 - (N)14X14 SUPPLY WITH MANUAL DAMPER.
 - (N)14X14 SUPPLY (ABOVE) AND 16X10 RETURN (BELOW), EACH WITH MANUAL DAMPER.
 - (N)42"L X 30"W X 108"H FCU ENCLOSURE WITH 24"L X 48"H ACCESS DOOR.
 - PROVIDE REFRIGERANT LINES WITH PIPE COVER, SEE DETAIL 2/M4.1. PAINT COVER TO MATCH (E)WALL FINISH.
 - (N)CONCRETE PAD 4" MIN. WIDER THAN (N)HP-4 FOOTPRINT. INSTALL CONCRETE PAD FLUSH TO (E)BRICK FLOOR FINISH.



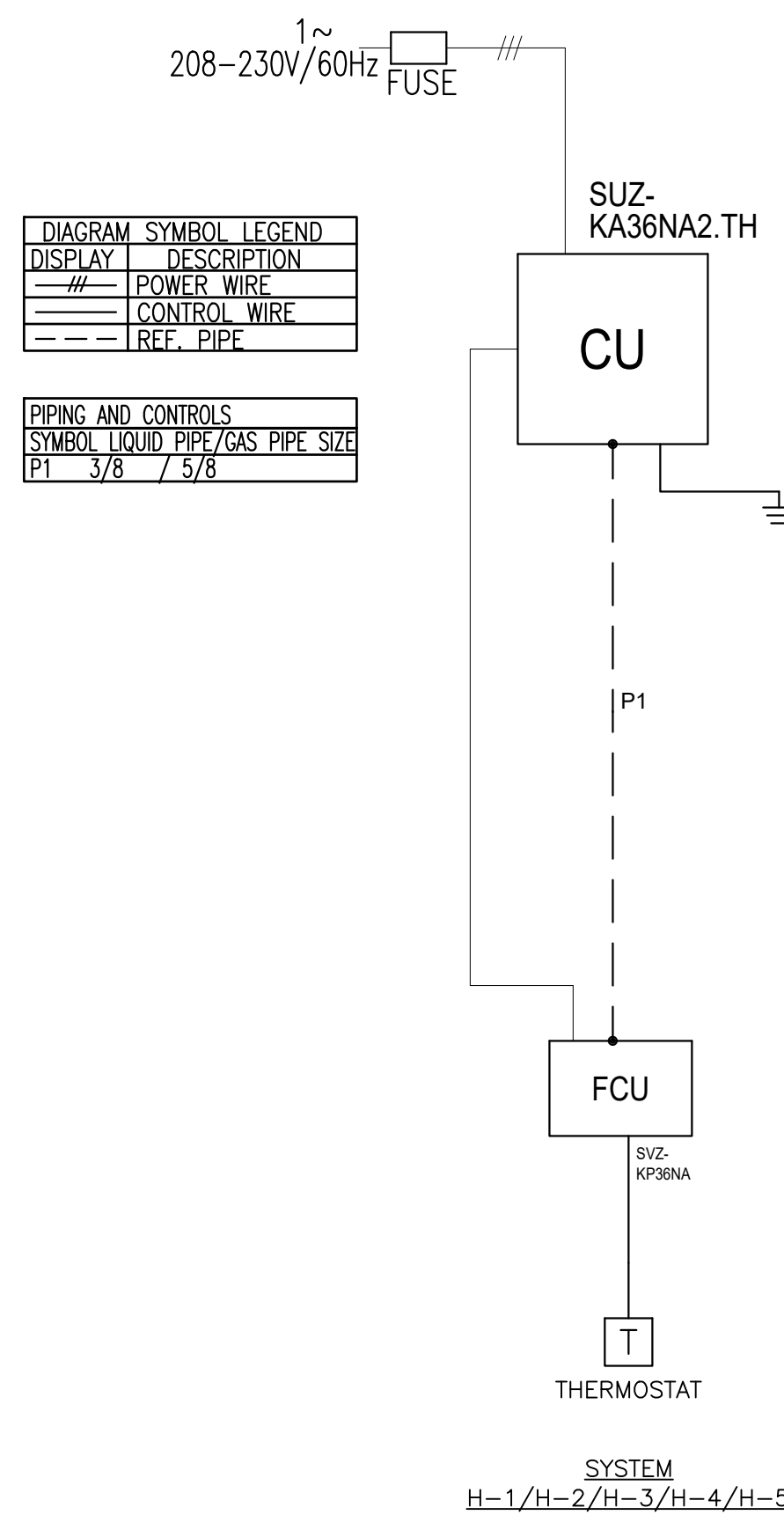
2 WEST CLASSROOMS MECHANICAL NEW PLAN
SCALE: 1/4"=1'-0"

3 ENLARGED FC UNIT LAYOUT, TYP.
SCALE: 1/2"=1'-0"

KEY PLAN:

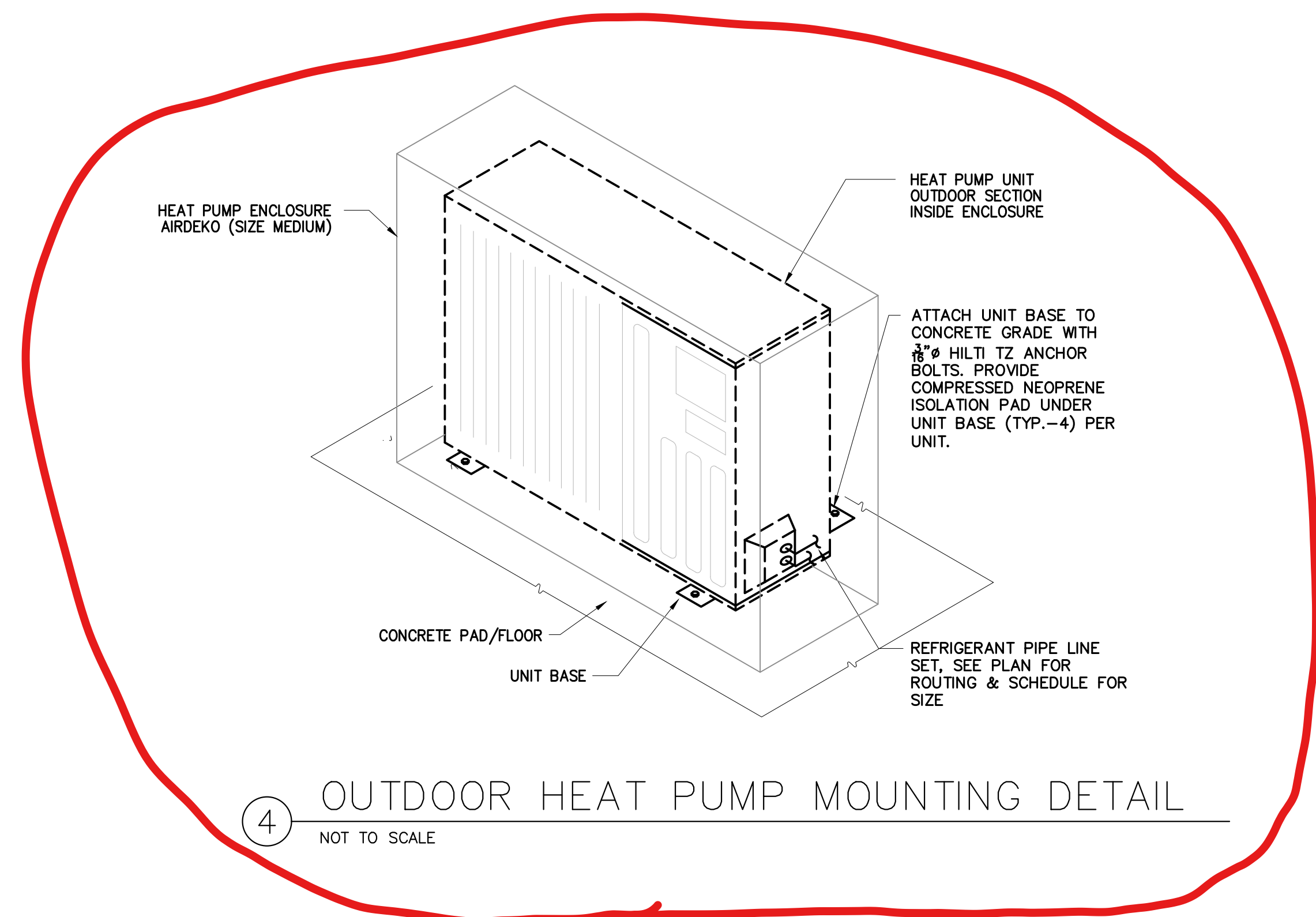


36"x24"

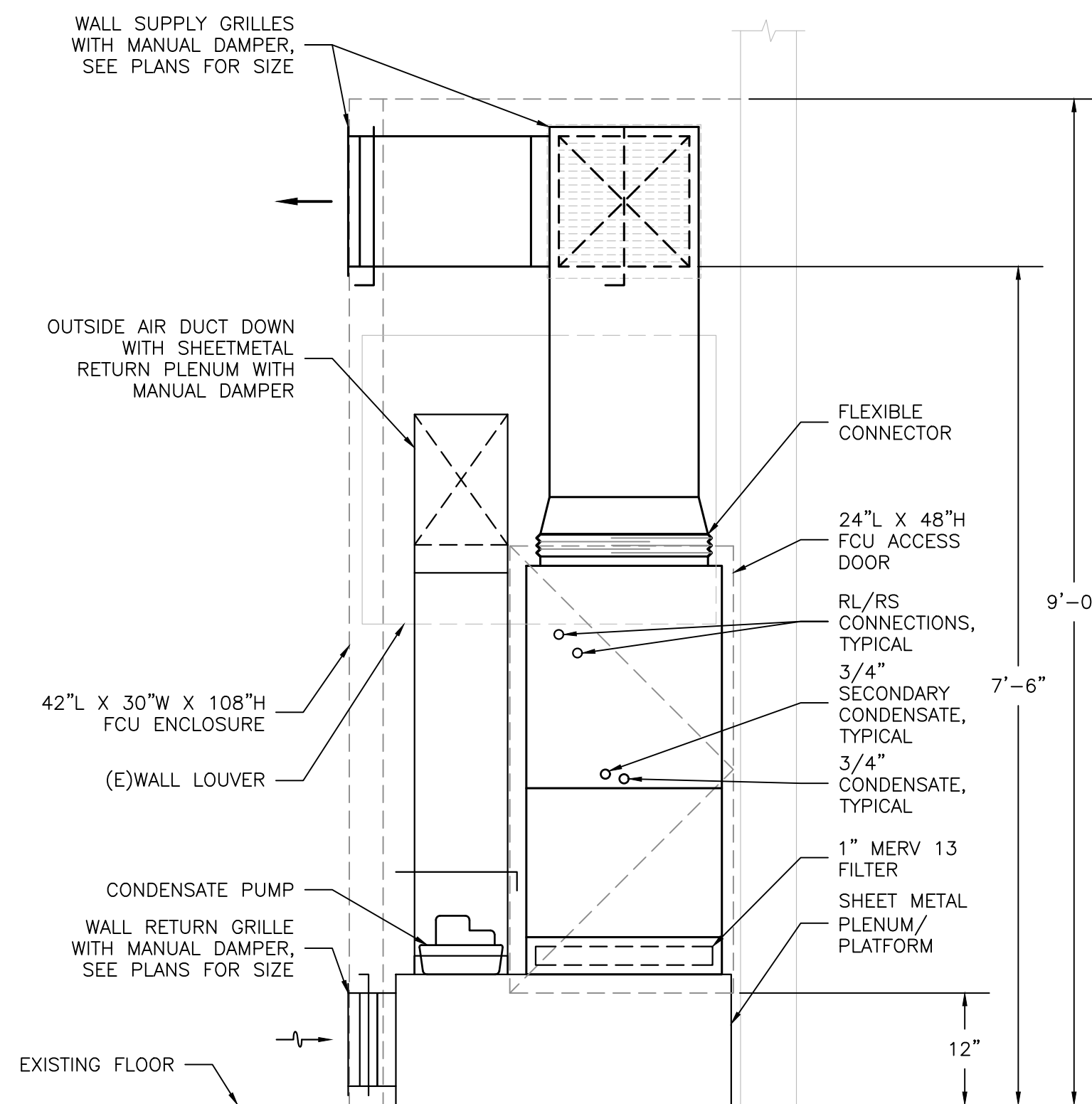


- NOTES:
1. SIZE REFRIGERANT PIPING PER MANUFACTURER'S RECOMMENDATIONS.
 2. INSTALL AND WIRE PER MANUFACTURER'S RECOMMENDATIONS.

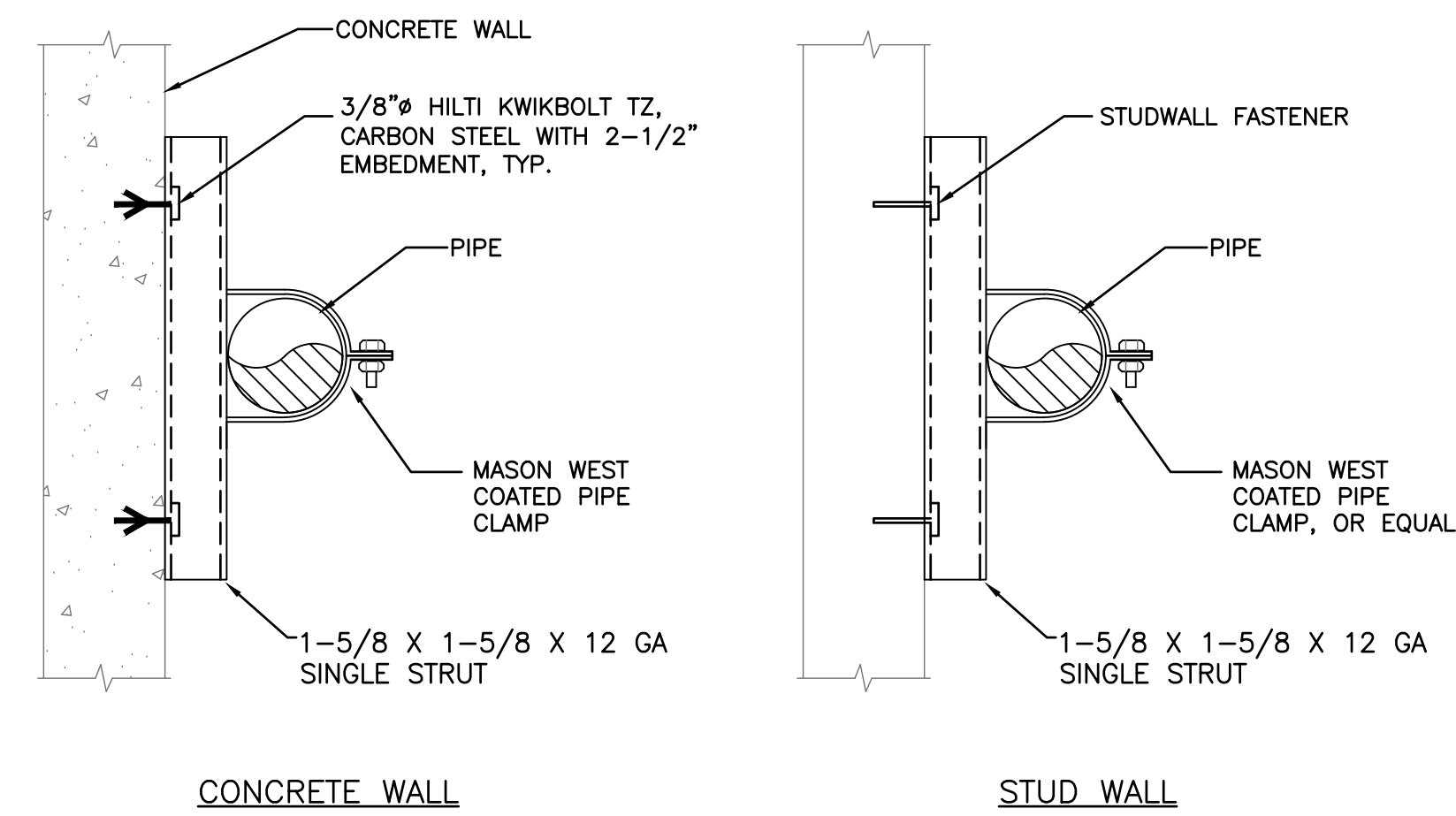
6 VRF SYSTEM CONTROL DIAGRAM
NOT TO SCALE



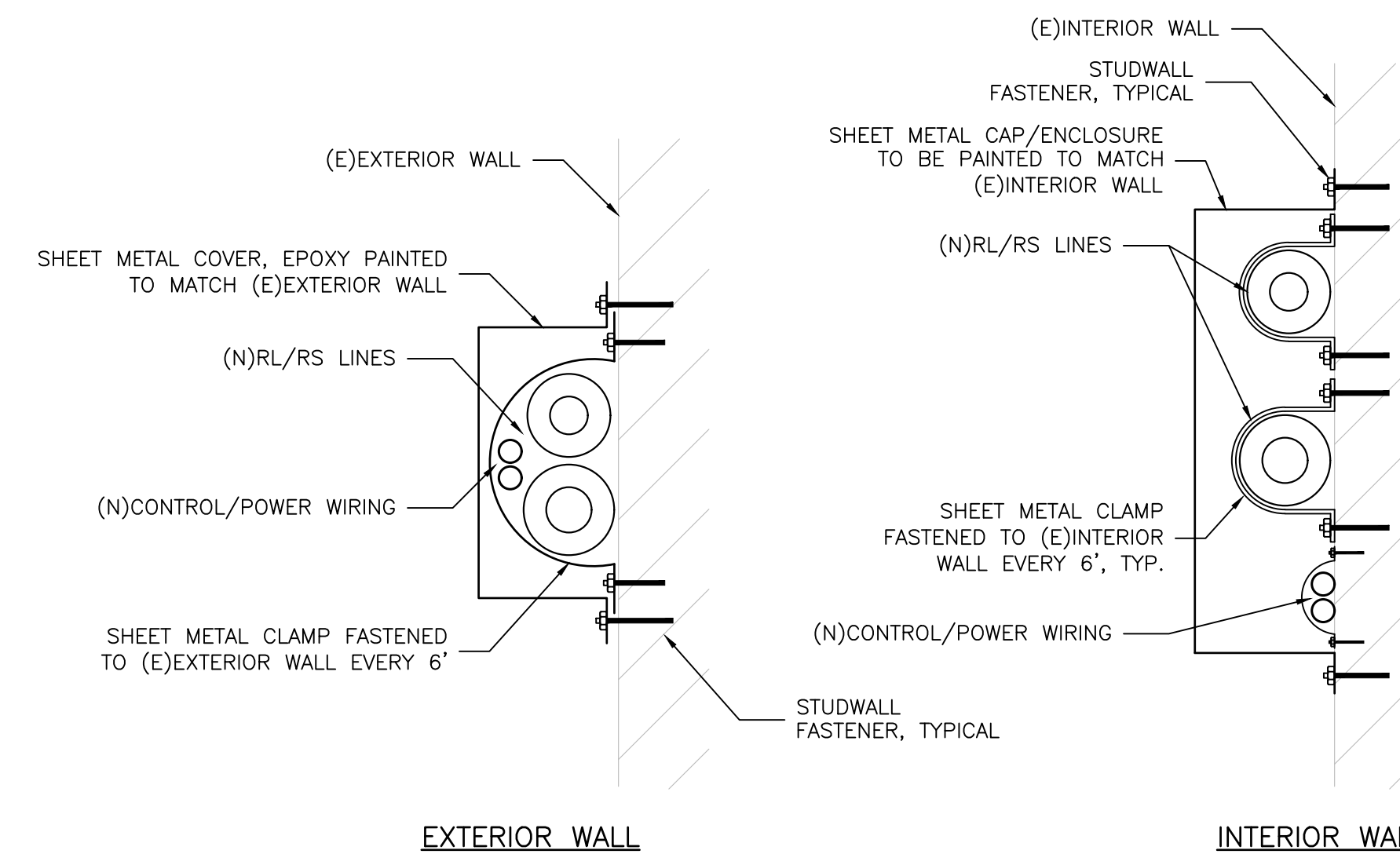
4 OUTDOOR HEAT PUMP MOUNTING DETAIL
NOT TO SCALE



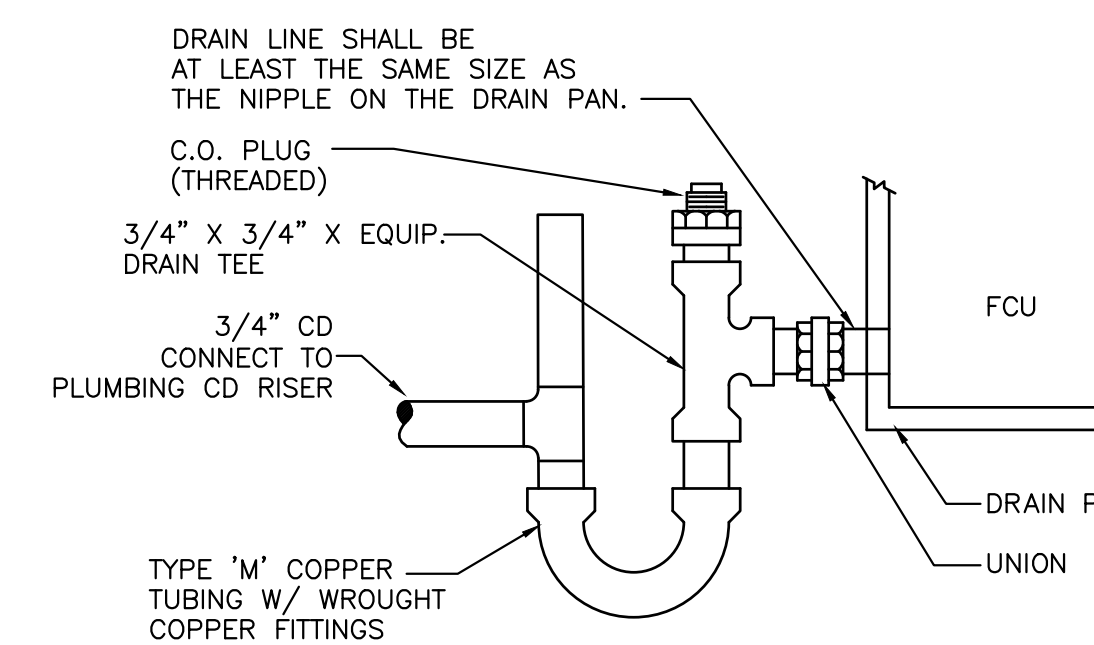
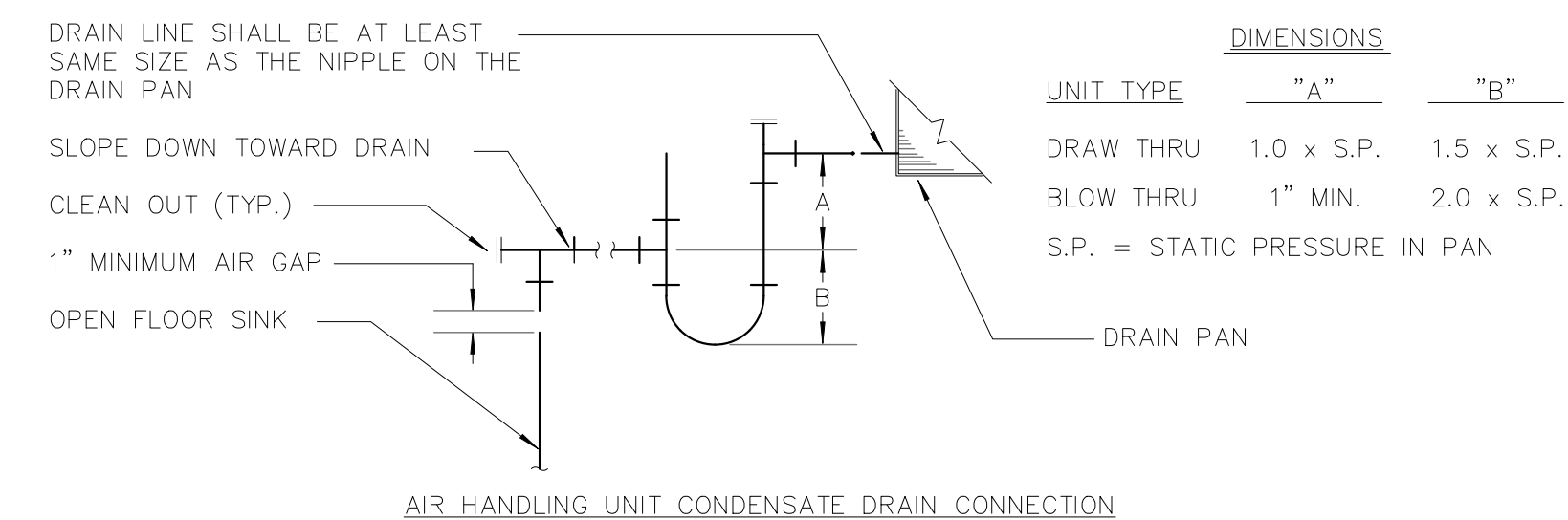
5 VERTICAL FAN COIL UNIT DETAIL
NOT TO SCALE



1 PIPE SUPPORT ON WALL
NOT TO SCALE



2 RL/RS LINES PIPE COVER DETAIL
NOT TO SCALE



3 CONDENSATE DRAIN TRAP DETAIL
NOT TO SCALE

Date	No.	Revisions

Approvals

36"x24"