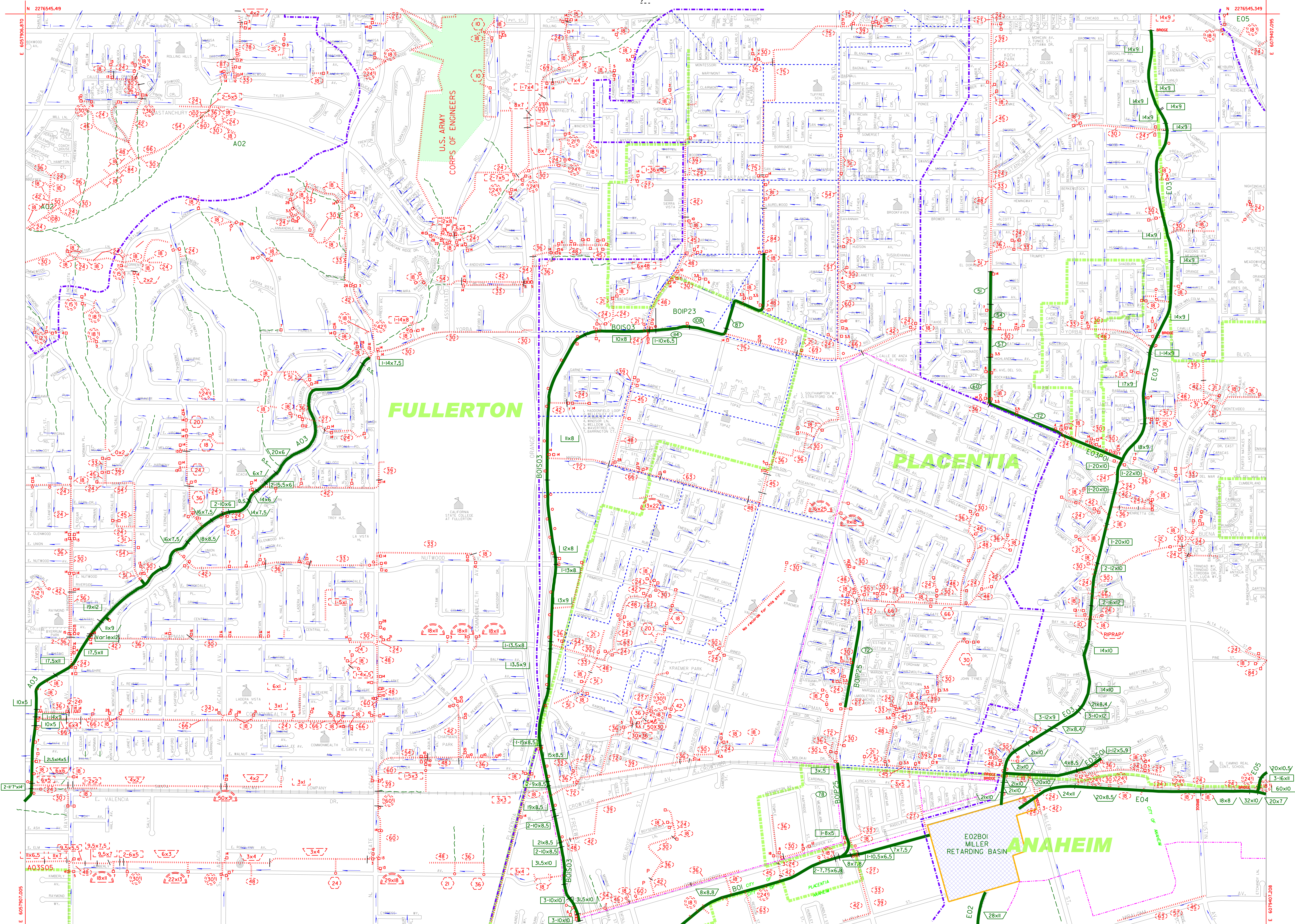


## **APPENDIX 3**

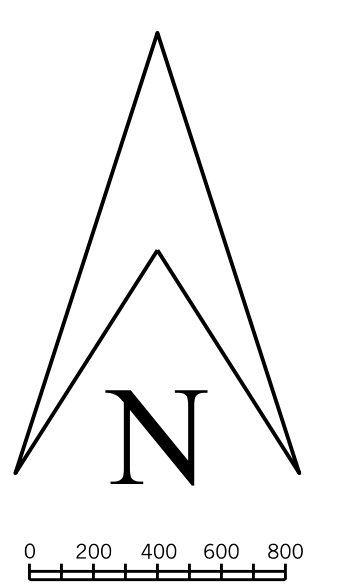
---

### **Hydrology Maps**





7



**NOTICE**

The drainage information has been prepared for information purposes only. The location, ownership, facility information and limits have been determined from available information provided by public agencies, but may not be exact, accurate, or up-to-date. The user of this information is responsible for verifying exact location, ownership, accuracy, and the regional versus local character of drainage facilities.

Additional information may be obtained from public plans and recorded deeds. Facility designations included with this information are for convenience only and are not controlling or intended to imply ownership by the County or the Orange County Flood Control District (OCFCD). The information is being provided as a courtesy and neither the County of Orange nor OCFCD assume any liabilities for accuracy of the information.

To notify OC Public Works Flood Control Section of additions or corrections, please contact Sal Gutierrez at (714) 834-5396 or by email at sal.gutierrez@ocpw.ocgov.com

ORANGE COUNTY FLOOD CONTROL DISTRICT

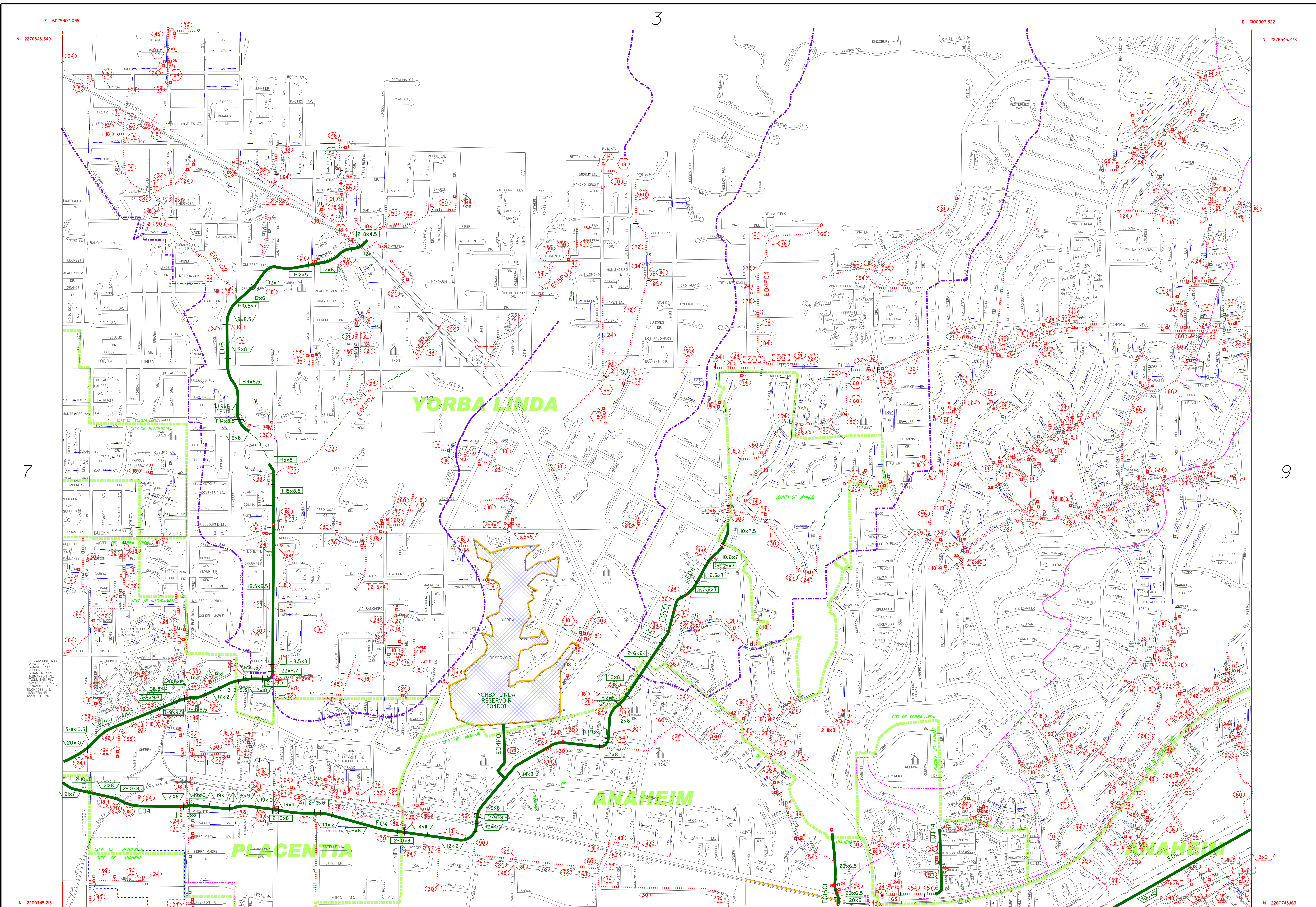
**BASE MAP OF DRAINAGE FACILITIES IN ORANGE COUNTY**

REVISION: S. GUTIERREZ DATE: JUN. 12, 2000 SHEET NO: 7 DWG. NO: MAPS-113-3

<ul style="list-style-type: none"> <li><span style="color: blue;">---</span> Channel Drainage Area Boundary</li> <li><span style="color: magenta;">---</span> Major Sub-Area Drainage Boundary</li> <li><span style="color: cyan;">---</span> Minor Sub-Area Drainage Boundary</li> <li><span style="color: green;">---</span> Existing O.C.F.C.D. Facility</li> <li><span style="color: red;">---</span> Existing Local Facility</li> <li><span style="color: purple;">---</span> Existing Retarding Basin or Reservoir</li> <li><span style="color: blue;">---</span> Natural Watercourse</li> <li><span style="color: green;">---</span> City Limits</li> <li><span style="color: green;">●</span> Greenbelt</li> <li><span style="color: red;">●</span> Pump Station</li> <li><span style="color: red;">○</span> Catch Basin (length in feet)</li> <li><span style="color: red;">○</span> Drop Inlet or Other Entry</li> <li><span style="color: red;">○</span> OCFCD Basins or Reservoirs</li> </ul>	<p>Ownership: If other than City or County: Private = P Status = S Federal = F</p>	<p><b>EXISTING FACILITIES</b></p> <p><b>O.C.F.C.D. LOCAL</b></p> <ul style="list-style-type: none"> <li><span style="color: red;">---</span> Earth Trapezoidal Channel (base width by height in feet)</li> <li><span style="color: red;">---</span> Reinforced Concrete Trapezoidal Channel (base width by height in feet)</li> <li><span style="color: red;">---</span> Reinforced Concrete Rectangular Channel (base width by height in feet)</li> <li><span style="color: red;">---</span> Reinforced Concrete Box (RCB) (number of barrels-span by height in feet)</li> <li><span style="color: red;">---</span> Reinforced Concrete Pipe (RCP) (diameter in inches)</li> <li><span style="color: red;">---</span> Metal Sheet Channel (MSC) (base width by pile height in feet-Sheet pile total length)</li> <li><span style="color: red;">---</span> Corrugated Metal Pipe (CMP) (diameter in inches)</li> <li><span style="color: red;">---</span> Concrete Pipe (diameter in inches)</li> <li><span style="color: red;">---</span> Drop Inlet or Other Entry (width by height in inches)</li> <li><span style="color: red;">---</span> Steel Pipe (diameter in inches)</li> <li><span style="color: red;">---</span> Reinforced Concrete Arch (base span by height in inches)</li> <li><span style="color: red;">---</span> Corrugated Metal Arch (base span by height in inches)</li> </ul>
---	--	--

7





7

3

9

8

8

**NOTICE**

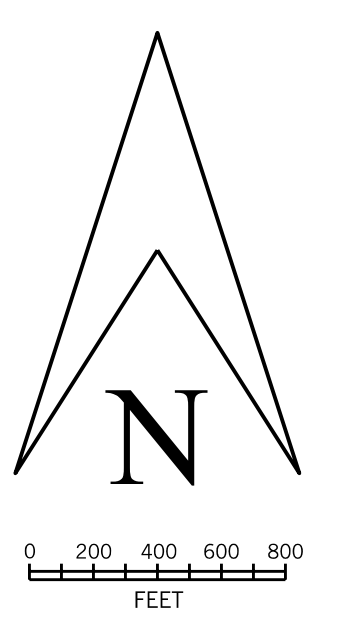
The drainage information has been prepared for information purposes only. The location, ownership, facility information and limits have been determined from available information provided by public agencies, but may not be exact, accurate, or up-to-date. The user of this information is responsible for verifying exact location, ownership, accuracy, and the regional versus local character of drainage facilities.

Additional information may be obtained from public plans and recorded deeds. Facility designations included with this information are for convenience only and are not controlling or intended to imply ownership by the County or the Orange County Flood Control District (OCFCD). The information is being provided as a courtesy and neither the County of Orange nor OCFCD assume any liabilities for accuracy of the information.

To notify OC Public Works Flood Control Section of additions or corrections, please contact Sal Gutierrez at (714) 834-5396 or by email at sal.gutierrez@ocpw.ocgov.com

ORANGE COUNTY FLOOD CONTROL DISTRICT			
<b>BASE MAP OF DRAINAGE FACILITIES IN ORANGE COUNTY</b>			
REVISION	DATE	SHEET NO.	DWG. NO.
S. GUTIERREZ	JAN. 12, 2000	8	MAPS-113-3

<ul style="list-style-type: none"> <li>Channel Drainage Area Boundary</li> <li>Major Sub-Area Drainage Boundary</li> <li>Minor Sub-Area Drainage Boundary</li> <li>Existing O.C.F.C.D. Facility</li> <li>Existing Local Facility</li> <li>Existing Retarding Basin or Reservoir</li> <li>Natural Watercourse</li> <li>City Limits</li> <li>Greenbelt</li> <li>Pump Station</li> <li>Catch Basin (length in feet)</li> <li>Drop Inlet or Other Entry</li> <li>OCFCD Basins or Reservoirs</li> </ul>	<ul style="list-style-type: none"> <li>Ownership: If other than City or County: Private = P, State = S, Federal = F</li> </ul>	<ul style="list-style-type: none"> <li>EXISTING FACILITIES</li> <li>O.C.F.C.D. LOCAL</li> <li>Earth Trapezoidal Channel (base width by height in feet)</li> <li>Reinforced Concrete Trapezoidal Channel (base width by height in feet)</li> <li>Reinforced Concrete Rectangular Channel (base width by height in feet)</li> <li>Reinforced Concrete Box (RCB) (number of barrels-span by height in feet)</li> <li>Reinforced Concrete Pipe (RCP) (diameter in inches)</li> <li>Metal Sheet Channel (MSC) (base width by pile height in feet/Sheet pile total length)</li> <li>Corrugated Metal Pipe (CMP) (diameter in inches)</li> <li>Concrete Pipe (diameter in inches)</li> <li>Concrete Oval Pipe (width by height in inches)</li> <li>Steel Pipe (diameter in inches)</li> <li>Reinforced Concrete Arch (base span by height in inches)</li> <li>Corrugated Metal Arch (base span by height in inches)</li> </ul>
--	--	---



15

6

E 6079407.208

E 600907.43

N 2260745.213

N 2260745.63

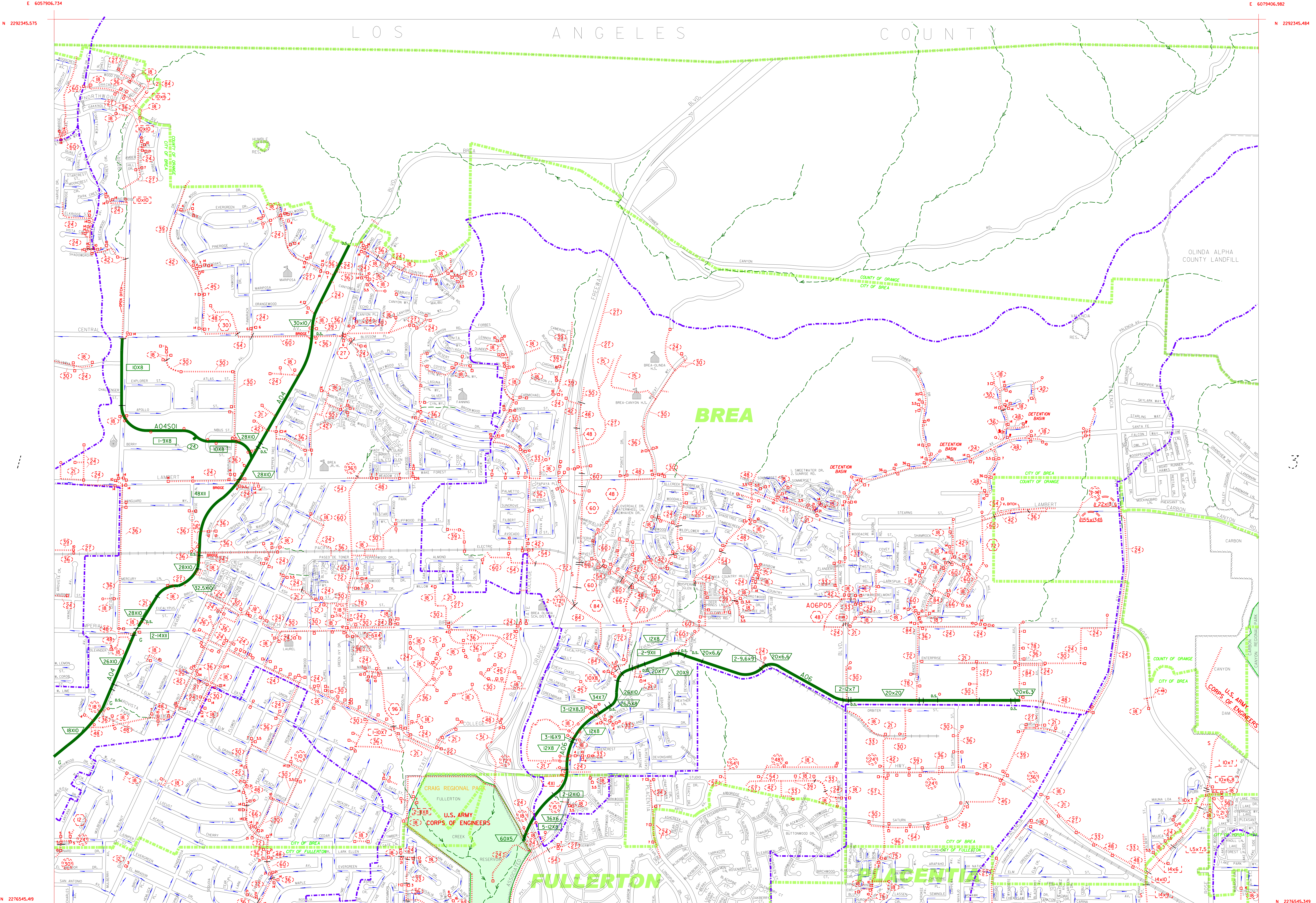
E 6079407.095

E 600907.322

N 2276545.349

N 2276545.278





LOS ANGELES COUNTY

**BREA**

**FULLERTON**

**PLACENTIA**

**NOTICE**

The drainage information has been prepared for information purposes only. The location, ownership, facility information and limits have been determined from available information provided by public agencies, but may not be exact, accurate, or up-to-date. The user of this information is responsible for verifying exact location, ownership, accuracy, and the regional versus local character of drainage facilities.

Additional information may be obtained from public plans and recorded deeds. Facility designations included with this information are for convenience only and are not controlling or intended to imply ownership by the County or the Orange County Flood Control District (OCFCD). The information is being provided as a courtesy and neither the County of Orange nor OCFCD assume any liabilities for accuracy of the information.

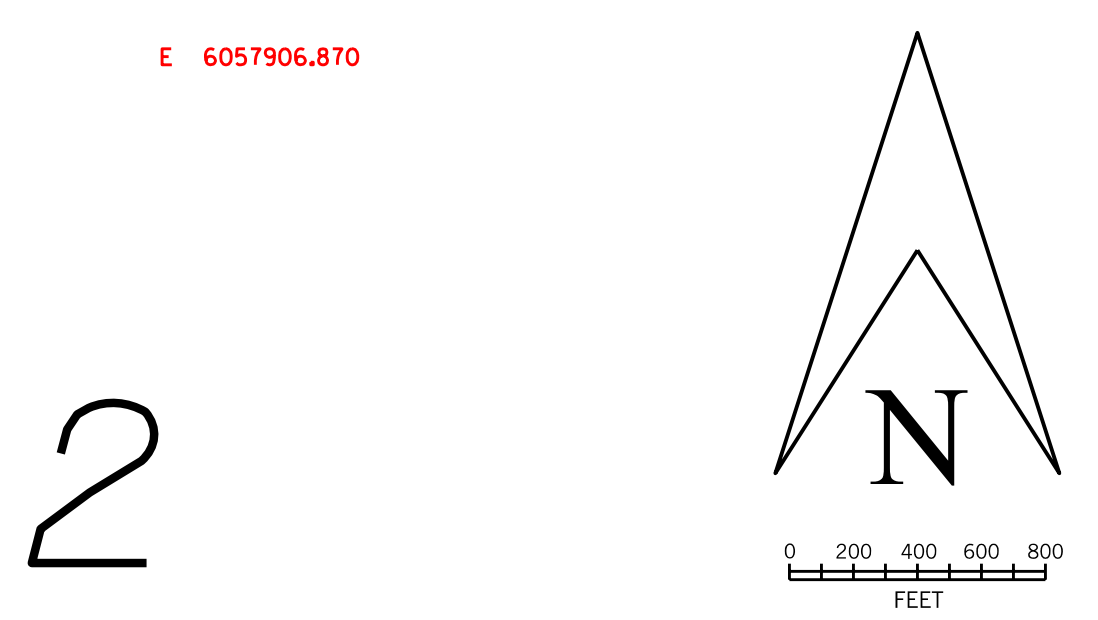
To notify OC Public Works Flood Control Section of additions or corrections, please contact Sal Gutierrez at (714) 834-5396 or by email at sal.gutierrez@ocpwc.ocgov.com

ORANGE COUNTY FLOOD CONTROL DISTRICT

**BASE MAP OF DRAINAGE FACILITIES IN ORANGE COUNTY**

REVISION: S. GUTIERREZ DEC. 22, 2020	DATE:	SHEET NO: 2	DWG. NO: MAPS-113-3
--------------------------------------	-------	-------------	---------------------

- |   |   |
|---|---|
| <ul style="list-style-type: none"> <li><span style="color: blue;">---</span> Channel Drainage Area Boundary</li> <li><span style="color: magenta;">---</span> Major Sub-Area Drainage Boundary</li> <li><span style="color: cyan;">---</span> Minor Sub-Area Drainage Boundary</li> <li><span style="color: green;">---</span> Existing O.C.F.C.D. Facility</li> <li><span style="color: red;">---</span> Existing Local Facility</li> <li><span style="color: blue;">---</span> Existing Retarding Basin or Reservoir</li> <li><span style="color: green;">---</span> Natural Watercourse</li> <li><span style="color: blue;">---</span> City Limits</li> <li><span style="color: green;">○</span> Greenbelt</li> <li><span style="color: red;">○</span> Pump Station</li> <li><span style="color: blue;">○</span> Catch Basin (length in feet)</li> <li><span style="color: red;">○</span> Drop Inlet or Other Entry</li> <li><span style="color: blue;">○</span> OCFCD Basins or Reservoirs</li> </ul> <p>Ownership: If other than City or County: Private = P State = S Federal = F</p> | <p><b>EXISTING FACILITIES</b></p> <p>O.C.F.C.D. LOCAL</p> <ul style="list-style-type: none"> <li><span style="color: green;">---</span> Earth Trapezoidal Channel (base width by height in feet)</li> <li><span style="color: red;">---</span> Reinforced Concrete Trapezoidal Channel (base width by height in feet)</li> <li><span style="color: blue;">---</span> Reinforced Concrete Rectangular Channel (base width by height in feet)</li> <li><span style="color: magenta;">---</span> Reinforced Concrete Box (RCB) (number of barrels-span by height in feet)</li> <li><span style="color: cyan;">---</span> Reinforced Concrete Pipe (RCP) (diameter in inches)</li> <li><span style="color: blue;">---</span> Metal Sheet Channel (MSC) (base width by pile height in feet-Sheet pile total length)</li> <li><span style="color: red;">---</span> Corrugated Metal Pipe (CMP) (diameter in inches)</li> <li><span style="color: green;">---</span> Concrete Pipe (diameter in inches)</li> <li><span style="color: blue;">---</span> Concrete Oval Pipe (width by height in inches)</li> <li><span style="color: magenta;">---</span> Steel Pipe (diameter in inches)</li> <li><span style="color: cyan;">---</span> Reinforced Concrete Arch (base span by height in inches)</li> <li><span style="color: red;">---</span> Corrugated Metal Arch (base span by height in inches)</li> </ul> |
|---|---|



2

2

E 6057906.734      N 2292345.575

E 6079406.982      N 2292345.484

E 6057906.870      N 2276545.49

E 6079407.095      N 2276545.349